

Project	
Notes	
Type	Date
Cat. No.	



AL™ G2 Series **LED Area Luminaire**

DESCRIPTION

The Aleo AL™ Series combines energy-efficiency, advanced optical control, and modern slim profile aesthetics to deliver enhanced performance to area lighting applications. Rugged die-cast housing provides advanced thermal management for long life and weather-proof compartment to withstand challenging, outdoor environments.

APPLICATIONS

Parking lots, walkways, auto dealerships, outdoor retail shopping centers, recreational spaces, campuses.

Specification Features



AL G2 Series
200W, 300W

Construction

Rugged, die-cast housing with advanced thermal management system ensures reliability and durability. Weather-proof, gasketed driver compartment protects electronics against environmental elements.

Electrical

Luminaire utilizes high-efficacy LED packages maintained at cool temperatures for long life, high efficacy. Reliable driver features universal voltage (120-277V) for convenient installation.

Optical System

Precision-formed optical lens system reduces glare and improves safety and security by delivering high-efficiency illumination with precise optical distribution. Type III distribution comes standard. Type V available.

Installation / Mounting

Luminaire comes standard with straight-arm mounting accessory. Versatile platform includes different mounting options, including: u-bracket trunion, slip-fitter, wall-mount

Certification

UL Listed. All components have UL certification.

Controls / Dimming

Suitable for use with sensors and daylight harvesting to achieve deeper energy-savings and code compliance. Sensor accessory available: occupancy sensing with daylight cut-off and photocell.

Warranty

5-year Limited Warranty. See warranty documentation for more information.



Quick Ship
AL-200/50K-D G2
AL-300/50K-D G2

Ordering Information

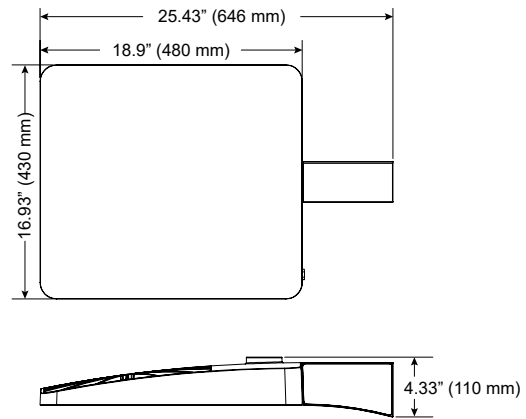
Example: AL-300/50K-D G2-ASA

AL	150	50K	[Blank]	D	ASA
Series AL LED Area Luminaire	Nominal Wattage 200 200W 300 300W	Color Temp 50K 5000K	Input Voltage Blank 120V-277V HV 347V-480V 480 480V	Diming / Controls¹ D 0-10V Dimming Driver OSDL Occ. Sensor w/ Daylight OSDL/IR Multi-Level Occ. Sensor w/ wireless config. PC Photocell	Mounting -ASA Straight Arm (6") -ASF Adjustable Slip-fitter -AUB Adjustable Trunion U-bracket
		[Blank]	[Blank]	[Blank]	
		Distribution Type Blank Type III T5 Type V		Finish Color Blank Dark Bronze -BLK Black -WH White -SLV Silver	* Contact Factory for additional finish colors

Performance Summary

Input Voltage	120V-277V
Input Frequency	50/60 Hz
Rated Wattage	See Performance Table
Delivered Lumens	See Performance Table
Efficacy	> 130 LPW (typ.)
CRI	70+, R9 > 0
Available CCT ¹	5000K
Rated Life	50,000 hours
Power Factor	> 0.9
THD	< 20%
Controls	Multi-level controls available
IP Rating	IP66
Operating Temp.	-20°C to 40°C

Product Dimensions



Multi-level Occupancy Sensor

PIR Occupancy Sensor with Daylight function
Code-compliance



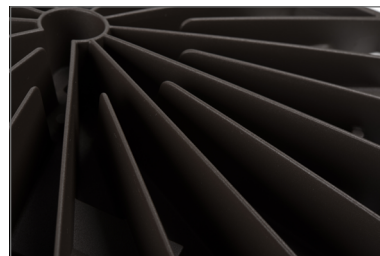
Performance Data

Catalog No.	Rated Wattage (W)	Tested Wattage (W)	5000K	
			Delivered Lumens (lm)	Efficacy (lm/W)
AL-200/50K	198	-	27,917	141
AL-300/50K	291	293	40,069	138

Catalog No.	Optics	B	U	G
AL-200/50K	Type III Short	3	0	3
AL-300/50K	Type III Short	3	0	4

DLC QPL Data

QPL Model No.	Product ID	Technical Req.	Classification	Primary Use
AL-200/50K-D G2	P5B1RQ4T	4.2	Standard	Outdoor Pole/Arm-Mounted Area and Roadway
AL-300/50K-D G2	P2DCJ4KW	4.2	Standard	Outdoor Pole/Arm-Mounted Area and Roadway



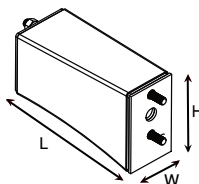
NOTES:

¹ Quick ship: 5000K. Other CCTs may require a lead time or be special order

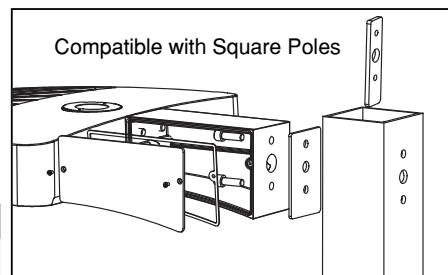
Specifications and Dimensions subject to change without notice.

Mounting Information

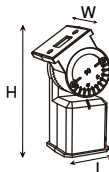
Straight Arm Mount



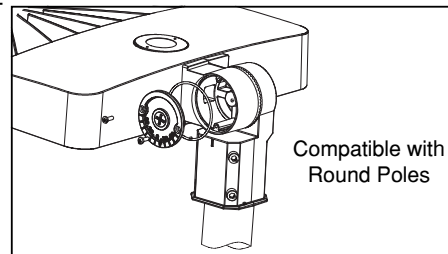
Catalog No.	L	W	H
ASA	6.6" (167.7mm)	3" (75mm)	4" (100M)



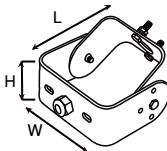
Slip Fitter



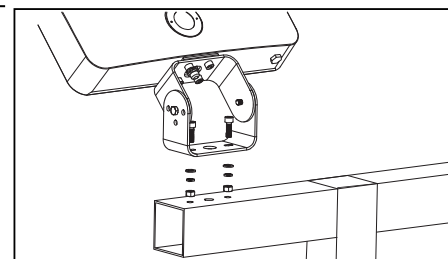
Catalog No.	L	W	H
ASF	3.2" (82mm)	3.1" (79mm)	7" (180M)



U-Bracket Trunion



Catalog No.	L	W	H
AUB	5.7" (145mm)	6" (150.5mm)	2.6" (65mm)



Control Pre-Commissioning

Example: AL-200/50K-D G2 - AHA- L2-10H-3L-10M-30M-5S-30S

L2	10H	3L	10M	30M	5S	30S
Lens / Coverage	High Level	Low Level	Time Delay	Cut-Off	Ramp Up	Fade Down
L2 8' height (48' dia.)	10H 100%	1L 10%	30S 30 sec. #M 1-30 min.	#M 1-59 min. #H 1-5 hrs. 0 Disabled	#S 1-60 sec. 0 Disabled	#S 1-60 sec. 0 Disabled
L3 20' height (40' dia.)	9H 90%	2L 20%	# = enter no. of minutes from 1 to 30 min.	# = enter no. of minutes or hours		
L4 40' height (60' dia.)	8H 80%	3L 30%				
L7 40' height (100' dia.)	7H 70%	4L 40%				
	6H 60%	5L 50%				
	5H 50%	6L 60%				
		7L 70%				

High Level When the sensor detects motion the dimming control output ramps up to the selected HIGH light level.

Low Level After the sensor stops detecting motion and the time delay expires the dimming control output fades down to the selected LOW light level.

Time Delay The selected time period that must elapse after the last time the sensor detects motion for the electric lights to fade to LOW mode

Cut-Off The time period that must elapse after the lights fade to LOW mode and the sensor detects no motion for the electric lights to turn OFF.

Ramp Up Time period for light level to increase from LOW to HIGH.

Fade Down Time period for light level to decrease from HIGH to LOW.



Aleo Lighting, Inc.
www.aleolighting.com
13924 Bettencourt St.
Cerritos, CA 90703
Ph: 877-358-8825

© 2017 Aleo Lighting, Inc. All rights reserved. For informational purposes only. Reproduction in whole or part is prohibited without prior written consent of the copyright owner. The information presented in this document does not form part of any quotation or contract, is believed to be accurate and reliable and may be changed without notice. No liability will be accepted by the publisher for any consequences of its use. Aleo Lighting reserves the rights make changes in specification at any time without notice.

Specifications and Dimensions subject to change without notice.



Project	
Notes	
Type	Date
Cat. No.	

ALS™ Series **LED Area Luminaire**



DESCRIPTION

The Aleo ALS™ Series combines energy-efficiency, advanced optical control, and modern slim profile aesthetics to deliver enhanced performance to area lighting applications. Rugged die-cast housing provides advanced thermal management for long life and weather-proof compartment to withstand challenging, outdoor environments.

APPLICATIONS

Parking lots, walkways, auto dealerships, outdoor retail shopping centers, recreational spaces, campuses.

Specification Features



ALS Series
70W, 100W,
150W

Construction

Rugged, die-cast housing with advanced thermal management system ensures reliability and durability. Weather-proof, gasketed driver compartment protects electronics against environmental elements.

Electrical

Luminaire utilizes high-efficacy LED packages maintained at cool temperatures for long life, high efficacy. Reliable driver features universal voltage (120-277V) for convenient installation.

Optical System

Precision-formed optical lens system reduces glare and improves safety and security by delivering high-efficiency illumination with precise optical distribution. Type III distribution comes standard. Type V available.

Installation / Mounting

Luminaire comes standard with straight-arm mounting accessory. Versatile platform includes different mounting options, including: u-bracket trunion, slip-fitter, wall-mount

Certification

UL Listed. All components have UL certification.

Controls / Dimming

Suitable for use with sensors and daylight harvesting to achieve deeper energy-savings and code compliance. Sensor accessory available: occupancy sensing with daylight cut-off and photocell.

Warranty

5-year Limited Warranty. See warranty documentation for more information.



Quick Ship
ALS-70/50K-D
ALS-100/50K-D
ALS-150/50K-D

Ordering Information

Example: ALS-150/50K-D-ASA

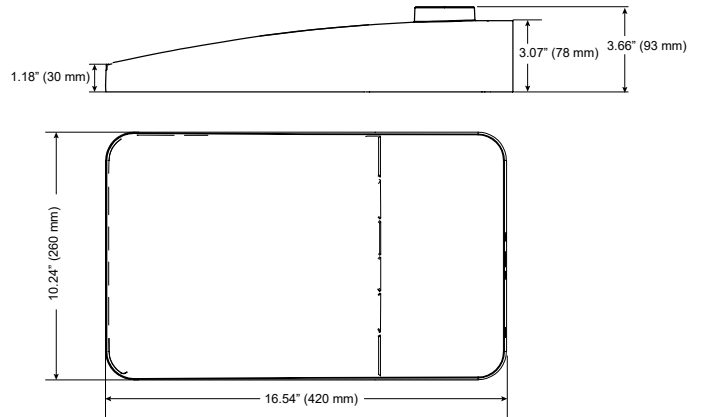
ALS	150	50K	[Blank]	D	ASA
Series ALS Slim LED Area Luminaire	Nominal Wattage 70 70W 100 100W 150 150W	Color Temp 50K 5000K	Input Voltage Blank 120V-277V 480 480V	Diming / Controls D 0-10V Dimming Driver OS Occupancy Sensor OSDL Occ. Sensor w/ Daylight PC Photocell	Mounting* -ASA Straight Arm (6") -ASF Adjustable Slip-fitter -AUB Adjustable Trunion U-bracket **See page 3 for Mounting Information
		[Blank]	[Blank]	[Blank]	
		Distribution Type Blank Type III T5 Type V		Finish Color Blank Dark Bronze -WH White	-BLK Black -SLV Silver * Contact Factory for additional finish colors

Specifications and Dimensions subject to change without notice.

Performance Summary

Input Voltage	120V-277V
Input Frequency	50/60 Hz
Rated Wattage	See Performance Table
Delivered Lumens	See Performance Table
Efficacy	> 135 LPW (typ.)
CRI	70+, R9 > 0
Available CCT ¹	5000K
Rated Life	50,000 hours
Power Factor	> 0.9
THD	< 20%
Controls	Multi-level controls available
IP Rating	IP66
Operating Temp.	-20°C to 40°C

Product Dimensions



Performance Data

Catalog No.	Rated Wattage (W)	5000K	
		Delivered Lumens (lm)	Efficacy (lm/W)
ALS-70/50K-D	66	9,336	142
ALS-100/50K-D	98	13,843	141
ALS-150/50K-D	150	21,093	140

DLC QPL Data

QPL Model No.	Product ID	Technical Req.	Classification	Primary Use
ALS-70/50K-D	PFBMNP3M	4.2	Standard	Outdoor Pole/Arm-Mounted Area and Roadway
ALS-100/50K-D	P8TRXGPM	4.2	Standard	Outdoor Pole/Arm-Mounted Area and Roadway
ALS-150/50K-D	P71G5Z5T	4.2	Standard	Outdoor Pole/Arm-Mounted Area and Roadway



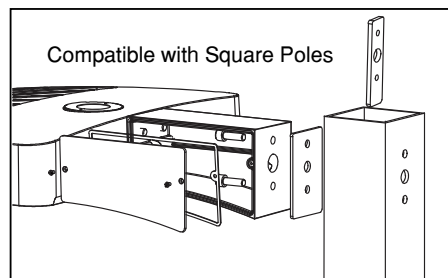
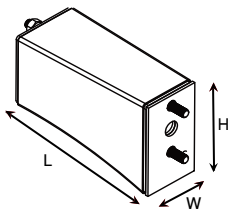
NOTES:

¹ Quick ship: 5000K. Other CCTs may require a lead time or be special order

Specifications and Dimensions subject to change without notice.

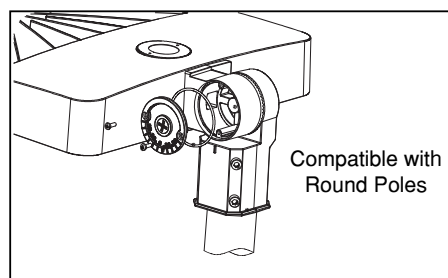
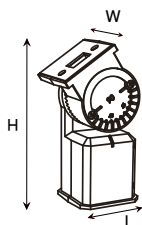
Mounting Information

Straight Arm Mount



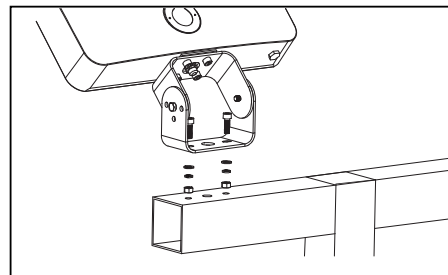
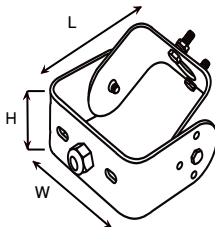
Catalog No.	L	W	H
ASA	6.6" (167.7mm)	3" (75mm)	4" (100M)

Slip Fitter

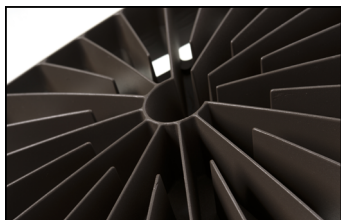


Catalog No.	L	W	H
ASF	3.2" (82mm)	3.1" (79mm)	7" (180M)

U-Bracket Trunion



Catalog No.	L	W	H
AUB	5.7" (145mm)	6" (150.5mm)	2.6" (65mm)



© 2017 Aleo Lighting, Inc. All rights reserved. For informational purposes only. Reproduction in whole or part is prohibited without prior written consent of the copyright owner. The information presented in this document does not form part of any quotation or contract, is believed to be accurate and reliable and may be changed without notice. No liability will be accepted by the publisher for any consequences of its use. Aleo Lighting reserves the rights make changes in specification at any time without notice.

Aleo Lighting, Inc.
www.aeolighting.com
 13924 Bettencourt St.
 Cerritos, CA 90703
 Ph: 877-358-8825

Specifications and Dimensions subject to change without notice.

Project	
Notes	
Type	Date
Cat. No.	

LLS™ XE Series

LED Linear Strip Luminaire

DESCRIPTION

The Aleo LLS™ XE Series Linear Strip Luminaire delivers industry-leading performance with deep energy savings and continuous dimming. Low profile design offers easy handling and storage. This versatile luminaire produces energy-efficient, comfortable illumination for a myriad of applications.

APPLICATIONS

Excellent for general utility applications: Parking garage, warehouse, offices, restrooms, storage units, stairwell.



LLS Series

- 2' 20W
- 4' 25W, 41W
- 8' 52W, 68W, 78W



Specification Features

Construction

Integral LED gear tray and reflector with driver on board allows for easy installation and handling. Luminaire features matte white durable finish. Diffuser requires no additional frame or fastener for easy installation.

Optical System

Reflector systems features highly reflective coating and delivers balanced, comfortable illuminance for productive spaces. Diffuser lens reduces glare and improves occupant comfort while maintaining high efficiency emission.

Certification

UL Listed. All components have UL certification. UL Class 2. Driver: SCP, OTP, OVP protection, FCC Part 15 Class B, UL8750 Class 2. DLC Premium

Warranty

7-year Limited Warranty. See warranty documentation for more information.

Electrical

Luminaire utilizes high-efficacy LED packages maintained at cool temperatures for long life, high efficacy. Reliable driver features continuous dimming. Universal voltage (120-277V) for convenient installation. Comes equipped with luminaire quick-disconnect.

Installation / Mounting

Luminaire back housing includes holes and slots for various mounting methods.

Controls / Dimming

Continuous dimming (0-10V) comes standard. Suitable for use with dimmers, sensors, daylight harvesting and other control strategies to achieve deeper energy-savings and code compliance. Sensor accessory available: occupancy sensing with daylight cut-off.

Rated Life 75,000 hours
Limited Warranty 7-years
Efficacy Up to 130 LPW
Continuous Dimming



Quick Ship

- LLS-2HE-20/840 XE G3
- LLS-4HE-25/840 XE G3
- LLS-4HE-25/850 XE G3
- LLS-4VHE-41/840 XE G3
- LLS-8HE-52/840 XE G3
- LLS-8HE-52/850 XE G3
- LLS-8H-68/840 XE G3
- LLS-8VHE-78/850 XE G3

Ordering Information

Example: LLS-4HE-25/840 XE G3

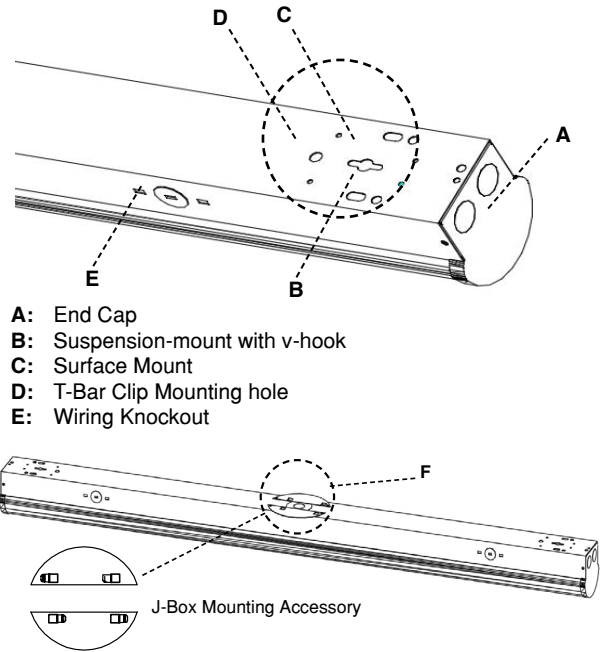
LLS	2	HE	52	8	40	[Blank]	Options
Series	Form Factor	Lumen Package	Nom. Wattage	CRI	Color Temp	Dimming	Emergency Backup
LLS	2 2'	HE High Lumen	20 20W (2')	8 83+	40 4000K	Blank	EM700 700lm
LED Linear Strip Luminaire	4 4'	VHE Very High Lumen	25 25W (4')		50 5000K	0-10V Continuous Dimming	EM1400 1400lm
	8 8'		41 40W (4')				EM2000 2000lm
			52 52W (8')				
			68 68W (8')				
			78 78W (8')				
				Controls*			
				OS Occupancy Sensor		SB Integrated Sensor Box	
				OSDL Occ. Sensor w/ Daylight			
				OSDL/IR Multi-Level Occ. Sensor w/ wireless config.			
				* Will be supplied with side fixture-mount sensor, unless SB is specified			
				* Contact factory for other control options and wireless capabilities			

Specifications and Dimensions subject to change without notice.

Performance Summary

Input Voltage	120V-277V
Input Frequency	50/60 Hz
Rated Wattage	See Performance Table
Delivered Lumens	See Performance Table
Efficacy	> 130 LPW (typ.)
CRI	84+, R9 > 0
Available CCT ¹	4000K, 5000K
Color Consistency ²	5-step MacAdam Ellipse
Rated Life	75,000 hours
L70 ³	> 72,000 hours
Power Factor	> 0.9
THD	< 20%
Dimming	0-10V Continuous (10-100%)
Operating Temp.	-20°C to 40°C

Mounting Information



- A: End Cap
- B: Suspension-mount with v-hook
- C: Surface Mount
- D: T-Bar Clip Mounting hole
- E: Wiring Knockout

Performance Data

Form Factor	Catalog No.	Rated Wattage (W)	Tested Wattage (W)	4000K		5000K	
				Delivered Lumens (lm)	Efficacy (lm/W)	Delivered Lumens (lm)	Efficacy (lm/W)
2'	LLS-2HE-20 XE G3	20	18.5	2600	130	2620	131
4'	LLS-4VHE-41 XE G3	41	38	5200	130	5240	131
	LLS-4HE-25 XE G3	25	25	3325	133	3350	134
8'	LLS-8HE-52 XE G3	52	-	6916	130	6968	134
	LLS-8H-68 XE G3	65	-	8580	132	8645	133
	LLS-8VHE-78 XE G3	75	-	9750	130	9825	131

NOTES:

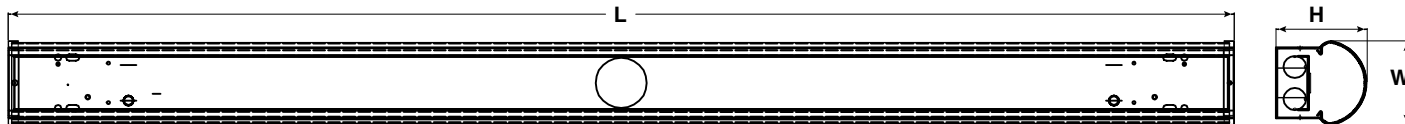
¹ Quick ship: 4000K. Other CCTs may require a lead time or be special order

² Typical color consistency. May vary or be changed.

³ L70 hours calculated based on LED package manufacturer LM80 report and ISTMT report of LED in luminaire. Stated values are for select catalog numbers. Contact manufacturer for detailed information

Specifications and Dimensions subject to change without notice.

Product Dimensions

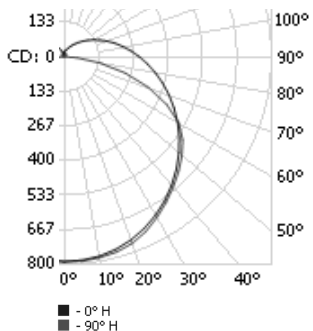


Model No.	L	W	H
LLS-2	25.87" (657.2mm)	3.56" (90.5mm)	3.35" (85.2mm)
LLS-4	47.99" (1219mm)	3.56" (90.5mm)	3.35" (85.2mm)
LLS-8	92.44" (2438mm)	3.56" (90.5mm)	3.35" (85.2mm)

Photometric Data

LLS-4HE-26/840 Tested in accordance to IESNA LM-79

Polar Graph



Zonal Lumen Summary

ZONE	LUMENS	% LUMINAIRE
0-30	626.9	17.5%
0-40	1,047.9	29.3%
0-60	1,997.0	55.7%
60-90	1,064.4	29.7%
70-100	795.7	22.2%
90-120	394.2	11.0%
0-90	3,061.4	85.5%
90-180	521.1	14.5%
0-180	3,582.5	100.0%

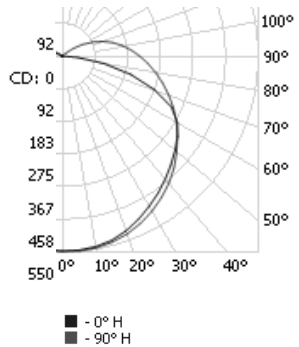
Coefficients of Utilization

EFFECTIVE FLOOR CAVITY REFLECTANCE: 20%

RCC%	80				70				50		
	70	50	30	0	70	50	30	0	50	30	20
RW%											
RCR											
0	1.16	1.16	1.16	1.16	1.11	1.11	1.11	0.85	1.03	1.03	1.11
1	1.02	0.96	0.91	0.86	0.98	0.93	0.88	0.66	0.86	0.82	0.9
2	0.92	0.82	0.74	0.68	0.88	0.79	0.72	0.53	0.73	0.67	0.73
3	0.83	0.71	0.62	0.55	0.79	0.68	0.6	0.44	0.63	0.56	0.61
4	0.75	0.62	0.53	0.45	0.72	0.6	0.51	0.37	0.56	0.48	0.52
5	0.69	0.55	0.46	0.39	0.66	0.53	0.44	0.32	0.49	0.42	0.44
6	0.64	0.49	0.4	0.33	0.61	0.48	0.39	0.27	0.44	0.37	0.39
7	0.59	0.45	0.35	0.29	0.56	0.43	0.34	0.24	0.4	0.33	0.34
8	0.55	0.4	0.32	0.26	0.52	0.39	0.31	0.22	0.37	0.29	0.3
9	0.51	0.37	0.29	0.23	0.49	0.36	0.28	0.19	0.34	0.26	0.27
10	0.48	0.34	0.26	0.2	0.46	0.33	0.25	0.17	0.31	0.24	0.25

LLS-4VHE-41/840 Tested in accordance to IESNA LM-79

Polar Graph



Zonal Lumen Summary

ZONE	LUMENS	% LUMINAIRE
0-30	860	19.8%
0-40	1,415	32.6%
0-60	2,577	59.4%
60-90	1,225	28.3%
70-100	942	21.7%
90-120	421	9.7%
0-90	3,803	87.7%
90-180	533	12.3%
0-180	4,336	100.0%

Coefficients of Utilization

EFFECTIVE FLOOR CAVITY REFLECTANCE: 20%

RCC%	80				70				50		
	70	50	30	0	70	50	30	0	50	30	20
RW%											
RCR											
0	1.16	1.16	1.16	1.16	1.12	1.12	1.12	0.88	1.04	1.04	1.11
1	1.03	0.97	0.92	0.87	0.99	0.94	0.89	0.69	0.87	0.83	0.9
2	0.93	0.83	0.76	0.69	0.89	0.8	0.73	0.56	0.75	0.69	0.73
3	0.84	0.73	0.64	0.56	0.8	0.7	0.62	0.47	0.65	0.58	0.61
4	0.77	0.64	0.54	0.47	0.73	0.62	0.53	0.4	0.58	0.5	0.52
5	0.7	0.57	0.47	0.4	0.67	0.55	0.46	0.34	0.51	0.44	0.44
6	0.65	0.51	0.42	0.35	0.62	0.49	0.41	0.3	0.46	0.39	0.39
7	0.6	0.46	0.37	0.31	0.57	0.45	0.36	0.26	0.42	0.34	0.34
8	0.56	0.42	0.33	0.27	0.54	0.41	0.32	0.24	0.38	0.31	0.3
9	0.52	0.38	0.3	0.24	0.5	0.37	0.29	0.21	0.35	0.28	0.27
10	0.49	0.35	0.27	0.22	0.47	0.34	0.27	0.19	0.33	0.26	0.25

Specifications and Dimensions subject to change without notice.

Control Pre-Commissioning

Example: LLS-4HE-25/840 XE G3-OSDL L2-10H-3L-10M-30M-5S-30S

L2	10H	3L	10M	30M	5S	30S
Lens / Coverage	High Level	Low Level	Time Delay	Cut-Off	Ramp Up	Fade Down
L2 8' height (48' dia.)	10H 100%	1L 10%	30S 30 sec.	#M 1-59 min.	#S 1-60 sec.	#S 1-60 sec.
L3 20' height (40' dia.)	9H 90%	2L 20%	#M 1-30 min.	#H 1-5 hrs.	0 Disabled	0 Disabled
L4 40' height (60' dia.)	8H 80%	3L 30%	# = enter no. of minutes from 1 to 30 min.	0 Disabled		
L7 40' height (100' dia.)	7H 70%	4L 40%				
	6H 60%	5L 50%		# = enter no. of minutes or hours		
	5H 50%	6L 60%				
		7L 70%				

High Level When the sensor detects motion the dimming control output ramps up to the selected HIGH light level.

Low Level After the sensor stops detecting motion and the time delay expires the dimming control output fades down to the selected LOW light level.

Time Delay The selected time period that must elapse after the last time the sensor detects motion for the electric lights to fade to LOW mode

Cut-Off The time period that must elapse after the lights fade to LOW mode and the sensor detects no motion for the electric lights to turn OFF.

Ramp Up Time period for light level to increase from LOW to HIGH.

Fade Down Time period for light level to decrease from HIGH to LOW.

DLC QPL Data



QPL Model No.	Product ID	Technical Req.	Classification	Primary Use
LLS-2HE-20/840 XE G3	PL9D6W8SVGW0	4.2	Premium	Direct Linear Ambient Luminaires
LLS-4HE-25/840 XE G3	PKAWQTMQ	4.2	Premium	Direct Linear Ambient Luminaires
LLS-4HE-25/850 XE G3	PYWAPQ83	4.2	Premium	Direct Linear Ambient Luminaires
LLS-4VHE-41/840 XE G3	P7TVVE7E	4.2	Premium	Direct Linear Ambient Luminaires
LLS-4VHE-41/840 XE G3	PLNZ07WORKCB	4.2	Premium	Low-Bay Luminaires for Commercial and Industrial Buildings
LLS-4VHE-41/850 XE G3	PJPSQY61	4.2	Premium	Direct Linear Ambient Luminaires
LLS-4VHE-41/850 XE G3	PL2ZAMO0RWUI	4.2	Premium	Low-Bay Luminaires for Commercial and Industrial Buildings
LLS-8HE-52/840 XE G3	P64ZDJZZ	4.2	Premium	Direct Linear Ambient Luminaires
LLS-8HE-52/840 XE G3	PLQCXMYYYL5L	4.2	Premium	Low-Bay Luminaires for Commercial and Industrial Buildings
LLS-8HE-52/850 XE G3	PWDHCKQA	4.2	Premium	Direct Linear Ambient Luminaires
LLS-8HE-52/850 XE G3	PLEFZABXQTBP	4.2	Premium	Low-Bay Luminaires for Commercial and Industrial Buildings
LLS-8H-68/840 XE G3	PPTS8AR1	4.2	Premium	Direct Linear Ambient Luminaires
LLS-8H-68/840 XE G3	PL9Q44OQECBE	4.2	Premium	Low-Bay Luminaires for Commercial and Industrial Buildings
LLS-8VHE-78/850 XE G3	P2A9716K	4.2	Premium	Direct Linear Ambient Luminaires
LLS-8VHE-78/850 XE G3	PLR1PKJ2L9ZY	4.2	Premium	Low-Bay Luminaires for Commercial and Industrial Buildings

Project	
Notes	
Type	Date
Cat. No.	

LPC™ Series

LED Parking Garage Canopy

DESCRIPTION

The Aleo LPC™ Series combines energy-efficiency, advanced optical control, and modern slim profile aesthetics to deliver enhanced performance to parking garage and parking structure applications. Ideal for environments seeking higher light levels and improved safety, security. Rugged die-cast housing provides advanced thermal management for long life and weather-proof compartment to withstand challenging environments.



APPLICATIONS

Parking garages, parking structures, drive-ways.

Specification Features



LPC Series

40W, 60W

Construction

Rugged, die-cast housing with advanced thermal management system ensures reliability and durability. Weather-proof, gasketed driver compartment protects electronics against environmental elements.

Electrical

Luminaire utilizes high-efficacy LED packages maintained at cool temperatures for long life, high efficacy. Reliable driver features universal voltage (120-277V) for convenient installation.

Rated Life 50,000 hours
Limited Warranty 5-years
Efficacy Up to 107 LPW
Continuous Dimming

Optical System

Precision-formed optical lens system improves safety and security by delivering high-efficiency illumination with precise optical distribution. Type VS distribution comes standard.

Installation / Mounting

Luminaire comes standard with mounting plate for quick and easy installation.

Certification

UL Listed. All components have UL certification.

Controls / Dimming

Continuous dimming (0-10V) comes standard. Suitable for use with dimmers, sensors, daylight harvesting and other control strategies to achieve deeper energy-savings and code compliance.

Quick Ship

LPC-40/50K
LPC-60/50K

Warranty

5-year Limited Warranty. See warranty documentation for more information.

Ordering Information

Example: LPC-40/50K

LPC	40	50K	[Blank]	[Blank]	Options
Series	Nominal Wattage	Color Temp	Input Voltage	Finish Color	Controls*
LPC LED Parking Garage Canopy Luminaire	40 40W 60 60W	50K 5000K	Blank 120V-277V	Blank White	OSDL Occ. Sensor w/ Daylight
* Equipped with Fixture side-mount sensor.					

Specifications and Dimensions subject to change without notice.

Performance Summary

Input Voltage	120V-277V
Input Frequency	50/60 Hz
Rated Wattage	See Performance Table
Delivered Lumens	See Performance Table
Efficacy	> 100+ LPW (typ.)
CRI	70+, R9 > 0
Available CCT	5000K
Rated Life	50,000 hours
Power Factor	> 0.9
THD	< 20%
IP Rating	IP66, Wet Location
Operating Temp.	-25°C to 50°C



Multi-level Occupancy Sensor

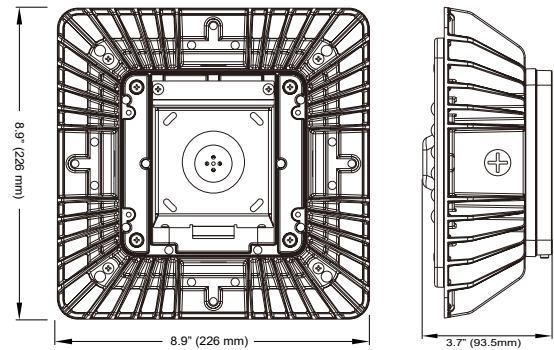
PIR Occupancy Sensor with Daylight function

Performance Data

Catalog No.	Rated Wattage (W)	Tested Wattage (W)	5000K	
			Delivered Lumens (lm)	Efficacy (lm/W)
LPC-40	41	41	4,303	107
LPC-60	59	59	6,056	103

Product Dimensions

LPC-40 | LPC-60

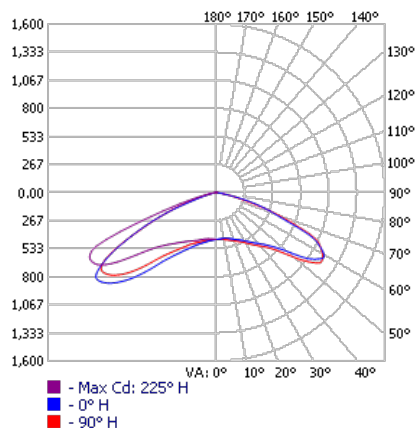


Photometric Data

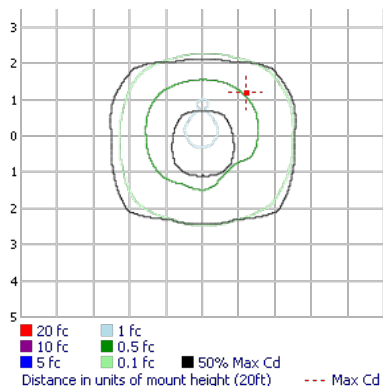
LPC-40/30K tested in accordance to IESNA LM-79

Type VS Distribution

Candlepower Distribution



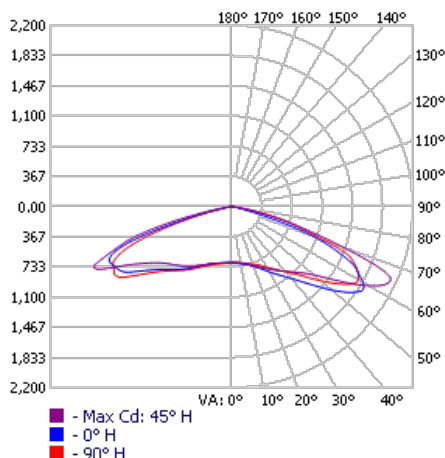
Isofootcandle Plot



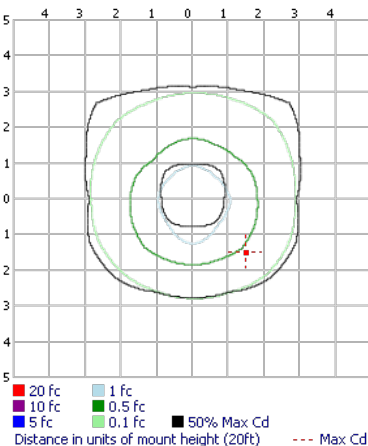
LPC-60/30K tested in accordance to IESNA LM-79

Type VS Distribution

Candlepower Distribution



Isofootcandle Plot



DLC QPL Data

QPL Model No.	Product ID	Technical Req.	Classification	Primary Use
LPC-40/30K	PE2VKRTX	4.2	Standard	Parking Garage Luminaires
LPC-40/35K	PXH1U6YG	4.2	Standard	Parking Garage Luminaires
LPC-40/40K	PHEDRM8F	4.2	Standard	Parking Garage Luminaires
LPC-40/45K	PRUFAMM6	4.2	Standard	Parking Garage Luminaires
LPC-40/50K	PREA7V6W	4.2	Standard	Parking Garage Luminaires
LPC-40/57K	PS64JCPZ	4.2	Standard	Parking Garage Luminaires
LPC-60/40K	PHTVZAQP	4.2	Standard	Parking Garage Luminaires
LPC-60/45K	PWRETR9D	4.2	Standard	Parking Garage Luminaires
LPC-60/50K	P79HW6F6	4.2	Standard	Parking Garage Luminaires
LPC-60/57K	PQYFUTGH	4.2	Standard	Parking Garage Luminaires



© 2017 Aleo Lighting, Inc. All rights reserved. For informational purposes only. Reproduction in whole or part is prohibited without prior written consent of the copyright owner. The information presented in this document does not form part of any quotation or contract, is believed to be accurate and reliable and may be changed without notice. No liability will be accepted by the publisher for any consequences of its use. Aleo Lighting reserves the rights make chages in specification at any time without notice.

Specifications and Dimensions subject to change without notice.



Aleo Lighting, Inc.
www.aleoighting.com
13924 Bettencourt St.
Cerritos, CA 90703
Ph: 877-358-8825



Project	
Notes	
Type	Date
Cat. No.	

LPS™ XE Series

Slim LED Panel Edge-Lit

DESCRIPTION

The Aleo LPS™ Series LED Panel delivers industry-leading performance with deep energy savings and continuous dimming. The slim profile, modern design produces pleasant, uniform and low-glare illumination, enhancing spaces in various applications.

APPLICATIONS

Retail, schools, offices, healthcare, and other various commercial applications .

Specification Features

Construction

Solid rigid frame, post-painted matte white finish for strength and durability. Low profile design optimizes shipping, storage, and handling. Integral T-Bar clips built into luminaire. Integrated parts and diffuser for easy installation and handling.

Optical System

Edge-lit optics produces soft balanced, comfortable illuminance for productive spaces. Diffuser lens reduces glare and improves occupant comfort while maintaining high efficiency emission.

Certification

UL Listed. All components have UL certification.

Warranty

7-year Limited Warranty. See warranty documentation for more information.

Electrical

Luminaire utilizes high-efficacy LED packages maintained at cool temperatures for long life, high efficacy. Reliable driver features continuous dimming. Universal voltage (120-277V) for convenient installation.

Installation / Mounting

Installs in most standard T-Bar ceiling grid systems. Compatible with standard 15/16" and 9/16" T-bar grid ceilings

Controls / Dimming

Continuous dimming (0-10V) comes standard. Suitable for use with dimmers, sensors, daylight harvesting and other control strategies to achieve deeper energy-savings and code compliance.



LPS XE Series

2x4 36W, 46W
2x2 28W, 36W

Rated Life 75,000 hours
Limited Warranty 7-years
Efficacy Up to 125 LPW
Continuous Dimming



Quick Ship

LPS-22LE/840 XE
LPS-22LE/850 XE
LPS-24LE/840 XE
LPS-24LE/850 XE

Ordering Information

Example: LPS-24LE/840 XE

LPS	24	LE	8	40	[Blank]	[Blank]
Series LPS Slim LED Panel - Edge Lit	Form Factor 24 2'x4' 22 2'x2'	Lumen Package LE Low Wattage	CRI 8 80+	Color Temp 40 4000K 50 5000K	Input Voltage Blank 120V-277V	Dimming Blank 0-10V Continuous Dimming
Options						
Emergency Backup EM800 800lm EM1200 1200lm EM1600 1600lm						

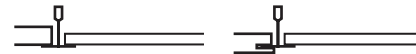
Specifications and Dimensions subject to change without notice.

Performance Summary

Input Voltage	120V-277V
Input Frequency	50/60 Hz
Rated Wattage	See Performance Table
Delivered Lumens	See Performance Table
Efficacy	> 124 LPW (typ.)
CRI	83+, R9 > 0
Available CCT ¹	4000K, 5000K
Rated Life	75,000 hours
Power Factor	> 0.9
THD	< 20%
Dimming	0-10V Continuous (10-100%)
Operating Temp.	-20°C to 50°C



Mounting Information



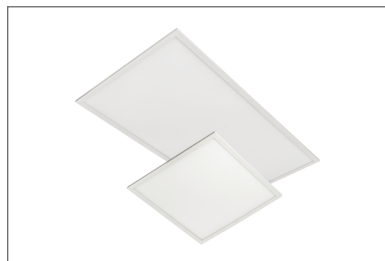
Lay-in (Standard)

Concealed

* Fits 9/16, 15/16 and SS T-bar grid.
Flange kit available upon request

Performance Data

Form Factor	Catalog No.	Rated Wattage (W)	3500K ¹		4000K		5000K	
			Delivered Lumens (lm)	Efficacy (lm/W)	Delivered Lumens (lm)	Efficacy (lm/W)	Delivered Lumens (lm)	Efficacy (lm/W)
2' x 4'	LPS-24LE/8xx XE	36	-	-	4500	125	4536	126
2' x 2'	LPS-22LE/8xx XE	28	3500	125	3556	127	3612	129



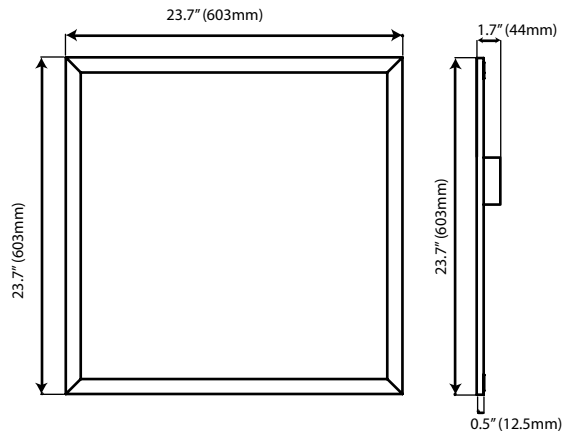
NOTES:

- ¹ Quick ship: 4000K, 5000K. Other CCTs may require a lead time or be special order
- ² Typical color consistency. May vary or be changed.
- ³ L70 hours calculated based on LED package manufacturer LM80 report and ISTMT report of LED in luminaire. Stated values are for select catalog numbers. Contact manufacturer for detailed information

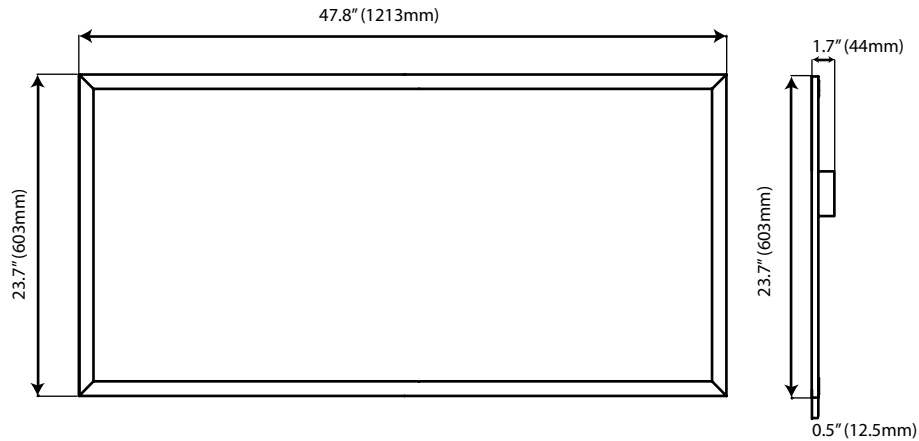
Specifications and Dimensions subject to change without notice.

Product Dimensions

LPS-22



LPS-24



DLC QPL Data

QPL Model No.	Product ID	Technical Req.	Classification	Primary Use
LPS-22LE/835 XE	PLO0DYGHO6D2	4.2	Premium	2x2 Luminaires for Ambient Lighting of Interior Commercial Spaces
LPS-22LE/840 XE	PL74GDI17QDZ	4.2	Premium	2x2 Luminaires for Ambient Lighting of Interior Commercial Spaces
LPS-22LE/850 XE	PL3X2MQ4OPFG	4.2	Premium	2x2 Luminaires for Ambient Lighting of Interior Commercial Spaces
LPS-24LE/840 XE	PLJT0QNG41ZG	4.2	Premium	2x4 Luminaires for Ambient Lighting of Interior Commercial Spaces
LPS-24LE/850 XE	PL2DHNC5ETB1	4.2	Premium	2x4 Luminaires for Ambient Lighting of Interior Commercial Spaces



© 2017 Aleo Lighting, Inc. All rights reserved. For informational purposes only. Reproduction in whole or part is prohibited without prior written consent of the copyright owner. The information presented in this document does not form part of any quotation or contract, is believed to be accurate and reliable and may be changed without notice. No liability will be accepted by the publisher for any consequences of its use. Aleo Lighting reserves the rights make changes in specification at any time without notice.

Project	
Notes	
Type	Date
Cat. No.	

LSC™ Series **LED Surface Mount Canopy Luminaire**



DESCRIPTION

The Aleo LSC™ Series combines energy-efficiency, advanced optical control, and modern slim profile aesthetics to deliver enhanced performance to a range of surface-mount lighting applications. Rugged die-cast housing provides advanced thermal management for long life and weather-proof compartment to withstand challenging environments.

APPLICATIONS

Covered walkways, drive-thrus, semi-covered outdoor aisles, cold storage facilities or walk-in cooler/freezer, corridors, building canopies, large stairwells.

Specification Features



LSC Series
40W, 60W
120W

Construction

Rugged, die-cast housing with advanced thermal management system ensures reliability and durability. Weather-proof, gasketed driver compartment protects electronics against environmental elements.

Optical System

Precision-formed optical lens system improves safety and security by delivering high-efficiency illumination with precise optical distribution. Type VS distribution comes standard.

Certification

UL Listed. All components have UL certification.

Warranty

5-year Limited Warranty. See warranty documentation for more information.

Electrical

Luminaire utilizes high-efficacy LED packages maintained at cool temperatures for long life, high efficacy. Reliable driver features universal voltage (120-277V) for convenient installation.

Installation / Mounting

Luminaire comes standard with mounting plate for quick and easy installation.

Quick Ship
LSC-40/50K
LSC-60/50K
LSC-120/50K

Ordering Information

Example: LSC-40/50K

LSC	40	50K	[Blank]	[Blank]
Series	Nominal Wattage		Color Temp	
LSC	40	40W	50K	5000K
LED Surface	60	60W	Input Voltage	Finish Color
Mount Canopy	120	120W	Blank	Blank Dark Bronze
Luminaire			120V-277V	WH White
				BLK Black
				SLV Silver
				* Contact Factory for additional finish colors

Specifications and Dimensions subject to change without notice.

Performance Summary

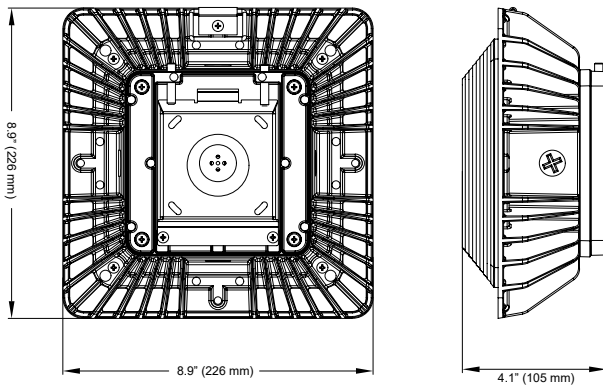
Input Voltage	120V-277V
Input Frequency	50/60 Hz
Rated Wattage	See Performance Table
Delivered Lumens	See Performance Table
Efficacy	> 110 LPW (typ.)
CRI	70+, R9 > 0
Available CCT ¹	5000K
Rated Life	50,000 hours
Power Factor	> 0.9
THD	< 20%
IP Rating	IP66
Operating Temp.	-20°C to 50°C

Performance Data

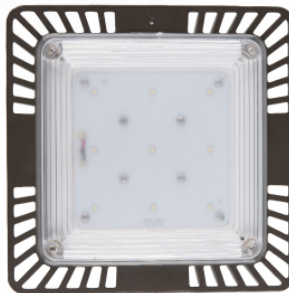
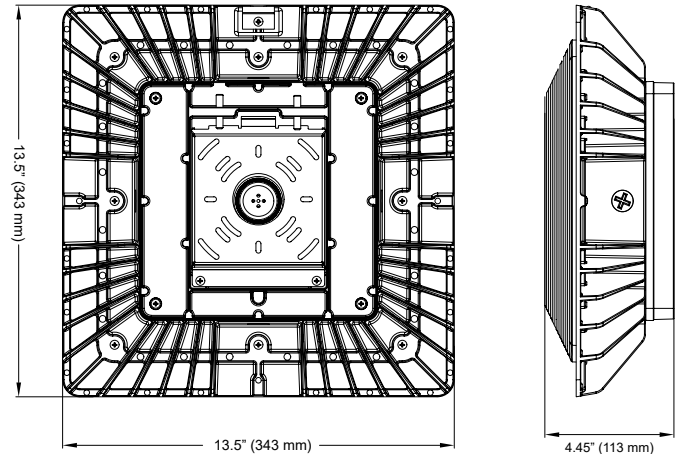
Catalog No.	Rated Wattage (W)	Tested Wattage (W)	5000K	
			Delivered Lumens (lm)	Efficacy (lm/W)
LSC-40	43	43	5,047	116
LSC-60	55.6	56	6,709	120
LSC-120	121.6	122	14,604	120

Product Dimensions

LSC-40 | LSC-60



LSC-120



aleo™
LED LIGHTING

© 2017 Aleo Lighting, Inc. All rights reserved. For informational purposes only. Reproduction in whole or part is prohibited without prior written consent of the copyright owner. The information presented in this document does not form part of any quotation or contract, is believed to be accurate and reliable and may be changed without notice. No liability will be accepted by the publisher for any consequences of its use. Aleo Lighting reserves the rights make changes in specification at any time without notice.

Aleo Lighting, Inc.
www.aleoighting.com
13924 Bettencourt St.
Cerritos, CA 90703
Ph: 877-358-8825

Specifications and Dimensions subject to change without notice.

Project	
Notes	
Type	Date
Cat. No.	

LSR™ XE Series

LED Linear Strip Retrofit Kit

DESCRIPTION

The Aleo LSR™ XE Series Linear Retrofit Kit delivers industry-leading performance with deep energy savings and continuous dimming. Easy and quick installation reduces labor cost and optimizes ROI. The retrofit kit eliminates the need to replace existing luminaire housing, which reduces install time and disposal/removal costs. The LSR™ kit transforms utility strips into high-efficiency, architectural luminaires.

APPLICATIONS

Excellent for general utility applications to retrofit existing utility strip/channels. Parking garage, warehouse, offices, restrooms, storage units, stairwell.

Specification Features

Construction

Integral LED gear tray and reflector with driver on board allows for easy installation and handling. Luminaire features matte white durable finish. Diffuser requires no additional frame or fastener for easy installation.

Optical System

Reflector systems features highly reflective coating and delivers balanced, comfortable illuminance for productive spaces. Diffuser lens reduces glare and improves occupant comfort while maintaining high efficiency emission.

Certification

UL Classified. All components have UL certification. UL Class 2. Driver: SCP, OTP, OVP protection, FCC Part 15 Class B, UL8750 Class 2. DLC Premium

Warranty

7-year Limited Warranty. See warranty documentation for more information.

Electrical

Luminaire utilizes high-efficacy LED packages maintained at cool temperatures for long life, high efficacy. Reliable driver features continuous dimming. Universal voltage (120-277V) for convenient installation. Comes equipped with luminaire quick-disconnect.

Installation / Mounting

Features universal mounting bracket to fit strips with 4-1/2" to 5-1/2" width. Includes safety cables for security and wiring. Installs on existing strip housing.

Controls / Dimming

Continuous dimming (0-10V) comes standard. Suitable for use with dimmers, sensors, daylight harvesting and other control strategies to achieve deeper energy-savings and code compliance. Sensor accessory available: occupancy sensing with daylight cut-off.



LSR Series

4' 26W
8' 48W, 65W



Rated Life 75,000 hours
Limited Warranty 7-years
Efficacy Up to 115 LPW
Continuous Dimming



Quick Ship

LSR-4HE-26/840 XE G3
LSR-4HE-26/850 XE G3
LSR-8HE-48/840 XE
LSR-8HE-48/850 XE
LSR-8VHE-65/840 XE G3
LSR-8VHE-65/850 XE G3

Ordering Information

Example: LSR-4HE-26/850 XE G3

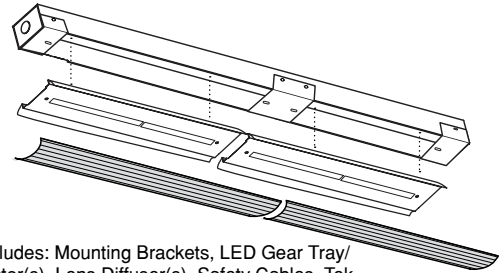
LSR	8	HE	48	8	40	[Blank]	[Blank]
Series	Form Factor	Lumen Package	Nominal Wattage	CRI	Color Temp	Input Voltage	Dimming
LSR LED Linear Strip Retrofit Kit	8 8' 4 4'	HE High Lumen VHE Very High Lumen	26 23W (4') 48 48W (8') 65 65W (8')	8 83+	40 4000K 50 5000K	Blank 120V-277V	Blank 0-10V Continuous Dimming
Options							
Emergency Backup				Controls*			
EM700 700lm EM1400 1400lm EM2000 2000lm				OS Occupancy Sensor OSDL Occ. Sensor w/ Daylight OSDL/IR Multi-Level Occ. Sensor w/ wireless config.			
* Sensor will be fixture-mounted on the side of existing strip							

Specifications and Dimensions subject to change without notice.

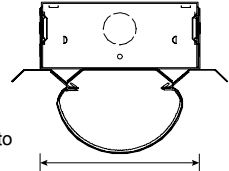
Performance Summary

Input Voltage	120V-277V
Input Frequency	50/60 Hz
Rated Wattage	See Performance Table
Delivered Lumens	See Performance Table
Efficacy	> 130 LPW (typ.)
CRI	83+, R9 > 0
Available CCT ¹	4000K, 5000K
Color Consistency ²	5-step MacAdam Ellipse
Rated Life	75,000 hours
L70 ³	> 72,000 hours
Power Factor	> 0.9
THD	< 20%
Dimming	0-10V Continuous (10-100%)
Operating Temp.	-20°C to 50°C

Mounting Information



Kit includes: Mounting Brackets, LED Gear Tray/ Reflector(s), Lens Diffuser(s), Safety Cables, Tek Screws, 1/4-turn Fasteners.

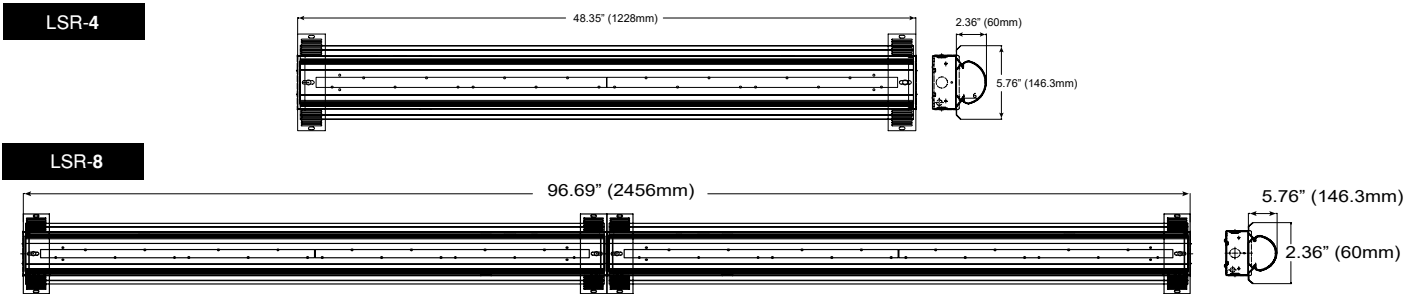


Retrofit kit designed for existing strip housing with width of 4-1/4" to 5-1/4", with a min. depth of 1-5/8"

Performance Data

Form Factor	Catalog No.	Rated Wattage (W)	4000K		5000K	
			Delivered Lumens (lm)	Efficacy (lm/W)	Delivered Lumens (lm)	Efficacy (lm/W)
4'	LSR-4HE-26 XE G3	23	2990	130	3013	131
	LSR-8HE-48 XE	48	6240	132	6330	134
8'	LSR-8VHE-65 XE G3	65	8510	131	8580	132

Product Dimensions



DLC QPL Data

DLC QPL Model No.	PRODCUT ID.	Technical Req.	Classification	Primary Use
LSR-4HE-26/840 XE G3	PL5HHWNDIKHK	4.2	Premium	Retrofit Kits for Direct Linear Ambient
LSR-4HE-26/850 XE G3	PLTV7E2BWLCT	4.2	Premium	Retrofit Kits for Direct Linear Ambient
LSR-8HE-48/840 (LD1)	PKSDV6YU	4.2	Premium	Retrofit Kits for Direct Linear Ambient
LSR-8HE-48/850 (LD1)	P533968D	4.2	Premium	Retrofit Kits for Direct Linear Ambient
LSR-8VHE-65/850 XE G3	PLBAA3ZJVR5X	4.2	Premium	Retrofit Kits for Direct Linear Ambient
LSR-8VHE-65/850 XE G3	PLGGIIPBLCYL	4.2	Premium	Retrofit Kits for Direct Linear Ambient



NOTES:

- Quick ship: 4000K and 5000K. Other CCTs may require a lead time or be special order
- Typical color consistency. May vary or be changed.
- L70 hours calculated based on LED package manufacturer LM80 report and ISTMT report of LED in luminaire. Stated values are for select catalog numbers. Contact manufacturer for detailed information

© 2017 Aleo Lighting, Inc. All rights reserved. For informational purposes only. Reproduction in whole or part is prohibited without prior written consent of the copyright owner. The information presented in this document does not form part of any quotation or contract, is believed to be accurate and reliable and may be changed without notice. No liability will be accepted by the publisher for any consequences of its use. Aleo Lighting reserves the rights make changes in specification at any time without notice.

Specifications and Dimensions subject to change without notice.



Aleo Lighting, Inc.
www.aleoighting.com
13924 Bettencourt St.
Cerritos, CA 90703
Ph: 877-358-8825

Project	
Notes	
Type	Date
Cat. No.	

LT-CD™ Series

Economy LED Troffer Center Diffuser

DESCRIPTION

The Aleo LT-CD™ Series Economy Volumetric LED Troffer delivers industry-leading value with deep energy savings and continuous dimming. The precision-formed diffuser produces comfortable and pleasant illumination, enhancing productive spaces in various applications.

APPLICATIONS

Provides architectural aesthetics for retail, schools, offices, healthcare, and other various commercial applications.



Specification Features



LT-CD Series

2x4	42W
2x2	34W

Construction

Simple construction with minimal parts allows for easy handling and installation. Low profile design optimizes shipping, storage, and handling. Luminaire features matte white durable finish. Integral T-Bar clips built into luminaire. Diffuser requires no additional frame or fastener for easy installation.

Optical System

Reflector systems features highly reflective coating and delivers balanced, comfortable illuminance for productive spaces. Diffuser lens reduces glare and improves occupant comfort while maintaining high efficiency emission.

Certification

UL Listed. All components have UL certification. UL Class 2. Driver: SCP, OTP, OVP protection, FCC Part 15 Class B, UL8750 Class 2.

Warranty

7-year Limited Warranty. See warranty documentation for more information.

Electrical

Luminaire utilizes high-efficacy LED packages maintained at cool temperatures for long life, high efficacy. Reliable driver features continuous dimming. Universal voltage (120-277V) for convenient installation. Comes equipped with luminaire quick-disconnect.

Installation / Mounting

Installs in most standard T-Bar ceiling grid systems. Flange kit available for hard-lid/drywall applications. Surface-mount kit accessory available.

Controls / Dimming

Continuous dimming (0-10V) comes standard. Suitable for use with dimmers, sensors, daylight harvesting and other control strategies to achieve deeper energy-savings and code compliance.



Rated Life 75,000 hours
Limited Warranty 7-years
Efficacy Up to 112 LPW
Continuous Dimming

Ordering Information

Example: LT-CD-24L-42/840 ECO

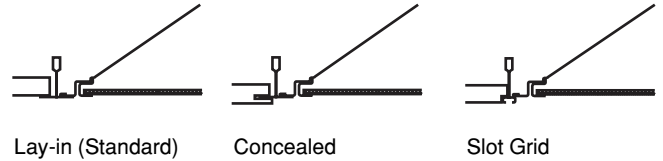
LT-CD	24	L	42	8	40	[Blank]	[Blank]
Series	Form Factor	Lumen Package	Nominal Wattage	CRI	Color Temp	Input Voltage	Dimming
LT-CD	24 2'x4'	H High Lumen	2'x4'	8 82+	35 3500K	Blank	Blank
Economy Volumetric LED Troffer - Center Diffuser	22 2'x2'	L Low Wattage	42 42W		40 4000K	120V-277V	0-10V Continuous Dimming
			2'x2'		50 5000K		
			34 34W				
						Options	
						Emergency Backup	
						EM700 700lm	
						EM1400 1400lm	

Performance Summary

Input Voltage	120V-277V
Input Frequency	50/60 Hz
Rated Wattage	See Performance Table
Delivered Lumens	See Performance Table
Efficacy	> 112 LPW (typ.)
CRI	82+, R9 > 0
Available CCT	3500K, 4000K, 5000K
Color Consistency ¹	5-step MacAdam Ellipse
Rated Life	75,000 hours
L70 ²	> 72,000 hours
Power Factor	> 0.9
THD	< 20%
Dimming	0-10V Continuous (10-100%)
Operating Temp.	-20°C to 50°C



Mounting Information

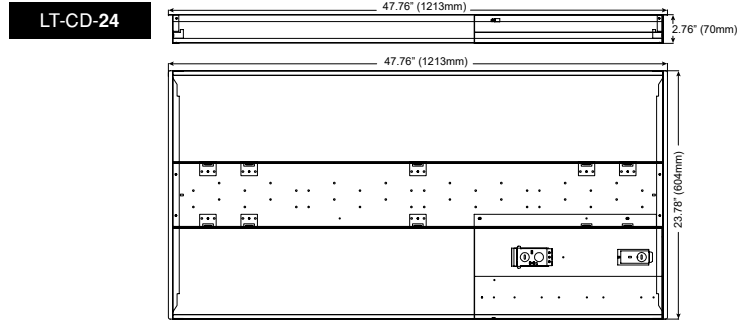
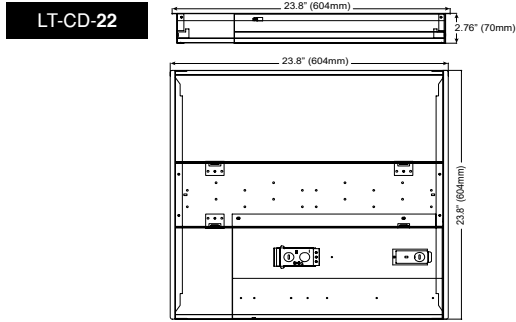


* Fits 9/16, 15/16 and SS T-bar grid.
Flange kit available upon request

Performance Data

Form Factor	Catalog No.	Rated Wattage (W)	Tested Wattage (W)	3500K		4000K		5000K	
				Delivered Lumens (lm)	Efficacy (lm/W)	Delivered Lumens (lm)	Efficacy (lm/W)	Delivered Lumens (lm)	Efficacy (lm/W)
2' x 4'	LT-CD-24L-42 ECO	42	39.8	4452	106	4536	108	4620	110
2' x 2'	LT-CD-22H-34 ECO	34	33.4	3672	108	3740	110	3808	112

Product Dimensions



DLC QPL Data

QPL Model No.	Product ID	Technical Req.	Classification	Primary Use
LT-CD-24L-42/835 ECO	PL55KDMCL5X2	4.2	Standard	2x4 Luminaires for Ambient Lighting of Interior Commercial Spaces
LT-CD-24L-42/840 ECO	PLY7HUGMKM26	4.2	Standard	2x4 Luminaires for Ambient Lighting of Interior Commercial Spaces
LT-CD-24L-42/850 ECO	PLBSGJIT36YV	4.2	Standard	2x4 Luminaires for Ambient Lighting of Interior Commercial Spaces
LT-CD-22H-34/835 ECO	PQ1MKJQA	4.2	Standard	2x2 Luminaires for Ambient Lighting of Interior Commercial Spaces
LT-CD-22H-34/840 ECO	PJH3N2ZH	4.2	Standard	2x2 Luminaires for Ambient Lighting of Interior Commercial Spaces
LT-CD-22H-34/850 ECO	P88EP7F8	4.2	Standard	2x2 Luminaires for Ambient Lighting of Interior Commercial Spaces



NOTES:

¹ Typical color consistency. May vary or be changed.

² L70 hours calculated based on LED package manufacturer LM80 report and ISTMT report of LED in luminaire. Stated values are for select catalog numbers.

© 2017 Aleo Lighting, Inc. All rights reserved. For informational purposes only. Reproduction in whole or part is prohibited without prior written consent of the copyright owner. The information presented in this document does not form part of any quotation or contract, is believed to be accurate and reliable and may be changed without notice. No liability will be accepted by the publisher for any consequences of its use. Aleo Lighting reserves the rights make changes in specification at any time without notice.

Specifications and Dimensions subject to change without notice.



Aleo Lighting, Inc.
www.aleoighting.com
13924 Bettencourt St.
Cerritos, CA 90703
Ph: 877-358-8825

Project	
Notes	
Type	Date
Cat. No.	

LT-CD™ XE Series

Volumetric LED Troffer Center Diffuser

DESCRIPTION

The Aleo LT-CD™ XE Series Volumetric LED Troffer delivers industry-leading performance with deep energy savings and continuous dimming. The precision-formed diffuser produces comfortable and pleasant illumination, enhancing productive spaces in various applications.

APPLICATIONS

Provides architectural aesthetics for retail, schools, offices, healthcare, and other various commercial applications.



Specification Features

Construction

Simple construction with minimal parts allows for easy handling and installation. Low profile design optimizes shipping, storage, and handling. Luminaire features matte white durable finish. Integral T-Bar clips built into luminaire. Diffuser requires no additional frame or fastener for easy installation.

Optical System

Reflector systems features highly reflective coating and delivers balanced, comfortable illuminance for productive spaces. Diffuser lens reduces glare and improves occupant comfort while maintaining high efficiency emission.

Certification

UL Listed. All components have UL certification. UL Class 2. Driver: SCP, OTP, OVP protection, FCC Part 15 Class B, UL8750 Class 2. DLC Premium QPL

Warranty

7-year Limited Warranty. See warranty documentation for more information.

Electrical

Luminaire utilizes high-efficacy LED packages maintained at cool temperatures for long life, high efficacy. Reliable driver features continuous dimming. Universal voltage (120-277V) for convenient installation. Comes equipped with luminaire quick-disconnect.

Installation / Mounting

Installs in most standard T-Bar ceiling grid systems. Flange kit available for hard-lid/drywall applications. Surface-mount kit accessory available.

Controls / Dimming

Continuous dimming (0-10V) comes standard. Suitable for use with dimmers, sensors, daylight harvesting and other control strategies to achieve deeper energy-savings and code compliance.

LT-CD Series

- 2x4 25W, 34W
- 2x2 18W, 26W
- 1x4 26W



Rated Life 75,000 hours
 Limited Warranty 7-years
 Efficacy Up to 133 LPW
 Continuous Dimming



Quick Ship

- LT-CD-22LE-18/840 XE G3
- LT-CD-22HE-26/840 XE G3
- LT-CD-24VLE-25/840 XE G3
- LT-CD-24LE-34/840 XE G3
- LT-CD-14HE-26/840 XE G3

Ordering Information

Example: LT-CD-14HE-34/840 XE G3

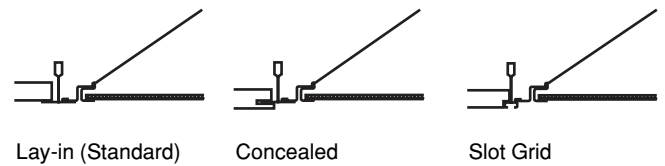
LT-CD	24	LE	36	8	40	[Blank]	[Blank]
Series	Form Factor	Lumen Package	Nominal Wattage	CRI	Color Temp	Input Voltage	Dimming
LT-CD	24 2'x4'	VLE Very Low Wattage	2'x4'	8 83+	35 3500K ¹	Blank 120V-277V	Blank 0-10V Continuous Dimming
Volumetric LED Troffer - Center Diffuser	22 2'x2'	LE Low Wattage	25 25W		40 4000K		
	14 1'x4'	HE High Lumen	34 34W		50 5000K ¹		
			48 46W				
			2'x 2'				
			18 18W				
			26 26W				
			1'x4'				
			26 26W				
						Options	
						Emergency Backup	
						EM700 700lm	
						EM1400 1400lm	

Performance Summary

Input Voltage	120V-277V
Input Frequency	50/60 Hz
Rated Wattage	See Performance Table
Delivered Lumens	See Performance Table
Efficacy	> 124 LPW (typ.)
CRI	82+, R9 > 0
Available CCT ¹	4000K
Color Consistency ²	5-step MacAdam Ellipse
Rated Life	75,000 hours
L70 ³	> 72,000 hours
Power Factor	> 0.9
THD	< 20%
Dimming	0-10V Continuous (10-100%)
Operating Temp.	-20°C to 50°C



Mounting Information



* Fits 9/16, 15/16 and SS T-bar grid.
Flange kit available upon request

Performance Data

Form Factor	Catalog No.	Rated Wattage (W)	Tested Wattage (W)	3500K ¹		4000K		5000K ¹	
				Delivered Lumens (lm)	Efficacy (lm/W)	Delivered Lumens (lm)	Efficacy (lm/W)	Delivered Lumens (lm)	Efficacy (lm/W)
2' x 4'	LT-CD-24VLE-25 XE G3	25	23.7	3450	138	3500	140	3550	142
	LT-CD-24LE-34 XE G3	34	31.6	4556	134	4590	135	4624	136
	LT-CD-24HE-48 XE G3	46	TBD	TBD	TBD	TBD	TBD	TBD	TBD
2' x 2'	LT-CD-22LE-18 XE G3	18	17.8	2304	128	2340	130	2376	132
	LT-CD-22HE-26 XE G3	26	25.2	3224	124	3250	125	3276	126
1' x 4'	LT-CD-14HE-26 XE G3	26	25.2	-	-	3250	125	3276	126

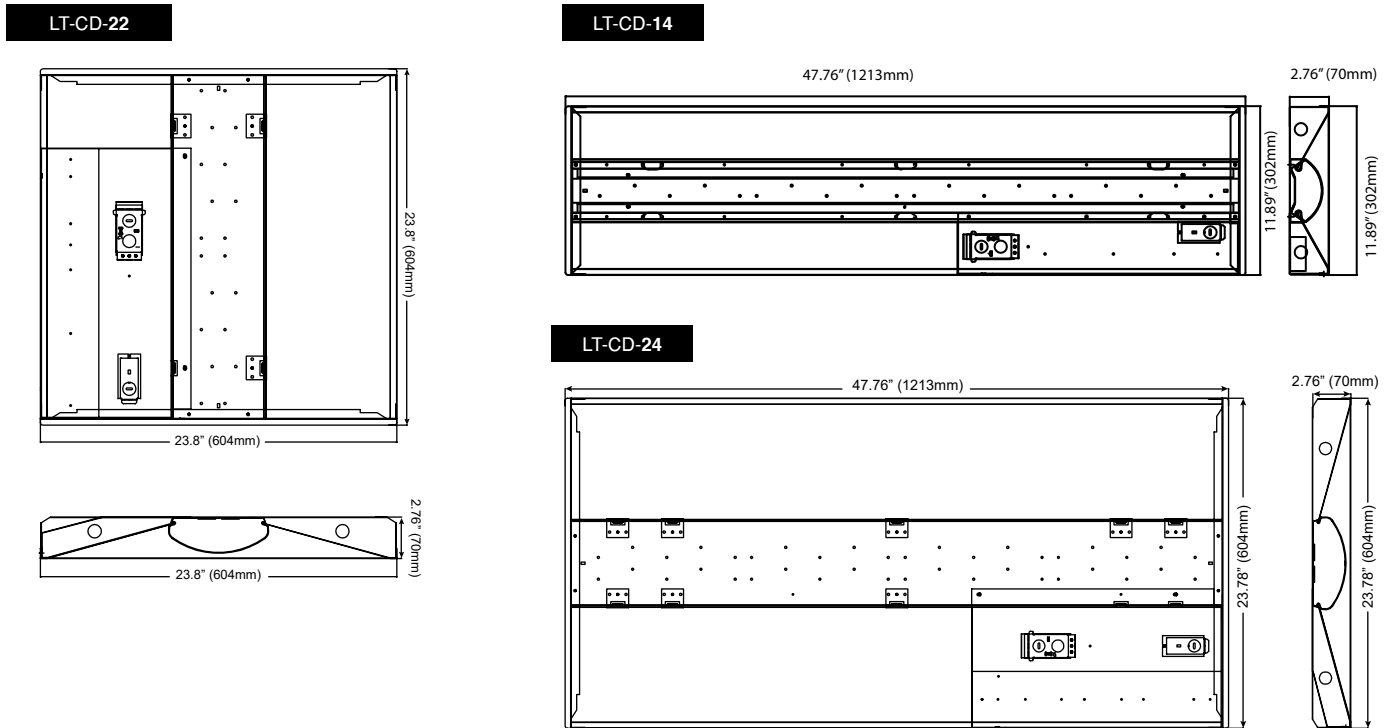
NOTES:

¹ Quick ship: 4000K. Other CCTs may require a lead time or be special order

² Typical color consistency. May vary or be changed.

³ L70 hours calculated based on LED package manufacturer LM80 report and ISTMT report of LED in luminaire. Stated values are for select catalog numbers.

Product Dimensions



DLC QPL Data



QPL Model No.	Product ID	Technical Req.	Classification	Primary Use
LT-CD-24VLE-25/835 XE G3	PZZ8SQZU	4.2	Premium	2x4 Luminaires for Ambient Lighting of Interior Commercial Spaces
LT-CD-24VLE-25/840 XE G3	PV4WSFCY	4.2	Premium	2x4 Luminaires for Ambient Lighting of Interior Commercial Spaces
LT-CD-24VLE-25/850 XE G3	PKEYB3EP	4.2	Premium	2x4 Luminaires for Ambient Lighting of Interior Commercial Spaces
LT-CD-24LE-34/835 XE G3	P5HJTKK2	4.2	Premium	2x4 Luminaires for Ambient Lighting of Interior Commercial Spaces
LT-CD-24LE-34/840 XE G3	P1XYMFFD	4.2	Premium	2x4 Luminaires for Ambient Lighting of Interior Commercial Spaces
LT-CD-24LE-34/850 XE G3	PPAYKVG6	4.2	Premium	2x4 Luminaires for Ambient Lighting of Interior Commercial Spaces
LT-CD-22LE-18/835 XE G3	PDPTM6CM	4.2	Premium	2x2 Luminaires for Ambient Lighting of Interior Commercial Spaces
LT-CD-22LE-18/840 XE G3	PJPG3DXW	4.2	Premium	2x2 Luminaires for Ambient Lighting of Interior Commercial Spaces
LT-CD-22LE-18/850 XE G3	P21EYDDK	4.2	Premium	2x2 Luminaires for Ambient Lighting of Interior Commercial Spaces
LT-CD-22HE-26/835 XE G3	PL4JQM6KLQJQ	4.2	Premium	2x2 Luminaires for Ambient Lighting of Interior Commercial Spaces
LT-CD-22HE-26/840 XE G3	PL6C5WBBHYV6	4.2	Premium	2x2 Luminaires for Ambient Lighting of Interior Commercial Spaces
LT-CD-22HE-26/850 XE G3	PL7XX6T3G2DY	4.2	Premium	2x2 Luminaires for Ambient Lighting of Interior Commercial Spaces
LT-CD-14HE-26/840 XE G3	PL6KWK359EYA	4.2	Premium	1x4 Luminaires for Ambient Lighting of Interior Commercial Spaces
LT-CD-14HE-26/850 XE G3	PLPJDXV7YQO6	4.2	Premium	1x4 Luminaires for Ambient Lighting of Interior Commercial Spaces

© 2017 Aleo Lighting, Inc. All rights reserved. For informational purposes only. Reproduction in whole or part is prohibited without prior written consent of the copyright owner. The information presented in this document does not form part of any quotation or contract, is believed to be accurate and reliable and may be changed without notice. No liability will be accepted by the publisher for any consequences of its use. Aleo Lighting reserves the rights make changes in specification at any time without notice.

Specifications and Dimensions subject to change without notice.

Project	
Notes	
Type	Date
Cat. No.	

LTR™ XE Series

LED Troffer Retrofit Kit

DESCRIPTION

The Aleo LTR™ XE Series Troffer Retrofit Kit delivers industry-leading performance with deep energy savings and continuous dimming. Easy and quick installation reduces labor cost and optimizes ROI. The retrofit kit eliminates the need to replace existing luminaire housing, which reduces install time and disposal/removal costs. The precision-formed diffuser produces comfortable and pleasant illumination, enhancing productive spaces in various applications.

APPLICATIONS

Provides architectural aesthetics for retail, schools, offices, healthcare, and other various commercial applications.

Specification Features

Construction

Simple construction with minimal parts allows for easy handling and installation. Luminaire features matte white durable finish.

Optical System

Reflector systems features highly reflective coating and delivers balanced, comfortable illuminance for productive spaces. Diffuser lens reduces glare and improves occupant comfort while maintaining high efficiency emission.

Certification

UL Classified. All components have UL certification. UL Class 2. Driver: SCP, OTP, OVP protection, FCC Part 15 Class B, UL8750 Class 2. DLC Premium

Warranty

7-year Limited Warranty. See warranty documentation for more information.

Electrical

Luminaire utilizes high-efficacy LED packages maintained at cool temperatures for long life, high efficacy. Reliable driver features continuous dimming. Universal voltage (120-277V) for convenient installation. Comes equipped with luminaire quick-disconnect.

Installation / Mounting

Installs in most troffer luminaires. Retrofit kit fits within troffer and ceiling T-bar grid, eliminating need to remove existing fixture housing.

Controls / Dimming

Continuous dimming (0-10V) comes standard. Suitable for use with dimmers, sensors, daylight harvesting and other control strategies to achieve deeper energy-savings and code compliance.



LTR Series

2x4 22W, 36W
2x2 25W, 30W

Rated Life 75,000 hours
Limited Warranty 7-years
Efficacy Up to 126 LPW
Continuous Dimming



Quick Ship

LTR-22LE-25/840 XE G3
LTR-22HE-30/840 XE G3
LTR-24LE-36/840 XE G3
LTR-24VLE-22/840 XE G3

Ordering Information

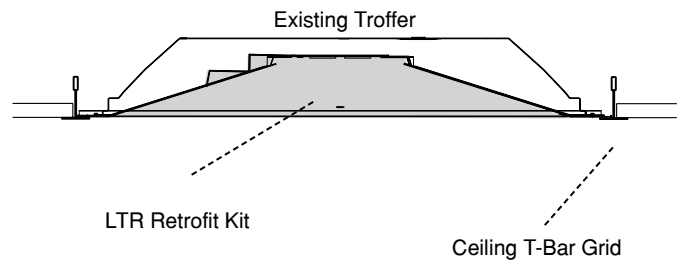
Example: LTR-22LE-25/840 XE G3

LTR	22	LE	25	8	40	[Blank]	[Blank]
Series	Form Factor	Lumen Package	Nominal Wattage	CRI	Color Temp¹	Input Voltage	Dimming
LTR LED Troffer Retrofit Kit	22 2'x2' 24 2'x4'	VLE Very Low Lumen LE Low Lumen HE High Lumen	2'x4' 22 22W 36 36W 2'x2' 25 25W 30 30W	8 83+	40 4000K	Blank 120V-277V	Blank 0-10V Continuous Dimming
Options							
Emergency Backup							
EM700 700lm EM1400 1400lm							

Performance Summary

Input Voltage	120V-277V
Input Frequency	50/60 Hz
Rated Wattage	See Performance Table
Delivered Lumens	See Performance Table
Efficacy	> 126 LPW (typ.)
CRI	83+, R9 > 0
Available CCT ¹	3500K, 4000K, 5000K
Color Consistency ²	5-step MacAdam Ellipse
Rated Life	75,000 hours
L70 ³	> 72,000 hours
Power Factor	> 0.9
THD	< 20%
Dimming	0-10V Continuous (10-100%)
Operating Temp	-20°C to 50°C

Mounting Information



Performance Data

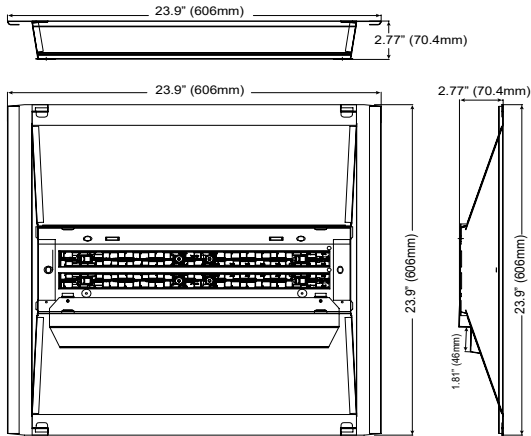
Form Factor	Catalog No.	Rated Wattage (W)	Tested Wattage (W)	3500K ¹		4000K		5000K ¹	
				Delivered Lumens (lm)	Efficacy (lm/W)	Delivered Lumens (lm)	Efficacy (lm/W)	Delivered Lumens (lm)	Efficacy (lm/W)
2' x 4'	LTR-24VLE-22 XE G3	22	22.7	2948	134	2970	135	2992	136
	LTR-24LE-36 XE G3	36	36	4680	130	4758	132	4854	134
2' x 2'	LTR-22LE-25 XE G3	23	22.5	2944	128	3000	130	3013	131
	LTR-22HE-30 XE G3	30	27.7	3780	126	3840	128	3900	130

NOTES:

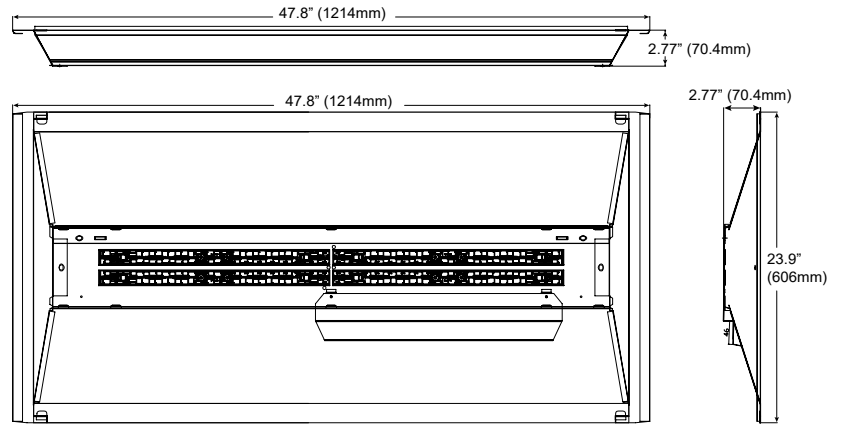
- ¹ Quick ship: 4000K. Other CCTs may require a lead time or be special order
- ² Typical color consistency. May vary or be changed.
- ³ L70 hours calculated based on LED package manufacturer LM80 report and ISTMT report of LED in luminaire. Stated values are for select catalog numbers.

Product Dimensions

LTR-22



LTR-24



DLC QPL Data



QPL Model No.	Product ID	Technical Req.	Classification	Primary Use
LTR-22LE-25/835 XE G3	PLCIAA2ESJ3W	4.2	Premium	Integrated Retrofit Kits for 2x2 Luminaires
LTR-22LE-25/840 XE G3	PLQ1JP9VCBQ4	4.2	Premium	Integrated Retrofit Kits for 2x2 Luminaires
LTR-22LE-25/850 XE G3	PLIIC16551X7	4.2	Premium	Integrated Retrofit Kits for 2x2 Luminaires
LTR-22HE-30/835 XE G3	PLQW3D0EJ5U4	4.2	Premium	Integrated Retrofit Kits for 2x2 Luminaires
LTR-22HE-30/840 XE G3	PL533BQIC48J	4.2	Premium	Integrated Retrofit Kits for 2x2 Luminaires
LTR-22HE-30/850 XE G3	PL2EJ3X2JFMW	4.2	Premium	Integrated Retrofit Kits for 2x2 Luminaires
LTR-24LE-36/835 XE G3	PT7DUZ5P	4.2	Premium	Integrated Retrofit Kits for 2x4 Luminaires
LTR-24LE-36/840 XE G3	PVCG5J8S	4.2	Premium	Integrated Retrofit Kits for 2x4 Luminaires
LTR-24LE-36/850 XE G3	P6KU1T7R	4.2	Premium	Integrated Retrofit Kits for 2x4 Luminaires
LTR-24VLE-22/835 XE G3	PLID2Q869SK9	4.2	Premium	Integrated Retrofit Kits for 2x4 Luminaires
LTR-24VLE-22/840 XE G3	PL7ZF7WTY9R8	4.2	Premium	Integrated Retrofit Kits for 2x4 Luminaires
LTR-24VLE-22/850 XE G3	PLCA777RNRX7	4.2	Premium	Integrated Retrofit Kits for 2x4 Luminaires
LTR-24VLE-24/835 XE G3	P5E22TUE	4.2	Premium	Integrated Retrofit Kits for 2x4 Luminaires
LTR-24VLE-24/840 XE G3	PWZG2MEP	4.2	Premium	Integrated Retrofit Kits for 2x4 Luminaires
LTR-24VLE-24/850 XE G3	P64A6RC8	4.2	Premium	Integrated Retrofit Kits for 2x4 Luminaires

aleo[™]
LED LIGHTING

© 2017 Aleo Lighting, Inc. All rights reserved. For informational purposes only. Reproduction in whole or part is prohibited without prior written consent of the copyright owner. The information presented in this document does not form part of any quotation or contract, is believed to be accurate and reliable and may be changed without notice. No liability will be accepted by the publisher for any consequences of its use. Aleo Lighting reserves the rights make changes in specification at any time without notice.

Aleo Lighting, Inc.
www.aleoighting.com
13924 Bettencourt St.
Cerritos, CA 90703
Ph: 877-358-8825

Specifications and Dimensions subject to change without notice.



Project	
Notes	
Type	Date
Cat. No.	

LTR™ XE Series **LED Troffer Retrofit Kit - Hinged Door Design**

DESCRIPTION

The Aleo LTR™ XE Series Troffer Retrofit Kit delivers industry-leading performance with deep energy savings and continuous dimming. Easy and quick installation reduces labor cost and optimizes ROI. The retrofit kit eliminates the need to replace existing luminaire housing, which reduces install time and disposal/removal costs. The precision-formed diffuser produces comfortable and pleasant illumination, enhancing productive spaces in various applications.



APPLICATIONS

Provides architectural aesthetics for retail, schools, offices, healthcare, and other various commercial applications.

Specification Features



LTR Series	
2x4	36W
1x4	23W

Construction

Simple construction with minimal parts allows for easy handling and installation. Luminaire features matte white durable finish.

Optical System

Reflector systems features highly reflective coating and delivers balanced, comfortable illuminance for productive spaces. Diffuser lens reduces glare and improves occupant comfort while maintaining high efficiency emission.

Certification

UL Classified. All components have UL certification. UL Class 2. Driver: SCP, OTP, OVP protection, FCC Part 15 Class B, UL8750 Class 2. DLC Premium

Warranty

7-year Limited Warranty. See warranty documentation for more information.

Electrical

Luminaire utilizes high-efficacy LED packages maintained at cool temperatures for long life, high efficacy. Reliable driver features continuous dimming. Universal voltage (120-277V) for convenient installation. Comes equipped with luminaire quick-disconnect.

Installation / Mounting

Installs in most troffer luminaires. Retrofit kit fits within troffer and ceiling T-bar grid, eliminating need to remove existing fixture housing.

Controls / Dimming

Continuous dimming (0-10V) comes standard. Suitable for use with dimmers, sensors, daylight harvesting and other control strategies to achieve deeper energy-savings and code compliance.

Rated Life 75,000 hours
Limited Warranty 7-years
Efficacy Up to 127 LPW
Continuous Dimming



Quick Ship

LTR-24LE-36/840 XE G3-HD
 LTR-14LE-23/840 XE G3-HD

Ordering Information

Example: LTR-24LE-36/840 XE G3-HD

LTR	24	LE	36	8	40	HD	[Blank]	[Blank]
Series	Form Factor	Lumen Package	Nominal Wattage	CRI	Color Temp¹	HD	Input Voltage	Dimming
LTR LED Troffer Retrofit Kit	24 2'x4' 14 1'x4'	LE Low Lumen	2'x4' 36 36W 1'x4' 23 23W	8 83+	40 4000K	Hinged Door Design	Blank 120V-277V	Blank 0-10V Continuous Dimming
							Options	
							Emergency Backup	
							EM700 700lm	
							EM1400 1400lm	

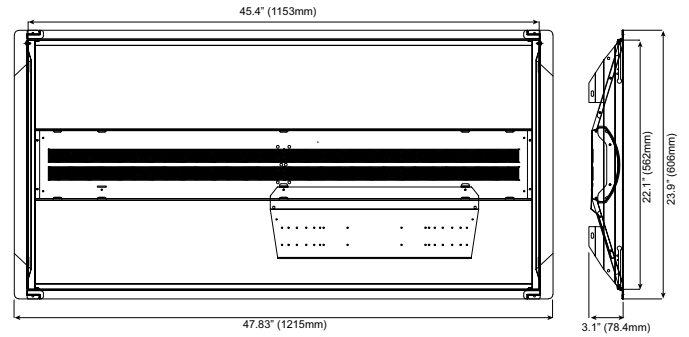
Specifications and Dimensions subject to change without notice.

Performance Summary

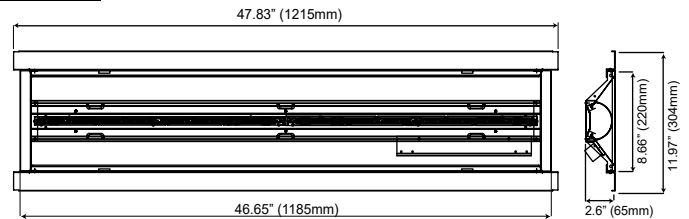
Input Voltage	120V-277V
Input Frequency	50/60 Hz
Rated Wattage	See Performance Table
Delivered Lumens	See Performance Table
Efficacy	> 127 LPW (typ.)
CRI	83+, R9 > 0
Available CCT ¹	3500K, 4000K, 5000K
Color Consistency ²	5-step MacAdam Ellipse
Rated Life	75,000 hours
L70 ³	> 72,000 hours
Power Factor	> 0.9
THD	< 20%
Dimming	0-10V Continuous (10-100%)
Operating Temp	-20°C to 50°C

Product Dimensions

LTR-24



LTR-14



Performance Data

Form Factor	Catalog No.	Rated Wattage (W)	Tested Wattage (W)	4000K	
				Delivered Lumens (lm)	Efficacy (lm/W)
2' x 4'	LTR-24LE-36 XE G3-HD	36	36.68	4572	127
1' x 4'	LTR-14LE-23 XE G3-HD	23	22.99	2944	128

DLC QPL Data



QPL Model No.	Product ID	Technical Req.	Classification	Primary Use
LTR-24LE-36/840 XE G3-HD	PMM8MRRH	4.2	Premium	Integrated Retrofit Kits for 2x4 Luminaires
LTR-14LE-23/840 XE G3-HD	PLK8KL5RXHKH	4.2	Premium	Integrated Retrofit Kits for 1x4 Luminaires

NOTES:

- Quick ship: 4000K. Other CCTs may require a lead time or be special order
- Typical color consistency. May vary or be changed.
- L70 hours calculated based on LED package manufacturer LM80 report and ISTMT report of LED in luminaire. Stated values are for select catalog numbers.

© 2017 Aleo Lighting, Inc. All rights reserved. For informational purposes only. Reproduction in whole or part is prohibited without prior written consent of the copyright owner. The information presented in this document does not form part of any quotation or contract, is believed to be accurate and reliable and may be changed without notice. No liability will be accepted by the publisher for any consequences of its use. Aleo Lighting reserves the rights make changes in specification at any time without notice.



Aleo Lighting, Inc.
www.aleoighting.com
13924 Bettencourt St.
Cerritos, CA 90703
Ph: 877-358-8825

Specifications and Dimensions subject to change without notice.

Project	
Notes	
Type	Date
Cat. No.	

LVA™ Series

LED Linear Vapor Tight Luminaire

DESCRIPTION

Aleo's LVA™ series offers an attractive, energy-saving solution to surface-mount or suspended-mount applications, suitable for damp/wet location. Designed for performance and longevity at an unbeatable value. Manufactured for challenging situations where the fixture's gasketed enclosure protects against dust, spray, humidity, and liquid.

APPLICATIONS

Excellent for relatively low-mounting applications: Parking garage, warehouse, industrial facilities, airports, cold storage, car wash, garden centers.



LVA Series

4' 40W, 52W



Specification Features

Construction

Durable enclosure and lens offers protection against dust, jet spray, humidity and water intrusion. Latches ensure solid security from challenging environments.

Optical System

Reflector systems features highly reflective gear tray and delivers balanced, comfortable illuminance for productive spaces. Diffuser lens reduces glare and improves occupant comfort while maintaining high efficiency emission.

Certification

UL Listed. All components have UL certification. UL Class 2. Driver: SCP, OTP, OVP protection, FCC Part 15 Class B, UL8750 Class 2. Suitable for Wet Locations. DLC Premium

Warranty

7-year Limited Warranty. See warranty documentation for more information.

Electrical

Luminaire utilizes high-efficacy LED packages maintained at cool temperatures for long life, high efficacy. Reliable driver features continuous dimming. Universal voltage (120-277V) for convenient installation.

Installation / Mounting

For surface-mount or suspension-mount. Equipped with mounting bracket. V-hook hangers available for suspension mount.

Controls / Dimming

Continuous dimming (0-10V) comes standard. Suitable for use with dimmers, sensors, daylight harvesting and other control strategies to achieve deeper energy-savings and code compliance.

Rated Life 75,000 hours
Limited Warranty 7-years
Efficacy Up to 131 LPW
Continuous Dimming



Ordering Information

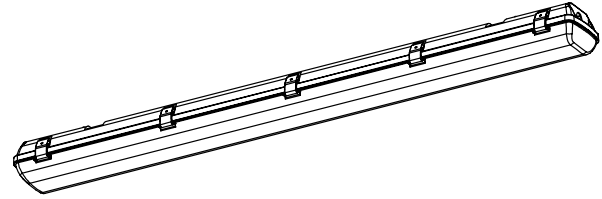
Example: LVA-4HE-52/850

LVA	4	HE	8	50	[Blank]	[Blank]	Options
Series LVA LED Linear Vapor Tight Luminaire	Form Factor 4 4'	Lumen Package LE-40 Low Wattage (40W) HE-52 High Lumen (52W)	CRI 8 83+	Color Temp 50 5000K	Input Voltage Blank 120V-277V	Dimming Blank 0-10V Continuous Dimming	Latches Blank PC latches

Specifications and Dimensions subject to change without notice.

Performance Summary

Input Voltage	120V-277V
Input Frequency	50/60 Hz
Rated Wattage	See Performance Table
Delivered Lumens	See Performance Table
Efficacy	> 125 LPW (typ.)
CRI	83+, R9 > 0
Available CCT ¹	5000K
Color Consistency ²	5-step MacAdam Ellipse
Rated Life	75,000 hours
Power Factor	> 0.9
THD	< 20%
Dimming	0-10V Continuous (10-100%)
Operating Temp	-20°C to 50°C

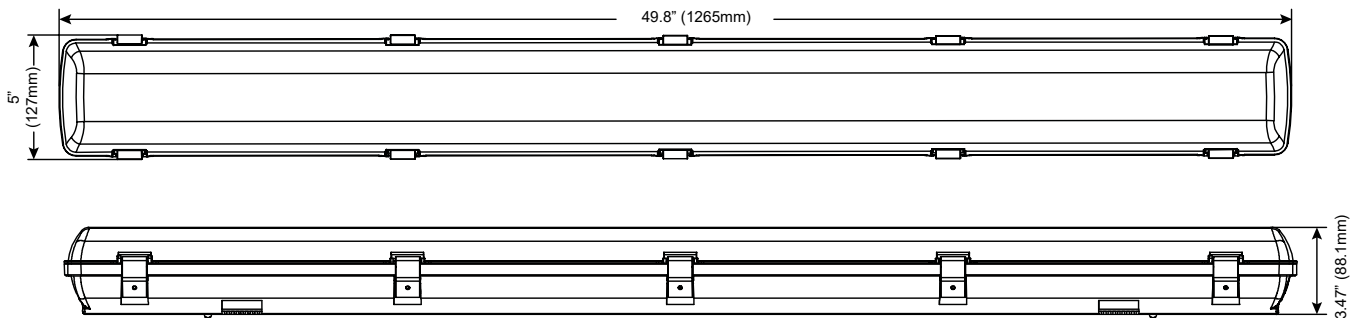


Performance Data

Form Factor	Catalog No.	Rated Wattage (W)	Tested Wattage (W)	5000K	
				Delivered Lumens (lm)	Efficacy (lm/W)
4'	LVA-4LE-40	40	38	5240	131
	LVA-4HE-52	52	51.3	6812	131

Product Dimensions

LVA-4



DLC QPL Data

QPL Model No.	Product ID	Technical Req.	Classification	Primary Use
LVA-4LE-40/850	PYKA46BE	4.2	Premium	Direct Linear Ambient Luminaires
LVA-4LE-40/850	PL64P3AZRD47	4.2	Premium	Low-Bay Luminaires for Commercial and Industrial Buildings
LVA-4HE-52/850	PZ7JYR4S	4.2	Premium	Direct Linear Ambient Luminaires
LVA-4HE-52/850	PLVY2OVQSP77	4.2	Premium	Low-Bay Luminaires for Commercial and Industrial Buildings



NOTES:

- Certain CCTs may require a lead time or be special order
- Typical color consistency. May vary or be changed.
- L70 hours calculated based on LED package manufacturer LM80 report and ISTMT report of LED in luminaire. Stated values are for select catalog numbers. Contact manufacturer for detailed information



© 2017 Aleo Lighting, Inc. All rights reserved. For informational purposes only. Reproduction in whole or part is prohibited without prior written consent of the copyright owner. The information presented in this document does not form part of any quotation or contract, is believed to be accurate and reliable and may be changed without notice. No liability will be accepted by the publisher for any consequences of its use. Aleo Lighting reserves the rights make changes in specification at any time without notice.

Aleo Lighting, Inc.
www.aleolighting.com
13924 Bettencourt St.
Cerritos, CA 90703
Ph: 877-358-8825

Specifications and Dimensions subject to change without notice.



Project	
Notes	
Type	Date
Cat. No.	

LWA™ Series **LED Commercial Wrap Luminaire**

DESCRIPTION
 The Aleo LWA™ Series Commercial Wrap Luminaire delivers industry-leading performance with deep energy savings and continuous dimming. Low profile design offers easy handling and storage. This versatile luminaire produces energy-efficient, comfortable illumination for a myriad of applications.

APPLICATIONS
 Excellent for general utility applications: storage closets, restrooms, hallways, corridors, stairwells.



LWA Series

4' 40W

Specification Features



Construction
 Modular LED and driver allows for serviceability and maintenance. Luminaire features matte white durable finish. Diffuser requires no additional frame or fastener for easy installation.

Optical System
 Reflector systems features highly reflective coating and delivers balanced, comfortable illuminance for productive spaces. Diffuser lens reduces glare and improves occupant comfort while maintaining high efficiency emission.

Electrical
 Luminaire utilizes high-efficacy LED packages maintained at cool temperatures for long life, high efficacy. Reliable driver features continuous dimming. Universal voltage (120-277V) for convenient installation. Comes equipped with luminaire quick-disconnect.

Rated Life 75,000 hours
 Limited Warranty 7-years
 Efficacy Up to 126 LPW
 Continuous Dimming

Certification
 UL Listed. All components have UL certification. UL Class 2. Driver: SCP, OTP, OVP protection, FCC Part 15 Class B, UL8750 Class 2. DLC Premium

Installation / Mounting
 Luminaire back housing includes holes and slots for various mounting methods.



Warranty
 7-year Limited Warranty. See warranty documentation for more information.

Controls / Dimming
 Continuous dimming (0-10V) comes standard. Suitable for use with dimmers, sensors, daylight harvesting and other control strategies to achieve deeper energy-savings and code compliance.

Quick Ship
 LWA-4HE-40/840

Ordering Information

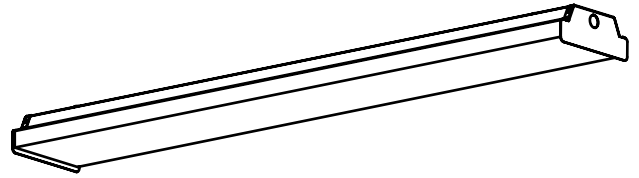
Example: LWA-4HE-40/840

LWA	4	HE	40	8	40	[Blank]	[Blank]
Series LWA LED Commercial Wrap Luminaire	Form Factor 4 4'	Lumen Package HE High Lumen	Nominal Wattage 40 40W	CRI 8 83+	Color Temp 40 4000K	Input Voltage Blank 120V-277V	Dimming Blank 0-10V Continuous Dimming
Options							
Emergency Backup EM700 700lm EM1400 1400lm				Controls* OS Occupancy Sensor OSDL Occ. Sensor w/ Daylight OSDL/IR Multi-Level Occ. Sensor w/ wireless config.			
* Will be supplied with side fixture-mounting sensor, unless specified							

Specifications and Dimensions subject to change without notice.

Performance Summary

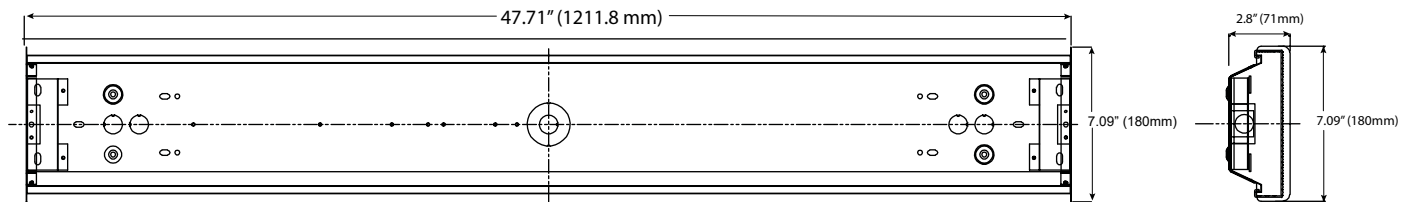
Input Voltage	120V-277V
Input Frequency	50/60 Hz
Rated Wattage	See Performance Table
Delivered Lumens	See Performance Table
Efficacy	> 126 LPW (typ.)
CRI	83+, R9 > 0
Available CCT ¹	4000K
Color Consistency ²	5-step MacAdam Ellipse
Rated Life	75,000 hours
L70 ³	> 72,000 hours
Power Factor	> 0.9
THD	< 20%
Dimming	0-10V Continuous (10-100%)
Operating Temp.	-20°C to 50°C



Performance Data

Form Factor	Catalog No.	Rated Wattage (W)	4000K	
			Delivered Lumens (lm)	Efficacy (lm/W)
4'	LWA-4HE	40	5200	130

Product Dimensions



DLC QPL Data

QPL Model No.	Product ID	Technical Req.	Classification	Primary Use
LWA-4HE-40/840	PLJ03QYVCLHC	4.2	Premium	Direct Linear Ambient Luminaires
LWA-4HE-40/840	PLSLPGKOFU3W	4.2	Premium	Low-Bay Luminaires for Commercial and Industrial Buildings



NOTES:

- Quick ship: 4000K. Other CCTs may require a lead time or be special order
- Typical color consistency. May vary or be changed.
- L70 hours calculated based on LED package manufacturer LM80 report and ISTMT report of LED in luminaire. Stated values are for select catalog numbers. Contact manufacturer for detailed information

Specifications and Dimensions subject to change without notice.

Project	
Notes	
Type	Date
Cat. No.	

LWE™ Series

LED Economy Utility Wrap Luminaire

DESCRIPTION

The Aleo LWE™ Series Economy Utility Wrap Luminaire delivers industry-leading value with deep energy savings and continuous dimming. Low profile design offers easy handling and storage. This versatile luminaire produces energy-efficient, comfortable illumination for a myriad of applications.

APPLICATIONS

Excellent for general utility applications: storage closets, restrooms, hallways, corridors, stairwells.



LWE Series

4' 42W

Specification Features



Construction

Modular LED and driver allows for serviceability and maintenance. Luminaire features matte white durable finish. Diffuser requires no additional frame or fastener for easy installation.

Optical System

Reflector systems features highly reflective coating and delivers balanced, comfortable illuminance for productive spaces. Diffuser lens reduces glare and improves occupant comfort while maintaining high efficiency emission.

Certification

UL Listed. All components have UL certification. UL Class 2. Driver: SCP, OTP, OVP protection, FCC Part 15 Class B, UL8750 Class 2. DLC Standard

Warranty

7-year Limited Warranty. See warranty documentation for more information.

Electrical

Luminaire utilizes high-efficacy LED packages maintained at cool temperatures for long life, high efficacy. Universal voltage (120-277V) for convenient installation. Comes equipped with luminaire quick-disconnect.

Installation / Mounting

Luminaire back housing includes holes and slots for various mounting methods.

Controls/Dimming

Continuous dimming (0-10V) comes standard. Suitable for use with dimmers, sensors, daylight harvesting and other control strategies to achieve deeper energy-savings and code compliance.

Rated Life 75,000 hours
Limited Warranty 7-years
Efficacy Up to 105 LPW
Continuous Dimming



Quick Ship

LWE-4L/840 ECO

Ordering Information

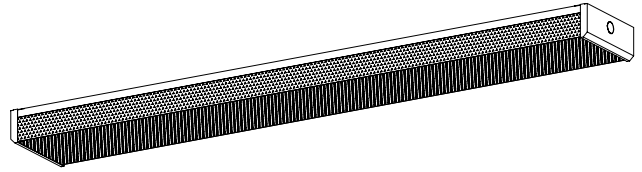
Example: LWE-4L/840 ECO

LWE	4	L	8	40	[Blank]	[Blank]	Options
Series	Form Factor	Lumen Package	CRI	Color Temp	Input Voltage	Dimming	Emergency Backup
LWE LED Economy Utility Wrap Luminaire	4 4'	L Low Wattage (42W)	8 83+	40 4000K	Blank 120V-277V	Blank 0-10V Continuous Dimming	EM700 700lm EM1400 1400lm EM2000 2000lm

Specifications and Dimensions subject to change without notice.

Performance Summary

Input Voltage	120V-277V
Input Frequency	50/60 Hz
Rated Wattage	See Performance Table
Delivered Lumens	See Performance Table
Efficacy	> 105 LPW (typ.)
CRI	83+, R9 > 0
Available CCT ¹	4000K,
Color Consistency ²	5-step MacAdam Ellipse
Rated Life	75,000 hours
L70 ³	> 72,000 hours
Power Factor	> 0.9
THD	< 20%
Dimming	Continuous Dimming
Operating Temp	-20°C to 50°C

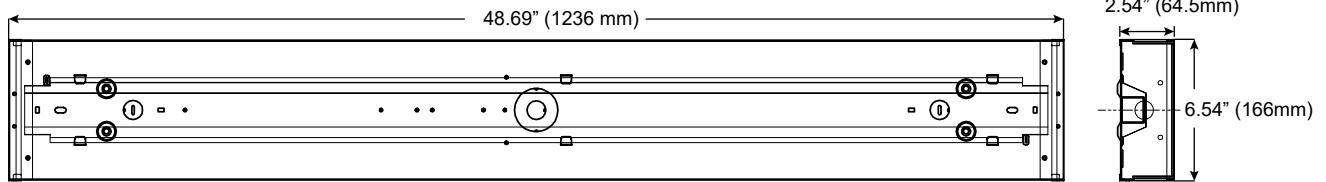


Performance Data

Form Factor	Catalog No.	Rated Wattage (W)	4000K	
			Delivered Lumens (lm)	Efficacy (lm/W)
4'	LWE-4L ECO	42	4410	105

Product Dimensions

LWE-4



DLC QPL Data

QPL Model No.	Product ID	Technical Req.	Classification	Primary Use
LWE-4L/840 ECO	PL0HV6GF84VU	4.2	Standard	Direct Linear Ambient Luminaires
LWE-4L/850 ECO	PL3RGATNL64F	4.2	Standard	Direct Linear Ambient Luminaires



NOTES:

- Quick ship: 4000K. Other CCTs may require a lead time or be special order
- Typical color consistency. May vary or be changed.
- L70 hours calculated based on LED package manufacturer LM80 report and ISTMT report of LED in luminaire. Stated values are for select catalog numbers. Contact manufacturer for detailed information

© 2017 Aleo Lighting, Inc. All rights reserved. For informational purposes only. Reproduction in whole or part is prohibited without prior written consent of the copyright owner. The information presented in this document does not form part of any quotation or contract, is believed to be accurate and reliable and may be changed without notice. No liability will be accepted by the publisher for any consequences of its use.

Specifications and Dimensions subject to change without notice.

aleo™
LED LIGHTING

Aleo Lighting, Inc.
www.aleolighting.com
13924 Bettencourt St.
Cerritos, CA 90703
Ph: 877-358-8825

Project	
Notes	
Type	Date
Cat. No.	

LWS™ Series

LED Architectural Wrap Luminaire

DESCRIPTION

The Aleo LWS™ series Architectural Wrap Luminaire delivers industry-leading performance with deep energy savings and continuous dimming. The curved diffuser offers visually-pleasing illumination and aesthetics. This versatile luminaire transforms spaces with a high-end look, providing comfortable illumination for a myriad of applications.

APPLICATIONS

Excellent for various surface-mounts and suspended applications: offices, conference rooms, restrooms, hallways, corridors, stairwells.



Specification Features



Construction

Modular LED and driver allows for serviceability and maintenance. Luminaire features matte white durable finish. Convenient installation with hanging gear-tray.

Optical System

Reflector systems features highly reflective coating and delivers balanced, comfortable illuminance for productive spaces. Curved, ribbed, diffuser lens reduces glare and improves occupant comfort while maintaining high efficiency emission.

Certification

UL Listed. All components have UL certification. UL Class 2. Driver: SCP, OTP, OVP protection, FCC Part 15 Class B, UL8750 Class 2.

Warranty

7-year Limited Warranty. See warranty documentation for more information.

Electrical

Luminaire utilizes high-efficacy LED packages maintained at cool temperatures for long life, high efficacy. Reliable driver features continuous dimming. Universal voltage (120-277V) for convenient installation. Comes equipped with luminaire quick-disconnect.

Installation / Mounting

Luminaire back housing includes holes and slots for various mounting methods. Suitable for suspension, surface, or pendant mount.

Controls / Dimming

Continuous dimming (0-10V) comes standard. Suitable for use with dimmers, sensors, daylight harvesting and other control strategies to achieve deeper energy-savings and code compliance.

LWS Series

4' 40W

Rated Life 75,000 hours
Limited Warranty 7-years
Efficacy Up to 128 LPW
Continuous Dimming



Quick Ship

LWS-4HE-40/840

Ordering Information

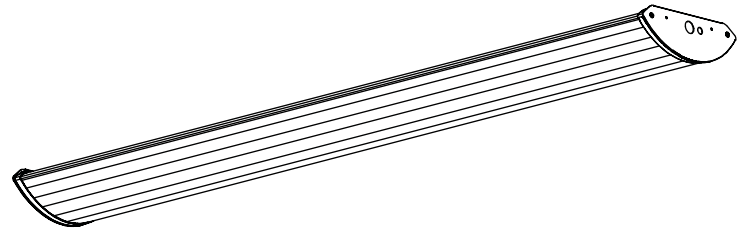
Example: LWS-4HE-40/840

LWS	4	HE	40	8	40	[Blank]	[Blank]
Series	Form Factor	Lumen Package	Nominal Wattage	CRI	Color Temp¹	Input Voltage	Dimming
LWS LED Architectural Wrap Luminaire	4 4'	HE High Lumen	40 40W	8 82+	40 4000K	Blank 120V-277V	Blank 0-10V Continuous Dimming
Options							
Emergency Backup							
EM700 700lm EM1400 1400lm							

Specifications and Dimensions subject to change without notice.

Performance Summary

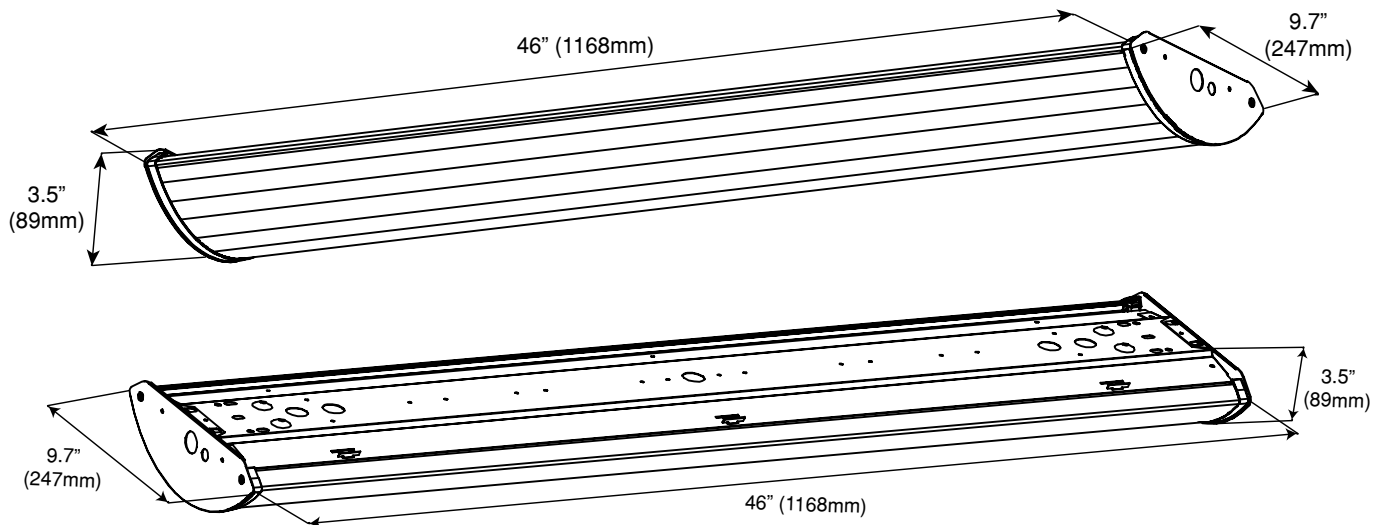
Input Voltage	120V-277V
Input Frequency	50/60 Hz
Rated Wattage	See Performance Table
Delivered Lumens	See Performance Table
Efficacy	> 128 LPW (typ.)
CRI	82+, R9 > 0
Available CCT ¹	3500K, 4000K, 5000K
Color Consistency ²	5-step MacAdam Ellipse
Rated Life	75,000 hours
L70 ³	> 72,000 hours
Power Factor	> 0.9
THD	< 20%
Dimming	0-10V Continuous (10-100%)
Operating Temp.	-20°C to 50°C



Performance Data

Form Factor	Catalog No.	Rated Wattage (W)	4000K	
			Delivered Lumens (lm)	Efficacy (lm/W)
4'	LWS-4HE-40/840	40	5200	130

Product Dimensions



NOTES:

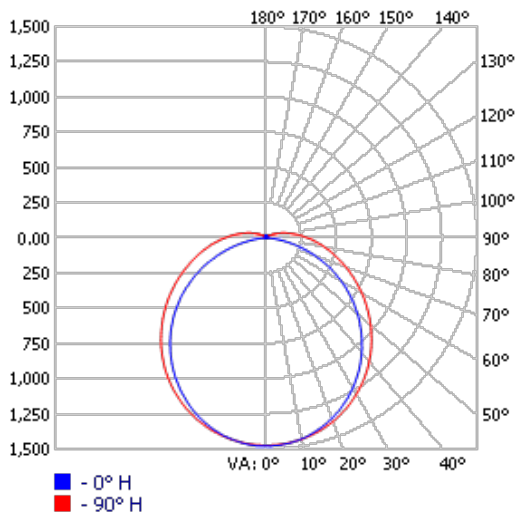
- ¹ Quick ship: 4000K. Other CCTs may require a lead time or be special order
- ² Typical color consistency. May vary or be changed.
- ³ L70 hours calculated based on LED package manufacturer LM80 report and ISTMT report of LED in luminaire. Stated values are for select catalog numbers. Contact manufacturer for detailed information

Specifications and Dimensions subject to change without notice.

Photometric Data

LWS-4HE-40/840 Tested in accordance to IESNA LM-79

Polar Graph



Zonal Lumen Summary

ZONE	LUMENS	% LUMINAIRE
0-30	1,148.0	23.3%
0-40	1,886.5	38.3%
0-60	3,383.5	68.7%
60-90	1,255.0	25.5%
70-100	802.1	16.3%
90-120	238.6	4.8%
0-90	4,638.5	94.2%
90-180	285.8	5.8%
0-180	4,924.3	100%

Coefficients of Utilization EFFECTIVE FLOOR CAVITY REFLECTANCE: 20%

RCC%	80				70				50		
RW%	70	50	30	0	70	50	30	0	50	30	20
0	1.18	1.18	1.18	1.18	1.14	1.14	1.14	.94	.08	1.08	1.08
1	1.06	1.00	.95	.91	1.02	.97	.93	.76	.92	.88	.85
2	.96	.87	.79	.73	.92	.84	.77	.63	.80	.74	.69
3	.87	.76	.67	.60	.84	.74	.66	.53	.70	.63	.57
4	.79	.67	.58	.51	.77	.65	.56	.45	.62	.54	.49
5	.73	.59	.50	.43	.70	.58	.49	.39	.55	.48	.42
6	.67	.53	.44	.38	.65	.52	.43	.34	.50	.42	.36
7	.62	.48	.39	.33	.60	.47	.39	.31	.45	.38	.32
8	.58	.44	.35	.29	.56	.43	.35	.27	.41	.34	.29
9	.54	.40	.32	.26	.52	.40	.32	.25	.38	.31	.26
10	.51	.37	.29	.24	.49	.36	.29	.22	.35	.28	.23

DLC QPL Data

QPL Model No.	Product ID	Technical Req.	Classification	Primary Use
LWS-4HE-40/840	PLYVI6NH15S5	4.2	Premium	Direct Linear Ambient Luminaires
LWS-4HE-40/840	PLDLNWS8S3YH	4.2	Premium	Low-Bay Luminaires for Commercial and Industrial Buildings



© 2017 Aleo Lighting, Inc. All rights reserved. For informational purposes only. Reproduction in whole or part is prohibited without prior written consent of the copyright owner. The information presented in this document does not form part of any quotation or contract, is believed to be accurate and reliable and may be changed without notice. No liability will be accepted by the publisher for any consequences of its use.

Aleo Lighting, Inc.
 www.aleolighting.com
 13924 Bettencourt St.
 Cerritos, CA 90703
 Ph: 877-358-8825

Project	
Notes	
Type	Date
Cat. No.	

SCB™ Series

Slim-Profile Circular LED High Bay



DESCRIPTION

The Aleo SCB™ Series Slim-Profile Circular High Bay delivers industry-leading performance with a durable, heavy-duty construction. Superior performance, ultra high-efficacy and premium quality provides a robust solution for high ceiling applications, especially warehouse spaces. Delivering high output, quality light and low energy consumption can improve warehouse safety and productivity, lower maintenance cost, and reducing operating costs.

APPLICATIONS

Provides high output illumination for various commercial industrial applications with high ceilings: warehouse, manufacturing, gymnasiums, cold-storage, wash-down areas

Specification Features

Construction

Rugged, die-cast housing with advanced thermal management system ensures reliability and durability. Weather-proof, gasketed driver compartment protects electronics against environmental elements. IP66, wet location.

Optical System

Diffuser lens reduces glare and improves occupant working conditions while maintaining high efficiency emission.

Certification

UL Listed. Wet location rated. All components have UL certification. UL Class 2. Driver: SCP, OTP, OVP protection, FCC Part 15 Class B, UL8750 Class 2. DLC Premium.

Warranty

7-year Limited Warranty. See warranty documentation for more information.

Electrical

Luminaire utilizes high-efficacy LED packages maintained at cool temperatures for long life, high efficacy. Reliable driver features continuous dimming. Universal voltage (120-277V) for convenient installation. Comes equipped standard with 4' black SJTOW cord.

Installation / Mounting

Single point mount for hook, pendant, or stem mounting

Controls / Dimming

Continuous dimming (0-10V) comes standard. Suitable for use with dimmers, sensors, daylight harvesting and other control strategies to achieve deeper energy-savings and code compliance.



SCB Series

19L 150W
25L 200W

Rated Life 75,000 hours
Limited Warranty 7-years
Efficacy Up to 130 LPW
Continuous Dimming



Quick Ship

SCB-19L/50K
SCB-25L/50K

Ordering Information

Example: SCB-19L/50K-OSDL

SCB	19L	50	[Blank]	[Blank]	Options
Series SCB Slim Circular High Bay	Nominal Lumen Package 19L 19,000 lm (150W) 25L 25,000 lm (200W)	Color Temp 50K 5000K	Input Voltage Blank 120V-277V	Dimming Blank 0-10V Continuous Dimming	Controls OSDL Occ. Sensor w/ Daylight



Specifications and Dimensions subject to change without notice.

Performance Summary

Input Voltage	120V-277V
Input Frequency	50/60 Hz
Rated Wattage	See Performance Table
Delivered Lumens	See Performance Table
Efficacy	> 125 LPW (typ.)
CRI	70+, R9 > 0
Available CCT ¹	5000K
Color Consistency ²	5-step MacAdam Ellipse
Rated Life	75,000 hours
L70 ³	> 54,000
Power Factor	> 0.9
THD	< 20%
Dimming	0-10V Continuous (10-100%)
Operating Temp.	-18 C to 40 C
IP Rating	IP66, Wet Location



Multi-level Occupancy Sensor
PIR Occupancy Sensor with Daylight function
Code-compliance



Performance Data

Catalog No.	Rated Wattage (W)	Tested Wattage (W)	5000K	
			Delivered Lumens (lm)	Efficacy (lm/W)
SCB-19L/xxK	151	152	19,113	127
SCB-25L/xxK	191	191	24,616	129

DLC QPL Data

QPL Model No.	Product ID	Technical Req.	Classification	Primary Use
SCB-19L/40K	P1645F67	4.2	Premium	High-Bay Luminaires for Commercial and Industrial Buildings
SCB-19L/50K	PSBBNH4N	4.2	Premium	High-Bay Luminaires for Commercial and Industrial Buildings
SCB-25L/40K	P654S6CN	4.2	Premium	High-Bay Luminaires for Commercial and Industrial Buildings
SCB-25L/50K	PUTG1DV7	4.2	Premium	High-Bay Luminaires for Commercial and Industrial Buildings



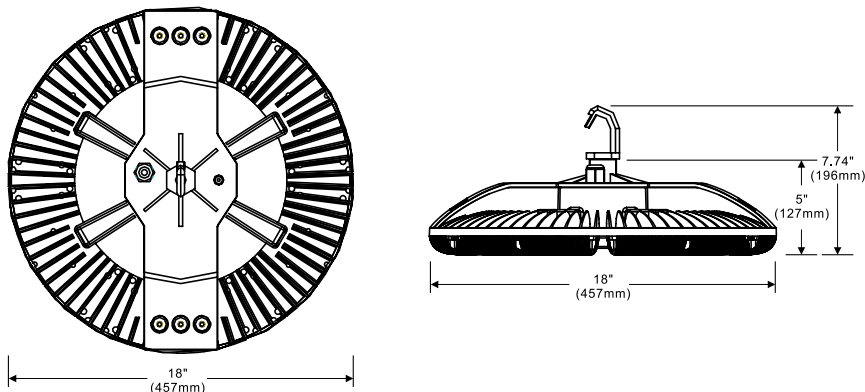
NOTES:

- ¹ Quick ship: 4000K. Other CCTs may require a lead time or be special order
- ² Typical color consistency. May vary or be changed.
- ³ L70 hours calculated based on LED package manufacturer LM80 report and ISTMT report of LED in luminaire. Stated values are for select catalog numbers. Contact manufacturer for detailed information

Specifications and Dimensions subject to change without notice.



Product Dimensions



Control Pre-Commissioning

Example: SCB-19L/50K-OSDL L2-10H-3L-10M-30M

L2	10H	3L	10M	30M
Lens / Coverage	High Level	Low Level	Time Delay	Cut-Off
L2 8' height (48' dia.)	10H 100%	1L 10%	30S 30 sec.	#M 1-59 min.
L3 20' height (40' dia.)	9H 90%	2L 20%	#M 1-30 min.	#H 1-5 hrs.
L4 40' height (60' dia.)	8H 80%	3L 30%	# = enter no. of minutes from 1 to 30 min.	0 Disabled
L7 40' height (100' dia.)	7H 70%	4L 40%		# = enter no. of minutes or hours
	6H 60%	5L 50%		
	5H 50%	6L 60%		
		7L 70%		

High Level When the sensor detects motion the dimming control output ramps up to the selected HIGH light level.

Low Level After the sensor stops detecting motion and the time delay expires the dimming control output fades down to the selected LOW light level.

Time Delay The selected time period that must elapse after the last time the sensor detects motion for the electric lights to fade to LOW mode

Cut-Off The time period that must elapse after the lights fade to LOW mode and the sensor detects no motion for the electric lights to turn OFF.

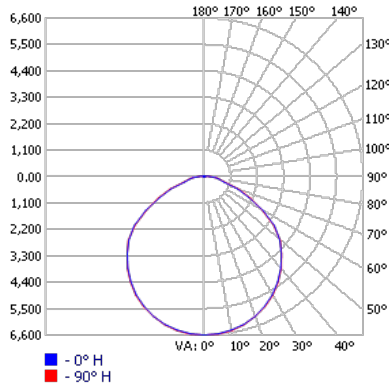
Ramp Up Time period for light level to increase from LOW to HIGH.

Fade Down Time period for light level to decrease from HIGH to LOW.

Photometric Data

SCB-19L/40K Tested in accordance to IESNA LM-79

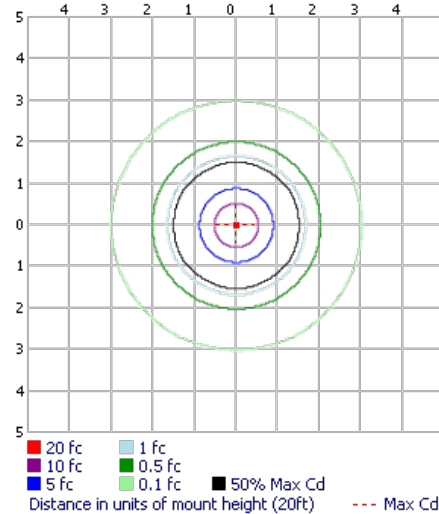
Polar Graph



Zonal Lumen Summary

ZONE	LUMENS	% LUMINAIRE
0-30	5,165.90	27.10%
0-40	8,502.00	44.50%
0-60	15,126.10	79.20%
60-90	3,623.20	19%
70-100	1,727.00	9%
90-120	286.5	1.50%
0-90	18,749.30	98.20%
90-180	342	1.80%
0-180	19,091.20	100%

Isofootcandle Plot at 20 ft. Mounting Height

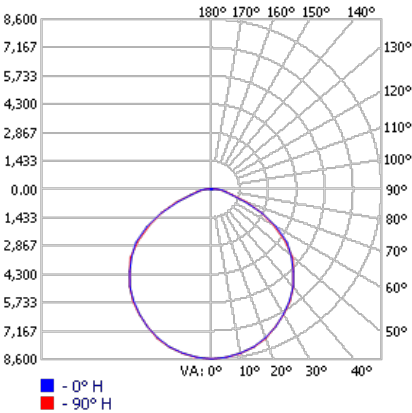


Illuminance at a Distance - Max. 30 ft.

HEIGHT(FT)	FOOTCANDLE	HORIZONTAL	VERTICAL	HORIZONTAL	VERTICAL
6	183.17 FC	18.1	18.3	69.5	64.3
12	45.79 FC	36.2	36.6	139	128.7
18	20.35 FC	54.3	54.9	208.5	193
24	11.45 FC	72.4	73.2	277.9	257.3
30	7.33 FC	90.5	91.5	347.4	321.7

SCB-25L/40K Tested in accordance to IESNA LM-79

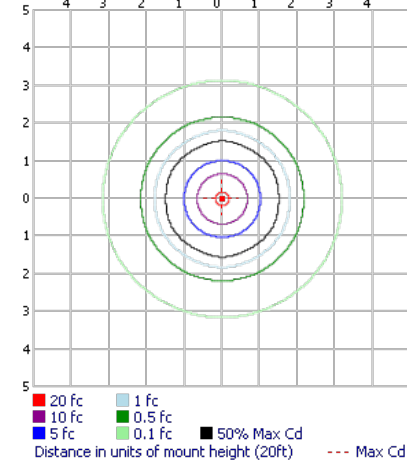
Polar Graph



Zonal Lumen Summary

ZONE	LUMENS	% LUMINAIRE
0-30	5,165.90	27.10%
0-40	8,502.00	44.50%
0-60	15,126.10	79.20%
60-90	3,623.20	19%
70-100	1,727.00	9%
90-120	286.5	1.50%
0-90	18,749.30	98.20%
90-180	342	1.80%
0-180	19,091.20	100%

Isofootcandle Plot at 20 ft. Mounting Height



Illuminance at a Distance - Max. 30 ft.

HEIGHT(FT)	FOOTCANDLE	HORIZONTAL	VERTICAL	HORIZONTAL	VERTICAL
6	238.25 FC	18	18.6	60.6	56.8
12	59.56 FC	36	37.2	121.2	113.6
18	26.47 FC	54.1	55.8	181.8	170.4
24	14.89 FC	72.1	74.4	242.4	227.2
30	9.53 FC	90.1	93	303	284



© 2017 Aleo Lighting, Inc. All rights reserved. For informational purposes only. Reproduction in whole or part is prohibited without prior written consent of the copyright owner. The information presented in this document does not form part of any quotation or contract, is believed to be accurate and reliable and may be changed without notice. No liability will be accepted by the publisher for any consequences of its use. Aleo Lighting reserves the rights make changes in specification at any time without notice.

Aleo Lighting, Inc.
 www.aeolighting.com
 13924 Bettencourt St.
 Cerritos, CA 90703
 Ph: 877-358-8825

Project	
Notes	
Type	Date
Cat. No.	

SLB™ XE Series

Slim Linear LED High Bay

DESCRIPTION

The Aleo SLB™ XE Series Slim Linear High Bay delivers industry-leading performance with an extremely attractive ROI. Superior performance, ultra high-efficacy and premium quality provides an economic solution for high ceiling applications, especially warehouse spaces. Delivering high output, quality light and low energy consumption can improve warehouse safety and productivity, lower maintenance cost, and reducing operating costs.

APPLICATIONS

Provides high output illumination for various commercial industrial applications with high ceilings: warehouse, manufacturing, gymnasiums, retail.

Specification Features

Construction

Rugged and durable construction withstands warehouse environments. Luminaire features matte white durable finish.

Optical System

Reflector systems features highly reflective coating, delivering adequate light for high-mounting buildings. Diffuser lens reduces glare and improves occupant working conditions while maintaining high efficiency emission.

Certification

UL Listed. All components have UL certification. UL Class 2. Driver: SCP, OTP, OVP protection, FCC Part 15 Class B, UL8750 Class 2. DLC Premium

Warranty

7-year Limited Warranty. See warranty documentation for more information.

Electrical

Luminaire utilizes high-efficacy LED packages maintained at cool temperatures for long life, high efficacy. Reliable driver features continuous dimming. Universal voltage (120-277V) for convenient installation. Comes equipped with luminaire quick-disconnect.

Installation / Mounting

Various mounting options available, including suspension, pendant, and surface mount. V-hook hangers and chain accessories available.

Controls / Dimming

Continuous dimming (0-10V) comes standard. Suitable for use with dimmers, sensors, daylight harvesting and other control strategies to achieve deeper energy-savings and code compliance.



SLB XE Series

2' 90W, 165W
4' 225W, 275W, 320W



Rated Life 75,000 hours
Limited Warranty 7-years
Efficacy Up to 135 LPW
Continuous Dimming



Quick Ship

SLB2-095/850/F XE G3
SLB2-165/850/F XE G3
SLB4-225/850/F XE G3
SLB4-275/850/F XE G3
SLB4-320/850/F XE G3

Ordering Information

Example: SLB2-165/850/F XE G3

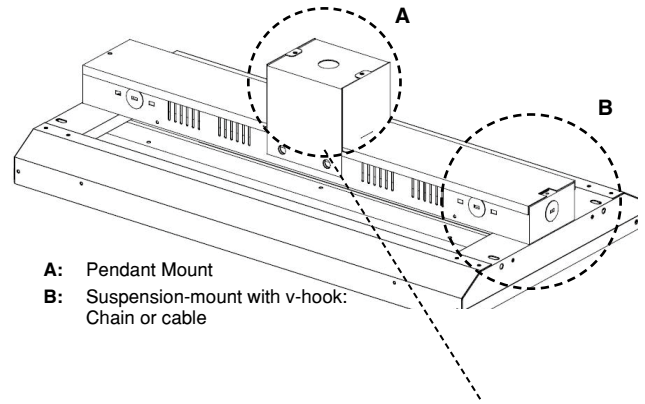
SLB	2	165	8	50	F	[Blank]	[Blank]	XE
Series	Form Factor	Nominal Wattage	CRI	Color Temp	Lens Difuser	Input Voltage	Dimming	Generation
SLB	2 2'	2'	8 83+	50 5000K	F Frosted	Blank	Blank	XE
Slim Linear	4 4'	095 90W				120V-277V	0-10V	Ultra High
High Bay		165 162W				480 480V	Continuous Dimming	Efficacy
		4'	Options					
		225 223W	Emergency Backup	Controls	Accessories			
		275 265W	EM700 700lm	OS Occupancy Sensor	WG Wire Guard			
		320 321W	EM1400 1400lm	OSDL Occ. Sensor w/ Daylight	PMK Single-point Pendant-mount Kit			
			EM2000 2000lm	OSDL/IR Multi-Level Occ Sensor w/ wireless config.	ACC Aircraft cable suspension kit			
			EM2400 2400lm		CRD Cord (see pg. 4 for details)			
					SP10 10kA Surge Protector			

Specifications and Dimensions subject to change without notice.

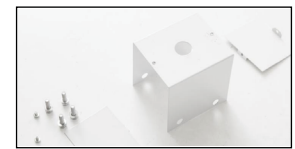
Performance Summary

Input Voltage	120V-277V
Input Frequency	50/60 Hz
Rated Wattage	See Performance Table
Delivered Lumens	See Performance Table
Efficacy	> 130 LPW (typ.)
CRI	83+, R9 > 0
Available CCT ¹	5000K
Color Consistency ²	5-step MacAdam Ellipse
Rated Life	75,000 hours
L70 ³	> 72,000 hours or > 45,000
Power Factor	> 0.9
THD	< 20%
Dimming	0-10V Continuous (10-100%)
Operating Temp.	-20°C to 50°C

Mounting Information



- A: Pendant Mount
- B: Suspension-mount with v-hook:
Chain or cable

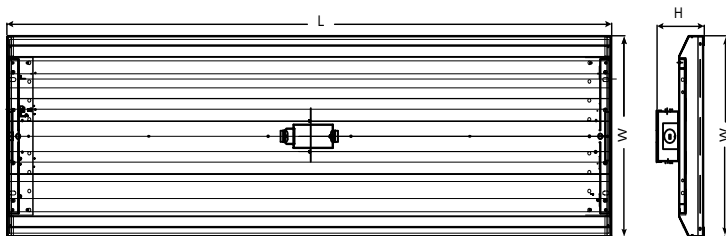


PMK Pendant-mount Kit (sold separately)

Performance Data

Lens Type	Form Factor	Catalog No.	Rated Wattage (W)	Tested Wattage (W)	5000K	
					Delivered Lumens (lm)	Efficacy (lm/W)
Frosted Lens	2'	SLB2-095/850/F XE G3	90	88	11,790	131
		SLB2-165/850/F XE G3	162	159	21,222	131
	4'	SLB4-225/850/F XE G3	223	210	29,213	131
		SLB4-275/850/F XE G3	265	264	34,715	131
		SLB4-320/850/F XE G3	321	313	42,051	131

Product Dimensions



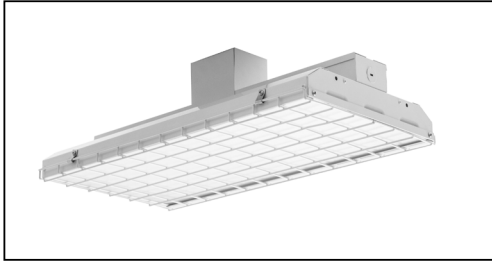
Model No.	L	W	H
SLB2-095/850/F XE G3	23.8" (605mm)	12.6" (320mm)	3.62" (92mm)
SLB2-165/850/F XE G3	23.8" (605mm)	17.33" (440mm)	3.62" (92mm)
SLB4-225/850/F XE G3	45.9" (1166mm)	12.6" (320mm)	3.62" (92mm)
SLB4-275/850/F XE G3	45.9" (1166mm)	17.33" (440mm)	3.62" (92mm)
SLB4-320/850/F XE G3	45.9" (1166mm)	17.33" (440mm)	3.62" (92mm)

NOTES:

- ¹ Quick ship: 4000K. Other CCTs may require a lead time or be special order
- ² Typical color consistency. May vary or be changed.
- ³ L70 hours calculated based on LED package manufacturer LM80 report and ISTMT report of LED in luminaire. Stated values are for select catalog numbers.

Specifications and Dimensions subject to change without notice.

Accessory Options



Mounting Accessories

- PMK** Pendant-mount kit
- SMB** Surface-mount bracket
- VH** V-hook hangers
- CHS** Chain set (105mm)
- ACC** Aircraft Cable - 10' 1/16 cable toggle kit with grip lock

Cord Set

- CRD-A** SJTOW Cord 6' 18/3
- CRD-B** SJTOW Cord 10' 18/3
- CRD-C** SJTOW Cord 12' 18/3

Plug

- PLG-1** Straight plug, 120V
- PLG-2** Twist-lock, 120V
- PLG-3** Straight plug, 277V
- PLG-4** Twist-lock, 277V
- PLG-5** Twist-lock, 480V

Wire Guard

-WG Wire Guard

When ordering separately:

- SLB-WG2-4L** Wire Guard for SLB2-095
- SLB-WG2-6L** Wire Guard for SLB2-165
- SLB-WG4-4L** Wire Guard for SLB4-225
- SLB-WG4-6L** Wire Guard for SLB4-275/320

Surge Protector

- SP10** 10kA Surge Protector

Control Pre-Commissioning

Example: SLB2-165/850/F XE G3 OSDL L2-10H-3L-10M-30M

L2	10H	3L	10M	30M
Lens / Coverage	High Level	Low Level	Time Delay	Cut-Off
L2 8' height (48' dia.)	10H 100%	1L 10%	30S 30 sec.	#M 1-59 min.
L3 20' height (40' dia.)	9H 90%	2L 20%	#M 1-30 min.	#H 1-5 hrs.
L4 40' height (60' dia.)	8H 80%	3L 30%	# = enter no. of minutes from 1 to 30 min.	0 Disabled
L7 40' height (100' dia.)	7H 70%	4L 40%		# = enter no. of minutes or hours
	6H 60%	5L 50%		
	5H 50%	6L 60%		
		7L 70%		

High Level When the sensor detects motion the dimming control output ramps up to the selected HIGH light level.

Low Level After the sensor stops detecting motion and the time delay expires the dimming control output fades down to the selected LOW light level.

Time Delay The selected time period that must elapse after the last time the sensor detects motion for the electriclights to fade to LOW mode

Cut-Off The time period that must elapse after the lights fade to LOW mode and the sensor detects no motion for the electric lights to turn OFF.

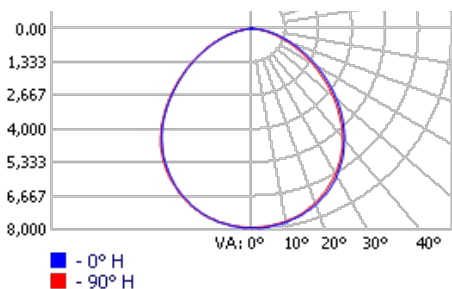
Ramp Up Time period for light level to increase from LOW to HIGH.

Fade Down Time period for light level to decrease from HIGH to LOW.

Photometric Data

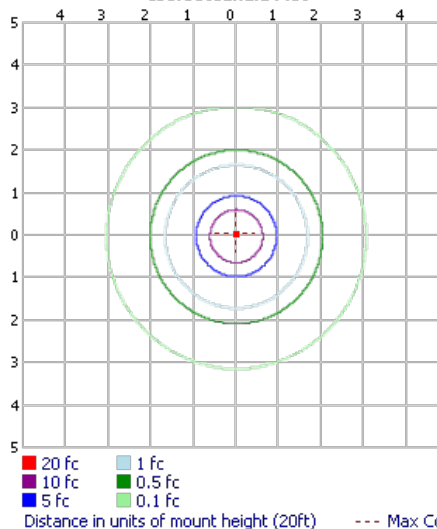
SLB2-165/850/F XE G3 Tested in accordance to IESNA LM-79

Polar Graph



Zonal Lumen Summary

ZONE	LUMENS	% LUMINAIRE
0-30	6,174.40	29.80%
0-40	10,065.30	48.60%
0-60	17,120.90	82.70%
60-90	3,540.50	17.10%
70-100	1,378.50	6.70%
90-120	18.6	0.10%
0-90	20,661.30	99.70%
90-180	52.9	0.30%
0-180	20,714.20	100%

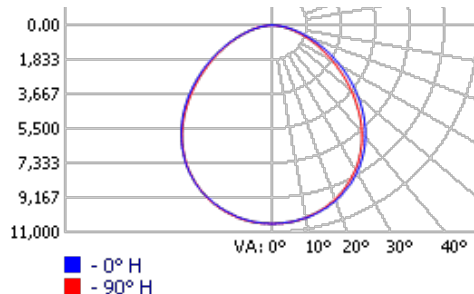


Illuminance at a Distance - Max. 30 ft.

HEIGHT(FT)	FOOTCANDLE	HORIZONTAL	VERTICAL	HORIZONTAL	VERTICAL
6	220.61 LUX	15.3	15.6	53.2	55.3
12	55.15 LUX	30.6	31.2	106.5	110.5
18	24.51 LUX	45.8	46.7	159.7	165.8
24	13.79 LUX	61.1	62.3	213	221.1
30	8.82 LUX	76.4	77.9	266.2	276.3

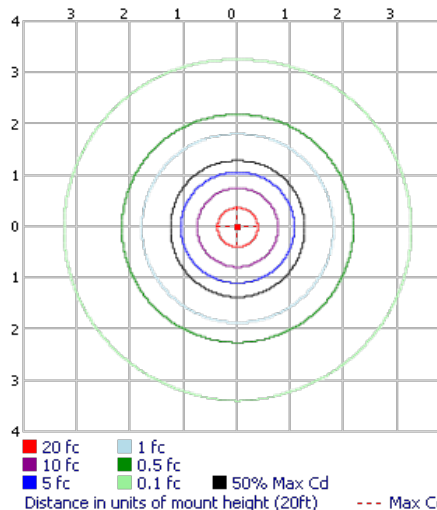
SLB4-225/850/F XE G3 Tested in accordance to IESNA LM-79

Polar Graph



Zonal Lumen Summary

ZONE	LUMENS	% LUMINAIRE
0-30	8,213.30	29.80%
0-40	13,392.30	48.50%
0-60	22,796.80	82.60%
60-90	4,724.40	17.10%
70-100	1,847.00	6.70%
90-120	27.5	0.10%
0-90	27,521.20	99.70%
90-180	71	0.30%
0-180	27,592.20	100%



Illuminance at a Distance - Max. 30 ft.

HEIGHT(FT)	FOOTCANDLE	HORIZONTAL	VERTICAL	HORIZONTAL	VERTICAL
6	293.04 FC	15.1	16	52.8	56
12	73.26 FC	30.1	32	105.6	112
18	32.56 FC	45.2	47.9	158.5	167.9
24	18.32 FC	60.3	63.9	211.3	223.9
30	11.72 FC	75.4	79.9	264.1	279.9

© 2017 Aleo Lighting, Inc. All rights reserved. For informational purposes only. Reproduction in whole or part is prohibited without prior written consent of the copyright owner. The information presented in this document does not form part of any quotation or contract, is believed to be accurate and reliable and may be changed without notice. No liability will be accepted by the publisher for any consequences of its use. Aleo Lighting reserves the rights make changes in specification at any time without notice.

Specifications and Dimensions subject to change without notice.



Aleo Lighting, Inc.
www.aleoighting.com
13924 Bettencourt St.
Cerritos, CA 90703
Ph: 877-358-8825

Project	
Notes	
Type	Date
Cat. No.	

SLT-CD™ Series

Slim Eco LED Troffer Center Diffuser



DESCRIPTION

The Aleo SLT-CD™ XE Series Slim Eco LED Troffer delivers industry-leading value with deep energy savings and continuous dimming. Low profile design for convenient handling and storage. Economical and versatile solution for various applications

APPLICATIONS

Retail, schools, offices, healthcare, and other various commercial applications.

Specification Features



Construction

Simple construction with minimal parts allows for easy handling and installation. Low profile design optimizes shipping, storage, and handling. Luminaire features matte white durable finish. Integral T-Bar clips built into luminaire.

Optical System

Reflector systems features highly reflective coating. Diffuser lens reduces glare and maintains high efficiency emission.

Certification

UL Listed. All components have UL certification. UL Class 2. Driver: SCP, OTP, OVP protection, FCC Part 15 Class B, UL8750 Class 2

Warranty

5-year Limited Warranty. See warranty documentation for more information.

Electrical

Luminaire utilizes high-efficacy LED packages maintained at cool temperatures for long life, high efficacy. Reliable driver features continuous dimming. Universal voltage (120-277V) for convenient installation.

Installation / Mounting

Installs in most standard T-Bar ceiling grid systems.

Controls / Dimming

Continuous dimming (0-10V) comes standard. Suitable for use with dimmers, sensors, daylight harvesting and other control strategies to achieve deeper energy-savings and code compliance.

SLT-CD Series

2x4 34W
2x2 26W

Rated Life 75,000 hours
Limited Warranty 5-years
Efficacy Up to 125 LPW
Continuous Dimming



Quick Ship

SLT-CD-22HE-26/840 XE G3
SLT-CD-24LE-34/840 XE G3

Ordering Information

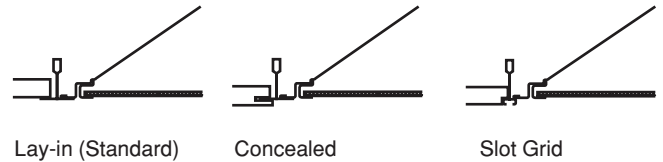
Example: SLT-CD-24LE-34/840 G3

SLT-CD	24	LE	34	8	40	[Blank]	[Blank]
Series	Form Factor	Lumen Package	Nominal Wattage	CRI	Color Temp	Input Voltage	Dimming
SLT-CD Slim Eco LED Troffer - Center Diffuser	24 2'x4' 22 2'x2'	LE Low Wattage HE High Lumen	2'x4' 34 34W 2'x 2' 26 26W	8 83+	40 4000K	Blank 120V-277V	Blank 0-10V Continuous Dimming

Performance Summary

Input Voltage	120V-277V
Input Frequency	50/60 Hz
Rated Wattage	See Performance Table
Delivered Lumens	See Performance Table
Efficacy	> 125 LPW (typ.)
CRI	80+, R9 > 0
Available CCT ¹	4000K
Color Consistency ²	5-step MacAdam Ellipse
Rated Life	75,000 hours
L70 ³	> 72,000 hours
Power Factor	> 0.9
THD	< 20%
Dimming	0-10V Continuous (10-100%)
Operating Temp.	-20°C to 50°C

Mounting Information

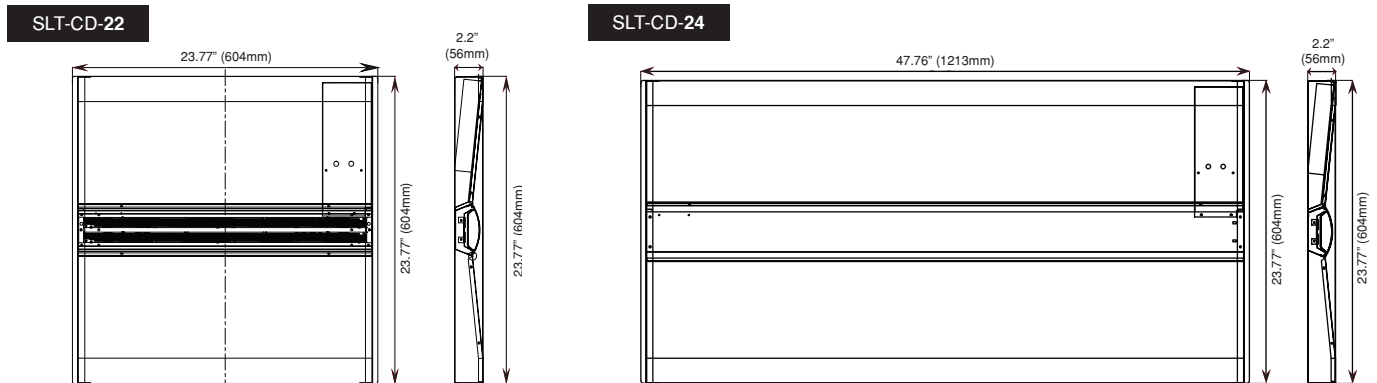


* Fits 9/16, 15/16 and SS T-bar grid.
Flange kit available upon request

Performance Data

Form Factor	Catalog No.	Rated Wattage (W)	Tested Wattage (W)	4000K	
				Delivered Lumens (lm)	Efficacy (lm/W)
2' x 2'	SLT-CD-22HE-26/840 XE G3	26	25	3250	125
2' x 4'	SLT-CD-24LE-34/840 XE G3	34	33	4284	125

Product Dimensions



NOTES:

- ¹ Quick ship: 4000K.
- ² Typical color consistency. May vary or be changed.
- ³ L70 hours calculated based on LED package manufacturer LM80 report and ISTMT report of LED in luminaire. Stated values are for select catalog numbers. Contact manufacturer for detailed information

© 2017 Aleo Lighting, Inc. All rights reserved. For informational purposes only. Reproduction in whole or part is prohibited without prior written consent of the copyright owner. The information presented in this document does not form part of any quotation or contract, is believed to be accurate and reliable and may be changed without notice. No liability will be accepted by the publisher for any consequences of its use. Aleo Lighting reserves the rights make changes in specification at any time without notice.

Specifications and Dimensions subject to change without notice.



Aleo Lighting, Inc.
www.aeolighting.com
13924 Bettencourt St.
Cerritos, CA 90703
Ph: 877-358-8825

Project	
Notes	
Type	Date
Cat. No.	

SRK™ Series

Outdoor Shoebox Retrofit Kit



DESCRIPTION

The Aleo SRK™ Series leverages energy-efficiency, high performance, and long life of LED technology to deliver deep energy-savings in HID shoebox applications. Fast and easy installation retrofit enables user to retain aesthetics of existing luminaire and reduces labor and disposal costs. Advanced active thermal management provides reliability and long life in challenging outdoor environments.

APPLICATIONS

Outdoor shoebox, area light, site, canopy lighting applications

Specification Features

Construction

Rugged, die-cast heat sink with advanced active thermal management system ensures reliability and durability. Precision formed printed circuit board with SMD terminal connector system for enhanced performance and reliability. Strain relief wire management for safety and system longevity.

Optical System

High performance LED platforms delivers high efficiency and long life. Utilizes existing luminaire optics to achieve familiar distribution outcomes

Certification

UL Classified for LED Luminaire Retrofit. DLC Premium QPL.

Warranty

5-year Limited Warranty. See warranty documentation for more information.

Electrical

Retrofit utilizes high-efficacy LED packages maintained at cool temperatures for long life, high efficacy. Reliable driver features universal voltage (120-277V) for convenient installation. External driver for improved reliability and long life. Bypass existing ballast for higher efficiency and safety. Comes equipped with luminaire quick disconnect. Integral thermal control sensor reduces drive current when ambient temperature exceeds rated levels.

Installation / Mounting

Mounts to interior of Shoebox luminaire. Comes equipped with universal mounting bracket. Horizontal and vertical mounting options available.



SRK Series

60W, 100W
150W

Quick Ship

SRK-60/50K
SRK-100/50K
SRK-150/50K XE

Ordering Information

Example: SRK-60/50K

SRK	60	50K	[Blank]	[Blank]
Series	Nominal Wattage		Color Temp	
SRK	60	60W	50K	5000K
Shoebox Retrofit Kit	100	100W	Blank	Horizontal "L" Bracket
	150	150W	120V-277V	Vertical "I" Bracket
			480	
			480V	

Specifications and Dimensions subject to change without notice.

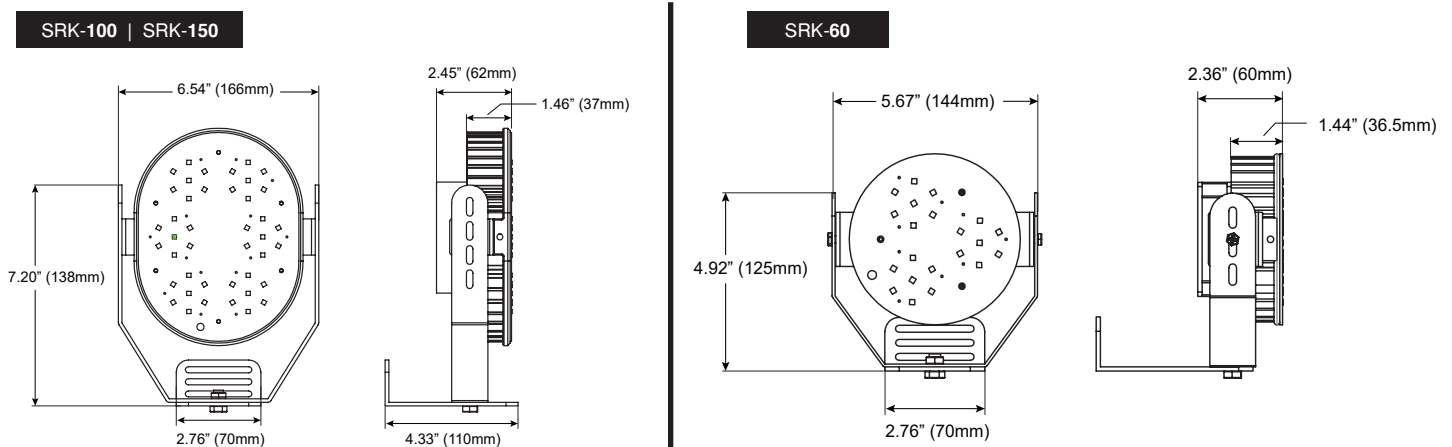
Performance Summary

Input Voltage	120V-277V
Input Frequency	50/60 Hz
Rated Wattage	See Performance Table
Delivered Lumens	See Performance Table
Efficacy	125 LPW (typ.)
CRI	70+, R9 > 0
Available CCT ¹	5000K
Rated Life	50,000 hours
Power Factor	> 0.9
THD	< 20%
Operating Temperature	-40°C to 54°C

Performance Data

Catalog No.	Rated Wattage (W)	Tested Wattage (W)	5000K	
			Delivered Lumens (lm)	Efficacy (lm/W)
SRK-60/50K	60	61.9	7,739	125
SRK-100/50K	100	102.9	13,493	131
SRK-150/50K XE	151	151	19,043	126

Product Dimensions



© 2017 Aleo Lighting, Inc. All rights reserved. For informational purposes only. Reproduction in whole or part is prohibited without prior written consent of the copyright owner. The information presented in this document does not form part of any quotation or contract, is believed to be accurate and reliable and may be changed without notice. No liability will be accepted by the publisher for any consequences of its use. Aleo Lighting reserves the rights make changes in specification at any time without notice.

Aleo Lighting, Inc.
www.aleoighting.com
 13924 Bettencourt St.
 Cerritos, CA 90703
 Ph: 877-358-8825

Specifications and Dimensions subject to change without notice.

Project	
Notes	
Type	Date
Cat. No.	

WPE2™ Series

Large LED Wall Pack Luminaire

DESCRIPTION

The Aleo WPE2™ Series combines energy-efficiency, high performance, and rugged construction with a familiar and traditional look to deliver enhanced performance to outdoor wall-mounted lighting applications. Rugged die-cast housing provides advanced thermal management for long life and weather-proof compartment to withstand challenging, outdoor environments. Traditional look helps to maintain familiar building aesthetics.

APPLICATIONS

Outdoor wall-mount applications. Building facade. Retail, commercial, industrial exteriors

Specification Features

Construction

Rugged, die-cast housing with advanced thermal management system ensures reliability and durability. Weather-proof, gasketed compartment protects electronics against environmental elements.

Optical System

High performance LED platforms delivers high efficiency and long life. Prismatic glass lens designed for superior light distribution and uniformity. Type IV VS comes standard.

Certification

ETL Listed. All components have safety certification. DLC QPL Listed

Warranty

5-year Limited Warranty. See warranty documentation for more information.

Electrical

Luminaire utilizes high-efficacy LED packages maintained at cool temperatures for long life, high efficacy. Reliable driver features universal voltage (120-277V) for convenient installation.

Installation / Mounting

Designed to be wall-mounted higher than 4-ft. from the ground. Luminaire to be mounted directly over standard 4" junction box (supplied by others) or surface mount and wiring connection through convenient 1/2" threaded conduit entry hub.

Controls / Dimming

Continuous dimming (0-10V) comes standard. Suitable for use with dimmers, sensors, daylight harvesting and other control strategies to achieve deeper energy-savings and code compliance.



WPE2 Series

90W, 120W



Quick Ship

WPE2-90/50K
WPE2-120/50K

Ordering Information

Example: WPE2-90/50K

WPE2	90	50K	[Blank]	[Blank]	[Blank]
Series	Nominal Wattage	Color Temp	Input Voltage	Controls	Finish Color*
WPE2 LED Traditional Wall Pack	90 90W 120 120W	50K 5000K	Blank 120V-277V	PC-UNV Photocell (120V/277V)	Blank Dark Bronze -WH White -BLK Black -SLV Silver
					* Contact Factory for additional finish colors

Specifications and Dimensions subject to change without notice.

Performance Summary

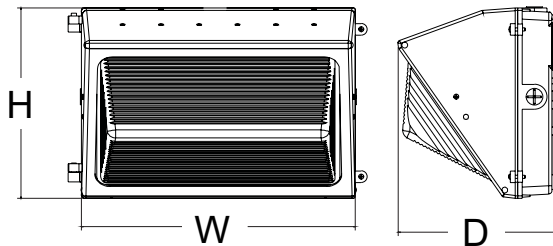
Input Voltage	120V-277V
Input Frequency	50/60 Hz
Rated Wattage	See Performance Table
Delivered Lumens	See Performance Table
Efficacy	117 LPW (typ.)
CRI	70+, R9 > 0
Available CCT ¹	4000K, 4500K, 5000K
Rated Life	50,000 hours
Power Factor	> 0.9
THD	< 20%
IP Rating	IP65
Operating Temps.	-20°C to 50°C



Performance Data

Catalog No.	Rated Wattage (W)	Tested Wattage (W)	5000K	
			Delivered Lumens (lm)	Efficacy (lm/W)
WPE2-90	90	89.9	10,566	117
WPE2-120	120	115.99	14,475.5	121

Product Dimensions



Model No.	H	W	D
WPE2-90	9.29" (236mm)	14.4" (367mm)	7.87" (200mm)
WPE2-120	9.29" (226mm)	14.4" (367mm)	7.87" (200mm)

DLC QPL Data

QPL Model No.	Product ID	Technical Req.	Classification	Primary Use
WPE2-90/40K	P6T11RTE	4.2	Standard	Outdoor Non-Cutoff and Semi-Cutoff Wall-Mounted Area Luminaires
WPE2-90/45K	PLI69V3PGJ2Z	4.2	Standard	Outdoor Non-Cutoff and Semi-Cutoff Wall-Mounted Area Luminaires
WPE2-90/50K	PLP3SVIMBT8A	4.2	Standard	Outdoor Non-Cutoff and Semi-Cutoff Wall-Mounted Area Luminaires
WPE2-120/40K	PL7LVRFYRT61	4.2	Standard	Outdoor Non-Cutoff and Semi-Cutoff Wall-Mounted Area Luminaires
WPE2-120/45K	PLKIZNTN61PW	4.2	Standard	Outdoor Non-Cutoff and Semi-Cutoff Wall-Mounted Area Luminaires
WPE2-120/50K	PLNMYD3QQ624	4.2	Standard	Outdoor Non-Cutoff and Semi-Cutoff Wall-Mounted Area Luminaires



NOTES:

¹ Quick ship: 5000K. Other CCTs may require a lead time or be special order

© 2017 Aleo Lighting, Inc. All rights reserved. For informational purposes only. Reproduction in whole or part is prohibited without prior written consent of the copyright owner. The information presented in this document does not form part of any quotation or contract, is believed to be accurate and reliable and may be changed without notice. No liability will be accepted by the publisher for any consequences of its use. Aleo Lighting reserves the rights make changes in specification at any time without notice.



Aleo Lighting, Inc.
www.aleoighting.com
13924 Bettencourt St.
Cerritos, CA 90703
Ph: 877-358-8825

Specifications and Dimensions subject to change without notice.

Project	
Notes	
Type	Date
Cat. No.	

WPE™ Series LED Wall Pack Luminaire

DESCRIPTION

The Aleo WPE™ Series combines energy-efficiency, high performance, and rugged construction with a familiar and traditional look to deliver enhanced performance to outdoor wall-mounted lighting applications. Rugged die-cast housing provides advanced thermal management for long life and weather-proof compartment to withstand challenging, outdoor environments. Traditional look helps to maintain familiar building aesthetics.

APPLICATIONS

Outdoor wall-mount applications. Building facade. Retail, commercial, industrial exteriors

Specification Features

Construction

Rugged, die-cast housing with advanced thermal management system ensures reliability and durability. Weather-proof, gasketed compartment protects electronics against environmental elements.

Optical System

High performance LED platforms delivers high efficiency and long life. Prismatic glass lens designed for superior light distribution and uniformity. Type IV VS comes standard.

Certification

ETL Listed. All components have safety certification.

Warranty

5-year Limited Warranty. See warranty documentation for more information.

Electrical

Luminaire utilizes high-efficacy LED packages maintained at cool temperatures for long life, high efficacy. Reliable driver features universal voltage (120-277V) for convenient installation.

Installation / Mounting

Designed to be wall-mounted higher than 4-ft. from the ground. Luminaire to be mounted directly over standard 4" junction box (supplied by others) or surface mount and wiring connection through convenient 1/2" threaded conduit entry hub.

Controls / Dimming

Continuous dimming (0-10V) comes standard. Suitable for use with dimmers, sensors, daylight harvesting and other control strategies to achieve deeper energy-savings and code compliance.



WPE Series

45W, 60W
75W



Quick Ship

WPE-45/50K G2
WPE-60/50K G2
WPE-75/50K G2

Ordering Information

Example: WPE-45/50K G2

WPE	45	50K	[Blank]	[Blank]	[Blank]
Series	Nominal Wattage	Color Temp	Input Voltage	Controls¹	Finish Color
WPE	45 45W	50K 5000K	Blank	Blank 0-10V Dimming Driver	Blank Dark Bronze
LED Traditional	60 60W		120V-277V	PC-UNV Photocell (120V/277V)	-WH White
Wall Pack	75 75W				BLK Black
					SLV Silver
					* Contact Factory for additional finish colors

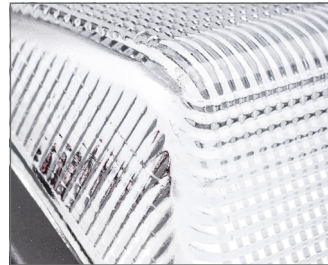
Specifications and Dimensions subject to change without notice.

Performance Summary

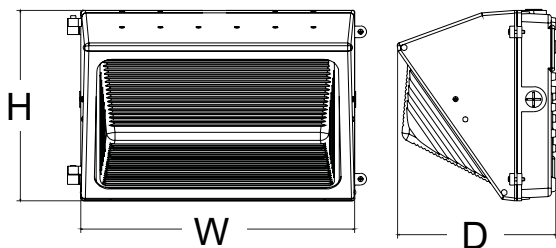
Input Voltage	120V-277V
Input Frequency	50/60 Hz
Rated Wattage	See Performance Table
Delivered Lumens	See Performance Table
Efficacy	119 LPW (typ.)
CRI	80+, R9 > 0
Available CCT ¹	5000K
Rated Life	50,000 hours
Power Factor	> 0.9
THD	< 20%
IP Rating	IP65
Photometric Distribution	Type IV VS
Operating Temp.	-20°C to 50°C

Performance Data

Catalog No.	Rated Wattage (W)	Tested Wattage (W)	5000K	
			Delivered Lumens (lm)	Efficacy (lm/W)
WPE-45/50K G2	42	41	5,071	122
WPE-60/50K G2	55	55	7,133	130
WPE-75/50K G2	69	68	8,635	126



Product Dimensions



Model No.	H	W	D
WPE-45/50K G2	9.84" (250mm)	13.19" (335mm)	7.87" (200mm)
WPE-60/50K G2	9.84" (250mm)	13.19" (335mm)	7.87" (200mm)
WPE-75/50K G2	9.84" (250mm)	13.19" (335mm)	7.87" (200mm)

DLC QPL Data



QPL Model No.	Product ID	Technical Req.	Classification	Primary Use
WPE-45/40K G2	P7MGUU77	4.2	Standard	Outdoor Non-Cutoff and Semi-Cutoff Wall-Mounted Area Luminaires
WPE-45/45K G2	P1T3XYRM	4.2	Standard	Outdoor Non-Cutoff and Semi-Cutoff Wall-Mounted Area Luminaires
WPE-45/50K G2	PHRJWUY5	4.2	Standard	Outdoor Non-Cutoff and Semi-Cutoff Wall-Mounted Area Luminaires
WPE-60/40K G2	PZGDUPP4	4.2	Standard	Outdoor Non-Cutoff and Semi-Cutoff Wall-Mounted Area Luminaires
WPE-60/45K G2	PAAEGX6V	4.2	Standard	Outdoor Non-Cutoff and Semi-Cutoff Wall-Mounted Area Luminaires
WPE-60/50K G2	PKVNE6AE	4.2	Standard	Outdoor Non-Cutoff and Semi-Cutoff Wall-Mounted Area Luminaires
WPE-75/40K G2	PDACYGZU	4.2	Standard	Outdoor Non-Cutoff and Semi-Cutoff Wall-Mounted Area Luminaires
WPE-75/45K G2	PX2PRT59	4.2	Standard	Outdoor Non-Cutoff and Semi-Cutoff Wall-Mounted Area Luminaires
WPE-75/50K G2	PTPG9Y99	4.2	Standard	Outdoor Non-Cutoff and Semi-Cutoff Wall-Mounted Area Luminaires

NOTES:

¹ Quick ship: 5000K. Other CCTs may require a lead time or be special order

© 2017 Aleo Lighting, Inc. All rights reserved. For informational purposes only. Reproduction in whole or part is prohibited without prior written consent of the copyright owner. The information presented in this document does not form part of any quotation or contract, is believed to be accurate and reliable and may be changed without notice. No liability will be accepted by the publisher for any consequences of its use. Aleo Lighting reserves the rights make changes in specification at any time without notice.

Specifications and Dimensions subject to change without notice.



Aleo Lighting, Inc.
www.aleoighting.com
13924 Bettencourt St.
Cerritos, CA 90703
Ph: 877-358-8825



Project	
Notes	
Type	Date
Cat. No.	

WPL2™ Series **Large LED Wall Pack Luminaire**



DESCRIPTION

The Aleo WPL2™ Series combines energy-efficiency, advanced optical control, and modern slim profile aesthetics to deliver enhanced performance to outdoor wall-mount lighting applications. Rugged die-cast housing provides advanced thermal management for long life and weather-proof compartment to withstand challenging, outdoor environments.

APPLICATIONS

Outdoor wall-mount applications. Building facade. Retail, commercial, industrial exteriors

Specification Features

Construction

Rugged, die-cast housing with advanced thermal management system ensures reliability and durability. Weather-proof, gasketed driver compartment protects electronics against environmental elements.

Optical System

Precision-formed optical lens system improves safety and security by delivering high-efficiency illumination with precise optical distribution. Type III Med. distribution comes standard.

Certification

UL Listed. All components have UL certification. DLC QPL.

Warranty

5-year Limited Warranty. See warranty documentation for more information.

Electrical

Luminaire utilizes high-efficacy LED packages maintained at cool temperatures for long life, high efficacy. Reliable driver features universal voltage (120-277V) for convenient installation.

Installation / Mounting

Luminaire comes standard mounting plate for quick and easy installation.

Controls

Suitable for use with sensors to achieve deeper energy-savings. Sensor accessory available: occupancy sensing and photocell.



WPL2 Series
60W, 80W
100W, 120W

Quick Ship
WPL2-60W/50K
WPL2-80W/50K
WPL2-100W/50K

Ordering Information

Example: WPL2-60/50K

WPL2	60	50K	[Blank]	OS	[Blank]
Series WPL2 Large LED Wall Pack Luminaire	Nominal Wattage 60 60W 80 80W 100 100W 120 120W	Color Temp 50K 5000K	Input Voltage Blank 120V-277V	Controls¹ OS Occ. Sensor (On/Off) PC-UNV Photocell (120V/277V)	Emergency Backup EM700 700lm EM1400 1400lm
[Blank]					
Finish Color					
Blank	Dark Bronze	BLK	Black		
-WH	White	SLV	Silver	* Contact Factory for additional finish colors	

Specifications and Dimensions subject to change without notice.

Performance Summary

Input Voltage	120V-277V
Input Frequency	50/60 Hz
Rated Wattage	See Performance Table
Delivered Lumens	See Performance Table
Efficacy	95 LPW (typ.)
CRI	77+, R9 > 0
Available CCT ¹	5000K
Rated Life	50,000 hours
Power Factor	> 0.9
THD	< 20%
Controls	Occ. Sensor available
IP Rating	IP66
Operating Temp.	-40°C to 50°C

Performance Data

Catalog No.	Rated Wattage (W)	3000K*		5000K	
		Delivered Lumens (lm)	Efficacy (lm/W)	Delivered Lumens (lm)	Efficacy (lm/W)
WPL2-60/50K	57	6,342	111	6,445	112
WPL2-80/50K	81	8,691	107	8,808	108
WPL2-100/50K	101	11,052	109	11,111	110
WPL2-120/50K	121	12,890	107	13,052	108

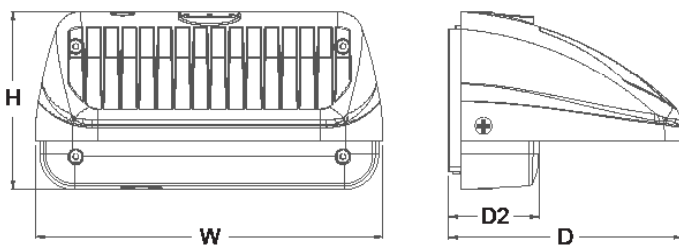
* 3000K CCT product only available as made-to-order. Will have associated lead times and MOQ

Occupancy Sensor

Integrated PIR Occupancy Sensor



Product Dimensions



Model No.	H	W	D	D2
WPL2-60/50K	7.5" (190mm)	12.6" (320mm)	10" (254mm)	4.1" (104mm)
WPL2-80/50K	7.5" (190mm)	12.6" (320mm)	10" (254mm)	4.1" (104mm)
WPL2-100/50K	8.07" (205mm)	15.75" (400mm)	10.6" (269mm)	4.1" (104mm)
WPL2-120/50K	8.07" (205mm)	15.75" (400mm)	10.6" (269mm)	4.1" (104mm)

DLC QPL Data

DLC QPL Model No.	Product ID.	Technical Req.	Classification	Primary Use
WPL2-60/50K	PBWU9T7F	4.2	Standard	Outdoor Full-Cutoff Wall-Mounted Area Luminaires
WPL2-80/50K	PUUGHTE5	4.2	Standard	Outdoor Full-Cutoff Wall-Mounted Area Luminaires
WPL2-100/50K	PB3NSJQ2	4.2	Standard	Outdoor Full-Cutoff Wall-Mounted Area Luminaires
WPL2-120/50K	PRQM8M92	4.2	Standard	Outdoor Full-Cutoff Wall-Mounted Area Luminaires



Specifications and Dimensions subject to change without notice.

© 2017 Aleo Lighting, Inc. All rights reserved. For informational purposes only. Reproduction in whole or part is prohibited without prior written consent of the copyright owner. The information presented in this document does not form part of any quotation or contract, is believed to be accurate and reliable and may be changed without notice. No liability will be accepted by the publisher for any consequences of its use. Aleo Lighting reserves the rights make changes in specification at any time without notice.



Project	
Notes	
Type	Date
Cat. No.	

WPL™ G2 Series

LED Wall Pack Luminaire



DESCRIPTION

The Aleo WPL™ G2 Series combines energy-efficiency, advanced optical control, and modern slim profile aesthetics to deliver enhanced performance to outdoor wall-mount lighting applications. Rugged die-cast housing provides advanced thermal management for long life and weather-proof compartment to withstand challenging, outdoor environments.

APPLICATIONS

Outdoor wall-mount applications. Building facade. Retail, commercial, industrial exteriors

WPL G2 Series

15W, 20W, 24W
30W, 42W



Specification Features

Construction

Rugged, die-cast housing with advanced thermal management system ensures reliability and durability. Weather-proof, gasketed driver compartment protects electronics against environmental elements.

Optical System

Precision-formed optical lens system improves safety and security by delivering high-efficiency illumination with precise optical distribution. Type III Med. distribution comes standard.

Certification

UL Listed. All components have UL certification.

Warranty

5-year Limited Warranty. See warranty documentation for more information.

Electrical

Luminaire utilizes high-efficacy LED packages maintained at cool temperatures for long life, high efficacy. Reliable driver features universal voltage (120-277V) for convenient installation.

Installation / Mounting

Luminaire comes standard mounting plate for quick and easy installation.

Controls / Dimming

Suitable for use with sensors and daylight harvesting to achieve deeper energy-savings and code compliance. Sensor accessory available: occupancy sensing with daylight cut-off and photocell (must order with wall pack extension accessory).

Quick Ship

WPL-15/50K G2
WPL-24/50K G2
WPL-42/50K G2

Ordering Information

Example: WPL-42/50K G2

WPL	42	50K	[Blank]	D	[Blank]
Series	Nominal Wattage	Color Temp	Input Voltage	Diming / Controls¹	Emergency Backup*
WPL	15 15W	50K 5000K	Blank	OSDL ² Occ. Sensor w/ Daylight	EM700 700lm
LED Wall Pack	20 20W		120V-277V	OSDL/IR Multi-Level Occ. Sensor	EM1400 1400lm
Luminaire	24 24W			w/ wireless config.	
	30 30W			PC-UNV Photocell (120V/277V)	
	42 42W				
				¹ See page 4 for factory pre-commissioned sensor options	^{**} EM is only available for 30W and 42W
				² OSDL is only available for 30W and 42W	
				[Blank]	
				Finish Color	
				Blank Dark Bronze	BLK Black
				-WH White	SLV Silver
					* Contact Factory for additional finish colors

Specifications and Dimensions subject to change without notice.

Performance Summary

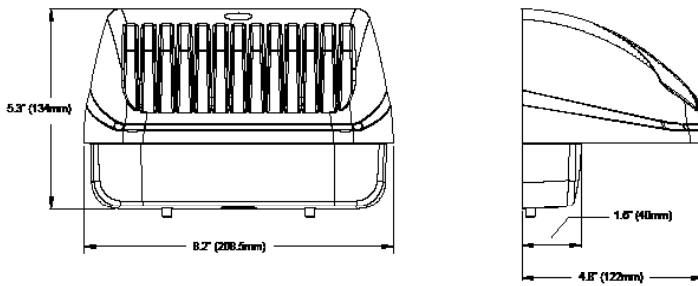
Input Voltage	120V-277V
Input Frequency	50/60 Hz
Rated Wattage	See Performance Table
Delivered Lumens	See Performance Table
Efficacy	90 LPW (typ.)
CRI	77+, R9 > 0
Available CCT¹	5000K
Rated Life	50,000 hours
Power Factor	> 0.9
THD	< 20%
Controls	Multi-level controls available
IP Rating	IP66
Operating Temp.	-40°C to 50°C

Performance Data

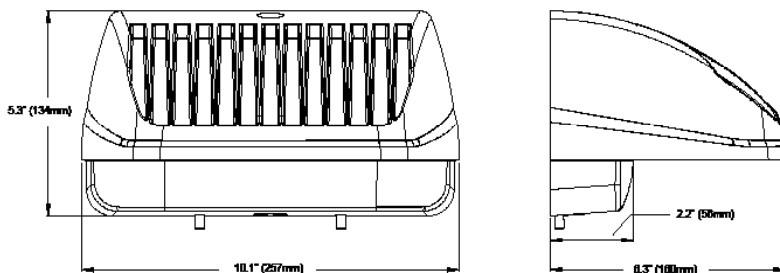
Catalog No.	Rated Wattage (W)	5000K	
		Delivered Lumens (lm)	Efficacy (lm/W)
WPL-15/50K G2	15	1,442	101
WPL-20/50K G2	20	1,884	97
WPL-24/50K G2	24	2,359	101
WPL-30/50K G2	30	3,041	98
WPL-42/50K G2	42	4,058	108

Product Dimensions

WPL-15 | WPL-20 | WPL-24



WPL-30 | WPL-42



Multi-level Occupancy Sensor
PIR Occupancy Sensor with Daylight function
Code-compliance

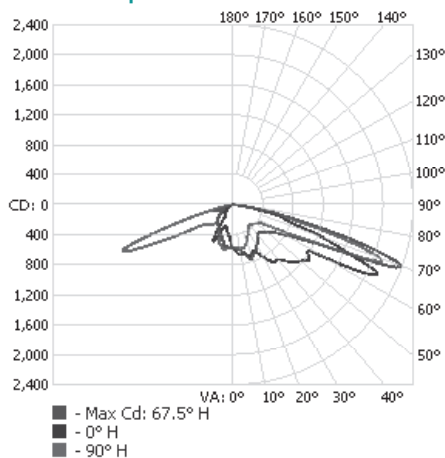


Specifications and Dimensions subject to change without notice.

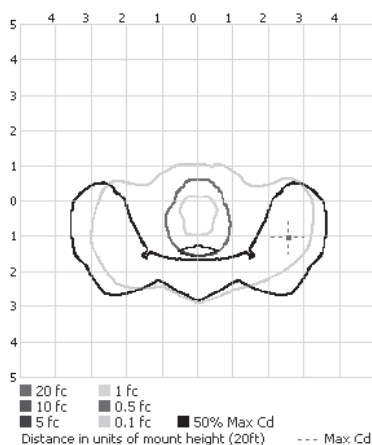
Photometric Data

WPL-42/30K 3015.6 delivered lumens, tested in accordance to IESNA LM-79
Type III Medium Distribution

Candlepower Distribution



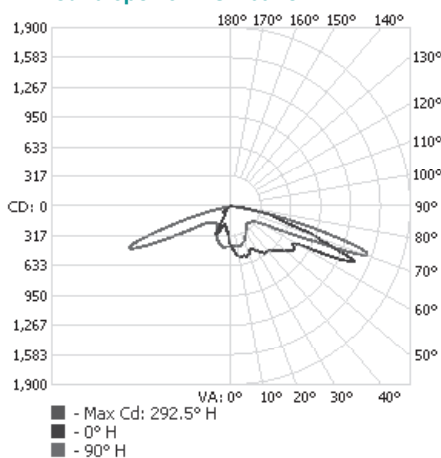
Isofootcandle Plot



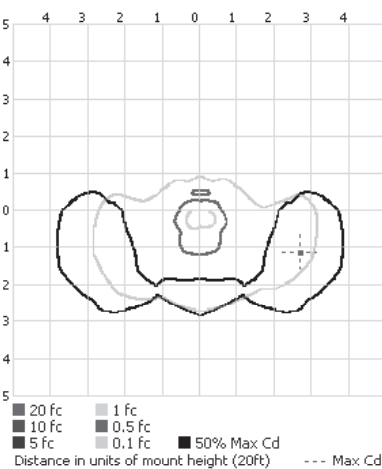
Optics	B	U	G
Type III Medium	1	1	1

WPL-30/30K 2121.5 delivered lumens, tested in accordance to IESNA LM-79
Type III Medium Distribution

Candlepower Distribution



Isofootcandle Plot



Optics	B	U	G
Type III Medium	1	1	1



DLC QPL Data

DLC QPL Model No.	Product ID.	Technical Req.	Classification	Primary Use
WPL-15/50K G2	PYMX5FY5	4.2	Standard	Outdoor Full-Cutoff Wall-Mounted Area Luminaires
WPL-20/50K G2	PYTU8HHF	4.2	Standard	Outdoor Full-Cutoff Wall-Mounted Area Luminaires
WPL-24/50K G2	PSVJW4WP	4.2	Standard	Outdoor Full-Cutoff Wall-Mounted Area Luminaires
WPL-30/50K G2	PNN2EHZC	4.2	Standard	Outdoor Full-Cutoff Wall-Mounted Area Luminaires
WPL-42/50K G2	PKGBB5A8	4.2	Standard	Outdoor Full-Cutoff Wall-Mounted Area Luminaires



Specifications and Dimensions subject to change without notice.



Control Pre-Commissioning

Example: WPL-42/50K-OSDL L2-10H-3L-10M-30M-5S-30S

L2	10H	3L	10M	30M	5S	30S
Lens / Coverage	High Level	Low Level	Time Delay	Cut-Off	Ramp Up	Fade Down
L2 8' height (48' dia.)	10H 100% 9H 90%	1L 10% 2L 20%	30S 30 sec. #M 1-30 min.	#M 1-59 min. #H 1-5 hrs. 0 Disabled	#S 1-60 sec. 0 Disabled	#S 1-60 sec. 0 Disabled
L3 20' height (40' dia.)	8H 80% 7H 70%	3L 30% 4L 40%	# = enter no. of minutes from 1 to 30 min.	# = enter no. of minutes or hours		
L4 40' height (60' dia.)	6H 60% 5H 50%	5L 50% 6L 60%				
L7 40' height (100' dia.)		7L 70%				

High Level When the sensor detects motion the dimming control output ramps up to the selected HIGH light level.

Low Level After the sensor stops detecting motion and the time delay expires the dimming control output fades down to the selected LOW light level.

Time Delay The selected time period that must elapse after the last time the sensor detects motion for the electric lights to fade to LOW mode

Cut-Off The time period that must elapse after the lights fade to LOW mode and the sensor detects no motion for the electric lights to turn OFF.

Ramp Up Time period for light level to increase from LOW to HIGH.

Fade Down Time period for light level to decrease from HIGH to LOW.



Aleo Lighting, Inc.
www.aleoighting.com
13924 Bettencourt St.
Cerritos, CA 90703
Ph: 877-358-8825

© 2017 Aleo Lighting, Inc. All rights reserved. For informational purposes only. Reproduction in whole or part is prohibited without prior written consent of the copyright owner. The information presented in this document does not form part of any quotation or contract, is believed to be accurate and reliable and may be changed without notice. No liability will be accepted by the publisher for any consequences of its use. Aleo Lighting reserves the rights make changes in specification at any time without notice.