

ELCOLume

COMMERCIAL LIGHTING 

ARCHITECTURAL DOWNLIGHTS

HID & CFL RETROFIT

OUTDOOR LIGHTING

EXIT & EMERGENCY LIGHTING



ELCO Lighting Los Angeles Headquarters

2042 E. Vernon Ave.
Vernon, CA 90058
Tel: 323.231.2600
Fax: 323.231.3200 or 800.644.2626
www.elcolighting.com
sales@elcolighting.com

Some of the products in this catalog are covered by USA and international patents.

Specifications subject to change without notice.

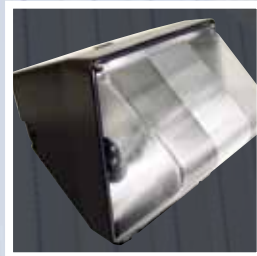
Catalog E1025
\$15.00
2013

Member of:



ELCOLume

COMMERCIAL LIGHTING 



ARCHITECTURAL DOWNLIGHTS

HID & CFL RETROFIT

OUTDOOR LIGHTING

EXIT & EMERGENCY LIGHTING

ELCOLume

COMMERCIAL LIGHTING 

With over twenty years in the market, Elco Lighting is one of the premiere lighting companies in America. With continually expanding product lines in recessed downlights, track lighting, outdoor, emergency and undercabinet lighting, Elco is able to meet almost any lighting requirement at a fair market value and with quality engineering.

ELCO Lighting®

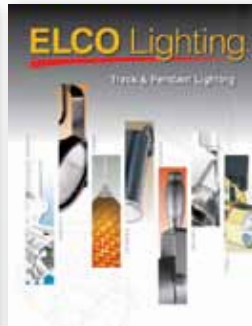
Elco Lighting has an array of catalogs that best suit your everyday lighting needs.



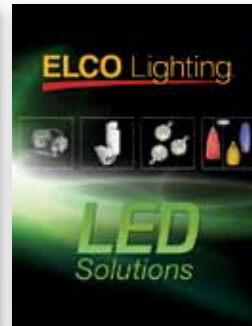
FlexMotion



Under Cabinet



Track & Pendant



LED



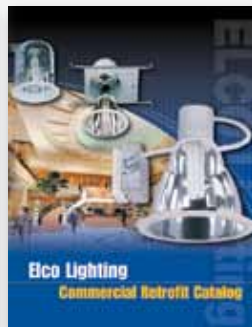
Outdoor



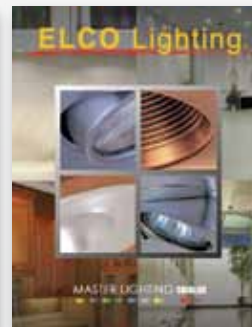
Copper/Bronze



Mini Track



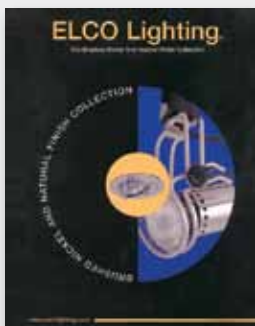
Retrofit



Master Catalog



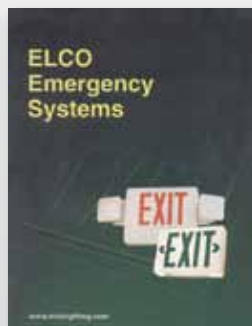
Mini Pocket



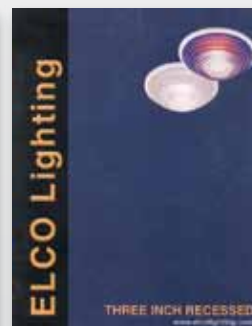
Brushed Nickel



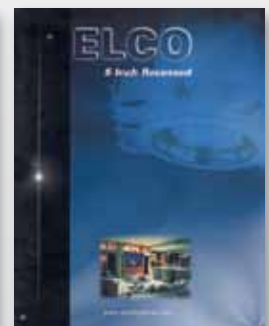
Architectural



Emergency



3" Recessed



5" Recessed

**Order Your Catalog TODAY! Call ELCO Lighting® at
323-231-2600**

**WE APPRECIATE YOUR BUSINESS AND ENCOURAGE
YOUR COMMENTS**

Commercial Lighting

Elco Lighting presents the **ELCOLume** line of commercial and architectural lighting products. ELCOLume is a complete collection of lighting solutions designed to meet the requirements of commercial and architectural applications. ELCOLume includes architectural recessed downlights, outdoor lighting, exit & emergency lighting, and HID & CFL recessed retrofit kits. Recessed downlights include sizes from 4" up to 10" and are available in HID, CFL and incandescent lamping. We invite you to explore this catalog to see how ELCOLume can meet your commercial lighting needs.



ELCOLume
COMMERCIAL LIGHTING 

Table of Contents

Architectural Downlighting4 – 58

Incandescent Recessed Lighting	5
Compact Fluorescent Recessed Lighting	9
HID Recessed Lighting.....	45

Recessed Retrofit Kits.....59 – 75

Compact Fluorescent Retrofit	60
HID Retrofit.....	71

Outdoor Lighting76 – 81

HID Wall Packs.....	77
HID Floodlights.....	79
Compact Fluorescent Floodlights	81

Exit & Emergency Lighting82 –112

Exit Signs.....	83
Emergency Lights.....	85
Low Voltage Incandescent Emergency Downlights	89
Compact Fluorescent Emergency Downlights	100

CFL Dimming Ballast113

Ordering Information

Architectural Downlights

5 Incandescent Downlights

ELCOLume Incandescent new construction and remodel downlights are available in 8" and 7" sizes and accommodate lamp wattages up to 200W. Specification sheets can be downloaded at www.elcolighting.com.



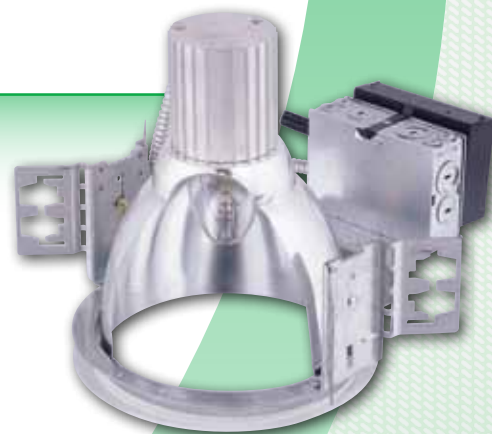
9 CFL Downlights

Compact Fluorescent lighting is a popular choice for lighting commercial spaces because of its comforting light output and energy efficiency. ELCOLume features one of the most extensive selections of CFL downlights in the industry. Downlights come in IC, ENERGY STAR qualified, remodel, new construction, wall wash and square housings with aperture sizes range from 9" down to 4".



45 HID Downlights

ELCOLume HID downlights utilize sophisticated metal halide lamp technology to deliver the highest quality illumination necessary for high-ceiling commercial applications such as banks, office buildings, hospitals, restaurants, shopping malls, airports, hotels and more. Aperture sizes come in 10", 8", 6" and 4" sizes and can accommodate lamps from 20W to 200W. American-made magnetic and electronic ballasts round out the package.



8" Incandescent Downlight

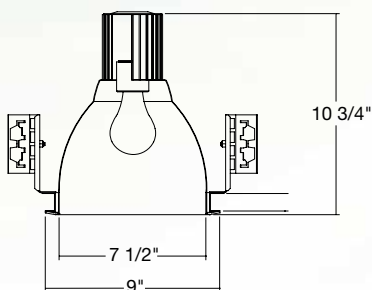
Features

- Combine this frame with any of the trims below
- Galvanized steel construction
- 120V
- Frame dimensions:
12" L x 12 1/2" W x 10 1/2" H
- Hanger bars not included
- A19, PAR30, PAR38 (lamp not included)
- 200W max lamp rating
- Trims feature white polycarbonate ring
- UL listed
- UL feed through listed



Dimensions

Height: 10 3/4" • Opening: 8 1/8"
Trim O.D.: 9"



8" Line Voltage Incandescent Downlight

1 Lamp 200W

▼ Housings

ELH8T

(1) A19, PAR30, PAR38 (lamp not included)

Architectural Downlights

Item Selector:

HOUSING

HOUSING ACCESSORY 1

TRIM

▼ Compatible Trim



Clear Wall Wash Reflector Trim

EL838C Clear Ref. White Ring
Lamp: 200W max PAR30, PAR38 or A19
O.D.: 9"



Reflector Trim

EL816C Clear Ref. White Ring
EL816G Gold Ref. White Ring
EL816F Self Flanged Clear Ref.
EL816H Haze Ref. White Ring
Lamp: 200W max PAR30, PAR38 or A19
O.D.: 9"



Baffle with Reflector Trim

EL833B Black Bfl. Clear Ref. White Ring
EL833W White Bfl. Clear Ref. White Ring
EL833HB Black Bfl. Haze Ref. White Ring
EL833HW White Bfl. Haze Ref. White Ring
Lamp: 200W max PAR30, PAR38 or A19
O.D.: 9"



Reflector with Prismatic Lens

EL832C Clear Ref. White Ring
EL832G Gold Ref. White Ring
EL832W White Ref. White Ring
EL832F Self Flanged Clear Ref.
Lamp: 150W max PAR30, PAR38 or A19
O.D.: 9"



Reflector with Offset Glass Trim

EL836C Clear Ref. White Ring
EL836G Gold Ref. White Ring
Lamp: 200W max PAR30, PAR38 or A19
O.D.: 9"



Baffle with Prismatic Lens Trim

EL852W White Bfl. White Ring
EL852B Black Bfl. White Ring
Lamp: 150W max PAR30, PAR38 or A19
O.D.: 9"



Cross Blade Reflector Trim

EL881C Clear Ref. White Ring
O.D.: 9"

▼ Housing Accessories

Hanger Bar **FB27** = Set of two 27" flat hanger bars. For wood construction.
CH26 = Set of two 26" C-Channel hanger bars. For T-Bar Ceiling.

8" Incandescent Downlight

NEW



8" Line Voltage Incandescent Remodel Downlight

1 Lamp 200W

▼ Housings

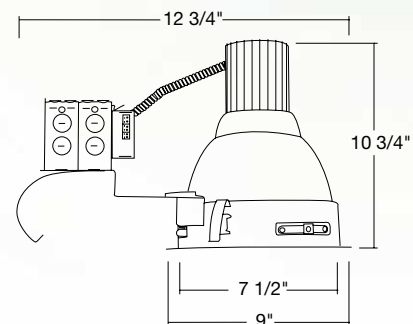
ELRH8T (1) A19, PAR30, PAR38 (lamp not included)

Features

- Combine this frame with any of the trims below
- 120V
- Galvanized steel construction
- A19, PAR30, PAR38 (lamp not included)
- 200W max lamp rating
- Trims feature white polycarbonate ring
- UL listed
- UL feed through listed

Dimensions

Height: 10 3/4" • Opening: 8 1/8"
Trim O.D.: 9"



Item Selector:

HOUSING

TRIM

▼ Compatible Trim



Cross Blade Reflector Trim

EL881C Clear Ref. White Ring
O.D.: 9"



Reflector with Offset Glass Trim

EL836C Clear Ref. White Ring
EL836G Gold Ref. White Ring
Lamp: 200W max PAR30, PAR38 or A19
O.D.: 9"



Baffle with Reflector Trim

EL833B Black Bfl. Clear Ref. White Ring
EL833W White Bfl. Clear Ref. White Ring
EL833HB Black Bfl. Haze Ref. White Ring
EL833HW White Bfl. Haze Ref. White Ring
Lamp: 200W max PAR30, PAR38 or A19
O.D.: 9"



Reflector with Prismatic Lens

EL832C Clear Ref. White Ring
EL832G Gold Ref. White Ring
EL832W White Ref. White Ring
EL832F Self Flanged Clear Ref.
Lamp: 150W max PAR30, PAR38 or A19
O.D.: 9"



Reflector Trim

EL816C Clear Ref. White Ring
EL816G Gold Ref. White Ring
EL816F Self Flanged Clear Ref.
EL816H Haze Ref. White Ring
Lamp: 200W max PAR30, PAR38 or A19
O.D.: 9"



Baffle with Prismatic Lens Trim

EL852W White Bfl. White Ring
EL852B Black Bfl. White Ring
Lamp: 150W max PAR30, PAR38 or A19
O.D.: 9"



Clear Wall Wash Reflector Trim

EL838C Clear Ref. White Ring
Lamp: 200W max PAR30, PAR38 or A19
O.D.: 9"

ELCOLume
COMMERCIAL LIGHTING

7" Incandescent Downlight

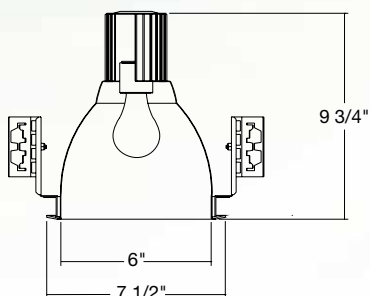
Features

- Combine this frame with any of the trims below
- 120V
- Galvanized steel construction
- Frame dimensions:
11 1/2"L x 11"W x 9 3/4"H
- Hanger bars not included
- A19, PAR30, PAR38 (lamp not included)
- 150W max lamp rating
- Trims feature white polycarbonate ring
- UL listed
- UL feed through listed

Dimensions

Height: 9 3/4" • Opening: 6 1/2"

Trim O.D.: 7 1/2"



7" Line Voltage Incandescent Downlight

1 Lamp 150W

▼ Housings

ELH7T

(1) A19, PAR30, PAR38 (lamp not included)

Architectural Downlights

Item Selector:

HOUSING

HOUSING ACCESSORY 1

TRIM

▼ Compatible Trim



Wall Wash Reflector
EL738C Clear Ref. White Ring
Lamp: 150W max PAR30, PAR38 or A19
O.D.: 7 1/2"



Wall Wash Reflector with Baffle Trim
EL755W Clear Ref. White Bfl. White Trim
EL755B Clear Ref. Black Bfl. White Trim
EL755HB Haze Ref. Black Bfl. White Trim
EL755HW Haze Ref. White Bfl. White Trim
Lamp: 150W max PAR30, PAR38 or A19
O.D.: 7 1/2"



Reflector with Prismatic Lens
EL732G Gold Ref. White Ring
EL732C Clear Ref. White Ring
EL732F Self Flanged Clear Ref.
Lamp: 150W max PAR30, PAR38 or A19
O.D.: 7 1/2"



Baffle with Reflector Trim
EL733B Clear Ref. Black Bfl.
EL733W Clear Ref. White Bfl.
EL733HB Haze Ref. Black Bfl.
EL733HW Haze Ref. White Bfl.
Lamp: 150W max PAR30, PAR38 or A19
O.D.: 7 1/2"



Reflector Trim
EL716G Gold Ref. White Ring
EL716C Clear Ref. White Ring
EL716F Self Flanged Clear Ref.
EL716H Haze Ref. White Ring
Lamp: 150W max PAR30, PAR38 or A19
O.D.: 7 1/2"



Baffle with Regressed Lens Trim
EL752W White Bfl. White Ring
EL752B Black Bfl. White Ring
Lamp: 150W max PAR30, PAR38 or A19
O.D.: 7 1/2"

▼ Housing Accessories

Hanger Bar FB27 = Set of two 27" flat hanger bars. For wood construction.
CH26 = Set of two 26" C-Channel hanger bars. For T-Bar Ceiling.

7" Incandescent Downlight

NEW



Features

- Combine this frame with any of the trims below
- 120V
- Galvanized steel construction
- A19, PAR30, PAR38 (lamp not included)
- 150W max lamp rating
- UL listed
- UL feed through listed

Architectural Downlights

7" Line Voltage Incandescent Remodel Downlight

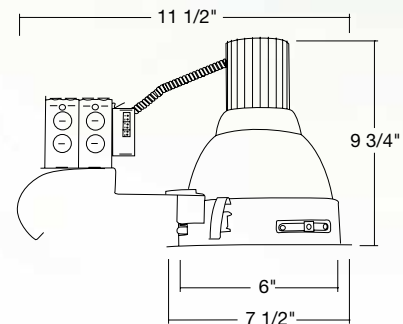
1 Lamp 200W

▼ Housings

ELRH7T (1) A19, PAR30, PAR38 (lamp not included)

Dimensions

Height: 9 3/4" • Opening: 6 1/2"
Trim O.D.: 7 1/2"



Item Selector:

HOUSING

TRIM

▼ Compatible Trim



Wall Wash Reflector
EL738C Clear Ref. White Ring
Lamp: 150W max PAR30, PAR38 or A19
O.D.: 7 1/2"



Reflector Trim
EL716G Gold Ref. White Ring
EL716C Clear Ref. White Ring
EL716F Self Flanged Clear Ref.
EL716H Haze Ref. White Ring
Lamp: 150W max PAR30, PAR38 or A19
O.D.: 7 1/2"



Reflector with Prismatic Lens
EL732G Gold Ref. White Ring
EL732C Clear Ref. White Ring
EL732F Self Flanged Clear Ref.
Lamp: 150W max PAR30, PAR38 or A19
O.D.: 7 1/2"



Baffle with Reflector Trim
EL733B Clear Ref. Black Bfl.
EL733W Clear Ref. White Bfl.
EL733HB Haze Ref. Black Bfl.
EL733HW Haze Ref. White Bfl.
Lamp: 150W max PAR30, PAR38 or A19
O.D.: 7 1/2"



Wall Wash Reflector with Baffle Trim
EL755W Clear Ref. White Bfl. White Trim
EL755B Clear Ref. Black Bfl. White Trim
EL755HB Haze Ref. Black Bfl. White Trim
EL755HW Haze Ref. White Bfl. White Trim
Lamp: 150W max PAR30, PAR38 or A19
O.D.: 7 1/2"



Baffle with Regressed Lens Trim
EL752W White Bfl. White Ring
EL752B Black Bfl. White Ring
Lamp: 150W max PAR30, PAR38 or A19
O.D.: 7 1/2"

Architectural CFL Downlights

1/2" Flex Conduit

Compact Fluorescent Lamp

designed for one Quad or Triple Biax compact fluorescent lamp by GE, Philips, or Osram-Sylvania.

Reflector and Trim Ring

available in low iridescence clear or gold aluminum finish with Polycarbonate trim ring.

Socket

4 PIN G24Q-3 Base

Electronic Ballast

available with dual 120/277V or dimmable, potted and encased.

Junction Box

with 1/2" and 3/4" knockouts, U.L./C.U.L. Listed for through branch wiring, maximum (8) No. 12 AWG branch circuit conductors (4 in 4 out). Junction Box provided with removable access plates.

Mounting Brackets

accepts 1/2" conduit, C-channels (CH26 or CH50) or linear bar hangers (FB27).



Optional **CH26**-Channel Bar Hanger and **FB27**- Linear Bar Hanger further customizes your installation for commercial applications.



Optional **KEM-P13, KEM-P26, or KEM-P32, KEM-P42, KEM-P43** Compact Fluorescent Emergency Kit.



Compact Fluorescent Lamps ranging for 7 watts to 42 watts, Twin Tubes, Triple Biax, and Quads.

NOTE: Dimming fixtures

1. All dimming fixtures (D) are supplied with 0-10 Volt type dimming ballast (like Advance Mark VII) by default. These Ballasts require 2 additional low voltage wires to dimming switch, and are dimmable with 0-10V dimmers.
2. Fixtures can be specified with reverse phase type dimming ballast (DX) (like Advance Mark X). These Ballasts operate from 2 wire compatible dimmers. Add X suffix to part number for 120V, X-7 for 277V. Add D1 for Advance Ambistar dimming ballast.
3. Lutron Compact SE, TU-Wire or EcoSystem dimming ballast can be specified.
4. Lutron Hi-Lume dimming ballast can be specified.
5. Contact Ballast manufactures for dimmer switch compatibility.
6. Operating Voltage is 120V unless otherwise specified.
7. Contact your representative for pricing on our various dimmable ballast options.

9" CFL Downlights



9" Vertical Architectural CFL Downlights

1 Lamp 42W - 70W Dimming Ballast Available

▼ Housings

ELV9142E	(1) 42W 4 Pin Triple 120/277V Elec.
ELV9157E	(1) 57W 4 Pin Triple 120/277V Elec.
ELV9157D	(1) 57W 4 Pin Triple 120/277V Mark VII Dim.
ELV9157DX	(1) 57W 4 Pin Triple 120V Mark X Dim.
ELV9157DX-7	(1) 57W 4 Pin Triple 277V Mark X Dim.
ELV9170E	(1) 70W 4 Pin Triple 120/277V Elec.
ELV9170D	(1) 70W 4 Pin Triple 120/277V Mark VII Dim.
ELV9170DX	(1) 70W 4 Pin Triple 120V Mark X Dim.
ELV9170DX-7	(1) 70W 4 Pin Triple 277V Mark X Dim.

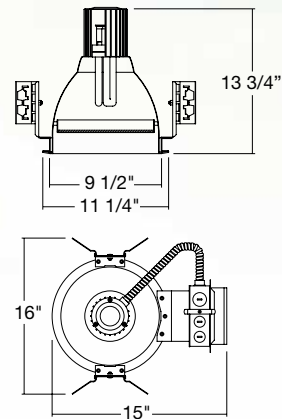
Elec. = Electronic Ballast Dim. = Dimming Ballast

Features

- CFL housing for (1) vertically mounted lamp.
- Trim support adjusts 3/4" to accommodate varying ceiling thickness.
- Hanger bars not included
- UL damp location listed
- UL feed through listed

Dimensions

Height: 13 3/4" • Opening: 9 1/2"
Trim O.D.: 11 1/4"



Item Selector:

HOUSING

HOUSING ACCESSORY 1

HOUSING ACCESSORY 2

TRIM

▼ Compatible Trim



Open Reflector

EL1016C Clear Ref. White Ring
O.D.: 11 1/4"



Reflector with Lens

EL1037C Clear Ref. White Ring
O.D.: 11 1/4"

▼ Housing Accessories

Battery Backup	KEM-P32 = (1)13W to 42W, (2)13W/18W, 120V or 277V, 4 Pin KEM-P43 = (1)13W to 42W, (2)13W/18W, 120V or 277V, 4 Pin for in-trim test switch installation KEM-P52 = (1)13W to 57W, (2)13W/18W, 4 Pin, 1,300 lumens
Hanger Bar	FB27 = Set of two 27" flat hanger bars. For wood construction. CH26 = Set of two 26" C-Channel hanger bars. For T-Bar Ceiling.

8" CFL Downlights

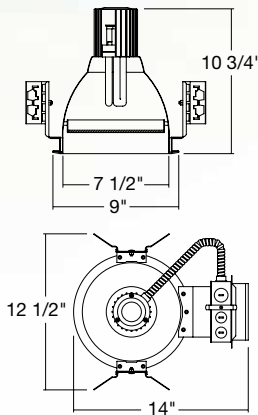
Features

- CFL housing for (1) vertically mounted lamp.
- Trim support adjusts 3/4" to accommodate varying ceiling thickness.
- Hanger bars not included, order (CH26) C-channels, (FB27) linear bar hangers, or use 1/2" EMT pipe.
- UL damp location listed
- UL feed through listed



Dimensions

Height: 10 3/4" • Opening: 8 1/8"
Trim O.D.: 9"



Use Trims
on page 12

Housing Accessories

Battery Backup	KEM-P13 = (1)9W, (2)9W, (1)13W, (2)13W, 120V or 277V, 2 Pin
	KEM-P32 = (1)13W to 42W, (2)13W/18W, 120V or 277V, 4 Pin
	KEM-P43 = (1)13W to 42W, (2)13W/18W, 120V or 277V, 4 Pin for in-trim test switch installation
	KEM-P52 = (1)13W to 57W, (2)13W/18W, 4 Pin, 1,300 lumens
Hanger Bar	FB27 = Set of two 27" flat hanger bars. For wood construction.
	CH26 = Set of two 26" C-Channel hanger bars. For T-Bar Ceiling.

8" CFL Vertical Downlights

1 Lamp 13W - 70W Dimming Ballast Available

Housings

ELV8113	(1) 13W 2 Pin PL/Quad 120V Mag.
ELV8113E	(1) 13W 4 Pin PL Lamp 120/277V Elec.
ELV8118E	(1) 18W 4 Pin Quad 120/277V Elec., ENERGY STAR qualified
ELV8126E	(1) 26W 4 Pin Quad or Triple 120/277V Elec., ENERGY STAR qualified
ELV8126E-347	(1) 26W 4 Pin Quad or Triple 347V Elec.
ELV8126D	(1) 26W 4 Pin Quad or Triple 120/277V Mark VII Dim.
ELV8126DX	(1) 26W 4 Pin Quad or Triple 120V Mark X Dim. (2 wires)
ELV8126DX-7	(1) 26W 4 Pin Quad or Triple 277V Mark X Dim. (2 wires)
ELV8132E	(1) 32W 4 Pin Triple 120V/277V Elec., ENERGY STAR qualified
ELV8132E-347	(1) 32W 4 Pin Triple 347V Elec.
ELV8132D	(1) 32W 4 Pin Triple 120/277V Dim. (4 wires)
ELV8132DX	(1) 32W 4 Pin Quad 120V Mark X Dim. (2 wires)
ELV8132DX-7	(1) 32W 4 Pin Triple 277V Dim. (2 wires)
ELV8142E	(1) 42W 4 Pin Triple 120/277V Elec., ENERGY STAR qualified
ELV8142E-347	(1) 42W 4 Pin Triple 347V Elec.
ELV8142D	(1) 42W 4 Pin Triple 120/277V Dim. (4 wires) *Also takes (1) 32W or 26W lamp
ELV8142DX	(1) 42W 4 Pin Quad 120V Mark X Dim. (2 wires)
ELV8142DX-7	(1) 42W 4 Pin Triple 277V Mark X Dim. (2 wires)
ELV8157E	(1) 57W 4 Pin, 120/277V Elec.
ELV8157D	(1) 57W 4 Pin, 120/277V Mark VII Dim.
ELV8157DX	(1) 57W 4 Pin, 120V Mark X Dim.
ELV8157DX-7	(1) 57W 4 Pin, 277V Mark X Dim.
ELV8170E	(1) 70W 4 Pin, 120/277V Elec.
ELV8170D	(1) 70W 4 Pin, 120/277V Mark VII Dim.
ELV8170DX	(1) 70W 4 Pin, 120V Mark X Dim.
ELV8170DX-7	(1) 70W 4 Pin, 277V Mark X Dim.

Elec. = Electronic Ballast Mag. = Magnetic Ballast Dim. = Dimming Ballast

Item Selector:

HOUSING

HOUSING ACCESSORY 1

HOUSING ACCESSORY 2

TRIM

8" CFL Downlights



Features

- CFL housing with plaster frame for (1) vertically mounted lamp.
- Frame dimensions: 14"L x 9 3/4"W
- Trim support adjusts 3/4" to accommodate varying ceiling thickness.
- Includes plaster frame with 24" captive bar hangers.
- UL damp location listed
- UL feed through listed

8" CFL Vertical Downlights

1 Lamp 13W - 42W Dimming Ballast Available

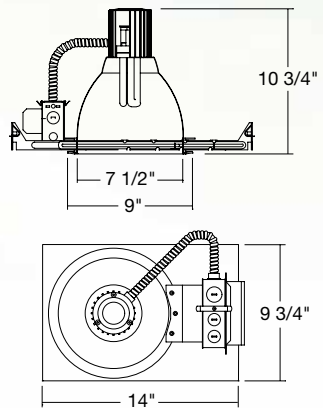
▼ Housings

ELVF813	(1) 13W 2 Pin Twin or Quad 120V Mag.
ELVF813E	(1) 13W 4 Pin Quad 120/277V Elec.
ELVF818E	(1) 18W 4 Pin Quad 120/277V Elec., ENERGY STAR qualified
ELVF826E	(1) 26W 4 Pin Quad or Triple 120/277V Elec., ENERGY STAR qualified
ELVF826D	(1) 26W 4 Pin Quad or Triple 120/277V Mark VII Dim. (4 wires)
ELVF826DX	(1) 26W 4 Pin Quad or Triple 120V Mark X Dim.
ELVF832E	(1) 32W 4 Pin Triple 120/277V Elec., ENERGY STAR qualified
ELVF832D	(1) 32W 4 Pin Triple 120/277V Mark VII Dim.
ELVF832DX	(1) 32W 4 Pin Triple 120V Mark X Dim.
ELVF832DX-7	(1) 32W 4 Pin Triple 277V Mark X Dim.
ELVF842E	(1) 42W 4 Pin Triple 120/277V Elec., ENERGY STAR qualified
ELVF842D	(1) 42W 4 Pin Triple 120/277V Mark VII Dim. (4 wires) *Also takes 32W or 26W Lamp
ELVF842DX	(1) 42W 4 Pin Quad or Triple 120V Mark X Dim.

Elec. = Electronic Ballast Mag. = Magnetic Ballast Dim. = Dimming Ballast

Dimensions

Height: 10 3/4" • Opening: 8 1/8"
Trim O.D.: 9"



Item Selector:

HOUSING HOUSING ACCESSORY 1 TRIM

▼ Compatible Trim



Clear Wall Wash Reflector Trim
EL838C Clear Ref. White Ring
O.D.: 9"



Reflector with Offset Glass Trim
EL836C Clear Ref. White Ring
EL836G Gold Ref. White Ring
O.D.: 9"



Baffle with Reflector Trim
EL833B Black Bfl. Clear Ref. White Ring
EL833W White Bfl. Clear Ref. White Ring
EL833HB Black Bfl. Haze Ref. White Ring
EL833HW White Bfl. Haze Ref. White Ring
O.D.: 9"



Reflector with Prismatic Lens
EL832C Clear Ref. White Ring
EL832G Gold Ref. White Ring
EL832W White Ref. White Ring
EL832F Self Flanged Clear Ref.
O.D.: 9"



Reflector Trim
EL816C Clear Ref. White Ring
EL816G Gold Ref. White Ring
EL816F Self Flanged Clear Ref.
EL816H Haze Ref. White Ring
O.D.: 9"



Baffle with Prismatic Lens Trim
EL852W White Bfl. White Ring
EL852B Black Bfl. White Ring
O.D.: 9"



Cross Blade Reflector Trim
EL881C Clear Ref. White Ring
O.D.: 9"

▼ Housing Accessories

Battery Backup	KEM-P13 = (1)9W, (2)9W, (1)13W, (2)13W, 120V or 277V, 2 Pin KEM-P32 = (1)13W to 42W, (2)13W/18W, 120V or 277V, 4 Pin KEM-P43 = (1)13W to 42W, (2)13W/18W, 120V or 277V, 4 Pin for in-trim test switch installation KEM-P52 = (1)13W to 57W, (2)13W/18W, 4 Pin, 1,300 lumens
-----------------------	--

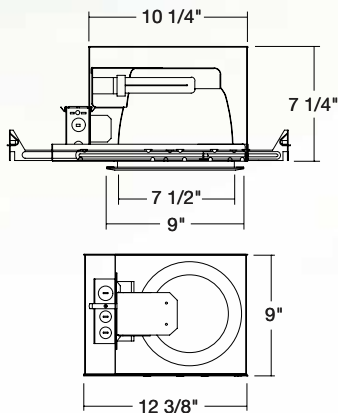
8" CFL Downlights

Features

- IC rated CFL housing for (1) or (2) horizontally mounted lamps.
- 7 1/4" height allows for use in 2 x 8 construction.
- Trim support adjusts 3/4" to accommodate varying ceiling thickness.
- 24" captive bar hangers included
- UL listed for direct contact with insulation
- UL damp location listed
- UL feed through listed

Dimensions

Height: 7 1/4" • Opening: 8 1/8"
Trim O.D.: 9"



8" CFL IC Horizontal Downlights

1 or 2 Lamps 18W - 42W Dimming Ballast & Airtight Available

▼ Housings

ELH118ICE	(1) 18W 4 Pin Quad or Triple 120/277 Elec.
ELH218ICE	(2) 18W 4 Pin Quad 120/277V Elec.
ELH218ICEA	(2) 18W 4 Pin Quad 120/277V Elec. Airtight CA Title 24
ELH218ICD	(2) 18W 4 Pin Quad 120/277V Mark VII Dim.
ELH126ICE	(1) 26W 4 Pin Quad or Triple 120/277V Elec.
ELH126ICEA	(1) 26W 4 Pin Quad 120/277V Elec. Airtight CA Title 24
ELH226ICE	(2) 26W 4 Pin Quad 120/277V Elec.
ELH226ICEA	(2) 26W 4 Pin Quad 120/277V Elec. Airtight CA Title 24
ELH126ICD	(1) 26W 4 Pin Quad or Triple 120/277V Mark VII Dim.
ELH226ICD	(2) 26W 4 Pin Quad 120/277V Mark VII Dim.
ELH226ICDA	(2) 26W 4 Pin Quad 120/277V Mark VII Dim. Airtight CA Title 24
ELH226ICDX	(2) 26W 4 Pin Quad 120V Mark X Dim.
ELH132ICE	(1) 32W 4 Pin Triple 120/277V Elec.
ELH132ICEA	(1) 32W 4 Pin Triple 120/277V Elec. Airtight CA Title 24
ELH132ICD	(1) 32W 4 Pin Triple 120/277V Mark VII Dim.
ELH142ICE	(1) 42W 4 Pin Triple 120/277V Elec.
ELH142ICEA	(1) 42W 4 Pin Triple 120/277V Elec. Airtight CA Title 24
ELH142ICD	(1) 42W 4 Pin Triple 120/277V Mark VII Dim.
	*Also use 26W or 32W lamps
ELH142ICDXA	(1) 42W 4 Pin Triple 120V Mark X Dim. Airtight CA Title 24

Elec. = Electronic Ballast Dim. = Dimming Ballast

Item Selector:

HOUSING

HOUSING ACCESSORY 1

TRIM

▼ Compatible Trim



Regressed Lens Trim
EL842W White Bfl. White Ring
EL842B Black Bfl. White Ring
O.D.: 9"



Wall Wash Reflector
EL853C Clear Ref. White Ring
O.D.: 9"



Baffle with Reflector Trim
EL830W White Bfl. Clear Ref. White Ring
EL830B Black Bfl. Clear Ref. White Ring
EL830HB Black Bfl. Haze Ref. White Ring
EL830HW White Bfl. Haze Ref. White Ring
O.D.: 9"



Reflector Trim
EL821C Clear Ref. White Ring
EL821F Self Flanged Clear Ref. and Ring
EL821H Haze Ref. White Ring
EL821G Gold Ref. White Ring
EL821W White Ref. White Ring
O.D.: 9"



Suspended Glass Lens Trim
EL826C Clear Ref. White Ring
EL826G Gold Ref. White Ring
EL826H Haze Ref. White Ring
O.D.: 9"



Reflector Trim with Lens
EL862G Gold Ref. White Ring
EL862C Clear Ref. White Ring
O.D.: 9"



Cross Blade Reflector Trim
EL888C Clear Ref. White Ring
EL888G Gold Ref. White Ring
O.D.: 9"

▼ Housing Accessories

Battery Backup	KEM-P32 = (1)13W to 42W, (2)13W/18W, 120V or 277V, 4 Pin
	KEM-P43 = (1)13W to 42W, (2)13W/18W, 120V or 277V, 4 Pin for in-trim test switch installation
	KEM-P52 = (1)13W to 57W, (2)13W/18W, 4 Pin, 1,300 lumens

8" CFL Downlights



8" CFL Horizontal Downlights

1 or 2 Lamps 13W - 42W Dimming Ballast Available

▼ Housings

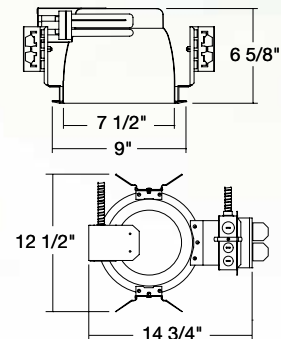
ELH8113	(1) 13W 2 Pin Twin/Quad 120V NPF Mag.
ELH8213	(2) 13W 2 Pin Twin/Quad 120V Mag.
ELH8213E	(2) 13W 4 Pin Quad 120/277V Elec., ENERGY STAR qualified
ELH8213D	(2) 13W 4 Pin Quad 120/277V Mark VII Dim.
ELH8118E	(1) 18W 4 Pin Quad 120/277V Elec., ENERGY STAR qualified
ELH8218E	(2) 18W 4 Pin Quad 120/277V Elec., ENERGY STAR qualified
ELH8218D	(2) 18W 4 Pin Quad 120/277V Dim. (4 wires)
ELH8218DX	(2) 18W 4 Pin Quad 120V Mark X Dim. (2 wires)
ELH8126E	(1) 26W 4 Pin Quad or Triple 120/277V Elec., ENERGY STAR qualified
ELH8226E	(2) 26W 4 Pin Quad 120/277V Elec., ENERGY STAR qualified
ELH8126D	(1) 26W 4 Pin Quad or Triple 120/277V Mark VII Dim.
ELH8126DX	(1) 26W 4 Pin Quad or Triple 120V Mark X Dim.
ELH8226D	(2) 26W 4 Pin Quad 120V/277V Mark VII Dim.
ELH8226DX	(2) 26W 4 Pin Quad 120V Mark X Dim.
ELH8226DX-7	(2) 26W 4 Pin Quad 277V Mark X Dim.
ELH8132E	(1) 32W 4 Pin Triple 120/277V Elec., ENERGY STAR qualified
ELH8132D	(1) 32W 4 Pin Triple 120/277V Dim.
ELH8132DX	(1) 32W 4 Pin Triple 120V Mark X Dim.
ELH8142E	(1) 42W 4 Pin Triple 120/277V Elec., ENERGY STAR qualified
ELH8142D	(1) 42W 4 Pin Triple 120/277V Mark VII Dim.
ELH8142DX	(1) 42W 4 Pin Triple 120V Mark X Dim.

Features

- CFL housing for (1) or (2) horizontally mounted lamps.
- Integral thermal protector protects against over lamping or improper installation.
- Junction box is listed for through branch circuit wiring with 1/2" and 3/4" pryout knockouts.
- Trim support adjusts 3/4" to accommodate varying ceiling thickness.
- 6 5/8" height allows for use in 2 x 8 construction.
- Hanger bars not included, order (CH26) C-channels, (FB27) linear bar hangers, or use 1/2" EMT pipe.
- UL damp location listed
- UL feed through listed

Dimensions

Height: 6 5/8" • Opening: 8 1/8"
Trim O.D.: 9"



Elec. = Electronic Ballast Mag. = Magnetic Ballast
Dim. = Dimming Ballast

Item Selector:

HOUSING

HOUSING ACCESSORY 1

HOUSING ACCESSORY 2

TRIM

▼ Compatible Trim



Regressed Lens Trim
EL842W White Bfl. White Ring
EL842B Black Bfl. White Ring
O.D.: 9"



Wall Wash Reflector
EL853C Clear Ref. White Ring
O.D.: 9"



Baffle with Reflector Trim
EL830W White Bfl. Clear Ref. White Ring
EL830B Black Bfl. Clear Ref. White Ring
EL830HB Black Bfl. Haze Ref. White Ring
EL830HW White Bfl. Haze Ref. White Ring
O.D.: 9"



Reflector Trim with Lens
EL862G Gold Ref. White Ring
EL862C Clear Ref. White Ring
O.D.: 9"



Cross Blade Reflector Trim
EL888C Clear Ref. White Ring
EL888G Gold Ref. White Ring
O.D.: 9"



Suspended Glass Lens Trim
EL826C Clear Ref. White Ring
EL826G Gold Ref. White Ring
EL826H Haze Ref. White Ring
O.D.: 9"



Reflector Trim
EL821C Clear Ref. White Ring
EL821F Self Flanged Clear Ref.
EL821H Haze Ref. White Ring
EL821G Gold Ref. White Ring
EL821W White Ref. White Ring
O.D.: 9"

▼ Housing Accessories

Battery Backup	KEM-P13 = (1)9W, (2)9W, (1)13W, (2)13W, 120V or 277V, 2 Pin KEM-P32 = (1)13W to 42W, (2)13W/18W, 120V or 277V, 4 Pin KEM-P43 = (1)13W to 42W, (2)13W/18W, 120V or 277V, 4 Pin for in-trim test switch installation KEM-P52 = (1)13W to 57W, (2)13W/18W, 4 Pin, 1,300 lumens
Hanger Bar	FB27 = Set of two 27" flat hanger bars. For wood construction. CH26 = Set of two 26" C-Channel hanger bars. For T-Bar Ceiling.

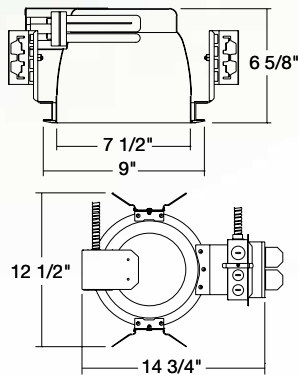
8" CFL Downlights

Features

- CFL housing for (2) horizontally mounted lamps.
- Junction box is listed for through branch circuit wiring with 1/2" and 3/4" pryout knockouts.
- Trim support adjusts 3/4" to accommodate varying ceiling thickness.
- 6 5/8" height allows for use in 2 x 8 construction.
- Hanger bars not included, order (CH26) C-channels, (FB27) linear bar hangers, or use 1/2" EMT pipe.
- UL damp location listed
- UL feed through listed

Dimensions

Height: 6 5/8" • Opening: 8 1/8"
Trim O.D.: 9"



8" CFL Vertical Architectural Downlights

2 Lamps 32W - 42W Dimming Ballast Available

▼ Housings

ELH8232E	(2) 32W 4 Pin Triple 120/277V Elec., ENERGY STAR qualified
ELH8232D	(2) 32W 4 Pin Triple 120/277V Dim. 4 wires
ELH8232DX	(2) 32W 4 Pin Triple 120V Mark X Dim. 2 wires
ELH8232DX-7	(2) 32W 4 Pin Triple 277V Mark X Dim. 2 wires
ELH8242E	(2) 42W 4 Pin Triple 120/277V Elec., ENERGY STAR qualified
ELH8242D	(2) 42W 4 Pin Triple 120/277V Dim. 4 wires
ELH8242DX	(2) 42W 4 Pin Triple 120V Mark X Dim. 2 wires
ELH8242DX-7	(2) 42W 4 Pin Triple 277V Mark X Dim. 2 wires

Elec. = Electronic Ballast Dim. = Dimming Ballast

Item Selector:

HOUSING

HOUSING ACCESSORY 1

HOUSING ACCESSORY 2

TRIM

▼ Compatible Trim



Reflector Trim

EL841G Gold Ref. White Ring
EL841W All White
EL841C Clear Ref. White Ring
EL841F Self Flanged Clear Ring
EL841H Haze Ref. White Ring
O.D.: 9"



Suspended Glass Lens Trim

EL827C Clear Ref. White Ring
EL827G Gold Ref. White Ring
EL827H Haze Ref. White Ring
O.D.: 9"



Baffle with Reflector Trim

EL831B Black Bfl. Clear Ref. White Ring
EL831W White Bfl. Clear Ref. White Ring
EL831HB Black Bfl. Haze Ref. White Ring
EL831HW White Bfl. Haze Ref. White Ring
O.D.: 9"



Cross Blade Reflector Trim

EL889C Clear Ref. White Ring
EL889G Gold Ref. White Ring
O.D.: 9"



Reflector Trim with Lens

EL882G Gold Ref. White Ring
EL882C Clear Ref. White Ring
O.D.: 9"



Wall Wash Reflector

EL854C Clear Ref. White Ring
O.D.: 9"



Regressed Lens Trim

EL843W White Bfl. White Ring
EL843B Black Bfl. White Ring
O.D.: 9"

▼ Housing Accessories

Battery Backup	KEM-P32 = (1)13W to 42W, (2)13W/18W, 120V or 277V, 4 Pin KEM-P43 = (1)13W to 42W, (2)13W/18W, 120V or 277V, 4 Pin for in-trim test switch installation KEM-P52 = (1)13W to 57W, (2)13W/18W, 4 Pin, 1,300 lumens
Hanger Bar	FB27 = Set of two 27" flat hanger bars. For wood construction. CH26 = Set of two 26" C-Channel hanger bars. For T-Bar Ceiling.

8" CFL Downlights



Features

- CFL housing with plaster frame, for (1) or (2) horizontally mounted lamps.
- Trim support adjusts 3/4" to accommodate varying ceiling thickness.
- 6 3/8" height allows for use in 2 x 8 construction.
- Includes 24" captive bar hangers.
- UL damp location listed
- UL feed through listed

8" CFL Horizontal Downlights

1 or 2 Lamps 26W - 42W Dimming Ballast Available

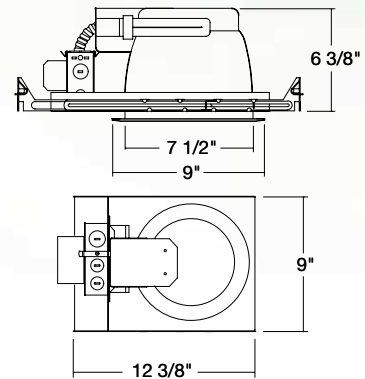
▼ Housings

ELH126E	(1) 26W 4 Pin Quad or Triple 120/277V Elec., ENERGY STAR qualified
ELH226E	(2) 26W 4 Pin Quad 120/277V Elec., ENERGY STAR qualified
ELH126D	(1) 26W 4 Pin Quad or Triple 120/277V Dim. 4 wires
ELH126DX	(1) 26W 4 Pin Quad or Triple 120V Mark X Dim. 2 wires
ELH126DX-7	(1) 26W 4 Pin Quad or Triple 277V Mark X Dim.
ELH226D	(2) 26W 4 Pin Quad 120/277V Dim. 4 wires
ELH226DX	(2) 26W 4 Pin Quad 120V Mark X Dim. 2 wires
ELH132E	(1) 32W 4 Pin Triple 120/277V Elec., ENERGY STAR qualified
ELH132D	(1) 32W 4 Pin Triple 120/277V Mark VII Dim.
ELH132DX	(1) 32W 4 Pin Quad 120V Mark X Dim. 2 wires
ELH142E	(1) 42W 4 Pin Triple 120/277V Elec., ENERGY STAR qualified
ELH142D	(1) 42W 4 Pin Triple 120/277V Mark VII Dim.
ELH142DX	(1) 42W 4 Pin Quad 120V Mark X Dim. 2 wires

Elec. = Electronic Ballast Dim. = Dimming Ballast

Dimensions

Height: 6 3/8" • Opening: 8 1/8"
Trim O.D.: 9"



Item Selector:

HOUSING

HOUSING ACCESSORY 1

TRIM

▼ Compatible Trim



Regressed Lens Trim
EL842W White Bfl. White Ring
EL842B Black Bfl. White Ring
O.D.: 9"



Wall Wash Reflector
EL853C Clear Ref. White Ring
O.D.: 9"



Baffle with Reflector Trim
EL830W White Bfl. Clear Ref. White Ring
EL830B Black Bfl. Clear Ref. White Ring
EL830HB Black Bfl. Haze Ref. White Ring
EL830HW White Bfl. Haze Ref. White Ring
O.D.: 9"



Reflector Trim
EL821C Clear Ref. White Ring
EL821F Self Flanged Clear Ref.
EL821H Haze Ref. White Ring
EL821G Gold Ref. White Ring
EL821W White Ref. White Ring
O.D.: 9"



Suspended Glass Lens Trim
EL826C Clear Ref. White Ring
EL826G Gold Ref. White Ring
EL826H Haze Ref. White Ring
O.D.: 9"



Reflector Trim with Lens
EL862G Gold Ref. White Ring
EL862C Clear Ref. White Ring
O.D.: 9"



Cross Blade Reflector Trim
EL888C Clear Ref. White Ring
EL888G Gold Ref. White Ring
O.D.: 9"

▼ Housing Accessories

Battery Backup	KEM-P32 = (1)13W to 42W, (2)13W/18W, 120V or 277V, 4 Pin
	KEM-P43 = (1)13W to 42W, (2)13W/18W, 120V or 277V, 4 Pin for in-trim test switch installation
	KEM-P52 = (1)13W to 57W, (2)13W/18W, 4 Pin, 1,300 lumens

8" CFL Downlights

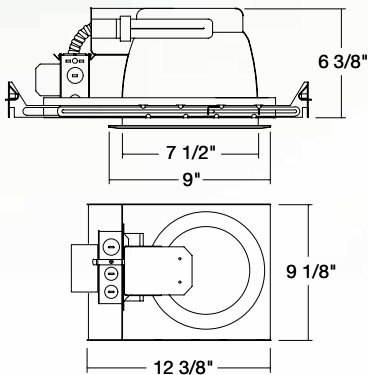
Features

- CFL housing with plaster frame, for (2) horizontally mounted lamps.
- Trim support adjusts 3/4" to accommodate varying ceiling thickness.
- 6 3/8" height allows for use in 2 x 8 construction.
- 24" captive bar hangers included
- UL damp location listed
- UL feed through listed



Dimensions

Height: 6 3/8" • Opening: 8 1/8"
Trim O.D.: 9"



8" CFL Horizontal Downlights

2 Lamps 32W - 42W Dimming Ballast Available

▼ Housings

ELH232E	(2) 32W 4 Pin Triple 120/277V Elec., ENERGY STAR qualified
ELH232D	(2) 32W 4 Pin Triple 120/277V Dim. 4 wires
ELH232DX	(2) 32W 4 Pin Triple 120V Mark X Dim. 2 wires
ELH232DX-7	(2) 32W 4 Pin Triple 277V Mark X Dim. 2 wires
ELH242E	(2) 42W 4 Pin Triple 120/277V Elec., ENERGY STAR qualified
ELH242D	(2) 42W 4 Pin Triple 120/277V Dim. 4 wires
ELH242DX	(2) 42W 4 Pin Triple 120V Mark X Dim. 2 wires
ELH242DX-7	(2) 42W 4 Pin Triple 277V Mark X Dim. 2 wires

Elec. = Electronic Ballast Dim. = Dimming Ballast

Item Selector:

HOUSING

HOUSING ACCESSORY 1

TRIM

▼ Compatible Trim



Regressed Lens Trim
EL843W White Bfl. White Ring
EL843B Black Bfl. White Ring
O.D.: 9"



Reflector Trim with Lens
EL882G Gold Ref. White Ring
EL882C Clear Ref. White Ring
O.D.: 9"



Baffle with Reflector Trim
EL831B Black Bfl. Clear Ref. White Ring
EL831W White Bfl. Clear Ref. White Ring
EL831HB Black Bfl. Haze Ref. White Ring
EL831HW White Bfl. Haze Ref. White Ring
O.D.: 9"



Suspended Glass Lens Trim
EL827C Clear Ref. White Ring
EL827G Gold Ref. White Ring
EL827H Haze Ref. White Ring
O.D.: 9"



Reflector Trim
EL841G Gold Ref. White Ring
EL841W All White
EL841C Clear Ref. White Ring
EL841F Self Flanged Clear Ring
EL841H Haze Ref. White Ring
O.D.: 9"



Cross Blade Reflector Trim
EL889C Clear Ref. White Ring
EL889G Gold Ref. White Ring
O.D.: 9"



Wall Wash Reflector
EL854C Clear Ref. White Ring
O.D.: 9"

▼ Housing Accessories

Battery Backup	KEM-P32 = (1)13W to 42W, (2)13W/18W, 120V or 277V, 4 Pin
	KEM-P43 = (1)13W to 42W, (2)13W/18W, 120V or 277V, 4 Pin for in-trim test switch installation
	KEM-P52 = (1)13W to 57W, (2)13W/18W, 4 Pin, 1,300 lumens

8" CFL Downlights



8" CFL Vertical Remodel Downlights

1 Lamp 13W - 42W Dimming Ballast Available

▼ Housings

ELRV8113E	(1) 13W 4 Pin Quad Lamp 120/277V Elec.
ELRV8118E	(1) 18W 4 Pin Quad Lamp 120/277V Elec.
ELRV8126E	(1) 26W 4 Pin Quad or Triple 120/277V Elec.
ELRV8126E-347	(1) 26W 4 Pin Quad or Triple 347V Elec.
ELRV8126D	(1) 26W 4 Pin Quad or Triple 120/277V Mark VII Dim.
ELRV8126DX	(1) 26W 4 Pin Triple or Quad 120V Mark X Dim. 2 Wires
ELRV8126DX-7	(1) 26W 4 Pin Triple or Quad 277V Mark X Dim. 2 Wires
ELRV8132E	(1) 32W 4 Pin Triple Biax 120/277V Elec.
ELRV8132E-347	(1) 32W 4 Pin Triple Biax 347V Elec.
ELRV8132D	(1) 32W 4 Pin Triple Biax 120/277V Elec. Dim. 4 Wires
ELRV8132DX	(1) 32W 4 Pin Triple Biax 120V Dim. 2 Wires
ELRV8132DX-7	(1) 32W 4 Pin Triple Biax 277V Elec. Dim. 2 Wires
ELRV8142E	(1) 42W 4 Pin Triple Biax 120/277V Elec.
ELRV8142E-347	(1) 42W 4 Pin Triple Biax 347V Elec.
ELRV8142D	(1) 42W 4 Pin Triple Biax 120/277V Elec. Dim. 4 Wires
ELRV8142DX	(1) 42W 4 Pin Triple Biax 120V Dim. 2 Wires
ELRV8142DX-7	(1) 42W 4 Pin Triple Biax 277V Elec. Dim. 2 Wires

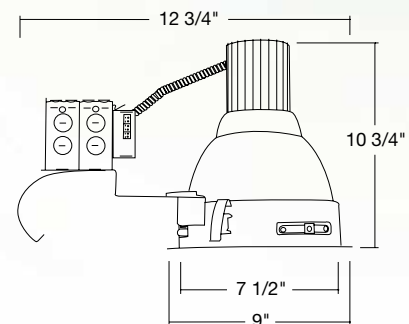
Elec. = Electronic Ballast Dim. = Dimming Ballast

Features

- Trim support adjusts 3/4" to accommodate varying ceiling thickness.
- UL damp location listed
- UL feed through listed
- Available with 347V electronic ballast

Dimensions

Height: 10 3/4" • Opening: 8 1/8"
Trim O.D.: 9"



Item Selector:

HOUSING

HOUSING ACCESSORY 1

TRIM

▼ Compatible Trim



Clear Wall Wash Reflector Trim

EL838C Clear Ref. White Ring
O.D.: 9"



Reflector with Offset Glass Trim

EL836C Clear Ref. White Ring
EL836G Gold Ref. White Ring
O.D.: 9"



Baffle with Reflector Trim

EL833B Black Bfl. Clear Ref. White Ring
EL833W White Bfl. Clear Ref. White Ring
EL833HB Black Bfl. Haze Ref. White Ring
EL833HW White Bfl. Haze Ref. White Ring
O.D.: 9"



Reflector with Prismatic Lens

EL832C Clear Ref. White Ring
EL832G Gold Ref. White Ring
EL832W White Ref. White Ring
EL832F Self Flanged Clear Ref.
O.D.: 9"



Reflector Trim

EL816C Clear Ref. White Ring
EL816G Gold Ref. White Ring
EL816F Self Flanged Clear Ref.
EL816H Haze Ref. White Ring
O.D.: 9"



Baffle with Prismatic Lens Trim

EL852W White Bfl. White Ring
EL852B Black Bfl. White Ring
O.D.: 9"



Cross Blade Reflector Trim

EL881C Clear Ref. White Ring
O.D.: 9"

▼ Housing Accessories

Battery Backup	KEM-P32 = (1)13W to 42W, (2)13W/18W, 120V or 277V, 4 Pin
	KEM-P43 = (1)13W to 42W, (2)13W/18W, 120V or 277V, 4 Pin for in-trim test switch installation
	KEM-P52 = (1)13W to 57W, (2)13W/18W, 4 Pin, 1,300 lumens

8" CFL Downlights

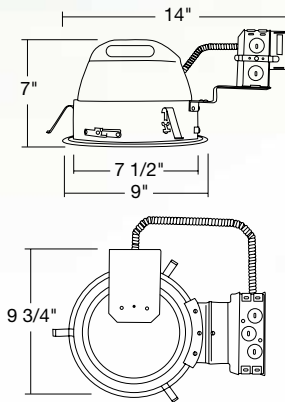
Features

- CFL remodel housing for (1) or (2) horizontally mounted lamps.
- Trim support adjusts 3/4" to accommodate varying ceiling thickness.
- 6 3/4" height allows for use in 2 x 8 construction.
- UL damp location listed
- UL feed through listed



Dimensions

Height: 7" • Opening: 8 1/8"
Trim O.D.: 9"



8" CFL Horizontal Remodel Downlights

1 or 2 Lamps 26W - 42W Dimming Ballast Available

▼ Housings

ELRH126E	(1) 26W 4 Pin Quad or Triple 120/277V Elec.
ELRH126D	(1) 26W 4 Pin Quad or Triple 120/277V Mark VII Dim.
ELRH126DX	(1) 26W 4 Pin Quad or Triple 120V Mark X Dim.
ELRH126DX-7	(1) 26W 4 Pin Quad or Triple 277V Mark X Dim.
ELRH226E	(2) 26W 4 Pin Quad 120/277V Elec.
ELRH226D	(2) 26W 4 Pin Quad 120/277V Mark VII Dim.
ELRH226DX	(2) 26W 4 Pin Quad 120V Mark X Dim.
ELRH226DX-7	(2) 26W 4 Pin Quad 277V Mark X Dim.
ELRH132E	(1) 32W 4 Pin Triple 120/277V Elec.
ELRH132D	(1) 32W 4 Pin Triple 120/277V Mark VII Dim.
ELRH132DX	(1) 32W 4 Pin Triple 120V Mark X Dim.
ELRH132DX-7	(1) 32W 4 Pin Triple 277V Mark X Dim.
ELRH142E	(1) 42W 4 Pin Triple 120/277V Elec.
ELRH142D	(1) 42W 4 Pin Triple 120/277V Mark VII Dim.
ELRH142DX	(1) 42W 4 Pin Triple 120V Mark X Dim.
ELRH142DX-7	(1) 42W 4 Pin Triple 277V Mark X Dim.

Elec. = Electronic Ballast Dim. = Dimming Ballast

Item Selector:

HOUSING

HOUSING ACCESSORY 1

TRIM

▼ Compatible Trim



Regressed Lens Trim
EL842W White Bfl. White Ring
EL842B Black Bfl. White Ring
O.D.: 9"



Wall Wash Reflector
EL853C Clear Ref. White Ring
O.D.: 9"



Baffle with Reflector Trim
EL830W White Bfl. Clear Ref. White Ring
EL830B Black Bfl. Clear Ref. White Ring
EL830HB Black Bfl. Haze Ref. White Ring
EL830HW White Bfl. Haze Ref. White Ring
O.D.: 9"



Reflector Trim
EL821C Clear Ref. White Ring
EL821F Self Flanged Clear Ref.
EL821H Haze Ref. White Ring
EL821G Gold Ref. White Ring
EL821W White Ref. White Ring
O.D.: 9"



Suspended Glass Lens Trim
EL826C Clear Ref. White Ring
EL826G Gold Ref. White Ring
EL826H Haze Ref. White Ring
O.D.: 9"



Reflector Trim with Lens
EL862G Gold Ref. White Ring
EL862C Clear Ref. White Ring
O.D.: 9"



Cross Blade Reflector Trim
EL888C Clear Ref. White Ring
EL888G Gold Ref. White Ring
O.D.: 9"

▼ Housing Accessories

Battery Backup	KEM-P32 = (1)13W to 42W, (2)13W/18W, 120V or 277V, 4 Pin
	KEM-P43 = (1)13W to 42W, (2)13W/18W, 120V or 277V, 4 Pin for in-trim test switch installation
	KEM-P52 = (1)13W to 57W, (2)13W/18W, 4 Pin, 1,300 lumens

8" CFL Downlights



Features

- CFL remodel housing for (2) horizontally mounted lamps.
- Trim support adjusts 3/4" to accommodate varying ceiling thickness.
- 6 3/4" height allows for use in 2 x 8 construction.
- UL damp location listed
- UL feed through listed

8" CFL Horizontal Remodel Downlights

2 Lamps 32W - 42W Dimming Ballast Available

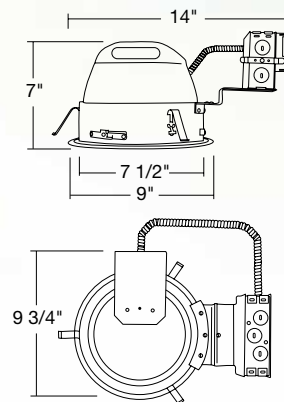
▼ Housings

ELRH232E	(2) 32W 4 Pin Triple 120/277V Elec.
ELRH232D	(2) 32W 4 Pin Triple 120/277V Mark VII Dim.
ELRH232DX	(2) 32W 4 Pin Triple 120V Mark X Dim.
ELRH232DX-7	(2) 32W 4 Pin Triple 277V Mark X Dim.
ELRH242E	(2) 42W 4 Pin Triple 120/277V Elec.
ELRH242D	(2) 42W 4 Pin Triple 120/277V Mark VII Dim.
ELRH242DX	(2) 42W 4 Pin Triple 120V Mark X Dim.
ELRH242DX-7	(2) 42W 4 Pin Triple 277V Mark X Dim.

Elec. = Electronic Ballast Dim. = Dimming Ballast

Dimensions

Height: 7" • Opening: 8 1/8"
Trim O.D.: 9"



Item Selector:

HOUSING

HOUSING ACCESSORY 1

TRIM

▼ Compatible Trim



Regressed Lens Trim
EL843W White Bfl. White Ring
EL843B Black Bfl. White Ring
O.D.: 9"



Reflector Trim with Lens
EL882G Gold Ref. White Ring
EL882C Clear Ref. White Ring
O.D.: 9"



Baffle with Reflector Trim
EL831B Black Bfl. Clear Ref. White Ring
EL831W White Bfl. Clear Ref. White Ring
EL831HB Black Bfl. Haze Ref. White Ring
EL831HW White Bfl. Haze Ref. White Ring
O.D.: 9"



Suspended Glass Lens Trim
EL827C Clear Ref. White Ring
EL827G Gold Ref. White Ring
EL827H Haze Ref. White Ring
O.D.: 9"



Reflector Trim
EL841G Gold Ref. White Ring
EL841W All White
EL841C Clear Ref. White Ring
EL841F Self Flanged Clear Ring
EL841H Haze Ref. White Ring
O.D.: 9"



Cross Blade Reflector Trim
EL889C Clear Ref. White Ring
EL889G Gold Ref. White Ring
O.D.: 9"



Wall Wash Reflector
EL854C Clear Ref. White Ring
O.D.: 9"

▼ Housing Accessories

Battery Backup	KEM-P32 = (1)13W to 42W, (2)13W/18W, 120V or 277V, 4 Pin
	KEM-P43 = (1)13W to 42W, (2)13W/18W, 120V or 277V, 4 Pin for in-trim test switch installation
	KEM-P52 = (1)13W to 57W, (2)13W/18W, 4 Pin, 1,300 lumens

8" CFL Downlights

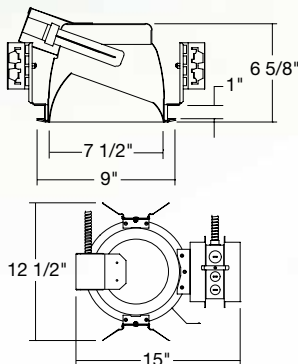
Features

- CFL wall wash housing for (2) lamps.
- Junction box is listed for through branch circuit wiring with 1/2" and 3/4" pryout knockouts.
- Hanger bars not included, order (CH26) C-channels, (FB27) linear bar hangers, or use 1/2" EMT pipe.
- UL damp location listed
- UL feed through listed



Dimensions

Height: 6 5/8" • Opening: 8 1/8"
Trim O.D.: 9"



8" CFL Wall Wash Downlights

2 Lamps 13W - 42W Dimming Ballast Available

▼ Housings

EL800	(2) 13W 2 Pin Quad 120V NPF Mag.
EL800E	(2) 13W 4 Pin Quad 120/277V Elec.
EL800E-347	(2) 13W 4 Pin Quad 347V Elec.
EL800D	(2) 13W 4 Pin Quad 120/277V Mark VII Dim.
EL850E	(2) 18W 4 Pin Quad 120V/277V Elec.
EL850E-347	(2) 18W 4 Pin Quad 347V Elec.
EL850D	(2) 18W 4 Pin Quad 120V/277V Mark VII Dim.
EL875E	(2) 26W 4 Pin Quad 120V/277V Elec.
EL875E-347	(2) 26W 4 Pin Quad 347V Elec.
EL875DX	(2) 26W 4 Pin Quad 120V Mark X Dim.
EL875DX-7	(2) 26W 4 Pin Quad 277V Mark X Dim.
EL880E	(2) 32W 4 Pin Triple 120/277V Elec.
EL880E-347	(2) 32W 4 Pin Triple 347V Elec.
EL880D	(2) 32W 4 Pin 120/277V Mark VII Dim.
EL880DX	(2) 32W 4 Pin 120V Mark X Dim.
EL885E	(2) 42W 4 Pin Triple 120/277V Elec.
EL885D	(2) 42W 4 Pin Triple 120/277V Mark VII Dim.
EL885DX	(2) 42W 4 Pin Triple 120V Mark X Dim.

Elec. = Electronic Ballast Mag. = Magnetic Ballast Dim. = Dimming Ballast

Item Selector:

HOUSING

HOUSING ACCESSORY 1

HOUSING ACCESSORY 2

TRIM

▼ Compatible Trim



Wall Wash with Reflector and Regressed Prismatic Lens
EL921B Black Ref. White Ring
O.D.: 9"



Wall Wash with Reflector and Regressed Prismatic Lens
EL921G Gold Ref. White Ring
O.D.: 9"



Wall Wash with Reflector and Regressed Prismatic Lens
EL921C Clear Ref. White Ring
O.D.: 9"



Wall Wash with Reflector and Regressed Prismatic Lens
EL921W White Ref. White Ring
O.D.: 9"

▼ Housing Accessories

Battery Backup	KEM-P13 = (1)9W, (2)9W, (1)13W, (2)13W, 120V or 277V, 2 Pin KEM-P32 = (1)13W to 42W, (2)13W/18W, 120V or 277V, 4 Pin KEM-P43 = (1)13W to 42W, (2)13W/18W, 120V or 277V, 4 Pin for in-trim test switch installation KEM-P52 = (1)13W to 57W, (2)13W/18W, 4 Pin, 1,300 lumens
Hanger Bar	FB27 = Set of two 27" flat hanger bars. For wood construction. CH26 = Set of two 26" C-Channel hanger bars. For T-Bar Ceiling.

8" CFL Downlights



Features

- Double wall IC Airtight housing for (1) or (2) horizontally mounted lamps.
- 24" captive bar hangers included
- UL listed for direct contact with insulation
- UL damp location listed
- UL feed through listed
- CA Title 24 compliant

8" Square CFL IC Downlights

1-2 Lamps 18W - 42W Dimming Ballast Available

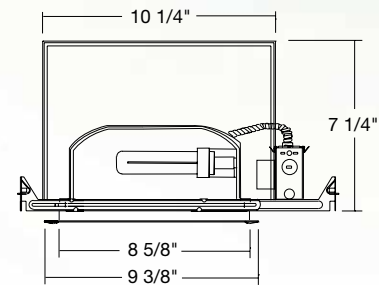
▼ Housings

EL8SQ118ICEA	(1) 18W 4 Pin Quad 120/277V Elec.
EL8SQ126ICEA	(1) 26W 4 Pin Triple 120/277V Elec.
EL8SQ132ICEA	(1) 32W 4 Pin Triple 120/277V Elec.
EL8SQ142ICEA	(1) 42W 4 Pin Triple 120/277V Elec.
EL8SQ126ICDA	(1) 26W 4 Pin Quad or Triple 120/277V Mark VII Dim.
EL8SQ132ICDA	(1) 32W 4 Pin Triple 120/277V Mark VII Dim.
EL8SQ142ICDA	(1) 42W 4 Pin Triple 120/277V Mark VII Dim.
EL8SQ213ICEA	(2) 13W 4 Pin Quad or Triple 120/277V Elec.
EL8SQ218ICEA	(2) 18W 4 Pin Triple 120/277V Elec.
EL8SQ218ICDA	(2) 18W 4 Pin Triple 120/277V Mark VII Dim.
EL8SQ226ICEA	(2) 26W 4 Pin Triple 120/277V Elec.
EL8SQ226ICDA	(2) 26W 4 Pin Triple 120/277V Mark VII Dim.

Elec. = Electronic Ballast Dim. = Dimming Ballast

Dimensions

Height: 7 1/4" • Opening: 8 5/8"
Trim O.D.: 9 3/8"



Item Selector:

HOUSING

HOUSING ACCESSORY 1

TRIM

▼ Compatible Trim



Square Trim with Prismatic Glass Lens
EL10W White
Lamp: (2) 42W CFL max
9 3/8" Sq.



Square Trim with Fresnel Lens
EL11W White
Lamp: (2) 42W CFL max
9 3/8" Sq.



Square Louvered Trim
EL15W White
Lamp: (2) 42W CFL max
9 3/8" Sq.

▼ Housing Accessories

Battery	KEM-P32 = (1)13W to 42W, (2)13W/18W, 120V or 277V, 4 Pin
Backup	KEM-P43 = (1)13W to 42W, (2)13W/18W, 120V or 277V, 4 Pin for in-trim test switch installation
	KEM-P52 = (1)13W to 57W, (2)13W/18W, 4 Pin, 1,300 lumens

8" CFL Downlights

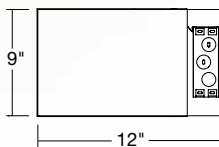
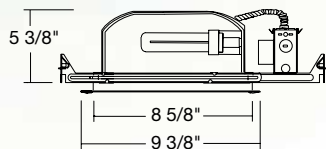
Features

- CFL square downlight for (1) or (2) lamps.
- Junction box is listed for through branch circuit wiring with 1/2" and 3/4" pryout knockouts.
- Includes plaster frame with 24" captive bar hangers.
- UL damp location listed
- UL feed through listed



Dimensions

Height: 5 3/8" • Opening: 8 5/8"
Trim O.D.: 9 3/8"



8" Square CFL Downlights

1 or 2 Lamps 13W - 42W Dimming Ballast Available

▼ Housings

EL8SQ-213	(2) 13W 2 Pin Quad 120V NPF Mag.
EL8SQ-213E	(2) 13W 4 Pin Quad 120/277V Elec., ENERGY STAR qualified
EL8SQ-118E	(1) 18W 4 Pin Quad 120/277V Elec.
EL8SQ-126E	(1) 26W 4 Pin Triple 120V/277V Elec.
EL8SQ-132E	(1) 32W 4 Pin Triple 120/277V Elec.
EL8SQ-142E	(1) 42W 4 Pin Triple 120/277V Elec.
EL8SQ-126D	(1) 26W 4 Pin Triple 120/277V Mark VII Dim.
EL8SQ-132D	(1) 32W 4 Pin Triple 120/277V Mark VII Dim.
EL8SQ-142D	(1) 42W 4 Pin Triple 120/277V Mark VII Dim.
EL8SQ-142DX	(1) 42W 4 Pin Triple 120V Mark X Dim.
EL8SQ-218E	(2) 18W 4 Pin Quad 120/277V Elec., ENERGY STAR qualified
EL8SQ-226E	(2) 26W 4 Pin Triple 120/277V Elec., ENERGY STAR qualified
EL8SQ-226D	(2) 26W 4 Pin Triple 120/277V Mark VII Dim.
EL8SQ-226DX	(2) 26W 4 Pin Triple 120V Mark X Dim.
EL8SQ-232E	(2) 32W 4 Pin Triple 120/277V Elec., ENERGY STAR qualified
EL8SQ-232D	(2) 32W 4 Pin Triple 120/277V Mark VII Dim.
EL8SQ-232DX	(2) 32W 4 Pin Triple 120V Mark X Dim.
EL8SQ-242E	(2) 42W 4 Pin Triple 120V Elec., ENERGY STAR qualified
EL8SQ-242D	(2) 42W 4 Pin Triple 120/277V Mark VII Dim.
EL8SQ-242DX	(2) 42W 4 Pin Triple 120V Mark X Dim.

Elec. = Electronic Ballast Mag. = Magnetic Ballast Dim. = Dimming Ballast

Item Selector:

HOUSING

HOUSING ACCESSORY 1

TRIM

▼ Compatible Trim



Square Trim with Prismatic Glass Lens

EL10W White
Lamp: (2) 42W CFL max
9 3/8" Sq.



Square Trim with Fresnel Lens

EL11W White
Lamp: (2) 42W CFL max
9 3/8" Sq.



Square Louvered Trim

EL15W White
Lamp: (2) 42W CFL max
9 3/8" Sq.

▼ Housing Accessories

Battery Backup	KEM-P13 = (1)9W, (2)9W, (1)13W, (2)13W, 120V or 277V, 2 Pin
	KEM-P32 = (1)13W to 42W, (2)13W/18W, 120V or 277V, 4 Pin
	KEM-P43 = (1)13W to 42W, (2)13W/18W, 120V or 277V, 4 Pin for in-trim test switch installation
	KEM-P52 = (1)13W to 57W, (2)13W/18W, 4 Pin, 1,300 lumens

7" CFL Downlights



7" CFL Vertical Architectural Downlights

1 Lamp 13W - 42W Dimming Ballast Available

▼ Housings

ELV7113	(1) 13W 2 Pin PL/Quad 120V NPF Mag.
ELV7113E	(1) 13W 4 Pin Quad or Triple 120/277V Elec.
ELV7118E	(1) 18W 4 Pin Quad or Triple 120/277V Elec., ENERGY STAR qualified
ELV7118D	(1) 18W 4 Pin Quad or Triple 120/277V Mark VII Dim.
ELV7126E	(1) 26W 4 Pin Quad or Triple 120/277V Elec., ENERGY STAR qualified
ELV7126D	(1) 26W 4 Pin Quad or Triple 120/277V Mark VII Dim.
ELV7126DX	(1) 26W 4 Pin Quad or Triple 120V Mark X Dim.
ELV7132E	(1) 32W 4 Pin Triple 120/277V Elec., ENERGY STAR qualified
ELV7132E-347	(1) 32W 4 Pin Triple 347V Elec.
ELV7132D	(1) 32W 4 Pin Triple 120/277V Mark VII Dim.
ELV7132DX	(1) 32W 4 Pin Triple 120V Mark X Dim.
ELV7142E	(1) 42W 4 Pin Triple 120/277V Elec., ENERGY STAR qualified
ELV7142E-347	(1) 42W 4 Pin Triple 347V Elec.
ELV7142D	(1) 42W 4 Pin Triple 120/277V Mark VII Dim.
ELV7142DX	(1) 42W 4 Pin Triple 120V Mark X Dim.

*Also works with 26/32W lamp.

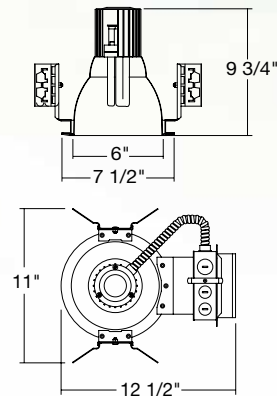
Elec. = Electronic Ballast Mag. = Magnetic Ballast Dim. = Dimming Ballast

Features

- CFL housing for (1) vertically mounted lamp.
- Junction box is listed for through branch circuit wiring with 1/2" and 3/4" pryout knockouts.
- Trim support adjusts 3/4" to accommodate varying ceiling thickness.
- Hanger bars not included, order (CH26) C-channels, (FB27) linear bar hangers, or use 1/2" EMT pipe.
- UL damp location listed
- UL feed through listed

Dimensions

Height: 9 3/4" • Opening: 6 1/2"
Trim O.D.: 7 1/2"



Item Selector:

HOUSING

HOUSING ACCESSORY 1

HOUSING ACCESSORY 2

TRIM

▼ Compatible Trim



Reflector Trim

EL716G Gold Ref. White Ring
EL716C Clear Ref. White Ring
EL716F Self Flanged Clear Ring
EL716H Haze Ref. White Ring
O.D.: 7 1/2"



Baffle with Regressed Lens Trim

EL752W White Bfl. White Ring
EL752B Black Bfl. White Ring
O.D.: 7 1/2"



Reflector with Prismatic Lens

EL732G Gold Ref. White Ring
EL732C Clear Ref. White Ring
EL732F Self Flanged Clear Ring
EL732B Black Ref. White Ring
EL732W White Ref. White Ring
O.D.: 7 1/2"



Wall Wash Reflector with Baffle Trim

EL755W Clear Ref. White Bfl. White Trim
EL755B Clear Ref. Black Bfl. White Trim
EL755HB Haze Ref. Black Bfl. White Trim
EL755HW Haze Ref. White Bfl. White Trim
O.D.: 7 1/2"



Baffle with Reflector Trim

EL733B Black Bfl. Clear Ref. White Ring
EL733W White Bfl. Clear Ref. White Ring
EL733N Nickel Bfl. Clear Ref. Nickel Ring
EL733HB Black Bfl. Haze Ref. White Ring
EL733HW White Bfl. Haze Ref. White Ring
O.D.: 7 1/2"



Reflector with Fresnel Lens and Metal Ring

EL737F Self Flanged Clear Ring
EL737C Clear Ref. White Ring
O.D.: 7 1/2"



Cross Blade Reflector Trim

EL781C Clear Ref. White Ring
O.D.: 7 1/2"



Wall Wash Reflector

EL738C Clear Ref. White Ring
O.D.: 7 1/2"

▼ Housing Accessories

Battery Backup	KEM-P13 = (1)9W, (2)9W, (1)13W, (2)13W, 120V or 277V, 2 Pin KEM-P32 = (1)13W to 42W, (2)13W/18W, 120V or 277V, 4 Pin KEM-P43 = (1)13W to 42W, (2)13W/18W, 120V or 277V, 4 Pin for in-trim test switch installation KEM-P52 = (1)13W to 57W, (2)13W/18W, 4 Pin, 1,300 lumens
Hanger Bar	FB27 = Set of two 27" flat hanger bars. For wood construction. CH26 = Set of two 26" C-Channel hanger bars. For T-Bar Ceiling.

7" CFL Downlights

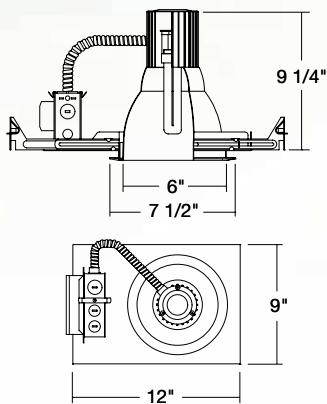
Features

- CFL housing with plaster frame, for (1) vertically mounted lamp.
- Trim support adjusts 3/4" to accommodate varying ceiling thickness.
- 24" captive bar hangers included
- UL damp location listed
- UL feed through listed



Dimensions

Height: 9 1/4" • Opening: 6 1/2"
Trim O.D.: 7 1/2"



7" CFL Vertical Downlights

1 Lamp 13W - 42W Dimming Ballast Available

▼ Housings

ELVF713	(1) 13W 2 Pin Twin or Quad 120V NPF Mag.
ELVF713E	(1) 13W 4 Pin Quad or Triple 120/277V Elec.
ELVF718E	(1) 18W 4 Pin Quad or Triple 120/277V Elec., ENERGY STAR qualified
ELVF726E	(1) 26W 4 Pin Quad or Triple 120/277V Elec., ENERGY STAR qualified
ELVF726D	(1) 26W 4 Pin Quad or Triple 120/277V Mark VII Dim.
ELVF732E	(1) 32W 4 Pin Triple 120/277V Elec., ENERGY STAR qualified
ELVF732D	(1) 32W 4 Pin Triple 120/277V Mark VII Dim.
ELVF732DX	(1) 32W 4 Pin Triple 120V Mark X Dim.
ELVF742E	(1) 42W 4 Pin Triple 120/277V Elec., ENERGY STAR qualified
ELVF742D	(1) 42W 4 Pin Triple 120/277V Mark VII Dim. *Also Takes (1) 32W or (1) 26W Lamp
ELVF742DX	(1) 42W 4 Pin Triple 120V Mark X Dim.

Elec. = Electronic Ballast Mag. = Magnetic Ballast Dim. = Dimming Ballast
Note: 347V Available consult factory

Item Selector:

HOUSING

HOUSING ACCESSORY 1

TRIM

▼ Compatible Trim



Reflector Trim
EL716G Gold Ref. White Ring
EL716C Clear Ref. White Ring
EL716F Self Flanged Clear Ring
EL716H Haze Ref. White Ring
O.D.: 7 1/2"



Baffle with Regressed Lens Trim
EL752W White Bfl. White Ring
EL752B Black Bfl. White Ring
O.D.: 7 1/2"



Reflector with Prismatic Lens
EL732G Gold Ref. White Ring
EL732C Clear Ref. White Ring
EL732F Self Flanged Clear Ring
EL732B Black Ref. White Ring
EL732W White Ref. White Ring
O.D.: 7 1/2"



Wall Wash Reflector with Baffle Trim
EL755W Clear Ref. White Bfl. White Trim
EL755B Clear Ref. Black Bfl. White Trim
EL755HB Haze Ref. Black Bfl. White Trim
EL755HW Haze Ref. White Bfl. White Trim
O.D.: 7 1/2"



Baffle with Reflector Trim
EL733B Black Bfl. Clear Ref. White Ring
EL733W White Bfl. Clear Ref. White Ring
EL733N Nickel Bfl. Clear Ref. Nickel Ring
EL733HB Black Bfl. Haze Ref. White Ring
EL733HW White Bfl. Haze Ref. White Ring
O.D.: 7 1/2"



Reflector with Fresnel Lens and Metal Ring
EL737F Self Flanged Clear Ring
EL737C Clear Ref. White Ring
O.D.: 7 1/2"



Cross Blade Reflector Trim
EL781C Clear Ref. White Ring
O.D.: 7 1/2"



Wall Wash Reflector
EL738C Clear Ref. White Ring
O.D.: 7 1/2"

▼ Housing Accessories

Battery	KEM-P13 = (1)9W, (2)9W, (1)13W, (2)13W, 120V or 277V, 2 Pin
Backup	KEM-P32 = (1)13W to 42W, (2)13W/18W, 120V or 277V, 4 Pin
	KEM-P43 = (1)13W to 42W, (2)13W/18W, 120V or 277V, 4 Pin for in-trim test switch installation
	KEM-P52 = (1)13W to 57W, (2)13W/18W, 4 Pin, 1,300 lumens

7" CFL Downlights



Features

- IC housing for (1) or (2) horizontally mounted lamps.
- Integral thermal protector protects against over lamping or improper installation.
- Box: 9" x 10 1/4" x 7 1/4"
- 24" captive bar hangers included
- UL listed for direct contact with insulation
- UL damp location listed
- UL feed through listed

7" CFL IC Horizontal Downlights

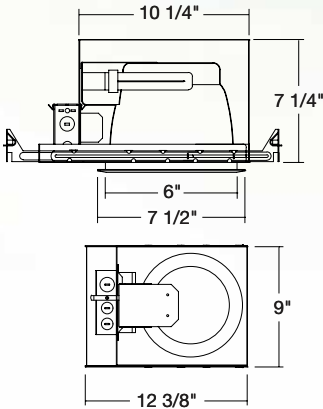
1 or 2 Lamps 13W - 18W Dimming Ballast & Airtight Available

▼ Housings	
ELH113IC	(1) 13W 2 Pin PL or Quad 120V NPF Mag.
ELH213IC	(2) 13W 2 Pin Quad 120V NPF Mag.
ELH113ICE	(1) 13W 4 Pin Quad 120/277V Elec.
ELH213ICE	(2) 13W 4 Pin Quad 120/277V Elec.
ELH213ICD	(2) 13W 4 Pin Quad 120/277V Mark VII Dim.
ELH213ICEA	(2) 13W 4 Pin Quad 120/277V Elec. Airtight CA Title 24
ELH7218ICE	(2) 18W 4 Pin Quad 120/277V Elec.
ELH7218ICD	(2) 18W 4 Pin Quad 120/277V Mark VII Dim.
ELH7118ICEA	(1) 18W 4 Pin Quad 120/277V Elec. Airtight CA Title 24

Elec. = Electronic Ballast Mag. = Magnetic Ballast Dim. = Dimming Ballast

Dimensions

Height: 7 1/4" • Opening: 6 1/2"
Trim O.D.: 7 1/2"



Item Selector: _____ HOUSING _____ HOUSING ACCESSORY 1 _____ TRIM _____

▼ Compatible Trim

 <p>Reflector Trim EL721C Clear Ref. White Ring EL721G Gold Ref. White Ring EL721H Haze Ref. White Ring EL721F Self Flanged Clear Ring O.D.: 7 1/2"</p>	 <p>Baffle with Reflector Trim EL730B Black Bfl. Clear Ref. White Ring EL730W White Bfl. Clear Ref. White Ring EL730N Nickel Bfl. Clear Ref. Nickel Ring EL730BZ Bronze Bfl. Clear Ref. Bronze Ring EL730CP Copper Bfl. Clear Ref. Copper Ring EL730HB Black Bfl. Haze Ref. White Ring EL730HW White Bfl. Haze Ref. White Ring O.D.: 7 1/2"</p>	 <p>Reflector Trim with Prismatic Lens EL762G Gold Ref. White Ring EL762B Black Ref. White Ring EL762W White Ref. White Ring EL762C Clear Ref. White Ring O.D.: 7 1/2"</p>	 <p>Baffle with Regressed Lens Trim EL742BZ All Bronze EL742CP All Copper EL742B Black Bfl. White Ring EL742W All White EL742N All Nickel O.D.: 7 1/2"</p>	 <p>Wall Wash with Baffle EL745W White Bfl. White Trim Clear Ref. EL745B Black Bfl. White Trim Clear Ref. EL745HB Black Bfl. White Trim Haze Ref. EL745HW White Bfl. White Trim Haze Ref. O.D.: 7 1/2"</p>								
 <p>Cross Blade Reflector Trim EL777C Clear Ref. White Ring O.D.: 7 1/2"</p>	 <p>Wall Wash Reflector EL753C Clear Ref. White Ring O.D.: 7 1/2"</p>		<h3>▼ Housing Accessories</h3> <table border="1"> <tr> <td>Battery Backup</td> <td>KEM-P13 = (1)9W, (2)9W, (1)13W, (2)13W, 120V or 277V, 2 Pin</td> </tr> <tr> <td></td> <td>KEM-P32 = (1)13W to 42W, (2)13W/18W, 120V or 277V, 4 Pin</td> </tr> <tr> <td></td> <td>KEM-P43 = (1)13W to 42W, (2)13W/18W, 120V or 277V, 4 Pin for in-trim test switch installation</td> </tr> <tr> <td></td> <td>KEM-P52 = (1)13W to 57W, (2)13W/18W, 4 Pin, 1,300 lumens</td> </tr> </table>		Battery Backup	KEM-P13 = (1)9W, (2)9W, (1)13W, (2)13W, 120V or 277V, 2 Pin		KEM-P32 = (1)13W to 42W, (2)13W/18W, 120V or 277V, 4 Pin		KEM-P43 = (1)13W to 42W, (2)13W/18W, 120V or 277V, 4 Pin for in-trim test switch installation		KEM-P52 = (1)13W to 57W, (2)13W/18W, 4 Pin, 1,300 lumens
Battery Backup	KEM-P13 = (1)9W, (2)9W, (1)13W, (2)13W, 120V or 277V, 2 Pin											
	KEM-P32 = (1)13W to 42W, (2)13W/18W, 120V or 277V, 4 Pin											
	KEM-P43 = (1)13W to 42W, (2)13W/18W, 120V or 277V, 4 Pin for in-trim test switch installation											
	KEM-P52 = (1)13W to 57W, (2)13W/18W, 4 Pin, 1,300 lumens											

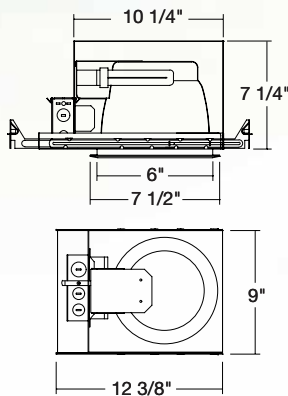
7" CFL Downlights

Features

- IC housing for (1) or (2) horizontally mounted lamps.
- Integral thermal protector protects against over lamping or improper installation.
- Box: 9" x 10" x 7 1/4"
- 24" captive bar hangers included
- UL listed for direct contact with insulation
- UL damp location listed
- UL feed through listed

Dimensions

Height: 7 1/4" • Opening: 6 1/2"
Trim O.D.: 7 1/2"



7" CFL IC Horizontal Downlights

1 or 2 Lamps 26W - 42W Dimming Ballast Available

▼ Housings

ELH7126ICE	(1) 26W 4 Pin 120/277V Elec.
ELH7126ICEA	(1) 26W 4 Pin 120/277V Elec. Airtight CA Title 24
ELH7226ICE	(2) 26W 4 Pin Quad 120/277V Elec.
ELH7226ICEA	(2) 26W 4 Pin Quad 120/277V Elec. Airtight CA Title 24
ELH7126ICD	(1) 26W 4 Pin 120/277V Mark VII Dim.
ELH7126ICDA	(1) 26W 4 Pin 120/277V Mark VII Dim. Airtight CA Title 24
ELH7126ICDXA	(1) 26W 4 Pin Quad 120V Mark X Dim. Airtight CA Title 24
ELH7226ICD	(2) 26W 4 Pin Quad 120/277V Mark VII Dim.
ELH7226ICDA	(2) 26W 4 Pin Quad 120/277V Mark VII Dim. Airtight CA Title 24
ELH7226ICDXA	(2) 26W 4 Pin Quad 120V Mark X Dim. Airtight CA Title 24
ELH7132ICE	(1) 32W 4 Pin Triple 120/277V Elec.
ELH7132ICEA	(1) 32W 4 Pin Triple 120/277V Elec. Airtight CA Title 24
ELH7132ICD	(1) 32W 4 Pin Triple 120/277V Mark VII Dim.
ELH7132ICDA	(1) 32W 4 Pin Triple 120/277V Mark VII Dim. Airtight CA Title 24
ELH7142ICE	(1) 42W 4 Pin Triple 120/277V Elec.
ELH7142ICEA	(1) 42W 4 Pin Triple 120/277V Elec. Airtight CA Title 24
ELH7142ICD	(1) 42W 4 Pin Triple 120/277V Mark VII Dim.
ELH7142ICDA	(1) 42W 4 Pin Triple 120/277V Mark VII Dim. Airtight CA Title 24
ELH7142ICDX	(1) 42W 4 Pin Triple 120V Mark X Dim.
ELH7142ICDXA	(1) 42W 4 Pin Triple 120V Mark X Dim. Airtight CA Title 24

Elec. = Electronic Ballast Dim. = Dimming Ballast

Item Selector:

HOUSING

HOUSING ACCESSORY 1

TRIM

▼ Compatible Trim



Cross Blade Reflector Trim
EL778C Clear Ref. White Ring
O.D.: 7 5/8"



Reflector Trim
EL741G Gold Ref. White Ring
EL741C Clear Ref. White Ring
EL741H Haze Ref. White Ring
EL741F Self Flanged Clear Ring
O.D.: 7 1/2"



Baffle with Reflector Trim
EL731W Clear Ref. White Bfl. White Ring
EL731B Clear Ref. Black Bfl. White Ring
EL731N Clear Ref. Nickel Bfl. Nickel Ring
EL731BZ Clear Ref. Bronze Bfl. Bronze Ring
EL731HB Haze Ref. Black Bfl. White Ring
EL731HW Haze Ref. White Bfl. White Ring
O.D.: 7 1/2"



Baffle with Regressed Lens Trim
EL743W White Bfl. White Ring
EL743B Black Bfl. White Ring
EL743N All Nickel
EL743BZ All Bronze
O.D.: 7 1/2"



Wall Wash with Baffle
EL746W Clear Ref. White Bfl. White Trim
EL746B Clear Ref. Black Bfl. White Trim
EL746HW Haze Ref. White Bfl. White Trim
EL746HB Haze Ref. Black Bfl. White Ring
O.D.: 7 1/2"



Reflector Trim with Prismatic Lens
EL782G Gold Ref. White Ring
EL782W White Ref. White Ring
EL782B Black Ref. White Ring
EL782C Clear Ref. White Ring
O.D.: 7 1/2"



Wall Wash Reflector
EL754C Clear Ref. White Ring
O.D.: 7 1/2"

▼ Housing Accessories

Battery Backup **KEM-P32** = (1)13W to 42W, (2)13W/18W, 120V or 277V, 4 Pin
KEM-P43 = (1)13W to 42W, (2)13W/18W, 120V or 277V, 4 Pin for in-trim test switch installation
KEM-P52 = (1)13W to 57W, (2)13W/18W, 4 Pin, 1,300 lumens

7" CFL Downlights



7" CFL Horizontal Architectural Downlights

1 or 2 Lamps 7W - 18W Dimming Ballast Available

▼ Housings

ELH729	(2) 7W/9W 2 Pin Twin Tube 120V NPF Mag.
ELH7113	(1) 13W 2 Pin Quad 120V NPF Mag.
ELH7213	(2) 13W 2 Pin Quad 120V NPF Mag.
ELH7113E	(1) 13W 4 Pin Quad 120/277V Elec.
ELH7213E	(2) 13W 4 Pin Quad 120/277V Elec., ENERGY STAR qualified
ELH7213D	(2) 13W 4 Pin Quad 120/277V Mark VII Dim.
ELH7118E	(1) 18W Quad 120/277V Elec., ENERGY STAR qualified
ELH7218E	(2) 18W 4 Pin Quad 120/277V Elec., ENERGY STAR qualified
ELH7218D	(2) 18W 4 Pin Quad 120/277V Mark VII Dim.
ELH7218DX	(2) 18W 4 Pin Quad 120V Mark X Dim.
ELH7218DX-7	(2) 18W Quad 4 Pin, 277V Mark X Dim.

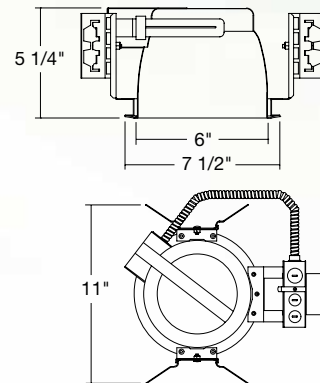
Elec. = Electronic Ballast Mag. = Magnetic Ballast Dim. = Dimming Ballast

Features

- CFL housing for (1) or (2) horizontally mounted lamps.
- Trim support adjusts 3/4" to accommodate varying ceiling thickness.
- 5 1/4" height allows for use in 2 x 6 construction.
- Hanger bars not included, order (CH26) C-channels, (FB27) linear bar hangers, or use 1/2" EMT pipe.
- UL damp location listed
- UL feed through listed

Dimensions

Height: 5 1/4" • Opening: 6 1/2"
Trim O.D.: 7 1/2"



Item Selector:

HOUSING

HOUSING ACCESSORY 1

HOUSING ACCESSORY 2

TRIM

▼ Compatible Trim



Baffle with Regressed Lens Trim
EL742BZ All Bronze
EL742CP All Copper
EL742B Black Bfl. White Ring
EL742W All White
EL742N All Nickel
 O.D.: 7 1/2"



Baffle with Reflector Trim
EL730B Black Bfl. Clear Ref. White Ring
EL730W White Bfl. Clear Ref. White Ring
EL730N Nickel Bfl. Clear Ref. Nickel Ring
EL730BZ Bronze Bfl. Clear Ref. Bronze Ring
EL730CP Copper Bfl. Clear Ref. Copper Ring
EL730HB Black Bfl. Haze Ref. White Ring
EL730HW White Bfl. Haze Ref. White Ring
 O.D.: 7 1/2"



Reflector Trim
EL721C Clear Ref. White Ring
EL721G Gold Ref. White Ring
EL721H Haze Ref. White Ring
EL721F Self Flanged Clear Ring
 O.D.: 7 1/2"



Reflector Trim with Prismatic Lens
EL762G Gold Ref. White Ring
EL762B Black Ref. White Ring
EL762W White Ref. White Ring
EL762C Clear Ref. White Ring
 O.D.: 7 1/2"



Wall Wash with Baffle
EL745W White Bfl. White Trim Clear Ref.
EL745B Black Bfl. White Trim Clear Ref.
EL745HB Black Bfl. White Trim Haze Ref.
EL745HW White Bfl. White Trim Haze Ref.
 O.D.: 7 1/2"



Wall Wash Reflector
EL753C Clear Ref. White Ring
 O.D.: 7 1/2"



Cross Blade Reflector Trim
EL777C Clear Ref. White Ring
 O.D.: 7 1/2"

▼ Housing Accessories

Battery Backup	KEM-P13 = (1)9W, (2)9W, (1)13W, (2)13W, 120V or 277V, 2 Pin KEM-P32 = (1)13W to 42W, (2)13W/18W, 120V or 277V, 4 Pin KEM-P43 = (1)13W to 42W, (2)13W/18W, 120V or 277V, 4 Pin for in-trim test switch installation KEM-P52 = (1)13W to 57W, (2)13W/18W, 4 Pin, 1,300 lumens
Hanger Bar	FB27 = Set of two 27" flat hanger bars. For wood construction. CH26 = Set of two 26" C-Channel hanger bars. For T-Bar Ceiling.

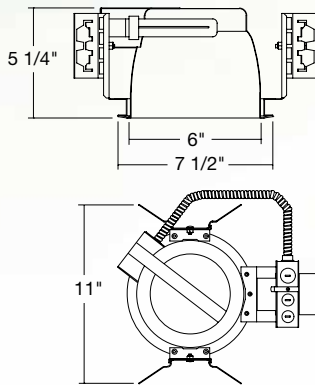
7" CFL Downlights

Features

- CFL housing for (1) or (2) horizontally mounted lamps.
- Trim support adjusts 3/4" to accommodate varying ceiling thickness.
- 5 1/4" height allows for use in 2 x 6 construction.
- Hanger bars not included, order (CH26) C-channels, (FB27) linear bar hangers, or use 1/2" EMT pipe.
- UL damp location listed
- UL feed through listed

Dimensions

Height: 5 1/4" • Opening: 6 1/2"
Trim O.D.: 7 1/2"



7" CFL Horizontal Architectural Downlights

1 or 2 Lamps 26W - 42W Dimming Ballast Available

▼ Housings

ELH7126E	(1) 26W 4 Pin Quad or Triple 120/277V Elec., ENERGY STAR qualified
ELH7226E	(2) 26W 4 Pin Quad 120/277V Elec., ENERGY STAR qualified
ELH7126D	(1) 26W 4 Pin Quad or Triple 120/277V Mark VII Dim.
ELH7126DX	(1) 26W 4 Pin Quad or Triple 120V Mark X Dim.
ELH7126DX-7	(1) 26W 4 Pin Quad or Triple 277V Mark X Dim.
ELH7226D	(2) 26W 4 Pin Quad 120/277V Mark VII Dim.
ELH7226DX	(2) 26W 4 Pin Quad 120V Mark X Dim.
ELH7226DX-7	(2) 26W 4 Pin Quad 277V Mark X Dim.
ELH7132E	(1) 32W 4 Pin Triple 120/277V Elec., ENERGY STAR qualified
ELH7132D	(1) 32W 4 Pin Triple 120/277V Mark VII Dim.
ELH7132DX	(1) 32W 4 Pin Triple 120V Mark X Dim.
ELH7132DX-7	(1) 32W 4 Pin Triple 277V Mark X Dim.
ELH7142E	(1) 42W 4 Pin Triple 120/277V Elec., ENERGY STAR qualified
ELH7142D	(1) 42W 4 Pin Triple 120/277V Mark VII Dim. *Also take 1-32W or 1-26W lamp
ELH7142DX	(1) 42W 4 Pin Triple 120V Mark X Dim.
ELH7142DX-7	(1) 42W 4 Pin Triple 277V Mark X Dim.

Elec. = Electronic Ballast Dim. = Dimming Ballast

Item Selector:

HOUSING

HOUSING ACCESSORY 1

HOUSING ACCESSORY 2

TRIM

▼ Compatible Trim



Cross Blade Reflector Trim
EL778C Clear Ref. White Ring
O.D.: 7 5/8"



Reflector Trim
EL741G Gold Ref. White Ring
EL741C Clear Ref. White Ring
EL741H Haze Ref. White Ring
EL741F Self Flanged Clear Ring
O.D.: 7 1/2"



Baffle with Reflector Trim
EL731W Clear Ref. White Bfl. White Ring
EL731B Clear Ref. Black Bfl. White Ring
EL731N Clear Ref. Nickel Bfl. Nickel Ring
EL731BZ Clear Ref. Bronze Bfl. Bronze Ring
EL731HB Haze Ref. Black Bfl. White Ring
EL731HW Haze Ref. White Bfl. White Ring
O.D.: 7 1/2"



Baffle with Regressed Lens Trim
EL743W White Bfl. White Ring
EL743B Black Bfl. White Ring
EL743N All Nickel
EL743BZ All Bronze
O.D.: 7 1/2"



Wall Wash with Baffle
EL746W Clear Ref. White Bfl. White Trim
EL746B Clear Ref. Black Bfl. White Trim
EL746HW Haze Ref. White Bfl. White Trim
EL746HB Haze Ref. Black Bfl. White Ring
O.D.: 7 1/2"



Reflector Trim with Prismatic Lens
EL782G Gold Ref. White Ring
EL782W White Ref. White Ring
EL782B Black Ref. White Ring
EL782C Clear Ref. White Ring
O.D.: 7 1/2"



Wall Wash Reflector
EL754C Clear Ref. White Ring
O.D.: 7 1/2"

▼ Housing Accessories

Battery Backup	KEM-P32 = (1)13W to 42W, (2)13W/18W, 120V or 277V, 4 Pin
	KEM-P43 = (1)13W to 42W, (2)13W/18W, 120V or 277V, 4 Pin for in-trim test switch installation
	KEM-P52 = (1)13W to 57W, (2)13W/18W, 4 Pin, 1,300 lumens
Hanger Bar	FB27 = Set of two 27" flat hanger bars. For wood construction.
	CH26 = Set of two 26" C-Channel hanger bars. For T-Bar Ceiling.

7" CFL Downlights



Features

- CFL housing with plaster frame, for (1) or (2) horizontally mounted lamps.
- 5" height allows for use in 2 x 6 construction.
- Trim support adjusts 3/4" to accommodate varying ceiling thickness.
- 24" captive bar hangers included
- Captive bar hangers span 24" joist and can be repositioned 90°.
- UL damp location listed
- UL feed through listed

7" CFL Horizontal Downlights

1 or 2 Lamps 7W - 18W Dimming Ballast Available

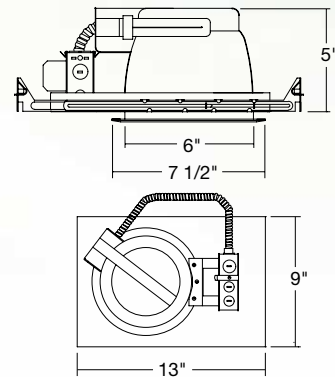
▼ Housings

ELH29	(2) 7W/9W 2 Pin PL Twin Tube 120V NPF Mag.
ELH113	(1) 13W 2 Pin Quad 120V NPF Mag.
ELH213	(2) 13W 2 Pin Quad 120V NPF Mag.
ELH113E	(1) 13W 4 Pin Quad 120/277V Elec., ENERGY STAR qualified
ELH213E	(2) 13W 4 Pin Quad 120/277V Elec.
ELH213D	(2) 13W 4 Pin Quad 120/277V Mark VII Dim.
ELH118E	(1) 18W 4 Pin Quad 120/277V Elec., ENERGY STAR qualified
ELH118D	(1) 18W 4 Pin Quad 120/277V Mark VII Dim.
ELH218E	(2) 18W 4 Pin Quad 120/277V Elec., ENERGY STAR qualified
ELH218D	(2) 18W 4 Pin Quad 120/277V Mark VII Dim.
ELH218DX	(2) 18W 4 Pin Quad 120V Mark X Dim.

Elec. = Electronic Ballast Mag. = Magnetic Ballast Dim. = Dimming Ballast

Dimensions

Height: 5" • Opening: 6 1/2"
Trim O.D.: 7 1/2"



Item Selector:

HOUSING

HOUSING ACCESSORY 1

TRIM

▼ Compatible Trim



Reflector Trim

EL721C Clear Ref. White Ring
EL721G Gold Ref. White Ring
EL721H Haze Ref. White Ring
EL721F Self Flanged Clear Ring
O.D.: 7 1/2"



Baffle with Reflector Trim

EL730B Black Bfl. Clear Ref. White Ring
EL730W White Bfl. Clear Ref. White Ring
EL730N Nickel Bfl. Clear Ref. Nickel Ring
EL730BZ Bronze Bfl. Clear Ref. Bronze Ring
EL730CP Copper Bfl. Clear Ref. Copper Ring
EL730HB Black Bfl. Haze Ref. White Ring
EL730HW White Bfl. Haze Ref. White Ring
O.D.: 7 1/2"



Reflector Trim with Prismatic Lens

EL762G Gold Ref. White Ring
EL762B Black Ref. White Ring
EL762W White Ref. White Ring
EL762C Clear Ref. White Ring
O.D.: 7 1/2"



Baffle with Regressed Lens Trim

EL742BZ All Bronze
EL742CP All Copper
EL742B Black Bfl. White Ring
EL742W All White
EL742N All Nickel
O.D.: 7 1/2"



Wall Wash with Baffle

EL745W White Bfl. White Trim Clear Ref.
EL745B Black Bfl. White Trim Clear Ref.
EL745HB Black Bfl. White Trim Haze Ref.
EL745HW White Bfl. White Trim Haze Ref.
O.D.: 7 1/2"



Cross Blade Reflector Trim

EL777C Clear Ref. White Ring
O.D.: 7 1/2"



Wall Wash Reflector

EL753C Clear Ref. White Ring
O.D.: 7 1/2"

▼ Housing Accessories

Battery Backup	KEM-P13 = (1)9W, (2)9W, (1)13W, (2)13W, 120V or 277V, 2 Pin KEM-P32 = (1)13W to 42W, (2)13W/18W, 120V or 277V, 4 Pin KEM-P43 = (1)13W to 42W, (2)13W/18W, 120V or 277V, 4 Pin for in-trim test switch installation KEM-P52 = (1)13W to 57W, (2)13W/18W, 4 Pin, 1,300 lumens
-----------------------	--

7" CFL Downlights

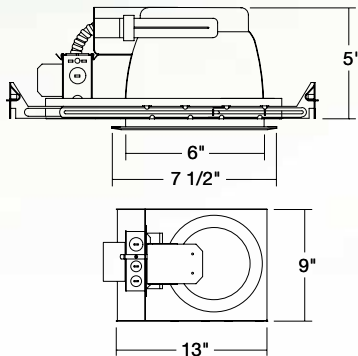
Features

- CFL housing with plaster frame, for (1) or (2) horizontally mounted lamps.
- Trim support adjusts 3/4" to accommodate varying ceiling thickness.
- 5" height allows for use in 2 x 6 construction.
- 24" captive bar hangers included
- Captive bar hangers span 24" joist and can be repositioned 90°.
- UL damp location listed
- UL feed through listed



Dimensions

Height: 5" • Opening: 6 1/2"
Trim O.D.: 7 1/2"



7" CFL Horizontal Downlights

1 or 2 Lamps 26W - 42W Dimming Ballast Available

▼ Housings

ELHF7126E	(1) 26W 4 Pin Quad or Triple 120/277V Elec., ENERGY STAR qualified
ELHF7226E	(2) 26W 4 Pin Quad 120/277V Elec., ENERGY STAR qualified
ELHF7126D	(1) 26W 4 Pin Quad or Triple 120/277V Mark VII Dim.
ELHF7126DX	(1) 26W 4 Pin Quad or Triple 120V Mark X Dim.
ELHF7126DX-7	(1) 26W 4 Pin Quad or Triple 277V Mark X Dim.
ELHF7226D	(2) 26W 4 Pin Quad 120/277V Mark VII Dim.
ELHF7226DX	(2) 26W 4 Pin Quad 120V Mark X Dim.
ELHF7226DX-7	(2) 26W 4 Pin Quad 277V Mark X Dim.
ELHF7132E	(1) 32W 4 Pin Triple 120/277V Elec., ENERGY STAR qualified
ELHF7132D	(1) 32W 4 Pin Triple 120/277V Mark VII Dim.
ELHF7132DX	(1) 32W 4 Pin Triple 120V Mark X Dim.
ELHF7132DX-7	(1) 32W 4 Pin Triple 277V Mark X Dim.
ELHF7142E	(1) 42W 4 Pin Triple 120/277V Elec., ENERGY STAR qualified
ELHF7142D	(1) 42W 4 Pin Triple 120/277V Mark VII Dim. *Also takes 1-32W or 1-26W lamp
ELHF7142DX	(1) 42W 4 Pin Triple 120V Mark X Dim.
ELHF7142DX-7	(1) 42W 4 Pin Triple 277V Mark X Dim.

Elec. = Electronic Ballast Dim. = Dimming Ballast

Item Selector:

HOUSING

HOUSING ACCESSORY 1

TRIM

▼ Compatible Trim



Cross Blade Reflector Trim
EL778C Clear Ref. White Ring
O.D.: 7 5/8"



Reflector Trim
EL741G Gold Ref. White Ring
EL741C Clear Ref. White Ring
EL741H Haze Ref. White Ring
EL741F Self Flanged Clear Ring
O.D.: 7 1/2"



Baffle with Reflector Trim
EL731W Clear Ref. White Bfl. White Ring
EL731B Clear Ref. Black Bfl. White Ring
EL731N Clear Ref. Nickel Bfl. Nickel Ring
EL731BZ Clear Ref. Bronze Bfl. Bronze Ring
EL731HB Haze Ref. Black Bfl. White Ring
EL731HW Haze Ref. White Bfl. White Ring
O.D.: 7 1/2"



Baffle with Regressed Lens Trim
EL743W White Bfl. White Ring
EL743B Black Bfl. White Ring
EL743N All Nickel
EL743BZ All Bronze
O.D.: 7 1/2"



Wall Wash with Baffle
EL746W Clear Ref. White Bfl. White Trim
EL746B Clear Ref. Black Bfl. White Trim
EL746HW Haze Ref. White Bfl. White Trim
EL746HB Haze Ref. Black Bfl. White Ring
O.D.: 7 1/2"



Reflector Trim with Prismatic Lens
EL782G Gold Ref. White Ring
EL782W White Ref. White Ring
EL782B Black Ref. White Ring
EL782C Clear Ref. White Ring
O.D.: 7 1/2"



Wall Wash Reflector
EL754C Clear Ref. White Ring
O.D.: 7 1/2"

▼ Housing Accessories

Battery Backup **KEM-P32** = (1)13W to 42W, (2)13W/18W, 120V or 277V, 4 Pin
KEM-P43 = (1)13W to 42W, (2)13W/18W, 120V or 277V, 4 Pin for in-trim test switch installation
KEM-P52 = (1)13W to 57W, (2)13W/18W, 4 Pin, 1,300 lumens

7" CFL Downlights



Features

- CFL remodel housing for (1) vertically mounted lamp.
- Trim support adjusts 3/4" to accommodate varying ceiling thickness.
- UL damp location listed
- UL feed through listed
- Available with 347V electronic ballast

7" CFL Vertical Remodel Downlights

1 Lamp 13W - 42W Dimming Ballast Available

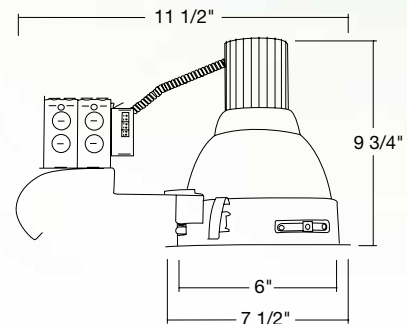
▼ Housings

ELRV7113E	(1) 13W 4 Pin Quad 120/277V Elec.
ELRV7118E	(1) 18W 4 Pin Quad or Triple 120/277V Elec.
ELRV7118D	(1) 18W 4 Pin Quad or Triple 120/277V Mark VII Dim.
ELRV7126E	(1) 26W 4 Pin Quad or Triple 120/277V Elec.
ELRV7126D	(1) 26W 4 Pin Quad or Triple 120/277V Mark VII Dim.
ELRV7126DX	(1) 26W 4 Pin Quad or Triple 120V Mark X Dim. 2 wires
ELRV7132E	(1) 32W 4 Pin Triple 120/277V Elec.
ELRV7132D	(1) 32W 4 Pin Triple 120/277V Elec. Dim. 4 wires
ELRV7132DX	(1) 32W 4 Pin Triple 120V Mark X Dim. 2 wires
ELRV7142E	(1) 42W 4 Pin Triple 120/277V Elec.
ELRV7142D	(1) 42W 4 Pin Triple 120/277V Elec. Dim. 4 wires
ELRV7142DX	(1) 42W 4 Pin Triple 120V Mark X Dim. 2 wires

Elec. = Electronic Ballast Dim. = Dimming Ballast

Dimensions

Height: 9 3/4" • Ceiling opening: 6 1/2"
Trim O.D.: 7 1/2"



Item Selector:

HOUSING

HOUSING ACCESSORY 1

TRIM

▼ Compatible Trim



Reflector Trim

EL716G Gold Ref. White Ring
EL716C Clear Ref. White Ring
EL716F Self Flanged Clear Ring
EL716H Haze Ref. White Ring
O.D.: 7 1/2"



Baffle with Regressed Lens Trim

EL752W White Bfl. White Ring
EL752B Black Bfl. White Ring
O.D.: 7 1/2"



Reflector with Prismatic Lens

EL732G Gold Ref. White Ring
EL732C Clear Ref. White Ring
EL732F Self Flanged Clear Ring
EL732B Black Ref. White Ring
EL732W White Ref. White Ring
O.D.: 7 1/2"



Wall Wash Reflector with Baffle Trim

EL755W Clear Ref. White Bfl. White Trim
EL755B Clear Ref. Black Bfl. White Trim
EL755HB Haze Ref. Black Bfl. White Trim
EL755HW Haze Ref. White Bfl. White Trim
O.D.: 7 1/2"



Baffle with Reflector Trim

EL733B Black Bfl. Clear Ref. White Ring
EL733W White Bfl. Clear Ref. White Ring
EL733N Nickel Bfl. Clear Ref. Nickel Ring
EL733HB Black Bfl. Haze Ref. White Ring
EL733HW White Bfl. Haze Ref. White Ring
O.D.: 7 1/2"



Reflector with Fresnel Lens and Metal Ring

EL737F Self Flanged Clear Ring
EL737C Clear Ref. White Ring
O.D.: 7 1/2"



Cross Blade Reflector Trim

EL781C Clear Ref. White Ring
O.D.: 7 1/2"



Wall Wash Reflector

EL738C Clear Ref. White Ring
O.D.: 7 1/2"

▼ Housing Accessories

Battery Backup	KEM-P32 = (1)13W to 42W, (2)13W/18W, 120V or 277V, 4 Pin
	KEM-P43 = (1)13W to 42W, (2)13W/18W, 120V or 277V, 4 Pin for in-trim test switch installation
	KEM-P52 = (1)13W to 57W, (2)13W/18W, 4 Pin, 1,300 lumens

7" CFL Downlights

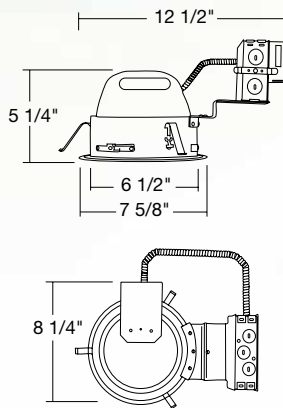
Features

- CFL remodel housing for (1) or (2) horizontally mounted lamps.
- Trim support adjusts 3/4" to accommodate varying ceiling thickness.
- 5 1/4" height allows for use in 2 x 6 construction.
- UL damp location listed
- UL feed through listed



Dimensions

Height: 5 1/4" • Opening: 6 1/2"
Trim O.D.: 7 5/8"



7" CFL Horizontal Remodel Downlights

1 or 2 Lamps 13W - 18W Dimming Ballast Available

▼ Housings

ELRH113E	(1) 13W 4 Pin Quad 120/277V Elec.
ELRH213	(2) 13W 2 Pin Quad 120V Mag.
ELRH213E	(2) 13W 4 Pin Quad 120/277V Elec.
ELRH213D	(2) 13W 4 Pin Quad 120/277V Mark VII Dim.
ELRH118E	(1) 18W 4 Pin Quad 120/277V Elec.
ELRH118D	(1) 18W 4 Pin Quad 120/277V Mark VII Dim.
ELRH218E	(2) 18W 4 Pin Quad 120/277V Elec.
ELRH218D	(2) 18W 4 Pin Quad 120/277V Mark VII Dim.
ELRH218DX	(2) 18W 4 Pin Quad 120V Mark X Dim.
ELRH218DX-7	(2) 18W 4 Pin Quad 277V Mark X Dim.

Elec. = Electronic Ballast Mag. = Magnetic Ballast Dim. = Dimming Ballast

Item Selector:

HOUSING

HOUSING ACCESSORY 1

TRIM

▼ Compatible Trim



Reflector Trim

EL721C Clear Ref. White Ring
EL721G Gold Ref. White Ring
EL721H Haze Ref. White Ring
EL721F Self Flanged Clear Ring
O.D.: 7 1/2"



Cross Blade

Reflector Trim
EL777C Clear Ref. White Ring
O.D.: 7 1/2"



Baffle with Reflector Trim

EL730B Black Bfl. Clear Ref. White Ring
EL730W White Bfl. Clear Ref. White Ring
EL730N Nickel Bfl. Clear Ref. Nickel Ring
EL730BZ Bronze Bfl. Clear Ref. Bronze Ring
EL730CP Copper Bfl. Clear Ref. Copper Ring
EL730HB Black Bfl. Haze Ref. White Ring
EL730HW White Bfl. Haze Ref. White Ring
O.D.: 7 1/2"



Reflector Trim with Prismatic Lens

EL762G Gold Ref. White Ring
EL762B Black Ref. White Ring
EL762W White Ref. White Ring
EL762C Clear Ref. White Ring
O.D.: 7 1/2"



Wall Wash Reflector

EL753C Clear Ref. White Ring
O.D.: 7 1/2"



Baffle with Regressed Lens Trim

EL742BZ All Bronze
EL742CP All Copper
EL742B Black Bfl. White Ring
EL742W All White
EL742N All Nickel
O.D.: 7 1/2"



Wall Wash with Baffle

EL745W White Bfl. White Trim Clear Ref.
EL745B Black Bfl. White Trim Clear Ref.
EL745HB Black Bfl. White Trim Haze Ref.
EL745HW White Bfl. White Trim Haze Ref.
O.D.: 7 1/2"

▼ Housing Accessories

Battery	KEM-P13 = (1)9W, (2)9W, (1)13W, (2)13W, 120V or 277V, 2 Pin
Backup	KEM-P32 = (1)13W to 42W, (2)13W/18W, 120V or 277V, 4 Pin
	KEM-P43 = (1)13W to 42W, (2)13W/18W, 120V or 277V, 4 Pin for in-trim test switch installation
	KEM-P52 = (1)13W to 57W, (2)13W/18W, 4 Pin, 1,300 lumens

7" CFL Downlights



7" CFL Horizontal Remodel Downlights

1 or 2 Lamps 26W - 42W Dimming Ballast Available

▼ Housings

ELRH7126E	(1) 26W 4 Pin Quad/Triple 120/277V Elec.
ELRH7126D	(1) 26W 4 Pin Quad/Triple 120/277 Mark VII Dim.
ELRH7126DX	(1) 26W 4 Pin Quad/Triple 120V Mark X Dim.
ELRH7126DX-7	(1) 26W 4 Pin Quad/Triple 277V Mark X Dim.
ELRH7226E	(2) 26W 4 Pin Quad 120/277 Elec.
ELRH226D	(2) 26W 4 Pin Quad 120/277V Dim.
ELRH226DX	(2) 26W 4 Pin Quad 120V Mark X Dim.
ELRH226DX-7	(2) 26W 4 Pin Quad 277V Mark X Dim.
ELRH7132E	(1) 32W 4 Pin Triple 120/277 Elec.
ELRH7132D	(1) 32W 4 Pin Triple 120/277 Mark VII Dim.
ELRH7132DX	(1) 32W 4 Pin Triple 120V Mark X Dim.
ELRH7132DX-7	(1) 32W 4 Pin Triple 277V Mark X Dim.
ELRH7142E	(1) 42W 4 Pin Triple 120/277 Elec.
ELRH7142D	(1) 42W 4 Pin Triple 120/277 Mark VII Dim.
ELRH7142DX	(1) 42W 4 Pin Triple 120V Mark X Dim.
ELRH7142DX-7	(1) 42W 4 Pin Triple 277V Mark X Dim.

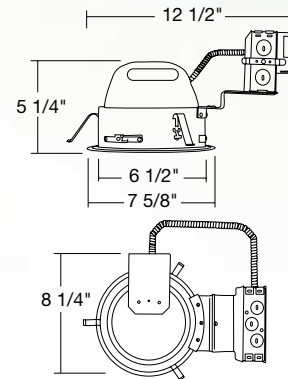
Elec. = Electronic Ballast Dim. = Dimming Ballast

Features

- CFL remodel housing for (1) or (2) horizontally mounted lamps.
- Trim support adjusts 3/4" to accommodate varying ceiling thickness.
- 5 1/4" height allows for use in 2 x 6 construction.
- UL damp location listed
- UL feed through listed

Dimensions

Height: 5 1/4" • Opening: 6 1/2"
Trim O.D.: 7 5/8"



Item Selector:

HOUSING

HOUSING ACCESSORY 1

TRIM

▼ Compatible Trim



Cross Blade Reflector Trim
EL778C Clear Ref. White Ring
O.D.: 7 5/8"



Reflector Trim
EL741G Gold Ref. White Ring
EL741C Clear Ref. White Ring
EL741H Haze Ref. White Ring
EL741F Self Flanged Clear Ring
O.D.: 7 1/2"



Baffle with Reflector Trim
EL731W Clear Ref. White Bfl. White Ring
EL731B Clear Ref. Black Bfl. White Ring
EL731N Clear Ref. Nickel Bfl. Nickel Ring
EL731BZ Clear Ref. Bronze Bfl. Bronze Ring
EL731HB Haze Ref. Black Bfl. White Ring
EL731HW Haze Ref. White Bfl. White Ring
O.D.: 7 1/2"



Baffle with Regressed Lens Trim
EL743W White Bfl. White Ring
EL743B Black Bfl. White Ring
EL743N All Nickel
EL743BZ All Bronze
O.D.: 7 1/2"



Wall Wash with Baffle
EL746W Clear Ref. White Bfl. White Trim
EL746B Clear Ref. Black Bfl. White Trim
EL746HW Haze Ref. White Bfl. White Trim
EL746HB Haze Ref. Black Bfl. White Ring
O.D.: 7 1/2"



Reflector Trim with Prismatic Lens
EL782G Gold Ref. White Ring
EL782W White Ref. White Ring
EL782B Black Ref. White Ring
EL782C Clear Ref. White Ring
O.D.: 7 1/2"



Wall Wash Reflector
EL754C Clear Ref. White Ring
O.D.: 7 1/2"

▼ Housing Accessories

Battery Backup	KEM-P32 = (1)13W to 42W, (2)13W/18W, 120V or 277V, 4 Pin KEM-P43 = (1)13W to 42W, (2)13W/18W, 120V or 277V, 4 Pin for in-trim test switch installation KEM-P52 = (1)13W to 57W, (2)13W/18W, 4 Pin, 1,300 lumens
-----------------------	--

7" CFL Downlights

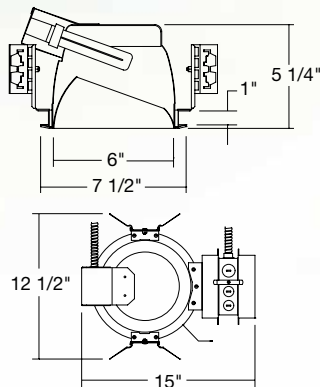
Features

- CFL wall wash housing for (2) lamps.
- Junction box is listed for through branch circuit wiring with 1/2" and 3/4" pryout knockouts.
- Hanger bars not included, order (CH26) C-channels, (FB27) linear bar hangers, or use 1/2" EMT pipe.
- UL damp location listed
- UL feed through listed



Dimensions

Height: 5 1/4" • Opening: 6 1/2"
Trim O.D.: 7 1/2"



7" CFL Wall Wash Downlights

2 Lamps 13W - 26W Dimming Ballast Available

▼ Housings

EL700	(2) 13W 2 Pin Quad 120V NPF Mag.
EL700E	(2) 13W 4 Pin Quad 120/277V Elec.
EL700D	(2) 13W 4 Pin Quad 120/277V Mark VII Dim.
EL750E	(2) 18W 4 Pin Quad 120/277V Elec.
EL750D	(2) 18W 4 Pin Quad 120/277V Mark VII Dim.
EL750DX	(2) 18W 4 Pin Quad 120V Mark X Dim.
EL775E	(2) 26W 4 Pin Quad 120/277V Elec.
EL775D	(2) 26W 4 Pin Quad 120/277V Mark VII Dim.
EL775DX	(2) 26W 4 Pin Quad 120V Mark X Dim.
EL775DX-7	(2) 26W 4 Pin Quad 277V Mark X Dim.

Elec. = Electronic Ballast Mag. = Magnetic Ballast Dim. = Dimming Ballast

Item Selector:

HOUSING

HOUSING ACCESSORY 1

HOUSING ACCESSORY 2

TRIM

▼ Compatible Trim



Wall Wash with Reflector and Regressed Prismatic Lens
EL621B Black Ref. White Ring
O.D.: 7 1/2"



Wall Wash with Reflector and Regressed Prismatic Lens
EL621C Clear Ref. White Ring
O.D.: 7 1/2"



Wall Wash with Reflector and Regressed Prismatic Lens
EL621G Gold Ref. White Ring
O.D.: 7 1/2"

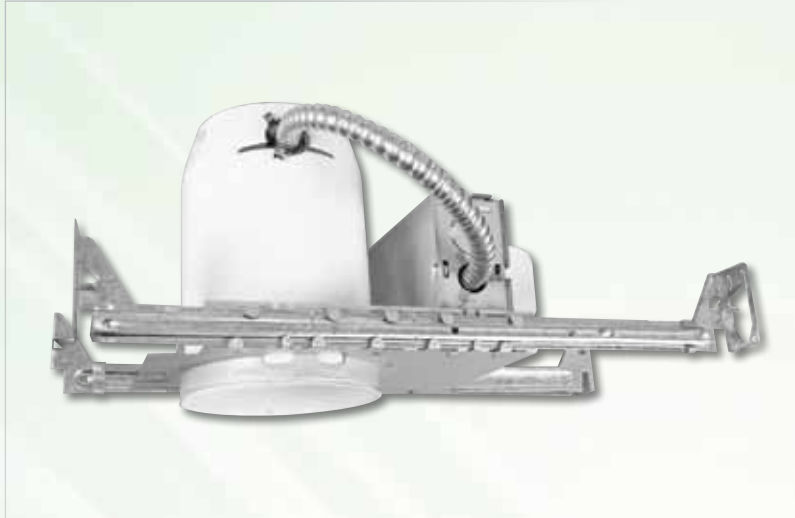


Wall Wash with Reflector and Regressed Prismatic Lens
EL621W White Ref. White Ring
O.D.: 7 1/2"

▼ Housing Accessories

Battery Backup	KEM-P13 = (1)9W, (2)9W, (1)13W, (2)13W, 120V or 277V, 2 Pin KEM-P32 = (1)13W to 42W, (2)13W/18W, 120V or 277V, 4 Pin KEM-P43 = (1)13W to 42W, (2)13W/18W, 120V or 277V, 4 Pin for in-trim test switch installation KEM-P52 = (1)13W to 57W, (2)13W/18W, 4 Pin, 1,300 lumens
Hanger Bar	FB27 = Set of two 27" flat hanger bars. For wood construction. CH26 = Set of two 26" C-Channel hanger bars. For T-Bar Ceiling.

4" CFL Downlights



Features

- CFL housing for (1) vertically mounted lamp.
- UL damp location listed
- UL feed through listed

4" CFL Vertical Downlights

1 Lamp 13W - 32W Dimming Ballast Available

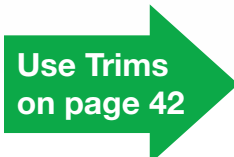
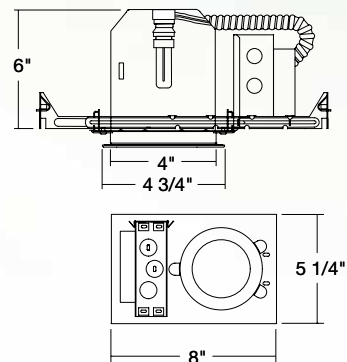
▼ Housings

ELV4113	(1) 13W 2 Pin Quad 120V NPF Mag.
ELV4113E	(1) 13W 4 Pin Triple 120/277V Elec.
ELV4113E-347	(1) 13W 4 Pin Triple 347V Elec.
ELV4118E	(1) 18W 4 Pin Triple 120/277V Elec.
ELV4118E-347	(1) 18W 4 Pin Triple 347V Elec.
ELV4118D	(1) 18W 4 Pin Triple 120/277V Mark VII Dim.
ELV4118DX	(1) 18W 4 Pin Triple 120V Mark X Dim.
ELV4118DX-7	(1) 18W 4 Pin Triple 277V Mark X Dim.
ELV4126E	(1) 26W 4 Pin Triple 120/277V Elec.
ELV4126D	(1) 26W 4 Pin Triple 120/277V Mark VII Dim.
ELV4126DX	(1) 26W 4 Pin Triple 120V Mark X Dim.
ELV4126D1A	(1) 26W 4 Pin Triple 120V NPF Dim. Airtight
ELV4132E	(1) 32W 4 Pin Triple 120/277V Elec.
ELV4132D	(1) 32W 4 Pin Triple 120/277V Mark VII Dim.
ELV4132DX	(1) 32W 4 Pin Triple 120V Mark X Dim.

Elec. = Electronic Ballast Mag. = Magnetic Ballast Dim. = Dimming Ballast

Dimensions

Height: 6" • Opening: 4 3/8"
Trim O.D.: 4 3/4"



▼ Housing Accessories

Battery Backup	KEM-P13 = (1)9W, (2)9W, (1)13W, (2)13W, 120V or 277V, 2 Pin
	KEM-P32 = (1)13W to 42W, (2)13W/18W, 120V or 277V, 4 Pin
	KEM-P43 = (1)13W to 42W, (2)13W/18W, 120V or 277V, 4 Pin for in-trim test switch installation
	KEM-P52 = (1)13W to 57W, (2)13W/18W, 4 Pin, 1,300 lumens

Item Selector: _____ HOUSING _____ HOUSING ACCESSORY 1 _____ TRIM _____

4" CFL Downlights

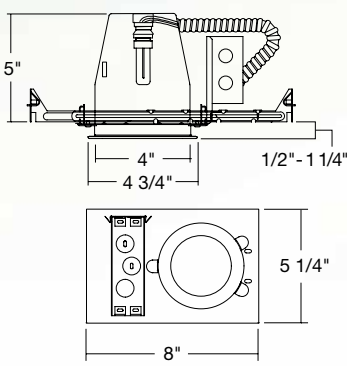
Features

- CFL housing with plaster frame for (1) vertically mounted lamp.
- 5" height allows for use in 2 x 6 construction.
- 24" captive bar hangers included
- UL listed



Dimensions

Height: 5" • Opening: 4 3/8"
Trim O.D.: 4 3/4"



4" CFL Vertical Downlights

1 Lamp 13W

▼ Housings	
EL99PL	(1) 13W 2 Pin Quad 120V NPF Mag.
EL99PLE	(1) 13W 4 Pin Triple 120/277V Elec.
EL99PLICEA	(1) 13W 4 Pin Triple 120V NPF Elec. IC Airtight CA Title 24, ENERGY STAR qualified

Elec. = Electronic Ballast Mag. = Magnetic Ballast

▼ Housing Accessories

Battery	KEM-P13 = (1)9W, (2)9W, (1)13W, (2)13W, 120V or 277V, 2 Pin
Backup	KEM-P32 = (1)13W to 42W, (2)13W/18W, 120V or 277V, 4 Pin
	KEM-P43 = (1)13W to 42W, (2)13W/18W, 120V or 277V, 4 Pin for in-trim test switch installation
	KEM-P52 = (1)13W to 57W, (2)13W/18W, 4 Pin, 1,300 lumens

Item Selector: _____ HOUSING _____ HOUSING ACCESSORY 1 _____ TRIM _____

4" CFL Downlights



4" CFL Vertical IC Downlights

1 Lamp 18W - 26W Dimming Ballast Available

▼ Housings

EL99PL18ICEA	(1) 18W 4 Pin Triple 120V NPF Elec. IC Airtight CA Title 24, ENERGY STAR qualified
EL9P18ICEA-7	(1) 18W 4 Pin Triple 120/277V Elec. IC Airtight CA Title 24, ENERGY STAR qualified
EL99PL18ICDA	(1) 18W 4 Pin Triple 120/277 Dim. IC Airtight CA Title 24
EL99P18ICDXA	(1) 18W 4 Pin Triple 120V Mark X Dim. IC Airtight CA Title 24
EL99PL26ICEA	(1) 26W 4 Pin Triple 120V Elec. IC Airtight CA Title 24, ENERGY STAR qualified
EL9P26ICEA-7	(1) 26W 4 Pin Triple 120/277V Elec. IC Airtight CA Title 24, ENERGY STAR qualified
EL99PL26ICDA	(1) 26W 4 Pin Triple 120/277 Elec. Dim. IC Airtight CA Title 24
EL99P26ICD1A	(1) 26W 4 Pin Triple 120V NPF Dim. IC Airtight CA Title 24
EL99P26ICDXA	(1) 26W 4 Pin Triple 120V Mark X Dim. IC Airtight CA Title 24
EL99P26ICDX7	(1) 26W 4 Pin Triple 277V Mark X Dim. IC Airtight CA Title 24

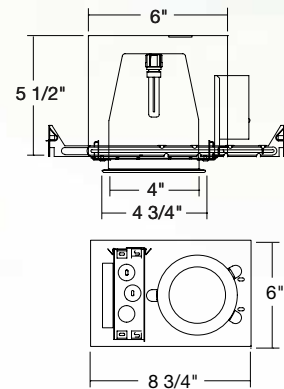
Elec. = Electronic Ballast Dim. = Dimming Ballast

Features

- Miniature double wall IC Airtight housing for (1) vertically mounted lamp.
- Junction box is listed for through branch circuit wiring with 1/2" and 3/4" pryout knockouts.
- 5 1/2" height allows for use in 2 x 6 construction.
- 24" captive bar hangers included
- UL listed for direct contact with insulation
- UL damp location listed
- UL feed through listed
- CA Title 24 compliant

Dimensions

Height: 5 1/2" • Opening: 4 3/8"
Trim O.D.: 4 3/4"



▼ Housing Accessories

Battery Backup	KEM-P32 = (1)13W to 42W, (2)13W/18W, 120V or 277V, 4 Pin
	KEM-P43 = (1)13W to 42W, (2)13W/18W, 120V or 277V, 4 Pin for in-trim test switch installation
	KEM-P52 = (1)13W to 57W, (2)13W/18W, 4 Pin, 1,300 lumens

Item Selector: _____ HOUSING _____ HOUSING ACCESSORY 1 _____ TRIM _____

4" CFL Downlights

Features

- Miniature double wall IC Airtight housing for (1) vertically mounted lamp.
- Ballast mounted onto the inner side of j-box for easy access from below the ceiling.
- 5 1/2" height allows for use in 2 x 6 construction.
- 24" captive bar hangers included
- UL listed for direct contact with insulation
- UL damp location listed
- UL feed through listed
- CA Title 24 compliant



4" CFL Vertical IC Downlight

1 Lamp 26W Electronic Ballast

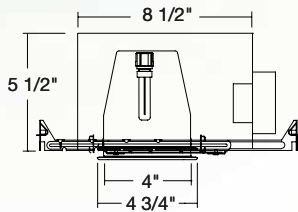
▼ Housings

EL99P26ICEAL (1) 26W 4 Pin Triple 120V Elec. IC Airtight CA Title 24, ENERGY STAR qualified

Elec. = Electronic Ballast Dim. = Dimming Ballast

Dimensions

Height: 5 1/2" • Opening: 4 1/4"
Trim O.D.: 4 3/4"



Use Trims
on page 42

▼ Housing Accessories

Battery Backup **KEM-P32** = (1)13W to 42W, (2)13W/18W, 120V or 277V, 4 Pin
KEM-P43 = (1)13W to 42W, (2)13W/18W, 120V or 277V, 4 Pin
for in-trim test switch installation
KEM-P52 = (1)13W to 57W, (2)13W/18W, 4 Pin, 1,300 lumens

Item Selector:

HOUSING

HOUSING ACCESSORY 1

TRIM

4" CFL Downlights



Features

- CFL miniature remodel housing for (1) vertically mounted lamp.
- Junction box is listed for through branch circuit wiring with 1/2" pryout knockouts.
- UL damp location listed
- UL feed through listed

4" CFL Vertical IC, Non-IC Remodel Downlights

1 Lamp 18W - 32W Dimming Ballast & IC & Airtight Available

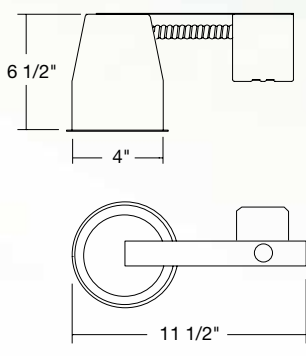
▼ Housings

EL99RPL18EA	(1) 18W 4 Pin Triple 120/277V Elec. Airtight
EL99RP18ICEA	(1) 18W 4 Pin Triple 120V Elec. IC Airtight CA Title 24, ENERGY STAR qualified
E9RP18ICEA-7	(1) 18W 4 Pin 120/277V Elec. IC Airtight CA Title 24, ENERGY STAR qualified
EL99RP18ICDA	(1) 18W 4 Pin Triple 120/277V Mark 7 Dim. IC Airtight CA Title 24
EL99R18ICDXA	(1) 18W 4 Pin Triple 120V Mark X Dim. IC Airtight CA Title 24
EL99RPL18DXA	(1) 18W 4 Pin Triple 120V Mark X Dim. Airtight
EL99RPL26EA	(1) 26W 4 Pin Triple 120/277V Elec. Airtight
EL99RPL26DA	(1) 26W 4 Pin Triple 120/277V Mark VII Dim. Airtight
EL99RPL26DXA	(1) 26W 4 Pin Triple 120V Mark X Dim. Airtight
EL99RPL32EA	(1) 32W 4 Pin Triple 120/277V Elec. Airtight
EL99RPL32DA	(1) 32W 4 Pin Triple 120/277V Mark VII Dim. Airtight
EL99RPL32DXA	(1) 32W 4 Pin Triple 120V Mark X Dim. Airtight

Elec. = Electronic Ballast Dim. = Dimming Ballast

Dimensions

Height: 6 1/2" • Opening: 4 3/8"
Trim O.D.: 4 3/4"



▼ Housing Accessories

Battery Backup	KEM-P32 = (1)13W to 42W, (2)13W/18W, 120V or 277V, 4 Pin
	KEM-P43 = (1)13W to 42W, (2)13W/18W, 120V or 277V, 4 Pin for in-trim test switch installation
	KEM-P52 = (1)13W to 57W, (2)13W/18W, 4 Pin, 1,300 lumens

Item Selector: _____ HOUSING _____ HOUSING ACCESSORY 1 _____ TRIM _____

4" CFL Downlights

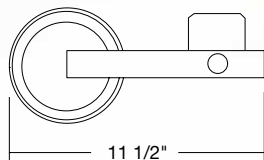
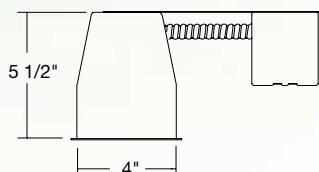
Features

- CFL miniature remodel housing for (1) vertically mounted lamp.
- Junction box is listed for through branch circuit wiring with 1/2" pryout knockouts.
- 5 1/2" height allows for use in 2 x 6 construction.
- UL damp location listed
- UL feed through listed



Dimensions

Height: 5 1/2" • Opening: 4 3/8"
Trim O.D.: 4 3/4"



Use Trims
on page 42

4" CFL Vertical IC, Non-IC Remodel Downlights

1 Lamp 13W IC & Airtight Available

▼ Housings

EL99RPL	(1) 13W 2 Pin Quad 120V Mag.
EL99RPLEA	(1) 13W 4 Pin Triple 120/277V Elec. Airtight
EL99RPLICEA	(1) 13W 4 Pin Triple 120V Elec. IC Airtight CA Title 24, ENERGY STAR qualified

Elec. = Electronic Ballast Mag. = Magnetic Ballast

▼ Housing Accessories

Battery	KEM-P13 = (1)9W, (2)9W, (1)13W, (2)13W, 120V or 277V, 2 Pin
Backup	KEM-P32 = (1)13W to 42W, (2)13W/18W, 120V or 277V, 4 Pin
	KEM-P43 = (1)13W to 42W, (2)13W/18W, 120V or 277V, 4 Pin for in-trim test switch installation
	KEM-P52 = (1)13W to 57W, (2)13W/18W, 4 Pin, 1,300 lumens

Item Selector:

HOUSING

HOUSING ACCESSORY 1

TRIM

4" CFL Downlights

Architectural Downlights



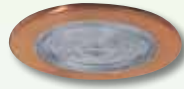
Shower Trim with Clear Lens

EL911W White Ring
 EL911B Black Ring
 EL911BZ Bronze Ring
 EL911CP Copper Ring
 EL911SH Lexan Ring
 Lamp: 32W max CFL (PL-T)
 O.D.: 4 3/4"



Shower Trim with Frosted Lens

EL912N Nickel Ring
 EL912W White Ring
 EL912B Black Ring
 EL912C Clear Ring
 EL912G Gold Ring
 EL912BZ Bronze Ring
 EL912CP Copper Ring
 EL912SH Lexan Ring
 Lamp: 32W max CFL (PL-T)
 O.D.: 4 3/4"



Shower Trim with Fresnel Lens

EL913CP Copper Ring
 EL913W White Ring
 EL913G Gold Ring
 EL913N Nickel Ring
 EL913BZ Bronze Ring
 EL913SH Lexan Ring
 Lamp: 32W max CFL (PL-T)
 O.D.: 4 3/4"



Shower Trim with Albalite Lens

EL914W White Ring
 EL914B Black Ring
 EL914BZ Bronze Ring
 EL914SH Lexan Ring
 Lamp: 32W max CFL (PL-T)
 O.D.: 4 3/4"



Shower Trim with Pinhole Lens

EL915CP Copper Ring
 EL915W White Ring
 EL915B Black Ring
 EL915N Nickel Ring
 EL915C Clear Ring
 EL915G Gold Ring
 EL915BZ Bronze Ring
 EL915SH Lexan Ring
 Lamp: 32W max CFL (PL-T)
 O.D.: 4 3/4"



Shower Trim with Drop Opal Lens

EL916G Gold Ring
 EL916W White Ring
 EL916B Black Ring
 EL916C Clear Ring
 EL916BZ Bronze Ring
 EL916CP Copper Ring
 EL916SH Lexan Ring
 Lamp: 32W max CFL (PL-T)
 O.D.: 4 3/4"



Shower Trim with Clear Reflector and Clear Lens

EL9111W White Ring
 EL9111B Black Ring
 EL9111C Clear Ring
 EL9111G Gold Ring
 EL9111SH Lexan Ring
 Lamp: 32W max CFL (PL-T)
 O.D.: 4 3/4"



Shower Trim with Reflector and Frosted Lens

EL9112W White Ring
 EL9112B Black Ring
 EL9112N Nickel Ring
 EL9112G Gold Ring
 EL9112C Clear Ring
 EL9112BZ Bronze Ring
 EL9112CP Copper Ring
 Lamp: 32W max CFL (PL-T)
 O.D.: 4 3/4"



Shower Trim with Reflector and Fresnel Lens

EL9113CP Copper Ring
 EL9113W White Ring
 EL9113G Gold Ring
 EL9113BZ Bronze Ring
 EL9113SH Lexan Ring
 Lamp: 32W max CFL (PL-T)
 O.D.: 4 3/4"



Shower Trim with Reflector and Albalite Lens

EL9114W White Ring
 EL9114BZ Bronze Ring
 EL9114CP Copper Ring
 EL9114SH Lexan Ring
 Lamp: 32W max CFL (PL-T)
 O.D.: 4 3/4"



Shower Trim with Reflector and Frosted Pinhole Lens

EL9115W White Ring
 EL9115C Clear Ring
 EL9115BZ Bronze Ring
 EL9115CP Copper Ring
 EL9115SH Lexan Ring
 Lamp: 32W max CFL (PL-T)
 O.D.: 4 3/4"



Shower Trim with Reflector and Drop Opal Lens

EL9116BZ Bronze Ring
 EL9116CP Copper Ring
 EL9116W White Ring
 EL9116G Gold Ring
 EL9116N Nickel Ring
 EL9116SH Lexan Ring
 Lamp: 32W max CFL (PL-T)
 O.D.: 4 3/4"



Frosted Lens Shower Trim with Deep Clear Reflector

ELA414W White Ring
 ELA414B Black Ring
 ELA414G Gold Ring
 ELA414N Nickel Ring
 ELA414C Clear Ring
 ELA414BZ Bronze Ring
 ELA414CP Copper Ring
 Lamp: 32W max CFL (PL-T)
 O.D.: 4 3/4"

4" CFL Downlights



Baffle Trim

EL993W White Bfl. White Ring
EL993B Black Bfl. White Ring
EL993CP Copper Bfl. Copper Ring
EL993WBZ White Bfl. Bronze Ring
EL993WCP White Bfl. Copper Ring
 Lamp: 32W max CFL (PL-T)
 O.D.: 4 3/4"



Stepped Phenolic Deep Baffle Trim

EL994W All White
EL994B Black Bfl. White Ring
 Lamp: 32W max CFL (PL-T)
 O.D.: 4 3/4"



Reflector Trim

EL999C Clear Ref. White Ring
EL999W All White
EL999B Black Ref. White Ring
EL999G Gold Ref. White Ring
EL999CP All Copper
EL999BZ All Bronze
EL999CC All Clear
EL999GG All Gold
 Lamp: 32W max CFL (PL-T)
 O.D.: 4 3/4"



Reflector with Diecast Trim Ring

EL999DC Clear Ref. White Ring
EL999DG Gold Ref. White Ring
 Lamp: 32W max CFL (PL-T)
 O.D.: 4 3/4"



Deep Clear Reflector with Baffle Trim

ELA401W All White
ELA401B Black Bfl. White Ring
ELA401N All Nickel
ELA401BZ All Bronze
ELA401CP All Copper
 Lamp: 32W max CFL (PL-T)
 O.D.: 4 3/4"



Wall Wash Trim with Reflector

EL925C Clear Ref. White Trim
EL925G Gold Ref. White Trim
 Lamp: 32W max CFL (PL-T)
 O.D.: 4 3/4"



Deep Haze Reflector

ELA499H Haze Ref. White Ring
 Lamp: 32W max CFL (PL-T)
 O.D.: 4 3/4"



Chrome Reflector with Suspended Frosted Glass

EL926CP Copper Ring
EL926W White Ring
EL926B Black Ring
EL926G Gold Ring
EL926N Nickel Ring
EL926C Clear Ring
EL926BZ Bronze Ring
 Lamp: 32W max CFL (PL-T)
 O.D.: 4 3/4"



Frosted Glass Trim

EL952W White Glass
EL952R Red Glass
EL952BL Blue Glass
 Lamp: 32W max CFL (PL-T)
 O.D.: 4 3/4"



Frosted Stepped Glass Trim

EL953BL Blue Glass
EL953W White Glass
 Lamp: 32W max CFL (PL-T)
 O.D.: 4 3/4"

Architectural Downlights

4" CFL Downlights



Features

- CFL miniature remodel housing for (1) vertically mounted lamp.
- Junction box is listed for through branch circuit wiring with 1/2" pryout knockouts.
- UL damp location listed
- UL feed through listed

4" CFL Vertical IC Remodel Downlights

1 Lamp 26W Electronic Ballast & IC & Airtight Available

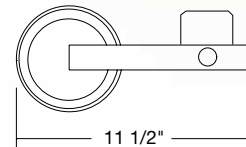
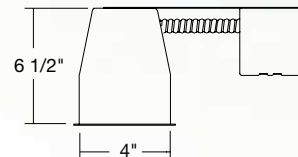
▼ Housings

EL99RP26ICEA	(1) 26W 4 Pin Triple 120V Elec. IC Airtight CA Title 24, ENERGY STAR qualified
E9RP26ICEA-7	(1) 26W 4 Pin Triple 120/277V Elec. IC Airtight CA Title 24, ENERGY STAR qualified

Elec. = Electronic Ballast

Dimensions

Height: 6 1/2" • Opening: 4 3/8"
Trim O.D.: 4 3/4"



Item Selector:

HOUSING

HOUSING ACCESSORY 1

TRIM

▼ Compatible Trim



Deep Clear Reflector with Baffle Trim
ELA401W All White
ELA401B Black Bfl. White Ring
ELA401N All Nickel
ELA401BZ All Bronze
ELA401CP All Copper
 Lamp: 32W max CFL (PL-T)
 O.D.: 4 3/4"



Frosted Lens Shower Trim with Deep Clear Reflector
ELA414W White Ring
ELA414B Black Ring
ELA414G Gold Ring
ELA414N Nickel Ring
ELA414C Clear Ring
ELA414BZ Bronze Ring
ELA414CP Copper Ring
 Lamp: 32W max CFL (PL-T)
 O.D.: 4 3/4"



Deep Cone Reflector
ELA499SW All White
ELA499SB Black Ref. White Ring
ELA499SG Gold Ref. White Ring
ELA499SC Clear Ref. White Ring
ELA499SBZ All Bronze
 Lamp: 32W max CFL (PL-T)
 O.D.: 4 3/4"



Deep Haze Reflector
ELA499H Haze Ref. White Ring
 Lamp: 32W max CFL (PL-T)
 O.D.: 4 3/4"

▼ Housing Accessories

Battery	KEM-P32 = (1)13W to 42W, (2)13W/18W, 120V or 277V, 4 Pin
Backup	KEM-P43 = (1)13W to 42W, (2)13W/18W, 120V or 277V, 4 Pin for in-trim test switch installation
	KEM-P52 = (1)13W to 57W, (2)13W/18W, 4 Pin, 1,300 lumens

Architectural HID Downlights

Socket and Lampholder

medium base, glazed porcelain, extended husk, 4KV pulse-rated socket with nickel plated copper screw shell.

Universal Mounting Brackets

accepts 1/2" EMT, C-Channel, T-bar fasteners and bar hangers. Adjusts 5" vertically from above or below ceiling.

HID Lamp

Metal Halide or High Pressure Sodium ED17 lamp.

Flex Conduit

Ballast

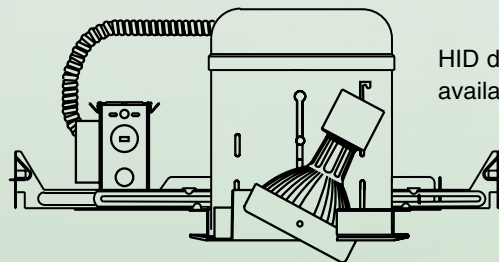
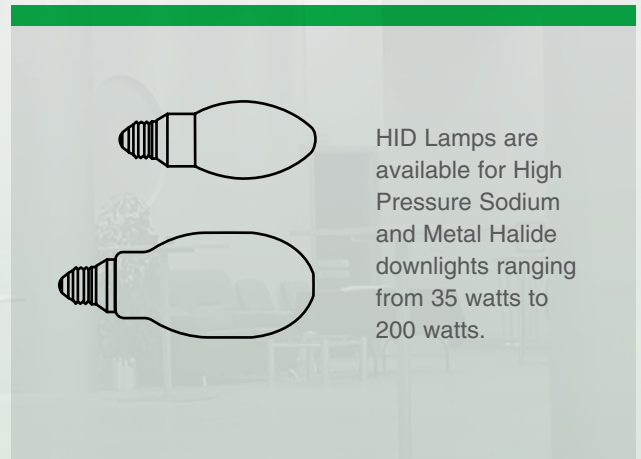
are pre-wired, encased and potted. Available in electronic or magnetic, 120V or 277V.

Junction Box

are pre-wired and UL/CUL Listed for through-branch wiring, Maximum (8) No. 12 AWG 90° C branch circuit conductors (4 in and 4 out). Provided with removable access plates, (5) 1/4" and (3) 3/4" knockouts and ground wire.

Trim Ring

is made out of metal and is designed to conceal ceiling cutout.



HID downlights with PAR lamps are available for residential applications.

10" HID Downlights



10" HID Metal Halide Downlights

70W-200W Electronic or Magnetic Ballast
(347V available upon request)

▼ Housings

E10M50E	50W ED17 Medium Base MH Lamp (M148, M110) 120/277V Elec.
E10M70	70W ED17 Medium Base MH Lamp (M98, M143) 120/277V Mag.
E10M70E	70W ED17 Medium Base MH Lamp (M98, M143) 120/277V Elec.
E10M100	100W ED17 Medium Base MH Lamp (M90, M140) 120/277V Mag.
E10M100E	100W ED17 Medium Base MH Lamp (M90, M140) 120/277V Elec.
E10M150E	150W ED17 Medium Base MH Lamp (M102, M142) 120V or 277V Elec.
E10M175E	175W ED17 Medium Base MH Lamp (M137, M152) 120V or 277V Elec.
E10M200E	200W BT28 Mogul Base MH Lamp (M136) 120V or 277V Elec.

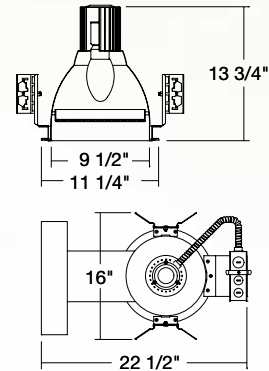
Elec. = Electronic Ballast Mag. = Magnetic Ballast
NOTE: 200W must be used with lensed trim.

Features

- HID metal halide housing
- 120/277V electronic or magnetic ballast included
- Galvanized steel construction
- Frame dimensions:
22 1/2"L x 16"W x 13 3/4"H
- Trim support adjusts 3/4" to accommodate varying ceiling thickness.
- Medium base ED17/ED28 metal halide lamp (lamp not included)
- Hanger bars not included, order (CH26) C-channels, (FB27) linear bar hangers, or use 1/2" EMT pipe.
- UL damp location listed
- UL feed through listed
- Available with Quartz restrrike relay (upon request)

Dimensions

Height: 13 3/4" • Opening: 9 1/2"
Trim O.D.: 11 1/4"



Item Selector:

HOUSING

HOUSING ACCESSORY 1

TRIM

▼ Compatible Trim



Open Reflector

EL1016C Clear Ref. White Ring
O.D.: 11 1/4"



Reflector with Lens

EL1037C Clear Ref. White Ring
O.D.: 11 1/4"

▼ Housing Accessories

Hanger Bar **FB27** = Set of two 27" flat hanger bars. For wood construction.
CH26 = Set of two 26" C-Channel hanger bars. For T-Bar Ceiling.

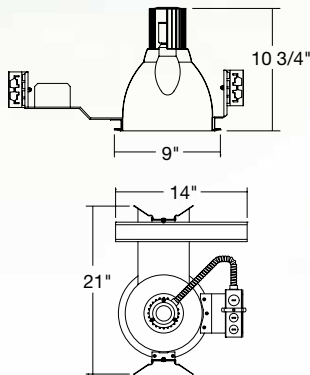
8" HID Downlights

Features

- HID metal halide housing for ED17 lamp (lamp not included)
- 120/277V magnetic ballast included
- Galvanized steel construction
- Frame dimensions: 21" L x 14" W x 10 3/4" H
- Trim support adjusts 3/4" to accommodate varying ceiling thickness.
- Hanger bars not included, order (CH26) C-channels, (FB27) linear bar hangers, or use 1/2" EMT pipe.
- UL damp location listed
- UL feed through listed
- Available with Quartz restrike relay (upon request)

Dimensions

Height: 10 3/4" • Opening: 8"
Trim O.D.: 9"



8" HID Metal Halide Downlights

39W-100W 120/277V Magnetic Ballast
(347V available upon request)

▼ Housings

E8M32	39W PAR Medium Base MH Lamp (M130)
E8M50	50W ED17 Medium Base MH Lamp (M110)
E8M70	70W PAR or ED17 Medium Base MH Lamp (M98, M143)
E8M100	100W PAR or ED17 Medium Base MH Lamp (M90, M140)

Item Selector:

HOUSING

HOUSING ACCESSORY 1

TRIM

▼ Compatible Trim



Reflector with Metal Ring

EL899C Clear Ref. White Ring
EL899H Haze Ref. White Ring
EL899F Clear Ref. Clear Ring
(Self Flanged)
O.D.: 9"



Baffle with Reflector and Metal Ring

EL883B Clear Ref. Black Bfl. White Ring
EL883W Clear Ref. White Bfl. White Ring
EL883HB Haze Ref. Black Bfl. White Ring
EL883HW Haze Ref. White Bfl. White Ring
O.D.: 9"



Reflector with Fresnel Lens and Metal Ring

EL837C Clear Ref. White Ring
EL837F Clear Ref. Clear Ring
(Self Flanged)
O.D.: 9"



Baffle with Fresnel Lens and Metal Ring

EL857W White Bfl. White Ring
EL857B Black Bfl. White Ring
O.D.: 9"



Suspended Glass Lens Trim

EL826C Clear Ref. White Ring
EL826G Gold Ref. White Ring
EL826H Haze Ref. White Ring
O.D.: 9"

▼ Housing Accessories

Hanger Bar **FB27** = Set of two 27" flat hanger bars. For wood construction.
CH26 = Set of two 26" C-Channel hanger bars. For T-Bar Ceiling.

8" HID Downlights



8" HID Metal Halide Downlights

39W-150W Electronic Ballast

▼ Housings

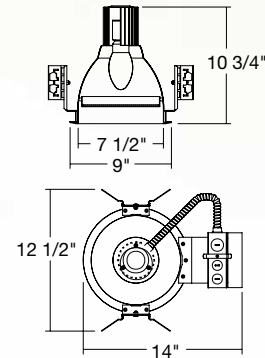
E8M32E	39W PAR Medium Base MH Lamp (M130) 120/277V
E8M50E	50W ED17 Medium Base MH Lamp (M110) 120/277V
E8M70E	70W PAR or ED17 Medium Base MH Lamp (M143) 120/277V
E8M100E	100W PAR or ED17 Medium Base MH Lamp (M90) 120/277V
E8M150E	150W ED17 Medium Base MH Lamp (M102, M142) 120V or 277V

Features

- HID metal halide housing for ED17 lamp (lamp not included)
- Use only "protected" type ED17 lamp in open trims.
- 120/277V electronic ballast included
- Galvanized steel construction
- Frame dimensions: 12"L x 14"W x 10 3/4"H
- Trim support adjusts 3/4" to accommodate varying ceiling thickness.
- Hanger bars not included, order (CH26) C-channels, (FB27) linear bar hangers, or use 1/2" EMT pipe.
- UL damp location listed
- UL feed through listed
- Available with Quartz restrrike relay (upon request)

Dimensions

Height: 10 3/4" • Opening: 8"
Trim O.D.: 9"



Item Selector:

HOUSING

HOUSING ACCESSORY 1

TRIM

▼ Compatible Trim



Reflector with Metal Ring

EL899C Clear Ref. White Ring
EL899H Haze Ref. White Ring
EL899F Clear Ref. Clear Ring
(Self Flanged)
O.D.: 9"



Baffle with Reflector and Metal Ring

EL883B Clear Ref. Black Bfl. White Ring
EL883W Clear Ref. White Bfl. White Ring
EL883HB Haze Ref. Black Bfl. White Ring
EL883HW Haze Ref. White Bfl. White Ring
O.D.: 9"



Reflector with Fresnel Lens and Metal Ring

EL837C Clear Ref. White Ring
EL837F Clear Ref. Clear Ring
(Self Flanged)
O.D.: 9"



Baffle with Fresnel Lens and Metal Ring

EL857W White Bfl. White Ring
EL857B Black Bfl. White Ring
O.D.: 9"

▼ Housing Accessories

Hanger Bar	FB27 = Set of two 27" flat hanger bars. For wood construction.
Bar	CH26 = Set of two 26" C-Channel hanger bars. For T-Bar Ceiling.

8" HID Downlights

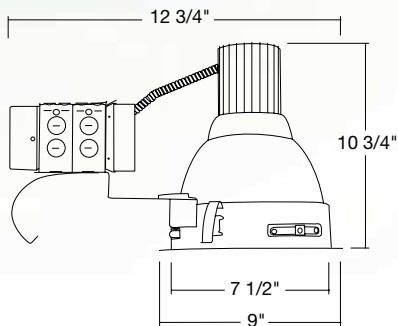
Features

- HID metal halide remodel housing for ED17 lamp (lamp not included)
- Use only "protected" type ED17 lamp in open trims.
- 120/277V electronic ballast included
- Galvanized steel construction
- Trim support adjusts 3/4" to accommodate varying ceiling thickness.
- UL damp location listed
- UL feed through listed
- Available with Quartz restrrike relay (upon request)



Dimensions

Height: 10 3/4" • Opening: 8 1/8"
Trim O.D.: 9"



8" HID Metal Halide Remodel Downlights

39W - 150W Electronic Ballast

▼ Housings

E8RM32E	39W PAR Medium Base MH Lamp (M130) 120/277V
E8RM50E	50W PAR or ED17 Medium Base MH Lamp (M110) 120/277V
E8RM70E	70W PAR or ED17 Medium Base MH Lamp (M143) 120/277V
E8RM100E	100W PAR or ED17 Medium Base MH Lamp (M90) 120/277V
E8RM150E	150W ED17 Medium Base MH Lamp (M102, M142) 120V or 277V

Item Selector:

HOUSING

TRIM

▼ Compatible Trim



Reflector with Metal Ring

EL899C Clear Ref. White Ring
EL899H Haze Ref. White Ring
EL899F Clear Ref. Clear Ring
(Self Flanged)
O.D.: 9"



Baffle with Reflector and Metal Ring

EL883B Clear Ref. Black Bfl. White Ring
EL883W Clear Ref. White Bfl. White Ring
EL883HB Haze Ref. Black Bfl. White Ring
EL883HW Haze Ref. White Bfl. White Ring
O.D.: 9"



Reflector with Fresnel Lens and Metal Ring

EL837C Clear Ref. White Ring
EL837F Clear Ref. Clear Ring
(Self Flanged)
O.D.: 9"



Baffle with Fresnel Lens and Metal Ring

EL857W White Bfl. White Ring
EL857B Black Bfl. White Ring
O.D.: 9"

6" HID Downlights



6" HID Metal Halide Downlights

39W-100W 120/277V Magnetic Ballast

▼ Housings

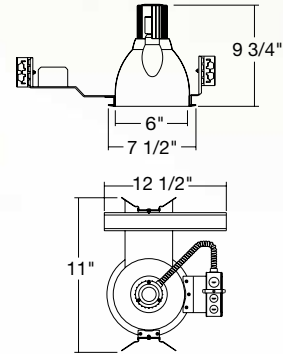
E6M32	39W PAR Medium Base Metal Halide Lamp (M130)
E6M50	50W ED17 Medium Base Metal Halide Lamp (M110)
E6M70	70W PAR or ED17 Medium Base MH Lamp (M98, M10, M143)
E6M100	100W PAR or ED17 Medium Base MH Lamp (M90, M140)

Features

- HID metal halide housing for ED17 lamp (lamp not included)
- Use only "protected" type ED17 lamp in open trims.
- 120/277V magnetic ballast included
- Galvanized steel construction
- Frame dimensions: 18 1/2"L x 13 1/2"W x 9 3/4"H
- Trim support adjusts 3/4" to accommodate varying ceiling thickness.
- Hanger bars not included, order (CH26) C-channels, (FB27) linear bar hangers, or use 1/2" EMT pipe.
- UL damp location listed
- UL feed through listed
- Available with Quartz restrrike relay (upon request)

Dimensions

Height: 9 3/4" • Opening: 6 1/2"
Trim O.D.: 7 5/8"



Item Selector:

HOUSING

HOUSING ACCESSORY 1

TRIM

▼ Compatible Trim



Clear Reflector with Fresnel Lens and Metal Ring
EL737C Clear Ref. White Ring
EL737F Clear Ref. Clear Ring
 (Self Flanged)
 O.D.: 7 5/8"



Baffle with Fresnel Lens and Metal Ring
EL757W All White
EL757B Black Bfl. White Ring
 O.D.: 7 5/8"



Baffle with Reflector and Metal Ring
EL783B Clear Ref. Black Bfl. White Ring
EL783W Clear Ref. White Bfl. White Ring
EL783HB Haze Ref. Black Bfl. White Ring
EL783HW Haze Ref. White Bfl. White Ring
 O.D.: 7 5/8"



Reflector with Metal Ring
EL799C Clear Ref. White Ring
EL799G Gold Ref. White Ring
EL799H Haze Ref. White Ring
EL799F Clear Ref. Clear Ring
 (Self Flanged)
 O.D.: 7 5/8"



Wall Wash Reflector with Metal Ring
EL738C-RM8W Clear Ref. White Ring
 O.D.: 7 5/8"

▼ Housing Accessories

Hanger Bar	FB27 = Set of two 27" flat hanger bars. For wood construction.
Bar	CH26 = Set of two 26" C-Channel hanger bars. For T-Bar Ceiling.

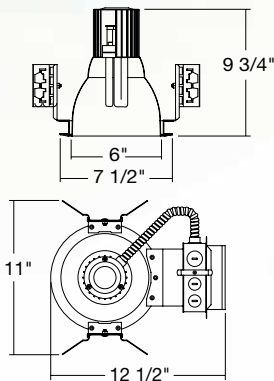
6" HID Downlights

Features

- HID metal halide housing for ED17 lamp (lamp not included)
- 120/277V electronic ballast included
- Galvanized steel construction
- Frame dimensions:
11"L x 12 1/2"W x 9 3/4"H
- Trim support adjusts 3/4" to accommodate varying ceiling thickness.
- Hanger bars not included, order (CH26) C-channels, (FB27) linear bar hangers, or use 1/2" EMT pipe.
- UL damp location listed
- UL feed through listed
- Available with Quartz restrike relay (upon request)

Dimensions

Height: 9 3/4" • Opening: 6 1/2"
Trim O.D.: 7 5/8"



6" HID Metal Halide Downlights

39W-100W 120/277V Electronic Ballast

▼ Housings

E6M32E	39W PAR Medium Base Metal Halide Lamp (M130)
E6M50E	50W ED17 Medium Base Metal Halide Lamp (M110)
E6M70E	70W PAR or ED17 Medium Base MH Lamp (M98, M143)
E6M100E	100W PAR or ED17 Medium Base MH Lamp (M90)

Architectural Downlights

Item Selector:

HOUSING

HOUSING ACCESSORY 1

TRIM

▼ Compatible Trim



Clear Reflector with Fresnel Lens and Metal Ring
EL737C Clear Ref. White Ring
EL737F Clear Ref. Clear Ring
(Self Flanged)
O.D.: 7 5/8"



Baffle with Fresnel Lens and Metal Ring
EL757W All White
EL757B Black Bfl. White Ring
O.D.: 7 5/8"



Baffle with Reflector and Metal Ring
EL783B Clear Ref. Black Bfl. White Ring
EL783W Clear Ref. White Bfl. White Ring
EL783HB Haze Ref. Black Bfl. White Ring
EL783HW Haze Ref. White Bfl. White Ring
O.D.: 7 5/8"



Reflector with Metal Ring
EL799C Clear Ref. White Ring
EL799G Gold Ref. White Ring
EL799H Haze Ref. White Ring
EL799F Clear Ref. Clear Ring
(Self Flanged)
O.D.: 7 5/8"



Wall Wash Reflector with Metal Ring
EL738C-RM8W Clear Ref. White Ring
O.D.: 7 5/8"

▼ Housing Accessories

Hanger Bar	FB27 = Set of two 27" flat hanger bars. For wood construction.
	CH26 = Set of two 26" C-Channel hanger bars. For T-Bar Ceiling.

6" HID Downlights



Features

- HID metal halide remodel housing for ED17 lamp (lamp not included)
- Use only "protected" type ED17 lamp in open trims.
- 120/277V electronic ballast included
- Galvanized steel construction
- Trim support adjusts 3/4" to accommodate varying ceiling thickness.
- UL damp location listed
- UL feed through listed
- Available with Quartz restrike relay (upon request)

8" HID Metal Halide Remodel Downlights

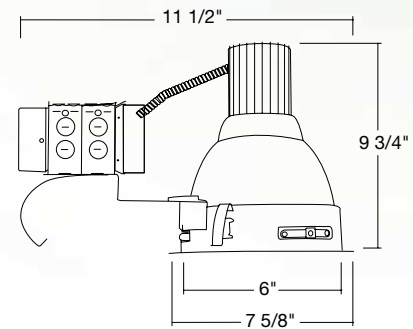
39W - 100W 120/277V Electronic Ballast

▼ Housings

E6RM32E	39W PAR Medium Base Metal Halide Lamp (M130)
E6RM50E	50W ED17 Medium Base Metal Halide Lamp (M110)
E6RM70E	70W PAR or ED17 Medium Base Metal Halide Lamp (M98, M143)
E6RM100E	100W PAR or ED17 Medium Base Metal Halide Lamp (M90)

Dimensions

Height: 9 3/4" • Opening: 6 1/2"
Trim O.D.: 7 5/8"



Item Selector:

HOUSING

TRIM

▼ Compatible Trim



Clear Reflector with Fresnel Lens and Metal Ring
EL737C Clear Ref. White Ring
EL737F Clear Ref. Clear Ring
 (Self Flanged)
 O.D.: 7 5/8"



Baffle with Fresnel Lens and Metal Ring
EL757W All White
EL757B Black Bfl. White Ring
 O.D.: 7 5/8"



Baffle with Reflector and Metal Ring
EL783B Clear Ref. Black Bfl. White Ring
EL783W Clear Ref. White Bfl. White Ring
EL783HB Haze Ref. Black Bfl. White Ring
EL783HW Haze Ref. White Bfl. White Ring
 O.D.: 7 5/8"



Reflector with Metal Ring
EL799C Clear Ref. White Ring
EL799G Gold Ref. White Ring
EL799H Haze Ref. White Ring
EL799F Clear Ref. Clear Ring
 (Self Flanged)
 O.D.: 7 5/8"



Wall Wash Reflector with Metal Ring
EL738C-RM8W Clear Ref. White Ring
 O.D.: 7 5/8"

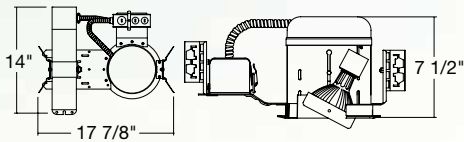
6" HID Downlights

Features

- HID metal halide housing for ED17/PAR lamp (lamp not included)
- 120/277V magnetic ballast included
- Galvanized steel construction
- Frame dimensions:
18"L x 14"W x 7 1/2"H
- Trim support adjusts 3/4" to accommodate varying ceiling thickness.
- Hanger bars not included, order (CH26) C-channels, (FB27) linear bar hangers, or use 1/2" EMT pipe.
- UL damp location listed
- UL feed through listed
- Available with Quartz restrike relay (upon request)

Dimensions

Height: 7 1/2" • Opening: 6 1/2"
Trim O.D.: 7 1/4"



6" HID Adjustable Downlights

39W-100W 120/277V Magnetic Ballast

▼ Housings

ELH7M35	39W PAR20 or PAR30 (M130)
ELH7M50	50W E17 Metal Halide (M110)
ELH7M70	70W ED17 or PAR30/38 (M98, M143)
ELH7M100	100W ED17 or PAR38 (M90)

**Use Trims
on page 54**

▼ Housing Accessories

Hanger Bar **FB27** = Set of two 27" flat hanger bars. For wood construction.
CH26 = Set of two 26" C-Channel hanger bars. For T-Bar Ceiling.

Item Selector:

HOUSING

HOUSING ACCESSORY 1

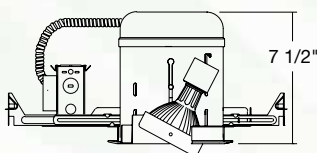
TRIM

Features

- HID metal halide housing for ED17/PAR lamp (lamp not included)
- 120/277V electronic ballast included
- Galvanized steel construction
- Frame dimensions:
10 1/2"L x 7 1/2"W x 7 1/2"H
- Trim support adjusts 3/4" to accommodate varying ceiling thickness.
- 24" captive bar hangers included
- UL damp location listed
- UL feed through listed

Dimensions

Height: 7 1/2" • Opening: 6 1/2"
Trim O.D.: 7 1/4"



6" HID Adjustable Downlights

39W-100W 120/277V Electronic Ballast

▼ Housings

ELH7M35E	39W PAR20/30 (M130)
ELH7M50E	50W ED17 (M110)
ELH7M70E	70W ED17 or PAR30/38 (M98, M143)
ELH7M100E	100W ED17 or PAR38 (M90, M140)

**Use Trims
on page 54**

Item Selector:

HOUSING

TRIM

6" HID Downlights

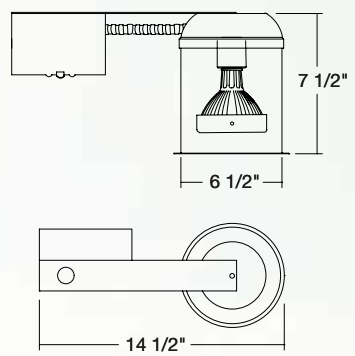


Features

- HID metal halide remodel housing for ED17/PAR lamp (lamp not included)
- 120/277V electronic ballast included
- Galvanized steel construction
- UL damp location listed
- UL feed through listed

Dimensions

Height: 7 1/2" • Opening: 6 1/2"
Trim O.D.: 7 1/4"



6" HID Remodel Downlights

39W-100W 120/277V Electronic Ballast

▼ Housings	
ELRH7M35E	39W PAR20/30 (M130)
ELRH7M70E	70W ED17 or PAR30/38 (M98, M143)
ELRH7M100E	100W ED17 or PAR30/38 (M90, M140)

Item Selector: _____ HOUSING _____ TRIM

▼ Compatible Trim



Baffle with Metal Ring
ELM30B-RM7G Black Bfl. Gold Ring
ELM30B-RM7W Black Bfl. White Ring
ELM30N All Nickel
ELM30W-RM7W All White
 Lamp: 70W MH PAR30
 O.D.: 7 1/4"



Baffle with Metal Ring
ELM40B-RM7W Black Bfl. White Ring
ELM40N All Nickel
ELM40W-RM7W All White
 Lamp: 100W MH PAR38
 O.D.: 7 1/4"



Specular Reflector with White Metal Ring
ELS30B-RM7W Black Ref.
ELS30C-RM7W Clear Ref.
ELS30G-RM7W Gold Ref.
ELS30W-RM7W White Ref.
 Lamp: 70W MH PAR30
 O.D.: 7 1/4"



Specular Reflector with White Metal Ring
ELS40G-RM7W Gold Ref.
ELS40C-RM7W Clear Ref.
 Lamp: 100W MH PAR38
 O.D.: 7 1/4"



Gimbal Ring
EL317W White
EL317G Gold
EL317CP Copper
EL317BZ Bronze
 Lamp: 70W MH PAR30
 O.D.: 8"



Gimbal Ring
EL318W White
EL318G Gold
 Lamp: 100W MH PAR38
 O.D.: 8"



Adjustable Reflector with White Metal Ring
EL377W-RM7W All White
EL377B-RM7W Black, White Ring
EL377C-RM7W Clear, White Ring
EL377G-RM7W Gold, White Ring
 Lamp: 70W MH PAR30
 O.D.: 7 1/4"



Adjustable Reflector with White Metal Ring
EL477C-RM7W Clear, White Ring
EL477B-RM7W Black, White Ring
EL477G-RM7W Gold, White Ring
EL477W-RM7W All White
 Lamp: 100W MH PAR38
 O.D.: 7 1/4"



Specular Cone Reflector with White Metal Ring
ELA99SC-RM7W Clear Ref.
ELA99SG-RM7W Gold Ref.
 Lamp: 70W MH PAR30
 O.D.: 7 1/4"

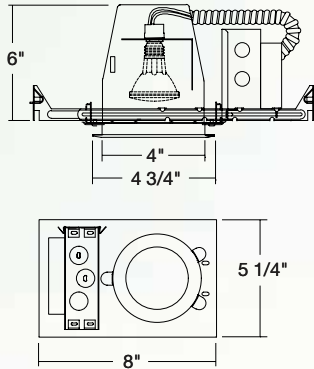
4" HID Downlights

Features

- HID metal halide remodel housing
- Electronic ballast included
- Adjustable socket holder bracket
- UL damp location listed
- UL feed through listed

Dimensions

Height: 6" • Opening: 4 1/4"
Trim O.D.: 4 3/4"



4" HID Metal Halide PAR20 Downlights

20W-39W Electronic Ballast | Metal Halide

▼ Housings

E4M20E	20W PAR20 Medium Base MH (M156) 120V Elec.
E4M35E	39W PAR20 Medium Base MH (M130) 120V or 277V Elec.

Elec. = Electronic Ballast

Item Selector:

HOUSING

TRIM

▼ Compatible Trim



Baffle with Lamp Holder Bracket

EL995W All White
EL995B Black Bfl. White Ring
Lamp: 39W MH PAR20
O.D.: 4 3/4"



Reflector with Lamp Holder Bracket

EL977C Clear Ref. White Ring
EL977G Gold Ref. White Ring
EL977B Black Ref. White Ring
EL977W White Ref. White Ring
Lamp: 39W MH PAR20
O.D.: 4 3/4"



Metal Step Baffle

EL993MB Black Bfl. White Ring
EL993MW All White
Lamp: 39W MH PAR20
O.D.: 4 3/4"



Metal Step Baffle with Lamp Holder Bracket

EL993KW All White
EL993KB Black Bfl. White Ring
EL993KN All Nickel
Lamp: 39W MH PAR20
O.D.: 4 3/4"



Reflector Trim

EL999C Clear Ref. White Ring
EL999CC All Clear
EL999CN Clear Ref. Nickel Ring
EL999B Black Ref. White Ring
EL999G Gold Ref. White Ring
EL999GG All Gold
EL999GN Gold Ref. Nickel Ring
EL999W All White
EL999KC Clear Ref. White Ring with bracket
EL999KG Gold Ref. White Ring with bracket
Lamp: 39W MH PAR20
O.D.: 4 3/4"



Adjustable Gimbal Ring

EL985N Nickel
EL985W White
EL985B Black
EL985BZ Bronze
EL985CP Copper
Lamp: 39W MH PAR20
O.D.: 4 3/4"



Eyeball Trim

EL998W White
EL998G Gold
EL998CP Copper
EL998BZ Bronze
Lamp: 39W MH PAR20
O.D.: 4 3/4"



Airtight Smooth Cone Reflector Trim

EL901W All White
EL901C All Clear
Lamp: 39W MH PAR20
O.D.: 5 1/16"



Airtight Baffle Cone Trim

EL902W All White
Lamp: 39W MH PAR20
O.D.: 5 1/16"

4" HID Downlights

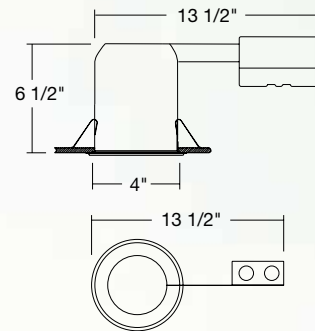


Features

- HID metal halide remodel housing
- Electronic ballast included
- Adjustable socket holder bracket
- UL damp location listed
- UL feed through listed

Dimensions

Height: 6 1/2" • Opening: 4 3/8"
Trim O.D.: 4 3/4"



4" HID Remodel Metal Halide PAR20 Downlights

20W-39W Electronic Ballast Metal Halide

▼ Housings

ER4M20E	20W PAR20 Medium Base MH Lamp (M156) 120V Elec.
ER4M35E	39W PAR20 Medium Base MH Lamp (M130) 120 or 277V Elec.

Elec. = Electronic Ballast

Item Selector:

HOUSING

TRIM

▼ Compatible Trim



Baffle with Lamp Holder Bracket

EL995W All White
EL995B Black Bfl. White Ring
Lamp: 39W MH PAR20
O.D.: 4 3/4"



Reflector with Lamp Holder Bracket

EL977C Clear Ref. White Ring
EL977G Gold Ref. White Ring
EL977B Black Ref. White Ring
EL977W White Ref. White Ring
Lamp: 39W MH PAR20
O.D.: 4 3/4"



Metal Step Baffle

EL993MB Black Bfl. White Ring
EL993MW All White
Lamp: 39W MH PAR20
O.D.: 4 3/4"



Metal Step Baffle with Lamp Holder Bracket

EL993KW All White
EL993KB Black Bfl. White Ring
EL993KN All Nickel
Lamp: 39W MH PAR20
O.D.: 4 3/4"



Reflector Trim

EL999C Clear Ref. White Ring
EL999CC All Clear
EL999CN Clear Ref. Nickel Ring
EL999B Black Ref. White Ring
EL999G Gold Ref. White Ring
EL999GG All Gold
EL999GN Gold Ref. Nickel Ring
EL999W All White
EL999KC Clear Ref. White Ring with bracket
EL999KG Gold Ref. White Ring with bracket
Lamp: 39W MH PAR20
O.D.: 4 3/4"



Adjustable Gimbal Ring

EL985N Nickel
EL985B Black
EL985BZ Bronze
EL985CP Copper
Lamp: 39W MH PAR20
O.D.: 4 3/4"



Eyeball Trim

EL998W White
EL998G Gold
EL998CP Copper
EL998BZ Bronze
Lamp: 39W MH PAR20
O.D.: 4 3/4"



Airtight Smooth Cone Reflector Trim

EL901W All White
EL901C All Clear
Lamp: 39W MH PAR20
O.D.: 5 1/16"



Airtight Baffle Cone Trim

EL902W All White
Lamp: 39W MH PAR20
O.D.: 5 1/16"

4" HID Downlights

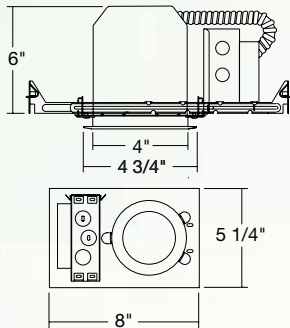
Features

- HID metal halide new construction housings for MR16 GX10 base lamp (not included).
- Electronic ballast included
- UL damp location listed
- UL feed through listed
- Available with Quartz restrike relay (upon request)

Dimensions

Height: 6 1/2" • Opening: 4 3/8"

Trim O.D.: 4 3/4"



4" HID Metal Halide MR16 Downlights

20W - 39W Electronic Ballast Metal Halide

▼ Housings

EL4M20E	20W MH MR16 GX10 base (M156) 120V Elec.
EL4M35E	39W MH MR16 GX10 base (M130) 120V or 277V Elec.

Elec. = Electronic Ballast

Item Selector:

HOUSING

TRIM

▼ Compatible Trim



Gimbal Ring with Baffle
EL1433W All White
EL1433B Black Bfl. White Trim
 Lamp: 39W MR16 GX10
 O.D.: 4 3/4"



Adjustable Specular Reflector
EL1421CN Clear Ref. Nickel Ring
EL1421CP All Copper
EL1421W All White
EL1421G Gold Ref. White Ring
EL1421C Clear Ref. White Ring
 Lamp: 39W MR16 GX10
 O.D.: 4 3/4"



Adjustable Wall Wash with Reflector
EL1422C Clear Ref. White Ring
EL1422B Black Ref. White Ring
EL1422W All White
EL1422G All White
EL1422CP All Copper
 Lamp: 39W MR16 GX10
 O.D.: 4 3/4"



Adjustable Pinhole with Reflector
EL1429B Black Ref. White Ring
EL1429G Gold Ref. White Ring
EL1429C Clear Ref. White Ring
EL1429BN Black Ref. Nickel Ring
EL1429CN Clear Ref. Nickel Ring
 Lamp: 39W MR16 GX10
 O.D.: 4 3/4"



Adjustable Spot
EL1488B All Black
EL1488W All White
EL1488N All Nickel
EL1488BZ All Bronze
EL1488CP All Copper
 Lamp: 39W MR16 GX10
 O.D.: 4 3/4"



Baffle with Gimbal Ring
EL1493BZ All Bronze
EL1493MW White Metal Bfl. White Ring
EL1493MB Black Metal Bfl. White Ring
 Lamp: 39W MR16 GX10
 O.D.: 4 3/4"

4" HID Downlights

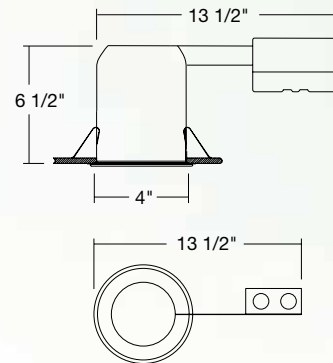


Features

- HID metal halide remodel housings for MR16 GX10 base lamp (not included).
- Electronic ballast included
- UL damp location listed
- UL feed through listed
- Available with Quartz restrike relay (upon request)

Dimensions

Height: 6 1/2" • Opening: 4 3/8"
Trim O.D.: 4 3/4"



4" HID Remodel Metal Halide MR16 Downlights

20W - 39W Electronic Ballast Metal Halide

▼ Housings

ELR4M20E 20W MH MR16 GX10 base (M156) 120V Elec.

ELR4M35E 39W MH MR16 GX10 base (M130) 120V or 277V Elec.

Elec. = Electronic Ballast

Item Selector:

HOUSING

TRIM

▼ Compatible Trim



Gimbal Ring with Baffle
EL1433W All White
EL1433B Black Bfl. White Trim
Lamp: 39W MR16 GX10
O.D.: 4 3/4"



Adjustable Specular Reflector
EL1421CN Clear Ref. Nickel Ring
EL1421CP All Copper
EL1421W All White
EL1421G Gold Ref. White Ring
EL1421C Clear Ref. White Ring
Lamp: 39W MR16 GX10
O.D.: 4 3/4"



Adjustable Wall Wash with Reflector
EL1422C Clear Ref. White Ring
EL1422B Black Ref. White Ring
EL1422W All White
EL1422CP All Copper
Lamp: 39W MR16 GX10
O.D.: 4 3/4"



Adjustable Pinhole with Reflector
EL1429B Black Ref. White Ring
EL1429G Gold Ref. White Ring
EL1429C Clear Ref. White Ring
EL1429BN Black Ref. Nickel Ring
EL1429CN Clear Ref. Nickel Ring
Lamp: 39W MR16 GX10
O.D.: 4 3/4"



Adjustable Spot
EL1488B All Black
EL1488W All White
EL1488N All Nickel
EL1488BZ All Bronze
EL1488CP All Copper
Lamp: 39W MR16 GX10
O.D.: 4 3/4"



Baffle with Gimbal Ring
EL1493BZ All Bronze
EL1493MW White Metal Bfl. White Ring
EL1493MB Black Metal Bfl. White Ring
Lamp: 39W MR16 GX10
O.D.: 4 3/4"



60 CFL Retrofit

Compact fluorescent retrofit kits easily convert existing downlights to energy efficient compact fluorescent lamping. They come in 9", 8" or 7" and are available for vertical or horizontal lamping. Wall wash kits are available as well.



71 HID Retrofit

HID commercial retrofit kits come in 9", 8" or 6" sizes and easily convert existing housings for metal halide lamp use. A wide range of HID trims, including adjustable trims for the 6" kits, are also available.

9" CFL Retrofit



9" Energy Efficient Architectural Vertical CFL Retrofit

1 Lamp 13W - 70W Dimmable Ballast Available

▼ Housings

ERTV9113E	(1) 13W 4 Pin Quad or Triple 120/277V Elec.
ERTV9118E	(1) 18W 4 Pin Quad or Triple 120/277V Elec.
ERTV9126E	(1) 26W 4 Pin Quad or Triple 120/277V Elec.
ERTV9126D	(1) 26W 4 Pin Quad or Triple 120/277V 0-10V Dim. (4 wire)
ERTV9126DX	(1) 26W 4 Pin Quad or Triple 120V Mark X Dim. (2 wire)
ERTV9126DX-7	(1) 26W 4 Pin Quad or Triple 277V Mark X Dim. (2 wire)
ERTV9132E	(1) 32W 4 Pin Triple 120/277V Elec.
ERTV9132D	(1) 32W 4 Pin Triple 120/277V 0-10V Dim. (4 wire)
ERTV9132DX	(1) 32W 4 Pin Triple 120V Mark X Dim. (2 wire)
ERTV9132DX-7	(1) 32W 4 Pin Triple 277V Mark X Dim. (2 wire)
ERTV9142E	(1) 42W 4 Pin Triple 120/277V Elec.
ERTV9142D	(1) 42W 4 Pin Triple 120/277V 0-10V Dim. (4 wire)
ERTV9142DX	(1) 42W 4 Pin Triple 120V Mark X Dim. (2 wire)
ERTV9142DX-7	(1) 42W 4 Pin Triple 277V, Mark X Dim. (2 wire)
ERTV9157E	(1) 57W 4 Pin Triple 120/277V Elec.
ERTV9157D	(1) 57W 4 Pin Triple 120/277V 0-10V Dim. (4 wire)
ERTV9157DX	(1) 57W 4 Pin Triple 120V Mark X Dim. (2 wire)
ERTV9157DX-7	(1) 57W 4 Pin Triple 277V Mark X Dim. (2 wire)
ERTV9170E	(1) 70W 4 Pin Triple 120/277V Elec.
ERTV9170D	(1) 70W 4 Pin Triple 120/277V 0-10V Elec. (4 wire)
ERTV9170DX	(1) 70W 4 Pin Triple 120V Mark X Dim. (2 wire)
ERTV9170DX-7	(1) 70W 4 Pin Triple 277V Mark X Dim. (2 wire)

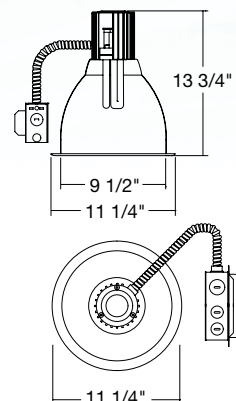
Features

- CFL retrofit kit for one vertically mounted lamp.
- Trim support adjusts 3/4" to accommodate varying ceiling thickness.
- UL damp location listed
- UL feed through listed
- Emergency battery back-up ballast (optional)

Dimensions

Height: 13 3/4" • Trim O.D.: 11 1/4"

Opening: 9 3/4" to 10 3/4"



Elec. = Electronic Ballast Dim. = Dimming Ballast

Item Selector:

RETROFIT KIT

TRIM

▼ Compatible Trim



Open Reflector

EL1016C Clear Ref. White Ring
O.D.: 11 1/4"



Reflector with Lens

EL1037C Clear Ref. White Ring
O.D.: 11 1/4"

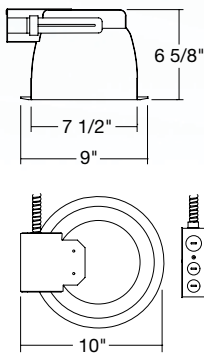
8" CFL Retrofit

Features

- CFL retrofit kit for (1) or (2) horizontally mounted lamps with thermally protected electronic ballast.
- Trim support adjusts 3/4" to accommodate varying ceiling thickness.
- Junction box is listed for through branch circuit wiring with 1/2" and 3/4" pryout knockouts.
- UL damp location listed
- UL feed through listed
- Emergency battery back-up ballast (optional)

Dimensions

Height: 6 5/8" • Trim O.D.: 9"
Opening: 7 3/4" to 8 1/2"



Elec. = Electronic Ballast Dim. = Dimming Ballast



8" Energy Efficient Architectural Horizontal CFL Retrofit

1 or 2 Lamps 13W - 42W Dimmable Ballast Available

▼ Housings

ERTH8213E	(2) 13W 4 Pin Quad 120/277V Elec.
ERTH8213D	(2) 13W 4 Pin Quad 120/277V 0-10V Dim. (4 wire)
ERTH8218E	(2) 18W 4 Pin Quad 120/277V Elec.
ERTH8218D	(2) 18W 4 Pin Quad 120/277V 0-10V Dim. (4 wire)
ERTH8218DX	(2) 18W 4 Pin Quad 120V Mark X Dim. (2 wire)
ERTH8218DX-7	(2) 18W 4 Pin Quad 277V Mark X Dim. (2 wire)
ERTH8126E	(1) 26W 4 Pin Quad 120/277V Elec.
ERTH8126D	(1) 26W 4 Pin Quad 120/277V 0-10V Dim. (4 wire)
ERTH8126DX	(1) 26W 4 Pin Quad 120V Mark X Dim. (2 wire)
ERTH8126DX-7	(1) 26W 4 Pin Quad 277V Mark X Dim. (2 wire)
ERTH8226E	(2) 26W 4 Pin Quad 120/277V Elec.
ERTH8226D	(2) 26W 4 Pin Quad 120/277V 0-10V Dim. (4 wire)
ERTH8226DX	(2) 26W 4 Pin Quad 120V Mark X Dim. (2 wire)
ERTH8226DX-7	(2) 26W 4 Pin Quad 277V Mark X Dim. (2 wire)
ERTH8132E	(1) 32W 4 Pin Triple 120/277V Elec.
ERTH8132D	(1) 32W 4 Pin Triple 120/277V Mark VII Dim.
ERTH8132DX	(1) 32W 4 Pin Triple 120V Mark X Dim.
ERTH8132DX-7	(1) 32W 4 Pin Triple 277V Mark X Dim.
ERTH8142E	(1) 42W 4 Pin Triple 120/277V Elec.
ERTH8142D	(1) 42W 4 Pin Triple 120/277V Mark VII Dim.
ERTH8142DX	(1) 42W 4 Pin Triple 120V Mark X Dim.
ERTH8142DX-7	(1) 42W 4 Pin Triple 277V Mark X Dim.

Item Selector:

RETROFIT KIT

TRIM

▼ Compatible Trim



Regressed Lens Trim
[EL842W](#) White Bfl. White Ring
[EL842B](#) Black Bfl. White Ring
O.D.: 9"



Wall Wash Reflector
[EL853C](#) Clear Ref. White Ring
O.D.: 9"



Reflector Trim
[EL821C](#) Clear Ref. White Ring
[EL821F](#) Self Flanged Clear Ref.
[EL821H](#) Haze Ref. White Ring
[EL821G](#) Gold Ref. White Ring
[EL821W](#) White Ref. White Ring
O.D.: 9"



Suspended Glass Lens Trim
[EL826C](#) Clear Ref. White Ring
[EL826G](#) Gold Ref. White Ring
O.D.: 9"



Baffle with Reflector Trim
[EL830W](#) Clear Ref. White Bfl. White Ring
[EL830B](#) Clear Ref. Black Bfl. White Ring
[EL830HB](#) Haze Ref. Black Bfl. White Ring
[EL830HW](#) Haze Ref. White Bfl. White Ring
O.D.: 9"



Reflector Trim with Lens
[EL862G](#) Gold Ref. White Ring
[EL862C](#) Clear Ref. White Ring
O.D.: 9"



Cross Blade Reflector Trim
[EL888C](#) Clear Ref. White Ring
[EL888G](#) Gold Ref. White Ring
O.D.: 9"

8" CFL Retrofit



8" Energy Efficient Horizontal CFL Retrofit

2 Lamps 32W - 42W Dimmable Ballast Available

▼ Housings

ERTH8232E	(2) 32W 4 Pin Triple 120/277V Elec.
ERTH8232D	(2) 32W 4 Pin Triple 120/277V 0-10V Dim. (4 wire)
ERTH8232DX	(2) 32W 4 Pin Triple 120V Mark X Dim. (2 wire)
ERTH8232DX-7	(2) 32W 4 Pin Triple 277V Mark X Dim. (2 wire)
ERTH8242E	(2) 42W 4 Pin Triple 120/277V Elec.
ERTH8242D	(2) 42W 4 Pin Triple 120/277V 0-10V Dim. (4 wire)
ERTH8242DX	(2) 42W 4 Pin Triple 120V Mark X Dim. (2 wire)
ERTH8242DX-7	(2) 42W 4 Pin Triple 277V Mark X Dim. (2 wire)

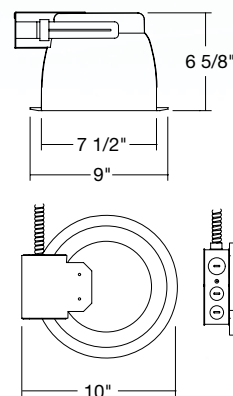
Elec. = Electronic Ballast Dim. = Dimming Ballast

Features

- CFL retrofit kit for (2) horizontally mounted lamps with thermally protected electronic ballast.
- Trim support adjusts 3/4" to accommodate varying ceiling thickness.
- Junction box is listed for through branch circuit wiring with 1/2" and 3/4" pryout knockouts.
- 6 5/8" height allows for use in 2 x 8 construction.
- UL damp location listed
- UL feed through listed
- Emergency battery back-up ballast (optional)

Dimensions

Height: 6 5/8" • Trim O.D.: 9"
Opening: 7 3/4" to 8 1/2"



Item Selector:

RETROFIT KIT

TRIM

▼ Compatible Trim



Regressed Lens Trim
[EL843W](#) White Bfl. White Ring
[EL843B](#) Black Bfl. White Ring
O.D.: 9"



Reflector Trim with Lens
[EL882G](#) Gold Ref. White Ring
[EL882C](#) Clear Ref. White Ring
O.D.: 9"



Suspended Glass Lens Trim
[EL827C](#) Clear Ref. White Ring
[EL827H](#) Haze Ref. White Ring
O.D.: 9"



Baffle Trim
[EL831B](#) Black Bfl. White Ring
[EL831W](#) White Bfl. White Ring
[EL831HB](#) Haze Ref. Black Bfl. White Ring
[EL831HW](#) Haze Ref. White Bfl. White Ring
O.D.: 9"



Reflector Trim
[EL841G](#) Gold Ref. White Ring
[EL841W](#) All White
[EL841C](#) Clear Ref. White Ring
[EL841F](#) Self Flanged Clear Ring
O.D.: 9"



Cross Blade Reflector Trim
[EL889C](#) Clear Ref. White Ring
[EL889G](#) Gold Ref. White Ring
O.D.: 9"



Wall Wash Reflector
[EL854C](#) Clear Ref. White Ring
O.D.: 9"

8" CFL Retrofit

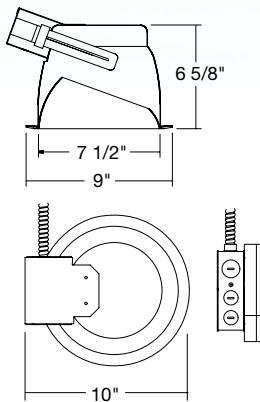
Features

- CFL wall wash retrofit kit for (2) lamps with thermally protected electronic ballast.
- Junction box is listed for through branch circuit wiring with 1/2" and 3/4" pryout knockouts.
- UL damp location listed
- UL feed through listed
- Emergency battery back-up ballast (optional)



Dimensions

Height: 6 5/8" • Trim O.D.: 9"
Opening: 7 3/4" to 8 1/2"



8" Energy Efficient Architectural CFL Wall Wash Retrofit

2 Lamps 13W - 42W Dimmable Ballast Available

▼ Housings

ERT800E	(2) 13W 4 Pin Quad 120/277V Elec.
ERT800D	(2) 13W 4 Pin Quad 120/277V 0-10V Dim. (4 wire)
ERT850E	(2) 18W 4 Pin Quad 120/277V Elec.
ERT850D	(2) 18W 4 Pin Quad 120/277V 0-10V Dim. (4 wire)
ERT850DX	(2) 18W 4 Pin Quad 120V Mark X Dim. (2 wire)
ERT850DX-7	(2) 18W 4 Pin Quad 277V Mark X Dim. (2 wire)
ERT875E	(2) 26W 4 Pin Quad 120/277V Elec.
ERT875D	(2) 26W 4 Pin Quad 120/277V 0-10V Dim. (4 wire)
ERT875DX	(2) 26W 4 Pin Quad 120V Mark X Dim. (2 wire)
ERT875DX-7	(2) 26W 4 Pin Quad 277V Dim. (2 wire)
ERT880E	(2) 32W 4 Pin Triple 120/277V Elec.
ERT885E	(2) 42W 4 Pin Triple 120/277V Elec.

Elec. = Electronic Ballast Dim. = Dimming Ballast

Item Selector:

RETROFIT KIT

TRIM

▼ Compatible Trim



Wall Wash with Reflector and Regressed Prismatic Lens
EL921B Black Ref. White Ring
O.D.: 9"



Wall Wash with Reflector and Regressed Prismatic Lens
EL921G Gold Ref. White Ring
O.D.: 9"



Wall Wash with Reflector and Regressed Prismatic Lens
EL921C Clear Ref. White Ring
O.D.: 9"



Wall Wash with Reflector and Regressed Prismatic Lens
EL921W White Ref. White Ring
O.D.: 9"

8" CFL Retrofit



8" Energy Efficient Architectural Vertical CFL Retrofit

1 Lamp 13W - 42W Dimmable Ballast Available

▼ Housings

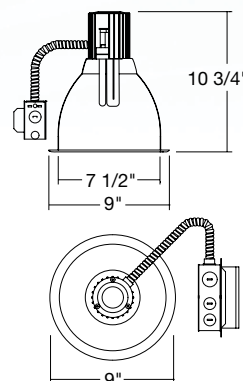
ERTV8113E	(1) 13W 4 Pin Quad or Triple 120/277V Elec.
ERTV8118E	(1) 18W 4 Pin Quad or Triple 120/277V Elec.
ERTV8118D	(1) 18W 4 Pin Quad or Triple 120/277V 0-10V Elec. Dim. (4 wire)
ERTV8118DX	(1) 18W 4 Pin Quad or Triple 120V Mark X Dim. (2 wire)
ERTV8118DX-7	(1) 18W 4 Pin Quad or Triple 277V Mark X Dim. (2 wire)
ERTV8126E	(1) 26W 4 Pin Quad or Triple 120/277V Elec.
ERTV8126D	(1) 26W 4 Pin Quad or Triple 120/277V 0-10V Elec. Dim. Ballast (4 wire)
ERTV8126DX	(1) 26W 4 Pin Quad or Triple 120V Mark X Dim. (2 wire)
ERTV8126DX-7	(1) 26W 4 Pin Quad or Triple 277V Mark X Dim. (2 wire)
ERTV8132E	(1) 32W 4 Pin Triple 120/277V Elec.
ERTV8132D	(1) 32W 4 Pin Triple 120/277V 0-10V Elec. Dim. (4 wire)
ERTV8132DX	(1) 32W 4 Pin Triple 120V Mark X Dim. (2 wire)
ERTV8132DX-7	(1) 32W 4 Pin Triple 277V Mark X Dim. (2 wire)
ERTV8142E	(1) 42W 4 Pin Triple 120/277V Elec.
ERTV8142D	(1) 42W 4 Pin Triple 120/277V 0-10V Elec. Dim. (4 wire)
ERTV8142DX	(1) 42W 4 Pin Triple 120V Mark X Dim. (2 wire)
ERTV8142DX-7	(1) 42W 4 Pin Triple 277V Mark X Dim. (2 wire)

Features

- CFL retrofit kit for one vertically mounted lamp.
- Trim support adjusts 3/4" to accommodate varying ceiling thickness.
- UL damp location listed
- UL feed through listed
- Emergency battery back-up ballast (optional)

Dimensions

Height: 10 3/4" • Trim O.D.: 9"
Opening: 7 3/4" to 8 1/2"



Elec. = Electronic Ballast Dim. = Dimming Ballast

Item Selector:

RETROFIT KIT

TRIM

▼ Compatible Trim



Reflector with Offset Glass Trim

[EL836C](#) Clear Ref. White Ring
[EL836G](#) Gold Ref. White Ring
O.D.: 9"



Wall Wash Reflector Trim

[EL838C](#) Clear Ref. White Ring
O.D.: 9"



Reflector Trim

[EL816C](#) Clear Ref. White Ring
[EL816F](#) Self Flanged Clear Ref.
[EL816G](#) Gold Ref. White Ring
[EL816H](#) Haze Ref. White Ring
O.D.: 9"



Reflector with Prismatic Lens

[EL832C](#) Clear Ref. White Ring
[EL832G](#) Gold Ref. White Ring
O.D.: 9"



Baffle with Reflector Trim

[EL833B](#) Clear Ref. Black Bfl. White Ring
[EL833W](#) Clear Ref. White Bfl. White Ring
[EL833HB](#) Haze Ref. Black Bfl. White Ring
[EL833HW](#) Haze Ref. White Bfl. White Ring
O.D.: 9"



Baffle Trim with Lens

[EL852W](#) White Bfl. White Ring
[EL852B](#) Black Bfl. White Ring
O.D.: 9"



Cross Blade Reflector Trim

[EL881C](#) Clear Ref. White Ring
O.D.: 9"

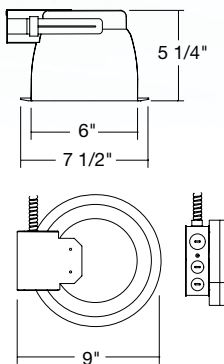
7" CFL Retrofit

Features

- CFL retrofit kit for (1) or (2) horizontally mounted lamps with thermally protected electronic ballast.
- Trim support adjusts 3/4" to accommodate varying ceiling thickness.
- Junction box is listed for through branch circuit wiring with 1/2" and 3/4" pryout knockouts.
- 5 1/4" height allows for use in 2 x 6 construction.
- UL damp location listed
- UL feed through listed
- Emergency battery back-up ballast (optional)

Dimensions

Height: 5 1/4" • Trim O.D.: 7 1/2"
Opening: 6 1/8" to 7 1/2"



Elec. = Electronic Ballast Dim. = Dimming Ballast



7" Energy Efficient Architectural Horizontal CFL Retrofit

1 - 2 Lamps 13W - 18W Dimmable Ballast Available

▼ Housings

ERTH7213E	(2) 13W 4 Pin Quad 120/277V Elec.
ERTH7213D	(2) 13W 4 Pin Quad 120/277V 0-10V Dim. (4 wire)
ERTH7118E	(1) 18W 4 Pin Quad or Triple 120/277V Elec.
ERTH7118D	(1) 18W 4 Pin Quad or Triple 120/277V 0-10V Dim. (4 wire)
ERTH7118DX	(1) 18W 4 Pin Quad or Triple 120V Mark X Dim. (2 wire)
ERTH7118DX-7	(1) 18W 4 Pin Quad or Triple 277V Mark X Dim. (2 wire)
ERTH7218E	(2) 18W 4 Pin Quad 120/277V Elec.
ERTH7218D	(2) 18W 4 Pin Quad 120/277V 0-10V Dim. (4 wire)
ERTH7218DX	(2) 18W 4 Pin Quad 120V Mark X Dim. (2 wire)
ERTH7218DX-7	(2) 18W 4 Pin Quad 277V Mark X Dim. (2 wire)

Item Selector:

RETROFIT KIT

TRIM

▼ Compatible Trim



Reflector Trim

EL721C Clear Ref. White Ring
EL721G Gold Ref. White Ring
EL721F Self Flanged Clear Ring
EL721H Haze Ref. White Ring
O.D.: 7 1/2"



Baffle with Regressed Lens Trim

EL742W All White
EL742B Black Bfl. White Ring
O.D.: 7 1/2"



Baffle Trim with Reflector

EL730B Clear Ref. Black Bfl. White Ring
EL730W Clear Ref. White Bfl. White Ring
EL730HB Haze Ref. Black Bfl. White Ring
EL730HW Haze Ref. White Bfl. White Ring
O.D.: 7 1/2"



Wall Wash with Baffle and Reflector

EL745W White Bfl. Clear Ref. White Trim
EL745B Black Bfl. Clear Ref. White Trim
EL745HB Black Bfl. Haze Ref. White Trim
EL745HW White Bfl. Haze Ref. White Trim
O.D.: 7 1/2"



Reflector Trim with Prismatic Lens

EL762G Gold Ref. White Ring
EL762B Black Ref. White Ring
EL762W White Ref. White Ring
EL762C Clear Ref. White Ring
O.D.: 7 1/2"



Wall Wash Reflector

EL753C Clear Ref. White Ring
O.D.: 7 1/2"



Cross Blade Reflector Trim

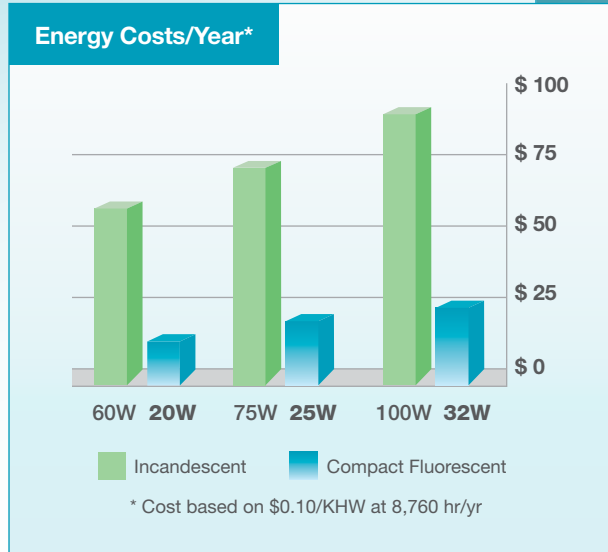
EL777C Clear Ref. White Ring
O.D.: 7 1/2"

Commercial Retrofit System

Why Retrofit?

Upgrading older, incandescent lighting fixtures with newer, compact fluorescent lighting increases visual comfort while costing **an average of 50 to 75 percent less in energy use**. Additional savings are often available through local utility rebate programs designed to encourage energy-saving retrofit projects. Compact fluorescent lamps are 4-5 times more efficient than incandescent lamps and last up to 10 times as long, and **the cost of retrofitting is usually recuperated between 12 and 24 months from install**. In the energy-conscious environment we live in today, no one can afford to ignore results like these.

Recessed Retrofit Kits



More advantages include:

- Up to 80% reduction in lighting maintenance and re-lamping
- Savings of 10% to 30% in cooling costs due to reduced heat build up
- Longer system life cycle
- Added value through lower operating cost
- Eligibility for utility company rebates
- Easy installation and lamp replacement

Applications:

- Hotels
- Office Buildings
- Airports
- Theaters
- Retail Outlets
- Amusement Parks
- Institutional Facilities

Let Elco Lighting help you find your way to joining an energy-efficient, cost effective business community!



Lamp Holder

Socket 4-Pin G24Q-3 Base

Electronic Ballast

Available in regular (on/off) 120/277V or dimmable as well as 347V supply. Potted and encased. Brand-name ballasts from Robertson, Universal Lighting and Advance.

Junction Box

With 1/2" and 3/4" knockouts, U.L./C.U.L. Listed for through branch wiring, maximum (8) No. 12 AWG branch circuit conductors (4 in 4 out). Junction box provided with removable access plates.

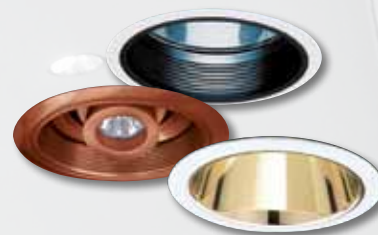
Flex Conduit

Compact Fluorescent Lamp

Designed for one PL, Quad or Triple Biax compact fluorescent lamp by GE, Phillips, or Osram-Sylvania.

Reflector and Trim Ring

Available in low iridescence clear or gold aluminum finish with polycarbonate trim ring.



Bronze and Copper

Cool and new Bronze and Copper finish are now available on some of our wide selection of trims. Look for the product code of BZ(Bronze) and CP(Copper).



Emergency Pack

The Elco Lighting Retrofit System is designed for **easy install** using a simple system of high-quality reflector and specialty trims, ballasts and mounting clips. **Minimal tools** are required since the system snaps easily into the existing downlight's mounting frame. Unlike typical residential retrofit systems, Elco's Commercial Retrofit System allows for easy lamp replacement because the ballast is permanently installed and separate from the lamp.

Elco Lighting's Commercial Retrofit System is safe, economical, environment-friendly and architecturally pleasing.

7" CFL Retrofit



7" Energy Efficient Architectural Horizontal CFL Retrofit

1 - 2 Lamps 26W - 42W Dimmable Ballast Available

▼ Housings

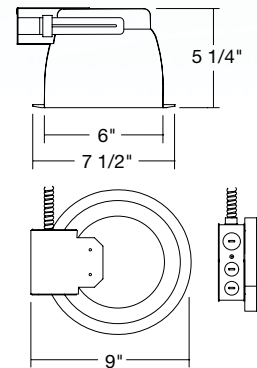
ERTH7126E	(1) 26W 4 Pin Quad or Triple 120/277V Elec.
ERTH7126D	(1) 26W 4 Pin Quad or Triple 120/277V 0-10V Dim. (4 wire)
ERTH7126DX	(1) 26W 4 Pin Quad or Triple 120V Mark X Dim. (2 wire)
ERTH7126DX-7	(1) 26W 4 Pin Quad or Triple 277V Mark X Dim. (2 wire)
ERTH7226E	(2) 26W 4 Pin Quad 120/277V Elec.
ERTH7226D	(2) 26W 4 Pin Quad 120/277V 0-10V Dim. (4 wire)
ERTH7226DX	(2) 26W 4 Pin Quad 120V Mark X Dim. (2 wire)
ERTH7226DX-7	(2) 26W 4 Pin Quad 277V Mark X Dim. (2 wire)
ERTH7132E	(1) 32W 4 Pin Triple 120/277V Elec.
ERTH7132D	(1) 32W 4 Pin Triple 120/277V 0-10V Dim. (4 wire)
ERTH7132DX	(1) 32W 4 Pin Triple 120V Mark X Dim. (2 wire)
ERTH7132DX-7	(1) 32W 4 Pin Triple 277V Mark X Dim. (2 wire)
ERTH7142E	(1) 42W 4 Pin Triple 120/277V Elec.
ERTH7142D	(1) 42W 4 Pin Triple 120/277V 0-10V Dim. (4 wire)
ERTH7142DX	(1) 42W 4 Pin Triple 120V Mark X Dim. (2 wire)
ERTH7142DX-7	(1) 42W 4 Pin Triple 277V Mark X Dim. (2 wire)

Features

- CFL retrofit kit for (1) or (2) horizontally mounted lamps with thermally protected electronic ballast.
- Trim support adjusts 3/4" to accommodate varying ceiling thickness.
- Junction box is listed for through branch circuit wiring with 1/2" and 3/4" pryout knockouts.
- 5 1/4" height allows for use in 2 x 6 construction.
- UL damp location listed
- UL feed through listed
- Emergency battery back-up ballast (optional)

Dimensions

Height: 5 1/4" • Trim O.D. : 7 1/2"
Opening: 6 1/8" to 7 1/2"



Elec. = Electronic Ballast Dim. = Dimming Ballast

Item Selector:

RETROFIT KIT

TRIM

▼ Compatible Trim



Baffle with Regressed Lens Trim
[EL743W](#) White Bfl. White Ring
[EL743B](#) Black Bfl. White Ring
O.D.: 7 1/2"



Reflector Trim
[EL741G](#) Gold Ref. White Ring
[EL741C](#) Clear Ref. White Ring
[EL741H](#) Haze Ref. White Ring
O.D.: 7 1/2"



Baffle with Reflector Trim
[EL731W](#) Clear Ref. White Bfl. White Ring
[EL731B](#) Clear Ref. Black Bfl. White Ring
[EL731HW](#) Haze Ref. White Bfl. White Ring
[EL731HB](#) Haze Ref. Black Bfl. White Ring
O.D.: 7 1/2"



Wall Wash with Baffle and Reflector
[EL746W](#) Clear Ref. White Bfl. White Trim
[EL746B](#) Clear Ref. Black Bfl. White Trim
[EL746HW](#) Haze Ref. White Bfl. White Trim
[EL746HB](#) Haze Ref. Black Bfl. White Trim
O.D.: 7 1/2"



Reflector Trim with Prismatic Lens
[EL782G](#) Gold Ref. White Ring
[EL782W](#) White Ref. White Ring
[EL782B](#) Black Ref. White Ring
[EL782C](#) Clear Ref. White Ring
O.D.: 7 1/2"



Wall Wash Reflector
[EL754C](#) Clear Ref. White Ring
O.D.: 7 1/2"



Cross Blade Reflector Trim
[EL778C](#) Clear Ref. White Ring
O.D.: 7 5/8"

7" CFL Retrofit

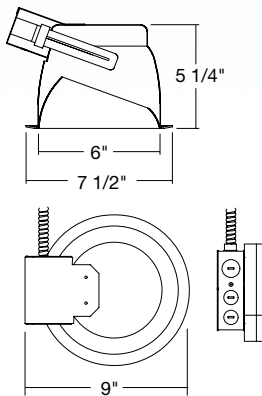
Features

- CFL wall wash retrofit kit for (2) lamps with thermally protected electronic ballast.
- Junction box is listed for through branch circuit wiring with 1/2" and 3/4" pryout knockouts.
- 5 3/8" height allows for use in 2 x 6 construction.
- UL damp location listed
- UL feed through listed
- Emergency battery back-up ballast (optional)



Dimensions

Height: 5 3/8" • Trim O.D.: 7 1/2"
Opening: 6 1/8" to 7 1/2"



7" Energy Efficient Architectural CFL Wall Wash Retrofit with Spread Lens

2 Lamps 13W - 26W Dimmable Ballast Available

▼ Housings

ERT700E	(2) 13W 4 Pin Quad 120/277V Elec.
ERT700D	(2) 13W 4 Pin Quad 120/277V 0-10V Dim. (4 wire)
ERT750E	(2) 18W 4 Pin Quad 120/277V Elec.
ERT750D	(2) 18W 4 Pin Quad 120/277V 0-10V Dim. (4 wire)
ERT750DX	(2) 18W 4 Pin Quad 120V Mark X Dim. (2 wire)
ERT750DX-7	(2) 18W 4 Pin Quad 277V Mark X Dim. (2 wire)
ERT775E	(2) 26W 4 Pin Quad 120/277V Elec.
ERT775D	(2) 26W 4 Pin Quad 120/277V 0-10V Dim. (4 wire)
ERT775DX	(2) 26W 4 Pin Quad 120V Mark X Dim. (2 wire)
ERT775DX-7	(2) 26W 4 Pin Quad 277V Mark X Dim. (2 wire)

Elec. = Electronic Ballast Dim. = Dimming Ballast

Item Selector:

RETROFIT KIT

TRIM

▼ Compatible Trim



Wall Wash with Reflector and Regressed Prismatic Lens
EL621B Black Ref. White Ring
O.D.: 7 1/2"



Wall Wash with Reflector and Regressed Prismatic Lens
EL621C Clear Ref. White Ring
O.D.: 7 1/2"



Wall Wash with Reflector and Regressed Prismatic Lens
EL621G Gold Ref. White Ring
O.D.: 7 1/2"



Wall Wash with Reflector and Regressed Prismatic Lens
EL621W White Ref. White Ring
O.D.: 7 1/2"

7" CFL Retrofit



7" Energy Efficient Architectural Vertical CFL Retrofit

1 Lamp 13W - 42W Dimmable Ballast Available

▼ Housings

ERTV7113E	(1) 13W 4 Pin Quad or Triple 120/277V Elec.
ERTV7118E	(1) 18W 4 Pin Quad or Triple 120/277V Elec.
ERTV7118D	(1) 18W 4 Pin Quad or Triple 120/277V 0-10V Dim. (4 wire)
ERTV7118DX	(1) 18W 4 Pin Quad or Triple 120V Mark X Dim. (2 wire)
ERTV7118DX-7	(1) 18W 4 Pin Quad or Triple 277V Mark X Dim. (2 wire)
ERTV7126E	(1) 26W 4 Pin Quad or Triple 120/277V Elec.
ERTV7126D	(1) 26W 4 Pin Quad or Triple 120/277V 0-10V Dim. (4 wire)
ERTV7126DX	(1) 26W 4 Pin Quad or Triple 120V Mark X Dim. (2 wire)
ERTV7126DX-7	(1) 26W 4 Pin Quad or Triple 277V Mark X Dim. (2 wire)
ERTV7132E	(1) 32W 4 Pin Quad or Triple 120/277V Elec.
ERTV7132D	(1) 32W 4 Pin Quad or Triple 120/277V 0-10V Dim. (4 wire)
ERTV7132DX	(1) 32W 4 Pin Quad or Triple 120V Mark X Dim. (2 wire)
ERTV7132DX-7	(1) 32W 4 Pin Quad or Triple 277V Mark X Dim. (2 wire)
ERTV7142E	(1) 42W 4 Pin Quad or Triple 120/277V Elec.
ERTV7142D	(1) 42W 4 Pin Quad or Triple 120/277V 0-10V Elec. Dim. (4 wire)
ERTV7142DX	(1) 42W 4 Pin Quad or Triple 120V Mark X Dim. (2 wire)
ERTV7142DX-7	(1) 42W 4 Pin Quad or Triple 277V Mark X Dim. (2 wire)

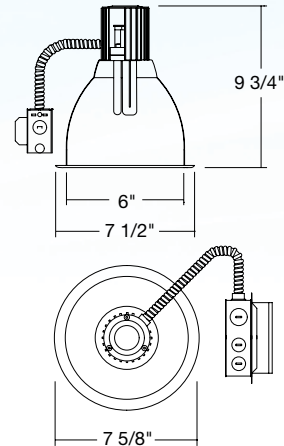
Features

- CFL retrofit kit for one vertically mounted lamp.
- Trim support adjusts 3/4" to accommodate varying ceiling thickness.
- UL damp location listed
- UL feed through listed
- Emergency battery back-up ballast (optional)

Dimensions

Height: 9 1/4" • Trim O.D.: 7 1/2"

Opening: 6 1/8" to 7 1/2"



Elec. = Electronic Ballast Dim. = Dimming Ballast

Item Selector:

RETROFIT KIT

TRIM

▼ Compatible Trim



Reflector Trim

[EL716G](#) Gold Ref. White Ring
[EL716C](#) Clear Ref. White Ring
[EL716F](#) Self Flanged Clear Ring
[EL716H](#) Haze Ref. White Ring
 O.D.: 7 1/2"



Reflector with Prismatic Lens

[EL732G](#) Gold Ref. White Ring
[EL732C](#) Clear Ref. White Ring
 O.D.: 7 1/2"



Baffle with Reflector Trim

[EL733B](#) Clear Ref. Black Bfl. White Ring
[EL733W](#) Clear Ref. White Bfl. White Ring
[EL733HB](#) Haze Ref. Black Bfl. White Ring
[EL733HW](#) Haze Ref. White Bfl. White Ring
 O.D.: 7 1/2"



Baffle with Regressed Lens Trim

[EL752W](#) White Bfl. White Ring
[EL752B](#) Black Bfl. White Ring
 O.D.: 7 1/2"



Wall Wash Reflector with Baffle Trim

[EL755W](#) White Bfl. White Trim
[EL755B](#) Black Bfl. White Trim
 O.D.: 7 1/2"



Wall Wash Reflector

[EL738C](#) Clear Ref. White Ring
 O.D.: 7 1/2"



Cross Blade Reflector Trim

[EL781C](#) Clear Ref. White Ring
 O.D.: 7 1/2"

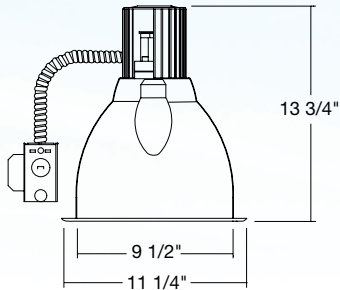
9" HID Retrofit

Features

- HID metal halide retrofit kits with thermally protected electronic ballast.
- 4KV pulse rated socket
- Trim support adjusts 3/4" to accommodate varying ceiling thickness.
- UL damp location listed
- UL feed through listed

Dimensions

Height: 13 3/4" • Trim O.D.: 11 1/4"
Opening: 9 3/4" to 10 3/4"



9" Energy Efficient Metal Halide Retrofit

70W - 200W Electronic Ballast

▼ Housings

ERT10M70E	70W, ED17 or PAR Med. Base MH lamp (M98, M143) 120/277V Elec.
ERT10M100E	100W, ED17 or PAR Med. Base MH lamp (M90, M140) 120/277V Elec.
ERT10M150E	150W, ED17 or PAR Med. Base MH lamp (M102, M142) 120V or 277V Elec.
ERT10M175E	175W, ED17 Med. Base MH lamp (M137, M152) 120V or 277V Elec.
ERT10M200E	200W, BT28 Mogul Base MH lamp, (M136) 120V or 277V Elec.

Elec. = Electronic Ballast

Item Selector:

RETROFIT KIT

TRIM

▼ Compatible Trim



Open Reflector

EL1016C Clear Ref. White Ring
O.D.: 11 1/4"



Reflector with Lens

EL1037C Clear Ref. White Ring
O.D.: 11 1/4"

8" HID Retrofit



Features

- HID metal halide retrofit kits with thermally protected electronic ballast.
- 4KV pulse rated socket
- Trim support adjusts 3/4" to accommodate varying ceiling thickness.
- UL damp location listed
- UL feed through listed

8" Energy Efficient Metal Halide Retrofit

39W - 150W Electronic Ballast

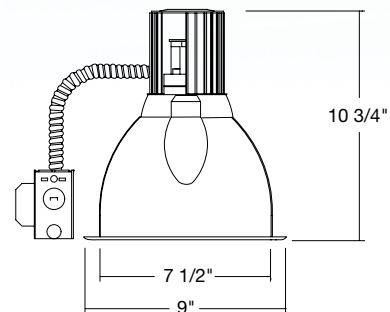
▼ Housings

ERT8M39E	39W, PAR Medium Base MH lamp (M130) 120/277V Elec.
ERT8M50E	50W, ED17 or PAR Medium Base MH lamp (M110) 120/277V Elec.
ERT8M70E	70W, ED17 or PAR Medium Base MH lamp (M98, M143) 120/277V Elec.
ERT8M100E	100W, ED17 or PAR Medium Base MH lamp (M90, M140) 120/277V Elec.
ERT8M150E	150W, ED17 or PAR Medium Base MH lamp (M102, M142) 120V or 277V Elec.

Elec. = Electronic Ballast

Dimensions

Height: 10 3/4" • Trim O.D.: 9"
Opening: 7 3/4" to 8 1/2"



Item Selector:

RETROFIT KIT

TRIM

▼ Compatible Trim



Reflector with Fresnel Lens and Metal Ring

EL837C Clear Ref. White Ring
EL837F Clear Ref. Clear Ring (Self Flanged)
O.D.: 9"



Clear Wall Wash Reflector with Metal Ring

EL838C-RM9W Clear Ref. White Ring
O.D.: 9"



Suspended Glass Lens Trim

EL826C Clear Ref. White Ring
EL826G Gold Ref. White Ring
EL826H Haze Ref. White Ring
O.D.: 9"



Baffle with Reflector and Metal Ring

EL883B Black Bfl. Clear Ref. White Ring
EL883W White Bfl. Clear Ref. White Ring
EL883HB Black Bfl. Haze Ref. White Ring
EL883HW White Bfl. Haze Ref. White Ring
O.D.: 9"



Reflector with Metal Ring

EL899C Clear Ref. White Ring
EL899H Haze Ref. White Ring
EL899F Clear Ref. Clear Ring (Self Flanged)
O.D.: 9"



Baffle with Fresnel Lens and Metal Ring

EL857B Black Bfl. White Ring
EL857W White Bfl. White Ring
O.D.: 9"

6" HID Retrofit

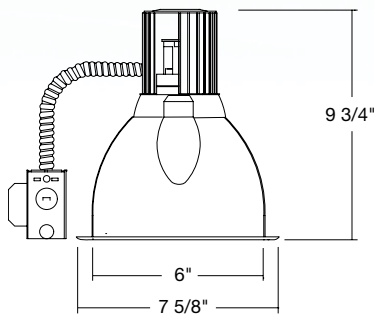
Features

- HID metal halide retrofit kits with thermally protected electronic ballast.
- 4KV pulse rated socket
- Trim support adjusts 3/4" to accommodate varying ceiling thickness.
- UL damp location listed
- UL feed through listed



Dimensions

Height: 9 3/4" • Trim O.D.: 7 5/8"
Opening: 6 1/8" to 7 1/2"



6" Energy Efficient Metal Halide Retrofit

39W - 100W Electronic Ballast

▼ Housings

ERT6M39E	39W, PAR Medium Base MH lamp (M130) 120/277V Elec.
ERT6M50E	50W, ED17 or PAR Medium Base MH lamp (M110) 120/277V Elec.
ERT6M70E	70W, ED17 or PAR Medium Base MH lamp (M98, M143) 120/277V Elec.
ERT6M100E	100W, ED17 or PAR Medium Base MH lamp (M90, M140) 120/277V Elec.

Elec. = Electronic Ballast

Item Selector:

RETROFIT KIT

TRIM

▼ Compatible Trim



Clear Reflector with Fresnel Lens and Metal Ring
EL737C Clear Ref. White Ring
EL737F Clear Ref. Clear Ring
(Self Flanged)
O.D.: 7 5/8"



Clear Wall Wash Reflector with Metal Ring
EL738-RM8W Clear Ref. White Ring
O.D.: 7 5/8"



Baffle with Fresnel and Metal Ring
EL757W White Bfl. White Ring
EL757B Black Bfl. White Ring
O.D.: 7 5/8"



Baffle with Reflector and Metal Ring
EL783B Black Bfl. Clear Ref. White Ring
EL783W White Bfl. Clear Ref. White Ring
EL783HB Black Bfl. Haze Ref. White Ring
EL783HW White Bfl. Haze Ref. White Ring
O.D.: 7 5/8"



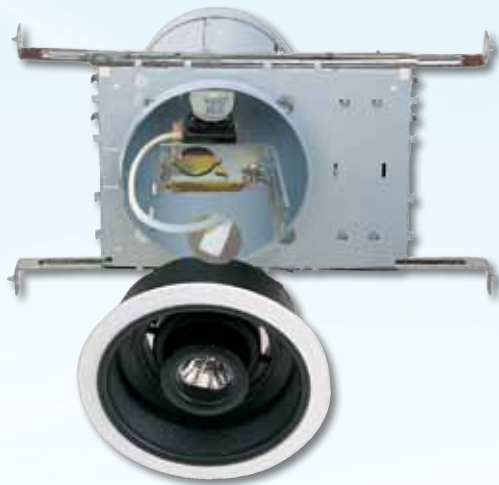
Clear Reflector with Metal Ring
EL799C Clear Ref. White Ring
EL799G Gold Ref. White Ring
EL799H Haze Ref. White Ring
EL799F Clear Ref. Clear Ring
(Self Flanged)
O.D.: 7 5/8"

6" HID Retrofit

6" Metal Halide Retrofit Kits

Order a *Retrofit Ballast* with any *Retrofit Trim* below to complete a retrofit kit.

- ELCO's MH Retrofit Kits convert existing 6" Standard Line Voltage Housing for use with 120V Metal Halide MR16 GX10 base lamps.
- State-of-the-art electronic ballast included.
- Easy installation (socket adapter screws-into existing housing's socket).
- Various Decorative trims in different color combinations.



Metal Halide Retrofit Ballasts

▼ Housings	
ETRK20M	20W Retrofit MH Electronic Ballast for 120V MH MR16 lamp, GX10 base
ETRK39M	39W Retrofit MH Electronic Ballast for 120V MH MR16 lamp, GX10 base

6" Metal Halide Retrofit Trims



Shower Trim with Diffused Lens
EL2512B Black
EL2512W White
 Lamp: 20W-39W
 MH MR16, GX10 base
 O.D.: 7 1/4"



Adjustable Spot with Phenolic Baffle
EL2510CP Copper
EL2510BZ Bronze
EL2510B Black, White Ring
EL2510W White
EL2510N Nickel
 Lamp: 20W-39W
 MH MR16, GX10 base
 O.D.: 7 1/4"



Adjustable Spot with Reflector
EL2511B Black Int. White Ring
EL2511W All White
EL2511G Gold Ref. White
 Spot/Ring
EL2511C Clear Ref. White
 Spot/Ring
 Lamp: 20W-39W
 MH MR16, GX10 base
 O.D.: 7 1/4"



Adjustable Reflector
EL2516G Gold Ref. White Ring
EL2516C Clear Ref. White Ring
EL2516W All White
EL2516B Black Ref. White Ring
 Lamp: 20W-39W
 MH MR16, GX10 base
 O.D.: 7 1/4"



Adjustable Cone Reflector
EL2521W All White
EL2521B Black Ref. White Ring
EL2521G Gold Ref. White Ring
EL2521C Clear Ref. White Ring
 Lamp: 20W-39W
 MH MR16, GX10 base
 I.D.: 3 1/4", O.D.: 8"



Adjustable Slot Aperture
EL2550W White
EL2550B Black
 Lamp: 20W-39W
 MH MR16, GX10 base
 Slot: 1 3/8" x 2 1/4"
 O.D.: 8"



Frosted Glass Trim
EL2552R Red Glass, White Trim
EL2552W White
EL2552BL Blue Glass, White Trim
 Lamp: 20W-39W
 MH MR16, GX10 base
 O.D.: 7 3/4"



Blue or White Glass Trim
EL2553BL Blue
EL2553W White
 Lamp: 20W-39W MH MR16, GX10 base
 O.D.: 7 3/4"



Adjustable Spot
EL2568B Black
EL2568W White
 Lamp: 20W-39W
 MH MR16, GX10 base
 O.D.: 7 1/4"



Pinhole Trim with Baffle
EL2579W White
EL2579B Black Bfl. White Ring
 Lamp: 20W-39W
 MH MR16, GX10 base
 Not adjustable
 Aperture: 1 7/8"
 O.D.: 7 1/4"



Adjustable Spot Trim
45° vertical adjustment
EL2588W All White
EL2588B Black Bfl. White Ring
 Lamp: 20W-39W
 MH MR16, GX10 base
 O.D.: 7 1/4"



Regressed Eyeball Trim
EL2518W All White
EL2518B Black Int. White Ring
 Lamp: 20W-39W
 MH MR16, GX10 base
 O.D.: 7 1/4"



Baffle with Adjustable Cylinder
EL2531B Black Int. White Ring
EL2531W All White
 Lamp: 20W-39W
 MH MR16, GX10 base
 O.D.: 7 1/4"



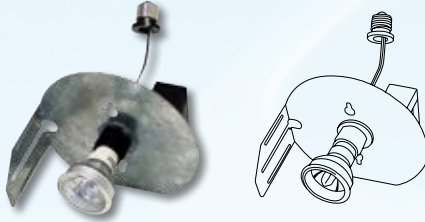
Adjustable Baffle Trim
EL2533BBZ Black Bfl.
 Bronze Ring
EL2533B Black Bfl. White Ring
EL2533W All White
EL2533BZ Black Bfl. Bronze Ring
EL2533BCP Black Bfl.
 Copper Ring
EL2533CP Black Bfl. Copper Ring
 Lamp: 20W-39W
 MH MR16, GX10 base
 O.D.: 7 1/4"



Adjustable Downlight Baffle
EL2530B Black Bfl. White Ring
EL2530W All White
 Lamp: 20W-39W
 MH MR16, GX10 base
 O.D.: 7 1/4"

6" HID Retrofit

- MH Retrofit Kits for standard incandescent housings. State of art electronic ballast.
- Easy installation (socket adapter screws into existing 120V housing's socket).



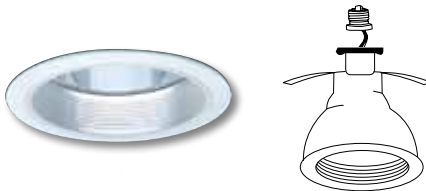
KPL20M	20W Medium base PAR20/PAR30L MH lamp, M156, 120V
KPL20MGX10	20W GX10 base MR16 MH lamp, M156, 120V
KPL39MGX10	39W GX10 base MR16 MH lamp, M130, 120V



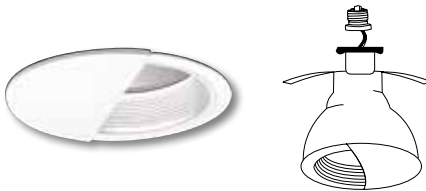
KPL11PC	20W Medium base PAR20 MH lamp, M156, 120V
KPL12MC	20W GX10 base MR16 MH lamp, M156, 120V
KPL13MC	39W GX10 base MR16 MH lamp, M130, 120V



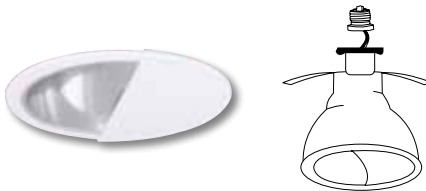
KPL14PC	20W Medium base PAR20 MH lamp, M156, 120V
KPL15MC	20W GX10 base MR16 MH lamp, M156, 120V
KPL16MC	39W GX10 base MR16 MH lamp, M130, 120V



KPL17PW	20W Medium base PAR20 MH lamp, M156, 120V
KPL18MW	20W GX10 base MR16 MH lamp, M156, 120V
KPL19MW	39W GX10 base MR16 MH lamp, M130, 120V



KPW17PW	20W Medium base PAR20 MH lamp, M156, 120V
KPW18MW	20W GX10 base MR16 MH lamp, M156, 120V
KPW19MW	39W GX10 base MR16 MH lamp, M130, 120V



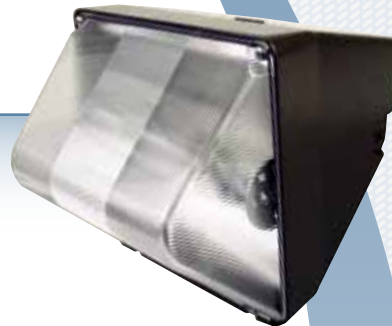
KPW11PC	20W Medium base PAR20 MH lamp, M156, 120V
KPW12MC	20W GX10 base MR16 MH lamp, M156, 120V
KPW13MC	39W GX10 base MR16 MH lamp, M130, 120V

Outdoor Lighting

Whether you need a diecast aluminum housing, an HID wall pack or floodlight, or compact fluorescent floodlights, ELCOLume has the fixture for you. UL listed for wet locations, ELCOLume's outdoor products are perfect for multiple applications like: parking areas, perimeter lighting, entrance and walkways, waterfront, loading, platforms, recreational areas and more.

77 HID Wall Packs

HID wallpacks mount directly over standard 4" outlet boxes or with surface conduit for indoor or outdoor applications. They feature rugged diecast aluminum housings and are UL listed for wet locations. HID wallpacks are available in high pressure sodium or metal halide lamping configurations for wattages of 50W up to 400W.



HID Floodlights

79

HID floodlights are available in high pressure sodium or metal halide lamping for wattages of 70W up to 400W. They feature rugged diecast aluminum housings and are UL listed for wet locations.



81 CFL Floodlights

Compact Fluorescent Floodlights save 80% in electricity cost using CFL lamps, and can easily replace existing incandescent wall fixtures. Applications for use are parking areas, landscapes, entrances, walkways, signs, and recreational areas. Can be mounted vertical or horizontal. Indoor or outdoor applications. Mounting stem has 1/2 inch pipe thread for weather proof box or flange mounting. UL listed for wet and damp locations.



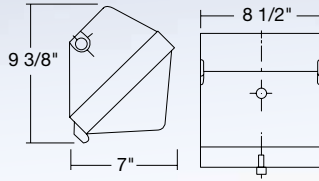
HID Wall Packs

Features

- Diecast aluminum housing
- HID lamp included
- UL listed for wet location
- Wall mount directly over standard 4" outlet box or with surface conduit for indoor or outdoor applications.
- Housings have 1/2" NPS holes (capped) on top and sides for Photocell installation.

Mini High Pressure Sodium Wall Packs

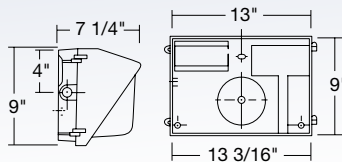
- Medium base socket
- 8 1/2"W x 9 3/8"H x 7"D
- 120V NPF ballast
- HID lamp included
- UL listed for wet location



EPS50	50W Medium Base ED17
EPS70	70W Medium Base ED17
EPS100	100W Medium Base ED17

Medium High Pressure Sodium Wall Pack

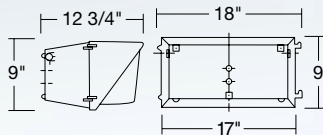
- Medium base socket
- 13 3/16"W x 9"H x 7 1/4"D
- 120V NPF ballast
- HID lamp included
- UL listed for wet location



EPS150	150W Medium Base ED17
--------	-----------------------

Large High Pressure Sodium Wall Packs

- Mogul base socket
- 18"W x 9"H x 12 3/4"D
- HID lamp included
- Multitap (120V/208V/240V/277V) HPF ballast
- UL listed for wet location



EPS250	250W Mogul Base ED28
EPS400	400W Mogul Base ED28



Outdoor Lighting

HID Wall Packs

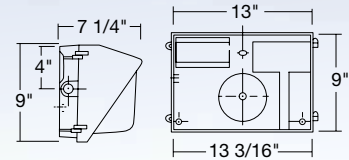
Features

- Diecast aluminum housing
- HID lamp included
- UL listed for wet location
- Wall mount directly over standard 4" outlet box or with surface conduit for indoor or outdoor applications.
- Housings have 1/2" NPS holes (capped) on top and sides for Photocell installation.



Medium Metal Halide Wall Packs

- Medium base socket
- 13 3/16"W x 9"H x 7 1/4"D
- Multitap (120V/208V/240V/277V) NPF ballast
- HID lamp included
- UL listed for wet location

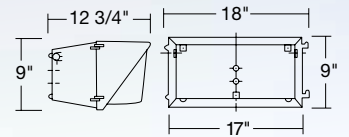


EMH70	70W Medium Base ED17
EMH100	100W Medium Base ED17
EMH150	150W Medium Base ED17



Large Metal Halide Wall Packs

- Mogul base socket
- 18"W x 9"H x 12 3/4"D
- HID lamp included
- Multitap (120V/208V/240V/277V) High efficiency pulse start ballast
- UL listed for wet location



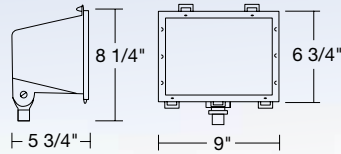
EMH250	250W Mogul Base ED28, Pulse Start, EISA Compliant
EMH400	400W Mogul Base ED28, Pulse Start, EISA Compliant

Features

- Diecast aluminum housing
- HID lamp included
- UL listed for wet location
- Housings have 1/2" NPS holes (capped) on top and sides for Photocell installation.

Small High Pressure Sodium Floodlights

- Medium base socket
- 9"W x 6 3/4"H x 5 3/4"D
- 120V NPF ballast
- HID lamp included
- UL listed for wet location

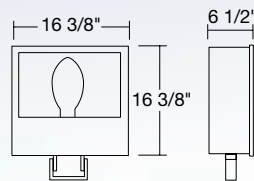


EPS70S	70W Medium Base ED17
EPS100S	100W Medium Base ED17
EPS150S	150W Medium Base ED17



Large High Pressure Sodium Floodlights

- Mogul base socket
- 16 3/8"W x 16 3/8"H x 6 1/2"D
- Multitap (120V/208V/240V/277V) NPF ballast
- HID lamp included
- UL listed for wet location



EPS250L	250W Mogul Base ED28
EPS400L	400W Mogul Base ED28



HID Floodlights

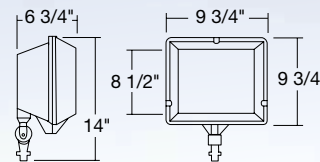
Features

- Diecast aluminum housing
- HID lamp included
- UL listed for wet location
- Housings have 1/2" NPS holes (capped) on top and sides for Photocell installation.



Medium Metal Halide Floodlights

- Medium base socket
- 8 1/2"W x 9 3/8"H x 7"D
- Multitap (120V/208V/240V/277V) HPF ballast
- HID lamp included
- UL listed for wet location



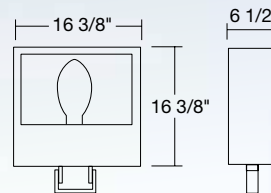
EMH100L 100W Medium Base ED28

EMH150L 150W Medium Base ED17 M102



Large Metal Halide Floodlights

- Mogul base socket
- 16 3/8"W x 16 3/8"H x 6 1/2"D
- Multitap (120V/208V/240V/277V) High efficiency pulse start ballast
- HID lamp included
- UL listed for wet location



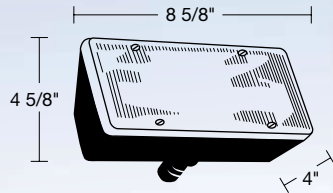
EMH250L 250W Mogul Base ED28, Pulse Start, EISA Compliant

EMH400L 400W Mogul Base ED28, Pulse Start, EISA Compliant

Compact Fluorescent Floodlight

(1) 13W CFL Lamp

- Rust proof Lexan housing
- (1) CFL lamp flood light with 120V ballast
- PL lamps included
- UL listed for wet location



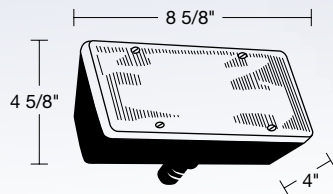
ES1303 (1) 13W PL lamp included



Compact Fluorescent Floodlight

(2) 13W CFL Lamps

- Rust proof Lexan housing
- (2) CFL lamp flood light with 120V ballast
- PL lamps included
- UL listed for wet location



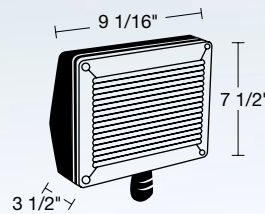
ES2603 (2) 13W PL lamps included



Compact Fluorescent Floodlight

(3) 13W CFL Lamps

- Rust proof Lexan housing
- (3) CFL lamp flood light with 120V ballast
- PL lamps included
- UL listed for wet location



WS40 (3) 13W PL lamps included



Exit & Emergency Lighting

Elco Lighting's high quality, affordable Exit and Emergency fixtures provide a variety of different styles and benefits designed to meet the requirements of any application. Dual voltage options (120 and 277 VAC), brown-out activation (unit automatically switches to emergency mode if supply voltage drops below 80%), automatic low voltage disconnect, thermal protection, short circuit protection and reverse polarity protection are just a few of the important standardized features of these products. Available in long-life, energy-saving LEDs, self-powered, battery back-up, incandescent, self-illuminating, and emergency light/exit combos. Elco's line of emergency fluorescent downlights are available with 6", 7" and 8" apertures and come with a variety of attractive reflector and baffle trims.

83

Exit Signs



85

Emergency Lights



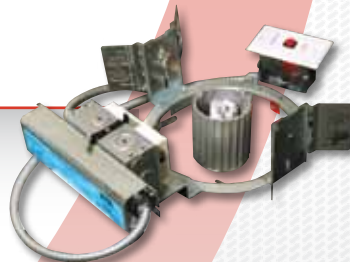
89

Emergency Downlights



100

CFL Emergency Lights



LED Exit Signs with Battery



- 120/277V LED Exit Sign
- Sturdy ABS plastic housing
- Single or double face with supplied faceplate
- Red or Green 6" letters
- Side, top or back mounting
- UL or ETL listed

EELED	Green letters, battery backup
EELE1	Red letters, battery backup
EELEDB	Green letters, black housing, battery backup
EELE1B	Red letters, black housing, battery backup
EELE2	Green letters, 2 circuit for generator use
EELE3	Red letters, 2 circuit for generator use
EELE5	Green letters, without battery backup
EELE6	Red letters, without battery backup

Diecast LED Exit Signs



- 120/277V Diecast LED Exit Sign with maintenance free battery backup
- Red or Green letters
- ABS, corrosion resistant UV Stabilized enclosure
- Single or double face

EE71RD	Red Letters, single face, battery backup
EE72GD	Green Letters, single face, battery backup
EE73RD	Red Letters, double face, battery backup
EE74GD	Green Letters, double face, battery backup

Weatherproof LED Exit Signs



- 120/277V Weatherproof LED Exit Sign
- With maintenance free battery backup and test switch
- ETL Listed
- Resists corrosive atmospheres, dust and water spray
- Wet location listed

EE21RW	Red Letters
EE22GW	Green Letters

Exit Signs

Transparent Edge Lit LED Exit Signs



- Red or Green Letters
- Single or Double Face
- With battery backup
- 120V/277V
- ENERGY STAR Qualified
- UL or ETL listed

EDGLIT1G	Green letters, single face
EDGLIT1R	Red letters, single face
EDGLIT2G	Green letters, double face
EDGLIT2R	Red letters, double face

Recessed Transparent Edge Lit LED Exit Signs



- 120/277V Recessed Exit Sign
- With battery backup
- Red or Green Letters
- Single or Double Face
- Includes hanger bars
- ENERGY STAR Qualified
- UL or ETL listed
- For ceiling or wall installation

EDGREC1R	Red letters, single face
EDGREC1G	Green letters, single face
EDGREC2R	Red letters, double face
EDGREC2G	Green letters, double face

Self Illuminating Exit Signs



- Green or Red Letters
- 3-5 foot candles ambient lighting
- No maintenance required
- Does not require any electricity to operate

EE80S	Green letters
EE81S	Red letters

LED Exit Signs with Two Adjustable 6V MR16 Emergency Lights



- Red or Green Letters
- With (2) 5W downlights
- Single/double face configurable with supplied faceplate
- With 6V maintenance free battery backup
- 120V/277V
- Automatic low voltage disconnect
- Universal mounting canopy for top installation
- UL listed or ETL listed
- Knockouts for directional chevrons standard
- Solid state charger
- With extra battery supply for (2) remote heads (5.4W each)

EE83HR	Red letters
EE84HG	Green letters
MR16-6V	6V 5W MR16 Halogen Lamp

Exit Signs with Two Adjustable 5.6W Emergency Light Heads



- Red or Green Letters
- With maintenance free battery backup
- UL listed or ETL listed
- 5.6W Emergency Light Heads
- Capable of supply (2) remote heads (requires additional EEP4A battery)

EE87HR	Red letters
EE88HG	Green letters

LED Exit Signs with Two Adjustable 5.6W Emergency Light Heads



- Red or Green Letters
- Single/double face configurable with supplied faceplate
- With 6V maintenance free battery backup
- Automatic low voltage disconnect
- Universal mounting canopy for top installation
- UL listed or ETL listed
- Injection molded flame retardant, high impact thermoplastic housing and faceplate
- Knockouts for directional chevrons standard
- Solid state charger
- 120V/277V

EE97HR	Red letters
EE98HG	Green letters

Emergency Lights

Features

- With 6V maintenance free battery
- Solid state charger
- 120V/277V
- Automatic low voltage disconnect
- Test Switch
- UL or ETL listed
- Injection molded high impact thermoplastic housing
- Universal mounting plate for easy installation



Adjustable Emergency Lights with Two 5.6W Glare Free Light Heads

- Two adjustable glare free emergency light heads (5.4W)

EE20L	White housing
EE20LB	Black housing
EERH15	6V 5.4W remote head



Emergency Light with Two Adjustable 5W Lighting Heads

- Two fully adjustable glare free emergency light heads (5.4W)

EE40L	White housing
--------------	---------------



Emergency Light with Two Adjustable 5.4W Lighting Heads

- Two fully adjustable glare free emergency light heads (5.4W)

EE50L	White housing
--------------	---------------



Emergency Light

- Two glare free emergency light heads (5.4W)

EE70L	White housing
--------------	---------------

Emergency Lights

Outdoor Emergency Diecast Light



- 10.47"H x 6.54"W x 3.78"D
- 120/277V dual voltage operation.
- Test switch and charge rate indicator.
- Rechargeable Ni-Cad battery (6V 5ah) delivers more than 90 minutes of emergency operation.
- Low voltage battery disconnection prevents deep discharge battery damage.
- Suitable for wet locations
- Units for cold weather locations (- 20°C) available upon request
- ETL listed

LED lamp

10W high power LED lamp (700 lm, 5000K) for normal & emergency operation.

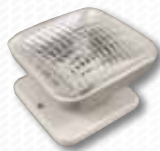
EE91LN	Nickel
EE91LB	Black
EE91LBZ	Bronze
EE91LW	White

JC lamp

(2) 6V 6W JC lamps for emergency mode.

EE90LN	Nickel
EE90LB	Black
EE90LBZ	Bronze
EE90LW	White

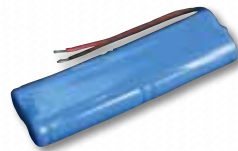
Accessories



EERH15

Emergency Light Remote Head

- 6V 5.4W remote head



EEP3A

4.8V Nickel Cadmium Battery Backup

- 700 mAh
- 3 7/8" x 9/16" x 1 1/8"
- 4.8V AA Nickel Cadmium Battery for EELED and EELE1



EEP4A

6V Rechargeable Battery Backup

- 4 amp hours
- 2 3/4" x 1 7/8" x 4"
- For EE20L, EE40L, EE50L, EE70L, EE83HR, EE84HG, EE87HR, EE88HG, EE97HR and EE98HG



EEP8A

Battery Backup (Lead-Acid 6V Rechargeable)

- 8 Amp hours
- 3 7/8" x 2 1/4" x 4 5/8"
- 6V Rechargeable Battery for EE2HX and EE2HR



L4

5W 6V Wedge Base Lamp

- 5W 6V wedge base lamp for EE60X, EE61X, EE2HX, EE2HR, EE20L, EE40L, EE50L and EE70L.



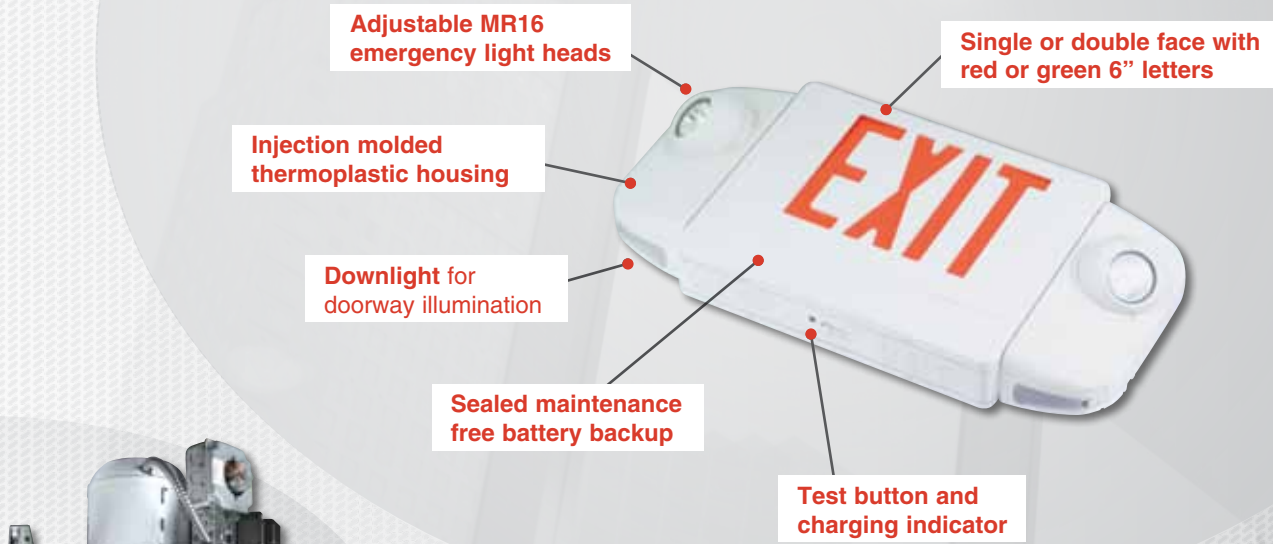
L15

10W 140V Candelabra Base Lamp

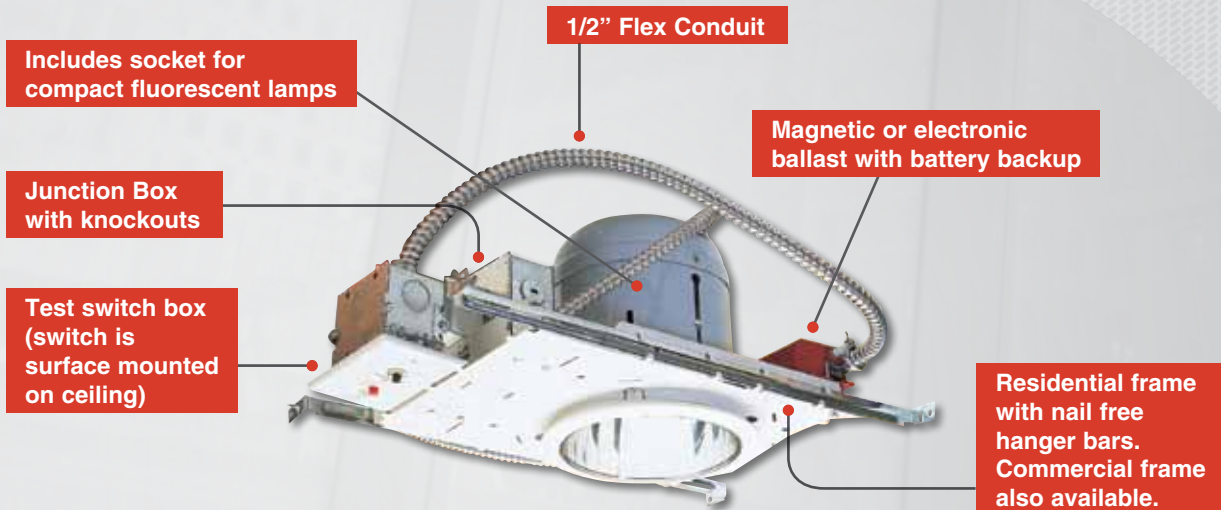
- 10W 140V candelabra base lamp for EE30X, EE31X, EE60X, EE61X, EE2HR, and EE2HX.

Emergency Downlights and Exit Signs

Exit & Emergency Lighting



Emergency Downlights available for Compact Fluorescent and Low Voltage MR16 lamp.



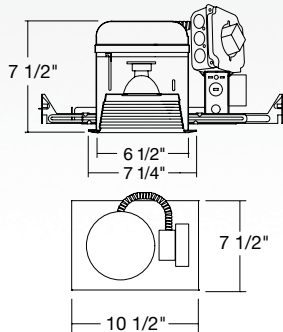
6" Emergency Downlight

Features

- Low voltage emergency housing for 12V 50W MR16 halogen lamp or PAR36
- Includes emergency relay unit for remote battery supply
- Use with remote battery packs KEM-50W, KEM-100W, KEM-200W (sold separately) see page 112
- With 12 volt thermally protected magnetic transformer
- Captive hanger bars span 24" joists and can be repositioned 90°.
- 7 1/2" Height allows for use in 2 x 8 construction
- Trim support adjusts 1 1/4" to accommodate varying ceiling thickness.
- Junction box is listed for through branch circuit wiring with 1/2" and 3/4" pryout knockouts.
- UL damp location listed
- UL feed through listed

Dimensions

Height: 7 1/2" • Opening: 6 1/2"
Trim O.D.: 7 1/4"



6" Low Voltage Incandescent MR16 Emergency Downlight

1 Lamp 50W

EL7LV-EM (1) 50W 12V MR16 halogen or PAR36

Relay Box

KEM-HJ2

Relay Box for use with Low Voltage systems to adapt battery back-up supply for emergency applications.



Item Selector:

HOUSING

HOUSING ACCESSORY 1

TRIM

▼ Compatible Trim



Adjustable Spot with Phenolic Baffle

EL2510B Black, White Ring
EL2510W White, White Ring
EL2510N Nickel, White Ring
EL2510BZ Bronze
EL2510CP Copper
Lamp: 12V 50-75W MR16
O.D.: 7 1/4"



Adjustable Spot with Reflector

EL2511B Black Int. White Ring
EL2511W All White
EL2511G Gold Ref.
White Spot/Ring
EL2511C Clear Ref.
White Spot/Ring
Lamp: 12V 50-75W MR16
O.D.: 7 1/4"



Shower Trim with Diffused Lens

EL2512B Black
EL2512W White
Lamp: 12V 50-75W MR16
O.D.: 7 1/4"



Adjustable Reflector Trim

EL2516G Gold Ref. White Ring
EL2516C Clear Ref. White Ring
EL2516B Black Ref. White Ring
EL2516W All White
Lamp: 12V 50-75W MR16
O.D.: 7 5/8"

Cont. Trims
on page 90

▼ Housing Accessories

Emergency Unit for	KEM-50W = 50W, 90 mins, 120/277V, 12 5/8"W x 8"H x 3"D
Low Voltage Housings	KEM-100W = 100W, 90 mins, 120/277V, 12 5/8"W x 8"H x 5"D
	KEM-200W = 50W, 90 mins, 120/277V, 20"W x 9 1/2"H x 4 1/4"D

6" Emergency Downlights

Trims for 6" Low Voltage Emergency Housings (cont.)



Eyeball Trim
EL2517W Black Bfl. White Ring
EL2517WW All White
 Lamp: 12V 50-75W MR16
 O.D.: 7 1/4"



Regressed Eyeball Trim
EL2518W White with Black Eyeball Bfl.
EL2518B Black Int. White Ring
 Lamp: 12V 50-75W MR16
 O.D.: 7 1/4"



Reflector Cone Trim
EL2521C Clear Ref. White Ring
EL2521G Gold Ref. White Ring
EL2521B Black Ref. White Ring
EL2521W All White
 Lamp: 12V 50-75W MR16
 O.D.: 7 1/4"



Adjustable Wall Wash with Baffle
EL2525W White
EL2525B Black Bfl. White Trim
 Lamp: 12V 50W MR16
 O.D.: 8"



Adjustable Pinhole with Reflector
EL2529W All White
EL2529B Black Ref. White Ring
 Lamp: 12V 50W MR16
 O.D.: 8"



Adjustable Baffle Trim
EL2530B Black Bfl. White Ring
EL2530W All White
 Lamp: 12V 50-75W MR16
 O.D.: 7 1/4"



Baffle with Adjustable Cylinder
EL2531B Black Int. White Ring
EL2531W All White
 Lamp: 12V 50W-75W MR16
 O.D.: 7 1/4"



Adjustable Baffle Trim
EL2533B Black Bfl. White Ring
EL2533W All White
EL2533CP All Copper
EL2533BZ All Bronze
EL2533BBZ Black Bfl. Bronze Ring
EL2533BCP Black Bfl. Copper Ring
 Lamp: 12V 50-75W MR16
 O.D.: 7 1/4"



Wall Wash with Baffle Trim
EL2545B Black Bfl. White Trim
EL2545W All White
 Lamp: 12V 50-75W MR16
 O.D.: 7 1/4"



Adjustable Slot Aperture Trim
EL2550W White
EL2550B Black Bfl. White Ring
 Lamp: 12V 50-75W MR16
 Slot: 1 3/8" x 2 3/4"
 O.D.: 7 1/4"



Frosted Glass Trim
EL2552R Red Glass, White Trim
EL2552W Frosted Glass, White Trim
EL2552BL Blue Glass, White Trim
 Lamp: 12V 50-75W MR16
 O.D.: 7 3/4"



Blue or White Glass Trim
EL2553BL Blue Glass, White Trim
EL2553W White Glass, White Trim
 Lamp: 12V 50-75W MR16
 O.D.: 7 3/4"



Adjustable Spot Trim
EL2568B Black
EL2568W White
 Lamp: 12V 75W MAX MR16
 O.D.: 7 1/4"



Baffle with Adjustable Gimbal Ring Trim
EL2575B Black Bfl. White Ring
EL2575W All White
EL2575N All Nickel
 Lamp: 12V 50-75W PAR36 or AR 111
 O.D.: 7 1/4"



Reflector with Adjustable Gimbal Ring Trim
EL2576B Black Ref. White Ring
EL2576C Clear Ref. White Ring
EL2576G Gold Ref. White Ring
EL2576W All White
 Lamp: 12V 50-75W PAR36 or AR111
 O.D.: 7 1/4"



Pinhole Trim with Baffle
EL2579W All White
EL2579B Black Bfl. White Ring
 Lamp: 12V 50-75W MR16
 Aperture: 1 7/8"
 O.D.: 7 1/4" Not Adjustable



Adjustable Pull Down Trim with Directional Snoot
EL2587W White
EL2587B Black
 Lamp: 12V 50-75W MR16
 Adjust 85°, Rotate 359°
 O.D.: 7 1/4"



Adjustable Spot Trim
EL2588W All White
EL2588B Black Bfl. White Ring
 Lamp: 12V 50-75W MR16
 45° Vertical Adjustment
 O.D.: 7 1/4"



Drop Adjustable Gimbal Ring
EL2589W White
 Lamp: 12V 50-75W MR16
 O.D.: 7 1/4"



Adjustable Pull Down Trim
EL2597CP Copper
EL2597B Black
EL2597W White
EL2597N Nickel
EL2597BZ Bronze
 Lamp: 12V 50-75W MR16
 0°- 90° Tilt
 O.D.: 7 1/4"

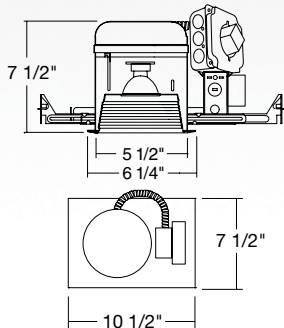
5" Emergency Downlight

Features

- Low voltage emergency housing for 12V 50W MR16 halogen lamp (lamp not included)
- Includes emergency relay unit for remote battery supply
- Use with remote battery packs KEM-50W, KEM-100W, KEM-200W (sold separately) see page 112
- With 12 volt thermally protected magnetic transformer
- Captive hanger bars span 24" joists and can be repositioned 90°
- 7 1/2" Height allows for use in 2 x 8 construction
- Trim support adjusts 1 1/4" to accommodate varying ceiling thickness.
- Junction box is listed for through branch circuit wiring with 1/2" and 3/4" pryout knockouts.
- UL damp location listed
- UL feed through listed

Dimensions

Height: 7 1/2" • Opening: 5 1/2"
Trim O.D.: 6 1/4"



5" Low Voltage Incandescent MR16 Emergency Downlight

1 Lamp 50W

EL5LV-EM (1) 50W 12V MR16 halogen lamp (lamp not included)

Relay Box

KEM-HJ2

Relay Box for use with Low Voltage systems to adapt battery back-up supply for emergency applications.



Item Selector:

HOUSING

HOUSING ACCESSORY 1

TRIM

▼ Compatible Trim



Shower Trim with Adjustable Reflector and Frosted Lens

EL5412W White
Lamp: 12V 75W MR16
O.D.: 6 1/4"



Shower Trim with Adjustable Reflector and Clear Lens

EL5411C Clear Ref. White Ring
EL5411B Black Ref. White Ring
EL5411G Gold Ref. White Ring
EL5411W All White
Lamp: 12V 75W MR16
O.D.: 6 1/4"



Adjustable Reflector Trim

EL5421G Gold Ref. White Rlng
EL5421B Black Ref. White Rlng
EL5421W All White
EL5421C Clear Ref. White Rlng
Lamp: 12V 75W MR16
O.D.: 6 1/4"



Adjustable Gimbal Ring with Deep Baffle Trim

EL5434WW All White
EL5434WB Black Bfl. White Trim
Lamp: 12V 75W MR16
O.D.: 6 1/4"



Adjustable Slot Aperture Trim

EL5420W White
Lamp: 12V 75W MR16
O.D.: 6 1/4"

Cont. Trims on page 92

▼ Housing Accessories

Emergency Unit for	KEM-50W = 50W, 90 mins, 120/277V, 12 5/8"W x 8"H x 3"D
Low Voltage	KEM-100W = 100W, 90 mins, 120/277V, 12 5/8"W x 8"H x 5"D
Housings	KEM-200W = 50W, 90 mins, 120/277V, 20"W x 9 1/2"H x 4 1/4"D

5" Emergency Downlights

Trims for 5" Low Voltage Emergency Housings (cont.)



Frosted Glass Trim
EL5452R Red Glass
EL5452BL Blue Glass
EL5452W White Glass
 Lamp: 12V 75W MR16
 O.D.: 6 1/4"



Frosted Stepped Glass Trim
EL5453W White Glass
EL5453BL Blue Glass
 Lamp: 12V 75W MR16
 O.D.: 6 1/4"



Adjustable Spot Pull Down Trim
EL5488W White
 Lamp: 12V 75W MR16
 O.D.: 6 1/4"



Adjustable Baffle Trim
EL5493B Black Bfl. White Ring
EL5493W All White
 Lamp: 12V 75W MR16
 O.D.: 6 1/4"



Drop Adjustable Trim
EL5497W White
EL5497B Black
 Lamp: 12V 75W MR16
 O.D.: 6 1/4"



Adjustable Eyeball Trim
EL5498W White, Black Bfl.
 Lamp: 12V 75W MR16
 O.D.: 6 1/4"



Regressed Adjustable Spot with Baffle Trim
EL5610W All White
EL5610B Black Int. White Ring
 Lamp: 12V 75W MR16
 O.D.: 6 1/4"



Regressed Adjustable Spot with Reflector Trim
EL5611W All White
EL5611C White Spot Clear Ref. White Ring
EL5611G White Spot Gold Ref. White Ring
 Lamp: 12V 75W MR16
 O.D.: 6 1/4"



Regressed Adjustable Spot Pull Down with Baffle Trim
EL5688W All White
EL5688B Black Int. White Ring
 Lamp: 12V 75W MR16
 O.D.: 6 1/4"



Regressed Adjustable Eyeball with Baffle Trim
EL5698W All White
EL5698B Black Int. White Ring
 Lamp: 12V 75W MR16
 O.D.: 6 1/4"

OVERSIZED RING TRIMS



Shower Trim with Adjustable Reflector, Clear Lens and Oversized Trim Ring
EL5511G Gold Ref. White Ring
EL5511B Black Ref. White Ring
EL5511C Clear Ref. White Ring
EL5511W White
 Lamp: 12V 75W MR16
 O.D.: 7 1/4"



Shower Trim with Adjustable Reflector, Frosted Lens and Oversized Trim Ring
EL5512W White
 Lamp: 12V 75W MR16
 O.D.: 7 1/4"



Adjustable Slot Aperture Trim with Oversized Trim Ring
EL5520W White
 Lamp: 12V 75W MR16
 O.D.: 7 1/4"



Adjustable Reflector Trim with Oversized Trim Ring
EL5521B Black Ref. White Ring
EL5521C Clear Ref. White Ring
EL5521G Gold Ref. White Ring
EL5521W All White
 Lamp: 12V 75W MR16
 O.D.: 7 1/4"



Adjustable Gimbal Ring with Deep Baffle Trim
EL5534WW All White
EL5534WB Black Bfl. White Trim
 Lamp: 12V 75W MR16
 O.D.: 7 1/4"



Frosted Glass Trim with Oversized Trim Ring
EL5552BL Blue Glass
EL5552R Red Glass
EL5552W White Glass
 Lamp: 12V 75W MR16
 O.D.: 7 1/4"



Frosted Stepped Glass Trim with Oversized Trim Ring
EL5553BL Blue Glass
EL5553W White Glass
 Lamp: 12V 75W MR16
 O.D.: 7 1/4"



Adjustable Spot Pull Down Trim with Oversized Trim Ring
EL5588W White
 Lamp: 12V 75W MR16
 O.D.: 7 1/4"



Adjustable Baffle Trim with Oversized Trim Ring
EL5593B Black Bfl. White Ring
EL5593W All White
 Lamp: 12V 75W MR16
 O.D.: 7 1/4"



Drop Adjustable Trim with Oversized Trim Ring
EL5597W White
 Lamp: 12V 75W MR16
 0°- 90° Adjustability.
 O.D.: 7 1/4"



Adjustable Eyeball Trim with Oversized Trim Ring
EL5598W White, Black Bfl.
 Lamp: 12V 75W MR16
 O.D.: 7 1/4"

4" Emergency Downlights

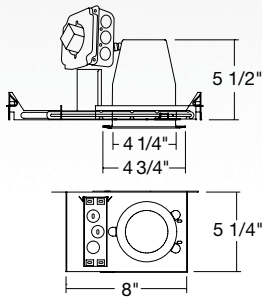
Features

- Low voltage emergency housing for 12V 50W MR16 halogen lamp (lamp not included)
- Includes emergency relay unit for remote battery supply
- Use with remote battery packs KEM-50W, KEM-100W, KEM-200W (sold separately) see page 112
- With 12 volt thermally protected magnetic transformer
- Integral thermal protector protects against over lamping or improper installation.
- Trim support adjusts 3/4" to accommodate varying ceiling thickness.
- Junction box is listed for through branch circuit wiring with 1/2" and 3/4" pryout knockouts.
- Captive bar hangers span 24" joists and can be repositioned 90°.
- UL damp location listed
- UL feed through listed

Dimensions

Height: 5 1/2" • Opening: 4 1/4"

Trim O.D.: 4 3/4"



4" Low Voltage Incandescent MR16 Emergency Downlights

1 Lamp 50W

EL1499-EM (1) 50W 12V MR16 halogen lamp (lamp not included)

EL1499A-EM Airtight

EL1499-277-EM 277V

Relay Box

KEM-HJ2

Relay Box for use with Low Voltage systems to adapt battery back-up supply for emergency applications.



Item Selector:

HOUSING

HOUSING ACCESSORY 1

TRIM

▼ Compatible Trim



Adjustable Shower Trim with Clear Reflector and Clear Lens

EL1411BZ Bronze Ring
EL1411CP Copper Ring
EL1411W White Ring
EL1411B Black Ring
EL1411C Clear Ring
EL1411N Nickel Ring
EL1411SH White Lexan Ring
 Lamp: 12V 50W MR16
 O.D.: 4 3/4"



Adjustable Shower Trim with Clear Reflector and Frosted Lens

EL1412N Nickel
EL1412BZ Bronze
EL1412CP Copper
EL1412W White
EL1412B Black
EL1412C Clear
EL1412SH White Lexan Ring
 Lamp: 12V 50W MR16
 O.D.: 4 3/4"



Reflector with Frosted Glass Pinhole

EL1415CP Copper
EL1415BZ Bronze
EL1415W White
EL1415B Black
EL1415C Clear
EL1415N Nickel
EL1415G Gold
EL1415SH White Lexan Ring
 Lamp: MR16 20-50W
 O.D.: 4 3/4"



Shower Trim with Round Drop Frosted Lens

EL1416W White
 Lamp: 12V 50-75W MR16
 O.D.: 4 7/8"

Cont. Trims on page 94 & 95

▼ Housing Accessories

Emergency Unit for	KEM-50W = 50W, 90 mins, 120/277V, 12 5/8"W x 8"H x 3"D
Low Voltage Housings	KEM-100W = 100W, 90 mins, 120/277V, 12 5/8"W x 8"H x 5"D
	KEM-200W = 50W, 90 mins, 120/277V, 20"W x 9 1/2"H x 4 1/4"D

4" Emergency Downlights

Trims for 4" Low Voltage Emergency Housings (cont.)



Drop Adjustable with Gimbal Ring Trim

EL1418W White
Lamp: 12V 75W MR16
0°–90° Tilt
O.D.: 4 3/4"



Pinhole Trim

EL1419W All White
EL1419B Black Bfl. White Ring
Lamp: 12V 50W MR16
Aperture: 1 7/8"
O.D.: 4 3/4"



Adjustable Slot Spinnable Aperture Trim

EL1420N Nickel
EL1420BZ Bronze
EL1420CP Copper
EL1420B Black
EL1420W White
EL1420G Gold
Lamp: 12V 75W MR16
Aperture: 1 3/8" x 2 1/4"
O.D.: 4 3/4"



Adjustable Reflector Trim with Diecast Ring

EL1421DC Clear Ref. White Diecast Ring
EL1421DG Gold Ref. White Diecast Ring
Lamp: 12V 20-75W MR16
O.D.: 4 3/4"



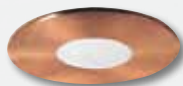
Adjustable Reflector Trim

EL1421BZ All Bronze
EL1421W All White
EL1421BB All Black
EL1421CC All Clear
EL1421CP All Copper
EL1421GG All Gold
EL1421C Clear Ref. White Ring
EL1421G Gold Ref. White Ring
EL1421B Black Ref. White Ring
EL1421BN Black Ref. Nickel Ring
EL1421GN Gold Ref. Nickel Ring
EL1421CN Clear Ref. Nickel Ring
EL1421WN White Ref. Nickel Ring
EL1421CCP Clear Ref. Copper Ring
EL1421GBZ Gold Ref. Bronze Ring
EL1421GCP Gold Ref. Copper Ring
EL1421WBZ White Ref. Bronze Ring
EL1421WCP White Ref. Copper Ring
Lamp: 12V 20W-75W MR16
O.D.: 4 3/4"



45° Adjustable Wall Wash Reflector Trim

EL1422C Clear Ref. White Ring
EL1422B Black Ref. White Ring
EL1422W All White
EL1422BZ All Bronze
EL1422CP All Copper
Lamp: 20/50/75W MR16
O.D.: 4 7/8"



Adjustable Pinhole with Baffle

EL1423WCP White Bfl. Copper Ring
EL1423B Black Bfl. White Ring
EL1423W All White
EL1423BZ All Bronze
EL1423CP All Copper
EL1423BN Black Bfl. Nickel Ring
EL1423WN White Bfl. Nickel Ring
Lamp: 12V 50W MR16
Aperture: 2"
O.D.: 4 3/4"



Adjustable 45° Wall Wash Baffle

EL1424CP All Copper
EL1424BZ All Bronze
EL1424B Black Bfl. White Ring
EL1424W All White
EL1424N All Nickel
Lamp: 12V 20-50W MR16
O.D.: 4 3/4"



Adjustable Spot Trim

EL1425B Black
EL1425N Nickel
EL1425W White
EL1425WN White Spot, Nickel Ring
Lamp: 12V 50W MR16
O.D.: 4 3/4"



Chrome Reflector with Suspended Frosted Glass

EL1426W White Ring
EL1426B Black Ring
EL1426BZ Bronze Ring
EL1426CP Copper Ring
EL1426C Clear Ring
EL1426G Gold Ring
EL1426N Nickel Ring
Lamp: 12V 75W MR16
O.D.: 4 7/8"



Adjustable Slot Aperture Trim One-Piece

EL1430W White
EL1430N Nickel
Lamp: 12V 75W MR16
Aperture: 1 3/8" x 2 1/4"
O.D.: 4 3/4"



Adjustable Spot Baffle Trim

EL1431B Black Int. White Ring
EL1431W All White
EL1431BG Black Int. Gold Ring
Lamp: 12V 75W MR16
O.D.: 4 3/4"



Gimbal Ring with White or Black Baffle Trim

EL1433W All White
EL1433B Black Bfl. White Trim
Lamp: 12V 75W MR16
O.D.: 4 3/4"



Adjustable Pinhole with Reflector

EL1429B Black Ref. White Ring
EL1429W All White
EL1429C Clear Ref. White Ring
EL1429G Gold Ref. White Ring
EL1429BN Black Ref. Nickel Ring
EL1429CN Clear Ref. Nickel Ring
EL1429BBZ Black Ref. Bronze Ring
EL1429BCP Black Ref. Copper Ring
Lamp: 12V 50W MR16
Aperture: 1 7/8"
O.D.: 4 3/4"



Gimbal Ring with Deep Baffle Trim

EL1434WB Black Bfl. White Trim
EL1434WW All White
Lamp: 12V 75W MR16
O.D.: 4 3/4"



Stepped Round Diecast Trim

EL1441W Black Bfl. White Trim
Lamp: 12V 75W MR16
O.D.: 4 3/4"



Accent Trim with Polished Ring

EL1442G Gold Ring
EL1442W White Ring
Lamp: 12V 75W MR16
O.D.: 4 3/4"



Reflector Trim with Cross Blades

EL1444C Clear Int. White Ring
Lamp: 12V 75W MAX MR16
O.D.: 4 7/8"

4" Emergency Downlights

Trims for 4" Low Voltage Emergency housings (cont.)



Adjustable Wall Wash Reflector

EL1445B Black Ref. White Trim
EL1445C Clear Ref. White Trim
EL1445G Gold Ref. White Trim
EL1445W All White
 Lamp: 12V 20/50W MR16
 O.D.: 4 3/4"



Regressed Eyeball Trim

EL1448B Black Bfl. White Trim
EL1448BG Black Bfl. Gold Trim
EL1448W All White
 Lamp: 12V 75W MR16
 O.D.: 4 3/4"



Frosted Glass Trim

EL1452R Red Frosted Glass
EL1452W White Frosted Glass
EL1452BL Blue Frosted Glass
 Lamp: 12V 75W MR16
 O.D.: 4 3/4"



Blue or White Frosted Stepped Glass Trim

EL1453W White Frosted Glass
EL1453BL Blue Frosted Glass
 Lamp: 12V 75W MR16
 O.D.: 4 3/4"



Adjustable Pull Down Trim with Directional Snoot

EL1487W All White
EL1487B All Black
EL1487N Nickel (Black Snoot)
EL1487G Gold (Black Snoot)
 Lamp: 12V 20/50/75W MR16
 Adjust 85°, Rotate 359°
 O.D.: 4 3/4"



Diecast Adjustable Spot Trim

EL1488B Black
EL1488W White
EL1488G Gold
EL1488N Nickel
EL1488BZ Bronze
EL1488CP Copper
 Lamp: 12V 75W MR16
 0°- 45° Tilt
 O.D.: 4 3/4"



Adjustable Step Baffle Trim

EL1493BZ All Bronze
EL1493CP All Copper
EL1493B Black Bfl. White Ring
EL1493W All White
EL1493N All Nickel
EL1493BB All Black
EL1493BC Black Bfl. Clear Ring
EL1493BG Black Bfl. Gold Ring
EL1493BN Black Bfl. Nickel Ring
EL1493BCP Black Bfl. Copper Ring
EL1493BBZ Black Bfl. Bronze Ring
EL1493WBZ White Bfl. Bronze Ring
EL1493WN White Bfl. Nickel Ring
EL1493NW Nickel Bfl. White Ring
 Lamp: 12V 20W-75W MR16
 O.D.: 4 3/4"



Adjustable Spot with Special Clip and Socket

EL1488SW White (special clips)
EL1488SB Black (special clips)
 For use in NON-combustible ceilings, or in European market.
 Lamp: 20-42-50-75W MR16
 Trim: 30° Angle
 O.D.: 4 3/4"



Adjustable Metal Step Baffle

EL1493MB Black Bfl. White Ring
EL1493MW All White
 Lamp: 12V 20W-75W MR16
 O.D.: 4 3/4"



Adjustable Phenolic Step Baffle Trim with Diecast Ring

EL1493DW All White
EL1493DB Black Bfl. White Ring
 Lamp: 12V 20-75W MR16
 O.D.: 4 3/4"



Phenolic Deep Step Baffle Trim Adjustable

EL1494B Black Bfl. White Ring
EL1494W All White
EL1494BG Black Bfl. Gold Ring
EL1494BN Black Bfl. Nickel Ring
EL1494WN White Bfl. Nickel Ring
 Lamp: 12V 50W MR16
 O.D.: 4 3/4"



Adjustable Wall Wash with Baffle Trim

EL1495W White Bfl. White Trim
EL1495B Black Bfl. White Trim
 Lamp: 12V 50W MR16
 O.D.: 4 3/4"



Adjustable Light

EL1496W All White
 Lamp: 12V 50W MR16
 O.D.: 4 3/4"



Adjustable Pull Down Trim

EL1497CP All Copper
EL1497BZ All Bronze
EL1497W All White
EL1497B All Black
EL1497G All Gold
EL1497N All Nickel
 Lamp: 12V 75W MR16
 0°- 90° Tilt, Rotate 359°
 O.D.: 4 3/4"



Adjustable Eyeball Trim with Baffle

EL1498G Black Bfl. Gold Trim
EL1498W Black Bfl. White Trim
EL1498B All Black
EL1498WW All White
 Lamp: 12V 75W MR16
 O.D.: 4 3/4"

4" Emergency Downlights

Trims for 4" Low Voltage Emergency Housings (cont.)



Square Shower Trim with Frosted Lens

EL2412BZ Bronze
EL2412W White
EL2412N Nickel
 Lamp: 12V 50W MR16
 O.D.: 4 3/4"



Square Shower Trim with Frosted Pinhole Lens

EL2415BZ Bronze
EL2415W White
EL2415N Nickel
 Lamp: 12V 50W MR16
 O.D.: 4 3/4"



Square Specular Reflector Trim

EL2421BZ Bronze
EL2421B Black Ref. White Ring
EL2421W All White
EL2421C Clear Ref. White Ring
EL2421G Gold Ref. White Ring
EL2421CN Clear Ref. Nickel Ring
EL2421WBZ White Bfl. Bronze Ring
 Lamp: 12V 75W MR16
 O.D.: 4 3/4"



Square Pinhole with Baffle

EL2423W All White
EL2423B Black Bfl. White Ring
EL2423BZ All Bronze
 Lamp: 12V 75W MR16
 O.D.: 4 3/4"



Square Pinhole with Reflector

EL2429C Clear Ref. White Ring
EL2429W All White
 Lamp: 12V 75W MR16
 O.D.: 4 3/4"



Square Gimbal with Baffle

EL2440W All White
EL2440B All Black
EL2440BZ All Bronze
EL2440N All Nickel
 Lamp: 12V 50W-MR16
 O.D.: 4 3/4"



Square MR16 Gimbal

EL2443W All White
EL2443BZ All Bronze
 Lamp: 12V 75W MR16
 O.D.: 4 3/4"



Square Phenolic Baffle Trim

EL2493B Black Bfl. White Ring
EL2493BB All Black
EL2493BZ All Bronze
EL2493BBZ Black Bfl. Bronze Ring
EL2493W All White
EL2493WBZ White Bfl. Bronze Ring
EL2493N Nickel
EL2493BN Black Bfl. Nickel Ring
 Lamp: 12V 75W MR16
 O.D.: 4 3/4"



Square Pull Down Trim

EL2497B All Black
EL2497W All White
EL2497N All Nickel
EL2497BZ All Bronze
 Lamp: 12V 75W MR16
 O.D.: 4 3/4"

3" Emergency Downlights

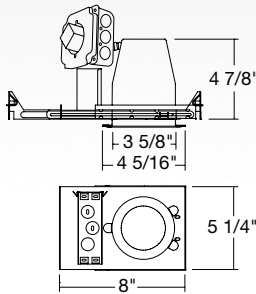
Features

- Low voltage emergency housing for 12V 50W MR16 halogen lamp (lamp not included)
- Includes emergency relay unit for remote battery supply
- Use with remote battery packs KEM-50W, KEM-100W, KEM-200W (sold separately) see page 112
- With 12 volt thermally protected magnetic transformer
- Integral thermal protector protects against over lamping or improper installation.
- Trim support adjusts 3/4" to accommodate varying ceiling thickness.
- Junction box is listed for through branch circuit wiring with 1/2" and 3/4" pryout knockouts.
- Captive bar hangers span 24" joists and can be repositioned 90°.
- UL damp location listed
- UL feed through listed

Dimensions

Height: 4 7/8" • Opening: 3 5/8"

Trim O.D.: 4 5/16"



3" Low Voltage Incandescent MR16 Emergency Downlights

1 Lamp 50W

EL2699-EM (1) 50W 12V MR16 halogen lamp (lamp not included)

EL2699A-EM Airtight

Relay Box

KEM-HJ2

Relay Box for use with Low Voltage systems to adapt battery back-up supply for emergency applications.



Item Selector:

HOUSING

HOUSING ACCESSORY 1

TRIM

▼ Compatible Trim



Diecast Lensed Shower Trim with Diffused Glass Lens
EL2612W White
 Lamp: 12V 20W-75W MR16
 O.D.: 4 5/16"



Diecast Clear Lensed Shower Trim
EL2613W White
 Lamp: 12V 20W-75W MR16
 O.D.: 4 5/16"



Diecast Shower Trim with Domed Glass Lens
EL2616C Clear Ring
EL2616W White Ring
EL2616B Black Ring
 Lamp: 12V 20W-75W MR16
 O.D.: 4 5/16"



Adjustable Shower
EL2619WC Clear Ref. White Ring
EL2619WB Black Ref. White Ring
 Lamp: 12V 50W MR16
 O.D.: 4 3/4"

Cont. Trims on page 98

▼ Housing Accessories

Emergency Unit for Low Voltage Housings	KEM-50W = 50W, 90 mins, 120/277V, 12 5/8"W x 8"H x 3"D
	KEM-100W = 100W, 90 mins, 120/277V, 12 5/8"W x 8"H x 5"D
	KEM-200W = 50W, 90 mins, 120/277V, 20"W x 9 1/2"H x 4 1/4"D

3" Emergency Downlights

Trims for 3" Low Voltage Emergency Housings (cont.)



Diecast Adjustable Reflector Trim

EL2621B Black Ref. White Ring
 EL2621W All White
 EL2621C Clear Ref. White Ring
 EL2621G Gold Ref. White Ring
 EL2621BB All Black
 EL2621BBZ Black Ref. Bronze Ring
 EL2621BZ All Bronze
 EL2621CP All Copper
 EL2621CC All Clear
 EL2621CN Clear Ref. Nickel Ring
 EL2621GG All Gold
 EL2621GN Gold Ref. Nickel Ring
 Lamp: 12V 20-75W MR16
 35° Adjustability
 O.D.: 4 5/16"



Die Cast Slot Aperture Trim

EL2620W White Ring
 Lamp: 12V 20W-75W MR16
 50° Adjustability
 O.D.: 4 5/16"



45° Adjustable Wall Wash Reflector Trim

EL2622CP All Copper
 EL2622B Black Ref. White Ring
 EL2622W All White
 EL2622C Clear Ref. White Ring
 EL2622G Gold Ref. White Ring
 Lamp: 20W-75W MR16
 Rotate 359°
 O.D.: 4 5/16"



45° Adjustable Wall Wash Baffle Trim

EL2624N All Nickel
 EL2624B Black Bfl. White Ring
 EL2624W All White
 EL2624CP All Copper
 Lamp: 20W-75W MR16
 Rotate 359°
 O.D.: 4 5/16"



Diecast Louvered Bottom Trim

EL2633W All White
 EL2633B Black Louver White Ring
 Lamp: 12V 20-75W MR16
 O.D.: 4 5/16"



Diecast Round Glass Trim White Trim Ring

EL2652BL Blue Glass
 EL2652W White Glass
 Lamp: 12V 20-75W MR16
 O.D.: 4 5/16"



Diecast Accent Trim with White Trim Ring

EL2653BL Blue Glass
 EL2653W White Glass
 Lamp: 12V 20W-75W MR16
 O.D.: 4 5/16"



Diecast Offset Glass Panel Trim

EL2660W White
 EL2660B Black
 Lamp: 12V 20W-75W MR16
 O.D.: 4 5/16"



Adjustable Pull Down Trim

EL2696W All White
 Lamp: 12V 20-75W MR16
 0-90° Tilt, Rotate 359°
 O.D.: 4 5/16"



Reflector with Cross Blade Trim

EL2644B Black Int. White Ring
 EL2644W All White
 EL2644C Clear Int. White Ring
 EL2644G Gold Int. White Ring
 Lamp: 12V 20-75W MR16
 O.D.: 4 5/16"



Diecast Fully Retractable Pull Down Trim

EL2666B Black
 EL2666C Clear
 EL2666G Gold
 Lamp: 12V 20-75W GY6.35
 Adjust 80°, Rotate 358°
 O.D.: 4 5/16"



Diecast Fully Retractable Pull Down Trim

EL2677G Gold
 EL2677B Black
 EL2677C Clear
 Lamp: 12V 20W-75W MR16
 Adjust 80°, Rotate 358°
 O.D.: 4 5/16"



Diecast Adjustable Pull Down Trim

EL2688N Nickel
 EL2688W White
 EL2688B Black
 EL2688C Clear
 EL2688G Gold
 EL2688BZ Bronze
 EL2688CP Copper
 Lamp: 12V 20-75W MR16
 Adjust 30°, Rotate 358°
 O.D.: 4 5/16"



Diecast Adjustable Deep Baffle

EL2689WW All White
 EL2689BB All Black
 EL2689WB Black Bfl. White Spot
 White Ring
 Lamp: 12V 20-75W MR16
 Adjust 30°, Rotate 358°
 O.D.: 4 5/16"



Diecast Adjustable Baffle Trim

EL2693B Black Bfl. White Ring
 EL2693W All White
 EL2693BB All Black
 EL2693BZ All Bronze
 EL2693CP All Copper
 EL2693N Nickel
 EL2693BN Black Bfl. Nickel Ring
 EL2693WN White Bfl. Nickel Ring
 EL2693WCP White Bfl. Copper Ring
 EL2693WBZ White Bfl. bronze Ring
 Lamp: 12V 20-75W MR16
 30° Adjustability
 O.D.: 4 5/16"



Adjustable Wall Wash Scoop with Baffle Trim

EL2695W All White
 EL2695B Black Bfl.
 White Ring/Scoop
 Lamp: 12V 20-75W MR16
 30° Adjustability
 O.D.: 4 5/16"



Diecast Pull Down Trim

EL2697CP All Copper
 EL2697BZ All Bronze
 EL2697W All White
 EL2697B All Black
 EL2697N All Nickel
 Lamp: 12V 20-75W MR16
 Adjust 87°, Rotate 358°
 O.D.: 4 5/16"



Diecast Adjustable Eyeball Trim

EL2698WW All White
 EL2698WB Black Bfl. White Ring
 Lamp: 12V 20-75W MR16
 O.D.: 4 5/16"

6" Emergency Downlight

6" Line Voltage Emergency Downlight with Gimbal Ring Trim

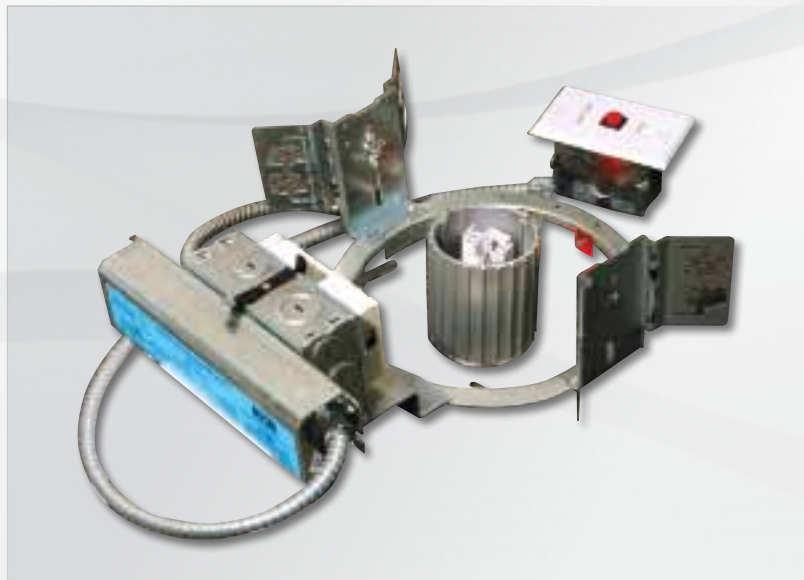


EE7-EM

Features

- 6" new construction housing with captive bar hangers for 24" joist spacing
- 6V maintenance free lead calcium battery provides 90 min emergency operation (for 12W lamp)
- Test switch and charge indicator light on trim
- Comes with white gimbal ring trim
- Includes 6V, 8W (JC, G4) lamp
- UL listed

8" CFL Emergency Downlights



8" Vertical CFL Emergency Downlights

1 Lamp 13W - 42W

ELV8113E-EM	(1) 13W 4 Pin Quad 120/277V Elec.
ELV8118E-EM	(1) 18W 4 Pin Quad 120/277V Elec.
ELV8126E-EM	(1) 26W 4 Pin Quad or Triple 120/277V Elec.
ELV8132E-EM	(1) 32W 4 Pin Triple 120/277V Elec.
ELV8142E-EM	(1) 42W 4 Pin Triple 120/277V Elec.

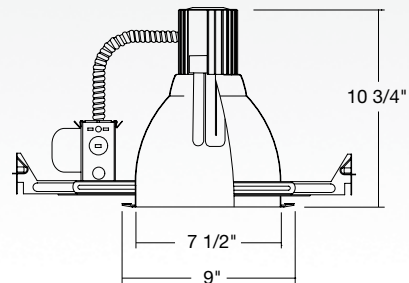
Elec. = Electronic Ballast

Features

- CFL emergency housing (with battery backup) for (1) vertically mounted CFL lamp with integral ballast.
- Trim support adjusts 3/4" to accommodate varying ceiling thickness.
- Hanger bars not included, order (CH26) C-channels, (FB27) linear bar hangers, or use 1/2" EMT pipe.
- UL damp location listed
- UL feed through listed

Dimensions

Height: 10 3/4" • Opening: 8 1/2"
Trim O.D.: 9"



Item Selector:

HOUSING

HOUSING ACCESSORY 1

TRIM

▼ Compatible Trim



Suspended Glass Lens Trim

EL836C Clear Ref. White Ring
EL836G Gold Ref. White Ring
O.D.: 9"



Wall Wash Reflector Trim

EL838C Clear Ref. White Ring
O.D.: 9"



Baffle with Reflector Trim

EL833B Black Bfl. Clear Ref. White Ring
EL833W White Bfl. Clear Ref. White Ring
EL833HB Black Bfl. Haze Ref. White Ring
EL833HW White Bfl. Haze Ref. White Ring
O.D.: 9"



Reflector Trim

EL816C Clear Ref. White Ring
EL816H Haze Ref. White Ring
EL816F Self Flanged Clear Ref.
EL816G Gold Ref. White Ring
O.D.: 9"



Reflector with Prismatic Lens

EL832C Clear Ref. White Ring
EL832G Gold Ref. White Ring
EL832W White Ref. White Ring
EL832F Self Flanged Clear Ref.
O.D.: 9"



Baffle Trim with Lens

EL852W White Bfl. White Ring
EL852B Black Bfl. White Ring
O.D.: 9"



Cross Blade Reflector Trim

EL881C Clear Ref. White Ring
O.D.: 9"

▼ Housing Accessories

Hanger Bar	FB27 = Set of two 27" flat hanger bars. For wood construction. CH26 = Set of two 26" C-Channel hanger bars. For T-Bar Ceiling.
------------	---

8" CFL Emergency Downlights

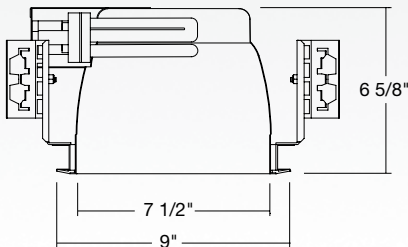
Features

- CFL emergency housing (with battery backup) for (1) or (2) horizontally mounted CFL lamps.
- Trim support adjusts 3/4" to accommodate varying ceiling thickness.
- Hanger bars not included, order (CH26) C-channels, (FB27) linear bar hangers, or use 1/2" EMT pipe.
- Provides 90 mins of emergency operation upon power failure.
- 650 lumen light output in emergency mode from single CFL lamp.
- Emergency frame-in module includes electronics and battery backup ballasts.
- UL damp location listed
- UL feed through listed



Dimensions

Height: 6 5/8" • Opening: 8 1/8"
Trim O.D.: 9"



8" Horizontal CFL Emergency Downlights

1 or 2 Lamps 13W - 42W

ELH8213E-EM	(2) 13W 4 Pin Quad 120/277V Elec.
ELH8218E-EM	(2) 18W 4 Pin Quad 120/277V Elec.
ELH8126E-EM	(1) 26W 4 Pin Triple 120/277V Elec.
ELH8226E-EM	(2) 26W 4 Pin Quad 120/277V Elec.
ELH8132E-EM	(1) 32W 4 Pin Triple 120/277V Elec.
ELH8142E-EM	(1) 42W 4 Pin Triple 120/277V Elec.

Elec. = Electronic Ballast

Exit & Emergency Lighting

Item Selector:

HOUSING

HOUSING ACCESSORY 1

TRIM

▼ Compatible Trim



Regressed Lens Trim
EL842W White Bfl. White Ring
EL842B Black Bfl. White Ring
O.D.: 9"



Wall Wash Reflector
EL853C Clear Ref. White Ring
O.D.: 9"



Baffle with Reflector Trim
EL830W White Bfl. Clear Ref. White Ring
EL830B Black Bfl. Clear Ref. White Ring
EL830HB Black Bfl. Haze Ref. White Ring
EL830HW White Bfl. Haze Ref. White Ring
O.D.: 9"



Reflector Trim
EL821C Clear Ref. White Ring
EL821F Self Flanged Clear Ref.
EL821H Haze Ref. White Ring
EL821G Gold Ref. White Ring
O.D.: 9"



Suspended Glass Lens Trim
EL826C Clear Ref. White Ring
EL826G Gold Ref. White Ring
EL826H Haze Ref. White Ring
O.D.: 9"



Reflector Trim with Lens
EL862G Gold Ref. White Ring
EL862C Clear Ref. White Ring
O.D.: 9"



Cross Blade Reflector Trim
EL888C Clear Ref. White Ring
EL888G Gold Ref. White Ring
O.D.: 9"

▼ Housing Accessories

Hanger Bar **FB27** = Set of two 27" flat hanger bars. For wood construction.
CH26 = Set of two 26" C-Channel hanger bars. For T-Bar Ceiling.

8" CFL Emergency Downlights



8" Horizontal CFL Emergency Downlights

1 or 2 Lamps 26W - 42W

ELH126E-EM	(1) 26W 4 Pin Quad 120/277V Elec.
ELH226E-EM	(2) 26W 4 Pin Quad 120/277V Elec.
ELH132E-EM	(1) 32W 4 Pin Triple Lamp 120/277V Elec.
ELH142E-EM	(1) 42W 4 Pin Triple Lamp 120/277V Elec.

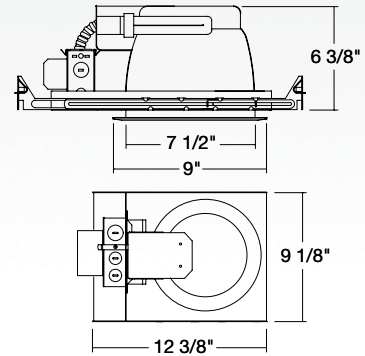
Elec. = Electronic Ballast

Features

- CFL emergency housing with plaster frame (with battery backup) for (1) or (2) horizontally mounted CFL lamps.
- Trim support adjusts 3/4" to accommodate varying ceiling thickness.
- Provides 90 mins of emergency operation upon power failure.
- 650 lumen light output in emergency mode from single CFL lamp.
- Emergency frame-in module includes electronics and battery backup ballasts.
- 6 3/8" height allows for use in 2 x 8 construction.
- Includes 24" captive bar hangers
- UL damp location listed
- UL feed through listed

Dimensions

Height: 6 3/8" • Opening: 8 1/8"
Trim O.D.: 9"



Item Selector:

HOUSING

TRIM

▼ Compatible Trim



Regressed Lens Trim
EL842W White Bfl. White Ring
EL842B Black Bfl. White Ring
O.D.: 9"



Wall Wash Reflector
EL853C Clear Ref. White Ring
O.D.: 9"



Reflector Trim
EL821C Clear Ref. White Ring
EL821F Self Flanged Clear Ref.
EL821H Haze Ref. White Ring
EL821G Gold Ref. White Ring
O.D.: 9"



Suspended Glass Lens Trim
EL826C Clear Ref. White Ring
EL826G Gold Ref. White Ring
EL826H Haze Ref. White Ring
O.D.: 9"



Baffle with Reflector Trim
EL830W White Bfl. Clear Ref. White Ring
EL830B Black Bfl. Clear Ref. White Ring
EL830HB Black Bfl. Haze Ref. White Ring
EL830HW White Bfl. Haze Ref. White Ring
O.D.: 9"



Reflector Trim with Lens
EL862G Gold Ref. White Ring
EL862C Clear Ref. White Ring
O.D.: 9"



Cross Blade Reflector Trim
EL888C Clear Ref. White Ring
EL888G Gold Ref. White Ring
O.D.: 9"

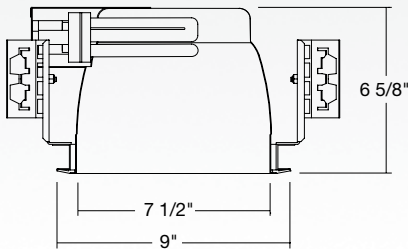
8" CFL Emergency Downlights

Features

- CFL emergency housing (with battery backup) for (2) horizontally mounted CFL lamps.
- Provides 90 mins of emergency operation upon total or isolated power failure.
- 650 lumen light output in emergency mode from single CFL lamp.
- Emergency frame-in module includes electronics and battery backup ballasts.
- Trim support adjusts 3/4" to accommodate varying ceiling thickness.
- Hanger bars not included, order (CH26) C-channels, (FB27) linear bar hangers, or use 1/2" EMT pipe.
- UL damp location listed
- UL feed through listed

Dimensions

Height: 6 5/8" • Opening: 8 1/8"
Trim O.D.: 9"



8" Horizontal CFL Emergency Downlights

2 Lamps 32W - 42W

ELH8232E-EM (2) 32W 4 Pin Triple 120/277V Elec.

ELH8242E-EM (2) 42W 4 Pin Triple 120/277V Elec.

Elec. = Electronic Ballast

Item Selector:

HOUSING

HOUSING ACCESSORY 1

TRIM

▼ Compatible Trim



Regressed Lens Trim
EL843W White Bfl. White Ring
EL843B Black Bfl. White Ring
O.D.: 9"



Reflector Trim with Lens
EL882G Gold Ref. White Ring
EL882C Clear Ref. White Ring
O.D.: 9"



Suspended Glass Lens Trim
EL827C Clear Ref. White Ring
EL827G Gold Ref. White Ring
EL827H Haze Ref. White Ring
O.D.: 9"



Baffle Trim
EL831B Black Bfl. Clear Ref. White Ring
EL831W White Bfl. Clear Ref. White Ring
EL831HB Black Bfl. Haze Ref. White Ring
EL831HW White Bfl. Haze Ref. White Ring
O.D.: 9"



Reflector Trim
EL841G Gold Ref. White Ring
EL841C Clear Ref. White Ring
EL841F Self Flanged Clear Ring
O.D.: 9"



Cross Blade Reflector Trim
EL889C Clear Ref. White Ring
EL889G Gold Ref. White Ring
O.D.: 9"



Wall Wash Reflector
EL854C Clear Ref. White Ring
O.D.: 9"

▼ Housing Accessories

Hanger Bar **FB27** = Set of two 27" flat hanger bars. For wood construction.
CH26 = Set of two 26" C-Channel hanger bars. For T-Bar Ceiling.

8" CFL Emergency Downlights



8" Horizontal CFL Emergency Downlights

2 Lamps 18W - 26W

ELH218ICE-EM (2) 18W 4 Pin Quad 120/277V Elec.

ELH226ICE-EM (2) 26W 4 Pin Quad 120/277V Elec.

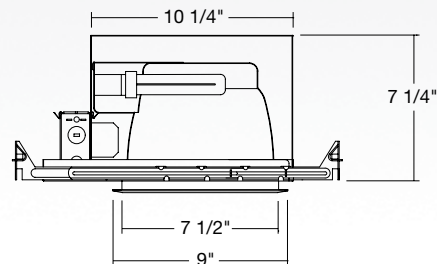
Elec. = Electronic Ballast

Features

- CFL emergency IC housing (with battery backup) for (2) horizontally mounted CFL lamps.
- Provides 90 mins of emergency operation upon power failure.
- 650 lumen light output in emergency mode from single CFL lamp.
- Emergency frame-in module includes electronics and battery backup ballasts.
- Trim support adjusts 3/4" to accommodate varying ceiling thickness.
- 7 1/4" height allows for use in 2 x 8 construction.
- 24" captive bar hangers included
- UL listed for direct contact with insulation
- UL damp location listed
- UL feed through listed

Dimensions

Height: 7 1/4" • Opening: 8 1/8"
Trim O.D.: 9"



Item Selector:

HOUSING

TRIM

▼ Compatible Trim



Regressed Lens Trim
EL842W White Bfl. White Ring
EL842B Black Bfl. White Ring
O.D.: 9"



Wall Wash Reflector
EL853C Clear Ref. White Ring
O.D.: 9"



Reflector Trim
EL821C Clear Ref. White Ring
EL821F Self Flanged Clear Ref.
EL821H Haze Ref. White Ring
EL821G Gold Ref. White Ring
O.D.: 9"



Suspended Glass Lens Trim
EL826C Clear Ref. White Ring
EL826G Gold Ref. White Ring
EL826H Haze Ref. White Ring
O.D.: 9"



Baffle with Reflector Trim
EL830W White Bfl. Clear Ref. White Ring
EL830B Black Bfl. Clear Ref. White Ring
EL830HB Black Bfl. Haze Ref. White Ring
EL830HW White Bfl. Haze Ref. White Ring
O.D.: 9"



Reflector Trim with Lens
EL862G Gold Ref. White Ring
EL862C Clear Ref. White Ring
O.D.: 9"

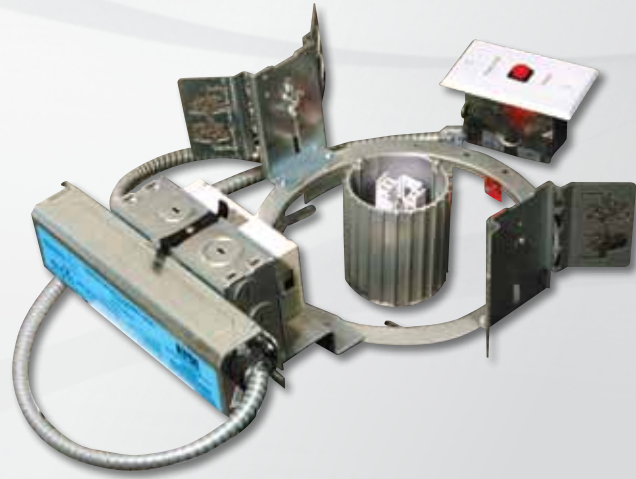


Cross Blade Reflector Trim
EL888C Clear Ref. White Ring
EL888G Gold Ref. White Ring
O.D.: 9"

7" CFL Emergency Downlights

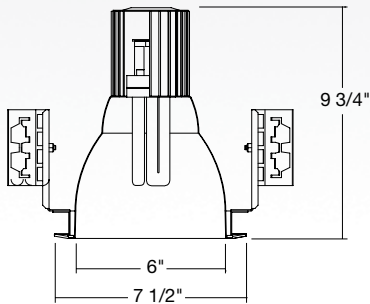
Features

- CFL emergency housing (with battery backup) for (1) vertically mounted CFL lamp with integral ballast.
- Trim support adjusts 3/4" to accommodate varying ceiling thickness.
- Hanger bars not included, order (CH26) C-channels, (FB27) linear bar hangers, or use 1/2" EMT pipe.
- UL damp location listed
- UL feed through listed



Dimensions

Height: 9 3/4" • Opening: 6 1/2"
Trim O.D.: 7 1/2"



7" Vertical CFL Emergency Downlights

1 Lamp 13W - 42W

ELV7113E-EM	(1) 13W 4 Pin Quad or Triple 120/277V Elec.
ELV7118E-EM	(1) 18W 4 Pin Quad or Triple 120/277V Elec.
ELV7126E-EM	(1) 26W 4 Pin Quad or Triple 120/277V Elec.
ELV7132E-EM	(1) 32W 4 Pin Triple 120/277V Elec.
ELV7142E-EM	(1) 42W 4 Pin Triple 120/277V Elec.

Elec. = Electronic Ballast

Item Selector:

HOUSING

HOUSING ACCESSORY 1

TRIM

▼ Compatible Trim



Reflector Trim

EL716G Gold Ref. White Ring
EL716C Clear Ref. White Ring
EL716F Self Flanged Clear Ring
EL716H Haze Ref. White Ring
O.D.: 7 1/2"



Reflector with Prismatic Lens

EL732G Gold Ref. White Ring
EL732C Clear Ref. White Ring
EL732F Self Flanged Clear Ring
EL732B Black Ref. White Ring
EL732W White Ref. White Ring
O.D.: 7 1/2"



Baffle with Regressed Lens Trim

EL752W White Bfl. White Ring
EL752B Black Bfl. White Ring
O.D.: 7 1/2"



Wall Wash Reflector with Baffle Trim

EL755W White Bfl. Clear Ref. White Trim
EL755B Black Bfl. Clear Ref. White Trim
EL755HB Black Bfl. Haze Ref. White Trim
EL755HW White Bfl. Haze Ref. White Trim
O.D.: 7 1/2"



Baffle with Reflector Trim

EL733B Black Bfl. Clear Ref. White Ring
EL733W White Bfl. Clear Ref. White Ring
EL733N Nickel Bfl. Clear Ref. Nickel Ring
EL733HB Black Bfl. Haze Ref. White Ring
EL733HW White Bfl. Haze Ref. White Ring
O.D.: 7 1/2"



Clear Reflector with Fresnel Lens and Metal Ring

EL737F Self Flanged Clear
O.D.: 7 1/2"



Wall Wash Reflector

EL738C Clear Ref. White Ring
O.D.: 7 1/2"



Cross Blade Reflector Trim

EL781C Clear Ref. White Ring
O.D.: 7 1/2"

▼ Housing Accessories

Hanger Bar **FB27** = Set of two 27" flat hanger bars. For wood construction.
CH26 = Set of two 26" C-Channel hanger bars. For T-Bar Ceiling.

7" CFL Emergency Downlights



8" Horizontal CFL Emergency Downlights

2 Lamps 13W - 18W

ELH7213-EM (2) 13W 2 Pin PL/Quad 120V NPF Mag.

ELH7213E-EM (2) 13W 4 Pin Quad 120/277V Elec.

ELH7218E-EM (2) 18W 4 Pin Quad 120/277V Elec.

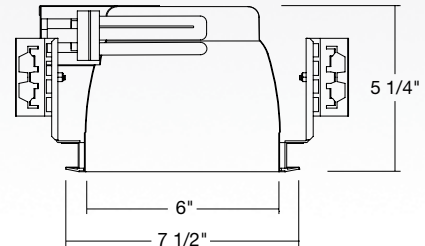
Elec. = Electronic Ballast Mag. = Magnetic Ballast

Features

- CFL emergency housing (with battery backup) for (2) horizontally mounted CFL lamps.
- Provides 90 mins of emergency operation upon power failure.
- 650 lumen light output in emergency mode from single CFL lamp.
- Emergency frame-in module includes regular and battery backup ballasts.
- Trim support adjusts 3/4" to accommodate varying ceiling thickness.
- Hanger bars not included, order (CH26) C-channels, (FB27) linear bar hangers, or use 1/2" EMT pipe.
- UL damp location listed
- UL feed through listed

Dimensions

Height: 5 1/4" • Opening: 6 1/2"
Trim O.D.: 7 1/2"



Item Selector:

HOUSING

HOUSING ACCESSORY 1

TRIM

▼ Compatible Trim



Reflector Trim

EL721C Clear Ref. White Ring
EL721G Gold Ref. White Ring
EL721H Haze Ref. White Ring
O.D.: 7 1/2"



Baffle with Regressed Lens Trim

EL742W All White
EL742B Black Bfl. White Ring
EL742N All Nickel
O.D.: 7 1/2"



Baffle with Reflector Trim

EL730W White Bfl. Clear Ref. White Ring
EL730B Black Bfl. Clear Ref. White Ring
EL730HB Black Bfl. Haze Ref. White Ring
EL730HW White Bfl. Haze Ref. White Ring
O.D.: 7 1/2"



Wall Wash with Baffle

EL745W White Bfl. Clear Ref. White Trim
EL745B Black Bfl. Clear Ref. White Trim
EL745HB Black Bfl. Haze Ref. White Trim
EL745HW White Bfl. Haze Ref. White Trim
O.D.: 7 1/2"



Reflector Trim with Prismatic Lens

EL762G Gold Ref. White Ring
EL762C Clear Ref. White Ring
O.D.: 7 1/2"



Cross Blade Reflector Trim

EL777C Clear Ref. White Ring
O.D.: 7 1/2"



Wall Wash Reflector

EL753C Clear Ref. White Ring
O.D.: 7 1/2"

▼ Housing Accessories

Hanger Bar **FB27** = Set of two 27" flat hanger bars. For wood construction.
CH26 = Set of two 26" C-Channel hanger bars. For T-Bar Ceiling.

7" CFL Emergency Downlights

Features

- CFL emergency housing (with battery backup) for (1) or (2) horizontally mounted CFL lamps.
- Provides 90 mins of emergency operation upon power failure.
- 650 lumen light output in emergency mode from single CFL lamp.
- Emergency frame-in module includes electronic and battery backup ballasts.
- Trim support adjusts 3/4" to accommodate varying ceiling thickness.
- Hanger bars not included, order (CH26) C-channels, (FB27) linear bar hangers, or use 1/2" EMT pipe.
- UL damp location listed
- UL feed through listed



7" Horizontal CFL Emergency Downlights

1 or 2 Lamps 26W - 42W

ELH7126E-EM (1) 26W 4 Pin Quad/Triple 120/277V Elec.

ELH7226E-EM (2) 26W 4 Pin Quad 120/277V Elec.

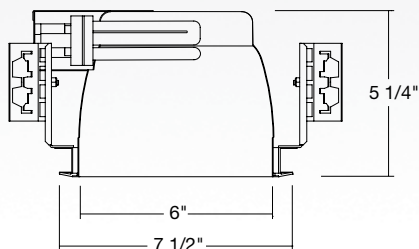
ELH7132E-EM (1) 32W 4 Pin Triple 120/277V Elec.

ELH7142E-EM (1) 42W 4 Pin Triple 120/277V Elec.

Elec. = Electronic Ballast

Dimensions

Height: 5 1/4" • Opening: 6 1/2"
Trim O.D.: 7 1/2"



Item Selector:

HOUSING

HOUSING ACCESSORY 1

TRIM

▼ Compatible Trim



Cross Blade Reflector Trim
EL778C Clear Ref. White Ring
O.D.: 7 5/8"



Reflector Trim
EL741G Gold Ref. White Ring
EL741C Clear Ref. White Ring
EL741F Self Flanged Clear Ring
EL741H Haze Ref. White Ring
O.D.: 7 1/2"



Baffle with Reflector Trim
EL731W White Bfl. Clear Ref. White Ring
EL731B Black Bfl. Clear Ref. White Ring
EL731N Nickel Bfl. Clear Ref. Nickel Ring
EL731HB Black Bfl. Haze Ref. White Ring
EL731HW White Bfl. Haze Ref. White Ring
O.D.: 7 1/2"



Baffle with Regressed Lens Trim
EL743W White Bfl. White Ring
EL743B Black Bfl. White Ring
EL743N All Nickel
EL743BZ All Bronze
O.D.: 7 1/2"



Wall Wash with Baffle
EL746W White Bfl. Clear Ref. White Trim
EL746B Black Bfl. Clear Ref. White Trim
EL746HW White Bfl. Haze Ref. White Trim
EL746HB Black Bfl. Haze Ref. White Trim
O.D.: 7 1/2"



Reflector Trim with Prismatic Lens
EL782G Gold Ref. White Ring
EL782W White Ref. White Ring
EL782B Black Ref. White Ring
EL782C Clear Ref. White Ring
O.D.: 7 1/2"



Wall Wash Reflector
EL754C Clear Ref. White Ring
O.D.: 7 1/2"

▼ Housing Accessories

Hanger Bar **FB27** = Set of two 27" flat hanger bars. For wood construction.
CH26 = Set of two 26" C-Channel hanger bars. For T-Bar Ceiling.

7" CFL Emergency Downlights



7" Horizontal CFL Emergency Downlights

2 Lamps 13W - 18W

ELH213-EM	(2) 13W 2 Pin Quad 120V NPF Mag.
ELH213E-EM	(2) 13W 4 Pin Quad 120/277V Elec.
ELH218E-EM	(2) 18W 4 Pin Quad 120/277V Elec.

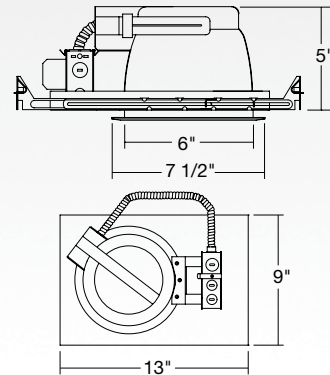
Elec. = Electronic Ballast Mag. = Magnetic Ballast

Features

- CFL emergency housing with plaster frame (with battery backup) for (2) horizontally mounted CFL lamps.
- Provides 90 mins of emergency operation upon power failure.
- 650 lumen light output in emergency mode from single CFL lamp.
- Emergency frame-in module includes regular and battery backup ballasts.
- Trim support adjusts 3/4" to accommodate varying ceiling thickness.
- Includes plaster frame with 24" captive bar hangers. UL damp location listed
- UL feed through listed

Dimensions

Height: 5" • Opening: 6 1/2"
Trim O.D.: 7 1/2"



Item Selector:

HOUSING

TRIM

▼ Compatible Trim



Reflector Trim
EL721C Clear Ref. White Ring
EL721G Gold Ref. White Ring
EL721H Haze Ref. White Ring
 O.D.: 7 1/2"



Baffle with Regressed Lens Trim
EL742W All White
EL742B Black Bfl. White Ring
EL742N All Nickel
 O.D.: 7 1/2"



Wall Wash with Baffle
EL745W White Bfl. Clear Ref. White Trim
EL745B Black Bfl. Clear Ref. White Trim
EL745HB Black Bfl. Haze Ref. White Trim
EL745HW White Bfl. Haze Ref. White Trim
 O.D.: 7 1/2"



Baffle with Reflector Trim
EL730W White Bfl. Clear Ref. White Ring
EL730B Black Bfl. Clear Ref. White Ring
EL730HB Black Bfl. Haze Ref. White Ring
EL730HW White Bfl. Haze Ref. White Ring
 O.D.: 7 1/2"



Reflector Trim with Prismatic Lens
EL762G Gold Ref. White Ring
EL762C Clear Ref. White Ring
 O.D.: 7 1/2"



Cross Blade Reflector Trim
EL777C Clear Ref. White Ring
 O.D.: 7 1/2"



Wall Wash Reflector
EL753C Clear Ref. White Ring
 O.D.: 7 1/2"

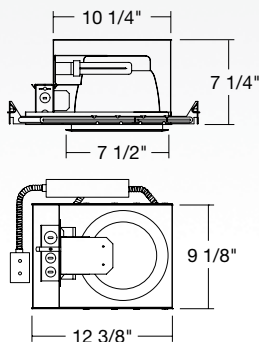
7" CFL Emergency Downlights

Features

- Double wall IC rated CFL emergency housing (with battery backup) for (2) horizontally mounted CFL lamps.
- Provides 90 mins of emergency operation upon power failure.
- 650 lumen light output in emergency mode from single CFL lamp.
- Emergency frame-in module includes regular and battery backup ballasts.
- Trim support adjusts 3/4" to accommodate varying ceiling thickness.
- 7 1/4" height allows for use in 2 x 8 construction.
- Includes plaster frame with 24" captive bar hangers.
- UL listed for direct contact with insulation
- UL damp location listed
- UL feed through listed

Dimensions

Height: 7 1/4" • Opening: 6 1/2"
Trim O.D.: 7 1/2"



7" IC Horizontal CFL Emergency Downlights

2 Lamps 13W

ELH213IC-EM (2) 13W 2 Pin Quad 120V Mag.

ELH213ICE-EM (2) 13W 4 Pin Quad 120/277V Elec.

Elec. = Electronic Ballast Mag. = Magnetic Ballast

Item Selector:

HOUSING

TRIM

▼ Compatible Trim



Reflector Trim

EL721C Clear Ref. White Ring
EL721G Gold Ref. White Ring
EL721H Haze Ref. White Ring
O.D.: 7 1/2"



Baffle with Regressed Lens Trim

EL742W All White
EL742B Black Bfl. White Ring
EL742N All Nickel
O.D.: 7 1/2"



Wall Wash with Baffle

EL745W White Bfl. Clear Ref. White Trim
EL745B Black Bfl. Clear Ref. White Trim
EL745HB Black Bfl. Haze Ref. White Trim
EL745HW White Bfl. Haze Ref. White Trim
O.D.: 7 1/2"



Baffle with Reflector Trim

EL730W White Bfl. Clear Ref. White Ring
EL730B Black Bfl. Clear Ref. White Ring
EL730HB Black Bfl. Haze Ref. White Ring
EL730HW White Bfl. Haze Ref. White Ring
O.D.: 7 1/2"



Reflector Trim with Prismatic Lens

EL762G Gold Ref. White Ring
EL762C Clear Ref. White Ring
O.D.: 7 1/2"



Cross Blade Reflector Trim

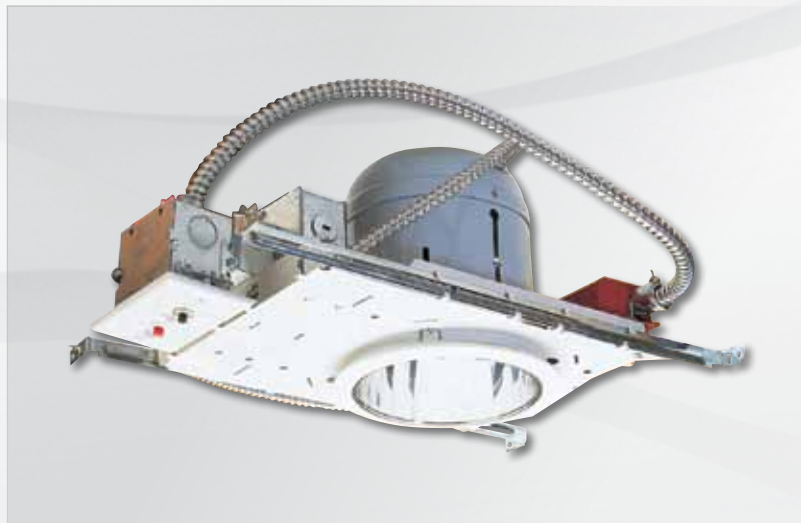
EL777C Clear Ref. White Ring
O.D.: 7 1/2"



Wall Wash Reflector

EL753C Clear Ref. White Ring
O.D.: 7 1/2"

6" CFL Emergency Downlights



6" Vertical CFL Emergency Downlights

1 Lamp 13W - 42W IC & Airtight available

EL27HICA-EM	(1) 13W 2 Pin Quad 120V NPF Mag. IC Airtight
EL27HE13-EM	(1) 13W 4 pin Quad or Triple 120/277V Elec.
EL27HE18-EM	(1) 18W 4 pin Quad or Triple 120/277V Elec.
EL27HE26-EM	(1) 26W 4 Pin Quad or Triple 120/277V Elec.
EL27HE32-EM	(1) 32W 4 Pin Triple 120/277V Elec.
EL27HE42-EM	(1) 42/32/26W 4 Pin Triple 120/277V Elec.
EL27E26ICA-EM	(1) 26W 4 Pin Triple 120V Elec. IC Airtight, CA Title 24

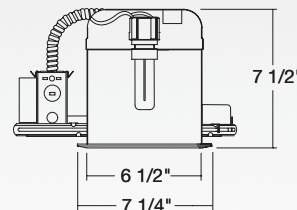
Elec. = Electronic Ballast Mag. = Magnetic Ballast

Features

- CFL emergency housing with plaster frame (with battery backup) for (1) vertically mounted CFL lamp.
- Provides 90 mins of emergency operation upon power failure.
- 650 lumen light output in emergency mode from single CFL lamp.
- Emergency frame-in module includes regular and battery backup ballasts.
- Trim support adjusts 3/4" to accommodate varying ceiling thickness.
- Includes plaster frame with 24" captive bar hangers.
- UL damp location listed
- UL feed through listed

Dimensions

Height: 7 1/2" • Opening: 6 1/2"
Trim O.D.: 7 1/4"



Item Selector:

HOUSING

TRIM

▼ Compatible Trim



Baffle with Regressed Albalite Lens and Reflector

ELM412W White Bfl. White Ring
Lamp: (1) 26W max CFL
O.D.: 7 1/4"



Specular Reflector Trim

ELS30C Clear Ref. White Ring
ELS30B Black Ref. White Ring
ELS30G Gold Ref. White Ring
ELS30W All White
Lamp: (1) 42W max CFL
O.D.: 7 1/4"



Specular Cone Reflector Trim

ELA99SC Clear Ref. White Trim
ELA99SG Gold Ref. White Trim
ELA99SB Black Ref. White Trim
ELA99SW All White
ELA99H Haze Ref. White Ring
Lamp: (1) 42W max CFL
O.D.: 7 1/4"



Shower Trim with Fresnel Lens

EL13W White
EL13G Gold
EL13N Nickel
EL13SH White Lexan Ring
Lamp: (1) 42W max CFL
O.D.: 8"



Shower Trim with Albalite Lens

EL12W White
EL12B Black
EL12G Gold
EL12N Nickel
EL12SH White Lexan Ring
Lamp: (1) 42W max CFL
O.D.: 8"



Specular Reflector Trim

ELS40C Clear Ref. White Ring
ELS40G Gold Ref. White Ring
Lamp: (1) 42W max CFL
O.D.: 7 1/4"



Shower Trim with Albalite Lens and Reflector

EL112W White Ring
EL112BZ Bronze Ring
EL112CP Copper Ring
EL112G Gold Ring
EL112SH White Lexan Ring
Lamp: (1) 42W max CFL
O.D.: 8"



Shower Trim with Fresnel Lens and Reflector

EL113W White Ring
EL113BZ Bronze Ring
EL113CP Copper Ring
EL113G Gold Ring
EL113SH White Lexan Ring
Lamp: (1) 42W max CFL
O.D.: 8"



Shower Trim with Frosted Lens and Reflector

EL122W White
EL122SH White Lexan Ring
Lamp: (1) 42W max CFL
O.D.: 8"



Baffle with Regressed Frosted Dome Lens and Reflector

ELM427W White
Lamp: (1) 42W max CFL
O.D.: 7 1/4"



Reflector with Baffle Trim

ELA101W All White
ELA101B Black Bfl. White Ring
Lamp: (1) 42W max CFL
O.D.: 7 1/4"

5" CFL Emergency Downlights

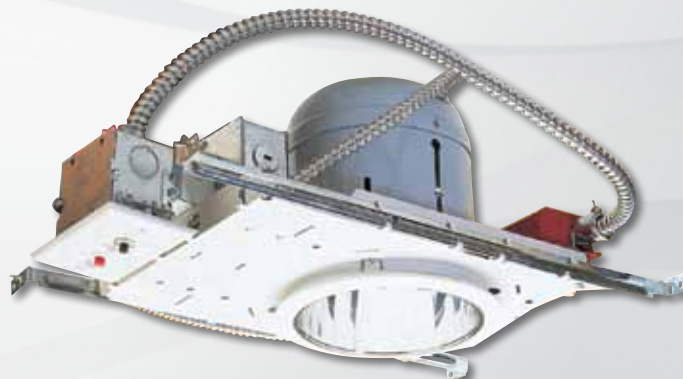
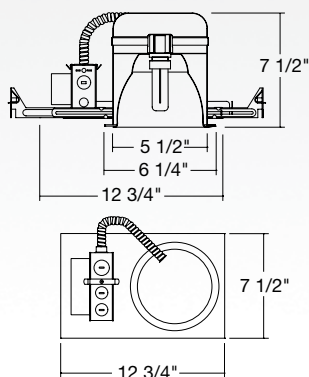
Features

- CFL emergency housing with plaster frame (with battery backup) for (1) vertically mounted CFL lamp.
- Provides 90 mins of emergency operation upon power failure.
- 650 lumen light output in emergency mode from single CFL lamp.
- Emergency frame-in module includes electronic and battery backup ballasts.
- Trim support adjusts 3/4" to accommodate varying ceiling thickness.
- Includes plaster frame with 24" captive bar hangers.
- UL damp location listed
- UL feed through listed

Dimensions

Height: 7 1/2" • Opening: 5 1/2"

Trim O.D.: 6 1/4"



5" Vertical CFL Emergency Downlights

1 Lamp 26W - 42W

EL527HE26-EM (1) 26W 4 Pin Quad or Triple 120/277V Elec.

EL527HE32-EM (1) 32W 4 Pin Triple 120/277V Elec.

EL527HE42-EM (1) 42W 4 Pin Triple 120/277V Elec.

Elec. = Electronic Ballast

Item Selector:

HOUSING

TRIM

▼ Compatible Trim



Specular Reflector with White Trim Ring

ELA599SC Clear Ref. White Ring

ELA599SB Black Ref. White Ring

ELA599SG Gold Ref. White Ring

ELA599SW All White

Lamp: 42W max CFL

O.D.: 6 1/4"



Chrome Reflector with Baffle and White Trim Ring

ELA501W White Bfl. White Ring

ELA501B Black Bfl. White Ring

Lamp: 42W max CFL

O.D.: 6 1/4"



Brushed Shower Trim with Albalite Lens

EL512W White

EL512SH White Lexan Ring

Lamp: 42W max CFL

O.D.: 6 1/4"



White Shower Trim with Fresnel Lens

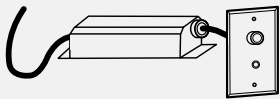
EL513W White

EL513SH White Lexan Ring

Lamp: 42W max CFL

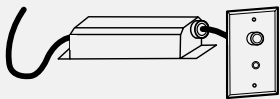
O.D.: 6 1/4"

CFL Emergency Downlights



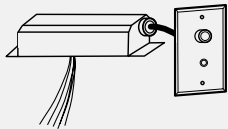
KEM-P13

CFL Emergency battery backup for fluorescent housings with (1) 9W, (1) 11W, (2) 9W, (2) 13W 2 Pin lamps, magnetic, 120V or 277V. Kit includes battery and test switch. For magnetic fixture. 650 lumens for 90 min.



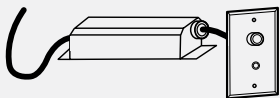
KEM-P26

CFL Emergency battery backup for fluorescent housings with (1) 18W, (1) 26W, (2) 18W, (2) 26W 2 Pin lamps, magnetic, 120V or 277V. Fixture includes battery and test switch. For magnetic fixture. 650 lumens for 90 min.



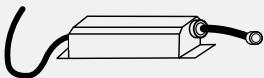
KEM-P32

CFL Emergency battery backup for fluorescent housings with (1) 13W-42W, (2) 13W-42W 4 Pin lamps, 120V or 277V, electronic, J box mount. Kit includes battery and test switch. For electronic fixture. 650 lumens for 90 min.



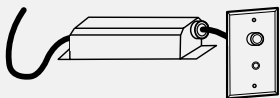
KEM-P42

CFL Emergency battery backup for electronic housings with (1) 13W-42W, (2) 13W-42W 4 Pin Lamps, 120V or 277V. Kit includes battery and test switch. For Field Installation. For electronic fixtures.



KEM-P43

CFL Emergency battery backup for electronic housings with (1) 13W-42W, (2) 13W-42W 4 Pin Lamps, 120V or 277V, for in trim test switch installation. For electronic fixtures.



KEM-P52

CFL Emergency Ballast Kit. Emergency power back-up for (1) 13W to 57W, (2) 13W/18W 4 Pin lamps, 1300 lumens, 90 min emergency operation.

Emergency Unit for use with Emergency Low Voltage Housings. 12V lead calcium battery delivers more than 90 minutes capacity to emergency lamps. 120/277V operation.

KEM-50W

50W Emergency Unit
Dimensions: 12 5/8"W x 8"H x 3"D

KEM-100W

100W Emergency Unit
Dimensions: 12 5/8"W x 8"H x 5"D

KEM-200W

200W Emergency Unit
Dimensions: 20"W x 9 1/2"H x 4 1/4"D

CFL Dimming Ballast Ordering Information

	Type D	Type DX	Type DX-7	Type D1	Type D-Lutron	Type D-Lutron	Type D-Lutron	Type D-Lutron	Type D-Lutron	Type D-Lutron	Type D-Lutron
	Advance Mark VII 120/277	Advance Mark X 120V	Advance Mark X 277V	Advance Ambistar 120V	LUTRON CompactSE 120V	LUTRON CompactSE 277V	LUTRON Tu-Wire 120V	LUTRON Tu-Wire 277V	LUTRON Hi-Lume 120V	LUTRON Hi-Lume 277V	LUTRON EcoSystem 120/277V
1-13W	Y	N/A	N/A	N/A	N/A	N/A	N/A	N/A	N/A	N/A	
2-13W	Y	N/A	N/A	N/A	N/A	N/A	N/A	N/A	N/A	N/A	
1-18W	Y	Y	Y	N/A	Y	Y	N/A	N/A	N/A	N/A	Y
2-18W	Y	Y	Y	N/A	Y	Y	Y	N/A	N/A	N/A	Y
1-26W	Y	Y	Y	Y	Y	Y	Y	N/A	Y	Y	Y
2-26W	Y	Y	Y	Y	Y	Y	Y	N/A	1	1	Y
1-32W	Y	Y	Y	Y	Y	Y	Y	N/A	Y	Y	Y
2-32W	Y	Y	Y	1	Y	Y	Y	N/A	1	1	Y
1-42W	Y	Y	Y	Y	Y	Y	N/A	N/A	N/A	N/A	Y
2-42W	Y	Y	Y	1	Y	Y	N/A	N/A	N/A	N/A	Y
1-57W	Y	Y	Y	N/A	N/A	N/A	N/A	N/A	N/A	N/A	
1-70-W	Y	Y	Y	N/A	N/A	N/A	N/A	N/A	N/A	N/A	

NOTES:

- 1 lamp per ballast. Would need 2 ballasts per fixture. Consult factory.
- 347V ballasts are available. Consult factory for type and availability.
- Please specify jobsite electrical (120V or 277V or 347V) on all orders, for all ballast types.
- Advance Mark VII is 5%- 100% range. Black, white, green and two low voltage wires.
- Advance Mark X is 5%- 100% range. Black, white, green wiring.
- Advance Ambistar is 15%- 100% range. Black, white, green wiring.
- LUTRON CompactSE is 5%- 100% range. Black, white, green and dim-black wiring.
- LUTRON Tu-Wire is 5%- 100% range. Black, white, green wiring.
- LUTRON Hi-Lume is 1%- 100% range. Black, white, green and dim-black wiring.
- Lutron EcoSystem is 10%- 100% range. Black, white, green, orange wiring.

Index

E

E4M20E.....	55	EE98HG.....	85	EL99PL.....	37
E4M35E.....	55	EEL1.....	83	EL99PL18ICDA.....	38
E6M32.....	50	EEL1B.....	83	EL99PL18ICEA.....	38
E6M32E.....	51	EEL2.....	83	EL99PL26ICDA.....	38
E6M50.....	50	EEL3.....	83	EL99PL26ICEA.....	38
E6M50E.....	51	EEL5.....	83	EL99PLE.....	37
E6M70.....	50	EEL6.....	83	EL99PLICEA.....	37
E6M70E.....	51	EELED.....	83	EL99R18ICDXA.....	40
E6M100.....	50	EELDB.....	83	EL99RP18ICDA.....	40
E6M100E.....	51	EELP3A.....	87	EL99RP18ICEA.....	40
E6RM32E.....	52	EELP4A.....	87	EL99RP26ICEA.....	44
E6RM50E.....	52	EELP8A.....	87	EL99RPL.....	41
E6RM70E.....	52	EERH15.....	86, 87	EL99RPL18DXA.....	40
E6RM100E.....	52	EL4M20E.....	57	EL99RPL18EA.....	40
E8M32.....	47	EL4M35E.....	57	EL99RPL26DA.....	40
E8M32E.....	48	EL5LV-EM.....	91	EL99RPL26DXA.....	40
E8M50.....	47	EL7LV-EM.....	89	EL99RPL26EA.....	40
E8M50E.....	48	EL8SQ-118E.....	23	EL99RPL32DA.....	40
E8M70.....	47	EL8SQ118ICEA.....	22	EL99RPL32DXA.....	40
E8M70E.....	48	EL8SQ-126D.....	23	EL99RPL32EA.....	40
E8M100.....	47	EL8SQ-126E.....	23	EL99RPLEA.....	41
E8M100E.....	48	EL8SQ126ICDA.....	22	EL99RPLICEA.....	41
E8M150E.....	48	EL8SQ126ICEA.....	22	EL112BZ.....	110
E8RM32E.....	49	EL8SQ-132D.....	23	EL112CP.....	110
E8RM50E.....	49	EL8SQ-132E.....	23	EL112G.....	110
E8RM70E.....	49	EL8SQ132ICDA.....	22	EL112SH.....	110
E8RM100E.....	49	EL8SQ132ICEA.....	22	EL112W.....	110
E8RM150E.....	49	EL8SQ-142D.....	23	EL113BZ.....	110
E9RP18ICEA-7.....	40	EL8SQ-142DX.....	23	EL113CP.....	110
E9RP26ICEA-7.....	44	EL8SQ-142E.....	23	EL113G.....	110
E10M50E.....	46	EL8SQ142ICDA.....	22	EL113SH.....	110
E10M70.....	46	EL8SQ142ICEA.....	22	EL113W.....	110
E10M70E.....	46	EL8SQ-213.....	23	EL122SH.....	110
E10M100.....	46	EL8SQ-213E.....	23	EL122W.....	110
E10M100E.....	46	EL8SQ213ICEA.....	22	EL317BZ.....	54
E10M150E.....	46	EL8SQ-218E.....	23	EL317CP.....	54
E10M175E.....	46	EL8SQ218ICDA.....	22	EL317G.....	54
E10M200E.....	46	EL8SQ218ICEA.....	22	EL317W.....	54
EDGLIT1G.....	84	EL8SQ-226D.....	23	EL318G.....	54
EDGLIT1R.....	84	EL8SQ-226DX.....	23	EL318W.....	54
EDGLIT2G.....	84	EL8SQ-226E.....	23	EL377B-RM7W.....	54
EDGLIT2R.....	84	EL8SQ226ICDA.....	22	EL377C-RM7W.....	54
EDGREC1G.....	84	EL8SQ226ICEA.....	22	EL377G-RM7W.....	54
EDGREC1R.....	84	EL8SQ-232D.....	23	EL377W-RM7W.....	54
EDGREC2G.....	84	EL8SQ-232DX.....	23	EL477B-RM7W.....	54
EDGREC2R.....	84	EL8SQ-232E.....	23	EL477C-RM7W.....	54
EE7-EM.....	99	EL8SQ-242D.....	23	EL477G-RM7W.....	54
EE20L.....	86	EL8SQ-242DX.....	23	EL477W-RM7W.....	54
EE20LB.....	86	EL8SQ-242E.....	23	EL512SH.....	111
EE21RW.....	83	EL9P18ICEA-7.....	38	EL512W.....	111
EE22GW.....	83	EL9P26ICEA-7.....	38	EL513SH.....	111
EE40L.....	86	EL10W.....	22, 23	EL513W.....	111
EE50L.....	86	EL11W.....	22, 23	EL527HE26-EM.....	111
EE70L.....	86	EL12B.....	110	EL527HE32-EM.....	111
EE71RD.....	83	EL12G.....	110	EL527HE42-EM.....	111
EE72GD.....	83	EL12N.....	110	EL621B.....	35, 69
EE73RD.....	83	EL12SH.....	110	EL621C.....	35, 69
EE74GD.....	83	EL12W.....	110	EL621G.....	35, 69
EE80S.....	84	EL13G.....	110	EL621W.....	35, 69
EE81S.....	84	EL13N.....	110	EL700.....	35
EE83HR.....	85	EL13SH.....	110	EL700D.....	35
EE84HG.....	85	EL13W.....	110	EL700E.....	35
EE87HR.....	85	EL15W.....	22, 23	EL716C.....	7, 8, 24, 25, 32, 70, 105
EE88HG.....	85	EL27E26ICA-EM.....	110	EL716F.....	7, 8, 24, 25, 32, 70, 105
EE90LB.....	87	EL27HE13-EM.....	110	EL716G.....	7, 8, 24, 25, 32, 70, 105
EE90LBZ.....	87	EL27HE18-EM.....	110	EL716H.....	7, 8, 24, 25, 32, 70, 105
EE90LN.....	87	EL27HE26-EM.....	110	EL721C.....	26, 28, 30, 33, 65, 106, 108, 109
EE90LW.....	87	EL27HE32-EM.....	110	EL721F.....	26, 28, 30, 33, 65, 106, 108, 109
EE91LB.....	87	EL27HE42-EM.....	110	EL721G.....	26, 28, 30, 33, 65, 106, 108, 109
EE91LBZ.....	87	EL27HICA-EM.....	110	EL721H.....	26, 28, 30, 33, 65, 106, 108, 109
EE91LN.....	87	EL99P18ICDXA.....	38	EL730B.....	26, 28, 30, 33, 65, 106, 108, 109
EE91LW.....	87	EL99P26ICD1A.....	38	EL730BZ.....	26, 28, 30, 33, 65, 106, 108, 109
EE97HR.....	85	EL99P26ICDX7.....	38	EL730CP.....	26, 28, 30, 33, 65, 106, 108, 109
		EL99P26ICDXA.....	38	EL730HB.....	26, 28, 30, 33, 65, 106, 108, 109
		EL99P26ICEAL.....	39	EL730HW.....	26, 28, 30, 33, 65, 106, 108, 109

EL730N.....	26, 28, 30, 33	EL783W.....	50, 51, 52, 73	EL880E-347.....	21
EL730W.....	26, 28, 30, 33, 65, 106, 108, 109	EL799C.....	50, 51, 52, 73	EL881C.....	5, 6, 12, 18, 64, 100
EL731B.....	27, 29, 31, 34, 68, 107	EL799F.....	50, 51, 52, 73	EL882C.....	15, 17, 20, 62, 103
EL731BZ.....	27, 29, 31, 34	EL799G.....	50, 51, 52, 73	EL882G.....	15, 17, 20, 62, 103
EL731HB.....	27, 29, 31, 34, 68, 107	EL799H.....	50, 51, 52, 73	EL883B.....	47, 48, 49, 72
EL731HW.....	27, 29, 31, 34, 68, 107	EL800.....	21	EL883HB.....	47, 48, 49, 72
EL731N.....	27, 29, 31, 34, 107	EL800D.....	21	EL883HW.....	47, 48, 49, 72
EL731W.....	27, 29, 31, 34, 68, 107	EL800E.....	21	EL883W.....	47, 48, 49, 72
EL732B.....	24, 25, 32, 105	EL800E-347.....	21	EL885D.....	21
EL732C.....	7, 8, 24, 25, 32, 70, 105	EL816C.....	5, 6, 12, 18, 64, 100	EL885DX.....	21
EL732F.....	7, 8, 24, 25, 32, 105	EL816F.....	5, 6, 12, 18, 64, 100	EL885E.....	21
EL732G.....	7, 8, 24, 25, 32, 70, 105	EL816G.....	5, 6, 12, 18, 64, 100	EL888C.....	13, 14, 16, 19, 61, 101, 102, 104
EL732W.....	24, 25, 32, 105	EL816H.....	5, 6, 12, 18, 64	EL888G.....	13, 14, 16, 19, 61, 101, 102, 104
EL733B.....	7, 8, 24, 25, 32, 70, 105	EL821C.....	13, 14, 16, 19, 61, 101, 102, 104	EL889C.....	15, 17, 20, 62, 103
EL733HB.....	7, 8, 24, 25, 32, 70, 105	EL821F.....	13, 14, 16, 19, 61, 101, 102, 104	EL889G.....	15, 17, 20, 62, 103
EL733HW.....	7, 8, 24, 25, 32, 70, 105	EL821G.....	13, 14, 16, 19, 61, 101, 102, 104	EL899C.....	47, 48, 49, 72
EL733N.....	24, 25, 32, 105	EL821H.....	13, 14, 16, 19, 61, 101, 102, 104	EL899F.....	47, 48, 49, 72
EL733W.....	7, 8, 24, 25, 32, 70, 105	EL821W.....	13, 14, 16, 19, 61	EL899H.....	47, 48, 49, 72
EL737C.....	24, 25, 32, 50, 51, 52, 73	EL826C.....	13, 14, 16, 19, 47, 61, 72, 101, 102, 104	EL901C.....	55, 56
EL737F.....	24, 25, 32, 50, 51, 52, 73, 105	EL826G.....	13, 14, 16, 19, 47, 61, 72, 101, 102, 104	EL901W.....	55, 56
EL738C.....	7, 8, 24, 25, 32, 70, 105	EL826H.....	13, 14, 16, 19, 47, 72, 101, 102, 104	EL902W.....	55, 56
EL738C-RM8W.....	50, 51, 52	EL827C.....	15, 17, 20, 62, 103	EL911B.....	42
EL738-RM8W.....	73	EL827G.....	15, 17, 20, 103	EL911BZ.....	42
EL741C.....	27, 29, 31, 34, 68, 107	EL827H.....	15, 17, 20, 62, 103	EL911CP.....	42
EL741F.....	27, 29, 31, 34, 107	EL830B.....	13, 14, 16, 19, 61, 101, 102, 104	EL911SH.....	42
EL741G.....	27, 29, 31, 34, 68, 107	EL830HB.....	13, 14, 16, 19, 61, 101, 102, 104	EL911W.....	42
EL741H.....	27, 29, 31, 34, 68, 107	EL830HW.....	13, 14, 16, 19, 61, 101, 102, 104	EL912B.....	42
EL742B.....	26, 28, 30, 33, 65, 106, 108, 109	EL830W.....	13, 14, 16, 19, 61, 101, 102, 104	EL912BZ.....	42
EL742BZ.....	26, 28, 30, 33	EL831B.....	15, 17, 20, 62, 103	EL912C.....	42
EL742CP.....	26, 28, 30, 33	EL831HB.....	15, 17, 20, 62, 103	EL912CP.....	42
EL742N.....	26, 28, 30, 33, 106, 108, 109	EL831HW.....	15, 17, 20, 62, 103	EL912G.....	42
EL742W.....	26, 28, 30, 33, 65, 106, 108, 109	EL831W.....	15, 17, 20, 62, 103	EL912N.....	42
EL743B.....	27, 29, 31, 34, 68, 107	EL832C.....	5, 6, 12, 18, 64, 100	EL912SH.....	42
EL743BZ.....	27, 29, 31, 34, 107	EL832F.....	5, 6, 12, 18, 100	EL912W.....	42
EL743N.....	27, 29, 31, 34, 107	EL832G.....	5, 6, 12, 18, 64, 100	EL913BZ.....	42
EL743W.....	27, 29, 31, 34, 68, 107	EL832W.....	5, 6, 12, 18, 100	EL913CP.....	42
EL745B.....	26, 28, 30, 33, 65, 106, 108, 109	EL833B.....	5, 6, 12, 18, 100	EL913G.....	42
EL745HB.....	26, 28, 30, 33, 65, 106, 108, 109	EL833HB.....	5, 6, 12, 18, 64, 100	EL913N.....	42
EL745HW.....	26, 28, 30, 33, 65, 106, 108, 109	EL833HW.....	5, 6, 12, 18, 64, 100	EL913SH.....	42
EL745W.....	26, 28, 30, 33, 65, 106, 108, 109	EL833W.....	5, 6, 12, 18, 64, 100	EL913W.....	42
EL746B.....	27, 29, 31, 34, 68, 107	EL836C.....	5, 6, 12, 18, 64, 100	EL914B.....	42
EL746HB.....	27, 29, 31, 34, 68, 107	EL836G.....	5, 6, 12, 18, 64, 100	EL914BZ.....	42
EL746HW.....	27, 29, 31, 34, 68, 107	EL837C.....	47, 48, 49, 72	EL914SH.....	42
EL746W.....	27, 29, 31, 34, 68, 107	EL837F.....	47, 48, 49, 72	EL914W.....	42
EL750D.....	35	EL838C.....	5, 6, 12, 18, 64, 100	EL915B.....	42
EL750DX.....	35	EL838C-RM9W.....	72	EL915BZ.....	42
EL750E.....	35	EL841C.....	15, 17, 20, 62, 103	EL915C.....	42
EL752B.....	7, 8, 24, 25, 32, 70, 105	EL841F.....	15, 17, 20, 62, 103	EL915CP.....	42
EL752W.....	7, 8, 24, 25, 32, 70, 105	EL841G.....	15, 17, 20, 62, 103	EL915G.....	42
EL753C.....	26, 28, 30, 33, 65, 106, 108, 109	EL841H.....	15, 17, 20	EL915N.....	42
EL754C.....	27, 29, 31, 34, 68, 107	EL841W.....	15, 17, 20, 62	EL915SH.....	42
EL755B.....	7, 8, 24, 25, 32, 70, 105	EL842B.....	13, 14, 16, 19, 61, 101, 102, 104	EL915W.....	42
EL755HB.....	7, 8, 24, 25, 32, 105	EL842W.....	13, 14, 16, 19, 61, 101, 102, 104	EL916B.....	42
EL755HW.....	7, 8, 24, 25, 32, 105	EL843B.....	15, 17, 20, 62, 103	EL916BZ.....	42
EL755W.....	7, 8, 24, 25, 32, 70, 105	EL843W.....	15, 17, 20, 62, 103	EL916C.....	42
EL757B.....	50, 51, 52, 73	EL850D.....	21	EL916CP.....	42
EL757W.....	50, 51, 52, 73	EL850E.....	21	EL916G.....	42
EL762B.....	26, 28, 30, 33, 65	EL850E-347.....	21	EL916SH.....	42
EL762C.....	26, 28, 30, 33, 65, 106, 108, 109	EL852B.....	5, 6, 12, 18, 64, 100	EL916W.....	42
EL762G.....	26, 28, 30, 33, 65, 106, 108, 109	EL852W.....	5, 6, 12, 18, 64, 100	EL921B.....	21, 63
EL762W.....	26, 28, 30, 33, 65	EL853C.....	13, 14, 16, 19, 61, 101, 102, 104	EL921C.....	21, 63
EL775D.....	35	EL854C.....	15, 17, 20, 62, 103	EL921G.....	21, 63
EL775DX.....	35	EL857B.....	47, 48, 49, 72	EL921W.....	21, 63
EL775DX-7.....	35	EL857W.....	47, 48, 49, 72	EL925C.....	43
EL775E.....	35	EL862C.....	13, 14, 16, 19, 61, 101, 102, 104	EL925G.....	43
EL777C.....	26, 28, 30, 33, 65, 106, 108, 109	EL862G.....	13, 14, 16, 19, 61, 101, 102, 104	EL926B.....	43
EL778C.....	27, 29, 31, 34, 68, 107	EL875DX.....	21	EL926BZ.....	43
EL781C.....	24, 25, 32, 70, 105	EL875DX-7.....	21	EL926C.....	43
EL782B.....	27, 29, 31, 34, 68, 107	EL875E.....	21	EL926CP.....	43
EL782C.....	27, 29, 31, 34, 68, 107	EL875E-347.....	21	EL926G.....	43
EL782G.....	27, 29, 31, 34, 68, 107	EL880D.....	21	EL926N.....	43
EL782W.....	27, 29, 31, 34, 68, 107	EL880DX.....	21	EL926W.....	43
EL783B.....	50, 51, 52, 73	EL880E.....	21	EL952BL.....	43
EL783HB.....	50, 51, 52, 73			EL952R.....	43
EL783HW.....	50, 51, 52, 73			EL952W.....	43

Index

EL953BL.....	43	EL1420N.....	94	EL1448B.....	95
EL953W.....	43	EL1420W.....	94	EL1448BG.....	95
EL977B.....	55, 56	EL1421B.....	94	EL1448W.....	95
EL977C.....	55, 56	EL1421BB.....	94	EL1452BL.....	95
EL977G.....	55, 56	EL1421BN.....	94	EL1452R.....	95
EL977W.....	55, 56	EL1421BZ.....	94	EL1452W.....	95
EL985B.....	55, 56	EL1421C.....	57, 58, 94	EL1453BL.....	95
EL985BZ.....	55, 56	EL1421CC.....	94	EL1453W.....	95
EL985CP.....	55, 56	EL1421CCP.....	94	EL1487B.....	95
EL985N.....	55, 56	EL1421CN.....	57, 58, 94	EL1487G.....	95
EL985W.....	55	EL1421CP.....	57, 58, 94	EL1487N.....	95
EL993B.....	43	EL1421DC.....	94	EL1487W.....	95
EL993CP.....	43	EL1421DG.....	94	EL1488B.....	57, 58, 95
EL993KB.....	55, 56	EL1421G.....	57, 58, 94	EL1488BZ.....	57, 58, 95
EL993KN.....	55, 56	EL1421GBZ.....	94	EL1488CP.....	57, 58, 95
EL993KW.....	55, 56	EL1421GCP.....	94	EL1488G.....	95
EL993MB.....	55, 56	EL1421GG.....	94	EL1488N.....	57, 58, 95
EL993MW.....	55, 56	EL1421GN.....	94	EL1488SB.....	95
EL993W.....	43	EL1421W.....	57, 58, 94	EL1488SW.....	95
EL993WBZ.....	43	EL1421WBZ.....	94	EL1488W.....	57, 58, 95
EL993WCP.....	43	EL1421WCP.....	94	EL1493B.....	95
EL994B.....	43	EL1421WN.....	94	EL1493BB.....	95
EL994W.....	43	EL1422B.....	57, 58, 94	EL1493BBZ.....	95
EL995B.....	55, 56	EL1422BZ.....	94	EL1493BC.....	95
EL995W.....	55, 56	EL1422C.....	57, 58, 94	EL1493BCP.....	95
EL998BZ.....	55, 56	EL1422CP.....	57, 58, 94	EL1493BG.....	95
EL998CP.....	55, 56	EL1422W.....	57, 58, 94	EL1493BN.....	95
EL998G.....	55, 56	EL1423B.....	94	EL1493BZ.....	57, 58, 95
EL998W.....	55, 56	EL1423BN.....	94	EL1493CP.....	95
EL999B.....	43, 55, 56	EL1423BZ.....	94	EL1493DB.....	95
EL999BZ.....	43	EL1423CP.....	94	EL1493DW.....	95
EL999C.....	43, 55, 56	EL1423W.....	94	EL1493MB.....	57, 58, 95
EL999CC.....	43, 55, 56	EL1423WCP.....	94	EL1493MW.....	57, 58, 95
EL999CN.....	55, 56	EL1423WN.....	94	EL1493N.....	95
EL999CP.....	43	EL1424B.....	94	EL1493NW.....	95
EL999DC.....	43	EL1424BZ.....	94	EL1493W.....	95
EL999DG.....	43	EL1424CP.....	94	EL1493WBZ.....	95
EL999G.....	43, 55, 56	EL1424N.....	94	EL1493WN.....	95
EL999GG.....	43, 55, 56	EL1424W.....	94	EL1494B.....	95
EL999GN.....	55, 56	EL1425B.....	94	EL1494BG.....	95
EL999KC.....	55, 56	EL1425N.....	94	EL1494BN.....	95
EL999KG.....	55, 56	EL1425W.....	94	EL1494W.....	95
EL999W.....	43, 55, 56	EL1425WN.....	94	EL1494WN.....	95
EL1016C.....	10, 46, 60, 71	EL1426B.....	94	EL1495B.....	95
EL1037C.....	10, 46, 60, 71	EL1426BZ.....	94	EL1495W.....	95
EL1411B.....	93	EL1426C.....	94	EL1496W.....	95
EL1411BZ.....	93	EL1426CP.....	94	EL1497B.....	95
EL1411C.....	93	EL1426G.....	94	EL1497BZ.....	95
EL1411CP.....	93	EL1426N.....	94	EL1497CP.....	95
EL1411N.....	93	EL1426W.....	94	EL1497G.....	95
EL1411SH.....	93	EL1429B.....	57, 58, 94	EL1497N.....	95
EL1411W.....	93	EL1429BBZ.....	94	EL1497W.....	95
EL1412B.....	93	EL1429BCP.....	94	EL1498B.....	95
EL1412BZ.....	93	EL1429BN.....	57, 58, 94	EL1498G.....	95
EL1412C.....	93	EL1429C.....	57, 58, 94	EL1498W.....	95
EL1412CP.....	93	EL1429CN.....	57, 58, 94	EL1498WW.....	95
EL1412N.....	93	EL1429G.....	57, 58, 94	EL1499-277-EM.....	93
EL1412SH.....	93	EL1429W.....	94	EL1499A-EM.....	93
EL1412W.....	93	EL1430N.....	94	EL1499-EM.....	93
EL1415B.....	93	EL1430W.....	94	EL2412BZ.....	96
EL1415BZ.....	93	EL1431B.....	94	EL2412N.....	96
EL1415C.....	93	EL1431BG.....	94	EL2412W.....	96
EL1415CP.....	93	EL1431W.....	94	EL2415BZ.....	96
EL1415G.....	93	EL1433B.....	57, 58, 94	EL2415N.....	96
EL1415N.....	93	EL1433W.....	57, 58, 94	EL2415W.....	96
EL1415SH.....	93	EL1434WB.....	94	EL2421B.....	96
EL1415W.....	93	EL1434WW.....	94	EL2421BZ.....	96
EL1416W.....	93	EL1441W.....	94	EL2421C.....	96
EL1418W.....	94	EL1442G.....	94	EL2421CN.....	96
EL1419B.....	94	EL1442W.....	94	EL2421G.....	96
EL1419W.....	94	EL1444C.....	94	EL2421W.....	96
EL1420B.....	94	EL1445B.....	95	EL2421WBZ.....	96
EL1420BZ.....	94	EL1445C.....	95	EL2423B.....	96
EL1420CP.....	94	EL1445G.....	95	EL2423BZ.....	96
EL1420G.....	94	EL1445W.....	95	EL2423W.....	96

EL2429C.....	96	EL2576W.....	90	EL2693W.....	98
EL2429W.....	96	EL2579B.....	74, 90	EL2693WBZ.....	98
EL2440B.....	96	EL2579W.....	74, 90	EL2693WCP.....	98
EL2440BZ.....	96	EL2587W.....	90	EL2693WN.....	98
EL2440N.....	96	EL2588B.....	74, 90	EL2695B.....	98
EL2440W.....	96	EL2588W.....	74, 90	EL2695W.....	98
EL2443BZ.....	96	EL2589W.....	90	EL2696W.....	98
EL2443W.....	96	EL2597B.....	90	EL2697B.....	98
EL2493B.....	96	EL2597BZ.....	90	EL2697BZ.....	98
EL2493BB.....	96	EL2597CP.....	90	EL2697CP.....	98
EL2493BBZ.....	96	EL2597N.....	90	EL2697N.....	98
EL2493BN.....	96	EL2597W.....	90	EL2697W.....	98
EL2493BZ.....	96	EL2612W.....	97	EL2698WB.....	98
EL2493N.....	96	EL2613W.....	97	EL2698WW.....	98
EL2493W.....	96	EL2616B.....	97	EL2699A-EM.....	97
EL2493WBZ.....	96	EL2616C.....	97	EL2699-EM.....	97
EL2497B.....	96	EL2616W.....	97	EL5411B.....	91
EL2497BZ.....	96	EL2619WB.....	97	EL5411C.....	91
EL2497N.....	96	EL2619WC.....	97	EL5411G.....	91
EL2497W.....	96	EL2620W.....	98	EL5411W.....	91
EL2510B.....	74, 89	EL2621B.....	98	EL5412W.....	91
EL2510BZ.....	74, 89	EL2621BB.....	98	EL5420W.....	91
EL2510CP.....	74, 89	EL2621BBZ.....	98	EL5421B.....	91
EL2510N.....	74, 89	EL2621BZ.....	98	EL5421C.....	91
EL2510W.....	74, 89	EL2621C.....	98	EL5421G.....	91
EL2511B.....	74, 89	EL2621CC.....	98	EL5421W.....	91
EL2511C.....	74, 89	EL2621CN.....	98	EL5434WB.....	91
EL2511G.....	74, 89	EL2621CP.....	98	EL5434WW.....	91
EL2511W.....	74, 89	EL2621G.....	98	EL5452BL.....	92
EL2512B.....	74, 89	EL2621GG.....	98	EL5452R.....	92
EL2512W.....	74, 89	EL2621GN.....	98	EL5452W.....	92
EL2516B.....	74, 89	EL2621W.....	98	EL5453BL.....	92
EL2516C.....	74, 89	EL2622B.....	98	EL5453W.....	92
EL2516G.....	74, 89	EL2622C.....	98	EL5488W.....	92
EL2516W.....	74, 89	EL2622CP.....	98	EL5493B.....	92
EL2517W.....	90	EL2622G.....	98	EL5493W.....	92
EL2517WW.....	90	EL2622W.....	98	EL5497B.....	92
EL2518B.....	74, 90	EL2624B.....	98	EL5497W.....	92
EL2518W.....	74, 90	EL2624CP.....	98	EL5498W.....	92
EL2521B.....	74, 90	EL2624N.....	98	EL5511B.....	92
EL2521C.....	74, 90	EL2624W.....	98	EL5511C.....	92
EL2521G.....	74, 90	EL2633B.....	98	EL5511G.....	92
EL2521W.....	74, 90	EL2633W.....	98	EL5511W.....	92
EL2525B.....	90	EL2644B.....	98	EL5512W.....	92
EL2525W.....	90	EL2644C.....	98	EL5520W.....	92
EL2529B.....	90	EL2644G.....	98	EL5521B.....	92
EL2529W.....	90	EL2644W.....	98	EL5521C.....	92
EL2530B.....	74, 90	EL2652BL.....	98	EL5521G.....	92
EL2530W.....	74, 90	EL2652W.....	98	EL5521W.....	92
EL2531B.....	74, 90	EL2653BL.....	98	EL5534WB.....	92
EL2531W.....	74, 90	EL2653W.....	98	EL5534WW.....	92
EL2533B.....	74, 90	EL2660B.....	98	EL5552BL.....	92
EL2533BBZ.....	74, 90	EL2660W.....	98	EL5552R.....	92
EL2533BCP.....	74, 90	EL2666B.....	98	EL5552W.....	92
EL2533BZ.....	74, 90	EL2666C.....	98	EL5553BL.....	92
EL2533CP.....	74, 90	EL2666G.....	98	EL5553W.....	92
EL2533W.....	74, 90	EL2677B.....	98	EL5588W.....	92
EL2545B.....	90	EL2677C.....	98	EL5593B.....	92
EL2545W.....	90	EL2677G.....	98	EL5593W.....	92
EL2550B.....	74, 90	EL2688B.....	98	EL5597W.....	92
EL2550W.....	74, 90	EL2688BZ.....	98	EL5598W.....	92
EL2552BL.....	74, 90	EL2688C.....	98	EL5610B.....	92
EL2552R.....	74, 90	EL2688CP.....	98	EL5610W.....	92
EL2552W.....	74, 90	EL2688G.....	98	EL5611C.....	92
EL2553B.....	90	EL2688N.....	98	EL5611G.....	92
EL2553BL.....	74, 90	EL2688W.....	98	EL5611W.....	92
EL2553W.....	74, 90	EL2689BB.....	98	EL5688B.....	92
EL2568B.....	74, 90	EL2689WB.....	98	EL5688W.....	92
EL2568W.....	74, 90	EL2689WW.....	98	EL5698B.....	92
EL2575B.....	90	EL2693B.....	98	EL5698W.....	92
EL2575N.....	90	EL2693BB.....	98	EL9111B.....	42
EL2575W.....	90	EL2693BN.....	98	EL9111C.....	42
EL2576B.....	90	EL2693BZ.....	98	EL9111G.....	42
EL2576C.....	90	EL2693CP.....	98	EL9111SH.....	42
EL2576G.....	90	EL2693N.....	98	EL9111W.....	42

Index

EL9112B.....	42	ELH118D.....	30	ELH7126ICDXA.....	27
EL9112BZ.....	42	ELH118E.....	30	ELH7126ICE.....	27
EL9112C.....	42	ELH118ICE.....	13	ELH7126ICEA.....	27
EL9112CP.....	42	ELH126D.....	16	ELH7132D.....	29
EL9112G.....	42	ELH126DX.....	16	ELH7132DX.....	29
EL9112N.....	42	ELH126DX-7.....	16	ELH7132DX-7.....	29
EL9112W.....	42	ELH126E.....	16	ELH7132E.....	29
EL9113BZ.....	42	ELH126E-EM.....	102	ELH7132E-EM.....	107
EL9113CP.....	42	ELH126ICD.....	13	ELH7132ICD.....	27
EL9113G.....	42	ELH126ICE.....	13	ELH7132ICDA.....	27
EL9113SH.....	42	ELH126ICEA.....	13	ELH7132ICE.....	27
EL9113W.....	42	ELH132D.....	16	ELH7132ICEA.....	27
EL9114BZ.....	42	ELH132DX.....	16	ELH7142D.....	29
EL9114CP.....	42	ELH132E.....	16	ELH7142DX.....	29
EL9114SH.....	42	ELH132E-EM.....	102	ELH7142DX-7.....	29
EL9114W.....	42	ELH132ICD.....	13	ELH7142E.....	29
EL9115BZ.....	42	ELH132ICE.....	13	ELH7142E-EM.....	107
EL9115C.....	42	ELH132ICEA.....	13	ELH7142ICD.....	27
EL9115CP.....	42	ELH142D.....	16	ELH7142ICDA.....	27
EL9115SH.....	42	ELH142DX.....	16	ELH7142ICDX.....	27
EL9115W.....	42	ELH142E.....	16	ELH7142ICDXA.....	27
EL9116BZ.....	42	ELH142E-EM.....	102	ELH7142ICE.....	27
EL9116CP.....	42	ELH142ICD.....	13	ELH7142ICEA.....	27
EL9116G.....	42	ELH142ICDXA.....	13	ELH7213.....	28
EL9116N.....	42	ELH142ICE.....	13	ELH7213D.....	28
EL9116SH.....	42	ELH142ICEA.....	13	ELH7213E.....	28
EL9116W.....	42	ELH213.....	30	ELH7213E-EM.....	106
ELA99H.....	110	ELH213D.....	30	ELH7213-EM.....	106
ELA99SB.....	110	ELH213E.....	30	ELH7218D.....	28
ELA99SC.....	110	ELH213E-EM.....	108	ELH7218DX.....	28
ELA99SC-RM7W.....	54	ELH213-EM.....	108	ELH7218DX-7.....	28
ELA99SG.....	110	ELH213IC.....	26	ELH7218E.....	28
ELA99SG-RM7W.....	54	ELH213ICD.....	26	ELH7218E-EM.....	106
ELA99SW.....	110	ELH213ICE.....	26	ELH7218ICD.....	26
ELA101B.....	110	ELH213ICEA.....	26	ELH7218ICE.....	26
ELA101W.....	110	ELH213ICE-EM.....	109	ELH7226D.....	29
ELA401B.....	43, 44	ELH213IC-EM.....	109	ELH7226DX.....	29
ELA401BZ.....	43, 44	ELH218D.....	30	ELH7226DX-7.....	29
ELA401CP.....	43, 44	ELH218DX.....	30	ELH7226E.....	29
ELA401N.....	43, 44	ELH218E.....	30	ELH7226E-EM.....	107
ELA401W.....	43, 44	ELH218E-EM.....	108	ELH7226ICD.....	27
ELA414B.....	42, 44	ELH218ICD.....	13	ELH7226ICDA.....	27
ELA414BZ.....	42, 44	ELH218ICE.....	13	ELH7226ICDXA.....	27
ELA414C.....	42, 44	ELH218ICEA.....	13	ELH7226ICE.....	27
ELA414CP.....	42, 44	ELH218ICE-EM.....	104	ELH7226ICEA.....	27
ELA414G.....	42, 44	ELH226D.....	16	ELH8113.....	14
ELA414N.....	42, 44	ELH226DX.....	16	ELH8118E.....	14
ELA414W.....	42, 44	ELH226E.....	16	ELH8126D.....	14
ELA499H.....	43, 44	ELH226E-EM.....	102	ELH8126DX.....	14
ELA499SB.....	43, 44	ELH226ICD.....	13	ELH8126E.....	14
ELA499SBZ.....	43, 44	ELH226ICDA.....	13	ELH8126E-EM.....	101
ELA499SC.....	43, 44	ELH226ICDX.....	13	ELH8132D.....	14
ELA499SG.....	43, 44	ELH226ICE.....	13	ELH8132DX.....	14
ELA499SW.....	43, 44	ELH226ICEA.....	13	ELH8132E.....	14
ELA501B.....	111	ELH226ICE-EM.....	104	ELH8132E-EM.....	101
ELA501W.....	111	ELH232D.....	17	ELH8142D.....	14
ELA599SB.....	111	ELH232DX.....	17	ELH8142DX.....	14
ELA599SC.....	111	ELH232DX-7.....	17	ELH8142E.....	14
ELA599SG.....	111	ELH232E.....	17	ELH8142E-EM.....	101
ELA599SW.....	111	ELH242D.....	17	ELH8213.....	14
ELH7M35.....	53	ELH242DX.....	17	ELH8213D.....	14
ELH7M35E.....	53	ELH242DX-7.....	17	ELH8213E.....	14
ELH7M50.....	53	ELH242E.....	17	ELH8213E-EM.....	101
ELH7M50E.....	53	ELH729.....	28	ELH8218D.....	14
ELH7M70.....	53	ELH7113.....	28	ELH8218DX.....	14
ELH7M70E.....	53	ELH7113E.....	28	ELH8218E.....	14
ELH7M100.....	53	ELH7118E.....	28	ELH8218E-EM.....	101
ELH7M100E.....	53	ELH7118ICEA.....	26	ELH8226D.....	14
ELH7T.....	7	ELH7126D.....	29	ELH8226DX.....	14
ELH8T.....	5	ELH7126DX.....	29	ELH8226DX-7.....	14
ELH29.....	30	ELH7126DX-7.....	29	ELH8226E.....	14
ELH113.....	30	ELH7126E.....	29	ELH8226E-EM.....	101
ELH113E.....	30	ELH7126E-EM.....	107	ELH8232D.....	15
ELH113IC.....	26	ELH7126ICD.....	27	ELH8232DX.....	15
ELH113ICE.....	26	ELH7126ICDA.....	27	ELH8232DX-7.....	15

ELH8232E.....	15	ELRH7126DX-7.....	34	ELV7126E.....	24
ELH8232E-EM.....	103	ELRH7126E.....	34	ELV7126E-EM.....	105
ELH8242D.....	15	ELRH7132D.....	34	ELV7132D.....	24
ELH8242DX.....	15	ELRH7132DX.....	34	ELV7132DX.....	24
ELH8242DX-7.....	15	ELRH7132DX-7.....	34	ELV7132E.....	24
ELH8242E.....	15	ELRH7132E.....	34	ELV7132E-347.....	24
ELH8242E-EM.....	103	ELRH7142D.....	34	ELV7132E-EM.....	105
ELHF7126D.....	31	ELRH7142DX.....	34	ELV7142D.....	24
ELHF7126DX.....	31	ELRH7142DX-7.....	34	ELV7142DX.....	24
ELHF7126DX-7.....	31	ELRH7142E.....	34	ELV7142E.....	24
ELHF7126E.....	31	ELRH7226E.....	34	ELV7142E-347.....	24
ELHF7132D.....	31	ELRV7113E.....	32	ELV7142E-EM.....	105
ELHF7132DX.....	31	ELRV7118D.....	32	ELV8113.....	11
ELHF7132DX-7.....	31	ELRV7118E.....	32	ELV8113E.....	11
ELHF7132E.....	31	ELRV7126D.....	32	ELV8113E-EM.....	100
ELHF7142D.....	31	ELRV7126DX.....	32	ELV8118E.....	11
ELHF7142DX.....	31	ELRV7126E.....	32	ELV8118E-EM.....	100
ELHF7142DX-7.....	31	ELRV7132D.....	32	ELV8126D.....	11
ELHF7142E.....	31	ELRV7132DX.....	32	ELV8126DX.....	11
ELHF7226D.....	31	ELRV7132E.....	32	ELV8126DX-7.....	11
ELHF7226DX.....	31	ELRV7142D.....	32	ELV8126E.....	11
ELHF7226DX-7.....	31	ELRV7142DX.....	32	ELV8126E-347.....	11
ELHF7226E.....	31	ELRV7142E.....	32	ELV8126E-EM.....	100
ELM30B-RM7G.....	54	ELRV8113E.....	18	ELV8132D.....	11
ELM30B-RM7W.....	54	ELRV8118E.....	18	ELV8132DX.....	11
ELM30N.....	54	ELRV8126D.....	18	ELV8132DX-7.....	11
ELM30W-RM7W.....	54	ELRV8126DX.....	18	ELV8132E.....	11
ELM40B-RM7W.....	54	ELRV8126DX-7.....	18	ELV8132E-347.....	11
ELM40N.....	54	ELRV8126E.....	18	ELV8132E-EM.....	100
ELM40W-RM7W.....	54	ELRV8126E-347.....	18	ELV8142D.....	11
ELM412W.....	110	ELRV8132D.....	18	ELV8142DX.....	11
ELM427W.....	110	ELRV8132DX.....	18	ELV8142DX-7.....	11
ELR4M20E.....	58	ELRV8132DX-7.....	18	ELV8142E.....	11
ELR4M35E.....	58	ELRV8132E.....	18	ELV8142E-347.....	11
ELRH7M35E.....	54	ELRV8132E-347.....	18	ELV8142E-EM.....	100
ELRH7M70E.....	54	ELRV8142D.....	18	ELV8157D.....	11
ELRH7M100E.....	54	ELRV8142DX.....	18	ELV8157DX.....	11
ELRH7T.....	8	ELRV8142DX-7.....	18	ELV8157DX-7.....	11
ELRH8T.....	6	ELRV8142E.....	18	ELV8157E.....	11
ELRH113E.....	33	ELRV8142E-347.....	18	ELV8170D.....	11
ELRH118D.....	33	ELS30B.....	110	ELV8170DX.....	11
ELRH118E.....	33	ELS30B-RM7W.....	54	ELV8170DX-7.....	11
ELRH126D.....	19	ELS30C.....	110	ELV8170E.....	11
ELRH126DX.....	19	ELS30C-RM7W.....	54	ELV9142E.....	10
ELRH126DX-7.....	19	ELS30G.....	110	ELV9157D.....	10
ELRH126E.....	19	ELS30G-RM7W.....	54	ELV9157DX.....	10
ELRH132D.....	19	ELS30W.....	110	ELV9157DX-7.....	10
ELRH132DX.....	19	ELS30W-RM7W.....	54	ELV9157E.....	10
ELRH132DX-7.....	19	ELS40C.....	110	ELV9170D.....	10
ELRH132E.....	19	ELS40C-RM7W.....	54	ELV9170DX.....	10
ELRH142D.....	19	ELS40G.....	110	ELV9170DX-7.....	10
ELRH142DX.....	19	ELS40G-RM7W.....	54	ELV9170E.....	10
ELRH142DX-7.....	19	ELV4113.....	36	ELVF713.....	25
ELRH142E.....	19	ELV4113E.....	36	ELVF713E.....	25
ELRH213.....	33	ELV4113E-347.....	36	ELVF718E.....	25
ELRH213D.....	33	ELV4118D.....	36	ELVF726D.....	25
ELRH213E.....	33	ELV4118DX.....	36	ELVF726E.....	25
ELRH218D.....	33	ELV4118DX-7.....	36	ELVF732D.....	25
ELRH218DX.....	33	ELV4118E.....	36	ELVF732DX.....	25
ELRH218DX-7.....	33	ELV4118E-347.....	36	ELVF732E.....	25
ELRH218E.....	33	ELV4126D.....	36	ELVF742D.....	25
ELRH226D.....	19, 34	ELV4126D1A.....	36	ELVF742DX.....	25
ELRH226DX.....	19, 34	ELV4126DX.....	36	ELVF742E.....	25
ELRH226DX-7.....	19, 34	ELV4126E.....	36	ELVF813.....	12
ELRH226E.....	19	ELV4132D.....	36	ELVF813E.....	12
ELRH232D.....	20	ELV4132DX.....	36	ELVF818E.....	12
ELRH232DX.....	20	ELV4132E.....	36	ELVF826D.....	12
ELRH232DX-7.....	20	ELV7113.....	24	ELVF826DX.....	12
ELRH232E.....	20	ELV7113E.....	24	ELVF826E.....	12
ELRH242D.....	20	ELV7113E-EM.....	105	ELVF832D.....	12
ELRH242DX.....	20	ELV7118D.....	24	ELVF832DX.....	12
ELRH242DX-7.....	20	ELV7118E.....	24	ELVF832DX-7.....	12
ELRH242E.....	20	ELV7118E-EM.....	105	ELVF832E.....	12
ELRH7126D.....	34	ELV7126D.....	24	ELVF842D.....	12
ELRH7126DX.....	34	ELV7126DX.....	24	ELVF842DX.....	12

Index

ELVF842E.....	12	ERTH7213D.....	65	ERTV9118E.....	60
EMH70.....	78	ERTH7213E.....	65	ERTV9126D.....	60
EMH100.....	78	ERTH7218D.....	65	ERTV9126DX.....	60
EMH100L.....	80	ERTH7218DX.....	65	ERTV9126DX-7.....	60
EMH150.....	78	ERTH7218DX-7.....	65	ERTV9126E.....	60
EMH150L.....	80	ERTH7218E.....	65	ERTV9132D.....	60
EMH250.....	78	ERTH7226D.....	68	ERTV9132DX.....	60
EMH250L.....	80	ERTH7226DX.....	68	ERTV9132DX-7.....	60
EMH400.....	78	ERTH7226DX-7.....	68	ERTV9132E.....	60
EMH400L.....	80	ERTH7226E.....	68	ERTV9142D.....	60
EPS50.....	77	ERTH8126D.....	61	ERTV9142DX.....	60
EPS70.....	77	ERTH8126DX.....	61	ERTV9142DX-7.....	60
EPS70S.....	79	ERTH8126DX-7.....	61	ERTV9142E.....	60
EPS100.....	77	ERTH8126E.....	61	ERTV9157D.....	60
EPS100S.....	79	ERTH8132D.....	61	ERTV9157DX.....	60
EPS150.....	77	ERTH8132DX.....	61	ERTV9157DX-7.....	60
EPS150S.....	79	ERTH8132DX-7.....	61	ERTV9157E.....	60
EPS250.....	77	ERTH8132E.....	61	ERTV9170D.....	60
EPS250L.....	79	ERTH8142D.....	61	ERTV9170DX.....	60
EPS400.....	77	ERTH8142DX.....	61	ERTV9170DX-7.....	60
EPS400L.....	79	ERTH8142DX-7.....	61	ERTV9170E.....	60
ER4M20E.....	56	ERTH8142E.....	61	ES1303.....	81
ER4M35E.....	56	ERTH8213D.....	61	ES2603.....	81
ERT6M39E.....	73	ERTH8213E.....	61	ETRK20M.....	74
ERT6M50E.....	73	ERTH8218D.....	61	ETRK39M.....	74
ERT6M70E.....	73	ERTH8218DX.....	61		
ERT6M100E.....	73	ERTH8218DX-7.....	61	K	
ERT8M39E.....	72	ERTH8218E.....	61	KEM-50W.....	112
ERT8M50E.....	72	ERTH8226D.....	61	KEM-100W.....	112
ERT8M70E.....	72	ERTH8226DX.....	61	KEM-200W.....	112
ERT8M100E.....	72	ERTH8226DX-7.....	61	KEM-HJ2.....	89, 91, 93, 97
ERT8M150E.....	72	ERTH8226E.....	61	KEM-P13.....	112
ERT10M70E.....	71	ERTH8232D.....	62	KEM-P26.....	112
ERT10M100E.....	71	ERTH8232DX.....	62	KEM-P32.....	112
ERT10M150E.....	71	ERTH8232DX-7.....	62	KEM-P42.....	112
ERT10M175E.....	71	ERTH8232E.....	62	KEM-P43.....	112
ERT10M200E.....	71	ERTH8242D.....	62	KEM-P52.....	112
ERT700D.....	69	ERTH8242DX.....	62	KPL11PC.....	75
ERT700E.....	69	ERTH8242DX-7.....	62	KPL12MC.....	75
ERT750D.....	69	ERTH8242E.....	62	KPL13MC.....	75
ERT750DX.....	69	ERTV7113E.....	70	KPL14PC.....	75
ERT750DX-7.....	69	ERTV7118D.....	70	KPL15MC.....	75
ERT750E.....	69	ERTV7118DX.....	70	KPL16MC.....	75
ERT775D.....	69	ERTV7118DX-7.....	70	KPL17PW.....	75
ERT775DX.....	69	ERTV7118E.....	70	KPL18MW.....	75
ERT775DX-7.....	69	ERTV7126D.....	70	KPL19MW.....	75
ERT775E.....	69	ERTV7126DX.....	70	KPL20M.....	75
ERT800D.....	63	ERTV7126DX-7.....	70	KPL20MGX10.....	75
ERT800E.....	63	ERTV7126E.....	70	KPL39MGX10.....	75
ERT850D.....	63	ERTV7132D.....	70	KPW11PC.....	75
ERT850DX.....	63	ERTV7132DX.....	70	KPW12MC.....	75
ERT850DX-7.....	63	ERTV7132DX-7.....	70	KPW13MC.....	75
ERT850E.....	63	ERTV7132E.....	70	KPW17PW.....	75
ERT875D.....	63	ERTV7142D.....	70	KPW18MW.....	75
ERT875DX.....	63	ERTV7142DX.....	70	KPW19MW.....	75
ERT875DX-7.....	63	ERTV7142DX-7.....	70		
ERT875E.....	63	ERTV7142E.....	70	L	
ERT880E.....	63	ERTV8113E.....	64	L4.....	87
ERT885E.....	63	ERTV8118D.....	64	L15.....	87
ERTH7118D.....	65	ERTV8118DX.....	64		
ERTH7118DX.....	65	ERTV8118DX-7.....	64	M	
ERTH7118DX-7.....	65	ERTV8118E.....	64	MR16-6V.....	85
ERTH7118E.....	65	ERTV8126D.....	64		
ERTH7126D.....	68	ERTV8126DX.....	64	W	
ERTH7126DX.....	68	ERTV8126DX-7.....	64	WS40.....	81
ERTH7126DX-7.....	68	ERTV8126E.....	64		
ERTH7126E.....	68	ERTV8132D.....	64		
ERTH7132D.....	68	ERTV8132DX.....	64		
ERTH7132DX.....	68	ERTV8132DX-7.....	64		
ERTH7132DX-7.....	68	ERTV8132E.....	64		
ERTH7132E.....	68	ERTV8142D.....	64		
ERTH7142D.....	68	ERTV8142DX.....	64		
ERTH7142DX.....	68	ERTV8142DX-7.....	64		
ERTH7142DX-7.....	68	ERTV8142E.....	64		
ERTH7142E.....	68	ERTV9113E.....	60		