

LAMP CATALOG



CONTENTS



INTRODUCTION **4-9**

LEADING THE WAY 4-5
 Our Company 4
 Our Commitment..... 4
 Our Products..... 5
 Our People..... 5

UNDERSTANDING LIGHT 6
 Look For Brightness 6

MAKE THE SWITCH 6
 LED Lamps Make An Impact..... 6

KELVIN TEMPERATURE
 MAKES A DIFFERENCE 7

LAMP PACKAGING 8

LIGHTING FACTS LABEL 8

HOW TO
 USE THIS CATALOG 9

LED LAMPS **10-18**

Decorative Lamps..... 11
 General Purpose Lamps 12
 Reflector Lamps 13
 Filament Lamps..... 14
 General Purpose Specialty Lamps 15
 Halogen Alternative Specialty Lamps 15
 Adjustable Recessed Downlights 16
 Recessed Downlights..... 16
 Linear Lamps 17
 High Lumen Lamps..... 17
 LED Lamp Components 18
 LED Lamp Base Types..... 18
 LED Lamp Shapes..... 18

COMPACT FLUORESCENT LAMPS **19-23**

Twist Lamps 20
 Covered Lamps 21
 Reflector Lamps 21
 Pin Base Lamps 22
 Compact Fluorescent Lamp Base Types .. 23
 Compact Fluorescent Lamp Shapes 23

To better serve you, Westinghouse Lighting reserves the right to make changes and/or improvements (both visually and technically) to the products in this catalog without notice. As a result, some products and/or product information may change during the life of this catalog.
 Visit our website for the latest specifications.



CONTENTS



INCANDESCENT LAMPS 24-47

- Glowscent® Lamps (Spun Satin)25
- Flicker Flame Lamps25
- F15 and Decorative Specialty Lamps25
- Flame Tip Lamps Candelabra Base26
- Flame Tip Lamps Medium Base27
- Torpedo Lamps Candelabra Base28
- Torpedo Lamps Medium Base29
- A15 Appliance Lamps30
- A19 Lamps31
- A19 Specialty Lamps32
- A21 Lamps32
- A23 Lamps33
- PS30 Lamps33
- 3-Way Lamps33
- G4½, G12½, G16½ and G19½ Lamps34
- G25 Lamps35
- G30 and G40 Lamps35
- Reflector Lamps36-37
- R40 Infrared Heat Lamps37
- BR38 Indoor/Outdoor Lamps37
- C7 Lamps38
- S6, S11 and S14 Lamps38
- T4 and T6 Lamps39
- T6½ Lamps39
- T7 and T7½ Lamps40
- T8 Lamps40
- T10 Lamps40
- Low Voltage Lamps41
- T5 Landscape (Low Voltage) Lamps41
- Timeless, Vintage Inspired Lamps42

INCANDESCENT LAMPS 24-47

- Incandescent 130V Comparison Chart 43-44
- Lamp Merchandising Displays 45
- Incandescent Lamp Filament Types 46
- Incandescent Lamp Base Types 46
- Incandescent Lamp Shapes 46
- Incandescent Lamp Size Reference 47
- Incandescent Lamp Components 47



HALOGEN LAMPS 48-59

MR11 Lamps,
Dichroic (Low Voltage) 49

MR11 Lamps, 120 Volt,
Dichroic (Line Voltage) 49

MR16 Lamps, 12 Volt,
Dichroic (Low Voltage) 49

MR16 Lamps, 120 Volt,
Dichroic (Line Voltage) 50

JDR Lamps, 120 Volt (Line Voltage) 50

JC Lamps (Low Voltage) 51

JCD Lamps 51

G9 Lamps, 120 Volt (Line Voltage) 52

Double-Ended Lamps 52

Single-Ended Lamps,
D.C. Bayonet & E11 Base 53

T3 Single-Ended Lamps,
Xenon/Krypton 53

Reflector Lamps 54

PAR Reflector Lamps 54-55

Eco-Halogen A19 Lamps 56

Specialty and Decorative Lamps 56

Xenon Lamps (Mini Reflector) 57

Xenon Lamps (Single-Ended) 57

T3 Xenon/Krypton Lamps 57

Xenon Lamps (Wedge) 57

Halogen 130 Volt Comparison Chart 58

Halogen Lamp Components 58

Xenon Lamps 58

Eco-Halogen Lamps 58

Halogen Lamp Filament Types 59

Halogen Lamp Base Types 59

Halogen Lamp Base Shapes 59

LINEAR FLOURESCENT LAMPS 60-64

T5 Lamps 61

T8 Lamps 61

T12 Lamps 62

T8 Ecomax® U-Bent Lamp 63

Circular Lamps 63

Tube Guards (Include End Caps) 63

Fluorescent Lamp Components 64

Fluorescent Lamp Base Types 64

Fluorescent Lamp Shapes 64

HID LAMPS 65-71

Mercury Vapor Lamps 66

High Pressure Sodium Lamps 66

Metal Halide Lamps
(For Use in Enclosed Fixtures) 67

Metal Halide Protected Lamps
(Open Fixture Rated) 67

Metal Halide Pulse Start Lamps
(For Use in Enclosed Fixtures) 68

HID Lamp ANSI Specifications 68

Consider Alternatives to HID -
High Lumen LED Lamps 68

Where to Use HID Lamps 69

HID Lamp Components 70

HID Lamp Base Types 71

HID Lamp Shapes 71

INDEX & NOTES 72-80



LEADING THE WAY



Our Company

Westinghouse Lighting is a well-recognized global brand and a market leader in the lamp industry. Known for innovative products of the highest quality, we continue to expand our product offering year after year.



Our Commitment

For over 70 years, dedication to customer relationships has consistently been our greatest priority at Westinghouse Lighting. We have built and maintained a solid reputation for quality products, timely shipments and friendly service.

QUALITY, INNOVATION & COMMITMENT



Our Products

We offer many lamp options, ranging from traditional incandescent to the latest technology LEDs. Our broad assortment includes high-quality lamps in a variety of shapes and types with varying color temperatures and brightness. Westinghouse provides choices that allow you to choose the best lamp, with the look you want, for any application.



Our People

Our knowledgeable, experienced and passionate team of people has been the cornerstone in our continued success and growth throughout the years. We stand ready to offer support and long term solutions for all of your lighting needs.



UNDERSTAND LIGHT

Look for Brightness

For years, wattage was typically the measure used to evaluate the brightness produced by a lamp. However, perspectives are changing with the constant evolution of LED technology, which offers lower wattages without sacrificing lumens or brightness.

Lumens refer to the measure of light output, or brightness, of a lamp. The more lumens a lamp provides, the brighter the light. All Westinghouse lamp packaging specifies the equivalent incandescent wattage associated with the lamp's lumen output. This helps provide a standard for comparing all LED lamps.

| YOU USED TO LOOK FOR | | NOW YOU LOOK FOR | |
|---------------------------|---|----------------------------------|--|
| INCANDESCENT LAMP WATTAGE | | LAMP BRIGHTNESS (MINIMUM LUMENS) | |
| 40W | = | 450L | |
| 60W | = | 800L | |
| 75W | = | 1,100L | |
| 100W | = | 1,600L | |
| 150W | = | 2,600L | |

Estimates based on typical incandescent lamps.

MAKE THE SWITCH

LED Lamps Make an Impact



Making the switch to LED lamps offers significant energy, cost and time savings over incandescent, halogen and fluorescent alternatives. LED technology allows less energy to be used to produce the same light output as other lamp alternatives, which means you'll reduce your energy costs significantly and minimize your carbon footprint.

Furthermore, LED lamps will last much longer than most alternative lamps. Depending on daily use, one lamp will last for decades, making lamp changes a rare occurrence. As LED technology continues to improve, the opportunities for savings will only increase. Westinghouse offers a broad assortment of LED lamps to fit your lighting needs.



Iron Hill Collection fixture shown (Item #63435) with Filament LED ST20 Lamp (Item #03176).

For our entire assortment of Westinghouse Filament LED lamps, see page 14.



KELVIN TEMPERATURE MAKES A DIFFERENCE

What is color temperature?

Color temperature is a way to describe the light appearance provided by a lamp. It is measured in degrees of Kelvin (K) and, typically, falls somewhere on a scale from 2000K to 6500K for commercial and residential lighting applications. The color temperature of a lamp is assigned using the basis of correlated color temperature (CCT). For example, if you heat up a metal object, the object appears to glow. Depending on the Kelvin temperature that the metal object is being heated at, the glow will be various colors, such as orange, yellow or blue. The color temperature of lamps is meant to replicate the Kelvin temperature of the metal object in the above example, thus providing a standard against which to measure the color temperature of all lamps.

The color temperature of a lamp lets you know what the look and feel of the light produced will be. At the lower end of the scale, from 2000K to 3000K, the light produced is called “warm white” or “soft white” and ranges from orange to yellowish-white in appearance. Color temperatures between 3100K and 4500K are referred to as “cool white” or “bright white”. Lamps within this range will emit a more neutral white light and may even have a slightly blue tint. Above 4500K brings us into the “daylight” color temperature of light. Lamps with color temperatures of 4500K and above will give off a blue-white light that mimics daylight.

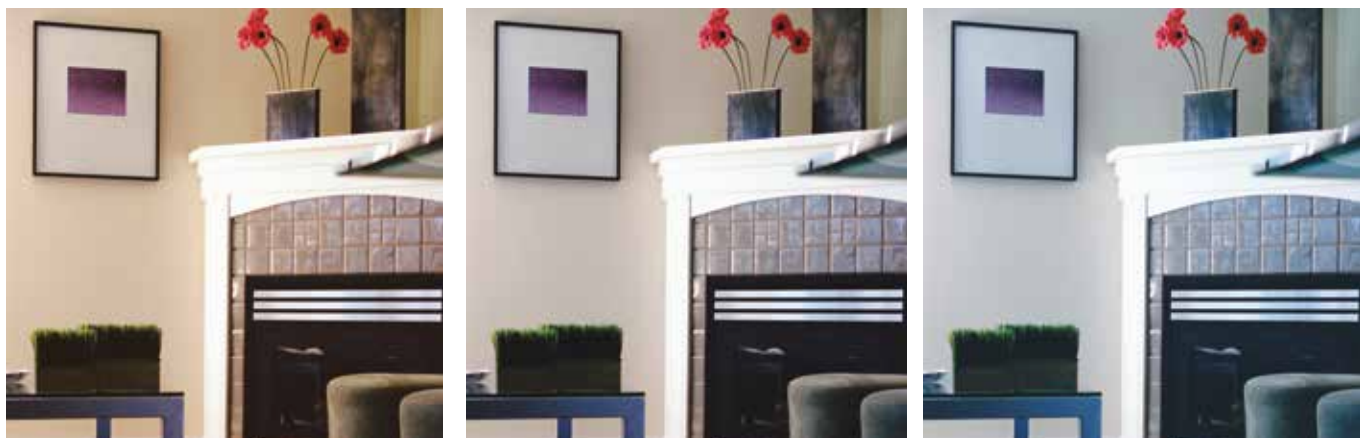
What color temperature is right for me?

Understanding Kelvin temperature(K) makes it easier to choose lighting that gives you the look and feel you want.

WARM WHITE

COOL WHITE

DAYLIGHT



2000-3000K

3100-4500K

4600-6500K

| | 2000K - 3000K | 3100K - 4500K | 4600K - 6500K |
|----------------------------|---|--|--|
| Color Temperature (KELVIN) | 2000K - 3000K | 3100K - 4500K | 4600K - 6500K |
| Light Appearance | Warm White | Cool White | Daylight |
| Ambience | Cozy, calm, inviting, intimate | Bright, vibrant | Crisp, invigorating |
| Best for | Pendants, wall/coach lanterns, restaurant/commercial ambient lighting, residential recessed lighting, table & floor lamps | Basements, garages, work environments, task lighting | Display areas, security lighting, garages, task lighting |

LAMP PACKAGING

Westinghouse LED lamp packaging is attractive and informative, providing all the facts you need to make the right lighting choice.

BOXED



Incandescent Equivalent Wattage

Energy Used (Watts)

ENERGY STAR[®] (where Applicable)

Kelvin Temperature Scale

Kelvin Temperature Appearance

Suggested Applications

Caution & Warranty

Brightness (Lumens)

Estimated Yearly Energy Cost

Product Features

CARDED



Incandescent Equivalent Wattage

Energy Used (Watts)

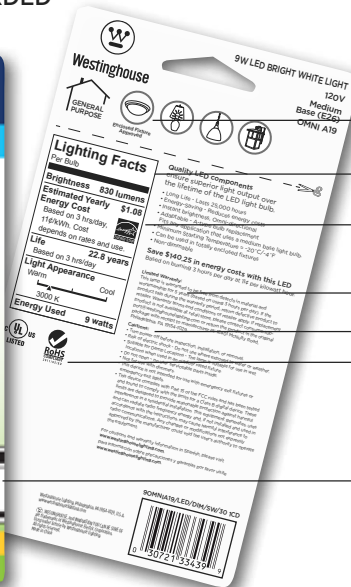
ENERGY STAR[®] (where Applicable)

Brightness (Lumens)

Estimated Yearly Energy Cost

Kelvin Temperature Scale

Kelvin Temperature Appearance



Suggested Applications

Lighting Facts Label

ENERGY STAR[®] (where Applicable)

Warranty

Caution

Certifications

Lamp Base (shown in actual size)

LIGHTING FACTS LABEL

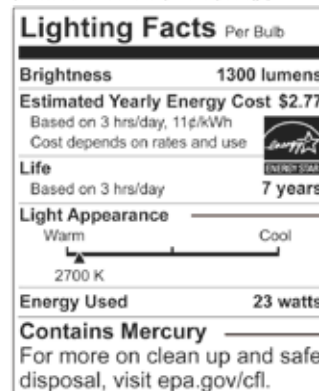
Look for the lighting facts label on all Westinghouse lamp packaging, which contains important lamp specifications that help consumers make the right choice for their lighting needs.

On the label, you'll find lumens and Kelvin temperature, as well as energy used (watts), estimated yearly energy cost and life in years. The label makes it easy to compare lamp performance and takes the guesswork out of selecting the right lamp.



Lighting Facts Label

(Located on side or back panel of package)



Brightness

Estimated Yearly Energy Cost

ENERGY STAR[®] (where applicable)

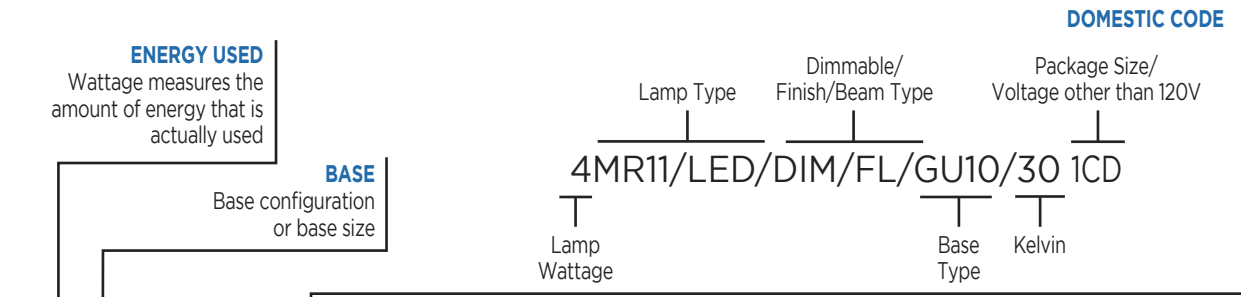
Life

Light Appearance

Energy Used

Mercury Content (where applicable)

HOW TO USE THIS CATALOG



REFLECTOR LAMPS

LED LAMPS

| Energy Used (Watts) | Lamp Base | Item No. | Footnotes | Domestic Code | Master Carton/ Inner Pack | Package Type | Equiv. Incand. Wattage | Color Designation | Finish | Light Appearance (Kelvin) | Brightness CRI | Brightness (Lumens) | Avg. Rated Hours | Life in Years* | Est. Yearly Energy Cost** | Est. Yearly Energy Cost** MOL |
|---------------------|-----------|----------|-----------|--------------------------------|---------------------------|--------------|------------------------|-------------------|--------|---------------------------|----------------|---------------------|------------------|----------------|---------------------------|-------------------------------|
| MR11 | | | | | | | | | | | | | | | | |
| 4 | GU4 | 05152 | 3,4 | 4MR11/LED/FL/GU4/30 1CD | 24/4 | Card | 30 | Warm White | White | 3000 | 80 | 250 | 25000 | 22.8 | \$0.48 | 152" |
| | GU10 | 05153 | 2,4 | 4MR11/LED/DIM/FL/GU10/30 1CD | 24/4 | Card | 25 | Warm White | White | 3000 | 80 | 250 | 25000 | 22.8 | \$0.48 | 189" |
| MR16 | | | | | | | | | | | | | | | | |
| 4.5 | GU5.3 | 33209 | 2,3,4,7 | 4.5MR16/LED/DIM/FL/30 1CD | 24/4 | Card | 35 | Warm White | Clear | 3000 | 80 | 360 | 25000 | 22.8 | \$0.54 | 185" |
| | GU5.3 | 33638 | 2,3,4,7 | 4.5MR16/LED/DIM/FL/30 | 24/6 | Hanging Box | 35 | Warm White | Clear | 3000 | 80 | 360 | 25000 | 22.8 | \$0.54 | 185" |
| | GU10 | 05179 | 1,2,4,7 | 4.5MR16/LED/DIM/FL/GU10/30 | 24/6 | Hanging Box | 35 | Warm White | Frost | 3000 | 80 | 360 | 25000 | 22.8 | \$0.54 | 216" |
| 6.5 | GU5.3 | 33208 | 2,3,4,7 | 6.5MR16/LED/DIM/FL/30 1CD | 24/4 | Card | 50 | Warm White | Clear | 3000 | 80 | 500 | 25000 | 22.8 | \$0.78 | 185" |
| | GU5.3 | 33491 | 2,3,4,7 | 6.5MR16/LED/DIM/FL/30 | 24/6 | Hanging Box | 50 | Warm White | Clear | 3000 | 80 | 500 | 25000 | 22.8 | \$0.78 | 185" |
| | GU10 | 43210 | 2,4,7 | 6.5MR16/LED/DIM/FL/GU10/30 1CD | 24/4 | Card | 50 | Warm White | Frost | 3000 | 80 | 500 | 25000 | 22.8 | \$0.78 | 216" |
| | GU10 | 53032 | 2,4,7 | 6.5MR16/LED/DIM/FL/GU10/30 | 24/6 | Box | 50 | Warm White | Frost | 3000 | 80 | 500 | 25000 | 22.8 | \$0.78 | 216" |
| REFLECTORS | | | | | | | | | | | | | | | | |
| 4 | Inter. | 35154 | 2,4 | 4R14/LED/DIM/FL/IN/27 1CD | 24/4 | Card | 25 | Warm White | Frost | 2700 | 80 | 280 | 25000 | 22.8 | \$0.48 | 217" |
| 6 | Med. | 35155 | 2,4 | 6R16/LED/DIM/FL/27 1CD | 24/4 | Card | 45 | Warm White | Frost | 2700 | 80 | 450 | 25000 | 22.8 | \$0.72 | 323" |
| 6.5 | Med. | 53050 | 2,4,7 | 6.5R20/LED/DIM/FL/27 | 24/6 | Box | 50 | Warm White | Frost | 2700 | 80 | 525 | 25000 | 22.8 | \$0.78 | 393" |
| | Med. | 53161 | 2,4,7 | 6.5R20/LED/DIM/FL/30 | 24/6 | Box | 50 | Warm White | Frost | 3000 | 80 | 525 | 25000 | 22.8 | \$0.78 | 393" |
| | Med. | 50110 | 1,2,4,7 | 6.5R20/LED/DIM/FL/40 | 24/6 | Box | 50 | Cool White | Frost | 4000 | 80 | 525 | 25000 | 22.8 | \$0.78 | 393" |
| | Med. | 50120 | 1,2,4,7 | 6.5R20/LED/DIM/FL/50 | 24/6 | Box | 50 | Daylight | Frost | 5000 | 80 | 525 | 25000 | 22.8 | \$0.78 | 393" |
| 8 | Med. | 53000 | 2,4 | 8R30/LED/DIM/FL/27 | 24/6 | Box | 65 | Warm White | Frost | 2700 | 80 | 650 | 25000 | 22.8 | \$0.96 | 516" |
| 8.5 | GU24 | 03159 | 2,4 | 8.5R30/LED/DIM/FL/GU24/27 | 24/6 | Box | 65 | Warm White | Frost | 2700 | 80 | 650 | 25000 | 22.8 | \$1.02 | 496" |
| 9 | Med. | 53055 | 2,4,7 | 9BR30/LED/DIM/FL/27 | 24/6 | Box | 65 | Warm White | Frost | 2700 | 80 | 750 | 25000 | 22.8 | \$1.08 | 524" |
| | Med. | 05174 | 2,4,7 | 9BR30/LED/DIM/FL/27 12PK | 2 | Box(12) | 65 | Warm White | Frost | 2700 | 80 | 750 | 25000 | 22.8 | \$1.08 | 524" |
| | Med. | 53010 | 2,4,7 | 9BR30/LED/DIM/FL/30 | 24/6 | Box | 65 | Warm White | Frost | 3000 | 80 | 750 | 25000 | 22.8 | \$1.08 | 524" |
| | Med. | 50080 | 1,2,4,7 | 9BR30/LED/DIM/FL/40 | 24/6 | Box | 65 | Cool White | Frost | 4000 | 80 | 750 | 25000 | 22.8 | \$1.08 | 524" |

ITEM NUMBER
Code used to place orders

MASTER CARTON/ INNER PACK
Number of lamps per package

EQUIVALENT INCANDESCENT WATTAGE
Energy used by comparable incandescent lamp

LIFE IN YEARS
Rated life based on 3 hours a day of use

MOL
Maximum overall length in inches

FOOTNOTES
Important product attributes explained at the bottom of each page

BRIGHTNESS
Amount of light emitted from the lamp in lumens

ESTIMATED YEARLY ENERGY COST
Cost to operate lamp for 1 year based on 3 hours a day of use @ 11¢ KWH

PACK TYPE
How the lamp is packaged



BASE TYPES, LAMP SHAPES AND FILAMENT DESIGNS ARE PICTURED AT THE END OF EACH SECTION.



Westinghouse

INNOVATION YOU CAN BE SURE OF

NEW!
IMPROVED
TECHNOLOGY



ENERGY-EFFICIENT LED LIGHTING

Use Westinghouse LED lamps anywhere to save energy and money!
Available in a variety of shapes and sizes, these high-quality LED lamps utilize state-of-the-art, high-performance technology and are extremely durable.

Our complete LED lamp selection offers significant cost savings, longer life, enhanced light output and optimum brightness when compared to incandescent, halogen and fluorescent light sources.

Visit www.westinghouselighting.com for our latest energy-saving LED products and dimmer compatibilities.

Unless otherwise noted, all LED lamps in this catalog are Underwriter Laboratories or ETL Listed for safety.



DECORATIVE LAMPS



| Energy Used (Watts) | Lamp Base | Item No. | Footnotes | Domestic Code | Master Carton/ Inner Pack | Package Type | Equiv. Incand. Wattage | Color Designation | Finish | Light Appearance (Kelvin) | CRI | Brightness (Lumens) | Avg. Rated Hours | Life in Years* | Est. Yearly Energy Cost** | MOL |
|---------------------|-----------|--------------|-----------|------------------------------|---------------------------|--------------|------------------------|-------------------|------------|---------------------------|-----|---------------------|------------------|----------------|---------------------------|-------|
| TORPEDO | | | | | | | | | | | | | | | | |
| 3 | Cand. | 03211 | 2,4 | 3B10/LED/DIM/CL/CB/30 1CD | 24/4 | Card | 25 | Warm White | Clear | 3000 | 80 | 250 | 25000 | 22.8 | \$0.36 | 3.85" |
| | Cand. | 33045 | 2,4 | 3B10/LED/DIM/CL/CB/30 | 24/6 | Hanging Box | 25 | Warm White | Clear | 3000 | 80 | 250 | 25000 | 22.8 | \$0.36 | 3.85" |
| | Med. | 03212 | 2,4 | 3B10/LED/DIM/CL/30 1CD | 24/4 | Card | 25 | Warm White | Clear | 3000 | 80 | 250 | 25000 | 22.8 | \$0.36 | 3.67" |
| | Med. | 33046 | 2,4 | 3B10/LED/DIM/CL/30 | 24/6 | Hanging Box | 25 | Warm White | Clear | 3000 | 80 | 250 | 25000 | 22.8 | \$0.36 | 3.67" |
| 4.5 | Cand. | 53204 | 2,4,7 | 4.5B11/LED/DIM/CL/CB/27 1CD | 24/4 | Card | 40 | Warm White | Clear | 2700 | 80 | 300 | 25000 | 22.8 | \$0.54 | 3.78" |
| | Cand. | 43141 | 2,4 | 4.5B11/LED/DIM/CL/CB/27 | 24/6 | Hanging Box | 40 | Warm White | Clear | 2700 | 80 | 300 | 25000 | 22.8 | \$0.54 | 3.86" |
| | Med. | 43205 | 2,4 | 4.5B11/LED/DIM/CL/27 1CD | 24/4 | Card | 40 | Warm White | Clear | 2700 | 80 | 300 | 25000 | 22.8 | \$0.54 | 3.82" |
| | Med. | 53144 | 2,4,7 | 4.5B11/LED/DIM/CL/27 | 24/6 | Hanging Box | 40 | Warm White | Clear | 2700 | 80 | 300 | 25000 | 22.8 | \$0.54 | 3.78" |
| 6.5 | Cand. | 53200 | 2,4 | 6.5B13/LED/DIM/CL/CB/27 1CD | 24/4 | Card | 60 | Warm White | Clear | 2700 | 80 | 500 | 25000 | 22.8 | \$0.78 | 4.49" |
| | Cand. | 53130 | 2,4,7 | 6.5B13/LED/DIM/CL/CB/27 | 24/6 | Hanging Box | 60 | Warm White | Clear | 2700 | 80 | 500 | 25000 | 22.8 | \$0.78 | 4.49" |
| | Med. | 53132 | 2,4,7 | 6.5B13/LED/DIM/CL/27 | 24/6 | Hanging Box | 60 | Warm White | Clear | 2700 | 80 | 500 | 25000 | 22.8 | \$0.78 | 4.61" |
| 7 | Med. | 43201 | 2,4 | 7B13/LED/DIM/CL/27 1CD | 24/4 | Card | 60 | Warm White | Clear | 2700 | 80 | 500 | 25000 | 22.8 | \$0.84 | 4.25" |
| FLAME TIP | | | | | | | | | | | | | | | | |
| 5 | Cand. | 35124 | 4 | 5C11/LED/CL/CB/27 2CD | 24/4 | Card(2) | 40 | Warm White | Clear | 2700 | 80 | 300 | 15000 | 13.6 | \$0.60 | 4.01" |
| | Cand. | 35122 | 4 | 5C11/LED/SW/CB/27 2CD | 24/4 | Card(2) | 40 | Warm White | Soft White | 2700 | 80 | 300 | 15000 | 13.6 | \$0.60 | 4.01" |
| | Med. | 35123 | 4 | 5C11/LED/CL/27 2CD | 24/4 | Card(2) | 40 | Warm White | Clear | 2700 | 80 | 300 | 15000 | 13.6 | \$0.60 | 4.01" |
| | Med. | 35121 | 4 | 5C11/LED/SW/27 2CD | 24/4 | Card(2) | 40 | Warm White | Soft White | 2700 | 80 | 300 | 15000 | 13.6 | \$0.60 | 4.01" |
| 4.5 | Cand. | 43206 | 2,4 | 4.5CA11/LED/DIM/CL/CB/27 1CD | 24/4 | Card | 40 | Warm White | Clear | 2700 | 80 | 300 | 25000 | 22.8 | \$0.54 | 3.98" |
| 5 | Cand. | 33145 | 2,4 | 5CA11/LED/DIM/CL/CB/27 | 24/6 | Hanging Box | 40 | Warm White | Clear | 2700 | 80 | 300 | 25000 | 22.8 | \$0.60 | 3.98" |
| | Med. | 33207 | 2,4 | 5CA11/LED/DIM/CL/27 1CD | 24/4 | Card | 40 | Warm White | Clear | 2700 | 80 | 300 | 25000 | 22.8 | \$0.60 | 3.94" |
| | Med. | 33146 | 2,4 | 5CA11/LED/DIM/CL/27 | 24/6 | Hanging Box | 40 | Warm White | Clear | 2700 | 80 | 300 | 25000 | 22.8 | \$0.60 | 3.94" |
| 7 | Cand. | 35129 | 4 | 7C13/LED/CL/CB/27 2CD | 24/4 | Card(2) | 60 | Warm White | Clear | 2700 | 80 | 500 | 15000 | 13.6 | \$0.84 | 4.48" |
| | Cand. | 35127 | 4 | 7C13/LED/SW/CB/27 2CD | 24/4 | Card(2) | 60 | Warm White | Soft White | 2700 | 80 | 500 | 15000 | 13.6 | \$0.84 | 4.48" |
| | Med. | 35128 | 4 | 7C13/LED/CL/27 2CD | 24/4 | Card(2) | 60 | Warm White | Clear | 2700 | 80 | 500 | 15000 | 13.6 | \$0.84 | 4.48" |
| | Med. | 05125 | 4 | 7C13/LED/SW/27 2CD | 24/4 | Card(2) | 60 | Warm White | Soft White | 2700 | 80 | 500 | 12000 | 10.9 | \$0.84 | 4.48" |
| | Cand. | 43202 | 2,4 | 7CA13/LED/DIM/CL/CB/27 1CD | 24/4 | Card | 60 | Warm White | Clear | 2700 | 80 | 500 | 25000 | 22.8 | \$0.84 | 4.49" |
| | Cand. | 43138 | 2,4 | 7CA13/LED/DIM/CL/CB/27 | 24/6 | Hanging Box | 60 | Warm White | Clear | 2700 | 80 | 500 | 25000 | 22.8 | \$0.84 | 4.49" |
| | Med. | 43203 | 2,4 | 7CA13/LED/DIM/CL/27 1CD | 24/4 | Card | 60 | Warm White | Clear | 2700 | 80 | 500 | 25000 | 22.8 | \$0.84 | 4.45" |
| | Med. | 43139 | 2,4 | 7CA13/LED/DIM/CL/27 | 24/6 | Hanging Box | 60 | Warm White | Clear | 2700 | 80 | 500 | 25000 | 22.8 | \$0.84 | 4.45" |
| GLOBE | | | | | | | | | | | | | | | | |
| 7 | Cand. | 43213 | 2,4 | 7G16.5/LED/DIM/CL/CB/27 1CD | 24/4 | Card | 60 | Warm White | Clear | 2700 | 80 | 500 | 25000 | 22.8 | \$0.84 | 3.02" |
| | Cand. | 35131 | 2,4 | 7G16.5/LED/DIM/SW/CB/27 1CD | 24/4 | Card | 60 | Warm White | Soft White | 2700 | 80 | 500 | 25000 | 22.8 | \$0.84 | 2.97" |
| | Cand. | 43128 | 2,4 | 7G16.5/LED/DIM/CL/CB/27 | 24/6 | Box | 60 | Warm White | Clear | 2700 | 80 | 500 | 25000 | 22.8 | \$0.84 | 2.91" |
| | Med. | 43214 | 2,4 | 7G16.5/LED/DIM/CL/27 1CD | 24/4 | Card | 60 | Warm White | Clear | 2700 | 80 | 500 | 25000 | 22.8 | \$0.84 | 3.02" |
| | Med. | 05130 | 2,4 | 7G16.5/LED/DIM/SW/27 1CD | 24/4 | Card | 60 | Warm White | Soft White | 2700 | 80 | 500 | 25000 | 22.8 | \$0.84 | 3.10" |
| | Med. | 33129 | 2,4 | 7G16.5/LED/DIM/CL/27 | 24/6 | Box | 60 | Warm White | Clear | 2700 | 80 | 500 | 25000 | 22.8 | \$0.84 | 2.93" |
| | Med. | 03192 | 2,4 | 7G19/LED/DIM/SW/27 1CD | 24/4 | Card | 60 | Warm White | Soft White | 2700 | 80 | 500 | 25000 | 22.8 | \$0.84 | 3.52" |
| 6 | Med. | 53011 | 2,4,7 | 6G25/LED/DIM/SW/30 | 24/6 | Box | 75 | Warm White | Soft White | 3000 | 80 | 590 | 25000 | 22.8 | \$0.72 | 4.33" |
| 7 | Med. | 35149 | 2,4 | 7G25/LED/DIM/CL/27 | 24/6 | Box | 60 | Warm White | Clear | 2700 | 80 | 500 | 25000 | 22.8 | \$0.84 | 4.42" |

*Based on 3hrs./day **Based on 3hrs./day 11¢/kWh

Footnotes

- 1 New Item
- 2 Dimmable
- 3 Low Voltage (12V)
- 4 Approved for Damp Location
- 5 Approved for Wet Location
- 6 Indoor Application Only
- 7 Approved for Use in Totally Enclosed Fixtures

GENERAL PURPOSE LAMPS



| Energy Used (Watts) | Lamp Base | Item No. | Footnotes | Domestic Code | Master Carton/Inner Pack | Package Type | Equiv. Incand. Wattage | Color Designation | Finish | Light Appearance (Kelvin) | CRI | Brightness (Lumens) | Avg. Rated Hours | Life in Years* | Est. Yearly Energy Cost** | MOL |
|-------------------------------|-----------|--------------|-----------|-------------------------------|--------------------------|--------------|------------------------|-------------------|------------|---------------------------|-----|---------------------|------------------|----------------|---------------------------|-------|
| OMNI A15 | | | | | | | | | | | | | | | | |
| 5 | Med. | 45134 | 4,7 | 50MNIA15/LED/SW/27 1CD | 24/4 | Card | 40 | Warm White | Soft White | 2700 | 80 | 450 | 15000 | 13.6 | \$0.60 | 3.54" |
| 5.5 | Med. | 45136 | 4,7 | 5.50MNIA15/LED/SW/27 1CD | 24/4 | Card | 60 | Warm White | Soft White | 2700 | 80 | 600 | 15000 | 13.6 | \$0.66 | 3.55" |
| | Med. | 33191 | 2,4,7 | 5.50MNIA15/LED/DIM/SW/27 1CD | 24/4 | Card | 40 | Warm White | Soft White | 2700 | 80 | 450 | 25000 | 22.8 | \$0.66 | 3.54" |
| 7 | Med. | 05135 | 4 | 70MNIA15/LED/CL/27 1CD | 24/4 | Card | 40 | Warm White | Clear | 2700 | 80 | 450 | 12000 | 10.9 | \$0.84 | 3.50" |
| A19 | | | | | | | | | | | | | | | | |
| 14 | Med. | 33798 | 4,7 | 14A19/LED/SW/30 | 24/6 | Box | 100 | Warm White | Soft White | 3000 | 80 | 1500 | 15000 | 13.6 | \$1.69 | 4.33" |
| | Med. | 35158 | 4,7 | 14A19/LED/SW/30 2PK | 60/12 | Box(2) | 100 | Warm White | Soft White | 3000 | 80 | 1500 | 15000 | 13.6 | \$1.69 | 4.33" |
| | Med. | 35142 | 4,7 | 14A19/LED/SW/50 | 24/6 | Box | 100 | Daylight | Soft White | 5000 | 80 | 1500 | 15000 | 13.6 | \$1.69 | 4.33" |
| OMNI A19 | | | | | | | | | | | | | | | | |
| 6 | Med. | 33464 | 4,7 | 60MNIA19/LED/SW/27 | 24/6 | Box | 40 | Warm White | Soft White | 2700 | 80 | 450 | 25000 | 22.8 | \$0.72 | 4.33" |
| | Med. | 43189 | 4,7 | 60MNIA19/LED/SW/30 | 24/6 | Box | 40 | Warm White | Soft White | 3000 | 80 | 480 | 15000 | 13.6 | \$0.72 | 4.33" |
| | Med. | 35156 | 4,7 | 60MNIA19/LED/SW/30 4PK | 30/6 | Box(4) | 40 | Warm White | Soft White | 3000 | 80 | 480 | 15000 | 13.6 | \$0.72 | 4.33" |
| | Med. | 53098 | 2,4,7 | 60MNIA19/LED/DIM/SW/30 | 24/6 | Box | 40 | Warm White | Soft White | 3000 | 80 | 480 | 25000 | 22.8 | \$0.72 | 4.33" |
| | Med. | 05138 | 4,7 | 60MNIA19/LED/SW/50 | 24/6 | Box | 40 | Daylight | Soft White | 5000 | 80 | 470 | 12000 | 10.9 | \$0.72 | 4.33" |
| | Med. | 05144 | 2,4,7 | 60MNIA19/LED/DIM/SW/50 | 24/6 | Box | 40 | Daylight | Soft White | 5000 | 80 | 470 | 25000 | 22.8 | \$0.72 | 4.33" |
| 7 | Med. | 05137 | 4 | 70MNIA19/LED/CL/27 | 24/6 | Box | 40 | Warm White | Clear | 2700 | 80 | 480 | 12000 | 10.9 | \$0.84 | 4.41" |
| | Med. | 05143 | 2,4 | 70MNIA19/LED/DIM/CL/27 | 24/6 | Box | 40 | Warm White | Clear | 2700 | 80 | 480 | 25000 | 22.8 | \$0.84 | 4.41" |
| 9 | Med. | 03697 | 4,7 | 90MNIA19/LED/SW/27 | 24/6 | Box | 60 | Warm White | Soft White | 2700 | 80 | 790 | 40000 | 36.5 | \$1.08 | 4.33" |
| | Med. | 43697 | 4,7 | 90MNIA19/LED/SW/27 | 24/6 | Box | 60 | Warm White | Soft White | 2700 | 80 | 800 | 25000 | 22.8 | \$1.08 | 4.33" |
| | Med. | 05173 | 4,7 | 90MNIA19/LED/SW/27 12PK | 2 | Box(12) | 60 | Warm White | Soft White | 2700 | 80 | 800 | 15000 | 13.6 | \$1.08 | 4.33" |
| | Med. | 43696 | 2,4,7 | 90MNIA19/LED/DIM/SW/27 | 24/6 | Box | 60 | Warm White | Soft White | 2700 | 80 | 800 | 25000 | 22.8 | \$1.08 | 4.33" |
| | Med. | 03440 | 4,7 | 90MNIA19/LED/SW/30 1CD | 24/6 | Card | 60 | Warm White | Soft White | 3000 | 80 | 800 | 40000 | 36.5 | \$1.08 | 4.33" |
| | Med. | 33440 | 4,7 | 90MNIA19/LED/SW/30 1CD | 24/4 | Card | 60 | Warm White | Soft White | 3000 | 80 | 800 | 25000 | 22.8 | \$1.08 | 4.33" |
| | Med. | 43127 | 4,7 | 90MNIA19/LED/SW/30 | 24/6 | Box | 60 | Warm White | Soft White | 3000 | 80 | 800 | 15000 | 13.6 | \$1.08 | 4.33" |
| | Med. | 35160 | 4,7 | 90MNIA19/LED/SW/30 4PK | 30/6 | Box(4) | 60 | Warm White | Soft White | 3000 | 80 | 800 | 15000 | 13.6 | \$1.08 | 4.33" |
| | Med. | 43439 | 2,4,7 | 90MNIA19/LED/DIM/SW/30 1CD | 24/4 | Card | 60 | Warm White | Soft White | 3000 | 80 | 800 | 25000 | 22.8 | \$1.08 | 4.33" |
| | Med. | 53094 | 2,4,7 | 90MNIA19/LED/DIM/SW/30 | 24/6 | Box | 60 | Warm White | Soft White | 3000 | 80 | 800 | 25000 | 22.8 | \$1.08 | 4.33" |
| | Med. | 35140 | 4,7 | 90MNIA19/LED/SW/50 | 24/6 | Box | 60 | Daylight | Soft White | 5000 | 80 | 800 | 15000 | 13.6 | \$1.08 | 4.33" |
| | Med. | 53097 | 2,4,7 | 90MNIA19/LED/DIM/SW/50 | 24/6 | Box | 60 | Daylight | Soft White | 5000 | 80 | 800 | 25000 | 22.8 | \$1.08 | 4.33" |
| 9.5 | GU24 | 43158 | 2,4,7 | 9.50MNIA19/LED/DIM/SW/GU24/27 | 24/6 | Box | 60 | Warm White | Soft White | 2700 | 80 | 800 | 25000 | 22.8 | \$1.14 | 4.33" |
| 10 | Med. | 05139 | 4 | 100MNIA19/LED/CL/27 | 24/6 | Box | 60 | Warm White | Clear | 2700 | 80 | 800 | 12000 | 10.9 | \$1.20 | 4.41" |
| | Med. | 03696 | 2,4,7 | 100MNIA19/LED/DIM/SW/27 | 24/6 | Box | 60 | Warm White | Soft White | 2700 | 80 | 790 | 40000 | 36.5 | \$1.20 | 4.33" |
| | Med. | 03439 | 2,4,7 | 100MNIA19/LED/DIM/SW/30 1CD | 24/6 | Card | 60 | Warm White | Soft White | 3000 | 80 | 800 | 40000 | 36.5 | \$1.20 | 4.33" |
| 3/9/12 | Med. | 53140 | 4 | 3/9/12OMNIA19/LED/3WAY/SW/27 | 24/6 | Box | 30/70/100 | Warm White | Soft White | 2700 | 80 | 280/950/1200 | 25000 | 22.8 | \$1.45 | 4.65" |
| OMNI A21 | | | | | | | | | | | | | | | | |
| 11 | Med. | 43190 | 4,7 | 110MNIA21/LED/SW/30 | 24/6 | Box | 75 | Warm White | Soft White | 3000 | 80 | 1100 | 15000 | 13.6 | \$1.32 | 4.80" |
| | Med. | 53053 | 2,4,7 | 110MNIA21/LED/DIM/SW/30 | 24/6 | Box | 75 | Warm White | Soft White | 3000 | 80 | 1100 | 25000 | 22.8 | \$1.32 | 4.80" |
| | Med. | 35157 | 4,7 | 110MNIA21/LED/SW/30 2PK | 60/12 | Box(2) | 75 | Warm White | Soft White | 3000 | 80 | 1100 | 15000 | 13.6 | \$1.32 | 4.80" |
| | Med. | 35141 | 4,7 | 110MNIA21/LED/SW/50 | 24/6 | Box | 75 | Daylight | Soft White | 5000 | 80 | 1100 | 15000 | 13.6 | \$1.32 | 4.80" |
| 15.5 | Med. | 43136 | 2,4,7 | 15.50MNIA21/LED/DIM/SW/27 | 24/6 | Box | 100 | Warm White | Soft White | 2700 | 80 | 1600 | 25000 | 22.8 | \$1.87 | 5.55" |
| SPECIALTY - COLOR OMNI | | | | | | | | | | | | | | | | |
| 5 | Med. | 03153 | 4,7 | 50MNIA19/LED/R | 24/6 | Box | 40 | — | Red | — | — | — | 25000 | 22.8 | \$0.60 | 4.33" |
| 6 | Med. | 03154 | 4,7 | 60MNIA19/LED/B | 24/6 | Box | 40 | — | Blue | — | — | — | 25000 | 22.8 | \$0.72 | 4.33" |
| | Med. | 03152 | 4,7 | 60MNIA19/LED/G | 24/6 | Box | 40 | — | Green | — | — | — | 25000 | 22.8 | \$0.72 | 4.33" |

*Based on 3hrs./day **Based on 3hrs./day 11¢/kWh

Footnotes

1 New Item
2 Dimmable3 Low Voltage (12V)
4 Approved for Damp Location5 Approved for Wet Location
6 Indoor Application Only

7 Approved for Use in Totally Enclosed Fixtures

REFLECTOR LAMPS



| Energy Used (Watts) | Lamp Base | Item No. | Footnotes | Domestic Code | Master Carton/ Inner Pack | Package Type | Equiv. Incand. Wattage | Color Designation | Finish | Light Appearance (Kelvin) | Brightness (Lumens) | Avg. Rated Hours | Life in Years* | Est. Yearly Energy Cost** | MOL |
|--------------------------------|-----------|--------------|-----------|--------------------------------|---------------------------|--------------|------------------------|-------------------|--------|---------------------------|---------------------|------------------|----------------|---------------------------|-------|
| MR11 | | | | | | | | | | | | | | | |
| 4 | GU4 | 05152 | 3,4 | 4MR11/LED/FL/GU4/30 1CD | 24/4 | Card | 30 | Warm White | White | 3000 | 80 | 25000 | 22.8 | \$0.48 | 1.52" |
| | GU10 | 05153 | 2,4 | 4MR11/LED/DIM/FL/GU10/30 1CD | 24/4 | Card | 25 | Warm White | White | 3000 | 80 | 25000 | 22.8 | \$0.48 | 1.89" |
| MR16 | | | | | | | | | | | | | | | |
| 4.5 | GU5.3 | 33209 | 2,3,4,7 | 4.5MR16/LED/DIM/FL/30 1CD | 24/4 | Card | 35 | Warm White | Clear | 3000 | 80 | 25000 | 22.8 | \$0.54 | 1.85" |
| | GU5.3 | 33638 | 2,3,4,7 | 4.5MR16/LED/DIM/FL/30 | 24/6 | Hanging Box | 35 | Warm White | Clear | 3000 | 80 | 25000 | 22.8 | \$0.54 | 1.85" |
| | GU10 | 05179 | 1,2,4,7 | 4.5MR16/LED/DIM/FL/GU10/30 | 24/6 | Hanging Box | 35 | Warm White | Frost | 3000 | 80 | 25000 | 22.8 | \$0.54 | 2.16" |
| 6.5 | GU5.3 | 33208 | 2,3,4,7 | 6.5MR16/LED/DIM/FL/30 1CD | 24/4 | Card | 50 | Warm White | Clear | 3000 | 80 | 25000 | 22.8 | \$0.78 | 1.85" |
| | GU5.3 | 33491 | 2,3,4,7 | 6.5MR16/LED/DIM/FL/30 | 24/6 | Hanging Box | 50 | Warm White | Clear | 3000 | 80 | 25000 | 22.8 | \$0.78 | 1.85" |
| | GU10 | 43210 | 2,4,7 | 6.5MR16/LED/DIM/FL/GU10/30 1CD | 24/4 | Card | 50 | Warm White | Frost | 3000 | 80 | 25000 | 22.8 | \$0.78 | 2.16" |
| | GU10 | 53032 | 2,4,7 | 6.5MR16/LED/DIM/FL/GU10/30 | 24/6 | Box | 50 | Warm White | Frost | 3000 | 80 | 25000 | 22.8 | \$0.78 | 2.16" |
| REFLECTORS | | | | | | | | | | | | | | | |
| 4 | Inter. | 35154 | 2,4 | 4R14/LED/DIM/FL/IN/27 1CD | 24/4 | Card | 25 | Warm White | Frost | 2700 | 80 | 25000 | 22.8 | \$0.48 | 2.17" |
| 6 | Med. | 35155 | 2,4 | 6R16/LED/DIM/FL/27 1CD | 24/4 | Card | 45 | Warm White | Frost | 2700 | 80 | 25000 | 22.8 | \$0.72 | 3.23" |
| 6.5 | Med. | 53050 | 2,4,7 | 6.5R20/LED/DIM/FL/27 | 24/6 | Box | 50 | Warm White | Frost | 2700 | 80 | 25000 | 22.8 | \$0.78 | 3.93" |
| | Med. | 53161 | 2,4,7 | 6.5R20/LED/DIM/FL/30 | 24/6 | Box | 50 | Warm White | Frost | 3000 | 80 | 25000 | 22.8 | \$0.78 | 3.93" |
| | Med. | 50110 | 1,2,4,7 | 6.5R20/LED/DIM/FL/40 | 24/6 | Box | 50 | Cool White | Frost | 4000 | 80 | 25000 | 22.8 | \$0.78 | 3.93" |
| | Med. | 50120 | 1,2,4,7 | 6.5R20/LED/DIM/FL/50 | 24/6 | Box | 50 | Daylight | Frost | 5000 | 80 | 25000 | 22.8 | \$0.78 | 3.93" |
| 8 | Med. | 53000 | 2,4 | 8R30/LED/DIM/FL/27 | 24/6 | Box | 65 | Warm White | Frost | 2700 | 80 | 25000 | 22.8 | \$0.96 | 5.16" |
| 8.5 | GU24 | 03159 | 2,4 | 8.5R30/LED/DIM/FL/GU24/27 | 24/6 | Box | 65 | Warm White | Frost | 2700 | 80 | 25000 | 22.8 | \$1.02 | 4.96" |
| 9 | Med. | 53055 | 2,4,7 | 9BR30/LED/DIM/FL/27 | 24/6 | Box | 65 | Warm White | Frost | 2700 | 80 | 25000 | 22.8 | \$1.08 | 5.24" |
| | Med. | 05174 | 2,4,7 | 9BR30/LED/DIM/FL/27 12PK | 2 | Box(12) | 65 | Warm White | Frost | 2700 | 80 | 25000 | 22.8 | \$1.08 | 5.24" |
| | Med. | 53010 | 2,4,7 | 9BR30/LED/DIM/FL/30 | 24/6 | Box | 65 | Warm White | Frost | 3000 | 80 | 25000 | 22.8 | \$1.08 | 5.24" |
| | Med. | 50080 | 1,2,4,7 | 9BR30/LED/DIM/FL/40 | 24/6 | Box | 65 | Cool White | Frost | 4000 | 80 | 25000 | 22.8 | \$1.08 | 5.24" |
| | Med. | 05148 | 2,4,7 | 9BR30/LED/DIM/FL/50 | 24/6 | Box | 65 | Daylight | Frost | 5000 | 80 | 25000 | 22.8 | \$1.08 | 5.16" |
| 11.5 | Med. | 43063 | 2,4 | 11.5R40/LED/DIM/FL/27 | 6 | Box | 75 | Warm White | Frost | 2700 | 80 | 25000 | 22.8 | \$1.39 | 6.46" |
| | Med. | 33162 | 2,4 | 11.5R40/LED/DIM/FL/30 | 6 | Box | 75 | Warm White | Frost | 3000 | 80 | 25000 | 22.8 | \$1.39 | 6.46" |
| 16.5 | Med. | 33163 | 2,4 | 16.5R40/LED/DIM/FL/27 | 6 | Box | 85 | Warm White | Frost | 2700 | 80 | 25000 | 22.8 | \$1.99 | 6.46" |
| | Med. | 53064 | 2,4 | 16.5R40/LED/DIM/FL/30 | 6 | Box | 85 | Warm White | Frost | 3000 | 80 | 25000 | 22.8 | \$1.99 | 6.46" |
| | Med. | 50130 | 1,2,4 | 16.5R40/LED/DIM/FL/40 | 6 | Box | 85 | Cool White | Frost | 4000 | 80 | 25000 | 22.8 | \$1.99 | 6.46" |
| | Med. | 50140 | 1,2,4 | 16.5R40/LED/DIM/FL/50 | 6 | Box | 85 | Daylight | Frost | 5000 | 80 | 25000 | 22.8 | \$1.99 | 6.46" |
| PAR16 REFLECTOR | | | | | | | | | | | | | | | |
| 6 | Med. | 33067 | 2,4,7 | 6PAR16/LED/DIM/FL/30 | 24/6 | Box | 45 | Warm White | Clear | 3000 | 80 | 25000 | 22.8 | \$0.72 | 3.50" |
| PAR20 REFLECTOR | | | | | | | | | | | | | | | |
| 7 | Med. | 43012 | 2,4,7 | 7PAR20/LED/DIM/FL/30 | 24/6 | Box | 50 | Warm White | Clear | 3000 | 80 | 25000 | 22.8 | \$0.84 | 3.50" |
| | Med. | 50000 | 1,2,4,7 | 7PAR20/LED/DIM/FL/40 | 24/6 | Box | 50 | Cool White | Clear | 4000 | 80 | 25000 | 22.8 | \$0.84 | 3.50" |
| | Med. | 50010 | 1,2,4,7 | 7PAR20/LED/DIM/FL/50 | 24/6 | Box | 50 | Daylight | Clear | 5000 | 80 | 25000 | 22.8 | \$0.84 | 3.50" |
| PAR30 REFLECTOR | | | | | | | | | | | | | | | |
| 10 | Med. | 43160 | 2,4,7 | 10PAR30S/LED/DIM/FL/30 | 24/6 | Box | 75 | Warm White | Clear | 3000 | 80 | 25000 | 22.8 | \$1.20 | 3.58" |
| | Med. | 53013 | 2,4,7 | 10PAR30/LED/DIM/FL/30 | 24/6 | Box | 75 | Warm White | Clear | 3000 | 80 | 25000 | 22.8 | \$1.20 | 4.57" |
| | Med. | 50040 | 1,2,4,7 | 10PAR30S/LED/DIM/FL/40 | 24/6 | Box | 75 | Cool White | Clear | 4000 | 80 | 25000 | 22.8 | \$1.20 | 3.58" |
| | Med. | 50020 | 1,2,4,7 | 10PAR30/LED/DIM/FL/40 | 24/6 | Box | 75 | Cool White | Clear | 4000 | 80 | 25000 | 22.8 | \$1.20 | 4.57" |
| | Med. | 50050 | 1,2,4,7 | 10PAR30S/LED/DIM/FL/50 | 24/6 | Box | 75 | Daylight | Clear | 5000 | 80 | 25000 | 22.8 | \$1.20 | 3.58" |
| | Med. | 50030 | 1,2,4,7 | 10PAR30/LED/DIM/FL/50 | 24/6 | Box | 75 | Daylight | Clear | 5000 | 80 | 25000 | 22.8 | \$1.20 | 4.57" |
| PAR38 REFLECTOR | | | | | | | | | | | | | | | |
| 15 | Med. | 03110 | 5,7 | 15PAR38/LED/OutdoorFL/30 | 24/6 | Box | 90 | Warm White | Clear | 3000 | 80 | 25000 | 22.8 | \$1.81 | 5.32" |
| | Med. | 03114 | 5,7 | 15PAR38/LED/OutdoorFL/30 2PK | 12/3 | Box(2) | 90 | Warm White | Clear | 3000 | 80 | 25000 | 22.8 | \$1.81 | 5.32" |
| | Med. | 53014 | 2,4,7 | 15PAR38/LED/DIM/FL/30 | 24/6 | Box | 90 | Warm White | Clear | 3000 | 80 | 25000 | 22.8 | \$1.81 | 5.24" |
| | Med. | 50090 | 1,5,7 | 15PAR38/LED/OutdoorFL/40 | 24/6 | Box | 90 | Cool White | Clear | 4000 | 80 | 25000 | 22.8 | \$1.81 | 5.32" |
| | Med. | 50060 | 1,2,4,7 | 15PAR38/LED/DIM/FL/40 | 24/6 | Box | 90 | Cool White | Clear | 4000 | 80 | 25000 | 22.8 | \$1.81 | 5.24" |
| | Med. | 50100 | 1,5,7 | 15PAR38/LED/OutdoorFL/50 | 24/6 | Box | 90 | Daylight | Clear | 5000 | 80 | 25000 | 22.8 | \$1.81 | 5.32" |
| | Med. | 50070 | 1,2,4,7 | 15PAR38/LED/DIM/FL/50 | 24/6 | Box | 90 | Daylight | Clear | 5000 | 80 | 25000 | 22.8 | \$1.81 | 5.24" |
| SPECIALTY - COLOR PAR38 | | | | | | | | | | | | | | | |
| 11 | Med. | 03147 | 5,7 | 11PAR38/LED/FL/R | 24/6 | Box | 100 | — | Red | — | — | 25000 | 22.8 | \$1.32 | 5.32" |
| 15 | Med. | 03149 | 5,7 | 15PAR38/LED/FL/G | 24/6 | Box | 100 | — | Green | — | — | 25000 | 22.8 | \$1.81 | 5.32" |
| | Med. | 03151 | 5,7 | 15PAR38/LED/FL/B | 24/6 | Box | 100 | — | Blue | — | — | 25000 | 22.8 | \$1.81 | 5.32" |

Footnotes

- 1 New Item
- 2 Dimmable
- 3 Low Voltage (12V)
- 4 Approved for Damp Location
- 5 Approved for Wet Location
- 6 Indoor Application Only
- 7 Approved for Use in Totally Enclosed Fixtures

*Based on 3hrs./day **Based on 3hrs./day 1ft./kWh

FILAMENT LAMPS

LAMPS SHOWN UNLIT



| Energy Used (Watts) | Lamp Base | Item No. | Footnotes | Domestic Code | Master Carton/Inner Pack | Package Type | Equiv. Incand. Wattage | Color Designation | Finish | Light Appearance (Kelvin) | CRI | Brightness (Lumens) | Avg. Rated Hours | Life in Years* | Est. Yearly Energy Cost** | MOL |
|------------------------|-----------|----------------|-----------|----------------------------------|--------------------------|--------------|------------------------|-------------------|--------|---------------------------|-----|---------------------|------------------|----------------|---------------------------|--------|
| A TYPE | | | | | | | | | | | | | | | | |
| 4.5 | Med. | 33166 | 2,4,7 | 4.5A15/FilamentLED/DIM/CL/27 | 24/6 | Box | 40 | Warm White | Clear | 2700 | 80 | 470 | 15000 | 13.6 | \$0.54 | 3.30" |
| | Med. | 33164 | 2,4,7 | 4.5A19/FilamentLED/DIM/CL/27 | 24/6 | Box | 40 | Warm White | Clear | 2700 | 80 | 470 | 15000 | 13.6 | \$0.54 | 4.13" |
| 5 | Med. | 05151 | 2,4,7 | 5A19/FilamentLED/DIM/A/20 1CD | 24/4 | Card | 40 | Warm White | Amber | 2000 | 80 | 420 | 15000 | 13.6 | \$0.60 | 3.97" |
| 6.5 | Med. | 33165 | 2,4,7 | 6.5A19/FilamentLED/DIM/CL/27 | 24/6 | Box | 60 | Warm White | Clear | 2700 | 80 | 810 | 15000 | 13.6 | \$0.78 | 4.13" |
| BT15 | | | | | | | | | | | | | | | | |
| 4.5 | Med. | 33167 | 2,4,7 | 4.5BT15/FilamentLED/DIM/CL/27 | 24/6 | Box | 40 | Warm White | Clear | 2700 | 80 | 470 | 15000 | 13.6 | \$0.54 | 4.05" |
| B11 DECORATIVE | | | | | | | | | | | | | | | | |
| 4.5 | Cand. | 05171 Δ | 2,4,7 | 4.5B11/FilaLED/DIM/CL/CB/27 | 24/6 | Box | 40 | Warm White | Clear | 2700 | 80 | 300 | 15000 | 13.6 | \$0.54 | 3.54" |
| | Med. | 33169 | 2,4,7 | 4.5B11/FilamentLED/DIM/CL/27 | 24/6 | Box | 60 | Warm White | Clear | 2700 | 80 | 470 | 15000 | 13.6 | \$0.54 | 3.58" |
| 6 | Cand. | 33168 Δ | 2,4 | 6B11/FilaLED/DIM/CL/CB/27 | 24/6 | Box | 60 | Warm White | Clear | 2700 | 80 | 500 | 15000 | 13.6 | \$0.72 | 3.54" |
| CA10 DECORATIVE | | | | | | | | | | | | | | | | |
| 4.5 | Med. | 33171 | 2,4,7 | 4.5CA10/FilamentLED/DIM/CL/27 | 24/6 | Box | 60 | Warm White | Clear | 2700 | 80 | 470 | 15000 | 13.6 | \$0.54 | 4.31" |
| 5 | Cand. | 05132 | 2,4,7 | 5CA10/FILED/DIM/A/CB/20 1CD | 24/4 | Card | 60 | Warm White | Amber | 2000 | 80 | 400 | 15000 | 13.6 | \$0.60 | 4.52" |
| CA11 DECORATIVE | | | | | | | | | | | | | | | | |
| 4.5 | Cand. | 05172 Δ | 2,4,7 | 4.5CA11/FilaLED/DIM/CL/CB/27 | 24/6 | Box | 40 | Warm White | Clear | 2700 | 80 | 300 | 15000 | 13.6 | \$0.54 | 3.54" |
| 6 | Cand. | 33170 Δ | 2,4 | 6CA11/FilaLED/DIM/CL/CB/27 | 24/6 | Box | 60 | Warm White | Clear | 2700 | 80 | 500 | 15000 | 13.6 | \$0.72 | 4.25" |
| F15 | | | | | | | | | | | | | | | | |
| 2.5 | Med. | 03193 | 2,4,7 | 2.5F15/FILED/DIM/CL/27 1CD | 24/4 | Card | 25 | Warm White | Clear | 2700 | 80 | 250 | 15000 | 13.6 | \$0.30 | 4.33" |
| | Med. | 03195 | 2,4,7 | 2.5F15/FilaLED/DIM/A/20 1CD | 24/4 | Card | 25 | Warm White | Amber | 2000 | 80 | 190 | 15000 | 13.6 | \$0.30 | 4.33" |
| 5 | Med. | 03194 | 2,4,7 | 5F15/FilamentLED/DIM/CL/27 1CD | 24/4 | Card | 40 | Warm White | Clear | 2700 | 80 | 470 | 15000 | 13.6 | \$0.60 | 4.33" |
| | Med. | 03196 | 2,4,7 | 5F15/FilamentLED/DIM/A/20 1CD | 24/4 | Card | 40 | Warm White | Amber | 2000 | 80 | 400 | 15000 | 13.6 | \$0.60 | 4.33" |
| G25 GLOBE | | | | | | | | | | | | | | | | |
| 4.5 | Med. | 33172 | 2,4,7 | 4.5G25/FilamentLED/DIM/CL/27 | 24/6 | Box | 40 | Warm White | Clear | 2700 | 80 | 470 | 15000 | 13.6 | \$0.54 | 4.52" |
| 6.5 | Med. | 33173 | 2,4,7 | 6.5G25/FilamentLED/DIM/CL/27 | 24/6 | Box | 60 | Warm White | Clear | 2700 | 80 | 810 | 15000 | 13.6 | \$0.78 | 4.52" |
| G40 GLOBE | | | | | | | | | | | | | | | | |
| 4.5 | Med. | 33174 | 2,4,7 | 4.5G40/FilamentLED/DIM/CL/27 | 24/6 | Box | 40 | Warm White | Clear | 2700 | 80 | 470 | 15000 | 13.6 | \$0.54 | 6.57" |
| 6.5 | Med. | 33175 | 2,4,7 | 6.5G40/FilamentLED/DIM/CL/27 | 24/6 | Box | 60 | Warm White | Clear | 2700 | 80 | 810 | 15000 | 13.6 | \$0.78 | 6.57" |
| ST15 | | | | | | | | | | | | | | | | |
| 4.5 | Med. | 05186 | 1,2,4,7 | 4.5ST15/FilamentLED/DIM/CL/27 | 24/6 | Box | 40 | Warm White | Clear | 2700 | 80 | 470 | 15000 | 13.6 | \$0.54 | 4.65" |
| 6.5 | Med. | 05187 | 1,2,4,7 | 6.5ST15/FilamentLED/DIM/CL/27 | 24/6 | Box | 60 | Warm White | Clear | 2700 | 80 | 800 | 15000 | 13.6 | \$0.78 | 4.65" |
| ST20 | | | | | | | | | | | | | | | | |
| 2.5 | Med. | 03176 | 2,4,7 | 2.5ST20/FilamentLED/DIM/A/20 | 24/6 | Box | 25 | Warm White | Amber | 2000 | 80 | 230 | 15000 | 13.6 | \$0.30 | 5.31" |
| 4.5 | Med. | 33177 | 2,4,7 | 4.5ST20/FilamentLED/DIM/A/22 | 24/6 | Box | 40 | Warm White | Amber | 2200 | 80 | 420 | 15000 | 13.6 | \$0.54 | 5.50" |
| | Med. | 05182 | 1,2,4,7 | 4.5ST20/FilamentLED/DIM/CL/27 | 24/6 | Box | 40 | Warm White | Clear | 2700 | 80 | 500 | 15000 | 13.6 | \$0.54 | 5.43" |
| 5 | Med. | 05133 | 2,4,7 | 5ST20/FilamentLED/DIM/A/20 1CD | 24/4 | Card | 40 | Warm White | Amber | 2000 | 80 | 400 | 15000 | 13.6 | \$0.60 | 5.39" |
| 6.5 | Med. | 33178 | 2,4,7 | 6.5ST20/FilamentLED/DIM/A/22 | 24/6 | Box | 60 | Warm White | Amber | 2200 | 80 | 600 | 15000 | 13.6 | \$0.78 | 5.50" |
| 7 | Med. | 05183 | 1,2,4,7 | 7ST20/FilamentLED/DIM/CL/27 | 24/6 | Box | 60 | Warm White | Clear | 2700 | 80 | 800 | 15000 | 13.6 | \$0.84 | 5.43" |
| T9 | | | | | | | | | | | | | | | | |
| 4.5 | Med. | 05184 | 1,2,4,7 | 4.5T9/FilamentLED/DIM/CL/27 1CD | 24/4 | Card | 60 | Warm White | Clear | 2700 | 80 | 450 | 15000 | 13.6 | \$0.54 | 7.10" |
| 6.5 | Med. | 05188 | 1,2,4,7 | 6.5T9/FilamentLED/DIM/CL/27 1CD | 24/4 | Card | 75 | Warm White | Clear | 2700 | 80 | 800 | 15000 | 13.6 | \$0.78 | 11.97" |
| T10 | | | | | | | | | | | | | | | | |
| 3.2 | Med. | 05185 | 1,2,4,7 | 3.2T10/FilamentLED/DIM/CL/27 1CD | 24/4 | Card | 60 | Warm White | Clear | 2700 | 80 | 350 | 15000 | 13.6 | \$0.39 | 4.92" |

Δ Reduced Collar

*Based on 3hrs./day **Based on 3hrs./day 11¢/kWh

Footnotes

1 New Item
2 Dimmable3 Low Voltage (12V)
4 Approved for Damp Location5 Approved for Wet Location
6 Indoor Application Only

7 Approved for Use in Totally Enclosed Fixtures

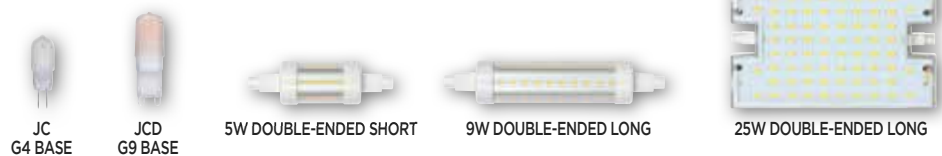
GENERAL PURPOSE
SPECIALTY LAMPS



| Energy Used (Watts) | Lamp Base | Item No. | Footnotes | Domestic Code | Master Carton/ Inner Pack | Package Type | Equiv. Incand. Wattage | Color Designation | Finish | Light Appearance (Kelvin) | CRI | Brightness (Lumens) | Avg. Rated Hours | Life in Years* | Est. Yearly Energy Cost** | MOL |
|---------------------|-----------|--------------|-----------|-------------------------|---------------------------|--------------|------------------------|-------------------|--------|---------------------------|-----|---------------------|------------------|----------------|---------------------------|-------|
| C7 | | | | | | | | | | | | | | | | |
| 0.6 | Cand. | 35110 | 4 | 0.6C7/LED/CL/CB/27 2CD | 48/4 | Card(2) | 4 | Warm White | Clear | 2700 | 80 | 20 | 15000 | 13.6 | \$0.07 | 2.05" |
| | Cand. | 35108 | 4 | 0.6C7/LED/F/CB/27 2CD | 48/4 | Card(2) | 4 | Warm White | Frost | 2700 | 80 | 20 | 15000 | 13.6 | \$0.07 | 2.05" |
| 1 | Cand. | 35111 | 4 | 1C7/LED/CL/CB/27 2CD | 48/4 | Card(2) | 7 | Warm White | Clear | 2700 | 80 | 50 | 15000 | 13.6 | \$0.12 | 2.05" |
| | Cand. | 35109 | 4 | 1C7/LED/F/CB/27 2CD | 48/4 | Card(2) | 7 | Warm White | Frost | 2700 | 80 | 50 | 15000 | 13.6 | \$0.12 | 2.05" |
| S6 | | | | | | | | | | | | | | | | |
| 0.6 | Cand. | 35117 | 4 | 0.6S6/LED/CL/CB/27 1CD | 24/4 | Card | 6 | Warm White | Clear | 2700 | 80 | 32 | 15000 | 13.6 | \$0.07 | 1.77" |
| S11 | | | | | | | | | | | | | | | | |
| 1 | Med. | 35113 | 4 | 1S11/LED/CL/27 1CD | 24/4 | Card | 7.5 | Warm White | Clear | 2700 | 80 | 50 | 15000 | 13.6 | \$0.12 | 1.99" |
| | Med. | 35112 | 4 | 1S11/LED/W/27 1CD | 24/4 | Card | 7.5 | Warm White | White | 2700 | 80 | 40 | 15000 | 13.6 | \$0.12 | 1.99" |
| 1.5 | Inter. | 35114 | 4 | 1.5S11/LED/CL/IN/27 1CD | 24/4 | Card | 10 | Warm White | Clear | 2700 | 80 | 80 | 15000 | 13.6 | \$0.18 | 2.09" |
| S14 | | | | | | | | | | | | | | | | |
| 1 | Med. | 35116 | 4 | 1S14/LED/CL/27 1CD | 24/4 | Card | 11 | Warm White | Clear | 2700 | 80 | 65 | 15000 | 13.6 | \$0.12 | 3.23" |
| | Med. | 35115 | 4 | 1S14/LED/F/27 1CD | 24/4 | Card | 11 | Warm White | Frost | 2700 | 80 | 60 | 15000 | 13.6 | \$0.12 | 3.23" |
| T7 | | | | | | | | | | | | | | | | |
| 1 | Cand. | 35118 | 4 | 1T7/LED/CL/CB/27 1CD | 24/4 | Card | 10 | Warm White | Clear | 2700 | 80 | 50 | 15000 | 13.6 | \$0.12 | 2.09" |
| 1.5 | Inter. | 35119 | 4 | 1.5T7/LED/CL/IN/27 1CD | 24/4 | Card | 15 | Warm White | Clear | 2700 | 80 | 80 | 15000 | 13.6 | \$0.18 | 2.09" |
| | D.C. Bay. | 35120 | 4 | 1.5T7/LED/CL/DC/27 1CD | 24/4 | Card | 15 | Warm White | Clear | 2700 | 80 | 80 | 15000 | 13.6 | \$0.18 | 2.09" |
| 8 | Med. | 33199 | 4,7 | 8T7/LED/F/30 1CD | 60/4 | Card | 60 | Warm White | Frost | 3000 | 80 | 800 | 15000 | 13.6 | \$0.96 | 4.22" |
| | Med. | 05161 | 2,4,7 | 8T7/LED/DIM/F/30 1CD | 60/4 | Card | 60 | Warm White | Frost | 3000 | 80 | 800 | 25000 | 22.8 | \$0.96 | 4.22" |
| UTILITY | | | | | | | | | | | | | | | | |
| 15 | Med. | 03197 | 4,7 | 15DLR46E26/LED/F/27 | 24/6 | Box | 75 | Warm White | Frost | 2700 | 80 | 1200 | 25000 | 22.8 | \$1.81 | 4.41" |
| 20 | Med. | 03198 | 4,7 | 20DLR64E26/LED/F/27 | 12 | Box | 100 | Warm White | Frost | 2700 | 80 | 1800 | 25000 | 22.8 | \$2.41 | 6.06" |

*Based on 3hrs./day **Based on 3hrs./day 11¢/kWh

HALOGEN ALTERNATIVE
SPECIALTY LAMPS



| Energy Used (Watts) | Lamp Base | Item No. | Footnotes | Domestic Code | Master Carton/ Inner Pack | Package Type | Equiv. Halogen Wattage | Color Designation | Finish | Light Appearance (Kelvin) | CRI | Brightness (Lumens) | Avg. Rated Hours | Life in Years* | Est. Yearly Energy Cost** | MOL |
|---------------------------|-----------|--------------|-----------|--------------------|---------------------------|--------------|------------------------|-------------------|--------|---------------------------|-----|---------------------|------------------|----------------|---------------------------|-------|
| JC | | | | | | | | | | | | | | | | |
| 1.3 | G4 | 03184 | 3,4,7 | 1.3G4/LED/F/30 1CD | 24/4 | Card | 10 | Warm White | Frost | 3000 | 80 | 100 | 25000 | 22.8 | \$0.16 | 1.46" |
| JCD | | | | | | | | | | | | | | | | |
| 2.5 | G9 | 03185 | 4,7 | 2.5G9/LED/F/30 1CD | 24/4 | Card | 25 | Warm White | Frost | 3000 | 80 | 220 | 25000 | 22.8 | \$0.30 | 2.05" |
| DOUBLE-ENDED SHORT | | | | | | | | | | | | | | | | |
| 5 | RSC | 03186 | 4,7 | 5R7S/LED/CL/27 1CD | 24/4 | Card | 40 | Warm White | Clear | 2700 | 80 | 450 | 25000 | 22.8 | \$0.60 | 3.07" |
| DOUBLE-ENDED LONG | | | | | | | | | | | | | | | | |
| 9 | RSC | 03187 | 4,7 | 9R7S/LED/CL/27 1CD | 24/4 | Card | 75 | Warm White | Clear | 2700 | 80 | 900 | 25000 | 22.8 | \$1.08 | 4.65" |
| 25 | RSC | 33188 | 4,7 | 25R7S/LED/CL/27 | 24/4 | Box | 150 | Warm White | Clear | 2700 | 80 | 2300 | 25000 | 22.8 | \$3.01 | 4.65" |

*Based on 3hrs./day **Based on 3hrs./day 11¢/kWh

Footnotes

- 1 New Item
- 2 Dimmable
- 3 Low Voltage (12V)
- 4 Approved for Damp Location
- 5 Approved for Wet Location
- 6 Indoor Application Only
- 7 Approved for Use in Totally Enclosed Fixtures



Visit Our YouTube Channel for Educational Videos.
www.youtube.com/user/Gwestinghouse



ADJUSTABLE RECESSED DOWNLIGHTS

ALL ADJUSTABLE RECESSED LED DOWNLIGHTS ARE UL CLASSIFIED.

| Energy Used (Watts) | Lamp Base | Item No. | Footnotes | Domestic Code | Master Carton/Inner Pack | Package Type | Equiv. Incand. Wattage | Color Designation | Finish | Light Appearance (Kelvin) | CRI | Brightness (Lumens) | Avg. Rated Hours | Life in Years* | Est. Yearly Energy Cost** | MOL | MOD |
|----------------------|-----------|--------------|-----------|--------------------------|--------------------------|--------------|------------------------|-------------------|--------|---------------------------|-----|---------------------|------------------|----------------|---------------------------|-------|-------|
| SMOOTH BAFFLE | | | | | | | | | | | | | | | | | |
| 7 | Med. | 31051 | 2,4 | 7R/4"/LED/DIM/ADJ/FL/27 | 24/4 | Box | 50 | Warm White | Frost | 2700 | 80 | 550 | 25000 | 22.8 | \$0.84 | 5.32" | 5.31" |
| | Med. | 31049 | 2,4 | 7R/4"/LED/DIM/ADJ/FL/30 | 24/4 | Box | 50 | Warm White | Frost | 3000 | 80 | 550 | 25000 | 22.8 | \$0.84 | 5.32" | 5.31" |
| 10 | Med. | 31052 | 2,4 | 10R/6"/LED/DIM/ADJ/FL/27 | 24/4 | Box | 75 | Warm White | Frost | 2700 | 80 | 800 | 25000 | 22.8 | \$1.20 | 7.28" | 7.28" |
| | Med. | 31050 | 2,4 | 10R/6"/LED/DIM/ADJ/FL/30 | 24/4 | Box | 75 | Warm White | Frost | 3000 | 80 | 800 | 25000 | 22.8 | \$1.20 | 7.28" | 7.28" |

*Based on 3hrs./day

**Based on 3hrs./day 11¢/kWh



RECESSED DOWNLIGHTS

ALL RECESSED LED DOWNLIGHT KITS ARE UL OR ETL CLASSIFIED.

| Energy Used (Watts) | Lamp Base | Item No. | Footnotes | Domestic Code | Master Carton/Inner Pack | Package Type | Equiv. Incand. Wattage | Color Designation | Finish | Light Appearance (Kelvin) | CRI | Brightness (Lumens) | Avg. Rated Hours | Life in Years* | Est. Yearly Energy Cost** | MOL | MOD |
|---------------------------|-----------|--------------------------|-----------|-------------------------|--------------------------|--------------|------------------------|-------------------|--------|---------------------------|-----|---------------------|------------------|----------------|---------------------------|-------|-------|
| STEP BAFFLE | | | | | | | | | | | | | | | | | |
| 10 | Med. | 51047 | 2,5 | 10R/4"/LED/DIM/FL/30 | 24/4 | Box | 65 | Warm White | Frost | 3000 | 90 | 670 | 50000 | 45.6 | \$1.20 | 2.88" | 5.52" |
| 11 | Med. | 51048 | 2,5 | 11R/5-6"/LED/DIM/FL/30 | 24/4 | Box | 65 | Warm White | Frost | 3000 | 90 | 750 | 50000 | 45.6 | \$1.32 | 2.13" | 7.48" |
| SMOOTH BAFFLE | | | | | | | | | | | | | | | | | |
| 8 | Med. | 31043⁺ | 2,4 | 8R/4"/LED/DIM/FL/27 | 24/6 | Box | 65 | Warm White | Frost | 2700 | 80 | 650 | 50000 | 45.6 | \$0.96 | 3.50" | 5.04" |
| | Med. | 31041⁺ | 2,4 | 9R/4"/LED/DIM/FL/30 | 24/6 | Box | 65 | Warm White | Frost | 3000 | 80 | 650 | 50000 | 45.6 | \$1.08 | 3.50" | 5.04" |
| 14 | Med. | 41040⁺ | 2,4 | 14R/5"/LED/DIM/FL/27 | 24/6 | Box | 80 | Warm White | Frost | 2700 | 80 | 1000 | 50000 | 45.6 | \$1.69 | 3.54" | 6.30" |
| | Med. | 41044⁺ | 2,4 | 14R/5"/LED/DIM/FL/30 | 24/6 | Box | 80 | Warm White | Frost | 3000 | 80 | 1000 | 50000 | 45.6 | \$1.69 | 3.54" | 6.30" |
| | Med. | 31045⁺ | 2,4 | 14R/6"/LED/DIM/FL/27 | 24/6 | Box | 80 | Warm White | Frost | 2700 | 80 | 1000 | 50000 | 45.6 | \$1.69 | 3.40" | 7.24" |
| | Med. | 31046⁺ | 2,4 | 14R/6"/LED/DIM/FL/30 | 24/6 | Box | 80 | Warm White | Frost | 3000 | 80 | 1000 | 50000 | 45.6 | \$1.69 | 3.40" | 7.24" |
| SQUARE STEP BAFFLE | | | | | | | | | | | | | | | | | |
| 10 | Med. | 31053⁺ | 1,2,5,7 | 10R/4"/LED/DIM/SQ/FL/30 | 24/6 | Box | 60 | Warm White | Frost | 3000 | 90 | 650 | 50000 | 45.6 | \$1.20 | 1.89" | 4.00" |
| | Med. | 31054⁺ | 1,2,5,7 | 10R/4"/LED/DIM/SQ/FL/40 | 24/6 | Box | 60 | Cool White | Frost | 4000 | 90 | 650 | 50000 | 45.6 | \$1.20 | 1.89" | 4.00" |
| 15 | Med. | 31055⁺ | 1,2,5,7 | 15R/6"/LED/DIM/SQ/FL/30 | 24/6 | Box | 100 | Warm White | Frost | 3000 | 90 | 1100 | 50000 | 45.6 | \$1.81 | 2.48" | 6.00" |
| | Med. | 31056⁺ | 1,2,5,7 | 15R/6"/LED/DIM/SQ/FL/40 | 24/6 | Box | 100 | Cool White | Frost | 4000 | 90 | 1100 | 50000 | 45.6 | \$1.81 | 2.48" | 6.00" |

+ Optional Accessory GU24 Base Adapter Sold Separately (Item# 22000)

*Based on 3hrs./day

**Based on 3hrs./day 11¢/kWh

Footnotes

- 1 New Item
- 2 Dimmable
- 3 Low Voltage (12V)
- 4 Approved for Damp Location
- 5 Approved for Wet Location
- 6 Indoor Application Only
- 7 Approved for Use in Totally Enclosed Fixtures



Visit Our YouTube Channel for TLED Educational Videos.
www.youtube.com/user/Gwestinghouse



LINEAR LAMPS

ALL LINEAR LED LAMPS ARE UL CLASSIFIED.

| Energy Used (Watts) | Lamp Base | Item No. | Footnotes | Domestic Code | Master Carton/ Inner Pack | Package Type | Lamp Type Replacement | Color Designation | Finish | Light Appearance (Kelvin) | Brightness (Lumens) | Avg. Rated Hours | Life in Years* | Est. Yearly Energy Cost** | MOL | |
|--|-----------------|------------------|-----------|----------------------------------|---------------------------|--------------|-----------------------|-------------------|--------|---------------------------|---------------------|------------------|----------------|---------------------------|--------|-----|
| T5 46" (DesignLights Consortium® qualified product) | | | | | | | | | | | | | | | | |
| 25 | G5 (Mini BiPin) | 33788 ◆▲■ | 7 | LED 25T5/46"/40 Direct Install | 10 | Sleeve | T5 | Cool White | Frost | 4000 | 82 | 3500 | 50000 | 45.6 | \$3.01 | 46" |
| | G5 (Mini BiPin) | 33789 ◆▲■ | 7 | LED 25T5/46"/50 Direct Install | 10 | Sleeve | T5 | Daylight | Frost | 5000 | 82 | 3500 | 50000 | 45.6 | \$3.01 | 46" |
| T8 48" (DesignLights Consortium® qualified product) | | | | | | | | | | | | | | | | |
| 11.5 | Med.BiPin | 33851 ◆▲† | 4,7 | LED 11.5T8/48"/35 Direct Install | 10 | Sleeve | T8 | Cool White | Frost | 3500 | 82 | 1700 | 50000 | 45.6 | \$1.39 | 48" |
| | Med.BiPin | 33739 ◆▲† | 4,7 | LED 11.5T8/48"/40 Direct Install | 10 | Sleeve | T8 | Cool White | Frost | 4000 | 82 | 1800 | 50000 | 45.6 | \$1.39 | 48" |
| | Med.BiPin | 33852 ◆▲† | 4,7 | LED 11.5T8/48"/50 Direct Install | 10 | Sleeve | T8 | Daylight | Frost | 5000 | 82 | 1800 | 50000 | 45.6 | \$1.39 | 48" |
| 15 | Med.BiPin | 03860 ▲▲ | 4,7 | LED 15T8/48"/35 Ballast Bypass | 10 | Sleeve | T8 | Cool White | Frost | 3500 | 82 | 1700 | 50000 | 45.6 | \$1.81 | 48" |
| | Med.BiPin | 03861 ▲▲ | 4,7 | LED 15T8/48"/40 Ballast Bypass | 10 | Sleeve | T8 | Cool White | Frost | 4000 | 82 | 1800 | 50000 | 45.6 | \$1.81 | 48" |
| | Med.BiPin | 03854 ▲▲ | 4,7 | LED 15T8/48"/50 Ballast Bypass | 10 | Sleeve | T8 | Daylight | Frost | 5000 | 82 | 1800 | 50000 | 45.6 | \$1.81 | 48" |
| | Med.BiPin | 43652 ◆▲† | 4,7 | LED 15T8/48"/35 Direct Install | 10 | Sleeve | T8 | Cool White | Frost | 3500 | 82 | 2100 | 50000 | 45.6 | \$1.81 | 48" |
| | Med.BiPin | 43653 ◆▲† | 4,7 | LED 15T8/48"/40 Direct Install | 10 | Sleeve | T8 | Cool White | Frost | 4000 | 82 | 2200 | 50000 | 45.6 | \$1.81 | 48" |
| | Med.BiPin | 43655 ◆▲† | 4,7 | LED 15T8/48"/50 Direct Install | 10 | Sleeve | T8 | Daylight | Frost | 5000 | 82 | 2200 | 50000 | 45.6 | \$1.81 | 48" |
| 18 | Med.BiPin | 33660 ▲▲ | 4,7 | LED 18T8/48"/35 Ballast Bypass | 10 | Sleeve | T8 & T12 | Cool White | Frost | 3500 | 82 | 2200 | 50000 | 45.6 | \$2.17 | 48" |
| | Med.BiPin | 33672 ▲▲ | 4,7 | LED 18T8/48"/40 Ballast Bypass | 10 | Sleeve | T8 & T12 | Cool White | Frost | 4000 | 82 | 2200 | 50000 | 45.6 | \$2.17 | 48" |
| | Med.BiPin | 33676 ▲▲ | 4,7 | LED 18T8/48"/50 Ballast Bypass | 10 | Sleeve | T8 & T12 | Daylight | Frost | 5000 | 82 | 2200 | 50000 | 45.6 | \$2.17 | 48" |
| T8 96" (P.E.T. Coated) | | | | | | | | | | | | | | | | |
| 33 | Single Pin | 04049 ▲○† | 4,7 | LED 33T8/96"/40 Direct Install | 10 | Sleeve | T8 & T12 | Cool White | Frost | 4000 | 82 | 4400 | 50000 | 45.6 | \$3.97 | 96" |
| | Single Pin | 04050 ▲○† | 4,7 | LED 33T8/96"/50 Direct Install | 10 | Sleeve | T8 & T12 | Daylight | Frost | 5000 | 82 | 4400 | 50000 | 45.6 | \$3.97 | 96" |
| 43 | Single Pin | 04051 ▲○ | 4,7 | LED 43T8/96"/40 Ballast Bypass | 10 | Sleeve | T8 & T12 | Cool White | Frost | 4000 | 82 | 5500 | 50000 | 45.6 | \$5.18 | 96" |
| | Single Pin | 04052 ▲○ | 4,7 | LED 43T8/96"/50 Ballast Bypass | 10 | Sleeve | T8 & T12 | Daylight | Frost | 5000 | 82 | 5500 | 50000 | 45.6 | \$5.18 | 96" |

† Dimmable when used with applicable ballast. See individual product specification sheets for dimmer compatibility on www.westinghouselighting.com.

◆ DLC Qualified

▲ NSF Certified

■ Replace F54T5HO linear fluorescent lamps.

○ P.E.T. Coated



HIGH LUMEN LAMPS

HIGH LUMEN LED LAMPS ARE 120-277V.



| Energy Used (Watts) | Lamp Base | Item No. | Footnotes | Domestic Code | Master Carton/ Inner Pack | Package Type | Equiv. Incand. Wattage | Equiv. CFL Wattage | Equiv. HID Wattage | Color Designation | Finish | Light Appearance (Kelvin) | Brightness (Lumens) | Avg. Rated Hours | MOL | |
|---------------------|-----------|----------------|-----------|----------------------|---------------------------|--------------|------------------------|--------------------|--------------------|-------------------|--------|---------------------------|---------------------|------------------|-------|--------|
| 16 | Med. | 05181 | 1,4,7 | 16T24/LED/HL/50 | 12/4 | Box | 100 | 32 | 50 | Daylight | Clear | 5000 | 80 | 2400 | 40000 | 6.52" |
| 24 | Med. | 05165 | 4,7 | 24T23/LED/HL/50 | 12/4 | Box | 150 | 55 | 100 | Daylight | Clear | 5000 | 80 | 2880 | 40000 | 8.58" |
| 36 | Med. | 05162 | 4,7 | 36T28/LED/HL/50 | 12/4 | Box | 200 | 65 | 150 | Daylight | Clear | 5000 | 80 | 4320 | 40000 | 8.46" |
| 45 | Med. | 05163 | 4,7 | 45T28/LED/HL/50 | 12/4 | Box | 300 | 85 | 175 | Daylight | Clear | 5000 | 80 | 5400 | 40000 | 9.53" |
| | Mogul | 05164 ◆ | 4,7 | 45T28/LED/HL/E39/50 | 12/4 | Box | 300 | 85 | 175 | Daylight | Clear | 5000 | 80 | 5400 | 40000 | 9.92" |
| 54 | Mogul | 05166 ◆ | 4,7 | 54T28/LED/HL/E39/50 | 12/4 | Box | 400 | 105 | 250 | Daylight | Clear | 5000 | 80 | 6480 | 40000 | 10.55" |
| 100 | Mogul | 05167 ◆ | 4,7 | 100T38/LED/HL/E39/50 | 9/3 | Box | 500 | 150 | 400 | Daylight | Clear | 5000 | 80 | 12000 | 40000 | 11.61" |
| 120 | Mogul | 05180 ◆ | 4,7 | 120T44/LED/HL/E39/50 | 9/3 | Box | 1000 | 250 | 800 | Daylight | Clear | 5000 | 80 | 18000 | 40000 | 10.43" |

◆ DLC Qualified

All high lumen LED lamps are IP65.

Footnotes

1 New Item

3 Low Voltage (12V)

5 Approved for Wet Location

7 Approved for Use in Totally Enclosed Fixtures

2 Dimmable

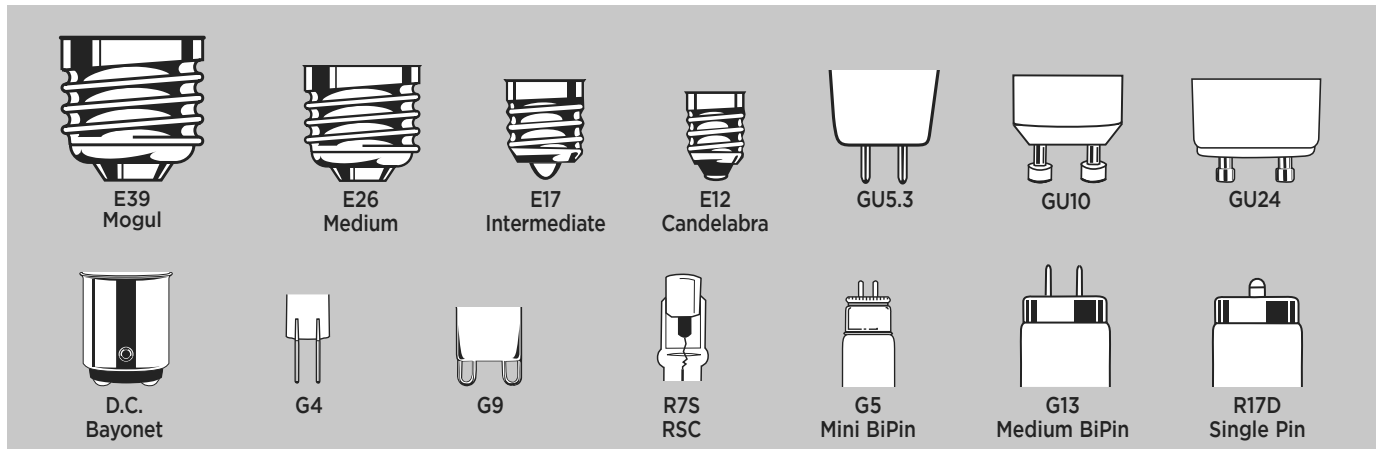
4 Approved for Damp Location

6 Indoor Application Only

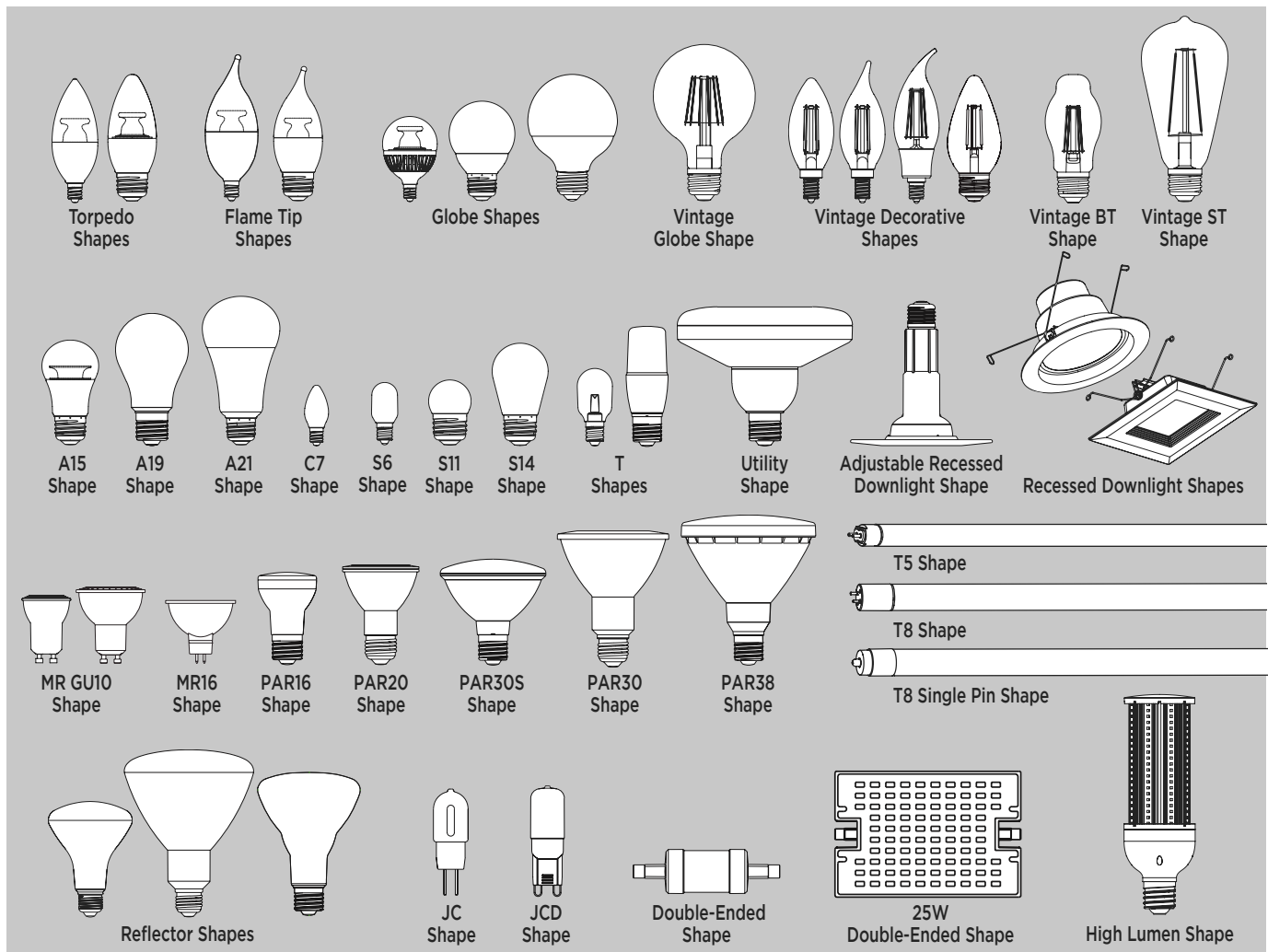
LED LAMP COMPONENTS

Westinghouse LED lamps are made with high quality components. These durable, superior parts allow our lamps to provide the long life, energy savings, increased brightness and excellent performance that our customers expect from today's LED lamps. Westinghouse's commitment to the highest quality craftsmanship allows us to offer a warranty of 3 or more years on all of our LED lamps.

LED LAMP BASE TYPES



LED LAMP SHAPES



Visit www.westinghouselighting.com for our latest energy saving LED products and dimmer compatibilities.



ENERGY-EFFICIENT CFL LIGHTING

Available in many shapes, sizes and Kelvin temperatures, our high-quality, long-lasting CFLs fit almost any application and are an excellent alternative to incandescent and halogen light sources.



TWIST LAMPS



| Energy Used (Watts) | Lamp Base | Item No. | Footnotes | Domestic Code | Master Carton/ Inner Pack | Package Type | Equiv. Incand. Wattage | Color Designation | Light Appearance (Kelvin) | CRI | Brightness (Lumens) | Avg. Rated Hours | Life in Years* | Est. Yearly Energy Cost** | MOL |
|---------------------------|-----------|--------------|-----------|---------------------|---------------------------|--------------|------------------------|-------------------|---------------------------|-----|---------------------|------------------|----------------|---------------------------|--------|
| MINI-TWIST | | | | | | | | | | | | | | | |
| 5 | Med. | 36670 | 3 | 5MINITWIST/27 | 96/24 | Box | 25 | Warm White | 2700 | 82 | 270 | 10000 | 9.1 | \$0.60 | 3.50" |
| 9 | Med. | 37934 | 3 | 9MINITWIST/27 | 24/8 | Hanging Box | 40 | Warm White | 2700 | 82 | 570 | 10000 | 9.1 | \$1.08 | 4" |
| 13 | GU24 | 37990 | 3 | 13MINITWIST/GU24/27 | 24/8 | Hanging Box | 60 | Warm White | 2700 | 82 | 800 | 10000 | 9.1 | \$1.57 | 3.88" |
| | Med. | 37945 | 3 | 13MINITWIST/27 | 24/8 | Hanging Box | 60 | Warm White | 2700 | 82 | 900 | 10000 | 9.1 | \$1.57 | 4.38" |
| | Med. | 37946 | 3 | 13MINITWIST/27 4PK | 6 | Box(4) | 60 | Warm White | 2700 | 82 | 900 | 10000 | 9.1 | \$1.57 | 4.38" |
| | Med. | 38010 | 3 | 13MINITWIST/27 | 24/8 | Box | 60 | Warm White | 2700 | 80 | 900 | 12000 | 10.9 | \$1.57 | 4.02" |
| | Med. | 37941 | 3 | 13MINITWIST/35 | 24/8 | Hanging Box | 60 | Cool White | 3500 | 82 | 900 | 10000 | 9.1 | \$1.57 | 4.38" |
| | Med. | 37942 | 3 | 13MINITWIST/35 4PK | 6 | Box(4) | 60 | Cool White | 3500 | 82 | 850 | 10000 | 9.1 | \$1.57 | 4.38" |
| | Med. | 37714 | 3 | 13MINITWIST/50 | 24/8 | Hanging Box | 60 | Daylight | 5000 | 82 | 880 | 10000 | 9.1 | \$1.57 | 4.38" |
| | Med. | 37943 | 3 | 13MINITWIST/65 | 24/8 | Hanging Box | 60 | Daylight | 6500 | 82 | 840 | 10000 | 9.1 | \$1.57 | 4.38" |
| | Med. | 37944 | 3 | 13MINITWIST/65 4PK | 6 | Box(4) | 60 | Daylight | 6500 | 82 | 840 | 10000 | 9.1 | \$1.57 | 4.38" |
| | Med. | 37925 | 3 | 13MINITWIST/BUG | 24/4 | Box | 60 | - | - | 80 | - | 10000 | 9.1 | \$1.57 | 4.65" |
| 14 | Med. | 36660 | 3 | 14MINITWIST/41 | 48/4 | Box | 60 | Cool White | 4100 | 80 | 900 | 10000 | 9.1 | \$1.69 | 3.94" |
| 18 | GU24 | 36308 | 3 | 18MINITWIST/GU24/27 | 24/8 | Hanging Box | 75 | Warm White | 2700 | 82 | 1200 | 10000 | 9.1 | \$2.17 | 4.38" |
| | Med. | 37950 | 3 | 18MINITWIST/27 | 24/8 | Hanging Box | 75 | Warm White | 2700 | 82 | 1200 | 10000 | 9.1 | \$2.17 | 4.75" |
| | Med. | 37949 | 3 | 18MINITWIST/27 4PK | 6 | Box(4) | 75 | Warm White | 2700 | 82 | 1100 | 10000 | 9.1 | \$2.17 | 4.75" |
| | Med. | 37952 | 3 | 18MINITWIST/35 4PK | 6 | Box(4) | 75 | Cool White | 3500 | 82 | 1200 | 10000 | 9.1 | \$2.17 | 4.75" |
| | Med. | 37953 | 3 | 18MINITWIST/65 | 24/8 | Hanging Box | 75 | Daylight | 6500 | 82 | 1260 | 10000 | 9.1 | \$2.17 | 4.75" |
| | Med. | 37954 | 3 | 18MINITWIST/65 4PK | 6 | Box(4) | 75 | Daylight | 6500 | 82 | 1260 | 10000 | 9.1 | \$2.17 | 4.75" |
| 23 | GU24 | 37994 | 3 | 23MINITWIST/GU24/27 | 24/8 | Hanging Box | 100 | Warm White | 2700 | 82 | 1600 | 10000 | 9.1 | \$2.77 | 4.50" |
| | Med. | 07225 | 3 | 23MINITWIST/27 | 24/8 | Hanging Box | 100 | Warm White | 2700 | 82 | 1600 | 10000 | 9.1 | \$2.77 | 4.88" |
| | Med. | 37958 | 3 | 23MINITWIST/35 | 24/8 | Hanging Box | 100 | Cool White | 3500 | 82 | 1600 | 10000 | 9.1 | \$2.77 | 4.88" |
| | Med. | 37959 | 3 | 23MINITWIST/35 4PK | 6 | Box(4) | 100 | Cool White | 3500 | 82 | 1600 | 10000 | 9.1 | \$2.77 | 4.88" |
| | Med. | 37716 | 3 | 23MINITWIST/50 | 24/8 | Hanging Box | 100 | Daylight | 5000 | 82 | 1600 | 10000 | 9.1 | \$2.77 | 4.88" |
| | Med. | 37960 | 3 | 23MINITWIST/65 | 24/8 | Hanging Box | 100 | Daylight | 6500 | 82 | 1600 | 10000 | 9.1 | \$2.77 | 4.88" |
| | Med. | 37961 | 3 | 23MINITWIST/65 4PK | 6 | Box(4) | 100 | Daylight | 6500 | 82 | 1600 | 10000 | 9.1 | \$2.77 | 4.88" |
| HIGH WATTAGE TWIST | | | | | | | | | | | | | | | |
| 26 | Med. | 36609 | 3 | 26TWIST/27 | 48/4 | Box | 100 | Warm White | 2700 | 80 | 1750 | 10000 | 9.1 | \$3.13 | 4.65" |
| | Med. | 36607 | 3 | 26TWIST/41 | 48/4 | Box | 100 | Cool White | 4100 | 80 | 1650 | 10000 | 9.1 | \$3.13 | 4.69" |
| 42 | Med. | 37918 | 3 | 42TWIST/27 | 4 | Box | 150 | Warm White | 2700 | 80 | 2650 | 10000 | 9.1 | \$5.06 | 7" |
| | Med. | 37919 | 3 | 42TWIST/65 | 4 | Box | 150 | Daylight | 6500 | 80 | 2600 | 10000 | 9.1 | \$5.06 | 7" |
| 68 | Med. | 37921 | 3 | 68TWIST/27 | 4 | Box | 300 | Warm White | 2700 | 82 | 4200 | 8000 | 7.3 | \$8.19 | 9.45" |
| 85 | Med. | 37072 | 3 | 85TWIST/65 | 6 | Box | 300 | Daylight | 6500 | 82 | 4800 | 8000 | 7.3 | \$10.24 | 11.22" |
| 105 | Med. | 37073 | 3 | 105TWIST/65 | 6 | Box | 400 | Daylight | 6500 | 82 | 5800 | 8000 | 7.3 | \$12.65 | 12.63" |

*Based on 3hrs./day **Based on 3hrs./day 11¢/kWh

Compact Fluorescent Lamps contain mercury. For more on clean up and safe disposal, visit epa.gov/cfl.

Footnotes

- 1 New Item
- 2 Approved for Dimm Locations
- 3 Not for use with electronic dimmers

COVERED LAMPS



A SHAPE



GLOBE

| Energy Used (Watts) | Lamp Base | Item No. | Footnotes | Domestic Code | Master Carton/ Inner Pack | Package Type | Equiv. Incand. Wattage | Color Designation | Light Appearance (Kelvin) | CRI | Brightness (Lumens) | Avg. Rated Hours | Life in Years* | Est. Yearly Energy Cost** | MOL |
|---------------------|-----------|--------------|-----------|----------------|---------------------------|--------------|------------------------|-------------------|---------------------------|-----|---------------------|------------------|----------------|---------------------------|-------|
| A SHAPE | | | | | | | | | | | | | | | |
| 14 | Med. | 37900 | 3 | 14ASHAPE/27 | 8 | Box | 60 | Warm White | 2700 | 80 | 800 | 10000 | 9.1 | \$1.69 | 5" |
| GLOBE | | | | | | | | | | | | | | | |
| 15 | Med. | 38001 | 3 | 15GLOBE/27 | 8 | Hanging Box | 60 | Warm White | 2700 | 82 | 820 | 10000 | 9.1 | \$1.81 | 4.38" |
| | Med. | 38002 | 3 | 15GLOBE/27 2PK | 4 | Box(2) | 60 | Warm White | 2700 | 82 | 820 | 10000 | 9.1 | \$1.81 | 4.38" |
| | Med. | 38003 | 3 | 15GLOBE/35 2PK | 4 | Box(2) | 60 | Cool White | 3500 | 82 | 820 | 10000 | 9.1 | \$1.81 | 4.38" |
| | Med. | 38004 | 3 | 15GLOBE/65 2PK | 4 | Box(2) | 60 | Daylight | 6500 | 82 | 820 | 10000 | 9.1 | \$1.81 | 4.38" |

*Based on 3hrs./day **Based on 3hrs./day 11¢/kWh



BR30/R30



R40



HARD GLASS
PAR30LN




ALUMINUM
PAR38

REFLECTOR LAMPS

| Energy Used (Watts) | Lamp Base | Item No. | Footnotes | Domestic Code | Master Carton/ Inner Pack | Package Type | Equiv. Incand. Wattage | Color Designation | Light Appearance (Kelvin) | CRI | Brightness (Lumens) | Avg. Rated Hours | Life in Years* | Est. Yearly Energy Cost** | MOL |
|---------------------|-----------|--------------|-----------|--------------------|---------------------------|--------------|------------------------|-------------------|---------------------------|-----|---------------------|------------------|----------------|---------------------------|-------|
| BR30/R30 | | | | | | | | | | | | | | | |
| 15 | Med. | 37970 | 3 | 15CFLBR30/F/27 | 4 | Box | 60 | Warm White | 2700 | 80 | 720 | 10000 | 9.1 | \$1.81 | 5.50" |
| | Med. | 37971 | 3 | 15CFLBR30/F/27 2PK | 4 | Box(2) | 60 | Warm White | 2700 | 80 | 720 | 10000 | 9.1 | \$1.81 | 5.50" |
| | Med. | 37973 | 3 | 15CFLR30/F/35 | 4 | Box | 60 | Cool White | 3500 | 80 | 735 | 8000 | 7.3 | \$1.81 | 5.47" |
| R40 | | | | | | | | | | | | | | | |
| 23 | Med. | 37979 | 3 | 23CFLR40/F/27 | 4 | Box | 75 | Warm White | 2700 | 80 | 1200 | 8000 | 7.3 | \$2.77 | 6.31" |
| PAR30 | | | | | | | | | | | | | | | |
| 15 | Med. | 37982 | 3 | 15CFLPAR30LN/27/GL | 6 | Box | 50 | Warm White | 2700 | 82 | 700 | 8000 | 7.3 | \$1.81 | 5.13" |
| PAR38 | | | | | | | | | | | | | | | |
| 23 | Med. | 37986 | 3 | 23CFLPAR38/30/AR | 4 | Box | 90 | Warm White | 3000 | 80 | 1200 | 8000 | 7.3 | \$2.77 | 5.31" |

*Based on 3hrs./day **Based on 3hrs./day 11¢/kWh

Compact Fluorescent Lamps contain mercury.  For more on clean up and safe disposal, visit epa.gov/cfl.

Footnotes

1 New Item

3 Not for use with electronic dimmers

2 Approved for Damp Locations

PIN BASE LAMPS



| Energy Used (Watts) | Lamp Base | Item No. | Footnotes | Domestic Code | Master Carton/Inner Pack | Package Type | Color Designation | Light Appearance (Kelvin) | CRI | Brightness (Lumens) | Avg. Rated Hours | Life in Years* | Est. Yearly Energy Cost** | MOL |
|---|-----------|--------------|-----------|---------------|--------------------------|--------------|-------------------|---------------------------|-----|---------------------|------------------|----------------|---------------------------|--------|
| 2-PIN (PREHEAT ELECTROMAGNETIC BALLASTS) | | | | | | | | | | | | | | |
| 5 | G23 | 37040 | 2,3 | F5TT/27 | 72/6 | Box | Warm White | 2700 | 82 | 250 | 10000 | 9.1 | \$0.60 | 4.31" |
| 7 | G23 | 37041 | 2,3 | F7TT/27 | 72/6 | Box | Warm White | 2700 | 82 | 400 | 10000 | 9.1 | \$0.84 | 5.38" |
| | G23 | 37373 | 2,3 | F7TT/27 | 36/6 | Card | Warm White | 2700 | 82 | 400 | 10000 | 9.1 | \$0.84 | 5.38" |
| | G23 | 06126 | 2,3 | F7TT/41 | 72/6 | Box | Cool White | 4100 | 82 | 400 | 10000 | 9.1 | \$0.84 | 5.38" |
| 9 | G23 | 37374 | 2,3 | F9TT/27 | 36/6 | Card | Warm White | 2700 | 82 | 600 | 10000 | 9.1 | \$1.08 | 6.63" |
| | G23 | 37042 | 2,3 | F9TT/27 | 72/6 | Box | Warm White | 2700 | 82 | 600 | 10000 | 9.1 | \$1.08 | 6.63" |
| | G23 | 06127 | 2,3 | F9TT/41 | 72/6 | Box | Cool White | 4100 | 82 | 600 | 10000 | 9.1 | \$1.08 | 6.63" |
| 13 | GX23 | 37043 | 2,3 | F13TT/27 | 72/6 | Box | Warm White | 2700 | 82 | 900 | 10000 | 9.1 | \$1.57 | 7.19" |
| | GX23 | 37375 | 2,3 | F13TT/27 | 36/6 | Card | Warm White | 2700 | 82 | 900 | 10000 | 9.1 | \$1.57 | 7.19" |
| | GX23 | 06118 | 2,3 | F13TT/35 | 72/6 | Box | Cool White | 3500 | 82 | 900 | 10000 | 9.1 | \$1.57 | 7.19" |
| | GX23 | 06128 | 2,3 | F13TT/41 | 72/6 | Box | Cool White | 4100 | 82 | 900 | 10000 | 9.1 | \$1.57 | 7.19" |
| | GX23-2 | 37376 | 2,3 | F13DTT/27 | 36/6 | Card | Warm White | 2700 | 82 | 860 | 10000 | 9.1 | \$1.57 | 4.69" |
| | GX23-2 | 37044 | 2,3 | F13DTT/27 | 72/6 | Box | Warm White | 2700 | 82 | 860 | 10000 | 9.1 | \$1.57 | 4.69" |
| | GX23-2 | 06119 | 2,3 | F13DTT/35 | 72/6 | Box | Cool White | 3500 | 82 | 860 | 10000 | 9.1 | \$1.57 | 4.69" |
| | GX23-2 | 06164 | 2,3 | F13DTT/41 | 72/6 | Box | Cool White | 4100 | 82 | 860 | 10000 | 9.1 | \$1.57 | 4.69" |
| 18 | G24d-2 | 06129 | 2,3 | F18DTT/41 | 72/6 | Box | Cool White | 4100 | 82 | 1250 | 10000 | 9.1 | \$2.17 | 6" |
| 26 | G24d-3 | 06180 | 2,3 | F26DTT/27 | 72/6 | Box | Cool White | 2700 | 82 | 1500 | 10000 | 9.1 | \$3.13 | 6.81" |
| | G24d-3 | 06121 | 2,3 | F26DTT/35 | 72/6 | Box | Cool White | 3500 | 82 | 1500 | 10000 | 9.1 | \$3.13 | 6.81" |
| | G24d-3 | 06130 | 2,3 | F26DTT/41 | 72/6 | Box | Cool White | 4100 | 82 | 1500 | 10000 | 9.1 | \$3.13 | 6.81" |
| 4-PIN | | | | | | | | | | | | | | |
| 13 | G24q-1 | 37059 | 4 | F13DTT/27/4P | 72/6 | Box | Warm White | 2700 | 82 | 900 | 10000 | 9.1 | \$1.57 | 5.19" |
| | G24q-1 | 37159 | 4 | F13DTT/35/4P | 72/6 | Box | Cool White | 3500 | 82 | 900 | 10000 | 9.1 | \$1.57 | 5.19" |
| | G24q-1 | 37559 | 4 | F13DTT/41/4P | 72/6 | Box | Cool White | 4100 | 82 | 900 | 10000 | 9.1 | \$1.57 | 5.19" |
| | G24q-1 | 37619 | 4 | F13S/27 | 36/6 | Box | Warm White | 2700 | 82 | 900 | 10000 | 9.1 | \$1.57 | 4" |
| 18 | G24q-2 | 37046 | 4 | F18DTT/27/4P | 50 | Box | Warm White | 2700 | 82 | 1200 | 10000 | 9.1 | \$2.17 | 5.81" |
| | G24q-2 | 37146 | 4 | F18DTT/35/4P | 50 | Box | Cool White | 3500 | 82 | 1200 | 10000 | 9.1 | \$2.17 | 5.81" |
| | G24q-2 | 37546 | 4 | F18DTT/41/4P | 50 | Box | Cool White | 4100 | 82 | 1200 | 10000 | 9.1 | \$2.17 | 5.81" |
| 26 | G24q-3 | 37047 | 4 | F26DTT/27/4P | 50 | Box | Warm White | 2700 | 82 | 1800 | 10000 | 9.1 | \$3.13 | 6.50" |
| | G24q-3 | 37147 | 4 | F26DTT/35/4P | 50 | Box | Cool White | 3500 | 82 | 1800 | 10000 | 9.1 | \$3.13 | 6.50" |
| | G24q-3 | 37547 | 4 | F26DTT/41/4P | 50 | Box | Cool White | 4100 | 82 | 1800 | 10000 | 9.1 | \$3.13 | 6.50" |
| | GX24q-3 | 37045 | 4 | F26TTT/27/4P | 50 | Box | Warm White | 2700 | 82 | 1800 | 10000 | 9.1 | \$3.13 | 5.19" |
| | GX24q-3 | 37145 | 4 | F26TTT/35/4P | 50 | Box | Cool White | 3500 | 82 | 1800 | 10000 | 9.1 | \$3.13 | 5.19" |
| | GX24q-3 | 37545 | 4 | F26TTT/41/4P | 50 | Box | Cool White | 4100 | 82 | 1800 | 10000 | 9.1 | \$3.13 | 5.19" |
| 32 | GX24q-3 | 37148 | 4 | F32TTT/35/4P | 50 | Box | Cool White | 3500 | 82 | 2400 | 10000 | 9.1 | \$3.85 | 5.81" |
| | GX24q-3 | 37548 | 4 | F32TTT/41/4P | 50 | Box | Cool White | 4100 | 82 | 2400 | 10000 | 9.1 | \$3.85 | 5.81" |
| 42 | GX24q-4 | 37149 | 4 | F42TTT/35/4P | 50 | Box | Cool White | 3500 | 82 | 3200 | 10000 | 9.1 | \$5.06 | 6.63" |
| | GX24q-4 | 37549 | 4 | F42TTT/41/4P | 50 | Box | Cool White | 4100 | 82 | 3200 | 10000 | 9.1 | \$5.06 | 6.63" |
| 4-PIN TWIN TUBE LONG | | | | | | | | | | | | | | |
| 36 | 2G11 | 07020 | 4 | F36TTL/841 | 25 | Box | Cool White | 4100 | 82 | 2900 | 20000 | 18.2 | \$4.34 | 16.25" |
| 40 | 2G11 | 07022 | 4 | F40TTL/835 | 25 | Box | Cool White | 3500 | 82 | 3200 | 20000 | 18.2 | \$4.82 | 22.50" |
| | 2G11 | 07023 | 4 | F40TTL/841 | 25 | Box | Cool White | 4100 | 82 | 3200 | 20000 | 18.2 | \$4.82 | 22.50" |

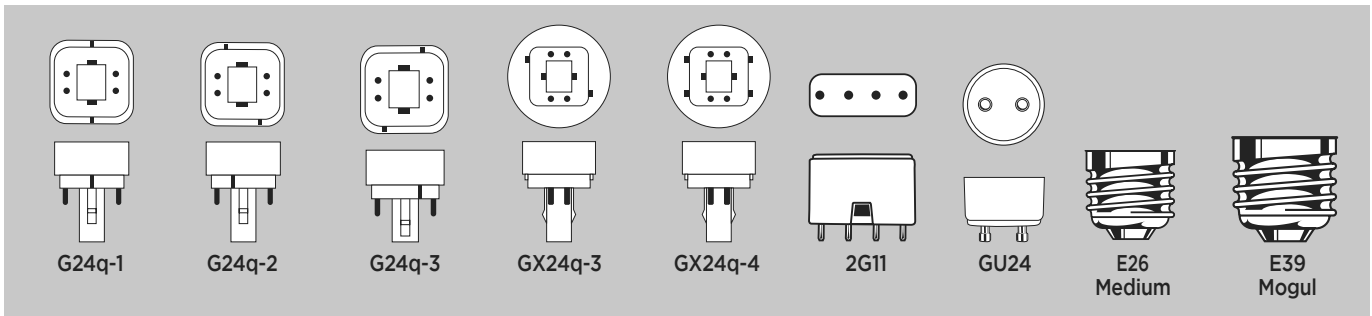
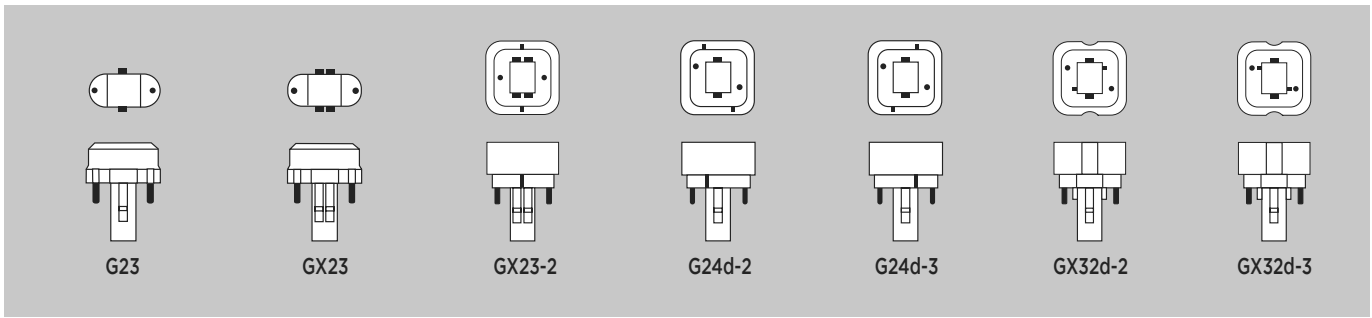
*Based on 3hrs./day **Based on 3hrs./day 11¢/kWh

Compact Fluorescent Lamps contain mercury. (Hg) For more on clean up and safe disposal, visit epa.gov/cfl.

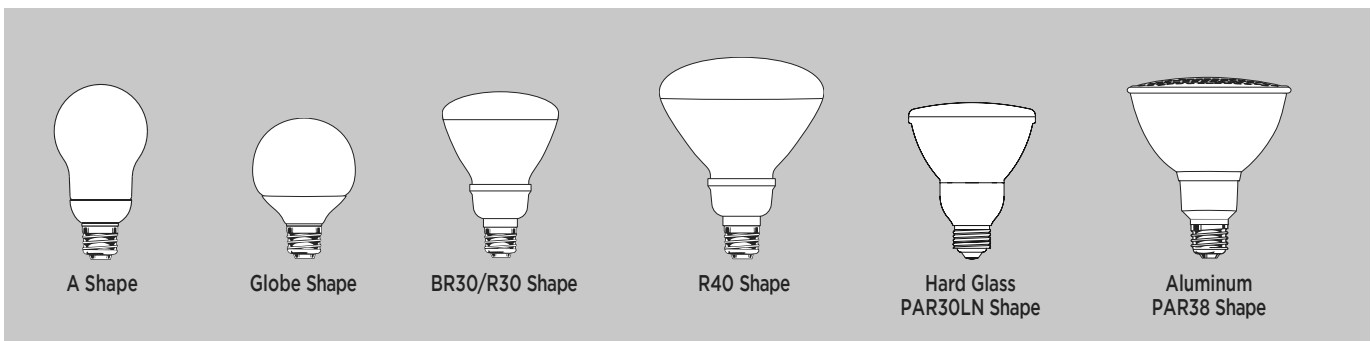
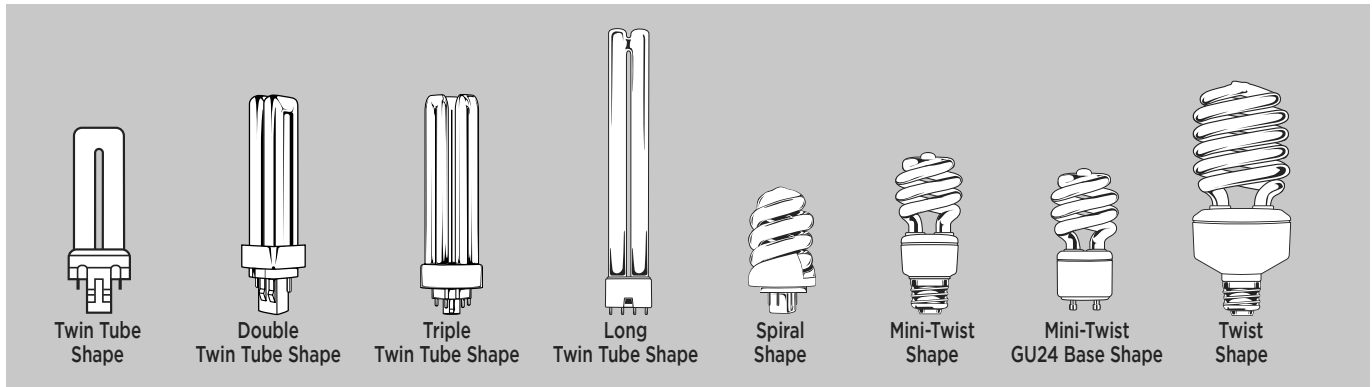
Footnotes

- 1 New Item
- 2 Preheat Electromagnetic Ballasts
- 3 Not for use with electronic dimmers
- 4 For use with electronic dimmers and dimming ballasts

COMPACT FLUORESCENT LAMP BASE TYPES



COMPACT FLUORESCENT LAMP SHAPES





ALL-PURPOSE, DECORATIVE AND SPECIALTY INCANDESCENT LIGHTING

Westinghouse offers a wide range of incandescent lamps to meet decorative, general purpose, low voltage, specialty and rough service applications.



GLOWESCENT® LAMPS (SPUN SATIN)

| Energy Used (Watts) | Lamp Base | Item No. | Footnotes | Domestic Code | Volts | Master Carton/ Inner Pack | Package Type | Finish | Filament Type | Avg. Rated Hours | Light Appearance (Kelvin) | Brightness (Lumens) | Life in Years* | Est. Yearly Energy Cost** | MOL |
|------------------------|-----------|--------------|-----------|---------------------|-------|---------------------------|--------------|--------|---------------|------------------|---------------------------|---------------------|----------------|---------------------------|-------|
| C11 GLOWESCENT* | | | | | | | | | | | | | | | |
| 25 | Cand. | 03023 | | 25C11/GLOWESCENT/CB | 120 | 72/6 | Card | White | C7A | 1500 | 2650 | 160 | 1.3 | \$3.01 | 4" |
| 40 | Cand. | 03025 | | 40C11/GLOWESCENT/CB | 120 | 72/6 | Card | White | C7A | 1500 | 2700 | 320 | 1.3 | \$4.82 | 4" |
| 60 | Cand. | 03026 | | 60C11/GLOWESCENT/CB | 120 | 72/6 | Card | White | C7A | 1500 | 2700 | 600 | 1.3 | \$7.23 | 4" |
| C15 GLOWESCENT* | | | | | | | | | | | | | | | |
| 25 | Med. | 03016 | | 25C15/GLOWESCENT | 120 | 72/6 | Card | White | C9 | 1500 | 2700 | 160 | 1.3 | \$3.01 | 4.50" |
| 40 | Med. | 03018 | | 40C15/GLOWESCENT | 120 | 72/6 | Card | White | C9 | 1500 | 2700 | 320 | 1.3 | \$4.82 | 4.50" |
| 60 | Med. | 03019 | | 60C15/GLOWESCENT | 120 | 72/6 | Card | White | C9 | 1500 | 2700 | 600 | 1.3 | \$7.23 | 4.50" |
| H19 GLOWESCENT* | | | | | | | | | | | | | | | |
| 75 | Med. | 03336 | | 75H19/GLOWESCENT | 120 | 72/12 | Box | White | C9 | 1500 | 2650 | 825 | 1.3 | \$9.03 | 5.81" |

*Based on 3hrs./day **Based on 3hrs./day 11¢/kWh



FLICKER FLAME LAMPS

| Energy Used (Watts) | Lamp Base | Item No. | Footnotes | Domestic Code | Volts | Master Carton/ Inner Pack | Package Type | Finish | Filament Type | Avg. Rated Hours | Light Appearance (Kelvin) | Brightness (Lumens) | Life in Years* | Est. Yearly Energy Cost** | MOL |
|---------------------|-----------|--------------|-----------|----------------|-------|---------------------------|--------------|--------|---------------|------------------|---------------------------|---------------------|----------------|---------------------------|-------|
| CA5 1/2 | | | | | | | | | | | | | | | |
| 3 | Cand. | 03661 | | 3CA51/2/FLK/CB | 120 | 200/10 | Box | Clear | Flicker | 1500 | - | - | 1.3 | \$0.36 | 2.81" |
| CA8 | | | | | | | | | | | | | | | |
| 3 | Cand. | 03656 | | 3CA8/FLK/CB | 120 | 200/10 | Box | Clear | Flicker | 1500 | - | - | 1.3 | \$0.36 | 3.50" |
| | Cand. | 03756 | | 3CA8/FLK/CB | 120 | 60/6 | Card | Clear | Flicker | 1500 | - | - | 1.3 | \$0.36 | 3.50" |
| CA10 | | | | | | | | | | | | | | | |
| 3 | Med. | 03757 | | 3CA10/FLK | 120 | 60/6 | Card | Clear | Flicker | 1500 | - | - | 1.3 | \$0.36 | 4" |

*Based on 3hrs./day **Based on 3hrs./day 11¢/kWh



F15 AND DECORATIVE SPECIALTY LAMPS

| Energy Used (Watts) | Lamp Base | Item No. | Footnotes | Domestic Code | Volts | Master Carton/ Inner Pack | Package Type | Finish | Filament Type | Avg. Rated Hours | Light Appearance (Kelvin) | Brightness (Lumens) | Life in Years* | Est. Yearly Energy Cost** | MOL |
|---------------------|-----------|--------------|-----------|---------------|-------|---------------------------|--------------|--------|---------------|------------------|---------------------------|---------------------|----------------|---------------------------|-------|
| F15 | | | | | | | | | | | | | | | |
| 40 | Med. | 04034 | | 40F15 2CD | 120 | 36/6 | Card(2) | Clear | C9 | 1500 | 2650 | 360 | 1.3 | \$4.82 | 4.50" |
| | Med. | 04038 | | 40F15/A 2CD | 120 | 36/6 | Card(2) | Amber | C9 | 1500 | - | - | 1.3 | \$4.82 | 4.50" |
| CST6 PUNTINO | | | | | | | | | | | | | | | |
| 15 | Cand. | 03250 | | 15CST6/CB | 120 | 200/10 | Box | Clear | C7A | 1500 | 2700 | 97 | 1.3 | \$1.81 | 2.81" |
| STAR | | | | | | | | | | | | | | | |
| 7 | Cand. | 03747 | | 7STAR/CB | 120 | 144/6 | Box | Clear | C7A | 1000 | 2700 | 45 | 0.9 | \$0.84 | 2.75" |

*Based on 3hrs./day **Based on 3hrs./day 11¢/kWh

Footnotes

- 1 New Item
- 2 Canadian Standards Association
- 3 Eco-Halogen Energy-Saving Technology
- 4 Commercial Service*
- 5 Fan
- 6 Non-Stick Base
- 7 Krypton(KR)
- 8 Vibration Resistant lamps are designed for vibration service only.
- 9 Rough Service lamps are designed for rough service applications.

FLAME TIP LAMPS CANDELABRA BASE



| Energy Used (Watts) | Lamp Base | Item No. | Footnotes | Domestic Code | Volts | Master Carton/ Inner Pack | Package Type | Finish | Filament Type | Avg. Rated Hours | Light Appearance (Kelvin) | Brightness (Lumens) | Life in Years* | Est. Yearly Energy Cost** | MOL |
|---------------------------|-----------|--------------|-----------|----------------------|-------|---------------------------|--------------|--------|---------------|------------------|---------------------------|---------------------|----------------|---------------------------|-------|
| CA5 (FLAMME TWIST) | | | | | | | | | | | | | | | |
| 7.5 | Cand. | 03241 | | 7.5CA5/CB | 120 | 200/10 | Box | Clear | C7A | 3000 | 2700 | 39 | 2.7 | \$0.90 | 2.81" |
| | Cand. | 03242 | | 7.5CA5/F/CB | 120 | 200/10 | Box | Frost | C7A | 3000 | 2700 | 37 | 2.7 | \$0.90 | 2.81" |
| | Cand. | 03755 | | 7.5CA5/CB 3CD | 120 | 60/10 | Card(3) | Clear | C7A | 3000 | 2700 | 39 | 2.7 | \$0.90 | 2.81" |
| | Cand. | 03542 | | 7.5CA5/F/CB 3CD | 120 | 60/10 | Card(3) | Frost | C7A | 3000 | 2700 | 37 | 2.7 | \$0.90 | 2.81" |
| CA7 | | | | | | | | | | | | | | | |
| 10 | Cand. | 03272 | | 10CA7/CB | 120 | 200/25 | Box | Clear | C7A | 1500 | 2700 | 62 | 1.3 | \$1.20 | 2.81" |
| | Cand. | 03671 | | 10CA7/CB/130 | 130 | 200/25 | Box | Clear | C7A | 2500 | 2700 | 58 | 2.2 | \$1.20 | 2.81" |
| CA8 | | | | | | | | | | | | | | | |
| 7.5 | Cand. | 03670 | 4 | 7.5CA8/CB/130 | 130 | 200/25 | Box | Clear | C7A | 2500 | 2700 | 40 | 2.2 | \$0.90 | 3.50" |
| 15 | Cand. | 03273 | | 15CA8/CB | 120 | 200/25 | Box | Clear | CC2V | 1500 | 2700 | 100 | 1.3 | \$1.81 | 3.50" |
| | Cand. | 03773 | | 15CA8/CB 2CD | 120 | 60/10 | Card(2) | Clear | CC2V | 1500 | 2700 | 100 | 1.3 | \$1.81 | 3.50" |
| | Cand. | 03277 | | 15CA8/F/CB | 120 | 200/25 | Box | Frost | CC2V | 1500 | 2700 | 71 | 1.3 | \$1.81 | 3.50" |
| | Cand. | 03777 | | 15CA8/F/CB 2CD | 120 | 60/10 | Card(2) | Frost | CC2V | 1500 | 2700 | 90 | 1.3 | \$1.81 | 3.50" |
| | Cand. | 03673 | 4 | 15CA8/CB/130 | 130 | 200/25 | Box | Clear | C7A | 2500 | 2700 | 75 | 2.2 | \$1.81 | 3.50" |
| 25 | Cand. | 03274 | | 25CA8/CB | 120 | 200/25 | Box | Clear | CC2V | 1500 | 2700 | 190 | 1.3 | \$3.01 | 3.50" |
| | Cand. | 03774 | | 25CA8/CB 2CD | 120 | 60/10 | Card(2) | Clear | CC2V | 1500 | 2700 | 175 | 1.3 | \$3.01 | 3.50" |
| | Cand. | 03278 | | 25CA8/F/CB | 120 | 200/25 | Box | Frost | CC2V | 1500 | 2700 | 175 | 1.3 | \$3.01 | 3.50" |
| | Cand. | 03778 | | 25CA8/F/CB 2CD | 120 | 60/10 | Card(2) | Frost | CC2V | 1500 | 2700 | 160 | 1.3 | \$3.01 | 3.50" |
| | Cand. | 03674 | 4 | 25CA8/CB/130 | 130 | 200/25 | Box | Clear | CC2V | 2500 | 2700 | 158 | 2.2 | \$3.01 | 3.50" |
| | Cand. | 03678 | 4 | 25CA8/F/CB/130 | 130 | 200/25 | Box | Frost | CC2V | 2500 | 2700 | 145 | 2.2 | \$3.01 | 3.50" |
| | Cand. | 05106 | 4 | 25CA8/CB/130 25PK | 130 | 6 | Box(25) | Clear | CC2V | 2500 | 2700 | 158 | 2.2 | \$3.01 | 3.50" |
| CA9 1/2 | | | | | | | | | | | | | | | |
| 40 | Cand. | 03275 | | 40CA91/2/CB | 120 | 200/25 | Box | Clear | CC2V | 1500 | 2700 | 365 | 1.3 | \$4.82 | 3.75" |
| | Cand. | 03775 | | 40CA91/2/CB 2CD | 120 | 60/10 | Card(2) | Clear | CC2V | 1500 | 2700 | 365 | 1.3 | \$4.82 | 3.75" |
| | Cand. | 03279 | | 40CA91/2/F/CB | 120 | 200/25 | Box | Frost | CC2V | 1500 | 2700 | 350 | 1.3 | \$4.82 | 3.75" |
| | Cand. | 03779 | | 40CA91/2/F/CB 2CD | 120 | 60/10 | Card(2) | Frost | CC2V | 1500 | 2700 | 350 | 1.3 | \$4.82 | 3.75" |
| | Cand. | 03675 | 4 | 40CA91/2/CB/130 | 130 | 200/25 | Box | Clear | CC2V | 2500 | 2700 | 330 | 2.2 | \$4.82 | 3.75" |
| | Cand. | 03679 | 4 | 40CA91/2/F/CB/130 | 130 | 200/25 | Box | Frost | CC2V | 2500 | 2700 | 310 | 2.2 | \$4.82 | 3.75" |
| | Cand. | 05107 | 4 | 40CA91/2/CB/130 25PK | 130 | 6 | Box(25) | Clear | CC2V | 2500 | 2700 | 330 | 2.2 | \$4.82 | 3.75" |
| CA10 | | | | | | | | | | | | | | | |
| 60 | Cand. | 03262 | | 60CA10/CB | 120 | 200/25 | Box | Clear | CC2V | 1500 | 2700 | 615 | 1.3 | \$7.23 | 4" |
| | Cand. | 03762 | | 60CA10/CB 2CD | 120 | 60/10 | Card(2) | Clear | CC2V | 1500 | 2700 | 615 | 1.3 | \$7.23 | 4" |
| | Cand. | 03263 | | 60CA10/F/CB | 120 | 200/25 | Box | Frost | CC2V | 1500 | 2700 | 590 | 1.3 | \$7.23 | 4" |
| | Cand. | 03763 | | 60CA10/F/CB 2CD | 120 | 60/10 | Card(2) | Frost | CC2V | 1500 | 2700 | 590 | 1.3 | \$7.23 | 4" |
| | Cand. | 03662 | 4 | 60CA10/CB/130 | 130 | 200/25 | Box | Clear | CC2V | 2500 | 2700 | 600 | 2.2 | \$7.23 | 4" |
| | Cand. | 03663 | 4 | 60CA10/F/CB/130 | 130 | 200/25 | Box | Frost | CC2V | 2500 | 2700 | 580 | 2.2 | \$7.23 | 4" |

*Based on 3hrs./day **Based on 3hrs./day 11¢/kWh

Footnotes

- 1 New Item
- 2 Canadian Standards Association
- 3 Eco-Halogen Energy-Saving Technology
- 4 Commercial Service*
- 5 Fan
- 6 Non-Stick Base
- 7 Krypton(KR)
- 8 Vibration Resistant lamps are designed for vibration service only.
- 9 Rough Service lamps are designed for rough service applications.

FLAME TIP LAMPS MEDIUM BASE



| Energy Used (Watts) | Lamp Base | Item No. | Footnotes | Domestic Code | Volts | Master Carton/ Inner Pack | Package Type | Finish | Filament Type | Avg. Rated Hours | Light Appearance (Kelvin) | Brightness (Lumens) | Life in Years* | Est. Yearly Energy Cost** | MOL |
|---------------------|-----------|--------------|-----------|-----------------|-------|---------------------------|--------------|--------|---------------|------------------|---------------------------|---------------------|----------------|---------------------------|-----|
| CA10 | | | | | | | | | | | | | | | |
| 25 | Med. | 03264 | | 25CA10 | 120 | 200/25 | Box | Clear | CC2V | 1500 | 2700 | 190 | 1.3 | \$3.01 | 4" |
| | Med. | 03764 | | 25CA10 2CD | 120 | 60/10 | Card(2) | Clear | CC2V | 1500 | 2700 | 190 | 1.3 | \$3.01 | 4" |
| | Med. | 03267 | | 25CA10/F | 120 | 200/25 | Box | Frost | CC2V | 1500 | 2700 | 175 | 1.3 | \$3.01 | 4" |
| | Med. | 03664 | 4 | 25CA10/130 | 130 | 200/25 | Box | Clear | CC2V | 2500 | 2700 | 190 | 2.2 | \$3.01 | 4" |
| | Med. | 03667 | 4 | 25CA10/F/130 | 130 | 200/25 | Box | Frost | CC2V | 2500 | 2700 | 175 | 2.2 | \$3.01 | 4" |
| 40 | Med. | 03265 | | 40CA10 | 120 | 200/25 | Box | Clear | CC2V | 1500 | 2700 | 365 | 1.3 | \$4.82 | 4" |
| | Med. | 03765 | | 40CA10 2CD | 120 | 60/10 | Card(2) | Clear | CC2V | 1500 | 2700 | 365 | 1.3 | \$4.82 | 4" |
| | Med. | 03268 | | 40CA10/F | 120 | 200/25 | Box | Frost | CC2V | 1500 | 2700 | 350 | 1.3 | \$4.82 | 4" |
| | Med. | 03768 | | 40CA10/F 2CD | 120 | 60/10 | Card(2) | Frost | CC2V | 1500 | 2700 | 350 | 1.3 | \$4.82 | 4" |
| | Med. | 03665 | 4 | 40CA10/130 | 130 | 200/25 | Box | Clear | CC2V | 2500 | 2700 | 345 | 2.2 | \$4.82 | 4" |
| | Med. | 03668 | 4 | 40CA10/F/130 | 130 | 200/25 | Box | Frost | CC2V | 2500 | 2700 | 330 | 2.2 | \$4.82 | 4" |
| 60 | Med. | 03266 | 8 | 60CA10/VR | 120 | 200/25 | Box | Clear | C7A | 1500 | 2700 | 565 | 1.3 | \$7.23 | 4" |
| | Med. | 03766 | 8 | 60CA10/VR 2CD | 120 | 60/10 | Card(2) | Clear | C7A | 1500 | 2700 | 565 | 1.3 | \$7.23 | 4" |
| | Med. | 03269 | 8 | 60CA10/F/VR | 120 | 200/25 | Box | Frost | C7A | 1500 | 2700 | 565 | 1.3 | \$7.23 | 4" |
| | Med. | 03769 | 8 | 60CA10/F/VR 2CD | 120 | 60/10 | Card(2) | Frost | C7A | 1500 | 2700 | 565 | 1.3 | \$7.23 | 4" |
| | Med. | 03666 | 4,8 | 60CA10/VR/130 | 130 | 200/25 | Box | Clear | C7A | 2500 | 2700 | 545 | 2.2 | \$7.23 | 4" |
| | Med. | 03669 | 4,8 | 60CA10/F/VR/130 | 130 | 200/25 | Box | Frost | C7A | 2500 | 2700 | 545 | 2.2 | \$7.23 | 4" |

*Based on 3hrs./day **Based on 3hrs./day 11¢/kWh

Footnotes

- 1 New Item
- 2 Canadian Standards Association
- 3 Eco-Halogen Energy-Saving Technology

- 4 Commercial Service*
- 5 Fan
- 6 Non-Stick Base

- 7 Krypton(KR)
- 8 Vibration Resistant lamps are designed for vibration service only.
- 9 Rough Service lamps are designed for rough service applications.

TORPEDO LAMPS CANDELABRA BASE



| Energy Used (Watts) | Lamp Base | Item No. | Footnotes | Domestic Code | Volts | Master Carton/ Inner Pack | Package Type | Finish | Filament Type | Avg. Rated Hours | Light Appearance (Kelvin) | Brightness (Lumens) | Life in Years* | Est. Yearly Energy Cost** | MOL |
|---------------------|-----------|--------------|-----------|----------------------|-------|---------------------------|--------------|--------|---------------|------------------|---------------------------|---------------------|----------------|---------------------------|-------|
| B9 1/2 | | | | | | | | | | | | | | | |
| 15 | Cand. | 03230 | | 15B91/2/CB | 120 | 200/25 | Box | Clear | CC2V | 1500 | 2700 | 104 | 1.3 | \$1.81 | 3.33" |
| | Cand. | 03681 | 4 | 15B91/2/CB/130 | 130 | 200/25 | Box | Clear | CC2V | 2500 | 2700 | 100 | 2.2 | \$1.81 | 3.33" |
| 25 | Cand. | 03282 | | 25B91/2/CB | 120 | 200/25 | Box | Clear | CC2V | 1500 | 2700 | 190 | 1.3 | \$3.01 | 3.33" |
| | Cand. | 03782 | | 25B91/2/CB 2CD | 120 | 60/10 | Card(2) | Clear | CC2V | 1500 | 2700 | 190 | 1.3 | \$3.01 | 3.33" |
| | Cand. | 03285 | | 25B91/2/F/CB | 120 | 200/25 | Box | Frost | CC2V | 1500 | 2700 | 175 | 1.3 | \$3.01 | 3.33" |
| | Cand. | 03785 | | 25B91/2/F/CB 2CD | 120 | 60/10 | Card(2) | Frost | CC2V | 1500 | 2700 | 175 | 1.3 | \$3.01 | 3.33" |
| | Cand. | 03682 | 4 | 25B91/2/CB/130 | 130 | 200/25 | Box | Clear | CC2V | 2500 | 2700 | 170 | 2.2 | \$3.01 | 3.33" |
| | Cand. | 03685 | 4 | 25B91/2/F/CB/130 | 130 | 200/25 | Box | Frost | CC2V | 2500 | 2700 | 165 | 2.2 | \$3.01 | 3.33" |
| 40 | Cand. | 03283 | | 40B91/2/CB | 120 | 200/25 | Box | Clear | CC2V | 1500 | 2700 | 365 | 1.3 | \$4.82 | 3.33" |
| | Cand. | 03783 | | 40B91/2/CB 2CD | 120 | 60/10 | Card(2) | Clear | CC2V | 1500 | 2700 | 365 | 1.3 | \$4.82 | 3.33" |
| | Cand. | 03286 | | 40B91/2/F/CB | 120 | 200/25 | Box | Frost | CC2V | 1500 | 2700 | 350 | 1.3 | \$4.82 | 3.33" |
| | Cand. | 03786 | | 40B91/2/F/CB 2CD | 120 | 60/10 | Card(2) | Frost | CC2V | 1500 | 2700 | 350 | 1.3 | \$4.82 | 3.33" |
| | Cand. | 03289 | | 40B91/2/W/CB | 120 | 200/25 | Box | White | CC2V | 1500 | 2700 | 350 | 1.3 | \$4.82 | 3.33" |
| | Cand. | 04023 | 5 | 40B9 1/2/FAN/CB 2CD | 120 | 60/10 | Card(2) | Clear | CC2V | 1500 | 2700 | 365 | 1.3 | \$4.82 | 3.33" |
| | Cand. | 04024 | 5 | 40B91/2/F/FAN/CB 2CD | 120 | 60/10 | Card(2) | Frost | CC2V | 1500 | 2700 | 350 | 1.3 | \$4.82 | 3.33" |
| | Cand. | 03683 | 4 | 40B91/2/CB/130 | 130 | 200/25 | Box | Clear | CC2V | 2500 | 2700 | 345 | 2.2 | \$4.82 | 3.33" |
| | Cand. | 03686 | 4 | 40B91/2/F/CB/130 | 130 | 200/25 | Box | Frost | CC2V | 2500 | 2700 | 330 | 2.2 | \$4.82 | 3.33" |
| B10 | | | | | | | | | | | | | | | |
| 60 | Cand. | 03284 | | 60B10/CB | 120 | 200/25 | Box | Clear | CC2V | 1500 | 2700 | 615 | 1.3 | \$7.23 | 3.75" |
| | Cand. | 03784 | | 60B10/CB 2CD | 120 | 60/10 | Card(2) | Clear | CC2V | 1500 | 2700 | 615 | 1.3 | \$7.23 | 3.75" |
| | Cand. | 03287 | | 60B10/F/CB | 120 | 200/25 | Box | Frost | CC2V | 1500 | 2700 | 590 | 1.3 | \$7.23 | 3.75" |
| | Cand. | 03787 | | 60B10/F/CB 2CD | 120 | 60/10 | Card(2) | Frost | CC2V | 1500 | 2700 | 590 | 1.3 | \$7.23 | 3.75" |
| | Cand. | 04027 | 5 | 60B10/FAN/CB 2CD | 120 | 60/10 | Card(2) | Clear | CC2V | 1500 | 2700 | 615 | 1.3 | \$7.23 | 3.75" |
| | Cand. | 04028 | 5 | 60B10/F/FAN/CB 2CD | 120 | 60/10 | Card(2) | Frost | CC2V | 1500 | 2700 | 590 | 1.3 | \$7.23 | 3.75" |
| | Cand. | 03684 | 4 | 60B10/CB/130 | 130 | 200/25 | Box | Clear | CC2V | 2500 | 2700 | 610 | 2.2 | \$7.23 | 3.75" |
| | Cand. | 03687 | 4 | 60B10/F/CB/130 | 130 | 200/25 | Box | Frost | CC2V | 2500 | 2700 | 575 | 2.2 | \$7.23 | 3.75" |

*Based on 3hrs./day **Based on 3hrs./day 11¢/kWh

Footnotes

- 1 New Item
- 2 Canadian Standards Association
- 3 Eco-Halogen Energy-Saving Technology
- 4 Commercial Service*
- 5 Fan
- 6 Non-Stick Base
- 7 Krypton(KR)
- 8 Vibration Resistant lamps are designed for vibration service only.
- 9 Rough Service lamps are designed for rough service applications.

TORPEDO LAMPS MEDIUM BASE



B11 CLEAR

B11 FROST

B11 WHITE

| Energy Used (Watts) | Lamp Base | Item No. | Footnotes | Domestic Code | Volts | Master Carton/ Inner Pack | Package Type | Finish | Filament Type | Avg. Rated Hours | Light Appearance (Kelvin) | Brightness (Lumens) | Life in Years* | Est. Yearly Energy Cost** | MOL |
|---------------------|-----------|--------------|-----------|--------------------|-------|---------------------------|--------------|--------|---------------|------------------|---------------------------|---------------------|----------------|---------------------------|-------|
| B11 | | | | | | | | | | | | | | | |
| 25 | Med. | 03231 | 2 | 25B11 | 120 | 200/25 | Box | Clear | CC2V | 1500 | 2700 | 190 | 1.3 | \$3.01 | 3.63" |
| | Med. | 03731 | 2 | 25B11 2CD | 120 | 60/10 | Card(2) | Clear | CC2V | 1500 | 2700 | 190 | 1.3 | \$3.01 | 3.63" |
| | Med. | 03234 | | 25B11/F | 120 | 200/25 | Box | Frost | CC2V | 1500 | 2700 | 175 | 1.3 | \$3.01 | 3.63" |
| | Med. | 03734 | | 25B11/F 2CD | 120 | 60/10 | Card(2) | Frost | CC2V | 1500 | 2700 | 175 | 1.3 | \$3.01 | 3.63" |
| | Med. | 03737 | | 25B11/W 2CD | 120 | 60/10 | Card(2) | White | CC2V | 1500 | 2700 | 175 | 1.3 | \$3.01 | 3.63" |
| | Med. | 03631 | 4 | 25B11/130 | 130 | 200/25 | Box | Clear | CC2V | 2500 | 2700 | 170 | 2.2 | \$3.01 | 3.63" |
| 40 | Med. | 03232 | 2 | 40B11 | 120 | 200/25 | Box | Clear | CC2V | 1500 | 2700 | 365 | 1.3 | \$4.82 | 3.63" |
| | Med. | 03732 | 2 | 40B11 2CD | 120 | 60/10 | Card(2) | Clear | CC2V | 1500 | 2700 | 365 | 1.3 | \$4.82 | 3.63" |
| | Med. | 03235 | | 40B11/F | 120 | 200/25 | Box | Frost | CC2V | 1500 | 2700 | 350 | 1.3 | \$4.82 | 3.63" |
| | Med. | 03735 | | 40B11/F 2CD | 120 | 60/10 | Card(2) | Frost | CC2V | 1500 | 2700 | 350 | 1.3 | \$4.82 | 3.63" |
| | Med. | 03738 | | 40B11/W 2CD | 120 | 60/10 | Card(2) | White | CC2V | 1500 | 2700 | 350 | 1.3 | \$4.82 | 3.63" |
| | Med. | 04092 | 5 | 40B11/FAN 2CD | 120 | 60/10 | Card(2) | Clear | CC2V | 1500 | 2700 | 365 | 1.3 | \$4.82 | 3.63" |
| | Med. | 04093 | 5 | 40B11/F/FAN 2CD | 120 | 60/10 | Card(2) | Frost | CC2V | 1500 | 2700 | 350 | 1.3 | \$4.82 | 3.63" |
| | Med. | 03632 | 4 | 40B11/130 | 130 | 200/25 | Box | Clear | CC2V | 2500 | 2700 | 345 | 2.2 | \$4.82 | 3.63" |
| 60 | Med. | 03293 | 8 | 60B11/VR | 120 | 200/25 | Box | Clear | C7A | 1500 | 2700 | 570 | 1.3 | \$7.23 | 3.63" |
| | Med. | 03793 | 8 | 60B11/VR 2CD | 120 | 60/10 | Card(2) | Clear | C7A | 1500 | 2700 | 570 | 1.3 | \$7.23 | 3.63" |
| | Med. | 03296 | 8 | 60B11/F/VR | 120 | 200/25 | Box | Frost | C7A | 1500 | 2700 | 540 | 1.3 | \$7.23 | 3.63" |
| | Med. | 03796 | 8 | 60B11/F/VR 2CD | 120 | 60/10 | Card(2) | Frost | C7A | 1500 | 2700 | 540 | 1.3 | \$7.23 | 3.63" |
| | Med. | 03799 | 8 | 60B11/W/VR 2CD | 120 | 60/10 | Card(2) | White | C7A | 1500 | 2700 | 525 | 1.3 | \$7.23 | 3.63" |
| | Med. | 04094 | 5,8 | 60B11/FAN/VR 2CD | 120 | 60/10 | Card(2) | Clear | C7A | 1500 | 2700 | 570 | 1.3 | \$7.23 | 3.63" |
| | Med. | 04095 | 5,8 | 60B11/F/FAN/VR 2CD | 120 | 60/10 | Card(2) | Frost | C7A | 1500 | 2700 | 540 | 1.3 | \$7.23 | 3.63" |
| | Med. | 03693 | 4,8 | 60B11/VR/130 | 130 | 200/25 | Box | Clear | C7A | 2500 | 2700 | 560 | 2.2 | \$7.23 | 3.63" |

*Based on 3hrs./day **Based on 3hrs./day 11¢/kWh

Footnotes

1 New Item

2 Canadian Standards Association

3 Eco-Halogen Energy-Saving Technology

4 Commercial Service*

5 Fan

6 Non-Stick Base

7 Krypton(KR)

8 Vibration Resistant lamps are designed for vibration service only.

9 Rough Service lamps are designed for rough service applications.

A15 APPLIANCE LAMPS



A15 CLEAR
MEDIUM BASE



A15 FROST
MEDIUM BASE



A15 CLEAR
INTERMEDIATE BASE



A15 SOFT WHITE
INTERMEDIATE BASE



A15 FROST
NON-STICK



A15 CLEAR
CANDELABRA BASE



A15 SOFT WHITE
CANDELABRA BASE

| Energy Used (Watts) | Lamp Base | Item No. | Footnotes | Domestic Code | Volts | Master Carton/ Inner Pack | Package Type | Finish | Filament Type | Avg. Rated Hours | Light Appearance (Kelvin) | Brightness (Lumens) | Life in Years* | Est. Yearly Energy Cost** | MOL |
|---------------------|-----------|--------------|--------------|---------------------|------------------|---------------------------|--------------|------------|---------------|------------------|---------------------------|---------------------|----------------|---------------------------|--------|
| 15 | Med. | 03995 | 2 | 15A15 2PK | 120 | 48/12 | Box(2) | Clear | C9 | 2500 | 2700 | 100 | 2.2 | \$1.81 | 3.38" |
| | Med. | 03996 | 2 | 15A15/F 2PK | 120 | 48/12 | Box(2) | Frost | C9 | 2500 | 2700 | 90 | 2.2 | \$1.81 | 3.38" |
| | Med. | 04501 | 2,4 | 15A15/130 2PK | 130 | 120 | Box(2) | Clear | C9 | 2500 | 2700 | 100 | 2.2 | \$1.81 | 3.38" |
| | Med. | 04503 | 2,4 | 15A15/F/130 2PK | 130 | 120 | Box(2) | Frost | C9 | 2500 | 2700 | 90 | 2.2 | \$1.81 | 3.38" |
| 25 | Med. | 04007 | | 25A15 | 120 | 72/6 | Card | Clear | C9 | 2500 | 2700 | 175 | 2.2 | \$3.01 | 3.38" |
| | Med. | 03925 | | 25A15 2PK | 120 | 48/12 | Box(2) | Clear | C9 | 2500 | 2700 | 175 | 2.2 | \$3.01 | 3.38" |
| | Med. | 04006 | | 25A15/F | 120 | 72/6 | Card | Frost | C9 | 2500 | 2700 | 160 | 2.2 | \$3.01 | 3.38" |
| | Med. | 03929 | 2 | 25A15/F 2PK | 120 | 48/12 | Box(2) | Frost | C9 | 2500 | 2700 | 160 | 2.2 | \$3.01 | 3.38" |
| | Med. | 04507 | 4 | 25A15/130 2PK | 130 | 120 | Box(2) | Clear | C9 | 2500 | 2700 | 175 | 2.2 | \$3.01 | 3.38" |
| | 40 | Inter. | 03936 | 5 | 40A15/IN/FAN 2CD | 120 | 60/6 | Card(2) | Clear | C9 | 1500 | 2700 | 350 | 1.3 | \$4.82 |
| Inter. | | 03938 | 5 | 40A15/SW/IN/FAN 2CD | 120 | 60/6 | Card(2) | Soft White | C9 | 1500 | 2700 | 325 | 1.3 | \$4.82 | 3.38" |
| Med. | | 04001 | 2 | 40A15 | 120 | 72/6 | Card | Clear | C9 | 2500 | 2700 | 350 | 2.2 | \$4.82 | 3.38" |
| Med. | | 04003 | 2 | 40A15 | 120 | 60/10 | Box | Clear | C9 | 2500 | 2700 | 350 | 2.2 | \$4.82 | 3.38" |
| Med. | | 03926 | 2 | 40A15 2PK | 120 | 48/12 | Box(2) | Clear | C9 | 2500 | 2700 | 350 | 2.2 | \$4.82 | 3.38" |
| Med. | | 04002 | 2 | 40A15/F | 120 | 72/6 | Card | Frost | C9 | 2500 | 2700 | 340 | 2.2 | \$4.82 | 3.38" |
| Med. | | 03930 | 2 | 40A15/F 2PK | 120 | 48/12 | Box(2) | Frost | C9 | 2500 | 2700 | 340 | 2.2 | \$4.82 | 3.38" |
| Med. | | 03457 | 2,6 | 40A15/F/EZ | 120 | 72/6 | Card | Frost | C9 | 2500 | 2700 | 340 | 2.2 | \$4.82 | 3.38" |
| Med. | | 04090 | 5 | 40A15/FAN | 120 | 72/6 | Card | Clear | C9 | 2500 | 2700 | 350 | 2.2 | \$4.82 | 3.38" |
| Med. | | 04502 | 4 | 40A15/130 2PK | 130 | 120 | Box(2) | Clear | C9 | 2500 | 2700 | 350 | 2.2 | \$4.82 | 3.38" |
| Med. | | 04504 | 2,4 | 40A15/F/130 2PK | 130 | 120 | Box(2) | Frost | C9 | 2500 | 2700 | 340 | 2.2 | \$4.82 | 3.38" |
| 60 | | Cand. | 03941 | 5 | 60A15/CB/FAN 2CD | 120 | 60/6 | Card(2) | Clear | C9 | 1500 | 2700 | 570 | 1.3 | \$7.23 |
| | Cand. | 03943 | 5 | 60A15/SW/CB/FAN 2CD | 120 | 60/6 | Card(2) | Soft White | C9 | 1500 | 2700 | 550 | 1.3 | \$7.23 | 3.38" |
| | Med. | 03998 | 2,8 | 60A15/VR 2PK | 120 | 48/12 | Box(2) | Clear | C9 | 2500 | 2700 | 570 | 2.2 | \$7.23 | 3.38" |
| | Med. | 03999 | 8 | 60A15/F/VR 2PK | 120 | 48/12 | Box(2) | Frost | C9 | 2500 | 2700 | 540 | 2.2 | \$7.23 | 3.38" |
| | Med. | 03458 | 6,8 | 60A15/F/EZ/VR | 120 | 72/6 | Card | Frost | C9 | 2500 | 2700 | 540 | 2.2 | \$7.23 | 3.38" |
| | Med. | 04096 | 5,8 | 60A15/FAN/VR | 120 | 72/6 | Card | Clear | C9 | 2500 | 2700 | 570 | 2.2 | \$7.23 | 3.38" |
| | Med. | 37153 | 5,8 | 60A15/FAN/VR 2CD | 120 | 60/6 | Card(2) | Clear | C9 | 1500 | 2700 | 600 | 1.3 | \$7.23 | 3.38" |
| | Med. | 04010 | 5,8 | 60A15/SW/FAN/VR | 120 | 72/6 | Card | Soft White | C9 | 2500 | 2700 | 455 | 2.2 | \$7.23 | 3.38" |
| | Med. | 04505 | 4,8 | 60A15/VR/130 2PK | 130 | 120 | Box(2) | Clear | C9 | 2500 | 2700 | 570 | 2.2 | \$7.23 | 3.38" |
| | Med. | 04509 | 4,8 | 60A15/F/VR/130 2PK | 130 | 120 | Box(2) | Frost | C9 | 2500 | 2700 | 540 | 2.2 | \$7.23 | 3.38" |

*Based on 3hrs./day **Based on 3hrs./day 11¢/kWh

Footnotes

1 New Item

2 Canadian Standards Association

3 Eco-Halogen Energy-Saving Technology

4 Commercial Service*

5 Fan

6 Non-Stick Base

7 Krypton(KR)

8 Vibration Resistant lamps are designed for vibration service only.

9 Rough Service lamps are designed for rough service applications.



A19 LAMPS

A19 CLEAR A19 FROST A19 SOFT WHITE A19 CLEAR ECO-HALOGEN A19 SOFT WHITE ECO-HALOGEN A19 RADIANT NATURAL LIGHT* A19 FROST ROUGH SERVICE A19 FROST GARAGE A19 TOUGHSELL*

| Energy Used (Watts) | Lamp Base | Item No. | Footnotes | Domestic Code | Volts | Master Carton/ Inner Pack | Package Type | Finish | Filament Type | Avg. Rated Hours | Light Appearance (Kelvin) | Brightness (Lumens) | Life in Years* | Est. Yearly Energy Cost** | MOL |
|---------------------|-----------|----------------|-----------|---------------------|-------|---------------------------|--------------|------------------------|---------------|------------------|---------------------------|---------------------|----------------|---------------------------|-------|
| 25 | Med. | 03985 | | 25A 2PK | 120 | 120/24 | Box(2) | Clear | CC6 | 1000 | 2700 | 230 | 0.9 | \$3.01 | 4.13" |
| | Med. | 03963 | 4 | 25A 4PK | 120 | 48 | Box(4) | Clear | CC6 | 1000 | 2700 | 230 | 0.9 | \$3.01 | 4.13" |
| | Med. | 03935 | | 25A/F 2PK | 120 | 120/24 | Box(2) | Frost | CC6 | 1000 | 2700 | 230 | 0.9 | \$3.01 | 4.13" |
| | Med. | 03955 | | 25A/SW 2PK | 120 | 120/24 | Box(2) | Soft White | CC6 | 1000 | 2700 | 220 | 0.9 | \$3.01 | 4.13" |
| | Med. | 04110 | 4 | 25A/130 4PK | 130 | 120 | Box(4) | Clear | CC6 | 5000 | 2700 | 205 | 4.5 | \$3.01 | 4.13" |
| | Med. | 04100 | 4 | 25A/F/130 4PK | 130 | 120 | Box(4) | Frost | CC6 | 5000 | 2700 | 205 | 4.5 | \$3.01 | 4.13" |
| 29 | Med. | 36870 | 3 | 29A19/H/SW/ECO 4PK | 120 | 30/6 | Box(4) | Soft White | CC8 | 1000 | 2950 | 450 | 0.9 | \$3.49 | 4.25" |
| 40 | Med. | 03986 | 8 | 40A/VR 2PK | 120 | 120/24 | Box(2) | Clear | C9-3A | 1000 | 2700 | 340 | 0.9 | \$4.82 | 4.13" |
| | Med. | 0396529 | 8 | 40A/VR 2PK | 120 | 96/24 | Box(2) | Clear | C9-3A | 1000 | 2700 | 340 | 0.9 | \$4.82 | 4.13" |
| | Med. | 0337129 | 8 | 40A/F/VR 2PK | 120 | 120 | Box(2) | Frost | C9-3A | 1000 | 2700 | 340 | 0.9 | \$4.82 | 4.13" |
| | Med. | 0399129 | 8 | 40A/SW/VR 2PK | 120 | 120 | Box(2) | Soft White | C9-3A | 1000 | 2700 | 330 | 0.9 | \$4.82 | 4.13" |
| | Med. | 3718129 | 8 | 40A/SW/VR 2PK | 120 | 48 | Box(2) | Soft White | C9-3A | 2000 | 2700 | 330 | 1.8 | \$4.82 | 4.13" |
| | Med. | 36975 | 4,8 | 40A/VR/130 | 130 | 60/6 | Box | Clear | C9-3A | 5000 | 2700 | 290 | 4.5 | \$4.82 | 4.13" |
| | Med. | 36971 | 4,8 | 40A/F/VR/130 | 130 | 60/6 | Box | Frost | C9-3A | 5000 | 2700 | 290 | 4.5 | \$4.82 | 4.13" |
| | Med. | 0411129 | 4,8 | 40A/VR/130 2PK | 130 | 120 | Box(2) | Clear | C9-3A | 5000 | 2700 | 290 | 4.5 | \$4.82 | 4.13" |
| | Med. | 0410129 | 4,8 | 40A/F/VR/130 2PK | 130 | 120 | Box(2) | Frost | C9-3A | 5000 | 2700 | 290 | 4.5 | \$4.82 | 4.13" |
| 42 | Med. | 36832 | 3 | 42A19/H/ECO 2PK | 120 | 30/6 | Box(2) | Clear | CC8 | 1000 | 3000 | 760 | 0.9 | \$5.06 | 4.25" |
| | Med. | 36800 | 3 | 42A19/H/SW/ECO 2PK | 120 | 30/6 | Box(2) | Soft White | CC8 | 1000 | 3000 | 760 | 0.9 | \$5.06 | 4.25" |
| | Med. | 36876 | 3 | 42A19/H/SW/ECO 4PK | 120 | 30/6 | Box(4) | Soft White | CC8 | 1000 | 3000 | 760 | 0.9 | \$5.06 | 4.25" |
| | Med. | 05104 | 3 | 42A19/H/SW/ECO 12PK | 120 | 6 | Box(12) | Soft White | CC8 | 1000 | 3000 | 760 | 0.9 | \$5.06 | 4.25" |
| 50 | Med. | 03952 | 9 | 50A/F/RS | 120 | 36/6 | Box | Frost | C11 | 1000 | 2700 | 520 | 0.9 | \$6.02 | 4.25" |
| 53 | Med. | 36834 | 3 | 53A19/H/ECO 2PK | 120 | 30/6 | Box(2) | Clear | CC8 | 1000 | 3000 | 1100 | 0.9 | \$6.38 | 4.25" |
| | Med. | 36833 | 3 | 53A19/H/SW/ECO 2PK | 120 | 30/6 | Box(2) | Soft White | CC8 | 1000 | 3000 | 1100 | 0.9 | \$6.38 | 4.25" |
| | Med. | 36873 | 3 | 53A19/H/SW/ECO 4PK | 120 | 30/6 | Box(4) | Soft White | CC8 | 1000 | 3000 | 1100 | 0.9 | \$6.38 | 4.25" |
| 60 | Med. | 03987 | 8 | 60A/VR 2PK | 120 | 120/24 | Box(2) | Clear | C9-3A | 1000 | 2700 | 620 | 0.9 | \$7.23 | 4.13" |
| | Med. | 0396629 | 8 | 60A/VR 2PK | 120 | 96/24 | Box(2) | Clear | C9-3A | 1000 | 2700 | 620 | 0.9 | \$7.23 | 4.13" |
| | Med. | 0337229 | 8 | 60A/F/VR 2PK | 120 | 120 | Box(2) | Frost | C9-3A | 1000 | 2700 | 625 | 0.9 | \$7.23 | 4.13" |
| | Med. | 0339629 | 8 | 60A/RNL/VR 2PK | 120 | 48 | Box(2) | Radiant Natural Light* | C9-3A | 1000 | 2700 | 450 | 0.9 | \$7.23 | 4.13" |
| | Med. | 0399229 | 8 | 60A/SW/VR 2PK | 120 | 120 | Box(2) | Soft White | C9-3A | 1000 | 2700 | 545 | 0.9 | \$7.23 | 4.13" |
| | Med. | 3718229 | 8 | 60A/SW/VR 2PK | 120 | 48 | Box(2) | Soft White | C9-3A | 1500 | 2700 | 650 | 1.3 | \$7.23 | 4.13" |
| | Med. | 03909 | | 60A/F/GDO | 120 | 36/6 | Box | Frost/Garage | C9 | 3000 | 2700 | 600 | 2.7 | \$7.23 | 4.13" |
| | Med. | 03950 | | 60A/TS/130 | 130 | 36/6 | Box | Toughshell* | CC6 | 4000 | 2700 | 587 | 3.6 | \$7.23 | 4.13" |
| | Med. | 36976 | 4,8 | 60A/VR/130 | 130 | 60/6 | Box | Clear | C9-3A | 5000 | 2700 | 485 | 4.5 | \$7.23 | 4.13" |
| | Med. | 36972 | 4,8 | 60A/F/VR/130 | 130 | 60/6 | Box | Frost | C9-3A | 5000 | 2700 | 485 | 4.5 | \$7.23 | 4.13" |
| | Med. | 0410229 | 4,8 | 60A/F/VR/130 2PK | 130 | 120 | Box(2) | Frost | C9-3A | 5000 | 2700 | 485 | 4.5 | \$7.23 | 4.13" |
| | Med. | 0411229 | 4,8 | 60A/VR/130 2PK | 130 | 120 | Box(2) | Clear | C9-3A | 5000 | 2700 | 485 | 4.5 | \$7.23 | 4.13" |
| 72 | Med. | 36835 | 3 | 72A19/H/ECO 2PK | 120 | 30/6 | Box(2) | Clear | CC8 | 1000 | 3000 | 1600 | 0.9 | \$8.67 | 4.25" |
| | Med. | 36801 | 3 | 72A19/H/SW/ECO 2PK | 120 | 30/6 | Box(2) | Soft White | CC8 | 1000 | 3000 | 1600 | 0.9 | \$8.67 | 4.25" |
| | Med. | 36877 | 3 | 72A19/H/SW/ECO 4PK | 120 | 30/6 | Box(4) | Soft White | CC8 | 1000 | 3000 | 1600 | 0.9 | \$8.67 | 4.25" |
| | Med. | 05105 | 3 | 72A19/H/SW/ECO 12PK | 120 | 6 | Box(12) | Soft White | CC8 | 1000 | 3000 | 1600 | 0.9 | \$8.67 | 4.25" |
| 75 | Med. | 03953 | 9 | 75A/F/RS | 120 | 36/6 | Box | Frost | C11 | 1000 | 2700 | 800 | 0.9 | \$9.03 | 4.25" |
| | Med. | 03976 | 9 | 75A/F/RS 2PK | 120 | 120/24 | Box(2) | Frost | C11 | 1000 | 2700 | 800 | 0.9 | \$9.03 | 4.25" |
| | Med. | 04403 | | 75A/TS/130 | 130 | 36/6 | Box | Toughshell* | CC6 | 4000 | 2700 | 716 | 3.6 | \$9.03 | 4.13" |
| 100 | Med. | 03954 | 9 | 100A/F/RS | 120 | 36/6 | Box | Frost | C11 | 1000 | 2700 | 1190 | 0.9 | \$12.05 | 4.25" |
| | Med. | 03969 | 9 | 100A/F/RS 2PK | 120 | 120/24 | Box(2) | Frost | C11 | 1000 | 2700 | 1190 | 0.9 | \$12.05 | 4.25" |
| | Med. | 03951 | | 100A/TS/130 | 130 | 36/6 | Box | Toughshell* | CC6 | 4000 | 2700 | 860 | 3.6 | \$12.05 | 4.13" |

*Based on 3hrs./day **Based on 3hrs./day 11¢/kWh

Footnotes

- 1 New Item
- 2 Canadian Standards Association
- 3 Eco-Halogen Energy-Saving Technology
- 4 Commercial Service*
- 5 Fan
- 6 Non-Stick Base
- 7 Krypton(KR)
- 8 Vibration Resistant lamps are designed for vibration service only.
- 9 Rough Service lamps are designed for rough service applications.



A19 SPECIALTY LAMPS

| Energy Used (Watts) | Lamp Base | Item No. | Footnotes | Domestic Code | Volts | Master Carton/ Inner Pack | Package Type | Finish | Filament Type | Avg. Rated Hours | Light Appearance (Kelvin) | Brightness (Lumens) | Life in Years* | Est. Yearly Energy Cost** | MOL |
|---------------------|-----------|--------------|-----------|---------------|-------|---------------------------|--------------|-------------------|---------------|------------------|---------------------------|---------------------|----------------|---------------------------|-------|
| A19 | | | | | | | | | | | | | | | |
| 25 | Med. | 03422 | | 25A/F/12V | 12 | 36/6 | Box | Frost | C6 | 2500 | 2700 | 250 | 2.2 | \$3.01 | 4.13" |
| | Med. | 03443 | | 25A/TA | 120 | 36/6 | Box | Transparent Amber | C9 | 2500 | 2700 | - | 2.2 | \$3.01 | 4.13" |
| | Med. | 03444 | | 25A/TG | 120 | 36/6 | Box | Transparent Green | C9 | 2500 | 2700 | - | 2.2 | \$3.01 | 4.13" |
| | Med. | 03445 | | 25A/TB | 120 | 36/6 | Box | Transparent Blue | C9 | 2500 | 2700 | - | 2.2 | \$3.01 | 4.13" |
| | Med. | 03446 | | 25A/TR | 120 | 36/6 | Box | Transparent Red | C9 | 2500 | 2700 | - | 2.2 | \$3.01 | 4.13" |
| 50 | Med. | 03423 | | 50A/F/12V | 12 | 36/6 | Box | Frost | C6 | 2500 | 2700 | 548 | 2.2 | \$6.02 | 4.13" |
| 60 | Med. | 03452 | | 60A/Y 2PK | 120 | 120/24 | Box(2) | Yellow Bug Light | C9 | 1000 | 2700 | - | 0.9 | \$7.23 | 4.13" |
| 75 | Med. | 03920 | 2 | 75A/BL | 120 | 36/6 | Box | Blacklite | C9 | 480 | - | - | 0.4 | \$9.03 | 4.25" |

*Based on 3hrs./day **Based on 3hrs./day 11¢/kWh



A21 CLEAR

A21 FROST

A21 LAMPS

| Energy Used (Watts) | Lamp Base | Item No. | Footnotes | Domestic Code | Volts | Master Carton/ Inner Pack | Package Type | Finish | Filament Type | Avg. Rated Hours | Light Appearance (Kelvin) | Brightness (Lumens) | Life in Years* | Est. Yearly Energy Cost** | MOL |
|---------------------|-----------|--------------|-----------|---------------|-------|---------------------------|--------------|--------|---------------|------------------|---------------------------|---------------------|----------------|---------------------------|-----|
| A21 | | | | | | | | | | | | | | | |
| 150 | Med. | 03970 | | 150A21 | 120 | 36/6 | Box | Clear | CC6 | 1000 | 2700 | 2650 | 0.9 | \$18.07 | 5" |
| | Med. | 03971 | | 150A21/F | 120 | 36/6 | Box | Frost | CC6 | 1000 | 2700 | 2650 | 0.9 | \$18.07 | 5" |
| | Med. | 04542 | 4 | 150A21/130 | 130 | 36/6 | Box | Clear | CC6 | 1000 | 2700 | 2650 | 0.9 | \$18.07 | 5" |
| | Med. | 04540 | 4 | 150A21/F/130 | 130 | 36/6 | Box | Frost | CC6 | 1000 | 2700 | 2650 | 0.9 | \$18.07 | 5" |
| | Med. | 36959 | 4 | 150A21/F/130 | 130 | 60/6 | Box | Frost | CC6 | 1000 | 2700 | 2650 | 0.9 | \$18.07 | 5" |

*Based on 3hrs./day **Based on 3hrs./day 11¢/kWh

Footnotes

- 1 New Item
- 2 Canadian Standards Association
- 3 Eco-Halogen Energy-Saving Technology
- 4 Commercial Service*
- 5 Fan
- 6 Non-Stick Base
- 7 Krypton(KR)
- 8 Vibration Resistant lamps are designed for vibration service only.
- 9 Rough Service lamps are designed for rough service applications.



A23 CLEAR

A23 FROST

A23 LAMPS

| Energy Used (Watts) | Lamp Base | Item No. | Footnotes | Domestic Code | Volts | Master Carton/ Inner Pack | Package Type | Finish | Filament Type | Avg. Rated Hours | Light Appearance (Kelvin) | Brightness (Lumens) | Life in Years* | Est. Yearly Energy Cost** | MOL |
|---------------------|-----------|--------------|-----------|---------------|-------|---------------------------|--------------|--------|---------------|------------------|---------------------------|---------------------|----------------|---------------------------|-------|
| A23 | | | | | | | | | | | | | | | |
| 200 | Med. | 03972 | | 200A23 | 120 | 12 | Box | Clear | CC6 | 750 | 2700 | 3850 | 0.6 | \$24.09 | 5.50" |
| | Med. | 03973 | | 200A23/F | 120 | 12 | Box | Frost | CC6 | 750 | 2700 | 3800 | 0.6 | \$24.09 | 5.50" |
| | Med. | 04543 | 4 | 200A23/130 | 130 | 12 | Box | Clear | CC6 | 750 | 2700 | 3850 | 0.6 | \$24.09 | 5.50" |
| | Med. | 36960 | 4 | 200A23/F/130 | 130 | 60/6 | Box | Frost | CC6 | 750 | 2700 | 3600 | 0.6 | \$24.09 | 5.50" |

*Based on 3hrs./day **Based on 3hrs./day 11¢/kWh



PS30 CLEAR

PS30 FROST

PS30 LAMPS

| Energy Used (Watts) | Lamp Base | Item No. | Footnotes | Domestic Code | Volts | Master Carton/ Inner Pack | Package Type | Finish | Filament Type | Avg. Rated Hours | Light Appearance (Kelvin) | Brightness (Lumens) | Life in Years* | Est. Yearly Energy Cost** | MOL |
|---------------------|-----------|--------------|-----------|---------------|-------|---------------------------|--------------|--------|---------------|------------------|---------------------------|---------------------|----------------|---------------------------|-----|
| PS30 | | | | | | | | | | | | | | | |
| 300 | Med. | 03974 | | 300PS30 | 120 | 12 | Box | Clear | C9 | 750 | 2850 | 5870 | 0.6 | \$36.14 | 8" |
| | Med. | 03975 | | 300PS30/F | 120 | 12 | Box | Frost | C9 | 750 | 2850 | 5860 | 0.6 | \$36.14 | 8" |

*Based on 3hrs./day **Based on 3hrs./day 11¢/kWh



A19 3-WAY SOFT WHITE

A21 3-WAY SOFT WHITE

A21 3-WAY RADIANT NATURAL LIGHT*

3-WAY LAMPS

| Energy Used (Watts) | Lamp Base | Item No. | Footnotes | Domestic Code | Volts | Master Carton/ Inner Pack | Package Type | Finish | Filament Type | Avg. Rated Hours | Light Appearance (Kelvin) | Brightness (Lumens) | Life in Years* | Est. Yearly Energy Cost** | MOL |
|---------------------|-----------|--------------|-----------|----------------------|-------|---------------------------|--------------|-----------------------|---------------|------------------|---------------------------|---------------------|----------------|---------------------------|-------|
| A19 | | | | | | | | | | | | | | | |
| 30/70/100 | Med. | 03908 | | 30/70/100A/SW | 120 | 36/6 | Box | Soft White | CC6 | 2000 | 2700 | 275/950/1225 | 1.8 | \$12.05 | 4.13" |
| A21 | | | | | | | | | | | | | | | |
| 30/70/100 | Med. | 03903 | | 30/70/100A21/SW | 120 | 36/6 | Box | Soft White | CC6 | 2000 | 2700 | 275/950/1225 | 1.8 | \$12.05 | 5" |
| 50/100/150 | Med. | 03904 | | 50/100/150A21/SW | 120 | 36/6 | Box | Soft White | CC6 | 2000 | 2700 | 500/1350/1850 | 1.8 | \$18.07 | 5" |
| | Med. | 03964 | | 50/100/150A21/SW 2PK | 120 | 36/6 | Box(2) | Soft White | CC6 | 2000 | 2700 | 500/1350/1850 | 1.8 | \$18.07 | 5" |
| | Med. | 03410 | 2 | 50/100/150A21/RNL | 120 | 36/6 | Box | Radiant Natural Light | CC6 | 1200 | 2700 | 400/1040/1400 | 1 | \$18.07 | 5" |
| | Med. | 04548 | 4 | 50/100/150A21/SW/130 | 130 | 36/6 | Box | Soft White | CC6 | 2000 | 2700 | 500/1350/1850 | 1.8 | \$18.07 | 5" |

*Based on 3hrs./day **Based on 3hrs./day 11¢/kWh

Footnotes

- 1 New Item
- 2 Canadian Standards Association
- 3 Eco-Halogen Energy-Saving Technology
- 4 Commercial Service*
- 5 Fan
- 6 Non-Stick Base
- 7 Krypton(KR)
- 8 Vibration Resistant lamps are designed for vibration service only.
- 9 Rough Service lamps are designed for rough service applications.



G4½, G12½, G16½ AND G19½ LAMPS

| Energy Used (Watts) | Lamp Base | Item No. | Footnotes | Domestic Code | Volts | Master Carton/ Inner Pack | Package Type | Finish | Filament Type | Avg. Rated Hours | Light Appearance (Kelvin) | Brightness (Lumens) | Life in Years* | Est. Yearly Energy Cost** | MOL |
|---------------------|-----------|--------------|-----------|-------------------|-------|---------------------------|--------------|--------|---------------|------------------|---------------------------|---------------------|----------------|---------------------------|-------|
| G4 1/2 | | | | | | | | | | | | | | | |
| 6 | E10 | 03797 | | 6G4.5/E10/12V 2CD | 12 | 60/10 | Card(2) | Clear | C2R | 1000 | 2700 | 40 | 0.9 | \$0.72 | 1.11" |
| G12 1/2 | | | | | | | | | | | | | | | |
| 10 | Cand. | 03831 | | 10G12½/2/CB | 120 | 200/10 | Box | Clear | C7A | 1500 | 2700 | 58 | 1.3 | \$1.20 | 2.25" |
| 20 | Cand. | 03843 | | 20G12½/2/CB 2CD | 120 | 60/10 | Card(2) | Clear | C7A | 1500 | 2700 | 130 | 1.3 | \$2.41 | 2.25" |
| G16 1/2 | | | | | | | | | | | | | | | |
| 15 | Cand. | 03821 | | 15G16½/2/CB | 120 | 200/10 | Box | Clear | CC2V | 1500 | 2700 | 102 | 1.3 | \$1.81 | 2.75" |
| | Cand. | 03740 | | 15G16½/2/CB 2CD | 120 | 60/10 | Card(2) | Clear | CC2V | 1500 | 2700 | 102 | 1.3 | \$1.81 | 2.75" |
| | Cand. | 03814 | | 15G16½/2/W/CB | 120 | 200/10 | Box | White | CC2V | 1500 | 2700 | 95 | 1.3 | \$1.81 | 2.75" |
| | Cand. | 03752 | | 15G16½/2/W/CB 2CD | 120 | 60/10 | Card(2) | White | CC2V | 1500 | 2700 | 95 | 1.3 | \$1.81 | 2.75" |
| 25 | Cand. | 03822 | | 25G16½/2/CB | 120 | 200/10 | Box | Clear | CC2V | 1500 | 2700 | 175 | 1.3 | \$3.01 | 2.75" |
| | Cand. | 03741 | | 25G16½/2/CB 2CD | 120 | 60/10 | Card(2) | Clear | CC2V | 1500 | 2700 | 175 | 1.3 | \$3.01 | 2.75" |
| | Cand. | 03815 | | 25G16½/2/W/CB | 120 | 200/10 | Box | White | CC2V | 1500 | 2700 | 155 | 1.3 | \$3.01 | 2.75" |
| | Cand. | 03753 | | 25G16½/2/W/CB 2CD | 120 | 60/10 | Card(2) | White | CC2V | 1500 | 2700 | 155 | 1.3 | \$3.01 | 2.75" |
| | Cand. | 03611 | 4 | 25G16½/2/CB/130 | 130 | 200/10 | Box | Clear | CC2V | 2500 | 2700 | 160 | 2.2 | \$3.01 | 2.75" |
| | Cand. | 03636 | 4 | 25G16½/2/W/CB/130 | 130 | 200/10 | Box | White | CC2V | 2500 | 2700 | 155 | 2.2 | \$3.01 | 2.75" |
| 40 | Cand. | 03823 | | 40G16½/2/CB | 120 | 200/10 | Box | Clear | CC2V | 1500 | 2700 | 340 | 1.3 | \$4.82 | 2.75" |
| | Cand. | 03742 | | 40G16½/2/CB 2CD | 120 | 60/10 | Card(2) | Clear | CC2V | 1500 | 2700 | 340 | 1.3 | \$4.82 | 2.75" |
| | Cand. | 03816 | | 40G16½/2/W/CB | 120 | 200/10 | Box | White | CC2V | 1500 | 2700 | 330 | 1.3 | \$4.82 | 2.75" |
| | Cand. | 03754 | | 40G16½/2/W/CB 2CD | 120 | 60/10 | Card(2) | White | CC2V | 1500 | 2700 | 330 | 1.3 | \$4.82 | 2.75" |
| | Cand. | 03612 | 4 | 40G16½/2/CB/130 | 130 | 200/10 | Box | Clear | CC2V | 2500 | 2700 | 340 | 2.2 | \$4.82 | 2.75" |
| 60 | Cand. | 03839 | | 60G16½/2/CB | 120 | 200/10 | Box | Clear | CC2V | 1500 | 2700 | 610 | 1.3 | \$7.23 | 2.75" |
| | Cand. | 03745 | | 60G16½/2/CB 2CD | 120 | 60/10 | Card(2) | Clear | CC2V | 1500 | 2700 | 610 | 1.3 | \$7.23 | 2.75" |
| | Cand. | 03840 | | 60G16½/2/W/CB | 120 | 200/10 | Box | White | CC2V | 1500 | 2700 | 580 | 1.3 | \$7.23 | 2.75" |
| | Cand. | 03701 | | 60G16½/2/W/CB 2CD | 120 | 60/10 | Card(2) | White | CC2V | 1500 | 2700 | 580 | 1.3 | \$7.23 | 2.75" |
| | Cand. | 03609 | 4 | 60G16½/2/CB/130 | 130 | 200/10 | Box | Clear | CC2V | 2500 | 2700 | 540 | 2.2 | \$7.23 | 2.75" |
| G19 1/2 | | | | | | | | | | | | | | | |
| 25 | Med. | 03827 | | 25G19½/2/W | 120 | 200/10 | Box | White | C9 | 1500 | 2700 | 160 | 1.3 | \$3.01 | 3.44" |
| 40 | Med. | 03828 | 8 | 40G19½/2/W/VR | 120 | 200/10 | Box | White | C9 | 1500 | 2700 | 325 | 1.3 | \$4.82 | 3.44" |
| 60 | Med. | 03829 | 8 | 60G19½/2/W/VR | 120 | 200/10 | Box | White | C9 | 1500 | 2700 | 550 | 1.3 | \$7.23 | 3.44" |

*Based on 3hrs./day **Based on 3hrs./day 11¢/kWh

Footnotes

- 1 New Item
- 2 Canadian Standards Association
- 3 Eco-Halogen Energy-Saving Technology
- 4 Commercial Service*
- 5 Fan
- 6 Non-Stick Base
- 7 Krypton(KR)
- 8 Vibration Resistant lamps are designed for vibration service only.
- 9 Rough Service lamps are designed for rough service applications.



G25 CLEAR

G25 WHITE

G25 1/2 CHROME

G25 LAMPS

| Energy Used (Watts) | Lamp Base | Item No. | Footnotes | Domestic Code | Volts | Master Carton/ Inner Pack | Package Type | Finish | Filament Type | Avg. Rated Hours | Light Appearance (Kelvin) | Brightness (Lumens) | Life in Years* | Est. Yearly Energy Cost** | MOL |
|---------------------|-----------|--------------|-----------|------------------|-------|---------------------------|--------------|------------|---------------|------------------|---------------------------|---------------------|----------------|---------------------------|-------|
| G25 | | | | | | | | | | | | | | | |
| 25 | Med. | 03118 | 2 | 25G25 | 120 | 72/12 | Box | Clear | C9 | 1500 | 2700 | 185 | 1.3 | \$3.01 | 4.38" |
| | Med. | 03121 | 2 | 25G25/W | 120 | 72/12 | Box | White | C9 | 1500 | 2700 | 180 | 1.3 | \$3.01 | 4.38" |
| | Med. | 03155 | | 25G25/CH | 120 | 72/6 | Box | 1/2 Chrome | C9 | 750 | 2700 | - | 0.6 | \$3.01 | 4.38" |
| | Med. | 04218 | 2,4 | 25G25/130 | 130 | 72/6 | Box | Clear | C9 | 3500 | 2700 | 180 | 3.1 | \$3.01 | 4.38" |
| | Med. | 04221 | 2,4 | 25G25/W/130 | 130 | 72/6 | Box | White | C9 | 3500 | 2700 | 160 | 3.1 | \$3.01 | 4.38" |
| 40 | Med. | 03119 | 2 | 40G25 | 120 | 72/12 | Box | Clear | C9 | 1500 | 2700 | 365 | 1.3 | \$4.82 | 4.38" |
| | Med. | 03122 | 2 | 40G25/W | 120 | 72/12 | Box | White | C9 | 1500 | 2700 | 340 | 1.3 | \$4.82 | 4.38" |
| | Med. | 03156 | | 40G25/CH | 120 | 72/6 | Box | 1/2 Chrome | C9 | 750 | 2700 | - | 0.6 | \$4.82 | 4.38" |
| | Med. | 04219 | 2,4 | 40G25/130 | 130 | 72/6 | Box | Clear | C9 | 3500 | 2700 | 320 | 3.1 | \$4.82 | 4.38" |
| | Med. | 04222 | 2,4 | 40G25/W/130 | 130 | 72/6 | Box | White | C9 | 3500 | 2700 | 290 | 3.1 | \$4.82 | 4.38" |
| | Med. | 05103 | 4 | 40G25/W/130 12PK | 130 | 6 | Box(12) | White | C9 | 3500 | 2700 | 290 | 3.1 | \$4.82 | 4.38" |
| 60 | Med. | 03120 | 8 | 60G25/VR | 120 | 72/12 | Box | Clear | C9 | 1500 | 2700 | 615 | 1.3 | \$7.23 | 4.38" |
| | Med. | 03123 | 8 | 60G25/W/VR | 120 | 72/12 | Box | White | C9 | 1500 | 2700 | 570 | 1.3 | \$7.23 | 4.38" |
| | Med. | 03157 | | 60G25/CH | 120 | 72/6 | Box | 1/2 Chrome | C9 | 750 | 2700 | - | 0.6 | \$7.23 | 4.38" |
| | Med. | 04220 | 4,8 | 60G25/VR/130 | 130 | 72/6 | Box | Clear | C9 | 3500 | 2700 | 530 | 3.1 | \$7.23 | 4.38" |
| | Med. | 04223 | 4,8 | 60G25/W/VR/130 | 130 | 72/6 | Box | White | C9 | 3500 | 2700 | 480 | 3.1 | \$7.23 | 4.38" |

*Based on 3hrs./day **Based on 3hrs./day 11¢/kWh



G30 WHITE

G40 CLEAR

G40 WHITE

G30 AND G40 LAMPS

| Energy Used (Watts) | Lamp Base | Item No. | Footnotes | Domestic Code | Volts | Master Carton/ Inner Pack | Package Type | Finish | Filament Type | Avg. Rated Hours | Light Appearance (Kelvin) | Brightness (Lumens) | Life in Years* | Est. Yearly Energy Cost** | MOL |
|---------------------|-----------|--------------|-----------|---------------|-------|---------------------------|--------------|--------|---------------|------------------|---------------------------|---------------------|----------------|---------------------------|-------|
| G30 | | | | | | | | | | | | | | | |
| 40 | Med. | 03111 | | 40G30/W | 120 | 36/6 | Box | White | C9 | 1500 | 2700 | 355 | 1.3 | \$4.82 | 5.13" |
| 60 | Med. | 03112 | 8 | 60G30/W/VR | 120 | 36/6 | Box | White | C9 | 1500 | 2700 | 640 | 1.3 | \$7.23 | 5.13" |
| G40 | | | | | | | | | | | | | | | |
| 40 | Med. | 03101 | | 40G40 | 120 | 6 | Box | Clear | CC6 | 2500 | 2700 | 431 | 2.2 | \$4.82 | 6.75" |
| | Med. | 03106 | | 40G40/W | 120 | 6 | Box | White | CC6 | 2500 | 2700 | 388 | 2.2 | \$4.82 | 6.75" |
| 60 | Med. | 03102 | | 60G40 | 120 | 6 | Box | Clear | CC6 | 2500 | 2700 | 722 | 2.2 | \$7.23 | 6.75" |
| | Med. | 03107 | | 60G40/W | 120 | 6 | Box | White | CC6 | 2500 | 2700 | 650 | 2.2 | \$7.23 | 6.75" |
| 100 | Med. | 03103 | | 100G40 | 120 | 6 | Box | Clear | CC6 | 2500 | 2700 | 1357 | 2.2 | \$12.05 | 6.75" |
| | Med. | 03108 | | 100G40/W | 120 | 6 | Box | White | CC6 | 2500 | 2700 | 1221 | 2.2 | \$12.05 | 6.75" |
| 150 | Med. | 03109 | | 150G40/W | 120 | 6 | Box | White | CC6 | 2500 | 2700 | 1895 | 2.2 | \$18.07 | 6.75" |

*Based on 3hrs./day **Based on 3hrs./day 11¢/kWh

Footnotes

- 1 New Item
- 2 Canadian Standards Association
- 3 Eco-Halogen Energy-Saving Technology
- 4 Commercial Service*
- 5 Fan
- 6 Non-Stick Base
- 7 Krypton(KR)
- 8 Vibration Resistant lamps are designed for vibration service only.
- 9 Rough Service lamps are designed for rough service applications.

REFLECTOR LAMPS



| Energy Used (Watts) | Lamp Base | Item No. | Footnotes | Domestic Code | Volts | Master Carton/Inner Pack | Package Type | Finish | Beam Type | Filament Type | Avg. Rated Hours | Light Appearance (Kelvin) | Brightness (Lumens) | Life in Years* | Est. Yearly Energy Cost** | MOL | |
|---------------------|-----------|--------------|--------------|-------------------|--------------------|--------------------------|--------------|---------|-----------|---------------|------------------|---------------------------|---------------------|----------------|---------------------------|--------|-------|
| R14 | | | | | | | | | | | | | | | | | |
| 25 | Inter. | 03648 | | 25R14/IN/FL | 120 | 36/12 | Hanging Box | Frost | Flood | CC2V | 1500 | 2700 | 140 | 1.3 | \$3.01 | 2.63" | |
| | Med. | 03622 | | 25R14/SP | 120 | 36/12 | Hanging Box | Frost | Spot | CC2V | 1500 | 2700 | 175 | 1.3 | \$3.01 | 2.25" | |
| | Med. | 03623 | 2 | 25R14/FL | 120 | 36/12 | Hanging Box | Frost | Flood | CC2V | 1500 | 2700 | 175 | 1.3 | \$3.01 | 2.25" | |
| 40 | Inter. | 03626 | | 40R14/IN/FL | 120 | 36/12 | Hanging Box | Frost | Flood | CC2V | 1500 | 2700 | 185 | 1.3 | \$4.82 | 2.63" | |
| | Med. | 03604 | | 40R14/FL | 120 | 36/12 | Hanging Box | Frost | Flood | CC2V | 1500 | 2700 | 185 | 1.3 | \$4.82 | 2.63" | |
| | Med. | 03605 | | 40R14/SP | 120 | 36/12 | Hanging Box | Frost | Spot | CC2V | 1500 | 2700 | 185 | 1.3 | \$4.82 | 2.25" | |
| R16 | | | | | | | | | | | | | | | | | |
| 40 | Inter. | 04000 | | 40R16/IN/FL | 120 | 36/12 | Hanging Box | Frost | Flood | CC2V | 1500 | 2700 | 310 | 1.3 | \$4.82 | 3.15" | |
| | Med. | 03627 | | 40R16/SP | 120 | 36/12 | Hanging Box | Frost | Spot | CC6 | 1500 | 2700 | 310 | 1.3 | \$4.82 | 3.50" | |
| | Med. | 03633 | | 40R16/FL | 120 | 36/12 | Hanging Box | Frost | Flood | CC6 | 1500 | 2700 | 310 | 1.3 | \$4.82 | 3.50" | |
| R20 | | | | | | | | | | | | | | | | | |
| 30 | Med. | 03654 | 2 | 30R20/SP | 120 | 36/6 | Box | Frost | Spot | CC6 | 2000 | 2700 | 215 | 1.8 | \$3.61 | 4" | |
| | Med. | 04303 | 2 | 30R20/FL | 120 | 36/6 | Box | Frost | Flood | CC6 | 2000 | 2700 | 215 | 1.8 | \$3.61 | 4" | |
| | Med. | 04230 | 2,4 | 30R20/FL/130 | 130 | 60/6 | Box | Frost | Flood | CC6 | 2000 | 2700 | 215 | 1.8 | \$3.61 | 4" | |
| 35 | Med. | 36802 | 3 | 35R20/H/FL/ECO | 120 | 36/6 | Box | Frost | Flood | CC8 | 2500 | 2800 | 380 | 2.2 | \$4.22 | 3.82" | |
| E | Med. | 03700 | | 45R20/FL | 120 | 36/6 | Box | Frost | Flood | CC6 | 2000 | 2000 | 380 | 1.8 | \$5.42 | 4" | |
| E | Med. | 03702 | | 45R20/SP | 120 | 36/6 | Box | Frost | Spot | CC6 | 2000 | 2700 | 380 | 1.8 | \$5.42 | 4" | |
| E | Med. | 36860 | 3 | 45R20/H/FL/ECO | 120 | 36/6 | Box | Frost | Flood | CC8 | 2000 | 3000 | 500 | 1.8 | \$5.42 | 3.82" | |
| E | Med. | 05258 | | 45R20/FL 2PK | 120 | 24/6 | Box(2) | Frost | Flood | CC6 | 2000 | 2700 | 380 | 1.8 | \$5.42 | 4" | |
| E | Med. | 04229 | 4 | 45R20/FL/130 | 130 | 60/6 | Box | Frost | Flood | CC6 | 2000 | 2700 | 380 | 1.8 | \$5.42 | 4" | |
| E | Med. | 05100 | 4 | 45R20/FL/130 12PK | 130 | 6 | Box(12) | Frost | Flood | CC6 | 2000 | 2700 | 380 | 1.8 | \$5.42 | 4" | |
| BR25 | | | | | | | | | | | | | | | | | |
| E | 55 | Med. | 36861 | 3 | 55BR25/H/FL/ECO | 120 | 36/6 | Box | Frost | Flood | CC8 | 1000 | 3000 | 960 | 0.9 | \$6.62 | 4.72" |
| BR30 | | | | | | | | | | | | | | | | | |
| E | 45 | Med. | 05204 | | 45BR30/FL | 120 | 36/6 | Box | Frost | Flood | CC6 | 1000 | 2700 | 425 | 0.9 | \$5.42 | 5.35" |
| E | 50 | Med. | 03680 | 2 | 50BR30/FL | 120 | 36/6 | Box | Frost | Flood | CC6 | 2000 | 2700 | 400 | 1.8 | \$6.02 | 5.38" |
| E | | Med. | 36803 | 3 | 50BR30/H/FL/ECO | 120 | 36/6 | Box | Frost | Flood | CC8 | 2500 | 2800 | 590 | 2.2 | \$6.02 | 5.24" |
| E | 65 | Med. | 03646 | 2 | 65BR30/FL | 120 | 36/6 | Box | Frost | Flood | CC6 | 2000 | 2700 | 650 | 1.8 | \$7.83 | 5.38" |
| E | | Med. | 36862 | 3 | 65BR30/H/FL/ECO | 120 | 36/6 | Box | Frost | Flood | CC8 | 2000 | 3000 | 820 | 1.8 | \$7.83 | 5.24" |
| E | | Med. | 03647 | 2 | 65BR30/SP | 120 | 36/6 | Box | Frost | Flood | CC6 | 2000 | 2700 | 650 | 1.8 | \$7.83 | 5.38" |
| E | | Med. | 05265 | 2 | 65BR30/FL 2PK | 120 | 10 | Box(2) | Frost | Flood | CC6 | 2000 | 2700 | 650 | 1.8 | \$7.83 | 5.38" |
| E | | Med. | 04165 | 2,4 | 65BR30/FL/130 | 130 | 144/6 | Box | Frost | Flood | CC6 | 2000 | 2700 | 650 | 1.8 | \$7.83 | 5.38" |
| E | | Med. | 04235 | 2,4 | 65BR30/FL/130 | 130 | 60/6 | Box | Frost | Flood | CC6 | 2000 | 2700 | 650 | 1.8 | \$7.83 | 5.38" |
| E | | Med. | 05101 | 4 | 65BR30/FL/130 12PK | 130 | 6 | Box(12) | Frost | Flood | CC6 | 2000 | 2700 | 650 | 1.8 | \$7.83 | 5.38" |
| | 75 | Med. | 04668 | | 75BR30/B/FL/130 | 130 | 60/6 | Box | Blue | Flood | C9 | 2000 | - | - | 1.8 | \$9.03 | 5.38" |
| | | Med. | 04672 | | 75BR30/R/FL/130 | 130 | 60/6 | Box | Red | Flood | C9 | 2000 | - | - | 1.8 | \$9.03 | 5.38" |
| | | Med. | 04673 | | 75BR30/G/FL/130 | 130 | 60/6 | Box | Green | Flood | C9 | 2000 | - | - | 1.8 | \$9.03 | 5.38" |

*Based on 3hrs./day **Based on 3hrs./day 11¢/kWh

Footnotes

- 1 New Item
- 2 Canadian Standards Association
- 3 Eco-Halogen Energy-Saving Technology

- 4 Commercial Service*
- 5 Fan
- 6 Non-Stick Base

- 7 Krypton(KR)
- 8 Vibration Resistant lamps are designed for vibration service only.
- 9 Rough Service lamps are designed for rough service applications.

E* Means this bulb meets Federal minimum efficiency standards



BR40

REFLECTOR LAMPS

| Energy Used (Watts) | Lamp Base | Item No. | Footnotes | Domestic Code | Volts | Master Carton/Inner Pack | Package Type | Finish | Beam Type | Filament Type | Avg. Rated Hours | Light Appearance (Kelvin) | Brightness (Lumens) | Life in Years* | Est. Yearly Energy Cost** | MOL |
|---------------------|-----------|--------------|-----------|-------------------|-------|--------------------------|--------------|--------|-----------|---------------|------------------|---------------------------|---------------------|----------------|---------------------------|-------|
| BR40 | | | | | | | | | | | | | | | | |
| 65 | Med. | 03960 | | 65BR40/SP | 120 | 24/6 | Box | Frost | Flood | CC6 | 2000 | 2700 | 620 | 1.8 | \$7.83 | 6.50" |
| | Med. | 03961 | | 65BR40/FL | 120 | 24/6 | Box | Frost | Flood | CC6 | 2000 | 2700 | 650 | 1.8 | \$7.83 | 6.50" |
| | Med. | 36864 | 3 | 65BR40/H/FL/ECO | 120 | 6 | Box | Frost | Flood | CC8 | 2000 | 3000 | 820 | 1.8 | \$7.83 | 6.42" |
| | Med. | 04242 | 4 | 65BR40/FL/130 | 130 | 24/6 | Box | Frost | Flood | CC6 | 2000 | 2700 | 715 | 1.8 | \$7.83 | 6.50" |
| | Med. | 05102 | 4 | 65BR40/FL/130 6PK | 130 | 6 | Box(6) | Frost | Flood | CC6 | 2000 | 2700 | 715 | 1.8 | \$7.83 | 6.50" |

*Based on 3hrs./day **Based on 3hrs./day 11¢/kWh



HEAT LAMP

HEAT LAMP NON-STICK BASE

R40 INFRARED HEAT LAMPS

| Energy Used (Watts) | Lamp Base | Item No. | Footnotes | Domestic Code | Volts | Master Carton/Inner Pack | Package Type | Finish | Beam Type | Filament Type | Avg. Rated Hours | Brightness (Lumens) | Life in Years* | Est. Yearly Energy Cost** | MOL | |
|---------------------|-----------|--------------|-----------|----------------|-------|--------------------------|--------------|--------|-----------|---------------|------------------|---------------------|----------------|---------------------------|-------|--|
| R40 HEAT | | | | | | | | | | | | | | | | |
| 125 | Med. | 03918 | | 125R40/HT | 120 | 24/6 | Box | Clear | Flood | C9 | 5000 | 550 | 4.5 | \$15.06 | 6.50" | |
| | Med. | 03907 | | 125R40/HT | 120 | 24/6 | Box | Clear | Flood | C9 | 5000 | 500 | 4.5 | \$15.06 | 6.50" | |
| 250 | Med. | 03916 | | 250R40/HT | 120 | 24/6 | Box | Clear | Flood | C9 | 5000 | 1200 | 4.5 | \$30.11 | 6.50" | |
| | Med. | 03910 | | 250R40/HT | 120 | 24/6 | Box | Clear | Flood | C9 | 5000 | 1000 | 4.5 | \$30.11 | 6.50" | |
| | Med. | 03917 | | 250R40/HT/R | 120 | 24/6 | Box | Red | Flood | C9 | 5000 | - | 4.5 | \$30.11 | 6.50" | |
| | Med. | 03483 | 6 | 250R40/HT/R/EZ | 120 | 24/6 | Box | Red | Flood | C9 | 5000 | - | 4.5 | \$30.11 | 6.50" | |
| | Med. | 03484 | 6 | 250R40/HT/EZ | 120 | 24/6 | Box | Clear | Flood | C9 | 5000 | 1200 | 4.5 | \$30.11 | 6.50" | |
| 375 | Med. | 03915 | | 375R40/HT | 120 | 24/6 | Box | Clear | Flood | C9 | 5000 | 2300 | 4.5 | \$45.17 | 6.50" | |

*Based on 3hrs./day **Based on 3hrs./day 11¢/kWh



BR38 BUG LIGHT

BR38 RED

BR38 AMBER

BR38 GREEN

BR38 BLUE

BR38 INDOOR/OUTDOOR LAMPS

| Energy Used (Watts) | Lamp Base | Item No. | Footnotes | Domestic Code | Volts | Master Carton/Inner Pack | Package Type | Finish | Beam Type | Filament Type | Avg. Rated Hours | Light Appearance (Kelvin) | Brightness (Lumens) | Life in Years* | Est. Yearly Energy Cost** | MOL |
|---------------------|-----------|--------------|-----------|---------------|-------|--------------------------|--------------|--------|-----------|---------------|------------------|---------------------------|---------------------|----------------|---------------------------|-------|
| BR38 | | | | | | | | | | | | | | | | |
| 100 | Med. | 04409 | | 100BR38/Y/FL | 120 | 12 | Box | Yellow | Flood | C9 | 2000 | - | - | 1.8 | \$12.05 | 5.75" |
| | Med. | 04410 | | 100BR38/R/FL | 120 | 12 | Box | Red | Flood | C9 | 2000 | - | - | 1.8 | \$12.05 | 5.75" |
| | Med. | 04411 | | 100BR38/A/FL | 120 | 12 | Box | Amber | Flood | C9 | 2000 | - | - | 1.8 | \$12.05 | 5.75" |
| | Med. | 04413 | | 100BR38/G/FL | 120 | 12 | Box | Green | Flood | C9 | 2000 | - | - | 1.8 | \$12.05 | 5.75" |
| | Med. | 04414 | | 100BR38/B/FL | 120 | 12 | Box | Blue | Flood | C9 | 2000 | - | - | 1.8 | \$12.05 | 5.75" |

*Based on 3hrs./day **Based on 3hrs./day 11¢/kWh

Footnotes

- 1 New Item
- 2 Canadian Standards Association
- 3 Eco-Halogen Energy-Saving Technology

- 4 Commercial Service*
- 5 Fan
- 6 Non-Stick Base

- 7 Krypton(KR)
- 8 Vibration Resistant lamps are designed for vibration service only.
- 9 Rough Service lamps are designed for rough service applications.

* Means this bulb meets Federal minimum efficiency standards



C7 LAMPS

| Energy Used (Watts) | Lamp Base | Item No. | Footnotes | Domestic Code | Volts | Master Carton/ Inner Pack | Package Type | Finish | Filament Type | Avg. Rated Hours | Light Appearance (Kelvin) | Brightness (Lumens) | Life in Years* | Est. Yearly Energy Cost** | MOL |
|---------------------|-----------|--------------|-----------|---------------|-------|---------------------------|--------------|--------|---------------|------------------|---------------------------|---------------------|----------------|---------------------------|-------|
| 4 | Cand. | 03601 | | 4C7/CB | 120 | 100/10 | Box | Clear | C7A | 3000 | 2700 | 20 | 2.7 | \$0.48 | 2.11" |
| | Cand. | 03794 | | 4C7/CB 2CD | 120 | 120/10 | Card(2) | Clear | C7A | 3000 | 2700 | 20 | 2.7 | \$0.48 | 2.11" |
| | Cand. | 04794 | | 4C7/CB 4CD | 120 | 120/6 | Card(4) | Clear | C7A | 3000 | 2700 | 20 | 2.7 | \$0.48 | 2.11" |
| | Cand. | 03795 | | 4C7/W/CB 2CD | 120 | 120/10 | Card(2) | White | C7A | 3000 | 2700 | 19 | 2.7 | \$0.48 | 2.11" |
| | Cand. | 04795 | | 4C7/W/CB 4CD | 120 | 120/6 | Card(4) | White | C7A | 3000 | 2700 | 19 | 2.7 | \$0.48 | 2.11" |
| 7 | Cand. | 03691 | | 7C7/CB | 120 | 100/10 | Box | Clear | C7A | 3000 | 2700 | 45 | 2.7 | \$0.84 | 2.11" |
| | Cand. | 03791 | | 7C7/CB 2CD | 120 | 120/10 | Card(2) | Clear | C7A | 3000 | 2700 | 45 | 2.7 | \$0.84 | 2.11" |
| | Cand. | 37202 | | 7C7/CB 4CD | 120 | 60/10 | Card(4) | Clear | C7A | 4000 | 2700 | 43 | 3.6 | \$0.84 | 2.11" |
| | Cand. | 03792 | | 7C7/W/CB 2CD | 120 | 120/10 | Card(2) | White | C7A | 3000 | 2700 | 35 | 2.7 | \$0.84 | 2.11" |
| | Cand. | 37206 | | 7C7/W/CB 4CD | 120 | 60/10 | Card(4) | White | C7A | 4000 | 2700 | 34 | 3.6 | \$0.84 | 2.11" |
| 10 | Cand. | 37207 | | 10C7/CB 2CD | 120 | 120/10 | Card(2) | Clear | C7A | 2000 | 2700 | 50 | 1.8 | \$1.20 | 2.11" |
| 15 | Cand. | 37208 | | 15C7/CB 2CD | 120 | 120/10 | Card(2) | Clear | C7A | 3000 | 2700 | 90 | 2.7 | \$1.81 | 2.11" |

*Based on 3hrs./day **Based on 3hrs./day 11¢/kWh



S6, S11 AND S14 LAMPS

| Energy Used (Watts) | Lamp Base | Item No. | Footnotes | Domestic Code | Volts | Master Carton/ Inner Pack | Package Type | Finish | Filament Type | Avg. Rated Hours | Light Appearance (Kelvin) | Brightness (Lumens) | Life in Years* | Est. Yearly Energy Cost** | MOL |
|---------------------|-----------|--------------|-----------|------------------|-------|---------------------------|--------------|--------|---------------|------------------|---------------------------|---------------------|----------------|---------------------------|-------|
| S6 | | | | | | | | | | | | | | | |
| 6 | Cand. | 03543 | | 6S6/12V/CB 2CD | 12 | 60/10 | Card(2) | Clear | C2R | 2000 | 2700 | 35 | 1.8 | \$0.72 | 1.79" |
| | Cand. | 04025 | | 6S6/CB 2CD | 120 | 60/6 | Card(2) | Clear | C7A | 1500 | 2700 | 32 | 1.3 | \$0.72 | 1.88" |
| | Cand. | 04525 | 4 | 6S6/CB/130 | 130 | 100/10 | Box | Clear | C7A | 1500 | 2700 | 32 | 1.3 | \$0.72 | 1.88" |
| S11 | | | | | | | | | | | | | | | |
| 7.5 | Med. | 04064 | | 7.5S11 | 120 | 60/6 | Card | Clear | C7A | 1500 | 2700 | 53 | 1.3 | \$0.90 | 2.25" |
| | Med. | 04065 | | 7.5S11/W | 120 | 60/6 | Card | White | C7A | 1500 | 2700 | 39 | 1.3 | \$0.90 | 2.25" |
| | Med. | 04067 | | 7.5S11/R | 120 | 60/10 | Card | Red | C7A | 2500 | - | - | 2.2 | \$0.90 | 2.25" |
| | Med. | 04564 | | 7.5S11/130 | 130 | 100/10 | Box | Clear | C7A | 2500 | 2700 | 52 | 2.2 | \$0.90 | 2.25" |
| | Med. | 04061 | | 7.5S11/G/130 | 130 | 60/10 | Card | Green | C7A | 2500 | - | - | 2.2 | \$0.90 | 2.25" |
| 10 | Inter. | 03568 | | 10S11/IN/130 | 130 | 60/10 | Card | Clear | C7A | 2500 | 2700 | 80 | 2.2 | \$1.20 | 2.25" |
| 18 | S.C. Bay. | 06311 | | 18S11/SC/12V 2CD | 12 | 60/10 | Card(2) | Clear | C6 | 2000 | 2700 | 200 | 1.8 | \$2.17 | 2.25" |
| 20 | Cand. | 03569 | | 20S11/CB | 120 | 60/10 | Card | Clear | CC2V | 1500 | 2700 | 120 | 1.3 | \$2.41 | 2.25" |
| 25 | Inter. | 03534 | | 25S11/IN | 120 | 60/10 | Card | Clear | CC2V | 1000 | 2700 | 180 | 0.9 | \$3.01 | 2.25" |
| 40 | Inter. | 03729 | | 40S11/IN | 120 | 60/6 | Card | Clear | CC2V | 1000 | 2700 | 355 | 0.9 | \$4.82 | 2.25" |
| | Inter. | 03629 | | 40S11/IN | 120 | 100/10 | Box | Clear | CC2V | 1000 | 2700 | 355 | 0.9 | \$4.82 | 2.25" |
| S14 | | | | | | | | | | | | | | | |
| 11 | Med. | 04340 | | 11S14/130 | 130 | 120/12 | Box | Clear | C9 | 2500 | 2700 | 63 | 2.2 | \$1.32 | 3.38" |
| | Med. | 03540 | | 11S14/130 | 130 | 60/6 | Card | Clear | C9 | 2500 | 2700 | 63 | 2.2 | \$1.32 | 3.38" |
| | Med. | 03541 | | 11S14/F/130 | 130 | 60/6 | Card | Frost | C9 | 2500 | 2700 | 60 | 2.2 | \$1.32 | 3.38" |

*Based on 3hrs./day **Based on 3hrs./day 11¢/kWh

Footnotes

- 1 New Item
- 2 Canadian Standards Association
- 3 Eco-Halogen Energy-Saving Technology
- 4 Commercial Service*
- 5 Fan
- 6 Non-Stick Base
- 7 Krypton(KR)
- 8 Vibration Resistant lamps are designed for vibration service only.
- 9 Rough Service lamps are designed for rough service applications.

T4 AND T6 LAMPS



| Energy Used (Watts) | Lamp Base | Item No. | Footnotes | Domestic Code | Volts | Master Carton/ Inner Pack | Package Type | Finish | Filament Type | Avg. Rated Hours | Light Appearance (Kelvin) | Brightness (Lumens) | Life in Years* | Est. Yearly Energy Cost** | MOL |
|---------------------|-----------|--------------|-----------|---------------|-------|---------------------------|--------------|--------|---------------|------------------|---------------------------|---------------------|----------------|---------------------------|-------|
| T4 | | | | | | | | | | | | | | | |
| 15 | Cand. | 03226 | | 15T4/CB | 120 | 100/10 | Card | Clear | C5 | 1000 | 2700 | 100 | 0.9 | \$1.81 | 1.75" |
| T6 | | | | | | | | | | | | | | | |
| 15 | Cand. | 03723 | | 15T6/F/CB | 120 | 60/6 | Card | Frost | C7A | 1000 | 2700 | 89 | 0.9 | \$1.81 | 3" |
| | Cand. | 03882 | | 15T6/CB/130 | 130 | 100/10 | Box | Clear | C7A | 1500 | 2700 | 100 | 1.3 | \$1.81 | 3" |
| | Cand. | 03583 | | 15T6/CB/145 | 145 | 60/6 | Card | Clear | C7A | 1500 | 2700 | 100 | 1.3 | \$1.81 | 3" |
| | Cand. | 03883 | | 15T6/CB/145 | 145 | 100/10 | Box | Clear | C7A | 1500 | 2700 | 100 | 1.3 | \$1.81 | 3" |
| 25 | Cand. | 03520 | | 25T6/CB | 120 | 60/6 | Card | Clear | C7A | 1500 | 2700 | 190 | 1.3 | \$3.01 | 3" |
| | Cand. | 03220 | | 25T6/CB | 120 | 100/10 | Box | Clear | C7A | 1500 | 2700 | 190 | 1.3 | \$3.01 | 3" |

*Based on 3hrs./day **Based on 3hrs./day 11¢/kWh



T6 1/2 LAMPS

9W T6 1/2 INTERMEDIATE T6 1/2 CLEAR INTERMEDIATE T6 1/2 FROST INTERMEDIATE T6 1/2 CLEAR D.C. BAYONET T6 1/2 FROST D.C. BAYONET

| Energy Used (Watts) | Lamp Base | Item No. | Footnotes | Domestic Code | Volts | Master Carton/ Inner Pack | Package Type | Finish | Filament Type | Avg. Rated Hours | Light Appearance (Kelvin) | Brightness (Lumens) | Life in Years* | Est. Yearly Energy Cost** | MOL |
|---------------------|-----------|--------------|-----------|------------------|-------|---------------------------|--------------|--------|---------------|------------------|---------------------------|---------------------|----------------|---------------------------|-------|
| 9 | Inter. | 04335 | | 9T61/2/IN | 120 | 36/6 | Card | Clear | N/A | 3000 | 2700 | 14 | 2.7 | \$1.08 | 5.38" |
| 20 | Inter. | 04316 | | 20T61/2/IN/130 | 130 | 100/10 | Box | Clear | C8 | 3000 | 2700 | 100 | 2.7 | \$2.41 | 5.38" |
| | Inter. | 04319 | | 20T61/2/F/IN/130 | 130 | 100/10 | Box | Frost | C8 | 3000 | 2700 | 90 | 2.7 | \$2.41 | 5.38" |
| | D.C. Bay | 03706 | | 20T61/2/DC/130 | 130 | 60/6 | Card | Clear | C8 | 3000 | 2700 | 100 | 2.7 | \$2.41 | 5.38" |
| | D.C. Bay | 04317 | | 20T61/2/DC/130 | 130 | 100/10 | Box | Clear | C8 | 3000 | 2700 | 100 | 2.7 | \$2.41 | 5.38" |
| | D.C. Bay | 04324 | | 20T61/2/F/DC/130 | 130 | 100/10 | Box | Frost | C8 | 3000 | 2700 | 90 | 2.7 | \$2.41 | 5.38" |
| 25 | Inter. | 03705 | | 25T61/2/IN | 120 | 60/6 | Card | Clear | C8 | 1000 | 2700 | 185 | 0.9 | \$3.01 | 5.38" |
| | Inter. | 03724 | | 25T61/2/F/IN | 120 | 60/6 | Card | Frost | C8 | 1000 | 2700 | 175 | 0.9 | \$3.01 | 5.38" |
| | Inter. | 04320 | | 25T61/2/IN/130 | 130 | 100/10 | Box | Clear | C8 | 3000 | 2700 | 170 | 2.7 | \$3.01 | 5.38" |
| 40 | Inter. | 03707 | | 40T61/2/IN | 120 | 60/6 | Card | Clear | C8 | 1000 | 2700 | 250 | 0.9 | \$4.82 | 5.38" |
| | Inter. | 03759 | | 40T6 1/2/F/IN | 120 | 60/6 | Card | Frost | C8 | 1000 | 2700 | 240 | 0.9 | \$4.82 | 5.38" |

*Based on 3hrs./day **Based on 3hrs./day 11¢/kWh

Footnotes

- 1 New Item
- 2 Canadian Standards Association
- 3 Eco-Halogen Energy-Saving Technology
- 4 Commercial Service*
- 5 Fan
- 6 Non-Stick Base
- 7 Krypton(KR)
- 8 Vibration Resistant lamps are designed for vibration service only.
- 9 Rough Service lamps are designed for rough service applications.



T7 D.C. BAYONET



T7 INTERMEDIATE



T7 CANDELABRA



T7 1/2 CANDELABRA

T7 AND T7½ LAMPS

| Energy Used (Watts) | Lamp Base | Item No. | Footnotes | Domestic Code | Volts | Master Carton/ Inner Pack | Package Type | Finish | Filament Type | Avg. Rated Hours | Light Appearance (Kelvin) | Brightness (Lumens) | Life in Years* | Est. Yearly Energy Cost** | MOL |
|---------------------|-----------|--------------|-----------|---------------|-------|---------------------------|--------------|--------|---------------|------------------|---------------------------|---------------------|----------------|---------------------------|-------|
| T7 | | | | | | | | | | | | | | | |
| 15 | Cand. | 03720 | | 15T7/CB | 120 | 60/10 | Card | Clear | C5 | 1000 | 2700 | 108 | 0.9 | \$1.81 | 2.19" |
| | Inter. | 03721 | | 15T7/IN | 120 | 60/10 | Card | Clear | C5 | 1000 | 2700 | 108 | 0.9 | \$1.81 | 2.19" |
| | D.C. Bay | 03722 | | 15T7/DC | 120 | 60/10 | Card | Clear | C5 | 1000 | 2700 | 108 | 0.9 | \$1.81 | 2.19" |
| T7 1/2 | | | | | | | | | | | | | | | |
| 35 | Cand. | 03521 | | 35T71/2/CB | 120 | 60/6 | Card | Clear | C5 | 1500 | 2700 | 190 | 1.3 | \$4.22 | 3.56" |

*Based on 3hrs./day **Based on 3hrs./day 11¢/kWh



T8 D.C. BAYONET



T8 INTERMEDIATE



T8 MEDIUM

T8 LAMPS

| Energy Used (Watts) | Lamp Base | Item No. | Footnotes | Domestic Code | Volts | Master Carton/ Inner Pack | Package Type | Finish | Filament Type | Avg. Rated Hours | Light Appearance (Kelvin) | Brightness (Lumens) | Life in Years* | Est. Yearly Energy Cost** | MOL |
|---------------------|-----------|--------------|-----------|---------------|-------|---------------------------|--------------|--------|---------------|------------------|---------------------------|---------------------|----------------|---------------------------|--------|
| 25 | Inter. | 03716 | | 25T8/IN | 120 | 60/6 | Card | Clear | C5 | 1000 | 2700 | 195 | 0.9 | \$3.01 | 2.56" |
| | D.C. Bay | 03717 | | 25T8/DC | 120 | 60/6 | Card | Clear | C5 | 1000 | 2700 | 195 | 0.9 | \$3.01 | 2.56" |
| 40 | Inter. | 03719 | | 40T8/IN | 120 | 60/6 | Card | Clear | C7A | 1000 | 2700 | 365 | 0.9 | \$4.82 | 2.56" |
| | Med. | 03892 | | 40T8/130 | 130 | 100/10 | Box | Clear | C8 | 3500 | 2700 | 300 | 3.1 | \$4.82 | 11.50" |
| | Med. | 03718 | | 40T8/130 | 130 | 60/6 | Card | Clear | C8 | 3500 | 2700 | 300 | 3.1 | \$4.82 | 11.50" |

*Based on 3hrs./day **Based on 3hrs./day 11¢/kWh



T10 CLEAR



T10 FROST

T10 LAMPS

| Energy Used (Watts) | Lamp Base | Item No. | Footnotes | Domestic Code | Volts | Master Carton/ Inner Pack | Package Type | Finish | Filament Type | Avg. Rated Hours | Light Appearance (Kelvin) | Brightness (Lumens) | Life in Years* | Est. Yearly Energy Cost** | MOL |
|---------------------|-----------|--------------|-----------|----------------|-------|---------------------------|--------------|--------|---------------|------------------|---------------------------|---------------------|----------------|---------------------------|-------|
| 15 | Med. | 03730 | | 15T10 | 120 | 60/6 | Card | Clear | C5V | 1000 | 2700 | 100 | 0.9 | \$1.81 | 5.13" |
| 25 | Med. | 03710 | | 25T10 | 120 | 60/6 | Card | Clear | C5V | 1000 | 2700 | 180 | 0.9 | \$3.01 | 5.13" |
| | Med. | 03713 | | 25T10/F | 120 | 60/6 | Card | Frost | C5V | 1000 | 2700 | 170 | 0.9 | \$3.01 | 5.13" |
| | Med. | 03894 | | 25T10/130 | 130 | 100/10 | Box | Clear | C5V | 2500 | 2700 | 170 | 2.2 | \$3.01 | 5.13" |
| | Med. | 03897 | | 25T10/F/130 | 130 | 100/10 | Box | Frost | C5V | 2500 | 2700 | 160 | 2.2 | \$3.01 | 5.13" |
| 40 | Med. | 03711 | | 40T10 | 120 | 60/6 | Card | Clear | C5V | 1000 | 2700 | 300 | 0.9 | \$4.82 | 5.13" |
| | Med. | 03714 | | 40T10/F | 120 | 60/6 | Card | Frost | C5V | 1000 | 2700 | 285 | 0.9 | \$4.82 | 5.13" |
| | Med. | 03836 | | 40T10/F | 120 | 100/10 | Box | Frost | C8 | 2500 | 2700 | 260 | 2.2 | \$4.82 | 5.13" |
| | Med. | 03895 | | 40T10/130 | 130 | 100/10 | Box | Clear | C5V | 2500 | 2700 | 275 | 2.2 | \$4.82 | 5.13" |
| 60 | Med. | 03712 | | 60T10/VR | 120 | 60/6 | Card | Clear | C7A | 1000 | 2700 | 385 | 0.9 | \$7.23 | 5.13" |
| | Med. | 03715 | | 60T10/F/VR | 120 | 60/6 | Card | Frost | C7A | 1000 | 2700 | 365 | 0.9 | \$7.23 | 5.13" |
| | Med. | 03837 | | 60T10/F/VR | 120 | 100/10 | Box | Frost | C7A | 2500 | 2700 | 350 | 2.2 | \$7.23 | 5.13" |
| | Med. | 03896 | | 60T10/VR/130 | 130 | 100/10 | Box | Clear | C7A | 2500 | 2700 | 365 | 2.2 | \$7.23 | 5.13" |
| | Med. | 03899 | | 60T10/F/VR/130 | 130 | 100/10 | Box | Frost | C7A | 2500 | 2700 | 350 | 2.2 | \$7.23 | 5.13" |

*Based on 3hrs./day **Based on 3hrs./day 11¢/kWh

Footnotes

1 New Item

2 Canadian Standards Association

3 Eco-Halogen Energy-Saving Technology

4 Commercial Service*

5 Fan

6 Non-Stick Base

7 Krypton(KR)

8 Vibration Resistant lamps are designed for vibration service only.

9 Rough Service lamps are designed for rough service applications.



LOW VOLTAGE LAMPS

| Energy Used (Watts) | Lamp Base | Item No. | Footnotes | Domestic Code | Volts | Master Carton/ Inner Pack | Package Type | Finish | Filament Type | Avg. Rated Hours | Light Appearance (Kelvin) | Brightness (Lumens) | Life in Years* | Est. Yearly Energy Cost** | MOL |
|---------------------|-----------|----------------|-----------|----------------------|-------|---------------------------|--------------|--------|---------------|------------------|---------------------------|---------------------|----------------|---------------------------|-------|
| A19 | | | | | | | | | | | | | | | |
| 25 | Med. | 03422 | | 25A/F/12V | 12 | 36/6 | Box | Frost | C6 | 2500 | 2700 | 250 | 2.2 | \$3.01 | 4.13" |
| 50 | Med. | 03423 | | 50A/F/12V | 12 | 36/6 | Box | Frost | C6 | 2500 | 2700 | 548 | 2.2 | \$6.02 | 4.13" |
| G4 1/2 | | | | | | | | | | | | | | | |
| 6 | E10 | 03797 | | 6G4.5/E10/12V 2CD | 12 | 60/10 | Card(2) | Clear | C2R | 1000 | 2700 | 40 | 0.9 | \$0.72 | 1.11" |
| S6 | | | | | | | | | | | | | | | |
| 6 | Cand. | 03543 | | 6S6/12V/CB 2CD | 12 | 60/10 | Card(2) | Clear | C2R | 2000 | 2700 | 35 | 1.8 | \$0.72 | 1.79" |
| S8 | | | | | | | | | | | | | | | |
| 12 | S.C. Bay. | 03726 | | 12S8/93T/SC/12V 2CD | 12 | 60/6 | Card(2) | Clear | C6 | 700 | 2700 | 120 | 0.6 | \$1.45 | 2" |
| 21 | S.C. Bay. | 03727 | | 21S8/1073/SC/12V 2CD | 12 | 60/10 | Card(2) | Clear | C6 | 700 | 2700 | 255 | 0.6 | \$2.53 | 2" |
| S11 | | | | | | | | | | | | | | | |
| 18 | S.C. Bay. | 06311 | | 18S11/SC/12V 2CD | 12 | 60/10 | Card(2) | Clear | C6 | 2000 | 2700 | 200 | 1.8 | \$2.17 | 2.25" |
| T3 1/4 | | | | | | | | | | | | | | | |
| 5 | Wedge | 06204 | | 5T31/4X/12V | 12 | 100/10 | Box | Clear | C2V | 2800 | 2900 | 38 | 2.5 | \$0.60 | 0.95" |
| | Wedge | 0620450 | | 5T31/4X/12V | 12 | 50 | Box | Clear | C2V | 2800 | 2900 | 38 | 2.5 | \$0.60 | 0.95" |
| | Wedge | 06217 | | 5T31/4/X/12V | 12 | 120/10 | Card | Clear | C2V | 3000 | 2900 | 26 | 2.7 | \$0.60 | 0.95" |

*Based on 3hrs./day **Based on 3hrs./day 11¢/kWh

T5 LANDSCAPE (LOW VOLTAGE) LAMPS



| Energy Used (Watts) | Lamp Base | Item No. | Footnotes | Domestic Code | Volts | Master Carton/ Inner Pack | Package Type | Finish | Filament Type | Avg. Rated Hours | Light Appearance (Kelvin) | Brightness (Lumens) | Life in Years* | Est. Yearly Energy Cost** | MOL |
|---------------------|-----------|--------------|-----------|---------------|-------|---------------------------|--------------|--------|---------------|------------------|---------------------------|---------------------|----------------|---------------------------|-------|
| 4 | Wedge | 06300 | | 4T5/12V 4CD | 12 | 60/10 | Card(4) | Clear | C2R | 2000 | 2700 | 20 | 1.8 | \$0.48 | 1.43" |
| | Wedge | 06304 | | 4T5/A/12V 2CD | 12 | 60/10 | Card(2) | Amber | C2R | 2000 | - | - | 1.8 | \$0.48 | 1.43" |
| | Wedge | 06305 | | 4T5/B/12V 2CD | 12 | 60/10 | Card(2) | Blue | C2R | 2000 | - | - | 1.8 | \$0.48 | 1.43" |
| | Wedge | 06306 | | 4T5/G/12V 2CD | 12 | 60/10 | Card(2) | Green | C2R | 2000 | - | - | 1.8 | \$0.48 | 1.43" |
| | Wedge | 06307 | | 4T5/R/12V 2CD | 12 | 60/10 | Card(2) | Red | C2R | 2000 | - | - | 1.8 | \$0.48 | 1.43" |
| 5.4 | Wedge | 03790 | | 5.4T5/6V | 6 | 120/10 | Card | Clear | C2R | 200 | 2700 | 30 | 0.1 | \$0.65 | 1.43" |
| 7 | Wedge | 06301 | | 7T5/12V 4CD | 12 | 60/10 | Card(4) | Clear | C2R | 2000 | 2700 | 87 | 1.8 | \$0.84 | 1.43" |
| 11 | Wedge | 06302 | | 11T5/12V 4CD | 12 | 60/10 | Card(4) | Clear | C2R | 2000 | 2700 | 120 | 1.8 | \$1.32 | 1.43" |
| 18 | Wedge | 06215 | | 18T5X/12V | 12 | 36/6 | Card | Clear | C2R | 1000 | 2900 | 210 | 0.9 | \$2.17 | 1.43" |
| | Wedge | 06303 | | 18T5/12V 4CD | 12 | 60/10 | Card(4) | Clear | C2R | 2000 | 2700 | 210 | 1.8 | \$2.17 | 1.43" |

*Based on 3hrs./day **Based on 3hrs./day 11¢/kWh

Footnotes

- 1 New Item
- 2 Canadian Standards Association
- 3 Eco-Halogen Energy-Saving Technology
- 4 Commercial Service*
- 5 Fan
- 6 Non-Stick Base
- 7 Krypton(KR)
- 8 Vibration Resistant lamps are designed for vibration service only.
- 9 Rough Service lamps are designed for rough service applications.

VINTAGE
INSPIRED LAMPS



| Energy Used (Watts) | Lamp Base | Item No. | Footnotes | Domestic Code | Volts | Master Carton/Inner Pack | Package Type | Finish | Filament Type | Avg. Rated Hours | Light Appearance (Kelvin) | Brightness (Lumens) | Life in Years* | Est. Yearly Energy Cost** | MOL |
|---------------------|-----------|----------|-----------|-------------------------|-------|--------------------------|--------------|--------|---------------|------------------|---------------------------|---------------------|----------------|---------------------------|-------|
| A19 | | | | | | | | | | | | | | | |
| 40 | Med. | 04134 | | VINTAGE/40/A19 | 120 | 24/6 | Card | Clear | NX-8 | 1500 | 2450 | 100 | 1.3 | \$4.82 | 4.13" |
| 60 | Med. | 04135 | | VINTAGE/60/A19 | 120 | 24/6 | Card | Clear | NX-8 | 1500 | 2450 | 275 | 1.3 | \$7.23 | 4.13" |
| A23 | | | | | | | | | | | | | | | |
| 40 | Med. | 04105 | | VINTAGE/40/A/A23 | 120 | 24/6 | Card | Amber | NX-8 | 3000 | 2450 | 130 | 2.7 | \$4.82 | 5.51" |
| C10 | | | | | | | | | | | | | | | |
| 40 | Cand. | 04133 | | VINTAGE/40/C10 2CD | 120 | 24/6 | Card(2) | Clear | 4-ANCHOR | 1500 | 2450 | 50 | 1.3 | \$4.82 | 3.98" |
| C11 | | | | | | | | | | | | | | | |
| 40 | Cand. | 04106 | | VINTAGE/40/A/CB/C11 2CD | 120 | 24/6 | Card(2) | Amber | 9-ANCHOR | 3000 | 2450 | 240 | 2.7 | \$4.82 | 4.61" |
| G25 | | | | | | | | | | | | | | | |
| 40 | Med. | 04107 | | VINTAGE/40/A/G25 | 120 | 24/6 | Card | Amber | 15-ANCHOR | 3000 | 2450 | 100 | 2.7 | \$4.82 | 4.53" |
| 60 | Med. | 04108 | | VINTAGE/60/A/G25 | 120 | 24/6 | Card | Amber | 15-ANCHOR | 3000 | 2450 | 115 | 2.7 | \$7.23 | 4.53" |
| G40 | | | | | | | | | | | | | | | |
| 40 | Med. | 04109 | | VINTAGE/40/A/G40 | 120 | 24/6 | Box | Amber | 32-ANCHOR | 3000 | 2450 | 110 | 2.7 | \$4.82 | 6.80" |
| ST15 | | | | | | | | | | | | | | | |
| 40 | Med. | 04141 | | VINTAGE/40/A/ST15 | 120 | 24/6 | Card | Amber | 11-ANCHOR | 3000 | 2450 | 170 | 2.7 | \$4.82 | 4.33" |
| ST20 | | | | | | | | | | | | | | | |
| 40 | Med. | 04120 | | VINTAGE/40/ST20 | 120 | 24/6 | Card | Clear | 19-ANCHOR | 1500 | 2450 | 160 | 1.3 | \$4.82 | 5.51" |
| 60 | Med. | 04132 | | VINTAGE/60/ST20 | 120 | 24/6 | Card | Clear | 19-ANCHOR | 1500 | 2450 | 305 | 1.3 | \$7.23 | 5.51" |
| T9 | | | | | | | | | | | | | | | |
| 40 | Med. | 04136 | | VINTAGE/40/A/T9 | 120 | 24/6 | Card | Amber | 10-ANCHOR | 3000 | 2450 | 130 | 2.7 | \$4.82 | 7.30" |
| 60 | Med. | 04118 | | VINTAGE/60/A/T9 | 120 | 24/6 | Card | Amber | 8-ANCHOR | 3000 | 2450 | 230 | 2.7 | \$7.23 | 5.51" |
| T12 | | | | | | | | | | | | | | | |
| 60 | Med. | 04129 | | VINTAGE/60/T12 | 120 | 24/6 | Card | Clear | 12-ANCHOR | 1500 | 2450 | 120 | 1.3 | \$7.23 | 4.25" |
| T14 | | | | | | | | | | | | | | | |
| 40 | Med. | 04137 | | VINTAGE/40/A/T14 | 120 | 24/6 | Card | Amber | 24-ANCHOR | 3000 | 2450 | 105 | 2.7 | \$4.82 | 4.33" |
| 60 | Med. | 04138 | | VINTAGE/60/A/T14 | 120 | 24/6 | Card | Amber | 24-ANCHOR | 3000 | 2450 | 120 | 2.7 | \$7.23 | 4.33" |

*Based on 3hrs./day **Based on 3hrs./day 11¢/kWh



TIMELESS LAMPS FOR A VINTAGE LOOK

Use Westinghouse Timeless lamps to add warmth and a touch of nostalgia to any space. With visible filaments and retro-style silhouettes, these lamps bring Old World details to any fixture. Westinghouse Timeless lamps feature a color temperature of 2450K, meaning the light produced will have a warm, yellow glow.

Available in a variety of shapes and sizes, these lamps are ideal for use in vintage, industrial and rustic fixtures, or any space where you want to create a warm, inviting ambience.

To learn more about color temperature and how it can enhance ambience, see page 7.



Footnotes

- 1 New Item
- 2 Canadian Standards Association
- 3 Eco-Halogen Energy-Saving Technology
- 4 Commercial Service*
- 5 Fan
- 6 Non-Stick Base
- 7 Krypton(KR)
- 8 Vibration Resistant lamps are designed for vibration service only.
- 9 Rough Service lamps are designed for rough service applications.

130 VOLT COMPARISON CHART

130 Volt lamps will last longer when used on a 120 Volt line. However, the brightness (lumen output) of these 130 Volt lamps operating on a 120 Volt line will be significantly reduced, while energy consumption (watts) will be less.

A 130 Volt lamp is perfect for use in hard-to-reach places and for use in lights that are on for long periods of time. Westinghouse Lighting recommends that you check that there is enough brightness (lumen output) for your specific application or task.

NOTE:

Most electrical service is 120 Volts. By using 130 Volt lamps on a 120 Volt line, replacement and maintenance costs can be reduced due to longer life.

130V LAMP SPECIFICATIONS — OPERATING ON A 130V LINE

OPERATING ON A 120V LINE

| Item No. | 130V LAMP SPECIFICATIONS — OPERATING ON A 130V LINE | | | OPERATING ON A 120V LINE | | | | |
|----------|---|-------------------|---------------------------|--------------------------|---------------------|----------------------------|-------------------------|----------------------------|
| | Energy Used (Watts) | Domestic Code | Master Carton /Inner Pack | Avg. Rated Hours | Brightness (Lumens) | Energy Used (Watts) @ 120V | Avg. Rated Hours @ 120V | Brightness (Lumens) @ 120V |
| 03540 | 11 | 11S14/130 | 60/6 | 2500 | 63 | 10 | 7000 | 47 |
| 03541 | 11 | 11S14/F/130 | 60/6 | 2500 | 60 | 10 | 7000 | 45 |
| 03568 | 10 | 10S11/IN/130 | 60/10 | 2500 | 80 | 9 | 7000 | 60 |
| 03609 | 60 | 60G161/2/CB/130 | 200/10 | 2500 | 540 | 53 | 7000 | 405 |
| 03611 | 25 | 25G161/2/CB/130 | 200/10 | 2500 | 160 | 22 | 7000 | 120 |
| 03612 | 40 | 40G161/2/CB/130 | 200/10 | 2500 | 340 | 35 | 7000 | 255 |
| 03631 | 25 | 25B11/130 | 200/25 | 2500 | 170 | 22 | 7000 | 128 |
| 03632 | 40 | 40B11/130 | 200/25 | 2500 | 345 | 35 | 7000 | 259 |
| 03636 | 25 | 25G161/2/W/CB/130 | 200/10 | 2500 | 155 | 22 | 7000 | 116 |
| 03662 | 60 | 60CA10/CB/130 | 200/25 | 2500 | 600 | 53 | 7000 | 450 |
| 03663 | 60 | 60CA10/F/CB/130 | 200/25 | 2500 | 580 | 53 | 7000 | 435 |
| 03664 | 25 | 25CA10/130 | 200/25 | 2500 | 190 | 22 | 7000 | 143 |
| 03665 | 40 | 40CA10/130 | 200/25 | 2500 | 345 | 35 | 7000 | 259 |
| 03666 | 60 | 60CA10/VR/130 | 200/25 | 2500 | 545 | 53 | 7000 | 409 |
| 03667 | 25 | 25CA10/F/130 | 200/25 | 2500 | 175 | 22 | 7000 | 131 |
| 03668 | 40 | 40CA10/F/130 | 200/25 | 2500 | 330 | 35 | 7000 | 248 |
| 03669 | 60 | 60CA10/F/VR/130 | 200/25 | 2500 | 545 | 53 | 7000 | 409 |
| 03670 | 7.5 | 7.5CA8/CB/130 | 200/25 | 2500 | 40 | 7 | 7000 | 30 |
| 03671 | 10 | 10CA7/CB/130 | 200/25 | 2500 | 58 | 9 | 7000 | 44 |
| 03673 | 15 | 15CA8/CB/130 | 200/25 | 2500 | 75 | 13 | 7000 | 56 |
| 03674 | 25 | 25CA8/CB/130 | 200/25 | 2500 | 158 | 22 | 7000 | 119 |
| 03675 | 40 | 40CA91/2/CB/130 | 200/25 | 2500 | 330 | 35 | 7000 | 248 |
| 03678 | 25 | 25CA8/F/CB/130 | 200/25 | 2500 | 145 | 22 | 7000 | 109 |
| 03679 | 40 | 40CA91/2/F/CB/130 | 200/25 | 2500 | 310 | 35 | 7000 | 233 |
| 03681 | 15 | 15B91/2/CB/130 | 200/25 | 2500 | 100 | 13 | 7000 | 75 |
| 03682 | 25 | 25B91/2/CB/130 | 200/25 | 2500 | 170 | 22 | 7000 | 128 |
| 03683 | 40 | 40B91/2/CB/130 | 200/25 | 2500 | 345 | 35 | 7000 | 259 |
| 03684 | 60 | 60B10/CB/130 | 200/25 | 2500 | 610 | 53 | 7000 | 458 |
| 03685 | 25 | 25B91/2/F/CB/130 | 200/25 | 2500 | 165 | 22 | 7000 | 124 |
| 03686 | 40 | 40B91/2/F/CB/130 | 200/25 | 2500 | 330 | 35 | 7000 | 248 |
| 03687 | 60 | 60B10/F/CB/130 | 200/25 | 2500 | 575 | 53 | 7000 | 431 |
| 03693 | 60 | 60B11/VR/130 | 200/25 | 2500 | 560 | 53 | 7000 | 420 |
| 03706 | 20 | 20T61/2/DC/130 | 60/6 | 3000 | 100 | 18 | 8400 | 75 |
| 03718 | 40 | 40T8/130 | 60/6 | 3500 | 300 | 35 | 9800 | 225 |
| 03882 | 15 | 15T6/CB/130 | 100/10 | 1500 | 100 | 13 | 4200 | 75 |
| 03892 | 40 | 40T8/130 | 100/10 | 3500 | 300 | 35 | 9800 | 225 |
| 03894 | 25 | 25T10/130 | 100/10 | 2500 | 170 | 22 | 7000 | 128 |
| 03895 | 40 | 40T10/130 | 100/10 | 2500 | 275 | 35 | 7000 | 206 |
| 03896 | 60 | 60T10/VR/130 | 100/10 | 2500 | 365 | 53 | 7000 | 274 |
| 03897 | 25 | 25T10/F/130 | 100/10 | 2500 | 160 | 22 | 7000 | 120 |
| 03899 | 60 | 60T10/F/VR/130 | 100/10 | 2500 | 350 | 53 | 7000 | 263 |
| 03950 | 60 | 60A/TS/130 | 36/6 | 4000 | 587 | 53 | 11200 | 440 |
| 03951 | 100 | 100A/TS/130 | 36/6 | 4000 | 860 | 88 | 11200 | 645 |
| 04061 | 7.5 | 7.5S11/G/130 | 60/10 | 2500 | — | 7 | 7000 | — |

130 VOLT COMPARISON CHART

130V LAMP SPECIFICATIONS — OPERATING ON A 130V LINE

OPERATING ON A 120V LINE

| Item No. | Energy Used (Watts) | | Master Carton /Inner Pack | Avg. Rated Hours | Brightness (Lumens) | Energy Used (Watts) @ 120V | | Avg. Rated Hours @ 120V | Brightness (Lumens) @ 120V |
|----------|---------------------|----------------------|---------------------------|------------------|---------------------|----------------------------|-------|-------------------------|----------------------------|
| | | Domestic Code | | | | | | | |
| 04100 | 25 | 25A/F/130 4PK | 120 | 5000 | 205 | 22 | 14000 | 154 | |
| 0410129 | 40 | 40A/F/VR/130 2PK | 120 | 5000 | 290 | 35 | 14000 | 218 | |
| 0410229 | 60 | 60A/F/VR/130 2PK | 120 | 5000 | 485 | 53 | 14000 | 364 | |
| 04110 | 25 | 25A/130 4PK | 120 | 5000 | 205 | 22 | 14000 | 154 | |
| 0411129 | 40 | 40A/VR/130 2PK | 120 | 5000 | 290 | 35 | 14000 | 218 | |
| 0411229 | 60 | 60A/VR/130 2PK | 120 | 5000 | 485 | 53 | 14000 | 364 | |
| 04165 | 65 | 65BR30/FL/130 | 144/6 | 2000 | 650 | 57 | 5600 | 488 | |
| 04218 | 25 | 25G25/130 | 72/6 | 3500 | 180 | 22 | 9800 | 135 | |
| 04219 | 40 | 40G25/130 | 72/6 | 3500 | 320 | 35 | 9800 | 240 | |
| 04220 | 60 | 60G25/VR/130 | 72/6 | 3500 | 530 | 53 | 9800 | 398 | |
| 04221 | 25 | 25G25/W/130 | 72/6 | 3500 | 160 | 22 | 9800 | 120 | |
| 04222 | 40 | 40G25/W/130 | 72/6 | 3500 | 290 | 35 | 9800 | 218 | |
| 04223 | 60 | 60G25/W/VR/130 | 72/6 | 3500 | 480 | 53 | 9800 | 360 | |
| 04229 | 45 | 45R20/FL/130 | 60/6 | 2000 | 380 | 40 | 5600 | 285 | |
| 04230 | 30 | 30R20/FL/130 | 60/6 | 2000 | 215 | 26 | 5600 | 161 | |
| 04235 | 65 | 65BR30/FL/130 | 60/6 | 2000 | 650 | 57 | 5600 | 488 | |
| 04242 | 65 | 65BR40/FL/130 | 24/6 | 2000 | 715 | 57 | 5600 | 536 | |
| 04316 | 20 | 20T61/2/IN/130 | 100/10 | 3000 | 100 | 18 | 8400 | 75 | |
| 04317 | 20 | 20T61/2/DC/130 | 100/10 | 3000 | 100 | 18 | 8400 | 75 | |
| 04319 | 20 | 20T61/2/F/IN/130 | 100/10 | 3000 | 90 | 18 | 8400 | 68 | |
| 04320 | 25 | 25T61/2/IN/130 | 100/10 | 3000 | 170 | 22 | 8400 | 128 | |
| 04324 | 20 | 20T61/2/F/DC/130 | 100/10 | 3000 | 90 | 18 | 8400 | 68 | |
| 04340 | 11 | 11S14/130 | 120/12 | 2500 | 63 | 10 | 7000 | 47 | |
| 04403 | 75 | 75A/TS/130 | 36/6 | 4000 | 716 | 66 | 11200 | 537 | |
| 04501 | 15 | 15A15/130 2PK | 120 | 2500 | 100 | 13 | 7000 | 75 | |
| 04502 | 40 | 40A15/130 2PK | 120 | 2500 | 350 | 35 | 7000 | 263 | |
| 04503 | 15 | 15A15/F/130 2PK | 120 | 2500 | 90 | 13 | 7000 | 68 | |
| 04504 | 40 | 40A15/F/130 2PK | 120 | 2500 | 340 | 35 | 7000 | 255 | |
| 04505 | 60 | 60A15/VR/130 2PK | 120 | 2500 | 570 | 53 | 7000 | 428 | |
| 04507 | 25 | 25A15/130 2PK | 120 | 2500 | 175 | 22 | 7000 | 131 | |
| 04509 | 60 | 60A15/F/VR/130 2PK | 120 | 2500 | 540 | 53 | 7000 | 405 | |
| 04525 | 6 | 6S6/CB/130 | 100/10 | 1500 | 32 | 5 | 4200 | 24 | |
| 04540 | 150 | 150A21/F/130 | 36/6 | 1000 | 2650 | 132 | 2800 | 1988 | |
| 04542 | 150 | 150A21/130 | 36/6 | 1000 | 2650 | 132 | 2800 | 1988 | |
| 04543 | 200 | 200A23/130 | 12 | 750 | 3850 | 176 | 2100 | 2888 | |
| 04548 | 50/100/150 | 50/100/150A21/SW/130 | 36/6 | 2000 | 500/1350/1850 | 132 | 5600 | 1388 | |
| 04564 | 7.5 | 7.5S11/130 | 100/10 | 2500 | 52 | 7 | 7000 | 39 | |
| 04668 | 75 | 75BR30/B/FL/130 | 60/6 | 2000 | — | 66 | 5600 | — | |
| 04672 | 75 | 75BR30/R/FL/130 | 60/6 | 2000 | — | 66 | 5600 | — | |
| 04673 | 75 | 75BR30/G/FL/130 | 60/6 | 2000 | — | 66 | 5600 | — | |
| 05100 | 45 | 45R20/FL/130 12PK | 6 | 2000 | 380 | 40 | 5600 | 285 | |
| 05101 | 65 | 65BR30/FL/130 12PK | 6 | 2000 | 650 | 57 | 5600 | 488 | |
| 05102 | 65 | 65BR40/FL/130 6PK | 6 | 2000 | 715 | 57 | 5600 | 536 | |
| 05103 | 40 | 40G25/W/130 12PK | 6 | 3500 | 290 | 35 | 9800 | 218 | |
| 05106 | 25 | 25CA8/CB/130 25PK | 6 | 2500 | 158 | 22 | 7000 | 119 | |
| 05107 | 40 | 40CA91/2/CB/130 25PK | 6 | 2500 | 330 | 35 | 7000 | 248 | |
| 36959 | 150 | 150A21/F/130 | 60/6 | 1000 | 2650 | 132 | 2800 | 1988 | |
| 36960 | 200 | 200A23/F/130 | 60/6 | 750 | 3600 | 176 | 2100 | 2700 | |
| 36971 | 40 | 40A/F/VR/130 | 60/6 | 5000 | 290 | 35 | 14000 | 218 | |
| 36972 | 60 | 60A/F/VR/130 | 60/6 | 5000 | 485 | 53 | 14000 | 364 | |
| 36975 | 40 | 40A/VR/130 | 60/6 | 5000 | 290 | 35 | 14000 | 218 | |
| 36976 | 60 | 60A/VR/130 | 60/6 | 5000 | 485 | 53 | 14000 | 364 | |

LAMP MERCHANDISING DISPLAYS

Westinghouse's lamp merchandising displays offer a convenient and polished approach to in-store lamp presentation, while letting consumers know that we stand behind our high-quality products. Create a cohesive brand statement with our gondola display and interactive lamp display, which allows consumers to take the guesswork out of choosing the best lamp for their needs.



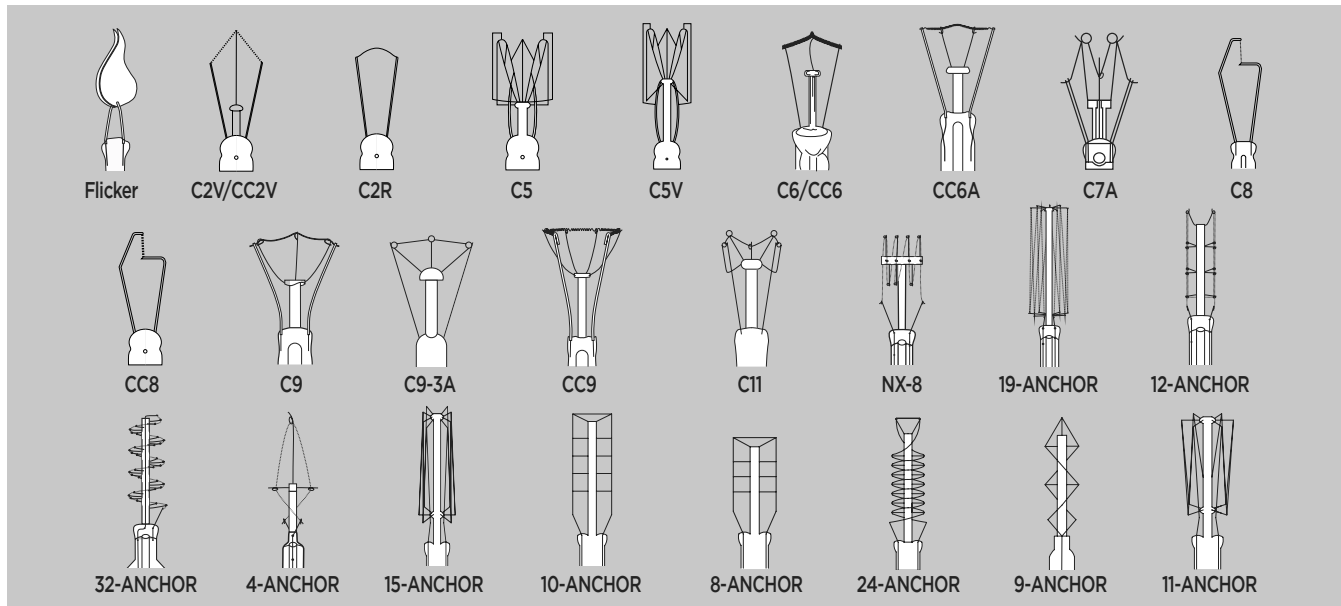
96210
5-Socket
Interactive
Lamp Display



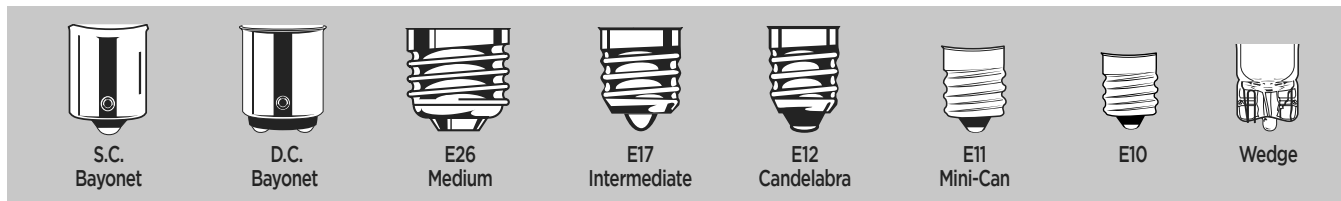
96208
2' Gondola Display
 24"L x 14"D x 54"H

96209
Gondola Shelves
 24"L x 14"D

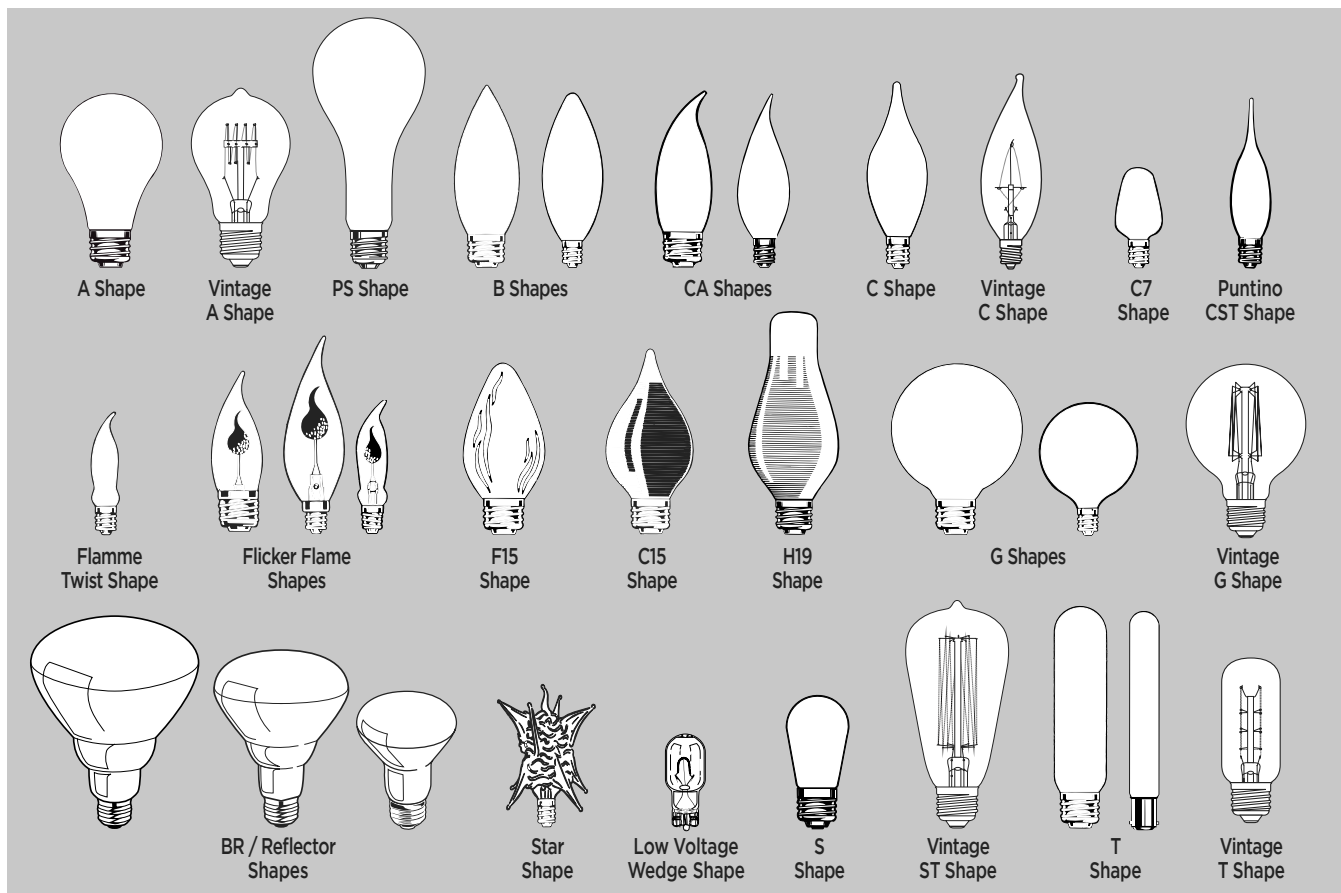
INCANDESCENT LAMP FILAMENT TYPES



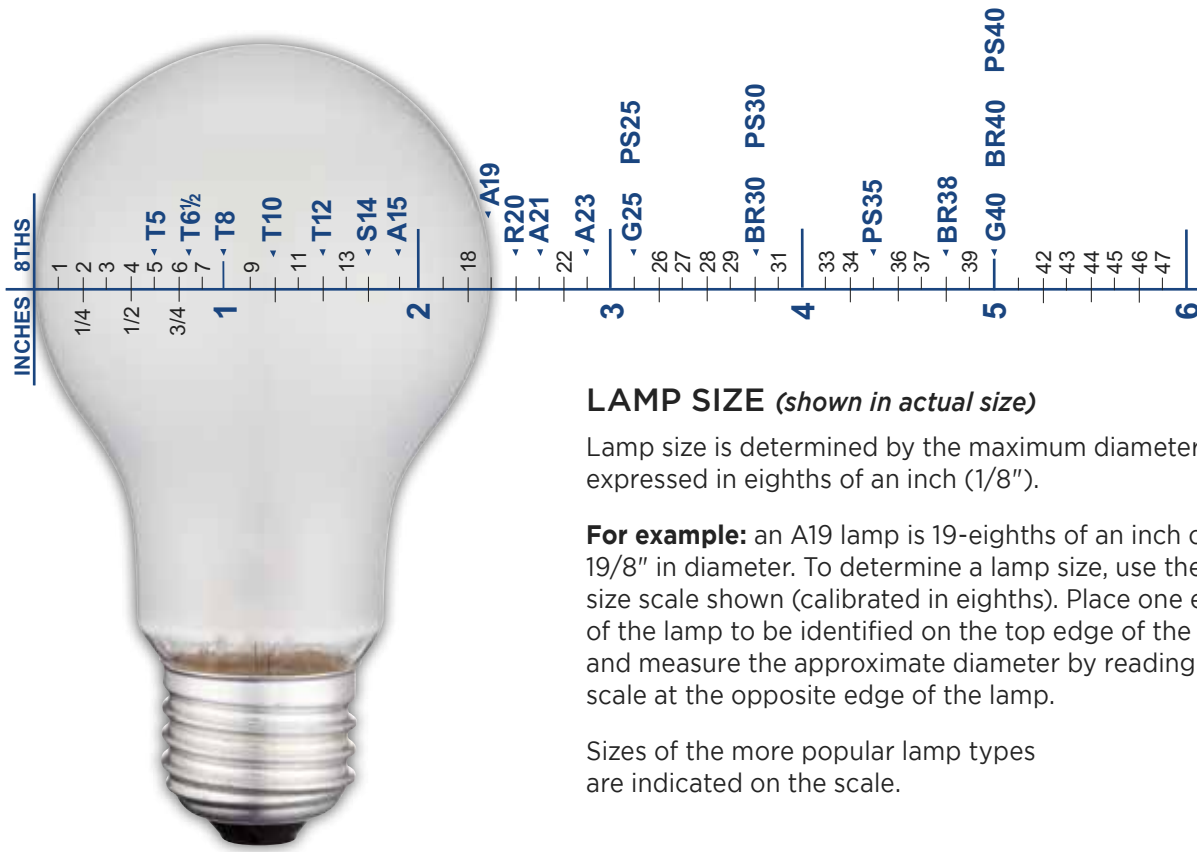
INCANDESCENT LAMP BASE TYPES



INCANDESCENT LAMP SHAPES



INCANDESCENT LAMP SIZE REFERENCE



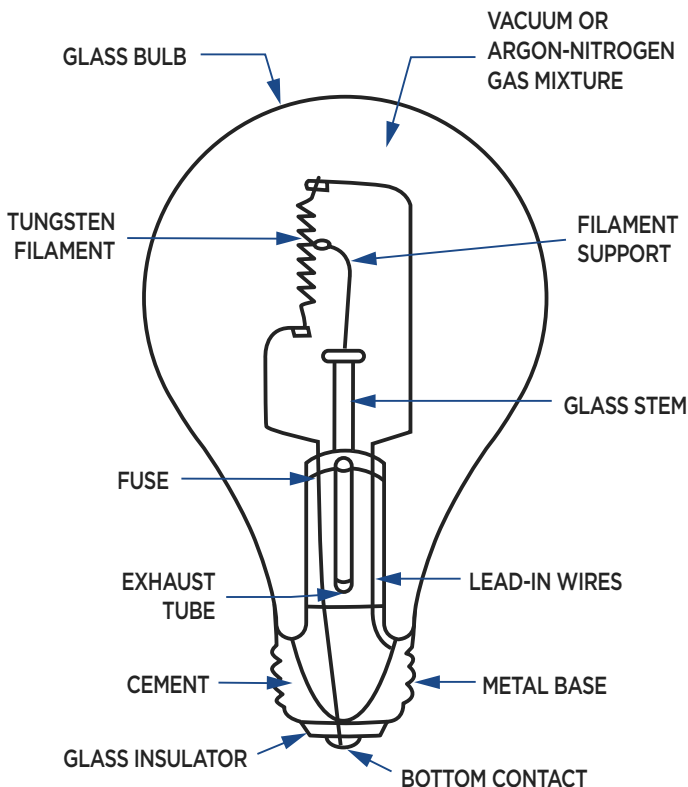
LAMP SIZE *(shown in actual size)*

Lamp size is determined by the maximum diameter expressed in eighths of an inch (1/8").

For example: an A19 lamp is 19-eighths of an inch or 19/8" in diameter. To determine a lamp size, use the full size scale shown (calibrated in eighths). Place one edge of the lamp to be identified on the top edge of the scale and measure the approximate diameter by reading the scale at the opposite edge of the lamp.

Sizes of the more popular lamp types are indicated on the scale.

INCANDESCENT LAMP COMPONENTS





ECO-HALOGEN AND SPECIALTY HALOGEN LIGHTING

Providing bright, white light and long life, our halogen assortment features lamps that come in a variety of sizes and shapes. These lamps are completely dimmable and can be used anywhere, making them an excellent choice for multiple lighting solutions.



MR11 GU4 BASE

MR11 LAMPS, DICHROIC (LOW VOLTAGE)

| Energy Used (Watts) | Lamp Base | Item No. | Footnotes | Domestic Code | Master Carton/ Inner Pack | Package Type | Candle Power | Beam Spread | Beam Type | Filament Type | Light Appearance (Kelvin) | Avg. Rated Hours | ANSI Code | Life in Years* | Est. Yearly Energy Cost** | MOL |
|---------------------|-----------|--------------|-----------|-------------------|---------------------------|--------------|--------------|-------------|--------------|---------------|---------------------------|------------------|-----------|----------------|---------------------------|-------|
| 6 VOLT | | | | | | | | | | | | | | | | |
| 5 | GU4 | 04771 | 2 | 5MR11Q/NFL/LN | 36/6 | Card | 200 | 16° | Narrow Flood | C8 | 2900 | 2000 | - | 1.8 | \$0.60 | 1.38" |
| 12 VOLT | | | | | | | | | | | | | | | | |
| 5 | GU4 | 04766 | 2 | 5MR11Q/NFL/LN | 36/6 | Card | 200 | 16° | Narrow Flood | C8 | 2900 | 2000 | - | 1.8 | \$0.60 | 1.38" |
| 10 | GU4 | 04761 | 2 | 10MR11Q/NFL/LN | 36/6 | Card | 650 | 16° | Narrow Flood | C6 | 2900 | 2000 | - | 1.8 | \$1.20 | 1.38" |
| 20 | GU4 | 04463 | | 20MR11Q/NFL | 100/10 | Box | 1500 | 16° | Narrow Flood | C8 | 2950 | 2000 | FTC | 1.8 | \$2.41 | 1.38" |
| | GU4 | 04750 | 2 | 20MR11Q/NFL/LN | 36/6 | Card | 1600 | 16° | Narrow Flood | CC6 | 2950 | 2000 | FTC | 1.8 | \$2.41 | 1.38" |
| | GU4 | 06214 | 2,7 | 20MR11X/FL/LN 2CD | 36/6 | Card(2) | 700 | 30° | Flood | C8 | 2900 | 10000 | FTD | 9.1 | \$2.41 | 1.38" |
| | GU4 | 04748 | 2 | 20MR11Q/SP/LN | 36/6 | Card | 700 | 12° | Spot | C8 | 2800 | 2000 | FTB | 1.8 | \$2.41 | 1.38" |
| 35 | GU4 | 04765 | 2 | 35MR11Q/NFL/LN | 36/6 | Card | 2800 | 16° | Narrow Flood | C6 | 3000 | 2000 | FTF | 1.8 | \$4.22 | 1.38" |

*Based on 3hrs./day

**Based on 3hrs./day 11¢/kWh



MR11 GU10 BASE

MR11 LAMP, 120 VOLT DICHROIC (LINE VOLTAGE)

| Energy Used (Watts) | Lamp Base | Item No. | Footnotes | Domestic Code | Master Carton/ Inner Pack | Package Type | Candle Power | Beam Spread | Beam Type | Filament Type | Light Appearance (Kelvin) | Avg. Rated Hours | ANSI Code | Life in Years* | Est. Yearly Energy Cost** | MOL |
|---------------------|-----------|--------------|-----------|-------------------------|---------------------------|--------------|--------------|-------------|--------------|---------------|---------------------------|------------------|-----------|----------------|---------------------------|-------|
| 35 | GU10 | 04728 | | 35MR11Q/GU10/NFL/LN 3CD | 36/6 | Card(3) | 500 | 30° | Narrow Flood | CC2V | 3000 | 3000 | FTH | 2.7 | \$4.22 | 1.38" |

*Based on 3hrs./day

**Based on 3hrs./day 11¢/kWh



MR16 GU5.3 BASE



MR16 CLEAR LENS GU5.3 BASE

MR16 LAMPS, 12 VOLT DICHROIC (LOW VOLTAGE)

| Energy Used (Watts) | Lamp Base | Item No. | Footnotes | Domestic Code | Master Carton/ Inner Pack | Package Type | Candle Power | Beam Spread | Beam Type | Filament Type | Light Appearance (Kelvin) | Avg. Rated Hours | ANSI Code | Life in Years* | Est. Yearly Energy Cost** | MOL |
|---------------------|-----------|--------------|-----------|-------------------|---------------------------|--------------|--------------|-------------|--------------|---------------|---------------------------|------------------|-----------|----------------|---------------------------|-------|
| 20 | GU5.3 | 04451 | | 20MR16Q/FL | 100/10 | Box | 460 | 36° | Flood | C8 | 2950 | 2000 | BAB | 1.8 | \$2.41 | 1.81" |
| | GU5.3 | 04781 | 2 | 20MR16Q/FL/LN | 36/6 | Card | 600 | 32° | Flood | C8 | 2950 | 2000 | BAB | 1.8 | \$2.41 | 1.81" |
| | GU5.3 | 06212 | 2,7 | 20MR16X/FL/LN 2CD | 36/6 | Card(2) | 700 | 32° | Flood | C8 | 2950 | 10000 | BAB | 9.1 | \$2.41 | 1.81" |
| | GU5.3 | 04749 | 2 | 20MR16Q/SP/LN | 36/6 | Card | 3500 | 12° | Spot | C8 | 2950 | 2000 | ESX | 1.8 | \$2.41 | 1.81" |
| 35 | GU5.3 | 04562 | | 35MR16Q/FL | 100/10 | Box | 1500 | 38° | Flood | C8 | 3000 | 5000 | FMW | 4.5 | \$4.22 | 1.88" |
| | GU5.3 | 04563 | 2 | 35MR16Q/FL/LN | 36/6 | Card | 1250 | 32° | Flood | C8 | 3000 | 2000 | FMW | 1.8 | \$4.22 | 1.81" |
| 50 | GU5.3 | 04755 | 2 | 50MR16Q/NFL/LN | 36/6 | Card | 4300 | 18° | Narrow Flood | C6 | 3050 | 2000 | EXZ | 1.8 | \$6.02 | 1.81" |
| | GU5.3 | 04456 | | 50MR16Q/FL | 100/10 | Box | 1500 | 38° | Flood | C8 | 3050 | 2000 | EXN | 1.8 | \$6.02 | 1.81" |
| | GU5.3 | 04556 | 2 | 50MR16Q/FL/LN | 100/10 | Box | 1500 | 38° | Flood | C8 | 3050 | 2000 | EXN | 1.8 | \$6.02 | 1.81" |
| | GU5.3 | 04586 | | 50MR16Q/FL | 100/10 | Box | 2000 | 38° | Flood | C8 | 3000 | 5000 | EXN | 4.5 | \$6.02 | 1.88" |
| | GU5.3 | 04756 | 2 | 50MR16Q/FL/LN | 36/6 | Card | 1650 | 32° | Flood | C8 | 3050 | 2000 | EXN | 1.8 | \$6.02 | 1.81" |
| | GU5.3 | 06213 | 2,7 | 50MR16X/FL/LN 2CD | 36/6 | Card(2) | 1500 | 32° | Flood | C8 | 3050 | 10000 | EXN | 9.1 | \$6.02 | 1.81" |
| | GU5.3 | 04559 | 2 | 50MR16Q/SP/LN | 36/6 | Card | 10000 | 12° | Spot | C8 | 3050 | 2000 | EXT | 1.8 | \$6.02 | 1.81" |
| 75 | GU5.3 | 04758 | 2 | 75MR16Q/FL/LN | 36/6 | Card | 2940 | 32° | Flood | C8 | 3050 | 2000 | EYC | 1.8 | \$9.03 | 1.81" |

*Based on 3hrs./day

**Based on 3hrs./day 11¢/kWh

Footnotes

- 1 New Item
- 2 Clear Lens
- 3 Frost Lens
- 4 Eco-Halogen Energy-Saving Technology
- 5 Rough Service
- 6 Canadian Standards Association
- 7 Krypton(K) / Xenon(X)
- 8 Long Neck



MR16 LAMPS,
120 VOLT DICHROIC (LINE VOLTAGE)

| Energy Used (Watts) | Lamp Base | Item No. | Footnotes | Domestic Code | Master Carton/ Inner Pack | Package Type | Candle Power | Beam Spread | Beam Type | Filament Type | Light Appearance (Kelvin) | Avg. Rated Hours | Life in Years* | Est. Yearly Energy Cost** | MOL |
|---------------------|-----------|--------------|-----------|------------------------|---------------------------|--------------|--------------|-------------|-----------|---------------|---------------------------|------------------|----------------|---------------------------|-------|
| 20 | GU7.9/8.0 | 04521 | 2 | 20MR16Q/FL/LN | 36/6 | Card | 200 | 30° | Flood | CC2V | 3050 | 3000 | 2.7 | \$2.41 | 1.91" |
| 25 | GU10 | 04787 | 2 | 25MR16Q/GU10/FL/LN | 36/6 | Card | 300 | 30° | Flood | CC2V | 3050 | 2000 | 1.8 | \$3.01 | 2" |
| 35 | GU7.9/8.0 | 04727 | 2 | 35MR16Q/FL/LN | 36/6 | Card | 500 | 30° | Flood | CC2V | 3050 | 3000 | 2.7 | \$4.22 | 1.91" |
| | GU10 | 04741 | 2 | 35MR16Q/GU10/FL/LN | 36/6 | Card | 500 | 32° | Flood | CC2V | 2800 | 1500 | 1.3 | \$4.22 | 2" |
| 45 | GU7.9/8.0 | 04518 | | 45MR16Q/FL | 100/10 | Box | 1800 | 36° | Flood | CC2V | 3050 | 1500 | 1.3 | \$5.42 | 1.75" |
| | GU7.9/8.0 | 04711 | 2 | 45MR16Q/FL/LN | 36/6 | Card | 1800 | 36° | Flood | CC2V | 3050 | 2000 | 1.8 | \$5.42 | 1.75" |
| 50 | GU7.9/8.0 | 04725 | 2 | 50MR16Q/FL/LN | 36/6 | Card | 950 | 32° | Flood | CC2V | 3050 | 2000 | 1.8 | \$6.02 | 1.75" |
| | GU10 | 04449 | | 50MR16Q/GU10/FL | 100/10 | Box | 1800 | 36° | Flood | CC2V | 3050 | 1500 | 1.3 | \$6.02 | 2" |
| | GU10 | 04740 | 2 | 50MR16Q/GU10/FL/LN | 36/6 | Card | 950 | 32° | Flood | CC2V | 3050 | 1500 | 1.3 | \$6.02 | 2" |
| | GU10 | 03529 | 3 | 50MR16Q/GU10/F/FL/LN | 36/6 | Card | 900 | 36° | Flood | CC2V | 3050 | 2000 | 1.8 | \$6.02 | 2" |
| | GU10 | 04730 | 2 | 50MR16Q/GU10/FL/LN 3CD | 12/6 | Card(3) | 950 | 32° | Flood | CC2V | 3050 | 2000 | 1.8 | \$6.02 | 2" |
| | GU10 | 06211 | 2,7 | 50MR16X/FL/GU10/LN 2CD | 36/6 | Card(2) | 1100 | 30° | Flood | CC2V | 3050 | 3500 | 3.1 | \$6.02 | 2" |

*Based on 3hrs./day

**Based on 3hrs./day 11¢/kWh



JDR
MEDIUM BASE

JDR LAMPS,
120 VOLT (LINE VOLTAGE)

| Energy Used (Watts) | Lamp Base | Item No. | Footnotes | Domestic Code | Master Carton/ Inner Pack | Package Type | Candle Power | Beam Spread | Beam Type | Filament Type | Light Appearance (Kelvin) | Avg. Rated Hours | Life in Years* | Est. Yearly Energy Cost** | MOL |
|---------------------|-----------|--------------|-----------|-----------------|---------------------------|--------------|--------------|-------------|--------------|---------------|---------------------------|------------------|----------------|---------------------------|-------|
| 50 | Med. | 04753 | 2 | 50JDR16Q/FL/LN | 36/6 | Card | 1000 | 36° | Flood | CC8 | 2800 | 2000 | 1.8 | \$6.02 | 3" |
| 75 | Med. | 04731 | 2 | 75JDR16Q/NFL/LN | 36/6 | Card | 1350 | 20° | Narrow Flood | CC8 | 2900 | 1500 | 1.3 | \$9.03 | 2.75" |

*Based on 3hrs./day

**Based on 3hrs./day 11¢/kWh

Footnotes

- 1 New Item
- 2 Clear Lens
- 3 Frost Lens

- 4 Eco-Halogen Energy-Saving Technology
- 5 Rough Service
- 6 Canadian Standards Association

- 7 Krypton(K) / Xenon(X)
- 8 Long Neck

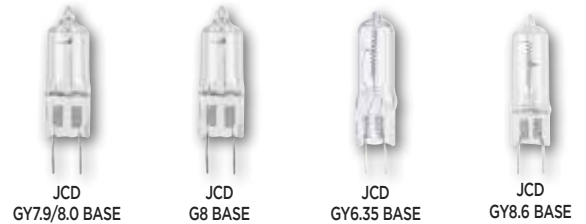
JC LAMPS (LOW VOLTAGE)



| Energy Used (Watts) | Lamp Base | Item No. | Footnotes | Domestic Code | Volts | Master Carton/ Inner Pack | Package Type | Finish | Filament Type | Light Appearance (Kelvin) | Brightness (Lumens) | Avg. Rated Hours | Life in Years* | Est. Yearly Energy Cost** | MOL |
|---------------------|-----------|--------------|-----------|---------------|-------|---------------------------|--------------|--------|---------------|---------------------------|---------------------|------------------|----------------|---------------------------|-------|
| T3 | | | | | | | | | | | | | | | |
| 5 | G4 | 06240 | | 5T3 | 12 | 36/6 | Card | Clear | C8 | 2800 | 60 | 2000 | 1.8 | \$0.60 | 1.31" |
| 10 | G4 | 04442 | | 10T3 | 12 | 100/10 | Box | Clear | C6 | 2900 | 130 | 2000 | 1.8 | \$1.20 | 1.19" |
| | G4 | 04742 | | 10T3 | 12 | 36/6 | Card | Clear | C8 | 2900 | 120 | 2000 | 1.8 | \$1.20 | 1.19" |
| | G4 | 06308 | | 10T3 4CD | 12 | 36/6 | Card(4) | Clear | C6 | 2900 | 100 | 2000 | 1.8 | \$1.20 | 1.19" |
| | G4 | 06216 | 7 | 10T3X 2CD | 12 | 36/6 | Card(2) | Clear | C6 | 2900 | 100 | 5000 | 4.5 | \$1.20 | 1.19" |
| 15 | G4 | 04982 | | 15T3/6V | 6 | 36/6 | Card | Clear | C6 | 2900 | 180 | 2000 | 1.8 | \$1.81 | 1.27" |
| 20 | G4 | 04436 | | 20T3 | 12 | 100/10 | Box | Clear | C6 | 2950 | 300 | 2000 | 1.8 | \$2.41 | 1.19" |
| | G4 | 04736 | | 20T3 | 12 | 36/6 | Card | Clear | C8 | 2950 | 300 | 2000 | 1.8 | \$2.41 | 1.19" |
| | G4 | 04734 | | 20T3/F | 12 | 36/6 | Card | Frost | C8 | 2950 | 290 | 2000 | 1.8 | \$2.41 | 1.19" |
| | G4 | 06209 | 7 | 20T3X 2CD | 12 | 36/6 | Card(2) | Clear | C6 | 2900 | 300 | 10000 | 9.1 | \$2.41 | 1.19" |
| | GY6.35 | 04444 | | 20T3Q | 12 | 100/10 | Box | Clear | C6 | 2950 | 300 | 2000 | 1.8 | \$2.41 | 1.63" |
| 35 | G4 | 06218 | 7 | 35T3X/12V 2CD | 12 | 36/6 | Card(2) | Clear | C6 | 2900 | 550 | 10000 | 9.1 | \$4.22 | 1.19" |
| | GY6.35 | 04445 | | 35T3Q | 12 | 100/10 | Box | Clear | C6 | 3050 | 595 | 2000 | 1.8 | \$4.22 | 1.63" |
| 50 | GY6.35 | 04438 | | 50T3Q | 12 | 100/10 | Box | Clear | C6 | 3050 | 900 | 2000 | 1.8 | \$6.02 | 1.63" |
| | GY6.35 | 04427 | | 50T3Q/24V | 24 | 100/10 | Box | Clear | CC6 | 3050 | 800 | 2000 | 1.8 | \$6.02 | 1.63" |
| T4 | | | | | | | | | | | | | | | |
| 20 | GY6.35 | 04743 | | 20T4Q | 12 | 36/6 | Card | Clear | C6 | 2950 | 300 | 2000 | 1.8 | \$2.41 | 1.63" |
| 35 | GY6.35 | 04745 | | 35T4Q | 12 | 36/6 | Card | Clear | C6 | 3000 | 600 | 2000 | 1.8 | \$4.22 | 1.63" |
| 50 | GY6.35 | 04738 | | 50T4Q | 12 | 36/6 | Card | Clear | C6 | 3050 | 900 | 2000 | 1.8 | \$6.02 | 1.63" |
| | GY6.35 | 04735 | | 50T4Q/F | 12 | 36/6 | Card | Frost | C6 | 3050 | 870 | 2000 | 1.8 | \$6.02 | 1.63" |
| 75 | GY6.35 | 04739 | | 75T4Q | 12 | 36/6 | Card | Clear | C6 | 3050 | 1350 | 2000 | 1.8 | \$9.03 | 1.63" |
| 100 | GY6.35 | 04729 | | 100T4Q | 12 | 36/6 | Card | Clear | C6 | 3050 | 2100 | 2000 | 1.8 | \$12.05 | 1.63" |

*Based on 3hrs./day

**Based on 3hrs./day 11¢/kWh



JCD LAMPS

| Energy Used (Watts) | Lamp Base | Item No. | Footnotes | Domestic Code | Volts | Master Carton/ Inner Pack | Package Type | Finish | Filament Type | Light Appearance (Kelvin) | Brightness (Lumens) | Avg. Rated Hours | Life in Years* | Est. Yearly Energy Cost** | MOL |
|---------------------|-----------|--------------|-----------|------------------|-------|---------------------------|--------------|--------|---------------|---------------------------|---------------------|------------------|----------------|---------------------------|-------|
| 20 | GY7.9/8.0 | 04710 | | 20T4Q/GY8/120 | 120 | 36/6 | Card | Clear | CC2V | 2700 | 200 | 1500 | 1.3 | \$2.41 | 1.69" |
| | G8 | 06210 | 7 | 20T4X/G8/120 2CD | 120 | 36/6 | Card(2) | Clear | CC2V-H | 2700 | 175 | 5000 | 4.5 | \$2.41 | 1.38" |
| 25 | GY6.35 | 04715 | | 25T4Q/120 | 120 | 36/6 | Card | Clear | CC8 | 2850 | 255 | 1500 | 1.3 | \$3.01 | 1.81" |
| | GY7.9/8.0 | 04721 | | 25T4Q/GY8/120 | 120 | 36/6 | Card | Clear | CC2V | 2850 | 255 | 1500 | 1.3 | \$3.01 | 1.69" |
| 35 | GY6.35 | 04031 | | 35T4Q/120 | 120 | 36/6 | Card | Clear | CC2V | 2900 | 380 | 1500 | 1.3 | \$4.22 | 1.81" |
| | GY7.9/8.0 | 04722 | | 35T4Q/GY8/120 | 120 | 36/6 | Card | Clear | CC8 | 2900 | 380 | 1500 | 1.3 | \$4.22 | 1.69" |
| | GY8.6 | 04712 | | 35T4Q/GY8.6/120 | 120 | 36/6 | Card | Clear | CC8 | 2900 | 380 | 1500 | 1.3 | \$4.22 | 1.81" |
| 50 | GY6.35 | 04717 | | 50T4Q/120 | 120 | 36/6 | Card | Clear | CC2V | 2900 | 600 | 1500 | 1.3 | \$6.02 | 1.81" |
| | G8 | 04889 | | 50T4Q/G8/120 | 120 | 36/6 | Card | Clear | CC8 | 2900 | 600 | 1500 | 1.3 | \$6.02 | 2.25" |
| 75 | GY6.35 | 04718 | | 75T4Q/120 | 120 | 36/6 | Card | Clear | CC8 | 2900 | 1050 | 1500 | 1.3 | \$9.03 | 2.25" |
| | GY8.6 | 04714 | | 75T4Q/GY8.6/120 | 120 | 36/6 | Card | Clear | CC8 | 2900 | 1050 | 1500 | 1.3 | \$9.03 | 2.25" |
| | GY7.9/8.0 | 04764 | | 75T4Q/GY8/130 | 130 | 36/6 | Card | Clear | CC8 | 2800 | 975 | 2000 | 1.8 | \$9.03 | 2.25" |
| 100 | GY6.35 | 04719 | | 100T4Q/120 | 120 | 36/6 | Card | Clear | CC8 | 2900 | 1500 | 1500 | 1.3 | \$12.05 | 2.25" |
| | GY8.6 | 04713 | | 100T4Q/GY8.6/120 | 120 | 36/6 | Card | Clear | CC8 | 2900 | 1500 | 1500 | 1.3 | \$12.05 | 2.25" |
| | GY7.9/8.0 | 04770 | | 100T4Q/GY8/130 | 130 | 36/6 | Card | Clear | CC8 | 2850 | 1400 | 2000 | 1.8 | \$12.05 | 2.25" |

*Based on 3hrs./day

**Based on 3hrs./day 11¢/kWh

Footnotes

- 1 New Item
- 2 Clear Lens
- 3 Frost Lens
- 4 Eco-Halogen Energy-Saving Technology
- 5 Rough Service
- 6 Canadian Standards Association
- 7 Krypton(K) / Xenon(X)
- 8 Long Neck



G9 CLEAR



G9 FROST

G9 LAMPS, 120 VOLT (LINE VOLTAGE)

| Energy Used (Watts) | Lamp Base | Item No. | Footnotes | Domestic Code | Master Carton/ Inner Pack | Package Type | Finish | Filament Type | Light Appearance (Kelvin) | Brightness (Lumens) | Avg. Rated Hours | Life in Years* | Est. Yearly Energy Cost** | MOL |
|---------------------|-----------|----------|-----------|------------------|---------------------------|--------------|--------|---------------|---------------------------|---------------------|------------------|----------------|---------------------------|-------|
| 25 | G9 | 04870 | | 25T4Q/G9/120 | 36/6 | Card | Clear | CC2V | 2800 | 255 | 2000 | 1.8 | \$3.01 | 1.69" |
| 35 | G9 | 04872 | | 35T4Q/G9/120 | 36/6 | Card | Clear | CC2V | 2800 | 400 | 2000 | 1.8 | \$4.22 | 1.69" |
| 40 | G9 | 04901 | | 40T4Q/G9/120 | 100/10 | Box | Clear | CC2V | 2800 | 480 | 2000 | 1.8 | \$4.82 | 1.69" |
| | G9 | 04871 | | 40T4Q/G9/120 | 36/6 | Card | Clear | CC2V | 2800 | 480 | 2000 | 1.8 | \$4.82 | 1.69" |
| | G9 | 04873 | | 40T4Q/G9/120 3CD | 36/6 | Card(3) | Clear | CC2V | 2800 | 480 | 2000 | 1.8 | \$4.82 | 1.69" |
| | G9 | 04703 | | 40T4Q/G9/F/120 | 100/10 | Box | Frost | CC2V | 2800 | 440 | 2000 | 1.8 | \$4.82 | 1.69" |
| | G9 | 04855 | | 40T4Q/G9/F/120 | 36/6 | Card | Frost | CC2V | 2800 | 460 | 2000 | 1.8 | \$4.82 | 1.69" |
| 60 | G9 | 04879 | | 60T4Q/G9/120 | 36/6 | Card | Clear | CC2V | 2800 | 800 | 2000 | 1.8 | \$7.23 | 1.69" |

*Based on 3hrs./day

**Based on 3hrs./day 11¢/kWh



LONG METAL FIN BASE (145mm)



LONG RSC BASE (254mm)



SHORT RSC BASE (78mm)



LONG RSC BASE (118mm)

DOUBLE-ENDED LAMPS

| Energy Used (Watts) | Lamp Base | Item No. | Footnotes | Domestic Code | Volts | Master Carton/ Inner Pack | Package Type | Finish | Filament Type | Light Appearance (Kelvin) | Brightness (Lumens) | Avg. Rated Hours | Life in Years* | Est. Yearly Energy Cost** | MOL |
|----------------------------|-----------|----------|-----------|-------------------|-------|---------------------------|--------------|--------|---------------|---------------------------|---------------------|------------------|----------------|---------------------------|-------|
| DOUBLE-ENDED, SHORT | | | | | | | | | | | | | | | |
| 75 | RSC | 04779 | | 75T3Q | 120 | 36/6 | Card | Clear | CC2V | 2800 | 1050 | 1500 | 1.3 | \$9.03 | 3.07" |
| 100 | RSC | 04477 | | 100T3Q | 120 | 100/10 | Box | Clear | C8 | 2900 | 1300 | 1500 | 1.3 | \$12.05 | 3.07" |
| | RSC | 04777 | | 100T3Q | 120 | 36/6 | Card | Clear | CC8 | 2900 | 1650 | 1500 | 1.3 | \$12.05 | 3.07" |
| | RSC | 04971 | | 100T3Q 2CD | 120 | 36/6 | Card(2) | Clear | CC8 | 2900 | 1650 | 2000 | 1.8 | \$12.05 | 3.07" |
| 150 | RSC | 04474 | | 150T3Q | 120 | 100/10 | Box | Clear | C8 | 3000 | 2400 | 1500 | 1.3 | \$18.07 | 3.07" |
| | RSC | 04774 | | 150T3Q | 120 | 36/6 | Card | Clear | CC8 | 3000 | 2600 | 2000 | 1.8 | \$18.07 | 3.07" |
| | RSC | 04974 | | 150T3Q 2CD | 120 | 36/6 | Card(2) | Clear | CC8 | 3000 | 2600 | 2000 | 1.8 | \$18.07 | 3.07" |
| | RSC | 04783 | 5 | 150T3Q/RS/130 | 130 | 36/6 | Card | Clear | CC8 | 3000 | 2600 | 1500 | 1.3 | \$18.07 | 3.07" |
| 200 | RSC | 04972 | | 200T3Q | 120 | 36/6 | Card | Clear | CC8 | 2900 | 3200 | 2000 | 1.8 | \$24.09 | 3.07" |
| 250 | RSC | 04759 | | 250T3Q | 120 | 36/6 | Card | Clear | CC8 | 3050 | 4000 | 1500 | 1.3 | \$30.11 | 3.07" |
| 300 | RSC | 04775 | | 300T3Q | 120 | 36/6 | Card | Clear | CC2V | 3050 | 5000 | 1500 | 1.3 | \$36.14 | 3.07" |
| DOUBLE-ENDED, LONG | | | | | | | | | | | | | | | |
| 100 | RSC | 04865 | | 100T3Q | 120 | 100/10 | Box | Clear | C8 | 2900 | 1200 | 1500 | 1.3 | \$12.05 | 4.65" |
| | RSC | 06242 | | 100T3Q | 120 | 36/6 | Card | Clear | CC2V | 2800 | 1450 | 1500 | 1.3 | \$12.05 | 4.65" |
| | RSC | 04975 | | 100T3Q 2CD | 120 | 36/6 | Card(2) | Clear | CC8 | 2900 | 1450 | 2000 | 1.8 | \$12.05 | 4.65" |
| 150 | RSC | 04473 | | 150T3Q | 120 | 100/10 | Box | Clear | CC2V | 2900 | 2400 | 1500 | 1.3 | \$18.07 | 4.65" |
| | RSC | 04773 | | 150T3Q | 120 | 36/6 | Card | Clear | CC2V | 2950 | 2600 | 2000 | 1.8 | \$18.07 | 4.65" |
| | RSC | 04973 | | 150T3Q 2CD | 120 | 36/6 | Card(2) | Clear | CC2V | 2950 | 2600 | 2000 | 1.8 | \$18.07 | 4.65" |
| | RSC | 04784 | 5 | 150T3Q/RS/130 | 130 | 36/6 | Card | Clear | C8 | 2950 | 2400 | 1500 | 1.3 | \$18.07 | 4.65" |
| 300 | RSC | 04476 | | 300T3Q | 120 | 100/10 | Box | Clear | C8 | 3000 | 5950 | 1500 | 1.3 | \$36.14 | 4.65" |
| | RSC | 04776 | | 300T3Q | 120 | 36/6 | Card | Clear | C8 | 3000 | 5000 | 2000 | 1.8 | \$36.14 | 4.65" |
| | RSC | 04976 | | 300T3Q 2CD | 120 | 36/6 | Card(2) | Clear | C8 | 3000 | 5000 | 2000 | 1.8 | \$36.14 | 4.65" |
| | RSC | 04786 | 5 | 300T3Q/RS/130 | 130 | 36/6 | Card | Clear | C8 | 3000 | 5000 | 1500 | 1.3 | \$36.14 | 4.65" |
| | RSC | 04979 | 5 | 300T3Q/RS/130 2CD | 130 | 36/6 | Card(2) | Clear | C8 | 2900 | 4000 | 4000 | 3.6 | \$36.14 | 4.65" |
| | Metal Fin | 04724 | | 300T3Q/F14 | 120 | 36/6 | Card | Clear | C8 | 3000 | 5000 | 1500 | 1.3 | \$36.14 | 5.69" |
| 500 | RSC | 04478 | | 500T3Q | 120 | 100/10 | Box | Clear | C8 | 3050 | 10500 | 1500 | 1.3 | \$60.23 | 4.65" |
| | RSC | 04778 | | 500T3Q | 120 | 36/6 | Card | Clear | C8 | 3050 | 9500 | 2000 | 1.8 | \$60.23 | 4.65" |
| | RSC | 04978 | | 500T3Q 2CD | 120 | 36/6 | Card(2) | Clear | C8 | 3050 | 9500 | 2000 | 1.8 | \$60.23 | 4.65" |
| | RSC | 04829 | | 500T3Q/130 | 130 | 100/10 | Box | Clear | C8 | 3050 | 10500 | 1500 | 1.3 | \$60.23 | 4.65" |
| | RSC | 04788 | 5 | 500T3Q/RS/130 | 130 | 36/6 | Card | Clear | C8 | 3050 | 9500 | 1500 | 1.3 | \$60.23 | 4.65" |
| | RSC | 04981 | 5 | 500T3Q/RS/130 2CD | 130 | 36/6 | Card(2) | Clear | C8 | 2900 | 8000 | 4000 | 3.6 | \$60.23 | 4.65" |
| 1500 | RSC | 04480 | | 1500T3Q/240 | 240 | 100/10 | Box | Clear | C8 | 3100 | 33000 | 1500 | 1.3 | \$180.68 | 10" |

*Based on 3hrs./day

**Based on 3hrs./day 11¢/kWh

Footnotes

- 1 New Item
- 2 Clear Lens
- 3 Frost Lens

- 4 Eco-Halogen Energy-Saving Technology
- 5 Rough Service
- 6 Canadian Standards Association

- 7 Krypton(K) / Xenon(X)
- 8 Long Neck

SINGLE-ENDED LAMPS, D.C. BAYONET AND E11 BASE



| Energy Used (Watts) | Lamp Base | Item No. | Footnotes | Domestic Code | Volts | Master Carton/ Inner Pack | Package Type | Finish | Filament Type | Light Appearance (Kelvin) | Brightness (Lumens) | Avg. Rated Hours | Life in Years* | Est. Yearly Energy Cost** | MOL |
|--------------------------|-----------|--------------|-----------|---------------|-------|---------------------------|--------------|--------|---------------|---------------------------|---------------------|------------------|----------------|---------------------------|-------|
| D.C. BAYONET BASE | | | | | | | | | | | | | | | |
| 50 | D.C. Bay. | 04835 | | 50Q/DC | 120 | 36/6 | Card | Clear | CC2V | 2900 | 600 | 1500 | 1.3 | \$6.02 | 1.88" |
| | D.C. Bay. | 04836 | | 50Q/DC | 120 | 100/10 | Box | Clear | CC2V | 2900 | 600 | 1500 | 1.3 | \$6.02 | 1.88" |
| 75 | D.C. Bay. | 04837 | | 75Q/DC | 120 | 100/10 | Box | Clear | CC2V | 2800 | 975 | 1500 | 1.3 | \$9.03 | 2.38" |
| 100 | D.C. Bay. | 04746 | | 100Q/DC | 120 | 36/6 | Card | Clear | CC8 | 2950 | 1500 | 1500 | 1.3 | \$12.05 | 2.38" |
| | D.C. Bay. | 04846 | | 100Q/DC | 120 | 100/10 | Box | Clear | CC8 | 2950 | 1400 | 1500 | 1.3 | \$12.05 | 2.38" |
| 150 | D.C. Bay. | 04847 | | 150Q/DC | 120 | 100/10 | Box | Clear | CC8 | 3000 | 2250 | 1500 | 1.3 | \$18.07 | 2.38" |
| E11 BASE | | | | | | | | | | | | | | | |
| 50 | E11 | 04423 | | 50T4Q/E11 | 120 | 100/10 | Box | Clear | CC2V | 2900 | 600 | 1300 | 1.1 | \$6.02 | 2.25" |
| | E11 | 04723 | | 50T4Q/E11 | 120 | 36/6 | Card | Clear | CC2V | 2900 | 600 | 1300 | 1.1 | \$6.02 | 2.25" |
| 75 | E11 | 04416 | | 75T4Q/E11 | 120 | 100/10 | Box | Clear | CC8 | 2900 | 1450 | 1300 | 1.1 | \$9.03 | 2.50" |
| | E11 | 04716 | | 75T4Q/E11 | 120 | 36/6 | Card | Clear | CC8 | 2900 | 1450 | 1300 | 1.1 | \$9.03 | 2.50" |
| | E11 | 04706 | | 75T4Q/F/E11 | 120 | 36/6 | Card | Frost | CC8 | 2900 | 1400 | 1300 | 1.1 | \$9.03 | 2.50" |
| 100 | E11 | 04467 | | 100T4Q/E11 | 120 | 100/10 | Box | Clear | CC8 | 2950 | 1900 | 1300 | 1.1 | \$12.05 | 2.69" |
| | E11 | 04767 | | 100T4Q/E11 | 120 | 36/6 | Card | Clear | CC8 | 2950 | 1900 | 1300 | 1.1 | \$12.05 | 2.69" |
| 150 | E11 | 04768 | | 150T4Q/E11 | 120 | 36/6 | Card | Clear | CC8 | 3000 | 2500 | 1300 | 1.1 | \$18.07 | 2.69" |
| 250 | E11 | 04469 | | 250T4Q/E11 | 120 | 100/10 | Box | Clear | CC8 | 3050 | 4000 | 1300 | 1.1 | \$30.11 | 2.68" |
| 500 | E11 | 04470 | | 500T4Q/E11 | 120 | 100/10 | Box | Clear | CC8 | 3100 | 9000 | 2000 | 1.8 | \$60.23 | 3.50" |

*Based on 3hrs./day

**Based on 3hrs./day 11¢/kWh

T3 SINGLE-ENDED LAMPS, XENON / KRYPTON



| Energy Used (Watts) | Lamp Base | Item No. | Footnotes | Domestic Code | Volts | Master Carton/ Inner Pack | Package Type | Finish | Filament Type | Brightness (Lumens) | Avg. Rated Hours | Life in Years* | Est. Yearly Energy Cost** | MOL |
|---------------------|-----------|--------------|-----------|---------------|-------|---------------------------|--------------|--------|---------------|---------------------|------------------|----------------|---------------------------|-------|
| 20 | Cand. | 06250 | 7 | 20T3/KX/E12 | 120 | 100/10 | Box | Clear | CC8 | 200 | 2000 | 1.8 | \$2.41 | 2.50" |
| | Cand. | 06253 | 7 | 20T3/KX/F/E12 | 120 | 100/10 | Box | Frost | CC8 | 190 | 2000 | 1.8 | \$2.41 | 2.50" |
| 40 | E11 | 06257 | 7 | 40T3/KX/E11 | 120 | 100/10 | Box | Clear | CC8 | 560 | 2000 | 1.8 | \$4.82 | 2.50" |
| | E11 | 06243 | 7 | 40T3/KX/E11 | 120 | 36/6 | Card | Clear | CC8 | 560 | 2000 | 1.8 | \$4.82 | 2.50" |
| | Cand. | 06251 | 7 | 40T3/KX/E12 | 120 | 100/10 | Box | Clear | CC8 | 560 | 2000 | 1.8 | \$4.82 | 2.50" |
| | Cand. | 06244 | 7 | 40T3/KX/E12 | 120 | 36/6 | Card | Clear | CC8 | 560 | 2000 | 1.8 | \$4.82 | 2.50" |
| | Cand. | 06254 | 7 | 40T3/KX/F/E12 | 120 | 100/10 | Box | Frost | CC8 | 540 | 2000 | 1.8 | \$4.82 | 2.50" |
| 60 | E11 | 06258 | 7 | 60T3/KX/E11 | 120 | 100/10 | Box | Clear | CC8 | 960 | 2000 | 1.8 | \$7.23 | 2.50" |
| | Cand. | 06252 | 7 | 60T3/KX/E12 | 120 | 100/10 | Box | Clear | CC8 | 960 | 2000 | 1.8 | \$7.23 | 2.50" |
| | Cand. | 06245 | 7 | 60T3/KX/E12 | 120 | 36/6 | Card | Clear | CC8 | 960 | 2000 | 1.8 | \$7.23 | 2.50" |
| | Cand. | 06255 | 7 | 60T3/KX/F/E12 | 120 | 100/10 | Box | Frost | CC8 | 950 | 2000 | 1.8 | \$7.23 | 2.50" |

*Based on 3hrs./day

**Based on 3hrs./day 11¢/kWh

Footnotes

- 1 New Item
- 2 Clear Lens
- 3 Frost Lens
- 4 Eco-Halogen Energy-Saving Technology
- 5 Rough Service
- 6 Canadian Standards Association
- 7 Krypton(K) / Xenon(X)
- 8 Long Neck



REFLECTOR LAMPS

| Energy Used (Watts) | Lamp Base | Item No. | Footnotes | Domestic Code | Volts | Master Carton/ Inner Pack | Package Type | Finish | Beam Type | Filament Type | Light Appearance (Kelvin) | Brightness (Lumens) | Avg. Rated Hours | Life in Years* | Est. Yearly Energy Cost** | MOL |
|---------------------|-----------|--------------|-----------|-----------------|-------|---------------------------|--------------|--------|-----------|---------------|---------------------------|---------------------|------------------|----------------|---------------------------|-------|
| R20 | | | | | | | | | | | | | | | | |
| 35 | Med. | 36802 | 4 | 35R20/H/FL/ECO | 120 | 36/6 | Box | Frost | Flood | CC8 | 2800 | 380 | 2500 | 2.2 | \$4.22 | 3.82" |
| 45 | Med. | 36860 | 4 | 45R20/H/FL/ECO | 120 | 36/6 | Box | Frost | Flood | CC8 | 3000 | 500 | 2000 | 1.8 | \$5.42 | 3.82" |
| BR25 | | | | | | | | | | | | | | | | |
| 55 | Med. | 36861 | 4 | 55BR25/H/FL/ECO | 120 | 36/6 | Box | Frost | Flood | CC8 | 3000 | 960 | 1000 | 0.9 | \$6.62 | 4.72" |
| BR30 | | | | | | | | | | | | | | | | |
| 50 | Med. | 36803 | 4 | 50BR30/H/FL/ECO | 120 | 36/6 | Box | Frost | Flood | CC8 | 2800 | 590 | 2500 | 2.2 | \$6.02 | 5.24" |
| 65 | Med. | 36862 | 4 | 65BR30/H/FL/ECO | 120 | 36/6 | Box | Frost | Flood | CC8 | 3000 | 820 | 2000 | 1.8 | \$7.83 | 5.24" |
| BR40 | | | | | | | | | | | | | | | | |
| 65 | Med. | 36864 | 4 | 65BR40/H/FL/ECO | 120 | 6 | Box | Frost | Flood | CC8 | 3000 | 820 | 2000 | 1.8 | \$7.83 | 6.42" |

*Based on 3hrs./day

**Based on 3hrs./day 11¢/kWh



PAR REFLECTOR LAMPS

| Energy Used (Watts) | Lamp Base | Item No. | Footnotes | Domestic Code | Volts | Master Carton/ Inner Pack | Package Type | Beam Spread | Beam Type | Filament Type | Light Appearance (Kelvin) | Brightness (Lumens) | Avg. Rated Hours | Life in Years* | Est. Yearly Energy Cost** | MOL |
|---------------------|-----------|--------------|-----------|---------------------------|-------|---------------------------|--------------|-------------|-----------|---------------|---------------------------|---------------------|------------------|----------------|---------------------------|-------|
| PAR16 | | | | | | | | | | | | | | | | |
| 40 | Med. | 05401 | | 40PAR16/H/FL | 120 | 24/6 | Box | 30° | Flood | CC8 | 2950 | 400 | 2000 | 1.8 | \$4.82 | 3.13" |
| 60 | Med. | 05402 | | 60PAR16/H/FL | 120 | 24/6 | Box | 30° | Flood | CC8 | 2950 | 660 | 2000 | 1.8 | \$7.23 | 3.13" |
| 75 | Med. | 05407 | | 75PAR16/H/FL | 120 | 24/6 | Box | 30° | Flood | CC8 | 2950 | 900 | 2000 | 1.8 | \$9.03 | 3.13" |
| PAR20 | | | | | | | | | | | | | | | | |
| 35 | Med. | 05419 | | 35PAR20/H/FL | 120 | 24/6 | Box | 30° | Flood | CC8 | 2700 | 380 | 2000 | 1.8 | \$4.22 | 3.13" |
| 38 | Med. | 36849 | 4 | 38PAR20/H/FL/ECO | 120 | 24/6 | Box | 30° | Flood | CC8 | 2800 | 500 | 1000 | 0.9 | \$4.58 | 3.23" |
| | Med. | 36856 | 4 | 38PAR20/H/FL/ECO 2PK | 120 | 6 | Box(2) | 30° | Flood | CC8 | 2800 | 500 | 1000 | 0.9 | \$4.58 | 3.23" |
| | Med. | 36850 | 4 | 38PAR20/H/FL/ECO/PLUS | 120 | 24/6 | Box | 30° | Flood | CC8 | 2750 | 500 | 2000 | 1.8 | \$4.58 | 3.23" |
| | Med. | 36851 | 4 | 38PAR20/H/FL/ECO/PLUS 2PK | 120 | 6 | Box(2) | 30° | Flood | CC8 | 2750 | 500 | 2000 | 1.8 | \$4.58 | 3.23" |

*Based on 3hrs./day

**Based on 3hrs./day 11¢/kWh

Footnotes

- 1 New Item
- 2 Clear Lens
- 3 Frost Lens

- 4 Eco-Halogen Energy-Saving Technology
- 5 Rough Service
- 6 Canadian Standards Association

- 7 Krypton(K) / Xenon(X)
- 8 Long Neck



PAR REFLECTOR LAMPS

| Energy Used (Watts) | Lamp Base | Item No. | Footnotes | Domestic Code | Volts | Master Carton/Inner Pack | Package Type | Beam Spread | Beam Type | Filament Type | Light Appearance (Kelvin) | Brightness (Lumens) | Avg. Rated Hours | Life in Years* | Est. Yearly Energy Cost** | MOL |
|---------------------|-----------|--------------|-----------|------------------------------|-------|--------------------------|--------------|-------------|-----------|---------------|---------------------------|---------------------|------------------|----------------|---------------------------|-------|
| PAR30 | | | | | | | | | | | | | | | | |
| 38 | Med. | 36848 | 4 | 38PAR30/H/FL/ECO | 120 | 24/6 | Box | 30° | Flood | CC8 | 2800 | 530 | 1000 | 0.9 | \$4.58 | 3.54" |
| | Med. | 36844 | 4,8 | 38PAR30/H/FL/LN/ECO | 120 | 24/6 | Box | 30° | Flood | CC8 | 2800 | 520 | 1000 | 0.9 | \$4.58 | 4.61" |
| | Med. | 36847 | 4 | 38PAR30/H/FL/ECO/PLUS | 120 | 24/6 | Box | 30° | Flood | CC8 | 2750 | 530 | 2000 | 1.8 | \$4.58 | 3.54" |
| | Med. | 36843 | 4,8 | 38PAR30/H/FL/LN/ECO/PLUS | 120 | 24/6 | Box | 30° | Flood | CC8 | 2750 | 520 | 2000 | 1.8 | \$4.58 | 4.61" |
| 60 | Med. | 36845 | 4 | 60PAR30/H/FL/ECO | 120 | 24/6 | Box | 30° | Flood | CC8 | 2900 | 1070 | 1000 | 0.9 | \$7.23 | 3.54" |
| | Med. | 36841 | 4,8 | 60PAR30/H/FL/LN/ECO | 120 | 24/6 | Box | 30° | Flood | CC8 | 2900 | 1070 | 1000 | 0.9 | \$7.23 | 4.61" |
| | Med. | 36857 | 4,8 | 60PAR30/H/FL/LN/ECO 2PK | 120 | 6 | Box(2) | 30° | Flood | CC8 | 2900 | 1070 | 1000 | 0.9 | \$7.23 | 4.61" |
| | Med. | 36846 | 4 | 60PAR30/H/FL/ECO/PLUS | 120 | 24/6 | Box | 30° | Flood | CC8 | 2850 | 1070 | 2000 | 1.8 | \$7.23 | 3.54" |
| | Med. | 36842 | 4,8 | 60PAR30/H/FL/LN/ECO/PLUS | 120 | 24/6 | Box | 30° | Flood | CC8 | 2850 | 1070 | 2000 | 1.8 | \$7.23 | 4.61" |
| | Med. | 36854 | 4,8 | 60PAR30/H/FL/LN/ECO/PLUS 2PK | 120 | 6 | Box(2) | 30° | Flood | CC8 | 2850 | 1070 | 2000 | 1.8 | \$7.23 | 4.61" |
| PAR38 | | | | | | | | | | | | | | | | |
| 38 | Med. | 36840 | 4 | 38PAR38/H/FL/ECO | 120 | 12/6 | Box | 30° | Flood | CC8 | 2800 | 550 | 1000 | 0.9 | \$4.58 | 5.35" |
| | Med. | 36858 | 4 | 38PAR38/H/FL/ECO 2PK | 120 | 6 | Box(2) | 30° | Flood | CC8 | 2800 | 550 | 1000 | 0.9 | \$4.58 | 5.35" |
| | Med. | 36852 | 4 | 38PAR38/H/FL/ECO/PLUS | 120 | 12/6 | Box | 30° | Flood | CC8 | 2750 | 550 | 2000 | 1.8 | \$4.58 | 5.35" |
| | Med. | 36853 | 4 | 38PAR38/H/FL/ECO/PLUS 2PK | 120 | 6 | Box(2) | 30° | Flood | CC8 | 2750 | 550 | 2000 | 1.8 | \$4.58 | 5.35" |
| 60 | Med. | 36838 | 4 | 60PAR38/H/FL/ECO | 120 | 12/6 | Box | 30° | Flood | CC8 | 2900 | 1070 | 1000 | 0.9 | \$7.23 | 5.35" |
| | Med. | 36839 | 4 | 60PAR38/H/FL/ECO/PLUS | 120 | 12/6 | Box | 30° | Flood | CC8 | 2850 | 1100 | 2000 | 1.8 | \$7.23 | 5.35" |
| 70 | Med. | 36836 | 4 | 70PAR38/H/FL/ECO | 120 | 12/6 | Box | 45° | Flood | CC8 | 3000 | 1310 | 1000 | 0.9 | \$8.43 | 5.35" |
| | Med. | 36859 | 4 | 70PAR38/H/FL/ECO 2PK | 120 | 6 | Box(2) | 30° | Flood | CC8 | 3000 | 1310 | 1000 | 0.9 | \$8.43 | 5.35" |
| | Med. | 36837 | 4 | 70PAR38/H/FL/ECO/PLUS | 120 | 12/6 | Box | 30° | Flood | CC8 | 2950 | 1310 | 2000 | 1.8 | \$8.43 | 5.35" |
| | Med. | 36855 | 4 | 70PAR38/H/FL/ECO/PLUS 2PK | 120 | 6 | Box(2) | 30° | Flood | CC8 | 2950 | 1310 | 2000 | 1.8 | \$8.43 | 5.35" |

*Based on 3hrs./day

**Based on 3hrs./day 11¢/kWh

Footnotes

- 1 New Item
- 2 Clear Lens
- 3 Frost Lens
- 4 Eco-Halogen Energy-Saving Technology
- 5 Rough Service
- 6 Canadian Standards Association
- 7 Krypton(K) / Xenon(X)
- 8 Long Neck



CLEAR

SOFT WHITE

ECO-HALOGEN A19 LAMPS

| Energy Used (Watts) | Lamp Base | Item No. | Footnotes | Domestic Code | Volts | Master Carton/ Inner Pack | Package Type | Finish | Filament Type | Light Appearance (Kelvin) | Brightness (Lumens) | Avg. Rated Hours | Life in Years* | Est. Yearly Energy Cost** | MOL |
|---------------------|-----------|--------------|-----------|---------------------|-------|---------------------------|--------------|------------|---------------|---------------------------|---------------------|------------------|----------------|---------------------------|-------|
| 29 | Med. | 36870 | 4 | 29A19/H/SW/ECO 4PK | 120 | 30/6 | Box(4) | Soft White | CC8 | 2900 | 450 | 1000 | 0.9 | \$3.49 | 4.25" |
| 42 | Med. | 36832 | 4 | 42A19/H/ECO 2PK | 120 | 30/6 | Box(2) | Clear | CC8 | 3000 | 760 | 1000 | 0.9 | \$5.06 | 4.25" |
| | Med. | 36800 | 4 | 42A19/H/SW/ECO 2PK | 120 | 30/6 | Box(2) | Soft White | CC8 | 3000 | 760 | 1000 | 0.9 | \$5.06 | 4.25" |
| | Med. | 36876 | 4 | 42A19/H/SW/ECO 4PK | 120 | 30/6 | Box(4) | Soft White | CC8 | 3000 | 760 | 1000 | 0.9 | \$5.06 | 4.25" |
| | Med. | 05104 | 4 | 42A19/H/SW/ECO 12PK | 120 | 6 | Box(12) | Soft White | CC8 | 3000 | 760 | 1000 | 0.9 | \$5.06 | 4.25" |
| 53 | Med. | 36834 | 4 | 53A19/H/ECO 2PK | 120 | 30/6 | Box(2) | Clear | CC8 | 3000 | 1100 | 1000 | 0.9 | \$6.38 | 4.25" |
| | Med. | 36833 | 4 | 53A19/H/SW/ECO 2PK | 120 | 30/6 | Box(2) | Soft White | CC8 | 3000 | 1100 | 1000 | 0.9 | \$6.38 | 4.25" |
| | Med. | 36873 | 4 | 53A19/H/SW/ECO 4PK | 120 | 30/6 | Box(4) | Soft White | CC8 | 3000 | 1100 | 1000 | 0.9 | \$6.38 | 4.25" |
| 72 | Med. | 36835 | 4 | 72A19/H/ECO 2PK | 120 | 30/6 | Box(2) | Clear | CC8 | 3000 | 1600 | 1000 | 0.9 | \$8.67 | 4.25" |
| | Med. | 36801 | 4 | 72A19/H/SW/ECO 2PK | 120 | 30/6 | Box(2) | Soft White | CC8 | 3000 | 1600 | 1000 | 0.9 | \$8.67 | 4.25" |
| | Med. | 36877 | 4 | 72A19/H/SW/ECO 4PK | 120 | 30/6 | Box(4) | Soft White | CC8 | 3000 | 1600 | 1000 | 0.9 | \$8.67 | 4.25" |
| | Med. | 05105 | 4 | 72A19/H/SW/ECO 12PK | 120 | 6 | Box(12) | Soft White | CC8 | 3000 | 1600 | 1000 | 0.9 | \$8.67 | 4.25" |

*Based on 3hrs./day

**Based on 3hrs./day 11¢/kWh



SL19
CUT GLASS

G25
CUT GLASS

BT15
CLEAR

BT15
SOFT WHITE

SPECIALTY AND DECORATIVE LAMPS

| Energy Used (Watts) | Lamp Base | Item No. | Footnotes | Domestic Code | Volts | Master Carton/ Inner Pack | Package Type | Finish | Filament Type | Light Appearance (Kelvin) | Brightness (Lumens) | Avg. Rated Hours | Life in Years* | Est. Yearly Energy Cost** | MOL |
|---------------------|-----------|--------------|-----------|-----------------|-------|---------------------------|--------------|------------|---------------|---------------------------|---------------------|------------------|----------------|---------------------------|-------|
| SL19 | | | | | | | | | | | | | | | |
| 43 | Med. | 05018 | 4 | 43SL19/H/CG/ECO | 120 | 36/6 | Box | Cut Glass | CC8 | 2900 | 750 | 1000 | 0.9 | \$5.18 | 4.92" |
| G25 | | | | | | | | | | | | | | | |
| 40 | Med. | 05017 | 4 | 40G25/H/CG/ECO | 120 | 36/6 | Box | Cut Glass | CC8 | 2850 | 520 | 2000 | 1.8 | \$4.82 | 4.65" |
| BT15 | | | | | | | | | | | | | | | |
| 43 | Med. | 05013 | 4 | 43BT15/H/ECO | 120 | 36/6 | Card | Clear | CC8 | 2900 | 750 | 1000 | 0.9 | \$5.18 | 4.13" |
| | Med. | 05012 | 4 | 43BT15/H/SW/ECO | 120 | 36/6 | Card | Soft White | CC8 | 2900 | 750 | 1000 | 0.9 | \$5.18 | 4.13" |

*Based on 3hrs./day

**Based on 3hrs./day 11¢/kWh

Footnotes

- 1 New Item
- 2 Clear Lens
- 3 Frost Lens

- 4 Eco-Halogen Energy-Saving Technology
- 5 Rough Service
- 6 Canadian Standards Association

- 7 Krypton(K) / Xenon(X)
- 8 Long Neck



XENON LAMPS (MINI RELECTOR)

| Energy Used (Watts) | Lamp Base | Item No. | Footnotes | Domestic Code | Volts | Master Carton/Inner Pack | Package Type | Finish | Filament Type | Light Appearance (Kelvin) | Brightness (Lumens) | Avg. Rated Hours | Life in Years* | Est. Yearly Energy Cost** | MOL |
|---------------------|-----------|--------------|-----------|------------------------|-------|--------------------------|--------------|--------|---------------|---------------------------|---------------------|------------------|----------------|---------------------------|-------|
| MR11 | | | | | | | | | | | | | | | |
| 20 | GU4 | 06214 | 2,7 | 20MR11X/FL/LN 2CD | 120 | 36/6 | Card(2) | Clear | C8 | 2900 | 100 | 10000 | 9.1 | \$2.41 | 1.38" |
| MR16 | | | | | | | | | | | | | | | |
| 20 | GU5.3 | 06212 | 2,7 | 20MR16X/FL/LN 2CD | 120 | 36/6 | Card(2) | Clear | C8 | 2950 | 300 | 10000 | 9.1 | \$2.41 | 1.81" |
| 50 | GU5.3 | 06213 | 2,7 | 50MR16X/FL/LN 2CD | 120 | 36/6 | Card(2) | Clear | C8 | 3050 | 175 | 10000 | 9.1 | \$6.02 | 1.81" |
| | GU10 | 06211 | 2,7 | 50MR16X/FL/GU10/LN 2CD | 120 | 36/6 | Card(2) | Clear | CC2V | 3050 | 550 | 3500 | 3.1 | \$6.02 | 2" |

*Based on 3hrs./day **Based on 3hrs./day 11¢/kWh



XENON LAMPS (SINGLE-ENDED)

| Energy Used (Watts) | Lamp Base | Item No. | Footnotes | Domestic Code | Volts | Master Carton/Inner Pack | Package Type | Finish | Filament Type | Light Appearance (Kelvin) | Brightness (Lumens) | Avg. Rated Hours | Life in Years* | Est. Yearly Energy Cost** | MOL |
|---------------------|-----------|--------------|-----------|------------------|-------|--------------------------|--------------|--------|---------------|---------------------------|---------------------|------------------|----------------|---------------------------|-------|
| 10 | G4 | 06216 | 7 | 10T3X 2CD | 12 | 36/6 | Card(2) | Clear | C6 | 2900 | 100 | 5000 | 4.5 | \$1.20 | 1.19" |
| 20 | G4 | 06209 | 7 | 20T3X 2CD | 12 | 36/6 | Card(2) | Clear | C6 | 2900 | 300 | 10000 | 9.1 | \$2.41 | 1.19" |
| | G8 | 06210 | 7 | 20T4X/G8/120 2CD | 120 | 36/6 | Card(2) | Clear | CC2V-H | 2700 | 175 | 5000 | 4.5 | \$2.41 | 1.38" |
| 35 | G4 | 06218 | 7 | 35T3X/12V 2CD | 12 | 36/6 | Card(2) | Clear | C6 | 2900 | 550 | 10000 | 9.1 | \$4.22 | 1.19" |

*Based on 3hrs./day **Based on 3hrs./day 11¢/kWh



T3 XENON / KRYPTON LAMPS

| Energy Used (Watts) | Lamp Base | Item No. | Footnotes | Domestic Code | Volts | Master Carton/Inner Pack | Package Type | Finish | Filament Type | Light Appearance (Kelvin) | Brightness (Lumens) | Avg. Rated Hours | Life in Years* | Est. Yearly Energy Cost** | MOL |
|---------------------|-----------|--------------|-----------|---------------|-------|--------------------------|--------------|--------|---------------|---------------------------|---------------------|------------------|----------------|---------------------------|-------|
| 20 | Cand. | 06250 | 7 | 20T3/KX/E12 | 120 | 100/10 | Box | Clear | CC8 | 2000 | 200 | 2000 | 1.8 | \$2.41 | 2.50" |
| | Cand. | 06253 | 7 | 20T3/KX/F/E12 | 120 | 100/10 | Box | Frost | CC8 | 2000 | 190 | 2000 | 1.8 | \$2.41 | 2.50" |
| 40 | E11 | 06257 | 7 | 40T3/KX/E11 | 120 | 100/10 | Box | Clear | CC8 | 2000 | 560 | 2000 | 1.8 | \$4.82 | 2.50" |
| | E11 | 06243 | 7 | 40T3/KX/E11 | 120 | 36/6 | Card | Clear | CC8 | 2000 | 560 | 2000 | 1.8 | \$4.82 | 2.50" |
| | Cand. | 06251 | 7 | 40T3/KX/E12 | 120 | 100/10 | Box | Clear | CC8 | 2000 | 560 | 2000 | 1.8 | \$4.82 | 2.50" |
| | Cand. | 06244 | 7 | 40T3/KX/E12 | 120 | 36/6 | Card | Clear | CC8 | 2000 | 560 | 2000 | 1.8 | \$4.82 | 2.50" |
| | Cand. | 06254 | 7 | 40T3/KX/F/E12 | 120 | 100/10 | Box | Frost | CC8 | 2000 | 540 | 2000 | 1.8 | \$4.82 | 2.50" |
| 60 | E11 | 06258 | 7 | 60T3/KX/E11 | 120 | 100/10 | Box | Clear | CC8 | 2000 | 960 | 2000 | 1.8 | \$7.23 | 2.50" |
| | Cand. | 06252 | 7 | 60T3/KX/E12 | 120 | 100/10 | Box | Clear | CC8 | 2000 | 960 | 2000 | 1.8 | \$7.23 | 2.50" |
| | Cand. | 06245 | 7 | 60T3/KX/E12 | 120 | 36/6 | Card | Clear | CC8 | 2000 | 960 | 2000 | 1.8 | \$7.23 | 2.50" |
| | Cand. | 06255 | 7 | 60T3/KX/F/E12 | 120 | 100/10 | Box | Frost | CC8 | 2000 | 950 | 2000 | 1.8 | \$7.23 | 2.50" |

*Based on 3hrs./day **Based on 3hrs./day 11¢/kWh



XENON LAMPS (WEDGE)

| Energy Used (Watts) | Lamp Base | Item No. | Footnotes | Domestic Code | Volts | Master Carton/Inner Pack | Package Type | Finish | Filament Type | Light Appearance (Kelvin) | Brightness (Lumens) | Avg. Rated Hours | Life in Years* | Est. Yearly Energy Cost** | MOL |
|---------------------|-----------|----------------|-----------|---------------|-------|--------------------------|--------------|--------|---------------|---------------------------|---------------------|------------------|----------------|---------------------------|-------|
| T3 1/4 | | | | | | | | | | | | | | | |
| 5 | Wedge | 06204 | 7 | 5T31/4X/12V | 12 | 100/10 | Box | Clear | C2V | 2800 | 2900 | 38 | 2.5 | \$0.60 | 0.95" |
| | Wedge | 0620450 | 7 | 5T31/4X/12V | 12 | 50 | Box | Clear | C2V | 2800 | 2900 | 38 | 2.5 | \$0.60 | 0.95" |
| | Wedge | 06217 | 7 | 5T31/4/X/12V | 12 | 120/10 | Card | Clear | C2V | 3000 | 2900 | 26 | 2.7 | \$0.60 | 0.95" |
| T5 | | | | | | | | | | | | | | | |
| 18 | Wedge | 06215 | 7 | 18T5X/12V | 12 | 36/6 | Card | Clear | C2R | 1000 | 2900 | 210 | 0.9 | \$2.17 | 1.43" |

*Based on 3hrs./day **Based on 3hrs./day 11¢/kWh

Footnotes

- 1 New Item
- 2 Clear Lens
- 3 Frost Lens
- 4 Eco-Halogen Energy-Saving Technology
- 5 Rough Service
- 6 Canadian Standards Association
- 7 Krypton(K) / Xenon(X)
- 8 Long Neck

130 VOLT COMPARISON CHART

130 Volt lamps will last longer when used on a 120 Volt line. However, the brightness (lumen output) of these 130 Volt lamps operating on a 120 Volt line will be significantly reduced, while energy consumption (watts) will be less.

A 130 Volt lamp is perfect for use in hard-to-reach places and for use in lights that are on for long periods of time. Westinghouse Lighting recommends that you check that there is enough brightness (lumen output) for your specific application or task.

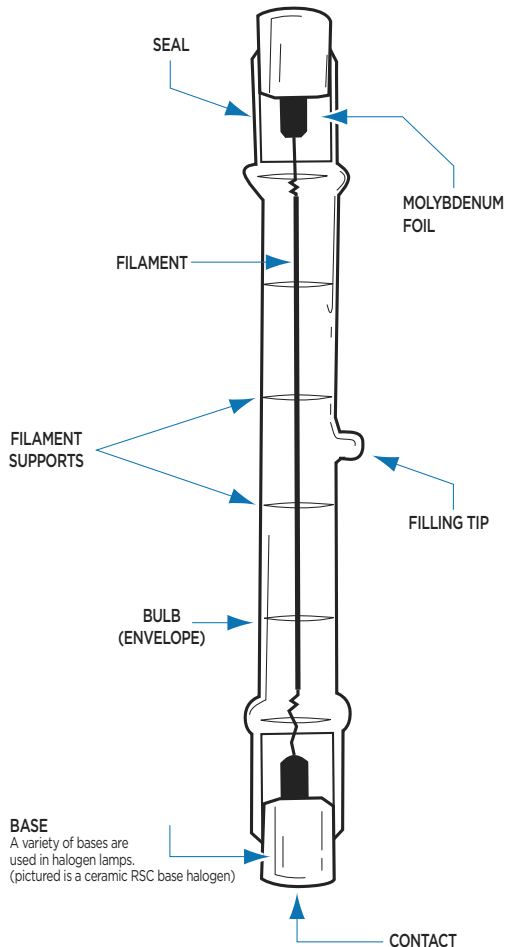
NOTE: Most electrical service is 120 Volts. By using 130 Volt lamps on a 120 Volt line, replacement and maintenance costs can be reduced due to longer life.

130V LAMP SPECIFICATIONS – OPERATING ON A 130V LINE

OPERATING ON A 120V LINE

| Item No. | Energy Used (Watts) | Domestic Code | Master Carton /Inner Pack | Avg. Rated Hours | Brightness (Lumens) | Energy Used (Watts) @ 120V | Avg. Rated Hours @ 120V | Brightness (Lumens) @ 120V |
|----------|---------------------|-------------------|---------------------------|------------------|---------------------|----------------------------|-------------------------|----------------------------|
| 04764 | 75 | 75T4Q/GY8/130 | 36/6 | 2000 | 975 | 66 | 5600 | 731 |
| 04770 | 100 | 100T4Q/GY8/130 | 36/6 | 2000 | 1400 | 88 | 5600 | 1050 |
| 04783 | 150 | 150T3Q/RS/130 | 36/6 | 1500 | 2600 | 132 | 4200 | 1950 |
| 04784 | 150 | 150T3Q/RS/130 | 36/6 | 1500 | 2400 | 132 | 4200 | 1800 |
| 04786 | 300 | 300T3Q/RS/130 | 36/6 | 1500 | 5000 | 264 | 4200 | 3750 |
| 04788 | 500 | 500T3Q/RS/130 | 36/6 | 1500 | 9500 | 440 | 4200 | 7125 |
| 04829 | 500 | 500T3Q/130 | 100/10 | 1500 | 10500 | 440 | 4200 | 7875 |
| 04979 | 300 | 300T3Q/RS/130 2CD | 36/6 | 4000 | 4000 | 264 | 11200 | 3000 |
| 04981 | 500 | 500T3Q/RS/130 2CD | 36/6 | 4000 | 8000 | 440 | 11200 | 6000 |

HALOGEN LAMP COMPONENTS



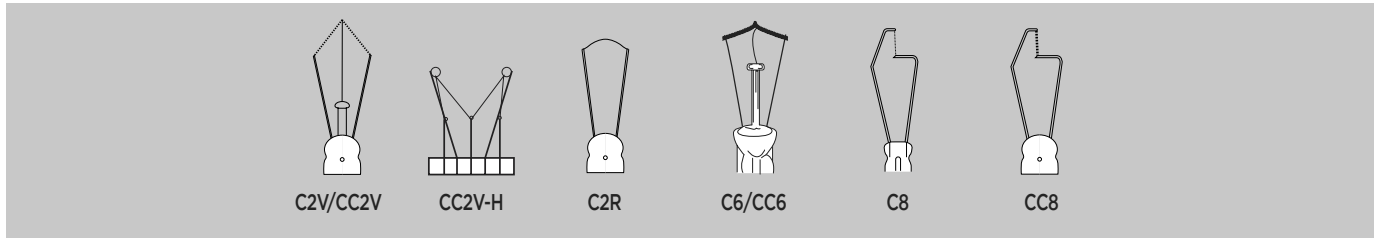
XENON LAMPS

Xenon lamps are incandescent lamps filled with Xenon and other gases. Xenon lamps in comparison to their standard incandescent and halogen lamp counterparts are more efficient, have longer life and have a crisper, brighter light output. All Xenon lamps provide instant brightness and are fully dimmable.

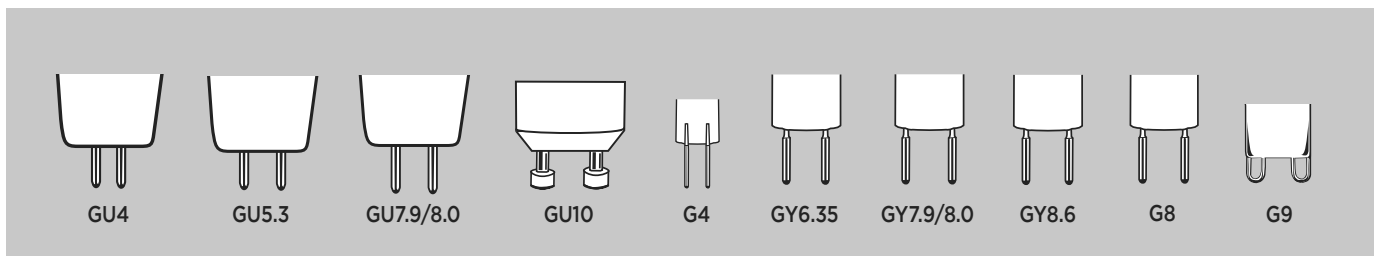
ECO-HALOGEN LAMPS

Eco-Halogen lamps utilize an improved halogen burner that makes them more efficient than a standard halogen equivalent lamp. Additionally Eco-PAR PLUS Halogen lamps utilize an advanced reflective technology to deliver extended life. All Eco-Halogen lamps provide instant brightness and are fully dimmable, plus offer energy savings that meet federal energy efficient standards. Eco-Halogen lamps are perfect alternatives to non-compliant legislated lamps.

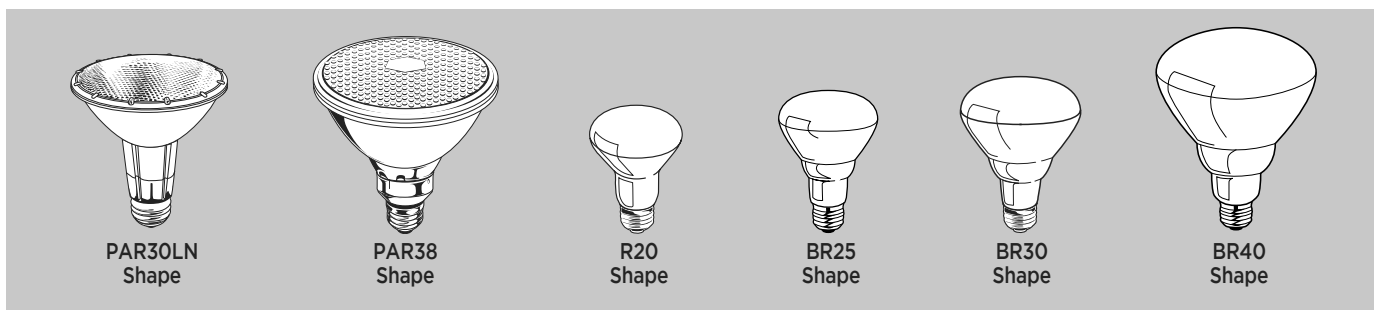
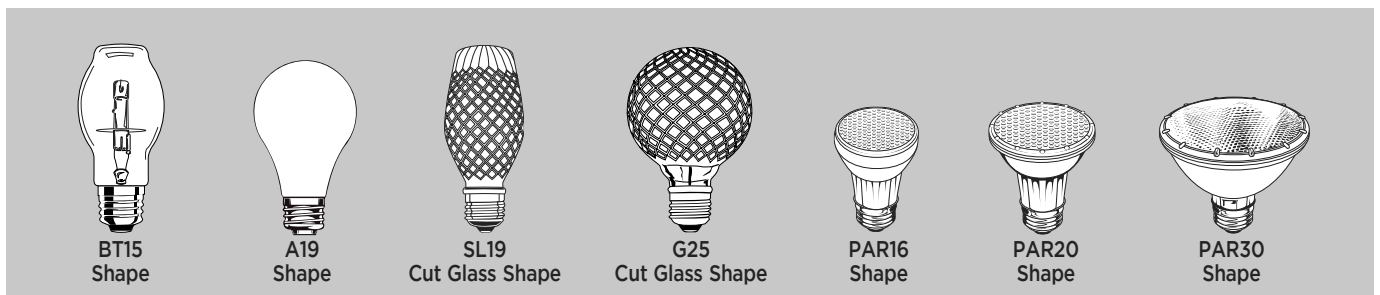
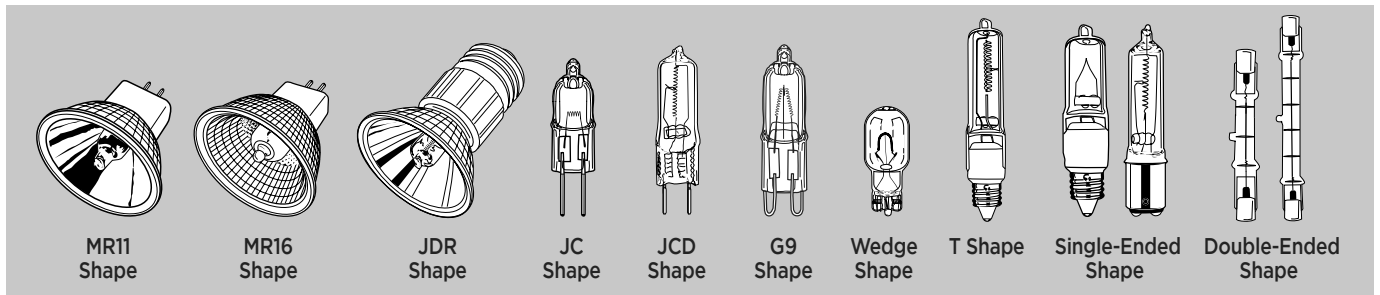
HALOGEN LAMP FILAMENT TYPES



HALOGEN LAMP BASE TYPES



HALOGEN LAMP SHAPES





Westinghouse

INNOVATION YOU CAN BE SURE OF



LINEAR FLUORESCENT LIGHTING

Upgrade your lighting systems without sacrificing light output. Energy-saving T5s and T8s offer great lumen maintenance in multiple Kelvin temperatures. Our line of long-life fluorescent lighting also includes Circular and U-Bent shapes.

T5 LAMPS



| Energy Used (Watts) | Lamp Base | Item No. | Footnotes | Domestic Code | Master Carton/ Inner Pack | Package Type | Finish | Light Appearance (Kelvin) | CRI | Avg. Rated Hours (3Hrs./Start) | Avg. Rated Hours (12Hrs./Start) | Brightness (Lumens) | Life in Years* | Est. Yearly Energy Cost** | MOL |
|--|------------|--------------|-----------|---------------|---------------------------|--------------|------------|---------------------------|-----|--------------------------------|---------------------------------|---------------------|----------------|---------------------------|-----|
| T5 MINIATURE | | | | | | | | | | | | | | | |
| 8 | Mini BiPin | 07440 | | F8T5/CW | 72/12 | Sleeve | Cool White | 4100 | 62 | 5000 | 9000 | 380 | 4.5 | \$0.96 | 12" |
| | Mini BiPin | 07443 | | F8T5/WW | 72/12 | Sleeve | Warm White | 3000 | 50 | 5000 | 9000 | 380 | 4.5 | \$0.96 | 12" |
| | Mini BiPin | 04044 | | F8T5/CW | 6 | Hanging Box | Cool White | 4100 | 62 | 5000 | 9000 | 380 | 4.5 | \$0.96 | 12" |
| 13 | Mini BiPin | 07500 | | F13T5/CW | 72/12 | Sleeve | Cool White | 4100 | 62 | 5000 | 10000 | 860 | 4.5 | \$1.57 | 21" |
| T5 QUINTALUX™ (REDUCED MERCURY) | | | | | | | | | | | | | | | |
| 28 | Mini BiPin | 07004 | 2 | F28T5/835 | 24/6 | Sleeve | Cool White | 3500 | 83 | 20000 | 35000 | 2900 | 18.2 | \$3.37 | 46" |
| | Mini BiPin | 07005 | 2 | F28T5/841 | 24/6 | Sleeve | Cool White | 4100 | 84 | 20000 | 35000 | 2900 | 18.2 | \$3.37 | 46" |
| 54 | Mini BiPin | 07007 | 2 | F54T5/835/HO | 24/6 | Sleeve | Cool White | 3500 | 80 | 20000 | 35000 | 5000 | 18.2 | \$6.50 | 46" |
| | Mini BiPin | 07008 | 2,5 | F54T5/841/HO | 24/6 | Sleeve | Cool White | 4100 | 81 | 20000 | 35000 | 5000 | 18.2 | \$6.50 | 46" |
| | Mini BiPin | 07032 | 2,5 | F54T5/850/HO | 24/6 | Sleeve | Daylight | 5000 | 83 | 20000 | 35000 | 4800 | 18.2 | \$6.50 | 46" |

*Based on 3hrs./day **Based on 3hrs./day 11¢/kWh



T8 LAMPS

| Energy Used (Watts) | Lamp Base | Item No. | Footnotes | Domestic Code | Master Carton/ Inner Pack | Package Type | Finish | Light Appearance (Kelvin) | CRI | Avg. Rated Hours (3Hrs./Start) | Avg. Rated Hours (12Hrs./Start) | Brightness (Lumens) | Life in Years* | Est. Yearly Energy Cost** | MOL |
|-------------------------------------|------------|--------------------------|-----------|----------------------|---------------------------|--------------|------------|---------------------------|-----|--------------------------------|---------------------------------|---------------------|----------------|---------------------------|-----|
| T8 PREHEAT | | | | | | | | | | | | | | | |
| 15 | Med. BiPin | 07540 | | F15T8/CW | 72/12 | Sleeve | Cool White | 4100 | 62 | 7500 | 12000 | 850 | 6.8 | \$1.81 | 18" |
| | Med. BiPin | 36515 | 8 | F15T8/FS | 6 | Sleeve | Daylight | 6500 | 94 | 8000 | 10000 | 700 | 7.3 | \$1.81 | 18" |
| T8 ECOMAX™ (REDUCED MERCURY) | | | | | | | | | | | | | | | |
| 17 | Med. BiPin | 07445[†] | 2 | F17T8/735/ECOMAX | 25 | Sleeve | Cool White | 3500 | 75 | 24000 | 30000 | 1325 | 21.9 | \$2.05 | 24" |
| | Med. BiPin | 07446[†] | 2 | F17T8/741/ECOMAX | 25 | Sleeve | Cool White | 4100 | 75 | 24000 | 30000 | 1325 | 21.9 | \$2.05 | 24" |
| | Med. BiPin | 07451[†] | 2 | F17T8/841/ECOMAX | 25 | Sleeve | Cool White | 4100 | 85 | 24000 | 30000 | 1400 | 21.9 | \$2.05 | 24" |
| 25 | Med. BiPin | 07454 | 2 | F25T8/741/ECOMAX | 25 | Sleeve | Cool White | 4100 | 75 | 24000 | 30000 | 2125 | 21.9 | \$3.01 | 36" |
| | Med. BiPin | 07456 | 2 | F25T8/835/ECOMAX | 25 | Sleeve | Cool White | 3500 | 85 | 24000 | 30000 | 2250 | 21.9 | \$3.01 | 36" |
| 25 | Med. BiPin | 36012[‡] | 2,3,7 | F25T8/841/ECO/LL | 25 | Sleeve | Cool White | 4100 | 84 | 24000 | 30000 | 2500 | 21.9 | \$3.01 | 48" |
| 28 | Med. BiPin | 36015[‡] | 2,7 | F28T8/841/ECO/LL | 25 | Sleeve | Cool White | 4100 | 85 | 24000 | 30000 | 2725 | 21.9 | \$3.37 | 48" |
| | Med. BiPin | 36016[‡] | 2,7 | F28T8/850/ECO/LL | 25 | Sleeve | Daylight | 5000 | 86 | 24000 | 30000 | 2725 | 21.9 | \$3.37 | 48" |
| 32 | Med. BiPin | 37324[†] | 2 | F32T8/830/ECOMAX | 25 | Sleeve | Warm White | 3000 | 83 | 24000 | 30000 | 3050 | 21.9 | \$3.85 | 48" |
| | Med. BiPin | 37411[†] | 2 | F32T8/835/ECOMAX | 25 | Sleeve | Cool White | 3500 | 82 | 24000 | 30000 | 3000 | 21.9 | \$3.85 | 48" |
| | Med. BiPin | 37413[†] | 2 | F32T8/841/ECOMAX | 25 | Sleeve | Cool White | 4100 | 84 | 24000 | 30000 | 3000 | 21.9 | \$3.85 | 48" |
| | Med. BiPin | 37334[†] | 2 | F32T8/841/ECOMAX 2PK | 36 | Box(2) | Cool White | 4100 | 84 | 24000 | 30000 | 3000 | 21.9 | \$3.85 | 48" |
| | Med. BiPin | 37307[†] | 2 | F32T8/850/ECOMAX | 25 | Sleeve | Daylight | 5000 | 82 | 24000 | 30000 | 2900 | 21.9 | \$3.85 | 48" |
| | Med. BiPin | 07028[†] | 2,6,7 | F32T8/835/XL/ECOMAX | 25 | Sleeve | Cool White | 3500 | 84 | 24000 | 30000 | 3100 | 21.9 | \$3.85 | 48" |
| | Med. BiPin | 07029[†] | 2,6,7 | F32T8/841/XL/ECOMAX | 25 | Sleeve | Cool White | 4100 | 83 | 24000 | 30000 | 3100 | 21.9 | \$3.85 | 48" |

*Based on 3hrs./day **Based on 3hrs./day 11¢/kWh

† RATED HOURS FOR PROGRAMMED RAPID START BALLAST ARE 30,000 AT 3 HOURS AND 36,000 AT 12 HOURS.

Fluorescent Lamps contain mercury. For more on clean up and safe disposal, visit epa.gov/cfl.

Footnotes

- 1 New Item
- 2 Low Mercury Lighting
- 3 Energy Saver
- 4 High Output Outdoor
- 5 Canadian Standards Association
- 6 High Lumen/Long Life
- 7 CEE Qualified Product
- 8 Realite™ Full Spectrum



T12 PREHEAT



T12 RAPID START



T12 ECOMAX[®] RAPID START



T12 ECOMAX[®] RAPID START



T12 ECOMAX[®] HIGH OUTPUT

T12 LAMPS

| Energy Used (Watts) | Lamp Base | Item No. | Footnotes | Domestic Code | Master Carton | Package Type | Finish | Light Appearance (Kelvin) | CRI | Avg. Rated Hours (3Hrs./Start) | Avg. Rated Hours (12Hrs./Start) | Brightness (Lumens) | Life in Years* | Est. Yearly Energy Cost** | MOL |
|---|------------|--------------|-----------|-----------------------|---------------|--------------|-------------------|---------------------------|-----|--------------------------------|---------------------------------|---------------------|----------------|---------------------------|-----|
| T12 PREHEAT | | | | | | | | | | | | | | | |
| 15 | Med. BiPin | 07550 | | F15T12/CW | 30 | Sleeve | Cool White | 4100 | 62 | 8000 | 10000 | 650 | 7.3 | \$1.81 | 18" |
| 20 | Med. BiPin | 05660 | | F20T12/CW | 15 | Sleeve | Cool White | 4100 | 62 | 10000 | 20000 | 1200 | 9.1 | \$2.41 | 24" |
| T12 RAPID START | | | | | | | | | | | | | | | |
| 30 | Med. BiPin | 07650 | | F30T12/CW | 30 | Sleeve | Cool White | 4100 | 62 | 16000 | 25000 | 1900 | 14.6 | \$3.61 | 36" |
| 40 | Med. BiPin | 05752 | | F40T12/CWX | 30 | Bulk | Cool White Deluxe | 4100 | 89 | 20000 | 20000 | 2600 | 18.2 | \$4.82 | 48" |
| | Med. BiPin | 05914 | | F40T12/CWX 2PK | 15 | Sleeve(2) | Cool White Deluxe | 4100 | 89 | 20000 | 20000 | 2600 | 18.2 | \$4.82 | 48" |
| | Med. BiPin | 07523 | | F40T12/DD | 6 | Sleeve | Daylight | 6500 | 90 | 20000 | 25000 | 2200 | 18.2 | \$4.82 | 48" |
| T12 ECOMAX[®] RAPID START (REDUCED MERCURY) | | | | | | | | | | | | | | | |
| 40 | Med. BiPin | 05906 | 2,3 | F40T12/DD/ES/ECOMAX | 30 | Bulk | Daylight Deluxe | 6500 | 90 | 20000 | 20000 | 2025 | 18.2 | \$4.82 | 48" |
| 75 | Single Pin | 05903 | 2 | F96T12/DD/ECOMAX | 15 | Bulk | Daylight Deluxe | 6500 | 90 | 12000 | 12000 | 4500 | 10.9 | \$9.03 | 96" |
| T12 ECOMAX[®] HIGH OUTPUT (REDUCED MERCURY, HO 800MA) | | | | | | | | | | | | | | | |
| E | Rec. D.C. | 07910 | 2,4 | F96T12/CW/HO-O/ECOMAX | 15 | Bulk | Cool White | 4100 | 62 | 12000 | 12000 | 8800 | 10.9 | \$13.25 | 96" |

*Based on 3hrs./day **Based on 3hrs./day 11¢/kWh

E* Means this bulb meets Federal minimum efficiency standards

Fluorescent Lamps contain mercury. For more on clean up and safe disposal, visit epa.gov/cfl.

Footnotes

- 1 New Item
- 2 Low Mercury Lighting

- 3 Energy Saver
- 4 High Output Outdoor

- 5 Canadian Standards Association
- 6 High Lumen/Long Life

- 7 CEE Qualified Product
- 8 Realite™ Full Spectrum

T8 ECOMAX®
U-BENT LAMP



T8 ECOMAX® U-BENT LAMP

| Energy Used (Watts) | Lamp Base | Item No. | Footnotes | Domestic Code | Master Carton | Package Type | Finish | Light Appearance (Kelvin) | CRI | Avg. Rated Hours (3Hrs./Start) | Avg. Rated Hours (12Hrs./Start) | Brightness (Lumens) | Life in Years* | Est. Yearly Energy Cost** | MOL |
|---|------------|--------------|-----------|---------------------|---------------|--------------|------------|---------------------------|-----|--------------------------------|---------------------------------|---------------------|----------------|---------------------------|--------|
| T8 ECOMAX® U-BENT RAPID START LAMP (6"LEG SPACING) | | | | | | | | | | | | | | | |
| 32 | Med. BiPin | 37317 | 2 | FB32T8/841/6/ECOMAX | 20 | Box | Cool White | 4100 | 84 | 20000 | 24000 | 2800 | 18.2 | \$3.85 | 22.50" |

*Based on 3hrs./day **Based on 3hrs./day 11¢/kWh



T6 2C CIRCULAR LAMP



T9 CIRCULAR LAMP

CIRCULAR LAMPS

| Energy Used (Watts) | Lamp Base | Item No. | Footnotes | Domestic Code | Master Carton/ Inner Pack | Package Type | Finish | Light Appearance (Kelvin) | CRI | Avg. Rated Hours (3Hrs./Start) | Brightness (Lumens) | Life in Years* | Est. Yearly Energy Cost** | MOL | |
|-------------------------------|-----------|--------------|-----------|---------------|---------------------------|--------------|------------|---------------------------|-----|--------------------------------|---------------------|----------------|---------------------------|-------|--|
| T6 2C CIRCULAR (4-PIN) | | | | | | | | | | | | | | | |
| 40 | GU10q | 37340 | | FC40/2C/WW | 36/6 | Box | Warm White | 3000 | 82 | 10000 | 2800 | 9.1 | \$4.82 | 7.50" | |
| T9 CIRCULAR | | | | | | | | | | | | | | | |
| 22 | 4-Pin | 06010 | | FC8T9/CW | 12 | Hanging Box | Cool White | 4100 | 62 | 9000 | 1040 | 8.2 | \$2.65 | 8" | |
| | 4-Pin | 06013 | | FC8T9/WW | 12 | Hanging Box | Warm White | 3000 | 52 | 9000 | 1040 | 8.2 | \$2.65 | 8" | |
| 32 | 4-Pin | 06020 | | FC12T9/CW | 12 | Hanging Box | Cool White | 4100 | 62 | 10000 | 1940 | 9.1 | \$3.85 | 12" | |
| | 4-Pin | 06023 | | FC12T9/WW | 12 | Hanging Box | Warm White | 3000 | 52 | 10000 | 1940 | 9.1 | \$3.85 | 12" | |
| 40 | 4-Pin | 06030 | | FC16T9/CW | 6 | Hanging Box | Cool White | 4100 | 62 | 10000 | 2660 | 9.1 | \$4.82 | 16" | |

*Based on 3hrs./day **Based on 3hrs./day 11¢/kWh



TUBE GUARD WITH END CAP

TUBE GUARDS AND END CAPS

ALL TUBE GUARDS AND END CAPS ARE **NOT FOR USE** WITH HO LAMPS.

| Energy Used (Watts) | Lamp Base | Item No. | Domestic Code | Master Carton/ Inner Pack | Package Type | Finish | MOL |
|--------------------------------|-----------|--------------|------------------|---------------------------|--------------|--------|-----|
| T8 (INCLUDES END CAPS) | | | | | | | |
| | | 07944 | TUBEGUARD/T8/96 | 24 | Bulk | Clear | 96" |
| | | 07946 | TUBEGUARD/T8/48 | 24 | Bulk | Clear | 48" |
| T12 (INCLUDES END CAPS) | | | | | | | |
| | | 07948 | TUBEGUARD/T12/48 | 12 | Bulk | Clear | 48" |
| | | 07949 | TUBEGUARD/T12/96 | 12 | Bulk | Clear | 96" |

Fluorescent Lamps contain mercury. (Hg) For more on clean up and safe disposal, visit epa.gov/cfl.

Footnotes

1 New Item

2 Low Mercury Lighting

3 Energy Saver

4 High Output Outdoor

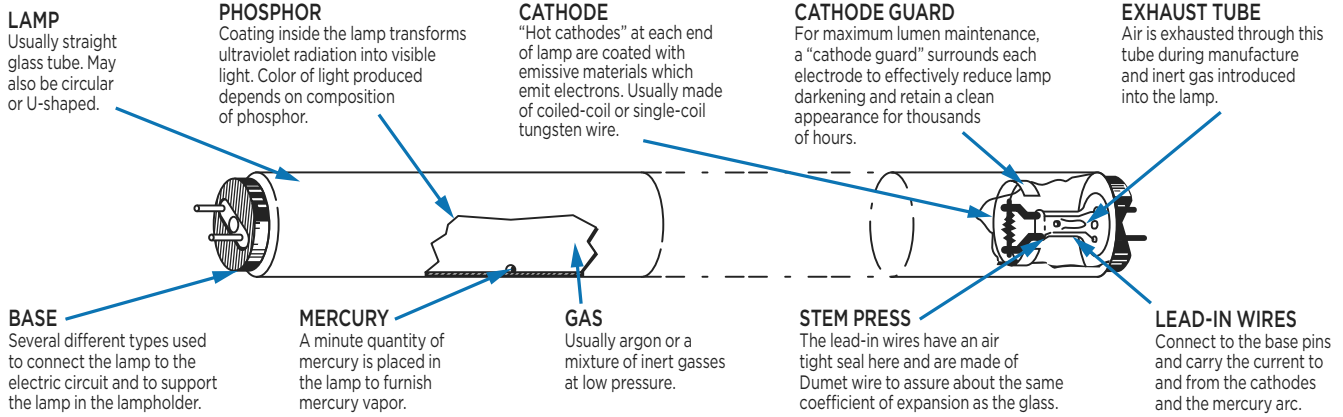
5 Canadian Standards Association

6 High Lumen/Long Life

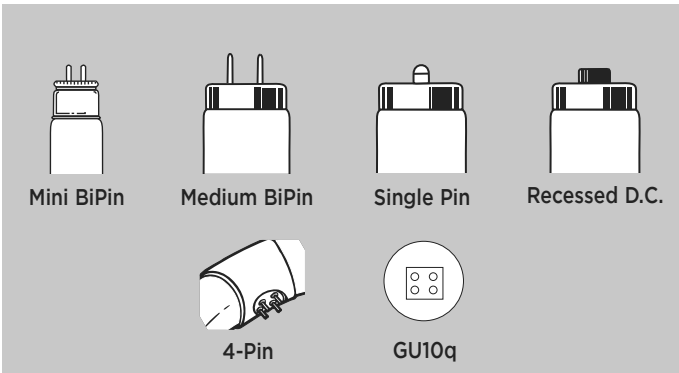
7 CEE Qualified Product

8 Realite™ Full Spectrum

FLUORESCENT LAMP COMPONENTS



FLUORESCENT LAMP BASE TYPES

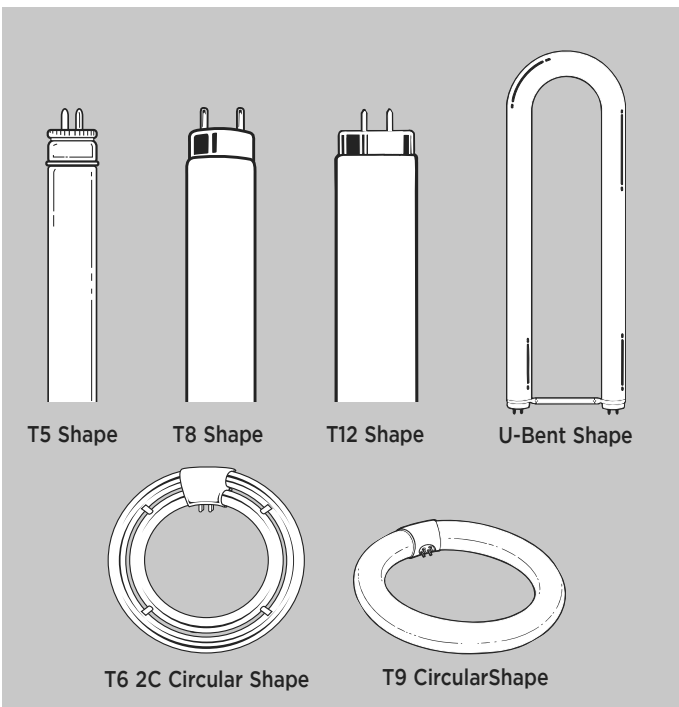


FLUORESCENT LAMP MERCHANDISING DISPLAY



09260
2-Pack
Fluorescent
Wire Rack
Display

FLUORESCENT LAMP SHAPES





HIGH INTENSITY DISCHARGE (HID) LIGHTING

Our extensive HID lamp line includes pulse start and protected metal halides, high pressure sodium and mercury vapor options. These lamps offer increased lamp efficacy and higher light output than standard incandescent or fluorescent lamps.

MERCURY VAPOR LAMPS



| Energy Used (Watts) | Lamp Base | Item No. | Footnotes | Domestic Code | Master Carton | Package Type | Finish | Light Appearance (Kelvin) | CRI | ANSI Code | Avg. Rated Hours | Brightness (Initial Lumens) | Brightness (Mean Lumens) | MOL |
|---------------------|-----------|--------------|-----------|-----------------|---------------|--------------|--------|---------------------------|-----|-----------|------------------|-----------------------------|--------------------------|--------|
| E17 | | | | | | | | | | | | | | |
| 50 | Med. | 37401 | | HF50XR/H46/MED | 6 | Box | White | 4000 | 41 | H46 | 24000 | 1900 | 1520 | 5.44" |
| 100 | Med. | 37404 | | HF100XR/H38/MED | 6 | Box | White | 4000 | 41 | H38 | 24000 | 4500 | 3600 | 5.44" |
| ED23 1/2 | | | | | | | | | | | | | | |
| 100 | Mogul | 37403 | | HF100XR/H38 | 6 | Box | White | 4000 | 41 | H38 | 24000 | 4500 | 3600 | 8.25" |
| BT28 | | | | | | | | | | | | | | |
| 175 | Mogul | 37405 | | HF175XR/H39 | 6 | Box | White | 4000 | 41 | H39 | 24000 | 8900 | 7120 | 8.31" |
| 250 | Mogul | 37406 | | HF250XR/H37 | 6 | Box | White | 4000 | 41 | H37 | 24000 | 13700 | 10960 | 8.75" |
| BT37 | | | | | | | | | | | | | | |
| 400 | Mogul | 37407 | | HF400XR/H33 | 6 | Box | White | 4000 | 41 | H33 | 24000 | 24000 | 19200 | 11.50" |

HIGH PRESSURE SODIUM LAMPS



| Energy Used (Watts) | Lamp Base | Item No. | Footnotes | Domestic Code | Master Carton | Package Type | Finish | Light Appearance (Kelvin) | CRI | ANSI Code | Avg. Rated Hours | Brightness (Initial Lumens) | Brightness (Mean Lumens) | MOL |
|---------------------|-----------|--------------|-----------|---------------|---------------|--------------|--------|---------------------------|-----|-----------|------------------|-----------------------------|--------------------------|--------|
| ED17 | | | | | | | | | | | | | | |
| 35 | Med. | 37430 | | LU35/S76/MED | 6 | Box | Clear | 1900 | 15 | S76 | 24000 | 2250 | 2050 | 5.44" |
| 50 | Med. | 37432 | | LU50/S68/MED | 6 | Box | Clear | 1900 | 15 | S68 | 24000 | 4000 | 3600 | 5.44" |
| 70 | Med. | 37435 | | LU70/S62/MED | 6 | Box | Clear | 1900 | 15 | S62 | 24000 | 6300 | 5520 | 5.44" |
| 100 | Med. | 37439 | | LU100/S54/MED | 6 | Box | Clear | 2100 | 25 | S54 | 24000 | 9500 | 8000 | 5.44" |
| 150 | Med. | 37442 | | LU150/S55/MED | 6 | Box | Clear | 2100 | 25 | S55 | 24000 | 14500 | 13300 | 5.44" |
| ED23 1/2 | | | | | | | | | | | | | | |
| 70 | Mogul | 37437 | | LU70/S62 | 6 | Box | Clear | 1900 | 15 | S62 | 24000 | 6300 | 5500 | 7.75" |
| 100 | Mogul | 37440 | | LU100/S54 | 6 | Box | Clear | 2100 | 25 | S54 | 24000 | 9500 | 8000 | 7.75" |
| 150 | Mogul | 37443 | | LU150/S55 | 6 | Box | Clear | 1900 | 25 | S55 | 24000 | 14500 | 11600 | 7.75" |
| ET18 | | | | | | | | | | | | | | |
| 250 | Mogul | 37444 | | LU250/S50 | 6 | Box | Clear | 1900 | 21 | S50 | 24000 | 27500 | 22000 | 9.75" |
| 400 | Mogul | 37445 | | LU400/S51 | 6 | Box | Clear | 2100 | 21 | S51 | 24000 | 50000 | 40000 | 9.75" |
| ET25 | | | | | | | | | | | | | | |
| 1000 | Mogul | 37447 | | LU1000/S52 | 12 | Box | Clear | 2100 | 21 | S52 | 24000 | 130000 | 120700 | 15.13" |

HID Lamps contain mercury. For more on clean up and safe disposal, visit epa.gov/cfl.

Footnotes

- 1 For Probe Start or Pulse Start Ballasts
- 2 Low Profile
- 3 Universal Operating Position
- 4 Specifications based on operating at a base up (BU) position

METAL HALIDE LAMPS
(FOR USE IN ENCLOSED FIXTURES)



| Energy Used (Watts) | Lamp Base | Item No. | Footnotes | Domestic Code | Master Carton | Package Type | Finish | Light Appearance (Kelvin) | CRI | ANSI Code | Avg. Rated Hours | Brightness (Initial Lumens) | Brightness (Mean Lumens) | MOL |
|---------------------|-----------|--------------|-----------|---------------------|---------------|--------------|--------|---------------------------|-----|-----------|------------------|-----------------------------|--------------------------|--------|
| ED17 | | | | | | | | | | | | | | |
| 50 | Med. | 37016 | 1,3 | MH50/U/M110/E/MED | 6 | Box | Clear | 4200 | 65 | M110/E | 10000 | 3400 | 2000 | 5.44" |
| 70 | Med. | 37017 | 1,3 | MH70/U/M98/E/MED | 6 | Box | Clear | 4200 | 65 | M98/E | 10000 | 5600 | 4400 | 5.44" |
| 100 | Med. | 37018 | 1,3 | MH100/U/M90/E/MED | 6 | Box | Clear | 4200 | 65 | M90/E | 10000 | 8500 | 5525 | 5.44" |
| 150 | Med. | 37015 | 1,3 | MH150/U/M102/E/MED | 6 | Box | Clear | 4200 | 60 | M102/E | 10000 | 9000 | 8000 | 5.44" |
| 175 | Med. | 37019 | 3 | MH175/U/M57/E/MED | 6 | Box | Clear | 4200 | 65 | M57/E | 10000 | 14400 | 11520 | 5.44" |
| ED28 | | | | | | | | | | | | | | |
| 175 | Mogul | 37020 | 3 | MH175/U/M57/E | 6 | Box | Clear | 4200 | 65 | M57/E | 10000 | 14400 | 12800 | 8.31" |
| 250 | Mogul | 37021 | 3 | MH250/U/M58/E | 6 | Box | Clear | 4200 | 65 | M58/E | 10000 | 20500 | 17500 | 8.31" |
| 400 | Mogul | 37014 | 2,3 | MH400/U/M59/ED28/E | 6 | Box | Clear | 4000 | 60 | M59/E | 20000 | 36000 | 23500 | 8.31" |
| ED37 | | | | | | | | | | | | | | |
| 400 | Mogul | 37024 | 3 | MH400/U/M59/E | 6 | Box | Clear | 4200 | 65 | M59/E | 20000 | 36000 | 23500 | 11.50" |
| BT37 | | | | | | | | | | | | | | |
| 1000 | Mogul | 37028 | 2,3 | MH1000/U/M47/E/BT37 | 6 | Box | Clear | 4200 | 65 | M47/E | 10000 | 110000 | 86000 | 11.50" |
| BT56 | | | | | | | | | | | | | | |
| 1000 | Mogul | 37027 | 3 | MH1000/U/M47/E | 6 | Box | Clear | 4200 | 65 | M47/E | 10000 | 105000 | 80000 | 15.50" |

METAL HALIDE PROTECTED LAMPS
(OPEN FIXTURE RATED)



| Energy Used (Watts) | Lamp Base | Item No. | Footnotes | Domestic Code | Master Carton | Package Type | Finish | Light Appearance (Kelvin) | CRI | ANSI Code | Avg. Rated Hours | Brightness (Initial Lumens) | Brightness (Mean Lumens) | MOL |
|---------------------|------------|--------------|-----------|--------------------|---------------|--------------|--------|---------------------------|-----|-----------|------------------|-----------------------------|--------------------------|--------|
| ED17 | | | | | | | | | | | | | | |
| 50 | Med. | 37009 | 1,3 | MP50/U/M110/O/MED | 6 | Box | Clear | 3000 | 60 | M110/O | 10000 | 3450 | 1900 | 5.44" |
| 70 | Med. | 37010 | 1,3 | MP70/U/M98/O/MED | 6 | Box | Clear | 3000 | 60 | M98/O | 10000 | 5600 | 4480 | 5.44" |
| 100 | Med. | 37011 | 1,3 | MP100/U/M90/O/MED | 6 | Box | Clear | 3000 | 60 | M90/O | 10000 | 8000 | 5525 | 5.44" |
| 150 | Med. | 37013 | 1,3 | MP150/U/M102/O/MED | 6 | Box | Clear | 4200 | 60 | M102/O | 10000 | 12250 | 8500 | 5.44" |
| BT28 | | | | | | | | | | | | | | |
| 175 | Ext. Mogul | 37029 | 3 | MP175/U/M57/O | 6 | Box | Clear | 4200 | 65 | M57/O | 10000 | 14400 | 10800 | 8.25" |
| BT37 | | | | | | | | | | | | | | |
| 400 | Ext. Mogul | 37022 | 4 | MP400/BU/M59/O | 12 | Box | Clear | 4200 | 65 | M59/O | 20000 | 36000 | 23500 | 11.50" |

HID Lamps contain mercury. (Hg) For more on clean up and safe disposal, visit epa.gov/cfl.

Footnotes

- 1 For Probe Start or Pulse Start Ballasts
- 2 Low Profile
- 3 Universal Operating Position
- 4 Specifications based on operating at a base up (BU) position

METAL HALIDE PULSE START LAMPS
(FOR USE IN ENCLOSED FIXTURES)



| Energy Used (Watts) | Lamp Base | Item No. | Footnotes | Domestic Code | Master Carton | Package Type | Finish | Light Appearance (Kelvin) | CRI | ANSI Code | Avg. Rated Hours | Brightness (Initial Lumens) | Brightness (Mean Lumens) | MOL |
|---------------------|-----------|--------------|-----------|--------------------------|---------------|--------------|--------|---------------------------|-----|-------------|------------------|-----------------------------|--------------------------|--------|
| BT28 | | | | | | | | | | | | | | |
| 250 | Mogul | 37031 | 3 | MH250/U/M138/E/PS | 6 | Box | Clear | 4200 | 65 | M138/M153/E | 15000 | 25000 | 20000 | 8.25" |
| 320 | Mogul | 37032 | 3 | MH320/U/M132/E/PS | 12 | Box | Clear | 4200 | 65 | M132/M154/E | 20000 | 33000 | 26400 | 9" |
| 400 | Mogul | 37025 | 2,3 | MH400/U/M135/155/BT28/PS | 6 | Box | Clear | 4200 | 65 | M135/M155/E | 20000 | 36000 | 23500 | 8.31" |
| BT37 | | | | | | | | | | | | | | |
| 400 | Mogul | 37036 | 3 | MH400/U/M135/155/E/PS | 12 | Box | Clear | 4200 | 65 | M135/M155/E | 20000 | 44000 | 35200 | 11.50" |

HID LAMP ANSI CODE SPECIFICATIONS

| Metal Halide Lamps | | HPS Lamps | | Mercury Vapor Lamps | |
|---------------------|-----------|---------------------|-----------|---------------------|-----------|
| BALLAST INFORMATION | | BALLAST INFORMATION | | BALLAST INFORMATION | |
| Lamp | ANSI Code | Lamp | ANSI Code | Lamp | ANSI Code |
| 50W | M110 | 35W | S76 | 50W | H46 |
| 70W | M98 | 50W | S68 | 75W | H43 |
| 100W | M90 | 70W | S62 | 100W | H38 |
| 175W | M57 | 100W | S54 | 175W | H39 |
| 250W | M58 | 150W | S55 | 250W | H37 |
| 400W | M59 | 250W | S50 | 400W | H33 |
| 1000W | M47 | 400W | S51 | | |
| | | 1000W | S52 | | |

CONSIDER ALTERNATIVES TO HID LIGHTING - HIGH LUMEN LED LAMPS *(Find High Lumen LED Lamps on page 17.)*

Westinghouse high lumen LED lamps are energy-efficient alternatives to HID lighting, resulting in an average of 76% annual energy savings. *With an IP65 rating that protects against dust and water, Westinghouse high lumen LED lamps can be used in any indoor or outdoor application where HID lamps are currently used. They are perfect for a variety of applications, such as barn/shop lighting, outdoor post top lanterns, bay lighting and street/parking lot lighting. High lumen LEDs will last up to 9 years when burning 12 hours per day, which means fewer bulb changes in hard-to-reach places.

Featuring a voltage range of 120-277V and built-in surge protection, these lamps are ideal for geographical areas with voltage fluctuations. Unlike HID lamps, there is no color shifting with high lumen LEDs, and they boast a significantly higher CRI of 80 when compared to HIDs, which have a CRI range of 15-65. A higher CRI will show more realistic and natural colors. These benefits and energy savings make the switch from HID to LED a smart choice.

*Average across all wattages offered; based on burning 12 hrs./day 11¢/kWh



Use wherever HID lighting is used.

HID Lamps contain mercury. For more on clean up and safe disposal, visit epa.gov/cfl.

Footnotes

- 1 For Probe Start or Pulse Start Ballasts
- 2 Low Profile
- 3 Universal Operating Position
- 4 Specifications based on operating at a base up (BU) position

WHERE TO USE HID LAMPS...



MERCURY VAPOR LAMPS

Mercury vapor lamps emit light when a short arc passes through mercury vapor. These lamps are designed for applications that require moderate color rendering, such as outdoor security, area lighting, general flood lighting, barns and parking lots.



HIGH PRESSURE SODIUM LAMPS

High pressure sodium lamps provide efficient lighting solutions for outdoor security, parking garage, parking lot, roadway lighting and area lighting applications.

These lamps are named for the sodium vapor arc that generates their light. High pressure sodium lamps are one of the most efficient HID lamps. Their high efficacy—or high ratio of lumens per watt—create their energy-saving capabilities. High pressure sodium lamps are commonly used in areas where lamp life and high efficiency are required and color rendering is not critical.



METAL HALIDE LAMPS

Metal halide lamps are ideal for use in retail, industrial, area lighting, accent lighting, security lighting, roadway lighting and parking garage applications.

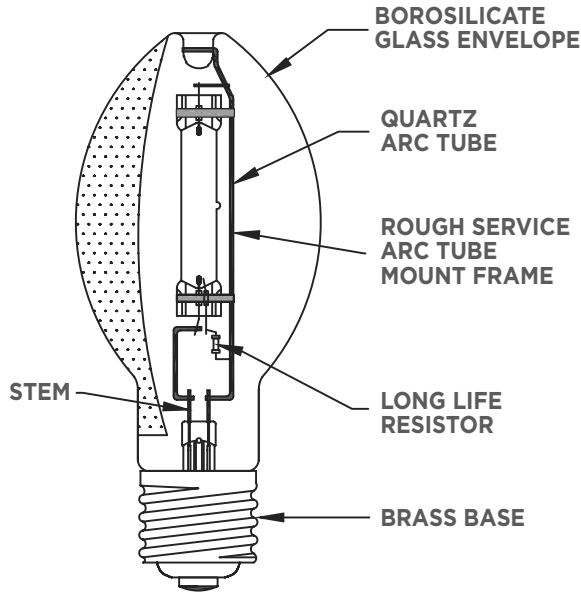
These lamps create light when an arc passes through a capsule holding mercury vapor and other chemical components called “metal halides.” The additives greatly improve both lumen and color performance. They are widely used in a variety of commercial and industrial applications where better color rendering is critical. They can be used indoors and outdoors.

Protected metal halide lamps are also known as “open fixture rated” lamps. These types of metal halide lamps have a covering over the quartz arc tube which prevents the outer envelope from breaking in the rare case that the inner arc tube ruptures.

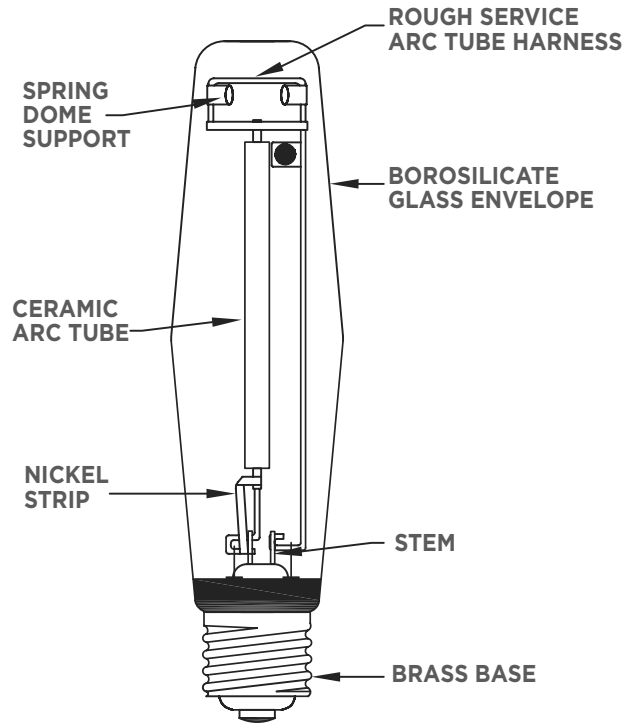
Pulse start metal halide lamps send an electric pulse to the arc tube. This “pulse” allows the lamp to start quicker, maintain lumen output better, and last longer than probe start metal halides. Pulse start metal halide lamps must be used in fixtures designed specifically for pulse start lamps.

HID LAMP COMPONENTS

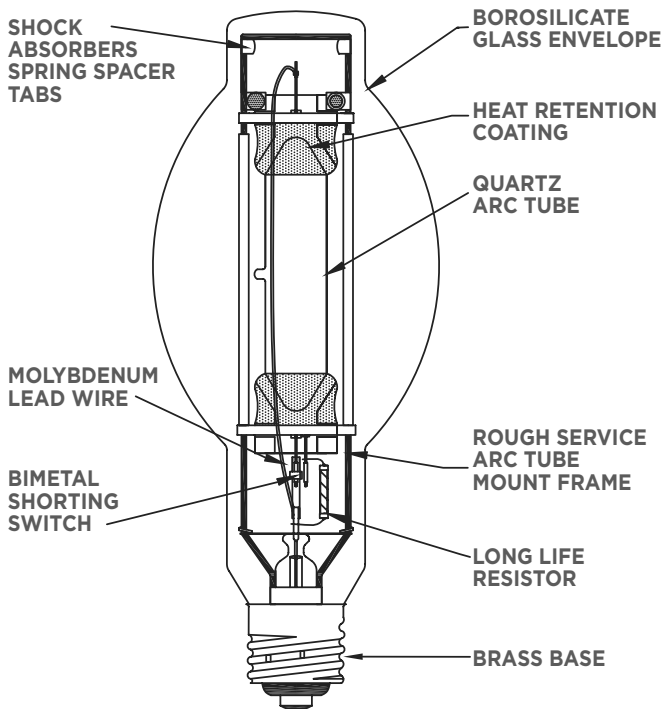
MERCURY VAPOR



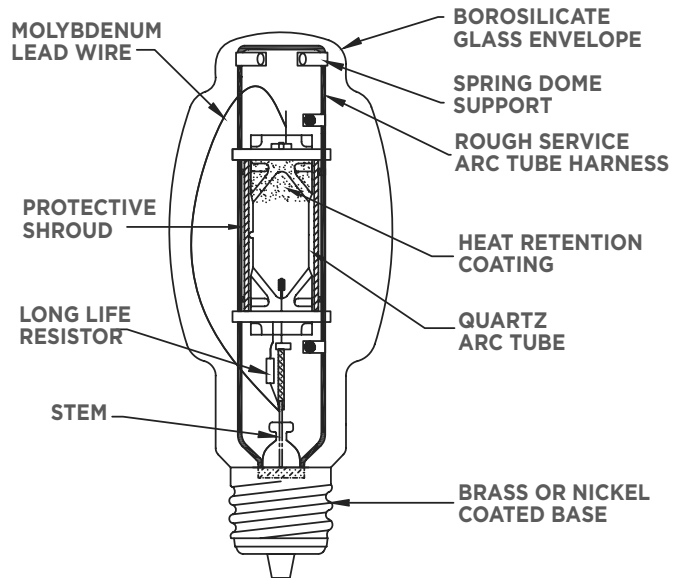
HIGH PRESSURE SODIUM



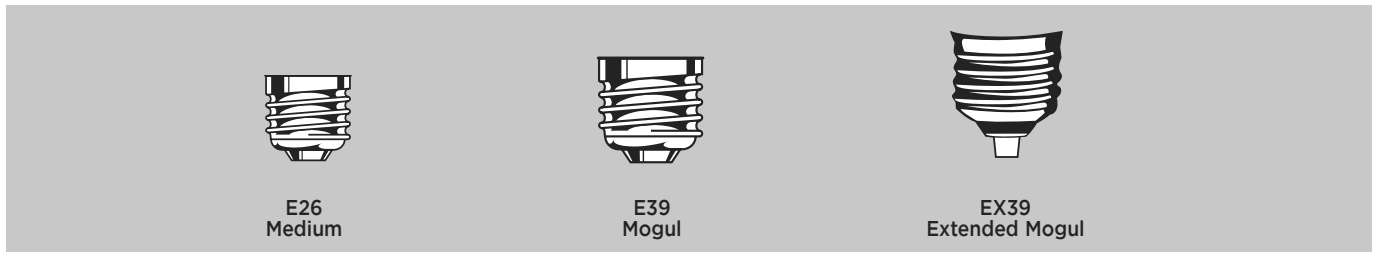
ENCLOSED RATED METAL HALIDE



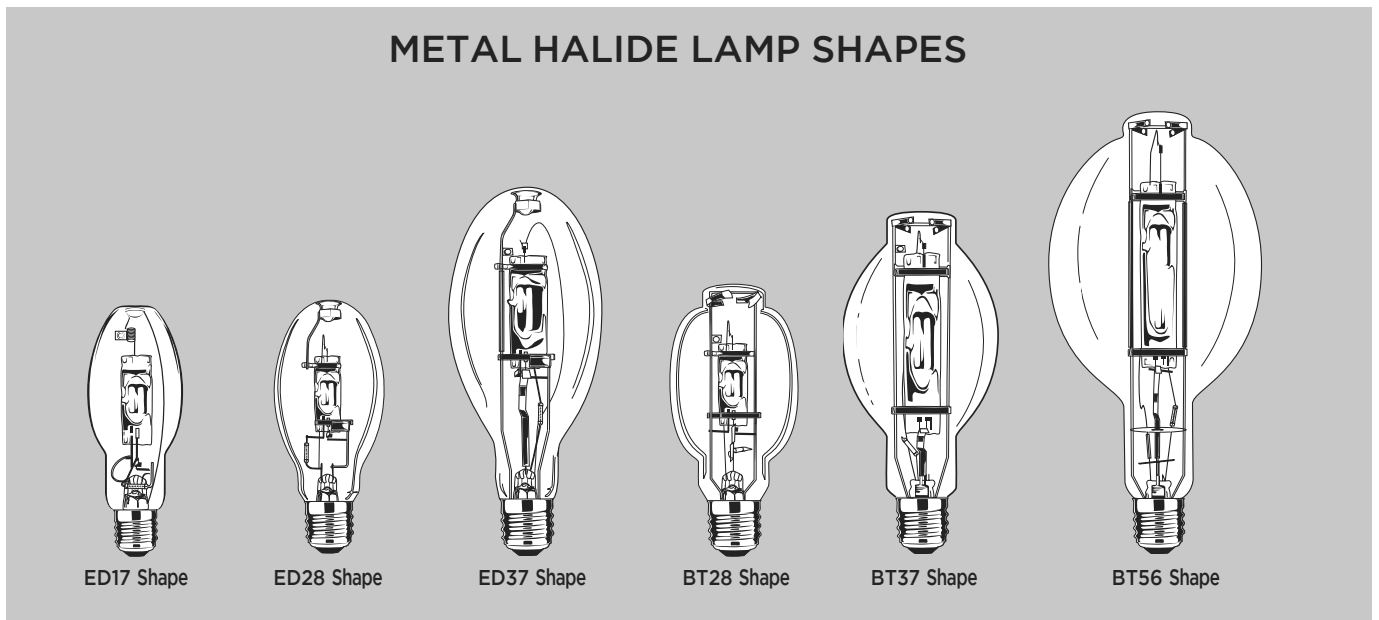
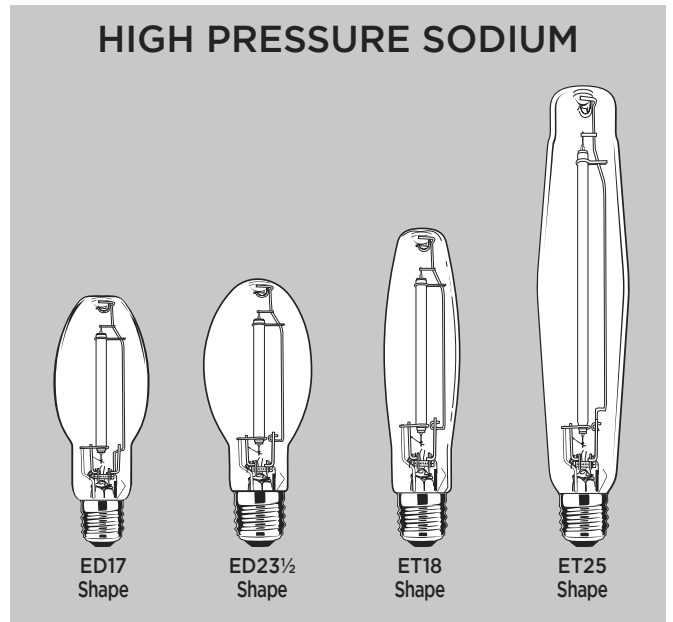
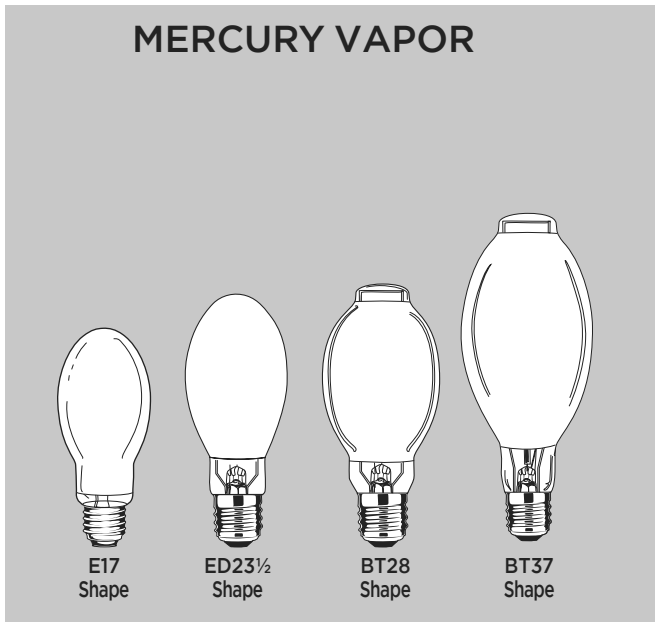
OPEN RATED METAL HALIDE



HIGH INTENSITY DISCHARGE LAMP BASE TYPES



HIGH INTENSITY DISCHARGE LAMP SHAPES



| Item# | Page# | Item# | Page# | Item# | Page# | Item# | Page# |
|-------|-------|---------|--------|-------|-------|-------|-------|
| 03016 | 25 | 03250 | 25 | 03604 | 36 | 03713 | 40 |
| 03018 | 25 | 03262 | 26 | 03605 | 36 | 03714 | 40 |
| 03019 | 25 | 03263 | 26 | 03609 | 34 | 03715 | 40 |
| 03023 | 25 | 03264 | 27 | 03611 | 34 | 03716 | 40 |
| 03025 | 25 | 03265 | 27 | 03612 | 34 | 03717 | 40 |
| 03026 | 25 | 03266 | 27 | 03622 | 36 | 03718 | 40 |
| 03101 | 35 | 03267 | 27 | 03623 | 36 | 03719 | 40 |
| 03102 | 35 | 03268 | 27 | 03626 | 36 | 03720 | 40 |
| 03103 | 35 | 03269 | 27 | 03627 | 36 | 03721 | 40 |
| 03106 | 35 | 03272 | 26 | 03629 | 38 | 03722 | 40 |
| 03107 | 35 | 03273 | 26 | 03631 | 29 | 03723 | 39 |
| 03108 | 35 | 03274 | 26 | 03632 | 29 | 03724 | 39 |
| 03109 | 35 | 03275 | 26 | 03633 | 36 | 03726 | 41 |
| 03110 | 13 | 03277 | 26 | 03636 | 34 | 03727 | 41 |
| 03111 | 35 | 03278 | 26 | 03646 | 36 | 03729 | 38 |
| 03112 | 35 | 03279 | 26 | 03647 | 36 | 03730 | 40 |
| 03114 | 13 | 03282 | 28 | 03648 | 36 | 03731 | 29 |
| 03118 | 35 | 03283 | 28 | 03654 | 36 | 03732 | 29 |
| 03119 | 35 | 03284 | 28 | 03656 | 25 | 03734 | 29 |
| 03120 | 35 | 03285 | 28 | 03661 | 25 | 03735 | 29 |
| 03121 | 35 | 03286 | 28 | 03662 | 26 | 03737 | 29 |
| 03122 | 35 | 03287 | 28 | 03663 | 26 | 03738 | 29 |
| 03123 | 35 | 03289 | 28 | 03664 | 27 | 03740 | 34 |
| 03147 | 13 | 03293 | 29 | 03665 | 27 | 03741 | 34 |
| 03149 | 13 | 03296 | 29 | 03666 | 27 | 03742 | 34 |
| 03151 | 13 | 03336 | 25 | 03667 | 27 | 03745 | 34 |
| 03152 | 12 | 0337129 | 31 | 03668 | 27 | 03747 | 25 |
| 03153 | 12 | 0337229 | 31 | 03669 | 27 | 03752 | 34 |
| 03154 | 12 | 0339629 | 31 | 03670 | 26 | 03753 | 34 |
| 03155 | 35 | 03410 | 33 | 03671 | 26 | 03754 | 34 |
| 03156 | 35 | 03422 | 32, 41 | 03673 | 26 | 03755 | 26 |
| 03157 | 35 | 03423 | 32, 41 | 03674 | 26 | 03756 | 25 |
| 03159 | 13 | 03439 | 12 | 03675 | 26 | 03757 | 25 |
| 03176 | 14 | 03440 | 12 | 03678 | 26 | 03759 | 39 |
| 03184 | 15 | 03443 | 32 | 03679 | 26 | 03762 | 26 |
| 03185 | 15 | 03444 | 32 | 03680 | 36 | 03763 | 26 |
| 03186 | 15 | 03445 | 32 | 03681 | 28 | 03764 | 27 |
| 03187 | 15 | 03446 | 32 | 03682 | 28 | 03765 | 27 |
| 03192 | 11 | 03452 | 32 | 03683 | 28 | 03766 | 27 |
| 03193 | 14 | 03457 | 30 | 03684 | 28 | 03768 | 27 |
| 03194 | 14 | 03458 | 30 | 03685 | 28 | 03769 | 27 |
| 03195 | 14 | 03483 | 37 | 03686 | 28 | 03773 | 26 |
| 03196 | 14 | 03484 | 37 | 03687 | 28 | 03774 | 26 |
| 03197 | 15 | 03520 | 39 | 03691 | 38 | 03775 | 26 |
| 03198 | 15 | 03521 | 40 | 03693 | 29 | 03777 | 26 |
| 03211 | 11 | 03529 | 50 | 03696 | 12 | 03778 | 26 |
| 03212 | 11 | 03534 | 38 | 03697 | 12 | 03779 | 26 |
| 03220 | 39 | 03540 | 38 | 03700 | 36 | 03782 | 28 |
| 03226 | 39 | 03541 | 38 | 03701 | 34 | 03783 | 28 |
| 03230 | 28 | 03542 | 26 | 03702 | 36 | 03784 | 28 |
| 03231 | 29 | 03543 | 38 | 03705 | 39 | 03785 | 28 |
| 03232 | 29 | 03543 | 41 | 03706 | 39 | 03786 | 28 |
| 03234 | 29 | 03568 | 38 | 03707 | 39 | 03787 | 28 |
| 03235 | 29 | 03569 | 38 | 03710 | 40 | 03790 | 41 |
| 03241 | 26 | 03583 | 39 | 03711 | 40 | 03791 | 38 |
| 03242 | 26 | 03601 | 38 | 03712 | 40 | 03792 | 38 |

•New Item

| Item# | Page# | Item# | Page# | Item# | Page# | Item# | Page# |
|-------|--------|---------|-------|---------|-------|-------|-------|
| 03793 | 29 | 03954 | 31 | 0410129 | 31 | 04456 | 49 |
| 03794 | 38 | 03955 | 31 | 0410229 | 31 | 04463 | 49 |
| 03795 | 38 | 03960 | 37 | 04105 | 42 | 04467 | 53 |
| 03796 | 29 | 03961 | 37 | 04106 | 42 | 04469 | 53 |
| 03797 | 34, 41 | 03963 | 31 | 04107 | 42 | 04470 | 53 |
| 03799 | 29 | 03964 | 33 | 04108 | 42 | 04473 | 52 |
| 03814 | 34 | 0396529 | 31 | 04109 | 42 | 04474 | 52 |
| 03815 | 34 | 0396629 | 31 | 04110 | 31 | 04476 | 52 |
| 03816 | 34 | 03969 | 31 | 0411129 | 31 | 04477 | 52 |
| 03821 | 34 | 03970 | 32 | 0411229 | 31 | 04478 | 52 |
| 03822 | 34 | 03971 | 32 | 04118 | 42 | 04480 | 52 |
| 03823 | 34 | 03972 | 33 | 04120 | 42 | 04501 | 30 |
| 03827 | 34 | 03973 | 33 | 04129 | 42 | 04502 | 30 |
| 03828 | 34 | 03974 | 33 | 04132 | 42 | 04503 | 30 |
| 03829 | 34 | 03975 | 33 | 04133 | 42 | 04504 | 30 |
| 03831 | 34 | 03976 | 31 | 04134 | 42 | 04505 | 30 |
| 03836 | 40 | 03985 | 31 | 04135 | 42 | 04507 | 30 |
| 03837 | 40 | 03986 | 31 | 04136 | 42 | 04509 | 30 |
| 03839 | 34 | 03987 | 31 | 04137 | 42 | 04518 | 50 |
| 03840 | 34 | 0399129 | 31 | 04138 | 42 | 04521 | 50 |
| 03843 | 34 | 0399229 | 31 | 04141 | 42 | 04525 | 38 |
| 03854 | 17 | 03995 | 30 | 04165 | 36 | 04540 | 32 |
| 03860 | 17 | 03996 | 30 | 04218 | 35 | 04542 | 32 |
| 03861 | 17 | 03998 | 30 | 04219 | 35 | 04543 | 33 |
| 03882 | 39 | 03999 | 30 | 04220 | 35 | 04548 | 33 |
| 03883 | 39 | 04000 | 36 | 04221 | 35 | 04556 | 49 |
| 03892 | 40 | 04001 | 30 | 04222 | 35 | 04559 | 49 |
| 03894 | 40 | 04002 | 30 | 04223 | 35 | 04562 | 49 |
| 03895 | 40 | 04003 | 30 | 04229 | 36 | 04563 | 49 |
| 03896 | 40 | 04006 | 30 | 04230 | 36 | 04564 | 38 |
| 03897 | 40 | 04007 | 30 | 04235 | 36 | 04586 | 49 |
| 03899 | 40 | 04010 | 30 | 04242 | 37 | 04668 | 36 |
| 03903 | 33 | 04023 | 28 | 04303 | 36 | 04672 | 36 |
| 03904 | 33 | 04024 | 28 | 04316 | 39 | 04673 | 36 |
| 03907 | 37 | 04025 | 38 | 04317 | 39 | 04703 | 52 |
| 03908 | 33 | 04027 | 28 | 04319 | 39 | 04706 | 53 |
| 03909 | 31 | 04028 | 28 | 04320 | 39 | 04710 | 51 |
| 03910 | 37 | 04031 | 51 | 04324 | 39 | 04711 | 50 |
| 03915 | 37 | 04034 | 25 | 04335 | 39 | 04712 | 51 |
| 03916 | 37 | 04038 | 25 | 04340 | 38 | 04713 | 51 |
| 03917 | 37 | 04044 | 61 | 04403 | 31 | 04714 | 51 |
| 03918 | 37 | 04049 | 17 | 04409 | 37 | 04715 | 51 |
| 03920 | 32 | 04050 | 17 | 04410 | 37 | 04716 | 53 |
| 03925 | 30 | 04051 | 17 | 04411 | 37 | 04717 | 51 |
| 03926 | 30 | 04052 | 17 | 04413 | 37 | 04718 | 51 |
| 03929 | 30 | 04061 | 38 | 04414 | 37 | 04719 | 51 |
| 03930 | 30 | 04064 | 38 | 04416 | 53 | 04721 | 51 |
| 03935 | 31 | 04065 | 38 | 04423 | 53 | 04722 | 51 |
| 03936 | 30 | 04067 | 38 | 04427 | 51 | 04723 | 53 |
| 03938 | 30 | 04090 | 30 | 04436 | 51 | 04724 | 52 |
| 03941 | 30 | 04092 | 29 | 04438 | 51 | 04725 | 50 |
| 03943 | 30 | 04093 | 29 | 04442 | 51 | 04727 | 50 |
| 03950 | 31 | 04094 | 29 | 04444 | 51 | 04728 | 49 |
| 03951 | 31 | 04095 | 29 | 04445 | 51 | 04729 | 51 |
| 03952 | 31 | 04096 | 30 | 04449 | 50 | 04730 | 50 |
| 03953 | 31 | 04100 | 31 | 04451 | 49 | 04731 | 50 |

• New Item

| Item# | Page# | Item# | Page# | Item# | Page# | Item# | Page# |
|-------|-------|---------|--------|---------|--------|---------|--------|
| 04734 | 51 | 04901 | 52 | • 05186 | 14 | 06301 | 41 |
| 04735 | 51 | 04971 | 52 | • 05187 | 14 | 06302 | 41 |
| 04736 | 51 | 04972 | 52 | • 05188 | 14 | 06303 | 41 |
| 04738 | 51 | 04973 | 52 | 05204 | 36 | 06304 | 41 |
| 04739 | 51 | 04974 | 52 | 05258 | 36 | 06305 | 41 |
| 04740 | 50 | 04975 | 52 | 05265 | 36 | 06306 | 41 |
| 04741 | 50 | 04976 | 52 | 05401 | 54 | 06307 | 41 |
| 04742 | 51 | 04978 | 52 | 05402 | 54 | 06308 | 51 |
| 04743 | 51 | 04979 | 52 | 05407 | 54 | 06311 | 38, 41 |
| 04745 | 51 | 04981 | 52 | 05419 | 54 | 07004 | 61 |
| 04746 | 53 | 04982 | 51 | 05660 | 62 | 07005 | 61 |
| 04748 | 49 | 05012 | 56 | 05752 | 62 | 07007 | 61 |
| 04749 | 49 | 05013 | 56 | 05903 | 62 | 07008 | 61 |
| 04750 | 49 | 05017 | 56 | 05906 | 62 | 07020 | 22 |
| 04753 | 50 | 05018 | 56 | 05914 | 62 | 07022 | 22 |
| 04755 | 49 | 05100 | 36 | 06010 | 63 | 07023 | 22 |
| 04756 | 49 | 05101 | 36 | 06013 | 63 | 07028 | 61 |
| 04758 | 49 | 05102 | 37 | 06020 | 63 | 07029 | 61 |
| 04759 | 52 | 05103 | 35 | 06023 | 63 | 07032 | 61 |
| 04761 | 49 | 05104 | 31, 56 | 06030 | 63 | 07225 | 20 |
| 04764 | 51 | 05105 | 31, 56 | 06118 | 22 | 07440 | 61 |
| 04765 | 49 | 05106 | 26 | 06119 | 22 | 07443 | 61 |
| 04766 | 49 | 05107 | 26 | 06121 | 22 | 07445 | 42 |
| 04767 | 53 | 05125 | 11 | 06126 | 22 | 07446 | 61 |
| 04768 | 53 | 05130 | 11 | 06127 | 22 | 07451 | 61 |
| 04770 | 51 | 05132 | 14 | 06128 | 22 | 07454 | 61 |
| 04771 | 49 | 05133 | 14 | 06129 | 22 | 07456 | 61 |
| 04773 | 52 | 05135 | 12 | 06130 | 22 | 07500 | 61 |
| 04774 | 52 | 05137 | 12 | 06164 | 22 | 07523 | 62 |
| 04775 | 52 | 05138 | 12 | 06180 | 22 | 07540 | 61 |
| 04776 | 52 | 05139 | 12 | 06204 | 41, 57 | 07550 | 62 |
| 04777 | 52 | 05143 | 12 | 0620450 | 41, 57 | 07650 | 62 |
| 04778 | 52 | 05144 | 12 | 06209 | 51, 57 | 07910 | 62 |
| 04779 | 52 | 05145 | 12 | 06210 | 51, 57 | 07944 | 63 |
| 04781 | 49 | 05148 | 13 | 06211 | 50, 57 | 07946 | 63 |
| 04783 | 52 | 05151 | 14 | 06212 | 49, 57 | 07948 | 63 |
| 04784 | 52 | 05152 | 13 | 06213 | 49, 57 | 07949 | 63 |
| 04786 | 52 | 05153 | 13 | 06214 | 49, 57 | 09260 | 64 |
| 04787 | 50 | 05161 | 15 | 06215 | 41, 57 | 31041 | 16 |
| 04788 | 52 | 05162 | 17 | 06216 | 51, 57 | 31043 | 16 |
| 04794 | 38 | 05163 | 17 | 06217 | 41, 57 | 31045 | 16 |
| 04795 | 38 | 05164 | 17 | 06218 | 51, 57 | 31046 | 16 |
| 04829 | 52 | 05165 | 17 | 06240 | 51 | 31049 | 16 |
| 04835 | 53 | 05166 | 17 | 06242 | 52 | 31050 | 16 |
| 04836 | 53 | 05167 | 17 | 06243 | 53, 57 | 31051 | 16 |
| 04837 | 53 | 05171 | 14 | 06244 | 53, 57 | 31052 | 16 |
| 04846 | 53 | 05172 | 14 | 06245 | 53, 57 | • 31053 | 16 |
| 04847 | 53 | 05173 | 12 | 06250 | 53, 57 | • 31054 | 16 |
| 04855 | 52 | 05174 | 13 | 06251 | 53, 57 | • 31055 | 16 |
| 04865 | 52 | • 05179 | 13 | 06252 | 53, 57 | • 31056 | 16 |
| 04870 | 52 | 05180 | 17 | 06253 | 53, 57 | 33045 | 11 |
| 04871 | 52 | • 05181 | 17 | 06254 | 53, 57 | 33046 | 11 |
| 04872 | 52 | • 05182 | 14 | 06255 | 53, 57 | 33067 | 13 |
| 04873 | 52 | • 05183 | 14 | 06257 | 53, 57 | 33129 | 11 |
| 04879 | 52 | • 05184 | 14 | 06258 | 53, 57 | 33145 | 11 |
| 04889 | 51 | • 05185 | 14 | 06300 | 41 | 33146 | 11 |

•New Item

| Item# | Page# | Item# | Page# | Item# | Page# | Item# | Page# |
|-------|-------|-------|--------|---------|--------|-------|-------|
| 33162 | 13 | 35131 | 11 | 36870 | 31, 56 | 37317 | 63 |
| 33163 | 13 | 35140 | 12 | 36873 | 31, 56 | 37324 | 61 |
| 33164 | 14 | 35141 | 12 | 36876 | 31, 56 | 37334 | 61 |
| 33165 | 14 | 35142 | 12 | 36877 | 31, 56 | 37340 | 63 |
| 33166 | 14 | 35149 | 11 | 36959 | 32 | 37373 | 22 |
| 33167 | 14 | 35154 | 13 | 36960 | 33 | 37374 | 22 |
| 33168 | 14 | 35155 | 13 | 36971 | 31 | 37375 | 22 |
| 33169 | 14 | 35156 | 12 | 36972 | 31 | 37376 | 22 |
| 33170 | 14 | 35157 | 12 | 36975 | 31 | 37401 | 66 |
| 33171 | 14 | 35158 | 12 | 36976 | 31 | 37403 | 66 |
| 33172 | 14 | 35160 | 12 | 37009 | 67 | 37404 | 66 |
| 33173 | 14 | 36012 | 61 | 37010 | 67 | 37405 | 66 |
| 33174 | 14 | 36015 | 61 | 37011 | 67 | 37406 | 66 |
| 33175 | 14 | 36016 | 61 | 37013 | 67 | 37407 | 66 |
| 33177 | 14 | 36308 | 20 | 37014 | 67 | 37411 | 61 |
| 33178 | 14 | 36515 | 61 | 37015 | 67 | 37413 | 61 |
| 33188 | 15 | 36607 | 20 | 37016 | 67 | 37430 | 66 |
| 33191 | 12 | 36609 | 20 | 37017 | 67 | 37432 | 66 |
| 33199 | 15 | 36660 | 20 | 37018 | 67 | 37435 | 66 |
| 33207 | 11 | 36670 | 20 | 37019 | 67 | 37437 | 66 |
| 33208 | 13 | 36800 | 31, 56 | 37020 | 67 | 37439 | 66 |
| 33209 | 13 | 36801 | 31, 56 | 37021 | 67 | 37440 | 66 |
| 33425 | 12 | 36802 | 36, 54 | 37022 | 67 | 37442 | 66 |
| 33440 | 12 | 36803 | 36, 54 | 37024 | 67 | 37443 | 66 |
| 33464 | 12 | 36832 | 31, 56 | 37025 | 68 | 37444 | 66 |
| 33491 | 13 | 36833 | 31, 56 | 37027 | 67 | 37445 | 66 |
| 33638 | 13 | 36834 | 31, 56 | 37028 | 67 | 37447 | 66 |
| 33660 | 17 | 36835 | 31, 56 | 37029 | 67 | 37545 | 22 |
| 33672 | 17 | 36836 | 55 | 37031 | 68 | 37546 | 22 |
| 33676 | 17 | 36837 | 55 | 37032 | 68 | 37547 | 22 |
| 33739 | 17 | 36838 | 55 | 37036 | 68 | 37548 | 22 |
| 33788 | 17 | 36839 | 55 | 37040 | 22 | 37549 | 22 |
| 33789 | 17 | 36840 | 55 | 37041 | 22 | 37559 | 22 |
| 33798 | 12 | 36841 | 55 | 37042 | 22 | 37619 | 22 |
| 33851 | 17 | 36842 | 55 | 37043 | 22 | 37714 | 20 |
| 33852 | 17 | 36843 | 55 | 37044 | 22 | 37716 | 20 |
| 35108 | 15 | 36844 | 55 | 37045 | 22 | 37900 | 21 |
| 35109 | 15 | 36845 | 55 | 37046 | 22 | 37918 | 20 |
| 35110 | 15 | 36846 | 55 | 37047 | 22 | 37919 | 20 |
| 35111 | 15 | 36847 | 55 | 37059 | 22 | 37921 | 20 |
| 35112 | 15 | 36848 | 55 | 37072 | 20 | 37925 | 20 |
| 35113 | 15 | 36849 | 54 | 37073 | 20 | 37934 | 20 |
| 35114 | 15 | 36850 | 54 | 37145 | 22 | 37941 | 20 |
| 35115 | 15 | 36851 | 54 | 37146 | 22 | 37942 | 20 |
| 35116 | 15 | 36852 | 55 | 37147 | 22 | 37943 | 20 |
| 35117 | 15 | 36853 | 55 | 37148 | 22 | 37944 | 20 |
| 35118 | 15 | 36854 | 55 | 37149 | 22 | 37945 | 20 |
| 35119 | 15 | 36855 | 55 | 3718129 | 31 | 37946 | 20 |
| 35120 | 15 | 36856 | 54 | 3718229 | 31 | 37949 | 20 |
| 35121 | 11 | 36857 | 55 | 37153 | 30 | 37950 | 20 |
| 35122 | 11 | 36858 | 55 | 37159 | 22 | 37952 | 20 |
| 35123 | 11 | 36859 | 55 | 37202 | 38 | 37953 | 20 |
| 35124 | 11 | 36860 | 36, 54 | 37206 | 38 | 37954 | 20 |
| 35127 | 11 | 36861 | 36, 54 | 37207 | 38 | 37958 | 20 |
| 35128 | 11 | 36862 | 36, 54 | 37208 | 38 | 37959 | 20 |
| 35129 | 11 | 36864 | 37, 54 | 37307 | 61 | 37960 | 20 |

•New Item

| Item# | Page# | Item# | Page# | Item# | Page# |
|-------|-------|---------|-------|---------|-------|
| 37961 | 20 | 43201 | 11 | • 50120 | 13 |
| 37970 | 21 | 43202 | 11 | • 50130 | 13 |
| 37971 | 21 | 43203 | 11 | • 50140 | 13 |
| 37973 | 21 | 43205 | 11 | 51047 | 16 |
| 37979 | 21 | 43206 | 11 | 51048 | 16 |
| 37982 | 21 | 43210 | 13 | 53000 | 13 |
| 37986 | 21 | 43213 | 11 | 53010 | 13 |
| 37990 | 20 | 43214 | 11 | 53011 | 11 |
| 37994 | 20 | 43439 | 12 | 53013 | 13 |
| 38001 | 21 | 43652 | 17 | 53014 | 13 |
| 38002 | 21 | 43653 | 17 | 53032 | 13 |
| 38003 | 21 | 43655 | 17 | 53050 | 13 |
| 38004 | 21 | 43696 | 12 | 53053 | 12 |
| 38010 | 20 | 43697 | 12 | 53055 | 13 |
| 41040 | 16 | 45134 | 12 | 53064 | 13 |
| 41044 | 16 | 45136 | 12 | 53094 | 12 |
| 43012 | 13 | • 50000 | 13 | 53097 | 12 |
| 43063 | 13 | • 50010 | 13 | 53098 | 12 |
| 43127 | 12 | • 50020 | 13 | 53130 | 11 |
| 43128 | 11 | • 50030 | 13 | 53132 | 11 |
| 43136 | 12 | • 50040 | 13 | 53140 | 12 |
| 43138 | 11 | • 50050 | 13 | 53144 | 11 |
| 43139 | 11 | • 50060 | 13 | 53161 | 13 |
| 43141 | 11 | • 50070 | 13 | 53200 | 11 |
| 43158 | 12 | • 50080 | 13 | 53204 | 11 |
| 43160 | 13 | • 50090 | 13 | 96208 | 45 |
| 43189 | 12 | • 50100 | 13 | 96209 | 45 |
| 43190 | 12 | • 50110 | 13 | 96210 | 45 |



Westinghouse

INNOVATION YOU CAN BE SURE OF

Call 1-800-999-2226 or visit www.westinghouselighting.com.

©, WESTINGHOUSE, and INNOVATION YOU CAN BE SURE OF are trademarks of Westinghouse Electric Corporation.
Used under license by Westinghouse Lighting. All Rights Reserved.