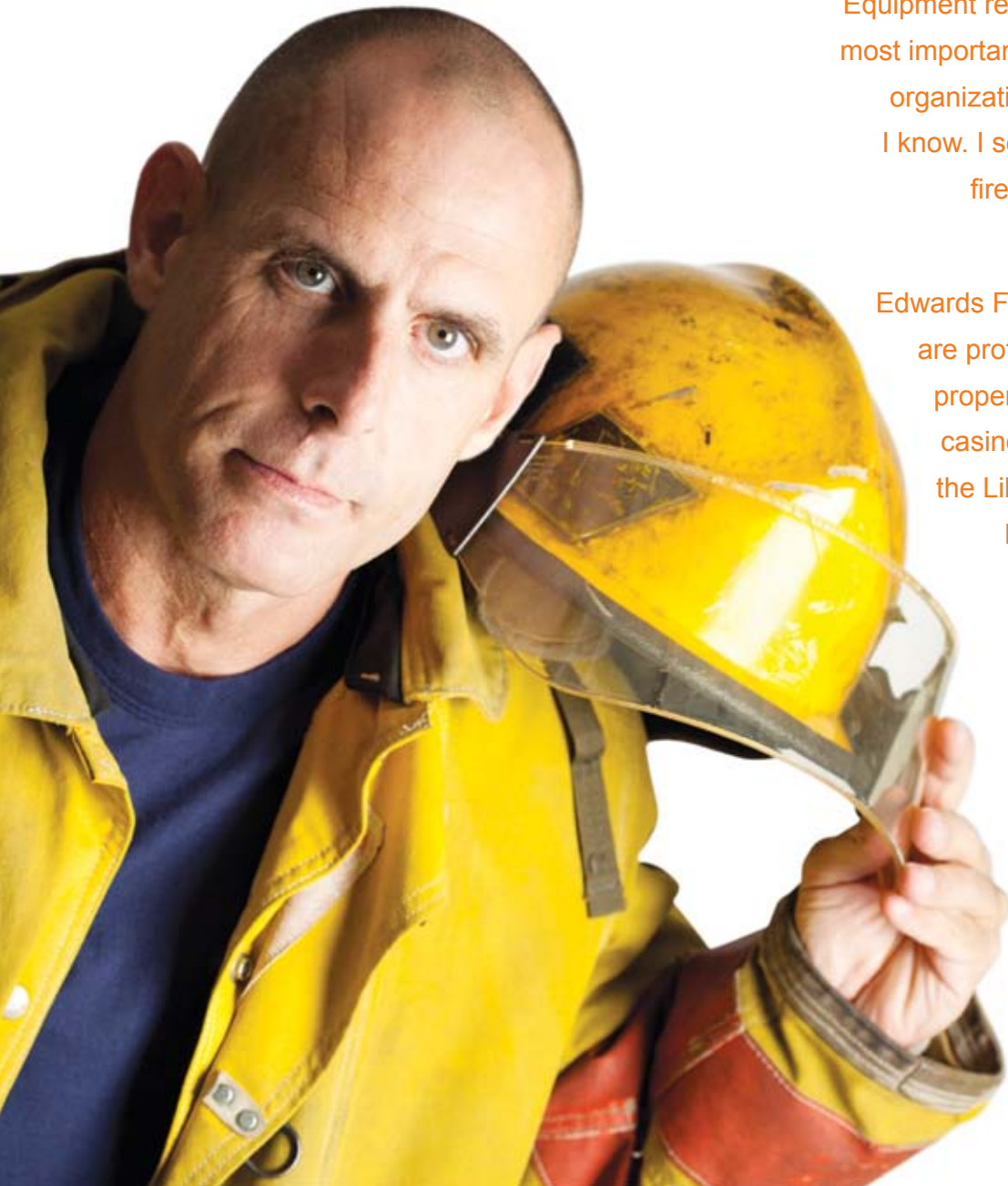


Ounce of Prevention

“Each year in the U.S., fires claim thousands of lives and cause billions of dollars in damage.

Fire Detection and Alarm Equipment represent one of the most important investments any organization will ever make. I know. I see the devastation fires can cause every single day.

Edwards Fire Alarm Systems are protecting people and property every day, from casinos in Las Vegas to the Library of Congress. Need I say more?”



Product Index

The most important signals are the ones you hope you never need. Edwards has been a leader in the design, manufacture and installation of fire alarm systems for over 140 years. Our premier fire alarm products are engineered for the highest standards of quality, durability and performance. Look to Edwards for fire safety.

12
FIRE ALARMS

Fire Alarms



Conventional Fire Alarms 12-4



Addressable Fire Alarms 12-42



Conventional and Addressable Accessories 12-59



Audio Evacuation 12-91



Standalone Detection 12-101

Fire Alarms

Table of Contents

Description	Page	Description	Page
Conventional Fire Alarms		Conventional and Addressable Accessories	
Panels E-FSC Series	12-4	Booster Power Supplies . . . EBPS Series	12-59
Smoke Detectors 500 Series	12-7	Wall Horns and Strobes . . . Genesis Series	12-61
Smoke Detectors TS Series	12-10	Ceiling Horns and Strobes Genesis Series	12-64
Smoke Detectors 700 Series	12-11	Outdoor/Indoor Horns and Strobes Genesis WG4 Series	12-68
Smoke Detectors SC Series	12-13	Outdoor/Indoor Horns and Strobes 2400 Series	12-70
Hazardous Location Smoke Detector V9006 Series	12-15	Outdoor/Indoor Horns and Strobes CS405 Series	12-72
Beam Detectors 5000 Series	12-16	Chimes and Strobes Genesis Series	12-73
Duct Detectors, Two-Wire SuperDuct Series	12-17	Bells 430D Series	12-75
Duct Detectors, Four-Wire SuperDuct Series	12-19	Bell Strobe Adaptors 2400 Series	12-77
Smoke Detectors ReadySET Series	12-22	Hazardous Location Signals 870EX Series	12-79
Heat Detectors 280 Series	12-24	Hazardous Location Signals 439DEX Series	12-80
Heat Detectors, Rate Compensation 302 Series	12-26	Hazardous Location Signals 116 Series	12-81
Heat Detectors, Double Contact CF/CR Series	12-28	Hazardous Location Signals 105 Series	12-83
Heat Detectors SC Series	12-30	Door Holders 1500 Series	12-85
Pull Stations 270 Series	12-32	Relays MR Series	12-87
Harsh Environment Pull Stations MPSR Series	12-38	Relays PAM Series	12-90
Pull Station Covers STI Series	12-40		
Carbon Monoxide Detector 250 Series	12-41		
Addressable Fire Alarms		Audio Evacuation	
Panels E-FSA Series	12-42	Amplifiers ANS Series	12-91
Remote Annunciators E-FSA Series	12-50	Ceiling Speakers and Strobes Genesis Series	12-94
Detectors and Bases E-Series	12-52	Wall Speakers and Strobes Genesis Series	12-97
Modules and Pull Stations E-Series	12-56	Outdoor/Indoor Speakers and Strobes Genesis Series	12-99
		Standalone Detection	
		Smoke Detectors 517 Series	12-101

Conventional Fire Alarms Panels

E-FSC Series

The Edwards E-FSC fire alarm family consists of 3, 5 and 10 zone conventional fire alarm control panels, an integrated DACT/Dialer, serial annunciator modules, and serial remote relay modules. All of these components are microprocessor-controlled. The E-FSC family is suitable for both new and retrofit installations.

E-FSC Series Panels incorporate features designed to simplify installation, operation and maintenance. These include front panel programming, one person walk testing, and selectable IDC and NAC types. In addition, when used with Edwards CleanMe® -compatible smoke detectors, E-FSC provides analog type features such as remote maintenance alert and automatic drift compensation that reduces false alarms and simplifies maintenance calls.

E-FSC502 and E-FSC1004 panels support Class A operation by combining pairs of on-board initiating circuits (IDCs) or notification circuits (NACs) to provide the necessary Class A circuits.

Features and Specifications

- Available in 3, 5, and 10 IDC models
- IDC or NAC pairs convertible to single Class A circuits (10 and 5 IDC panels only)
- Combination Waterflow and Supervisory IDCs reduces wire and zone counts
- NACs programmable by zone and individually selectable for Genesis, continuous, temporal outputs, or coded
- Front panel programmable
- Optional fully integrated DACT/Dialer for remote PC programming
- Genesis option allows precision synchronization and audible silence over two wires without additional modules
- On-board relays for Alarm, Supervisory and Trouble
- Optional serial bus relay modules are programmable for common or zone activation
- Optional serial bus remote annunciator family
- Expandable power supply on 10 IDC panel
- Trim ring available for semi-flush mounting
- Supports 2M, "SC", 2400, 500, and 700 series detectors
- Operating temperature range: 32°F to 120°F (0°C to 49°C)

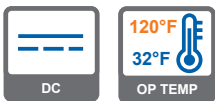


Ordering Information

Description	Cat. No.*	IDCs Class		NACs Class		Max. NAC Current	Auxiliary Current ¹	Contacts		Color
		B	A	B	A			Alarm (Form C), Trouble (Form C), Supervisory (Form C)		
Control Panel	E-FSC1004G	Up to 10	Up to 5	Up to 4	Up to 2	2 A ea, 3.5 A total; 7 A w/optional transformer	0.5 A max.	30V DC @ 1 A resistive load		Gray
	E-FSC1004R	Up to 10	Up to 5	Up to 4	Up to 2	2 A ea, 3.5 A total; 7 A w/optional transformer	0.5 A max.	30V DC @ 1 A resistive load		Red
	E-FSC502G	Up to 5	Up to 2	2	1	2 A ea, 3.5 A total	0.5 A max.	30V DC @ 1 A resistive load		Gray
	E-FSC502R	Up to 5	Up to 2	2	1	2 A ea, 3.5 A total	0.5 A max.	30V DC @ 1 A resistive load		Red
	E-FSC302G	3	N/A	2	N/A	2 A ea, 3.5 A total	0.5 A max.	30V DC @ 1 A resistive load		Gray
	E-FSC302R	3	N/A	2	N/A	2 A ea, 3.5 A total	0.5 A max.	30V DC @ 1 A resistive load		Red

¹May be programmed as resettable

*NOTE: Add "D" to end of catalog number to add integral dialer; ex: "E-FSC1004GD."



Conventional Fire Alarms Panels

E-FSC Series

Ordering Information			
Description	Cat. No.	Receivers	Communications Protocol
Digital Communicator/Modem/LCD module (Mounts in control panel)	F-DACT	Supports 2 w/2 phone nos. ea.	Contact ID (SIA DC-05), 4/2 (SIA DC-02 P3)

Ordering Information			
Remote Annunciator Description	Cat. No.	Max. per System	Contact Rating
Remote System Indicator	FSRSI	All panels: 2	N/A
Remote Zone Indicator	FSRZI-A	10 zone panel: 4, 3 or 5 zone panel: 2	N/A
	FSRZI-SA	10 zone panel: 4, 3 or 5 zone panel: 2	N/A
F-Series Remote Annunciators ²	FSRA10	10 zone panel: 2	N/A
	FSRA10C	10 zone panel: 2	N/A
Universal Input Module	FSUIM	N/A	30V DC @ 1 A resistive load

²Used with 10 zone panel only.

Ordering Information				
Description	Cat. No.	Max. per System		Contact Rating
		Configured for Zone Mode	Configured for Common Mode	
Remote Relay Module	FSRRM24	10 zone panel: 4; 3 or 5 zone panel: 2	All panels: 2	1 A @ 30V DC

Accessories		
Description	Cat. No.	Color
Semi-flush trim ring for E-FSC302 and E-FSC502	F-TRIM35G	Gray
Semi-flush trim ring for E-FSC302 and E-FSC502	F-TRIM35R	Red
Semi-flush trim ring for E-FSC1004	F-TRIM10G	Gray
Semi-flush trim ring for E-FSC1004	F-TRIM10R	Red
Expander Transformer, 120 Vac - For E-FSC1004* only	F-XTR120	
EOL resistors for supervisory/waterflow combination circuit	EOL3.6-1.1	
City Tie Module (Requires 4" square or 2-gang North American electrical box)	CTM	
Reverse Polarity Module (Requires MFC-A or other listed fire alarm enclosure)	RPM	

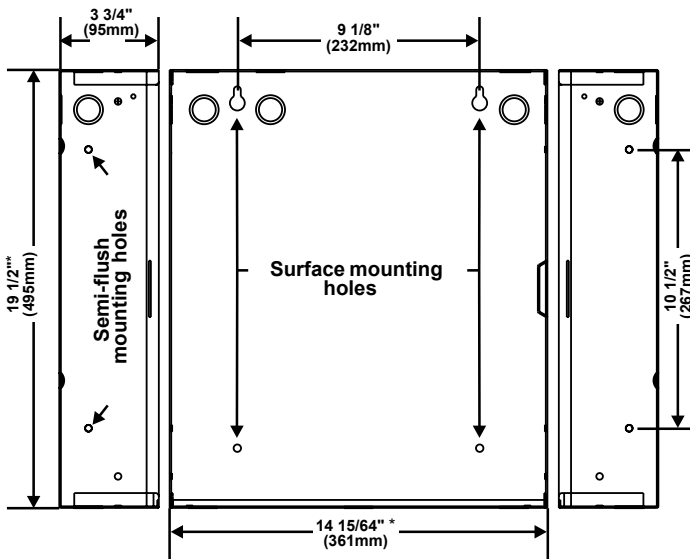
Accessories		(Continued)
Description	Cat. No.	
Annunciator Trim Plate, 1 gang	FSAT1	
Annunciator Trim Plate, 2 gang	FSAT2	
Annunciator Trim Plate, 3 gang	FSAT3	
Annunciator Trim Plate, 4 gang	FSAT4	
11" Mounting track. Holds up to 4 FSRRM24s.	FSRRM-S11	
Multi-function Cabinet (fire alarm accessory enclosure)	MFC-A	

Conventional Fire Alarms Panels

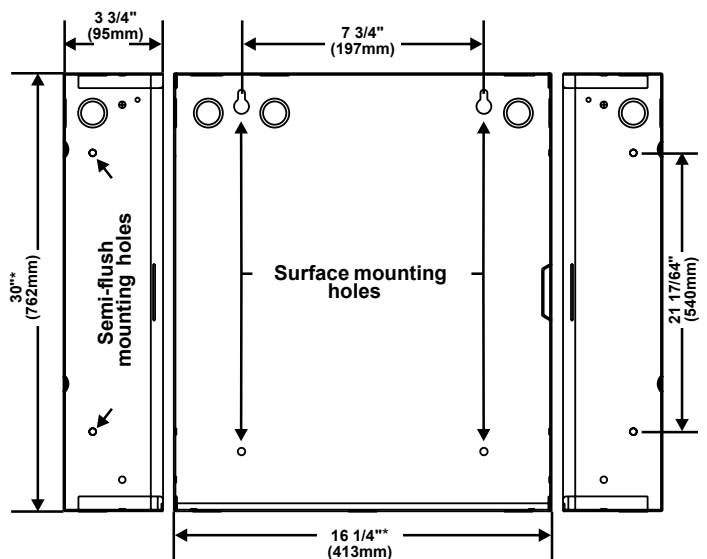
E-FSC Series

Weights and Dimensions

Cat. No.	Approx. Shipping Weight (lb.)
E-FSC1004G	30.50
E-FSC1004R	30.50
E-FSC502G	18.50
E-FSC502R	18.50
E-FSC302G	18.00
E-FSC302R	18.00
F-DACT	1.00
FSRSI	0.30
FSRZI-A	0.30
FSRZI-SA	0.30
FSRA10	1.00
FSRA10C	1.00
FSUIM	0.40
FSRRM24	0.40
F-TRIM35G	1.70
F-TRIM35R	1.70
F-TRIM10G	2.20
F-TRIM10R	2.20
F-XTR120	4.00
EOL3.6-1.1	0.10
CTM	1.00
RPM	3.00
FSAT1	0.10
FSAT2	0.10
FSAT3	0.10
FSAT4	0.10
FSRRM-S11	0.40
MFC-A	7.00



Three and Five Zone



Ten Zone

* Add 1-1/2 in. (38.1mm) for trim kit.

Conventional Fire Alarms

Smoke Detectors

500 Series



The Edwards 511C is a conventional photoelectric, direct-wire smoke detector with drift compensation, and features a low profile and self-diagnostics. This two-wire detector meets NFPA 72 field sensitivity requirements without the need for external meters.

The 511C continually monitors its own sensitivity and operational status, and provides a visual indication if it drifts out of the sensitivity range or fails internal diagnostics. Drift compensation allows the detector to automatically adjust its sensitivity over time as it becomes dirty, increasing the time between cleaning, and the life of the detector. The patented field replaceable optical chamber simplifies cleaning.

Normal sensing occurs every 9 seconds. This rate doubles when a signal exceeding the alarm threshold value is sensed. Two additional successive signals above the threshold level will initiate an alarm.

Features and Specifications

- Built-in drift compensation
- Field-replaceable optical chamber
- Small, low-profile design
- White color
- Meets NFPA 72 field sensitivity testing without the need for external meters
- Includes mounting base
- Operating temperature range: 32°F to 100°F (0°C to 37.8°C)

Ordering Information

Description	Cat. No.	Operating Voltage	Current (Standby)	Current (Alarm)	Photoelectric Sensitivity	Reset Time	Drift Compensation Adj.	Field Wire Size
Two-wire Conventional Smoke Detector	511C	12/24V DC	0.00007 A	0.06 A	3.1%, +0.5%, -1%	1 sec.	1%/ft. max.	18-12 AWG

Accessories

Description	Cat. No.
Replacement optical Chambers (pkg. of 10)	211-10PKG

Weights and Dimensions

Cat. No.	Approx. Shipping Weight (lb.)	Dimensions	
		Diameter (in.)	Height (in.)
511C	0.5	5.0	2.0
211-10PKG	0.5	—	—



Conventional Fire Alarms Smoke Detectors

500 Series



Edwards 500 Series two-wire conventional photoelectric smoke detectors work on a light-scattering principle. A pulsed infrared light-emitting diode serves as the light source, and a high-speed photo diode as the sensing element. This design protects against nuisance alarms caused by dust, insects, RF interference, and ambient light. Built-in drift compensation allows the detector to automatically adjust its sensitivity over time as it becomes dirty.

The 500 Series optical chamber is field replaceable. In the event of a confirmed alarm the LED will light continuously. The unit indicates trouble by flashing the LED every second. This meets the NFPA 72 field sensitivity testing requirements.

The 500 Series offers sounders in two-wire applications, specifically to meet residential code requirements. Units with built-in 85dBA sounders emit a temporal 3-3-3 tone pattern when in alarm and will emit a steady tone when the input power is reversed. All wiring terminates in clamp-type screw terminals. The detectors mount to a standard single-gang electrical box, a four-inch octagonal, four-inch square electrical box, or WIREMOLD No. 5739 fixture box.

Features and Specifications

- Self-diagnostic capability continually monitors operation
- Remote maintenance (CleanMe) reporting and built-in drift compensation
- Field-replaceable optical chamber
- Low-profile design blends into the ceiling
- Optional auxiliary functions include:
 - Integral sounder; 85dB @ 10ft.
 - Auxiliary relay
 - Fixed/Rate-of-Rise heats
- White color
- Includes mounting base
- Operating temperature range: 32°F to 100°F (0°C to 37°C)

Ordering Information

Description	Cat. No.	Operating Voltage	Current (Standby)	Current (Alarm)	Aux. Relay Contacts	Photoelectric Sensitivity	Reset Time	Drift Compensation Adj.	Field Wire Size
Photoelectric Smoke	521B	12/24V DC	0.00007 A	0.06 A	—	3.1%, +0.50, -1.00%	1 sec.	1%/ft. max.	18-12 AWG
Smoke with Fixed Temp and ROR Heat	521BXT	12/24V DC	0.00007 A	0.06 A	—	3.1%, +0.50, -1.00%	1 sec.	1%/ft. max.	18-12 AWG
Smoke with Heat and Aux Relay	521NCRXT	12/24V DC	0.00007 A	0.06 A	1 A @ 30V DC Form C	3.1%, +0.50, -1.00%	1 sec.	1%/ft. max.	18-12 AWG
Smoke with Heat and Sounder	521NCSXT	12/24V DC	0.00007 A	0.06 A	—	3.1%, +0.50, -1.00%	1 sec.	1%/ft. max.	18-12 AWG



MEA



Conventional Fire Alarms

Smoke Detectors

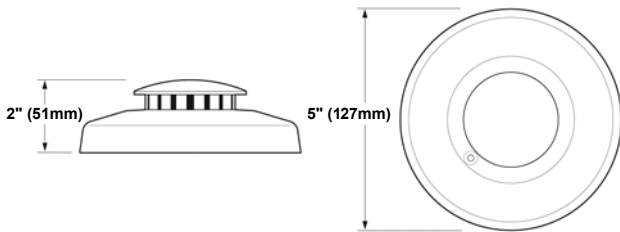
500 Series

Accessories

Description	Cat. No.
Replacement optical Chambers (pkg. of 10)	211-10PKG

Weights and Dimensions

Cat. No.	Approx. Shipping Weight (lb.)
521B	0.5
521BXT	0.5
521NCRXT	0.5
521NCSXT	0.5
211-10PKG	0.5



Conventional Fire Alarms Smoke Detectors

TS Series



The TS Series two-wire photoelectric smoke detectors feature a head and terminal base, designed for simplified installation and maintenance. The photoelectric smoke detector heads are self-diagnostic and have field replaceable optical chambers. They include automatic drift compensation that allows the detector to automatically adjust its sensitivity over time as it becomes dirty, reducing the chance of a nuisance alarm.

Applying a magnet near the detector's integral reed switch activates a self-diagnostic routine that provides visual indication of sensitivity level, or if service is required.

The TS Series smoke detector heads meet NFPA 72 field sensitivity testing requirements without the need for external meters. Both models include the appropriate six-inch base to support the heads.

Features and Specifications

- Two-wire head and terminal base models (packaged together)
- Self-diagnostic capability continually monitors operation
- Built-in drift compensation
- Field replaceable optical chamber
- Low-profile design blends in with the environment
- Available with integral heat detectors
- Meets NFPA 72 field sensitivity testing without the need for external meters
- Extensive 2-wire compatibility listings
- White head and base
- Operating temperature range: 32°F to 120°F (0°C to 49°C)

Ordering Information

Description	Cat. No.	Operating Voltage	Current (Standby)	Current (Alarm)	Base	Photoelectric Sensitivity	Reset Time	Drift Compensation Adj.	Field Wire Size
Two-wire Smoke Detector	TS7-2	12/24V DC	0.00007 A	0.06 A	701U (3-terminal)	2.85%, +0.37, -1.00%	1 sec.	1%/ft. max.	18-12 AWG
Two-wire Smoke Detector with 135°F Fixed/Rate of Rise Heat	TS7-2T	12/24V DC	0.00007 A	0.06 A	702U (6-terminal)	2.85%, +0.37, -1.00%	1 sec.	1%/ft. max.	18-12 AWG

Accessories

Description	Cat. No.
Replacement optical Chambers (pkg. of 10)	211-10PKG

Weights and Dimensions

Cat. No.	Approx. Shipping Weight (lb.)	Dimensions			
		Detector Head Diameter (in.)	Height (in.)	Base Diameter (in.)	Overall Height (in.)
TS7-2	0.50	4.0	1.75	6.0	1.98
TS7-2T	0.50	4.0	1.75	6.0	1.98
211-10PKG	0.50	—	—	—	—



MEA

Conventional Fire Alarms

Smoke Detectors

700 Series



The Edwards photoelectric smoke detector is an interchangeable head and base detector with a light-scattering optical sensor. A pulsed infrared LED light source and a high-speed photodiode-sensing element are housed in an omni-directional sensing chamber protected by an insect screen. The chamber is not affected by ambient light. The detector features a field-replaceable optical chamber to simplify cleaning. The 721UT photoelectric detector includes integral fixed temperature heat detectors.

Edwards 700 Series smoke detectors are suitable for use in commercial and industrial environments. If the detector drifts out of its UL Listed sensitivity range or fails internal diagnostics, the alarm LED flashes once a second to indicate trouble. This meets NFPA 72 field sensitivity testing requirements without the need for external meters.

Applying a magnet near the detector's integral reed switch activates a self-diagnostic routine that provides visual indication of sensitivity level, or if service is required.

Built-in drift compensation allows the detector to automatically adjust its sensitivity over time as it becomes dirty.

Features and Specifications

- Self-diagnostic capability continually monitors operation
- Built-in drift compensation
- Field-replaceable optical chamber
- Low-profile design blends into the ceiling
- Advanced nuisance alarm immunity
- Meets NFPA 72 field sensitivity testing without the need for external meters
- Extensive two-wire compatibility listings
- White head and base
- Operating temperature range: 32°F to 120°F (0°C to 49°C)

Ordering Information

Description	Cat. No.	Operating Voltage	Current (Standby)	Current (Alarm)	Photoelectric Sensitivity	Number of Terminals	Reset Time	Drift Compensation Adj.	Field Wire Size
Two-wire Self-Diagnostic Smoke Detector	711U	12/24V DC	0.00007 A	0.06 A	2.85%, +0.37, -1.00%	—	1 sec.	1%/ft. max.	—
Two-wire Self-Diagnostic Smoke Detector with Heat	721UT	12/24V DC	0.00007 A	0.06 A	2.85%, +0.37, -1.00%	—	1 sec.	1%/ft. max.	—
Two-wire Self-Diagnostic Smoke Detector Bases	701U	—	—	—	—	3	—	—	18-12 AWG
	702U	—	—	—	—	6	—	—	18-12 AWG

Accessories

Description	Cat. No.
Replacement optical Chambers (pkg. of 10)	211-10PKG



MEA



Conventional Fire Alarms Smoke Detectors 700 Series

Weights and Dimensions

Cat. No.	Approx. Shipping Weight (lb.)	Dimensions	
		Diameter (in.)	Height (in.)
711U	0.50	4.0	1.75
721UT	0.50	4.0	1.75
701U	0.25	6.0	0.6
702U	0.25	6.0	0.6
211-10PKG	0.50	—	—

Conventional Fire Alarms

Smoke Detectors

SC Series



The SC Series ionization smoke detectors have a dual chamber design, so they automatically compensate for environmental changes such as atmospheric pressure, humidity and ambient temperature.

A red LED indicator situated on the detector molding provides clear indication when the unit is in alarm.

SC10U-3 detectors plug into the CSBU-1 base unit by a simple twist and lock action. In order to prevent unauthorized removal, a site selectable option is provided to lock the detector into its base. Once applied, the unit can only be removed by means of a special tool.

All SC10U-3 detectors are monitored for detector removal. When a detector (or detectors) is removed from its base, a fault condition is detected.

Features and Specifications

- LED alarm indication
- Sensitivity test feature with use of C-PST test tool
- Tamper resistant with site selectable lock
- White molded high impact fire retardant plastic
- Advanced dual chamber
- Surface mount technology
- Operating temperature range: 32°F to 100°F (0°C to 37.8°C)

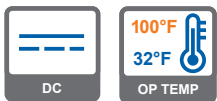
Ordering Information

Description	Cat. No.	Operating Voltage	Current		Sensitivity Range	Terminal Sizes
			Standby	Alarm		
Smoke Detector with Base	SC10U-3B	14V - 30V DC	0.00005 A	0.100 A max.	0.65-1.05% obs/ft.	12-18 AWG
Smoke Detector	SC10U-3	14V - 30V DC	0.00005 A	0.100 A max.	0.65-1.05% obs/ft.	12-18 AWG
Detector Base (Surface Mount)	CSBU-1	—	—	—	—	—
Detector Base with Resistor	CSBU-3¹	—	—	—	—	—

¹For use with non-current limited circuits.

Accessories

Description	Cat. No.
Test Picker Tool for Sensitivity Reading and Removal	C-PST



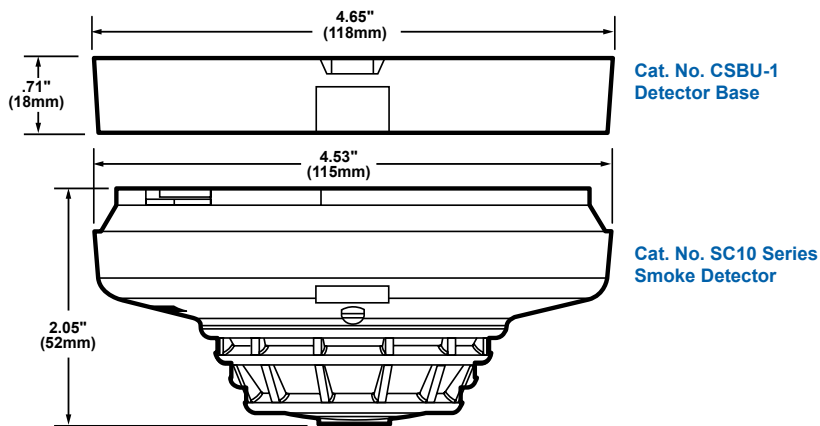
Conventional Fire Alarms

Smoke Detectors

SC Series

Weights and Dimensions

Cat. No.	Approx. Shipping Weight (lb.)
SC10U-3B	0.23
SC10U-3	0.23
CSBU-3	0.20
CSBU-1	0.20
C-PST	5.50



Conventional Fire Alarms

Hazardous Location Smoke Detector

V9006 Series



The V9006-0001-013 Hazardous Location Smoke Detector is suitable for use in hazardous industrial and commercial locations.

It uses a solid state infrared emitting diode (IRED) and a light sensing photovoltaic cell arranged in a labyrinth assembly. A recessed photodiode provides voltage for amplification to "alarm signal" level. The main enclosure of the detector contains the electronics, alarm relay, supervision relay and facilities for connection to system wiring.

Each detector contains one set of Form A (SPST) N/O contacts for connection to the alarm initiating circuit and a set of (SPST) N/C power supervision contacts.

The detector locks in on alarm and has a lock-in alarm indicator (LED) on the outer surface of the housing. Detector reset is achieved by momentary interruption of power.

Features and Specifications

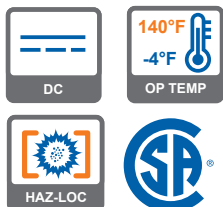
- Labyrinth assembly
- Self-checking components
- Infrared (IRED) light emitting diode as light source
- CSA certified for use in Class I, Div. 2, Groups A, B, C and D locations
- Residual ripple less than 2% of DC input
- Operating temperature range: -4°F to 140°F (-20°C to 60°C)

Ordering Information

Description	Cat. No.	Operating Voltage	Current		Max Air Velocity	Contact Rating
			Standby	Alarm		
Hazardous Location Smoke Detector	V9006-0001-013	20V - 28V DC	0.010 A	0.035 A	3960 fpm	2 A @ 30V DC 0.5 A @ 125V AC

Weights and Dimensions

Cat. No.	Approx. Shipping Weight (lb.)	Dimensions	
		Diameter (in)	Depth (in)
V9006-0001-013	6.75	5 5/16	3 1/2



Conventional Fire Alarms

Beam Detectors

5000 Series

The EC5000R beam detector features a transmitter and receiver in a single enclosure. The transmitter emits an invisible, reflected infrared light beam that is detected by the receiver and analyzed. Smoke in the beam path will reduce the received infrared light proportionally to the density of the smoke. The detector analyzes this and initiates an alarm condition when a predetermined level of obscuration is reached.

The EC5000R System features advanced innovations such as auto-alignment, which indicates the optimal location of the reflector by means of an integrated laser. Once installed, the system automatically steers and maintains the beam to the optimum position for reliable performance.

Features and Specifications

- Range of 26.25 to 330 ft. (8m to 100m)
- Light gray/black ABS housing
- Ground level controller with LCD display
- Up to four detector heads reporting to one controller
- Laser-assisted reflector mounting
- Automatic beam alignment
- Contamination compensation to reduce nuisance alarms
- Building shift compensation
- Separate alarm and trouble contacts
- Built-in electronic UL/ULC obscuration accepted fire test
- Password protected settings
- Programmable fire thresholds
- IP54 rated
- Operating temperature range: 32°F to 100°F (0°C to 37.8°C)



Ordering Information

Description	Cat. No.	Operating Voltage	Current		Relay Contacts	Reset Time	Optical Wavelength
			Standby	Alarm			
Beam Detector	EC5000R	24V DC	0.010 - 0.016 A (low); 0.050 A (high)	0.010 - 0.016 A	1 A @ 30V DC	5 seconds max.	850 nm

Weights and Dimensions

Cat. No.	Approx. Shipping Weight (lb.)	Dimensions (In.)								
		Head			Controller			Prism		
		Height	Length	Width	Height	Length	Width	Height	Length	Width
EC5000R	—	5.28	5.31	5.28	3.20	9.25	7.87	0.37	4.13	3.94



MEA



Conventional Fire Alarms

Duct Detectors, Two-Wire SuperDuct Series



Less than two inches deep, SuperDuct two-wire smoke detectors are suitable for installation in ductwork, where space is limited. SuperDuct detectors feature removable dust filters, conformally coated circuit boards, and optional water-resistant gaskets to keep contaminants away from components. They include industry standard sampling tube mounting holes to simplify retrofit applications.

SuperDuct detectors use differential sensing to prevent gradual environmental changes from triggering false alarms. A rapid change in environmental conditions, such as smoke from a fire, causes the detector to automatically signal an alarm condition but dust and debris accumulated over time does not change alarm sensitivity.

The relay output may be configured for operation independent of the duct detector. A dedicated dirty/trouble LED on each unit offers immediate at-a-glance information even when the cover is closed.

Remote Test/Reset stations are available to provide alarm testing and indication from a remote location. Two-wire SuperDuct detectors are also compatible with EC-LED remote alarm LEDs.

Features and Specifications

Smoke Sensor

- PCB mounted photoelectric detector with onboard intelligence
- Environmental compensation with differential sensing for reliable, stable, and drift-free sensitivity
- Wide 0.79% to 2.46% obscuration/ft. smoke sensitivity

Detector Assembly

- Less than 2" deep
- Status LEDs remain visible through clear assembly cover
- Cover monitor switch for added security
- Standard sampling tube spacing
- Sampling tube can be installed with or without the cover in place; can be rotated in 45° increments
- On-board Alarm, Trouble, and Dirty LEDs
- Magnet-activated test switch
- One Form C auxiliary alarm relay for controlling ancillary equipment (e.g., HVAC controls)
- Easy access to field connection terminals
- Operating temperature range: -4°F to 158°F (-20°C to 70°C)

Ordering Information

Description	Cat. No.	Operating Voltage	Current (Standby)	Current (Alarm)	Alarm Test Response Time	Alarm Impedance	Common Alarm Relay	Sensitivity	Reset Time
Two-wire Detector	SD-2W	16-30V DC	0.00007 A	0.005-0.1 A	5 sec.	50 to 750 Ohms	2 A @ 30V DC, Form C	0.79 to 2.46%/ft. obscuration	1 sec.



MEA



Conventional Fire Alarms

Duct Detectors, Two-Wire

SuperDuct Series

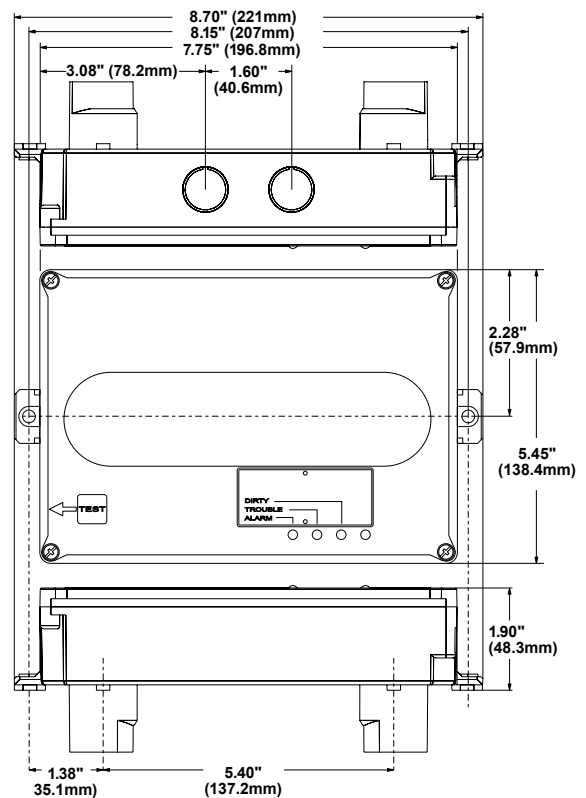
Accessories

Description	Cat. No.
8-inch sampling tube	SD-T8
18-inch sampling tube	SD-T18
24-inch sampling tube	SD-T24
36-inch sampling tube	SD-T36
42-inch sampling tube	SD-T42
60-inch sampling tube	SD-T60
78-inch sampling tube	SD-T78
120-inch sampling tube	SD-T120
Protective housing for high humidity areas	SD-PH
Remote test station, magnetic	SD-TRM
Remote test station, keyed	SD-TRK
Remote LED indicator	EC-LED
Air velocity test kit (stoppers only, etc)	SD-VTK
Cover gasket kit	SD-GSK
Test magnet kit	SD-MAG
Replacement PCB, 2-wire sensor kit	SD-2WPCB



Weights and Dimensions

Cat. No.	Approx. Shipping Weight (lb.)
SD-2W	2.40
SD-T8	0.50
SD-T18	1.50
SD-T24	2.70
SD-T36	3.00
SD-T42	3.50
SD-T60	5.80
SD-T78	7.50
SD-T120	11.50
SD-PH	5.50
SD-TRM	1.00
SD-TRK	1.00
EC-LED	1.00
SD-VTK	1.00
SD-GSK	0.50
SD-MAG	0.50
SD-2WPCB	1.00



Conventional Fire Alarms

Duct Detectors, Four-Wire SuperDuct Series



Less than two inches deep, SuperDuct four-wire smoke detectors are suitable for installation in ductwork, where space is limited. SuperDuct detectors feature removable dust filters, conformally coated circuit boards, and optional water-resistant gaskets to keep contaminants away from components. They include industry standard sampling tube mounting holes to simplify retrofit applications.

SuperDuct detectors use differential sensing to prevent gradual environmental changes from triggering false alarms. A rapid change in environmental conditions, such as smoke from a fire, causes the detector to automatically signal an alarm condition but dust and debris accumulated over time does not change alarm sensitivity.

The relay output may be configured for operation independent of the duct detector. A dedicated dirty/trouble LED on each unit offers immediate at-a-glance information even when the cover is closed.

The controller can be installed up to 15 feet from detector and one controller can support up to two detectors. Up to 15 controllers can be interconnected for multiple fan shutdown.

Remote Test/Reset stations are available to provide alarm testing and indication from a remote location. Two-wire SuperDuct detectors are also compatible with 5956A remote alarm LEDs.

Features and Specifications

Detector Assembly

- Less than 2" deep
- PCB mounted photoelectric detector with on-board intelligence
- Environmental compensation with patented differential sensing
- 100 ft./min. to 4,000 ft./min. air velocity rating
- Standard RJ45 modular interconnection
- Status LEDs visible through clear cover
- Cover tamper reed switch for added security
- Standard sampling tube and mounting holes
- Install in tandem with the controller assembly, or remotely from it
- Magnet-activated test/dirty/reset switch
- No need to open the detector for installation
- Operating temperature range: -4°F to 158°F (-20°C to 70°C)

Controller

- One controller for up to two detectors
- Standard connections for easy migration
- Status LEDs visible through clear cover
- Alarm contact, trouble contact, and two 10 amp auxiliary contacts
- Interconnect up to 15 controllers for multiple fan shut-down

Ordering Information

Description	Cat. No.	Operating Voltage ¹	Auxiliary Output	Supervision Relay	Aux. Relays (2)	Alarm Initiation Relay	Sensitivity	Reset Time
Controller with Sensor (RJ45)	SD-4WJ	24V DC, 24V AC, 120V AC, 230V AC	18V DC nom; 0.03A max.	2A@30V DC, Form C	10A@30V DC; 10A@250V AC, Form C	N.O, 2A@30V DC	0.67 to 2.46%/ft. obscuration	2 sec.
Controller - RJ45	SD-CJ	24V DC, 24V AC, 120V AC, 230V AC	18V DC nom; 0.03A max.	2A@30V DC, Form C	10A@30V DC; 10A@250V AC, Form C	N.O, 2A@30V DC	0.67 to 2.46%/ft. obscuration	2 sec.
Sensor - RJ45	SD-SJ	24V DC, 24V AC, 120V AC, 230V AC	18V DC nom; 0.03A max.	2A@30V DC, Form C	10A@30V DC; 10A@250V AC, Form C	N.O, 2A@30V DC	0.67 to 2.46%/ft. obscuration	2 sec.
Controller - Terminals	SD-CT	24V DC, 24V AC, 120V AC, 230V AC	18V DC nom; 0.03A max.	2A@30V DC, Form C	10A@30V DC; 10A@250V AC, Form C	N.O, 2A@30V DC	0.67 to 2.46%/ft. obscuration	2 sec.
Sensor - Terminals	SD-ST	24V DC, 24V AC, 120V AC, 230V AC	18V DC nom; 0.03A max.	2A@30V DC, Form C	10A@30V DC; 10A@250V AC, Form C	N.O, 2A@30V DC	0.67 to 2.46%/ft. obscuration	2 sec.

¹AC voltage frequency at 50/60 Hz



Conventional Fire Alarms

Duct Detectors, Four-Wire

SuperDuct Series

Accessories	
Description	Cat. No.
8-inch sampling tube	SD-T8
18-inch sampling tube	SD-T18
24-inch sampling tube	SD-T24
36-inch sampling tube	SD-T36
42-inch sampling tube	SD-T42
60-inch sampling tube	SD-T60
78-inch sampling tube	SD-T78
120-inch sampling tube	SD-T120
RJ45 wiring harness kit – 15 ft.	SD-RJ15
RJ45 wiring harness kit – 10 ft.	SD-RJ10
RJ45 wiring harness kit – 5 ft.	SD-RJ5
Remote test station, magnetic	SD-TRM4
Remote test station, keyed	SD-TRK4
Remote LED Alarm Indicator	5956A
Protective housing for high humidity areas	SD-PH
Air velocity test kit (stoppers only, etc)	SD-VTK
Cover gasket kit	SD-GSK
Test magnet kit	SD-MAG
Replacement PCB/sensor kit (terminals)	SD-4WPCBT
Replacement PCB/sensor kit (RJ45)	SD-4WPCBJ
Replacement RJ45 interconnect cable	7140126-01

Weights and Dimensions	
Cat. No.	Approx. Shipping Weight (lb.)
SD-CJ	2.4
SD-SJ	2.4
SD-4WJ	3.7
SD-CT	2.4
SD-ST	2.4
SD-T8	0.5
SD-T18	1.5
SD-T24	1.1
SD-T36	3.0
SD-T42	3.5
SD-T60	5.8
SD-T78	4.1
SD-T120	11.5

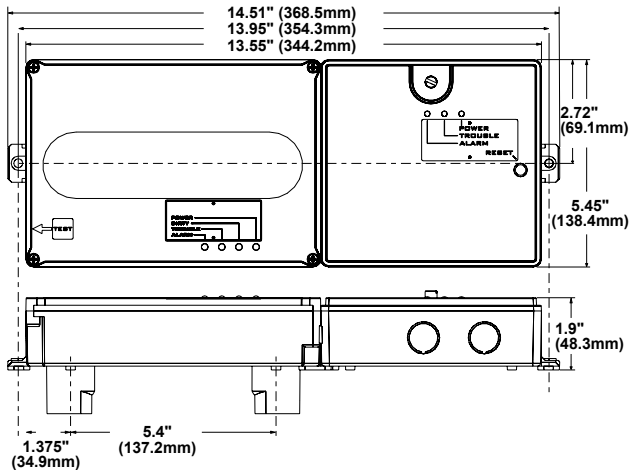
Conventional Fire Alarms

Duct Detectors, Four-Wire

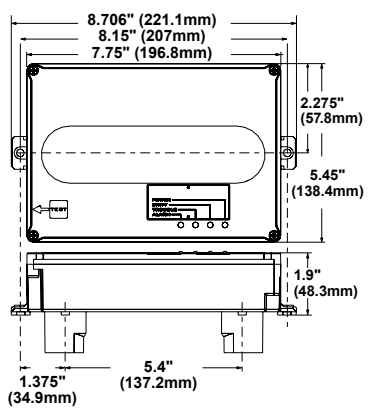
SuperDuct Series

Weights and Dimensions	(Continued)
Cat. No.	Approx. Shipping Weight (lb.)
SD-RJ15	1.50
SD-RJ10	1.50
SD-RJ5	0.60
SD-TRM4	1.00
SD-TRK4	1.00
5956A	1.00
SD-PH	5.50
SD-VTK	1.00
SD-GSK	0.50
SD-MAG	0.50
SD-4WPCBT	1.00
SD-4WPCBJ	1.00
7140126-01	0.50

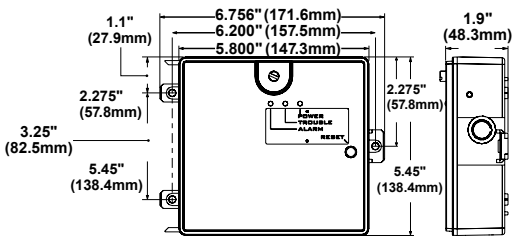
Controller and Detector (mounted in tandem)



Detector



Controller



Conventional Fire Alarms Smoke Detectors ReadySET Series



The ReadySET air aspirating (sampling) smoke detector is a central detection unit that actively draws air from a protected area through its sampling pipe and monitors the stream for the presence of smoke and other products of combustion. It can accommodate up to 10 sampling holes along a maximum pipe length of 164 ft (50 m).

The ReadySET Series smoke detectors have a NEMA 1 rated enclosure, and are resistant to dust and dirt. Forward scattering optical detection adds early warning capability. Predefined application scenarios diagram how to lay out the pipe and where to drill the air intake holes. Field-configurable via internal DIP switches for a range of settings, it connects to any fire alarm control panel through dry contact relays.

ReadySET is designed for mission critical settings like assembly areas and laboratories, as well as large spaces like atria, and applications where concealed detection is desired.

Features and Specifications

- Laser light scattering mass detection
- 2500 square foot (232 square meter) coverage area
- Environmental compensation
- Alarm, pre-alarm and fault relays
- Wall mounting via three screws
- Optional serial interface for PC-based diagnostics
- Operating humidity range: 0-90% non-condensing
- Operating temperature range: 32°F to 100°F (0°C to 38°C)



Ordering Information

Description	Cat. No.	Operating Voltage	Current	Sensitivity Range	Relay Contact Rating	Communication Card
Air Sampling Smoke Detector	9-30719-KFB	22.5V - 26.4V DC	0.35 A	0.12% to 7.62% obs/ft.	1 A @ 24V DC res. Load	No
	9-30721-KFB	22.5V - 26.4V DC	0.35 A	0.12% to 7.62% obs/ft.	1 A @ 24V DC res. Load	Yes

Accessories

Description	Cat. No.	Package Qty.
ReadySET replacement air filter	33-30755A	
CPVC Sampling Pipe and Fittings		
"3/4" ID x 1" OD x 15' length CPVC Sampling Pipe. Orange. Preprinted "Do Not Disturb – Aspirating Smoke Detection Pipe."	CV11900	14
3/4" CPVC Straight Coupling	CV10908	25
3/4" CPVC 90° Socket Elbow	CV10906	30
3/4" CPVC 45° Socket Elbow	CV10905	20
3/4" CPVC Socket End Cap	CV10927	25
3/4" CPVC Socket Union	CV10915	10
3/4" CPVC Socket TEE Fitting	CV10909	20
Reducer Bushing-CPVC.	CV10935	25
Quick Connect Fitting	CV10937	25



CV11900



CV10908



CV10906



CV10905



CV10927



CV10915



CV10909



CV10935



CV10937



Conventional Fire Alarms

Smoke Detectors

ReadySET Series

Accessories		(Continued)	
Description	Cat. No.	Package Qty.	
ABS Sampling Pipe and Fittings			
3/4" ID x 1" OD x 10' length ABS Sampling Pipe. Red; Preprinted "Do Not Disturb – Aspirating Smoke Detection Pipe"	CM10900	14	
3/4" Red ABS Straight Coupling	CM10908	25	
3/4" Red ABS Sweeping 90° Elbow	CM10906	30	
3/4" Red ABS 45° Elbow	CM10905	20	
Sampling Ports, Fittings and Accessories			
Sampling Point Assembly. Detachable remote Sampling Point.	CM10943	1	
Patress style detachable Sampling Point	CM10919	1	
Right Angle Patress style detachable Sampling Point	CM10944	1	
Bulkhead style detachable Sampling Point	CM10913	1	
Press Fit Calibrated Sampling Point (white).	CM10914	1	
In-line Sampling Point Adaptor - ABS. 3/4" to 3/8" Quick Connect Fitting.	CM10923	1	
End-of-line Sampling Point Adaptor - ABS. 3/4" to 3/8" Quick Connect Fitting.	CM10922	1	
1/4" ID x 3/8" OD Capillary Sampling Tube.	CM10963-250	250 ft.	
Pipe Accessories			
3/4" Sample Point Repair Saddle	CM10933	1	
Sampling Point Identification Decals	CM10960	100	
3/4" Red ABS Pipe Clip	CM10954	1	
One-Hole Wrap-Strap for CPVC and ABS Pipe	CV10931	100	
2 hole strap for 3/4" CPVC pipe	CV10934	100	
Stand-off 2 hole strap for 3/4" CPVC pipe	CV10936	100	
Fittings and Adaptors			
3/4" ABS to 22mm Copper Tube Adapter	CM10902	1	



CM10900



CM10908



CM10906



CM10905



CM10943



CM10919



CM10944



CM10913



CM10914



CM10923



CM10922



CM10933



CM10960



CM10954



CV10931



CV10934



CV10936

Weights and Dimensions

Cat. No.	Approx. Shipping Weight (lb.)	Dimensions		
		Width (in.)	Height (in.)	Depth (in.)
9-30719-KFB	2.65	7.5	9	4.3
9-30721-KFB	2.65	7.5	9	4.3

Conventional Fire Alarms

Heat Detectors

280 Series



280B-PL Series heat detectors offer fixed temperature or combination rate-of-rise and fixed temperature detection.

A temperature increase at the sensor of 15°F (9°C) or more per minute activates the rate-of-rise feature, closing the contacts in the sensor to transmit the alarm condition to the fire alarm control panel. When the rate-of-rise element alone has been activated, the sensor is self-restoring.

If the temperature of the center disk rises to the sensor's rated temperature, the fixed temperature element activates, closing contacts in the sensor and transmitting an alarm condition to the fire alarm control panel. The fixed temperature element is non-restorable and, when activated, the detector must be replaced. The need for replacement is indicated when the center disk has fallen free from the detector.

Edwards 280B series heat sensors come standard with a white plastic reversible mounting plate. The plate is designed for surface or flush mounting and installs directly to a standard North American 3 ½ or 4 inch octagon box. Once the mounting plate is fixed, a simple twist will lock the sensor in place. It can be removed using a screwdriver to release the tamper-resistant locking finger.

Features and Specifications

- UL listed for 50 ft. (15.2m) spacing
- Single pole — normally open contact
- Low profile with mounting plate
- Pure white finish
- Mounting flexibility with screw terminals
- Easy twist-on installation
- On-site testing of rate-of-rise feature
- Positive operating indication — for fixed temperature element
- Operating temperature range: -22°F to 100°F (-30°C to 37.8°C) (281B-PL and 283B-PL); -22°F to 150°F (-30°C to 65.6°C) (282B-PL and 284B-PL)

Ordering Information

Description	Cat. No.	Contact Ratings		Temperature		UL Recommended		FM Recommended Spacing
		Voltage	Amps	UL Rated	UL Max Ambient at Ceiling	Coverage ¹	Spacing	
Heat Detector - Rate of Rise and Fixed Temperature	281B-PL	6-125V AC	3.0	135°F (57°C)	100°F (38°C)	2500 ft. ² (232m ²)	50 ft. (15.2m)	30 ft. (9.14m)
		6-24V DC	1.0					
		125V DC	0.3					
	282B-PL	250V DC	0.1	194°F (90°C)	150°F (66°C)	2500 ft. ² (232 m ²)	50 ft. (15.2 m)	30 ft. (9.14m)
		6-125V AC	3.0					
		6-24V DC	1.0					
Heat Detector - Fixed Temperature	283B-PL	125V DC	0.3	135°F (57°C)	100°F (38°C)	2500 ft. ² (232m ²)	50 ft. (15.2m)	30 ft. (9.14m)
		250V DC	0.1					
		6-125V AC	3.0					
	284B-PL	6-24V DC	1.0	194°F (90°C)	150°F (66°C)	2500 ft. ² (232m ²)	50 ft. (15.2m)	30 ft. (9.14m)
		125V DC	0.3					
		250V DC	0.1					

¹Maximum detector coverage has been determined by UL to provide detection time equal to sprinkler devices spaced at 10 ft (3.05m) intervals on a smooth ceiling 15 feet 9 inches (4.8m) high. Higher ceilings may adversely affect detection time. Earlier detection may be obtained by reducing the spacing between sensors. (See NFPA 72, Chapter 5)



Conventional Fire Alarms

Heat Detectors

280 Series

Accessories

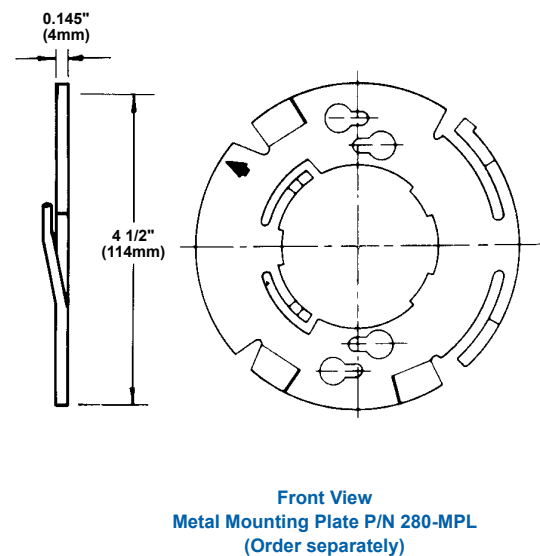
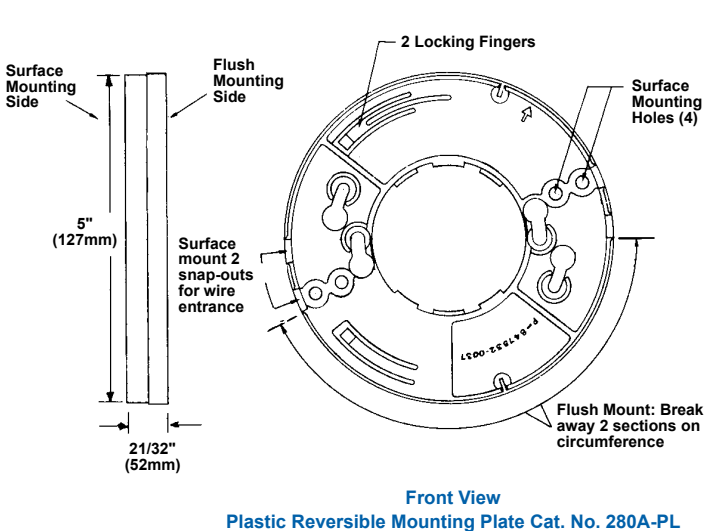
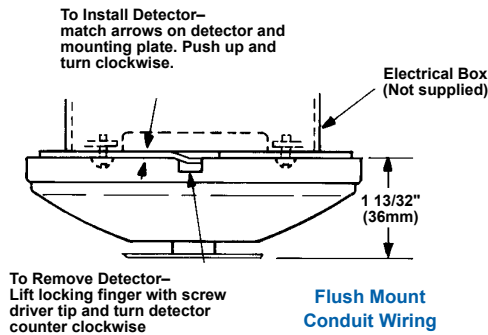
Description	Cat. No.
Reversible Mounting Plate	280A-PL ²

²Included with Heat Detectors

Weights and Dimensions

Cat. No.	Approx. Shipping Weight (lb.)
281B-PL	1.0
282B-PL	1.0
283B-PL	1.0
284B-PL	1.0

NOTE: The plastic mounting plate is molded to accommodate exposed wiring.



Conventional Fire Alarms

Heat Detectors, Rate Compensation

302 Series

Edwards Series 302 heat detectors are suitable for use in indoor and outdoor environments and explosive atmospheres. They are normally-open devices designed to close an electrical circuit upon activation. All models feature rate compensation and are available with either 135°F (57.2°C) or 194°F (90°C) ratings. These self-restoring, hermetically sealed detectors are shock-, corrosion- and tamper-resistant.

Features and Specifications

- Rate compensation offsets thermal lag
- Self-restoring – no manual reset required
- Explosionproof versions available. Class 1, Groups C and D; Class 2, Groups E, F and G
- Some versions suitable for outdoor applications
- No back box required on some outdoor-suitable versions
- Box mount and surface mount versions



Ordering Information						
Description	Cat. No.	Operating Voltage	Current	Temperature		
				UL Rated	Minimum Ambient	Maximum Ceiling
Indoor Surface Mounting	302-135	6-125V AC	5 A	135°F (57.2°C)	-40°	100°F (37.8°C)
		6-25V DC	1 A			
		125V DC	0.5 A			
	302-194	6-125V AC	5 A	194°F (90°C)	-40°	150°F (65.6°C)
		6-25V DC	1 A			
		125V DC	0.5 A			
Indoor or Outdoor Surface Mounting	302-AW-135	6-125V AC	5 A	135°F (57.2°C)	-40°	100°F (37.8°C)
		6-25V DC	1 A			
		125V DC	0.5 A			
	302-AW-194	6-125V AC	5 A	194°F (90°C)	-40°	150°F (65.6°C)
		6-25V DC	1 A			
		125V DC	0.5 A			
Indoor or Outdoor Box Mounting ¹	302-ET-135	6-125V AC	5 A	135°F (57.2°C)	-40°	100°F (37.8°C)
		6-25V DC	1 A			
		125V DC	0.5 A			
	302-ET-194	6-125V AC	5 A	194°F (90°C)	-40°	150°F (65.6°C)
		6-25V DC	1 A			
		125V DC	0.5 A			
Indoor Explosionproof Box Mounting ²	302-EPM-135	6-125V AC	5 A	135°F (57.2°C)	-40°	100°F (37.8°C)
		6-25V DC	1 A			
		125V DC	0.5 A			
	302-EPM-194	6-125V AC	5 A	194°F (90°C)	-40°	150°F (65.6°C)
		6-25V DC	1 A			
		125V DC	0.5 A			

¹Requires STONCO27 or equivalent

²Requires JALX-11 or equivalent



MEA



Conventional Fire Alarms

Heat Detectors, Rate Compensation

302 Series

Accessories	
Description	Cat. No.
Decorative white plastic adaptor plate	AP-P
3 ½" round back box and cover suitable for outdoor use	STONCO27
Explosionproof outlet body with cover	JALX11

Weights and Dimensions		Dimensions			
Cat. No.	Approx. Shipping Weight (lb.)	Dimensions			
		Height (in.)	Overall Length (in.)	Base Diameter (in.)	Diameter (in.)
302-135	0.20	—	4.25	2.063	—
302-194	0.20	—	4.25	2.063	—
302-AW-135	0.20	—	4.125	2.063	—
302-AW-194	0.20	—	4.125	2.063	—
302-ET-135	0.20	—	4.0	1.0	—
302-ET-194	0.20	—	4.0	1.0	—
302-EPM-135	0.30	—	4.25	1.0	—
302-EPM-194	0.30	—	4.25	1.0	—
AP-P	0.10	—	—	—	4.5
STONCO27	3.00	2.0	—	—	3.5
JALX11	3.50	3.0	—	—	4.5 x 4.5

Conventional Fire Alarms

Heat Detectors, Double Contact

CF/CR Series



CR/CF Series heat detectors offer fixed temperature or combination rate-of-rise and fixed temperature detection.

A temperature increase at the sensor of 15°F (9°C) or more per minute activates the rate-of-rise feature, closing the contacts in the sensor to transmit the alarm condition to the fire alarm control panel. When the rate-of-rise element alone has been activated, the sensor is self-restoring.

If the temperature of the center disk rises to the sensor's rated temperature, the fixed temperature element activates, closing contacts in the sensor and transmits an alarm condition to the fire alarm control panel. The fixed temperature element is non-restorable and, when activated, the detector must be replaced. The need for replacement is indicated when the center disk has fallen free from the detector.

Edwards CR/CF Series heat sensors come standard with metal mounting plate. The plate is designed to install directly to a standard North American 3 ½ or 4 inch octagon box. Once the mounting plate is fixed, a simple twist will hold the detector in place.

Features and Specifications

- UL recommended for 70 ft. (21.3m) spacing
- Double pole — normally open contacts
- Low profile with mounting plate
- Aluminum finish
- Mounting flexibility with screw terminals
- Easy twist-on installation
- Positive operating indication — for fixed temperature element
- 70 ft. spacing (**CR models only**)

12

FIRE ALARMS

Ordering Information

Description	Cat. No.	Contact Rating		Temperature		UL Recommended		UL Max Distance from Wall ¹
		Amps	Voltage	UL Rating	UL Max Ambient at Ceiling	Coverage ¹	Spacing	
Heat Detector - Rate of Rise and Fixed Temp.	CR135-2	3.0	125V AC	135°F (57°C)	100°F (38°C)	4900 ft. ² (456 m ²)	70 ft. (21.3 m)	35 ft. (10.5 m)
		1.0	28V DC					
		0.3	125V DC					
		0.1	250V DC					
	CR200-2	3.0	125V AC	200°F (93°C)	150°F (66°C)	4900 ft. ² (456 m ²)	70 ft. (21.3 m)	35 ft. (10.5 m)
		1.0	28V DC					
0.3		125V DC						
Heat Detector - Fixed Temp.	CF135-2	3.0	125V AC	135°F (57°C)	100°F (38°C)	1600 ft. ² (149 m ²)	40 ft. (12.2 m)	20 ft. (6 m)
		1.0	28V DC					
		0.3	125V DC					
		0.1	250V DC					
	CF200-2	3.0	125V AC	200°F (93°C)	150°F (66°C)	1600 ft. ² (149 m ²)	40 ft. (12.2 m)	20 ft. (6 m)
		1.0	28V DC					
0.3		125V DC						
		0.1	250V DC					

¹From wall or projection extending down from ceiling more than 12 inches (305 mm).



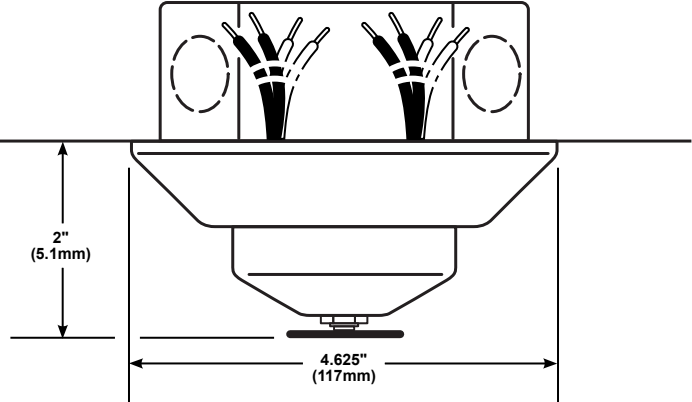
Conventional Fire Alarms

Heat Detectors, Double Contact

CF/CR Series

Weights and Dimensions

Cat. No.	Approx. Shipping Weight (lb.)
CR135-2	1.0
CR200-2	1.0
CF135-2	1.0
CF200-2	1.0



Conventional Fire Alarms

Heat Detectors

SC Series



The Edwards SC20FTU-3 is a fixed temperature heat detector, with an alarm threshold, operating at 135°F (58°C).

The SC20RRU-3 has an alarm threshold of 135°F (58°C) and operates on the rate of rise of 15° or greater per minute.

A red LED indicator situated on the detector molding provides clear indication when the unit is in alarm. For ease of removal, these detectors plug into the CSBU-1 base unit by a simple twist and lock action. In order to prevent unauthorized removal, a site selectable option is provided to lock the detector into its base. Once applied, the unit can only be removed by means of a special tool.

Features and Specifications

- 135°F (58°C) and 180°F (82°C) fixed temperature models
- 135°F (58°C) rate of rise model
- LED alarm indication
- Tamper resistant with site selectable lock
- White molded high impact fire retardant plastic
- Surface mount technology
- All components conformally coated to seal against dust and moisture
- Operating temperature range: 32°F to 100°F (0°C to 37.8°C)

Ordering Information

Description	Cat. No.	Operating Voltage	Current		Fixed Temp. Alarm Level	Rate of Rise	Terminal Sizes
			Standby	Alarm			
Heat Detector - 58°C Fixed Temperature	SC20FTU-3	14V - 30V DC	0.064 A	0.100 A max.	135°F (58°C)	—	12-18 AWG
Heat Detector - 58°C Fixed Temperature and Rate of Rise	SC20RRU-3	14V - 30V DC	0.064 A	0.100 A max.	135°F (58°C)	15°F/Min.	12-18 AWG
Detector Base (Surface Mount)	CSBU-1	—	—	—	—	—	—
Detector Base with Resistor	CSBU-3¹	—	—	—	—	—	—

¹For use with non-current limited circuits.



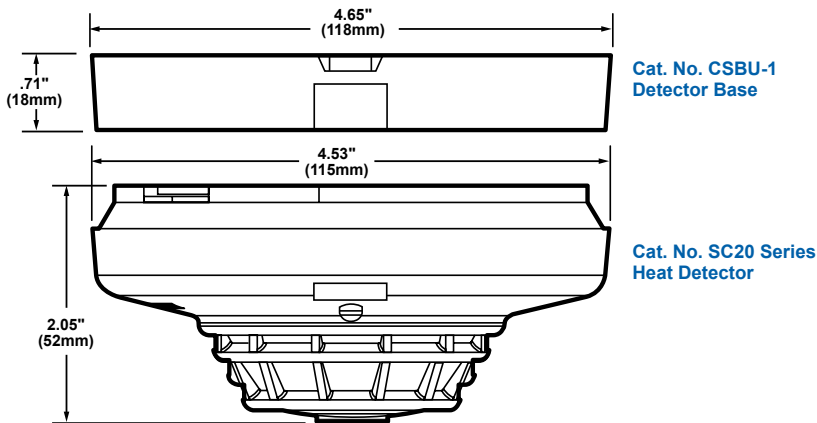
Conventional Fire Alarms

Heat Detectors

SC Series

Weights and Dimensions

Cat. No.	Approx. Shipping Weight (lb.)
SC20FTU-3	0.40
SC20RRU-3	0.40
CSBU-1	0.20
CSBU-3	0.20



Conventional Fire Alarms

Pull Stations

270 Series



Edwards 270 Series non-coded single-action fire alarm stations are sturdy, attractive, and designed for economical installation. The station provides a single action, break glass, initiating operation. It is available with normally open (N.O.), normally closed (N.C.) or combination N.O./N.C. contacts. The 270 Series have screw terminals for field connection. The 270A Series Manual Stations have 6 inch (150mm) wire leads.

All non-coded stations are designed for either flush or surface mounting. For flush mounting a 4-inch standard North American square box with single gang plaster cover should be used.

Features and Specifications

- Single action models
- Pull lever for simple, positive operation
- Break glass operation
- Terminals or wire leads for field connections
- Surface or flush mounting
- Red finish
- Less than 5 lb pull force complies with ADA
- Solid, die-cast metal construction
- Operating temperature range: 32°F to 120°F (0°C to 49°C)

Ordering Information

Description	Cat. No.	Contact Rating		Field Connections	Switch Contacts
		Amps	Voltage		
Single-Action Pull Station	270-DPO	1.5	125V AC/DC	Screw Terminals	Double-pole Alarm, Open Circuit
		0.5	250V AC/DC		
	270-SPO	3.0	30V AC, 60V DC	Screw Terminals	Single-pole Alarm, Open Circuit
		1.5	125V AC/DC		
	270A-DPO	0.5	250V AC/DC	6" Wire Leads	Double-pole Alarm, Open Circuit
		3.0	30V AC, 60V DC		
270A-SPO	1.5	125V AC/DC	6" Wire Leads	Single-pole Alarm, Open Circuit	
270-DOC	0.5	250V AC/DC			Screw Terminals

Accessories

Description	Cat. No.
Cast Box for Surface Mounting	P-027193
Steel Box for Surface Mounting	P-039250



MEA



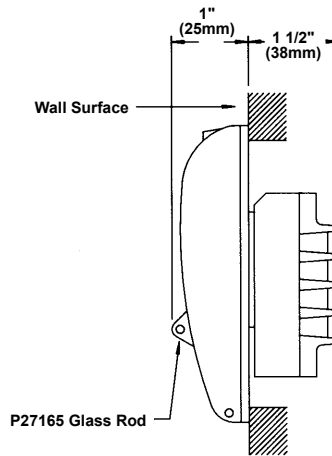
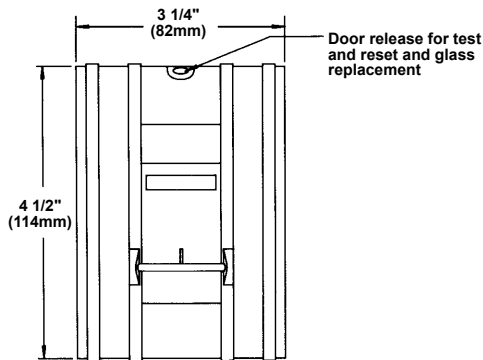
Conventional Fire Alarms

Pull Stations

270 Series

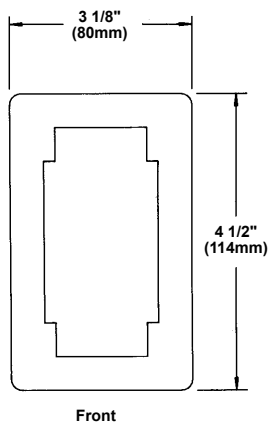
Weights and Dimensions

Cat. No.	Approx. Shipping Weight (lb.)
270-DPO	1.0
270-SPO	1.0
270A-DPO	1.0
270A-SPO	1.0
270-DOC	1.0
P-027193	1.0
P-039250	1.0

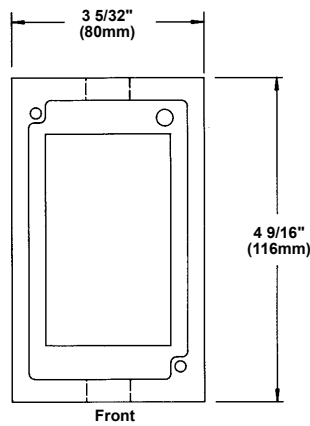
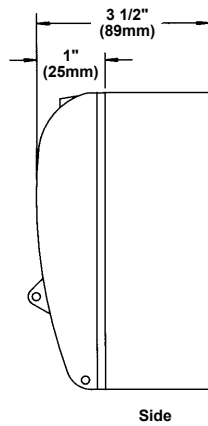


NOTE: Flush mtg. unit fits 4" square box and plaster cover with single gang opening having overall min. depth of 2 1/4"

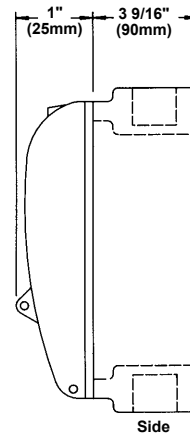
Flush Installation Using P-024900 Steel Box



Steel Surface Box
P-039250



Cast Surface Box
P-027193



Conventional Fire Alarms

Pull Stations

270 Series

The Edwards 276B/277B series non-coded, single-action fire alarm stations are UL listed, contemporary-styled Lexan stations. The 276B series feature terminals for field wiring connections, and the 277B series use 6" (150mm) wire leads for field wiring connections.

All types are available with single pole alarm contacts that can be normally open, normally closed or a combination of both. Either a key or tool (depending on station selected) is required to reset mechanism. Where a manual station is installed on a circuit that also includes smoke detectors, a resistor can be added in series with the alarm initiating contacts on the station so the operation of the station does not extinguish alarm LEDs on operated detectors. The 276-R resistor kits permit field installation of the series resistor on applicable stations.

For semi flush mounting, use a standard North-American 4 inch square box with single gang plaster cover having an overall minimum depth of 2-1/4 inches (57mm). For surface mounting use a 276B-RSB surface back box.

Features and Specifications

- Single action models
- Single pole contacts
- Terminals or wire leads for field connections
- Key lock or tool reset
- Break glass operation
- Surface or semi flush mounting
- Red finish
- Contemporary styling
- Rugged Lexan construction
- Latch action until reset
- Operating temperature range: 32°F to 120°F (0°C to 49°C)



Ordering Information

Description	Cat. No.	Contact Ratings		Field Connections	Switch Contacts	Station Reset
		Voltage	Amps			
Single-Action Pull Station	276B-1110 ¹	30V AC	3.0	Screw Terminals	Single-pole Alarm, Open Circuit	Tool Operated
		28V DC	1.0			
	276B-1120 ¹	30V AC	3.0	Screw Terminals	Single-pole Alarm, Open Circuit	Key Operated
		28V DC	1.0			
	277B-1110	30V AC	3.0	6" Wire Leads	Single-pole Alarm, Open Circuit	Tool Operated
		28V DC	1.0			

¹Suitable for optional resistor kit, 276-R.

Accessories

Description	Cat. No.
Optional Resistor Kit	276-R ²
Replacement Glass Rods	276-GLR
Station Reset Key (supplied with all Key Reset Stations)	276-K1
Surface Back Box, Red	276B-RSB

²For use in stations connected to smoke detector circuits. 560 Ohms, +/-5%; 2W.



Conventional Fire Alarms

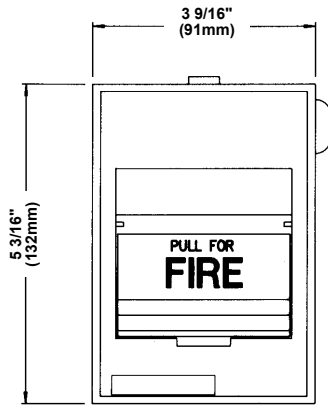
Pull Stations

270 Series

Weights and Dimensions

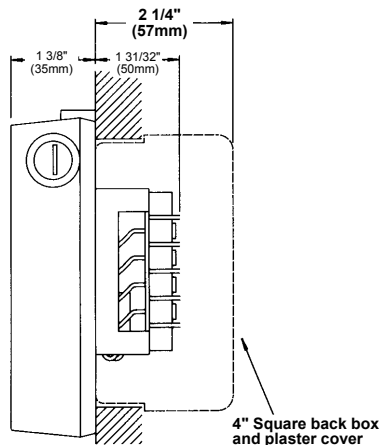
Cat. No.	Approx. Shipping Weight (lb.)
276B-1110	1.0
276B-1120	1.0
277B-1110	1.0

Front View



Cat. No's.
276B and 277B Series

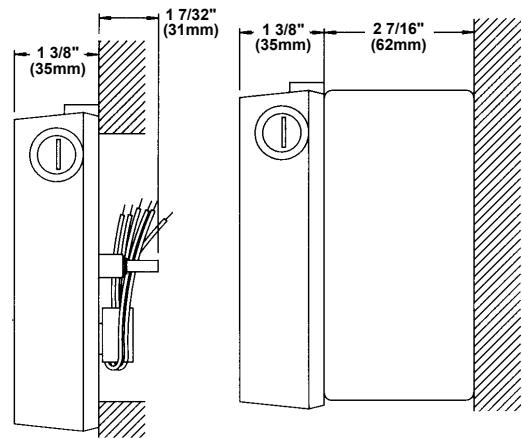
Semi-Flush



Cat. No.
276B Series
With Optional Back Box

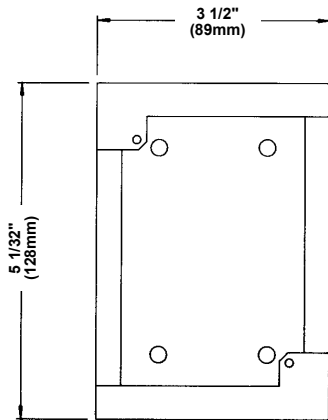
4" Square back box and plaster cover with single gang opening having overall min. depth of 2-1/4" (57mm)

Surface



Cat. No.
277B Series
Without Back Box

Cat. No's.
276B & 277B Series
With 276B-RSB
Back Box



Cat. No. 276B-RSB

Conventional Fire Alarms

Pull Stations

270 Series



The Edwards 278B/279B series non-coded, double-action fire alarm stations are UL listed, contemporary-styled Lexan stations. The 278B series feature terminals for field wiring connections, and the 279B series use 6" (150mm) wire leads for field wiring connections.

All types are available with single or double pole alarm contacts that can be normally open, normally closed or a combination of both. Either a key or tool (depending on station selected) is required to reset mechanism. Where a manual station is installed on a circuit that also includes smoke detectors, a resistor can be added in series with the alarm initiating contacts on the station so the operation of the station does not extinguish alarm LEDs on operated detectors. The 276-R and 276-RT resistor kits permit field installation of the series resistor on applicable stations.

For semi flush mounting, use a standard North-American 4 inch square box with single gang plaster cover having an overall minimum depth of 2-1/4 inches (57mm). For surface mounting use a 276B-RSB surface back box.

Features and Specifications

- Double action models
- Single or double pole contacts
- Terminals or wire leads for field connections
- Key lock or tool reset
- Break glass operation
- Surface or semi flush mounting
- Red finish
- Contemporary styling
- Rugged Lexan construction
- Latch action until reset
- Operating temperature range: 32°F to 120°F (0°C to 49°C)

Ordering Information

Description	Cat. No.	Contact Ratings		Field Connections	Switch Contacts	Station Reset
		Voltage	Amps			
Double-Action Pull Station	278B-1110	30V AC	3.0	screw terminals	Single-pole Alarm, Open Circuit	Tool Operated
		28V DC	1.0			
	278B-1120	30V AC	3.0	screw terminals	Single-pole Alarm, Open Circuit	Key Operated
		28V DC	1.0			
	278B-1420	30V AC	1.5	screw terminals	Double-pole, Open and Closed Circuit	Key Operated
		28V DC	1.0			
	279B-1110	30V AC	3.0	6" wire leads	Single-pole Alarm, Open Circuit	Tool Operated
		28V DC	1.0			

Accessories

Description	Cat. No.
Optional Resistor Kit (single-pole)	276-R ¹
Optional Resistor Kit (double-pole)	276-RT ¹
Replacement Glass Rods	276-GLR
Station Reset Key (supplied with all Key Reset Stations)	276-K1
Surface Back Box, Red	276B-RSB

¹For use in stations connected to smoke detector circuits. 560 Ohms, +/-5%; 2W.



MEA



Conventional Fire Alarms

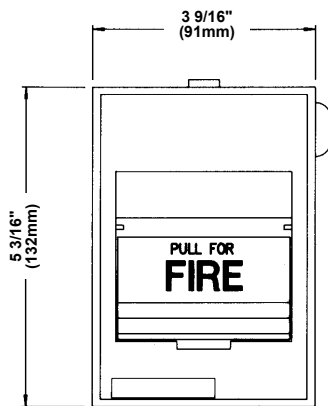
Pull Stations

270 Series

Weights and Dimensions

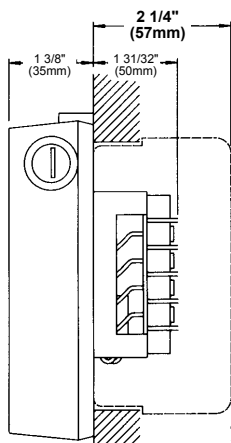
Cat. No.	Approx. Shipping Weight (lb.)
278B-1110	1.0
278B-1120	1.0
278B-1420	1.0
279B-1110	1.0

Front View



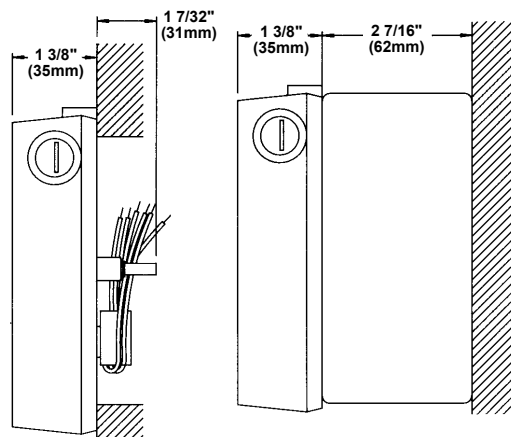
Cat. No's.
278B and 279B Series

Semi-Flush



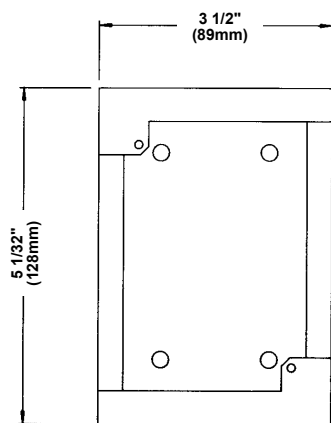
Cat. No.
278B Series
With Optional Back Box

Surface



Cat. No's.
277B & 279B Series
Without Back Box

Cat. No's.
278B & 276B-RSB
Back Box



Cat. No. 276B-RSB

Conventional Fire Alarms

Harsh Environment Pull Stations

MPSR Series



Edwards MPSR Series manual pull stations are non-coded fire alarm stations constructed of die-cast material. All components are pre-painted or have plated surfaces to inhibit corrosion. MPSR Series manual stations are suitable for outdoor use and feature a NEMA 4X enclosure.

Single- and double-action MPSR models are available with either single-pole (normally open) or double-pole (double throw) alarm contacts. Dependent on the model, access to the unit for resetting purposes is gained with either a keylock or hex screw. All models feature terminal block connections and 10 amp contacts.

Explosionproof MPSR Series manual stations are rated for Class I, Group B (hydrogen), C and D; Class II, Groups E, F and G; and Class III environments.

Features and Specifications

- Solid corrosion-resistant construction
- Surface mount backbox and gasket, suitable for outdoor use, included
- Positive activation
- Terminals for wire connections
- NEMA 4X enclosure
- Operating temperature range: -30°F to 150°F (-35°C to 66°C)

Non-explosion proof models:

- Single and double action models
- Single or double pole contacts
- Key lock or hex screw reset

Explosionproof models

- Single-action models convertible to double-action operation
- Key lock reset
- Double pole contacts
- Class I, Group B, C and D.; Class II, Groups E, F and G; Class III

Ordering Information

Description	Cat. No.	Contact Rating		Switch Contacts	Reset	Field Connections	Wire Size
		Amps	Voltage				
Single-action Station	MPSR1-SHTW-GE	10 A	120V AC	SPST	Hex Screw	Terminals	14 to 18 AWG
	MPSR1-S45W-GE	10 A	120V AC	SPST	Key Lock	Terminals	14 to 18 AWG
	MPSR1-DHTW-GE	10 A	120V AC	DPDT	Hex Screw	Terminals	14 to 18 AWG
	MPSR1-D45W-GE	10 A	120V AC	DPDT	Key Lock	Terminals	14 to 18 AWG
Double-action Station	MPSR2-SHTW-GE	10 A	120V AC	SPST	Hex Screw	Terminals	14 to 18 AWG
	MPSR2-DHTW-GE	10 A	120V AC	DPDT	Hex Screw	Terminals	14 to 18 AWG
	MPSR2-S45W-GE	10 A	120V AC	SPST	Key Lock	Terminals	14 to 18 AWG
	MPSR2-D45W-GE	10 A	120V AC	DPDT	Key Lock	Terminals	14 to 18 AWG
Double-action Station with NYC White Strip	MPSR2-SHTW-GE-NYW	10 A	120V AC	SPST	Hex Screw	Terminals	14 to 18 AWG
	MPSR2-S45W-GE-NYW	10 A	120V AC	SPST	Key Lock	Terminals	14 to 18 AWG
Explosionproof Manual Station	MPSR1-D45WX-GE	10 A	120V AC	DPDT	Key Lock	Terminals	14 to 18 AWG
Double-action Cover	MPSR-LP	10 A	120V AC	N/A	N/A	N/A	N/A

Accessories

Description	Cat. No.
Replacement glass rods for MPSR stations (10 pack).	MPSRGR10
Cat 45 Key (each)	276-K1



*See ordering information for catalog numbers

Conventional Fire Alarms

Harsh Environment Pull Stations

MPSR Series

Weights and Dimensions				
Cat. No.	Approx. Shipping Weight (lb.)	Dimensions		
		Width (in.)	Height (in.)	Depth (in.)
MPSR1-SHTW-GE	2.75	3.06	4.75	3.0
MPSR1-S45W-GE	2.75	3.06	4.75	3.0
MPSR1-DHTW-GE	2.75	3.06	4.75	3.0
MPSR1-D45W-GE	2.75	3.06	4.75	3.0
MPSR2-SHTW-GE	2.75	3.06	4.75	3.0
MPSR2-DHTW-GE	2.75	3.06	4.75	3.0
MPSR2-S45W-GE	2.75	3.06	4.75	3.0
MPSR2-D45W-GE	2.75	3.06	4.75	3.0
MPSR2-SHTW-GE-NYW	2.75	3.06	4.75	3.0
MPSR2-S45W-GE-NYW	2.75	3.06	4.75	3.0
MPSR1-D45WX-GE	2.75	3.06	4.75	3.0
MPSR-LP	0.77	—	—	—
MPSRGR10	0.25	—	—	—
276-K1	0.10	—	—	—

Conventional Fire Alarms

Pull Station Covers

STI Series



The STI Series Pull Station Covers help to prevent false fire alarms without restricting legitimate alarms. They consist of a tamper-proof, clear Lexan polycarbonate shield and frame that fits easily over manual pull stations. Some models offer a piercing warning horn when cover is lifted.

Features and Specifications

- Fits virtually all pull stations
- Tested and approved by wide range of fire prevention and testing authorities
- Guards against physical damage to manual pull station
- Optional gasket for outdoor use is available
- Optional battery-powered horn (9-volt alkaline battery included)

Ordering Information

Description	Cat. No.	Mounting
Pull Station Cover with Horn	STI-1100	Flush
	STI-1130	Surface
Pull Station Cover without Horn	STI-1200	Flush
	STI-1230	Surface
Pull Station Cover with Gasket	STI-1250	Flush
Pull Station Cover w/Gaskets, 2" Spacer and Conduit Gasket Kit	STI-3150	Surface

Accessories

Description	Cat. No.
2 inch (50mm) Spacer	STI-3100
Gasket for Outdoor Applications	STI-3002
Conduit Gasket for Outdoor Applications	STI-3003
Conduit Insert	STI-3004
Back Plate for rough wall mounting	STI-1280

Weights and Dimensions

Cat. No.	Approx. Shipping Weight (lb.)	Dimensions		
		Height (in.)	Width (in.)	Depth (in.)
STI-1100	1.3	10	7	2.75
STI-1130	1.3	10	7	4.75
STI-1200	1.3	10	7	2.75
STI-1230	1.3	10	7	4.75
STI-1250	1.3	10	7	2.75
STI-3150	1.3	10	7	4.75
STI-3100	0.5	10	7	2.0
STI-3002	0.2	—	—	—
STI-3003	0.2	—	—	—
STI-3004	0.2	—	—	—
STI-1280	0.2	—	—	—



Conventional Fire Alarms Carbon Monoxide Detector 250 Series

The Edwards SafeAir™ 250-CO carbon monoxide (CO) detector is a device designed to alert building occupants of potentially dangerous levels of CO in the protected area. The internal electro-chemical sensor communicates with an on-board microprocessor which tracks CO levels over time. The 250-CO self-adjusts for indoor environmental changes and monitors its own performance, automatically compensating for sensitivity drift throughout the course of its service life.

An integrated temporal four-horn provides local signaling capability for the 250-CO. It interfaces with any listed intrusion or fire alarm system by means of its 150mA output relay, which may be connected to the auxiliary input on the control panel.

The 250-CO features a six-year end-of-life timer that will automatically trigger a warning, locally, at the control panel, and optionally, at a central monitoring station, indicating that the device should be serviced.

The 250-CO complies with UL 2075 requirements, making it suitable for use in residential and commercial applications.

Features and Specifications

- Electro-chemical sensing technology
- Self-diagnostics
- SafeTest™ functional test feature enables full functional test with CO gas
- Built-in trouble/power supervision relay
- 150mA relay contact configurable for normally open or normally closed operation
- Long-life six-year sensor
- Transmits sensor end-of-life to the control panel and central station if the system is monitored
- Complies with UL 2075 CO standard
- One-touch TEST/HUSH button
- Integrated 85 dBa temporal 4-sounder for local notification
- On-board LED provides local alarm and trouble indication
- Operating temperature range: 32°F to 104°F (0°C to 40°C)



Ordering Information

Description	Cat. No.	Operating Voltage	Current (Standby)	Current (Alarm)	Alarm Relay	CO Alarm Level	db at 1m/10ft.	Wire Size
Carbon Monoxide Detector	250-CO	12/24V DC	0.020 A	0.04 A	0.15 A @ 12/24V DC Form C	70ppm /60-240 min.	95/85	14-22 AWG

Accessories

Description	Cat. No.
Adaptor Plate	250-COPLT-5PKG
Functional CO Gas Test Spray	CO Gas Test Spray*

*Available from SDI through security distribution (www.sdfire.com)

Weights and Dimensions

Cat. No.	Approx. Shipping Weight (lb.)	Dimensions		
		Width (in.)	Length (in.)	Height (in.)
250-CO	0.50	3.1	4.6	1.3
250-COPLT-5PKG	0.13	4.5	6.5	0.2



Addressable Fire Alarms Panels

E-FSA Series



E-FSA64

The Edwards Signaling E-FSA64 life safety system offers the reliability of analog/addressable fire detection for small to mid-sized applications. Built for long service, this system offers rotary device addressing, optional Ethernet® connectivity, and a full line of easy-to-configure option cards and modules.

The E-FSA64 provides one Class B analog/addressable device loop that supports up to 64 device addresses, and two Class B Notification Appliance Circuits (NACs). Optional Class A NAC wiring with the use of a separate module. The E-FSA64 supports a wide range of accessories and related equipment, including intelligent modules and pull stations, intelligent detectors, and bases remote annunciators and option cards that expand system capacity and extend system capabilities.

Features and Specifications

- One loop (expandable to two) that supports up to 64 analog/addressable devices of any type and two Class B NACs
- Form C contacts for alarm and trouble, Form A for supervisory
- Rotary addressing
- Optional Ethernet port for diagnostics, programming and system reports
- Two programmable switches with LEDs and custom labeling
- Supports horn silence over two wires and UL 1971-compliant strobe synchronization
- Optional Class A wiring
- Supports up to eight serial annunciators, (LCD, LED-only, and graphic interface)
- Use existing wiring for most retrofit applications
- Upload/download remotely or locally
- Two-level maintenance alert reporting
- Pre-alarm and alarm verification by point
- Adjustable detector sensitivity
- 4 x 20 character backlit LCD display
- Operating temperature range: 32°F to 120°F (0°C to 49°C)

Option Cards

Edwards Signaling panels are supported by a complete line of modules and related equipment that enhance performance and extend system capabilities. Option cards are easy to install and set up. They simply plug directly into the control panel main circuit board or are connected to it with a ribbon cable. After installation, terminals remain easily accessible for quick connection of field wiring. The cabinet provides ample room for wire routing, keeping wiring neat and easy to service at all times.

SA-CLA Class A Module

The SA-CLA card provides Class A capability for NAC wiring. Its terminal block provides the wiring connection for NAC return wiring. The SA-CLA is also required for "Class A" communications to R-Series remote annunciators. E-FSA250 panels are Class A ready. The SA-CLA is installed directly to the control panel circuit board using its plastic standoffs and plug connection.

SA-232 RS-232 Interface

The SA-232 card provides an RS-232 interface with Edwards Signaling panels. It can be used for connecting a printer to the control panel to print system events. The card also can be used for connecting a computer to download a configuration program from the FSA-CU to the control panel.

The RS-232 card is installed on the plastic assembly and connects to the main circuit board via a ribbon cable.

SA-ETH Ethernet Interface Card

The SA-ETH card provides a standard 10/100 Base T Ethernet network connection for connecting to an intranet, a local network, or the Internet. The card can be used to download configuration programming from the FSA-CU to the panel over the network.

The Ethernet card is installed on the plastic assembly and connects to the main circuit board via a ribbon cable.



Addressable Fire Alarms Panels

E-FSA Series

SA-DACT Dialer

The SA-DACT provides communications between the control panel and the central station over a telephone line system. It transmits system status changes (events) to a compatible digital alarm communicator receiver over the public switched telephone network. The dialer is capable of single, dual, or split reporting of events to two different account and telephone numbers. The modem feature of the SA-DACT can also be used for uploading and downloading panel

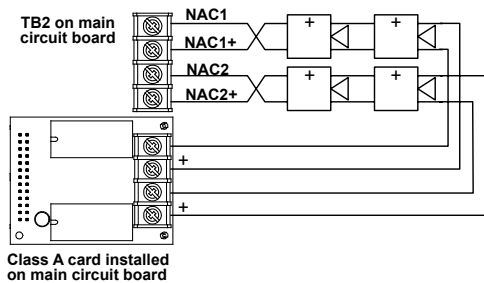
configuration, history, and current status to a PC running the FSA-CU.

The SA-DACT queues messages and transmits them based on priority (alarm, supervisory, trouble, and monitor). Activations are transmitted before restorations.

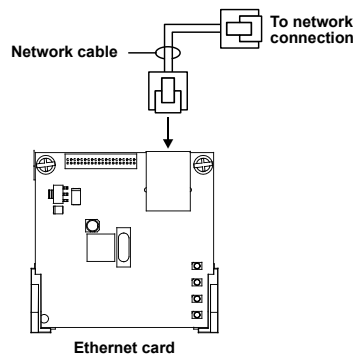
The SA-DACT is installed on the plastic assembly and connects to the main circuit board via a ribbon cable.

Technical Information

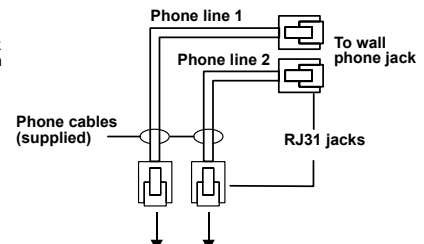
SA-CLA Wiring



SA-ETH Wiring

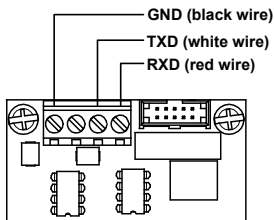


SA-DACT Wiring



The dialer phone lines connect to connectors on the dialer's main circuit board. Phone line 1 connects to connector J4 and phone line 2 connects to connector J1.

SA-232 Wiring



Ordering Information

Description	Cat. No.	NAC Circuits	Maximum NAC Current	Aux Power Continuous Circuit	Aux Power Resettable Circuit	Includes Dialer	Auxiliary Contacts	Color
Life Safety System Panel, 64 Point Capacity: 1 loop, Class B, Class A Optional	E-FSA64RD	2 Class B, Class A optional, 2.5 A each	3.75 A total @ 24Vfwr	24V DC nominal at 0.5 A	24V DC nominal at 0.5 A	Yes	24V DC @ 1 A resistive load	Red
	E-FSA64R	2 Class B, Class A optional, 2.5 A each	3.75 A total @ 24Vfwr	24V DC nominal at 0.5 A	24V DC nominal at 0.5 A	No	24V DC @ 1 A resistive load	Red
	E-FSA64GD	2 Class B, Class A optional, 2.5 A each	3.75 A total @ 24Vfwr	24V DC nominal at 0.5 A	24V DC nominal at 0.5 A	Yes	24V DC @ 1 A resistive load	Gray
	E-FSA64G	2 Class B, Class A optional, 2.5 A each	3.75 A total @ 24Vfwr	24V DC nominal at 0.5 A	24V DC nominal at 0.5 A	No	24V DC @ 1 A resistive load	Gray

Addressable Fire Alarms Panels

E-FSA Series

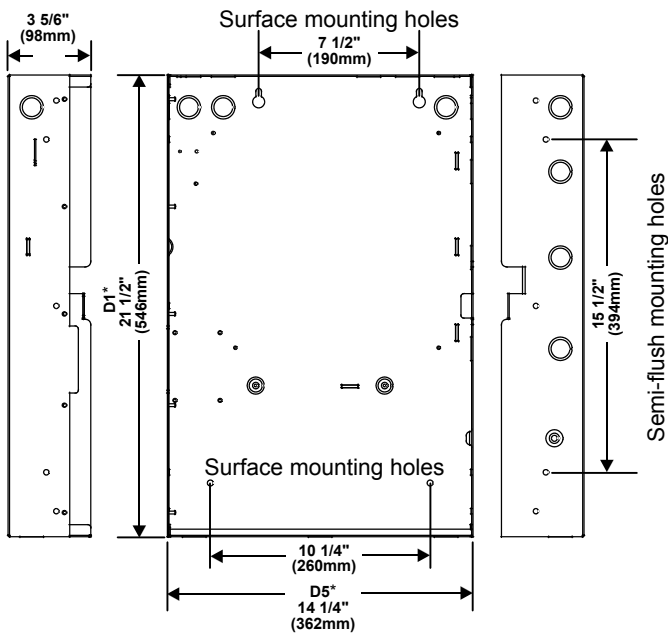
Accessories	
Description	Cat. No.
Flush Mount Trim - Black	SA-TRIM1
Option Cards:	
Dual Line Dialer/Modem, supports Contact ID (SIA DC-05), mounts in cabinet on base plate.	SA-DACT
Serial Port (RS-232), for connection to printers & computers, mounts in cabinet to base plate	SA-232
Ethernet Port, Slave, mounts in cabinet on base plate	SA-ETH
Class A adapter module. Provides Class A capacity on NACs. Mounts in cabinet on main board.	SA-CLA
Annunciators:	
Remote Annunciator, 4X20 LCD and Common Indicators for displaying system status, mounts to standard 4" Square electrical box. White housing.	E-RLCD
Remote Annunciator, 4X20 LCD, Common Indicators & Common Controls for displaying system status, mounts to standard 4" Square electrical box. White housing.	E-RLCD-C
Remote Annunciator, Common Indicators for displaying system status, common controls & 16 groups w/2 LEDs each for zone display, mounts to standard 4" Square electrical box. White housing.	E-RLED-C
Remote Annunciator Zone expander, 24 groups of 2 LEDs each for display of alarm and trouble. Each with custom label area. Mounts to standard 4" electrical box. White housing.	RLED24
Graphic Annunciator Driver, provides outputs for common indicators and 32 alarm/supv zones as well as inputs for common switches. Provided with a snap track for mounting in custom graphic enclosures.	GCI

Accessories		(Continued)
Description	Cat. No.	
Remote Annunciator Cabinets and Accessories		
Remote Annunciator Enclosure, key locked with plexiglass window for one RLCD(C) or RLED(C).	RA-ENC1	
Remote Annunciator Enclosure, key locked with plexiglass window with space for 2 of either RLCDx, RLEDx or RLED24.	RA-ENC2	
Remote Annunciator Enclosure, key locked with plexiglass window with space for 3 of either RLCDx, RLEDx or RLED25.	RA-ENC3	
Keyswitch, single gang, provides key operated enable or disable of common controls on RLCD or RLED units.	RKEY	
Surface Mount Box - for R-Series Annunciators.	LSRA-SB	
Programming Tools:FSC/FSA Series configuration and diagnostics utility	FSA-CU	

Addressable Fire Alarms Panels E-FSA Series

Weights and Dimensions

Cat. No.	Approx. Shipping Weight (lb.)
E-FSA64RD	28.00
E-FSA64R	28.00
E-FSA64GD	28.00
E-FSA64G	28.00
SA-TRIM	2.00
SA-DACT	0.50
SA-232	0.25
SA-ETH	0.25
SA-CLA	0.25



* Add 1-1/2 in. (38.1mm) for trim kit.

Addressable Fire Alarms Panels

E-FSA Series



E-FSA250

The Edwards Signaling E-FSA250 life safety system offers the reliability of analog/addressable fire detection for small to mid-sized applications. Built for long service, this system offers rotary device addressing, optional Ethernet® connectivity, and a full line of easy-to-configure option cards and modules.

The E-FSA250 provides one Class A or Class B analog/addressable device loop that supports up to 127 devices. A second 127-point loop may be added to the E-FSA250 to expand total system capacity to up to 254 device addresses. The panel includes four Class B NACs that can be configured as two Class A NACs.

The E-FSA250 supports a wide range of accessories and related equipment, including intelligent modules and pull stations, intelligent detectors, and bases remote annunciators and option cards that expand system capacity and extend system capabilities.

- Supports intelligent modules, pull stations, detectors, and bases
- Four Class B NACs or two Class A NACs
- Form C contacts for alarm and trouble, Form A for supervisory
- Rotary addressing on all intelligent addressable devices
- Optional Ethernet port for diagnostics, programming and system reports
- Two programmable switches with LEDs and custom labeling
- Supports horn silence over two wires and UL 1971-compliant strobe synchronization
- Standard Class A wiring
- 1,000-event panel history log
- Supports up to eight serial annunciators, (LCD, LED-only, and graphic interface)
- Use existing wiring for most retrofit applications
- Upload/download remotely or locally
- Two-level maintenance alert reporting
- Pre-alarm and alarm verification by point
- Adjustable detector sensitivity
- 4 x 20 character backlit LCD display
- Operating temperature range: 32°F to 120°F (0°C to 49°C)

Features and Specifications

- One loop (expandable to two) that supports up to 127 (expandable to 254) analog/addressable devices

Option Cards

E-FSA250 panels are supported by a complete line of modules and related equipment that enhance performance and extend system capabilities. Option cards plug directly into the control panel main circuit board or are connected to it with a ribbon cable. After installation, terminals remain accessible. The cabinet provides ample room for wire routing, keeping wiring neat at all times.

SA-ETH Ethernet Interface Card

The SA-ETH card provides a standard 10/100 Base T Ethernet network connection for connecting to an intranet, a local network, or the Internet. The card can be used to download configuration programming from the FSA-CU to the panel over the network.

The Ethernet card is installed on the plastic assembly and connects to the main circuit board via a ribbon cable.

XAL127 Loop Expander Card

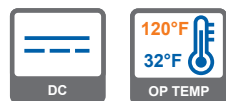
The XAL127 Loop Expander Card provides an additional device loop on the control panel. The card expands the control panel's device capacity to 254 total device addresses, 127 per loop.

The card is compatible with Class B or Class A wiring. It is compatible with E-FSA250 control panels only.

The loop expander card connects to connector J7 on the main circuit board.

SA-DACT Dialer

The SA-DACT provides communications between the control panel and the central station over a telephone line system. It transmits system status changes (events) to a compatible digital alarm communicator receiver over the public switched telephone network. The dialer is capable of single, dual, or split reporting of events to two different account and telephone numbers. The modem feature of the SA-DACT can also be used for



Addressable Fire Alarms Panels

E-FSA Series

uploading and downloading panel configuration, history, and current status to a PC running the FSA-CU.

The SA-DACT queues messages and transmits them based on priority (alarm, supervisory, trouble, and monitor). Activations are transmitted before restorations.

The SA-DACT is installed on the plastic assembly and connects to the main circuit board via a ribbon cable.

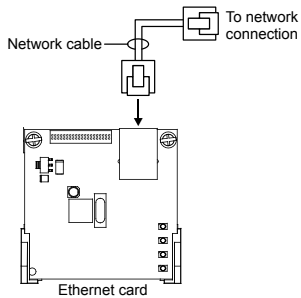
SA-232 RS-232 Interface

The SA-232 card provides an RS-232 interface with E-FSA250 panels. It can be used for connecting a printer to the control panel to print system events. The card also can be used for connecting a computer to download a configuration program from the FSA-CU to the control panel.

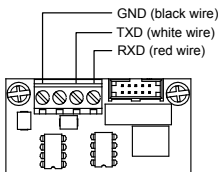
The RS-232 card is installed on the plastic assembly and connects to the main circuit board via a ribbon cable.

Technical Information

SA-ETH Wiring

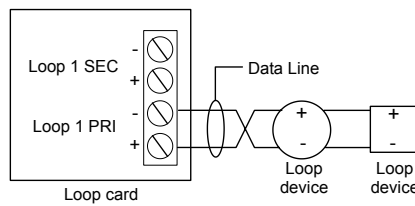


SA-232 Wiring

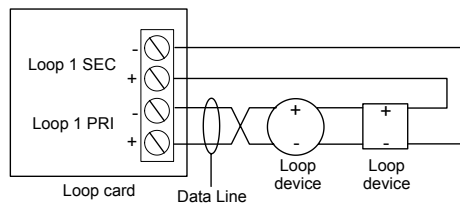


XAL127 Loop Expander Card

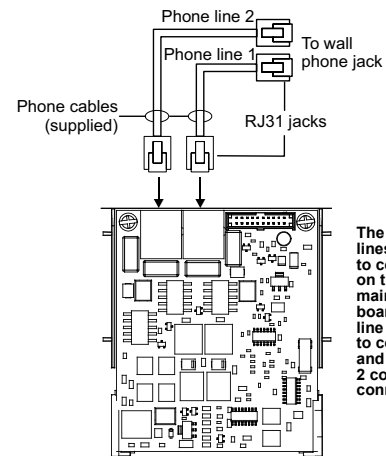
Class B Wiring



Class A Wiring



SA-DACT Wiring



The dialer phone lines connect to connectors on the dialer's main circuit board. Phone line 1 connects to connector J4 and phone line 2 connects to connector J1.

Ordering Information

Description	Cat. No.	NAC Circuits	Maximum NAC Current	Aux Power Continuous Circuit	Aux Power Resettable Circuit	Includes Dialer	Auxiliary Contacts	Color
Life Safety System Panel, 254 Point Capacity: 1 loop, expandable to 2, Class A or B, each loop supporting up to 127 device addresses	E-FSA250RD	4 Class B or 2 Class A, 2.5 A each	6.0 A total @ 24Vfwr	24V DC nominal at 0.5 A	24V DC nominal at 0.5 A	Yes	24V DC @ 1 A resistive load	Red
	E-FSA250R	4 Class B or 2 Class A, 2.5 A each	6.0 A total @ 24Vfwr	24V DC nominal at 0.5 A	24V DC nominal at 0.5 A	No	24V DC @ 1 A resistive load	Red
	E-FSA250GD	4 Class B or 2 Class A, 2.5 A each	6.0 A total @ 24Vfwr	24V DC nominal at 0.5 A	24V DC nominal at 0.5 A	Yes	24V DC @ 1 A resistive load	Gray
	E-FSA250G	4 Class B or 2 Class A, 2.5 A each	6.0 A total @ 24Vfwr	24V DC nominal at 0.5 A	24V DC nominal at 0.5 A	No	24V DC @ 1 A resistive load	Gray

Addressable Fire Alarms Panels

E-FSA Series

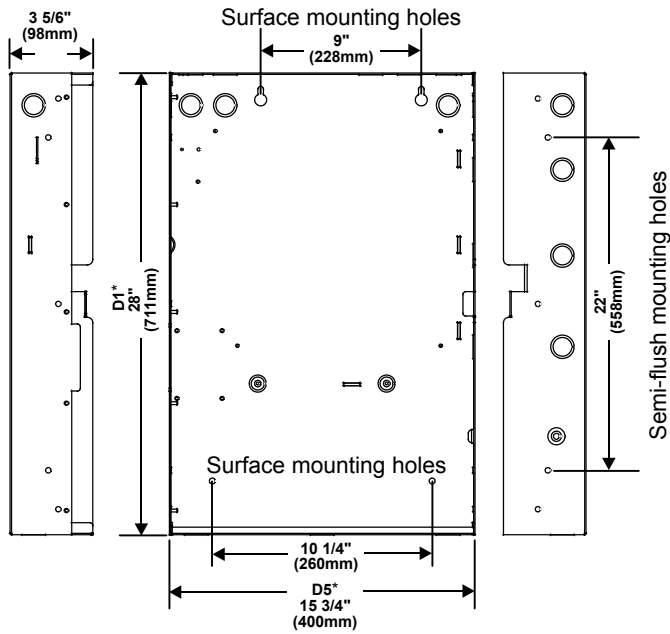
Accessories	
Description	Cat. No.
Flush Mount Trim - Black	SA-TRIM2
Option Cards:	
Dual Line Dialer/Modem, supports Contact ID (SIA DC-05), mounts in cabinet on base plate.	SA-DACT
Serial Port (RS-232), for connection to printers and computers, mounts in cabinet to base plate	SA-232
Ethernet Port, Slave, mounts in cabinet on base plate	SA-ETH
Loop Expansion Module. Adds second loop (127 devices) to E-FSA250 for a total capacity of 254 points. Mounts in cabinet on main board.	XAL127
LED Annunciator Module, 16 groups, 2 LEDs per group with insertable labeling. Mounts in cabinet on E-FSA250 systems.	D16L-Fa
Annunciators:	
Remote Annunciator, 4X20 LCD and Common Indicators for displaying system status, mounts to standard 4" Square electrical box. White housing.	E-RLCD
Remote Annunciator, 4X20 LCD, Common Indicators and Common Controls for displaying system status, mounts to standard 4" Square electrical box. White housing.	E-RLCD-C
Remote Annunciator, Common Indicators for displaying system status, common controls & 16 groups w/2 LEDs each for zone display, mounts to standard 4" Square electrical box. White housing.	E-RLED-C
Remote Annunciator Zone expander, 24 groups of 2 LEDS each for display of alarm and trouble. Each with custom label area. Mounts to standard 4" electrical box. White housing.	RLED24
Graphic Annunciator Driver, provides outputs for common indicators and 32 alarm/supv zones as well as inputs for common switches. Provided with a snap track for mounting in custom graphic enclosures.	GCI

Accessories		(Continued)
Description		Cat. No.
Remote Annunciator Cabinets and Accessories		
Remote Annunciator Enclosure, key locked with plexiglass window for one RLCD(C) or RLED(C).		RA-ENC1
Remote Annunciator Enclosure, key locked with plexiglass window with space for 2 of either RLCDx, RLEDx or RLED24.		RA-ENC2
Remote Annunciator Enclosure, key locked with plexiglass window with space for 3 of either RLCDx, RLEDx or RLED25.		RA-ENC3
Keypad, single gang, provides key operated enable or disable of common controls on RLCD or RLED units.		RKEY
Surface Mount Box - for R-Series Annunciators		LSRA-SB
Programming Tools:FSC/FSA Series configuration and diagnostics utility		FSA-CU

Addressable Fire Alarms Panels E-FSA Series

Weights and Dimensions

Cat. No.	Approx. Shipping Weight (lb.)
E-FSA250RD	35.00
E-FSA250R	35.00
E-FSA250GD	35.00
E-FSA250G	35.00
SA-TRIM2	2.50
SA-DACT	0.50
SA-232	0.25
SA-ETH	0.25
XAL127	0.25
D16L-Fa	0.25



* Add 1-1/2 in. (38.1mm) for trim kit.

Addressable Fire Alarms

Remote Annunciators

E-FSA Series



Edwards R-Series are remote annunciators that provide status indication and common controls for compatible fire alarm control panels, including E-FSA-Series small analog fire alarm systems. Models are available with LCD or LED annunciation, and the LCD models are available with and without common controls. An LED-based expander module can be connected to any annunciator to extend its capabilities.

All annunciator models include status LEDs and an internal buzzer. Two models have an LCD text display, and one has 16 pairs of LEDs for zone annunciation. LCD models feature a large back-lit LCD display.

R-Series annunciators and expanders are mounted on a standard 4-inch square electrical box, using the included mounting ring. They can also be surface mounted in locking steel enclosures.

Features and Specifications

- 4 x 20 character backlit LCD display (**LCD models**)
- 16 pairs of LEDs for zone annunciation (**LED models**)
- Expander extends capability with 24 pairs of LEDs
- Up to two expanders may be wired to each annunciator
- Status LEDs and internal buzzer standard on all models
- Common controls available for LED and LCD display models
- Available keyswitch for disabling common controls
- Standard 4-inch square electrical box mounting
- Class B or Class A RS485 wiring standard
- One-, two-, and three-position enclosures available
- Graphic Annunciator interface, includes common control, indicators and 32 LEDs
- No programming required, set the address and unit receives all information from panel
- Operating temperature range: 32°F to 120°F (0°C to 49°C)

Ordering Information

Description	Cat. No.	Operating Voltage	Current		Wire Size
			Standby	Alarm	
LCD Annunciator	E-RLCD	24V DC	0.099 A	0.115 A	14 - 18 AWG
LCD Annunciator with Common Controls	E-RLCD-C	24V DC	0.098 A	0.113 A	14 - 18 AWG
LED Annunciator with Common Controls	E-RLED-C	24V DC	0.028 A	0.062 A	14 - 18 AWG
LED Expander Module	RLED24	24V DC	0.006 A	0.034 A	14 - 18 AWG
Graphic Annunciator Interface	GCI	24V DC	0.036 A	0.146 A	14 - 18 AWG



Addressable Fire Alarms

Remote Annunciators

E-FSA Series

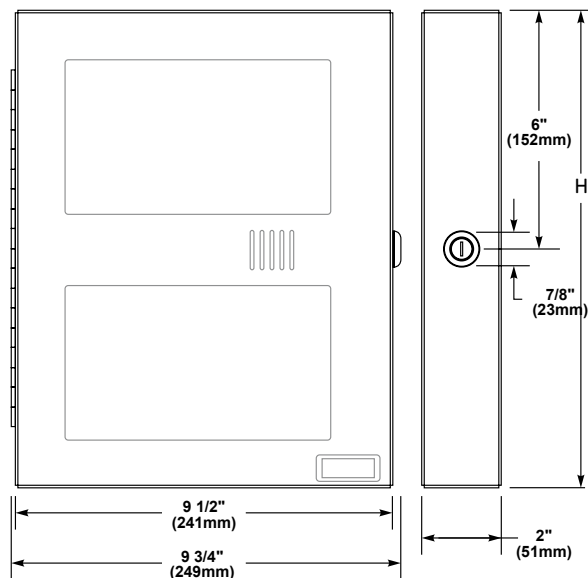
Accessories

Description	Cat. No.
One-position enclosure for Remote Annunciator	RA-ENC1
Two-position enclosure for Remote Annunciator and one Remote Expander, including one interconnection cable	RA-ENC2
Three-position enclosure for Remote Annunciator and two Remote Expanders, including two interconnection cables	RA-ENC3
Surface Mount Box - for single R Series annunciator	LSRA-SB
Remote key switch	RKEY
Electrical box, surface mount, white, single-gang, for RKEY	27193-16

Weights and Dimensions

Cat. No.	Approx. Shipping Weight (lb.)	Dimensions		
		Height (in.)	Width (in.)	Depth (in.)
E-RLCD	1.50	5.625	8.5	1.5
E-RLCD-C	1.50	5.625	8.5	1.5
E-RLED-C	1.50	5.625	8.5	1.5
RLED24	1.50	5.625	8.5	1.5
RA-ENC1	—	6.3	9.8	2.0
RA-ENC2	—	12.0	9.8	2.0
RA-ENC3	—	17.7	9.8	2.0
LSRA-SB	2.25	5.75	8.5	2.0
GCI	0.25	—	—	—
RKEY	0.25	—	—	—
27193-16	1.10	4.25	3.0	2.5

NOTE: Allow approximately 2 inches (50cm) clearance on both sides of the enclosure, to permit inserting and removing the key, and opening the door through 90 degrees.



Addressable Fire Alarms Detectors and Bases E-Series



Edwards E-Series Addressable Detectors are available in three versions: The E-HD is a selectable rate of rise or fixed-temperature heat detector with an alarm threshold of 135°F (57°C). The E-PHD houses an optical sensing chamber that detects smoke, as well as a fixed-temperature sensor that detects heat. The detector analyzes data from both sensors to determine when an alarm is initiated. The E-PD houses an optical sensing chamber that detects smoke.

E-Series detectors resist air movement caused by heating and air conditioning and feature comprehensive self-diagnostic capability. E-PD and E-PHD optical detectors continuously adjust their sensitivity reference value to compensate for changes in the environment such as the presence of dirt, temperature, and humidity. These detectors issue a dirty sensor warning when they reach their preset limit.

E-Series detectors have a twist-and-lock design to simplify installation and maintenance operations. A plastic breakout on the detector housing prevents removal from the base except with a special tool. A red LED flashes red when the detector is in alarm.

Features and Specifications

- Optical, heat, and multi-sensor models
- Up to 100dB @ 1m/90dB @ 10ft.
- Field replaceable optical chamber
- Compatible standard, relay, isolator, and audible bases
- Bases mount to standard North American two-gang or 4" square electrical boxes
- Twist-and-lock installation
- LED alarm indication
- Tamper-resistant feature
- Self-diagnostic capability with on-board storage of results
- Optical detectors feature automatic rate compensated sensitivity adjustment, as well as dirty sensor warnings
- Conformally coated components resist dust and humidity
- Automatic detector test
- Operating temperature range: 32°F to 120°F (0°C to 49°C)

Ordering Information

Description	Cat. No.	Operating Voltage	Current	Contact Ratings	Air Velocity	Smoke Sensitivity Range	UL Fixed Temp Alarm Rating	High dB - Temporal dB at 1m/10ft.
Combination Smoke and Heat Detector	E-PHD	15.2 - 19.95V DC	0.000045 A	—	0 to 5000 ft./min. (0 to 25.39 m/s)	0.67% - 3.66%	135°F (57°C)	—
Optical Smoke Detector	E-PD	15.2 - 19.95V DC	0.000045 A	—	0 to 5000 ft./min. (0 to 25.39 m/s)	0.67% - 3.66%	N/A	—
Fixed Temperature/ROR Heat Detector	E-HD	15.2 - 19.95V DC	0.000045 A	—	—	—	135°F (57°C)	—
Audible Detector Base	SB4U	24V DC	0.024 - 0.041 A	—	—	—	—	100/90
Standard Base	B4U	—	—	—	—	—	—	—
Relay Base	RB4U	—	—	2 A @ 30V DC, Form C	—	—	—	—
Isolator Base	IB4U¹	—	—	—	—	—	—	—

¹For use on Class A circuits only. Protects SLC from complete collapse due to a wire to wire short.



Addressable Fire Alarms Detectors and Bases E-Series

Accessories	
Description	Cat. No.
Surface Box for Audible Base	AB4G-SB
Remote alarm LED, use with standard base only	RLED
Replacement optical chambers (package of 10)	211-10PKG



Cat. No.	Approx. Shipping Weight (lb.)	Dimensions			
		Diameter (in.)	Width (in.)	Height (in.)	Depth (in.)
E-PHD	0.25	4	—	1.75	—
E-PD	0.25	4	—	1.75	—
E-HD	0.25	4	—	1.75	—
SB4U	0.11	6	—	2.57 ¹	—
B4U	0.11	6	—	2.08 ¹	—
RB4U	0.11	6	—	2.57 ¹	—
IB4U	0.11	6	—	2.57 ¹	—
AB4G-SB	1.00	6.8	—	1.8	—
RLED	0.20	—	2.35	4.5	0.75
211-10PKG	0.25	—	—	—	—

¹Including detector

Addressable Fire Alarms Detectors and Bases E-Series



The Edwards E-PDD Duct Smoke Detector provides early warning of an impending fire and shuts down the HVAC unit in order to prevent smoke from circulating throughout the building. The duct smoke detector is designed for use in duct applications where temperatures can exceed standard detector capabilities.

The E-PDD Duct Smoke Detector features removable dust filters, conformally coated circuit boards, and optional water-resistant gaskets to keep contaminants away from components. When cleaning is required, the assemblies easily come apart and snap back together.

Features and Specifications

- Less than 2" deep
- 100 ft./min. to 4,000 ft./min. air velocity rating
- Low current drain
- Status LEDs remain visible through clear assembly cover
- Cover monitor switch for added security
- Standard sampling tube spacing
- Sampling tube can be installed with or without the cover in place; can be rotated in 45° increments
- Magnet-activated test switch
- One programmable Form C auxiliary alarm relay for controlling ancillary equipment (e.g., HVAC controls)
- Environmental compensation with differential sensing for reliable, stable, and drift-free sensitivity
- Wide 0.79% to 2.46% obscuration/ft. smoke sensitivity
- Identification of dirty or defective detectors
- Operating temperature range: 32°F to 120°F (0°C to 49°C)

Ordering Information

Description	Cat. No.	Communication Line Voltage	Operating Current			Alarm Test Response Time	Common Alarm Relay	Sensitivity	Wire Size
			Normal	Standby	Inrush				
Intelligent Duct Detector	E-PDD	Max. 20 V peak-to-peak	0.000045 A	0.000045 A	0.001 A	5 sec.	2 A @ 30V DC, Form C	0.79 to 2.46%/ft. obscuration	14 - 22 AWG

Accessories

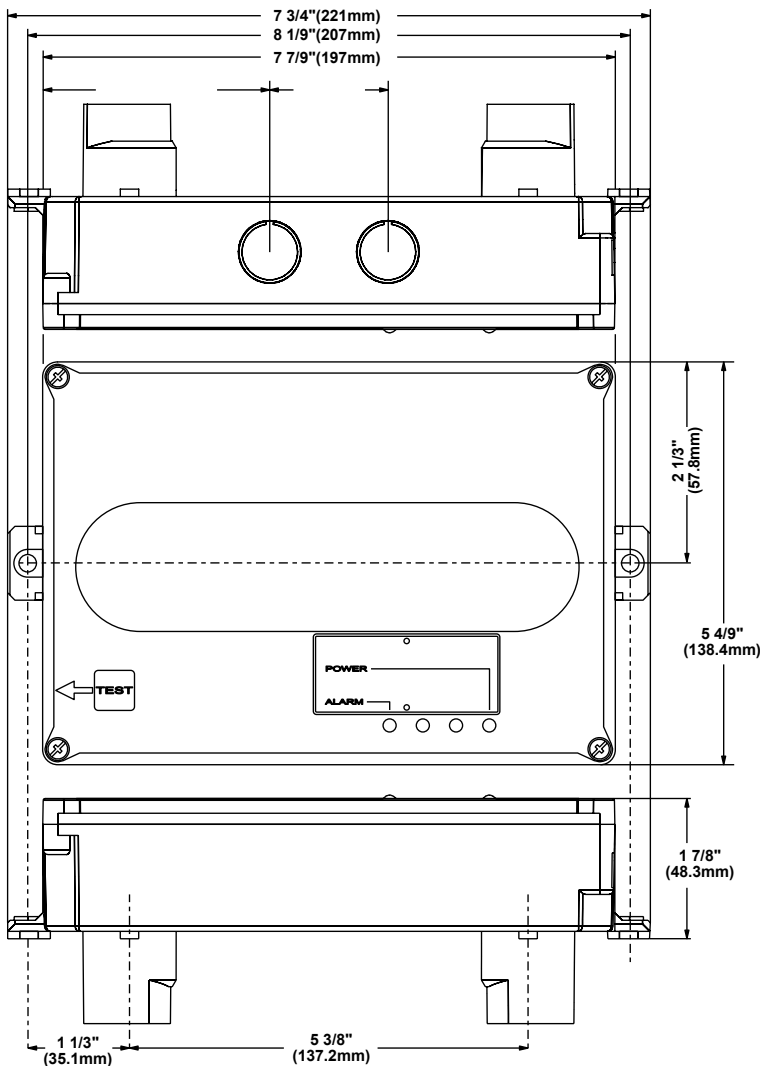
Description	Cat. No.
8-inch sampling tube	SD-T8
18-inch sampling tube	SD-T18
24-inch sampling tube	SD-T24
36-inch sampling tube	SD-T36
42-inch sampling tube	SD-T42
60-inch sampling tube	SD-T60
78-inch sampling tube	SD-T78
120-inch sampling tube	SD-T120
Protective housing for high humidity areas	SD-PH
Remote test station, magnetic	SD-TRM
Remote test station, keyed	SD-TRK
Remote LED indicator	R-LED
Air velocity test kit (stoppers only, etc)	SD-VTK
Test magnet kit	SD-MAG
Replacement PCB kit	E-SDPCB



Addressable Fire Alarms Detectors and Bases E-Series

Weights and Dimensions

Cat. No.	Approx. Shipping Weight (lb.)
E-PDD	2.4
SD-T8	0.5
SD-T18	1.5
SD-T24	2.7
SD-T36	3.0
SD-T42	3.5
SD-T60	5.8
SD-T78	7.8
SD-T120	11.5
SD-PH	5.5
SD-TRM	1.0
SD-TRK	1.0
R-LED	1.0
SD-VTK	1.0
SD-MAG	0.5
E-SDPCB	1.0



Addressable Fire Alarms Modules and Pull Stations E-Series

Edwards Signaling modules are addressable devices designed for use in small buildings, and are uniquely identified on the system by means of rotary switches. Once registered, they share data and update status information that determines how the system behaves and how connected devices interact with one another.

E-Series modules feature a unique ground fault detection that pinpoints the specific module where the wiring problem has occurred.

Each E-Series device contains a microprocessor to distribute intelligence throughout the system so that command decisions are made instantly at the individual module, rather than at the control panel. This feature helps to speed event processing.

Features and Specifications

- **Analog Class A single input module:** Used to connect a normally open, alarm, supervisory, or monitor type dry contact initiating device circuit to the Edwards Signaling control panel
- **Analog single input mini module:** Connects a normally open, alarm, supervisory, or monitor type dry contact initiating device circuit (IDC)
- **Class A-B two-wire module:** Acts as an interface between conventional two-wire smoke detectors and the Edwards Signaling control panel
- **Analog dual input module:** Connects two normally open, alarm, supervisory, or monitor type dry contact initiating device circuits to the Edwards Signaling control panel
- **Analog dual input waterflow, supervisory module:** Connects normally open waterflow alarm and supervisory initiating device circuits to the Edwards Signaling control panel. For Class B circuit operation.
- **Analog NAC module:** Connects supervised output circuit to a signal riser
- **Analog contact relay module:** Provides one Form C dry relay contact and can be configured to provide polarity reversal of its output
- **Analog SLC fault isolator module:** Protects Class A SLC from total collapse due to wire-to-wire short circuits
- Operating temperature range: 32°F to 120°F (0°C to 49°C)



E-IDC2B

E-IDC1B

Ordering Information

Description	Cat. No.	Communication Line Voltage	Current		Wire Size	NAC Rating	Contact Ratings	Compatible Electrical Boxes
			Standby	Activated				
Analog Class A Single Input Module	E-IDC1A	Max. 20 V peak-to-peak	0.0004 A	0.0005 A	12 - 18 AWG	—	—	4" square or dbl. gang, 1.5" deep
Analog Single Input Mini Module	E-IDC1B	Max. 20 V peak-to-peak	0.00035 A	0.0005 A	12 - 18 AWG	—	—	—
Two-Wire Smoke Detector Module	E-2WIRE	Max. 20.6 V peak-to-peak	0.00035 A	0.00035 A	12 - 18 AWG	—	—	4" square or dbl. gang, 1.5" deep
Analog Dual Input Module	E-IDC2B	Max. 20 V peak-to-peak	0.00055 A	0.000725 A	12 - 18 AWG	—	—	4" square or dbl. gang, 1.5" deep
Analog Dual Input Waterflow-Supervisory Module	E-IDCWS	Max. 20 V peak-to-peak	0.00055 A	0.000725 A	12 - 18 AWG	—	—	4" square or dbl. gang, 1.5" deep
Analog NAC Module	E-NAC	Max. 20 V peak-to-peak	0.00035 A	0.0002 A	12 - 18 AWG	2.0 A	—	4" square or dbl. gang, 1.5" deep
Analog Contact Relay Module	E-RLY	Max. 20 V peak-to-peak	0.000125 A	0.000125 A	12 - 18 AWG	—	2 A @ 30V DC; 0.5 A @ 125V DC	4" square or dbl. gang, 1.5" deep
Analog SLC Fault Isolator Module	E-ISO ¹	Max. 20 V peak-to-peak	0.000175 A	0.0002 A	12 - 18 AWG	—	—	4" square or dbl. gang, 1.5" deep

¹For Class A circuits only.



Addressable Fire Alarms Modules and Pull Stations E-Series

Weights and Dimensions				
Cat. No.	Approx. Shipping Weight (lb.)	Dimensions		
		Width (in.)	Height (in.)	Depth (in.)
E-IDC1A	0.50	4.5	4	1.375
E-IDC1B	0.34	2.75	1.5	0.75
E-2WIRE	0.50	4.5	4	1.375
E-IDC2B	0.50	4.5	4	1.375
E-2IDCWS	0.50	4.5	4	1.375
E-NAC	0.50	4.5	4	1.375
E-RLY	0.50	4.5	4	1.375
E-ISO	0.50	4.5	4	1.375

Addressable Fire Alarms Modules and Pull Stations E-Series



Edwards Signaling pull stations are addressable modules designed for use in small buildings, and are uniquely identified on the system by means of rotary switches. Once registered, they share data and update status information that determines how the system behaves and how connected devices interact with one another.

Each E-Series device contains a microprocessor to distribute intelligence throughout the system so that command decisions are made instantly at the individual module, rather than at the control panel. This feature helps to speed event processing.

Features and Specifications

- Intelligent device with integral microprocessor
- Simple positive pull action
- Break glass operation
- Die-cast metal body (**E-270**)
- Single action and double action models
- Lexan housings with keyed reset (**E-278**)
- ADA Compliant
- Rotary Addressing
- Status LEDs; flashing GREEN shows normal polling; flashing RED shows alarm state
- Operating temperature range: 32°F to 120°F (0°C to 49°C)

Ordering Information

Description	Cat. No.	Communication Line Voltage	Current		Wire Size	Compatible Electrical Boxes
			Standby	Activated		
Single-action Pull Station	E-270	Max. 20 V peak-to-peak	0.00035 A	0.0005 A	12 - 18 AWG	North American 2.5" deep, 1 gang box; Standard 4" square box, 1.5" deep with 1 gang cover
Double-action Pull Station	E-278	Max. 20 V peak-to-peak	0.00035 A	0.0005 A	12 - 18 AWG	

Accessories

Description	Cat. No.
Surface Backbox, Red	276B-RSB
Station Reset Key, Supplied with all Key Reset Stations	276-K1
20 Glass Rods - for E-270 series (USA ONLY)	270-GLR
20 Glass Rods - for E-278 series	276-GLR

Weights and Dimensions

Cat. No.	Approx. Shipping Weight (lb.)	Dimensions				
		Width (in.)	Height (in.)	Depth (in.)	Length (in.)	Diameter (in.)
E-270¹	1.0	3.25	4.5	1.0	—	—
E-278¹	1.0	3.563	5.188	1.375	—	—
276B-RSB	1.2	3.5	5	2.375	—	—
276-K1	0.1	—	—	—	—	—
270-GLR²	0.1	—	—	—	2.188	0.156
276-GLR²	0.1	—	—	—	3.31	0.118

¹Module depth, add 1.625"

²Dimensions are per glass rod.



Conventional and Addressable Accessories

Booster Power Supplies

EBPS Series

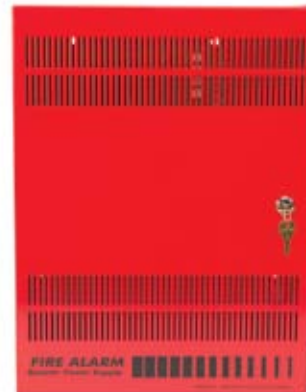
The Edwards EBPS Series Booster Power Supply is UL 864, 9th Edition listed. It is a 24V DC filtered-regulated, and supervised unit that can easily be configured to provide additional notification appliance circuits (NACs) or auxiliary power for Mass Notification/ Emergency Communication (MNEC), as well as life safety, security, and access control applications.

The EBPS contains circuitry to monitor and charge internal or external batteries. Its steel enclosure accommodates up to two 10 ampere-hour batteries. It has four Class B (convertible to two Class A) NACs that can be activated in one or two groups from its unique dual input circuits.

The EBPS is available in 6.5 or 10 ampere models. Each output circuit has a capacity of three amperes.

Features and Specifications

- Provides for Genesis and Enhanced Integrity notification appliance synchronization
- Supports coded output operation
- Self-restoring overcurrent protection
- Multiple signal rates
- Can be cascaded or controlled independently
- Easy field configuration
- On-board diagnostic LEDs identify wiring or internal faults
- Standard Edwards keyed lockable steel cabinet with removable door
- Accommodates 18 to 12 AWG wire sizes
- Optional tamper switch
- Dual battery charging rates
- Operating temperature range: 32°F to 120°F (0°C to 49°C)



Ordering Information

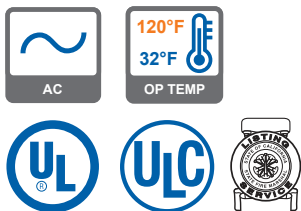
Description	Cat. No.	Operating Voltage ¹	Current	NAC Rating	Aux. Outputs
Booster Power Supply	EBPS6A	120V AC	6.5 A	3 A max/circuit @ 24V DC; 6.5 A max total	4 - configurable
	EBPS10A	120V AC	10 A	3 A max/circuit @ 24V DC; 10 A max total	4 - configurable

¹AC voltage frequency is 50/60 Hz

Accessories

Description	Cat. No.
7.2 Amp Hour Battery, two required	12V6A5
10 Amp Hour Battery, two required	12V10A
18 Amp Hour Battery, two required ²	12V17A
24 Amp Hour Battery, two required ²	12V24A
Battery Cabinet (up to 2 - 40 Amp Hour Batteries)	BC-1
Battery Cabinet (up to 2 - 17 Amp Hour Batteries)	BC-2

²Requires installation of separate battery cabinet.



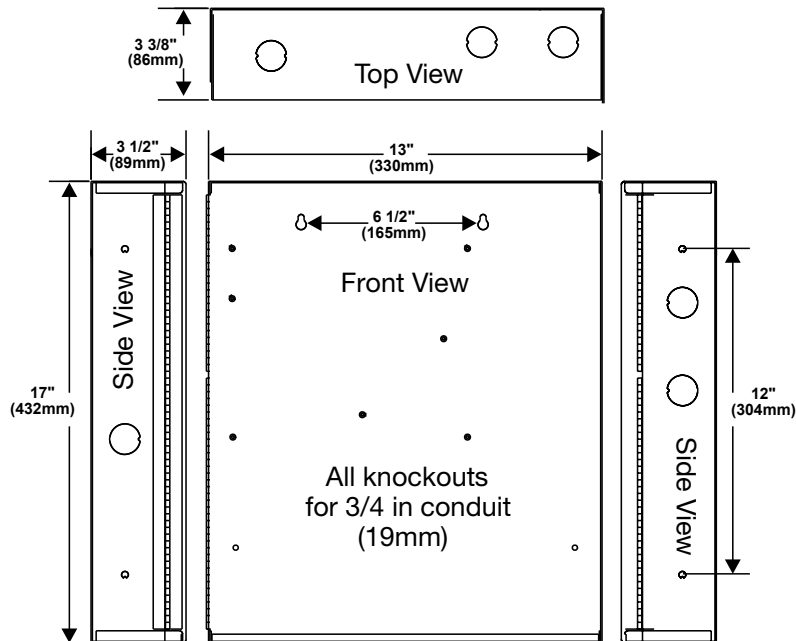
Conventional and Addressable Accessories

Booster Power Supplies

EBPS Series

Weights and Dimensions

Cat. No.	Approx. Shipping Weight (lb.)
EBPS6A	13.0
EBPS10A	13.0
12V6A5	3.4
12V10A	9.5
12V17A	13.0
12V24A	20.0
BC-1	58.0
BC-2	19.0



Conventional and Addressable Accessories

Wall Horns and Strobes

Genesis Series

The Genesis line of wall-mount horns and strobes are small, compact audible-visible life safety signaling devices. Protruding no more than one inch from the wall, Genesis horns and horn-strobes feature textured housings in white or red.

Edwards Genesis strobes do not require bulky specular reflectors and lenses. The patented cavity design conditions light to produce a highly controlled distribution pattern. FullLight strobe technology produces a smooth light distribution pattern. This ensures the entire coverage area receives consistent illumination from the strobe flash.

The strobes are designed to flash at the same rate (synchronized) when used with a compatible synchronization source such as the EG1M-RM and EG1M synchronization modules, E-FSC and E-FSA fire panels, and EBPS series booster supplies.

Genesis strobes and horn-strobes feature selectable candela output with a switch located on the bottom of the device. The candela setting is visible even after the device is installed. Models are also available with fixed 15/75 cd output.

Features and Specifications

- Xenon light source
- Clear lens
- White or red housing
- Low profile design
- Field selectable candela output via switch
- 99dB @ 1m/89dB @ 10ft. output
- Field selectable for high or low dB horn output and temporal or steady horn output (-HD models)
- Fits standard single gang electrical boxes – no extension ring or trim plate required
- Operating temperature range: 32°F to 120°F (0°C to 49°C)



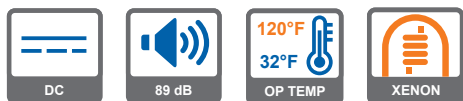
Ordering Information

Description	Cat. No.	Operating Voltage ¹	Current ²	Candela Rating	Marking	Color
Strobe Only	EG1-VM	24V DC	0.103 A, 0.141 A, 0.255 A, 0.311 A	Selectable: 15, 30, 75, 110	None	White
		24Vfwr	0.125 A, 0.179 A, 0.346 A, 0.392 A			
	EG1F-V1575	24V DC	0.152 A	15/75 ³	FIRE	White
		24Vfwr	0.224 A			
	EG1F-VM	24V DC	0.103 A, 0.141 A, 0.255 A, 0.311 A	Selectable: 15, 30, 75, 110	FIRE	White
		24Vfwr	0.125 A, 0.179 A, 0.346 A, 0.392 A			
	EG1RF-V1575	24V DC	0.152 A	15/75 ³	FIRE	Red
		24Vfwr	0.224 A			
	EG1RF-VM	24V DC	0.103 A, 0.141 A, 0.255 A, 0.311 A	Selectable: 15, 30, 75, 110	FIRE	Red
		24Vfwr	0.125 A, 0.179 A, 0.346 A, 0.392 A			
EG1R-VM	24V DC	0.103 A, 0.141 A, 0.255 A, 0.311 A	Selectable: 15, 30, 75, 110	None	Red	
	24Vfwr	0.125 A, 0.179 A, 0.346 A, 0.392 A				

¹Regulated 16V to 33V.

²Currents are UL, RMS ratings.

³15cd per UL1971, 75cd per UL1638.



Conventional and Addressable Accessories

Wall Horns and Strobes

Genesis Series

Ordering Information (Continued)									
Description	Cat. No.	Operating Voltage ¹	Current ³	Current High dB ³	Current Low dB ³	Steady Tone dB at 1m/10ft. ⁴	Temporal Tone dB at 1m/10ft. ⁴	Marking	Color
Temporal Horn Only	EG1F-HD	24V DC	—	0.036 A	0.027 A	98.6/88.6	94.4/84.4	FIRE	White
		24Vfwr	—	0.069 A	0.052 A				
	EG1-HD	24V DC	—	0.036 A	0.027 A	98.6/88.6	94.4/84.4	None	White
		24Vfwr	—	0.069 A	0.052 A				
	EG1RF-HD	24V DC	—	0.036 A	0.027 A	98.6/88.6	94.4/84.4	FIRE	Red
		24Vfwr	—	0.069 A	0.052 A				
EG1R-HD	24V DC	—	0.036 A	0.027 A	98.6/88.6	94.4/84.4	None	Red	
	24Vfwr	—	0.069 A	0.052 A					
Steady Horn ²	EG1F-P	24V DC	0.013 A	—	—	87/77	—	FIRE	White
		24Vfwr	0.011 A	—	—				
	EG1-P	24V DC	0.013 A	—	—	87/77	—	None	White
		24Vfwr	0.011 A	—	—				
	EG1RF-P	24V DC	0.013 A	—	—	87/77	—	FIRE	Red
		24Vfwr	0.011 A	—	—				
	EG1R-P	24V DC	0.013 A	—	—	87/77	—	None	Red
		24Vfwr	0.011 A	—	—				

¹Regulated 16V to 33V
²Not compatible with synchronized circuits
³Current values are UL, RMS ratings
⁴10ft. dB measurements per UL 464 in a reverberant room. Anechoic dB measurements are typically higher.

Ordering Information									
Description	Cat. No.	Operating Voltage ¹	Current High dB ³	Current Low dB ³	Candela Rating	Steady Tone dB at 1m/10ft. ⁴	Temporal Tone dB at 1m/10ft. ⁴	Marking	Color
Temporal Horn and Strobe	EG1F-HDV1575	24V DC	0.172 A	0.146 A	15/75 ⁵	98.6/88.6	94.4/84.4	FIRE	White
		24Vfwr	0.269 A	0.231 A					
	EG1F-HDVM	24V DC	0.129 A, 0.167 A, 0.281 A, 0.337 A	0.122 A, 0.160 A, 0.274 A, 0.330 A	Selectable: 15, 30, 75, 110	98.6/88.6	94.4/84.4	FIRE	White
		24Vfwr	0.176 A, 0.230 A, 0.397 A, 0.443 A	0.162 A, 0.216 A, 0.383 A, 0.429 A					
	EG1-HDVM	24V DC	0.129 A, 0.167 A, 0.281 A, 0.337 A	0.122 A, 0.160 A, 0.274 A, 0.330 A	Selectable: 15, 30, 75, 110	98.6/88.6	94.4/84.4	None	White
		24Vfwr	0.176 A, 0.230 A, 0.397 A, 0.443 A	0.162 A, 0.216 A, 0.383 A, 0.429 A					
	EG1RF-HDV1575	24V DC	0.172 A	0.146 A	15/75 ⁵	98.6/88.6	94.4/84.4	FIRE	Red
		24Vfwr	0.269 A	0.231 A					
	EG1RF-HDVM	24V DC	0.129 A, 0.167 A, 0.281 A, 0.337 A	0.122 A, 0.160 A, 0.274 A, 0.330 A	Selectable: 15, 30, 75, 110	98.6/88.6	94.4/84.4	FIRE	Red
		24Vfwr	0.176 A, 0.230 A, 0.397 A, 0.443 A	0.162 A, 0.216 A, 0.383 A, 0.429 A					
	EG1R-HDVM	24V DC	0.129 A, 0.167 A, 0.281 A, 0.337 A	0.122 A, 0.160 A, 0.274 A, 0.330 A	Selectable: 15, 30, 75, 110	98.6/88.6	94.4/84.4	None	Red
		24Vfwr	0.176 A, 0.230 A, 0.397 A, 0.443 A	0.162 A, 0.216 A, 0.383 A, 0.429 A					

⁵15cd per UL1971, 75cd per UL1638.

Conventional and Addressable Accessories

Wall Horns and Strobes

Genesis Series

Accessories			
Description	Cat. No.	Marking	Color
Genesis Trim Plate (for two-gang or 4" square boxes)	EG1T	None	White
Genesis Trim Plate (for two-gang or 4" square boxes)	EG1RT	None	Red
Genesis Trim Plate (for two-gang or 4" square boxes)	EG1T-FIRE	FIRE	White
Genesis Trim Plate (for two-gang or 4" square boxes)	EG1RT-FIRE	FIRE	Red
One-gang surface mount box	27193-16	—	White
One-gang surface mount box	27193-11	—	Red
Synchronization module	EG1M		
Synchronization module	EG1M-RM		



Weights and Dimensions					
Cat. No.	Approx. Shipping Weight (lb.)	Dimensions			
		Height (in.)	Width (in.)	Depth (in.)	
EG1-VM	0.25	4.5	2.75	0.82	
EG1F-V1575	0.25	4.5	2.75	0.82	
EG1F-VM	0.25	4.5	2.75	0.82	
EG1RF-V1575	0.25	4.5	2.75	0.82	
EG1RF-VM	0.25	4.5	2.75	0.82	
EG1R-VM	0.25	4.5	2.75	0.82	
EG1F-HD	0.25	4.5	2.75	0.82	
EG1-HD	0.25	4.5	2.75	0.82	
EG1RF-HD	0.25	4.5	2.75	0.82	
EG1R-HD	0.25	4.5	2.75	0.82	
EG1F-P	0.25	4.5	2.75	0.82	
EG1-P	0.25	4.5	2.75	0.82	
EG1RF-P	0.25	4.5	2.75	0.82	
EG1R-P	0.25	4.5	2.75	0.82	
EG1F-HDV1575	0.25	4.5	2.75	0.82	
EG1F-HDVM	0.25	4.5	2.75	0.82	
EG1-HDVM	0.25	4.5	2.75	0.82	
EG1RF-HDV1575	0.25	4.5	2.75	0.82	
EG1RF-HDVM	0.25	4.5	2.75	0.82	
EG1R-HDVM	0.25	4.5	2.75	0.82	
EG1T	0.15	5.875	5.0	0.5	
EG1RT	0.15	5.875	5.0	0.5	
EG1T-FIRE	0.15	5.875	5.0	0.5	
EG1RT-FIRE	0.15	5.875	5.0	0.5	
27193-16	1.00	4.75	3.0	2.5	
27193-11	1.00	4.75	3.0	2.5	

Conventional and Addressable Accessories

Ceiling Horns and Strobes

Genesis Series



Genesis life safety ceiling strobes are small, compact, visible emergency signaling devices. Protruding no more than 1.6" (41mm) from the ceiling, Genesis strobes feature housings in neutral white or life safety red.

Edwards Genesis ceiling strobes do not require bulky specular reflectors and lenses. The patented cavity design conditions light to produce a highly controlled distribution pattern. FullLight strobe technology produces a smooth light distribution pattern. This ensures the entire coverage area receives consistent illumination from the strobe flash.

The strobes are designed to flash at the same rate (synchronized) when used with a compatible synchronization source such as the EG1M-RM synchronization module, E-FSC and E-FSA fire panels, and EBPS series booster supplies.

Genesis Series include models 15 to 95, or 95 to 177 candela output that is selectable with a conveniently located switch. The candela output setting remains clearly visible and locked into place after final installation.

Features and Specifications

- Xenon light source
- Clear lens
- White or red housing
- Low profile design
- Field selectable candela output via switch
- Fits all standard 4" square electrical boxes – no extension ring or trim plate required
- Operating temperature range: 32°F to 120°F (0°C to 49°C)

Ordering Information

Description	Cat. No.	Operating Voltage ¹	Current ²	Candela Rating	Marking	Housing Color
Field Configurable Ceiling Strobe	EGC-VM	24V DC	0.109 A, 0.151 A, 0.281 A, 0.318 A	Selectable: 15, 30, 75, 95	None	White
		24Vfwr	0.131 A, 0.194 A, 0.379 A, 0.437 A			
	EGCF-VM	24V DC	0.109 A, 0.151 A, 0.281 A, 0.318 A	Selectable: 15, 30, 75, 95	FIRE	White
		24Vfwr	0.131 A, 0.194 A, 0.379 A, 0.437 A			
	EGCFR-VM	24V DC	0.109 A, 0.151 A, 0.281 A, 0.318 A	Selectable: 15, 30, 75, 95	FIRE	Red
		24Vfwr	0.131 A, 0.194 A, 0.379 A, 0.437 A			
	EGC-VMH	24V DC	0.330 A, 0.392 A, 0.502 A, 0.565 A	Selectable: 95, 115, 150, 177	None	White
		24Vfwr	0.432 A, 0.518 A, 0.643 A, 0.693 A			
	EGCF-VMH	24V DC	0.330 A, 0.392 A, 0.502 A, 0.565 A	Selectable: 95, 115, 150, 177	FIRE	White
		24Vfwr	0.432 A, 0.518 A, 0.643 A, 0.693 A			

¹Regulated 16V to 33V

²Current values are UL, RMS ratings

Accessories

Description	Cat. No.
Synchronization module	EG1M-RM



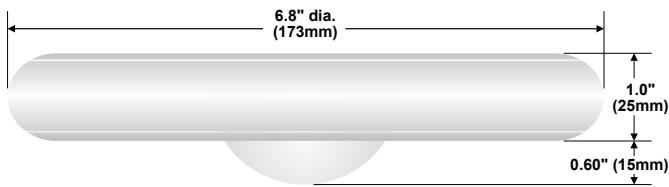
Conventional and Addressable Accessories

Ceiling Horns and Strobes

Genesis Series

Weights and Dimensions

Cat. No.	Approx. Shipping Weight (lb.)
EGC-VM	1.8
EGCF-VM	1.8
EGCFR-VM	1.8
EGC-VMH	1.8
EGCF-VMH	1.8
EG1M-RM	0.3



Conventional and Addressable Accessories

Ceiling Horns and Strobes

Genesis Series



Genesis ceiling horn-strobes are small, compact, audible-visible emergency signaling devices. Protruding no more than 1.6" (41mm) from the ceiling, Genesis horn-strobes feature textured housings in neutral white or life safety red.

Edwards Genesis strobes do not require bulky specular reflectors and lenses. The patented cavity design conditions light to produce a highly controlled distribution pattern. FullLight strobe technology produces a smooth light distribution pattern. This ensures the entire coverage area receives consistent illumination from the strobe flash.

The strobes are designed to flash at the same rate (synchronized) when used with a compatible synchronization source such as the EG1M-RM synchronization module, E-FSC and E-FSA fire panels, and EBPS series booster supplies.

Genesis Series include models 15 to 95, or 95 to 177 candela output that is selectable with a conveniently located switch. The candela output setting remains clearly visible and locked into place after final installation.

Features and Specifications

- Xenon light source
- Clear lens
- White or red housing
- Low profile design
- Field selectable candela output via switch
- 95dB @ 1m/ 85dB @ 10ft. output
- Fits all standard 4" square electrical boxes – no extension ring or trim plate required
- Operating temperature range: 32°F to 120°F (0°C to 49°C)

Ordering Information

Description	Cat. No.	Operating Voltage ¹	Current ²	Candela Rating	dB at 1m/10ft. ³	Marking	Housing Color
Ceiling Horn and Strobe	EGC-HDVM	24V DC	0.147 A, 0.190 A, 0.316 A, 0.372 A	Selectable: 15, 30, 75, 95	95/85	None	White
		24Vfwr	0.189 A, 0.253 A, 0.417 A, 0.451 A				
	EGCF-HDVM	24V DC	0.147 A, 0.190 A, 0.316 A, 0.372 A	Selectable: 15, 30, 75, 95	95/85	FIRE	White
		24Vfwr	0.189 A, 0.253 A, 0.417 A, 0.451 A				
	EGCFR-HDVM	24V DC	0.147 A, 0.190 A, 0.316 A, 0.372 A	Selectable: 15, 30, 75, 95	95/85	FIRE	Red
		24Vfwr	0.189 A, 0.253 A, 0.417 A, 0.451 A				
	EGC-HDVMH	24V DC	0.341 A, 0.399 A, 0.506 A, 0.570 A	Selectable: 95, 115, 150, 177	95/85	None	White
		24Vfwr	0.487 A, 0.578 A, 0.670 A, 0.711 A				
	EGCF-HDVMH	24V DC	0.341 A, 0.399 A, 0.506 A, 0.570 A	Selectable: 95, 115, 150, 177	95/85	FIRE	White
		24Vfwr	0.487 A, 0.578 A, 0.670 A, 0.711 A				

¹Regulated 16V to 33V

²Current values are UL, RMS ratings

³10ft. dB measurements per UL 464 in a reverberant room. Anechoic dB measurements are typically higher.



One or more patents pending.

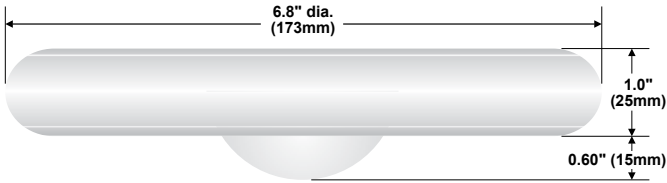
Conventional and Addressable Accessories

Ceiling Horns and Strobes

Genesis Series

Accessories	
Description	Cat. No.
Synchronization module	EG1M-RM

Weights and Dimensions	
Cat. No.	Approx. Shipping Weight (lb.)
EGC-HDVM	0.82
EGCF-HDVM	0.82
EGCFR-HDVM	0.82
EGC-HDVMH	0.82
EGCF-HDVMH	0.82
EG1M-RM	0.30



Conventional and Addressable Accessories

Outdoor/Indoor Horns and Strobes

Genesis WG4 Series



Genesis WG4 Series horns and horn-strobe appliances have field-configurable light and sound output settings and optional FIRE markings. These appliances are suitable for indoor and outdoor applications.

WG4 Series appliances feature a piezoelectric sounder. The multi-candela strobes are available with clear lenses in two output categories – standard and high-output. They meet UL 1971 synchronization standards, and are field-configurable for one of four candela intensities. Candela settings are viewable even after installation through a sealed viewport display.

The WG4 Series are available for mounting on the ceiling or the wall, and an optional full backplane sealing gasket permits installation to recessed (in-the-pour/block) electrical boxes. WG4 notification appliances also mount to suitable surface boxes. Optional color-matched trim skirts are available. All appliance wiring is accomplished room-side for easy installation.

Features and Specifications

- Horn only and horn-strobe options
- Xenon strobe light source
- Suitable for indoor and outdoor applications
- Wall or ceiling mount
- Field-selectable settings
- Standard and high-output strobe intensities
- Operating temperature range: -40°F to 151°F (-40°C to 66°C)

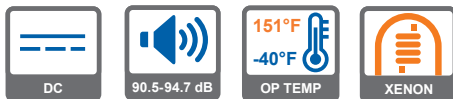
Ordering Information

Description	Cat. No.	Operating Voltage ¹	Horn Strobe Current, High dB ²	Horn Current High dB	Candela Rating	Temporal dB at 1m/10ft. ³	Steady dB at 1m/10ft. ³	Marking	Housing Color
Horn-Strobe Standard Output	WG4RF-HVMC	24V DC	0.127, 0.168, 0.297, 0.351	—	15, 29, 70, 87	100.5/90.5	104.7/94.7	FIRE	Red
		24Vfwr	0.218, 0.239, 0.393, 0.422	—	(selectable)				
	WG4WF-HVMC	24V DC	0.127, 0.168, 0.297, 0.351	—	15, 29, 70, 87	100.5/90.5	104.7/94.7	FIRE	White
		24Vfwr	0.218, 0.239, 0.393, 0.422	—	(selectable)				
	WG4RN-HVMC	24V DC	0.127, 0.168, 0.297, 0.351	—	15, 29, 70, 87	100.5/90.5	104.7/94.7	None	Red
		24Vfwr	0.218, 0.239, 0.393, 0.422	—	(selectable)				
	WG4WN-HVMC	24V DC	0.127, 0.168, 0.297, 0.351	—	15, 29, 70, 87	100.5/90.5	104.7/94.7	None	White
		24Vfwr	0.218, 0.239, 0.393, 0.422	—	(selectable)				
Horn-Strobe High Output	WG4RF-HVMHC	24V DC	0.342, 0.408, 0.517, 0.526	—	102, 123, 147, 161	100.5/90.5	104.7/94.7	FIRE	Red
		24Vfwr	0.447, 0.502, 0.164, 0.679	—	(selectable)				
	WG4WF-HVMHC	24V DC	0.342, 0.408, 0.517, 0.526	—	102, 123, 147, 161	100.5/90.5	104.7/94.7	FIRE	White
		24Vfwr	0.447, 0.502, 0.164, 0.679	—	(selectable)				

¹Regulated 16V to 33V

²Current values are UL, RMS ratings

³10ft. dB measurements per UL 464 in a reverberant room. Anechoic dB measurements are typically higher.



Conventional and Addressable Accessories

Outdoor/Indoor Horns and Strobes

Genesis WG4 Series

Ordering Information		(Continued)							
Description	Cat. No.	Operating Voltage ¹	Horn Strobe Current, High dB ²	Horn Current High dB	Candela Rating	Temporal dB at 1m/10ft. ³	Steady dB at 1m/10ft. ³	Marking	Housing Color
Horn-Strobe High Output	WG4RN-HVMHC	24V DC	0.342, 0.408, 0.517, 0.526	—	102, 123, 147, 161	100.5/90.5	104.7/94.7	None	Red
		24Vfwr	0.447, 0.502, 0.164, 0.679	—	(selectable)				
	WG4WN-HVMHC	24V DC	0.342, 0.408, 0.517, 0.526	—	102, 123, 147, 161	100.5/90.5	104.7/94.7	None	White
		24Vfwr	0.447, 0.502, 0.164, 0.679	—	(selectable)				
Horn Only	WG4RF-H	24V DC	—	0.069	—	100.5/90.5	104.7/94.7	FIRE	Red
		24Vfwr	—	0.135	—	100.5/90.5	104.7/94.7		
	WG4WF-H	24V DC	—	0.069	—	100.5/90.5	104.7/94.7	FIRE	White
		24Vfwr	—	0.135	—	100.5/90.5	104.7/94.7		
	WG4RN-H	24V DC	—	0.069	—	100.5/90.5	104.7/94.7	None	Red
		24Vfwr	—	0.135	—	100.5/90.5	104.7/94.7		
	WG4WN-H	24V DC	—	0.069	—	100.5/90.5	104.7/94.7	None	White
		24Vfwr	—	0.135	—	100.5/90.5	104.7/94.7		

¹Regulated 16V to 33V

²Current values are UL, RMS ratings

³10ft. dB measurements per UL 464 in a reverberant room. Anechoic dB measurements are typically higher.

Accessories	
Description	Cat. No.
Surface mount trim skirt, white	WG4WTS
Surface mount trim skirt, red	WG4RTS
Full size gasket for smooth surfaces	WG4GSKT
Outdoor, surface mount box	449
Synchronization module	EG1M-RM

Weights and Dimensions				
Cat. No.	Approx. Shipping Weight (lb.)	Dimensions		
		Width (in.)	Height (in.)	Depth (in.)
WG4RF-HVMC	1.5	5.6	8.5	1.4
WG4WF-HVMC	1.5	5.6	8.5	1.4
WG4RN-HVMC	1.5	5.6	8.5	1.4
WG4WN-HVMC	1.5	5.6	8.5	1.4
WG4RF-HVMHC	1.5	5.6	8.5	1.4
WG4WF-HVMHC	1.5	5.6	8.5	1.4
WG4RN-HVMHC	1.5	5.6	8.5	1.4
WG4WN-HVMHC	1.5	5.6	8.5	1.4
WG4RF-H	1.5	5.6	8.5	1.4
WG4WF-H	1.5	5.6	8.5	1.4
WG4RN-H	1.5	5.6	8.5	1.4
WG4WN-H	1.5	5.6	8.5	1.4
WG4WTS	0.2	8.88	5.63	1.31
WG4RTS	0.2	8.88	5.63	1.31
WG4GSKT	0.2	8.88	5.63	1.31
449	1.2	4.50	4.50	2.25

Conventional and Addressable Accessories

Outdoor/Indoor Horns and Strobes

2400 Series



Edwards 2400 Series temporal horns and temporal horn-strobes are designed for use with compatible life safety communication and control equipment to alert occupants of a life safety event. The horn emits up to a 95dB (@ 1meter) low frequency sound, and must be connected to signal circuits that output a constant (not pulsed) voltage. A diode is used to allow full signal circuit supervision.

The strobes are designed to flash at the same rate (synchronize) when used with a compatible synchronization source, such as the EG1M-RM synchronization module, E-FSC and E-FSA fire panels, and EBPS series booster supplies.

The plastic housing is made from durable and fire retardant, high impact plastic with a slightly textured surface. The mounting plate firmly holds the device in place with a single screw. A separate trim plate is not required. Terminals accept up to #12 AWG (2.5mm²) wire for polarized connections.

2400 Series strobes are shipped with standard wall mount style "FIRE" lens markings. Where ceiling orientation, other languages, or different lens markings are required, Edwards offers optional 2440KTW and 2440KTC series Lens Marking Kits.

Features and Specifications

- Xenon strobe light source
- Flash rate 60 fpm
- Suitable for use in indoor and outdoor applications
- Adjustable audible output: 92-95dB @ 1m (82-85dB @ 10ft.)
- Red or white front plate
- Field interchangeable markings with optional lens kits
- Flush mount to standard North American 4" square or two-gang box
- UL 1971 and UL 1638 listed
- Operating temperature range: -31°F to 150°F (-35°C to 66°C)

Ordering Information

Description	Cat. No.	Operating Voltage ¹	Current Low Setting ²	Current High Setting	Candela Rating	dB at 1m/10ft. ⁴	Housing Color
Horns	2447TH-R	24V	0.020 A DC, 0.028 A fwr	0.040 A DC, 0.055 A fwr	—	95/85	Red
	2447TH-W	24V	0.020 A DC, 0.028 A fwr	0.040 A DC, 0.055 A fwr	—	95/85	White
Horn Strobes	2452THS-15/75-R	24V	0.150 A DC, 0.210 A fwr ³	—	15/75 ⁵	95/85	Red
	2452THS-15/75-W	24V	0.150 A DC, 0.210 A fwr ³	—	15/75 ⁵	95/85	White
	2452THS-110-R	24V	0.329 A DC, 0.420 A fwr ³	—	110	95/85	Red
	2452THS-110-W	24V	0.329 A DC, 0.420 A fwr ³	—	110	95/85	White

¹Regulated 16V to 33V DC/fwr.

²Current values are UL, RMS ratings

³Does not include horn current (same as 2447TH).

⁴10ft. dB measurements per UL 464 in a reverberant room. Anechoic dB measurements are typically higher.

⁵15cd per UL1971, 75cd per UL1638.



Conventional and Addressable Accessories

Outdoor/Indoor Horns and Strobes

2400 Series

Accessories	
Description	Cat. No.
Surface Box, Red, Indoor	2459-SMB-R
Surface Box, White, Indoor	2459-SMB-W
Surface Box, Red, Outdoor	2459-WPB-R
Surface Box, White, Outdoor	2459-WPB-W
Lens Marking Kits:	
"FIRE", Wall Orientation (supplied)	2440KTW-01
"FIRE", Ceiling Orientation	2440KTC-01
"EMERGENCY", Wall Orientation	2440KTW-07
"EMERGENCY", Ceiling Orientation	2440KTC-07
Synchronization Module	EG1M-RM

Weights and Dimensions				
Cat. No.	Approx. Shipping Weight (lb.)	Dimensions		
		Width (in.)	Length (in.)	Height (in.)
2447TH-R	1.7	5.5	5.5	0.625
2447TH-W	1.7	5.5	5.5	0.625
2452THS-15/75-R	2.0	5.5	5.5	2.375
2452THS-15/75-W	2.0	5.5	5.5	2.375
2452THS-110-R	2.0	5.5	5.5	2.375
2452THS-110-W	2.0	5.5	5.5	2.375
2459-SMB-R	1.5	5.625	5.625	3.563
2459-SMB-W	1.5	5.625	5.625	3.563
2459-WPB-R	1.5	5.92	5.92	3.4
2459-WPB-W	1.5	5.92	5.92	3.4
2440KTW-01	0.1	—	—	—
2440KTC-01	0.1	—	—	—
2440KTW-07	0.1	—	—	—
2440KTC-07	0.1	—	—	—

Conventional and Addressable Accessories

Outdoor/Indoor Horns and Strobes

CS405 Series



CS405 Series strobes are designed for use with compatible life safety communication and control equipment to alert the hearing impaired of a life safety event. Strobes are available with 15/75 cd and 110 cd effective flash intensity, and are fully compatible with Genesis signals. The flash from CS405 Series strobes can be noticed from almost any position in the room, corridor, or large open space.

The strobes are designed to flash at the same rate (synchronize) when used with a compatible synchronization source, such as the EG1M-RM synchronization module, E-FSC and E-FSA fire panels, and EBPS series booster supplies.

CS405 Series must be connected to signal circuits that output a constant (not pulsed) voltage. A diode is used to allow full signal circuit supervision and polarized connections are made to terminals that accept up to 12 AWG wire.

The strobe front plate is of steel construction finished with durable baked epoxy polyester powder-coat paint.

Features and Specifications

- Xenon light source
- Flash rate 60 fpm
- Suitable for use in indoor and outdoor applications
- UL 1971-listed as signaling devices for the hearing impaired and UL 1638-listed as protective visual signaling appliances.
- Genesis-compatible
- Red steel front plate with epoxy polyester powder-coat paint
- Rated for wall or ceiling installation
- Field changeable markings
- Fits 4-inch square flush box
- Operating temperature range: -40°F to 150°F (-40°C to 66°C)

Ordering Information

Description	Cat. No.	Operating Voltage ¹	Current ²	Candela Rating	Color
Strobes	CS405-7A-T	24V	0.150 A DC, 0.392 A fwr	15/75 ³	Red
	CS405-8A-T	24V	0.210 A DC, 0.420 A fwr	110	Red

¹Regulated 16V to 33V DC/fwr.

²Current values are UL, RMS ratings.

³15cd per UL1971, 75cd per UL1638.

Accessories

Description	Cat. No.
Gray Surface Mount Outdoor Box ⁴	449
Synchronization Module	EG1M-RM

⁴Required for outdoor mounting

Weights and Dimensions

Cat. No.	Approx. Shipping Weight (lb.)	Dimensions		
		Height (in.)	Length (in.)	Depth (in.)
CS405-7A-T	1.0	5.5	5.5	1.875
CS405-8A-T	1.0	5.5	5.5	1.875
449	1.2	4.5	4.5	2.25



Conventional and Addressable Accessories

Chimes and Strobes

Genesis Series



The Genesis line of chimes and strobes are audible-visible emergency signaling devices. Protruding no more than one inch from the wall, Genesis chimes and chime-strobes feature textured housings in white or red. Genesis strobes are designed to channel and condition light to produce a highly controllable distribution pattern. Chime-strobes feature selectable candela output with a switch located on the bottom of the device. The candela setting is visible even after the device is installed.

The strobes are designed to flash at the same rate (synchronize) when used with a compatible synchronization source, such as the EG1-M and EG1M-RM synchronization module, E-FSC and E-FSA fire panels, and EBPS series booster supplies.

Genesis Series chimes 60 strokes per minute when steady voltage is applied, or may be field-

configured for temporal output. When installed with a EG1M Signal Master Module, the chime may also be field-configured for coded operation. Chimes may be set for low dB output with a jumper cut that reduces sound output.

Features and Specifications

- Xenon light source
- Clear lens
- White or red housing
- Low profile design
- Field selectable candela output via switch
- 81dB @ 1m/71dB @ 10ft. output
- Fits standard single gang electrical boxes – no extension ring or trim plate required
- Operating temperature range: 32°F to 120°F (0°C to 49°C)

Ordering Information

Description	Cat. No.	Operating Voltage ¹	Current Low dB ²	Current High dB ²	Candela Rating	dB at 1m/10ft. ³	Marking	Color
Chime-Strobe	EG1-CVM	24V DC	0.088 A, 0.123 A, 0.222 A, 0.266 A	0.099 A, 0.134 A, 0.233 A, 0.277 A	Selectable: 15, 30, 75, 95	70.8/60.8 - high; 65.6/55.6 - low	None	White
		24Vfwr	0.134 A, 0.175 A, 0.318 A, 0.363 A	0.154 A, 0.195 A, 0.338 A, 0.383 A				
	EG1R-CVM	24V DC	0.088 A, 0.123 A, 0.222 A, 0.266 A	0.099 A, 0.134 A, 0.233 A, 0.277 A	Selectable: 15, 30, 75, 95	70.8/60.8 - high; 65.6/55.6 - low	None	Red
		24Vfwr	0.134 A, 0.175 A, 0.318 A, 0.363 A	0.154 A, 0.195 A, 0.338 A, 0.383 A				
	EG1F-CVM	24V DC	0.088 A, 0.123 A, 0.222 A, 0.266 A	0.099 A, 0.134 A, 0.233 A, 0.277 A	Selectable: 15, 30, 75, 95	70.8/60.8 - high; 65.6/55.6 - low	FIRE	White
		24Vfwr	0.134 A, 0.175 A, 0.318 A, 0.363 A	0.154 A, 0.195 A, 0.338 A, 0.383 A				
	EG1RF-CVM	24V DC	0.088 A, 0.123 A, 0.222 A, 0.266 A	0.099 A, 0.134 A, 0.233 A, 0.277 A	Selectable: 15, 30, 75, 95	70.8/60.8 - high; 65.6/55.6 - low	FIRE	Red
		24Vfwr	0.134 A, 0.175 A, 0.318 A, 0.363 A	0.154 A, 0.195 A, 0.338 A, 0.383 A				
Chime	EG1-C	24V DC	0.026 A	0.043 A	—	70.8/60.8 - high; 65.6/55.6 - low	None	White
		24Vfwr	0.049 A	0.076 A				
	EG1R-C	24V DC	0.026 A	0.043 A	—	70.8/60.8 - high; 65.6/55.6 - low	None	Red
		24Vfwr	0.049 A	0.076 A				
	EG1F-C	24V DC	0.026 A	0.043 A	—	70.8/60.8 - high; 65.6/55.6 - low	FIRE	White
		24Vfwr	0.049 A	0.076 A				
	EG1FR-C	24V DC	0.026 A	0.043 A	—	70.8/60.8 - high; 65.6/55.6 - low	FIRE	Red
		24Vfwr	0.049 A	0.076 A				

¹Regulated 16V to 33V DC/fwr.

²Current values are UL, RMS ratings

³10ft. dB measurements per UL 464 in a reverberant room. Anechoic dB measurements are typically higher.



Conventional and Addressable Accessories

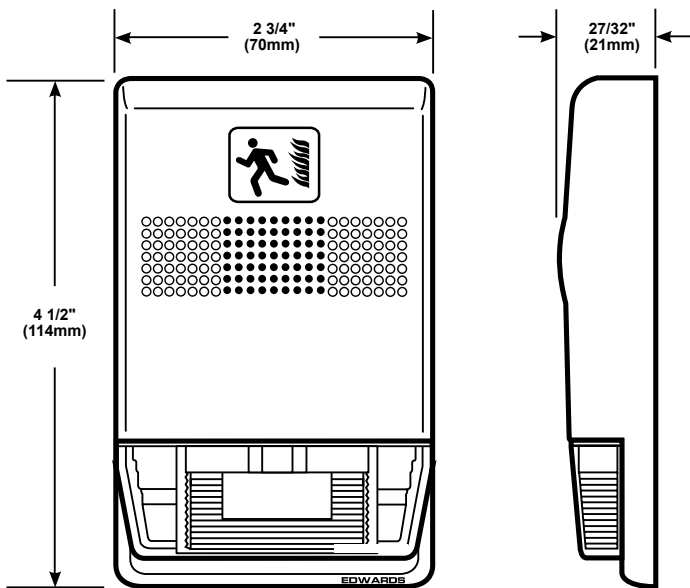
Chimes and Strobes

Genesis Series

Accessories		
Description	Cat. No.	Color
Genesis Trim Plate (for two-gang or 4" square boxes)	EG1T	White
Genesis Trim Plate (for two-gang or 4" square boxes)	EG1RT	Red
Genesis Trim Plate (for two-gang or 4" square boxes)	EG1T-FIRE	White
Genesis Trim Plate (for two-gang or 4" square boxes)	EG1RT-FIRE	Red
One-gang surface mount box	27193-16	White
One-gang surface mount box	27193-11	Red
Synchronization Module	EG1M	
Synchronization Module	EG1M-RM	



Weights and Dimensions	
Cat. No.	Approx. Shipping Weight (lb.)
EG1-CVM	0.5
EG1R-CVM	0.5
EG1F-C	0.5
EG1RF-C	0.5
EG1-C	0.5
EG1R-C	0.5
EG1T	0.5
EG1RT	0.5
EG1T-FIRE	0.5
EG1RT-FIRE	0.5
27193-16	0.5
27193-11	0.5



Conventional and Addressable Accessories

Bells

430D Series

Edwards 430D Series fire alarm bells are diode polarized, vibrating bells for use with fire alarm equipment. They operate in conjunction with an installed fire alarm panel and detection devices. The steel alloy gongs are red epoxy powder finish and produce a loud, resonant tone required in fire alarm systems.

Features and Specifications

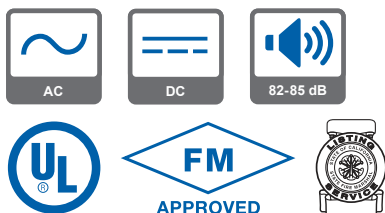
- 6", 8" and 10" gong sizes
- Heavy duty die cast housing
- Steel alloy gong with red epoxy powder coating
- Back box available for use in outdoor applications
- Under dome mechanism
- Available in red



Ordering Information						
Description	Cat. No.	Operating Voltage	Gong Size	Amps	dB at 1m/10ft. ¹	Lead Length
AC	438D-6N5-R	120V AC	6" (152mm)	0.034 A	95/85	10" (25mm)
	438D-8N5-R	120V AC	8" (203mm)	0.034 A	95/85	10" (25mm)
	438D-10N5-R	120V AC	10" (254mm)	0.034 A	98/88	10" (25mm)
DC	439D-6AW-R	24V DC	6" (152mm)	0.085 A	92/82	10" (25mm)
	439D-8AW-R	24V DC	8" (203mm)	0.085 A	92/82	10" (25mm)
	439D-10AW-R	24V DC	10" (254mm)	0.085 A	95/85	10" (25mm)

¹Anechoic Chamber

Accessories	
Description	Cat. No.
Outdoor rated back box	449



Conventional and Addressable Accessories

Bells

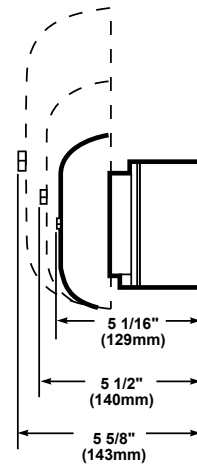
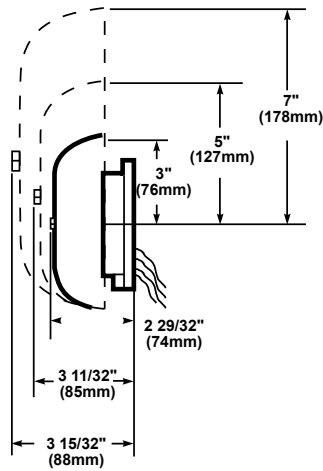
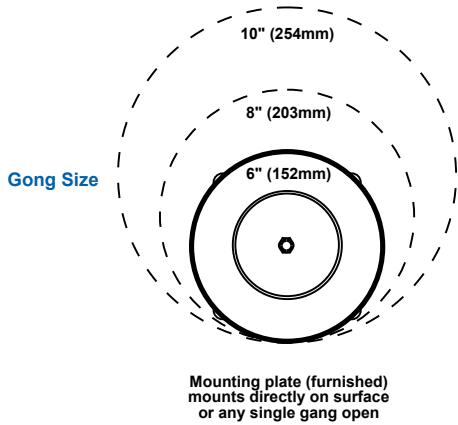
430D Series

12

FIRE ALARMS

Weights and Dimensions

Cat. No.	Approx. Shipping Weight (lb.)
438D-6N5-R	2.90
438D-8N5-R	4.76
438D-10N5-R	6.20
439D-6AW-R	2.90
439D-8AW-R	4.76
439D-10AW-R	6.20



Cat. No. 449
Outdoor
Back Box
(optional)

Conventional and Addressable Accessories

Bell Strobe Adaptors

2400 Series



The Edwards 2400 Series Bell/Strobe Adaptor Plate contains a 30, 15/75, or 110 candela strobe. The unit is specifically designed for use with the 439D-AW-R series of 6" (152mm), 8" (203mm) and 10" (254mm) red fire alarm bells (ordered separately).

The strobes are designed to flash at the same rate (synchronize) when used with a compatible synchronization source, such as the EG1M-RM synchronization module, E-FSC and E-FSA fire panels, and EBPS series booster supplies. Wire leads are provided for easy installation of the strobe. The units are suitable for indoor use. The strobes require a continuous (non-pulsed) DC source.

The 2400 Series is designed for indoor wall mounting on a variety of standard, flush mounted, North-American electrical boxes.

Features and Specifications

- Available in red
- Clear Lexan lens (strobe)
- Low current draw synchronous strobe
- 60 flashes per minute (fpm)
- Marked "FIRE" on both sides
- Strobe: UL 1971 Listed for the Hearing Impaired; UL 1638
- Meets NFPA and ADA requirements
- Operating temperature range: 32°F to 120°F (0°C to 49°C)

Ordering Information

Description	Cat. No.	Strobe Operating Voltage ¹	Candela Rating	Current
Bell Strobe Adaptors	2453BSA-15/75-R	24V (Continuous)	15/75 cd Wall	0.150 A DC, 0.210 A fwr

¹Regulated 16V to 33V DC/fwr.

Accessories

Description	Cat. No.
Synchronization Module	EG1M-RM



Conventional and Addressable Accessories

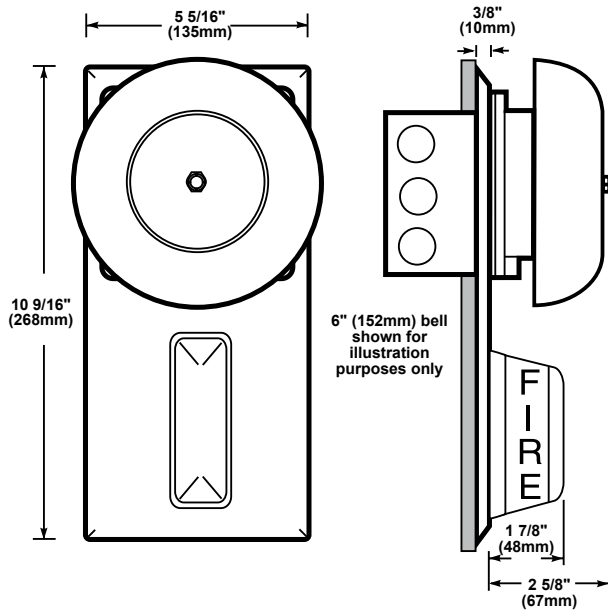
Bell Strobe Adaptors

2400 Series

Weights and Dimensions

Cat. No.	Approx. Shipping Weight (lb.)
2453BSA-15/75-R	1.6

12
FIRE ALARMS



Conventional and Addressable Accessories

Hazardous Location Signals

870EX Series



The Edwards 870EX Series are diode polarized, heavy-duty, high decibel, vibrating horn signals. They are intended for use in indoor hazardous locations requiring electrical supervision of signaling circuit field wiring, including fire alarm systems. May also be used for unsupervised signaling applications.

Two mounting brackets are provided on either side of the unit for wall mounting.

Features and Specifications

- Diode polarized
- Red corrosion resistant heat flowed epoxy finish
- Low current drain
- Wide operating voltage range -20% to +10% of nominal voltage
- Power connection wires embedded in sealing compound
- UL listed for Class 1, Div. 1 and 2, Groups B, C and D; Class II, Div. 1 and 2, Groups E, F and G; Class III locations
- Operating temperature range: 25°F to 104°F (4°C to 40°C)

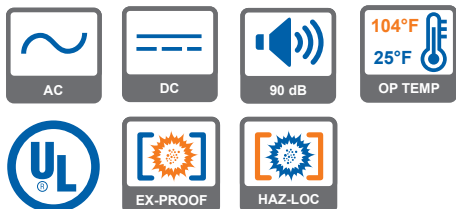
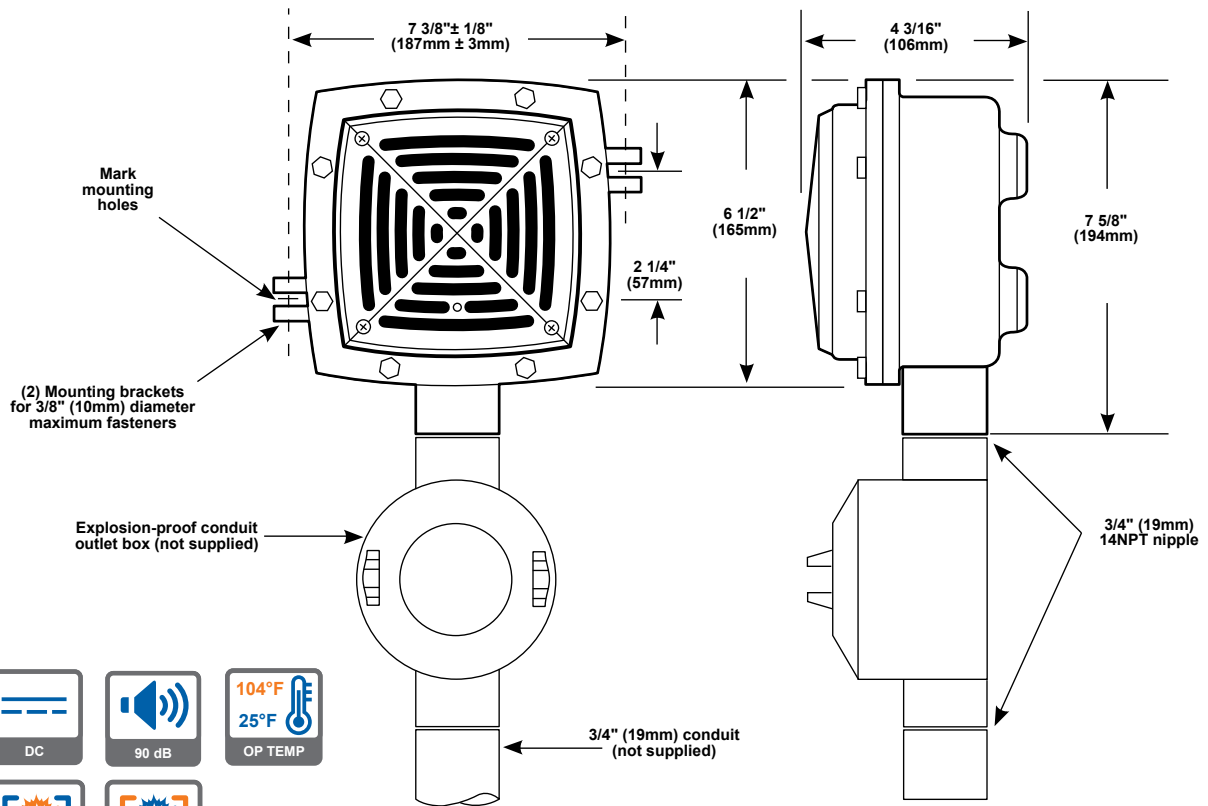
Ordering Information

Description	Cat. No.	Operating Voltage	Amps	VA	Average dB at 1m/10ft. ¹	DC Coil Res (OHms)
Hazardous Location, Horn	888D-N5	120V AC	0.165	15.6	100/90	150.0
Diode Polarized	889D-AW	20-24V DC	0.16	3.8	94/84	20.0

¹10ft. dB measurements per UL 464 in a reverberant room. Anechoic dB measurements are typically higher.

Weights and Dimensions

Cat. No.	Approx. Shipping Weight (lb.)
888D-N5	11.0
889D-AW	11.0



Conventional and Addressable Accessories

Hazardous Location Signals

439DEX Series



Edwards 439DEX Series hazardous location fire alarm bells are DC vibrating bells that produce a long, continuous ringing sound. The striker continues to strike the gong in rapid-fire as long as current is applied. Diode polarized models are available for use in electrically supervised circuits.

Features and Specifications

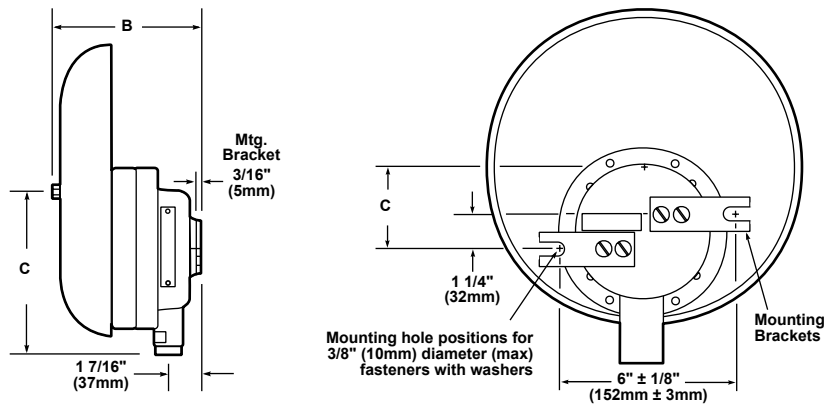
- 6", 8" and 10" gong sizes
- Completely assembled
- Suitable for use in indoor applications
- Corrosion resistant gray epoxy finish
- Mounts directly on any solid surface
- Low power draw for efficient operation over long runs
- Adjustment free self-compensating solenoid plunger
- Wire leads and sealing fitting for connection to 3/4" conduit
- UL listed for Class I, Divisions 1 and 2, Groups B, C and D; Class II, Divisions 1 and 2, Groups E, F and G; Class III

Ordering Information

Description	Cat. No.	Operating Voltage	Amps	Gong Size	Color	dB at 1m/10ft.
DC Fire Alarm	439DEX-6AW	20-24V DC	0.240 A	6" (152mm)	Gray	93/83
	439DEX-6AW-R	20-24V DC	0.240 A	6" (152mm)	Red	93/83
	439DEX-8AW	20-24V DC	0.240 A	8" (203mm)	Gray	96/86
	439DEX-8AW-R	20-24V DC	0.240 A	8" (203mm)	Red	96/86
	439DEX-10AW	20-24V DC	0.240 A	10" (254mm)	Gray	99/89
	439DEX-10AW-R	20-24V DC	0.240 A	10" (254mm)	Red	99/89

Weights and Dimensions

Cat. No.	Approx. Shipping Weight (lb.)	Gong Size	Dimensions		
			A	B	C
439DEX-6AW	7.2	6" (152mm)	4 1/16" (103mm)	4 13/16" (122mm)	5/8" (16mm)
439DEX-6AW-R	7.2	6" (152mm)	4 1/16" (103mm)	4 13/16" (122mm)	5/8" (16mm)
439DEX-8AW	12.0	8" (203mm)	5 1/16" (129mm)	5 1/4" (133mm)	1 5/8" (41mm)
439DEX-8AW-R	12.0	8" (203mm)	5 1/16" (129mm)	5 1/4" (133mm)	1 5/8" (41mm)
439DEX-10AW	11.1	10" (254mm)	6 1/16" (154mm)	5 3/8" (137mm)	2 5/8" (67mm)
439DEX-10AW-R	11.1	10" (254mm)	6 1/16" (154mm)	5 3/8" (137mm)	2 5/8" (67mm)



Mounts to any solid surface using 3/8" (10mm) fasteners. Units fitted with a sealing fitting for 3/4" (19mm) conduit and wire leads for power connections.



Conventional and Addressable Accessories

Hazardous Location Signals

116 Series



NOTE: Mounting options not included. (Ordered separately)

Edwards 116 Series Genesis fire alarm strobe is designed for use in Class 1, Division 1 and 2 explosionproof and hazardous location applications where electrical supervision is required. The diode-polarized strobe is intended for indoor use in UL 1971 listed compatible fire alarm systems and is ADA compliant for the hearing impaired.

116 Series Genesis strobe provides 125 cd ceiling and 60 cd wall light output. With the guard installed, the strobe flashes with an output of 86 cd ceiling and 51 cd wall.

These units are UL 1638 and cUL listed for outdoor use as a NEMA Type 3R and 4X enclosure; and Canada (cUL) to Canadian standard ULC-S526-07 suitable for indoor or outdoor applications.

The strobes are designed to flash at the same rate (synchronize) when used with a compatible synchronization source, such as the EG1M-RM synchronization module, E-FSC and E-FSA fire panels, and EBPS series booster supplies.

Features and Specifications

- Clear globe with dome guard
- Three mounting options: wall, ceiling, or pendant
- Negligible in-rush current
- Approved for fire alarm applications
- NEMA Type 3R and 4X enclosures
- 60 flashes per minute (fpm)
- Can be synchronized when connected to a compatible Edwards control panel, booster power supply or synchronization module
- UL 1638, UL 1971 and cUL Listed
- Class I, Div. 2, Groups A and B; Class I, Div. 1 and 2, Groups C and D; Class II, Div. 1, Groups E, F, G and Class III; Class II, Div. 2, Groups F, G and Class III.

Ordering Information

Description	Cat. No.	Operating Voltage ¹	Current	Lens Color	Flash Rate	Replacement	
						Dome	Guard
Explosion proof Fire Alarm Strobe	116DEGEX-FJ	24V DC	0.505 A, DC, RMS 0.683 A, FWR, RMS	Clear	60 fpm	116-Globe	116-GRD

¹Regulated 16 to 33V DC/fwr.

Accessories²

Description	Cat. No.	Conduit Size
Wall Bracket Mounting Elbow	116EX-B ³	N/A
Ceiling/Wall Mounting Module	116EX-C	3/4" NPT
Pendant Mounting Module	116EX-P	3/4" NPT
Synchronization Module	EG1M-RM	—

²Mounting Modules must be ordered separately

³NOTE: Wall mount requires both 116EX-B and 116EX-C.



Conventional and Addressable Accessories

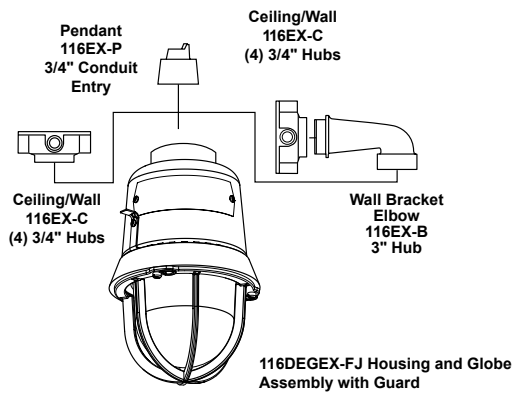
Hazardous Location Signals

116 Series

Hazardous Location Ratings

116 Series	Operating Temperature					
	Ambient Temp.	Supply Wire Temp. Marking	Class I, Div. 2 Groups A, B	Class I, Div. 1 & 2 Groups C, D	Class II, Div. 1 Groups E, F, G, & Class III	Class II, Div. 2 Groups F, G, & Class III
	40°C	75°C	T2B (260°C)	T6 (85°C)	T4A (120°C)	T4A (120°C)
	55°C	90°C	T2B (260°C)	T6 (85°C)	T4 (135°C)	T4 (135°C)
	65°C	105°C	T2B (260°C)	T6 (85°C)	T3C (160°C)	T3C (160°C)

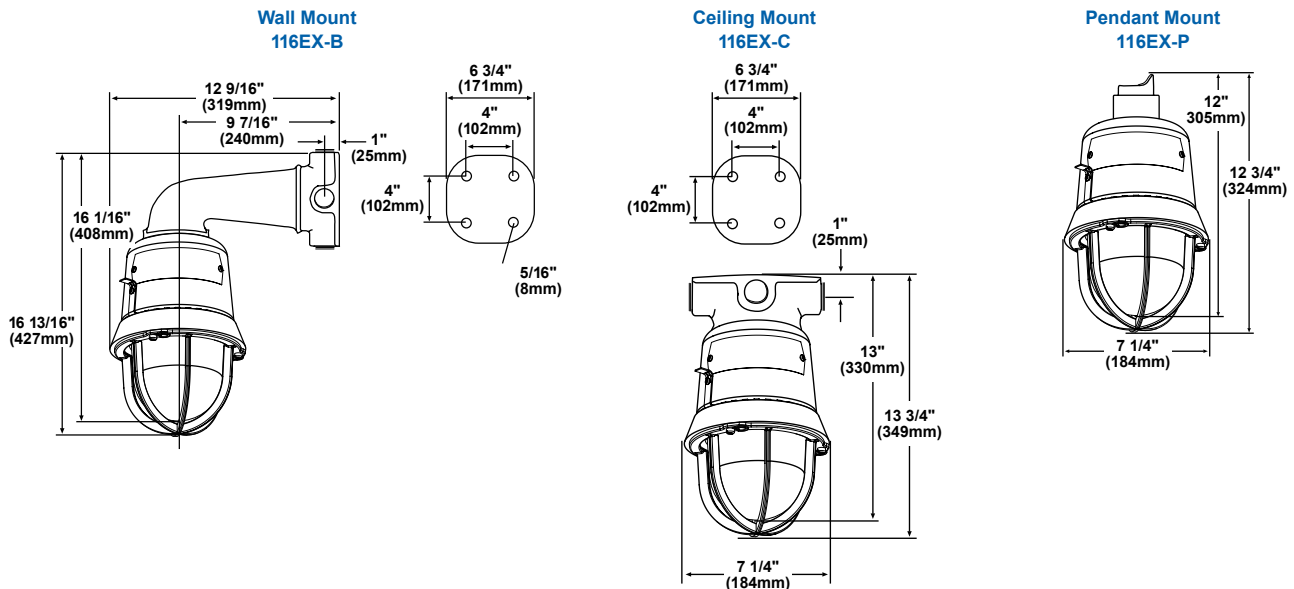
Mounting Options



Note: 116EX-C must be used when application requires 116EX-B

Weights and Dimensions

Cat. No.	Shipping Weight (lb.)
116DEGEX-FJ	12.44
116EX-B*	2.30
116EX-C	2.80
116EX-P	1.25



Conventional and Addressable Accessories

Hazardous Location Signals

105 Series

Edwards 105 Series Xenon strobe beacons are heavy-duty visual signals suitable for use in indoor and outdoor applications where a corrosion resistant Type 4X enclosure is required. Base material is gray, manufactured from glass-reinforced thermoplastic polyester resin and features brass hardware. The double fresnel lens is made of shatter-resistant polycarbonate. The 105DHISTC-FJ high intensity strobe is designed for use in compatible fire alarm system and other applications requiring electrical supervision of signaling circuit field wiring.

Features and Specifications

- Xenon strobe light source
- Shatter-resistant double fresnel polycarbonate lens
- Gray base with brass hardware
- Flash rate 65 fpm
- Suitable for indoor, outdoor and marine applications
- For outdoor applications, lens should face up
- Option for panel, conduit or wall mounting
- NEMA Type 4X enclosure
- Class I, Div 2, Groups A, B, C and D; Class II, Div 2, Groups F and G; Class III



Ordering Information

Description	Cat. No.	Operating Voltage	Current	Lens Colors	Peak Candlepower	Lamp Ratings ¹	Replacement Lamp
Fire Alarm (UL 1971) 8 Joule Strobe	105DHISTC-FJ	20-30V DC	1.08 - 0.83 A	Clear	26 cd wall (dome out) 24 cd wall (dome down) 26 cd ceiling	3,000 hours	92-ST

¹Strobe tube life at operating power to 75% efficiency.

Accessories²

Description	Cat. No.
Wall Mount Bracket	105BM³
Outlet Box Attachment	105BX
Pipe Mount Attachment	105PM



Wall Mount Bracket



Outlet Box Attachment



Pipe Mount Attachment

²Mounting accessories must be ordered separately.

³Must be used with 105BX.

Hazardous Location Ratings

105DHISTC-FJ	Class	Division	Group	Operating Temperature
	II	2	F, G	TB3 (165°C, 329°F)



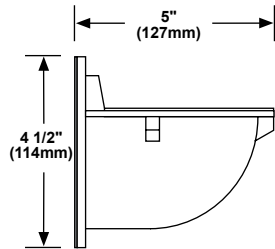
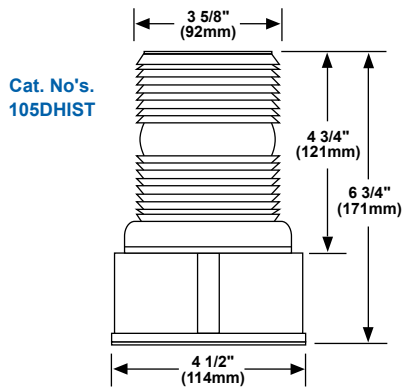
Conventional and Addressable Accessories

Hazardous Location Signals

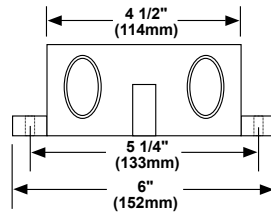
105 Series

Weights and Dimensions

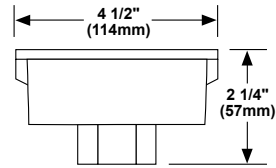
Cat. No.	Approx. Shipping Weight (lb.)
105DHISTC-FJ	1.63
105BM	1.00
105BX	1.00
105PM	1.00



Cat. No. 105BM Mounting Bracket
(use with 105BX)



Cat. No. 105BX
Outlet Box Attachment



Cat. No. 105PM
Pipe Mount Attachment
(3/4" NPT Conduit Size)

12
FIRE ALARMS

Conventional and Addressable Accessories

Door Holders

1500 Series



The Edwards 1500 Series electromagnetic door holders feature housings finished with durable baked polyester powder paint. The floor or wall section houses the electromagnet while the contact plate attaches to the door. The contact plate has a shock absorbing nylon (swivel) ball that allows the plate to adjust to any door angle. Floor units are available in single-door or double-door (back to back) versions. Wall units are available in flush or surface mounted versions. If power fails, doors are released automatically but may be opened or closed manually at any time. All units are free of moving parts, are self-contained and require no maintenance.

The device holders hold a door open while energized. When de-energized by a relay controlled by the fire alarm system or other switch, the door is released to a closed position.

Features and Specifications

- Floor and wall mounted styles
- Baked polyester powder paint finish
- Low power consumption
- Silent operation
- 25 Lbf (111N) nominal holding force
- Adjustable, swivel contact plate
- Single-door or double-door (back to back) versions – floor mounted
- Flush or surface mounted versions – wall mounted
- Operating temperature range: 32°F to 120°F (0°C to 49°C)

Ordering Information

Description	Cat. No.	Operating Voltage ¹	Current
Floor Mounted (Single Door)	1501-AQN5	24V AC; 24V DC/120V AC	0.015 A
Floor Mounted (Double Door)	1502-AQN5	24V AC; 24V DC/120V AC	0.015 A ²
Flush Wall Mounted (Long Catch Plate)	1504-AQN5	24V AC; 24V DC/120V AC	0.015 A
Flush Wall Mounted (Short Catch Plate)	1505-AQN5	24V AC; 24V DC/120V AC	0.015 A
Surface Wall Mounted	1508-AQN5	24V AC; 24V DC/120V AC	0.015 A
Completely Flush Wall Mounted	1509-AQN5	24V AC; 24V DC/120V AC	0.015 A

¹AC voltage frequency is 60 Hz

²Draws 0.015 A per side

Accessories

Description	Cat. No.
Catch plate extension assembly, 1.5"	1500-1
Catch plate extension assembly, 2.5"	1500-2
Catch plate extension assembly (5.25 to 7.5 inches)	1500-7
Catch plate extension assembly (7.5 to 12 inches)	1500-12
Replacement armature - short (for use with 1501, 1502, 1505, 1508 and 1509 door holders)	CS2595-5
Replacement armature - long (for use with 1504 door holder)	CS2598-5



MEA



Pending

Conventional and Addressable Accessories

Door Holders

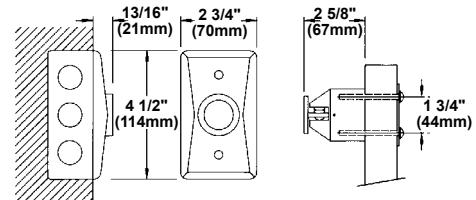
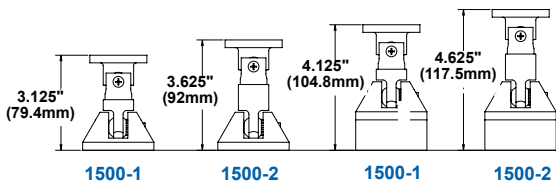
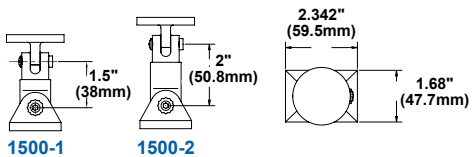
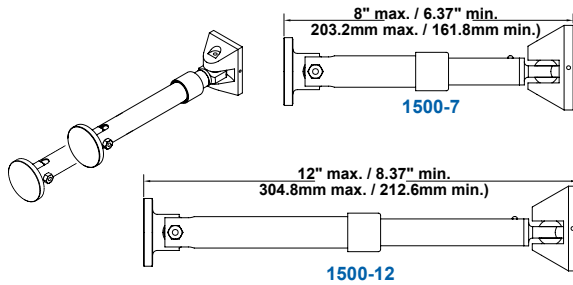
1500 Series

Weights and Dimensions

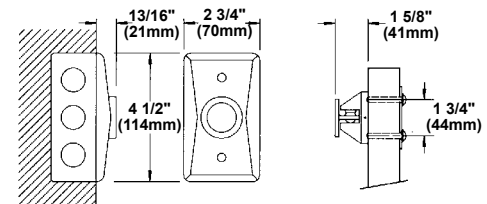
Cat. No.	Approx. Shipping Weight (lb.)
1501-AQN5	5.40
1502-AQN5	5.00
1504-AQN5	2.00
1505-AQN5	2.00
1508-AQN5	3.00
1509-AQN5	2.00
1500-1	0.25
1500-2	0.25
1500-7	0.50
1500-12	1.00
CS2595-5	0.25
CS2598-5	0.25

Catch Plate Extensions

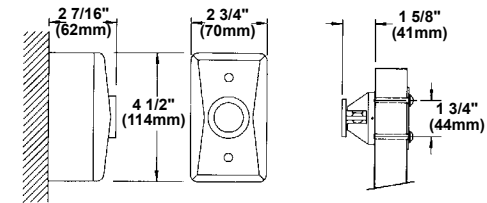
NOTE: Only the extension rods are included. The end pieces are included with the doorholders or can be ordered separately.



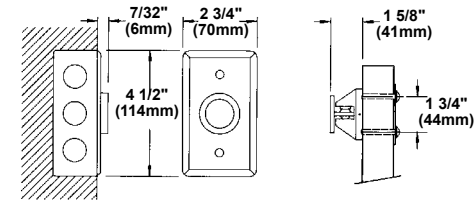
1504-AQN5 Flush Wall Mounted (Long Catch Plate)



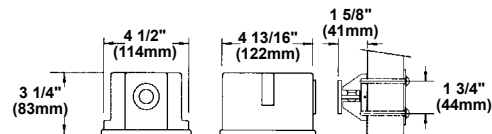
1505-AQN5 Flush Wall Mounted (Short Catch Plate)



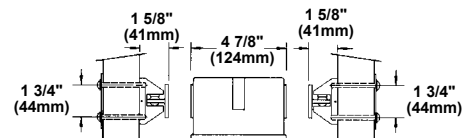
1508-AQN5 Surface Wall Mounted



1509-AQN5 Completely Flush Wall Mounted



1501-AQN5 Floor Mounted (Single Door)



1502-AQN5 Floor Mounted (Double Door)

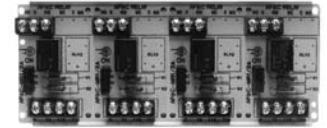
Conventional and Addressable Accessories

Relays

MR Series



MR101/C



MR104T

The MR Series Multi-Voltage Control Relays offer SPDT or DPDT 10 Amp contacts that may be operated by one of four input control voltages. A single relay may be energized from a voltage source of 24V DC, 24V AC, 115V AC or 230V AC by wiring to appropriate input terminals.

Each relay position contains a red light emitting diode (LED) that indicates the relay coil is energized. Relays may be “snapped apart” from a standard four-module assembly and used independently.

These devices are suitable for applications where local contacts are required for system status and remote contacts for control of electrical loads and general purpose switching, such as HVAC, temperature control, fire alarm, security, energy management and lighting control systems.

Features and Specifications

- May be energized from one of four input voltages
- Contains red LED which illuminates when the coil is energized
- Single, or quad relay modules may be “snapped apart” from a standard four-position master
- SPDT or DPDT relays available
- Available in dustproof metal enclosures with LED viewing port
- Track mounting hardware to facilitate installation in standard cabinets
- Operating temperature range: 32°F to 120°F (0°C to 49°C)

Ordering Information

Description	Cat. No.	Operating Voltage	Current	Contacts	Contact Rating	Mounting
Single-position Relays	MR101/T	24V AC, 24V DC, 115V AC, 230V AC	0.015 A	SPDT	10 A @ 115V AC	Track
	MR101/C	24V AC, 24V DC, 115V AC, 230V AC	0.015 A	SPDT	10 A @ 115V AC	Metal Enclosure
	MR201/T	24V AC, 24V DC, 115V AC, 230V AC	0.035 A	DPDT	10 A @ 115V AC	Track
	MR201/C	24V AC, 24V DC, 115V AC, 230V AC	0.035 A	DPDT	10 A @ 115V AC	Metal Enclosure
Four-position Relays	MR104T	24V AC, 24V DC, 115V AC, 230V AC	0.015 A	SPDT	10 A @ 115V AC	Track
	MR104C	24V AC, 24V DC, 115V AC, 230V AC	0.015 A	SPDT	10 A @ 115V AC	Metal Enclosure
	MR204/T	24V AC, 24V DC, 115V AC, 230V AC	0.035 A	DPDT	10 A @ 115V AC	Track
	MR204/C	24V AC, 24V DC, 115V AC, 230V AC	0.035 A	DPDT	10 A @ 115V AC	Metal Enclosure



Conventional and Addressable Accessories

Relays

MR Series

Weights and Dimensions

Cat. No.	Approx. Shipping Weight (lb.)	Dimensions		
		Height (in.)	Width (in.)	Depth (in.)
MR101/T	0.25	3.0	2.125	1.5
MR101/C	1.00	6.125	3.25	2.5
MR201/T	0.25	3.0	2.125	1.5
MR201/C	1.00	6.125	3.25	2.5
MR104T	1.00	3.0	8.5	1.5
MR104C	4.00	6.125	9.5	2.5
MR204/T	1.00	3.0	8.5	1.5
MR204/C	4.00	6.125	9.5	2.5

Conventional and Addressable Accessories

Relays

MR Series



The Edwards MR-199 Heavy Duty Power Relays are designed for control applications where 30 Amp DPDT contacts are required. Two models are available; 115V AC coil and 24V DC coil, each of which may be mounted in a rugged steel enclosure.

Features and Specifications

- Heavy duty 30 Amp DPDT contacts
- 24V DC or 120V AC models available
- Sturdy metal enclosure
- Operating temperature range: 32°F to 120°F (0°C to 49°C)

Ordering Information

Description	Cat. No.	Operating Voltage	Current	Contacts	Contact Rating	Includes Enclosure
Heavy Duty Power Relays	MR199X13	24V DC	0.085 A	DPDT	30 A @ 300V AC	No
	MR199X13/C	24V DC	0.085 A	DPDT	30 A @ 300V AC	Yes
	MR199AX14	120V AC	0.085 A	DPDT	30 A @ 300V AC	No
	MR199AX14/C	120V AC	0.085 A	DPDT	30 A @ 300V AC	Yes

Weights and Dimensions

Cat. No.	Approx. Shipping Weight (lb.)	Dimensions		
		Height (in.)	Width (in.)	Depth (in.)
MR199X13	0.8	3.13 (79.4mm)	2.5 (63.5mm)	2.31 (58.7mm)
MR199X13/C	0.9	5.31 (134.9mm)	3.38 (85.9mm)	3.13 (96.8mm)
MR199AX14	0.8	3.13 (79.4mm)	2.5 (63.5mm)	2.31 (58.7mm)
MR199AX14/C	0.9	5.31 (134.9mm)	3.38 (85.9mm)	3.13 (96.8mm)



Conventional and Addressable Accessories

Relays

PAM Series



The PAM1 Relay is an encapsulated multi-voltage device providing 10 Amp Form C contacts. The relay may be energized by one of three input voltages: 24V AC, 24V DC, or 115V AC. A red light emitting diode (LED) that indicates the relay coil is energized.

The PAM1 may be mounted by using the double-sided adhesive tape, the self-drilling screw, or loosely placed in a back box.

The PAM1 is suitable for applications where remote relays are required for control or status feedback, such as HVAC, temperature control, fire alarm, security, energy management and lighting control systems.

Features and Specifications

- Completely encapsulated 10 Amp relay
- Relay may be energized by one of three input voltages
- Red LED illuminates when relay coil is energized
- May be mounted by double-sided adhesive tape, self-drilling screw or placed in back box
- 6 in (150mm) wire leads for electrical connections
- Operating temperature range: 32°F to 120°F (0°C to 49°C)

Ordering Information

Description	Cat. No.	Operating Voltage	Current	Contacts	Contact Rating
Control Relay	PAM1	24V AC, 24V DC, 115V AC	0.015 A	SPDT	10 A @ 115V AC

Weights and Dimensions

Cat. No.	Approx. Shipping Weight (lb.)	Dimensions ¹		
		Height (in.)	Width (in.)	Depth (in.)
PAM1	0.8	1.5 (38.1mm)	1 (24.5mm)	0.875 (22.2mm)

¹With 6" (150mm) wire leads, 18 AWG (1.00mm²)



Audio Evacuation Amplifiers

ANS Series

The Edwards ANS Series of products are audio notification systems that provide voice evacuation capability that meet the Emergency Voice Alarm requirements of NFPA 72 for UL listed fire alarm applications. ANS panels include an amplifier, tone generator, digital message repeater (DMR), and supervisory interface.

The ANS Series products are self-contained systems with field-configurable features. A range of accessory equipment provides application for new and retrofit installations.

ANS systems are designed for use with Edwards E-FSC and E-FSA fire alarm control panels when emergency voice alarm service is required. All ANS systems are compatible with Edwards Genesis® line of field-configurable speakers and speaker-strobes.

Features and Specifications

- Meets NFPA 72 Emergency Voice Alarm requirements
- Dead-front construction
- Integrated digital message repeater
- Four-minute message capacity
- 25, 50, or 100 Watt models
- Field selectable for either 25 or 70 Vrms speakers
- 120V AC power supply and battery charger included
- Paging microphone overrides message and tone
- Built-in alarm and alert signals
- Compatible with E-FSC and E-FSA control panels
- 24 hour backup with two 12V, 7 AH batteries
- Operating temperature range: 32°F to 120°F (0°C to 49°C)



Ordering Information

Description	Cat. No.	Operating Voltage ¹	Speaker Voltage	Output Power	Frequency Response	Color
Amplifier - includes cabinet, door, amplifier, microphone and digital message repeater	ANS25MDG	120V AC	25 or 70V RMS	25 W	800 - 2800 Hz	Gray
	ANS25MDR	120V AC	25 or 70V RMS	25 W	800 - 2800 Hz	Red
	ANS50MDG	120V AC	25 or 70V RMS	50 W	400 - 4000 Hz	Gray
	ANS50MDR	120V AC	25 or 70V RMS	50 W	400 - 4000 Hz	Red
	ANS100MDG	120V AC	25 or 70V RMS	100 W	400 - 4000 Hz	Gray
	ANS100MDR	120V AC	25 or 70V RMS	100 W	400 - 4000 Hz	Red

¹AC voltage frequency is 60 Hz.

Accessories

Description	Cat. No.	Color
Audio Expander Panels²:		
25 Watt	ANS25XG	Gray
25 Watt	ANS25XR	Red
50 Watt	ANS50XG	Gray
50 Watt	ANS50XR	Red
100 Watt	ANS100XG	Gray
100 Watt	ANS100XR	Red

²Includes cabinet, door and amplifier.



Audio Evacuation Amplifiers

ANS Series

12
FIRE ALARMS

Accessories		(Continued)
Description	Cat. No.	Color
Zone Splitters:		
4 Class B circuits with zone selection switches and All-Call switch	ANSZS4B	
2 Class A circuits with zone selection switches and All-Call switch	ANSZS2A	
Class A Converter	ANSZSC4A	
Zone Adapter, 1 circuit to 2 circuits	ANSZC2B	
Remote Microphones:		
Requires ANSREMSUP card in ANS panel; supervised	ANSREMG	Gray
Requires ANSREMSUP card in ANS panel; supervised	ANSREMR	Red
Supervisory card, one per system. Supervises up to 5 remote microphones	ANSREMSUP	
Relay card for supervision/zone splitter to remote microphone	ANSZSR	
Microphone	ANSMIKE	
Backup amplifier switching module	ANSBKUP	
Audio Matching - line input/output card	ANSAUX	
Eight-input remote serial interface module. Message recording included.	ANSRSI8	
Modules & Transformers:		
25 Watt expander module	ANS25A	
25 Watt expander module with microphone	ANS25AM	
25 Watt audio notification module with DMR and microphone	ANS25AMD	
50 Watt expander module	ANS50A	
50 Watt expander module with microphone	ANS50AM	
50 Watt audio notification module with DMR and microphone	ANS50AMD	
100 Watt expander module	ANS100A	
100 Watt expander module with microphone	ANS100AM	
100 Watt audio notification module with DMR and microphone	ANS100AMD	
Power transformer, open frame, 28V AC @ 100 VA. (ANS25)	ANST2885	
Power transformer, open frame, 28V AC @ 180 VA. (ANS50/ANS100)	ANST28180	
Custom Messages:		
Alternate prerecorded DMR message PROM from library	ANSMDRALT	
Custom recorded message PROM	ANSDMRCUSTOM	



Audio Evacuation Amplifiers

ANS Series

Weights and Dimensions

Cat. No.	Approx. Shipping Weight (lb.)	Rough-In Dimensions			Finished Door Dimensions	
		Width (in.)	Height (in.)	Depth (in.)	Width (in.)	Height (in.)
ANS25MDG	29	14.5	18	4	16.25	19.5
ANS25MDR	29	14.5	18	4	16.25	19.5
ANS50MDG	32	14.5	18	4	16.25	19.5
ANS50MDR	32	14.5	18	4	16.25	19.5
ANS100MDG	32	14.5	18	4	16.25	19.5
ANS100MDR	32	14.5	18	4	16.25	19.5
ANS25XG	29	14.5	18	4	16.25	19.5
ANS25XR	29	14.5	18	4	16.25	19.5
ANS50XG	32	14.5	18	4	16.25	19.5
ANS50XR	32	14.5	18	4	16.25	19.5
ANS100XG	32	14.5	18	4	16.25	19.5
ANS100XR	32	14.5	18	4	16.25	19.5
ANSZS4B	1	—	—	—	—	—
ANSZS2A	1	—	—	—	—	—
ANSZSC4A	1	—	—	—	—	—
ANSZC2B	1	—	—	—	—	—
ANSREMG	8	8	10	2.75	9.75	11.25
ANSREMR	8	8	10	2.75	9.75	11.25
ANSREMSUP	1	—	—	—	—	—
ANSZSR	1	—	—	—	—	—
ANSMIKE	1	—	—	—	—	—
ANSBKUP	1	—	—	—	—	—
ANSAUX	1	—	—	—	—	—
ANSRSI8	1	—	—	—	—	—
ANS25A	5	—	—	—	—	—
ANS25AM	5	—	—	—	—	—
ANS25AMD	5	—	—	—	—	—
ANS50A	5	—	—	—	—	—
ANS50AM	5	—	—	—	—	—
ANS50AMD	5	—	—	—	—	—
ANS100A	5	—	—	—	—	—
ANS100AM	5	—	—	—	—	—
ANS100AMD	5	—	—	—	—	—
ANST2885	4	—	—	—	—	—
ANST28180	5	—	—	—	—	—
ANSMDRALT	—	—	—	—	—	—
ANSDMRCUSTOM	—	—	—	—	—	—

Audio Evacuation Ceiling Speakers and Strobes Genesis Series



Genesis life safety ceiling speakers are small, compact, audible emergency signaling devices. Protruding no more than 1.6" (41mm) from the ceiling, Genesis speakers feature textured housings in neutral white or life safety red.

Edwards Genesis speakers feature 1/4 W to 2 W operation that is selectable with a conveniently located switch. The wattage tap setting remains clearly visible and locked into place after final installation.

All Genesis ceiling speakers include a DC blocking capacitor to allow electrical supervision of the audio distribution circuit.

Features and Specifications

- Low profile design
- Red or white housings
- 1/4, 1/2, 1, and 2 watt selections via switch
- Up to 100dB @ 1m/90dB @ 10ft. output
- Fits all standard 4" square electrical boxes – no extension ring or trim plate required
- Operating temperature range: 32°F to 120°F (0°C to 49°C)

Ordering Information

Description	Cat. No.	Operating Voltage	Wattage Taps	dB at 1m/10ft.	Marking	Housing Color
Field Configurable Ceiling Speaker	EGC-S2	25V RMS	0.25, 0.5, 1.0, 2.0	90-100/80-90	None	White
	EGCF-S2	25V RMS	0.25, 0.5, 1.0, 2.0	90-100/80-90	FIRE	White
	EGCFR-S2	25V RMS	0.25, 0.5, 1.0, 2.0	90-100/80-90	FIRE	Red
	EGC-S7	70V RMS	0.25, 0.5, 1.0, 2.0	90-100/80-90	None	White
	EGCF-S7	70V RMS	0.25, 0.5, 1.0, 2.0	90-100/80-90	FIRE	White
	EGCFR-S7	70V RMS	0.25, 0.5, 1.0, 2.0	90-100/80-90	FIRE	Red

Weights and Dimensions

Cat. No.	Approx. Shipping Weight (lb.)
EGC-S2	1.62
EGCF-S2	1.62
EGCFR-S2	1.62
EGC-S7	1.62
EGCF-S7	1.62
EGCFR-S7	1.62



One or more patents pending.

Audio Evacuation Ceiling Speakers and Strobes

Genesis Series



Genesis life safety ceiling speaker-strobes are small, compact, audible-visible emergency signaling devices. Protruding no more than 1.6" (41mm) from the ceiling, Genesis speaker-strobes feature textured housings in neutral white or life safety red.

Edwards Genesis strobes do not require bulky specular reflectors and lenses. The patented cavity design conditions light to produce a highly controlled distribution pattern. FullLight strobe technology produces a smooth light distribution pattern. This ensures the entire coverage area receives consistent illumination from the strobe flash.

Genesis Series include models 15 to 95, or 95 to 177 candela output that is selectable with a conveniently located switch. The candela output setting remains clearly visible and locked into place after final installation.

The strobes are designed to flash at the same rate (synchronize) when used with a compatible synchronization source, such as the EG1M-RM synchronization module, E-FSC and E-FSA fire panels, and EBPS series booster supplies.

Features and Specifications

- Xenon light source
- Clear lens
- White or red housing
- Low profile design
- 1/4, 1/2, 1, and 2 watt selections via switch
- Field selectable candela output via switch
- Up to 101dB @ 1m/91dB @ 10ft. output
- Fits all standard 4" square electrical boxes – no extension ring or trim plate required
- Operating temperature range: 32°F to 120°F (0°C to 49°C)

Ordering Information

Description	Cat. No.	Operating Voltage		Current ²	Candela Rating	dB at 1m/10ft.	Marking	Housing Color
		Speaker	Strobe ¹					
Ceiling Speaker and Strobe	EGC-S2VM	25V RMS	24V	0.109 A - 0.318 A DC; 0.131 A - 0.437 A fwr	Selectable: 15, 30, 75, 95	90-101/ 80-91	None	White
	EGCF-S2VM	25V RMS	24V	0.109 A - 0.318 A DC; 0.131 A - 0.437 A fwr	Selectable: 15, 30, 75, 95	90-101/ 80-91	FIRE	White
	EGC-S2VMH	25V RMS	24V	0.330 A - 0.565 A DC; 0.432 A - 0.693 A fwr	Selectable: 95, 115, 150, 177	90-101/ 80-91	None	White
	EGCF-S2VMH	25V RMS	24V	0.330 A - 0.565 A DC; 0.432 A - 0.693 A fwr	Selectable: 95, 115, 150, 177	90-101/ 80-91	FIRE	White
	EGC-S7VM	70V RMS	24V	0.109 A - 0.318 A DC; 0.131 A - 0.437 A fwr	Selectable: 15, 30, 75, 95	90-101/ 80-91	None	White
	EGCF-S7VM	70V RMS	24V	0.109 A - 0.318 A DC; 0.131 A - 0.437 A fwr	Selectable: 15, 30, 75, 95	90-101/ 80-91	FIRE	White
	EGCFR-S7VM	70V RMS	24V	0.109 A - 0.318 A DC; 0.131 A - 0.437 A fwr	Selectable: 15, 30, 75, 95	90-101/ 80-91	FIRE	Red
	EGC-S7VMH	70V RMS	24V	0.330 A - 0.565 A DC; 0.432 A - 0.693 A fwr	Selectable: 95, 115, 150, 177	90-101/ 80-91	None	White
	EGCF-S7VMH	70V RMS	24V	0.330 A - 0.565 A DC; 0.432 A - 0.693 A fwr	Selectable: 95, 115, 150, 177	90-101/ 80-91	FIRE	White

¹Regulated 16-33V DC/fwr

²Current values are UL, RMS ratings.



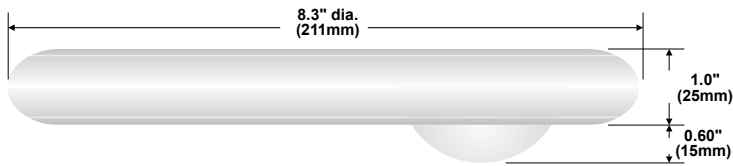
Audio Evacuation Ceiling Speakers and Strobes Genesis Series

Accessories

Description	Cat. No.
Synchronization Output Module (1-gang)	EG1M-RM

Weights and Dimensions

Cat. No.	Approx. Shipping Weight (lb.)
EGC-S2VM	2.25
EGCF-S2VM	2.25
EGC-S2VMH	2.25
EGCF-S2VMH	2.25
EGC-S7VM	2.25
EGCF-S7VM	2.25
EGCFR-S7VM	2.25
EGC-S7VMH	2.25
EGCF-S7VMH	2.25
EG1M-RM	0.20



Audio Evacuation Wall Speakers and Strobes Genesis Series



The Genesis line of speakers and strobes are audible-visible emergency signaling devices. Protruding no more than one inch from the wall, Genesis speakers and speaker-strobes feature textured housings in white or red. Genesis strobes are designed to channel and condition light to produce a highly controllable distribution pattern. Speaker-strobes feature selectable candela output with a switch located on the bottom of the device. The candela setting is visible even after the device is installed.

All Genesis speakers include a DC blocking capacitor to allow electrical supervision of the audio distribution circuit. The speaker has a sealed back construction for extra durability and improved audibility.

The strobes are designed to flash at the same rate (synchronize) when used with a compatible synchronization source, such as the EG1M-RM synchronization module, E-FSC and E-FSA fire panels, and EBPS series booster supplies.

Features and Specifications

- Xenon light source
- Clear lens
- White or red housing
- Low profile design
- Field selectable candela output via switch
- 1/4, 1/2, 1, and 2 watt selections via switch
- Up to 99dB @ 1m/89dB @ 10ft. output
- DC blocking capacitor for audio circuit supervision
- Fits all standard 4" square electrical boxes – no extension ring or trim plate required
- Operating temperature range: 32°F to 120°F (0°C to 49°C)

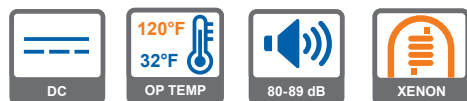
Ordering Information

Description	Cat. No.	Operating Voltage		Current	Candela Rating	dB at 1m/10ft. ³	Marking	Color
		Strobe ¹	Speaker					
Speaker Only	EG4-S2	24V	25V RMS	—	—	90-99/80-89	None	White
	EG4R-S2	24V	25V RMS	—	—	90-99/80-89	None	Red
	EG4F-S2	24V	25V RMS	—	—	90-99/80-89	FIRE	White
	EG4RF-S2	24V	25V RMS	—	—	90-99/80-89	FIRE	Red
	EG4-S7	24V	70V RMS	—	—	90-99/80-89	None	White
	EG4R-S7	24V	70V RMS	—	—	90-99/80-89	None	Red
	EG4F-S7	24V	70V RMS	—	—	90-99/80-89	FIRE	White
	EG4RF-S7	24V	70V RMS	—	—	90-99/80-89	FIRE	Red
Speaker and Strobes	EG4-S2VM	24V	25V RMS	0.096 A - 0.294 A DC; 0.120 A - 0.375 A fwr	Selectable: 15, 30, 75, 110	90-99/80-89	None	White
	EG4R-S2VM	24V	25V RMS	0.096 A - 0.294 A DC; 0.120 A - 0.375 A fwr	Selectable: 15, 30, 75, 110	90-99/80-89	None	Red
	EG4F-S2VM	24V	25V RMS	0.096 A - 0.294 A DC; 0.120 A - 0.375 A fwr	Selectable: 15, 30, 75, 110	90-99/80-89	FIRE	White
	EG4RF-S2VM	24V	25V RMS	0.096 A - 0.294 A DC; 0.120 A - 0.375 A fwr	Selectable: 15, 30, 75, 110	90-99/80-89	FIRE	Red
	EG4-S7VM	24V	70V RMS	0.096 A - 0.294 A DC; 0.120 A - 0.375 A fwr	Selectable: 15, 30, 75, 110	90-99/80-89	None	White

¹Regulated 16-33V DC/fwr

²Current values are UL, RMS ratings.

³10ft. dB measurement per UL 464.



Patents pending.

Audio Evacuation Wall Speakers and Strobes Genesis Series

Ordering Information (Continued)

Description	Cat. No.	Operating Voltage		Current ²	Candela Rating	dB at 1m/10ft. ³	Marking	Color
		Strobe ¹	Speaker					
Speaker and Strobe	EG4R-S7VM	24V	70V RMS	0.096 A - 0.294 A DC; 0.120 A - 0.375 A fwr	Selectable: 15, 30, 75, 110	90-99/80-89	None	Red
	EG4F-S7VM	24V	70V RMS	0.096 A - 0.294 A DC; 0.120 A - 0.375 A fwr	Selectable: 15, 30, 75, 110	90-99/80-89	FIRE	White
	EG4RF-S7VM	24V	70V RMS	0.096 A - 0.294 A DC; 0.120 A - 0.375 A fwr	Selectable: 15, 30, 75, 110	90-99/80-89	FIRE	Red
	EG4F-S7V1575	24V	70V RMS	0.096 A - 0.294 A DC; 0.120 A - 0.375 A fwr	15/75	90-99/80-89	FIRE	White
	EG4RF-S7V1575	24V	70V RMS	0.096 A - 0.294 A DC; 0.120 A - 0.375 A fwr	15/75	90-99/80-89	FIRE	Red

¹Regulated 16-33V DC/fwr

²Current values are UL, RMS ratings.

³10ft. dB measurement per UL 464.

Accessories

Description	Cat. No.
Surface mount box, white	EG4B
Surface mount box, red	EG4RB
Synchronization Module	EG1M-RM

Weights and Dimensions

Cat. No.	Approx. Shipping Weight (lb.)
EG4-S2	1.5
EG4R-S2	1.5
EG4F-S2	1.5
EG4RF-S2	1.5
EG4-S2VM	1.5
EG4R-S2VM	1.5
EG4F-S2VM	1.5
EG4RF-S2VM	1.5
EG4-S7	1.5
EG4R-S7	1.5
EG4F-S7	1.5
EG4RF-S7	1.5
EG4-S7VM	1.5
EG4R-S7VM	1.5
EG4F-S7VM	1.5
EG4RF-S7VM	1.5
EG4F-S7V1575	1.5
EG4RF-S7V1575	1.5
EG4B	0.7
EG4RB	0.7

Audio Evacuation Outdoor/Indoor Speakers and Strobes

Genesis Series



The Genesis WG4 line of speakers and speaker-strobe appliances are audible-visible emergency signaling devices that are rated for indoor and outdoor use in a wide range of wet and harsh environment applications. They have field-configurable light and sound output settings, and can be mounted on ceilings or walls.

The Genesis GWG line features a full backplane sealing gasket for installation in recessed (in-the-pour/block) electrical boxes. WG4 signals also mount to suitable surface boxes served by raceways. All appliance wiring is accomplished room-side for easy installation.

WG4 Series appliances have dual-voltage mylar-cone loudspeakers with field-selectable output taps and multi-candela strobes with standard and high output. Wattage and candela settings are viewable after installation through a sealed viewport display.

The strobes are designed to flash at the same rate (synchronize) when used with a compatible synchronization source, such as the EG1M-RM synchronization module, E-FSC and E-FSA fire panels, and EBPS series booster supplies.

Features and Specifications

- Suitable for outdoor and indoor applications
- Xenon light source
- Clear lens
- White or red housing
- Low profile design
- Wall or ceiling mount
- Field-selectable speaker wattage, voltage, and strobe candela settings
- Standard and high-output strobe
- 1/4, 1/2, 1, 2 watt taps
- Up to 100dB @ 1m/90dB @ 10ft. output
- Room-side wiring accepts 18 to 12 AWG (0.75 to 2.5 mm²)
- Operating temperature range: -31°F to 151°F (-35°C to 66°C)

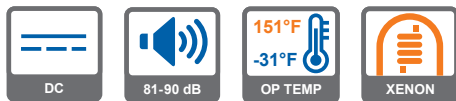
Ordering Information

Description	Cat. No.	Operating Voltage		Current ²	Candela Rating	dB at 1m/10ft.	Marking	Color
		Strobe ¹	Speaker					
Speaker and Strobe	WG4RF-SVMC	24V	25/70V RMS	0.106 A - 0.319 A DC; 0.120 A - 0.386 A fwr	Selectable: 15, 29, 70, 87	91-100/ 81-90	FIRE	Red
	WG4WF-SVMC	24V	25/70V RMS	0.106 A - 0.319 A DC; 0.120 A - 0.386 A fwr	Selectable: 15, 29, 70, 87	91-100/ 81-90	FIRE	White
	WG4RN-SVMC	24V	25/70V RMS	0.106 A - 0.319 A DC; 0.120 A - 0.386 A fwr	Selectable: 15, 29, 70, 87	91-100/ 81-90	None	Red
	WG4WN-SVMC	24V	25/70V RMS	0.106 A - 0.319 A DC; 0.120 A - 0.386 A fwr	Selectable: 15, 29, 70, 87	91-100/ 81-90	None	White
	WG4RF-SVMHC	24V	25/70V RMS	0.324 A - 0.496 A DC; 0.412 A - 0.646 A fwr	Selectable: 102, 123, 147, 161	91-100/ 81-90	FIRE	Red
	WG4WF-SVMHC	24V	25/70V RMS	0.324 A - 0.496 A DC; 0.412 A - 0.646 A fwr	Selectable: 102, 123, 147, 161	91-100/ 81-90	FIRE	White
	WG4RN-SVMHC	24V	25/70V RMS	0.324 A - 0.496 A DC; 0.412 A - 0.646 A fwr	Selectable: 102, 123, 147, 161	91-100/ 81-90	None	Red
	WG4WN-SVMHC	24V	25/70V RMS	0.324 A - 0.496 A DC; 0.412 A - 0.646 A fwr	Selectable: 102, 123, 147, 161	91-100/ 81-90	None	White

¹Regulated 16-33V DC/fwr

²Current values are UL, RMS ratings.

³10ft. dB measurement per UL 464



Patents pending

Audio Evacuation Outdoor/Indoor Speakers and Strobes Genesis Series

Ordering Information (Continued)

Description	Cat. No.	Operating Voltage		Current ²	Candela Rating	dB at 1m/10ft.	Marking	Color
		Strobe ¹	Speaker					
Speaker Only	WG4RF-S	—	25/70V RMS	—	—	91-100/ 81-90	FIRE	Red
	WG4WF-S	—	25/70V RMS	—	—	91-100/ 81-90	FIRE	White
	WG4RN-S	—	25/70V RMS	—	—	91-100/ 81-90	None	Red
	WG4WN-S	—	25/70V RMS	—	—	91-100/ 81-90	None	White

¹Regulated 16-33V DC/fwr
²Current values are UL, RMS ratings.
³10ft. dB measurement per UL 464

Accessories

Description	Cat. No.	Color
Surface Skirt for Genesis WG4 appliance family	WG4WTS	White
Surface Skirt for Genesis WG4 appliance family	WG4RTS	Red
Replacement Mounting Gasket	WG4GSKT	
Surface mount box, outdoor rated	449	
Synchronization Module	EG1M-RM	

Weights and Dimensions

Cat. No.	Approx. Shipping Weight (lb.)	Dimensions		
		Length (in)	Width (in)	Depth (in)
WG4RF-SVMC	1.5	8.625	5.625	1.313
WG4WF-SVMC	1.5	8.625	5.625	1.313
WG4RN-SVMC	1.5	8.625	5.625	1.313
WG4WN-SVMC	1.5	8.625	5.625	1.313
WG4RF-SVMHC	1.5	8.625	5.625	1.313
WG4WF-SVMHC	1.5	8.625	5.625	1.313
WG4RN-SVMHC	1.5	8.625	5.625	1.313
WG4WN-SVMHC	1.5	8.625	5.625	1.313
WG4RF-S	1.5	8.625	5.625	1.313
WG4WF-S	1.5	8.625	5.625	1.313
WG4RN-S	1.5	8.625	5.625	1.313
WG4WN-S	1.5	8.625	5.625	1.313
WG4WTS	0.2	8.875	5.875	2.25
WG4RTS	0.2	8.875	5.875	2.25
WG4GSKT	0.2	8.875	5.875	2.25
449	1.2	4.5	4.5	2.25

Standalone Detection Smoke Detectors

517 Series



Edwards 517 Series Single Station Smoke Detectors feature a solid state piezo signal and a strobe with "FIRE" lettering.

The 517TCS/517TCSB Series provides the 3 pulse temporal pattern evacuation tone as a standard feature. The smoke alarm operates on the light scattering principle, using a pulsing LED light source and a photodiode sensor in a fully screened sensing chamber. Upon activation, the alarm will emit a local audible signal and activate the high intensity strobe.

They are designed for ceiling or wall mounting on a 4" (102mm) square mounting box using a universal mounting plate, and have a quick-disconnect plug connection.

Features and Specifications

- Quadra-port smoke entry
- 3 position functional test switch
- Solid-state LED condition indicator
- Quick disconnect wiring harness
- 9V DC alkaline battery back-up
- Tandem connection up to 6 alarms per system
- Dry contacts will activate from the tandem wire
- Temporal pattern evacuation sounding device
- 100dB @ 1m/90dB @ 10ft.
- Operating temperature range: 40°F to 100°F (4.4°C to 37.8°C)

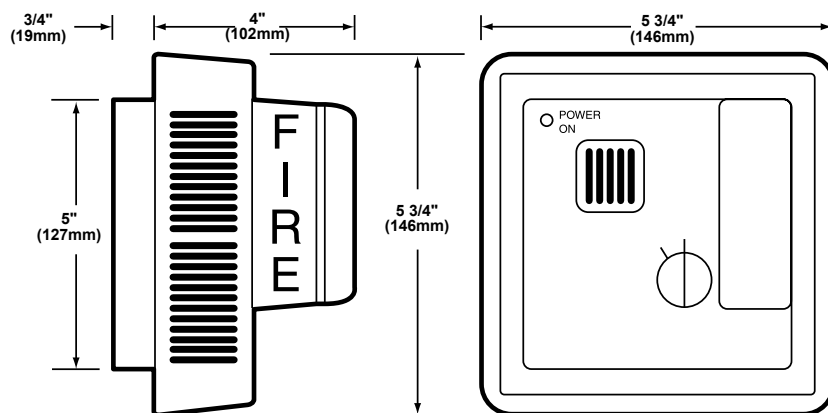
Ordering Information

Description	Cat. No.	Operating Voltage ¹	Current	UL 1971 Strobe Output	dB at 1m/10ft.	Mounting	Nominal Sensitivity	Auxiliary Relay (Standard)
Smoke Detector	517TCS-C	120V AC	0.4 A (peak)	177 cd	100/90	Ceiling	2.5% Obscuration	1 Form C (1 A @ 24V DC; 0.6 A @ 125V AC)
	517TCS-W	120V AC	0.4 A (peak)	177 cd	100/90	Wall		
Smoke Detector with 9V DC Battery Backup	517TCSB-C	120V AC	0.4 A (peak)	177 cd	100/90	Ceiling		
	517TCSB-W	120V AC	0.4 A (peak)	177 cd	100/90	Wall		

¹AC voltage frequency is 60 Hz.

Weights and Dimensions

Cat. No.	Approx. Shipping Weight (lb.)
517TCS-C	1.2
517TCS-W	1.2
517TCSB-C	1.6
517TCSB-W	1.6



MEASUREMENT SERVICE
MEASUREMENT SERVICE

Patented

Standalone Detection Smoke Detectors 517 Series



The Edwards 517 Series Smoke Detectors are designed for multi-family, residential and institutional occupancies defined by NFPA 101, in compliance with UL 217 and NFPA 72.

The Edwards 517 Series provides a three position test feature that simulates actual smoke conditions. It also provides a maintenance indicator and makes the 100% testing requirement easy.

The temporal pattern evacuation tone is a standard feature.

It is designed for ceiling or wall mounting on a standard electrical box and can tandem wire up to 12 units (or 6 with relay) to form a system.

Features and Specifications

- Solid-state non-latching piezo horn
- Pulsing LED sensing chamber
- 3 position functional test switch
- Solid-state LED condition indicator
- Quick-disconnect wiring harness
- Mounting hardware adapts to standard junction boxes
- Dust cover
- 3 pulse temporal pattern evacuation sounding device
- 5-to-1 signal-to-noise ratio
- Operating temperature range: 40°F to 100°F (4.4°C to 37.8°C)

Ordering Information

Description	Cat. No.	Operating Voltage ¹	Aux. Contact 1 Form A, 1 Form C	Nominal Sensitivity	dB at 1m/10ft.	Isolated Heat 135°F	Contact Rating
Smoke Detector	517T	120V AC	—	2.5%	100/90	—	—
	517TH	120V AC	—	2.5%	100/90	Yes	—
	517TC	120V AC	Yes	2.5%	100/90	—	1 A @ 24V DC; 0.6 A @ 125V AC
Smoke Detector with 9V Battery Backup	517TB	120V AC	—	2.5%	100/90	—	—
	517THB	120V AC	—	2.5%	100/90	Yes	—
	517TCB	120V AC	Yes	2.5%	100/90	—	1 A @ 24V DC; 0.6 A @ 125V AC

¹AC voltage frequency is 60Hz.

Weights and Dimensions

Cat. No.	Approx. Shipping Weight (lb.)
517T	1.2
517TH	1.2
517TC	1.2
517TB	1.2
517THB	1.2
517TCB	1.3

