

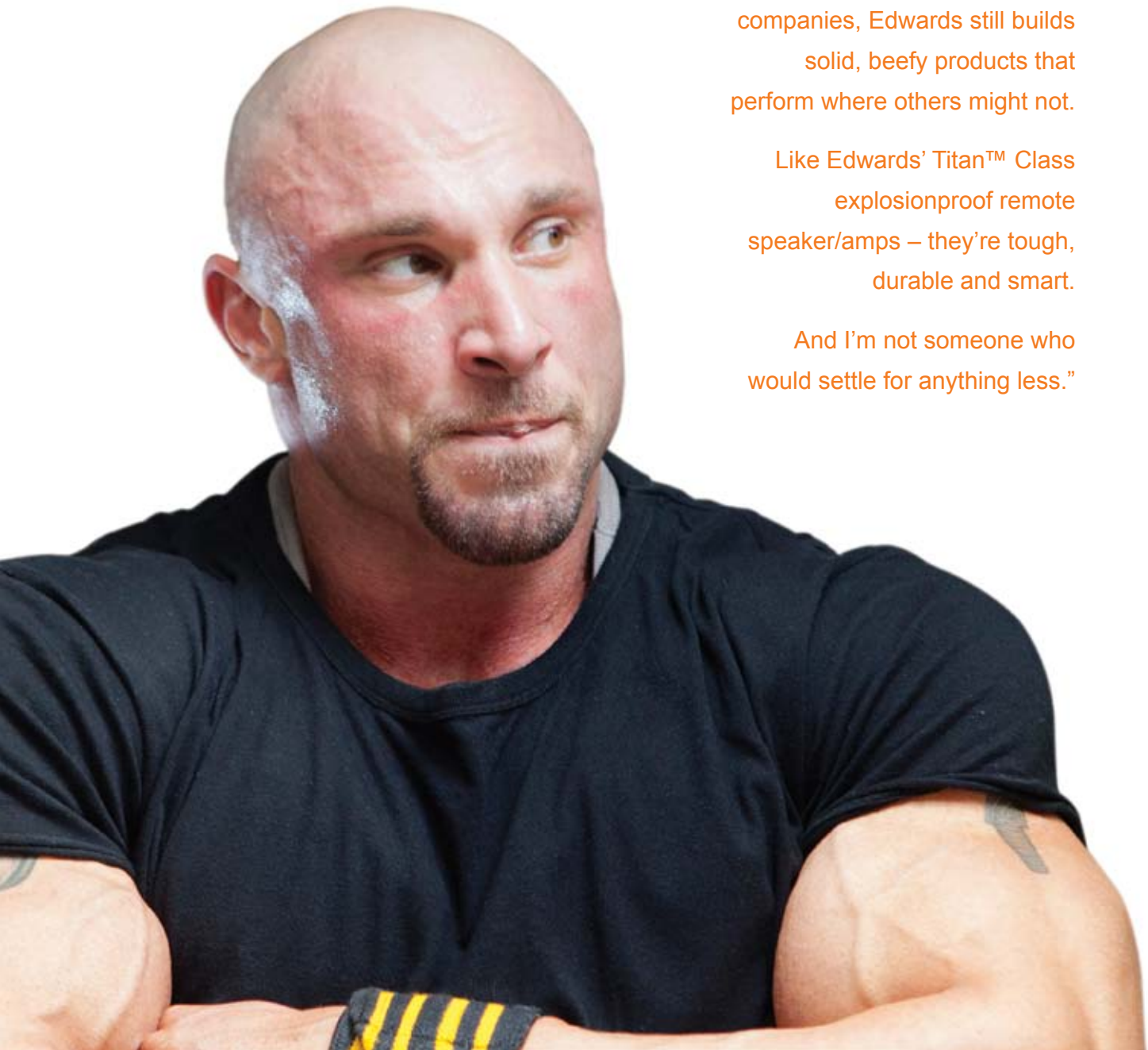
# Built to Last

“You know that old saying,  
‘Things are just not made the  
way they used to be’?”

While that may be true for some  
companies, Edwards still builds  
solid, beefy products that  
perform where others might not.

Like Edwards’ Titan™ Class  
explosionproof remote  
speaker/amps – they’re tough,  
durable and smart.

And I’m not someone who  
would settle for anything less.”



# Product Index

From the crisp sound of a vibrating bell in the classroom, to the high decibel tone of the explosionproof horn in a hazardous location, Edwards' audible signals produce sounds designed to alert, warn, communicate and protect. Edwards' horns, bells, buzzers and sirens are the smart choice for safety and communication.

## Audible Signals



Bells 4-4



Buzzers 4-27



Chimes 4-40



Back-up Alarms 4-41



Electronic Sounders 4-42



Klaxon Sounders 4-43



Horns 4-51



Horns and Sirens 4-76



Sirens 4-78



Klaxon Sirens 4-80



Electronic Audible Signals 4-87

# Audible Signals

## Table of Contents

Description	Page	Description	Page
<b>Bells</b>		<b>Horns</b>	
Vibrating . . . . . 340 and 435 Series . . . . .	4-4	Vibrating . . . . . 870 Series . . . . .	4-51
Vibrating . . . . . 650 Class . . . . .	4-8	Vibrating . . . . . 870EX Series . . . . .	4-61
Vibrating . . . . . 850 Class . . . . .	4-9	Vibrating . . . . . 870EX2 Series . . . . .	4-64
Vibrating . . . . . 156G Series . . . . .	4-10	Vibrating . . . . . 118 and 123A Series . . . . .	4-66
Vibrating . . . . . 55 Series . . . . .	4-11	Projector/Double Projector . B93 Class . . . . .	4-67
Vibrating . . . . . 740 and 744 . . . . .	4-12	Projector . . . . . B93 Class . . . . .	4-69
Vibrating . . . . . 720 . . . . .	4-13	Electronic . . . . . 860 Series . . . . .	4-70
Vibrating . . . . . 13 Series . . . . .	4-14	Electronic . . . . . Titan Class . . . . .	4-72
Vibrating . . . . . 438 and 439 Series . . . . .	4-15	Motor Driven . . . . . Klaxet Series . . . . .	4-73
Vibrating . . . . . 340EX and 435EX Series . . . . .	4-17	Motor Driven . . . . . A1 Series . . . . .	4-74
Vibrating . . . . . 439DEX Series . . . . .	4-19	Manual Operation . . . . . ES Series . . . . .	4-75
<b>Klaxon Bells</b>		<b>Horns and Sirens</b>	
Vibrating . . . . . Syrex Series . . . . .	4-20	Electronic . . . . . D2 Class . . . . .	4-76
<b>Bells</b>		<b>Sirens</b>	
Single Stroke . . . . . 330 Series . . . . .	4-21	Motor Driven . . . . . 315A Series . . . . .	4-78
Single Stroke . . . . . 432 Series . . . . .	4-24	Electronic . . . . . Titan Class . . . . .	4-79
Single Stroke . . . . . 330EX Series . . . . .	4-25	<b>Klaxon Sirens</b>	
<b>Buzzers</b>		Motor Driven . . . . . SO4 Series . . . . .	4-80
Vibrating . . . . . B93 Series . . . . .	4-27	Manual Operation . . . . . Lightweight Series . . . . .	4-81
Vibrating . . . . . 340A Series . . . . .	4-30	Manual Operation . . . . . Heavy Duty Series . . . . .	4-82
Klaxon . . . . . Syrex Series . . . . .	4-32	Motor Driven . . . . . Duplo Series . . . . .	4-83
Economy . . . . . 725 Series . . . . .	4-33	Motor Driven . . . . . Mono Series . . . . .	4-84
Economy . . . . . 1066 Series . . . . .	4-34	Motor Driven . . . . . Super M Series . . . . .	4-86
Bell Buzzer . . . . . 730 Series . . . . .	4-35	<b>Electronic Audible Signals</b>	
Miniature . . . . . 15 and 115 Series . . . . .	4-36	Multi-Tone Signal –	
Strap-Mounted . . . . . 660 Series . . . . .	4-38	Single Input, Single Output. Millennium Class . . . . .	4-87
Strap-Mounted . . . . . 1064 and 1065 Series . . . . .	4-39	Multi-Tone Signal –	
<b>Chimes</b>		Four Input, Four Output . . . Millennium Class . . . . .	4-89
Single Stroke . . . . . 338 and 339 Series . . . . .	4-40	Multi-Tone Signal –	
<b>Back-up Alarms</b>		Two Input, Two Output . . . Titan Class . . . . .	4-91
Auto Adjust		Connectivity and Activation . Millennium Class . . . . .	4-92
and Single Tone . . . . . 8001 Series . . . . .	4-41	System Components . . . . . Millennium Class . . . . .	4-94
<b>Electronic Sounders</b>		System Master Panel . . . . . Millennium Class . . . . .	4-95
Audio or Audible/Visual . . . E Series . . . . .	4-42	Tone Generator . . . . . Millennium Class . . . . .	4-96
<b>Klaxon Sounders</b>		System Speaker Amplifier . . Millennium Class . . . . .	4-98
Electronic . . . . . Syrex Series . . . . .	4-43	<b>Speaker/Amp</b>	
Electronic . . . . . Sonos Series . . . . .	4-45	Remote Speaker Amplifier . Millennium Class . . . . .	4-100
Electronic . . . . . Nexus Series . . . . .	4-48	<b>Electronic Audible Signals</b>	
		Speaker Amp . . . . . Millennium Class . . . . .	4-102
		Speaker Amp . . . . . Titan Class . . . . .	4-104
		Paging Devices . . . . . Millennium Class . . . . .	4-105
		Tone Selection . . . . . Millennium Class . . . . .	4-107

# Bells Vibrating 340 and 435 Series

Edwards 340 Series and 435 Series are vibrating bells that produce a long, continuous ringing sound. The striker continues to strike the gong in rapid-fire as long as current is applied. Specified for timing, scheduling, paging and general alarm applications.

## Features and Specifications

- 4", 6" and 10" gong sizes in AC versions
- 4", 6", 8" and 10" gong sizes in DC versions
- Completely assembled with all hardware supplied
- Die cast housing
- Corrosion resistant heat flowed epoxy finish
- Mounts directly on surface or electrical box
- Optional flush mount grille and wall box available separately
- Full cast grids available for 4" bells
- Self-compensating solenoid plunger
- FM approved (AC Bells only)



Ordering Information		Operating Voltage	Current	VA	Gong Size	dB at 1m/10ft.	DC Coil Res (Ohms)
Description	Cat. No.						
AC	340-4E5	12V AC	0.620 A	7.4	4" (102mm)	98/88	13
	340-6E5	12V AC	0.700 A	8.4	6" (152mm)	102/92	8
	340-4FM	16V AC	0.460 A	7.4	4" (102mm)	98/88	22
	340-6FM	16V AC	0.500 A	8.0	6" (152mm)	102/92	13
	340-4G5	24V AC	0.310 A	7.4	4" (102mm)	98/88	50
	340-6G5	24V AC	0.350 A	8.4	6" (152mm)	102/92	30
	340-10G5	24V AC	0.350 A	8.4	10" (254mm)	106/96	30
	340-4N5	120V AC	0.062 A	7.4	4" (102mm)	98/88	1300
	340-6N5	120V AC	0.070 A	8.4	6" (152mm)	102/92	700
	340-10N5	120V AC	0.070 A	8.4	10" (254mm)	106/96	700
	340-4R5	240V AC	0.031 A	7.4	4" (102mm)	98/88	5000
	340-6R5	240V AC	0.350 A	8.4	6" (152mm)	102/92	2650
340-10R5	240V AC	0.350 A	8.4	10" (254mm)	106/96	2650	
DC	435-4C1	6V DC	0.250 A	1.5	4" (102mm)	100/90	11
	435-6C1	6V DC	0.250 A	1.5	6" (152mm)	102/92	11
	435-8C1	6V DC	0.250 A	1.5	8" (203mm)	103/93	11
	435-4E1	12V DC	0.125 A	1.5	4" (102mm)	100/90	40
	435-6E1	12V DC	0.125 A	1.5	6" (152mm)	102/92	40
	435-8E1	12V DC	0.125 A	1.5	8" (203mm)	103/93	40
	435-10E1	12V DC	0.125 A	1.5	10" (254mm)	104/94	40
	435-4G1	24V DC	0.062 A	1.5	4" (102mm)	100/90	155
	435-6G1	24V DC	0.062 A	1.5	6" (152mm)	102/92	155
	435-8G1	24V DC	0.062 A	1.5	8" (203mm)	103/93	155
	435-10G1	24V DC	0.062 A	1.5	10" (254mm)	104/94	155
	435-4J1	32V DC	0.047 A	1.5	4" (102mm)	100/90	275
	435-6J1	32V DC	0.047 A	1.5	6" (152mm)	102/92	275
	435-6K1	48V DC	0.031 A	1.5	6" (152mm)	102/92	620
	435-4P1	125V DC	0.012 A	1.5	4" (102mm)	100/90	3000
	435-6P1	125V DC	0.012 A	1.5	6" (152mm)	102/92	3000
	435-8P1	125V DC	0.012 A	1.5	8" (203mm)	103/93	3000
	435-10P1	125V DC	0.012 A	1.5	10" (254mm)	104/94	3000
435-6S1	250V DC	0.008 A	2.0	6" (152mm)	100/90	6100	
435-10S1	250V DC	0.008 A	2.0	10" (254mm)	100/90	6100	



# Bells

## Vibrating

### 340 and 435 Series

#### Accessories

Description	Cat. No.
Grid Kit for 4" Bells	<b>340-4-GRID</b>
Outdoor Back Box for 4" AC Bells	<b>348</b>
Outdoor Back Box for 6" Bells or 10" AC Bells	<b>349</b>
Outdoor Back Box for DC Bells	<b>449</b>
Flush Mount Grille for 4" Bells	<b>511-A<sup>1</sup></b>
Flush Mount Grille for 6" Bells	<b>512-A<sup>2</sup></b>
Flush Mount Grille for 10" Bells	<b>513-A<sup>3</sup></b>
Wall Box for 4" Bells	<b>511-1</b>
Wall Box for 6" Bells	<b>512-1</b>
Wall Box for 10" Bells	<b>513-1</b>



<sup>1</sup>511-A must be used with 511-1.  
<sup>2</sup>512-A must be used with 512-1.  
<sup>3</sup>513-A must be used with 513-1.

#### Signal Input Load Characteristics

These devices may be operated by PLCs with output characteristics that match the input load requirements of the signal.

Cat. No.	Operating Voltage <sup>4</sup>	Max. Off State Leakage Current (A)	Continuous On Current (A)	Surge (Inrush/Duration) Amps/Milliseconds
<b>340-4N5</b>	120V AC	0.025	0.062	0.095 / 4
<b>340-6N5</b>	120V AC	0.025	0.070	0.15 / 4
<b>340-10N5</b>	120V AC	0.025	0.070	0.15 / 4
<b>435-4G1</b>	24V DC	0.005	0.062	1.06 / 0.0001
<b>435-6G1</b>	24V DC	0.005	0.062	1.14 / 0.000125
<b>435-10G1</b>	24V DC	0.005	0.062	1.14 / 0.000125

<sup>4</sup>AC voltage frequency is 60 Hz.

#### Weights and Dimensions

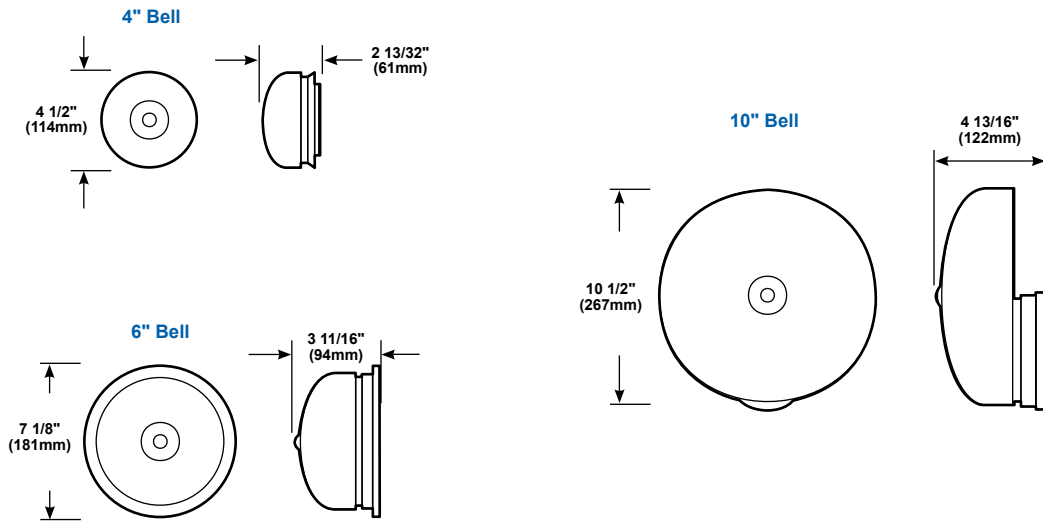
Cat. No. <sup>5</sup>	Approx. Net Weight (lb.)	Approx. Shipping Weight (lb.)
<b>340-4</b>	1.64	1.80
<b>340-6</b>	4.20	4.40
<b>340-10</b>	6.45	6.98
<b>435-4</b>	2.40	2.60
<b>435-6</b>	3.00	3.20
<b>435-8</b>	4.80	5.00
<b>435-10</b>	6.20	6.40

<sup>5</sup>Catalog number represents gong size and voltage range category.

# Bells Vibrating 340 and 435 Series

Weights and Dimensions		Continued					
Cat. No. <sup>1</sup>	Approx. Net Weight (lb.)	Approx. Shipping Weight (lb.)	Dimensions				
			Diameter	Depth	Width	Height	Length
340-4-GRID	0.21	0.50	5 5/8" (143mm)	3 1/2" (89mm)	—	—	—
348	0.92	0.96	5 1/8" (130mm)	1 5/8" (41mm)	—	—	—
349	1.30	1.56	6 1/2" (165mm)	1 5/8" (41mm)	—	—	—
449	1.13	1.18	—	2" (51mm)	4 9/16" (115mm)	4 1/2" (114mm)	—
511-A	2.00	2.50	—	—	—	10" (254mm)	10" (254mm)
512-A	2.00	2.50	—	—	—	12" (305mm)	12" (305mm)
513-A	3.00	3.50	—	—	—	16" (406mm)	16" (406mm)
511-1	4.00	5.00	—	3 7/8" (98mm)	—	8" (203mm)	8" (203mm)
512-1	5.00	6.00	—	4 1/4" (108mm)	—	10" (254mm)	10" (254mm)
513-1	5.00	6.00	—	5" (127mm)	—	14" (357mm)	14" (357mm)

<sup>1</sup>Catalog number represents gong size and voltage range category.

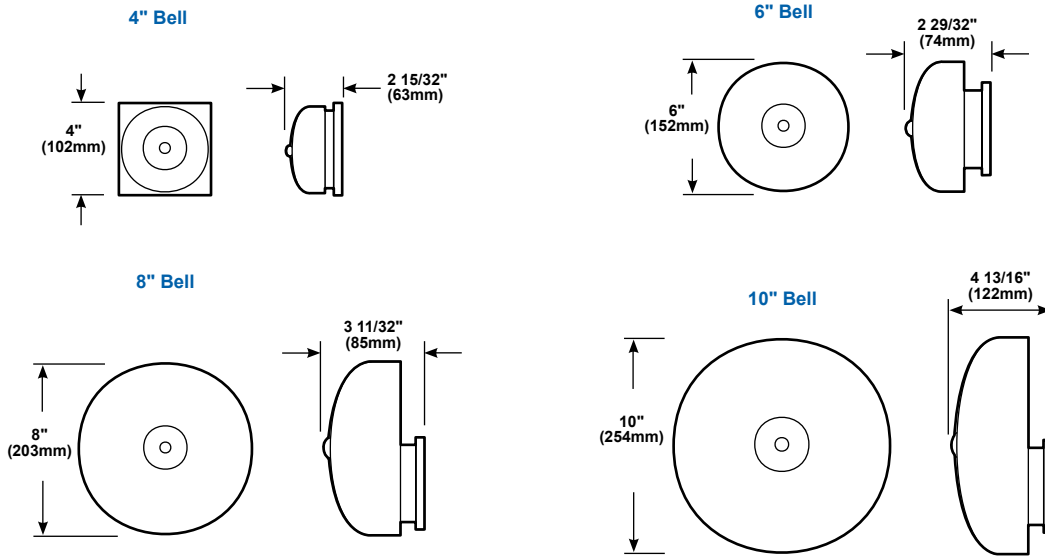


340 Series

**NOTE:** Mounts directly on surface or fits any single-gang box, 3 1/4" (83mm), 3 1/2" (89mm), or 4" (102mm) octagon box, or any plaster cover with mounting holes on 2 3/4" (70mm) centers. 6" and 10" bells also mount on 4" (102mm) square boxes.

# Bells Vibrating 340 and 435 Series

435 Series



**NOTE:** Mounts directly on surface or fits any single-gang box, 3 1/4" (83mm), 3 1/2" (89mm), or 4" (102mm) octagon box, or any plaster cover with mounting holes on 2 3/4" (70mm) centers. 6" and 10" bells also mount on 4" (102mm) square boxes.

# Bells Vibrating 650 Class



The 650 Class Vibrating Bells are 6.57" (167mm) and designed for use in heavy duty industrial applications as well as many commercial applications. Available in 24V AC, 24V DC and 120V AC, the 650 Class bells provide audible tones that range from 98dB to 100dB at 1 meter. The bells are available in red or gray and carry NEMA 3R and IP66 ratings.

## Features and Specifications

- 24V AC, 120V AC and 24V DC
- Available in red or gray
- Up to 100dB @ 1m (90dB @ 10ft.)
- Operating temperature range: -22°F to 122°F (-30°C to 50°C)
- IP66 and NEMA Type 3R rated

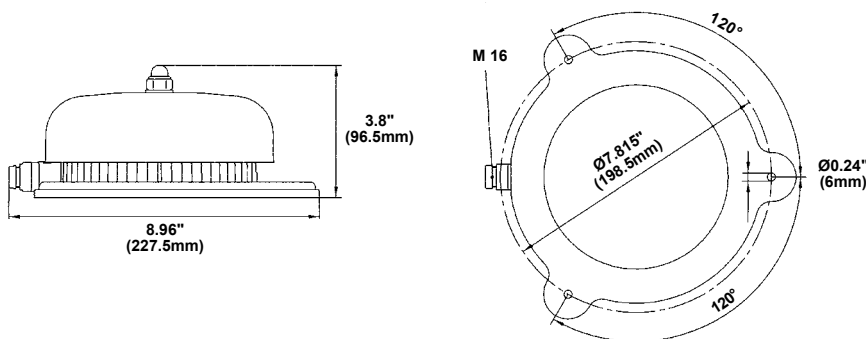
## Ordering Information

Description	Cat. No.	Operating Voltage <sup>1</sup>	Current	Color	dB at 1m/10ft.
AC	650I24AG	24V AC	0.43 A	Gray	100/90
	650I24AR	24V AC	0.43 A	Red	100/90
	650I120AG	120V AC	0.090 A	Gray	100/90
	650I120AR	120V AC	0.090 A	Red	100/90
DC	650I24DG	24V DC	0.30 A	Gray	98/88
	650I24DR	24V DC	0.30 A	Red	98/88

<sup>1</sup>AC voltage frequency is 50/60 Hz.

## Weights and Dimensions

Cat. No.	Approx. Net Weight (lb.)	Approx. Shipping Weight (lb.)
650I24AG	3.75	4.50
650I24AR	3.75	4.50
650I120AG	3.75	4.50
650I120AR	3.75	4.50
650I24DG	3.97	4.75
650I24DR	3.97	4.75





# Bells Vibrating 850 Class



The 850 Class bells are heavy duty stainless steel audible signaling devices for industrial environments. They are available with operating voltages of 24V AC, 120V AC and 24V DC. The 850 Class bells are UL 464 listed and carry NEMA 3R and IP66 ratings.

## Features and Specifications

- 24V AC, 120V AC and 24V DC
- Vibrating
- Stainless steel
- Up to 100dB @ 1m (90dB @ 10ft.)
- Operating temperature range: -22°F to 122°F (-30°C to 50°C)
- IP66 and NEMA Type 3R rated

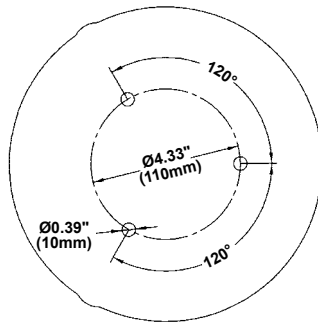
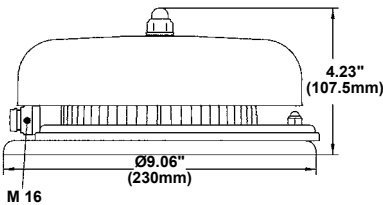
## Ordering Information

Description	Cat. No.	Operating Voltage <sup>1</sup>	Current	dB at 1m/10ft.
AC	850ISS24A	24V AC	0.43 A	100/90
	850ISS120A	120V AC	0.090 A	100/90
DC	850ISS24D	24V DC	0.30 A	98/88

<sup>1</sup>AC voltage frequency is 50/60 Hz.

## Weights and Dimensions

Cat. No.	Approx. Net Weight (lb.)	Approx. Shipping Weight (lb.)
850ISS24A	5.95	7.00
850ISS120A	5.95	7.00
850ISS24D	6.17	7.00



# Bells Vibrating 156G Series

Edwards 156G Series bells are self-contained underdome monitor bells. These grounded, vibrating bells are insulated, and have a concealed plunger. They are also suitable for AC powered security systems.

## Features and Specifications

- 3", 4" and 6" gong sizes
- Corrosion resistant gray finish
- Supplied with gasket for outdoor applications
- Low current draw permits long wire runs
- Mounts on 3 3/4" (95mm) bolt circle

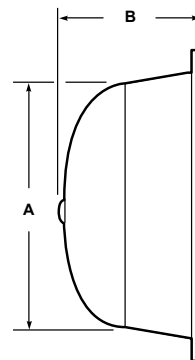


## Ordering Information

Description	Cat. No.	Operating Voltage	Current	Gong Size	dB at 1m/10ft.
AC	156G-3G5	24V AC	0.30 A	3" (76mm)	82/72
	156G-4G5	24V AC	0.30 A	4" (102mm)	86/76
	156G-6G5	24V AC	0.30 A	6" (152mm)	90/80
DC	156G-3AX	12-18V DC	0.20 A	3" (76mm)	82/72
	156G-6AW	20-24V DC	0.15 A	6" (152mm)	90/80
	156G-3G1	24V DC	0.15 A	3" (76mm)	82/72
	156G-4G1	24V DC	0.15 A	4" (102mm)	86/76
	156G-6G1	24V DC	0.15 A	6" (152mm)	90/80
	156G-3J1	32V DC	0.11 A	3" (76mm)	82/72
AC/DC	156G-3AM	6-8V DC 8-10V AC	0.80 A	3" (76mm)	82/72
	156G-4AM	6-8V DC 8-10V AC	0.80 A	4" (102mm)	86/76
	156G-6AM	6-8V DC 8-10V AC	0.80 A	6" (152mm)	90/80

## Weights and Dimensions

Cat. No.	Approx. Net Weight (lb.)	Approx. Shipping Weight (lb.)	Dimensions	
			A	B
156G-3AM	0.86	0.98	3" (76mm)	1 7/8" (48mm)
156G-3AX	0.86	0.98	3" (76mm)	1 7/8" (48mm)
156G-3G1	0.86	0.98	3" (76mm)	1 7/8" (48mm)
156G-3G5	0.86	0.98	3" (76mm)	1 7/8" (48mm)
156G-3J1	0.86	0.98	3" (76mm)	1 7/8" (48mm)
156G-4AM	1.33	1.53	4" (102mm)	1 7/8" (48mm)
156G-4G1	1.33	1.53	4" (102mm)	1 7/8" (48mm)
156G-4G5	1.33	1.53	4" (102mm)	1 7/8" (48mm)
156G-6AM	1.82	2.10	6" (152mm)	2 5/16" (59mm)
156G-6AW	1.82	2.10	6" (152mm)	2 5/16" (59mm)
156G-6G1	1.82	2.10	6" (152mm)	2 5/16" (59mm)
156G-6G5	1.82	2.10	6" (152mm)	2 5/16" (59mm)



# Bells Vibrating 55 Series

Edwards 55 Series single magnet vibrating bells feature an exposed striker with an enclosed grounded terminal and case. They are ideal for light duty installations in factory and office environments and OEM applications. They are also suitable for AC powered security systems with a battery standby.

## Features and Specifications

- Gray finish
- Low current drain permits long wire runs
- 4" and 6" gong sizes

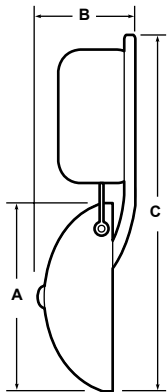


## Ordering Information

Description	Cat. No.	Operating Voltage	Current	VA	Gong Size	dB at 1m/10ft.	DC Coil Res (Ohms)
AC	55-4G5	24V AC	0.20 A	4.8	4" (102mm)	78/68	20.0
	55-6G5	24V AC	0.20 A	4.8	6" (152mm)	84/74	24.0
AC/DC	55-4AM	6V DC	0.85 A	5.1	4" (102mm)	78/68	2.2
		8V AC	1.10 A	8.8			
	55-6AM	6V DC	0.80 A	4.8	6" (152mm)	84/74	1.9
		8V AC	1.00 A	8.0			

## Weights and Dimensions

Cat. No.	Approx. Net Weight (lb.)	Approx. Shipping Weight (lb.)	Dimensions		
			A	B	C
55-4AM	0.96	1.08	4" (102mm)	2 1/8" (54mm)	7 3/8" (187mm)
55-4G5	0.96	1.08	4" (102mm)	2 1/8" (54mm)	7 3/8" (187mm)
55-6AM	1.13	2.50	6" (152mm)	2 5/8" (67mm)	10 5/8" (270mm)
55-6G5	1.13	2.50	6" (152mm)	2 5/8" (67mm)	10 5/8" (270mm)



# Bells Vibrating 740 and 744

Edwards 740 and 744 bells with an exposed gong are non-adjustable, and are suitable for use in residential, commercial and OEM applications. They may be operated off of a 591 or 592 transformer or DC power. They are also suitable for AC powered security systems with a battery standby.

## Features and Specifications

- Exposed gong
- Attractive snap-on covers
- Corrosion resistant chrome finish
- Enclosed binding posts

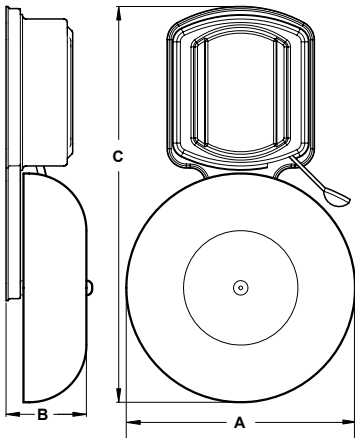


## Ordering Information

Description	Cat. No.	Operating Voltage	Current	VA	dB at 1m/10ft.	DC Coil Res (Ohms)
Non Adjustable, Vibrating	740	8-16V AC 3-6V DC	1.0 A max	7.0	100/90	1.5
	744	8-16V AC 3-6V DC	1.0 A max	10.0	100/90	1.5

## Weights and Dimensions

Cat. No.	Approx. Net Weight (lb.)	Approx. Shipping Weight (lb.)	Dimensions		
			A	B	C
740	0.40	0.42	2 1/2" (64mm)	1 1/4" (32mm)	5 3/4" (146mm)
744	0.52	0.58	4" (102mm)	1 3/4" (44mm)	6 7/8" (175mm)



# Bells Vibrating 720



Edwards 720 fully enclosed, non-adjustable bells are suitable for use in residential, commercial and OEM applications. They may be operated off of a 592 transformer or DC power. They are also suitable for AC powered security systems with a battery standby.

## Features and Specifications

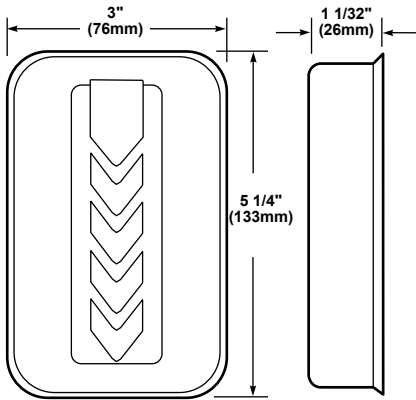
- Attractive snap-on covers
- Corrosion resistant metallic finish
- Enclosed binding posts

## Ordering Information

Description	Cat. No.	Operating Voltage	Current	VA	dB at 1m/10ft.	DC Coil Res (Ohms)
Fully Enclosed, Non Adjustable	720	6-8V AC 3-6V DC	1.20 A	7.0	88/78	1.5

## Weights and Dimensions

Cat. No.	Approx. Net Weight (lb.)	Approx. Shipping Weight (lb.)
720	0.44	0.46



# Bells Vibrating 13 Series

Edwards 13 Series bells are compact in size and feature a sound that is suitable for a variety of applications, including offices, apartment houses, intercom and telephone signaling, as well as OEM uses. Models suitable for AC powered security systems are available.

## Features and Specifications

- Chrome plate finish
- Adjustable volume
- 1", 2" and 3" gong sizes
- Grounded frame
- External binding posts

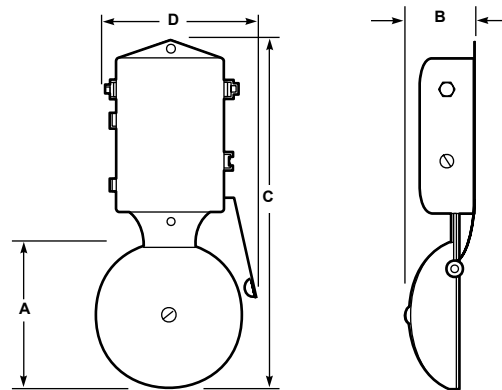


## Ordering Information

Description	Cat. No.	Operating Voltage	Current	VA	Gong Size	dB at 1m/10ft.	DC Coil Res (Ohms)
AC	13-1G5	24V AC	0.20 A	4.8	1" (25mm)	74/64	85
	13-2G5	24V AC	0.25 A	6.0	2" (51mm)	75/65	56
	13-3G5	24V AC	0.25 A	6	3" (76mm)	77/67	30
DC	13-1G1	24V DC	0.20 A	4.8	1" (25mm)	74/64	120
	13-2G1	24V DC	0.25 A	6.0	2" (51mm)	75/65	90
	13-3G1	24V DC	0.25 A	6	3" (76mm)	77/67	44
AC/DC	13-1AB	5-10V DC	0.35 A	2.0	1" (25mm)	74/64	10
		6-12V AC	0.50 A	4.0			
	13-2AB	5-10V DC	0.40 A	2.5	2" (51mm)	75/65	8
		6-12V AC	0.50 A	4.0			
	13-3AB	5-10V DC	0.60 A	3.5	3" (76mm)	77/67	5
		6-12V AC	0.40 A	3.5			

## Weights and Dimensions

Cat. No.	Approx. Net Weight (lb.)	Approx. Shipping Weight (lb.)	Dimensions			
			A	B	C	D
13-1AB	0.07	0.10	1 1/4" (32mm)	3/4" (19mm)	3 1/8" (79mm)	1 3/4" (44mm)
13-1G1	0.07	0.10	1 1/4" (32mm)	3/4" (19mm)	3 1/8" (79mm)	1 3/4" (44mm)
13-1G5	0.07	0.10	1 1/4" (32mm)	3/4" (19mm)	3 1/8" (79mm)	1 3/4" (44mm)
13-2AB	0.10	0.30	1 3/4" (44mm)	1 1/16" (27mm)	3 29/32" (99mm)	2 1/32" (52mm)
13-2G1	0.10	0.30	1 3/4" (44mm)	1 1/16" (27mm)	3 29/32" (99mm)	2 1/32" (52mm)
13-2G5	0.10	0.30	1 3/4" (44mm)	1 1/16" (27mm)	3 29/32" (99mm)	2 1/32" (52mm)
13-3AB	0.29	0.60	3" (76mm)	1 9/16" (40mm)	5 7/8" (149mm)	3 1/2" (89mm)
13-3G1	0.29	0.60	3" (76mm)	1 9/16" (40mm)	5 7/8" (149mm)	3 1/2" (89mm)
13-3G5	0.29	0.60	3" (76mm)	1 9/16" (40mm)	5 7/8" (149mm)	3 1/2" (89mm)



# Bells

## Vibrating

### 438 and 439 Series



Edwards 438 and 439 Series fire alarm bells are diode polarized, vibrating bells for use with fire alarm equipment. They operate in conjunction with an installed fire alarm panel and detection devices. The steel alloy gongs are epoxy powder finished and produce a loud, resonant tone required in fire alarm systems.

#### Features and Specifications

- 6", 8" and 10" gong sizes
- Heavy duty die cast housing
- Steel alloy gong with epoxy powder coating
- Back box available for use in outdoor applications
- Under dome mechanism
- Available in red or gray
- Lead length: 10" (25mm)

#### Ordering Information

Description	Cat. No.	Operating Voltage	Current	Gong Size	Color	dB at 1m/10ft.
AC	438D-6N5	120V AC	0.034 A	6" (152mm)	Gray	76/66 <sup>1</sup>
	438D-6N5-R	120V AC	0.034 A	6" (152mm)	Red	76/66 <sup>1</sup>
	438D-8N5	120V AC	0.034 A	8" (203mm)	Gray	85/75 <sup>1</sup>
	438D-8N5-R	120V AC	0.034 A	8" (203mm)	Red	85/75 <sup>1</sup>
	438D-10N5	120V AC	0.034 A	10" (254mm)	Gray	89/79 <sup>1</sup>
	438D-10N5-R	120V AC	0.034 A	10" (254mm)	Red	89/79 <sup>1</sup>
DC	439D-6RAU	12V DC	0.150 A	6" (152mm)	Red	95/85
	439D-10RAU	12V DC	0.150 A	10" (254mm)	Red	96/86
	439D-6AW	24V DC	0.085 A	6" (152mm)	Gray	92/82 <sup>1</sup>
	439D-6AW-R	24V DC	0.085 A	6" (152mm)	Red	92/82 <sup>1</sup>
	439D-8AW	24V DC	0.085 A	8" (203mm)	Gray	92/82 <sup>1</sup>
	439D-8AW-R	24V DC	0.085 A	8" (203mm)	Red	92/82 <sup>1</sup>
	439D-10AW	24V DC	0.085 A	10" (254mm)	Gray	95/85 <sup>1</sup>
	439D-10AW-R	24V DC	0.085 A	10" (254mm)	Red	95/85 <sup>1</sup>

<sup>1</sup>Anechoic Chamber

#### Accessories

Description	Cat. No.
Outdoor Back Box for DC Bells	449

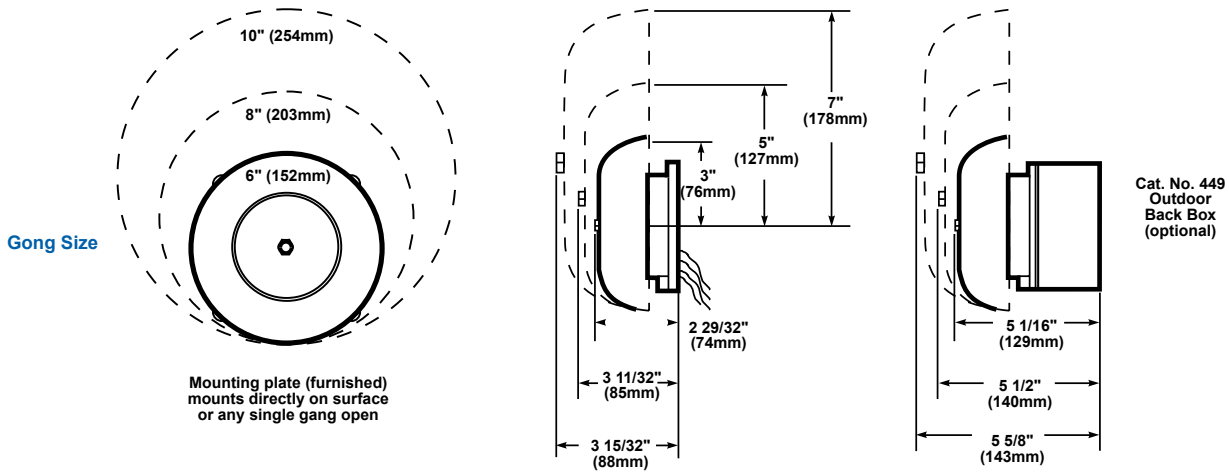


449



# Bells Vibrating 438 and 439 Series

Weights and Dimensions						
Cat. No.	Approx. Net Weight (lb.)	Approx. Shipping Weight (lb.)	Dimensions			
			Depth	Width	Height	Length
438D-6N5	2.67	2.90		See Drawing		
438D-6N5-R	2.67	2.90		See Drawing		
438D-8N5	4.51	4.80		See Drawing		
438D-8N5-R	4.51	4.80		See Drawing		
438D-10N5	5.80	6.20		See Drawing		
438D-10N5-R	5.80	6.20		See Drawing		
439D-6RAU	2.67	2.90		See Drawing		
439D-10RAU	5.80	6.30		See Drawing		
439D-6AW	2.67	2.90		See Drawing		
439D-6AW-R	2.67	2.90		See Drawing		
439D-8AW	4.51	4.80		See Drawing		
439D-8AW-R	4.51	4.80		See Drawing		
439D-10AW	5.80	6.20		See Drawing		
439D-10AW-R	5.80	6.20		See Drawing		
449	1.13	1.18	2" (51mm)	4 9/16" (115mm)	4 1/2" (114mm)	—





# Bells Vibrating 340EX and 435EX Series

Edwards 340EX and 435EX hazardous location bells are vibrating bells that produce a long, continuous ringing sound. The striker continues to strike the gong in rapid-fire as long as current is applied. They feature an explosionproof, NEMA Type 4 housing.

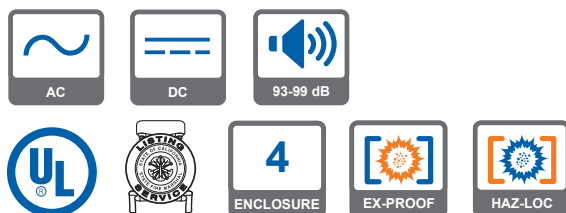
## Features and Specifications

- 6", 8" and 10" gong sizes
- Completely assembled
- Corrosion resistant finish
- Mounts directly on any solid surface
- Low power draw for efficient operation over long runs
- Suitable for use in outdoor applications
- Adjustment free self-compensating solenoid plunger
- UL listed for Class I, Divisions 1 and 2, Groups B, C and D; Class II, Divisions 1 and 2, Groups E, F and G; Class III
- NEMA Type 4 enclosure



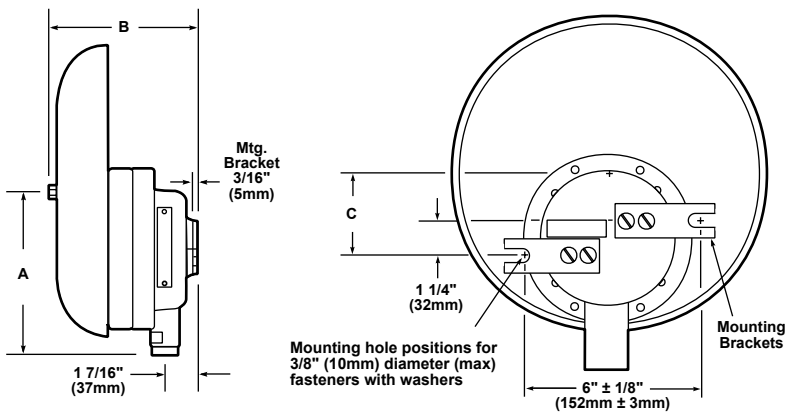
Ordering Information						
Description	Cat. No.	Operating Voltage <sup>1</sup>	Current	Gong Size	dB at 1m/10ft.	
AC	340EX-6G5	24V AC	0.210 A	6" (152mm)	94/84	
	340EX-10G5	24V AC	0.210 A	10" (254mm)	98/88	
	340EX-6N5	120V AC	0.041 A	6" (152mm)	94/84	
	340EX-8N5	120V AC	0.041 A	8" (203mm)	99/89	
	340EX-10N5	120V AC	0.041 A	10" (254mm)	98/88	
	340EX-6R5	240V AC	0.021 A	6" (152mm)	94/84	
	340EX-10R5	240V AC	0.021 A	10" (254mm)	98/88	
DC	435EX-6C1	6V DC	1.520 A	6" (152mm)	93/83	
	435EX-6E1	12V DC	0.520 A	6" (152mm)	96/86	
	435EX-10E1	12V DC	0.520 A	10" (254mm)	99/89	
	435EX-6G1	24V DC	0.240 A	6" (152mm)	93/83	
	435EX-8G1	24V DC	0.290 A	8" (203mm)	96/86	
	435EX-10G1	24V DC	0.290 A	10" (254mm)	99/89	
	435EX-6K1	48V DC	0.110 A	6" (152mm)	93/83	
	435EX-8K1	48V DC	0.110 A	8" (203mm)	96/86	
	435EX-6P1	125V DC	0.040 A	6" (152mm)	93/83	
	435EX-8P1	125V DC	0.040 A	8" (203mm)	96/86	
	435EX-10P1	125V DC	0.040 A	10" (254mm)	99/89	
	435EX-6S1	250V DC	0.023 A	6" (152mm)	93/83	
	435EX-8S1	250V DC	0.023 A	8" (203mm)	96/86	
	DC, Diode Polarized	435DEX-6G1	24V DC	0.290 A	6" (152mm)	93/83
435DEX-8G1		24V DC	0.290 A	8" (203mm)	96/86	
435DEX-10G1		24V DC	0.290 A	10" (254mm)	99/89	

<sup>1</sup>AC voltage frequency is 50/60 Hz.



# Bells Vibrating 340EX and 435EX Series

Weights and Dimensions				Dimensions		
Cat. No.	Approx. Net Weight (lb.)	Approx. Shipping Weight (lb.)	Gong Size	Dimensions		
				A	B	C
340EX-6G5	5.70	8.00	6" (152mm)	4 1/16" (103mm)	4 13/16" (122mm)	5/8" (16mm)
340EX-10G5	8.70	10.64	10" (254mm)	6 1/16" (154mm)	5 3/8" (137mm)	2 5/8" (67mm)
340EX-6N5	5.70	8.00	6" (152mm)	4 1/16" (103mm)	4 13/16" (122mm)	5/8" (16mm)
340EX-8N5	7.70	8.66	8" (203mm)	5 1/16" (129mm)	5 1/4" (133mm)	1 5/8" (41mm)
340EX-10N5	8.70	10.64	10" (254mm)	6 1/16" (154mm)	5 3/8" (137mm)	2 5/8" (67mm)
340EX-6R5	5.70	8.00	6" (152mm)	4 1/16" (103mm)	4 13/16" (122mm)	5/8" (16mm)
340EX-10R5	8.70	10.64	10" (254mm)	6 1/16" (154mm)	5 3/8" (137mm)	2 5/8" (67mm)
435EX-6C1	5.70	7.80	6" (152mm)	4 1/16" (103mm)	4 13/16" (122mm)	5/8" (16mm)
435EX-6E1	5.70	7.80	6" (152mm)	4 1/16" (103mm)	4 13/16" (122mm)	5/8" (16mm)
435EX-10E1	8.70	10.60	10" (254mm)	6 1/16" (154mm)	5 3/8" (137mm)	2 5/8" (67mm)
435EX-6G1	5.70	7.80	6" (152mm)	4 1/16" (103mm)	4 13/16" (122mm)	5/8" (16mm)
435EX-8G1	7.70	8.60	8" (203mm)	5 1/16" (129mm)	5 1/4" (133mm)	1 5/8" (41mm)
435EX-10G1	8.70	10.60	10" (254mm)	6 1/16" (154mm)	5 3/8" (137mm)	2 5/8" (67mm)
435EX-6K1	5.70	7.80	6" (152mm)	4 1/16" (103mm)	4 13/16" (122mm)	5/8" (16mm)
435EX-8K1	7.70	8.60	8" (203mm)	5 1/16" (129mm)	5 1/4" (133mm)	1 5/8" (41mm)
435EX-6P1	5.70	7.80	6" (152mm)	4 1/16" (103mm)	4 13/16" (122mm)	5/8" (16mm)
435EX-8P1	7.70	8.60	8" (203mm)	5 1/16" (129mm)	5 1/4" (133mm)	1 5/8" (41mm)
435EX-10P1	8.70	10.60	10" (254mm)	6 1/16" (154mm)	5 3/8" (137mm)	2 5/8" (67mm)
435EX-6S1	5.70	7.80	6" (152mm)	4 1/16" (103mm)	4 13/16" (122mm)	5/8" (16mm)
435EX-8S1	7.70	8.60	8" (203mm)	5 1/16" (129mm)	5 1/4" (133mm)	1 5/8" (41mm)
435DEX-6G1	5.70	6.80	6" (152mm)	4 1/16" (103mm)	4 13/16" (122mm)	5/8" (16mm)
435DEX-8G1	7.70	8.60	8" (203mm)	5 1/16" (129mm)	5 1/4" (133mm)	1 5/8" (41mm)
435DEX-10G1	8.70	10.40	10" (254mm)	6 1/16" (154mm)	5 3/8" (137mm)	2 5/8" (67mm)



**NOTE:** Mounts to any solid surface using 3/8" (10mm) fasteners. Units fitted with a sealing fitting for 3/4" (19mm) conduit and wire leads for power connections.

# Bells Vibrating 439DEX Series



Edwards 439DEX Series hazardous location fire alarm bells are DC vibrating bells that produce a long, continuous ringing sound. The striker continues to strike the gong in rapid-fire as long as current is applied. Diode polarized models are available for use in electrically supervised circuits.

## Features and Specifications

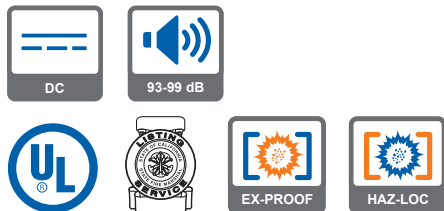
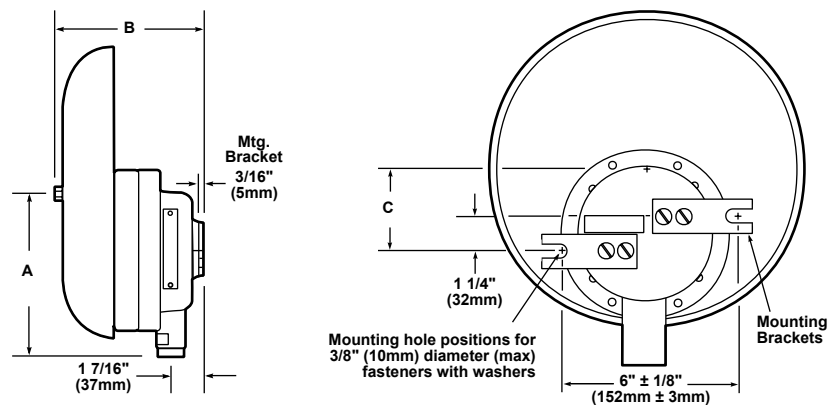
- 6", 8" and 10" gong sizes
- Completely assembled
- Corrosion resistant gray epoxy finish
- Suitable for use in indoor applications
- Mounts directly on any solid surface
- Low power draw for efficient operation over long runs
- Adjustment free self-compensating solenoid plunger
- Wire leads and sealing fitting for connection to 3/4" conduit
- UL listed for Class I, Divisions 1 and 2, Groups B, C and D; Class II, Divisions 1 and 2, Groups E, F and G; Class III

## Ordering Information

Description	Cat. No.	Operating Voltage	Current	Gong Size	dB at 1m/10ft.	Color
DC Fire Alarm	439DEX-6AW	20-24V DC	0.240 A	6" (152mm)	93/83	Gray
	439DEX-8AW	20-24V DC	0.240 A	8" (203mm)	96/86	Gray
	439DEX-10AW	20-24V DC	0.240 A	10" (254mm)	99/89	Gray
	439DEX-6AW-R	20-24V DC	0.240 A	6" (152mm)	93/83	Red
	439DEX-8AW-R	20-24V DC	0.240 A	8" (203mm)	96/86	Red
	439DEX-10AW-R	20-24V DC	0.240 A	10" (254mm)	99/89	Red

## Weights and Dimensions

Cat. No.	Approx. Net Weight (lb.)	Approx. Shipping Weight (lb.)	Gong Size	Dimensions		
				A	B	C
439DEX-6AW	5.70	7.24	6" (152mm)	4 1/16" (103mm)	4 13/16" (122mm)	5/8" (16mm)
439DEX-8AW	7.70	9.67	8" (203mm)	5 1/16" (129mm)	5 1/4" (133mm)	1 5/8" (41mm)
439DEX-10AW	8.70	11.10	10" (254mm)	6 1/16" (154mm)	5 3/8" (137mm)	2 5/8" (67mm)
439DEX-6AW-R	5.70	7.24	6" (152mm)	4 1/16" (103mm)	4 13/16" (122mm)	5/8" (16mm)
439DEX-8AW-R	7.70	9.67	8" (203mm)	5 1/16" (129mm)	5 1/4" (133mm)	1 5/8" (41mm)
439DEX-10AW-R	8.70	11.10	10" (254mm)	6 1/16" (154mm)	5 3/8" (137mm)	2 5/8" (67mm)



**NOTE:** Mounts to any solid surface using 3/8" (10mm) fasteners. Units fitted with a sealing fitting for 3/4" (19mm) conduit and wire leads for power connections.

# Klaxon Bells

## Vibrating

### Syrex Series

The Klaxon Bell is designed for use in Zone 1 and 2 areas and is suitable for outdoor applications. The Syrex Series Bells are IP66 rated and certified to ATEX II 2G Exd e IIC T6.

With a sound output of up to 105dB, it provides a clear signal which stands out against background noise.

The housing is manufactured from glass fiber reinforced polyester with stainless steel fittings. In addition, all DC versions are equipped with a non-wearing electronic contact breaker.

### Features and Specifications

- Clear audible signal designed to penetrate background noise
- Glass fiber reinforced polyester construction with stainless steel fittings
- IP66 rated
- Rated for Category 2 use (formerly Zone 1 & 2)
- ATEX approved
- II 2G Exd e IIC T6
- Operating temperature range: -4°F to 104°F (-20°C to 40°C)



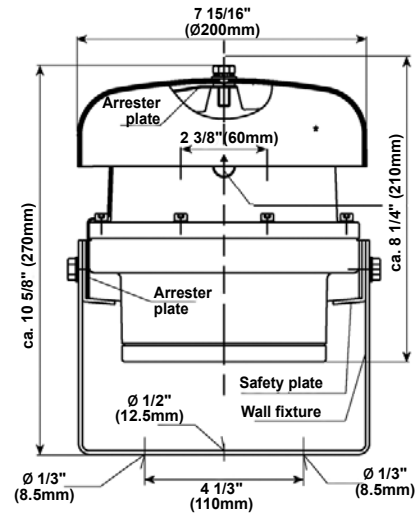
### Ordering Information

Description	Edwards Cat. No.	Klaxon Cat. No.	Operating Voltage <sup>1</sup>	Current	Color	dB at 1m/10ft.
AC	17-970233	TCA-0003	110V AC	0.140 A	Black/Gray	105/95
	17-970232	TCA-0002	230V AC	0.060 A	Black/Gray	105/95
DC	17-970234	TCA-0004	24V DC	0.320 A	Black/Gray	105/95

<sup>1</sup>AC voltage frequency is 50/60 Hz.

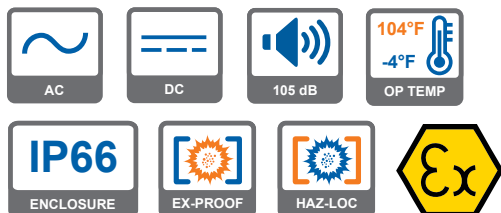
### Weights and Dimensions

Edwards Cat. No.	Klaxon Cat. No.	Approx. Net Weight (lb.)	Approx. Shipping Weight (lb.)
17-970233	TCA-0003	7.70	10.40
17-970232	TCA-0002	7.70	10.40
17-970234	TCA-0004	7.70	10.40



NOTE:  
Adjustment of bell dome (sound volume adjustment) is only allowed in this area!

Tappet limit on bell dome (please observe marking)



# Bells

## Single Stroke

### 330 Series

Edwards 330 Series single stroke bells produce a clearly defined note for timing, scheduling, paging and general event notification. Coded, intermittent current may be used to cause the striker to gong, pause and strike again for any specified period of time.



### Features and Specifications

- Single stroke or coded intermittent stroke
- Completely assembled, all hardware supplied
- Mounts directly on surface or electrical box
- Self-compensating solenoid plunger
- Available with 4", 6" or 10" gongs
- Suitable for use in indoor applications
- Die cast housing with corrosion resistant heat flowed epoxy finish
- FM Approved (**AC bells only**)

Ordering Information							
Description	Cat. No.	Operating Voltage <sup>2</sup>	Current	VA	Gong Size	dB at 1m/10ft.	DC Coil Res (Ohms)
AC Single Stroke	<b>332-4G5</b>	24V AC	0.50 A	12	4" (102mm)	94/84	10
	<b>332-6G5</b>	24V AC	0.50 A	12	6" (152mm)	96/86	10
	<b>332-10G5</b>	24V AC	0.70 A	16.8	10" (254mm)	102/92	5
	<b>332-4N5</b>	120V AC	0.10 A	12	4" (102mm)	94/84	250
	<b>332-6N5<sup>1</sup></b>	120V AC	0.10 A	12	6" (152mm)	96/86	250
	<b>332-10N5<sup>1</sup></b>	120V AC	0.14 A	16.8	10" (254mm)	102/92	130
	<b>332-6R5<sup>3</sup></b>	240V AC	0.05 A	12	6" (152mm)	96/86	1000
DC Single Stroke	<b>333-6E1</b>	12V DC	0.60 A	7.2	6" (152mm)	96/86	18
	<b>333-4G1</b>	24V DC	0.30 A	7.2	4" (102mm)	94/84	73
	<b>333-6G1</b>	24V DC	0.30 A	7.2	6" (152mm)	96/86	73
	<b>333-10G1</b>	24V DC	0.30 A	7.2	10" (254mm)	102/92	73
	<b>333-6P1</b>	125V DC	0.06 A	7.5	6" (152mm)	96/86	1870
	<b>333-10P1</b>	125V DC	0.06 A	7.5	10" (254mm)	102/92	1870

<sup>1</sup>Diode Polarized models available. Order 332D-6N5, 332D-6N5-R or 332D-10N5-R.

<sup>2</sup>AC voltage frequency is 50/60 Hz.

<sup>3</sup>Red finish.

### Accessories

Description	Cat. No.
Grid Kit for 4" Bells	<b>340-4-GRID</b>
Flush Mount Grille for 4" Bells	<b>511-A<sup>3</sup></b>
Flush Mount Grille for 6" Bells	<b>512-A<sup>4</sup></b>
Flush Mount Grille for 10" Bells	<b>513-A<sup>5</sup></b>
Wall Box for 4" Bells	<b>511-1</b>
Wall Box for 6" Bells	<b>512-1</b>
Wall Box for 10" Bells	<b>513-1</b>

<sup>3</sup>511-A must be used with 511-1.

<sup>4</sup>512-A must be used with 512-1.

<sup>5</sup>513-A must be used with 513-1.



**340-4-GRID**



# Bells

## Single Stroke

### 330 Series

#### Signal Input Load Characteristics

These devices may be operated by PLCs with output characteristics that match the input load requirements of the signal.

Cat. No.	Operating Voltage <sup>1</sup>	Max. Off State Leakage Current (A)	Continuous On Current (A)	Surge (Inrush/Duration) Amps/Milliseconds
332-4N5	120V AC	0.025	0.100	0.41 / 4.5
332-6N5	120V AC	0.025	0.100	0.40 / 4.6
332-10N5	120V AC	0.025	0.140	0.53 / 4.5
333-4G1 <sup>2</sup>	24V DC	0.005	0.300	1.57 / 0.0001
333-6G1 <sup>2</sup>	24V DC	0.005	0.300	1.72 / 0.0001
333-10G1 <sup>2</sup>	24V DC	0.005	0.300	1.3 / 0.000182

<sup>1</sup>AC voltage frequency is 50/60 Hz.

<sup>2</sup>Electromechanical devices can produce transient spikes and should only be used on PLC output cards that have inherent transient spike suppression. Consult the PLC manufacturer prior to connecting 24V DC electromechanical devices to PLCs.

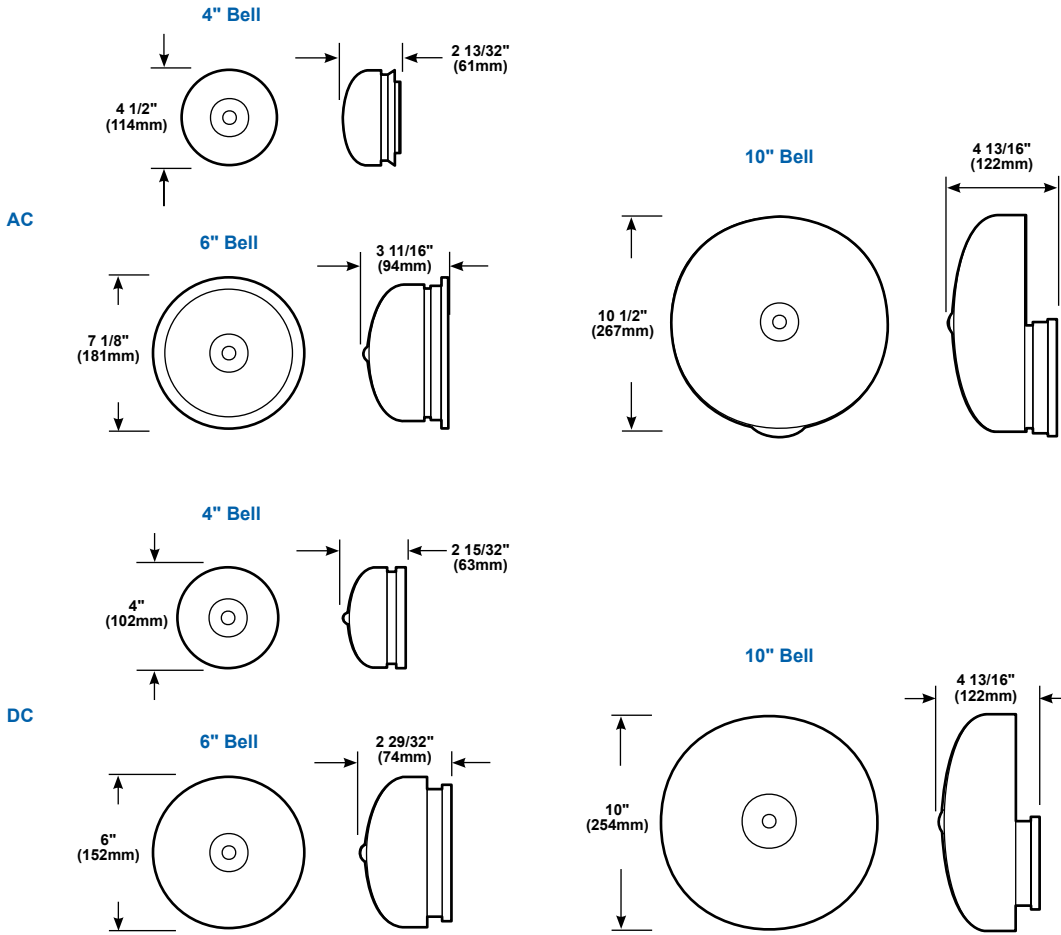
#### Weights and Dimensions

Cat. No.	Approx. Net Weight (lb.)	Approx. Shipping Weight (lb.)	Dimensions				
			Diameter	Depth	Width	Height	Length
332-4G5	1.85	2.50			See Drawing		
332-4N5	1.85	2.50			See Drawing		
332-6G5	3.40	3.66			See Drawing		
332-6N5	3.40	3.66			See Drawing		
332-6R5	3.40	3.66			See Drawing		
332-10G5	6.45	7.00			See Drawing		
332-10N5	6.45	7.00			See Drawing		
333-4G1	1.85	2.50			See Drawing		
333-6E1	3.40	3.66			See Drawing		
333-6G1	3.40	3.66			See Drawing		
333-6P1	3.40	3.66			See Drawing		
333-10G1	6.45	7.00			See Drawing		
333-10P1	6.45	7.00			See Drawing		
340-4-GRID	0.21	0.50	5 5/8" (143mm)	3 1/2" (89mm)	—	—	—
511-A	2.00	2.50	—	—	—	10" (254mm)	10" (254mm)
512-A	2.00	2.50	—	—	—	12" (305mm)	12" (305mm)
513-A	3.00	3.50	—	—	—	16" (406mm)	16" (406mm)
511-1	4.00	5.00	—	3 7/8" (98mm)	—	8" (203mm)	8" (203mm)
512-1	5.00	6.00	—	4 1/4" (108mm)	—	10" (254mm)	10" (254mm)
513-1	5.00	6.00	—	5" (127mm)	—	14" (357mm)	14" (357mm)

# Bells

## Single Stroke

### 330 Series



**NOTE:** Mounts directly on surface or fits any single-gang box, 3 1/4" (83mm), 3 1/2" (89mm), or 4" (102mm) octagon box, or any plaster cover with mounting holes on 2 3/4" (70mm) centers. 6" and 10" bells also mount on 4" (102mm) square boxes.

# Bells

## Single Stroke

### 432 Series

Edwards 432 Series compact single-stroke brass bell produces a crisp clean single tone. It is suitable for use in commercial and OEM applications.

#### Features and Specifications

- 2 1/2" solid brass shell
- Economical
- Lower current draw permits long wire runs
- Single stroke

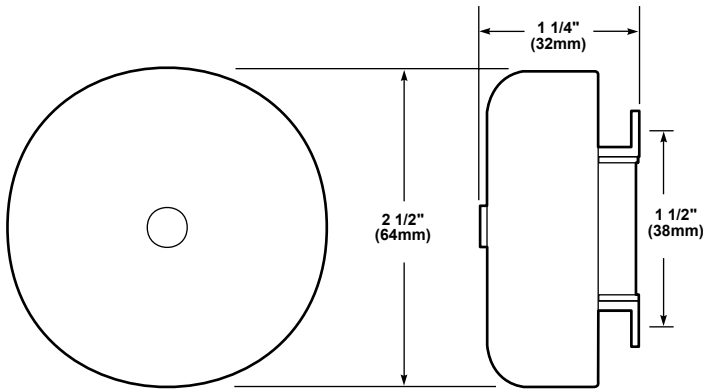


#### Ordering Information

Description	Cat. No.	Operating Voltage	Current	VA	dB at 1m/10ft.	DC Coil Res (Ohms)
Single Stroke	432-G5	24V AC	0.350 A	8.4	82/72	33.0
	432-N5	120V AC	0.065 A	7.8	82/72	864.0

#### Weights and Dimensions

Cat. No.	Approx. Net Weight (lb.)	Approx. Shipping Weight (lb.)
432-G5	0.26	0.30
432-N5	0.26	0.30





# Bells

## Single Stroke

### 330EX Series



Edwards 330EX Series single stroke bells produce a clearly defined note for timing, scheduling, paging and general alarm applications. Coded, intermittent current may be used to cause the striker to gong, pause and strike again for any specified period of time. Designed for use in hazardous locations, they have a NEMA Type 4 housing.

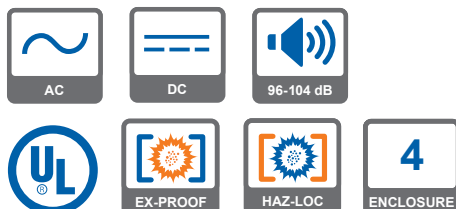
#### Features and Specifications

- Single stroke or coded intermittent stroke
- Completely assembled
- Sealing fitting for 3/4" (19mm) conduit and wire leads for power connections
- Mounts directly on surface
- Self-compensating solenoid plunger
- Low power drain for efficient operation over long wire runs
- Available with 6" or 10" gongs
- Corrosion resistant heat flowed epoxy finish
- Suitable for use in outdoor applications
- NEMA Type 4 housing
- UL Listed for Class I, Divisions 1 and 2, Groups B, C & D; Class II, Divisions 1 and 2, Groups E, F & G; and Class III

Ordering Information					
Description	Cat. No.	Operating Voltage <sup>1</sup>	Current <sup>2</sup>	Gong Size	dB at 1m/10ft.
AC Single Stroke	<b>332EX-6N5</b>	120V AC	0.43 A	6" (152mm)	96/86
	<b>332EX-10N5</b>	120V AC	0.43 A	10" (254mm)	104/94
	<b>332EX-6R5</b>	240V AC	0.20 A	6" (152mm)	96/86
	<b>332EX-10R5</b>	240V AC	0.20 A	10" (254mm)	104/94
DC Single Stroke	<b>333EX-6G1</b>	24V DC	3.50 A	6" (152mm)	96/86
	<b>333EX-10G1</b>	24V DC	3.50 A	10" (254mm)	104/94
	<b>333EX-6P1</b>	125V DC	0.52 A	6" (152mm)	96/86

<sup>1</sup>AC voltage frequency is 50/60 Hz.

<sup>2</sup>Single pulse duration - 8 to 16 milliseconds



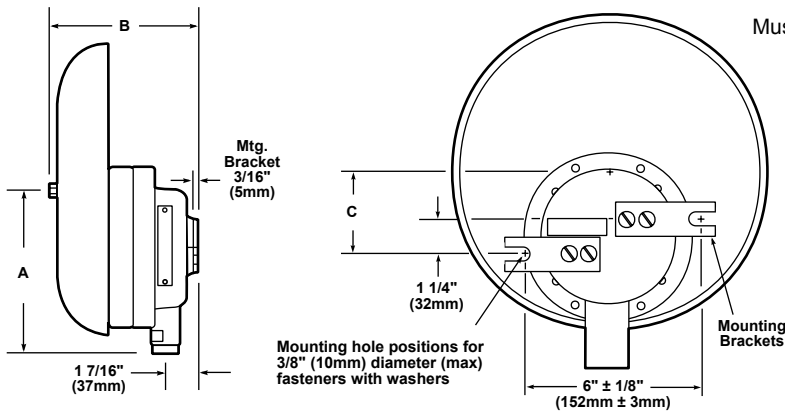
# Bells

## Single Stroke

### 330EX Series

#### Weights and Dimensions

Cat. No.	Approx. Net Weight (lb.)	Approx. Shipping Weight (lb.)	Gong Size	Dimensions		
				A	B	C
332EX-6N5	5.70	7.50	6" (152mm)	4 1/16" (103mm)	4 13/16" (122mm)	5/8" (16mm)
332EX-6R5	5.70	7.50	6" (152mm)	4 1/16" (103mm)	4 13/16" (122mm)	5/8" (16mm)
332EX-10N5	8.54	9.78	10" (254mm)	6 1/16" (154mm)	5 3/8" (137mm)	2 5/8" (67mm)
332EX-10R5	8.54	9.78	10" (254mm)	6 1/16" (154mm)	5 3/8" (137mm)	2 5/8" (67mm)
333EX-6G1	5.70	7.50	6" (152mm)	4 1/16" (103mm)	4 13/16" (122mm)	5/8" (16mm)
333EX-6P1	5.70	7.50	6" (152mm)	4 1/16" (103mm)	4 13/16" (122mm)	5/8" (16mm)
333EX-10G1	8.54	9.78	10" (254mm)	6 1/16" (154mm)	5 3/8" (137mm)	2 5/8" (67mm)



Must be mounted vertically.

# Buzzers

## Vibrating

### B93 Series

Edwards B93 Series Mineguard™ buzzers are MSHA certified heavy duty buzzers suitable for use on mining equipment. Sound is produced by the hammer action of a vibrating armature against the cast aluminum cover. The one piece cast aluminum cover provides an explosionproof seal. For power connections, the units feature an installed power cord and conduit hose constructed of flame retardant neoprene.

### Features and Specifications

- Heavy duty cast aluminum housing and cover
- Corrosion resistant heat flowed powder epoxy finish
- Vibrating armature
- Mounting lugs provided for wall mounting
- MSHA certified No. X/P-3116-1
- Conforms with MSHA 30 CFR, Part 18 for methane and air mixtures
- 33" installed power cord and flame retardant neoprene conduit hose



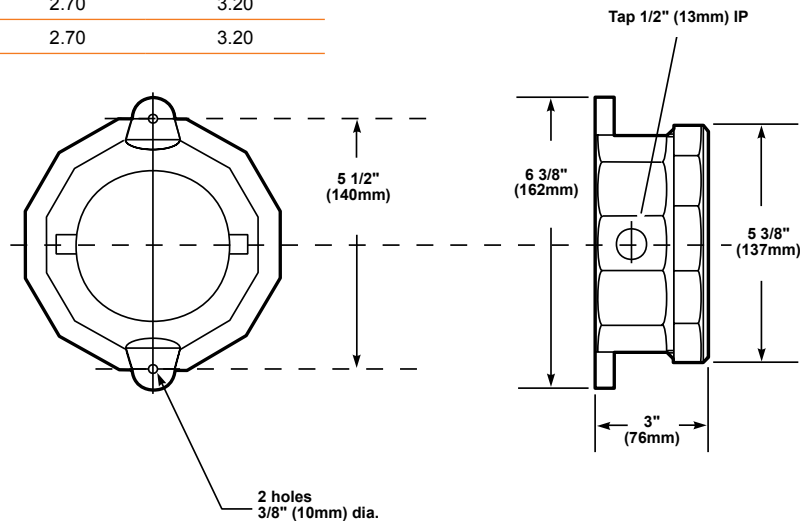
### Ordering Information

Description	Cat. No.	Operating Voltage <sup>1</sup>	Current	VA	dB at 1m/10ft.	DC Coil Res (Ohms)
AC	B-8140-M-G5	24V AC	1.1 A	26.4	99/89	5.0
	B-8140-M-N5	120V AC	0.2 A	24	99/89	146
	B-8140-M-R5	240V AC	0.1 A	24	99/89	750
DC	B-8141-M-G1	24V DC	0.8 A	19.2	99/89	21.5
	B-8141-M-S1	250V DC	0.1 A	25	99/89	600

<sup>1</sup>AC voltage frequency is 60 Hz.

### Weights and Dimensions

Cat. No.	Approx. Net Weight (lb.)	Approx. Shipping Weight (lb.)
B-8140-M-G5	2.70	3.20
B-8140-M-N5	2.70	3.20
B-8140-M-R5	2.70	3.20
B-8141-M-G1	2.70	3.20
B-8141-M-S1	2.70	3.20



# Buzzers

## Vibrating

### B93 Series



Edwards B93 Series are heavy duty buzzers that produce sound through the hammer action of a vibrating armature. Wiring connections are made in the base of the units, and the cover assembly plugs into a receptacle in the base.

#### Features and Specifications

- Heavy gauge steel cover
- Die cast aluminum housing with gray finish
- Vibrating armature
- Mounting lugs provided for wall mounting
- Suitable for outdoor applications
- NEMA 3R enclosure
- UL Approved (**AC buzzers only**)

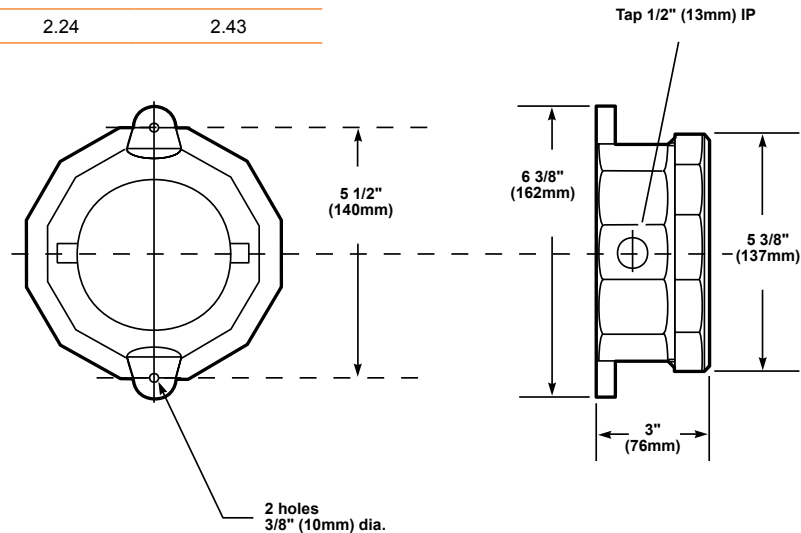
#### Ordering Information

Description	Cat. No.	Operating Voltage <sup>1</sup>	Current	VA	dB at 1m/10ft.	DC Coil Res (Ohms)
DC	B-8698-E1	12V DC	1.5 A	18	99/89	4.8
	B-8698-G1	24V DC	1.0 A	24	99/89	21.5
	B-8698-P1	125V DC	0.2 A	25	99/89	103
	B-8698-S1	250V DC	0.1 A	25	99/89	600
AC	B-8699-G5	24V AC	1.1 A	26.4	99/89	5.0
	B-8699-N5	120V AC	0.2 A	24	99/89	146

<sup>1</sup>AC voltage frequency is 60 Hz.

#### Weights and Dimensions

Cat. No.	Approx. Net Weight (lb.)	Approx. Shipping Weight (lb.)
B-8698-E1	2.24	2.43
B-8698-G1	2.24	2.43
B-8698-P1	2.24	2.43
B-8698-S1	2.24	2.43
B-8699-G5	2.24	2.43
B-8699-N5	2.24	2.43



# Buzzers Vibrating B93 Series

The B-KM-8140 and B-8141 series are quality, heavy duty AC and DC buzzers designed for use in hazardous locations. The sound is produced by the hammer action of a vibrating armature against the cover. The buzzers are provided with two mounting lugs for wall mounting.

## Features and Specifications

- Cast aluminum housing and cover
- Corrosion resistant heat flowed powder epoxy finish
- UL listed for Class 1, Div. 1 and 2, Groups C and D, Class 1, Zones 1 and 2, Groups II A and II B, Class II, Div. 1 and 2, Groups E, F and G.



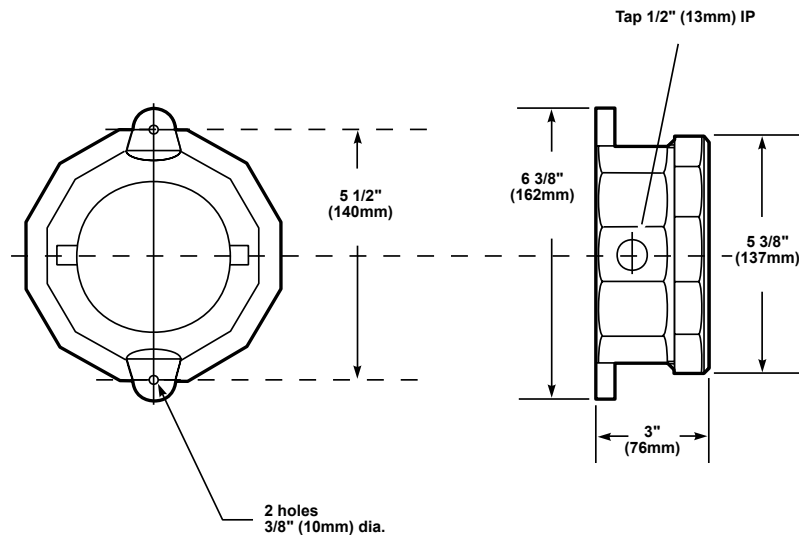
## Ordering Information

Description	Cat. No.	Operating Voltage <sup>1</sup>	Current	VA	dB at 1m/10ft.	DC Coil Res (Ohms)
AC	<b>B-KM-8140-G5</b>	24V AC	1.1 A	26.4	99/89	5.0
	<b>B-KM-8140-N5</b>	120V AC	0.2 A	24	99/89	146
DC	<b>B-8141-G1</b>	24V DC	0.8 A	19.2	99/89	21.5

<sup>1</sup>AC voltage frequency is 60 Hz.

## Weights and Dimensions

Cat. No.	Approx. Net Weight (lb.)	Approx. Shipping Weight (lb.)
<b>B-KM-8140-G5</b>	2.74	3.20
<b>B-KM-8140-N5</b>	2.74	3.20
<b>B-8141-G1</b>	2.74	3.20



# Buzzers

## Vibrating

### 340A Series



Edwards 340A Series vibrating buzzers are heavy duty buzzers that mount directly on a solid surface or electrical box.

#### Features and Specifications

- AC models are volume adjustable
- Vibrating armature
- Convenient plug-in connection
- Corrosion resistant heat flowed epoxy finish
- UL and FM Approved (**AC buzzers only**)

#### Ordering Information

Description	Cat. No.	Operating Voltage <sup>1</sup>	Current	VA	dB at 1m/10ft.	DC Coil Res (Ohms)
AC	340A-G5	24V AC	0.250 A	6.0	80/70	28
	340A-N5	120V AC	0.050 A	6.0	80/70	725
	340A-R5	240V AC	0.025 A	6.0	80/70	2900
DC	343A-E1	12V DC	0.330 A	4.0	72/62	9.4
	343A-G1	24V DC	0.150 A	3.6	72/62	28
	343A-M1	75V DC	0.065 A	4.9	72/62	360
	343A-P1	125V DC	0.070 A	8.8	72/62	1000

<sup>1</sup>AC voltage frequency is 50/60 Hz.

#### Weights and Dimensions

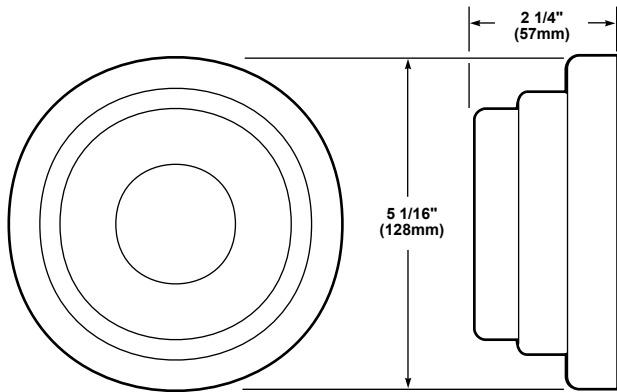
Cat. No.	Approx. Net Weight (lb.)	Approx. Shipping Weight (lb.)	Dimensions				
			Diameter	Depth	Width	Height	Length
340A-G5	1.64	1.80			See Drawing		
340A-N5	1.64	1.80			See Drawing		
340A-R5	1.64	1.80			See Drawing		
343A-E1	1.64	1.80			See Drawing		
343A-G1	1.64	1.80			See Drawing		
343A-M1	1.64	1.80			See Drawing		
343A-P1	1.64	1.80			See Drawing		



# Buzzers

## Vibrating

### 340A Series



**NOTE:** Mounts directly on any single-gang box, 3 1/4" (83mm), 3 1/2" (89mm), or 4" (102mm) octagon box. Buzzer plugs into receptacle on mounting plate.

# Buzzers

## Klaxon

### Syrex Series

The Klaxon Buzzer is an explosion proof buzzer designed for use in hazardous areas where a distinctive signal is required. Certified to ATEX II 2G Exd e IIC T6, it is suitable for use in Zone 1 and Zone 2 areas.

Producing a tone with low frequency, it cuts through background noise more effectively than many other devices of a similar output.

Mounted in a rugged reinforced polyester case and rated to IP66, it is suitable for use in outdoor applications.

### Features and Specifications

- Heavy duty buzzer
- Rugged construction
- Glass Fiber reinforced polyester construction
- IP66 rated case
- Rated for Category 2 use (formerly Zone 1 & 2)
- ATEX approved
- II 2G Exd e IIC T6
- Operating temperature range: -4°F to 104°F (-20°C to 40°C)



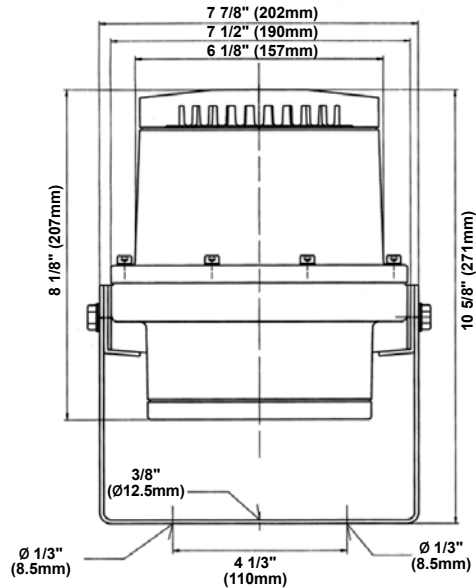
### Ordering Information

Description	Edwards Cat. No.	Klaxon Cat. No.	Operating Voltage <sup>1</sup>	Current	Color	dB at 1m/10ft.
AC	17-970235	TCA-0069	110V AC	0.150 A	Black	105/95
	17-970220	TCA-0001	230V AC	0.070 A	Black	105/95
DC	17-970236	TCA-0005	24 DC	0.650 A	Black	105/95

<sup>1</sup>AC voltage frequency is 50/60 Hz.

### Weights and Dimensions

Edwards Cat. No.	Klaxon Cat. No.	Approx. Net Weight (lb.)	Approx. Shipping Weight (lb.)
17-970235	TCA-0069	7.70	9.00
17-970220	TCA-0001	7.70	9.00
17-970236	TCA-0005	7.70	9.00





# Buzzers

## Economy

### 725 Series

Edwards 725 is a fully insulated, non-adjustable buzzer, suitable for residential, commercial and OEM applications. It is a fully enclosed unit with a snap-on cover.

### Features and Specifications

- Fully enclosed
- Bright chrome finish snap-on cover
- Enclosed binding posts

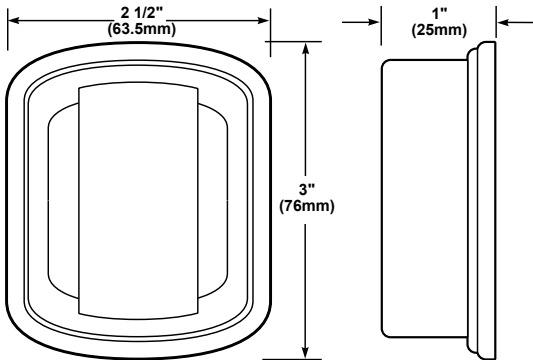


### Ordering Information

Description	Cat. No.	Operating Voltage	Current	VA	dB at 1m/10ft.	DC Coil Res (Ohms)
Buzzer	725	6V AC	1.2 A max.	7.2	92/82	1.0

### Weights and Dimensions

Cat. No.	Approx. Net Weight (lb.)	Approx. Shipping Weight (lb.)
725	0.26	0.28

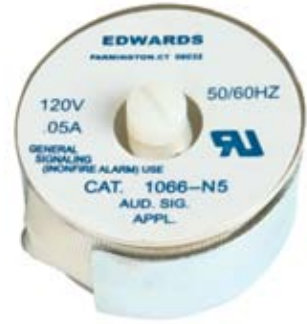


# Buzzers Economy 1066 Series

These economical buzzers are suitable for residential, commercial and OEM applications.

## Features and Specifications

- Adjustable volume
- Flying leads
- Lower power draw permits long wire runs
- Zinc-plated finish



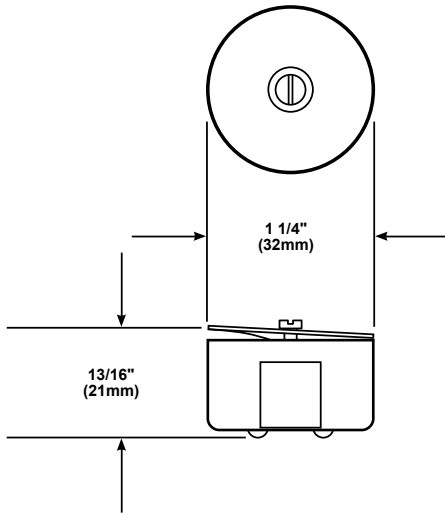
## Ordering Information

Description	Cat. No.	Operating Voltage <sup>1</sup>	Current	VA	dB at 1m/10ft.	DC Coil Res (Ohms)
High Voltage Buzzer	<b>1066-G5</b>	24V AC	0.25 A	6	84/74	36
	<b>1066-N5</b>	120V AC	0.05 A	6	84/74	925
	<b>1066-R5</b>	240V AC	0.025 A	6	84/74	3600

<sup>1</sup>AC voltage frequency is 50/60 Hz.

## Weights and Dimensions

Cat. No.	Approx. Net Weight (lb.)	Approx. Shipping Weight (lb.)
<b>1066-G5</b>	0.14	0.16
<b>1066-N5</b>	0.14	0.16
<b>1066-R5</b>	0.14	0.16



# Buzzers

## Bell Buzzer

### 730 Series

Edwards 730 Dixie Buzabel™ is a non-adjustable, combination bell and buzzer with a grounded frame, suitable for use in residential, commercial and OEM applications. It may be operated using AC power supplied by a 596 transformer, or from DC power.

#### Features and Specifications

- Fully enclosed
- Satin aluminum finish
- Attractive snap-on covers
- Enclosed binding posts
- Enclosed terminals



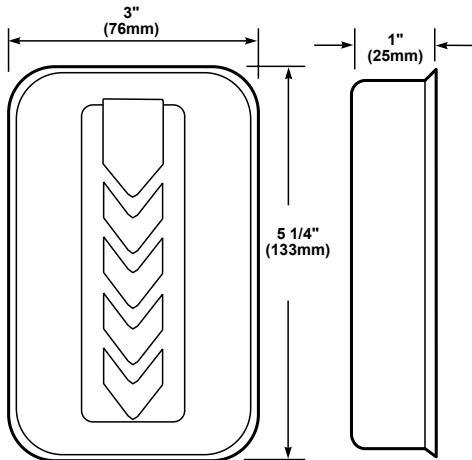
#### Ordering Information

Description	Cat. No.	Operating Voltage <sup>1</sup>	Current	VA	dB at 1m/10ft.	DC Coil Res (Ohms)
Bell and Buzzer	730	6V AC	0.7 A	4.2	92/82	3
		3-6V DC	1.4 A	8	92/82	3
		6-8V AC	1.4 A	8	92/82	3

<sup>1</sup>AC voltage frequency is 60 Hz.

#### Weights and Dimensions

Cat. No.	Approx. Net Weight (lb.)	Approx. Shipping Weight (lb.)
730	0.46	0.48



# Buzzers

## Miniature

### 15 and 115 Series

Edwards 15 and 115 Series buzzers are compact, adjustable volume buzzers designed for long-life and trouble-free installations. They are suitable for commercial and OEM applications.

The 15 Series is available in both AC and DC versions, while the contact-less 115 Series is for AC operation.

#### Features and Specifications

- Adjustable volume
- Chrome cover
- Zinc plated base
- Contact-less (**115 Series**)



#### Ordering Information

Description	Cat. No.	Operating Voltage	Current	VA	dB at 1m/10ft.	DC Coil Res (Ohms)
AC Buzzer	<b>15-0G5</b>	24V AC	0.2 A	4.8	75.5/65.5	85
	<b>15-1G5</b>	24V AC	0.25 A	6	78/68	56
	<b>15-2G5</b>	24V AC	0.25 A	6	79/69	40
	<b>15-3G5</b>	24V AC	0.25 A	6	84.5/74.5	30
DC Buzzer	<b>15-1E1</b>	12V DC	0.2 A	2.4	78/68	20
	<b>15-3E1</b>	12V DC	0.2 A	2.4	84.5/74.5	20
	<b>15-0G1</b>	24V DC	0.1 A	2.4	75.5/65.5	120
	<b>15-1G1</b>	24V DC	0.1 A	2.4	78/68	90
	<b>15-2G1</b>	24V DC	0.15 A	3.6	79/69	60
	<b>15-3G1</b>	24V DC	0.2 A	4.8	84.5/74.5	44
AC/DC Buzzer	<b>15-0AJ</b>	5-8V DC	0.2 A	1.2	75.5/65.5	10
		6-10V AC	0.3 A	2.4	75.5/65.5	10
	<b>15-1AB</b>	5-10V DC	0.3 A	2	78/68	8
		6-12V AC	0.45 A	3.5	78/68	8
	<b>15-2AB</b>	5-10V DC	3.5 A	2	79/69	6
		6-12V AC	3.0 A	3	79/69	6
<b>15-3AB</b>	5-10V DC	0.3 A	2	84.5/74.5	5	
AC Buzzer contact-less	<b>115-1AC</b>	8V AC	0.4 A	3.2	83/73	12.5
		8V AC	0.5 A	4	87/77	6.5
	<b>115-4AC</b>	8V AC	0.45 A	4	90/80	3.6
	<b>115-1G5</b>	24V AC	0.2 A	4.8	83/73	80
	<b>115-2G5</b>	24V AC	0.2 A	4.8	87/77	45
	<b>115-4G5</b>	24V AC	0.25 A	6	90/80	28



# Buzzers

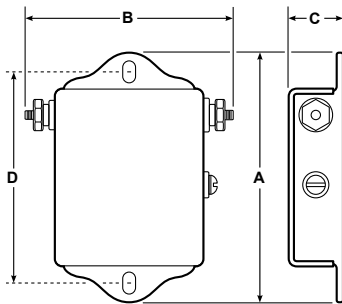
## Miniature

### 15 and 115 Series

#### Weights and Dimensions

Cat. No.	Approx. Net Weight (lb.)	Approx. Shipping Weight (lb.)	Dimensions			
			A	B	C	D
15-0AJ	0.08	0.10	1 5/8" (41mm)	1 15/32" (37mm)	1/2" (13mm)	1 13/32" (36mm)
15-0G1	0.08	0.10	1 5/8" (41mm)	1 15/32" (37mm)	1/2" (13mm)	1 13/32" (36mm)
15-0G5	0.08	0.10	1 5/8" (41mm)	1 15/32" (37mm)	1/2" (13mm)	1 13/32" (36mm)
15-1AB	0.12	0.15	2 1/8" (54mm)	1 13/16" (46mm)	19/32" (15mm)	1 53/64" (46mm)
15-1E1	0.12	0.15	2 1/8" (54mm)	1 13/16" (46mm)	19/32" (15mm)	1 53/64" (46mm)
15-1G1	0.12	0.15	2 1/8" (54mm)	1 13/16" (46mm)	19/32" (15mm)	1 53/64" (46mm)
15-1G5	0.12	0.15	2 1/8" (54mm)	1 13/16" (46mm)	19/32" (15mm)	1 53/64" (46mm)
15-2AB	0.23	0.26	2 5/8" (66mm)	2 3/8" (60mm)	15/16" (24mm)	2 3/32" (53mm)
15-2G1	0.23	0.26	2 5/8" (66mm)	2 3/8" (60mm)	15/16" (24mm)	2 3/32" (53mm)
15-2G5	0.23	0.26	2 5/8" (66mm)	2 3/8" (60mm)	15/16" (24mm)	2 3/32" (53mm)
15-3AB	0.35	0.36	2 5/8" (66mm)	2 3/8" (60mm)	15/16" (24mm)	2 3/32" (53mm)
15-3E1	0.35	0.36	2 5/8" (66mm)	2 3/8" (60mm)	15/16" (24mm)	2 3/32" (53mm)
15-3G1	0.35	0.36	2 5/8" (66mm)	2 3/8" (60mm)	15/16" (24mm)	2 3/32" (53mm)
15-3G5	0.35	0.36	2 5/8" (66mm)	2 3/8" (60mm)	15/16" (24mm)	2 3/32" (53mm)

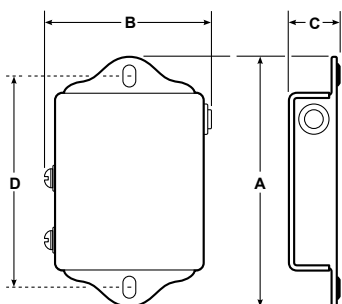
15 Series



#### Weights and Dimensions

Cat. No.	Approx. Net Weight (lb.)	Approx. Shipping Weight (lb.)	Dimensions			
			A	B	C	D
115-1AC	0.11	0.13	2 5/32" (55mm)	1 9/32" (32mm)	5/8" (16mm)	1 25/32" (45mm)
115-1G5	0.11	0.13	2 5/32" (55mm)	1 9/32" (32mm)	5/8" (16mm)	1 25/32" (45mm)
115-2AC	0.22	0.24	2 5/8" (66mm)	1 11/16" (43mm)	25/32" (20mm)	2 3/32" (53mm)
115-2G5	0.22	0.24	2 5/8" (66mm)	1 11/16" (43mm)	25/32" (20mm)	2 3/32" (53mm)
115-4AC	0.43	0.50	3 7/16" (87mm)	2 3/16" (55mm)	1 1/8" (28mm)	2 27/32" (72mm)
115-4G5	0.43	0.50	3 7/16" (87mm)	2 3/16" (55mm)	1 1/8" (28mm)	2 27/32" (72mm)

115 Series



# Buzzers

## Strap-Mounted

### 660 Series



Edwards 660 Series buzzers and bells are compact, strap-mounted devices designed for flush mounting in standard electrical boxes. They require a 598 transformer and push button.

#### Features and Specifications

- Easy flush mounting
- Cover with a single receptacle outlet cover plate (user supplied)

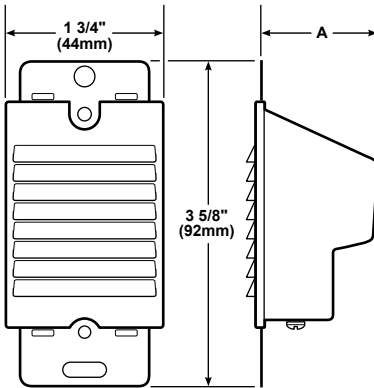
#### Ordering Information

Description	Cat. No.	Operating Voltage	Current <sup>1</sup>	VA	dB at 1m/10ft.	DC Coil Res (Ohms)
Ringcall™ Bell	660	8-10V AC	1.5 A	15	90/80	4.75
Buzacall™ Buzzer	661	8-10V AC	1.3 A	13	90/80	6
Tucall™ Bell/Buzzer	662	8-10V AC	1.5 A	15	90/80	4.75

<sup>1</sup>Ratings at 10V AC

#### Weights and Dimensions

Cat. No.	Approx. Net Weight (lb.)	Approx. Shipping Weight (lb.)	Depth
			A
660	0.30	0.32	1 3/8" (35mm)
661	0.30	0.32	7/8" (22mm)
662	0.30	0.32	1 3/8" (35mm)



# Buzzers

## Strap-Mounted

### 1064 and 1065 Series

Edwards 1064 and 1065 Series are economical flush mounted, heavy duty buzzers suitable for residential, commercial and OEM applications.

#### Features and Specifications

- Adjustable volume
- Terminal connectors (**1064**)
- Flying leads (**1065**)
- Lower power draw permits long wire runs
- Zinc-plated finish



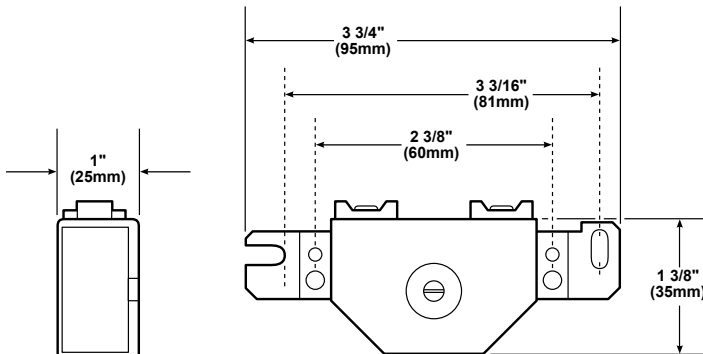
#### Ordering Information

Description	Cat. No.	Operating Voltage <sup>1</sup>	Current	VA	dB at 1m/10ft.	DC Coil Res (Ohms)
Buzzer with Terminals	<b>1064-G5</b>	24V AC	0.25 A	6	86/76	36
	<b>1064-N5</b>	120V AC	0.05 A	6	86/76	925
	<b>1064-R5</b>	240V AC	0.025 A	6	86/76	3600
Buzzer with Flying Leads	<b>1065-G5</b>	24V AC	0.25 A	6	86/76	36
	<b>1065-N5</b>	120V AC	0.05 A	6	86/76	925
	<b>1065-R5</b>	240V AC	0.025 A	6	86/76	3600

<sup>1</sup>AC voltage frequency is 50/60 Hz.

#### Weights and Dimensions

Cat. No.	Approx. Net Weight (lb.)	Approx. Shipping Weight (lb.)
<b>1064-G5</b>	0.18	0.20
<b>1064-N5</b>	0.18	0.20
<b>1064-R5</b>	0.18	0.20
<b>1065-G5</b>	0.18	0.20
<b>1065-N5</b>	0.18	0.20
<b>1065-R5</b>	0.18	0.20



# Chimes

## Single Stroke

### 338 and 339 Series



The Edwards 338 and 339 are surface mount AC or DC single stroke chimes which can be pulsed up to 10 pulses/second. The chimes are high quality units with underdome construction intended for heavy-duty commercial and industrial use. The chimes require no lubrication, and come complete with a mounting plate.

#### Features and Specifications

- No exposed terminals
- Tamper-proof cover screw
- Plastic tipped stainless steel striker
- Satin aluminum finish

#### Ordering Information

Description	Cat. No.	Operating Voltage <sup>1</sup>	Current	VA	dB at 1m/10ft.
Single Stroke Chime	<b>338-G5</b>	24V AC	0.5 A	12	91/81
	<b>338-N5</b>	120V AC	0.1 A	12	91/81
Single Stroke Chime	<b>339-E1</b>	12V DC	0.6 A	7.2	91/81
	<b>339-G1</b>	24V DC	0.3 A	7.2	91/81

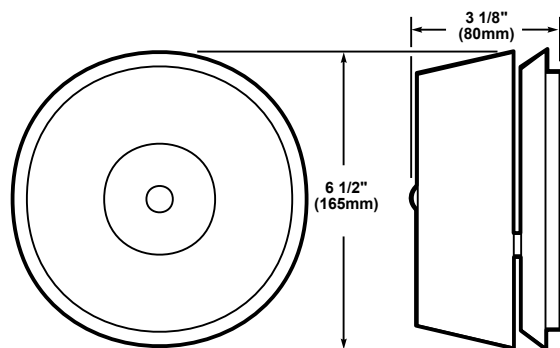
<sup>1</sup>AC voltage frequency is 50/60 Hz.

#### Accessories

Description	Cat. No.
Flush Mount Grille and Wall Box	<b>512-A</b>
Back Box	<b>512-1</b>

#### Weights and Dimensions

Cat. No.	Approx. Net Weight (lb.)	Approx. Shipping Weight (lb.)
<b>338-G5</b>	2.32	2.68
<b>338-N5</b>	2.32	2.68
<b>339-E1</b>	2.32	2.68
<b>339-G1</b>	2.32	2.68
<b>512-A</b>	2.00	2.50
<b>512-1</b>	5.00	6.00



The mounting plate mounts on any plaster cover with mounting holes on 2 3/4" (70mm) centers, on any single gang opening, on any 3 1/4" (83mm), 3 1/2" (89mm), or 4" (102mm) octagon or square box. Also mounts directly on any wall surface.

For flush mounting use Cat. No. 512-A grille and 512-1 back box.





# Back-up Alarms

## Auto Adjust and Single Tone

### 8001 Series



The 8001 Series heavy duty backup alarms feature a compact size, rugged housing and high decibel output.

They are designed for use in indoor and outdoor applications in a variety of vehicles and heavy equipment.

#### Features and Specifications

- Solid state, epoxy-sealed electronics
- Conforms to SAE J994 sound level Type C requirements

#### 8001-EG

- Auto adjusts out volume to 10dB above ambient to compensate for background noise
- Die-Cast Construction suitable for outdoor applications

#### 8002-EU

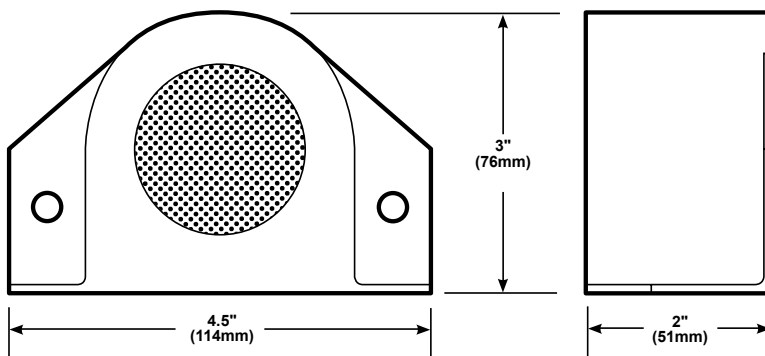
- ABS Plastic Housing suitable for outdoor applications

#### Ordering Information

Description	Cat. No.	Operating Voltage	dB at 1m/10ft.
Die Cast Housing	<b>8001-EG</b>	12-24V DC	112/102
ABS Plastic Housing	<b>8002-EU</b>	12-36V DC	107/97

#### Weights and Dimensions

Cat. No.	Approx. Net Weight (lb.)	Approx. Shipping Weight (lb.)
<b>8001-EG</b>	1.48	1.56
<b>8002-EU</b>	0.68	0.76



# Electronic Sounders

## Audio or Audible/Visual

### E Series



Lumatone signals are designed to demand attention in quiet and moderate noise areas. The signal's output can be varied by controlling the applied voltage. The signal's low power consumption makes them suitable for battery operated equipment and allows them to be turned on and off by integrated circuits, SCRs and transistors.

#### Features and Specifications

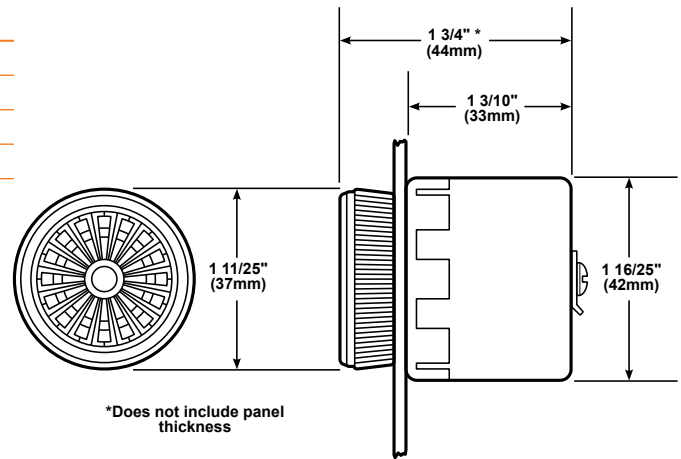
- Low cost and size
- Solid state, long life
- High impact polystyrene case
- Pulsating audio or audio/visual models available
- Terminal connections
- Operating temperature range: 32°F to 131°F (0°C to 55°C)
- Frequency: 2.8 kHz

#### Ordering Information

Description	Cat. No.	Operating Voltage	Current	VA	Pulsating Rate	LED Intensity
Steady Audio	<b>E102A</b>	12-24V DC	0.010-0.018 A	0.12-0.44	—	—
Pulsating Audio	<b>E103A</b>	12-24V DC	0.010-0.018 A	0.12-0.44	90-60	—
Steady Audio/Visual	<b>E104A</b>	12-24V DC	0.016-0.030 A	0.20-0.75	—	1.3 mcd
Pulsating Audio/Visual	<b>E105AE</b>	12-24V DC	0.016-0.030 A	0.20-0.75	90-60	1.3 mcd

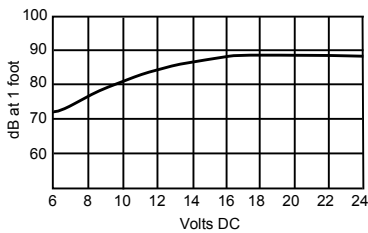
#### Weights and Dimensions

Cat. No.	Approx. Net Weight (lb.)	Approx. Shipping Weight (lb.)
<b>E102A</b>	0.08	0.10
<b>E103A</b>	0.08	0.10
<b>E104A</b>	0.08	0.10
<b>E105AE</b>	0.08	0.10



#### Decibels vs. Voltage for Lumatone Audio Signals

Typical at Normal Temperature



# Klaxon Sounders

## Electronic

### Syrex Series

The Syrex IS Sounder is an intrinsically safe alarm sounder which provides an audible warning signal in hazardous area applications.

With three alarm stages and a low current consumption, the Syrex IS Sounder is ideal for both fire and process control applications.

### Features and Specifications

- Choice of 49 tones
- Auto synchronized sound output
- ABS flame retardant UL94V0 and 5VA housing
- IP65 rated housing
- Volume control
- Operating temperature range: -40°F to 140°F (-40°C to 60°C)
- Ⓜ II 1G EEx ia IIC T4
- ATEX Zones 0, 1, 2



### Ordering Information

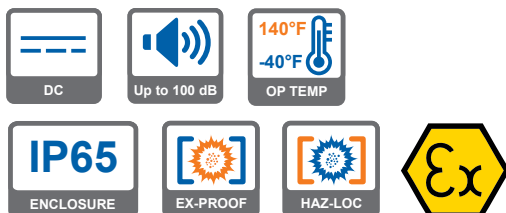
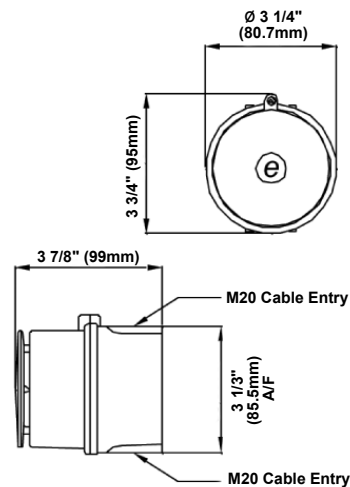
Description	Edwards Cat. No.	Klaxon Cat. No.	Operating Voltage	Current (Tone Dependent)	dB at 1m/10ft.	Tones
Alarm Sounder	17-970328	TCA-0023	6-28V DC	0.025 A	Up to 100/90	Up to 49

### Accessories

Description	Edwards Cat. No.	Klaxon Cat. No.
Single Channel Galvanic Isolator	17-970362	TCA-0042
Dual Channel Galvanic Isolator	17-970395	TCA-0066
IS DIN-rail Enclosure, accepts two Isolators	17-970392	TCA-0065

### Weights and Dimensions

Edwards Cat. No.	Klaxon Cat. No.	Approx. Net Weight (lb.)	Approx. Shipping Weight (lb.)
17-970328	TCA-0023	0.77	2.00
17-970362	TCA-0042	0.77	2.00
17-970395	TCA-0066	0.77	2.00
17-970392	TCA-0065	0.77	2.00



# Klaxon Sounders

## Electronic

### Syrex Series



The EXD-3 is an electronic sounder designed for potentially explosive atmospheres and harsh environmental conditions. Certified to II 2G EExd IIC T4, it is suitable for use in Zone 1 and 2 areas.

With an ingress protection rating of IP67 and a choice of tones including those covering PFEER/UKOOA requirements, it is suitable for use in almost any application. The EXD-3 gives the user a choice of the 1st stage alarm tone with stages 2 and 3 fixed at manufacture.

The unit features two 20mm cable entries and has terminals that accept 4mm<sup>2</sup> cable for ease of installation.

### Features and Specifications

- Choice of 32 tones
- Suitable for outdoor applications
- Volume control
- Marine grade LM6 aluminium construction
- Operating temperature range: -58°F to 131°F (-50°C to 55°C)
- IP67 rated
- ATEX / IECEx Approved
- Rated for Category 2 use (formerly Zone 1 & 2)
- EXII 2G Exd IIC T4

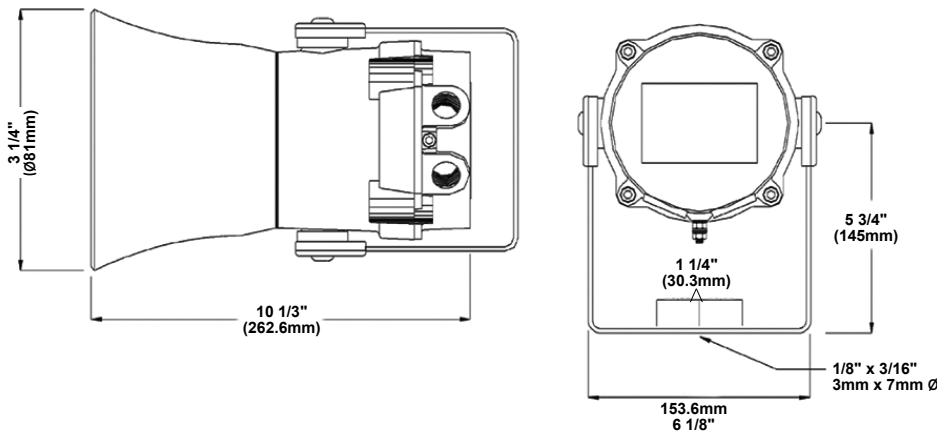
### Ordering Information

Description	Edwards Cat. No.	Klaxon Cat. No.	Operating Voltage <sup>1</sup>	Current	Color	dB at 1m/10ft.	Tones
AC	17-970270	TCA-0011	110V AC	0.093 A	Red	117/107	Up to 32
	17-970269	TCA-0010	230V AC	0.056 A	Red	117/107	Up to 32
DC	17-970271	TCA-0012	24V DC	0.265 A	Red	117/107	Up to 32

<sup>1</sup>AC voltage frequency is 50/60 Hz.

### Weights and Dimensions

Edwards Cat. No.	Klaxon Cat. No.	Approx. Net Weight (lb.)	Approx. Shipping Weight (lb.)
17-970269	TCA-0011	7.50	9.00
17-970270	TCA-0010	7.50	9.00
17-970271	TCA-0012	7.50	9.00



AC

DC

117 dB

131°F  
-58°F  
OP TEMP

IP67

ENCLOSURE

HAZ-LOC

# Klaxon Sounders

## Electronic

### Sonos Series

Sonos Series are general purpose electronic sounders. They feature the TimeSaver base where connections are made to the base during the initial wiring phase, for faster and more reliable installation. The sounder head 'twists and clicks' into the base on commissioning, avoiding the wiring and connection problems associated with traditional sounders.

Deep base units have an IP65 rating and are suitable for both indoor and outdoor applications.

Sonos Sounder units are available in either red or white and with a choice of deep or shallow TimeSaver bases.

### Features and Specifications

- 2 alarm stages
- 32 tones
- Tone and volume can be preset or adjusted off-base
- Synchronised alarm tones
- Volume control - Typical 8dB Combined
- Polycarbonate construction
- IP65 (deep base) and IP21 (shallow base) housing
- EN54-3 Type A (shallow base) and EN54-3 Type B (deep base) compliance
- Operating temperature range: -8°F to 158°F (-25°C to 70°C)

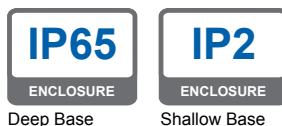
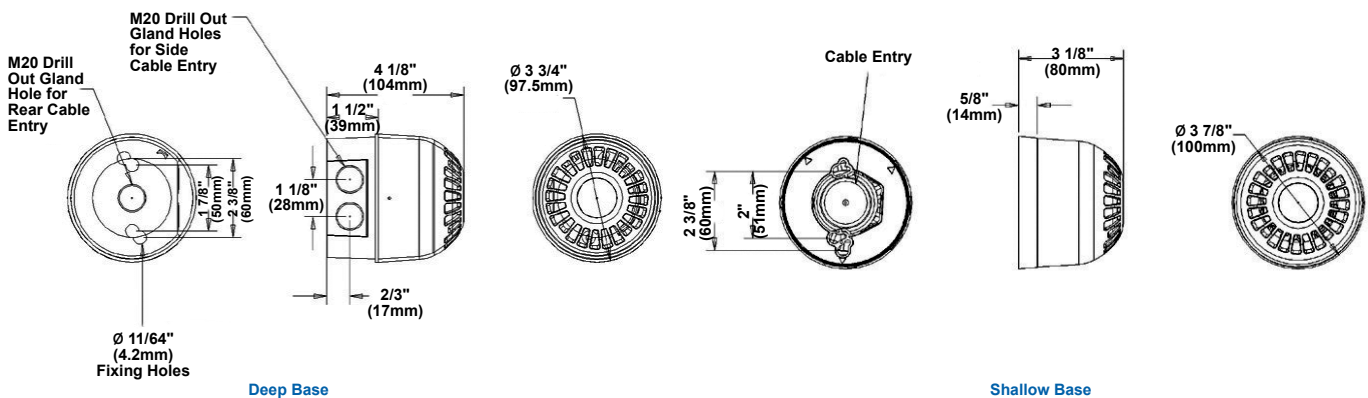


### Ordering Information

Description	Edwards Cat. No.	Klaxon Cat. No.	Operating Voltage	Current	Color	dB at 1m/10ft.	Tones
Shallow Base	18-980450	PSS-0003	9-60V DC	0.004-0.041 A	Red	Up to 106/96	32
	18-980475	PSS-0039	9-60V DC	0.004-0.041 A	White	Up to 106/96	32
Deep Base	18-980451	PSS-0020	9-60V DC	0.004-0.041 A	Red	Up to 106/96	32
	18-980476	PSS-0050	9-60V DC	0.004-0.041 A	White	Up to 106/96	32

### Weights and Dimensions

Edwards Cat. No.	Klaxon Cat. No.	Approx. Net Weight (lb.)	Approx. Shipping Weight (lb.)
18-980450	PSS-0003	0.49	2.00
18-980475	PSS-0039	0.49	2.00
18-980451	PSS-0020	0.55	2.00
18-980476	PSS-0050	0.55	2.00



Deep Base

Shallow Base

# Klaxon Sounders

## Electronic

### Sonos Series

Sonos Series are general purpose AC electronic sounders for industrial applications.

Sonos AC sounders have an IP65 rating and are suitable for both indoor and outdoor applications.

Sonos sounder units are available in either red or white.

### Features and Specifications

- Dual Voltage 110V AC or 230V AC
- Synchronized alarm tones
- Volume control - 20dB
- Polycarbonate construction
- IP65 rated housing
- Operating temperature range: -8°F to 131°F (-25°C to 55°C)

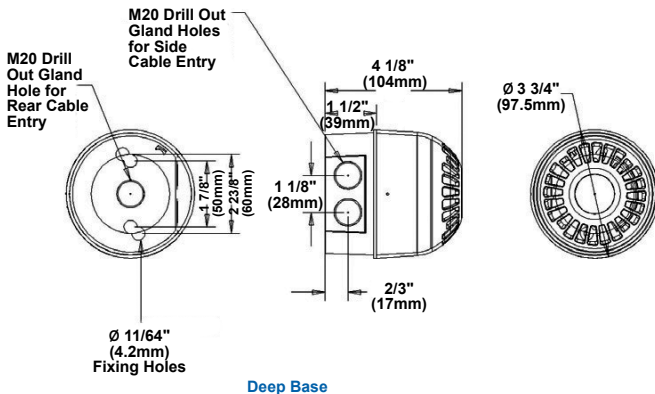


### Ordering Information

Description	Edwards Cat. No.	Klaxon Cat. No.	Operating Voltage	Current	Color	dB at 1m/10ft.	Tones
Deep Base	18-980480	PSS-0060	110-230V AC	0.080 A	Red	Up to 102/92	32
	18-980481	PSS-0063	110-230V AC	0.080 A	White	Up to 102/92	32

### Weights and Dimensions

Edwards Cat. No.	Klaxon Cat. No.	Approx. Net Weight (lb.)	Approx. Shipping Weight (lb.)
18-980480	PSS-0060	0.55	1.50
18-980481	PSS-0063	0.55	1.50



Deep Base



# Klaxon Sounders

## Electronic Sonos Series

The compact Sonos Series Sounder is suited for alarm applications in areas where an unobtrusive sounder is desirable.

The compact sounder is designed to fix to standard flush or surface mount back boxes.

With a choice of 10 tones, compact sounders are available in either red or white.

### Features and Specifications

- Flush mount sounder
- 10 distinct alarm tones
- Fixes to standard flush or surface mount back boxes
- Volume control
- ABS construction
- Operating temperature range: 14°F to 131°F (-10°C to 55°C)



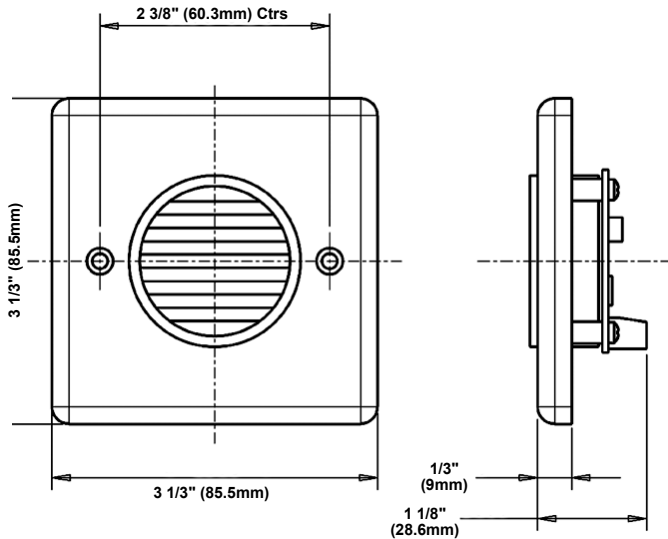
### Ordering Information

Description	Edwards Cat. No.	Klaxon Cat. No.	Operating Voltage	Current (Tone dependent)	Color	dB at 1m/10ft.	Tones <sup>1</sup>
Compact Sounder	18-980455	PSS-0033	10-30V DC	0.007-0.011 A	Red	Up to 90/80	10
	18-980456	PSS-0035	10-30V DC	0.007-0.011 A	White	Up to 90/80	10

<sup>1</sup>Tones 1-9 and tone 13 from the standard 32 tone list

### Weights and Dimensions

Edwards Cat. No.	Klaxon Cat. No.	Approx. Net Weight (lb.)	Approx. Shipping Weight (lb.)
18-980455	PSS-0033	0.13	0.50
18-980456	PSS-0035	0.13	0.50



# Klaxon Sounders

## Electronic

### Nexus Series



The Nexus Series is a high output sounder designed for industrial applications.

Connections are made to the base during the initial wiring phase which results in faster and more reliable installation. In addition, the head is fixed by quarter turn fasteners enabling faster installation and accurate seal compression for outdoor applications.

### Features and Specifications

- Three alarm stages
- Volume control for greater flexibility - 20dB
- 64 tones
- IP66 rated
- Compliance to EN54-3 Type B
- Operating temperature range: -13°F to 158°F (-25°C to 70°C)

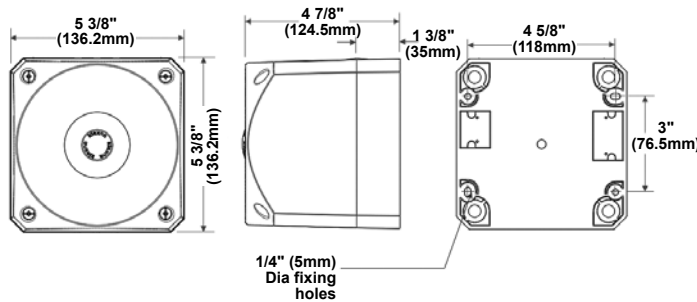
### Ordering Information

Description	Edwards Cat. No.	Klaxon Cat. No.	Operating Voltage	Current	Color	dB at 1m/10ft.
Nexus 105	18-980542	PNS-0001	10-60V DC	0.008-0.040 A	Red	105/95
Nexus 110	18-980554	PNC-0002	10-60V DC	0.010-0.050 A	Red	110/100
Nexus 120	18-980545	PNS-0005	10-60V DC	0.120-0.550 A	Red	120/110

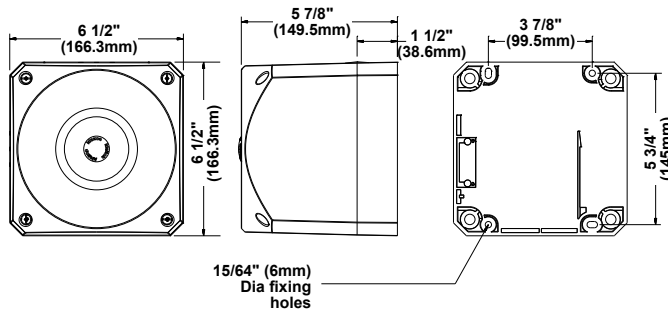
### Weights and Dimensions

Edwards Cat. No.	Klaxon Cat. No.	Approx. Net Weight (lb.)	Approx. Shipping Weight (lb.)
18-980542	PNS-0001	1.50	2.00
18-980554	PNC-0002	2.40	3.00
18-980545	PNS-0005	4.00	5.00

105dB Sounder



110dB and 120dB Sounders





# Klaxon Sounders

## Electronic

### Nexus Series

The Nexus Series is a high output sounders designed for industrial applications.

They feature first-fix, wire-to-base technology for fast and reliable installation. Nexus Sounders are IP66-rated and are suitable for outdoor applications.

### Features and Specifications

- Three alarm stages (110dB and 120dB variants)
- Volume control for greater flexibility - 20dB
- 64 tones
- IP66 rated
- Compliance to EN54-3 Type B
- Operating temperature range: -13°F to 158°F (-25°C to 55°C)



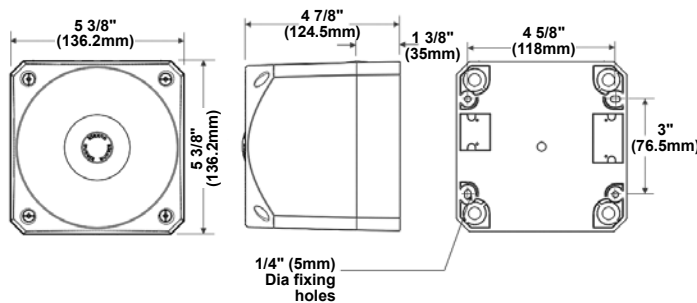
### Ordering Information

Description	Edwards Cat. No.	Klaxon Cat. No.	Operating Voltage	Current	dB at 1m/10ft.
Nexus 110	18-980605	PNS-0020	24-48V AC	0.010-0.050 A	Up to 116/106
Nexus 105	18-980548	PNS-0009	110-230V AC	0.040 A (max)	Up to 113/103
Nexus 110	18-980557	PNS-0018	110-230V AC	0.040 A (max)	Up to 116/106
Nexus 120	18-980551	PNS-0011	110-230V AC	0.200 A (max)	Up to 120/110

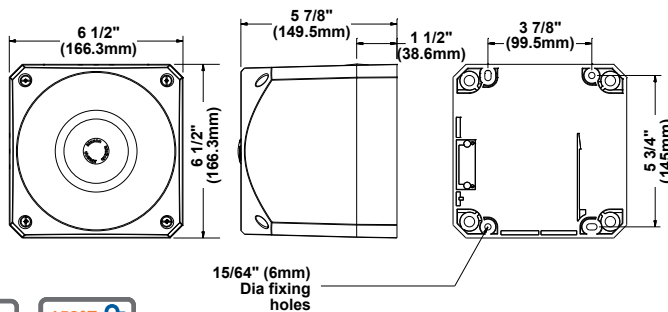
### Weights and Dimensions

Edwards Cat. No.	Klaxon Cat. No.	Approx. Net Weight (lb.)	Approx. Shipping Weight (lb.)
18-980605	PNS-0020	2.40	3.00
18-980548	PNS-0009	1.50	2.00
18-980557	PNS-0018	2.40	3.00
18-980551	PNS-0011	4.00	5.00

18-980548



18-980557  
18-980605  
18-980551



# Klaxon Sounders

## Electronic

### Nexus Series



Nexus voice sounders combine normal sounder signals with a clear, synchronized voice message to help reduce confusion and distress during an active alarm.

Standard units are available with up to 7 pre-programmed messages. Alternative messages can be selected from an extensive message library covering almost any conceivable application. Customized messages are also available on request.

All Nexus voice sounders have a USB port that allows special messages in WAV format to be downloaded onto the sounder from any PC, providing users with the flexibility of adding/removing messages in-field.

### Features and Specifications

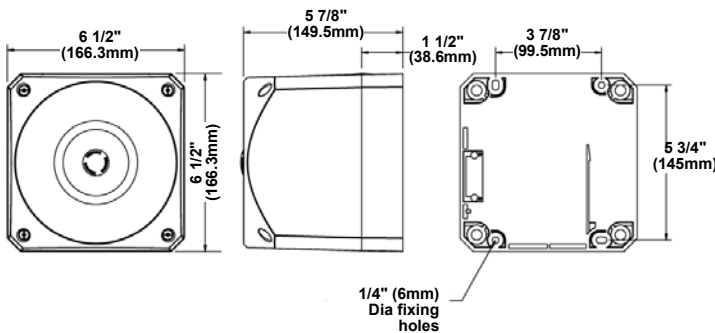
- Choice of up to 7 messages via three volt free contacts
- Extensive message library or bespoke messages available
- Download messages in-field via built in USB port
- Max 116dB tone @ 1m (106dB @ 10ft.) and 90dB @ 1m (80dB @ 10ft.) message outputs
- Automatic synchronization
- IP66 rated for outdoor environments
- Volume control - 20dB
- Operating temperature range: -13°F to 158°F (-25°C to 70°C)

### Ordering Information

Description	Edwards Cat. No.	Klaxon Cat. No.	Operating Voltage	Current	dB at 1m/10ft.	Tones	Messages
Sounder Only	18-980726	PNV-0001	24V DC	0.030 A	116/106	Up to 64	7

### Weights and Dimensions

Edwards Cat. No.	Klaxon Cat. No.	Approx. Net Weight (lb.)	Approx. Shipping Weight (lb.)
18-980726	PNV-0001	1.10	1.50



# Horns

## Vibrating

### 870 Series



The 870 Series vibrating horns are low-current, high decibel, for heavy-duty use and are UL listed to NEMA 4X, NEMA 12 and NEMA 12K enclosure requirements. The die-cast box is suitable for outdoor use and has a durable, corrosion-resistant, electrostatic heat flowed powder epoxy gray finish. They may be used for indoor and outdoor applications.

Horn mounts on 3/4" NPT conduit or to any flat surface. Knockouts are located on the bottom and rear of the unit.

### Features

- Convenient plug-in assembly
- Corrosion resistant finish
- Volume adjustable
- Completely assembled
- NEMA 4X, NEMA 12 and NEMA 12K rated enclosure
- Operating range: -20% to +10% of nominal volt

### 876 AC

- Adjustable output: 88 to 113dB @ 1m (78 to 103dB @ 10ft.)

### 877 DC

- Adjustable output: 88 to 111dB @ 1m (78 to 101dB @ 10ft.)

### Ordering Information

Description	Cat. No.	Operating Voltage <sup>2</sup>	Current	VA	dB at 1m/10ft. <sup>1</sup>	DC Coil Res (Ohms)
AC	876-E5	12V AC	1.25 A	15	113/103	1.5
	876-G5	24V AC	0.63 A	15.1	113/103	5.2
	876-N5 <sup>3</sup>	120V AC	0.13 A	15.6	113/103	150
	876-R5	240V AC	0.07 A	16.8	113/103	580
DC Horn	877-E1	12V DC	0.27 A	3.2	111/101	6
	877-G1	24V DC	0.16 A	3.8	111/101	24
	877-J1	32V DC	0.13 A	4.2	111/101	40
	877-K1	48V DC	0.07 A	3.5	111/101	96
	877-P1	125V DC	0.025 A	3.1	111/101	600

<sup>1</sup>Measured in an anechoic chamber.

<sup>2</sup>AC voltage frequency is 50/60 Hz.

<sup>3</sup>Diode Polarized version available in red, order 886D-N5.

### Accessories

Description	Cat. No.
Plastic Projector	872-PO

### Signal Input Load Characteristics

These devices may be operated by PLCs with output characteristics that match the input load requirements of the signal.

Cat. No.	Operating Voltage	Max. Off State Leakage Current (A)	Continuous On Current (A)	Surge (Inrush/Duration) Amps/Seconds
876-N5	120V AC	0.025	0.120	1.02/.000026
877-G1	24V DC	0.025	0.150	1.7/.000042



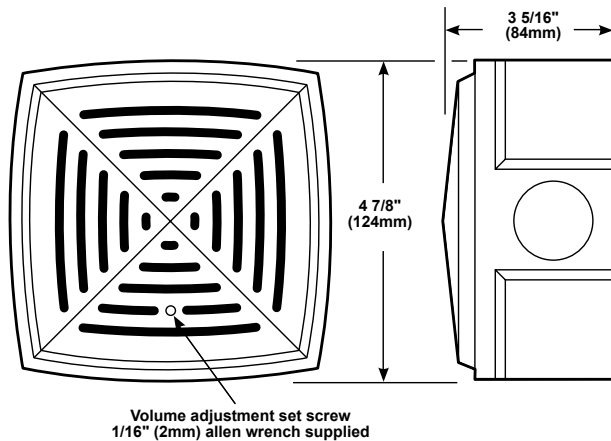
# Horns

## Vibrating

### 870 Series

#### Weights and Dimensions

Cat. No.	Approx. Net Weight (lb.)	Approx. Shipping Weight (lb.)
876-E5	3.20	3.40
876-G5	3.20	3.40
876-N5	3.20	3.40
876-R5	3.20	3.40
877-E1	3.20	3.40
877-G1	3.20	3.40
877-J1	3.20	3.40
877-K1	3.20	3.40
877-P1	3.20	3.40
872-PO	0.34	0.58



# Horns

## Vibrating

### 870 Series

The 870 Series flush mount vibrating horns are low-current, high decibel for heavy-duty indoor use. Designed for wall or panel installation and projects less than 1" (25mm) from the mounting surface. A trim plate is included and a back box is required.



### Features and Specifications

- Corrosion resistant finish
- Volume adjustable
- Completely assembled
- Heavy duty die-cast housing
- Operating voltage range: -20% to +10% of nominal voltage

#### 870 AC

- Adjustable output: 88 to 113dB @ 1m (78 to 103dB @ 10ft.)

#### 871 DC

- Adjustable output: 88 to 101dB @ 1m (78 to 91dB @ 10ft.)

### Ordering Information

Description	Cat. No.	Operating Voltage <sup>2</sup>	Current	VA	dB at 1m/10ft. <sup>1</sup>	DC Coil Res (Ohms)
Flush Mount AC	<b>870-G5</b>	24V AC	0.63 A	15.1	113/103	5.2
	<b>870-N5<sup>3</sup></b>	120V AC	0.13 A	15.6	113/103	150
	<b>870-R5</b>	240V AC	0.07 A	16.8	113/103	580
Flush Mount DC	<b>871-E1</b>	12V DC	0.27 A	3.2	111/101	6.0
	<b>871-G1</b>	24V DC	0.16 A	3.8	111/101	24
	<b>871-K1</b>	48V DC	0.07 A	3.4	111/101	96
	<b>871-P1</b>	125V DC	0.025 A	3.1	111/101	600
	<b>871-S1</b>	250V DC	0.014 A	3.5	111/101	2640

<sup>1</sup>dB rating measured in anechoic chamber.

<sup>2</sup>AC voltage frequency is 50/60 Hz.

<sup>3</sup>Diode Polarized version available in red, order **880D-N5**.

### Accessories

Description	Cat. No.
Wall Box	<b>870-B</b>
Plastic Projector	<b>872-PO</b>

### Signal Input Load Characteristics

These devices may be operated by PLCs with output characteristics that match the input load requirements of the signal.

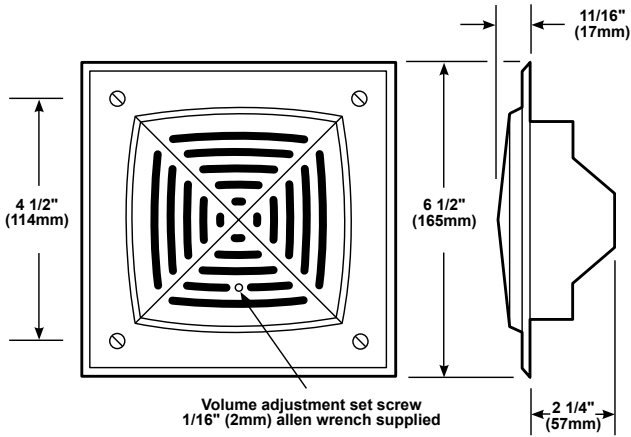
Cat. No.	Operating Voltage	Max. Off State Leakage Current (A)	Continuous On Current (A)	Surge (Inrush/Duration) Amps/Seconds
<b>870-N5</b>	120V AC @ 60 Hz	0.025	0.120	1.02/.000026
<b>871-G1</b>	24V DC	0.025	0.150	1.7/.000042



# Horns Vibrating 870 Series

## Weights and Dimensions

Cat. No.	Approx. Net Weight (lb.)	Approx. Shipping Weight (lb.)
870-G5	2.06	2.30
870-N5	2.06	2.30
870-R5	2.06	2.30
871-E1	2.06	2.30
871-G1	2.06	2.30
871-K1	2.06	2.30
871-P1	2.06	2.30
871-S1	2.06	2.30
870-B	1.26	1.28
872-PO	0.34	0.58



# Horns

## Vibrating

### 870 Series



The 870 Series panel mount vibrating horns are low current, high decibel for heavy-duty use. They come complete with gasket and are UL listed to NEMA 4X, NEMA 12 and NEMA 12K enclosure requirements.

Designed for semi-flush panel mounting, using supplied mounting template, or installation on a 4" square box. For NEMA 4X installation, mount to a NEMA 4X enclosure using the supplied gasket.

### Features and Specifications

- Corrosion resistant finish
- Volume adjustable
- Completely assembled
- Heavy duty die-cast housing
- NEMA Type 4X, NEMA Type 12 and Type 12K Rated
- Operating range: -20% to +10% of nominal voltage

#### 870P AC

- Adjustable output: 88 to 113dB @ 1m (78 to 103dB @ 10ft.)

#### 871P DC

- Adjustable output: 88 to 101dB @ 1m (78 to 91dB @ 10ft.)

### Ordering Information

Description	Cat. No.	Operating Voltage <sup>2</sup>	Current	VA	dB at 1m/10ft. <sup>1</sup>	DC Coil Res (Ohms)
Panel Mount, AC	870P-E5	12V AC	1.25 A	15.0	113/103	1.5
	870P-G5	24V AC	0.63 A	15.1	113/103	5.2
	870P-N5	120V AC	0.13 A	15.6	113/103	150
	870P-R5	240V AC	0.07 A	16.8	113/103	580
Panel Mount, DC	871P-C1	6V DC	0.7 A	4.2	101/91	1.4
	871P-E1	12V DC	0.27 A	3.2	101/91	6
	871P-G1	24V DC	0.16 A	3.8	101/91	24
	871P-J1	32V DC	0.11 A	3.52	101/91	40
	871P-P1	125V DC	0.025 A	3.1	101/91	600
	871P-S1	250V DC	0.014 A	3.5	101/91	2640

<sup>1</sup>dB rating measured in anechoic chamber.  
<sup>2</sup>AC voltage frequency is 50/60 Hz.

### Accessories

Description	Cat. No.
Plastic Projector	872-PO

### Signal Input Load Characteristics

These devices may be operated by PLCs with output characteristics that match the input load requirements of the signal.

Cat. No.	Operating Voltage	Max. Off State Leakage Current (A)	Continuous On Current (A)	Surge (Inrush/Duration) Amps/Seconds
870P-N5	120V AC	0.025	0.120	1.02/0.00026
871P-G1	24V DC	0.025	0.150	1.7/0.00042



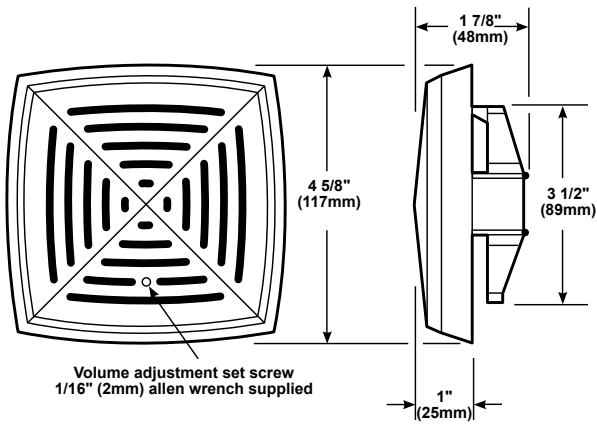
# Horns

## Vibrating

### 870 Series

#### Weights and Dimensions

Cat. No.	Approx. Net Weight (lb.)	Approx. Shipping Weight (lb.)
870P-E5	1.80	2.05
870P-G5	1.80	2.05
870P-N5	1.80	2.05
870P-R5	1.80	2.05
871P-C1	1.80	2.05
871P-E1	1.80	2.05
871P-G1	1.80	2.05
871P-J1	1.80	2.05
871P-P1	1.80	2.05
871P-S1	1.80	2.05
872-PO	0.34	0.58





# Horns

## Vibrating

### 870 Series

The 870 Series projector vibrating horns are low-current, high decibel single and double horns for heavy-duty, indoor use. The single projector is designed to channel sound in one direction without decibel loss. The double projectors are designed for bi-directional signaling without decibel loss. Supplied complete with mounting plate for easy installation.

### Features and Specifications

- Corrosion resistant finish
- Volume adjustable
- Completely assembled
- Heavy duty die-cast housing
- Operating range: -20% to +10% of nominal voltage

#### 872 AC and 872DPO AC

- Adjustable output: 88 to 113dB @ 1m (78 to 103dB @ 10ft.) **(872 AC)**
- Adjustable output: 88 to 111dB @ 1m (78 to 101dB @ 10ft.) **(872DPO AC)**
- FM Approved

#### 873 DC and 873DPO DC

- Adjustable output: 88 to 101dB @ 1m (78 to 91dB @ 10ft.) **(873 DC)**
- Adjustable output: 88 to 99dB @ 1m (78 to 89dB @ 10ft.) **(873DPO DC)**



### Ordering Information

Description	Cat. No.	Operating Voltage	Current	VA	dB at 1m/10ft. <sup>1</sup>	DC Coil Res (Ohms)
Single Projector, AC	<b>872-G5</b>	24V AC	0.63 A	15.1	113/103	5.2
	<b>872-N5<sup>2</sup></b>	120V AC	0.13 A	15.6	113/103	150
	<b>872-R5</b>	240V AC	0.07 A	16.8	113/103	580
Single Projector, DC	<b>873-G1</b>	24V DC	0.16 A	3.8	101/91	24
	<b>873-P1</b>	125V DC	0.025 A	3.1	101/91	600
	<b>873-S1</b>	250V DC	0.014 A	3.5	101/91	2640
Double Projector, AC	<b>872DPO-G5</b>	24V AC	0.63 A	15.1	111/101	5.2
	<b>872DPO-N5</b>	120V AC	0.13 A	15.6	111/101	150
	<b>872DPO-R5</b>	240V AC	0.07 A	16.8	111/101	580
Double Projector, DC	<b>873DPO-G1</b>	24V DC	0.16 A	3.8	99/89	24
	<b>873DPO-P1</b>	125V DC	0.025 A	3.1	99/89	600
	<b>873DPO-S1</b>	250V DC	0.014 A	3.5	99/89	2640

<sup>1</sup> Measured in an anechoic chamber.

<sup>2</sup> Diode Polarized version available in red, order **882D-N5**.

### Signal Input Load Characteristics

These devices may be operated by PLCs with output characteristics that match the input load requirements of the signal.

Cat. No.	Operating Voltage	Max. Off State Leakage Current (A)	Continuous On Current (A)	Surge (Inrush/Duration) Amps/Seconds
<b>872-N5</b>	120V AC	0.025	0.120	1.02/.000026
<b>873-G1</b>	24V DC	0.025	0.150	1.7/.000042
<b>872DPO-N5</b>	120V AC	0.025	0.120	1.02/.000026
<b>873DPO-G1</b>	24V DC	0.025	0.150	1.7/.000042

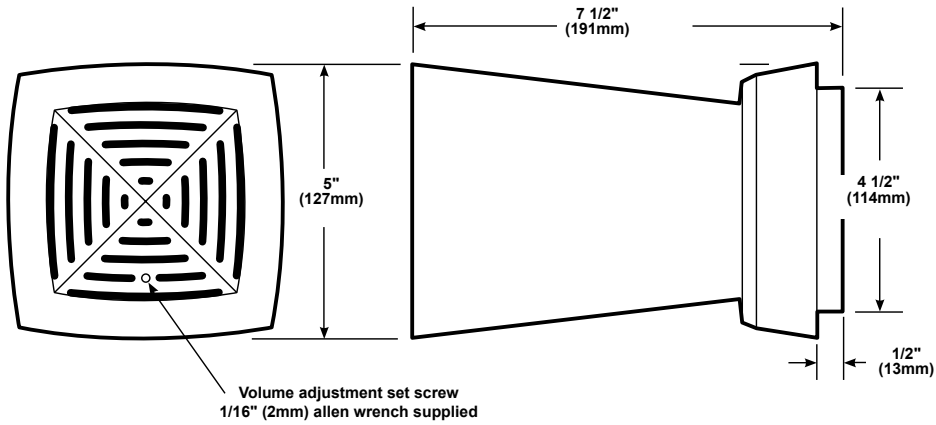


# Horns Vibrating 870 Series

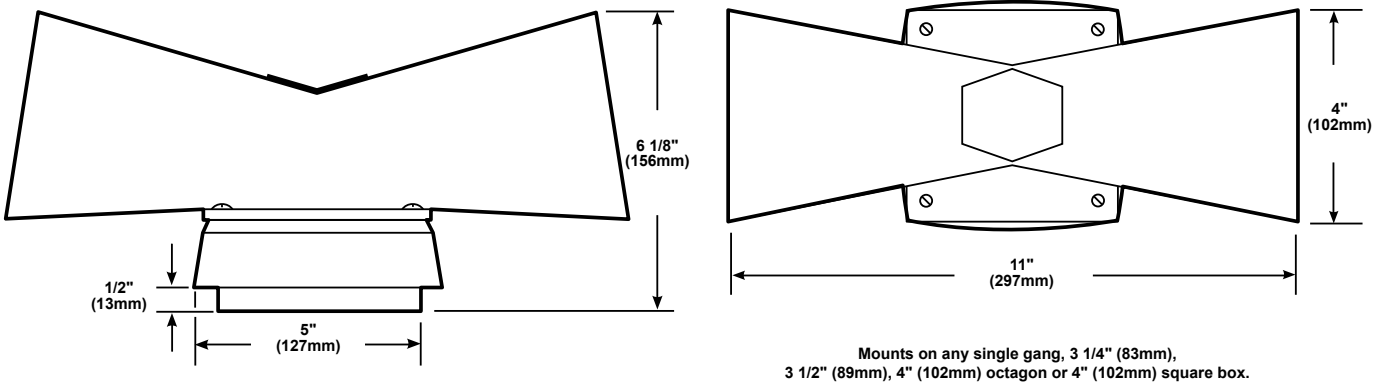
## Weights and Dimensions

Cat. No.	Approx. Net Weight (lb.)	Approx. Shipping Weight (lb.)
872-G5	2.90	3.24
872-N5	2.90	3.24
872-R5	2.90	3.24
873-G1	2.99	2.80
873-P1	2.99	2.80
873-S1	2.99	2.80
872DPO-G5	4.10	5.00
872DPO-N5	4.10	5.00
872DPO-R5	4.10	5.00
873DPO-G1	4.10	5.00
873DPO-P1	4.10	5.00
873DPO-S1	4.10	5.00

872 and 873 Series



872DPO and 873DPO Series



# Horns

## Vibrating

### 870 Series

The 870 Series surface mount vibrating horns are low-current, high decibel horns for heavy-duty indoor use. Supplied complete with mounting plate for easy installation.

### Features and Specifications

- Corrosion resistant finish
- Volume adjustable
- Completely assembled
- Heavy duty die-cast housing
- Operating range: -20% to +10% of nominal voltage
- Projects only 2" (51mm) from mounting surface

#### 874 AC

- Adjustable output: 88 to 113dB @ 1m (78 to 103dB @ 10ft.)
- 400 hour rating at 50% duty cycle
- FM Approved

#### 875 DC

- Adjustable output: 88 to 111dB @ 1m (78 to 101dB @ 10ft.)



### Ordering Information

Description	Cat. No.	Operating Voltage <sup>2</sup>	Current	VA	dB at 1m/10ft. <sup>1</sup>	DC Coil Res (Ohms)
Surface Mount, AC	874-E5	12V AC	1.25 A	15.0	113/103	1.5
	874-G5	24V AC	0.63 A	15.1	113/103	5.2
	874-N5 <sup>3</sup>	120V AC	0.13 A	15.6	113/103	150
	874-R5	240V AC	0.06 A	14.4	113/103	580
Surface Mount, DC	875-C1	6V DC	0.70 A	4.2	111/101	1.6
	875-E1	12V DC	0.27 A	3.2	111/101	6
	875-G1	24V DC	0.16 A	3.8	111/101	24
	875-P1	125V DC	0.025 A	3.1	111/101	600
	875-S1	250V DC	0.014 A	3.5	111/101	2640

<sup>1</sup>Measured in anechoic chamber.

<sup>2</sup>AC voltage frequency is 50/60 Hz.

<sup>3</sup>Diode Polarized version available in red, order 884D-N5.

### Accessories

Description	Cat. No.
Plastic Projector	872-PO

### Signal Input Load Characteristics

These devices may be operated by PLCs with output characteristics that match the input load requirements of the signal.

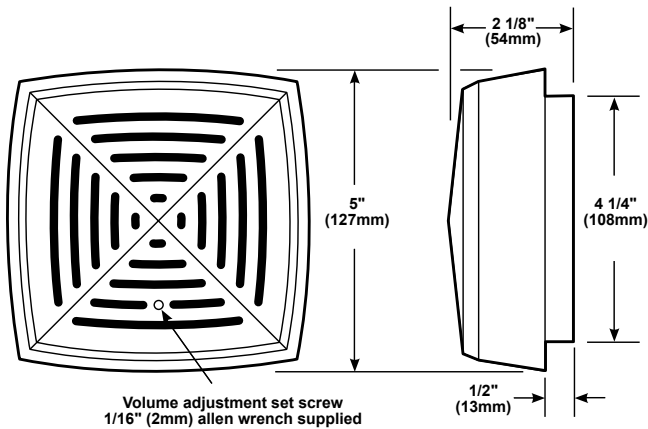
Cat. No.	Operating Voltage	Max. Off State Leakage Current (A)	Continuous On Current (A)	Surge (Inrush/Duration) Amps/Seconds
874-N5	120V AC	0.025	0.120	1.02/0.00026
875-G1	24V DC	0.025	0.150	1.7/0.00042



# Horns Vibrating 870 Series

## Weights and Dimensions

Cat. No.	Approx. Net Weight (lb.)	Approx. Shipping Weight (lb.)
874-E5	2.60	2.82
874-G5	2.60	2.82
874-N5	2.60	2.82
874-R5	2.60	2.82
875-C1	2.60	2.82
875-E1	2.60	2.82
875-G1	2.60	2.82
875-P1	2.60 </td <td>2.82</td>	2.82
875-S1	2.60	2.82
872-PO	0.34	0.58



Mounts on any single gang, 3 1/4" (83mm),  
3 1/2" (89mm), 4" (102mm) octagon or 4" (102mm) square box.

# Horns

## Vibrating

### 870EX Series

The 870EX Series vibrating horns are heavy-duty, explosion-proof, high decibel horns designed for use in hazardous locations.

Diode polarized versions are also available. They are intended for use in hazardous locations requiring electrical supervision of signaling circuit field wiring. May also be used for unsupervised signaling applications.

Two mounting brackets are provided on either side of the unit for wall mounting. The housing is tapped on one side for 3/4" conduit to allow for field wiring installation.

### Features and Specifications

- Corrosion resistant heat flowed epoxy finish
- Low current drain
- Operating voltage range -20% to +10% of nominal voltage
- Power connection wires embedded in sealing compound
- Not recommended for temperatures below 25°F (-3.9°C)
- Diode Polarized versions
- NEMA Type 4X rated
- UL listed for Class I, Div. 1 and 2, Groups B, C and D; Class II, Div. 1 and 2, Groups E, F and G; and Class III locations



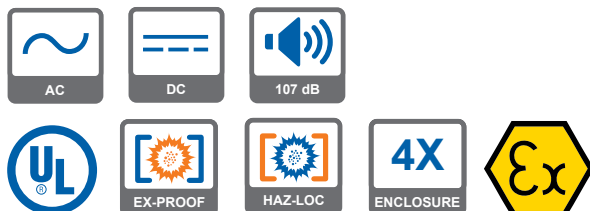
Ordering Information						
Description	Cat. No.	Operating Voltage <sup>2</sup>	Current	VA	Average dB at 1m/10ft. <sup>1</sup>	DC Coil Res (Ohms)
AC	878EX-E5	12V AC	1.25 A	15	110/100	1.45
	878EX-G5	24V AC	0.625 A	15	110/100	5.2
	878EX-N5	120V AC	0.13 A	15	110/100	150.0
	878EX-R5	240V AC	0.065 A	15.6	110/100	580.0
DC	879EX-C1	6V DC	0.70 A	4.2	107/97	1.4
	879EX-E1	12V DC	0.27 A	3.2	107/97	6.0
	879EX-G1	24V DC	0.16 A	3.8	107/97	24.0
	879EXP-G1 <sup>3</sup>	24V DC	0.16 A	3.8	107/97	24.0
	879EX-J1	32V DC	0.13 A	3.2	107/97	40.0
	879EX-K1	48V DC	0.07 A	3.4	107/97	96.0
	879EX-P1	125V DC	0.025 A	3.1	107/97	600.0
AC, Diode Polarized	878DEX-N5	120V AC	0.165 A	19.8	110/100	150.0
DC, Diode Polarized	879DEX-G1 <sup>4</sup>	24V DC	0.16 A	3.8	107/97	20.0

<sup>1</sup>Measured in an anechoic chamber.

<sup>2</sup>AC voltage frequency is 50/60 Hz.

<sup>3</sup>ATEX approved.

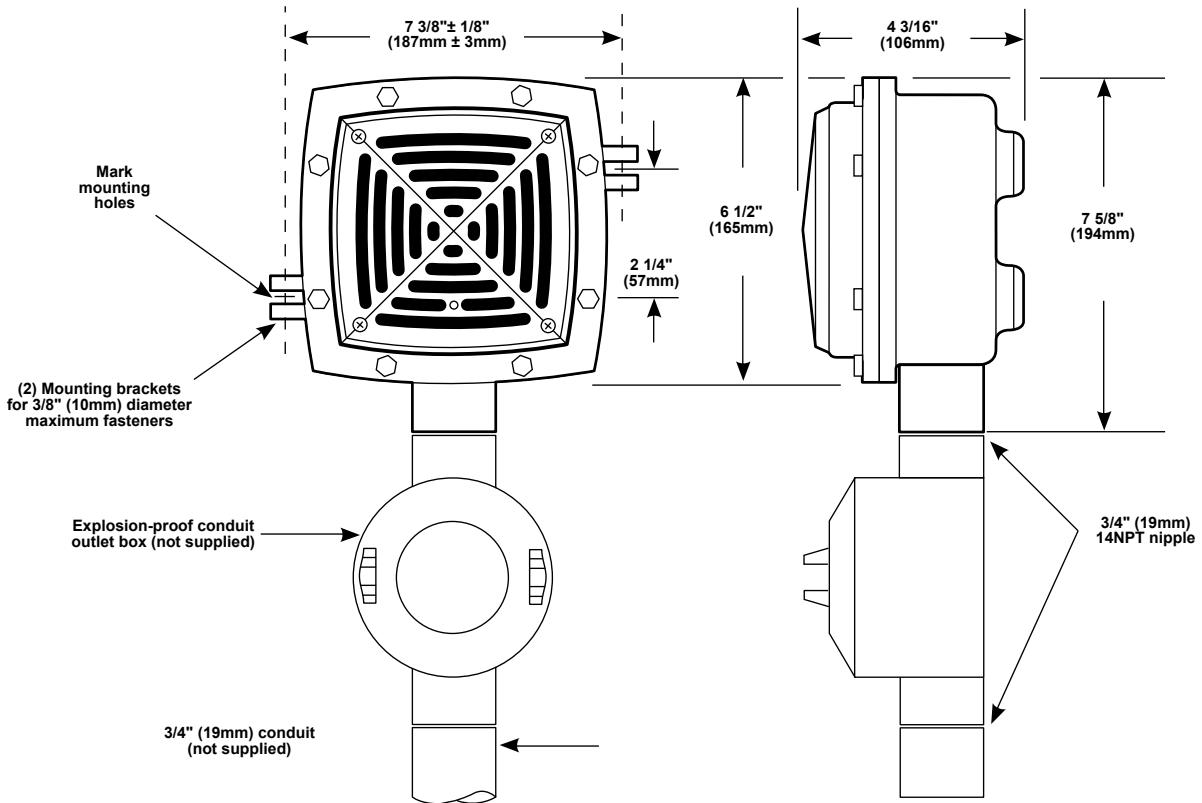
<sup>4</sup>Diode Polarized version available in red, order 889D-AW.



# Horns Vibrating 870EX Series

## Weights and Dimensions

Cat. No.	Approx. Net Weight (lb.)	Approx. Shipping Weight (lb.)
878EX-E5	7.10	8.38
878EX-G5	7.10	8.38
878EX-N5	7.10	8.38
878EX-R5	7.10	8.38
879EX-C1	7.10	8.38
879EX-E1	7.10	8.38
879EX-G1	7.10	8.38
879EXP-G1	7.10	8.38
879EX-J1	7.10	8.38
879EX-K1	7.10	8.38
879EX-P1	7.10	8.38
878DEX-N5	7.10	8.38
879DEX-G1	7.10	8.38



# Horns

## Vibrating

### 870EX Series

The Edwards 870EX Series are diode polarized, heavy-duty, high decibel, vibrating horns. They are intended for use in hazardous locations requiring electrical supervision of signaling circuit field wiring, including fire alarm systems. May also be used for unsupervised signaling applications.

Two mounting brackets are provided on either side of the unit for wall mounting.

### Features and Specifications

- Diode polarized
- Red corrosion resistant heat flowed epoxy finish
- Low current drain
- Operating voltage range -20% to +10% of nominal voltage
- Not recommended for temperatures below 25°F (-3.9°C)
- Power connection wires embedded in sealing compound
- UL listed for Class 1, Div. 1 and 2, Groups B, C and D; Class II, Div. 1 and 2, Groups E, F and G; Class III locations



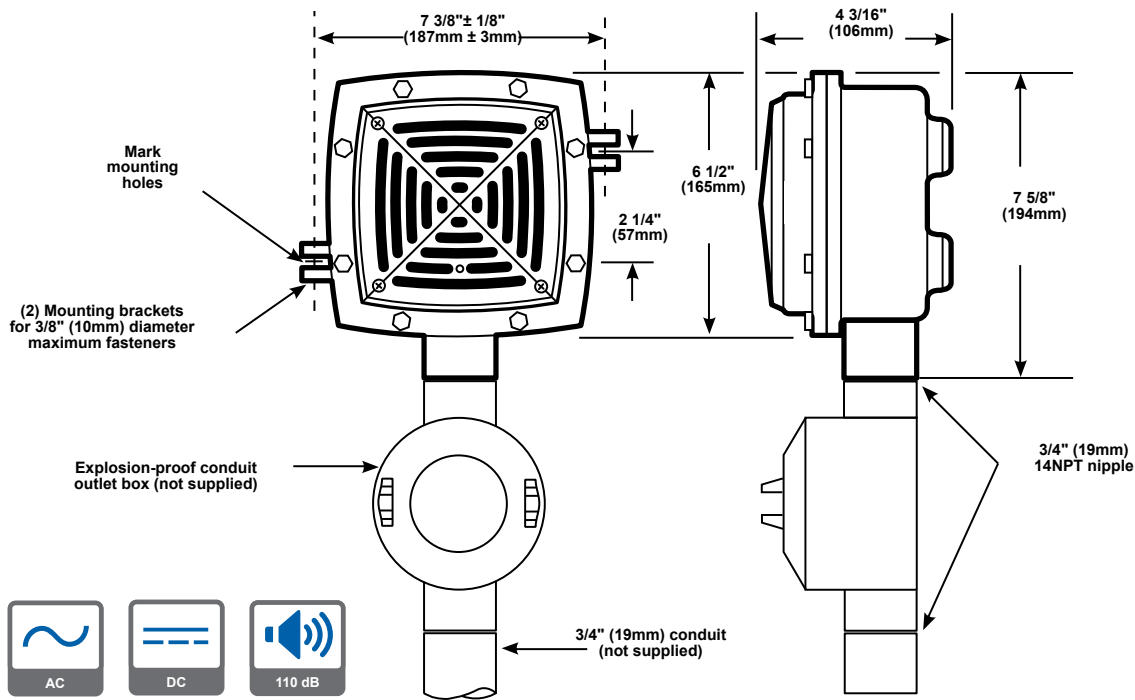
### Ordering Information

Description	Cat. No.	Operating Voltage	Current	VA	Average dB at 1m/10ft. <sup>1</sup>	DC Coil Res (Ohms)
Hazardous Location, Horn	<b>888D-N5</b>	120V AC	0.165 A	19.8	100/90	150.0
Diode Polarized	<b>889D-AW</b>	20-24V DC	0.16 A	3.8	94/84	20.0

<sup>1</sup>10ft. dB measurements per UL 464 in a reverberant room. Anechoic dB measurements are typically higher.

### Weights and Dimensions

Cat. No.	Approx. Net Weight (lb.)	Approx. Shipping Weight (lb.)
<b>888D-N5</b>	7.50	8.60
<b>889D-AW</b>	7.50	8.60



# Horns Vibrating 870EX2 Series



The 870EX2 Series are heavy-duty, high decibel, Class 1, Div. 2 vibrating horns designed for use in indoor or outdoor hazardous locations.

Diode polarized versions are also available. They are intended for use in hazardous locations requiring electrical supervision of signaling circuit field wiring. May also be used for unsupervised signaling applications.

Two mounting brackets are provided on either side of the unit for wall mounting. The housing is tapped on one side for 3/4" conduit to allow for field wiring installation.

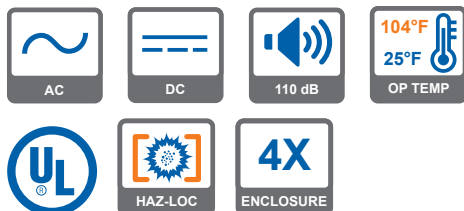
## Features and Specifications

- Corrosion resistant heat flowed epoxy finish
- Suitable for use in indoor or outdoor hazardous locations
- 100-107dB @ 1m (90-97dB @ 10ft.)
- Low current drain
- Operating voltage range -20% to +10% of nominal voltage
- Power connection wires embedded in sealing compound
- Diode Polarized versions
- NEMA Type 4X rated (**878DDIV2, 879DDIV2, 878DIV2, 879DIV2**)
- UL listed for Class I, Div. 2, Groups B, C and D; Class II, Groups F and G; and Class III locations
- Operating temperature range: 25°F to 104°F (-4°C to 40°C)

## Ordering Information

Description	Cat. No.	Operating Voltage	Current	VA	Average dB at 1m/10ft.	DC Coil Res (Ohms)
AC	<b>878DIV2-12A</b>	12V AC	1.25 A	15	107/97	1.45
	<b>878DIV2-24A</b>	24V AC	0.625 A	15	107/97	5.2
	<b>878DIV2-120A</b>	120V AC	0.13 A	15	107/97	150
	<b>878DIV2-240A</b>	240V AC	0.065 A	15	107/97	580
DC	<b>879DIV2-6D</b>	6V DC	0.7 A	4.2	107/97	1.4
	<b>879DIV2-12D</b>	12V DC	0.27 A	3.2	107/97	6
	<b>879DIV2-24D</b>	24V DC	0.16 A	3.8	107/97	24
	<b>879DIV2-32D</b>	32V DC	0.13 A	4.2	107/97	40
	<b>879DIV2-48D</b>	48V DC	0.07 A	3.4	107/97	96
	<b>879DIV2-125D</b>	125V DC	0.03 A	4.2	107/97	600
AC, Diode Polarized	<b>878DDIV2-120A</b>	120V AC	0.13 A	15	107/97	150
	<b>888DDIV2-120A</b>	120V AC	0.13 A	15	100/90 <sup>1</sup>	150
DC, Diode Polarized	<b>889DDIV2-20-24D</b>	20-24V DC	0.16 A	3.8	100/90 <sup>1</sup>	20
	<b>879DDIV2-24D</b>	24V DC	0.16 A	3.8	107/97	20

<sup>1</sup>10ft. dB measurements per UL 464 in a reverberant room. Anechoic dB measurements are typically higher.

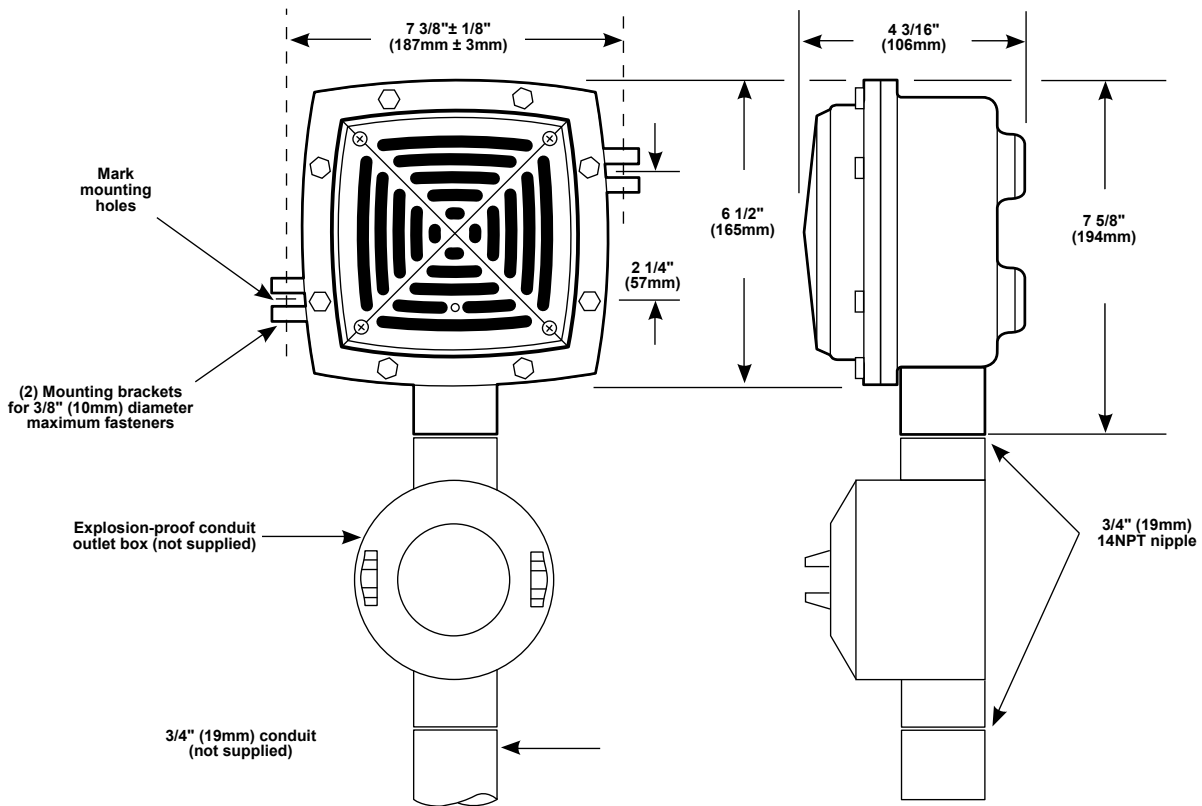




# Horns Vibrating 870EX2 Series

## Weights and Dimensions

Cat. No.	Approx. Net Weight (lb.)	Approx. Shipping Weight (lb.)
878DIV2-12A	7.10	8.38
878DIV2-24A	7.10	8.38
878DIV2-120A	7.10	8.38
878DIV2-240A	7.10	8.38
879DIV2-6D	7.10	8.38
879DIV2-12D	7.10	8.38
879DIV2-24D	7.10	8.38
879DIV2-32D	7.10	8.38
879DIV2-48D	7.10	8.38
879DIV2-125D	7.10	8.38
878DDIV2-120A	7.10	8.38
888DDIV2-120A	7.10	8.38
889DDIV2-20X24D	7.10	8.38
879DDIV2-24D	7.10	8.38



# Horns

## Vibrating

### 118 and 123A Series



118 Series DC and 123A Series AC Midi Vibrating Horns are designed primarily for security systems and for signaling devices on an OEM basis. Supplied with mounting bracket and simply attaches to mounting surface using #8-32 screw.

#### Features and Specifications

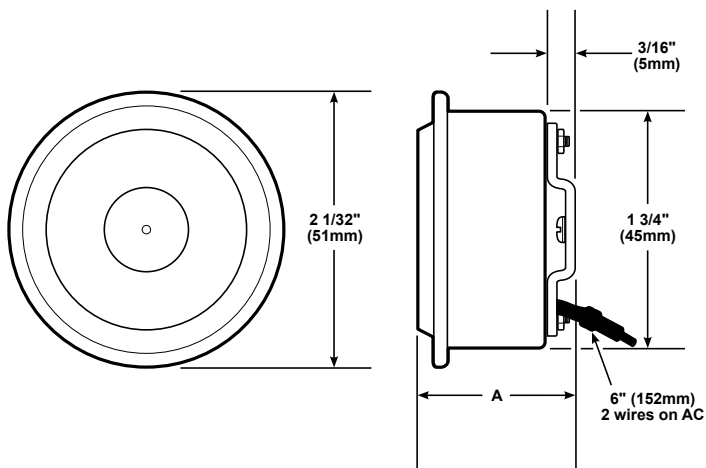
- Low power drain
- Compact size
- Shock resistant
- Easy surface mount installation
- Operating temperature range: -40°F to 180°F (-40°C to 82°C)

#### Ordering Information

Description	Cat. No.	Operating Voltage	Current	VA	dB at 1m/10ft.	DC Coil Res (Ohms)
DC	118-E1	12V DC	0.07 A	0.84	96/86	25.5
	118-G1	24V DC	0.03 A	0.72	96/86	102.0
AC 60 Hz	123A-E5	12V AC	0.4 A	4.8	96/86	10.0
	123A-G5	24V AC	0.2 A	4.8	96/86	40.0
	123A-N5	120V AC	0.04 A	4.8	96/86	1200.0

#### Weights and Dimensions

Cat. No.	Approx. Net Weight (lb.)	Approx. Shipping Weight (lb.)	Dimensions (A)
118-E1	0.19	0.25	1 11/64" (30mm)
118-G1	0.19	0.25	1 11/64" (30mm)
123A-E5	0.19	0.25	1 3/16" (30mm)
123A-G5	0.19	0.25	1 3/16" (30mm)
123A-N5	0.19	0.25	1 3/16" (30mm)



# Horns

## Projector/Double Projector

### B93 Class



The B93 Class are designed for use where a loud and distinctive signal is needed. The sound mechanism of the signal starts and stops instantly with current impulse. The projector is connected to the heavy duty die cast aluminum housing by a cast aluminum, threaded ring.

Two mounting lugs are provided on either side of the unit for wall mounting. The housing is tapped on one side for 1/2" (13mm) conduit to allow for field wiring installation.

### Features and Specifications

- Convenient plug-in assembly
- Corrosion resistant heat flowed epoxy finish
- Completely assembled
- Gasket sealed
- External volume control screw
- Heavy duty die cast aluminum
- 7" (178mm) seamless steel projector
- Vibrating diaphragm
- Tungsten contacts with arc suppressor  
**(B-8526 and B-8599)**
- NEMA Type 4X enclosure

### Ordering Information

Description	Cat. No.	Operating Voltage	Current	VA	dB at 1m/10ft.	DC Coil Res (Ohms)
Single Projector, AC	<b>B-N-8546-E5</b>	12V AC	1.6 A	19.2	107/97	3
	<b>B-N-8546-G5</b>	24V AC	1.1 A	26.4	107/97	5
	<b>B-N-8546-N5</b>	120V AC	0.2 A	24	107/97	146
	<b>B-N-8546-R5</b>	240V AC	0.1 A	24	107/97	750
Single Projector, DC	<b>B-8526-G1</b>	24V DC	1 A	24	105/95	1.5
	<b>B-8526-P1</b>	125V DC	0.2 A	25	105/95	103
	<b>B-8526-S1</b>	250V DC	0.1 A	25	105/95	600
Double Projector, AC	<b>B-N-8590-E5</b>	12V AC	1.6 A	19.2	105/95	3
	<b>B-N-8590-G5</b>	24V AC	1.1 A	26.4	105/95	5
	<b>B-N-8590-N5</b>	120V AC	0.2 A	24	105/95	146
Double Projector, DC	<b>B-8599-E1</b>	12V DC	1.5 A	18	103/93	3
	<b>B-8599-G1</b>	24V DC	1 A	24	103/93	21.5
	<b>B-8599-P1</b>	125V DC	0.2 A	25	103/93	103

### Weights and Dimensions

Cat. No.	Approx. Net Weight (lb.)	Approx. Shipping Weight (lb.)
<b>B-N-8546-E5</b>	2.81	3.13
<b>B-N-8546-G5</b>	2.81	3.13
<b>B-N-8546-N5</b>	2.81	3.13
<b>B-N-8546-R5</b>	2.81	3.13
<b>B-8526-G1</b>	2.81	3.13
<b>B-8526-P1</b>	2.81	3.13
<b>B-8526-S1</b>	2.81	3.13
<b>B-N-8590-E5</b>	4.00	5.10
<b>B-N-8590-G5</b>	4.00	5.10
<b>B-N-8590-N5</b>	4.00	5.10
<b>B-8599-E1</b>	4.00	5.10
<b>B-8599-G1</b>	4.00	5.10
<b>B-8599-P1</b>	4.00	5.10

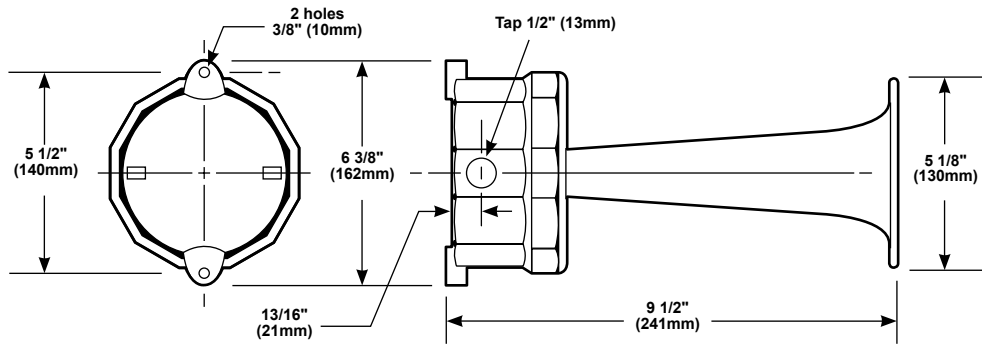


# Horns

## Projector/Double Projector

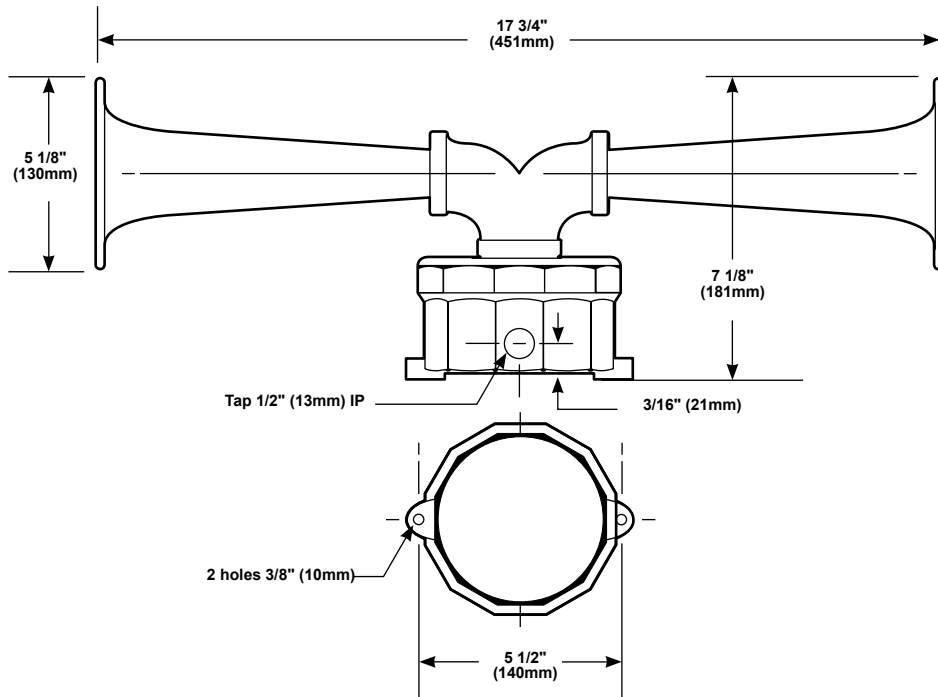
### B93 Class

B-8526 and B-N-8546 Series



4  
AUDIBLE SIGNALS

B-N-8590 and B-8599 Series



# Horns Projector B93 Class



The B-KM-8130 Series is a heavy-duty, high decibel, vibrating horn signal designed for use in hazardous locations.

Two mounting lugs are provided on either side of the unit for wall mounting. The housing is tapped on one side for 1/2" (13mm) conduit to allow for field wiring installation.

## Features and Specifications

- Intermittent Duty Cycle: 5 minutes on/ 5 minutes off
- Corrosion resistant electrostatic heat flowed epoxy finish
- Cast aluminum housing and ring
- Seamless steel projector
- 5" (127mm) spring steel diaphragm
- 5 1/2" (140mm) projector
- UL listed for Class 1, Div. 1 and 2, Groups C and D; Class II Div. 1 and 2, Groups E, F and G; and Class 1, Groups A and B, Div. 2 locations

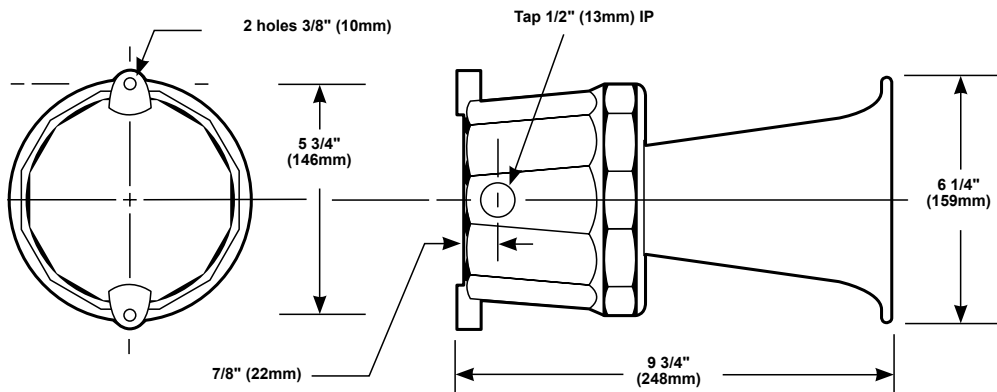
## Ordering Information

Description	Cat. No.	Operating Voltage <sup>1</sup>	Current	VA	dB at 1m/10ft.	Coil Res (Ohms)
Single Projector	<b>B-KM-8130-G5</b>	24V AC	2 A	48	115/105	1
	<b>B-KM-8130-N5</b>	120V AC	0.45 A	54	115/105	24

<sup>1</sup>AC voltage frequency is 60 Hz.

## Weights and Dimensions

Cat. No.	Approx. Net Weight (lb.)	Approx. Shipping Weight (lb.)
<b>B-KM-8130-G5</b>	7.00	8.00
<b>B-KM-8130-N5</b>	7.00	8.00



# Horns Electronic 860 Series

The 860 Series are low current, high decibel, surface mount, flush or panel mount electronic horns for indoor use.

The 867 has been designed for surface mounting with the gray, corrosion resistant, surface mount box supplied with the unit. The 869 and 869D Series are designed for flush or panel mounting. The 868 Series is a low current, high decibel, surface mount, electronic horn suitable for outdoor or indoor use. It has been designed for mounting with the back box supplied.

The 868 mounts, using the supplied gasket, to the gray, corrosion resistant surface box supplied with the unit.

## Features and Specifications

- Diode polarized (**869D**)
- Low current draw
- High dB output
- Terminals for easy wiring
- May be used in outdoor applications by using with 869-WPB back box
- Complete with surface back box (**867**)
- Complete with gasket and surface back box (**868**)
- Gray flame resistant housing
- Engineered thermoplastic housing
- Operating voltage: -20% to +10% of nominal voltage
- Indoor Operating Environment: 93% relative humidity at 104°F (40°C); 32°F to 120°F (0°C to 49°C) variable ambient (**867, 869, 869D**)
- Outdoor Operating Environment: 98% relative humidity at 104°F (40°C); -31°F to 150°F (-35°C to 66°C) variable ambient (**868**)
- cUL listed (**869D only**)



## Ordering Information

Description	Cat. No.	Operating Voltage <sup>2</sup>	Current	dB at 1m/10ft. <sup>1</sup>
Surface Mount	<b>867-AQ</b>	24V AC	0.072 A	106/96
		24V DC	0.022 A	106/96
	<b>867-N5</b>	120V AC	0.024 A	106/96
Flush or Panel Mount	<b>869-AQ</b>	24V AC	0.072 A	106/96
		24V DC	0.022 A	106/96
	<b>869-N5</b>	120V AC	0.024 A	106/96
Flush or Panel Mount, Diode Polarized	<b>869D-G1</b>	24V DC	0.020 A	112/102
		24V DC	0.040 A	112/102
Surface Mount, Suitable for Outdoor Applications	<b>868-AQ</b>	24V AC	0.060 A	106/96
		24V DC	0.020 A	106/96
	<b>868-N5</b>	120V AC	0.021 A	106/96

<sup>1</sup>Measured in an Anechoic chamber

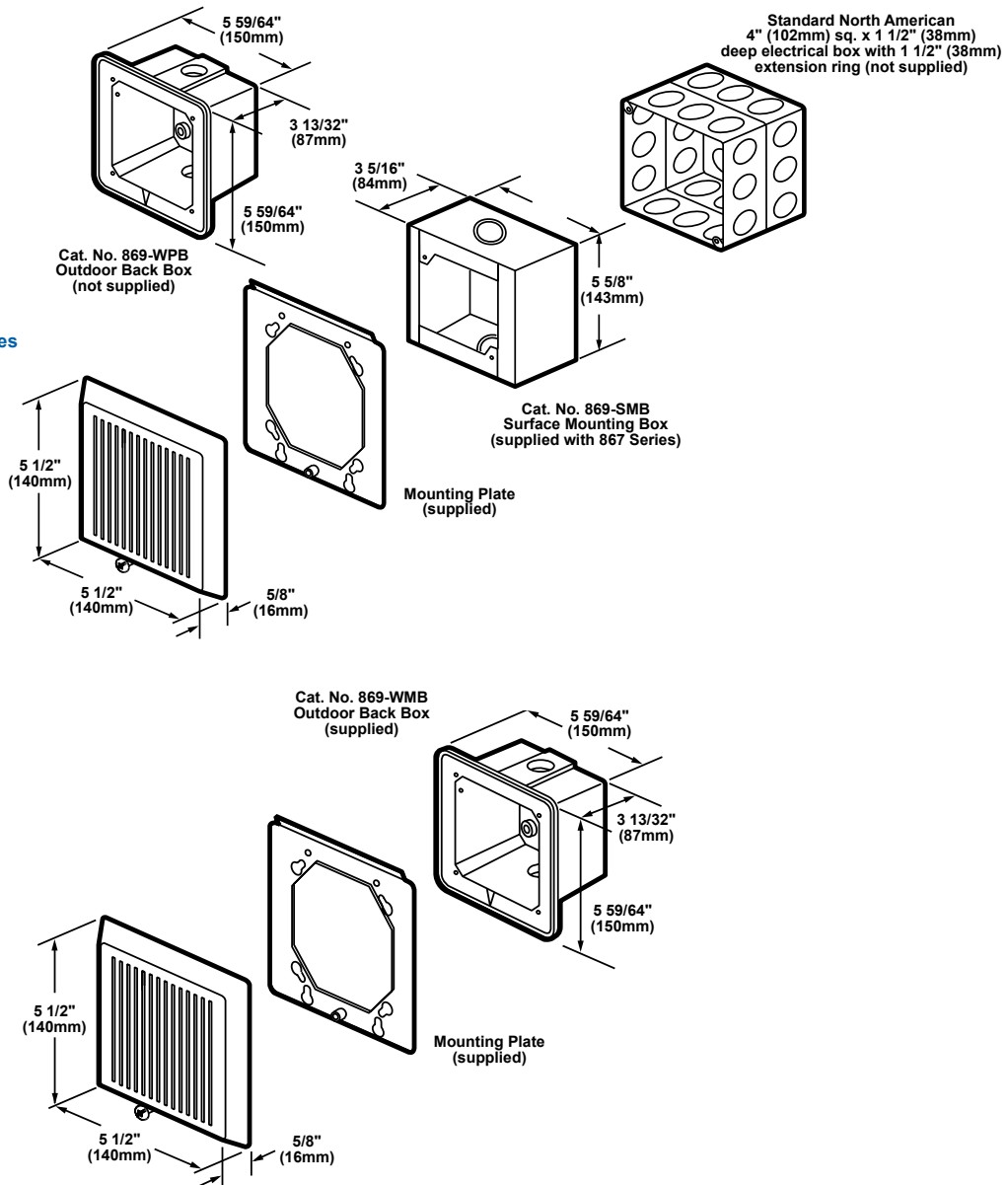
<sup>2</sup>AC voltage frequency is 50/60 Hz.



# Horns Electronic 860 Series

## Weights and Dimensions

Cat. No.	Approx. Net Weight (lb.)	Approx. Shipping Weight (lb.)
867-AQ	2.80	3.04
867-N5	2.80	3.04
869-AQ	2.80	3.04
869-N5	2.80	3.04
869D-G1	2.80	3.04
868-AQ	2.80	3.04
868-N5	2.80	3.04



# Horns

## Electronic

### Titan Class



The Titan Class are low current, high performance, high decibel audible signals designed for hazardous locations. They can be mounted on any surface using three bolts. Flying leads allow for quick installation.

The 5522MD is diode polarized and primarily intended for use in hazardous location applications requiring electrical supervision of signaling circuit field wiring. These signals may also be used for unsupervised signaling applications.

### Features and Specifications

- Corrosion resistant electrostatic heat flowed powder epoxy gray finish
- Fitted with factory sealed 1/2" (13mm) threaded pipe nipple for quick installation
- Diode polarized versions for supervised circuits
- Speaker swivels 180° vertically or horizontally depending on orientation of mounting bracket **(5522MD-AW)**
- 30" (762mm) wire leads
- Horn frequency - 982 Hz
- UL listed for Class I, Div. 1 and 2, Groups B, C and D

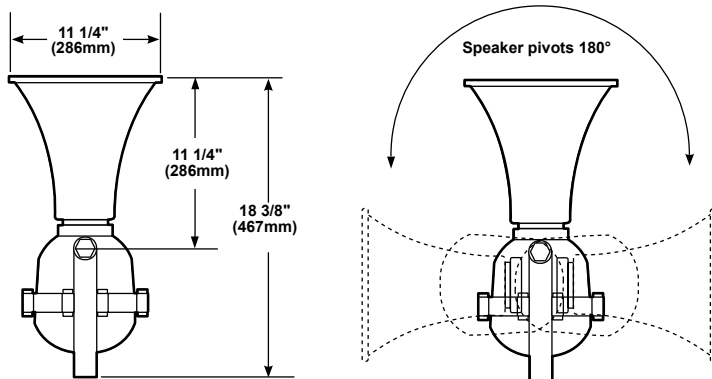
### Ordering Information

Description	Cat. No.	Operating Voltage <sup>1</sup>	Current	dB at 1m/10ft.
Horn	5522M-AQ	24V DC	0.25 A	119/109
		24V AC	0.95 A	
	5522M-Y6	120-240V AC	0.260 A	119/109
		125-250V DC	0.130 A	
Horn, Diode Polarized	5522MD-AW	24V DC	0.950 A	119/109

<sup>1</sup>AC voltage frequency is 50/60 Hz.

### Weights and Dimensions

Cat. No.	Approx. Net Weight (lb.)	Approx. Shipping Weight (lb.)
5522M-AQ	16.50	23.50
5522M-Y6	16.50	23.50
5522MD-AW	16.50	23.50





# Horns

## Motor Driven Klaxet Series



Photo Not Available

The Klaxet is a motor driven horn with the unique 'Klaxon' sound. The high output, changing frequency note delivers a powerful warning tone which can be heard above background noise in industrial applications. The Klaxet is suitable for time signaling, process control alarms, telephone extension ringing and cranes. Manufactured with a cast iron housing, the Klaxet is suitable for outdoor applications.

### Features and Specifications

- Powerful, high output
- 111dB @ 1m (101dB @ 10ft.)
- Cast iron construction
- IP54 rated
- Operating temperature range: -4°F to 104°F (-20°C to 40°C)

Ordering Information					
Description	Cat. No.	Operating Voltage	Current	Frequency	dB at 1m/10ft.
Motor Driven Horn	KH1008	115V AC	0.50 A	470 Hz	111/101
	KH1010	230V AC	0.33 A	470 Hz	111/101
	KH1000	12V DC	2.50 A	470 Hz	111/101
	KH1001	24V DC	1.00 A	470 Hz	111/101

Weights and Dimensions					
Cat. No.	Approx. Net Weight (lb.)	Approx. Shipping Weight (lb.)	Dimensions		
			Length (in.)	Width (in.)	Diameter (in.)
KH1008	3.53	4.00	10 5/8	4 3/8	3 1/4
KH1010	3.53	4.00	10 5/8	4 3/8	3 1/4
KH1000	3.53	4.00	10 5/8	4 3/8	3 1/4
KH1001	3.53	4.00	10 5/8	4 3/8	3 1/4



# Horns

## Motor Driven

### A1 Series



The A1 is a motor driven horn with the unique 'Klaxon' sound. The high output, low frequency resonating sound provides a powerful warning tone. With a sound output of 120dB, it is ideal for use as a time signaling alarm or process alarm in a factory environment. In addition, the A1 is suitable for use in marine applications.

### Features and Specifications

- Powerful, high output
- Rated for 2 minutes on, 5 minutes off
- 120dB @ 1m (110dB @ 10ft.)
- IP65 rated
- Die cast aluminium, zinc and mild steel construction
- ABS plastic
- Suitable for outdoor and marine applications
- Operating temperature range: -31°F to 150.8°F (-35°C to 66°C)

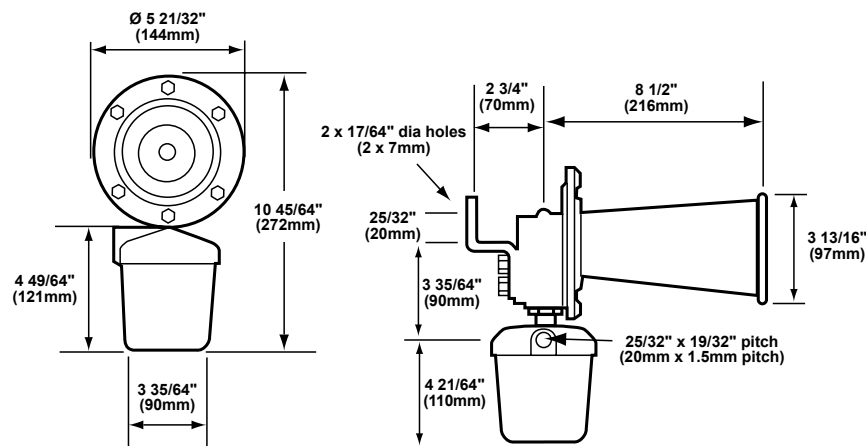
### Ordering Information

Description	Cat. No.	Operating Voltage <sup>1</sup>	Current	Frequency	dB at 1m/10ft.
Motor Driven Horn	KH2004	115V AC	0.84 A	420 Hz	120/110
	KH2006	230V AC	0.76 A	420 Hz	120/110
	KH2000	12V DC	5.0 A	420 Hz	120/110
	KH2001	24V DC	2.30 A	420 Hz	120/110

<sup>1</sup>AC voltage frequency is 50/60 Hz.

### Weights and Dimensions

Cat. No.	Approx. Net Weight (lb.)	Approx. Shipping Weight (lb.)
KH2004	4.41	5.00
KH2006	4.41	5.00
KH2000	4.41	5.00
KH2001	4.41	5.00



# Horns

## Manual Operation

### ES Series

The ES is a manually operated horn producing the unique 'Klaxon' sound for applications where a power supply is unavailable. The ES features a low frequency tone, and is an effective warning device.

#### Features and Specifications

- Manual operation – no power supply required
- Lightweight and compact
- Mild steel housing
- IP54 rated



#### Ordering Information

Description	Cat. No.	Frequency	dB at 1m/10ft.
Manual Horn	<b>KH1290</b>	150-350 Hz	103/93

#### Weights and Dimensions

Cat. No.	Approx. Net Weight (lb.)	Approx. Shipping Weight (lb.)	Dimensions		
			Length (in.)	Width (in.)	Diameter (in.)
<b>KH1290</b>	2.65	3.00	5	4 7/8	6 3/4



# Horns and Sirens

## Electronic

### D2 Class



Edwards D2 Class devices are low current, high performance, high decibel audible signals which may be coded from an external source or used as a continuous alarm. They are designed to function as either a horn or siren by setting an internal, tamper proof switch.

The 5520D is primarily intended for use in applications requiring electrical supervision of signaling circuit field wiring. These signals may also be used for unsupervised signaling applications.

#### Features and Specifications

- 124dB audible signal at 1m (114dB @ 10ft.)
- Suitable for outdoor applications using 349 Back Box
- Switchable horn or siren or horn models
- Easy mounting plate speeds installation
- Diode polarized for supervised circuits (**5520D**)
- Horn frequency of 1.1 KHz
- Siren frequency rises and falls from 600 to 1300 Hz every 3 seconds
- Speaker swivels 180° horizontally and 90° vertically

#### Ordering Information

Description	Cat. No.	Operating Voltage	Current	VA	dB at 1m/10ft.
Horn and Siren <sup>1</sup>	<b>5520-AS</b>	12V AC	1.3 A	15.6	124/114 (Horn) /112/102 (Siren)
		12V DC	0.7 A	8.4	124/114 (Horn) /112/102 (Siren)
	<b>5520-AQ</b>	24V AC	0.85 A	20.4	124/114 (Horn) /112/102 (Siren)
		24V DC	0.35 A	8.4	124/114 (Horn) /112/102 (Siren)
	<b>5520-N5</b>	120V AC	0.35 A	42	124/114 (Horn) /112/102 (Siren)
Horn and Siren, Diode Polarized <sup>2</sup>	<b>5520D-N5</b>	120V AC	0.35	42.0	124/114 (Horn)
		<b>5520D-AW</b>	20-24V DC	0.35	8.4
Horn Only	<b>5521-S1</b>	250V DC	0.065 A	16.3	124/114

<sup>1</sup>AC voltage frequency is 60 Hz.

<sup>2</sup>AC voltage frequency is 50/60 Hz.

<sup>3</sup>Uses separately mounted 598Y transformer (included).

#### Accessories

Description	Cat. No.
Back Box	<b>349</b>



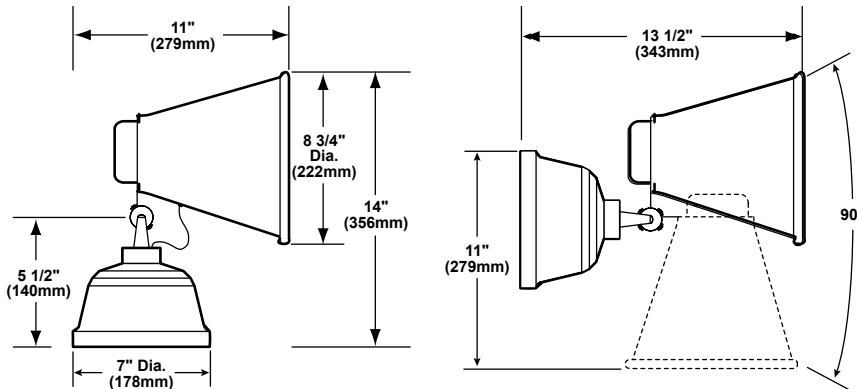
# Horns and Sirens

## Electronic

### D2 Class

#### Weights and Dimensions

Cat. No.	Approx. Net Weight (lb.)	Approx. Shipping Weight (lb.)
5520-AS	7.90	10.72
5520-AQ	7.90	10.72
5520-N5	7.90	10.72
5520-P1	7.90	10.72
5520-R5	7.90	10.72
5520D-N5	7.90	10.72
5520D-AW	7.90	10.72
5521-S1	7.80	12.30
349	1.30	1.56



Mounts on any single gang, 3 1/4" (83mm),  
3 1/2" (89mm), 4" (102mm) octagon or 4" (102mm) square box.

# Sirens

## Motor Driven

### 315A Series



The 315A Series is a heavy duty, motor driven siren that emits a continuous loud piercing wail. It mounts to any solid surface using two bolts and may be swiveled through 180°, vertically or horizontally, depending on orientation of bracket.

#### Features and Specifications

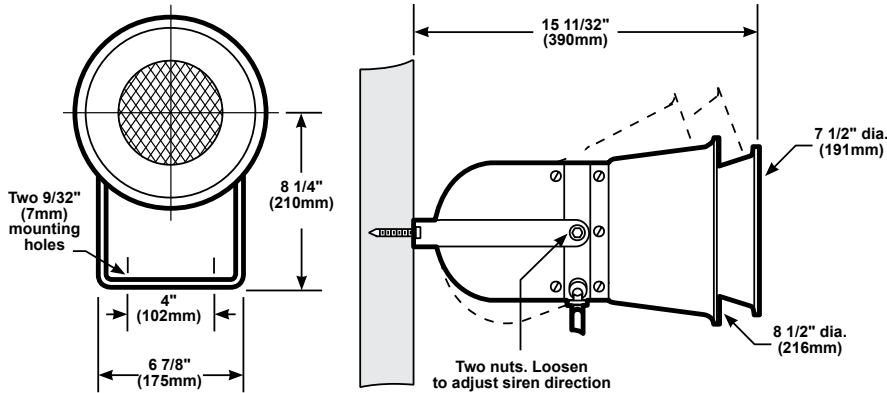
- Fully enclosed motor
- Suitable for outdoor applications
- Adjustable siren direction
- AC or DC operation
- 2.5 amp motor
- Heavy gauge aluminum construction
- Frequency 1100 Hz
- Rated for 2 minutes on, 1 minute off duty cycle

#### Ordering Information

Description	Cat. No.	Operating Voltage	Current	VA	dB at 1m/10ft.
Industrial Siren	315A-AH	120V AC/DC	2.5 A	300	120/110

#### Weights and Dimensions

Cat. No.	Approx. Net Weight (lb.)	Approx. Shipping Weight (lb.)
315A-AH	9.50	11.40



# Sirens

## Electronic

### Titan Class



The Titan Class devices are low current, high performance, high decibel audible signals designed for hazardous locations. They can be mounted on any surface using three bolts. Flying leads allow for quick installation.

5523M Series are primarily intended for use in hazardous location applications requiring electrical supervision of signaling circuit field wiring. These signals may also be used for unsupervised signaling applications.

### Features and Specifications

- Corrosion resistant electrostatic heat flowed powder epoxy gray finish
- Fitted with factory sealed 1/2" (13mm) threaded pipe nipple for quick installation
- Diode polarized version for supervised circuits
- Speaker swivels 180° vertically or horizontally depending on orientation of mounting bracket (**5523MD-AW**)
- 30" (762mm) wire leads
- Siren frequency - rises and falls from 600 to 1250 Hz every 8 seconds
- UL listed for Class I, Div. 1 and 2, Groups B, C and D

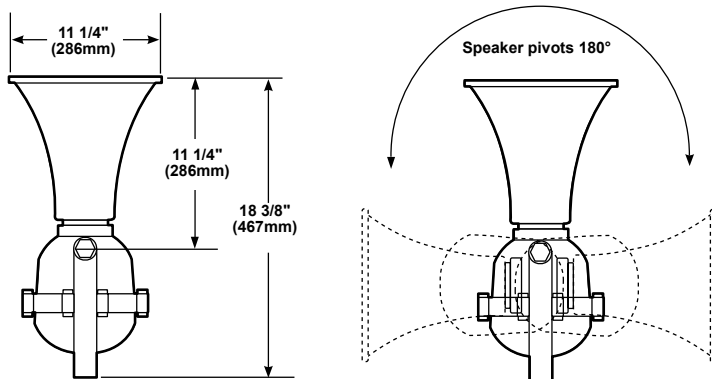
### Ordering Information

Description	Cat. No.	Operating Voltage <sup>1</sup>	Current	dB at 1m/10ft.
Siren	5523M-AQ	24V DC	0.25 A	115/105
		24V AC	0.95 A	
	5523M-Y6	120-240V AC	0.260 A	115/105
		125-250V DC	0.130 A	
Siren, Diode Polarized	5523MD-AW	24V DC	0.950 A	115/105

<sup>1</sup>AC voltage frequency is 50/60 Hz.

### Weights and Dimensions

Cat. No.	Approx. Net Weight (lb.)	Approx. Shipping Weight (lb.)
5523M-AQ	16.50	23.50
5523M-Y6	16.50	23.50
5523MD-AW	16.50	23.50



# Klaxon Sirens

## Motor Driven

### SO4 Series

The SO4 is a motor driven siren designed for vertical mounting and is suitable for outdoor applications.

Manufactured from cast aluminum, it is rugged in construction and has a continuous rating.

#### Features and Specifications

- High sound output (up to 125dB)
- Powerful low frequency sound
- Vertical siren for easy mounting
- Cast aluminum body
- IP55 rated
- Operating temperature range: -22°F to 113°F (-30°C to 45°C)



#### Ordering Information

Description	Edwards Cat. No.	Klaxon Cat. No.	Operating Voltage <sup>1</sup>	Amps Tone Dependent	dB at 1m/10ft.	Frequency
DC	18-980041	SLC-0003	24V DC	8 A	Up to 116/106	900 Hz
	18-980036	SLC-0001	110V AC/DC	3 / 2.7 A	Up to 125/115	900 Hz
AC/DC	18-980038	SLC-0002	230V AC/DC	1.4 / 1.2 A	Up to 125/115	900 Hz

<sup>1</sup>AC voltage frequency is 50/60 Hz.

#### Weights and Dimensions

Edwards Cat. No.	Klaxon Cat. No.	Approx. Net Weight (lb.)	Approx. Shipping Weight (lb.)	Dimensions	
				Diameter (in.)	Height (in.)
18-980041	SLC-0003	9.90	12.00	6 7/8	9 3/4
18-980036	SLC-0001	9.90	12.00	6 7/8	9 3/4
18-980038	SLC-0002	9.90	12.00	6 7/8	9 3/4





# Klaxon Sirens

## Manual Operation

### Lightweight Series

The lightweight hand operated siren is designed to provide effective warning in applications where there is no power supply such as camp sites, civil defense, mountain rescue and coast guard warning.

The siren is lightweight, can be easily transported to remote locations and folds up to a small and compact size for ease of handling.

This model comes complete with carry case, making it the ideal choice where portability is crucial.

#### Features and Specifications

- No power supply required
- Lightweight model for portability
- Powerful low frequency sound
- Universally recognized signal
- Carry case included
- 2 tones: continuous and warble
- 600 Hz nominal frequency (Dependent on rotation speed)



#### Ordering Information

Description	Edwards Cat. No.	Klaxon Cat. No.	Colors	dB at 1m/10ft.	Tones
Hand Operated Siren	17-970322	SLF-0001	Black	Up to 116/106	Up to 2

#### Weights and Dimensions

Edwards Cat. No.	Klaxon Cat. No.	Approx. Net Weight (lb.)	Approx. Shipping Weight (lb.)	Dimensions	
				Max. Height (in.)	Min. Height (in.)
17-970322	SLF-0001	8.80	14.00	39.40	23.60



# Klaxon Sirens

## Manual Operation

### Heavy Duty Series



Photo Not Available

The heavy duty hand operated siren is designed to provide effective warning in applications where there is no power supply such as camp sites, civil defense, mountain rescue and coast guard warning.

Powered by rotating the handle, this siren has a plate to shut off the sound once up to speed, giving it the ability to produce three different tones

Robust and compact, the siren can be easily transported to remote locations and folds up to a small size for ease of handling.

#### Features and Specifications

- No power supply required
- Robust and compact for portability
- Powerful low frequency sound
- Universally recognized signal
- Shutter mechanism to provide three or more signals
- Frequency: 400 Hz Nominal (Dependent on rotation speed)

#### Ordering Information

Description	Edwards Cat. No.	Klaxon Cat. No.	Color	dB at 1m/10ft.	Tones
Hand Operated Siren	17-970356	SLF-0003	Gray	Up to 120/110	3+

#### Weights and Dimensions

Edwards Cat. No.	Klaxon Cat. No.	Approx. Net Weight (lb.)	Approx. Shipping Weight (lb.)	Dimensions		
				Height (in.)	Width (in.)	Depth (in.)
17-970356	SLF-0003	24.30	27.00	33	14 1/2	18 7/8



# Klaxon Sirens

## Motor Driven

### Duplo Series



The Duplo is a powerful rugged motor driven siren which produces a very high sound output despite its physically compact construction.

Suitable for outdoor applications, the Duplo can be used for general safety warning.

#### Features and Specifications

- High output siren sound (127dB @ 1m/117dB @ 10ft.)
- Cast aluminum body
- ABS rotor, stator and cover
- Rugged construction for use in indoor and outdoor environments
- IP65 rated
- Long life and run time
- Mounting bracket for ease of installation
- Operating temperature range: -22°F to 113°F (-30°C to 45°C)

#### Ordering Information

Description	Edwards Cat. No.	Klaxon Cat. No.	Operating Voltage	Amps (Tone dependent)	Colors	dB at 1m/10ft.	Tones	Frequency
Motor Driven Siren	18-980214	SLB-0001	110V AC/DC	2.7 A	Gray/Black	Up to 127/117	1	1600 Hz
	18-980217	SLB-0002	230V AC/DC	1.0 A	Gray/Black	Up to 127/117	1	1600 Hz

#### Weights and Dimensions

Edwards Cat. No.	Klaxon Cat. No.	Approx. Net Weight (lb.)	Approx. Shipping Weight (lb.)	Dimensions	
				Diameter (in.)	Length (in.)
18-980214	SLB-0001	4.40	6.50	4.17	7.80
18-980217	SLB-0002	4.40	6.50	4.17	7.80



# Klaxon Sirens

## Motor Driven

### Mono Series



The Mono 72 is a powerful motor driven siren which produces a clear, high output siren sound.

Suitable for indoor and outdoor applications, the Mono 72 can be used for general safety warning.

Due to its rugged construction, the Mono 72 can be used in applications such as mining and quarrying.

#### Features and Specifications

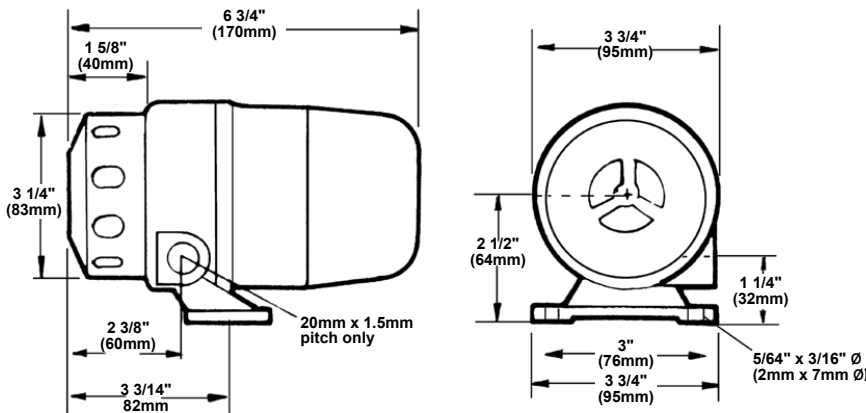
- High output siren sound (120dB)
- Rugged construction for use in all environments
- IP65 rated
- Mounting bracket for ease of installation
- Construction is cast aluminum body, ABS Rotor, Stator and cover
- Operating temperature range: -22°F to 113°F (-30°C to 45°C)

#### Ordering Information

Description	Edwards Cat. No.	Klaxon Cat. No.	Operating Voltage	Current	Color	dB at 1m/10ft.	Frequency	Tones
Motor Driven Siren	18-980203	SLA-0001	110V AC/DC	3.0/2.7 A	Red/Black	Up to 120/110	1800 Hz	1
	18-980205	SLA-0002	230V AC/DC	1.4/1.2 A	Red/Black	Up to 120/110	1800 Hz	1

#### Weights and Dimensions

Cat. No.	Klaxon Cat. No.	Approx. Net Weight (lb.)	Approx. Shipping Weight (lb.)
18-980203	SLA-0001	3.80	5.50
18-980205	SLA-0002	3.80	5.50



# Klaxon Sirens

## Motor Driven

### Mono Series

The Mini Mono P is a small motor driven siren designed for fire and general alarm signalling.

Designed for ease of mounting, it has a separate mounting plate which connects to the main body with a bayonet locking action and has a locking screw for additional security.

The mounting plate is suitable for surface mounting or for use with a conduit box depending on installation requirements.

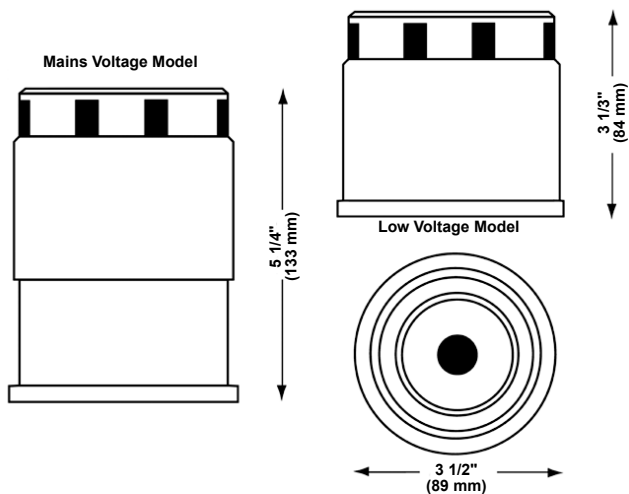
### Features and Specifications

- High quality siren sound
- Bayonet mounting plate for ease of installation
- High impact ABS
- IP44 rated
- Operating temperature range: -22°F to 131°F (-30°C to 55°C)



Ordering Information								
Description	Edwards Cat. No.	Klaxon Cat. No.	Operating Voltage	Current	Color	dB at 1m/10ft.	Tones	Frequency
Motor Driven Siren	18-980226	SLE-0002	24V DC	0.5 A	Gray	Up to 103/93	1	1000 Hz
	18-980228	SLE-0004	110/230V AC	0.130-0.09 A	Gray	Up to 103/93	1	1000 Hz

Weights and Dimensions			
Edwards Cat. No.	Klaxon Cat. No.	Approx. Net Weight (lb.)	Approx. Shipping Weight (lb.)
18-980226	SLE-0002	0.44	0.85
18-980228	SLE-0004	1.10	1.60





AC



DC



Up to 103 dB



131°F  
-22°F  
OP TEMP

**IP44**

ENCLOSURE

# Klaxon Sirens

## Motor Driven

### Super M Series

The Super M Series are powerful motor driven sirens which emit a very high sound output. Designed for surface mounting, they have a separate mounting bracket which may be secured in position first to allow for easy installation. In addition, they come pre-wired with 1 meter of cable.

They are suitable for outdoor applications when wall mounted.

The Super M is ideal for applications where a higher sound output is required, such as in areas of high background noise.

#### Features and Specifications

- High output siren sound (127dB)
- Separate mounting bracket for easy installation
- Long life and run time
- Suitable for use in indoor and outdoor applications
- ABS construction
- Operating temperature range: -22°F to 113°F (-30°C to 45°C)

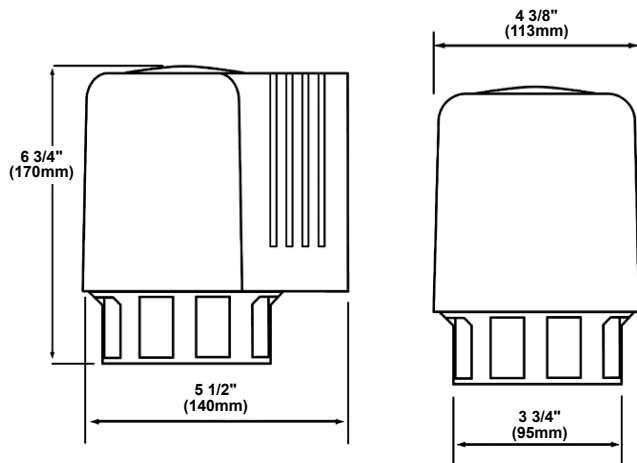


#### Ordering Information

Description	Edwards Cat. No.	Klaxon Cat. No.	Operating Voltage	Amps (Tone dependent)	Color	dB at 1m/10ft.	Frequency	Tones
Motor Driven Siren	18-980047	SLD-0001	110V AC/DC	2.7 A	Yellow	Up to 127/117	1600 Hz	1
	18-980049	SLD-0002	230V AC/DC	1.0 A	Yellow	Up to 127/117	1600 Hz	1

#### Weights and Dimensions

Edwards Cat. No.	Klaxon Cat. No.	Approx. Net Weight (lb.)	Approx. Shipping Weight (lb.)
18-980047	SLD-0001	4.00	5.70
18-980049	SLD-0002	4.00	5.70



# Electronic Audible Signals

## Multi-Tone Signal – Single Input, Single Output

### Millennium Class



The Millennium Class are heavy-duty industrial, tone-selectable, signaling devices capable of producing volume-controlled, high-decibel tones. Selected models are designed to serially connect to RS485 networks. The 5530MV-485Y6 additionally has a field recordable voice feature that allows activation of voice messages over the RS485 network.

#### Features and Specifications

- User selectable 55 tone capability - No additional tone modules needed
- Output up to 120dB @ 1m (110dB @ 10ft.)
- Output up to 123dB @ 1m (113dB @ 10ft.)
- **(5530MHV Series)**
- Captive components
- RS485 models supervised
- Diode polarized for supervisory circuits
- **(5530MD-24AW)**
- Speaker can be rotated and locked in any horizontal direction
- 24V DC battery backup terminals provided
- NEMA Type 3R
- UL listed for Class 1, Div. 2, Groups A, B, C and D; Class II, Div. 2, Groups F and G; Class III hazardous locations

Ordering Information					
Description	Cat. No.	Operating Voltage <sup>1</sup>	Input Activation Voltage	Signal Off Standby Current (Amps)	Signal On Operating Current (Amps)
Single output, 15 Watt Standard Volume	5530M-24AQ	24V DC	24V DC	0.10 A	0.74 A
		24V AC	24V DC	0.10 A	1.3 A
	5530M-24N5	120V AC	24V DC	0.10 A	0.36 A
	5530M-120N5	120V AC	120V AC	0.10 A	0.38 A
	5530M-24Y6	120V-240V AC	24V DC	0.10 A	0.31-0.20 A
	5530M-120Y6	125-250V DC	120V AC	0.10-0.02 A	0.21-0.10 A
Single output, RS485	5530M-485Y6	120-240V AC	RS485	0.10 A	0.32-0.20 A
Single output, RS485 Field recordable voice model	5530MV-485Y6	125-250V DC	RS485	0.04-0.02 A	0.21-0.10 A
Single output, 30 Watt High Volume	5530MHV-24AQ	24V DC	24V DC	0.10 A	1.5 A
		24V AC	0.10 A	2.3 A	
	5530MHV-24Y6	120-240V AC	120V AC	0.10 A	0.56-0.34 A
	5530MHV-120Y6	125-250V DC	24V DC	0.10-0.02 A	0.39-0.19 A
Single output, RS485 Connection 30 Watt High Volume	5530MHV-485Y6	120V AC-240V AC	RS485	0.10 A	0.56-0.34 A
		125-250V DC	RS485	0.10-0.02 A	0.39-0.19 A
Single output, Diode Polarized	5530MD-24AW	20-31V DC	—	—	0.63-1.0 A

<sup>1</sup>AC voltage frequency is 50/60 Hz.

#### Signal Input Load Characteristics

These devices may be operated by PLCs with output characteristics that match the input load requirements of the signal.

Cat. No.	Operating Voltage <sup>1</sup>	Max. Off State Leakage Current (A)	Continuous On Current (A)	Surge (Inrush/Duration) Amps/Milliseconds
5530M-24AQ	24V DC only	0.002	0.740	8/4
5530M-24N5	120V	0.002	0.360	2.82/4
5530M-120N5	120V	0.005	0.380	2.82/4
5530MHV-24AQ	24V DC only	0.002	1.500	8/4



# Electronic Audible Signals

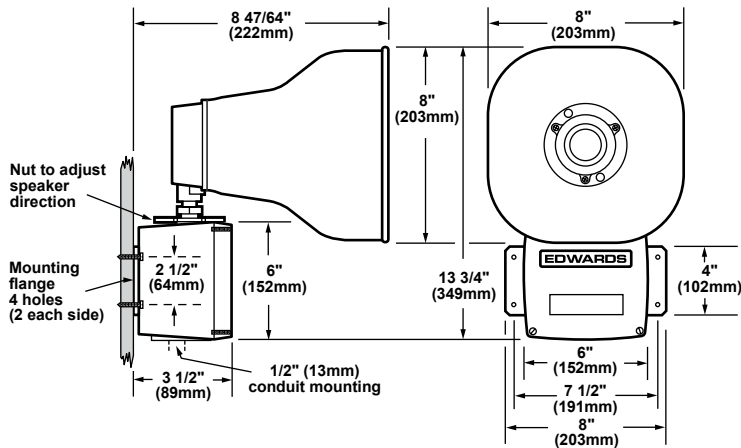
## Multi-Tone Signal – Single Input, Single Output

### Millennium Class

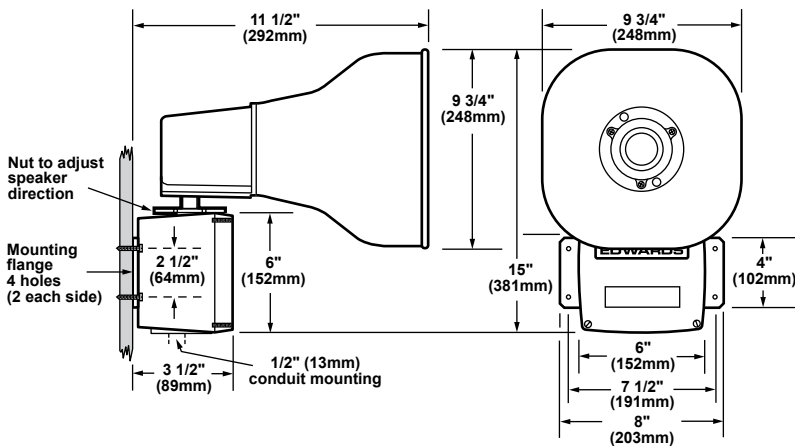
#### Weights and Dimensions

Cat. No.	Approx. Net Weight (lb.)	Approx. Shipping Weight (lb.)
5530M-24AQ	10.60	13.20
5530M-24N5	10.60	13.20
5530M-120N5	10.60	13.20
5530M-24Y6	10.60	13.20
5530M-120Y6	10.60	13.20
5530M-485Y6	10.60	13.20
5530MV-485Y6	10.60	13.20
5530MHV-24AQ	10.60	13.20
5530MHV-24Y6	10.60	13.20
5530MHV-120Y6	10.60	13.20
5530MHV-485Y6	10.60	13.20
5530MD-24AW	10.60	13.20

#### 5530M, 5530MV, and 5530MD-24AW Series



#### 5530MHV Series





# Electronic Audible Signals

## Multi-Tone Signal – Four Input, Four Output

### Millennium Class



The Millennium Class are heavy-duty industrial, tone-selectable, audible signaling devices capable of producing volume-controlled, high-decibel tones. In addition, the 5531MV Series can produce up to 20 seconds of field recorded voice messages.

#### Features and Specifications

- User selectable 55 tone capability - No additional tone modules needed
- Output up to 120dB @ 1m (110dB @ 10ft.) (**5531M and 5531MV**)
- Output up to 123dB @ 1m (113dB @ 10ft.) (**5531MHV**)
- Suitable for Division 2 Locations
- Built-in cascading priority system
- Captive components
- Speaker can be rotated and locked in any horizontal direction
- NEMA Type 3R and IP44 rated
- UL listed for Class 1, Div. 2, Groups A, B, C and D; Class II, Div. 2, Groups F and G; Class III hazardous locations

Ordering Information					
Description	Cat. No.	Operating Voltage <sup>1</sup>	Input Activation Voltage	Signal Off Standby Current (Amps)	Signal On Operating Current (Amps)
Four Outputs, 15 Watt	<b>5531M-24AQ</b>	24V DC	24V DC	0.10 A	0.74 A
		24V AC	24V DC	0.10 A	1.3 A
	<b>5531M-24N5</b>	120V AC	24V DC	0.10 A	0.36 A
		<b>5531M-120N5</b>	120V AC	120V AC	0.10 A
	<b>5531M-24Y6</b>	120-240V AC	24V DC	0.10 A	0.32-0.20 A
		125-250V DC	24V DC	0.10-0.02 A	0.21-0.10 A
<b>5531M-120Y6</b>	120-240V AC	120V AC	0.10 A	0.32-0.20 A	
	125-250V DC	120V AC	0.10-0.02 A	0.21-0.10 A	
Four Outputs, 30 Watt	<b>5531MHV-24AQ</b>	24V DC	24V DC	0.10 A	1.5 A
		24V AC	24V DC	0.10 A	2.3 A
	<b>5531MHV-24Y6</b>	120-240V AC	24V DC	0.10 A	0.62-0.34 A
		125-150V DC	24V DC	0.10-0.02 A	0.40-0.19 A
<b>5531MHV-120Y6</b>	120-240V AC	120V AC	0.10 A	0.62-0.34 A	
	125-150V DC	120V AC	0.10-0.02 A	0.40-0.19 A	
Field Recordable Device Model	<b>5531MV-24N5</b>	120V AC	24V DC	0.10 A	0.38 A
	<b>5531MV-120N5</b>	120V AC	120V AC	0.10 A	0.38 A
	<b>5531MV-24Y6</b>	125-250V DC	24V DC	0.10-0.02 A	0.21-0.10 A
120-240V DC		24V DC	0.10 A	0.32-0.20 A	

<sup>1</sup>AC voltage frequency is 50/60 Hz.



# Electronic Audible Signals

## Multi-Tone Signal – Four Input, Four Output

### Millennium Class

#### Signal Input Load Characteristics

These devices may be operated by PLCs with output characteristics that match the input load requirements of the signal.

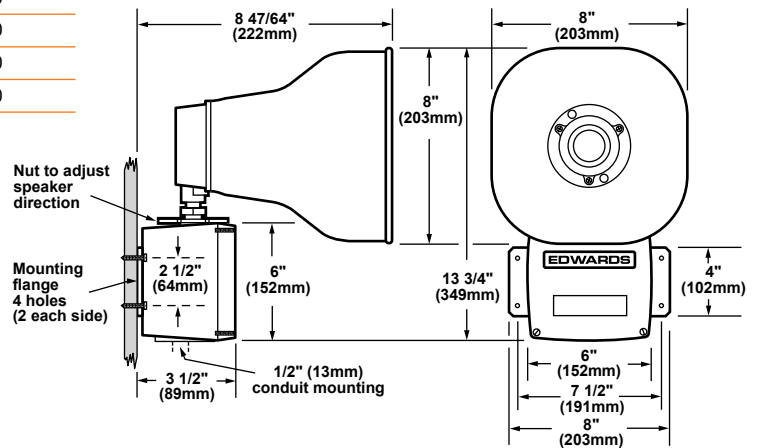
Cat. No.	Operating Voltage <sup>1</sup>	Max. Off State Leakage Current (A)	Continuous On Current (A)	Surge (Inrush/Duration) Amps/Milliseconds
5531M-24AQ	24V DC only	0.002	0.740	8/4
5531M-24N5	120V AC	0.002	0.360	2.82/4
5531M-120N5	120V AC	0.005	0.380	2.82/4
5531MHV-24AQ	24V DC only	0.002	1.5	8/4
5531MV-24N5	120V AC	0.002	0.360	2.82/4
5531MV-120N5	120V AC	0.005	0.380	2.82/4

<sup>1</sup>AC voltage frequency is 50/60 Hz.

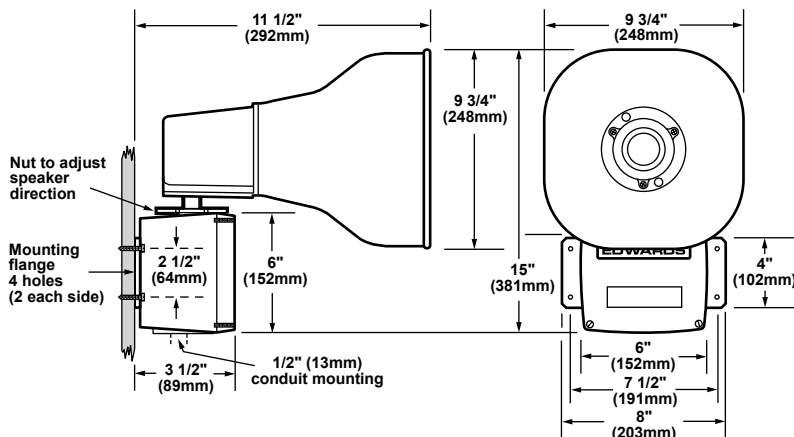
#### Weights and Dimensions

Cat. No.	Approx. Net Weight (lb.)	Approx. Shipping Weight (lb.)
5531M-24AQ	10.60	13.20
5531M-24N5	10.60	13.20
5531M-120N5	10.60	13.20
5531M-24Y6	10.60	13.20
5531M-120Y6	10.60	13.20
5531MHV-24AQ	10.60	13.20
5531MHV-24Y6	10.60	13.20
5531MHV-120Y6	10.60	13.20
5531MV-24N5	10.60	13.20
5531MV-120N5	10.60	13.20
5531MV-24Y6	10.60	13.20

5531M and 5531MV Series



5531MHV Series



# Electronic Audible Signals

## Multi-Tone Signal – Two Input, Two Output

### Titan Class



The 5533M and 5533MD signals are explosion-proof, heavy-duty industrial, tone-selectable, audible signaling devices capable of producing volume-controlled, high-decibel tones. The signal accepts up to two contact closures and delivers one or two audible output signals selected from the 55 tones available.

#### Features and Specifications

- User selectable 55 tone capability - No additional tone modules needed
- Internal volume control
- Corrosion resistant heat flowed epoxy finish
- Supplied with factory sealed 1/2" (13mm) threaded fitting for quick installation
- Diode polarized for supervised circuits  
**(5533MD)**
- Speaker swivels 180° vertically or horizontally depending on orientation of mounting bracket
- 30" (762mm) numbered wire leads
- Heavy duty zinc cast construction
- UL listed for Class 1, Div. 1 and 2, Groups B, C and D, hazardous locations

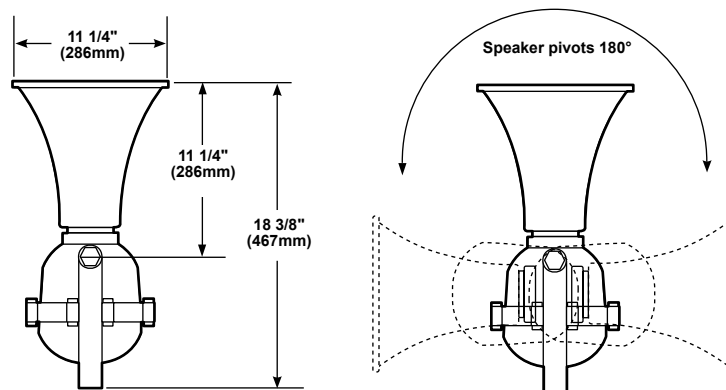
#### Ordering Information

Description	Cat. No.	Operating Voltage <sup>1</sup>	Signal Off Standby Current (Amps)	Signal On Operating Current (Amps)	dB at 1m/10ft.
Two Outputs, Explosionproof	5533M-AQ	24V DC	0.061 A	0.470 A	100/90
		24V AC	0.250 A	0.95 A	100/90
	5533M-Y6	120-240V AC	0.88 A	0.260 A	100/90
		125-250V DC	0.31-0.019 A	0.130-0.070 A	100/90
One Output, Explosionproof, Diode Polarized	5533MD-AW	24V DC	—	0.470 A	96/86

<sup>1</sup>AC voltage frequency is 50/60 Hz.

#### Weights and Dimensions

Cat. No.	Approx. Net Weight (lb.)	Approx. Shipping Weight (lb.)
5533M-AQ	16.50	23.50
5533M-Y6	16.50	23.50
5533MD-AW	16.50	23.50



# Electronic Audible Signals

## Connectivity and Activation

### Millennium Class

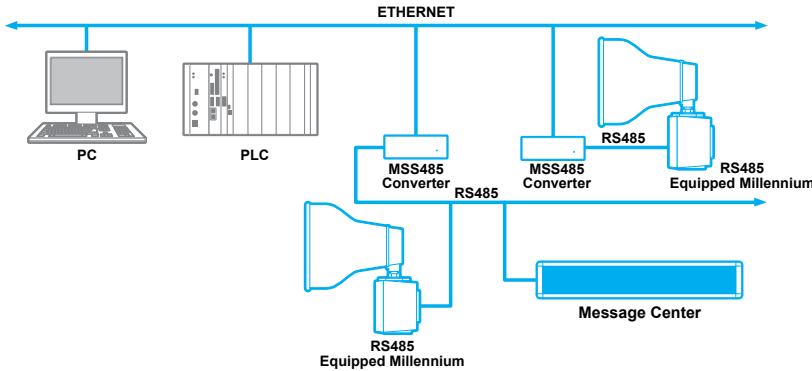
#### PLC Connectivity

The Millennium Class products are designed to be directly connected to a PLC (Programmable Logic Controller) that utilize the most common control voltages—24V DC and 120V AC @ 60 Hz. Each of the Millennium products

list the specific signal load characteristics such as the Operating Voltage, Continuous On Input Current, Off State Leakage Current Maximum and Surge current (inrush/duration).



5530MV Series Millennium



#### RS485 Activation

Select Millennium Units have been designed for serial communication and activation in RS485 networks. Refer to the list below for model numbers.

#### Activation Voltages

Depending on the model no., the inputs to the Millennium Class products can be activated by closing a dry contact, such as a relay or switch or by applying an externally generated voltage to the input terminals. In addition, the units may accept either 24V DC or 120V AC inputs.

The 120V AC input configuration is used on all models with "-120xx" in the suffix (where xx = the operating voltage code) and the 24V DC input configurations on models with "-24xx" in the suffix of the catalog number (where xx = the operating voltage code). When using dry contact inputs the models configured for 24V DC ("-24xx" suffix) inputs should be used. Reference "Model Activation Voltage" table below for the activation voltage for each model.

#### Model Activation Voltage

Dry Contact or 24V DC	120V AC
5530M-24xx	5530M-120xx
5530MHV-24xx	5530MHV-120xx
5531M-24xx	5531M-120xx
5531MHV-24xx	5531MHV-120xx
5536M-24xx	5540M-120xx
5540M-24xx	5531MV-120xx
5540MV-24xx	—
5531MV-24xx	—

XX denotes the voltage code

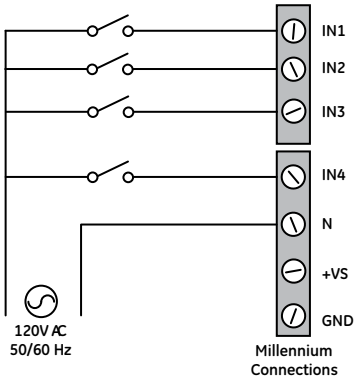
#### RS485 Activation

Models
5530M-485Y6
5530MHV-485Y6
5530MV-485Y6
5532M-485Y6
5532MHV-485Y6
5540M-485Y6
5540MV-485Y6
5560M with 556T-M485

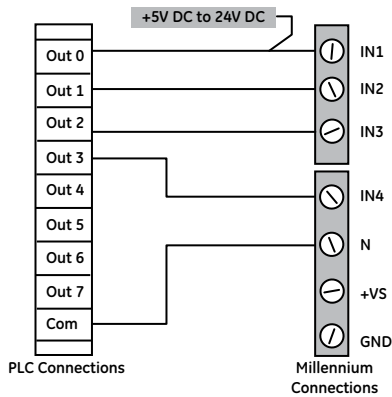
# Electronic Audible Signals Connectivity and Activation Millennium Class

## Technical Information

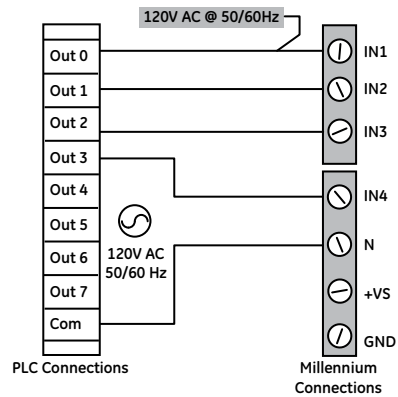
### Dry contact wiring for 120V Input Units (5531M-120xx)



### 24V DC PLC Connection\*



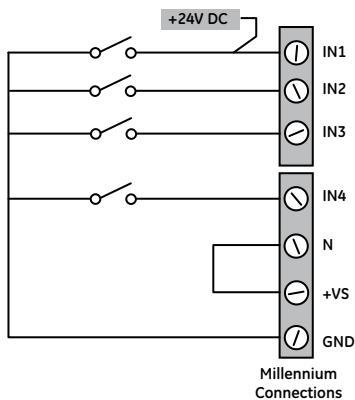
### 120V DC PLC Connection\*



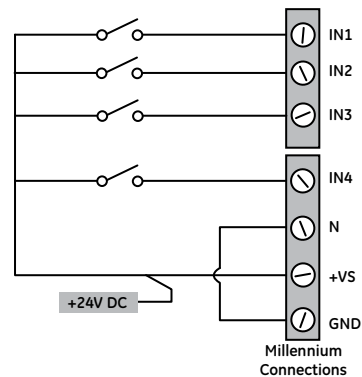
\* The installer should consult the PLC manufacturer's output card data sheet and the Millennium PLC compatibility chart when connecting to a PLC.

### Dry Contact Wiring for 24V Input Units (5531M-24xx)

#### Method A - Pull Down (Recommended)



#### Method B - Pull Up



# Electronic Audible Signals System Components

## Millennium Class

Millennium Class components are designed to connect to a Central Tone Generator or Voice Priority Multiple Tone units. Local power operation allows system components to connect to power sources of different voltages.

### Components

Description	Cat. No.
Central Tone Generator	5540M
Central Tone Generator with Field Recorded Voice Messages	5540MV
Remote Speaker Amplifier	5532M (15 Watt)
Remote Speaker Amplifier	5532MHV (30 Watt)
Hazardous Location Remote Speaker	5545M

### Retrofit Kits

Description	Cat. No.
10V RMS Audio Kit	AUDIO-10-M
25V RMS Audio Kit	AUDIO-25-M
70 V RMS Audio Kit	AUDIO-70-M
RS485 Network Kit	RS-485-M
Voice Module Kit	VOICE-M
1 input 24V DC PCB Kit	Input-1-24
4 input 24V DC PCB Kit	Input-4-24
1 input 120V AC PCB Kit	Input-1-120
4 input 120V AC PCB Kit	Input-4-120
Pager Board	7990031

Cat. No. 5532M



Cat. No. 5532MHV



Cat. No. 5545M



Cat. No's. 5540M, 5540MV



# Electronic Audible Signals System Master Panel Millennium Class



The 5541M Millennium System Master is a fully supervised personnel notification control system for both emergency facility evacuation, and non-emergency process control and plant-wide signaling communications.

The System Master may be used for ancillary Fire Alarm evacuation by tying into an existing fire alarm system.

The 5532M Series Speaker/Amplifier is used for sound output. Up to 200 speaker/amplifiers can be connected to the system master.

## Features and Specifications

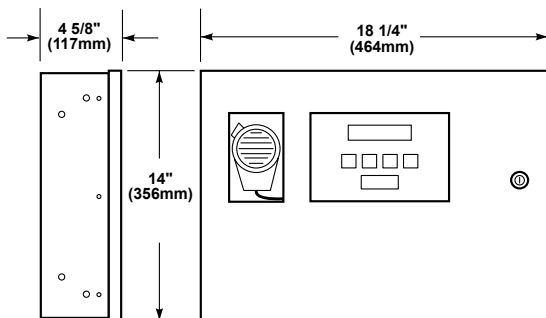
- 67 tones
- 4 zone control with zone paging
- Audio, voice and power supervision
- Microphone and external input supervision
- Up to four 5-second voice messages or one 20-second message
- Remote programming and diagnostics
- Phone paging from PBX systems
- Up to 64 satellite units addressable through RS485
- Output and trouble relays designed for fail-safe operation
- Top, side and bottom knockouts for easy wire entry
- LED alarm, standby power and status indications
- Activates LED text displays
- Easy to adjust audio output

## Ordering Information

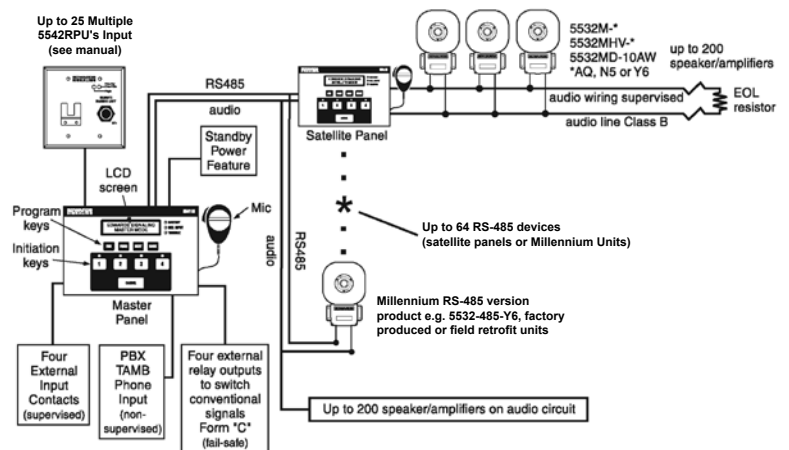
Description	Cat. No.	Operating Voltage	Signal Off Standby Current (Amps)	Signal On Operating Current (Amps)
System Master	5541M-Y6	120V AC @ 60 Hz	0.14 A	0.37 A
		240V AC @ 50 Hz	0.10 A	0.22 A

## Weights and Dimensions

Cat. No.	Approx. Net Weight (lb.)	Approx. Shipping Weight (lb.)
5541M-Y6	24.00	25.30



## Typical System Master Configuration



# Electronic Audible Signals Tone Generator Millennium Class



The 5540M Millennium Central Tone Generator provides simultaneous signaling of a high decibel, heavy duty signal. The tone generator assures a synchronous signaling sound from all remote speakers.

The 5540MV Millennium Central Tone Generator features pre-recorded voice messaging and can store 20 seconds of field recorded voice messages.

The 5540MP Millennium Central Tone Generator, when used with the 5542RPU Remote Paging Unit, provides voice paging and other audio output. The paging/voice signal is inputted into the Remote Paging Unit via either an audio pair or the 5542MIC series microphone.

## Features and Specifications

- User Selectable 55 tone capability– No additional tone modules needed
- Captive Components
- Centralized programmable tone selection
- System-wide priority tone selection
- RS485 models available
- 24V DC battery backup terminals
- Short Circuit protected
- 20 sec. of field recorded Voice (**5540MV**)
- Built in Presignal tone option on first message location (**5540MV**)
- Voice paging (**5540MP**)
- NEMA Type 3R and IP44 rated
- UL listed for Class I, Div. 2, Groups A, B, C and D; Class II, Div.2, Groups F and G; and Class III hazardous locations

## Ordering Information

Description	Cat. No.	Operating Voltage <sup>1</sup>	Input Activation Voltage	Signal Off Operating Current (Amps)	Signal On Operating Current (Amps)
Four Outputs, Tone Only	<b>5540M-24AQ</b>	24V DC	24VDC	0.10 A	0.74 A
		24V AC	24V DC	0.10 A	1.3 A
	<b>5540M-24N5</b>	120V AC	24V DC	0.10 A	0.36 A
		120V AC	120V AC	0.10 A	0.38 A
Four Outputs, Tone Only	<b>5540M-24Y6</b>	120-240V AC	24V DC	0.10 A	0.32-0.20 A
		125-250V DC	24V DC	0.10-0.02 A	0.21-0.10 A
	<b>5540M-120Y6</b>	120-240V AC	120V AC	0.10 A	0.31-0.20 A
		125-250V DC	120V AC	0.10-0.02 A	0.20-0.10 A
Four Outputs, RS485 Connection, Tone Only	<b>5540M-485Y6</b>	120-240V AC	RS485	0.10 A	0.31-0.20 A
		125-250V DC	RS485	0.10-0.02 A	0.20-0.10 A
Four Outputs, Tone and Voice Messaging	<b>5540MV-24N5</b>	120V AC	24VDC	0.10 A	0.36 A
		120-240V AC	24V DC	0.10 A	0.32-0.20 A
	<b>5540MV-24Y6</b>	125-250V DC	24V DC	0.10-0.02 A	0.21-0.10 A
Four Outputs, RS485 Connection Tone and Voice Messaging	<b>5540MV-485Y6</b>	120-240V AC	RS485	0.10 A	0.32-0.20 A
		125-250V DC	RS485	0.10-0.02 A	0.21-0.10 A
Tone and Voice Paging	<b>5540MP-24Y6<sup>2</sup></b>	120-240V AC	24V DC	0.10 A	0.32-0.20 A
		125-250V DC	24V DC	0.10-0.02 A	0.21-0.10 A

<sup>1</sup>AC voltage frequency is 50/60 Hz.

<sup>2</sup>Must be connected to 5542RPU to operate



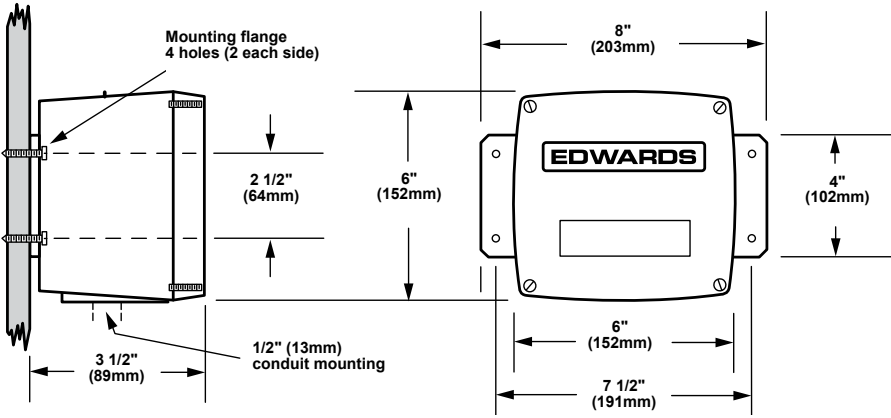


# Electronic Audible Signals

## Tone Generator

### Millennium Class

Weights and Dimensions		
Cat. No.	Approx. Net Weight (lb.)	Approx. Shipping Weight (lb.)
5540M-24AQ	8.00	8.40
5540M-24N5	8.00	8.40
5540M-120N5	8.00	8.40
5540M-24Y6	8.00	8.40
5540M-120Y6	8.00	8.40
5540M-485Y6	8.00	8.40
5540MV-24N5	8.00	8.40
5540MV-24Y6	8.00	8.40
5540MV-485Y6	8.00	8.40
5540MP-24Y6	8.00	8.40



# Electronic Audible Signals System Speaker Amplifier Millennium Class



Millennium Class System Speaker Amplifiers have been designed for high decibel system operation when connected to the 5540M Central Tone Generator or 5541M System Master Panel.

The 5532M-485Y6 and 5532MHV-485Y6 are designed to be connected to RS485 networks, allowing full signaling communication control.

The 5532MD-70AW is a diode polarized units designed for use in applications requiring electrical supervision of signaling circuit field wiring.

## Features and Specifications

- Output up to 120dB @ 1m (110dB @ 10ft.) (**5532M and 5532MD**)
- Output up to 123dB @ 1m (113dB @ 10ft.) (**5532MHV**)
- Corrosion resistant electrostatic heat flowed epoxy finish
- Individual volume control
- Suitable for Division 2 Locations
- Captive Components
- RS485 model available
- Diode Polarized models (**5532MD**)
- 24V DC battery backup terminals
- NEMA Type 3R and IP44 rated
- UL listed for Class 1, Div. 2, Groups A, B,C and D; Class II, Div. 2, Groups E and F; and Class III hazardous locations

## Ordering Information

Description	Cat. No.	Operating Voltage <sup>1</sup>	Signal Off Standby Current (Amps)	Signal On Operating Current (Amps)
High Decibel	<b>5532M-25Y6</b>	120-240V AC	0.10 A	0.32-0.20 A
		125-250V DC	0.10-0.02 A	0.21-0.10 A
High Decibel	<b>5532M-70Y6</b>	120-240V AC	0.10 A	0.32-0.20 A
		125-250V DC	0.10-0.02 A	0.21-0.10 A
High Decibel, RS485	<b>5532M-485Y6</b>	120-240V AC	0.10 A	0.32-0.20 A
		125-250V DC	0.10-0.02 A	0.21-0.10 A
High Decibel, Diode Polarized	<b>5532MD-10AW<sup>2</sup></b>	20-31V DC	0.10 A	0.63-1.0 A
		<b>5532MD-70AW<sup>2</sup></b>	20-31V DC	0.10 A
High Decibel, RS485, 30 Watt	<b>5532MHV-485Y6</b>	120-240V AC	0.10 A	0.56-0.34 A
		125-250V DC	0.10 A	0.39-0.19 A

<sup>1</sup>AC voltage frequency is 50/60 Hz.

<sup>2</sup>Red finish.

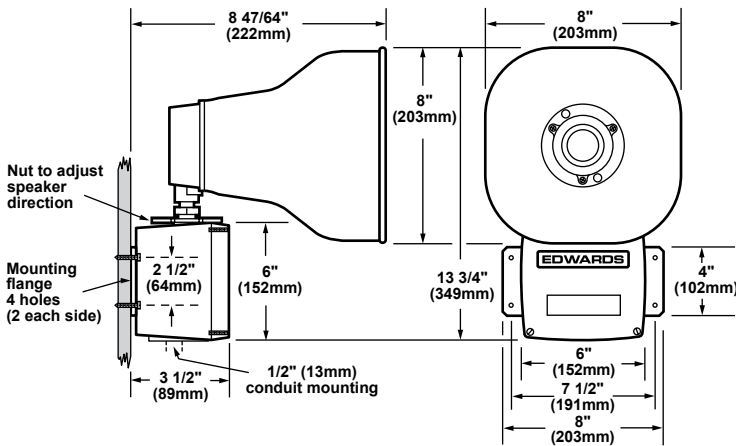


# Electronic Audible Signals System Speaker Amplifier Millennium Class

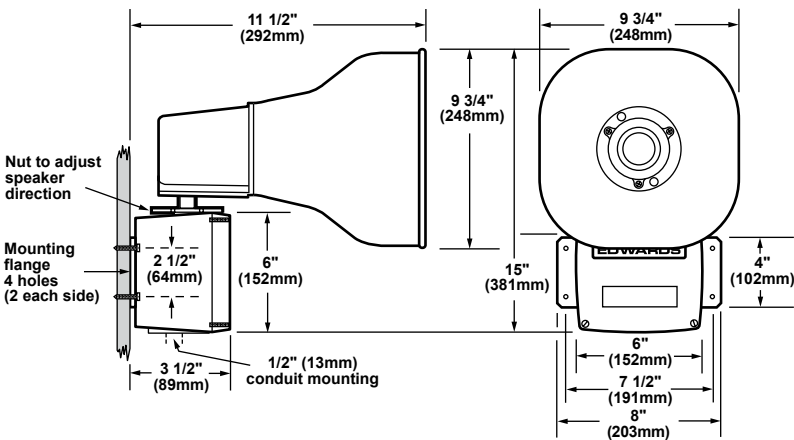
## Weights and Dimensions

Cat. No.	Approx. Net Weight (lb.)	Approx. Shipping Weight (lb.)
5532M-25Y6	10.60	13.20
5532M-70Y6	10.60	13.20
5532M-485Y6	10.60	13.20
5532MD-10AW	10.60	13.20
5532MD-70AW	10.60	13.20
5532MHV-485Y6	10.60	13.20

### 5532M and 5532MD Series



### 5532MHV Series



# Speaker/Amp

## Remote Speaker Amplifier

### Millennium Class



Millennium Class System Speaker Amplifiers have been designed for high decibel system operation when connected to the 5540M Central Tone Generator or 5541M System Master Panel.

#### Features and Specifications

- Output up to 120dB @ 1m (110dB @ 10ft.) **(5532M)**
- Output up to 123dB @ 1m (113dB @ 10ft.) **(5532MHV)**
- Corrosion resistant electrostatic heat flowed epoxy finish
- Individual volume control
- Suitable for Division 2 Locations
- Captive Components
- RS485 model available
- 24V DC battery backup terminals
- NEMA Type 3R and IP44 rated
- UL listed for Class 1, Div. 2, Groups A, B,C and D; Class II, Div. 2, Groups E and F; and Class III hazardous locations

#### Ordering Information

Description	Cat. No.	Operating Voltage <sup>1</sup>	Signal Off Standby Current (Amps)	Signal On Operating Current (Amps)
High Decibel	5532M-AQ	24V DC	0.10 A	0.7 A
		24V AC	0.10 A	1.3 A
	5532M-N5	120V AC	0.10 A	0.36 A
		5532M-Y6	120-240V AC 125-250V DC	0.10 A 0.10-0.02 A
High Decibel, 30 Watt	5532MHV-AQ	24V DC	0.10 A	1.5 A
		24V AC	0.10 A	2.3 A
	5532MHV-Y6	120-240V AC	0.10 A	0.56-0.34 A
		125-250V DC	0.10 A	0.39-0.19 A

<sup>1</sup>AC voltage frequency is 50/60 Hz.



# Speaker/Amp

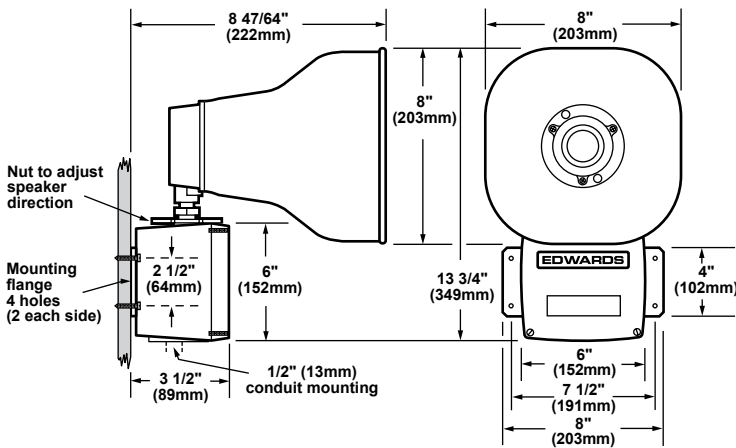
## Remote Speaker Amplifier

### Millennium Class

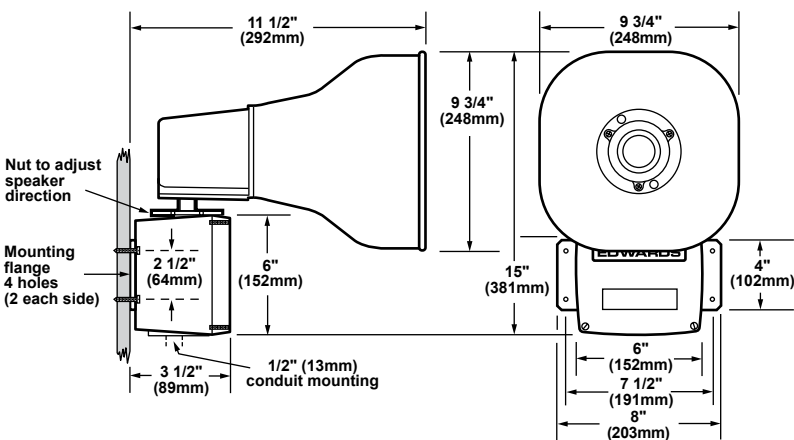
#### Weights and Dimensions

Cat. No.	Approx. Net Weight (lb.)	Approx. Shipping Weight (lb.)
5532M-AQ	10.60	13.20
5532M-N5	10.60	13.20
5532M-Y6	10.60	13.20
5532MHV-AQ	10.60	13.20
5532MHV-Y6	10.60	13.20

#### 5532M Series



#### 5532MHV Series



# Electronic Audible Signals

## Speaker Amp

### Millennium Class



The 5560M Millennium Mini-Mi™ is a compact tone and voice generator which is completely modular in construction. The 5560M base unit is supplied with or without a 110 candela strobe. The strobe turns on when power is supplied. One of five optional modules may be installed in the base unit.

The 5560M is configured for stand-alone operation when installed with the 556T-M Tone Module Board. One tone may be dipswitch selected from a field of 55 tones and will be played whenever power is applied to the unit. When installed with the 556T-M485 Tone Module Board, any of the available 55 tones can be activated over a RS485 Network.

### Features and Specifications

- Compact, modular design allows unit to be configured with tone, voice, audio coupling or RS485
- 10, 25 or 70.7VRMS audio input boards available
- Internal volume control
- Strobe and diode polarized fire alarm models
- Suitable for outdoor applications when mounted to outdoor back box
- Rugged Lexan construction tone, voice, audio coupling or RS485
- NEMA Type 3R (**Mini-Mi models only**)
- 90dB @ 1m (80dB @ 10ft.)

### Ordering Information

Description	Cat. No.	Operating Voltage <sup>1</sup>	Typical Current (A)		Max. RMS-mA	Color
			Standby	Tone On	Operating Current	
Base Model	5560M-AQ	24V DC	0.03	0.07	—	White
		24V AC	0.08	0.28	—	
Base Model	5560M-N5	120V AC	0.03	0.09	—	White
Diode Polarized	5560MD-FJ	24V DC <sup>3</sup>	—	—	0.13	White
Diode Polarized	5560MDR-FJ	24V DC <sup>3</sup>	—	—	0.13	Red
With Strobe	5560MS-AQ	24V DC	0.03	0.27	—	White
		24V AC	0.08	0.36	—	
With Strobe	5560MS-N5	120V AC	0.03	0.10	—	White
With Strobe - Diode Polarized	5560MDS-FJ	24V DC <sup>3</sup>	—	—	0.13	White
With Strobe - Diode Polarized	5560MDSR-FJ	24V DC <sup>3</sup>	—	—	0.13	Red
Audio Coupler Module Board <sup>2</sup>	556A-M	—	—	—	—	—
Audio Coupler Module Board with RS485 Connectivity <sup>2</sup>	556A-M485	—	—	—	—	—
Tone Module Board <sup>2</sup>	556T-M	—	—	—	—	—
Tone Module Board with RS485 Connectivity <sup>2</sup>	556T-M485	—	—	—	—	—
Voice Module Board <sup>2</sup>	556V-M	—	—	—	—	—

<sup>1</sup>AC voltage frequency is 50/60 Hz.

<sup>2</sup>Not NEMA 3R

<sup>3</sup>Regulated

### Accessories

Description	Cat. No.
Outdoor Back Box	449



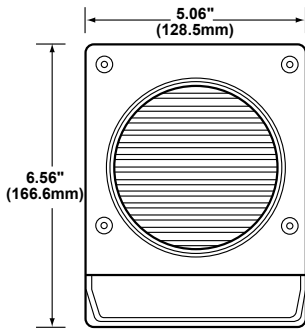
# Electronic Audible Signals

## Speaker Amp

### Millennium Class

#### Weights and Dimensions

Cat. No.	Approx. Net Weight (lb.)	Approx. Shipping Weight (lb.)
5560M-AQ	1.50	2.20
5560M-N5	1.50	2.20
5560MD-FJ	1.50	2.20
5560MDR-FJ	1.50	2.20
5560MS-AQ	1.90	2.50
5560MS-N5	2.30	2.70
5560MDS-FJ	1.80	2.30
5560MDSR-FJ	1.80	2.30
556A-M	0.10	0.30
556A-M485	0.10	0.30
556T-M	0.10	0.30
556T-M485	0.10	0.30
556V-M	0.10	0.30
449	1.13	1.18



# Electronic Audible Signals

## Speaker Amp

### Titan Class



The 5545M Hazardous Location Remote Speaker/ Amplifier has been designed for high decibel system operation when connected to the 5540M Central Tone Generator or 5541M System Master Panel.

#### Features and Specifications

- Corrosion resistant electrostatic heat flowed epoxy finish
- Individual volume control
- Speaker swivels 180° vertically or horizontally depending on orientation of mounting bracket
- 30" (762mm) numbered wire leads
- Supplied with factory sealed 1/2" (13mm) threaded fitting for quick installation
- Heavy duty zinc cast construction
- 100dB @ 1m (90dB @ 10ft.)
- UL listed for Class 1, Div. 1 and 2, Groups B, C and D hazardous locations

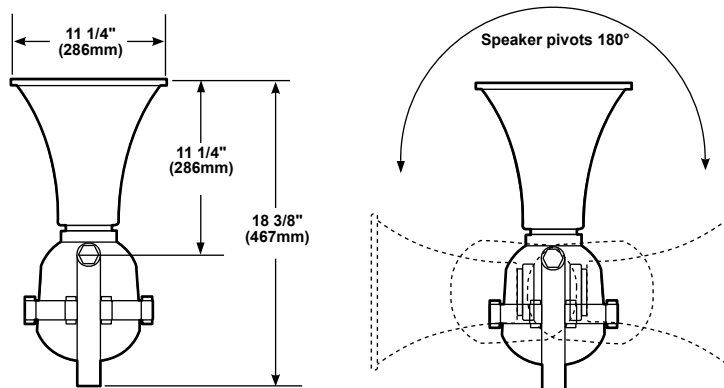
#### Ordering Information

Description	Cat. No.	Operating Voltage <sup>1</sup>	Typical Current	
			Standby	Tone On
High Decibel, Explosionproof	5545M-AQ	24V DC	0.061 A	0.47 A
		24V AC	0.25 A	0.95 A
	5545M-Y6	120-240V AC	0.10 A	0.28-0.15 A
		125-250V DC	0.11-0.02 A	0.15-0.08 A
	5545M-25Y6	120-240V AC	0.10 A	0.28-0.15 A
		125-250V DC	0.11-0.02 A	0.15-0.08 A
	5545M-70Y6	120-240V AC	0.10 A	0.28-0.15 A
		125-250V DC	0.11-0.02 A	0.15-0.08 A

<sup>1</sup>AC voltage frequency is 50/60 Hz.

#### Weights and Dimensions

Cat. No.	Approx. Net Weight (lb.)	Approx. Shipping Weight (lb.)
5545M-AQ	16.50	23.50
5545M-Y6	16.50	23.50
5545M-25Y6	16.50	23.50
5545M-70Y6	16.50	23.50





# Electronic Audible Signals

## Paging Devices

### Millennium Class

#### 5542RPU Remote Paging Unit

Sends audio page to, and is powered by the 5540MP-24Y6. Input is received from a microphone input or audio pair signal source such as phone PBX. Indoor, Type 2 enclosure when flush wall mounted. Indoor, Type 12 or 2 when mounted to outdoor listed 4" square utility box. Outdoor, Type 3R and Indoor Type 12 or 2 when mounted with 5542WPK to outdoor listed 4" square utility box.

#### 5542RPU-M Remote Paging Unit

Same as 5542RPU but includes 5542MIC-H Hand Held Microphone.

#### 5542MIC-H Hand Held Microphone

**Optional.** May be plugged into 5542 RPU either permanently or as needed.

#### 5542MIC-D Desktop Microphone

**Optional.** May be plugged into 5542RPU either permanently or as needed.

**5542WPK Mounting Kit Optional.** Intended for use with 5542RPU or 5542RPU-M to provide Type 3R outdoor protection for the 5542RPU series.

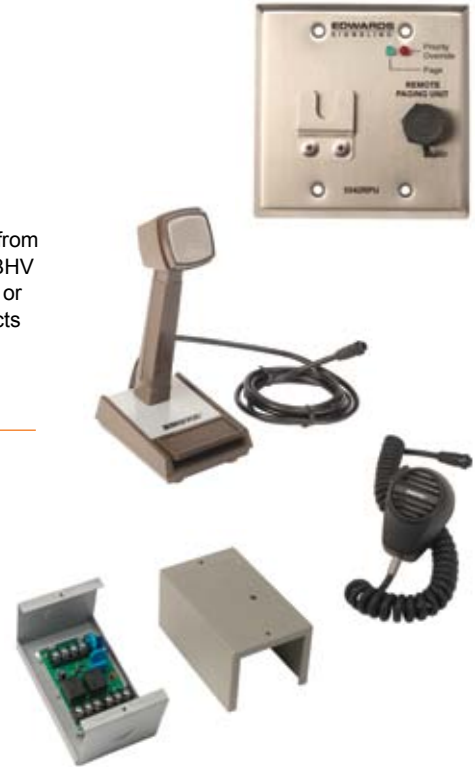
Mounting kit for use with the 5542 Series Remote Paging Unit. The mounting kit is UL Listed, CSA Certified and has a Type 3R rating when mounted to the box (included).

#### MR-201/C Relay

**Optional.** Used to enable the audio output from the 5540MP-24Y6 to override output from other sources to the same 5532B or 5532BHV series, 5532M or 5532MHV series, 5536M or 5536MHV series, and 5545B series products in the system.

#### Features and Specifications

- Suitable for outdoor applications when mounted with 5542WPK
- Optional Desk Microphone
- Removeable Microphones
- UL 464 and cUL C22.2 listed No. 205
- NEMA Type 3R



#### Ordering Information

Description	Cat. No.
Remote Paging Unit	5542RPU
Remote Paging Unit	5542RPU-M

#### Accessories

Description	Cat. No.
Hand Held Microphone	5542MIC-H
Desktop Microphone	5542MIC-D
Mounting Kit	5542WPK
Relay	MR-201/C



# Electronic Audible Signals

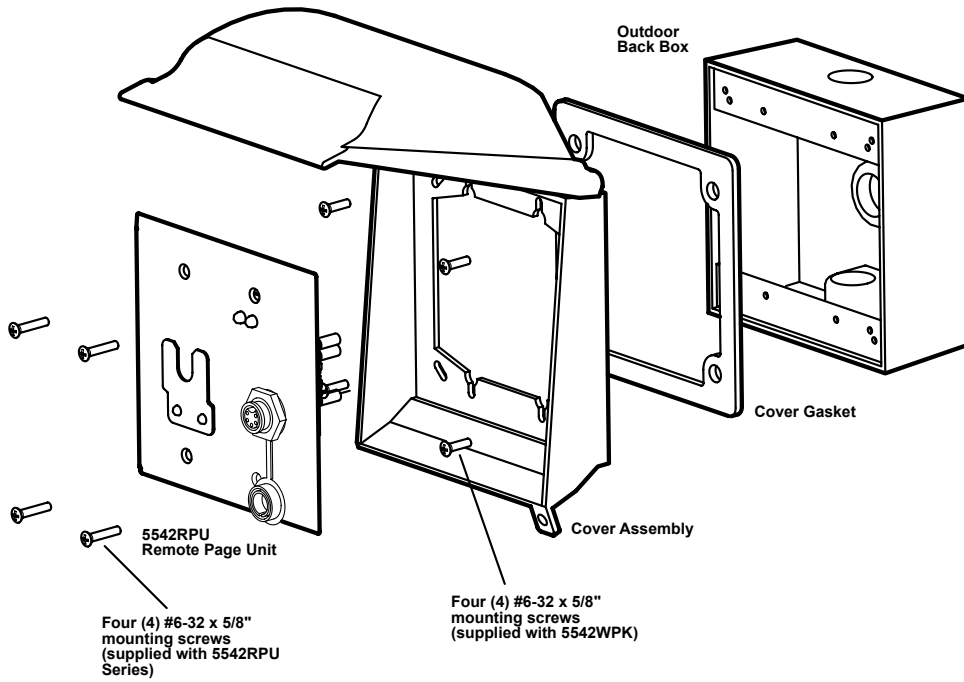
## Paging Devices

### Millennium Class

#### Weights and Dimensions

Cat. No.	Approx. Net Weight (lb.)	Approx. Shipping Weight (lb.)
5542RPU	0.50	0.70
5542RPU-M	1.31	1.88
5542MIC-H	0.81	1.18
5542MIC-D	1.75	2.31
5542WPK	0.42	0.70
MR-201/C	0.50	0.85

5542RPU with 5542WPK Mounting Kit (suitable for outdoor applications)



# Electronic Audible Signals

## Tone Selection

### Millennium Class

Tones		HEX	27 Tone Models	55 Tone Models	Standard Volume	High Volume
Tone	Description					
Ding-Dong	Percussive pairs of 700 & 570 Hz tones, damped to zero	01	X	X	98	101
Warble	575 & 770 Hz alternately, 87 ms each	02	X	X	104	107
Siren	600-1250 Hz up & down sweep in 8 seconds & repeat	03	X	X	99	102
Stutter	Percussive 470 Hz, 83 ms on, 109 ms off	04	X	X	103	106
Slow Whoop	600-1250 Hz upward sweep in 4 seconds & repeat	05	X	X	110	113
Beep	470 Hz, 0.55 seconds on, 0.55 seconds off	06	X	X	102	105
Chime 1	700 Hz percussive repeat at 1 Hz	07	X	X	98	101
Fast Whoop	600-1250 Hz upward sweep in 1 second & repeat	08	X	X	110	113
Hi/Lo	780 to 600 Hz alternately, 0.52 seconds each	09	X	X	105	108
Rapid Siren	600-1250 Hz up & down sweep in 0.25 seconds & repeat	0A	X	X	107	110
Yeow	1250-600 Hz downward sweep in 1.6 seconds and repeat	0B	X	X	110	113
Horn	470 Hz continuous	0C	X	X	102	105
Air Horn	370 Hz continuous	0D	X	X	102	105
Dual Tone	450-500 Hz, 0.4 to 0.5 second cycle	0E	X	X	103	106
Chime 2	575 Hz percussive repeat at 1 Hz	0F	X	X	96	99
Westminster	Two measures, 411 Hz, 520 Hz, 407 Hz, 312 Hz	10	X	X	98	101
Three Blind Mice	Four measures, 787 Hz, 714 Hz, 625 Hz, 952 Hz, 333 Hz	11	X	X	101	104
Phasor	416-625 Hz up and down sweep in 13 ms and repeat	12	X	X	102	105
Telephone	570 & 770 Hz alt., 50 ms each for 1.2s, 1.5s delay & repeat	13	X	X	103	106
Staircase	440-2000 Hz up & down steps, 750 ms delay & repeat	14	X	X	107	110
3 Tone Alert	463, 641 & 896 Hz, 200 ms each, 1 second delay & repeat	15	X	X	106	109
Presignal Chime	470 Hz percussive repeat at 1.5 Hz, followed by Message 1	16	X	X	95	98
NFPA Whoop	Three 422-775 Hz upward sweeps, 850 ms ea., 1s delay & repeat	1B	X	X	104	107
3 Pulse Horn	470 Hz, 3 0.5 sec. pulses separated by 0.5 sec. followed by a 1.5 second delay & repeat — For Evacuation Use Only	1C	X	X	107	110
3 Pulse Air Horn	370 Hz, 3 0.5 sec. pulses separated by 0.5 sec. followed by a 1.5 second delay and repeat	1D	X	X	107	110
3 Pulse Dual Tone	450-500 Hz, 0.4 to 0.5 sec. cycle, 3 0.5 sec. pulses — <b>For Evacuation Use Only</b>	1E	X	X	105	108
3 Pulse Chime 2	575 Hz, 3 0.5 sec. pulses separated by 0.5 sec. followed by a 1.5 second delay & repeat — For Evacuation Use Only	1F	X	X	95	9
European Police	969 Hz and 800 Hz alternately 0.250 seconds each	20		X		
European Fire	982 Hz and 864 Hz downward sweep in 0.134 seconds	21		X		
European Slow Whoop	658 Hz to 1312 Hz upward sweep in 3 seconds followed by 0.5 second delay & repeat	22		X		
European General	1087 Hz for 0.5 seconds followed by 0.5 second delay & repeat	23		X		
European Toxic	982 Hz continuous	24		X		
European Police 2	554 Hz & 440 Hz alternately 0.800 seconds each	25		X		
European Stutter	3876 Hz for 0.146 sec. followed by 0.102 sec. delay & rep.	26		X		
European Sweep	1315 Hz to 413 Hz downward sweep in 1.17 sec. & repeat	27		X		
Telephone 2	Alternate tones at 567 Hz & 326 Hz, for 0.052 seconds each	28		X		
Buzzer 1	1315 Hz & 746 Hz alternating for 0.003 seconds each	29		X		
Genesis Horn Continuous	Continuous Genesis horn	2A		X		
Genesis Horn Temporary	Temporal Genesis horn	2B		X		
Warning 1	1207 Hz & 493 Hz, alternately 0.002 seconds each	2C		X		
Warning 2	2336 Hz & 493 Hz, alternately 0.005 seconds each	2D		X		
Warning 2 Beep	0.500 second of 2336 Hz & 493 Hz, each alternating for 0.005 seconds, followed by 1 second delay	2E		X		
Caution	453 Hz for 0.040s, 235 Hz for 0.020s, 235 Hz for 0.160s, 260 Hz for 0.050s, 260 Hz for 0.1009s, 235 Hz for 0.050s	2F		X		
Multi-Tone	376, 357, 352, 382, 355, 375, 384, 375 & 364 Hz alternately on for 0.050 seconds	30		X		
Attention	2232, 4545, 3704, 2777, 4347, 3704, 2500 Hz alternately on for 0.003 seconds	31		X		
High Frequency Steady Alert	2500 Hz continuous	32		X		
High Frequency Fast Siren	2500 to 3048 Hz up & down sweep in 0.130 seconds	33		X		
High Frequency Slow Siren	2500 to 3048 Hz up & down sweep in 0.500 seconds	34		X		
DIN PFEER	Ramp downward from 1336 to 522 Hz in 1.2 sec. & repeat	35		X		
NFS 32 001	584 Hz for 0.100 seconds & 461 Hz for 0.400 seconds	36		X		
Ode to Joy	6.45 seconds of melody followed by 1 sec. delay & repeat	37		X		
Twinkle Twinkle Little Star	13.2 sec. of melody followed by 1 sec. delay & repeat	38		X		
Dueling Banjos	10.84 sec. of melody followed by 1 sec. delay & repeat	39		X		
La Cucaracha	7.10 sec. of melody followed by 1 sec. delay & repeat	3A		X		
Yellow Rose of Texas	19.34 sec. of melody followed by 1 sec. delay & repeat	3B		X		



E D W A R D S