

In This Section...

T&B Fittings

Rigid and Intermediate Metal Conduit Fittings.....	A-4-A-34
Conduit Outlet Bodies	A-35-A-46
Mogul Conduit Outlet Bodies.....	A-47-A-48
Aluminum Mogul Conduit Outlet Bodies.....	A-49-A-50
FS/FD Cast Device Boxes and Covers	A-51-A-54
FS/FD Aluminum Device Boxes and Covers.....	A-55-A-63
Conduit Outlet Boxes Explosion-Proof, Dust-Ignition-Proof.....	A-64-A-66
Aluminum Conduit Outlet Boxes Explosion-Proof, Dust-Ignition-Proof.....	A-67-A-75
Conduit Outlet Bodies Explosion-Proof, Dust-Ignition-Proof	A-76
Conduit Outlet Elbows Explosion-Proof, Dust-Ignition-Proof	A-77
RE, PLG, REC Reducers, Plugs and Adapters Explosion-Proof, Dust-Ignition-Proof	A-78
Three-Piece Couplings Explosion-Proof, Dust-Ignition-Proof	A-79
Aluminum Three-Piece Couplings Explosion-Proof, Dust-Ignition-Proof	A-80
Elbows Explosion-Proof, Dust-Ignition-Proof.....	A-81
Sealing Fittings Explosion-Proof, Dust-Ignition-Proof.....	A-82-A-86
Flexible Couplings Explosion-Proof, Dust-Ignition-Proof	A-87
Kopr-Shield® Compound	A-88
Jacketed Metal Clad Cable Termination Fittings.....	A-89-A-97
Tray Cable Fittings	A-98-A-99
Electrical Metallic Tubing (EMT) Fittings	A-100-A-104
Liquidtight Flexible Metal Conduit Fittings.....	A-105-A-121
Shureflex™ Nylon Conduit System	A-122-A-125
XTRA FLEX® System	A-126-A-134
Flexible Cord and Cable Fittings.....	A-135-A-147
Non-Metallic Cable and Cord Fittings.....	A-148-A-149
Service Entrance Cable Fittings	A-150-A-154
Metal Clad Cable, Armored Cable and Flexible Metal Conduit Fittings	A-155-A-161
Non-Metallic Sheathed Cable Fittings	A-162-A-166
Conduit Dimensional Data	A-167-168

T&B Fittings

Thomas & Betts

United States
Tel: 901.252.8000
800.816.7809
Fax: 901.252.1354

Technical Services
Tel: 888.862.3289

www.tnb.com

The Complete Product Line

Since the turn of the century, Thomas & Betts has been a recognized leader in electrical fittings. Industry standards such as Chase® Nipples and Erickson® Couplings were introduced by Thomas & Betts and are still registered trademarks. This leadership continues. Here's why...



Innovative Designs

The real test of product design of electrical fittings lies in two areas: Job-suited installation and life of the job reliability. Thomas & Betts Fittings provide both because we listen. We listen to problems and suggestions from the field. Most of the products in this section result from the good suggestions of knowledgeable electrical people. Many were customer specials to solve particular installation and performance problems. You can benefit from their experience.

Approvals and Listings

Electrical raceways require accessory fittings that provide the mechanical strength, ground continuity and environmental integrity of the system. As new raceways have been introduced, Thomas & Betts engineers have designed fittings that meet the requirements of the National Electrical Code® as well as the listing requirements of the Underwriter's Laboratories and the Canadian Standards Association. You can use Thomas & Betts Fittings with confidence.



NOTE: In the United States, boxes and fittings are not listed or marked for use in Class I Division 2 locations. See NEC® 501.10B for the wiring methods allowed in these areas.

High-Performance Products

Quality and performance result when engineering design skills are combined with the manufacturing technologies required to produce them. The Thomas & Betts Fittings in this section are produced from many materials and by many manufacturing methods, each carefully selected for its end use suitability. This combination gives you the reliable performance you expect from Thomas & Betts Raceway Fittings.



Lower Installed Cost

It is a function of purchase cost, availability, installation advantage and performance. Lower installed cost comes in every carton of Thomas & Betts Raceway Fittings.

DURA-PLATE® Finish — Corrosion-Resistant Finish Protects Fittings in Harsh Environments

DURA-PLATE® Corrosion-Resistant Fittings have a T&B plating process that provides excellent corrosion resistance on threaded steel and malleable iron fittings for use in harsh environments.

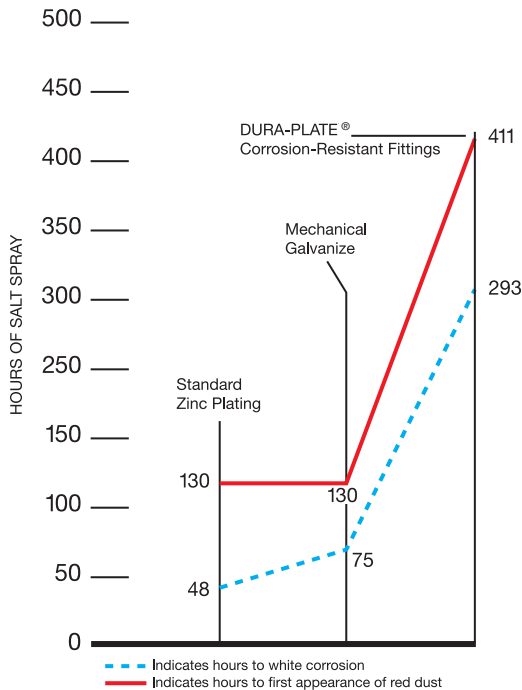
DURA-PLATE® Corrosion-Resistant Fittings utilize an electro-plating process that ensures a uniform thickness of protective material over the entire part. Conventional hot dip coatings deposit an uncontrolled buildup of material on the part, especially in threaded areas. This excess buildup must be removed to enable mating parts to function.

The process of removing this buildup in the threads in turn damages the coating and compromises the effectiveness of the protection.

An additional drawback of hot dip coating is that the lower ductility of the alloyed interface layer that is formed during the hot dip process can cause spalling if the item is deformed after coating.

In addition to the uniformity of the coating, the distinctive gold color of the plating enables immediate recognition that the part has been prepared for exposure to harsh environments and confirms the extra protection by visual inspection.

DURA-PLATE® Corrosion-Resistant Fittings have been subjected to salt spray tests conducted according to ASTM Specification B-117. The results of Corrosion-Resistant Fittings tests, along with galvanized parts, appears below:



T&B Fittings

Ordering Information

- Add the prefix "040-" to the standard catalog number — for example: a 5332 with DURA-PLATE® Corrosion-Resistant Fittings protection would be ordered as "040-5332".
- Check for catalog numbers in stock
- Allow 6–8 weeks for delivery on nonstock items
- Add 30% to price of standard item
- Minimum order is standard package quantity

Locknuts



140 Series
141AL Series



106 Series

Application

- To connect externally threaded conduit or connector to a threadless opening in a box or enclosure
- To effectively bond conduit or connector to box or enclosure

Features

- Hardened steel/malleable iron/copper-free aluminum construction
- Tightens without deformation
- Locknuts specially designed to:
 - (i) Provide extended reach for clamping on thin boxes and enclosures
 - (ii) Cut through protective coating on box and enclosure, thereby ensuring ground continuity
 - (iii) Permit tightening from outside
 - (iv) Prevent loosening under vibration
- 106 Series provided with a hardened cone point screw

Standard Material

140 Series & 106 Series

3/8" thru 2" steel (hardened) 2 1/2" thru 6"
Malleable Iron
All screws steel

141AL Series

All copper-free aluminum

Standard Finish

All steel and malleable iron locknuts, including electro zinc-plated bonding screws and chromate coated all-aluminum locknut, degreased

Range

3/8" through 6" conduit (All threads straight pipe [NPS]) (140 Series)
1/2" through 4" conduit (106 Series & 141AL Series)

Listings/Compliances

UL (UL File No. E-23018)
CSA [catalog numbers 108, 109, 110 and 111. All 140 Series except catalog number 140.] (LR-2884, LR-4484)
UL 514B
CSA C22.2 No. 18
NEMA FB1
NFPA 70
Federal Specification replaced by A-A-50553
Federal Standard H-28 (Threads)

Case Hardened Locknuts

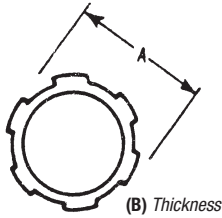
Case hardened locknuts make fittings faster and easier to install. Case hardened locknuts do not slip or turn, thereby protecting the biting edge. Case hardened locknuts bite through paint into the enclosure, providing excellent continuity of ground (typical T&B/Thomas & Betts fitting with case hardened locknuts successfully passed minimum fault current of 10,000 amps RMS). Case hardened locknuts, when assembled in the intended manner, will not vibrate loose, thereby ensuring excellent ground continuity.

Rigid and Intermediate Metal Conduit Fittings



Available in your choice of steel/malleable iron, aluminum or stainless steel.

Locknuts



- Steel from ¼" to 2", malleable iron from 2½" to 6"
- Aluminum 624 or Type 304 stainless steel all sizes



STL./M.I.	CAT. NO.		SIZE (IN.)	DIMENSIONS (IN.)	
	ALUM.	ST. STL.		A	B
139*	—	—	¼	¾	¾
140*	—	—	⅜	1⅛	¾
141**	141AL	141-SST	½	1¼	5/8
142**	142AL	142-SST	¾	1⅝	¾
143	143AL	143-SST	1	1⅞	13/8
144	144AL	144-SST	1¼	2½	1¼
145	145AL	145-SST	1½	2½	1¼
146	146AL	146-SST	2	3	1½
147	147AL	—	2½	3⅝	1¾
148	148AL	—	3	4⅞	1¾
149	149AL	—	3½	4⅞	1¾
150	150AL	—	4	5⅞	1¾
151	151AL	—	4½	5⅞	1¾
152	152AL	—	5	6½	1¾
153	153AL	—	6	7¼	1¾

* Hex shape

** Case hardened locknuts

Aluminum locknuts comply with federal standard of copper-free aluminum; less than .5% copper.

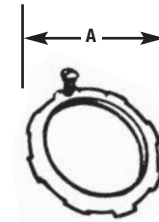
Available with DURA-PLATE® Finish.

UL File E-23018

CSA File No. 2884

Ensures positive bonding of conduit to box and prevents loosening due to vibration!

Bonding Locknuts



- Steel or malleable iron (steel through 2")
- Can be used anywhere an ordinary locknut is installed
- Also can be used for Service Entrance applications in conformance with code
- T&B rigid conduit and EMT (thinwall) fittings comply with Federal Specification A-A-50553



CAT. NO.	SIZE (IN.)	DIMENSIONS (IN.)	
		A	B
106†	½	1⅝	.125
107†	¾	1⅝	.140
108	1	1⅞	.170
109	1¼	2½	.170
110	1½	2½	.170
111	2	3	.187
112†	2½	3⅞	.375
113†	3	4⅞	.375
114†	3½	4⅞	.438
115†	4	5½	.438

† Not CSA certified.

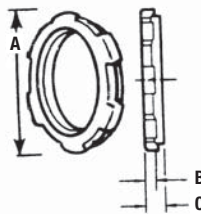
Available with DURA-PLATE® Finish.

UL File No. E-3060

CSA File No. 638

Provides positive seal against water and oil.

Sealing Locknuts



Molded Santoprene Seal
Color: Blue

- For use with rigid and intermediate metal conduits or fittings
- Provides watertight or raintight seal at all enclosures



CAT. NO.	SIZE (IN.)	DIMENSIONS (IN.)		
		A	B	C
141SL	½	1.140	⅜	¼
142SL	¾	1.420	⅝	⅝
143SL	1	1.770	1¼	⅝
144SL	1¼	2.281	1¼	⅝
145SL	1½	2.598	1¼	⅝
146SL	2	3.175	⅝	⅝

UL File No. E-23018

CSA File No. 2884

United States
Tel: 901.252.8000
800.816.7809
Fax: 901.252.1354

Technical Services
Tel: 888.862.3289

Thomas & Betts

www.tnb.com

Perfect for grounding old work or new!

Bonding & Grounding Wedges

- Provides grounding without a jumper except in concentric knockouts
- When jumper is required, it fits under set screw in grounding wedge
- Update existing installations to meet code requirements for bonding (NEC Sect. 250-72e) without disconnecting wiring
- For use on new wiring, just loosen bushing, position wedge and tighten bushing and bonding screw

Application

- To effectively bond terminating fitting or conduit to a box or enclosure

Features

- Sizes 3/4" thru 6" equipped with an additional bonding screw to install bonding jumper where required
- Can be added to an existing installation without disconnecting conductors

Standard Material/Finish

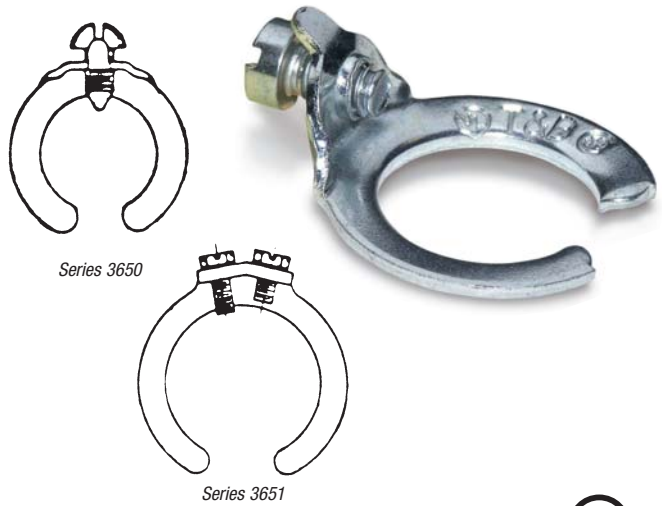
1/2" size Steel/Electro Zinc Plated
3/4" thru 6" size Bronze/Tin Plated

Range

1/2" thru 6" conduit

Listings/Compliances

UL File #E3060
CSA File #638
UL 467
CSA C22.2 No. 41
NFPA-70
Federal Specification A-A-50552



Grounding Wedges

CAT. NO.	SIZE	CAT. NO.	SIZE
3650	1/2"	3656	2 1/2"
3651	3/4"	3657	3"
3652	1"	3658	3 1/2"
3653	1 1/4"	3659	4"
3654	1 1/2"	3661	5"
3655	2"	3662	6"

UL File No. E-3060



Sealing material resists oil, coolants and hydraulic fluids as well as water!

Liquidtight Sealing Gasket

The 5262 Series Sealing Gasket includes a stainless steel retaining ring to prevent elongation of the Santoprene® gasket, ensuring a superior seal.

Application

- When used with an externally threaded connector, provides a tight seal against oil, fumes or moisture at the knockout opening

Features

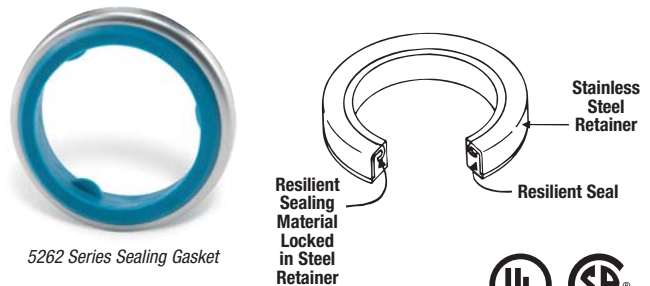
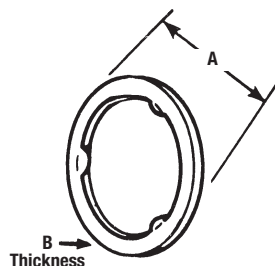
- Design locks resilient sealing material in steel
- Steel retainer protects seal from extruding out under torque and limits compression to an optimum predetermined value; provides high quality seal
- Resilient material flows and seals rough surfaces
- NEMA 3R, 4, 6 and 13

Standard Material

Retainer: 316 Stainless Steel
Sealing Material: Santoprene®
Thermoplastic Rubber

Range

1/4" thru 4" Hub Size



5262 Series Sealing Gasket



CAT. NO.	CONDUIT SIZE	DIMENSIONS (IN.)		STD. PKG. QTY.
		A	B	
5262	1/2"	1.16	.18	50
5263	3/4"	1.49	.19	25
5264	1"	1.75	.19	25
5265	1 1/4"	2.15	.22	5
5266	1 1/2"	2.42	.23	5
5267	2"	2.92	.23	5
5268	2 1/2"	3.44	.23	5
5269	3"	4.08	.23	5
5270	4"	5.29	.31	5

UL File No. E 13938 CSA File No. 2884

Santoprene is a registered trademark of Advanced Elastomer Systems.

Rigid and Intermediate Metal Conduit Fittings



Threaded Insulated Grounding Bushing

Application

- For quick installation of bonding jumper to multiple metal conduits (Rigid and IMC)
- Designed to bush conductors and prevent insulation damage

Features

- Ease of installation, lay in lug design
- Cast malleable iron body designed to lock insulator in place within body, reducing common assembly problem resulting in dislodging of insulator
- Insulator rated for 150° C/302° F application
- Look for the unique T&B blue color, ensuring the highest quality fitting

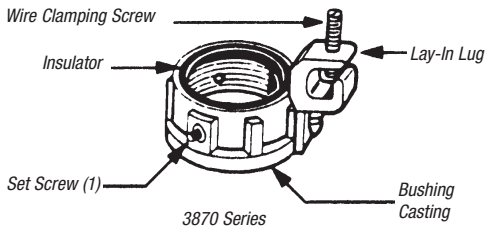


Standard Material/Finish

Body: Electro zinc plated

Lay-In Lug: Aluminum/tin plated

Insulator: Thermoplastic 150° C/302° F
Application with 94V-0 flammability



CAT. NO.	CONDUIT SIZE	BUSHING DIA.	THROAT DIA.	LUG LENGTH	SWING RADIUS	BUSHING HEIGHT	WIRE RANGE AWG CU/AL
3870-TB	½"	1.125	.560	1.310	1.212	.657	14-4
3861	½"	1.125	.560	1.675	1.402	.657	8-2/0
3871-TB	¾"	1.420	.742	1.310	1.360	.660	14-4
3862	¾"	1.420	.742	1.675	1.550	.660	8-2/0
3872	1"	1.770	.944	1.310	1.535	.735	14-4
3882	1"	1.770	.944	1.675	1.725	.735	8-2/0
3873	1½"	2.190	1.242	1.310	1.745	.735	14-4
3883	1½"	2.190	1.242	1.675	1.935	.735	8-2/0
3874	1½"	2.468	1.449	1.310	1.884	.770	14-4
3884	1½"	2.468	1.449	1.675	2.074	.770	8-2/0
3875	2"	3.031	1.860	1.310	2.165	.770	14-4
3889	2"	3.031	1.860	1.675	2.355	.770	8-2/0
3876	2½"	3.516	2.222	1.310	2.408	.940	14-4
3886	2½"	3.516	2.222	1.675	2.598	.940	8-2/0
3993	2½"	3.516	2.222	2.230	2.928	.940	6-4/0
3877	3"	4.234	2.761	1.310	2.767	.975	14-4
3887	3"	4.234	2.761	1.675	2.957	.975	8-2/0
3994	3"	4.234	2.761	2.230	3.287	.975	6-4/0
3878	3½"	4.781	3.193	1.310	3.040	.975	14-4
3863	3½"	4.781	3.193	1.675	3.230	.975	8-2/0
3995	3½"	4.781	3.193	2.230	3.560	.975	6-4/0
3879	4"	5.328	3.623	1.310	3.314	.980	14-4
3864	4"	5.328	3.623	1.675	3.504	.980	8-2/0
3996	4"	5.328	3.623	2.230	3.834	.980	6-4/0
3880	5"	6.328	4.542	1.310	3.814	.985	14-4
3865	5"	6.328	4.542	1.675	4.000	.985	8-2/0
3998	5"	6.328	4.542	2.230	4.334	.985	6-4/0
3881	6"	7.406	5.458	1.310	4.353	1.200	14-4
3866	6"	7.406	5.458	1.675	4.543	1.200	8-2/0
3999	6"	7.406	5.458	2.230	4.875	1.200	6-4/0

Temperature rating 150° C

Meets Coast Guard Regulation CG293

Available with DURA-PLATE® Finish.

Blackjack® — Grounding Bushing

Innovative design makes installation quicker, easier.

The Blackjack® Grounding Bushing never has to be threaded onto a conduit. It is simply placed in position on either a threaded or non-threaded rigid or IMC conduit, with the grounding lug in perfect position to accept the grounding wire — even in tight installations.

It's as simple as one, two, three!

Compare the installation with conventional bushings that must be threaded onto the conduit. In tight areas, you may have to remove

the grounding lug, keep up with the loose parts and then reattach the lug. Then you still have to twist and turn the bushing to get the lug in position to accept the grounding wire.

The Blackjack bushing does away with these needless delays for good, making it the ideal grounding bushing — and the only logical choice for small spaces, corners and multiple conduit runs. And, because the grounding lug is an integral part of the bushing, it's designed not to fall off or get lost.

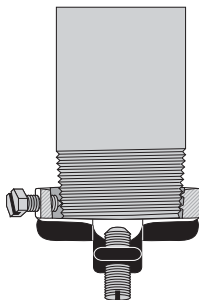
Innovative design improves performance.

The Blackjack® bushing provides superior ground continuity.

The design of the Blackjack bushing has an integral, cast-on grounding lug for better ground continuity. This means that the Blackjack bushing stands up to intense loads.

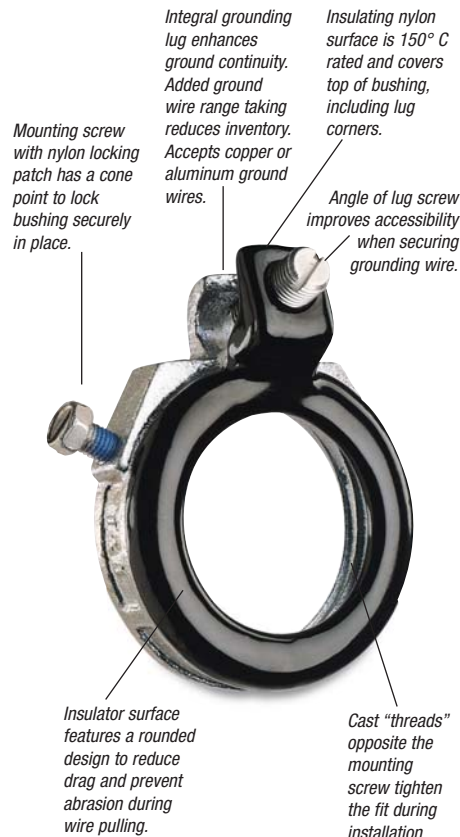
Secure grip forms lasting bond.

The Blackjack bushing's cone-point mounting screw bites securely into both threaded and non-threaded rigid conduits. And the Blackjack bushing's nylon locking patch is designed to prevent the screw from loosening due to vibration.



Reduce inventory.

Because the Blackjack Grounding Bushing is designed for threaded and non-threaded conduits, and the ground lugs are designed to handle an extended range, the number of parts in inventory is reduced by up to two-thirds without losing any application coverage.



Blackjack® — Conduit Grounding Bushing

Lug Screw:

14-4: Slotted

14-2/0: Slotted

6-4/0: Internal Hex Drive

Standard Material/Finish

Body: Malleable Iron or Aluminum

Mounting Screw: (½"–2") Stainless Steel, (2½"–6") Brass

Lug Screw: Stainless Steel

Finish: Zinc Plated

Range

Conduit: ½" thru 6" threaded or threadless rigid/IMC

Wire Range: #14 AWG to 4/0 AWG CU/AL

Listings/Compliances

UL File #E3060

CSA File #LR2884

UL 514B & U.L. 467

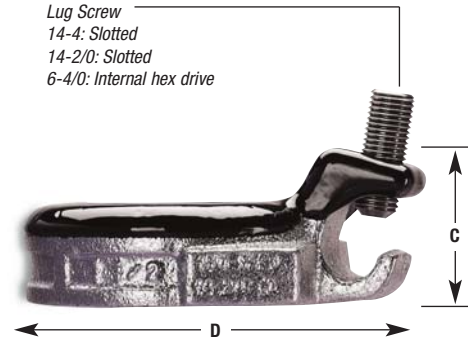
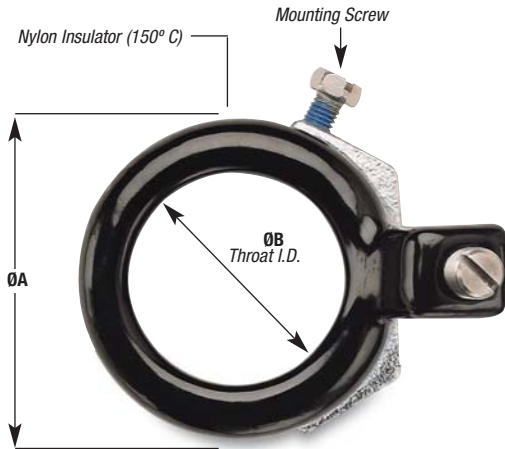
CSA C22.2 No. 18 & CSA C22.2 No. 41



Rigid and Intermediate Metal Conduit Fittings



Blackjack® — Grounding Bushing



For Threaded and Threadless Rigid and IMC Conduit

T&B® Fittings

CAT. NO.		CONDUIT SIZE	ØA MAX.	ØB MIN. THROAT I.D.	C MAX.	D MAX.	E MAX.	WIRE RANGE
ZINC PLATED MALLEABLE IRON	ALUMINUM							
BG050-14-20	BGA050-14-20	½"	1.251	.569	1.181	2.134	.696	14-2/0
BG050-14-4	BGA050-14-4	½"	1.251	.569	1.027	1.940	.696	14-4
BG075-14-20	BGA075-14-20	¾"	1.533	.772	1.221	2.414	.696	14-2/0
BG075-14-4	BGA075-14-4	¾"	1.533	.772	1.030	2.168	.696	14-4
BG100-14-20	BGA100-14-20	1"	1.783	.993	1.181	2.581	.696	14-2/0
BG100-14-4	BGA100-14-4	1"	1.783	.993	1.027	2.368	.696	14-4
BG125-14-20	BGA125-14-20	1¼"	2.220	1.319	1.181	2.987	.759	14-2/0
BG150-14-20	BGA150-14-20	1½"	2.470	1.553	1.181	3.236	.696	14-2/0
BG200-14-20	BGA200-14-20	2"	2.830	2.010	1.181	3.766	.696	14-2/0
BG250-14-20	BGA250-14-20	2½"	3.418	2.412	1.181	4.341	.978	14-2/0
BG250-6-40	BGA250-6-40	2½"	3.418	2.412	1.524	4.526	.978	6-4/0
BG300-14-20	BGA300-14-20	3"	4.042	3.022	1.181	4.966	.978	14-2/0
BG300-6-40	BGA300-6-40	3"	4.042	3.022	1.524	5.139	.978	6-4/0
BG350-14-20	BGA350-14-20	3½"	4.542	3.491	1.181	5.467	.978	14-2/0
BG350-6-40	BGA350-6-40	3½"	4.542	3.491	1.524	5.639	.978	6-4/0
BG400-14-20	BGA400-14-20	4"	5.042	3.975	1.181	5.966	.978	14-2/0
BG400-6-40	BGA400-6-40	4"	5.042	3.975	1.524	6.139	.978	6-4/0
BG500-14-20	BGA500-14-20	5"	6.136	4.991	1.181	7.045	.978	14-2/0
BG500-6-40	BGA500-6-40	5"	6.136	4.991	1.524	7.207	.978	6-4/0
BG600-14-20	BGA600-14-20	6"	7.199	6.009	1.181	8.087	.978	14-2/0
BG600-6-40	BGA600-6-40	6"	7.199	6.009	1.524	8.409	.978	6-4/0

Suggested Specifications: Insulated grounding and bonding bushing (Series BG050-BG600)

Where code requires bonding and grounding of single or multiple metal conduits, or positive bonding and grounding of metal conduit to the box, enclosure or auxiliary gutter, the end of the conduit shall be equipped with an insulated metallic grounding and bonding bushing series BG050-14-20 as manufactured by Thomas & Betts.

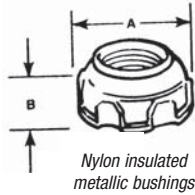
Grounding and bonding bushings used shall be approved for the purpose and
 (i) Shall be of malleable iron/steel/aluminum construction adequately protected against corrosion.

(ii) Bushing insulator shall be listed or certified for 150° C/302° F application with a flammability rating of 94V-0. Insulator must be positively locked in place.

Meets and surpasses NEC® requirements!

Insulated Throat Fittings

- Steel or malleable iron (steel through 1½")
- Exceeds NEC 373-6C requirements for protection of ungrounded connectors at entrance to raceways, pull boxes and junctions
- Recognizable by distinctive trademarked blue insulating liner in throat
- Reduces wire pulling effort by as much as 50%
- Temperature rating of 105° C
- Look for the unique T&B blue color, ensuring the highest quality fitting



CAT. NO.		SIZE	DIMENSIONS (IN.)	
STL. OR M.I.	ALUM.		A	B
1222	1222AL	½"	1½"	29/64"
1223	1223AL	¾"	1¾"	31/64"
1224	1224AL	1"	1¾"	13/32"
1225	1225AL	1¼"	1¾"	21/32"
1226	1226AL	1½"	2"	23/32"
1227	1227AL	2"	2½"	¾"
1228	1228AL	2½"	3"	13/32"
1229	1229AL	3"	3½"	5/8"
1230	1230AL	3½"	4"	11/16"
1231	1231AL	4"	4½"	13/32"
1232†	1232AL†	4½"	—	—
586	586AL	5"	5¾"	13/32"
587	587AL	6"	7"	1½"

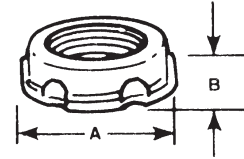
† Not CSA Certified

Catalog series 1222 thru 1232, 586 and 587 are available in aluminum. Add suffix AL to Cat. No. The aluminum series fittings are not CSA certified.

Locknut-type base improves bonding and resists loosening under vibration.

Metallic Bushings

- Aluminum, steel or malleable iron (steel through 1½")
- Smoothly rounded shoulder covers end of conduit
- Broad flange covers knockout hole
- High ribs for easy tightening with fingers or with wrench
- ½" to 1½" sizes, formed in steel, feature extra-smooth shoulders



CAT. NO.			DIMENSIONS (IN.)	
STL. OR M.I.	ALUM.	SIZE	A	B
122	122AL	½"	1½"	13/32"
123	123AL*	¾"	1¾"	7/16"
124	124AL**	1"	1¾"	½"
125-TB	125AL	1¼"	1¾"	9/16"
126	126AL	1½"	2"	19/32"
127	127AL	2"	2½"	5/8"
128	128AL	2½"	3"	3/4"
129	129AL	3"	3½"	13/16"
130-TB	130AL	3½"	4"	15/16"
131-TB	131AL	4"	4½"	1
132-TB	—	4½"	5½"	1¼"
133-TB	133AL	5"	6"	1½"
134-TB	134AL	6"	7"	1¾"

* Not UL Listed or CSA Certified

UL File No. E-23018

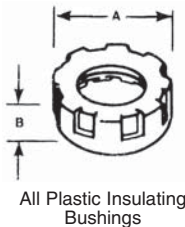
** Not CSA Certified

CSA File No. 2884

Available with DURA-PLATE® Finish.

Perfect threads for easy thread-on!

Plastic Insulating Bushings



- Impact-resistant plastic insulation
- Ribbed for easy, secure gripping
- UL Listed 105° C



CAT. NO.		SIZE	DIMENSIONS (IN.)	
			A	B
222-TB		½"	1½"	3/8"
223-TB		¾"	1¾"	13/32"
224		1"	1¾"	9/16"
225-TB		1¼"	1¾"	9/16"
226		1½"	2"	9/16"
227		2"	2½"	5/8"
228-TB		2½"	3"	3/4"
229-TB		3"	4"	3/4"
230-TB		3½"	4"	7/8"
231		4"	5"	7/8"
232		4½"	5½"	1
233		5"	6"	1
234		6"	7"	1

UL Rated flame retardant 94V-1

Rigid and Intermediate Metal Conduit Fittings



For threadless rigid conduit and intermediate metal conduit.

Insulating Bushing

Application

- When assembled to the end of a threadless conduit, provides a well-rounded insulating surface over which conductors may be pulled or on which conductors may bear while in service

Features

- Designed to be popped onto, and bush, conduit end
- Fast, easy installation without screws
- High-impact thermoplastic construction

Standard Material

High-impact thermoplastic listed for 105° C (221° F) application
Flammability Classification 94 V-1

Listings/Compliances

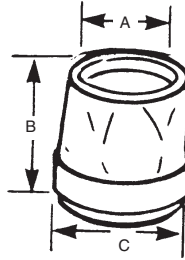
UL (UL File No. E-13938)
CSA (LR-2884, LR-4484)
UL 514B
NFPA 70

Standard Finish

As molded

Range

½" through 4" conduit



TRIB-100

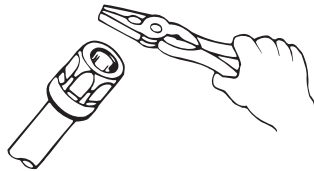


TRIB-75



TRIB-150

1. Cut conduit end squarely. Remove sharp edges and burrs on inside and outside diameters by reaming or filing.
2. Slip the pop-on bushing over the end of the conduit.
3. Using the flat surface of any standard utility tool such as an electrician's pliers (or a hammer with a block of wood for the larger sizes), strike the bushing on its top surface using a series of light blows until the end of the conduit rests against the bushing throat and conduit stop.



CAT. NO.	SIZE	DIMENSIONS (IN.)		
		A	B	C
TRIB-50	½"	1 ⁹ / ₃₂	1 ¹ / ₃₂	1 ¹ / ₁₆
TRIB-75	¾"	2 ⁵ / ₃₂	1 ²⁵ / ₆₄	1 ¹ / ₄
TRIB-100	1"	1	1 ¹ / ₂	1 ¹ / ₁₆
TRIB-125	1¼"	1 ¹ / ₁₆	1 ⁵ / ₈	1 ⁵⁹ / ₆₄
TRIB-150	1½"	1 ¹⁷ / ₃₂	1 ²³ / ₃₂	2 ¹¹ / ₆₄
TRIB-200	2"	1 ³¹ / ₃₂	1 ¹³ / ₁₆	2 ¹¹ / ₁₆
TRIB-250	2½"	2 ²³ / ₆₄	2	3 ¹ / ₄
TRIB-300	3"	2 ²⁹ / ₆₄	2 ¹ / ₃₂	3 ²⁹ / ₃₂
TRIB-350	3½"	3 ³ / ₈	2 ⁵ / ₁₆	4 ²⁹ / ₆₄
TRIB-400	4"	3 ²⁷ / ₃₂	2 ¹³ / ₃₂	5

I.M.C. sizes ½" thru 4"

UL Rated flame retardant 94V-1

UL File No. E-13938

CSA File No. 2884

Knockout Bushing



3210 Series

Provides smooth, rounded insulation surface for easy wire pulling!

- Quickly snaps into outlet box, switch box or other enclosure left vacant by wiring modifications or maintenance changes
- High-impact polycarbonate, one-piece construction
- Easily installed by hand
- UL Listed 105° C

Application

- To bush knockout openings in metal boxes or enclosures

Features

- One-piece construction designed to snap in place
- High-impact strength, self extinguishing, non-dripping (per UL 94) polycarbonate construction

Standard Material

Polycarbonate rated for 105° C (221° F) application

Standard Finish

As molded

Range

.875" through 2.469" nominal diameter knockout opening (½" through 2" trade size knockouts)

Wall thickness of box or enclosure

.095" max. up to 1" trade size

.140" max. 1¼" through 2" trade size

Listings/Compliances

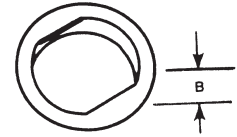
UL (UL File No. E-3803)

CSA (LR-589,LR-4484)

UL 514B

CSA C22.2 No. 18

NFPA 70-1999 (ANSI)



CAT. NO.	FOR USE IN KO SIZE*	DIMENSION (IN.)	
		A	B
3210	.875	.360	
3211	1.109	.360	
3212	1.375	.360	
3213	1.734	.400	
3214	1.984	.520	
3215	2.469	.520	

* Per UL and NEMA standards. Refer to "Knockout Plugs" table on next page.

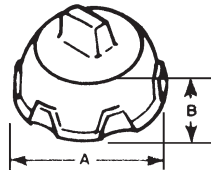
Oxygen index >28° UL 94V-1

UL File No. E-3803 CSA File No. 589

Makes a workman-like seal against grit, plaster and mischief!

Capped Bushings

- Removable with pliers
- ½" through 1¼" sizes in steel
- 1½" and 2" sizes in malleable iron



CAT. NO.	SIZE	DIMENSION (IN.)	
		A	B
1460	½"	1½	1½
1461	¾"	1¼	7/16
1462	1"	1¼	½
1463	1¼"	1¾	9/16
1464	1½"	2¾	7/8
1465	2"	2½	¾

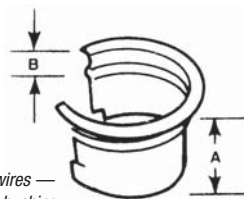
UL File No. E-23018 CSA File No. 2884



Snaps into a regular bushing to make a UL Listed insulated bushing!

INSULINER® Sleeves

- Converts ordinary bushing to code-approved insulated bushing without disturbing wiring
- For use with standard rigid conduit, EMT (thinwall conduit) or any standard bushed outlet
- Especially suited for use with flexible metallic conduit
- High-dielectric nylon material, rated 105° C



Slip over wires —
insert into bushing —
snaps into place

CAT. NO.	SIZE	DIMENSION (IN.)	
		A	B
422	½"	5/8	.025
423	¾"	11/16	.025
424	1"	7/8	.025
425	1¼"	1	.030
426	1½"	1	.030
427	2"	1½	.030
428	2½"	1¼	.040
429	3"	1½	.040
430	3½"	1¾	.055
431	4"	2½	.055
433	5"	2½	.070
434	6"	2½	.070

Oxygen index >28° UL File No. E-23018 CSA File No. 589



Rigid and Intermediate Metal Conduit Fittings



Made from flame-retardant, non-dripping thermoplastic, UL rated 105° C!

Knockout Plugs

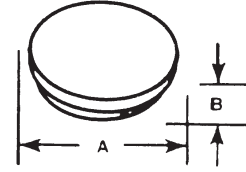
Application

- To plug unused knockout openings in a box or enclosure

Features

- One-piece construction designed to snap in place
- High impact strength self-extinguishing non-dripping (per UL-94) thermoplastic construction

1451 Series



105° C rated by UL Made from flame retardant, non-dripping thermoplastic.



Standard Material

Thermoplastic rated for 105° C (221° F) application

Standard Finish

As molded

Range

.875" through 2.469" Nominal Diameter
Knockout opening (1/2" through 2" trade size knockouts)

Wall thickness of box or enclosure
.095" max. up to 1" trade size
.140" max. through 2" trade size.

Listings/Compliances

UL (UL File No. E13938)
CSA (LR589)
UL 514B
NFPA 70

CAT. NO.	SIZE	DIMENSIONS (IN.)	
		A	B
1451	1/2"	1.060	.400
1452	3/4"	1.300	.400
1453	1"	1.590	.400
1454	1 1/4"	1.860	.450
1455	1 1/2"	2.240	.570
1456	2"	2.740	.570

Wall thickness of electrical box .095 max.
Meets Coast Guard Regulation CB293.
UL File No. E-13938 CSA File No. 4484

Eliminates need for separate capped bushing or steel penny and bushing!

Plug, Conduit, Connectors (Push-Penny® Plugs)

Application

- To plug open end of conduit or connector in order to prevent ingress of trash, dirt or moisture during construction and remodeling
- Just push into place
- Pressure holds plug fast against internal surface of fitting or raceway
- Made of flexible plastic



Features

- Wide range of applications; can be used with rigid metal conduit, intermediate metal conduit, electrical metallic tubing, all connectors and all bushings
- Designed to stand up to normal handling and is functionally unaffected by moisture
- Economically seal out grout and plaster from any fitting or raceway conforming to CSA dimensional tolerances

Standard Material

Polyethylene

Standard Finish

As molded

Listings/Compliances

CSA (LR2884, LR4484)
UL 514B
CSA C22.2 No. 18
NFPA 70
NEMA FB1

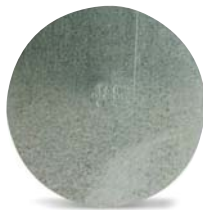
CAT. NO.	SIZE
1470	1/2"
1471	3/4"
1472	1"
1473	1 1/4"
1474	1 1/2"
1475	2"
1476*	2 1/2"
1477*	3"
1478*	3 1/2"
1479*	4"

*Not CSA Certified.
CSA File No. 2884
UL not applicable.

Made to fit any bushing!

Pennies — Steel

- Used under a bushing to seal end of conduit during construction
- Completely salvageable



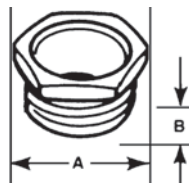
CAT. NO.	SIZE	CAT. NO.	SIZE
815-TB	1/2"	821	2 1/2"
816	3/4"	822	3"
817	1"	824	3 1/2"
818	1 1/4"	823	4"
819	1 1/2"		
820	2"		

UL not applicable.
CSA File No. 2884

Bush holes in metal boxes or enclosures!

CHASE® Nipples

T&B Fittings



- 3/8" and 1/2" sizes in steel
- 3/4" to 6" sizes in malleable iron
- 1/2" to 4" sizes in copper-free aluminum

STL. OR M.I.	CAT. NO.		SIZE	DIMENSIONS (IN.)	
	ALUM.			A	B
841TB	—		3/8"	15/16	7/16
842TB	842ALTB†		1/2"	1 9/16	43/64
843TB	843ALTB		3/4"	1"	19/32
844	844AL†		1"	1 1/16	3/4
845	845AL†		1 1/4"	2 1/32	25/32
846	846AL		1 1/2"	2"	13/16
847	847AL		2"	2 5/16	31/32
848	848AL		2 1/2"	3 3/16	1 1/16
849	849AL		3"	4"	1 1/4
850	850AL		3 1/2"	5"	1 5/16
851	851AL		4"	5 5/8	1 5/16
853	—		5"	6 1/2	1 5/16
854	—		6"	7"	1 3/4

† Not UL Listed

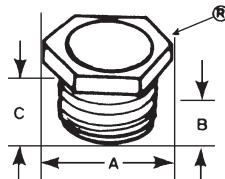
Available with DURA-PLATE® Finish.

UL File No. E-23018

CSA File No. 2884

Nylon insulator offers extra protection!

CHASE® Nipples — Nylon-Insulated



- 3/8" and 1/2" sizes in steel
- 3/4" to 6" sizes in malleable iron
- 1/2" to 6" sizes in copper-free aluminum
- Look for the unique T&B blue color ensuring the highest quality fitting available

CAT. NO.	SIZE	DIMENSIONS (IN.)		
		A	B	C
1942	1/2"	1 1/4	7/16	1 1/32
1943	3/4"	1"	1 1/32	2 1/32
1944	1"	1 1/16	2 1/32	3/8
1945	1 1/4"	2 1/32	2 5/32	1 1/32
1946	1 1/2"	2"	1 9/16	1 1/32
1947	2"	2 5/16	3 1/32	1 11/32
1948	2 1/2"	3 3/16	1 1/16	1 1/16
1949	3"	4"	1	1 19/32
1950	3 1/2"	5"	1 5/16	1 25/32
1951	4"	5"	1 5/16	1 13/16
1953	5"	6"	1 7/16	1 13/16
1954	6"	7"	1"	1 1/2

UL File No. E-23018

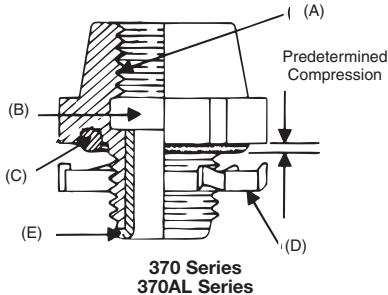
CSA File No. 2884

Rigid and Intermediate Metal Conduit Fittings



For Threaded Rigid Metal Conduit/IMC/PVC Coated Rigid Metal Conduit.

Threaded Hubs (Bullet® Hubs)



Application

- To connect threaded metal conduit (ferrous rigid/non-ferrous rigid/PVC coated/or intermediate metal) to a threadless opening in a box or enclosure in outdoors or indoor location exposed to continuous or intermittent moisture
- To positively bond conduit to box or enclosure

Features

- Rugged steel/malleable iron/copper-free aluminum construction
- Tapered internal threads for water-tight/dust-tight union (A)
- Threads relieved to prevent bottoming of conduit, ensuring sound assembly (B)
- Recessed sealing ring at box end; sealing ring captivated (C)
- Hardened steel/malleable iron/copper-free aluminum locknuts designed to provide high-quality ground continuity; extended reach of locknut permits clamping on thin boxes and enclosures (D)
- Insulated throat, insulates conductors, prevents abrasion and thinning of conductor insulation, reduces wire pull effort (E)
- Suitable for hazardous location use per following:
 - Class I Division 2, Class II Division 1 & 2, Class III Division 1 & 2 per NEC 501-4 (b); 502-4 (a) and 503-3 (a)
 - Class II Groups E, F, G, & Class III locations per CEC 18-202; 18-252; 18-302; 18-352

National Electrical Code® states that, "Where practical, dissimilar metals in contact anywhere in the system shall be avoided to eliminate the possibility of galvanic action." The only exceptions, aluminum fittings and enclosures, are permitted to be used with steel conduit.

Joint Industrial Council (JIC) Electrical Standards also forbid dissimilar metals in contact for the same reason and require that the fittings for metal conduit be of malleable iron or ductile iron and have impact strength comparable to that of the conduit.

Copper-Free Aluminum

Copper free aluminum castings for fittings have a maximum of 0.4% copper. The most detrimental effect of higher percentage of copper on aluminum base alloy is its decrease in corrosion resistance.

Standard Material

	370-401 Series	370AL
Body:	½" thru 1" Steel 1¼" thru 6" Malleable Iron	All Copper-Free Aluminum
Locknut:	½" thru 2" Steel (hardened) 2½" thru 6" Malleable Iron Aluminum	½" thru 2" Steel (hardened) 2½" thru 4" Copper-Free
Screws:	Steel (hardened)	
O-Ring:	Buna N	
Insulator:	Nylon	
Coating:	PVC	

Standard Finish

	370-401 Series	370AL
Hub:	Electro Zinc Plated Chromate Coated	As Cast
Locknuts:	All Ferrous Locknuts Electro Zinc Plated and Chromate Coated	
Screws:	All Electro Zinc Plated and Chromate Coated	

Range

- 370 Series: ½" thru 6" Conduit
 370AL & 401 Series:
 ½" thru 4" Conduit
 All hub threads — straight pipe
 All female threads — taper pipe (NPT)

Listing/Compliances

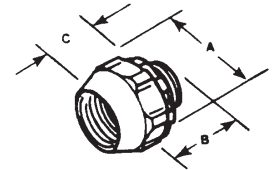
- UL (UL File No: E-23018)
- CSA (LR-637, LR-23086)
- UL 514B
- CSA C22.2 No. 18
- NFPA 70
- NEMA FB-1
- JIC EGP1; JIC EMP 1
- Federal Specification A-A-50553
- Federal Standard H-28 (Threads)

UL Listed raintight and CSA Certified watertight and dusttight.

Steel/Malleable Iron and Aluminum Bullet® Hub Connectors*†

T&B Fittings

- Available in steel/malleable iron (steel through 1") with nylon-insulated throat — with or without Series 106 bonding locknut
- Also available in aluminum without insulated throat
- When used with neoprene O-ring, provides watertight threaded hub on enclosures
- UL Listed 105° C
- Look for the unique T&B blue color ensuring the highest quality fitting



STEEL/ M.I.	CAT. NO.		HUB SIZE (IN.)	DIMENSIONS (IN.)			MAX. WALL THICKNESS (IN.)
	ALUM.**	STEEL/M.I. W/LOCKNUT		A	B	C	
370	370AL	401	½"	1¾	1¼	¾	⅝
371	371AL	402	¾	1¾	1¼	¾	⅝
372	372AL	403	1"	2¾	1¾	7⁄8	⅝
373	373AL	404-TB	1½"	2⅞	1¾	1	⅝
374	374AL	405	1½"	3¾	1¾	1	⅝
375	375AL	406-TB	2"	3¾	1¾	1	⅝
376	—	407	2½"	4¾	1¾	1½	¾
377	—	408	3"	5	2½	1½	½
378	—	409	3½"	5¾	2½	1½	½
379	—	410-TB	4"	6¾	2½	1½	½
381	—	—	5"	8	3½	—	½
382	—	—	6"	9¾	3½	—	½

* Suitable for hazardous locations use in Class I, Div. 2; Class II, Div. 2; Class III, Div. 1 and 2 where general purpose equipment is specifically permitted per NEC Section 500-2(a).

** Aluminum not available with insulated throat.

† UL Listed rain tight and CSA Certified watertight and dust tight

Available with DURA-PLATE® finish.

UL File No. E-23018

For Stl.: CSA File No. 2284

For AL.: CSA File No. 0637

Spacing Chart for Bullet® Hubs

CENTER-TO-CENTER SPACING CONDUIT SIZES													MIN. SPACE FROM CENTER OF BULLET® HUB TO WALL OF BOX	KO DIAMETERS (MIN.)
½	¾	1	1¼	1½	2	2½	3	3½	4	5	6			
½	1⅞	1¾	1¾	2¾	2¾	2¾	3⅞	3½	3¾	4¾	5⅞	¾	⅞	
¾	—	1¾	1¾	2¾	2¾	2¾	3	3½	3¾	4¾	4⅞	⅞	1	
1	—	—	2	2¾	2¾	2¾	3¾	3¾	3¾	4¾	4⅞	1	1	
1¼	—	—	—	2⅞	2⅞	3¼	3¾	4	4¾	4¾	5⅞	1	1	
1½	—	—	—	—	3	3¾	3¾	4	4¾	4¾	7⅞	1	2	
2	—	—	—	—	—	3¾	4	4½	4¾	5	6	1	2½	
2½	—	—	—	—	—	—	4¼	4¾	5	5¾	6	2	3	
3	—	—	—	—	—	—	—	5	5¾	5¾	6	2	3	
3½	—	—	—	—	—	—	—	—	5	6	7	2	4	
4	—	—	—	—	—	—	—	—	—	6	7	3	4	
5	—	—	—	—	—	—	—	—	—	—	8	4	5	
6	—	—	—	—	—	—	—	—	—	—	—	4	6	

Rigid and Intermediate Metal Conduit Fittings

T&B Hub



Never before has a single hub fit like this one. Designed for unequalled performance. The innovative engineering of the T&B® Hub will, quite simply, raise your performance expectations for threaded hubs. Look for the distinctive blue color to ensure the quality of a Thomas & Betts fitting.

- 1 Sealing Ring and Groove with innovative profile outperforms standard O-ring design. Sealing ring is captivated in place before installation and resists buckling or slipping during installation. The seal groove is designed for optimum compression of the sealing ring. The sealing ring is designed to provide a complete 360° seal, even when the conduit is not perpendicular with the enclosure. (See **Figure 1**)
- 2 Locknut Design with peripheral slots and a hexagonal/angled spline spaced every 30° enables easy application of torque with wrench or hammer and screwdriver. (See **Figures 2 & 3**)
- 3 Sharper and Deeper Teeth on locknut and body designed for a more penetrating bite for improved bonding to the enclosure.
- 4 Hexagonal/Splined Body Design for fast, easy installation with wrench or hammer and screwdriver.
- 5 Precision Machined Tapered Threads designed to create watertight union.
- 6 Insulated Throat molded from 105° C rated thermoplastic with a flammability rating of 94 V-0.

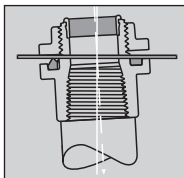


Fig. 1

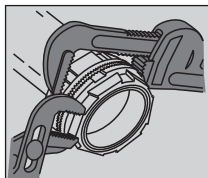


Fig. 2

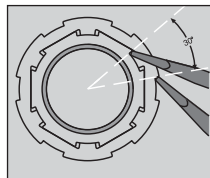
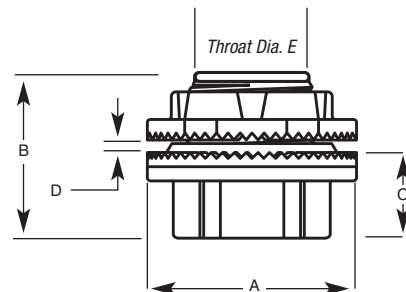
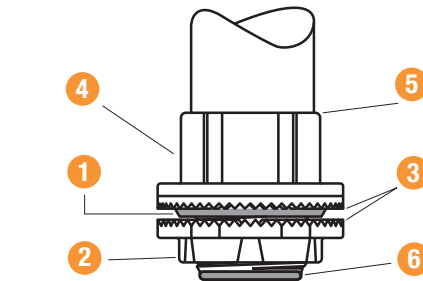


Fig. 3



CAT. NO.	TRADE SIZE	MAX. PANEL THICKNESS				
		A DIA.	B	C	D	E THROAT DIA.
H050-TB	½	1 1/16	1 1/16	7/8	3/16	19/32
H075-TB	¾	1 1/16	1 19/32	29/32	3/16	25/32
H100-TB	1	2	1 15/16	1 1/16	¼	1
H125-TB	1 ¼	2 ¾	1 ¾	1 1/16	¼	1 1/16
H150-TB	1 ½	2 ¾	1 ¾	1 1/16	¼	1 17/32
H200-TB	2	3 ¼	1 15/16	1 1/2	¼	1 31/32
H250-TB	2 ½	3 ¾	2 1/16	1 1/16	¼	2 13/32
H300-TB	3	4 ¾	2 7/16	1 1/2	¼	2 31/32
H350-TB	3 ½	5	2 29/32	1 ¾	¼	3 13/32
H400-TB	4	5 ½	2 29/32	1 ¾	¼	3 ¾
H500-TB	5	6 ½	3 3/32	1 15/16	¼	4 15/16
H600-TB	6	7 1/16	3 3/32	2	3/16	6

Material – Hub and Locknut: zinc or copper-free aluminum
 Insulating Throat: thermoplastic temp. rating – 105° C
 Flammability Rating – 94V-0
 Sealing Ring: Nitrile (BUNA "N")

For Aluminum Hubs add suffix A (i.e., H050A). For Chrome-Plated Hubs add suffix CP (i.e., H050CP). For 316 Stainless Steel Hubs add suffix GRSST (i.e., H050GRSST). (½" through 2" only.) Meets NEMA sealing requirements for NEMA 3R, 4 & 13 enclosures.

UL Listed and CSA Certified. CSA Certified for hazardous locations Class II Groups E, F, G, Class III (NEC 501.10B).

UL File No. E-23018 CSA File No. 4484

Chrome-Plated Hubs (suffix: "CP") are rated NEMA 4X.

T&B Grounding Hub

T&B Fittings

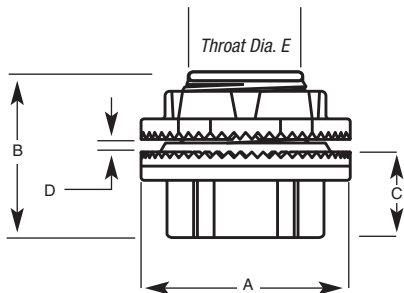


CAT. NO.	TRADE SIZE					
		A DIA.	B	C	D MAX. PANEL THICKNESS	E THROAT DIA.
H050GR-TB	1/2	1 1/16	1 1/16	7/8	3/16	1 1/32
H075GR-TB	3/4	1 1/16	1 1/32	29/32	3/16	25/32
H100GR-TB	1	2	1 1/16	1 1/16	1/4	1
H125GR-TB	1 1/4	2 3/8	1 1/8	1 1/16	1/4	1 1/16
H150GR-TB	1 1/2	2 3/4	1 1/8	1 1/16	1/4	1 17/32
H200GR-TB	2	3 1/4	1 1/16	1 1/32	1/4	1 3/32
H250GR-TB	2 1/2	3 3/4	2 1/16	1 1/16	1/4	2 1/32
H300GR-TB	3	4 3/8	2 1/16	1 1/32	1/4	2 31/32
H350GR-TB	3 1/2	5	2 23/32	1 1/8	1/4	3 1/32
H400GR-TB	4	5 1/2	2 23/32	1 1/8	1/4	3 3/8
H500GR-TB	5	6 1/8	3 1/32	1 1/16	1/4	4 15/16
H600GR-TB	6	7 1/16	3 3/2	2	3/16	6

Material – Hub and Locknut: zinc or copper-free aluminum
 Insulating Throat: thermoplastic temp. rating – 105°C
 Flammability Rating – 94V-0
 Sealing Ring: Nitrile (BUNA "N")

For Aluminum Hubs add suffix A (i.e., H050A). For Chrome-Plated Hubs add suffix CP (i.e., H050CP). For 316 Stainless Steel Hubs add suffix GRSS (i.e., H050GRSS). 1/2" through 2" only. Meets NEMA sealing requirements for NEMA 3R, 4 & 13 enclosures.

UL Listed and CSA Certified. CSA Certified for hazardous locations Class II Groups E,F,G. Class III.
 UL File No. E-23018 CSA File No. 4484
 Chrome-Plated Hubs (suffix-"CP") are rated NEMA 4X.



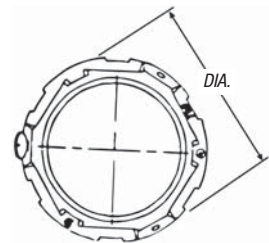
T&B Hub Centerline Spacing Chart

CONDUIT TRADE SIZE	1/2"	3/4"	1"	1 1/4"	1 1/2"	2"	2 1/2"	3"	3 1/2"	4"	5"	6"
1/2"	1 1/16											
3/4"	1 1/4	1 5/8										
1"	1 7/8	1 3/4	2 1/8									
1 1/4"	2 1/8	2 1/4	2 3/8	2 1/2								
1 1/2"	2 1/4	2 3/4	2 7/8	2 1/2	2 1/2							
2"	2 3/4	2 7/8	2 3/4	2 5/8	3 1/8	3 1/8						
2 1/2"	2 7/8	2K	3	3 1/8	3 3/8	3 3/8	3 3/8					
3"	3 1/4	3 3/4	3 1/2	3 1/2	3 11/16	3 11/16	4 1/16	4 1/8				
3 1/2"	3 1/2	3 3/4	3 3/8	3 1/2	4	4 1/4	4 1/4	4 1/16	5 1/8			
4"	3 11/16	3 5/8	3 3/4	4 1/16	4 1/4	4 1/2	4 3/4	5 1/16	5 1/8	5 1/8		
5"	4s	3G	4 1/16	4 1/4	4 11/16	5 1/16	5 1/16	5 3/8	6 1/16	6 1/8	7	
6"	4 1/16	4J	4 3/32	5 1/32	5 1/32	5 1/32	5 23/32	6 1/32	6 23/32	6 23/32	7 1/32	7 1/16
Nearest Obstruction to Center of Hub	2 1/32	9/64	1 1/8	1 1/16	1 1/2	1 1/4	2	2 1/16	2 1/8	2 1/2	2 1/2	3 3/32

T&B Grounding and Bonding Locknut



Grounding Locknut for Hubs



CAT. NO.	TRADE SIZE	DIA.	HEIGHT	GROUND SCREW	MAX. CONDUCTOR SIZE
L050GR-TB	1/2	1 1/2	1 1/32	#10-32 x 1/4"	#10
L075GR-TB	3/4	1 1/16	1 1/32	#10-32 x 1/4"	#10
L100GR-TB	1	2	1 1/32	#10-32 x 1/4"	#10
L125GR-TB	1 1/4	2 1/8	1 1/32	1/4-20 x 1/4"	#10
L150GR-TB	1 1/2	2 3/4	1 1/32	1/4-20 x 5/16"	#8
L200GR-TB	2	3 1/4	1 1/32	1/4-20 x 5/16"	#8
L250GR-TB	2 1/2	3 3/4	1 1/16	1/4-20 x 5/16"	#6
L300GR-TB	3	4 1/8	2 1/32	1/4-20 x 5/16"	#6
L350GR-TB	3 1/2	5	2 1/32	1/4-20 x 5/16"	#6
L400GR-TB	4	5 1/2	2 1/32	1/4-20 x 5/16"	#4
L500GR-TB	5	6 1/8	2 1/32	3/8-16 x 3/8"	#2
L600GR-TB	6	7 1/16	2 1/32	3/8-16 x 3/8"	#1

Material – Locknut: zinc or copper-free aluminum UL File No. E-3060
 For Aluminum Locknuts add suffix A. (i.e., L050GRA) CSA File No. 4484
 For Chrome-Plated Locknuts add suffix CP. (i.e., L050CP). For 316 Stainless Steel Locknuts add suffix SST (1/2" through 2" only). For Locknut with Lay In Lug add suffix GRL

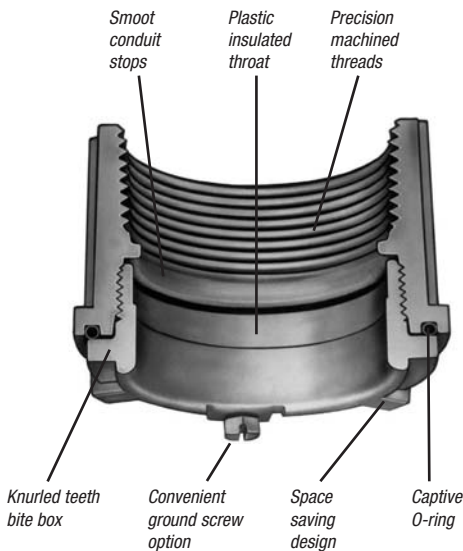
Rigidity and Intermediate Metal Conduit Fittings



HT, HTZ



HTGZ



Raintight for Rigid or Intermediate Metal Conduit (IMC)

CHASE® Threaded Conduit Hubs

Applications

- A fitting for connecting junction box to junction box, or junction box to the conduit system. The resulting connection maintaining ground continuity is raintight.
- Suitable for use where the system is normally hosed down (NEMA 4) for cleaning.

Features

- Plastic insulated throat, precision cast and machined surfaces permit safer wire pulling.
- Chase® design provides maximum space for wiring in the box. Locking nipple sits flush in the enclosure.
- Captive O-ring fits snugly in groove preventing loss and fumbling with parts.
- Knurled inner face of locking nipple provides 360 degrees of locking and bites through box wall to ensure grounding.
- Locking nipple has tightening lugs on two planes for easier assembly in hard to reach field conditions.
- Grounding hubs have a ground screw located within the enclosure providing a tamper-proof ground for device.
- Locking nipple design permits replacement of the box without disassembling the installation.

Standard Materials

- HTZ Series: Certified die cast zinc alloy ZAMAK 3.
- HT Series: Die cast aluminum alloy A360 with less than .004 copper content (copper-free).
- O-ring: Buna N
- Insulating Sleeves: Plastic

Standard Finish

- Aluminum lacquer finish

Listings/Compliances

- UL Listed
- CSA Certified
- Suitable for use in Wet Locations
- NEMA 4

CHASE® Hub with Insulated Throat

CAT. NO.	HUB SIZE	STD. PKG.	WT. LBS. APP. PER 100
HTZ1	½"	25	26
HTZ2	¾"	25	32
HTZ3	1"	25	45
HTZ4	1¼"	10	58
HTZ5	1½"	10	74
HTZ6	2"	10	93
HTZ7	2½"	5	202
HTZ8	3"	2	250
HTZ9*	3½"	2	300
HTZ10*	4"	2	360

*Made to order item. Consult factory for lead time and minimum quantities.

CHASE® Hub with Insulated Throat and Ground Screw

CAT. NO.	HUB SIZE	STD. PKG.	WT. LBS. APP. PER 100
HTGZ1	½"	25	22
HTGZ2	¾"	25	34
HTGZ3	1"	25	44
HTGZ4	1¼"	10	61
HTGZ5	1½"	10	75
HTGZ6	2"	10	95
HTGZ7	2½"	5	204
HTGZ8	3"	2	265
HTGZ9	3½"	2	270
HTGZ10	4"	2	360

CHASE® Aluminum Hub with Insulated Throat

CAT. NO.	HUB SIZE	STD. PKG.	WT. LBS. APP. PER 100
HT1	½"	25	12
HT2	¾"	25	14
HT3	1"	25	20
HT4	1¼"	10	27
HT5	1½"	10	32
HT6	2"	10	44
HT7	2½"	5	85
HT8	3"	2	120
HT9	3½"	2	138
HT10	4"	2	155

HTZ, HTGZ and HT Dimensions

HUB SIZE	PANEL WIDTH					MIN. G	MAX. H	O-RING SIZE J	
	A	B	C	D	E				F
½"	1⅜	1⅜ ₃₂	¼	⅜	½-14	60	2½ ₃₂	59 ₆₄	214
¾"	1⅝	1⅜ ₃₂	¼	⅜	¾-14	60	1⅜ ₃₂	1¼ ₆₄	218
1"	1⅞ ₃₂	1⅞	¼	⅜	1-11½	60	1⅞ ₆₄	1⅞ ₃₂	222
1¼"	1 ²³ / ₃₂	2 ⁵ / ₁₆	¼	¼	1¼-11½	60	1 ⁵ / ₆₄	1 ⁵ / ₆₄	225
1½"	1¾	2 ⁹ / ₁₆	¼	¼	1½-11½	60	1 ⁹ / ₃₂	2 ³ / ₆₄	227
2"	1 ²⁵ / ₃₂	3 ⁷ / ₃₂	¼	¼	2-11½	60	2 ⁷ / ₃₂	2 ⁷ / ₃₂	231
2½"	2¼	2 ⁵ / ₆₄	⅜	¼	2½-8	45	2 ¹ / ₆₄	3 ⁵ / ₃₂	236
3"	2 ²¹ / ₆₄	4 ³ / ₁₆	⅜	¼	3-8	45	3 ¹ / ₆₄	3 ⁴ / ₆₄	241
3½"	2 ²³ / ₆₄	4 ³ / ₁₆	⅜	¼	3½-8	45	4	4 ¹ / ₁₆	245
4"	2 ⁷ / ₈	5 ¹ / ₁₆	⅜	¼	4-8	45	4 ¹ / ₂	4 ³ / ₆₄	248



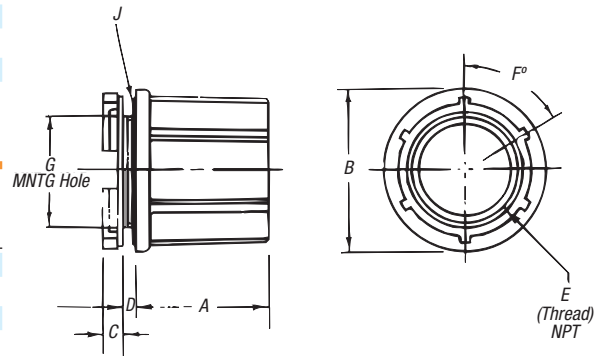
HTZ



HTGZ



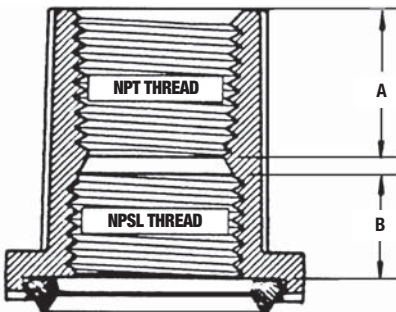
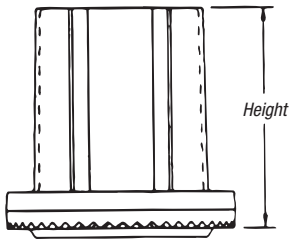
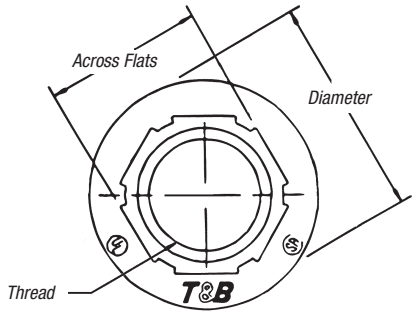
HT



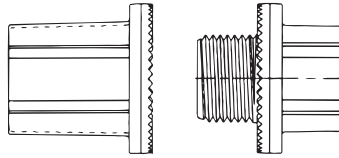
Rigid and Intermediate Metal Conduit Fittings



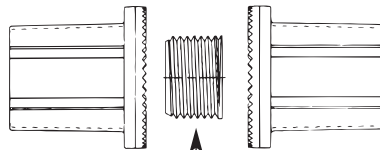
T&B Bulkhead Fittings



Bulkhead Fitting

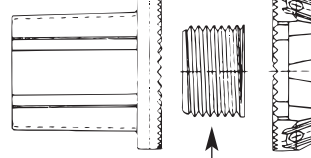


Thru Bulkhead Fitting



Nipple Nut
Not Included

Thru Bulkhead Hub



Nipple Nut
Not Included

CAT. NO. TRADE SIZE (IN.)

Bulkhead Fitting

H050BHD	1/2
H075BHD	3/4
H100BHD	1
H125BHD	1 1/4
H150BHD	1 1/2
H200BHD	2
H250BHD	2 1/2
H300BHD	3
H350BHD	3 1/2
H400BHD	4
H500BHD	5
H600BHD	6

Thru Bulkhead Fitting

H050TBF	1/2
H075TBF	3/4
H100TBF	1
H125TBF	1 1/4
H150TBF	1 1/2
H200TBF	2

Thru Bulkhead Hub

H050TBH	1/2
H075TBH	3/4
H100TBH	1
H125TBH	1 1/4
H150TBH	1 1/2
H200TBH	2

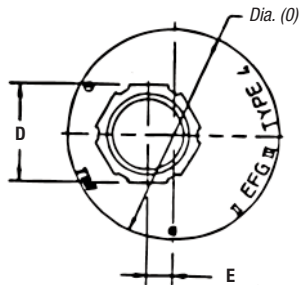
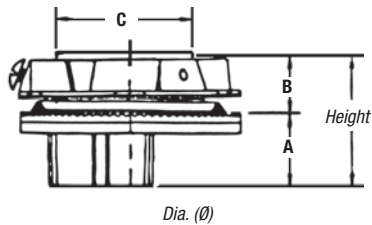
TRADE SIZE	THREAD	HEIGHT	DIAMETER	ACROSS FLATS	A (IN.)	B (IN.)
1/2"	1/2"-14"	1 1/32"	1 1/16"	1"	3/4	1/2
3/4"	3/4"-14"	1 1/32"	1 1/16"	1 1/4"	29/32	17/32
1"	1"-11 1/2"	1 1/16"	2"	1 1/32"	29/32	19/32
1 1/4"	1 1/4"-11 1/2"	1 2/32"	2 3/8"	1 1/32"	29/32	21/32
1 1/2"	1 1/2"-11 1/2"	1 1/16"	2 1/4"	1 1/8"	29/32	21/32
2"	2"-11 1/2"	1 2/32"	3 1/4"	2 5/8"	15/16	2 1/32
2 1/2"	2 1/2"-8"	2 2/32"	3 3/4"	3 3/8"	1 1/32	7/8
3"	3"-8"	2 1/16"	4 3/4"	3 3/4"	1 1/8	29/32
3 1/2"	3 1/2"-8"	2 1/16"	5"	4 3/32"	1 1/8	7/8
4"	4"-8"	2 1/16"	5 1/2"	4 2/32"	1 1/8	7/8
5"	5"-8"	2 2/32"	6 3/4"	5 2/32"	1 1/32	7/8
6"	6"-8"	3"	7 1/16"	7 1/32"	1 1/2	3 1/32

Material — Hub, Body and Locknut: Zinc or copper-free aluminum
 Insulating Throat: Thermoplastic temp. rating – 105° C
 Flammability Rating – 94V-0
 Sealing Ring: Nitrile (BUNA "N")
 For Aluminum Bulkheads add suffix A.
 For Chrome-Plated Bulkheads add suffix CP.
 Meets NEMA sealing requirements for NEMA 3R, 4 & 13 enclosures.

CSA Certified for hazardous locations Class II Groups E,F,G. Class III.
 UL File No. E-3060
 CSA File No. 4484

T&B Fittings

Offset Reducers



CAT. NO.	TRADE SIZE	HEIGHT	DIA. (Ø)	(IN.)				
				A	B	C	D	E
H150-TB0750RGR	1½"-¾"	1 ²⁵ / ₃₂ "	2¾	1 ⁵ / ₁₆	2 ³ / ₃₂	1 ²⁹ / ₃₂	1 ¹ / ₂	1 ¹ / ₂
H150-TB1000RGR	1½"-1"	1 ²⁹ / ₃₂ "	2¾	1 ¹ / ₁₆	2 ³ / ₃₂	1 ²⁹ / ₃₂	1 ¹ / ₁₆	¾
H150-TB1250RGR	1½"-1¼"	1 ²⁵ / ₃₂ "	2¾	1 ¹ / ₁₆	2 ³ / ₃₂	1 ²⁹ / ₃₂	1 ¹ / ₈	½
H250-TB2000RGR	2½"-2"	2 ¹ / ₈ "	3¾	1 ³ / ₁₆	1 ⁵ / ₁₆	2 ²⁹ / ₃₂	2 ² / ₃₂	¾

Material — Offset Reducer and Locknut: Zinc or copper-free aluminum

Insulating Throat: Thermoplastic Temp. Rating – 105° C

Flammability Rating – 94V-0

Sealing Ring: Nitrile (BUNA "N")

For Aluminum Offset Reducer add suffix A.

For Chrome-Plated Offset Reducer add suffix CP.

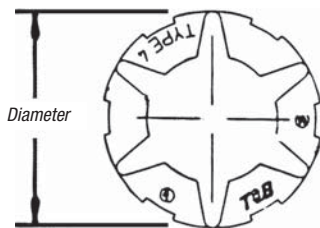
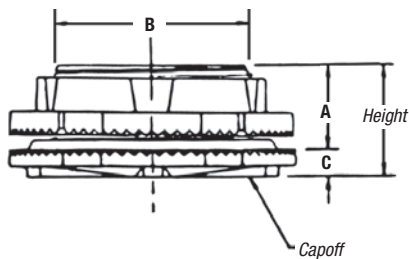
Meets NEMA sealing requirements for NEMA 3R, 4 & 13 enclosures.

CSA Certified for hazardous locations Class II Groups E,F,G. Class III.

UL File No. E-3060

CSA File No. 4484

Capoffs



CAT. NO.	TRADE SIZE	HEIGHT	DIAMETER	(IN.)		
				A	B	C
H050CAP	½"	1 ¹⁵ / ₃₂ "	1 ¹ / ₁₆	1 ¹⁹ / ₃₂	2 ²⁷ / ₃₂	¾
H075CAP	¾"	1 ¹⁵ / ₃₂ "	1 ¹ / ₁₆	1 ¹⁹ / ₃₂	1 ¹ / ₁₆	¾
H100CAP	1"	1 ¹¹ / ₁₆ "	2	1 ¹ / ₁₆	1 ¹ / ₁₆	¾
H125CAP	1¼"	1 ²⁹ / ₃₂ "	2½	2 ²³ / ₃₂	1 ² / ₃₂	¾
H150CAP	1½"	1 ¹³ / ₁₆ "	2¾	2 ²³ / ₃₂	1 ²⁹ / ₃₂	¾
H200CAP	2"	1 ²⁷ / ₃₂ "	3¼	2 ²³ / ₃₂	2 ¹ / ₈	¾
H250CAP	2½"	2 ²⁹ / ₃₂ "	3¾	¾	2 ²⁹ / ₃₂	¾
H300CAP	3"	2 ¹ / ₁₆ "	4"	¾	3 ³ / ₃₂	1 ¹ / ₂
H350CAP	3½"	2 ¹ / ₁₆ "	5	2 ²⁹ / ₃₂	4 ¹ / ₃₂	1 ¹ / ₂
H400CAP	4"	2 ¹ / ₁₆ "	5½	2 ²⁹ / ₃₂	4 ¹ / ₂	1 ¹ / ₂
H500CAP	5"	2 ²⁹ / ₃₂ "	6"	2 ²⁹ / ₃₂	5 ¹ / ₁₆	1 ¹ / ₂
H600CAP	6"	3"	7"	3 ¹ / ₃₂	6"	1 ¹ / ₂

Material — Capoff and Locknut: zinc or copper-free aluminum

Insulating Throat: Thermoplastic temp. rating – 105° C

Flammability Rating – 94V-0

Sealing Ring: Nitrile (BUNA "N")

For Aluminum Capoff add suffix A.

For Chrome-Plated Capoff add suffix CP.

Meets NEMA sealing requirements for NEMA 3R, 4 & 13 enclosures.

CSA Certified for hazardous locations Class II Groups E,F,G. Class III.

UL File No. E-3060

CSA File No. 4484

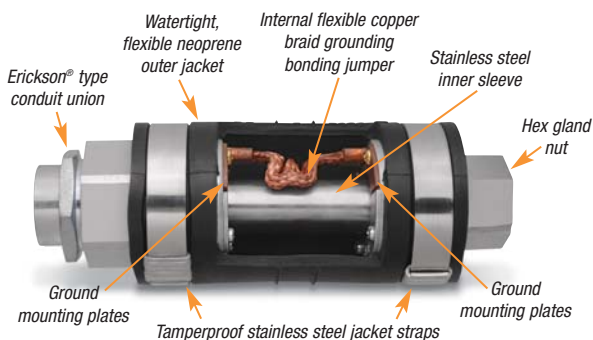
Rigid and Intermediate Metal Conduit Fittings

Watertight, flexible connections support movement and thermal expansion!

XD Expansion/Deflection Coupling

Use the T&B XD Expansion/Deflection Coupling to join two conduit runs in applications where movement in any direction is required. The coupling provides a flexible, watertight connection, accommodating axial or parallel movement of up to 3/4" and angular movement of up to 30° from normal.

- Ideal for use in bridges, tunnels, interbuilding walkways, docks and piers, wastewater and water treatment facilities and other applications in which conduit runs are subject to movement due to external forces or temperature changes
- Suitable for use indoors, outdoors, direct buried or embedded in concrete
- Watertight, flexible neoprene outer jacket, zinc-plated and acrylic-painted hubs and stainless steel tamperproof straps ensure superior corrosion resistance — ideal for use in harsh environments
- Copper ground mounting plates and grounding bonding jumper both entirely enclosed to safeguard against theft
- Includes an Erickson® type conduit union for faster, easier installation to reduce labor costs
- Durable stainless steel inner sleeve provides a constant, smooth inner diameter in any position to ease wire pulling and protect wire insulation from damage
- NPT threaded hubs fit standard threaded rigid metal conduit
- Can also be used with rigid PVC conduit with the use of standard adapters (not supplied)



Listings/Compliances

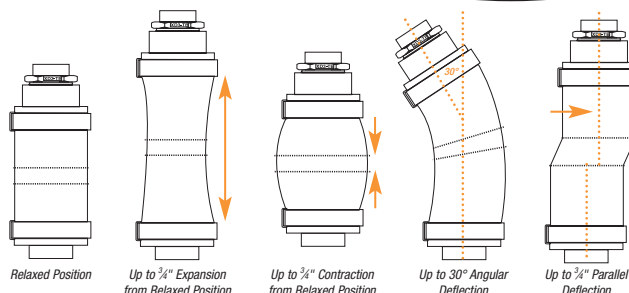
UL Listed to UL 514B and CSA Certified to C22.2 No. 18.3
Suitable for Wet Locations (hub sizes 1"–6")

Watertight — NEMA 4

NEC Article 250.98 compliant

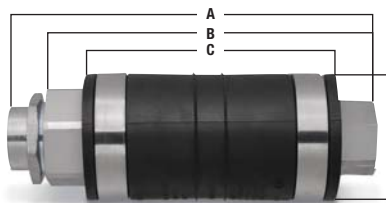


NEW!



Standard Materials/Finish

Hub	Ductile cast iron, zinc-plated and aluminum acrylic painted
Inner Sleeve	Stainless steel
Internal Grounding Bonding Jumper	Flexible copper braid
Ground Mounting Plates	Copper
Hub Rings	Zinc-plated steel
Outer Jacket	Molded neoprene (natural black)
Jacket Straps	Stainless steel

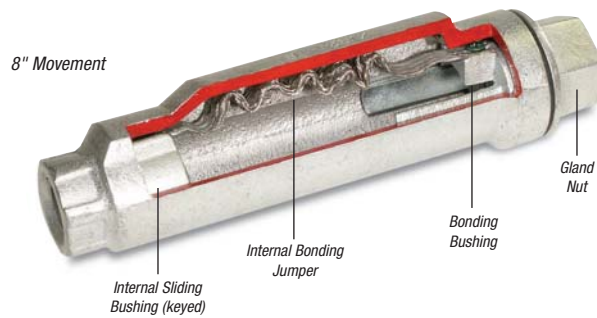


CAT. NO.	HUB SIZE (IN.)	DIMENSIONS (IN.)			
		A	B	C	D
XD3-TB	1	9 ¹ / ₁₆	8 ¹ / ₂	6 ¹ / ₁₆	3 ¹ / ₃₂
XD4-TB	1 ¹ / ₄	9 ⁹ / ₁₆	8 ⁷ / ₈	6 ³ / ₈	3 ³ / ₈
XD5-TB	1 ¹ / ₂	9 ³ / ₄	8 ⁵ / ₈	6 ¹ / ₄	4 ¹ / ₂
XD6-TB	2	9 ¹ / ₂	8 ³ / ₂	7 ¹ / ₄	4 ¹ / ₁₆
XD7-TB	2 ¹ / ₂	11 ¹ / ₄	11 ¹ / ₈	9 ¹ / ₂	4 ¹ / ₈
XD8-TB	3	10 ¹ / ₂	9 ¹ / ₂	7 ¹ / ₂	5 ¹ / ₁₆
XD9-TB	3 ¹ / ₂	10 ¹ / ₁₆	9 ¹ / ₄	7 ³ / ₈	6 ¹ / ₈
XD010-TB	4	13 ³ / ₁₆	11 ² / ₃₂	8 ¹ / ₈	7 ¹ / ₃₂
XD012-TB	5	14	12 ¹ / ₁₆	11	8 ³ / ₃₂
XD014-TB	6	14 ¹ / ₁₆	13 ¹ / ₈	11 ¹ / ₂	9 ¹ / ₃₂

No disassembly required!

XJG Conduit Expansion Coupling

T&B Fittings



Slide the fitting onto the conduit until it stops at the internal sliding bushing. Tighten and you're ready. No parts to reassemble!



With a wrench, tighten the gland nut to compress the Teflon packing, creating a raintight seal around the conduit.

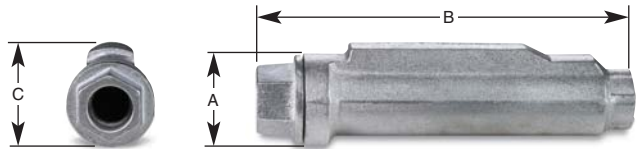


Thread the next length of conduit into the other end of the fitting and tighten. You're done!

Suggested Specifications for Expansion Fittings for Rigid Steel or Intermediate Metal Conduit

Where raceways require expansion fittings to compensate for thermal expansion and contraction and where expansion fittings and telescoping sections of metal raceway shall be made electrically continuous by bonding jumpers or other means:

- The fitting will be constructed from malleable or ductile iron with exterior and interior zinc plating for corrosion protection.
- The fitting shall be constructed so that disassembly is not required during installation.
- The fitting shall be raintight after installation.
- The fitting shall have an internal bonding jumper constructed of a tinned copper braid, sized to meet UL fault current test requirements and comply with bonding requirements — NEC Article 250.98
- External bonding jumper shall not be required to comply with NEC requirements.
- Accepted Manufacturers: Thomas & Betts - XJG-TB Series



XJG-TB Conduit Expansion Coupling for Rigid and Intermediate Metal Conduit

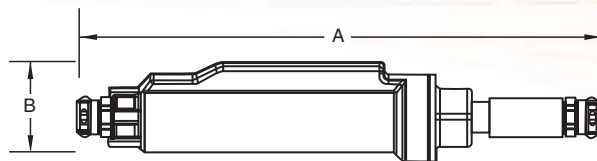
CAT NO.	SIZE	MOVEMENT	A DIAMETER IN.	B LENGTH IN.	C HEIGHT IN.
XJG24-TB	¾"	4"	2.43	10.00	2.75
XJG28-TB	¾"	8"	2.43	14.00	2.75
XJG34-TB	1"	4"	2.67	10.00	2.99
XJG38-TB	1"	8"	2.67	14.00	2.99
XJG44-TB	1½"	4"	3.36	10.56	3.68
XJG48-TB	1½"	8"	3.36	14.56	3.68
XJG54-TB	1½"	4"	3.36	10.56	3.68
XJG58-TB	1½"	8"	3.36	14.56	3.68
XJG64-TB	2"	4"	3.86	11.25	4.18
XJG68-TB	2"	8"	3.86	15.25	4.18
XJG74-TB	2½"	4"	4.96	12.12	5.25
XJG78-TB	2½"	8"	4.96	16.12	5.25
XJG84-TB	3"	4"	4.96	12.12	5.25
XJG88-TB	3"	8"	4.96	16.12	5.25
XJG94-TB	3½"	4"	6.37	12.87	6.75
XJG98-TB	3½"	8"	6.37	16.87	6.75
XJG104-TB	4"	4"	6.37	12.87	6.75
XJG108-TB	4"	8"	6.37	16.87	6.75
XJG1208-TB	5"	8"	7.99	18.87	8.56

Please consult Technical Services for special orders and availability of products not shown in this list.

Rigid and Intermediate Metal Conduit Fittings



XJG24-EMT



Features

- Fast and easy installation — no disassembly required
- No external grounding strap needed — internal bonding jumper is protected from tampering and the environment
- Exceeds code requirements for long conduit runs to permit linear movement

Standard Materials/Finish

Body Ductile Iron, available PVC Coated
 Internal Bonding Jumper Tinned Copper Braid
 Exterior and Interior Finish Zinc Plating, Aluminum Acrylic Paint
 Packing PTFE/Synthetic Fiber Material

Listings/Compliances

UL File E23018, Std. 514B, Suitable for Wet Locations
 CSA File LR2884, Std. C22.2 No. 18
 NEC 250.98



XJG24-EMT

XJG-EMT Conduit Expansion Coupling for EMT

CAT NO.	SIZE	MOVEMENT	A LENGTH IN.	B HEIGHT IN.
XJG24-EMT	¾"	4"	17.39	2.75
XJG28-EMT	¾"	8"	21.39	2.75
XJG34-EMT	1"	4"	17.42	2.99
XJG38-EMT	1"	8"	21.42	2.99
XJG44-EMT	1¼"	4"	18.27	3.46
XJG48-EMT	1¼"	8"	22.27	3.46
XJG54-EMT	1½"	4"	18.69	3.68
XJG58-EMT	1½"	8"	22.69	3.68
XJG64-EMT	2"	4"	19.04	4.18
XJG68-EMT	2"	8"	23.04	4.18
XJG74-EMT	2½"	4"	23.23	4.52
XJG78-EMT	2½"	8"	27.23	4.52
XJG84-EMT	3"	4"	24.09	5.25
XJG88-EMT	3"	8"	28.09	5.25
XJG94-EMT	3½"	4"	28.70	6.00
XJG98-EMT	3½"	8"	28.70	6.00
XJG104-EMT	4"	4"	29.30	6.75
XJG108-EMT	4"	8"	29.30	6.75

T&B® Fittings



8123 Series



8130 Series



8120 Series

Threadless Connector/Coupling

(For Threadless Rigid Metal Conduit and Intermediate Metal Conduit)

Application

- To connect and effectively bond threadless rigid metal conduit/intermediate metal conduit to a box or enclosure, or to couple ends of threadless conduit

Features

- Steel/Malleable Iron construction
- Case-hardened ring bites into conduit for high-quality continuity and grip
- Nylon insulator firmly secured in place protects conductors and reduces wire pulling effort by as much as 50%; prevents thread damage in handling
- Case-hardened steel locknut or malleable iron locknut designed to provide a positive bond
- Suitable for concrete-tight application
- Capable of carrying ground fault currents up to 10,000 amps RMS (½" through 1½" size) and 20,000 amps RMS (2" and above sizes) for a duration of current 3 cycles

Standard Material

Nut, Gland ½" to 1" Steel – 1¼" to 4" Malleable Iron
 Body All Malleable Iron
 Ring Steel (case hardened)
 Insulator Nylon
 Locknut ½" thru 2" Steel (hardened) 2" thru 4" Malleable Iron

Standard Finish

Electro Zinc Plated & Chromate Coated

Range

8123 & 8120 Series ½" through 4" Size Conduit
 8130 Series ½" through 2" Size Conduit
 All hub threads Straight Pipe (NPS)

Listings/Compliances

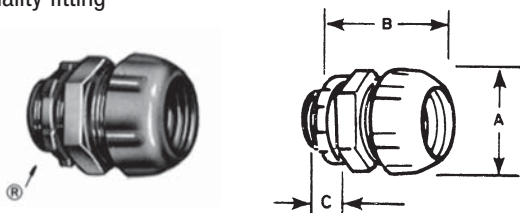
UL 514B Federal Specification A-A-50553
 CSA C22.2 No. 18 Federal Standard H-28 (Threads)
 NFPA 70 UL (UL File No: E-23018)
 NEMA FB1 CSA (LR-2884, LR-4484)

Split steel ring with diagonal serrations grips conduit and bites in for positive ground!

Threadless Connectors — Nylon Insulated



- Makes a permanent connection
- Eliminates need for cutting a thread on conduit
- Insulation helps ensure continuity of service by protecting the conductor at the critical point — the connector bushing
- Malleable iron construction
- Look for the unique T&B blue color, ensuring the highest quality fitting



CAT. NO.		CONDUIT SIZE	DIMENSIONS (IN.)		
NYLON INSUL.	NON-INSUL.		A	B	C
8123	8121	½"	1½ ₂	1 ¹¹ / ₁₆	1½
8223	8221	¾"	1 ¹¹ / ₂	1¾	1½
8323	8321	1"	1 ²⁹ / ₃₂	2	¾
8423	8421	1¼"	2¾	2 ¹ / ₁₆	1 ¹¹ / ₁₆
8523	8521	1½"	2 ¹¹ / ₁₆	2¾	¾
8623	8621	2"	3¾	2 ¹³ / ₁₆	2 ⁷ / ₃₂
8723-TB	8721	2½"	4¾	3 ¹³ / ₁₆	1¾
8823	8821	3"	4¾	4	1 ¹ / ₂
8853	8851	3½"	5½	4¾	1¾
8973	8971	4"	6½	4¾	1¾

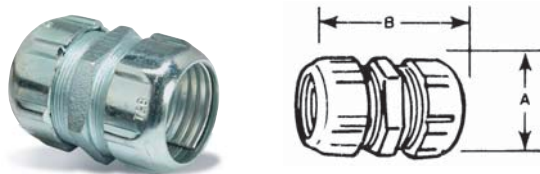
Available with DURA-PLATE® Finish. UL File No. E-23018 CSA File No. 2884

Just tighten with a wrench to make a UL Listed and CSA Certified concrete-tight connection!



Threadless Couplings

- Eliminates need for conduit threading
- Malleable iron construction



CAT. NO.	SIZE	DIMENSIONS (IN.)	
		A	B
8120	½"	1½ ₂	2
8220	¾"	1 ¹⁹ / ₃₂	2 ⁵ / ₁₆
8320	1"	1¾	2 ¹¹ / ₁₆
8420	1¼"	2¾	2 ³ / ₁₆
8520	1½"	2¾	3 ⁵ / ₁₆
8620	2"	3¾	3 ⁹ / ₁₆
8720	2½"	3 ¹⁵ / ₁₆	5 ⁷ / ₁₆
8820	3"	4 ¹¹ / ₁₆	5½
8850	3½"	5¾	5 ⁷ / ₁₆
8970	4"	5 ¹¹ / ₁₆	5 ⁷ / ₁₆

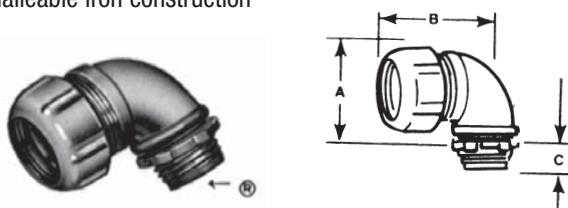
Available with DURA-PLATE® Finish. UL File No. E-23018 CSA File No. 2884

Ideal for entering enclosure or conduit body at right angles!

Threadless Short Elbows — Nylon Insulated



- Eliminates need to thread conduit
- As with straight couplings, makes a concrete-tight connection
- Malleable iron construction



CAT. NO.	SIZE	DIMENSIONS (IN.)		
		A	B	C
8130	½"	1 ¹¹ / ₂	1½	½
8131	¾"	1¾	1¾	¾
8132	1"	1¾	1 ¹⁵ / ₁₆	1 ¹¹ / ₁₆

Available with DURA-PLATE® Finish. UL File No. E-23018 CSA File No. 2884

Rigid and Intermediate Metal Conduit Fittings



T&B Fittings

Set-Screw Connector/Coupling

(For Threadless Rigid Metal Conduit and Intermediate Metal Conduit)



8125 Series



8124 Series

Application

- To connect and effectively bond threadless rigid metal conduit or intermediate metal conduit to a box or enclosure or to couple ends of threadless conduit

Features

- Thickwall steel or malleable iron body
- Hardened hex head cup point screw to provide high-quality bond
- Screw captivated, will not vibrate loose
- Nylon insulated throat meets and exceeds all code requirements for bushing:
 - Prevents thinning of insulation
 - Reduces installation effort
 - Prevents first thread damage

- Coupling provided with positive center stop
- Suitable for concrete-tight application
- Capable of carrying ground fault currents up to 10,000 amps RMS ($\frac{1}{2}$ " through $1\frac{1}{2}$ " size) and 20,000 amps RMS (2" and above sizes).

Standard Material

Body	$\frac{1}{2}$ " thru 2" Steel 2 $\frac{1}{2}$ " thru 4" Malleable Iron
Locknut	$\frac{1}{2}$ " thru 2" Steel (hardened) 2 $\frac{1}{2}$ " thru 4" Malleable Iron
Screw	Steel (hardened)
Insulator	Nylon

Standard Finish

Electro Zinc Plated & Chromate Coated

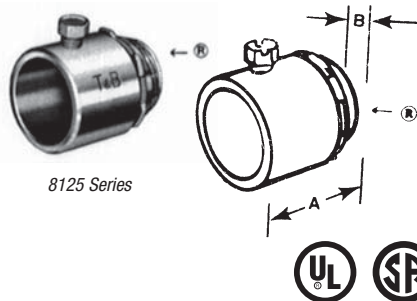
Listings/Compliances

UL (UL File No: E-23018)
CSA (LR-2884, LR-4484)
UL 514B
CSA C22.2 No. 18
NFPA 70
NEMA FB1
Federal Specification A-A-50553
Federal Standard H-28 (Threads)

Eliminates the need for conduit threading!

Insulated Set-Screw Connector

- Captive hex head screws tighten down onto conduit for positive holding strength and ground
- Furnished with insulated throats to reduce wire-pulling effort by as much as 50%
- Approved concrete-tight



8125 Series



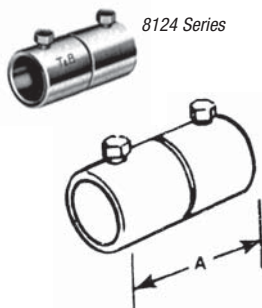
CAT. NO.	CONDUIT SIZE	DIMENSIONS (IN.)	
		A	B
8125	$\frac{1}{2}$ "	1 $\frac{3}{8}$	$\frac{13}{32}$
8225	$\frac{3}{4}$ "	1 $\frac{1}{2}$	$\frac{7}{16}$
8325	1"	1 $\frac{3}{8}$	$\frac{5}{16}$
8425	1 $\frac{1}{4}$ "	2	$\frac{5}{8}$
8525	1 $\frac{1}{2}$ "	2 $\frac{3}{8}$	$\frac{5}{8}$
8625-TB	2"	2 $\frac{1}{8}$	1 $\frac{1}{8}$
8725-TB	2 $\frac{1}{2}$ "	3 $\frac{3}{8}$	1
8825	3"	3 $\frac{1}{8}$	1
8855	3 $\frac{1}{2}$ "	3 $\frac{3}{8}$	1 $\frac{1}{8}$
8975	4"	4 $\frac{3}{8}$	1 $\frac{1}{8}$

Sizes $\frac{1}{2}$ "–2" made of steel. Sizes 2 $\frac{1}{2}$ "–4" are malleable iron.
Available with DURA-PLATE® Finish.
UL File No. E-23018 CSA File No. 2884

No need to thread conduit ends when joining rigid conduit!

Set-Screw Coupling

- Captive hex head screws provide positive holding strength and ground continuity
- Approved concrete-tight



8124 Series



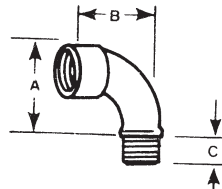
CAT. NO.	CONDUIT SIZE	DIMENSION (IN.)
		A
8124	$\frac{1}{2}$ "	2 $\frac{1}{8}$
8224	$\frac{3}{4}$ "	2 $\frac{1}{16}$
8324-TB	1"	2 $\frac{7}{32}$
8424	1 $\frac{1}{4}$ "	3
8524	1 $\frac{1}{2}$ "	3 $\frac{3}{8}$
8624	2"	3 $\frac{3}{8}$
8724	2 $\frac{1}{2}$ "	3 $\frac{3}{8}$
8824-TB	3"	4 $\frac{1}{4}$
8854	3 $\frac{1}{2}$ "	4 $\frac{5}{16}$
8974	4"	5 $\frac{1}{8}$

Sizes $\frac{1}{2}$ "–2" made of steel; sizes 2 $\frac{1}{2}$ "–4" are malleable iron.
Available with DURA-PLATE® Finish.
UL File No. E-23018 CSA File No. 2884

Smoothly rounded shoulders protect conductor insulation!

Bushed Elbows

- Non-insulated
- Malleable iron construction



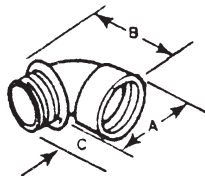
CAT. NO.	SIZE	DIMENSION (IN.)		
		A	B	C
460-TB	½"	1½"	1¼"	¾"
461TB	¾"	1½"	2¼"	¾"
462	1"	1¾"	2¼"	¾"
463	1½"	2¼"	3½"	¾"

Available with DURA-PLATE® Finish. UL File No. E 23018. CSA File No. 2884

Integral insulation ensures a smooth bushing in every fitting!

Short Elbows — Nylon Insulated

- Malleable iron construction



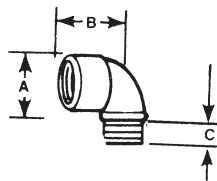
CAT. NO.	SIZE	DIMENSION (IN.)		
		A	B	C
4290	½"	1½"	1¼"	½"
4291	¾"	1½"	1½"	9/16"
4292	1"	1¾"	1½"	11/16"
4293	1¼"	2½"	2½"	13/16"
4294	1½"	2½"	2½"	13/16"
4295	2"	3"	2½"	13/16"

Available with DURA-PLATE® Finish. Not UL or CSA.

For non-insulated applications.

Short Elbows

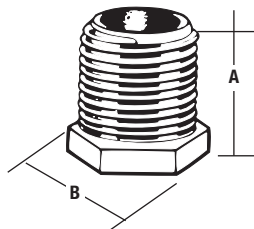
- Malleable iron construction



CAT. NO.	SIZE	DIMENSION (IN.)		
		A	B	C
4250	½"	1½"	1¼"	7/16"
4251	¾"	1¾"	1½"	½"
4252	1"	1¾"	1½"	5/8"
4253	1¼"	2½"	2½"	11/16"
4254	1½"	2½"	2½"	11/16"
4255	2"	3½"	2½"	11/16"

Available with DURA-PLATE® Finish. U.L. File #E-23018 CSA File No. 589

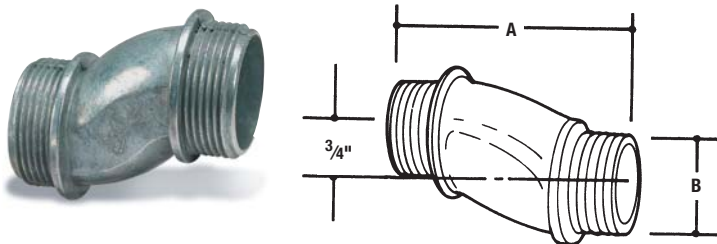
Conduit Nipples — Die-Cast Zinc, 1" Long



CAT. NO.	SIZE	A	B
HA-211	½"	1"	15/16"
HA-212	¾"	1"	1¾"
HA-213	1"	1"	1¾"

UL File No. E-1275 ½" & ¾" only

Offset Nipples — Die-Cast Zinc



CAT. NO.	SIZE	A	B
HO-221	½"	2.60"	1.00"
HO-222	¾"	2.62"	1.32"
HO-223	1"	2.68"	1.51"
HO-224	1¼"	2.85"	1.85"
HO-225	1½"	2.88"	2.08"
HO-226	2"	3.19"	2.71"

¾" offset

UL File No. E-1275

Rigid and Intermediate Metal Conduit Fittings



T&B Fittings

Threaded Erickson® 3-Piece Coupling

(For Threaded Rigid Metal Conduit and Intermediate Metal Conduit)



674 Series
675AL Series

Application

- To couple and effectively bond threaded ends of rigid metal conduit/intermediate metal conduit where neither length of conduit can be rotated

Features

- Malleable Iron/Steel/Copper-free Aluminum construction
- Free fitting threads ensure easy assembly
- Permits conduit coupling without rotating either conduit
- Provides rigid in-line coupling with high- quality grounding; will not loosen under vibration
- Suitable for concrete-tight application
- Capable of carrying ground fault currents up to 10,000 amps RMS (½" through 1½" size) and up to 20,000 amps RMS (2" and above) (duration of fault current 3 cycles) (674 series tested)

Standard Material

674 Series

Bushing & Case Malleable Iron

Ring Steel & Malleable Iron

675AL Series

Bushing & Case Aluminum

Ring Aluminum

Standard Finish

674 Series: Electro Zinc Plated & Chromate Coated

675AL Series: Degreased

Range

¾" thru 6" Conduit (malleable iron)

½" thru 6" Conduit (aluminum)

All straight pipe threads (NPS)

Listings/Compliances

UL 514B

CSA C22.2 No. 18

NEMA FB1

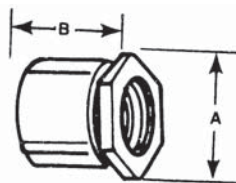
NFPA 70-1999 (ANSI)

Federal Specification A-A-50553

Federal Standard H-28 (Threads)

Raintight

With an ERICKSON® coupling, a conduit run may be completed when neither conduit can be turned. A conduit run may also be broken without taking down the whole run. Conduit joined with ERICKSON® Couplings is rigid and in line and vibration will not loosen the connections. Malleable iron.



CAT. NO.	ALUM.* CAT. NO.	SIZE	DIMENSIONS (IN.)	
			A	B
674	—	¾"	1 ½"	1 ½"
675	675AL	½"	1 ½ ₃₂	1 ¼"
676	676AL	¾"	1 ½ ₁₆	1 ½ ₃₂
677	677AL	1"	1 29 ₃₂	1 ½"
678	678AL	1 ¼"	2 ½"	1 ¾ ₁₆
679	679AL	1 ½"	2 ¾"	1 ¾ ₃₂
680TB	680AL	2"	3 ½ ₃₂	2 ¾ ₃₂
681	681AL	2 ½"	3 31 ₃₂	2 11 ₁₆
682	682AL	3"	4 1 ₁₆	2 29 ₃₂
683	683AL	3 ½"	5	3
684	684AL	4"	5 ½"	3 ¾ ₁₆
685	685AL	4 ½"	6 ¼"	3 ¾ ₃₂
686	686AL	5"	6 25 ₃₂	3 ¾"
687	687AL	6"	8	4 ¾ ₃₂

*Copper-Free Aluminum

UL Listed and CSA Certified concrete-tight.

UL File No. E-23018

CSA File No. 2884

Split Couplings

- Ideal for retrofit installations or in tight areas
- Fast installation
- Neoprene gasket provides a concrete-tight seal.
- Joins threaded conduit even when the conduit can't rotate.
- Approved for direct burial

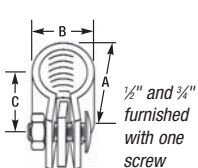


T&B's Split Coupling is a simple method to join threaded conduits in retrofits or in snug areas. Available in ½" to 6".

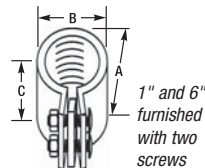


Specifications

- Material: Malleable Iron
- Gasket: Neoprene
- Plating: Zinc Plated
- Standards: UL Standard 514B, NEMA FB-1



½" and ¾" furnished with one screw



1" and 6" furnished with two screws

CAT. NO.	TRADE SIZE	DIMENSIONS (IN.)			WEIGHT PER 100
		A	B	C	
SPCP50	½"	2	1 ¼"	1 ¼"	34.4
SPCP75	¾"	2 ¾"	1 ¼"	1 ½"	39.4
SPCP100	1"	2 ¾"	1 ¾"	1 ¾ ₁₆	60.0
SPCP125	1 ¼"	3 ¾"	1 ¾"	2 ¾"	75.0
SPCP150	1 ½"	3 ¾"	1 ¾ ₁₆	2 ¾"	112.5
SPCP200	2"	3 ¾ ₁₆	2	2 ¾"	112.5
SPCP250	2 ½"	4 ¾"	3 ¾"	3 ¾"	275.0
SPCP300	3"	5 ¾"	3 ¾"	4 ¾"	300.0
SPCP350	3 ½"	6 ¾"	3 ¾"	4 ¾ ₁₆	425.0
SPCP400	4"	6 ¾"	3 ¾"	5 ¾"	500.0
SPCP500	5"	8 ¾"	3 ¾"	6 ¾"	900.0
SPCP600	6"	9 ¾"	4 ¾"	7 ¾"	1,300.0

United States
Tel: 901.252.8000
800.816.7809
Fax: 901.252.1354

Technical Services
Tel: 888.862.3289

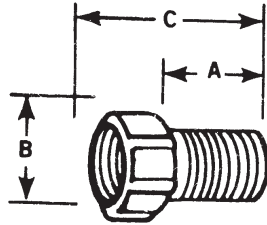
Thomas & Betts

www.tnb.com

The ideal solution for applications requiring longer thread length!

Panel Connector Extensions

- Will combine with any fitting with a male thread
- Male thread of panel connector extension is 1" long
- Malleable iron construction



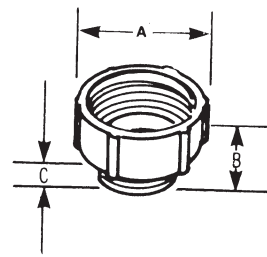
CAT. NO.	SIZE	DIMENSIONS (IN.)		
		A	B	C
1440	½"	1¼	1½ ₃₂	1⅞
1441	¾"	1½	1 11 ₃₂	2
1442	1"	1¾	1 19 ₃₂	1 15 ₁₆
1443	1¼"	1¾	1 15 ₁₆	1 15 ₁₆

UL File No. E-23018

CSA File No. 2884

Adapt an outlet hole to the next larger size of conduit!

Male Enlargers*



CAT. NO.	SIZE	DIMENSIONS (IN.)		
		A	B	C
1245	½" to ¾"	1 1 ₃₂	1 1 ₁₆	½
1246	¾" to 1"	1 11 ₁₆	1¼	15 ₃₂
1244	1" to 1¼"	2 1 ₁₆	1 11 ₃₂	½
1247	1¼" to 1½"	2 5 ₁₆	1 3 ₈	5 ₁₆

* All items shown in this chart are suitable for use in hazardous locations where general purpose equipment is specifically permitted by the NEC; Class I, Div. 2; Class II, Div. 1 & 2; Class III, Div. 1 & 2, NEC 501-4(b); 502-4(a)(b); 503-3(a)(b).

Available with DURA-PLATE® Finish.

UL File No. E-23018

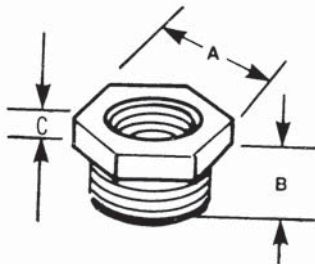
CSA File No. 2884

- Built-in bushing covers rough ends of conduit
- Malleable iron construction

Adapt any outlet to the next smaller size of conduit!

Female Reducers*

- Hex shoulder for easy wrench tightening
- Malleable iron construction



CAT. NO.	SIZE	DIMENSIONS (IN.)		
		A	B	C
1250-TB	¾" to ½"	1½	5 ₈	3 ₁₆
1261	1" to ½"	1 1 ₁₆	2 1 ₃₂	3 ₁₆
1251	1" to ¾"	1 3 ₈	1 11 ₁₆	3 ₁₆
1262	1¼" to ½"	1 13 ₁₆	2 3 ₃₂	3 ₁₆
1263	1¼" to ¾"	1 13 ₁₆	2 3 ₃₂	3 ₁₆
1252	1¼" to 1"	1¾	2 5 ₃₂	7 ₃₂
1253	1½" to 1¼"	2	1 3 ₁₆	¼
1254	2" to 1½"	2 3 ₈	1 3 ₁₆	9 ₃₂
1255	2½" to 2"	3	1¼	3 ₈
1256	3" to 2½"	3 3 ₈	1½	½
1257	3½" to 3"	4 1 ₈	1 11 ₁₆	½
1258	4" to 3½"	4 3 ₈	1 11 ₁₆	½

* All items shown in this chart are suitable for use in hazardous locations where general purpose equipment is specifically permitted by the NEC; Class I, Div. 2; Class II, Div. 1 & 2; Class III, Div. 1 & 2, NEC 501-4(b); 502-4(a) (b); 503-3(a) (b).

Available with DURA-PLATE® Finish. UL File No. E-23018 CSA File No. 2884

Rigid and Intermediate Metal Conduit Fittings



Stainless Steel Pipe Straps



Thomas & Betts offers stainless steel pipe straps to support and securely fasten rigid, IMC and EMT conduit. One- and two-hole stainless steel straps are ideal for industrial applications such as petro-chemical plants, manufacturing plants, pulp and paper mills, food processing, power plants, refineries and mining operations. Stainless steel pipe straps are also useful in commercial applications in schools, hospitals, office buildings, airports, casinos and stadiums.

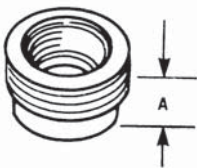
- Higher degree of corrosion resistance than traditional zinc-plated or hot-dipped galvanized straps
- One and two-hole straps for EMT sizes ½" through 2"
- One and two-hole straps for Rigid and IMC size ½" through 4"
- 303 stainless steel

CAT. NO.	TRADE SIZE	WT. PER 100	HOLE DIA.	STD. PKG.	CAT. NO.	TRADE SIZE	WT. PER 100	HOLE DIA.	STD. PKG.
One-Hole EMT Straps					Two-Hole EMT Straps				
TS101-SS	½"	2.21	¼"	25	TS901-SS	½"	2.21	¼"	25
TS102-SS	¾"	2.49	¼"	25	TS902-SS	¾"	3.31	¼"	25
TS103-SS	1"	3.31	¼"	25	TS903-SS	1"	3.87	¼"	25
TS104-SS	1¼"	3.64	⅜"	10	TS904-SS	1¼"	7.54	⅜"	10
TS105-SS	1½"	3.87	⅜"	5	TS905-SS	1½"	12.21	⅜"	5
TS106-SS	2"	4.03	⅜"	5	TS906-SS	2"	18.23	⅜"	5
One-Hole Rigid/IMC Straps					Two-Hole Rigid/IMC Straps				
HS100-SS	¾"	2.00	⅝"	20	HS901-SS	½"	2.49	⅝"	20
HS101-SS	½"	2.21	⅝"	20	HS902-SS	¾"	3.64	⅝"	20
HS102-SS	¾"	2.49	⅝"	20	HS903-SS	1"	4.15	⅝"	20
HS103-SS	1"	3.48	⅝"	20	HS904-SS	1¼"	8.17	⅝"	10
HS104-SS	1¼"	3.76	⅝"	10	HS905-SS	1½"	17.50	⅝"	10
HS105-SS	1½"	18.22	⅝"	10	HS906-SS	2"	21.37	⅝"	5
HS106-SS	2"	19.69	⅝"	5	HS907-SS	2½"	21.54	⅝"	5
HS107-SS	2½"	67.21	⅝"	5	HS908-SS	3"	25.72	⅝"	5
HS108-SS	3"	76.45	⅝"	5	HS909-SS	3½"	27.27	⅝"	5
HS110-SS	4"	80.18	⅝"	5	HS910-SS	4"	31.70	⅝"	5

T&B Fittings

Reduces threaded opening in conduit bodies or any female threaded fitting!

Threaded Reducers



- Smooth, built-in bushing completely covers rough ends of conduit
- Malleable iron or steel construction (steel through 606, also 614 and 615)

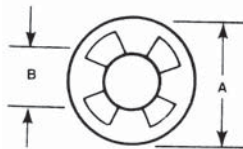
CAT. NO.	STL. ON MI	ALUM.	SIZE	DIMENSION (IN.)	
				A	B
600TB	600ALTB	600AL	½" to ¾"	⅝"	⅝"
601TB	601ALTB	601AL	¾" to 1"	⅝"	⅝"
602TB	602ALTB	602AL	1" to 1½"	⅝"	⅝"
603TB	603ALTB	603AL	1" to 1¼"	⅝"	⅝"
604TB	604ALTB	604AL	1¼" to 1½"	⅝"	⅝"
605TB	605ALTB	605AL	1½" to 2"	⅝"	⅝"
606TB	606ALTB	606AL	1¼" to 1"	⅝"	⅝"
607	607AL	607AL	1½" to 1"	⅝"	⅝"
608	608AL	608AL	1½" to ¾"	⅝"	⅝"
609	609AL	609AL	1½" to 1"	⅝"	⅝"
610	610AL	610AL	1½" to 1¼"	⅝"	⅝"
611TB	611AL	611AL	2" to 1½"	⅝"	⅝"
612	612AL	612AL	2" to 1½"	⅝"	⅝"
613	613AL	613AL	2" to 1"	⅝"	⅝"
614TB	614AL	614AL	2" to 1¼"	⅝"	⅝"
615TB	615AL	615AL	2" to 1½"	⅝"	⅝"

UL File No. E-23018
CSA File No. 2884

Reduce knockout hole in outlet box!



Reducing Washers



- Used in pairs
- Interlock to form a rib that centers washers and conduit in knockout
- Galvanized steel construction

CAT. NO.	SIZE	DIMENSIONS (IN.)	
		A	B
3700	¾" to ¾"	1½"	45/64"
3701	¾" to 1"	1½"	7/8"
3702	1" to 1½"	1½"	45/64"
3703	1" to 1¼"	1½"	7/8"
3704	1" to ¾"	1½"	1½"
3705-TB	1¼" to ¾"	2"	45/64"
3706	1¼" to 1"	2"	7/8"
3707	1¼" to ¾"	2"	1½"
3708	1¼" to 1"	2"	1½"
3709	1½" to ¾"	2¼"	45/64"
3710	1½" to 1"	2¼"	7/8"
3711	1½" to ¾"	2¼"	1½"
3712	1½" to 1"	2¼"	1½"
3713	1½" to 1¼"	2¼"	1½"
3714	2" to 1½"	2¼"	7/8"
3715-TB	2" to ¾"	2¼"	1½"
3716	2" to 1"	2¼"	1½"
3717	2" to 1¼"	2¼"	1½"
3718	2" to 1½"	2¼"	1½"

UL File No. E-13938
CSA File No. 2884

United States
Tel: 901.252.8000
800.816.7809
Fax: 901.252.1354

Technical Services
Tel: 888.862.3289

Thomas & Betts

www.tnb.com

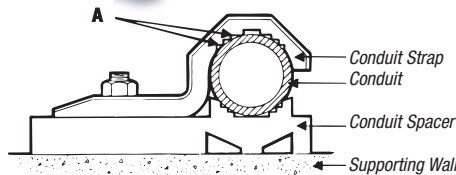
For Rigid Metal Conduit and Intermediate Metal Conduit Conduit Straps

Application

- To support and securely fasten rigid metal conduit and intermediate metal to the supporting surface

Features

- Rugged malleable iron/copper-free aluminum construction — snugly fits on the conduit
- Designed to prevent accumulation of moisture and start of corrosion on vertical run of conduit (A)
- Galvanized finish 1275 Series
- Copper-free aluminum 1276AL Series



Standard Material

1275 Series 1976AL Series
Malleable Iron All copper-free aluminum

Standard Finish

1275 Series 1276AL Series
Hot Dipped As Cast Galvanized

Range

1275 Series 1276AL Series
3/8" through 1/2" through 6"
conduit 6" conduit

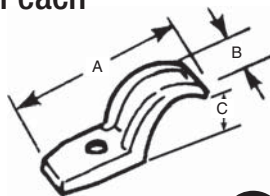
Listings/Compliances

CSA (LR-2884, LR-4484)
CSA C22.2 No. 18
NFPA 70

Designed for snug fit on each size of conduit!

Pipe Straps — Malleable Iron or Aluminum

- High reinforcing ribs on each side increase strength and reduce weight
- Available in malleable iron with hot-dipped galvanized finish or in copper-free aluminum



Elongated bolt hole makes alignment easy, even when mounting-surface holes are off center!

Pipe Straps — Steel

- Snap-on design (except for 3/8" size)
- Rugged steel construction



CAT. NO.		SIZE	A	B	C	SCREW SIZE
MAL. IRON	ALUM.					
1275†	1275AL	3/8"	1 1/8"	1 1/16"	3/4"	#12
1276†	1276AL†	1/2"	2 5/16"	2 1/2"	1 1/2"	1/2"
1277†	1277AL†	3/4"	2 7/16"	1 1/16"	1 1/2"	1/4"
1278†	1278AL†	1"	3"	3/4"	1 13/16"	1/4"
1279†	1279AL†	1 1/4"	3 3/8"	1 3/16"	1 3/8"	5/16"
1280†	1280AL	1 1/2"	4 1/16"	1 5/16"	2 1/8"	3/8"
1281	1281AL	2"	5 3/16"	1 1/8"	2 13/16"	7/16"
1282*	1282AL	2 1/2"	5 5/16"	1 1/2"	2 3/4"	1/2"
1283*	1283AL	3"	6 1/16"	1 3/8"	3 1/2"	1/2"
1284	1284AL	3 1/2"	7 1/2"	1 3/4"	3 23/32"	5/8"
1285*	1285AL	4"	8 5/16"	1 7/8"	4 13/32"	5/8"
1286	—	4 1/2"	9 1/16"	1 13/16"	4 9/16"	5/8"
1287	—	5"	9 5/16"	2"	5 1/2"	5/8"
1288	—	6"	11 1/2"	2 1/16"	6 13/32"	5/8"

* May be used with EMT of same size. UL not applicable.

† Not snap-on type.

CSA File No. 2884

CAT. NO.	CONDUIT SIZE	A	B	C	SCREW SIZE
1210TB†	3/8"	1 1/2	3/4	1 1/16	1/4"
1211TB	1/2"	2	3/4	1 5/16	1/4"
1212TB	3/4"	2 5/16	3 3/4	1"	1/4"
1213TB	1"	3 1/16	3/4	1 13/16	1/4"
1214TB	1 1/4"	2 31/32	1 1/8	1 1/8	3/8"
1215TB	1 1/2"	3 23/32	1 1/8	1 1/8	3/8"
1216TB	2"	4 1/16	2 5/16	2 3/16	3/8"

† Not snap-on type.

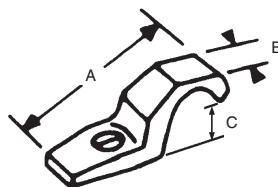
UL not applicable.

CSA File No. 2884

PVC coating offers high corrosion resistance!

PVC-Coated Straps for Rigid Conduit

- Designed to fit each size of conduit snugly
- High reinforcing ribs on each side increase strength and reduce weight
- Malleable iron construction



CAT. NO.	SIZE	BOLT SIZE	DIMENSIONS (IN.)		
			A	B	C
1275CR	3/8"	1/4"	1 1/8	1 1/16	3/4
1276CR	1/2"	1/4"	2 5/16	2 1/16	1 1/2
1277CR	3/4"	1/4"	2 7/16	1 1/16	1 1/2
1278CR	1"	1/4"	3	3/4	1 13/16
1279CR	1 1/4"	3/8"	3 3/4	1 3/16	1 1/2
1280CR	1 1/2"	3/8"	4 1/16	1 5/16	2 1/8
1281CR	2"	1/2"	5 3/16	1 1/8	2 13/16

UL not applicable.

Rigid and Intermediate Metal Conduit Fittings



Conduit Spacers

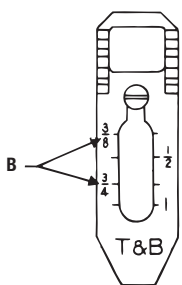
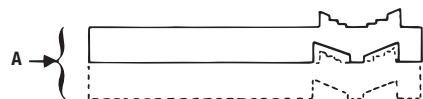
(For Rigid Metal Conduit, Intermediate Metal Conduit and Electrical Metallic Tubing)



1350



1351-1354



Application

- Provides mounting surface for conduit where installation requires air space between conduit and supporting surface

Features

- Prevents conduit rusting from wall condensation
- Spacers can be stacked one atop the other, facilitating installation and eliminating expensive conduit offsetting (A)
- Designed to cover wide range; marked with accurate size marking for proper positioning (B)
- Electro-zinc plated finish on 1350 Series
- Copper-free aluminum alloy, 1350AL Series

Standard Material

1350 Series 1350AL Series
Malleable Iron Copper-free aluminum

Standard Finish

1350 Series 1350AL Series
Electro-zinc plated As Cast

Range

½" through 6" conduit

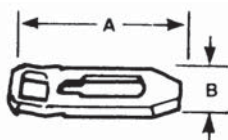
Listings/Compliances

CSA (LR-2884, LR-4484, LR-4484)
CSA C22.2 No. 18
NFPA 70

Eliminates the need for costly offset-bending conduit and the possibility of corrosive moisture traps when conduit is mounted directly to a surface!

Pipe Spacers

- Used with T&B conduit straps to provide space between conduit and mounting surface
- Premountable and stackable to eliminate offsetting
- Malleable iron construction with hot-dipped galvanized finish



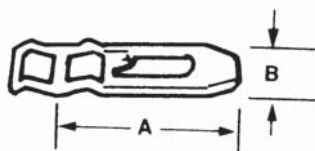
CAT. NO.		SIZE	SCREW SIZE	DIMENSIONS (IN.)	
MAL. IRON	ALUM.			A	B
1350	1350AL	½", ¾", 1"	#7	3	¾
1351	1351AL	1¼"-1½"-2"	#12	5	1½
1352	1352AL	2½"-3"	#12	9⅞	1¼
1353	1353AL	3½"-4"	#14	7⅞	2
1354	—	4½"-5"-6"	#16	10⅞	2⅞

Conforms to NEC SECT. 300-5-c. UL not applicable. CSA File Nos. 2884 and 4484.

Prevents conduit rusting from wall condensation!

Pipe Spacers — PVC Coated

- Eliminates the need for offset-bending of conduit
- Can be stacked for offsets on wall or into outlet box
- Corrosion-resistant, PVC-coated malleable iron construction



CAT. NO.	CONDUIT SIZE	SCREW SIZE	DIMENSIONS (IN.)	
			A	B
1350CR	½"-¾"-1"	#7	3	¾
1351CR	1¼"-1½"-2"	#12	5	¾

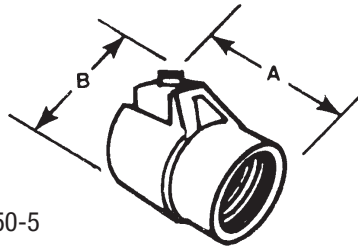
UL not applicable. Conforms to NEC SECT. 300-5-c.



One-piece fitting couples armored cable or flexible conduit to threaded rigid conduit!

TITE-BITE® Combination Couplings — Armored Cable for Threaded Rigid

- Tite-Bite® wedge holds conduit securely with a double grip
- When used with a Chase® nipple, this fitting will connect flexible conduit to outlet boxes, enabling more wiring space in the box than the usual connector
- UL Listed as a grounding means under NEC 350-5
- Malleable iron construction



CAT. NO.	SIZE	DIMENSIONS (IN.)	
		A	B
440	1/2"	1 1/8	1 27/32
441	3/4"	1 3/4	2 1/8
442	1"	2	2 17/32

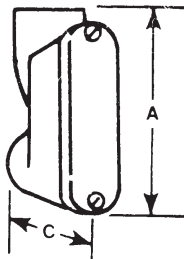
UL File No. E-23018

CSA File No. 2884

Mount flat against wall, eliminating the need to offset conduit!

Entrance Ells

- Designed for a straight pull in either direction
- Carefully bushed
- Make it easy to pull heavy wires without damage to insulation
- Made of copper-free aluminum



CAT. NO.	CONDUIT SIZE	DIMENSIONS (IN.)	
		A	C
1490	1/2"	3	1 19/32
1491	3/4"	3 5/16	1 1/8
1492	1"	4 1/4	2 23/64
1493	1 1/4"	5 31/64	2 13/16
1494	1 1/2"	6 1/4	2 7/8
1495	2"	6 3/4	3 5/16

UL File No. E-23018. CSA File Nos. 2884 and 589

Adjustable design fits a wide range of flange sizes!

Adjustable Beam Clamps

- Includes bolts
- Steel construction



CAT. NO.	DESCRIPTION
700TB	Fits Flange 2 1/4"–7 3/8"
701	Fits Flange 7"–12"
703	Special Bolt and 3 Nuts

CSA File No. 2884.

Fits any flange, tapered or straight, up to 5/8" thick!

Conduit Supports

- For use with standard rigid conduit, EMT or IMC
- Broad hook holds conduit at any desired angle
- Malleable iron construction

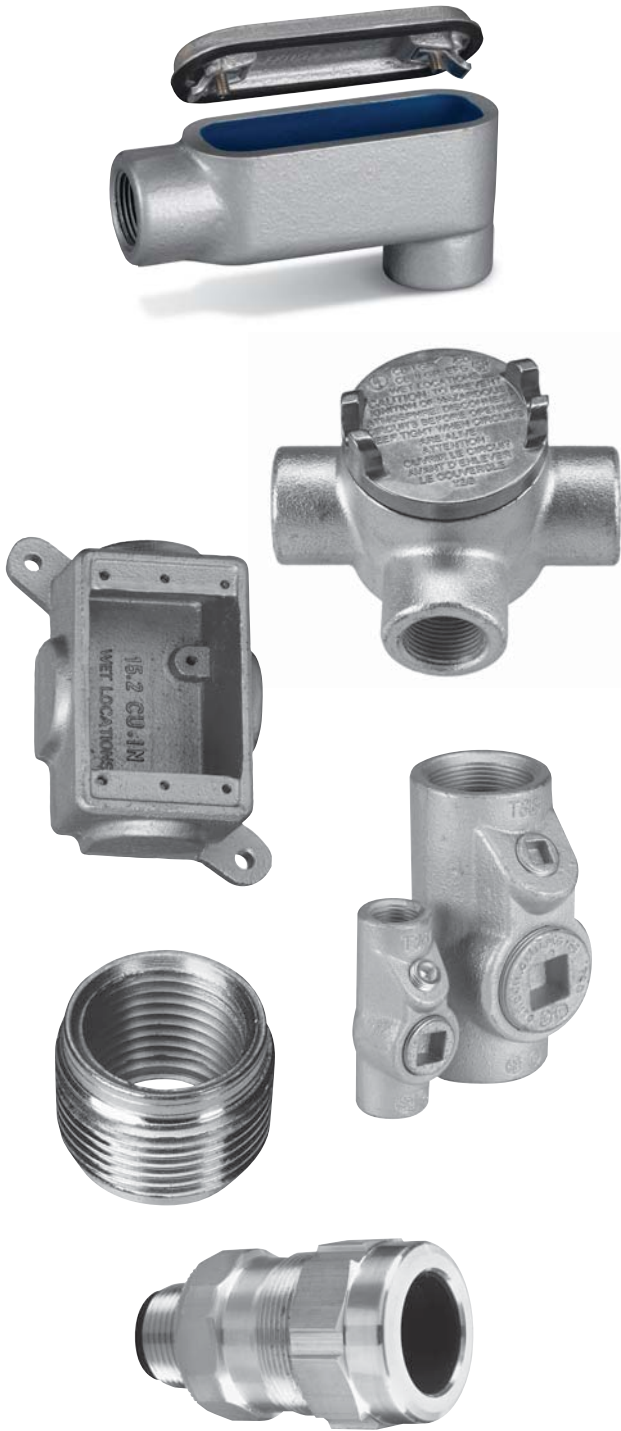


CAT. NO.	SIZE
690TB	1/2"
691TB	3/4"
692TB	1"
693TB	1 1/4"

CSA File No. 2884



T&B Conduit Fittings for Ordinary and Hazardous Locations



Thomas & Betts offers a broad range of conduit bodies, conduit boxes, conduit fittings, unions, sealing fittings, drains and cable fittings for both ordinary and hazardous locations. Complete information on applications, features, materials, finishes, size range and certifications is provided in the following pages.

Conduit Bodies (for ordinary locations)

For raceway systems to provide pull outlets, 90° bends, splices, taps, mounting outlets, etc.

FORM 7	For neat, compact installation of rigid threaded conduit.
FORM 8	For heavier conductors using rigid threaded conduit.
Series 35	For economy installations of rigid threaded conduit.
Red•Dot® Aluminum Die-Cast	For rigid threaded conduit installation — copper-free aluminum.
Red•Dot® Thinwall (EMT)	For set-screw installation using thinwall conduit (EMT) — copper-free aluminum.
Mogul Conduit Fittings	For larger conduits, spacious, accessible wiring chambers.

Cast Device Boxes (for ordinary locations)

For raceway systems to accommodate wiring devices, serve as pull boxes, and provide entrances for taps and splices.

FS/FD Single and Double Gang Cast Device Boxes

Cast Conduit Outlet Boxes (for hazardous locations)

Round cast outlet boxes used with rigid conduit to serve as pull and splice boxes, easy access to wiring, act as a housing for instruments, apparatus, etc.

GUA Conduit Outlet Bodies

Reducers, Plugs, Unions (for ordinary and hazardous locations)

Includes reducers for connecting conduit of dissimilar dimensions, plugs for unused conduit openings and hubs, and unions for threaded conduit systems.

RE, PLG REC Reducers, Plugs and Adapters, UNY/UNF Unions

Sealing Fittings and Drains (for ordinary and hazardous locations)

Cast fittings used with rigid conduit to seal sections from passage of vapors, flame or gases or explosions. Drains provide ventilation as a breather and as a drain in moist locations.

EYS/EYD Sealing Fittings & ECD Drains

Cable Fittings (for ordinary and hazardous locations)

For armored, metal clad, jacketed or unjacketed and unarmored cables through a bulkhead or enclosure in ordinary or hazardous areas.

Conduit Outlet Bodies

T&B® Fittings

Application

Conduit Bodies are installed in conduit systems to:

- Connect conduit sections
- Act as pull outlets when conductors are being installed
- Provide easy access for splices in branch conductors
- Make 90° bends in conduit runs
- Act as mounting outlets for wiring devices and lighting fixtures
- Provide access to conductors for maintenance and future system changes

Features

- Standard features include tapered (NPT) threads and integral bushings to protect wire insulation
- T&B Form 7 bodies and covers are interchangeable with other manufacturer's Form 7 bodies and covers
- T&B Form 8 bodies and covers are interchangeable with other manufacturer's Form 8 bodies and covers
- T&B Form 7 and Form 8 bodies feature BlueKote internal coating for easier wire pulling
- T&B Series 35 bodies and covers are interchangeable with other manufacturers' 35/5 Series iron and steel bodies and covers

Materials

Form 7, Form 8 and Series 35 Conduit Bodies Sand-cast class 30 gray iron alloy
Red•Dot® Conduit Bodies Die-cast aluminum, copper-free
Covers Sand-cast gray iron alloy and stamped sheet steel with steel-stainless steel screws
Gaskets. Neoprene

Finish

Form 7, Form 8 and Series 35 Conduit Bodies Zinc-plating with aluminum acrylic coating
Form 7 and Form 8 Bodies Internal PTFE-based BlueKote coating
Red•Dot® Conduit Bodies Aluminum laquer
Covers Gray iron zinc-plating with aluminum acrylic coating, and stamped steel zinc-plating with clear chromate coating; Form 7 and Form 8 covers include neoprene gasket










Listings/Compliances

UL Standard: 514A, 514B
Fed. Spec: W-C-586D
CSA Standard: C22.2 No. 18






Conduit Bodies Quick Reference



SHAPE	TYPE	HUB SIZE (IN.)										SEE PAGE
		½	¾	1	1¼	1½	2	2½	3	3½	4	
	BlueKote® Form 7	LB17	LB27	LB37	LB47	LB57	LB67	LB77	LB87	LB97	LB107	A-40
	BlueKote® Form 8**	LB18	LB28	LB38	LB448	LB58	LB68	LB78	LB888	LB98	LB108	
	Series 35	LB50M	LB75M-TB	LB100M	LB125M	LB150M	LB200M	LB250M	LB300M	LB350M	LB400M	
	Threaded Aluminum*	ALB1	ALB2	ALB3	ALB4	ALB5	ALB6	ALB7	ALB8	ALB9	ALB10	
	EMT Aluminum*	BLB1	BLB2	BLB3	BLB4	BLB5	BLB6	BLB7	BLB8	BLB9	BLB10	
	BlueKote® Form 7	LU17	LU27	LU37	LU47	LU57	LU67	—	—	—	—	A-41
	BlueKote® Form 7	T17	T27	T37	T47	T57	T67	T77	T87	T97	T107	A-41
	BlueKote® Form 8**	T18	T28	T38-TB	T448	T58	T68	T78	T88-TB	—	—	
	Series 35	T50M	T75M	T100M	T125M	T150M	T200M	T250M	T300M	T350M	T400M	
	Threaded Aluminum*	AT1	AT2	AT3	AT4	AT5	AT6	AT7	AT8	AT9	AT10	
	EMT Aluminum*	BT1	BT2	BT3	BT4	BT5	BT6	—	—	—	—	
	BlueKote® Form 7	C17	C27	C37	C47	C57	C67	C77-TB	C87	—	—	A-42
	BlueKote® Form 8**	C18	C28	C38	C448	C58-TB	C68	C78	C88	—	—	
	Series 35	C50M	C75M-TB	C100M	C125M	C150M	C200M	C250M-TB	C300M	C350M	C400M	
	Threaded Aluminum*	AC1	AC2	AC3	AC4	AC5	AC6	AC7	AC8	AC9	AC10	
	EMT Aluminum*	BC1	BC2	BC3	BC4	BC5	BC6	—	—	—	—	
	BlueKote® Form 7	LL17	LL27	LL37	LL47	LL57	LL67	LL77	LL87	LL97	LL107	A-43
	BlueKote® Form 8**	LL18	LL28	LL38	LL448	LL58	LL68	LL78	LL888	—	—	
	Series 35	LL50M	LL75M	LL100M	LL125M	LL150M	LL200M	LL250M	LL300M	LL350M	LL400M	
	Threaded Aluminum*	ALL1	ALL2	ALL3	ALL4	ALL5	ALL6	ALL7	ALL8	ALL9	ALL10	
	EMT Aluminum*	BLL1	BLL2	BLL3	BLL4	—	—	—	—	—	—	
	BlueKote® Form 7	LR17	LR27	LR37	LR47	LR57	LR67	LR77	LR87	LR97	LR107	A-44
	BlueKote® Form 8**	LR18	LR28	LR38	LR448	LR58	LR68	LR78	LR888	—	—	
	Series 35	LR50M	LR75M	LR100M	LR125M	LR150M	LR200M	LR250M	LR300M	LR350M-TB	LR400M	
	Threaded Aluminum*	ALR1	ALR2	ALR3	ALR4	ALR5	ALR6	ALR7	ALR8	ALR9	ALR10	
	EMT Aluminum*	BLR1	BLR2	BLR3	BLR4	—	—	—	—	—	—	
	BlueKote® Form 7	L17-TB	L27-TB	L37-TB	L47-TB	L57-TB	L67-TB	—	—	—	—	A-45
	Threaded Aluminum*	ALRL1	ALRL2	ALRL3	ALRL4	ALRL5	ALRL6	—	—	—	—	
	EMT Aluminum*	BLRL1	BLRL2	BLRL3	BLRL4	BLRL5	BLRL6	—	—	—	—	
	BlueKote® Form 7	TB17-TB	TB27	TB37	TB47	TB57	TB67	—	—	—	—	A-45
	BlueKote® Form 8**	TB18	TB28	TB38	TB448	TB58	TB68	—	—	—	—	
	Series 35	TB50M	TB75M	TB100M	TB125M	TB150M	TB200M	—	—	—	—	
	BlueKote® Form 7	X17	X27	X37	X47	X57	X67	—	—	—	—	A-46
	BlueKote® Form 8**	X18	X28	X38	X448	X58	X68	—	—	—	—	
	Series 35	X50M	X75M	X100M	X125M	X150M	X200M	—	—	—	—	
	BlueKote® Form 7	E17	E27	E27	—	—	—	—	—	—	—	A-46
	Threaded Aluminum	AE1	AE2	AE3	—	—	—	—	—	—	—	
	BlueKote® Form 7	TA17	TA27	TA37	TA47	TA57	TA67	—	—	—	—	—

*Aluminum conduit bodies (A and B series) furnished with one stamped steel cover ** ½" through 1¼" have (2) mounting holes; 1½" through 4" have (4) mounting holes

Replacement Covers and Gaskets

SHAPE	HUB SIZE (IN.)									
	½	¾	1	1¼	1½	2	2½	3	3½	4
 <p>Form 7* Form 8* Red•Dot® Series 35</p>	170S	270S	370S	470S	570S	670S	870S	870S	970S	970S
	180	280	380	480	580	680STB	880	880	980	980
	SCV1	SCV2	SCV3	SCV4	SCV4	SCV5	CV6	CV6	CV7	CV7
	K50S	K75S	K100S	K125S	K125S	K200S	K250S	K250S	K350S	K350S
<p>Stamped Steel * Form 7 and Form 8 covers include gasket.</p>										
 <p>Form 7* Form 8* Series 35</p>	170F	270F	370F	470F	570F	670F	870F	870F	970F	970F
	180F	280F	380F	480F	580F	680F	880F	880F	980F	980F
	K50M	K75M	K100M	K125M	K125M	K200M	K250M	K250M	K350M	K350M
	<p>Gray Iron * Form 7 and Form 8 covers include gasket.</p>									
 <p>Form 7* Form 8* Red•Dot® Series 35</p>	GASK 571	GASK 572	GASK 573	GASK 574	GASK 575	GASK 576	GASK 578	GASK 578	GASK 579	GASK 579
	GASK 581N	GASK 582N	GASK 583N	GASK 584N	GASK 585N	GASK 586N	GASK 588N	GASK 588N	GASK 589N	GASK 589N
	GKN1	GKN2	GKN3	GKN4	GKN4	GKN5	GKN6	GKN6	GKN7	GKN7
	GK50N	GK75N	GK100N	GK125-150N	GK125-150N	GK200N	GK250-300N	GK250-300N	GK350-400N	GK350-400N
<p>Gasket * For ordering purposes, please use GASK in the catalog number (Example: GASK 571).</p>										



Form 7 Body, Gasket and Cover — One Number!



Pre-Assembled Form 7 BlueKote® Conduit Bodies, Gaskets and Covers



Now you can order a conduit body, gasket and cover, pre-assembled, using one catalog number. T&B's pre-assembled cast conduit bodies help reduce transactions, eliminate the need for additional stocking bins and provide an easy inventory reduction. You'll also have less hassle with managing small parts in the truck or crib. Best of all, you can be absolutely confident that the right parts are in your hands when you need them.

T&B® Conduit Bodies and Covers Feature:

- BlueKote internal finish for faster, easier wire pulling
- Epoxy external finish for superior corrosion resistance
- Tapered NPT threads and integral bushings to protect wire insulation
- Bodies are designed with a flat back for more cubic inch capacity. The flat back also keeps the body more stable during installation, requiring fewer conduit straps
- T&B Form 7 bodies and covers are interchangeable with Crouse-Hinds and Appleton's Form 7 bodies and covers

Specifications

- Bodies: Class 30 gray iron alloy
- Covers: Stamped steel with stainless steel screws
- Gaskets: Neoprene
- Finish: Conduit Bodies: Zinc-plating with acrylic epoxy coating and internal PTFE-based BlueKote coating
- Covers: Stamped steel zinc-plating with a clear chromate coating
- Compliances: UL Standard: 514A, 514B Fed. Spec: W-C-586D
- CSA Standard: C22.2 No. 18

Crouse-Hinds is a trademark of Cooper Industries, Inc. Appleton is a trademark of the EGS Electrical Group, a joint venture of Emerson and SPX Corp.

NOTE: BlueKote is registered for conduit bodies but is not registered for a finish or a coating.

T&B® Pre-Assembled Bodies, Gaskets and Covers



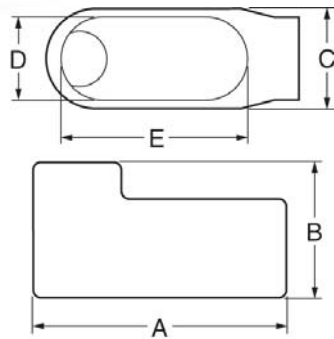
CAT. NO.	TRADE SIZE	PRE-ASSEMBLED PRODUCTS
C17CG-TB	½"	C17 Body, Cover & Gasket
C27CG-TB	¾"	C27 Body, Cover & Gasket
C37CG-TB	1"	C37 Body, Cover & Gasket
C47CG-TB	1¼"	C47 Body, Cover & Gasket
C57CG-TB	1½"	C57 Body, Cover & Gasket
C67CG-TB	2"	C67 Body, Cover & Gasket
LB17CG-TB	½"	LB17 Body, Cover & Gasket
LB27CG-TB	¾"	LB27 Body, Cover & Gasket
LB37CG-TB	1"	LB37 Body, Cover & Gasket
LB47CG-TB	1¼"	LB47 Body, Cover & Gasket
LB57CG-TB	1½"	LB57 Body, Cover & Gasket
LB67CG-TB	2"	LB67 Body, Cover & Gasket
LL17CG-TB	½"	LL17 Body, Cover & Gasket
LL27CG-TB	¾"	LL27 Body, Cover & Gasket
LL37CG-TB	1"	LL37 Body, Cover & Gasket
LL47CG-TB	1¼"	LL47 Body, Cover & Gasket
LL57CG-TB	1½"	LL57 Body, Cover & Gasket
LL67CG-TB	2"	LL67 Body, Cover & Gasket
LR17CG-TB	½"	LR17 Body, Cover & Gasket
LR27CG-TB	¾"	LR27 Body, Cover & Gasket
LR37CG-TB	1"	LR37 Body, Cover & Gasket
LR47CG-TB	1¼"	LR47 Body, Cover & Gasket
LR57CG-TB	1½"	LR57 Body, Cover & Gasket
LR67CG-TB	2"	LR67 Body, Cover & Gasket
T17CG-TB	½"	T17 Body, Cover & Gasket
T27CG-TB	¾"	T27 Body, Cover & Gasket
T37CG-TB	1"	T37 Body, Cover & Gasket
T47CG-TB	1¼"	T47 Body, Cover & Gasket
T57CG-TB	1½"	T57 Body, Cover & Gasket
T67CG-TB	2"	T67 Body, Cover & Gasket
TB17CG-TB	½"	TB17 Body, Cover & Gasket
TB27CG-TB	¾"	TB27 Body, Cover & Gasket
TB37CG-TB	1"	TB37 Body, Cover & Gasket
TB47CG-TB	1¼"	TB47 Body, Cover & Gasket
TB57CG-TB	1½"	TB57 Body, Cover & Gasket
TB67CG-TB	2"	TB67 Body, Cover & Gasket
X17CG-TB	½"	X17 Body, Cover & Gasket
X27CG-TB	¾"	X27 Body, Cover & Gasket
X37CG-TB	1"	X37 Body, Cover & Gasket
X47CG-TB	1¼"	X47 Body, Cover & Gasket
X57CG-TB	1½"	X57 Body, Cover & Gasket
X67CG-TB	2"	X67 Body, Cover & Gasket

For aluminum conduit bodies pre-assembled with covers and gaskets, request Red•Dot® D-PAK® Series Conduit Bodies for rigid and IMC conduit.

T&B® Fittings

Conduit Outlet Bodies

T&B Fittings



LB Form 7 and Form 8

BlueKote internal finish reduces the amount of force necessary to pull wires through T&B Form 7 and Form 8 conduit bodies.



LB Form 7 BlueKote® Conduit Bodies

CAT. NO.	HUB SIZE	DIMENSIONS (IN.)					CU. IN.
		A	B	C	D	E	
LB17	½"	4.60	2.20	1.35	.95	3.20	4.0
LB27	¾"	5.25	2.40	1.65	1.15	3.80	6.6
LB37	1"	6.00	2.65	1.80	1.35	4.55	10.6
LB47	1¼"	6.45	3.20	2.20	1.80	5.00	18.8
LB57	1½"	7.25	3.90	2.45	2.05	5.45	26.4
LB67	2"	8.30	4.45	3.10	2.45	6.40	51.0
LB77	2½"	10.55	5.20	4.25	3.60	8.40	102.0
LB87	3"	10.55	5.95	4.25	3.60	8.40	132.0
LB97	3½"	12.85	6.70	5.25	4.55	10.25	210.0
LB107	4"	12.85	7.20	5.25	4.55	10.25	243.0



LB Form 8 BlueKote® Conduit Bodies

CAT. NO.	HUB SIZE	DIMENSIONS (IN.)					CU. IN.
		A	B	C	D	E	
LB18	½"	4.94	2.22	1.38	1.00	3.31	4.9
LB28	¾"	5.56	2.44	1.56	1.19	3.31	8.0
LB38	1"	6.50	2.81	1.75	1.38	4.56	13.0
LB448	1¼"	7.53	3.34	2.19	1.75	5.31	23.5
LB58	1½"	9.13	4.03	2.75	2.13	6.50	45.0
LB68	2"	11.00	4.41	3.75	3.00	8.56	88.0
LB78	2½"	13.94	6.13	5.00	4.25	10.88	110.0
LB888	3"	13.94	6.50	5.00	4.25	10.88	110.0
LB98	3½"	16.88	7.56	6.25	5.44	13.44	250.0
LB108	4"	16.88	7.81	6.25	5.44	13.44	250.0



LB Threaded Aluminum Conduit Bodies

CAT. NO.	HUB SIZE	DIMENSIONS (IN.)						CU. IN.
		A	B	C	D	E	F	
ALB1	½"	3.88	4.28	1.31	1.44	3.50	2.06	4.3
ALB2	¾"	4.63	5.13	1.53	1.63	4.25	2.44	7.3
ALB3	1"	5.38	5½"	1.75	1.88	4.94	2.75	11.8
ALB4	1¼"	7.25	7.88	2.50	2.50	6.50	3.56	32.0
ALB5	1½"	7.25	7.88	2.50	2.75	6.31	3.81	32.0
ALB6	2"	9.50	9.81	3.13	3.44	8.00	4.50	69.5
ALB7	2½"	12.25	13.00	4.50	3.88	10.84	5.25	190.0
ALB8	3"	12.25	13.00	4.50	4.50	10.50	5.88	190.0
ALB9	3½"	15.00	16.31	5.50	5.56	13.50	6.94	366.0
ALB10	4"	15.00	16.31	5.50	5.56	13.50	6.94	366.0



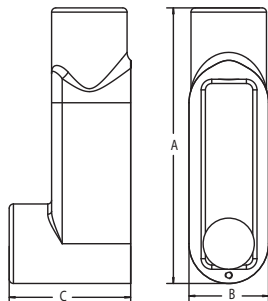
LB EMT Aluminum Conduit Bodies

CAT. NO.	HUB SIZE	DIMENSIONS (IN.)						CU. IN.
		A	B	C	D	E	F	
BLB1	½"	3.88	4.28	1.31	1.44	3.50	2.06	4.3
BLB2	¾"	4.63	5.13	1.53	1.63	4.25	2.44	7.3
BLB3	1"	5.38	5.94	1.75	1.88	4.94	2.75	11.8
BLB4	1¼"	7.25	7.88	2.50	2.50	6.50	3.56	32.0
BLB5	1½"	7.25	7.88	2.50	2.75	6.31	3.81	32.0
BLB6	2"	9.50	9.81	3.13	3.44	8.00	4.50	69.5
BLB7	2½"	12.25	13.00	4.50	3.88	10.84	5.25	190.0
BLB8	3"	12.25	13.00	4.50	4.50	10.50	5.88	190.0
BLB9	3½"	15.00	16.31	5.50	5.56	13.50	6.94	366.0
BLB10	4"	15.00	16.31	5.50	5.56	13.50	6.94	366.0

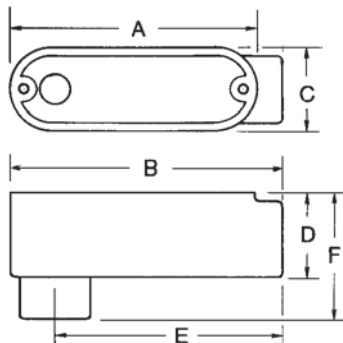
LB Series 35 Conduit Bodies



CAT. NO.	HUB SIZE	DIMENSIONS (IN.)			CU. IN.
		A	B	C	
LB50M	½"	1.34	4.68	2.05	4.5
LB75M-TB	¾"	1.50	5.37	2.25	7.5
LB100M	1"	1.80	6.20	2.65	12.5
LB125M	1¼"	2.60	8.12	2.75	32
LB150M	1½"	2.60	8.12	2.83	35.3
LB200M	2"	3.12	10.50	4.42	73
LB250M	2½"	4.31	13.60	5.40	142
LB300M	3"	4.31	13.87	5.90	173
LB350M	3½"	5.62	16.25	6.90	292
LB400M	4"	5.62	16.60	7.21	324

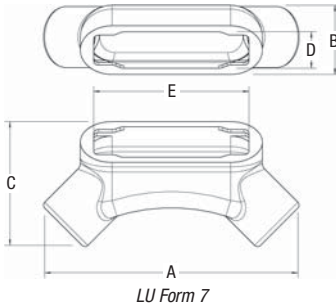


LB Series 35



LB Threaded Aluminum and EMT Aluminum

Conduit Outlet Bodies

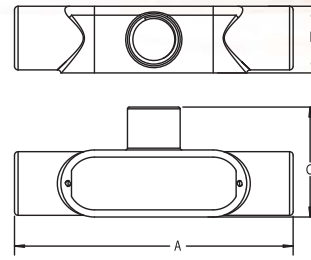


LU Form 7



LU Form 7 BlueKote® Conduit Bodies

CAT. NO.	HUB SIZE	DIMENSIONS (IN.)					CU. IN.
		A	B	C	D	E	
LU17	½"	5.54	1.45	2.72	0.95	3.20	4.8
T27	¾"	6.22	1.70	3.07	1.15	3.80	7.6
LU37	1"	7.34	1.97	3.52	1.35	4.55	13.4
LU47	1¼"	8.40	2.47	4.21	1.80	5.00	23.0
LU57	1½"	8.95	2.72	4.44	2.05	5.45	28.3
LU67	2"	10.61	3.43	5.43	2.45	6.40	56.0

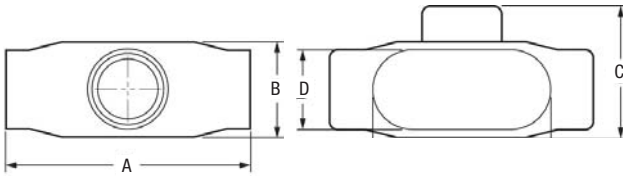


T Series 35



T Series 35 Conduit Bodies

CAT. NO.	HUB SIZE	DIMENSIONS (IN.)			CU. IN.
		A	B	C	
T50M	½"	2.05	5.38	1.34	6.0
T75M	¾"	2.25	6.00	1.50	9.5
T100M	1"	2.65	7.05	1.80	15
T125M	1¼"	2.75	9.00	2.60	33
T150M	1½"	3.50	9.00	2.60	36
T200M	2"	4.12	11.50	3.12	76
T250M	2½"	5.71	15.00	4.31	142
T300M	3"	5.87	15.12	4.31	173
T350M	3½"	6.81	18.13	5.19	292
T400M	4"	7.15	18.13	5.56	324



T Form 7 and Form 8

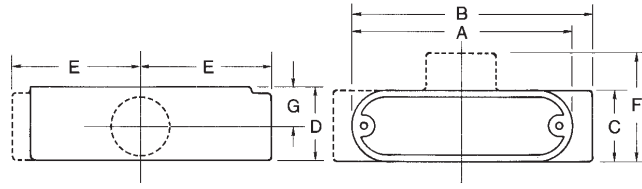


T Form 7 BlueKote® Conduit Bodies

CAT. NO.	HUB SIZE	DIMENSIONS (IN.)					CU. IN.
		A	B	C	D	E	
T17	½"	5.60	1.80	2.35	.95	3.20	6.0
T27	¾"	6.20	2.00	2.60	1.15	3.80	9.1
T37	1"	7.35	2.30	3.10	1.35	4.55	16.9
T47	1¼"	7.30	2.30	3.05	1.80	5.00	19.3
T57	1½"	8.60	2.60	3.80	2.05	5.45	27.5
T67	2"	9.50	3.20	4.25	2.45	6.40	50.0
T77	2½"	12.10	3.65	5.80	3.60	8.40	102.0
T87	3"	12.10	4.40	5.80	3.60	8.40	132.0
T97	3½"	14.65	4.90	7.05	4.55	10.25	210.0
T107	4"	14.65	5.40	7.05	4.55	10.25	243.0

T Form 8 BlueKote® Conduit Bodies

CAT. NO.	HUB SIZE	DIMENSIONS (IN.)					CU. IN.
		A	B	C	D	E	
T18	½"	5.69	7.75	2.16	1.00	3.31	6.0
T28	¾"	6.28	2.00	2.31	1.19	3.94	9.0
T38-TB	1"	7.31	2.25	2.63	1.38	4.56	15.0
T448	1¼"	8.50	2.63	3.16	1.75	5.31	24.0
T58	1½"	10.38	2.78	4.00	2.13	6.50	46.5
T68	2"	12.25	3.56	5.00	3.00	8.56	88.0
T78	2½"	15.63	4.44	6.69	4.25	10.88	110.0
T88-TB	3"	15.63	4.81	6.69	4.25	10.88	110.0



T Threaded Aluminum and EMT Aluminum



T Threaded Aluminum Conduit Bodies

CAT. NO.	HUB SIZE	DIMENSIONS (IN.)							CU. IN.
		A	B	C	D	E	F	G	
AT1	½"	3.88	4.38	1.33	1.38	2.41	2.06	.81	4.3
AT2	¾"	3.63	5.13	1.53	1.63	2.78	2.59	.94	7.3
AT3	1"	5.38	5.94	1.75	1.88	3.25	2.63	1.00	11.8
AT4	1¼"	7.25	7.88	2.50	2.50	4.19	3.53	1.38	32.0
AT5	1½"	7.25	7.88	2.50	2.75	4.19	3.53	1.50	32.0
AT6	2"	9.50	10.19	3.13	3.56	5.41	4.00	1.97	69.5
AT7	2½"	12.25	13.00	4.50	4.50	6.88	5.78	2.44	190.0
AT8	3"	12.25	13.00	4.50	4.50	6.88	5.78	2.44	190.0
AT9	3½"	15.00	16.31	5.50	5.56	8.81	6.81	3.00	366.0
AT10	4"	15.00	16.31	5.50	5.56	8.81	6.81	3.00	366.0

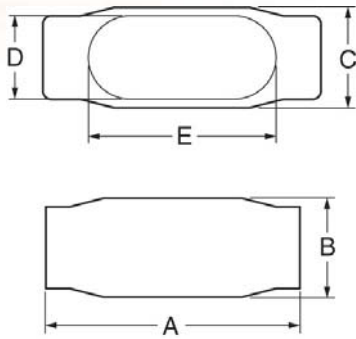
T EMT Aluminum Conduit Bodies

CAT. NO.	HUB SIZE	DIMENSIONS (IN.)							CU. IN.
		A	B	C	D	E	F	G	
BT1	½"	3.88	4.38	1.33	1.38	2.41	2.06	.81	4.3
BT2	¾"	4.63	5.13	1.53	1.63	2.78	2.59	.94	7.3
BT3	1"	5.38	5.94	1.75	1.88	3.25	2.63	1.00	11.8
BT4	1¼"	7.25	7.88	2.50	2.50	4.19	3.53	1.38	32.0
BT5	1½"	7.25	7.88	2.50	2.75	4.19	3.53	1.50	32.0
BT6	2"	9.50	10.19	3.13	3.56	5.41	4.00	1.97	69.5

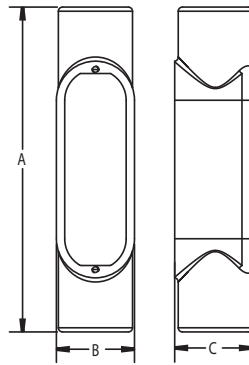
T&B® Fittings

Conduit Outlet Bodies

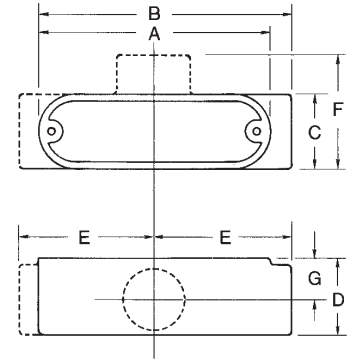
T&B Fittings



C Form 7 and Form 8



C Series 35



C Threaded Aluminum and EMT Aluminum

C Form 7 BlueKote® Conduit Bodies



CAT. NO.	HUB SIZE	DIMENSIONS (IN.)					CU. IN.
		A	B	C	D	E	
C17	½"	5.45	1.40	1.45	.95	3.20	4.0
C27	¾"	6.05	1.60	1.65	1.15	3.80	6.6
C37	1"	6.75	1.90	1.80	1.35	4.55	10.6
C47	1½"	7.30	2.30	2.20	1.80	5.00	18.8
C57	1½"	8.60	2.60	2.45	2.05	5.45	26.4
C67	2"	9.50	3.20	3.05	2.45	6.40	51.0
C77-TB	2½"	12.10	3.65	4.25	3.60	8.40	102.0
C87	3"	12.10	4.40	4.25	3.60	8.40	132.0

C Series 35 Conduit Bodies



CAT. NO.	HUB SIZE	DIMENSIONS (IN.)			CU. IN.
		A	B	C	
C50M	½"	1.34	5.38	1.37	4.5
C75M-TB	¾"	1.50	6.00	1.70	7.5
C100M	1"	1.80	7.05	1.90	12.5
C125M	1½"	2.60	9.00	2.75	35
C150M	1½"	2.60	9.00	2.83	35.3
C200M	2"	3.12	11.50	3.31	75
C250M-TB	2½"	4.31	15.00	3.90	153
C300M	3"	4.31	15.12	4.75	181
C350M	3½"	4.88	18.13	5.19	290
C400M	4"	4.88	18.13	5.56	320

C Form 8 BlueKote® Conduit Bodies



CAT. NO.	HUB SIZE	DIMENSIONS (IN.)					CU. IN.
		A	B	C	D	E	
C18	½"	5.53	1.44	1.38	1.00	3.31	4.9
C28	¾"	6.28	1.53	1.19	1.19	3.94	8.0
C38	1"	7.31	1.94	1.75	1.38	4.56	13.0
C448	1¼"	8.50	2.38	2.19	1.75	5.31	23.5
C58-TB	1½"	10.38	2.78	2.75	2.13	6.50	45.0
C68	2"	12.25	3.56	3.75	3.00	8.56	88.0
C78	2½"	15.63	4.44	5.00	4.25	10.88	110.0
C88	3"	15.63	4.81	5.00	4.25	10.88	110.0

C Threaded Aluminum Conduit Bodies

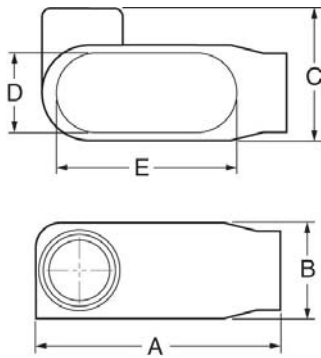


CAT. NO.	HUB SIZE	DIMENSIONS (IN.)							CU. IN.
		A	B	C	D	E	F	G	
AC1	½"	3.88	4.38	1.33	1.38	2.41	2.06	.81	4.3
AC2	¾"	4.63	5.13	1.53	1.63	2.78	2.59	.94	7.3
AC3	1"	5.38	5.94	1.75	1.88	3.25	5.63	1.00	11.8
AC4	1¼"	7.25	7.88	2.50	2.50	4.19	3.53	1.38	32.0
AC5	1½"	7.25	7.88	2.50	2.75	4.19	3.53	1.50	32.0
AC6	2"	9.50	10.19	3.13	3.56	5.41	4.00	1.97	69.5
AC7	2½"	12.25	13.00	4.50	4.50	6.88	5.78	2.44	190.0
AC8	3"	12.25	13.00	4.50	4.50	6.88	5.78	2.44	190.0
AC9	3½"	15.00	16.31	5.50	5.56	8.81	6.81	3.00	366.0
AC10	4"	15.00	16.31	5.50	5.56	8.81	6.81	3.00	366.0

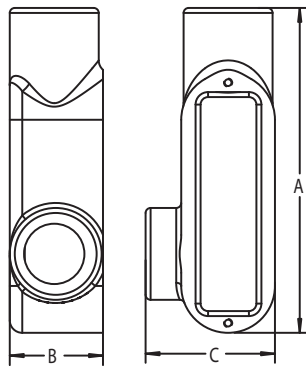
C EMT Aluminum Conduit Bodies



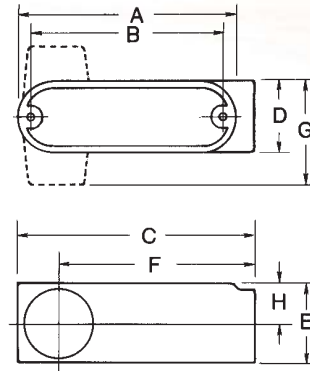
CAT. NO.	HUB SIZE	DIMENSIONS (IN.)							CU. IN.
		A	B	C	D	E	F	G	
BC1	½"	3.88	4.38	1.33	1.38	2.41	2.06	.81	4.3
BC2	¾"	4.63	5.13	1.53	1.63	2.78	2.59	.94	7.3
BC3	1"	5.38	5.94	1.75	1.88	3.25	5.63	1.00	11.8
BC4	1¼"	7.25	7.88	2.50	2.50	4.19	3.53	1.38	32.0
BC5	1½"	7.25	7.88	2.50	2.75	4.19	3.53	1.50	32.0
BC6	2"	9.50	10.19	3.13	3.56	5.41	4.00	1.97	69.5



LL Form 7 and Form 8



LL Series 35



LL Threaded Aluminum and EMT Aluminum

LL Form 7 BlueKote® Conduit Bodies



CAT. NO.	HUB SIZE	DIMENSIONS (IN.)					CU. IN.
		A	B	C	D	E	
LL17	½"	4.60	1.40	1.45	.95	3.20	4.0
LL27	¾"	5.25	1.60	1.65	1.15	3.80	6.6
LL37	1"	6.00	1.90	2.60	1.35	4.55	10.6
LL47	1¼"	6.45	2.30	3.05	1.80	5.00	18.6
LL57	1½"	7.90	2.60	3.80	2.05	5.45	26.4
LL67	2"	8.30	3.20	4.25	2.45	6.40	51.0
LL77	2½"	10.55	3.65	5.80	3.60	8.40	102.0
LL87	3"	10.55	4.40	5.80	3.60	8.40	132.0
LL97	3½"	12.85	4.90	7.03	4.55	10.25	210.0
LL107	4"	12.85	5.40	7.03	4.55	10.25	243.0

LL Form 8 BlueKote® Conduit Bodies



CAT. NO.	HUB SIZE	DIMENSIONS (IN.)					CU. IN.
		A	B	C	D	E	
LL18	½"	4.94	1.44	2.13	1.00	3.31	4.9
LL28	¾"	5.56	1.69	2.31	1.19	3.94	8.0
LL38	1"	6.47	1.94	2.63	1.38	4.56	13.0
LL448	1¼"	7.53	2.38	3.16	1.75	5.31	23.5
LL58	1½"	9.13	2.78	4.00	2.13	6.50	45.0
LL68	2"	11.00	3.56	5.00	3.00	8.56	88.0
LL78	2½"	13.94	4.44	6.69	4.25	10.88	110.0
LL888	3"	13.94	4.81	6.69	4.25	10.88	110.0

LL Series 35 Conduit Bodies



CAT. NO.	HUB SIZE	DIMENSIONS (IN.)			CU. IN.
		A	B	C	
LL50M	½"	2.05	4.68	1.37	4.5
LL75M	¾"	2.25	5.37	1.70	7.5
LL100M	1"	2.65	6.20	1.90	12.5
LL125M	1¼"	2.75	8.12	2.75	32
LL150M	1½"	3.50	8.12	2.83	33
LL200M	2"	4.12	10.50	3.31	68
LL250M	2½"	5.71	13.60	3.90	142
LL300M	3"	5.87	13.87	4.75	173
LL350M	3½"	7.13	16.50	6.81	292
LL400M	4"	7.13	16.50	7.19	324

LL Threaded Aluminum Conduit Bodies



CAT. NO.	HUB SIZE	DIMENSIONS (IN.)								CU. IN.	CU. IN.*
		A	B	C	D	E	F	G	H		
ALL1	½"	3.88	3.50	4.31	1.31	1.38	3.56	2.00	.78	4.3	4.8
ALL2	¾"	4.63	4.13	5.13	1.53	1.63	4.13	2.31	.88	7.3	7.5
ALL3	1"	5.38	4.88	5.31	1.75	1.88	4.88	2.50	1.00	11.8	12.5
ALL4	1¼"	7.25	6.50	7.88	2.50	2.75	6.31	3.38	1.50	32.0	36.5
ALL5	1½"	7.25	6.50	7.88	2.50	2.75	6.31	3.38	1.50	32.0	36.5
ALL6	2"	9.50	8.56	10.19	3.13	3.44	8.19	3.94	1.94	69.5	73.8
ALL7	2½"	12.25	11.25	13.00	4.50	4.50	10.25	5.50	2.88	190.0	
ALL8	3"	12.25	11.25	13.00	4.50	4.50	10.25	5.50	2.88	190.0	
ALL9	3½"	15.00	14.44	16.25	5.50	5.50	12.75	6.50	3.00	366.0	
ALL10	4"	15.00	14.44	16.25	5.50	5.50	12.75	6.50	3.00	366.0	

*LRL Style Only

LL EMT Aluminum Conduit Bodies



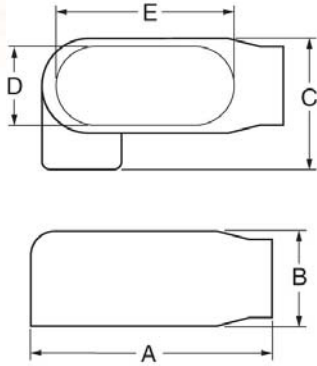
CAT. NO.	HUB SIZE	DIMENSIONS (IN.)								CU. IN.	CU. IN.*
		A	B	C	D	E	F	G	H		
BLL1	½"	3.88	3.50	4.31	1.31	1.38	3.56	2.00	.78	4.3	4.8
BLL2	¾"	4.63	4.13	5.13	1.53	1.63	4.13	2.31	.88	7.3	7.5
BLL3	1"	5.38	4.88	5.31	1.75	1.88	4.88	2.50	1.00	11.8	12.5
BLL4	1¼"	7.25	6.50	7.88	2.50	2.75	6.31	3.38	1.50	32.0	36.5

*LRL Style Only

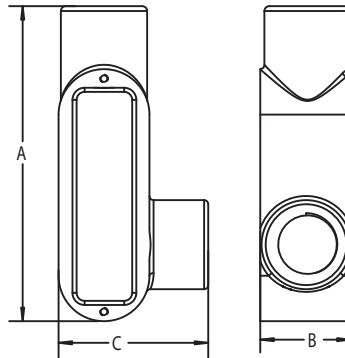
T&B® Fittings

Conduit Outlet Bodies

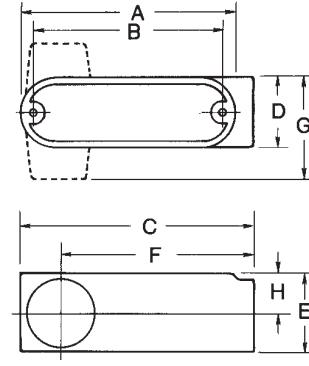
T&B Fittings



LR Form 7 and Form 8



LR Series 35



LR Threaded Aluminum and EMT Aluminum

LR Form 7 BlueKote® Conduit Bodies



CAT. NO.	HUB SIZE	DIMENSIONS (IN.)					CU. IN.
		A	B	C	D	E	
LR17	½"	4.60	1.40	1.45	.95	3.20	4.0
LR27	¾"	5.25	1.60	1.65	1.15	3.80	6.6
LR37	1"	6.00	1.90	2.60	1.35	4.55	10.6
LR47	1½"	6.45	2.30	3.05	1.80	5.00	18.8
LR57	1½"	7.90	2.60	3.80	2.05	5.45	26.4
LR67	2"	8.30	3.20	4.25	2.45	6.40	51.0
LR77	2½"	10.55	3.65	5.80	3.60	8.40	102.0
LR87	3"	10.55	4.40	5.80	3.60	8.40	132.0
LR97	3½"	12.85	4.90	7.03	4.55	10.25	210.0
LR107	4"	12.85	5.40	7.03	4.55	10.25	243.0

LR Series 35 Conduit Bodies



CAT. NO.	HUB SIZE	DIMENSIONS (IN.)			CU. IN.
		A	B	C	
LR50M	½"	2.05	4.68	1.37	4.5
LR75M	¾"	2.25	5.37	1.70	7.5
LR100M	1"	2.65	6.20	1.90	12.5
LR125M	1¼"	2.75	8.12	2.75	32
LR150M	1½"	3.50	8.12	2.83	35.3
LR200M	2"	4.12	10.50	3.31	68
LR250M	2½"	5.71	13.60	3.90	142
LR300M	3"	5.87	13.87	4.75	173
LR350M-TB	3½"	6.10	16.25	5.62	292
LR400M	4"	6.95	16.25	5.62	324

LR Form 8 BlueKote® Conduit Bodies



CAT. NO.	HUB SIZE	DIMENSIONS (IN.)					CU. IN.
		A	B	C	D	E	
LR18	½"	4.94	1.44	2.16	1.00	3.31	4.4
LR28	¾"	5.56	1.69	2.31	1.19	3.94	8.0
LR38	1"	6.47	1.94	2.63	1.38	4.56	13.0
LR448	1¼"	7.53	2.38	3.16	1.75	5.31	23.6
LR58	1½"	9.13	2.78	4.00	2.13	6.50	45.0
LR68	2"	11.00	3.56	5.00	3.00	8.56	88.0
LR78	2½"	13.94	4.44	6.69	4.25	10.88	110.0
LR888	3"	13.94	4.81	6.69	4.25	10.88	110.0

LR Threaded Aluminum Conduit Bodies



CAT. NO.	HUB SIZE	DIMENSIONS (IN.)								CU. IN.	CU. IN.*
		A	B	C	D	E	F	G	H		
ALR1	½"	3.88	3.50	4.31	1.31	1.38	3.56	2.00	.78	4.3	4.8
ALR2	¾"	4.63	4.13	5.13	1.53	1.63	4.13	2.31	.88	7.3	7.5
ALR3	1"	5.38	4.88	5.31	1.75	1.88	4.88	2.50	1.00	11.8	12.5
ALR4	1¼"	7.25	6.50	7.88	2.50	2.75	6.31	3.38	1.50	32.0	36.5
ALR5	1½"	7.25	6.50	7.88	2.50	2.75	6.31	3.38	1.50	32.0	36.5
ALR6	2"	9.50	8.56	10.19	3.13	3.44	8.19	3.94	1.94	69.5	73.8
ALR7	2½"	12.25	11.25	13.00	4.50	4.50	10.25	5.50	2.88	190.0	—
ALR8	3"	12.25	11.25	13.00	4.50	4.50	10.25	5.50	2.88	190.0	—
ALR9	3½"	15.00	14.44	16.25	5.50	5.50	12.75	6.50	3.00	366.0	—
ALR10	4"	15.00	14.44	16.25	5.50	5.50	12.75	6.50	3.00	366.0	—

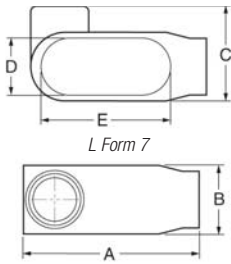
*LRL Style Only

LR EMT Aluminum Conduit Bodies



CAT. NO.	HUB SIZE	DIMENSIONS (IN.)								CU. IN.	CU. IN.*
		A	B	C	D	E	F	G	H		
BLR1	½"	3.88	3.50	4.31	1.31	1.38	3.56	2.00	.78	4.3	4.8
BLR2	¾"	4.63	4.13	5.13	1.53	1.63	4.13	2.31	.88	7.3	7.5
BLR3	1"	5.38	4.88	5.31	1.75	1.88	4.88	2.50	1.00	11.8	12.5
BLR4	1¼"	7.25	6.50	7.88	2.50	2.75	6.31	3.38	1.50	32.0	36.5

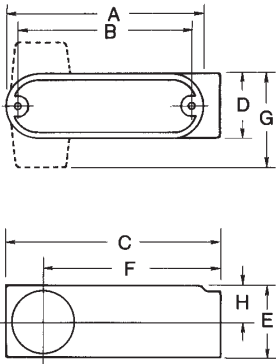
*LRL Style Only



L Form 7

L Form 7 BlueKote® Conduit Bodies

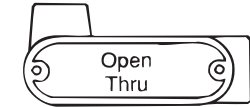
CAT. NO.	HUB SIZE	DIMENSIONS (IN.)				
		A	B	C	D	E
L17-TB	½"	4.60	1.40	1.45	.95	3.20
L27-TB	¾"	5.25	1.60	1.65	1.15	3.80
L37-TB	1"	6.00	1.90	2.60	1.35	4.55
L47-TB	1¼"	6.45	2.30	3.05	1.80	5.00
L57-TB	1½"	7.90	2.60	3.80	2.05	5.45
L67-TB	2"	8.30	3.20	4.25	2.45	6.40



L Threaded Aluminum Conduit Bodies



CAT. NO.	HUB SIZE	DIMENSIONS (IN.)								LRL STYLE ONLY	
		A	B	C	D	E	F	G	H	CU. IN.	CU. IN.
ALRL1	½"	3.88	3.50	4.31	1.31	1.38	3.56	2.00	.78	4.3	4.8
ALRL2	¾"	4.63	4.13	5.13	1.53	1.63	4.13	2.31	.88	7.3	7.5
ALRL3	1"	5.38	4.88	5.31	1.75	1.88	4.88	2.50	1.00	11.8	12.5
ALRL4	1¼"	7.25	6.50	7.88	2.50	2.75	6.31	3.38	1.50	32.0	36.5
ALRL5	1½"	7.25	6.50	7.88	2.50	2.75	6.31	3.38	1.50	32.0	36.5
ALRL6	2"	9.50	8.56	10.19	3.13	3.44	8.19	3.94	1.94	69.5	73.8

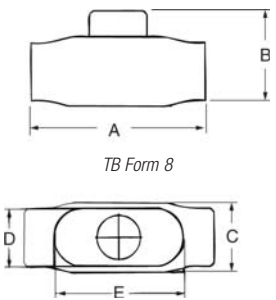


LRL Threaded Aluminum and EMT Aluminum

L EMT Aluminum Conduit Bodies



CAT. NO.	HUB SIZE	DIMENSIONS (IN.)								LRL STYLE ONLY	
		A	B	C	D	E	F	G	H	CU. IN.	CU. IN.
BLRL1	½"	3.88	3.50	4.31	1.31	1.38	3.56	2.00	.78	4.3	4.8
BLRL2	¾"	4.63	4.13	5.13	1.53	1.63	4.13	2.31	.88	7.3	7.5
BLRL3	1"	5.38	4.88	5.31	1.75	1.88	4.88	2.50	1.00	11.8	12.5
BLRL4	1¼"	7.25	6.50	7.88	2.50	2.75	6.31	3.38	1.50	32.0	36.5
BLRL5	1½"	7.25	6.50	7.88	2.50	2.75	6.31	3.38	1.50	32.0	36.5
BLRL6	2"	9.50	8.56	10.19	3.13	3.44	8.19	3.94	1.94	69.5	73.8

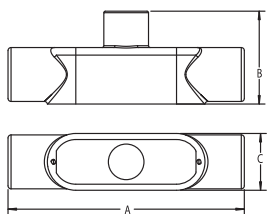


TB Form 8

TB Form 8 BlueKote® Conduit Bodies



CAT. NO.	HUB SIZE	DIMENSIONS (IN.)					CU. IN.
		A	B	C	D	E	
TB18	½"	5.69	2.63	1.38	1.00	3.31	6.0
TB28	¾"	6.28	2.88	1.19	1.19	3.94	9.0
TB38	1"	7.31	3.25	1.75	1.38	4.56	15.0
TB448	1¼"	8.50	3.31	2.19	1.75	5.31	24.0
TB58	1½"	10.38	3.69	2.75	2.13	6.50	46.5
TB68	2"	12.25	4.25	3.75	3.00	8.56	88.0



TB Series 35

TB Series 35 Conduit Bodies

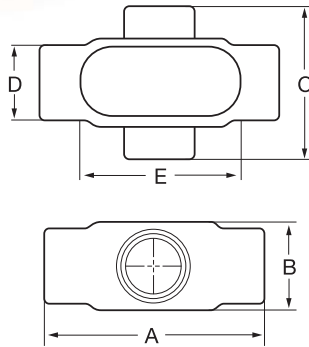


CAT. NO.	HUB SIZE	DIMENSIONS (IN.)			CU. IN.
		A	B	C	
TB50M	½"	1.34	5.38	2.05	6
TB75M	¾"	1.50	6.00	2.25	9.5
TB100M	1"	1.80	7.05	2.65	15
TB125M	1¼"	2.60	9.00	2.75	33
TB150M	1½"	2.60	9.00	2.83	36
TB200M	2"	3.12	11.50	4.42	76

T&B® Fittings

Conduit Outlet Bodies

T&B Fittings



X Form 7 and Form 8

X Form 7 BlueKote® Conduit Bodies

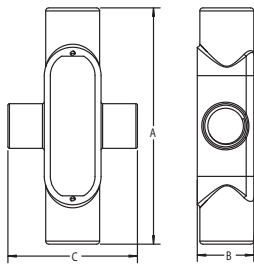


CAT. NO.	HUB SIZE	DIMENSIONS (IN.)					CU. IN.
		A	B	C	D	E	
X17	½"	5.60	1.80	3.05	.95	3.20	6.0
X27	¾"	6.20	2.00	3.30	1.15	3.80	9.1
X37	1"	7.35	2.30	3.80	1.35	4.55	16.9
X47	1¼"	7.30	2.30	3.85	1.80	5.00	19.3
X57	1½"	8.60	2.60	5.05	2.05	5.45	27.5
X67	2"	9.50	3.20	5.45	2.45	6.40	52.8

X Form 8 BlueKote® Conduit Bodies



CAT. NO.	HUB SIZE	DIMENSIONS (IN.)					CU. IN.
		A	B	C	D	E	
X18	½"	5.69	1.75	2.91	1.00	3.31	6.0
X28	¾"	6.28	2.00	3.06	1.38	3.94	9.0
X38	1"	7.31	2.25	3.50	1.38	4.56	15.0
X448	1¼"	8.50	2.63	4.13	1.75	5.31	24.0
X58	1½"	10.38	2.47	5.25	2.13	6.50	46.5
X68	2"	12.25	3.56	6.25	3.00	8.56	88.0

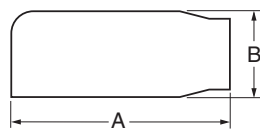
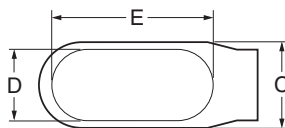


X Series 35

X Series 35 Conduit Bodies



CAT. NO.	HUB SIZE	DIMENSIONS (IN.)			CU. IN.
		A	B	C	
X50M	½"	2.79	5.41	1.75	36.0
X75M	¾"	2.93	6.08	1.97	76.0
X100M	1"	3.56	7.1	2.25	6.0
X125M	1¼"	4.43	9.1	2.55	9.5
X150M	1½"	4.43	9.1	2.75	15.0
X200M	2"	5.4	11.75	3.45	33.0



E Form 7

E Form 7 BlueKote® Conduit Bodies



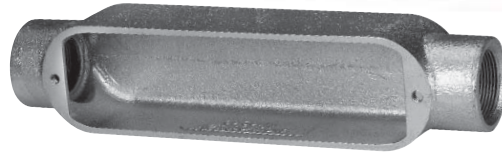
CAT. NO.	HUB SIZE	DIMENSIONS (IN.)					CU. IN.
		A	B	C	D	E	
E17	½"	4.60	1.40	1.45	.95	3.20	6.0
E27	¾"	5.25	1.60	1.65	1.15	3.80	9.1
E37	1"	6.00	1.90	1.80	1.35	4.55	16.9

E Threaded Aluminum Conduit Bodies



CAT. NO.	HUB SIZE	DIMENSIONS (IN.)							CU. IN.
		A	B	C	D	E	F	G	
AE-1	½"	3.88	4.38	1.33	1.38	2.41	2.06	.81	4.3
AE-2	¾"	4.63	5.13	1.53	1.63	2.78	2.34	.94	7.3
AE-3	1"	5.38	5.94	1.75	1.88	3.25	2.63	1.00	11.8

Mogul Conduit Outlet Bodies



Application

- Act as pull outlets for conductors that are stiff, due to large size or type of insulation
- Provide the longer openings needed when pulling large conductors
- Prevent sharp bends and kinks in large conductors (protects insulation during installation)
- Provide ample openings for splices and taps
- Provide access to wiring for maintenance, and future system changes

Features

- Long openings
- Provision for easy bends
- Tapered tapped hubs with integral bushings
- Stainless Steel cover screws
- Covers and gaskets included

Standard Materials

- Class 30 Gray iron alloy

Standard Finishes

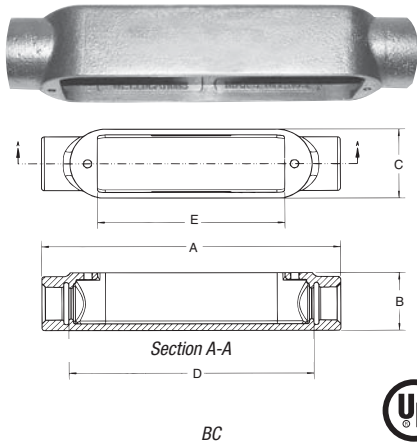
- Electrogalvanized and aluminum acrylic paint

Listings/Compliances

- UL Standard: 514B
- Fed. Spec.: W-C-586D
- CSA Standard: C22.2 No.18
- UL listed for wet locations

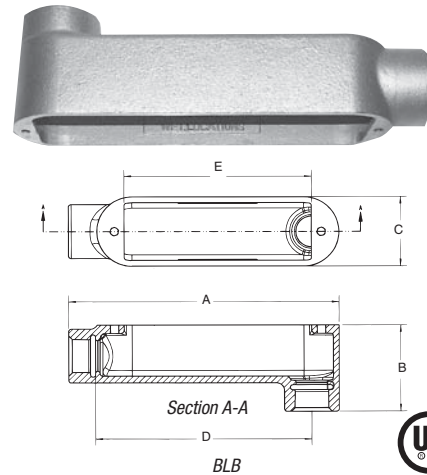
NOTE: See NEC 370-28 (a) (1) and (2) for pull length and bending space requirements applicable to BC, BLB and BUB Series Moguls.

BC Mogul Series (Cover and Gasket Included)



CAT. NO.	HUB SIZE	DIMENSIONS (IN.)					CU. IN.
		A	B	C	D	E	
BC3-TB	1"	9.56	1.88	2.25	7.84	6	20.0
BC4-TB	1 1/4"	9.56	2.31	2.25	7.84	6	25.0
BC5-TB	1 1/2"	13.75	2.56	3	11.45	10	60.0
BC6-TB	2"	13.75	3.31	3	11.45	10	78.0
BC7-TB	2 1/2"	18.38	3.63	4.25	15.61	15	180.0
BC8-TB	3"	18.38	4.38	4.25	15.82	15	225.0
BC9-TB	3 1/2"	23.75	4.88	5.25	20.50	20	410.0
BC10-TB	4"	23.75	5.38	5.25	20.50	20	460.0

BLB Mogul Series (Cover and Gasket Included)



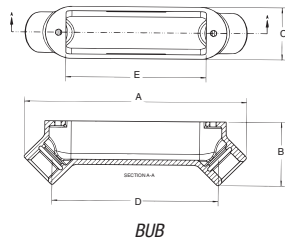
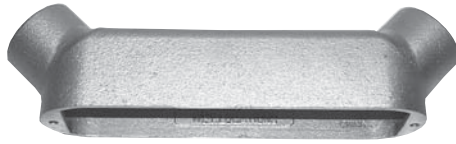
CAT. NO.	HUB SIZE	DIMENSIONS (IN.)					CU. IN.
		A	B	C	D	E	
BLB3-TB	1"	8.66	2.80	2.25	6.92	6	20.0
BLB4-TB	1 1/4"	8.66	2.70	2.25	6.70	6	25.0
BLB5-TB	1 1/2"	12.58	2.56	3	10.36	10	62.0
BLB6-TB	2"	12.58	4.16	3	10.13	10	78.0
BLB7-TB	2 1/2"	16.94	5.10	4.25	13.89	15	170.0
BLB8-TB	3"	16.94	5.81	4.25	13.59	15	210.0
BLB9-TB	3 1/2"	22.16	6.50	5.25	18.32	20	410.0
BLB10-TB	4"	22.16	7.00	5.25	18.06	20	460.0

T&B® Fittings

Mogul Conduit Outlet Bodies

BUB Mogul Series (Cover and Gasket Included)

T&B Fittings

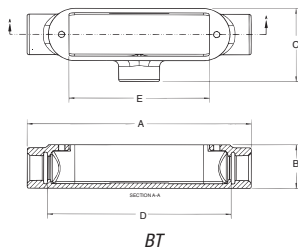
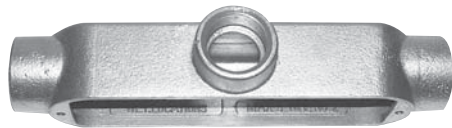


BUB



CAT. NO.	HUB SIZE	DIMENSIONS (IN.)					CU. IN.
		A	B	C	D	E	
BUB3-TB	1"	9.49	2.75	2.25	7.01	6	20.0
BUB4-TB	1½"	9.55	3.21	2.25	6.71	6	25.0
BUB5-TB	1½"	16.68	6.67	3	10.47	10	62.0
BUB6-TB	2"	13.68	4.28	3	10.20	10	78.0
BUB7-TB	2½"	18.30	5.03	4.25	13.97	15	170.0
BUB8-TB	3"	18.30	5.67	4.25	13.50	15	210.0
BUB9-TB	3½"	23.74	6.72	5.25	18.07	20	385.0
BUB10-TB	4"	23.74	7.22	5.25	17.73	20	430.0

BT Mogul Series (Cover and Gasket Included)

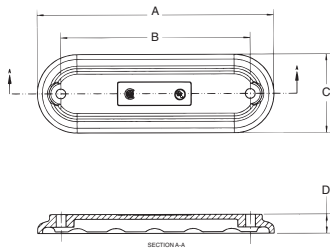


BT



CAT. NO.	HUB SIZE	DIMENSIONS (IN.)					CU. IN.
		A	B	C	D	E	
BT3-TB	1"	9.56	1.88	3.16	7.84	6	20.0
BT4-TB	1½"	9.56	2.31	3.16	7.84	6	25.0
BT5-TB	1½"	13.75	2.56	4.06	11.45	10	62.0
BT6-TB	2"	13.75	3.31	4.06	11.45	10	78.0
BT7-TB	2½"	18.38	3.63	5.59	15.61	15	180.0
BT8-TB	3"	18.38	4.38	5.72	15.82	15	225.0
BT9-TB	3½"	23.75	4.88	6.88	20.50	20	410.0
BT10-TB	4"	23.75	5.38	6.88	20.50	20	460.0

BG Mogul Series Replacement Covers



BG

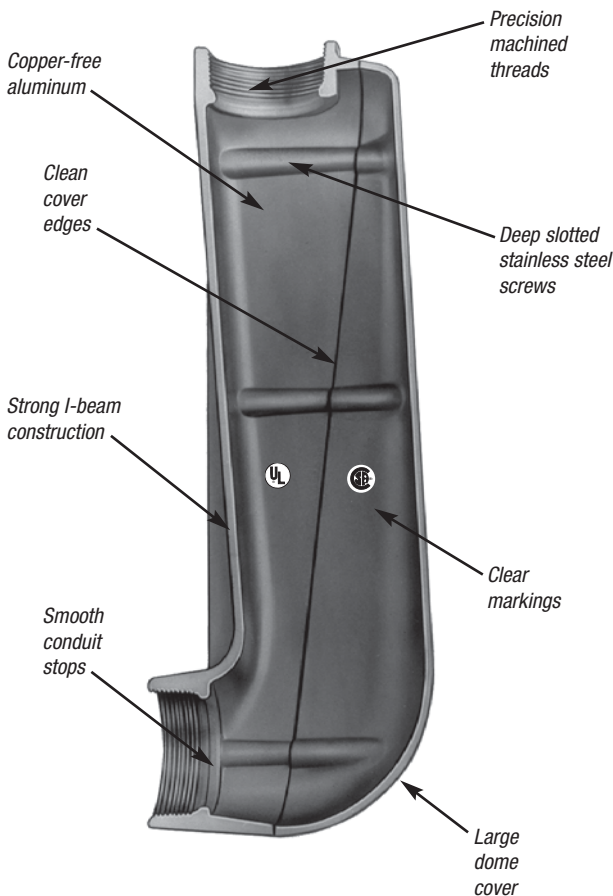


CAT. NO.	HUB SIZE	DIMENSIONS (IN.)				
		A	B	C	D	E
BG48T-B	1"-1½"	8.27	6.62	2.77	.67	-
BG68-TB	1½"-2"	12	10.62	3.60	.82	-
BG88-TB	2½"-3"	16.22	12.44	4.97	.85	2.75
BG98-TB	3½"-4"	21.21	16.63	5.96	.87	3.75

Aluminum Mogul Conduit Outlet Bodies



MALB



Application

- Raintight junction for bringing electrical service into a location
- Spacious, accessible wiring chamber provides a convenient location to pull conductors and make splices

Features

- Copper-free* aluminum provides increased corrosion resistance
- Precision cast and machined surfaces permit safer wire pulling
- Clean cover edges provide good gasket sealing
- Precision NPT threaded hubs enable trouble-free field installation for rigid and IMC conduit
- Deep slotted stainless steel cover screws for faster installation
- Clear UL, CSA and cubic content markings speed approval by inspectors
- Dome-style cover permits easy wire pulling
- Meets NEC Article 370-28, 6-1 ratio
- Meets NEMA 3R standards

Standard Materials

- Mogul Pulling Elbows: Die cast aluminum alloy A360 with less than .004 copper content (copper-free). Stainless steel screws
- Gaskets: Composition

Standard Finish

- Aluminum lacquer finish

Listings/Compliances

- UL Listed
- CSA Certified
- Federal Spec. W-C-586
- NEC Article 370-28

Sample Specifications

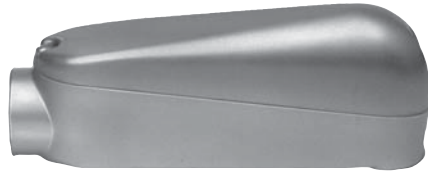
- Mogul Pulling Elbows shall be die cast copper-free* aluminum alloy A360. All conduit stops shall be coined and free of rough edges. Mogul Pulling Elbows shall be finished with aluminum lacquer

Mogul Pulling Elbows shall be Red•Dot® Catalog No. _____

*Less than .004 copper content

Aluminum Mogul Conduit Outlet Bodies with Covers and Gaskets

T&B Fittings



MALB-3 through -6

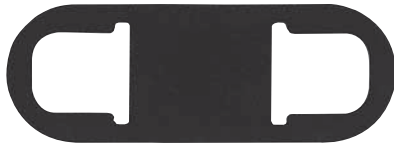


MALB-7 through -10



CAT. NO.	HUB SIZE	UNIT QTY.	STD. PKG.	WT. LBS. PER 100
MALB-3	1"	1	10	174
MALB-4	1¼"	2	10	160
MALB-5	1½"	1	1	400
MALB-6	2"	1	1	375
MALB-7	2½"	1	1	1100
MALB-8	3"	1	1	1060
MALB-9	3½"	1	1	1900
MALB-10	4"	1	1	1800

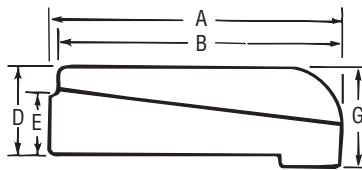
Replacement Covers and Gaskets



MGKV-4 through -7



COVER CAT. NO.	GASKET CAT. NO.	HUB SIZE	UNIT QTY.	STD. PKG.	WT. LBS. PER 100
—	MGKV-5	1¼"	1	5	4
MALB-56CV	MGKV-5	1½" to 2"	1	5	4
MALB-78CV	MGKV-6	2½" to 3"	1	5	5
MALB-90CV	MGKV-7	3½" to 4"	1	5	5



MALB

MALB Dimensions

SIZE	DIMENSIONS (IN.)						
	A	B	C	D	E	F	G
1"	9.63	9.06	2.50	2.75	2.06	8.50	3.63
1¼"	9.63	9.06	2.50	2.75	2.06	8.50	3.63
1½"	14.53	14.25	2.75	4.00	2.81	13.00	5.22
2"	14.53	14.25	2.75	4.00	2.81	13.00	5.22
2½"	21.69	21.41	4.50	5.63	4.38	18.00	7.72
3"	21.69	21.41	4.50	5.63	4.38	18.00	7.72
3½"	28.63	28.69	5.50	6.50	5.38	24.00	9.72
4"	28.63	28.69	5.50	6.50	5.38	24.00	9.72



Cast Device Boxes

Application

- Accommodate wiring devices
- Act as pull boxes for conductors in a threaded rigid conduit system, including an internal ground screw
- Provide openings to make splices and taps in conductors
- Provide access to conductors for maintenance and future system changes
- Connect conduit sections

Features

- All hubs have NPT Threads with a minimum of five full threads and integral bushing. Internal grounding screw standard on boxes
- Suitable for wet locations when used with gasketed covers
- Available in shallow (FS) or deep (FD) boxes. Use FD if device to be enclosed exceeds 1 $\frac{5}{8}$ " in depth
- Use blank bodies where special arrangements of conduit hubs or entrances are required
- All cover holes are #6-32
- Mounting lugs are standard on all FS and FD boxes

Size Range

- Hubs: $\frac{1}{2}$ " to 1" NPT

Materials

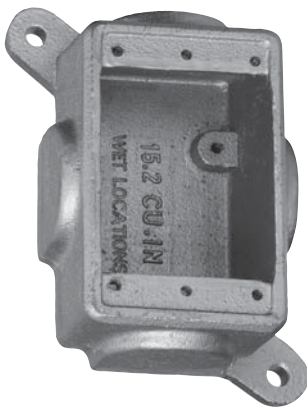
- Boxes: Class 30 gray iron alloy
- Covers: Sand cast aluminum alloy and sheet steel
- Gaskets: Neoprene

Finish

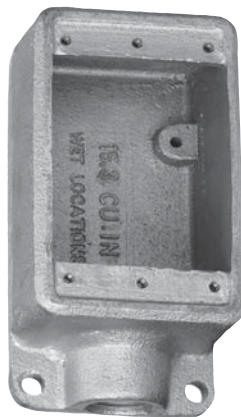
- Zinc-plated with aluminum acrylic paint

Listings/Compliances

- UL 514A (wet locations when used with gasketed covers)
- CSA C22.2 No.18



Dead-End



Dead-End



Thru-Feed

Single-Gang Cast Device Boxes

T&B Fittings

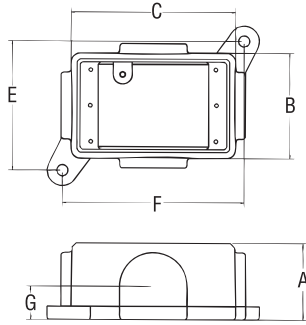


Fig. A Dead-End

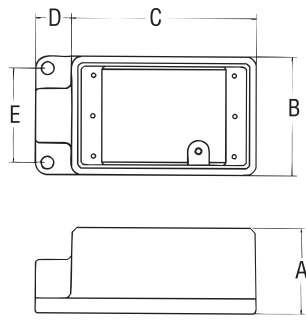


Fig. B Dead-End

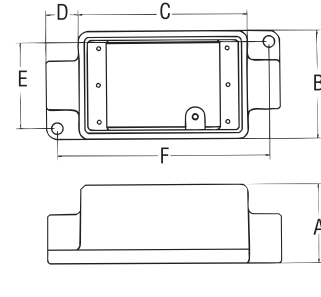


Fig. C Thru-Feed

Shallow Single-Gang Cast Device Boxes



CAT. NO.	FIG.	HUB SIZE	DIMENSIONS (IN.)							THROAT DIA.	
			A	B	C	D	E	F	G	MIN.	MAX.
<i>Dead-End</i>											
FS019-TB	A	Blank	2.00	2.75	4.28	—	3.38	4.72	.88	N/A	N/A
FS1-TB	B	½"	2.00	2.75	4.28	.88	2.19	—	—	0.570	0.610
FS2-TB	B	¾"	2.00	2.75	4.28	.88	2.19	—	—	0.755	0.810
FS3-TB	B	1"	2.00	2.75	4.28	.88	2.19	—	—	0.935	1.035
<i>Thru-Feed</i>											
FSC1-TB	C	½"	2.00	2.75	4.28	.88	2.19	5.38	—	0.570	0.610
FSC2-TB	C	¾"	2.00	2.75	4.28	.88	2.19	5.38	—	0.755	0.810
FSC3-TB	C	1"	2.00	2.75	4.28	.88	2.19	5.38	—	0.935	1.035

Deep Single-Gang Cast Device Boxes



CAT. NO.	FIG.	HUB SIZE	DIMENSIONS (IN.)							THROAT DIA.	
			A	B	C	D	E	F	G	MIN.	MAX.
<i>Dead-End</i>											
FD019-TB	A	Blank	2.81	2.75	4.28	—	3.38	4.72	1.38	N/A	N/A
FD1-TB	B	½"	2.81	2.75	4.28	.88	2.19	—	—	0.570	0.610
FD2-TB	B	¾"	2.81	2.75	4.28	.88	2.19	—	—	0.755	0.810
FD3-TB	B	1"	2.81	2.75	4.28	.88	2.19	—	—	0.935	1.035
<i>Thru-Feed</i>											
FDC1-TB	C	½"	2.81	2.75	4.28	.88	2.19	5.38	—	0.570	0.610
FDC2-TB	C	¾"	2.81	2.75	4.28	.88	2.19	5.38	—	0.755	0.810
FDC3-TB	C	1"	2.81	2.75	4.28	.88	2.19	5.38	—	0.935	1.035

FS/FD Cast Device Boxes and Covers

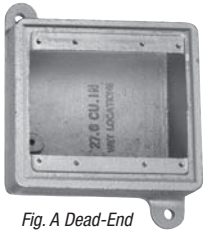


Fig. A Dead-End

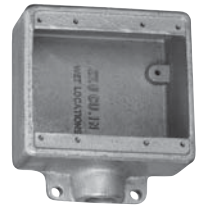
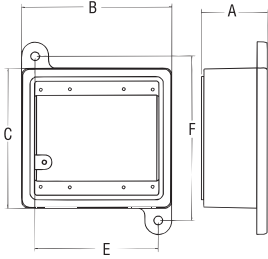


Fig. B Dead-End

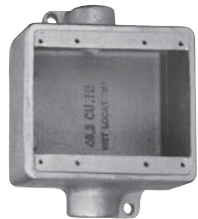
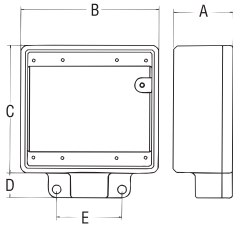


Fig. C Thru-Feed

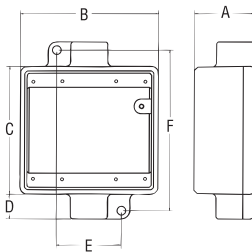
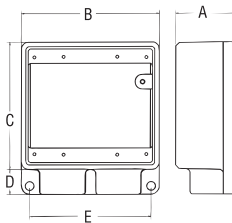


Fig. D Dead-End



Shallow Double-Gang Cast Device Boxes

CAT. NO.	FIG.	HUB SIZE	DIMENSIONS (IN.)						THROAT DIA.	
			A	B	C	D	E	F	MIN.	MAX.
Dead-End										
FS062-TB	A	Blank	2.00	4.63	4.28	—	4.13	5.50	N/A	N/A
FS12-TB	B	1/2"	2.00	4.63	4.28	.88	2.19	—	0.570	0.610
FS22-TB	B	3/4"	2.00	4.63	4.28	.88	2.19	—	0.755	0.810
FS32-TB	B	1"	2.00	4.63	4.28	.88	2.19	—	0.935	1.035
Thru-Feed										
FSC12-TB	C	1/2"	2.00	4.63	4.28	.88	2.19	5.38	0.570	0.610
FSC222-TB	C	3/4"	2.00	4.63	4.28	.88	2.19	5.38	0.755	0.810
FSC32-TB	C	1"	2.00	4.63	4.28	.88	2.19	5.38	0.935	1.035

Deep Double-Gang Cast Device Boxes

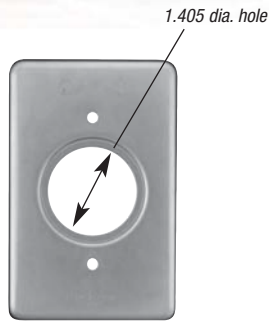
CAT. NO.	FIG.	HUB SIZE	DIMENSIONS (IN.)						THROAT DIA.	
			A	B	C	D	E	F	MIN.	MAX.
Dead-End										
FD062-TB	A	Blank	2.81	4.63	4.28	—	4.13	5.50	N/A	N/A
FD12-TB	B	1/2"	2.81	4.63	4.28	.88	2.19	—	0.570	0.610
FD22-TB	B	3/4"	2.81	4.63	4.28	.88	2.19	—	0.755	0.810
FD32-TB	B	1"	2.81	4.63	4.28	.88	2.19	—	0.935	1.035
Thru-Feed										
FDC12-TB	C	1/2"	2.81	4.63	4.28	.88	2.19	5.38	0.570	0.610
FDC222-TB	C	3/4"	2.81	4.63	4.28	.88	2.19	5.38	0.755	0.810
FDC32-TB	C	1"	2.81	4.63	4.28	.88	2.19	5.38	0.935	1.035

Double-Gang Cast Device Boxes, Double Hub

CAT. NO.	FIG.	HUB SIZE	DIMENSIONS (IN.)					THROAT DIA.	
			A	B	C	D	E	MIN.	MAX.
FSS222-TB	D	3/4"	2.00	4.63	4.28	.88	4.06	0.755	0.810
FDS222-TB	D	3/4"	2.81	4.63	4.28	.88	4.06	0.755	0.810



DSS100-TB



DS21-TB



DS23-TB



DS32-TB



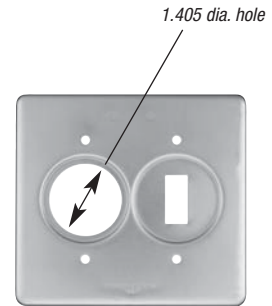
DS100G-TB



S1002-TB



S32232-TB



S32212-TB



S232-TB



S322



S1002GSA-TB

Single Gang Covers

CAT. NO.	DESCRIPTION
DSS100-TB	Blank, Sheet Steel
DS21-TB	Round Receptacle, Sheet Steel
DS23-TB	Duplex Receptacle, Sheet Steel
DS32-TB	Single Switch, Sheet Steel
DS100G-TB	Blank, Cast Aluminum

Double Gang Covers

CAT. NO.	DESCRIPTION
S1002-TB	Blank, Sheet Steel
S32232-TB	2 Receptacle/Switch, Sheet Steel
S32212-TB	Single Receptacle/Switch, Sheet Steel
S232-TB	2 Dual Receptacle, Sheet Steel
S322-TB	2 Switch, Sheet Steel
S1002GSA-TB	Blank, Cast Aluminum with Gasket

FS/FD Aluminum Device Boxes and Covers

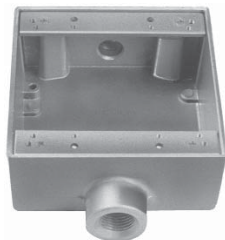


Application

- Industrial grade FS/FD device boxes and raintight covers protect wiring devices, switches, electronic components, and terminal blocks in dry, damp and wet locations.
- Spacious, accessible wiring chamber provides a convenient location to maintain or change a system, pull conductors and make splices
- Junction for branch conduits
- Aluminum boxes can be used with steel rigid conduit



AFS



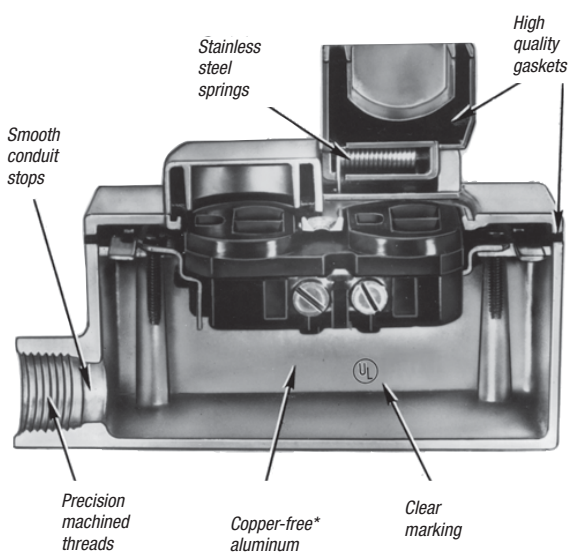
2AFSC



CWP-G



CDR



Features

- Copper-free* aluminum, stainless steel cover springs and hinge pins provide increased corrosion resistance
- Die cast construction, boxes with securely fastened mounting plates and industrial designed covers combine to produce a rugged protective enclosure for devices on industrial and OEM applications
- Clean cover edges provide good gasket sealing
- Precision NPT threaded hubs allow trouble-free field installation for rigid or IMC conduit
- Clear UL, CSA and cubic content markings speed approval by inspectors
- Boxes — external hub design provides increased wiring room
- Covers ship complete with gaskets and screws

Standard Materials

- Die-cast aluminum alloy A360 with less than .004% copper content (copper-free)
- Cover hinge pins and springs: Stainless steel

Standard Finish

- Aluminum lacquer finish

Listings/Compliances

- UL Listed
- Boxes CSA Certified with factory installed ground screw **
- Covers CSA Certified
- Federal Spec. W-C-586

Sample Specifications

Industrial grade FS/FD device boxes and covers shall be die-cast copper-free* aluminum alloy A360. All conduit stops shall be coined and free of rough edges. Raintight covers shall have stainless steel springs and hinge pins and are suitable for use in wet locations with cover closed (CFSB, CFST and CFSTF suitable for wet locations). Industrial grade FS/FD device boxes and covers shall be finished with aluminum lacquer. Industrial grade FS/FD device boxes and covers shall be Thomas & Betts Catalog No. _____

*Less than .004% copper content

**Consult factory for lead time and minimum quantity



AFS



AFSC



AFSS



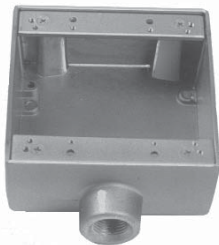
AFSCC



ADFS



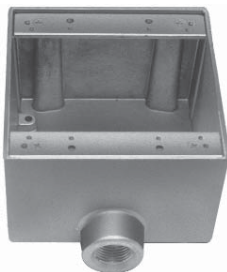
ADFSC



2AFS



2AFSC



2ADFS



FSMG-TB

Single Gang Boxes Raintight*

CAT. NO.	HUB SIZE	UNIT QTY.	STD. PKG.	WT. LBS. PER 100
Standard, 1 Hole Box, Dead End				
AFS-1*	½"	5	25	68
AFS-2*	¾"	5	25	74
AFS-3*	1"	5	25	72
Standard, 2 Hole Box, Through Feed				
AFSC-1*	½"	5	25	72
AFSC-2*	¾"	5	25	88
AFSC-3*	1"	5	25	79
Standard, 2 Hole Box, Dead End				
AFSS-1*	½"	5	25	80
AFSS-2*	¾"	5	25	76
Standard, 3 Hole Box, Through Feed				
AFSCC-1*	½"	5	25	88
AFSCC-2*	¾"	5	25	80
Deep, 1 Hole Box, Dead End				
ADFS-1*	½"	—	5	74
ADFS-2*	¾"	—	5	78
ADFS-3*	1"	—	5	80
Deep, 2 Hole Box, Through Feed				
ADFSC-1*	½"	—	5	76
ADFSC-2*	¾"	—	5	90
ADFSC-3*	1"	—	5	90

*Rain-tight when used with appropriate T&B covers.

Double Gang Boxes Raintight*

CAT. NO.	HUB SIZE	UNIT QTY.	STD. PKG.	WT. LBS. PER 100
Standard, 1 Hole Box, Dead End				
2AFS-1*	½"	2	10	115
2AFS-2*	¾"	2	10	95
2AFS-3*	1"	2	10	90
Standard, 2 Hole Box, Through Feed				
2 AFSC-1*	½"	2	10	104
2AFSC-2*	¾"	2	10	102
Deep, 1 Hole Box, Dead End				
2ADFS-1*	½"	—	3	128
2ADFS-2*	¾"	—	3	143

*Rain-tight when used with appropriate T&B covers.

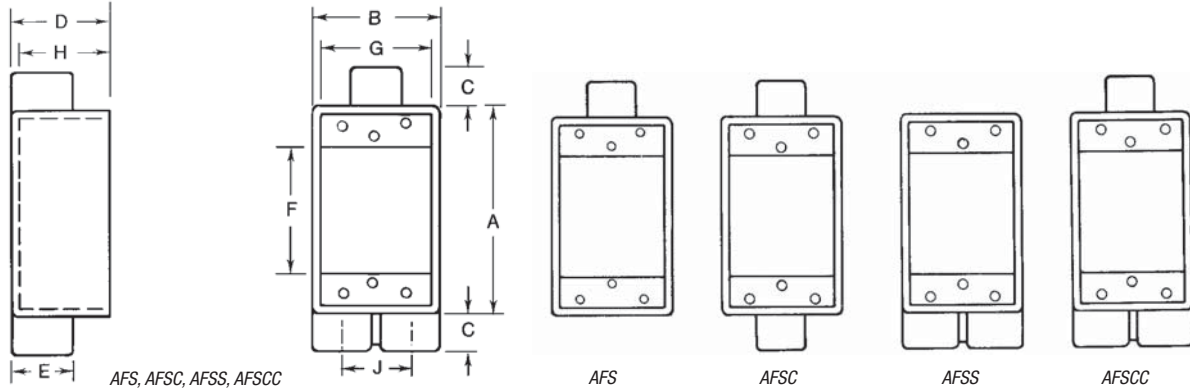
Multi-Gang Boxes Raintight*

CAT. NO.	HUB SIZE	UNIT QTY.	STD. PKG.	WT. LBS. PER 100
FSMG-TB	4" Threadless Conduit	—	1	242

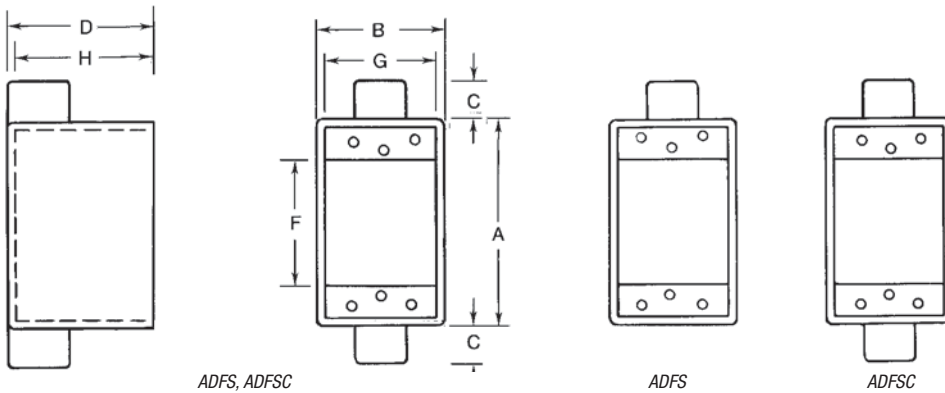
*Rain-tight when used with appropriate T&B covers and gaskets.



Dimensions and Cubic Inches (CI) Single Gang Boxes



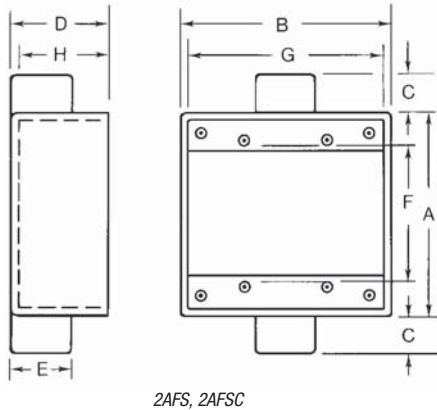
CAT. NO.	HUB SIZE	DIMENSIONS (IN.)										CU. IN.
		A	B	C	D	E	F	G	H	J		
AFS-1	½"	4 ⁵ / ₁₆	2 ¹³ / ₁₆	1 ³ / ₁₆	2 ¹ / ₁₆	1 ¹ / ₂	2 ¹ / ₂	2 ⁵ / ₁₆	1 ¹ / ₂	—	21.6	
AFS-2	¾"	4 ⁵ / ₁₆	2 ¹³ / ₁₆	1 ³ / ₁₆	2 ¹ / ₁₆	1 ¹¹ / ₁₆	2 ¹ / ₂	2 ⁵ / ₁₆	1 ¹ / ₂	—	21.6	
AFS-3	1"	4 ⁵ / ₁₆	2 ¹³ / ₁₆	1 ³ / ₁₆	2 ¹ / ₁₆	1 ¹¹ / ₁₆	2 ¹ / ₂	2 ⁵ / ₁₆	1 ¹ / ₂	—	21.6	
AFSC-1	½"	4 ⁵ / ₁₆	2 ¹³ / ₁₆	1 ³ / ₁₆	2 ¹ / ₁₆	1 ¹ / ₂	2 ¹ / ₂	2 ⁵ / ₁₆	1 ¹ / ₂	—	21.6	
AFSC-2	¾"	4 ⁵ / ₁₆	2 ¹³ / ₁₆	1 ³ / ₁₆	2 ¹ / ₁₆	1 ¹¹ / ₁₆	2 ¹ / ₂	2 ⁵ / ₁₆	1 ¹ / ₂	—	21.6	
AFSC-3	1"	4 ⁵ / ₁₆	2 ¹³ / ₁₆	1 ³ / ₁₆	2 ¹ / ₁₆	1 ¹¹ / ₁₆	2 ¹ / ₂	2 ⁵ / ₁₆	1 ¹ / ₂	—	21.6	
AFSS-1	1½"	4 ⁵ / ₁₆	2 ¹³ / ₁₆	1 ³ / ₁₆	2 ¹ / ₁₆	1 ³ / ₂	2 ¹ / ₂	2 ⁵ / ₁₆	1 ¹ / ₂	1 ¹ / ₂	21.6	
AFSS-2	¾"	4 ⁵ / ₁₆	2 ¹³ / ₁₆	1 ³ / ₁₆	2 ¹ / ₁₆	1 ¹ / ₂	2 ¹ / ₂	2 ⁵ / ₁₆	1 ¹ / ₂	1 ¹ / ₂	21.6	
AFSCC-1	½"	4 ⁵ / ₁₆	2 ¹³ / ₁₆	1 ³ / ₁₆	2 ¹ / ₁₆	1 ³ / ₂	2 ¹ / ₂	2 ⁵ / ₁₆	1 ¹ / ₂	1 ¹ / ₂	21.6	
AFSCC-2	¾"	4 ⁵ / ₁₆	2 ¹³ / ₁₆	1 ³ / ₁₆	2 ¹ / ₁₆	1 ³ / ₂	2 ¹ / ₂	2 ⁵ / ₁₆	1 ¹ / ₂	1 ¹ / ₂	21.6	



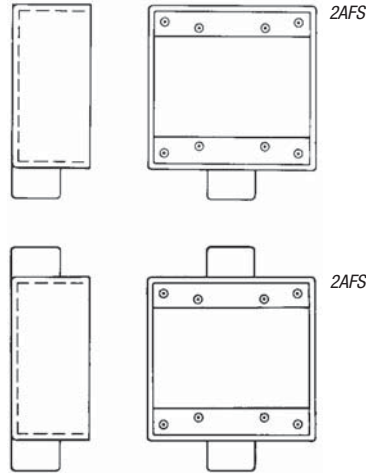
CAT. NO.	HUB SIZE	DIMENSIONS (IN.)									CU. IN.
		A	B	C	D	E	F	G	H		
ADFS-1	½"	4 ⁵ / ₁₆	2 ¹³ / ₁₆	¾	3 ³ / ₁₆	1 ¹ / ₂	2 ¹ / ₂	2 ⁵ / ₁₆	2 ¹ / ₁₆	31.3	
ADFS-2	¾"	4 ⁵ / ₁₆	2 ¹³ / ₁₆	¾	3 ³ / ₁₆	1 ¹¹ / ₁₆	2 ¹ / ₂	2 ⁵ / ₁₆	2 ¹ / ₁₆	31.3	
ADFS-3	1"	4 ⁵ / ₁₆	2 ¹³ / ₁₆	¾	3 ³ / ₁₆	1 ¹¹ / ₁₆	2 ¹ / ₂	2 ⁵ / ₁₆	2 ¹ / ₁₆	31.3	
ADFC-1	1½"	4 ⁵ / ₁₆	2 ¹³ / ₁₆	¾	3 ³ / ₁₆	1 ¹ / ₂	2 ¹ / ₂	2 ⁵ / ₁₆	2 ¹ / ₁₆	31.3	
ADFC-2	¾"	4 ⁵ / ₁₆	2 ¹³ / ₁₆	¾	3 ³ / ₁₆	1 ¹¹ / ₁₆	2 ¹ / ₂	2 ⁵ / ₁₆	2 ¹ / ₁₆	31.3	
ADFC-3	1"	4 ⁵ / ₁₆	2 ¹³ / ₁₆	¾	3 ³ / ₁₆	1 ¹¹ / ₁₆	2 ¹ / ₂	2 ⁵ / ₁₆	2 ¹ / ₁₆	31.3	

Dimensions and Cubic Inches (CI) Double Gang Boxes

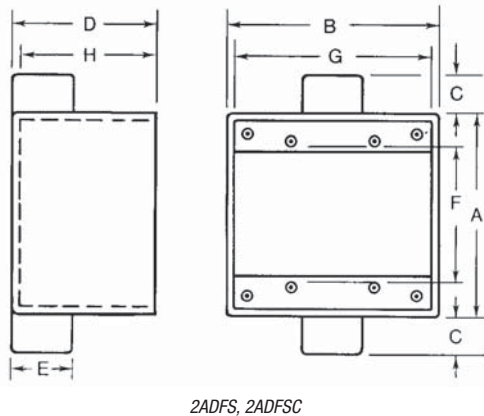
T&B Fittings



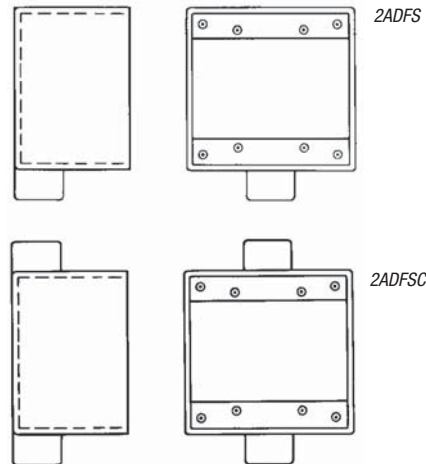
2AFS, 2AFSC



CAT. NO.	HUB SIZE	DIMENSIONS (IN.)								CU. IN.
		A	B	C	D	E	F	G	H	
2AFS-1	½"	4 ⁵ / ₁₆	4%	1 ³ / ₁₆	2 ¹ / ₁₆	1%	2 ¹ / ₁₆	4%	1 ¹⁵ / ₁₆	36.0
2AFS-2	¾"	4 ⁵ / ₁₆	4%	1 ³ / ₁₆	2 ¹ / ₁₆	1%	2 ¹ / ₁₆	4%	1 ¹⁵ / ₁₆	36.0
2AFS-3	1"	4 ⁵ / ₁₆	4%	7 ¹ / ₈	2 ¹ / ₁₆	1 ¹¹ / ₁₆	2 ¹ / ₁₆	4%	1 ¹⁵ / ₁₆	36.0
2AFSC-1	½"	4 ⁵ / ₁₆	4%	1 ³ / ₁₆	2 ¹ / ₁₆	1%	2 ¹ / ₁₆	4%	1 ¹⁵ / ₁₆	36.0
2AFSC-2	¾"	4 ⁵ / ₁₆	4%	1 ³ / ₁₆	2 ¹ / ₁₆	1%	2 ¹ / ₁₆	4%	1 ¹⁵ / ₁₆	36.0



2ADFS, 2ADFSC



CAT. NO.	HUB SIZE	DIMENSIONS (IN.)								CU. IN.
		A	B	C	D	E	F	G	H	
2ADFS-1	½"	4 ⁵ / ₁₆	4%	1 ³ / ₁₆	3 ³ / ₂	1%	2 ¹ / ₁₆	4%	20	54.0
2ADFS-2	¾"	4 ⁵ / ₁₆	4%	1 ³ / ₁₆	3 ³ / ₂	1%	2 ¹ / ₁₆	4%	20	54.0
2ADFS-3	1"	4 ⁵ / ₁₆	4%	7 ¹ / ₈	3 ³ / ₂	1 ¹¹ / ₁₆	2 ¹ / ₁₆	4%	20	54.0
2ADFSC-2	¾"	4 ⁵ / ₁₆	4%	1 ³ / ₁₆	3 ³ / ₂	1%	2 ¹ / ₁₆	4%	20	54.0
2ADFSC-3	1"	4 ⁵ / ₁₆	4%	7 ¹ / ₈	3 ³ / ₂	1 ¹¹ / ₁₆	2 ¹ / ₁₆	4%	20	54.0

FS/FD Aluminum Device Boxes and Covers



Special new aluminum alloy offers the ultimate in corrosion resistance!

T&B® FS/FD CorroStall™ Aluminum Boxes

- Special aluminum alloy provides corrosion resistance as cast
- No protective coating required to prevent corrosion
- Ideal for use in food and beverage or pharmaceutical washdown areas, chemical processing and other corrosive environments
- Available in single- and double-gang sizes
- Use with standard T&B FS/FD Aluminum Covers

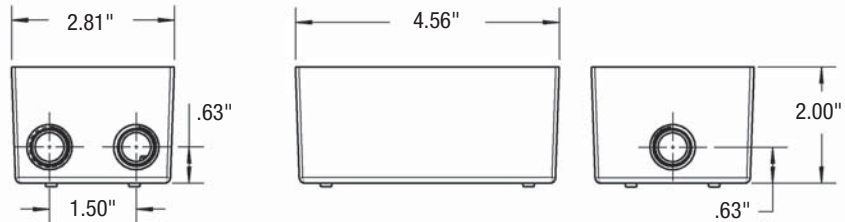
Material

- Aluminum alloy

Finish

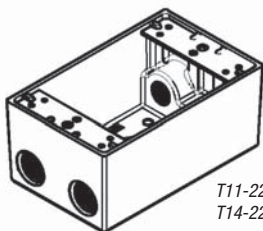
- As cast

T&B Fittings

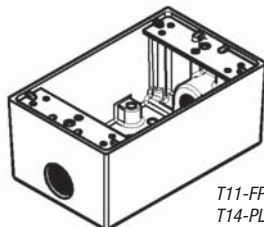


Single-Gang CorroStall™ Boxes

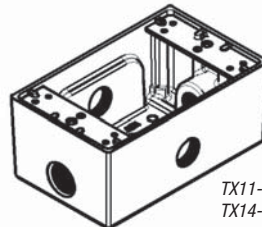
CAT. NO.	NO. OF OUTLET HOLES	HUB SIZE (IN.)	STD. PKG.
T11-22-FP	5	½	25
T14-22-FP	5	¾	25
T11-FP	3	½	25
T14-PL-FP	3	¾	25
TX11-5-FP	5	½	25
TX14-5-FP	5	¾	25
T14-2-FP	4	¾	25



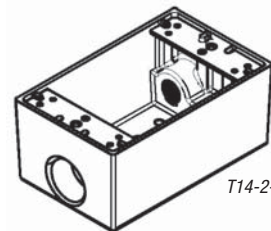
T11-22-FP
T14-22-FP



T11-FP
T14-PL-FP



TX11-5-FP
TX14-5-FP



T14-2-FP

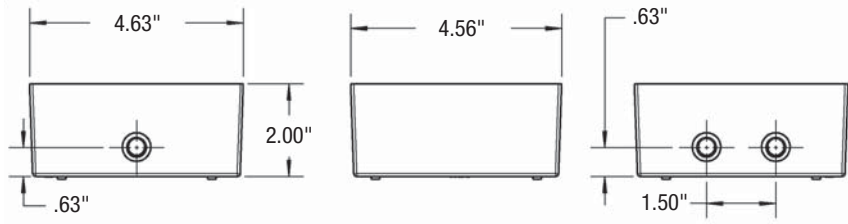
T&B® Fittings

FS/FD Aluminum Device Boxes and Covers

Special new aluminum alloy offers the ultimate in corrosion resistance!

T&B® FS/FD CorroStall™ Aluminum Boxes

T&B Fittings



Double-Gang CorroStall™ Boxes



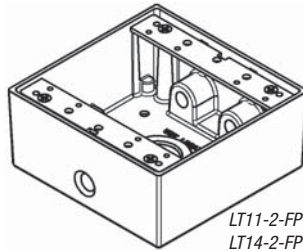
CAT. NO.	NO. OF OUTLET HOLES	HUB SIZE (IN.)	STD. PKG.
LT11-3-FP	5	½	10
LT14-3-FP	5	¾	10
LT11-2-FP	4	½	10
LT14-2-FP	4	¾	10

Material

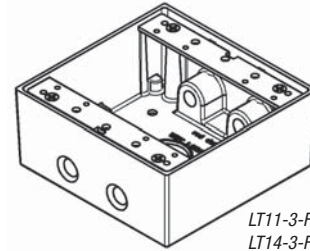
- Aluminum alloy

Finish

- As cast



LT11-2-FP
LT14-2-FP



LT11-3-FP
LT14-3-FP

FS/FD Aluminum Device Boxes and Covers



Single Gang Covers — Raintight*



CWPDR

CWPDR-FS



CFSDR



CWP-G



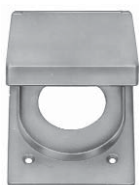
CFSH-G



CWPV-G



CFSR-G



CFSR Series



CFST



CFSTF



CFSB

CAT. NO.	DESCRIPTION	UNIT QTY.	STD. PKG.	WT. LBS. PER 100
For Duplex Receptacles, Horizontal				
CWPDR*	Duplex receptacle cover with 2 spring doors, Device Mount	1	25	40
CWPDR-FS*	Box Mount	1	25	40
For Duplex Receptacles, Vertical				
CFSDR*	Box Mount	1	25	38
For GFCI Receptacles Horizontal				
CFSH-G*	Box Mount	1	25	40
For GFCI Receptacles Vertical				
CWPV-G*	GFCI receptacle cover 2 ¹ / ₂ " x 1 ¹ / ₂ " rectangular opening Device Mount	1	25	40
CFSR-G*	Box Mount	1	25	40

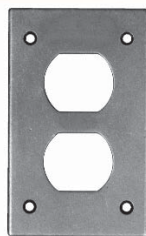
*Raintight when used with appropriate Thomas & Betts boxes and gaskets. Suitable for use in wet locations with cover closed — NEMA3R.

CAT. NO.	NOMINAL SIZE	MAX. DEVICE FACE DIA.	UNIT QTY.	STD. PKG.	WT. LBS. PER 100
For Single Receptacles Vertical (Box Mount Only)					
CFSR-L*	1 ³ / ₈ "	1.600"	1	25	40
CFSR-S*	1 ⁷ / ₈ "	1.395"	1	25	40
CFSR-X*	1 ⁷ / ₈ "	1.865"	1	25	40
CFSR-XL*	2 ¹ / ₈ "	2.145"	1	25	40
CFSR-Y*	1 ³ / ₈ "	1.750"	1	25	40

*Raintight when used with appropriate Thomas & Betts boxes and gaskets. Suitable for use in wet locations with cover closed — NEMA3R.

CAT. NO.	DESCRIPTION	UNIT QTY.	STD. PKG.	WT. LBS. PER 100
Switch Cover				
CFST*	Plunger Style, Switch Cover, Box Mount NEMA 3R	1	25	40
Switch Cover				
CFSTF*	Front Lever, Switch Cover, Box Mount NEMA 4	1	25	40
Blank Cover				
CFSB*	Blank Cover, Box Mount, NEMA 3R	1	25	14

*Raintight when used with appropriate Thomas & Betts boxes and gaskets. Suitable for use in wet locations with cover closed — NEMA3R.



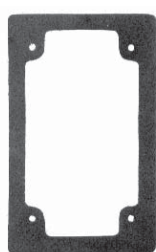
CDR



CTS



CR Series



FS-GKV



2CWPDR



2CWPR-M



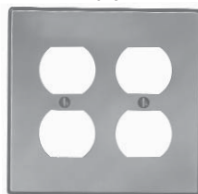
2CFSR-M



2CFST



2CFSB



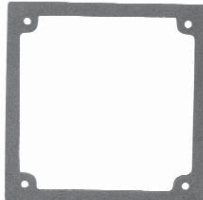
2CDR



2CTS



2CTDR



2FS-GKV

Single Gang Covers

CAT. NO.	DESCRIPTION	UNIT QTY.	STD. PKG.	WT. LBS. PER 100
<i>For Duplex Receptacles</i>				
CDR	Duplex receptacle Cover, Box Mount	20	100	11
<i>For Switches</i>				
CTS	Switch Cover, Box Mount	20	100	14

CAT. NO.	NOMINAL SIZE	MAX. DEVICE FACE DIA.	UNIT QTY.	STD. PKG.	WT. LBS. PER 100
<i>For Single Receptacles (Box Mount Only)</i>					
CRL	1 1/8"	1.600"	20	100	12
CRS	1 3/8"	1.395"	20	100	12

CAT. NO.	DESCRIPTION	STD. PKG.	WT. LBS. PER 100
<i>Gasket</i>			
FS-GKV	Composition Gasket	100	2

Double Gang Covers — Raintight*

CAT. NO.	DESCRIPTION	UNIT QTY.	STD. PKG.	WT. LBS. PER 100
<i>For Two Duplex Receptacles</i>				
2CWPDR*	Two Duplex Receptacle Cover with 2 Spring Doors, Device Mount	1	10	48
<i>For Single Receptacle</i>				
2CWPR-M*	Single Receptacle Cover, Hole Dia. 2 1/4", Device Mount	1	10	48
2CFSR-M*	Single Receptacle Cover, Hole Dia. 2 1/4", Box Mount	1	10	48
<i>For Two Switches</i>				
2CFST*	Plunger Style Switch Cover, Box Mount	1	10	26
<i>Blank</i>				
2CFSB*	Blank Cover, Box Mount	10	50	25

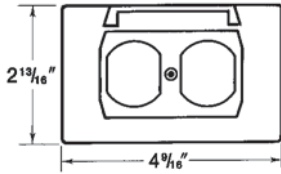
*Raintight when used with appropriate Thomas & Betts boxes, covers and gaskets. Suitable for use in wet locations with cover closed — NEMA3R.

Double Gang Covers

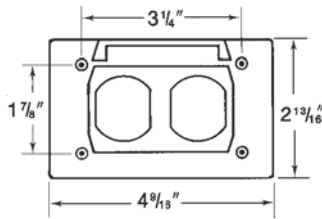
CAT. NO.	DESCRIPTION	UNIT QTY.	STD. PKG.	WT. LBS. PER 100
<i>For Two Duplex Receptacles</i>				
2CDR	Two Duplex Receptacle Cover, Device Mount	10	50	24
<i>For Two Switches</i>				
2CTS	Switch Cover, Device Mount	10	50	24
<i>For Switch and Duplex Receptacles</i>				
2CTDR	Switch and Duplex Receptacle Cover, Device Mount	10	50	24
<i>Gasket</i>				
2FS-GKV	Composition Gasket	—	50	3



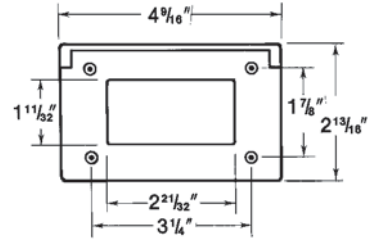
Dimensions — Single Gang Covers



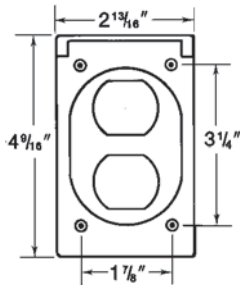
CWPDR



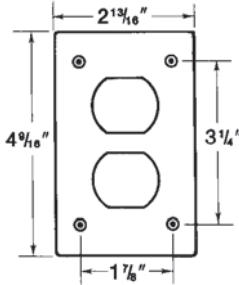
CWPDR-FS



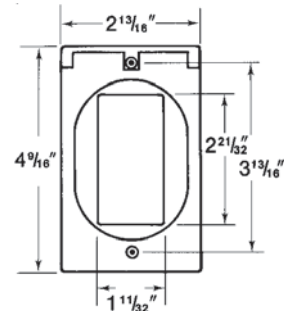
CFSH-G



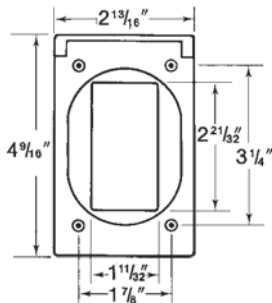
CFSDR



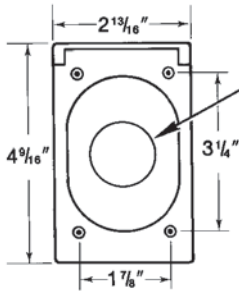
CDR



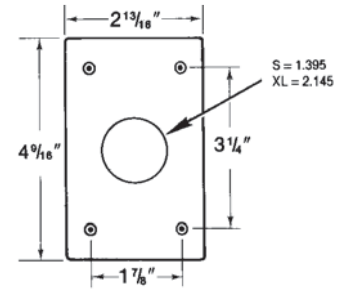
CWPV-G



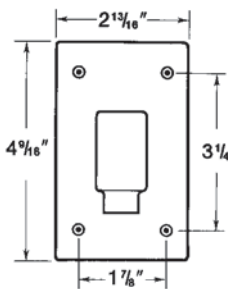
CFSR-G



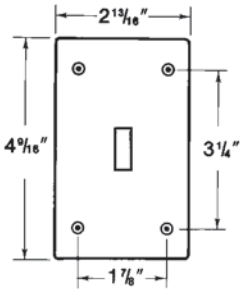
CFSR Series



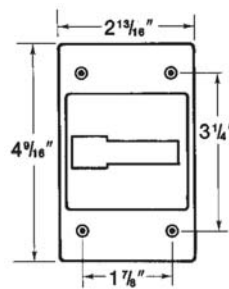
CR Series



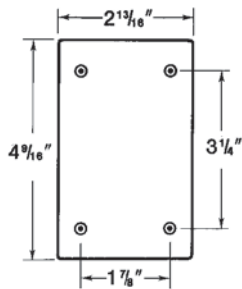
CFST



CTS



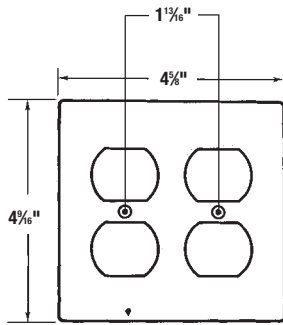
CFSTF



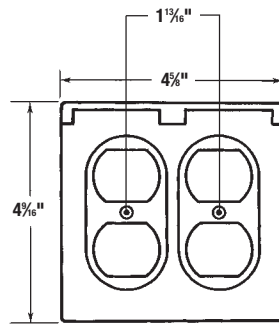
CFSB

Dimensions — Double Gang Covers

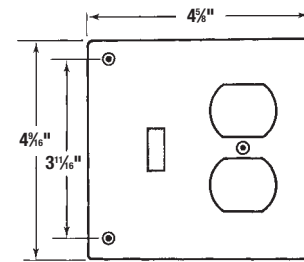
T&B Fittings



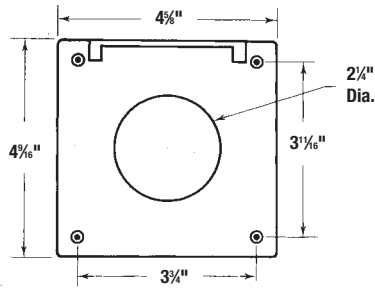
2GDR



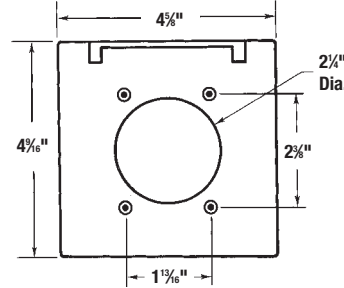
2CWPD



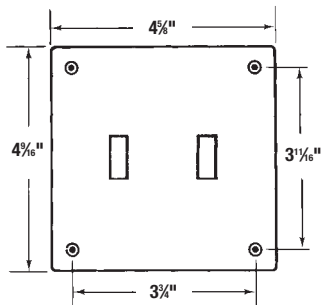
2CTDR



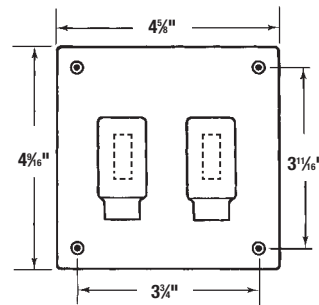
2CFSR-M



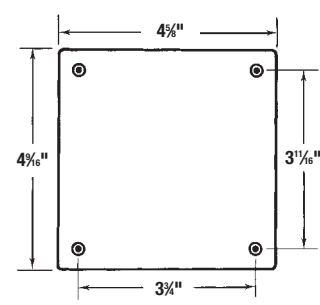
2CWPR-M



2CTS



2CFST



2CFSB

Conduit Outlet Boxes Explosion-Proof, Dust-Ignition-Proof

GUA Conduit Outlet Boxes

Application

GUA boxes can be used for hazardous location conduit runs for the following:

- Allows for mounting of fixture outlets (when used with appropriate covers)
- Provides easy access to wiring
- Provides junction in conduit for wire pulling and splices
- Changes direction in rigid conduit systems
- Attaches two or more pieces of conduit in long runs
- Guards against damage to wires in rigid conduit

Features

- All hubs have a minimum of five full threads and integral bushing
- All boxes are furnished with internal grounding screw
- Cover supplied with O-ring gasket

Size Range

- ½" NPT to 2" NPT
- Access opening 2" to 5" diameter

Materials

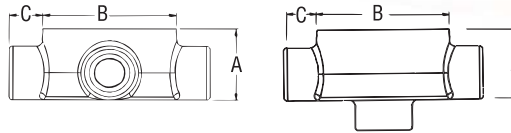
- Bodies: Grade 60-45-10 Ductile Iron (Complies with ASTM standard A536)
- Covers: Die cast aluminum

Finish

- Boxes: Zinc-plated with aluminum acrylic paint
- Covers: Natural

Listings/Compliances

- UL514A (wet locations when used with gasketed covers)
- UL886
- CSA: C22.2 No. 30
- Cl.I, Div. 1 & 2, Groups C, D
- Cl.II, Div. 1, Groups E, F, G
- Cl.III, Div. 1 & 2
- NEMA 3, 4, 7 CD, 9 EFG



GUA



GUAB



GUAC



GUAD

- Explosion-Proof
- Dust-Ignition-Proof
- Raintight
- Wet Locations



GUA

CAT. NO.	HUB SIZE	DIMENSIONS (IN.)			THROAT DIA.		CU. IN. CAPACITY
		A	B	C	MIN.	MAX.	
GU A14-TB	½"	1.81	2.50	.88	.570	.610	5.5
GU A16-TB	½"	2.00	3.50	.88	.570	.610	13.5
GU A24-TB	¾"	2.00	2.50	.88	.755	.810	5.3
GU A26-TB	¾"	2.00	3.50	.88	.755	.810	13.3
GU A36-TB	1"	2.31	3.50	.88	.935	1.035	16.2
GU A47-TB	1¼"	2.69	4.38	1.00	1.260	1.360	29
GU A59-TB	1½"	3.81	5.75	1.06	1.470	1.590	70

GUAB

CAT. NO.	HUB SIZE	DIMENSIONS (IN.)			THROAT DIA.		CU. IN. CAPACITY
		A	B	C	MIN.	MAX.	
GU AB14-TB	½"	2.25	2.50	.88	.570	.610	6.9
GU AB16-TB	½"	2.00	3.50	.88	.570	.610	13.5
GU AB24-TB	¾"	2.50	2.50	.88	.755	.810	7.9
GU AB26-TB	¾"	2.00	3.50	.88	.755	.810	13.5
GU AB36-TB	1"	2.31	3.50	1.00	.935	1.035	15.4
GU AB47-TB	1¼"	2.69	4.38	1.00	1.260	1.360	27.5
GU AB59-TB	1½"	3.81	5.75	1.06	1.470	1.590	73.6
GU AB69-TB	2"	4.06	5.75	1.06	1.880	2.047	80
GU AB79-TB	2½"	4.06	5.75	1.13	2.320	2.380	98

GUAC

CAT. NO.	HUB SIZE	DIMENSIONS (IN.)			THROAT DIA.		CU. IN. CAPACITY
		A	B	C	MIN.	MAX.	
GU AC14-TB	½"	2.25	2.50	.88	.570	.610	6.8
GU AC16-TB	½"	2.00	3.50	.88	.570	.610	13.1
GU AC24-TB	¾"	2.00	2.50	.88	.755	.810	5.3
GU AC26-TB	¾"	2.00	3.50	.88	.755	.810	13.3
GU AC36-TB	1"	2.31	3.50	.88	.935	1.035	16.2
GU AC47-TB	1¼"	2.69	4.38	1.00	1.260	1.360	29.3
GU AC49-TB	1½"	3.81	5.75	1.00	1.260	1.360	73.6
GU AC59-TB	1½"	3.81	5.75	1.06	1.470	1.590	74
GU AC69-TB	2"	4.06	5.75	1.06	1.880	2.047	77.8

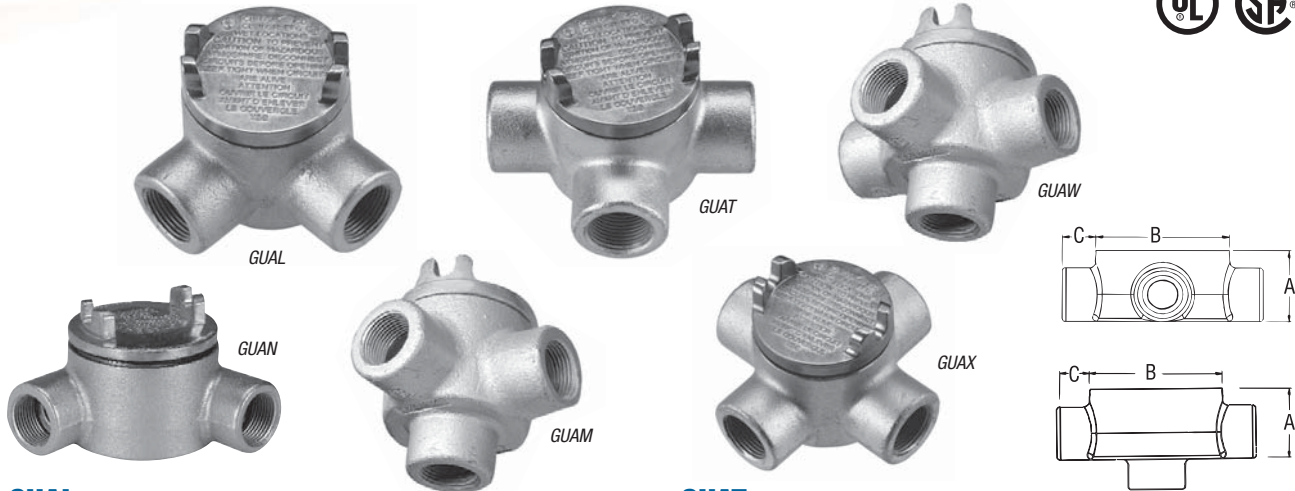
GUAD

CAT. NO.	HUB SIZE	DIMENSIONS (IN.)			THROAT DIA.		CU. IN. CAPACITY
		A	B	C	MIN.	MAX.	
GU AD14-TB	½"	1.81	2.50	.88	.570	.610	5.6
GU AD16-TB	½"	2.00	3.50	.88	.570	.610	12.5
GU AD24-TB	¾"	2.00	2.50	.88	.755	.810	5.2
GU AD26-TB	¾"	2.00	3.50	.88	.755	.810	13.1
GU AD36-TB	1"	2.31	3.50	.88	.935	1.035	16
GU AD49-TB	1½"	3.81	5.75	1.00	1.260	1.360	76

GUA Conduit Outlet Boxes



T&B Fittings



GUAL

CAT. NO.	HUB SIZE	DIMENSIONS (IN.)			THROAT DIA.		CU. IN. CAPACITY
		A	B	C	MIN.	MAX.	
GUAL14-TB	½"	2.25	2.50	.88	.570	.610	7.1
GUAL16-TB	½"	2.00	3.50	.88	.570	.610	13.4
GUAL24-TB	¾"	2.00	2.50	.88	.755	.810	5.3
GUAL26-TB	¾"	2.00	3.50	.88	.755	.810	13.3
GUAL36-TB	1"	2.31	3.50	.88	.935	1.035	16.2
GUAL47-TB	1¼"	2.69	4.38	1.00	1.260	1.360	30
GUAL49-TB	1¼"	3.81	5.75	1.00	1.260	1.360	74.5
GUAL59-TB	1½"	3.81	5.75	1.06	1.470	1.590	74
GUAL69-TB	2"	4.06	5.75	1.06	1.880	2.047	77.8

GUAM

CAT. NO.	HUB SIZE	DIMENSIONS (IN.)			THROAT DIA.		CU. IN. CAPACITY
		A	B	C	MIN.	MAX.	
GUAM14-TB	½"	1.81	2.50	.88	.570	.610	5.6
GUAM16-TB	½"	2.00	3.50	.88	.570	.610	12.5
GUAM24-TB	¾"	2.00	2.50	.88	.755	.810	6.2
GUAM26-TB	¾"	2.00	3.50	.88	.755	.810	12.5
GUAM36-TB	1"	2.31	3.50	.88	.935	1.035	14
GUAM47-TB	1¼"	2.69	4.38	1.00	1.260	1.360	29.2
GUAM69-TB	2"	4.06	5.75	1.06	1.880	2.047	80

GUAN

CAT. NO.	HUB SIZE	DIMENSIONS (IN.)			THROAT DIA.		CU. IN. CAPACITY
		A	B	C	MIN.	MAX.	
GUAN14-TB	½"	2.13	2.50	.88	.570	.610	6.8
GUAN16-TB	½"	2.00	3.50	.88	.570	.610	13.5
GUAN24-TB	¾"	2.31	2.50	.88	.755	.810	7.7
GUAN26-TB	¾"	2.00	3.50	.88	.755	.810	14
GUAN36-TB	1"	2.31	3.50	.88	.935	1.035	16.9
GUAN47-TB	1¼"	2.69	4.38	1.00	1.260	1.360	31.5
GUAN59-TB	1½"	4.06	5.75	1.06	1.470	1.590	84
GUAN69-TB	2"	4.06	5.75	1.06	1.880	2.047	84

GUAT

CAT. NO.	HUB SIZE	DIMENSIONS (IN.)			THROAT DIA.		CU. IN. CAPACITY
		A	B	C	MIN.	MAX.	
GUAT14-TB	½"	2.25	2.50	.88	.570	.610	7
GUAT16-TB	½"	2.00	3.50	.88	.570	.610	13.5
GUAT24-TB	¾"	2.00	2.50	.88	.755	.810	5.3
GUAT26-TB	¾"	2.00	3.50	.88	.755	.810	13.3
GUAT36-TB	1"	2.31	3.50	1.00	.935	1.035	15.9
GUAT37-TB	1"	2.31	3.50	.88	.935	1.035	23.3
GUAT47-TB	1¼"	2.69	4.38	1.00	1.260	1.360	29.3
GUAT49-TB	1¼"	3.81	5.75	1.00	1.260	1.360	77.2
GUAT59-TB	1½"	3.81	5.75	1.06	1.470	1.590	77.7
GUAT69-TB	2"	4.06	5.75	1.06	1.880	2.047	77.8
GUAT79-TB	2½"	4.06	5.75	1.06	2.320	2.380	95

GUAW

CAT. NO.	HUB SIZE	DIMENSIONS (IN.)			THROAT DIA.		CU. IN. CAPACITY
		A	B	C	MIN.	MAX.	
GUAW14-TB	½"	1.81	2.50	.88	.570	.610	5.2
GUAW16-TB	½"	2.00	3.50	.88	.570	.610	13
GUAW24-TB	¾"	2.00	2.50	.88	.755	.810	6.5
GUAW26-TB	¾"	2.00	3.50	.88	.755	.810	13

GUAX

CAT. NO.	HUB SIZE	DIMENSIONS (IN.)			THROAT DIA.		CU. IN. CAPACITY
		A	B	C	MIN.	MAX.	
GUAX14-TB	½"	1.81	2.50	.88	.570	.610	5.2
GUAX16-TB	½"	2.00	3.50	.88	.570	.610	13.5
GUAX24-TB	¾"	2.00	2.50	.88	.755	.810	5.3
GUAX26-TB	¾"	2.00	3.50	.88	.755	.810	13.3
GUAX36-TB	1"	2.31	3.50	1.00	.935	1.035	16
GUAX37-TB	1"	2.31	3.50	.88	.935	1.035	23.3
GUAX47-TB	1¼"	2.69	4.38	1.00	1.260	1.360	30
GUAX49-TB	1¼"	3.81	5.75	1.00	1.260	1.360	72
GUAX59-TB	1½"	3.81	5.75	1.06	1.470	1.590	71
GUAX69-TB	2"	4.06	5.75	1.06	1.880	2.047	77.8

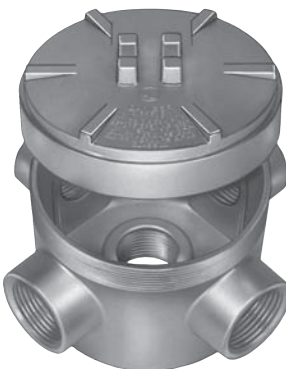
Aluminum Conduit Outlet Boxes Explosion-Proof, Dust-Ignition-Proof



GAX



GAFX



GAJU



GASS

Application

- Junction for branch conduits in hazardous locations
- Accessible wiring chamber provides a convenient location to maintain or change a system, pull conductors and make splices
- Unique mounting pads and external hub design ideal for installations of OEM devices or instruments

Features

- Copper-free* aluminum provides increased corrosion resistance
- Precision cast and machined surfaces permit safer wire pulling
- Precision NPT threaded hubs enable trouble-free field installation for rigid or IMC conduit
- Die cast construction and industrial design combine to produce a rugged protective enclosure for devices on industrial and OEM applications
- Clear UL, CSA and cubic content markings speed approval by inspectors

Standard Materials

- Die cast aluminum alloy A360 with less than .004 copper content (copper-free)

Standard Finish

- Aluminum lacquer finish

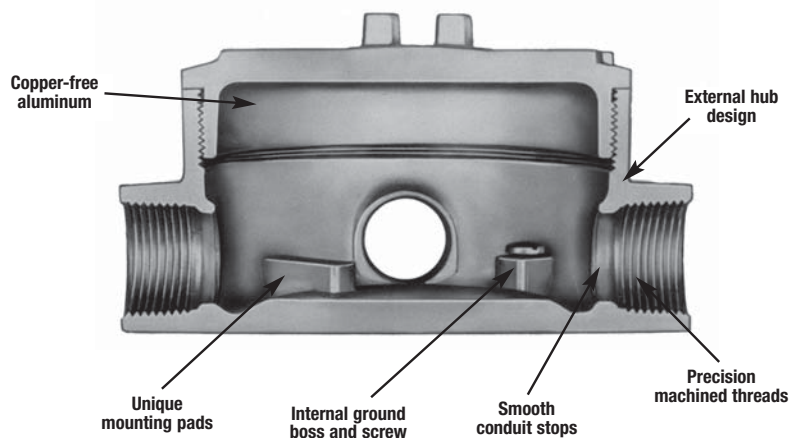
Listings/Compliances

- UL Listed
- CSA Certified
- Suitable for hazardous locations
- NEMA 4 rated when ordered with O-ring installed
- Federal Spec W-C-586
- Cl.I, Div. 1 & 2, Groups C, D
Cl.II, Div. 1, Groups E, F, G
Cl.III, Div. 1 & 2
- Explosion-Proof
Dust-Ignition-Proof
Raintight
Wet Locations

Sample Specifications

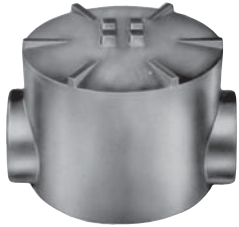
- Outlet boxes for hazardous locations shall be die cast copper-free* aluminum alloy A360 and suitable for use in Class I, Groups C, D, Class II, Groups E, F, G and Class III areas. All conduit stops shall be coined and free of rough edges. Outlet boxes for hazardous locations shall be finished with aluminum lacquer. Outlet boxes shall be Red•Dot® Catalog No. _____

**Less than .004 copper content.*

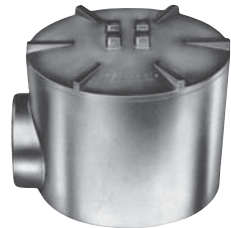


Aluminum Conduit Outlet Boxes Explosion-Proof, Dust-Ignition-Proof

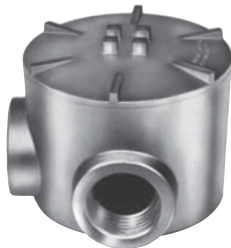
External Hubs with Installed Green Ground Screw



GAC



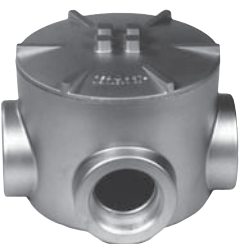
GAE



GAL



GALB



GAT

Through Feed with Surface Cover

CAT. NO.	HUB SIZE	UNIT QTY.	STD. PKG.	WT. LBS. PER 100
• GAC-1	½"	1	5	115
• GAC-2	¾"	1	5	115
• GAC-3	1"	1	5	115

Dead End with Surface Cover

CAT. NO.	HUB SIZE	UNIT QTY.	STD. PKG.	WT. LBS. PER 100
• GAE-2	¾"	1	5	110

L Style with Surface Cover

CAT. NO.	HUB SIZE	UNIT QTY.	STD. PKG.	WT. LBS. PER 100
GAL-1	½"	1	5	115
• GAL-2	¾"	1	5	115
• GAL-3	1"	1	5	115
• GAL-4	1¼"	1	5	175
• GAL-5	1½"	1	4	247
• GAL-6	2"	1	4	253

LB Style with Surface Cover

CAT. NO.	HUB SIZE	UNIT QTY.	STD. PKG.	WT. LBS. PER 100
• GALB-1	½"	1	5	115
GALB-2	¾"	1	5	115
• GALB-3	1"	1	5	115
• GALB-4	1¼"	1	2	175
• GALB-6	2"	1	4	253

T Style with Surface Cover

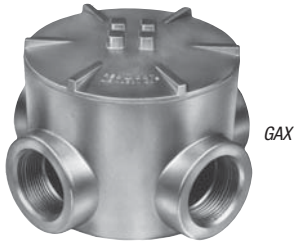
CAT. NO.	HUB SIZE	UNIT QTY.	STD. PKG.	WT. LBS. PER 100
• GAT-1	½"	1	5	120
GAT-2	¾"	1	5	120
• GAT-3	1"	1	5	120
GAT-4	1¼"	1	5	180
• GAT-6	2"	1	1	406

• Made to order items. Consult factory for lead time and minimum quantities.

Aluminum Conduit Outlet Boxes Explosion-Proof, Dust-Ignition-Proof



External Hubs with Installed Green Ground Screw



GAX

X Style with Surface Cover

CAT. NO.	HUB SIZE	UNIT QTY.	STD. PKG.	WT. LBS. PER 100
†• GAX-1	½"	1	5	125
† GAX-2	¾"	1	5	125
†• GAX-3	1"	1	5	125
†• GAX-5	1½"	1	1	257



GAFX

X Style with Flange and Surface Cover

CAT. NO.	HUB SIZE	UNIT QTY.	STD. PKG.	WT. LBS. PER 100
† GAFX-1	½"	1	4	135
† GAFX-2	¾"	1	4	135



GAS

Surface Style Cover

CAT. NO.	COVER OPENING	FITS BOXES	STD. PKG.	WT. LBS. PER 100
• GAS-123	3⅛"	½", ¾", 1"	1	36
• GAS-4	3⅝"	1¼"	1	52
• GAS-56	5⅞"	1½", 2"	1	69



GAD

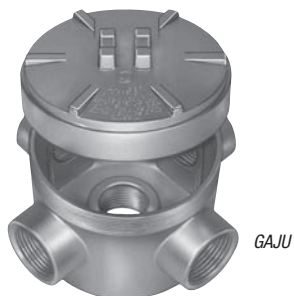
Dome Style Cover (Class I, Group D only)

CAT. NO.	COVER OPENING	FITS BOXES	INSIDE HEIGHT	STD. PKG.	WT. LBS. PER 100
• GAD-123	3⅛"	½", ¾", 1"	2⅞"	1	71

• Made to order items. Consult factory for lead time and minimum quantities.

† Suffix-OR: O-ring available for NEMA 4 rating. Consult factory for lead time and price.

External Hubs with Installed Green Ground Screw, Covers and Plugs



GAJU

U Style with Canopy Cover

CAT. NO.	HUB SIZE	UNIT QTY.	STD. PKG.	WT. LBS. PER 100
GAJU-2	¾"	1	5	130
GAJU-3	1"	1	5	130
• GAJU-6	2"	1	1	273



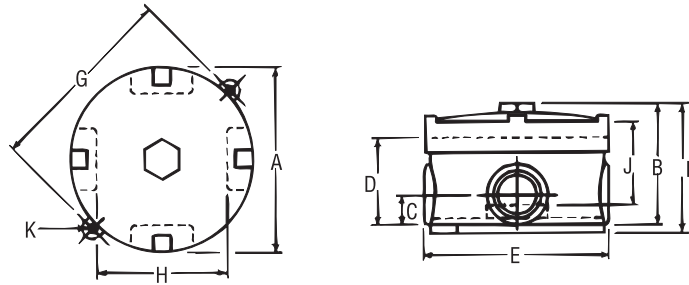
GAJ

Canopy Style Cover

CAT. NO.	COVER OPENING	FITS BOXES	UNIT QTY.	STD. PKG.	WT. LBS. PER 100
• GAJ-123	3⅛"	½", ¾", 1"	1	10	44
• GAJ-4	3⅝"	1¼"	1	5	61
• GAJ-56	5⅞"	1½", 2"	1	5	78

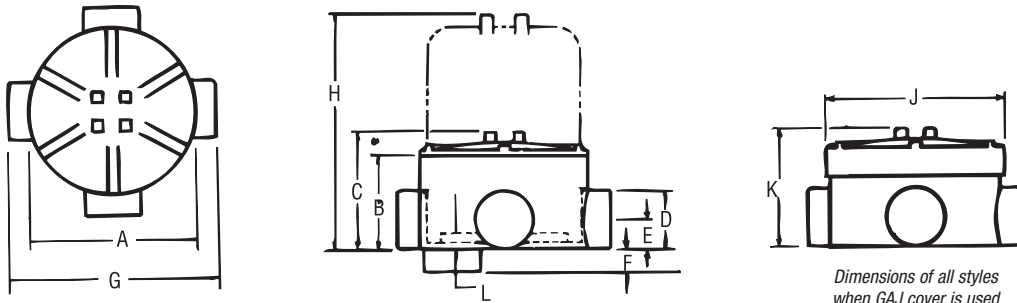
• Made to order items. Consult factory for lead time and minimum quantities.

Dimensions and Cubic Inches (CI)



EXUN & EXUNL

HUB SIZE	DIMENSIONS (IN.)											CI
	A	B	C	D	E	F	G	H	J	K		
1/2"	3 1/2"	3 1/8"	2 21/32"	2 1/16"	4	3 3/8"	4 1/4"	1 1/4"	1 1/8"	1 7/64"	20.3	
3/4"	3 1/2"	3 1/8"	2 21/32"	2 1/16"	4	3 3/8"	4 1/4"	1 1/4"	1 1/8"	1 7/64"	20.3	
1"	3 3/2"	3 5/16"	3/4"	2 1/4"	4	3 3/8"	4 1/4"	1 1/8"	1 1/8"	1 7/64"	20.0	



Dimensions of all styles when GAJ cover is used

GAC, GAE, GAL, GALB, GAT, GAX

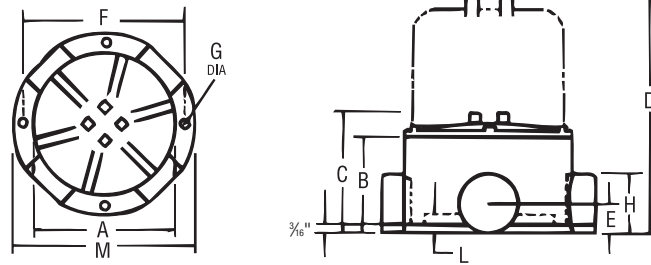
COVER OPENING	HUB SIZE	DIMENSIONS (IN.)											CI
		A	B	C	D	E	F	G	H	J	K	L	
3 1/16"	1/2"	4"	2 1/4"	2 15/16"	1 3/8"	1 1/16"	1 1/16"	5 3/16"	5 5/16"	4 3/8"	3 3/8"	9/16"	18.8
3 1/16"	3/4"	4"	2 1/4"	2 15/16"	1 3/8"	1 1/16"	1 1/16"	5 3/16"	5 5/16"	4 3/8"	3 3/8"	9/16"	18.8
3 1/16"	1"	4"	2 1/4"	2 15/16"	1 5/8"	1 3/16"	27/32"	5 1/2"	5 5/16"	4 3/8"	3 3/8"	9/16"	18.8
3 3/32"	1 1/4"	4 3/8"	3"	3 1/16"	2 1/8"	1 1/2"	7/8"	5 11/16"	-	4 3/8"	3 1/16"	5/8"	28.0
5 1/16"	1 1/2"	5 3/4"	4 1/4"	5 1/16"	2 7/8"	1 7/16"	7/8"	6 7/8"	-	6 7/16"	5 15/32"	13/16"	69.3
5 1/16"	2"	5 3/4"	4 1/4"	5 1/16"	2 7/8"	1 7/16"	7/8"	6 7/8"	-	6 7/16"	5 15/32"	13/16"	69.3

Aluminum Conduit Outlet Boxes Explosion-Proof, Dust-Ignition-Proof



Dimensions and Cubic Inches (CI)

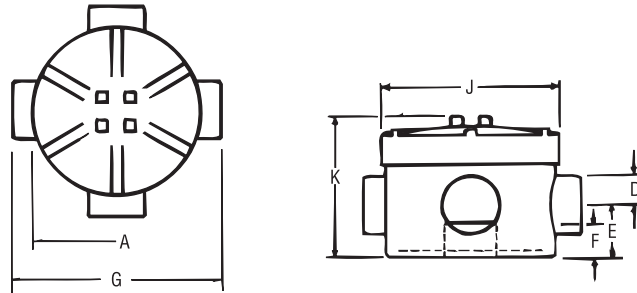
T&B® Fittings



GAFX

COVER OPENING	HUB SIZE	DIMENSIONS (IN.)										CI
		A	B	C	D	E	F	G	H	L	M	
3 1/16"	1/2"	4"	2 1/4"	2 15/16"	5 7/16"	1 1/16"	4 1/2"	1/4"	1 3/8"	5/16"	5 3/16"	20.0
3 11/16"	3/4"	4"	2 1/4"	2 15/16"	5 7/16"	1 1/16"	4 1/2"	1/4"	1 3/8"	5/16"	5 3/16"	20.0
3 11/16"	1"	4"	2 1/4"	2 15/16"	5 7/16"	1 3/16"	4 3/4"	5/16"	1 5/8"	5/16"	5 1/2"	19.0

NOTE: All GAF units supplied as X configuration with proper number of explosion-proof close-up plugs to make C, T or L.



GAJU

COVER OPENING	HUB SIZE	DIMENSIONS (IN.)								CI
		A	D	E	F	G	J	K		
3 1/16"	1/2"	4"	1 3/16"	1 1/2"	3 1/2"	5 7/16"	4 3/16"	4"	23.8	
3 11/16"	3/4"	4"	1 3/16"	1 1/2"	3 1/32"	5 7/16"	4 7/16"	4"	23.8	
3 11/16"	1"	4"	1 3/16"	1 1/2"	3 3/32"	5 7/16"	4 7/16"	4"	23.8	
3 3/32"	1 1/4"	4 3/16"	2 7/16"	1 7/8"	7/8"	5 11/16"	4 3/4"	3 15/16"	33.3	
5 7/16"	1 1/2"	5 3/4"	1 7/16"	2 1/16"	1 1/2"	6 7/8"	6 7/16"	6 7/16"	82.8	
5 7/16"	2"	5 3/4"	1 7/16"	2 1/16"	1 1/2"	6 7/8"	6 7/16"	6 7/16"	82.8	

NOTE: All GA & GAF series boxes are supplied with GAS or GAJ style covers.
To order these boxes with GAD dome cover, consult factory.

Aluminum Conduit Outlet Boxes Explosion-Proof, Dust-Ignition-Proof

Application

- Junction for branch conduits in hazardous locations
- Accessible wiring chamber provides a convenient location to maintain or change a system, pull conductors and make splices
- Internal hub design ideal for installation where space is limited

Features

- Copper-free* aluminum provides increased corrosion resistance
- Precision cast and machined surfaces permit safer wire pulling
- Precision NPT threaded hubs enable trouble-free field installation for rigid or IMC conduit
- Die cast construction and industrial design combine to produce a rugged protective enclosure for devices on industrial and OEM applications
- Clear UL, CSA and cubic content markings speed approval by inspectors

Standard Materials

- Die cast aluminum alloy A360 with less than .004 copper content (copper-free)

Standard Finish

- Aluminum lacquer finish

Listings/Compliances

- UL Listed
- CSA Certified
- Suitable for hazardous locations
- Federal Spec W-C-586
- Cl.I, Div. 1 & 2, Groups C, D
Cl.II, Div. 1, Groups E, F, G
Cl.III, Div. 1 & 2
- NEMA 3, 4, 7 CD, 9 EFG
- Explosion-Proof
- Dust-Ignition-Proof
- Raintight
- Wet Locations



Sample Specifications

- Outlet boxes for hazardous locations shall be die cast copper-free* aluminum alloy A360 and suitable for use in Class I, Groups C, D, Class II, Groups E, F, G and Class III areas. All conduit stops shall be coined and free of rough edges. Outlet boxes for hazardous locations shall be finished with aluminum lacquer. Outlet boxes shall be Thomas & Betts Catalog No. _____

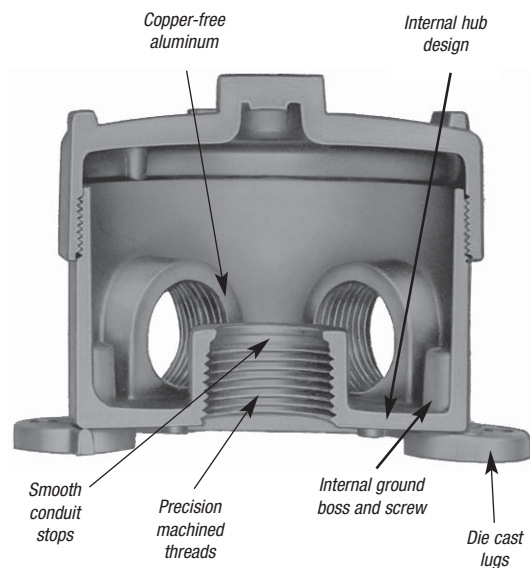
*Less than .004 copper content.



EXUN



EXUNL



Aluminum Conduit Outlet Boxes Explosion-Proof, Dust-Ignition-Proof



EXUN-1

5-Hole Box



CAT. NO.	HUB SIZE	DESCRIPTION	UNIT QTY.	STD. PKG.	WT. LBS. PER 100
EXUN-1	1/2"	5 outlets	1	5	140
EXUN-2	3/4"	with 3 close-up plugs	1	5	140
EXUN-3	1"	with 3 close-up plugs	1	5	140

T&B Fittings



EXUN-11

4-Hole Box

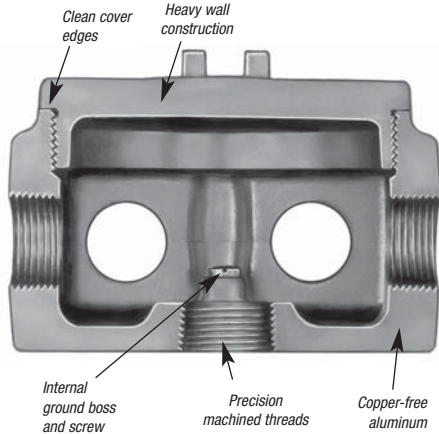


CAT. NO.	HUB SIZE	DESCRIPTION	UNIT QTY.	STD. PKG.	WT. LBS. PER 100
EXUN-11	1/2"	4 outlets	1	5	140
EXUN-22	3/4"	with 2 close-up plugs	1	5	—

Aluminum Conduit Outlet Boxes Explosion-Proof, Dust-Ignition-Proof



GASS



Application

- Junction for branch conduits in hazardous locations
- Accessible wiring chamber provides a convenient location to maintain or change a system, pull conductors and make splices

Features

- Copper-free* aluminum alloy provides increased corrosion resistance
- Extra wide 3¾" opening provides more hand space for easy access to the wiring chamber
- Precision cast and machined surfaces permit safer wire pulling
- Large capacity 31 cu. in. chamber provides more wiring space
- Precision NPT threaded hubs enable trouble-free field installation for rigid or IMC conduit
- Sand cast construction and industrial design combine to produce a rugged protective enclosure for devices on industrial and OEM applications
- Clear UL, CSA and cubic content markings speed approval by inspectors
- Hub spacing enables use of EXFU and EXMU unions

Standard Materials

- Box — Sand Cast aluminum alloy A356. 2-T6
- Cover — Die Cast aluminum alloy A360 with less than .004 copper content (copper-free)

Standard Finish

- Aluminum lacquer finish

Listings/Compliances

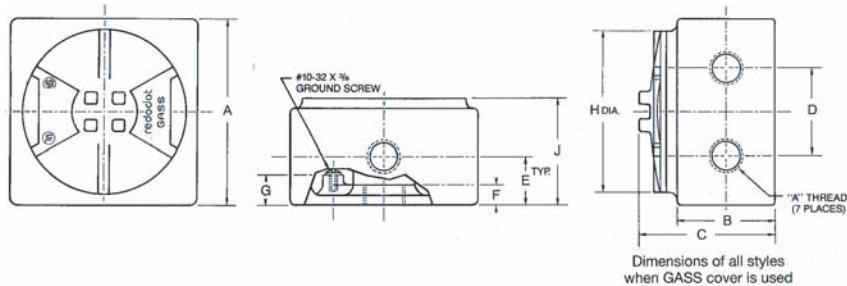
- UL Listed
- CSA Certified
- NEC
- C.I.I, Div. 1 & 2, Groups C, D
- C.I.II, Div. 1, Groups E, F, G
- C.I.III, Div. 1 & 2
- NEMA 3, 4, 7 CD, 9 EFG
- Explosion-Proof
- Dust-Ignition-Proof
- Raintight
- Wet Locations



Sample Specifications

- Enclosure for hazardous locations. The box shall be cast copper-free* aluminum alloy A356.2-T6. Suitable for use in hazardous locations: Suitable for use in Class I, Groups C, D; Class II, Groups E, F, G; and Class III areas. Enclosures shall be finished with aluminum lacquer. Outlet boxes shall be Thomas & Betts Catalog No. _____

*Less than .004% copper content.



GASS Internal Hubs with Installed Green Ground Screw, Cover and Plugs

COVER OPENING	HUB SIZE	A	B	C	D	E	F	G	H	J	CI
4"	½"	4⅞	2⅞	3⅞	2⅞	1⅞	½	¾	4	2⅞	31
4"	¾"	4⅞	2⅞	3⅞	2⅞	1⅞	½	¾	4	2⅞	31
4"	1"	4⅞	2⅞	3⅞	2⅞	1⅞	½	¾	4	2⅞	31

CAT. NO.	HUB SIZE	UNIT QTY.	STD. PKG.	WT. LBS. PER 100
GASS-1	½"	1	5	282
GASS-2	¾"	1	5	278
GASS-3	1"	1	5	274

Aluminum Conduit Outlet Bodies Explosion-Proof, Dust-Ignition-Proof

Perfect for the petrochemical industry!

GUP Explosion-Proof Enclosure

T&B has developed an innovative new solution ideally suited for gas station contractors and the petrochemical market — the GUP Explosion-Proof Enclosure. The compact design makes gas station pumps an ideal application due to space constraints. Two different configurations are available and the body is constructed of ductile iron for superior strength. Rely on T&B to deliver the best products when safety is a concern.

Features

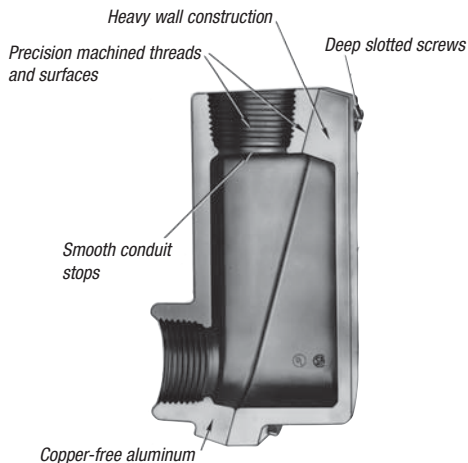
- Compact design
- O-ring gasket standard for raintight applications
- Supplied with conduit plugs
 - 3 plugs for GUP215-TB
 - 7 plugs for GUP214-TB

Application

- Junction for branch conduits
- Accessible wiring chamber provides a convenient location to pull conductors and make splices

Features

- Copper-free* aluminum provides increased corrosion resistance
- Precision cast and machined surfaces permit safer wire pulling
- Precision NPT threaded hubs enable trouble-free field installation for rigid or IMC conduit
- Deep slotted cover screws for faster installation
- Clear UL, CSA and cubic content markings speed approval by inspectors



Specifications

Materials

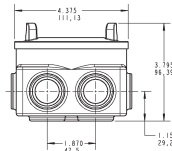
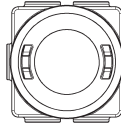
Ductile iron for superior strength (Body)
Copper-free cast aluminum (A6) (Cover)
Neoprene gasket (O-Ring)

Standard Finish

Ductile iron — Electrogalvanized and aluminum acrylic paint
Copper-free aluminum cover — Natural

Listings/Compliances

UL886 Listed
CSA Standard C22.2
Cl.I, Div. 1 & 2, Groups C, D
Cl.II, Div. 1, Groups E, F, G
Cl.III, Div. 1 & 2
NEMA 3, 4, 7 CD, 9 EFG
Explosion-Proof
Dust-Ignition-Proof
Raintight
Wet Locations



NEW!



CAT. NO.	DESCRIPTION	STD. PKG. QTY.
GUP214-TB	Junction Box — 10 Hubs (3/4" NPT): 2 in top, 2 in bottom, 1 in each side, 4 in the back	1
GUP215-TB	Junction Box — 6 Hubs (3/4" NPT): 2 in top, 2 in bottom, 1 in each side	1

Standard Materials

- Die cast aluminum alloy A360 with less than .004% copper content (copper-free)

Standard Finish

- Aluminum lacquer finish

Listings/Compliances

- UL Listed
- CSA Certified
- Suitable for hazardous locations
- Cl.I, Div. 1 & 2, Groups C, D
Cl.II, Div. 1, Groups E, F, G
Cl.III, Div. 1 & 2
- NEMA 3, 4, 7 CD, 9 EFG
- Explosion-Proof

- Dust-Ignition-Proof
- Raintight
- Wet Locations

Sample Specifications

- Conduit fittings for hazardous locations shall be die cast copper free* aluminum alloy A360. Suitable for use in hazardous locations: Class I, Groups C, D; Class II, Groups E, F, G and Class III. All conduit stops shall be coined and free of rough edges. Conduit fittings shall be finished with aluminum lacquer. Conduit fittings shall be Red•Dot® Catalog No. _____

*Less than .004 copper content.

LB Style Conduit Body — Aluminum

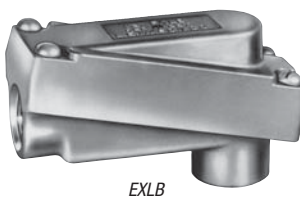


CAT. NO.	HUB SIZE	STD. PKG.	WT. LBS. PER 100
EXLB-1	1/2"	5	76
EXLB-2	3/4"	5	94
EXLB-3	1"	5	132

T Style Conduit Body — Aluminum



CAT. NO.	HUB SIZE	UNIT QTY.	STD. PKG.	WT. LBS. PER 100
EXT-1	1/2"	5	25	92
EXT-2	3/4"	5	25	115
EXT-3	1"	5	25	172



EXLB



EXT

United States
Tel: 901.252.8000
800.816.7809
Fax: 901.252.1354

Technical Services
Tel: 888.862.3289

Thomas&Betts

www.tnb.com

Conduit Outlet Bodies

Explosion-Proof, Dust-Ignition-Proof



Application

OE series are installed in conduit systems within hazardous areas to:

- Protect conductors in threaded rigid conduit
- Act as pulling and splice fittings
- Interconnect lengths of conduit
- Change direction of conduit
- Provide access for maintenance and future system changes

Features

OE conduit bodies have:

- Tapered threaded hubs for ground continuity
- Smooth integral hub bushings to protect conductor insulation when pulling
- Five different hub arrangements
- Accurately machined body with blind tapped screw holes
- Most compact design of all hazardous area outlet bodies
- Sizes up to 1"

Standard Materials

- Bodies: Grade 60-45-10 Ductile Iron (Complies with ASTM standard A536)

Standard Finish

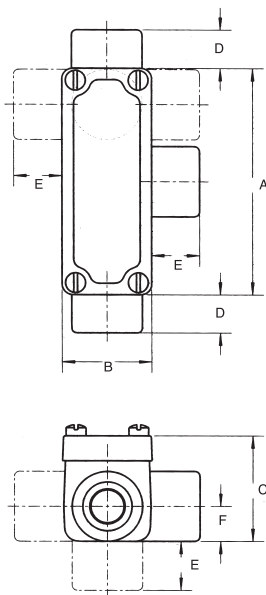
- Electrogalvanized and aluminum acrylic paint

Size Ranges

- Hub — ½" and ¾"

Listings/Compliances

- Cl.I, Div. 1 & 2, Groups C, D
- Cl.II, Div. 1, Groups E, F, G
- Cl.III, Div. 1 & 2
- NEMA 3, 4, 7 CD, 9 EFG
- Explosion-Proof
- Dust-Ignition-Proof
- Raintight
- Wet Locations



OE Series — Iron Conduit Outlet Bodies

CAT. NO.	HUB SIZE	DIMENSIONS (IN.)					
		A	B	C	D	E	F
OEC1-TB	½"	4.06	1.62	1.90	0.69	0.88	0.63
OEC2-TB	¾"	4.35	1.88	2.19	0.69	0.88	0.76
OET1-TB	½"	4.06	1.62	1.90	0.69	0.88	0.63
OET2-TB	¾"	4.35	1.88	2.19	0.69	0.88	0.76
OELL1-TB	½"	4.06	1.62	1.90	0.69	0.88	0.63
OELL2-TB	¾"	4.35	1.88	2.19	0.69	0.88	0.76
OELR1-TB	½"	4.06	1.62	1.90	0.69	0.88	0.63
OELR2-TB	¾"	4.35	1.88	2.19	0.69	0.88	0.76
OELB1-TB	½"	4.06	1.62	1.90	0.69	0.88	0.63
OELB2-TB	¾"	4.35	1.88	2.19	0.69	0.88	0.76

Conduit Outlet Elbows Explosion-Proof, Dust-Ignition-Proof



Provides maximum volume for bends within a compact overall size!

Capped Iron Elbow — Female to Female



LBY

Application

LBY/GYF elbows are installed in conduit systems within hazardous areas to:

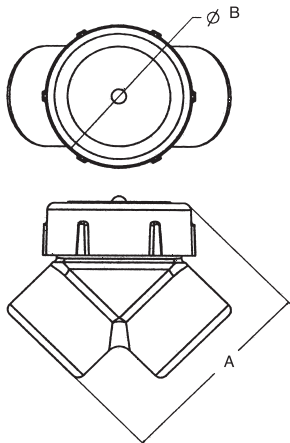
- Make 90° bends in conduit systems where space is limited
- Act as pull outlets
- Provide access to conductors for maintenance and future system changes

Features

- Maximum volume for bends within a compact overall size
- Screw on cover for ease of installation and removal
- Cover opening on an angle, permitting conductors to be pulled straight through either hub
- Tapered threaded hubs and integral bushing for rigid threaded conduit
- Standard materials: LBY Ductile Iron
GYF Copper Free Aluminum

Listings/Compliances (LBY)

- Cl.I, Div. 1 & 2, Groups C, D
- Cl.II, Div. 1, Groups E, F, G
- Cl.III, Div. 1 & 2
- NEMA 3, 4, 7 CD, 9 EFG
- Explosion-Proof
- Dust-Ignition-Proof
- Raintight
- Wet Locations



CAT. NO.	HUB SIZE	A	B	THROAT DIM.	
				MIN.	MAX.
LBY15-TB	½"	2 ⁵ / ₁₆	2	0.570	0.610
LBY25-TB	¾"	2 ¹ / ₁₆	2 ¹ / ₄	0.755	0.810
LBY35-TB	1"	3 ³ / ₁₆	2 ¹ / ₂	0.955	1.035
LBY45-TB	1 ¹ / ₄ "	3 ¹ / ₄	2 ¹ / ₁₆	1.260	1.360
LBY55-TB	1 ¹ / ₂ "	4 ¹ / ₄	3 ³ / ₁₆	1.470	1.590
LBY65-TB	2"	5 ¹ / ₂	4	1.880	2.047



GYF

Capped Aluminum Elbow — Female to Female



CAT. NO.	HUB SIZE	UNIT QTY.	STD. PKG.	WT. LBS. PER 100
GYF-1	½"	10	50	23
GYF-2	¾"	5	25	40
GYF-3	1"	5	25	60
• GYF-4	1 ¹ / ₄ "	2	10	80
GYF-5	1 ¹ / ₂ "	2	10	95

• Made to order items. Consult factory for lead time and minimum quantities.

T&B® Fittings

RE, PLG, REC Reducers, Plugs and Adapters Explosion-Proof, Dust-Ignition-Proof

T&B Fittings

Application

- RE and REC reducers are used in threaded heavy wall conduit systems
- RE reduces conduit hubs to a smaller size
- REC connects two different sizes of conduit together or is used to replace a coupling and reducer in an installation
- PLG plugs are used for closing threaded conduit hubs

Features

- All Hubs have NPT threads with a minimum of five full threads and integral bushing for preventing damage to wires

Materials

- Machined Reducers: Steel
- Cast Reducers: Gray Iron
- Funnel Reducers: Iron
- Recessed Plugs: Gray Iron
- Red•Dot® Recessed Plugs: Copper-free Aluminum

Standard Finishes

- Cast zinc-plated with aluminum acrylic paint
- Machine zinc-plated with clear chromate finish



Listings/Compliances

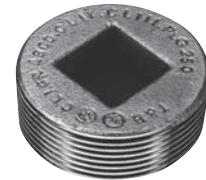
- UL: 886
- CSA: C22.2 No.30
- Cl.I, Div. 1 & 2, Groups A, B, C, D
- Cl.II, Div. 1, Groups E, F, G
- Cl.III, Div. 1 & 2

- Explosion-Proof

- Dust-Ignition-Proof

For hazardous and non-hazardous locations

Recessed Plugs



CAT. NO.	THREADS (NPT)
----------	---------------

With Flush Head for Hazardous and Non-Hazardous Locations

PLG1-TB	½
PLG2-TB	¾
PLG3-TB	1
PLG4-TB	1¼
PLG5-TB	1½
PLG6-TB	2
PLG7-TB	2½
PLG8-TB	3
PLG9-TB	3½
PLG10-TB	4

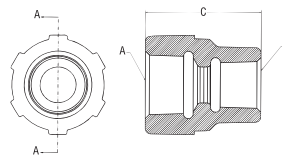
Reducing Bushings



CAT. NO.	A MALE (NPT)	B FEMALE (NPT)
RE21-TB	¾	½
RE31-TB	1	¾
RE32-TB	1	¾
RE41-TB	1¼	½
RE42-TB	1¼	¾
RE43-TB	1¼	1
RE51-TB	1½	½
RE52-TB	1½	¾
RE53-TB	1½	1
RE54-TB	1½	1¼
RE61-TB	2	½
RE62-TB	2	¾
RE63-TB	2	1
RE64-TB	2	1¼
RE65-TB	2	1½

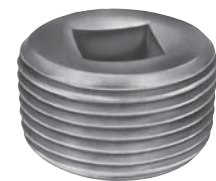
CAT. NO.	A MALE (NPT)	B FEMALE (NPT)
RE73-TB	2½	1
RE74-TB	2½	1¼
RE75-TB	2½	1½
RE76-TB	2½	2
RE83-TB	3	1
RE84-TB	3	1¼
RE85-TB	3	1½
RE86-TB	3	2
RE87-TB	3	2½
RE96-TB	3½	2
RE97-TB	3½	2½
RE98-TB	4	3
RE106-TB	4	2
RE107-TB	4	2½
RE108-TB	4	3

REC Series Reducers



CAT. NO.	A (NPT)	B (NPT)	C
<i>Funnel-Shaped Reducers for Hazardous and Non-Hazardous Locations</i>			
REC21-TB	¾	½ - 14	1½
REC31-TB	1	½ - 14	2
REC32-TB	1	¾ - 14	2

Aluminum Recessed Plugs



CAT. NO.	HUB SIZE
----------	----------

With Flush Head for Hazardous and Non-Hazardous Locations

XPLG-1†	½"
XPLG-2†	¾"
XPLG-3†	1"
XPLG-4*	1¼"
XPLG-5*	1½"
XPLG-6*	2"

Made to order items. Consult factory for lead time and minimum quantities.

† Not UL Listed

* UL Listed E 34438

Three-Piece Couplings Explosion-Proof, Dust-Ignition-Proof



T&B® Fittings

UNY Male Unions

Application

UNY and UNF unions are installed in threaded thickwall conduit systems:

- UNY — to connect conduit to a conduit fitting, junction box, or device enclosure
- UNF — to connect conduit to conduit, or to provide a means for future modification of the conduit system

Standard Finishes

- Steel — electrogalvanized with chromate treatment
- Iron alloy, malleable iron — electrogalvanized and aluminum acrylic paint

Listings/Compliances

- NEC/CEC

Class I, Division 1 & 2, Groups A, B, C, D
Class II, Division 1, Groups E, F, G
Class III

UNF, UNY ½" – 1"

- UL – Conduit unions for use in Cat. Nos. UNF/UNY followed by 105, 205, or 305; for use in:

Class I, Division 1 & 2, Groups A, B, C, D
Class II, Division 1, Groups E, F, G
Class III

UNF, UNY ½", ¾", 1"

- CSA — Conduit unions for use in Cat. Nos. UNF/UNY followed by 105, 205, 305, 405 or 505; for use in:

Class I, Division 1 & 2, Groups B, C, D
Class II, Division 1, Groups E, F, G
Class III

UNF, UNY ½", ¾", 1", 1¼", 1½"

- UL — Conduit unions for use in Cat. Nos. UNF/UNY followed by 405 or 505; for use in:

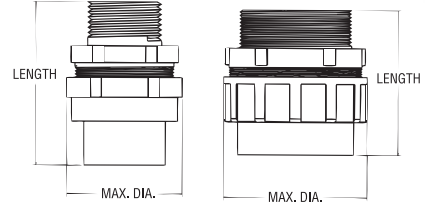
Class I, Division 1 & 2, Groups B, C, D
Class II, Division 1, Groups E, F, G
Class III

UNF, UNY 1¼", 1½"

- UL & CSA — Conduit unions for use in Cat. Nos. UNF/UNY, EL Series followed by 605, 905, or 1005; for use in:

Class I, Division 1 & 2, Groups C, D
Class II, Division 1, Groups E, F, G
Class III

UNF, UNY 2", 2½", 3", 3½", 4"



CAT. NO.	TRADE SIZE	OVERALL LENGTH/INCHES	OVERALL DIA./INCHES
<i>For Hazardous and Non-Hazardous Locations</i>			
UNY105-TB	½	2 ⁵ / ₆₄	1½
UNY205-TB	¾	2 ¹ / ₆	1 ¹³ / ₁₆
UNY305-TB	1	2 ³ / ₄	2
UNY405-TB	1¼	3 ¹ / ₆	2½
UNY505-TB	1½	3 ³ / ₈	3 ¹ / ₆
UNY605-TB	2	3½	3 ¹³ / ₁₆
UNY705-TB	2½	4 ¹ / ₆	4 ¹ / ₆
UNY805-TB	3	5 ¹ / ₃₂	5 ¹ / ₆
UNY905-TB	3½	5½	5 ¹¹ / ₁₆
UNY1005-TB	4	5½	6 ¹ / ₆

UNF Female Unions



CAT. NO.	TRADE SIZE	OVERALL LENGTH/INCHES	OVERALL DIA./INCHES
<i>For Hazardous and Non-Hazardous Locations</i>			
UNF105-TB	½	1 ¹ / ₆	1½
UNF205-TB	¾	2 ¹ / ₆	1 ¹³ / ₁₆
UNF305-TB	1	2 ² / ₆	2
UNF405-TB	1¼	2½	2½
UNF505-TB	1½	2¾	3 ¹ / ₆
UNF605-TB	2	2½	3 ¹³ / ₁₆
UNF705-TB	2½	3½	4 ¹ / ₆
UNF805-TB	3	4	5 ¹ / ₆
UNF905-TB	3½	4½	5 ¹¹ / ₁₆
UNF1005-TB	4	4½	6 ¹ / ₆

T&B® Fittings

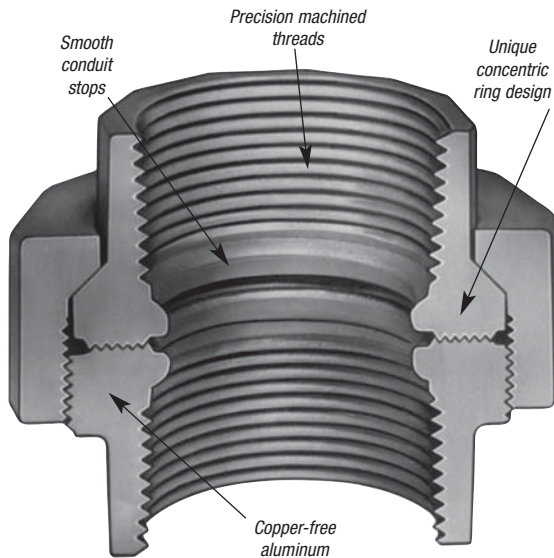
Aluminum Three-Piece Couplings Explosion-Proof, Dust-Ignition-Proof

T&B Fittings



EXFU

EXMU

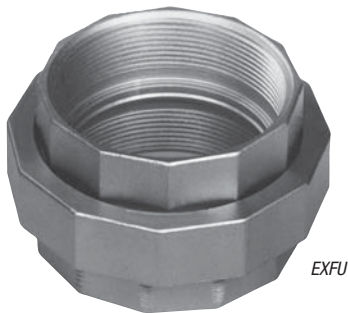


Smooth
conduit
stops

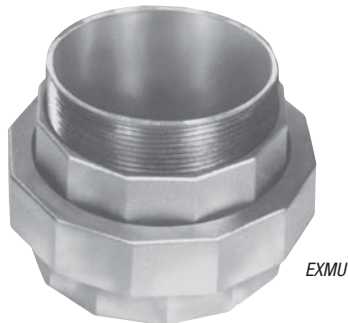
Precision machined
threads

Unique
concentric
ring design

Copper-free
aluminum



EXFU



EXMU

Application

- Unions are used as connecting elements between enclosures, fittings or boxes that permit future changes to the system in both hazardous and non-hazardous areas

Features

- Copper-free* aluminum provides increased corrosion resistance
- Precision cast and machined surfaces permit safer wire pulling
- Precision NPT threaded hubs allow trouble-free field installation for rigid or IMC conduit
- Clear UL, CSA and cubic content markings speed approval by inspectors
- Unique concentric ring design insures critical flame path control



Standard Materials

- Die cast aluminum alloy A360 with less than .004 copper content (copper-free)
- EXMU nipples are galvanized steel

Standard Finish

- Aluminum lacquer finish

Listings/Compliances

- UL Listed  
- CSA Certified
- Suitable for hazardous locations
- Federal Spec W-C-586
- Cl.I, Div. 1 & 2, Groups C, D
- Cl.II, Div. 1, Groups E, F, G
- Cl.III, Div. 1 & 2
- NEMA 3, 4, 7 CD, 9 EFG
- Explosion-Proof
- Dust-Ignition-Proof
- Raintight
- Wet Locations

Sample Specifications

- Conduit unions for hazardous locations shall be die cast copper-free* aluminum alloy A360. Suitable for use in hazardous locations: Class I, Groups C, D; Class II, Groups E, F, G and Class III. All conduit stops shall be coined and free of rough edges. Conduit unions shall be finished with aluminum lacquer. Conduit unions shall be Thomas & Betts® Catalog No. _____

*Less than .004 copper content.

Male and Female Unions

Female to Female



CAT. NO.	HUB SIZE	UNIT QTY.	STD. PKG.	WT. LBS. PER 100
EXFU-1	½"	5	25	24
EXFU-2	¾"	5	25	33
EXFU-3	1"	5	25	42
EXFU-4	1¼"	5	25	53
EXFU-5	1½"	5	25	68
• EXFU-6	2"	2	10	130
• EXFU-8	3"	1	5	310
• EXFU-9	3½"	1	5	340
• EXFU-10	4"	1	1	374

Male to Female



CAT. NO.	HUB SIZE	UNIT QTY.	STD. PKG.	WT. LBS. PER 100
EXMU-1	½"	5	25	24
EXMU-2	¾"	5	25	35
EXMU-3	1"	5	25	45

• Made to order items. Consult factory for lead time and minimum quantities.

Thomas & Betts

United States
Tel: 901.252.8000
800.816.7809
Fax: 901.252.1354

Technical Services
Tel: 888.862.3289



Application

EYD drain and inspection sealing fittings:

- Restrict the passage of gases, vapors or flames from one portion of the electrical installation to another at atmospheric pressure and normal ambient temperatures
- Limit explosions to the sealed-off enclosure
- Prevent precompression or “pressure piling” in conduit systems. Drain sealing fittings are installed in vertical conduit runs and at low points in conduit systems to prevent accumulation of condensate above seal

Features

EYD drain sealing fittings include:

- Drain to provide continuous, automatic drainage of condensate
- Large openings with threaded closures to provide easy access to conduit hubs for making dams
- Integral bushings to protect conductor insulation from damage
- Tapered-tapped hubs to ensure ground continuity

Standard Materials

- Bodies, and inspection or drain covers — Gray iron alloy and/or ductile iron
- Closure for drain — copper-free aluminum or ductile iron
- Small closure plug — Gray iron alloy and/or steel
- Drain — stainless steel
- Removable nipples — steel

Standard Finish

- Gray iron alloy and ductile iron — electrogalvanized and aluminum acrylic paint
- Copper-free aluminum — natural
- Stainless steel — natural
- Steel — electrogalvanized

Options

- Copper-free aluminum bodies, nipples and enclosures — see listings

Size Ranges

- EYD — ½"–4"



T&B Fittings

Listings/Compliances

- EYD11 — 31-TB
Class I, Division 1 & 2, Groups A,B,C,D. Class II, Division 1, Groups E, F, G. Class III.
- EYD41 — 101-TB
Class I, Division 1 & 2, Groups C,D. Class II, Division 1, Groups E, F, G.
Class II, Division 2, Groups F, G.
Class III
- UL Standard: 886
- CSA Standard: C22.2
- NEMA 3, 4, 7 CD, 9 EFG
- Explosion-Proof
- Dust-Ignition-Proof
- Raintight
- Wet Locations

Sealing Compound and Fibers

- Seal A3 (1 lb. can of sealing compound)
- Fiber X6 (8 oz. fiber packing)
- Seal Kit (1 lb. can of sealing compound and 1 oz. fiber packing)



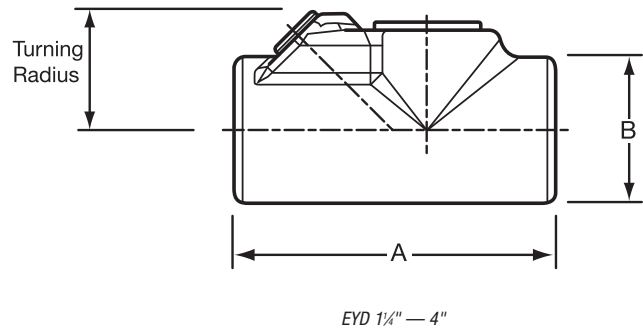
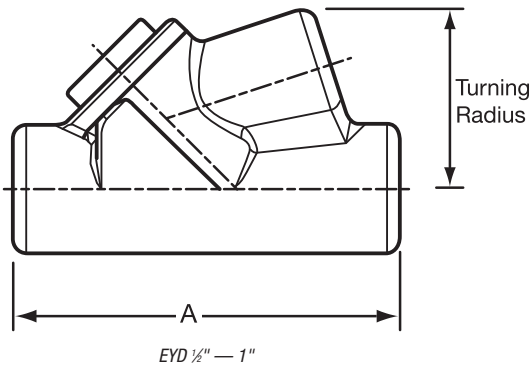
EYD Drain Seals

CAT. NO.	HUB SIZE	DIMENSIONS (IN.)		TURNING RADIUS
		A	B	
EYD11-TB	1/2"	3.81	1.50	1.75
EYD21-TB	3/4"	4.08	1.75	1.98
EYD31-TB	1"	4.85	2.19	2.19
EYD41-TB	1 1/4"	5.00	2.25	1.80
EYD51-TB	1 1/2"	5.44	2.44	2.00
EYD61-TB	2"	6.25	3.00	2.32
EYD71-TB	2 1/2"	7.50	3.50	2.69
EYD81-TB	3"	8.50	4.25	3.15
EYD91-TB	3 1/2"	9.19	4.75	3.38
EYD101-TB	4"	9.75	5.25	3.64

Cl. I, Div. 1 & 2, Groups A, B, C, D

Cl. II, Div. 1, Groups E, F, G

Cl. III, Div. 1 & 2



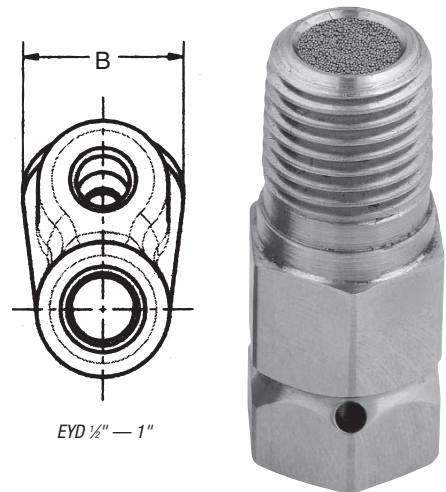
Drains/Breathers for Hazardous Locations

CAT. NO.	HUB SIZE	DIMENSIONS (IN.)
		B
ECD15	1/2"	.975
ECD384	3/8"	.407
ECD284	1/4"	.327

Application

The Thomas & Betts Universal drain/breather fittings can be used as drains or breathers depending on the installation.

- To use as a drain, the product must be installed in the bottom of the enclosure or the lowest point where an NPT threaded opening exists. It can also be used in a seal fitting or a "T" conduit body. These must be in a lower section of the conduit system. This will enable moisture inside the conduit system to drain out
- To use as a breather, installation should be done at the top of an enclosure or in upper sections of conduit systems. This will permit air exchange and keep moisture accumulation inside the conduit system to a minimum, Thomas & Betts recommends the use of at least 2 devices (one drain and one breather) for maximum efficiency



Sealing Fittings Explosion-Proof, Dust-Ignition-Proof



EYS Sealing Fittings

Application

EYS sealing fittings can be installed in either vertical or horizontal applications.

- Seals sections of conduit runs from passage of vapors, flame, or gases
- Seals off sections of conduit system during explosion
- Limits precompression or pressure piling in conduit system

Features

- All hubs have a minimum of five full threads, integral bushings to protect conductor insulation from damage, and large access openings for easier packing of sealing medium
- Seals are approved to be used with Crouse-Hinds® Sealing Compound and Fiber

Size Range

- ½" NPT to 4" NPT

Materials

- Bodies: Ductile Iron
- Plugs: Gray Iron
- Nipples: Steel, supplied with EYS fittings

Finish

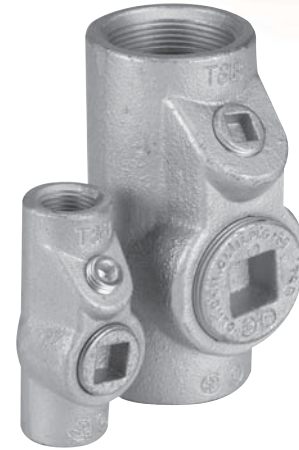
- Bodies: Zinc-plated with aluminum acrylic paint
- Plugs: Zinc-plated with aluminum acrylic paint
- Nipples: Zinc-plated

Sealing Compound and Fibers

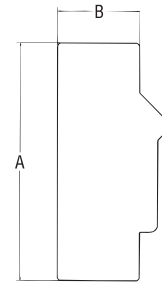
- Seal A3 (1 lb. can of sealing compound)
- Fiber X6 (8 oz. fiber packing)
- Sealkit (1 lb. can of sealing compound and 1 oz. fiber packing)

Listings/Compliances

- UL886
- CSA: C22.2 No. 30
- EYS seals are approved to be used with Crouse-Hinds® Chico® A compound and Chico® X fiber.
- EYS1-3TB: Cl. I, Div. 1 & 2, Groups A, B, C, D
- EYS4-5TB: Cl. I, Div. 1 & 2, Groups C, D
- EYS11-31TB: Cl. I, Div. 1 & 2, Groups A, B, C, D
Cl. II, Div. 1, Groups E, F, G
Cl. III
- EYS41-101TB: Cl. I, Div. 1 & 2, Groups C, D
Cl. II, Div. 1, Groups E, F, G
Cl. III
- Explosion-Proof
- Dust-Ignition-Proof



T&B Fittings



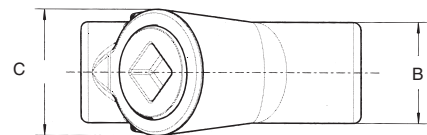
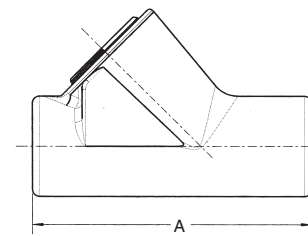
EYS11-TB – EYS101-TB



EYS Sealing Fittings

CAT. NO.	HUB SIZE	DIMENSIONS (IN.)			TURNING RADIUS
		A	B	C	
Vertical only					
EYS1-TB	½"	3.31	1.25	1.50	1.66
EYS2-TB	¾"	3.65	1.50	1.75	1.96
EYS3-TB	1"	4.25	1.75	2.19	2.40
EYS4-TB	1½"	5.00	2.25	2.45	3.11
EYS5-TB	1½"	5.69	2.45	3.00	3.62
Horizontal/Vertical					
EYS11-TB	½"	3¾	1¼	–	1½
EYS21-TB	¾"	3½	1½	–	1¼
EYS31-TB	1"	4¼	1¾	–	1½
EYS41-TB	1¼"	5	2¼	–	1⅞
EYS51-TB	1½"	5⅞	2⅞	–	2
EYS61-TB	2"	6¼	3	–	2⅞
EYS71-TB	2½"	7½	3½	–	2⅞
EYS81-TB	3"	8½	4¼	–	3½
EYS91-TB	3½"	9⅞	4¾	–	3¾
EYS101-TB	4"	9¾	5¼	–	3⅞

Crouse-Hinds® and Chico® are trademarks of Cooper Industries, Inc.



EYS1-TB – EYS5-TB



EYVF

Application

- Limits flames and/or explosions to area within electrical system where they originate
- Limits pressure piling
- Required by NEC for conduit systems in hazardous locations 18" from an enclosure housing a heat producing or arcing device; on 2" and larger system that enters an enclosure containing splices; wherever conduit leaves a Class I, Division I area and enters a non-hazardous area



EVHF-1 through -3

Features

- Copper-free* aluminum provides increased corrosion resistance
- Precision cast and machined surfaces permit safer wire pulling
- Precision NPT threaded hubs enable trouble-free field installation for rigid or IMC conduit
- Large opening provides maximum working room for creating dam and seal pouring to speed up installation
- Compact design permits close construction of parallel conduit runs



EVHF-4 through -10

Standard Materials

- Sealing Fittings: Die cast aluminum alloy A360 with less than .004 copper content (copper-free)
- Sealing Cement
- Fiber: Flame retardant Kaowool Type A fiber

Standard Finish

- Aluminum lacquer finish

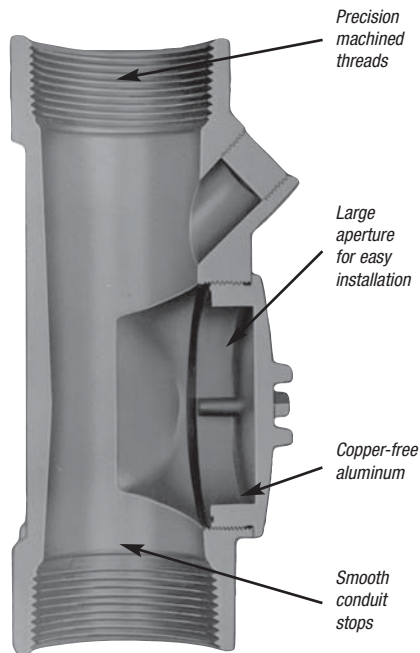
Listings/Compliances

- UL Listed
- CSA Certified
- Suitable for hazardous locations
- Federal Spec W-C-586
- Cl.I, Div. 1 & 2, Groups C, D
Cl.II, Div. 1, Groups E, F, G
Cl.III, Div. 1 & 2
- NEMA 3, 4, 7 CD, 9 EFG
- Explosion-Proof
- Dust Ignition-Proof
- Raintight
- Wet Locations

Sample Specifications

- Sealing fittings for hazardous locations shall be die cast copper — free* aluminum alloy A360. Suitable for use in hazardous locations: Class I, Groups C, D; Class II, Groups E, F, G and Class III. All conduit stops shall be coined and free of rough edges. Sealing fittings for hazardous locations shall be finished with aluminum lacquer. Sealing fittings shall be Thomas & Betts Catalog No. _____

*Less than .004% copper content.



Vertical



CAT. NO.	HUB SIZE	UNIT QTY.	STD. PKG.	WT. LBS. PER 100
† EYVF-1	½"	5	25	50
† EYVF-2	¾"	5	25	54
† EYVF-3	1"	5	25	100
EYVF-11	½"	10	50	35
EYVF-22	¾"	10	50	40
EYVF-33	1"	4	20	60

Vertical/Horizontal



CAT. NO.	HUB SIZE	UNIT QTY.	STD. PKG.	WT. LBS. PER 100
EVHF-1	½"	10	50	41
EVHF-2	¾"	5	25	50
EVHF-3	1"	5	25	60
EVHF-4	1¼"	4	20	70
EVHF-5	1½"	1	5	60
EVHF-6	2"	1	1	125
• EVHF-7	2½"	1	1	150
• EVHF-9	3½"	1	1	300

• Made to order items. Consult factory for lead time and minimum quantities.

† Packaged with an adequate amount of sealing compound and plugs installed.

Sealing Fittings Explosion-Proof, Dust-Ignition-Proof



Preparation

Applications

T&B Red•Dot® sealing cement is used for making seals in sealing fittings. The insulation in the conductors sealed in the cement may be approved thermoplastic or rubber, with or without lead covering. The sealing cement should not be used for insulating.

Characteristics

T&B Red•Dot® sealing cement is not affected by gasoline, alcohol, acetone, ether, naphtha, petroleum, benzol or lacquer solvent.

Preparation

- (1) Use a clean mixing vessel for each batch.
- (2) Thoroughly mix powder before adding water.
- (3) Do not use if temperature is below 40° F.
- (4) Mix 1 part water to 2 parts cement.
- (5) Allow cement to set for 72 hours before use.

Standard Dams

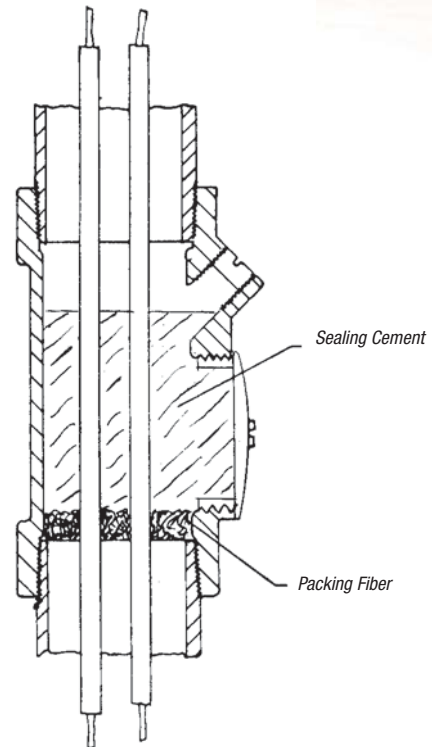
- (1) Push the conductors away from the filling opening and force them apart so that they do not touch each other or the walls of the fitting or conduit along their length. If the conductors do touch, the sealing cement will not form a closed path between them.
- (2) Force the packing fiber between each conductor and the inside walls. Be sure that the dam is strong enough and tight enough to prevent the considerable weight of the fluid sealing cement from seeping out.

Pouring

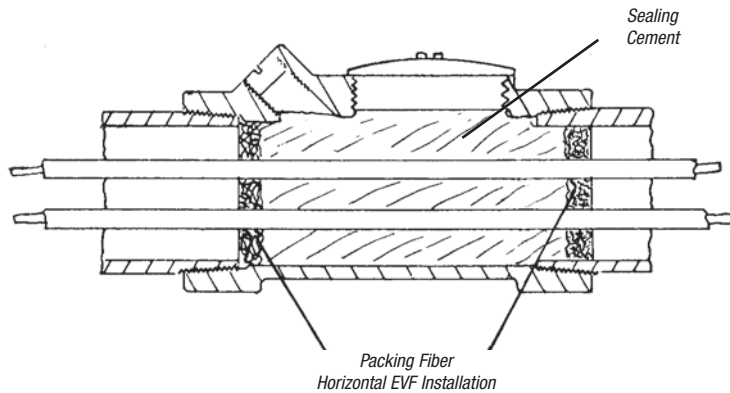
- (1) Pour the mixed cement into the fitting slowly so as not to trap air in the seal.
- (2) Replace the close-up plugs to ensure that they engage not less than 5 full threads.

Cl.I, Div. 1 & 2, Groups C, D
 Cl.II, Div. 1, Groups E, F, G
 Cl.III, Div. 1 & 2
 NEMA 3, 4, 7 CD, 9 EFG

Explosion-Proof
 Dust-Ignition-Proof
 Raintight
 Wet Locations



Vertical Installation
for EYVF or EVHF Fittings



Horizontal EVF Installation

Sealing Cement and Fiber for Thomas & Betts Sealing Fittings

Cl.I, Div. 1 & 2, Groups C, D
Cl.II, Div. 1, Groups E, F, G
Cl.III, Div. 1 & 2

Explosion-Proof
Dust-Ignition-Proof
Raintight
Wet Locations

Sealing Cement

- Can be used on T&B Red•Dot® EYV, EVH series fittings only

CAT. NO.	QUANTITY	VOLUME CUBIC INCHES	STD. PKG.	WT. LBS PER 100
EXSC-2	3.2 oz.	2.75"	25	20
EXSC-8	13 oz.	11.50"	15	81
EXSC-16	1 lb., 10 oz.	23.00"	10	163



EXSC

Packing Fiber

- Can be used on T&B Red•Dot® EYV, EVH series fittings only

CAT. NO.	QUANTITY	VOLUME CUBIC INCHES	STD. PKG.	WT. LBS PER 100
EXPF-16	1 lb.		1	112



EXPF

Approximate Amount of Cement and Fiber Required per Hub.

CAT. NO.	HUB SIZE	CEMENT QUANTITY	FIBER QUANTITY
EYVF-11	½"	2 oz.	½ oz.
EYVF-22	¾"	3 oz.	⅝ oz.
EYVF-33	1"	4 oz.	⅞ oz.
EVHF-1	½"	2 oz.	½ oz.
EVHF-2	¾"	2 oz.	⅝ oz.
EVHF-3	1"	4 oz.	⅞ oz.
EVHF-4	1¼"	4 oz.	⅞ oz.
EVHF-5	1½"	6 oz.	⅞ oz.
EVHF-6	2"	12 oz.	1 oz.
EVHF-7	2½"	15 oz.	1½ oz.
EVHF-8	3"	40 oz.	2 oz.
EVHF-9	3½"	45 oz.	3 oz.
EVHF-10	4"	50 oz.	4 oz.

Flexible Couplings — Explosion-Proof, Dust-Ignition Proof

Make flexible connections in hazardous locations!

XP Flex Explosion-Proof Flexible Couplings

With their flexible design, T&B® XP Flex Couplings make it easy to achieve tight bends in conduit systems in confined spaces — or to connect stationary equipment to equipment that moves or vibrates. Their explosion-proof and corrosion-resistant construction mean you can use them with confidence in hazardous and wet locations.

Application

- Achieve tight bends in conduit systems in confined spaces
- Connect stationary equipment to equipment that moves or vibrates

Features

- Corrosion-resistant — ideal for washdown areas
- Flexible bronze construction with arc-resistant inner sleeve and brass fittings
- Terminated with two threaded female end fittings and male close nipples
- No bonding jumper required

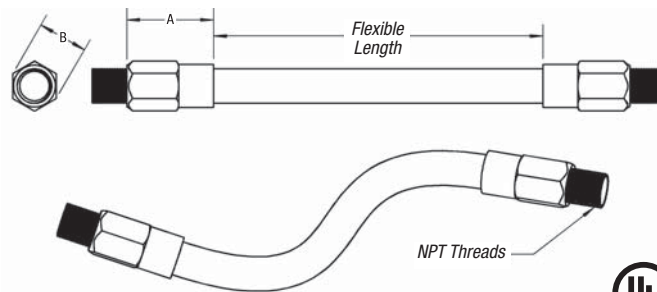
Standard Materials

- Flexible bronze construction with arc-resistant inner sleeve
- Brass fittings

Listings/Compliances

- UL Listed
- CSA Certified
- Suitable for hazardous locations
- ½" and ¾" Hub Sizes:
Class I, Div. 1 & 2, Groups A, B, C, D
Class II, Div. 1, Groups E, F, G
Class III
- 1" Hub Size:
Class I, Div. 1 & 2, Groups C, D
Class II, Div. 1, Groups E, F, G
Class III
- Wet Locations
- UL886

NEW!



CAT. NUMBER	HUB SIZE	FLEXIBLE LENGTH (IN.)	DIMENSIONS (IN.)	
			A	B
XPLFL16	½"	6	1.54	1.44
XPLFL18	½"	8	1.54	1.44
XPLFL110	½"	10	1.54	1.44
XPLFL112	½"	12	1.54	1.44
XPLFL115	½"	15	1.54	1.44
XPLFL118	½"	18	1.54	1.44
XPLFL124	½"	24	1.54	1.44
XPLFL212	½"	12	1.60	1.87
XPLFL215	¾"	15	1.60	1.87
XPLFL218	¾"	18	1.60	1.87
XPLFL224	¾"	24	1.60	1.87
XPLFL236	¾"	36	1.60	1.87
XPLFL318	1"	18	2.00	2.31

T&B® Fittings

The copper colloidal surface treatment that protects, lubricates and enhances conductivity between all electrical connections.

Kopr-Shield® Compound

Good connections are one of the most important aspects of electrical work. Mechanics know how much downtime is caused when fluids or oils leak into the raceway system or when looking for a weak link in a ground system caused by a high resistance connection. Mechanics also know how much time is spent keeping contacts, switches, lugs and other connectors clean or replacing parts because of "green scourage" buildup. Thomas & Betts has the solution to improve connections made in thousands of electrical and raceway installations made each day by electricians everywhere.

Kopr-Shield® compound is a unique homogenized blend of pure, polished colloidal copper, rust and corrosion inhibitors that simultaneously protects, lubricates and enhances the conductivity of the mating surfaces to which it is applied. Extremely adhesive, Kopr-Shield® compound flows smoothly into uneven contours and voids, making application easy, protection and lubrication complete and positive. A stable compound, it will not settle-out, thin, thicken, harden, or dry out under the most severe environmental conditions.

Kopr-Shield® Compound has excellent temperature characteristics — brushed on at -50° F to 250° F (other compounds either turn solid or run like water at these extremes). Even at 1800° F, Kopr-Shield® remains intact for short terms.

Kopr-Shield® Compound may be used to advantage in all electrical installations. When the environment is hostile to good electrical and mechanical connections, Kopr-Shield® Compound is a must!

Use Kopr-Shield® Compound for Battery Lugs and Cables

- Prevention of "Green Scourage" corrosion
- Reduction of resistance
- Ease of terminal installation and removal

Use Kopr-Shield® Compound for Raceways.

- Lubrication — ease of assembly and disassembly
- Grounding continuity improved — exceeds code requirements

Use Kopr-Shield® Compound for Fuse Clips.

- Even heat distribution — elimination of hot spots
- Oxidation Prevention — prevents carbon path formation
- Lubrication — easy installation and removal of fuses

Use Kopr-Shield® Compound for Wiping Contacts, Drum Switches and Slip Rings.

- Prevention of galling, burning, pitting and discoloration
- Suppression of arcing and dissipation of coronas
- Lubrication for ease of operation



Kopr-Shield® by Thomas & Betts meets the requirements of Section 300.6(A) in the 2002 NEC Code for Protection Against Corrosion.

"Where corrosion protection is necessary and the conduit is threaded in the field, the threads shall be coated with an approved electrically conductive, corrosion-resistant compound."

CAT. NO.	DESCRIPTION	STD. PKG.	WT. LBS./C
CP8-TB	8 oz. Container with brush	12	64.58
CP16	16 oz. Container with brush	12	120.83
CP128	1 Gallon can	4	952.00

Kopr-Shield® is a trademark of Jet Lube, Inc.

Jacketed Metal Clad Cable Termination Fittings



Jacketed Metal Clad Cable and Teck Cable

Metal Clad Cable (Type MC) Ref. NEC Article 334*

"Metal Clad Cable Type MC is a factory assembly of one or more conductors, each individually insulated and enclosed in a metallic sheath of interlocking tape, or a smooth or corrugated tube."

Metal Clad Cable Type MC is rated for use up to 5,000 volts. The National Electrical Code permits use of metallic sheath as an equipment grounding conductor.

Metal Clad Cables are available with a variety of phase conductor insulations such as crosslinked polyethylene, and silicone rubber ethylene propylene, depending on rated temperature of conductors and working potential. Metallic sheath can be of galvanized steel, aluminum, copper or bronze. A special outer covering such as PVC or Neoprene over metallic sheath is usually provided for environmental protection.

Metal clad cable is not permitted in locations where it could be subject to physical damage. Metal clad cable can be used exposed, concealed, in cable tray, in any approved raceway, and with minor exceptions in hazardous locations. Type MC cable can also be used for services, feeders, branch circuits, power, lighting, control and signal circuits.

Use of metal clad cable is permitted in wet locations, or where exposed to destructive corrosive conditions or can be directly buried in earth, concrete or exposed to cinder fills, strong chlorides, caustic alkalis, vapors, chlorine or hydrochloric acids provided the construction of cable, the conductors within the metallic sheath, the metallic sheath and protective cover over metallic sheath comply with requirements enumerated in Sec. 334-3 of the National Electrical Code.

Bend radius restrictions are dependent on the size of the cable and the type of sheath, i.e., smooth, interlocked armor, corrugated sheath or shielded conductors and varies from 7 times to 15 times cable external diameter.

NEC Article 334 requires that approved fittings be used for termination. Where single-conductor cables carrying alternating current enter a ferrous metal box or enclosure, procedures described in NEC Section 300-20 must be followed to reduce effects of heating due to induced currents. These procedures include recommended arrangements of conductors, cutting of slots in metal between individual conductor holes, passing of conductors through insulating walls, or use of non-magnetic aluminum sheathed cable and aluminum terminating fittings.

Portions of this section reprinted by permission from NFPA 70, National Electrical Code®, National Fire Protection Association, Boston, MA.

Please refer to the following for further details and complete information:

1. NEC Article 334...Metal Clad Cable (Type MC)
2. UL 4, ANSI C33.9...Safety Standards for Type MC Metal Clad Cable
3. UL 514B, Safety Standards for Outlet Boxes & Fittings
4. A-A50552...Federal Specification. Fittings for Cable, Power Electrical & Conduit Metal, Flexible
5. NEMA FM-1...Standards Publication. Fittings and Supports for Conduit and Cable Assemblies

Teck Cables

Teck cable derived its name from one of its first users, the Teck-Hughes Gold Mines in Kirkland Lake, Ontario. Teck 90 is CSA Type designation. Trade designation of this cable is Armored Cable.

Teck cables up to 5,000 volt working potential are manufactured in accordance with CSA Standard C22.2 No. 131 and are provided with a bare ground conductor and an optional outer jacket. Depending on phase conductor insulation the cables are designated as Teck 90 (X-LINK) when insulation is cross-linked polyethylene and Teck 90 (EP) when insulation is ethylene propylene. Both cables are rated for 90° C service (dry location) and 75° C (wet locations). When Teck cable is suitable for installation down to minus 40° F the cables are marked Teck 90 (X-LINK) minus 40 or Teck 90 (EP) minus 40.

Over 5,000 volts working potential Teck cables are manufactured in accordance with IPCEA standards and are certified by CSA. Cables are provided with or without ground wire as required.

Teck cables with outer jacket may be used for exposed or concealed wiring in wet or dry locations, indoors/outdoors and in corrosive environments. Teck cables are suitable for use in ventilated, non-ventilated and ladder-type cable troughs, in ventilated flexible cable ways in both dry and wet locations. Teck cable with outer jacket is suitable for direct earth burial and for Class II Division 2, Class III Division 1 & 2 hazardous locations per Canadian Electric Code.

Some of the features of Teck cable are its flexibility and ease of installation. Absence of dead air space within cable increases heat transfer and minimize condensation. Overall protective covering provides good environmental protection.

Bend radii for permanent training during installation usually varies between 7 times to 12 times the cable diameter depending on cable construction and manufacturer's recommendations. Larger radii bends are required for other conditions.

Section 12-3028 of the Canadian Electric Code requires that the terminating fittings used must provide adequate strain relief to terminal connections and ensure electrical continuity without injury to non-metallic sheath. Continuity is mandatory whether or not the armor is used as a grounding conductor. Except for dry locations free from corrosive atmosphere, the non-metallic jacket is not permitted to be stripped back to a point where armor is exposed after installation.

Where single conductor cables carrying 200 amps or more enter metal boxes through separate openings, certain precautions are required to prevent overheating of the metal by induction. Use of non-ferrous or non-metallic box connectors, locknuts and bushings and installation of non-magnetic panel inserts is suggested in the code.

Please refer to the following for further details and complete information:

1. CEC Section 12...Wiring Methods
CEC Section 4...Conductors
2. CSA C22.2 No. 131 & 131S
(Supplement #1)...Safety Standard for Type Teck Cable
3. CSA C22.2 No. 18...Safety Standards for Outlet Boxes, Conduit Boxes and Fittings
4. UL File E82038 — Volume 1, Section 3, Page 1, Revision 1/31/2007

Please Note: The materials herein, whether relating to the National Electrical Code, the Underwriters Laboratories, Inc. listing, to industry practice or otherwise, are not intended to provide all relevant information required for use and installation of our products. Refer to applicable codes, instructions and industry specifications prior to installation or use.



**Greater Cable
Range + Fewer
Part Numbers =
Less Inventory!**

STAR TECK EXTREME® —

STE/STEX Series Cable Fitting

The STAR TECK® STE cable fitting series is designed for optimum integrity in ordinary applications. The STEX series is specially designed for classified hazardous areas. Both are designed to stand up to the harshest and most corrosive environment.

Application

- Provides means for passing jacketed metal clad cables through a bulkhead or enclosure in industrial and hazardous areas. (These fittings are suitable for hazardous areas when used with T&B sealing compound.)
- Forms a mechanical grip and water and/or oil-resistant termination
- Provides grounding continuity of cable armor

Features

- Powergrip grounding ring
- Removable armor-stop for greater cable ranges
- Built-in sealing device
- Elastomeric collar ring/ bushing for greater cable ranges
- Built-in jacket stripping gauge on gland nut
- Gland nut can be tightened with hammer and screwdriver

Range

- STAR TECK EXTREME® fittings are designed to accommodate a broad range of cables. Each hub range overlaps the adjacent hub range, thereby minimizing the possibility of mismatched cables and fittings in the field. They are available in hub sizes from 1/2" to 4" and will handle outer jacket diameters from 0.525" to 4.340".

Materials

- Aluminum is standard material
- Add suffix "S" for steel with zinc plating
- Add suffix "PVC" for corrosion resistant PVC coating
- Add suffix "SS" for stainless steel material

Cable Type

- JMC, MC-HL, Teck

Environment Classification

- STE* Series
 - Ordinary Location
 - Class I, Division 2†
- —NEMA 4, 4X (stainless steel), 6P
- —STE050 — STE200
NEMA 6P
- —STE250 — 400
NEMA 4
- —STE050 — 400
NEMA 4X (stainless steel)
- STEX** Series
 - Class I, Division 1, Groups A, B, C, D
 - Class II, Division 1, Groups E, F, G
 - Class III
 - NEMA 4, 4X (stainless steel), 6P
- UL Listed for Direct Burial when made from stainless steel material
- Suitable for use in wet locations and concrete tight (steel) applications per UL 514B
- UL File No. E82038/E38947
- CSA File No. LR638/LR23086

* These fittings are suitable for Class I hazardous locations when used in combination with a certified Class I hazardous location sealing fitting.

** May be used in hazardous areas with approved MC-HL or Teck cable (or equal) when installed in accordance with NEC/CEC requirements.

Not applicable to all STEX series.

Jacketed Metal Clad Cable Termination Fittings



STE Series Ordinary

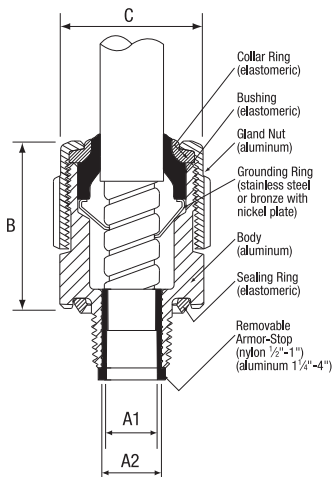


STEX Series Hazardous Locations



STAR TECK EXTREME® Jacketed Metal-Clad Cable Fittings

CAT. NO.	HUB SIZE NPT	STRIP LENGTH (IN.)	GLAND TORQUE (IN.-LB.)	CABLE RANGE OVER JACKET (IN.)		CABLE RANGE OVER ARMOR (IN.)		DIMENSIONS (IN.)				SEALING COMPOUND REQUIRED	
				MIN.	MAX.	MIN.	MAX.	A1: THROAT DIA. MIN. W/END STOP	A2: THROAT DIA. MIN. WO/END STOP	B OVERALL	C MAX. O.D.	SC65 PUTTY (G)	SC4-KIT LIQUID (CC)
Ordinary Locations													
ST050-462#	½	1¼	300	.525	.650	.415	.570	N/A*	.395	2.020	1.224	—	—
STE050DATA**#	½	¾	300	.592	.693	.502	.603	.375	.515	2.100	1.360	—	—
STE050*	½	1¼	300	.600	.985	.520	.895	.505	.612	2.650	1.630	—	—
STE075*	¾	1¼	600	.860	1.205	.780	1.125	.655	.816	2.900	2.080	—	—
STE100*	1	1¼	700	.950	1.375	.870	1.295	.785	1.044	3.020	2.300	—	—
STE125*	1¼	1¼	1,000	1.150	1.625	.990	1.465	.970	1.250	4.010	2.820	—	—
STE150*	1½	1¼	1,200	1.440	1.965	1.280	1.805	1.260	1.562	4.290	3.250	—	—
STE200*	2	1¼	1,600	1.825	2.375	1.665	2.215	1.645	1.995	4.120	3.600	—	—
STE250	2½	2½	1,600	2.265	2.840	2.105	2.680	2.075	2.424	5.320	4.750	—	—
STE300	3	2½	1,600	2.670	3.270	2.545	3.145	2.531	2.890	5.400	5.400	—	—
STE350	3½	2½	1,600	3.220	3.870	3.090	3.640	3.065	3.460	5.360	5.900	—	—
STE400	4	2½	1,600	3.665	4.340	3.550	4.225	3.525	3.941	5.415	6.400	—	—
Hazardous Locations													
STX050-462*	½	1¼	300	.525	.650	.415	.570	N/A*	.395	2.500	1.630	7	4
STX050-464*	½	1¼	300	.600	.760	.490	.680	N/A*	.485	2.530	1.630	7	4
STEX075*	¾	1¼	600	.600	.985	.520	.895	.504	.678	3.400	1.820	14	7
STEX100*	1	1¼	700	.860	1.205	.780	1.125	.650	.833	3.580	2.300	30	16
STEX125*	1¼	1¼	1,000	.950	1.375	.870	1.295	.834	1.065	3.920	2.510	45	22
STEX150*	1½	1¼	1,200	1.150	1.625	.990	1.465	.958	1.273	5.020	3.260	80	43
STEX200*	2	1¼	1,600	1.440	1.965	1.280	1.805	1.250	1.560	5.120	3.620	125	66
STEX250	2½	2½	1,600	1.825	2.375	1.665	2.215	1.640	1.995	5.170	4.580	341	164
STEX300	3	2½	1,600	2.265	2.840	2.105	2.680	2.075	2.461	6.610	5.100	497	239
STEX350	3½	2½	1,600	2.670	3.270	2.545	3.145	2.531	2.864	7.380	5.790	965	464
STEX400	4	2½	1,600	3.220	3.870	3.090	3.640	3.055	3.461	7.650	6.190	1323	636
STX400-484#	4	—	1,600	3.810	4.030	3.680	3.870	—	—	—	—	1645	791
STX400-485#	4	—	1,600	3.965	4.185	3.835	4.025	—	—	—	—	1645	791



To specify other material, add the appropriate suffix to the category number.

DESIRED MATERIAL	SUFFIX	EXAMPLE
Aluminum fitting with grounding lock nut	GRL	STE-050GRL
Steel with zinc plate	S	STE-050S
Aluminum with PVC coating	PVC	STE-050PVC
Steel with PVC coating	S-PVC	STE-050S-PVC

* These products are UL Listed Watertight NEMA Type 6P

** UL tested for data cables

Does not have a removable armor stop.

Sealing Compounds — Used for Hazardous Locations

CAT. NO.	DESCRIPTION	VOLUME
SC65	Putty Type Sealing Compound	60 grams
SC4-KIT	Liquid Type Sealing Compound for use in high wire density applications (5 or more wires)	2.8 fl. oz. (66 cc)



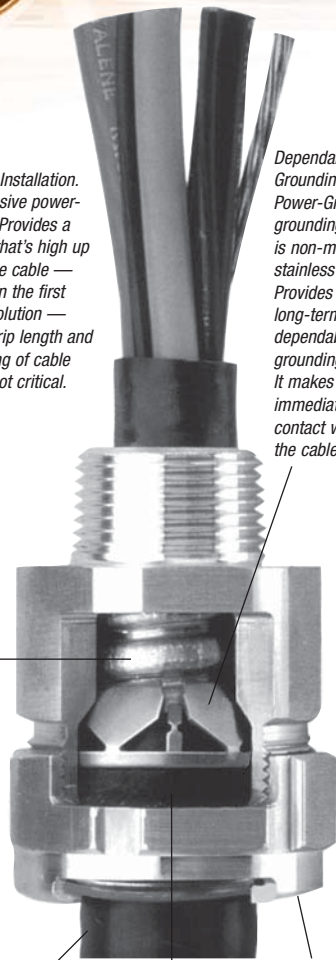
Easy Installation. Exclusive power-grip. Provides a grip that's high up on the cable — not on the first convolution — so strip length and cutting of cable are not critical.

Dependable Grounding. Power-Grip grounding ring is non-magnetic stainless steel. Provides 360° long-term dependable grounding. It makes immediate contact with the cable.

Dependable Service. Stainless steel retaining ring. Withstands corrosive environments. Non-magnetic.

Watertight Tapered bushing. Cone shaped to provide a secure, tight fit while eliminating cupping or water in vertical installations.

Easy to Install in tight spaces. Low profile gland nut fits tight spaces. Has grooves for screwdriver installation, and flats for a wrench. Durable and reusable with funnel entry for easy cable insertion.



STAR TECK® Jacketed Metal-Clad Cable Fittings

Overlapping range of sizes. Star Teck® jacketed metal-clad cable fittings are designed to accommodate a broad range of cables, thereby minimizing the possibility of mismatched cables and fittings in the field.

Application

- Provide means for passing armored, metal clad, jacketed cables through a bulkhead or enclosure in hazardous areas (these fittings are suitable for hazardous areas when used with T&B sealing compound)
- Form a mechanical grip and water and/or oil-resistant termination
- Provide grounding continuity of cable armor

Cable Type

- JMC, MC-HL, Teck

Features

Easy Installation

- Exclusive power-grip. Provides a grip that's high up on the cable — not on the first convolution — so strip length and cutting of cable are not as critical

Dependable Service

- Stainless steel retaining ring. Withstands corrosive environments. Non-magnetic

Dependable Grounding

- Power-Grip grounding ring is non-magnetic stainless steel. Provides 360° long-term dependable grounding. It makes immediate contact with the cable

Watertight

- Tapered bushing. Cone shaped to provide a secure, tight fit while eliminating cupping or water in vertical installations

Easy to Install in Tight Spaces

- Low profile gland nut fits tight spaces. Has grooves for screwdriver installation, and flats for a wrench. Durable and reusable with funnel entry for easy cable insertion

Materials

- Aluminum is standard material
- Add suffix "S" for steel with zinc plating
- Add suffix "PVC" for corrosion resistant PVC coating
- Add suffix "SS" for stainless steel Grade 316 material (½"–2" sizes)

Environment Classification

- Suitable for hazardous locations. Class I Div. 2; Class II Div. 2; Class III. Where explosion proof or dust proof fittings are required by code use STAR TECK XP® fittings (STX Series)
- NEMA 4
- Suitable for use in wet locations and concrete tight (steel) applications per UL 514B
- UL File No. E82038/E38947
- CSA File No. LR638/LR23086

Range

- Available in hub sizes from ½" to 4," and will handle outer jacket diameters from 0.525" to 4.340"

Installing the STAR TECK® Fitting



1. Prepare cable



2. Insert cable



3. Tighten gland nut

Jacketed Metal Clad Cable Termination Fittings

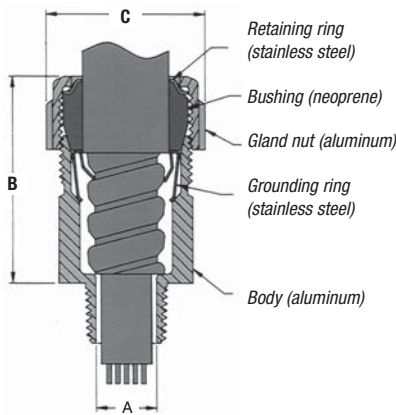


Overlapping range of sizes accommodates a broad range of cables!

STAR TECK® Jacketed Metal-Clad Cable Fittings for Ordinary Locations



T&B® Fittings



- Overlapping sizes minimize possibility of mismatched cables and fittings in the field
- Available in hub sizes from ½" to 4", handling outer jacket diameters from 0.525" to 4.34"
- Suitable for hazardous locations (Class 1 Div. 2; Class II Div. 2; Class III)
- Where explosion-proof or dust-proof boxes are required by code, use STAR TECK XP® fittings (STX050-462 Series)

CAT. NO.	HUB SIZE NPT	CABLE RANGE OVER JACKET (IN.)		CABLE RANGE OVER ARMOR (IN.)		DIMENSIONS (IN.)		
		MIN.	MAX.	MIN.	MAX.	A	B*	C
ST050-462	½	0.525	0.650	0.415	0.570	0.395	2.020	1.224
ST050-464	½	0.600	0.760	0.490	0.680	0.485	2.020	1.363
ST050-465	½	0.725	0.885	0.615	0.805	0.612	2.133	1.633
ST050-466	½	0.825	0.985	0.715	0.905	0.612	2.133	1.633
ST075-467	¾	0.880	1.065	0.770	0.985	0.819	2.450	2.080
ST075-468	¾	1.025	1.205	0.915	1.125	0.819	2.450	2.080
ST100-469	1	1.187	1.375	1.077	1.295	1.039	2.601	2.230
ST125-470	1¼	1.357	1.625	1.240	1.545	1.182	3.282	2.824
ST125-550	1¼	1.500	1.625	1.390	1.545	1.370	3.282	2.824
ST125-471	1¼	1.600	1.875	1.490	1.795	1.370	3.282	2.824
ST150-472	1½	1.700	1.965	1.590	1.885	1.557	3.620	3.260
ST150-473	1½	1.900	2.187	1.790	2.107	1.600	3.620	3.260
ST200-551	2	1.900	2.187	1.790	2.107	1.715	3.640	3.620
ST200-474	2	2.100	2.375	1.990	2.280	1.995	3.640	3.620
ST200-475	2	2.300	2.565	2.190	2.485	2.057	3.640	4.020
ST200-476	2	2.500	2.750	2.390	2.656	2.057	3.640	4.020
ST250-477	2½	2.380	2.640	2.240	2.560	2.230	4.700	4.750
ST250-478	2½	2.580	2.840	2.440	2.750	2.430	4.700	4.750
ST300-479	3	2.790	3.060	2.640	2.970	2.630	4.700	5.050
ST300-480	3	3.000	3.270	2.870	3.190	2.860	4.790	5.480
ST300-481	3	3.210	3.480	3.042	3.390	3.032	4.790	5.480
ST350-482	3½	3.420	3.690	3.270	3.590	3.260	4.790	5.980
ST350-483	3½	3.610	3.870	3.440	3.770	3.430	4.790	5.980
ST400-484	4	3.810	4.030	3.600	3.930	3.590	4.840	6.435
ST400-485	4	3.965	4.185	3.755	4.065	3.745	4.840	6.435
ST400-486	4	4.120	4.340	3.910	4.220	3.900	4.840	6.435

* Approximate dimension before installation.

Suggested specifications for metal-clad cable fitting.

1. All metal-clad cable fittings for jacketed interlocked armor cable or continuous corrugated cable shall be approved by a nationally recognized testing laboratory, inspection agency or product evaluation organization.
2. Where corrugated-jacketed metal-clad cable exposed to intermittent or continuous moisture is terminated into a threaded opening, the fitting shall be watertight type furnished with:
 - a. An elastomeric beveled bushing.
 - b. A funnel entry, splined gland nut.
 - c. A non-magnetic stainless steel grounding device with dual grounding action.
 - d. A taper threaded hub.
 - e. A hexagonal body and gland nut as manufactured by Thomas & Betts (aluminum series ST050-464).
3. Where cable is terminated into a threadless opening, a suitable moisture-resistant elastomeric gasket as manufactured by Thomas & Betts, series 5262, shall be provided between the outside of enclosure and fitting shoulder.
4. With single conductor cable and/or in corrosive environments, aluminum fittings such as Thomas & Betts series ST050-464 shall be installed.

Class I Div 2; Class II Div. 2; Class III. Where explosion-proof or dust-ignition-proof boxes are required by Teck, fitting must be used in conjunction with an approved sealing fitting.

Easy installation saves time, money!



STAR TECK XP® Jacketed Metal-Clad Cable Fittings for Hazardous Locations

Application

- Provide means for passing armored, metal clad, jacketed cables through a bulkhead or enclosure in hazardous areas (these fittings are suitable for hazardous areas when used with T&B sealing compound)
- Form a mechanical grip and water and/or oil-resistant termination
- Provide grounding continuity of cable armor

Cable Type

- JMC, MC-HL, Teck

Features

- Sealing chamber is easier to fill, requires less sealing compound — saves time, material. Flame path is optimally designed to enable easy insertion into hub. Quick-turn lock
- Internal splines
- Union features twist-on action; red color for high visibility
- Exclusive Power Grip. Provides grip that's high up on cable armor Non-magnetic stainless steel Power Grip grounding ring
- Low profile gland nut

Materials

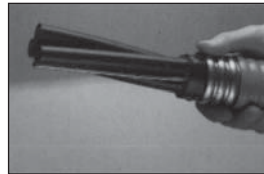
- Aluminum is standard material
- Add suffix "S" for steel with zinc plating
- Add suffix "PVC" for corrosion resistant PVC coating
- Add suffix "SS" for stainless steel material

Environment Classification

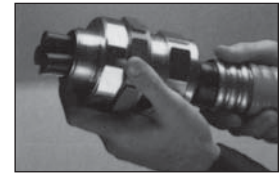
- Suitable for hazardous locations. Class I Div. 2; Class II Div. 2; Class III. Where explosion proof or dust proof fittings are required by code use STAR TECK XP® fittings (STX Series)
- NEMA 4
- Suitable for use in wet locations and concrete tight (steel) applications per UL 514B
- UL File No. E82038/E38947
- CSA File No. LR23086

Range

- Available in hub sizes from ½" to 4", and will handle outer jacket diameters from 0.525" to 4.185"



1. Prepare cable



2. Install STAR TECK XP® on cable



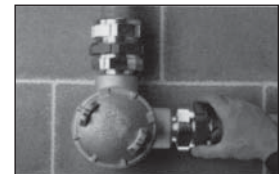
3. Tighten gland nut



4. Pot cable (using liquid or putty)



5. Install hub on enclosure



6. Insert cable and tighten red union

Sealing chamber is easier to fill, requires less sealing compound — saves time, material. Flame path is optimally designed to enable easy insertion into hub. Quick-turn lock secures assembly during installation.

Hub has hexagonal shape for dependable tool grip.

Internal splines enable installer to tighten gland nut either on or off enclosure.

Union features twist-on action for easy connection and disconnection; red color ensures high visibility, easy recognition. Union also serves as a "puller" during disassembly.

Exclusive Power Grip. Provides grip that's high up on cable armor — not on first convolution — so precise cable preparation is not critical. Non-magnetic stainless steel Power Grip grounding ring ensures 360° long-term dependable grounding. It provides phenomenal tensile pullout resistance.

Low profile gland nut fits tightest spaces. Has grooves for hammer/screwdriver installation and flats for wrench-gripping. Durable and reusable with funnel entry for easy cable insertion.

Tapered bushing. Cone-shaped to provide secure, tight fit while eliminating cupping of water in vertical installations.

Copper-free construction. All aluminum body and gland nut resist corrosion, oxidation.

Stainless steel retaining ring. Withstands corrosive environments. Non-magnetic.

Jacketed Metal Clad Cable Termination Fittings

STAR TECK XP® Jacketed Metal Clad Cable Fittings for Hazardous Locations



CAT. NO.	HUB SIZE NPT	CABLE RANGE OVER JACKET (IN.)		CABLE RANGE OVER ARMOR (IN.)		DIMENSIONS (IN.)			SEALING COMPOUND REQUIRED	
		MIN.	MAX.	MIN.	MAX.	A	B*	C	SC65**	SC4-KIT**
									PUTTY (G)	LIQUID (CC)
STX050-462	1/2	0.525	0.650	0.415	0.570	0.395	2.50	1.63	7	4
STX050-464	3/8	0.600	0.760	0.490	0.680	0.485	2.50	1.63	7	4
STX075-465	3/4	0.725	0.885	0.615	0.805	0.612	2.62	1.82	14	7
STX075-466	1/2	0.825	0.985	0.715	0.905	0.720	2.62	1.82	14	7
STX100-467	1	0.880	1.065	0.770	0.985	0.755	2.83	2.30	30	16
STX100-468	1	1.025	1.205	0.915	1.125	0.900	2.83	2.30	30	16
STX125-469	1 1/4	1.187	1.375	1.077	1.295	1.062	3.05	2.51	45	22
STX150-470	1 1/2	1.357	1.625	1.240	1.545	1.182	3.76	3.26	80	43
STX150-550	1 1/2	1.500	1.625	1.390	1.545	1.370	3.76	3.26	80	43
STX150-471	1 1/2	1.600	1.875	1.490	1.795	1.470	3.76	3.26	80	43
STX200-472	2	1.700	1.965	1.590	1.885	1.557	4.05	3.62	125	66
STX200-473	2	1.900	2.187	1.790	2.107	1.757	4.05	3.62	125	66
STX200-474	2	2.100	2.375	1.990	2.280	1.995	4.15	4.02	150	80
STX250-475	2 1/2	2.300	2.565	2.200	2.485	2.185	4.31	4.58	341	164
STX250-476	2 1/2	2.500	2.750	2.380	2.656	2.365	4.31	4.58	341	164
STX300-478	3	2.580	2.840	2.477	2.750	2.460	5.64	5.10	497	239
STX300-479	3	2.790	3.060	2.677	2.970	2.660	5.80	5.33	609	293
STX350-480	3 1/2	3.000	3.270	2.880	3.190	2.864	6.32	5.79	965	464
STX350-481	3 1/2	3.210	3.480	3.080	3.390	3.062	6.32	5.79	965	464
STX400-482	4	3.420	3.690	3.307	3.590	3.290	6.63	6.19	1323	636
STX400-483	4	3.610	3.870	3.477	3.770	3.460	6.63	6.19	1323	636
STX400-484	4	3.810	4.030	3.650	3.930	3.630	7.09	6.90	1645	791
STX400-485	4	3.965	4.185	3.794	4.065	3.775	7.09	6.90	1645	791

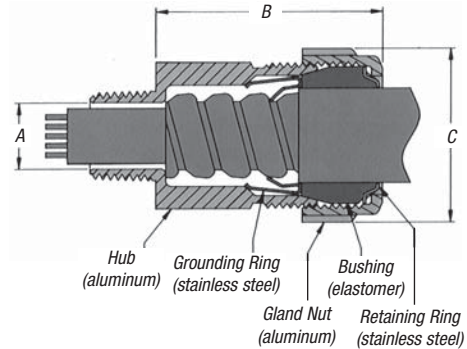
* Approximate dimension before installation.

** 1 unit of SC65 putty type sealing compound contains 60 g. 1 unit of SC4-Kit liquid type sealing compound contains 66 cc and includes a dispensing syringe and fiber damming material.

CAUTION: STAR TECK XP® fittings must be installed with Thomas & Betts catalog numbers SC4-Kit or SC65 sealing compound (purchase separately). See installing instructions.

Sealing Compounds

CAT. NO.	DESCRIPTION	VOLUME
SC65	Putty Type Sealing Compound	60 grams
SC4-KIT	Liquid Type Sealing Compound for use in high wire density applications (5 or more wires)	2.8 fl. oz. (66 cc)



UL Connectors when Used with Putty Type Listed or Liquid Type Compound For:

1/2 thru 3"	Class I	Div. 1	Groups A, B, C, D
	Class II	Div. 2	Groups F, G
	Class III		
		Enclosure Type 4	

Connectors when Used with Putty Type or Liquid Type Compound

3 1/2" & 4"	Class I	Div. 1	Groups B, C, D
	Class II	Div. 2	Groups F, G
	Class III		Enclosure Type 4

CSA Certified For:

Class I	Division 1 and 2	Groups A, B, C, D
Class II	Division 1 and 2	Groups E, F, G
Class III, SL (Integral Seal)		Enclosure Type 4

T&B Fittings

T&B® Fittings

Jacketed Metal Clad Cable Termination Fittings

Spin-On® Series II Connectors and Accessories

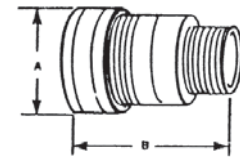


T&B Fittings

CAT. NO.	HUB SIZE NPT	CABLE RANGE OVER ARMOR (IN.)	DIMENSIONS (IN.)		OPTIONAL CORROSION RESISTANT BOOT CAT. NO.
			A DIA.	B	
2-050-008	½	.380-.435	1¼	1¼	NB050
2-050-010	½	.436-.500	1¼	1¼	NB050
2-050-020	½	.501-.580	1¼	1¼	NB050
2-050-030	½	.581-.650	1¼	1¼	NB050
2-075-040	¾	.651-.730	1½	2½	NB075
2-075-050	¾	.731-.820	1½	2½	NB075
2-075-060	¾	.821-.880	1½	2½	NB075
2-100-070	1	.881-.960	2	2½	NB100
2-100-080	1	.961-1.030	2	2½	NB100
2-100-090	1	1.031-1.100	2	2½	NB100
2-100-100	1	1.101-1.180	2	2½	NB100
2-125-110	1¼	1.181-1.240	2¼	2½	NB125
2-125-120	1¼	1.241-1.310	2¼	2½	NB125
2-125-130	1¼	1.311-1.390	2¼	2½	NB125
2-150-140	1½	1.391-1.480	2½	2½	NB150
2-150-150	1½	1.481-1.570	2½	2½	NB150
2-150-160	1½	1.571-1.660	2½	2½	NB150
2-200-170	2	1.661-1.750	3	2½	NB200
2-200-180	2	1.751-1.840	3	2½	NB200
2-200-190	2	1.841-1.930	3	2½	NB200
2-200-200	2	1.931-2.030	3	2½	NB200
2-250-210	2½	2.031-2.150	3½	3½	NB250
2-250-220	2½	2.151-2.270	3½	3½	NB250
2-250-230	2½	2.271-2.390	3½	3½	NB250
2-250-240	2½	2.391-2.510	3½	3½	NB250
2-300-250	3	2.511-2.640	4½	3½	NB300
2-300-260	3	2.641-2.770	4½	3½	NB300
2-300-270	3	2.771-2.900	4½	3½	NB300
2-300-280	3	2.901-3.040	4½	3½	NB300
2-350-300	3½	3.171-3.310	5	3½	NB350
2-350-310	3½	3.311-3.450	5	3½	NB350
2-350-320	3½	3.451-3.590	5	3½	NB350
2-400-330	4	3.591-3.730	5½	3½	NB400
2-400-340	4	3.731-3.870	5½	3½	NB400

UL File No. E38947

CSA File No. LR 2884



Connector
Aluminum



In corrosive environments, the T&B neoprene boot provides maximum corrosion protection to the connector. Simply match the connector hub size to the boot hub size to select the proper boot (NB Series).

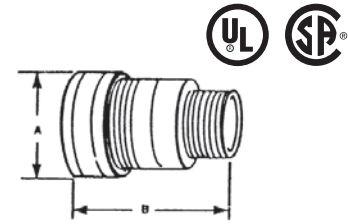
Jacketed Metal Clad Cable Termination Fittings



Install a complete gas-blocked connector in a hazardous location!

Spin-On® X Connectors for Hazardous Locations

CAT. NO.	HUB SIZE NPT	CABLE RANGE OVER ARMOR (IN.)	DIMENSIONS (IN.)		SEALING COMPOUND REQUIRED	
			A DIA.	B	SC65**	SC4-KIT**
					PUTTY (G)	LIQUID (CC)
4-075-008	3/4	.380-.435	1%	2%	25	12
4-075-010	3/4	.436-.500	1%	2%	25	12
4-075-020	3/4	.501-.580	1%	2%	25	12
4-075-030	3/4	.581-.650	1%	2%	25	12
4-075-040	3/4	.651-.730	1%	2%	25	12
4-100-050	1	.731-.820	2	2%	55	30
4-100-060	1	.821-.880	2	2%	55	30
4-100-070	1	.881-.960	2	2%	55	30
4-100-080	1	.916-1.030	2	2%	55	30
4-125-090	1 1/4	1.031-1.100	2 1/4	2 1/2	70	40
4-125-100	1 1/4	1.101-1.880	2 1/4	2 1/2	70	40
4-125-110	1 1/4	1.181-1.240	2 1/4	2 1/2	70	40
4-125-120	1 1/4	1.241-1.310	2 1/4	2 1/2	70	40
4-150-130	1 1/2	1.311-1.390	2%	2%	80	45
4-150-140	1 1/2	1.181-1.240	2%	2%	80	45
4-150-150	1 1/2	1.241-1.310	2%	2%	80	45
4-200-160	2	1.571-1.660	3	2 1/2	95	55
4-200-170	2	1.661-1.750	3	2 1/2	95	55
4-200-180	2	1.751-1.840	3	2 1/2	95	55
4-200-190	2	1.841-1.930	3	2 1/2	95	55
4-250-200	2 1/2	1.931-2.030	3%	3%	200	120
4-250-220	2 1/2	2.151-2.270	3%	3%	200	120
4-300-240	3	2.391-2.510	4 1/2	3%	275	165
4-300-260	3	2.641-2.770	4 1/2	3%	275	165
4-300-270	3	2.771-2.900	4 1/2	3%	275	165
4-400-350	4	3.871-4.010	5%	3%	500	300



Spin-On® X Connectors for Hazardous Locations

- Each SPIN-ON® X catalog number is a complete compound-filled connector kit
- 3-piece construction — gland/body/insert with O-ring
- Red anodized gland identifies hazardous location fitting
- Compact size — overall length is 3/4 less than conventional fitting
- Installation time is 50% less than conventional
- Full tapered hub threads for gas-tight thread engagement
- Machined aluminum construction for corrosion resistance
- Sealing compound (sold separately) premixed for consistency — no jobsite variations
- Neoprene boots available for additional corrosion protection
- For control cable applications, order liquid compound separately

Suffix Cat. No. with S for steel, B for brass.

SPIN-ON® X is UL Listed for: Class I, Div. 2, Groups A, B, C, & D in 3/4", 1", 1 1/4", 1 1/2", 2", 2 1/2" Hub sizes. Class I, Div. 2, Groups C & D in 3", 3 1/2", and 4" Hub sizes. The entire line is UL listed for Class II, Div. 2, Groups F & G and Class III. CSA certified through 4" Hub size for Class I, Groups A, B, C, D; Class II, Groups E, F, G; and Class III.

UL File No. E82038

CSA File No. LR23086

Liquid Type Sealing Compounds

CAT. NO.	DESCRIPTION	VOLUME
SC65	Putty Type Sealing Compound	60 grams
SC4-KIT	Liquid Type Sealing Compound for use in high wire density applications (5 or more wires)	2.8 fl. oz. (66 cc)

**Now Available
in Stainless
up to 1"**

Increase safety for hazardous locations.

Silver Grip® TCF® Series — Tray/Cord Fitting

Introducing the Silver Grip® Tray/Cord Fitting — the safe, yet cost-efficient choice for increased safety when terminating portable cord and tray cable in hazardous locations. Designed for use in Class I, Gas and Vapor environments, the Silver Grip® Tray/Cord Fitting provides efficient strain relief for cables entering enclosures and raceways, and for cords used on portable equipment.

- Now available in stainless steel in hub sizes from ½" to 1"
- Corrosion-resistant, non-magnetic aluminum construction
- Tapered neoprene bushing and O-ring seal out moisture and dirt ingress
- Chuck grip provides high mechanical pull-out performance. Exceeds applicable requirements
- Hand-tightens — no tools required

Applications

Tray Cable: Complies with IEC requirements for Class I, Zone 2 locations when used with enclosures containing no arcing or sparking devices. For enclosures with arcing or sparking devices, TCF® fittings must be used in combination with a certified Class I hazardous location sealing fitting.

Portable Cord: Complies with IEC requirements for Class I, Zone 1 locations when used with enclosures containing no arcing or sparking devices. For enclosures with arcing or sparking devices, TCF® fittings must be used in combination with a certified Class I hazardous location sealing fitting.

NOTE: Tray cable is not suitable for use in Zone 1 locations. Portable cord can be used in Zone 1 applications only when installed on portable equipment.

- CSA File Number LR4484
- Class 4418-03 Fittings for Hazardous Locations
- Class 4418-03 Fittings for Hazardous Locations — Certified to U.S. Standards
- Class I, Zone 1, AEx e II

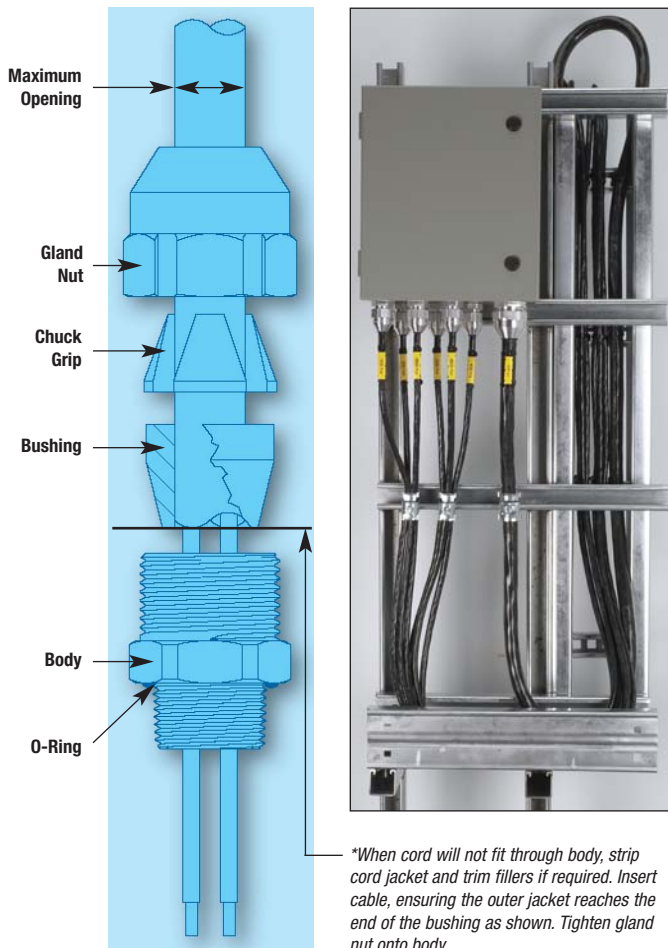
Silver Grip® TCF® Series — Tray/Cord Fitting

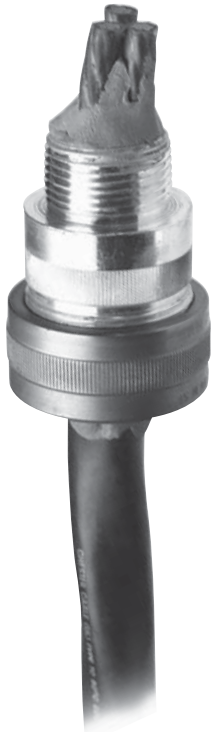


CAT. NO.	HUB SIZE NPT	THROAT DIA. (IN.)	MIN. CABLE DIA. (IN.)	MAX. OPENING (IN.)	STD. PKG. QTY.
TCF050-27AL	½	.330	.150	.270	25
TCF050-40AL	½	.540	.250	.400	25
TCF050-54AL	½	.540	.400	.540	25
TCF050-67AL	½	.540	.540	.670	10
TCF050-78AL	½	.540	.660	.780	10
TCF075-40AL	¾	.540	.250	.400	15
TCF075-54AL	¾	.540	.400	.540	15
TCF075-67AL	¾	.780	.540	.670	10
TCF075-78AL	¾	.780	.660	.780	10
TCF075-88AL	¾	.765	.770	.880	10
TCF100-78AL	1	.980	.660	.780	10
TCF100-88AL	1	.980	.770	.880	10
TCF100-100AL	1	.980	.870	1.000	10
TCF125-109AL	1¼	1.255	.800	1.090	4
TCF125-128AL	1¼	1.255	1.080	1.280	4
TCF125-147AL	1¼	1.255	1.270	1.470	4
TCF150-115AL	1½	1.470	.890	1.150	2
TCF150-140AL	1½	1.470	1.140	1.400	2
TCF150-165AL	1½	1.470	1.390	1.650	2
TCF200-153AL	2	1.896	1.190	1.530	2
TCF200-186AL	2	1.896	1.520	1.860	2
TCF200-219AL	2	1.896	1.850	2.190	2
TCF250-252AL	2½	2.466	2.120	2.520	1
TCF300-278AL	3	2.780	2.380	2.780	1
TCF300-304AL	3	3.037	2.640	3.040	1
TCF300-330AL	3	3.068	2.900	3.300	1

For stainless steel (316), replace AL with SS6 (up to 1" only)

T&B Fittings





The T&B TC Series Tray Cable Connector

The Thomas & Betts TC Series of connectors are designed specifically for transitioning tray cable from horizontal cable tray to terminations in enclosures. The precision machined aluminum interiors are ideally suited for use with sunlight-oil resistant cable.

Application

- Provides means for passing TC type cable from cable tray installations into an enclosure or threaded bulkhead

Tray Cable Type

- TC (rated for 90° C cable)

Features

- Precision machined parts
- Full tapered hub threads
- Gas tight thread engagement

Materials

- Body, gland nut and insert copper-free aluminum

Environment Classification

- Ordinary locations
- Class I, Division 2[†], Groups A, B, C, D (¾"–2½")
- Class I, Division 2, Groups C, D (3"–4")
- Class II, Division 2, Groups F, G

Range

0.225"–3.790"

- Suitable for use with sunlight-oil resistant tray cable
- Suitable for 90° Cable
- CSA Certified — Class I Div. 2, Groups A, B, C, D
Class II Div. 2, Groups E, F, G
Class III
- "SL" Integral Seal

Tray Cable Connectors



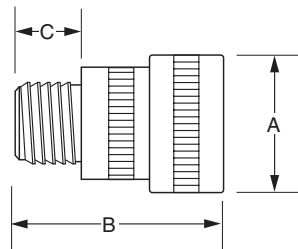
CAT. NO.	HUB SIZE NPT	A (IN.) ±.062	B (IN.) ±.062	CABLE RANGE DIA. (IN.)
4-075TC	¾	1.72	2.10	.275–.600
4-100TC	1	2.10	2.33	.575–.900
4-150TC	1½	2.78	2.87	1.095–1.420
4-200TC	2	3.16	3.17	1.280–1.780
4-250TC	2½	4.00	3.80	1.700–2.200
4-300TC*	3	4.69	3.86	2.150–2.700
4-350TC*	3½	5.22	4.10	2.650–3.230
4-400TC*	4	5.63	4.00	3.180–3.790

NOTE: When installed with the two-part epoxy in the intended manner, the fittings are suitable for the following hazardous locations:

¾" thru 2½" — Class I Div. 2, Groups A, B, C, D
Class II Div. 2, Groups F, G

3" thru 4" — Class I Div. 2, Groups C, D
Class II Div. 2, Groups F, G

* CSA Certified only (not UL Listed)





Series 5123 Insulated
EMT Connector (Raintight)
(Compression Type)



Series 5120
EMT Coupling (Raintight)
(Compression Type)



Series 1350
Pipe Spacers



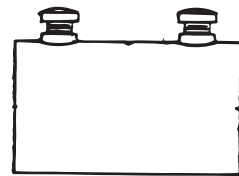
Series 4176
Pipe Straps



Series 106
Bonding Locknut



Series HT-221
Combination Coupling
(Concrete tight) Rigid/IMC to EMT
(Set Screw Type) Zinc Die Cast



Series TK121-E
EMT Coupling (Concrete tight)
(Set Screw Type)

Suggested Specifications for Electrical Metallic Tubing (EMT) Fittings

- Ferrous Electrical Metallic Tubing (EMT) shall be of the hot dipped galvanized type conforming to applicable specifications WW-563/ANSI C33.98/ANSI C80.3/UL 797/CSA C22.2 No. 83. E.M.T. protected solely by enamel shall not be used
- Where lengths of EMT are coupled together or connected to boxes or enclosures or where EMT is coupled to threaded rigid metal conduit or IMC, fittings approved for intended applications shall be used, and:
 - (1) Shall be of rugged steel/malleable iron construction electro zinc plated inside/outside including threads. Connector throat shall be bushed with a nylon insulator
 - (2) Shall be of raintight type for installations exposed to weather or wet locations such as Thomas & Betts series TC112A-RT and TK112A-RT
 - (3) Shall be of concrete tight type for installations in poured concrete such as Thomas & Betts series TC121, TC721, or TK121, 5123, 5120, and 530
- Raintight type fittings may be substituted for concrete tight application.
- Where electrical metallic tubing and associated fittings are used as part of equipment grounding system:
 - (1) A bonding type locknut such as Thomas & Betts series 106 shall be installed where hub type fitting terminates into a threadless opening
 - (2) Compression ring type fittings such as Thomas & Betts series 5123 and 5120 shall be used for terminating and coupling
- EMT shall be securely fastened in place at intervals as specified by the code using straps, hangers and other supporting assemblies as indicated on plans, and as manufactured by Thomas & Betts, series 4176 straps. In wet locations or where supporting surfaces are of absorbent materials vertical and horizontal runs of conduit shall be firmly supported such that there is at least ¼" air space between conduit and supporting surface
- Spacers and supporting straps shall be of rugged malleable iron or steel construction hot dipped galvanized and conforming to requirements of Canadian Standards Association Standard C22.2 No. 18 as manufactured by Thomas & Betts, series 4176 straps and series 1350 spacers



Fittings for Electrical Metallic Tubing (EMT) Compression Type, Raintight



5123 Series



5120 Series

Application

- To connect and effectively bond electrical metallic tubing to a box or an enclosure
- To provide a rain tight connection between tubing and the connector
- To couple ends of tubing

Features

- Rugged all steel construction
- Rings designed to positively bond conduit to fitting; unique locknut design provides effective bond between fitting and box or enclosure; ground continuity is ensured
- Nylon insulator firmly secured in place — protects conductors, reduces wire pulling effort and prevents thread damage in handling
- Locknuts are designed with extended reach to lock fitting on to a thin box or an enclosure
- Locknuts tighten without deformation; will not vibrate loose

Standard Material

All Steel except Insulator.

InsulatorThermoplastic, UL

Rated 105° C

Standard Finish

All Steel PartsElectro Zinc Plated
& Chromate Coated

InsulatorAs Molded

Range

Conduit Size... ½" thru 2"

Hub Size... ½" thru 2" NPS

Hubs provided with straight pipe threads NPS.

Listings/Compliances

UL (UL File No. E-16592)

CSA (LR-4484, LR-8994)

UL 514B

CSA C22.2 No. 18

NFPA 70

NEMA FB1

Federal Specification A-A-50553

Federal Standard H-28 (Threads)

EMT Raintight Fittings

- Patented design includes a sealing ring, ensuring a 360° raintight seal
- Distinctive fitting design and gland nut color enable inspectors to visually inspect conformance from a distance — no close-up inspection required
- All-steel construction for rugged, durable installations
- Sharp teeth on locknuts ensure a solid bond and tight grip on surface of enclosure
- Does not require disassembly to install

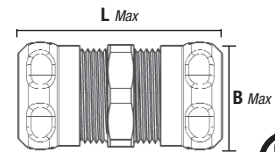
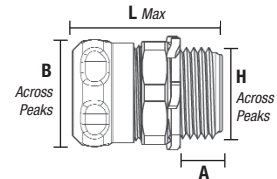


Materials, Specifications

Material: Steel Body, Steel Locknut
 Plating: Zinc Plated, Clear Chromate coating
 Liner: Nylon (for insulated fittings)
 Threads: Male hub threads NPS
 NEMA applications require sealing gaskets (sold separately)
 Use: Raintight, wet locations, concrete-tight

Listings/Compliances

UL Listed: E-16592 Listed Raintight
 UL Standard: 514B
 NEMA: FB-1



Raintight EMT Compression Fittings feature a distinctive design and vibrant gland nut color, enabling inspectors to visually inspect conformance from a distance. There's no close-up inspection required!

NON-INS. CAT. NO.	INS. CAT. NO.	HUB SIZE	A	B	H	L	PKG. QTY.
Compression Connectors							
TC111A-RT	TC711A-RT	½"	.510	1.097	1.052	1.425	50
TC112A-RT	TC712A-RT	¾"	.510	1.305	1.295	1.425	50
TC113A-RT	TC713A-RT	1"	.675	1.645	1.580	1.652	25
TC114A-RT	TC714A-RT	1¼"	.750	2.127	2.000	2.062	25
TC115A-RT	TC715A-RT	1½"	.812	2.397	2.375	2.187	25
TC116A-RT	TC716A-RT	2"	.812	2.857	2.750	2.312	25

CAT. NO.	HUB SIZE	B	L	PKG. QTY.
Compression Couplings				
TK111A-RT	½"	1.660	1.097	50
TK112A-RT	¾"	1.660	1.305	50
TK113A-RT	1"	1.934	1.645	25
TK114A-RT	1¼"	2.374	2.127	25
TK115A-RT	1½"	2.500	2.397	25
TK116A-RT	2"	2.750	2.857	25

Sealing Gaskets* (sold separately)

SR-101	½"	—	—	50
SR-102	¾"	—	—	50
SR-103	1"	—	—	50

* Gaskets sold separately. In some jurisdictions, sealing gaskets are not required when installed in a threaded opening. Also, a connector assembled in the bottom of a box or enclosure may be considered by code "to be located (placed) so that water will not enter the enclosure at the knockout interface" (NEC 314.15 (A)). In this instance, the sealing O-ring may not be required. Consult with the local authority having jurisdiction.

EMT Connectors — Nylon Insulated



CAT. NO.	HUB SIZE	DIMENSION (IN.)	
		A	B
5123	½"	1¼	1½
5223	¾"	1½	1¾
5323	1"	1¾	1¾
5423	1¼"	2¼	2½
5523	1½"	2½	2¾
5623	2"	2¾	2¾

UL File No. E-16592 CSA File No. LR12798

EMT Couplings



CAT. NO.	HUB SIZE	DIMENSION (IN.)	
		A	B
5120	½"	1¼	1¾
5220	¾"	1½	2
5320	1"	1¾	2¼
5420	1¼"	2¼	2¾
5520	1½"	2½	3¼
5620	2"	2¾	3½

UL File No. E-16592 CSA File No. LR12798

EMT Connectors



CAT. NO.	HUB SIZE	DIMENSION (IN.)	
		A	B
5121-TB	½"	1¼	1¼
5221	¾"	1½	1¾
5321	1"	1¾	1¾
5421	1¼"	2¼	1½
5521-TB	1½"	2½	2¼
5621	2"	2¾	2¼

T&B EMT (thinwall) fittings comply with Federal Spec. WF408B.

UL File No. E-16592 CSA File No. LR12798

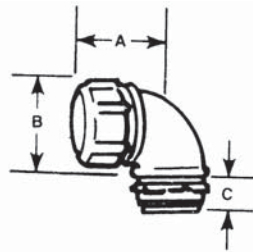
Electrical Metallic Tubing (EMT) Fittings



Insulated for safe, simple installation in cramped locations or tight corners!

Short Elbows — Insulated*

- Ideal for applications where large radius conduit elbows won't fit or would appear unworkmanlike
- Shoulders on body of 1/2" size are hex-shaped to provide positive holding for standard installation tools
- Malleable iron construction
- UL rated 105°C



CAT. NO.	HUB SIZE	DIMENSION (IN.)		
		A	B	C
4240	1/2"	1 1/16	1s	7/16
4241-TB	3/4"	1 11/16	1 1/32	1/2
4242	1"	1 1/8	1 23/32	5/8
4243-TB	1 1/4"	2 1/4	2 1/32	1 1/16
4244	1 1/2"	3 3/16	2 3/4	1 1/16
4245	2"	3 3/8	3 3/16	1 1/8

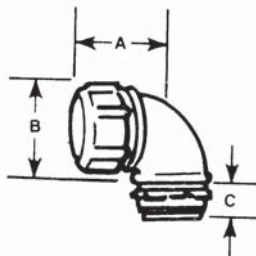
UL File No. E-09043

CSA File No. 2884

Ideal for cramped locations or tight corners!

Short Elbows — Malleable Iron*

- Shoulders on body of 1/2" size are hex-shaped to provide positive holding for standard installation tools
- Malleable iron construction



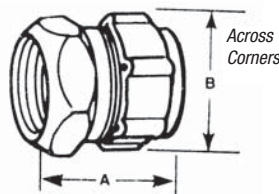
CAT. NO.	HUB SIZE	DIMENSION (IN.)		
		A	B	C
4230	1/2"	1 1/16	1s	7/16
4231	3/4"	1 11/16	1 1/32	1/2
4232	1"	1 1/8	1 23/32	5/8
4233	1 1/4"	2 1/4	2 1/32	1 1/16
4234	1 1/2"	3 3/16	2 3/4	1 1/16
4235	2"	3 3/8	3 3/16	1 1/8

UL File No. E-09043

CSA File No. 2884

For connecting EMT to threaded rigid and intermediate metal conduit.

Combination Coupling — Steel*



CAT. NO.	HUB SIZE	DIMENSIONS (IN.)	
		A	B
530-TB	1/2"	1 1/8	1 1/16
531	3/4"	1 1/2	1 11/32
532	1"	1 13/32	1 21/32

UL File No. E-09043

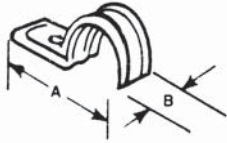
CSA File No. 2884

For XJG Conduit Expansion Couplings for EMT see page A-25.

T&B® Fittings

Snap-on design holds strap in place!

Pipe Straps — Steel



- Elongated bolt hole makes alignment easy, even when holes in mounting surface are out of alignment
- Available in 1/2" to 2" sizes



Oval Hole for Screw Size (C)



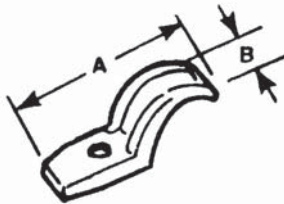
CAT. NO.	HUB SIZE	DIMENSIONS (IN.)		
		A	B	C (BOLT HOLE)
4159	1/2"	1 21/32	3/4	1/4
4160	3/4"	2 1/32	3/4	1/4
4161	1"	2 1/32	3/4	1/4
4162	1 1/4"	2 7/8	3/4	1/4
4163	1 1/2"	3 1/16	1 1/4	1 1/32
4164	2"	4 1/16	1 1/2	1 1/32

Not UL Listed.

CSA File No. 2884 and 4484

Designed to fit each size of conduit snugly!

Pipe Straps — Malleable Iron



- High reinforcing ribs on each side increase strength and reduce weight
- Hot-dipped galvanized finish



Oval Hole for Screw Size (C)



CAT. NO.	HUB SIZE	DIMENSIONS (IN.)		
		A	B	C (BOLT HOLE)
4176	1/2"	2 5/32	2 1/32	1/4
4177	3/4"	2 9/16	1 1/16	1/4
4178	1"	3	3/4	1/4
4179	1 1/4"	3 3/4	1 3/16	5/16
4180	1 1/2"	4 3/16	1 5/16	3/8
4181	2"	5 3/16	1 1/2	7/16
1282	2 1/2"	5 5/16	1 1/2	1/2
1283	3"	6 1/16	1 5/8	1/2
1284	3 1/2"	7 19/32	1 3/4	3/8
1285	4"	8 7/16	1 1/2	3/8

Not UL Listed.

CSA File No. 2884 and 4484

Eliminates the need for costly offset-bending of conduit to prevent corrosive moisture traps when conduit is mounted directly to a surface!

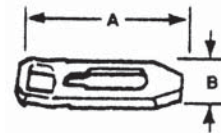
Pipe Spacers



1350



1351



- Used with T&B conduit straps to permit space between conduit and mounting surface
- Pre-mountable and stackable to eliminate offsetting
- Malleable iron construction with hot-dipped galvanized finish

CAT. NO.	HUB SIZE	DIMENSIONS (IN.)	
		A	B
1350	1/2", 3/4", 1"	3"	7/8
1351	1 1/4"-1 1/2"-2"	5"	1 1/16"
1352	2 1/2"-3"	9 9/16"	1 3/4"
1353	3 1/2"-4"	7 7/16"	2"
1354	4 1/2"-5"-6"	10 9/16"	2 5/16"

Conforms to NEC 300-5-C. CSA File No. 2884

Liquidtight Flexible Metal Conduit Fittings

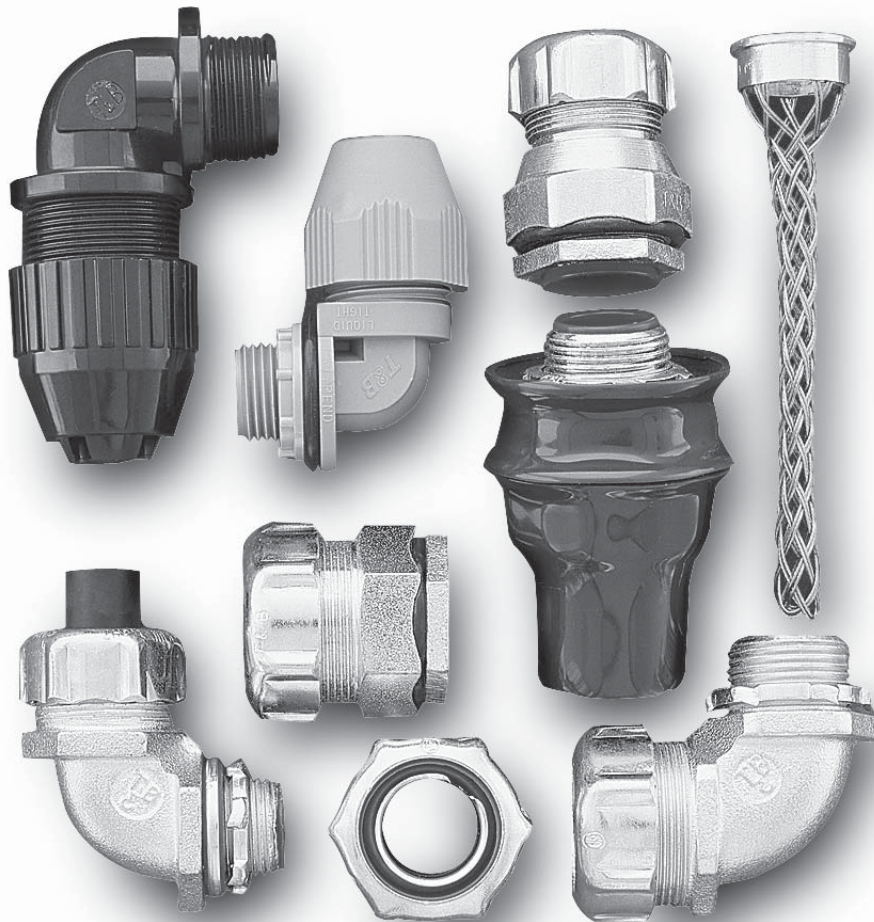
Our Liquidtight Line Is the End-All for Liquidtight Dust-Tight Connections.

All our high-performance products are designed to deliver excellent reliability as well as ease of installation in virtually any application. And you benefit from our expertise through our liquidtight and dust-tight connections available for a variety of conduits as well as portable cord.

Thomas & Betts offers the largest and most technologically advanced line of liquidtight fittings in the industry, including connectors for highly

specialized applications such as power and petrochemical plants, paper mills, robot manufacturers, packaging equipment, machine tool building, and other OEM and MRO applications. At Thomas & Betts, we integrate the latest manufacturing technologies with the highest quality materials available. So you can be assured of reliable, liquidtight products that offer improved on-the-job performance and reduced installation time and costs.

T&B Fittings



T&B makes liquidtight fittings for demanding situations.

Liquidtight Flexible Metal Conduit Fittings

Gland deflects water away from connector and prevents "pooling" of moisture. Look for the distinctive "Pumpkin" appearance of the gland nut.

Self-Cleaning Threads inside gland nut keep dirt and grime out of the threads as you tighten.

Double Beveled Sealing Ring is designed with five unique sealing mechanisms and cannot be installed backwards. Manufactured of high-temperature rated thermoplastic to demanding specifications. Look for the unique T&B blue color ensuring the highest quality fitting.

Safe Edge® Ground Cone provides superior bonding, stronger pullout, easy threading and conductor protection. Look for the distinctive "ski slope" appearance within the "pumpkin" gland nut.

Heat-Curled Insulator provides excellent wire protection and easier glide of conductors through and into the fitting. In addition, the heat-curled finish gives the insulator more strength than glue-in insulators. Look for the unique T&B blue color ensuring the highest quality fitting.

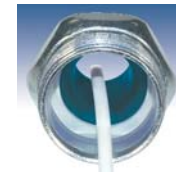
Precision Machined Rolled Threads provide smooth, easy installations.

Tempered Cast Locknut with Teeth provides superior strength and electrical bonding and can be installed without a wrench in the enclosure.



Revolver® Grounding Fitting

Saves time and money using our infinitely adjustable rotating ground lug. Simply align the lug in your preferred position and tighten the gland. You'll never need to worry about tightening it into an inconvenient position again.



T&B's Heat-Curled Insulator



Competitor's Glue-In Insulator



Add suffix -GR to the fitting catalog number to order the Revolver® Grounding version.



Liquidtight Flexible Metal Conduit Connectors



Liquidtight Connectors

Liquidtight Flexible Metal Conduit Fittings

Thomas & Betts Liquidtight fittings for flexible metal conduits are suitable for a wide range of installations, including heavy industrial applications. Our Liquidtight fittings are designed to stand up to demanding, wet or corrosive environments, including power and petrochemical plants, paper mills, and anywhere high performance is a requirement.

Features of Thomas & Betts Liquidtight Fittings include:

- Safe Edge® ground cone design that accepts variations in raceway convolutions and provides a positive bond
- Continuous sealing ring that completely surrounds the conduit to ensure a liquid-tight seal
- Zinc chromatic plating for longer life and exceptional appearance
- The broadest liquid-tight line in the industry, including PVC coated, externally grounded, aluminum series, Chase® style, nonmetallic Bullet series, wire mesh grips and more



Liquidtight Fittings for Special Applications

The Revolver® Externally Grounded Fitting

The Revolver liquidtight grounding fitting is our latest breakthrough in convenience to save time and money on the job while delivering a quality connection.

The grounding lug of the new Revolver connector can be rotated in a full circle for convenient positioning that doesn't change when you tighten it. Plus, it's available for the first time in aluminum. It's the newest innovation in Thomas & Betts' versatile line of Liquidtight Connectors — fittings you can count on for liquidtight and dust-tight connections, because all our products revolve around your needs.

Chase®-Style Fittings

Where space is tight, our Chase fittings enable for compact connections within an enclosure.

Sealing Gaskets

Thomas & Betts sealing gaskets are resistant to oil, coolants and hydraulic fluids as well as water, with a stainless steel retaining clip that ensures a quality seal. They're the ideal match to our Liquidtight connectors for a safe and secure seal.



Liquidtight Flexible Non-Metallic Conduit Fittings

When non-metallic, Type A or EFC conduits are called for, Thomas & Betts' XTRA FLEX® System has our outstanding Bullet fittings and conduits for liquid- and dust-tight connections.

Bullet Fittings

- Feature one-piece construction and a captive O-ring for ease of installation
- Provide a positive seal between the conduit and the connector
- Has tapered thread hub and sealing O-ring for a tight seal to the box or other enclosure

- Are constructed of nonburning, nondripping thermoplastic for high strength chemical resistance
- Feature a smooth insulated body for maximum dielectric strength
- Serrated finger design provides high mechanical pullout strength
- Include a complete range of flexible, non-metallic conduits — including both smooth and corrugated varieties — to complete our XTRA FLEX® System



5331 Series*
5231 AL Series

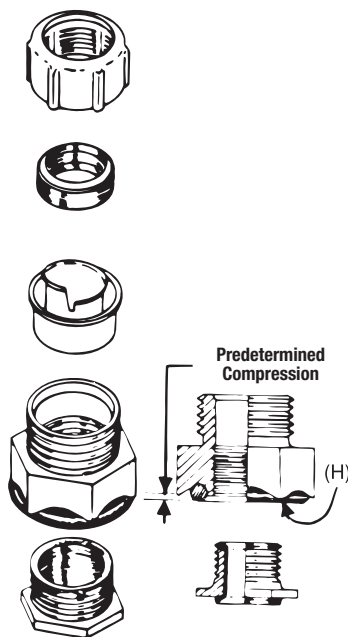


5361 Series



5271 Series

* 5341 Series...
same as 5331, except 45° Connectors
5351 Series...
same as 5331, except 90° Connectors



5361 Series
Chase® Style

Application

- Used where flexible metal raceway is installed in outdoor or indoor locations where exposed to continuous or intermittent moisture
- To positively bond conduit to box or enclosure

Features

- Ability to install quickly with low torque effort
- Ground cone design offers the following advantages:
 - (1) Compresses metallic convolutions; provides high quality ground contact with low impedance and high raceway holding power (A)
 - (2) Single helical thread on ground cone is easy to install without cross thread; accepts variations in raceway diameters and convolution pitch (B)
 - (3) Rolled over edge protects conductors (C)

Sealing Ring Design Features

- (1) Grips and seals at leading and trailing edge — will not abrade raceway jacket (D)
- (2) Provided with grooves on inside diameter for anti-sleeving (E)
- (3) Shoulders on both ends for extra sealing (F)
- (4) Symmetrical shape assures foolproof assembly

- Can be disconnected and reused.

- Watertight/oil tight installation at box or enclosure termination is assured by:

- (1) External taper thread hub on 5331 series and use of sealing gasket 5262 series (G)
- (2) Captivated sealing O-Ring on 5361 series (H)
- (3) Taper tapped hole on 5271 series

- Suitable for use in Class I Division 2, Class II Division 1 and 2 and Class III Division 1 and 2 Hazardous Locations per NEC Section 500

- Suitable as a grounding means per NEC Section 351-9 (up to 1¼" trade size on)

- ½" & 1¼" sizes laboratory tested to carry ground fault current of up to 1,000 amps RMS with duration of fault current 3 cycles

- Conforms with JIC requirements

- Available with imperial, ISO & PG threaded hub

Standard Material

5331-5361-5271 Series

Body, Gland, Locknut & Ground Cones: All steel or malleable iron

Sealing Ring and Insulator: All thermoplastic

Sealing Gasket: Stainless Steel and Santoprene™

5331SST-5331SSTHT Series

304 Stainless Steel insulated

Sealing Ring and Insulator: All thermoplastic

Sealing Gasket: Stainless Steel and Santoprene™

5231 AL Series

All Copper-free Aluminum (non-insulated)

Standard Finish

5331-5361-5271 Series

Electro Zinc Plated with Chromate Coating

5331ST-5331STH Series

Electro Zinc Plated with Chromate Coating

5231 AL Series

Copper-free Aluminum

Range

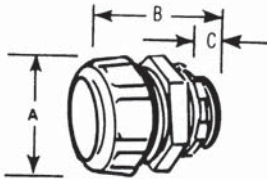
- 5331 Series ¾" through 6"* conduit
- 5341 Series ¾" through 4" conduit
- 5351 Series ¾" through 4" conduit
- 5361 Series ¾" through 4" conduit
- 5271 Series ¾" through 1¼" conduit
- 5331SST Series ¾" through 2" conduit
- 5331SSTHT Series ¾" through 2" conduit
- 5231 AL Series ¾" through 4" conduit

*All hubs provided with taper pipe threads (NPT)

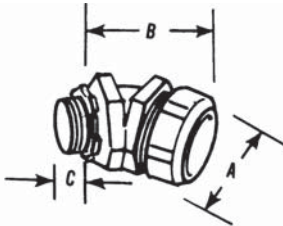
Listings/Compliances

- UL UL File No. E-23018
- CSA LR-2884, LR-4484, LR-9555
- UL 514B
- CSA C22.2 No. 18
- NEMA FB-1
- NFPA 70-1999 (ANSI)
- JIC EGP1
- JIC EMP1
- Federal Specification A-A-50552
- Federal Standard H-28 (Threads)

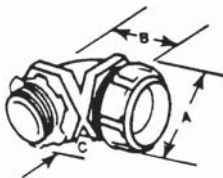
Liquidtight Flexible Metal Conduit Fittings



Steel/malleable iron or aluminum tapered hub threads. With safe-edge ground through 4" cone and double bevel seating ring (through 2").



Malleable iron, tapered hub threads. With safe-edge ground cone and double bevel sealing ring (through 2").



52° and 53™ Series Liquidtight Straight Connectors*



CAT. NO.		CONDUIT SIZE	DIMENSIONS (IN.)		
INSULATED STEEL	NON-INSULATED STEEL		A	B	C
5229†	—	1/4"	27/32	1 3/8	1 5/32
5330†	—	5/16"	63/64	1 3/8	1 5/32
5331†**	5231†	3/8"	1 1/2	1 1/2	9/16
5332†	5232†	1/2"	1 3/8	1 1/8	9/16
5333†	5233†	3/4"	1 21/32	1 5/8	9/16
5334†	5234†	1"	1 7/8	2 1/8	3/4
5335†	5235†	1 1/4"	2 5/8	2 1/2	13/16
5336	5236	1 1/2"	2 23/32	2 1/8	13/16
5337	5237	2"	3 1/4	3 1/8	7/8
5338	5238	2 1/2"	3 3/4	4 1/8	1
5339	5239	3"	4 1/2	4 1/4	1
5340	5240	4"	5 1/2	4 1/2	1 1/8
5385†	5285	5"	8 3/4	7	1 1/8
5386†	—	6"	8 3/4	8 1/2	2

52° and 53™ Series Liquidtight 45° Angle Connectors*

CAT. NO.		CONDUIT SIZE	DIMENSIONS (IN.)		
INSULATED	NON-INSULATED		A	B	C
5341†**	5241†	3/8"	1 1/32	1 1/8	9/16
5342†	5242†	1/2"	1 3/8	1 1/8	9/16
5343†	5243†	3/4"	1 21/32	2 1/8	9/16
5344†	5244†	1"	1 7/8	2 1/4	3/4
5345†	5245†	1 3/8"	2 3/32	2 3/4	13/16
5346	5246	1 1/2"	2 29/32	3 3/8	13/16
5347	5247	2"	3 1/4	3 3/8	7/8
5348	5248	2 1/2"	3 3/4	4 1/4	1
5349	5249	3"	4 1/2	4 1/4	1
5350	5250	4"	5 1/2	4 5/8	1 1/8

52° and 53™ Series Liquidtight 90° Angle Connectors



CAT. NO.		HUB SIZE	CONDUIT SIZE	DIMENSIONS (IN.)		
INSULATED	NON-INSULATED			A	B	C
5351	5251	1/2"	3/8"	1 1/32	1 3/8	9/16
5352	5252	1/2"	1/2"	1 3/8	1 1/8	9/16
5353	5253	3/4"	3/8"	1 21/32	1 1/4	9/16
5354	5254	1"	1"	1 7/8	2 1/8	3/4
5355	5255	1 1/4"	1 1/4"	2 3/32	2 1/4	13/16
5356	5256	1 1/2"	1 1/2"	2 23/32	2 15/16	13/16
5357	5257	2"	2"	3 1/4	3 1/8	7/8
5358	5258	2 1/2"	2 1/2"	3 3/4	8 1/8	1
5359	5259	3"	3"	4 1/2	10 1/4	1
5360	5260	4"	4"	5 1/2	12 5/8	1 1/8

* Suitable for hazardous locations use in Class I, Div. 2; Class II, Div. 1 and 2; Class III, Div. 1 and 2, where general purpose equipment is specifically permitted per NEC Section 500-2(a).

** 3/8" Conduit Fitting has 1/2" hub.

† UL Listed as grounding means under NEC 351-7.

‡ Not UL Listed.

Note: UL Listed liquidtight; and CSA Certified watertight. Available with DURA-PLATE® Finish. UL File No. E-23018 CSA File No. 2884

Blue is a trademark color of Thomas & Betts.

For wire mesh grips refer to page A-114.

52® Series High-Temperature Flexible Metal Liquidtight Fittings

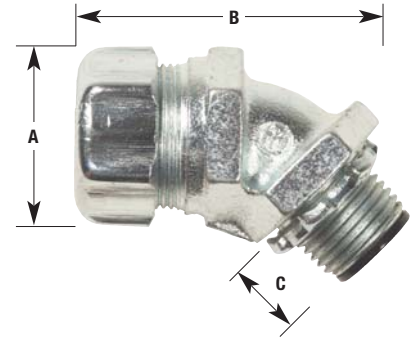
Where liquidtight flexible metal fittings are required in high-temperature environments up to 150° C:

T&B Fittings



T&B HT-Series Liquidtight Fittings are available straight, 45° and 90°.

- The fitting shall have a steel ground cone to:
 - provide high quality ground contact
 - single helical thread for easy installation into conduit
 - rolled over edge to protect conductors
- The fitting shall have a plastic sealing ring to:
 - grip and seal at leading and trailing edge (double bevel up to 2") of conduit jacket
 - provide a watertight/oiltight seal
- The fittings shall be capable to terminate the conduit in either a threaded or threadless opening
- For applications where termination into a threaded opening is required, the fitting shall have external tapered NPT threads
- Fittings shall conform to UL 514B
- Accepted Manufacturers: Thomas & Betts — 5331-HT straight series, 5341-HT 45° series, 5351-HT 90° series; 5262 sealing ring series
- Fitting's body, gland, locknut and ground cone shall be constructed from steel or malleable iron, electro-zinc plated and chromate coated for corrosion protection
- Fitting's sealing ring and throat insulator will be molded from high-temperature nylon, suitable for temperatures up to 150° C and a minimum UL flammability rating of UL94-V2
- The fitting shall be constructed to accept high temperature flexible metal liquidtight conduit rated to 150° C
- The fitting shall have a plastic throat insulator to protect conductors



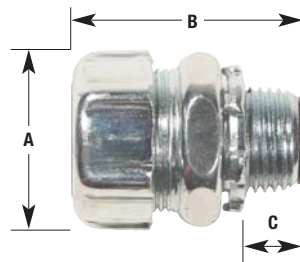
45° Liquidtight Fittings — HT

CAT. NO.	CONDUIT SIZE	DIMENSIONS		
		A	B	C
5341-HT	3/8"	1 1/2"	1 1/8"	9/16"
5342-HT	1/2"	1 3/8"	7/8"	9/16"
5343-HT	3/4"	1 3/2"	2 1/8"	9/16"
5344-HT	1"	1 1/2"	2 1/4"	3/4"
5345-HT	1 1/4"	2 3/2"	2 3/4"	13/16"
5346-HT	1 1/2"	2 2/2"	2 3/8"	13/16"
5347-HT	2"	3 1/4"	3 3/8"	7/8"



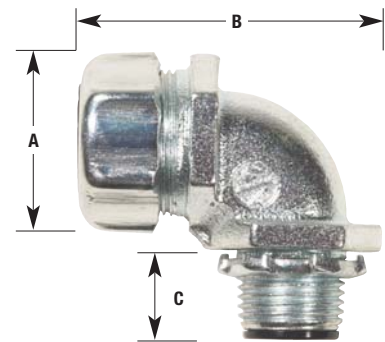
ATX Flexible Liquidtight Conduit

CAT NO.	CONDUIT SIZE	LENGTH (FT.)	INSIDE BEND RADIUS (IN.)
ATX038-TB	3/8"	100	1.5
ATX050-TB	1/2"	100	2.0
ATX075-TB	3/4"	100	2.5
ATX100-TB	1"	100	3.0
ATX125-TB	1 1/4"	50	3.5
ATX150-TB	1 1/2"	50	4.5
ATX200-TB	2"	50	5.5
ATX250-TB	2 1/2"	25	8.0
ATX300-TB	3"	25	10.0
ATX400-TB	4"	25	12.0



Straight Liquidtight Fittings — HT

CAT. NO.	CONDUIT SIZE	DIMENSIONS		
		A	B	C
5331-HT	3/8"	1 1/2"	1 1/2"	9/16"
5332-HT	1/2"	1 3/8"	1 1/8"	9/16"
5333-HT	3/4"	1 3/2"	1 5/8"	9/16"
5334-HT	1"	1 1/2"	2 1/16"	3/4"
5335-HT	1 1/4"	2 3/2"	2 1/2"	13/16"
5336-HT	1 1/2"	2 2/2"	2 11/16"	13/16"
5337-HT	2"	3 1/4"	3 1/16"	7/8"
5338-HT	2 1/2"	3 3/4"	4 1/8"	1"
5339-HT	3"	4 1/2"	4 1/4"	1"
5340-HT	4"	5 1/2"	4 1/2"	1 1/8"



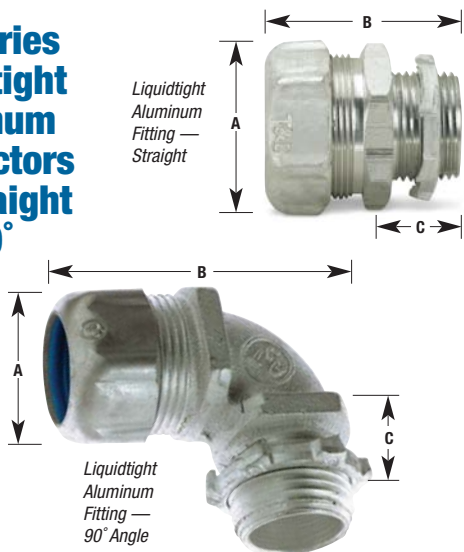
90° Liquidtight Fittings — HT

CAT. NO.	CONDUIT SIZE	DIMENSIONS		
		A	B	C
5351-HT	3/8"	1 5/2"	1 3/8"	9/16"
5352-HT	1/2"	1 3/2"	1 1/8"	9/16"
5353-HT	3/4"	1 3/2"	1 3/4"	9/16"
5354-HT	1"	1 7/8"	2 1/16"	3/4"
5355-HT	1 1/4"	2 2/2"	2 3/4"	13/16"
5356-HT	1 1/2"	2 2/2"	2 3/16"	13/16"
5357-HT	2"	3 1/4"	3 1/16"	7/8"

Liquidtight Flexible Metal Conduit Fittings

High-quality, corrosion-resistant, liquidtight termination for LTA flexible aluminum conduit.

52® Series Liquidtight Aluminum Connectors — Straight and 90°



Specifications

Standard Material

- Body, Gland, Locknut Aluminum
- Sealing Ring Thermoplastic

Standard Finish

- Body, Gland, Locknut . . . Zinc Plating with Clear Chromate Ground Cones



CAT. NO.	CONDUIT SIZE (IN.)	DIMENSIONS (IN.)		
		A	B	C
Straight				
5231AL	3/8	1 1/2	1 1/2	9/16
5232AL	1/2	1 1/2	1 1/2	9/16
5233AL	3/4	1 7/8	1 1/2	9/16
5234AL	1	1 1/2	2 1/8	3/4
5235AL	1 1/4	2 1/2	2 1/2	13/16
5236AL	1 1/2	2 3/4	2 1/8	13/16
5237AL	2	3 1/4	3 1/8	7/8
5238AL	2 1/2	3 3/4	4 1/4	1
5239AL	3	4 1/2	4 1/4	1
5240AL		5 1/2	4 1/2	1 1/8
90° Angle				
5251AL	3/8	1 1/2	1 1/2	9/16
5252AL	1/2	1 1/2	1 1/2	9/16
5253AL	3/4	1 7/8	1 1/2	9/16
5254AL	1	1 1/2	2 1/8	3/4
5255AL	1 1/4	2 1/2	2 1/8	13/16
5256AL	1 1/2	2 3/4	2 1/8	13/16
5257AL	2	3 1/4	3 1/8	7/8



Designed to resist corrosion.

LTA Flexible Aluminum Conduit

Use T&B LTA Flexible Aluminum Conduit with T&B Aluminum Liquidtight Fittings in corrosive environments or where weight is a major consideration — such as oil platforms, saltwater applications, pulp and paper, refineries, wastewater and food processing.

Specifications

- Construction: Utilizes the flexibility of a lightweight aluminum core, coupled with the advantage of a PVC jacket that is virtually unaffected by sunlight, acid and oil. WEEE and RoHS compliant
- Application: Used in situations where concerns of excessive weight and corrosion exist
- Standard Color: Machine tool gray
- Working Temperature: -20° C to +80° C
- Standard Materials/Finish: Conduit Core — Aluminum; Outer Jacket — PVC

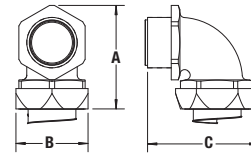
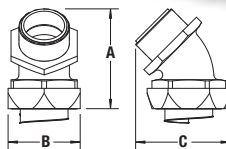
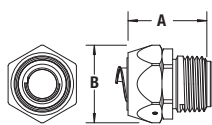
CAT. NO.	CONDUIT SIZE (IN.)	LENGTH (FT.)	INSIDE BEND RADIUS (IN.)	WT. (LBS.)/ 100 FT.	WT. (LBS.)/ 50 FT.
LTA50-100	1/2	100	2.5	15	—
LTA75-100	3/4	100	3.0	20	—
LTA100-100	1	100	4.0	29	—
LTA125-50	1 1/4	50	4.5	—	20
LTA150-50	1 1/2	50	5.5	—	28
LTA200-50	2	50	7.0	—	36.5
LTA250-25	2 1/2	25	9.5	188	—
LTA300-25	3	25	11.5	244	—
LTA400-25	4	25	14	332	—

The strength of steel — with superior corrosion-resistance!

Stainless Steel Liquidtight Conduit Connectors

Until now, there's been no ideal conduit fitting solution for use in heavily corrosive environments. Traditional metallic fittings corrode and require frequent replacement. Non-metallic fittings offer less strength, lower UV-resistance and don't stand up well in extreme temperatures. T&B® Stainless Steel Liquidtight Conduit Connectors are constructed of 304 stainless steel to resist corrosion while offering high strength, high UV-resistance and high endurance. Choose among a full range of fittings in straight, 45°, and 90° angled configurations for 3/8" to 2" conduit sizes. Look for the distinctive blue insulator and sealing ring for assurance of T&B quality.

- Ideal for industrial MRO and OEM applications in food and beverage, pharmaceutical, petrochemical, wastewater, salt water and other corrosive environments
- Connects metallic-cored liquidtight conduit to a box or enclosure
- Type 304 stainless steel body and gland-nut resist corrosion far better than other metallic fittings
- Stronger and more UV-resistant than non-metallic fittings
- Ground cones are available in 1 1/4", 1 1/2" and 2" sizes and are brass/nickel plated
- Available in straight, 45° and 90° angled configurations to fit conduit from 3/8" to 2"
- UL Listed Ratings: 3, 3R, 4, 4X
- Standard version (SST Series) rated for temperatures up to 105° C (221° F)
- Now available in a new high-temperature version (SSTHT Series) for applications up to 150° C (302° F)



Stainless Steel Liquidtight Conduit Connectors — 105° C Max.



CAT. NO.	CONDUIT SIZE (IN.)	DIMENSIONS (IN.)			STD. PKG. QTY.	CAT. NO.	CONDUIT SIZE (IN.)	DIMENSIONS (IN.)			STD. PKG. QTY.	CAT. NO.	CONDUIT SIZE (IN.)	DIMENSIONS (IN.)			STD. PKG. QTY.
		A	B	C				A	B	C				A	B	C	
<i>Straight</i>																	
5331SST	3/8	1.36	1.02	—	25	5341SST	3/8	1.84	1.02	1.43	25	5351SST	3/8	1.95	1.02	1.84	25
5332SST	1/2	1.36	1.18	—	25	5342SST	1/2	1.62	1.18	2.04	25	5352SST	1/2	2.12	1.18	2.07	25
5333SST	3/4	1.39	1.37	—	25	5343SST	3/4	2.32	1.37	1.93	10	5353SST	3/4	2.47	1.37	2.44	10
5334SST	1	1.56	1.77	—	5	5344SST	1	2.86	1.77	2.37	5	5354SST	1	2.98	1.77	2.90	5
5335SST	1 1/4	1.72	2.12	—	20	5345SST	1 1/4	3.33	2.12	2.80	5	5355SST	1 1/4	3.53	2.12	3.36	5
5336SST	1 1/2	2.02	2.48	—	5	5346SST	1 1/2	3.94	2.48	3.39	2	5356SST	1 1/2	4.16	2.48	3.88	2
5337SST	2	2.34	3.04	—	2	5347SST	2	4.73	3.04	4.23	1	5357SST	2	8.60	3.04	4.69	1
<i>45° Angled</i>																	
<i>90° Angled</i>																	

Blue is a trademark color of Thomas & Betts.

Stainless Steel High-Temperature Liquidtight Conduit Connectors — 150° C Max.



CAT. NO.	CONDUIT SIZE (IN.)	DIMENSIONS (IN.)			STD. PKG. QTY.	CAT. NO.	CONDUIT SIZE (IN.)	DIMENSIONS (IN.)			STD. PKG. QTY.	CAT. NO.	CONDUIT SIZE (IN.)	DIMENSIONS (IN.)			STD. PKG. QTY.
		A	B	C				A	B	C				A	B	C	
<i>Straight</i>																	
5331SSTHT	3/8	1.36	1.02	—	25	5341SSTHT	3/8	1.84	1.02	1.43	25	5351SSTHT	3/8	1.95	1.02	1.84	25
5332SSTHT	1/2	1.36	1.18	—	25	5342SSTHT	1/2	1.62	1.18	2.04	25	5352SSTHT	1/2	2.12	1.18	2.07	25
5333SSTHT	3/4	1.39	1.37	—	25	5343SSTHT	3/4	2.32	1.37	1.93	10	5353SSTHT	3/4	2.47	1.37	2.44	10
5334SSTHT	1	1.56	1.77	—	5	5344SSTHT	1	2.86	1.77	2.37	5	5354SSTHT	1	2.98	1.77	2.90	5
5335SSTHT	1 1/4	1.72	2.12	—	20	5345SSTHT	1 1/4	3.33	2.12	2.80	5	5355SSTHT	1 1/4	3.53	2.12	3.36	5
5336SSTHT	1 1/2	2.02	2.48	—	5	5346SSTHT	1 1/2	3.94	2.48	3.39	2	5356SSTHT	1 1/2	4.16	2.48	3.88	2
5337SSTHT	2	2.34	3.04	—	2	5347SSTHT	2	4.73	3.04	4.23	1	5357SSTHT	2	8.60	3.04	4.69	1
<i>45° Angled</i>																	
<i>90° Angled</i>																	

Blue is a trademark color of Thomas & Betts.

Liquidtight Flexible Metal Conduit Fittings



Sealing material resists oil, coolants and hydraulic fluids as well as water!

Liquidtight Sealing Gasket

The 5262 Series Sealing Gasket includes a stainless steel retaining ring to prevent elongation of the Santoprene® gasket, ensuring a superior seal.

Application

- When used with an externally threaded connector, provides a tight seal against oil, fumes or moisture at the knockout opening

Features

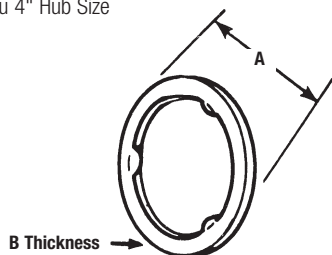
- Design locks resilient sealing material in steel
- Steel retainer protects seal from extruding out under torque and limits compression to an optimum predetermined value; provides high quality seal
- Resilient material flows and seals rough surfaces
- NEMA 3R, 4, 6 and 13

Standard Material

Retainer 316 Stainless Steel
Sealing Material Santoprene®
Thermoplastic Rubber

Range

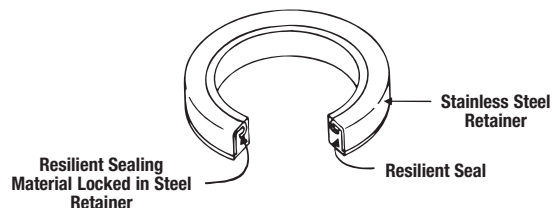
¼" thru 4" Hub Size



For use with T&B Fittings.



5262 Series Sealing Gasket



CAT. NO.	CONDUIT SIZE	DIMENSIONS (IN.)		STD. PKG. QTY.
		A	B	
5299**	¼"	.80	.11	50
5261**	⅜"	.95	.11	50
5262	½"	1.16	.18	50
5263	¾"	1.49	.19	25
5264	1"	1.75	.19	25
5265	1¼"	2.15	.22	5
5266	1½"	2.42	.23	5
5267	2"	2.92	.23	5
5268	2½"	3.44	.23	5
5269	3"	4.08	.23	5
5270	4"	5.29	.31	5

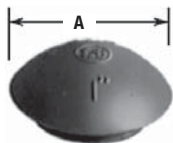
** UL not applicable.

UL File No. E 13938 CSA File No. 2884

Santoprene is a registered trademark of Advanced Elastomer Systems.

Provides a re-usable rain-, dust- and oil-tight seal for unused knockouts!

Liquidtight K.O. Plug



- No need to replace a NEMA 3R, 4, 6 or 13 box when a knockout is no longer used
- No tools needed to install — just push into knockout hole, and plug snaps in
- Made of flame-retardant Neoprene
- Meets UL 514 flammability test and NEMA 3R, 4, 6 and 13 requirements
- Temperature range – 30° C to 105° C

CAT. NO.	SIZE	A
5710	½"	1½"
5711	¾"	1 ½"
5712	1"	1 7/8"
5713	1¼"	2½"
5714	1½"	2 ½"
5715	2"	3½"
5716	2½"	3 21/32"
5717	3"	4 19/64"
5718	4"	5 9/64"

UL Listed raintight.

Meets Coast Guard Regulation CG293.

UL File No. E 13938

CSA File No. 2884

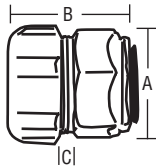


T&B Fittings

T&B® Fittings

Liquidtight Flexible Metal Conduit Fittings

T&B® Fittings



Steel or malleable iron with O-Ring Seal

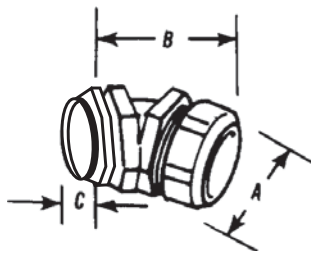
Nylon Insulated CHASE® Connectors



CAT. NO.	CONDUIT SIZE	DIMENSIONS (IN.)		
		A	B	C
5361†	3/8"	1 1/2	1 1/2	1/8
5362†	1/2"	1 1/2	1 1/2	3/16
5363†	3/4"	1 1/2	1 1/2	1/4
5364†	1"	2 1/2	2 1/2	1/4
5365†	1 1/4"	2 1/2	2 1/2	5/16
5366†	1 1/2"	2 1/2	2 1/2	3/8
5367†	2"	3 1/2	3	3/8
5368†	2 1/2"	4 1/2	3 1/2	7/16
5369†	3"	5 1/2	4 1/2	1/2
5370†	4"	5 1/2	4 1/2	1/2

With SAFE-EDGE® ground cone and double bevel sealing ring (through 2").

Nylon Insulated 90° Angle CHASE® Connectors



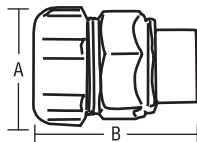
Malleable iron

CAT. NO.	CONDUIT SIZE	DIMENSIONS (IN.)		
		A	B	C
5371†	3/8"	1 1/2	1 1/2	3/16
5372†	1/2"	1 1/2	1 1/2	3/16
5373†	3/4"	1 1/2	1 1/2	9/32
5374†	1"	2 1/2	2 1/2	1 1/2

With SAFE-EDGE® ground cone and double bevel sealing ring.

NOTE: UL Listed Liquidtight; & CSA certified watertight. Suitable for hazardous locations use in Class I, Div. 2; Class II, Div. 1 and 2; Class III, Div. 1 and 2, where general purpose equipment is specifically permitted per NEC Section 500-2(a).

†UL listed as grounding means under NEC 351-7.



Standard Liquidtight Female Hub Adapter



CAT. NO.	CONDUIT SIZE	DIMENSIONS (IN.)	
		A	B
5271†	3/8"	1 1/2	1 1/2
5272†	1/2"	1 1/2	1 1/2
5273†	3/4"	1 1/2	1 1/2
5274†	1"	1 1/2	2 1/2
5275†	1 1/4"	2 1/2	2 1/2
5276†	1 1/2"	2 1/2	2 1/2
5277†	2"	3 1/2	3 1/2

†UL Listed as grounding means under NEC 351-7.

Prevents severe conduit bends and pullout!

Wiremesh Grips for Liquidtight Fittings



CAT. NO.	CONDUIT SIZE	LIQUIDTIGHT CONNECTORS			CHASE	90° CHASE	ADAPTER
		STRAIGHT	45°	90°			
WMG-LT1	3/8"	5331	5341	5351	5361	5371	5271
WMG-LT2	1/2"	5332	5342	5352	5362	5372	5272
WMG-LT3	3/4"	5333	5343	5353	5363	5373	5273
WMG-LT4	1"	5334	5344	5354	5364	5374	5274
WMG-LT5	1 1/4"	5335	5345	5355	5365	—	5275
WMG-LT6	1 1/2"	5336	5346	5356	5366	—	5276
WMG-LT7	2"	5337	5347	5357	5367	—	5277
WMG-LT8	2 1/2"	5338	5348	5358	5368	—	5278
WMG-LT9	3"	5339	5349	5359	5369	—	5279
WMG-LT10	4"	5340	5350	5360	5370	—	5282

Order wiremesh grip separately; no need to duplicate inventory.

UL File No. E23018

CSA File No. 2884 & 4484



External Bonding Liquidtight Flexible Metal Conduit Connectors

Application

- Used where external bonding jumper is required around liquidtight flexible metal conduit
- To positively bond conduit to box or enclosure
- Used where flexible raceway is installed in outdoor or indoors location where exposed to continuous or intermittent moisture

Features

- Designed with provision to install bonding jumper in several positions
- Designed to accept mechanical or compression lug
- Ability to install quickly with low torque effort
 - (1) Compressed metallic convolutions; assures ground contact with low impedance and high raceway holding power (A)
 - (2) Single helical thread on ground cone is easy to install without cross thread; accepts variations in raceway diameters and convolution pitch (B)
 - (3) Rolled over edge protects conductors (C)
- Sealing ring design has following exclusive features:
 - (1) Grips and seals at leading and trailing edge — will not abrade raceway jacket (D)
 - (2) Provided with grooves on inside diameter for anti-sleeving (E)
 - (3) Shoulders on both ends for extra sealing (F)
 - (4) Symmetrical shape ensures foolproof assembly
- Can be disconnected and reuse
- Watertight/oil tight installation at box or enclosure termination is ensured by:
 - (1) External taper thread hub on 5331GR series and use of sealing gasket 5262 series (G)
 - (2) Taper tapped hole on 5271 series
- Suitable for use in Class I Division 2, Class II Division 1 & 2 and Class III Division 1 & 2 Hazardous Locations per NEC Article 500
- Suitable as a bonding means per UL 467 and NEC Article 351-9
- Conforms with JIC requirements

Standard Material

52/53GR Series

Lugs: High conductivity copper (for copper conductor only)

Body, Gland, Locknut & Ground Cones: All steel or malleable iron

Sealing Ring and Insulator: All thermoplastic

Sealing Gasket: Stainless Steel and Santoprene

Strap: Steel

52ALGR Series

Copper-free aluminum

Standard Finish

52/53GR Series

All Electro Zinc Plated and Chromate Coated except lugs

Lugs: Bright Dipped

52ALGR Series

Zinc plating with clear chromate ground cones

Range

5331GR Series (straight connectors with male hub): 3/8" thru 6" conduit

5341GR Series (45°): 3/8" thru 4" conduit

5351GR Series (90°): 3/8" thru 4" conduit

5232ALGR Series: 3/8" thru 1" conduit

All hubs provided with taper pipe threads (NPT)

Listings/Compliances

UL File #E-23018

CSA

UL 467

UL 514B

CSA C22.2 No. 18

CSA22.2 No. 41

NEMA FB-1

NFPA 70

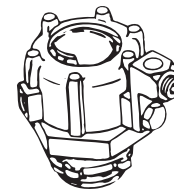
JIC EGP1

JIC EMP1

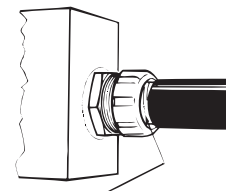
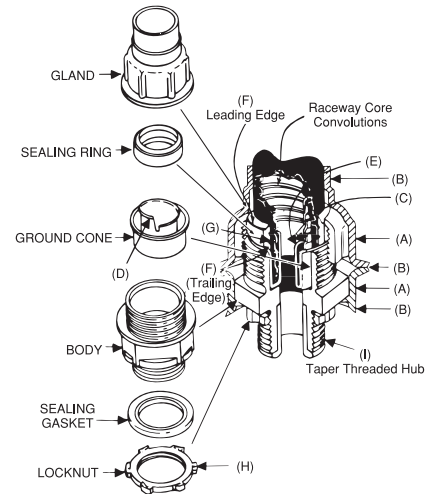
Federal Specification A-A-50552

Federal Standard H-28 (threads)

1 per C.E. Code, this method is not permissible.



Series 5331GR



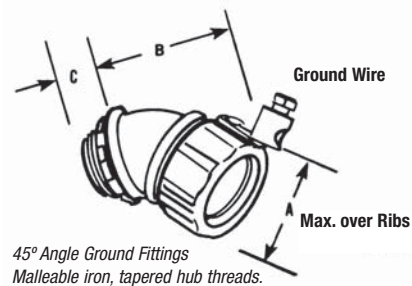
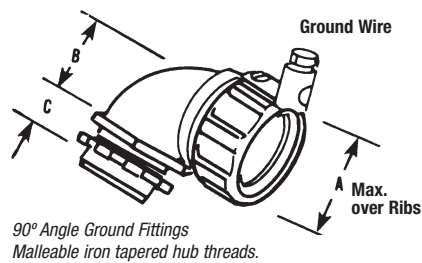
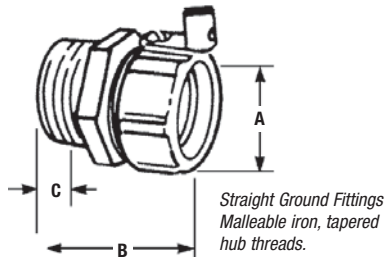
Sleeving

Raceway Jacket pulls off — exposing core and affecting liquidtight termination. Feature (E) on sealing ring helps overcome this problem.

Malleable iron with tapered hub threads!

Grounding Fittings — Straight*, 45° Angle and 90° Angle

T&B Fittings



CAT. NO.			CONDUIT SIZE	DIMENSIONS (IN.)			GROUND WIRE (AWG)
STEEL INSULATED	STEEL NON-INSULATED	ALUMINUM NON-INSULATED		A	B	C	
Straight Grounding Fittings							
5331GR**	5231GR*	5231 ALGR*	3/8"	1 1/2"	1 1/2"	3/16"	14-8
5332GR*	5232GR*	5232ALGR*	1/2"	1"	1 1/16"	3/16"	14-8
5333GR*	5233GR*	5233ALGR*	3/4"	1 1/2"	1"	3/16"	14-4
5334GR*	5234GR*	5234ALGR*	1"	1"	2 1/16"	3/4"	14-4
5335GR	5235GR	—	1 1/4"	2 1/4"	2 1/2"	13/16"	8-1/0
5336GR	5236GR	—	1 1/2"	3 1/4"	2 1/16"	13/16"	4-2/0
5337GR	5237GR	—	2"	3 1/16"	3 3/16"	7/8"	4-2/0
5338GR	5238GR	—	2 1/2"	4 1/16"	4 1/4"	1	2-4/0
5339GR	5239GR	—	3"	5 1/16"	4 1/4"	1	2-4/0
5340GR	5240GR	—	4"	6"	4 1/2"	1 1/8"	2-4/0
5385GR	5285GR	—	5"	8 1/16"	7"	1 1/8"	2-4/0
5386GR	—	—	6"	8 1/2"	8 1/2"	2	2-4/0

CAT. NO.			CONDUIT SIZE	DIMENSIONS (IN.)			GROUND WIRE (AWG)
INSULATED	NON-INSULATED	ALUMINUM NON-INSULATED		A	B	C	
90° Angle Grounding Fittings							
5351GR**	5251GR**	5251ALGR*	3/8"	1 1/2"	1 1/4"	3/16"	14-8
5352GR*	5252GR*	5252ALGR*	1/2"	1"	1 1/16"	3/16"	14-8
5353GR*	5253GR*	5253ALGR*	3/4"	1 1/2"	1 13/16"	3/16"	14-4
5354GR*	5254GR*	5254ALGR*	1"	1"	2 1/16"	3/4"	14-4
5355GR*	5255GR	—	1 1/4"	2 1/4"	2 1/2"	13/16"	8-1/0
5356GR	5256GR	—	1 1/2"	3 1/4"	2 15/16"	13/16"	4-2/0
5357GR	5257GR	—	2"	3 13/16"	3 3/8"	7/8"	4-2/0
5358GR	5258GR	—	2 1/2"	4 1/16"	8 1/8"	1	2-4/0
5359GR	5259GR	—	3"	5 1/16"	10 1/4"	1	2-4/0
5360GR	5260GR	—	4"	6"	12 1/2"	1 1/8"	2-4/0

CAT. NO.			CONDUIT SIZE	DIMENSIONS (IN.)			GROUND WIRE (AWG)
INSULATED	NON-INSULATED	ALUMINUM NON-INSULATED		A	B	C	
45° Angle Grounding Fittings							
5341GR**	5241GR**	—	3/8"	1 1/2"	1 1/16"	3/16"	14-8
5342GR*	5242GR*	—	1/2"	1"	1"	3/16"	14-8
5343GR*	5243GR*	—	3/4"	1 1/2"	2"	3/16"	14-4
5344GR*	5244GR*	—	1"	1"	2 1/4"	3/4"	14-4
5345GR	5245GR	—	1 1/4"	2 1/4"	2 1/4"	13/16"	8-1/0
5346GR	5246GR	—	1 1/2"	3 1/4"	3 3/8"	13/16"	4-2/0
5347GR	5247GR	—	2"	3 13/16"	3 3/8"	7/8"	4-2/0
5348GR	5248GR	—	2 1/2"	4 1/16"	4 1/4"	1	2-4/0
5349GR	5249GR	—	3"	5 1/16"	4 1/4"	1	2-4/0
5350GR	5250GR	—	4"	6"	4 5/8"	1 1/8"	2-4/0

** 3/8" conduit fittings have 1/2" trade size hub. With safe-edge ground cone (through 4") and double bevel sealing ring (through 2").

UL Listed liquidtight; and CSA Certified watertight. Suitable for hazardous locations use in Class I, Div. 2; Class II, Div. 1 and 2; Class III, Div. 1 and 2, where general purpose equipment is specifically permitted per NEC Section 500-2(a). Available with DURA-PLATE® Finish. UL File No. E 3060 CSA File No. 638

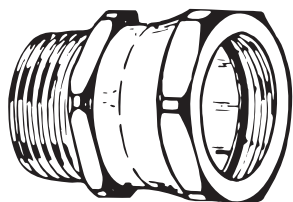
*NOTE: 3/8"-1" fittings include Revolver® grounding device. For sizes 1 1/4" and up, fittings are supplied with a copper mechanical lug.

Liquidtight Flexible Metal Conduit Fittings

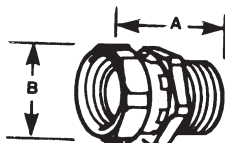
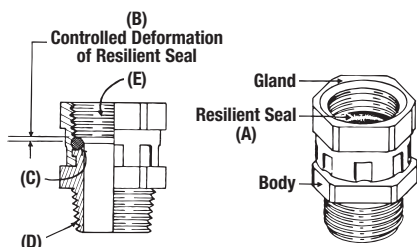


T&B Fittings

Liquidtight Union for Threaded Hub



41 Series



Steel, zinc plated and chromated. Ideal for angle fittings where swing clearance is not available.

Application

- To couple threaded end of a fitting or a pipe to a tapped opening in a box or enclosure where rotation of fitting or pipe is limited or restricted

Features

- Design provides high quality bond between fitting or pipe to the union
- Provided with resilient seal (A)
- Resilient seal subjected to controlled deformation; positive seal and reusability are ensured (B)
- Unique design centralizes throat openings of threaded hub and union (C)
- Provided with taper threaded hub for liquidtight assembly (D)
- Straight pipe threads on gland accept a straight or taper threaded hub on fitting or pipe to be coupled (E)
- Suitable for hazardous location use per NEC Article 501 Class I, Division 2, Article 502 Class II, Division 1 & 2 and Article III Division 1 & 2

Standard Material/Finish

Gland Steel/Electro Zinc Chromate Coated
 Body Steel/Electro Zinc Chromate Coated
 O-Ring Buna N/As Molded

Range

Hub (External Thread) 1/2" & 3/4" NPT
 Gland (Internal Threads) 1/2" & 3/4" NPS

Listings/Compliances

UL UL File No. E-23018
 CSA LR-2884, LR-4484
 UL 514B
 CSA C22.2 No. 18
 NEMA FB1
 NFPA 70
 Federal Standard A-A-50553
 Federal Standard A-A-50552
 Federal Standard H-28 (Threads)

NOTE: For additional product information refer to Thomas & Betts publication 600.1



CAT. NO.	CONDUIT SIZE	A	B
41-TB	1/2"	1 23/64"	1"
42-TB	3/4"	1 15/16"	1 1/4"

Fittings for liquidtight flexible metal conduit with metric threads of ISO form (BS-4568-SA BS 162).

ISO Metric Thread Liquidtight Fittings*



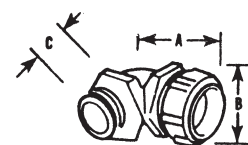
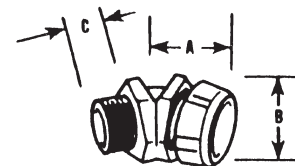
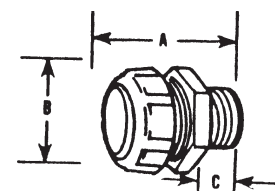
CAT. NO.	FLEXIBLE CONDUIT SIZE	METRIC ISO THREAD	A MM	B MM	C MM
Nylon insulated straight connectors					
9330	1/4"	16	36	21	12
9331	3/8"	20	36	21	12
9306	5/16"	16	36	26	12
9360	3/8"	16	40	29	16
9361	3/8"	20	40	29	16
9362	1/2"	20	42	35	16
9363	3/4"	25	45	42	16
9364	1"	32	54	47	23
Nylon insulated 45° angle connectors					
9340	3/8"	16	27	29	16
9341	3/8"	20	27	29	16
9342	1/2"	20	27	35	16
9343TB	3/4"	25	31	42	16
9344	1"	32	34	47	23

CAT. NO.	FLEXIBLE CONDUIT SIZE	METRIC ISO THREAD	A MM	B MM	C MM
Nylon insulated 90° angle connectors					
9350	3/8"	16	35	29	16
9351	3/8"	20	35	29	16
9352TB	1/2"	20	39	35	16
9353TB	3/4"	25	43	42	16
9354TB	1"	32	48	47	23

U.L. Listed Liquidtight. CSA certified watertight.

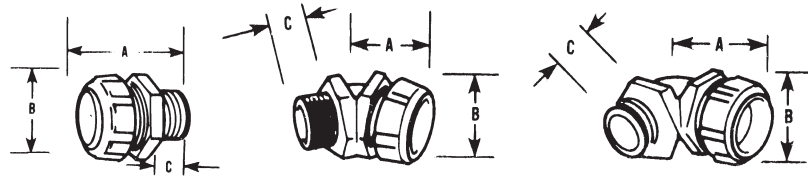
* All items shown on this page are suitable for use in hazardous location where general purpose equipment is specifically permitted by the NEC; Class I Div. 2, Class II, Div. 1 & 2; Class III, Div. 1 & 2, NEC 501-4(b); 502-4(a)(b); 503-3(a)(b).

U.L. File No. E 23018. CSA File No. 2884



Fittings for liquidtight flexible metal conduit with metric threads of PG form (DIN 40430).

PG Metric Thread Liquidtight Fittings*



Fittings for Liquidtight flexible metal conduit with metric threads of PG Form (DIN 40430).

CAT. NO.	FLEXIBLE CONDUIT SIZE	METRIC PG THREAD	A MM	B MM	C MM
Nylon insulated straight connectors					
7330	¼"	9	36	21	12
7360	⅝"	9	36	26	12
7361	¾"	11	40	29	14
7362	¾"	13.5	40	29	14
7363	1½"	16	41	35	14
7364	¾"	21	43	42	14
7365	1"	29	56	47	19
7366	1½"	36	67	58	21
7367	1½"	42	72	69	21
7368	2"	48	81	83	21

*All items shown on this page are suitable for use in hazardous location where general purpose equipment is specifically permitted by the NEC; Class I Div. 2, Class II, Div. 1 & 2; Class III, Div. 1 & 2, NEC 501-4(b); 502-4(a)(b); 503-3(a)(b).

†UL Listed as grounding means under NEC 351-7.

UL Listed liquidtight. CSA Certified watertight.

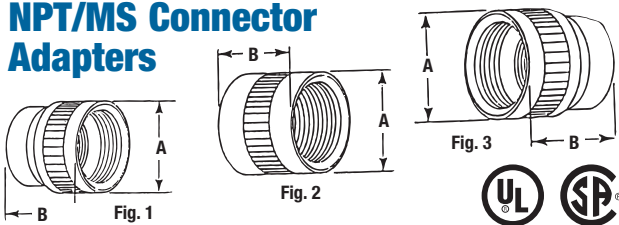
UL File No. E-23018

CSA File No. 2884

CAT. NO.	FLEXIBLE CONDUIT SIZE	METRIC PG THREAD	A MM	B MM	C MM
Nylon insulated 45° angle connectors					
7341	¾"	11	27	29	14
7342	¾"	13.5	27	29	14
7343	¾"	16	30	35	14
7344-TB	¾"	21	34	42	14
7345	1"	29	44	47	19
7346	1¼"	36	51	58	19
7347	1½"	42	60	69	21
7348-TB	2"	48	73	76	24
Nylon insulated 90° angle connectors					
7351	¾"	11	37	29	14
7352	¾"	13.5	37	29	14
7353	¾"	16	40	35	14
7354	¾"	21	44	42	14
7355	1"	29	56	47	21
7356	1¼"	36	70	58	21
7357	1½"	42	75	69	21
7358	2"	48	87	83	24

Aluminum mechanical adapter with internal threads to mate with NPT threaded fittings and MS type connectors.

NPT/MS Connector Adapters

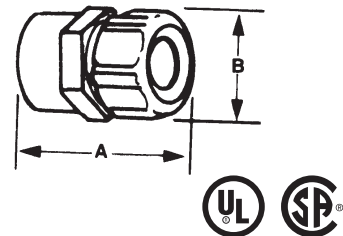


CAT. NO.	N.P.T. THREAD	AN-MS CONNECTOR SHELL SIZE	THREAD SIZE	STD. PKG.	DIMENSIONS (IN.)		
					A	FIG.	B
MSA05014	½"	14, 14S	¾"-20 UNEF-2B	10	1.000	1	1.175
MSA05016	½"	16, 16S	¾"-20 UNEF-2B	10	1.000	2	1.175
MSA05018	½"	18	1"-20 UNEF-2B	10	1.125	3	1.175
MSA07516	¾"	16, 16S	¾"-20 UNEF-2B	10	1.250	1	1.356
MSA07518	¾"	18	1"-20 UNEF-2B	10	1.250	1	1.300
MSA07520	¾"	20, 22	1⅝"-18 UNEF-2B	10	1.375	3	1.300
MSA10020	1"	20, 22	1⅝"-18 UNEF-2B	10	1.500	1	1.431
MSA10024	1"	24, 28	1⅝"-18 UNEF-2B	10	1.625	3	1.313
MSA10032	1"	32	1¾"-18 UNS-2B	10	2.000	3	1.576
MSA10036	1"	36	2"-18 UNS-2B	10	2.250	3	1.738

All items shown on this page are suitable for use in hazardous location where general purpose equipment is specifically permitted by the NEC; Class I Div. 2; Class II, Div. 1 & 2; Class III, Div. 1 & 2, NEC 501-4(b); 502-4(a)(b); 503-3(a)(b).

Steel T&B Liquidtight flexible metal and non-metallic fittings with internal threads to accept AN-MS connector shells.

Liquidtight Flexible Metal/MS Connectors



CAT. NO.	TRADE SIZE	AN-MS CONN. SHELL SIZE	INTERNAL THREAD		DIMENSIONS (IN.)	
			THREAD SIZE	THREAD SIZE	A	B
LTA03810	¾"	10SL, 12, 12S	¾"-24 UNEF-2B	¾"-24 UNEF-2B	1½"	1
LTA05014	½"	14, 14S	¾"-20 UNEF-2B	¾"-20 UNEF-2B	1⅝"	1¼"
LTA05016	½"	16, 16S	¾"-20 UNEF-2B	¾"-20 UNEF-2B	1⅝"	1¼"
LTA05018	½"	18	1"-20 UNEF-2B	1"-20 UNEF-2B	1⅝"	1¼"
LTA07520	¾"	20, 22	1⅝"-18 UNEF-2B	1⅝"-18 UNEF-2B	1⅝"	1½"
LTA10020	1"	20, 22	1⅝"-18 UNEF-2B	1⅝"-18 UNEF-2B	1¾"	1⅝"
LTA10024	1"	25, 28	1⅝"-18 UNEF-2B	1⅝"-18 UNEF-2B	1¾"	1⅝"

U.L. File No. E 23018

CSA File No. 2884

Liquidtight Flexible Metal Conduit Fittings



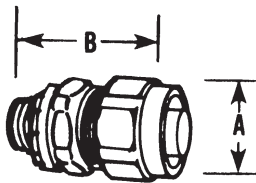
Provides a positive seal against water, oil and dust!

Steel Liquidtight Connectors for Type A Non-Metallic Flexible Conduit

- Steel or malleable iron construction with nylon-insulated throat
- Santoprene® sealing gasket with Type 316 stainless steel retaining ring
- NPT hub threads seal in female threads
- Offers high mechanical pull-out strength
- Supplied with sealing ring and steel locknut
- Available in straight, 45° and 90° in hub sizes from 3/8" to 2"



T&B Fittings



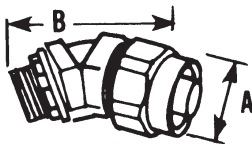
Straight Steel Liquidtight Connectors for Type A Conduit

CAT. NO.	CONDUIT SIZE	HUB THREAD	DIMENSIONS (IN.)	
			A	B
3720-TB*	3/8"	1/2 - 14 NPT	1 1/2	2
3721-TB	1/2"	1/2 - 14 NPT	1 3/4	2 1/2
3722-TB	3/4"	3/4 - 14 NPT	1 3/4	2 1/4
3723	1"	1 - 11 1/2 NPT	1 3/4	2 1/2
3724-TB	1 1/4"	1 1/4 - 11 1/2 NPT	2 3/4	2
3725	1 1/2"	1 1/2 - 11 1/2 NPT	2 3/4	3 3/4
3726	2"	2 - 11 1/2 NPT	3 1/2	3 3/4

* Not UL Listed

UL File No. E 23018

45° Angled Steel Liquidtight Connectors for Type A Conduit

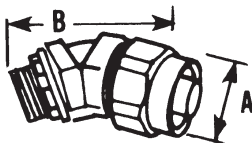


CAT. NO.	CONDUIT SIZE	HUB THREAD	DIMENSIONS (IN.)	
			A	B
3730-TB*	3/8"	1/2 - 14 NPT	1 5/8	2 13/32
3731-TB	1/2"	1/2 - 14 NPT	1 3/4	2 5/16
3732	3/4"	3/4 - 14 NPT	1 3/4	3
3733-TB	1"	1 - 11 1/2 NPT	1 3/4	3 1/2
3734-TB	1 1/4"	1 1/4 - 11 1/2 NPT	2 3/4	4 3/8
3735-TB	1 1/2"	1 1/2 - 11 1/2 NPT	2 3/4	4 3/4
3736	2"	2 - 11 1/2 NPT	3 1/2	5 1/2

* Not UL Listed

UL File No. E 23018

90° Angled Steel Liquidtight Connectors for Type A Conduit



CAT. NO.	CONDUIT SIZE	HUB THREAD	DIMENSIONS (IN.)	
			A	B
3740*	3/8"	1/2 - 14 NPT	1 5/8	1 3/4
3741	1/2"	1/2 - 14 NPT	1 3/4	1 3/4
3742	3/4"	3/4 - 14 NPT	1 3/4	2 1/4
3743-TB	1"	1 - 11 1/2 NPT	1 3/4	2 5/16
3744-TB	1 1/4"	1 1/4 - 11 1/2 NPT	2 3/4	3 1/4
3745	1 1/2"	1 1/2 - 11 1/2 NPT	2 3/4	3 1/2
3746-TB	2"	2 - 11 1/2 NPT	2 7/8	4 3/4

* Not UL Listed

UL File No. E 23018

Santoprene is a registered trademark of Advanced Elastomer Systems.

Fittings for Liquidtight Flexible Non-Metallic Conduit Type A

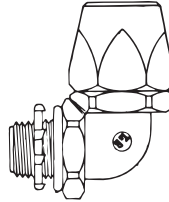
Series 6302

Connectors for
Liquidtight Flexible
Non-Metallic
Conduit —
Straight Thermoplastic



Series 6322

Connectors for
Liquidtight Flexible
Non-Metallic
Conduit —
90° Thermoplastic



Series 6302SST

Connectors for
Liquidtight Flexible
Non-Metallic
Conduit —
Straight Stainless Steel



Application

- To provide a liquidtight, dust-tight connection between flexible, non-metallic conduit and a box or an enclosure

Features

- Serrated design provides high mechanical pull-out strength
- Unique component parts (body/gland) design ensures positive seal between conduit and connector
- Tapered thread hub and furnished Neoprene sealing O-ring provide a liquidtight, dust-tight seal to a box or enclosure
- Smooth insulated body throughout for maximum dielectric strength
- Captive O-ring and reduced number of parts save installation time

Standard Material

- Body Thermoplastic or 304 Stainless Steel
- Gland Thermoplastic or 304 Stainless Steel
- O-Ring Neoprene (6302/6322)
- Sealing Gasket 316 Stainless Steel and Santoprene® Thermoplastic Rubber (6302SST)
- Locknut Case-Hardened Steel (6302/6322) or 304 Stainless Steel (6302SST)

Standard Finish

- Body, Gland & O-Ring As Molded
- Locknut Electro Zinc (6302/6322)

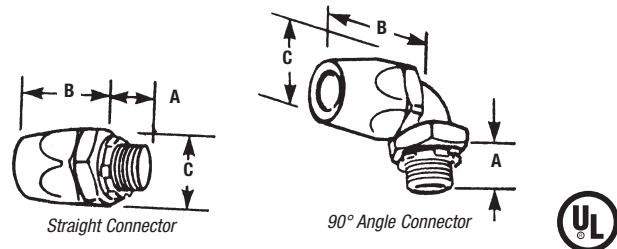
Range

- Conduit Size ½" thru 1¼"
 - Hub Size ½" thru 1¼" NPT
- Santoprene is a registered trademark of Advanced Elastomer Systems.

Designed for Type A all-plastic raceways used in dynamic machine tool applications.

Thermoplastic Fittings for Liquidtight Flexible Non-Metallic Conduit Type A

- High-strength thermoplastic construction — even tougher than the raceway itself!
- Chemical-resistant — ideal for corrosive environments
- Non-burning, non-dripping thermoplastic material



CAT. NO.	CONDUIT SIZE	DIMENSIONS (IN.)		
		A	B	C
Straight Connector				
6302	½"	.60"	1.68"	1.48"
6303	¾"	.61"	1.85"	1.76"
6304	1"	.77"	1.89"	2.10"
6305	1¼"	.79"	2.30"	2.67"
90° Angle Connector				
6322	½"	.60"	1.56"	1.48"
6323	¾"	.61"	1.74"	1.76"
6324	1"	.77"	1.78"	2.10"
6325	1¼"	.79"	2.13"	2.67"

Meets Coast Guard CG293

UL File No. E 23018

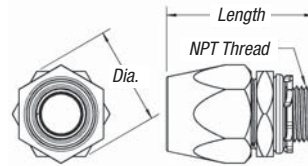
Liquidtight Flexible Metal Conduit Fittings



Stainless steel construction for unbeatable strength and corrosion resistance!

Stainless Steel Fittings for Liquidtight Flexible Non-Metallic Conduit Type A

- Type 304 stainless steel body, gland and locknut
- Supplied with Series 5262 Sealing Gasket (see p. A-113)
- UL Listed and CSA Certified for use with Type A conduit only



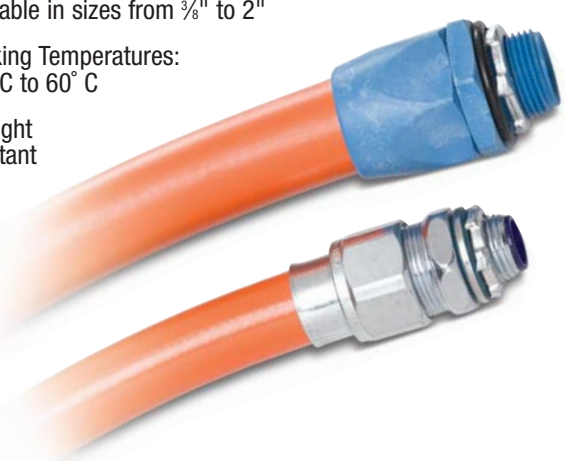
CAT. NO.	CONDUIT SIZE	DIA. (IN.)	LENGTH (IN.)
Straight Connector			
6302SST	1/2"	1.43	2.10
6303SST	3/4"	1.72	2.55
6304SST	1"	2.00	2.60
6305SST	1 1/4"	2.88	3.10

UL File No. E 23018

Ideally suited for continuous flexing applications or vibration.

Type A Non-Metallic Flexible Conduit

- No metal core to fatigue from flexing or vibration
- Smooth, seamless inner core of flexible PVC that is bonded to a covering of flexible PVC. Between these layers is a woven nylon mesh molded for reinforcement
- Available in sizes from 3/8" to 2"
- Working Temperatures: -20° C to 60° C
- Sunlight resistant
- UL Listed (conforms to UL Standard ANSI/UL 1660 Type A) UL file: E95745
- CSA Certified (conforms to CSA 22.2 No. 227.2 Type A)
- Meets NEC® Article 351, Part B (ANSI/NFPA-70) for flexible, liquidtight non-metallic conduit



CAT. NO.	SIZE	STD. PKG. QTY.
Type A Flexible, Non-Metallic Conduit		
TYPEA38-250	3/8"	250 ft.
TYPEA50-200	1/2"	200 ft.
TYPEA75-175	3/4"	175 ft.
TYPEA100-100	1"	100 ft.
TYPEA125-100	1 1/4"	100 ft.
TYPEA150-50	1 1/2"	50 ft.
TYPEA200-50	2"	50 ft.

A fast, flexible and watertight system of protection for electrical cables!

Shureflex™ Nylon Conduit

- Made from Polyamide 6 (PA6) or Polyamide 12 (PA12)
- Halogen, phosphor and cadmium free
- Available in Standard Grade (PA6), Medium Grade (PA6) and Extra Flexible Grade (PA12)



**Available
Spring 2009!**

Standard Grade (PA6) Conduit



- Very flexible and light
- Typical applications include general wiring, machine tools, industrial equipment and automotive
- UL94V-2 flammability rated
- Resistant to UV, fuel, mineral oil, grease and diluted bases
- Temperature rating of -40° C to 105° C (-40° F to 221° F)

CAT. NO.	NOM. SIZE (IN.)	NOM. SIZE (MM)	I.D. (IN.)	O.D. (IN.)	MIN. BEND RADIUS (IN.)	LENGTH (FT.)
NY-SG07-BK50	¼	7	0.25	0.39	0.59	164.04
NY-SG10-BK50	⅜	10	0.38	0.51	0.79	164.04
NY-SG12-BK50	½	12	0.48	0.62	1.18	164.04
NY-SG17-BK50	¾	17	0.66	0.83	1.57	164.04
NY-SG18-BK50	¾	18	0.67	0.84	2.17	164.04
NY-SG23-BK50	1	23	0.89	1.12	2.17	164.04
NY-SG29-BK50	1¼	29	1.11	1.36	2.56	164.04
NY-SG36-BK30	1½	36	1.43	1.67	3.15	98.43
NY-SG48-BK30	2	48	1.87	2.15	3.74	98.43

Medium Grade (PA6) Conduit



- Flexible with increased mechanical strength for crush and impact resistance
- Typical applications include machine tools, industrial equipment and railway industry (rolling stock)
- UL94V-2 flammability rated
- Resistant to UV, fuel, mineral oil, grease and diluted bases
- Temperature rating of -40° C to 105° C (-40° F to 221° F)

CAT. NO.	NOM. SIZE (IN.)	NOM. SIZE (MM)	I.D. (IN.)	O.D. (IN.)	MIN. BEND RADIUS (IN.)	LENGTH (FT.)
NY-MG07-BK50	¼	7	0.24	0.39	0.79	164.04
NY-MG10-BK50	⅜	10	0.38	0.51	0.98	164.04
NY-MG12-BK50	½	12	0.47	0.62	1.38	164.04
NY-MG17-BK30	¾	17	0.65	0.83	1.97	98.43
NY-MG18-BK50	¾	18	0.68	0.84	1.77	164.04
NY-MG23-BK30	1	23	0.88	1.12	2.36	98.43
NY-MG29-BK30	1¼	29	1.11	1.36	2.76	98.43
NY-MG36-BK30	1½	36	1.42	1.67	3.35	98.43
NY-MG48-BK30	2	48	1.85	2.15	3.94	98.43

Extra Flexible Grade (PA12) Conduit

- Extremely flexible, even at negative temperatures and in very dry atmospheres
- Especially recommended for demanding applications requiring repetitive bending and flexing, such as robotics, automation and production equipment
- UL94HB flammability rated
- Temperature rating of -50° C to 90° C (-58° F to 194° F)

CAT. NO.	NOM. SIZE (IN.)	NOM. SIZE (MM)	I.D. (IN.)	O.D. (IN.)	MIN. BEND RADIUS (IN.)	LENGTH (FT.)
NY-EG07-BK50	¼	7	0.26	0.39	0.79	164.04
NY-EG10-BK50	⅜	10	0.37	0.51	0.98	164.04
NY-EG12-BK50	½	12	0.47	0.62	1.38	164.04
NY-EG17-BK30	¾	17	0.65	0.83	1.97	98.43
NY-EG18-BK50	¾	18	0.68	0.84	1.77	164.04
NY-EG23-BK30	1	23	0.89	1.12	2.36	98.43
NY-EG29-BK30	1¼	29	1.11	1.36	2.76	98.43
NY-EG36-BK10	1½	36	1.42	1.67	3.35	32.81
NY-EG48-BK10	2	48	1.87	2.15	3.94	32.81

Shureflex™ Nylon Conduit System



High-performance fittings with a unique self-locking mechanism!

Shureflex™ Nylon Conduit Fittings

- Quick and secure installation — one-piece assembly with no tools required
- Made from Polyamide 6 (PA6) — halogen, phosphor and cadmium free
- Watertight protection (IP66 rating standard) and outstanding pull-out strength
- UL94V-2 flammability rated
- Recommended for connecting Shureflex™ nylon conduit in electrical installations
- Temperature range of -40° C to 105° C (-40° F to 221° F)

T&B Fittings



Straight Fittings — NPT Thread



CAT. NO.	THREAD SIZE (NPT)	CONDUIT NOM. SIZE (IN.)	CONDUIT NOM. SIZE (MM)	STD. PKG. QTY.
NY-SF18-BK050	1/2	3/4	18	100
NY-SF23-BK075	3/4	1	23	50
NY-SF29-BK100	1	1 1/4	29	30
NY-SF36-BK125	1 1/4	1 1/2	36	20
NY-SF48-BK150	1 1/2	2	48	10
NY-SF48-BK200	2	2	48	10

90° Angle Fittings — NPT Thread

CAT. NO.	THREAD SIZE (NPT)	CONDUIT NOM. SIZE (IN.)	CONDUIT NOM. SIZE (MM)	STD. PKG. QTY.
NY-90F18-BK050	1/2	3/4	18	100
NY-90F23-BK075	3/4	1	23	50
NY-90F29-BK100	1	1 1/4	29	30
NY-90F36-BK125	1 1/4	1 1/2	36	20
NY-90F48-BK150	1 1/2	2	48	10
NY-90F48-BK200	2	2	48	10

Straight Fittings — ISO Thread



CAT. NO.	THREAD SIZE (ISO)	CONDUIT NOM. SIZE (IN.)	CONDUIT NOM. SIZE (MM)	STD. PKG. QTY.
NY-SF07-BKM12	M12	1/2	7	100
NY-SF10-BKM16	M16	3/8	10	100
NY-SF12-BKM16	M16	1/2	12	100
NY-SF12-BKM20	M20	1/2	12	100
NY-SF17-BKM20	M20	3/4	17	100
NY-SF23-BKM25	M25	1	23	50
NY-SF29-BKM32	M32	1 1/4	29	30
NY-SF36-BKM40	M40	1 1/2	36	20
NY-SF48-BKM50	M50	2	48	10

90° Angle Fittings — ISO Thread

CAT. NO.	THREAD SIZE (ISO)	CONDUIT NOM. SIZE (IN.)	CONDUIT NOM. SIZE (MM)	STD. PKG. QTY.
NY-90F10-BKM16	M16	3/8	10	50
NY-90F12-BKM16	M16	1/2	12	50
NY-90F12-BKM20	M20	1/2	12	50
NY-90F17-BKM20	M20	3/4	17	50
NY-90F23-BKM25	M25	1	23	30
NY-90F29-BKM32	M32	1 1/4	29	20
NY-90F36-BKM40	M40	1 1/2	36	10
NY-90F48-BKM50	M50	2	48	10



**Available
Spring 2009!**



T Fittings

CAT. NO.	CONDUIT NOM. SIZE (IN.)	CONDUIT NOM. SIZE (MM)	STD. PKG. QTY.
NY-T10	¾	10	20
NY-T12	½	12	20
NY-T17	¾	17-18	20
NY-T23	1	23	10
NY-T29	1¼	29	5
NY-T36	1½	36	5

Y Fittings

CAT. NO.	CONDUIT NOM. SIZE (IN.)	CONDUIT NOM. SIZE (MM)	STD. PKG. QTY.
NY-Y17-12-BK	(1) ¾, (2) ½	(1) 17-18, (2) 12	20
NY-Y23-17-BK	(1) 1, (2) ¾	(1) 23, (2) 17	20
NY-Y29-23-BK	(1) 1¼, (2) 1	(1) 29, (2) 23	10
NY-Y36-29-BK	(1) 1½, (2) 1¼	(1) 36, (2) 29	5
NY-Y48-36-BK	(1) 2, (2) 1½	(1) 48, (2) 36	5

Accessories for Shureflex™ Nylon Conduit and Fittings

Mount Shureflex™ fittings on panels and enclosures.

Locknuts — NPT and ISO Thread

- Made of high-quality, halogen-, phosphor- and cadmium-free Polyamide (PA6)
- Thread style and size marked on locknut for immediate identification
- UL94V-2 flammability rating
- Temperature rating of -30° C to 100° C (-22° F to 212° F)



CAT. NO.	THREAD SIZE	STD. PKG. QTY.
NPT Thread		
NY-LNBK-N050	½	100
NY-LNBK-N075	¾	100
NY-LNBK-N100	1	100
NY-LNBK-N125	1¼	100
NY-LNBK-N150	1½	50
NY-LNBK-N200	2	50

CAT. NO.	THREAD SIZE	STD. PKG. QTY.
ISO Thread		
NY-LNBK-M12	M12	100
NY-LNBK-M16	M16	100
NY-LNBK-M20	M20	100
NY-LNBK-M25	M25	100
NY-LNBK-M32	M32	100
NY-LNBK-M40	M40	50
NY-LNBK-M50	M50	50

Easily attach Shureflex™ conduit to existing equipment.

Mounting Brackets

- Quick and easy — just snap cover closed after inserting conduit
- Made of high-quality, halogen-free Polyamide (PA6.6)
- Screw-mounted for secure installation
- Releasable and reusable



CAT. NO.	CONDUIT NOM. SIZE (IN.)	STD. PKG. QTY.
NY-MB-07	¾	10
NY-MB-10	¾	10
NY-MB-12	½	10
NY-MB-17	¾	10
NY-MB-23	1	10
NY-MB-29	1¼	10
NY-MB-36	1½	5
NY-MB-48	2	5

Shureflex™ Nylon Conduit System

Use on Shureflex™ fittings to achieve IP68 and IP69K ratings.

Sealing Washers — NPT and ISO Thread

- Combined use of sealing washer on fitting and O-ring on conduit provides IP68 and IP69K ratings
- Place around thread of Shureflex™ fitting, between fitting and entry panel
- Made of deformable, asbestos-free material
- Temperature rating of -40° C to 200° C (-40° F to 392° F)



CAT. NO.	THREAD SIZE	STD. PKG. QTY.
NPT Thread		
NY-SW-N050	½	100
NY-SW-N075	¾	100
NY-SW-N100	1	50
NY-SW-N125	1¼	30
NY-SW-N150	1½	20
NY-SW-N200	2	10

CAT. NO.	THREAD SIZE	STD. PKG. QTY.
ISO Thread		
NY-SW-M12	M12	100
NY-SW-M16	M16	100
NY-SW-M20	M20	100
NY-SW-M25	M25	50
NY-SW-M32	M32	30
NY-SW-M40	M40	20
NY-SW-M50	M50	10

Use on Shureflex™ conduit to achieve IP68 and IP69K ratings.

O-Rings



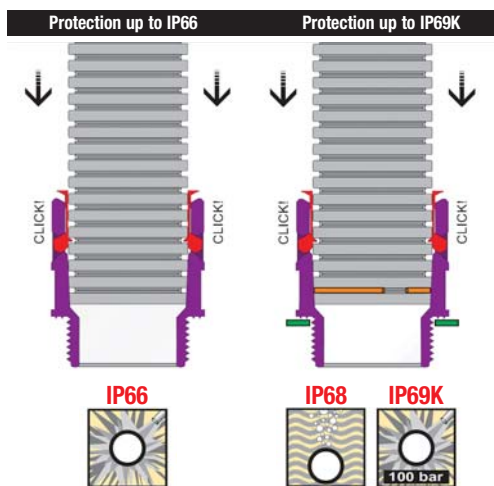
- Combined use of O-ring on conduit and sealing washer on fitting provides IP68 and IP69K ratings
- Insert in first groove of Shureflex™ nylon conduit before inserting conduit into fitting
- Made of NBR70 elastomer
- Temperature rating of -30° C to 100° C (-22° F to 212° F)

CAT. NO.	CONDUIT NOM. SIZE (IN.)	STD. PKG. QTY.
NY-OR-07	¼	100
NY-OR-10	¾	100
NY-OR-12	½	100
NY-OR-17	¾	100
NY-OR-23	1	50
NY-OR-29	1¼	30
NY-OR-36	1½	20
NY-OR-48	2	10

T&B Fittings

The best performance in only one piece!

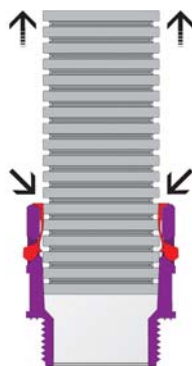
“Easy click” quick assembly



IP66
Insert the conduit all the way into the connector.

IP68 IP69K
Follow the process explained for IP66, but first inserting an O-ring on the first groove of the conduit and a sealing washer on the thread at the base of the connector.

“Easy unlock” quick removal without tools

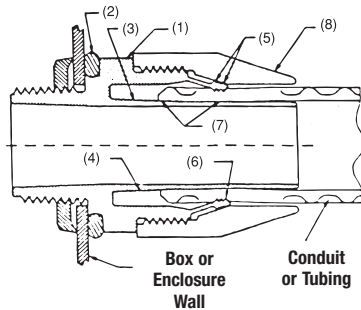


It is extremely easy to remove the tube: Press the conduit and the release ring against the body of the connector and then keeping the release ring pressed, pull the conduit outwards, twisting it a little. Both connector and conduit can be reused, following the assembly instructions given.



In addition to the components shown in this catalog, the Shureflex™ system also provides fittings for special applications:

- PG threaded connectors
- 45° connectors
- Metal thread metric and PG connectors
- Sweep 90° connectors
- 90° flanged connectors
- Female threaded connectors



Suggested Specification:

Where liquidtight flexible non-metallic conduit (UL Type B) or liquidtight flexible non-metallic tubing is terminated to a box or enclosure, the non-metallic connectors used shall be able to be installed without disassembly and provide a positive installation criteria. In the installed condition, the connector must provide a seal meeting watertight requirements of NEMA Type 4 and Type 6 enclosures. The performance of connectors shall be unaffected by exposure to detergents, sanitizers, cutting fluids, wire pulling compounds and oil base industrial paints. The connector must also be capable of withstanding Marine environment and cold impact simulating a hammer blow. Installed connectors shall be of the elongated gland type as manufactured by Thomas & Betts LT38P series.

Specification Sheet — Bullet® Liquidtight Fittings or Liquidtight Flexible Non-Metallic Conduit and Tubing

Application

A series of nonmetallic connectors designed to provide a liquidtight seal when terminating liquidtight nonmetallic conduit (UL Type B) or liquidtight nonmetallic tubing to a box or enclosure with knockout opening or a threaded hub.

Plastic Bullet® Liquidtight Fittings Features

- Connector assembles to conduit without disassembly and is designed to be installed with a positive installation criteria gland bottoms on body shoulder
 - Rugged low profile non-metallic body and gland construction (1); the connector is equipped with a steel locknut to firmly secure connector to box or an enclosure and a sealing O-Ring
 - Captivated sealing O-Ring (2) with predetermined compression for a reliable seal at enclosure
 - Connector ferrule designed to accept variations in conduit inside diameter and is tolerant of field conduit cuts (3)
 - The profile of ferrule is designed to reduce friction between conduit I.D. and ferrule, (4) enabling conduit to seat properly for an effective seal
 - Outer surface of the clamping fingers provided with friction reducing ridges (5) for ease of installation; the inner surface is designed with conduit biting teeth to enhance clamping and sealing action (6)
 - Performance of connectors tested to simulate adverse installation conditions
 - Provides a double sealing action (7)
 - Elongated gland nut profile (8) designed to provide additional strain relief for 90° pull and an easy hand grip.
- Performance of connector unaffected by exposure to detergents, cleaners and sanitizers commonly encountered in food processing plants and typical industrial environment; also unaffected by cutting fluids, wiring pulling compounds and marine environment. The connector meets industry standards for cold impact and simulated hammer blow.

Standard Material/Finish

- Body Gland — Weather stabilized thermoplastic (black)
- O-Ring — Neoprene (black)
- Locknut — Steel/electro zinc plated
- Material Temperature Rating — thermoplastic -40° C to 105° C
- Material Flammability Rating: UL 94-V2

Listings/Compliances

- UL (File# E23018)
- CSA (File# LR52391)
- CSA 22.2 #227.2 & CSA 22.2 #227.3
- ANSI/U.L.514B-1988
- Watertight requirements of NEMA Type 4 and NEMA Type 6 enclosures
- Federal Standard H28 (NPT threads)
- Suitable for hazardous locations — Class I Div. 2; Class II Div. 1 & 2; Groups E,F, & G; Class III per N.E.C.; Article 501-4, 502-4 and 503-3
- NEMA 6P



The BULLET® non-metallic liquidtight fitting — easy to use, built to take it!



- Outside surface has friction-reducing ridges
- Inner surface teeth bite into conduit or tubing to enhance clamping and sealing action
- Fitting ferrule designed to accept variations in conduit sizes and field conduit cuts
- Smooth ferrule profile reduces friction to ensure a tight conduit-to-fitting seal
- Friction-reducing ridges and teeth provide a true double seal and high pullout resistance
- Elongated gland nut offers additional strain relief for 90° pull and easy hand grip
- Rugged low-profile nonmetallic body and gland construction provides space savings
- Captivated sealing O-ring features predetermined compression to provide a reliable seal at enclosure
- Steel locknut firmly secures fitting to box or enclosure

Plastic Bullet® Liquidtight Fittings for T&B LTC Non-Metallic Liquidtight Conduit Type B and T&B EFC Flexible Tubing

This engineering breakthrough meets the demand for a tough, reusable, non-metallic liquidtight fitting for use with XTRA FLEX® Type B conduit or flexible tubing. The BULLET® non-metallic fitting provides a reliable liquidtight seal that combines high pullout resistance and ease of installation.

The BULLET® fitting is economical because it can be used over and over again without sacrificing the quality of the original seal. When used with the XTRA FLEX® raceway system, you can meet most machine or industrial requirements where liquidtight protection is needed.

Engineered to meet your needs.

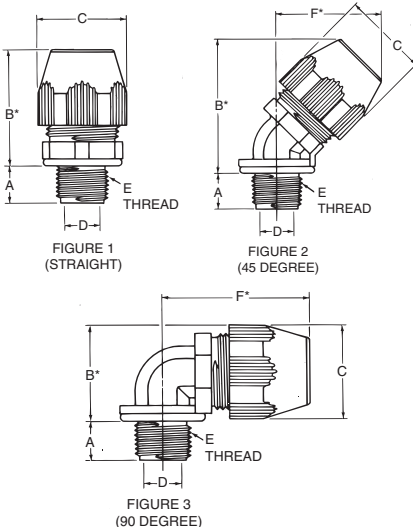
The BULLET® non-metallic fitting meets your performance requirements when terminating Type B liquidtight non-metallic conduit or flexible non-metallic tubing to a box or enclosure with knockout opening or threaded hub. Fittings meet the watertight requirements for NEMA Type 4 and Type 6 enclosures and conform to UL514B and CSA No. 22.2 #227.2 specifications.

Corrosion-resistant. Built to take it.

The BULLET® liquidtight fitting is manufactured from weather-resistant thermoplastic materials and is suitable for indoor or outdoor corrosive environments. The BULLET® fitting is resistant to detergents, cleaners, oils, sanitizers, paints, cutting fluids and wire pulling compounds — just about any liquid usually found in industrial, plant or marine environments. It also surpasses industry standards for cold impact and simulated hammer blows.

Ease of installation.

Installations can be performed quickly and easily because BULLET® liquidtight fittings can be installed without disassembly. BULLET® non-metallic fittings are resistant to numerous caustics and solvents.



CAT. NO.	FIG.	TRADE SIZE (IN.)	A ±.015 (.040) (IN.) (MM)	*B ±.035 (0.90) (IN.) (MM)	C ±.015 (0.40) ACROSS CORNERS (IN.) (MM)	MIN. THROAT DIA. D (IN.) (MM)	E THREAD NPT (IN.)	F* (IN.) (MM) APPROX.
LT38P	1		.570	1.595 (40.51)	1.354	.417		—
LT438P	2	¾	(14.48)	2.012 (51.10)	(34.39)	(10.59)	¾-14	1.534 (38.95)
LT938P	3			1.380 (35.05)				1.880 (47.75)
LT50P	1		.570	1.636 (41.55)	1.448	.550		—
LT450P	2	½	(14.48)	2.092 (53.14)	(36.78)	(13.97)	½-14	1.590 (40.39)
LT950P	3			1.489 (37.82)				1.986 (50.44)
LT75P	1		.582	1.757 (44.63)	1.740	.740		—
LT475P	2	¾	(14.78)	2.452 (62.28)	(44.20)	(18.80)	¾-14	1.821 (46.25)
LT975P	3			1.790 (45.47)				2.212 (56.)
LT100P	1		.726	1.923 (48.84)	2.068	.940		—
LT4100P	2	1	(18.44)	2.684 (68.17)	(52.53)	(23.88)	1-11½	2.034 (51.66)
LT9100P	3			2.104 (53.44)				2.508 (63.70)
LT125P	1		.750	2.164 (54.97)	2.494	1.257		—
LT4125P	2	1¼	(19.05)	3.264 (82.91)	(63.35)	(31.93)	1¼-11½	2.385 (60.58)
LT9125P	3			2.564 (65.13)				2.856 (72.54)
LT150P	1		.767	2.353 (59.77)	2.784	1.453		—
LT4150P	2	1½	(19.48)	3.605 (91.57)	(70.71)	(36.91)	1½-11½	2.604 (66.14)
LT9150P	3			2.854 (72.49)				3.144 (79.86)
LT200P	1		.794	2.605 (66.17)	3.362	1.883		—
LT4200P	2	2	(20.17)	4.210 (106.93)	(85.39)	(47.83)	2-11½	3.050 (77.47)
LT9200P	3			3.432 (87.17)				3.675 (93.34)

* After Assembly
UL File No. E-23018
CSA File No. 52391

Table 1 — Behavior of EMS20-1B.1 IN: Aqueous Solutions of Inorganic Salts at Room Temperature

SALT SOLUTIONS	VISUAL CHANGE	RATINGS*
10% Ammonium Chloride	Unchanged	F
10% Aluminum Chloride	Unchanged	F
10% Sodium Hypochlorite (0.1% Cl ²)	White coating after 18 days	G
10% Calcium Chloride	Unchanged	F
10% Chrome Alum	Unchanged	G
10% Ferric Chloride	Unchanged yellowing	P
5% Potassium Dichromate	Unchanged yellowing	P
10% Potassium Nitrate	Unchanged	G
1% Potassium Permanganate	Decomposed	NR
10% Copper Sulfate	Unchanged	G

SALT SOLUTIONS	VISUAL CHANGE	RATINGS*
10% Magnesium Chloride	Unchanged	G
10% Magnese Sulfate	Unchanged	G
10% Sodium Sulfate	Unchanged	G
10% Sodium Bisulfite	Unchanged	G
5% Mercuric Chloride	Swelled	P
10% Zinc Chloride	Unchanged	F

* These abbreviations are used for the ratings:

E – Excellent P – Poor
 G – Good NR – Not Recommended
 F – Fair S – Solvent

Table 2 — Behavior of EMS20-1B.1 IN: Acids, Bases, Halogens, etc.

REAGENT	TEMP °F	VISUAL CHANGE	RATINGS*
Sulfuric Acid (Conc)	75	Dissolves	S, NR
Sulfuric Acid (Dilute)	75	Partially dissolves	P, NR
Hydrochloric Acid (Conc)	75	Dissolves	S, NR
Hydrochloric Acid (Dilute)	75	Partially dissolves	P, NR
Hydrochloric Acid (20-40%)	73	Etched after 1 sec.	P
Phosphoric Acid (Conc)	75	Dissolves	S, NR
Nitric Acid (Conc)	75	Dissolves	S, NR
Acetic Acid (Conc)	75	Partially Dissolves	P, NR
Acetic Acid (Conc)	200	Dissolves	S, NR
Acetic Acid (Dilute)	75	Etched	F, NR
Formic Acid (Conc)	75	Dissolves	S, NR
Formic Acid (Dilute)	75	Partially Dissolves	P, NR
Chlorine	–	Strong Attack	NR
Bromine	–	Strong Attack	NR
Phenol	75	Dissolves	S, NR
O-Chlorophenol	75	Dissolves	S, NR
m-Chlorophenol	75	Dissolves	S, NR
p-Chlorophenol	75	Dissolves	S, NR
Cresol	75	Dissolves	S, NR
Dimethylformamide	75	Strong Attack	NR
gamma-Butyrolactone	75	Strong Attack	NR
Xylenols	75	Dissolves	S, NR
Sodium Hydroxide (1%)	73	Unchanged	E
Sodium Hydroxide (5%)	73	Minimal effect	E
Sodium Hydroxide (5%)	158	Minimal effect	E
Sodium Hydroxide (10%)	73	Minimal effect	E
Sodium Hydroxide (10%)	158	Some "crazing" after 30 days	P
Potassium Hydroxide (5%)	73	Minimal effect	E
Potassium Hydroxide (5%)	158	Minimal effect	E
Potassium Hydroxide (10%)	73	Minimal effect	E
Potassium Hydroxide (10%)	158	Some "crazing" after 30 days	P
Hydrogen Peroxide (0.5%)	73	Unchanged	G
Hydrogen Peroxide (1%)	73	Brittle after 54 days	NR
Hydrogen Peroxide (3%)	73	Brittle after 54 days	NR
Hydrogen Peroxide (10%)	73	Degrades	NR
Hydrogen Peroxide (30%)	73	Degrades	NR

* These abbreviations are used for the ratings:

E – Excellent P – Poor
 G – Good NR – Not Recommended
 F – Fair S – Solvent

Table 3 — Behavior of EMS20-1B.1 IN: Organic Solvents at Room Temperature

REAGENT	VISUAL CHANGE	RATINGS*
Benzyl Alcohol	Coarse surface after 2 days	NR
Butyl Alcohol	Temporary loss of stiffness	G
Ethyl Alcohol	Temporary loss of stiffness	G
Isopropyl Alcohol	Temporary loss of stiffness	G
Methyl Alcohol	Temporary loss of stiffness	G
Butyl Acetate	Temporary loss of stiffness	G
Ethyl Acetate	Unchanged	E
Methyl Acetate	Unchanged	E
Amyl Acetate	Unchanged	E
Ether (Diethyl)	Unchanged	E
Tetrahydrofuran	Unchanged	E
Acetone	Unchanged	E
Benzaldehyde	Unchanged	E
Cyclohexanone	Unchanged	E
Dichlorethylene	Unchanged	E
Trichlorethylene	Temporary loss of stiffness	G
Perchlorethylene	Temporary loss of stiffness	G
Dichlormethane	Unchanged	E
Chloroform	Temporary loss of stiffness	G
Carbon Tetrachloride	Temporary loss of stiffness	G
Carbon Disulfide	Unchanged	E
Pyridine	Unchanged	E
Benzene	Unchanged	E
Monochlorobenzene	Unchanged	E
Toluene	Unchanged	E
Xylene	Unchanged	E
Kerosene	Unchanged	E
Turpentine	Unchanged	E
Tetralin	Unchanged	E
Decalin	Unchanged	E
Gasoline	Unchanged	E
Petroleum	Unchanged	E
Mineral Oil	Unchanged	E
Resorcinol	Dissolves	NR

* These abbreviations are used for the ratings:

E – Excellent P – Poor
 G – Good NR – Not Recommended
 F – Fair S – Solvent

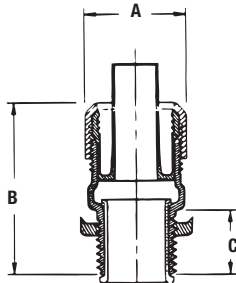


Figure 1

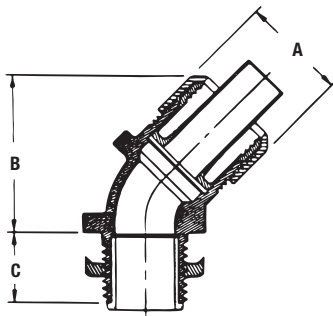


Figure 2

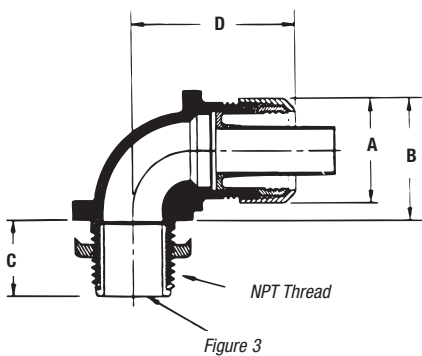


Figure 3

Metallic Bullet® Liquidtight Connectors for T&B LTC Non-Metallic Liquidtight Conduit Type B and T&B EFC Flexible Tubing

CAT. NO.	FIG.	TRADE SIZE (IN.)	A ±.030 (.80) (IN.) (MM)	*B ±.060 (1.50) (IN.) (MM)	C ±.045 (1.15) (IN.) (MM)	D (IN.) (MM)	THREAD NPT (IN.)
LT38M	1	—	1.156	1.500 (38.1)	0.562 (14.3)	—	—
LT438M	2	¾	(29.4)	1.962 (49.8)	0.562 (14.3)	—	¾-14
LT938M	3	—	—	1.312 (33.3)	0.625 (15.9)	1.375 (34.9)	—
LT50M	1	—	1.375	1.562 (39.7)	0.562 (14.3)	—	—
LT450M	2	½	(34.9)	1.875 (47.6)	0.562 (14.3)	—	½-14
LT950M	3	—	—	1.437 (36.5)	0.625 (15.9)	1.562 (39.7)	—
LT75M	1	—	1.656	1.625 (41.2)	0.625 (15.9)	—	—
LT475M	2	¾	(42.1)	2.125 (54.0)	0.562 (14.3)	—	¾-14
LT975M	3	—	—	1.750 (44.4)	0.625 (15.9)	1.750 (44.4)	—
LT100M	1	—	1.875	2.062 (52.4)	0.750 (19.0)	—	—
LT4100M	2	1	(47.6)	2.250 (57.1)	0.812 (20.6)	—	1-11½
LT9100M	3	—	—	1.937 (49.2)	0.812 (20.6)	2.187 (55.5)	—
LT125M	1	—	2.375	2.500 (63.5)	0.812 (20.6)	—	—
LT4125M	2	1¼	(60.3)	2.750 (69.8)	0.812 (20.6)	—	1¼-11½
LT9125M	3	—	—	2.500 (63.5)	0.812 (20.6)	2.750 (69.8)	—
LT150M	1	—	2.750	2.687 (68.2)	0.812 (20.6)	—	—
LT4150M	2	1½	(69.8)	2.750 (69.8)	0.812 (20.6)	—	1½-11½
LT9150M	3	—	—	2.812 (71.4)	0.812 (20.6)	2.937 (74.6)	—
LT200M	1	—	3.468	3.062 (77.8)	0.812 (20.6)	—	—
LT4200M	2	2	(88.1)	3.875 (98.4)	0.875 (22.2)	—	2-11½
LT9200M	3	—	—	3.500 (88.9)	0.875 (22.2)	3.437 (87.3)	—

* After Assembly

UL File No. E-23018

CSA File No. 52391



Suggested Specification:

Where liquidtight flexible non-metallic conduit (UL Type B) or liquidtight flexible non-metallic tubing is terminated to a box or enclosure, the metallic connectors used shall be able to be installed without disassembly and provide a positive installation criteria. In the installed condition, the connector must provide a seal, meeting watertight requirements of NEMA Type 4 and Type 6 enclosures with conduit and NEMA Type 4 enclosures with tubing. Installed connectors shall be as manufactured by Thomas & Betts LT38M series.

Material: Body/Gland — Steel/MI
Insert — Nylon

T&B® Fittings

XTRA FLEX® System —

Conduit, Tubing, Fittings for Non-Metallic Liquidtight Conduit Material — PVC

When you have a conduit application in a liquidtight environment, it's time to load up the T&B Bullet®.

Thomas & Betts introduces the ISO Metric Bullet® liquidtight fittings for use with the 3/8", 1/2" and 3/4" XTRA FLEX® EFC and LTC non-metallic liquidtight conduit series.

The T&B Bullet® liquidtight fitting and EFC non-metallic conduit are suited for OEM applications as in the machine tool industry where environments include continuous motion, vibration and exposure to moisture, oil, dirt and dust.

The T&B Bullet® liquidtight fitting and LTC non-metallic conduit are also suitable for construction applications where ISO metric threading and liquidtight systems are installed.

The XTRA FLEX® system offers a lightweight, liquidtight flexible conduit solution for industrial applications. The XTRA FLEX® system enables fast, easy installation and high performance in demanding industrial applications.

T&B Fittings



ISO Metric Bullet® Liquidtight Fitting Non-Metallic

CAT. NO.	ANGLE OF FITTING	CONDUIT SIZE	KNOCKOUT SIZE	UNIT PACKAGE	STANDARD PACKAGE	UPC NUMBER
LT38P-ISO20	Straight	3/8"	1/2"	25	100	786210-66444
LT50P-ISO20	Straight	1/2"	1/2"	25	100	786210-66613
LT75P-ISO25	Straight	3/4"	3/4"	25	50	786210-66443
LT938P-ISO20	90°	3/8"	1/2"	25	50	786210-66612
LT950P-ISO20	90°	1/2"	1/2"	25	50	786210-66640
LT975M-ISO25	90°	3/4"	3/4"	10	50	786210-66611

*Testing: UL and CSA listed; NEMA 4, 6, 6P; IP 67 when used with LTC conduit or EFC tubing with installed T&B Bullet liquidtight fitting.



Maximum flexibility for tight applications!

Corrugated Flexible Non-Metallic Tubing



- OEM grade — UL Recognized
- PVC material
- Black color standard
- Extremely fast installation
- Liquidtight with specified fittings
- Good tensile strength provides excellent pullout protection
- Smooth inner diameter allows easy wire pulling
- Broad operating temperature range: 18° C to +60° C (-2° F to +140° F).
- Flammability Rating VW-1 (Vertical Wire) UL224

Recommended industrial applications

- Protection of fiber optic cable
- Installation of instrumentation and control cable
- Indoor/outdoor lighting
- Packaging equipment
- Marine and shipboard wiring
- Flexing component wiring protection on robots, graphic arts equipment, etc.



CAT. NO.	CONDUIT SIZE	I.D. (IN.)		O.D. (IN.)	
		MIN.	MAX.	MIN.	MAX.
EFC025*	¼"	.390	.405	.560	.575
EFC038	⅜"	.484	.504	.690	.710
EFC050	½"	.622	.642	.820	.840
EFC075	¾"	.820	.840	1.030	1.050
EFC100	1"	1.041	1.066	1.290	1.315
EFC125	1½"	1.380	1.410	1.630	1.660
EFC150	1½"	1.575	1.600	1.865	1.900
EFC200	2"	2.020	2.045	2.340	2.375

* Not CSA Certified.
Underwriters Recognized
UL File No. 96548

CSA File No. 067241
See technical data next page.
Use with Bullet® Liquidtight Fittings.

CAT. NO. LTC –	AVAILABLE COLORS
	COLOR OF CONDUIT
W/O SUFFIX	Black
-1	Orange
-2	Blue

T&B® Fittings

XTRA FLEX® System —

Conduit, Tubing, Fittings for Non-Metallic Liquidtight Conduit Material — PVC

T&B Fittings



Now available in reels.

XTRA FLEX® Conduit

The XTRA FLEX® system offers a lightweight, liquidtight flexible conduit solution for demanding applications. The XTRA FLEX® system ensures fast, easy installations and long-lasting, high performance in a variety of environments.

Now, XTRA FLEX® Conduit is available on reels. Large users can save space and reduce waste, while taking advantage of the convenience of stocking bulk in lengths. Utilizing our new coupling design to connect 100-ft. lengths, Thomas & Betts now offers reel lengths up to 1,000 feet.

- Fast installation — even in tight, cramped spaces
- Smooth inner diameter enables easy wire pulling
- Smooth outer jacket — approved for outdoor use, sunlight resistant and oil resistant
- Tested to CSA and UL requirements
- Lightweight and liquidtight
- Marked at 1-foot intervals for fast, easy measuring

..... Specifications

- Material: PVC
- Colors Available: Black, Gray
- Temp. Range: -18° C to +105° C (-2° F to +221° F) Black
-18° C to +80° C (-2° F to +176° F) Gray
- Flammability Rating: UL 1660
- Listings: UL Listed, CSA Certified

Please contact your Thomas & Betts sales representative regarding custom colors and combinations.



XTRA FLEX® Liquidtight Conduit/Reel Lengths

CAT. NO.	SIZE	DESCRIPTION	MIN. I.D.	MAX. I.D.	MIN. O.D.	MAX. O.D.	REEL LENGTH	MIN. ORDER
LTC038GY-500	3/8"	Gray Type B LT Conduit	.484"	.504"	.690"	.710"	500 ft.	1,500
LTC050GY-500	1/2"	Gray Type B LT Conduit	.622"	.642"	.820"	.840"	500 ft.	1,500
LTC050-500	1/2"	Black Type B LT Conduit	.622"	.642"	.820"	.840"	500 ft.	Stock
LTC050GY-1000	1/2"	Gray Type B LT Conduit	.622"	.642"	.820"	.840"	1,000 ft.	2,000
LTC100GY-500	1"	Gray Type B LT Conduit	1.041"	1.066"	1.290"	1.315"	500 ft.	1,500
LTC100-500	1"	Black Type B LT Conduit	1.041"	1.066"	1.290"	1.315"	500 ft.	1,500

UL Listed, UL File No. 95745

CSA Certified, CSA File No. LL 80349

Thomas & Betts

www.tnb.com

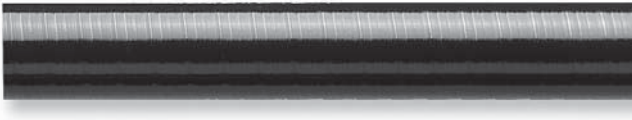
United States
Tel: 901.252.8000
800.816.7809
Fax: 901.252.1354

Technical Services
Tel: 888.862.3289



Smooth, sunlight- and oil-resistant outer jacket, approved for outdoor use!

Smooth Liquidtight Non-Metallic Conduit Type B



- Industrial grade — UL Listed/CSA Certified
- PVC material
- Liquidtight non-metallic conduit Type B
- Black color standard
- Fast installation — even in tight, cramped spaces
- Smooth inner diameter enables easy wire pulling
- Tested to CSA and UL requirements
- Lightweight and liquidtight
- Temperature range of -18° C to +105° C (-2° F to +221° F)
- UL1660 flammability rating
- Marked at 1-ft. intervals for fast, easy measuring and cutting

Recommended industrial applications

- Machine tools
- Motor hookups
- Food processing equipment
- Extensions from wireways
- Sensor and microswitch wiring in control consoles



XTRA FLEX® Conduit and Tubing Technical Data*

LTFNMC = Liquidtight flexible non-metallic conduit

LTFNMT = Liquidtight flexible non-metallic tubing

XTRA FLEX® CONDUIT & TUBING	STYLE	COLOR	SIZE RANGE	UL TEMP RATING	CSA TEMP RATING	VOLTAGE RATING	UL OIL RESISTANT	UL OUTDOOR	UL DIRECT BURIAL
LTC038 Series	UL Type B LTFNMC	Black	¾"–2"	105° C Dry 60° C Wet 70° C Oil	75° C–18° C	600V	Yes	Yes	Yes
LTC038-1, -2 Series	UL Type B LTFNMC	Orange, Blue	½"–1"	105° C Dry 60° C Wet 70° C Oil	—	600V	Yes	No	Yes
LTC038GY Series	UL Type B LTFNMC	Gray	¾"–2"	80° C Dry 60° C Wet 70° C Oil	—	600V	Yes	Yes	Yes
EFC025 Series**	LTFNMT	Black	¼"–2"	105° C	75° C–18° C	300V	Yes	Yes	No
EFC025-1, -2** Series	LTFNMT	Orange, Blue	½"–1"	105° C	—	300V	Yes	No	No

* For a complete test report, contact Customer Service.

** UL Component Recognized



Industrial Grade

CAT. NO.	CONDUIT SIZE	I.D. (IN.)		O.D. (IN.)	
		MIN.	MAX.	MIN.	MAX.
LTC038	¾"	.484	.504	.690	.710
LTC050	½"	.622	.642	.820	.840
LTC075	¾"	.820	.840	1.030	1.050
LTC100	1"	1.041	1.066	1.290	1.315
LTC125	1¼"	1.380	1.410	1.630	1.660
LTC150	1½"	1.575	1.600	1.865	1.900
LTC200	2"	2.020	2.045	2.340	2.375



Commercial Grade

CAT. NO.	CONDUIT SIZE	I.D. (IN.)		O.D. (IN.)	
		MIN.	MAX.	MIN.	MAX.
LTC038GY	¾"	.484	.504	.690	.710
LTC050GY	½"	.622	.642	.820	.840
LTC075GY	¾"	.820	.840	1.030	1.050
LTC100GY	1"	1.041	1.066	1.290	1.315
LTC125GY	1¼"	1.380	1.410	1.630	1.660
LTC150GY	1½"	1.575	1.600	1.865	1.900
LTC200GY	2"	2.020	2.045	2.340	2.375

Rated at 600V

XTRA FLEX® Type B suitable for use in hazardous location (for LTC Series only) where general purpose equipment is specifically permitted by the NEC; Class I Div. 2; Class II, Div. 1 & 2; Class III, Div. 1 & 2, NEC 501-4(b); 502-4(a)(b); 503-3(a)(b).

UL Listed, UL File No. E95745

CSA Certified, CSA File No. LL80349

See technical data below.

Use with Bullet® Liquidtight Fittings.

AVAILABLE COLORS

LTC – CAT. NO.	COLOR OF CONDUIT	COLOR OF MARKING
W/O SUFFIX	Black	Orange
-1	Orange	Black
-2	Blue	Black

XTRA FLEX® Non-Metallic Conduit Type B and Flexible Tubing

T&B Fittings

A = SATISFACTORY CHEMICAL	B = BE EXPECTED TO CHANGE CHEMICAL	C = NOT RECOMMENDED CHEMICAL
Acetate Solvents C	Cottonseed Oil B	Lubricating Oils A
Acetic Acid (10%) A	Creosote C	Magnesium Chloride A
Acetic Acid (Glacial) B	Cresol A	Magnesium Hydroxide A
Acetone C	Cresylic Acid C	Magnesium Sulphate A
Acrylonitrile A	Cyclohexane A	Malic Acid A
Adipic Acid A	Cyclohexanone C	Methyl Acetate C
Alcohol Butyl A	DDT Weed Killer A	Methyl Bromide C
Alcohol Ethyl A	Detergent Synthetic A	Methyl Ethyl Ketone C
Alcohol Isopropyl A	Developers Photographic A	Methylene Chloride C
Alcohol Methyl A	Dextrin A	Mineral Oils A
Aluminum Acetate A	Dextrose A	Monochlorobenzene C
Aluminum Chloride A	Dibutyle Phthalate C	Naphtha B
Aluminum Hydroxide A	Dichlorobenzene C	Naphthalene C
Aluminum Sulfate A	Diesel Oil B	Nitric Acid (10%) A
Aliyl Chloride C	Diethylene Glycol A	Nitric Acid (40%) A
Ammonia (0.88S.G.Aqueous) A	Diethyl Ether C	Nitric Acid (70%) C
Ammonia (Dry Gas) A	Di-isodecyl Phthalate C	Nitrobenzene C
Ammonia (Liquid) C	Dioclyle Phthalate C	Nitrogen Fertilizers A
Ammonium Chloride A	Emulsifiers A	Oleic Acid A
Ammonium Hydroxide A	Emulsions Photographic A	Oxalic Acid A
Animal Oils A	Ethyl Acetate C	Palmitic Acid A
Amyl Acetate C	Ethylene Dichloride C	Paraffin A
Aniline Oils B	Ethylene Glycol A	Pentane B
Aromatic Hydrocarbons C	Fatty Acid A	Perchloroethylene C
Asphalt C	Ferric Chloride A	Phenol B
ASTM Fuel A B	Ferric Sulphate A	Phosphoric Acid A
ASTM Fuel B C	Ferrous Chloride A	Pitch A
ASTM #1 Oil A	Ferrous Sulphate A	Potassium Hydroxide A
ASTM #3 Oil B	Fixing Solution, Photographic A	Propane A
Barium Chloride A	Fluorine C	Sea Water A
Barium Hydroxide A	Formaldehyde (40%) C	Sodium Hydroxide (10%) A
Barium Sulfide A	Formic Acid (40%) A	Sodium Hydroxide (50%) A
Benzene C	Formic Acid (50%) B	Sodium Cyanide A
Benzine B	Formic Acid (100%) C	Soybean Oil A
Bordeaux Mixture A	Fuel Oil B	Stearic Acid A
Borax A	Glacial Acetic Acid B	Styrene C
Boric Acid A	Glucose A	Sulphur Dioxide (Dry) A
Brine A	Glycerine A	Sulphur Dioxide (Moist) B
Bromine Traces C	Grape Sugar A	Sulphur Dioxide (Liquid) C
Butyl Acetate C	Grease A	Sulphuric Acid (45%) A
Calcium Hydroxide A	Heptane B	Sulphuric Acid (60%) B
Calcium Hypochlorite A	Hexane B	Sulphuric Acid (98%) C
Carbonic Acid B	Hydrobromic Acid A	Sulphurous Acid (30%) A
Carbon Dioxide A	Hydrochloric Acid (10%) A	Tannic Acid A
Carbon Disulphite C	Hydrochloric Acid (40%) A	Tartaric Acid A
Carbon Monoxide A	Hydrofluoric Acid (10%) A	Tetrahydrofuran C
Carbon Tetrachloride C	Hydrofluoric Acid (40%) B	Toluene C
Casein A	Hydrofluoboric Acid A	Trichlorethylene C
Chlorine (Dry) A	Hydrofluosilicic Acid A	Triethanolamine A
Chlorine (Wet Gas) B	Hydrogen Peroxide A	Tricresyl Phosphate C
Chlorine (Water) C	Hydrogen Sulphide A	Turpentine B
Chlorobenzene C	Iso-octan A	Urea A
Chlorinated Hydrocarbons C	Isopropyl Acetate C	Vinegar A
Chloroform C	Kerosene B	Vinyl Acetate C
Chromic Acid A	Ketones C	Vinyl Chloride C
Citric Acid A	Lactic Acid (10%) A	Water A
Coal Tar C	Lactic Acid (100%) C	Xylene C
Copper Chloride A	Lacquer Solvents B	Zinc Chloride A
Copper Nitrate A	Linseed Oil A	Zinc Sulphate A
Copper Sulphate A		

NOTE: These chemical resistance ratings are based upon information supplied by the raw material manufacturers. It is intended as a general guideline only. To determine specific suitability, samples should be tested by user under actual conditions. Operating Condition: 70° F.



Flexible Cord Connectors

The Ranger® Series Cord Connector Fittings

Our Ranger® Liquidtight fittings are the only connectors able to take a .250 inch cable range.

These unique connectors feature:

- Connectors that take twice the cable range of ordinary strain relief connectors
- Smaller overall size that makes it easy to fit into tight spaces
- Gland nut design that restricts cable bending
- Choice of aluminum, steel, stainless steel and non-metallic materials
- Straight, 45° and 90° designs



T&B Fittings

Liquidtight Flexible Cord and Power Cable Fittings

We also offer liquidtight fittings designed to handle the unique connection demands of flexible cords and power cable applications, where exceptional mechanical strain relief is needed in addition to a dependable seal against dust, oil and other liquids.

The design of our flexible cord and power cable fittings is ideal for installations such as robot manufacturers, packaging equipment, machine tool building and other industrial OEM and MRO applications.

The advantages these fittings offer include:

- Neoprene bushing to make liquidtight installations by applying pressure against the cable for the full length of the bushing
- CSA certified watertight
- UL listed for liquidtight strain relief and as an outlet bushing
- Metal and plastic assemblies capable of accepting a wide range of cords
- Black Beauty® non-metallic cord connector offers the convenience of tool-free installation, with a segmented chuck for high mechanical pullout performance, and neoprene bushings for a secure, liquidtight installation.





Whatever the application. Whatever the size. Thomas & Betts is your connection to tough, versatile cord and cable fittings.

Thomas & Betts offers a complete line of rugged, reliable cord and cable fittings. All fittings are produced to the highest standards, combining innovative design and precision manufacturing methods to provide the products you need for your specific applications. Combining proven performance, installation advantages and availability of ranges, T&B is also your connection to lower installed costs for the life of your cord and cable requirements.

Use this guide to help you specify the fitting you need for your cord and cable requirements.

Cord and Cable Requirements

CORD AND CABLE TYPE	T&B FITTING
S, SO, SV, ST, STD, SJ,	Ranger® 2920NM# Series, 2920# Series
SJO, SJT, SJTO, SVO	Liquidtight Strain Relief 2500# Series
S, SO, SV, ST, STD, SJ, SJO, SJT, SJTO, SVO	Wire Mesh Grips WMG-PC Series for Portable Cord

Considerations for Selection

- Selection of the proper device or fitting involves consideration of the type of cable to be installed and the environment that will surround the cable installation.
- A proper matching of the cable and its fitting is necessary to prevent physical damage to the cable when installed.
- NEMA Applications: Fittings used in a trade size knockout requiring a NEMA 3R, 4, 6 or 13 listing require a 5262 Series sealing ring.

Cord and Cable Descriptions

Type SJ, tradename is Junior Hard Service Cord. The outer covering is Thermoset and it is a pendant or portable cord used in damp locations for hard usage.

Type SJO, tradename is Junior Hard Service Cord. The outer covering is oil-resistant Thermoset.

Type SJT, tradename is Junior Hard Service Cord. The outer covering is Thermoplastic.

Type SJTO, tradename is Junior Hard Service Cord. The outer covering is oil resistant Thermoplastic.

Type SO, tradename is Hard Service Cord. The outer covering is oil-resistant Thermoset and it is a pendant or portable cord used in damp locations for extra hard usage.

Suggested Specifications for Flexible Cord and Cable Fittings

- Flexible cord or cable and associated fittings shall be suitable for conditions of use and location and approved for the purpose by a nationally recognized testing laboratory, inspection agency or product evaluation organization
- Flexible cord or cable shall be so connected to the device or fitting that tension will not be transmitted to joints or terminal screws. Sufficient slack shall be provided to avoid

sharp flexing and straining. Cord or cable shall be installed in such a manner that liquid will tend to run off the surface instead of draining towards the fitting

- Where flexible cord or cable exposed to intermittent or constant moisture and subjected to mechanical strain is terminated into a threaded or threadless opening, terminating fittings shall be of watertight strain relief type such as Thomas & Betts

series 2920, 2920AL, 2920NM, 2520, 2631 or 2672. Fittings shall be equipped with a beveled moisture resistant/oil resistant synthetic rubber bushing

- Where space is limited inside the enclosure, a female hub type fitting such as Thomas & Betts series 2631 shall be furnished. A captivated resilient sealing O-Ring shall be included to positively protect against damage from overtightening

Flexible Cord and Cable Fittings



2920 Ranger® Series



2920SST Ranger® Series



2920AL Ranger® Series



2516 Series

Ranger® Series of Liquidtight Flexible Cord and Cable Connectors

Application

- A liquidtight connector to connect flexible cord or cable to an enclosure and provide adequate strain relief

Features

- Liquidtight connection with enclosure is ensured by:
 - (A) Taper threaded hub on 2520 series for female hub application
 - (B) Using sealing ring series 5262 with 2520 series for knockout application
 - (C) Captivated sealing O-Ring on 2631 series
 - (D) Neoprene bushing makes liquidtight installation; applies pressure against cable the full length of bushing
 - (E) Thermoplastic or stainless steel retaining ring
 - (1) Will not abrade cord/cable jacket
 - (2) Reduces installing torque effort
- UL Listed liquidtight, strain relief and as an outlet bushing; CSA certified watertight

Standard Material

Gland, Body Steel/Malleable Iron/Zinc Die Cast
 Retaining Ring Thermoplastic/Stainless Steel
 Bushing Neoprene
 O-Ring Buna N

Standard Finish

Electro Zinc Plated & Chromate Coated

Range

2520 Series, straight0.125" outside diameter to 3.200" outside diameter Cord or Cable
 2200 Series, 45°0.125" outside diameter to 1.485" outside diameter Cord or Cable

2267 Series, 90°0.125" outside diameter to 1.875" outside diameter Cord or Cable
 2900 and 4900 Ranger® Series . . .0.250" cable range
 Cord/Cable TypeS, SO, SV, ST, STO, SJ, SJO, SJT, SJTO, SVO & SVT

Listings/Compliances

UL File No. E-13938
 CSA LR-589, LR-4484
 UL 514
 CSA 22.2 No. 18
 ANSI C33.84, NFPA 70-1978 (ANSI)

CAT. NO	SIZE	MIN.	MAX.	SVO, SV, SVT				SJ, SJO, SJT, SJTO				S, SO, ST, STO				
				#18	#18	#16	#14	#18	#16	#14	#12	#10	#8	#6		
2 Conductor																
2920	½"	0.125	0.375	X	X	X	X									
2921	½"	0.310	0.560			X	X	X	X	X						
2922	½"	0.500	0.750				X	X	X	X	X	X				
2930	¾"	0.125	0.375	X	X	X	X									
2931	¾"	0.310	0.560			X	X	X	X	X						
2932	¾"	0.500	0.750				X	X	X	X	X	X				
2940	1"	0.310	0.560			X	X	X	X	X						
2941	1"	0.500	0.750				X	X	X	X	X	X				
2942	1"	0.700	0.950				X						X	X		
3 Conductor																
2920	½"	0.125	0.375	X	X	X										
2921	½"	0.310	0.560		X	X	X	X	X							
2922	½"	0.500	0.750							X	X	X				
2930	¾"	0.125	0.375	X	X	X										
2931	¾"	0.310	0.560		X	X	X	X	X							
2932	¾"	0.500	0.750							X	X	X				
2940	1"	0.310	0.560			X	X	X	X							
2941	1"	0.500	0.750		X					X	X	X				
2942	1"	0.700	0.950									X	X			
4 Conductor																
2920	½"	0.125	0.375	X												
2921	½"	0.310	0.560		X	X	X	X	X							
2922	½"	0.500	0.750							X	X					
2930	¾"	0.125	0.375	X												
2931	¾"	0.310	0.560		X	X	X	X	X							
2932	¾"	0.500	0.750							X	X					
2940	1"	0.310	0.560		X	X	X	X	X							
2941	1"	0.500	0.750							X	X					
2942	1"	0.700	0.950								X	X				

T&B Fittings

The Ranger® Series of Steel Liquidtight Cord Connectors

The Ranger® Series Steel Liquidtight Connector takes twice the cable range of most ordinary strain relief connectors. T&B's Ranger Connectors enable you to reduce your inventory and save time with one connector that can do the work of two.



Features

- Extended range with superior strain relief
- Reduced overall size, fits into tighter spaces
- Gland nut designed to restrict cable bending

Materials

Body: Steel-2920 series, Malleable Iron-4920 & 4960 series
 Gland Nut, Grip: Steel-all series
 Bushing: Rubber

Environment Classification

- Ordinary locations
- Wet or dry locations
- Fittings used in a trade size knockout requiring a NEMA 3R, 4, 6 or 13 listing require a 5262 Series sealing ring

Range

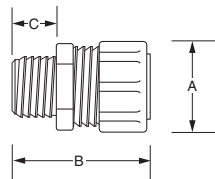
Cord Range: .125" to .950"

Hub Size Range: 1/2" to 1"

Application

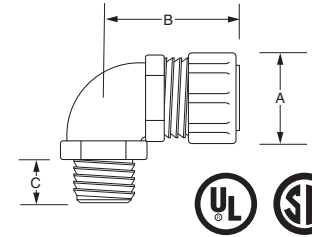
- Provide means for passing a cord cable into an enclosure, through a bulkhead or into a rigid conduit
 - Form a mechanical grip and water and/or oil-resistant seal for cord
 - Form a non-slip connection or termination for flexible cord
- Cord & Cable Type**
- S, SO, SV, ST, STD, SJ, SJO, SJT, SJTO, SVD

Steel Liquidtight Strain Relief Connectors — Straight



CAT. NO.	HUB SIZE	THROAT DIA.	CORD RANGE	DIMENSIONS (IN.)		
				A	B	C
2920	1/2"	7/64"	.125-.375	1 1/8	1 1/4	5/8
2921	1/2"	7/64"	.310-.560	1 1/8	1 1/4	5/8
2922	1/2"	7/64"	.500-.750	1 1/8	1 1/4	5/8
2930	3/4"	13/64"	.125-.375	1 1/8	1 5/8	5/8
2931	3/4"	13/64"	.310-.560	1 1/8	1 7/8	5/8
2932	3/4"	13/64"	.500-.750	1 1/8	1 7/8	5/8
2940	1"	11/16"	.310-.560	1 1/8	1 3/4	3/4
2941	1"	11/16"	.500-.750	1 1/8	1 3/4	3/4
2942	1"	3/32"	.700-.950	1 1/8	1 1/8	3/16

Steel Liquidtight Strain Relief Connectors — 90° Angle

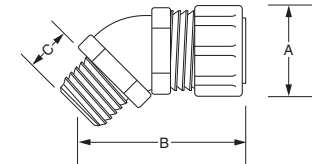


CAT. NO.	HUB SIZE	THROAT DIA.	CORD RANGE	DIMENSIONS (IN.)		
				A	B	C
4960	1/2"	19/32	.125-.375	1 1/8	1 1/4	5/8
4961	1/2"	19/32	.310-.560	1 1/8	1 1/4	5/8
4962	1/2"	19/32	.500-.750	1 1/8	1 23/64	5/8
4970	3/4"	25/32	.125-.375	1 1/8	1 25/32	11/16
4971	3/4"	25/32	.310-.560	1 1/8	1 25/32	11/16
4972	3/4"	25/32	.500-.750	1 1/8	1 25/32	11/16
4980	1"	1	.310-.560	1 1/8	2 1/2	13/16

All items shown on this page are suitable for use in hazardous locations where general purpose equipment is specifically permitted by the NEC, NEC 501-4(b).

U.L. File No. E-13938 CSA File No. 52391

Steel Liquidtight Strain Relief Connectors — 45° Angle



CAT. NO.	HUB SIZE	THROAT DIA.	CORD RANGE	DIMENSIONS (IN.)		
				A	B	C
4920	1/2"	31/64	.125-.375	1 1/8	1 1/8	47/64
4921	1/2"	31/64	.310-.560	1 1/8	1 1/8	47/64
4922	1/2"	31/64	.500-.750	1 1/8	1 1/8	47/64
4930	3/4"	25/32	.125-.375	1 1/8	1 1/8	5/8
4931	3/4"	25/32	.310-.560	1 1/8	1 1/8	5/8
4932	3/4"	25/32	.500-.750	1 1/8	1 1/8	5/8

For wire mesh grips refer to page A-147.



The Ranger® Series of Non-Metallic Liquidtight Cord Connectors

The Ranger® Series Non-Metallic Liquidtight Cord Connector takes twice the cable range of most ordinary strain relief connectors. T&B's Ranger Connectors enable you to reduce your inventory and save time with one connector that can do the work of two. The sturdy nylon material adds corrosion resistance to your installation.



Application

- Provide means for passing a cord into an enclosure or through a bulkhead or into a rigid conduit
- Form a mechanical grip and water and/or oil-resistant seal for cord
- Form a nonslip connection or termination for flexible cord, cable (armored or unarmored)

Cord & Cable Type

- S, SO, SV, ST, STD, SJ, SJO, SJT, SJTO, SVD

Features

- Extended range with superior strain relief
- Reduced overall size, fits into tighter spaces
- Gland nut designed to restrict cable bending

Materials

Weather stabilized nylon, temperature rated -34° C to 105° C

Bushing: Rubber

Environment Classification

- Ordinary locations
- Wet or dry locations
- Fittings used in a trade size knockout requiring a NEMA 3R, 4, 6 or 13 listing require a 5262 Series sealing ring

Range

Cord Range: Straight — .125" to .950"
90° — .125" to .750"

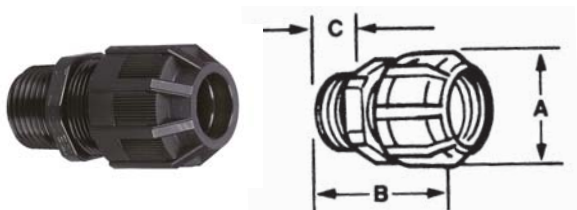
Hub Size Range: Straight — ½" to 1"
90° — ½" to ¾"

Listings/Compliances

UL Type 6 and 4X

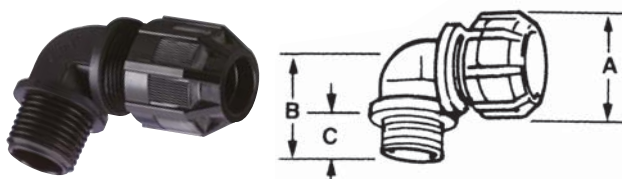
T&B® Fittings

Non-Metallic Liquidtight Strain Relief Connector — Straight



CAT. NO.	TRADE OR HUB SIZE	THROAT DIA.	CORD RANGE	DIMENSIONS (IN.)		
				A	B	C
2920NM	½"	.55	.125-.375	1½	2¼	¾
2921NM	½"	.55	.310-.560	1½	2¼	¾
2922NM	½"	.55	.500-.750	1 ¹³ / ₃₂	2 ⁵ / ₃₂	¾
2930NM	¾"	.79	.125-.375	1 ¹³ / ₃₂	2 ⁷ / ₁₆	¾
2931NM	¾"	.79	.310-.560	1 ¹³ / ₃₂	2 ⁷ / ₁₆	¾
2932NM	¾"	.79	.500-.750	1 ¹³ / ₃₂	2 ³ / ₁₆	¾
2940NM	1"	.98	.310-.560	1 ¹³ / ₃₂	2 ¹ / ₃₂	2 ⁵ / ₃₂
2941NM	1"	.98	.500-.750	1 ¹³ / ₃₂	2 ¹ / ₃₂	2 ⁷ / ₃₂
2942NM	1"	.98	.700-.950	1 ⁴³ / ₆₄	2 ⁷ / ₈	2 ⁵ / ₃₂

Non-Metallic Liquidtight Strain Relief Connector — 90° Elbow



CAT. NO.	TRADE OR HUB SIZE	THROAT DIA.	CORD RANGE	DIMENSIONS (IN.)		
				A	B	C
4960NM	½"	.55	.125-.375	1½	1¼	¾
4961NM	½"	.55	.310-.560	1½	1¼	¾
4970NM	¾"	.79	.125-.375	1 ¹³ / ₃₂	1 ³ / ₈	¾
4971NM	¾"	.79	.310-.560	1 ¹³ / ₃₂	1 ³ / ₈	¾
4972NM	¾"	.79	.500-.750	1 ¹³ / ₃₂	1 ³ / ₈	¾

UL File No. E 13938

CSA File No. 52391

Meets Coast Guard CG293

Type 304 stainless construction for your harshest environments!

The Ranger® Series of Stainless Steel Liquidtight Cord Connectors

Until now, there's been no ideal solution for liquidtight connections of portable cord to a box or enclosure in corrosive environments. Steel connectors rust, and non-metallic connectors can't withstand high temperatures or ultraviolet exposure.

In response to customer demand, Thomas & Betts has developed the latest addition to its high-performance line of Ranger® Cord Connectors. Made of Type 304 stainless steel, Ranger® Stainless Steel Liquidtight Cord Connectors stand up to highly corrosive environments — such as washdown areas in food and beverage or pharmaceutical processing — as well as high temperatures and UV exposure.

Application

- Provide means for passing a cord cable into an enclosure, through a bulkhead or into a rigid conduit
- Form a mechanical grip and water and/or oil-resistant seal for cord
- Form a non-slip connection or termination for flexible cord

Cord & Cable Type

- SJ, SJE, SJE0, SJE00, SJO, SJOW, SJ00, SJ00W, SJT, SJTW, SJTO, SJTOW, SJTO0, SJTO0W, S0, SOW, SOO, SOOW, SV, ST, STD, SVD

Features

- Extended range with superior strain relief
- Reduced overall size, fits into tighter spaces
- Gland nut designed to restrict cable bending

Materials

Body, Gland Nut, Grip Type 304 stainless steel
 Bushing Thermoplastic rubber
 Grip Ring Nylon
 O-Ring (supplied) Buna N

Environment Classification

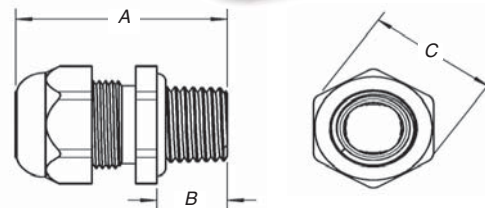
Ordinary locations (wet or dry)
 Temperature Rating -20° C to 105° C (-4° F to 221° F)

Range

Cord Range125" to .950"
 Hub Size Range ½" to 1"

Listings/Compliances

¼" and ¾" Sizes UL Recognized
 ½" through 1" Sizes UL Listed and CSA Certified for use with portable cord; UL514B liquidtight cord connectors; UL Type 6 and 4X



Stainless Steel Cable Glands — ¼"-¾" Hub Sizes



CAT. NO.	HUB SIZE (IN.)	CORD DIA. RANGE (IN.)	DIMENSIONS (IN.)			STD. PKG. QTY.
			A	B	C	
2918SST	¼	.118-.256	1.000	.250	.625	25
2919SST	¾	.157-.315	1.313	.438	.750	25

Stainless Steel Liquidtight Strain-Relief Cord Connectors — ½"-1" Hub Sizes



CAT. NO.	HUB SIZE (IN.)	CORD DIA. RANGE (IN.)	DIMENSIONS (IN.)			STD. PKG. QTY.
			A	B	C	
2920SST	½	.125-.375	1.935	.610	1.125	25
2921SST	½	.310-.560	1.935	.610	1.125	25
2922SST	½	.500-.750	2.003	.610	1.125	25
2930SST	¾	.125-.375	2.063	.630	1.125	10
2931SST	¾	.310-.560	2.063	.630	1.125	10
2932SST	¾	.500-.750	2.063	.630	1.125	10
2940SST	1	.310-.560	2.178	.785	1.500	10
2941SST	1	.500-.750	2.218	.785	1.500	10
2942SST	1	.700-.950	2.218	.785	1.500	10



The Ranger® Series of Aluminum Liquidtight Cord Connectors



Application

- A liquidtight connector to connect flexible cord to an enclosure and provide adequate strain relief
- Form a mechanical grip and water and liquidtight seal
- Form a non-slip connection or termination for flexible cord

Cord & Cable Type

- SJ, SJE, SJEW, SJE0, SJE00, SJE00W, SJO, SJOW, SJO0, SJO0W, SJT, SJTW, SJTO, SJTOW, SJTO0, SJTO0W, SO, SOW, SOO, SOOW, SV, ST, STD, SVD

Features

- Available in straight or 90° designs
- Designed to accept a wide range of cables, offering nine fittings that cover cord ranges from .125" through .950"
- Slotted design gland nut to accommodate securing in tight spaces

- Installer can simply use screwdriver to get into the hard-to-reach area and secure the gland nut
- Marked with cable ranges and conduit hub sizes

Material

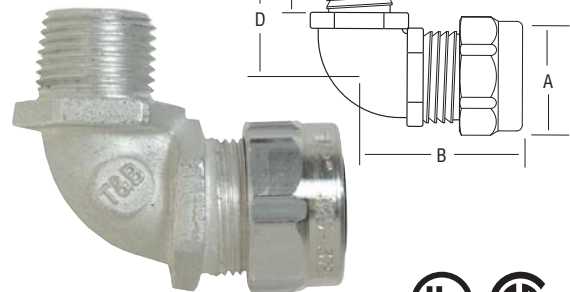
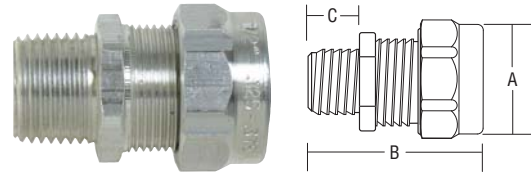
- Body: Copper-free Aluminum
- Gland Nut, Grip: Copper-free Aluminum — all series
- Bushing: Thermoplastic Rubber
- Grip Ring: Nylon

Environment Classification

- Ordinary locations
- Wet or dry locations
- Temperature Range: -20° C to 105° C (-4° F to 221° F)

Range

- Cord Range: .125" to .950
- Hub Size Range: ½" to 1"



Aluminum Liquidtight Strain-Relief Connectors



CAT. NO.	HUB SIZE	CORD RANGE (IN.)	DIMENSIONS (IN.)				STD. PKG. QTY.	WT. PER 100
			A	B	C	D		
Straight								
2920AL	½"	.125-.375	1⅞	1¾	⅝	—	25	8.50
2921AL	½"	.310-.560	1⅞	1¾	⅝	—	25	8.05
2922AL	½"	.500-.750	1⅞	1¾	⅝	—	25	9.95
2930AL	¾"	.125-.375	1⅞	1⅝	⅜	—	10	12.30
2931AL	¾"	.310-.560	1⅞	1⅝	⅜	—	10	11.90
2932AL	¾"	.500-.750	1⅞	1⅝	⅜	—	10	11.50
2940AL	1"	.310-.560	1⅞	1¾	1⅞	—	10	18.00
2941AL	1"	.500-.750	1⅞	1¾	1⅞	—	10	16.00
2942AL	1"	.700-.950	1⅞	1¾	3⅝	—	10	16.70
90° Elbow								
4960AL	½"	.125-.375	1⅞	1¾	⅝	1⅞	50	23.60
4961AL	½"	.360-.560	1⅞	1¾	⅝	1⅞	50	11.60
4970AL	¾"	.125-.375	1⅞	1⅝	⅜	1⅞	50	17.2
4971AL	¾"	.310-.560	1⅞	1⅝	⅜	1⅞	50	30.00
4972AL	¾"	.500-.750	1⅞	1⅝	⅜	1⅞	50	33.09
4980AL	1"	.310-.560	1⅞	2⅞	1⅞	1¾	25	21.50
4981AL	1"	.500-.750	1⅞	2⅞	1⅞	1¾	25	22.36
4982AL	1"	.700-.950	1⅞	2⅞	1⅞	2	25	18.20

* It may be necessary to remove sufficient outer covering of cable to permit conductors to pass through connector body. All items shown on this page are suitable for use in hazardous locations where general purpose equipment is specifically permitted by the NEC. NEC 501-4(b).

UL File No. E-13938 CSA File No. 52391

For wire mesh grips refer to page A-147.

T&B Liquidtight Strain Relief Cord Connectors

T&B Fittings

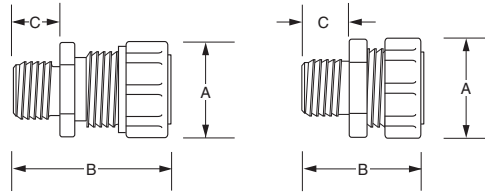
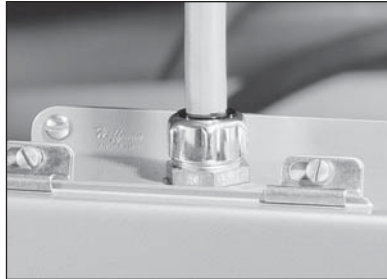


Fig. 1

Fig. 2



The T&B Steel Liquidtight Strain Relief Cord Connector is suited for most general control and power cable applications. This series features sturdy neoprene bushings and tapered hub threads.

Application

- Provide means for passing a cord cable (armored or unarmored) into an enclosure, through a bulkhead or into a rigid conduit
- Form a mechanical grip and water- and/or oil-resistant seal for cord and unarmored or jacketed armored round cables
- Form a non-slip connection or termination for flexible cord, cable (armored or unarmored)
- Provide grounding continuity of cable armor

Cord & Cable Type

- S, SO, SV, ST, STD, SJ, SJO, SJT, SJTO, SVD

Features

- Extended range with superior strain relief
- Reduced overall size, fits into tighter spaces
- Gland nut designed to restrict cable bending

Materials

Body 2500 Series – Steel or Malleable Iron
 2200 Series – Malleable Iron
 Gland Steel
 Bushing Neoprene

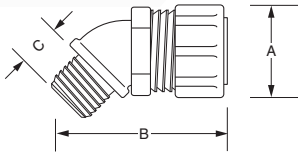
Environment Classification

- Ordinary locations
- Wet or dry locations
- Fittings used in a trade size knockout requiring a NEMA 3R, 4, 6 or 13 listing require a 5262 Series sealing ring

CAT. NO.	CABLE SIZE RANGE MIN.-MAX.	HUB SIZE	THROAT DIA. (MIN.)	FIG.	DIMENSIONS (IN.)			BUSHING PART NO.	GLAND-NUT MODEL NO.	RETAINER MODEL NO.	BODY MODEL NO.
					A	B	C				
2516†	(.060-.125)	1/4"	3/8"	2	3/4"	1/8"	1/2"	035-73377-5	035-73377-3	035-73377-9	035-73377-1
2517†	(.120-.250)	1/4"	3/8"	2	1 1/4"	1/8"	1/2"	035-73377-6	035-73377-3	035-73377-9	035-73377-1
2518†	(.060-.150)	3/8"	3/8"	2	3/2"	1 1/2"	1/2"	035-73377-7	035-73377-4	035-73377-9	035-73377-2
2519†	(.150-.300)	3/8"	3/8"	2	3/2"	1 1/2"	1/2"	035-73377-8	035-73377-4	035-73377-9	035-73377-2
2520	(.125-.250)	1/2"	3/8"	1	1 3/2"	3/8"	3/8"	053-71411-1	053-71411-37	035-72735-1	053-71411-43
2521	(.250-.375)	1/2"	3/8"	1	1 1/2"	1 1/2"	3/8"	053-71411-2	053-71411-37	035-72735-1	053-71411-43
2522	(.375-.500)	1/2"	3/8"	1	1 1/2"	1 1/2"	3/8"	053-71411-3	053-71411-37	035-72735-2	053-71411-43
2523	(.450-.560)	1/2"	3/8"	1	1 1/2"	1 1/2"	3/8"	053-71411-4	053-71411-37	035-72735-2	053-71411-43
2524*	(.500-.625)	1/2"	3/8"	1	1 1/2"	1 1/2"	3/8"	053-71411-59	053-71411-38	035-72735-3	033-72259-21
2525*	(.625-.750)	1/2"	3/8"	1	1 1/2"	1 1/2"	3/8"	053-71411-60	053-71411-38	035-72735-3	033-72259-21
2530	(.125-.250)	3/4"	3/4"	1	1 1/2"	1 1/2"	3/8"	033-72259-1	053-71411-38	035-72735-4	053-71411-44
2531	(.250-.375)	3/4"	3/8"	1	1 1/2"	1 1/2"	3/8"	053-71411-5	053-71411-38	035-72735-4	053-71411-44
2532	(.375-.500)	3/4"	3/8"	1	1 1/2"	1 1/2"	3/8"	053-71411-58	053-71411-38	035-72735-4	053-71411-44
2534	(.500-.625)	3/4"	3/8"	1	1 1/2"	1 1/2"	3/8"	053-71411-59	053-71411-38	035-72735-3	053-71411-44
2535	(.625-.750)	3/4"	3/8"	1	1 1/2"	1 1/2"	3/8"	053-71411-60	053-71411-38	035-72735-3	053-71411-44
2536*	(.750-.880)	3/4"	3/4"	1	1 1/2"	1 1/2"	3/8"	053-71411-61	053-71411-39	035-72735-5	033-72259-22
2541	(.250-.375)	1"	3/4"	1	1 1/2"	1 1/2"	3/8"	053-71411-5	053-71411-38	035-72735-4	053-71411-45
2542	(.375-.500)	1"	3/4"	1	1 1/2"	1 1/2"	3/8"	053-71411-58	053-71411-38	035-72735-4	053-71411-45
2544	(.500-.625)	1"	3/4"	1	1 1/2"	1 1/2"	3/8"	053-71411-59	053-71411-38	035-72735-3	053-71411-45
2545	(.625-.750)	1"	3/4"	1	1 1/2"	1 1/2"	3/8"	053-71411-60	053-71411-38	035-72735-3	053-71411-45
2546	(.750-.880)	1"	3/4"	1	1 1/2"	1 1/2"	3/8"	053-71411-61	053-71411-39	035-72735-5	053-71411-46
2547	(.875-.985)	1"	3/4"	1	1 1/2"	1 1/2"	3/8"	053-71411-62	053-71411-39	035-72735-5	053-71411-46
2548*	(.880-1.065)	1"	3/2"	1	2 1/2"	2 1/2"	3/8"	053-71411-63	053-71411-40	035-72735-6	033-72259-23
2549*	(1.065-1.205)	1"	3/2"	1	2 1/2"	2 1/2"	3/8"	053-71411-64	053-71411-40	035-72735-6	033-72259-23
2558	(.880-1.065)	1 1/4"	1 1/4"	1	2 1/2"	2 1/2"	3/8"	053-71411-63	053-71411-40	035-72735-6	053-71411-47
2559	(1.065-1.205)	1 1/4"	1 1/4"	1	2 1/2"	2 1/2"	3/8"	053-71411-64	053-71411-40	035-72735-6	053-71411-47
2556*	(1.187-1.375)	1 1/4"	1 1/4"	1	2 1/2"	2 1/2"	3/8"	053-71411-18	053-71411-41	035-72735-7	033-72259-24
2557*	(1.375-1.485)	1 1/4"	1 1/4"	1	2 1/2"	2 1/2"	3/8"	033-72259-2	053-71411-41	035-72735-7	033-72259-24
2562	(.812-1.000)	1 1/2"	1 1/4"	1	2 1/2"	2 1/2"	3/8"	033-72259-3	053-71411-41	035-72735-7	053-71411-48
2563	(1.000-1.187)	1 1/2"	1 1/4"	1	2 1/2"	2 1/2"	3/8"	053-71411-17	053-71411-41	035-72735-7	053-71411-48
2564	(1.187-1.375)	1 1/2"	1 1/4"	1	2 1/2"	2 1/2"	3/8"	053-71411-18	053-71411-41	035-72735-7	053-71411-48
2565*	(1.375-1.625)	1 1/2"	1 1/4"	1	2 1/2"	2 1/2"	3/8"	053-71411-65	053-71411-42	035-72735-8	033-72259-25
2573	(1.125-1.375)	2"	1 1/2"	1	2 1/2"	2 1/2"	3/8"	053-71411-66	053-71411-42	035-72735-8	053-71411-49
2574	(1.375-1.625)	2"	1 1/2"	1	2 1/2"	2 1/2"	3/8"	053-71411-65	053-71411-42	035-72735-8	053-71411-49
2575	(1.625-1.875)	2"	1 1/2"	1	2 1/2"	3 1/2"	3/8"	053-71411-67	053-71411-42	035-72735-8	053-71411-49
2576*	(1.750-1.965)	2"	1 3/4"	1	3 1/2"	3 1/2"	3/8"	033-72259-5	033-72259-17	035-72735-9	033-72259-26
2577*	(1.937-2.187)	2"	1 3/4"	1	3 1/2"	3 1/2"	3/8"	033-72259-6	033-72259-17	035-72735-9	033-72259-26
2584	(1.750-1.965)	2 1/2"	2"	1	3 1/2"	3 1/2"	1 1/2"	033-72259-5	033-72259-17	035-72259-14	033-72259-27
2585	(1.937-2.187)	2 1/2"	2"	1	3 1/2"	3 1/2"	1 1/2"	033-72259-6	033-72259-18	033-72259-14	033-72259-27
2586*	(2.156-2.360)	2 1/2"	2 1/2"	1	3 3/4"	4 1/4"	1 1/2"	033-72259-7	033-72259-19	033-72259-15	033-72259-28
2587*	(2.350-2.565)	2 1/2"	2 1/2"	1	3 3/4"	4 1/4"	1 1/2"	033-72259-8	033-72259-19	033-72259-15	033-72259-28
2592	(2.156-2.360)	3"	2 1/2"	1	3 3/4"	4 1/4"	1 1/2"	033-72259-7	033-72259-19	033-72259-15	033-72259-29
2593	(2.350-2.565)	3"	2 1/2"	1	3 3/4"	4 1/4"	1 1/2"	033-72259-8	033-72259-19	033-72259-15	033-72259-29
2594	(2.535-2.750)	3"	2 1/2"	1	3 3/4"	4 1/4"	1 1/2"	033-72259-9	033-72259-19	033-72259-15	033-72259-29
2595*	(2.735-2.985)	3"	2 1/2"	1	4 1/4"	4 3/8"	1 1/2"	033-72259-10	033-72259-20	033-72259-16	033-72259-30
2596*	(2.970-3.220)	3"	2 1/2"	1	4 1/4"	4 3/8"	1 1/2"	033-72259-11	033-72259-20	033-72259-16	033-72259-30

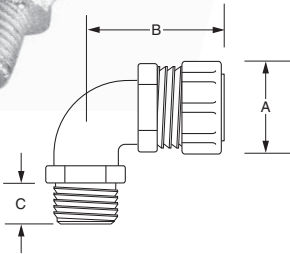
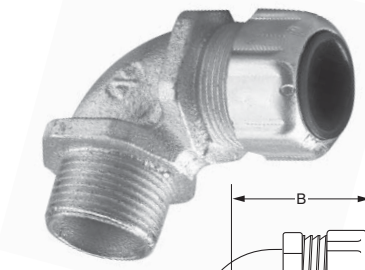


Liquidtight Strain Relief Connectors — 45°



For wire mesh grips refer to page A-147.

Liquidtight Strain Relief Connectors — 90°



* Remove sufficient outer covering of cable to permit conductors to pass through connector body.

† UL not applicable.

Complies with JIC standards.

UL Listed as liquidtight strain relief and outlet bushing. CSA certified watertight.

Temperature rating 105°C.

Suitable for hazardous locations use where general purpose equipment is specifically permitted per NEC Section 501-4(b).

UL File No. E 13938

CSA File No. 589 & 4484

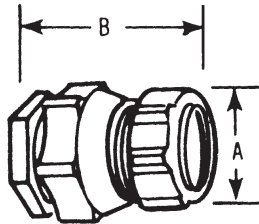
CAT. NO.	CABLE SIZE MIN.-MAX.	HUB SIZE	DIMENSIONS (IN.)			THROAT DIA.
			A	B	C	
2200	(.125-.250)	1/2"	1 1/8	1 3/32	9/16	37/64
2201	(.250-.375)	1/2"	1 1/8	1 3/32	9/16	37/64
2202	(.375-.500)	1/2"	1 1/8	1 3/32	9/16	37/64
2203	(.450-.560)	1/2"	1 1/8	1 3/32	9/16	37/64
2204*	(.500-.625)	1/2"	1 3/8	1 1/32	9/16	37/64
2205*	(.625-.750)	1/2"	1 3/8	1 1/32	9/16	37/64
2206	(.125-.250)	3/4"	1 3/8	1 1/32	5/8	25/32
2207	(.250-.375)	3/4"	1 3/8	1 1/32	5/8	25/32
2208	(.375-.500)	3/4"	1 3/8	1 1/32	5/8	25/32
2209	(.500-.625)	3/4"	1 3/8	1 1/32	5/8	25/32
2210	(.625-.750)	3/4"	1 3/8	1 1/32	5/8	25/32
2211*	(.750-.880)	3/4"	1 1/2	1 1/2	1 1/2	3/4
2213	(.375-.500)	1"	1 3/8	1 1/2	25/32	15/16
2214	(.500-.625)	1"	1 3/8	1 1/2	25/32	15/16
2215	(.625-.750)	1"	1 3/8	1 1/2	25/32	15/16
2216	(.750-.875)	1"	1 1/2	1 1/2	25/32	15/16
2217*	(.875-.985)	1"	1 1/2	1 1/2	25/32	15/16
2218*	(.880-1.065)	1"	2 1/16	1 3/32	25/32	15/16
2219*	(1.065-1.205)	1"	2 1/16	1 3/32	25/32	15/16
2220*	(.880-1.065)	1 1/4"	2 1/16	1 3/32	13/16	1 1/16
2221*	(1.065-1.205)	1 1/4"	2 1/16	1 3/32	13/16	1 1/16
2222*	(1.187-1.375)	1 1/4"	2 1/16	2 1/4	13/16	1 23/64
2223*	(1.375-1.485)	1 1/4"	2 1/16	2 1/4	13/16	1 23/64

CAT. NO.	CABLE SIZE MIN.-MAX.	HUB SIZE	DIMENSIONS (IN.)			THROAT DIA.
			A	B	C	
2267	(.125-.250)	1/2"	1 1/8	1 29/32	5/8	19/32
2268	(.250-.375)	1/2"	1 1/8	1 29/32	5/8	19/32
2269	(.375-.500)	1/2"	1 1/8	1 29/32	5/8	19/32
2270	(.450-.560)	1/2"	1 1/8	1 29/32	5/8	19/32
2250*	(.500-.625)	1/2"	1 3/8	1 1/16	9/16	39/64
2251*	(.625-.750)	1/2"	1 3/8	1 1/16	9/16	39/64
2252	(.125-.250)	3/4"	1 3/8	1 3/4	1/2	25/32
2271	(.250-.375)	3/4"	1 3/8	1 3/8	1/2	25/32
2272	(.375-.500)	3/4"	1 3/8	1 3/8	1/2	25/32
2273	(.500-.625)	3/4"	1 3/8	1 3/8	1/2	25/32
2274*	(.620-.750)	3/4"	1 3/8	1 3/8	1/2	25/32
2253*	(.750-.880)	3/4"	1 1/2	1 31/32	9/16	25/32
2254	(.375-.500)	1"	1 3/8	2	25/32	1
2255	(.500-.625)	1"	1 3/8	2	25/32	1
2256*	(.625-.750)	1"	1 3/8	2	25/32	1
2275	(.750-.875)	1"	1 1/2	2	5/8	1
2276	(.875-.985)	1"	1 1/2	2	5/8	1
2257*	(.880-1.065)	1"	2 1/16	2 23/32	25/32	15/16
2258*	(1.065-1.205)	1"	2 1/16	2 23/32	25/32	15/16
2277	(.880-1.065)	1 1/4"	2 1/16	2 1/8	11/16	1 1/16
2278	(1.065-1.205)	1 1/4"	2 1/16	2 1/8	11/16	1 1/16
2279*	(1.187-1.375)	1 1/4"	2 1/16	2 3/16	13/16	1 11/32
2280*	(1.375-1.485)	1 1/4"	2 1/16	2 3/16	13/16	1 11/32
2281	(.812-1.000)	1 1/2"	2 1/16	2 1/8	13/16	1 15/32
2282	(1.000-1.187)	1 1/2"	2 1/16	2 1/8	13/16	1 15/32
2283*	(1.187-1.375)	1 1/2"	2 1/16	2 1/8	13/16	1 15/32
2284	(1.125-1.375)	2"	2 25/32	3 1/4	27/32	1 31/32
2285	(1.375-1.625)	2"	2 25/32	3 1/4	27/32	1 31/32
2286	(1.625-1.875)	2"	2 25/32	3 1/4	27/32	1 31/32

CHASE® Liquidtight Cord Connectors



T&B Fittings



CAT. NO.	CABLE SIZE RANGE SIZE (IN.)	THROAT DIA.	CORD RANGE	DIMENSIONS (IN.)	
				A	B
2631	(.125-.250)	1/2"	3/16"	1 1/8	1 1/8
2632	(.250-.375)	1/2"	3/16"	1 1/8	1 1/8
2633	(.375-.500)	1/2"	3/16"	1 1/8	1 1/8
2634	(.450-.560)	1/2"	3/16"	1 1/8	1 1/8
2637	(.125-.250)	3/4"	25/32"	1 1/8	1 1/4
2638	(.250-.375)	3/4"	25/32"	1 1/8	1 1/4
2639	(.375-.500)	3/4"	25/32"	1 1/8	1 1/4
2640	(.500-.625)	3/4"	25/32"	1 1/8	1 1/4
2641	(.625-.750)	3/4"	25/32"	1 1/8	1 1/4
2646	(.500-.625)	1"	1"	1 1/8	1 1/8
2647	(.625-.750)	1"	1"	1 1/8	1 1/8
2648	(.750-.880)	1"	1"	1 1/8	1 1/8

Suitable for hazardous locations use in Class I, Div. 2; Class II, Div. 1 and 2; Class III, Div. 1 and 2, where general purpose equipment is specifically permitted per NEC Section 500-2(a).

Complete with O-Ring seal and nylon insulated throat and neoprene bushing.

UL Listed as liquidtight strain relief, and outlet bushing.
CSA certified watertight.

Temperature Rating: 105° C UL File No. E 13938

CSA File No. 589. CHASE® Liquidtight Cord Connectors are ideal for installation where space is limited inside the enclosure.

Multi-Hole Flexible Cord and Cable Connectors



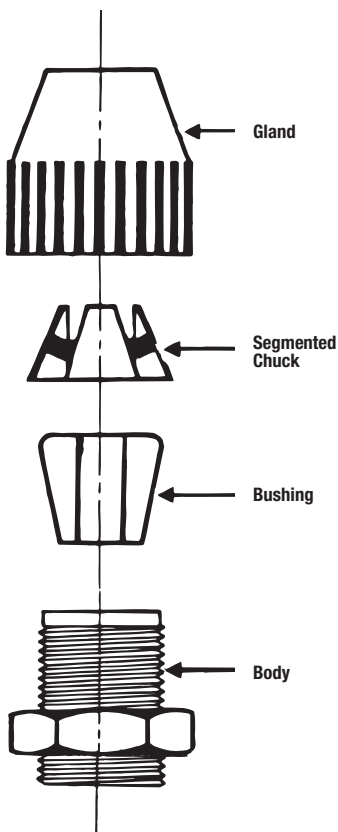
CAT. NO.	HUB SIZE (IN.)	DIA. NO.	CORD DIA. (IN.)
2520-2	1/2"	2	.220
2530-2	3/4"	2	.220
2531-2	3/4"	2	.260
2531-3	3/4"	3	.260
2541-2	1"	2	.300
2542-2	1"	2	.375
2540-3	1"	3	.225
2541-3	1"	3	.300
2540-4	1"	4	.220
2555-2	1 1/4"	2	.500

NOTE: Range of cord dia. ± .010.

In many applications you have only room for one fitting but you need to run two cables for example, proximity switches. Now you can provide strain relief and liquidtight protection with T&B's new multi-hole liquidtight strain relief connectors. With the ever-increasing number of signal cables, now you have a solution to the problem of how to strain relieve multiple cables in one fitting.



2672 Series



2672 Series

Non-Metallic Liquidtight Flexible Cord Connectors — Black Beauty® Series

Application

- A liquidtight connector to connect flexible cord to a box or enclosure and provide adequate strain relief

Features

- Taper Thread hub seals in female hub (A)
- Neoprene bushing provides liquidtight installation (B)
- Hand tightens — no tools needed for assembly
- Segmented chuck provides high mechanical pullout performance — will not cut or damage cord jacket (C)
- Corrosion and weather resistant plastic is excellent for outdoor/indoor use
- Plastic parts improve dielectric strength and provide insulated throat (D)
- Wide range — reduces inventories

Standard Material

Body, Gland & Segmented Chuck Weather stabilized thermoplastic rated for -34° C (-29° F) to 105° C (221° F) application.
 Bushing Neoprene

Standard Finish

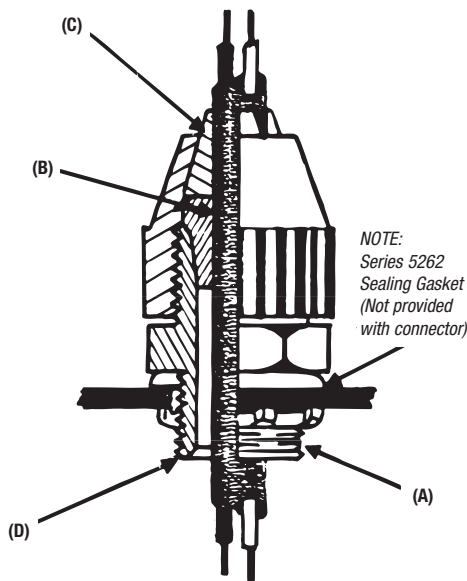
All parts as molded.

Range

.250 outside diameter to 1.020 outside diameter Type S, SO, SV, ST, STO, SJ, SJO, SJT, SJTO, SVTO, SVO, SVT Flexible Cords & Cables

Listings/Compliances

UL (UL File No. E-23018)
 CSA LR-2884, LR-4484
 UL 514B
 CSA C22.2 No. 18
 NFPA 70-1999 (ANSI)
 Federal Standard H-28 (Threads)



NOTE:
 Series 5262
 Sealing Gasket
 (Not provided
 with connector)

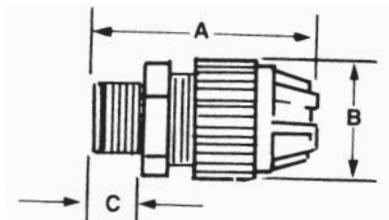
Typical Installation

Rugged, weather-stabilized nylon construction!

Black Beauty® Non-Metallic Liquidtight Strain Relief Connector — Straight



T&B Fittings



- UL 94-V2 flammability rated
- Temperature rating: -34° C to +105° C
- Meets Coast Guard CG293

CAT. NO.	TRADE OR HUB SIZE	THROAT DIAM. (IN.)	CORD RANGE (IN.)	DIMENSIONS (IN.)		
				A	B	C
2671	3/8"	0.33	.125-.275	2.0	.90	.46
2690	1/2"	0.33	.125-.275	2.3	.90	.60
2672	1/2"	0.55	.250-.400	2.6	1.27	.60
2673*	1/2"	0.55	.400-.560	2.6	1.27	.60
2691*	1/2"	0.54	.560-.690	3.0	1.57	.60
2692*	1/2"	0.54	.660-.780	3.0	1.57	.60
2693	3/4"	0.55	.250-.400	2.7	1.27	.62
2694*	3/4"	0.55	.400-.560	2.7	1.27	.62
2674	3/4"	0.79	.560-.690	3.0	1.57	.62
2675	3/4"	0.79	.660-.780	3.0	1.57	.62
2696*	3/4"	0.76	.770-.895	3.2	1.89	.62
2676	1"	0.98	.660-.780	3.3	1.89	.77
2677	1"	0.98	.770-.895	3.3	1.89	.77
2678*	1"	0.98	.870-1.020	3.3	1.89	.77
2699	1"	0.98	.890-1.090	4.2	2.58	.77
2702	1 1/4"	1.25	.890-1.090	4.2	2.58	.80
2703	1 1/4"	1.25	1.080-1.280	4.0	2.58	.80
2704	1 1/4"	1.25	1.270-1.470	4.0	2.58	.80
2705-TB	1 1/2"	1.47	.890-1.150	4.2	2.95	.82
2706	1 1/2"	1.47	1.140-1.400	4.3	2.95	.82
2707	1 1/2"	1.47	1.390-1.650	4.3	2.95	.82
2708	2"	1.89	1.190-1.530	5.1	3.50	.84
2709	2"	1.89	1.520-1.860	4.9	3.50	.84
2710*	2"	1.89	1.850-2.190	4.9	3.50	.84

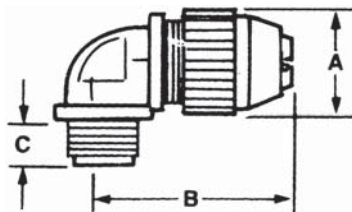
*Remove sufficient outer covering of cable to permit conductors to pass thru connector body.

UL File No. E 13938
CSA File No. 52391

All items shown on this page are suitable for use in hazardous location where general purpose equipment is specifically permitted by the NEC. Class I, Div. 2. Class II, Div. 1 & 2. Class III, Div. 1 & 2. NEC 501-4(b), 502-4(a)(b), 503-3(a)(b).

90° angle with a standard-size body!

Black Beauty® Non-Metallic Liquidtight Strain Relief Connector — 90° Elbow



- Weather-stabilized nylon construction
- UL 94-V2 flammability rated
- Temperature rating: -34° C to +105° C
- Meets Coast Guard CG293

CAT. NO.	TRADE OR HUB SIZE	THROAT DIAM. (IN.)	CORD RANGE (IN.)	DIMENSIONS (IN.)		
				A	B	C
2680	3/8"	.33	.125-.275	2 9/32	1 1/4	.460
2681	1/2"	.55	.250-.400	—	—	—
2682*	1/2"	.55	.400-.560	—	—	—
2683	3/4"	.78	.560-.690	—	—	—
2684	3/4"	.78	.660-.780	—	—	—
2688	1"	.98	.560-.690	1 7/32	3/4	.770
2685	1"	.98	.660-.780	1 7/32	3/4	.770
2686	1"	.98	.770-.895	1 7/32	3 1/16	.770
2687*	1"	.98	.870-1.020	1 7/32	3	.770

*Remove sufficient outer covering of cable to permit conductors to pass thru connector body. 90° angle, standard size body.

UL File No. E 13938
CSA File No. 52391

All items shown on this page are suitable for use in hazardous locations where general purpose equipment is specifically permitted by the NEC. Class I, Div. 2. Class II, Div. 1 & 2. Class III, Div. 1 & 2. NEC 501-4(b), 502-4(a)(b), 503-3(a)(b).



The T&B WMG-PC Series Wire Mesh Grips for Portable Cord

T&B Wire Mesh grips are ordered separately and fit with your existing inventory of Ranger® connectors and liquidtight strain relief connectors. There's no need to duplicate inventory.

Application

- Provides high gripping strength for adequate cable support and strain relief without damage to the cable sheath
- Compression of a tapered neoprene bushing ensures the watertight integrity of the fittings
- To meet National Electrical Code or NEC requirements for electrical installations in hazardous atmospheres, a sealing fitting may be required in conjunction with the cable and cord fitting

Cord & Cable Type

- S, SO, SV, ST, STD, SJ, SJO, SJT, SJTO, SVD

Features

- Prevents severe cord bends and pullouts
- Used in aluminum and/or steel fittings



Now Includes Ranger® Series

Materials

- Wiremesh made of stainless steel.
- Retaining rings made of aluminum

Environment Classification

- Ordinary locations

Range

- .187 – 3.220



T&B Fittings

How to select proper wiremesh grip:

1. Determine O.D. of portable cord, e.g., .200
2. Determine size of knockout or threaded hub, e.g. 1/2"
3. Select Cat. No. of strain relief connector, e.g., 2520, 2920AL.
4. Match up O.D. with grip range and strain relief to determine Cat. No. of Wiremesh Grip (e.g., .200 + 2520 = WMP-PC1)



2920 Series



2920AL Series



2516 Series

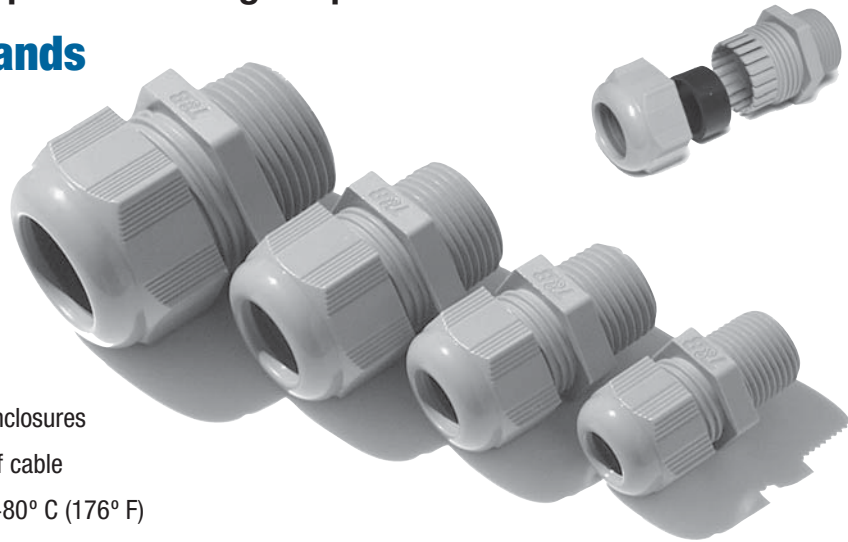
CAT. NO.	GRIP RANGE	STRAIN RELIEF CONNECTOR							
		STRAIGHT		45°		90°		RANGER® ALUMINUM	T&B STEEL
		RANGER® STEEL	RANGER® ALUMINUM	RANGER® STEEL	T&B STEEL	RANGER® STEEL	RANGER® ALUMINUM		
WMG-PC1	.187-.250	2920	2920AL	2520	4920	2200	4960	4960AL	2267
WMG-PC2	.250-.375	2920	2920AL	2521	4920	2201	4960	4960AL	2268
WMG-PC3	.375-.500	2921	2921AL	2522	4921	2202	4961	4961AL	2269
WMG-PC4	.500-.625	2922	2922AL	2524	4922	2204	4962	4962AL	2250
		2932	2932AL	2534	4932	2209	4972	4972AL	2273
		2941	2941AL	2544	4941	2214	4981	4981AL	2255
WMG-PC5	.625-.750	2922	2922AL	2525	4922	2205	4962	4962AL	2251
		2932	2932AL	2535	4932	2210	4972	4972AL	2274
		2941	2941AL	2545	4941	2215	4981	4981AL	2256
WMG-PC6	.187-.250	2930	2930AL	2530	4930	2206	4970	4970AL	2252
WMG-PC7	.250-.375	2930	2930AL	2531	4930	2207	4970	4970AL	2271
WMG-PC8	.375-.500	2940	2940AL	2541	4940	2208	4980	4980AL	2254
		2931	2931AL	2532	4931	2208	4961	4961AL	2272
		2940	2940AL	2542	4940	2213	4980	4980AL	2254
WMG-PC9	.750-.875	2942	2942AL	2536	4942	2211	4982	4982AL	2253
		—	—	2546	4942	2216	—	—	2275
WMG-PC10	.875-1.000	—	—	2547	—	2217	—	—	2276
WMG-PC11	.875-1.000	—	—	2548	—	2218	—	—	2257
		—	—	2558	—	2220	—	—	2277
WMG-PC12	1.000-1.125	—	—	2548	—	2218	—	—	2257
		—	—	2558	—	2220	—	—	2277
		—	—	2549	—	2219	—	—	2258
		—	—	2559	—	2221	—	—	2278
WMG-PC13	1.125-1.250	—	—	2549	—	2221	2258	2258	2219
		—	—	2559	—	—	—	—	2278
		—	—	2556	—	—	2279	2279	2222
WMG-PC14	1.125-1.250	—	—	2563	—	—	—	—	2282
		—	—	2564	—	—	—	—	2283
		—	—	2564	—	2222	—	—	2283
WMG-PC15	1.250-1.375	—	—	2564	—	2222	—	—	2256
WMG-PC16*	1.375-1.500	—	—	2557	—	2223	—	—	2280
WMG-PC17*	1.125-1.250	—	—	2573	—	—	—	—	2284
WMG-PC18*	1.250-1.375	—	—	2573	—	—	—	—	2284
WMG-PC19*	1.375-1.500	—	—	2565	—	—	—	—	2285
		—	—	2574	—	—	—	—	—
WMG-PC20*	1.500-1.625	—	—	2565	—	—	—	—	2285
		—	—	2574	—	—	—	—	—
WMG-PC21*	1.625-1.750	—	—	2575	—	—	—	—	2286
WMG-PC22*	1.750-1.875	—	—	2575	—	—	—	—	2286

*Replacement Gland Nut supplied with these catalog numbers only.

Low-profile cable gland perfect for tight spots.

Non-Metallic Cable Glands

T&B Nylon Cable Glands have a sturdy cable sealing mechanism that results in superior strain relief. The compact size ensures quick and easy installation in cramped spaces. The non-metallic construction provides excellent corrosion, chemical and impact resistance. The glands have long threads and locknuts are available.



T&B Fittings

- Halogen-free
- Flame-retardant UL 94V0
- Rated IP 68 5 BAR, suitable for NEMA 4 enclosures
- UL Listed*, CSA listed for certain ranges of cable
- Working temperatures -30° C (-86° F) to +80° C (176° F)
- Continuous, +150° C (276° F) Intermittent
- Meets VDE ratings

* Material not UV resistant. Sturdy Nylon 6 for strong, lightweight construction. Gray color shown, also available in black.



CAT. NO. FITTINGS	THREAD SIZE	COLOR	CORD RANGE		LENGTH OF THREAD		USE T&B LOCKNUT CAT. NO.	UNIT PKG.	STD. PKG.
			IN.	MM	IN.	MM			
NPT Threads									
CC-NPT38-B	3/8"	Black	.197-.394	5-10mm	.590	15mm	—	50	250
CC-NPT38-G	3/8"	Gray	.197-.394	5-10mm	.590	15mm	—	50	250
CC-NPT12-B	1/2"	Black	.394-.551	10-14mm	.590	15mm	LN501	50	250
CC-NPT12-G	1/2"	Gray	.394-.551	10-14mm	.590	15mm	LN501	50	250
CC-NPT34-B	3/4"	Black	.512-.709	13-18mm	.590	15mm	LN502	25	100
CC-NPT34-G	3/4"	Gray	.512-.709	13-18mm	.590	15mm	LN502	25	100
CC-NPT1-B	1"	Black	.709-.984	18-25mm	.709	18mm	LN503	20	100
CC-NPT1-G	1"	Gray	.709-.984	18-25mm	.709	18mm	LN503	20	100
ISO/Metric Threads									
CC-ISO16-G	16	Gray	.197-.394	5-10mm	.394	10mm	LN-ISO16-G	50	200
CC-ISO20-G	20	Gray	.236-.473	6-12mm	.590	15mm	LN-ISO20-G	50	200
CC-ISO25-G	25	Gray	.512-.709	13-18mm	.590	15mm	LN-ISO25-G	25	100
CC-ISO32-G	32	Gray	.709-.984	16-25mm	.590	15mm	LN-ISO32-G	20	100
CC-ISO40-G	40	Gray	.748-1.10	22-32mm	.709	18mm	LN-ISO40-G	15	75
PG Threads									
CC-PG7-G	7	Gray	.118-.256	3-6.5mm	.315	8mm	LN-PG7-G	50	200
CC-PG9-G	9	Gray	.157-.315	4-8mm	.315	8mm	LN-PG9-G	50	200
CC-PG11-G	11	Gray	.197-.394	5-10mm	.315	8mm	LN-PG11-G	25	100
CC-PG135-G	13 1/2	Gray	.236-.473	6-12mm	.354	9mm	LN-PG135-G	25	100
CC-PG16-G	16	Gray	.394-.551	10-14mm	.394	10mm	LN-PG16-G	25	100
CC-PG21-G	21	Gray	.512-.709	13-18mm	.433	11mm	LN-PG21-G	10	50
CC-PG29-G	29	Gray	.709-.984	18-25mm	.433	11mm	LN-PG29-G	10	50
CC-PG36-G	36	Gray	.867-1.26	22-32mm	.512	13mm	LN-PG36-G	10	50

* Listed under UL file E13938, control #137B NPT and PG threaded Cable Glands are UL Listed, ISO/Metric Threaded Cable Glands are not UL Listed.

Non-Metallic Cable and Cord Fittings



Non-Metallic Cable/Cord Fitting with Integral Strain-Relief

Thomas & Betts is pleased to announce the new non-metallic spiral cable/cord connector. T&B spiral cable/cord connectors are ideal in environments where maximum protection is needed against conductor fatigue caused by flexing cables.

- Strain-relief is integral to the fitting, saving time and costs of additional parts for cable/cord installations
- UL listed
- Contains an IP68 rating for NEMA 4 enclosures
- Meets VDE ratings for European applications

Specifications

Materials Polyamide 6 (Body, Cap)
 Neoprene (Sealing Ring)

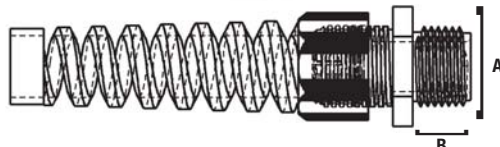
Colors Available Black, Gray

Protection Class IP 68, 5 Bar

Temperature Range - 30° C to +80° C permanent
 (-86° F - +176° F)

Operating Temperature Up to +150° C (+276° F)
 continuous

Please contact your Thomas & Betts sales representative regarding our custom grommet offering.



T&B Fittings

CAT. NO.	SIZE	MIN. CABLE RANGE	MAX CABLE RANGE	USE T&B LOCKNUT CAT. NO.	COLOR	DIMENSIONS (IN.)		STD. PKG. QTY.
						A	B	
SP-NPT38-G	3/8"	.197	.394	—	Gray	.866	.590	25
SP-NPT38-B	3/8"	.197	.394	—	Black	.866	.590	25
SP-NPT12-G	1/2"	.394	.551	LN501	Gray	1.062	.590	25
SP-NPT12-B	1/2"	.394	.551	LN501	Black	1.062	.590	25
SP-NPT34-G	3/4"	.512	.709	LN502	Gray	1.299	.590	25
SP-NPT34-B	3/4"	.512	.709	LN502	Black	1.299	.590	25

Space and labor-saving cord fittings for panels.

Multi-Hole Cord Grip Connectors

- Ideal in limited space environments where multiple cables run into an enclosure
- Small cables such as instrumentation wires, proximity device wiring and signal cables can run safely into the enclosure
- Liquidtight, easy to assemble, provide good strain relief, offer a wide clamping range and are simple to use



CAT. NO.	TRADE SIZE	NUMBER OF OPENINGS	CABLE RANGE		BODY LENGTH		LENGTH PER 100	THREAD WEIGHT
			MINIMUM	MAXIMUM	MINIMUM	MAXIMUM		
CC-NPT12-G2	1/2"	2	.190	.250	1.051"	1.291"	.590"	2.5 lbs.
CC-NPT12-G3	1/2"	3	.190	.250	1.051"	1.291"	.590"	2.5 lbs.
CC-NPT34-G2	3/4"	2	.230	.290	1.283"	1.492"	.590"	2.5 lbs.
CC-NPT34-G3	3/4"	3	.230	.290	1.283"	1.492"	.590"	2.5 lbs.
CC-NPT34-G4	3/4"	4	.230	.290	1.283"	1.492"	.590"	2.5 lbs.

* Based on the comparative material and labor costs of installing one multi-hole connector rather than three connectors in the same panel.

Suggested Specifications for Service Entrance Fittings

All service fittings shall be approved for the purpose by a nationally recognized testing laboratory, inspection agency or product evaluation organization.

Where service raceway consists of a rigid metal conduit, intermediate metal conduit, electrical metallic tubing or where service entrance cable is used as service conductors, a suitable rain tight service head conforming to Federal Standard W-C-586 shall be provided.



Fastening



Series 4175
Pipe Strap (EMT)



Series 1275/1275AL
Pipe Strap (Rigid Metal Conduit & I.M.C.)



Series 1350/1350AL
Pipe Spacer
(Rigid Metal Conduit I.M.C. & EMT)

Service raceway shall be securely fastened in place to the supporting surface at intervals as specified by the Code using suitable straps and spacers; straps and spacers shall be of malleable iron or steel construction, hot dipped galvanized or electro zinc plated conforming to Canadian Standards Association Standard C22.2 No. 18 and as manufactured by Thomas & Betts: series 1275 or 4175; straps and series 1350 spacers; aluminum straps or spacers such as series 1275AL and series 1350AL may be substituted when installed in environmental conditions that are more than normally corrosive.

Threaded Rigid Metal



Series 1490
Entrance ELL

Where threaded rigid metal service raceway enters the building, the raceway shall be equipped with a cast malleable iron/copper-free aluminum entrance ell suitably bushed with a burr-free end stop and taper tapped holes as manufactured by Thomas & Betts, series 1490.

Grounding & Bonding



Series 3870
Bonding & Grounding Bushing — Insulated

For grounding and bonding of service raceway, end of raceway or the terminating fitting shall be equipped with bonding locknuts and insulated metallic grounding and bonding bushing as required.

Bonding locknuts shall be of hardened steel or malleable iron construction, electro zinc plated, and provided with hardened bonding screws as manufactured by Thomas & Betts, series 106 bonding locknuts.

Insulated metallic grounding and bonding bushing shall be of malleable iron/steel construction, electro zinc plated and assembled with an insulator listed or certified for 150° C/302° F service as manufactured by Thomas & Betts, series 3870.



Series 106
Bonding Locknut



Suggested Specifications for Service Entrance Fittings *(Continued)*

Where service entrance cable is used as overhead service conductors and code requires use of a service head, entrance caps shall be installed; caps shall be cast metal type of suitable ferrous or non-ferrous metal equipped with thermoset insulators and proper knockout openings; caps when installed with proper drip loop must ensure raintight conditions.

At the point where the service cable enters the building, a suitable sill plate shall be provided; sill/wall plate shall be sealed to ensure raintight conditions.



T&B® Fittings

Terminating Fittings



Series 2111
Service Entrance Cable Connector



Series 2116
Underground Feeder Cable Connector



Series 3302M
Two Screw Connector (Insulated)

Terminating fittings for service entrance cable (Type SE or USE) or underground feeder and branch — circuit cable (Type UF) in locations where exposed to intermittent or constant moisture or in dry locations and subjected to mechanical strain shall be of watertight strain relief type as manufactured by Thomas & Betts, series 2111 or 2116; fittings shall be constructed of ferrous or non-ferrous metal and equipped with taper threaded hub, beveled moisture resistant/oil resistant synthetic rubber bushing.

In dry locations, nylon insulated two screw type fittings of malleable iron/steel construction electro zinc plated inside outside, including threads such as series 3302M manufactured by Thomas & Betts may be substituted.

Gaskets



Series 5262
Sealing Gasket

Where service entrance cable is terminated into a threadless opening using hub type fittings, a gasket shall be provided between the outside of box or enclosure and fitting shoulder; gasket shall be of moisture resistant/oil resistant synthetic rubber type adequately protected by and permanently retained to a metallic retainer as manufactured by Thomas & Betts, series 5262.

Supports

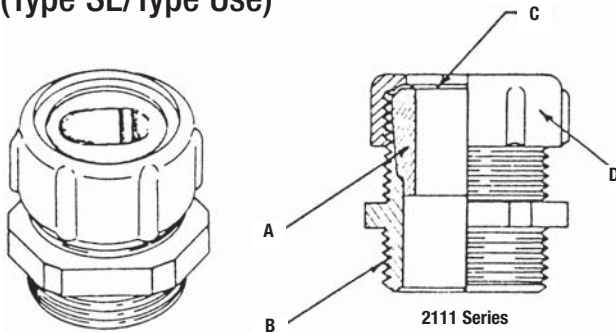


Series 1341
Cable Strap

Service entrance cable shall be adequately supported at intervals enumerated in code using cable straps conforming to requirements of Canadian Standards Association Standard CSA 22.2 No. 18; cable straps shall be of malleable iron/steel construction, hot-dipped galvanized or electro zinc plated as manufactured by Thomas & Betts, series 1341.

Service Entrance Cable Connector

(Type SE/Type Use)



Application

- To connect service entrance cables to a meter box or an enclosure

Standard Material/Finish

Body Zinc Die Cast/as cast
 Gland Steel/Electro Zinc Plated & Chromate Coated
 Retaining Ring Stainless Steel/Passivated
 Bushing Neoprene/as molded

Range

Oval (Flat) Cable Size 260 x .500 thru 1.062 x 1.765
 Type USE Cable Size 3 #12 thru 3-4/0 AWG Conductors
 Hub Size 1/2" thru 2" NPT (taper pipe threads)

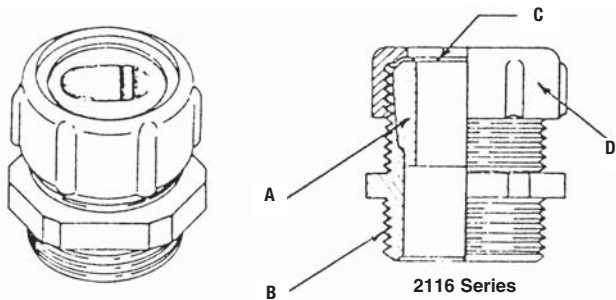
Features

- Neoprene bushing, resists oil and water; grips cable the full length of the bushing, providing adequate strain relief without damaging outer jacket (A)
- Taper threaded body (B)
- Stainless steel retaining ring protects cable jacket against abrasion; reduces installing torque effort (C)
- Rugged ribbed steel gland construction (D)
- Suitable for Type SE & USE Service Entrance Cable

Listings/Compliances

UL (UL File No. E15170)
 CSA (LR589, LR4484)
 UL514, NEMA FB1, Federal Standard
 H-28 (Threads), NFPA70

Underground Feeder Cable Connectors



Application

- To connect underground feeder cables to a box or an enclosure

Standard Material/Finish

Body Zinc Die Cast/as cast
 Gland Steel/Electro Zinc Plated & Chromate Coated
 Retaining Ring Stainless Steel/Passivated
 Bushing Neoprene/as molded

Range

Oval (Flat) Cable Size 235 x .500 thru .260 x .740
 Hub Size 1/2" thru 1" NPT (tapered pipe threads)

Features

- Neoprene bushing resists oil and water; grips cable the full length of the bushing providing adequate strain relief without damaging outer jacket (A)
- Taper threaded body (B)
- Stainless steel retaining ring protects cable jacket against abrasion; reduces installing torque effort (C)
- Rugged ribbed steel gland construction (D)

Listings/Compliances

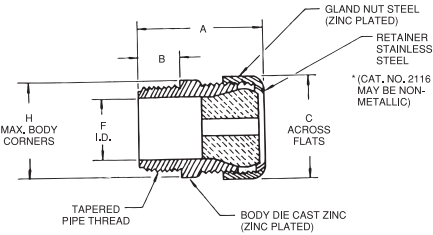
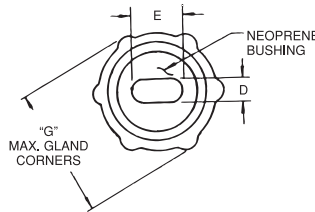
UL
 CSA (LR2884)
 UL514B, NEMA FB1, Federal Standard
 H-28 (Threads), NFPA70



Oil- and water-resistant neoprene bushing specially designed for sealing around underground feeder cable!

Underground Liquidtight Feeder-Cable Fittings

- Stainless steel retaining ring provides bearing surface for glandnut and eliminates cable twist
- Ribbed glandnut tightens easily with wrench to form high-strength connection



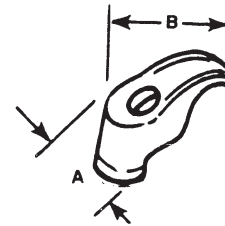
CAT. NO.	HUB SIZE	CABLE OPENING	DIMENSIONS (IN.)									
			A	B	C	D		E		F	G	H
						MIN.	MAX.	MIN.	MAX.			
2116-TB*	1/2"	.235 x .500	1 1/16	5/8	1	.060	.235	.350	.500	5/16	1 1/8	1 1/8
2237	3/4"	.230 x .430	1 1/16	5/8	1 1/32	.080	.230	.320	.430	13/16	1 1/8	1 1/8
2238	3/4"	.235 x .465	1 1/16	5/8	1 1/32	.050	.235	.340	.465	13/16	1 1/8	1 1/8
2239	3/4"	.240 x .685	1 1/16	5/8	1 1/32	.060	.240	.500	.685	13/16	1 1/8	1 1/8

* Not CSA Certified
 UL File No. E-23017
 CSA File No. 2884

Rocking action of foot allows each strap to accept a wide range of wire sizes!

Cable Straps

- Hole for 1/4" screw
- Hot-dipped galvanized malleable iron construction



CAT. NO.	WIRE SIZE	DIMENSIONS (IN.)	
		A	B
1341-TB	2-#10	5/8	1 1/8
1344	3-#6 or 3-#8	5/8	1 15/16
1345*	3-#4 or 3-#2	1 1/16	1 59/64
1346	3-1/0	3/4	2 1/16
1347	3-4/0	3/4	2 25/32

* Steel, hot dipped galvanized.
 UL not applicable
 CSA Certified

Two-taper design — one slow and one fast — enables connectors to accept varied cable sizes for maximum take-up!



Watertight Connectors for Oval Cable

Watertight Connectors for Oval Cable

- Tapered neoprene bushings resist oil, sunlight and water
- Hex gland and body take same wrench opening
- Stainless-steel slip ring prevents cable from twisting as gland ring is tightened
- Threads on body tapered for water-sealing

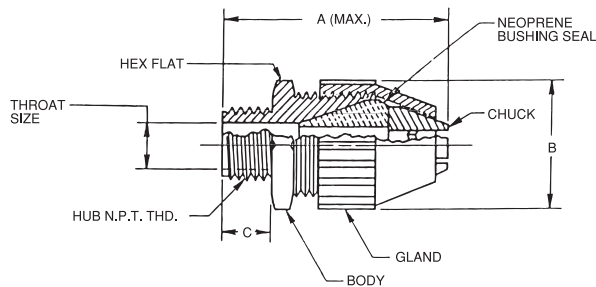
CAT. NO.	HUB SIZE	OVAL CABLE RANGE	
		MAX.	MIN.
2111	½"	.420 x .560	.380 x .520
2232	¾"	.385 x .600	.260 x .500
2233	¾"	.500 x .750	.375 x .625
2234	¾"	.555 x .800	.490 x .675
2432	1"	.385 x .600	.260 x .500
2433	1"	.500 x .750	.375 x .625
2434	1"	.555 x .800	.430 x .675
2438	1"	.565 x .855	.440 x .730
2439	1"	.635 x .975	.510 x .850
2442	1¼"	.635 x .975	.510 x .850
2443	1¼"	.640 x 1.050	.490 x .900
2446	1¼"	.750 x 1.150	.565 x .965
2454	1½"	.840 x 1.275	.655 x 1.090
2447	1½"	.880 x 1.425	.695 x 1.240
2448	2"	.968 x 1.500	.790 x 1.390
2449	2"	1.062 x 1.765	.850 x 1.550
2450	2"	1.820 x 1.190	1.700 x 1.050

UL File No. E-15170

CSA File No. 589

NOTE: These may be obsolete and replaced.

Hand tightens — no tools required!



Nylon UF-Cable Fittings for Corrosive Environments

- Tapered threaded hub
- Liquid- and dust-tight
- Corrosion- and weather-resistant nylon construction for both outdoor and indoor applications

Nylon UF Cable Fittings for Corrosive Environments

CAT. NO.	HUB SIZE	UF CABLE RANGE		A MAX.	B ± .060	C ± .060
		MAX.	MIN.			
2827	½"	.550 x .280	.400 x .190	2.60	1.270	.600
2828	¾"	.675 x .280	.525 x .190	3.00	1.570	.620
2829	¾"	.775 x .280	.625 x .190	3.00	1.570	.620

UL File No. 15170

CSA File No. 589

Metal Clad Cable, Armored Cable and Flexible Metal Conduit Fittings

Metal Clad Cable, Armored Cable and Flexible Metal Conduit

Armored Cable (Type AC) — Ref. NEC Article 320

National Electrical Code defines type AC armored cable as, "A fabricated assembly of insulated conductors in a flexible metallic enclosure."

ACT Indicates an armored cable employing conductors having thermoplastic (Type T) insulation.

AC Indicates an armored cable employing conductors having rubber insulation of code grade.

ACH Indicates an armored cable employing conductors having rubber insulation of the heat resistant (75° C) grade.

ACHH Indicates an armored cable employing conductors having rubber insulation of the heat resistant (90° C) grade.

ACU Indicates an armored cable employing conductors having rubber insulation of latex grade.

"L" Used as a suffix, it indicates that a lead covering has been applied over the conductor assembly.

All armored cables may employ copper or aluminum or copperclad aluminum conductors with the following sizes and are rated for 600 volts or less:

No. 14 AWG to No. 1 AWG Copper

No. 12 AWG to No. 1 AWG Aluminum or Copperclad Aluminum

Type AC cables except ACL carry an internal bonding strip of copper or aluminum in intimate contact with the armor for its entire length. Armored cable can be used for both exposed or concealed locations. With lead-covered conductors (Type ACL), the cable can be embedded in masonry or concrete and can be used in damp locations or where exposed to oil.

Armored cable is not permitted in locations where it will be subjected to physical damage or corrosive fumes. Armored cable cannot be used for direct burial in earth.

With minor exceptions, armored cable is also not permitted to be used in hoists or elevators, storage battery rooms, any hazardous locations, in commercial garages and in theaters or similar locations.

Codes require that cable shall be supported with straps or staples without damaging conductors and also limit the minimum bend radius to 5 times the diameter of type AC cable. Certain precautions are prescribed in code where cable is installed through joist rafters or similar wood members.

According to NEC 320 where armored cable is terminated, a fitting is required to protect conductors from abrasion. In addition, a bushing is required between the conductors and armor. Design of fitting has to be such that the insulating bushing is visible for inspection. Bushing is not required with lead-covered cables when properly installed.

Portions of this section reprinted by permission from NFPA 70–2005, National Electrical Code®, Copyright © 2004, National Fire Protection Association, Boston, MA.

Please refer to the following for further details and complete information:

1. NEC Article 320... Armored Cable (Type AC Cable)
2. UL 4, ANSI C33.9... Safety Standards for Armored Cable
3. UL 514B, Safety Standards for Outlet Boxes and Fittings
4. A-A-50552... Federal Specification. Fittings for Cable, Power, Electrical and Conduit, Metal, Flexible
5. NEMA FB-1... Standards Publication. Fittings & Supports for Conduit and Cable Assemblies
6. CEC Section 12-700... Wiring Methods (Armored Cable)
7. CSA C22.2 No. 51... Safety Standards for Armored Cables
8. CSA C22.2 No. 18... Safety Standards for Outlet Boxes, Conduit Boxes and Fittings

NOTE

The materials herein, whether relating to the National Electrical Code, the Underwriters Laboratories, Inc. listing, to industry practice or otherwise, are not intended to provide all relevant information required for use and installation of our products. Refer to applicable codes, instructions and industry specifications prior to installation or use.

Metal Clad Cable, Armored Cable and Flexible Metal Conduit Fittings

Metal Clad Cable, Armored Cable and Flexible Metal Conduit — continued

Flexible Metal Conduit — Ref. NEC Article 348

Flexible metal conduit can be used for exposed or concealed work in dry locations. It can be used for wet locations provided conductors within are lead covered or other approved type.

Flexible metal conduit cannot be used underground or embedded in poured concrete or aggregate. With rubber covered conductors, the conduit cannot be exposed to oil, gasoline or other materials having a deteriorating effect on rubber.

With minor exceptions use of flexible metal conduit is not permitted in hoists, in storage battery rooms and in any hazardous locations. Use of flexible metal conduit is restricted to systems under 600 volts.

According to NEC Article 350-5, flexible metal conduit no longer than six feet and containing circuit conductors protected by overcurrent device rated for 20 amps or less is suitable as a grounding means provided, it is terminated in fittings approved for the purpose.

Flexible metal conduit longer than six feet is permitted to be used as a grounding means provided the conduit and the fitting are approved for the purpose. To date, there is no flexible metal conduit approved for the purpose by the Underwriters Laboratories.

In Class I & II, Division 2 hazardous areas, the conduit itself cannot be used as the grounding means. A bonding jumper must be installed in accordance with NEC Section 250.102. Flexible metal conduit is available with steel or aluminum armor in trade size $\frac{5}{8}$ " to 4". With few exceptions where $\frac{5}{8}$ " and $\frac{3}{4}$ " trade sizes are used, Code prohibits use of conduit less than d" trade size. Bends in concealed work are restricted to 360 degrees total. No angle connectors are permitted in concealed raceway installations.

Portions of this section reprinted by permission from NFPA 70-2005, National Electrical Code®, Copyright © 2004, National Fire Protection Association, Boston, MA.

Please refer to the following for further details and complete information:

1. NEC Article 348...Flexible Metal Conduit
2. UL 1, ANSI C33.92...Safety Standards for Flexible Metal Conduit
3. UL 514B, Safety Standards for Outlet Boxes and Fittings
4. A-A-50552...Federal Specification. Fittings for Cable, Power, Electrical and Conduit, Metal Flexible
5. WW-C-566...Federal Specification. Conduit, Metal, Flexible
6. NEMA FB1...Standards Publication. Fittings and Supports for Conduit and Cable Assemblies
7. CEC 12-1100...Wiring Method (Rigid & Flexible Conduit)
8. CSA C22.2 No. 56...Safety Standards for Flexible Metallic Conduit and Liquid-Tight Flexible Metal Conduit
9. CSA C22.2 No. 18...Safety Standards for Outlet Boxes, Conduit Boxes and Fittings

Suggested Specifications for Armored Cable and Flexible Metal Conduit Fittings



Series 3110
Armored Cable Connector
& Flexible Metal Conduit



Series 390
Anti-Short Bushing

- Armored cable (metal clad cable type AC) and flexible metal conduit shall conform to provisions of following applicable standards:

*Armored Cable...UL 4/ANSI
C33.9/CSA 22.2 No. 51*

*Flexible Metal Conduit...UL 1/ANSI
C33.92/WW-C-566/CSA 22.2 No. 56*

Type of cable used and conductors within flexible metal conduit shall be suitable for conditions of use and location.

- Where approved armored cable or flexible metal conduit is used as an equipment grounding conductor, terminating fitting used shall be of the grounding type as manufactured by Thomas & Betts, series 3110

- Where armored cable or flexible metal conduit terminates into a threadless or threaded opening, it shall be assembled with approved fittings; fittings shall be of malleable iron/steel construction, electro zinc plated inside outside, equipped with nylon insulated throat and shall be of angled saddle type as manufactured by Thomas & Betts, series 3110. Direct bearing screw type fittings shall not be used

- Suitable bushing as manufactured by Thomas & Betts, series 422 or 390, shall be provided between the conductors and armor

Metal Clad Cable, Armored Cable and Flexible Metal Conduit Fittings



TITE-BITE® Connectors



3110 Series

Super-Fast Installation!

Up to 2X faster than standard connectors!

Very High Cable Pull-Out Resistance!

Now UL Listed for New Interlocked Armor Ground Type Metal Clad Cable (MCI-A)!

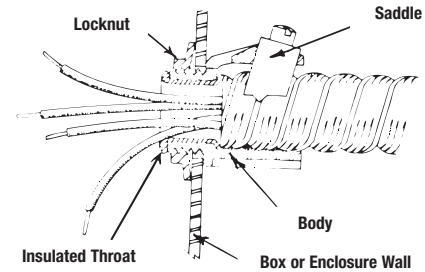
Application

- To connect and effectively bond metal clad cables, armored cable or flexible metal conduit to a box or an enclosure

Features

- Provided with an angled saddle designed to:
 - Firmly secure conduit in place without damaging cable armor (Mechanical holding power of angled wedge assembly increases with increased strain.)
 - Provide high quality bond between conduit or cable and is unaffected by vibrations
- Insulated throat protects conductors during and after installation and reduces wire pull effort
- Heat-curved insulator in throat:
 - Better protects conductors due to funnel entry
 - Reduces pulling force due to rotating design
 - Won't pull out
- Locknuts designed to provide effective bond between connector and box or enclosure, will not vibrate loose
- Designed with fewer installing screws — reduces installation time and labor cost
- Armor stop with viewing window
- Rugged all steel or malleable iron construction
- Suitable as a grounding means per NEC Article 348 for flexible metal conduit, NEC Article 320 for armored cable and NEC Article 330 for metal clad cable
- Suitable for hazardous location use per Class 1 Division 2 NEC 501.10 (b)(2)

Typical Installation



Standard Material/Finish

Body	Steel or malleable iron/ Electro Zinc Plated & Chromate Coated
Saddle	Steel/Electro Zinc Plated & Chromate Coated
Screws	Steel/Electro Zinc Plated & Chromate Coated
Insulator	Thermoplastic/As Molded

Listings/Compliances

UL	514B
CSA	C22.2 No. 18
NEMA	FB1
UL	(UL File No. 23018)
CSA	(LR-2884, LR-4484)

RANGE	HUB SIZE	CONDUIT SIZE	CABLE OPENING
3110 Series Straight Connectors	½" to 4" NPS	¾" to 4"	.470" to 4.560"
3130 Series 90° Connectors	½" to 4" NPS	¾" to 4"	.470" to 4.560"

(All hubs provided with straight pipe threads NPS)

T&B® Fittings

Metal Clad Cable, Armored Cable and Flexible Metal Conduit Fittings

Designed to resist vibration and strain!

TITE-BITE® Connectors — Nylon-Insulated



T&B Fittings



- Super-fast installation and extreme pull-out resistance due to angled saddle design
- Steel or malleable iron construction
- Tough, insulated lining and Tite-Bite® design make these connectors a “must” when conductors are subject to vibration or strain
- Look for the unique T&B blue color to ensure the highest quality fitting

CAT. NO.	CABLE OPENING (IN.)		TRADE SIZE	K.O. SIZE	DIMENSIONS (IN.)		
	MAX.	MIN.			A†	B	C
2492*°#	.500	.370	3/8"	1/2"	1 1/16"	1 1/8"	7/16"
3110-TB**°	.660	.470	3/8"	1/2"	1 1/4"	1 1/8"	7/8"
3112#°	.920	.670	1/2"	3/4"	1 1/4"	1 1/8"	7/8"
3115#	1.125	.906	3/4"	3/4"	1 5/8"	1 1/4"	1 1/8"
3117#	1.468	1.250	1"	1"	2"	1 3/4"	1 1/8"
3118***	1.750	1.562	1 1/4"	1 1/4"	2 1/4"	2"	1 1/4"
3119***	2.031	1.812	1 1/2"	1 1/2"	3 1/8"	2 3/4"	1 3/4"
3120***	2.500	2.312	2"	2"	3 3/4"	2 3/4"	1 11/16"
3121***	3.062	2.812	2 1/2"	2 1/2"	4 3/8"	3 3/4"	2 1/4"
3122***	3.562	3.312	3"	3"	5"	3 3/4"	2 1/4"
3123***††	4.060	3.620	3 1/2"	3 1/2"	—	—	—
3124***††	4.560	4.120	4"	4"	—	—	—

Material: Steel thru 3/4" trade size.

UL File No. E 23018

CSA File No. 2884

UL Listed for Metal Clad Cable (MCI).

° UL Listed for new Interlocked Armor Ground Type Metal Clad Cable (MCI-A).

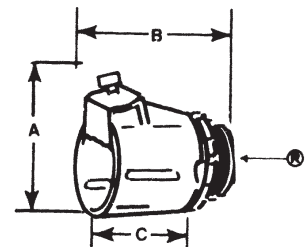
* Good for aluminum-sheathed cable.

** UL Listed for Armored Cable and Metal Clad Cable.

*** UL Listed for Flexible Metal Conduit only.

† Approximate dimension with screw at minimum height.

†† CSA not applicable.



Completely reusable!

TITE-BITE® Connectors



- Easy to install with double-grip saddle
- 3/8" and 1/2" sizes made of formed steel, which produces uniform high quality and a smooth throat to protect conductor insulation
- 3/4" and larger size are malleable iron

CAT. NO.	CABLE OPENING (IN.)		TRADE SIZE	K.O. SIZE	DIMENSIONS (IN.)		
	MAX.	MIN.			A†	B	C
300-TB**°	.660	.470	3/8"	1/2"	1 1/4"	1 1/8"	7/16"
301-TB*°	.781	.460	3/8"	1/2"	1 1/8"	1 1/8"	7/8"
302-TB#°	.920	.670	1/2"	3/4"	1"	1 1/8"	1 1/4"
304#	1.093	.906	3/4"	3/4"	1 1/8"	1 1/16"	1 1/8"
306#	1.468	1.250	1"	1"	2 1/8"	1 3/4"	1 3/4"
308***	1.750	1.562	1 1/4"	1 1/4"	2 3/8"	2 1/2"	1 1/4"
310***	2.031	1.812	1 1/2"	1 1/2"	2 3/4"	2 3/8"	1 3/4"
312***	2.500	2.312	2"	2"	3 1/8"	2 3/8"	1 11/16"
314***	3.062	2.812	2 1/2"	2 1/2"	3 3/8"	3 1/8"	2 1/4"
316***	3.562	3.312	3"	3"	4 1/8"	3 3/8"	2 1/4"
318***††	4.060	3.620	3 1/2"	3 1/2"	—	—	—
320***††	4.560	4.120	4"	4"	—	—	—

Material: Steel thru 1/2" trade size.

UL File No. E 23018

CSA File No. 2884

UL Listed for Metal Clad Cable (MCI).

° UL Listed for new Interlocked Armor Ground Type Metal Clad Cable (MCI-A).

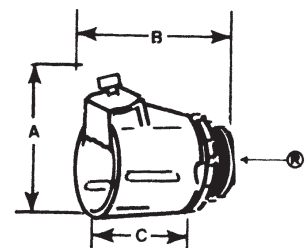
* Not UL Listed.

** UL Listed for Armored Cable and Metal Clad Cable.

*** UL Listed for Flexible Metal Conduit only.

† Approximate dimension with screw at minimum height.

†† CSA not applicable.

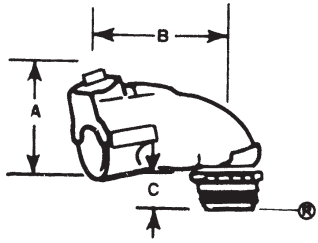


Thomas & Betts

United States
Tel: 901.252.8000
800.816.7809
Fax: 901.252.1354

Technical Services
Tel: 888.862.3289

Metal Clad Cable, Armored Cable and Flexible Metal Conduit Fittings



The easiest and best connector to install when making sharp bends at the enclosure or equipment!

TITE-BITE® Connectors — 90° Angle Nylon-Insulated



- Steel or malleable iron construction
- Offers all of the advantages of the straight connector with only one screw to tighten, except in the larger sizes, which have two
- Peep hole on top provides for easy inspection of ABC bushing
- Narrow design makes it easy to install connectors in adjacent knockouts

CAT. NO.	CABLE OPENING (IN.)		TRADE SIZE	K.O. SIZE	DIMENSIONS (IN.)		
	MAX.	MIN.			A†	B	C
3130-TB#°	.660	.470	3/8"	1/2"	1 1/32	1 1/32	15/16
3132#°	.920	.670	1/2"	1/2"	1 1/8	2 5/16	15/16
3135#	1.093	.906	3/4"	3/4"	2 1/8	2 1/8	9/16
3137#	1.468	1.250	1"	1"	2 2/32	2 1/8	1/2
3138***	1.750	1.562	1 1/4"	1 1/4"	3 5/16	3 3/8	9/16
3139***	2.031	1.812	1 1/2"	1 1/2"	4	4 1/8	1 1/16
3140***	2.500	2.312	2"	2"	4 9/16	5 1/8	1 1/16
3141***	3.062	2.812	2 1/2"	2 1/2"	6 7/32	6	3/4
3142***	3.562	3.312	3"	3"	7 1/32	7 1/8	3/4
3143***††	4.060	3.620	3 1/2"	3 1/2"	—	—	—
3144-TB***††	4.560	4.120	4"	4"	—	—	—

UL File No. E 23018

CSA File No. 2884

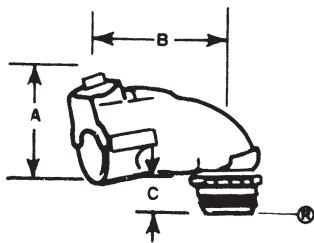
UL Listed for Metal Clad Cable (MCI).

° UL Listed for new Interlocked Armor Ground Type Metal Clad Cable (MCI-A).

***UL Listed for flexible metal conduit only.

† Approximate dimension with screw at minimum height.

†† CSA not applicable.



Angle clip provides secure mechanical grip that tightens under tension or vibration!

TITE-BITE® Connectors — 90° Angle



- Throat is long enough to install in cast housing knockouts
- 3/8" and 1/2" sizes of steel construction
- 3/4" and larger sizes made of malleable iron

CAT. NO.	CABLE OPENING (IN.)		TRADE SIZE	K.O. SIZE	DIMENSIONS (IN.)		
	MAX.	MIN.			A†	B	C
321-TB#°	.660	.470	3/8"	1/2"	1 1/32	1 1/2	3/8
323#°	.920	.670	1/2"	1/2"	1 1/8	2 1/8	1 1/32
325#	1.093	.906	3/4"	3/4"	2 1/8	2 1/8	1/2
326-TB#	1.468	1.250	1"	1"	2 2/32	2 1/8	1
327-TB***	1.750	1.562	1 1/4"	1 1/4"	3 3/8	3 3/8	—
328***	2.031	1.812	1 1/2"	1 1/2"	4 1/8	4 1/8	—
329***	2.500	2.312	2"	2"	4 3/8	4 3/32	—
330-TB***	3.062	2.812	2 1/2"	2 1/2"	6 1/2	6	—
331***	3.562	3.312	3"	3"	5 29/32	7	—
332††	4.060	3.620	3 1/2"	3 1/2"	—	—	—
333††	4.560	4.120	4"	4"	—	—	—

UL File No. E 23018

CSA File No. 2884

UL Listed for Metal Clad Cable (MCI).

° UL Listed for new Interlocked Armor Ground Type Metal Clad Cable (MCI-A).

***UL Listed for flexible metal conduit only.

† Approximate dimension with screw at minimum height.

†† CSA not applicable.

T&B® Fittings

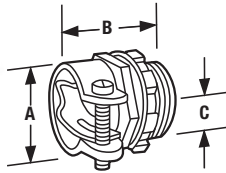
Metal Clad Cable, Armored Cable and Flexible Metal Conduit Fittings

Fits every size of armored cable, metal clad cable and flexible metal conduit!



T&B Fittings

Squeeze Connectors — Straight



- Malleable iron or steel construction
- Catalog No. 253 is steel
- Add "I" suffix for insulated throat

CAT. NO.	INS. CAT. NO.	CABLE OPENING (IN.)		TRADE SIZE	K.O. SIZE	DIMENSIONS (IN.)		
		MAX.	MIN.			A†	B	C
252***	—	.531	.437	3/16"	3/8"	13/16	25/32	11/32
253-TB***††	253-I-TB***††	.585	.455	3/16"	1/2"	31/32	113/64	5/8
254-TB	254-I-TB	.938	.812	1/2"	1/2"	13/32	13/8	13/32
255	255-I	1.094	.938	3/4"	3/4"	13/4	117/32	7/16
256	256-I	1.375	1.250	1"	1"	113/32	13/8	1/2
257***	257-I***	1.656	1.500	11/4"	11/4"	13/8	123/32	11/32
258***	258-I***	1.875	1.688	11/2"	11/2"	23/4	13/8	9/16
259***	259-I***	2.500	2.313	2"	2"	213/32	23/8	11/16
249***	249-I***	3.062	2.812	21/2"	21/2"	33/16	211/16	3/4
277***	277-I***	3.563	3.312	3"	3"	33/16	23/8	3/4
278-TB***††	278-I-TB***††	4.370	3.200	31/2"	31/2"	63/8	51/4	13/16
281-TB***††	281-I-TB***††	4.600	3.500	4"	4"	73/4	53/4	13/8

*** UL Listed for armored cable only. Fitting material steel.

*** UL Listed for flexible metal conduit only.

† Approximate dimension with screw at minimum height.

†† cULus Certified

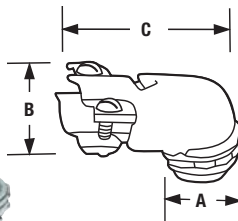
.485"–.660" cable opening range for 253-I-TB.

UL File No. E 23018

CSA File No. 2884

Only two screws to tighten!

Squeeze Connectors — 90° Angle



- Cap lifts off simply by loosening screws partway
- 3/8" and 1/2" sizes made of steel
- 3/4" and larger sizes made of malleable iron
- Add "I" suffix for insulated throat

CAT. NO.	INS. CAT. NO.	CABLE OPENING (IN.)		TRADE SIZE	K.O. SIZE	DIMENSIONS (IN.)		
		MAX.	MIN.			A†	B	C
266-TB	266-I-TB	.656	.406	3/8"	1/2"	11/2	113/32	11/8
272**	272-I**	.812	.688	3/8"	1/2"	13/8	13/8	—
268-TB	268-I-TB	.937	.813	1/2"	1/2"	111/16	113/16	13/8
279	279-I	1.000	.875	3/4"	3/4"	13/8	23/8	13/16
270	270-I	1.125	1.000	3/4"	3/4"	13/8	13/4	13/16
273-TB	273-I-TB	1.406	1.187	1"	1"	23/8	21/32	23/16
274***	274-I***	1.656	1.375	11/4"	11/4"	3	3	3
275***	275-I***	1.875	1.625	11/2"	11/2"	33/8	33/8	4
276***	276-I***	2.500	2.125	2"	2"	43/8	313/16	43/8
282-TB***††	282-I-TB***††	3.100	2.520	21/2"	21/2"	43/16	511/16	73/16
283-TB***††	283-I-TB***††	3.640	3.100	3"	3"	53/16	63/16	815/16
284-TB***††	284-I-TB***††	4.220	3.700	31/2"	31/2"	63/16	83/16	111/4
285-TB***††	285-I-TB***††	4.600	4.100	4"	4"	73/4	83/8	123/8

*** UL Listed for armored cable only.

*** UL Listed for flexible metal conduit only.

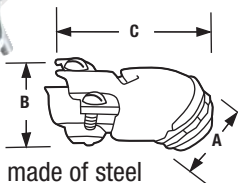
†† cULus Certified

UL File No. E23018

CSA File No. 2884

Fast and easy installation — simply loosen screws partway to lift off cap!

Squeeze Connectors — 45° Angle



- 3/8" and 1/2" sizes made of steel
- 3/4" size made of malleable iron
- Add "I" suffix for insulated throat

CAT. NO.	INS. CAT. NO.	CABLE OPENING (IN.)		TRADE SIZE	K.O. SIZE	DIMENSIONS (IN.)		
		MAX.	MIN.			A†	B	C
265	265-I	.656	.406	3/8"	1/2"	113/32	15/32	13/8
267	267-I	.937	.813	1/2"	1/2"	13/32	1/2	13/8
269	269-I	1.125	1.000	3/4"	3/4"	2	17/32	13/16

UL File No. E-23018

CSA File No. 2884

UL Listed for Armored Cable and Flexible Metal Conduit.

Thomas & Betts

United States
Tel: 901.252.8000
800.816.7809
Fax: 901.252.1354

Technical Services
Tel: 888.862.3289

Metal Clad Cable, Armored Cable and Flexible Metal Conduit Fittings



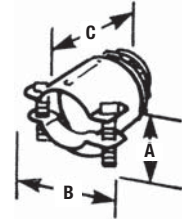
Armor-gripping saddle stays open by itself when cable is being inserted!

Two-Screw Connectors

- Formed steel body
- Carefully round bushing

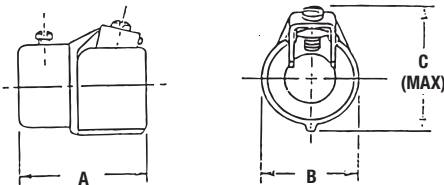
CAT. NO.	CABLE OPENING (IN.)		TRADE SIZE	K.O. SIZE	DIMENSIONS (IN.)		
	MAX.	MIN.			A	B	C
3301-TB**	.656	.250	3/8"	1/2"	3/2	1 1/16	1 1/16
3312-TB	.937	.500	1/2"	1/2"	1 1/2	1 1/8	1 1/8

** UL Listed for armored cable only. UL File No. E 1383 CSA File No. 2884



TITE-BITE® design holds flexible metal cable firmly in place with a single screw!

Adapter — EMT to Flex



CAT. NO.	SIZE FLEX TO EMT	DIMENSIONS (IN.)		
		A	B	C
503TB	1/2" - 1/2"	1 2 1/2	1 1/8	1 1/8
504	3/4" - 3/4"	1 5/8	1 1/8	2 1/8
505-TB	1" - 1"	2 1/2	2 1/8	2 3/8

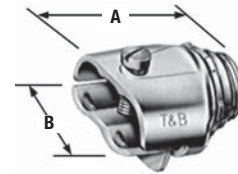
CSA File No. 8994

UL File No. E-23018

For flexible metal conduit and armored cable.

Duplex Clamp Connector

- Malleable iron construction



CAT. NO.	K.O. SIZE	DIMENSIONS (IN.)	
		A	B
291-TB	1/2"	1 1/2"	1 1/16"

UL File No. E 1383

CSA File No. 2884

One-piece fitting couples 3/8" flexible metal conduit to 1/2" EMT!

Combination Coupling

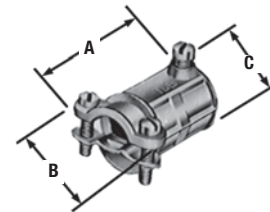


CAT. NO.	SIZE FLEX TO EMT	DIMENSIONS (IN.)		
		A	B	C
449-TB	3/8" - 1/2"	1 3/8	1 1/2	1 5/8

Cable opening: max. .656, min. .250.

UL File No. E-23018

CSA File No. 2884



Smooth plastic bushing protects conductor insulation from rough edges of armored cable and flexible metal conduit!



Anti-Short Bushing

CAT. NO.	SIZE
390	14-2, 14-3, 12-2
391	14-4, 12-3, 6-1, and 4-1
392	12-4, 10-2, 10-3 and 2-1
393	10-4, 8-2, 8-3, and 1-1
394	8-4, 6-2, 6-3, 4-2, 4-3, and 6-4

Colorized.

CSA File No. 589

Temperature Rating: 240° F.

UL not applicable.

Fast and easy installation!

Strap

- Elongated bolt hole makes alignment easy, even when holes in mounting surface are off center
- Snap-on design holds strap in place



CAT. NO.	SIZE
65-TB	3/8" Flex

Non-Metallic Sheathed Cable

Ref. NEC Article 336

Code defines non-metallic sheathed cable as, "A factory assembly of two or more insulated conductors having an outer sheath of moisture resistant, flame retardant, non-metallic material."

Non-metallic sheathed cable is constructed of insulated conductors (14 to 2 AWG Copper or 12 to 2 AWG Aluminum or Copperclad Aluminum), and an outer non-metallic sheath classified as Type NM or Type NMC.

Non-metallic sheathed cable is provided with or without a bare or insulated equipment grounding conductor. Non-metallic sheathed cable is rated for 60° C service with voltage limitation of 600 volts.

Type NM — has flame-retardant moisture resistant sheath.

Type NMC — has flame-retardant, moisture-resistant, fungus-resistant and corrosion-resistant sheath.

Non-metallic sheathed cable is permitted by code to be used exposed or concealed in one, two or multifamily dwellings or other structures not exceeding three floors. Use of Type NM cable is restricted to dry locations where as Type NMC can be used in dry, moist, damp or corrosive environments.

Non-metallic sheathed cable (both Type NM & NMC) is not permitted to be used as a service conductor, in commercial garages, in hoists or cannot be embedded in cement, concrete or aggregate. With minor exceptions use of non-metallic sheathed cable is also prohibited in theaters or any hazardous locations.

NEC Section 336-5 requires that cable be secured in place by suitable means so as not to injure the cable. Adequate protection for cable is also required when run is exposed, through joists or rafters, through floors, in unfinished basements and accessible attics.

Cable bends are limited to a minimum of five times the diameter of the cable.

NEC 300-4(b) requires that cable be protected from physical damage when it passes through factory or field punched, cut or drilled holes in metal members. A bushing or grommet firmly secured in place is recommended.

Portions of this section reprinted by permission from NFPA 70-1999, National Electrical Code®. Copyright © 1977, National Fire Protection Association, Boston, MA.

Please refer to the following for further details and complete information:

1. NEC Article 336...Non-Metallic Sheathed Cable (Type NM & NMC)
2. NEC Article 300...Wiring Methods
3. UL 719, ANSI C33.56...Safety Standards for Non-Metallic Sheathed Cable
4. UL 514B, Safety Standards for Outlet Boxes and Fittings
5. NEMA FB-1...Standards Publication. Fittings and Supports for Conduit and Cable Assemblies
6. CEC Section 12-600...Wiring methods (Non-Metallic Sheathed Cable)
7. CSA C22.2 No. 48...Safety Standards for Non-Metallic Sheathed Cable
8. CSA C22.2 No. 18...Safety Standards for Outlet Boxes, Conduit Boxes and Fittings

NOTE:

The materials herein, whether relating to the National Electrical Code, the Underwriters Laboratories, Inc. listing, to industry practice or otherwise, are not intended to provide all relevant information required for use and installation of our products. Refer to applicable codes, instructions and industry specifications prior to installation or use.



Suggested Specifications for Non-Metallic Sheathed Cable Fittings

- Where non-metallic sheathed cable or flexible cord terminates into a threaded or threadless opening, terminating fittings used shall be approved for the purpose by nationally recognized laboratory, inspection agency or product evaluation organization.
- Terminating fittings shall be of malleable iron, steel or thermoplastic construction designed to provide adequate strain relief and positively prevent damage to jacket or conductor insulation such as series 3300 or 3302M manufactured by Thomas & Betts.

Ferrous metal fittings shall be electro zinc plated inside/outside including threads and bushed with a nylon insulated throat.

Thermoplastic material used for connector construction shall be of high impact strength suitable for 105° C/221° F service with a UL flammability rating of 94V-1.

- Where non-metallic sheathed cable passes through either factory or field punched, cut or drilled holes in metallic members, the cable shall be protected by thermoplastic bushing such as series 3210 manufactured by Thomas & Betts. Bushing shall be firmly secured in opening. Nylon bushed metallic fittings such as Thomas & Betts series 1942 may be substituted as required.

Series 3300
Non-Metallic Sheathed
Cable and Flexible Cord
Connectors (All Plastic)



T&B® Fittings



Series 3302M
Non-Metallic Sheathed Cable and
Flexible Cord Connectors (Steel)



Series 3210
Knockout Bushings



Series 1942
Insulated Nipples

Non-Metallic Sheathed Cable and Flexible Cord Connectors (All Plastic)

Application

- To connect non-metallic sheathed cable and flexible cord to a box or an enclosure

Features

- Design provides strain relief by partially deflecting cable (A); therefore:
 - Connector will not damage outer covering or jacket of cable, or conductor insulation; designed to give safe trouble free installation
 - Holding power and cable strain relief are not affected by surface finish of outer covering or cable jacket
 - Connector provides superior holding power far in excess of listing agency requirements
- Snap-in one piece design; accommodates variation in knockout dimensions, saves installation time (B).
- All high-impact thermoplastic construction provides:
 - Insulated throat; conductors are protected from abrasion
 - Improved dielectric strength, and eliminates potential shorts
 - Corrosion resistance
- Wide range — reduces inventories
- Connector may be pre-installed in box K.O. or on cable

Standard Material

All high-impact polycarbonate — UL Class 94V-1 suitable for 105° C application

Standard Finish

As molded

Listings/Compliances

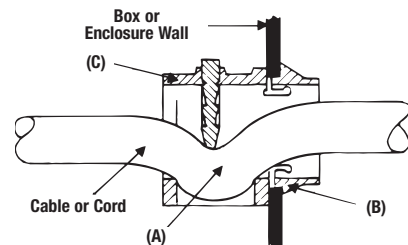
UL (UL File No: E-23017)
 CSA (Cat. #3201, 3350) for factory installation (LR-589, LR-2884)
 UL 514B
 CSA C22.2 #18 (Where applicable)
 ANSI C33.84, NFPA 70

Range

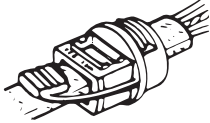
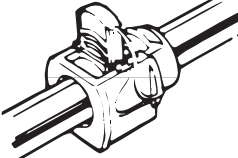



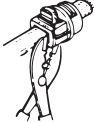
CAT. NO.	CABLE/ KNOCKOUT SIZE	CORD RANGE
3300	½"	10-2, 12-2 & 14-2 type NM Cable. .125" to .300" outside diameter cord
3201 & 3350	½"	10-3, 12-3, 14-3, 10-2, 12-2, 14-2 Type NM Cable; also multiple (2) 12-2 and 14-2 Type NM Cable; .300" to .600" outside diameter cord
3202	¾"	8-3 and 6-3 type NM cables; also Multiple (2) 14-3 and 10-2 Type NM Cable; .500" to .850" outside diameter cord



3300 Series



Typical Installation

 <p>1. Remove sheath from end of cable (4" or more as required). Insert cable through connector as shown (Cable under button).</p>	 <p>2. Insert button into cavity.</p>	 <p>3. With grooved pliers, or parallel jaw type pliers (commercially available) squeeze button into cord or wires as far into connector body as possible. NOTE: It may be necessary to re-adjust pliers to ensure button is properly installed.</p>
 <p>4. Snap connector into knockout box. If desired, this step can be done prior to Step 1.</p>	 <p>5. To remove from knockout box depress ears.</p>	 <p>6. To remove from cable cut connector as shown.</p>

Non-Metallic Sheathed Cable Fittings



3302M Series
Non-Metallic Sheathed Cable Connector

Non-Metallic Sheathed Cable & Flexible Cord Connectors (Steel)

Application

- To connect non-metallic sheathed cable and flexible cord to a box or an enclosure

Features

- Rugged all-steel/malleable iron construction (A)
- Rounded cable clamp grip provides superior mechanical holding power without damaging conductor insulation or outer jacket (B)
- Clamp designed to cover body opening for a neat and safe installation
- Screws thread into clamp and not body; screw heads are snug with body and ends of screws do not project beyond the body (C)

- Insulator firmly secured in place protects conductors and reduces wire pulling effort; protects threads from damaging during handling (D)
- Locknut designed to secure connector to a box or enclosure; will not vibrate loose

Standard Material

Body	1/2" thru 1" Steel; 1 1/4" thru 2" Malleable Iron
Clamp	1/2" thru 1 1/4" Steel; 1 1/4" thru 2" Malleable Iron
Locknut	All Steel
Insulator	Thermoplastic

Standard Finish

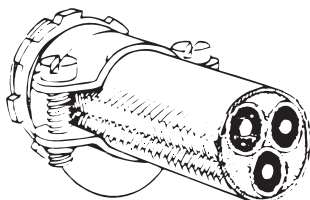
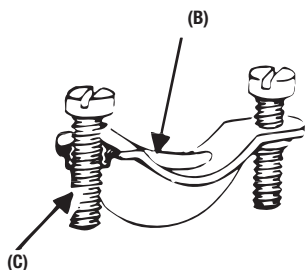
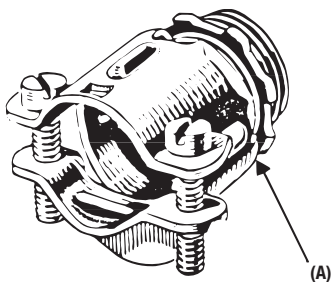
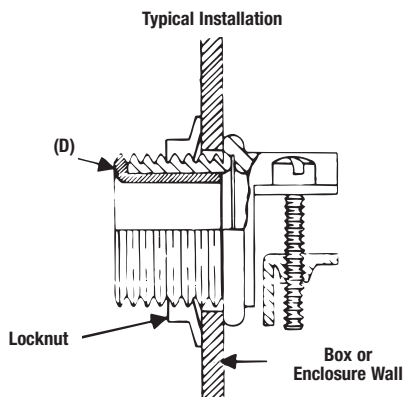
All steel and malleable iron parts — Electro Zinc Plated & Chromate Coated

Range

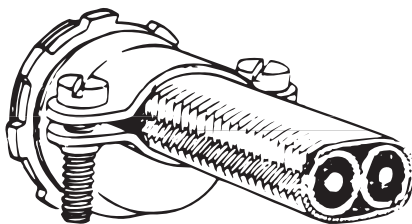
Hub Size	1/2" thru 2" Hubs provided with straight pipe threads (NPS.)
Cable	2 #14 thru 4 #4 Type NM
Cable Outside Diameter	.250" to 1.150"

Listings/Compliances

UL (UL File No: E-23017)
 CSA (LR-589, LR-2884)
 UL 514B
 CSA C22.2 No. 18
 NFPA 70
 NEMA FB1
 Federal Standard H-28 (Threads)



Typical Installation (Flexible Cord)

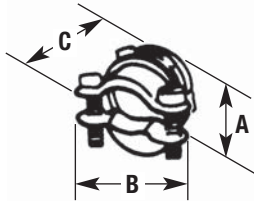


Typical Installation (NM-Sheathed Cable)

Steel or malleable iron. Two-Screw Connectors

Rounded cable grip and smooth bushing protect the cable sheath and wire insulation. Because saddle is threaded, screws do not travel or extend beyond the connector body as it is clamped to the cable. An extra lip on the saddle closes the unused part of the connector opening.

- Threaded saddle means screws don't travel or extend beyond connector body as it's clamped to cable
- Extra lip on saddle closes unused part of connector opening
- Steel or malleable iron construction
- Look for the unique T&B blue color ensuring the highest quality fitting



NON-INSULATED CAT. NO.	INSULATED CAT. NO.	K.O. SIZE	UL LISTED & CSA CERTIFIED FOR THE FOLLOWING SINGLE (1) AND PAIRS OF (2) NM & NMC CABLE	UL LISTED & CSA CERTIFIED FOR THE FOLLOWING SERVICE ENTRANCE CABLES	IN.			INSULATED CABLE OPENING (IN.)	
					A	B	C	MAX.	MIN.
3302-TB*	3302M-TB	1/2"	(1) 2#14, 2#12, 2#10, 3#14, 3#12, 3#10, (2) 2#14, 2#12	2#12 thru 2#4, 3#12, 3#10	1	1 1/2	1	.590	.250
3303-TB	3303M	3/4"	(1) 2#8, 2#6, 3#8 (2) 2#12, 2#10, 2#8, 3#14 (1) 3#8, 3#6, 3#4	2#8 thru 2#1/0, 3#8, 3#6, 2#6 + #8 GND 2#1, 2#1/0, 3#6 thru 3#2,	1 1/4	1 1/8	1 1/8	.750	.530
3304	3304M	1"	(2) 2#8, 3#10 (1) 3#8, 3#6, 3#4	2#4 + #6 GND, 2#3 + #5 GND, 2#2 + #4 GND 3#2 thru 3#2/0, 2#1 + #3	1 1/2	1 1/8	1 1/4	.990	.690
3305	3305M	1 1/4"	(2) 2#8, 2#6, 2#4, 3#8	GND, 2#1/0 + #2 GND, 2#2/0 + #1 GND	1 29/32	2 1/4	1 1/4	1.320	.850
3306	3306M	1 1/2"	(1) 3#4, 3#6	3#3/0, 3#4/0, 2#3/0 + #1/0 GND, 2#4/0 + #2/0 GND	2 5/16	2 5/8	1 1/16	1.530	.930
3307	3307M	2"	Max. 1.98", Min. 1.15"	—	2 3/4	3 1/4	1 1/8	—	—
3308†	—	2 1/2"	Max. 2.38", Min. 1.5"	—	3 1/4	3 11/16	2 1/16	—	—
3309†	—	3"	Max. 2.88", Min. 1.75"	—	3 13/16	4 9/16	2 1/16	1.980	1.150
3310†	—	3 1/2"	Max. 3.38", Min. 2.25"	—	4 1/16	5 1/4	2 27/32	—	—
3311†	—	4"	Max. 3.88", Min. 2.5"	—	4 7/8	5 11/16	3 3/32	—	—

*UL Listed for use with rubber and thermoplastic flexible cords (both single and multiple cords and 2 oval cables).

†Not UL Listed or CSA certified.

UL Listed for multiple cords and cables.

CSA File No. 2884

UL File No. E-23013 - 1/2" - 1 1/2"; U.L. File No. E-15170 - 2"



UL Recommended Dimensions and Weights of Rigid Metal Conduit

TRADE SIZE (IN.)	THDS. PER IN.	I.D. (IN.)	O.D. (IN.)	WALL THICKNESS (IN.)	MIN. WT. AT 100' LENGTHS WITH ONE COUPLING ATTACHED (LBS.)
¼	18	0.364	.540	.088	38.5
⅜	18	0.493	.675	.091	51.5
½	14	0.622	.840	.109	79.0
¾	14	0.824	1.050	.113	105.0
1	11½	1.049	1.315	.133	153.0
1¼	11½	1.380	1.660	.140	201.0
1½	11½	1.610	1.900	.145	249.0
2	11½	2.067	2.375	.154	332.0
2½	8	2.469	2.875	.203	527.0
3	8	3.068	3.500	.216	682.6
3½	8	3.548	4.000	.226	831.0
4	8	4.026	4.500	.237	972.3
4½	8	4.506	5.000	.247	1,150.0
5	8	5.047	5.563	.258	1,313.6
6	8	6.065	6.625	.280	1,745.3

UL Dimensions for Intermediate Metallic Conduit[†] — Type I (10 ft. lengths)

TRADE SIZE (IN.)	O.D. (IN.)		WALL THICKNESS (IN.)
	MIN.	MAX.	
½	.810	.820	.070*
¾	1.024	1.034	.075*
1	1.285	1.295	.085*
1¼	1.630	1.645	.085*
1½	1.875	1.890	.090*
2	2.352	2.367	.095*
2½	2.847	2.867	.130**
3	3.466	3.486	.130**
3½	3.961	3.981	.130**
4	4.456	4.476	.130**

* (+.015, -.000)

** (+.020, -.000)

† IMC Threads are the same as Rigid Metal Conduit Threads.

UL Dimensions for Intermediate Metallic Conduit — Type II (10 ft. lengths)

TRADE SIZE (IN.)	O.D. (IN.)		WALL THICKNESS (IN.)
	MIN.	MAX.	
½	.825	.840	.085*
¾	1.035	1.050	.085*
1	1.300	1.315	.108*
1¼	1.645	1.660	.108*
1½	1.885	1.900	.108*
2	2.360	2.375	.108*
2½	2.850	2.875	.155**
3	3.475	3.500	.155**
3½	3.975	4.000	.160**
4	4.475	4.500	.160**

* (+.020, -.000)

** (+.025, -.000)

UL Recommended Dimensions and Weight of Electrical Metallic Tubing (EMT)

TRADE SIZE (IN.)	O.D. (IN.)	I.D.* (IN.)	WALL THICKNESS (IN.)	MIN. ACCEPT WT. FT. (LBS.)
¾	.577 ± .005	.493	.042	.230
½	.706 ± .005	.622	.042	.285
¾	.922 ± .005	.824	.049	.435
1	1.163 ± .005	1.049	.057	.640
1¼	1.510 ± .005	1.380	.065	.950
1½	1.740 ± .005	1.610	.065	1.100
2	2.197 ± .005	2.067	.065	1.400
2½	2.875 ± .010	2.731	.072	2.050
3	3.500 ± .015	3.356	.072	2.500
3½	4.000 ± .020	3.834	.083	3.250
4	4.500 ± .020	4.334	.083	3.700

* Not a requirement — included for information only.

Knockout (Sliphole) Sizes for Electrical Conduits and Connectors

TRADE SIZE (IN.)	KNOCKOUT DIAMETER		
	NOM.	MIN.	MAX.
¼	.575	.559	.605
⅜	.718	.703	.734
½	.875	.859	.906
¾	1.109	1.094	1.141
1	1.375	1.359	1.406
1¼	1.734	1.719	1.766
1½	1.984	1.958	2.000
2	2.469	2.433	2.500
2½	2.969	2.938	3.000
3	3.594	3.563	3.625
3½	4.125	4.063	4.156
4	4.641	4.563	4.672
4½	5.109	5.063	5.166
5	5.719	5.625	5.750
6	6.813	6.700	6.844

Sizes ¼" thru 1¼" are per UL 514.

Sizes ½" thru 6" per proposed revision to NEMA Engineering Bulletin No. 71, Aug. 1976.

UL Recommended Diameters for Flexible Metal Conduit (Greenfield)

TRADE SIZE (IN.)	MAX. O.D. (IN.)	O.D. (IN.)	
		MIN.	MAX.
⅝	.510	.312	.393
¾	.610	.375	.645
½	.920	.625	.835
¾	1.105	.812	—
1	1.380	1.000	—
1¼	1.630	1.250	—
1½	1.950	1.500	—
2	2.450	2.000	—
2½	3.060	3.500	—
3	3.560	3.000	—
3½	4.060	3.500	—
4	4.560	4.000	—

UL Recommended Diameters for Liquidtight Flexible Metal Conduit

TRADE SIZE (IN.)	I.D. (IN.)		O.D. (IN.)	
	MIN.	MAX.	MIN.	MAX.
⅝	.484	.504	.690	.710
½	.622	.642	.820	.840
¾	.820	.840	1.030	1.050
1	1.041	1.066	1.290	1.315
1¼	1.380	1.410	1.630	1.660
1½	1.575	1.600	1.865	1.900
2	2.020	2.045	2.340	2.375
2½	2.480	2.505	2.840	2.875
3	3.070	3.100	3.460	3.500
3½	3.500	3.540	3.960	4.000
4	4.000	4.040	4.460	4.500

Diameter of Liquidtight Non-Metallic Flexible Conduit

TRADE SIZE (IN.)	I.D. (IN.)		O.D. (IN.)	
	MIN.	MAX.	MIN.	MAX.
⅝	.485	.505	.755	.775
½	.620	.640	.910	.930
¾	.815	.835	1.150	1.170
1	1.030	1.055	1.415	1.440
1¼	1.370	1.395	1.800	1.825
1½	1.585	1.620	2.045	2.080
2	2.045	2.080	2.605	2.640