

# Section C Index

**B Series**

NEMA 12 JIC Lift Off Cover Wall-Mount..C2

**B-CH Series**

NEMA 12 JIC Continuous Hinge Wall-Mount .....C4

**Large B-CH Series**

NEMA 12 JIC Continuous Hinge Wall-Mount .....C6

**B-CHQR Series**

NEMA 12 JIC Continuous Hinge Quick-Release Wall-Mount.....C8

**B-SC Series**

NEMA 12 JIC Screw Cover Wall-Mount ..C10

**WA-GIE Series**

NEMA 12 JIC Hinged Screw Cover Wall-Mount.....C12

**JIC Handy Series**

NEMA 12 JIC Screw Cover Wall-Mount ..C14

**BCHFTC Series**

JIC Continuous Hinge Wall-Mount .....C15

**N12 Series**

NEMA 12 Single Door Wall-Mount.....C16

**WA-WF Series**

NEMA 12 Two Door Wall-Mount .....C19

**WA-FM Series**

NEMA 12 Single Door Flush Wall-Mount.....C21

**N12 Series**

NEMA 12 Two Door Floor-Mount .....C23

**WA-FS Series**

NEMA 12 Single Door Freestanding.....C25

**WA-FSD Series**

NEMA 12 Two Door Freestanding .....C27

**WA-FSDA Series**

NEMA 12 Single Door Dual Access Freestanding .....C28

**WA-FSDAD Series**

NEMA 12 Two Door Dual Access Freestanding .....C29

**Freestanding Accessories** .....C30

**WA-E Series**

NEMA 12 Multi-Door Freestanding...C33-36

**NEMA 12 ENCLOSURES**





**Industry Standards**

UL 50, Types 12 & 13  
(6.00" x 6.00" x 4.00" & above)  
UL 508, Types 12 & 13  
(6.00" x 4.00" x 4.00" & smaller)  
CSA Certified, Type 12  
NEMA/EEMAC Type 12 & 13  
JIC EL-1-71

UL Files E23553, E64791

CSA File LL66078

**FEATURES-SPECIFICATIONS**

**Applications**

The Hubbell Wiegmann B Series JIC box is a standard of the automotive industry but has wide application in other industries. The box incorporates a chain secured lift off cover and is designed to safeguard components against exposure to dust, dirt, oil, and water.

**Construction**

- Bodies 14 gauge and doors fabricated from 16 gauge steel
- Continuously welded seams ground smooth, less knockouts or holes

- Lids are sealed with closed cell oil resistant neoprene gasket
- External mounting plates, top and bottom of enclosure
- Weldnuts are provided on models 6.00" x 4.00" and larger to secure optional back panel
- External screw clamps are quick and easy to operate
- Lift off cover design. Chain holds cover to box when cover is removed
- Grounding provisions provided

**Finish**

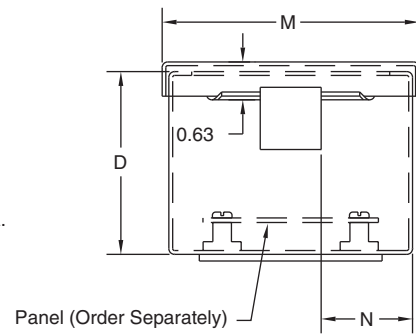
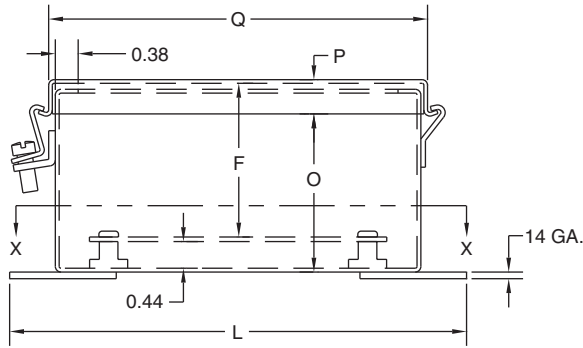
- ANSI 61 gray polyester powder inside and out
- Optional back panels are white polyester powder
- Optional "G" panels have a conductive finish (See page I2)

**Accessories**

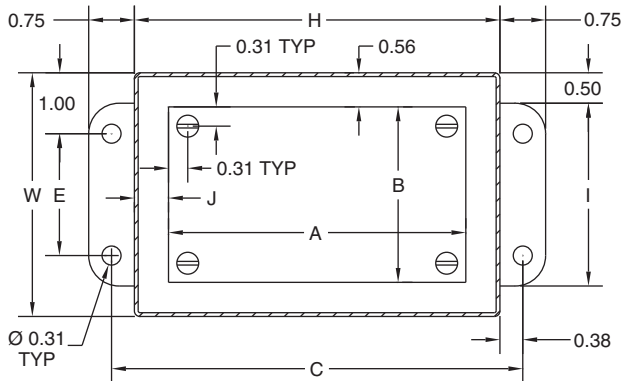
- Back panels (reference tables)
- See pages J1-J22

B SERIES JIC LIFT OFF COVER ENCLOSURES														
CATALOG NUMBER	ENCLOSURE SIZE H X W X D	BACK PANEL CATALOG NUMBER*		BACK PANEL SIZE A X B	MOUNTING C X E	OVERALL L X M	F	I	J	K	N	O	P	Q
		WHITE	"G"											
B040403	4.00x4.00x3.00 (102x102x76)	—	—	—	4.75x2.00 (121x51)	5.50x4.31 (140x109)	2.53 (64)	3.00 (76)	—	1.38 (35)	1.50 (38)	2.59 (66)	0.56 (14)	4.31 (110)
B040404	4.00x4.00x4.00 (102x102x102)	—	—	—	4.75x2.00 (121x51)	5.50x4.31 (140x109)	3.53 (90)	3.00 (76)	—	1.38 (35)	1.50 (38)	3.59 (91)	0.56 (14)	4.31 (110)
B060403	6.00x4.00x3.00 (152x102x76)	P0604	P0604G	4.88x2.88 (124x73)	6.75x2.00 (171x51)	7.50x4.31 (191x109)	2.53 (64)	3.00 (76)	0.56 (14)	1.38 (35)	1.50 (38)	2.59 (66)	0.56 (14)	6.31 (160)
B060404	6.00x4.00x4.00 (152x102x102)	P0604	P0604G	4.88x2.88 (124x73)	6.75x2.00 (171x51)	7.50x4.31 (191x109)	3.53 (90)	3.00 (76)	0.56 (14)	1.38 (35)	1.50 (38)	3.59 (91)	0.56 (14)	6.31 (160)
B060604	6.00x6.00x4.00 (152x152x102)	P0606	P0606G	4.88x4.88 (124x124)	6.75x4.00 (171x102)	7.50x6.31 (191x160)	3.53 (90)	5.00 (127)	0.56 (14)	2.38 (60)	1.00 (25)	3.59 (91)	0.56 (14)	6.31 (160)
B080603	8.00x6.00x3.50 (203x152x89)	P0806	P0806G	6.88x4.88 (175x124)	8.75x4.00 (222x102)	9.50x6.31 (241x160)	3.03 (77)	5.00 (127)	0.56 (14)	2.38 (60)	1.00 (25)	3.09 (79)	0.56 (14)	8.31 (211)
B080606	8.00x6.00x6.00 (203x152x152)	P0806	P0806G	6.88x4.88 (175x124)	8.75x4.00 (222x102)	9.50x6.31 (241x160)	5.53 (141)	5.00 (127)	0.56 (14)	2.38 (60)	1.00 (25)	5.59 (142)	0.56 (14)	8.31 (211)
B080804	8.00x8.00x4.00 (203x203x102)	P0808	P0808G	6.88x6.88 (175x175)	8.75x6.00 (222x152)	9.50x8.31 (241x211)	3.53 (90)	7.00 (178)	0.56 (14)	1.00 (25)	1.00 (25)	3.59 (91)	0.56 (14)	8.31 (211)
B100804	10.00x8.00x4.00 (254x203x102)	P1008	P1008G	8.88x6.88 (226x175)	10.75x6.00 (273x152)	11.50x8.31 (292x211)	3.53 (90)	7.00 (178)	0.56 (14)	1.00 (25)	1.00 (25)	3.59 (91)	0.56 (14)	10.31 (262)
B100806	10.00x8.00x6.00 (254x203x152)	P1008	P1008G	8.88x6.88 (226x175)	10.75x6.00 (273x152)	11.50x8.31 (292x211)	5.53 (141)	7.00 (178)	0.56 (14)	1.00 (25)	1.00 (25)	5.59 (142)	0.56 (14)	10.31 (262)
B121005	12.00x10.00x5.00 (305x254x127)	P1210	P1210G	10.88x8.88 (276x226)	12.75x8.00 (324x203)	13.50x10.31 (343x262)	4.53 (115)	9.00 (229)	0.56 (14)	1.00 (25)	1.00 (25)	4.59 (117)	0.56 (14)	12.31 (313)
B121206	12.00x12.00x6.00 (305x305x152)	P1212	P1212G	10.88x10.88 (276x276)	12.75x10.00 (324x254)	13.50x12.31 (343x313)	5.53 (141)	11.00 (279)	0.56 (14)	1.00 (25)	1.00 (25)	5.59 (142)	0.56 (14)	12.31 (313)
B141206	14.00x12.00x6.00 (356x305x152)	P1412	P1412G	12.88x10.88 (327x276)	14.75x10.00 (375x254)	15.50x12.31 (394x313)	5.53 (141)	11.00 (279)	0.56 (14)	1.00 (25)	1.00 (25)	5.59 (142)	0.56 (14)	14.31 (364)
B161406	16.00x14.00x6.00 (406x356x152)	P1614	P1614G	14.88x12.88 (378x327)	16.75x12.00 (425x305)	17.50x14.31 (445x363)	5.53 (141)	13.00 (330)	0.56 (14)	1.00 (25)	1.00 (25)	5.59 (142)	0.56 (14)	16.31 (414)

\*Back panels must be ordered separately.



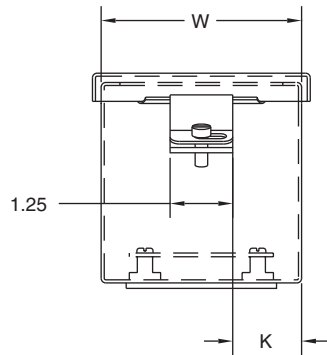
Panel (Order Separately)



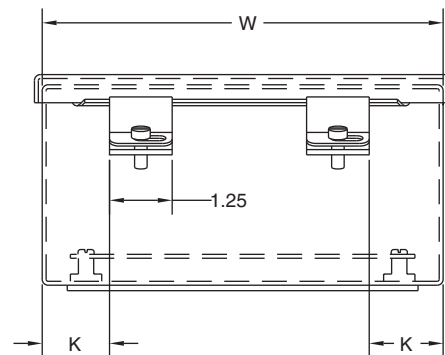
SECTION X-X

Notes:

1. Panels are 14 Ga. Steel.
2. Panel screws are #10-32 Pan Head.
3. Two clamps are used if W = 8" or more.
4. Chain is supplied but not shown.



VIEW SHOWING CLAMP POSITION  
WHEN "W" IS LESS THAN 8"



VIEW SHOWING CLAMP POSITION  
WHEN "W" EQUALS 8" OR MORE



B101006CH

**Industry Standards**

UL 50, Types 12 & 13  
CSA Certified, Type 12  
NEMA/EEMAC Type 12 & 13  
JIC EL-1-71

 UL Files E6924

 CSA File LL66078

**FEATURES-SPECIFICATIONS**

**Applications**

Intended for use as electrical junction boxes, terminal wiring boxes, and instrument housings. Hinged door provides convenient access. Designed to provide protection from dust, dirt, oil, and water.

**Construction**

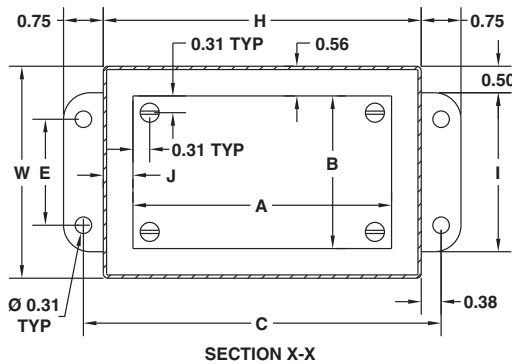
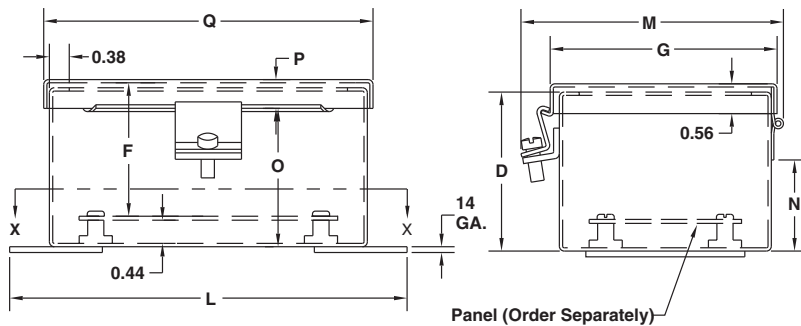
- Bodies 14 gauge and doors fabricated from 16 gauge and steel
- Continuously welded seams ground smooth, less knockouts or holes
- Lids are sealed with closed cell oil resistant neoprene gasket
- External mounting plates, top and bottom of enclosure
- Weldnuts are provided for mounting optional panels securely on models 6.00" x 4.00" and larger
- External screw clamps are quick and easy to operate
- Standard continuous hinge
- Grounding provisions provided

**Finish**

- ANSI-61 gray polyester powder inside and out
- **Optional** back panels are white polyester powder
- **Optional** "G" panels have a conductive finish (See page I2)

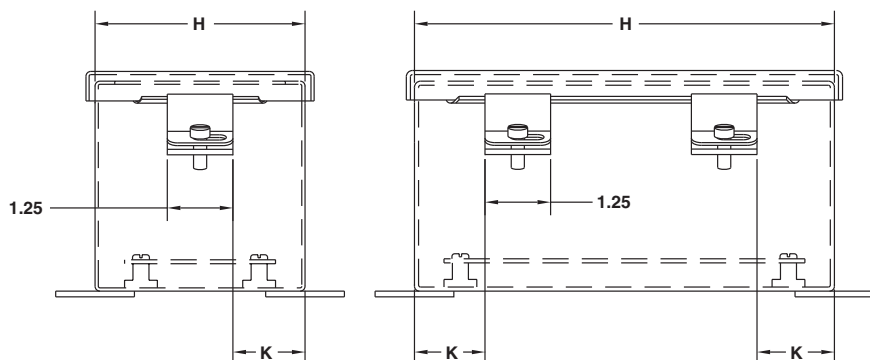
**Accessories**

- Back panels (reference tables)
- See pages J1-J22



**Notes:**

1. Panels are 14 Ga. steel.
2. Panel Screws are #10-32 Pan Head.
3. Two clamps are used if "H" = 8.00"



VIEW SHOWING CLAMP POSITION  
WHEN "H" IS LESS THAN 8"

VIEW SHOWING CLAMP POSITION  
WHEN "H" EQUALS 8" OR MORE

**B-CH SERIES ENCLOSURES  
NEMA 12 JIC CONTINUOUS HINGE WALL-MOUNT**

**C5**

B-CH SERIES JIC CONTINUOUS HINGE ENCLOSURES															
CATALOG NUMBER	ENCLOSURE SIZE H X W X D	BACK PANEL CATALOG NUMBER*		BACK PANEL SIZE A X B	MOUNTING C X E	OVERALL L X M	F	G	I	J	K	N	O	P	Q
		WHITE	"G"												
B040403CH	4.00x4.00x3.00 (102x102x76)	—	—	—	4.75x2.00 (121x51)	5.50x5.00 (140x127)	2.53 (76)	4.31 (109)	3.00 (76)	—	1.38 (35)	1.78 (45)	2.53 (64)	0.63 (16)	4.31 (110)
B040404CH	4.00x4.00x4.00 (102x102x102)	—	—	—	4.75x2.00 (121x51)	5.50x5.00 (140x127)	3.53 (101)	4.31 (109)	3.00 (76)	—	1.38 (35)	2.78 (71)	3.53 (90)	0.63 (16)	4.31 (110)
B060403CH	6.00x4.00x3.00 (152x102x76)	P0604	P0604G	4.88x2.88 (124x73)	6.75x2.00 (171x51)	7.50x5.00 (191x127)	2.53 (76)	4.31 (109)	3.00 (76)	0.56 (14)	2.38 (60)	1.78 (45)	2.53 (64)	0.63 (16)	6.31 (160)
B060404CH	6.00x4.00x4.00 (152x102x102)	P0604	P0604G	4.88x2.88 (124x73)	6.75x2.00 (171x51)	7.50x5.00 (191x127)	3.53 (101)	4.31 (109)	3.00 (76)	0.56 (14)	2.38 (60)	2.78 (71)	3.53 (90)	0.63 (16)	6.31 (160)
B060604CH	6.00x6.00x4.00 (152x152x102)	P0606	P0606G	4.88x4.88 (124x124)	6.75x4.00 (171x102)	7.50x7.00 (191x178)	3.53 (101)	6.31 (160)	5.00 (127)	0.56 (14)	2.38 (60)	2.78 (71)	3.53 (90)	0.63 (16)	6.31 (160)
B080603CH	8.00x6.00x3.50 (203x152x89)	P0806	P0806G	6.88x4.88 (175x124)	8.75x4.00 (222x102)	9.50x7.00 (241x178)	3.03 (88)	6.31 (160)	5.00 (127)	0.56 (14)	1.00 (25)	2.28 (58)	3.03 (77)	0.63 (16)	8.31 (211)
B080606CH	8.00x6.00x6.00 (203x152x152)	P0806	P0806G	6.88x4.88 (175x124)	8.75x4.00 (222x102)	9.50x7.00 (241x178)	5.53 (152)	6.31 (160)	5.00 (127)	0.56 (14)	1.00 (25)	4.78 (121)	5.53 (141)	0.63 (16)	8.31 (211)
B080804CH	8.00x8.00x4.00 (203x203x102)	P0808	P0808G	6.88x6.88 (175x175)	8.75x6.00 (222x152)	9.50x9.00 (241x229)	3.53 (101)	8.31 (211)	7.00 (178)	0.56 (14)	1.00 (25)	2.78 (71)	3.53 (90)	0.63 (16)	8.31 (211)
B100804CH	10.00x8.00x4.00 (254x203x102)	P1008	P1008G	8.88x6.88 (226x175)	10.75x6.00 (273x152)	11.50x9.00 (292x229)	3.53 (101)	8.31 (211)	7.00 (178)	0.56 (14)	1.00 (25)	2.78 (71)	3.53 (90)	0.63 (16)	10.31 (262)
B100804CHS	8.00x10.00x4.00 (203x254x102)	P1008	P1008G	8.88x6.88 (226x175)	10.75x6.00 (273x152)	11.50x9.00 (292x229)	3.53 (101)	8.31 (211)	7.00 (178)	0.56 (14)	1.00 (25)	2.78 (71)	3.53 (90)	0.63 (16)	10.31 (262)
B100806CH	10.00x8.00x6.00 (254x203x152)	P1008	P1008G	8.88x6.88 (226x175)	10.75x6.00 (273x152)	11.50x9.00 (292x229)	5.53 (152)	8.31 (211)	7.00 (178)	0.56 (14)	1.00 (25)	4.78 (121)	5.53 (141)	0.63 (16)	10.31 (262)
B101006CH	10.00x10.00x6.00 (254x254x152)	P1010	P1010G	8.88x8.88 (225x225)	10.75x8.00 (273x203)	11.50x11.00 (292x279)	5.53 (152)	10.31 (262)	9.00 (229)	0.56 (14)	1.00 (25)	4.78 (121)	5.53 (141)	0.63 (16)	10.31 (262)
B120604CH	12.00x6.00x4.00 (305x152x102)	P1206	P1206G	10.88x4.88 (276x124)	12.75x4.00 (324x102)	13.50x7.00 (343x178)	3.53 (101)	6.31 (160)	5.00 (127)	0.56 (14)	1.00 (25)	2.78 (71)	3.53 (90)	0.63 (16)	12.31 (313)
B121005CH	10.00x12.00x5.00 (254x305x127)	P1210	P1210G	10.88x8.88 (276x226)	12.75x8.00 (324x203)	13.50x11.00 (343x279)	4.53 (127)	10.31 (262)	9.00 (229)	0.56 (14)	1.00 (25)	3.78 (96)	4.53 (115)	0.63 (16)	12.31 (313)
B121005CHS	10.00x12.00x5.00 (254x305x127)	P1210	P1210G	10.88x8.88 (276x226)	12.75x8.00 (324x203)	13.50x11.00 (343x279)	4.53 (127)	10.31 (262)	9.00 (229)	0.56 (14)	1.00 (25)	3.78 (96)	4.53 (115)	0.63 (16)	12.31 (313)
B121008CH	12.00x10.00x8.00 (305x254x203)	P1210	P1210G	10.88x8.88 (276x226)	12.75x8.00 (324x203)	13.50x11.00 (343x279)	7.53 (203)	10.31 (262)	9.00 (229)	0.56 (14)	1.00 (25)	6.78 (172)	7.53 (191)	0.63 (16)	12.31 (313)
B121206CH	12.00x12.00x6.00 (305x305x152)	P1212	P1212G	10.88x10.88 (276x276)	12.75x10.00 (324x254)	13.50x13.00 (343x330)	5.53 (152)	12.31 (313)	11.00 (279)	0.56 (14)	1.00 (25)	4.78 (121)	5.53 (141)	0.63 (16)	12.31 (313)
B140806CH	14.00x8.00x6.00 (356x203x152)	P1408	P1408G	12.88x6.88 (327x175)	14.75x6.00 (375x152)	15.50x9.00 (394x229)	5.53 (152)	8.31 (211)	7.00 (178)	0.56 (14)	1.00 (25)	4.78 (121)	5.53 (141)	0.63 (16)	14.31 (364)
B141206CH	14.00x12.00x6.00 (356x305x152)	P1412	P1412G	12.88x10.88 (327x276)	14.75x10.00 (375x254)	15.50x13.00 (394x330)	5.53 (152)	12.31 (313)	11.00 (279)	0.56 (14)	1.00 (25)	4.78 (121)	5.53 (141)	0.63 (16)	14.31 (364)
B141206CHS	12.00x14.00x6.00 (305x356x152)	P1412	P1412G	12.88x10.88 (327x276)	14.75x10.00 (375x254)	15.50x13.00 (394x330)	5.53 (152)	12.31 (313)	11.00 (279)	0.56 (14)	1.00 (25)	4.78 (121)	5.53 (141)	0.63 (16)	14.31 (364)
B141208CH	14.00x12.00x8.00 (356x305x203)	P1412	P1412G	12.88x10.88 (327x276)	14.75x10.00 (375x254)	15.50x13.00 (394x330)	7.53 (203)	12.31 (313)	11.00 (279)	0.56 (14)	1.00 (25)	6.78 (172)	7.53 (191)	0.63 (16)	14.31 (364)
B161006CH	16.00x10.00x6.00 (406x254x152)	P1610	P1610G	14.88x8.88 (378x226)	16.75x8.00 (425x203)	17.50x11.00 (445x279)	5.53 (152)	10.31 (262)	9.00 (229)	0.56 (14)	1.00 (25)	4.78 (121)	5.53 (141)	0.63 (16)	16.31 (414)
B161406CH	16.00x14.00x6.00 (406x356x152)	P1614	P1614G	14.88x12.88 (378x327)	16.75x12.00 (425x305)	17.50x15.00 (445x381)	5.53 (152)	14.31 (363)	13.00 (330)	0.56 (14)	1.00 (25)	4.78 (121)	5.53 (141)	0.63 (16)	16.31 (414)
B161406CHS	14.00x16.00x6.00 (356x406x152)	P1614	P1614G	14.88x12.88 (378x327)	16.75x12.00 (425x305)	17.50x15.00 (445x381)	5.53 (152)	14.31 (363)	13.00 (330)	0.56 (14)	1.00 (25)	4.78 (121)	5.53 (141)	0.63 (16)	16.31 (414)
B161408CH	16.00x14.00x8.00 (406x356x203)	P1614	P1614G	14.88x12.88 (378x327)	16.75x12.00 (425x305)	17.50x15.00 (445x381)	7.53 (203)	14.31 (363)	13.00 (330)	0.56 (14)	1.00 (25)	6.78 (172)	7.53 (191)	0.63 (16)	16.31 (414)
B161410CH	16.00x14.00x10.00 (406x356x254)	P1614	P1614G	14.88x12.88 (378x327)	16.75x12.00 (425x305)	17.50x15.00 (445x381)	9.53 (254)	14.31 (363)	13.00 (330)	0.56 (14)	1.00 (25)	8.78 (223)	9.53 (242)	0.63 (16)	16.31 (414)

\*Back panels must be ordered separately.

**LARGE B-CH SERIES ENCLOSURES  
NEMA 12 JIC CONTINUOUS HINGE WALL-MOUNT**



**B202007CH**

**Industry Standards**

UL 508, Types 12 & 13  
CSA Certified, Types 12 & 13  
NEMA/EEMAC Type 12  
JIC EL-1-71

UL File E6924

CSA File LL66078

**FEATURES-SPECIFICATIONS**

**Applications**

Designed to house electrical controls, terminals, instruments and components. Provide protection from dirt, dust, oil and water.

**Construction**

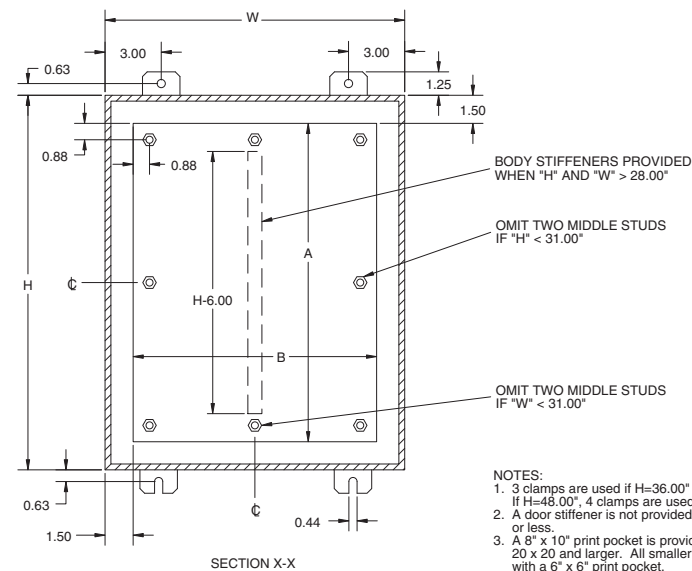
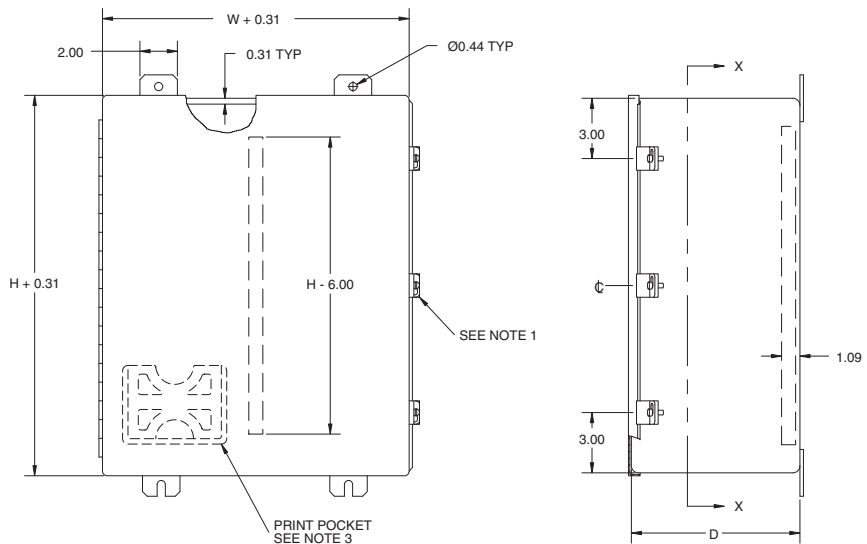
- Bodies and doors fabricated from 14 gauge steel
- Continuously welded seams ground smooth, less knockouts or holes
- Doors are sealed with poured in place polyurethane gasket
- External screw clamps on door
- Continuously hinged door is removable by pulling hinge pin
- Print pocket is provided
- Door and body stiffeners are provided in larger enclosures for added rigidity
- Collar studs are provided for mounting optional back panels
- External mounting feet
- Ground stud located in door

**Finish**

- ANSI-61 gray polyester powder inside and out
- Optional back panels are white polyester powder
- Optional "G" panels have a conductive finish (See page I4)

**Accessories**

- Back panels (reference tables)
- See pages J1-J22



NOTES:  
1. 3 clamps are used if H=36.00" or 42.00". If H=48.00", 4 clamps are used on 14" centers.  
2. A door stiffener is not provided if H or W is 24.00" or less.  
3. A 8" x 10" print pocket is provided with enclosures 20 x 20 and larger. All smaller enclosures are provided with a 6" x 6" print pocket.

**LARGE B-CH SERIES ENCLOSURES  
NEMA 12 JIC CONTINUOUS HINGE WALL-MOUNT**

**C7**

LARGE B-CH SERIES JIC CONTINUOUS HINGED ENCLOSURES							
CATALOG NUMBER	BODY/DOOR STEEL GAUGE	ENCLOSURE SIZE H X W X D	BACK PANEL CATALOG NUMBER*		BACK PANEL SIZE A X B	STIFFENER	
			WHITE	"G"		DOOR	BODY
B201607CH	14/14	20.00x16.00x7.00 (508x406x178)	NP2016	NP2016G	17.00x13.00 (432x330)	NO	NO
B202007CH	14/14	20.00x20.00x7.00 (508x508x178)	NP2020	NP2020G	17.00x17.00 (432x432)	NO	NO
B242007CH	14/14	24.00x20.00x7.00 (610x508x178)	NP2420	NP2420G	21.00x17.00 (533x432)	NO	NO
B242407CH	14/14	24.00x24.00x7.00 (610x610x178)	NP2424	NP2424G	21.00x21.00 (533x533)	NO	NO
B302007CH	14/14	30.00x20.00x7.00 (762x508x178)	NP3020	NP3020G	27.00x17.00 (686x432)	NO	NO
B362407CH	14/14	36.00x24.00x7.00 (914x610x178)	NP3624	NP3624G	33.00x21.00 (838x533)	NO	NO
B201609CH	14/14	20.00x16.00x9.00 (508x406x229)	NP2016	NP2016G	17.00x13.00 (432x330)	NO	NO
B202009CH	14/14	20.00x20.00x9.00 (508x508x229)	NP2020	NP2020G	17.00x17.00 (432x432)	NO	NO
B242009CH	14/14	24.00x20.00x9.00 (610x508x229)	NP2420	NP2420G	21.00x17.00 (533x432)	NO	NO
B242409CH	14/14	24.00x24.00x9.00 (610x610x229)	NP2424	NP2424G	21.00x21.00 (533x533)	NO	NO
B302009CH	14/14	30.00x20.00x9.00 (762x508x229)	NP3020	NP3020G	27.00x17.00 (686x432)	NO	NO
B302409CH	14/14	30.00x24.00x9.00 (762x610x229)	NP3024	NP3024G	27.00x21.00 (686x533)	NO	NO
B362409CH	14/14	36.00x24.00x9.00 (914x610x229)	NP3624	NP3624G	33.00x21.00 (838x533)	NO	NO
B363009CH	14/14	36.00x30.00x9.00 (914x762x229)	NP3630	NP3630G	33.00x27.00 (838x686)	NO	YES
B423609CH	14/14	42.00x36.00x9.00 (1067x914x229)	NP4236	NP4236G	39.00x33.00 (991x838)	YES	YES
B242411CH	14/14	24.00x24.00x11.00 (610x610x279)	NP2424	NP2424G	21.00x21.00 (533x533)	NO	NO
B362411CH	14/14	36.00x24.00x11.00 (914x610x279)	NP3624	NP3624G	33.00x21.00 (838x533)	NO	NO
B483611CH	14/14	48.00x36.00x11.00 (1219x914x279)	NP4836	NP4836G	45.00x33.00 (1143x838)	YES	YES
B302413CH	14/14	30.00x24.00x13.00 (762x610x330)	NP3024	NP3024G	27.00x21.00 (686x533)	NO	NO
B363013CH	14/14	36.00x30.00x13.00 (914x762x330)	NP3630	NP3630G	33.00x27.00 (838x686)	NO	YES

\* Back panels must be ordered separately.

## B-CHQR SERIES ENCLOSURES NEMA 12 JIC CONTINUOUS HINGE QUICK-RELEASE WALL-MOUNT



B060604CHQR

### Industry Standards

UL 50, Types 12 & 13  
CSA Certified, Type 12  
NEMA/EEMAC Type 12 & 13  
JIC EL-1-71

 UL Files E6924

 CSA File LL66078

## FEATURES-SPECIFICATIONS

### Applications

Intended for use as electrical junction boxes, terminal wiring boxes, and instrument housings. Hinged door with quick-release latching provide convenient access. Designed to provide protection from dust, dirt, oil, and water.

### Construction

- Bodies 14 gauge and doors fabricated from 16 gauge steel
- Continuously welded seams ground smooth, less knockouts or holes

- Lids are sealed with closed cell oil resistant neoprene gasket
- External mounting plates, top and bottom of enclosure
- Weldnuts are provided for mounting optional panels securely on models 6.00" x 4.00" and larger
- External quick release latches secure cover
- Standard continuous hinge secures cover
- Grounding provisions provided

### Finish

- ANSI-61 gray polyester powder inside and out .
- Optional back panels are white polyester powder
- Optional "G" panels have a conductive finish (See page I2)

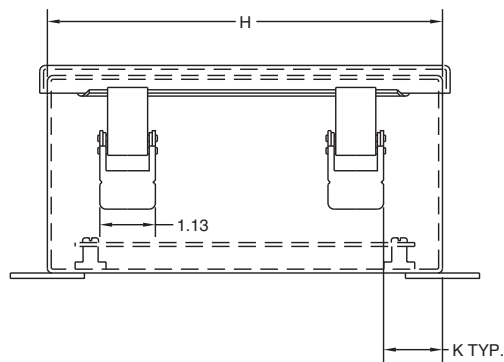
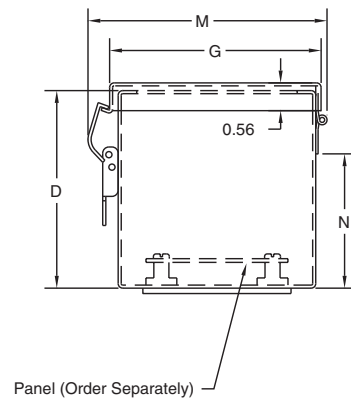
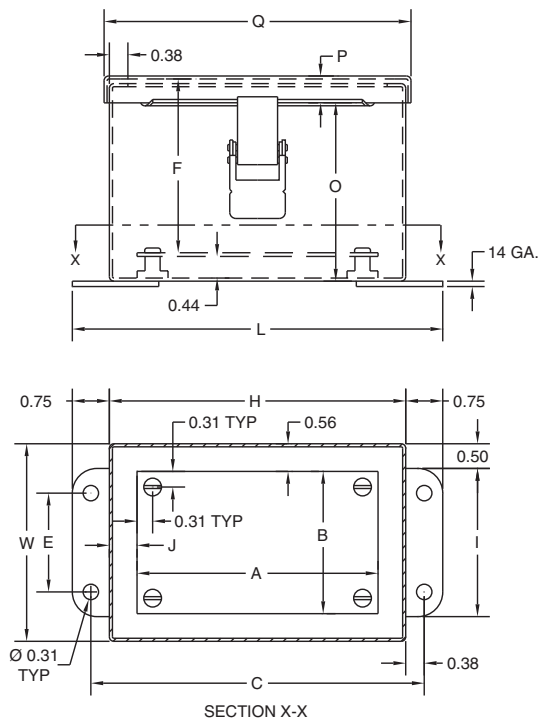
### Accessories

- Back panels (reference tables)
- See pages J1-J22

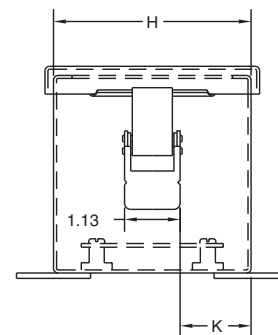
B-CHQR SERIES JIC CONTINUOUS HINGE QUICK-RELEASE ENCLOSURES															
CATALOG NUMBER	ENCLOSURE SIZE H X W X D	BACK PANEL CATALOG NUMBER*		BACK PANEL SIZE A X B	MOUNTING C X E	OVERALL L X M	F	G	I	J	K	N	O	P	Q
		WHITE	"G"												
B060403CHQR	6.00x4.00x3.00 (152x102x76)	P0604	P0604G	4.88x2.88 (124x73)	6.75x2.00 (171x51)	7.50x4.84 (191x123)	2.53 (76)	4.31 (109)	3.00 (76)	0.56 (14)	2.44 (62)	1.78 (45)	2.53 (64)	0.63 (16)	6.31 (160)
B060604CHQR	6.00x6.00x4.00 (152x152x102)	P0606	P0606G	4.88x4.88 (124x124)	6.75x4.00 (171x102)	7.50x6.84 (191x174)	3.53 (101)	6.31 (160)	5.00 (127)	0.56 (14)	2.44 (62)	2.78 (71)	3.53 (90)	0.63 (16)	6.31 (160)
B080603CHQR	8.00x6.00x3.50 (203x152x89)	P0806	P0806G	6.88x4.88 (175x124)	8.75x4.00 (222x102)	9.50x6.84 (241x174)	3.03 (88)	6.31 (160)	5.00 (127)	0.56 (14)	1.06 (27)	2.28 (58)	3.03 (77)	0.63 (16)	8.31 (211)
B100804CHQR	10.00x8.00x4.00 (254x203x102)	P1008	P1008G	8.88x6.88 (226x175)	10.75x6.00 (273x152)	11.50x8.84 (292x225)	3.53 (101)	8.31 (211)	7.00 (178)	0.56 (14)	1.06 (27)	2.78 (71)	3.53 (90)	0.63 (16)	10.31 (262)
B121005CHQR	12.00x10.00x5.00 (305x254x127)	P1210	P1210G	10.88x8.88 (276x226)	12.75x8.00 (324x203)	13.50x10.84 (343x275)	4.53 (127)	10.31 (262)	9.00 (229)	0.56 (14)	1.06 (27)	3.78 (96)	4.53 (115)	0.63 (16)	12.31 (313)
B141206CHQR	14.00x12.00x6.00 (356x305x152)	P1412	P1412G	12.88x10.88 (327x276)	14.75x10.00 (375x254)	15.50x12.84 (394x326)	5.53 (152)	12.31 (313)	11.00 (279)	0.56 (14)	1.06 (27)	4.78 (121)	5.53 (141)	0.63 (16)	14.31 (364)
B161406CHQR	16.00x14.00x6.00 (406x356x152)	P1614	P1614G	14.88x12.88 (378x327)	16.75x12.00 (425x305)	17.50x14.84 (445x377)	5.53 (152)	14.31 (363)	13.00 (330)	0.56 (14)	1.06 (27)	4.78 (121)	5.53 (141)	0.63 (16)	16.31 (414)

\*Back panels must be ordered separately.





VIEW SHOWING CLAMP POSITION  
WHEN "H" EQUALS 8" OR MORE



VIEW SHOWING CLAMP POSITION  
WHEN "H" IS LESS THAN 8"



B060604SC

### Industry Standards

UL 50, Types 12 & 13  
(6" X 6" X 4" & above)  
UL 508, Types 12 & 13  
(6" X 4" X 4" & smaller)  
CSA Certified, Type 12  
NEMA/EEMAC Type 12 & 13  
JIC EL-1-71

 UL Files E23553, E64791

 CSA File LL66078

## FEATURES-SPECIFICATIONS

### Applications

Designed for use as instrument housings, electrical control enclosures, terminal wiring boxes or electrical junction boxes. Provides protection from dirt, dust, oil and water.

### Construction

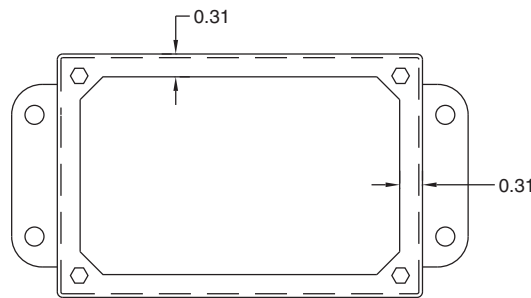
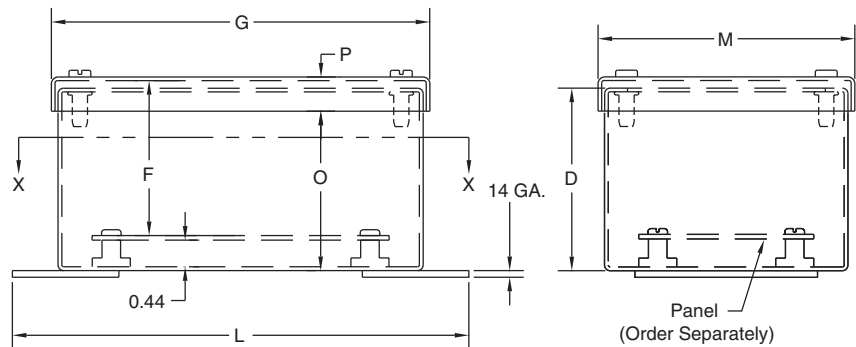
- Bodies and doors fabricated from 14 gauge steel
- Continuously welded seams ground smooth, less knockouts of holes
- Lids are sealed with closed cell oil resistant neoprene gasket
- External mounting plates, top and bottom of enclosure
- Weldnuts are provided on models 6.00" x 4.00" and larger to secure optional back panel
- Captivated cover screws are provided which thread into sealed wells to prevent leakage through cover
- Grounding provisions provided

### Finish

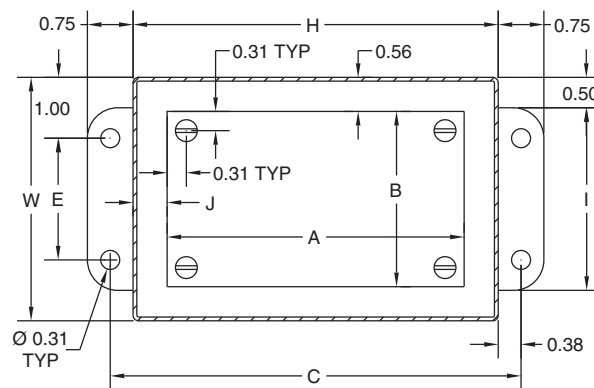
- ANSI-61 gray polyester powder inside and out
- Optional back panels are white polyester powder
- Optional "G" panels have a conductive finish (See page I2)

### Accessories

- Back panels (reference tables)
- See pages J1-J22



TOP VIEW  
COVER REMOVED



SECTION X-X



B-SC SERIES JIC SCREW COVER ENCLOSURES												
CATALOG NUMBER	ENCLOSURE SIZE H X W X D	BACK PANEL CATALOG NUMBER*		BACK PANEL SIZE A X B	MOUNTING C X E	OVERALL L X M	F	G	I	J	O	P
		WHITE	"G"									
B040403SC	4.00x4.00x3.00 (102x102x76)	—	—	—	4.75x2.00 (121x51)	5.50x4.31 (140x110)	2.53 (64)	4.31 (110)	3.00 (76)	—	2.59 (66)	0.56 (14)
B040404SC	4.00x4.00x4.00 (102x102x102)	—	—	—	4.75x2.00 (121x51)	5.50x4.31 (140x110)	3.53 (90)	4.31 (110)	3.00 (76)	—	3.59 (91)	0.56 (14)
B060403SC	6.00x4.00x3.00 (152x102x76)	P0604	P0604G	4.88x2.88 (124x73)	6.75x2.00 (171x51)	7.50x4.31 (191x110)	2.53 (64)	6.31 (160)	3.00 (76)	0.56 (14)	2.59 (66)	0.56 (14)
B060404SC	6.00x4.00x4.00 (152x102x102)	P0604	P0604G	4.88x2.88 (124x73)	6.75x2.00 (171x51)	7.50x4.31 (191x110)	3.53 (90)	6.31 (160)	3.00 (76)	0.56 (14)	3.59 (91)	0.56 (14)
B060604SC	6.00x6.00x4.00 (152x152x102)	P0606	P0606G	4.88x4.88 (124x124)	6.75x4.00 (171x102)	7.50x6.31 (191x160)	3.53 (90)	6.31 (160)	5.00 (127)	0.56 (14)	3.59 (91)	0.56 (14)
B080603SC	8.00x6.00x3.50 (203x152x89)	P0806	P0806G	6.88x4.88 (175x124)	8.75x4.00 (222x102)	9.50x6.31 (241x160)	3.03 (77)	8.31 (211)	5.00 (127)	0.56 (14)	3.09 (79)	0.56 (14)
B080606SC	8.00x6.00x6.00 (203x152x152)	P0806	P0806G	6.88x4.88 (175x124)	8.75x4.00 (222x102)	9.50x6.31 (241x160)	5.53 (141)	8.31 (211)	5.00 (127)	0.56 (14)	5.59 (142)	0.56 (14)
B080804SC	8.00x8.00x4.00 (203x203x102)	P0808	P0808G	6.88x6.88 (175x175)	8.75x6.00 (222x152)	9.50x8.31 (241x211)	3.53 (90)	8.31 (211)	7.00 (178)	0.56 (14)	3.59 (91)	0.56 (14)
B100804SC	10.00x8.00x4.00 (254x203x102)	P1008	P1008G	8.88x6.88 (226x175)	10.75x6.00 (273x152)	11.50x8.31 (292x211)	3.53 (90)	10.31 (262)	7.00 (178)	0.56 (14)	3.59 (91)	0.56 (14)
B100806SC	10.00x8.00x6.00 (254x203x152)	P1008	P1008G	8.88x6.88 (226x175)	10.75x6.00 (273x152)	11.50x8.31 (292x211)	5.53 (141)	10.31 (262)	7.00 (178)	0.56 (14)	5.59 (142)	0.56 (14)
B101004SC	10.00x10.00x4.00 (254x254x102)	P1010	P1010G	8.88x8.88 (225x225)	10.75x8.00 (273x203)	11.50x10.31 (292x262)	3.53 (90)	10.31 (262)	9.00 (229)	0.56 (14)	3.59 (91)	0.56 (14)
B101006SC	10.00x10.00x6.00 (254x254x152)	P1010	P1010G	8.88x8.88 (225x225)	10.75x8.00 (273x203)	11.50x10.31 (292x262)	5.53 (141)	10.31 (262)	9.00 (229)	0.56 (14)	5.59 (142)	0.56 (14)
B121005SC	12.00x10.00x5.00 (305x254x127)	P1210	P1210G	10.88x8.88 (276x226)	12.75x8.00 (324x203)	13.50x10.31 (343x262)	4.53 (115)	12.31 (313)	9.00 (229)	0.56 (14)	4.59 (117)	0.56 (14)
B121206SC	12.00x12.00x6.00 (305x305x152)	P1212	P1212G	10.88x10.88 (276x276)	12.75x10.00 (324x254)	13.50x12.31 (343x313)	5.53 (141)	12.31 (313)	11.00 (279)	0.56 (14)	5.59 (142)	0.56 (14)
B141206SC	14.00x12.00x6.00 (356x305x152)	P1412	P1412G	12.88x10.88 (327x276)	14.75x10.00 (375x254)	15.50x12.31 (394x313)	5.53 (141)	14.31 (364)	11.00 (279)	0.56 (14)	5.59 (142)	0.56 (14)
B161406SC	16.00x14.00x6.00 (406x356x152)	P1614	P1614G	14.88x12.88 (378x327)	16.75x12.00 (425x305)	17.50x14.31 (445x364)	5.53 (141)	16.31 (414)	13.00 (330)	0.56 (14)	5.59 (142)	0.56 (14)

\*Back panels must be ordered separately.

## WA-GIE SERIES ENCLOSURES NEMA 12 JIC HINGED SCREW COVER WALL-MOUNT



WA060604GIE

### Industry Standards

UL 50, Types 12 & 13  
CSA Certified, Type 12  
NEMA/EEMAC Type 12 & 13  
JIC EL-1-71

 UL File E6924

 CSA File LL66078

### FEATURES-SPECIFICATIONS

#### Applications

Designed for use as instrument housings, electrical control enclosures, terminal wiring boxes or electrical junction boxes. Provides protection from dirt, dust, oil and water.

#### Construction

- Fabricated from 14 gauge steel
- Continuously welded seams ground smooth, less knockouts or holes

- Lids are sealed with closed cell oil resistant neoprene gasket
- Cover is secured by continuous hinge
- Captivated door screws thread into sealed wells
- No mounting feet or mounting holes are provided
- Weldnuts are provided to mount optional panels
- Grounding provisions provided

#### Finish

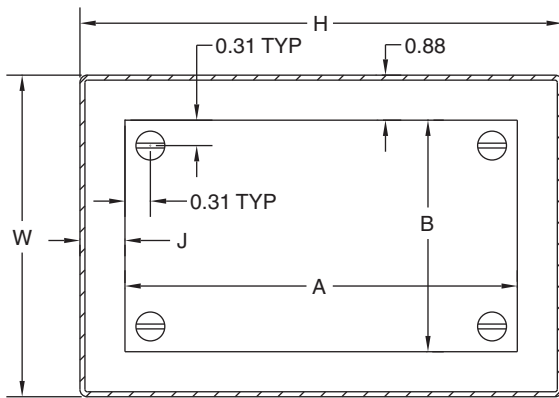
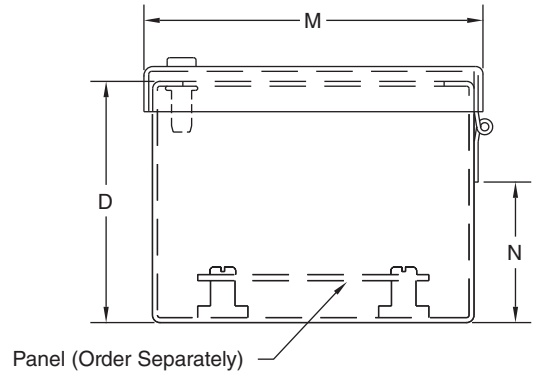
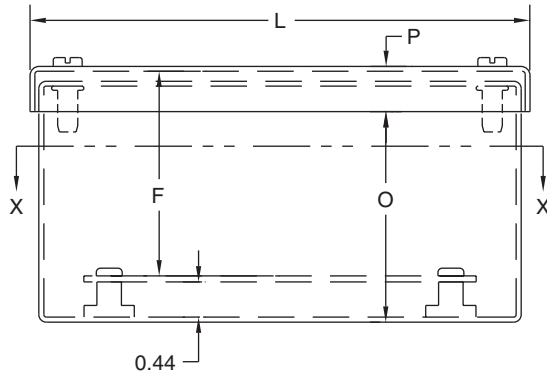
- ANSI-61 gray polyester powder inside and out
- **Optional** back panels are white polyester powder

#### Accessories

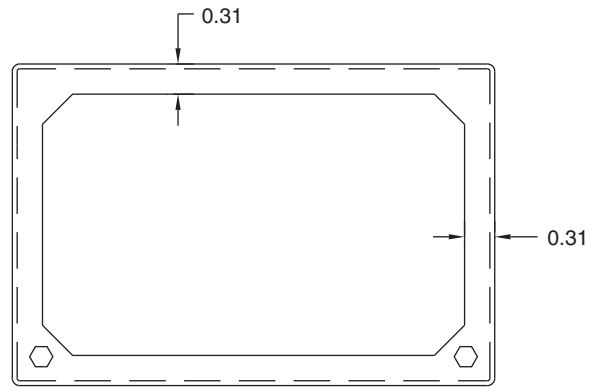
- Back panels (reference tables)
- See pages J1-J22

WA-GIE SERIES JIC HINGED SCREW COVER ENCLOSURES									
CATALOG NUMBER	ENCLOSURE CATALOG H X W X D	BACK PANEL CATALOG NUMBER*	BACK PANEL SIZE A X B	OVERALL L X M	F	J	N	O	P
		WHITE							
WA060604GIE	6.00x6.00x4.00 (152x152x102)	N1P0606	4.25x4.25 (108x108)	6.31x6.31 (160x160)	3.53 (90)	0.88 (22)	2.78 (71)	3.59 (91)	0.56 (14)
WA080604GIE	8.00x6.00x4.00 (203x152x102)	N1P0608	6.25x4.25 (159x108)	8.31x6.31 (211x160)	3.53 (90)	0.88 (22)	2.78 (71)	3.59 (91)	0.56 (14)
WA080804GIE	8.00x8.00x4.00 (203x203x102)	N1P0808	6.25x6.25 (159x159)	8.31x8.31 (211x211)	3.53 (90)	0.88 (22)	2.78 (71)	3.59 (91)	0.56 (14)
WA080806GIE	8.00x8.00x6.00 (203x203x152)	N1P0808	6.25x6.25 (159x159)	8.31x8.31 (211x211)	5.53 (141)	0.88 (22)	4.78 (121)	5.59 (142)	0.56 (14)
WA100804GIE	10.00x8.00x4.00 (254x203x102)	N1P0810	8.25x6.25 (210x159)	10.31x8.31 (262x211)	3.53 (90)	0.88 (22)	2.78 (71)	3.59 (91)	0.56 (14)
WA100806GIE	10.00x8.00x6.00 (254x203x152)	N1P0810	8.25x6.25 (210x159)	10.31x8.31 (262x211)	5.53 (141)	0.88 (22)	4.78 (121)	5.59 (142)	0.56 (14)
WA101006GIE	10.00x10.00x6.00 (254x254x152)	N1P1010	8.25x8.25 (210x210)	10.31x10.31 (262x262)	5.53 (141)	0.88 (22)	4.78 (121)	5.59 (142)	0.56 (14)
WA121004GIE	12.00x10.00x4.00 (305x254x102)	N1P1012	10.25x8.25 (260x210)	12.31x10.31 (313x262)	3.53 (90)	0.88 (22)	2.78 (71)	3.59 (91)	0.56 (14)
WA121006GIE	12.00x10.00x6.00 (305x254x152)	N1P1012	10.25x8.25 (260x210)	12.31x10.31 (313x262)	5.53 (141)	0.88 (22)	4.78 (121)	5.59 (142)	0.56 (14)
WA121206GIE	12.00x12.00x6.00 (305x305x152)	N1P1212	10.25x10.25 (260x260)	12.31x12.31 (313x313)	5.53 (141)	0.88 (22)	4.78 (121)	5.59 (142)	0.56 (14)
WA141206GIE	14.00x12.00x6.00 (356x305x152)	N1P1214	12.25x10.25 (311x260)	14.31x12.31 (364x313)	5.53 (141)	0.88 (22)	4.78 (121)	5.59 (142)	0.56 (14)

\* Back panels must be ordered separately.



SECTION X-X



TOP VIEW COVER REMOVED



JIC040402

### Industry Standards

UL508, Types 12, 13  
CSA Certified, Type 12  
NEMA/EEMAC Type 12 & 13  
JIC EL-1-71

 UL File E64791

 CSA File LL66078

## FEATURES-SPECIFICATIONS

### Applications

Ideal for use where protection from dirt, dust, oil and water is needed. Particularly suitable for use with liquid-tight flexible conduit.

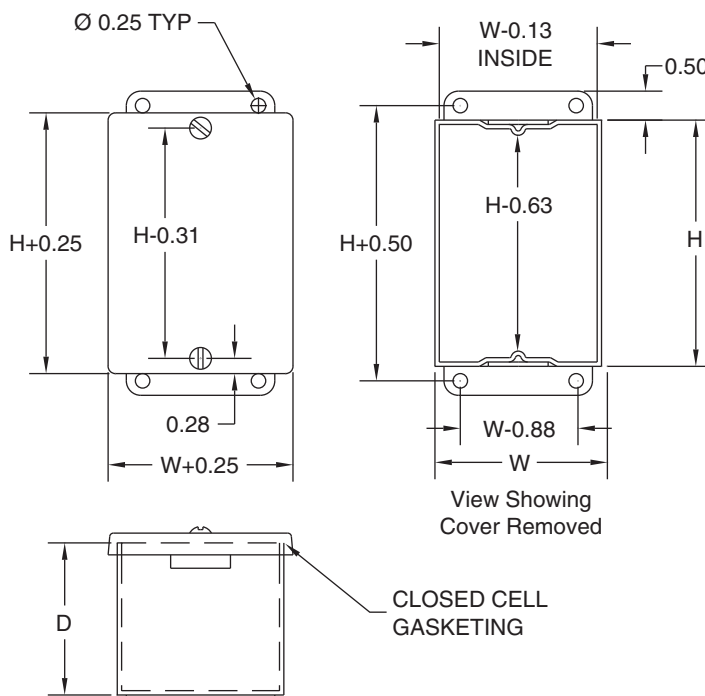
### Construction

- Bodies and doors fabricated from 14 gauge steel
- Drawn lid which features no welded seams or sharp corners
- No holes or conduit knockouts
- Cover screws thread into neoprene gasket for maximum sealing
- External mounting plates, top and bottom of enclosure
- Ground stud located in door
- Lids are sealed with closed cell oil resistant neoprene gasket

### Finish

- ANSI 61 gray polyester powder inside and out

JIC HANDY SERIES SCREW COVER ENCLOSURES		
CATALOG NUMBER	BODY/DOOR STEEL GAUGE	ENCLOSURE SIZE H X W X D
JIC040202	14/14	4.00x2.00x2.00 (102x51x51)
JIC0403025	14/14	4.25x2.88x2.63 (108x73x67)
JIC040403	14/14	4.00x4.00x3.00 (102x102x76)





JIC040402

**Industry Standards**

UL 50 Listed, Types 4, 12 & 13  
CSA Certified, Types 12 & 13  
Meets NEMA/EEMAC Type 4, 12 & 13

UL Files E6924, E64791

CSA File LL66078

**FEATURES-SPECIFICATIONS**

**Applications**

Fabricated to meet strict automotive requirements. Wiegmann flange FTC (flange trough collar) enclosures offer unique tub flanges that maximize internal protection. Designed to provide protection from dust, dirt, oil, and water. Optional sub panels sold separately.

**Construction**

- 16 gauge steel body, 16 or 14 gauge steel door
- Special 360 degree tub flange design diverts contaminants away from tub opening
- Continuous hinge
- Continuously welded seams ground smooth, less knockouts or holes.
- Closed cell neoprene oil resistant gasket
- External mounting plates, top and bottom of enclosure.
- Weldnuts are provided for mounting optional panels
- With special quick release latches
- Grounding provisions provided

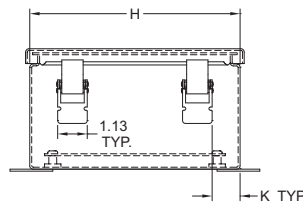
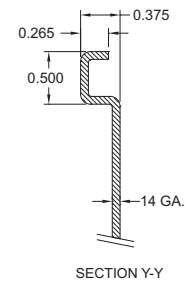
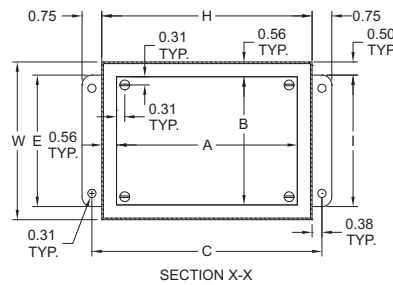
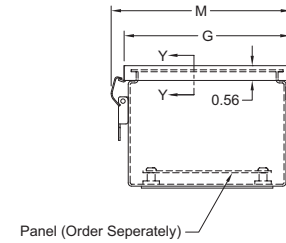
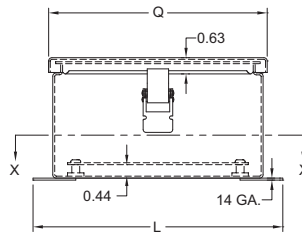
**Finish**

- ANSI 61 gray polyester powder inside and out
- Optional back panels are white polyester powder
- Optional "G" panels have a conductive finish (See page I2)

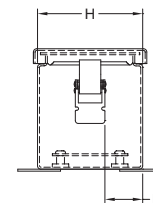
**Accessories**

- Back panels (reference tables)
- Terminal kits
- See pages J1-J22

B-CHFTC JIC ENCLOSURES				
CATALOG NUMBER	BODY/DOOR STEEL GAUGE	BACK PANEL CATALOG NUMBER		ENCLOSURE SIZE H X W X D
		WHITE	"G"	
B0604045CHFTC	14/14	P0604	P0604G	6.00x4.00x4.54 (152x102x115)
B0606045CHFTC	14/14	P0606	P0606G	6.00x4.00x4.54 (152x102x115)
B0806045CHFTC	14/14	P0806	P0806G	8.00x6.00x4.54 (203x152x115)
B100845CHFTC	14/14	P1008	P1008G	10.00x8.00x4.54 (254x203x115)
B121055CHFTC	14/14	P1210	P1210G	12.00x10.00x4.54 (305x254x115)
B141265CHFTC	14/14	P1412	P1412G	14.00x12.00x6.54 (356x305x166)
B1614065CHFTC	14/14	P1614	P1614G	16.00x14.00x6.54 (406x356x166)



VIEW SHOWING CLAMP POSITION WHEN "H" EQUALS 8.00" OR MORE



VIEW SHOWING CLAMP POSITION WHEN "H" IS LESS THAN 8.00"

## N12 SERIES ENCLOSURES NEMA 12 SINGLE DOOR WALL-MOUNT



N12161206

### Industry Standards

UL 508, Types 12 & 13  
CSA Certified, Type 12  
NEMA/EEMAC Type 12 & 13

 UL Files E64791

 CSA File LL66078

## FEATURES-SPECIFICATIONS

### Applications

Intended for use in housing electrical and electronic controls, instruments, components, and associated wiring, these enclosures incorporate hinged doors which provide convenient access. Designed for indoor use in protecting components from dust, dirt, oil, and water.

### Construction

- Bodies and doors fabricated from 14 gauge steel
- Continuously plasma welded seams
- Door and body stiffeners are provided in larger enclosures for extra rigidity

- Rolled lip on three sides of door and all sides of enclosure opening is provided to exclude liquids and contaminants
- Quick and easy to operate door clamps are provided
- Doors removable by pulling heavy gauge continuous hinge pin
- Hasp and staple for padlocking
- Print pocket is provided
- Doors are sealed with poured in place polyurethane gasket
- Collar studs provided for mounting optional sub panels
- External mounting feet for mounting enclosure

- Grounding provisions provided
- Optional panels must be ordered separately

### Finish

- ANSI-61 gray polyester powder inside and outside
- Optional back panels are painted white polyester powder
- Optional "G" panels have a conductive finish (See page I4)

### Accessories

- Panels (reference tables)
- See pages J1-J22

N12 SERIES SINGLE DOOR ENCLOSURES								
CATALOG NUMBER	ENCLOSURE SIZE H X W X D	BACK PANEL CATALOG NUMBER *		BACK PANEL SIZE A X B	E	NO. OF DOOR CLAMPS	STIFFENER	
		WHITE	"G"				DOOR	BODY
N12122406	12.00x24.00x6.00 (305x610x152)	NP1224	NP1224G	9.00x21.00 (229x533)	0	2	No	No
N12161206	16.00x12.00x6.00 (406x305x152)	NP1612	NP1612G	13.00x9.00 (330x229)	0	2	No	No
N12161606	16.00x16.00x6.00 (406x406x152)	NP1616	NP1616G	13.00x13.00 (330x330)	0	2	No	No
N12162006	16.00x20.00x6.00 (406x508x152)	NP2016	NP2016G	13.00x17.00 (330x432)	0	2	No	No
N12201206	20.00x12.00x6.00 (508x305x152)	NP2012	NP2012G	17.00x9.00 (432x229)	0	2	No	No
N12201606	20.00x16.00x6.00 (508x406x152)	NP2016	NP2016G	17.00x13.00 (432x330)	0	2	No	No
N12202006	20.00x20.00x6.00 (508x508x152)	NP2020	NP2020G	17.00x17.00 (432x432)	0	2	No	No
N12202406	20.00x24.00x6.00 (508x610x152)	NP2420	NP2420G	17.00x21.00 (432x533)	0	2	No	No
N12241206	24.00x12.00x6.00 (610x305x152)	NP1224	NP1224G	21.00x9.00 (533x229)	0	2	No	No
N12241606	24.00x16.00x6.00 (610x406x152)	NP2416	NP2416G	21.00x13.00 (533x330)	0	2	No	No
N12242006	24.00x20.00x6.00 (610x508x152)	NP2420	NP2420G	21.00x17.00 (533x432)	0	2	No	No
N12242406	24.00x24.00x6.00 (610x610x152)	NP2424	NP2424G	21.00x21.00 (533x533)	0	2	No	No
N12301606	30.00x16.00x6.00 (762x406x152)	NP3016	NP3016G	27.00x13.00 (686x330)	0	2	No	No
N12302006	30.00x20.00x6.00 (762x508x152)	NP3020	NP3020G	27.00x17.00 (686x432)	0	2	No	No
N12302406	30.00x24.00x6.00 (762x610x152)	NP3024	NP3024G	27.00x21.00 (686x533)	0	2	No	No

\*Back panels must be ordered separately.

Continued on page C17



**N12 SERIES ENCLOSURES  
NEMA 12 SINGLE DOOR WALL-MOUNT**

**C17**

N12 SERIES SINGLE DOOR ENCLOSURES (CONT.)								
CATALOG NUMBER	ENCLOSURE SIZE H X W X D	BACK PANEL CATALOG NUMBER*		BACK PANEL SIZE A X B	E	NO. OF DOOR CLAMPS	STIFFENER	
		WHITE	"G"				DOOR	BODY
N12362406	36.00x24.00x6.00 (914x610x152)	NP3624	NP3624G	33.00x21.00 (838x533)	—	2	No	No
N12363006	36.00x30.00x6.00 (914x762x152)	NP3630	NP3630G	33.00x27.00 (838x686)	—	2	No	Yes
N12122408	12.00x24.00x8.00 (305x610x203)	NP1224	NP1224G	9.00x21.00 (229x533)	—	2	No	No
N12161208	16.00x12.00x8.00 (406x305x203)	NP1612	NP1612G	13.00x9.00 (330x229)	—	2	No	No
N12161608	16.00x16.00x8.00 (406x406x203)	NP1616	NP1616G	13.00x13.00 (330x330)	—	2	No	No
N12162008	16.00x20.00x8.00 (406x508x203)	NP2016	NP2016G	13.00x17.00 (330x432)	—	2	No	No
N12201208	20.00x12.00x8.00 (508x305x203)	NP2012	NP2012G	17.00x9.00 (432x229)	—	2	No	No
N12201608	20.00x16.00x8.00 (508x406x203)	NP2016	NP2016G	17.00x13.00 (432x330)	—	2	No	No
N12202008	20.00x20.00x8.00 (508x508x203)	NP2020	NP2020G	17.00x17.00 (432x432)	—	2	No	No
N12202408	20.00x24.00x8.00 (508x610x203)	NP2420	NP2420G	17.00x21.00 (432x533)	—	2	No	No
N12241208	24.00x12.00x8.00 (610x305x203)	NP1224	NP1224G	21.00x9.00 (533x229)	—	2	No	No
N12241608	24.00x16.00x8.00 (610x406x203)	NP2416	NP2416G	21.00x13.00 (533x330)	—	2	No	No
N12242008	24.00x20.00x8.00 (610x508x203)	NP2420	NP2420G	21.00x17.00 (533x432)	—	2	No	No
N12242408	24.00x24.00x8.00 (610x610x203)	NP2424	NP2424G	21.00x21.00 (533x533)	—	2	No	No
N12243008	24.00x30.00x8.00 (610x762x203)	NP3024	NP3024G	21.00x27.00 (533x686)	—	2	No	No
N12302008	30.00x20.00x8.00 (762x508x203)	NP3020	NP3020G	27.00x17.00 (686x432)	—	2	No	No
N12302408	30.00x24.00x8.00 (762x610x203)	NP3024	NP3024G	27.00x21.00 (686x533)	—	2	No	No
N12303008	30.00x30.00x8.00 (762x762x203)	NP3030	NP3030G	27.00x27.00 (686x686)	—	2	No	Yes
N12303608	30.00x36.00x8.00 (762x914x203)	NP3630	NP3630G	27.00x33.00 (686x838)	—	2	No	Yes
N12362408	36.00x24.00x8.00 (914x610x203)	NP3624	NP3624G	33.00x21.00 (838x533)	—	2	No	No
N12363008	36.00x30.00x8.00 (914x762x203)	NP3630	NP3630G	33.00x27.00 (838x686)	—	2	No	Yes
N12363608	36.00x36.00x8.00 (914x914x203)	NP3636	NP3636G	33.00x33.00 (838x838)	—	2	Yes	Yes
N12422408	42.00x24.00x8.00 (1067x610x203)	NP4224	NP4224G	39.00x21.00 (991x533)	8.813 (224)	3	No	No
N12423008	42.00x30.00x8.00 (1067x762x203)	NP4230	NP4230G	39.00x27.00 (991x686)	8.813 (224)	3	Yes	Yes
N12423608	42.00x36.00x8.00 (1067x914x203)	NP4236	NP4236G	39.00x33.00 (991x838)	8.813 (224)	3	Yes	Yes
N12482408**	48.00x24.00x8.00 (1219x610x203)	NP4824	NP4824G	45.00x21.00 (1143x533)	10.313 (262)	3	No	No
N12483008**	48.00x30.00x8.00 (1219x762x203)	NP4830	NP4830G	45.00x27.00 (1143x686)	10.313 (262)	3	Yes	Yes
N12483608**	48.00x36.00x8.00 (1219x914x203)	NP4836	NP4836G	45.00x33.00 (1143x838)	10.313 (262)	3	Yes	Yes
N12603608**	60.00x36.00x8.00 (1524x914x203)	NP6036	NP6036G	57.00x33.00 (1448x838)	13.313 (338)	3	Yes	Yes
N12161210	16.00x12.00x10.00 (406x305x254)	NP1612	NP1612G	13.00x9.00 (330x229)	—	2	No	No
N12201610	20.00x16.00x10.00 (508x406x254)	NP2016	NP2016G	17.00x13.00 (432x330)	—	2	No	No
N12202010	20.00x20.00x10.00 (508x508x254)	NP2020	NP2020G	17.00x17.00 (432x432)	—	2	No	No
N12241210	24.00x12.00x10.00 (610x305x254)	NP2412	NP2412G	21.00x9.00 (533x229)	—	2	No	No
N12242010	24.00x20.00x10.00 (610x508x254)	NP2420	NP2420G	21.00x17.00 (533x432)	—	2	No	No
N12242410	24.00x24.00x10.00 (610x610x254)	NP2424	NP2424G	21.00x21.00 (533x533)	—	2	No	No
N12302010	30.00x20.00x10.00 (762x508x254)	NP3020	NP3020G	27.00x17.00 (686x432)	—	2	No	No
N12302410	30.00x24.00x10.00 (762x610x254)	NP3024	NP3024G	27.00x21.00 (686x533)	—	2	No	No
N12362410	36.00x24.00x10.00 (914x610x254)	NP3624	NP3624G	33.00x21.00 (838x533)	—	2	No	No
N12363010	36.00x30.00x10.00 (914x762x254)	NP3630	NP3630G	33.00x27.00 (838x686)	—	2	No	Yes
N12423010	42.00x30.00x10.00 (1067x762x254)	NP4230	NP4230G	39.00x27.00 (991x686)	8.813 (224)	3	Yes	Yes
N12423610	42.00x36.00x10.00 (1067x914x254)	NP4236	NP4236G	39.00x33.00 (991x838)	8.813 (224)	3	Yes	Yes
N12483010**	48.00x30.00x10.00 (1219x762x254)	NP4830	NP4830G	45.00x27.00 (1143x686)	10.313 (262)	3	Yes	Yes
N12483610**	48.00x36.00x10.00 (1219x914x254)	NP4836	NP4836G	45.00x33.00 (1143x838)	10.313 (262)	3	Yes	Yes
N12603610**	60.00x36.00x10.00 (1524x914x254)	NP6036	NP6036G	57.00x33.00 (1448x838)	13.313 (338)	3	Yes	Yes
N12201612	20.00x16.00x12.00 (508x406x305)	NP2016	NP2016G	17.00x13.00 (432x330)	—	2	No	No
N12242012	24.00x20.00x12.00 (610x508x305)	NP2420	NP2420G	21.00x17.00 (533x432)	—	2	No	No
N12242412	24.00x24.00x12.00 (610x610x305)	NP2424	NP2424G	21.00x21.00 (533x533)	—	2	No	No
N12302412	30.00x24.00x12.00 (762x610x305)	NP3024	NP3024G	27.00x21.00 (686x533)	—	2	No	No
N12303012	30.00x30.00x12.00 (762x762x305)	NP3030	NP3030G	27.00x27.00 (686x686)	—	2	No	Yes
N12362412	36.00x24.00x12.00 (914x610x305)	NP3624	NP3624G	33.00x21.00 (838x533)	—	2	No	No
N12363012	36.00x30.00x12.00 (914x762x305)	NP3630	NP3630G	33.00x27.00 (838x686)	—	2	No	Yes
N12363612	36.00x36.00x12.00 (914x914x305)	NP3636	NP3636G	33.00x33.00 (838x838)	—	2	Yes	Yes
N12423012	42.00x30.00x12.00 (1067x762x305)	NP4230	NP4230G	39.00x27.00 (991x686)	8.813 (224)	3	Yes	Yes

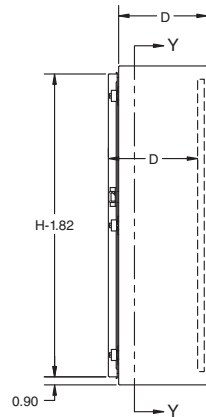
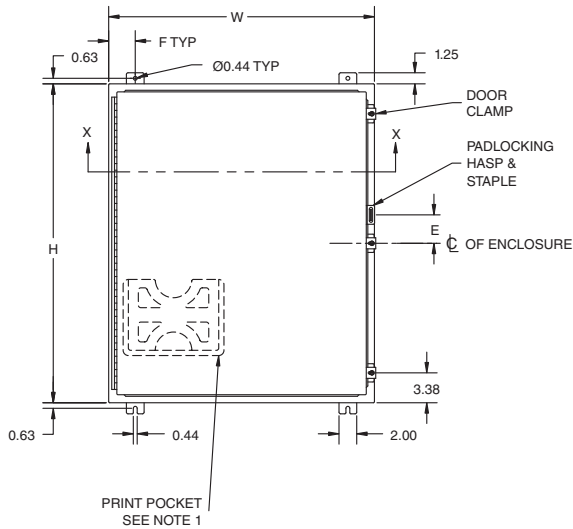
\*Back panels must be ordered separately.

Continued on page C18

N12 SERIES SINGLE DOOR ENCLOSURES (CONT.)								
CATALOG NUMBER	ENCLOSURE SIZE H X W X D	BACK PANEL CATALOG NUMBER*		BACK PANEL SIZE A X B	E	NO. OF DOOR CLAMPS	STIFFENER	
		WHITE	"G"				DOOR	BODY
N12423612	42.00x36.00x12.00 (1067x914x305)	NP4236	NP4236G	39.00x33.00 (991x838)	8.813 (224)	3	Yes	Yes
N12483612**	48.00x36.00x12.00 (1219x914x305)	NP4836	NP4836G	45.00x33.00 (1143x838)	10.313 (262)	3	Yes	Yes
N12603612**	60.00x36.00x12.00 (1524x914x305)	NP6036	NP6036G	57.00x33.00 (1448x838)	13.313 (338)	3	Yes	Yes
N12723012**	72.00x30.00x12.00 (1829x762x305)	NP7230	NP7230G	69.00x27.00 (1753x686)	0	4	Yes	Yes
N12723612**	72.00x36.00x12.00 (1829x914x305)	NP7236	NP7236G	69.00x33.00 (1753x838)	0	4	Yes	Yes
N12242016**	24.00x20.00x16.00 (610x508x406)	NP2420	NP2420G	21.00x17.00 (533x432)	0	2	No	No
N12242416**	24.00x24.00x16.00 (610x610x406)	NP2424	NP2424G	21.00x21.00 (533x533)	0	2	No	No
N12302416**	30.00x24.00x16.00 (762x610x406)	NP3024	NP3024G	27.00x21.00 (686x533)	0	2	No	No
N12363016**	36.00x30.00x16.00 (914x762x406)	NP3630	NP3630G	33.00x27.00 (838x686)	0	2	No	Yes
N12423616**	42.00x36.00x16.00 (1067x914x406)	NP4236	NP4236G	39.00x33.00 (991x838)	8.813 (224)	3	Yes	Yes
N12483616**	48.00x36.00x16.00 (1219x914x406)	NP4836	NP4836G	45.00x33.00 (1143x838)	10.313 (262)	3	Yes	Yes
N12603616**	60.00x36.00x16.00 (1524x914x406)	NP6036	NP6036G	57.00x33.00 (1448x838)	13.313 (338)	3	Yes	Yes
N12723016**	72.00x30.00x16.00 (1829x762x406)	NP7230	NP7230G	69.00x27.00 (1753x686)	0	4	Yes	Yes
N12302420**	30.00x24.00x20.00 (762x610x508)	NP3024	NP3024G	27.00x21.00 (686x533)	0	2	No	No
N12363020**	36.00x30.00x20.00 (914x762x508)	NP3630	NP3630G	33.00x27.00 (838x686)	0	2	No	Yes
N12483620**	48.00x36.00x20.00 (1219x914x508)	NP4836	NP4836G	45.00x33.00 (1143x838)	10.313 (262)	3	Yes	Yes
N12603620**	60.00x36.00x20.00 (1524x914x508)	NP6036	NP6036G	57.00x33.00 (1448x838)	13.313 (338)	3	Yes	Yes
N12302424**	30.00x24.00x24.00 (762x610x610)	NP3024	NP3024G	27.00x21.00 (686x533)	0	2	No	No

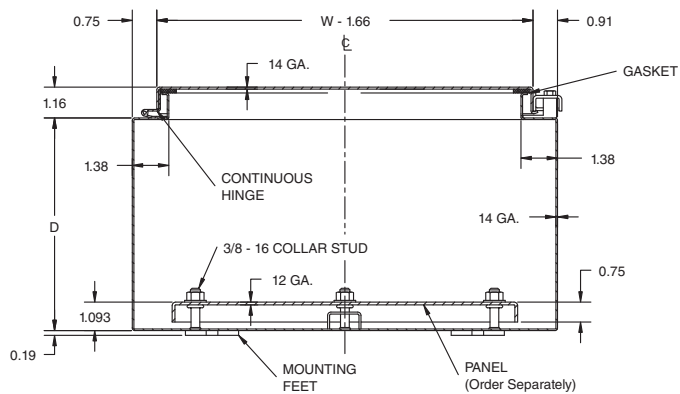
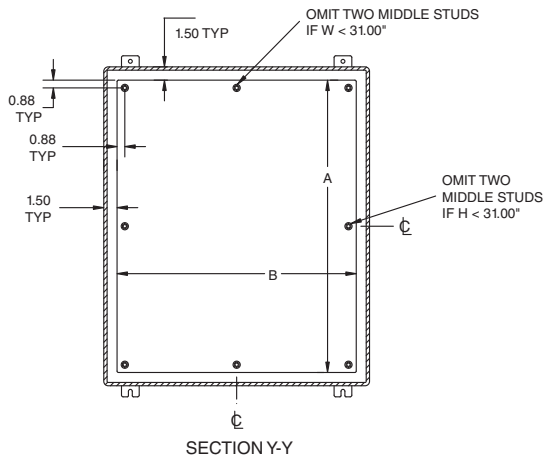
\*Back panels must be ordered separately.

\*\*Enclosures are supplied with closed cell neoprene gasket (not foam-in-place)



NOTES:

1. Large print pocket (8X10) is furnished if H = 20.00" or more and W = 20.00" or more. Otherwise small (6X6) print pocket is provided.
2. Panels are made from 12 Ga. steel.
3. Panels have flanges along all sides when either dimension exceeds 17".
4. The number of door clamps is dependent on size of enclosure. Clamps are furnished on right side of door.
5. F = 3" when W is 16" or greater and F = 1-1/4" when W is 12" or less.





**WA244808WF**

**Industry Standards**

UL 508, Type 12  
CSA Certified, Type 12  
NEMA/EEMAC Type 12

 UL Files E64791

 CSA File LL66078

**FEATURES-SPECIFICATIONS**

**Applications**

Intended for use in housing electrical and electronic controls, instruments, components, and associated wiring, these enclosures incorporate double-hinged doors which provide convenient access. Designed for indoor use in protecting components from dust, dirt, oil, and water.

**Construction**

- Bodies and doors fabricated from 14 gauge steel
- Continuously welded seams ground smooth, less knockouts or holes
- Body stiffeners are added in larger enclosures for extra rigidity

- Rolled lip around all side of enclosure opening is provided to exclude liquids and contaminants
- Special overlapping door design eliminates need for center post
- 3-point latching mechanism operates with an oil-tight locking handle
- Doors are removable by pulling heavy gauge continuous hinge pin
- Doors are sealed with closed cell neoprene gasket
- Collar studs are provided for mounting optional sub panels
- External mounting feet are provided for mounting

- Grounding provisions provided
- Print pocket is provided

**Finish**

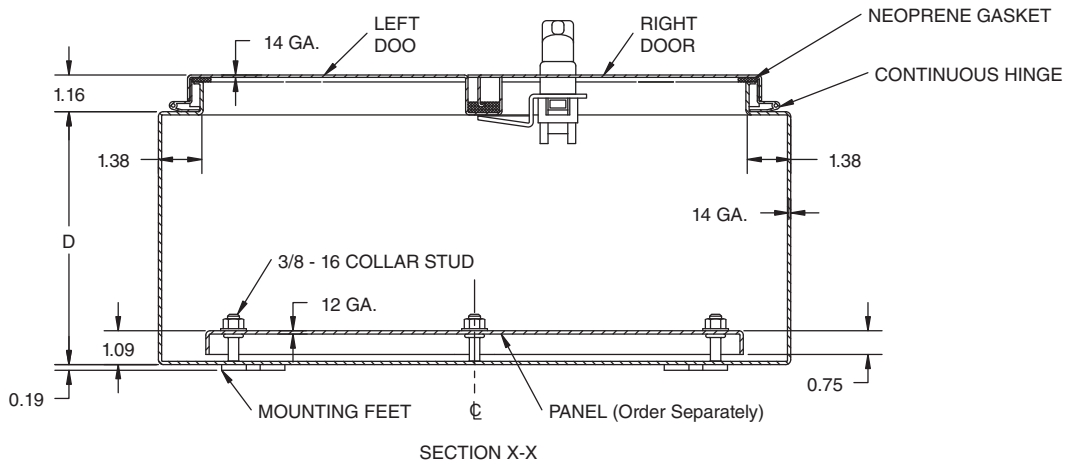
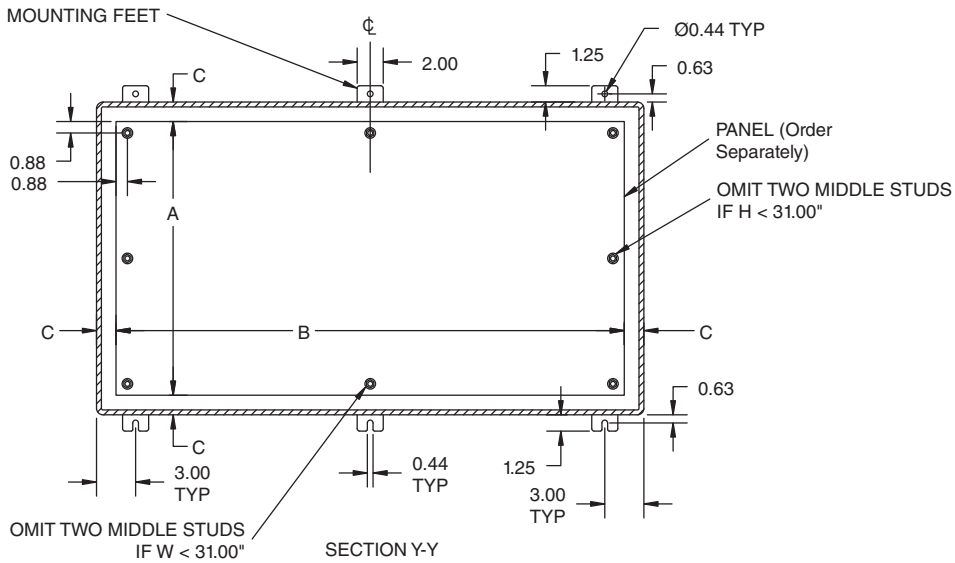
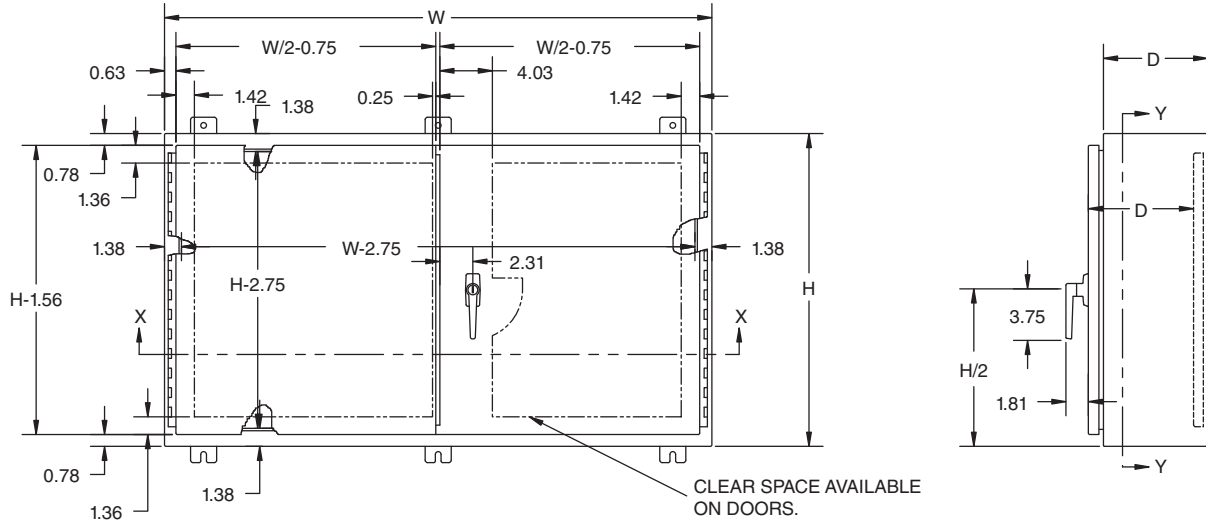
- ANSI-61 gray polyester powder inside and out
- Optional back panels are painted white polyester powder
- Optional "G" panels have a conductive finish (See pages I4 & I7)

**Accessories**

- Panels (reference tables)
- See pages J1-J22

WA-WF SERIES TWO DOOR ENCLOSURES								
CATALOG NUMBER	ENCLOSURE SIZE H X W X D	BACK PANEL CATALOG NUMBER*		BACK PANEL STEEL GAUGE	BACK PANEL SIZE A X B	C	STIFFENER	
		WHITE	"G"				DOOR	BODY
WA244208WF	24.00x42.00x8.00 (610x1067x203)	NP4224	NP4224G	12	39.00x21.00 (991x533)	1.50 (38)	NO	NO
WA244808WF	24.00x48.00x8.00 (610x1219x203)	NP4824	NP4824G	12	21.00x45.00 (533x1143)	1.50 (38)	NO	NO
WA304210WF	30.00x42.00x10.00 (762x1067x254)	NP4230	NP4230G	12	27.00x39.00 (686x991)	1.50 (38)	NO	NO
WA304810WF	30.00x48.00x10.00 (762x1219x254)	NP4830	NP4830G	12	45.00x27.00 (1143x686)	1.50 (38)	NO	NO
WA306010WF	30.00x60.00x10.00 (762x1524x254)	NP6030	NP6030G	12	27.00x57.00 (686x1448)	1.50 (38)	NO	NO
WA364212WF	36.00x42.00x12.00 (914x1067x305)	NP4236	NP4236G	12	33.00x39.00 (838x991)	1.50 (38)	NO	NO
WA364812WF	36.00x48.00x12.00 (914x1219x305)	NP4836	NP4836G	12	33.00x45.00 (838x1143)	1.50 (38)	NO	NO
WA366012WF	36.00x60.00x12.00 (914x1524x305)	NP6036	NP6036G	12	33.00x57.00 (838x1448)	1.50 (38)	NO	NO
WA424212WF	42.00x42.00x12.00 (1067x1067x305)	NPDD4242	NPDD4242G	12	39.00x39.00 (991x991)	1.50 (38)	NO	YES
WA424812WF	42.00x48.00x12.00 (1067x1219x305)	NPDD4842	NPDD4842G	12	39.00x45.00 (991x1143)	1.50 (38)	NO	YES
WA426012WF	42.00x60.00x12.00 (1067x1524x305)	NPDD4260	NPDD4260G	12	38.00x56.00 (965x1422)	2.00 (51)	YES	YES
WA484812WF	48.00x48.00x12.00 (1219x1219x305)	NPDD4848	NPDD4848G	12	44.00x44.00 (1118x1118)	2.00 (51)	NO	YES

\*Back panels must be ordered separately.





**WA202006FM**

**Industry Standards**

UL 508, Type 12 & 13  
CSA Certified, Type 12  
NEMA/EEMAC Type 12 & 13

 UL File E6924

 CSA File LL66078

**FEATURES-SPECIFICATIONS**

**Applications**

Designed to house electrical controls, terminals and instruments. Provide protection from dirt, dust, oil and water. External frame allows enclosure to recessed in wall. Enclosure is used in applications where external space is limited or in high traffic area.

**Construction**

- Bodies and doors fabricated from 14 gauge steel. 10 gauge steel mounting frame extends completely around enclosure

- Continuously plasma welded seams
- Body stiffeners are included in larger enclosures for added rigidity
- A rolled lip around all sides of enclosure opening is provided to exclude liquids and contaminants
- Doors are held closed with captivated screws threaded into sealed wells
- Doors are sealed with a pour-in-place polyurethane gasket
- Print pocket is provided
- Collar studs for mounting optional back panel

- Door is removable by pulling heavy gauge continuous hinge pin
- Grounding provisions provided

**Finish**

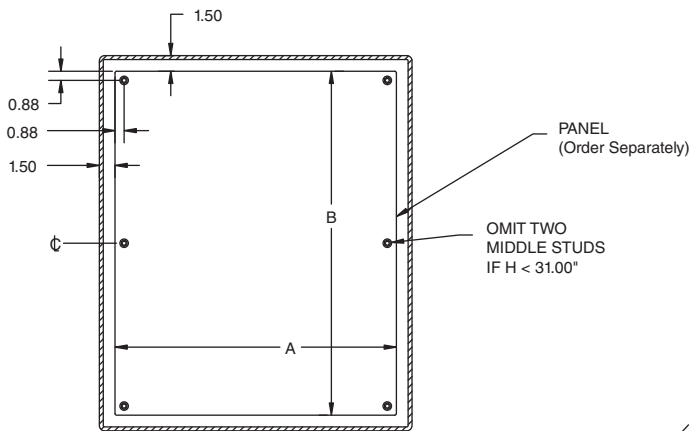
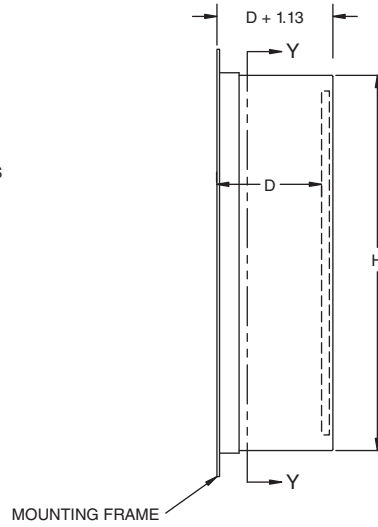
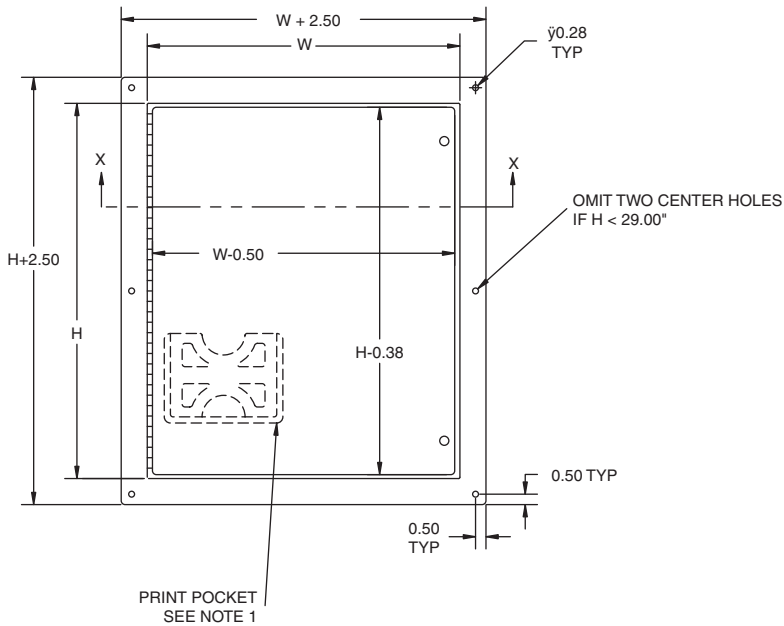
- ANSI 61 gray polyester powder inside and out
- **Optional** back panels are painted white polyester powder

**Accessories**

- Back panels (reference tables see page 14)
- See pages J1-J22

WA-FM SERIES FLUSH MOUNT ENCLOSURES					
CATALOG NUMBER	BODY/DOOR STEEL GAUGE	MTG. FRAME GAUGE	ENCLOSURE SIZE H X W X D	BACK PANEL CATALOG NUMBER*	BACK PANEL SIZE A X B
WA161206FM	14/14	10	16.00x12.00x6.00 (406x305x152)	NP1612	9.00x13.00 (229x330)
WA202006FM	14/14	10	20.00x20.00x6.00 (508x508x152)	NP2020	17.00x17.00 (432x432)
WA242408FM	14/14	10	24.00x24.00x8.00 (610x610x203)	NP2424	21.00x21.00 (533x533)
WA302408FM	14/14	10	30.00x24.00x8.00 (762x610x203)	NP3024	21.00x27.00 (533x686)
WA363008FM	14/14	10	36.00x30.00x8.00 (914x762x203)	NP3630	27.00x33.00 (686x838)

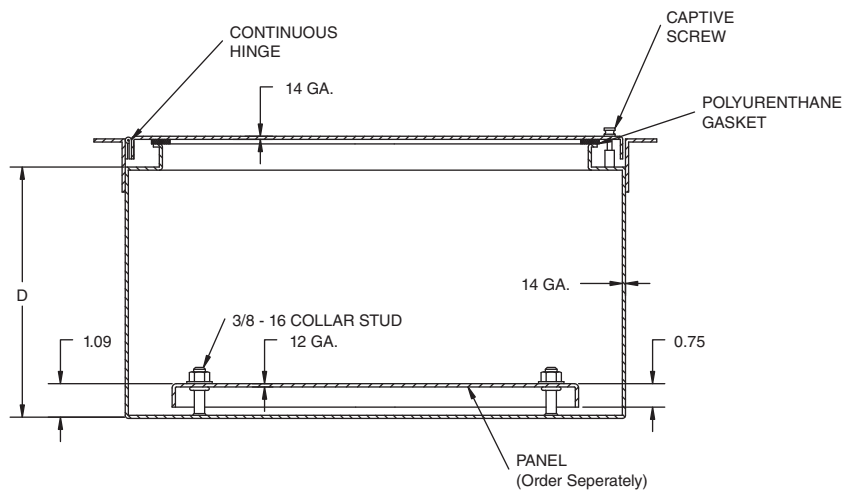
\*Back panels must be ordered separately.



SECTION Y-Y

NOTES:

1. Large print pocket (8X10) is furnished if H = 20.00" or more and W = 20.00" or more. Otherwise small (6X6) print pocket provided.
2. Panels made from 12 Ga. steel.



SECTION X-X



**N12544208**

**Industry Standards**

- UL 508, Type 12
- CSA Certified, Type 12
- NEMA/EEMAC Type 12



**FEATURES-SPECIFICATIONS**

**Applications**

Designed to protect electrical and electronic controls, components, and instruments in typical industrial environments. Enclosure protects enclosed equipment from dust, dirt, oil, and dripping water. These enclosures are used in machine tool applications for housing motor starters, drives, contactors, PLC's, as well as a wide variety of other electrical and electronic equipment found in automotive, pulp and paper, wood products, textile, and similar industries.

**Construction**

- Bodies and doors fabricated from 12 gauge CRS. Floor mounting feet fabricated from 10 gauge CRS
- Continuously welded seams ground smooth, less knockouts or holes
- Heavy gauge continuous hinges support each door
- Special overlapping door design eliminates need for center post
- 3-point keylocking-padlocking combo handle
- Print pocket is provided
- Standard 12" high floor kits are welded to bottom of enclosure
- Heavy duty lifting eyes
- Strong, rigid constructions with body stiffeners
- Doors are sealed with poured in place polyurethane gasket

- Grounding provisions provided
- Back panel supports
- Collar studs for mounting optional back panels are provided

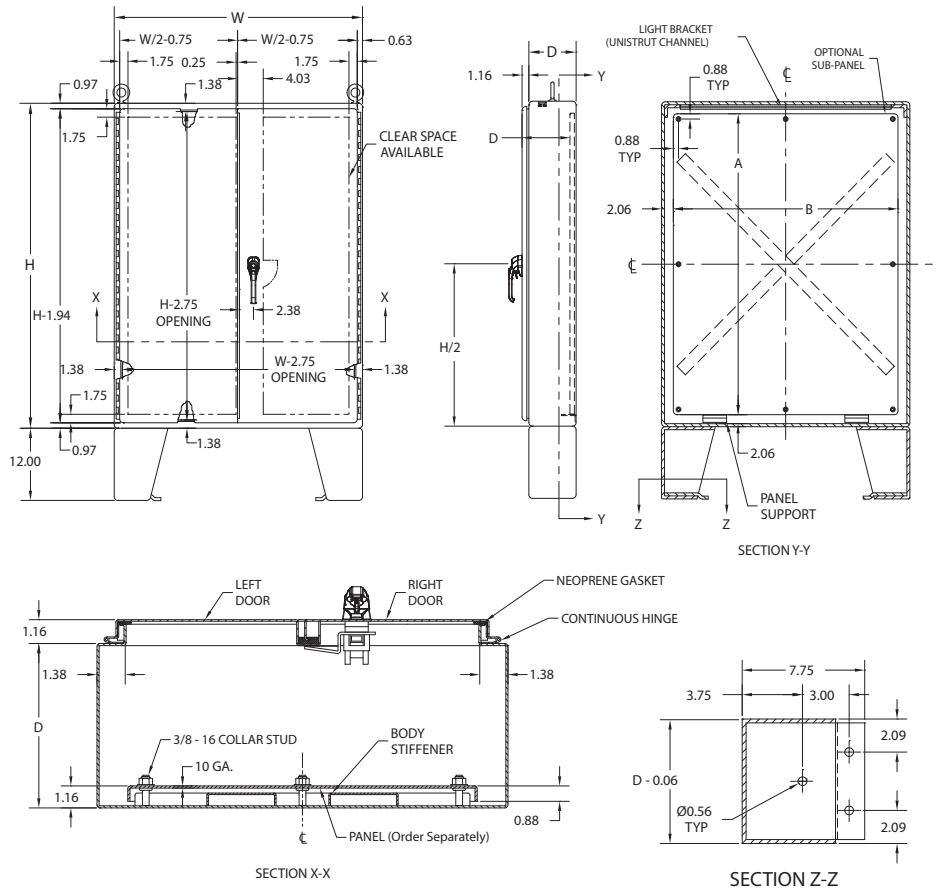
**Finish**

- ANSI-61 gray polyester powder inside and out

- Optional back panels are white polyester powder
- Optional "G" panels have a conductive finish (See page I7)

**Accessories**

- Back panels (reference tables)
- See pages J1-J22





N12 SERIES FLOOR-MOUNTED ENCLOSURES								
CATALOG NUMBER	BODY/DOOR STEEL GAUGE	ENCLOSURE SIZE H X W X D	BACK PANEL CATALOG NUMBER*		BACK PANEL SIZE A X B	BACK PANEL STEEL GAUGE	STIFFENER	
			WHITE	"G"			DOOR	BODY
N12544208	12/12	54.12x42.12x8.12 (1375x1070x206)	NPDD5442	NPDD5442G	50.00x38.00 (1270x965)	10	NO	YES
N12604808	12/12	60.12x48.12x8.12 (1527x1222x206)	NPDD6048	NPDD6048G	56.00x44.00 (1422x1118)	10	NO	YES
N12604810	12/12	60.12x48.12x10.12 (1527x1222x257)	NPDD6048	NPDD6048G	56.00x44.00 (1422x1118)	10	NO	YES
N12606010	12/12	60.12x60.12x10.12 (1527x1527x257)	NPDD6060	NPDD6060G	56.00x56.00 (1422x1422)	10	NO	YES
N12726010	12/12	72.12x60.12x10.12 (1832x1527x257)	NPDD7260	NPDD7260G	68.00x56.00 (1727x1422)	10	NO	YES
N12727210	12/12	72.12x72.12x10.12 (1832x1832x257)	NPDD7272	NPDD7272G	68.00x68.00 (1727x1727)	10	NO	YES
N12604812	12/12	60.12x48.12x12.12 (1527x1222x308)	NPDD6048	NPDD6048G	56.00x44.00 (1422x1118)	10	NO	YES
N12606012	12/12	60.12x60.12x12.12 (1527x1527x308)	NPDD6060	NPDD6060G	56.00x56.00 (1422x1422)	10	NO	YES
N12726012	12/12	72.12x60.12x12.12 (1832x1527x308)	NPDD7260	NPDD7260G	68.00x56.00 (1727x1422)	10	NO	YES
N12727212	12/12	72.12x72.12x12.12 (1832x1832x308)	NPDD7272	NPDD7272G	68.00x68.00 (1727x1727)	10	NO	YES
N12604816	12/12	60.12x48.12x16.12 (1527x1222x409)	NPDD6048	NPDD6048G	56.00x44.00 (1422x1118)	10	NO	YES
N12606016	12/12	60.12x60.12x16.12 (1527x1527x409)	NPDD6060	NPDD6060G	56.00x56.00 (1422x1422)	10	NO	YES
N12726016	12/12	72.12x60.12x16.12 (1832x1527x409)	NPDD7260	NPDD7260G	68.00x56.00 (1727x1422)	10	NO	YES
N12727216	12/12	72.12x72.12x16.12 (1832x1832x409)	NPDD7272	NPDD7272G	68.00x68.00 (1727x1727)	10	NO	YES
N12604820	12/12	60.12x48.12x20.12 (1527x1222x511)	NPDD6048	NPDD6048G	56.00x44.00 (1422x1118)	10	NO	YES
N12726020	12/12	72.12x60.12x20.12 (1832x1527x511)	NPDD7260	NPDD7260G	68.00x56.00 (1727x1422)	10	NO	YES
N12727220	12/12	72.12x72.12x20.12 (1832x1832x511)	NPDD7272	NPDD7272G	68.00x68.00 (1727x1727)	10	NO	YES
N12604824	12/12	60.12x48.12x24.12 (1527x1222x613)	NPDD6048	NPDD6048G	56.00x44.00 (1422x1118)	10	NO	YES
N12606024	12/12	60.12x60.12x24.12 (1527x1527x613)	NPDD6060	NPDD6060G	56.00x56.00 (1422x1422)	10	NO	YES
N12726024	12/12	72.12x60.12x24.12 (1832x1527x613)	NPDD7260	NPDD7260G	68.00x56.00 (1727x1422)	10	NO	YES
N12727224	12/12	72.12x72.12x24.12 (1832x1832x613)	NPDD7272	NPDD7272G	68.00x68.00 (1727x1727)	10	NO	YES

\*Back panels must be ordered separately.





**WA603624FS**

**Industry Standards**

UL 508, Type 12  
CSA Certified, Type 12  
NEMA/EEMAC Type 12

UL Files E64791

CSA File LL66078

**FEATURES-SPECIFICATIONS**

**Applications**

Designed to protect electrical and electronic controls, components, and instruments in typical industrial environments. Enclosures protect enclosure equipment from dust, dirt, oil, and dripping water. These enclosures are used in machine tool applications for housing motor starters, drives, contactors, PLC's, as well as a wide variety of other electrical and electronic equipment. The addition of 19-inch rack mounting accessories make these enclosures ideal for providing rugged protection for sensitive rack mounted components in harsh industrial environments. The enclosures are found extensively in automotive, pulp and paper, wood products, textile, and similar industries.

Four styles are available to provide maximum flexibility:

- a) Single Door Single Access (single door on front)

- b) Single Door Dual Access (single door on front and rear)
- c) Two Door Single Access (overlapping doors on front)
- d) Two Door Dual Access (overlapping doors on front and rear)

**Construction**

- Fabricated from 12 or 10 gauge steel
- Continuously welded seams ground smooth, less holes or knockouts
- Body stiffeners for added rigidity
- Heavy duty lifting eyes for easy handling
- Heavy gauge continuous hinges support each door
- 3-point keylocking–padlocking combo handle
- Print pocket is provided
- “Uni-strut” mounting channels are welded horizontally to interior body sides and top, bottom and center

to allow back panels to be positioned in enclosure. **Optional** swing, half, full and rack panels can be mounted anywhere along “uni-strut” channel

- Doors are sealed with poured in place polyurethane gasket
- Stiffeners are welded to back of two door enclosures to maintain flatness and increase rigidity
- Grounding provisions provided

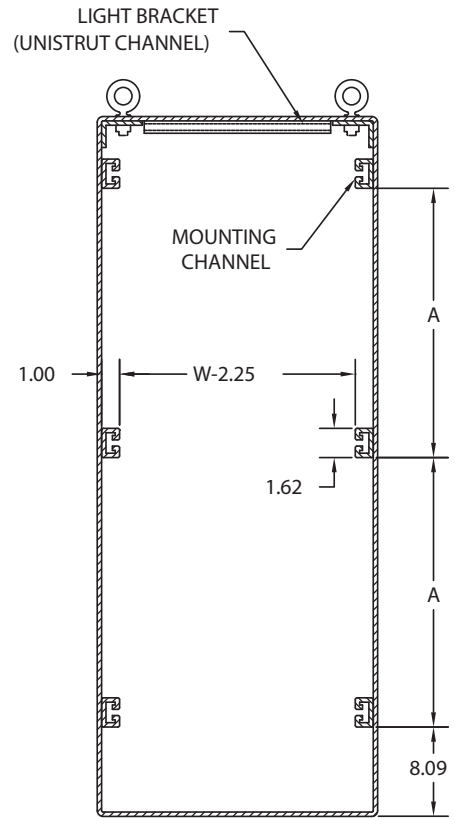
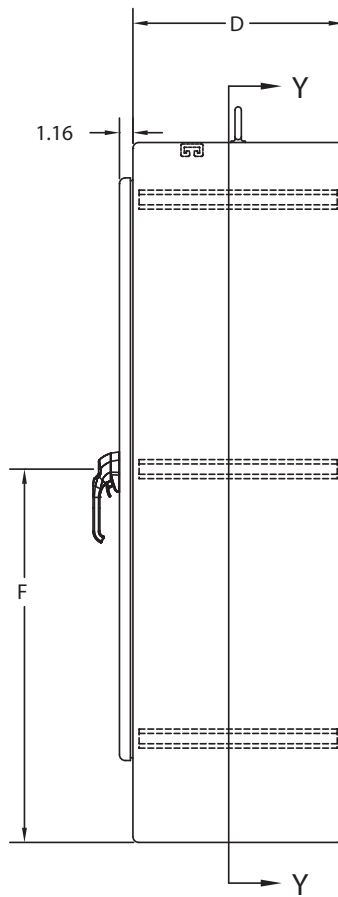
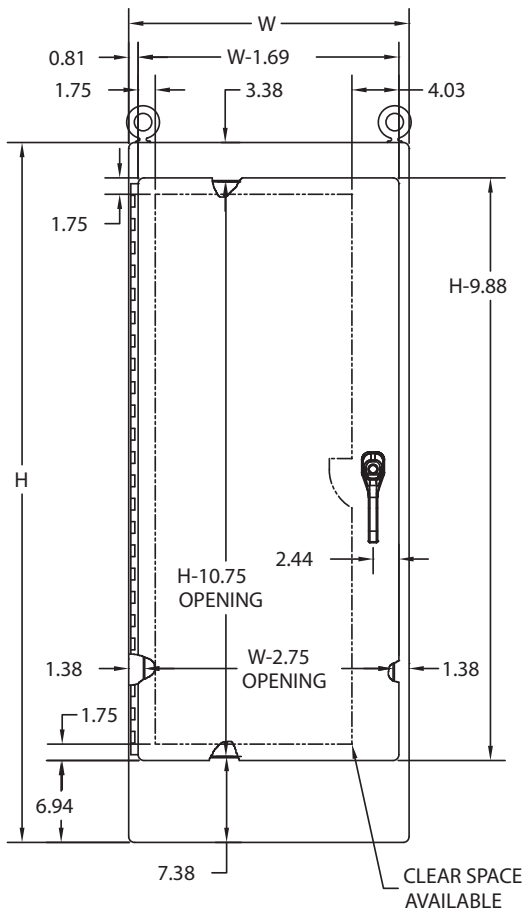
**Finish**

- ANSI 61 gray polyester powder inside and out
- **Optional** back panels are white polyester powder
- **Optional** “G” panels have a conductive finish

**Accessories**

- See pages J1-J22
- Panels see pages I8-I11

WA-FS SERIES FREESTANDING SINGLE DOOR ENCLOSURE				
CATALOG NUMBER	BODY/DOOR STEEL GAUGE	ENCLOSURE SIZE H X W X D	A	F
WA602418FS	12/12	60.12x24.12x18.12 (1527x613x460)	23.13 (587)	32.06 (814)
WA722418FS	12/12	72.12x24.12x18.12 (1832x613x460)	29.13 (740)	38.06 (967)
WA723018FS	12/12	72.12x30.12x18.12 (1832x765x460)	29.13 (740)	38.06 (967)
WA723618FS	12/12	72.12x36.12x18.12 (1832x917x460)	29.13 (740)	38.06 (967)
WA902420FS	10/10	90.12x24.12x20.12 (2289x613x511)	38.13 (968)	47.06 (1195)
WA903620FS	10/10	90.12x36.12x20.12 (2289x917x511)	38.13 (968)	47.06 (1195)
WA603624FS	12/12	60.12x36.12x24.12 (1527x917x613)	23.13 (587)	32.06 (814)
WA722424FS	12/12	72.12x24.12x24.12 (1832x613x613)	29.13 (740)	38.06 (967)
WA723024FS	12/12	72.12x30.12x24.12 (1832x765x613)	29.13 (740)	38.06 (967)
WA723624FS	12/12	72.12x36.12x24.12 (1832x917x613)	29.13 (740)	38.06 (967)
WA903624FS	10/10	90.12x36.12x24.12 (2289x917x613)	38.13 (968)	47.06 (1195)
WA723630FS	12/12	72.12x36.12x30.12 (1832x917x765)	29.13 (740)	38.06 (967)
WA723636FS	12/12	72.12x36.12x36.12 (1832x917x917)	29.13 (740)	38.06 (967)
WA903636FS	10/10	90.12x36.12x36.12 (2289x917x917)	38.13 (968)	47.06 (1195)



**WA-FSD SERIES ENCLOSURES  
NEMA 12 SINGLE DOOR DUAL ACCESS FREESTANDING**

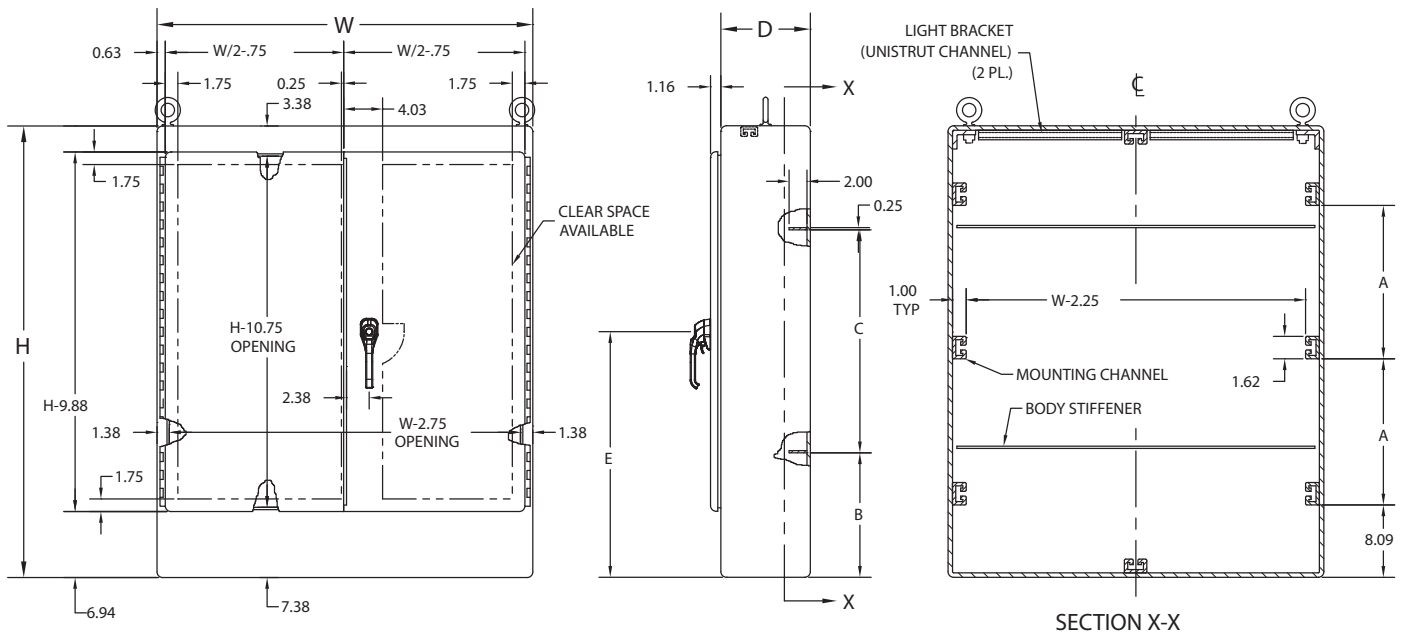
**C27**



**WA604818FSD**

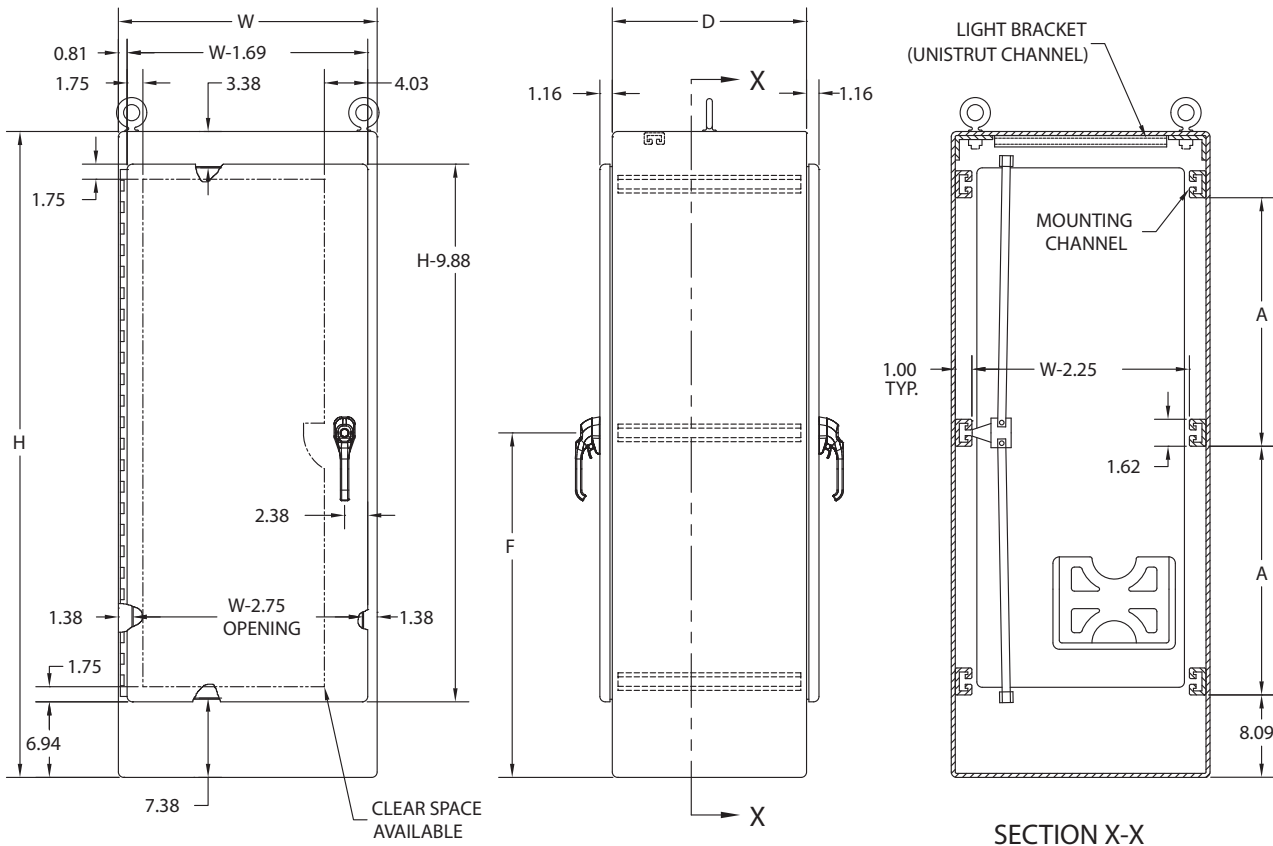
**WA-FSD SERIES FREESTANDING TWO DOOR ENCLOSURES**

CATALOG NUMBER	BODY/DOOR STEEL GAUGE	ENCLOSURE SIZE H X W X D	A	B	C	E
WA604818FSD	10/10	60.12x48.12x18.12 (1527x1222x460)	23.13 (587)	19.88 (505)	20.03 (509)	32.06 (814)
WA724818FSD	10/10	72.12x48.12x18.12 (1832x1222x460)	29.13 (740)	23.88 (607)	24.03 (610)	38.06 (967)
WA726018FSD	10/10	72.12x60.12x18.12 (1832x1527x460)	29.13 (740)	23.88 (607)	24.03 (610)	38.06 (967)
WA727218FSD	10/10	72.12x72.12x18.12 (1832x1832x460)	29.13 (740)	23.88 (607)	24.03 (610)	38.06 (967)
WA904820FSD	10/10	90.12x48.12x20.12 (2289x1222x511)	38.13 (968)	29.88 (759)	30.03 (763)	47.06 (1195)
WA907220FSD	10/10	90.12x72.12x20.12 (2289x1832x511)	38.13 (968)	29.88 (759)	30.03 (763)	47.06 (1195)
WA724824FSD	10/10	72.12x48.12x24.12 (1832x1222x613)	29.13 (740)	23.88 (607)	24.03 (610)	38.06 (967)
WA726024FSD	10/10	72.12x60.12x24.12 (1832x1527x613)	29.13 (740)	23.88 (607)	24.03 (610)	38.06 (967)
WA727224FSD	10/10	72.12x72.12x24.12 (1832x1832x613)	29.13 (740)	23.88 (607)	24.03 (610)	38.06 (967)
WA907224FSD	10/10	90.12x72.12x24.12 (2289x1832x613)	38.13 (968)	29.88 (759)	30.03 (763)	47.06 (1195)
WA726036FSD	10/10	72.12x60.12x36.12 (1832x1527x917)	29.13 (740)	23.88 (607)	24.03 (610)	38.06 (967)
WA907236FSD	10/10	90.12x72.12x36.12 (2289x1832x917)	38.13 (968)	29.88 (759)	30.03 (763)	47.06 (1195)



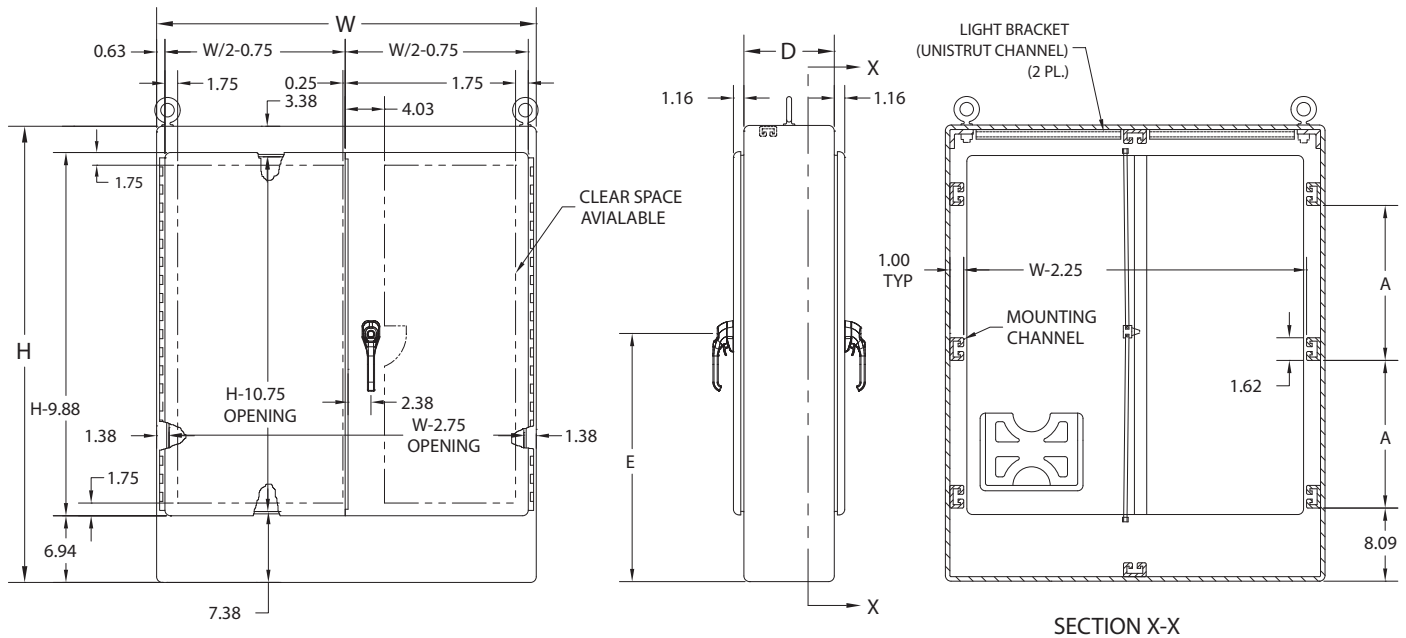


WA-FSDA SERIES FREESTANDING SINGLE DOOR DUAL ACCESS ENCLOSURES				
CATALOG NUMBER	BODY/DOOR STEEL GAUGE	ENCLOSURE SIZE H X W X D	A	F
WA722424FSDA	12/12	72.12x24.12x24.25 (1832x613x616)	29.13 (740)	38.06 (967)
WA723024FSDA	12/12	72.12x30.12x24.25 (1832x765x616)	29.13 (740)	38.06 (967)
WA723624FSDA	12/12	72.12x36.12x24.25 (1832x917x616)	29.13 (740)	38.06 (967)
WA903624FSDA	12/10	90.12x36.12x24.25 (2289x917x616)	38.13 (968)	47.06 (1195)
WA722430FSDA	12/12	72.12x24.12x30.25 (1832x613x768)	29.13 (740)	38.06 (967)
WA722436FSDA	12/12	72.12x24.12x36.25 (1832x613x921)	29.13 (740)	38.06 (967)
WA723636FSDA	12/12	72.12x36.12x36.25 (1832x917x921)	29.13 (740)	38.06 (967)
WA903636FSDA	12/10	90.12x36.12x36.25 (2289x917x921)	38.13 (968)	47.06 (1195)





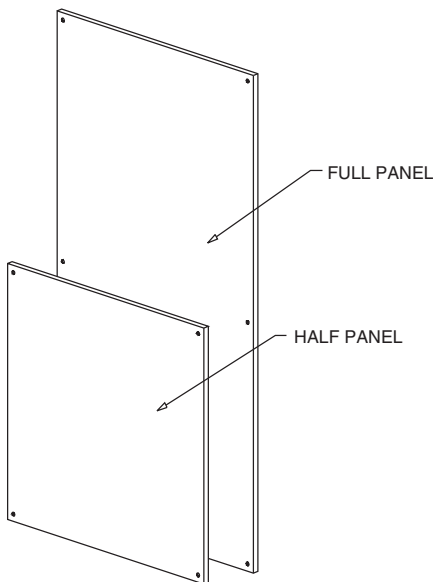
WA-FSDAD SERIES FREESTANDING TWO DOOR DUAL ACCESS ENCLOSURES				
CATALOG NUMBER	BODY/DOOR STEEL GAUGE	ENCLOSURE SIZE H X W X D	A	E
WA724824FSDAD	12/12	72.12x48.12x24.25 (1832x1222x616)	29.13 (740)	38.06 (967)
WA726024FSDAD	12/12	72.12x60.12x24.25 (1832x1527x616)	29.13 (740)	38.06 (967)
WA727224FSDAD	12/12	72.12x72.12x24.25 (1832x1832x616)	29.13 (740)	38.06 (967)
WA907224FSDAD	10/10	90.12x72.12x24.25 (2289x1832x616)	38.13 (968)	47.06 (1195)
WA726036FSDAD	12/12	72.12x60.12x36.25 (1832x1527x921)	29.13 (740)	38.06 (967)



**REGULAR PANELS ONLY (FULL & HALF) NEMA 12 SINGLE DOOR**

CATALOG NUMBER		STEEL GAUGE	PANEL SIZE A X B
WHITE	"G"		
WA60P24F1	WA60P24F1G	12	48.00x20.00 (1219x508)
WA60P24F2	WA60P24F2G	12	24.88x20.00 (632x508)
WA72P24F1	WA72P24F1G	12	60.00x20.00 (1524x508)
WA72P24F2	WA72P24F2G	12	30.88x20.00 (784x508)
WA90P24F1	WA90P24F1G	12	78.00x20.00 (1981x508)
WA90P24F2	WA90P24F2G	12	39.88x20.00 (1013x508)
WA72P30F1	WA72P30F1G	12	60.00x26.00 (1524x660)
WA72P30F2	WA72P30F2G	12	30.88x26.00 (784x660)
WA60P36F1	WA60P36F1G	12	48.00x32.00 (1219x813)
WA60P36F2	WA60P36F2G	12	24.88x32.00 (632x813)
WA72P36F1	WA72P36F1G	12	60.00x32.00 (1524x813)
WA72P36F2	WA72P36F2G	12	30.88x32.00 (784x813)
WA90P36F1	WA90P36F1G	12	78.00x32.00 (1981x813)
WA90P36F2	WA90P36F2G	12	39.88x32.00 (1013x813)

NOTE: If used in a Two Door Enclosure, a center panel support must be ordered.

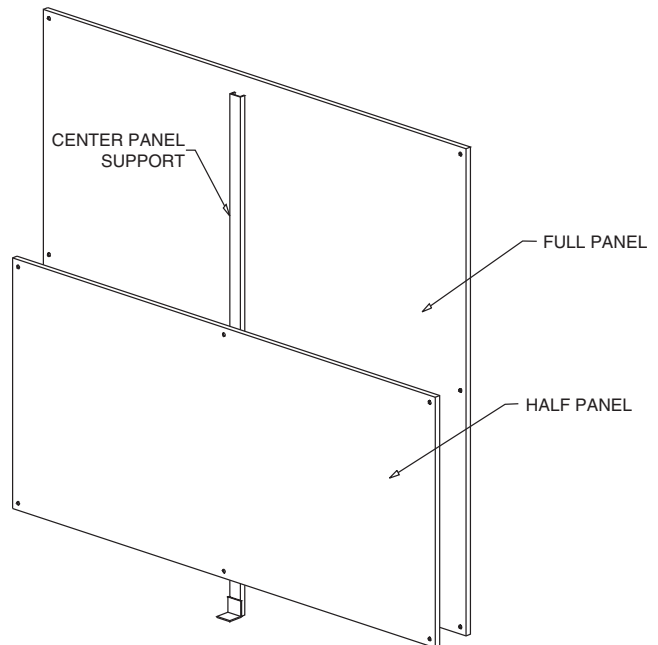


NOTE: Optional "G" panels have a conductive finish

**REGULAR PANELS ONLY (FULL & HALF) NEMA 12 TWO DOOR**

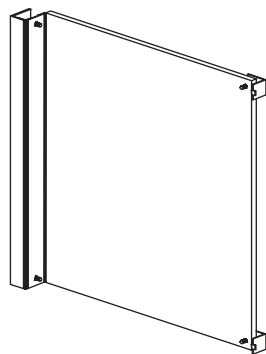
CATALOG NUMBER		STEEL GAUGE	PANEL SIZE A X B
WHITE	"G"		
WA60P48F1	WA60P48F1G	10	48.00x44.00 (1219x1118)
WA60P48F2	WA60P48F2G	10	24.88x44.00 (632x1118)
WA72P48F1	WA72P48F1G	10	60.00x44.00 (1524x1118)
WA72P48F2	WA72P48F2G	10	30.88x44.00 (784x1118)
WA72P60F1	WA72P60F1G	10	60.00x56.00 (1524x1422)
WA72P60F2	WA72P60F2G	10	30.88x56.00 (784x1422)
WA72P72F1	WA72P72F1G	10	60.00x68.00 (1524x1727)
WA72P72F2	WA72P72F2G	10	30.88x68.00 (784x1727)
WA90P48F1	WA90P48F1G	10	78.00x44.00 (1981x1118)
WA90P48F2	WA90P48F2G	10	39.88x44.00 (1013x1118)
WA90P72F1	WA90P72F1G	10	78.00x68.00 (1981x1727)
WA90P72F2	WA90P72F2G	10	39.88x68.00 (1013x1727)

NOTE: Center Panel support is supplied with a regular Two Door Enclosure Panel. This support is used only as a brace. It is not intended to be used as a support for Single Door Panels, relay racks, etc.



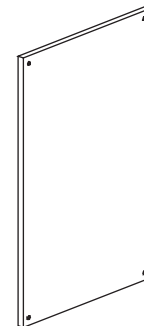
SWING OUT PANELS ONLY (FULL & HALF) NEMA 12 SINGLE DOOR			
CATALOG NUMBER		STEEL GAUGE	PANEL SIZE A X B
WHITE	"G"		
WA60SP24F3	WA60SP24F3G	12	48.00x19.00 (1219x483)
WA60SP24F4	WA60SP24F4G	12	24.88x19.00 (632x483)
WA72SP24F3	WA72SP24F3G	12	60.00x19.00 (1524x483)
WA72SP24F4	WA72SP24F4G	12	30.88x19.00 (784x483)
WA72SP30F3	WA72SP30F3G	12	60.00x25.00 (1524x635)
WA72SP30F4	WA72SP30F4G	12	30.88x25.00 (784x635)
WA60SP36F3	WA60SP36F3G	12	48.00x31.00 (1219x787)
WA60SP36F4	WA60SP36F4G	12	24.88x31.00 (632x787)
WA72SP36F3	WA72SP36F3G	12	60.00x31.00 (1524x787)
WA72SP36F4	WA72SP36F4G	12	30.88x31.00 (784x787)
WA90SP36F3	WA90SP36F3G	12	78.00x31.00 (1981x787)
WA90SP36F4	WA90SP36F4G	12	39.88x31.00 (1013x787)

NOTE: If used in a Two Door Enclosure, a center panel support must be ordered.



WA60SP24F3

SIDE MOUNT PANELS FOR SINGLE OR DOUBLE DOORS			
CATALOG NUMBER		STEEL GAUGE	PANEL SIZE A X B
WHITE	"G"		
WA60SMP14	WA60SMP14G	12	48.00x14.00 (1219x356)
WA72SMP14	WA72SMP14G	12	60.00x14.00 (1524x356)
WA72SMP20	WA72SMP20G	12	60.00x20.00 (1524x508)
WA90SMP14	WA90SMP14G	12	78.00x14.00 (1981x356)
WA90SMP20	WA90SMP20G	12	78.00x20.00 (1981x508)



WA60SMP14

CENTER PANEL SUPPORTS	
CATALOG NUMBER	DESCRIPTION
WA60FSCPS	Center panel support for 60" high enclosures
WA72FSCPS	Center panel support for 72" high enclosures
WA90FSCPS	Center panel support for 90" high enclosures

CLAMP NUTS	
CATALOG NUMBER	DESCRIPTION
WAPS1420CN	Clamp nut for unistrut
WAPS3816CN	Clamp nut for unistrut
WA1032N	Clamp nuts for Type (RA) Relay Rack Angles

**RELAY RACK ANGLES (FULL OR HALF) SINGLE DOOR**

CATALOG NUMBER	STEEL GAUGE	LENGTH "L"
WA60RP24F5	10	49.00 (1245)
WA60RP24F6	10	26.25 (667)
WA72RP24F5	10	61.25 (1556)
WA72RP24F6	10	31.50 (800)
WA72RP30F5	10	61.25 (1556)
WA72RP30F6	10	31.50 (800)
WA90RP24F5	10	78.75 (2000)
WA90RP24F6	10	40.25 (1022)

**RELAY RACK ANGLES WITH THRU HOLES (TYPE RA)**

CATALOG NUMBER	FITS ENCLOSURE H X W	RACK SIZE	ANGLE LENGTH "L"
WA60RA19TH	60.00x24.00 (1524x610)	19.00 (483)	49.00 (1245)
WA72RA19TH	72.00x24.00 (1829x610)	19.00 (483)	61.25 (1556)
WA72RA24TH	72.00x30.00 (1829x762)	24.00 (610)	61.25 (1556)
WA90RA19TH	90.00x24.00 (2286x610)	19.00 (483)	78.78 (2001)

NOTE: If used in a Two Door Enclosure, a center panel support must be ordered.



WA60RP24F5

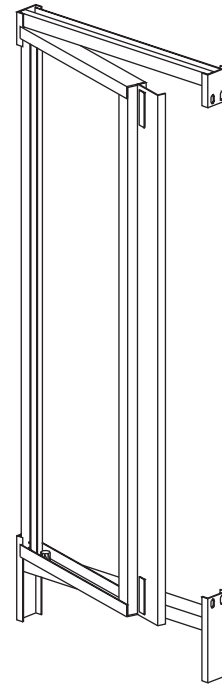


WA60RA19TH

**SWING OUT RACK MOUNTING FRAMES**

CATALOG NUMBER	FITS ENCLOSURE H X W	RACK SIZE	ANGLE LENGTH "T"
WA7230SOF19	72.00x30.00 (1829x762)	19.00 (483)	57.88 (1470)
WA7236SOF19	72.00x36.00 (1829x914)	19.00 (483)	57.88 (1470)
WA9036SOF19	90.00x36.00 (2286x914)	19.00 (483)	75.38 (1915)

NOTE: If used in a Two Door Enclosure, a center panel support must be ordered.



WA7230SOF19





**WA86M5E**

**Industry Standards**

UL 508, Type 12  
CSA Certified, Type 12  
NEMA/EEMAC Type 12

 UL File E64791

 CSA File LL66078

**FEATURES-SPECIFICATIONS**

**Applications**

Designed to protect electrical and electronic controls, components, and instruments in typical industrial environments. Enclosure rating protects enclosed equipment from dust, dirt, oil, and dripping water. These enclosures are used in machine tool applications for housing motor starters, drives, contactors, PLC's, as well as a wide variety of other electrical and electronic equipment found in automotive, pulp, and paper, wood products, textile, and similar industries. Select from three, four, and five door options to best meet your application requirements.

**Construction**

- Bodies and doors fabricated from 10 gauge steel
- Continuously welded seams ground smooth, less holes or knockouts
- Heavy steel stiffeners are welded to enclosure backs maintaining flatness and increasing rigidity
- Heavy duty removable lifting eyes for easy handling are installed
- At two-door openings, the uniquely gasketed, overlapping doors eliminate the need for center posts
- 3-point keylocking–padlocking combo handle
- Print pocket and provisions for fluorescent lighting are provided

- Doors are supported by heavy gauge steel continuous hinges
- Doors are sealed with closed cell neoprene gasket
- Removable 10 gauge back panels and back panel supports are furnished
- Grounding provisions provided

**Finish**

- ANSI 61 gray polyester powder inside and out
- Panels are white polyester powder

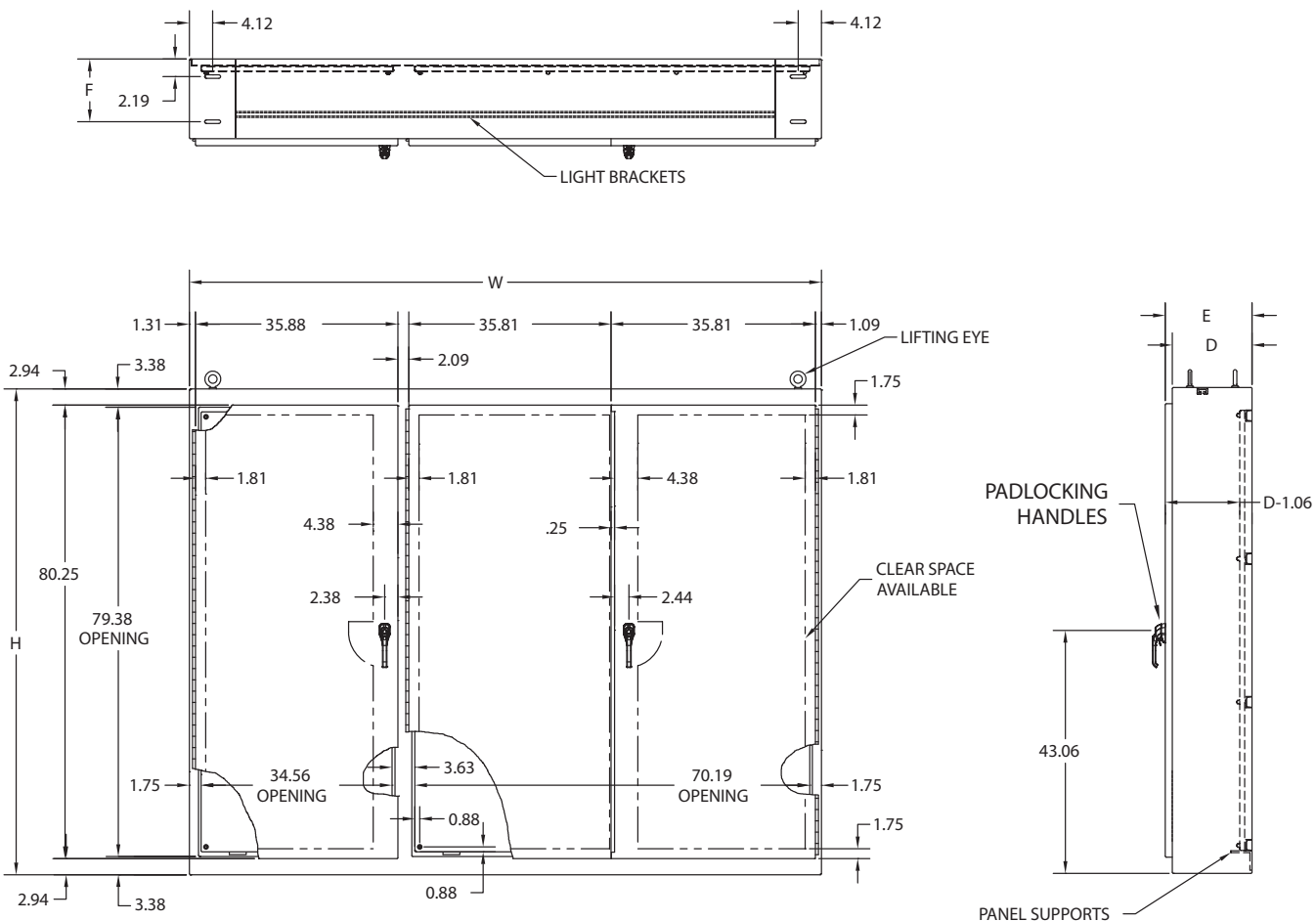
**Accessories**

- See pages J1-J22

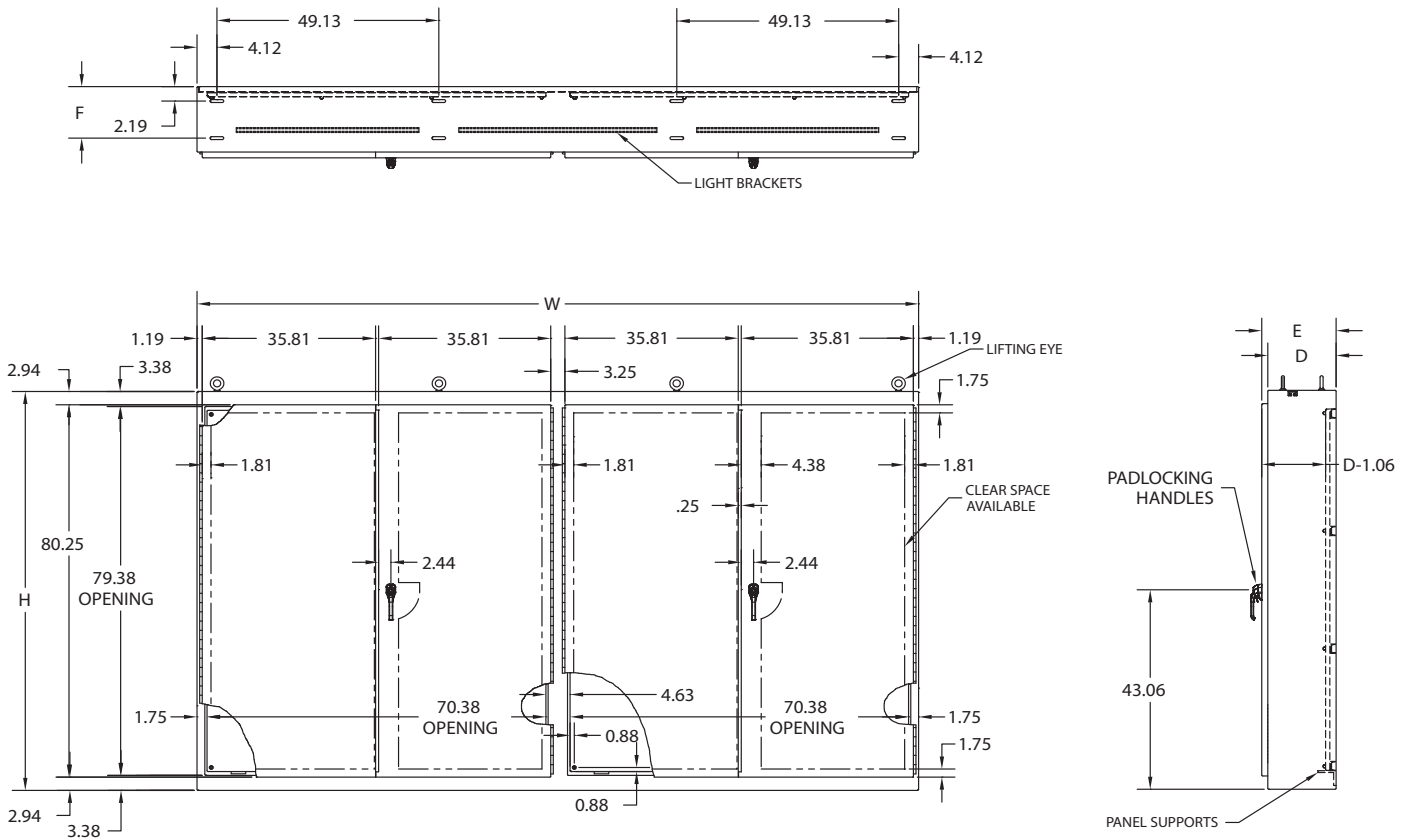
WA-E SERIES MULTI-DOOR FREESTANDING ENCLOSURES								
CATALOG NUMBER	NO. OF DOORS	BODY/DOOR STEEL GAUGE	ENCLOSURE SIZE H X W X D	BACK PANEL SIZE*		E	F	
				A X B	A X B			
WA86M3E	3	10	86.13x112.13x14.13 (2188x2848x359)	(1) 78.00x70.00 (1981x1778)	and	(1) 78.00x34.00 (1981x864)	15.38 (391)	11.94 (303)
WA86M4E	4	10	86.13x149.13x14.13 (2188x3788x359)	(2) 78.00x70.00 (1981x1778)	and	No Panel	15.38 (391)	11.94 (303)
WA86M5E	5	10	86.13x187.13x14.13 (2188x4753x359)	(2) 78.00x70.00 (1981x1778)	and	(1) 78.00x34.00 (1981x864)	15.38 (391)	11.94 (303)
WA86M3E20	3	10	86.13x112.13x20.13 (2188x2848x511)	(1) 78.00x70.00 (1981x1778)	and	(1) 78.00x34.00 (1981x864)	21.38 (543)	17.94 (456)
WA86M4E20	4	10	86.13x149.13x20.13 (2188x3788x511)	(2) 78.00x70.00 (1981x1778)	and	No Panel	21.38 (543)	17.94 (456)
WA86M5E20	5	10	86.13x187.13x20.13 (2188x4753x359)	(2) 78.00x70.00 (1981x1778)	and	(1) 78.00x34.00 (1981x864)	21.38 (543)	17.94 (456)

\*Back panels are furnished with enclosures.  
NOTE: Optional "G" panels have a conductive finish

**3-DOOR**



4-DOOR



5-DOOR

