

CR151K Resilient Modular Terminal Blocks

DIN-rail Mounted Terminal Blocks (CR151K).....11-2
 Product Tables11-3, 11-4
 Accessories.....11-3, 11-4
 Technical Data11-5
 Outlines and Dimensions11-6

Panel or Mounting Track Terminal Boards (CR151B).....11-8
 Product Tables.....11-9
 Accessories.....11-9
 Outlines and Dimensions11-9

Panel or Mounting Track Terminal Boards (CR2960).....11-10
 Product Tables.....11-10
 Outlines and Dimensions11-10

GE's **CR151K** Series resilient molded nylon blocks resist breakage, and occupy minimum space on busy control panels. They are automotive-approved to take the abuse of misguided screwdrivers.

Ratings by wire size translate into amperes-per-circuit, according to the temperature limit of wire insulation and the internal panel ambient temperature, per the typical performance chart on page 11-4.

Fully shielded construction protects all live parts. Nylon has excellent anti-tracking qualities, as well as toughness and impact resistance.

The **CR151B** and **CR2960SY** terminal boards are heavy-duty, molded terminal boards available for special use in wiring of control panels, and in primary or power circuits. CR151B are available with clear covers for terminal protection.

Reference Publications

See Publication Index, Section 16



Terminal Blocks

DIN-Rail Mounted Terminal Blocks

CR151K

Modular Resilient Terminal Boards
300 and 600 Volts
275 Amp Maximum and 30°C Ambient
Automotive Approved

Description

Resilient molded nylon blocks resist breakage, and occupy minimum space on busy control panels. They are automotive-approved to take the abuse of misguided screwdrivers.

Ratings by wire size translate into amperes-per-circuit, according to the temperature limit of wire insulation and the internal panel ambient temperature. Refer to typical performance chart on page 11-4.

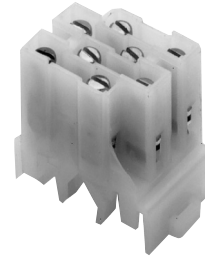
Fully shielded construction protects all live parts. Nylon has excellent anti-tracking qualities, as well as toughness and impact resistance.

Features

- Compact size—four circuits per inch at 300 or 600 Volts, #22-10 wire, without stacking.
- Collar-type terminals with spring-action overlapping top plates:
 - Keep screws in position during shipping—backed out, ready for tightening once wire is installed.
 - Keep connections tight by maintaining pressure on conductors during expansions and contractions.
 - Made of stainless steel #410.
- Large opening makes wiring easy.
- Insulating walls on all sides of entrance to collar, guide the wire into the lug; strands do not go astray.
- Blocks are installed and removed without moving adjacent blocks.

Product Number Selection Instructions

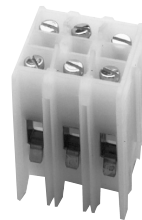
1. Product Number represents one device. List price is per device. Devices are sold only in standard carton quantities. Order quantity of devices needed in increments of standard carton quantities
2. Example: Order 200 quantity of CR151KFC @ **\$4.80 each, GO-10G5**. Total List Price, **\$960.00, GO-10G5**.



CR151KFC04E AWG #22-10, 4 points/inch



AWG #14-2/0, 11 points/foot CR151KFC10B



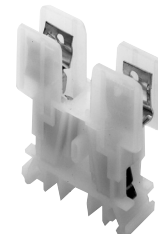
AWG #22-8, 28 points/foot CR151KFC



AWG #22-10, 38 points/foot CR151KFC43E



AWG #18-2, 19 points/foot CR151KFC10C



CR151KCC01AM AWG #22-8, 5/8-inch wide fuse holder



Terminal Blocks

DIN-Rail Mounted Terminal Blocks

CR151K

Section 11

Feed Through Blocks - "Box or Collar" Type Terminals

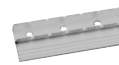
UL Recognized Current (A)	Amperes @ 30°C	Description	Points per Block	Rail Mounted points/ft.	Wire Size (AWG)	Accessories Ref. No. See Table Below	Product Number	Standard Carton Quantity	List Price GO-10G5
30	50	Compact, 1 inch	4	48	#22-10	1, 2, 9, 10, 14, 21	CR151KFC04E	100	\$6.00
40	50	Compact, 0.94 inch	3	38	#22-10	1, 2, 3, 14, 20, 21	CR151KFC43E	100	\$4.80
40	75	Compact, 1.17 inch	3	28	#22-8	1, 2, 3, 5, 12, 14	CR151KFC	100	\$4.80
40	70	Compact, 5/8 inch	2	38	#22-8	1, 2, 3, 4, 11, 14	CR151KFC02	100	\$3.60
90	130	Medium duty, 1 7/8 inch	3	19	#18-2	1, 2, 3, 6, 14, 21	CR151KFC10C ¹	24	\$10.65
175	270	Large cable, 3 1/8 inch	3	11	#14-2/0	1, 2, 3, 14	CR151KFC10B ¹	8	\$24.00

Notes: Maximum Amperes in 30°C ambient at terminal block—see chart, page 12-4, for other settings.

¹Also base-mountable

Circuit Protection Blocks - "Box or Collar" Type Terminals

Current (A)	Function	Fused	Description	Points per Block	Wire Size (AWG)	Accessories Ref. No. See Table Below	Product Number	Standard Carton Quantity	List List GO-10G5
30	Disconnect	No	Isolating Disconnect	1	#22-8	1, 2, 3, 7, 14, 21	CR151KGC01	20	\$5.85
30	Disconnect	Yes	Isolating Disconnect with holder for 1/4" Dia. by 1" to 1 7/16" long fuse	1	#22-8	1, 2, 3, 7, 14, 21	CR151KHC01AN	20	\$8.40
30	Fuse Block	N/A	For 13/32 x 1 1/2-inch long fuse	1	#22-8	1, 2, 3, 7, 8, 14, 21	CR151KCC01AM	50	\$5.86



Accessories

Accessories Ref. No.	Accessory Type	No. of Points	Length (in/mm)	Product Number	Standard Carton Quantity	List Price GO-10G5
1	Aluminum Mtg. Rail	N/A	72-in.	CR151KX001	20	\$19.50
2	Stand-Off Channel	N/A	72-in.	CR151KX002 ²	20	\$22.20
3	Marking Tape	N/A	12 1/2-in.	CR151KX003	50	\$0.38
4	Jumper	2 offset	N/A	CR151KX004	100	\$0.45
5	Jumper	2	N/A	CR151KX005	100	\$0.45
6	Jumper	2	N/A	CR151KX006	100	\$1.13
7	Jumper	2	N/A	CR151KX007	100	\$0.82
8	Fuse Puller (1 per holder)	N/A	N/A	CR151KX008	50	\$1.50
9	Jumper	5	N/A	CR151KX009	100	\$1.05
10	Marking Tape	N/A	6-in.	CR151KX010	50	\$0.38
11	Marking Tab, one block	N/A	N/A	CR151KX011	100	\$0.03
12	Marking Tab, one block	N/A	N/A	CR151KX012	100	\$0.03
13	Molded Marking Tape	N/A	12-in.	CR151KX013	25	\$1.65
14	Aluminum Mtg. Rail	N/A	36-in.	CR151KX014	10	\$9.75
16	Jumper	13	N/A	CR151KX016 ³	100	\$1.30
17	Marking Strip	N/A	N/A	CR151KX017 ⁴	1	\$10.15
20	Jumper	2	N/A	CR151KX020	100	\$0.60
21	DIN rail—35 mm	N/A	1 m	CLXR35 ⁵	1	\$8.00

Notes: See Accessories column in other tables to determine where items are used.

²Use only with Mounting Rail, CR151KX001 or CR151KX014. Lubrication required on rail when mounting stand-off channel.

³For KFC45F

⁴For KFC45F—enough for 30 blocks

⁵GO-10C2



Terminal Blocks

DIN-Rail Mounted Terminal Blocks

Section 11

CR151K

CR151KFC45F 12-Point Terminal Block—
Sub-miniature Spacing, 5 Circuits Per Inch

Features

- Five circuits per inch give total of 12 circuits in 2.4 inch long terminal block; equal to European 5 mm spacing.
- Voltage/current ratings: 300 Volt rating: 20 A; 600 Volt rating: 5A.
- Larger screws can take torque of standard screwdriver.
- Larger, easier-to-wire openings take one # 12 or two # 14 wires.
- Multi-circuit jumper available.
- Unique staggered design helps keep loose strands from shorting adjacent poles.
- One-piece design—no end barriers and clips needed.
- Extra wide marking area for pressure sensitive tape permits printing or marking prior to assembly; sliding marker design permits easy access to all screws.
- Universal mounting—fits all standard GE rails and mini DIN-rails.



CR151KFC45F AWG #22-12, 60 points/foot

Feed Through Blocks - "Box or Collar" Type Terminals

Current (A)	Description	Points per Block	Rail Mounted points/ft.	Wire Size (AWG)	Accessories Ref. No. See Table Below	Product Number	Standard Carton Quantity	List Price GO-10G5
20A @ 300V 50A @ 600V	12-Point Terminal Block	12	60	#12-22	1, 2, 14, 16, 17, 21	CR151KFC45F	20	\$14.85

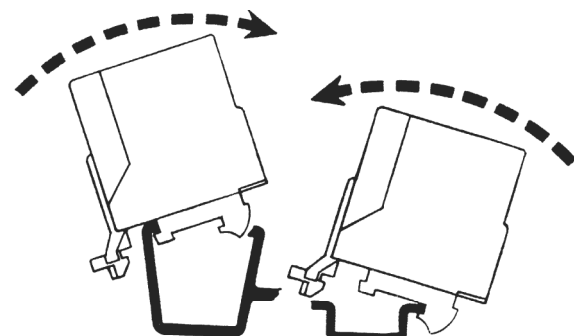
Accessories

Accessories Ref. No.	Accessory Type	No. of Points	Length (in/mm)	Product Number	Standard Carton Quantity	List Price GO-10G5
1	Aluminum Mtg. Rail	N/A	72-in.	CR151KX001	20	\$19.50
2	Stand-Off Channel	N/A	72-in.	CR151KX002 ¹	20	\$22.20
14	Aluminum Mtg. Rail	N/A	36-in.	CR151KX014	10	\$9.75
16	Jumper	13	N/A	CR151KX016	100	\$1.30
17	Marking Strip	N/A	N/A	CR151KX017	1	\$10.15
21	DIN rail—35 mm	N/A	1 m	CLXR35 ²	1	\$8.00

¹Use only with Mounting Rail, CR151KX001 or CR151KX014. Lubrication required on rail when mounting stand-off channel.

²GO-10C2

Mounting Method



U.S. Mounting

European Mounting

Illustrations above describe the best methods to mount the CR151KFC45F on GE or mini DIN rails



Product Number Selection Instructions: See page 11-2

Terminal Blocks

DIN-Rail Mounted Terminal Blocks

CR151K

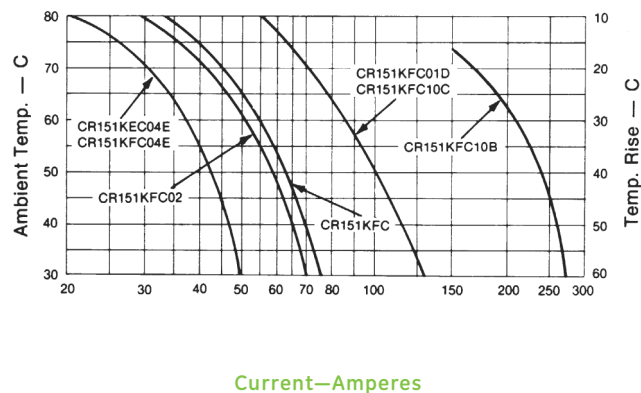
Technical Data

Ampere Rating Of Terminal Blocks In Ambient Temperatures 30-80°C

Ampere rating is based on maximum allowable working temperature. This is a sum of ambient temperature and temperature rise caused by the current.

Allowable currents for each wire size are given in the National Electrical Code, with correction factors for ambient temperatures over 30°C. The ratings provided by the graph are based on 90°C total maximum temperature—standard for panel wire insulation and very safe for nylon.

The ratings are based on temperatures reached on the center pole of three adjacent poles, each carrying current and wired with largest size copper conductors indicated for the block.



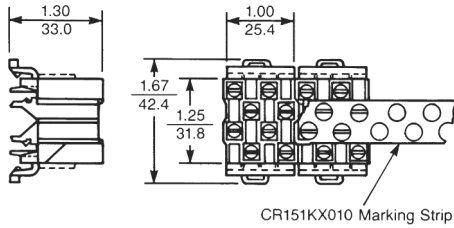
Terminal Blocks

DIN-Rail Mounted Terminal Blocks

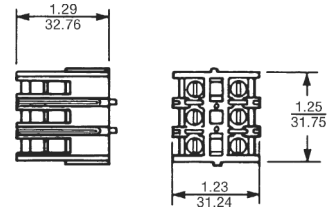
Section 11

CR151K

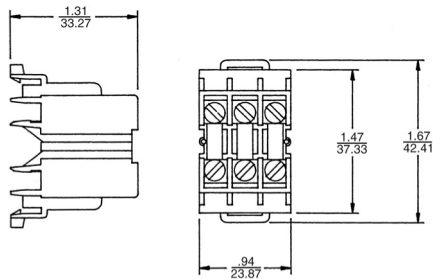
Outlines and Dimensions in. (mm) For Estimating Only



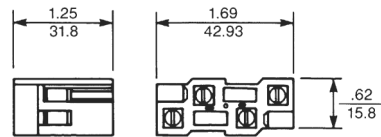
CR151KFC04E



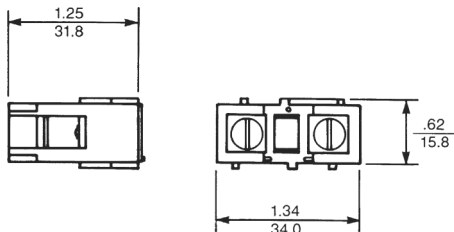
CR151KFC



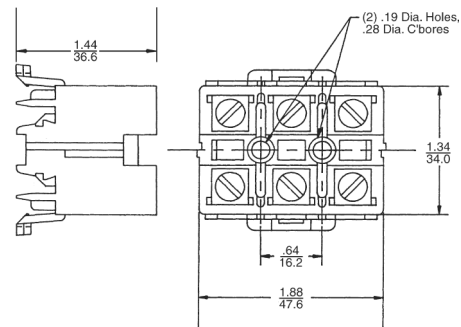
CR151KFC43F



CR151KFC02



CR151KFC01D



CR151KFC10C



Product Number Selection Instructions: See page 11-2

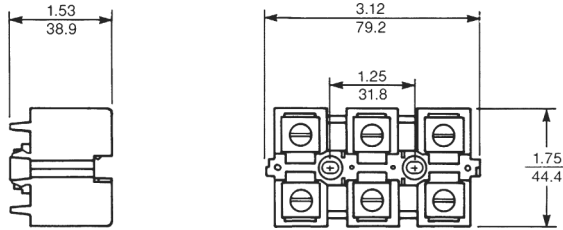
Terminal Blocks

DIN-Rail Mounted Terminal Blocks

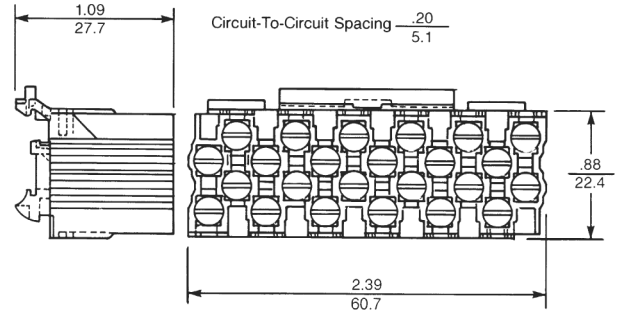
CR151K

Outlines and Dimensions in. (mm) For Estimating Only

Section 11

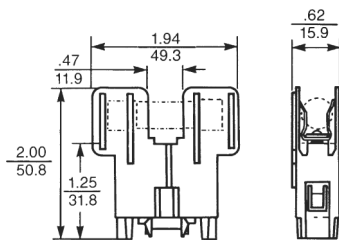


CR151KFC10B

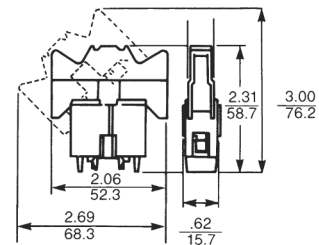


CR151KFC45F

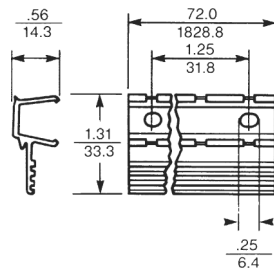
Accessories



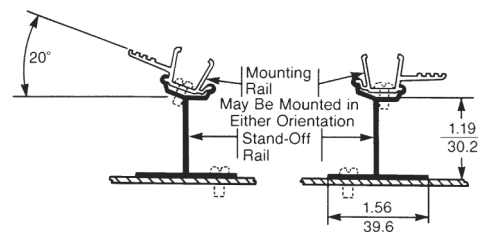
CR151KCC01AM Fuse Holder



CR151KHC01AN and CR151KGC01 Disconnect Blocks



CR151KX001 Mounting Rail



CR151KX002 Stand-Off Channel



Terminal Blocks

Panel or Mounting Track Terminal Blocks

CR151B

One Piece Terminal Boards for Control Circuit

600 Volts

30 Amps

Application

These molded terminal boards are for use in wiring of control panels.

A write-on marking strip markable with ink or pencil is included. Terminal boards may be mounted end-to-end without spacing.

Features

- Electrical rating—30 amperes, 600 volts.
- Rugged material—phenolic.
- Number of points per board—4, 6, 12, or 13.
- Mounting—may be mounted end-to-end without spacing
- Terminal identification—15/32-inch wide marking strip; markable with ink or pencil.
- Wiring—terminals accept wire sizes through AWG # 10

Product Number Selection Instructions

1. Order one piece terminal boards by complete Product Number and by package quantity. Example: Eight (8) six-point, one-piece boards are required, rated 30 amperes, 600 volts with screw-type terminals both sides: order ten CR151B6 at **\$7.20 each, GO-10G5**.

Ratings for all Binding Screw and Round Washer Head Screw Terminals

- Suitable for #18 - #10 AWG stranded or solid copper wire, single conductor only.
- Torque 20 in-lb.

Ratings for all Wire Clamp Terminals

- Suitable for #18 - #10 AWG stranded or solid copper wire, single or parallel conductors of same size and type (stranded/stranded or solid/solid only).
- Torque 20 in-lb.

Parallel two conductor size combinations

Wire Size (AWG)	Torque
#10 with #12	20 in-lb (stranded/stranded or solid/solid wire only)
#12 with #14	20 in-lb (stranded/stranded wire only)
#14 with #16	20 in-lb (stranded/stranded or solid/solid wire only)
#14 with #18	20 in-lb (stranded/stranded wire only)
#16 with #18	20 in-lb (stranded/stranded or solid/solid wire only)

Parallel three conductor size combinations

Wire Size	Torque
#14 with #14 with #14	20 in-lb (stranded/stranded/stranded wire only)
#16 with #16 with #16	20 in-lb (stranded/stranded/stranded wire only)
#18 with #18 with #18	20 in-lb (stranded/stranded/stranded wire only)



CR151B, 6-Point Terminal Board

Agency Certifications

- UL Recognized, File E40800, Vol. 3, Sec. 2 (Category XCFR2 Terminal Blocks - Component)
- CSA Certified, File LR-15492-157 (Class 3211 07 Industrial Control Equipment - Miscellaneous Apparatus)



Terminal Blocks Panel or Mounting Track Terminal Boards CR151B

Section 11

Panel or Mounting Track Terminal Boards

Termination Type	Terminal Cover	Points Per Board ¹	Product Number ²	List Price GO-10G5
Screw-Type Both Sides	None	4	CR151B4	\$4.80
Screw-Type Both Sides	None	6	CR151B6	\$7.20
Screw-Type Both Sides	None	12	CR151B2	\$12.90
Screw-Type Both Sides	None	13	CR151B213A	\$14.00
Screw-Type Both Sides	Clear Cover	4	CR151B41AF	\$5.60
Screw-Type Both Sides	Clear Cover	6	CR151B61AF	\$8.20
Screw-Type Both Sides	Clear Cover	12	CR151B21AF	\$14.10
Screw-Type One Side, Wire Clamp Other Side	None	4	CR151B45	\$6.30
Screw-Type One Side, Wire Clamp Other Side	None	6	CR151B65	\$8.10
Screw-Type One Side, Wire Clamp Other Side	None	12	CR151B25	\$15.00
Screw-Type One Side, Wire Clamp Other Side	Clear Cover	4	CR151B45AF	\$7.10
Screw-Type One Side, Wire Clamp Other Side	Clear Cover	6	CR151B65AF	\$9.10
Screw-Type One Side, Wire Clamp Other Side	Clear Cover	12	CR151B25AF	\$16.20
Screw With Wire Clamp Both Sides	None	4	CR151B46	\$7.20
Screw With Wire Clamp Both Sides	None	6	CR151B66	\$9.00
Screw With Wire Clamp Both Sides	None	12	CR151B26	\$16.80
Screw With Wire Clamp Both Sides	None	13	CR151B213B	\$19.00
Screw With Wire Clamp Both Sides	Clear Cover	4	CR151B46AF	\$8.00
Screw With Wire Clamp Both Sides	Clear Cover	6	CR151B66AF	\$10.00
Screw With Wire Clamp Both Sides	Clear Cover	12	CR151B26AF	\$18.00
Washer Head Screw Both Sides	None	4	CR151B40	\$5.40
Washer Head Screw Both Sides	None	6	CR151B60	\$7.80
Washer Head Screw Both Sides	None	12	CR151B20	\$14.10
Washer Head Screw Both Sides	Clear Cover	4	CR151B40AF	\$6.20
Washer Head Screw Both Sides	Clear Cover	6	CR151B60AF	\$8.80
Washer Head Screw Both Sides	Clear Cover	12	CR151B20AF	\$15.30

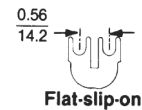
¹Where number of points desired is not listed use combination of boards.

²Product Number and price represent one piece. Sold only in packages of 10. Order in multiples of 10 pieces. Minimum order quantity is 10.

Accessories

Accessory Type	Description	Product Number	List Price GO-10G5
Jumper	For customer connection of adjacent screw-type terminal board	CR151X301 ³	\$0.55

³Product Number and price represent one piece. Sold only in packages of 100. Order in multiples of 100 pieces. Minimum order quantity is 100.

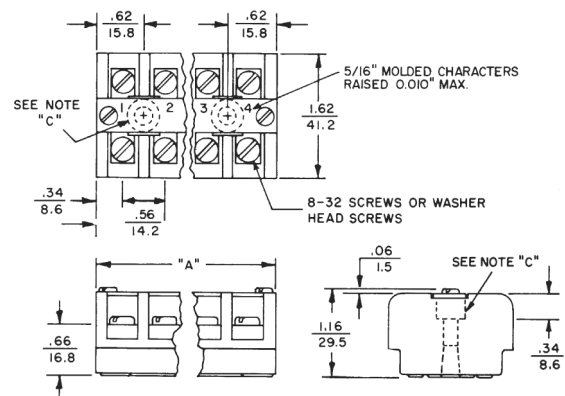


CR151X301 Diagram

Outlines and Dimensions in. (mm) For Estimating Only

Panel or Mounting Track Terminal Boards

Points Per Board	Dimension A	Distance Between Mounting Hole Centers in (mm)	Package (10 units) Shipping Weight, Pounds
4	2.38 (60.4)	1.12 (28.5)	2
6	3.50 (88.9)	2.25 (57.2)	3
12	6.88 (174.8)	5.62 (142.8)	6
13	7.50 (190.5)	6.19 (157.2)	7



Note C: Terminal boards mount with two #8 screws. Mounting holes are located under Marking Strip.

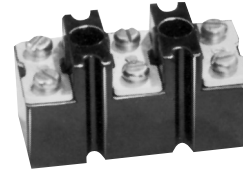


Terminal Blocks Panel or Mounting Track Terminal Boards

Section 11

CR2960

One Piece Terminal Board for Power Circuits
600 Volts
300 Amps Maximum
Heavy-Duty Use



Application

These heavy-duty terminal boards are for use in primary or power circuits up to the ampere rating listed. Blocks have binding screws for both incoming and outgoing lines.

Features

- Where to use—power circuits.
- Ratings—50-, 100-, 150-, 300-amperes; 600 volts.
- Type of construction and material—one-piece, phenolic.
- Terminal configurations—binding screw terminals (stud terminals) on 300-ampere forms.
- Type of mounting—panel.

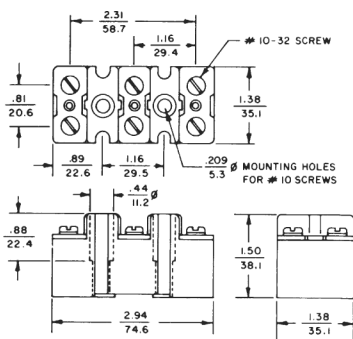
CR2960 Terminal Board (50-Amperes)

Panel or Mounting Track Terminal Boards—Screw

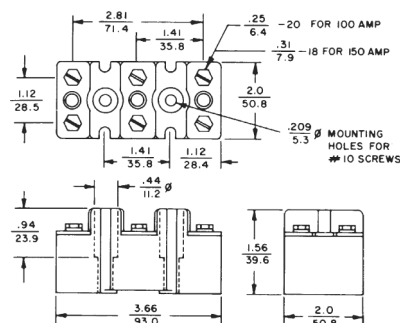
Points per Board ¹	Current (A)	Wire Size (AWG)	Screw/Stud Size	Distance Between Barriers (inches)	Product Number	List Price GO-10G3
2	300	through AWG kcmil 350	1/2"-13	1.31	CR2960SY139D2A	\$40.80
3	50	through AWG # 6	# 10-32	0.625	CR2960SY139C3B	\$20.10
3	100	through AWG # 1	1/4"-20	0.850	CR2960SY139C3C	\$25.50
3	150	through AWG # 3/0	5/16"-18	0.850	CR2960SY139C3D	\$31.50
3	300	through AWG kcmil 350	1/2"-13	1.31	CR2960SY139D3A	\$58.20

¹Where number of circuits desired is not listed, use combination of boards.

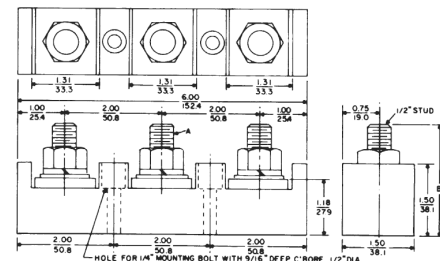
Outlines and Dimensions in. (mm) For Estimating Only



CR2960 50-Ampere Power Circuit
Terminal Boards



CR2960 100-, 150-Ampere Power Circuit
Terminal Boards



CR2960 300-Ampere Power Circuit
Terminal Boards.

