

Hear to Stay

“I just read somewhere that Edwards was the first company to introduce an electric door bell in 1896. And they also patented the first electric bell in 1904.

It’s no surprise that Edwards has been in business for 140 years. They make superior quality products that people really trust to do the job.

Reliable, dependable people and products that I trust . . . for me, that’s Edwards.”



Product Index

Edwards offers door chimes, chime kits and push buttons that offer simplicity, affordability, and functionality. Edwards' line of low voltage and heavy duty transformers complete the package.

Chimes, Push Buttons and Transformers



Chimes

7-4



Door Bells

7-7



Push Buttons

7-11



Transformers

7-25

Chimes, Push Buttons and Transformers

Table of Contents

Description	Page
Chimes	
Two Entrance Chime Kit . . . C200 Series	7-4
Two Entrance Chime C200 Series	7-5
Single Stroke 338 and 339 Series	7-6
Door Bells	
Low Voltage 600 Series	7-7
Push Buttons	
Low Voltage 59 Series	7-11
Low Voltage 250 Series	7-12
Low Voltage 600 Series	7-13
Push Button Plates 147 and 149 Series	7-16
High Voltage 800 Series	7-17
High Voltage 1780 Series	7-20
Low Voltage 1780 Series	7-21
Low Voltage 71 Series	7-22
High Voltage 800 Series	7-23
Low Voltage 7620 Series	7-24
Transformers	
AC - Class 2 590 Series	7-25
Mounting Plate 590 Series	7-27
AC - Power 88 Series	7-28

Chimes

Two Entrance Chime Kit

C200 Series

Edwards Chime Kits consist of an Edwards two entrance chime, a 16V transformer, and two push buttons (option of either illuminated or non-illuminated).

Features and Specifications

- Complete installation kit
- Two entrance models
- Illuminated push buttons available
- Available in white or beige
- 75dB at 1m / 65dB at 10 ft.

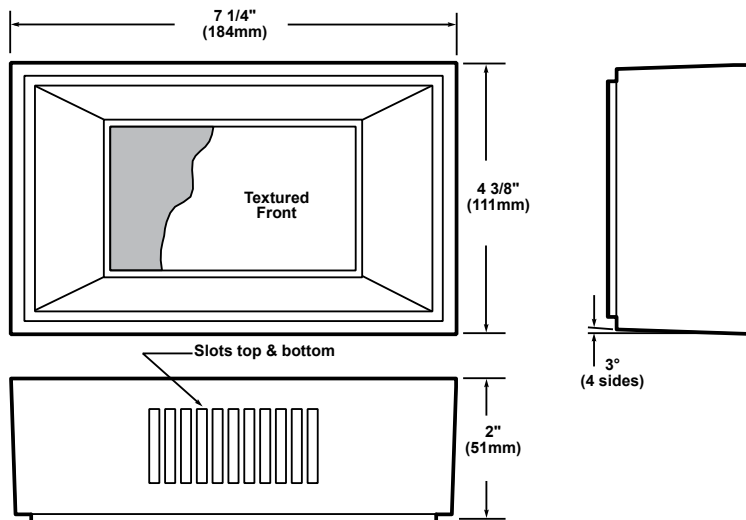


Ordering Information

Description	Cat. No.	Operating Voltage	Current	VA	Color	Transformer	Push Buttons
Chime Kit	C212	16V AC	0.625 A	10	Beige	16V	2 - non-illuminated
	C212-W	16V AC	0.625 A	10	White	16V	2 - non-illuminated
	C212-2L	16V AC	0.625 A	10	Beige	16V	2 - illuminated
	C212W-2L	16V AC	0.625 A	10	White	16V	2 - illuminated

Weights and Dimensions

Cat. No.	Approx. Net Weight (lb.)	Approx. Shipping Weight (lb.)
C212	1.76	1.86
C212-W	1.76	1.86
C212-2L	1.76	1.86
C212W-2L	1.76	1.86



Chimes

Two Entrance Chime

C200 Series

The Edwards C200 Series surface mount chimes are specifically designed for low cost installation. They operate from a 16V transformer (purchased separately).

Features and Specifications

- Two entrance models
- Free suspension aluminum tone bars
- Requires no lubrication
- Easy to install
- Available in white or beige

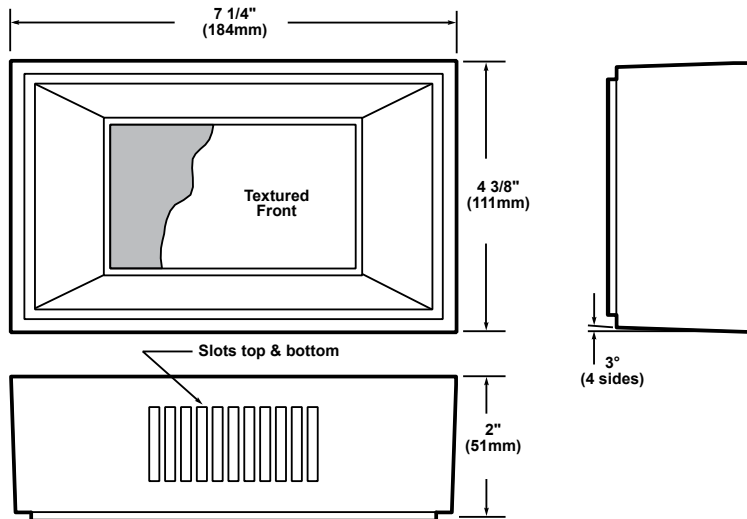


Ordering Information

Description	Cat. No.	Operating Voltage	Current	VA	Color	Recommended Transformer
Two Entrance Chime	C210	16V AC	0.625 A	10	Beige	591
	C210-W	16V AC	0.625 A	10	White	591

Weights and Dimensions

Cat. No.	Approx. Net Weight (lb.)	Approx. Shipping Weight (lb.)
C210	0.94	1.02
C210-W	0.94	1.02



Chimes

Single Stroke

338 and 339 Series

The Edwards 338 and 339 are surface mount AC or DC single stroke chimes which can be pulsed up to 10 pulses/second. The chimes are high quality units with underdome construction intended for heavy-duty commercial and industrial use. The chimes require no lubrication, and come complete with an Adataplate® mounting plate.

Features and Specifications

- No exposed terminals
- Tamper-proof cover screw
- Plastic tipped stainless steel striker
- Satin aluminum finish
- 91dB at 1m / 81dB at 10 ft.



Ordering Information

Description	Cat. No.	Operating Voltage ¹	Current	VA
Single Stroke Chime	338-G5	24V AC	0.5 A	12
	338-N5	120V AC	0.1 A	12
	339-E1	12V DC	0.6 A	7.2
	339-G1	24V DC	0.3 A	7.2

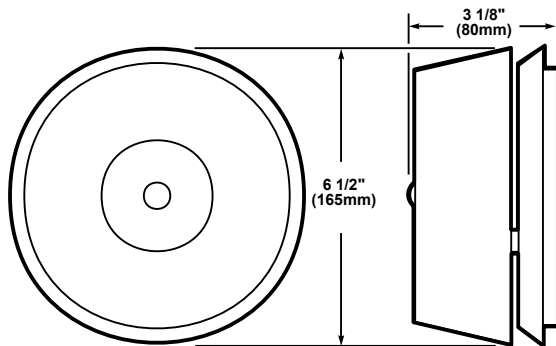
¹AC voltage frequency is 50/60 Hz.

Accessories

Description	Cat. No.
Flush Mount Grill	512-A
Wall Box	512-1

Weights and Dimensions

Cat. No.	Approx. Net Weight (lb.)	Approx. Shipping Weight (lb.)
338-G5	2.32	2.68
338-N5	2.32	2.68
339-E1	2.32	2.68
339-G1	2.32	2.68
512-A	2.00	2.50
512-1	5.00	6.00



Mounts on any plaster cover with mounting holes on 2 3/4" (70mm) centers, on any single gang opening, on any 3 1/4" (83mm), 3 1/2" (89mm), or 4" (102mm) octagonal box or 4" square box. Also mounts directly on any wall surface.

For flush mounting use Cat. No. 512-A grille and 512-1 back box.



Door Bells

Low Voltage

600 Series

Edwards 600 Series patented piano-action design requires only the slightest touch. This slim design can be easily installed in minutes. They feature plastic, rust-proof cases and are available in illuminated and non-illuminated models.

Features and Specifications

- Surface mounted
- Piano type action
- Plastic case - rust proof
- Normally open momentary contacts



Ordering Information		Color		
Description	Cat. No.	Maximum Switching Voltage	Housing	Center
Illuminated	630L	16V AC	Brown	White
	630	48V AC	Brown	White
Non-illuminated	631	48V AC	Ivory	White
	634	48V AC	Brown	White
	635	48V AC	Ivory	Black
	636	48V AC	Ivory	White

Weights and Dimensions		Dimensions			
Cat. No.	Approx. Net Weight (lb.)	Approx. Shipping Weight (lb.)	Width (in.)	Height (in.)	Depth (in.)
630L	0.04	0.06	7/8	2 7/8	2 5/8
630	0.04	0.06	7/8	2 7/8	2 5/8
631	0.04	0.06	7/8	2 7/8	2 5/8
634	0.05	0.08	3/4	2 5/8	3/4
635	0.05	0.08	3/4	2 5/8	3/4
636	0.05	0.08	3/4	2 5/8	3/4



Door Bells

Low Voltage

600 Series

Edwards 600 Series buttons have polished housings with exclusive, patented piano-action design that requires only the slightest touch. This slim design can be easily installed in minutes.

Features and Specifications

- Surface mounted
- Continuously illuminated
- Piano type action
- Normally open momentary contacts



Ordering Information

Description	Cat. No.	Maximum Switching Voltage	Finish	
			Housing	Center
Illuminated, Rectangular Button	656-B	6-16V AC	Anodized Brass	White
	656-C	6-16V AC	Anodized Aluminum	White

Weights and Dimensions

Cat. No.	Approx. Net Weight (lb.)	Approx. Shipping Weight (lb.)	Dimensions		
			Width (in.)	Height (in.)	Depth (in.)
656-B	0.05	0.06	15/16	2 11/16	9/16
656-C	0.05	0.06	15/16	2 11/16	9/16



Door Bells

Low Voltage

600 Series

Edwards 600 Series are traditional push buttons in a single stamped plate, designed for long service. They feature solid brass construction.

Features and Specifications

- Surface mounted
- Solid brass construction
- Large accessible terminals
- 2 or 3 button models
- 2 or 3 name card holder models



Ordering Information

Description	Cat. No.	Maximum Switching Voltage	Finish		No. of Buttons	No. of Name Card Holders
			Housing	Center		
Non-Illuminated, Rectangular	602	48V AC	Satin Brass	Black	2	2
	605	48V AC	Satin Brass	Black	3	3

Weights and Dimensions

Cat. No.	Approx. Net Weight (lb.)	Approx. Shipping Weight (lb.)	Dimensions		
			Width (in.)	Height (in.)	Depth (in.)
602	0.11	0.12	2	4 9/16	3/4
605	0.14	0.20	1 5/8	7	7/8



Door Bells

Low Voltage

600 Series

Edwards 600 Series are traditional push buttons designed for long service. They feature solid brass housing and black button.

Features and Specifications

- Surface mount
- Solid brass construction
- Large accessible terminals
- Normally open momentary contacts



Ordering Information

Description	Cat. No.	Maximum Switching Voltage	Finish	
			Housing	Center
Door Bells	600	48V AC	Brass	Black
	603	48V AC	Brass	Black

Weights and Dimensions

Cat. No.	Approx. Net Weight (lb.)	Approx. Shipping Weight (lb.)	Dimensions	
			Diameter (in.)	Depth (in.)
600	0.08	0.10	2 5/16	7/8
603	0.03	0.06	1 3/4	11/16



Push Buttons

Low Voltage

59 Series



Edwards 59 Series is a low voltage, high amperage push button designed for 3/4" (19mm) hole force fit. Flat white button center prevents accidental operation.

Features and Specifications

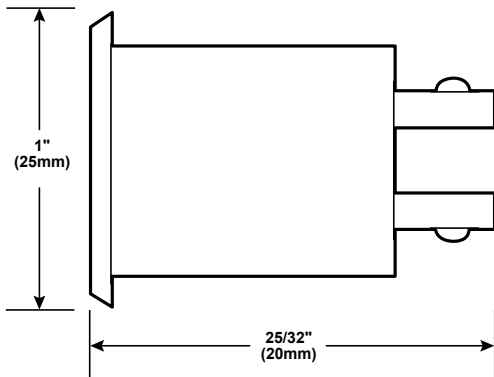
- Snap fit for 3/4" (19mm) hole
- Normally open momentary contacts

Ordering Information

Description	Cat. No.	Switching Voltage	Current		Finish		Hole Size	Hole Depth
			DC	AC	Rim	Center		
Push Button	59	12V	8 A	8 A	Polished Nickel	White	3/4" (19mm)	11/16" (17mm)
		24V	6 A	4 A				
		48V	3 A	2 A				

Weights and Dimensions

Cat. No.	Approx. Net Weight (lb.)	Approx. Shipping Weight (lb.)
59	0.02	0.04



Push Buttons

Low Voltage

250 Series



The 250 is a low voltage, high amperage push button designed for simultaneous operation of two or three devices from one central point.

The 255 is a low voltage, high amperage push button designed for use where the simultaneous breaking of one circuit and the making of another is required.

Features and Specifications

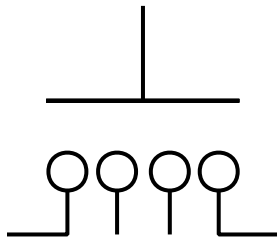
- Fully insulated
- Multiple contacts
- Momentary contacts
- 250 has 3 normally open contacts
- 255 has 1 normally open, 1 normally closed contact

Ordering Information

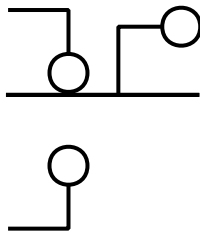
Description	Cat. No.	Switching Voltage	Current		Finish		Hole Size	Hole Depth
			DC	AC	Rim	Center		
Multiple Contact Push Buttons	250	12V	6.0 A	2.0 A	Polished Nickel	Black	3/4" (19mm)	1 1/16" (27mm)
		24V	4.0 A	1.0 A				
		48V	2.0 A	0.5 A				
	255	12V	6.0 A	2.0 A	Polished Nickel	Black	3/4" (19mm)	1 1/16" (27mm)
		24V	4.0 A	1.0 A				
		48V	2.0 A	0.5 A				

Weights and Dimensions

Cat. No.	Approx. Net Weight (lb.)	Approx. Shipping Weight (lb.)
250	0.04	0.08
255	0.04	0.08



250 Contact Arrangement



255 Contact Arrangement



Push Buttons

Low Voltage

600 Series



These low voltage, panel mount push buttons feature large terminals and normally open momentary contacts. Models with an illuminated center for use in unlighted areas are available. They may be used with the 147-1 mounting plate or 147-10 room annunciator mounting plate.

Features and Specifications

- Polished chrome or brass
- Insulated for mounting on metal cabinets
- Snap fit
- Normally open momentary contacts
- Illuminated and non-illuminated models

Ordering Information								
Description	Cat. No.	Switching Voltage	Current		Finish		Hole Size	Hole Depth
			DC	AC	Rim	Center		
Non-Illuminated Push Buttons	620	8V	2.0 A	2.0 A	Chrome	White	5/8" (16mm)	3/4" (19mm)
		24V	0.5 A	0.67 A				
		48V	0.3 A	0.3 A				
	621 ¹	8V	2.0 A	2.0 A	Chrome	White	5/8" (16mm)	3/4" (19mm)
		24V	0.5 A	0.67 A				
		48V	0.3 A	0.3 A				
	620-B	8V	2.0 A	2.0 A	Brass	White	5/8" (16mm)	3/4" (19mm)
		24V	0.5 A	0.67 A				
		48V	0.3 A	0.3 A				
	621-B ¹	8V	2.0 A	2.0 A	Brass	White	5/8" (16mm)	3/4" (19mm)
		24V	0.5 A	0.67 A				
		48V	0.3 A	0.3 A				
Illuminated Push Buttons	620-L	6 -16V AC	-	-	Chrome	White	5/8" (16mm)	3/4" (19mm)
	620-LB	6 -16V AC	-	-	Brass	White	5/8" (16mm)	3/4" (19mm)

¹500 Unit Bulk Pack

Accessories	
Description	Cat. No.
Mounting Plate	147-1
Room Annunciator Mounting Plate	147-10

Weights and Dimensions		
Cat. No.	Approx. Net Weight (lb.)	Approx. Shipping Weight (lb.)
620	0.01	0.03
621	8.00	9.50
620-B	0.02	0.05
621-B	7.80	9.26
620-L	0.02	0.05
620-LB	0.02	0.05
147-1	0.12	0.15
147-10	0.12	0.15



Push Buttons

Low Voltage

600 Series



Low voltage, panel mount push buttons with three types of centers: recessed, flush, or protruding. Each button has a phosphor bronze contact spring with a long duration wiping action. The button back is constructed of Zytel 101 nylon. May be used with 147-1 mounting plate.

Features and Specifications

- AC or DC up to 48 volts
- Recessed, flush or protruding button models
- Polished, anodized aluminum shell
- Snap fit or locknut type mounting
- Normally open momentary contacts

Ordering Information

Description	Cat. No.	Switching Voltage	Current		Center Type	Center Mounting	Color	Mounting Hole Diameter
			AC	DC				
Flush Center Push Button	690-W	12V	10.0 A	4.0 A	Flush	Snap fit	White	5/8" (16mm)
		24V	10.0 A	2.0 A				
		48V	5.0 A	1.0 A				
	691-W	12V	10.0 A	4.0 A	Flush	Locknut	White	5/8" (16mm)
		24V	10.0 A	2.0 A				
		48V	5.0 A	1.0 A				
Recessed Center Push Button	692-W	12V	10.0 A	4.0 A	Recessed	Snap fit	White	5/8" (16mm)
		24V	10.0 A	2.0 A				
		48V	5.0 A	1.0 A				
Protruding Center Push Button	694-B	12V	10.0 A	4.0 A	Protruding	Snap fit	Black	5/8" (16mm)
		24V	10.0 A	2.0 A				
		48V	5.0 A	1.0 A				
	694-W	12V	10.0 A	4.0 A	Protruding	Snap fit	White	5/8" (16mm)
		24V	10.0 A	2.0 A				
		48V	5.0 A	1.0 A				
	695-B	12V	10.0 A	4.0 A	Protruding	Locknut	Black	5/8" (16mm)
		24V	10.0 A	2.0 A				
		48V	5.0 A	1.0 A				
	695-W	12V	10.0 A	4.0 A	Protruding	Locknut	White	5/8" (16mm)
		24V	10.0 A	2.0 A				
		48V	5.0 A	1.0 A				

Accessories

Description	Cat. No.
Mounting Plate	147-1



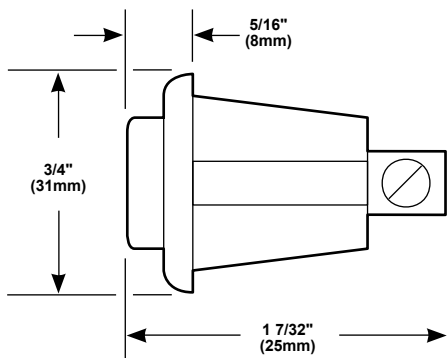
Push Buttons

Low Voltage

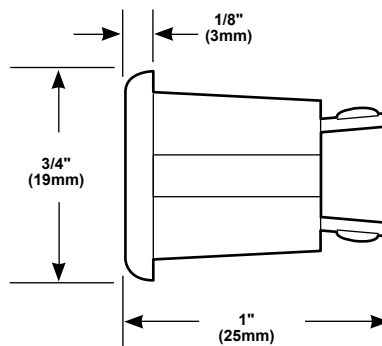
600 Series

Weights and Dimensions

Cat. No.	Approx. Net Weight (lb.)	Approx. Shipping Weight (lb.)
690-W	0.01	0.02
691-W	0.03	0.04
692-W	0.01	0.02
694-B	0.02	0.04
694-W	0.02	0.04
695-B	0.01	0.02
695-W	0.01	0.02
147-1	0.12	0.15



694-B, 694-W



690-W, 692-W

Push Buttons

Push Button Plates

147 and 149 Series

The Edwards 147-1 Push Button Plate is used for mounting 620 and 690 series 5/8" (16mm) buttons on a standard single gang box.

The Edwards 149-1 Push Button Plate is used for mounting 821, 850, and 854 series 7/8" (22mm) buttons on a standard single gang box.

Features and Specifications

- Standard switch box mounting
- Stainless steel faceplate
- Single gang

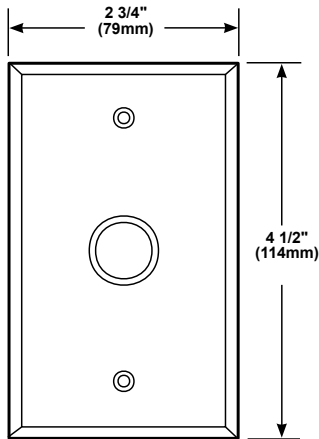


Ordering Information

Description	Cat. No.	For Use With
Mounting Plate for 5/8" Push Buttons	147-1	620 and 690 Series
Mounting Plate for 7/8" Push Buttons	149-1	821, 850 and 854 Series

Weights and Dimensions

Cat. No.	Approx. Net Weight (lb.)	Approx. Shipping Weight (lb.)
147-1	0.12	0.15
149-1	0.12	0.15



Push Buttons

High Voltage

800 Series

The 820 and 821 are rugged, fast break contact Push Buttons that operate regardless of how pressure is released. The 821 is ideal for mounting on thin metal panels. The 821 may be used with 149-1 mounting plate.

Features and Specifications

- Force fit (820)
- Locknut mounting (821)
- Convenient screw terminals
- Momentary contact
- Normally open contacts
- Rated at 250,000 operations at 1 amp, 125V

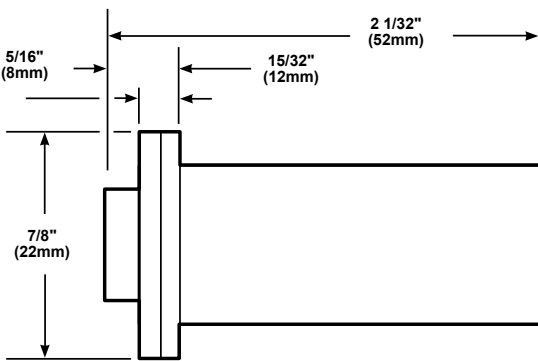


Ordering Information

Description	Cat. No.	Operating Voltage	Current	Finish			Hole Depth
				Housing	Center	Hole Size	
Push Buttons	820	12V AC	15 A	Heavy Duty-Chrome Plated	Black	3/4" (19mm)	1 3/4" (44mm)
		24V AC	15 A				
		48V AC	10 A				
		125V AC	5 A				
		250V AC	5 A				
	821	12V AC	15 A	Heavy Duty-Chrome Plated	Black	7/8" (22mm)	1 3/4" (44mm)
		24V AC	15 A				
		48V AC	10 A				
		125V AC	5 A				
		250V AC	5 A				

Weights and Dimensions

Cat. No.	Approx. Net Weight (lb.)	Approx. Shipping Weight (lb.)
820	0.06	0.10
821	0.06	0.10



Push Buttons

High Voltage

800 Series



The 850 and 854 Push Buttons are rugged, fast make and break contact push buttons that operate regardless of how pressure is applied or released. The buttons have insulated, protective sleeves and phosphor bronze, self cleaning contacts that withstand shock and vibration.

Both push buttons panel mount in a 7/8" (22mm) hole using the supplied locknut. Also mounts in a 7/8" (20mm) hole that has been tapped with straight pipe threads.

May be used with 149-1 mounting plate.

Features and Specifications

- Locknut mounting
- Convenient screw terminals
- Normally open contacts (**850**)
- Normally closed contacts (**854**)
- Momentary contacts
- 3" wire leads (**850**)
- UL registered (**850**)

Ordering Information

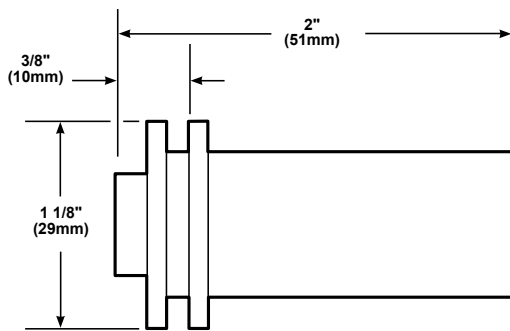
Description	Cat. No.	Operating Voltage	Current		Finish		Hole	
			DC	AC	Housing	Center	Size	Depth
Push Button Normally Open Contacts	850	12V AC	-	15 A	Heavy Duty- Chrome Plated	Black	7/8" (22mm)	1 3/4" (44mm)
		24V AC	-	15 A		Black	7/8" (22mm)	1 3/4" (44mm)
		48V AC	-	10 A		Black	7/8" (22mm)	1 3/4" (44mm)
		125V AC	-	5 A		Black	7/8" (22mm)	1 3/4" (44mm)
		250V AC	-	5 A		Black	7/8" (22mm)	1 3/4" (44mm)
Push Button Normally Closed Contacts	854	12V AC	4 A	4 A	Heavy Duty- Chrome Plated	Black	7/8" (22mm)	1 3/4" (44mm)
		24V AC	4 A	4 A		Black	7/8" (22mm)	1 3/4" (44mm)
		48V AC	2 A	4 A		Black	7/8" (22mm)	1 3/4" (44mm)
		125V AC	1 A	2 A		Black	7/8" (22mm)	1 3/4" (44mm)
		250V AC	0.5 A	1 A		Black	7/8" (22mm)	1 3/4" (44mm)

Accessories

Description	Cat. No.
Mounting Plate	149-1

Weights and Dimensions

Cat. No.	Approx. Net Weight (lb.)	Approx. Shipping Weight (lb.)
850	0.14	0.21
854	0.14	0.21
149-1	0.12	0.15



Push Buttons

High Voltage

800 Series

The 852 flush push button features an 850 push button with a diaphragm enclosing the mechanism. It is suitable for use in indoor and outdoor applications. The 4 11/16" (119mm) x 2 7/8" (73mm) wall plate has a rubber gasket for weather tight integrity.

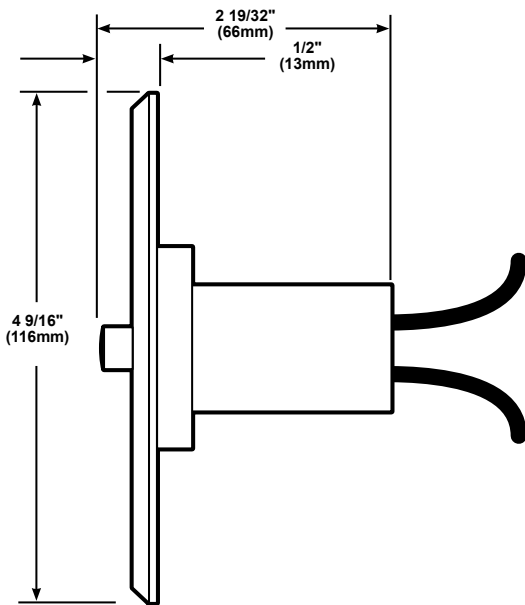
Features and Specifications

- Flush mount
- Satin chrome finish
- High voltage
- Normally open momentary contacts
- Suitable for use in indoor and outdoor applications



Ordering Information		Operating Voltage	Current		Hole Depth
Description	Cat. No.		DC	AC	
Push Button	852	12V	10 A	10 A	2 1/16" (52mm)
		24V	10 A	10 A	
		32V	8 A	10 A	
		48V	7 A	10 A	
		125V	3 A	6 A	
		250V	1 A	3 A	

Weights and Dimensions		
Cat. No.	Approx. Net Weight (lb.)	Approx. Shipping Weight (lb.)
852	0.39	0.49



Push Buttons

High Voltage

1780 Series



The 1785 push button is constructed of a cast aluminum rim with a composition diaphragm center, and is suitable for use in indoor and outdoor applications. The unit is drilled and tapped for 1/2" (13mm) conduit and has a gray aluminum finish. The push button is fitted with two side mounting lugs.

Features and Specifications

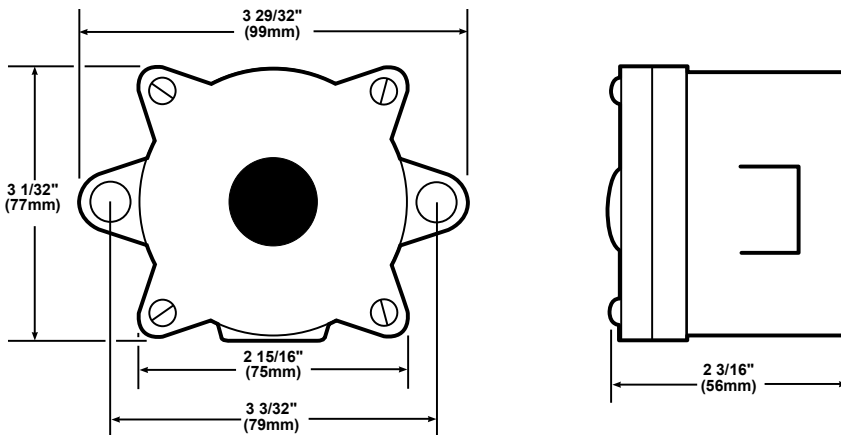
- Surface mount
- Heavy die-cast construction
- Normally open momentary contacts
- Suitable for use in indoor and outdoor applications

Ordering Information

Description	Cat. No.	Switching Voltage	Current	
			DC	AC
Push Button	1785	12V	20 A	20 A
		24V	10 A	20 A
		125V	1 A	4 A

Weights and Dimensions

Cat. No.	Approx. Net Weight (lb.)	Approx. Shipping Weight (lb.)
1785	0.75	0.84



Push Buttons

Low Voltage

1780 Series



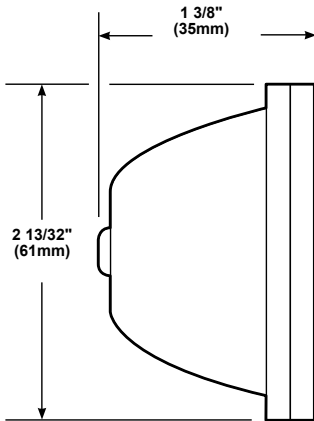
Edwards 1780 Series Push Buttons are suitable for use in indoor and outdoor applications. They have a neoprene diaphragm to protect the integral, long-life, phosphor bronze contact springs, and an additional bakelite back plate threaded for 1/2" (13mm) conduit.

Features and Specifications

- Surface mount
- Solid brass construction
- Normally open momentary contacts
- Conduit back plate
- Suitable for use in indoor and outdoor applications

Ordering Information		Switching Voltage	Current		Finish	
Description	Cat. No.		DC	AC	Housing	Center
Push Button	1786C-B	12V	4 A	4 A	Solid Brass	Solid Brass
		24V	2 A	4 A		
		48V	1 A	2 A		

Weights and Dimensions		
Cat. No.	Approx. Net Weight (lb.)	Approx. Shipping Weight (lb.)
1786C-B	0.43	0.49



Push Buttons

Low Voltage

71 Series



Edwards 71 Series Push Button is a pendant type button. It is small, yet easy to grasp, and is contained within a durable plastic case.

Features and Specifications

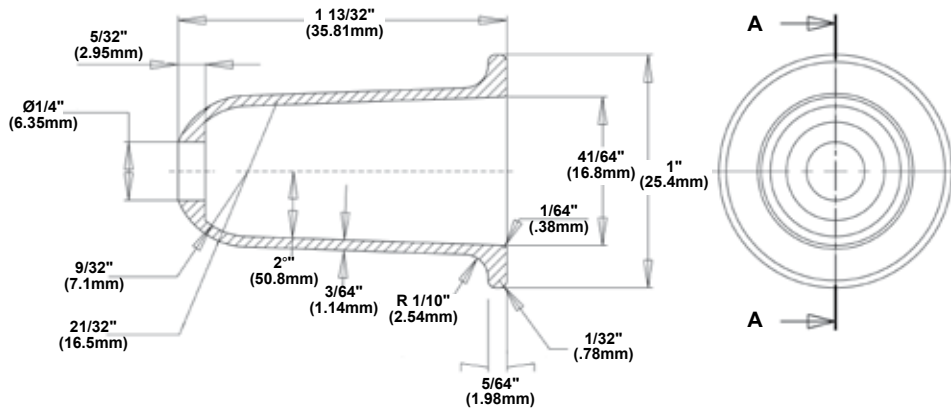
- Low voltage - up to 50 volts
- Normally open momentary contacts

Ordering Information

Description	Cat. No.	Switching Voltage	Current	Finish	
				Rim	Center
Pendant	71	8V AC	2.0 A	Gray	Ivory
		24V AC	0.67 A		

Weights and Dimensions

Cat. No.	Approx. Net Weight (lb.)	Approx. Shipping Weight (lb.)
71	0.02	0.04



Push Buttons

High Voltage

800 Series



The Edwards 851 Push Button is a high voltage pendant type button. Its shell is constructed out of shock resistant polypropylene. The pendant will fast make and break regardless of how pressure is applied.

Features and Specifications

- Quick make and break
- Shock resistant polypropylene construction
- High voltage - up to 250 volts
- Vibration resistant phosphor bronze, self cleaning contacts
- 6" (152mm) No.16 pigtail leads

Ordering Information						
Description	Cat. No.	Switching Voltage	Current		Finish	
			AC	DC	Rim	Center
Push Button - Pendant Type	851	12V	10.0 A	10.0 A	Gray	Black
		24V	10.0 A	10.0 A		
		32V	10.0 A	8.0 A		
		48V	10.0 A	7.0 A		
		125V	6.0 A	3.0 A		
		250V	3.0 A	1.0 A		

Weights and Dimensions					
Cat. No.	Approx. Net Weight (lb.)	Approx. Shipping Weight (lb.)	Dimensions		
			Length (in.)	Width (in.)	Wire Entrance Diameter (in.)
851	0.14	0.21	3 3/8	1 9/16	11/32



Push Buttons

Low Voltage

7620



The Edwards 7620 Pendant is a low voltage pendant type button. Its shell is constructed out of shock resistant polypropylene. The pendant has a locking push feature combined with a momentary contact.

The button has no exposed screws or parts and the shell revolves 360° without damage to the wiring. The button is easily reset by pressing the collar at any point.

Features and Specifications

- Locking push mechanism
- One momentary contact, three maintained contacts
- Tamper resistant

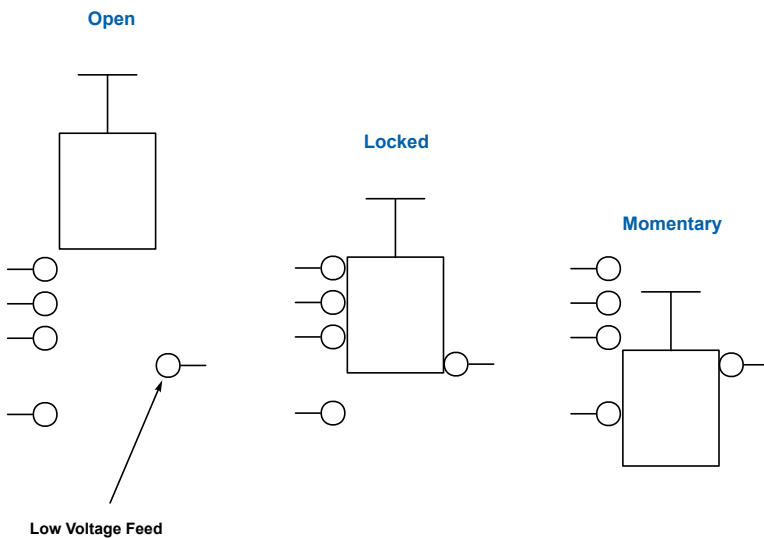
Ordering Information

Description	Cat. No.	Switching Voltage	Current		Finish		Wire Entrance Diameter
			AC	DC	Rim	Center	
Locking Momentary, Pendant	7620	12V	4.0 A	2.0 A	Gray	Gray	11/32" (9mm)
		24V	2.0 A	1.0 A	Gray	Gray	11/32" (9mm)
		48V	1.0 A	0.5 A	Gray	Gray	11/32" (9mm)

Weights and Dimensions

Cat. No.	Approx. Net Weight (lb.)	Approx. Shipping Weight (lb.)	Dimensions	
			Length (in.)	Width (in.)
7620	0.10	0.20	3 3/8	1 9/16

Contact Arrangements



Transformers

AC - Class 2

590 Series

Edwards 590 Series Class 2 Signaling Transformers are easy to install, low voltage power sources for residential, commercial, and industrial uses.

Mounts in a standard 1/2" (13mm) knockout or surface mounts using the provided foot mounts. These transformers are suitable for mounting in both plastic and metal back boxes. May also be used with the 593 transformer plate for enclosed mounting in a standard two gang outlet box.

The 591 transformer is suitable for standard doorbells and chimes in residential and commercial applications requiring 16 volts AC.

The Edwards 598, 598Y, 599 and 599Y transformers offer high power for long wire runs or for applications requiring greater power such as door openers.

Features and Specifications

- Non-regenerative thermal overload protection
- Grounding wire
- Pre-stripped primary side pigtails
- Screw terminal connections on secondary



Ordering Information		Secondary		
Description	Cat. No.	Primary Voltage ¹	Volts	VA
Class 2 Transformers	590	120V AC	10V AC	5
	590Y	240V AC	10V AC	5
	591	120V AC	16V AC	10
			8V AC	10
	592	120V AC	16V AC	10
			24V AC	20
			8V AC	10
	592Y	240V AC	16V AC	10
			24V AC	20
			6V AC	10
	596	120V AC	12V AC	15
			18V AC	15
			8V AC	20
	598	120V AC	16V AC	30
			24V AC	30
			8V AC	20
598Y	240V AC	16V AC	30	
		24V AC	30	
		24V AC	40	
599	120V AC	24V AC	40	
599Y	240V AC	24V AC	40	

¹AC voltage frequency is 50/60 Hz



Transformers

AC - Class 2

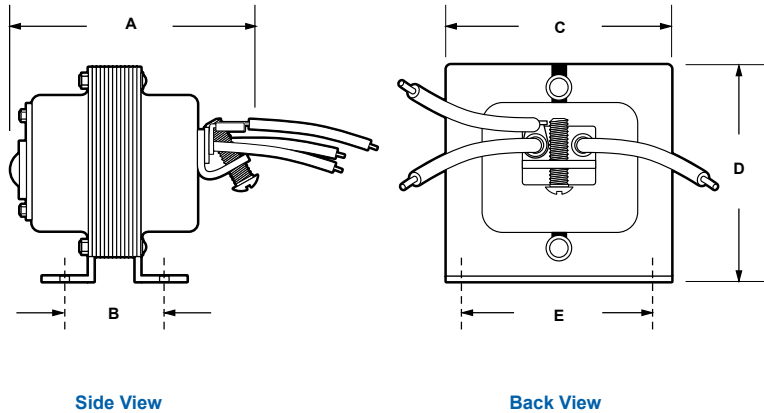
590 Series

Accessories

Description	Cat. No.
Transformer Mounting Plate	593

Weights and Dimensions

Cat. No.	Approx. Net Weight (lb.)	Approx. Shipping Weight (lb.)	Dimensions				
			A (in.)	B (in.)	C (in.)	D (in.)	E (in.)
590	0.32	0.70	2 5/16	3 1/32	2 1/4	2 1/8	2
590Y	0.32	0.70	2 5/16	3 1/32	2 1/4	2 1/8	2
591	0.44	0.80	2 5/16	3 1/32	2 1/4	2 1/8	2
592	0.44	1.00	2 1/2	1 1/8	2 1/4	2 1/8	2
592Y	0.44	0.90	2 1/2	1 1/8	2 1/4	2 1/8	2
596	0.44	1.00	2 1/2	1 1/8	2 1/4	2 1/8	2
598	0.66	1.50	2 15/16	1 5/8	2 1/4	2 1/8	2
598Y	1.00	1.40	2 15/16	1 5/8	2 1/4	2 1/8	2
599	0.95	1.60	2 15/16	1 5/8	2 1/4	2 1/8	2
599Y	0.95	1.65	2 15/16	1 5/8	2 1/4	2 1/8	2



Transformers Mounting Plate 590 Series

The Edwards 593 Transformer Mounting Plate allows any 590 Series Transformer to be mounted, completely enclosed, in a two gang electrical box, minimum 2 1/4" (57mm) deep.

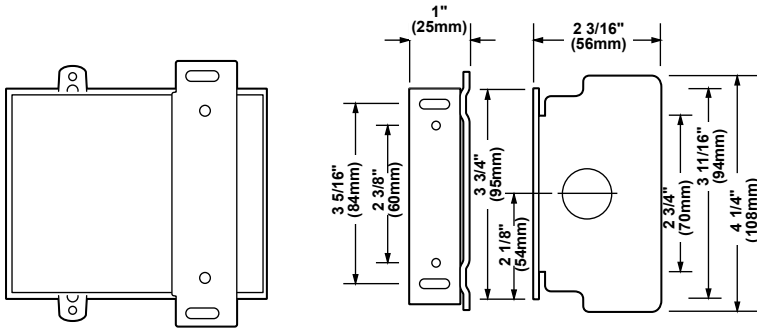


Ordering Information

Description	Cat. No.
Mounting Plate	593

Weights and Dimensions

Cat. No.	Approx. Net Weight (lb.)	Approx. Shipping Weight (lb.)
593	0.20	0.40



Transformers

AC - Power

88 Series

Edwards 88 Series Power Transformers provide low voltage source from 50 to 250 volt amps for all large signaling installations.

Holes are provided in transformer housing for surface mounting.

Features and Specifications

- Enclosed connections
- Primary Pigtails
- Screw terminal connections on secondary



Ordering Information

Description	Cat. No.	Primary Voltage ¹	Secondary	
			Volts	VA
Power Transformers	88-50	120V AC	24V	50
			12V	25
	88-Y50	240V AC	24V	50
			12V	25
	88-100	120V AC	24V	100
			12V	50
	88-Y100	240V AC	24V	100
			12V	50
			24V	250
			20V	200
	88-250	120V AC	16V	160
			12V	125
8V			80	
4V			40	

¹AC voltage frequency is 50/60 Hz



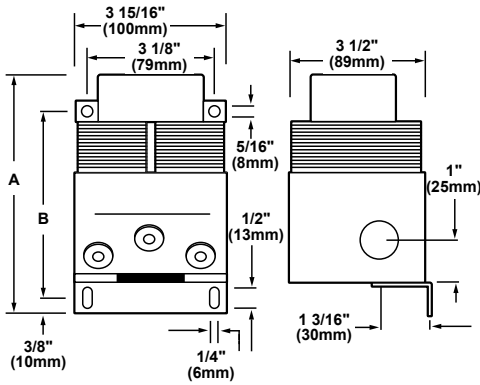
Transformers

AC - Power

88 Series

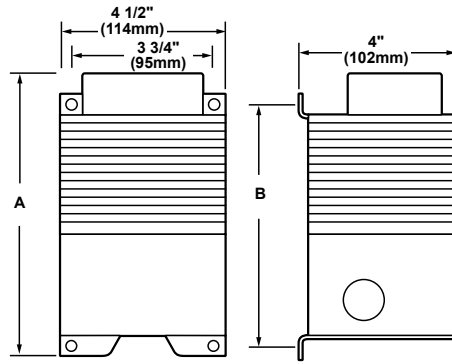
Weights and Dimensions

Cat. No.	Approx. Net Weight (lb.)	Approx. Shipping Weight (lb.)	Dimensions	
			A (in.)	B (in.)
88-50	1.94	4.30	5 1/2	4 3/8
88-Y50	2.05	4.40	5 1/2	4 3/8
88-100	2.60	5.70	5 15/16	4 11/16
88-Y100	2.30	5.40	5 15/16	4 11/16
88-250	5.00	15.00	7 3/4	6 5/8



88-50, 88-Y50

88-100, 88-Y100



88-250



EDWARDS