

# CHRISTY<sup>®</sup>

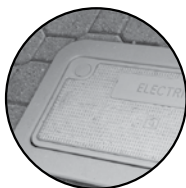
## CONCRETE PRODUCTS CATALOG



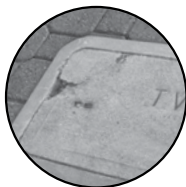
## CHRISTY® R-Series Lids

---

*The Christy brand R-Series lid is the perfect solution for parkway, sidewalk and greenbelt enclosure applications. This reinforced lid and ring are available with bolt down and AMR capabilities.*



**PATENTED PROTECTION**



**CONVENTIONAL CONCRETE**



- Substantial increase in strength and durability
- Protects against chipping and cracking
- Ensures consistent dimensions
- UV Inhibitor ensures long life
- New marking plate provides **FAST** turnaround for custom markings

# TABLE OF CONTENTS

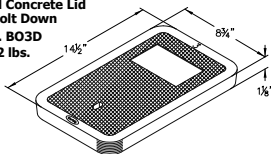
Utility and Valve Boxes . . . . .	3
Electrical and Telephone Boxes . . . . .	21
Traffic Utility Boxes & Traffic Valve Boxes . . . . .	33
Drainage Boxes . . . . .	43
Maricopa Association of Governments (MAG) . . . . .	49
Pits, Vaults, & Catch Basins . . . . .	53
Fibrelyte Boxes . . . . .	63
Miscellaneous . . . . .	69
Cross Reference Guide . . . . .	73
Installation Procedures . . . . .	Inside Back Cover



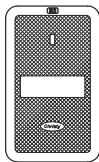
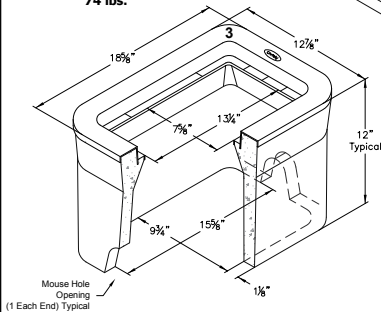
# UTILITY & VALVE BOXES

- Etched polypropylene face
- Face anchored in concrete
- Ultra-violet inhibitor
- Exceeds ASTM-D1693 Standards for Environmental Stress Cracking Resistance

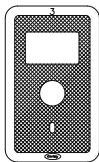
**Reinforced Concrete Lid  
Non Bolt Down  
No. B03D  
12 lbs.**



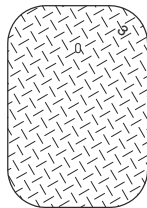
**Utility Box  
No. B03 BOX  
74 lbs.**



**B03C**



**B03P**



**B03-61D**

A high density reinforced concrete box with non-setting shoulders positioned to maintain grade and facilitate back filling. Approximate dimensions and weight shown.

Oldcastle Ordering Code	Item	Approx. Shipping Weight	Description
B03BOX	BOX	74 lbs.	B03 Utility Box (9-3/4" x 15-5/8") - 28 per pallet
B03C	LID	13 lbs.	Cast Iron Lid
B03D	LID	12 lbs.	Reinforced Concrete Lid - <b>Non Bolt Down</b>
B03P	LID	11 lbs.	Reinforced concrete lid with 2" probe hole center
N03 51 TL	LID	15 lbs.	Cast Iron Lid with Lock
OES REX KEY	KEY	1 lbs.	Tamper resistant key for cast iron and concrete covers
B03-61D	COVER	14 lbs.	Steel Checker Plate Cover
B03SL	SLAB	22 lbs.	Reinforced Concrete Slab (12-1/8" x 18-5/8")

Galvanizing available on all steel covers. Probe holes : badger, flexnet, orion, neptune

 **Oldcastle** Enclosure Solutions

Phone: (800) 735-5566 Fax: (800) 486 6806  
Copyright© 2017 Oldcastle, Inc.

## B03 BOX

FILE NAME: B03\_ISO

ISSUE DATE: January, 2011

[OldcastleEnclosures.com](http://OldcastleEnclosures.com)

## B03 UTILITY BOX 9-3/4" x 15-5/8"

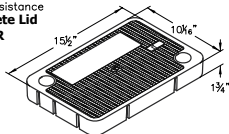
**CHRISTY**

# UTILITY & VALVE BOXES

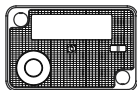
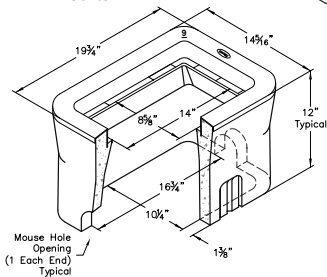
- Etched polypropylene face
- Face anchored in concrete
- Ultra-violet inhibitor
- Exceeds ASTM-D1693 Standards for Environmental Stress Cracking Resistance

## R-Series Concrete Lid

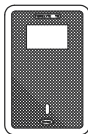
No. N09R  
20 lbs.



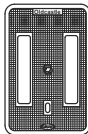
Utility Box  
No. B09 BOX  
90 lbs.



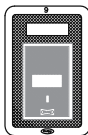
N09RP



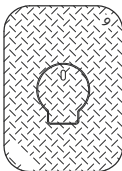
FL09D



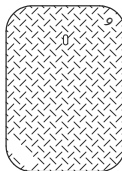
B09C



B09G



B09-61G



B09-61D

A high density reinforced concrete box with non-settling shoulders positioned to maintain grade and facilitate back filling. Approximate dimensions and weight shown.

Oldcastle Ordering Code	Item	Approx. Shipping Weight	Description
B09BOX	BOX	90 lbs.	B09 Utility Box (10-1/4" x 16-3/4") interchangeable with Brooks #36 Box - 28 per pallet
B09C	LID	22 lbs.	Cast Iron Lid
N09R	LID	20 lbs.	Concrete Lid with Plastic Ring - (Order N90 Bolt Down Kit Separately)
FL09D	LID	5 lbs.	Fibrelyte Lid, Non-Concrete
N09RP	LID	20 lbs.	Concrete Lid with Plastic Ring w/ 2" probe hole (Order N90 Bolt Down Kit Separately)
B09G	LID	18 lbs.	Reinforced Concrete Lid with 5" x 8" Cast Iron, Self-Closing, Reading Lid with Frame
B09GP	LID	19 lbs.	Concrete lid with cast iron reader and probe hole
FL09P	LID	8 lbs.	Fibrelyte Lid, Non Concrete with probe hole
N09-51TL	LID	21 lbs.	Steel lid with Lock
OES REX KEY	KEY	1 lbs.	Tamper resistant key for cast iron and concrete covers
B09-61D	COVER	22 lbs.	Steel Checker Plate Cover
B09-61G	COVER	22 lbs.	Steel Checker Plate Cover with 6" Round, Self-Closing Reading Lid
B09X12	EXTENSION	87 lbs.	12" Reinforced Concrete Box Extension - 28 per pallet
B09SL	SLAB	32 lbs.	Reinforced Concrete Slab (13-1/4" x 19-3/4")

Galvanizing available on all steel covers. Probe holes : badger, flexnet, orion, neptune



Oldcastle® Enclosure Solutions

Phone: (800) 735-5566 Fax: (800) 486 6806

Copyright© 2017 Oldcastle, Inc.

## B09 BOX

FILE NAME: B09\_JS0

ISSUE DATE: January, 2011

OldcastleEnclosures.com

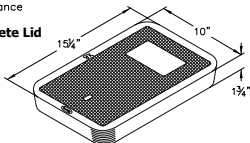
## B09 UTILITY BOX 10-1/4" X 16-3/4"

CHRISTY®

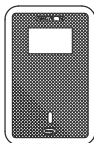
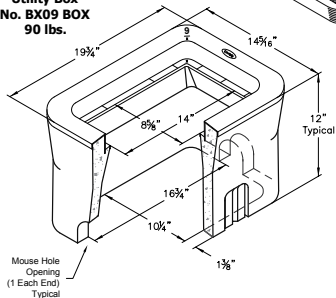
# UTILITY & VALVE BOXES

- Etched polypropylene face
- Face anchored in concrete
- Ultra-violet inhibitor
- Exceeds ASTM-D1693 Standards for Environmental Stress Cracking Resistance

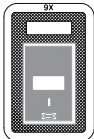
**Reinforced Concrete Lid  
No. BX09D  
20 lbs.**



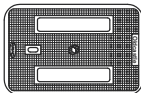
**Utility Box  
No. BX09 BOX  
90 lbs.**



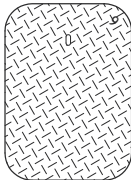
**FLX09D**



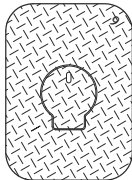
**BX09G**



**BX09C**



**B09-61D**



**B09-61G**

A high density reinforced concrete box with non-settling shoulders positioned to maintain grade and facilitate back filling. Approximate dimensions and weight shown.

Oldcastle Ordering Code	Item	Approx. Shipping Weight	Description
BX09BOX	BOX	90 lbs.	B09 Utility Box (10-1/4" x 16-3/4") Box - 28 per pallet
BX09C	LID	22 lbs.	Cast Iron Lid
BX09D	LID	20 lbs.	Reinforced Concrete Lid
FLX09D	LID	5 lbs.	Fibrelite Lid, Non-Concrete
BX09P	LID	20 lbs.	Reinforced Concrete Lid w/ 2" probe hole
BX09G	LID	18 lbs.	Reinforced Concrete Lid with 5" x 8" Cast Iron, Self-Closing, Reading Lid with Frame
BX09GP	LID	19 lbs.	Reinforced concrete lid with 5" x 8" cast iron reader lid, and probe hole option
B09-61D	COVER	19 lbs.	Steel Checker Plate Cover
B09-61G	COVER	8 lbs.	Steel Checker Plate Cover with 6" Round, Self-Closing Reading Lid
B09X12	EXTENSION	21 lbs.	12" Reinforced Concrete Box Extension - 28 per pallet
B09SL	SLAB	1 lbs.	Reinforced Concrete Slab (13-1/4" x 19-3/4")

Galvanizing available on all steel covers. Probe holes: badger, flexnet, orion, neptune



Phone: (800) 735-5566 Fax: (800) 486 6806  
Copyright© 2017 Oldcastle, Inc.

**BX09 BOX**

FILE NAME: B09X\_ISO  
ISSUE DATE: January, 2011  
**OldcastleEnclosures.com**

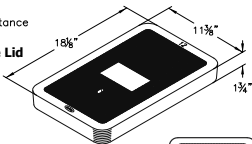
**BX09 UTILITY BOX  
10-1/4" x 16-3/4"**

**CHRISTY**

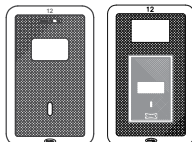
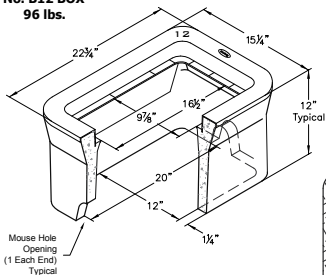
## UTILITY & VALVE BOXES

- Etched polypropylene face
- Face anchored in concrete
- Ultra-violet inhibitor
- Exceeds ASTM-D1693 Standards for Environmental Stress Cracking Resistance

**Reinforced Concrete Lid  
No. B12D  
26 lbs.**

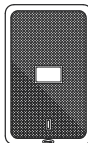


**Utility Box  
No. B12 BOX  
96 lbs.**

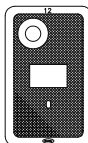


**FL12D**

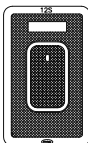
**B12G**



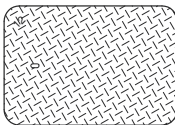
**B12C**



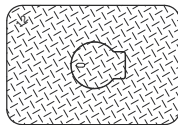
**B12P**



**B12S**



**B12-61D**



**B12-61G**

A high density reinforced concrete box with non-settling shoulders positioned to maintain grade and facilitate back filling. Approximate dimensions and weight shown.

Oldcastle Ordering Code	Item	Approx. Shipping Weight	Description
B12BOX	BOX	96 lbs.	B12 Utility Box (12" X 20") - 20 per pallet
B12C	LID	26 lbs.	Cast Iron Lid
B12D	LID	26 lbs.	Reinforced Concrete Lid
B12G	LID	26 lbs.	Reinforced Concrete Lid with 5" x 8" Cast Iron, Self-Closing, Reading Lid with Frame
B12GP	LID	26 lbs.	Reinforced Concrete Lid with 5" x 8" self closing reader door and probe hole option
B12P	LID	26 lbs.	Reinforced Concrete Lid with 2" hole for Reading Probe
B12S	LID	36 lbs.	Reinforced concrete with 5-1/2" x 9-1/8" concrete reading lid - 2 component lid. Concrete reader sold separately.
FL12D	LID	11 lbs.	Fibrelyte Lid, Non-Concrete
B12-61D	COVER	26 lbs.	Steel Checker Plate Cover
B12-61G	COVER	30 lbs.	Steel Checker Plate Cover with 6" Round, Self-Closing Reading Lid
B12X12	EXTENSION	103 lbs.	12" Reinforced Concrete Box Extension - 20 per pallet
B12SL	SLAB	36 lbs.	Reinforced Concrete Slab

Galvanizing available on all steel covers. Probe holes : badger, flexnet, orion, neptune



**Oldcastle**® Enclosure Solutions

Phone: (800) 735-5566 Fax: (800) 486 6806

Copyright© 2017 Oldcastle, Inc.

### B12 BOX

FILE NAME: B12\_ISO

ISSUE DATE: January, 2011

[OldcastleEnclosures.com](http://OldcastleEnclosures.com)

### B12 UTILITY BOX

12" x 20"

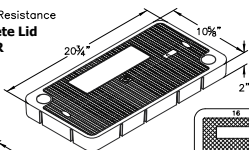
CHRISTY®



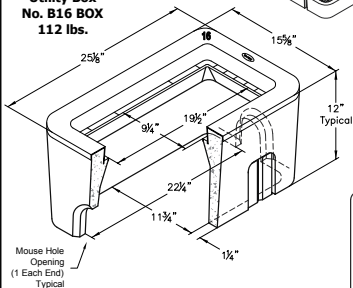
# UTILITY & VALVE BOXES

- Etched polypropylene face
- Face anchored in concrete
- Ultra-violet inhibitor
- Exceeds ASTM-D1693 Standards for Environmental Stress Cracking Resistance

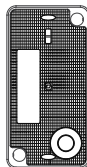
**R-Series Concrete Lid  
No. N16R  
32 lbs.**



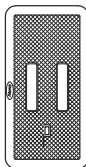
**Utility Box  
No. B16 BOX  
112 lbs.**



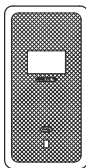
**B16G**



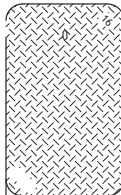
**N16RP**



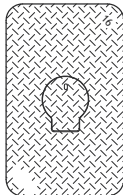
**B16C**



**FL16D**



**B16-61D**



**B16-61G**

A high density reinforced concrete box with non-settling shoulders positioned to maintain grade and facilitate back filling. Approximate dimensions and weight shown.

Oldcastle Ordering Code	Item	Approx. Shipping Weight	Description
B16BOX	BOX	112 lbs.	B16 Utility Box (11-3/4" X 22-1/4") - 20 per pallet
B16C	LID	36 lbs.	Cast Iron Lid
N16R	LID	32 lbs.	Reinforced Concrete Lid with Plastic Ring - (Order N90 Bolt Down Kit Separately)
FL16D	LID	13 lbs.	Fibrelyte Lid, Non-Concrete
N16RP	LID	32 lbs.	R-Series Composite Lid with Polypropylene Ring w/ 2" Probe Hole - (Order N90 Bolt Down Kit Separately)
B16G	LID	30 lbs.	Reinforced Concrete Lid with 5" x 8" Cast Iron, Self-Closing, Reading Lid with Frame
B16GP	LID	30 lbs.	Concrete lid with 5"x 8" reader door with probe hole option
B16-61D	COVER	28 lbs.	Steel Checker Plate Cover
B16-61G	COVER	30 lbs.	Steel Checker Plate Cover with 6" Round, Self-Closing Reading Lid
B16X12	EXTENSION	113 lbs.	Steel Checker Plate Cover
B30SL	SLAB	52 lbs.	Steel Checker Plate Cover with 6" Round, Self-Closing Reading Lid
			12" Reinforced Concrete Box Extension - 20 per pallet
			Reinforced Concrete Slab

Galvanizing available on all steel covers. Probe holes : badger, flexnet, orion, neptune

**Oldcastle** Enclosure Solutions

Phone: (800) 735-5566 Fax: (800) 486 6806

Copyright© 2017 Oldcastle, Inc.

## B16 BOX

FILE NAME: B16\_ISO

ISSUE DATE: January, 2011

**OldcastleEnclosures.com**

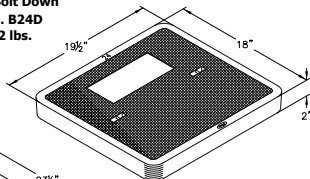
## B16 UTILITY BOX 11-3/4" x 22-1/4"

**CHRISTY**

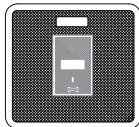
## UTILITY & VALVE BOXES

- Etched polypropylene face
- Face anchored in concrete
- Ultra-violet inhibitor
- Exceeds ASTM-D1693 Standards for Environmental Stress Cracking Resistance

**Reinforced Concrete Lid  
Non Bolt Down  
No. B24D  
52 lbs.**

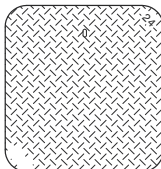
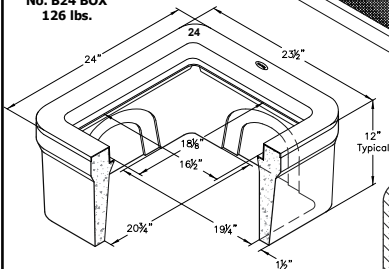


**B24E**

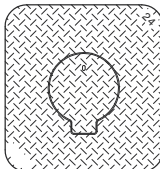


**B24G**

**Dual Meter Box  
No. B24 BOX  
126 lbs.**



**B24-61D**



**B24-61G**

A high density reinforced designed to permit installation of 2 meters in the same box. One reading lid enables both meters to be read. Non-settling shoulders positioned to maintain grade and facilitate back filling. Approximate dimensions and weight shown.

Oldcastle Ordering Code	Item	Approx. Shipping Weight	Description
B24BOX	BOX	126 lbs.	B24 Utility Box (20 3/4" x 19 1/4") - 12 per pallet
B24D	LID	52 lbs.	Reinforced Concrete Lid non bolt down
B24E	LID	52 lbs.	Reinforced Concrete Lid with 7" x 13 3/8" Concrete Reading Lid
B24G	LID	20 lbs.	Reinforced Concrete Lid with 5" x 8" Cast Iron, Self-Closing, Reading Lid with Frame
B24-61D	COVER	48 lbs.	Steel Checker Plate Cover
B24-61G	COVER	42 lbs.	Steel Checker Plate Cover with 10" Round, Self-Closing Reading Lid
B24X12	EXTENSION	164 lbs.	12" Reinforced Concrete Box Extension - 12 per pallet
B24SL	SLAB	87 lbs.	Reinforced Concrete Slab

Galvanizing available on all steel covers.



Oldcastle® Enclosure Solutions

Phone: (800) 735-5566 Fax: (800) 486 6806

Copyright© 2017 Oldcastle, Inc.

### B24 BOX

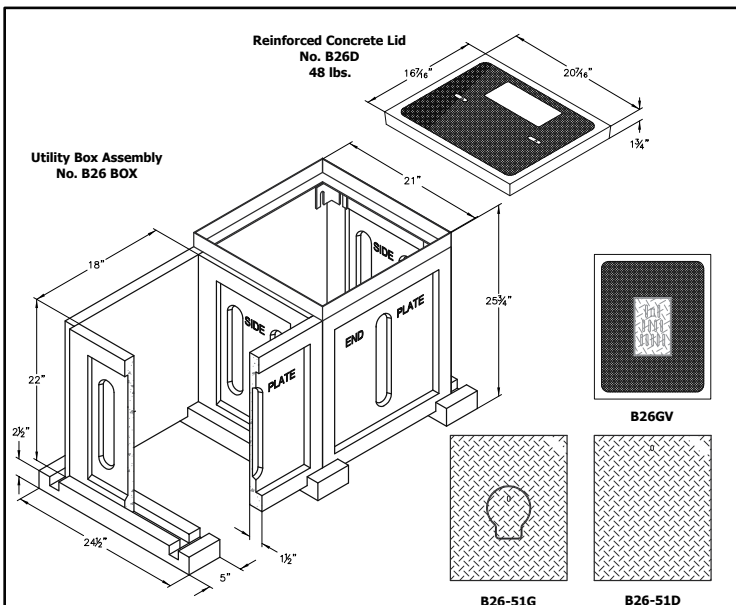
FILE NAME: B24\_ISO

ISSUE DATE: January, 2011

OldcastleEnclosures.com

### B24 DUAL METER BOX 20-3/4" x 19-1/4"

CHRISTY



A high density reinforced concrete meter box engineered for simplicity of assembly and ease of adding on additional meter boxes whenever needed. Knockouts designed for flexibility in aligning meters with rigid connections. Approximate dimensions and weight shown.

Oldcastle Ordering Code	Item	Approx. Shipping Weight	Description
B26BOX	BOX		B26 Sectional Utility Box (Meets PG&E Gas Dept. Specs.)
B26SP	SIDE PLATE	34 lbs.	Reinforced Concrete, PG&E Code 04-3211
B26EP	END PLATE	40 lbs.	Reinforced Concrete, PG&E Code 04-3212
B26SIL	SILL	18 lbs.	Reinforced Concrete, PG&E Code 04-3215
B26FR	FRAME	16 lbs.	Steel Fabricated, Galvanized, PG&E Code 04-3216
B26D	LID	48 lbs.	Reinforced Concrete Lid, PG&E Code 04-3213
B26GV	LID	48 lbs.	Reinforced Concrete Lid with 5" x 8" Cast Iron, Self-Closing, Reading Lid with Frame, PG&E Code 04-2328
B26-51D	COVER	33 lbs.	Steel Checker Plate Cover, Galvanized, PG&E Code 04-3266
B26-51G	COVER	28 lbs.	Steel Checker Plate Cover with 6" Round, Self-Closing Reading Lid, Galvanized, PG&E Code 04-3267



Phone: (800) 735-5566 Fax: (800) 486 6806  
 Copyright© 2017 Oldcastle, Inc.

**B26 BOX**

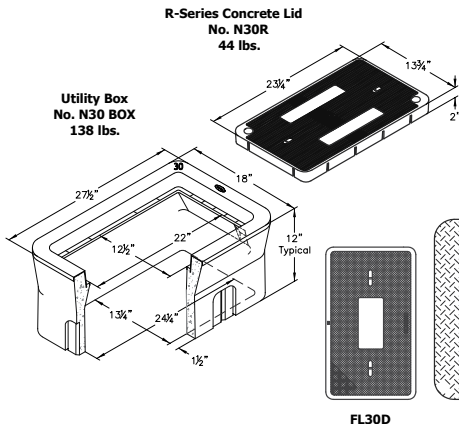
FILE NAME: B26\_ISO  
 ISSUE DATE: January, 2011  
 OldcastleEnclosures.com

**B26 SECTIONAL  
 UTILITY BOX**

**CHRISTY®**

## UTILITY & VALVE BOXES

- Etched polypropylene face
- Face anchored in concrete
- Ultra-violet inhibitor
- Exceeds ASTM-D1693 Standards for Environmental Stress Cracking Resistance



A high density reinforced concrete box with non-setting shoulders positioned to maintain grade and facilitate back filling. Approximate dimensions and weight shown.

Oldcastle Ordering Code	Item	Approx. Shipping Weight	Description
N30BOX	BOX	138 lbs.	N30 Utility Box (13-3/4" X 24 1/4") - 16 per pallet
N30R	LID	44 lbs.	Reinforced Concrete Lid with Plastic Ring - ( Order N90 Bolt Down Kit Separately)
FL30D	LID	20 lbs.	Fibrelyte Lid, Non-Concrete
B30E	LID	56 lbs.	Reinforced Concrete with 7" x 13-1/2" Concrete Reading Lid
B30G	LID	44 lbs.	Reinforced concrete with 5" x 8" cast iron, self-closing, reading lid with frame
B30GP	LID	48 lbs.	Concrete lid with 5" x 8" reader door with probe hole option
N30RP	LID	45 lbs.	R-Series Composite Lid with Polypropylene Ring w/ 2" Probe Hole - (Order N90 Bolt Down Kit Separately)
B30-61D	COVER	38 lbs.	Steel Checker Plate Cover
B30-61G	COVER	38 lbs.	Steel Checker Plate Cover with 8" Round, Self-Closing Reading Lid
N30X12	EXTENSION	116 lbs.	12" Reinforced Concrete Box Extension - 16 per pallet
B30SL	SLAB	52 lbs.	Reinforced Concrete Slab (16" x 28")

Galvanizing available on all steel covers. Probe holes : badger, flexnet, orion, neptune

 Oldcastle® Enclosure Solutions

Phone: (800) 735-5566 Fax: (800) 486 6806

Copyright© 2017 Oldcastle, Inc.

### N30 BOX

FILE NAME: B30\_ISO

ISSUE DATE: January, 2011

[OldcastleEnclosures.com](http://OldcastleEnclosures.com)

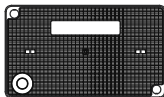
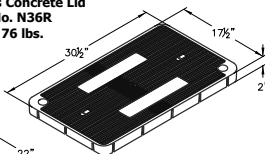
### N30 UTILITY BOX 13-1/4" x 24-1/4"

CHRISTY®

# UTILITY & VALVE BOXES

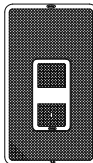
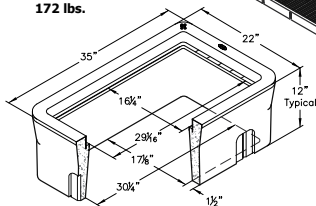
- Etched polypropylene face
- Face anchored in concrete
- Ultra-violet inhibitor
- Exceeds ASTM-D1693 Standards for Environmental Stress Cracking Resistance

**R-Series Concrete Lid  
No. N36R  
76 lbs.**

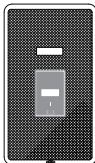


**N36RP**

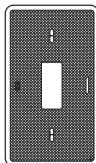
**Utility Box  
No. N36 BOX  
172 lbs.**



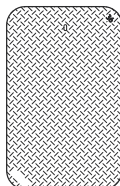
**B36E**



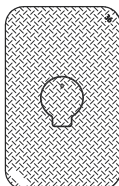
**B36G**



**FL36D**



**B36-61D**



**B36-61G**

A high density reinforced concrete box with non-setting shoulders positioned to maintain grade and facilitate back filling. Approximate dimensions and weight shown.

Oldcastle Ordering Code	Item	Approx. Shipping Weight	Description
N36BOX	BOX	172 lbs.	N30 Utility Box (17-1/8" X 30-1/4") - 8 per pallet
N36R	LID	76 lbs.	Reinforced Concrete Lid with Plastic Ring - (Order N90 Bolt Down Kit Separately)
FL36D	LID	35 lbs.	Fibrelyte Lid, Non-Concrete
FL36P	LID	38 lbs.	Fibrelyte lid non concrete with probe hole option
B36E	LID	96 lbs.	Reinforced concrete with 7" x 13-1/2" Concrete Reading Lid
B36G	LID	78 lbs.	Reinforced concrete with 5" x 8" cost iron, self-closing, reading lid with frame
B36GP	LID	79 lbs.	Concrete lid with 5" x 8" reader door with probe hole option
N36RP	LID	76 lbs.	R-Series Composite Lid with Polypropylene Ring w/ 2" Probe Hole - (Order N90 Bolt Down Kit Separately)
B36-61D	COVER	56 lbs.	Steel Checker Plate Cover with 8" Round, Self-Closing Reading Lid
B36-61G	COVER	60 lbs.	Steel Checker Plate Cover with 8" Round, Self-Closing Reading Lid
N36X12	EXTENSION	189 lbs.	12" Reinforced Concrete Box Extension - 8 per pallet
B36SL	SLAB	104 lbs.	Reinforced Concrete Slab (20" x 34")

Galvanizing available on all steel covers. Probe holes : badger, flexnet, orion, neptune



**Oldcastle** Enclosure Solutions

Phone: (800) 735-5566 Fax: (800) 486 6806

Copyright© 2017 Oldcastle, Inc.

## N36 BOX

FILE NAME: B36\_ISO

ISSUE DATE: January, 2011

**OldcastleEnclosures.com**

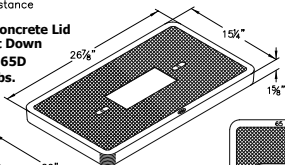
## N36 UTILITY BOX 17-1/8" x 30-1/4"

**CHRISTY**

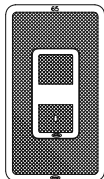
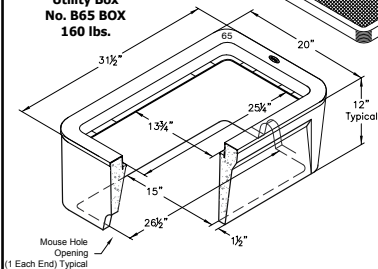
## UTILITY & VALVE BOXES

- Etched polypropylene face
- Face anchored in concrete
- Ultra-violet inhibitor
- Exceeds ASTM-D1693 Standards for Environmental Stress Cracking Resistance

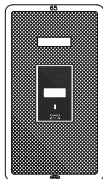
**Reinforced Concrete Lid  
Non Bolt Down  
No. B65D  
56 lbs.**



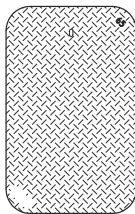
**Utility Box  
No. B65 BOX  
160 lbs.**



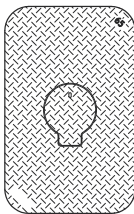
**B65E**



**B65G**



**B65-61D**



**B65-61G**

A high density reinforced concrete box with non-settling shoulders positioned to maintain grade and facilitate back filling. Approximate dimensions and weight shown.

Oldcastle Ordering Code	Item	Approx. Shipping Weight	Description
B65BOX	BOX	160 lbs.	N65 Utility Box (15" X 26-1/2") - 8 per pallet
B65D	LID	56 lbs.	Reinforced Concrete Lid - Non Bolt Down
B65E	LID	64 lbs.	Reinforced Concrete with 7" x 13-1/2" Concrete Reading Lid
B65G	LID	54 lbs.	Reinforced concrete with 5" x 8" cast iron, self-closing, reading lid with frame
B65GP	LID	57 lbs.	Concrete lid with 5" x 8" reader door with probe hole option
B65-61D	COVER	48 lbs.	Steel Checker Plate Cover
B65-61G	COVER	49 lbs.	Steel Checker Plate Cover with 8" Round, Self-Closing Reading Lid
B65X12	EXTENSION	141 lbs.	12" Reinforced Concrete Box Extension - 8 per pallet
B36SL	SLAB	104 lbs.	Reinforced Concrete Slab (20" x 34")

Galvanizing available on all steel covers. Probe holes : badger, flexnet, orion, neptune



**Oldcastle** Enclosure Solutions

Phone: (800) 735-5566 Fax: (800) 486 6806

Copyright© 2017 Oldcastle, Inc.

### B65 BOX

FILE NAME: B65\_ISO

ISSUE DATE: January, 2011

[OldcastleEnclosures.com](http://OldcastleEnclosures.com)

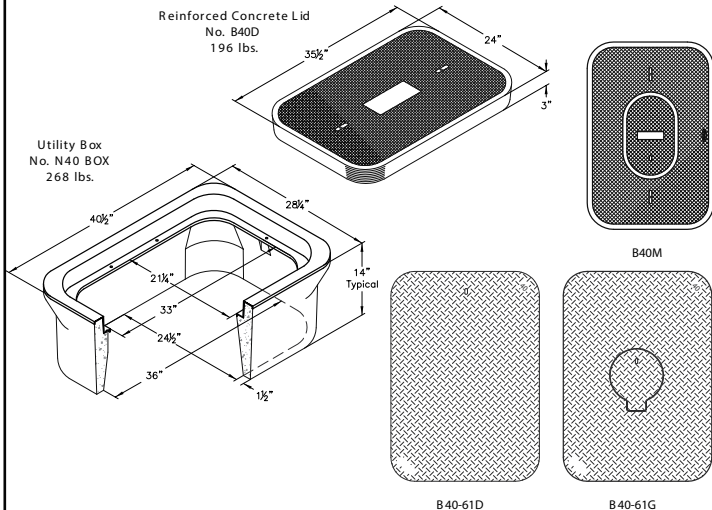
### B65 UTILITY BOX

15" x 26-1/2"

CHRISTY

## UTILITY & VALVE BOXES

- Etched polypropylene face
- Face anchored in concrete
- Ultra-violet inhibitor
- Exceeds ASTM-D1693 Standards for Environmental Stress Cracking Resistance



A high density reinforced concrete box with non-setting shoulders positioned to maintain grade and facilitate back filling. Approximate dimensions and weight shown.

Oldcastle Ordering Code	Item	Approx. Shipping Weight	Description
N40BOX	BOX	268 lbs.	N65 Utility Box (15" X 26-1/2") - 8 per pallet
B40D	LID	196 lbs.	Reinforced Concrete Lid - Non Bolt Down
B40M	LID	168 lbs.	Reinforced Concrete with 7" x 13-1/2" Concrete Reading Lid
B40-61D	COVER	82 lbs.	Steel Checker Plate Cover
B40-61G	COVER	84 lbs.	Steel Checker Plate Cover with 8" Round, Self-Closing Reading Lid
B40-61P	COVER	88 lbs.	Steel checker plate cover with probe hole option
B40X10	EXTENSION	215 lbs.	12" Reinforced Concrete Box Extension - 8 per pallet
B40SL	SLAB	201 lbs.	Reinforced Concrete Slab (20" x 34")

Galvanizing available on all steel covers. Probe holes : badger, flexnet, orion, neptune



Phone: (800) 735-5566 Fax: (800) 486 6806

Copyright© 2017 Oldcastle, Inc.

### N40 BOX

FILE NAME: B40\_ISO

ISSUE DATE: January, 2011

[OldcastleEnclosures.com](http://OldcastleEnclosures.com)

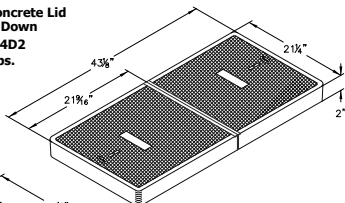
### N40 UTILITY BOX

24-1/2" x 36"

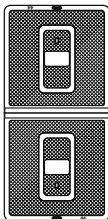
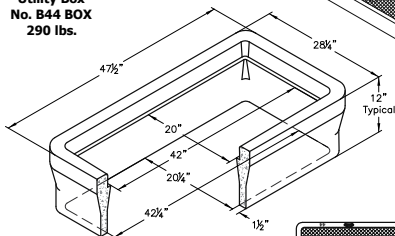
**CHRISTY**

## UTILITY & VALVE BOXES

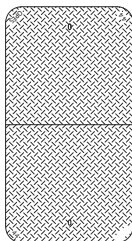
**Reinforced Concrete Lid  
Non Bolt Down  
No. B44D2  
188 lbs.**



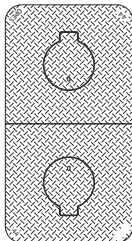
**Utility Box  
No. B44 BOX  
290 lbs.**



**B44E2**



**B44-62D**



**B44-62G**

A high density reinforced concrete box with non-settling shoulders positioned to maintain grade and facilitate back filling. Approximate dimensions and weight shown.

Oldcastle Ordering Code	Item	Approx. Shipping Weight	Description
B44BOX	BOX	290 lbs.	B44 Utility Box (20 1/4" x 42 1/2") - 6 per pallet
B44D2	LID	188 lbs.	2 pc. Reinforced Concrete Lid - non bolt down
B44E2	LID	200 lbs.	2 pc. Reinforced Concrete with two 7" x 13 1/2" Concrete Reading Lids
B44-62D	COVER	96 lbs.	2 pc. Steel Checker Plate
B44-62G	COVER	99 lbs.	2 pc. Steel Checker Plate with two 6" Round, Self-Closing Reading Lid
B44X8	EXTENSION	178 lbs.	8" Reinforced Concrete - 8 per pallet
B44SL	SLAB	150 lbs.	Reinforced Concrete (24 1/4" x 46")

Galvanizing available on all steel covers

**Oldcastle**® Enclosure Solutions

Phone: (800) 735-5566 Fax: (800) 486 6806

Copyright© 2017 Oldcastle, Inc.

### B44 BOX

FILE NAME: B44\_ISO

ISSUE DATE: January, 2011

[OldcastleEnclosures.com](http://OldcastleEnclosures.com)

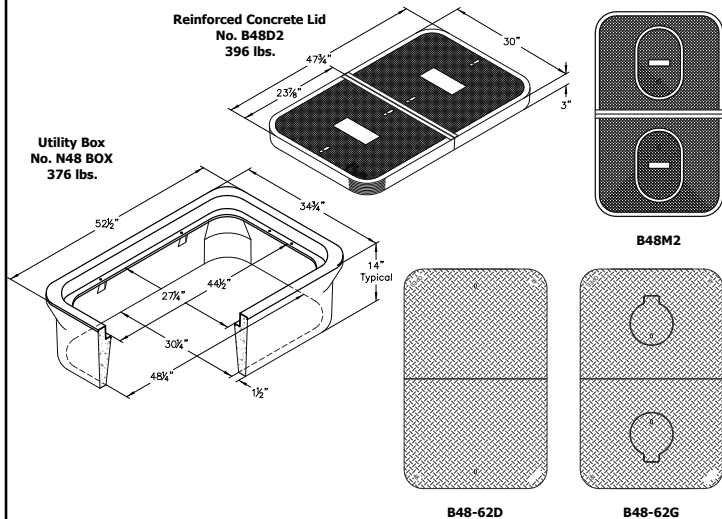
### B44 UTILITY BOX 20-1/4" x 42-1/4"

**CHRISTY**®



## UTILITY & VALVE BOXES

- Etched polypropylene face
- Face anchored in concrete
- Ultra-violet inhibitor
- Exceeds ASTM-D1693 Standards for Environmental Stress Cracking Resistance



A high density reinforced concrete box with non-settling shoulders positioned to maintain grade and facilitate back filling. Approximate dimensions and weight shown.

Oldcastle Ordering Code	Item	Approx. Shipping Weight	Description
N48BOX	BOX	376 lbs.	N48 Utility Box (30" x 48 1/4") - 3 per pallet
B48D2	LID	396 lbs.	2 pc. Reinforced Concrete Lid
B48M2	LID	321 lbs.	2 pc. Reinforced Concrete with two 10" x 16" Oval, Reading Lids
B48-62D	COVER	155 lbs.	2 pc. Steel Checker Plate
B48-62G	COVER	154 lbs.	2 pc. Steel Checker Plate with two 10" Round, Self-Closing Reading Lids
N48X10	EXTENSION	288 lbs.	10" Reinforced Concrete - 3 per pallet
B48SL	SLAB	406 lbs.	Reinforced Concrete (36" x 53")

Galvanizing available on all steel covers



Phone: (800) 735-5566 Fax: (800) 486 6806

Copyright© 2017 Oldcastle, Inc.

### N48 BOX

FILE NAME: B48\_ISO

ISSUE DATE: January, 2011

OldcastleEnclosures.com

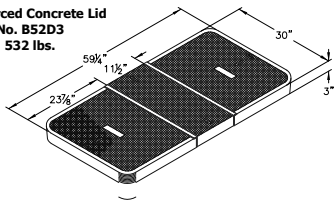
### N48 UTILITY BOX 30-1/4" x 48-1/4"

CHRISTY

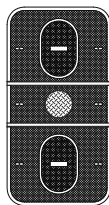
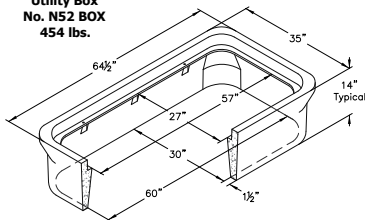
## UTILITY & VALVE BOXES

- This enclosure fits pipes 4.5" by 5" and smaller.

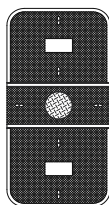
**Reinforced Concrete Lid  
No. B52D3  
532 lbs.**



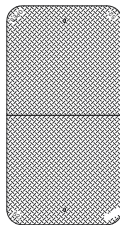
**Utility Box  
No. N52 BOX  
454 lbs.**



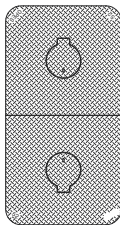
**B52M3**



**B52F3**



**B52-62D**



**B52-62G**

A high density reinforced concrete box with non-setting shoulders positioned to maintain grade and facilitate back filling. Approximate dimensions and weight shown.

Oldcastle Ordering Code	Item	Approx. Shipping Weight	Description
N52BOX	BOX	454 lbs.	N52 Utility Box (30" x 60") - 3 per pallet
B52D3	LID	532 lbs.	3 pc. Reinforced Concrete Lid
B52F3	LID	476 lbs.	3 pc. Reinforced Concrete with one 8" round Checker Plate, Reading Lid (Fire Service)
B52M3	LID	384 lbs.	3 pc. Reinforced Concrete with one 8" round Checker Plate, Reading Lid & two 10" x 16" Oval, Concrete Reading Lids
B52-62D	COVER	178 lbs.	2 pc. Steel Checker Plate
B52-62G	COVER	182 lbs.	2 pc. Steel Checker Plate with two 10" Round, Self-Closing Reading Lids
N52X10	EXTENSION	309 lbs.	10" Reinforced Concrete - 3 per pallet
B52SL	SLAB	550 lbs.	Reinforced Concrete (36" x 53")
B52DCS	SECTION	84 lbs.	Center Section, Reinforced Concrete for 3 pc. Lids
B52FCS	SECTION	80 lbs.	Center Section, Reinforced Concrete with 8" Round Checker Plate Reader Lid for 3 pc. Lids

Galvanizing available on all steel covers



Oldcastle® Enclosure Solutions

Phone: (800) 735-5566 Fax: (800) 486 6806

Copyright© 2017 Oldcastle, Inc.

### N52 BOX

FILE NAME: B52\_ISO

ISSUE DATE: January, 2011

OldcastleEnclosures.com

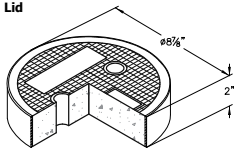
### N52 UTILITY BOX

30" x 60"

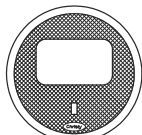
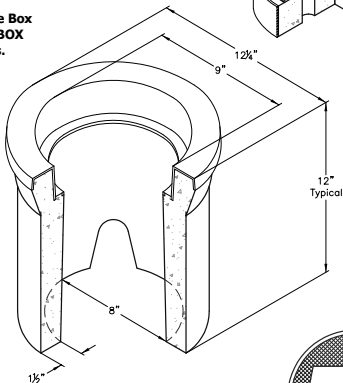
CHRISTY®

- Etched polypropylene face
- Face anchored in concrete
- Ultra-violet inhibitor
- Exceeds ASTM-D1693 Standards for Environmental Stress Cracking Resistance

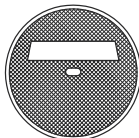
**Reinforced Concrete Lid  
No. F08R  
8 lbs.**



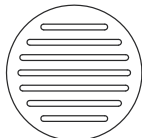
**Curb Valve Box  
No. F08 BOX  
34 lbs.**



**FLO8D**



**F08C**



**V01-71C**

A high density reinforced concrete box with non-setting shoulders positioned to maintain grade and facilitate back filling. Approximate dimensions and weight shown.

Oldcastle Ordering Code	Item	Approx. Shipping Weight	Description
F08BOX	BOX	34 lbs.	F08 Curb Valve Box (8" I.D. x 12" High) - 48 per pallet
F08R	LID	8 lbs.	Reinforced Concrete Lid with Plastic Ring
F08C	LID	8 lbs.	Cast Iron Lid
FLO8D	LID	2 lbs.	Fibrelyte Lid, Non-Concrete
V01-71C	LID	12 lbs.	Cast Iron Grate ADA Compliant

**Oldcastle** Enclosure Solutions

Phone: (800) 735-5566 Fax: (800) 486 6806  
Copyright © 2017 Oldcastle, Inc.

**F08 BOX**

FILE NAME: F08\_ISO

ISSUE DATE: January, 2011

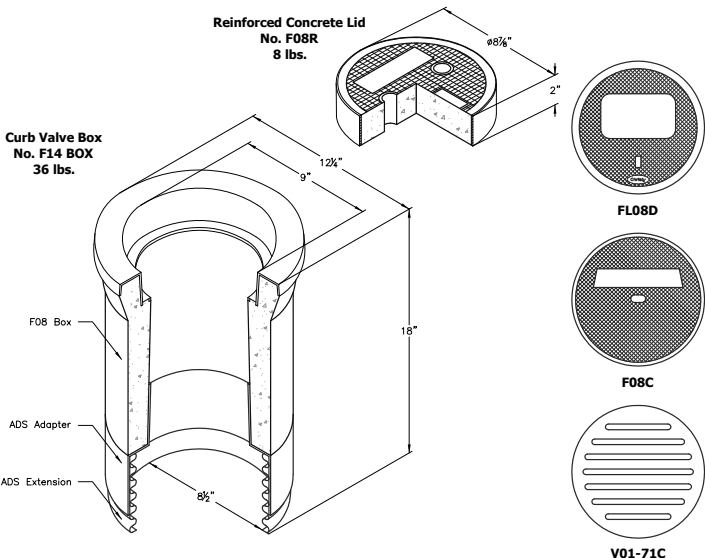
**OldcastleEnclosures.com**

**F08 CURB VALVE BOX  
8" I.D. x 12"**

**CHRISTY**

## UTILITY & VALVE BOXES

- Etched polypropylene face
- Face anchored in concrete
- Ultra-violet inhibitor
- Exceeds ASTM-D1693 Standards for Environmental Stress Cracking Resistance



A high density reinforced concrete box with non-settling shoulders positioned to maintain grade and facilitate back filling. Approximate dimensions and weight shown.

Oldcastle Ordering Code	Item	Approx. Shipping Weight	Description
F08BOX	BOX	34 lbs.	F08 concrete box (to make F14 add ADS Extension and Adapter)
F08R	LID	8 lbs.	Reinforced Concrete Lid with Plastic Ring
F08C	LID	8 lbs.	Cast Iron Lid
FL08D	LID	2 lbs.	Fibrelyte Lid, Non-Concrete
V01-71C	LID	12 lbs.	Cast Iron Grate ADA Compliant
F08XAD	ADAPTER	1 lbs.	ADS Snap Adapter
F14XP6	EXTENSION	1 lbs.	ADS 6" Plastic Extension
F08XP120	EXTENSION	11 lbs.	ADS 10" Plastic Extension



**Oldcastle** Enclosure Solutions

Phone: (800) 735-5566 Fax: (800) 486 6806

Copyright© 2017 Oldcastle, Inc.

### F14 BOX

FILE NAME: F14\_JS0

ISSUE DATE: January, 2011

**OldcastleEnclosures.com**

### F14 CURB VALVE BOX 8" I.D. x 18"

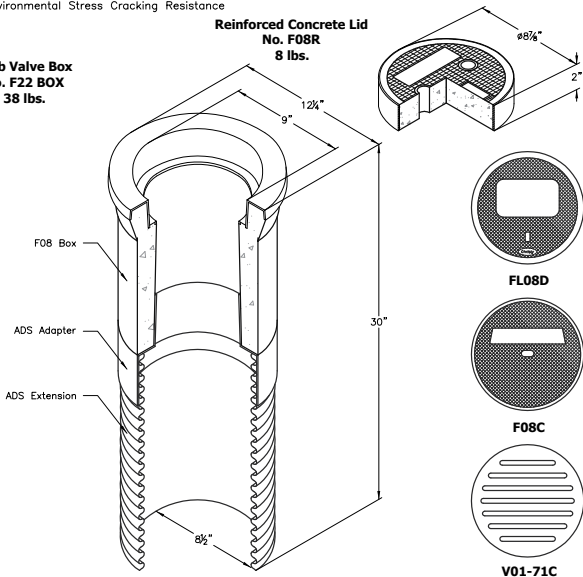
**CHRISTY**

## UTILITY & VALVE BOXES

- Etched polypropylene face
- Face anchored in concrete
- Ultra-violet inhibitor
- Exceeds ASTM-D1693 Standards for Environmental Stress Cracking Resistance

### Curb Valve Box No. F22 BOX 38 lbs.

### Reinforced Concrete Lid No. F08R 8 lbs.



A high density reinforced concrete box with non-settling shoulders positioned to maintain grade and facilitate back filling. Approximate dimensions and weight shown.

Oldcastle Ordering Code	Item	Approx. Shipping Weight	Description
F08BOX	BOX	38 lbs.	F08 concrete box (to make F22 add ADS Extension and Adapter)
F08R	LID	8 lbs.	Reinforced Concrete Lid with Plastic Ring
F08C	LID	8 lbs.	Cast Iron Lid
FL08D	LID	2 lbs.	Fibrelite Lid, Non-Concrete
V01-71C	LID	12 lbs.	Cast Iron Lid ADA Compliant
F08XAD	ADAPTER	1 lbs.	ADS Snap Adapter
F22XP18	EXTENSION	3 lbs.	ADS 18" Plastic Extension
F08XP120	EXTENSION	11 lbs.	ADS 10' Plastic Extension

 Oldcastle® Enclosure Solutions

Phone: (800) 735-5566 Fax: (800) 486 6806  
Copyright© 2017 Oldcastle, Inc.

### F22 BOX

FILE NAME: F22\_JS0

ISSUE DATE: January, 2011

[OldcastleEnclosures.com](http://OldcastleEnclosures.com)

### F22 CURB VALVE BOX 8" I.D. x 30"

CHRISTY®



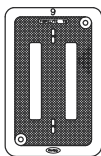
# ELECTRICAL & TELEPHONE BOXES

- Etched polypropylene face
- Face anchored in concrete
- Ultra-violet inhibitor
- Exceeds ASTM-D1693 Standards for Environmental Stress Cracking Resistance
- Meets Caltrans #3 1/2 State Specifications

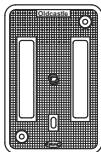
## R-Series Concrete Lid No. N09R 20 lbs.

Cast-In Bolt  
Down Bracket

HNT-E02 For  
Bolt Down  
Application

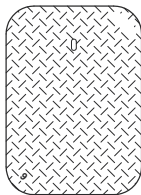
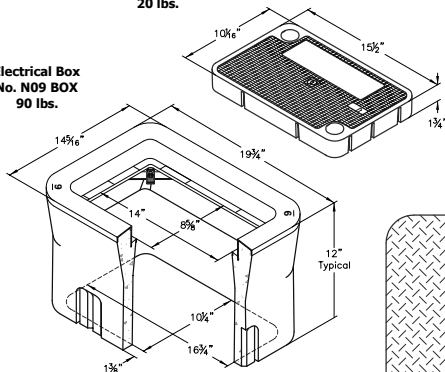


**FL09T**

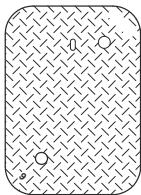


**N09J**

## Electrical Box No. N09 BOX 90 lbs.



**B09-61D**



**N09-61J**

A high density reinforced concrete box with non-setting shoulders positioned to maintain grade and facilitate back filling. Approximate dimensions and weight shown.

Oldcastle Ordering Code	Item	Approx. Shipping Weight	Description
N09BOX	BOX	90 lbs.	N09 Electrical Box (10 1/4" x 16 3/4") - Meets #3-1/2 State Specifications - 28 per pallet
N09R	LID	20 lbs.	Reinforced Concrete Lid with Plastic Ring - (Order N90 Bolt Down Kit Separately)
FL09T	LID	5 lbs.	Fibrelite Lid, Non-Concrete, Bolt Down (Order N90 Bolt Down Kit Separately)
N09J	LID	22 lbs.	Cast Iron Lid Bolt Down, (Order N90 Bolt Down Kit Separately)
B09-61D	COVER	22 lbs.	Steel Checker Plate Cover
N09-61J	COVER	22 lbs.	Steel Checker Plate Cover, Bolt Down (Order N90 Bolt Down Kit Separately)
B09X12	EXTENSION	87 lbs.	12" Reinforced Concrete Box Extension - 28 per pallet
B09SL	SLAB	32 lbs.	Reinforced Concrete Slab (13 1/2" x 19 3/4")

Galvanizing available on all steel covers.



**Oldcastle** Enclosure Solutions

Phone: (800) 735-5566 Fax: (800) 486 6806

Copyright © 2017 Oldcastle, Inc.

## N09 BOX

FILE NAME: N09\_ISO

ISSUE DATE: January, 2011

**OldcastleEnclosures.com**

## N09 ELECTRICAL BOX

10-1/4" x 16-3/4"

**CHRISTY**

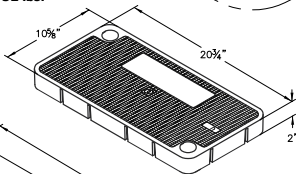
# ELECTRICAL & TELEPHONE BOXES

- Etched polypropylene face
- Face anchored in concrete
- Ultra-violet inhibitor
- Exceeds ASTM-D1693 Standards for Environmental Stress Cracking Resistance

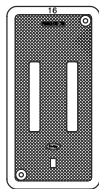
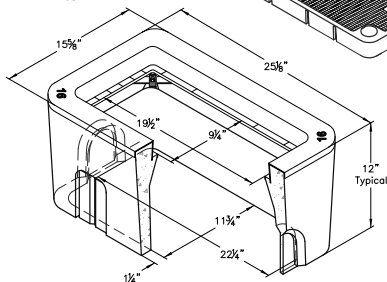
Cast-In Bolt Down Bracket

HNT-E02 For Bolt Down Application

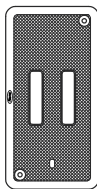
## R-Series Concrete Lid No. N16R 32 lbs.



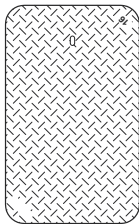
## Electrical Box No. N16 BOX 112 lbs.



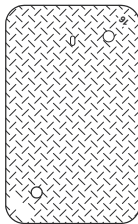
**N16J**



**FL16T**



**B16-61D**



**N16-61J**

A high density reinforced concrete box with non-settling shoulders positioned to maintain grade and facilitate back filling. Approximate dimensions and weight shown.

Oldcastle Ordering Code	Item	Approx. Shipping Weight	Description
N16BOX	BOX	112 lbs.	N16 Electrical Box (11 $\frac{1}{4}$ " x 22 $\frac{1}{4}$ ") - 20 per pallet
N16R	LID	32 lbs.	Reinforced Concrete Lid with Plastic Ring - (Order N90 Bolt Down Kit Separately)
FL16T	LID	13 lbs.	Fibrelite Lid, Non-Concrete Bolt Down (Order N90 Bolt Down Kit Separately)
N16J	LID	36 lbs.	Cast Iron Lid Bolt Down (Order N90 Bolt down Kit Separately)
B16-61D	COVER	28 lbs.	Steel Checker Plate Cover
N16-61J	COVER	28 lbs.	Steel Checker Plate Cover, Bolt Down (Order N90 Bolt Down Kit Separately)
B16X12	EXTENSION	113 lbs.	12" Reinforced Concrete Box Extension - 20 per pallet
B30SL	SLAB	52 lbs.	Reinforced Concrete Slab (16" x 28")
Galvanizing available on all steel covers.			



Oldcastle® Enclosure Solutions

Phone: (800) 735-5566 Fax: (800) 486 6806

Copyright © 2017 Oldcastle, Inc.

## N16 BOX

FILE NAME: N16\_ISO

ISSUE DATE: January, 2011

OldcastleEnclosures.com

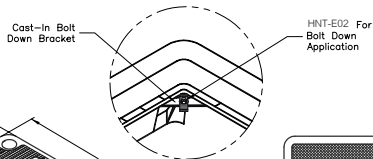
## N16 ELECTRICAL BOX 11-3/4" x 22-1/4"

CHRISTY®

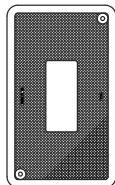
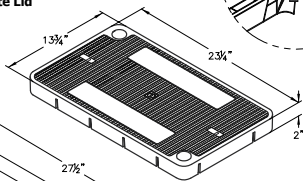


# ELECTRICAL & TELEPHONE BOXES

- Etched polypropylene face
- Face anchored in concrete
- Ultra-violet inhibitor
- Exceeds ASTM-D1693 Standards for Environmental Stress Cracking Resistance
- Meets Caltrans #5 State Specifications

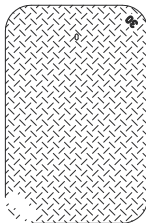
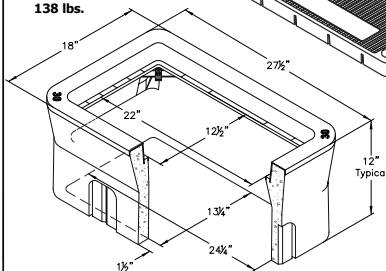


**R-Series Concrete Lid  
No. N30R  
44 lbs.**

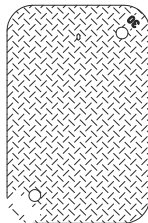


**FL30T**

**Electrical Box  
No. N30 BOX  
138 lbs.**



**B30-61D**



**N30-61J**

A high density reinforced concrete box with non-settling shoulders positioned to maintain grade and facilitate back filling. Approximate dimensions and weight shown.

Oldcastle Ordering Code	Item	Approx. Shipping Weight	Description
N30BOX	BOX	138 lbs.	N30 Electrical Box (13 3/4" x 24 1/4") Meets #5 State Specifications - 16 per pallet
N30R	LID	44 lbs.	Reinforced Concrete Lid with Plastic Ring - (Order N90 Bolt Down Kit Separately)
FL30T	LID	20 lbs.	Fibrelyte lid, non-concrete Bolt Down (Order N90 Bolt Down Kit Separately)
B30-61D	COVER	38 lbs.	Steel Checker Plate
N30-61J	COVER	38 lbs.	Steel Checker Plate Bolt Down (Order N90 Bolt Down Kit Separately)
N30X12	EXTENSION	116 lbs.	12" Reinforced Concrete - 16 per pallet
B30SL	SLAB	52 lbs.	Reinforced concrete (16" x 28")

Galvanizing available on all steel covers



**Oldcastle**® Enclosure Solutions

Phone: (800) 735-5566 Fax: (800) 486 6806

Copyright© 2017 Oldcastle, Inc.

## N30 BOX

FILE NAME: N30\_ISO

ISSUE DATE: January, 2011

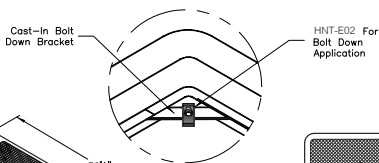
**OldcastleEnclosures.com**

## N30 ELECTRICAL BOX 13-1/4" x 24-1/4"

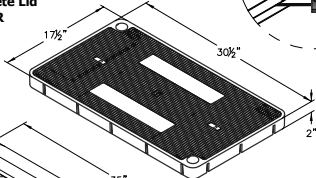
**CHRISTY**

# ELECTRICAL & TELEPHONE BOXES

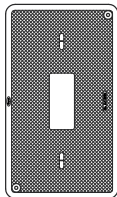
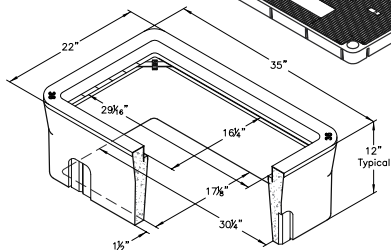
- Etched polypropylene face
- Face anchored in concrete
- Ultra-violet inhibitor
- Exceeds ASTM-D1693 Standards for Environmental Stress Cracking Resistance
- Meets Caltrans #6 State Specifications



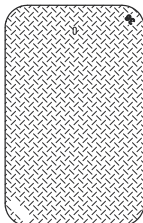
**R-Series Concrete Lid  
No. N36R  
76 lbs.**



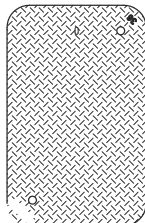
**Electrical Box  
No. N36 BOX  
172 lbs.**



**FL36T**



**B36-61D**



**N36-61J**

A high density reinforced concrete box with non-setting shoulders positioned to maintain grade and facilitate back filling. Approximate dimensions and weight shown.

Oldcastle Ordering Code	Item	Approx. Shipping Weight	Description
N36BOX	BOX	172 lbs.	N36 Electrical Box (17 $\frac{1}{2}$ " x 30 $\frac{1}{4}$ ") Meets #6 State Specifications - 8 per pallet
N36R	LID	76 lbs.	Reinforced Concrete Lid with Plastic Ring - (Order N90 Bolt Down Kit Separately)
FL36T	LID	35 lbs.	Fibrelyte lid, non-concrete Bolt Down (Order N90 Bolt Down Kit Separately)
B36-61D	COVER	56 lbs.	Steel Checker Plate
N36-61J	COVER	56 lbs.	Steel Checker Plate Bolt Down (Order N90 Bolt Down Kit Separately)
N36X12	EXTENSION	189 lbs.	12" Reinforced Concrete - 8 per pallet
B36SL	SLAB	104 lbs.	Reinforced concrete (20" x 34")

Galvanizing available on all steel covers



**Oldcastle**® Enclosure Solutions

Phone: (800) 735-5566 Fax: (800) 486 6806

Copyright © 2017 Oldcastle, Inc.

## N36 BOX

FILE NAME: N36\_ISO

ISSUE DATE: January, 2011

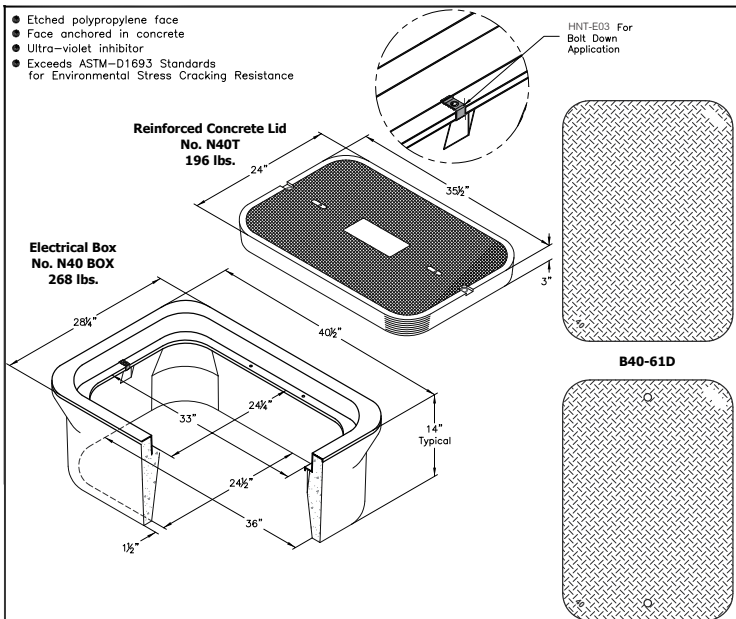
[OldcastleEnclosures.com](http://OldcastleEnclosures.com)

## N36 ELECTRICAL BOX 17-1/8" x 30-1/4"

**CHRISTY**®

# ELECTRICAL & TELEPHONE BOXES

- Etched polypropylene face
- Face anchored in concrete
- Ultra-violet inhibitor
- Exceeds ASTM-D1693 Standards for Environmental Stress Cracking Resistance



A high density reinforced concrete box with non-settling shoulders positioned to maintain grade and facilitate back filling. Approximate dimensions and weight shown.

Oldcastle Ordering Code	Item	Approx. Shipping Weight	Description
N40BOX	BOX	268 lbs.	N40 Electrical Box (24 1/2" x 36") w/ Bolt Down Provisions— 3 per pallet
N40T	LID	196 lbs.	Reinforced Concrete Lid (Order N98 – Set of 2 – Bolt Down Kit Separately)
B40-61D	COVER	82 lbs.	Steel Checker Plate
N40-61J	COVER	84 lbs.	Steel Checker Plate Bolt Down (Order N98 – Set of 2 – Bolt Down Kit Separately)
N40X10	EXTENSION	215 lbs.	10" Reinforced Concrete – 4 per pallet
B40SL	SLAB	194 lbs.	Reinforced concrete (16" x 28")

Galvanizing available on all steel covers



**Oldcastle** Enclosure Solutions

Phone: (800) 735-5566 Fax: (800) 486 6806

Copyright © 2017 Oldcastle, Inc.

## N40 BOX

FILE NAME: N40\_ISO

ISSUE DATE: January, 2011

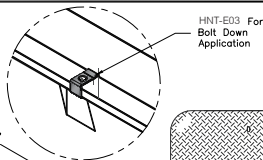
[OldcastleEnclosures.com](http://OldcastleEnclosures.com)

## N40 ELECTRICAL BOX 24-1/2" x 36"

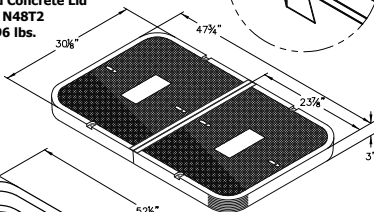
**CHRISTY**

# ELECTRICAL & TELEPHONE BOXES

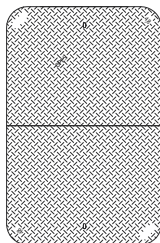
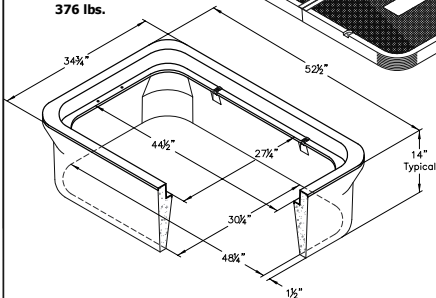
- Etched polypropylene face
- Face anchored in concrete
- Ultra-violet inhibitor
- Exceeds ASTM-D1693 Standards for Environmental Stress Cracking Resistance



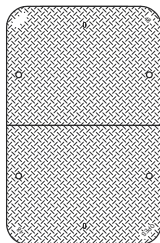
**Reinforced Concrete Lid  
No. N48T2  
396 lbs.**



**Electrical Box  
No. N48 BOX  
376 lbs.**



**B48-62D**



**N48-62J**

A high density reinforced concrete box with non-setting shoulders positioned to maintain grade and facilitate back filling. Approximate dimensions and weight shown.

Oldcastle Ordering Code	Item	Approx. Shipping Weight	Description
N48BOX	BOX	376 lbs.	N48 Electrical Box (30 1/4" x 48 1/4") w/ Bolt Down Provisions - 3 per pallet
N48T2	LID	396 lbs.	2 pc. Reinforced Concrete Lid (Order N98 - Set of 4 - Bolt Down Kit Separately)
B48-62D	COVER	155 lbs.	2 pc. Steel Checker Plate
N48-62J	COVER	155 lbs.	2 pc. Steel Checker Plate Bolt Down (Order N98 - Set of 4 - Bolt Down Kit Separately)
N48X10	EXTENSION	288 lbs.	10" Reinforced Concrete - 3 per pallet
B48SL	SLAB	406 lbs.	Reinforced concrete (36" x 53")
Galvanizing available on all steel covers			



Oldcastle® Enclosure Solutions

Phone: (800) 735-5566 Fax: (800) 486 6806

Copyright© 2017 Oldcastle, Inc.

## N48 BOX

FILE NAME: N48\_ISO

ISSUE DATE: January, 2011

OldcastleEnclosures.com

## N48 ELECTRICAL BOX 30-1/4" x 48-1/4"

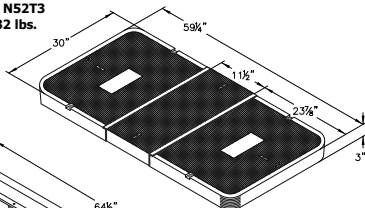
CHRISTY®

# ELECTRICAL & TELEPHONE BOXES

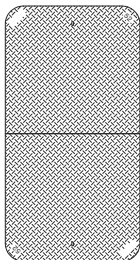
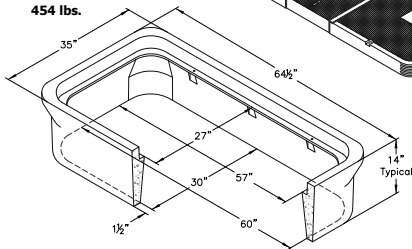


"T" BOX

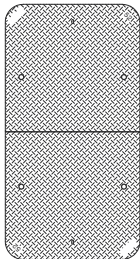
**Reinforced Concrete Lid  
No. N52T3  
532 lbs.**



**Electrical Box  
No. N52 BOX  
454 lbs.**



**B52-62D**



**N52-62J**

A high density reinforced concrete box with non-settling shoulders positioned to maintain grade and facilitate back filling. Approximate dimensions and weight shown.

Oldcastle Ordering Code	Item	Approx. Shipping Weight	Description
N52BOX	BOX	454 lbs.	N52 Electrical Box (30" x 60") w/ Bolt Down Provisions - 3 per pallet
N5203	LID	532 lbs.	3 pc. Reinforced Concrete Lid
N52T3	LID	532 lbs.	3 pc. Reinforced Concrete Bolt Down Lid with Interlocking Center Section (Order N98 - Set of 4 - Bolt Down Separately)
B52-62D	COVER	178 lbs.	2 pc. Steel Checker Plate
N52-62J	COVER	178 lbs.	2 pc. Steel Checker Plate Bolt Down (Order N98 - Set of 4 - Bolt Down Kit Separately)
N52X10	EXTENSION	308 lbs.	10" Reinforced Concrete - 3 per pallet
B52SL	SLAB	509 lbs.	Center Section w/ Tabs, Reinforced Concrete for the 3 pc. Bolt Down Lids.
N52TCS	SECTION	80 lbs.	Reinforced concrete (36" x 66")

Galvanizing available on all steel covers



**Oldcastle**® Enclosure Solutions

Phone: (800) 735-5566 Fax: (800) 486 6806

Copyright© 2017 Oldcastle, Inc.

## N52 BOX

FILE NAME: N52\_ISO

ISSUE DATE: January, 2011

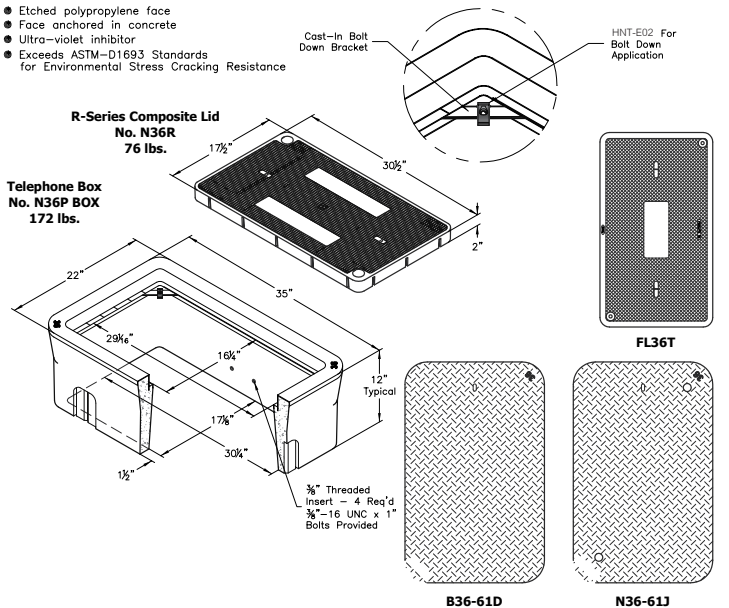
**OldcastleEnclosures.com**

## N52 ELECTRICAL BOX 30" x 60"

**CHRISTY**

# ELECTRICAL & TELEPHONE BOXES

- Etched polypropylene face
- Face anchored in concrete
- Ultra-violet inhibitor
- Exceeds ASTM-D1693 Standards for Environmental Stress Cracking Resistance



A high density reinforced concrete box with non-settling shoulders positioned to maintain grade and facilitate back filling. Provisions provided for installation of Telephone Racking. Racking not included. Approximate dimensions and weight shown.

Oldcastle Ordering Code	Item	Approx. Shipping Weight	Description
N36PBOX	BOX	172 lbs.	N36P Telephone Box (17 1/2" x 30 1/2") - 8 per pallet
N36R	LID	76 lbs.	Reinforced Concrete Lid with Plastic Ring - (Order N90 Bolt Down Kit Separately)
FL36T	LID	35 lbs.	Fibrelite lid, non-concrete Bolt Down (Order N90 Bolt Down Kit Separately)
B36-61D	COVER	56 lbs.	Steel Checker Plate
N36-61J	COVER	56 lbs.	Steel Checker Plate Bolt Down (Order N90 Bolt Down Kit Separately)
N36X12	EXTENSION	189 lbs.	12" Reinforced Concrete - 8 per pallet
B36SL	SLAB	104 lbs.	Reinforced Concrete (20" x 34")
*Boxes Provided with Bolt Down Provisions for use with Bolt Down Lids.			
Galvanizing available on all steel covers			

**Oldcastle** Enclosure Solutions

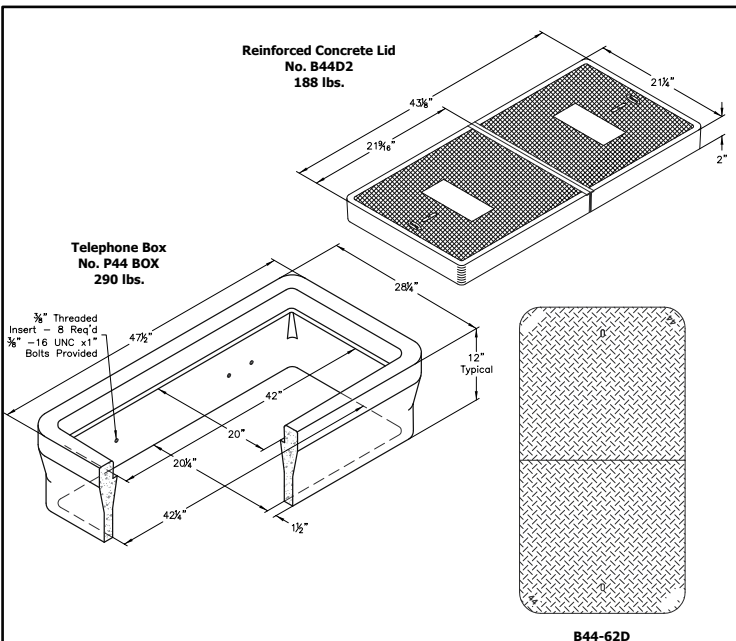
## P36 BOX

FILE NAME: P36\_ISO

ISSUE DATE: January, 2011

## P36 TELEPHONE BOX 17-1/8" x 30-1/4"

**CHRISTY**



A high density reinforced concrete box with non-setting shoulders positioned to maintain grade and facilitate back filling. Provisions provided for installation of Telephone Racking. Racking not included. Approximate dimensions and weight shown.

Oldcastle Ordering Code	Item	Approx. Shipping Weight	Description
P44BOX	BOX	290 lbs.	P44 Telephone Box (20 $\frac{1}{4}$ " x 42 $\frac{1}{4}$ ") - 6 per pallet
B44D2	LID	188 lbs.	2 pc. Reinforced Concrete Lid
B44-62D	COVER	96 lbs.	2 pc. Steel Checker Plate
B44X8	EXTENSION	178 lbs.	8" Reinforced Concrete - 8 per pallet
B44SL	SLAB	150 lbs.	Reinforced concrete (24 $\frac{1}{4}$ " x 46")

Galvanizing available on all steel covers

 Oldcastle® Enclosure Solutions

Phone: (800) 735-5566 Fax: (800) 486 6806

Copyright© 2017 Oldcastle, Inc.

### P44 BOX

FILE NAME: P44\_ISO

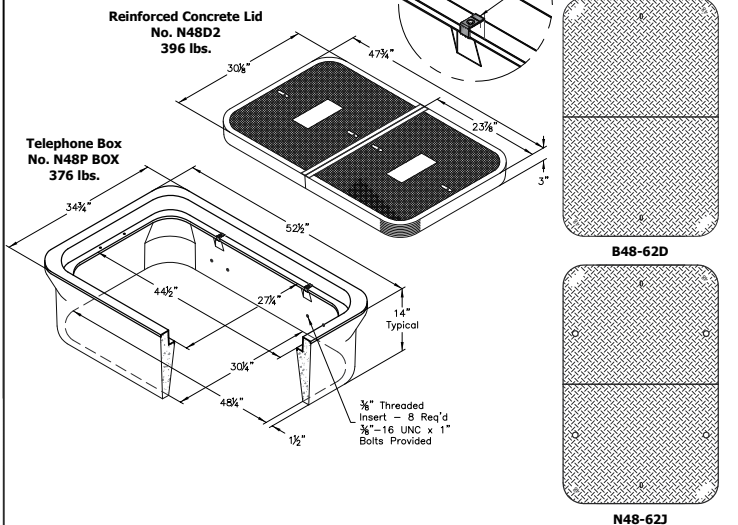
ISSUE DATE: January, 2011

### P44 TELEPHONE BOX 20-1/4" x 42-1/4"

CHRISTY™

# ELECTRICAL & TELEPHONE BOXES

- Etched polypropylene face
- Face anchored in concrete
- Ultra-violet inhibitor
- Exceeds ASTM-D1693 Standards for Environmental Stress Cracking Resistance



A high density reinforced concrete box with non-settling shoulders positioned to maintain grade and facilitate back filling. Provisions provided for installation of Telephone Racking. Racking not included. Approximate dimensions and weight shown.

Oldcastle Ordering Code	Item	Approx. Shipping Weight	Description
N48PBOX	BOX	376 lbs.	N48P Telephone Box (30 3/4" x 48 1/4") w/ Bolt Down Provisions - 3 per pallet
N48D2	LID	396 lbs.	2 pc. Reinforced Concrete Lid (Order N98 - Set of 4 - Bolt Down Kit Separately)
B48-62D	COVER	155 lbs.	2 pc. Steel Checker Plate
N48-62J	COVER	155 lbs.	2 pc. Steel Checker Plate Bolt Down (Order N98 - Set of 4 - Bolt Down Kit Separately)
B48X10	EXTENSION	288 lbs.	10" Reinforced Concrete - 3 per pallet
B48SL	SLAB	406 lbs.	Reinforced concrete (36" x 53")
*Boxes Provided with Bolt Down Provisions for use with Bolt Down Lids.			
Galvanizing available on all steel covers			

**Oldcastle** Enclosure Solutions

Phone: (800) 735-5566 Fax: (800) 486 6806

Copyright © 2017 Oldcastle, Inc.

**P48 BOX**

FILE NAME: P48\_ISO

ISSUE DATE: January, 2011

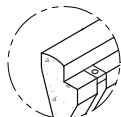
**OldcastleEnclosures.com**

**P48 TELEPHONE BOX  
30-1/4" x 48-1/4"**

**CHRISTY**

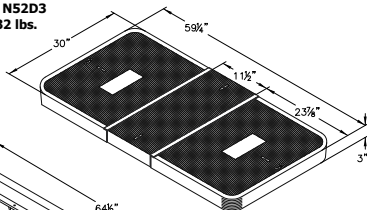


# ELECTRICAL & TELEPHONE BOXES

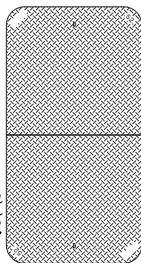
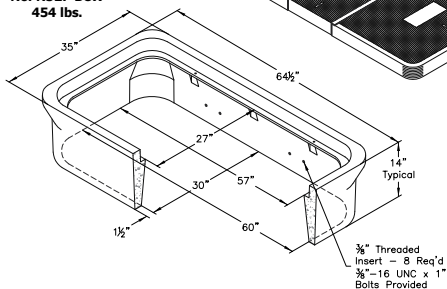


"T" BOX

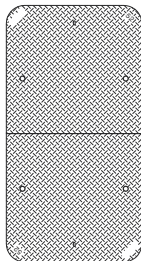
**Reinforced Concrete Lid  
No. N52D3  
532 lbs.**



**Telephone Box  
No. N52P BOX  
454 lbs.**



**B52-62D**



**N52-62J**

A high density reinforced concrete box with non-setting shoulders positioned to maintain grade and facilitate back filling. Provisions provided for installation of Telephone Racking. Racking not included. Approximate dimensions and weight shown.

Oldcastle Ordering Code	Item	Approx. Shipping Weight	Description
N52PBOX	BOX	454 lbs.	N52P Telephone Box (30" x 60") w/ Bolt Down Provisions - 3 per pallet
N52D3	LID	532 lbs.	3 pc. Reinforced Concrete Lid
B52-62D	COVER	178 lbs.	2 pc. Steel Checker Plate
N52-62J	COVER	178 lbs.	2 pc. Steel Checker Plate (Order Hold Down Bolts Separately)
B52X10	EXTENSION	308 lbs.	10" Reinforced Concrete - 3 per pallet
B52SL	SLAB	509 lbs.	Reinforced Concrete (36" x 66")

Galvanizing available on all steel covers



**Oldcastle** Enclosure Solutions

Phone: (800) 735-5566 Fax: (800) 486 6806

Copyright © 2017 Oldcastle, Inc.

## P52 BOX

FILE NAME: P52\_ISO

ISSUE DATE: January, 2011

**OldcastleEnclosures.com**

## P52 TELEPHONE BOX

30" x 60"

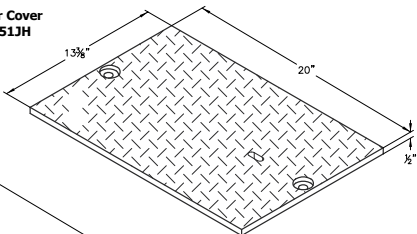
**CHRISTY**



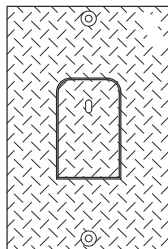
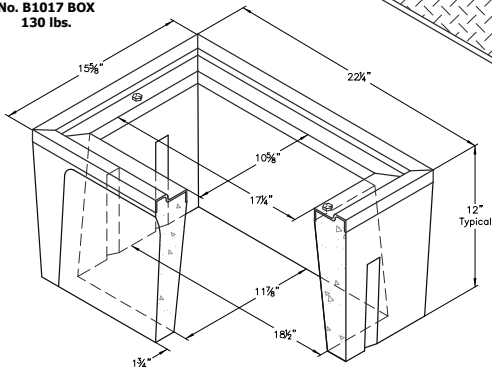
# TRAFFIC UTILITY & TRAFFIC VALVE BOXES

Traffic Box  
Caltrans No. 3-1/2T State Specs

**Steel Checker Cover**  
**No. B1017-51JH**  
**44 lbs.**



**Traffic Box**  
**No. B1017 BOX**  
**130 lbs.**



**B1017-51GH**

A high density reinforced concrete box with non-setting shoulders positioned to maintain grade and facilitate back filling. Hex-Head Bolts are included with Box. Approximate dimensions and weight shown.

Oldcastle Ordering Code	Item	Approx. Shipping Weight	Description
B1017BOX	BOX	130 lbs.	B1017 Utility Box (10 5/8" x 17 1/4") H/20 Loading w/ Bolts - 20 per pallet
B1017-51JH	COVER	44 lbs.	Steel Checker Plate, H/20, Bolt Down
B1017-51JHG	COVER	90 lbs.	Galvanized Steel Checker Plate, H/20, Bolt Down (black in color)
B1017-51GH	COVER	46 lbs.	Steel Checker Plate, H/20 with 5" x 8" Reading Lid (silver in color)
B1017x12	EXTENSION	129 lbs.	12" Reinforced Concrete H/20 Loading - 20 per pallet
B9SL	SLAB	32 lbs.	Reinforced Concrete (13-1/4" x 19-3/4")

Galvanizing available on all steel covers.

 **Oldcastle** Enclosure Solutions

Phone: (800) 735-5566 Fax: (800) 486 6806

Copyright © 2017 Oldcastle, Inc.

**B1017 BOX**

FILE NAME: B1017\_ISO

ISSUE DATE: January, 2011

**OldcastleEnclosures.com**

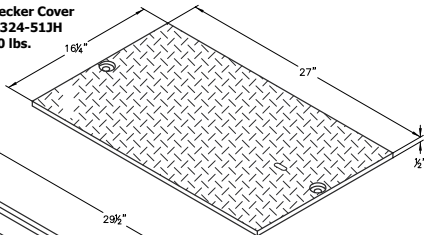
**B1017 BOX H/20 LOADING**  
**10-5/8" x 17-1/4"**

**CHRISTY**

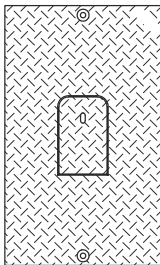
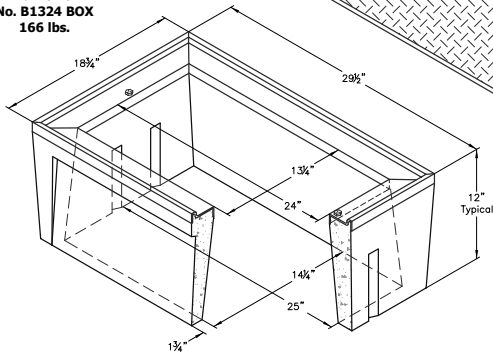
## TRAFFIC UTILITY & TRAFFIC VALVE BOXES

Traffic Box  
Caltrans No. 5T State Specs

Steel Checker Cover  
No. B1324-51JH  
70 lbs.



Traffic Box  
No. B1324 BOX  
166 lbs.



**B1324-51GH**

A high density reinforced concrete box with non-settling shoulders positioned to maintain grade and facilitate back filling. Hex-Head Bolts are included with Box. Approximate dimensions and weight shown.

Oldcastle Ordering Code	Item	Approx. Shipping Weight	Description
B1324BOX	BOX	166 lbs.	B1324 Utility Box (13 3/4" x 24") H/20 Loading w/ Bolts - 16 per pallet
B1324-51JH	COVER	70 lbs.	Steel Checker Plate, H/20, Bolt Down
B1324-51JHG	COVER	142 lbs.	Galvanized Steel Checker Plate, H/20, Bolt Down (black in color)
B1324-51GH	COVER	72 lbs.	Steel Checker Plate, H/20 with 5" x 8" Reading Lid (silver in color)
B1324x12	EXTENSION	163 lbs.	12" Reinforced Concrete H/20 Loading - 16 per pallet
B30SL	SLAB	52 lbs.	Reinforced Concrete (16" x 28")

Galvanizing available on all steel covers.



Oldcastle® Enclosure Solutions

Phone: (800) 735-5566 Fax: (800) 486 6806

Copyright© 2017 Oldcastle, Inc.

### B1324 BOX

FILE NAME: B1324\_ISO

ISSUE DATE: January 2011

OldcastleEnclosures.com

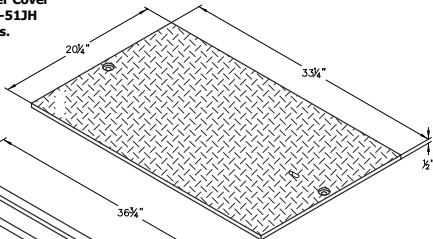
### B1324 BOX H/20 LOADING 13-1/4" x 24"

CHRISTY

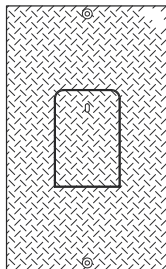
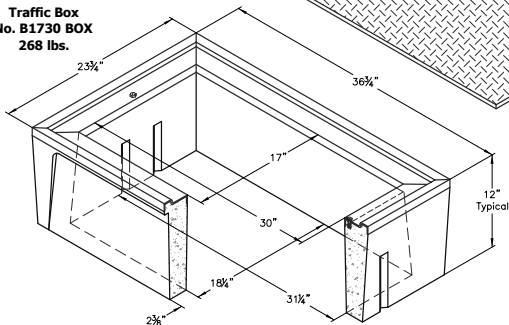
# TRAFFIC UTILITY & TRAFFIC VALVE BOXES

Traffic Box  
Caltrans No. 6T State Specs

**Steel Checker Cover  
No. B1730-51JH  
111 lbs.**



**Traffic Box  
No. B1730 BOX  
268 lbs.**



**B1730-51GH**

A high density reinforced concrete box with non-setting shoulders positioned to maintain grade and facilitate back filling. Head-Head Bolts are included with Box. Approximate dimensions and weight shown.

Oldcastle Ordering Code	Item	Approx. Shipping Weight	Description
B1730BOX	BOX	268 lbs.	B1730 Utility Box (17" x 30") H/20 Loading w/ Bolts - 6 per pallet
B1730-51JH	COVER	111 lbs.	Steel Checker Plate, H/20, Bolt Down
B1730-51JHG	COVER	221 lbs.	Galvanized Steel Checker Plate, H/20, Bolt Down (black in color)
B1730-51GH	COVER	112 lbs.	Steel Checker Plate, H/20 with 8" x 12" Reading Lid (silver in color)
B1730x12	EXTENSION	250 lbs.	12" Reinforced Concrete H/20 Loading - 6 per pallet
B36SL	SLAB	108 lbs.	Reinforced Concrete (20" x 34")

Galvanizing available on all steel covers.



**Oldcastle** Enclosure Solutions

Phone: (800) 735-5566 Fax: (800) 486 6806

Copyright © 2017 Oldcastle, Inc.

**B1730 BOX**

FILE NAME: B1730\_...ISO

ISSUE DATE: January, 2011

**OldcastleEnclosures.com**

**B1730 BOX H/20 LOADING**

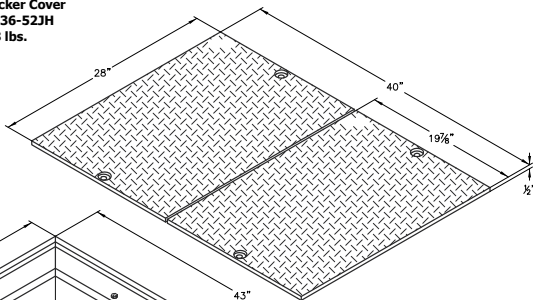
**17" x 30"**

**CHRISTY**

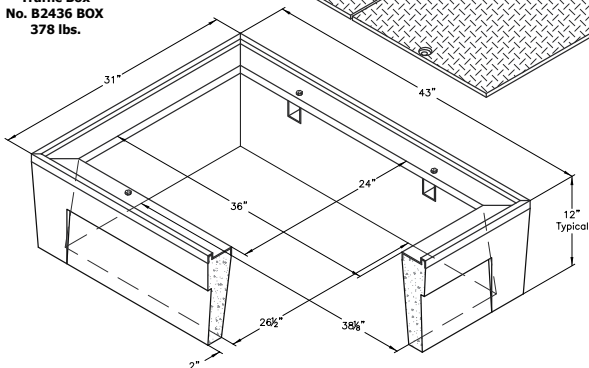
TRAFFIC UTILITY & VALVE

# TRAFFIC UTILITY & TRAFFIC VALVE BOXES

**Steel Checker Cover  
No. B2436-52JH  
218 lbs.**



**Traffic Box  
No. B2436 BOX  
378 lbs.**



A high density reinforced concrete box with non-setting shoulders positioned to maintain grade and facilitate back filling. Hex-Head Bolts are included with Box. Approximate dimensions and weight shown.

Oldcastle Ordering Code	Item	Approx. Shipping Weight	Description
B2436BOX	BOX	378 lbs.	B2436 Utility Box (24" x 36") H/20 Loading w/ Bolts - 3 per pallet
B2436-52JH	COVER	111 lbs.	2 pc. Steel Checker Plate, H/20, Bolt Down (silver in color)
B2436-52JHG	COVER	225 lbs.	Galvanized 2 pc. Steel Checker Plate, H/20, Bolt Down (black in color)
B2436x12	EXTENSION	250 lbs.	12" Reinforced Concrete H/20 Loading - 3 per pallet
B40SL	SLAB	108 lbs.	Reinforced Concrete (30" x 40")

Galvanizing available on all steel covers.



Phone: (800) 735-5566 Fax: (800) 486 6806

Copyright© 2017 Oldcastle, Inc.

## B2436 BOX

FILE NAME: B2436\_JSO

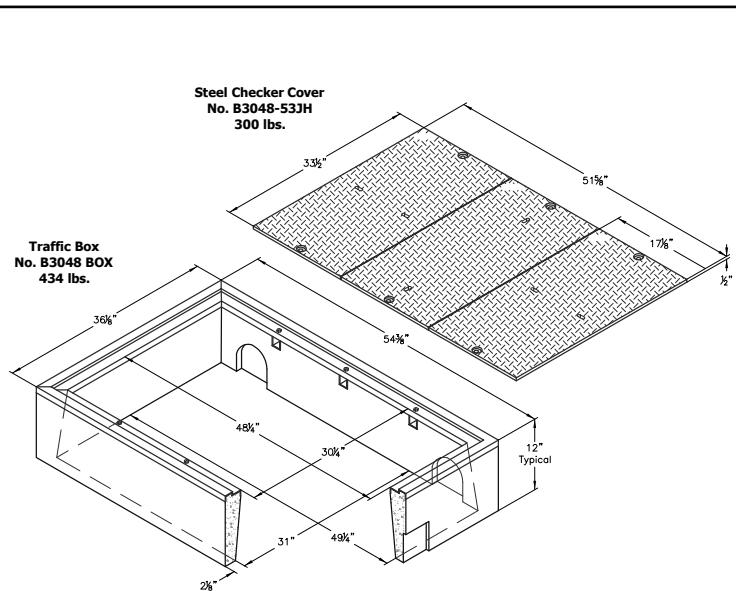
ISSUE DATE: January, 2011

OldcastleEnclosures.com

## B2436 BOX H/20 LOADING 24" x 36"

CHRISTY

# TRAFFIC UTILITY & TRAFFIC VALVE BOXES



TRAFFIC UTILITY & VALVE

A high density reinforced concrete box with non-setting shoulders positioned to maintain grade and facilitate back filling. Hex-Head Bolts are included with Box. Approximate dimensions and weight shown.

Oldcastle Ordering Code	Item	Approx. Shipping Weight	Description
B3048BOX	BOX	434 lbs.	B3048 Utility Box (30" x 48") H/20 Loading w/ Bolts - 3 per pallet
B3048-53JH	COVER	300 lbs.	3 pc. Steel Checker Plate, H/20, Bolt Down (silver in color)
B3048-53JHG	COVER	340 lbs.	Galvanized 3 pc. Steel Checker Plate, H/20, Bolt Down (black in color)
B3048x12	EXTENSION	474 lbs.	12" Reinforced Concrete H/20 Loading - 3 per pallet
B48SL	SLAB	406 lbs.	Reinforced Concrete (36" x 53")

Galvanizing available on all steel covers.



Oldcastle Enclosure Solutions

Phone: (800) 735-5566 Fax: (800) 486 6806

Copyright © 2017 Oldcastle, Inc.

## B3048 BOX

FILE NAME: B3048\_ISO

ISSUE DATE: January, 2011

OldcastleEnclosures.com

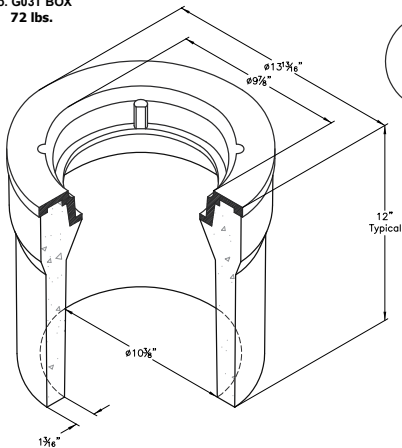
## B3048 BOX H/20 LOADING 30-1/4" x 48-1/4"

CHRISTY

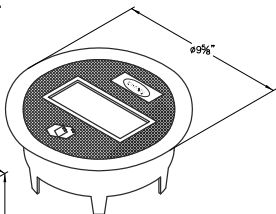
## TRAFFIC UTILITY & TRAFFIC VALVE BOXES

- Traffic Box is H/20 rated

**Traffic Valve Box**  
No. G03T BOX  
72 lbs.



**Cast Iron Lid**  
No. G03C  
14 lbs.



A high density reinforced concrete box with cast iron ring for heavy traffic areas. Engineered and designed to be interchangeable with the Brooks 3RT. Approximate dimensions and weight shown.

Oldcastle Ordering Code	Item	Approx. Shipping Weight	Description
G03TBOX	BOX	72 lbs.	G03 Traffic Valve Box, Bolt Down (10 3/8" ID x 12" high) – Interchangeable with Brooks 3RT Box – 36 per pallet
G03CT	LID	14 lbs.	Traffic Cast Iron Lid, Bolt Down
G03C	LID	14 lbs.	Cast Iron Lid
G05X12	EXTENSION	32 lbs.	12" Reinforced Concrete – 36 per pallet
ADSP8	EXTENSION	1 lbs.	ADS 8" Plastic - not traffic rated with ADS adapter
ADSP12	EXTENSION	1 lbs.	ADS 12" Plastic - not traffic rated with ADS adapter
ADSP18	EXTENSION	2 lbs.	ADS 18" Plastic - not traffic rated with ADS adapter
ADSP120	EXTENSION	11 lbs.	ADS 10' Length Plastic - not traffic rated with ADS adapter

 **Oldcastle**® Enclosure Solutions

Phone: (800) 735-5566 Fax: (800) 486 6806

Copyright© 2017 Oldcastle, Inc.

### G03T BOX

FILE NAME: G03\_JSO

ISSUE DATE: January, 2011

[OldcastleEnclosures.com](http://OldcastleEnclosures.com)

### G03 TRAFFIC VALVE BOX

10-3/8" I.D. x 12"

**CHRISTY**®

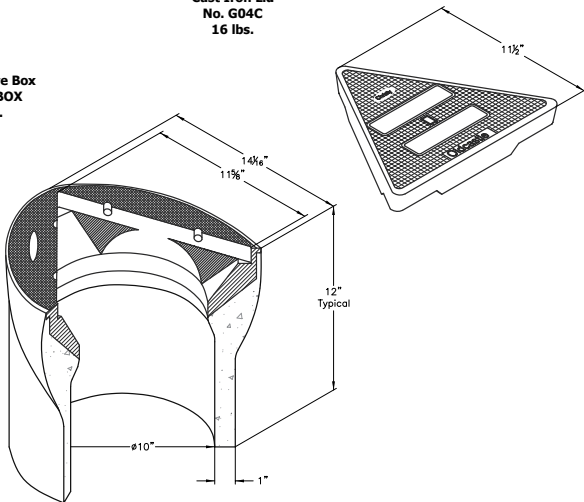


# TRAFFIC UTILITY & TRAFFIC VALVE BOXES

- Traffic Box is H/20 rated

**Cast Iron Lid  
No. G04C  
16 lbs.**

**Traffic Valve Box  
No. G04 BOX  
60 lbs.**



A high density reinforced concrete box with cast iron triangular top for heavy traffic areas. Engineered and designed to be interchangeable with the Brooks 4TT. Approximate dimensions and weight shown.

Oldcastle Ordering Code	Item	Approx. Shipping Weight	Description
G04BOX	BOX	60 lbs.	G04 Traffic Valve Box (10" I.D. x 12" high) – Interchangeable with Brooks 4TT Box – 36 per pallet
G04C	LID	16 lbs.	Cast Iron Lid
G05X12	EXTENSION	32 lbs.	12" Reinforced Concrete – 36 per pallet
ADSXP8	EXTENSION	1 lbs.	ADS 8" Plastic - not traffic rated with ADS adapter
ADSXP12	EXTENSION	1 lbs.	ADS 12" Plastic - not traffic rated with ADS adapter
ADSXP18	EXTENSION	2 lbs.	ADS 18" Plastic - not traffic rated with ADS adapter
ADSXP120	EXTENSION	11 lbs.	ADS 10' Length Plastic - not traffic rated with ADS adapter



**Oldcastle** Enclosure Solutions

Phone: (800) 735-5566 Fax: (800) 486 6806

Copyright© 2017 Oldcastle, Inc.

## G04 BOX

FILE NAME: G04\_ISO

ISSUE DATE: January, 2011

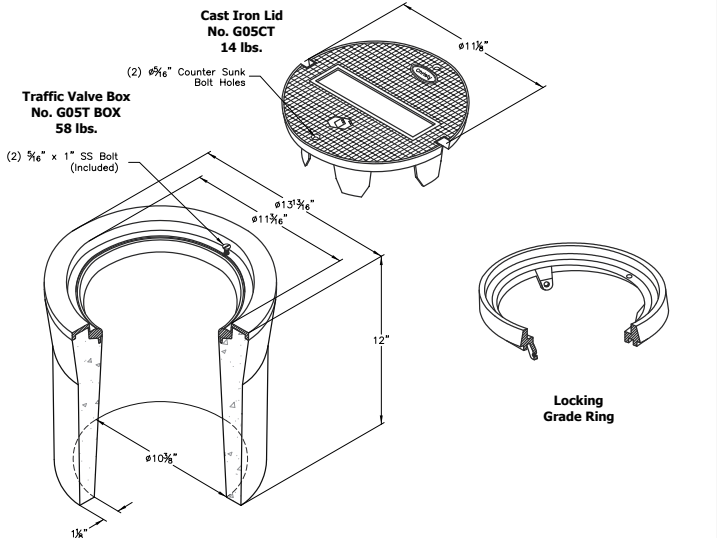
**OldcastleEnclosures.com**

## G04 TRAFFIC VALVE BOX 10" I.D. x 12"

**CHRISTY**

## TRAFFIC UTILITY & TRAFFIC VALVE BOXES

- Traffic Box is H/20 rated



The largest throat diameter for a box in its size range permits quick, easy valve adjustments. The large throat also makes this unit highly adaptable as a survey monument box. Unique locking grade rings assure permanence and quality of surface grades when streets are re-paved. The carefully engineered cast iron lid and ring includes machined surfaces and bolting features reducing the danger of lid "pop-out" in high traffic areas. **Bolt down recommended for high traffic areas.** Approximate dimensions and weight shown.

Oldcastle Ordering Code	Item	Approx. Shipping Weight	Description
G05TBOX	BOX	58 lbs.	G05T Traffic Valve Box (10 $\frac{3}{8}$ " I.D. x 12" high) - 36 per pallet - (includes $\frac{1}{4}$ "-20 x 1", bolts)
G05CT	LID	14 lbs.	Bolt Down Cast Iron Lid
G05X12	EXTENSION	38 lbs.	12" Reinforced Concrete- 36 per pallet
G05GR10	GRADE RING	10 lbs.	1" High cast iron
G05GR15	GRADE RING	14 lbs.	1 $\frac{1}{2}$ " High cast iron
G05GR20	GRADE RING	18 lbs.	2" High cast iron

 Oldcastle® Enclosure Solutions

Phone: (800) 735-5566 Fax: (800) 486 6806

Copyright© 2017 Oldcastle, Inc.

### G05T BOX

FILE NAME: G05\_JSO

ISSUE DATE: January, 2011

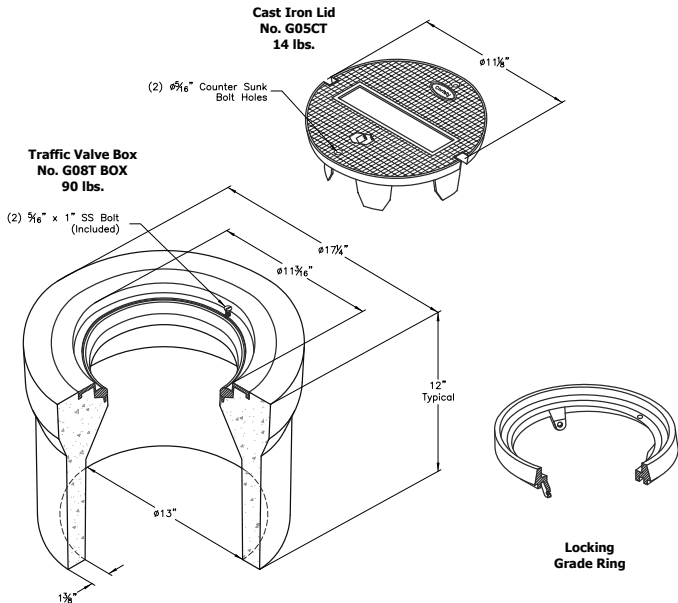
[OldcastleEnclosures.com](http://OldcastleEnclosures.com)

### G05T TRAFFIC VALVE BOX 10-3/8" I.D. x 12"

CHRISTY®

# TRAFFIC UTILITY & TRAFFIC VALVE BOXES

- Traffic Box is H/20 rated



A high density reinforced concrete box used for access to underground valves. This box has a belled top to prevent settling. Bolt down recommended for high traffic areas. Approximate dimensions and weight shown. Unique locking grade rings assure permanence and quality of surface grades when streets are re-paved. Special lifting hole features incorporated in the lid design affords easy removal.

Oldcastle Ordering Code	Item	Approx. Shipping Weight	Description
G08TBOX	BOX	90 lbs.	G08T Traffic Valve Box (13" I.D. x 12" high) - 10 per pallet
G05CT	LID	14 lbs.	Cast Iron Lid
G08X12	EXTENSION	47 lbs.	12" Reinforced Concrete- 36 per pallet
G05TGR10	GRADE RING	10 lbs.	1" High cast iron
G05TGR15	GRADE RING	14 lbs.	1 1/2" High cast iron
G05TGR20	GRADE RING	18 lbs.	2" High cast iron

 Oldcastle® Enclosure Solutions

Phone: (800) 735-5566 Fax: (800) 486 6806

Copyright© 2017 Oldcastle, Inc.

## G08T BOX

FILE NAME: G08\_ISO

ISSUE DATE: January, 2011

[OldcastleEnclosures.com](http://OldcastleEnclosures.com)

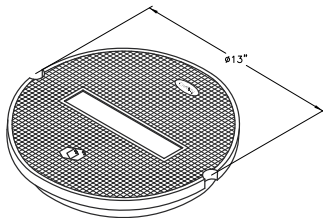
## G08T TRAFFIC VALVE BOX 13" I.D. x 12"

CHRISTY®

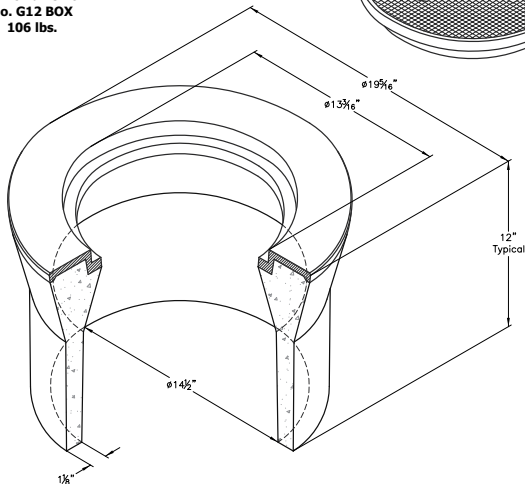
## TRAFFIC UTILITY & TRAFFIC VALVE BOXES

- Traffic Box is H/20 rated

**Cast Iron Lid  
No. G12C  
24 lbs.**



**Traffic Valve Box  
No. G12 BOX  
106 lbs.**



A high density reinforced concrete box used for access to underground valves. Cast iron tapered lid and seat with debris proof design, permits snug fit and easy removal. The special concrete design of the box assists to maintain the grade under heavy traffic and isolate the pipeline from road shock. Designed to enclose large shut off valves in heavy auto and truck traffic areas. Telescoping extensions facilitate installation at jobsite and act to isolate pipeline from road shock. Approximate dimensions and weight shown.

Oldcastle Ordering Code	Item	Approx. Shipping Weight	Description
G12BOX	BOX	106 lbs.	G12 Traffic Valve Box (14½" I.D. x 12" high) – 10 per pallet
G12C	LID	24 lbs.	Cast Iron Lid - non bolt down
G12X12	EXTENSION	110 lbs.	12" Reinforced Concrete— 10 per pallet

 **Oldcastle®** Enclosure Solutions

Phone: (800) 735-5566 Fax: (800) 486 6806

Copyright© 2017 Oldcastle, Inc.

**G12 BOX**

FILE NAME: G12\_JS0

ISSUE DATE: January, 2011

[OldcastleEnclosures.com](http://OldcastleEnclosures.com)

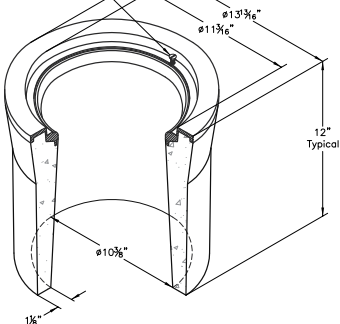
**G12 TRAFFIC VALVE BOX  
14-1/2" I.D. x 12"**

**CHRISTY®**

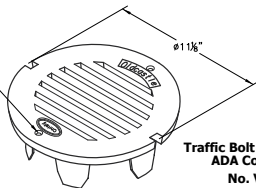
# DRAINAGE ITEMS

## Traffic Valve Box No. G05T BOX 58 lbs.

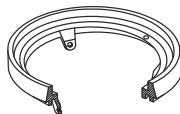
(2)  $\frac{3}{16}$ " x 1" SS Bolt  
(Included)



(2)  $\frac{3}{16}$ " Counter Sunk  
Bolt Holes



**Traffic Bolt Down Grate**  
**ADA Compliant**  
**No. V05CT**  
**15 lbs.**



**Locking**  
**Grade Ring**

The largest throat diameter for an box in its size range permits quick, easy valve adjustments. The large throat also makes this unit highly adaptable as a survey monument box. Unique locking grade rings assure permanence and quality of surface grades when streets are re-paved. The carefully engineered cast iron lid and ring includes machined surfaces and bolting features reducing the danger of lid "pop-out" in high traffic areas. Bolt down recommended for high traffic areas. Approximate dimensions and weight shown.

Oldcastle Ordering Code	Item	Approx. Shipping Weight	Description
G05TBOX	BOX	58 lbs.	G05T Traffic Valve Box (10 $\frac{3}{8}$ " I.D. x 12" high)— 36 per pallet— (includes $\frac{3}{16}$ "—20 x 1", bolts)
V05-71CT	LID	15 lbs.	Cast Iron Grate (Includes holes for bolt down feature) ADA Compliant
G05X12	EXTENSION	38 lbs.	12" reinforced concrete for the G05 boxes— 36 per pallet
G05TGR10	GRADE RING	10 lbs.	1" High cast iron
G05TGR15	GRADE RING	14 lbs.	1 $\frac{1}{2}$ " High cast iron
G05TGR20	GRADE RING	18 lbs.	2" High cast iron

 **Oldcastle**® Enclosure Solutions

Phone: (800) 735-5566 Fax: (800) 486 6806

Copyright© 2017 Oldcastle, Inc.

### V05 BOX

FILE NAME: V05\_ISO

ISSUE DATE: January, 2011

**OldcastleEnclosures.com**

**V05 DRAIN BOX**  
**10-3/8" I.D. x 12"**

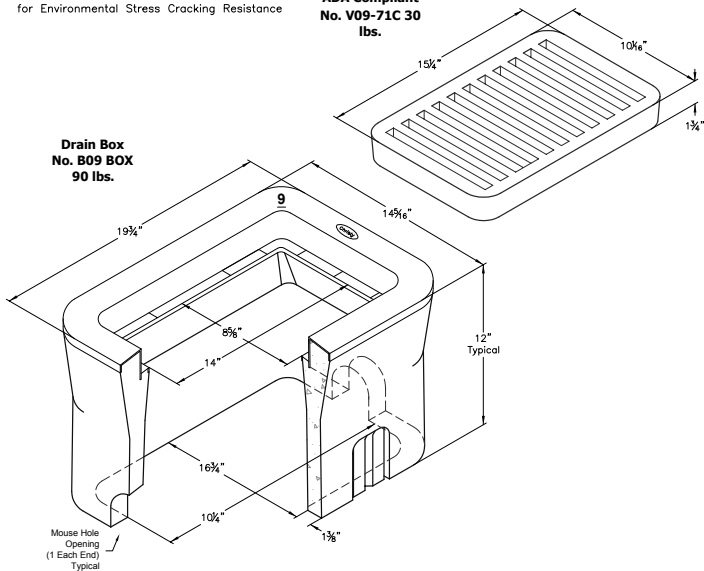
**CHRISTY**®

## DRAINAGE ITEMS

- Etched polypropylene face
- Face anchored in concrete
- Ultra-violet inhibitor
- Exceeds ASTM-D1693 Standards for Environmental Stress Cracking Resistance

**Cast Iron Grate  
ADA Compliant  
No. V09-71C 30  
lbs.**

**Drain Box  
No. B09 BOX  
90 lbs.**



A curb type reinforced box for use in light drainage installations. Approximate dimensions and weight shown.

Oldcastle Ordering Code	Item	Approx. Shipping Weight	Description
B09BOX	BOX	90 lbs.	B09 Drain Box (10 1/4" x 16 1/2") - 28 per pallet
V09-71C	LID	30 lbs.	Cast Iron Grate - ADA Compliant
B09X12	EXTENSION	87 lbs.	12" Reinforced Concrete Box Extension - 28 per pallet
B09SL	SLAB	32 lbs.	Reinforced Concrete Slab (1 3/4" x 19 3/4")

 Oldcastle® Enclosure Solutions

Phone: (800) 735-5566 Fax: (800) 486 6806

Copyright© 2017 Oldcastle, Inc.

### V09 BOX

FILE NAME: V09\_ISO

ISSUE DATE: January, 2011

[OldcastleEnclosures.com](http://OldcastleEnclosures.com)

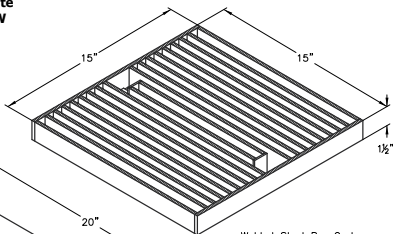
**V09 DRAIN BOX  
10-1/4" x 16-3/4"**

**CHRISTY®**

## DRAINAGE ITEMS

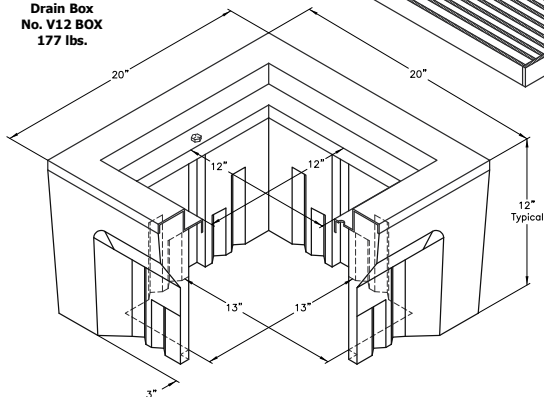
- Drainage Box is H/20 rated

**Cast Iron Grate  
No. V12-71W  
34 lbs.**



Welded Steel Bar Grate  
is ADA Approved.

**Drain Box  
No. V12 BOX  
177 lbs.**



A high density reinforced concrete box with galvanized frame, specifically engineered for heavy traffic areas. Approximate dimensions and weight shown.

Oldcastle Ordering Code	Item	Approx. Shipping Weight	Description
V12BOX	BOX	177 lbs.	V12 Drain Box (12" x 12") - H/20 Loading, Bolt Down, Interchangeable with Brooks #1212 Box- 12 per pallet
V12-71W	LID	34 lbs.	Welded, Steel Cross Bars, H/20 Loading, Galvanized; ADA Approved
V12X12	EXTENSION	120 lbs.	12" Reinforced Concrete - 12 per pallet

 **Oldcastle** Enclosure Solutions

Phone: (800) 735-5566 Fax: (800) 486 6806

Copyright © 2017 Oldcastle, Inc.

### V12 BOX

FILE NAME: V12\_ISO

ISSUE DATE: January, 2011

[OldcastleEnclosures.com](http://OldcastleEnclosures.com)

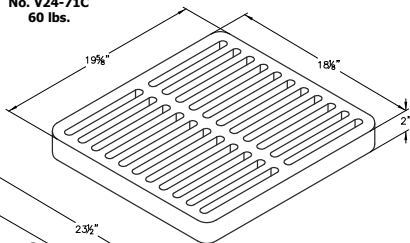
### V12 DRAIN BOX 12" x 12"

**CHRISTY**

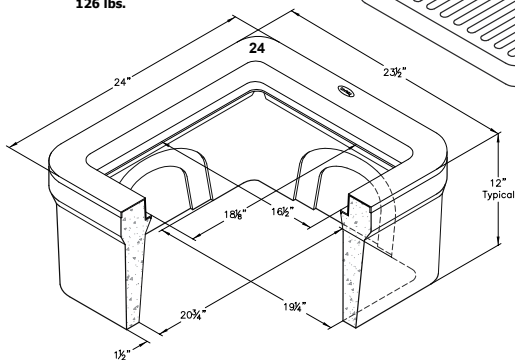
## DRAINAGE ITEMS

- Etched polypropylene face
- Face anchored in concrete
- Ultra-violet inhibitor
- Exceeds ASTM-D1693 Standards for Environmental Stress Cracking Resistance

**Cast Iron Grate  
No. V24-71C  
60 lbs.**



**Drain Box  
No. V24 BOX  
126 lbs.**



A curb type reinforced box for use in light drainage installations. Approximate dimensions and weight shown. Grates are light duty (non-traffic).

Oldcastle Ordering Code	Item	Approx. Shipping Weight	Description
B24BOX	BOX	126 lbs.	B24 Drain Box (20 <sup>3</sup> / <sub>4</sub> " x 19 <sup>1</sup> / <sub>4</sub> ") - 12 per pallet
V24-71C	LID	60 lbs.	Cast Iron Grate
B24X12	EXTENSION	164 lbs.	12" Reinforced Concrete - 12 per pallet
B24SL	SLAB	87 lbs.	Reinforced Concrete Slab



Oldcastle® Enclosure Solutions

Phone: (800) 735-5566 Fax: (800) 486 6806

Copyright© 2017 Oldcastle, Inc.

### V24 BOX

FILE NAME: V24\_ISO

ISSUE DATE: January, 2011

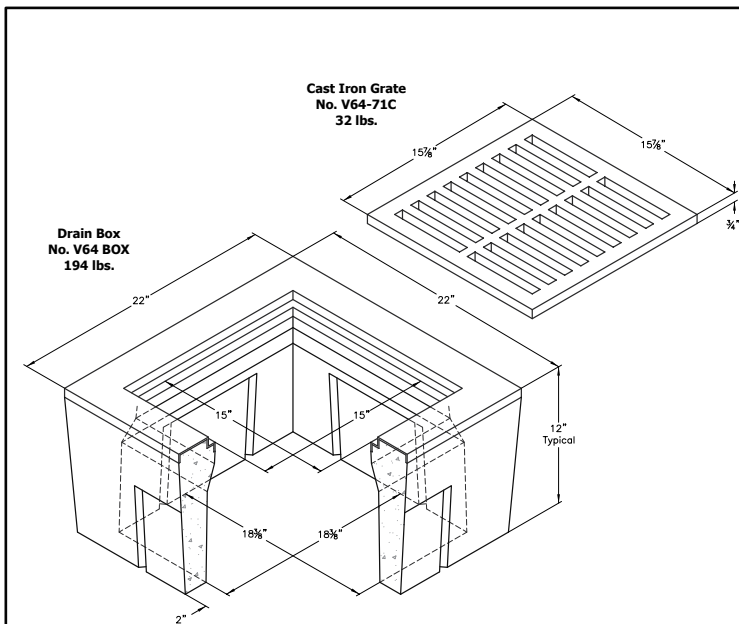
OldcastleEnclosures.com

### V24 DRAIN BOX 20-3/4" x 19-1/4"

CHRISTY®



## DRAINAGE ITEMS



**Drain Box  
No. V64 BOX  
194 lbs.**

**Cast Iron Grate  
No. V64-71C  
32 lbs.**

This concrete drain box has a cast in galvanized frame and is specifically engineered for drainage in medium areas such as parking lots, school grounds, walkways, etc. Its design permits final grading material to "lock in" and finish clean. Knock-outs accommodate up to 8" O.D. pipe. Approximate dimensions and weight shown. ADA approved grates available upon request.

Oldcastle Ordering Code	Item	Approx. Shipping Weight	Description
V64BOX	BOX	194 lbs.	V64 Drain Box (18 3/8" x 18 3/8") - 12 per pallet
V64-71C	LID	32 lbs.	Cast Iron Grate - ADA Compliant available upon request
V64X12	EXTENSION	152 lbs.	12" Reinforced Concrete - 12 per pallet

 **Oldcastle** Enclosure Solutions

Phone: (800) 735-5566 Fax: (800) 486 6806

Copyright© 2017 Oldcastle, Inc.

### V64 DRAIN BOX

FILE NAME: V64\_ISO

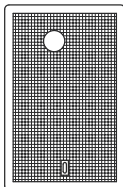
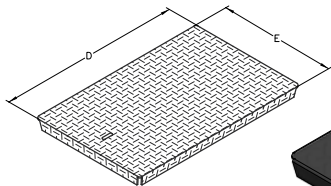
ISSUE DATE: January, 2011

[OldcastleEnclosures.com](http://OldcastleEnclosures.com)

### V64 DRAIN BOX 18-3/8" x 18-3/8"

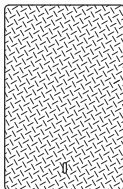
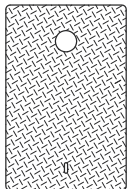
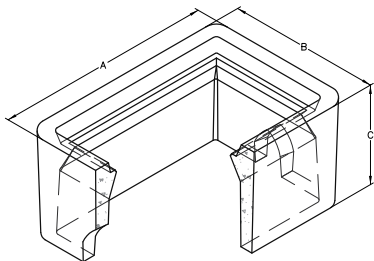
**CHRISTY**





**STEEL w/  
WELDED OR  
OPEN CORNERS**

**POLYMER w/  
TOUCH READ OR  
I-TRON SLOT**



**DIAMOND PLATE  
STEEL w/ TOUCH  
READ**

**DIAMOND PLATE  
STEEL**

NOTES:

1. HIGH DENSITY CONCRETE BOXES CONFORMING TO MAG SPEC. 320.
2. MAG #2 SHOWN:
  - CONCRETE BOX
  - STEEL COVERS
  - CAST IRON LID
  - POLYMER LID
3. APPROXIMATE DIMENSIONS SHOWN.

BOX NO.	MAG SPEC 320 BOX DIMENSIONS			BOX WEIGHT	MAG SPEC 320 LIDS				COVER DIMENSIONS	
	A	B	C		CAST IRON	POLYMER	DIAMOND WITH TOUCH READ & I-TRON SLOT	DIAMOND PLATE	D	E
1	19"	12"	12"	85 lbs.	NO. 1	NO. 1	NO. 1	NO. 1	15-7/8"	9"
2	25-3/4"	18"	12"	139 lbs.	NO. 2	NO. 2	NO. 2	NO. 2	21-3/4"	14-1/8"
3	29-1/2"	18-1/2"	12"	123 lbs.	NO. 3	N/A	NO. 3	NO. 3	26-1/4"	15-1/4"
4	33-1/2"	22-3/4"	12"	196 lbs.	NO. 4	N/A	NO. 4	NO. 4	30"	19-1/2"

 **Oldcastle** Enclosure Solutions

Phone: (800) 735-5566 Fax: (800) 486 6806

Copyright © 2017 Oldcastle, Inc.

**MAG SPEC 320**

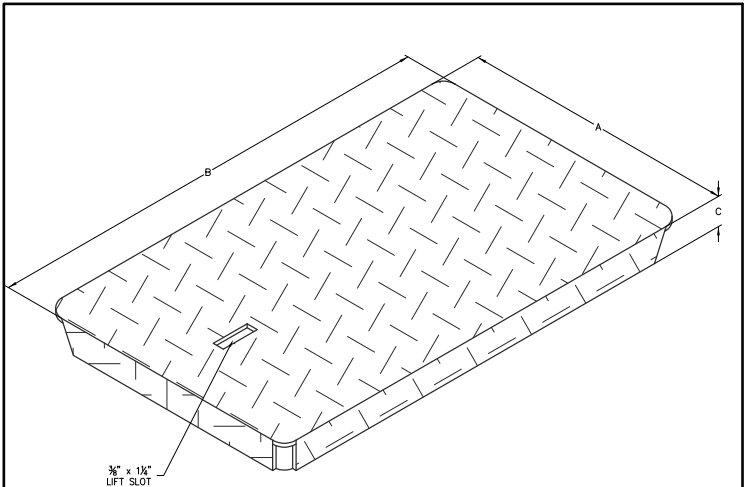
FILE NAME: MAGSPECBOX\_JS0

ISSUE DATE: January, 2011

[OldcastleEnclosures.com](http://OldcastleEnclosures.com)

**MAG SPEC 320  
CONCRETE METER BOXES**

**CHRISTY**



COVER SPECIFICATIONS					
COVER NO	A	B	C	MATERIAL	WEIGHT
T1	8-7/8"	14-3/4"	1-3/16"	14 GAUGE	4-1/4 lbs
1	9"	15-7/8"	1-3/8"	14 GAUGE	5-1/4 lbs
2	14-1/8"	21-3/4"	1-1/2"	12 GAUGE	12-1/4 lbs
3	15-1/4"	26-1/4"	1-1/2"	12 GAUGE	19-1/4 lbs
4	19-1/2"	30"	1-1/2"	11 GAUGE	33 lbs

- NOTES: UNLESS OTHERWISE SPECIFIED.  
 1. MATERIAL: PER MAG SPEC 770.1  
 A. DIAMOND PLATE STEEL.  
 B.  $\varnothing\frac{3}{4}$  SCHEDULE 40 HEAVY WALL BLACK IRON PIPE.  
 2. FINISH: BLACK HOT DIPPED COAL TAR BITUMINOUS COATING AFTER ASSEMBLY.  
 3. STRUCTURAL BRACING NOT USED ON COVERS T1 & 1.  
 4. REINFORCED CORNER SHOWN.  
 5. OPTIONAL OPEN CORNER.



Phone: (800) 735-5566 Fax: (800) 486 6806  
 Copyright© 2017 Oldcastle, Inc.

**STEEL COVERS**

FILE NAME: SWMBOXCOVERS\_ISO

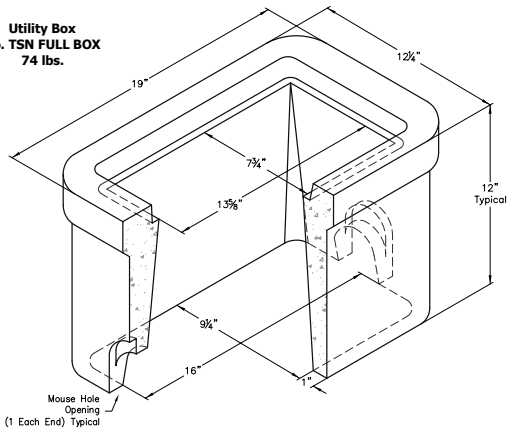
ISSUE DATE: January, 2011

OldcastleEnclosures.com

**STEEL WATER METER BOX COVERS W/ WELDED W/ WELDED CORNERS**

**CHRISTY**

**Utility Box  
No. TSN FULL BOX  
74 lbs.**



NOTES: UNLESS OTHERWISE SPECIFIED.

- METER BOXES SHALL CONFORM TO THE DIMENSIONS AS SHOWN.
- MATERIAL: CLASS AA CONCRETE PER SECTION 725. PORTLAND CEMENT CONCRETE POURED AND TAMPED (OR VIBRATED) IN TRUE FORMS.
- CUTOUTS (MOUSE HOLES) ARE NOT PLACED IN STACK BOXES. DIMENSIONS NOT APPLICABLE. HIGH DENSITY CONCRETE BOX WITH NON-SETTLING SHOULDERS POSITIONED TO MAINTAIN GRADE AND FACILITATE BACK FILLING.

Oldcastle Ordering Code	Item	Approx. Shipping Weight	Description
TSNFULLBOX	BOX	74 lbs.	Tucson "Full" Water Meter Box



**Oldcastle** Enclosure Solutions

Phone: (800) 735-5566 Fax: (800) 486 6806  
Copyright© 2017 Oldcastle, Inc.

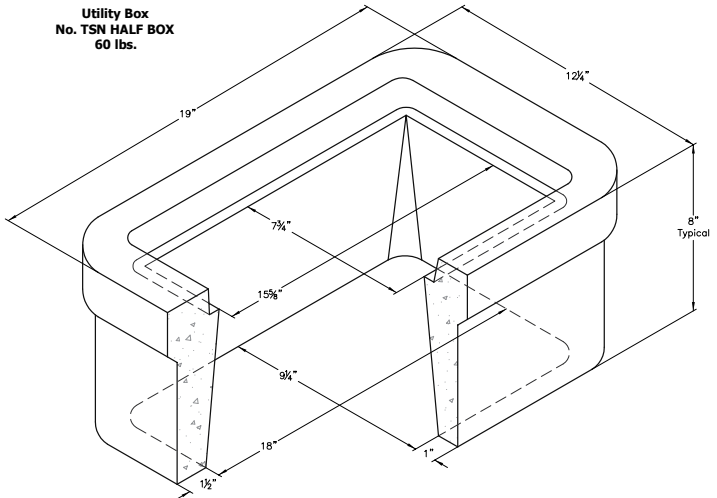
**FULL METER BOX**

FILE NAME: TUCWMFULLBOX\_JS0  
ISSUE DATE: January, 2011  
**OldcastleEnclosures.com**

**TUCSON CONCRETE  
WATER METER BOX**

**CHRISTY**

**Utility Box  
No. TSN HALF BOX  
60 lbs.**



NOTES: UNLESS OTHERWISE SPECIFIED.

1. METER BOXES SHALL CONFORM TO THE DIMENSIONS AS SHOWN.
2. MATERIAL: CLASS AA CONCRETE PER SECTION 725. PORTLAND CEMENT CONCRETE POURED AND TAMPED (OR VIBRATED) IN TRUE FORMS.
3. CUTOUTS (MOUSE HOLES) ARE NOT PLACED IN STACK BOXES. DIMENSIONS NOT APPLICABLE. HIGH DENSITY CONCRETE BOX WITH NON-SETTLING SHOULDERS POSITIONED TO MAINTAIN GRADE AND FACILITATE BACK FILLING.

Oldcastle Ordering Code	Item	Approx. Shipping Weight	Description
TSNHALFBOX	BOX	60 lbs.	Tucson "Half" Water Meter Box



Phone: (800) 735-5566 Fax: (800) 486 6806

Copyright© 2017 Oldcastle, Inc.

**HALF METER BOX**

FILE NAME: TUCWMHALFBOX\_ISO

ISSUE DATE: January, 2011

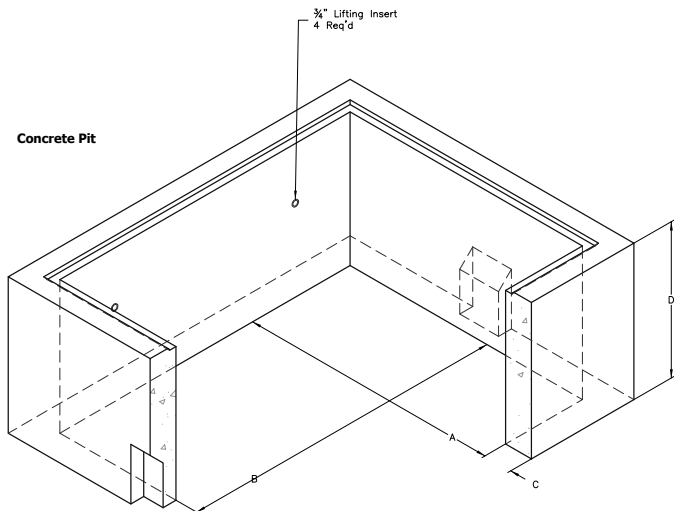
[OldcastleEnclosures.com](http://OldcastleEnclosures.com)

**TUCSON CONCRETE  
WATER METER BOX**

**CHRISTY**

# PITS, VAULTS & CATCH BASINS

## "R" SERIES PITS



A reinforced concrete box designed to provide high strength without excess weight. This pit is normally supplied with knockouts on ends only. Special openings or knockouts can be provided to customer's specifications at additional cost. Either plain checker plate covers, bolt down covers, or hinged covers are available. R-Series pits do not have bottoms. These pits are poured with a minimum of 5000 psi concrete and are reinforced. Approximate dimensions and weight shown.

Bolts are included with the box. Knock out size option up to 10"x 10" H20 incidental traffic not full H20 traffic rated.

PRODUCT NO.	DIMENSIONS				Approx. Wt.	
	A	B	C	D		
R17 PIT	3'	5'	4"	2" DEEP	24" DEEP	1860 lbs.
	36"	60"	4"	3" DEEP	36" DEEP	2870 lbs.
R27 PIT	4'	4'	4"	2" DEEP	24" DEEP	1700 lbs.
	48"	48"	4"	3" DEEP	36" DEEP	2540 lbs.
R33 PIT	4'	5'	4"	2" DEEP	24" DEEP	1980 lbs.
	48"	60"	4"	3" DEEP	36" DEEP	2960 lbs.
R37 PIT	4'	7'	4"	2" DEEP	24" DEEP	2300 lbs.
	48"	84"	4"	3" DEEP	36" DEEP	3440 lbs.

Special H/20 load traffic covers and frames available \* Reading lids available at additional cost \* Galvanizing available on all steel covers \* Non-skid surface available H/20 standard for spring assist covers



Oldcastle Enclosure Solutions

Phone: (800) 735-5566 Fax: (800) 486 6806

Copyright© 2017 Oldcastle, Inc.

### "R" SERIES PITS

FILE NAME: R-SERIES-PITS\_JSO

ISSUE DATE: January, 2011

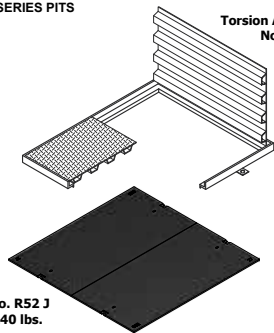
OldcastleEnclosures.com

### "R" SERIES PITS

CHRISTY®

# PITS, VAULTS & CATCH BASINS

## "R" SERIES PITS

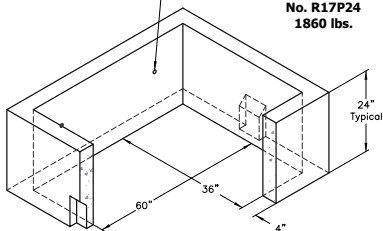


**Torsion Assist Cover  
No. R17-52HT  
435 lbs.**

$\frac{3}{8}$ " Lifting Insert  
4 Req'd

**Pit  
No. R17P24  
1860 lbs.**

**No. R52 J  
240 lbs.**



### Accessories Available for R Series Pits

(All lids available with 8" round self-closing reading lid at additional cost— specify if desired)  
All dimensions shown are inside.

Oldcastle Ordering Code	Item	Approx. Shipping Weight	Description
R17P24	PIT	1860 lbs.	R17 Pit (3' x 5' x 2' deep) — <b>Shown Above</b>
R17P36	PIT	2870 lbs.	R17 Pit (3' x 5' x 3' deep)
R17-52D	COVER	240 lbs.	2 pc. Steel Checker Plate, Parkway
R17-52J	COVER	240 lbs.	2 pc. Steel Checker Plate, Parkway, Bolt Down — <b>Shown Above</b>
R17-52HT	COVER	435 lbs.	2 pc. Steel Checker Plate, H/20, Hinged, Torsion — <b>Shown Above</b>
R17X24	EXTENSION	1860 lbs.	R17 Extension (3' x 5' x 2' deep)
R17X36	EXTENSION	2870 lbs.	R17 Extension (3' x 5' x 3' deep)
R27P24	PIT	1700 lbs.	R27 Pit (4' x 4' x 2' deep)
R27P36	PIT	2540 lbs.	R27 Pit (4' x 4' x 3' deep)
R27-52D	COVER	250 lbs.	2 pc. Steel Checker Plate, Parkway
R27-52J	COVER	250 lbs.	2 pc. Steel Checker Plate, Parkway, Bolt Down
R27-52HT	COVER	425 lbs.	2 pc. Steel Checker Plate, H/20, Hinged, Torsion
R27X24	EXTENSION	1700 lbs.	R27 Extension (4' x 4' x 2' deep)
R27X36	EXTENSION	2540 lbs.	R27 Extension (4' x 4' x 3' deep)
R33P24	PIT	1980 lbs.	R33 Pit (4' x 5' x 2' deep)
R33P36	PIT	2960 lbs.	R33 Pit (4' x 5' x 3' deep)
R33-52D	COVER	300 lbs.	2 pc. Steel Checker Plate, Parkway
R33-52J	COVER	300 lbs.	2 pc. Steel Checker Plate, Parkway, Bolt Down
R33-52HT	COVER	530 lbs.	2 pc. Steel Checker Plate, H/20, Hinged, Torsion
R33X24	EXTENSION	1980 lbs.	R33 Extension (4' x 5' x 2' deep)
R33X36	EXTENSION	2960 lbs.	R33 Extension (4' x 5' x 3' deep)
R37P24	PIT	2300 lbs.	R37 Pit (4' x 7' x 2' deep)
R37P36	PIT	3440 lbs.	R37 Pit (4' x 7' x 3' deep)
R37-54D	COVER	465 lbs.	2 pc. Steel Checker Plate, Parkway
R37-54J	COVER	465 lbs.	2 pc. Steel Checker Plate, Parkway, Bolt Down
R37-52HT	COVER	685 lbs.	2 pc. Steel Checker Plate, H/20, Hinged, Torsion
R37X24	EXTENSION	2300 lbs.	R37 Extension (4' x 7' x 2' deep)
R37X36	EXTENSION	3440 lbs.	R37 Extension (4' x 7' x 3' deep)

Galvanizing available for all steel covers



Oldcastle® Enclosure Solutions

Phone: (800) 735-5566 Fax: (800) 486 6806

Copyright© 2017 Oldcastle, Inc.

## "R" SERIES PITS

FILE NAME: R—SERIES PITS LIST

ISSUE DATE: January, 2011

OldcastleEnclosures.com

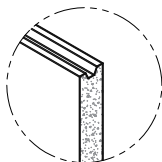
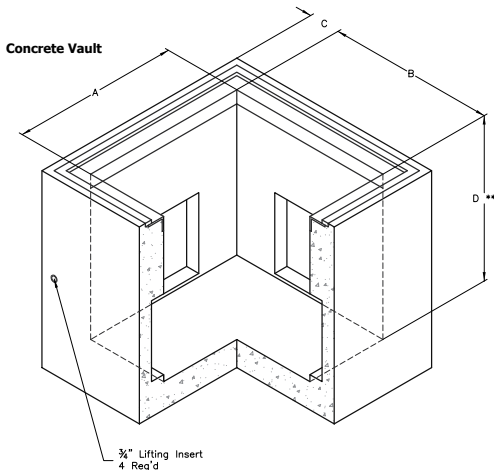
## "R" SERIES PITS

CHRISTY®



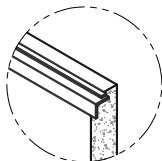
# PITS, VAULTS & CATCH BASINS

## "T" SERIES ELECTRICAL VAULTS



### Grooved

Grooved to receive tongue of grade rings.



### Framed

Cast-in galvanized frame for  $\frac{1}{4}$ " steel covers with bolt down provisions.

- \*\* • "T" Series Electrical Vaults are available in special heights upon request.
  - These vaults are poured with a minimum of 4500 psi concrete and are reinforced.
  - Approximate dimensions and weight shown.
- H20 rating when used with H20 cover

PRODUCT NO.	DIMENSIONS			D	Approx. Wt.	
	A	B	C			
T21 VAULT	2'	2'	4"	4' DEEP	48" DEEP	1675 lbs.
	24"	24"	4"			
T23 VAULT	2'	2'	6"	4' DEEP	48" DEEP	2825 lbs.
	24"	24"	6"			
T32 VAULT	2'	3'	6"	4' DEEP	48" DEEP	3350 lbs.
	24"	36"	6"			
T36 VAULT	2'	4'	5"	4' DEEP	48" DEEP	3320 lbs.
	24"	48"	5"			
T43 VAULT	3'	3'	6"	4' DEEP	48" DEEP	4220 lbs.
	36"	36"	6"			
T52 VAULT	3'	4'	6"	4' DEEP	48" DEEP	4930 lbs.
	36"	48"	6"			

All parkway covers are steel checker plate with hold down bolts \* All traffic covers are supplied with angle stiffeners and hold down bolts\*



Oldcastle® Enclosure Solutions

Phone: (800) 735-5566 Fax: (800) 486 6806

Copyright© 2017 Oldcastle, Inc.

### "T" SERIES

FILE NAME: T-SERIES-ELECTRICAL-VAULTS

ISSUE DATE: January, 2011

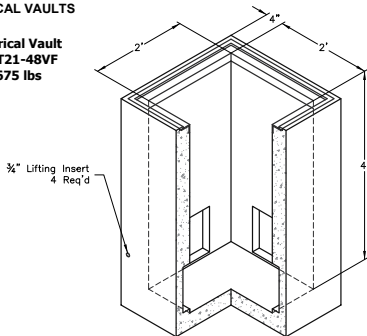
OldcastleEnclosures.com

"T" SERIES  
ELECTRICAL VAULTS  
CHRISTY®

# PITS, VAULTS & CATCH BASINS

## "T" SERIES ELECTRICAL VAULTS

**Electrical Vault  
No. T21-48VF  
1675 lbs**



Oldcastle Ordering Code	Item	Approx. Shipping Weight	Description
T21V	VAULT	1675 lbs.	T21 Electrical Vault (2' x 2' x 4" walls) w/ Vault Frame— <b>Shown Above</b>
T21-51J	COVER	60 lbs.	Steel Checker Plate, Parkway, Bolt Down
T21-51JH	COVER	136 lbs.	Steel Checker Plate, H/20 Loading Bolt Down
T21S	VAULT		T21 Sectional Vault (2' x 2' x 4" walls) w/ Vault Frame
T21ST12VF	TOP SECTION	384 lbs.	12" Reinforced Concrete w/ Vault Frame
T21ST6VF	TOP SECTION	192 lbs.	6" Reinforced Concrete w/ Vault Frame
U21SX12NF	EXTENSION	331 lbs.	12" Reinforced Concrete w/ Knock Outs, No Frame
U21SSLAB	SLAB	271 lbs.	3" Reinforced Concrete (33" x 33")
T21-51J	COVER	60 lbs.	Steel Checker Plate, Parkway, Bolt Down
T23V	VAULT	2825 lbs.	T23 Electrical Vault (2' x 2' x 6" walls) w/ Vault Frame
T21-51J	COVER	60 lbs.	Steel Checker Plate, Parkway, Bolt Down
T21-51JH	COVER	136 lbs.	Steel Checker Plate, H/20 Loading Bolt Down
T32V	VAULT	3350 lbs.	T32 Electrical Vault (2' x 3' x 6" walls) w/ Vault Frame
T32-51J	COVER	95 lbs.	Steel Checker Plate, Parkway, Bolt Down
T32-51JH	COVER	140 lbs.	Steel Checker Plate, H/20 Loading Bolt Down
T36V	VAULT	3320 lbs.	T36 Electrical Vault (2' x 4' x 5" walls) w/ Vault Frame
T36-51J	COVER	135 lbs.	Steel Checker Plate, Parkway, Bolt Down
T36-51JH	COVER	272 lbs.	Steel Checker Plate, H/20 Loading Bolt Down
T43V	VAULT	4220 lbs.	T43 Electrical Vault (3' x 3' x 6" walls) w/ Vault Frame
T43-51J	COVER	135 lbs.	Steel Checker Plate, Parkway, Bolt Down
T43-51JH	COVER	300 lbs.	Steel Checker Plate, H/20 Loading Bolt Down
T52V	VAULT	4930 lbs.	T52 Electrical Vault (3' x 4' x 6" walls) w/ Vault Frame
T52-52J	COVER	180 lbs.	2 pc. Steel Checker Plate, Parkway, Bolt Down
T52-52JH	COVER	287 lbs.	2 pc. Steel Checker Plate, H/20 Loading Bolt Down
T95V	VAULT	3245 lbs.	T95 Electrical Vault (3' x 5' x 30" deep) w/ No Vault Frame
T95-52J	COVER	350 lbs.	2 pc. Steel Checker Plate, Parkway, Bolt Down
T95-52JH	COVER	495 lbs.	2 pc. Steel Checker Plate, H/20 Loading Bolt Down
T95-GR6-VF	GRADE RING	575 lbs.	T95 Grade Ring (3' x 5' x 6" walls) w/ Vault Frame
T95-GR12-VF	GRADE RING	985 lbs.	T95 Grade Ring (3' x 5' x 6" walls) x 12" w/ Vault Frame
T95-GR12-NF	GRADE RING	985 lbs.	T95 Grade Ring (3' x 5' x 6" walls) x 12" w/ No Vault Frame

Galvanizing available for all steel covers



Oldcastle Enclosure Solutions

Phone: (800) 735-5566 Fax: (800) 486 6806

Copyright© 2017 Oldcastle, Inc.

### "T" SERIES

FILE NAME: T-SERIES-ELECTRICAL-VAULTS-LIST

ISSUE DATE: January, 2011

OldcastleEnclosures.com

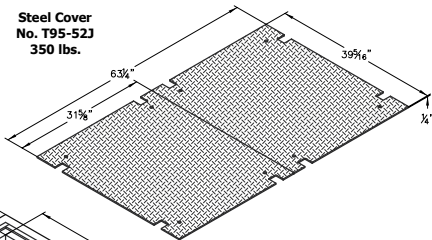
### "T" SERIES ELECTRICAL VAULTS

CHRISTY

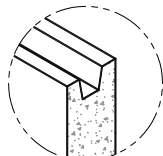
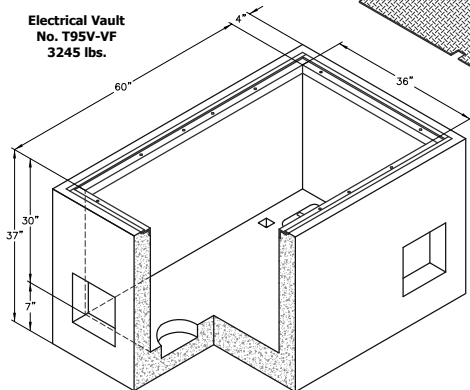
# PITS, VAULTS & CATCH BASINS

## T95 ELECTRICAL VAULT

**Steel Cover  
No. T95-52J  
350 lbs.**



**Electrical Vault  
No. T95V-VF  
3245 lbs.**



**Grooved**

Grooved to receive tongue of grade rings.

A heavy duty reinforced concrete box with standard knockouts and pulling irons. Approximate dimensions and weight shown.

Oldcastle Ordering Code	Item	Approx. Shipping Weight	Description
T95V-NF	VAULT	3245 lbs.	T95 Electrical Vault (3' x 5' x 30" Deep) w/ No Vault Frame
T95V-VF	VAULT	3245 lbs.	T95 Electrical Vault (3' x 5' x 30" Deep) w/ Vault Frame
T95-52J	COVER	350 lbs.	2 pc. Steel Checker Plate Cover, Parkway, Bolt Down
T95-52JH	COVER	495 lbs.	2 pc. Steel Checker Plate Cover, H/20 Loading, Bolt Down
T95GR6-VF	GRADE RING	575 lbs.	T95 Grade Ring (3' x 5' x 6" Deep) w/ Vault Frame
T95GR6-NF	GRADE RING	575 lbs.	T95 Grade Ring (3' x 5' x 6" Deep) w/ No Vault Frame
T95GR12-VF	GRADE RING	985 lbs.	T95 Grade Ring (3' x 5' x 12" Deep) w/ Vault Frame
T95GR12-NF	GRADE RING	985 lbs.	T95 Grade Ring (3' x 5' x 12" Deep) w/ No Vault Frame

Galvanizing available on all steel covers.



**Oldcastle** Enclosure Solutions

Phone: (800) 735-5566 Fax: (800) 486 6806

Copyright © 2017 Oldcastle, Inc.

### T95 VAULT

FILE NAME: T95\_ISO

ISSUE DATE: January, 2011

[OldcastleEnclosures.com](http://OldcastleEnclosures.com)

### T95 ELECTRICAL VAULT

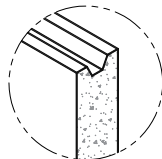
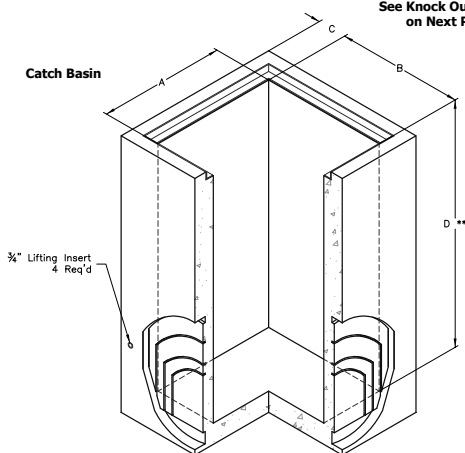
3' X 5'

**CHRISTY**

# PITS, VAULTS & CATCH BASINS

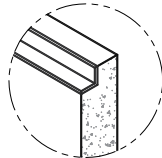
## CATCH BASINS

See Knock Out Sizing  
on Next Page



**Grooved**

Grooved to receive  
tongue of grade rings.



**Framed**

Cast-in galvanized frame  
for grades 1/2" x 1/2"  
angle iron with anchor  
bolts

- "U" Series Catch basins are specifically designed as a "heavy duty" standard for drainage installations. They provide greater labor savings, quality, and simplicity that standardization of pre-cast units make possible over pour-in-place installations.
- Knock-Outs available in grade rings and catch basins.
- No knock-outs on 6" and 12" grade rings.
- Openings, locations, and sizes to job specifications.
- With or without bottoms.
- Progressive webbed knock-outs provide a maximum flexibility, permitting pipe of any size to be neatly and quickly grouted in at jobsite.
- Standard grade rings are available in 6" increments up to 4' high. Customer specified top edge choices cast into catch basin or grade ring.
- "U" Series Catch Basins are available in special heights upon request.
- Approximate dimensions and weight shown.

PRODUCT NO.	DIMENSIONS			D	Approx. Wt.	
	A	B	C			
U21 CATCH BASIN	2'	2'	4"	4' DEEP	48" DEEP	1675 lbs.
	24"	24"	4"			
U23 CATCH BASIN	2'	2'	6"	4' DEEP	48" DEEP	2825 lbs.
	24"	24"	6"			
U32 CATCH BASIN	2'	3'	6"	4' DEEP	48" DEEP	3350 lbs.
	24"	36"	6"			
U36 CATCH BASIN	2'	4'	5"	4' DEEP	48" DEEP	3320 lbs.
	24"	48"	5"			
U43 CATCH BASIN	3'	3'	6"	4' DEEP	48" DEEP	4220 lbs.
	36"	36"	6"			
U52 CATCH BASIN	3'	4'	6"	4' DEEP	48" DEEP	4930 lbs.
	36"	48"	6"			

 Oldcastle® Enclosure Solutions

Phone: (800) 735-5566 Fax: (800) 486 6806  
Copyright © 2017 Oldcastle, Inc.

### U SERIES

FILE NAME: U-SERIES-CATCH-BASIN

ISSUE DATE: January, 2011

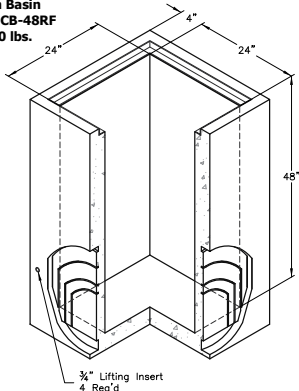
[OldcastleEnclosures.com](http://OldcastleEnclosures.com)

**"U" SERIES  
CATCH BASIN**  
**CHRISTY®**

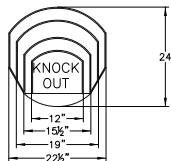
# PITS, VAULTS & CATCH BASINS

## CATCH BASINS

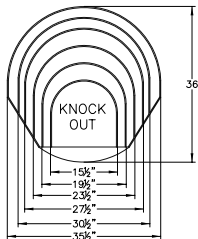
**Catch Basin  
No. U21CB-48RF  
1950 lbs.**



**Small  
Knock Out**



**Large  
Knock Out**



Oldcastle Ordering Code	Item	Approx. Shipping Weight	Description
U21CB	CATCH BASIN	1950 lbs.	U21 Catch Basin (2' x 2' x 4" walls) w/ Regular Frame— <b>Shown Above</b>
U21-NT	GRATE	35 lbs.	26 1/2" x 26 1/2" Welded, Galvanized, Non-Traffic
U21-HT	GRATE	75 lbs.	26 1/2" x 26 1/2" Welded, Galvanized, H/20 Traffic
U21S	CATCH BASIN		U21 Sectional Catch Basin (2' x 2' x 4" walls) w/ Regular Frame
U21ST12RF	TOP SECTION	384 lbs.	12" Reinforced Concrete w/ Regular Frame
U21ST6RF	TOP SECTION	192 lbs.	6" Reinforced Concrete w/ Regular Frame
U21SX12NF	EXTENSION	331 lbs.	12" Reinforced Concrete w/ Knock Outs, No Frame
U21SSLAB	SLAB	271 lbs.	3" Reinforced Concrete (33" x 33")
U21-NT	GRATE	35 lbs.	26 1/2" x 26 1/2" Welded, Galvanized, Non-Traffic
U21-HT	GRATE	75 lbs.	26 1/2" x 26 1/2" Welded, Galvanized, H/20 Traffic
U23CB	CATCH BASIN	3250 lbs.	U23 Catch Basin (2' x 2' x 6" walls) w/ Regular Frame
U21-NT	GRATE	35 lbs.	26 1/2" x 26 1/2" Welded, Galvanized, Non-Traffic
U21-HT	GRATE	75 lbs.	26 1/2" x 26 1/2" Welded, Galvanized, H/20 Traffic
U32CB	CATCH BASIN	4100 lbs.	U32 Catch Basin (2' x 3' x 6" walls) w/ Regular Frame
U32-NT	GRATE	46 lbs.	26 1/2" x 38" Welded, Galvanized, Non-Traffic
U32-HT	GRATE	140 lbs.	26 1/2" x 38" Welded, Galvanized, H/20 Traffic
U36CB	CATCH BASIN	4000 lbs.	U36 Catch Basin (2' x 4' x 5" walls) w/ Regular Frame
U36-NT	GRATE	67 lbs.	26 1/2" x 50" Welded, Galvanized, Non-Traffic
U36-HT	GRATE	155 lbs.	26 1/2" x 50" Welded, Galvanized, H/20 Traffic
U43CB	CATCH BASIN	4400 lbs.	U43 Catch Basin (3' x 3' x 6" walls) w/ Regular Frame
U43-NT	GRATE	70 lbs.	35 1/2" x 40" Welded, Galvanized, Non-Traffic
U43-HT	GRATE	232 lbs.	35 1/2" x 40" Welded, Galvanized, H/20 Traffic
U52CB	CATCH BASIN	5300 lbs.	U52 Catch Basin (3' x 4' x 6" walls) w/ Regular Frame
U52-NT	GRATE	94 lbs.	40" x 47 1/2" Welded, Galvanized, Non-Traffic
U52-HT	GRATE	280 lbs.	40" x 47 1/2" Welded, Galvanized, H/20 Traffic



Oldcastle® Enclosure Solutions

Phone: (800) 735-5566 Fax: (800) 486 6806

Copyright© 2017 Oldcastle, Inc.

### U SERIES

FILE NAME: U-SERIES-CATCH-BASINS-LIST

ISSUE DATE: January, 2011

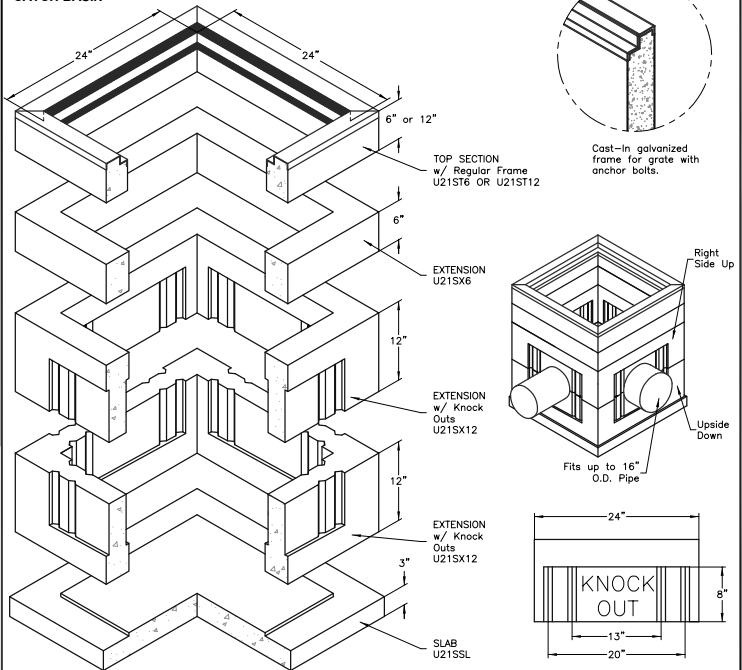
OldcastleEnclosures.com

### "U" SERIES CATCH BASINS

CHRISTY®

# PITS, VAULTS & CATCH BASINS

## U21 SECTIONAL CATCH BASIN



Oldcastle Ordering Code	Item	Approx. Shipping Weight	Description
U21S	DRAIN BOX		U21S Sectional drain Box (24" x 24" I.D.)
U21ST12RF	TOP SECTION	403 lbs.	12" Reinforced concrete with regular frame
U21ST6RF	TOP SECTION	190 lbs.	6" Reinforced concrete with regular frame
U21SX12NF	EXTENSION	337 lbs.	12" Reinforced concrete with knock outs, no frame
U21SSL	SLAB	164 lbs.	3" Reinforced concrete (33" x 33")
U21SX6-NF	EXTENSION	330 lbs.	6" Reinforced concrete, no frame

**Oldcastle** Enclosure Solutions

Phone: (800) 735-5566 Fax: (800) 486 6806

Copyright© 2017 Oldcastle, Inc.

### U21S SECTIONAL

FILE NAME: U21S\_JS0

ISSUE DATE: January, 2011

[OldcastleEnclosures.com](http://OldcastleEnclosures.com)

### U21S SECTIONAL

### CATCH BASIN

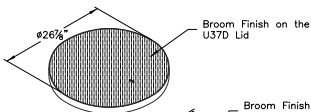
CHRISTY

# PITS, VAULTS & CATCH BASINS

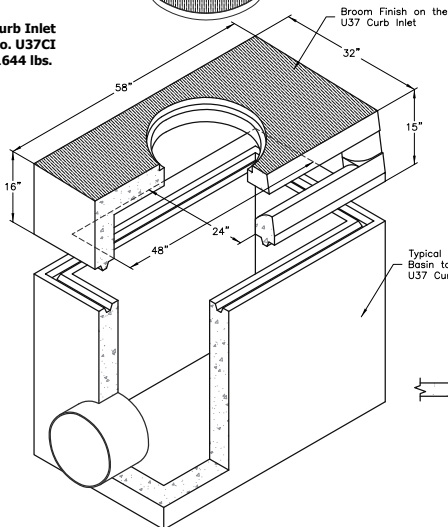
## U37 CURB INLET

w/ 5" WALLS

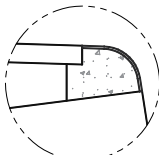
**Concrete Lid  
No. U37D  
76 lbs.**



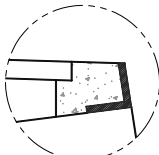
**Curb Inlet  
No. U37CI  
1644 lbs.**



Typical U36 Catch Basin to fit U37 Curb Inlet

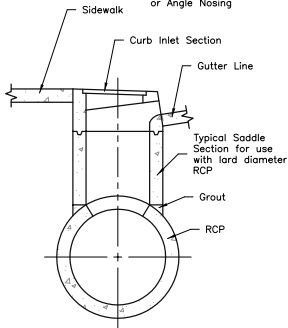


**Round Nose**



**Angle Nose**

Specify Rounded Nosing or Angle Nosing



Designed to fit U36 catch basins. Also, when used with a 4' x 5' x 6" adapter slab, will fit U52 catch basins.

The U37 Curb Inlet is a precast concrete box reinforced with 4" x 4"/#6 x #6 welded wire fabric and 2" x 2" x 3/8" "T" bar. The solid concrete lid is designed to be heavy enough so as to avoid vandalism and can be removed only by access through the inlet opening. The lid is protected by a galvanized metal ring along the circumference.

Oldcastle Ordering Code	Item	Approx. Shipping Weight	Description
U37CIAN	CURB INLET	1644 lbs.	U37 Curb Inlet with Angle Nose (2' x 4' x 15" deep - 5" walls) Fits U36 Catch Basin
U37CIRN	CURB INLET	1644 lbs.	U37 Curb Inlet with Round Nose (2' x 4' x 15" deep - 5" walls) Fits U36 Catch Basin
U37ASL	ADAPTER	1380 lbs.	U37-A Adapter Slab (5' x 5' x 6") Reinforced Concrete - Fits U52 Catch Basin
U37D	LID	76 lbs.	24" Diameter Reinforced Concrete



**Oldcastle** Enclosure Solutions

Phone: (800) 735-5566 Fax: (800) 486 8806

Copyright© 2017 Oldcastle, Inc.

## U37 CURB INLET

FILE NAME: 036CIU37\_ISO

ISSUE DATE: January, 2011

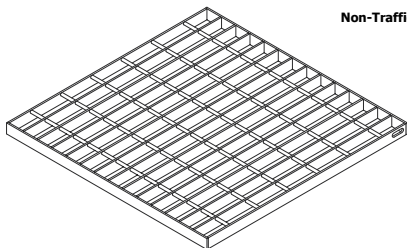
[OldcastleEnclosures.com](http://OldcastleEnclosures.com)

**U37 CURB INLET  
2' x 4' x 15" DEEP**

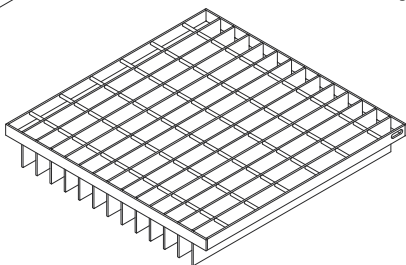
**CHRISTY**

## PITS, VAULTS & CATCH BASINS

### Welded Steel Grates with Cross Bars 77% Open Flow Area



Non-Traffic Loading



H/20 Traffic Loading

- Welded steel grates for "U" series catch basins to meet job specifications.
- Individual city, county, district or state requirement information available on request.
- See catch basin page for frame detail.
- ADA availability for all sizes.

Oldcastle Ordering Code	Item	Approx. Shipping Weight	Description
U21-NT	GRATE	35 lbs.	26 $\frac{1}{2}$ " x 26 $\frac{1}{2}$ " Welded, Galvanized, Non-Traffic. Fits U23 Catch Basin
U21-HT	GRATE	75 lbs.	26 $\frac{1}{2}$ " x 26 $\frac{1}{2}$ " Welded, Galvanized, H/20 Traffic. Fits U23 Catch Basin
U32-NT	GRATE	46 lbs.	26 $\frac{1}{2}$ " x 38" Welded, Galvanized, Non-Traffic
U32-HT	GRATE	112 lbs.	26 $\frac{1}{2}$ " x 38" Welded, Galvanized, H/20 Traffic
U36-NT	GRATE	67 lbs.	26 $\frac{1}{2}$ " x 50" Welded, Galvanized, Non-Traffic
U36-HT	GRATE	155 lbs.	26 $\frac{1}{2}$ " x 50" Welded, Galvanized, H/20 Traffic
U43-NT	GRATE	70 lbs.	35 $\frac{1}{2}$ " x 40" Welded, Galvanized, Non-Traffic
U43-HT	GRATE	232 lbs.	35 $\frac{1}{2}$ " x 40" Welded, Galvanized, H/20 Traffic
U52-NT	GRATE	94 lbs.	40" x 47 $\frac{1}{2}$ " Welded, Galvanized, Non-Traffic
U52-HT	GRATE	280 lbs.	40" x 47 $\frac{1}{2}$ " Welded, Galvanized, H/20 Traffic

All grates are galvanized, bicycle proof, and bolt down.



Oldcastle® Enclosure Solutions

Phone: (800) 735-5566 Fax: (800) 486 6806

Copyright© 2017 Oldcastle, Inc.

### STEEL GRATES

FILE NAME: WELDED-STEEL-GRATES\_JS0

ISSUE DATE: January, 2011

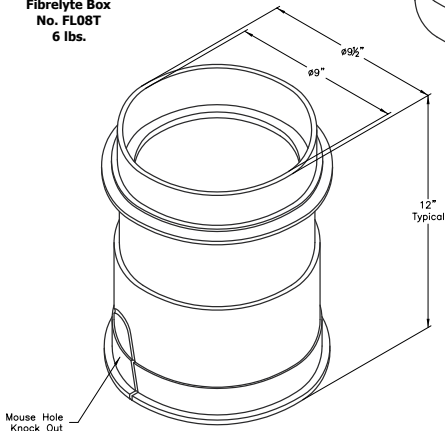
OldcastleEnclosures.com

### WELDED STEEL GRATES

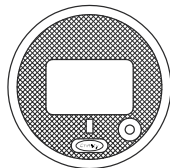
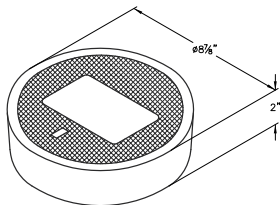
CHRISTY®



**Fibrelyte Box  
No. FL08T  
6 lbs.**



**Fibrelyte Lid  
No. FL08D  
2 lbs.**



**FL08T**

All Fibrelyte valve and utility boxes are designed to receive either Fibrelyte, standard Christy Concrete or cast iron lids. Fibrelyte is a durable, light weight and proven alternative to concrete. Approximate dimensions and weight shown.

Oldcastle Ordering Code	Item	Approx. Shipping Weight	Description
FL08TBOX	BOX	6 lbs.	FL08T Box (9" dia. I.D. x 12" High) – 64 per pallet
FL08D	LID	2 lbs.	Fibrelyte Lid (green and purple color options)
FL08T	LID	2 lbs.	Fibrelyte Lid, Bolt Down
ADS	EXTENSION		ADS plastic extension 6", 8", 12", 18" & 10' Standard lengths. Others on request. No adapter required.



**Oldcastle** Enclosure Solutions

Phone: (800) 735-5566 Fax: (800) 486 6806

Copyright © 2017 Oldcastle, Inc.

**FL08T BOX**

FILE NAME: FL08\_JS0

ISSUE DATE: January, 2011

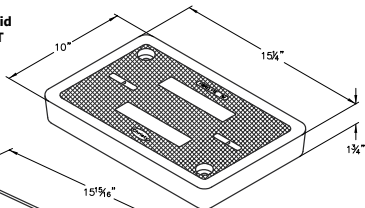
**OldcastleEnclosures.com**

**FL08 FIBRELYTE BOX  
9" x 12"**

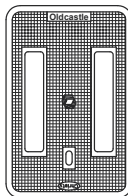
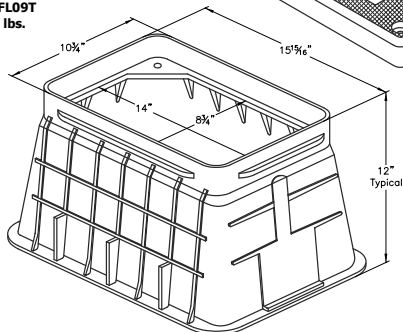
**FIBRELYTE**

# FIBRELYTE

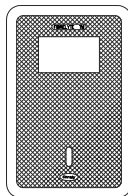
**Fibrelyte Lid  
No. FL09T  
9 lbs.**



**Fibrelyte Box  
No. FL09T  
16 lbs.**



**B09C**



**PC1015/09T**

**FL09D**

All Fibrelyte valve and utility boxes are designed to receive either Fibrelyte, Oldcastle Polymer, standard Christy Concrete or cast iron lids. Both Fibrelyte and Oldcastle Polymer are durable, light weight and proven alternative to concrete. Approximate dimensions and weight shown.

Oldcastle Ordering Code	Item	Approx. Shipping Weight	Description
FL09TBOX	BOX	16 lbs.	FL09T Box (10" x 17" x 12" High) - 48 per pallet
FL09D	LID	9 lbs.	Fibrelyte Lid
FL09T	LID	9 lbs.	Fibrelyte Lid, Bolt Down (order FL99 Bolt Separately)
B09C	LID	20 lbs.	Cast Iron (Bolt Down Available)
PC1015/09 T	LID	19 lbs.	Oldcastle Polymer Concrete Lid, Bolt Down



**Oldcastle** Enclosure Solutions

Phone: (800) 735-5566 Fax: (800) 486 6806

Copyright © 2017 Oldcastle, Inc.

## FL09T BOX

FILE NAME: FL09\_ISO

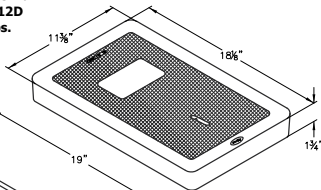
ISSUE DATE: January, 2011

[OldcastleEnclosures.com](http://OldcastleEnclosures.com)

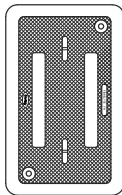
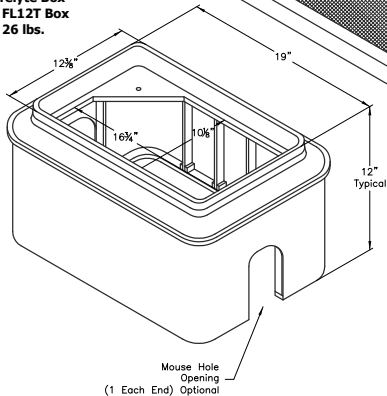
## FL09 FIBRELYTE BOX 10" x 17"

**FIBRELYTE**

**Fibrelyte Lid  
No. FL12D  
11 lbs.**



**Fibrelyte Box  
No. FL12T Box  
26 lbs.**



**FL12T**

All Fibrelyte valve and utility boxes are designed to receive either Fibrelyte, Oldcastle Polymer, standard Christy Concrete or cast iron lids. Both Fibrelyte and Oldcastle Polymer are durable, light weight and proven alternative to concrete. Approximate dimensions and weight shown.

Oldcastle Ordering Code	Item	Approx. Shipping Weight	Description
FL12TBOX	BOX	26 lbs.	FL12T Box (12" x 20" x 12" High) - 20 per pallet
FL12D	LID	11 lbs.	Fibrelyte Lid
FL12T	LID	11 lbs.	Fibrelyte Lid, Bolt Down (order FL99 bolts separately)



**Oldcastle** Enclosure Solutions

Phone: (800) 735-5566 Fax: (800) 486 6806

Copyright © 2017 Oldcastle, Inc.

**FL12T BOX**

FILE NAME: FL12\_JS0

ISSUE DATE: January, 2011

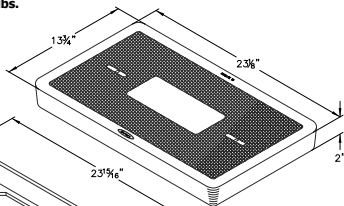
**OldcastleEnclosures.com**

**FL12T FIBRELYTE BOX  
12" x 20"**

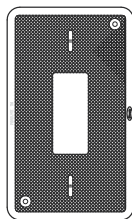
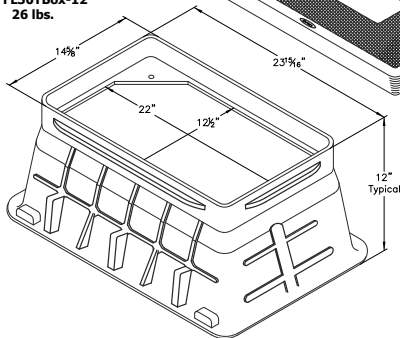
**FIBRELYTE**

# FIBRELYTE

**Fibrelyte Lid  
No. FL30D  
20 lbs.**



**Fibrelyte Box  
No. FL30TBOX-12  
26 lbs.**



**FL30T**

All Fibrelyte valve and utility boxes are designed to receive either Fibrelyte, Oldcastle Polymer, standard Christy Concrete or cast iron lids. Both Fibrelyte and Oldcastle Polymer are durable, light weight and proven alternative to concrete. Approximate dimensions and weight shown.

Oldcastle Ordering Code	Item	Approx. Shipping Weight	Description
FL30TBOX12	BOX	26 lbs.	FL30T Box (13" x 24" x 12" high) - 30 per pallet
FL30TBOX18	BOX	35 lbs.	FL30T Box (13" x 24" x 18" high) - 18 per pallet
FL30TBOX20	BOX	36 lbs.	FL30T Box (13" x 24" x 20" high) - 15 per pallet
FL30TBOX24	BOX	44 lbs.	FL30T Box (13" x 24" x 24" high) - 15 per pallet
FL30D	LID	20 lbs.	Fibrelyte Lid
FL30T	LID	20 lbs.	Fibrelyte Lid, Bolt Down (order FL99 bolts separately)
FL30X6	EXTENSION	9 lbs.	6" High Extension
FL30X8	EXTENSION	10 lbs.	8" High Extension

 **Oldcastle**® Enclosure Solutions

Phone: (800) 735-5566 Fax: (800) 486 6806

Copyright© 2017 Oldcastle, Inc.

## FL30T BOX

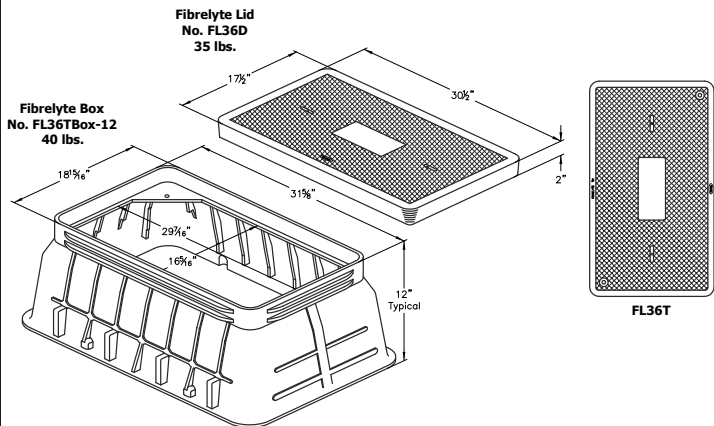
FILE NAME: FL30\_ISO

ISSUE DATE: January, 2011

[OldcastleEnclosures.com](http://OldcastleEnclosures.com)

**FL30T FIBRELYTE BOX**  
**13" x 24"**  
**FIBRELYTE**®

# FIBRELYTE



All Fibrelyte valve and utility boxes are designed to receive either Fibrelyte, Oldcastle Polymer, standard Christy Concrete or cast iron lids. Both Fibrelyte and Oldcastle Polymer are durable, light weight and proven alternative to concrete. Approximate dimensions and weight shown.

Oldcastle Ordering Code	Item	Approx. Shipping Weight	Description
FL36TBOX12	BOX	40 lbs.	FL36T Box (17" x 30" x 12" high) – 20 per pallet
FL36TBOX18	BOX	52 lbs.	FL36T Box (17" x 30" x 18" high) – 12 per pallet
FL36TBOX20	BOX	58 lbs.	FL36T Box (17" x 30" x 20" high) – 10 per pallet
FL36TBOX24	BOX	64 lbs.	FL36T Box (17" x 30" x 24" high) – 10 per pallet
FL36D	LID	35 lbs.	Fibrelyte Lid
FL36T	LID	35 lbs.	Fibrelyte Lid, Bolt Down (order FL99 bolts separately)
FL36X6	EXTENSION	12 lbs.	6" High Extension
FL36X8	EXTENSION	18 lbs.	8" High Extension

 **Oldcastle®** Enclosure Solutions

Phone: (800) 735-5566 Fax: (800) 486 6806

Copyright© 2017 Oldcastle, Inc.

## FL36T BOX

FILE NAME: FL36\_JS0

ISSUE DATE: January, 2011

[OldcastleEnclosures.com](http://OldcastleEnclosures.com)

## FL36T FIBRELYTE BOX

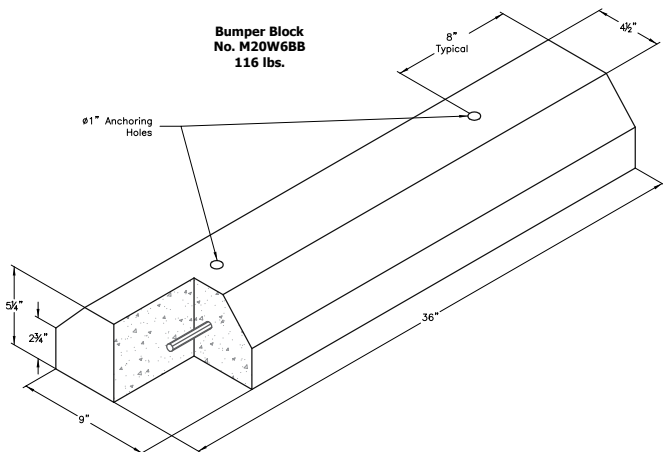
17" x 30"

FIBRELYTE®

FIBRELYTE



# MISCELLANEOUS



A specifically designed bumper block for use in school campuses, shopping centers, apartments, playgrounds, ect. Made of reinforced concrete to withstand constant use and rough service. Can be installed with epoxy adhesive for permanent installation or without for non-permanent use. Approximate dimensions and weight shown.

Oldcastle Ordering Code	Item	Approx. Shipping Weight	Description
M20W6BBWH	BUMPER	116 lbs.	3' Bumper block, reinforced concrete

 **Oldcastle**® Enclosure Solutions

Phone: (800) 735-5566 Fax: (800) 486 6806

Copyright© 2017 Oldcastle, Inc.

## BUMPER BLOCK

FILE NAME: 20W6BUMBLOCK\_JS0

ISSUE DATE: January, 2011

[OldcastleEnclosures.com](http://OldcastleEnclosures.com)

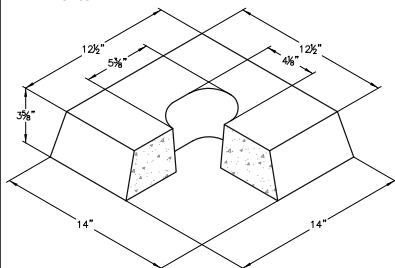
## BUMPER BLOCK

**CHRISTY**®

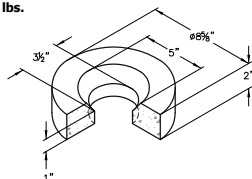
MISC.

# MISCELLANEOUS

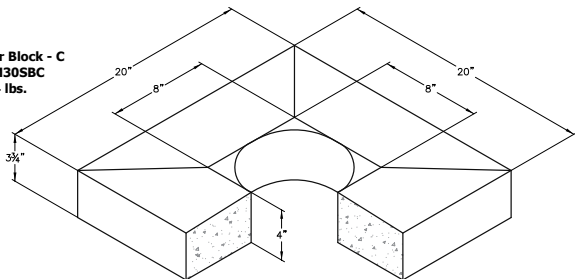
**Sprinkler Block - A**  
No. M30SBA  
48 lbs.



**Sprinkler Block - B**  
No. M30SBB  
6 lbs.



**Sprinkler Block - C**  
No. M30SBC  
94 lbs.



A precast concrete protector for a variety of sprinkler heads. For extra heavy duty applications where maximum protection is required. Can be set above ground or at ground level. Approximate dimensions and weight shown.

Oldcastle Ordering Code	Item	Approx. Shipping Weight	Description
M30SBA	SPRINKLER	48 lbs.	Type A, Sprinkler Block (14" x 14" x 4") - 45 per pallet
M30SBB	SPRINKLER	6 lbs.	Type B, Sprinkler Block (ø5" x 2") - 100 per pallet
M30SBC	SPRINKLER	94 lbs.	Type C, Sprinkler Block (20" x 20" x 3 3/4") with ø8" hole - 20 per pallet



**Oldcastle**® Enclosure Solutions

Phone: (800) 735-5566 Fax: (800) 486 6806

Copyright © 2017 Oldcastle, Inc.

## SPRINKLER BLOCKS

FILE NAME: 30SPRBLCK\_ISO

ISSUE DATE: January, 2011

[OldcastleEnclosures.com](http://OldcastleEnclosures.com)

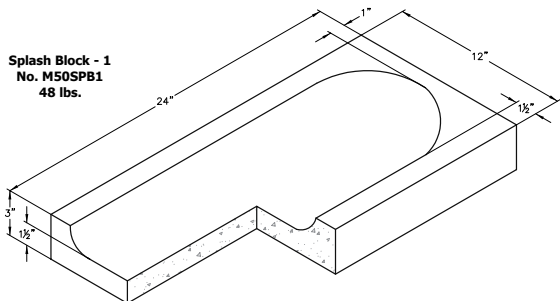
## SPRINKLER BLOCKS

**CHRISTY**®

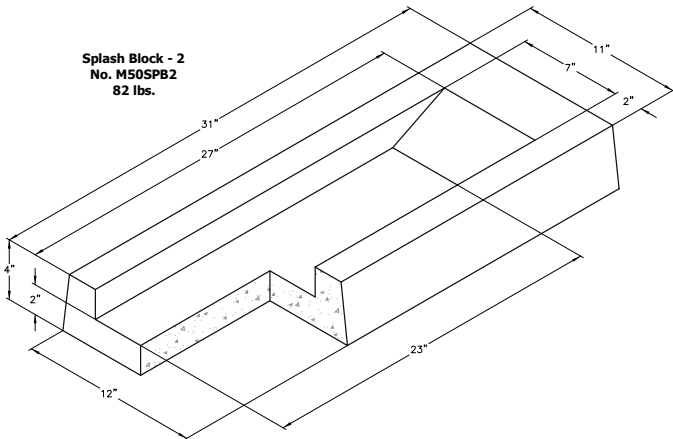


# MISCELLANEOUS

**Splash Block - 1**  
**No. M50SPB1**  
**48 lbs.**



**Splash Block - 2**  
**No. M50SPB2**  
**82 lbs.**



Oldcastle Ordering Code	Item	Approx. Shipping Weight	Description
M50SPB1	SPLASH	48 lbs.	12" x 24" Splash Block, Reinforced Concrete
M50SPB2	SPLASH	82 lbs.	12" x 31" Splash Block, Reinforced Concrete, FHA Approved



**Oldcastle** Enclosure Solutions

Phone: (800) 735-5566 Fax: (800) 486 6806

Copyright © 2017 Oldcastle, Inc.

## SPLASH BLOCK

FILE NAME: 50SPLBLOCK\_ISO

ISSUE DATE: January, 2011

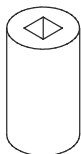
[OldcastleEnclosures.com](http://OldcastleEnclosures.com)

## SPLASH BLOCK

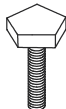
**CHRISTY**

MISC.

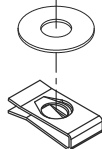
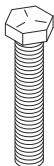
# MISCELLANEOUS



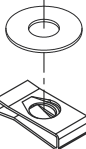
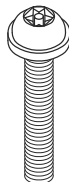
**Large Penta Bolt Socket**



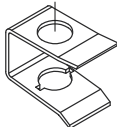
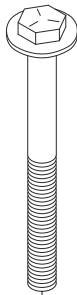
**Standard Penta Bolt**  
3/8" - 16UNC x 1"



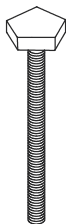
**N90HHE02 Bolt Kit (Set of 2)**



**N900ESE02 Bolt Kit (Set of 2)**



**N98HHE03 Bolt Kit (Set of 2 or 4)**



**Large Penta Bolt**  
3/8" - 16UNC x 3 1/2"



**Standard Hex Bolt**  
3/8" - 16UNC x 4"



**OES VP Bolt**  
3/8" - 16UNC x 1"



**Dome Plug**

Oldcastle Ordering Code	Item	Approx. Shipping Weight	Description
N90HHE02 = 3005110	BOLTS (SET)	4 oz.	Hex Head Bolts for N09R, N16R, N30R, N36R Lids (Set of 2)
N90PHE02 = 3005115	BOLTS (SET)	4 oz.	Penta Head Bolts for N09R, N 16R, N30R, N36R Lids (Set of 2)
N900ESE02 = 3005120	BOLTS (SET)	4 oz.	OES VP Bolts for N09R, N 16R, N30R, N36R Lids (Set of 2)
N98HHE03 =3005122	BOLTS (SET)	6 oz.	Hex Head Bolts for N40T Lid (Set of 2)
N98PHE03 =3005123	BOLTS (SET)	6 oz.	Penta Head Bolts for N40T Lid (Set of 2)
N98HHE03 = 3005127	BOLTS (SET)	12 oz.	Hex Head Bolts for N48T Lid (Set of 4)
N98PHE03 =3005128	BOLTS (SET)	12 oz.	Penta Head Bolts for N48T Lid (Set of 2)
HMS-710 = HMS-710	LARGE SOCKET	4 oz.	Large Pentahead Socket
M36LH = 3005075	LIFTING HOOK	1.5 lbs.	3 ft. Universal Lifting Hook for the lids.
Rex key = 3005221	KEY	1 lbs.	Key for OES Vandal Proof Bolt
Dome Plug = 3011200	DOMES PLUG		

**Oldcastle**® Enclosure Solutions

Phone: (800) 735-5566 Fax: (800) 486 6806

Copyright© 2017 Oldcastle, Inc.

## HARDWARE

FILE NAME: MISC-PARTS

ISSUE DATE: January, 2011

[OldcastleEnclosures.com](http://OldcastleEnclosures.com)

## HARDWARE

**CHRISTY**

# CROSS REFERENCE GUIDE

## Curb & Traffic Valve Boxes

Christy	BES	Brooks
F08 Valve Box	F8 Valve Box	#1 RD Valve Box
F08R	F8R	#1 RD
F08C	F8C	#1 RDT
V01-71C	V1-71C	#1 RDTG
F14 Curb Valve Box	F14 Curb Valve Box	#30 18 Curb Valve Box
F08R	F08R	#30 18
FL08D	No Equal	
F08C	F08C	#30 18 T
V01-71C	V01-71C	
F22 Curb Valve Box	F22 Curb Valve Box	#30 30 Curb Valve Box
F08R	F08R	#30 30
FL08D	No Equal	
F08C	F08C	#30 30 T
V01-71C	V01-71C	
G03 Box		#3 Traffic V.B.
G03C	No Equal	#3RTT
G05X12		#3RT-12
G04 Box		#4 Traffic V.B.
G04C	No Equal	#4RTT
G05X12		#4RT-12
G05T Traffic Valve Box	G05 Traffic Valve Box	
G05CT	G05C	
G05X12	G05X12	

# CROSS REFERENCE GUIDE

## Drainage Boxes

Christy	BES	Brooks
G05T Traffic Valve Box	G05T Traffic Valve Box	
V05CT	V05CT	
G05X12	G05X12	
B09 Drain Box	C09 Drain Box	#36 Drain Box
V09-71C	V09-71C	#36 DTG
B09X12	C09X12	#36 Ext.
V12 Drain Box	V12 Drain Box	#1212 Drain Box
V12-71C	V12-71C	#1212 Grate
V12X12	V12X12	
B24 Drain Box	C24 Drain Box	
V24-71C	V24-71C	
B24X12	C24X12	
V64 Drain Box	V64 Drain Box	#1818 Drain Box
V64-71C	V64-71C	#1818 Grate
V64X12	V64X12	#1818 Extension
V64X6 (Discontinued)	No Equal	

# CROSS REFERENCE GUIDE

## Electrical Boxes

Christy	BES	Brooks
N09 Electrical Box	C09E Electrical Box	#3 1/2 PB Electrical Box
N09R	C09D	#3 1/2 PB
N09R	C09T	#3 1/2 PB B/D
N09J	C09J	#3 1/2 PB-T (C.I.) B/D
FL09T	No Equal	
N09-61D	C09-61D	#3 1/2 PB-T (STL)
N09-61J	C09-61J	#3 1/2 PB-T (STL) B/D
B09X12	C09X12	
B09SL	C09SL	#36 Slab
B16 Electrical Box	C16E Electrical Box	#5 PB Electrical Box
N16R	C16D	#5 PB
N16R	C16T	#5 PB B/D
FL16T	No Equal	
N16J	C16J	#5 PB-T (C.I.) B/D
N16-61D	C16-61D	#5 PB-T (STL)
N16-61J	C16-61J	#5 PB-T (STL) B/D
B16X12	C16X12	
B30SL	C16SL	
N30 Electrical Box	C30E Electrical Box	#38 PB Electrical Box
N30R	C30D	#38 PB
N30R	C30T	#38 PB B/D
FL30T	No Equal	
N30-61D	C30-61D	#38 PB-T (STL)
N30-61J	C30-61J	#38 PB-T (STL) B/D
B30X12	C30X12	#38 Ext.
B30SL	C30SL	#38 Slab
N36 Electrical Box	C36E Electrical Box	#66 Electrical Box
N36R	C36D	#66 PB
N36R	C36T	#66 PB B/D
FL36T	No Equal	
N36-61D	C36-61D	#66 PB-T (STL)

# CROSS REFERENCE GUIDE

## Electrical Boxes

Christy	BES	Brooks
N36-61J	C36-61J	#66 PB-T (STL) B/D
B36X12	C36X12	
B36SL	C36SL	
B40 Electrical Box	C40E Electrical Box	#67 PB Electrical Box
N40D	C40D	#67 PB
N40T	C40T	#67 PB B/D
N40-61D	C40-61D	#67 PB-T (STL)
N40-61J	C40-61J	#67 PB-T (STL) B/D
N40X10	C40X10	#67 Ext.
B40SL	C40SL	#67 Slab
B44 Meter Box	C44E Electrical Box	
B44D2	C44D2	
B44-62D	C44-62D	
B44X8	C44X8	
B44SL	C44SL	
N48 Electrical Box	C48E Electrical Box	#68 PB Electrical Box
B48D	C48D	#68 PB
N48D2	C48D2	#68 PB
B48T2	C48T2	#68 PB B/D
B48-62D	C48-62D	#68 PB-T (STL)
N48-62J	C48-62J	#68 PB-T (STL) B/D
N48X10	C48X10	#68 Ext.
B48SL	C48SL	#68 Slab
N52 Electrical Box	C52E Electrical Box	#69 PB Electrical Box
N52D2	C52D2	
N52D3	C52D3	#69 PB
N52T3	C52T3	#69 PB B/D
B52-62D	C52-62D	#69 PB-T (STL)
N52-62J	C52-62J	#69 PB-T (STL) B/D
N52X10	C52X10	#69 Ext.
B52SL	C52SL	#69 Slab

# CROSS REFERENCE GUIDE

## Water Meter Boxes

Christy	BES	Brooks
B03 Meter Box	C03W Meter Box	#3 Meter Box
B03C	C03C	#3T
B03D	C03D	#3s 1 piece
B03P	C03D	
B03-61D	C03-61D	
B09 Meter Box	C09W Meter Box	#36 Meter Box
B09C	C09C	
N09R	C09D	#36 T
N09RP	C09P	
B09G	C09G	#36 1 piece
FL09D	No Equal	
B09-61D	C09-61D	#36 S
B09-61G	C09-61G	#36 H
B09X12	C09X12	#36 Ext.
B09SL	C09SL	#36 Slab
B09X Meter Box	C09X Meter Box	
B09XD	C09XD	
B09XP	C09XP	
B09XG	C09XG	
FL09XD	No Equal	
B09-61D	C09-61D	#36 S
B09-61G	C09-61G	#36 H
B09X12	C09X12	
B09SL	C09SL	

# CROSS REFERENCE GUIDE

## Water Meter Boxes

Christy	BES	Brooks
B12 Meter Box	C12 Meter Box	#37 Meter Box
B12D	C12D	#37 1 piece
B12P	C12P	
B12G	C12G	#37 H
FL12D	No Equal	
B12GP	C12GP	
B12S	C12S	#37 S
B12-61D	C12-61D	#37 T
B12-61G	C12-61G	#37 TR
B12X12	C12X12	#37 Ext.
B16 Meter Box	C16W Meter Box	
B16C	C16C	
N16R	C16D	
N16RP	C16P	
B16G	C16G	
FL16D	No Equal	
B16GP	C16GP	
B16-61D	C16-61D	
B16-61G	C16-61G	
B16-61GP	C16-61GP	
B16X12	C16X12	
B30SL	C16SL	
B24 Dual Meter Box	C24 Dual Meter Box	Dual 11 Meter Box
B24D	C24D	Dual 11 pieces
B24E	C24E	Dual 11 5
B24G	C24G	Dual 11 5
B24-61D	C24-61D	Dual 11 T
B24-61G	C24-61G	Dual 11 TR
B24X12	C24 Ext.	Dual 11 Ext.



# CROSS REFERENCE GUIDE

## Water Meter Boxes

Christy	BES	Brooks
N30 Meter Box	C30 Merter Box	#38 Meter Box
N30R	C30D	#38 1 piece
N30RP	C30P	
B30E	C30E	#38 S
B30G	C30G	#38 H
B30GP	C30GP	
FL30D	No Equal	
B30-61D	C30-61D	#38 T
B30-61P	C30-61P	
B30-61G	C30-61G	#38 TR
B30-61GP	C30-61GP	
B30X12	C30X12	#38 Ext.
B30SL	C30SL	#38 Slab
N36 Meter Box	C36 Meter Box	#66 Meter Box
N36R	C36D	#66 1 piece
N36RP	C36P	
B36E	C36E	#66 S
B36G	C36G	#66 H
B36GP	C36GP	
FL36D	No Equal	
B36-61D	C36-61D	#66 T
B36-61P	C36-61P	
B36-61G	C36-61G	#66 TR
B36-61GP	C36-61GP	
B36X12	C36X12	#66 Ext.
B36SL	C36SL	#66 Slab
N40 Meter Box	C40 Meter Box	#67 Meter Box
B40D	C40D	#67 1 piece
B40P	C40P	
B40M	C40M	#67 S
B40-61D	C40-61D	#67 T
B40-61P	C40-61P	
B40-61G	C40-61G	#67 TR

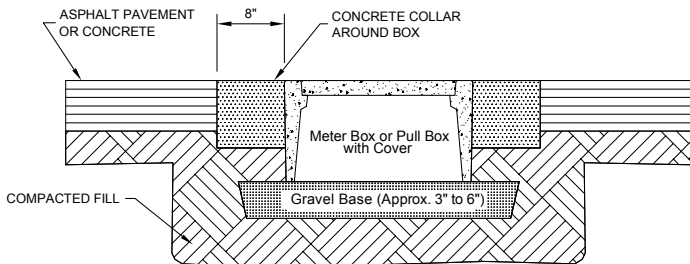
# CROSS REFERENCE GUIDE

## Water Meter Boxes

Christy	BES	Brooks
N40X10	C40X10	#67 Ext.
B40SL	C40SL	#67 Slab
B44 Meter Box	C44 Meter Box	
B44D2	C44D2	
B44E2	C44E2	
B44-62D	C44-62D	
B44-62G	C44-62G	
B44X8	C44X8	
B44SL	C44SL	
N48 Meter Box	C48 Meter Box	#68 Meter Box
B48D2	C48D2	#68 2 piece
B48M2	C48M2	#68
B48-62D	C48-62D	#68 T
B48-62G	C48-62G	#68 TR
B48-62GP	C48-62GP	
N48X10	C48X10	#68 Ext.
B48SL	C48SL	#68 Slab
N52 Meter Box	C52 Meter Box	#69 Meter Box
B52D3	C52D3	#69 3 piece
B52F3	C52F3	#69 3 piece, r/1
B52M3	C52M3	#69 3 piece
B52-62D	C52-62D	#69 2 piece T
B52-62G	C52-62G	#69 2 piece TR
N52X10	C52X10	#69 Ext.
B52SL	C52SL	#69 Slab

## Installation Procedure

Installation in Concrete or Pavement  
for driveways, parking lots and off-roadway applications  
where subject to occasional non-deliberate light vehicles.



### FIELD PREPARATION

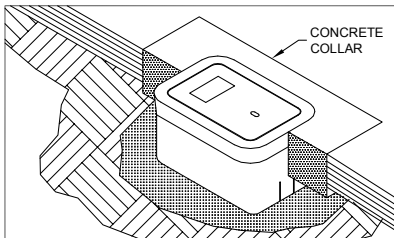
Prepare the excavation approximately 6" deeper than the overall height of the enclosure. The length and width of the excavation should be determined by adding 4" to 6" to the overall length and width of the box.

### INSTALLATION RECOMMENDATIONS

Placement of approximately 3" to 6" of compacted material such as sand or gravel is the recommended material because of its drainage characteristics. The compacted material should be leveled so the top of the box is flush to grade.

### BACKFILLING

Place selected backfill into the excavation at 12" lifts and compact. The backfill should be discontinued approximately 8" below the finish grade. The final 8" of the excavation should be finished with concrete. This should be accomplished by providing a form around the enclosure that would produce a 8" wide collar (see sketch).



Note: Minimum concrete collar strength is 3,000 psi.

### QUICK-SPECIFICATION

Underground enclosures shall be manufactured by Oldcastle/Christy. Boxes and covers shall be concrete and have a pedestrian rated minimum vertical test load of 350 pounds per square foot. The concrete shall test to a minimum of 4500 psi compressive strength.



**FOR MORE INFORMATION CALL**  
(800) 735-5566



**VISIT OUR WEBSITE**  
[OldcastleEnclosures.com](http://OldcastleEnclosures.com)

At OLDCASTLE ENCLOSURE SOLUTIONS, we understand what makes your projects successful — *the right enclosure, for the right location, for the right application*. That's why we're dedicated to providing innovative, high-quality solutions to meet every application and the reliable service to back it up.

We leverage our footprint and manufacturing portfolio of the world's leading brands in grade-level utility boxes to create optimal solutions for Electrical, Communications, Water and Irrigation markets.

We believe our solutions do more than simply support infrastructure, that our solutions keep our communities running strong.