



# indicator lights



**SELECTA<sup>®</sup>**

INDICATOR LIGHT CATALOG 2012





# Advantages

## ONE STOP SHOPPING - CONSOLIDATING VENDORS AND ORDERS

One purchase order, one invoice, one receivable, one check to cut, one Rep and one Customer Service Department. Saves transaction costs and time!

## LOW COMBINABLE MINIMUM ORDER & FREE FREIGHT REQUIREMENT

All brands & products are fully combinable for our \$50 minimum order and \$700 order for free freight requirement.

## TWO SHIPPING LOCATIONS

Standard ground service, from our Memphis, Tennessee and Tehachapi, California locations, reaches our distributors across the country in 2 days or less transit time.



## SAME DAY SHIPPING

## 98% FILL RATE

## CUSTOMER SERVICE HOURS

6 a.m. to 5 p.m., Monday through Thursday; 6 a.m. to 4:30 p.m., Friday, Pacific Time.

## ASSOCIATIONS

Selecta is proud to be a Vendor/Supplier Member of these great organizations, earning you full credits for all brands and products you purchase through Selecta.



**AFFILIATED DISTRIBUTORS**  
*Where market leaders grow*



## LOCAL REPS

Local NEMRA and ERA Reps that know you and your marketplace, call on you to serve your needs.

## OUTSOURCING & BULK SERVICES

You have access to all brand name products on orders of any volume to meet the needs of your OEM and MRO customers.

## LITERATURE

Selecta offers Catalogs, POP Brochures, Line Cards & Promo Flyers to help you identify your needs for our products and services.

## WE SELL ONLY TO DISTRIBUTORS!



# TABLE OF CONTENTS

Our Advantages . . . . .	Inside Front Cover
Displays and Bagged Product. . . . .	i
Indicator Light Kit . . . . .	ii
<b>Indicator Lights</b> . . . . .	<b>1 - 6</b>
<i><b>Incandescent, Neon &amp; LED</b></i> . . . . .	<b>1 - 4</b>
.312" Mounting Hole Diameter . . . . .	1
Flush . . . . .	1
Raised . . . . .	1
Dome. . . . .	1
.500" Mounting Hole Diameter . . . . .	2 - 4
Flush . . . . .	2
Raised . . . . .	3
Hooded . . . . .	4
Dome. . . . .	4
Small Dome. . . . .	4
<i><b>Round Indicating Lamp Holders</b></i> . . . . .	5
.500" Mounting Hole Diameter . . . . .	5
.750" Mounting Hole Diameter . . . . .	5
1.00" Mounting Hole Diameter . . . . .	5
<i><b>Replacement Lamps</b></i> . . . . .	6
<i><b>Tinnerman Clips</b></i> . . . . .	6
Numbering System and Lamp Life Key. . . . .	7
Product Alpha Index. . . . .	8
Part Number Numeric Index. . . . .	9
Manufacturers Line Card . . . . .	Inside Back Cover

*All specifications and dimensions are for reference only. If specific information is needed and/or of critical nature, contact Selecta Products headquarters for specific information before ordering.*

©2012 SELECTA PRODUCTS, INC.

"SELECTA" is a registered trademark (Marca Registrada, "Marque Déposée") of Selecta Products, Inc. a California corporation.





# SELECTA® Bagged Product

## SELECTA POLY BAGS

Your customers can get "hands on" with the product without destroying the package.

Poly bags fit on the gondola as well as our wall /counter display units.



## SELECTA WALL RACK Part #SSWALLRACK

This unit is **FREE**, upon request, with any new order for a Selecta Kit that contains Poly Zip-Lock Bagged Products.

Kit #s: SS-DA-37/111; SL-DA-42/156;  
SC-DA-20/82; and ST-DA-42/74

## SELECTA GONDOLA UNIT Part #SSG

This gondola unit is **FREE**, upon request, with any order of two or more Selecta Kits that contain Poly Zip-Lock Bagged Products.

Kit #s: SS-DA-37/111; SL-DA-42/156;  
SC-DA-20/82; and ST-DA-42/74





# Indicator Light Kit



Display Number: SL-D (above)

The unique "S" shape allows all 4 displays to "nest" together as a header for a gondola (see on facing page i).

## PLEXI DISPLAYS

- Eye catching and functional.
- Can be customized ...
  - *Have your company name and logo printed on the display in full color.*
- Fit on counters, slatwalls, or pegboards.
- Includes Incandescent, Neon & LED Indicator Lights and Lamp Holders.



Back-up stock has guaranteed sale and is fully returnable.



## KIT NUMBER SL-DA-42/156

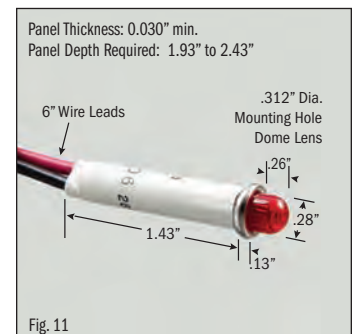
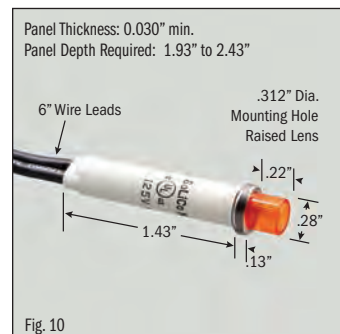
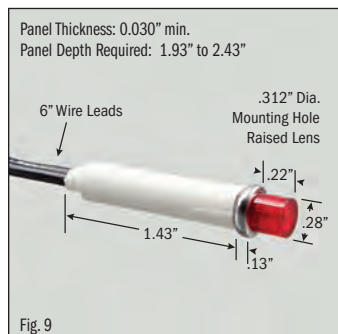
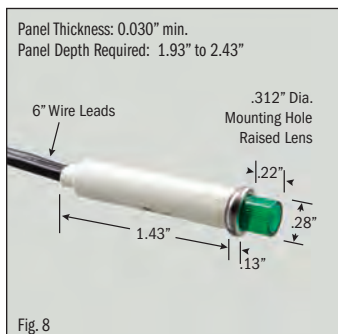
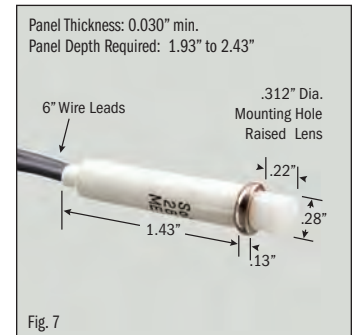
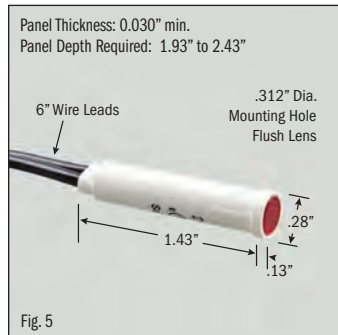
PART NUMBER	QTY. BAG CT.	PART NUMBER	QTY. BAG CT.	PART NUMBER	QTY. BAG CT.	PART NUMBER	QTY. BAG CT.
SL32113-5-BG	5	SL53215-4-BG	5	SL53413-7-BG	5	SL62012-BG	2
SL32113-6-BG	5	SL53215-5-BG	5	SL53415-4-BG	5	SL62013-BG	2
SL32115-5-BG	5	SL53215-6-BG	5	SL53415-5-BG	5	SL62015-BG	2
SL32115-6-BG	5	SL53215-7-BG	5	SL53415-6-BG	5	SL62016-BG	2
SL32116-6-BG	5	SL53216-5-BG	5	SL53415-7-BG	5	SL63013-BG	2
SL32413-6-BG	2	SL53216-6-BG	5	SL53416-5-BG	5	SL63015-BG	2
SL32415-6-BG	2	SL53411-6-BG	2	SL53416-6-BG	5	SL64013-BG	2
SL53212-6-BG	5	SL53412-6-BG	2	SL53416-7-BG	2	SL64015-BG	2
SL53213-4-BG	5	SL53413-4-BG	2	SL53813-6-BG	2	SL64016-BG	2
SL53213-5-BG	5	SL53413-5-BG	5	SL53815-5-BG	2		
SL53213-6-BG	5	SL53413-6-BG	5	SL53815-6-BG	2		
						<b>1 Light Display</b>	
						<b>TOTAL BAGS</b>	<b>156</b>

**.312" MOUNTING HOLE DIAMETER**

LENS TYPE	TERMINATION	LENS COLOR*	LAMP VOLTAGE	LAMP TYPE	BEZEL COLOR	CATALOG NUMBER	FIG. NO.
Flush	6" Wire	White	14 VAC/DC	Incandescent	White	SL32111-4-BG	1
Flush	6" Wire	White	28 VAC/DC	Incandescent	White	SL32111-5-BG	1
Flush	6" Wire	White	125 VAC	Neon	White	SL32111-6-BG	1
Flush	6" Wire	Blue	14 VAC/DC	Incandescent	White	SL32112-4-BG	2
Flush	6" Wire	Blue	28 VAC/DC	Incandescent	White	SL32112-5-BG	2
Flush	6" Wire	Blue	125 VAC	Neon	White	SL32112-6-BG	2
Flush	6" Wire	Green	14 VAC/DC	Incandescent	White	SL32113-4-BG	3
Flush	6" Wire	Green	28 VAC/DC	Incandescent	White	SL32113-5-BG	3
Flush	6" Wire	Green	125 VAC	Neon	White	SL32113-6-BG	3
Flush	6" Wire	Clear	14 VAC/DC	Incandescent	White	SL32114-4-BG	4
Flush	6" Wire	Clear	28 VAC/DC	Incandescent	White	SL32114-5-BG	4
Flush	6" Wire	Clear	125 VAC	Neon	White	SL32114-6-BG	4
Flush	6" Wire	Red	14 VAC/DC	Incandescent	White	SL32115-4-BG	5
Flush	6" Wire	Red	28 VAC/DC	Incandescent	White	SL32115-5-BG	5
Flush	6" Wire	Red	125 VAC	Neon	White	SL32115-6-BG	5
Flush	6" Wire	Red	250 VAC	Neon	White	SL32115-7-BG	5
Flush	6" Wire	Amber	14 VAC/DC	Incandescent	White	SL32116-4-BG	6
Flush	6" Wire	Amber	28 VAC/DC	Incandescent	White	SL32116-5-BG	6
Flush	6" Wire	Amber	125 VAC	Neon	White	SL32116-6-BG	6
Flush	6" Wire	Amber	250 VAC	Neon	White	SL32116-7-BG	6
Raised	6" Wire	White	28 VAC/DC	Incandescent	Chrome	SL32411-5-BG	7
Raised	6" Wire	Green	12 VDC	Solid State LED	Chrome	SL32413-2-BG	8
Raised	6" Wire	Green	28 VDC	Solid State LED	Chrome	SL32413-3-BG	8
Raised	6" Wire	Green	28 VAC/DC	Incandescent	Chrome	SL32413-5-BG	8
Raised	6" Wire	Green	125 VAC	Neon	Chrome	SL32413-6-BG	8
Raised	6" Wire	Red	12 VDC	Solid State LED	Chrome	SL32415-2-BG	9
Raised	6" Wire	Red	28 VDC	Solid State LED	Chrome	SL32415-3-BG	9
Raised	6" Wire	Red	28 VAC/DC	Incandescent	Chrome	SL32415-5-BG	9
Raised	6" Wire	Red	125 VAC	Neon	Chrome	SL32415-6-BG	9
Raised	6" Wire	Amber	125 VAC	Neon	Chrome	SL32416-6-BG	10
Dome	6" Wire	Red	28 VDC	Solid State LED	Chrome	SL32915-3-BG	11

\*Blue, Green, Clear, Red and Amber lens colors have a transparent lens. White lens color has a translucent lens.

continued on page 2



All specifications and dimensions are for reference only. If specific information is needed and/or of critical nature, contact Selecta Products headquarters for specific information before ordering.

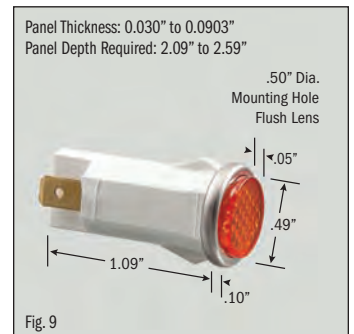
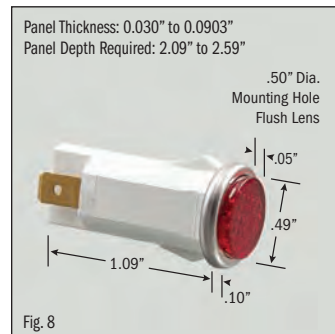
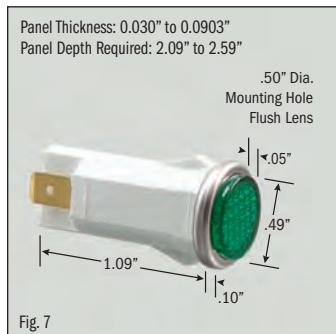
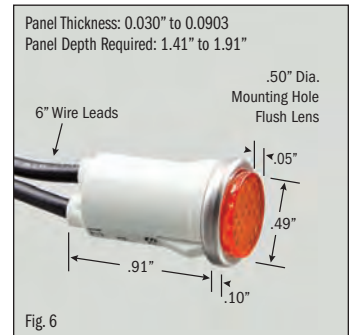
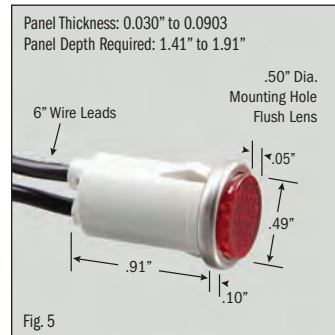
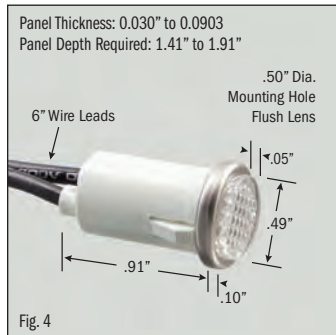
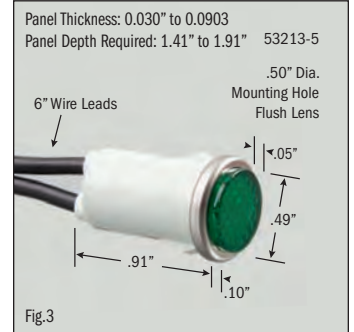
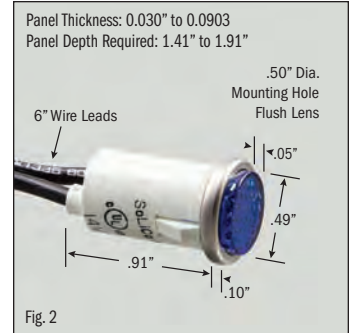
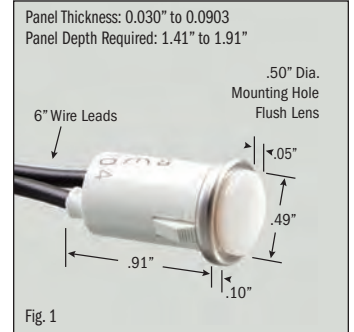


# INDICATOR LIGHTS • Incandescent & Neon

.500" MOUNTING HOLE DIAMETER						CATALOG NUMBER	FIG. NO.
LENSE TYPE	TERMINATION	LENS COLOR*	LAMP VOLTAGE	LAMP TYPE	BEZEL COLOR		
Flush	6" Wire	White	14 VAC/DC	Incandescent	Stainless	SL53211-4-BG	1
Flush	6" Wire	White	28 VAC/DC	Incandescent	Stainless	SL53211-5-BG	1
Flush	6" Wire	White	125 VAC	Neon	Stainless	SL53211-6-BG	1
Flush	6" Wire	Blue	14 VAC/DC	Incandescent	Stainless	SL53212-4-BG	2
Flush	6" Wire	Blue	28 VAC/DC	Incandescent	Stainless	SL53212-5-BG	2
Flush	6" Wire	Blue	125 VAC	Neon	Stainless	SL53212-6-BG	2
Flush	6" Wire	Blue	250 VAC	Neon	Stainless	SL53212-7-BG	2
Flush	6" Wire	Green	14 VAC/DC	Incandescent	Stainless	SL53213-4-BG	3
Flush	6" Wire	Green	28 VAC/DC	Incandescent	Stainless	SL53213-5-BG	3
Flush	6" Wire	Green	125 VAC	Neon	Stainless	SL53213-6-BG	3
Flush	6" Wire	Green	250 VAC	Neon	Stainless	SL53213-7-BG	3
Flush	6" Wire	Green	480 VAC	Neon	Stainless	SL53213-8-BG	3
Flush	6" Wire	Clear	14 VAC/DC	Incandescent	Stainless	SL53214-4-BG	4
Flush	6" Wire	Clear	28 VAC/DC	Incandescent	Stainless	SL53214-5-BG	4
Flush	6" Wire	Clear	125 VAC	Neon	Stainless	SL53214-6-BG	4
Flush	6" Wire	Clear	250 VAC	Neon	Stainless	SL53214-7-BG	4
Flush	6" Wire	Red	14 VAC/DC	Incandescent	Stainless	SL53215-4-BG	5
Flush	6" Wire	Red	28 VAC/DC	Incandescent	Stainless	SL53215-5-BG	5
Flush	6" Wire	Red	125 VAC	Neon	Stainless	SL53215-6-BG	5
Flush	6" Wire	Red	250 VAC	Neon	Stainless	SL53215-7-BG	5
Flush	6" Wire	Red	480 VAC	Neon	Stainless	SL53215-8-BG	5
Flush	6" Wire	Amber	14 VAC/DC	Incandescent	Stainless	SL53216-4-BG	6
Flush	6" Wire	Amber	28 VAC/DC	Incandescent	Stainless	SL53216-5-BG	6
Flush	6" Wire	Amber	125 VAC	Neon	Stainless	SL53216-6-BG	6
Flush	6" Wire	Amber	250 VAC	Neon	Stainless	SL53216-7-BG	6
Flush	.187" Q.C.	Green	28 VAC/DC	Incandescent	Stainless	SL53223-5-BG	7
Flush	.187" Q.C.	Green	125 VAC	Neon	Stainless	SL53223-6-BG	7
Flush	.187" Q.C.	Red	28 VAC/DC	Incandescent	Stainless	SL53225-5-BG	8
Flush	.187" Q.C.	Red	125 VAC	Neon	Stainless	SL53225-6-BG	8
Flush	.187" Q.C.	Red	250 VAC	Neon	Stainless	SL53225-7-BG	8
Flush	.187" Q.C.	Amber	125 VAC	Neon	Stainless	SL53226-6-BG	9

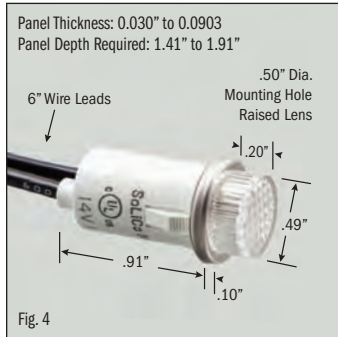
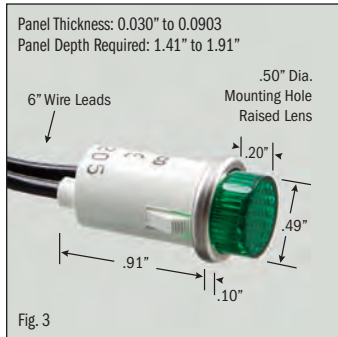
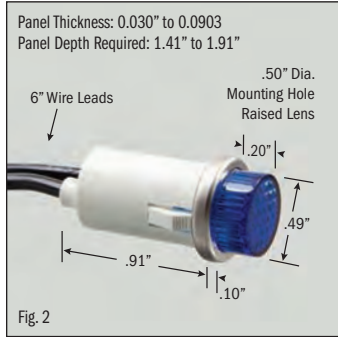
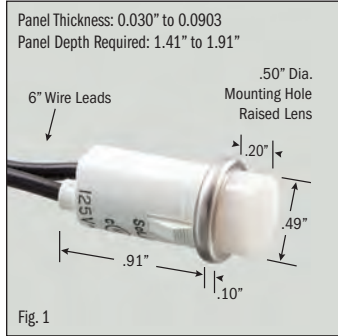
\*Blue, Green, Clear, Red and Amber lens colors have a transparent lens. White lens color has a translucent lens.

continued on page 3



All specifications and dimensions are for reference only. If specific information is needed and/or of critical nature, contact Selecta Products headquarters for specific information before ordering.

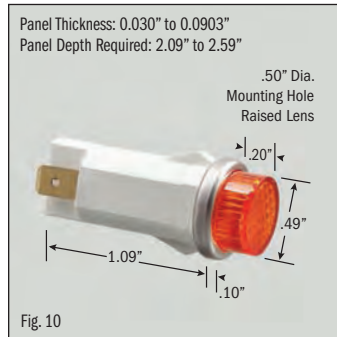
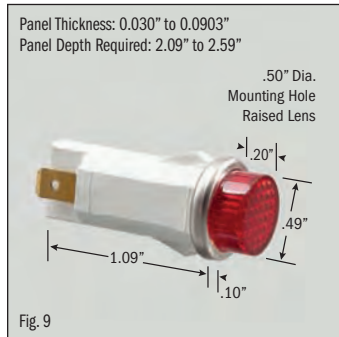
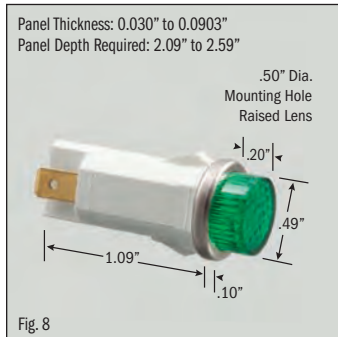
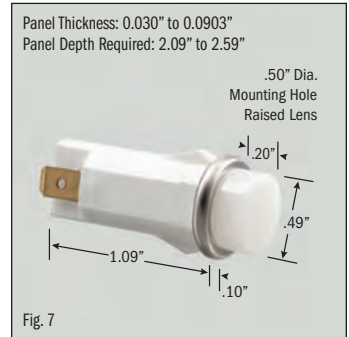
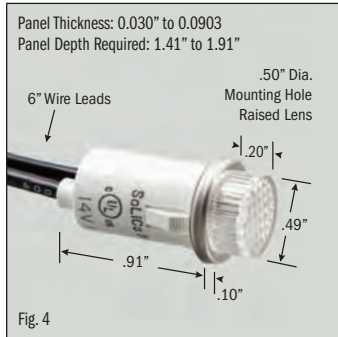
**.500" MOUNTING HOLE DIAMETER**



LENSE TYPE	TERMINATION	LENS COLOR*	LAMP VOLTAGE	LAMP TYPE	BEZEL COLOR	CATALOG NUMBER	FIG. NO.
Raised	6" Wire	White	14 VAC/DC	Incandescent	Stainless	SL53411-4-BG	1
Raised	6" Wire	White	28 VAC/DC	Incandescent	Stainless	SL53411-5-BG	1
Raised	6" Wire	White	125 VAC	Neon	Stainless	SL53411-6-BG	1
Raised	6" Wire	White	250 VAC	Neon	Stainless	SL53411-7-BG	1
Raised	6" Wire	Blue	14 VAC/DC	Incandescent	Stainless	SL53412-4-BG	2
Raised	6" Wire	Blue	28 VAC/DC	Incandescent	Stainless	SL53412-5-BG	2
Raised	6" Wire	Blue	125 VAC	Neon	Stainless	SL53412-6-BG	2
Raised	6" Wire	Blue	250 VAC	Neon	Stainless	SL53412-7-BG	2
Raised	6" Wire	Green	14 VAC/DC	Incandescent	Stainless	SL53413-4-BG	3
Raised	6" Wire	Green	28 VAC/DC	Incandescent	Stainless	SL53413-5-BG	3
Raised	6" Wire	Green	125 VAC	Neon	Stainless	SL53413-6-BG	3
Raised	6" Wire	Green	250 VAC	Neon	Stainless	SL53413-7-BG	3
Raised	6" Wire	Green	480 VAC	Neon	Stainless	SL53413-8-BG	3
Raised	6" Wire	Clear	14 VAC/DC	Incandescent	Stainless	SL53414-4-BG	4
Raised	6" Wire	Clear	28 VAC/DC	Incandescent	Stainless	SL53414-5-BG	4
Raised	6" Wire	Clear	125 VAC	Neon	Stainless	SL53414-6-BG	4
Raised	6" Wire	Clear	250 VAC	Neon	Stainless	SL53414-7-BG	4
Raised	6" Wire	Red	14 VAC/DC	Incandescent	Stainless	SL53415-4-BG	5
Raised	6" Wire	Red	28 VAC/DC	Incandescent	Stainless	SL53415-5-BG	5
Raised	6" Wire	Red	125 VAC	Neon	Stainless	SL53415-6-BG	5
Raised	6" Wire	Red	250 VAC	Neon	Stainless	SL53415-7-BG	5
Raised	6" Wire	Amber	14 VAC/DC	Incandescent	Stainless	SL53416-4-BG	6
Raised	6" Wire	Amber	28 VAC/DC	Incandescent	Stainless	SL53416-5-BG	6
Raised	6" Wire	Amber	125 VAC	Neon	Stainless	SL53416-6-BG	6
Raised	6" Wire	Amber	250 VAC	Neon	Stainless	SL53416-7-BG	6
Raised	.187" Q.C.	White	125 VAC	Neon	Stainless	SL53421-6-BG	7
Raised	.187" Q.C.	Green	28 VAC/DC	Incandescent	Stainless	SL53423-5-BG	8
Raised	.187" Q.C.	Green	125 VAC	Neon	Stainless	SL53423-6-BG	8
Raised	.187" Q.C.	Green	250 VAC	Neon	Stainless	SL53423-7-BG	8
Raised	.187" Q.C.	Red	28 VAC/DC	Incandescent	Stainless	SL53425-5-BG	9
Raised	.187" Q.C.	Red	125 VAC	Neon	Stainless	SL53425-6-BG	9
Raised	.187" Q.C.	Red	250 VAC	Neon	Stainless	SL53425-7-BG	9
Raised	.187" Q.C.	Amber	28 VAC/DC	Incandescent	Stainless	SL53426-5-BG	10
Raised	.187" Q.C.	Amber	125 VAC	Neon	Stainless	SL53426-6-BG	10

\*Blue, Green, Clear, Red and Amber lens colors have a transparent lens. White lens color has a translucent lens.

continued on page 4



All specifications and dimensions are for reference only. If specific information is needed and/or of critical nature, contact Selecta Products headquarters for specific information before ordering.

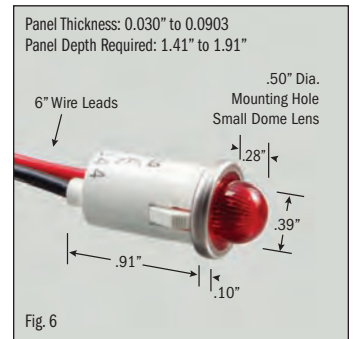
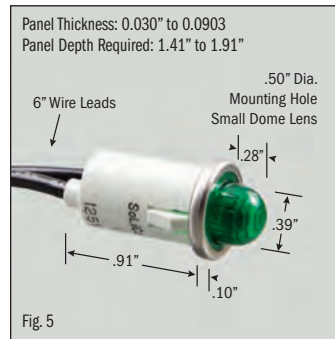
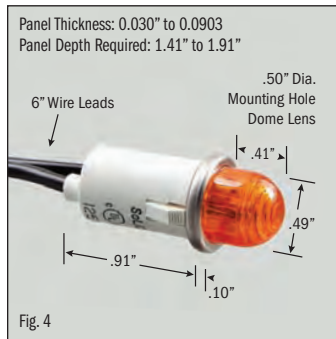
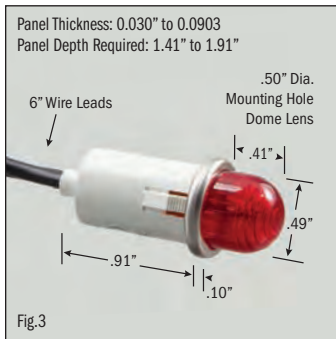
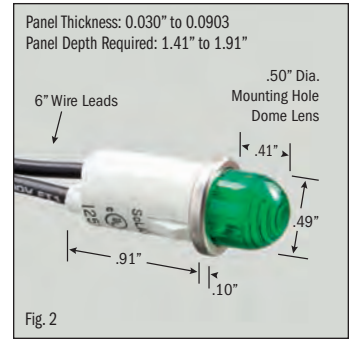


# INDICATOR LIGHTS • Incandescent, Neon & LED

.500" MOUNTING HOLE DIAMETER						CATALOG NUMBER	FIG. NO.
LENSE TYPE	TERMINATION	LENS COLOR*	LAMP VOLTAGE	LAMP TYPE	BEZEL COLOR		
Hooded	6" Wire	Clear	14 VAC/DC	Incandescent	Black	SL53614-4-BG	1
Hooded	6" Wire	Clear	125 VAC	Neon	Black	SL53614-6-BG	1
Dome	6" Wire	Green	125 VAC	Neon	Stainless	SL53813-6-BG	2
Dome	6" Wire	Red	14 VAC/DC	Incandescent	Stainless	SL53815-4-BG	3
Dome	6" Wire	Red	28 VAC/DC	Incandescent	Stainless	SL53815-5-BG	3
Dome	6" Wire	Red	125 VAC	Neon	Stainless	SL53815-6-BG	3
Dome	6" Wire	Amber	28 VAC/DC	Incandescent	Stainless	SL53816-5-BG	4
Dome	6" Wire	Amber	125 VAC	Neon	Stainless	SL53816-6-BG	4
Small Dome	6" Wire	Green	12 VDC	Solid State LED	Stainless	SL53913-2-BG	5
Small Dome	6" Wire	Green	28 VDC	Solid State LED	Stainless	SL53913-3-BG	5
Small Dome	6" Wire	Green	120 VAC	Solid State LED	Stainless	SL53913-9-BG	5
Small Dome	6" Wire	Red	12 VDC	Solid State LED	Stainless	SL53915-2-BG	6
Small Dome	6" Wire	Red	28 VDC	Solid State LED	Stainless	SL53915-3-BG	6

\*Blue, Green, Clear, Red and Amber lens colors have a transparent lens. White lens color has a translucent lens.

*continued on page 5*



All specifications and dimensions are for reference only. If specific information is needed and/or of critical nature, contact Selecta Products headquarters for specific information before ordering.

**.500" MOUNTING HOLE DIAMETER**

						CATALOG NUMBER	FIG. NO.
LENSE TYPE	TERMINATION	LENS COLOR*	LAMP SIZE	LAMP TYPE	BEZEL COLOR		
Transparent	Solder Lug	Blue	T-1 ¾	Incandescent	None	SL62012-BG	1
Transparent	Solder Lug	Green	T-1 ¾	Incandescent	None	SL62013-BG	2
Transparent	Solder Lug	Clear	T-1 ¾	Incandescent	None	SL62014-BG	3
Transparent	Solder Lug	Red	T-1 ¾	Incandescent	None	SL62015-BG	4
Transparent	Solder Lug	Amber	T-1 ¾	Incandescent	None	SL62016-BG	5

**.750" MOUNTING HOLE DIAMETER**

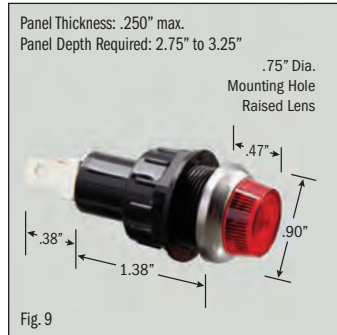
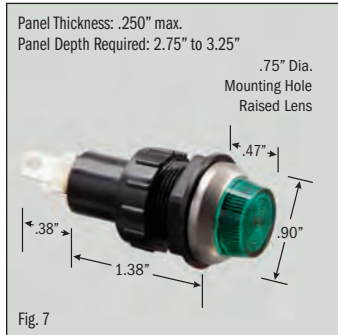
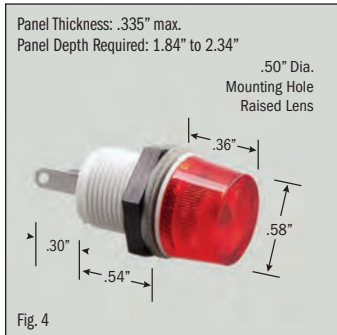
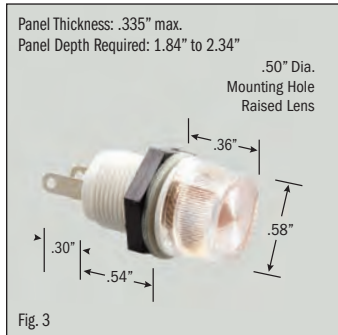
						CATALOG NUMBER	FIG. NO.
LENSE TYPE	TERMINATION	LENS COLOR*	LAMP SIZE	LAMP TYPE	BEZEL COLOR		
Transparent	.250" Q.C.	Blue	T-3 ¼	Incandescent	Chrome	SL63012-BG	6
Transparent	.250" Q.C.	Green	T-3 ¼	Incandescent	Chrome	SL63013-BG	7
Transparent	.250" Q.C.	Clear	T-3 ¼	Incandescent	Chrome	SL63014-BG	8
Transparent	.250" Q.C.	Red	T-3 ¼	Incandescent	Chrome	SL63015-BG	9
Transparent	.250" Q.C.	Amber	T-3 ¼	Incandescent	Chrome	SL63016-BG	10

**1.00" MOUNTING HOLE DIAMETER**

						CATALOG NUMBER	FIG. NO.
LENSE TYPE	TERMINATION	LENS COLOR*	LAMP SIZE	LAMP TYPE	BEZEL COLOR		
Transparent	.250" Q.C.	Green	T-3 ¼	Incandescent	Chrome	SL64013-BG	11
Transparent	.250" Q.C.	Clear	T-3 ¼	Incandescent	Chrome	SL64014-BG	12
Transparent	.250" Q.C.	Red	T-3 ¼	Incandescent	Chrome	SL64015-BG	13
Transparent	.250" Q.C.	Amber	T-3 ¼	Incandescent	Chrome	SL64016-BG	14

\*Blue, Green, Clear, Red and Amber lens colors have a transparent lens. White lens color has a translucent lens.

*continued on page 6*



All specifications and dimensions are for reference only. If specific information is needed and/or of critical nature, contact Selecta Products headquarters for specific information before ordering.



## INDICATOR LIGHTS • Accessories

REPLACEMENT LAMPS					
VOLTS	LAMP SIZE	WATTS	LAMP LIFE	CATALOG NUMBER	FIG. NO.
<b>For SL62 Series</b>					
6.3	T-1 ¾	1.26	20,000 Hours	SL6203-BG	15
14.0	T-1 ¾	1.12	15,000 Hours	SL6204-BG	15
28.0	T-1 ¾	1.12	7,000 Hours	SL6205-BG	15
<b>For SL63 and SL64 Series</b>					
6.3	T-3 ¼	0.945	3,000 Hours	SL6303-BG	16
14.0	T-3 ¼	1.73	1,000 Hours	SL6304-BG	16
28.0	T-3 ¼	1.96	1,000 Hours	SL6305-BG	16



Fig. 15



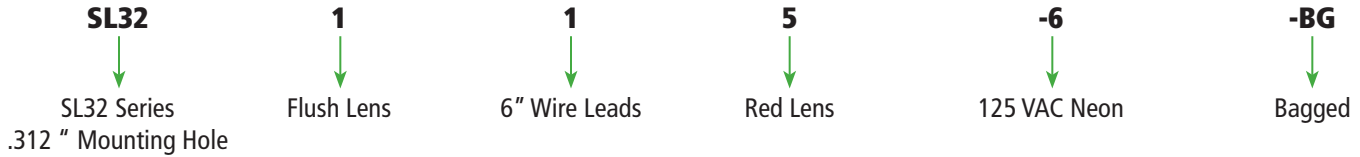
Fig. 16

TINNERMAN CLIPS	
DESCRIPTION	CATALOG NUMBER
Tinnerman Clip for SL3 Series	SL-TC-300
Tinnerman Clip for SL5 Series	SL-TC-500

All specifications and dimensions are for reference only. If specific information is needed and/or of critical nature, contact Selecta Products headquarters for specific information before ordering.

# NUMBERING SYSTEM AND LAMP LIFE KEY

## Numbering System Key for Indicator Lights: e.g. SL32115-6-BG



Series/Mounting	Lens Type	Termination	Lens Color	Lamp Voltage	Packaging
SL32 Series	1 - Flush	1 - 6" Wire Leads	1 - White	1 - 6 VDC Solid State LED	BG - Bagged
.312"	4 - Raised	2 - .187" Q.C.	2 - Blue	2 - 12 VDC Solid State LED	BK - Bulk
	8 - Hooded		3 - Green	3 - 28 VDC Solid State LED	
	9 - Dome		4 - Clear	4 - 14 VAC/DC Incandescent	
			5 - Red	5 - 28 VAC/DC Incandescent	
			6 - Amber	6 - 125 VAC Neon	
			7 - Yellow	7 - 250 VAC Neon	
				8 - 480 VAC Neon	
				9 - 120 VAC Solid State LED	

Series/Mounting	Lens Type	Termination	Lens Color	Lamp Voltage	Packaging
SL53 Series	2 - Flush	1 - 6" Wire Leads	1 - White	1 - 6 VDC Solid State LED	BG - Bagged
.50"	4 - Raised	2 - .187" Q.C.	2 - Blue	2 - 12 VDC Solid State LED	BK - Bulk
	6 - Hooded	3 - .250" Q.C.	3 - Green	3 - 28 VDC Solid State LED	
	8 - Dome		4 - Clear	4 - 14 VAC/DC Incandescent	
	9 - Small Dome		5 - Red	5 - 28 VAC/DC Incandescent	
			6 - Amber	6 - 125 VAC Neon	
			7 - 250 VAC Neon		
				8 - 480 VAC Neon	
				9 - 120 VAC Solid State LED	

## VOLTAGES AND LAMP LIFE

The base part number listed must have one of the following suffixes added to indicate the voltage required. For example, "SL53215-7" is a .500" mounting hole, flush lens, 6" wire leads, red lens, 250 VAC Neon indicator light. The following is a key to the Watts and Lamp Life for each of the available voltages:

Lamp Voltage	Lamp Type	Watts	Amps	Lamp Life Hours		
				Green	Blue	All Others
-4 = 14 VAC/DC	Incandescent	1.12	.08	50,000	50,000	50,000
-5 = 28 VAC/DC	Incandescent	1.12	.04	25,000	25,000	25,000
-6 = 125 VAC	Neon	.33	-	15,000	10,000	25,000
-7 = 250 VAC	Neon	.33	-	15,000	10,000	25,000
-8 = 480 VAC	Neon	.33	-	7,500	5,000	12,500

All products listed on pages 1 through 6 are standard stock items. However, many other possible variations are available per the charts above. Please note, these variations may be special order and will require a minimum order and lead time.

All specifications and dimensions are for reference only. If specific information is needed and/or of critical nature, contact Selecta Products headquarters for specific information before ordering.





## PRODUCT ALPHA INDEX

<i>Incandescent &amp; Neon</i> .....	2 - 3
.500" Mounting Hole Diameter .....	2 - 3
Flush Lens .....	2
Raised Lens .....	3
 <i>Incandescent, Neon &amp; LED</i> .....	 1 & 4
.312" Mounting Hole Diameter .....	1
Dome Lens .....	1
Flush Lens .....	1
Raised Lens .....	1
.500" Mounting Hole Diameter .....	4
Dome Lens .....	4
Hooded Lens .....	4
Small Dome Lens .....	4
 <i>Replacement Lamps</i> .....	 6
 <i>Round Indicating Lamp Holders</i> .....	 5
.500" Mounting Hole Diameter .....	5
.750" Mounting Hole Diameter .....	5
1.00" Mounting Hole Diameter .....	5
 <i>Tinnerman Clips</i> .....	 6



## PART NUMBER NUMERIC INDEX

Part Number	Page Number	Part Number	Page Number	Part Number	Page Number
SL32111-4-BG	1	SL53214-5-BG	2	SL53423-5-BG	3
SL32111-5-BG	1	SL53214-6-BG	2	SL53423-6-BG	3
SL32111-6-BG	1	SL53214-7-BG	2	SL53423-7-BG	3
SL32112-4-BG	1	SL53215-4-BG	2	SL53425-5-BG	3
SL32112-5-BG	1	SL53215-5-BG	2	SL53425-6-BG	3
SL32112-6-BG	1	SL53215-6-BG	2	SL53425-7-BG	3
SL32113-4-BG	1	SL53215-7-BG	2	SL53426-5-BG	3
SL32113-5-BG	1	SL53215-8-BG	2	SL53426-6-BG	3
SL32113-6-BG	1	SL53216-4-BG	2	SL53614-4-BG	4
SL32114-4-BG	1	SL53216-5-BG	2	SL53614-6-BG	4
SL32114-5-BG	1	SL53216-6-BG	2	SL53813-6-BG	4
SL32114-6-BG	1	SL53216-7-BG	2	SL53815-4-BG	4
SL32115-4-BG	1	SL53223-5-BG	2	SL53815-5-BG	4
SL32115-5-BG	1	SL53223-6-BG	2	SL53815-6-BG	4
SL32115-6-BG	1	SL53225-5-BG	2	SL53816-5-BG	4
SL32115-7-BG	1	SL53225-6-BG	2	SL53816-6-BG	4
SL32116-4-BG	1	SL53225-7-BG	2	SL53913-2-BG	4
SL32116-5-BG	1	SL53226-6-BG	2	SL53913-3-BG	4
SL32116-6-BG	1	SL53411-4-BG	3	SL53913-9-BG	4
SL32116-7-BG	1	SL53411-5-BG	3	SL53915-2-BG	4
SL32411-5-BG	1	SL53411-6-BG	3	SL53915-3-BG	4
SL32413-2-BG	1	SL53411-7-BG	3	SL62012-BG	5
SL32413-3-BG	1	SL53412-4-BG	3	SL62013-BG	5
SL32413-5-BG	1	SL53412-5-BG	3	SL62014-BG	5
SL32413-6-BG	1	SL53412-6-BG	3	SL62015-BG	5
SL32415-2-BG	1	SL53412-7-BG	3	SL62016-BG	5
SL32415-3-BG	1	SL53413-4-BG	3	SL63012-BG	5
SL32415-5-BG	1	SL53413-5-BG	3	SL63013-BG	5
SL32415-6-BG	1	SL53413-6-BG	3	SL63014-BG	5
SL32416-6-BG	1	SL53413-7-BG	3	SL63015-BG	5
SL32915-3-BG	1	SL53413-8-BG	3	SL63016-BG	5
SL53211-4-BG	2	SL53414-4-BG	3	SL64013-BG	5
SL53211-5-BG	2	SL53414-5-BG	3	SL64014-BG	5
SL53211-6-BG	2	SL53414-6-BG	3	SL64015-BG	5
SL53212-4-BG	2	SL53414-7-BG	3	SL64016-BG	5
SL53212-5-BG	2	SL53415-4-BG	3	SL6203-BG	6
SL53212-6-BG	2	SL53415-5-BG	3	SL6204-BG	6
SL53212-7-BG	2	SL53415-6-BG	3	SL6205-BG	6
SL53213-4-BG	2	SL53415-7-BG	3	SL6303-BG	6
SL53213-5-BG	2	SL53416-4-BG	3	SL6304-BG	6
SL53213-6-BG	2	SL53416-5-BG	3	SL6305-BG	6
SL53213-7-BG	2	SL53416-6-BG	3	SL-TC-300	6
SL53213-8-BG	2	SL53416-7-BG	3	SL-TC-500	6
SL53214-4-BG	2	SL53421-6-BG	3		



# MANUFACTURERS LINE CARD

## PRODUCT DIRECTORY

### Anchors

ACORN / SELECTA®

### Auger Bits

ACORN / SELECTA®

### Batteries

DURACELL®

Energizer®

PROCELL®

### Battery & Test Clips

Mueller

### Bits (Insert)

ACORN / SELECTA®

### Bolts

ACORN / SELECTA®

### Chemical, Cleaners & Degreasers

Chemtronics

CRC

### Circuit Board Rework & Repair

Circuitworks®

### Circuit Breakers

Carling Technologies

CopperLogic / Eaton

Eaton / CopperLogic

E-T-A

Moeller / CopperLogic

Potter & Brumfield

Tyco Electronics / P&B

### Contactors

Cutler-Hammer

Eaton

Sprecher + Schuh

### Desoldering Braid

Chem-Wik®

Soder-Wick®

### Drill Bits

ACORN / SELECTA®

### Dusters (Aerosol)

CRC

Chemtronics

### Fasteners

ACORN / SELECTA®

### Flashlights

DAYLITE®

Energizer®

Garrity®

Mag-Lite®

Pelican®

PROCELL®

### Indicator Lights/ Pilot Lights

Arcoelectric / Elektron

Elektron Components

SELECTA®

Solico

### Insulators

Mueller

### Liquid Level Controls

ABB / SSAC

Go Switch / Topworx

SSAC

Topworx

### Motor Protectors

ABB / SSAC

CopperLogic / Eaton

Eaton / CopperLogic

Go Switch / Topworx

Moeller / CopperLogic

Sprecher + Schuh

SSAC

Topworx

### Nuts

ACORN / SELECTA®

### Paint

CRC

### Photoelectrics

PEPPERL+FUCHS

### Pressure Sensors

Honeywell

MICRO SWITCH™

### Proximity Controls

Go Switch / Topworx

PEPPERL+FUCHS

Topworx

### Relays

Potter & Brumfield

SELECTA®

Sprecher + Schuh

Tyco Electronics / P&B

### Safety Glasses

Gateway Safety®

Smith & Wesson

### Screws

ACORN / SELECTA®

### Switches

Arcoelectric / Elektron

Arrow Hart / Eaton

Carling Technologies

Cutler-Hammer

Eaton Commercial

Elektron Components

Honeywell

ITW Switches

LINEMASTER®

MICRO SWITCH™

NKK

SELECTA®

### Switches - Mil. Spec

Honeywell

ITW Switches

MICRO SWITCH™

### Switch Seals & Guards

AME Corporation

Arcoelectric / Elektron

APM Hexseal

Elektron Components

### Terminals (Solderless)

SELECTA®

### Test Leads

Mueller

### Time Delay Relays

ABB / SSAC

SSAC

### Washers

ACORN / SELECTA®

## ALPHA DIRECTORY

- ABB / SSAC
- ACORN / SELECTA®
- AME Corporation
- APEM
- APM Hexseal
- Arcoelectric / Elektron
- Arrow Hart / Eaton
- Carling Technologies
- Chemtronics
- Chem-Wik®
- Circuitworks®
- CopperLogic / Eaton
- CRC
- Cutler-Hammer (DPs)
- DAYLITE®
- DURACELL®
- Eaton Commercial
- Eaton / CopperLogic
- Elektron Components
- Energizer®
- E-T-A
- Garrity®
- Gateway Safety®
- Go Switch / Topworx
- Honeywell
- ITW Chemtronics
- ITW Switches
- LINEMASTER®
- Mag-Lite®
- MICRO SWITCH™
- Moeller / CopperLogic
- Mueller (Clips)
- Mueller (Test Leads)
- NKK
- Pelican®
- PEPPERL+FUCHS
- Potter & Brumfield
- PROCELL®
- SELECTA®
- Smith & Wesson (Glasses)
- Soder-Wick®
- Solico
- Sprecher + Schuh
- SSAC
- Topworx
- Tyco Electronics / P&B

### Legend

- One
- Two
- Three
- Four





## Selecta Benefits:

- The brands your customers prefer
- Low combinable minimum order and free freight requirement
- One stop shopping – resulting in vendor reductions
- One purchase order, one receivable, one accounts payable
- Quick delivery – standard ground service reaches our distributors across the nation in 2 days or less transit time
- 98% fill rate for standard stock items!
- Local Rep support
- Buying Associations support and credits
- Attractive and effective POP Systems
- We sell only to Distributors!



### SELECTA PRODUCTS, INC.

Tehachapi, CA • Memphis, TN  
Phone: 800-722-6445 • Fax: 800-433-4319  
orders@selectainc.com  
[www.selectainc.com](http://www.selectainc.com)