

Grounding Catalog



TABLE OF CONTENTS
HYGROUND™ IRREVERSIBLE COMPRESSION GROUNDING
AND INSTALLATION TOOLING






















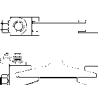









	HYGROUND™ Introduction and Installation 6 - 9		I-Beam Connector Installation Instructions 23
	Type YGL-C 10		Type YGIB 24 - 25
	Type YGLR-C 11		Type GSTUD-HY 26
	Type YGHP-C 12		Types YGT & YTTAG 27
	Type YGHP-C 13		Type YG-B 28
	Type YGHC-C 14		MECHANICAL GROUNDING
	Type YGC 15		Types KC, K2C 29
	Type YSHG 16		Types KC22J12T13, EQC632C, KS 30
	Type YGHR-C 17		Types GKA, KPB, CL50-1 31
	Type YGHR-C 18		Type GAR 32 - 33
	Type YGHA 19		Types GAR-BU & GAR 3900 Series & GAR-RB 34
	Type YGHS 19		Type GAR-TC 35
	Type YGA 20		⚡ LIGHTNING PROTECTION INFO.
	Type YGS 21		Basic rules for selection are:
	Type YGF 22		1. Must be like material to the conductor.
			2. Two bolts to ground rod — minimum, for mechanical.
			3. Cable to cable connections can be installed with – one bolt, two bolt, or compression.
			4. Cable to steel structure must have 8 in. ² contact with steel.
			5. Heavy duty stacks — mechanical only.
			6. On all connectors with heavy duty stack rating, we must offer 1/16" thick lead plating as an option. Reason is closest 25 ft. to stack opening must use lead coated product.
			7. UL 96 Listing.

TABLE OF CONTENTS

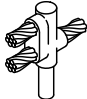
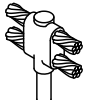


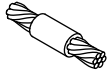
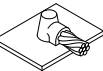
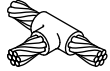
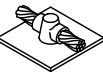

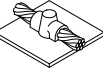




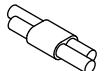
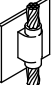
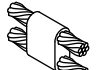
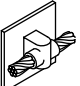



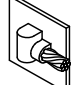
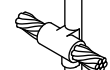
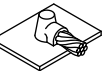


MECHANICAL GROUNDING (Continued)

	Type GD 36		Type GL 51
	Type GP 37		Type GZ 51
	Type GK 37		Type GC-CT 52
	Water Pipe Grounding 38 - 43		Type GTC1AC34RA 53
	Type GC-A 45		Type GIE-G 54
	Type GG 46		Rail Connector 55
	Type GQ 47		Type QGFL 56
	Type GX 47		Type GA-H 56
	Type B 48 - 49		Type GRF Raised Floor Grounding 57
	Types GB, GBM 50		Types GP-G1, GPRT Raised Floor Grounding 58
	Types GC, GCM 50		

Throughout the catalog you will notice blue highlighted items. These are the most frequently ordered BURNDY® Products.

TABLE OF CONTENTS

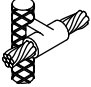
BURNDYWeld®

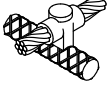
<p>BURNDYWeld® Introduction..... 60</p>		<p>Type BCR-17 72</p>
<p>Making a BURNDYWeld® Connection 61</p>		<p>Type BCR-24 73</p>
<p> WELD METAL 62</p>		<p>Type BCS-1 75</p>
<p> Type BCC-1 63</p>		<p>Type BCS-8 75</p>
<p> Type BCC-2 64</p>		<p>Type BCS-2 76</p>
<p> Type BCC-4 65</p>		<p>Type BCS-9 76</p>
<p> Type BCC-11 66</p>		<p>Type BCS-3 77</p>
<p> Type BCC-6 67</p>		<p>Type BCS-23 78</p>
<p> Type BCC-14 67</p>		<p>Type BCS-4 79</p>
<p> Type BCC-7 68</p>		<p>Type BCS-6 79</p>
<p> Type BCR-1 69</p>		<p>Type BCS-7 80</p>
<p> Type BCR-2 70</p>		<p>Type BCS-18 80</p>
<p> Type BCR-3 71</p>		<p>Type BCS-5 81</p>
		<p>Type BCRE-1 82</p>
		<p>Type BCRE-2 83</p>


Throughout the catalog you will notice blue highlighted items. These are the most frequently ordered BURNDY® Products.

TABLE OF CONTENTS

BURNDYWeld® (Continued)

	Type BCRE-3	84
---	------------------------------	----

	Type BCRE-4	85
---	------------------------------	----


	Type BCRE-6	86
---	------------------------------	----

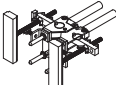
BURNDY® GROUNDMAX™	87 - 88
---	---------

BURNDYWeld® Prefabricated Wire Mesh	89 - 90
---	---------

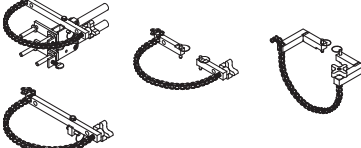
	Types B-106 & B-107 Handle Clamps	91
---	---	----

	B40-0106-75 Handle Attachment	91
---	---	----

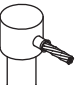
	Mold Support Clamp	91
---	------------------------------	----

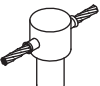
	Vertical Magnetic Clamps	92
---	---------------------------------------	----

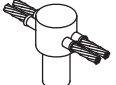
	Horizontal & Vertical Chain Clamps	92
---	---	----


	
---	--

SINGLE SHOT MOLDS

	Type BCR-1	74
---	-----------------------------	----


	Type BCR-2	74
---	-----------------------------	----

	Type BCR-24	74
---	------------------------------	----

	Type BCR-25	74
---	------------------------------	----


ACCESSORIES


	B38-0330-00 Cable Clamp	93
---	--	----

	Cable Cleaning Brush	93
---	--------------------------------	----

	Card Cloth Brush	93
---	----------------------------	----

	Mold Cleaning Brush	93
---	-------------------------------	----


	Mold Cleaners	93
---	-------------------------	----


	Packing Material	93
---	----------------------------	----

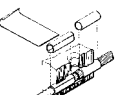
	BURNDYWeld® Tool Kit	94
---	---------------------------------------	----

BURNDYWeld® Tools	94
------------------------------------	----

	B38-0101-00 Rasp	94
---	-----------------------------------	----

	B38-0309-00 Flint Ignitor	94
---	--	----

	Ground Rod Driving Sleeves	95
---	---	----

	Shim Stock and Adapter Sleeves	95
---	---	----

Tips	96 - 97
----------------	---------

Throughout the catalog you will notice blue highlighted items. These are the most frequently ordered BURNDY® Products.

TABLE OF CONTENTS

GROUNDING ACCESSORIES

ACCESSORIES

**PENETROX™ A, PENACARTRIDGE,
PENETROX™ A-13
PENETROX™ E** 98

PENETROX™

Technical and
Ordering Information 99

HARDWARE

DURIUM™ Bolts 100

DURIUM™ Nuts 101

DURIUM™ Washers 101

DURIUM™ Hardware Kits 102

Stainless Steel Hardware Kits . . 102

**Stainless Steel Nuts,
Bolts and Washers** 103

Belleville Washers 103

TOOLS

Warranty Information 104

Types Y750HS & Y750-2HS 105

Type YCUT129ACSR 106

Type PATRIOT® PAT750XT-18V . 107

Type PATRIOT® PAT46-18V 108

**Type PATRIOT®
PATCUT129ACSR-18V** 109

**Type PATRIOT®
PATCUT245CUAL-18V** 110

Type BCC1000CUAL 111

Type Y700DC-1B 112

Type Y750BH 113

Types Y46 & Y46C 114

Type RHCC129ACSR 115

Type RHCC245CUAL 116

**Types MCC20,
MCC500, MCC1000** 117

**Types RCC556, RCC600
RCC750HD, RCC954ACSR,
RCC1000** 118

Types EPP10 & EPP6 119

ACCESSORIES

**Hydraulic Hoses, ALFLUID™,
HYFLUID™, Die Cases** 120

REFERENCE

**Specification for BURNDY®
HYGROUND™ System** 122

Hardware Data 123

Cable Data 124 - 127

Index 128 - 132

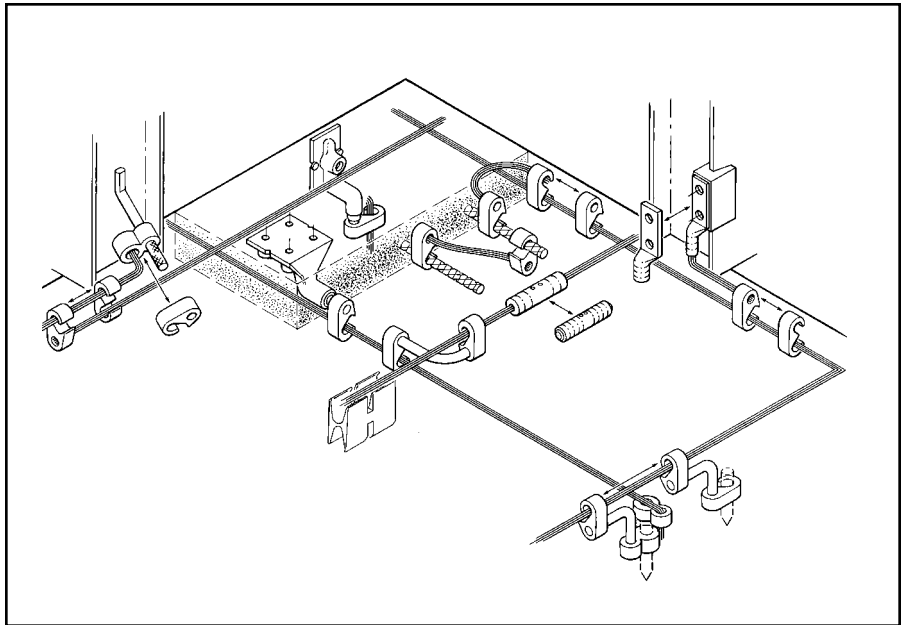
Throughout the catalog you will notice blue highlighted items. These are the most frequently ordered BURNDY® Products.

THE HYGROUND™ IRREVERSIBLE COMPRESSION SYSTEM


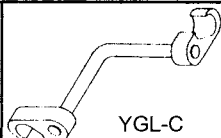
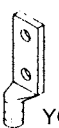
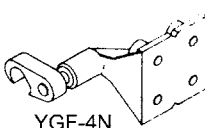
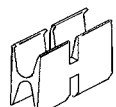

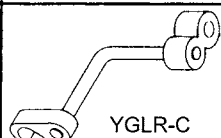
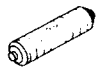
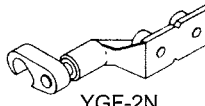
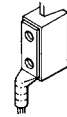


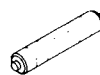
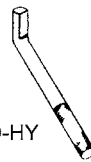
BURNDY® has developed an irreversible compression ground system which meets the most stringent safety and performance requirements, including those of OSHA and nuclear power plant design. Performance excellence and long life expectancy are the system's basic design guidelines. It is a complete system which consists of connectors for grid cross connections, taps, splices, cable to ground rod, ground plates and terminations.

Our irreversible compression ground connectors employ well-proven design principles and technology that have been in existence for over 60 years.

Connectors are just one component of our Irreversible Compression Ground System. Installation tooling is also an integral part of this system. BURNDY® pioneered the compression connector principle and continues today to be the leader in compression technology. Our tooling package is the most extensive in the industry and affords the user many options.



(LEGEND)

 YGHP-C	 YGL-C	 YGHA	 YGF-4N	 YSHG
 YGHR-C	 YGLR-C	 YGHS	 YGF-2N	 YGIB
 YGHC-C	 YGA	 YGS	 GSTUD-HY	

Throughout the catalog you will notice blue highlighted items. These are the most frequently ordered BURNDY® Products.

THE HYGROUND™ IRREVERSIBLE COMPRESSION SYSTEM (Continued)

Features and Benefits

- Irreversible compression.
 - ◇ Meets 1999 NEC code, section 250-50 and 250-64.
- Material-pure wrought copper extrusions, rod and seamless tubing—identical material to the conductor.
 - ◇ Completely eliminates the possibility of corrosion due to dissimilar metals.
- Heavy duty connector design.
 - ◇ All connectors will carry the equivalent or greater current carrying capacity of the conductor while maintaining high mechanical strength and electrical integrity.
- Range taking design—minimum number of connector combinations required to install a conductor range of #6 solid to 500 kcmil plus 1/2", 5/8", 3/4", and 1" ground rods and rebar.
 - ◇ Inventories are kept to a minimum and product selection is simplified.
- System engineered tooling.
 - ◇ Each tooling recommendation has been designed to ensure reliability of the connection.
- Irreversible compression connectors can be installed in all kinds of weather.
 - ◇ Eliminates costly construction delays and enables the installer to better schedule his job.
- May be installed without special training or special tools. Y750 series of tools crimps entire range.
 - ◇ Low installed cost.
 - ◇ Simplified installation.
- Each connection can be made in less than 3 minutes.
 - ◇ Low installed cost.
 - ◇ Simplified installation.
- Each connector is clearly marked with catalog number, conductor size and installation die information.
 - ◇ Easy and accurate identification.
- Inspection ports are provided to assure proper insertion of the conductor.
 - ◇ Built-in quality assurance.
- The die index number is embossed on the connector after completion of the crimp.
 - ◇ Facilitates speedy inspection of installed connectors to insure consistently reliable and sound connections.
- Most HYGROUND™ irreversible compression elements are prefilled with PENETROX™ and individually sealed in clear polyethylene sheet.
 - ◇ Ensures that all contact surfaces are in the proper condition for installation.
 - ◇ Ensures the electrical integrity of the finished connection by inhibiting moisture and contaminates from entering the contact area.
- All HYGROUND™ irreversible compression connectors are Listed in conformance with Underwriters Laboratories Standard UL467 and conform to applicable sections of the National Electrical Code.
 - ◇ May be used in direct burial or concrete embedded grounding applications.
- All HYGROUND™ irreversible connectors (with the exception of type YGA and YGS) have been tested successfully according to requirements of Standard IEEE 837.
 - ◇ Meets tough industry performance requirements.
 - ◇ UPRECRIMP™ dies give added mechanical strength. UPRECRIMP™ 34 for 3/4" rod, UPRECRIMP™ 12 for 1/2" rod, and UPRECRIMP™ 58 for 5/8" rod (now includes undersized U.S. market place rods).
- Allows connection to most sizes of structural steel with no drilling, tapping, or welding.
 - ◇ Safely installed at low cost. Hot work permits are not required to install in hazardous areas

Ground Rod and Rebar Diameter Chart				
Size	Ground Rod		Reinforcing Bar (Rebar)	
	Material*	Diameter	Size	Diameter
1/2"	Steel	0.500	#3 (3/8")	0.375
	Copperclad	0.475	#4 (1/2")	0.50
5/8"	Steel	0.625	#5 (5/8")	0.625
	Copperclad	0.563	#6 (3/4")	0.750
3/4"	Steel	0.750	#7 (7/8")	0.875
	Copperclad	0.682	#8 (1")	1.000
1"	Steel	1.00	#9 (1-1/8")	1.128
	Copperclad	0.914	—	—

Sizes are nominal - Consult Ground Rod or Reinforcing Bar Manufacturers for exact dimensions
*Steel Ground Rods include: Galvanized, Stainless Steel.

Throughout the catalog you will notice blue highlighted items. These are the most frequently ordered BURNDY® Products.

Installation Instructions



BURNDY® HYGROUND™ is the safest, most cost-effective, time-efficient, and easily inspected grounding system available today. A BURNDY® HYGROUND™ compression connection can be made in three minutes. That translates to tremendous labor savings. Plus, you can keep your entire jobsite work on schedule as BURNDY® HYGROUND™ connections can be made in even the most inclement weather conditions.

Throughout the catalog you will notice blue highlighted items. These are the most frequently ordered BURNDY® Products.



STEP 1

Select conductor or measure conductor with BURNDY® HYGROUND™ WIREMIKE™. Clean conductor with wire brush as needed.



STEP 2

Select the appropriate connector and crimping tool. Select the connector size by conductor size or rod size or both.



STEP 3

Select and install proper die in tool. Note: When connecting to a ground rod, precrimp ground rod to increase mechanical strength by using the appropriate precrimp die. (Ground rods should be completely driven before connector installation.)



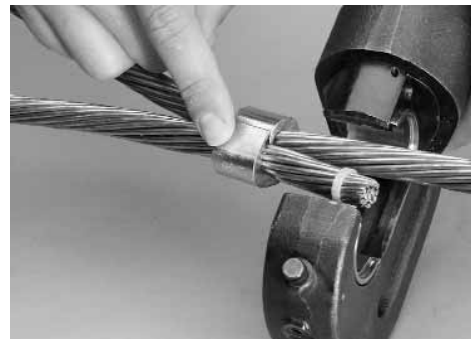
STEP 4

Center the connector in the die to ensure full embossment.



STEP 5

Place tool and connector on cable. Place this on cross cable or the rod to be connected.



STEP 6

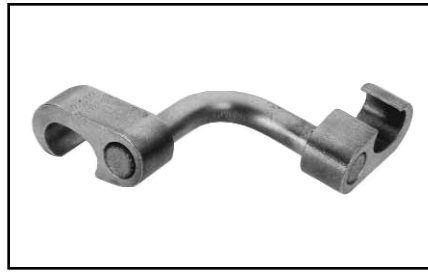
Cycle crimping tool until audible pressure release is heard. Release tool.

The completed connection is ready for inspection for proper connector, conductor, die, and tool.

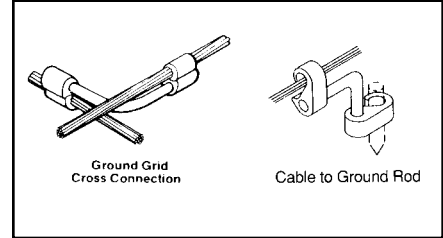
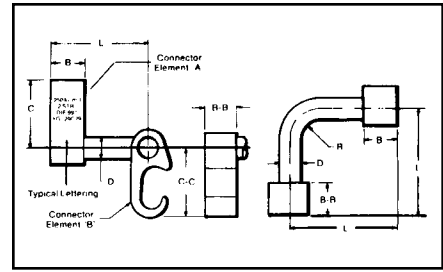
TYPE YGL-C

HYGRID™ CROSS CONNECTOR

An irreversible compression ground grid cross connector which allows adjustment of the compression elements prior to installation. Only six connectors and four dies are required to install all combinations from #6 solid through 500 kcmil. UL467 Listed. Acceptable for direct burial in earth and concrete. Prefilled with PENETROX™ compound and strip sealed.



IEEE-837



✓ UL96 Listed for Lightning Protection.



Catalog Number	B	B-B	C	C-C	D	L	R
YGL2C2	.75	.75	1.09	1.09	.313	2.50	.31
YGL29C2			1.66	1.66	.500		.50
YGL29C29			2.09	2.09	.313		.31
YGL34C2			1.66	1.66	.500		.50
YGL34C29			2.28	2.28	.750		.75
YGL34C34			1.10	1.10	2.28		2.28

ORDERING INFORMATION

Catalog Number	Cable to Cable		Cable to Ground Rod		To Rebar
	Element "A"	Element "B"	Element "A"	Element "B"	Element "A"
YGL2C2	#6 SOL. (.162) – #2 STR. (.292) {59500} – {59500}	#6 SOL. (.162) – #2 STR. (.292) {59500} – {59500}			
YGL29C2	#1 STR. (.332) – 250 kcmil (.575) {98500} – {131500}	#6 SOL. (.162) – #2 STR. (.292) {59500} – {59500}	1/2" – 5/8" Rod	#6 SOL. (.162) – #2 STR. (.292)	3/8" – 1/2"
YGL29C29	#2 STR. (.292) – 250 kcmil (.575) {65500} – {131500}	#2 STR. (.292) – 250 kcmil (.575) {65500} – {131500}		#2 STR. (.292) – 250 kcmil (.575)	#3 – 4 Rebar
YGL34C2	250 kcmil (.575) – 500 kcmil (.813)	#6 SOL. (.162) – #2 STR. (.292)	5/8" – 3/4" Rod	#6 SOL. (.162) – #2 STR. (.292)	5/8" – 3/4"
YGL34C29		#2 STR. (.292) – 250 kcmil (.575)		#2 STR. (.292) – 250 kcmil (.575)	#5 – 6 Rebar
YGL34C34		250 kcmil (.575) – 500 kcmil (.813)		250 kcmil (.575) – 500 kcmil (.813)	250 kcmil (.575) – 500 kcmil (.813)

Dimensions in brackets { } represent lightning protection conductors.

Catalog Number	Installation Tools, Die Set Catalog Number (Number of Crimps)							
	Y750/Y35/Y39 HYPRESS™		PAT750-18V		Y45 HYPRESS™		Y46 HYPRESS™	
	Element "A"	Element "B"	Element "A"	Element "B"	Element "A"	Element "B"	Element "A"	Element "B"
YGL2C2	U-0 (1)	U-0 (1)	U-0 (1)	U-0 (1)	U-0 (1)	U-0 (1)	U-0 (1)	U-0 (1)
YGL29C2	U997 (1)	U-0 (1)	ⓐ U997P (1)	U-0 (1)	U997 (1)	U-0 (1)	U997 (1)	U-0 (1)
YGL29C29	U997 (1)	U997 (1)	ⓐ U997P (1)	ⓐ U997P (1)	U997 (1)	U997 (1)	U997 (1)	U997 (1)
YGL34C2*	PU998 (1)	U-0 (1)	PU998 (1)	U-0 (1)	S998 or PU998 (1)	U-0 (1)	P998 or PU998 (1)	U-0 (1)
YGL34C29*	PU998 (1)	U997 (1)	PU998 (1)	ⓐ U997P (1)	S998 or PU998 (1)	U997 (1)	PU998 or PU998 (1)	U997 (1)
YGL34C34*	U1011 (3)	U1011 (3)	U1011 (3)	U1011 (3)	S1011 (3)	S1011 (3)	P1011 (3)	P1011 (3)

- Where a "U" or "PU" die is recommended with Y45 HYPRESS™, a PT6515 adapter must be used.
- Where a "U" or "PU" die is recommended with the Y46 HYPRESS™, a PUADP-1 adapter must be used.
- ⓐ Polarized die for the PAT750-18V.

* These connectors can only be installed using the Y750, Y45, or Y46 HYPRESS™ with the recommended dies. These connectors CANNOT be installed with the Y35 and Y39 HYPRESS™.

NOTES:

- Before crimping, both connector elements can be turned on rod diameter "D" to any desired position.
- Clean rust and/or protective coatings from rebar prior to installation.
- When attaching connector to ground rod, ground rod must be embossed with appropriate PRECRIMP die. For connections that must meet IEEE 837 requirements UPRECRIMP - type PRE crimp dies must be used for maximum clamping retention.

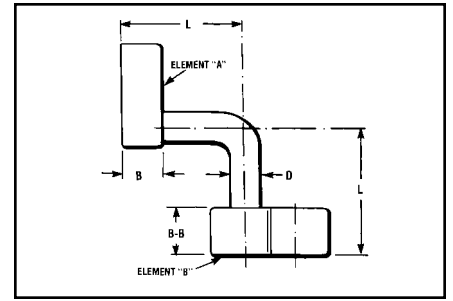
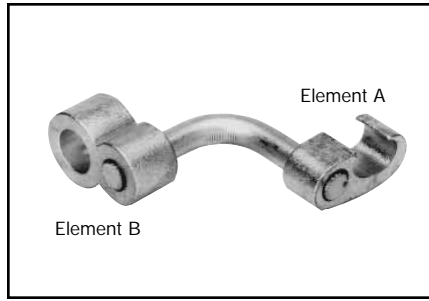
Ground Rod Dia.	PRECRIMP Dies	
1/2"	UPRECRIMP 12	U2CABT
5/8"	UPRECRIMP 58	
3/4"	UPRECRIMP 34	

TYPE YGLR-C

GRIDLOK™

High Strength
Irreversible
Compression Ground Rod to
Grid Connector

Ground grid connector for a wide range of copper cable to ground rod. Provides high torque strength on ground rod. UL467 Listed. Acceptable for direct burial in earth and concrete. Prefilled with PENETROX™ compound and strip sealed.



IEEE-837



CATALOG NUMBER	COMMERCIAL COPPER CABLE RANGE ELEMENT "A"	METRIC COPPER CABLE RANGE ELEMENT "A"	COPPER WELD CABLE RANGE ELEMENT "A"	GROUND ROD DIA. ELEMENT "B"	B	B-B	D	L	INSTALLATION TOOLS, DIE SET CAT. NO., (NUMBER OF CRIMPS)							
									Y35/Y39 HYPRESS™		Y750/PAT750		Y45 HYPRESS™		Y46 HYPRESS™	
									ELEMENT "A"	ELEMENT "B"	ELEMENT "A"	ELEMENT "B"	ELEMENT "A"	ELEMENT "B"	ELEMENT "A"	ELEMENT "B"
YGLR29C12	#2 Str. (.292 Dia.) thru 250 kcmil (.575 Dia.)	35mm² (7.62mm Dia.) thru 120 mm² (14.40mm Dia.)	91.65 kcmil (.343 Dia.) thru 248.8 kcmil (.572 Dia.)	1/2" [12.7]					U997 (1)	PU998 (1)	U997 (1)		U997 (1)		U997 (1)	
	250 kcmil (.575 Dia.) thru 500 kcmil (.813 Dia.)	120 mm² (14.40mm Dia.) thru 240 mm² (20.35mm Dia.)	248.8 kcmil (.572 Dia.) thru 498.8 kcmil (.810 Dia.)						—	U1011 or PU998 (1)	S998 or PU998 (1)		P998 or PU998 (1)			
YGLR34C12	#2 Str. (.292 Dia.) thru 250 kcmil (.575 Dia.)	35 mm² (7.62mm Dia.) thru 120 mm² (14.40mm Dia.)	91.65 kcmil (.343 Dia.) thru 248.8 kcmil (.572 Dia.)	5/8" [15.9]					U997 (1)	PU998 (1)	U997 (1)		U997 (1)		U997 (1)	
	250 kcmil (.575 Dia.) thru 500 kcmil (.813 Dia.)	120 mm² (14.40mm Dia.) thru 240 mm² (20.35mm Dia.)	248.8 kcmil (.572 Dia.) thru 498.8 kcmil (.810 Dia.)						—	U1011 or PU998 (1)	S998 or PU998 (1)		P998 or PU998 (1)			
YGLR29C58	#2 Str. (.292 Dia.) thru 250 kcmil (.575 Dia.)	35 mm² (7.62mm Dia.) thru 120 mm² (14.40mm Dia.)	91.65 kcmil (.343 Dia.) thru 248.8 kcmil (.572 Dia.)	3/4" [19.1]					U997 (1)	PU998 (1)	U997 (1)		U997 (1)		U997 (1)	
	250 kcmil (.575 Dia.) thru 500 kcmil (.813 Dia.)	120 mm² (14.40mm Dia.) thru 240 mm² (20.35mm Dia.)	248.8 kcmil (.572 Dia.) thru 498.8 kcmil (.810 Dia.)						—	U1011 or PU998 (1)	S998 or PU998 (1)		P998 or PU998 (1)			
YGLR34C58	#2 Str. (.292 Dia.) thru 250 kcmil (.575 Dia.)	35 mm² (7.62mm Dia.) thru 120 mm² (14.40mm Dia.)	91.65 kcmil (.343 Dia.) thru 248.8 kcmil (.572 Dia.)	1" [25.4]					U997 (1)	PU998 (1)	U997 (1)		U997 (1)		U997 (1)	
	250 kcmil (.575 Dia.) thru 500 kcmil (.813 Dia.)	120 mm² (14.40mm Dia.) thru 240 mm² (20.35mm Dia.)	248.8 kcmil (.572 Dia.) thru 498.8 kcmil (.810 Dia.)						—	U1011 or PU998 (1)	S998 or PU998 (1)		P998 or PU998 (1)			
YGLR29C34	#2 Str. (.292 Dia.) thru 250 kcmil (.575 Dia.)	35 mm² (7.62mm Dia.) thru 120 mm² (14.40mm Dia.)	91.65 kcmil (.343 Dia.) thru 248.8 kcmil (.572 Dia.)	1" [25.4]					U997 (1)	PU998 (1)	U997 (1)		U997 (1)		U997 (1)	
	250 kcmil (.575 Dia.) thru 500 kcmil (.813 Dia.)	120 mm² (14.40mm Dia.) thru 240 mm² (20.35mm Dia.)	248.8 kcmil (.572 Dia.) thru 498.8 kcmil (.810 Dia.)						—	U1011 (2) or PU998	U1011 (2) or PU998		U1011 (2) or PU998			
YGLR34C34	#2 Str. (.292 Dia.) thru 250 kcmil (.575 Dia.)	35 mm² (7.62mm Dia.) thru 120 mm² (14.40mm Dia.)	91.65 kcmil (.343 Dia.) thru 248.8 kcmil (.572 Dia.)	1" [25.4]					U997 (1)	PU998 (1)	U997 (1)		U997 (1)		U997 (1)	
	250 kcmil (.575 Dia.) thru 500 kcmil (.813 Dia.)	120 mm² (14.40mm Dia.) thru 240 mm² (20.35mm Dia.)	248.8 kcmil (.572 Dia.) thru 498.8 kcmil (.810 Dia.)						—	U1011 (2) or PU998	U1011 (2) or PU998		U1011 (2) or PU998			
YGLR29C100	#2 Str. (.292 Dia.) thru 250 kcmil (.575 Dia.)	35 mm² (7.62mm Dia.) thru 120 mm² (14.40mm Dia.)	91.65 kcmil (.343 Dia.) thru 248.8 kcmil (.572 Dia.)	1" [25.4]					U997 (1)	PU998 (1)	U997 (1)		U997 (1)		U997 (1)	
	250 kcmil (.575 Dia.) thru 500 kcmil (.813 Dia.)	120 mm² (14.40mm Dia.) thru 240 mm² (20.35mm Dia.)	248.8 kcmil (.572 Dia.) thru 498.8 kcmil (.810 Dia.)						—	U1011 (2) or PU998 (1)	U1011 (2) or PU998		U1011 (2) or PU998			

NOTES:

- Before crimping, both connector elements can be turned on rod diameter 'D' to any desired position.
- Grooves are filled with PENETROX™.
- Suitable for direct burial in earth or concrete.
- The catalog numbers shown are for unplated copper connectors for use on copper clad or stainless steel ground rod. To order electro-tin plated connectors for use on galvanized steel ground rod add suffix "TN" to the catalog number, only if the Figure 8 connector (Element "B") is tin plated, the Figure 6 connector (Element "A") is unplated. Note: The ground rod hole diameter is larger for galvanized steel ground rod in the tin plated connector.
- Ground rod must be pre-crimped with die U2CABT (Index No. 348) when crimping the ground rod element (Element "B") with the PU998 dies in the Y750, Y35, Y39, Y45, or Y46 tools. Pre-crimping is not required when the S1012, P1011 or U1011 dies are used. See precrimp die chart.
- Where a 'U' or 'PU' die is recommended with the Y45 HYPRESS™, a PT6515 adapter must be used.
- Where a 'U' or 'PU' die is recommended with the Y46 HYPRESS™, a PUADP-1 adapter must be used.
- Dimensions in bracket [] are in millimeters.
- Die "1011" appears on Element "B" of the connector only.

GROUND ROD DIA.	PRECRIMP DIES	
1/2"	UPRECRIMP 12	U2CABT
5/8"	UPRECRIMP 58	
3/4"	UPRECRIMP 34	

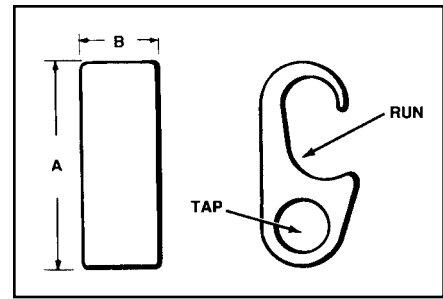
When attaching connector to ground rod, ground rod must be embossed with appropriate PRE-CRIMP die. For connections that must meet IEEE 837 requirements UPRECRIMP - type PRE crimp dies must be used for maximum clamping retention.

Throughout the catalog you will notice blue highlighted items. These are the most frequently ordered BURNDY® Products.

TYPE YGHP-C

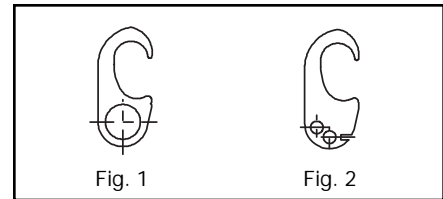
HYTAP™ CONNECTOR

Irreversible compression ground tap figure 6 can be used as a tap connector or as a tap splice connector. Four die sets and eight connectors can accommodate a conductor range from #8 solid through 500 kcmil plus 1/2", 5/8", and 3/4" copper bonded ground rods. UL467 Listed. Acceptable for direct burial in earth and concrete. Prefilled with PENETROX™ compound and strip sealed.



✓ UL96 Listed for Lightning Protection.

IEEE-837



CATALOG NUMBER	FIG. NO.	ACCOMMODATES		⑤ CABLE TO REBAR		B	DIE INDEX NO.	INSTALLATION DATA				
		RUN	TAP	RUN	TAP			Y750/Y35 Y39 HYPRESS™	PAT750-18V	③ Y45 HYPRESS™	④ Y46 HYPRESS™	NO. OF CRIMPS
YGHP2C2	1	#6 SOL. (0.162) (59500) – #2 STR. (0.292) (59500)	① #6 SOL. (0.162) (#2 STR.) – #2 STR. (0.292) (#2 STR.)	—	—	—	0	U0	U0	U0	U0	1
YGHP2C6W6W⑧	2	#6 SOL. (0.162) – #2 STR. (0.292)	#8 SOL. (0.128) – 6 STR. (0.184) QTY. 2	—	—	—	0	U0	U0	U0	U0	1
YGHP29C6W6W⑧	2	1/0 STR. (0.372) (98500) – 250 kcmil (0.575) (131500) 1/2" – 5/8" ROD	#8 SOL. (0.128) – 6 STR. (0.184) QTY. 2	#3 REBAR	#8 SOL. – 6 STR.	.75 [19]	997	U997	⑦ U997P	U997	U997	1
YGHP29C2	1		#4 SOL. (0.204) (#4 SOL.) – #2 STR. (0.292) (#2 STR.)	THRU	#2 STR.							
YGHP29C26	1		1/0 STR. (0.372) (98500) – 2/0 STR. (0.419) (98500)	1/2	1/0 STR. – 2/0 STR.							
YGHP29C29 ②	1		3/0 STR. (0.470) (131500) – 250 kcmil (0.575) (211500)	#4 REBAR	3/0 STR. – 250 kcmil							
YGHP34C2 ⑥	1	250 kcmil (0.575) (250 kcmil) – 500 kcmil (0.813) (500 kcmil) 5/8" – 3/4" ROD	#4 SOL. (0.204) – #2 STR. (0.292)	#5 REBAR	—	.75 [19]	998	PU998	PU998	PU998 or S998	PU998 or P998	1
YGHP34C26 ⑥	1		1/0 STR. (0.372) (98500) – 2/0 STR. (0.419) (98500)	THRU	1/0 STR. – 2/0 STR.							
YGHP34C29 ⑥	1		3/0 STR. (0.470) (131500) – 250 kcmil (0.575) (211500)	3/4	3/0 STR. – 250 kcmil							
YGHP34C34 ⑥	1	250 kcmil (0.575) – 500 kcmil (0.813) 5/8" – 3/4" ROD	350 kcmil (0.681) – 500 kcmil (0.843)	#6 REBAR	350 kcmil – 500 kcmil	1.10 [28]	1011	⑥U1011	U1011	S1011	P1011	3

Dimensions in brackets { } represent lightning protection conductors.

NOTES:

- When using #6 SOL. in tap, fold conductor double to improve fill in YGHP2C2.
- For YGHP29C29 when using 3/0 in tap, minimum run conductor is 2/0 STR.
- Where a 'U' or 'PU' die is recommended with the Y45 HYPRESS™, a PT6515 adapter must be used.
- Where a 'U' or 'PU' die is recommended with the Y45 HYPRESS™, a P-UADP-1 adapter must be used.
- Clean rust and protective coatings from rebar before connector installation to provide a proper ground connection. Pre-crimping is not required.
- These connectors can only be installed using the Y750, Y45 or Y46 HYPRESS™ with the recommended dies. These connectors can not be installed with the Y35 and Y39 HYPRESS™.
- Polarized die for the PAT750-18V.
- Not UL96/CSA.

GROUND ROD DIA.	PRECRIMP DIES
1/2"	UPRECRIMP 12
5/8"	UPRECRIMP 58
3/4"	UPRECRIMP 34

For increased rotational resistance on ground rods, pre-crimp ground rod with U2CABT die Index 348 or uprecrimp dies may be used for even greater rotation and vibration resistance on ground rods.

**CABLE TO GROUND ROD
CABLE TO REBAR
CABLE TO CABLE
FOR CONCRETE ENCASED
ELECTRODE GROUNDING
APPLICATIONS**

Throughout the catalog you will notice blue highlighted items. These are the most frequently ordered BURNDY® Products.

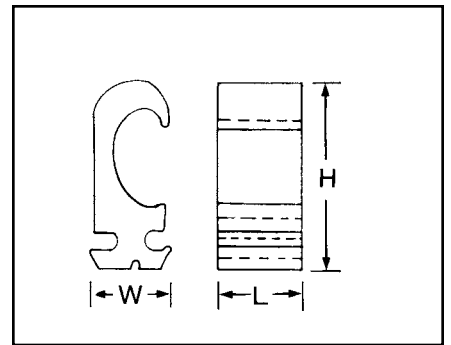
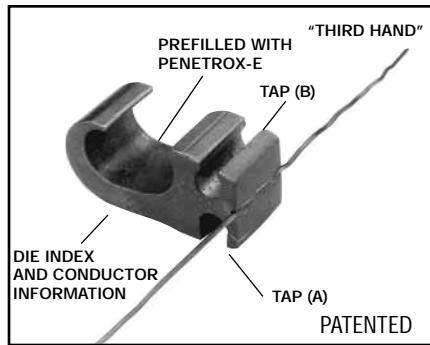
TYPE YGHP-C

HYTAP™ CONNECTOR

High Strength
Copper Irreversible
Compression

Ground Rod Tap
Connector

Type YGHP-C irreversible compression ground tap figure 6 can be used as a ground rod tap connector for both continuous run and tapping applications. An open groove allows ground rod to be connected to a continuous run or tap. The second groove is for a tap only. Prefilled with PENETROX-E™ and strip sealed. UL467 Listed for direct burial in earth or concrete.

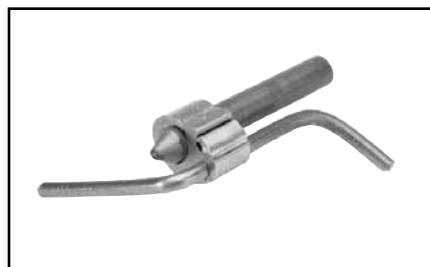


Features and Benefits

- Tap (A) accepts a continuous run on tap conductor
Tap (B) accepts a tap conductor only.
 - ◇ One connector style can be used for many applications, reducing number of connectors in inventory.
- Material is high conductivity wrought copper extrusion, identical material to the conductor.
 - ◇ High-conductivity copper minimizes resistance and voltage drop. Eliminates the possibility of corrosion due to dissimilar metals.
- System engineered tooling.
 - ◇ The tooling recommendation has been designed to ensure a reliable, dependable connection every time.
- The die index number is embossed on conductor after completion of crimp.
 - ◇ Facilitates speedy inspection of installed connectors to insure consistently reliable and dependable connections.
- Prefilled with PENETROX™ and individually sealed in clear polyethylene sheet.
 - ◇ Ensures the electrical integrity of the finished connection by inhibiting moisture and contaminants from entering the contact area. Maintains long-term high-conductivity.
- UL467 Listed.
 - ◇ May be used in direct burial or concrete embedded grounding applications. Provides quality assurance to recognized industry NEC standards from an independent party.
- "Third Hand" constrains conductors while installer completes crimp. Included with each connector.
 - ◇ Simplifies installation, reducing installed cost.



SINGLE TAP



CONTINUOUS RUN



CONTINUOUS RUN AND TAP

Catalog Number	Ground Rod Dia. ■	Tap Conductor +	Dimensions			▲ Installation Tooling				Die Index
						Y35/Y750/PAT750		Y46 •		
			H	B	W	Die No.	No. of Crimps	Die No.	No. of Crimps	
YGHP58C2W-2	1/2" - 5/8"	#2 Sol. - #6 Sol. Copper (1) Continuous run and (1) Tap or up to (2) taps may be connected.	1.90"	.75"	.94"	U997	(1)	U997	(1)	997
YGHP58C2W-2TN										

NOTE: A 12" bend radius is recommended for the conductor.
 • Use PUADP-1 with 'U'-dies in Y46.
 ▲ See tooling section in Master Catalog for complete tool and die listing.
 + Either tap position may be left void when fewer than (2) conductors are used.

■ Ground rod must be precrimped with die U2CABT (Index No. 348).
 For even greater rotational resistance use U-PRECRIMP die.
 For Galvanized Steel Rods order YGHP58C2W-2TN.

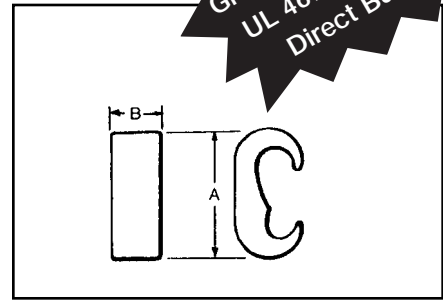
Throughout the catalog you will notice blue highlighted items. These are the most frequently ordered BURNDY® Products.

New!
Ground Rod to Wire
UL 467 Listed for
Direct Burial

TYPE YGHC-C

HYTAP™ CONNECTOR

Irreversible compression ground tap figure "C" connectors. Accommodates all cable combinations from #6 solid through 500 kcmil. "C"-shaped opening permits placing two continuous parallel cables into conductor groove. UL 467 Listed. Acceptable for direct burial in earth or concrete. Prefilled with PENETROX™ compound and strip sealed. Certain sizes are also UL 467 Listed for wire to ground rod.



IEEE-837



✓ UL96 Listed for Lightning Protection.

Catalog Number	Commercial Copper Cable Range/ Ground Rod to Copper Cable		Stranded Copper Cable Range		A	B	Die Index No.	Installation Data			No. of Crimps
	Run	Tap	Run	Tap				Y750/Y35/ PAT750/Y39 HYPRESS™	① Y45 HYPRESS™	② Y46 HYPRESS™	
								U-C	U-C	U-C	
YGHC2C2	#6 Sol. (0.162) #2 Str. (0.292) 1/4" Rod ⑦	#6 Sol. (0.162) #2 Str. (0.292)	10 mm² (4.12 mm) 35 mm² (7.62 mm)	10 mm² (4.12 mm) 35 mm² (7.62 mm)	1.16 [30]	0.75 [19]	C	U-C	U-C	U-C	1
YGHC26C2	1 Str. (0.328) {98500} 2/0 Str. (0.419) {98500} 3/8" Rod ⑦	#6 Sol. (0.162) {#6 Sol.} #2 Str. (0.292) {#2 Str.}	35 mm² (7.62 mm) 70 mm² (10.9 mm)	10 mm² (4.12 mm) 35 mm² (7.62 mm)	1.41 [36]	0.75 [19]	0	U-0	U-0	U-0	1
YGHC26C26	1 Str. (0.328) {98500} 2/0 Str. (0.419) {98500} 3/8" Rod ⑦	1 Str. (0.328) {98500} 2/0 Str. (0.419) {98500}	35 mm² (7.62 mm) 70 mm² (10.9 mm)	35 mm² (7.62 mm) 70 mm² (10.9 mm)	1.54 [39]	0.75 [19]	0	U-0	U-0	U-0	1
YGHC29C26	3/0 Str. (0.470) {3/0 Str.} 250 kcmil (0.575) {250 kcmil} 1/2" or 5/8" Rod ⑦	6 Sol. (0.419) {59500} 2/0 Str. (0.419) {98500}	95 mm² (12.5 mm) 120 mm² (14.4 mm)	10 mm² (4.12 mm) 70 mm² (10.9 mm)	1.97 [50]	0.75 [19]	997	U997	U997	U997	1
YGHC29C29	3/0 Str. (0.470) 250 kcmil (0.575) 1/2" or 5/8" Rod ⑦	3/0 Str. (0.470) 250 kcmil (0.575)	95 mm² (12.5 mm) 120 mm² (14.4 mm)	95 mm² (12.5 mm) 120 mm² (14.4 mm)	2.06 [52]	0.88 [22]	997	U997	U997	U997	1
YGHC34C26 ⑥	300 kcmil (0.630) {300 kcmil} 500 kcmil (0.813) {500 kcmil} 3/4" Rod ⑦	#6 Sol. (0.162) {59500} 2/0 Str. (0.419) {98500}	150 mm² (16 mm) 240 mm² (20.35 mm)	10 mm² (4.12 mm) 70 mm² (10.9 mm)	2.42 [62]	0.88 [22]	1011	U1011	S1011	P1011	2
YGHC34C29 ⑥	300 kcmil (0.630) 500 kcmil (0.813)	3/0 Str. (0.470) 250 kcmil (0.575)	150 mm² (16 mm) 240 mm² (20.35 mm)	95 mm² (12.5 mm) 120 mm² (14.4 mm)	2.67 [66]	0.88 [22]	1011	U1011	S1011	P1011	2
YGHC34C34 ⑥	300 kcmil (0.630) 500 kcmil (0.813)	300 kcmil (0.630) 500 kcmil (0.813)	150 mm² (16 mm) 240 mm² (20.35 mm)	150 mm² (16 mm) 240 mm² (20.35 mm)	2.91 [74]	1.1 [28]	1011	U1011	S1011	P1011	3

Dimensions in brackets { } represent lightning protection conductors.

NOTES:

- ① Where a "U" or "PU" die is recommended with the Y45 HYPRESS™, PT6515 adapter must be used.
- ② Where a "U" or "PU" die is recommended with the Y46 HYPRESS™, a PUADP-1 adapter must be used.
3. Listed under UL486A for copper wire connectors
4. Dimensions in brackets [] are in millimeters.
5. In referencing connectors without PENETROX™ oxide inhibitor add suffix "NP" to the end of the Catalog Number.
- ⑥ These connectors can only be installed using the Y750, Y45 or Y46 HYPRESS™ with the recommended dies.
These connectors cannot be installed with the Y35 and Y39 HYPRESS™.
- ⑦ Ground rod to copper cable is UL 467 Listed for direct burial in earth and concrete.

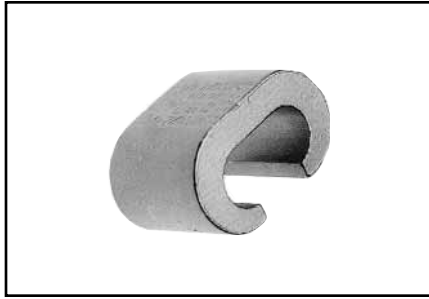
GROUND ROD DIA.	PRECRIMP DIES	
1/2"	UPRECRIMP 12	U2CABT
5/8"	UPRECRIMP 58	
3/4"	UPRECRIMP 34	

For increased rotational resistance on ground rods, pre-crimp ground rod with U2CABT die Index 348 or uprecrimp dies may be used for even greater rotation and vibration resistance on ground rods.

TYPE YGC

COPPER CRIMPIT™

UL 467 Listed for direct burial in earth or concrete. Prefilled with PENETROX™ E2 oxide inhibitor.



Catalog Number	Copper Conductor		H	L	Index	OUR840	MD6/MD7	Crimps
	Run	Tap						
YGC8C8	#8 Sol. #8 Str.	#8 Sol. #8 Str.	.46	.52	162	W162	W162	2
YGC6C8	#6 Sol. #6 Str.	#8 Sol. #8 Str.	.73	.62	BG	XBG	WBG	2
YGC6C6	#6 Sol. #6 Str.	#6 Sol. #6 Str.	.76	.62	BG	XBG	WBG	2

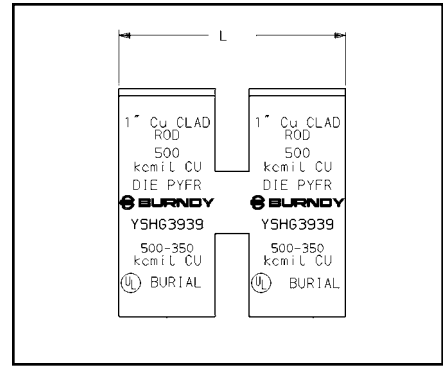
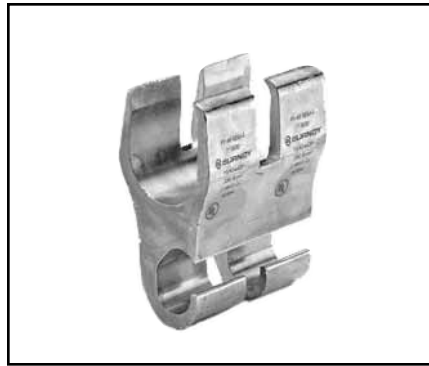
Throughout the catalog you will notice blue highlighted items. These are the most frequently ordered BURNDY® Products.

TYPE YSHG

HIGH STRENGTH COPPER IRREVERSIBLE COMPRESSION

Double H-Tap Connector

Type YSHG Double H-Tap grounding series is comprised of five connectors designed to accommodate wire range sizes #14 through 500 kcmil, including ground rod sizes: 3/4", 1", and rebar sizes: #6, #8 and #9. Prefilled with PENETROX™ E2 and strip sealed.



Features and Benefits

- UL467 Listed.
 - ◇ Suitable for direct burial in earth or concrete.
- Material is high conductivity copper extrusion.
 - ◇ Minimizes resistance, eliminates corrosion due to dissimilar metals.
- Grooves are prefilled with PENETROX™ E2 oxide inhibitor and individually sealed.
 - ◇ Inhibits moisture and contaminants ensuring electrical integrity.

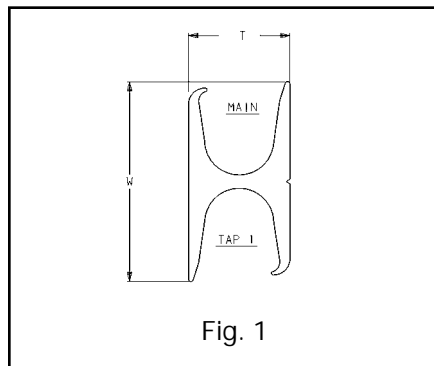


Fig. 1

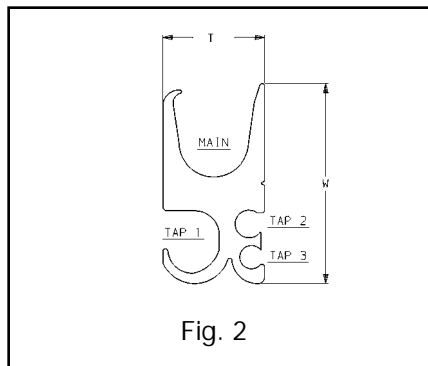


Fig. 2

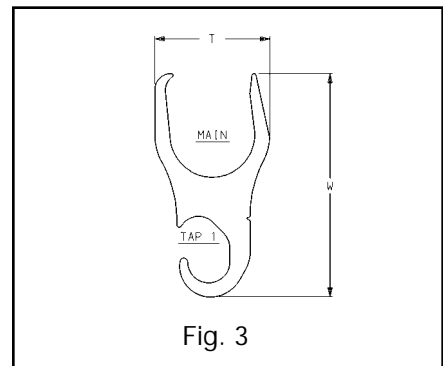


Fig. 3

Catalog Number	Fig. No.	Conductor Sizes				Tooling (number of crimps)		Index Embossment	W ±.06	T ±.04	L ±.06
		Main	Tap 1	Tap 2	Tap 3	PAT750/Y750	Y46				
YSHG4429	3	#9 & #8 Rebar, 1" [25] Ground Rod	250 - 2				PYFR (2)	K-R	3.22 [82]	1.70 [43]	2.44 [62]
* YSHG3931	2	#6 Rebar, 1" [25] Cu Clad Ground Rod, 3/4" Ground Rod 500 - 350 kcmil Copper	4/0 - 1/0	1 - 6	2 - 14		PYFR (2)	K-R	2.97 [75]	1.50 [38]	2.34 [59]
YSHG3434	1	#6 Rebar, 3/4" [19] Ground Rod 400 - 250 kcmil COPPER	400 - 4/0			U1104 (4)	P1104 (2) †U1104 (4)	1104	2.43 [62]	1.15 [29]	2.44 [62]
YSHG3429	2	#6 Rebar, 3/4" [19] Ground Rod 400 - 4/0 kcmil Copper	3/0 - 1/0	1 - 4	8 - 14	U1104 (4)	P1104 (2) †U1104 (4)	1104	2.23 [57]	1.31 [33]	2.44 [62]

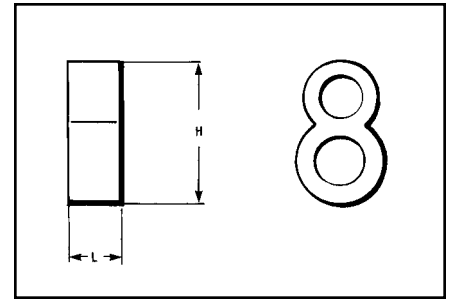
* NOTE: Not for use on 1" steel ground rod.
† Use PUADP-1 adapter.

Throughout the catalog you will notice blue highlighted items. These are the most frequently ordered BURNDY® Products.

TYPE YGHR-C

HYTAIL™

High Strength
Irreversible
Compression Ground Rod Tap
Connectors



High torque strength ground rod connectors. Accommodates a wide range of copper conductors to ground rod. UL467 Listed. Acceptable for direct burial in earth or concrete. Prefilled with PENETROX™ compound and strip sealed.



IEEE-837



Catalog Number	H	B
YGHR26C12	1.94" [49.3]	.88" [22.4]
YGHR26C58	1.97" [50.0]	
YGHR26C34	2.19" [55.6]	
YGHR26C100	2.55" [56.2]	
YGHR29C12	1.94" [49.3]	
YGHR29C58	2.14" [54.4]	
YGHR29C34	2.19" [55.6]	
YGHR29C100	2.45" [62.2]	
YGHR34C58	2.14" [54.4]	
YGHR34C34	2.44" [62.0]	
YGHR34C100	2.70" [68.6]	

Catalog Number	Commercial Copper Cable Range	Nominal Ground Rod Dia.	Installation Tools, Die Set Catalog Number (Number of Crimps)		
			PAT750/Y750/Y35/Y39 ①	Y45 HYPRESS ①	Y46 HYPRESS ①
YGHR26C12	#2 Str. (.292 Dia.) thru	1/2" [12.7]	U1011 (2) ④ PU998 (1)	S1012 (2) ④	P1011 (2) ④ PU998 (1)
YGHR26C58		5/8" [15.9]		PU998 (1) ②	
YGHR26C34		3/4" [19.0]		S1011 (2) S1012 (2) PU998 (1)	
YGHR26C100*	1" [25.4]	S1012 (2) ④			
YGHR29C12	#4/0 Str. (.528 Dia.) thru	1/2" [12.7]		S1011 (2) S1012 (2) ④ PU998 (1)	
YGHR29C58		5/8" [15.9]		S1012 (2) ④	
YGHR29C34		3/4" [19.0]		PU998 (1) ②	
YGHR29C100*	250 kcmil (.575 Dia.)	1" [25.4]		S1011 (2) S1012 (2) ④ PU998 (1)	
YGHR34C58	300 kcmil (.630 Dia.) thru	5/8" [15.9]		S1012 (2) ④	P1011 (2)
YGHR34C34*		3/4" [19.0]		PU998 (1) ②	
YGHR34C100*		500 kcmil (.813 Dia.)		1" [25.4]	

NOTES:

- The catalog numbers shown are for unplated copper connectors for use on copper clad or stainless steel ground rod. To order electro-tin plated connectors for use on galvanized steel ground rod add suffix "TN" to the catalog number. Note: The ground rod hole diameter is larger for galvanized steel ground rod in the tin plated connector.
- ① Ground rod must be pre-crimped with die U2CABT (Index No. 348) when the PU998 dies are used in the Y750, Y35, Y39, Y45, or Y46 tools. Pre-crimping is not required when the P1011, S1011, S1012 or U1011 dies are used. UPRE-CRIMP dies may be used for additional mechanical resistance on ground rods.

- ② Where a PU998 die is recommended with the Y45 HYPRESS™, a PT6515 adapter must be used.
- ③ Where a PU998 die is recommended with the Y46 HYPRESS™, a PUADP-1 adapter must be used.
- ④ These die numbers do not appear on the connector.
* These connectors can only be installed using the Y750, Y45 or the Y46 HYPRESS™ with the recommended dies. These connectors CAN NOT be installed with the Y35 and Y39 HYPRESS™. When attaching connector to ground rod, ground rod must be embossed with appropriate PRE-CRIMP die. For connections that must meet IEEE 837 requirements UPRECRIMP - type PRE crimp dies must be used for maximum clamping retention.

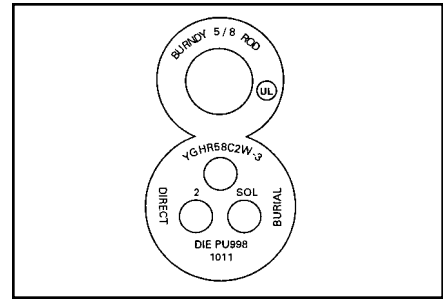
Throughout the catalog you will notice blue highlighted items. These are the most frequently ordered BURNDY® Products.

TYPE YGHR-C

HYTAIL™

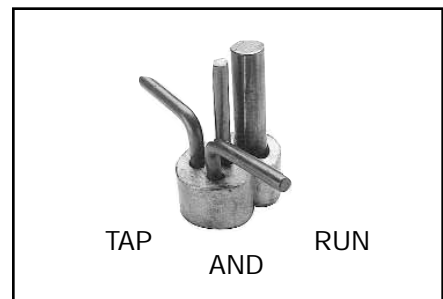
High Strength
Irreversible
Compression Ground Rod Tap
Connectors

Type YGHR-C irreversible compression grounding connector is engineered specifically for the Telecommunications Industry for (1, 2 or 3) #2 solid, tinned or bare conductor taps. UL467 Listed. Acceptable for direct burial in earth or concrete. BURNDY® has designed this connector to meet the stringent requirements of OSHA, the National Electric Code (NEC), UL, and the Telecommunications Industry. Performance and long life are this connector's basic design guidelines.



Features and Benefits

- Tap side 1, 2 or 3 conductors.
 - ◊ One connector style can be used for many applications.
- Material is high conductivity wrought copper extrusion, identical material to the conductor.
 - ◊ High-conductivity copper minimizes resistance and voltage drop. Eliminates the possibility of corrosion due to dissimilar metals.
- System engineered tooling.
 - ◊ Each tooling recommendation has been designed to provide a reliable, dependable connection.
- The die index number is embossed on connector after completion of crimp.
 - ◊ Facilitates speedy inspection of installed connectors to ensure consistently reliable and dependable connections.
- Prefilled with PENETROX™ and individually sealed in clear polyethylene sheet.
 - ◊ Ensures the electrical integrity of the finished connection by inhibiting moisture and contaminates from entering the contact area. Maintains long-term high-conductivity.
- UL 467 Listed. Acceptable for direct burial.
 - ◊ May be used in direct burial or concrete embedded grounding applications. Provides quality assurance to recognized industry NEC standards from an independent party.



Catalog Number+	Ground Rod Diameter •	Tap Conductor ▲	Installation Tooling				Die Index
			PAT750/Y35/Y750**		Y46*		
			Die No.	No. of Crimps	Die No.	No. of Crimps	
YGHR58C2W-3	5/8"	#2 Sol. Copper 1, 2, or 3 may be connected	PU998†	(1)	PU998†	(1)	998 or 1011
			U1011	(2)	U1011	(2)	
					P998	(1)	
					P1011	(2)	

• Contact BURNDY® for other ground rod diameters.
 * PU998 and U1011 die sets require PUADP-1 adapter for use in the Y46 HYPRESS™.
 Tap positions may be left void when fewer than (3) conductors are used.
 + To order electro-tin plated connector for use on galvanized steel ground rod add suffix "-TN" to the catalog number.
NOTE: The ground rod hole diameter is larger for galvanized

steel ground rod in the tin plated connector.
 † Ground rod must be precrimped with die U2CABT (Index No. 348) when PU998 die set is used in the Y35, Y750 or Y46
 ▲ For even greater mechanical resistance use UPRECRIMP 58 dies.
 ** The Y750 utilizes PU dies and the U1011 die. The Y35 only uses PU998 die set.
NOTE: A 12" bend radius is recommended for the conductor.

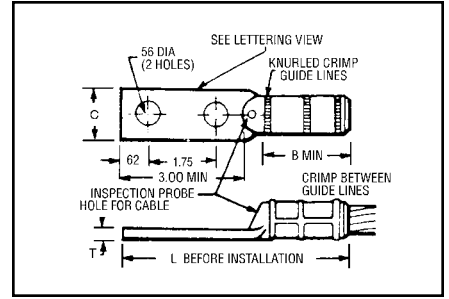
Throughout the catalog you will notice blue highlighted items. These are the most frequently ordered BURNDY® Products.

TYPE YGHA

HYLUG™

Heavy Duty Irreversible Compression Terminals

Heavy duty HYLUG™ irreversible compression terminals designed not only to carry short circuit load, but to also withstand high mechanical stress. Each conductor element has an inspection probe hole to insure proper cable insertion. UL467 Listed. Acceptable for direct burial in earth or concrete. UL486A Listed. Prefilled with PENETROX™ compound and strip sealed.



IEEE-837



Catalog Number	Copper Conductor Size	Installation Tools, Die Set Catalog Number, and (Number of Crimps) HYPRESS™ Y35/Y39/Y45 ① /Y46 ② /Y750 /PAT750	B	C	L	T
			YGHA2C-2N	2 str.	U1CRT (1)	.75
YGHA25-2N	1/0 str.	U27RT (1)	.83	.91	4.60	.19
YGHA26-2N	2/0 str.	U28RT (1)	.83	.97	4.38	.26
YGHA27-2N	3/0 str.	U29RT (1)	1.18	1.08	4.94	.29
YGHA28-2N	4/0 str.	U30RT (2)	1.18	1.22	4.94	.30
YGHA29-2N	250 kcmil	U31RT (2)	1.18	1.28	4.94	.34
YGHA31-2N	350 kcmil	U34RT (2)	1.18	1.62	5.00	.43
YGHA34-2N	500 kcmil	U36RT (3)	1.48	1.72	5.42	.40

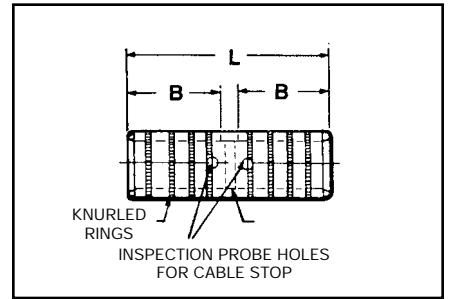
① Where a "U" or "PU" die is recommended with the Y45 HYPRESS™, a PT6515 adapter must be used.
 ② Where a "U" or "PU" die is recommended with the Y46 HYPRESS™, a PUADP-1 adapter must be used.

TYPE YGHS

HYLINK™

Heavy Duty Irreversible Compression Terminals

Heavy duty HYLINK™ ground splice designed not only to carry short circuit load, but to also withstand high mechanical stress. Each conductor element has an inspection probe hole and a center stop to ensure proper cable insertion. UL467 Listed. Acceptable for direct burial in earth or concrete. UL486A Listed. Prefilled with PENETROX™ compound and strip sealed.



IEEE-837



Catalog Number	Copper Conductor Size	Installation Tools, Die Set Catalog Number, and (Number of Crimps) HYPRESS™ Y35/Y39/Y45 ① /Y46 ② /Y750 /PAT750	B	L
			YGHS2C	2 str.
YGHS25	1/0 str.	U27RT (1)	.83	1.89
YGHS26	2/0 str.	U28RT (1)	.83	1.89
YGHS27	3/0 str.	U29RT (1)	1.18	2.59
YGHS28	4/0 str.	U30RT (2)	1.18	2.59
YGHS29	250 kcmil	U31RT (2)	1.18	2.59
YGHS31	350 kcmil	U34RT (2)	1.18	2.59
YGHS34	500 kcmil	U36RT (3)	1.48	3.19

① Where a "U" or "PU" die is recommended with the Y45 HYPRESS™, a PT6515 adapter must be used.
 ② Where a "U" or "PU" die is recommended with the Y46 HYPRESS™, a PUADP-1 adapter must be used.

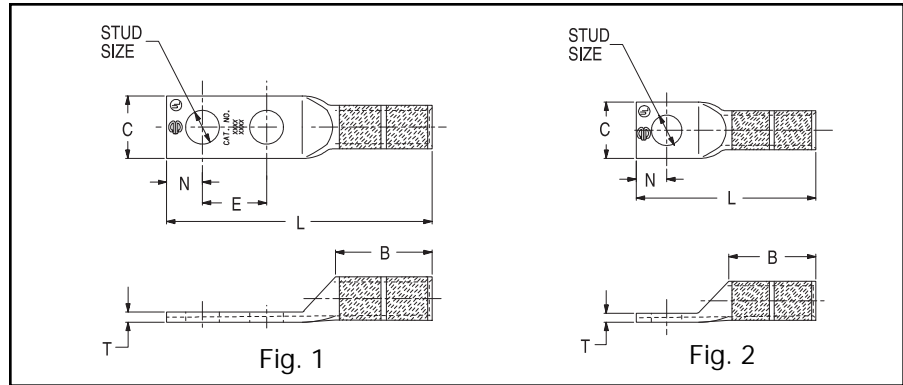
Throughout the catalog you will notice blue highlighted items. These are the most frequently ordered BURNDY® Products.

TYPE YGA

HYLUG™

Grounding Irreversible Compression Terminals

Irreversible compression HYLUG™ Ground terminal specifically designed for grounding applications. Each connector has an inspection probe hole to insure proper cable insertion. UL467 Listed. Acceptable for direct burial in earth or concrete. UL486A Listed. Prefilled with PENETROX™ compound and strip sealed.



Catalog Number	Fig. No.	Copper Conductor Size	Installation Tools, Die Set Cat. No., and (number of crimps)				Stud Size	B	C	L	T	E
			Mechanical			Hydraulic						
			Y2MR	MD7-34R	OUR840	Y35/Y39/Y45/PAT750 ①						
			Die # (# of crimps)	Die # (# of crimps)	Die # (# of crimps)	Y46 ② /Y750						
YGA8C-TC10	2	8 sol./8 str.	Red (4)	W8CVT (2) X8CRT (2)	U8CRT (2)	#10	.81	.41	1.57	.08	—	
YGA8C-TC14	2	8 sol./8 str.	Red (4)	W8CVT (2) X8CRT (2)	U8CRT (2)	1/4	.81	.44	1.69	.08	—	
YGA8C-TC516	2	8 sol./8 str.	Red (4)	W8CVT (2) X8CRT (2)	U8CRT (2)	5/16	.81	.51	1.75	.06	—	
YGA8C-2N	1	8 sol./8 str.	Red (4)	W8CVT (2) X8CRT (2)	U8CRT (2)	1/2	.81	.71	4.09	.05	—	
YGA6C-TC10	2	6 sol./6 str.	Blue (4)	W5CVT (2) X5CRT (2)	U5CRT (2)	#10	1.12	.42	1.89	.09	—	
YGA6C-TC14	2	6 sol./6 str.	Blue (4)	W5CVT (2) X5CRT (2)	U5CRT (2)	1/4	1.12	.45	2.02	.08	—	
YGA6C-TC516	2	6 sol./6 str.	Blue (4)	W5CVT (2) X5CRT (2)	U5CRT (2)	5/16	1.12	.51	2.08	.07	—	
YGA6C-2TC38E2G1	1	6 sol./6 str.	Blue (4)	W5CVT (2) X5CRT (2)	U5CRT (2)	3/8	1.12	.58	3.42	.06	.75	
YGA6C-2N	1	6 sol./6 str.	Blue (4)	W5CVT (2) X5CRT (2)	U5CRT (2)	1/2	1.12	.83	4.40	.12	1.75	
YGA2C-2TC38	1	2 sol./2 str.	Brown (4)	W2CVT (2) X2CRT (2)	U2CRT (2)	3/8	1.25	.60	3.48	.12	1.00	
YGA2C-2TC38E2G1	1	2 sol./2 str.	Brown (4)	W2CVT (2) X2CRT (2)	U2CRT (2)	3/8	1.25	.60	3.66	.12	.75	
YGA2C-2N	1	2 str.	Brown (4)	W2CVT (2) X2CRT (2)	U2CRT (2)	1/2	1.22	.81	4.71	.12	1.75	
YGA25-2N	1	1/0 str.	—	W25VT (4) X25RT (4)	U25RT (2)	1/2	1.35	.81	4.91	.12	1.75	
YGA26-2N	1	2/0 str.	—	W26VT (4) X26RT (4)	U26RT (2)	1/2	1.45	.81	4.89	.12	1.75	
YGA28-2N	1	4/0 str.	—	W28VT (4) X28RT (4)	U28RT (2)	1/2	1.57	1.00	5.06	.14	1.75	
YGA29-2N	1	250 kcmil	—	W29VT (4)	U29RT (2)	1/2	1.57	1.09	5.16	.16	1.75	
YGA34-2N	1	500 kcmil	—	W34VT (4)	U34RT (4)	1/2	2.20	1.52	5.94	.23	1.75	

① Where a "U" or "PU" die is recommended with the Y45 HYPRESS™, a PT6515 adapter must be used.

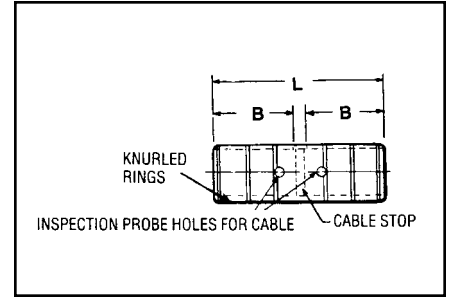
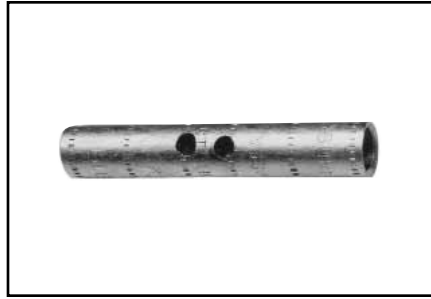
② Where a "U" or "PU" die is recommended with the Y46 HYPRESS™, a PUADP-1 adapter must be used.

TYPE YGS

HYLINK™

Grounding Irreversible Compression Splices

Irreversible compression HYLINK™ ground splices specifically designed for grounding applications. Each conductor element has an inspection probe hole and a center stop to ensure proper cable insertion. UL467 Listed. Acceptable for direct burial in earth or concrete. UL486A Listed. Prefilled with PENETROX™ compound and strip sealed.



Catalog Number	Copper Conductor Size	Installation Tools, Die Set Catalog Number, and (Number of Crimps)				B	L
		Mechanical			Hydraulic		
		Y2MR	MD7-34R	OUR840	Y35/Y39/Y45 ^①		
		Die # (# of Crimps)	Die # (# of Crimps)	Die # (# of Crimps)	/Y46 ^② /Y750/PAT750		
			Die # (# of Crimps)				
YGS2C	2 str.	Brown (4)	W2CVT (2) X2CRT (2)		U2CRT (2)	1.22	2.67
YGS8C	#8 sol./str.	—	X8CRT, W8CRT, W8CVT ^③		U8CRT (2)	.78	1.75
YGS6C	#6 sol./str.	—	X5CRT, W5CRT, W5CVT ^③		U6CRT (2)	1.09	2.38
YGS25	1/0 str.	—	W25VT (4) X25RT (4)		U25RT (2)	1.35	2.97
YGS26	2/0 str.	—	W26VT (4) X26RT (4)		U26RT (2)	1.45	3.13
YGS28	4/0 str.	—	W28VT (4) X28RT (4)		U28RT (2)	1.57	3.37
YGS29	250 kcmil	—	W29VT (4)		U29RT (2)	1.57	3.37
YGS34	500 kcmil	—	W34VT (4)	—	U34RT (4)	2.20	4.63

① Where a "U" or "PU" die is recommended with the Y45 HYPRESS™, a PT6515 adapter must be used.

② Where a "U" or "PU" die is recommended with the Y46 HYPRESS™, a PUADP-1 adapter must be used.

③ Use "X" with OUR840, "W" with MD6/MD7.

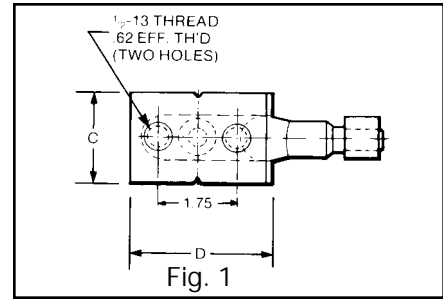
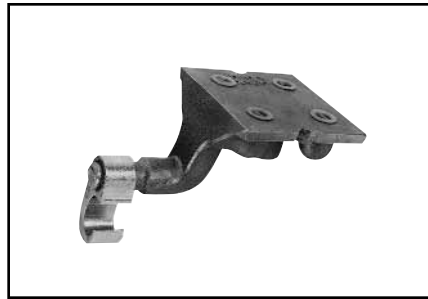
Throughout the catalog you will notice blue highlighted items. These are the most frequently ordered BURNDY® Products.

BURNDY® Grounding Products

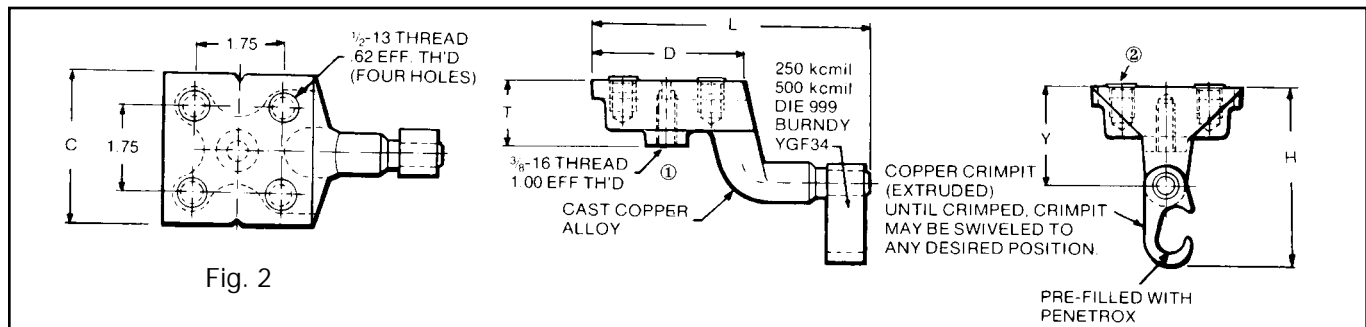
TYPE YGF

GROUNDING PLATE

The irreversible compression ground plate is designed to withstand the rigors of concrete construction. The ground plates are made of a high strength, high-conductivity cast copper alloy body with a pure wrought copper compression element. In addition to the tapped NEMA size holes and spacing on the face, the plate comes with a tapped hole on the underside for ease of positioning prior to pouring the concrete. UL467 Listed. Acceptable for direct burial in earth or concrete. Prefilled with PENETROX™ compound and strip sealed.



IEEE-837



Catalog Number	Fig. No.	C	D	H	L	T	Y
YGF29-2N	1	2.00	3.25	3.62	5.78	1.31	2.00
YGF29-4N	2	3.25	3.25	3.62	5.78	1.31	2.00
YGF34-2N	1	2.00	3.25	4.62	5.40	1.31	2.19
YGF34-4N	2	3.75	3.75	4.62	5.90	1.31	2.19

NOTES:

① This tapped hole may be used to position the grounding plate on a threaded rod prior to placement of the concrete.

① 3/8-16 thread with 1.00 EFF. Thread is standard. If other thread is required, add appropriate Code No. to Catalog No. for desired thread.
-50 (1/2 -13, .94 EFF. Thread), -62 (5/8 -11, .94 EFF. Thread) and -75 (3/4 -10, .81 EFF. Thread)
Example: YGF34-4N-50 is YGF34-4N with 1/2 -13 Thread

② Plastic plugs are provided to keep dirt out of the threaded holes until the attachment of grounding terminals.

Catalog Number	Copper Conductor Range	Tapped Holes		Installation Tools, Die Set Cat. No., and (number of crimps)		
		Size	Hole Centers	PAT750/Y750/Y35/Y39	Y45 ①	Y46 ②
YGF29-2N	2 - 250 kcmil	1/2 - 13	1-3/4	U997 (1)	U997 (1)	U997 (1)
YGF29-4N	2 - 250 kcmil	1/2 - 13	1-3/4	U997 (1)	U997 (1)	U997 (1)
YGF34-2N*	250 - 500 kcmil	1/2 - 13	1-3/4	U1011 (3)	S1011 (2)	P1011 (2)
YGF34-4N*	250 - 500 kcmil	1/2 - 13	1-3/4	U1011 (3)	S1011 (2)	P1011 (2)

ORDERING INFORMATION

① Where a "U" or "PU" die is recommended with the Y45 HYPRESS™, a PT6515 adapter must be used.

② Where a "U" or "PU" die is recommended with the Y46 HYPRESS™, a PUADP-1 adapter must be used.

* These connectors can only be installed using the Y750, Y45 or Y46 HYPRESS™ with recommended dies. These connectors CAN NOT be installed with the Y35 or Y39 HYPRESS™.

Throughout the catalog you will notice blue highlighted items. These are the most frequently ordered BURNDY® Products.

I-Beam Connector Installation Instructions



STEP 1

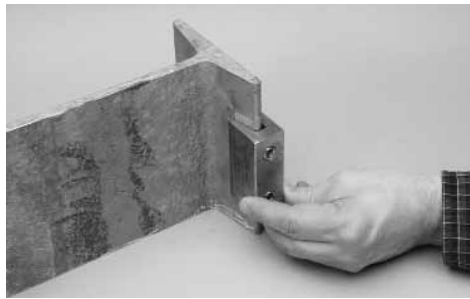
Sand or grind I-beam to bare metal on both sides. Galvanized beams should be cleaned with a solvent without disturbing the plating/galvanizing.



STEP 2

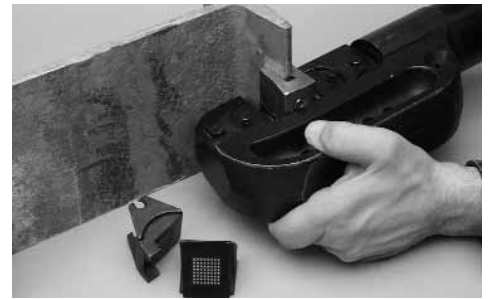
Select the appropriate PRECRIMP die kit for the beam.* Install the die set into the crimping tool. Precrimp the I-beam bare metal area. Crimp the length of the connector, slightly overlapping each crimp.

* For wide, parallel flanges and beams, the PIBEW P1 kit should be used. For standard angled flanges, the PIBES P1 should be used.



STEP 3

Select the connector and install directly over the precrimped area of the beam. Position the connector on the beam so the flange is fully inserted into the connector. Minimize sideways motion of the connector to prevent the loss of PENETROX™ between the connector and the beam.



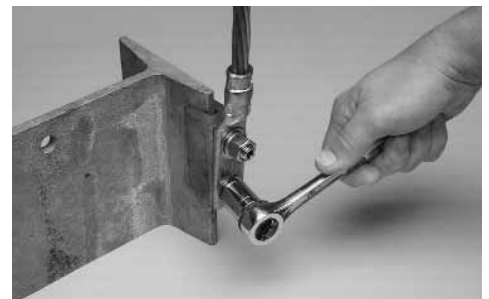
STEP 4

Remove the PRECRIMP dies from the tool, leaving the embossing dies in place. Begin crimping at the center of the connector. Overlap the crimps by moving to either side of the center and crimp the full length of the connector. Inspect the assembled connector for die embossment (#1105) for quality assurance.



STEP 5

Remove the dummy stud from the connector. Replace with the screw set supplied in the TMHG grounding hardware kit. Screw the stud into the connector until the stud is finger tight.



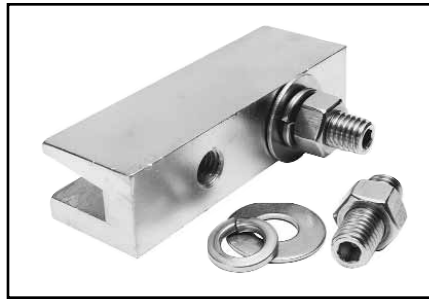
STEP 6

Apply PENETROX™ to the surface of the YGIB. Install a YGA or YGHA terminal onto the ground conductor and slide the terminal over the studs. Place flat washers, lock washers, and nuts on the studs. Using a torque wrench, tighten the nuts to the recommended torque.

TYPE YGIB

GROUNDLINK™ CONNECTOR

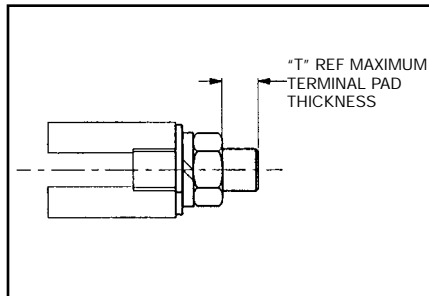
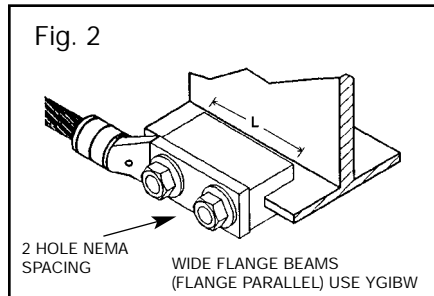
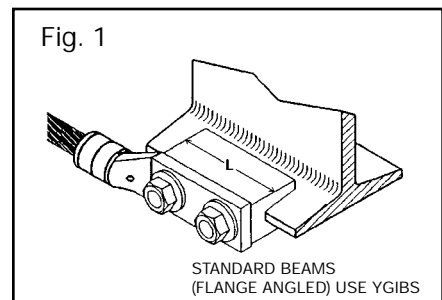
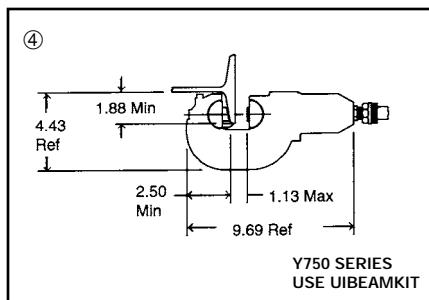
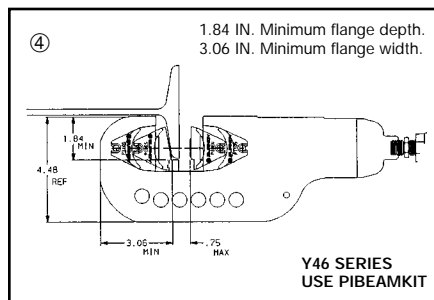
An irreversible compression ground connection which allows attachment to a structural steel standard (angled) or wide flange (parallel) beam. Installed with a required 5-piece die set, Catalog PIBEAMKIT or UIBEAMKIT. Die index 1105. GROUNDLINK™ connectors are made of high-conductivity wrought copper and come pre-filled with PENETROX™ E compound and strip sealed. Order terminal mounting hardware separately.



IEEE-837



Connector shipped with thread protection studs only. Order TMHG kits separately.



TERMINAL MOUNTING HARDWARE

Catalog Number	"T"
TMHG-42	.42
TMHG-92	.92

NOTE: Use TMHG-92 to double stack lugs.

NOTES:

- Terminal connector to be ordered separately. When I-beam connector is used with type "YGHA" terminal, the connection meets IEEE 837-1989 requirements. YGA-2N, YA-2N and other BURNDY® 2-hole NEMA copper terminals are suitable.
- Order "TMHG" Terminal Mounting Hardware Kit separately. Kit consists of 2 studs, 2 flat washers, 2 lock-washers and 2 hex nuts.
- Using the 1/4 hex key wrench, screw the stud into the connector until stud bottoms out in connector. Install a "YGHA" terminal, flat washer, lockwasher and hex nut onto stud. Tighten and torque to 480 pound-inches.
- Dimensions shown reflect the minimum dimensions required on a beam to properly install the I-beam connector.
- To correctly determine the appropriate YGIB connector to use based on flange thickness, order either YGIBGAUGE1 or YGIBKIT1 (KIT1 contains wiremike).

Throughout the catalog you will notice blue highlighted items. These are the most frequently ordered BURNDY® Products.

TYPE YGIB

(Continued)

GROUNDLINK™ CONNECTOR

Copper Conductor Range	Catalog Number	Fig. No.	"L"	"J"	I-Beam Flange Thickness	Suggested Terminals		"T" Ref.
						Copper Conductor	Terminal	
2 - 4/0 AWG	YGIBS28-338-2N	1	3.00	1/2 - 13	.250" to .338"	#2 STR. AWG	YGHA2C-2N	.26
	YGIBW28-338-2N	2	3.00			1/0 STR. AWG	YGHA25-2N	.19
250 - 500 kcmil	YGIBS34-338-2N	1	6.00			2/0 STR. AWG	YGHA26-2N	.26
	YGIBW34-338-2N	2				4/0 STR. AWG	YGHA28-2N	.30
2 - 4/0 AWG	YGIBS28-400-2N	1	3.00		.338" to .400"	250 kcmil	YGHA29-2N	.34
	YGIBW28-400-2N	2	3.00			500 kcmil	YGHA34-2N	.40
250 - 500 kcmil	YGIBS34-400-2N	1	6.00			#2 STR. AWG	YGHA2C-2N	.26
	YGIBW34-400-2N	2				1/0 STR. AWG	YGHA25-2N	.19
2 - 4/0 AWG	YGIBS28-462-2N	1	3.00		.400" to .462"	2/0 STR. AWG	YGHA26-2N	.26
	YGIBW28-462-2N	2	3.00			4/0 STR. AWG	YGHA28-2N	.30
250 - 500 kcmil	YGIBS34-462-2N	1	6.00			250 kcmil	YGHA29-2N	.34
	YGIBW34-462-2N	2				500 kcmil	YGHA34-2N	.40
2 - 4/0 AWG	YGIBS28-550-2N	1	3.00		4.62" to .550"	#2 STR. AWG	YGHA2C-2N	.26
	YGIBW28-550-2N	2	3.00			1/0 STR. AWG	YGHA25-2N	.19
250 - 500 kcmil	YGIBS34-550-2N	1	6.00			2/0 STR. AWG	YGHA26-2N	.26
	YGIBW34-550-2N	2				4/0 STR. AWG	YGHA28-2N	.30
2 - 4/0 AWG	YGIBS28-613-2N	1	3.00	.550" to .613"	250 kcmil	YGHA29-2N	.34	
	YGIBW28-613-2N	2	3.00		500 kcmil	YGHA34-2N	.40	
250 - 500 kcmil	YGIBS34-613-2N	2	6.00		#2 STR. AWG	YGHA2C-2N	.26	
	YGIBW34-613-2N	2	6.00		1/0 STR. AWG	YGHA25-2N	.19	
2 - 4/0 AWG	YGIBS28-675-2N	1	3.00	.613" to .675"	2/0 STR. AWG	YGHA26-2N	.26	
	YGIBW28-675-2N	2	3.00		4/0 STR. AWG	YGHA28-2N	.30	
250 - 500 kcmil	YGIBS34-675-2N	1	6.00		250 kcmil	YGHA29-2N	.34	
	YGIBW34-675-2N	2			500 kcmil	YGHA34-2N	.40	

Throughout the catalog you will notice blue highlighted items. These are the most frequently ordered BURNDY® Products.

BURNDY® Grounding Products

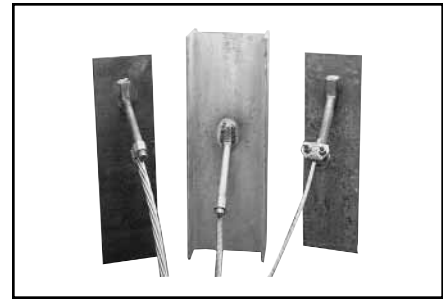
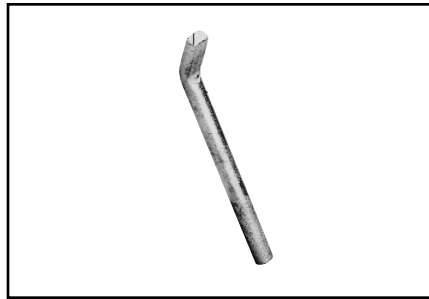
TYPE GSTUD-HY

VERSITAIL

Structural Steel Grounding Connector

INSTALLATION

1. Weld the VERSITAIL to the steel member.
2. Select the proper connector for your specific application.
 - a. FOR COMPRESSION CONNECTORS
Select the proper BURNDY® “YGHP,” connector. Clean the conductor, join the VERSITAIL and the grounding conductor together with the recommended tool and die set, then crimp the connector over the knurled area of the VERSITAIL.
 - b. FOR MECHANICAL CONNECTORS
Select the properly sized BURNDY® connector. Clean the conductor, then apply PENETROX™ E oxide inhibiting compound on the contact area for increased effectiveness and service life. Put the connector over the knurled area of the VERSITAIL and apply the recommended torque value for correct installation.

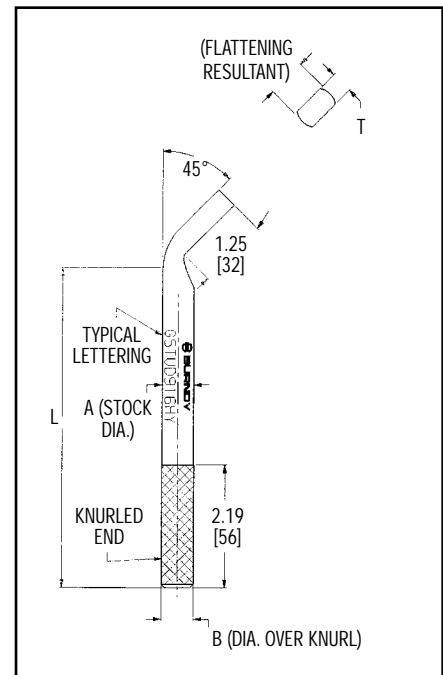


FEATURES

- The VERSITAIL may be welded to steel surfaces quickly and easily with normal construction equipment.
- The VERSITAIL eliminates costly disk grinding and the need to expose virgin metal. The welding process burns through the oxidation and “scale” to establish excellent electrical grounding continuity.
- The VERSITAIL may be installed by the welder in the field or at the steel fabricator based on customer preference.
- The VERSITAIL pure copper coating over low carbon, hot rolled steel is compatible with standard welding processes. No toxic gasses are generated.
- The VERSITAIL knurled surface is copper plated and specifically designed to ensure excellent mechanical gripping and electrical integrity for BURNDY® compression and mechanical connectors in all grounding applications.
- The VERSITAIL may be installed during adverse weather conditions thus eliminating costly construction delays.

SPECIFICATIONS

- Low Carbon, hot rolled steel.
- Pure copper plated finish.



BENEFITS

- Low installation cost.
- No drilling . . . No cleaning . . .
- No special preparation

Catalog Number	Nom. Rod Size	Dimensions				Electrical Equivalent Copper Conductor Size (AWG.)*
		A	B	L	T	
		In. [MM]	In. [MM]	In. [MM]	In. [MM]	
GSTUD14HY	1/4"	.25 [6.3]	.26 [6.6]	4.81 [122.2]	.19 [4.8]	#6
GSTUD38HY	3/8"	.38 [9.7]	.39 [9.9]	5.81 [147.6]	.25 [6.4]	#3
GSTUD916HY	5/8"	.56 [14.2]	.57 [14.5]	5.68 [144.3]	.38 [9.7]	1/0
GSTUD34HY	3/4"	.75 [19.0]	.76 [19.3]	5.81 [147.6]	.51 [13.0]	4/0

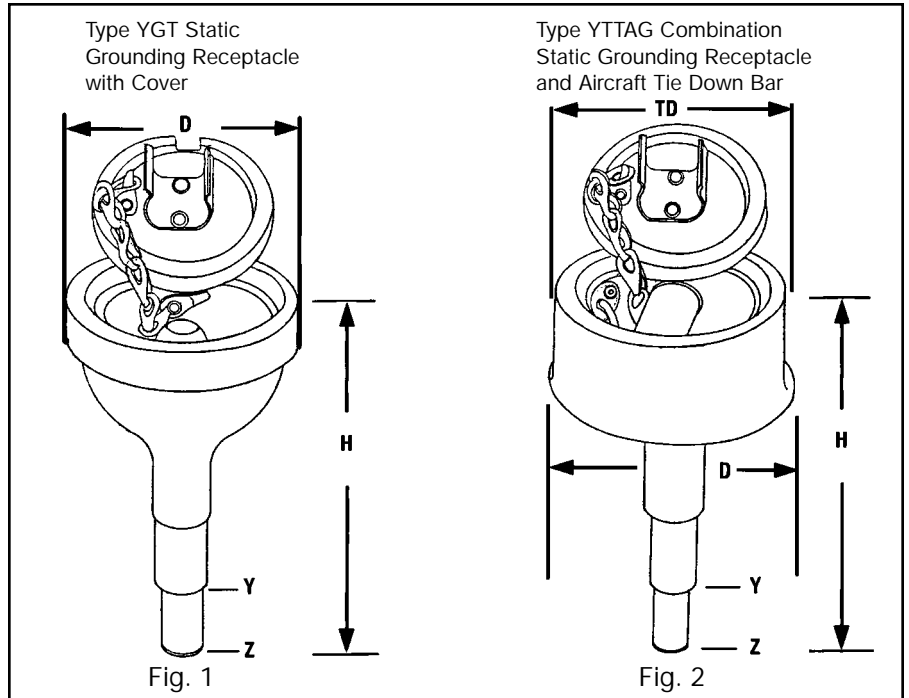
* This is the equivalent rating for continuous service. Larger conductors may be connected using both compression and bolted connectors in potential ground fault applications.

Throughout the catalog you will notice blue highlighted items. These are the most frequently ordered BURNDY® Products.

TYPES YGT & YTTAG

STATIC GROUNDING RECEPTACLE

Type YGT static grounding receptacles are designed for static grounding of equipment. The receptacle is connected to the ground grid with HYGROUNDTM compression connectors and finished flush with surface to provide a permanent corrosion proof grounding point.



Catalog Number	Figure Number	* HYGROUNDTM Connector	Dimensions				
			H	D	Y Dia.	Z Dia.	"TD"
YGT275	1	Select suitable YGHR or YGLR for 3/4" ground rod and sized to ground conductor.	5.5	2.75	.75	.56	—
YTTAG388	2		6.5	4.75	.75	.56	4.3

* When using U or PU dies with Y46 HYPRESS™, a PUADP-1 adapter is required.

Throughout the catalog you will notice blue highlighted items. These are the most frequently ordered BURNDY® Products.

BURNDY® Grounding Products

TYPE YG-B

BUS BAR CONNECTOR

The BURNDY® YG14B2TC2C6C Compression Bus Bar Connector is ideally suited for cellular tower applications and is easier to use than exothermic connections. This high conductivity wrought copper connector allows attachment of the ground conductor to the ground bus with just one crimp using the BURNDY® Y750 HYPRESS™ Hydraulic Compression tool and the U1105 die set. This exclusive patent pending design allows the user to attach #2 AWG sol./str. and/or #6 sol./str. copper conductor to 1/4" thick copper bus bar. This connection is suitable using (1) or (2) conductors for power, grounding and bonding applications. UL Listed to both UL486 and UL467 (suitable for direct burial) ensures that this connector will meet the rigors of either application. Prefilled with PENETROX™ E compound and strip sealed.

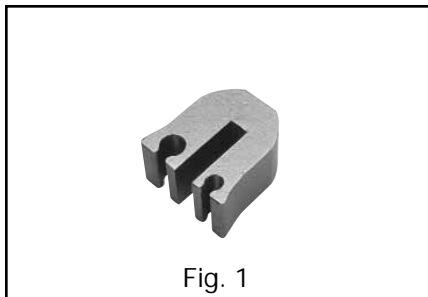


Fig. 1



Fig. 2

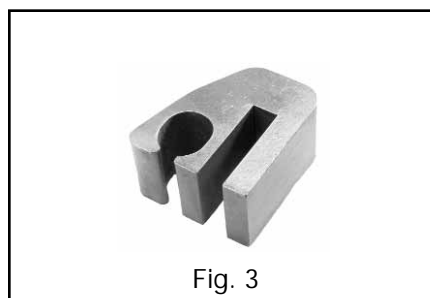
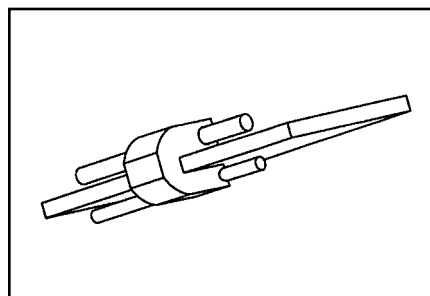
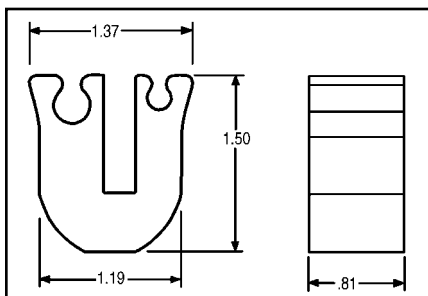


Fig. 3



Catalog Number	Fig No.	Ground Bar Thickness	Bus Bar Tap Conductors	Tooling	Installation Die No.	No. of Crimps
YG14B2TC2C6C	1	1/4"	#2 Sol./and/or Str. Copper #6 Sol./and/or Str. Copper	PAT750, Y750	U1105	1
YG14B2TC2C2C*	2	1/4"	#2 #2	PAT750, Y750	U1105	1
YG14B2TC28	3	1/4"	4/0 AWG Str. to 1/0 AWG Str. Copper	PAT750, Y750	U1105	1

NOTE: Suitable for use with either (1) or (2) conductors (excluding YG14B2TC26 and YG14B2TC28).

* For continuous uncut conductor applications.

Throughout the catalog you will notice blue highlighted items. These are the most frequently ordered BURNDY® Products.

MECHANICAL GROUNDING CONNECTORS

More than 60 years of technological innovation has made BURNDY® mechanical grounding connectors one of the most widely used, highly respected lines in the industry. There is virtually no grounding application

problem that this diversified line cannot help solve.

All BURNDY® mechanical grounding connectors have been designed for easy installation and for outstanding durability. Only the

finest high copper alloys are used in their manufacture, ensuring top performance under the most extreme environmental conditions.

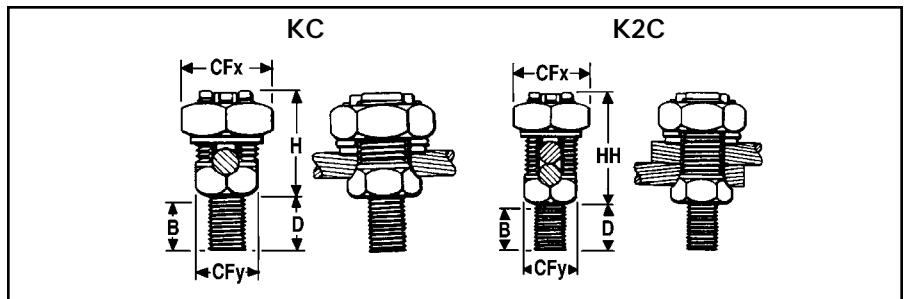
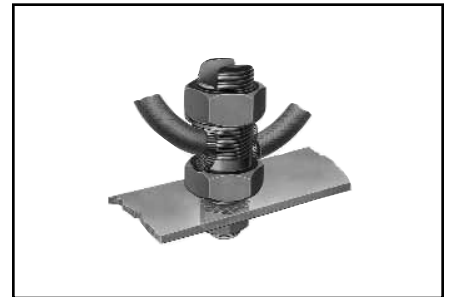
UL467 Listed for direct burial applications in earth or concrete.

TYPES KC, K2C

SERVIT POST™

For Copper Cable to Flat

SERVIT POST™ used to ground one or two cables to steel structures, fence posts, transformers. Also used to tap one or two cables from bus bar. One-wrench installation.



Catalog Number		Conductor		Stud Diameter	B	CFx	CFy	D	H	HH
Type KC †	Type K2C ‡	Stranded	Solid							
KC15	K2C15	12 - 9	12 - 8	1/4 - 20	3/8	1/2	3/8	1/2	5/8	7/8
KC15B1	K2C15B1				7/8			1		
KC17	K2C17	10 - 7	10 - 6	1/4 - 20	3/8	5/8	7/16	1/2	7/8	1
KC17B1	K2C17B1				7/8			1		
KC20	K2C20	10 - 5	10 - 4	5/16 - 18	13/32	11/16	1/2	5/8	7/8	1-1/8
KC20B1	K2C20B1				27/32			1		
KC22	K2C22	10 - 3	10 - 2	3/8 - 16	15/32	3/4	5/8	5/8	1	1-1/4
KC22B1	K2C22B1				31/32			1-1/8		
KC23	K2C23	8 - 2	10 - 1	3/8 - 16	15/32	13/16	5/8	5/8	1	1-3/8
KC23B1	K2C23B1				31/32			1-1/8		
KC25	K2C25	2 - 1/0	2 - 2/0	1/2 - 13	9/16	15/16	3/4	3/4	1-1/8	1-5/8
KC25B1	K2C25B1				1-1/16			1-1/4		
KC26	K2C26	2 - 2/0	2 - 3/0	1/2 - 13	17/32	1	7/8	3/4	1-3/8	1-7/8
KC26B1	K2C26B1				1-1/16			1-1/4		
KC28	K2C28	1 - 4/0	1 - 4/0	5/8 - 11	3/4	1-1/2	1-3/16	1	1-3/4	2-1/4
KC28B1	K2C28B1				1-1/4			1-1/2		
KC31	K2C31	1 - 350	—	5/8 - 11	3/4	1-11/16	1-3/8	1	2-1/4	2-7/8
KC31B1	K2C31B1				1-1/4			1-1/2		
KC34	K2C34	3/0 - 500	—	3/4 - 10	1	2	1-5/8	1-1/4	2-3/8	3-1/4
KC34B1	K2C34B1				1-1/2			1-3/4		

† For 1 conductor.
‡ For 1 or 2 conductors.
Add "NSP" suffix to have connector supplied w/split lock-washer and nut.

Throughout the catalog you will notice blue highlighted items. These are the most frequently ordered BURNDY® Products.

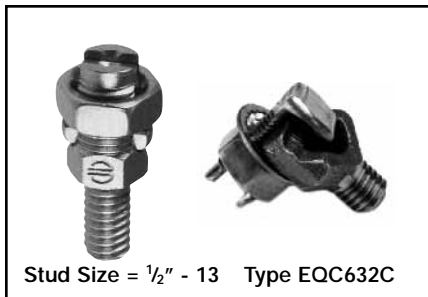
BURNDY® Grounding Products

TYPES KC22J12T13, EQC632C

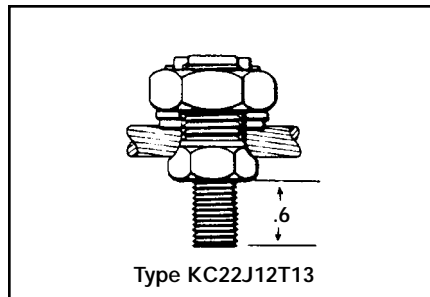
TRANSFORMER GROUND CONNECTORS

For Copper

Fits all standard EEI NEMA distribution transformers as a tank grounding terminal.



Stud Size = 1/2" - 13 Type EQC632C



Type KC22J12T13

Catalog Number	Ranges
KC22J12T13	8 Sol. - 2 Sol.
KC26	2 Sol. - 2/0 Str.
KC34J12T13	3/0 - 500 Str.
EQC632C	8 Sol. - 2 Str.

One-wrench installation.

TYPE KS

SERVIT®

For Copper

UL467 Listed for direct burial applications in earth or concrete. Compact, high-strength, high copper alloy SERVIT® split-bolt has free-running threads and easy to grip wrench flats. Highly resistant to cracking and corrosion.



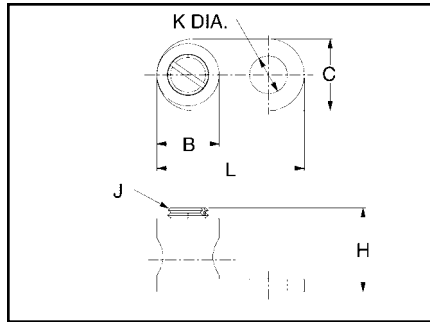
Catalog Number	Cross Flats	L	W	Copper Conductor Range (Sol. - Str.)	Rebar w/ (1) No. 8 Sol. Cu	Recommended Torque In. Lb.
KS15	.50	.85	.38	12 AWG - 8 AWG	N/A	80
KS17	.63	1.14	.45	8 AWG - 6 AWG	N/A	165
KS20	.69	1.20	.51	8 AWG - 4 AWG	N/A	165
KS22	.75	1.50	.60	6 AWG - 3 AWG	N/A	275
KS23	.82	1.54	.62	6 AWG - 2 AWG	N/A	275
KS25	.94	1.77	.73	4 AWG - 1/0	N/A	385
KS26	1.05	1.94	.82	2 AWG - 2/0 6 AWG - 8 AWG Str./Sol.	#3 (3/8")	385
KS27	1.36	1.86	1.17	1 AWG - 3/0	N/A	500
KS29	1.36	2.07	1.17	1 AWG - 250 kcmil 6 AWG - 8 AWG Str./Sol.	#4 (1/2")	650
KS31	1.70	2.51	1.41	1/0 AWG - 350 kcmil 6 AWG - 8 AWG Str./Sol.	#5 (5/8")	650
KS34	1.82	2.79	1.48	2/0 AWG - 500 kcmil 6 AWG - 8 AWG Str./Sol.	#6 (3/4")	825

Throughout the catalog you will notice blue highlighted items. These are the most frequently ordered BURNDY® Products.

TYPE GKA

For Copper

UL467 Listed for direct burial applications in earth or concrete. One-piece forged body construction ensures mechanical integrity in an underground environment. Supplied with a stainless steel headless screw.



Catalog Number	Cable Range	B	C	H	J	K	L
GKA8C ¹	#10 SOL. - #8 STR.	.31	.38	.58	#10 - 32	.21	.81
GKA4C ²	#14 SOL. - #4 STR.	.46	.54	.71	5/16 - 24	.28	1.13

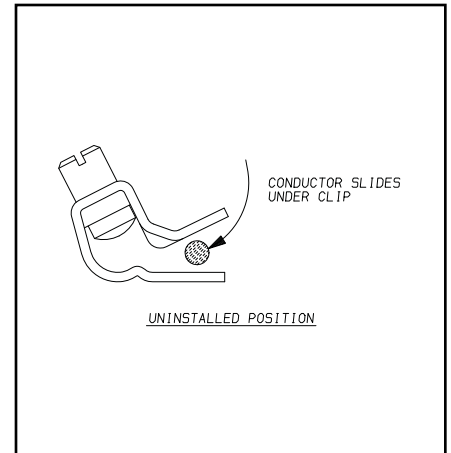
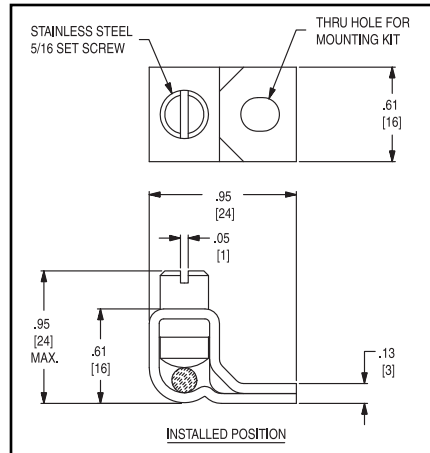
1. To be assembled with TMH322 stainless steel hardware kit. Ordered separately.

2. To be assembled with TMH 323 stainless steel hardware kit. Ordered separately.

TYPE KPB

For Copper

UL467 Listed for direct burial in earth or concrete. UL 486 Listed. This exclusive BURNDY® design accommodates #10 - #4 copper where continuous conductor runs are preferable.



Catalog Number	Range	Stud Hole
KPB4CG1	#10 - #4 CU	#10 ¹

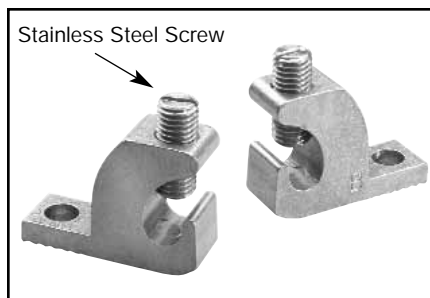
1. To be assembled with TMH322 stainless steel hardware kit. Ordered separately.

TYPE CL50-1

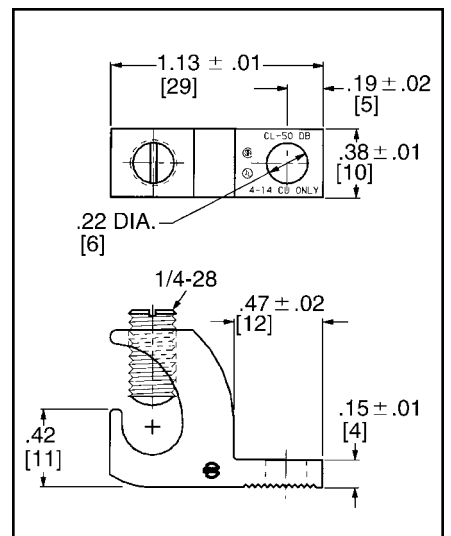
COPPER LAY-IN QIKLUG™

For Copper

The Lay-In QIKLUG™ is manufactured from high strength pure electrolytic copper to ensure maximum strength and conductivity. UL467 Listed for direct burial in earth or concrete. The open-faced design allows for fast lay-in of the conductor without the need for cutting or breaking.



Catalog Number	Wire Range Copper	Stud Hole
CL50-1	#14 - #4 CU	#10



BURNDY® Grounding Products

TYPE GAR

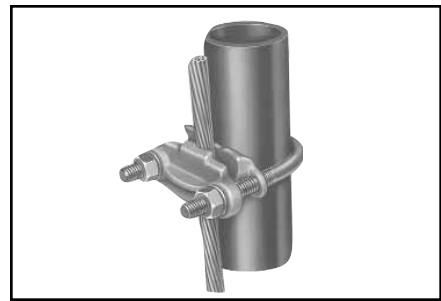
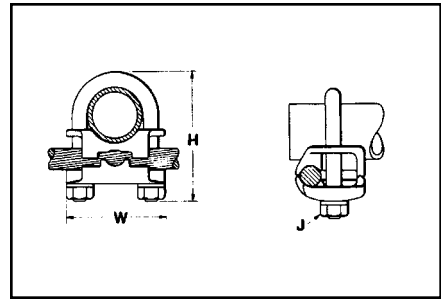
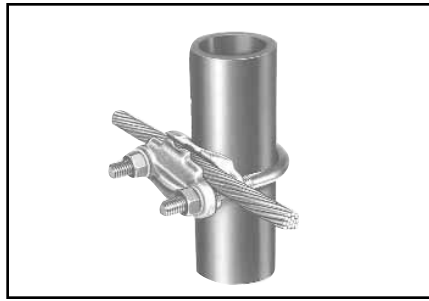
FENCE POST GROUNDING CONNECTOR

For Parallel or 90°
Copper Cable
Connection

To Rod or Pipe with
the Same Connector

High copper alloy ground connector for joining a range of cable, parallel or at right angles to rod or tube. Especially good for fence posts. High copper alloy cast body with DURIMUM™ U-bolts, nuts and lockwashers, permit entire connection to be buried in ground or concrete without danger of corrosion.

- One-wrench installation.
- UL467 Listed.
- Acceptable for direct burial.



Catalog Number	Conductor			H	J	W
	Tube I.P.S.	Rod Size or O.D. Range	Cable			
GAR114C	1/4	1/2	8 Sol. - 4 Str.	2-1/2	3/8	1-7/8
GAR1126			4 Sol. - 2/0 Str.			
GAR1129			2/0 Sol. - 250			
GAR644C	3/8	5/8 - 3/4	8 Sol. - 4 Str.	2-7/8	3/8	2-1/8
GAR6426			4 Sol. - 2/0 Str.			
GAR6429			2/0 Sol. - 250			
GAR6434	1/2 - 3/4	7/8 - 1	300 - 500	3-1/2	1/2	2-1/2
GAR144C			8 Sol. - 4 Str.	2-3/4	3/8	2-3/8
GAR1426			4 Sol. - 2/0 Str.	3		
GAR1429	2/0 Sol. - 250	3-3/4	1/2	2-3/4		
GAR1434	300 - 500					
GAR154C	8 Sol. - 4 Str.				2-7/8	3/8
GAR1526	4 Sol. - 2/0 Str.	3-3/8				
GAR1529	2/0 Sol. - 250					
GAR1534	1-1/4		1-3/8 - 1-1/2	300 - 500	4-1/2	1/2
GAR164C		8 Sol. - 4 Str.		3-1/2		
GAR1626		4 Sol. - 2/0 Str.				
GAR1629	2/0 Sol. - 250	4-1/4	3/8		3-3/8	
GAR1634	300 - 500					
GAR174C	8 Sol. - 4 Str.			4		3/8
GAR1726	4 Sol. - 2/0 Str.					
GAR1729	2/0 Sol. - 250					
GAR1734	1-1/2	1-5/8 - 1-7/8	300 - 500	4-5/8	1/2	2-5/8
GAR184C			8 Sol. - 4 Str.	4-1/4	3/8	3-3/4
GAR1826			4 Sol. - 2/0 Str.			
GAR1829	2/0 Sol. - 250					
GAR1834	2	2 - 2-3/8	300 - 500	5-1/4	1/2	4-1/8
GAR194C			8 Sol. - 4 Str.	5	3/8	4-1/4
GAR1926			4 Sol. - 2/0 Str.			
GAR1929	2/0 Sol. - 250					
GAR1934	2-1/2	2-1/2 - 7/8	300 - 500	5-5/8	1/2	4-5/8

Throughout the catalog you will notice blue highlighted items. These are the most frequently ordered BURNDY® Products.

TYPE GAR

(Continued)

FENCE POST GROUNDING CONNECTOR

Catalog Number	Conductor			H	J	W
	Tube I.P.S.	Rod Size or O.D. Range	Cable			
GAR204C	3	3 - 3-1/2	8 Sol. - 4 Str.	5-5/8	3/8	4-3/4
GAR2026			4 Sol. - 2/0 Str.			
GAR2029			2/0 Sol. - 250			
GAR2034			300 - 500	6-3/8	1/2	5-1/4
GAR214C	3-1/2	3-1/2 - 4	8 Sol. - 4 Str.	6-1/4	3/8	5-3/8
GAR2126			4 Sol. - 2/0 Str.			
GAR2129			2/0 Sol. - 250			
GAR2134			300 - 500	6-3/4	1/2	5-3/4
GAR224C	4	4 - 4-1/2	8 Sol. - 4 Str.	6-3/8	3/8	5-7/8
GAR2226			4 Sol. - 2/0 Str.			
GAR2229			2/0 Sol. - 250			
GAR2234			300 - 500	6-7/8	1/2	6-1/4
GAR244C	5	—	8 Sol. - 4 Str.	7-3/4	3/8	6-7/8
GAR2426			4 Sol. - 2/0 Str.			
GAR2429			2/0 Sol. - 250	8-5/8	1/2	7-1/4
GAR2434			300 - 500			
GAR8629	6	—	2/0 Sol. - 250	8-13/16	1/2	8-3/8

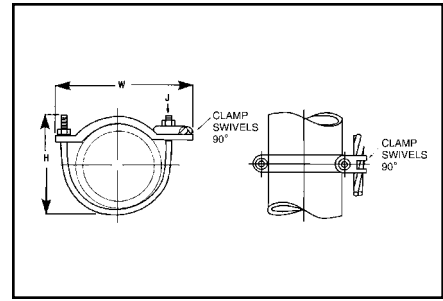
Contact BURNDY® for additional pipe and wire size combinations not shown.

Throughout the catalog you will notice blue highlighted items. These are the most frequently ordered BURNDY® Products.

TYPES GAR-BU AND GAR3902 SERIES

GROUND CONNECTORS

Type GAR-BU is a high-conductivity copper ground connector for connecting a small to medium range copper ground conductor to water pipe as well as structural and reinforcing rod shapes. Universal acceptance of several sizes of cylindrical shapes makes this suitable for industrial construction and maintenance work as well as cathodic protection. Cable clamp swivels to permit parallel grounding of one pipe or 90° degree cable run for grounding several parallel pipes. Single wrench installation. UL467 Listed and CSA certified.



Features and Benefits

- Cable clamp swivels at 90°.
 - ◇ Permits parallel grounding of one pipe or a 90° cable run for grounding several parallel pipes.
- One-wrench installation.
 - ◇ Simplified installation.
- DURIMUM™ silicon bronze hardware (-BU Series)*.
 - ◇ Long lasting corrosion resistance and acceptable for direct burial in earth or concrete.
- UL467 Listed.
 - ◇ Provides quality assurance to recognized industry NEC standards from an independent party.



Catalog Number *	Cable Range	IPS Size	O.D. Range	H	J	W	Recommended Tightening Torque
GAR3902-BU	#4 - 4/0 AWG	1/2" - 1"	.840 - 1.32	3.50	3/8" - 16	3.25	240 in. - lbs.
GAR3903-BU		1-1/4" - 2"	1.66 - 2.38	4.00		4.25	
GAR3904-BU		2-1/2" - 3-1/2"	2.88 - 4.00	6.50		6.00	
GAR3905-BU		4" - 5"	4.50 - 5.56	7.50		7.50	
GAR3906-BU		6"	6.62	8.50		8.62	
GAR3907-BU		8"	8.62	10.00		10.62	
GAR3908-BU		10"	10.75	12.00		12.75	
GAR3909-BU		12"	12.75	14.00		14.75	
GAR3902	#4 - 4/0 AWG	1/2" - 1"	.840 - 1.32	3.50	3/8" - 16	3.25	240 in. - lbs.
GAR3903		1-1/4" - 2"	1.66 - 2.38	4.00		4.25	
GAR3904		2-1/2" - 3-1/2"	2.88 - 4.00	6.50		6.00	
GAR3905		4" - 5"	4.50 - 5.56	7.50		7.50	
GAR3906		6"	6.62	8.50		8.62	
GAR3907		8"	8.62	10.00		10.62	
GAR3908		10"	10.75	12.00		12.75	
GAR3909		12"	12.75	14.00		14.75	

* Type GAR-BU is supplied with DURIMUM™ silicon bronze hardware and is listed for direct burial.

TYPE GAR-RB

For Reinforcement Bar



Catalog Number	Rebar	IPS Size	O.D. Range	Rod	Copper Conductor	
					Min.	Max.
GAR644C-RB	#3 - 6 (.375 - .750)	3/8	.625 - .75	5/8 - 3/4	8 Sol.	4 Str.

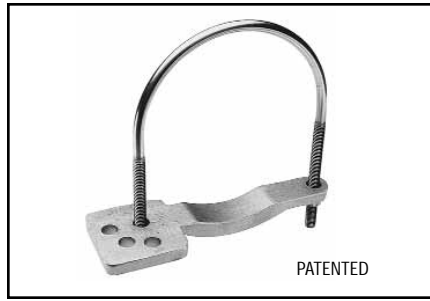
UL467 Listed for direct burial in earth or concrete.

Throughout the catalog you will notice blue highlighted items. These are the most frequently ordered BURNDY® Products.

TYPE GAR-TC

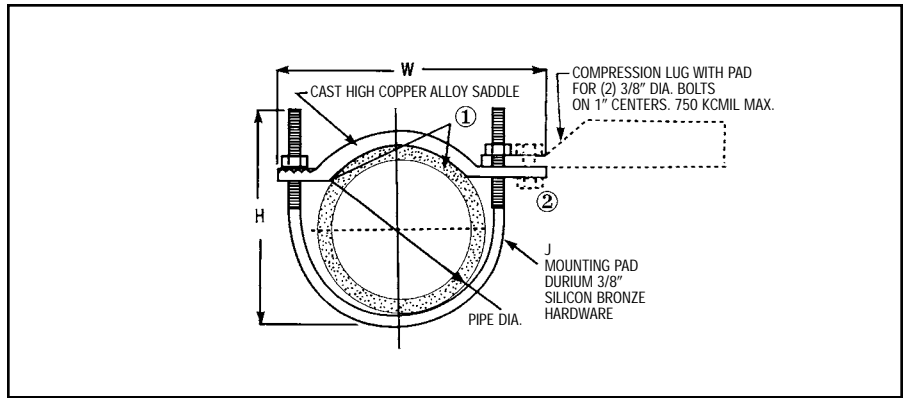
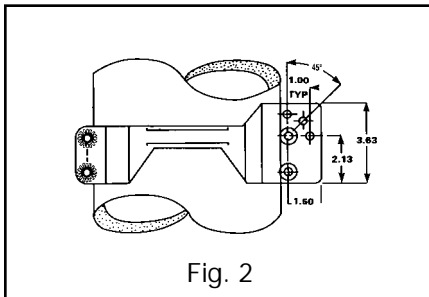
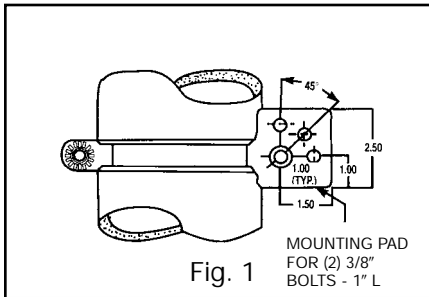
WATER PIPE GROUND CONNECTOR

Type GAR-TC is a high-conductivity copper ground connector that features a pre-drilled pad, allowing a 2-hole compression terminal to be directly connected to water pipe as well as structural and reinforcing rod shapes. Universal acceptance of several sizes of cylindrical shapes makes this suitable for industrial construction and maintenance work as well as telecommunications grounding. Terminal may be mounted parallel, 45° or 90° degrees to the pipe. Acceptable for direct burial.



Features and Benefits

- Large, smooth connector contact area between pipe and ground clamp
 - ◊ Provides large surface contact area to maximize contact area between connector and pipe.
- The GAR-TC mounting pad permits parallel, 45° or 90° angle connections to the pipe.
 - ◊ Provides maximum flexibility for field installation.
- Pre-drilled pad for (2) 3/8" bolts on 10 centers.
 - ◊ Allows direct mounting of (2) hole compression terminals up to 750 kcmil to pipe.
- DURIUM™ silicon bronze hardware.
 - ◊ Provide long lasting corrosion resistance acceptable for direct burial in earth or concrete.
- One-wrench installation.
 - ◊ Simplified installation.
- UL467 Listed.
 - ◊ Provides quality assurance to recognized industry NEC standards from an independent party. Type GAR-TC is acceptable for direct burial



Catalog Number	Fig. No.	Accommodates		H	J	W	Recommended Tightening Torque
		I.P.S.	O.D. Size				
GAR3902TC	1	1/2" - 1"	.840 - 1.32	3.50	3/8" - 16	3.75	240 in.-lbs.
GAR3903TC	1	1-1/4" - 2"	1.66 - 2.38	4.00		4.75	
GAR3904TC	1	2-1/2" - 3-1/2"	2.88 - 4.00	6.50		6.50	
GAR3905TC	1	4" - 5"	4.50 - 5.56	7.50		8.00	
GAR3906TC	1	6"	6.62	8.50		9.12	
GAR3907TC	2	8"	8.62	10.00	3/8" - 16	11.25	240 in.-lbs.
GAR3908TC	2	10"	10.75	12.00		13.25	
GAR3909TC	2	12"	12.75	14.00		15.25	

① Add suffix "-TNET" for electro-tin plated connector and electro-tin plated DURIUM™ silicon bronze hardware. Tin plated catalog number includes mounting hardware for second bolt hole.

② TMH-289 includes (1) 38 x 125 HEB, (1) 38 CHEN, (1) 38 SW and (2) 38 FW. Order separately.

NOTE: Clean pipe surface beneath saddle until virgin metal is exposed, install GAR-TC ground connector and for maximum conductivity, apply PENETROX™-E oxide inhibiting compound around perimeter of the saddle.

Throughout the catalog you will notice blue highlighted items. These are the most frequently ordered BURNDY® Products.

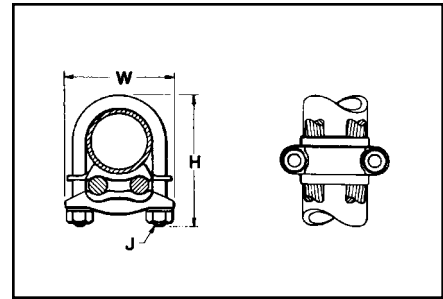
BURNDY® Grounding Products

TYPE GD

CABLE TO ROD/TUBE GROUND CONNECTOR

For Two Copper Cables to Rod
or Tube

High copper alloy ground connector for joining a range of two parallel cables to rod or pipe. Especially good for grounding fence posts. High copper alloy cast body with DURILIUM™ U-bolts, nuts, and lockwashers make the GD suitable for burial in ground or concrete. One-wrench installation. UL467 Listed. Acceptable for direct burial in earth or concrete.



Catalog Number	Conductor			H	J	W	
	Tube I.P.S.	Rod Size or O.D. Range	Cable				
GD1526	1	1-1/8 - 1-1/4	4 Sol. - 2/0 Str.	3-3/8	3/8	2-5/8	
GD1529			2/0 Sol. - 250				
GD1626	1-1/4	1-3/8 - 1-1/2	4 Sol. - 2/0 Str.	3-1/2		3/8	3
GD1629			2/0 Sol. - 250				
GD174C	1-1/2	1-5/8 - 1-7/8	8 Sol. - 4 Str.	4		3/8	3-1/4
GD1726			4 Sol. - 2/0 Str.				
GD1729			2/0 Sol. - 250				
GD1734			300 - 500				
GD184C	2	2 - 2-3/8	8 Sol. - 4 Str.	4-3/8	3/8	3-3/4	
GD1826			4 Sol. - 2/0 Str.				
GD1829			2/0 Sol. - 250				
GD1834			300 - 500				
GD194C	2-1/2	2-1/2 - 2-7/8	8 Sol. - 4 Str.	5	3/8	4-1/4	
GD1926			4 Sol. - 2/0 Str.				
GD1929			2/0 Sol. - 250				
GD1934			300 - 500				
GD204C	3	3 - 3-1/2	8 Sol. - 4 Str.	5-5/8	3/8	4-7/8	
GD2026			4 Sol. - 2/0 Str.				
GD2029			2/0 Sol. - 250				
GD2034			300 - 500				
GD214C	3-1/2	3-1/2 - 4	8 Sol. - 4 Str.	6-1/4	3/8	5-3/8	
GD2126			4 Sol. - 2/0 Str.				
GD2129			2/0 Sol. - 250				
GD2134			300 - 500				
GD224C	4	4 - 4-1/2	8 Sol. - 4 Str.	6-3/8	3/8	5-7/8	
GD2226			4 Sol. - 2/0 Str.				
GD2229			2/0 Sol. - 250				
GD2234			300 - 500				
				6-7/8	1/2	6-1/4	

Complies with NFPA 78-86 HEAVY DUTY stacks.
(Order: LD for lead plating for HEAVY DUTY stack applications.)

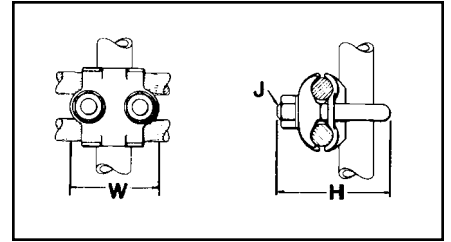
Throughout the catalog you will notice blue highlighted items. These are the most frequently ordered BURNDY® Products.

TYPE GP

GROUND CONNECTOR

For Two Copper Cables to Rod or Pipe

High copper alloy ground connector for joining a range of parallel cables perpendicular to rod, pipe or column. Also used with one groove for run, the other for tap to equipment. High copper alloy cast body and DURIUM™ U-bolts, nuts, and lockwashers make the GP suitable for direct burial in the ground or concrete. One-wrench installation. UL467 Listed. Acceptable for direct burial in earth or concrete.



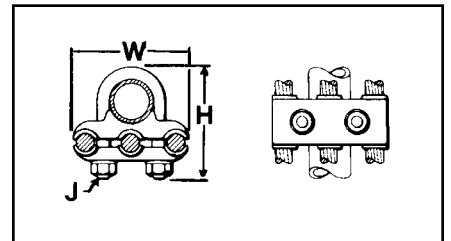
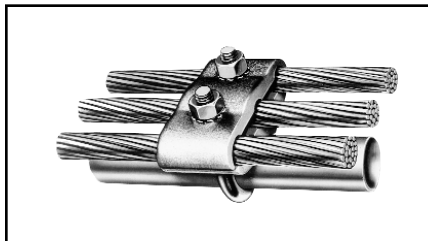
Catalog Number	Conductor			H	J	W
	Tube I.P.S.	Rod Size or O.D. Range	Cable			
GP114C	1/4	1/2	8 Sol. - 4 Str.	2-1/2	3/8	1-7/8
GP1126			4 Sol. - 2/0 Str.			
GP1129			2/0 Sol. - 250			
GP644C	3/8	5/8 - 3/4	8 Sol. - 4 Str.	2-7/8	1/2	2-1/8
GP6426			4 Sol. - 2/0 Str.			
GP6429			2/0 Sol. - 250			
GP6434			300 - 500	3-1/2		2-1/2
GP144C	1/2 - 3/4	7/8 - 1	8 Sol. - 4 Str.	2-3/4	3/8	2-3/8
GP1426			4 Sol. - 2/0 Str.			
GP1429			3/0 Sol. - 250			
GP1434			300 - 500	3-3/4		
GP164C	1-1/4	1-5/8	8 Sol. - 4 Str.	3-1/2	3/8	3
GP1629			2/0 Sol. - 250			
GP1726	1-1/2	1-7/8	4 Sol. - 2/0 Str.	4		3-1/4
GP184C	2	2-3/8	8 Sol. - 4 Str.	4-1/8	3/8	3-11/16
GP1826			4 Sol. - 2/0 Str.	4-3/8		
GP2026	3	3-1/2	4 Sol. - 2/0 Str.	5-1/2		4-13/16
GP2226	4	4-1/2	4 Sol. - 2/0 Str.	6-3/8		5-13/16

TYPE GK

GROUND CONNECTOR

For Three Copper Cables to Rod or Pipe

High copper alloy ground connector for joining three equal cables to rod or tube. Cable grooves take a wide range of cable. High copper alloy cast body and DURIUM™ U-bolts, nuts, and lockwashers make the GK suitable for direct burial in soil or concrete. One-wrench installation. UL467 Listed. Acceptable for direct burial in earth or concrete.



Catalog Number	Conductor			H	J	W
	Tube I.P.S.	Rod Size or O.D. Range	Cable			
GK114C	1/4	1/2	8 Sol. - 4 Str.	2-1/2	3/8	2-1/2
GK1126			4 Sol. - 2/0 Str.			2-3/4
GK1129			2/0 Sol. - 250			3-3/8
GK644C	3/8	5/8 - 3/4	8 Sol. - 4 Str.	2-7/8	3/8	2-5/8
GK6426			4 Sol. - 2/0 Str.			3
GK6429			2/0 Sol. - 250			3-1/2
GK6434			300 - 500	3-1/2	1/2	4
GK1426	1/2 - 3/4	7/8 - 1	4 Sol. - 2/0 Str.	2-3/4	3/8	3-1/4
GK1429			2 Sol. - 250	3-7/8		
GK1434			300 - 500	4-3/8		
GK1526	1	1-1/8 - 1-1/4	4 Sol. - 2/0 Str.	3-3/8	3/8	3-1/2
GK1529			2/0 Sol. - 250	3-3/4	1/2	4-1/8
GK1626	1-1/4	1-3/8 - 1-1/2	4 Sol. - 2/0 Str.	3-1/2	3/8	3-7/8
GK1629			2/0 Sol. - 250	4-1/4	1/2	4-1/2
GK1726	1-1/2	1-5/8 - 1-7/8	4 Sol. - 2/0 Str.	4	3/8	4-1/8
GK1729			2/0 Sol. - 250	4-5/8	1/2	4-3/4
GK1826	2	2 - 2-3/8	4 Sol. - 2/0 Str.	4-1/4	3/8	4-5/8
GK1829			2/0 Sol. - 250	4-3/8	1/2	5-1/8
GK1926	2-1/2	2-1/2 - 2-7/8	4 Sol. - 2/0 Str.	5	3/8	5-1/8
GK1929			2/0 Sol. - 250	5	1/2	5-5/8

Throughout the catalog you will notice blue highlighted items. These are the most frequently ordered BURNDY® Products.

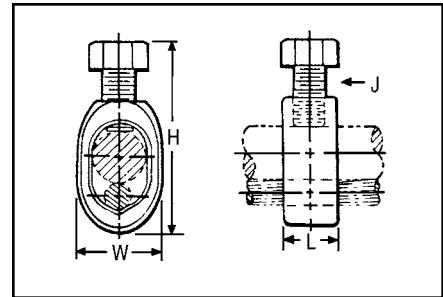
BURNDY® Grounding Products

TYPE GRC

HIGH STRENGTH GROUND ROD CLAMP

For Copper Cable to Rod

High copper alloy ground connector for joining a range of cable to copper clad, galvanized steel, and stainless steel ground rods. Slips over end of rod, one-wrench installation. UL467 Listed for direct burial in earth and concrete.



REA LISTED

Catalog Number	Drive Rod	Conductor Range		H	W	L	J
		Min.	Max.				
GRC12	1/2	10 Sol.	2 Str.	2.00	.89	.63	3/8
GRC58	5/8		1 Str.	2.19	.95	.63	
GRC34	3/4	8 Sol.	1/0 Str.	2.47	1.09	.65	



TYPE GCRT1/0 GROUND CONNECTORS

GROUND CLAMP RANGE TAKING, UP TO 1/0

The GCRT1/0 is a range taking ground rod clamp offering another choice from the BURNDY® family of connectors. The GCRT1/0 works on 1/2", 5/8" and 3/4" ground rods with a wire range of #8 through 1/0! The clamp is UL467 Listed for direct burial in earth and concrete. Catalog number GCRT1/0.



Features and Benefits

- Range taking design helps reduce inventory.
- UL and CSA Listed.
- UL 467 Listed for direct burial in earth and concrete.



TYPE GRL

LIGHT DUTY ECONOMICAL GROUND ROD CLAMP

UL 467 Listed. Acceptable for direct burial.



Catalog Number	Rod Size	Conductor Range	
		Minimum	Maximum
GRL3*	3/8	10 AWG	4 AWG
GRL4	1/2	10 AWG	2 AWG
GRL5	5/8	10 AWG	2 AWG
GRL6	3/4	10 AWG	2 AWG

* GRL3 not UL Listed.

Throughout the catalog you will notice blue highlighted items. These are the most frequently ordered BURNDY® Products.

CAST BRONZE CLAMPS FOR CONDUIT

Pressure bar type conduit hub adjusts for 1/2", 3/4" EMT or 1/2" rigid conduit. Hub swings 360° for easy alignment. Zinc plated hardware.



Catalog Number	Accommodates Conductor Range			Reference Dimensions			Recommended Screw Torque "Inch Pounds"	
	Water Pipe	Ground	Hub Size	H	L	W	Pipe Clamp	Wire Clamp
C-11JPT	1/2 - 1 [13 - 25]	10 - 6 Sol.	1/2 [13]	2.07 [53]	3.19 [81]	2.70 [69]	50 in.-lb.	50 in.-lb.
C-22JPT	1-1/4 - 2 [32 - 51]			2.70 [69]	3.83 [97]			
C-4JPT	2-1/2 - 4 [64 - 102]			4.39 [112]	5.15 [131]			

CAST BRONZE GROUND CLAMPS

For connecting grounding conductor to water pipe or copper tube. "D" indicates UL467 Listed for direct burial in earth and concrete and are supplied with silicon bronze hardware. "B" indicates brass hardware.



Catalog Number	Accommodates Conductor Range			Reference Dimensions				Recommended Screw Torque "Inch Pounds"	
	Water Pipe	Rebar	Ground	H	L	W	C	Pipe Clamp	Wire Clamp
C-11N	1/2 - 1 [13 - 25]	—	10 - 2 Str.	1.81 [46]	2.25 [56]	.63 [16]	.63 [16]	50 in.-lb.	50 in.-lb.
C-11D		#4 - #6							
C-11B		—							
C-22	1-1/4 - 2 [32 - 51]	—	10 - 2 Str.	2.38 [60]	3.63 [92]	.75 [19]	1.00 [25]		
C-22D									
C-4	2-1/2 - 4 [64 - 114]	—	10 - 2 Str.	4.13 [105]	6.25 [159]	.96 [24]	1.88 [48]		
C-8								4-1/2 - 6 [114 - 165]	10 - 2 Str.

BUDGET PRICE CAST BRONZE GROUND CLAMP

Similar to above but lighter duty.



Catalog Number	Accommodates Conductor Range			Reference Dimensions				Recommended Screw Torque "Inch Pounds"	
	Water Pipe	Rebar	Ground	H	L	W	C	Pipe Clamp	Wire Clamp
C-5 (JUNIOR)	1/2 - 1 [13 - 25]	—	10 - 2 Str.	1.56 [40]	2.25 [56]	.56 [14]	.50 [13]	50 in.-lb.	50 in.-lb.

Throughout the catalog you will notice blue highlighted items. These are the most frequently ordered BURNDY® Products.

BURNDY® Grounding Products

CAST BRONZE GROUND CLAMPS

With Lay-in Feature

For connecting grounding conductor to water pipe, copper tube, ground rod or rebar. The open face design allows for fast lay-in of the tap conductor without the need for cutting. Simply reverse bottom clamp for smaller size rebar or rod. Connectors are provided with Silicon Bronze hardware.

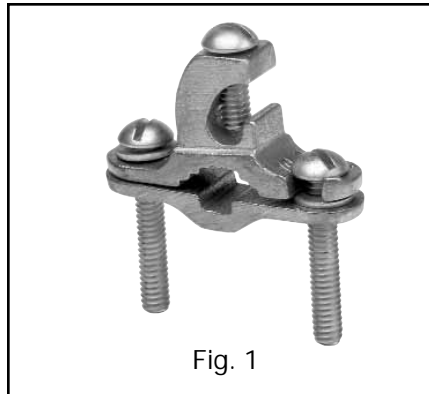


Fig. 1



Fig. 2



Catalog Number	Fig. #	Accommodates Conductor Range				Reference Dimensions			Recommended Screw Torque "Inch Pounds"
		Main		Tap	H	L	W		
		Water Pipe	Rebar	Ground Rod				Ground	
C11K16D	Fig. 1	1/2" - 1" [13 - 25]	#4 - #6	3/8" - 1"	#10 - #2 Str.	1.64	2.28	0.66	50 in.-lb.
C11K17D	Fig. 2								

DIE CAST CLAMPS

Die cast zinc with zinc plated screws.



Catalog Number	Accommodates Conductor Range		Reference Dimensions				Recommended Screw Torque "Inch Pounds"	
	Water Pipe	Ground	H	L	W	C	Pipe Clamp	Wire Clamp
CZ-11	1/2 - 1 [13 - 25]	10 - 2 Str.	1.56 [40]	2.25 [56]	.56 [14]	.50 [13]	50 in.-lb.	50 in.-lb.

Throughout the catalog you will notice blue highlighted items. These are the most frequently ordered BURNDY® Products.

CAST BRONZE CLAMPS

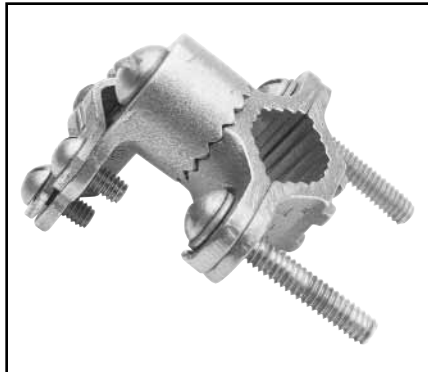
To connect armored cable to water pipe. Zinc plated screws. Pressure bar grips armor or outer cable insulation. 360° swing hub for easy alignment.



Catalog Number	Accommodates Conductor Range		Reference Dimensions			Recommended Screw Torque "Inch Pounds"	
	Water Pipe	Armored Conductor	H	L	W	Pipe Clamp	Wire Clamp
C-11JA	1/2 - 1 [13 - 25]	10 - 6 Sol.	1.38 [35]	3.05 [77]	1.41 [36]	50 in.-lb.	50 in.-lb.
C-22JA	1-1/4 - 2 [32 - 51]		2.60 [66]	3.69 [94]			
C-4JA	2-1/2 - 4 [64 - 102]		4.29 [109]	5.01 [128]			

CAST BRONZE GROUND CLAMPS

For connecting grounding conductor, EMT or rigid conduit to water pipe, copper tube, ground rod or rebar. Hub swings 360° for easy alignment. Simply reverse bottom clamp for smaller size rebar or rod. Connectors are provided with Silicon Bronze hardware.



Catalog Number	Accommodates Conductor Range				Reference Dimensions			Recommended Screw Torque "Inch Pounds"
	Main		Tap					
	Water Pipe	Rebar	Ground Rod	Ground	H	L	W	
C11HD4/0DB	1/2" - 1" [13 - 25]	#4 - #6	3/8" - 1"	#8 - 4/0 AWG	2.25	2.65	1.56	50 in.-lb.
C22HD4/0DB	1-1/4" - 2" [32 - 51]	—	—	#8 - 4/0 AWG	2.70	3.60	1.56	50 in.-lb.

Throughout the catalog you will notice blue highlighted items. These are the most frequently ordered BURNDY® Products.

BURNDY® Grounding Products

CAST BRONZE CLAMPS

For connecting armored cable to water pipe. Zinc plated screws. "D" indicates UL467 for direct burial in earth and concrete, supplied with silicon bronze hardware.



Catalog Number	Accommodates Conductor Range			Reference Dimensions				Recommended Screw Torque "Inch Pounds"	
	Water Pipe	Ground	Ground Clamp	H	L	W	C	Pipe Clamp	Wire Clamp
C-6	1/2 - 1 [13 - 25]	10 - 2 Str.	Bare Armored Unarmored Wire Cables or Cords	1.60	2.34	1.06	.63	50 in.-lb.	50 in.-lb.
C-6D				[41]	[59]	[27]	[16]		
C-7	1-1/4 - 2 [32 - 51]	10 - 2 Str.		2.38	3.62	.94	1.00		
				[60]	[92]	[24]	[25]		

Throughout the catalog you will notice blue highlighted items. These are the most frequently ordered BURNDY® Products.

CAST BRONZE CLAMP FOR RIGID CONDUIT

For grounding rigid conduit systems. Zinc plated screws.



Catalog Number	Accommodates Conductor Range			Reference Dimensions				Recommended Screw Torque "Inch Pounds"	
	Water Pipe	Ground	Hub Size	H	L	W	C	Pipe Clamp	Wire Clamp
C-61	1/2 - 1 [13 - 25]	#6 Sol. Max.	1/2 [13]	2.07 [53]	2.34 [59]	1.34 [34]	1.06 [27]	50 in.-lb.	50 in.-lb.
C-66	1-1/4 - 2 [32 - 51]			2.69 [68]	3.62 [92]	1.34 [34]	1.40 [36]		

CAST BRONZE CLAMPS FOR CONDUIT

For grounding rigid conduit systems. Continuity from rigid conduit systems to ground provided by cast bronze threaded conduit hub. Zinc plated screws.



Catalog Number	Accommodates Conductor Range			Reference Dimensions				Recommended Screw Torque "Inch Pounds"	
	Water Pipe	Ground	Hub Size	H	L	W	C	Pipe Clamp	Wire Clamp
C-11LH-1	1/2 - 1 [13 - 25]	10 Str. - 6 Sol.	1/2 [13]	2.25 [57]	3.23 [83]	.69 [18]	.97 [25]	50 in.-lb.	50 in.-lb.
C-22LH-1	1-1/4 - 2 [32 - 51]			2.88 [73]	3.50 [89]		1.34 [34]		
C-4LH-1	2-1/2 - 4 [54 - 102]			4.56 [116]	4.82 [122]		2.44 [62]		
C-11LH-2	1/2 - 1 [13 - 25]	2/0 - 10 Str.	3/4 [19]	2.56 [65]	2.86 [73]	1.00 [25]	1.13 [29]		
C-22LH-2	1-1/4 - 2 [32 - 51]			3.19 [65]	3.50 [89]		1.50 [38]		
C-4LH-2	2-1/2 - 4 [64 - 102]			4.88 [124]	4.82 [122]		2.38 [60]		
C-11LH-3	1/2 - 1 [13 - 25]	3/0 - 10 Str.	1 [25]	2.69 [68]	2.86 [73]	1.13 [29]	1.19 [30]		
C-22LH-3	1-1/4 - 2 [32 - 51]			3.32 [59]	3.50 [89]		1.56 [40]		
C-4LH-3	2-1/2 - 4 [63 - 102]			5.01 [127]	4.82 [122]		2.44 [62]		

Throughout the catalog you will notice blue highlighted items. These are the most frequently ordered BURNDY® Products.

CAST BRONZE CLAMP WITH COPPER STRAP

For grounding rigid conduit systems. Strap helps protect conduit system from water system vibrations. Zinc plated screws. Strap ETP copper.

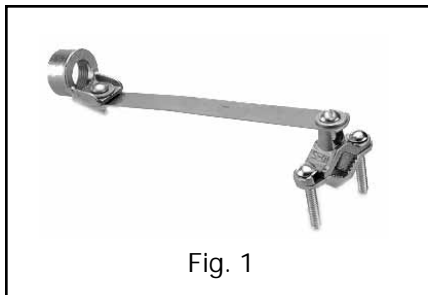


Fig. 1

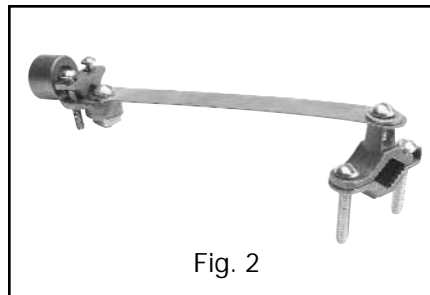


Fig. 2



Catalog Number	Fig. #	Accommodates Conductor Range			Reference Dimensions					Recommended Screw Torque "Inch Pounds"	
		Water Pipe	Ground	Hub Size	H	L	W	C	D	Pipe Clamp	Wire Clamp
C-11CSH-1	Fig. 1	1/2 - 1 [13 - 25]	6 Sol. Max.	1/2 [13]	1.75 [44]	8.50 [216]	1.06 [27]	1.06 [27]	6.12 [155]	50 in.-lb.	50 in.-lb.
C-11CSH-2	Fig. 1		4/0 Str. Max.	3/4 [19]			1.25 [32]	1.50 [38]			
C-11CSH-3	Fig. 1			1 [25]			1.50 [38]	1.75 [44]			
C11CSLH12	Fig. 2		#10 - 2/0 AWG	1/2 [13]			1.18	1.06 [27]			

Throughout the catalog you will notice blue highlighted items. These are the most frequently ordered BURNDY® Products.

TYPE GC-A

DUAL RATED GROUND CLAMP

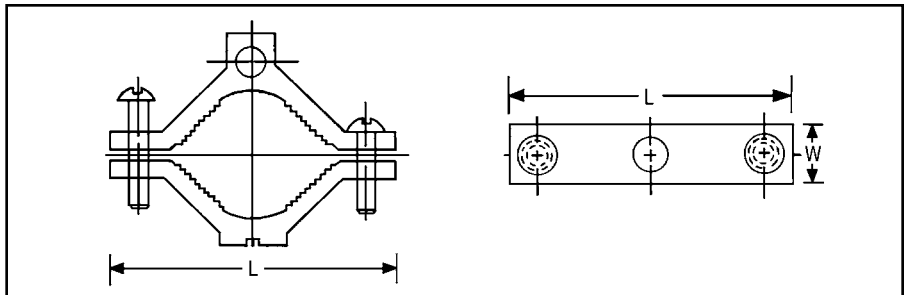
For Copper and
Aluminum Cable

GC-A ground clamps are UL Listed for use with either copper or aluminum conductors to copper water pipe, galvanized pipe or steel conduit. All clamps are constructed from tin plated high-strength extruded aluminum alloy. PENETROX™ oxide inhibiting joint compounds are recommended for all aluminum applications.



Features and Benefits

- Clamps are dual rated for both copper and aluminum conductors.
 - ◇ Maximum flexibility of application.
- All connectors are tin plated.
 - ◇ Provide low contact resistance and prevents galvanic corrosion.
- All clamps are range taking.
 - ◇ Only 3 catalog numbers covers complete range of applications from 1/2 - 4 inches.



Catalog Number	Conduit, Pipe, or Water Tube Size	Wire Range	Screw Type	W	L	Hex Size
GC15A	1/2 - 3/4 - 1	1/0 - 14	Slotted	11/16	2-1/4	S
GC18A	1-1/4 - 1-1/2 - 2	250 kcmil - 6	Hex Socket	13/16	3-3/4	5/16
GC22A	2-1/2 - 3 - 3-1/2 - 4	250 kcmil - 6	Hex Socket	1	6-5/16	5/16

Throughout the catalog you will notice blue highlighted items. These are the most frequently ordered BURNDY® Products.

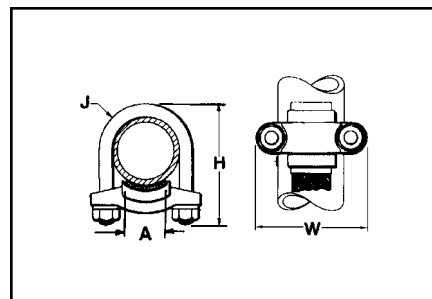
BURNDY® Grounding Products

TYPE GG

GROUND CONNECTOR

For Copper Bar, Strap, Braid or Cable to Rod or Tube

High copper alloy ground connector for joining bar, strap, braid or cable to rod or tube. High copper alloy cast body, DURIMUM™ U-bolts, nuts and lockwashers make the GG particularly effective for use with braid for ground rods, switch handles, fence posts and gates. One-wrench installation.



Catalog Number	Conductor		A	H	J	W
	Tube I.P.S.	Rod				
GG15-1	1	1-1/8 - 1-1/4	1	3-3/8	3/8	2-5/8
GG16-1	1-1/4	1-3/8 - 1-1/2		3		
GG17-1	1-1/2	1-5/8 - 1-7/8		3-1/2		3-1/4
GG17-15			1-1/2	3-1/4		
GG18-1	2	2 - 2-3/8	1	4-1/4	4-1/8	3-3/4
GG18-15			1-1/2	4-3/8		
GG18-2			2	4-3/8		4-1/8
GG19-2	2-1/2	2-1/2 - 2-7/8	2	5	1/2	4-5/8
GG19-25			2-1/2			4-5/8
GG20-2	3	3 - 3-1/2	2	6-3/8	1/2	5-1/4
GG20-25			2-1/2			
GG20-3			3			
GG21-2	3-1/2	3-1/2 - 4	2	5-7/8	1/2	5-3/4
GG21-25			2-1/2			
GG21-3			3			
GG21-35			3-1/2			
GG22-2	4	4 - 4-1/2	2	6-1/2	1/2	6-1/4
GG22-25			2-1/2			
GG22-3			3			
GG22-4			4			
GG24-2	5	—	2	7-5/8	1/2	7-1/4

See note page 1.

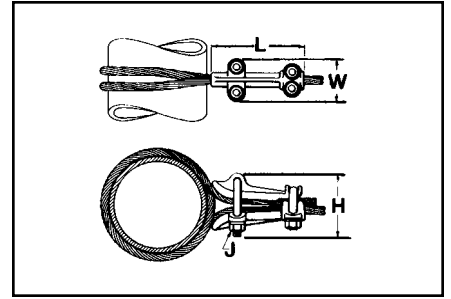
Throughout the catalog you will notice blue highlighted items. These are the most frequently ordered BURNDY® Products.

TYPE GQ

GROUND CONNECTOR

For Copper Cable to Tube

High copper alloy ground connector for cross connecting a wide range of cable. High copper alloy, cast body, DURIMUM™ U-bolts, nuts, and lockwashers make the GQ suitable for burial in soil or concrete. One-wrench installation. UL467 Listed. Acceptable for direct burial in earth or concrete.



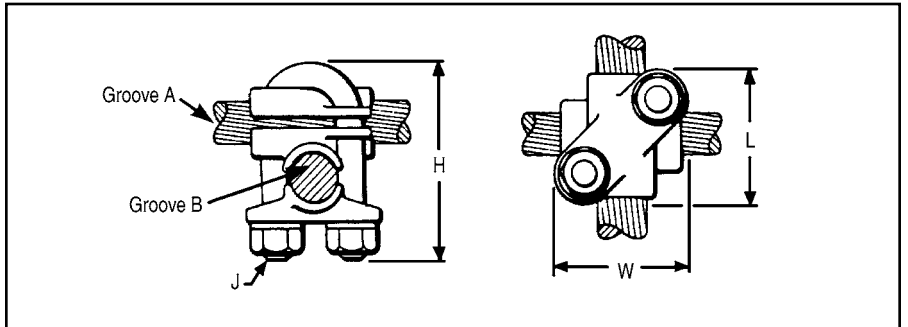
Catalog Number	Conductor		H	J	L	W
	Tube I.P.S.	Cable				
GQ2626	6" Max.	4 Str. - 2/0 Str.	4-1/2	1/2	5	2-1/2
GQ26-1	Above 6"		7-1/8			
GQ2929	6" Max.	2/0 Str. - 250	4-1/8		6	2-3/4
GQ29-1	Above 6"		7-1/2			

TYPE GX

GROUND CONNECTOR

For Copper Cables

High copper alloy ground connector for cross connecting a wide range of cable. The high copper alloy cast body, DURIMUM™ U-bolts, nuts, and lockwashers make the GX suitable for burial in soil or concrete. One-wrench installation. UL467 Listed. Acceptable for direct burial in earth or concrete.



Catalog Number	Conductor		H	J	L	W
	Groove A	Groove B				
GX4C4C	8 Sol. - 4 Str.	8 Sol. - 4 Str.	1-7/8		1-5/8	1-5/8
GX264C	4 Sol. - 2/0 Str.	8 Sol. - 4 Str.	2-1/2		1-3/4	1-3/4
GX2626		4 Sol. - 2/0 Str.	2-3/4	3/8	1-7/8	1-7/8
GX294C	8 Sol. - 4 Str.					
GX2926	4 Sol. - 2/0 Str.					
GX2929	300 - 500	2/0 Sol. - 250	2-3/4	1/2	2-5/8	2-5/8
GX344C		8 Sol. - 4 Str.				
GX3426		4 Sol. - 2/0 Str.				
GX3429	2/0 Sol. - 250	300 - 500	4-1/4	1/2	2-5/8	2-5/8
GX3434	300 - 500					

Throughout the catalog you will notice blue highlighted items. These are the most frequently ordered BURNDY® Products.

BURNDY® Grounding Products

TYPE B

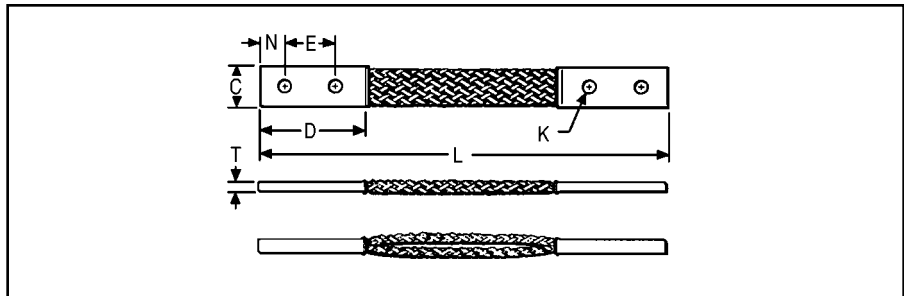
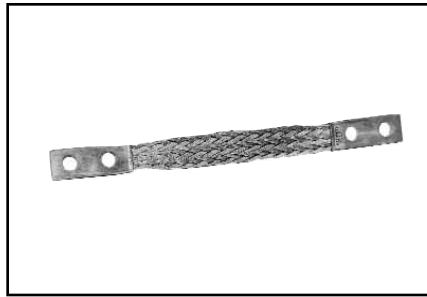
FLEXIBLE COPPER BRAID

Flexible copper braid jumpers designed to take up linear expansion and contraction, compensate for misalignment and absorb vibratory movement of electrical equipment and devices.

Made of flat extra flexible, tinned, pure copper braid, with unplated, seamless, pure copper ferrules formed into a rectangular shape on each end.

Last two numbers in catalog number indicate total length of braid in inches (e.g., BD12N or BD12 is 12" long braid jumper).

Other lengths, plating and drilling are available. Refer to factory.



Catalog Number	Number of Braids in Ferrules	C	D	E	K	L	N	T	Approximate Ampere Rating	
									Indoor	Outdoor
BD12 †	1	.94	2.50	1.25	.44	12	.62	.13	190	225
BD12N** †			3.00	1.75	.56	12				
BD18 †			2.50	1.25	.44	18				
BD18N** †			3.00	1.75	.56	18				
BD24 †			2.50	1.25	.44	24				
BD24N** †			3.00	1.75	.56	24				
BE12 †	1	1.50	3.00	1.50	.44	12	.75	.17	340	405
BE12N** †				1.75	.56	12	.62			
BE18 †				1.50	.44	18	.75			
BE18N** †				1.75	.56	18	.62			
BE24 †				1.50	.44	24	.75			
BE24N** †				1.75	.56	24	.62			
BF12 †	1	1.19	3.00	1.50	.44	12	.75	.25	360	430
BF12N** †				1.75	.56	12	.62			
BF18 †				1.50	.44	18	.75			
BF18N** †				1.75	.56	18	.62			
BF24 †				1.50	.44	24	.75			
BF24N** †				1.75	.56	24	.62			
BG12	1	1.50	3.00	1.50	.44	12	.75	.25	415	495
BG12N**				1.75	.56	12	.62			
BG18				1.50	.44	18	.75			
BG18N**				1.75	.56	18	.62			
BG24				1.50	.44	24	.75			
BG24N**				1.75	.56	24	.62			

* This rating may vary with ambient conditions, orientation of the braid and other service conditions.

** Tongue drilled per (2) hole NEMA standard.

Note: All sizes are listed to UL467 and specific sizes (†) are certified to CSA C22.2, No. 41 Grounding and Bonding Equipment Standards. Equivalent sizes may be designated by suffix letters representing variations in length, mounting configurations, pad size and finish. Contact factory for details.

Throughout the catalog you will notice blue highlighted items. These are the most frequently ordered BURNDY® Products.

**FLEXIBLE COPPER
BRAID**

(Continued)



TYPE B

Catalog Number	Number of Braids in Ferrules	C	D	E	K	L	N	T	Approximate Ampere Rating		
									Indoor	Outdoor	
B2D12 †	2	.94	2.50	1.25	.44	12	.62	.25	380	455	
B2D12N** †			3.00	1.75	.56	12	.62				
B2E12		1.62	3.00	1.50	.44	12	.75	.25	530	635	
B2E12N**			3.00	1.75	.56	12	.62				
B2F12		1.38	3.00	1.50	.44	12	.75	.38	600	720	
B2F12N**			3.00	1.75	.56	12	.62				
B2G12N**	1.50	3.00	1.75	.56	12	.62	.50	700	840		
B3D12 †	3	1.19	2.50	1.25	.44	12	.62	.25	470	560	
B3D12N** †			3.00	1.75	.56	12	.62				
B3E12		1.64	3.00	1.50	.44	12	.75	.31	700	840	
B3E12N**			3.00	1.75	.56	12	.62				
B3F12		1.44	3.00	1.50	.44	12	.75	.56	820	980	
B3F12N**			3.00	1.75	.56	12	.62				
B3G12		1.69	3.00	1.50	.44	12	.75	.69	960	1150	
B3G12N**			3.00	1.75	.56	12	.62				
B4D12		4	1.19	2.50	1.25	.44	12	.62	.32	600	720
B4D12N**				3.00	1.75	.56	12	.62			
B4E12	1.64		3.00	1.50	.44	12	.75	.36	850	1020	
B4E12N**			3.00	1.75	.56	12	.62				
B4F12	1.50		3.00	1.50	.44	12	.75	.78	1000	1200	
B4F12N**			3.00	1.75	.56	12	.62				
B4G12N**	1.69		3.00	1.75	.56	12	.62	.94	1200	1440	

* This rating may vary with ambient conditions, orientation of the braid and other service conditions.
 ** Tongue drilled per (2) hole NEMA standard.

Note: All sizes are listed to UL467 and specific sizes (†) are certified to CSA C22.2, No. 41 Grounding and Bonding Equipment Standards. Equivalent sizes may be designated by suffix letters representing variations in length, mounting configurations, pad size and finish. Contact factory for details.

Throughout the catalog you will notice blue highlighted items. These are the most frequently ordered BURNDY® Products.

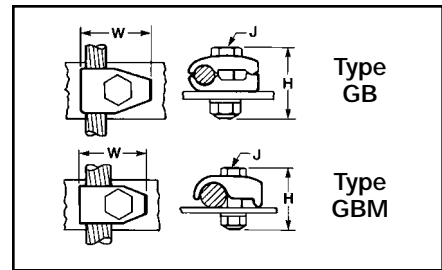
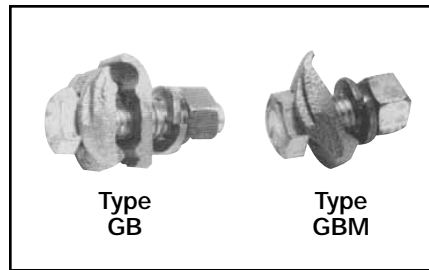
BURNDY® Grounding Products

TYPES GB, GBM

GROUND CONNECTOR

For Copper Cable to Bar

High copper alloy ground connector for joining a range of cable to 1/4" thick bar.* Type GB separates cable from bar, GBM clamps cable directly on bar surface. One-wrench installation. UL467 Listed. The high copper alloy cast body and DURIMUM™ bolts, nuts, and lockwashers make the GB and GBM suitable for direct burial in concrete or ground.



Catalog Number		Conductor	H Type GB/GBL	H Type GBM	J	W Type GB/GBL	W Type GBM
Type GB	Type GBM						
GB4C	GBM4C	8 Sol. - 4 Str.	1-1/2	1-1/2	3/8	1-1/4	1-1/4
GB26	GBM26	4 Sol. - 2/0 Str.				1-1/2	1-1/2
+GBL30		4 Sol. - 300	2			7/8	0
GB29	GBM29	2/0 Sol. - 250	3	2	1/2	2	2
GB34	GBM34	300 - 500		2-1/4		2-3/8	2-3/8

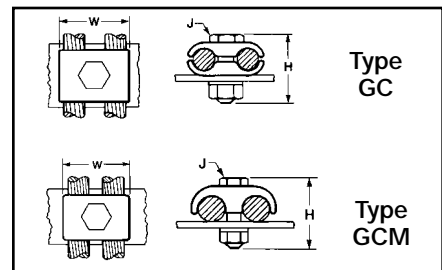
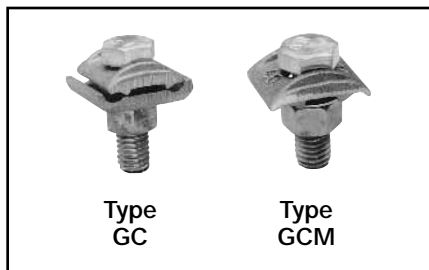
+ GBL30 is not UL listed.
Add "GS" suffix for galvanized steel hardware.

TYPES GC, GCM

GROUND CONNECTOR

For Two Copper Cables to Bar

High copper alloy ground connector for joining a wide range of two parallel cables to 1/4" thick bar.* Type GC separates cable from bar, GCM clamps cable to bar surface. One-wrench installation. UL467 Listed. The high copper alloy cast body and DURIMUM™ bolts, nuts, and lockwashers make the GC and GCM suitable for direct burial in concrete or ground.



Catalog Number		Conductor	H Type GC/GCL	H Type GCM	J	W Type GC/GCL	W Type GCM
Type GC	Type GCM						
GC4C4C	GCM4C	8 Sol. - 4 Str.	1-1/2	1-1/2	3/8	1-3/8	1
GC2626	GCM26	4 Sol. - 2/0 Str.	2			1-3/4	1-3/8
GCL30		4 Str. - 300	2	—	—	1	—
GC2929	GCM29	2/0 Sol. - 250	2-1/4	2	—	2-1/4	2
GC3434	GCM34	300 - 500	2-7/8	2-1/4	1/2	2-7/8	2-5/8

Smooth oval-shank bolts are available upon request for cable-tray applications (example: GC30G3). Also refer to type GC-CT.
Add "GS" suffix for galvanized steel hardware.

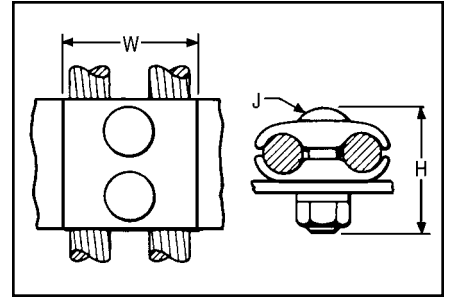
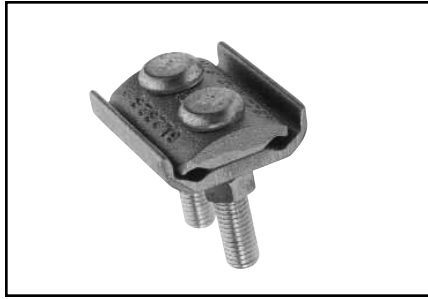
Throughout the catalog you will notice blue highlighted items. These are the most frequently ordered BURNDY® Products.

TYPE GL

GROUND CONNECTOR

For Two Copper Cables to Bar

High copper alloy ground connector for joining a wide range of two parallel cables to 1/4" thick bar.* Two-bolt design, separates cable from bar. One-wrench installation. UL467 Listed. The high copper alloy cast body and DURIMUM™ bolts, nuts, and lockwashers make them suitable for direct burial in concrete or ground.



Catalog Number*	Conductor	H	J	W
GL4C4C	8 Sol. - 4 Str.	1-1/2	3/8	1-3/8
GL2626	4 Sol. - 2/0 Str.	2		1-3/4
GL2929	2/0 Sol. - 250	2-1/4	1/2	2-1/4
GL3434	300 - 500	2-7/8		2-7/8

* For other bar thicknesses see note at bottom of page.

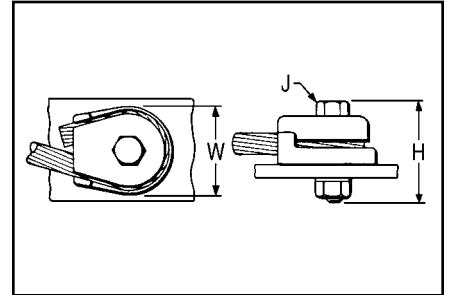


TYPE GZ

GROUND CONNECTOR

For Copper Cable to Bar

High copper alloy ground connector for joining a wide range of cable to 1/4" thick bar*. Cable is gripped by curving it around the clamping bolt in connector groove. UL467 Listed. The high copper alloy cast body and DURIMUM™ bolts, nuts, and lockwashers make them suitable for direct burial in concrete or ground.



Catalog Number*	Conductor	H	J	W
GZ4C-38	8 Str. - 4 Str.	1-1/2	3/8	1-1/8
GZ4C-12		1-7/8	1/2	1-3/4
GZ4C-58		2	5/8	
GZ26-38	3 Str. - 2/0 Str.	2-1/8	3/8	1-5/8
GZ26-12			1/2	1-3/4
GZ26-58		2-1/4	5/8	2-1/4
GZ29-38	3/0 Str. - 250	3/8	1-3/4	
GZ29-12		2-3/8		
GZ29-58		2-1/2	5/8	

NOTE:

* The GB, GBM, GC, GCM, GL and GZ are all used for joining a range of cable to bar. The catalog numbers in each table accommodate the indicated cable range and up to 1/4" thick bar. Optional bolt lengths are available to accommodate up to 1" thick bar. For bar thicknesses from 1/4" to 1/2", add the suffix "T4" to the catalog number in the table. For bar thicknesses from 1/2" to 1", add the suffix "T8" to the catalog number in the table.

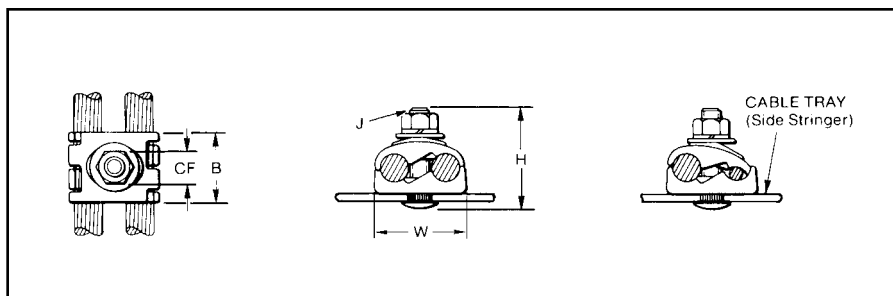
Throughout the catalog you will notice blue highlighted items. These are the most frequently ordered BURNDY® Products.

TYPE GC-CT

CABLETRAY GROUND CLAMP

This unique connector incorporates features which are unmatched. Made of tin-plated cast copper alloy, it accommodates either one or two conductors, copper or aluminum cable. In addition to a low profile head with a deep Phillips recess, the galvanized steel bolt has a ribbed neck which prevents rotation during installation when installed in a .44 diameter hole. When used on aluminum conductor, the cable must be scratch brushed and PENETROX™ A joint compound must be used on cable and connector.

UL467 Listed for copper conductor only.
Suitable for direct burial in concrete or earth.



Catalog Number	Accommodates Copper or Aluminum Conductor in Either Groove	B	CF	H	J	W
GC2525CT	#6 Sol. (.162 Dia.) - 1/0 Str. (.372 Dia.)	1.12	.56	1.95	3/8" - 16	1.45
GC2626CT	#2 Sol. (.258 Dia.) - 2/0 Str. (.419 Dia.)	1.12	.56	1.95	3/8" - 16	1.70
GC2929CT	2/0 Str. (.414 Dia.) - 250 kcmil (.575 Dia.)	1.12	.56	2.20	3/8" - 16	1.98

NOTE:

The bolt head is mounted on the inside wall of cable tray to avoid damage to the cable insulation.
May be used with aluminum or galvanized steel cable tray.

Throughout the catalog you will notice blue highlighted items. These are the most frequently ordered BURNDY® Products.

TYPE GTC1AC34RA

PROTECTIVE GROUNDING CLAMP

For Pad Mounted Equipment

A newly designed Protective Grounding Clamp for making secure connections when installing Protective Grounding Sets on live or dead front Pad Mounted Equipment.

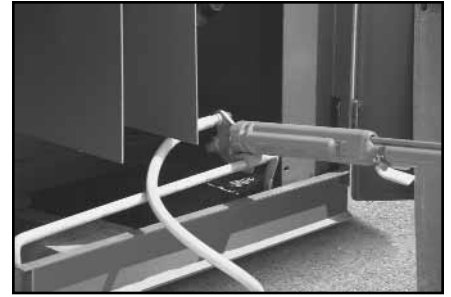
Features a 90° right angle side entry for ferrule. Cable connection will now exit clamp parallel with grounding bar allowing cable set to remain within the cabinet. Closing the cabinet doors will now be easier without infringing on the safety clearance zone.

Eliminates awkward hotstick mounting and tightening of clamp jaws from elevated angles. Improves safety thanks to easier respect of minimum approach distance.

The clamp is used as a base for new grounding sets or can be retrofit on most grounding sets for pad mounted equipment.

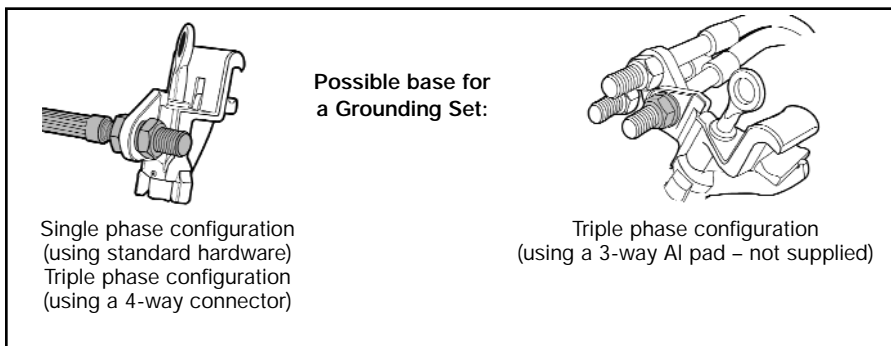
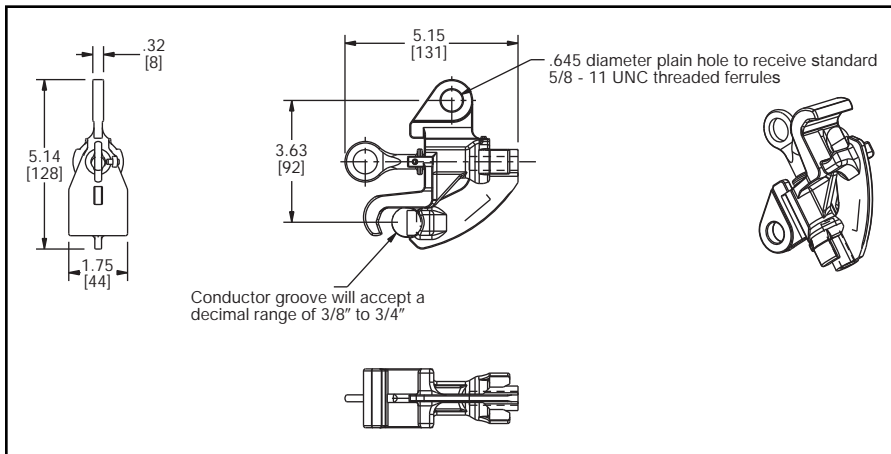
Designed and manufactured in the U.S.A.

Catalog Number: **GTC1AC34RA**



Features

- ASTM classification (F855-04):
 - Grade 3 (27kA for 15 cycles)
 - Class A/Type I/C-shape
 - Brass alloy
 - Weight: 1.85 Lbs.
- Jaw range: round section conductor 3/8" to 3/4" diameter.



Throughout the catalog you will notice blue highlighted items. These are the most frequently ordered BURNDY® Products.

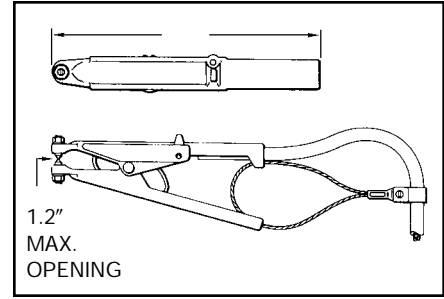
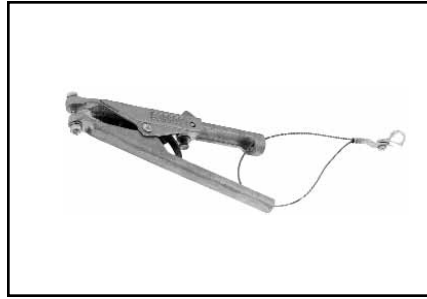
BURNDY® Grounding Products

TYPE GIE-G

GROUND CONNECTOR

For Vehicle Grounding
Heavy Duty Construction

High-strength copper alloy ground clamps for grounding gasoline trucks, tank cars, aircraft and other vehicles where danger of explosion due to static electricity exists. Corrosion resistant and supplied with non-sparking, adjustable, replaceable contact grip screws. Automatic safety release disconnects should a vehicle unexpectedly move from the grounded area. Accommodates 4 Str. flexible copper cable.



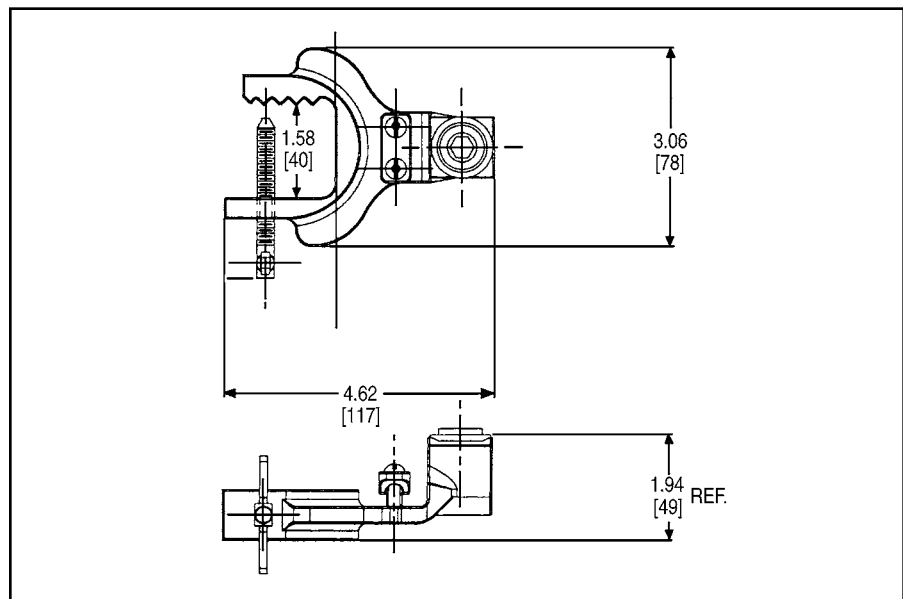
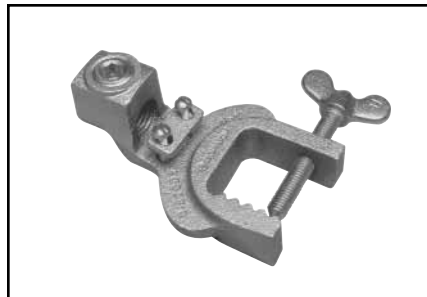
Catalog Number	Replaceable Contact Grip Screws		
	Catalog Number	Material	Point Configuration
GIE4CG3	GIE4CG3P5	Beryllium Copper	Cone Point
	GIE4CG3P7		Cup Point
GIE4CG4	GIE4CG4P5	Stainless Steel	Cone Point
	GIE4CG4P7		Cup Point

TYPE GIE-G

GROUND CONNECTOR

Accommodates flexible rubber sheath cable ranging from #6 to #2 conductor.

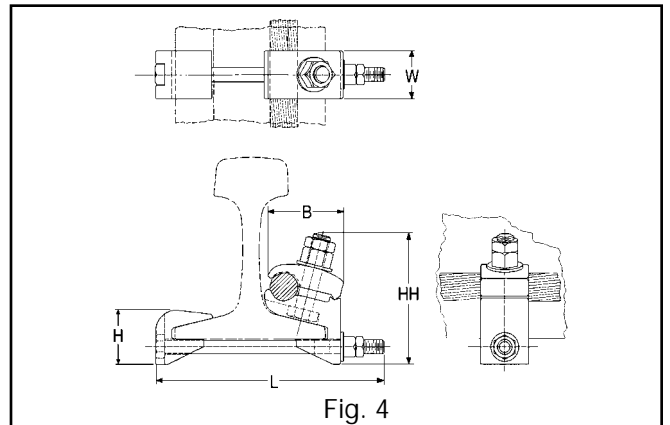
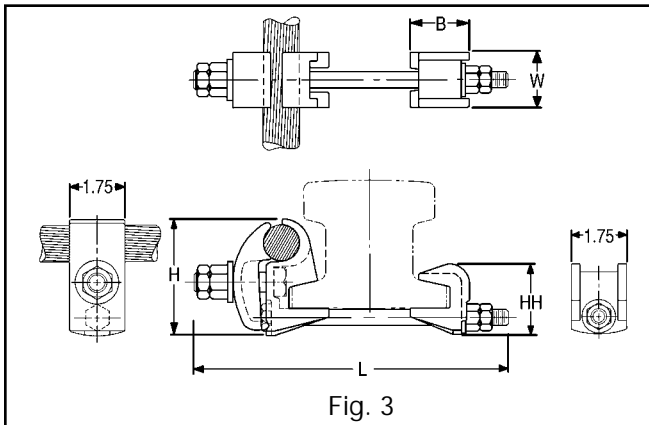
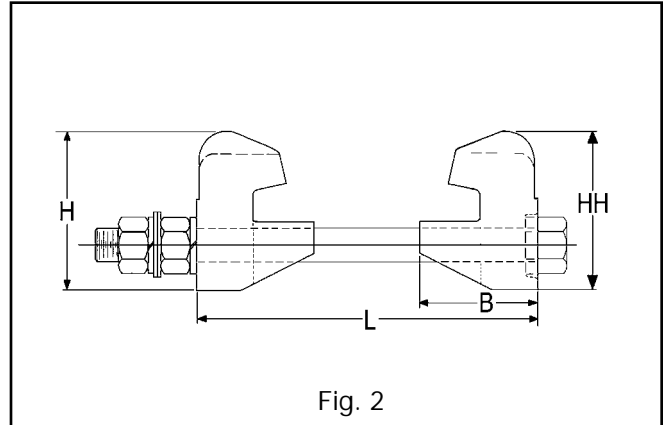
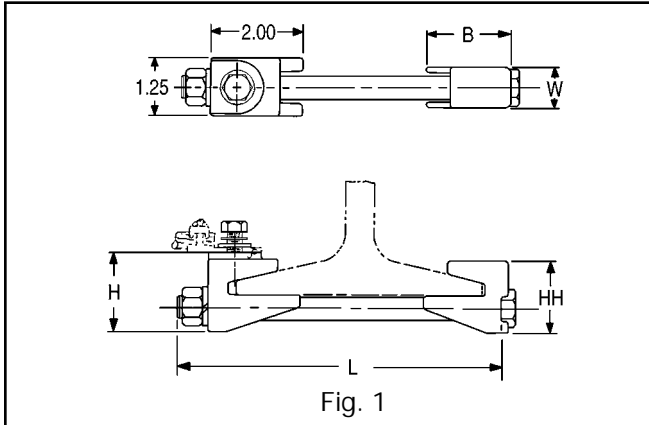
Catalog Number: [GIE2CG3](#)



Throughout the catalog you will notice blue highlighted items. These are the most frequently ordered BURNDY® Products.

RAIL CONNECTOR

Mechanical clamp connectors designed for use in power, contact or running rail applications. Connectors are cast of a high conductivity copper alloy, tin-plated, and assembled with high-strength DURIMUM™ hardware. Connectors designed for extended service life.



Catalog Number	Fig. No.	Accommodates	B	H	HH	L	W
J278	1	100 LBS. A.R.E.A. RUNNING RAIL	1.81	1.88	1.72	7.50	.88
J279	1	75 or 90 LBS. RUNNING RAIL	1.81	1.71	1.55	7.50	.88
J280	1	150 LBS. CONTACT RAIL	2.12	2.08	1.92	7.00	1.25
J295	2	150 LBS. THIRD RAIL	2.62	3.50	3.50	7.75	3.00
RGC44G1*	3	150 LBS. NMC CONTACT RAIL and (1) 800-1000 kcmil CU CABLE	1.75	2.82	2.25	10.00	1.75
RGC39G1*	4	115 LBS. CONTACT or RUNNING RAIL and (1) 500-750 kcmil CU CABLE	2.75	2.00	4.78	8.32	1.25

* Tin-plated.

Throughout the catalog you will notice blue highlighted items. These are the most frequently ordered BURNDY® Products.

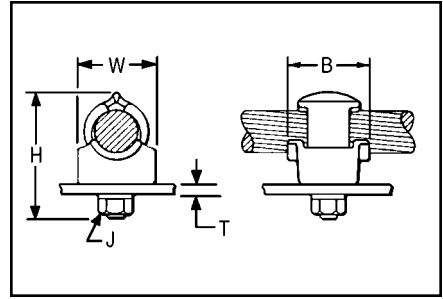
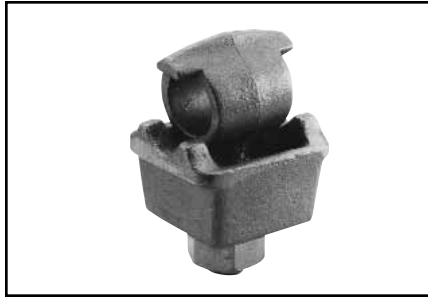
BURNDY® Grounding Products

TYPE QGFL

BARTAP™

For Copper Cable to Flat Bar or Pad

High copper alloy BARTAP™ for joining a range of cable to bar or pad. One-wrench installation. DURIMUM™ nut and lockwasher.



Catalog Number	Conductor	B	H	J	T (Max.)	W
QGFL1CB1	10 Sol. - 1 Str.	1-1/8	1-7/8	3/8	1/4	1
QGFL1CB1T6			2-3/8		3/4	
QGFL26B1	8 Sol. - 2/0 Str.	1-1/4	2-1/8	3/8	1/4	1-1/8
QGFL26B1T6			2-5/8		3/4	
QGFL26B2*			1-1/2		1/4	
QGFL26B2T6*		1-1/2	2-7/8		3/4	
QGFL29B1*	6 Str. - 250	1-5/8	2-5/8	3/8	1/4	1-3/8
QGFL29B1T6*			3-1/8		3/4	
QGFL31B1*	2 Sol. - 350	1-3/4	2-7/8	1/2	1/4	1-5/8
QGFL31B1T6*			3-1/4		3/4	
QGFL34B1	1/0 Sol. - 500	2	3-1/8	1/2	1/4	1-3/4
QGFL34B1T6			3-5/8		3/4	
QGFL39B1	350 - 750	2-1/4	3-1/4	1/2	1/4	1-3/4
QGFL39B1T6			3-5/8		3/4	
QGFL44B1	750 - 1000	2-1/4	3-3/8	1/2	1/4	2-1/8
QGFL44B1T6			4-1/8		3/4	
QGFL46B1	1000 - 1500	2-1/4	4	1/2	1/4	2-1/2
QGFL46B1T6			4-1/2		3/4	
QGFL48B1	1500 - 2000	2-1/4	4-3/4	1/2	1/4	3

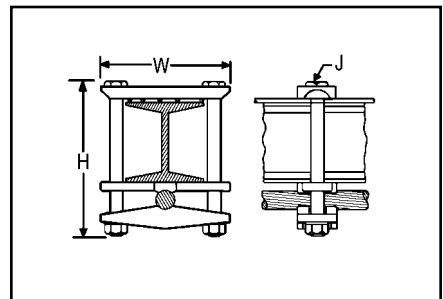
* Can be installed side by side or in line on NEMA drilled bar.

TYPE GA-H

GROUND CONNECTOR

For Copper Cable to "H" Beam

High copper alloy ground connector for joining a wide range of cable parallel to "H" beams or square tube. Hardware is made from DURIMUM™ for superior corrosion protection.



Catalog Number	Conductor		H	J	W
	"H" Beam	Cable			
GA25H26	1-7/8" × 1-7/8" - 2-1/2" × 2-1/2"	4 Sol. - 2/0 Str.	4-3/4	3/8	4

Throughout the catalog you will notice blue highlighted items. These are the most frequently ordered BURNDY® Products.

TYPE GRF

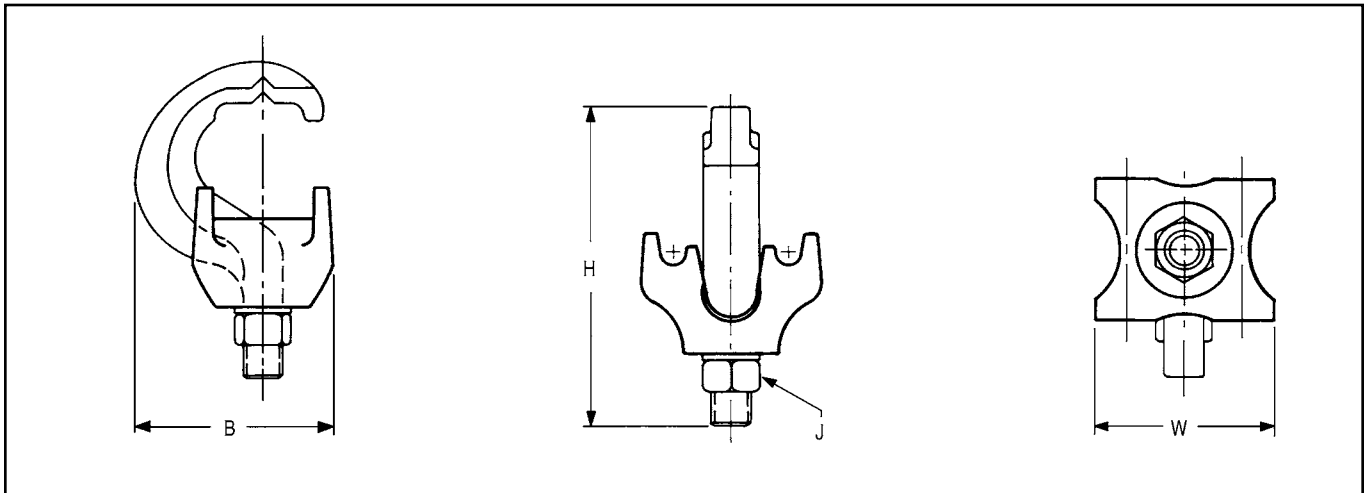
UNIGROUND™ RAISED FLOOR GROUNDING CONNECTOR

The BURNDY® UNIGROUND™ is a universal grounding clamp, specifically designed for all raised flooring systems. It can be installed on round or square pedestals and can accommodate one or two grounding wires to make an efficient grid. The underfloor signal reference grid provides the low impedance ground path that attenuates high frequency static and 60 Hz transient noise for cleaner data output. UL467 Listed.



Features and Benefits

- One connector fits all applications.
 - ◊ Ease of specification and installation.
- Single bolt design.
 - ◊ Ease of installation:
 - No need to disassemble.
 - Single wrench installation.
- Accepts 1 or 2 ground conductors.
 - ◊ Requires less connectors to install signal reference grid.
- Tin plated cast bronze construction.
 - ◊ Resists corrosion and provides extended life ground connection.
- Grounds all pedestals (round or square). Will handle up to 7/8" square and 1" round.
 - ◊ Ease of installation. One connector does it all
- Serves 3 needs:
 1. Signal Reference Grid.
 2. Static Ground.
 3. Fault Current Ground.
 - ◊ UNIGROUND™ solves all possible grounding problems found in computer applications today.



Catalog Number	Number of Conductors	Conductor Size Sol. & Str.	Pedestal Type		B	H	J	W
			Round	Square				
GRF4C-3	1 or 2	#8 - #2	Up to 1"	Up to 7/8"	1.96	3.14	3/8"	1.76
GRF4C-4	1 or 2	#8 - #2	Up to 3/4"	Up to 5/8"	1.79	3.13	3/8"	1.40

Throughout the catalog you will notice blue highlighted items. These are the most frequently ordered BURNDY® Products.

TYPES GP-G1, GP-RT

RAISED FLOOR GROUNDING CLAMPS

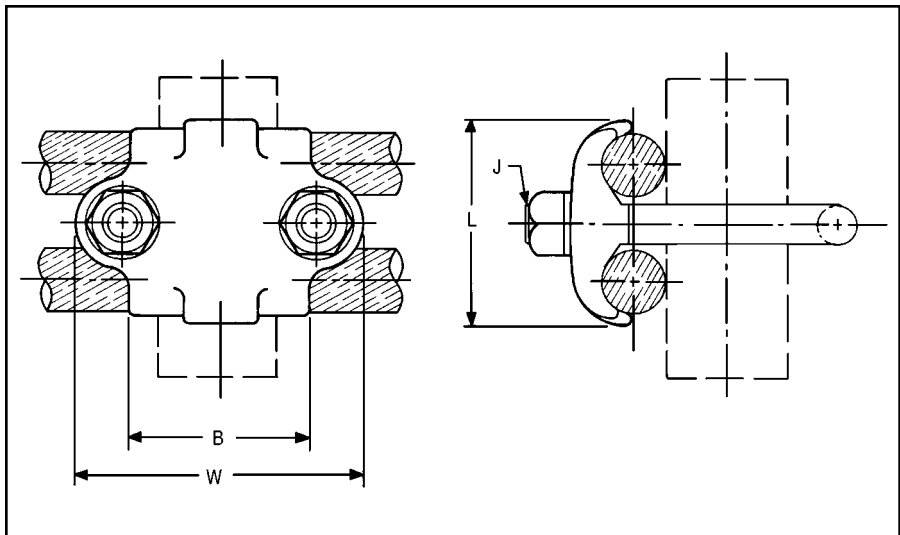
High copper alloy ground connector for raised floor computer grounding applications. These connectors can be installed on round and square pedestal applications and will accommodate one or two grounding wires to make an efficient grid. The under-floor signal reference grid provides the low impedance ground path that attenuates high frequency static and 60 Hz transient noise for cleaner data output. UL467 Listed.

In addition we offer the GP1726RT, which is especially designed for penetrating epoxy paint on pedestals. This patented connector offers a low impedance, time saving connection between conductors and the Pedestal.



Features and Benefits

- Accepts 1 or 2 Ground Conductors
 - ◇ Requires less connectors to install signal reference grid.
- Made of copper alloy.
- DURIUM™ U-Bolts, nuts and lockwashers.
 - ◇ Provides a low impedance ground path for maximum performance.
- Grounds all pedestals (round or square).
- Will handle from 3/4" to 1" round or square.
 - ◇ Ease of installation.
- Serves 3 needs.
 1. Signal Reference Grid.
 2. Static Ground.
 3. Fault Current Ground.
 - ◇ Connectors solves all possible grounding problems found in computer applications today.

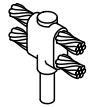



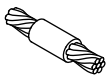
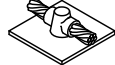




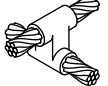
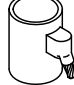
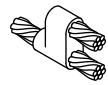
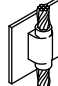
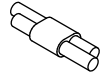
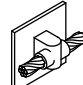
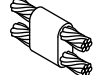
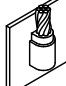
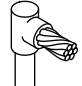


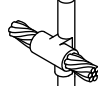
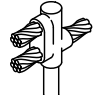


Catalog Number	Number of Conductors	Conductor Size Sol. & Str.	Pedestal Type	B	J	L	W
			Round or Square				
GP654CG1	1 or 2	#8 Sol. - 4 Str.	3/4" - 1" Round	1.5	3/8"	1.31	2.38
GP64526G1	1 or 2	#4 Sol. - 2/0 Str.	3/4" - 7/8" Square	1.5	3/8"	1.69	2.38
GP1526G1	1 or 2	#4 Sol. - 2/0 Str.	1-1/4" Round	1.75	3/8"	1.69	2.62
GP1726RT	1 or 2	#6 Sol. - 2/0 Str.	2" Round	2.12	3/8"	1.50	3.22

Throughout the catalog you will notice blue highlighted items. These are the most frequently ordered BURNDY® Products.

TABLE OF CONTENTS

BURNDYWeld®

BURNDYWeld® Introduction.....	60		Type BCR-24	73
Making a BURNDYWeld® Connection	61		Type BCS-1	75
 WELD METAL	62		Type BCS-8	75
 Type BCC-1	63		Type BCS-2	76
 Type BCC-2	64		Type BCS-9	76
 Type BCC-4	65		Type BCS-3	77
 Type BCC-11	66		Type BCS-23	78
 Type BCC-6	67		Type BCS-4	79
 Type BCC-14	67		Type BCS-6	79
 Type BCC-7	68		Type BCS-7	80
 Type BCR-1	69		Type BCS-18	80
RUS Accepted				
 Type BCR-2	70		BURNDY® GROUNDMAX™	88 - 89
 Type BCR-3	71		BURNDYWeld® Prefabricated Wire Mesh	92 - 93
 Type BCR-17	72			

For mold types or BURNDYWeld® items not shown,
please contact factory.

BURNDY® Grounding Products

BURNDYWeld®

The BURNDYWeld® connection process is a simple, efficient method of welding copper to copper or copper to steel. One advantage is that NO outside power is required when using the BURNDYWeld® exothermic process. The BURNDYWeld® process uses high temperature reaction of powdered copper oxide and aluminum. The reaction takes place in a semi-permanent graphite mold. These molds will last for fifty or more welds if proper care is given. The reaction takes place very rapidly, therefore the total amount of heat applied to the conductors or surfaces is considerably less than that of brazing or soldering. It is important to remember this when welding to insulated cable or thin wall pipe.

This system is very field friendly, since it is light and portable and requires no outside power source. It requires very little time or skill to obtain an efficient, maintenance free connection when using the BURNDYWeld® process.

For more information visit our website at www.fcconnect.com

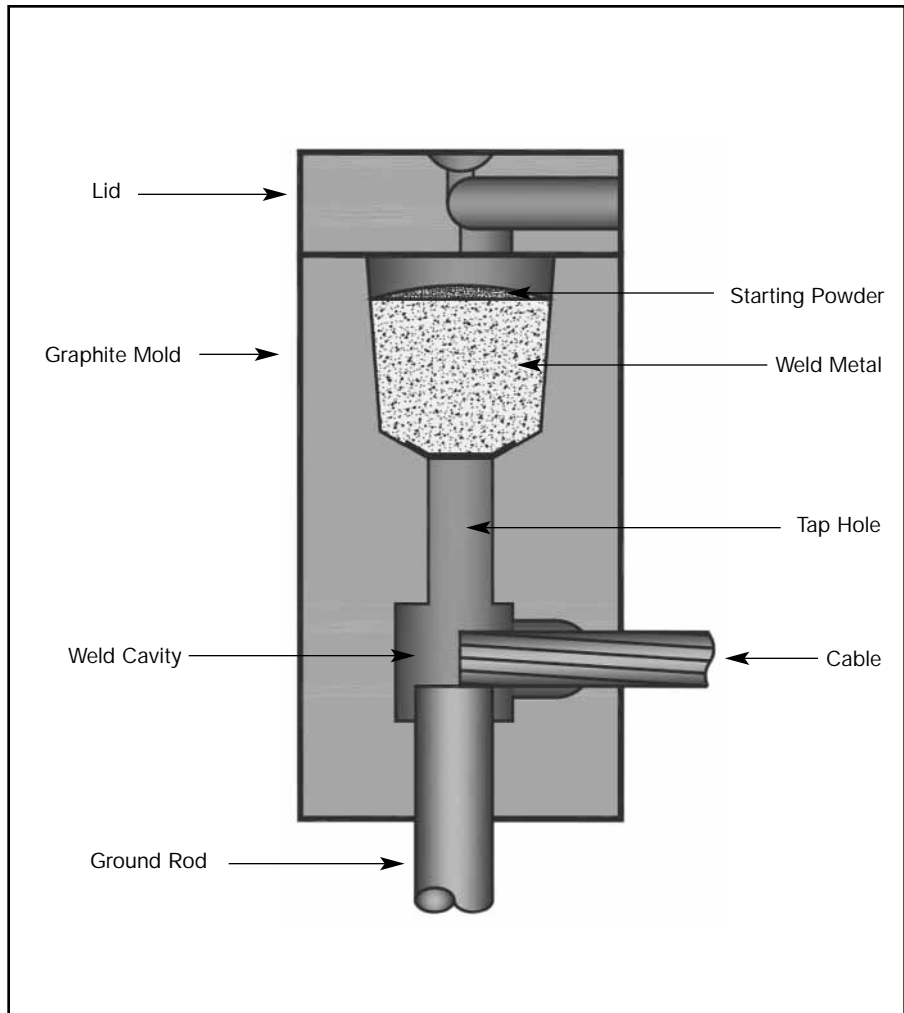
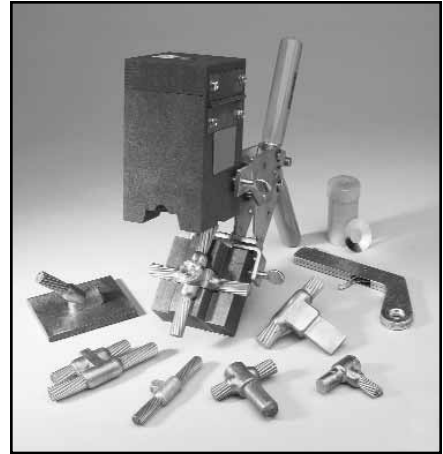
The BURNDYWeld® process has been used to weld materials other than copper for electrical purposes. Materials welded include:

Stainless Steel	Columbium	Brass
Copperweld®	Plain Steel	Bronze
Nichrome V	Everdur®	Niobium
Galvanized Steel	Kama	Chromax
Silicone Bronze	Steel Rail	Cast Iron
Copper Clad Steel	Cor-Ten®	Monel

When welding to galvanized steel it is recommended to resurface exposed bare steel.

The BURNDYWeld® connection is a molecular weld. The weld metal has the same melting point as copper. These factors along with the increased cross section of the connection, BURNDYWeld® connections:

1. Will not be affected by a high current surge. Tests have shown that the electrical conductor will melt before the BURNDYWeld® connection when subjected to high short circuit current. Consult IEEE Standard 837-1989.
2. Will not loosen or corrode at the point of weld. There are no contact surfaces or mechanical pressures involved. A BURNDYWeld® connection becomes an integral part of the conductor.
3. Have a current-carrying capacity equal to or greater than that of the conductors.



For mold types or BURNDYWeld® items not shown, please contact factory.

Throughout the catalog you will notice blue highlighted items. These are the most frequently ordered BURNDY® Products.

Making a BURNDYWeld® Connection



Step 1

Position cleaned conductors in mold after making sure mold is dry, by pre-heating or making a test joint.



Step 2

Place metal disc in bottom of mold crucible.



Step 3

Dump powder into crucible, being careful not to loosen all the starting powder.



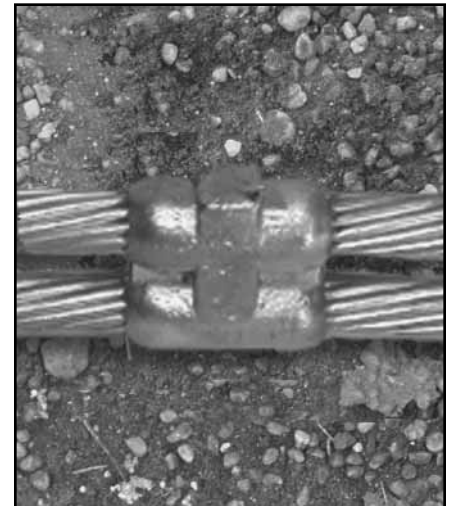
Step 4

Close lid and place a small amount of starting powder in the ignition pocket.



Step 5

Ignite the starting powder with the Flint Ignitor.



Step 6

Wait 15 seconds, then remove weld and clean mold before making next connection.

**For mold types or BURNDYWeld® items not shown,
please contact factory.**

Throughout the catalog you will notice blue highlighted items. These are the most frequently ordered BURNDY® Products.

BURNDY® Grounding Products

WELD METAL

BURNDYWeld® Weld Metal is packed in moisture-resistant plastic cartridges that have tight fitting caps. These cartridges, along with the necessary steel discs, are then packed in boxes that are hermetically-sealed. This ensures the powder arriving in good condition, always dry and ready for fast positive ignition.

BURNDYWeld® Weld Metal comes in several types; one for welding copper to copper, copper to steel, copper to rail, copper to cast iron and one for welding copper to steel for cathodic protection. The size and weight (in grams) of the cartridge are marked on each individual cartridge.



Standard Cartridge Size	Cast Iron Cartridge Size	Cathodic Protection Cartridge Size	Rail Cartridge Size	Cartridges Per Box
15	15CI	15CP	15R	20
25	25CI	25CP	25R	20
32	32CI	32CP	32R	10
45	45CI	45CP	45R	20
65	65CI	65CP	65R	20
90	90CI	—	90R	10
115	115CI	—	115R	10
150	—	—	150R	10
200	—	—	200R	10
250	—	—	250R	10
500	—	—	500R	10

BURNDYWeld® Weld Metal is sold in box quantities only.

Steel Discs Sold Separately

Weld Metal Size	Catalog Number	Package Quantity
	Steel Discs Only	
15 to 65	B370320-01	20
90 to 115	B370320-02	10
150 to 500	B370320-03	10

**For mold types or BURNDYWeld® items not shown,
please contact factory.**

Throughout the catalog you will notice blue highlighted items. These are the most frequently ordered BURNDY® Products.

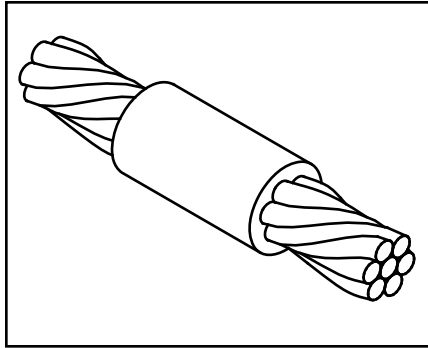
BCC-1 TYPE MOLDS

Horizontal End to End

BCC-1 Type Molds are used for horizontal end to end cable connections.

Size range is #6 through 1000 kcmil solid or concentric stranded copper conductors.

Contact BURNDY® Products for information on molds for conductors not listed below.



Cable	Mold Number	Price Key	Weld Metal	Handle Clamps
#8	Use Type BCC-14 On Page 67	—	—	—
#6	Use Type BCC-14 On Page 67	—	—	—
#4	B-5623	18 † *	25	N/A
#3	B-5624	18 † *	32	N/A
#2	B-5625	18 † *	32	N/A
#1	B-5626	18 † *	32	N/A
1/0	B-205	4	45	B-106
2/0	B-206	4	65	B-106
3/0	B-207	4	90	B-106
4/0	B-208	4	90	B-106
250 kcmil	B-209	4	115	B-106
300 kcmil	B-210	4	115	B-106
350 kcmil	B-211	4	150	B106
500 kcmil	B-213	4	200	B-107
750 kcmil	B-214	5	2-150	B-107
1000 kcmil	B-215	5	2-200	B-107

- For sizes not listed, contact BURNDY® Products.
- Molds listed are for concentric stranded cable. Add suffix "-S" to mold number for solid conductors.
- For heavy duty molds, molds with wear plates or molds for Copperweld® cable, contact BURNDY® Products.
- For expedited service, contact BURNDY® Products.

Required Tools:

Handle Clamps (see chart for correct handles)
 † Sold complete with handles

* **B38-0309-00** Flint Ignitor (included)

Other recommended accessories:

B38-3922-00 Mold Cleaning Brush (pg 93)

B38-0135-00 Cable Cleaning Brush (pg 93)

B38-0330-00 Cable Clamp (pg 92)

**For mold types or BURNDYWeld® items not shown,
 please contact factory.**

Throughout the catalog you will notice blue highlighted items. These are the most frequently ordered BURNDY® Products.

BURNDY® Grounding Products

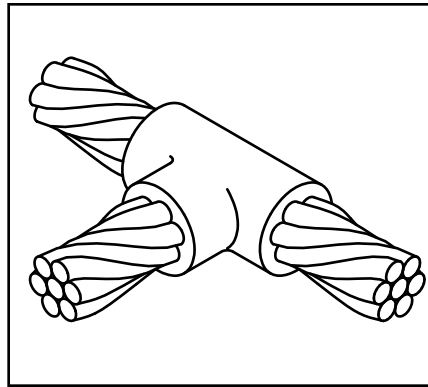
TYPE BCC-2 MOLDS

Horizontal Cable Tap to Horizontal Cable Run

Type BCC-2 Molds are used to join horizontal cable tap to a horizontal run cable.

Size range is #6 through 750 kcmil solid or concentric stranded copper conductors.

Contact BURNDY® Products for information on molds for conductors not listed below.



Cable		Mold Number	Price Key	Weld Metal	Handle Clamps
Run	Tap				
#6	#6	Use Type BCC-14 on Page 67	—	—	—
#4	#4	B-221	4	32	B-106
#2	#2	B-223	4	45	B-106
	#4	B-224	4	45	B-106
#1	#1	B-225	4	45	B-106
	#2	B-226	4	45	B-106
	#4	B-227	4	45	B-106
1/0	1/0	B-228	4	90	B-106
	#1	B-229	4	45	B-106
	#2	B-230	4	45	B-106
	#4	B-231	4	45	B-106
2/0	2/0	B-232	4	90	B-106
	1/0	B-233	4	90	B-106
	#1	B-234	4	45	B-106
	#2	B-235	4	45	B-106
	#4	B-5475	4	45	B-106
3/0	3/0	B-236	4	115	B-106
	2/0	B-237	4	90	B-106
	1/0	B-238	4	90	B-106
	#1	B-239	4	45	B-106
	#2	B-240	4	45	B-106
4/0	#4	B-5574	4	45	B-106
	4/0	B-241	4	150	B-106
	3/0	B-242	4	115	B-106
	2/0	B-243	4	90	B-106
	1/0	B-244	4	90	B-106
	#1	B-245	4	90	B-106
	#2	B-246	4	90	B-106
	#4	B-5021	4	90	B-106
250 kcmil	250 kcmil	B-247	4	150	B-106
	4/0	B-248	4	150	B-106
	3/0	B-249	4	150	B-106
	2/0	B-250	4	90	B-106
	1/0	B-251	4	90	B-106
	#1	B-252	4	90	B-106
	#2	B-253	4	90	B-106

Cable		Mold Number	Price Key	Weld Metal	Handle Clamps
Run	Tap				
300 kcmil	300 kcmil	B-254	4	200	B-106
	250 kcmil	B-255	4	150	B-106
	4/0	B-256	4	150	B-106
	3/0	B-257	4	150	B-106
	2/0	B-258	4	90	B-106
	1/0	B-259	4	90	B-106
	#1	B-260	4	90	B-106
	#2	B-261	4	90	B-106
350 kcmil	350 kcmil	B-262	4	200	B-106
	300 kcmil	B-263	4	200	B-106
	250 kcmil	B-264	4	200	B-106
	4/0	B-265	4	150	B-106
	3/0	B-266	4	150	B-106
	2/0	B-267	4	90	B-106
	1/0	B-268	4	90	B-106
	#1	B-269	4	90	B-106
500 kcmil	#2	B-270	4	90	B-106
	500 kcmil	B-280	4	2-150	B-106
	350 kcmil	B-282	4	200	B-106
	300 kcmil	B-283	4	200	B-106
	250 kcmil	B-284	4	200	B-106
	4/0	B-285	4	150	B-106
	2/0	B-286	4	90	B-106
	1/0	B-287	4	90	B-106
750 kcmil	#1	B-288	4	90	B-106
	#2	B-289	4	90	B-106
	750 kcmil	B-290	5	500	B-107
	500 kcmil	B-291	5	2-200	B-107
	350 kcmil	B-293	4	250	B-106
	300 kcmil	B-294	4	200	B-106
	250 kcmil	B-295	4	200	B-106
	4/0	B-296	4	150	B-106
250 kcmil	2/0	B-297	4	150	B-106
	1/0	B-298	4	150	B-106

- Required Tools:
 Handle Clamps (see chart for correct handles)
B38-0309-00 Flint Ignitor
 Other recommended accessories:
B40-0319-01 Mold Cleaner for cartridge sizes #15-#65 (pg 93)
B40-0319-03 Mold Cleaner for cartridge sizes #90-#500 (pg 93)
B38-3922-00 Mold Cleaning Brush (pg 93)
B38-0135-00 Cable Cleaning Brush (pg 93)
B38-0330-00 Cable Clamp (pg 92)

**For mold types or BURNDYWeld® items not shown,
 please contact factory.**

Throughout the catalog you will notice blue highlighted items. These are the most frequently ordered BURNDY® Products.

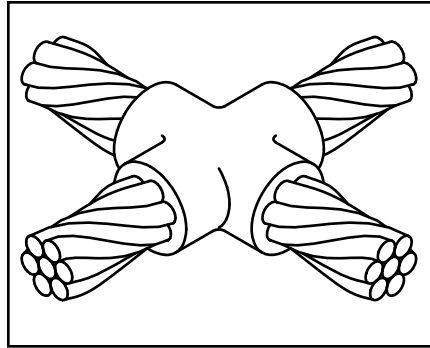
TYPE BCC-4 MOLDS

Horizontal to Horizontal Cable Cross

Type BCC-4 Molds are used to join two horizontal cables at right angles. One cable is cut and the other is a through run.

Size range is #6 through 500 kcmil solid or concentric stranded copper conductors.

Contact BURNDY® Products for information on molds for conductors not listed below.



Cable		Mold Number	Price Key	Weld Metal	Handle Clamps
Run	Tap				
#6	#6	Use Type BCC-11 on page 66			
#4	#4	B-423	4	45	B-106
#3	#3	B-424	4	45	B-106
#2	#2	B-425	4	65	B-106
	#4	B-426	4	65	B-106
#1	#1	B-427	4	65	B-106
	#2	B-428	4	65	B-106
	#4	B-429	4	65	B-106
1/0	1/0	B-430	4	90	B-106
	#1	B-431	4	90	B-106
	#2	B-432	4	90	B-106
	#4	B-433	4	90	B-106
2/0	2/0	B-434	4	115	B-106
	1/0	B-435	4	115	B-106
	#1	B-436	4	115	B-106
	#2	B-437	4	115	B-106
3/0	3/0	B-438	4	150	B-106
	2/0	B-439	4	150	B-106
	1/0	B-440	4	115	B-106
	#1	B-441	4	115	B-106
4/0	#2	B-442	4	115	B-106
	4/0	B-443	4	200	B-106
	3/0	B-444	4	200	B-106
	2/0	B-445	4	150	B-106
	1/0	B-442	4	150	B-106
	#1	B-447	4	115	B-106
250 kcmil	#2	B-448	4	115	B-106
	250 kcmil	B-449	4	200	B-106
	4/0	B-450	4	200	B-106
	3/0	B-451	4	200	B-106
	2/0	B-452	4	150	B-106
	1/0	B-453	4	150	B-106
	#1	B-454	4	115	B-106
#2	B-455	4	115	B-106	

Cable		Mold Number	Price Key	Weld Metal	Handle Clamps
Run	Tap				
300 kcmil	300 kcmil	B-456	4	250	B-106
	250 kcmil	B-457	4	250	B-106
	4/0	B-458	4	200	B-106
	3/0	B-459	4	200	B-106
	2/0	B-460	4	150	B-106
	1/0	B-461	4	150	B-106
	#1	B-462	4	115	B-106
	#2	B-463	4	115	B-106
350 kcmil	350 kcmil	B-464	4	250	B-106
	300 kcmil	B-465	4	250	B-106
	250 kcmil	B-466	4	250	B-106
	4/0	B-467	4	200	B-106
	3/0	B-468	4	200	B-106
	2/0	B-469	4	200	B-106
	1/0	B-470	4	200	B-106
	#1	B-471	4	150	B-106
500 kcmil	#2	B-472	4	150	B-106
	500 kcmil	B-483	5	500	B-107
	350 kcmil	B-485	5	2-200	B-107
	300 kcmil	B-486	5	2-200	B-107
	250 kcmil	B-487	5	2-150	B-107
	4/0	B-488	5	2-150	B-107
	3/0	B-489	5	2-150	B-107
	2/0	B-490	4	250	B-106
500 kcmil	1/0	B-491	4	250	B-106
	#1	B-492	4	200	B-106
	#2	B-493	4	200	B-106

Required Tools:
 Handle Clamps (see chart for correct handles)
B38-0309-00 Flint Ignitor
 Other recommended accessories:
B40-0319-01 Mold Cleaner for cartridge sizes #15-#65 (pg 93)
B40-0319-03 Mold Cleaner for cartridge sizes #90-#500 (pg 93)
B38-3922-00 Mold Cleaning Brush (pg 93)
B38-0135-00 Cable Cleaning Brush (pg 93)
B38-0330-00 Cable Clamp (pg 92)

- For sizes not listed, contact BURNDY® Products.
- Molds listed are for concentric stranded cable. Add suffix "-S" to mold number for solid conductors.
- For heavy duty molds, molds with wear plates or molds for Copperweld® cable, contact BURNDY® Products.
- For expedited service, contact BURNDY® Products.

For mold types or BURNDYWeld® items not shown,
 please contact factory.

Throughout the catalog you will notice blue highlighted items. These are the most frequently ordered BURNDY® Products.

BURNDY® Grounding Products

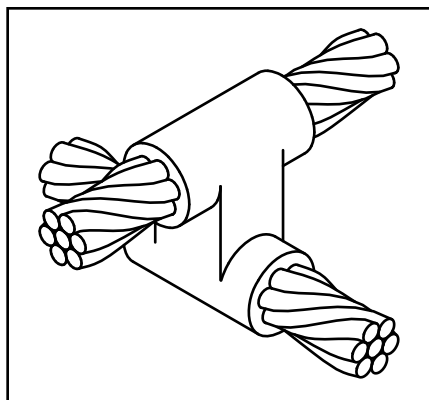
TYPE BCC-11 MOLDS

Horizontal to Horizontal Cable Cross

Type BCC-11 Molds are used to join uncut horizontal cables at right angles to each other.

Size range is #6 through 500 kcmil solid or concentric stranded copper conductors.

Contact BURNDY® Products for information on molds for conductors not listed below.



Cable		Mold Number	Price Key	Weld Metal	Handle Clamps
Run	Tap				
#6	#6	B-5432	191*	45	N/A
#4	#4	B-2687	4	65	B-106
#2	#2	B-2689	4	90	B-106
	#4	B-2690	4	65	B-106
#1	#1	B-2691	4	115	B-106
	#2	B-2692	4	90	B-106
	#4	B-2693	4	90	B-106
1/0	1/0	B-2694	22	150	B-106
	#1	B-2695	22	150	B-106
	#2	B-2696	22	115	B-106
	#4	B-2697	22	115	B-106
2/0	2/0	B-2698	22	200	B-106
	1/0	B-2699	22	200	B-106
	#1	B-2700	22	150	B-106
	#2	B-2701	22	150	B-106
3/0	3/0	B-2702	22	250	B-106
	2/0	B-2703	22	200	B-106
	1/0	B-2704	22	200	B-106
	#1	B-2705	22	150	B-106
	#2	B-2706	22	150	B-106

- For sizes not listed, contact BURNDY® Products.
- Molds listed are for concentric stranded cable. Add suffix "-S" to mold number for solid conductors.
- For heavy duty molds, molds with wear plates or molds for Copperweld® cable, contact BURNDY® Products.
- For expedited service, contact BURNDY® Products.

Cable		Mold Number	Price Key	Weld Metal	Handle Clamps
Run	Tap				
4/0	4/0	B-2707	22	250	B-106
	3/0	B-2708	22	250	B-106
	2/0	B-2709	22	200	B-106
	1/0	B-2710	22	200	B-106
	#1	B-2711	22	150	B-106
	#2	B-2712	22	150	B-106
250 kcmil	250 kcmil	B-2713	22	2-150	B-106
	4/0	B-2714	22	2-150	B-106
	3/0	B-2715	22	2-150	B-106
	2/0	B-2716	22	250	B-106
	1/0	B-2717	22	150	B-106
	#1	B-2718	22	200	B-106
500 kcmil	#2	B-2719	22	150	B-106
	500 kcmil	B-2747	23	3-250	B-107
	250 kcmil	B-2751	23	500	B-107
	4/0	B-2752	23	500	B-107
	3/0	B-2753	23	500	B-107
	2/0	B-2754	23	2-200	B-107
	1/0	B-2755	22	2-150	B-106
	#1	B-2756	22	250	B-106
	#2	B-2757	22	250	B-106

Required Tools:

- Handle Clamps (see chart for correct handles)
- † Sold complete with handles
- * B38-0309-00 Flint Ignitor

Other recommended accessories:

- B40-0319-01 Mold Cleaner for cartridge sizes #15-#65 (pg 93)
- B40-0319-03 Mold Cleaner for cartridge sizes #90-#500 (pg 93)
- B38-3922-00 Mold Cleaning Brush (pg 93)
- B38-0135-00 Cable Cleaning Brush (pg 93)
- B38-0330-00 Cable Clamp (pg 92)

For mold types or BURNDYWeld® items not shown,
please contact factory.

Throughout the catalog you will notice blue highlighted items. These are the most frequently ordered BURNDY® Products.

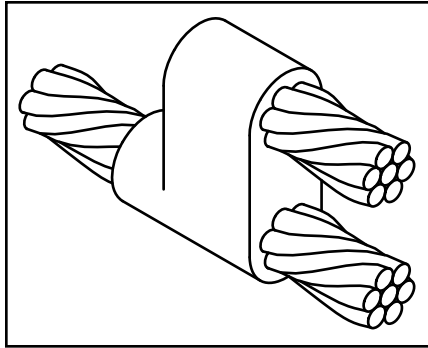
BCC-6 TYPE MOLDS

Horizontal Parallel Tap

BCC-6 Type Molds are used to join horizontal parallel tap to run connections. The tap cable is over the run cable.

Size range is #6 through 4/0 solid or concentric stranded copper conductors.

Contact BURNDY® Products for information on molds for conductors not listed below.



Cable		Mold Number	Price Key	Weld Metal	Handle Clamps
Run	Tap				
#6 Sol	#6 Sol	B-1270	4	25	B-106
#6	#6	B-1271	4	25	B-106
#4	#4	B-1272	4	32	B-106
	#6	B-1273	4	32	B-106
	#6 Sol	B-1274	4	32	B-106
#2	#8 Sol	B-1275	4	32	B-106
	#2	B-1276	4	65	B-106
	#4	B-1277	4	45	B-106
	#6	B-1278	4	32	B-106
	#6 Sol	B-1279	4	32	B-106
#1	#8 Sol	B-1280	4	32	B-106
	#1	B-1281	4	65	B-106
	#2	B-1282	4	65	B-106
	#4	B-1283	4	45	B-106
	#6	B-1284	4	45	B-106
	#6 Sol	B-1285	4	45	B-106
	#8 Sol	B-1286	4	45	B-106

Cable		Mold Number	Price Key	Weld Metal	Handle Clamps
Run	Tap				
1/0	1/0	B-1287	4	90	B-106
	#1	B-1288	4	90	B-106
	#2	B-1289	4	65	B-106
	#4	B-1290	4	65	B-106
	#6	B-1291	4	45	B-106
	#6 Sol	B-1292	4	45	B-106
	#8 Sol	B-1293	4	45	B-106
	2/0	2/0	B-1294	4	115
1/0		B-1295	4	115	B-106
#1		B-1296	4	90	B-106
#2		B-1297	4	90	B-106
#4		B-1298	4	65	B-106
#6		B-1299	4	65	B-106
#6 Sol		B-1300	4	65	B-106
#8 Sol		B-1301	4	65	B-106
4/0	4/0	B-1302	4	150	B-106
	2/0	B-1303	4	115	B-106
	1/0	B-1304	4	115	B-106
	#1	B-1305	4	115	B-106
	#2	B-1306	4	115	B-106
	#4	B-1307	4	90	B-106
	#6	B-1308	4	90	B-106
	#6 Sol	B-1309	4	90	B-106
	#8 Sol	B-1310	4	90	B-106

- For sizes not listed, contact BURNDY® Products.
- Molds listed are for concentric stranded cable. Add suffix "-S" to mold number for solid conductors.
- For heavy duty molds, molds with wear plates or molds for Copperweld® cable, contact BURNDY® Products.
- For expedited service, contact BURNDY® Products.

Required Tools:

- Handle Clamps (see chart for correct handles)
- Sold complete with handles
- B38-0309-00 Flint Ignitor

Other recommended accessories:

- B38-3922-00 Mold Cleaning Brush (pg 93)
- B38-0135-00 Cable Cleaning Brush (pg 93)
- B38-0330-00 Cable Clamp (pg 92)

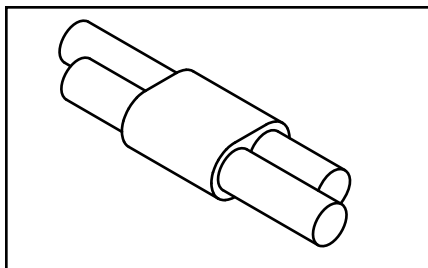
BCC-14 TYPE MOLDS

Horizontal Parallel through Cables

BCC-14 Type Molds are used to join horizontal parallel through run cables. Cables run side by side in the mold.

Size range is #8 through #6 solid or concentric stranded copper conductors.

Contact BURNDY® Products for information on molds for conductors not listed.



Cable		Mold Number	Price Key	Weld Metal	Handle Clamps
Run	Tap				
#8	#8	B-5709	18+	15	N/A
#6	#6	B-5618	18+	25	N/A

For mold types or BURNDYWeld® items not shown, please contact factory.

BURNDY® Grounding Products

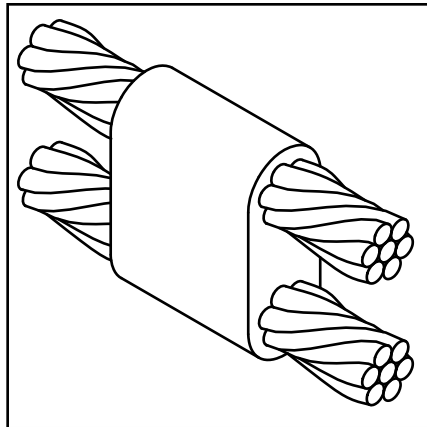
BCC-7 TYPE MOLDS

Horizontal Parallel through Cables

BCC-7 Type Molds are used to join horizontal parallel through run cables. One cable runs above the other cable in the mold.

Size range is #6 through 4/0 solid or concentric stranded copper conductors.

Contact BURNDY® Products for information on molds for conductors not listed below.



Cable		Mold Number	Price Key	Weld Metal	Handle Clamps
Run	Tap				
#6	#6	Use Type BCC-14 on Page 67	—	—	—
#4	#4	B-1311	4	32	B-106
	#6	B-5627	4	32	B-106
	#6 Sol	B-8882	4	32	B-106
	#8	B-5629	4	32	B-106
	#8 Sol	B-5630	4	32	B-106
#2	#2	B-1313	4	65	B-106
	#4	B-1314	4	65	B-106
	#6	B-5631	4	45	B-106
	#6 Sol	B-5632	4	45	B-106
	#8	B-5634	4	45	B-106
#1	#8 Sol	B-5635	4	45	B-106
	#1	B-1315	4	65	B-106
	#2	B-1316	4	65	B-106
	#4	B-1317	4	65	B-106
	#6	B-5636	4	65	B-106
1/0	#6 Sol	B-5637	4	65	B-106
	#8	B-5638	4	45	B-106
	#8 Sol	B-5639	4	45	B-106
	1/0	B-1318	4	90	B-106
	#1	B-1319	4	65	B-106
	#2	B-1320	4	65	B-106
	#4	B-1321	4	65	B-106
	#6	B-5642	4	65	B-106
#6 Sol	B-1208	4	65	B-106	
#8	B-5644	4	65	B-106	
#8 Sol	B-5645	4	65	B-106	

- For sizes not listed, contact BURNDY® Products.
- Molds listed are for concentric stranded cable. Add suffix "-S" to mold number for solid conductors.
- For heavy duty molds, molds with wear plates or molds for Copperweld® cable, contact BURNDY® Products.
- For expedited service, contact BURNDY® Products.

Cable		Mold Number	Price Key	Weld Metal	Handle Clamps
Run	Tap				
2/0	2/0	B-1322	4	115	B-106
	1/0	B-1323	4	115	B-106
	#1	B-1324	4	90	B-106
	#2	B-1325	4	90	B-106
	#4	B-5659	4	90	B-106
	#6	B-5342	4	90	B-106
	#6 Sol	B-5652	4	90	B-106
	#8	B-5668	4	65	B-106
3/0	#8 Sol	B-5943	4	65	B-106
	3/0	B-1326	4	150	B-106
	2/0	B-1327	4	150	B-106
	1/0	B-1328	4	115	B-106
	#1	B-1329	4	115	B-106
	#2	B-1330	4	115	B-106
	#4	B-6046	4	115	B-106
	#6	B-5676	4	90	B-106
	#6 Sol	B-5679	4	90	B-106
	#8	B-5680	4	90	B-106
	#8 Sol	B-5682	4	90	B-106
	4/0	4/0	B-1331	4	200
3/0		B-1332	4	200	B-106
2/0		B-1333	4	150	B-106
1/0		B-1334	4	150	B-106
#1		B-1335	4	150	B-106
#2		B-1336	4	150	B-106
#4		B-5340	4	150	B-106
#6		B-5684	4	90	B-106
#6 Sol		B-6552	4	90	B-106
#8		B-5686	4	90	B-106
#8 Sol		B-5688	4	90	B-106

- Required Tools:
 Handle Clamps (see chart for correct handles)
B38-0309-00 Flint Ignitor
- Other recommended accessories:
B38-3922-00 Mold Cleaning Brush (pg 93)
B38-0135-00 Cable Cleaning Brush (pg 93)
B38-0330-00 Cable Clamp (pg 92)

For mold types or BURNDYWeld® items not shown,
 please contact factory.

Throughout the catalog you will notice blue highlighted items. These are the most frequently ordered BURNDY® Products.

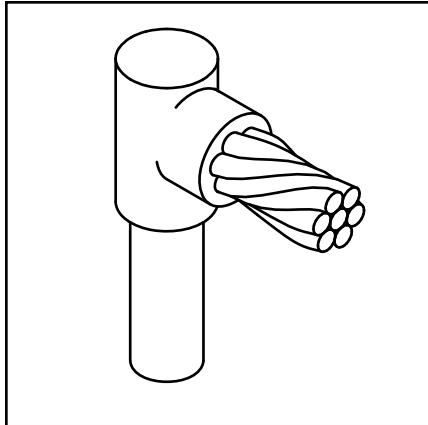
TYPE BCR-1 MOLDS

Horizontal Cable Terminal to Ground Rod

Type BCR-1 Molds are used to terminate horizontal copper cable at the top of a vertical ground rod.

Size range is #6 through 1000 kcmil solid or concentric stranded copper conductors; 1/2" through 1" for the ground rod.

Contact BURNDY® Products for information on molds for conductors not listed below.



Cable		Mold Number	Price Key	Weld Metal	Handle Clamps
Grd Rod	Tap				
1/2"	#6	B-8402	18†*	25	N/A
	#4	B-8403	18†*	25	N/A
	#2	B-495	4	65	B-106
	#1	B-496	4	65	B-106
	1/0	B-497	4	90	B-106
	2/0	B-498	4	90	B-106
	3/0	B-499	4	90	B-106
	4/0	B-500	4	90	B-106
	250 kcmil	B-501	4	90	B-106
	300 kcmil	B-502	4	90	B-106
5/8"	#6	B-8414	18†	32	N/A
	#4	B-8415	18†	32	N/A
	#2	B-503	4	65	B-106
	#1	B-504	4	65	B-106
	1/0	B-505	4	90	B-106
	2/0	B-506	4	90	B-106
	3/0	B-507	4	90	B-106
	4/0	B-508	4	90	B-106
	250 kcmil	B-509	4	90	B-106
	300 kcmil	B-510	4	115	B-106
	350 kcmil	B-511	4	115	B-106
	500 kcmil	B-513	4	150	B-106

Cable		Mold Number	Price Key	Weld Metal	Handle Clamps
Grd Rod	Tap				
3/4"	#6	B-8422	181*	32	N/A
	#4	B-8426	191*	45	N/A
	#2	B-5781	4	90	B-106
	#1	B-514	4	90	B-106
	1/0	B-515	4	90	B-106
	2/0	B-516	4	90	B-106
	3/0	B-517	4	90	B-106
	4/0	B-518	4	90	B-106
	250 kcmil	B-519	4	90	B-106
	300 kcmil	B-520	4	115	B-106
	350 kcmil	B-521	4	115	B-106
	500 kcmil	B-523	4	150	B-106
	750 kcmil	B-524	4	250	B-106
	1"	1/0	B-525	4	150
2/0		B-526	4	150	B-106
3/0		B-527	4	150	B-106
4/0		B-528	4	150	B-106
250 kcmil		B-529	4	150	B-106
300 kcmil		B-530	4	200	B-106
350 kcmil		B-531	4	200	B-106
500 kcmil		B-533	4	200	B-106
750 kcmil		B-534	4	250	B-106
1000 kcmil		B-535	5	2-150	B-106

- For sizes not listed, contact BURNDY® Products.
- Molds listed are for concentric stranded cable. Add suffix "-S" to mold number for solid conductors.
- Molds listed are for copperclad ground rods. For welding to steel, stainless steel or galvanized steel ground rods add suffix "-N" to mold number.
- For heavy duty molds, molds with wear plates or molds for Copperweld® cable, contact BURNDY® Products.
- For expedited service, contact BURNDY® Products.

- Required Tools:
- Handle Clamps (see chart for correct handles)
 - † Sold complete with handles
 - * B38-0309-00 Flint Ignitor (included)
- Other recommended accessories:
- B38-3922-00 Mold Cleaning Brush (pg 93)
 - B38-0135-00 Cable Cleaning Brush (pg 93)
 - B38-0304-00 File (pg 94)
 - B38-0330-00 Cable Clamp (pg 92)

For mold types or BURNDYWeld® items not shown,
please contact factory.

Throughout the catalog you will notice blue highlighted items. These are the most frequently ordered BURNDY® Products.

BURNDY® Grounding Products

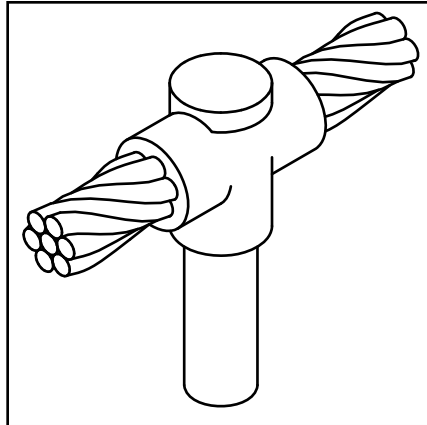
TYPE BCR-2 MOLDS

Horizontal Cable to Ground Rod

Type BCR-2 Molds are used to join horizontal through copper cable to the top of a vertical ground rod.

Size range is #6 through 1000 kcmil solid or concentric stranded copper conductors; 1/2" through 1" for the ground rod.

Contact BURNDY® Products for information on molds for conductors not listed below.



Cable		Mold Number	Price Key	Weld Metal	Handle Clamps
Grd Rod	Tap				
1/2"	#6	B-8434	181†*	32	N/A
	#4	B-8435	18†*	32	N/A
	#2	B-537	4	90	B-106
	#1	B-538	4	90	B-106
	1/0	B-539	4	90	B-106
	2/0	B-540	4	90	B-106
	3/0	B-541	4	115	B-106
	4/0	B-542	4	115	B-106
	250 kcmil	B-543	4	150	B-106
300 kcmil	B-544	4	200	B-106	
5/8"	#6	B-8441	18†*	32	N/A
	#4	B-8442	18†*	32	N/A
	#2	B-545	4	90	B-106
	#1	B-546	4	90	B-106
	1/0	B-547	4	90	B-106
	2/0	B-548	4	115	B-106
	3/0	B-549	4	115	B-106
	4/0	B-550	4	115	B-106
	250 kcmil	B-551	4	150	B-106
	300 kcmil	B-532	4	200	B-106
	350 kcmil	B-553	4	200	B-106
500 kcmil	B-555	4	250	B-106	

- For sizes not listed, contact BURNDY® Products.
- Molds listed are for concentric stranded cable. Add suffix "-S" to mold number for solid conductors.
- Molds listed are for copperclad ground rods. For welding to steel, stainless steel or galvanized steel ground rods add suffix "-N" to mold number.
- For heavy duty molds, molds with wear plates or molds for Copperweld® cable, contact BURNDY® Products.
- For expedited service, contact BURNDY® Products.

Cable		Mold Number	Price Key	Weld Metal	Handle Clamps
Grd Rod	Tap				
3/4"	#6	B-8452	19†*	45	N/A
	#4	B-8454	19†*	65	N/A
	#2	B-556	4	90	B-106
	#1	B-557	4	90	B-106
	1/0	B-558	4	115	B-106
	2/0	B-559	4	115	B-106
	3/0	B-560	4	115	B-106
	4/0	B-561	4	115	B-106
	250 kcmil	B-562	4	150	B-106
	300 kcmil	B-563	4	200	B-106
	350 kcmil	B-564	4	200	B-106
500 kcmil	B-566	4	250	B-106	
750 kcmil	B-567	5	2-200	B-107	
1"	1/0	B-569	4	150	B-106
	2/0	B-570	4	150	B-106
	3/0	B-571	4	150	B-106
	4/0	B-572	4	150	B-106
	250 kcmil	B-573	4	200	B-106
	300 kcmil	B-574	4	200	B-106
	350 kcmil	B-575	4	200	B-106
	500 kcmil	B-577	4	250	B-106
	750 kcmil	B-578	5	2-200	B-107
	1000 kcmil	B-579	5	500	B-107

- Required Tools:
- Handle Clamps (see chart for correct handles)
 - † Sold complete with handles
 - *B38-0309-00 Flint Ignitor (included)
- Other recommended accessories:
- B38-3922-00 Mold Cleaning Brush (pg 93)
 - B38-0135-00 Cable Cleaning Brush (pg 93)
 - B38-0304-00 File (pg 94)
 - B38-0330-00 Cable Clamp (pg 92)

For mold types or BURNDYWeld® items not shown, please contact factory.

Throughout the catalog you will notice blue highlighted items. These are the most frequently ordered BURNDY® Products.

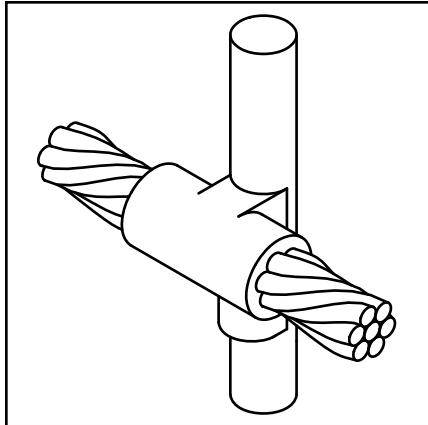
TYPE BCR-3 MOLDS

Horizontal Through Cable to Ground Rod

Type BCR-3 Molds are used to join horizontal through run cable to the side of a vertical ground rod.

Size range is #6 through 1000 kcmil solid or concentric stranded copper conductors; 1/2" through 1" for the ground rod.

Contact BURNDY® Products for information on molds for conductors not listed below.



Cable		Mold Number	Price Key	Weld Metal	Handle Clamps
Grd Rod	Tap				
1/2"	#6	B-5321	24	65	B-106
	#4	B-2154	24	90	B-106
	#2	B-2155	24	90	B-106
	#1	B-2156	24	115	B-106
	1/0	B-1581	24	115	B-106
	2/0	B-1582	24	115	B-106
	4/0	B-1583	24	150	B-106
	250 kcmil	B-1584	24	150	B-106
5/8"	#6	B-5660	24	65	B-106
	#4	B-2157	24	90	B-106
	#2	B-2158	24	90	B-106
	#1	B-2159	24	115	B-106
	1/0	B-1586	24	115	B-106
	2/0	B-1587	24	115	B-106
	4/0	B-1588	24	150	B-106
	250 kcmil	B-1589	24	150	B-106
	500 kcmil	B-1593	13	2-200	B-107

Cable		Mold Number	Price Key	Weld Metal	Handle Clamps
Grd Rod	Tap				
3/4"	#6	B-6630	24	65	B-106
	#4	B-2160	24	90	B-106
	#2	B-2161	24	90	B-106
	#1	B-2162	24	115	B-106
	1/0	B-1594	24	115	B-106
	2/0	B-1595	24	115	B-106
	#4	B-1596	24	150	B-106
	250 kcmil	B-1597	24	200	B-106
	500 kcmil	B-1601	13	500	B-107
	750 kcmil	B-1602	13	3-250	B-107
1"	#6	B-6906	24	90	B-106
	#4	B-2163	24	90	B-106
	#2	B-2164	24	90	B-106
	#1	B-2165	24	115	B-106
	1/0	B-1603	24	15	B-106
	2/0	B-1604	24	115	B-106
	4/0	B-1605	24	150	B-106
	250 kcmil	B-1606	24	200	B-106
	500 kcmil	B-1610	13	500	B-107
	750 kcmil	B-1611	13	3-250	B-107

- For sizes not listed, contact BURNDY® Products.
- Molds listed are for concentric stranded cable. Add suffix "-S" to mold number for solid conductors.
- Molds listed are for copperclad ground rods. For welding to steel, stainless steel or galvanized steel ground rods add suffix "-N" to mold number.
- For heavy duty molds, molds with wear plates or molds for Copperweld® cable, contact BURNDY® Products.
- For expedited service, contact BURNDY® Products.

- Required Tools:
 Handle Clamps (see chart for correct handles)
B38-0309-00 Flint Ignitor
- Other recommended accessories:
B38-3922-00 Mold Cleaning Brush (pg 93)
B38-0135-00 Cable Cleaning Brush (pg 93)
B38-0330-00 Cable Clamp (pg 92)
B38-0304-00 File (pg 94)

For mold types or BURNDYWeld® items not shown,
 please contact factory.

Throughout the catalog you will notice blue highlighted items. These are the most frequently ordered BURNDY® Products.

BURNDY® Grounding Products

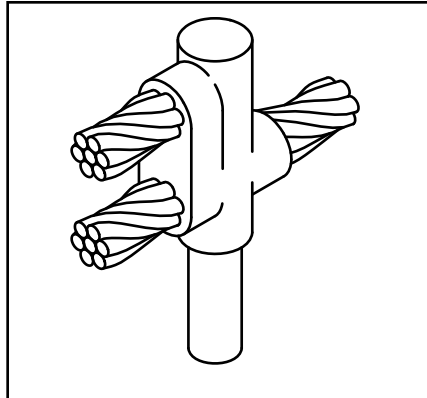
TYPE BCR-17 MOLDS

Horizontal Run and Tap Cables to Ground Rod

Type BCR-17 Molds are used to join horizontal run and tap cables to the top of a vertical ground rod.

Size range is #4 through 750 kcmil solid or concentric stranded copper conductors; 1/2" through 1" for the ground rod.

Contact BURNDY® Products for information on molds for conductors not listed below.



Cable		Mold Number	Price Key	Weld Metal	Handle Clamps
Grd Rod	Tap				
1/2"	#4	B-5416	4	90	B-106
	#2	B-6165	4	90	B-106
	#1	B-5830	4	90	B-106
	1/0	B-5940	4	115	B-106
	2/0	B-5850	4	150	B-106
	3/0	B-5833	4	200	B-106
	4/0	B-5380	4	200	B-106
5/8"	#4	B-5972	4	90	B-106
	#2	B-5935	4	115	B-106
	#1	B-5699	4	115	B-106
	1/0	B-5746	4	150	B-106
	2/0	B-5963	4	200	B-106
	3/0	B-5734	4	250	B-106
	4/0	B-5732	4	250	B-106
	250 kcmil	B-5722	5	2-150	B-107

- For sizes not listed, contact BURNDY® Products.
- Molds listed are for concentric stranded cable. Add suffix "-S" to mold number for solid conductors.
- Molds listed are for copperclad ground rods. For welding to steel, stainless steel or galvanized steel ground rods add suffix "-N" to mold number.
- For heavy duty molds, molds with wear plates or molds for Copperweld® cable, contact BURNDY® Products.
- For expedited service, contact BURNDY® Products.

Cable		Mold Number	Price Key	Weld Metal	Handle Clamps	
Grd Rod	Tap					
3/4"	#4	B-5698	4	90	B-106	
	#2	B-5294	4	115	B-106	
	#1	B-5390	4	115	B-106	
	1/0	B-6025	4	150	B-106	
	2/0	B-5738	4	200	B-106	
	3/0	B-6003	4	250	B-106	
	4/0	B-2566	4	250	B-106	
	250 kcmil	B-5904	5	2-150	B-107	
	300 kcmil	B-5857	5	2-200	B-107	
	350 kcmil	B-5777	5	2-200	B-107	
	500 kcmil	B-5961	5	3-200	B-106	
	1"	#4	B-5556	4	115	B-106
		#2	B-5555	4	150	B-106
#1		B-6048	4	150	B-106	
1/0		B-5992	4	200	B-106	
2/0		B-5877	4	250	B-106	
3/0		B-5821	5	2-150	B-107	
4/0		B-5820	5	2-150	B-107	
250 kcmil		B-5804	5	2-200	B-107	
300 kcmil		B-5803	5	500	B-107	
350 kcmil		B-5561	5	500	B-107	
500 kcmil		B-5515	6	3-250	B-107	
750 kcmil		B-5513	6	2-500	B-107	

- Required Tools:
 Handle Clamps (see chart for correct handles)
B38-0309-00 Flint Ignitor
 Other recommended accessories:
B38-3922-00 Mold Cleaning Brush (pg 93)
B38-0135-00 Cable Cleaning Brush (pg 93)
B38-0330-00 Cable Clamp (pg 92)
B38-0304-00 File (pg 94)

**For mold types or BURNDYWeld® items not shown,
 please contact factory.**

Throughout the catalog you will notice blue highlighted items. These are the most frequently ordered BURNDY® Products.

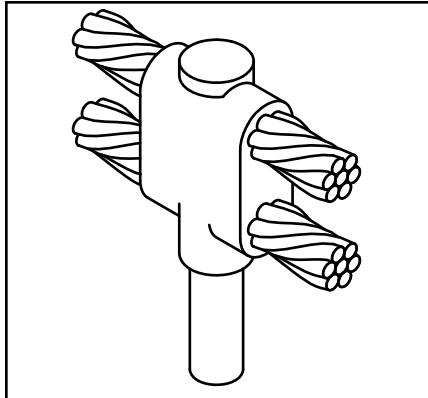
TYPE BCR-24 MOLDS

Horizontal Parallel Run Cables to Ground Rod

Type BCR-24 Molds are used to join horizontal parallel cables to the top of a vertical ground rod.

Size range is #4 through 750 kcmil solid or concentric stranded copper conductors; 1/2" through 1" for the ground rod.

Contact BURNDY® Products for information on molds for conductors not listed below.



Cable		Mold Number	Price Key	Weld Metal	Handle Clamps
Grd Rod	Tap				
1/2"	#4	B-5640	4	115	B-106
	#2	B-5667	4	115	B-106
	#1	B-6002	4	115	B-106
	1/0	B-5767	4	150	B-106
	2/0	B-5604	4	200	B-106
	3/0	B-5560	4	250	B-106
	4/0	B-6766	4	250	B-106
5/8"	#4	B-6208	4	115	B-106
	#2	B-5702	4	150	B-106
	#1	B-5517	4	150	B-106
	1/0	B-5573	4	200	B-106
	2/0	B-8451	4	250	B-106
	3/0	B-2510	5	2-150	B-107
	4/0	B-5428	5	2-150	B-107
	250 kcmil	B-1212	5	2-200	B-107
	300 kcmil	B-2084	5	500	B-107
	350 kcmil	B-2558	5	500	B-107
	500 kcmil	B-2450	5	3-250	B-107

- For sizes not listed, contact BURNDY® Products.
- Molds listed are for concentric stranded cable. Add suffix "-S" to mold number for solid conductors.
- Molds listed are for copperclad ground rods. For welding to steel, stainless steel or galvanized steel ground rods add suffix "-N" to mold number.
- For heavy duty molds, molds with wear plates or molds for Copperweld® cable, contact BURNDY® Products.
- For expedited service, contact BURNDY® Products.

Cable		Mold Number	Price Key	Weld Metal	Handle Clamps
Grd Rod	Tap				
3/4"	#4	B-8011	4	115	B-106
	#2	B-2320	4	150	B-106
	#1	B-2235	4	150	B-106
	1/0	B-6051	4	200	B-106
	2/0	B-8802	4	250	B-106
	3/0	B-8726	5	2-150	B-107
	4/0	B-5677	5	2-150	B-107
	250 kcmil	B-8461	5	2-200	B-107
	300 kcmil	B-8428	5	500	B-107
	350 kcmil	B-6294	5	500	B-107
	500 kcmil	B-8214	5	3-250	B-107
1"	750 kcmil	B-8027	6	2-500	B-107
	#4	B-5330	4	150	B-106
	#2	B-5332	4	200	B-106
	#1	B-5333	4	200	B-106
	1/0	B-5334	4	250	B-106
	2/0	B-5335	5	2-150	B-107
	3/0	B-5336	5	2-200	B-107
	4/0	B-5337	5	2-200	B-107
	250 kcmil	B-5338	5	500	B-107
	300 kcmil	B-5341	5	3-200	B-107
	350 kcmil	B-5351	5	3-200	B-107
	500 kcmil	B-5352	6	2-500	B-107
	750 kcmil	B-5353	6‡	5-250	B-107

- Required Tools:
 Handle Clamps (see chart for correct handles)
B38-0309-00 Flint Ignitor
 ‡ Crucible B-181 required
 Other recommended accessories:
B38-3922-00 Mold Cleaning Brush (pg 93)
B38-0135-00 Cable Cleaning Brush (pg 93)
B38-0330-00 Cable Clamp (pg 92)
B38-0304-00 File (pg 94)

For mold types or BURNDYWeld® items not shown,
 please contact factory.

Throughout the catalog you will notice blue highlighted items. These are the most frequently ordered BURNDY® Products.

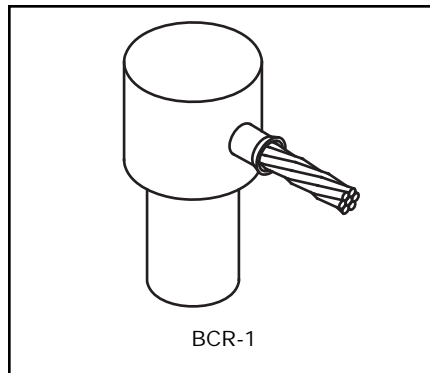
SINGLE SHOT MOLDS

RUS Accepted

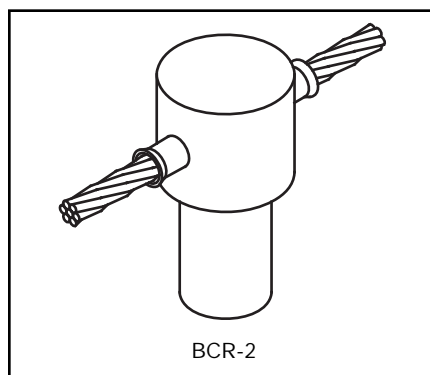
BURNDYWeld® Single Shot Molds are an economical way to make cable connections onto the top of a ground rod. The Single Shot is a disposable single use ceramic mold that comes complete with everything required except the Flint Ignitor.

Ground Rod Size	Cable Size		Type	Mold Number	Cadweld® Part #
	Solid	Stranded			
1/2"	#6, #8	#8	BCR-1	BS-2009	GR1-141G
	#3, #4	#4, #6	BCR-1	BS-2010	GR1-141L
	#1, #2	#2, #3	BCR-1	BS-2011	GR1-141V
	#6, #8	#8	BCR-2	BS-2024	GT1-141G
	#3, #4	#4, #6	BCR-2	BS-2025	GT1-141L
5/8"	#1, #2	#2, #3	BCR-2	BS-2026	GT1-141V
	#6, #8	#8	BCR-1	BS-2012	GT1-161G
	#3, #4	#4, #6	BCR-1	BS-2013	GT1-141L
	#1, #2	#2, #3	BCR-1	BS-2014	GR1-161V
	2/0, 1/0	1/0, #1	BCR-1	BS-2015	GR1-162C
		2/0	BCR-1	BS-2016	GR1-162G
	#6, #8	#8	BCR-2	BS-2027	FRT1-161G
	#3, #4	#4, #6	BCR-2	BS-2028	GT1-161L
	#1, #2	#2, #3	BCR-2	BS-2029	GT1-161V
	2/0, 1/0	1/0, #1	BCR-2	BS-2030	GT1-162C
	#6, #8	#8	BCR-24	BS-2105	NX1-161G
	#3, #4	#4, #6	BCR-14	BS-2106	NX1-161L
	#1, #2	#2, #3	BCR-24	BS-2107	NX1-161V
	#6, #8	#8	BCR-25	BS-2006	NT1-161G
	#3, #4	#4, #6	BCR-25	BS-2007	NT1-161L
#1, #2	#2, #3	BCR-25	BS-2008	NT1-161V	
3/4"	#6, #8	#8	BCR-1	BS-2017	GR1-181G
	#3, #8	#4, #6	BCR-1	BS-2018	GR1-181L
	#1, #2	#2, #3	BCR-1	BS-2019	GR1-181V
	2/1, 1/0	1/0, #1	BCR-1	BS-2020	GR1-182C
		2/0	BCR-1	BS-2021	GR1-182G
	#6, #8	#8	BCR-2	BS-2031	GT1-181G
	#3, #4	#4, #6	BCR-2	BS-2032	GT1-181L
	#1, #2	#2, #3	BCR-2	BS-2033	GT1-181V
	2/0, 1/0	1/0, #1	BCR-2	BS-2034	T1-182C
	#6, #8	#8	BCR-24	BS-2108	NX1-181G
	#3, #4	#4, #6	BCR-24	BS-2109	NX1-181L
	#1, #2	#2, #3	BCR-24	BS-2110	NX1-181V
	#6, #8	#8	BCR-25	BS-2068	NT1-181G
	#3, #4	#4, #6	BCR-25	BS-2069	NT1-181L
	#1, #2	#2, #3	BCR-25	BS-2070	NT1-181V

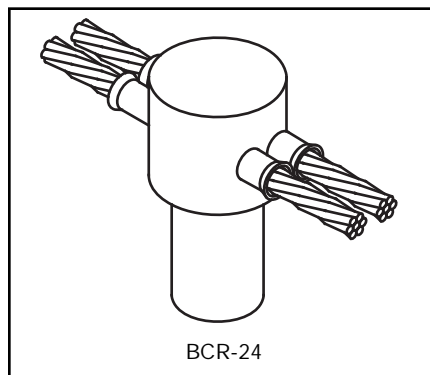
Cadweld® is a registered trademark of the Erico International Corporation



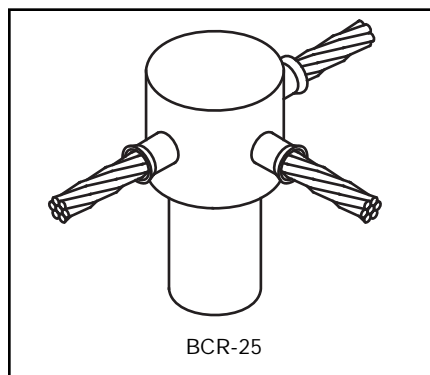
BCR-1



BCR-2



BCR-24



BCR-25

For mold types or BURNDYWeld® items not shown,
please contact factory.

Throughout the catalog you will notice blue highlighted items. These are the most frequently ordered BURNDY® Products.

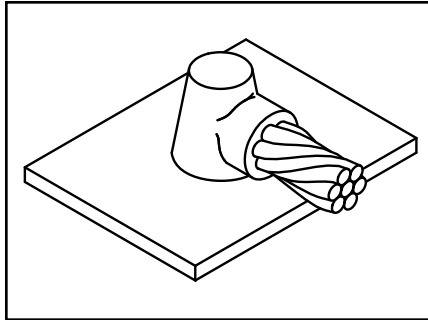
TYPE BCS-1 MOLDS

Horizontal Cable to Horizontal Steel Surface

Type BCS-1 Molds are used to terminate a horizontal copper cable to any horizontal steel surface. Note that the cable is **OFF** the surface.

Size range is 1/0 through 1000 kcmil solid or concentric stranded copper conductors.

Contact BURNDY® Products for information on molds for conductors not listed below.



Cable Size	Mold Number	Price Key	Weld Metal	Handle Clamps
1/0	B-644	4	90	B-106
2/0	B-645	4	90	B-106
3/0	B-646	4	115	B-106
4/0	B-647	4	115	B-106
250 kcmil	B-648	4	115	B-106
300 kcmil	B-649	4	150	B-106
350 kcmil	B-650	4	200	B-106
500 kcmil	B-652	4	200	B-106
750 kcmil	B-653	5	2-150	B-106
1000 kcmil	B-654	5	2-200	B-107

- For sizes not listed, contact BURNDY® Products.
- Molds listed are for concentric stranded cable. Add suffix "-S" to mold number for solid conductors.
- For heavy duty molds, molds with wear plates or molds for Copperweld® cable, contact BURNDY® Products.
- For expedited service, contact BURNDY® Products.

Required Tools:
 Handle Clamps (see chart for correct handles)
B38-0309-00 Flint Ignitor
 Other recommended accessories:
B38-3922-00 Mold Cleaning Brush (pg 93)
B38-0135-00 Cable Cleaning Brush (pg 93)
B38-0330-00 Cable Clamp (pg 92)
B38-0101-00 Rasp (pg 94)

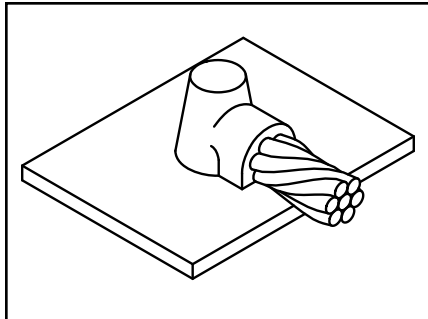
TYPE BCS-8 MOLDS

Horizontal Cable to Horizontal Steel Surface

Type BCS-8 Molds are used to terminate a horizontal copper cable to any horizontal steel surface. Note that the cable is **ON** the surface.

Size range is #6 through 1000 kcmil solid or concentric stranded copper conductors.

Contact BURNDY® Products for information on molds for conductors not listed below.



Cable Size	Mold Number	Price Key	Weld Metal	Handle Clamps
#6	B-628	3†*	45	N/A
#4	B-629	3†*	45	N/A
#2	B-630	3†*	45	N/A
#1	B-631	3†*	65	N/A
1/0	B-7146	4	90	B-106
2/0	B-7075	4	90	B-106
3/0	B-2199	4	115	B-106
4/0	B-6114	4	115	B-106
250 kcmil	B-2200	4	115	B-106
300 kcmil	B-2506	4	150	B-106
350 kcmil	B-2507	4	200	B-106
500 kcmil	B-2509	4	200	B-106
750 kcmil	B-2542	5	2-150	B-107
1000 kcmil	B-2511	5	2-200	B-107

- For sizes not listed, contact BURNDY® Products.
- Molds listed are for concentric stranded cable. Add suffix "-S" to mold number for solid conductors.
- For heavy duty molds, molds with wear plates or molds for Copperweld® cable, contact BURNDY® Products.
- For expedited service, contact BURNDY® Products.

Required Tools:
 Handle Clamps (see chart for correct handles)
 † Sold complete with frame
 * **B38-0309-00** Flint Ignitor (included)
 Other recommended accessories:
B38-3922-00 Mold Cleaning Brush (pg 93)
B38-0135-00 Cable Cleaning Brush (pg 93)
B38-0330-00 Cable Clamp (pg 92)
B38-0101-00 Rasp (pg 94)

For mold types or BURNDYWeld® items not shown, please contact factory.

Throughout the catalog you will notice blue highlighted items. These are the most frequently ordered BURNDY® Products.

BURNDY® Grounding Products

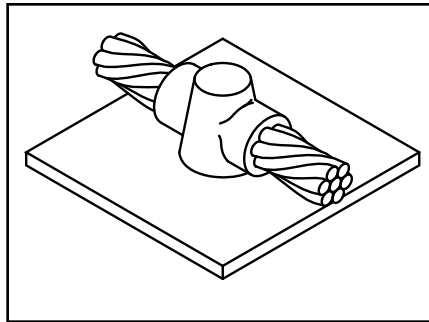
TYPE BCS-2 MOLDS

Horizontal Through Cable to Horizontal Steel Surface

Type BCS-2 Molds are used to join horizontal through copper cable to any horizontal steel surface. Note the cable is **OFF** the surface.

Size range is 1/0 through 1000 kcmil solid or concentric stranded copper conductors.

Contact BURNDY® Products for information on molds for conductors not listed below.



Cable Size	Mold Number	Price Key	Weld Metal	Handle Clamps
1/0	B-616	4	90	B-106
2/0	B-617	4	115	B-106
3/0	B-618	4	115	B-106
4/0	B-619	4	150	B-106
250 kcmil	B-620	4	150	B-106
300 kcmil	B-621	4	200	B-106
350 kcmil	B-622	4	250	B-106
500 kcmil	B-624	5	2-150	B-107
750 kcmil	B-625-H	5	3-250	B-107
1000 kcmil	B-626-H	5	2-500	B-107

- For sizes not listed, contact BURNDY® Products.
 - Molds listed are for concentric stranded cable. Add suffix "-S" to mold number for solid conductors.
 - For heavy duty molds, molds with wear plates or molds for Copperweld® cable, contact BURNDY® Products.
 - For expedited service, contact BURNDY® Products.
- Required Tools:
 Handle Clamps (see above for correct handles)
B38-0309-00 Flint Ignitor
- Other recommended accessories:
B38-3922-00 Mold Cleaning Brush (pg 93)
B38-0135-00 Cable Cleaning Brush (pg 93)
B38-0101-00 Rasp (pg 94)

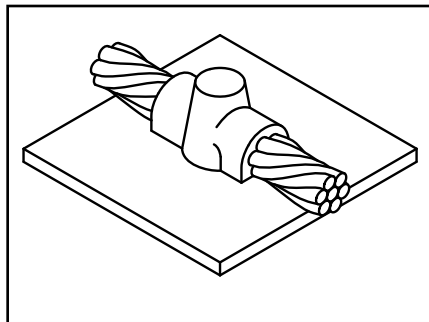
TYPE BCS-9 MOLDS

Horizontal Through Cable to Horizontal Steel Surface

Type BCS-9 Molds are used to join horizontal through copper cable to any horizontal steel surface. Note the cable is **ON** the surface.

Size range is #6 through 500 kcmil solid or concentric stranded copper conductors.

Contact BURNDY® Products for information on molds for conductors not listed below.



Cable Size	Mold Number	Price Key	Weld Metal	Handle Clamps
#6	B-602	3†*	45	N/A
#4	B-603	3†*	45	N/A
#2	B-604	3†*	45	N/A
#1	B-605	3†*	65	N/A
1/0	B-8379	4	90	B-106
2/0	B-5331	4	115	B-106
3/0	B-8381	4	115	B-106
4/0	B-7192	4	150	B-106
250 kcmil	B-8413	4	150	B-106
300 kcmil	B-8423	4	200	B-106
350 kcmil	B-8410	4	250	B-106
500 kcmil	B-5065	5	2-150	B-107

- For sizes not listed, contact BURNDY® Products.
 - Molds listed are for concentric stranded cable. Add suffix "-S" to mold number for solid conductors.
 - For heavy duty molds, molds with wear plates or molds for Copperweld® cable, contact BURNDY® Products.
 - For expedited service, contact BURNDY® Products.
- Required Tools:
 Handle Clamps (see chart for correct handles)
 † Sold complete with handle frame
B38-0309-00 Flint Ignitor (included)
- Other recommended accessories:
B40-0319-01 Mold Cleaner for cartridge sizes #15-#65 (pg 93)
B40-0319-03 Mold Cleaner for cartridge sizes #90-#500 (pg 93)
B38-3922-00 Mold Cleaning Brush (pg 93)
B38-0135-00 Cable Cleaning Brush (pg 93)
B38-0101-00 Rasp (pg 94)

For mold types or BURNDYWeld® items not shown, please contact factory.

Throughout the catalog you will notice blue highlighted items. These are the most frequently ordered BURNDY® Products.

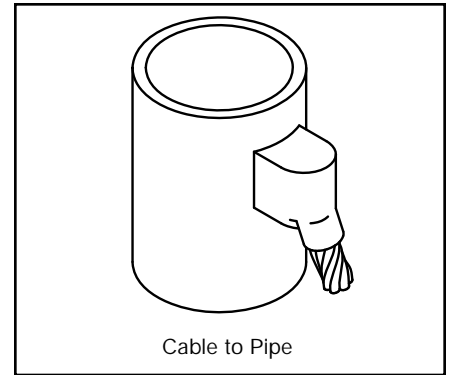
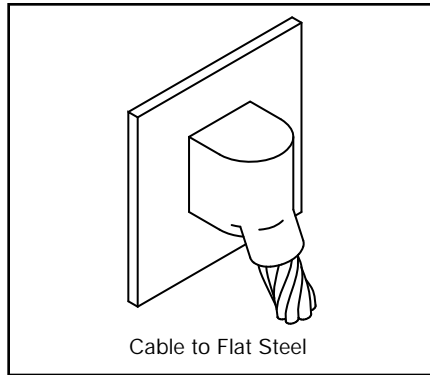
TYPE BCS-3 MOLDS

Angular Cable Drop to Vertical Steel Surface

Type BCS-3 Molds are used to join the end of a copper cable at a 45° angle to a vertical steel surface.

Size range is #6 through 1000 kcmil solid or concentric stranded copper conductors.

Contact BURNDY® Products for information on molds for conductors not listed below.



Cable to Flat Steel

Cable Size	Mold Number	Price Key	Weld Metal	Handle Clamps
#6	B-585	4	45	B-106
#4	B-586	4	45	B-106
#3	B-587	4	45	B-106
#2	B-588	4	45	B-106
#1	B-589	4	65	B-106
1/0	B-590	4	90	B-106
2/0	B-591	4	90	B-106
3/0	B-592	4	115	B-106
4/0	B-593	4	115	B-106
250 kcmil	B-594	4	115	B-106
300 kcmil	B-595	4	150	B-106
350 kcmil	B-596	4	200	B-106
500 kcmil	B-598	4	200	B-106
750 kcmil	B-599	5	2-150	B-107
1000 kcmil	B-600	5	2-200	B-107

- For sizes not listed, contact BURNDY® Products.
- Molds listed are for concentric stranded cable. Add suffix "-S" to mold number for solid conductors.
- For heavy duty molds, molds with wear plates or molds for Copperweld® cable, contact BURNDY® Products.
- For expedited service, contact BURNDY® Products.

Required Tools:

Handle Clamps (see chart for correct handles)
B38-0309-00 Flint Ignitor

Other recommended accessories:

Magnetic Clamps to hold molds against vertical steel (pg 92)
B38-3922-00 Mold Cleaning Brush (pg 93)
B38-0135-00 Cable Cleaning Brush (pg 93)
B38-0101-00 Rasp (pg 94)

Cable to Pipe

Cable Size	Pipe Size	Mold Number	Price Key	Weld Metal	Handle Clamps
#4	1-1/4" to 4"	B-2476	4	45	B-106
	4" to 6"	B-2477	4	45	B-106
	6" to 10"	B-2478	4	45	B-106
	12" & up	B-586†	4	45	B-106
#2 Sol	1-1/4" to 4"	B-9233-S	4	45	B-106
	4" to 6"	B-2480-S	4	45	B-106
	6" to 10"	B-2583-S	4	45	B-106
	12" & up	B-588-S†	4	45	B-106
#2	1-1/4" to 4"	B-9233	4	45	B-106
	4" to 6"	B-2480	4	45	B-106
	6" to 10"	B-2688	4	45	B-106
	12" & up	B-588†	4	45	B-106
#1	1-1/4" to 4"	B-2482	4	65	B-106
	4" to 6"	B-2483	4	65	B-106
	6" to 10"	B-2484	4	65	B-106
	12" & up	B-589†	4	65	B-106
1/0	1-1/4" to 4"	B-2486	4	90	B-106
	4" to 6"	B2487	4	90	B-106
	6" to 10"	B-2488	4	90	B-106
	12" & up	B-590†	4	90	B-106
2/0	1-1/4" to 4"	B-8833	4	90	B-106
	4" to 6"	B-2490	4	90	B-106
	6" to 10"	B-2491	4	90	B-106
	12" & up"	B-591†	4	90	B-106
3/0	1-1/4" to 4"	B-2493	4	115	B-106
	4" to 6"	B-2494	4	115	B-106
	6" to 10"	B2495	4	115	B-106
	12" & up	B-592†	4	115	B-106
4/0	1-1/4" to 4"	B-9021	4	115	B-106
	4" to 6"	B2497	4	115	B-106
	6" to 10"	B2498	4	115	B-106
	12" & up	B593†	4	115	B-106

- For sizes not listed, contact BURNDY® Products.
- Molds listed are for concentric stranded cable. Add suffix "-S" to mold number for solid conductors.
- For heavy duty molds, molds with wear plates or molds for Copperweld® cable, contact BURNDY® Products.
- For expedited service, contact BURNDY® Products.

Required Tools:

Handle Clamps (see chart for correct handles)
B38-0309-00 Flint Ignitor

Other recommended accessories:

B106-32 Vertical Chain Clamp w/ B-106 Handles for 4" Pipe & smaller
B40-0106-27 20" Chain Extension for 4" to 10" Pipe
 Use (2) 20" Chain Extensions for pipe sizes between 10" and 16"
B38-3922-00 Mold Cleaning Brush (pg 93)
B38-0135-00 Cable Cleaning Brush (pg 93)
B38-0101-00 Rasp (pg 94)

† Flat Surface Mold

For mold types or BURNDYWeld® items not shown, please contact factory.

Throughout the catalog you will notice blue highlighted items. These are the most frequently ordered BURNDY® Products.

BURNDY® Grounding Products

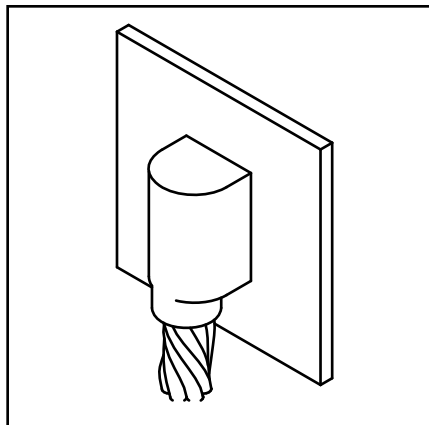
TYPE BCS-23 MOLDS

Vertical Cable Drop to Vertical Steel Surface

Type BCS-23 Molds are used to join vertical cable down to a vertical steel surface. Note that the cable is **OFF** the surface.

Size range is #6 through 500 kcmil solid or concentric stranded copper conductors.

Contact BURNDY® Products for information on molds for conductors not listed below.



Cable Size	Mold Number	Price Key	Weld Metal	Handle Clamps
#6	B-5389	4	45	B-106
#4	B-5359	4	65	B-106
#2	B-2781	4	65	B-106
#1	B-5361	4	90	B-106
1/0	B-2189	4	115	B-106
2/0	B-2540	4	115	B-106
3/0	B-5362	4	150	B-106
4/0	B-8718	4	150	B-106
250 kcmil	B-8165	4	200	B-106
300 kcmil	B-5363	4	200	B-106
350 kcmil	B-9029	4	250	B-106
500 kcmil	B-8512	17	2-150	B-106

- For sizes not listed, contact BURNDY® Products.
- Molds listed are for concentric stranded cable. Add suffix "-S" to mold number for solid conductors.
- For heavy duty molds, molds with wear plates or molds for Copperweld® cable, contact BURNDY® Products.
- For expedited service, contact BURNDY® Products.

Required Tools:

Handle Clamps (see chart for correct handles)
B38-0309-00 Flint Ignitor

Other recommended accessories:

Magnetic Clamps to hold molds against vertical steel
B38-3922-00 Mold Cleaning Brush (pg 93)
B38-0135-00 Cable Cleaning Brush (pg 93)
B38-0101-00 Rasp (pg 94)

**For mold types or BURNDYWeld® items not shown,
 please contact factory.**

Throughout the catalog you will notice blue highlighted items. These are the most frequently ordered BURNDY® Products.

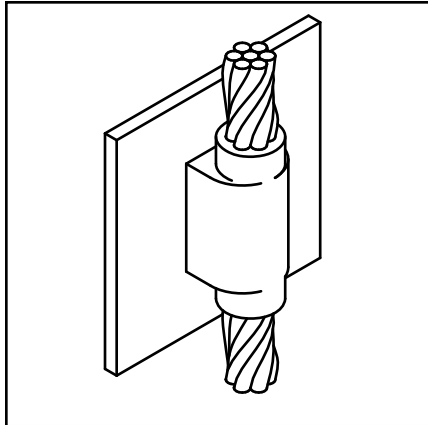
TYPE BCS-4 MOLDS

Vertical Through Cable to Vertical Steel Surface

Type BCS-4 Molds are used to join a vertical through copper cable to a vertical steel surface. Note that the cable is **OFF** the surface. For molds with the cable on the surface, contact BURNDY® Products.

Size range is #6 through 500 kcmil solid or concentric stranded copper conductors.

Contact BURNDY® Products for information on molds for conductors not listed below.



Cable Size	Mold Number	Price Key	Weld Metal	Handle Clamps
#6	B-1215	4	90	B-106
#4	B-1216	4	90	B-106
#2	B-1218	4	115	B-106
#1	B-1219	4	115	B-106
1/0	B-1220	17	200	B-106
2/0	B-1221	17	200	B-106
3/0	B-1222	17	250	B-106
4/0	B-1223	17	250	B-106
250 kcmil	B-1224	17	250	B-106
300 kcmil	B-1225-H	6	500	B-107
350 kcmil	B-1226-H	6	3-200	B-107
500 kcmil	B-1228-H	6	3-250	B-107

- For sizes not listed, contact BURNDY® Products.
- Molds listed are for concentric stranded cable. Add suffix "-S" to mold number for solid conductors.
- For heavy duty molds, molds with wear plates or molds for Copperweld® cable, contact BURNDY® Products.
- For expedited service, contact BURNDY® Products.

Required Tools:
 Handle Clamps (see chart for correct handles)
B38-0309-00 Flint Ignitor
 Other recommended accessories:
 Magnetic Clamps to hold molds against vertical steel
B38-3922-00 Mold Cleaning Brush (pg 93)
B38-0135-00 Cable Cleaning Brush (pg 93)
B38-0101-00 Rasp (pg 94)

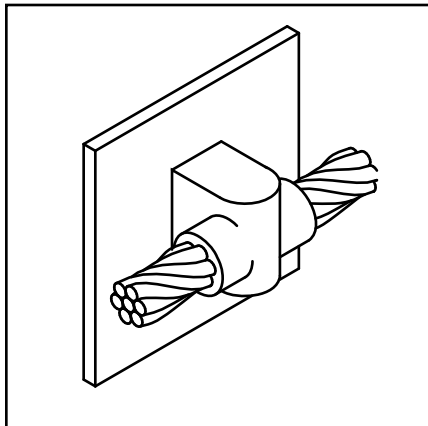
TYPE BCS-6 MOLDS

Horizontal Through Cable to Vertical Steel Surface

Type BCS-6 Molds are used to join horizontal through copper cable to a vertical steel surface. Note that the cable is **OFF** the surface.

Size range is #6 through 250 kcmil solid or concentric stranded copper conductors.

Contact BURNDY® Products for information on molds for conductors not listed below.



Cable Size	Mold Number	Price Key	Weld Metal	Handle Clamps
#6	B-1626	4	65	B-106
#4	B-1627	4	65	B-106
#2	B-1628	4	65	B-106
#1	B-1629	4	90	B-106
1/0	B-1630	4	115	B-106
2/0	B-1631	4	115	B-106
3/0	B-1632	4	150	B-106
4/0	B-1633	4	150	B-106
250 kcmil	B-1634	4	150	B-106

- For sizes not listed, contact BURNDY® Products.
- Molds listed are for concentric stranded cable. Add suffix "-S" to mold number for solid conductors.
- For heavy duty molds, molds with wear plates or molds for Copperweld® cable, contact BURNDY® Products.
- For expedited service, contact BURNDY® Products.

Required Tools:
 Handle Clamps (see chart for correct handles)
B38-0309-00 Flint Ignitor
 Other recommended accessories:
B40-0319-01 Mold Cleaner for cartridge sizes #15-#65 (pg 93)
B40-0319-03 Mold Cleaner for cartridge sizes #90-#500 (pg 93)
B38-3922-00 Mold Cleaning Brush (pg 93)
B38-0135-00 Cable Cleaning Brush (pg 93)
B38-0101-00 Rasp (pg 94)

For mold types or BURNDYWeld® items not shown,
 please contact factory.

BURNDY® Grounding Products

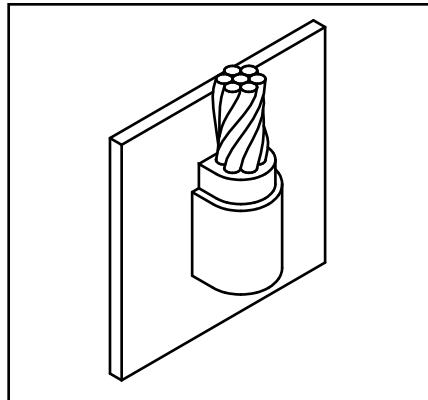
TYPE BCS-7 MOLDS

Overhead Vertical Tap Cable to Vertical Steel Surface

Type BCS-7 Molds are used to join an overhead vertical copper conductor drop tap to a vertical steel surface.

Size range is #6 through 1000 kcmil solid or concentric stranded copper conductors.

Contact BURNDY® Products for information on molds for conductors not listed below.



Cable Size	Mold Number	Price Key	Weld Metal	Handle Clamps
#6	B-1635	4	65	B-106
#4	B-1636	4	65	B-106
#3	B-1637	4	65	B-106
#2	B-1638	4	65	B-106
#1	B-1639	4	90	B-106
1/0	B-1640	4	150	B-106
2/0	B-1641	4	150	B-106
3/0	B-1642	17	200	B-106
4/0	B-1643	17	200	B-106
250 kcmil	B-1644	17	200	B-106
300 kcmil	B-1645	17	250	B-106
350 kcmil	B-1646	6	2-150	B-107
500 kcmil	B-1648	6	2-200	B-107
750 kcmil	B-1649	6	500	B-107
1000 kcmil	B-1650	6	3-200	B-107

- For sizes not listed, contact BURNDY® Products.
 - Molds listed are for concentric stranded cable. Add suffix "-S" to mold number for solid conductors.
 - For heavy duty molds, molds with wear plates or molds for Copperweld® cable, contact BURNDY® Products.
 - For expedited service, contact BURNDY® Products.
- Required Tools:
Handle Clamps (see chart for correct handles)
B38-0309-00 Flint Ignitor
- Other recommended accessories:
Magnetic Clamps to hold molds against vertical steel
B38-3922-00 Mold Cleaning Brush (pg 93)
B38-0135-00 Cable Cleaning Brush (pg 93)
B38-0101-00 Rasp (pg 94)

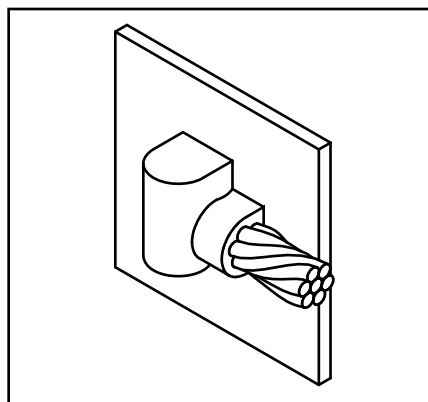
TYPE BCS-18 MOLDS

Horizontal Tap Cable to Vertical Steel Surface

Type BCS-18 Molds are used to connect a horizontal conductor to a vertical steel surface. Note that the cable is ON the surface.

Size range is #6 through 500 kcmil solid or concentric stranded copper conductors.

Contact BURNDY® Products for information on molds for conductors not listed below.



For mold types or BURNDYWeld® items not shown, please contact factory.

Cable Size	Mold Number	Price Key	Weld Metal	Handle Clamps
#6	B-5910	4	45	B-106
#4	B-2761	4	45	B-106
#2	B-2569	4	45	B-106
#1	B-6060	4	65	B-106
1/0	B-5419	4	90	B-106
2/0	B-2567	4	90	B-106
3/0	B-6072	4	115	B-106
4/0	B-9253	4	115	B-106
250 kcmil	B-2568	4	115	B-106
300 kcmil	B-6061	4	150	B-106
350 kcmil	B-6067	4	200	B-106
500 kcmil	B-8359	4	200	B-106

- NOTE: Add (-R) to mold number for right hand mold or (-L) for left hand mold. Right hand (-R) mold will be furnished if not specified.
- For sizes not listed, contact BURNDY® Products.
 - Molds listed are for concentric stranded cable. Add suffix "-S" to mold number for solid conductors.
 - For heavy duty molds, molds with wear plates or molds for Copperweld® cable, contact BURNDY® Products.
 - For expedited service, contact BURNDY® Products.
- Required Tools:
Handle Clamps (see chart for correct handles)
B38-0309-00 Flint Ignitor
- Other recommended accessories:
Vertical Chain Clamps
B38-3922-00 Mold Cleaning Brush (pg 93)
B38-0135-00 Cable Cleaning Brush (pg 93)
B38-0101-00 Rasp (pg 94)

Throughout the catalog you will notice blue highlighted items. These are the most frequently ordered BURNDY® Products.

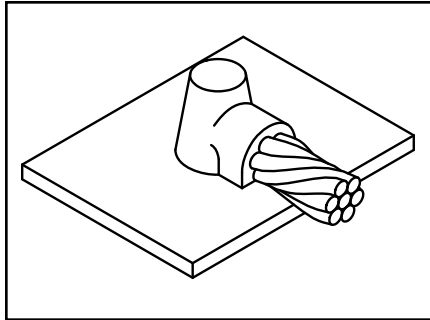
TYPE BCS-5 MOLDS

Horizontal Cable Tap to Horizontal Cast Iron Surface

Type BCS-5 Molds are used to join horizontal cable taps to horizontal cast iron surfaces. Note that the cable is **ON** the surface.

Size range is #6 through #1 solid or concentric stranded copper conductors.

Contact BURNDY® Products for information on molds for conductors not listed below.



Cable Size	Mold Number	Price Key	Weld Metal	Handle Clamps
#6 Sol	B-1613	3+	25CI	N/A
#6	B-1614	3+	25CI	N/A
#4 Sol	B-1615	3+	45CI	N/A
#4	B-1616	3+	45CI	N/A
#2 Sol	B-1617	3+	45CI	N/A
#2	B-1618	3+	45CI	N/A
#1 Sol	B-1619	3+	65CI	N/A
#1	B-1620	3+	65CI	N/A

- For sizes not listed, contact BURNDY® Products.
- Molds listed are for concentric stranded cable. Add suffix "-S" to mold number for solid conductors.
- For heavy duty molds, molds with wear plates or molds for Copperweld® cable, contact BURNDY® Products.
- For expedited service, contact BURNDY® Products.

Required Tools:

1 Sold complete with frame
B38-0309-00 Flint Ignitor (included)

Other recommended accessories:

B38-3922-00 Mold Cleaning Brush (pg 93)
B38-0135-00 Cable Cleaning Brush (pg 93)
B38-0101-00 Rasp (pg 94)

DO NOT use Type BCS-5 molds on Soil Pipe (ASTM A74-82). A test weld should be made on a section of the pipe being used to determine the possibility of detrimental metallurgical effects.

For mold types or BURNDYWeld® items not shown, please contact factory.

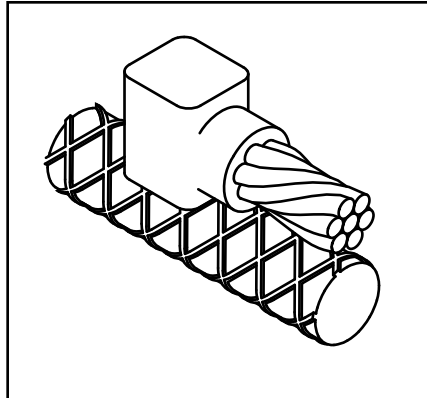
Throughout the catalog you will notice blue highlighted items. These are the most frequently ordered BURNDY® Products.

BURNDY® Grounding Products

TYPE BCRE-1 MOLDS

Horizontal Parallel Tap to Rebar

Type BCRE-1 Molds are recommended for parallel, horizontal connections for solid or concentric stranded conductors #6 through 4/0 joined to reinforcing bars #3 through #6 and larger. The high copper content joint has a higher current carrying capacity than the conductors being joined and is impervious to vibration and moisture.



Contact BURNDY® Products for information on molds for conductors not listed below.

Rebar Size	Cable Size	Mold Number	Packing Material ‡	Price Key	Weld Metal	Handle Clamps
#3	#6	B-7500	B38-4060-00	4	25	B-106
	#4	B-7501	B38-4060-00	4	32	B-106
	#2	B-7502	B38-4060-00	4	45	B-106
	#1	B-7503	B38-4060-00	4	65	B-106
	1/0	B-7504	B38-4060-00	4	90	B-106
	2/0	B-7505	B38-4060-00	4	90	B-106
	3/0	B-7506	B38-4060-00	4	115	B-106
#4 & Larger	4/0	B-7507	B38-4060-00	4	115	B-106
	#6	B-7508	B38-4061-00	3+	25	N/A
	#4	B-7509	B38-4061-00	3+	32	N/A
	#2	B-7510	B38-4061-00	3+	45	N/A
#4	#1	B-7511	B38-4061-00	3+	65	N/A
	1/0	B-7512	B38-4060-00	4	90	B-106
	2/0	B-7513	B38-4060-00	4	90	B-106
	3/0	B-7514	B38-4060-00	4	115	B-106
	4/0	B-7515	B38-4060-00	4	115	B-106
#5	1/0	B-7520	B38-4060-00	4	90	B-106
	2/0	B-7521	B38-4060-00	4	90	B-106
	3/0	B-7522	B38-4060-00	4	115	B-106
	4/0	B-7523	B38-4060-00	4	115	B-106
#6 & Larger	1/0	B-7528	B38-4062-00	14+	90	N/A
	2/0	B-7529	B38-4062-00	14+	90	N/A
	3/0	B-7530	B38-4062-00	14+	115	N/A
	4/0	B-7531	B38-4062-00	14+	115	N/A

‡ PACKING MATERIAL NOTE

A packing pad is necessary when making BURNDYWeld® connections to Rebar. Packing Material B38-4060-00 is a special, patented copper-wool packing, with enough in each bag to do between 40 and 50 connections. Packing Material No.'s B38-4061-00, B38-4062-00 and B38-4063-00 are a ceramic fiber material and can be used for **one** connection only. Be sure to specify Packing Material No. when ordering Mold and Weld Metal.

- For sizes not listed, contact BURNDY® Products.
- Molds listed are for concentric stranded cable. Add suffix "-S" to mold number for solid conductors.
- For heavy duty molds, molds with wear plates or molds for Copperweld® cable, contact BURNDY® Products.
- For expedited service, contact BURNDY® Products.

Required Tools:

Handle Clamps (see chart for correct handles)

† Sold complete with frame

B38-0309-00 Flint Ignitor

Other recommended accessories:

B38-3922-00 Mold Cleaning Brush (pg 93)

B38-0135-00 Cable Cleaning Brush (pg 93)

B38-0304-00 File (pg 94)

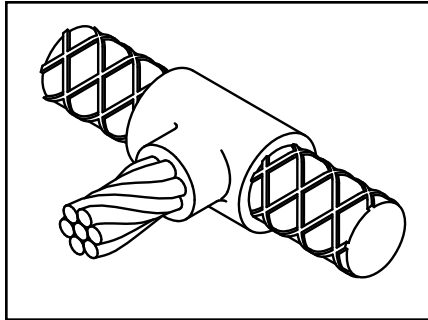
**For mold types or BURNDYWeld® items not shown,
please contact factory.**

Throughout the catalog you will notice blue highlighted items. These are the most frequently ordered BURNDY® Products.

TYPE BCRE-2 MOLDS

Horizontal Cable Tap to Horizontal Rebar Run

Type BCRE-2 Molds are recommended for right angle, horizontal connections for solid or concentric stranded conductors #6 through 4/0 joined to reinforcing bars #3 through #6. The high copper content joint has a higher current carrying capacity than the conductors being joined and is impervious to vibration and moisture.



Contact BURNDY® Products for information on molds for conductors not listed below.

Rebar Size	Cable Size	Mold Number	Packing Material ‡	Price Key	Weld Metal	Handle Clamps
#3	#6	B-7588	B38-4060-00	4	45	B-106
	#4	B-7589	B38-4060-00	4	45	B-106
	#2	B-7590	B38-4060-00	4	65	B-106
	#1	B-7591	B38-4060-00	4	65	B-106
	1/0	B-7592	B38-4060-00	4	90	B-106
	2/0	B-7593	B38-4060-00	4	90	B-106
	3/0	B-7594	B38-406000	4	115	B-106
#4	4/0	B-7595	B38-4060-00	4	115	B-106
	#6	B-7596	B38-4060-00	4	45	B-106
	#4	B-7597	B38-4060-00	4	45	B-106
	#2	B-7598	B38-4060-00	4	65	B-106
	#1	B-7599	B38-4060-00	4	65	B-106
	1/0	B-7600	B38-4060-00	4	90	B-106
	2/0	B-7601	B38-4060-00	4	90	B-106
#5	3/0	B-7602	B38-4060-00	4	115	B-106
	4/0	B-7603	B38-4060-00	4	115	B-106
	#6	B-7604	B38-4606-00	4	90	B-106
	#4	B-7605	B38-4060-00	4	90	B-106
	#2	B-7606	B38-4060-00	4	90	B-106
	#1	B-7607	B38-4060-00	4	90	B-106
	1/0	B-7608	B38-4060-00	4	115	B-106
#6	2/0	B-7609	B38-4060-00	4	115	B-106
	3/0	B-7610	B38-4060-00	4	150	B-106
	4/0	B-7611	B38-4060-00	4	150	B-106
	#6	B-7612	B38-4060-00	4	90	B-106
	#4	B-7613	B38-4060-00	4	90	B-106
	#2	B-7614	B384060-00	4	90	B-106
	#1	B-7615	B38-4060-00	4	90	B-106
#6	1/0	B-7616	B38-4060-00	4	115	B-106
	2/0	B-7617	B38-4060-00	4	115	B-106
	3/0	B-7618	B38-4060-00	4	150	B-106
	4/0	B-7619	B38-4060-00	4	150	B-106

‡ PACKING MATERIAL NOTE

A packing pad is necessary when making BURNDYWeld® connections to Rebar. Packing Material B38-4060-00 is a special, patented copper-wool packing, with enough in each bag to do between 40 and 50 connections. Packing Material No.'s B38-4061-00, B38-4062-00 and B38-4063-00 are a ceramic fiber material and can be used for **one** connection only. Be sure to specify Packing Material No. when ordering Mold and Weld Metal.

- For sizes not listed, contact BURNDY® Products.
- Molds listed are for concentric stranded cable. Add suffix "-S" to mold number for solid conductors.
- For heavy duty molds, molds with wear plates or molds for Copperweld® cable, contact BURNDY® Products.
- For expedited service, contact BURNDY® Products.

Required Tools:

Handle Clamps (see chart for correct handles)

B38-0309-00 Flint Ignitor

Other recommended accessories

B40-0319-01 Mold Cleaner for cartridge sizes #15-#65 (pg 93)

B40-0319-03 Mold Cleaner for cartridge sizes #90-#500 (pg 93)

B38-3922-00 Mold Cleaning Brush (pg 93)

B38-0135-00 Cable Cleaning Brush (pg 93)

B38-0304-00 File (pg 94)

For mold types or BURNDYWeld® items not shown, please contact factory.

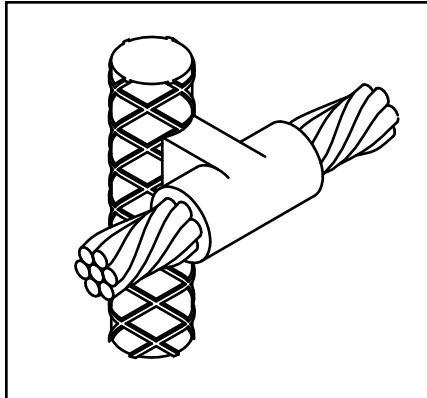
Throughout the catalog you will notice blue highlighted items. These are the most frequently ordered BURNDY® Products.

BURNDY® Grounding Products

TYPE BCRE-3 MOLDS

Horizontal through Cable to Vertical Rebar

Type BCRE-3 Molds are recommended for horizontal conductors to vertical rebar connections for solid or concentric stranded conductors #6 through 4/0 joined to reinforcing bars #3 through #7 & larger. The high copper content joint has a higher current carrying capacity than the conductors being joined and is impervious to vibration and moisture.



Contact BURNDY® Products for information on molds for conductors not listed below.

Rebar Size	Cable Size	Mold Number	Packing Material ‡	Price Key	Weld Metal	Handle Clamps
#3	#6	B-7620	B38-4060-00	24	90	B-106
	#4	B-7621	B38-4060-00	24	90	B-106
	#2	B-7622	B38-4060-00	24	90	B-106
	#1	B-7623	B38-4060-00	24	115	B-106
	1/0	B-7624	B38-4060-00	24	115	B-106
	2/0	B-7625	B38-4060-00	24	115	B-106
	3/0	B-7626	B38-4060-00	24	150	B-106
4/0	B-7627	B38-4060-00	24	150	B-106	
#4	#6	B-7628	B38-4060-00	24	90	B-106
	#4	B-7629	B38-4060-00	24	90	B-106
	#2	B-7630	B38-4060-00	24	90	B-106
	#1	B-7631	B38-4060-00	24	115	B-106
	1/0	B-7632	B38-4060-00	24	115	B-106
	2/0	B-7633	B38-4060-00	24	115	B-106
	3/0	B-7634	B38-4060-00	24	150	B-106
4/0	B-7635	B38-4060-00	24	150	B-106	
#5	#6	B-7636	B38-4060-00	24	90	B-106
	#4	B-7637	B38-4060-00	24	90	B-106
	#2	B-7638	B38-4060-00	24	90	B-106
	#1	B-7639	B38-4060-00	24	115	B-106
	1/0	B-7640	B38-4060-00	24	115	B-106
	2/0	B-7641	B38-4060-00	24	115	B-106
	3/0	B-7642	B38-4060-00	24	150	B-106
4/0	B-7643	B38-4060-00	24	150	B-106	
#6	#6	B-7644	B38-4060-00	24	90	B-106
	#4	B-7645	B38-4060-00	24	90	B-106
	#2	B-7646	B38-4060-00	24	90	B-106
	#1	B-7647	B38-4060-00	24	115	B-106
	1/0	B-7648	B38-4060-00	24	115	B-106
	2/0	B-7649	B38-4060-00	24	115	B-106
	3/0	B-7650	B38-4060-00	24	150	B-106
4/0	B-7651	B38-4060-00	24	150	B-106	
#7 & Larger	#6	B-7652	B38-4063-00	4+	90	B-106-41
	#4	B-7653	B38-4063-00	4+	90	B-106-41
	#2	B-7654	B38-4063-00	4+	90	B-106-41
	#1	B-7655	B38-4063-00	4+	115	B-106-41
	1/0	B-7656	B38-4063-00	4+	115	B-106-41
	2/0	B-7657	B38-4063-00	4+	115	B-106-41
	3/0	B-7658	B38-4063-00	4+	150	B-106-41
4/0	B-7659	B38-4063-00	4+	150	B-106-41	

‡ PACKING MATERIAL NOTE

A packing pad is necessary when making BURNDYWeld® connections to Rebar. Packing Material B38-4060-00 is a special, patented copper-wool packing, with enough in each bag to do between 40 and 50 connections. Packing Material No.'s B38-4061-00, B38-4062-00 and B38-4063-00 are a ceramic fiber material and can be used for **one** connection only. Be sure to specify Packing Material No. when ordering Mold and Weld Metal.

- For sizes not listed, contact BURNDY® Products.
- Molds listed are for concentric stranded cable. Add suffix "-S" to mold number for solid conductors.
- For heavy duty molds, molds with wear plates or molds for Copperweld® cable, contact BURNDY® Products.
- For expedited service, contact BURNDY® Products.

Required Tools:

Handle Clamps (see chart for correct handles)

B38-0309-00 Flint Ignitor

Other recommended accessories:

Vertical Chain Clamps

† B40-0319-03 Mold Cleaner for cartridge sizes #90-#500 (pg 93)

B38-3922-00 Mold Cleaning Brush (pg 93)

B38-0135-00 Cable Cleaning Brush (pg 93)

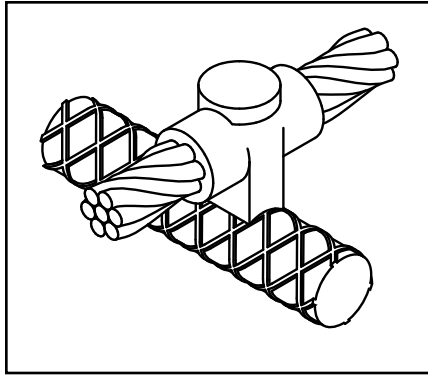
B38-0304-00 File (pg 94)

For mold types or BURNDYWeld® items not shown,
please contact factory.

TYPE BCRE-4 MOLDS

Horizontal through Cable to Horizontal Rebar

Type BCRE-4 Molds are recommended for horizontal through conductors to horizontal rebar at right angle connections for solid or concentric stranded conductors #6 through 4/0 joined to reinforcing bars #3 through #6 & larger. The high copper content joint has a higher current carrying capacity than the conductors being joined and is impervious to vibration and moisture.



Contact BURNDY® Products for information on molds for conductors not listed below.

Rebar Size	Cable Size	Mold Number	Packing Material ‡	Price Key	Weld Metal	Handle Clamps
#3	#6	B-7708	B38-4060-00	4	90	B-106
	#4	B-7709	B38-4060-00	4	90	B-106
	#2	B-7710	B38-4060-00	4	90	B-106
	#1	B-7711	B38-4060-00	4	115	B-106
	1/0	B-7712	B38-4060-00	22	115	B-106
	2/0	B-7713	B38-4060-00	22	115	B-106
	3/0	B-7714	B38-4060-00	22	150	B-106
#4	4/0	B-7715	B38-4060-00	22	150	B-106
	#6	B-7716	B38-4060-00	4	90	B-106
	#4	B-7717	B38-4060-00	4	90	B-106
	#2	B-7718	B38-4060-00	4	90	B-106
	#1	B-7719	B38-4060-00	22	115	B-106
	1/0	B-7720	B38-4060-00	22	115	B-106
	2/0	B-7721	B38-4060-00	22	115	B-106
#5	3/0	B-7722	B38-4060-00	22	150	B-106
	4/0	B-7723	B38-4060-00	22	150	B-106
	#6	B-7724	B38-4060-00	4	90	B-106
	#4	B-7725	B38-4060-00	4	90	B-106
	#2	B-7726	B38-4060-00	4	90	B-106
	#1	B-7727	B38-4060-00	22	115	B-106
	1/0	B-7728	B38-4060-00	22	115	B-106
#6 & Larger	2/0	B-7729	B38-4060-00	22	115	B-106
	3/0	B-7730	B38-4060-00	22	150	B-106
	4/0	B-7731	B38-4060-00	22	150	B-106
	#6	B-7732	B38-4061-00	14+	90	N/A
	#4	B-7733	B38-4061-00	14+	90	N/A
	#2	B-7734	B38-4061-00	14+	90	N/A
	#1	B-7735	B38-406100	14+	115	N/A
1/0	B-7736	B38-4062-00	14+	115	N/A	
2/0	B-7737	B38-4062-00	14+	115	N/A	
3/0	B-7738	B38-4062-00	14+	150	N/A	
4/0	B-7739	B38-4062-00	14+	150	N/A	

‡ PACKING MATERIAL NOTE

A packing pad is necessary when making BURNDYWeld® connections to Rebar. Packing Material B38-4060-00 is a special, patented copper-wool packing, with enough in each bag to do between 40 and 50 connections. Packing Material No.'s B38-4061-00, B38-4062-00 and B38-4063-00 are a ceramic fiber material and can be used for **one** connection only. Be sure to specify Packing Material No. when ordering Mold and Weld Metal.

- For sizes not listed, contact BURNDY® Products.
- Molds listed are for concentric stranded cable. Add suffix “-S” to mold number for solid conductors.
- For heavy duty molds, molds with wear plates or molds for Copperweld® cable, contact BURNDY® Products.
- For expedited service, contact BURNDY® Products.

Required Tools:

- Handle Clamps (see chart for correct handles)
- 1 Sold complete with frame
- B38-0309-00** Flint Ignitor

Other recommended accessories:

- B40-0319-03** Mold Cleaner for cartridge sizes #90-#500 (pg 93)
- B38-3922-00** Mold Cleaning Brush (pg 93)
- B38-0135-00** Cable Cleaning Brush (pg 93)
- B38-0304-00** File (pg 94)

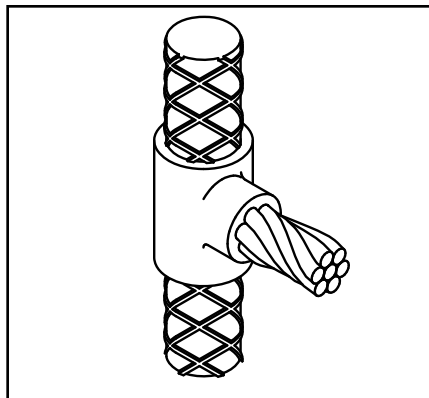
For mold types or BURNDYWeld® items not shown, please contact factory.

Throughout the catalog you will notice blue highlighted items. These are the most frequently ordered BURNDY® Products.

TYPE BCRE-6 MOLDS

Horizontal Cable Tap to Vertical Rebar

Type BCRE-6 Molds are recommended for horizontal conductors terminating at right angles to vertical rebar connections for solid or concentric stranded conductors #6 through 4/0 joined to reinforcing bars #3 through #7 and larger. The high copper content joint has a higher current carrying capacity than the conductors being joined and is impervious to vibration and moisture.



Contact BURNDY® Products for information on molds for conductors not listed below.

Rebar Size	Cable Size	Mold Number	Packing Material ‡	Price Key	Weld Metal	Handle Clamps
#3	#6	B-7884	B38-4060-00	4	90	B-106
	#4	B-7885	B38-4060-00	4	90	B-106
	#2	B-7886	B38-4060-00	4	90	B-106
	#1	B-7887	B38-4060-00	4	115	B-106
	1/0	B-7888	B38-4060-00	4	115	B-106
	2/0	B-7889	B38-4060-00	4	115	B-106
	3/0	B-7890	B38-4060-00	4	150	B-106
4/0	B-7891	B38-4060-00	4	150	B-106	
#4	#6	B-7892	B38-4060-00	4	90	B-106
	#4	B-7893	B38-4060-00	4	90	B-106
	#2	B-7894	B38-4060-00	4	90	B-106
	#1	B-7895	B38-4060-00	4	115	B-106
	1/0	B-7896	B38-4060-00	4	115	B-106
	2/0	B-7897	B38-4060-00	4	115	B-106
	3/0	B-7898	B38-4060-00	4	150	B-106
4/0	B-7899	B38-4060-00	4	150	B-106	
#5	#6	B-7900	B38-4060-00	4	90	B-106
	#4	B-7901	B38-4060-00	4	90	B-106
	#2	B-7902	B38-4060-00	4	90	B-106
	#1	B-7903	B38-4060-00	4	115	B-106
	1/0	B-7904	B38-4060-00	4	115	B-106
	2/0	B-7905	B38-4060-00	4	115	B-106
	3/0	B-7906	B38-4060-00	4	150	B-106
4/0	B-7907	B38-4060-00	4	150	B-106	
#6	#6	B-7908	B38-4060-00	4	90	B-106
	#4	B-7909	B38-4060-00	4	90	B-106
	#2	B-7910	B38-4060-00	4	90	B-106
	#1	B-7911	B38-4060-00	4	115	B-106
	1/0	B-7912	B38-4060-00	4	115	B-106
	2/0	B-7913	B38-4060-00	4	115	B-106
	3/0	B-7914	B38-4060-00	4	150	B-106
	4/0	B-7915	B38-4060-00	4	150	B-106
#7 & Larger	#6	B-7916	B38-4063-00	4	90	B-106-32
	#4	B-7917	B38-4063-00	4	90	B-106-32
	#2	B-7918	B38-4063-00	4	90	B-106-32
	#1	B-7919	B38-4063-00	4	115	B-106-32
	1/0	B-7920	B38-4063-00	4	115	B-106-32
	2/0	B-7921	B38-4063-00	4	115	B-106-32
	3/0	B-7922	B38-4063-00	4	150	B-106-32
4/0	B-7923	B38-4063-00	4	150	B-106-32	

‡ PACKING MATERIAL NOTE

A packing pad is necessary when making BURNDYWeld® connections to Rebar. Packing Material B38-4060-00 is a special, patented copper-wool packing, with enough in each bag to do between 40 and 50 connections. Packing Material No.'s B38-4061-00, B38-4062-00 and B38-4063-00 are a ceramic fiber material and can be used for one connection only. Be sure to specify Packing Material No. when ordering Mold and Weld Metal.

- For sizes not listed, contact BURNDY® Products.
- Molds listed are for concentric stranded cable. Add suffix "-S" to mold number for solid conductors.
- For heavy duty molds, molds with wear plates or molds for Copperweld® cable, contact BURNDY® Products.
- For expedited service, contact BURNDY® Products.

Required Tools:

Handle Clamps (see chart for correct handles)

B38-0309-00 Flint Ignitor

Other recommended accessories:

B38-3922-00 Mold Cleaning Brush (pg 93)

B38-0135-00 Cable Cleaning Brush (pg 93)

B38-0304-00 File (pg 94)

*The B106-32 comes complete with a B-106 handle clamp and B40-0106-76 vertical chain clamp. Although good for use on all sizes of rebar, vertical chain clamps are strongly recommended on large size rebar as they hold the mold to the rebar securely. If you already have a B-106 handle clamp, you can purchase the vertical chain clamps separately. See page 92 for a variety of options.

For mold types or BURNDYWeld® items not shown,
please contact factory.

BURNDY® GROUNDMAX™

BURNDY® GROUNDMAX™ is an economical solution for areas with very difficult grounding issues. BURNDY® GROUNDMAX™ is highly conductive in a wet or dry application and does not require moisture to lower the resistance of your grounding system. BURNDY® GROUNDMAX™ contains a corrosion inhibitor which forms a film on copper, creating a barrier against corrosion.

BURNDY® GROUNDMAX™ can be poured in dry or pumped in slurry form. No tamping required. It is very contractor friendly. No special tools required.

*GROUNDMAX™ is the catalog number.

BURNDY® GROUNDMAX™ Advantages:

- Easy to install.
- Electrically conductive.
- Environmentally friendly.
- Will not leach into the ground.
- Positive low resistance, electrical connection to earth.
- Does not contain any hazardous chemicals.
- Compatible with all copper grounding systems.
- Contains a corrosion inhibitor to protect copper.
- Will not expand or shrink.
- Not affected by freezing.
- Excellent shelf life.
- Typical resistivity <10 Ohm-cm

Material Required Per Linear Foot of Trench												
Width of Trench (Inches)												
Thickness of BURNDY® GROUNDMAX™ (Inches)		4	6	8	10	12	14	16	18	20	22	24
	2	4.1	6.2	8.1	10.1	12.1	14.1	16.2	18.2	20.2	22.2	24.2
	3	6.2	9.3	12.1	15.2	18.2	21.2	24.2	27.3	30.3	33.3	36.4
	4	8.2	12.3	16.2	20.2	24.2	28.3	32.3	36.4	40.4	44.5	48.5
	5	10.3	15.4	20.2	25.3	30.3	35.4	40.4	45.5	50.5	55.6	60.6
	6	12.3	18.5	24.2	30.3	36.4	42.4	48.5	54.6	60.6	66.7	72.7
	7	14.4	21.6	28.3	35.4	42.4	49.5	56.6	63.7	70.7	77.8	84.9
	8	16.4	24.7	32.3	40.4	48.5	56.0	64.7	72.7	80.8	88.9	97.0
	9	18.5	27.8	36.4	45.5	54.6	63.7	72.7	81.8	90.9	100.0	109.1
	10	20.6	30.8	40.4	50.5	60.6	70.7	80.8	90.9	101.0	111.1	121.2

To calculate the lbs. of material required to fill a trench:

- Determine desired thickness.
- Move to the right until you are under the known width of the trench. This number will be the weight of the material in lbs./linear ft.
- Take this number and multiply by the length of the trench in feet. Your answer will be the amount of BURNDY® GROUNDMAX™ material required to fill the trench to the desired level in lbs.

Example:

Thickness: = 6 inches
 Width = 18 inches
 = 54.6 lbs. per linear ft. (from the table above)
 Answer = 54.6 lbs. per linear ft. x 25 ft. trench = 1,365 lbs. of BURNDY® GROUNDMAX™
 = 28 (50 lb.) bags of BURNDY® GROUNDMAX™

**For mold types or BURNDYWeld® items not shown,
please contact factory.**

Throughout the catalog you will notice blue highlighted items. These are the most frequently ordered BURNDY® Products.

BURNDY® Grounding Products

BURNDY® GROUNDMAX™ *

Application Information

*BURNDY® GROUNDMAX™ is the catalog number.

Vertical Installation

Drill or bore a hole the desired diameter and depth. Suspend ground electrode in center of hole to be filled. Pour BURNDY® GROUNDMAX™ until desired level is obtained. No tamping is required.

Dry Volume of BURNDY® GROUNDMAX™ vs. Hole Size		Ground Resistance Comparison of Bare Rod vs.	
Hole Size	Lbs. of BURNDY® GROUNDMAX™ Per Ft.	Hole Size with 5/8" x 10' Rod in Center of 15' Hole	Percent Resistance Compared to Rod Only (100%)
4"	6.5	4"	52%
6"	14.5	6"	47%
8"	25.8	8"	44%
10"	40.4	10"	42%
12"	58.1	12"	40%

Horizontal or Grid Construction†

Pour into horizontal trench until level of ground wire is reached. Place ground wire. Pour in additional BURNDY® GROUNDMAX™ until wire is covered to desired height. Cover with fill. No tamping required.

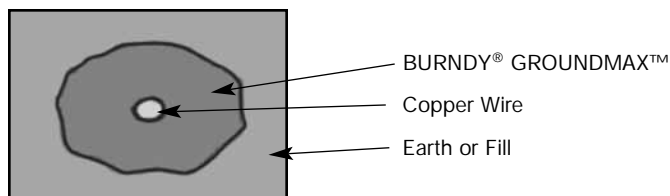
For grid construction, pour BURNDY® GROUNDMAX™ and spread over ground grid until desired thickness is achieved. Cover with fill.

Length	.475" Diameter Wire Only	Steady State Leakage Resistance‡ Using 4/0 Copper Wire vs. BURNDY® GROUNDMAX™ Percentage of Resistance with .475" Wire Plus BURNDY® GROUNDMAX™ in Various Diameters Compared to Wire Only (100%)			
		2"	3"	4"	6"
25'	100%	83%	78%	74%	69%
50'	100%	85%	81%	77%	73%
75'	100%	86%	82%	79%	75%
100'	100%	87%	83%	80%	77%
150'	100%	88%	84%	82%	78%
200'	100%	88%	85%	83%	79%
250'	100%	89%	85%	83%	80%
300'	100%	89%	86%	84%	80%

† Entire grounding system should be surrounded by BURNDY® GROUNDMAX™. Conductors should be insulated as they exit BURNDY® GROUNDMAX™ column.

‡ The use of BURNDY® GROUNDMAX™ around the grounding system will also reduce surge impedance by increasing the effective contact area of the electrode to soil.

Horizontal Construction



Earth or Fill
BURNDY®
GROUNDMAX™
Copper Wire

Grid Construction



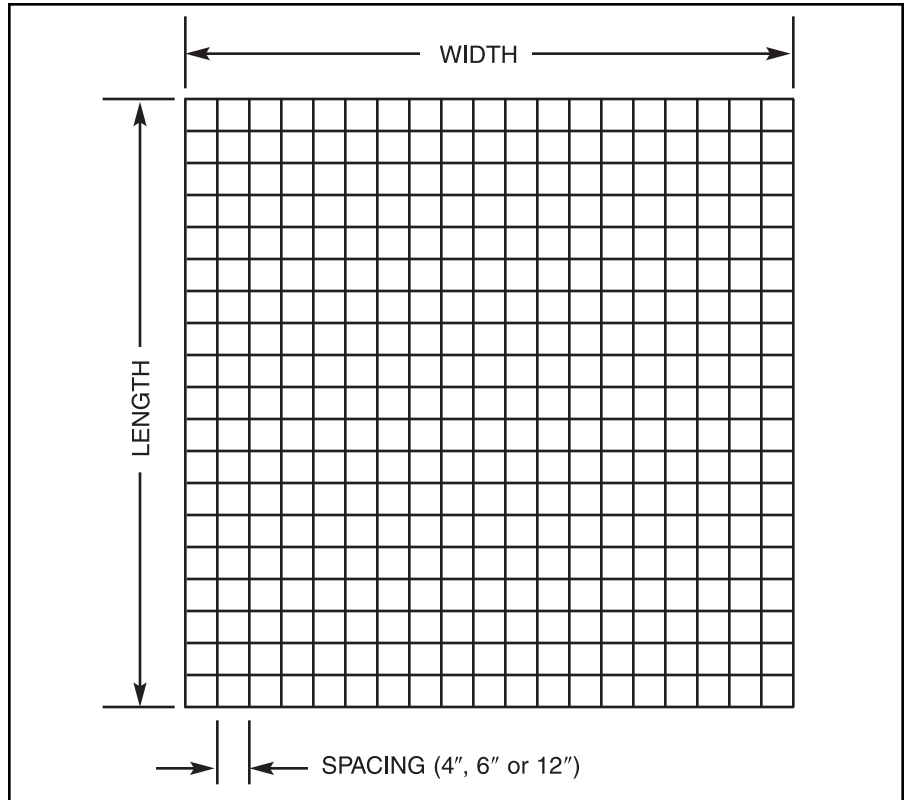
For mold types or BURNDYWeld® items not shown,
please contact factory.

**BURNDYWeld®
PREFABRICATED
WIRE MESH**

**Grounding, Personal Safety
Mats, Equipotential Planes,
Signal Reference Grid**

Prefabricated wire mesh is:

- manufactured from bare solid copper or copperclad conductors.
- spaced on 4", 6" or 12" centers.
- factory silver brazed at each crossover using 35% silver and a non-corrosive flux.
- furnished in sections with widths from 2 ft to 18 ft (length limited by weight).
- shipped on tubes and protected for transporting.
- interconnected in the field using BURNDYWeld® molds and powder.



Prefabricated Wire Mesh		
Part Number	Description	Weight/Sq Ft.
Contact Factory	#10 Solid Copper Wire Mesh on 4" Centers	0.192
	#6 Solid Copper Wire Mesh on 4" Centers	0.487
	#6 Solid Copper Wire Mesh on 6" Centers	0.325
	#6 Solid Copper Wire Mesh on 12" Centers	0.163
Copperclad Wire Mesh may be ordered contact factory for part numbers		

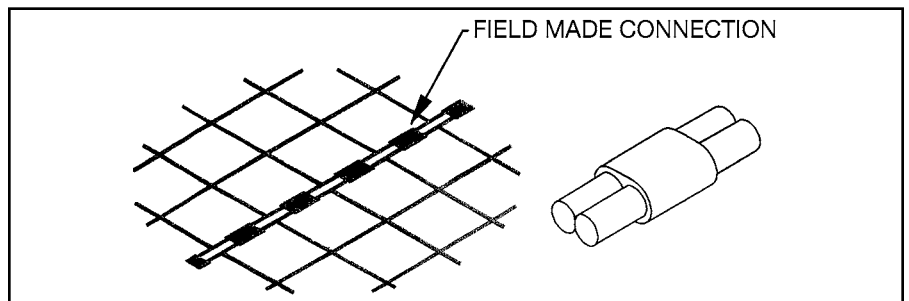
When ordering, specify wire type and size, width, length and spacing.

**For mold types or
BURNDYWeld® items
not shown, please
contact factory.**

Molds for Connecting Prefabricated Wire Mesh					
Wire Size	Weld Type	Mold Number	Price Key	Handle Clamp	Weld Metal
#6 Sol Copper	BCC-14	B-6205	18	included	#25
#6 Sol Copperweld	BCC-14	B-6207	18	included	#15
#8 Sol Copper	BCC-14	B-6209	18	included	#15
#8 Sol Copperweld	BCC-14	B-6210	18	included	#15
#10 Sol Copper	BCB-34	B-6211	18	included	#15
#10 Sol Copperweld	BCB-34	B-6212	18	included	#15

Throughout the catalog you will notice blue highlighted items. These are the most frequently ordered BURNDY® Products.

Adjoining sections of mesh are to be exothermically welded by installer using BURNDYWeld® molds and powder.



BURNDY® Grounding Products

BURNDYWeld® PREFABRICATED WIRE MESH

The prefabricated wire mesh is a convenient, efficient and economical means of improving grounding systems at facilities where large area grounds are required.

Wire Choices

Wire mesh is made from solid wire, either copper clad steel or pure copper. Copper clad steel wire has the strength of steel combined with the higher conductivity and corrosion resistance of copper. The two metals are permanently bonded and act as a single material.

Silver Brazed Joints

The long wires and cross wires of wire mesh are silver brazed at their crossing points. This method provides joints with a breaking strength strong enough to resist separation during installation and strong enough to bear the traffic of heavy vehicles.

Like the wire itself, the silver brazed joints are highly resistant to corrosion. Moreover, electrical continuity of a silver brazed joint is excellent.

Installation

Wire mesh is easily and economically installed. No expensive, special equipment is necessary, and there are no time consuming special handling procedures. The strong, pliable mesh is simply unrolled over the ground, interconnected using BURNDYWeld® connections to attach adjacent sections of mesh, and BURNDYWeld® to the main ground grid or ground rods. The mesh may be covered with a layer of earth or crushed stone.

When used to control step and touch potentials in an electrical substation, the mesh does not replace the main ground grid. However, the main grid can be installed to control the station resistance without regard to the step and touch potentials. A properly designed system employing prefabricated mesh which is periodically interconnected to the main grid, will control the step and touch potentials.

Interconnecting

The BURNDYWeld® process provides a rapid, economical, permanent, and highly conductive method of interconnecting wire mesh in the field.

The BURNDYWeld® process is a controlled reaction involving molten, superheated copper. It is ideal for connecting mesh because the reaction occurs quickly which fuses the wires together into a solid mass. The resulting weld is permanent and corrosion resistant. The large weld area provides current carrying capacity equal to the mesh conductors.

A semipermanent graphite mold is used in making the BURNDYWeld® connections. The mold controls the direction and speed of the molten metal and determines the shape of the weld. The equipment is lightweight, portable and easy to use. No outside source of heat or power is needed, and only a minimum of training is necessary. The mesh can be interconnected by this process even under adverse working conditions.

The adjacent mesh sections are best joined by the exothermic parallel type BCC-14 connection.

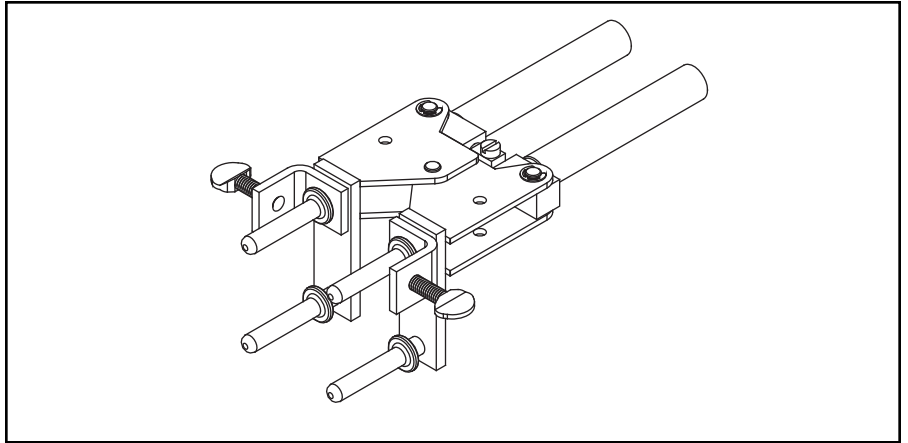
**For mold types or BURNDYWeld® items not shown,
please contact factory.**

Throughout the catalog you will notice blue highlighted items. These are the most frequently ordered BURNDY® Products.

B-106 & B-107 HANDLE CLAMPS

BURNDYWeld® Handle Clamps make possible the use of many different sizes and types of molds with only two different clamps. The two handle clamps are catalog numbers B-106 and B-107. These will fit 95% of all standard BURNDYWeld® molds.

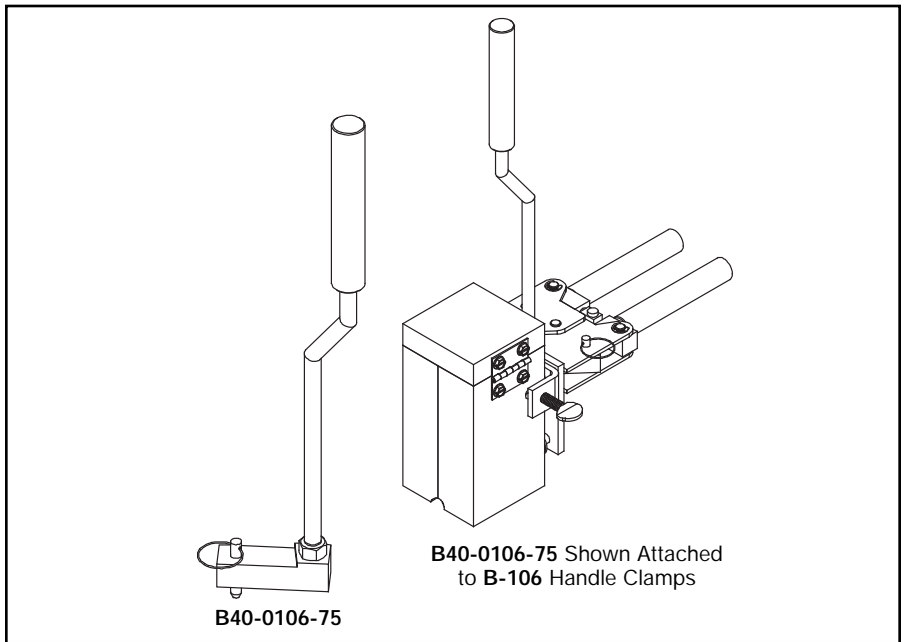
1. Use B-106 clamps for all molds having a price key 4, 7, 17, 22 or 24. These molds are a nominal 3 1/8" x 3 1/8" square.
2. Use B-107 clamps for all molds having a price key 5, 6, 8 or 23. These molds are a nominal 4" x 4" square.
3. All molds having a price key 2, 3, 9, 10, 11, 12, 14, 15 or 16 have an attached frame; separate handles are not required.



B40-0106-75 HANDLE ATTACHMENT

This Handle Attachment is used to hold Price Key-14 molds in position. It easily attaches to the B-106 Handle Clamp. This Handle Attachment can be used with weld types BCRE-1 and BCRE-4.

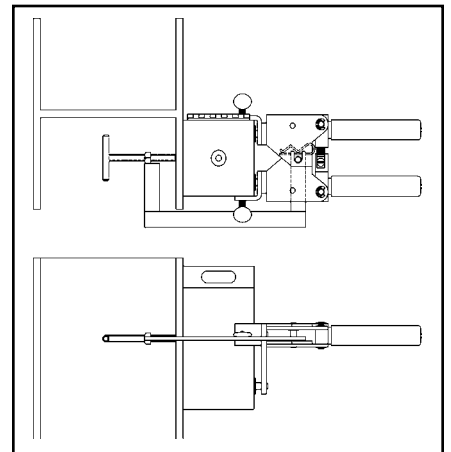
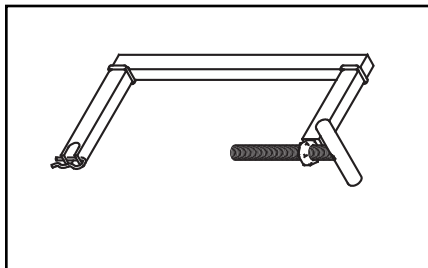
Catalog Number **B40-0106-75**



MOLD SUPPORT CLAMP

The Mold Support Clamp is used to hold a mold in position on a vertical steel column or angle. It is easily attached to the Handle Clamps. The Mold Support Clamp can be used with weld types BCS-3, BCS-18, BCS-23 and BCS-27.

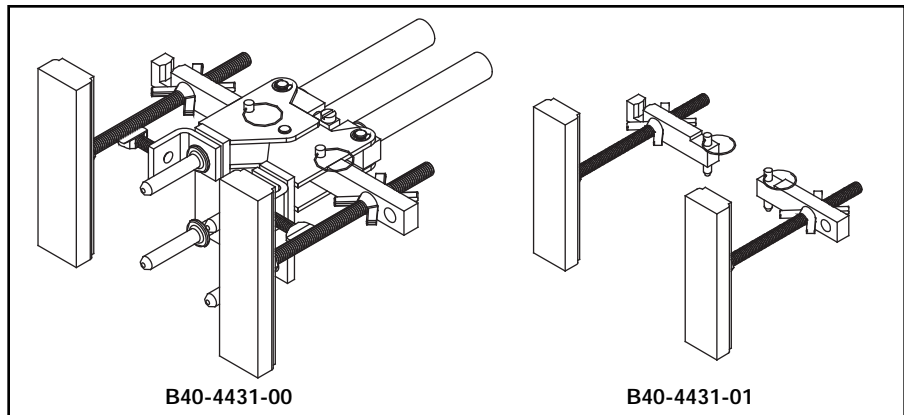
Catalog Number **B40-3657-00**



**For mold types or BURNDYWeld® items not shown,
please contact factory.**

VERTICAL MAGNETIC CLAMPS

Magnetic Clamps are used to hold a mold in position on a vertical steel surface. The magnetic clamp can be purchased complete with B-106 Handle Clamps or if you already have a set of handle clamps, you can order just the magnetic mounting assembly. The mounting assembly can easily be mounted on the prongs of your existing B-106 handle clamps. A minimum of 10" is required.

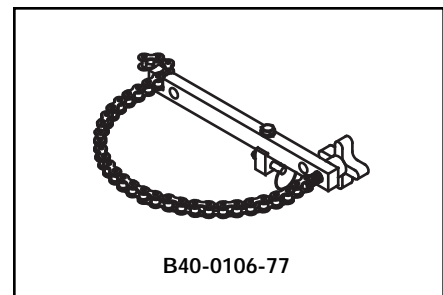
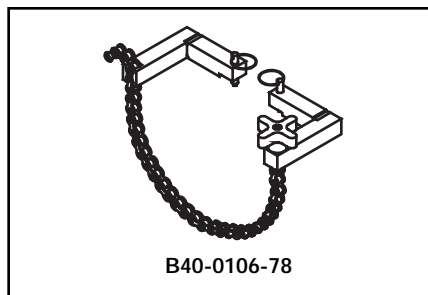
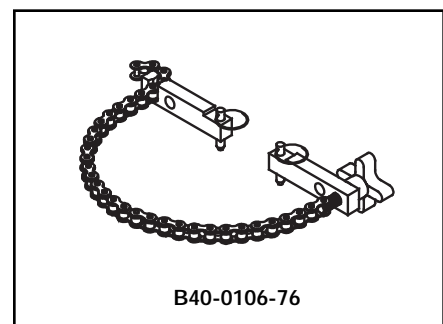
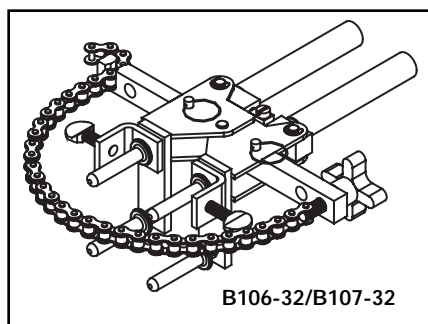


Magnetic Clamps With B106 Handle		
Catalog Number	Fits Molds W/Price Key	For Use With Weld Types
B404431-00	4 & 17	BCS-3, 4, 7 & 23

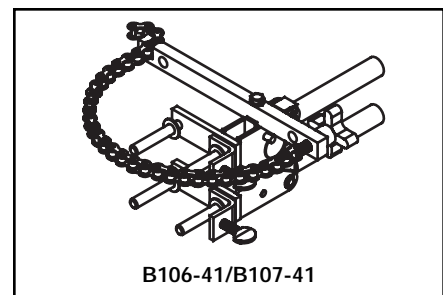
Magnetic Clamp Only		
Catalog Number	Fits Handle Clamps	For Use With Weld Types
B40-4431-01	B-106 & B-107	BCS-3, 4, 7 & 23

HORIZONTAL & VERTICAL CHAIN CLAMPS

Chain Clamps are used to hold a mold in position on horizontal or vertical pipe up to 4" in diameter. For larger pipe a 20" chain extension is available to allow the chain clamps to be used on pipe up to 10" in diameter. The chain clamp can be purchased complete with B-106 or B-107 Handle Clamps or if you already have a set of handle clamps, you can order just the chain clamp and mounting assembly. The mounting assembly can easily be attached to your existing handle clamps. 20" Chain Extension catalog number B40-0106-27.



Chain Clamps			
Catalog Number	Fits Molds W/Price Key	For Use With Weld Types	Pipe Position
B106-32	4, 17, 22 & 24	BCS-3, 4, 7, 23 & BCRE-6	Vertical
B107-32	5, 6 & 23	BCS-3, 4, 7 & 23	Vertical
B106-37	4, 17, 22 & 24	BCS-1, 2, 5, 8 & 9	Horizontal
B107-37	5, 6 & 23	BCS-1, 2, 5, 8 & 9	Horizontal
B106-41	4, 17	BCS-6, 18 & BCRE-3	Vertical



Chain Clamp Only (Handle Clamps Not Included)			
Catalog Number	Fits Handle Clamp	For Use With Weld Types	Pipe Position
B40-0106-76	B-106 & B-107	BCS-3, 4, 7, 23 & BCRE-6	Vertical
B40-0106-78	B-106 & B-107	BCS-1, 2, 5, 8 & 9	Horizontal
B40-0106-77	B-106 & B-107	BCS-6, 18 & BCRE-3	Vertical

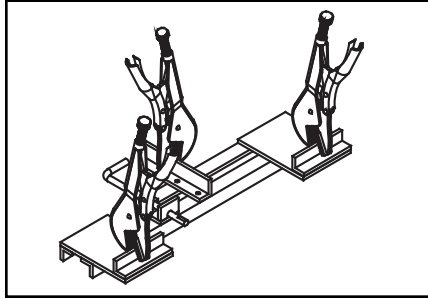
For mold types or BURNDYWeld® items not shown, please contact factory.

Throughout the catalog you will notice blue highlighted items. These are the most frequently ordered BURNDY® Products.

BURNDYWeld® ACCESSORIES

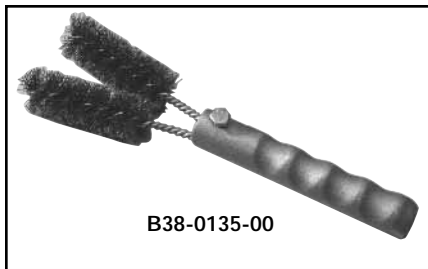
B38-0330-00 CABLE CLAMP

The BURNDYWeld® Cable Clamp is recommended for holding a wide range of cables properly in place in molds when welding cables that are under tension. This prevents the cables from pulling out of the mold when the weld is made.



CABLE CLEANING AND CARD CLOTH BRUSH

The Cable Cleaning Brush is recommended for cleaning heavily oxidized cables. The V-shape brushes permit their use over a wide range of cable sizes. Brush assembly consists of a handle with two stiff wire bristle brushes that are rotatable, for longer life and are replaceable.



B38-0135-00



B38-0306-00

The Card Cloth Brush is used for cleaning large conductors and bus bar. It has short stiff bristles. These brushes are for cleaning cable only, not molds.

The Mold Cleaning Brush B38-3922-00 is used to clean the graphite mold without scratching the mold.

Cable Cleaning Brush
Replacement Brush
Card Cloth Brush
Mold Cleaning Brush

B38-0135-00
B38-0135-01
B38-0306-00
B38-3922-00



B38-3922-00

MOLD CLEANERS

Mold Cleaners are used to clean the slag from molds that are not split through the crucible.

- B40-0319-01 for cartridge sizes #15 through #65
- B40-0319-03 for cartridge sizes #90 through #500



PACKING MATERIAL

Packing material is used to prevent the molten weld metal from leaking out of the mold. When the cable opening becomes worn from heavy use, the packing material may be used to prolong mold use. It is also used around 7 strand cable to prevent leaking. Packing material comes in a 1 lb. or 5 lb. package.

Catalog Number	Description
B38-4129-00	1 lb. package
B38-4129-05	5 lb. package



For mold types or BURNDYWeld® items not shown,
please contact factory.

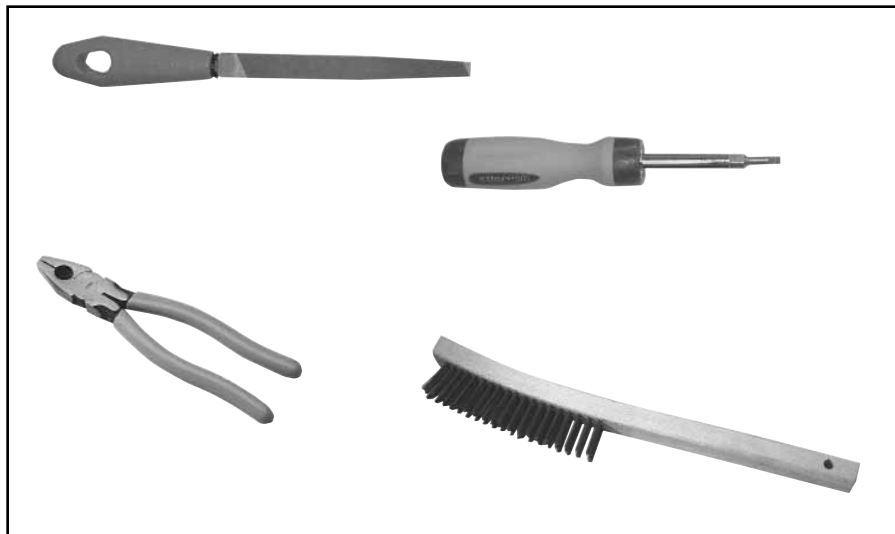
BURNDY® Grounding Products

BURNDYWeld® ACCESSORIES



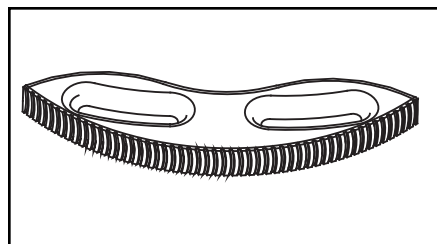
BURNDYWeld® TOOL KIT

- B38-0302-00** Tool Kit with Tools Shown except Rasp
- B38-0302-02** Tool Kit with Tools Shown and Rasp
- B38-0303-00** Tool Box only



BURNDYWeld® TOOLS

- B38-0309-00** Flint Ignitor
- B38-0304-00** 8" File
- B38-0307-00** Crimping Tool
- B38-3922-00** Mold Cleaning Brush
- B38-0308-00** 6" Screwdriver
- B38-0135-00** Wire Brush
- B38-0101-00** Rasp
- B38-0306-00** Card Cloth Brush



B38-0101-00 RASP

This tempered steel, curved rasp is recommended for removing rust and mill scale from steel and cast iron surfaces. The blade is replaceable. To order replacement rasp blade, specify catalog number **B38-0101-01**.

Not recommended for use on galvanized surfaces.



B38-0309-00 FLINT IGNITOR

The B38-0309-00 Flint Ignitor is used to ignite the starting powder. Each mold that is sold with a frame has a Flint Ignitor included. For added safety a Flint Ignitor extension is available, catalog number **B38-0904-00**, that attaches to the B38-0309-00 Flint Ignitor. This allows installers to stay approximately 36" away from the mold.

To order replacement flints, specify part number **B38-0309-01**.

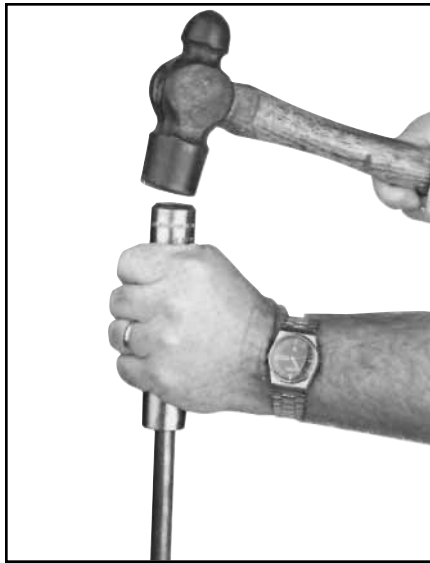
**For mold types or BURNDYWeld® items not shown,
please contact factory.**

Throughout the catalog you will notice blue highlighted items. These are the most frequently ordered BURNDY® Products.

GROUND ROD DRIVING SLEEVES

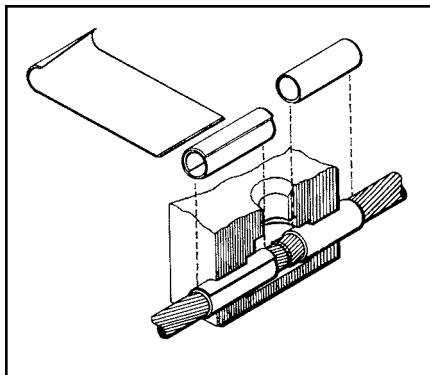
Ground Rod Driving Sleeves are placed over the top of a ground rod while driving it into the ground. This prevents the top from mushrooming or flaring out. Ground rod driving sleeves are available in sizes to fit all standard unthreaded ground rods.

Catalog Number	For Use On
B38-3662-01	1/2" Copper Clad or Steel Ground Rod
B38-3662-02	5/8" Copper Clad Ground Rod
B38-3662-05	5/8" Steel Ground Rod
B38-3662-03	3/4" Copper Clad Ground Rod
B38-3662-06	3/4" Steel Ground Rod
B38-3662-04	1" Copper Clad Ground Rod



SHIM STOCK AND ADAPTER SLEEVES

BURNDYWeld® molds designed for larger cable sizes can be used on smaller diameter cables if copper adapter sleeves or shim stock are utilized. The copper shim stock, .0108" x 1-1/2" x 3", is normally wrapped around cable until the diameter is about equal to the cable opening. A tight fit is not necessary as the shim stock will unwrap slightly and prevent leakage of weld metal. To order shim stock use part number [B38-0329-00](#). Shim stock comes 100 pieces per box.



For Use on Cable Size		Part No.	Use in Mold Size	Sleeve Dimensions		
Stranded	Solid			O.D.	I.D.	Length
#12, #14	#10, #12, #14	BA-200	#6 STR & Sol	.156	.111	1.00
#9, #10	#8, #9, #10	BA-208	#4 Sol	.203	.140	1.00
#7, #8, #10	#6, #8	BA-201	#4	.227	.177	1.00
#6	#5	BA-202	#2	.292	.198	1.00
#4, #5	#3, #4	BA-207	#2	.302	.246	1.00
#4	#2	BA-204	#1	.340	.246	1.00
#2	#1	BA-203	1/0	.370	.307	1.00
#1	1/0	BA-209	2/0	.420	.359	1.00
1/0, #1	2/0	BA-205	3/0 & 4/0 Sol	.469	.385	1.00
2/0, 1/0	3/0	BA-240	4/0	.524	.437	1.50
4/0	—	BA-211	300 kcmil	.625	.545	1.25
250 kcmil	—	BA-212	350 kcmil	.677	.595	1.25
350, 400 kcmil	—	BA-213	500 kcmil	.811	.762	1.50
250, 300, 350 kcmil	—	BA-214	500 kcmil	.811	.700	1.50
750, 800 kcmil	—	BA-215	1000 kcmil	1.156	1.05	1.50

For mold types or BURNDYWeld® items not shown, please contact factory.

Throughout the catalog you will notice blue highlighted items. These are the most frequently ordered BURNDY® Products.

TROUBLE SHOOTING TIPS

PROBLEM	PROBABLE CAUSE	CORRECTION TO MAKE
Insufficient metal to make weld.	Worn mold resulting in leaking weld metal.	Replace mold. If only worn around conductor opening, use duct seal around conductor. Do not get duct seal into mold cavity.
	Wrong size cartridge for mold.	Check ID plate for mold and compare with number on bottom of cartridge.
	Too much spillage when dumping powder.	Carefully open lid while holding over crucible and dump.
	Wrong mold for conductor being used.	Replace with correct mold. In some applications, shim stock or adapter sleeves can be used to enlarge cable to fit mold.
Mold does not close tightly causing weld metal to leak out.	Handle clamps not properly adjusted.	Remove cotter pin between the handles of the mold and adjust handle tension by backing out the eye bolt.
	Dirt or slag stuck in parting line of mold.	Clean mold thoroughly between connections.
	Bent or out-of-round cable.	Straighten or cut out bad section of cable.
Handle clamps will not lock closed.	Handle clamps not properly adjusted.	Remove cotter pin between the handles of the mold and adjust handle tension by backing out the eye bolt.
Excessively high weld, bubbly or gassy appearance, poor weld.	Moisture in mold.	Pre-heat mold to above 220° F with a propane torch, or ignite a sacrificial shot in mold with pieces of scrap conductor in it. If it is a horizontally split mold, shoot 3/4 of the recommended cartridge to make sure you do not lock up mold.
	Oil, grease, moisture or foreign material on conductors.	Pre-heat conductors with propane torch then use a clean wire brush on conductor to remove any residue left on conductors. If welding to cast iron or steel surface, weld area must be cleaned down to bright metal.
	Duct seal in weld cavity.	Take special precautions to keep duct seal out of weld cavity.
	Weld powder has gotten wet.	Replace with fresh, dry weld powder.
Weld metal blows out top of mold.	Mold worn or chipped around disc seal allowing powder to leak into mold cavity.	Replace mold.
	Forgot to use steel disc or did not seat it properly at bottom of crucible.	Make sure disc is seated at bottom of crucible before pouring the powder into crucible.

Throughout the catalog you will notice blue highlighted items. These are the most frequently ordered BURNDY® Products.

TROUBLE SHOOTING TIPS
(Continued)

PROBLEM	PROBABLE CAUSE	CORRECTION TO MAKE
Cannot ignite powder.	Insufficient starting powder in ignition pocket on mold lid.	Place at least half of starting powder in ignition pocket of mold lid. Use all starting powder for each connection.
	Flint ignitor not shooting enough spark.	Clean flint ignitor according to directions on box or replace flint ignitor.
	Starting powder lumped together.	Break up starting powder on lid with edge of powder tube.
	Starting powder has gotten wet.	Remove shot from mold and replace with a dry cartridge.
Mold wearing out too fast.	Improper cleaning of mold.	Use mold cleaner, soft natural bristle brush or clean rag to clean mold between shots. Do not use wire brush or screwdriver on molds.
	Bent or out of round cable causes chipping and premature wear of the mold.	Use caution when closing mold. Do not force mold shut around bent, twisted or out of round conductors.
Poor weld to ground rod.	Weight of mold not supported during reaction causing mold to slip when cable melts.	Use locking pliers on ground rod under mold to support the weight of the mold during the reaction.
	Moisture or contaminant on cable or ground rod.	Pre-heat conductors with propane torch then use a clean wire brush on conductors to remove any residue left on conductors.
Weld will not stick to steel surface.	Improperly cleaned area on steel.	An area larger than the weld area should be cleaned down to bright clean metal.
	Moisture or contaminant on cable or ground rod.	Pre-heat conductors with propane torch then use a clean wire brush on conductors to remove any residue left on conductors.
	Cable is improperly positioned in mold, blocking the flow of weld metal.	Position cable in mold in accordance with directions for mold. If directions are not available, position top of cable in the center of where the liquid weld metal hits the steel.
Weld will not stick to cast iron surface.	All of the causes listed under welding to steel surface also apply to this section.	
	Not using CI (Cast Iron) powder.	Specify "CI" behind cartridge when ordering powder (i.e. 25 CI).
Cable pulls out of mold when it is fired.	Cables are either twisted or under tension.	Use B38-0330-00 cable clamp or other method to remove tension. Cut out severely twisted cable.

Throughout the catalog you will notice blue highlighted items. These are the most frequently ordered BURNDY® Products.

TYPES PENETROX™ A, A-13 AND E

OXIDE-INHIBITING JOINT COMPOUNDS

PENETROX™ oxide-inhibiting compounds produce low initial contact resistance, seal out air and moisture, prevent oxidation or corrosion, exhibit superior weathering characteristics, are usable over wide temperature ranges, and provide a high conductivity “gas-tight” joint. All PENETROX™ compounds contain homogeneously suspended metal particles. The suspended metal particles assist in penetrating thin oxide films, act as electrical “bridges” between conductor strands, aid in gripping the conductor, improve electrical conductivity and enhance the integrity of the connection.

The specially formulated PENETROX™ compounds are for use with compression and bolted connectors providing an improved service life for both copper and aluminum connections. Additionally, the non-toxic compounds are an excellent lubricant for threaded applications reducing galling and seizing.



PENACARTRIDGE

PENACARTRIDGE is a 1 lb. cartridge filled with PENETROX-A. It's designed to fit standard caulking guns for easy insertion into transmission and distribution connectors. Additionally, this packaging design provides a convenient method for applying PENETROX™ to many different applications.



PENETROX A-13

PENETROX A-13 is a synthetic base compound with evenly suspended zinc particles. It is recommended for aluminum to aluminum, aluminum to copper connection plus aluminum conduit threads. It is compatible with rubber, polyethylene and other insulating materials. UL listed for all voltages.



PENETROX A

PENETROX A is a natural (petroleum) base compound with evenly suspended zinc particles. It is recommended for aluminum to aluminum, aluminum to copper connections and aluminum conduit threads. It is not recommended for use with rubber or polyethylene insulated conductors. UL listed to 600V.



PENETROX E

PENETROX E is a synthetic base compound with evenly suspended copper particles. It is recommended for copper to copper, copper threads and all grounding applications. UL listed.

Throughout the catalog you will notice blue highlighted items. These are the most frequently ordered BURNDY® Products.

PENETROX A, A-13 AND E

TECHNICAL INFORMATION

PENETROX A

PENETROX A consists of a natural (petroleum) base vehicle in which zinc particles are suspended. For aluminum to aluminum, aluminum to copper applications and aluminum conduit threads. It is not recommended for use with rubber and polyethylene insulated conductors. UL listed to 600 volts.

PENETROX A-13

PENETROX A-13 consists of a non-petroleum base vehicle in which zinc particles are suspended. Recommended for aluminum to aluminum, aluminum to copper applications and aluminum conduit threads. Compatible with insulating materials such as rubber, or polyethylene. UL listed and recommended for all voltages.

PENETROX E

PENETROX E consists of a non-petroleum base vehicle in which copper granules are suspended. Recommended for copper to copper applications, grounding and for use on copper conduit threads. UL listed.

Easy to apply:

1. Scratch brush the conductor surfaces until bright and clean.
2. Immediately apply PENETROX™ to the conductive surfaces.
3. For EHV applications, remove all excess PENETROX™ after installation is complete.

SHELF LIFE

When stored in its original container in cool (under 100° F) dry environment, PENETROX™ oxide inhibiting compound will remain workable and functional for (5) years from the date marked on the container provided it is mixed per instructions prior to use.



PROPERTIES OF PENETROX™

Property	Value PENETROX™ Definition	PENETROX™ E & A13	A
Penetration (Unworked)	The value in accordance to ASTM D217 indicates the consistency of a grease. The higher the number, the softer the grease.	250	230
Dropping Point (Minimum)	The temperature at which the grease passes from the semi-solid to a liquid state under test conditions.	500° F	230° F
Pour Point (Maximum)	The lowest temperature at which the compound will flow. Pour point is the lubricant's ability to perform in cold conditions.	-10° F	-15° F

* MSDS sheets available through customer service.

ORDERING INFORMATION

Catalog Number		Container		Container Type	Size
PENETROX™ A	PENETROX™ A-13	PENETROX™ E			
PENA 1/2	—	—		Tube	1/2 oz.
PEN A-4	PEN A13-4	PEN E-4		Squeeze Bottle	4 oz.
P8A	PEN A13-8	PEN E-8		Squeeze Bottle	8 oz.
PENACARTRIDGE	PENA13CARTRIDGE	—		Cartridge	1 lb.*
PEN A-QT	PEN A13-QT	PEN E-QT		Plastic Tub	1 Quart
PEN A-GAL	PEN A13-GAL	PEN E-GAL		Can	1 Gallon
PEN A-5GAL	PEN A13-5GAL	PEN E-5GAL		Pail	5 Gallons
PEN A-55GAL	PEN A13-55GAL	PEN E-55GAL		Drum	55 Gallons

* 1 lb. cartridge will fit standard caulking guns.



Throughout the catalog you will notice blue highlighted items. These are the most frequently ordered BURNDY® Products.

HARDWARE DATA

RECOMMENDED TIGHTENING TORQUE

The hardware used in connectors must be compatible with the connector material, have high mechanical strength and be corrosion resistant and correspond to NEMA recommendations.

Copper alloy connectors have hardware made of DURIMUM™, which is the BURNDY® trade name for silicon bronze alloy ASTMB99 type B. This material was first introduced by BURNDY® in 1927 for use in outdoor construction, and today, is the standard throughout the industry.

DURIMUM™ and Steel Hardware		Aluminum Hardware	
Bolt Size	Recommended Torque (Inch Pounds)	Bolt Size	Recommended Torque (Inch Pounds)
1/4 - 20	80	1/2 - 13	300
5/16 - 18	180	5/8 - 11	480
3/8 - 16	240	3/4 - 10	650
1/2 - 13	480		
5/8 - 11	660		
3/4 - 10	1,050		

Aluminum connectors generally have aluminum alloy hardware. The bolts are 2024T4 and anodized to resist corrosion. The nuts are 6061T6, which is resistant to corrosion and does not require anodizing. Both nuts and bolts are lubricated to eliminate galling and to provide consistent clamping forces.

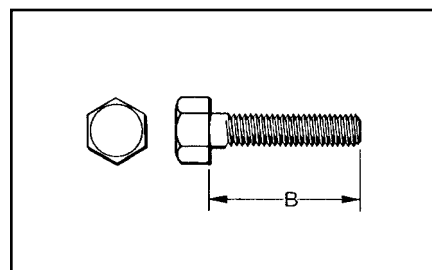
The size material for clamping hardware are selected to provide the required force when tightened to the recommended torque. To reduce or greatly exceed the recommended torque can adversely affect the performance of the connector.

DURIMUM™ BOLT

SILICON BRONZE

BURNDY® introduced silicon bronze bolts, nuts, and other hardware items on outdoor connector applications in 1927. Today the DURIMUM™ trademark is a standard for this use.

DURIMUM™ bolts combine high strength with corrosion resistance. **Bolts up to 2 inches long are fully threaded; longer bolts are threaded for two inches.** Heads have



American Standard dimension, and the threads are per American National Coarse Series, Class #2 fit. The silicon bronze is per ASTM B99.

Catalog Number	Thread Size	B Length	Catalog Number	Thread Size	B Length	Catalog Number	Thread Size	B Length
25x50 HEB BOX	1/4-20	1/2"	38x125 HEB BOX	3/8-16	1-1/4"	50x300 HEB BOX	1/2-13	3"
25x62 HEB BOX	1/4-20	5/8"	38x150 HEB BOX	3/8-16	1-1/2"	50x325 HEB BOX	1/2-13	3-1/4"
25x75 HEB BOX	1/4-20	3/4"	38x175 HEB BOX	3/8-16	1-3/4"	50x350 HEB BOX	1/2-13	3-1/2"
25x100 HEB BOX	1/4-20	1"	38x200 HEB BOX	3/8-16	2"	50x375 HEB BOX	1/2-13	3-3/4"
25x125 HEB BOX	1/4-20	1-1/4"	38x225 HEB BOX	3/8-16	2-1/4"	50x400 HEB BOX	1/2-13	4"
25x150 HEB BOX	1/4-20	1-1/2"	38x250 HEB BOX	3/8-16	2-1/2"	50x450 HEB BOX	1/2-13	4-1/2"
25x200 HEB BOX	1/4-20	2"	38x275 HEB BOX	3/8-16	2-3/4"	50x500 HEB BOX	1/2-13	5"
25x250 HEB BOX	1/4-20	2-1/2"	38x300 HEB BOX	3/8-16	3"	50x550 HEB BOX	1/2-13	5-1/2"
25x300 HEB BOX	1/4-20	3"	38x325 HEB BOX	3/8-16	3-1/4"	50x600 HEB BOX	1/2-13	6"
31x50 HEB BOX	5/16-18	1/2"	38x350 HEB BOX	3/8-16	3-1/2"	62x100 HEB BOX	5/8-11	1"
31x62 HEB BOX	5/16-18	5/8"	38x400 HEB BOX	3/8-16	4"	62x125 HEB BOX	5/8-11	1-1/4"
31x75 HEB BOX	5/16-18	3/4"	38x450 HEB BOX	3/8-16	4-1/2"	62x150 HEB BOX	5/8-11	1-1/2"
31x100 HEB BOX	5/16-18	1"	38x500 HEB BOX	3/8-16	5"	62x175 HEB BOX	5/8-11	1-3/4"
31x125 HEB BOX	5/16-18	1-1/4"	44x150 HEB BOX	7/16-14	1-1/2"	62x200 HEB BOX	5/8-11	2"
31x150 HEB BOX	5/16-18	1-1/2"	44x200 HEB BOX	7/16-14	2"	62x225 HEB BOX	5/8-11	2-1/4"
31x175 HEB BOX	5/16-18	1-3/4"	50x75 HEB BOX	1/2-13	3/4"	62x250 HEB BOX	5/8-11	2-1/2"
31x200 HEB BOX	5/16-18	2"	50x100 HEB BOX	1/2-13	1"	62x275 HEB BOX	5/8-11	2-3/4"
31x250 HEB BOX	5/16-18	2-1/2"	50x125 HEB BOX	1/2-13	1-1/4"	62x300 HEB BOX	5/8-11	3"
31x300 HEB BOX	5/16-18	3"	50x150 HEB BOX	1/2-13	1-1/2"	62x325 HEB BOX	5/8-11	3-1/4"
38x50 HEB BOX	3/8-16	1/2"	50x175 HEB BOX	1/2-13	1-3/4"	62x350 HEB BOX	5/8-11	3-1/2"
38x62 HEB BOX	3/8-16	5/8"	50x200 HEB BOX	1/2-13	2"	62x400 HEB BOX	5/8-11	4"
38x75 HEB BOX	3/8-16	3/4"	50x225 HEB BOX	1/2-13	2-1/4"	62x450 HEB BOX	5/8-11	4-1/2"
38x88 HEB BOX	3/8-16	7/8"	50x250 HEB BOX	1/2-13	2-1/2"	62x500 HEB BOX	5/8-11	5"
38x100 HEB BOX	3/8-16	1"	50x275 HEB BOX	1/2-13	2-3/4"	62x600 HEB BOX	5/8-11	6"

DURIUM™ NUT

SILICON BRONZE

DURIUM™ hexagon regular nuts are non-magnetic and are made to American Standard dimensions. American National Coarse Series threads, #2 fit.

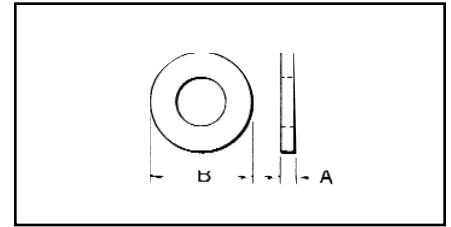


Catalog Number	Thread Size
25C HEN BOX	1/4-20
31C HEN BOX	5/16-18
38C HEN BOX	3/8-16
44C HEN BOX	7/16-14
50C HEN BOX	1/2-13
62C HEN BOX	5/8-11

DURIUM™ FLAT WASHER

SILICON BRONZE

High strength DURIUM™ Flat Washers are non-magnetic and free from galvanic action when in contact with copper. Conforms to SAE standards.



Catalog Number	For Bolt Size	Nominal Dimensions in Inches	
		A	B
25 FW BOX	1/4	1/16	5/8
31 FW BOX	5/16	1/16	11/16
38 FW BOX	3/8	1/16	13/16
44 FW BOX	7/16	1/16	15/16
50 FW BOX	1/2	3/32	1-1/16
62 FW BOX	5/8	3/32	1-5/16

DURIUM™ SPLIT LOCKWASHER

SILICON BRONZE

DURIUM™ spring type lockwasher has high resiliency and exerts constant pressure on the face of the nut, preventing vibration from loosening the nut.

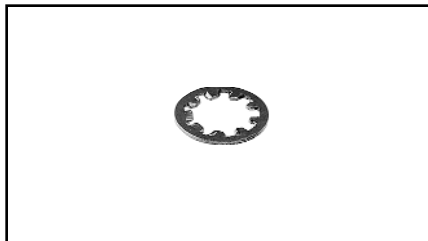


Catalog Number	For Bolt Size
25 SW BOX	1/4
31 SW BOX	5/16
38 SW BOX	3/8
44 SW BOX	7/16
50 SW BOX	1/2
62 SW BOX	5/8

DURIUM™ INTERNAL TOOTH LOCKWASHER

SILICON BRONZE

DURIUM™ Internal Tooth Lockwashers are available as illustrated. The teeth are twisted slightly and present biting edges which grip the nut and the part being clamped, preventing the nut from backing off.



Catalog Number	For Bolt Size
25 NW BOX	1/4
31 NW BOX	5/16
38 NW BOX	3/8
44 NW BOX	7/16
50 NW BOX	1/2
62 NW BOX	5/8

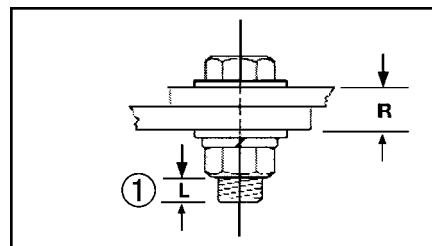
Throughout the catalog you will notice blue highlighted items. These are the most frequently ordered BURNDY® Products.

BURNDY® Grounding Products

TYPE TMH

DURIUM™ SILICON BRONZE HARDWARE KITS

Type TMH are DURIUM™ silicon bronze hardware kits. The kits can be ordered for specific applications ensuring the proper type and amount of hardware for each installation. Packaged in separate sealed bags, they are convenient to use, eliminating mismatched quantities. DURIUM™ silicon bronze material provides long lasting corrosion resistance.



Catalog Number	Size	Each TMH Kit Includes:					Working Range R	Installation Torque (In-lbs)
		Bolt		Flat Washer	Split Washer	Hex Nut		
		Length	Qty.					
TMH262	1/4-20	0.75	2	4	2	2	0.09 - 0.34	80
TMH263		1.00	2	4	2	2	0.34 - 0.59	
TMH264		1.25	2	4	2	2	0.59 - 0.84	
TMH265		1.50	2	4	2	2	0.84 - 1.09	
TMH266	3/8-16	0.75	2	4	2	2	0.00 - 0.19	240
TMH267		1.00	2	4	2	2	0.19 - 0.44	
TMH268		1.25	2	4	2	2	0.44 - 0.69	
TMH269		1.50	2	4	2	2	0.69 - 0.94	
TMH270		1.75	2	4	2	2	0.94 - 1.19	
TMH271		2.00	2	4	2	2	1.19 - 1.44	
TMH332 ²		2.75	2	4	2	2	-	
TMH261 [†]		3.00	2	4	2	2	2.15 - 2.40	
TMH289 ^{††}	1.25	1	2	1	1	0.02 - 0.27		
TMH295	1/2-13	1.25	2	4	2	2	0.27 - 0.49	480
TMH272		1.50	2	4	2	2	0.49 - 0.74	
TMH294		1.75	2	4	2	2	0.74 - 0.99	
TMH69		2.00	2	4	2	2	0.99 - 1.24	

[†] For use with CUSA750-2TC38 copper spacer adaptor, (2) terminals and 1/4" thick equipment bus bar. For other combinations contact BURNDY®.
^{††} For use with all GAR-TC connectors. "R" dimension is allowable pad thickness of terminal

* For other combinations contact BURNDY®.
^① "L" dimension never exceeds .25"
² For use with CUSA442TC38 on 1/4" bus bar and HYLUG™ 4/0 - 750 kcmil.

TYPE TMH-SS

STAINLESS STEEL HARDWARE KITS

Type TMH-SS are stainless steel hardware kits. Just like the standard TMH kits, these kits can be ordered for specific applications ensuring the proper type and amount of hardware for each installation. They are packaged in separate sealed bags and convenient for use and ordering.

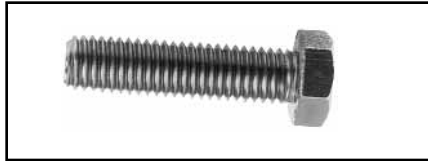
Catalog Number	Size	Each TMH Kit Includes:					Working Range R	Installation Torque (In-lbs)
		Bolt		Flat Washer	Split Washer	Hex Nut		
		Length	Qty.					
TMH322SS	10 - 32	0.875	1	0	1	1	-	45
TMH262SS	1/4-20	0.75	2	4	2	2	0.09 - 0.34	80
TMH263SS		1.00	2	4	2	2	0.34 - 0.59	
TMH264SS		1.25	2	4	2	2	0.59 - 0.84	
TMH265SS		1.50	2	4	2	2	0.84 - 1.09	
TMH267SS	3/8-16	1.00	2	4	2	2	0.19 - 0.44	240
TMH268SS		1.25	2	4	2	2	0.44 - 0.69	
TMH269SS		1.50	2	4	2	2	0.69 - 0.94	
TMH270SS		1.75	2	4	2	2	0.94 - 1.19	
TMH271SS		2.00	2	4	2	2	1.19 - 1.44	
TMH261SS		3.00	2	4	2	2	2.15 - 2.40	
TMH295SS	1/2-13	1.25	2	4	2	2	0.27 - 0.49	480
TMH272SS		1.50	2	4	2	2	0.49 - 0.74	
TMH294SS		1.75	2	4	2	2	0.74 - 0.99	
TMH69SS		2.00	2	4	2	2	0.99 - 1.24	

Throughout the catalog you will notice blue highlighted items. These are the most frequently ordered BURNDY® Products.

STAINLESS STEEL HARDWARE

Stainless steel bolts, nuts, flatwashers and split lockwashers are manufactured from 18-8 non-magnetic material. Bolts up to 2 inches long are fully threaded; longer bolts are threaded for 2 inches. Nut surfaces and bolt heads have American National Coarse Series, Class #2 fit.

BOLTS



CATALOG NUMBER	THREAD SIZE	LENGTH B (INCHES)
38X125 HSSB	3/8-16	1.25
38x225 HSSB	3/8-16	2.25
38x250 HSSB	3/8-16	2.50
38x275 HSSB	3/8-16	2.75
50x200 HSSB	1/2-13	2.00
50x250 HSSB	1/2-13	2.50
50x300 HSSB	1/2-13	3.00
62x300 HSSB	5/8-11	3.00

NUTS



CATALOG NUMBER	THREAD SIZE
25 HSSN	1/4-20
38 HSSN	3/8-16
50 HSSN	1/2-13
62 HSSN	5/8-11

SPLIT LOCKWASHERS



CATALOG NUMBER	FOR BOLT SIZE
25 SWSS LT	1/4
38 SWSSMD	3/8
50 SWSSMD	1/2
62 SWSSMD	5/8

FLATWASHER



CATALOG NUMBER	BOLT SIZE	NOMINAL DIMENSIONS (INCHES)	
		I.D. A	O.D. B
25 FWSS	1/4	0.266	0.688
38 FWSS	3/8	0.406	1.000
50 FWSS	1/2	0.594	1.125
62 FWSS	5/8	0.656	1.312
75 FLATWASHER (VC)	3/4	0.812	2.000

BELLEVILLE WASHERS



Any bolted "pad to flat" electrical connection should include a bolt, two flatwashers, and the nut. In addition, if any of the flat components is aluminum, a properly designed Belleville washer should be interposed between one of the flatwashers and either the bolt head or the nut, with the hollow of the Belleville washer placed against the flat washer. BURNDY® Belleville washers are designed to maintain substantial force when tightened to NEMA - recommended values and finely finished to avoid galling.

CATALOG NUMBER	MATERIAL	BOLT SIZE	NOMINAL DIMENSIONS		
			THICKNESS	I.D.	O.D.
38x75 BWSS	Stainless	3/8	.062	.388	.750
50x106 BWSS		1/2	.095	.530	1.06

The stainless washers are 301 stainless steel.

BURNDY® Grounding Products

LIMITED WARRANTY

The full line of FCI BURNDY Products® tools are warranted to be free of defects in materials and workmanship for a period of five (5) years unless otherwise specified, from the date of shipment. If inspection by a certified tool technician shows the trouble is caused by defective workmanship or material, BURNDY® will repair or (at our option), replace the tool.

This Warranty does not apply where:

- Repairs or alterations have been made or attempted by others.
- Repairs are required because of normal wear and tear.
- The tool has been abused, misused or improperly maintained.
- The use of any non-BURNDY® products has resulted in damage to the tool.

STANDARD LIMITED WARRANTY AND LIMITATION OF LIABILITY

FCI BURNDY Products® warrants that the goods and services stated, when furnished to Buyer by FCI, conform with FCI's current written specifications and drawings (or with those of the Buyer specifically accepted by FCI in writing), and will be free of defects in materials and workmanship. FCI's sole obligation (and Buyer's sole and exclusive remedy) for any breach of warranty under the foregoing warranty shall be to repair (at location designated by FCI) or, at FCI's option: To

replace FOB the original point of delivery any goods which are non-conforming or defective and are so specified by buyer in a written certified mail notice to an officer of FCI within the applicable warranty period. FCI expressly disclaims any and all express or implied warranties other than the warranty of its title to goods and the warranty hereinabove set forth. Such disclaimer includes, without limitation, warranty of fitness for a particular purpose and warranty of merchantable quality.

Limitation of Liability—FCI will not, under any circumstances, be liable for the cost of removal or reinstallation of goods or the cost of disassembly or reassembly of equipment in connection therewith, or for loss of the use of Buyer's equipment or facilities, or for loss of business or good will or profits, or for cost of inspection or storage, or for any incidental or consequential damages of any nature or description whatever which may arise from FCI's sale of goods to Buyer.

REPAIR POLICY

All non-warranty repaired tools are completely reconditioned and receive a limited 1-year warranty. Non-warranty repair returns tools to like new condition at a maximum cost of 40% of a new tool. A nominal service charge of \$5.00 is applied to all repairs to cover shop supplies, oil disposal and other miscellaneous services not covered as part of the

standard repair. If the decision is made not to repair, a handling charge of \$25.00 will be applied plus return freight costs.

RETURN PROCEDURE

All tools sent to the BURNDY® Tool Center or an authorized repair center must be accompanied by a purchase order with detailed bill to and ship to address authorizing repair. Requests for repair charges before work is done must be stated on the purchase order. All tools sent to the BURNDY® Tool Center or an authorized repair center as a warranty claim must be accompanied by a proof of purchase such as a BURNDY® invoice or invoice from any BURNDY® distributor. All tools must be shipped at the owner's expense, prepaid. BURNDY® pays for the return freight, same surface freight as received. Airfreight returns will be returned same way collect for non-warranty repair and prepaid for warranty repairs. This warranty and repair policy supercedes all previous policies and is in effect January 1, 2005.

Throughout the catalog you will notice blue highlighted items. These are the most frequently ordered BURNDY® Products.

TYPES Y750HS AND Y750-2HS RUBBER COVERED HEAD

750 REVOLVER HYPRESS™

HYDRAULIC HAND OPERATED TOOL — 12 TON CRIMP FORCE

CONDUCTOR RANGE:

#12-750 KCMIL CU/AL
AND #4-556.5 KCMIL ACSR

The BURNDY® Y750HS Series HYPRESS™ is a wide mouth (1.65") hand operated hydraulic 12 ton crimping tool for use on virtually all compression applications. The C-shaped head rotates 355° relative to the handle and is mated to a patented rapid advance pump. The Y750HS provides easy tapping, splicing, and terminating of overhead lines, the full line of HYGROUND™ compression grounding connectors, NEC cable connections, and N30-N650 Navy cable connections.

The Y750HS accepts all BURNDY® "U" dies for use on conductor ranges of #12-750 kcmil AL/CU and #4-556.5 kcmil ACSR conductors.

The Y750-2HS HYPRESS™ has a rubber-covered head and handles for tool impact protection.



BENEFITS

- Covers a wide range of applications with a lightweight, self-contained system and provides easy tool removal from continuous conductors with its C-shaped head.
- Easy tool positioning with its 355° head rotation.
- Patented rapid advance pump for faster crimps.
- Exposed positive die lock buttons for easy die change out and die retention.
- Handle trigger drain for convenient ram retraction.
- Quality assurance is provided with an audible "Pop-Off" pressure relief valve.
- Comfort grip handles help ease operator fatigue with continuous use.

SPECIFICATIONS

Force developed:	12 tons
Weight:	14.5 lbs. (5.4 kg)
Length:	23.5" (7162 mm)
Height:	2.75" (838 mm)
Width:	8.0" (2438 mm)
Jaw opening:	1.65" (42 mm)

FOR USE ON

- Tension Sleeves

Copper	#8 sol.-500 kcmil
Aluminum	#8 sol.-587-2 kcmil
ACSR	#4-556.5 kcmil
- Taps

Copper	#14 sol.-500 kcmil
Aluminum	#8-500 kcmil
- Aerial Cable

Copper	#6-500 kcmil
--------	--------------
- Terminals & Splices

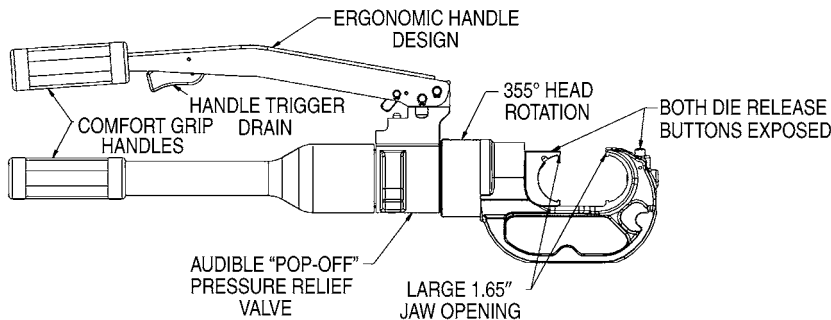
Aluminum	#8-750 kcmil
Copper	#8-750 kcmil
ACSR	#4-556 kcmil
- HYGROUND™ (Compression Ground)

Copper	#8-500 kcmil (cable/ground rod)
Ground Rods	1/2" - 1" Diameter

ACCESSORIES:

Cat. No.	Description
Y750HSCASE	Plastic Carrying Case for Y750HS and Y750-2HS

Features



BENEFITS (Continued)

- Long life expectancy from the company that provided the industry with the first self-contained hydraulic tool in 1934.
- Rubber covered head and handles on Y750-2HS for tool impact protection.
- Supplied with high impact plastic carrying case.
- 5-year limited warranty.

Throughout the catalog you will notice blue highlighted items. These are the most frequently ordered BURNDY® Products.

YCUT129ACSR

Hydraulic Hand Operated Cutter

The BURNDY® YCUT129ACSR incorporates a specialized latch style cutting head that allows interference-free closure for mid-span cuts. The cutter head rotates 180 degrees to allow users to get into tight areas easier. The YCUT129ACSR weighs only 11.4 pounds, yet delivers 7 tons of cutting force. The YCUT129ACSR with its hardened steel blades is capable of cutting up to 1.29" diameter bare or insulated copper and aluminum cable, 1113 ACSR, 5/8" ground rod, 1/2" rebar and 5/8" diameter soft steel bolts 1/2" standard guy strand and up to 3/8" EHS guy strand.

The YCUT129ACSR comes equipped with a high impact formed carrying case to hold the tool and accessories. The BURNDY® YCUT129ACSR is provided with a 5-year limited warranty (excluding blades).



SPECIFICATIONS

Force Developed: 7 U.S. short tons
Tool Weight: 11.4 lbs. (5.1 kg)
Length: 22.4" (56.9 cm)
Width: 2.5" (6.4 cm)
Height: 6.6" (16.8 cm)

FOR USE ON

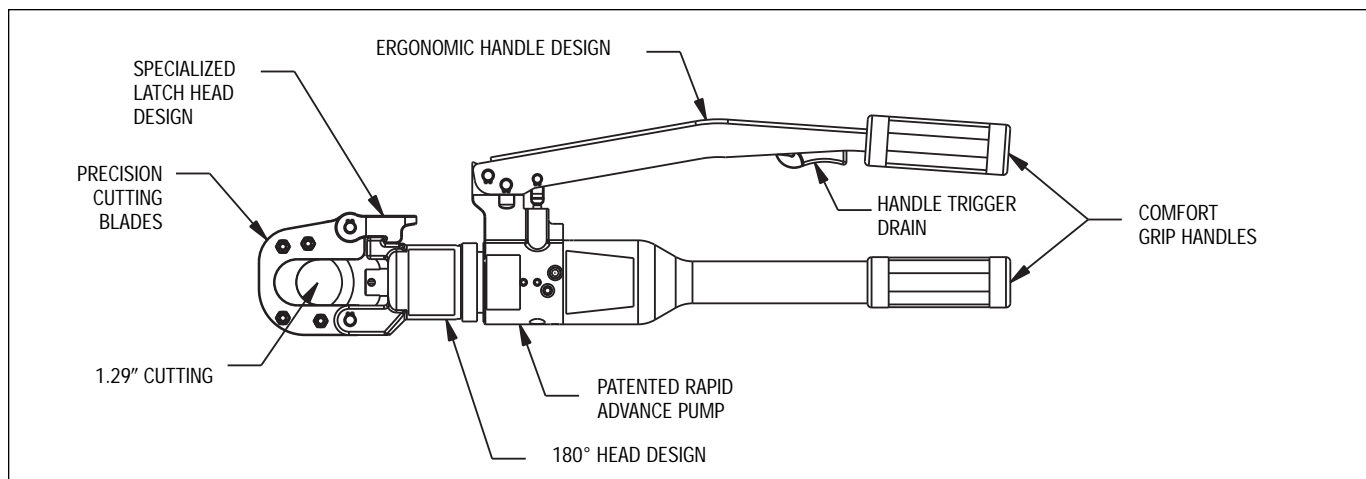
- Copper Cable: up to 1.29"
- Aluminum Cable: up to 1.29"
- ACSR: up to 1113 ACSR
- Ground Rod: up to 5/8"
- Rebar: up to 1/2"
- Soft Steel Bolts: up to 5/8"
- Standard Guy Strand: up to 1/2"
- EHS Guy Strand: up to 3/8"

ACCESSORIES

- Carrying Case: Cat# PT10024162
- Replacement Blades:
 - Cat# PT10037388 (Moving Blade)
 - Cat# PT10037384 (Fixed Blade)

Features and Benefits

- Patented rapid advance pump.
 - ◇ Faster cuts with less hand strokes.
- Specialized latch design.
 - ◇ Interference free closure on mid-span cuts.
- Handle trigger drain
 - ◇ For convenient blade retraction.
- Hardened steel blades.
 - ◇ Ability to cut ACSR, ground rods, rebar and guy wire.
- Comfort grip handles.
 - ◇ Help ease fatigue with continuous use.
- 180-degree head rotation.
 - ◇ Versatile head positioning to get into tight areas easier.
- Durable high impact formed carrying case.
 - ◇ Provides tool protection and stores accessories.
- 5-year limited warranty on tool (excluding blades).
 - ◇ Customer satisfaction and support.



TYPE PATRIOT® PAT750XT-18V

BATTERY ACTUATED TOOL

Hydraulic Self-Contained 12 Ton Crimping Tool

The BURNDY® PATRIOT® can be operated with only one hand, making them the only true, one-handed battery powered crimping and cutting tools available in the world today.

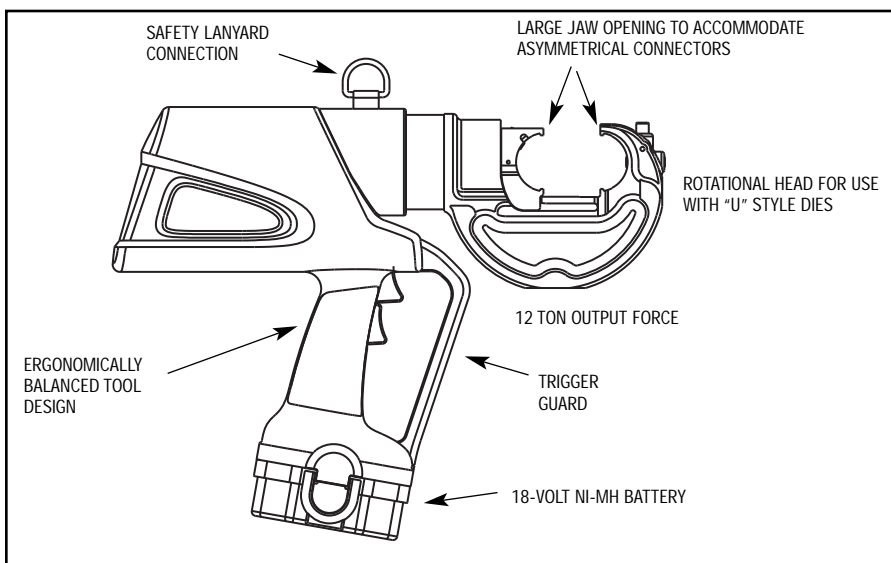
The BURNDY® PATRIOT® PAT750XT-18V incorporates the latest engineering technology with our patented high speed hydraulic pump. Our battery actuated hydraulic tool provides a consistent, reliable connection every time. The PAT750XT-18V features BURNDY's Y750 tool head, capable of using all "U" style dies, and incorporates a patent pending bearing and alignment guide for use on HYGROUND™ and other asymmetrical connectors. Features reliable head rotation design for operation in virtually any position.

Each PATRIOT® uses standard BURNDY® dies and off-the-shelf connectors available world-wide. Supplied with a durable high impact formed carrying case to hold the tool, battery charger, two batteries, tool retention lanyard, and die compartment to hold "U" die sets. (Dies sold separately.) All BURNDY® PATRIOT® 18V series tools are provided with a 5 year limited warranty.



Features

- True, one-handed operation for advance, retract, and hold.
- 12 ton output force.
- State of the art crimping head design, 360° head rotation.
- Ergonomically balanced tool design.
- Durable High Impact Formed carrying case.
- PAT750XT-18V – with rubber covered head is available.
- 18 volt Ni-MH battery eliminates voltage depression (memory issues).
- 5 year limited warranty on tool. 1 year warranty on battery and charger.



SPECIFICATIONS

Output Force:	12 tons (10.9 metric tons)
Tool Weight:	16.5 lbs (7.5 kg) With Battery
Length:	15.75" (40 cm)
Height:	13.5" (34.29 cm)
Width:	3.5" (8.89 cm)
Operating Voltage:	18V-DC
Battery Recharge Time:	<45 minutes

FOR USE ON

- **Tension Sleeves**

Copper	#9 sol. - 500 kcmil
Aluminum	#8 sol. - 587.2 kcmil
ACSR	#4 - 556.5 kcmil
- **Taps**

Copper	#14 sol. - 500 kcmil
Aluminum	#8 - 500 kcmil
- **Aerial Cable**

Copper	#6 - 500 kcmil
--------	----------------
- **Terminals & Splices**

Aluminum	#8 - 750 kcmil
Copper	#8 - 750 kcmil
ACSR	#4 - 556 kcmil
- **HYGROUND™**

Copper	#8 - 500 kcmil
(cable/ground rod)	
Ground Rods	1/2" - 1" Diameter

ACCESSORIES

- **Battery:** Cat# **BAT18V**
Hi Capacity Ni-MH (2.6 AH)
- **Charger:**

120V-AC	Cat# PATCHGR-18V
12/240V-DC	Cat# BCT/PATDCCHGR
240/250V-AC	Cat# PATCHGR250V
- **Lanyard** Cat# **PT208620**

Benefits

- Easier tool operation.
- Versatile tool head positioning lets user get into tight areas easier.
- Allows use of standard BURNDY® dies already in use.
- Less "down-time" due to high capacity, high voltage 18 volt battery.
- Ergonomically balanced tool eases operation and helps lessen fatigue.
- Smoother, quieter, more efficient tool operation.
- Durable high impact formed case provide superior protection and stores all accessories.

Throughout the catalog you will notice blue highlighted items. These are the most frequently ordered BURNDY® Products.

BURNDY® Grounding Products

TYPE PATRIOT® PAT46-18V

BATTERY ACTUATED TOOL

Hydraulic Self-Contained 15-Ton Crimping Tool

The BURNDY® PATRIOT® PAT46-18V incorporates the latest engineering technology with a patented high speed hydraulic pump. Our battery actuated hydraulic tool provides a consistent, reliable connection every time. The PAT46-18V features BURNDY's Y46 tool head, capable of using all "P" and "U" style dies.

Each PATRIOT® uses standard BURNDY® dies and off-the-shelf connectors available worldwide. Supplied with a durable high impact formed carrying case to hold the tool, battery charger, two batteries, tool retention lanyard, and die compartments to hold both "P" and "U" die sets (dies sold separately). All BURNDY® PATRIOT® PAT46 tools are provided with a 5-year limited warranty.

PAT46C-18V — with rubber covered head is available.



Features and Benefits

- BURNDY's largest battery actuated crimp tool, providing 15-tons of output force with a 2" jaw opening.
 - ◇ Allows users to install the largest variety of splices, taps and terminals with one tool. Also provides easy placement and removal from continuous conductor lengths.
- State of the art C-Head crimp design with 355° head rotation.
 - ◇ Versatile tool head positioning lets user get into tight areas easier.
- Retractable assist handle under head of tool for better handling of tool.
 - ◇ Allows for better balance of tool and retractable for getting head into tight areas.
- Durable high impact formed carrying case.
 - ◇ Provides superior protection and stores all accessories.
- 18-volt Ni-MH battery eliminates voltage depression (memory issues).
 - ◇ Less "down-time" due to high capacity, high voltage 18-volt battery
- 5-year limited warranty on tool. 1-year warranty on battery and charger.

SPECIFICATIONS

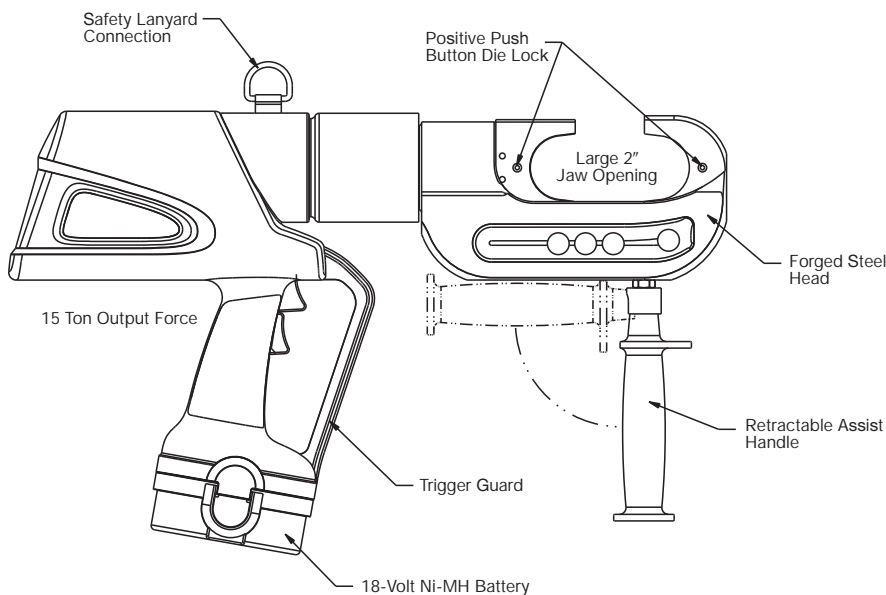
Output Force:	15 tons (13.6 metric tons)
Weight:	26.2 lbs (11.88 kg)
Length:	20.77" (52.76 cm)
Height:	14.43" (36.65 cm)
Width:	3.70" (9.40 cm)
Operating Voltage:	18V-DC
Battery Recharge Time:	<45 minutes

FOR USE ON

Connector Type	Conductor Range
Copper, #8 AWG str. - 1500 kcmil Code Cable, Navy Cable, Flexible and Extra Flexible Ground Rods	Terminals, grounding: to 500 kcmil YGA, YGHA, YGF Terminals, uninsulated: #8 to 1500 kcmil: YA, YA-2N, YA-L, YA-LB, YA-TC, YA-2LN, YAB-4N, YAV-L Box, YAV-L, YAV-RS Box, YAV-RS, YA-TC-FX Terminals, insulated: #8 to 2/0 YAEV-L Box, YAEV-L, YAEV-H, YAEV-RS, YAEV-RH Splices: #8 to 1500 kcmil YS, YS-T, YS-L, YS-LB, YST, YSP-T, YGS, YGHS Taps: YH, YCHC #14 to 1000 kcmil, YC-C to 4/0 AWG Taps, grounding: to 500 kcmil YGHC-C, YGHP-C, YGHR-C
Aluminum #8 AWG - 1250 kcmil Code Cables	Terminals: YA-A, AYP, AYPO Splices: YS-A, YS-AT, YRB Taps: YFD, YFN, YFO, YFR
ACSR	See BURNDY® Overhead Transmission and Distribution Catalog Module

ACCESSORIES

- **Cutter Die:** Cat# **P15K**
Die max. 1.2" dia.
- **"U" Die Adapter:** Cat# **PUADP-1**
- **Battery:** Cat# **BAT18V**
High Capacity Ni-MH (2200 mA-hr)
- **Chargers:**
 - 120V-AC Cat# **BATCHGR18V**
 - 12/24V-DC Cat# **BCT/PATDCCHGR**
 - 240/250V-AC Cat# **PATCHGR250V**



Throughout the catalog you will notice blue highlighted items. These are the most frequently ordered BURNDY® Products.

TYPE PATRIOT® PATCUT129ACSR-18V

BATTERY ACTUATED TOOL – Hydraulic Self-Contained – Cutter

The BURNDY® PATCUT129ACSR-18V battery powered cutting tool is compact, fast, easy to use and incorporates the latest in battery tool technology. The ergonomic design allows one hand operation so that the other is free to manipulate the conductor in the proper cutting position. The PATCUT129ACSR-18V incorporates a specialized latch style cutting head that allows interference-free closure for mid-span cuts. The cutter head rotates 180 degrees to allow users to get into tight areas easier. The PATCUT129ACSR-18V is capable of cutting up to 1.29" diameter copper and aluminum cable, 1113 ACSR, 5/8" ground rod, 1/2" rebar, 5/8" diameter soft steel bolts, up to 1/2" standard guy strand, and up to 3/8" EHS guy strand.

The PATCUT129ACSR-18V operates on industry standard 18-volt Ni-MH batteries that eliminate voltage depression or "memory" issues. The PATCUT129ACSR-18V comes equipped with a high impact formed carrying case to hold the tool, a tool retention lanyard, a battery charger and two batteries. The PATCUT129ACSR-18V is provided with a 5-year limited warranty (excluding blades), and 1-year on batteries and charger.

Made in the USA.



Features and Benefits

- Battery powered cutting technology.
 - ◊ Easy tool operation and portability.
- Advance design high-speed pump completes tough cuts faster.
 - ◊ Longer life, efficiency, and reliability.
- Specialized latch head design.
 - ◊ Interference free closure for mid-span cuts.
- Ergonomic design allows one hand operation.
 - ◊ User has one hand free to manipulate material to be cut.
- 180 degree head rotation.
 - ◊ Versatile head positioning allows user to get into tight areas easier.
- Mechanical ram release.
 - ◊ Reliable ram release (no battery power consumption).
- Operates on 18 volt Ni-MH batteries.
 - ◊ Eliminates voltage depression or "memory" issues.
- Durable high impact formed carrying case.
 - ◊ Provides tool protection and stores all accessories.
- 5-year limited warranty on tool (excluding blades) and 1 year on batteries and charger.
 - ◊ Customer satisfaction and support.

SPECIFICATIONS

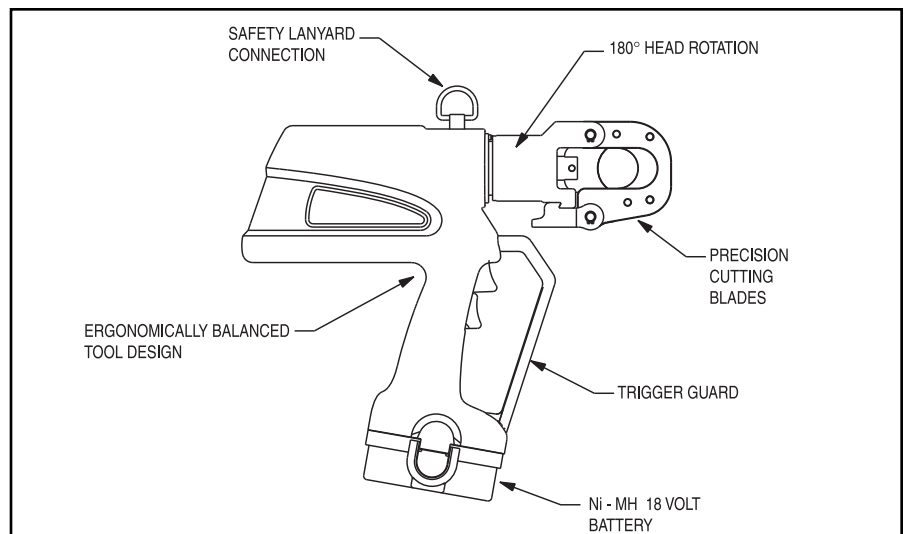
- Tool Weight: 11 lbs.
- Length: 14.5"
- Width: 3.5"
- Height: 13.5"
- Operating Voltage: 18 V-DC
- Recharge Time: < 45 mins.

FOR USE ON

- Copper Cable: up to 1.29"
- Aluminum Cable: up to 1.29"
- ACSR: up to 1113 ACSR
- Ground Rod: up to 5/8"
- Rebar: up to 1/2"
- Soft Steel Bolts: up to 5/8"
- Standard Guy Strand: up to 1/2"
- EHS Guy Strand: up to 3/8"

ACCESSORIES

- **Lanyard:** Cat# **PT208620**
- **Battery:** Hi-capacity Cat# **BAT18V** (2200 mA-hr)
- **Battery with LED light:** (3000 mA-hr) Cat# **BAT18VLED**
- **Charger:**
 - 120V-AC Cat# **PATCHGR18V**
 - 12/24V-DC Cat# **BCT/PATDCCHGR**
 - 240/250V-AC Cat# **PATCHGR250V**
- **Replacement Blades:**
 - Cat# **PT10037388** (Moving Blade)
 - Cat# **PT10037384** (Fixed Blade)



Throughout the catalog you will notice blue highlighted items. These are the most frequently ordered BURNDY® Products.

PATRIOT® PATCUT245CUAL-18V

BATTERY ACTUATED TOOL – Hydraulic Self Contained Cutter

The BURNDY® PATCUT245CUAL-18V battery powered cutting tool is compact, fast, easy to use and incorporates the latest in battery tool technology. The ergonomic design allows one hand operation so that the other is free to manipulate the conductor in the proper cutting position. The PATCUT245CUAL-18V incorporates a specialized latch style cutting head that allows interference-free closure for mid-span cuts. The cutter head rotates 180 degrees to allow users to get into tight areas easier. The PATCUT245CUAL-18V is capable of cutting up to 2.45" diameter copper and aluminum cable.

The PATCUT245CUAL-18V operates on industry standard 18-volt Ni-MH batteries that eliminate voltage depression or "memory" issues. The PATCUT245CUAL-18V comes equipped with a high impact formed carrying case to hold the tool, a tool retention lanyard, a battery charger and two batteries. The PATCUT245CUAL-18V is provided with a 5-year limited warranty (excluding blades), and 1-year on batteries and charger.



Features and Benefits

- Battery powered cutting technology.
 - ◇ Easy tool operation and portability.
- Advance design high-speed pump completes tough cuts faster.
 - ◇ Longer life, efficiency, and reliability.
- Specialized latch head design.
 - ◇ Interference free closure for mid-span cuts.
- Ergonomic design allows one hand operation.
 - ◇ User has one hand free to manipulate material to be cut.
- 180-degree head rotation.
 - ◇ Versatile head positioning allows user to get into tight areas easier.
- Mechanical ram release.
 - ◇ Reliable ram release (no battery power consumption).
- Operates on 18-volt Ni-MH batteries.
 - ◇ Eliminates voltage depression or "memory" issues.
- Durable high impact formed carrying case.
 - ◇ Provides tool protection and stores all accessories.
- 5-year limited warranty on tool (excluding blades) and 1-year on batteries and charger.
 - ◇ Customer satisfaction and support.

SPECIFICATIONS

Tool Weight:	14.5 lbs (5.4 kg)
	With Battery
Length:	18" (45.7 cm)
Width:	3.75" (9.5 cm)
Height:	14.75" (37.5 cm)
Operating Voltage:	18 V-DC
Recharge Time:	< 45 mins.

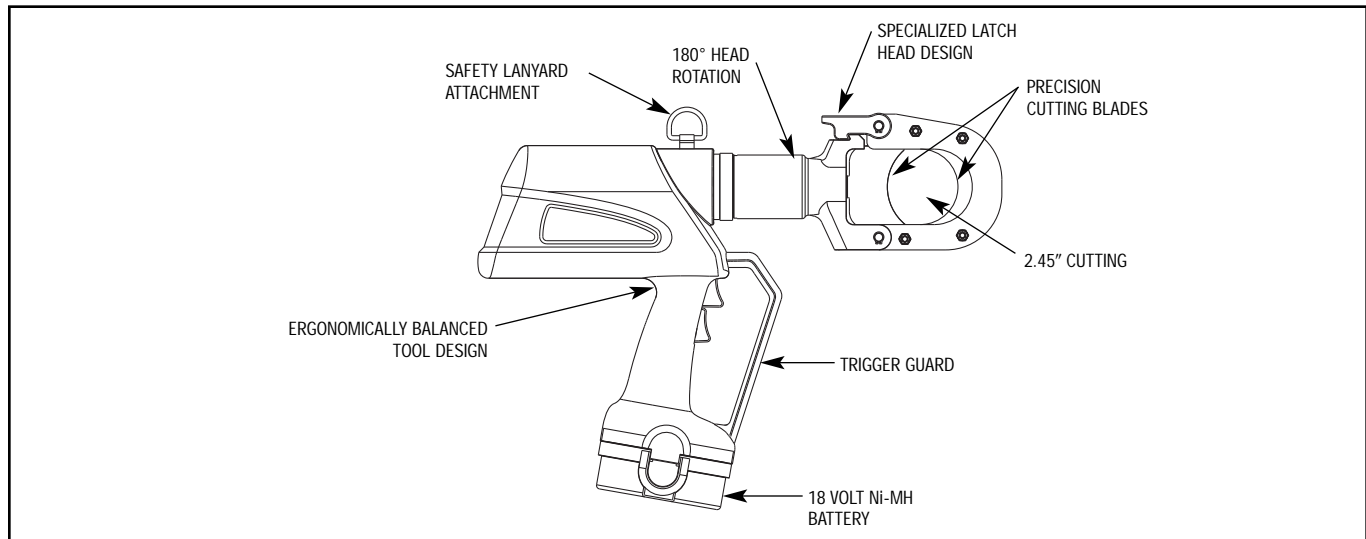
FOR USE ON

Copper and	Up to 2.45" O.D
Aluminum Cable:	(62.2 mm)

For Copper and Aluminum cable only. Do not cut steel, ground rod, rebar, or guy wire.

ACCESSORIES

- Carrying Case: Cat# [PT10044980](#)
- Lanyard: Cat# [PT208620](#)
- Battery:
 - Hi-capacity Cat# [BAT18V](#)
 - (2200 mA-hr)
- Battery with LED light:
 - (3000 mA-hr) Cat# [BAT18VLED](#)
- Charger:
 - 120V-AC Cat# [PATCHGR18V](#)
 - 12/24V-DC Cat# [BCT/PATDCCCHGR](#)
 - 240/250V-AC Cat# [PATCHGR250V](#)
- Replacement Blades:
 - Cat# [PT10038657](#)
(Moving Blade)
 - Cat# [PT10040663](#)
(Fixed Blade)



TYPE BCC1000CUAL

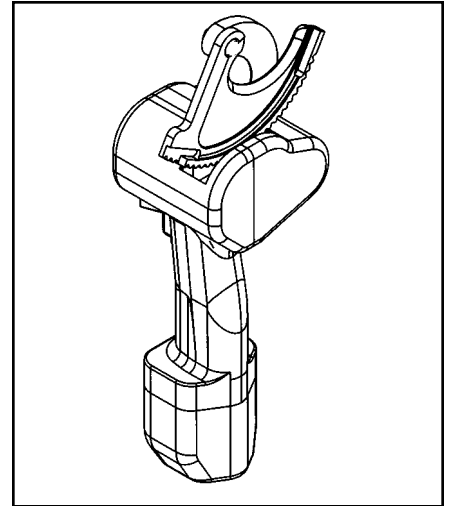
BATTERY ACTUATED CABLE CUTTER

The BURNDY® BCC1000CUAL is a 12-V-DC battery actuated cable cutter capable of cutting up to 750 kcmil hard drawn copper cable, and up to 1000 kcmil soft drawn copper and up to 2" O.D. aluminum cable. DO NOT CUT STEEL or ACSR. The BCC1000CUAL comes with battery powered cutting tool, sealed nickel cadmium 12V battery, 120V AC charger, carrying case, and wrist loop which provides added security when making cuts overhead.

The BURNDY® BCC1000CUAL is designed to cut copper and aluminum cables in a limited amount of space. The BCC1000CUAL makes fast reliable cuts without stress to the user. Just squeeze the trigger and it will cut through your toughest copper and aluminum cables. The BCC1000CUAL has a three-way switch (forward, reverse, and neutral) which allows the user to make partial cuts, back off cables, or make adjustments during cutting.

The battery charge time is approximately 1 hour for a fast charge (80%), 4 to 6 hours for a quick charge, and 14 to 16 hours for a standard charge (100%). The 12V battery can be recharged approximately 1,000 times.

The BCC1000CUAL (excluding cutting blades) is warranted to be free of defects in material and workmanship for a period of 90 days, except in the case of abuse or modification.



FEATURES

- Hook head design.
- Three way switch.
- Hardened steel blades.
- Ergonomic design.
- Wrist loop.

BENEFITS

- Simplifies conductor cutting and allows working in tight spaces.
- Allows backing off cable, partial cuts, and adjusting during cutting.
- Helps ensure consistent cuts and longer blade life.
- Prevents hand/wrist injury.
- Withstands rugged use. Resists oil and solvents.
- Added security when cutting cables overhead.

SPECIFICATIONS

Specifications	Description
Cutting Tool:	
Drive Unit:	12.0V DC Motor
Dimensions:	4"L × 4.5"W × 14.5" H
Weight:	6 lb
Cutting Capacity:	1000 kcmil soft drawn copper, 750 kcmil hard drawn copper and up to 2" O.D. aluminum
Battery:	
Battery Type:	Sealed nickel cadmium
Voltage:	12.0V DC
Rated Capacity:	1.2A/hr
Charge Time:	Fast, approx. 1 hour Quick, 4-6 hours Standard, 14-16 hours
Dimensions:	2.75"L × 2.7"W × 4.75"H
Weight:	1.4 lb
Battery Charger:	
Input Voltage:	120V AC
Input Frequency:	60 Hz
Input Current:	110/120V
Dimensions:	5.7"L × 3"W × 2.8"H
Weight:	2.2 lb

FOR USE ON

Maximum conductors accommodated:
 750 kcmil hard drawn copper
 1000 kcmil soft drawn copper
 1000 kcmil aluminum

ACCESSORIES

Catalog Number	Item Description
BCCBAT12V	BCC1000CUAL Battery
BCCCHGR	BCC1000CUAL Charger
BCCCASE	BCC1000CUAL Carrying Case
RP50RP03	BCC1000CUAL Moving Blade
RP50RP02	BCC1000CUAL Fixed Blade

Throughout the catalog you will notice blue highlighted items. These are the most frequently ordered BURNDY® Products.

TYPE Y700DC-1B

Y-DC BATTERY POWERED HYDRAULIC PUMP

HYDRAULIC OUTPUT PRESSURE OF: 10,000 PSI

The lightweight, portable, battery powered hydraulic pump unit for use with almost all BURNDY® HYPRESS™ remote tool heads and cutters. The pump will provide approximately 30 operations before requiring a recharge of the batteries, which can be recharged in under 15 minutes, utilizing the rapid charger provided. The high capacity 12 VDC batteries and charging system will allow 1,000 charge/discharge cycles per battery providing more than double the life of other batteries. The pump is supplied with a dielectric grade 6' long hydraulic hose, 1 rapid battery charger, and 2 rechargeable batteries. Also included is an air-bulb control switch that allows remote operation of the pump, or users may opt for the built-in switch to operate the unit. The Y700DC-1B provides consistent, reliable compression connections due to the factory-set "pop-off" pressure relief valve. The full automatic operation allows the operator to control functions such as "Advance", "Hold", and "Retract" at will, truly making the Y700DC-1B a versatile, go-anywhere pump unit.



FEATURES

- Lightweight, easy to carry.
- Two modes of operation.
- Transparent reservoir.
- Charged/Low battery indicator.
- Rapid battery recharger (less than 15 mins.).
- Allows use of wide range of remote tool heads and cutters.
- 5-year limited warranty on tool and 1-year on batteries and chargers.

BENEFITS

- Lightweight and easy to lift, carry, and transport to/around job site.
- Advance and hold feature permits final inspection before completing crimp cycle.
- Transparent reservoir allows viewing for daily checking of fluid level.

SPECIFICATIONS

Motor	
Type:	Electric (12V-DC)
Power Source:	12V-DC batteries (2)
Max Output:	280 watt
Max Draw:	35 amp
Pump	
Operating PSI:	Low-0.98 Mpa High -68.6 + 3.4 Mpa
Hydraulic Fluid:	BURNDY® ALFLUID™
Control Type:	Air-bulb or switch
Complete Unit	
Dimensions	
Weight:	15-1/2 lbs. with fluid and two batteries
Height:	11.5"
Width:	8.25"
Depth:	6.5"

FOR USE ON

Battery Pump	Psi	Tools and Cutters
Y700DC-1B	10,000	Y34BH, Y35BH, Y35BH-4, Y39BH, Y750BH, Y750BH-2, Y644MBH, Y45, Y45-1, Y46, Y46-C, RHCC Series Cutters

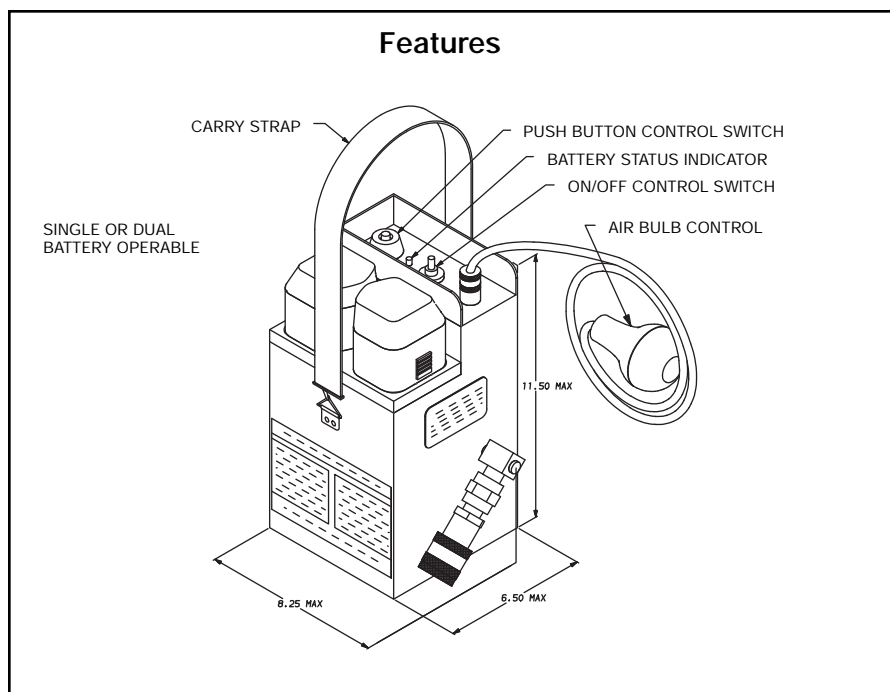
ACCESSORIES

- Steel Carry Case: Cat# **YDC-CASE** Holds pump (w/2 batteries), Charger, 6' Hose, and air-bulb control
- Batteries: Cat# **BAT12B**
- Charger: Cat# **BATCHGR**

BENEFITS (Continued)

- Choice of operation method with either mounted switch or remote air-bulb control devices.
- Unit allows operation with only 1 battery while the other recharging the other.
- Built-in device prevents operation when batteries have insufficient power to complete crimping cycle.
- Able to operate in remote locations without electric power source.

Throughout the catalog you will notice blue highlighted items. These are the most frequently ordered BURNDY® Products.



TYPE Y750BH HYPRESS™ 10,000 PSI

12 TON REMOTE POWER OPERATED HYDRAULIC TOOL

CONDUCTOR RANGE:
#14-750 kcmil AL/CU
#4-556.5 kcmil ACSR

12 ton remote power operated hydraulic tool. The Y750BH HYPRESS™ incorporates a wide mouth (1.65") C-shaped head for all compression applications. The hook style head provides for easy tapping, splicing, and terminating of overhead lines as well as the full range of HYGROUNDTM compression grounding system connectors, NEC cable connections and N30-N650 Navy cable applications.

All standard BURNDY® Y35 series U dies fit the Y750BH HYPRESS™. Dies and accessories sold separately.

The Y750BH-2 has a permanently molded rubber head and includes a separate rubber molded boot that covers the lower body and hydraulic fitting for tool impact protection. Five-year limited warranty.



BENEFITS

- Covers a wide range of applications and provides easy tool removal from continuous conductors with its C-shaped head (1.65" opening).
- Easy die change out and retention within exposed positive die lock buttons.
- Uses all standard BURNDY® U-dies.
- Y750BH-2 provides molded rubber covering on head, body and hose fittings.
- Hot stick adapter sold separately.
- Infinitely rotatable head, so hydraulic couplers won't easily loosen.
- 5-year limited warranty.

SPECIFICATIONS

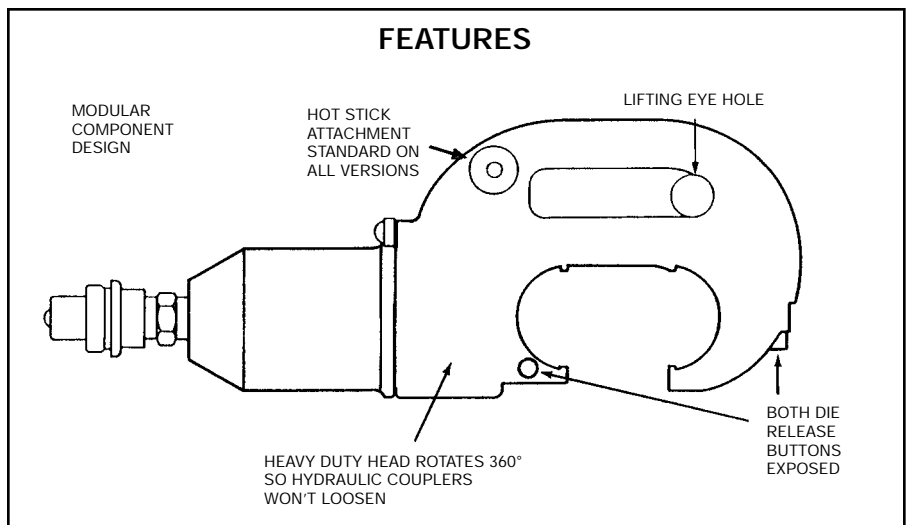
	Y750BH	Y750BH-2
Operating pressure:	10,000 psi	10,000 psi
Force developed:	12 tons	12 tons
Jaw opening:	1.65"	1.65"
Length:	12"	18.93"
		(includes boot)
Weight:	10.3 lbs.	11.8 lbs.
Head width:	4.43"	4.92"
Molded Covering:	—	Yes

FOR USE ON

- **Tension Sleeves**
 - Copper #8 sol-500 kcmil
 - Aluminum #6 sol.-587-2 kcmil
 - ACSR #4-556.5 kcmil
- **Taps**
 - Copper #14 solid 500 kcmil
 - Aluminum #6-500 kcmil
- **Aerial Cable**
 - Copper #6-500 kcmil
- **Terminals and Splices**
 - Aluminum #8-750 kcmil
 - Copper #8-750 kcmil
 - ACSR #4-556 kcmil
- **HYGROUNDTM (Compression Ground)**
 - Copper #6-500 kcmil (cable/grd. rod)
 - Ground Rods 1/2"-1" Diameter

ACCESSORIES:

Cat. No.	Description
PT23484	Hot stick adapter



Throughout the catalog you will notice blue highlighted items. These are the most frequently ordered BURNDY® Products.

TYPE Y46 AND Y46C HYPRESS™ 10,000 PSI

15 TON FORCE - REMOTE OPERATED HYDRAULIC TOOL

The Y46 standard tool and Y46C rubber covered tools are lightweight, compact and versatile with installation dies for both circumferential and nest-indentor types. Accessories include "U-" die adapter, a cable cutting die for 1.2" diameter non-steel conductors, plus a lifting eye and universal hot-stick adapter for overhead line construction. 5-year limited warranty.



BENEFITS

- Compact C-shaped head allows easy placement and removal from continuous conductor lengths.
- Versatile and economical-HYPRESS™ tools work on all commonly used copper and aluminum products.
- Dies and adapters lock into or remove from tool head easily with the positive push button die locks.
- Safety, strength and high quality is provided with strong forged steel and precision machined components.
- Excellent for HYGROUND™ compression grounding applications through 1" ground rods and up to 500 kcmil taps, terminals and splices.
- Compression terminal, splice and tap connectors are UL Listed and CSA certified when installed with the Y46 and Y46C HYPRESS™ and recommended die set.
- Y46C has a permanently molded head of 3/16" rubber and includes a separate molded rubber boot to cover the lower HYPRESS™ body and hydraulic coupler for impact protection.

SPECIFICATIONS

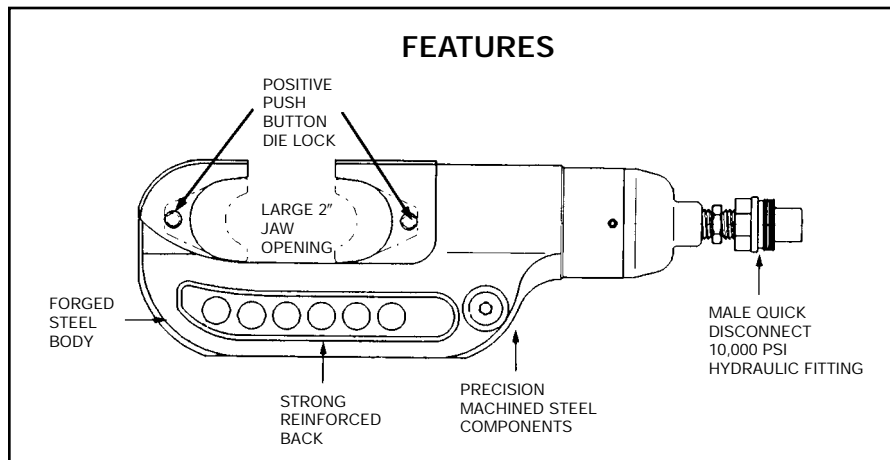
	Y46	Y46C
Force developed:	15 Tons	15 Tons
Operating pressure:	10,000 psi	10,000 psi
Jaw opening:	2"	2"
Maximum width:	4-1/2"	4-3/4"
Overall length:	15"	21-3/4" (incl. boot)
Weight (less case):	16 lbs.	17-1/2 lbs.
Molded Covering:	No	Yes

FOR USE ON

Connector Type	Conductor Range
Copper	Terminals-grounding to 500 kcmil
#8 AWG str.-	YGA, YGHA, YGF
1500 kcmil	Terminals-Uninsulated #8 to
Code Cable	1500 kcmil YA, YA-2N, YA-L,
Navy Cables	YA-LB, YA-TC, YA-2LN, YAB-4N,
Flexible and	YAV-L Box, YAV-L, YAV-RS Box,
Extra Flexible	YAV-RS, YA-TC-FX
1/2"-1" Ground Rods	Terminals-Insulated #8 to 2/0
	YAEV-L Box, YAEV-L, YAEV-H,
	YAEV-RS, YAEV-RH
	Splices #8 to 1500 kcmil
	YS, YS-T, YS-L, YS-LB, YST,
	YSP-T, YGS, YGHS
	Taps
	YH, YCHC #14 to 1000 kcmil
	YC-C to 4/0 AWG
	Taps-Grounding to 500 kcmil
	YGHC-C, YGHP-C, YGHR-C
Aluminum	Terminals
#8 AWG-	YA-A, AYP, AYPO
1250 kcmil	Splices
Code Cables	YS-A, YS-AT, YRB
	Taps
	YFD, YFN, YFO, YFR
ACSR	See Burndy Overhead Transmission and Distribution Catalog Module

ACCESSORIES:

Cat. No.	
P15K	Cutter die max. 1.2" dia.
PUADP-1	"U"-die adapter
PT10121	Lifting eye
PT10128	Universal hotstick adapter-Y46
Y46-2	Same as Y46 with Female coupler



Throughout the catalog you will notice blue highlighted items. These are the most frequently ordered BURNDY® Products.

TYPE RHCC129ACSR

10,000 PSI Remote Cable Cutter

REMOTE POWER OPERATED HYDRAULIC CABLE CUTTER

The BURNDY® RHCC129ACSR remote hydraulic cable cutter incorporates a specialized latch style cutting head that allows interference-free closure for mid-span cuts. The RHCC129ACSR with its precision cutting blades is capable of cutting up to 1.29" diameter bare or insulated copper and aluminum cable, 1113 ACSR, 5/8" ground rod, 1/2" rebar, 5/8" diameter soft steel bolts, 1/2" standard guy strand, and up to 3/8" EHS guy strand.

The RHCC129ACSR is provided with a 5-year limited warranty (excluding blades).



Features and Benefits

- Specialized latch head design.
 - ◇ Interference free closure for mid-span cuts.
- Precision cutting blades.
 - ◇ For clean cuts on Cu/Al, ACSR, ground rods, rebar, guy strand, and soft steel bolts.
- High strength steel cylinder.
 - ◇ For durability and long life.
- Lightweight ergonomic design allows one hand operation.
 - ◇ User has one hand free to manipulate material to be cut.
- Durable canvas carrying bag.
 - ◇ Provides tool protection and stores all accessories.
- 5-year limited warranty on tool (excluding blades).
 - ◇ Customer satisfaction and support.

SPECIFICATIONS

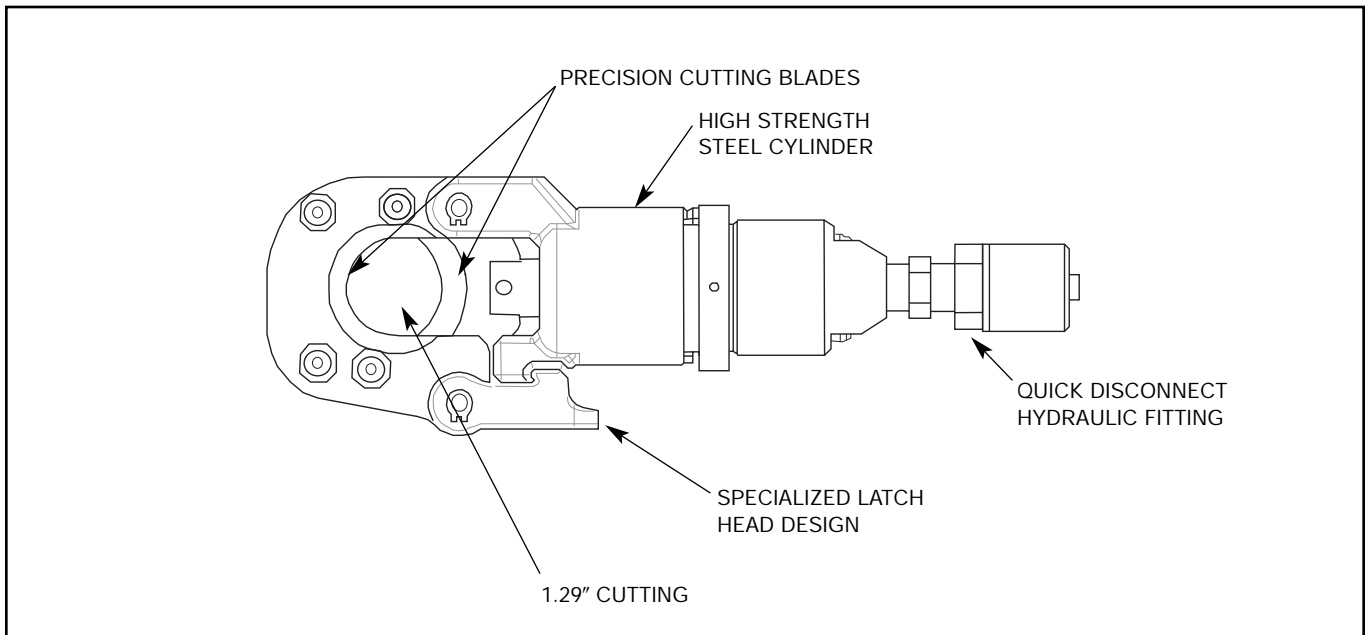
Operating Pressure: 10,000 psi (700 bar)
 Tool Weight: 5.85 lbs. (2.65 kg)
 Length: 11.25" (286 mm)
 Width: 3.7" (94 mm)

FOR USE ON

- Copper Cable: up to 1.29"
- Aluminum Cable: up to 1.29"
- ACSR: up to 1113 ACSR
- Ground Rod: up to 5/8"
- Rebar: up to 1/2"
- Soft Steel Bolts: up to 5/8"
- Standard Guy Strand: up to 1/2"
- EHS Guy Strand: up to 3/8"

ACCESSORIES

Canvas Bag: Cat# PT10043890
 Replacement Blades: Cat# PT10037388 (Moving Blade)
 Cat# PT10037384 (Fixed Blade)



BURNDY® Grounding Products

TYPE RHCC245CUAL

10,000 PSI Remote Cable Cutter

Remote Power Operated Hydraulic Cable Cutter

The BURNDY® RHCC245CUAL remote hydraulic cable cutter incorporates a specialized latch style cutting head that allows interference-free closure for mid-span cuts. The RHCC245CUAL with its precision cutting blades is capable of cutting up to 2.45" diameter copper and aluminum cable.

The RHCC245CUAL is provided with a 5-year limited warranty (excluding blades).



Features and Benefits

- Specialized latch head design.
 - ◇ Interference free closure for mid-span cuts.
- Precision cutting blades.
 - ◇ For clean cuts on copper and aluminum cable.
- High strength steel body.
 - ◇ For durability and long life
- Lightweight ergonomic design allows one hand operation.
 - ◇ User has one hand free to manipulate material to be cut.
- Durable canvas carrying bag.
 - ◇ Provides tool protection and stores all accessories.
- 5-year limited warranty on tool (excluding blades).
 - ◇ Customer satisfaction and support.

SPECIFICATIONS

Operating Pressure: 10,000 psi (700 bar)
Tool Weight: 8.3 lbs (3.8 kg)
Length: 14.8" (376 mm)
Width: 4.75" (121 mm)

FOR USE ON

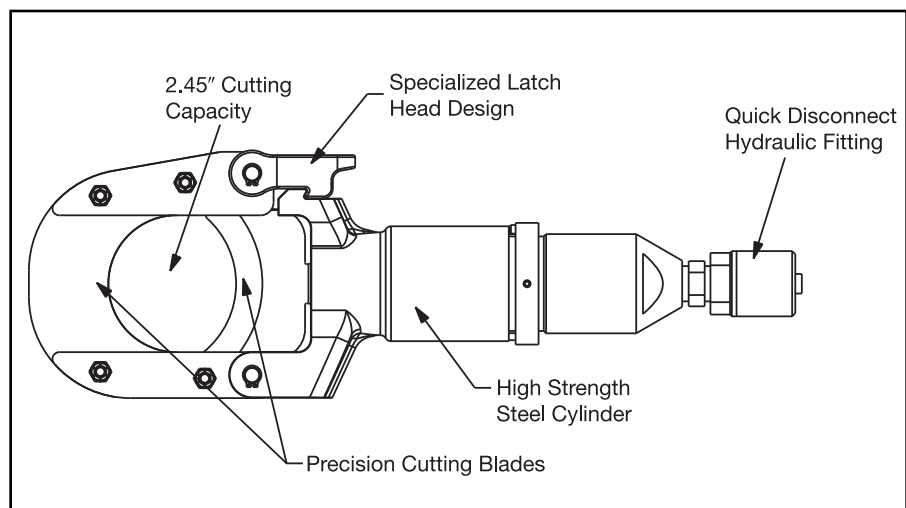
Copper & Aluminum 2.45" O.D. (62 mm)

ACCESSORIES

Canvas Bag: Cat# PT10054094

Replacement Blades: Cat# PT10038657
(Moving Blade)

Cat# PT10040663
(Fixed Blade)



Throughout the catalog you will notice blue highlighted items. These are the most frequently ordered BURNDY® Products.

TYPES MCC20, MCC500, MCC1000

MANUAL CABLE CUTTERS

The MCC series cable cutters are precision cable cutters incorporating high leverage shear-type design capable of cutting up to 1000 kcmil copper and aluminum cables. Rugged steel blades and fiberglass construction provide cutting ease, long life and minimum cable distortion. MCC20 has non-slip grip covered forged steel handles.

The MCC series cable cutters are warranted to be free from defects in material (excluding blades) and workmanship for one year.



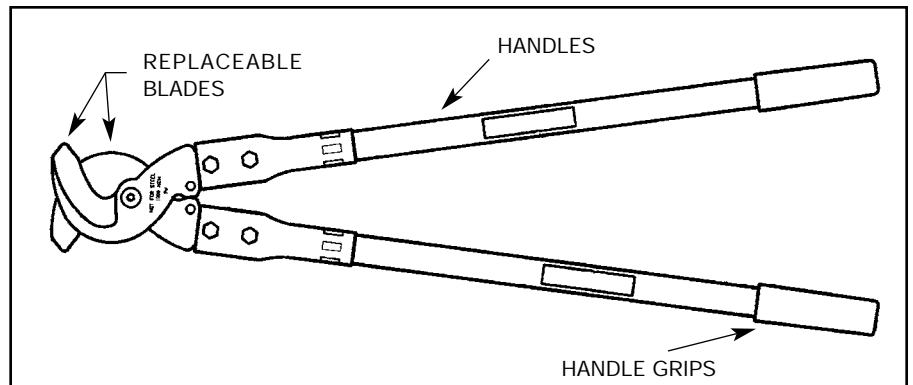
FEATURES

- High quality design and construction.
- Rugged high quality steel blades.
- Fiberglass handles with soft grips.
- MCC20 has forged steel handles with non-slip grips.

BENEFITS

- Easy cutting with minimal cable distortion.
- Excellent cutting edge performance.
- Provides comfortable tool operation and long life.

Catalog Number	Overall Length	Max. Capacity		Max. Insulation Diameter	Weight
		Copper	Aluminum		
MCC20	9-1/4" [235 mm]	2/0 AWG [50 mm]	4/0 AWG [95 mm]	—	1 lb. (0.45 kg)
MCC500	21" [533 mm]	500 kcmil	500 kcmil	1.25" [32 mm]	3.5 lbs. (1.5 kg)
MCC1000	32" [813 mm]	1000 kcmil	1000 kcmil	1.90" [48 mm]	9.0 lbs. (4.0 kg)



Replacement Blades

Catalog Number	Description
MCC500BLADESET	Replacement blades for MCC500
MCC1000BLADESET	Replacement blades for MCC1000

Throughout the catalog you will notice blue highlighted items. These are the most frequently ordered BURNDY® Products.

BURNDY® Grounding Products

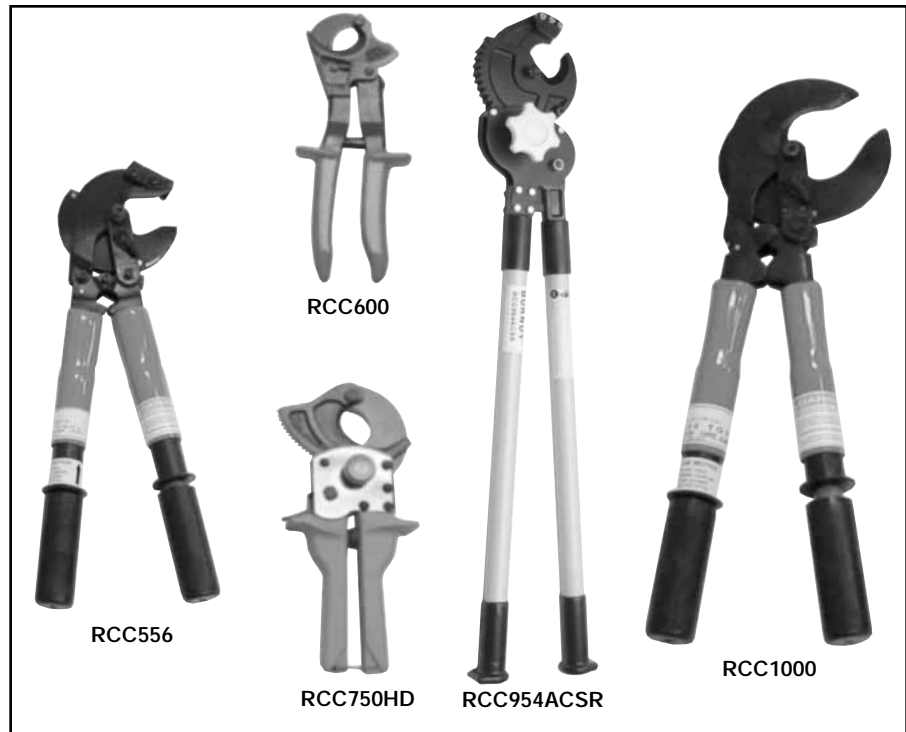
TYPES RCC556, RCC600, RCC750HD, RCC954ACSR, RCC1000

RATCHET CABLE CUTTERS

The RCC series cable cutters are precision high quality tools designed to cut up to 954 ACSR and 1000 kcmil copper and aluminum. The tools are equipped with rugged steel blades, and a precision bi-directional ratchet mechanism for positive blade control, including where applicable, a fast action thumb slide collar for rapid blade advance and rugged fiberglass or non-slip grip handles. RCC600 and RCC750HD have cushion grip covered steel handles.

The RCC series cable cutters are warranted to be free from defects in material (excluding blades) and workmanship for one year.

For replacement blades, consult factory for details.

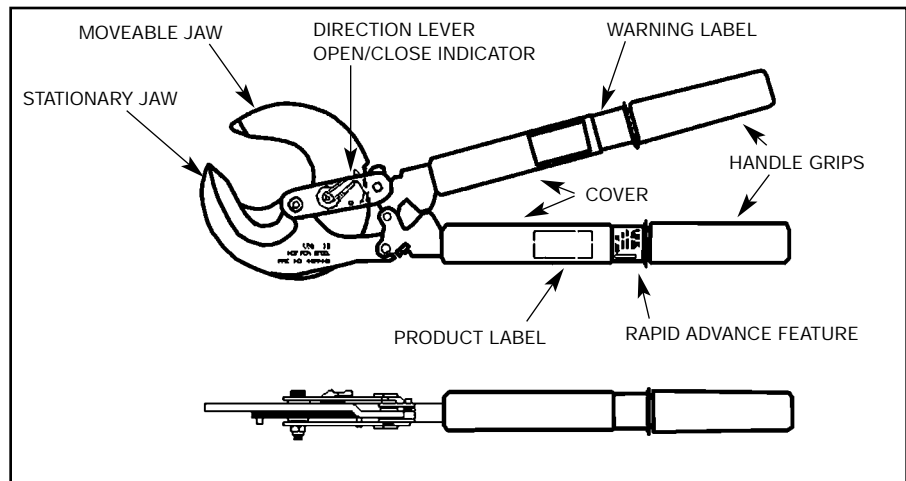


FEATURES

- Patented high strength steel blades.
- Quick release, bi-directional ratchet mechanism.
- Rapid blade advance.

BENEFITS

- Easy cutting with minimal cable distortion.
- Excellent cutting edge performance.
- Provides comfortable tool operation and long life.



Catalog Number	Overall Length	Max. Capacity			Max. Insulation Diameter	Weight
		Copper	Aluminum	ACSR		
RCC556	21" [533 mm]	500 kcmil [32 mm]	500 kcmil [32 mm]	556 kcmil	1.25" [32 mm]	3.5 lbs. (1.5 kg)
RCC600	10" [255 mm]	600 kcmil [300 mm]	600 kcmil [300 mm]	—	1.25" [32 mm]	1.27 lbs. (.57 kg)
RCC750HD	10-1/2" [267 mm]	750 kcmil [500 mm]	750 kcmil [500 mm]	—	1.62" [42 mm]	2.43 lbs. (1.1 kg)
RCC954ACSR	36" [915 mm]	750 kcmil [500 mm]	750 kcmil [500 mm]	954 kcmil	1.54" [39 mm]	13 lbs. (6.0 kg)
RCC1000	32" [813 mm]	1000 kcmil [48 mm]	1000 kcmil [48 mm]	—	1.90" [48 mm]	9.0 lbs. (4.0 kg)

Throughout the catalog you will notice blue highlighted items. These are the most frequently ordered BURNDY® Products.

TYPE EPP10 AND EPP6

EPP SERIES ELECTRIC/ HYDRAULIC PUMP

HYDRAULIC OUTPUT
PRESSURE OF:
10,000 PSI AND 6,000 PSI

The lightweight and durable EPP10 electric/hydraulic pump is for use with all BURNDY® HYPRESS™ remote heads and cutters requiring 10,000 PSI operating pressure. Both the EPP10 and the EPP6 are equipped with a built-in, factory set pressure relief valve. An audible “pop” and recycling of the pump and relaxing of the hose, signals completion of the crimping/cutting cycle. Both pumps are supplied with a durable hand-held electric pendant switch, for remote operation of the unit, and have a manual selection switch mounted for operation of the unit at the pump. The operator can select which method is best suited for the application.

An optional carry/shipping case can be ordered. All EPP Series pumps have been life cycle tested to over 100,000 cycles without failure, and are warranted to be free of defects in materials and workmanship for five (5) years when properly maintained and operated.



FEATURES

- Lightweight.
- Small size.
- Factory set relief valve.
- 100,000 (+) life cycles.
- Sealed electric pendant switch.

BENEFITS

- High quality crimps are achieved with built in, factory set pressure release valve and audible recycling of pump to signal completion of crimp cycle.
- Easy to lift, carry and transport tool around job site with lightweight body and handle.
- Convenient 115 V-AC electric powered motor.
- Durable remote pendant switch.
- Easy operation controlled with pendant switch, or manual switch.
- Saves time with quick disconnect hydraulic fitting.
- Long durable life expectancy with lightweight cast aluminum reservoir body.
- 5-year limited warranty.

SPECIFICATIONS

Motor: 115 V-AC/60 Hz
1/2 HP @ 3450 RPM
Maximum
current draw: 12.5 amperes
Reservoir volume: 2 qts.
Height: 16"
Base: 6" × 8"
Weight: 30 lbs.

FOR USE ON

EPP10 10,000 Y34BH, Y35BH, Y35BH-4,
Y39BH, Y45, Y46, Y46C,
Y60BHU, 750BH,
Y750BH-2, Y644MBH,
RHCC Series Cutters
EPP6 6,000 Y35L, Y28B, RHCC Series
Cutters

ACCESSORIES

Cat. No. **EPPCASE-1**

Steel carrying case with handle and locking latch.

Throughout the catalog you will notice blue highlighted items. These are the most frequently ordered BURNDY® Products.

BURNDY® Grounding Products

HYDRAULIC HOSES

NON CONDUCTIVE HOSES*



10,000 PSI

Cat. No.	Description
PT 29900-10	10' - 3/16" diameter - non conductive hose with stackable couplers (male/female) - orange
PT 29900-15	15' - 3/16" diameter - non conductive hose with stackable couplers (male/female) - orange
PT 29900-25	25' - 3/16" diameter - non conductive hose with stackable couplers (male/female) - orange
PT 29901-10	10' - 1/4" diameter - non conductive hose with stackable couplers (male/female) - orange
PT 29901-15	15' - 1/4" diameter - non conductive hose with stackable couplers (male/female) - orange
PT 29901-25	25' - 1/4" diameter - non conductive hose with stackable couplers (male/female) - orange

NOTE: 1/4" diameter hose provides higher flow rate for faster ram movement.

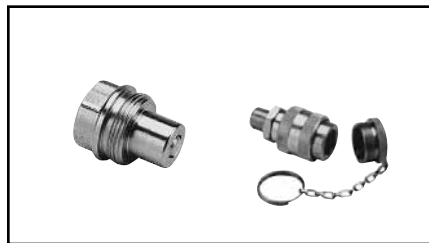
* For proper care and maintenance of hydraulic hoses, consult the "Hydraulic Hose Care" manual, Form No. 7828

ACCESSORIES



PT 29074-1 Insulated hose carrying bag

Designed to provide protection and cleanliness of non conductive hoses. Accommodates 100 ft. of non conductive coiled to 17-1/2" O.D. and 3-3/4" wide. Max. carrying capacity 10 lbs.



Replacement Coupler 10,000 psi operating pressure

PT 94 (male)
PT 93 (female)



HYFLUID™

HYFLUID QT.
HYFLUID GAL.

(available in quart and gallon size containers)
Hydraulic fluid for BURNDY® HYPRESS™ hand operated tools:

Y35 and Y35-2 HYPRESS™ tools
Y39 HYPRESS™ tool
Y750 REVOLVER HYPRESS™ tools



ALFLUID™

ALFLUID™ QT.
ALFLUID™ GAL.

(available in quart and gallon size containers)
Use ALFLUID™ in hand operated tools during extended use below 32 degrees.

All weather HYDRAULIC fluid for BURNDY® pumps:

HP hand pump
FP foot pump
GP gasoline pump

EPP, electric pump
AC-3H auto/man. elect. pump
DC-3H auto/man. elect. pump



DIE CASES

PT 29291

(Y750, Y35/Y39) die case for "U" -type die sets

PT 6545

(Y45 and Y46) die case for "S" and "P" -type die sets

Do not attempt to repair or recouple the hose yourself!

Throughout the catalog you will notice blue highlighted items. These are the most frequently ordered BURNDY® Products.

**REFERENCE
TABLE OF CONTENTS**

Specification for BURNDY® HYGROUND™ Connector System	122	Solid Copperweld Cable	125
HARDWARE DATA	123	Copperweld - Copper Cable	125
CABLE DATA (TABLES)		Stranded Copperweld Cable	126
Copper Tube	124	Galvanized Steel Cable	126
Solid Copper Wire	124	AWG vs. Metric Wire Sizes	127
Stranded Copper Cable	124 - 125	Alpha-Numeric Index	128 - 132

Specification for BURNDY® HYGROUND™ Connector System

Ground Connectors

1.0 Scope

- 1.1 This specification establishes the material, design, marking and performance requirements of compression grounding connectors used to make permanent ground connections for direct burial, embedment in concrete, or for above grade applications.
- 1.2 This specification also provides the requirements for mechanical connectors intended for bonding applications within the ground network.

2.0 Materials

- 2.1 All ground connections shall be made using BURNDY® HYGROUND™ compression ground connectors.
- 2.2 Compression ground connectors shall be manufactured from pure, wrought copper in compliance with ASTM B187.
- 2.3 Mechanical cast connectors are allowed for bonding applications and shall be manufactured from a copper alloy of minimum 80% copper, according to ASTM B30.

3.0 Design

- 3.1 All ground connectors must be designed for fault-duty loading, and must have the fault capacity of the maximum sized conductor for which it is designed.
- 3.2 Pad terminals and in-line splices may accommodate only one conductor size. All other ground connectors must be range taking.
- 3.3 Structural steel and bus bar ground connectors may accommodate only one rigid member conductor.
- 3.4 All ground connectors must be provided with a corrosion-inhibiting compound preapplied to the contact surfaces. The compound must be compatible with the

conductors accommodated by the connector.

- 3.5 All ground connectors must be capable of being provided with tin plating, if required by agency jurisdiction or by the application.
- 3.6 All mechanical bonding connectors must be designed to withstand 150% of the recommended installation torque.

4.0 Marking

- 4.1 All connectors must be clearly and permanently marked with the following information:
 - 4.1.1 Manufacturer's inspection symbol
 - 4.1.2 Catalog number
 - 4.1.3 Conductor accommodation(s)
 - 4.1.4 Installation die index or die catalog number (compression)
 - 4.1.5 Underwriters Laboratories Listing Mark/CSA certification mark
 - 4.1.6 The words "Suitable for Direct Burial," or "Direct Burial," or "Burial" as specified per ANSI/UL467.
- 4.2 The smallest unit package shall contain the information listed under 4.1, and shall also include installation tooling.

5.0 Ground Connector Installation

- 5.1 Installation of connectors shall be made in accordance with the manufacturer's recommendations. The instructions typically include conductor preparation (cleaning, pre-crimp), installation tool and die selection, and application of the proper number of crimps.
- 5.2 Connectors must be installable under all types of weather/field conditions without special safety precautions or procedures.

- 5.3 Connectors must be installable without using or producing hazardous materials or by-products.

6.0 Ground Connector Inspection

- 6.1 Compression dies must provide embossment of the connector upon successful installation. The embossed index must match the marking on the installed connector.
- 6.2 Connector marking information specified in 4.1 must be legible after installation for inspector cross-reference.
- 6.3 Closed barrel connectors may have inspection holes at the appropriate location to verify proper cable insertion.

7.0 Performance

- 7.1 All system connectors must be Listed by Underwriters Laboratories/Canadian Standards Association for direct burial in earth or embedment in concrete per ANSI/UL467 Standard for Grounding and Bonding Equipment/CSA C22.2 No. 41.
- 7.2 All ground connectors must meet the requirements of IEEE Std 837 Standard for Qualifying Permanent Connections Used in Substation Grounding.
- 7.3 Connectors must be suitable for lightning protection applications. Listing to UL96 Lightning Protection Components is preferred on applicable items.

HARDWARE DATA

RECOMMENDED TIGHTENING TORQUE

The hardware used in connectors must be compatible with the connector material, have high mechanical strength and be corrosion resistant.

Copper alloy connectors have hardware made of DURIMUM™, the BURNDY® trade name for silicon bronze alloy ASTMB99. This material was first introduced by BURNDY® in 1927 for use in outdoor construction, and today, is the standard throughout the industry.

Aluminum connectors generally have aluminum alloy hardware. The bolts are 2024T4 and anodized to resist corrosion. The nuts are 6061T6, which is resistant to corrosion

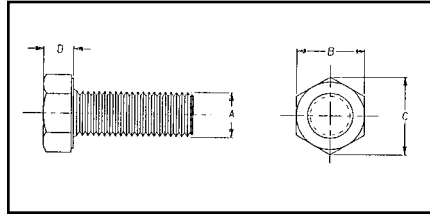
Steel Hardware		Aluminum Hardware	
Bolt Size	Recommended Torque (Inch Pounds)	Bolt Size	Recommended Torque (Inch Pounds)
1/4 - 20	80	1/2 - 13	300
5/16 - 18	180	5/8 - 11	480
3/8 - 16	240	3/4 - 10	650
1/2 - 13	480	—	—
5/8 - 11	660	—	—
3/4 - 10	1050	—	—

and does not require anodizing. Bolts are lubricated to eliminate galling and to provide consistent clamping forces.

The size material for clamping hardware are selected to provide the required force when tightened to the recommended torque. To reduce or greatly exceed the recommended torque can adversely affect the performance of the connector.

DURIMUM™ (SILICON BRONZE)

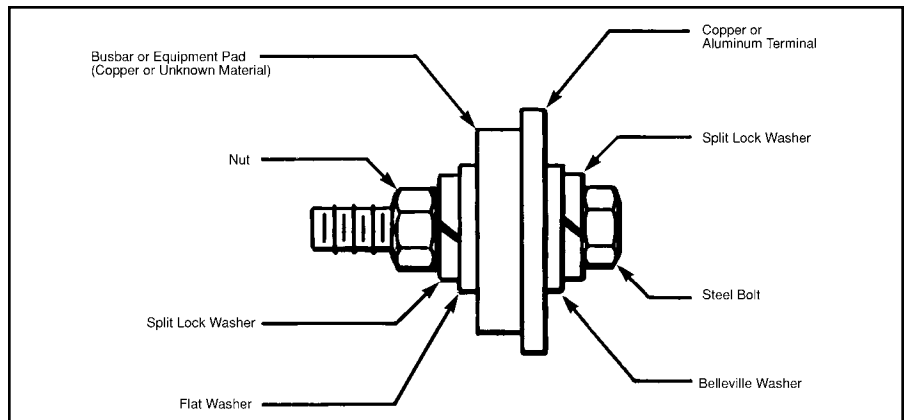
HEXAGONAL BOLT DATA



② Catalog No. Series	(Bolt Size) A	B	C	D	③ Recommended Torque (in-lb)	Min. Breaking Force (lb)	Min. Shearing Force (lb)
25X__HEB	1/4 - 20 UNC	7/16	.50	.16	80	1,780	990
31X__HEB	5/16 - 18 UNC	1/2	.56	.21	180	2,930	1,640
38X__HEB	3/8 - 16 UNC	9/16	.65	.24	240	4,350	2,430
50X__HEB	1/2 - 13 UNC	3/4	.87	.32	480	7,950	4,460
62X__HEB	5/8 - 11 UNC	15/16	1.08	.40	660	12,700	7,100
75X__HEB	3/4 - 10 UNC	1-1/8	1.30	.48	1050	17,510	10,540

1. Material: DURIMUM™ (Silicon Bronze)
- ② “__” is substituted for bolt length. Consult sales representative for available lengths.
- ③ These torque values develop maximum bolt preload.
4. This drawing is based on BURNDY® engineering spec.

RECOMMENDED TERMINATION HARDWARE



CABLE DATA

COPPER TUBE (BUS)

Size of Tube IPS	Diameter of Tube (Inches)		Wall Thickness (Inches)
	Outside	Inside	
Standard Pipe Sizes			
1/4"	0.540	0.375	0.082 5
3/8"	0.675	0.494	0.090 5
1/2"	0.840	0.625	0.107 5
3/4"	1.050	0.822	0.114 0
1"	1.315	1.062	0.126 5
1-1/4"	1.660	1.368	0.146 0
1-1/2"	1.900	1.600	0.150 0
2"	2.375	2.062	0.156 5
2-1/2"	2.875	2.500	0.187 5
3"	3.500	3.062	0.219 0
3-1/2"	4.000	3.500	0.250 0
4"	4.500	4.000	0.250 0
4-1/2"	5.000	4.500	0.250 0
5"	5.563	5.063	0.250 0
6"	6.625	6.125	0.250 0
Extra Heavy Pipe Sizes			
1/4"	0.540	0.294	0.123
3/8"	0.675	0.421	0.127
1/2"	0.840	0.542	0.149
3/4"	1.050	0.736	0.157
1"	1.315	0.951	0.182
1-1/4"	1.660	1.272	0.194
1-1/2"	1.900	1.494	0.203
2"	2.375	1.933	0.221
2-1/2"	2.875	2.315	0.280
3"	3.500	2.892	0.304
3-1/2"	4.000	3.358	0.321
4"	4.500	3.818	0.341
4-1/2"	5.000	4.250	0.375
5"	5.563	4.813	0.375
6"	6.625	5.751	0.437
Double Extra Heavy Pipe Sizes			
1/2"	0.840	0.252	0.294
3/4"	1.050	0.434	0.308
1"	1.315	0.599	0.358
1-1/4"	1.660	0.896	0.382
1-1/2"	1.900	1.100	0.400
2"	2.375	1.503	0.436
2-1/2"	2.875	1.771	0.552
3"	3.500	2.300	0.600
3-1/2"	4.000	2.728	0.636
4"	4.500	3.152	0.674
4-1/2"	5.000	3.580	0.710
5"	5.563	4.063	0.750
6"	6.625	4.897	0.864

Tube dimensions (excepting wall thickness, of double extra heavy) taken from A.S.T.M. Specification B42-33.
Tubular values based on a density of 0.322 pound per cubic inch.

*Conductivity of 98% I.A.C.S. at 20° C or 68° F.

SOLID COPPER WIRE (ASTM B1, B2, & B3)

Size AWG (Solid)	Wire Dia. Inch	Hard Drawn	Medium Drawn	Soft Drawn
		Normal Breaking Load Pounds	Minimum Breaking Load Pounds	Elongation in 10 In. % Min.
18	.040 30	85.76	67.61	25
17	.045 26	107.5	84.71	25
16	.050 82	135.2	106.2	25
15	.057 07	170.0	133.0	25
14	.064 08	213.8	166.6	25
13	.071 96	268.2	208.0	25
12	.080 81	337.0	261.6	25
11	.090 74	422.5	327.6	25
10	.101 9	529.2	410.4	25
9	.114 4	661.0	514.2	30
8	.128 5	826.0	643.9	30
7	.128 5	1,030	806.6	30
6	.162 0	1,280	1,010	30
5	.181 9	1,591	1,265	30
4	.204 3	1,970	1,584	30
3	.229 4	2,439	1,984	30
2	.257 6	3,003	2,450	30
1	.289 3	3,688	3,024	30
1/0	.324 9	4,519	3,730	35
2/0	.364 8	5,518	4,599	35
3/0	.409 6	6,722	5,667	35
4/0	.460 0	8,143	6,980	35

STRANDED COPPER WIRE (ASTM B8 EXCLUDING BREAKING LOADS)

Size		A.S.T.M. Strandings			Hard Drawn	Medium Drawn	Soft Drawn	
Stranded	Circular Mills	Class	No. of Wires	Cable Diameter Inches	Minimum Breaking Load Pounds	Minimum Breaking Load Pounds	Minimum Breaking Load Pounds	
					AWG			
	1,022	20	B	7	0.036 3	50.04	40.67	32.09
	1,624	18	B	7	0.045 6	78.99	63.91	51.03
	2,583	16	B	7	0.057 6	124.7	100.4	81.14
	4,107	14	B	7	0.072 6	197.1	157.7	124.2
	6,530	12	B	7	0.091 5	311.1	247.7	197.5
	10,380	10	B	7	0.116	491.7	388.9	314.0
	13,090	9	B	7	0.130	618.2	487.4	395.9
	16,510	8	B	7	0.146	777.2	610.7	499.2
	20,820	7	B	7	0.164	977.1	765.2	629.5
	26,250	6	B	7	0.184	1,288	958.6	793.8
	33,100	5	B	7	0.206	1,542	1,201	1001
	41,740	4	AA	3	0.254	1,879	1,465	1213
	41,740	4	B&A	7	0.232	1,938	1,505	1262
	52,630	3	AA	3	0.285	2,359	1,835	1530

CABLE DATA

STRANDED COPPER WIRE (Continued)
(ASTM B8 EXCLUDING BREAKING LOADS)

Size		A.S.T.M. Strandings			Hard Drawn	Medium Drawn	Soft Drawn
Stranded		Class	No. of Wires	Cable Diameter Inches	Minimum Breaking Load Pounds	Minimum Breaking Load Pounds	Minimum Breaking Load Pounds
Circular Mills	AWG				Minimum Breaking Load Pounds	Minimum Breaking Load Pounds	Minimum Breaking Load Pounds
52,630	3	B&A	7	0.260	2,433	1,885	1592
66,370	2	AA	3	0.320	2,913	2,299	1929
66,370	2	B&A	7	0.292	3,045	2,361	2007
83,690	1	AA	3	0.360	3,621	2,879	2432
83,690	1	A	7	0.328	3,804	2,958	2432
83,690	1	B	19	0.332	3,899	3,037	2531
105,500	1/0	A&A	7	0.368	4,752	3,705	3067
105,500	1/0	-	12	0.390	4,841	3,755	3191
105,500	1/0	B	19	0.373	4,901	3,805	3191
133,100	2/0	A&A	7	0.414	5,926	4,640	3867
133,100	2/0	-	12	0.438	6,048	4,703	3867
133,100	2/0	B	19	0.419	6,152	4,765	4024
167,800	3/0	A&A	7	0.464	7,366	5,812	4876
167,800	3/0	-	12	0.492	7,556	5,890	4876
167,800	3/0	B	19	0.470	7,698	5,970	5074
211,600	4/0	A&A	7	0.522	9,154	7,278	6149
211,600	4/0	-	12	0.522	9,483	7,378	6149
211,600	4/0	B	19	0.528	9,617	7,479	6149

COPPERWELD-COPPER CABLE
(ASTM B229)

Conductor Size Hard Drawn Copper Equivalent		Type	Nominal Diameter of Conductor (inches)	Minimum Breaking Load (pounds)
cmii	AWG			
350,000	—	E	0.788	32,420
300,003	—	EK	0.735	23,850
350000	—	V	0.754	23,480
300000	—	E	0.729	27,770
300,000	—	EK	0.680	20,960
300,000	211,600	V	0.698	20,730
250,300	—	E	0.666	23,920
250,300	—	EK	0.621	17,840
250,000	—	V	0.637	17,420
	4/0	E	0.613	20,730
211,650	4/0	G	0.583	15,640
211,650	4/0	EK	0.571	15,370
211,650	4/0	V	0.586	15,000
211,650	4/0	F	0.550	12,290
187,600	3/0	E	0.545	16,800
187,600	3/0	J	0.555	15,170
187,800	3/0	G	0.519	12,860
187,800	3/0	EK	0.509	12,370
187,500	3/0	V	0.522	12,200
187,500	3/0	F	0.490	9,988
133,100	2/0	K	0.534	17,600
133,100	2/0	J	0.494	13,430
133,100	2/0	G	0.463	10,510
133,100	2/0	V	0.465	9,846
133,100	2/0	F	0.436	8,094
105,600	1/0	K	0.475	14,490
105,600	1/0	J	0.440	10,970
105,600	1/0	G	0.412	8,563
105,600	1/0	F	0.388	6,536
83,690	1	N	0.464	15,410
83,690	1	K	0.423	11,900
83,690	1	J	0.392	9,000
83,690	1	G	0.367	6,956
83,690	1	F	0.346	5,266
66,360	2	P	0.462	16,870
66,360	2	N	0.413	12,680
66,360	2	K	0.377	9,730
66,360	2	J	0.349	7,322
66,360	2	A	0.366	5,876
66,360	2	G	0.327	5,626
66,360	2	F	0.308	4,233
55,620	3	P	0.411	13,910
52,620	3	N	0.368	10,390
52,620	3	K	0.336	7,910
52,620	3	J	0.311	5,955
52,620	3	A	0.326	4,810
41,740	4	P	0.366	11,420
41,740	4	N	0.328	8,460
41,740	4	D	0.348	7,340
41,740	4	A	0.290	3,938
33,390	5	P	0.326	9,311
33,390	5	D	0.310	6,035
33,390	5	A	0.258	3,193
26,240	6	D	0.276	4,942
26,240	6	A	0.230	2,585
26,240	6	C	0.225	2,143
20,820	7	D	0.246	4,022
20,820	7	A	0.223	2,754
16,510	8	D	0.219	3,256
16,510	8	A	0.199	2,233
16,510	8	C	0.179	1,362
11,750	9	D	0.174	1,743

SOLID COPPERWELD CABLE
(ASTM B227)

Conductor Size (AWG)	Nominal Diameter (Inches)	Circular Mills	Minimum Breaking Load (lbs.)			
			Grade 40 HS	Grade 40 EHS	Grade 30 HS	Grade 30 EHS
4	0.2043	41,740	3,540	—	3,934	4,671
5	0.1819	33,090	2,937	—	3,249	3,911
—	0.1650*	27,230	2,779	—	2,779	3,367
6	0.1620	26,240	2,679	—	2,679	3,246
7	0.1443	20,820	2,207	—	2,207	2,681
8	0.1285	16,510	1,816	—	1,816	2,205
—	0.1280*	16,380	1,802	—	1,802	2,188
9	0.1144	13,090	1,491	—	1,491	1,790
—	0.1040*	10,820	1,283	1,325	1,283	1,487
10	0.1019	10,380	1,231	—	1,231	1,460
12	0.0808	6,530	774	—	774	918
—	0.0800*	6,400	759	—	759	900
—	0.0640*	4,096	485	—	485	576
18	0.0403	1,624	193	—	193	228
—	0.0390*	1,521	180	—	180	214
20	0.0320	1,024	121	—	121	144

*These diameters are often employed by purchasers for communication lines BUT are not in the American Wire Gauge (B & S Wire Gauge) series, as are the other diameters listed.

CABLE DATA

STRANDED COPPERWELD CABLE (ASTM B228)

Nominal Diameter† (Inch) Size A.W.G.‡	Circular Mils	Diameter* (Inch)	Breaking Load Lbs.**		
			High Strength		Extra High Strength
			40% Cond.	30% Cond.	30% Cond.
7/8 (19 No. 5)	628,900	.910	50,240	55,570	66,910
13/16 (19 No. 6)	498,800	.810	41,600	45,830	55,530
23/32 (19 No. 7)	395,500	.721	34,390	37,740	45,850
27/32 (19 No. 8)	313,700	.642	28,380	31,040	37,690
9/16 (19 No. 9)	248,800	.572	23,390	25,500	30,610
5/8 (7 No. 4)	292,200	.613	22,310	24,780	29,430
9/16 (7 No. 5)	231,700	.546	18,510	20,470	24,650
1/2 (7 No. 6)	183,800	.486	15,330	16,890	20,460
7/16 (7 No. 7)	145,700	.433	12,670	13,910	16,890
3/8 (7 No. 8)	115,600	.385	10,460	11,440	13,890
11/32 (7 No. 9)	91,650	.343	8,616	9,393	11,280
5/16 (7 No. 10)	72,680	.306	7,121	7,758	9,196
3 No. 5	99,310	.392	8,373	9,262	11,860
3 No. 6	78,750	.349	6,934	7,639	9,754
3 No. 7	62,450	.311	5,732	6,291	7,922
3 No. 8	49,530	.277	4,730	5,174	6,282
3 No. 9	39,280	.247	3,898	4,250	5,129
3 No. 10	31,150	.220	3,221	3,509	4,160
3 No. 12	19,590	.174	2,236	—	—

† The designation "Inch" is the approximate diameter in proper fraction of an inch.
 ‡ The designation of "AWG" is a combination of the number of wires each of the American Wire Gage size indicated by "No."
 * Diameter of circumscribing.
 ** Breaking loads of 7-wire and 19-wire conductors are taken as 90% of the sum of the breaking loads of individual wires; breaking load of 3-wire conductors is taken as 95% of the sum of the breaking loads of the individual wires.

GALVANIZED STEEL CABLE (ASTM A475)

Inches	Nominal Diameter of Strand (mm)	Number of Wires in Strand	Minimum Breaking Load (lbs.)				
			Utilities Grade	Common Grade	Siemens-Martin Grade	High-Strength Grade	Extra High-Strength Grade
1/8	(3.18)	7	—	540	910	1,330	1,830
5/32	(3.97)	7	—	870	1,470	2,140	2,940
3/16	(4.76)	7	—	1,150	1,900	2,850	3,990
3/16	(4.76)	7	2,400	—	—	—	—
7/32	(5.56)	3	—	1,400	2,340	3,500	4,900
7/32	(5.56)	7	—	1,540	2,560	3,850	5,400
1/4	(6.35)	3	3,150	1,860	3,040	4,730	6,740
1/4	(6.35)	3	4,500	—	—	—	—
1/4	(6.35)	7	—	1,900	3,150	4,750	6,650
9/32	(7.14)	3	—	2,080	3,380	5,260	7,500
9/32	(7.14)	7	4,600	2,570	4,250	6,400	8,950
5/16	(7.94)	3	6,500	2,490	4,090	6,350	9,100
5/16	(7.94)	7	—	3,200	5,350	8,000	11,200
5/16	(7.94)	7	6,000	—	—	—	—
3/8	(9.52)	3	8,500	3,330	5,560	8,360	11,800
3/8	(9.52)	7	11,500	4,250	6,950	10,800	15,400
7/16	(11.11)	7	18,000	5,700	9,350	14,500	20,800
1/2	(12.70)	7	25,000	7,400	12,100	18,800	26,900
1/2	(12.70)	19	—	7,620	12,700	19,100	26,700
9/16	(14.29)	7	—	9,600	15,700	24,500	35,000
9/16	(14.29)	19	—	9,640	16,100	24,100	33,700
5/8	(15.88)	7	—	11,600	19,100	29,600	42,400
5/8	(15.88)	19	—	11,000	18,100	28,100	40,200
3/4	(19.05)	19	—	16,000	26,200	40,800	58,300
7/8	(22.22)	19	—	21,900	35,900	55,800	79,700
1	(25.40)	9	—	28,700	47,000	73,200	104,500
1	(25.40)	37	—	28,300	46,200	71,900	102,700
1-1/8	(28.58)	37	—	36,000	58,900	91,600	130,800
1-1/4	(31.75)	37	—	44,600	73,000	113,600	162,200

AWG VS. METRIC WIRE SIZES

Circ. Mils	Equiv- alent Circ. Mils	AWG. Size	Metric Wire Size MM	Stranding/Wire Diameter per Strand		Approximate Overall Diameter		Circ. Mils	Equiv- alent Circ. Mils	AWG. Size	Metric Wire Size MM	Stranding/Wire Diameter per Strand		Approximate Overall Diameter	
				in.	MM	in.	MM					in.	MM	in.	MM
—	937	—	0.50	1/.032	1/1.813	.032	.061	83690	—	1	—	19/.0064	19/1.50	.332	8.43
1020	—	20	—	7/.0121	7/1.307	.036	0.91	—	98680	—	50	19/.073	19/1.85	.365	9.27
—	1480	—	.075	1/.039	1/1.091	.039	0.99	10500	—	1/0	—	19/.0745	19/1.59	.373	9.46
1620	—	18	—	1/.0103	1/1.02	.040	1.02	133100	—	2/0	—	19/.0837	19/2.13	.419	10.6
1620	—	18	—	7/.0152	7/3.86	.046	1.16	—	138100	—	70	19/.086	19/2.18	.430	10.9
—	1974	—	1.0	1/.045	1/1.14	.045	1.14	167800	—	3/0	—	19/.094	19/2.59	.470	11.9
—	1974	—	1.0	7/.017	7/4.22	.061	1.30	167800	—	3/0	—	36/.0673	37/1.71	.471	12.0
2580	—	16	—	1/.0503	1/1.29	.051	1.29	—	187500	—	95	19/.101	19/2.57	.505	12.8
2580	—	16	—	7/.0192	7/4.68	.058	1.46	—	187500	—	95	37/.072	37/1.83	.504	12.5
—	2960	—	1.5	1/.055	1/1.40	.055	1.40	211600	—	4/0	—	19/.1055	19/2.89	.528	13.4
—	2960	—	1.5	7/.021	7/5.33	.063	1.60	—	237.8 kcmil	—	120	37/.081	37/2.06	.567	14.4
4110	—	14	—	1/.0641	1/1.63	.064	1.63	250 kcmil	—	—	—	37/.0822	37/2.07	.575	14.6
4110	—	14	—	7/.0242	7/6.15	.073	1.84	300 kcmil	—	—	150	37/.090	37/2.29	.630	16.0
—	4934	—	2.5	1/.071	1/1.80	.071	1.80	350 kcmil	—	—	—	37/.0973	37/2.47	.681	17.3
—	4934	—	2.5	7/.027	7/6.66	.081	2.06	—	365.1 kcmil	—	185	37/.100	37/2.54	.700	17.8
6530	—	12	—	1/.0308	1/2.05	.081	2.05	400 kcmil	—	—	—	37/104	37/2.64	.728	18.5
6530	—	12	—	7/.0305	7/7.75	.092	2.32	—	473.6 kcmil	—	240	37/114	37/2.90	.798	20.3
—	7894	—	4	1/.089	1/2.26	.089	2.26	—	473.6 kcmil	—	240	61/.089	61/2.26	.801	20.3
—	7894	—	4	7/.034	7/8.64	.102	2.59	500 kcmil	—	—	—	37/1162	37/2.95	.813	20.7
10380	—	10	—	1/.1019	1/2.59	.102	2.59	500 kcmil	—	—	—	61/.0905	61/2.30	.814	20.7
10380	—	10	—	7/.0355	7/9.78	.116	2.93	—	592.1 kcmil	—	300	61/.099	61/2.51	.891	22.6
—	11840	—	6	1/.109	1/2.77	.109	2.77	600 kcmil	—	—	—	61/.0992	61/2.52	.893	22.7
—	11840	—	6	7/.042	7/1.07	.126	3.21	700 kcmil	—	—	—	61/.1071	61/2.72	.964	24.5
13000	—	9	—	1/.1144	1/2.91	.114	2.91	750 kcmil	—	—	—	61/.1109	61/2.82	.998	25.4
13090	—	9	—	7/.0432	7/1.10	.130	3.30	750 kcmil	—	—	—	91/.0908	91/2.31	.998	25.4
16510	—	8	—	1/.1285	1/3.26	.128	3.25	—	789.4 kcmil	—	400	61/.114	61/2.90	1.026	26.1
16510	—	8	—	7/.0486	7/1.23	.146	3.70	800 kcmil	—	—	—	61/.1145	61/2.91	1.031	26.2
—	19740	—	10	1/.141	1/3.58	.141	3.58	800 kcmil	—	—	—	91/.0938	91/2.38	1.032	26.2
—	19740	—	10	7/.054	7/1.37	.162	4.12	1000 kcmil	986.8 kcmil	—	500	61/.1280	61/3.25	1.152	28.3
20520	—	7	—	1/.1443	1/3.67	.144	3.67	1000 kcmil	—	—	—	91/.1048	91/2.66	1.153	29.3
20520	—	7	—	7/.0545	7/1.38	.164	4.15	—	1233.7 kcmil	—	625	91/.117	91/2.97	1.287	32.7
26240	—	6	—	1/.162	1/4.11	.162	4.11	1250 kcmil	—	—	—	91/.1172	91/2.93	1.289	32.7
26240	—	6	—	7/.0612	7/1.55	.184	4.66	1250 kcmil	—	—	—	127/.0992	127/2.52	1.200	32.8
—	31580	—	16	7/.008	7/1.73	.204	5.13	1500 kcmil	—	—	—	91/.1284	91/3.26	1.412	36.9
33090	—	5	—	7/.0688	7/1.75	.206	5.24	1500 kcmil	—	—	—	127/.1087	127/2.76	1.413	36.9
41740	—	4	—	7/.0772	7/1.96	.232	5.88	—	1578.8 kcmil	—	800	91/.132	91/3.35	1.452	36.9
—	49340	—	25	7/.085	7/2.16	.255	6.48	—	1973.5 kcmil	—	1000	91/.147	91/3.73	1.617	41.1
—	49340	—	25	19/.052	10/1.32	.260	6.60	2000 kcmil	—	—	—	127/.1255	127/3.19	1.632	41.5
52620	—	3	—	7/.0867	7/2.20	.260	6.61	2000 kcmil	—	—	—	169/.1088	169/2.76	1.632	41.5
66300	—	2	—	7/.0974	7/2.47	.292	7.42	—	—	—	—	—	—	—	—
—	69070	—	35	7/.100	7/2.54	.300	7.62	—	—	—	—	—	—	—	—
—	69070	—	35	19/.001	19/1.55	.305	7.75	—	—	—	—	—	—	—	—

BURNDY® Grounding Products

Alpha-numeric Index

CATALOG NO.	PAGE NO.	CATALOG NO.	PAGE NO.	CATALOG NO.	PAGE NO.	CATALOG NO.	PAGE NO.	CATALOG NO.	PAGE NO.
115CI	62	44x200 HEB BOX	100	B-1226-H	79	B-1596	71	B-232	64
115R	62	45CI	62	B-1228-H	79	B-1597	71	B-2320	73
150R	62	45CP	62	B-1270	67	B-1601	71	B-233	64
15CI	62	45R	62	B-1271	67	B-1602	71	B-234	64
15CP	62	50 FW BOX	101	B-1272	67	B-1603	71	B-235	64
15R	62	50 FWSS	103	B-1273	67	B-1604	71	B-236	64
200R	62	50 HSSN	103	B-1274	67	B-1605	71	B-237	64
25 FW BOX	101	50 NW BOX	101	B-1275	67	B-1606	71	B-238	64
25 FWSS	103	50 SW BOX	101	B-1276	67	B-1610	71	B-239	64
25 HSSN	103	50 SWSSMD	103	B-1277	67	B-1611	71	B-240	64
25 NW BOX	101	500R	62	B-1278	67	B-1613	81	B-241	64
25 SW BOX	101	50C HEN BOX	101	B-1279	67	B-1614	81	B-242	64
25 SWSS LT	103	50x100 HEB BOX	100	B-1280	67	B-1615	81	B-243	64
250R	62	50x106 BWSS	103	B-1281	67	B-1616	81	B-244	64
25C HEN BOX	101	50x125 HEB BOX	100	B-1282	67	B-1617	81	B-245	64
25CI	62	50x150 HEB BOX	100	B-1283	67	B-1618	81	B-2450	73
25CP	62	50x175 HEB BOX	100	B-1284	67	B-1619	81	B-246	64
25R	62	50x200 HEB BOX	100	B-1285	67	B-1620	81	B-247	64
25x100 HEB BOX	100	50x200 HSSB	103	B-1286	67	B-1626	79	B-2476	77
25x125 HEB BOX	100	50x225 HEB BOX	100	B-1287	67	B-1627	79	B-2477	77
25x150 HEB BOX	100	50x250 HEB BOX	100	B-1288	67	B-1628	79	B-2478	77
25x200 HEB BOX	100	50x250 HSSB	103	B-1289	67	B-1629	79	B-248	64
25x250 HEB BOX	100	50x275 HEB BOX	100	B-1290	67	B-1630	79	B-2480	77
25x300 HEB BOX	100	50x300 HEB BOX	100	B-1291	67	B-1631	79	B-2480-S	77
25x50 HEB BOX	100	50x300 HSSB	103	B-1292	67	B-1632	79	B-2482	77
25x62 HEB BOX	100	50x325 HEB BOX	100	B-1293	67	B-1633	79	B-2483	77
25x75 HEB BOX	100	50x350 HEB BOX	100	B-1294	67	B-1634	79	B-2484	77
31 FW BOX	101	50x375 HEB BOX	100	B-1295	67	B-1635	80	B-2486	77
31 NW BOX	101	50x400 HEB BOX	100	B-1296	67	B-1636	80	B-2488	77
31 SW BOX	101	50x450 HEB BOX	100	B-1297	67	B-1637	80	B-249	64
31C HEN BOX	101	50x500 HEB BOX	100	B-1298	67	B-1638	80	B-2490	77
31x100 HEB BOX	100	50x550 HEB BOX	100	B-1299	67	B-1639	80	B-2491	77
31x125 HEB BOX	100	50x600 HEB BOX	100	B-1300	67	B-1640	80	B-2493	77
31x150 HEB BOX	100	50x75 HEB BOX	100	B-1301	67	B-1641	80	B-2494	77
31x175 HEB BOX	100	62 FW BOX	101	B-1302	67	B-1642	80	B-250	64
31x200 HEB BOX	100	62 FWSS	103	B-1303	67	B-1643	80	B-2506	75
31x250 HEB BOX	100	62 HSSN	103	B-1304	67	B-1644	80	B-2507	75
31x300 HEB BOX	100	62 NW BOX	101	B-1305	67	B-1645	80	B-2509	75
31x50 HEB BOX	100	62 SW BOX	101	B-1306	67	B-1646	80	B-251	64
31x62 HEB BOX	100	62 SWSSMD	103	B-1307	67	B-1648	80	B-2510	73
31x75 HEB BOX	100	62C HEN BOX	101	B-1308	67	B-1649	80	B-2511	75
32CI	62	62x100 HEB BOX	100	B-1309	67	B-1650	80	B-252	64
32CP	62	62x125 HEB BOX	100	B-1310	67	B-205	63	B-253	64
32R	62	62x150 HEB BOX	100	B-1311	68	B-206	63	B-254	64
38 FW BOX	101	62x175 HEB BOX	100	B-1313	68	B-207	63	B-2540	78
38 FWSS	103	62x200 HEB BOX	100	B-1314	68	B-208	63	B-2542	75
38 HSSN	103	62x225 HEB BOX	100	B-1315	68	B-2084	73	B-255	64
38 NW BOX	101	62x250 HEB BOX	100	B-1316	68	B-209	63	B-2558	73
38 SW BOX	101	62x275 HEB BOX	100	B-1317	68	B-210	63	B-256	64
38 SWSSMD	103	62x300 HEB BOX	100	B-1318	68	B-211	63	B-2566	72
38C HEN BOX	101	62x300 HSSB	103	B-1319	68	B-213	63	B-2567	80
38x100 HEB BOX	100	62x325 HEB BOX	100	B-1320	68	B-214	63	B-2568	80
38x125 HEB BOX	100	62x350 HEB BOX	100	B-1321	68	B-215	63	B-2569	80
38x125 HSSB	103	62x400 HEB BOX	100	B-1322	68	B-2154	71	B-257	64
38x150 HEB BOX	100	62x450 HEB BOX	100	B-1323	68	B-2155	71	B-258	64
38x175 HEB BOX	100	62x500 HEB BOX	100	B-1324	68	B-2156	71	B-2583-S	77
38x200 HEB BOX	100	62x600 HEB BOX	100	B-1325	68	B-2157	71	B-259	64
38x225 HEB BOX	100	65CI	62	B-1326	68	B-2158	71	B-260	64
38x225 HSSB	103	65CP	62	B-1327	68	B-2159	71	B-261	64
38x250 HEB BOX	100	65R	62	B-1328	68	B-2160	71	B-262	64
38x250 HSSB	103	75 FLATWASHER (VC)	103	B-1329	68	B-2161	71	B-263	64
38x275 HEB BOX	100	90CI	62	B-1330	68	B-2162	71	B-264	64
38x275 HSSB	103	90R	62	B-1331	68	B-2163	71	B-265	64
38x300 HEB BOX	100	ALFLUID™ GAL.	120	B-1332	68	B-2164	71	B-266	64
38x325 HEB BOX	100	ALFLUID™ QT.	120	B-1333	68	B-2165	71	B-267	64
38x350 HEB BOX	100	B-106	91	B-1334	68	B-2189	78	B-268	64
38x400 HEB BOX	100	B-107	91	B-1335	68	B-2199	75	B-2687	66
38x450 HEB BOX	100	B-1208	68	B-1336	68	B-2200	75	B-2688	77
38x50 HEB BOX	100	B-1212	73	B-1581	71	B-221	64	B-2689	66
38x500 HEB BOX	100	B-1215	79	B-1582	71	B-223	64	B-269	64
38x62 HEB BOX	100	B-1216	79	B-1583	71	B-2235	73	B-2690	66
38x75 BWSS	103	B-1218	79	B-1584	71	B-224	64	B-2691	66
38x75 HEB BOX	100	B-1219	79	B-1586	71	B-225	64	B-2692	66
38x88 HEB BOX	100	B-1220	79	B-1587	71	B-226	64	B-2693	66
44 FW BOX	101	B-1221	79	B-1588	71	B-227	64	B-2694	66
44 NW BOX	101	B-1222	79	B-1589	71	B-228	64	B-2695	66
44 SW BOX	101	B-1223	79	B-1593	71	B-229	64	B-2696	66
44C HEN BOX	101	B-1224	79	B-1594	71	B-230	64	B-2697	66
44x150 HEB BOX	100	B-1225-H	79	B-1595	71	B-231	64	B-2698	66

Alpha-numeric Index

CATALOG NO.	PAGE NO.	CATALOG NO.	PAGE NO.	CATALOG NO.	PAGE NO.	CATALOG NO.	PAGE NO.	CATALOG NO.	PAGE NO.
B-2699	66	B-454	65	B-534	69	B-5660	71	B-6061	80
B-270	64	B-455	65	B-5340	68	B-5667	73	B-6067	80
B-2700	66	B-456	65	B-5341	73	B-5668	68	B-6072	80
B-2701	66	B-457	65	B-5342	68	B-567	70	B-6114	75
B-2702	66	B-458	65	B-535	69	B-5676	68	B-616	76
B-2703	66	B-459	65	B-5351	73	B-5677	73	B-6165	72
B-2704	66	B-460	65	B-5352	73	B-5679	68	B-617	76
B-2705	66	B-461	65	B-5353	73	B-5680	68	B-618	76
B-2706	66	B-462	65	B-5359	78	B-5682	68	B-619	76
B-2707	66	B-463	65	B-5361	78	B-5684	68	B-620	76
B-2708	66	B-464	65	B-5362	78	B-5686	68	B-6205	89
B-2709	66	B-465	65	B-5363	78	B-5688	68	B-6207	89
B-2710	66	B-466	65	B-537	70	B-569	70	B-6208	73
B-2711	66	B-467	65	B-538	70	B-5698	72	B-6209	89
B-2712	66	B-468	65	B-5380	72	B-5699	72	B-621	76
B-2713	66	B-469	65	B-5389	78	B-570	70	B-6210	89
B-2714	66	B-470	65	B-539	70	B-5702	73	B-6211	89
B-2715	66	B-471	65	B-5390	72	B-5709	67	B-6212	89
B-2716	66	B-472	65	B-540	70	B-571	70	B-622	76
B-2717	66	B-483	65	B-541	70	B-572	70	B-624	76
B-2718	66	B-485	65	B-5416	72	B-5722	72	B-625-H	76
B-2719	66	B-486	65	B-5419	80	B-573	70	B-626-H	76
B-2747	66	B-487	65	B-542	70	B-5732	72	B-628	75
B-2751	66	B-488	65	B-5428	73	B-5734	72	B-629	75
B-2752	66	B-489	65	B-543	70	B-5738	72	B-6294	73
B-2753	66	B-490	65	B-5432	66	B-574	70	B-630	75
B-2754	66	B-491	65	B-544	70	B-5746	72	B-631	75
B-2755	66	B-492	65	B-545	70	B-575	70	B-644	75
B-2756	66	B-493	65	B-546	70	B-5767	73	B-645	75
B-2757	66	B-495	69	B-547	70	B-577	70	B-646	75
B-2761	80	B-496	69	B-5475	64	B-5777	72	B-647	75
B-2781	78	B-497	69	B-548	70	B-578	70	B-648	75
B-280	64	B-498	69	B-549	70	B-5781	69	B-649	75
B-282	64	B-499	69	B-550	70	B-579	70	B-650	75
B-283	64	B-500	69	B-551	70	B-5803	72	B-652	75
B-284	64	B-501	69	B-5513	72	B-5804	72	B-653	75
B-285	64	B-502	69	B-5515	72	B-5820	72	B-654	75
B-286	64	B-5021	64	B-5517	73	B-5821	72	B-6552	68
B-287	64	B-503	69	B-553	70	B-5830	72	B-6630	71
B-288	64	B-504	69	B-555	70	B-5833	72	B-6766	73
B-289	64	B-505	69	B-5555	72	B-585	77	B-6906	71
B-290	64	B-506	69	B-5556	72	B-5850	72	B-7075	75
B-291	64	B-5065	76	B-556	70	B-5857	72	B-7146	75
B-293	64	B-507	69	B-5560	73	B-586	77	B-7192	76
B-294	64	B-508	69	B-5561	72	B-587	77	B-7500	82
B-295	64	B-509	69	B-557	70	B-5877	72	B-7501	82
B-296	64	B-510	69	B-5573	73	B-588	77	B-7502	82
B-297	64	B-511	69	B-5574	64	B-588-S	77	B-7503	82
B-298	64	B-513	69	B-558	70	B-589	77	B-7504	82
B-423	65	B-514	69	B-559	70	B-590	77	B-7505	82
B-424	65	B-515	69	B-560	70	B-5904	72	B-7506	82
B-425	65	B-516	69	B-5604	73	B-591	77	B-7507	82
B-426	65	B-517	69	B-561	70	B-5910	80	B-7508	82
B-427	65	B-518	69	B-5618	67	B-592	77	B-7509	82
B-428	65	B-519	69	B-562	70	B-593	77	B-7510	82
B-429	65	B-520	69	B-5623	63	B-5935	72	B-7511	82
B-430	65	B-521	69	B-5624	63	B-594	77	B-7512	82
B-431	65	B-523	69	B-5625	63	B-5940	72	B-7513	82
B-432	65	B-524	69	B-5626	63	B-5943	68	B-7514	82
B-433	65	B-525	69	B-5627	68	B-595	77	B-7515	82
B-434	65	B-526	69	B-5629	68	B-596	77	B-7520	82
B-435	65	B-527	69	B-563	70	B-5961	72	B-7521	82
B-436	65	B-528	69	B-5630	68	B-5963	72	B-7522	82
B-437	65	B-529	69	B-5631	68	B-5972	72	B-7523	82
B-438	65	B-5294	72	B-5632	68	B-598	77	B-7528	82
B-439	65	B-530	69	B-5634	68	B-599	77	B-7529	82
B-440	65	B-531	69	B-5635	68	B-5992	72	B-7530	82
B-441	65	B-532	70	B-5636	68	B-600	77	B-7531	82
B-442	65	B-5321	71	B-5637	68	B-6002	73	B-7588	83
B-443	65	B-533	69	B-5638	68	B-6003	72	B-7589	83
B-444	65	B-5330	73	B-5639	68	B-602	76	B-7590	83
B-445	65	B-5331	76	B-564	70	B-6025	72	B-7591	83
B-447	65	B-5332	73	B-5640	73	B-603	76	B-7592	83
B-448	65	B-5333	73	B-5642	68	B-604	76	B-7593	83
B-449	65	B-5334	73	B-5644	68	B-6046	68	B-7594	83
B-450	65	B-5335	73	B-5645	68	B-6048	72	B-7595	83
B-451	65	B-5336	73	B-5652	68	B-605	76	B-7596	83
B-452	65	B-5337	73	B-5659	68	B-6051	73	B-7597	83
B-453	65	B-5338	73	B-566	70	B-6060	80	B-7598	83

BURNDY® Grounding Products

Alpha-numeric Index

CATALOG NO.	PAGE NO.	CATALOG NO.	PAGE NO.	CATALOG NO.	PAGE NO.	CATALOG NO.	PAGE NO.	CATALOG NO.	PAGE NO.
B-7599	83	B-7726	85	B-8512	78	B4F12N	49	BS-2068	74
B-7600	83	B-7727	85	B-8718	78	B4G12N	49	BS-2069	74
B-7601	83	B-7728	85	B-8726	73	B593	77	BS-2070	74
B-7602	83	B-7729	85	B-8802	73	BA-200	95	BS-2105	74
B-7603	83	B-7730	85	B-8833	77	BA-201	95	BS-2106	74
B-7604	83	B-7731	85	B-8882	68	BA-202	95	BS-2107	74
B-7605	83	B-7732	85	B-9021	77	BA-203	95	BS-2108	74
B-7606	83	B-7733	85	B-9029	78	BA-204	95	BS-2109	74
B-7607	83	B-7734	85	B-9233	77	BA-205	95	BS-2110	74
B-7608	83	B-7735	85	B-9233-S	77	BA-207	95	C-11B	39
B-7609	83	B-7736	85	B-9253	80	BA-208	95	C-11CSH-1	44
B-7610	83	B-7737	85	B106-32	92	BA-209	95	C-11CSH-2	44
B-7611	83	B-7738	85	B106-37	92	BA-211	95	C-11CSH-3	44
B-7612	83	B-7739	85	B106-41	92	BA-212	95	C-11D	39
B-7613	83	B-7884	86	B107-32	92	BA-213	95	C-11JA	41
B-7614	83	B-7885	86	B107-37	92	BA-214	95	C-11JPT	39
B-7615	83	B-7886	86	B2487	77	BA-215	95	C-11LH-1	43
B-7616	83	B-7887	86	B2495	77	BA-240	95	C-11LH-2	43
B-7617	83	B-7888	86	B2497	77	BAT12B	112	C-11LH-3	43
B-7618	83	B-7889	86	B2498	77	BAT18V	107-110	C-11N	39
B-7619	83	B-7890	86	B2D12	49	BAT18VLED	109, 110	C-22	39
B-7620	84	B-7891	86	B2D12N	49	BATCHGR	112	C-22D	39
B-7621	84	B-7892	86	B2E12	49	BATCHGR18V	108	C-22JA	41
B-7622	84	B-7893	86	B2E12N	49	BCC1000CUAL	111	C-22JPT	39
B-7623	84	B-7894	86	B2F12	49	BCCBAT12V	111	C-22LH-1	43
B-7624	84	B-7895	86	B2F12N	49	BCCCASE	111	C-22LH-2	43
B-7625	84	B-7896	86	B2G12N	49	BCCCHGR	111	C-22LH-3	43
B-7626	84	B-7897	86	B370320-01	62	BCT/PATDCCCHGR	107-110	C-4	39
B-7627	84	B-7898	86	B370320-02	62	BD12	48	C-4JA	41
B-7628	84	B-7899	86	B370320-03	62	BD12N	48	C-4JPT	39
B-7629	84	B-7900	86	B38-0101-00	94	BD18	48	C-4LH-1	43
B-7630	84	B-7901	86	B38-0101-01	94	BD18N	48	C-4LH-2	43
B-7631	84	B-7902	86	B38-0135-00	93, 94	BD24	48	C-4LH-3	43
B-7632	84	B-7903	86	B38-0135-01	93	BD24N	48	C-5 (JUNIOR)	39
B-7633	84	B-7904	86	B38-0302-00	94	BE12	48	C-6	42
B-7634	84	B-7905	86	B38-0302-02	94	BE12N	48	C-61	43
B-7635	84	B-7906	86	B38-0303-00	94	BE18	48	C-66	43
B-7636	84	B-7907	86	B38-0304-00	94	BE18N	48	C-6D	42
B-7637	84	B-7908	86	B38-0305-00	94	BE24	48	C-7	42
B-7638	84	B-7909	86	B38-0306-00	93, 94	BE24N	48	C-8	39
B-7639	84	B-7910	86	B38-0307-00	94	BF12	48	C11CSLH12	44
B-7640	84	B-7911	86	B38-0308-00	94	BF12N	48	C11HD4/ODB	41
B-7641	84	B-7912	86	B38-0309-00	94	BF18	48	C11K16D	40
B-7642	84	B-7913	86	B38-0309-01	94	BF18N	48	C11K17D	40
B-7643	84	B-7914	86	B38-0329-00	95	BF24	48	C22HD4/ODB	41
B-7644	84	B-7915	86	B38-0330-00	93	BF24N	48	CL50-1	31
B-7645	84	B-7916	86	B38-0904-00	94	BG12	48	CZ-11	40
B-7646	84	B-7917	86	B38-3662-01	95	BG12N	48	EPP10	119
B-7647	84	B-7918	86	B38-3662-02	95	BG18	48	EPP6	119
B-7648	84	B-7919	86	B38-3662-03	95	BG18N	48	EPPCASE-1	119
B-7649	84	B-7920	86	B38-3662-04	95	BG24	48	EQC632C	30
B-7650	84	B-7921	86	B38-3662-05	95	BG24N	48	GA25H26	56
B-7651	84	B-7922	86	B38-3662-06	95	BS-2006	74	GAR1126	32
B-7652	84	B-7923	86	B38-3922-00	93, 94	BS-2007	74	GAR1129	32
B-7653	84	B-8011	73	B38-4129-00	93	BS-2008	74	GAR114C	32
B-7654	84	B-8027	73	B38-4129-05	93	BS-2009	74	GAR1426	32
B-7655	84	B-8165	78	B3D12	49	BS-2010	74	GAR1429	32
B-7656	84	B-8214	73	B3D12N	49	BS-2011	74	GAR1434	32
B-7657	84	B-8359	80	B3E12	49	BS-2012	74	GAR144C	32
B-7658	84	B-8379	76	B3E12N	49	BS-2013	74	GAR1526	32
B-7659	84	B-8381	76	B3F12	49	BS-2014	74	GAR1529	32
B-7708	85	B-8402	69	B3F12N	49	BS-2015	74	GAR1534	32
B-7709	85	B-8403	69	B3G12	49	BS-2016	74	GAR154C	32
B-7710	85	B-8410	76	B3G12N	49	BS-2017	74	GAR1626	32
B-7711	85	B-8413	76	B40-0106-27	92	BS-2018	74	GAR1629	32
B-7712	85	B-8414	69	B40-0106-75	91	BS-2019	74	GAR1634	32
B-7713	85	B-8415	69	B40-0106-76	92	BS-2020	74	GAR164C	32
B-7714	85	B-8422	69	B40-0106-77	92	BS-2021	74	GAR1726	32
B-7715	85	B-8423	76	B40-0106-78	92	BS-2024	74	GAR1729	32
B-7716	85	B-8426	69	B40-0319-01	93	BS-2025	74	GAR1734	32
B-7717	85	B-8428	73	B40-0319-03	93	BS-2026	74	GAR174C	32
B-7718	85	B-8434	70	B40-3657-00	91	BS-2027	74	GAR1826	32
B-7719	85	B-8435	70	B40-4431-01	92	BS-2028	74	GAR1829	32
B-7720	85	B-8441	70	B404431-00	92	BS-2029	74	GAR1834	32
B-7721	85	B-8442	70	B4D12	49	BS-2030	74	GAR184C	32
B-7722	85	B-8451	73	B4D12N	49	BS-2031	74	GAR1926	32
B-7723	85	B-8452	70	B4E12	49	BS-2032	74	GAR1929	32
B-7724	85	B-8454	70	B4E12N	49	BS-2033	74	GAR1934	32
B-7725	85	B-8461	73	B4F12	49	BS-2034	74	GAR194C	32

Alpha-numeric Index

CATALOG NO.	PAGE NO.	CATALOG NO.	PAGE NO.	CATALOG NO.	PAGE NO.	CATALOG NO.	PAGE NO.	CATALOG NO.	PAGE NO.
GAR2026	33	GD1826	36	GP1434	37	K2C34	29	PT 29900-15	120
GAR2029	33	GD1829	36	GP144C	37	K2C34B1	29	PT 29900-25	120
GAR2034	33	GD1834	36	GP1526G1	58	KC15	29	PT 29901-10	120
GAR204C	33	GD184C	36	GP1629	37	KC15B1	29	PT 29901-15	120
GAR2126	33	GD1926	36	GP164C	37	KC17	29	PT 29901-25	120
GAR2129	33	GD1929	36	GP1726	37	KC17B1	29	PT 6545	120
GAR2134	33	GD1934	36	GP1726RT	58	KC20	29	PT 93	120
GAR214C	33	GD194C	36	GP1826	37	KC20B1	29	PT 94	120
GAR2226	33	GD2026	36	GP184C	37	KC22	29	PT10024162	106
GAR2229	33	GD2029	36	GP2026	37	KC22B1	29	PT10037384	106, 109, 115
GAR2234	33	GD2034	36	GP2226	37	KC22J12T13	30	PT10037388	106, 109, 115
GAR224C	33	GD204C	36	GP6426	37	KC23	29	PT10038657	110, 116
GAR2426	33	GD2126	36	GP6429	37	KC23B1	29	PT10040663	110, 116
GAR2429	33	GD2129	36	GP6434	37	KC25	29	PT10043890	115
GAR2434	33	GD2134	36	GP644C	37	KC25B1	29	PT10044980	110
GAR244C	33	GD214C	36	GP64526G1	58	KC26	29, 30	PT10054094	116
GAR3902	34	GD2226	36	GP654CG1	58	KC26B1	29	PT10121	114
GAR3902-BU	34	GD2229	36	GQ26-1	47	KC28	29	PT10128	114
GAR3902TC	35	GD2234	36	GQ2626	47	KC28B1	29	PT208620	107, 109, 110
GAR3903	34	GD224C	36	GQ29-1	47	KC31	29	PT23484	113
GAR3903-BU	34	GG15-1	46	GQ2929	47	KC31B1	29	PUADP-1	108, 114
GAR3903TC	35	GG16-1	46	GRC12	38	KC34	29	QGFL1CB1	56
GAR3904	34	GG17-1	46	GRC34	38	KC34B1	29	QGFL1CB1T6	56
GAR3904-BU	34	GG17-15	46	GRC58	38	KC34J12T13	30	QGFL26B1	56
GAR3904TC	35	GG18-1	46	GRF4C-3	57	KPBA4CG1	31	QGFL26B1T6	56
GAR3905	34	GG18-15	46	GRF4C-4	57	KS15	30	QGFL26B2	56
GAR3905-BU	34	GG18-2	46	GRL3	38	KS17	30	QGFL26B2T6	56
GAR3905TC	35	GG19-2	46	GRL4	38	KS20	30	QGFL29B1	56
GAR3906	34	GG19-25	46	GRL5	38	KS22	30	QGFL29B1T6	56
GAR3906-BU	34	GG20-2	46	GRL6	38	KS23	30	QGFL31B1	56
GAR3906TC	35	GG20-25	46	GROUNDMAX™	87, 88	KS25	30	QGFL31B1T6	56
GAR3907	34	GG20-3	46	GSTUD14HY	26	KS26	30	QGFL34B1	56
GAR3907-BU	34	GG21-2	46	GSTUD34HY	26	KS27	30	QGFL34B1T6	56
GAR3907TC	35	GG21-25	46	GSTUD38HY	26	KS29	30	QGFL39B1	56
GAR3908	34	GG21-3	46	GSTUD916HY	26	KS31	30	QGFL39B1T6	56
GAR3908-BU	34	GG21-35	46	GTC1AC34RA	53	KS34	30	QGFL44B1	56
GAR3908TC	35	GG22-2	46	GX2626	47	MCC1000	117	QGFL44B1T6	56
GAR3909	34	GG22-25	46	GX264C	47	MCC1000BLADESET	117	QGFL46B1	56
GAR3909-BU	34	GG22-3	46	GX2926	47	MCC20	117	QGFL46B1T6	56
GAR3909TC	35	GG22-4	46	GX2929	47	MCC500	117	QGFL48B1	56
GAR6426	32	GG24-2	46	GX294C	47	MCC500BLADESET	117	RCC1000	118
GAR6429	32	GIE2CG3	54	GX3426	47	P15K	108, 114	RCC556	118
GAR6434	32	GIE4CG3	54	GX3429	47	P8A 99		RCC600	118
GAR644C	32	GIE4CG3P5	54	GX3434	47	PAT46-18V	108	RCC750HD	118
GAR644C-RB	34	GIE4CG3P7	54	GX344C	47	PAT750XT-18V	107	RCC954ACSR	118
GAR8629	33	GIE4CG4	54	GX4C4C	47	PATCHGR-18V	107	RGC39G1	55
GB26	50	GIE4CG4P5	54	GZ26-12	51	PATCHGR18V	109, 110	RGC44G1	55
GB29	50	GIE4CG4P7	54	GZ26-38	51	PATCHGR250V	107-110	RHCC129ACSR	115
GB34	50	GK1126	37	GZ26-58	51	PATCUT129ACSR-18V	109	RHCC245CUAL	116
GB4C	50	GK1129	37	GZ29-12	51	PATCUT245CUAL-18V	110	RP50RP02	111
GBL30	50	GK114C	37	GZ29-38	51	PEN A-4	99	RP50RP03	111
GBM26	50	GK1426	37	GZ29-58	51	PEN A-55GAL	99	TMH261	102
GBM29	50	GK1429	37	GZ4C-12	51	PEN A-5GAL	99	TMH261SS	102
GBM34	50	GK1434	37	GZ4C-38	51	PEN A-GAL	99	TMH262	102
GBM4C	50	GK1526	37	GZ4C-58	51	PEN A-QT	99	TMH262SS	102
GC15A	45	GK1529	37	HYFLUID GAL.	120	PEN A13-4	99	TMH263	102
GC18A	45	GK1626	37	HYFLUID QT.	120	PEN A13-55GAL	99	TMH263SS	102
GC22A	45	GK1629	37	J278	55	PEN A13-5GAL	99	TMH264	102
GC2525CT	52	GK1726	37	J279	55	PEN A13-8	99	TMH264SS	102
GC2626	50	GK1729	37	J280	55	PEN A13-GAL	99	TMH265	102
GC2626CT	52	GK1826	37	J295	55	PEN A13-QT	99	TMH265SS	102
GC2929	50	GK1829	37	K2C15	29	PEN E-4	99	TMH266	102
GC2929CT	52	GK1926	37	K2C15B1	29	PEN E-55GAL	99	TMH267	102
GC3434	50	GK1929	37	K2C17	29	PEN E-5GAL	99	TMH267SS	102
GC4C4C	50	GK6426	37	K2C17B1	29	PEN E-8	99	TMH268	102
GCL30	50	GK6429	37	K2C20	29	PEN E-GAL	99	TMH268SS	102
GCM26	50	GK6434	37	K2C20B1	29	PEN E-QT	99	TMH269	102
GCM29	50	GK644C	37	K2C22	29	PENA 1/2	99	TMH269SS	102
GCM34	50	GKA4C	31	K2C22B1	29	PENA13CARTRIDGE	99	TMH270	102
GCM4C	50	GKA8C	31	K2C23	29	PENACARTRIDGE	98, 99	TMH270SS	102
GCRT1/0	38	GL2626	51	K2C23B1	29	PENETROX A	98	TMH271	102
GD1526	36	GL2929	51	K2C25	29	PENETROX A-13	98	TMH271SS	102
GD1529	36	GL3434	51	K2C25B1	29	PENETROX E	98	TMH272	102
GD1626	36	GL4C4C	51	K2C26	29	PENETROX™ A	99	TMH272SS	102
GD1629	36	GP1126	37	K2C26B1	29	PENETROX™ A-13	99	TMH289	102
GD1726	36	GP1129	37	K2C28	29	PENETROX™ E	99	TMH294	102
GD1729	36	GP114C	37	K2C28B1	29	PT 29074-1	120	TMH294SS	102
GD1734	36	GP1426	37	K2C31	29	PT 29291	120	TMH295	102
GD174C	36	GP1429	37	K2C31B1	29	PT 29900-10	120	TMH295SS	102

BURNDY® Grounding Products

Alpha-numeric Index

CATALOG NO.	PAGE NO.	CATALOG NO.	PAGE NO.	CATALOG NO.	PAGE NO.	CATALOG NO.	PAGE NO.	CATALOG NO.	PAGE NO.
TMH322SS	102	YGA6C-2TC38E2G1	20	YGHC34C29	14	YGHS28	19	YGL29C29	10
TMH332	102	YGA6C-TC10	20	YGHC34C34	14	YGHS29	19	YGL2C2	10
TMH69	102	YGA6C-TC14	20	YGHP29C2	12	YGHS2C	19	YGL34C2	10
TMH69SS	102	YGA6C-TC516	20	YGHP29C26	12	YGHS31	19	YGL34C29	10
TMHG-42	24	YGA8C-2N	20	YGHP29C29	12	YGHS34	19	YGL34C34	10
TMHG-92	24	YGA8C-TC10	20	YGHP29C6W6W	12	YGIBS28-338-2N	25	YGLR29C100	11
Y46	114	YGA8C-TC14	20	YGHP2C2	12	YGIBS28-400-2N	25	YGLR29C12	11
Y46-2	114	YGA8C-TC516	20	YGHP2C6W6W	12	YGIBS28-462-2N	25	YGLR29C34	11
Y46C	114	YGC6C6	15	YGHP34C2	12	YGIBS28-550-2N	25	YGLR29C58	11
Y700DC-1B	112	YGC6C8	15	YGHP34C26	12	YGIBS28-613-2N	25	YGLR34C100	11
Y750-2HS	105	YGC8C8	15	YGHP34C29	12	YGIBS28-675-2N	25	YGLR34C12	11
Y750BH	113	YGF29-2N	22	YGHP34C34	12	YGIBS34-338-2N	25	YGLR34C34	11
Y750BH-2	113	YGF29-4N	22	YGHF58C2W-2	13	YGIBS34-400-2N	25	YGLR34C58	11
Y750HS	105	YGF34-2N	22	YGHF58C2W-2TN	13	YGIBS34-462-2N	25	YGS25	21
Y750HSCASE	105	YGF34-4N	22	YGHR26C100	17	YGIBS34-550-2N	25	YGS26	21
YCUT129ACSR	106	YGHA25-2N	19	YGHR26C12	17	YGIBS34-675-2N	25	YGS28	21
YDC-CASE	112	YGHA26-2N	19	YGHR26C34	17	YGBW28-338-2N	25	YGS29	21
YG14B2TC2C2C	28	YGHA27-2N	19	YGHR26C58	17	YGBW28-400-2N	25	YGS2C	21
YG14B2TC2C6C	28	YGHA28-2N	19	YGHR29C100	17	YGBW28-462-2N	25	YGS34	21
YG14BTC28	28	YGHA29-2N	19	YGHR29C12	17	YGBW28-550-2N	25	YGS6C	21
YGA25-2N	20	YGHA2C-2N	19	YGHR29C34	17	YGBW28-613-2N	25	YGS8C	21
YGA26-2N	20	YGHA31-2N	19	YGHR29C58	17	YGBW28-675-2N	25	YGT275	27
YGA28-2N	20	YGHA34-2N	19	YGHR34C100	17	YGBW34-338-2N	25	YSHG3429	16
YGA29-2N	20	YGHC26C2	14	YGHR34C34	17	YGBW34-400-2N	25	YSHG3434	16
YGA2C-2N	20	YGHC26C26	14	YGHR34C58	17	YGBW34-462-2N	25	YSHG3931	16
YGA2C-2TC38	20	YGHC29C26	14	YGHR58C2W-3	18	YGBW34-550-2N	25	YSHG4429	16
YGA2C-2TC38E2G1	20	YGHC29C29	14	YGHS25	19	YGBW34-613-2N	25	YTTAG388	27
YGA34-2N	20	YGHC2C2	14	YGHS26	19	YGBW34-675-2N	25		
YGA6C-2N	20	YGHC34C26	14	YGHS27	19	YGL29C2	10		

www.burndy.com

BURNDY PRODUCTS

**CALL 1-800-346-4175
FOR YOUR LOCAL
SALES REPRESENTATIVE**

Customer Service Dept.
7 Aviation Park Drive
Londonderry, NH 03053
1-800-346-4175

Canada
1-800-361-6975 (Quebec)
1-800-387-6487 (All other provinces)

Mexico
011-52-722-265-4400

Brazil
011-55-11-5515-7200

Tool Repair Center
Littleton Industrial Park
Littleton, NH 03561
1-800-426-8720

