



EXPRESSLINE

2018 HUBBELL LIGHTING EXPRESSLINE

Expanded
Product Offering

HUBBELL
Outdoor Lighting

COMPASS®

HUBBELL
Industrial Lighting

DUAL LITE

Columbia
LIGHTING

HUBBELL®
Control Solutions

 prescolite

 HUBBELL
Lighting

Quality Products...Trusted Brands

ExpressLine program products are from some of the best brands in the business. From outdoor area lighting to indoor life safety emergency egress, an entire lighting project can be completed with the quality assurance delivered by Hubbell.



Commercial and industrial LED and fluorescent parabolic troffers, lensed troffers, recessed/indirects, industrials, strips, wraps, linear high bays and Chicago Plenum options.



Commercial and light industrial life safety products including emergency lighting units, exit signs, remote lighting heads and combination emergency lighting.



Full line of area, wall mount, overhead ceiling and floodlight commercial luminaires for perimeter, facade, roadway and security lighting applications serving the commercial market.



Commercial and light industrial life safety products including emergency lighting units, exit signs, remote lighting heads and combination emergency lighting.



Full line specification-grade and commodity recessed downlights, track lighting, surface and pendant mounted lighting equipment for residential, commercial, architectural and institutional applications.



A complete line of industrial LED and HID high and low bay lighting featuring a multitude of reflector/refractor combinations. Full offering of classified luminaires for extreme environments.



Advanced wireless and wired distributed intelligent lighting controls provide a complete suite of energy-saving solutions.



Get to work...FAST!

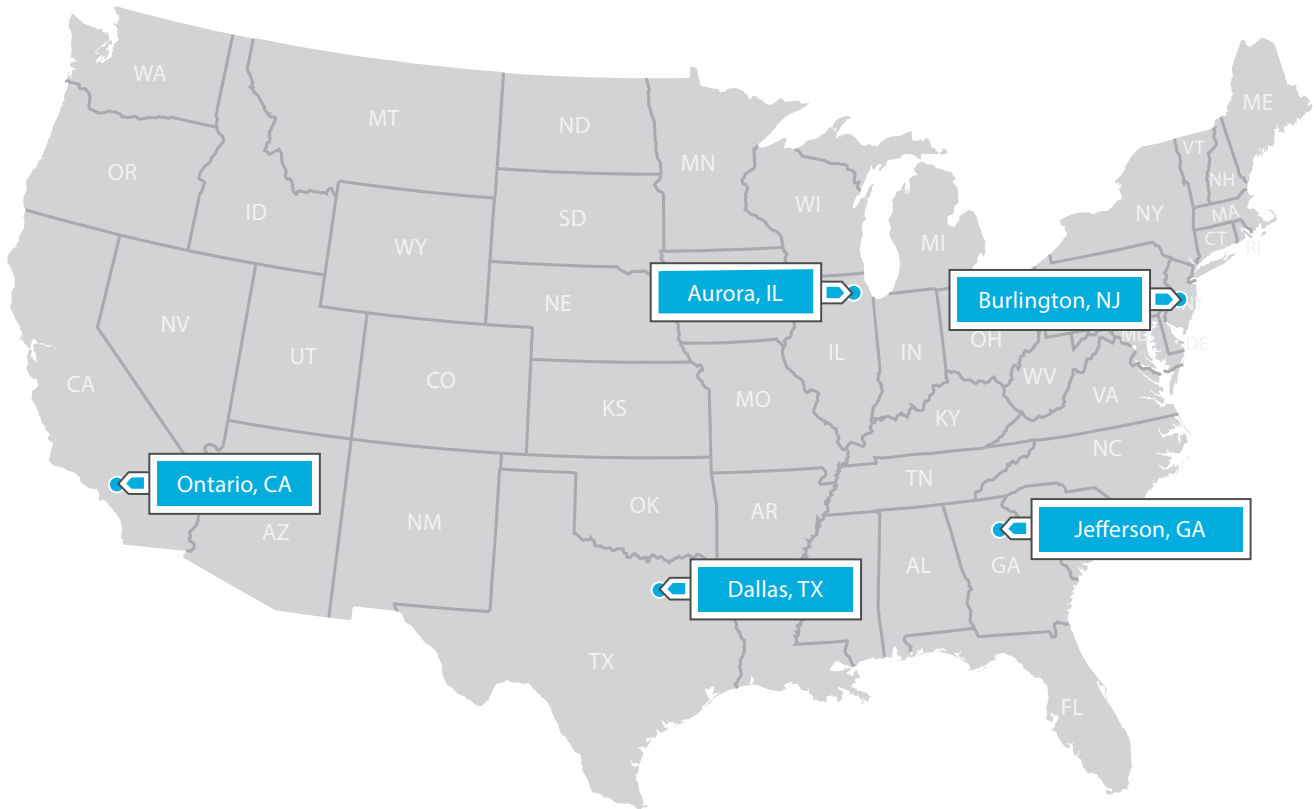
ExpressLine program products are backed with a great service proposition!
Everything within the program is STOCKED for immediate shipment.



Local Distribution

Strategically placed Regional Distribution Centers (RDC) are stocked with inventory customized to meet local market's unique needs. Real time inventory status is available online at HubbellLighting.com.

Hubbell Lighting's service commitments, online tools, best-in-class customer support and easy-to-do-business terms and conditions are all designed to keep you focused on growing your business.



Ontario, CA
1392 Sarah Place
Ontario, CA 91761

Dallas, TX
1901 W. Airfield Dr.
DFW Airport, TX 75261

Aurora, IL
1455 Sequoia
Aurora, IL. 60506

Jefferson, GA
350 Logistics Center
Parkway Ste. 100
Jefferson, GA 30549

Burlington, NJ
1817 Route 130 S
Burlington, NJ 08016

ExpressLine – ready to help you maximize sales

Hubbell Lighting's ExpressLine program offers high impact point-of-purchase product merchandise gondolas, literature, counter mats and counter displays to maximize your sales!

Selling & Merchandising Tools

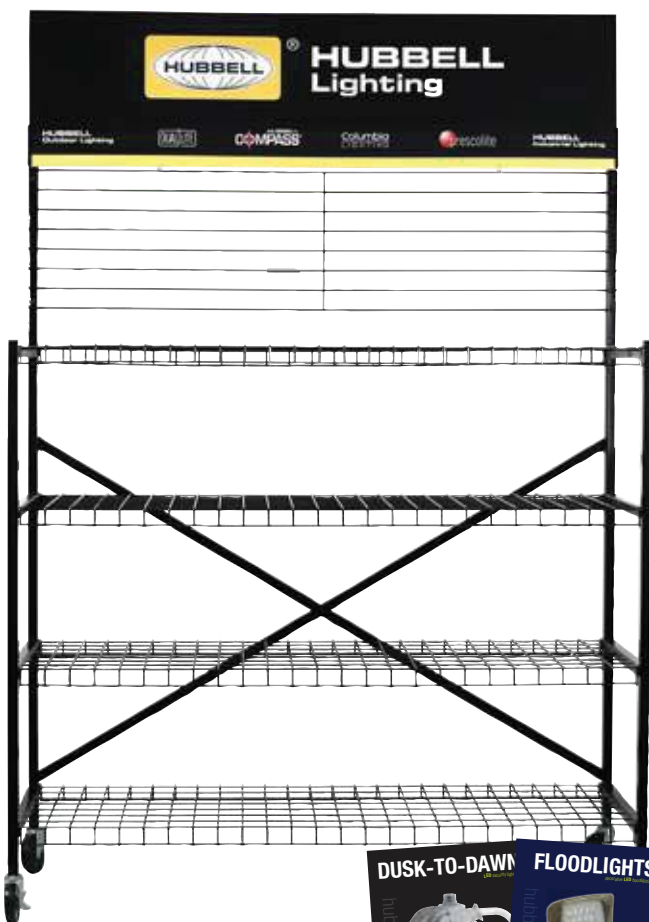
To drive incremental sales, ExpressLine members have use of our displays, gondola headers, and promotional materials.



Collateral and Application Guides



Large and Small Product Gondolas High impact Four Color Multi lingual Packaging



Counter Displays & Application Guides










Posters, Counter Mats & Web based Design Application Tools

CONTENTS

CONTENTS

CONTENTS

WALLPACKS	LED FEATURE PRODUCTS WALLPACKS.....	7	
	LED ZERO UPLIGHT WALLPACKS.....	8	
	LED REFRACTOR WALLPACKS.....	14	
CEILING/SURFACE	VAPORTITES.....	17	
	LED CEILING/SURFACE.....	18	
FLOODLIGHTING	LED FEATURE PRODUCTS FLOODLIGHTS.....	20	
	LED FLOODLIGHTING.....	22	
	SECURITY FLOODLIGHTING/MOTION SENSORS.....	27	
ACCESSORIES	FLOODLIGHT MOUNTING ACCESSORIES.....	31	
	BOXES, COVERS, LANDSCAPE & PHOTOCONTROLS ACCESSORIES.....	32	
AREA/SITE ROADWAY	LED DUSK-TO-DAWN.....	33	
	LED AREA/SITE ROADWAY.....	36	
	AREA/SITE PRONTO COMBO.....	37	
	POLES.....	40	
TROFFERS/STRIP WRAPS	LED FEATURE PRODUCT COLUMBIA.....	42	
	EDGE-LIT FLAT PANEL.....	43	
	LED TROFFER COLUMBIA.....	44	
	LED WRAP COLUMBIA.....	46	
HIGHBAY/LOWBAYS INDUSTRIAL	LED STRIPLIGHT COLUMBIA.....	47	
	LED ENCLOSED & GASKETED.....	48	
	LED HIGHBAY VERSABAY®.....	49	
DOWNLIGHTING	LED HIGHBAY INDUSTRIAL.....	51	
	LED FEATURE PRODUCT DOWNLIGHTING.....	52	
	LED DOWNLIGHTING LITEBOX 4".....	54	
	LED DOWNLIGHTING LITEBOX 6".....	55	
	LED DOWNLIGHTING SURFACE MOUNT 5" & 7".....	58	
	LED DOWNLIGHTING 4" & 6".....	59	
LED DOWNLIGHTING LIGHTFRAME.....	61		
LIFE SAFETY	LED FEATURE PRODUCT DUAL-LITE.....	62	
	EMERGENCY LED BATTERY PACK.....	63	
LIFE SAFETY	EXIT SIGNS/EMERGENCY LIGHTING.....	64	
	REMOTE EMERGENCY LIGHTING.....	72	
	EXIT SIGNS/EMERGENCY LIGHTING.....	70	
	DECORATIVE/EMERGENCY LIGHTING.....	75	
	WET LOCATION/EMERGENCY LIGHTING.....	79	
CONTROLS	DAYLIGHTING CONTROLS.....	84	
	CX LIGHTING CONTROL PANELS.....	86	
	DISTRIBUTED CONTROLS.....	90	
	OCCUPANCY/VACANCY SENSORS.....	98	
	WALLBOX SWITCHES.....	108	

FEATURED PRODUCTS

FOUR SIZES...MAXIMUM VERSATILITY LITEPAK

Optimal size and output with **maximum performance!** The LitePak family offers four housing sizes featuring a total of 12 lumen outputs for maximum light level and mounting height flexibility. The LitePak family is designed for perimeter illumination for safety, security and identity. Housing sizes 2, 3 and 4 offer optional battery backup for egress applications as well as a programmable occupancy sensor for even greater energy savings when no motion is detected. With typical mounting heights ranging from 8 feet all the way up the 25 feet and fixture spacing of 4-5 mounting heights, the LitePak family is the perfect solution for almost any building or surface mount application.

All Litepak Luminaires Feature

- Rugged die-cast aluminum housing provides excellent thermal management for long life
- 3000K, 4000K, 5000K color temperatures with 70 CRI
- Type II, III, IV distributions for maximum fixture spacing
- 120-277V operation
- 0-10V dimming drivers
- DesignLights Consortium® (DLC) qualified*



LED WALLPACKS

LNC



LNC	up to 2,100 Lumens
Equivalency	up to 100w MH

- Compact sized housing measuring only 8" x 5" x 5"
- Quick mount adapter provides quick installation designed for recessed 4" square junction box
- Standard acrylic diffuser for reduce glare and improved visual comfort
- Wet location listed

LNC 2



LNC2	up to 4,200 Lumens
Equivalency	up to 150w MH

- Small sized housing measuring only 10" x 6" x 6"
- Quick mount adapter provides quick installation designed for recessed 4" square junction box
- Standard acrylic diffuser for reduce glare and improved visual comfort
- Available with battery backup for egress application as well as programmable occupancy sensor
- Wet location listed
- Optional 347 and 480V in 12L configuration

LNC 3



LNC3	up to 7,600 Lumens
Equivalency	up to 250w MH

- Mid-sized housing measuring only 13" x 8" x 10.5"
- Inverted mounting option for uplighting capabilities
- Quick mount adapter provides quick installation designed for recessed 4" square junction box
- Optional acrylic diffuser for reduce glare and improved visual comfort
- Available with battery backup for egress application as well as programmable occupancy sensor
- Optional 7-Pin receptacle for twist lock photocell and controls (by others)
- IP-65 and Wet location listed
- Optional 347 and 480V

LNC 4



LNC4	up to 14,800 Lumens
Equivalency	up to 400w MH

- Large sized housing measuring 17" x 9" x 10.5"
- Inverted mounting option for uplighting capabilities
- Quick mount adapter provides quick installation designed for recessed 4" square junction box
- Optional acrylic diffuser for reduce glare and improved visual comfort
- Available with battery backup for egress application as well as programmable occupancy sensor
- Optional 7-Pin receptacle for twist lock photocell and controls (by others)
- IP-65 and Wet location listed
- Optional 347 and 480V

*Please refer to the DLC website for specific product qualifications at www.designlights.org



Ultra Compact LED Wallpack – Zero Uplight



The compact LED LNC is designed for perimeter illumination, available in 3 lumen packages replacing up to 100w HID for safety, security and general illumination applications. This compact fixture is neighbor friendly with zero uplight. Typical mounting height up to 12 feet with 40ft fixture spacing (without acrylic diffuser) and 30ft spacing with acrylic diffuser installed. Photocontrol option is available.

Consortium (DLC) qualifications, consult DLC website for more details:
<http://www.designlights.org/QPL>

APPLICATIONS

- Listed to UL1598 for use in wet locations
- Long-life (60,000hr L96 rated)
- Quick mount adapter and designed for both recessed box or surface conduit wiring

- IES Progress Award Winner - 2012
- 4K and 5K models meet DesignLights

LED WALLPACKS



*3000K and warmer CCTs only

STOCK

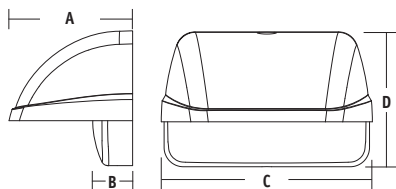
ORDERING INFORMATION

Catalog Number	System Watts	Delivered Lumens	Voltage	CCT	# Drivers/Current	Mounting Height	Weight lbs. (kg)
LNC-5LU-4K	12.8w	1077	120-277V	4000K	1@700mA	up to 10 ft.	4.0 (1.8)
LNC-5LU-5K	12.8w	1146	120-277V	5000K	1@700mA	up to 10 ft.	4.0 (1.8)
LNC-7LU-4K-3-1	16.4w	1539	120-277V	4000K	1@700mA	up to 11 ft.	4.0 (1.8)
LNC-7LU-5K-3-1	16.4w	1557	120-277V	5000K	1@700mA	up to 11 ft.	4.0 (1.8)
LNC-9LU-4K-3-1	20.6w	1989	120-277V	4000K	1@700mA	up to 12 ft.	4.0 (1.8)
LNC-9LU-5K-3-1	20.6w	2095	120-277V	5000K	1@700mA	10-12 ft.	4.0 (1.8)

PERFORMANCE INFORMATION

Series Number	Equivalency			Energy Savings
	MH	HPS	CFL	
LNC-5L	50w	50w	42w	82%
LNC2-7L	70w	70w	42w	82%
LNC2-9L	100w	100w	42w	82%

DIMENSIONS



A	B	C	D
4.8"	1.6"	8.2"	5.3"
122 mm	39 mm	209 mm	133 mm

LITEPAK Compact LED Wallpack – Zero Uplight

The compact LED LNC2, slightly larger than the LNC is designed for perimeter illumination for safety, security and general lighting application.

- IES Progress Award Winner - 2013 and Building Operating Management 2014 Top Products Award - LNC2-18LU
- DesignLights Consortium (DLC) qualified (Types III and IV), Consult DLC website for more details: <http://www.designlights.org/QPL>
- Zero-uplight, neighbor friendly
- Mounting height up to 15 feet and 60ft fixture spacing (without acrylic diffuser) and 40ft spacing with acrylic diffuser installed
- Available in four lumen packages, replaces up to 150w+
- Features long-life (60,000hr L96 rated), high CRI, 3000K, 4000K, and 5000K LEDs
- Includes quick-mount adapter
- Acrylic diffuser softens high angle output for use at entrances or pedestrian pathways
- Battery backup option in 12L versions for egress applications
- Photocell and occupancy sensor options available for complete on/off and dimming control
- Factory installed back box on BBU and motion sensor units (options cannot be combined)
- Listed to UL1598 for use in wet locations



*3000K and warmer CCTs only

LED WALLPACKS

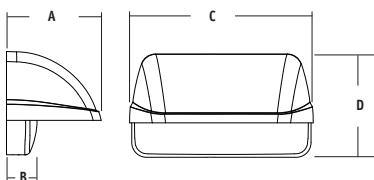
STOCK ORDERING INFORMATION

Catalog Number	System Watts	Delivered Lumens	Voltage	CCT	# Drivers/Current	Mounting Height	Weight lbs. (kg)
LNC2-12LU-4K-3-1	28.6w	2662	120-277V	4000K	1@700mA	up to 15 ft	7.0 (13.3)
LNC2-12LU-5K-3-1	28.6w	2868	120-277V	5000K	1@700mA	up to 15 ft.	7.0 (13.3)
LNC2-12LU-5K-3-1-PC-U	28.6w	2868	120-277V	5000K	1@700mA	10-12 ft.	7.0 (13.3)
LNC2-18LU-4K-3-1	44.5w	3806	120-277V	4000K	2@700mA	up to 18 ft	7.0 (13.3)
LNC2-18LU-5K-3-1	44.5w	4106	120-277V	5000K	2@700mA	up to 18 ft.	7.0 (13.3)
LNC2-18LU-5K-3-1-PC-U	44.5w	4106	120-277V	5000K	2@700mA	up to 18 ft.	7.0 (13.3)

PERFORMANCE INFORMATION

Series Number	Equivalency			Energy Savings
	MH	HPS	CFL	
LNC2-12L/LNC2-18L	150w+	150w+	2x42w+	85%

DIMENSIONS



A	B	C	D	E	Weight
6.25"	1.6"	10.25"	5.6"	10.25"	7.0 lbs.
158.7 mm	40.2 mm	260.4 mm	142.2 mm	260.4 mm	3.2 kg

LNC3

LITEPAK Midsized LED Wallpack – Zero Uplight

LED WALLPACKS



*3000K and warmer CCTs only

COB luminaire

The midsized LED LNC3 is designed for perimeter illumination for safety, security and identity. No uplight and lower glare lenses offer neighbor friendly lighting at typical mounting heights of 10-20'. Units have protective polyester finish for long lasting appearance. Ideal for schools, factories, hospitals, warehouses and retail applications. Energy efficient LEDs provide up to 70% energy savings with little to no maintenance when compared to traditional light sources.

Die-cast aluminum housing protects components and provides an architectural appearance. Casting thermally conducts LED heat to optimize performance and long life. Powder paint finish provides durability in outdoor environments.

Quick-mount adapter with gasket seal provides easy installation to wall or to recessed junction

box (4" square junction box). Fixture attaches by two Allen-head hidden fasteners for tamper resistance. Designed for direct j-box mount or conduit feed on all four sides in single SKU.

- 120-277, 347 and 480 voltage, 50/60Hz,
- 0-10V dimming drivers standard
- IP-65 rated assembly
- Surge protection – 10kA
- 2 and 24 LED configurations available, see specification sheet for electrical and photometric data
- Zero uplight distributions using chip on board LEDs or individual acrylic LED optics
- 7-pin photo-receptacle available for twist lock photocell and controls by others
- Frosted acrylic diffuser available for reduced glare or inverted/up mounting (factory install only)

STOCK ORDERING INFORMATION

Catalog Number	Description	Distribution	Wattage	Lumens	LPW	Voltage	# of Drivers @ Drive Current	Wgt lbs. (Kg)
LNC3-2L4K-075	2 LED - 60W Configuration, 4000K, Dark Bronze	Type IV	62.0	5,857	94.8	120-277	1 @ 750mA	15.0 (6.8)
LNC3-2L4K-105	2 LED - 90W Configuration, 4000K, Dark Bronze		87.4	7,721	86.1		1 @ 1050mA	
LNC3-2L5K-105	2 LED - 90W Configuration, 5000K, Dark Bronze		87.4	7,288	82.0		1 @ 1050mA	
LNC3-2L4K-105-7PR	2 LED - 90W Configuration, 4000K, Dark Bronze, 7-Pin		87.4	7,721	86.1		1 @ 1050mA	
LNC3-2L4K-105-SCP	2 LED - 90W Configuration, 4000K, Dark Bronze, SCP		87.4	7,721	86.1		1 @ 1050mA	

PERFORMANCE INFORMATION

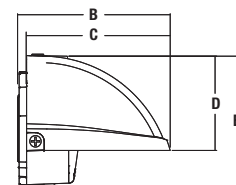
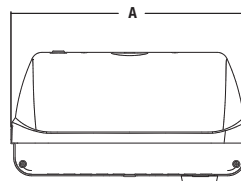
Series Number	Equivalency			Energy Savings
	MH	HPS	CFL	
LNC3	250w	250w	2x42w+	72%

CATALOG NUMBER	DESCRIPTION
LNC3-CS	Frosted acrylic diffuser (comfort shield), improves uniformity with only 20% lumen reduction
SCP-REMOTE*	Remote control for SCP option. Order at least one per project to program and control

*Must order minimum of one remote control to program dimming settings, 0-10V fully adjustable dimming with automatic daylight calibration and different time delay settings, 120V or 277V only

DIMENSIONS

A	B	C	D	E	Weight	Weight w/BBU
12.9"	10.1"	9.6"	5.8"	7.3"	15 lbs.	16 lbs.
327 mm	257 mm	243 mm	146 mm	185 mm	6.8 kg	7.3 kg



LITEPAK Large LED Wallpack– Zero Uplight

Largest in the Litepak product family, the LNC4 is designed for perimeter illumination for safety, security and identity. Replaces up to 400w HID luminaires one-for-one replacement covering existing installation footprint. No uplight and lower glare lenses offer neighbor friendly lighting at typical mounting heights of 15-25'. Units have protective polyester powder coat finish for long lasting appearance. Ideal for schools, factories, hospitals, warehouses and retail applications. Energy efficient LEDs provide 70%+ energy savings with little to no maintenance when compared to traditional light sources.

Die-cast aluminum housing protects components and provides an architectural appearance. Casting thermally conducts LED heat to optimize performance and long life.

- 120-277, 347 and 480 voltage, 50/60Hz, 0-10V dimming driver
- Electronic driver
- Surge protection – 10KA
- 3000K, 4000K and 5000K CCT nominal with 70 CRI
- 36 and 44 LED configurations available
- Zero uplight distributions using individual acrylic LED optics provide IES type II, III and IV distributions
- Features long-life with L96 of 25,000 hours (Projected per IESNA TM-21-11)
- Optional frosted acrylic diffuser for reduced glare or inverted up mounting
- DesignLights Consortium® (DLC) qualified. Please refer to the DLC website for specific product qualifications at www.designlights.org



Optional Motion Sensor



*3000K and warmer CCTs only

LED WALLPACKS

STOCK ORDERING INFORMATION

Catalog Number	Description	Distribution	Wattage	Lumens	LPW	Voltage	# of Drivers @ Drive Current	Wgt lbs. (Kg)
LNC4-36L-4K	36 LED Configuration, 4000K, Dark Bronze	Type IV	124.6	10,754	86.3	120-277	2 @ 1050mA	27.0 (12.2)
LNC4-44L-4K	44 LED Configuration, 4000K, Dark Bronze		152.6	13,477	88.3			27.0 (12.2)
LNC4-44L-5K	44 LED Configuration, 5000K, Dark Bronze		152.1	13,342	87.7			27.0 (12.2)
LNC4-44L-4K-7PR	44 LED Configuration, 4000K, Dark Bronze, 7 Pin		152.6	13,477	88.3			27.0 (12.2)
LNC4-44L-4K-SCP	44 LED Config., 4000K, Dark Bronze, Occ. Sensor		152.6	13,477	88.3			27.0 (12.2)

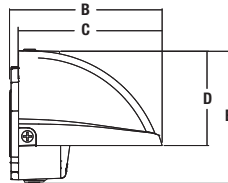
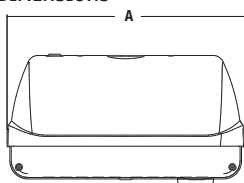
PERFORMANCE INFORMATION

Series Number	Equivalency			Energy Savings
	MH	HPS	CFL	
LNC4	400w	400w	2x42w+	70%

CATALOG NUMBER	DESCRIPTION
LNC4-CS	Frosted acrylic diffuser reduces surface brightness and glare with a roughly 20% lumen reduction
SCP-REMOTE2*	Remote control for SCP option. Order at least one per project to program and control

*Must order minimum of one remote control to program dimming settings, 0-10V fully adjustable dimming with automatic daylight calibration and different time delay settings, 120V or 277V only

DIMENSIONS



A	B	C	D	E	Weight
17.2"	10.5"	9.9"	6.5"	8.9"	27 lbs.
436 mm	266 mm	251 mm	165 mm	226 mm	12.3 kg

SG1

SLING Wall/Flood



SG1



Slender wallpack/floodlight available in two sizes for a variety of applications including: building perimeter/security lighting, entrances, stairways, loading docks or facades for schools, apartments or commercial buildings.

- Die-cast aluminum housing with corrosion resistant powder coat finish
- SG1 – Replaces 70w-150w HID
- 120V-277V, 50/60HZ, 347V and 480V available in SG2 housing
- Available in 3000K, 4000K and 5000K CCT
- 4x 1/2" threaded conduit hubs for surface conduit
- Mounts to 4" junction boxes

- Stock versions include 120-277V PC with a cover offering choice to engage PC or not. PC is installed in top hub.
- IP65 and listed to UL1598 for use in wet locations
- DesignLights Consortium® (DLC) qualified. Please refer to the DLC website for specific product qualifications at www.designlights.org
- Listed for -40°C to 40°C applications
- PC option available, see below
- Diffused comfort lens provides glare control and improved uniformity. Available as an option or accessory

STOCK ORDERING INFORMATION

Catalog Number	CCT/CRI	Wattage	Mounting Height	Voltage	Color	Lumens	LPW	Weight lbs. (kg)
SG1-20-PCU	5000K/70	21w	8-12ft	120-277V	Dark Bronze	2263	108	4.3 (2)
SG1-20-4K-PCU	4000K/70					2310	110	
SG1-30-PCU	5000K/70	29w	10-15ft			3270	113	
SG1-30-4K-PCU	4000K/70					3060	105.5	

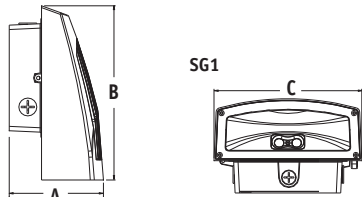
STOCK ACCESSORIES - Order separately

Catalog Number	Description	Weight lbs. (kg)
SG1-CS	Acrylic comfort lens for SG1	1 (.45)
SG1-YOKE	SG1 Series Yoke/ Floodlight mount kit, includes visor	2.0 (1.0)
SG1-KNUCKLE	SG1 Series Knuckle/ Floodlight mount kit, includes visor	2.0 (1.0)

PERFORMANCE INFORMATION

Series Number	Equivalency			Energy Savings
	MH	HPS	CFL	
SG-1-30	150W	150W	2x42W	84%

DIMENSIONS



A	B	C	Weight
4.19"	7.80"	6.61"	4.3 lbs.
106.5 mm	198 mm	168 mm	2 kg

SLING Wall/Flood

Slender wallpack/floodlight available in two sizes for a variety of applications including: building perimeter/security lighting, entrances, stairways, loading docks or facades for schools, apartments or commercial buildings.

- Die-cast aluminum housing with corrosion resistant powder coat finish
- SG2 – Replaces 150w-250w HID
- 120V-277V, 50/60HZ, 347V and 480V available in SG2 housing
- Available in 3000K, 4000K and 5000K CCT
- 4 x 1/2" threaded conduit hubs for surface conduit
- Mounts to 4" junction boxes

- Stock versions include 120-277V PC with a cover offering choice to engage PC or not; PC is installed in top hub.
- IP65 and listed to UL1598 for use in wet locations
- DesignLights Consortium® (DLC) qualified. Please refer to the DLC website for specific product qualifications at www.designlights.org
- Listed for -40°c to 40°c applications
- PC, occupancy sensor, wireless control and battery backup options available, see below.
- Diffused comfort lens provides glare control and improved uniformity. Available as an option or accessory



STOCK ORDERING INFORMATION

Catalog Number	CCT/CRI	Wattage	Mounting Height	Voltage	Color	Lumens	LPW	Weight lbs. (kg)
SG2-50-PCU	5000K/70	51w	12-18ft	120-277V	Dark Bronze	5548	110	11 (5)
SG2-50-4K-PCU	4000K/70					5526	109	
SG2-80-PCU	5000K/70	80w	15-25ft			8061	101	
SG2-80-4K-PCU	4000K/70					8079	101	

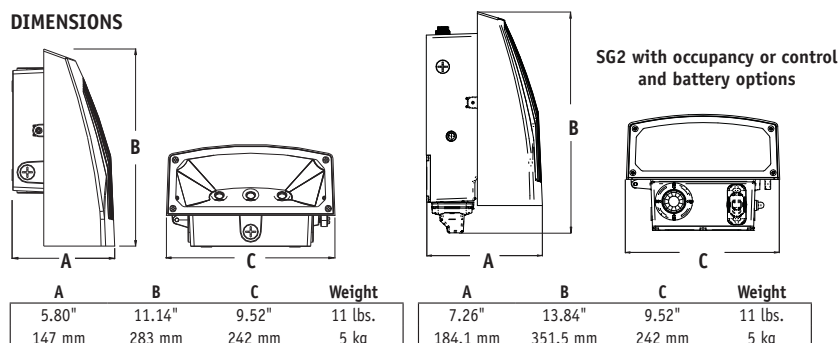
STOCK ACCESSORIES - Order separately

Catalog Number	Description	Weight lbs. (kg)
SG2-CS	Acrylic comfort lens for SG2	1 (.45)
SG2-YOKE	SG2 Series Yoke/ Floodlight mount kit, includes visor	2.0 (1.0)
SG2-KNUCKLE	SG2 Series Knuckle/ Floodlight mount kit, includes visor	2.0 (1.0)
SCP-REMOTE	Remote control for SCP option. Order at least one per project to program and control fixtures	1 (.45)

PERFORMANCE INFORMATION

Series Number	Equivalency			Energy Savings
	MH	HPS	CFL	
SG2-50	175W	150W	2x42W+	75%
SG2-80	250W	250W	2x42W+	75%

DIMENSIONS



NRG® 300 Series

Perimeter LED Wallpack



Full polycarbonate front provides vandal resistance and uniform light distribution; Internally painted bronze finish for lasting appearance

- 56 mid power LEDs unit provide long-life with up to 78% energy savings, a perfect upgrade for older units
- Available in 4000K and 5000K CCT models
- Rugged cast aluminum back housing for rigid mounting; Bottom 1/2" conduit knockout for surface conduit wiring

- Units available with or without 120V-277V button photocontrol, see ordering information
- Listed to UL 1598 for use in wet locations
- Tamper resistant center pin Torx hardware included
- DesignLights Consortium (DLC) qualified Consult DLC website for more details: <http://www.designlights.org/QPL>

STOCK ORDERING INFORMATION

Catalog Number	System Watts	Delivered Lumens	Voltage	CCT	Mounting Height	# Drivers/Current	Weight lbs. (kg)
NRG-356L-4K-U	17w	1858	120-277V	4000K	Up to 10 ft.	1@100mA	6 (2.7)
NRG-356L-4K-U-PC				5000K			
NRG-356L-5K-U		1794					
NRG-356L-5K-U-PC							

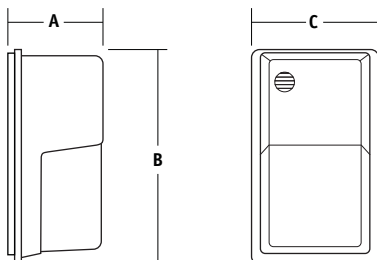
STOCK ACCESSORIES - Order Separately

Catalog Number	Description	PKG. CODE
PBT-1	Button photocontrol, 120V	SCC
PBT-234	Button photocontrol, 208, 240, 277V	SCC

PERFORMANCE INFORMATION

Series Number	Equivalency			Energy Savings
	MH	HPS	CFL	
NRG-356LU	50w	50w	42w	78%

DIMENSIONS



A	B	C
5.4"	11.0"	6.9"
137 mm	280 mm	175 mm

Perimeter LED Glass Wallpacks

Three sizes: Small, Medium and Large provides energy-efficient one-for-one replacement of existing legacy technology

- Mid power LEDs offer lower glare, better uniformity, higher efficacies (up to 105 LPW) and lower thermals for longer lasting electronic components
- Borosilicate glass refractor softens LED and provides uniform distribution
- Cast aluminum frame holds lens, hinges to side of medium, large and small housings down; Seals with two stainless steel screws
- All sizes available in 4000K
- Cast aluminum housing with three 1/2" conduit entries (on top and sides) for button photocontrol or surface conduit
- Listed to UL1598 for use in wet locations
- All units have dark bronze powder paint finish
- DesignLights Consortium (DLC) qualified (WGH-225L-4K-U-L, WGH-225L-4K-U-M), Consult DLC website for more details: <http://www.designlights.org/QPL>



STOCK

ORDERING INFORMATION

Catalog Number	System Watts	Delivered Lumens	Voltage	CCT	Dist. Type	Mounting Height	Weight lbs. (kg)
WGH-81L-4K-U-S*	32w	2893	120-277V	4000K	4	Up to 12 ft.	3.3 (1.5)
WGH-81L-5K-U-S*		3302		5000K		Up to 12 ft.	
WGH-110L-4K-U-M*	54w	6170		4000K		Up to 15 ft.	6.5 (2.8)
WGH-110L-5K-U-M*		6372		4000K		Up to 25 ft.	
WGH-225L-4K-U-L*	102w	11838		4000K		Up to 25 ft.	8.5 (3.6)
WGH-225L-4K-C-L	110w	12818		4000K		Up to 25 ft.	
WGH-225L-5K-U-L*	102w	12134	5000K	Up to 25 ft.			

* DLC listed

STOCK

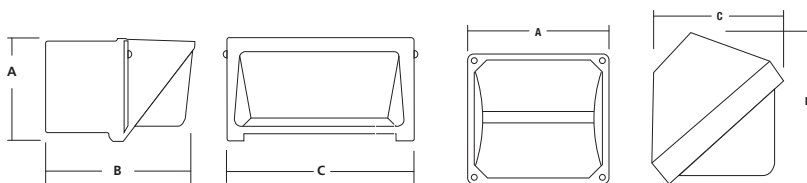
ACCESSORIES - Order Separately

Catalog Number	Description	PKG. CODE
PBT-1	Button photocontrol, 120V	SCC
PBT-234	Button photocontrol, 208, 240, 277V	SCC

PERFORMANCE INFORMATION

Series Number	Equivalency			Energy Savings
	MH	HPS	CFL	
WGH-81L	175W	175W	2x42w	78%
WGH-110L	250w	250w	2x42w	82%
WGH-225L-4K-U-L	400w	400w	N/A	78%

DIMENSIONS



	A	B	C
WGH-81L	8.5" 216 mm	8.5" 216 mm	8.5" 216 mm
WGH-110L	9.0" 229 mm	7.3" 184 mm	13" 330 mm
WGH-225L	9.0" 229 mm	13.0" 330 mm	17.0" 432 mm

Perimaliter® PGM3 PVL3

Glass and Polycarbonate LED Wallpacks

LED WALLPACKS



PGM3



PVL3



- Perimeter lighting for safety, security and general illumination - LED units provide 60-70% energy savings over typical pulse start wallpacks. Uses include office buildings, shopping centers, restaurants, schools, warehouses, parking garages and other commercial applications
- The die-cast aluminum housing provides firm mounting over recessed junction boxes; 1/2" side hubs for surface conduit wiring; Housing includes a top hub for use with button photo controls for dusk-to-dawn control;
- Long life (50,000 hrs) LEDs with CCT of 5000K, 4000K and 3000K
- Two cover options available: A cast aluminum with prismatic borosilicate glass assembly (PGM3) and an all polycarbonate, one-piece, vandal resistant door (PVL3)
- Typical mounting heights of 12-15 feet; The lateral spread allows typical spacing of three to four times the mounting height with excellent uniformity
- Available in two lumen outputs
- Listed to UL1598 for use in wet locations
- BBU integral battery option for 120 or 277V, designed to provide minimum of 1fc in a 10ft square at 10-12' mounting height
- SCO/SCP option - motion sensor on/off or user programmable

STOCK

ORDERING INFORMATION

Catalog Number	System Watts	Delivered Lumens	Voltage	CCT	# Drivers/Current	LPW	Mounting Height	Weight lbs. (kg)
PGM3-180L4K-U-DB	72w	6923	120-277V	4000K	2@700mA	99	15-18 ft.	20 (9)
PGM3-180L5K-U-DB	72w	7160	120-277V	5000K	2@700mA	96	15-18 ft.	20 (9)
PVL3-180L4K-U-DB	72w	5773	120-277V	4000K	2@700mA	80	15-18 ft.	13 (5.9)
PVL3-180L5K-U-DB	72w	5978	120-277V	5000K	2@700mA	83	15-18 ft.	13 (5.9)

STOCK

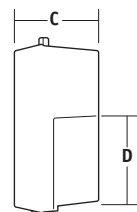
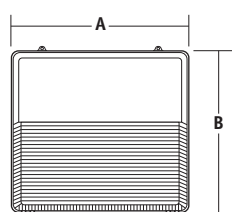
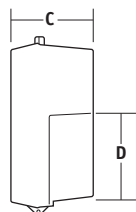
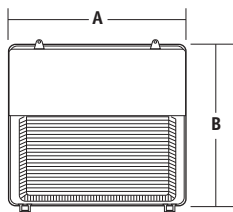
REPLACEMENT PARTS - Order Separately

Catalog Number	Description
200-0180-9904	Replacement lens/door PVL3
80033990104	Replacement lens/door PGM3
93044764	40w driver, 700mA, 120V-277V dimmable, 2x = 700mA, 1x = 350mA
SCP-REMOTE ²	Remote control for SCP option. Order at least one per project to program and control

PERFORMANCE INFORMATION

Series Number	Equivalency			Energy Savings
	MH	HPS	CFL	
PGM3	250w	250w	-	72%
PVL3	250w	250w	-	54%

DIMENSIONS



	A	B	C	D
PGM3	14 7/8"	15"	8"	6 13/16"
	378 mm	381 mm	203 mm	173 mm

	A	B	C	D
PVL3	14 7/8"	15"	8"	7 7/16"
	378 mm	381 mm	203 mm	189 mm



Wet Location LED Vaportites **VBGL/VWGL**

VAPORTITES

- Compact size measuring only 5.2" x 10.4" (wall mount version slightly larger)
- 757 lumens, 11w system, 70 LPW
- Frosted glass lens distributes light evenly without any LED brightness or glare
- Pendant mount version accommodates traditional 1/2" x 14 NPS threaded conduit
- 120-277V operation, 50/60Hz
- Rugged die-cast aluminum housing with removable cast aluminum guard and vandal resistant set screws included, gray finish
- IP66, listed to UL1598 for use in wet locations (unit is not rated for use in hazardous locations)
- Four color multi-language merchandising carton with application details
- Color globe accessories available: Green, Blue, Yellow and Red



STOCK ORDERING INFORMATION

Catalog Number	Construction	Mount	System Wattage	# Drivers/ Current	Voltage	Color Temperature	Delivered Lumens	LPW	Weight lbs. (kg)
VBGL-1	Globe refractor	Ceiling/Pendant	11	1@250mA	120-277V	4000K	757	70	3.4 (1.54)
VWGL-1	Globe refractor	Wall	11	1@250mA	120-277V	4000K	757	70	3.6 (1.63)

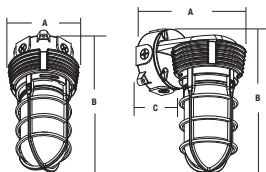
STOCK REPLACEMENT GLOBES

Catalog Number	Description
VGL-FG	Frosted globe
VGL-GUARD	Guard with set screws
Colored Globes	
VGL-GN	Green globe
VGL-YW	Yellow globe
VGL-BU	Blue globe
VGL-RD	Red globe

PERFORMANCE INFORMATION

Series Number	Equivalency		Energy Savings
	INC	CFL	
VBGL-1	150w	32w	88%
VWGL-1	150w	32w	88%

DIMENSIONS



	A	B	C
VBGL-1	5.2" 132 mm	10.4" 263 mm	-
VWGL-1	7.3" 186 mm	11.0" 280 mm	5.2" 132 mm

LSQ



High Performance Canopy/Ceiling/Surface Series

LED CEILING/CANOPY/GARAGE



Lumasquare luminaire represents the culmination of function and form with low profile housing design and lens featuring low luminance soft glow lens. This unique lens features high efficiency and ultimate visual comfort. Available in two housing sizes and four lumen outputs, the Lumasquare is canopy illumination redefined.

- Available in multiple lumen packages, replaces up to 175w+ traditional HID sources
- Features long-life (60,000hr L96 rated), high CRI, 3000K, 4000K, and 5000K LEDs
- 10kA surge protector
- Diffused Lens softens high angle output

for use at entrances or pedestrian pathways (standard with stock versions)

- Optional Battery Backup provides emergency lighting for the required 90 minute path of egress
- Photocell, occupancy sensor and SiteSync controls available for complete on/off and dimming control
- Listed to UL1598 for use in wet locations
- Made-to-order versions are IP-65 rated

STOCK

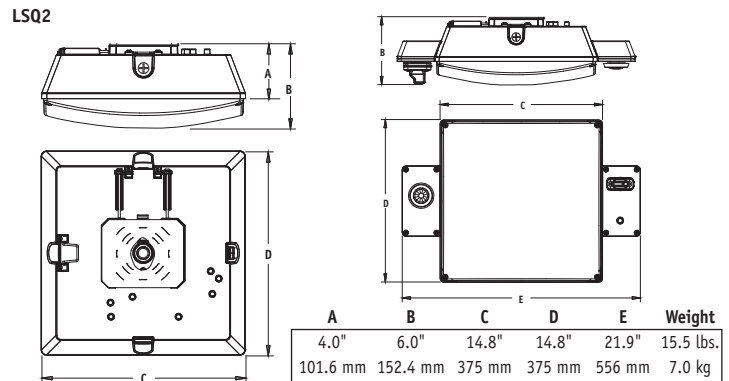
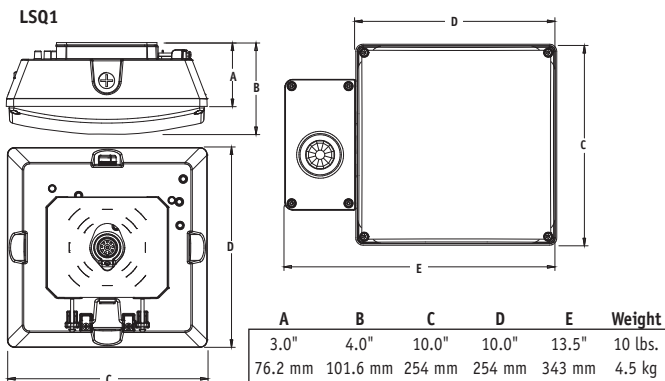
ORDERING INFORMATION – (FC PKG CODE)

Catalog Number	Description	LPW
LSQ1-40-4K-PCU	40 watt, 4500 Lumen, 4000K, 70 CRI, 120-277V, Textured Dark Bronze, Photocell	113
LSQ1-40-4K-GYS-PCU	40 watt, 4500 Lumen, 4000K, 70 CRI, 120-277V, Smooth Gray, Photocell	
LSQ2-70-4K-PCU	75 watt, 9000 Lumen, 4000K, 70 CRI, 120-277V, Textured Dark Bronze, Photocell	120
LSQ2-70-4K-GYS-PCU	75 watt, 9000 Lumen, 4000K, 70 CRI, 120-277V, Smooth Gray, Photocell	

PERFORMANCE INFORMATION

Series Number	Equivalency			Energy Savings
	MH	HPS	CFL	
LSQ1	150w	150w	84w+	73%
LSQ2	250w	250w	84w+	70%

DIMENSIONS



Ceiling/Canopy/Garage LED Luminaire

- Designed for a range of ceiling applications including parking garage, walkway or building canopies, corridors, tunnels, large stairwells and other cover applications; Two lumen packages and two optical distributions make the the GSL Series luminaire both versatile and functional for j-box or pendant mounting at 8'-15' ht
- Vertically finned cast aluminum housing for maximum heat dissipation ensuring long component life and performance
- Wattage: 53.5w or 74w, >81 LPW
- Gray powder coat paint finish
- 15KA surge protection included standard
- IP66 luminaire rating, Listed to UL1598 for use in wet locations
- Field configurable symmetric and asymmetric optic in a single SKU
- DesignLights Consortium Qualified
- Two 1/2" threaded hubs for accessories
- CCT: 4000K (70 CRI)
- Lumen packages ranging of 4,500 or 6,100 with 15 or 21 LEDs
- Designed for 40° C ambient temperatures
- Hinged mounting plate standard, allows single person installation
- Programmable motion sensor option available



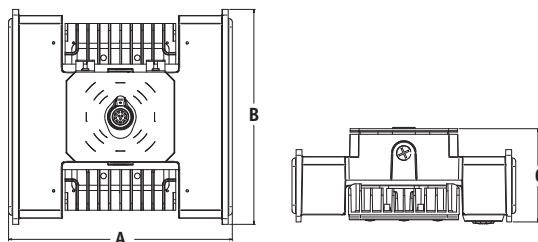
STOCK ORDERING INFORMATION

Catalog Number	System Watts	Delivered Lumens	Voltage	CCT	# Drivers/Current	Mounting Height	Weight lbs. (kg)
GSL-15L	53.3w	4524	120-277V	4000K	1@1050mA	8-12 ft.	13.8 (6.2)
GSL-21L	74w	6138	120-277V	4000K	1@1050mA	12-15 ft.	13.8 (6.2)
GSL-15L-SCP	53.3w	4524	120-277V	4000K	1@1050mA	8-12 ft.	13.8 (6.2)
GSL-21L-SCP	74w	6138	120-277V	4000K	1@1050mA	12-15 ft.	13.8 (6.2)

PERFORMANCE INFORMATION

Series Number	Equivalency			Energy Savings
	MH	HPS	CFL	
GSL-15L	150w	150w	84w+	72%
GSL-21L	250w	250w	84w+	54%

DIMENSIONS



A	B	C	Weight
12.5" sq.	12.0"	5.2"	13.8 lbs.
317.5 mm	304 mm	132 mm	6.25 kg

FLOODLIGHT SELECTION GUIDE

LEGACY LAMP WATTAGE

LED FLOODLIGHTING



Equivalency in floodlighting is greatly impacted by the beam spread and max candlepower of the luminaires in question. Rather than focusing on lumen packages and/or wattage, incorporate the following elements into your lighting design and resulting product selection:

1. The amount of light needed on the target (footcandles).
2. The luminaire setback from the target (don't waste energy and light using a wide beam spread if your target is small or have a distant setback...only put light on the intended target).
3. Increased setback distances required luminaires with greater candlepower vs. total lumens. Use a more narrow beam for these instances. Flag poles and palm trees are examples of applications best suited for a more narrow beam spread floodlight.

Hubbell Lighting has design professionals available to assist you with your product selection.

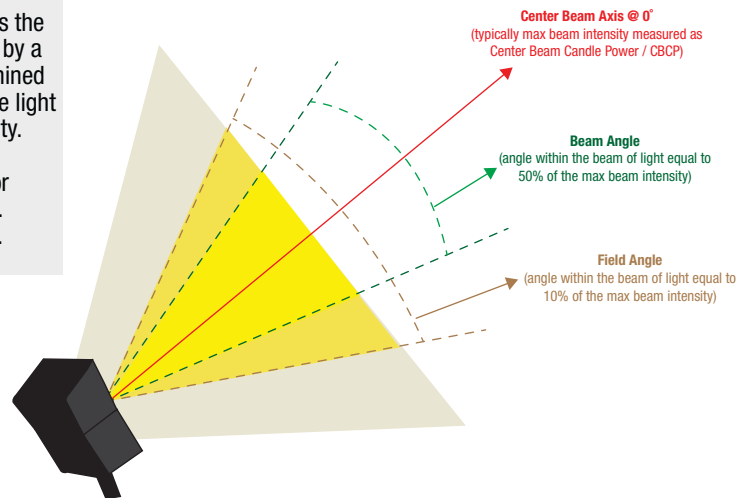
Beam Spreads

- Wide
- Medium
- Narrow
- Specialty

The light distribution of a floodlight is known as the "beam spread". The beam spread is classified by a NEMA designation. The "NEMA Type" is determined by two angles Horizontal and Vertical where the light intensity is 10% of the maximum beam intensity.

The NEMA designation determines how wide or narrow the light is projected out of a floodlight. Below is the NEMA type and beam description.

NEMA Beam Spread Classification		
Beam Spread Degrees (Field Angle)	NEMA Type*	Beam Description
10° up to 18°	1	very narrow
18° - 29°	2	narrow
29° - 46°	3	medium narrow
46° - 70°	4	medium
70° - 100°	5	medium wide
100° - 130°	6	wide
130° and up	7	very wide



For example: If the Horizontal Beam spread is 100° and the Vertical Beam Spread is 46° then, according to the chart to the right, we find the angles and see that the NEMA type is 5 x 3.

FEATURED PRODUCTS

FOUR SIZES...MAXIMUM VERSATILITY

High performance ARF3 and ARF4 architectural styled energy-efficient LED floodlights feature multiple NEMA beam spreads, three color temperatures, excellent uniformity, photocontrol and shielding options for optimum performance and energy savings. Applications include: office buildings, monuments, facades, columns, flag poles, bridges, commercial, mixed retail, apartments, schools and campuses.

All FACTOR floods Feature

- Vented housing design isolates LED module from driver for long life and improved performance
- 4000K, 5000K color temperatures with 70 CRI
- NEMA distribution– Wide (6x6)
- 120-277V operation
- 0-10V dimming drivers
- Visor, louver and vandal shield accessories available
- DesignLights Consortium® (DLC) qualified*

FACTOR
floods



LED FLOODLIGHTING

FSL



FML



FSL	up to 2,448 Lumens
Equivalency	up to 100w+ MH

FML	up to 4,285 Lumens
Equivalency	up to 150w+ MH

- Ultra-compact size measuring only 4.50" x 7.49" x 4.03"
- IP66 and wet location listed
- Traditional ½" x 14 NPS threaded adjustable knuckle mounting
- Visor and vandal shield available

- Compact size measuring only 6.68" x 9.63" x 4.53"
- IP65 and wet location listed
- Traditional ½" x 14 NPS threaded adjustable knuckle mounting
- Visor and vandal shield available

FLL



FXL



FLL	up to 14,764 Lumens
Equivalency	up to 250-400w MH

FXL	up to 21,045 Lumens
Equivalency	400w+ MH

- Large LED flood with wide beam NEMA 6 x 6 or 7 x 7
- IP-65 and Wet location listed
- Traditional adjustable yoke mounting or knuckle for 2 3/8" OD tenon (FLL-K series only)
- Optional 347 and 480V

- Extra large LED flood with wide beam NEMA 6 x 6 distribution
- IP-65 and Wet location listed
- Traditional adjustable yoke mounting
- 3' SEOWW cord

*Please refer to the DLC website for specific product qualifications at www.designlights.org



Visit www.hubbell.com/hubbelloutdoorlighting/en for up-to-date availability information

FACTOR Small Flood



- Ultra-compact size measuring only 4.5" x 7.5" x 4"
- Wide NEMA 6 x 6 flood distribution for general purpose flood and facade lighting
- Traditional 1/2" x 14 NPS threaded adjustable knuckle mounting
- 120-277V operation (PC version 120V only)
- Rugged die-cast aluminum housing with dark bronze finish
- Vented housing isolates LED module from driver maximizing product life and performance
- High impact UV stabilized acrylic outer lens protects LEDs and allows for cleaning and debris removal
- DesignLights Consortium (DLC) qualified
- IP66, listed to UL1598 for use in wet locations
- Four color multi-language merchandising carton with application details
- Visor and vandal shield available

LED FLOODLIGHTING

STOCK ORDERING INFORMATION

Catalog Number	Mount	Max Candle Power	Beam Pattern	System Watts	# Drivers/Current	Voltage	CCT/CRI	Delivered Lumens	LPW	Weight lbs. (kg)
FSL-25	1/2" thread	1814	Wide	25	1@1050mA	120-277V	5000K/70	2664	106.5	6 (2.7)
FSL-25-PCU	1/2" thread	1814	Wide	25	1@1050mA	120-277V	5000K/70	2664	106.5	6 (2.7)
FSL-25-4K	1/2" thread	1794	Wide	26	1@1050mA	120-277V	4000K/70	2406	92.5	6 (2.7)
FSL-25-4K-PCU	1/2" thread	1668	Wide	26	1@1050mA	120V	4000K/70	2463	98.5	6 (2.7)

STOCK ACCESSORIES/REPLACEMENT PARTS - (ORDER SEPARATELY)

Catalog Number	Description
FSL-SPC	Polycarbonate shield/lens (Replaces existing acrylic lens)
FSL-VISOR-XX ¹	Top/bottom visor (Tap holes in lens frame for field installation)
93047942AC	Acrylic lens w/ gasket
93047957	25w, 120-277V driver, 1040mA
20750110264	Knuckle mount, Dark Bronze finish; Contact factory for additional finishes
S-302	Slipfits 1 1/2" or 2" pipe (1.9" OD or 2 3/8" OD) with 1/2" N.P.S.M. hub; Gray
S-302-M51	Slipfits 1 1/2" or 2" pipe (1.9" OD or 2 3/8" OD) with 1/2" N.P.S.M. hub; Bronze
S-302-M52	Slipfits 1 1/2" or 2" pipe (1.9" OD or 2 3/8" OD) with 1/2" N.P.S.M. hub; White
TRN-XX ¹	Trunnion adaptor for 1/2" threaded knuckle mount

¹ Specify finish color to match fixture, e.g. DB - Bronze.

EQUIVALENCY INFORMATION

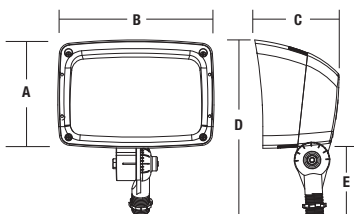
Equivalency			Energy Savings
MH	HPS	CFL	
100w	100w	42w	79%



ADDITIONAL ACCESSORIES ON PG. 41-43

TRN-XX

DIMENSIONS



A	B	C	D	E	Weight
5.125"	7.5"	4"	8.625"	3.5"	6 lbs.
130 mm	190 mm	102 mm	219 mm	89 mm	2.7 kg

FACTOR Medium Flood

LED FLOODLIGHTING

- Compact size measuring only 6.7" x 9.6" x 4.5"
- Wide NEMA 6 x 6 flood distribution for general purpose flood and facade lighting
- Traditional 1/2" x 14 NPS threaded adjustable knuckle mounting
- 120-277V operation (PC version 120V-277V)
- Rugged die-cast aluminum housing with dark bronze finish
- DesignLights Consortium (DLC) qualified
- High impact UV stabilized acrylic outer lens protects LEDs and allows for cleaning and debris removal
- IP65, listed to UL1598 for use in wet locations
- Four color multi-language merchandising carton with application details
- Visor and vandal shield available
- Vented housing isolates LED module from driver maximizing product life and performance



STOCK

ORDERING INFORMATION

Catalog Number	Mount	Beam Pattern	System Watts	# Drivers/Current	Voltage	Color Temperature	Delivered Lumens	LPW	Weight lbs. (kg)
FML-14	1/2" thread	2805	Wide	53	1@1050mA	120-277V	5000K/70	4285	87
FML-14-PCU	1/2" thread	2805	Wide	53	1@1050mA	120-277V	5000K/70	4285	87
FML-4L4K	1/2" thread	2580	Wide	53	1@1050mA	120-277V	4000K/70	4129	78
FML-14L4K-PCU	1/2" thread	2580	Wide	53	1@1050mA	120-277V	4000K/70	4129	78

STOCK

ACCESSORIES/REPLACEMENT PARTS - (ORDER SEPARATELY)

Catalog Number	Description
FML-SPC	Polycarbonate shield/lens (Replaces existing acrylic lens)
FML-VISOR-XX ¹	Top/bottom visor (Tap holes in lens frame to field install)
93047961AC	Acrylic lens w/ gasket
93047971	50w, 120-277V driver, 1040mA
20750110264	Knuckle mount, Dark Bronze finish; Contact factory for additional finishes
S-302	Slipfits 1 1/2" or 2" pipe (1.9" OD or 2 3/8" OD) with 1/2" N.P.S.M. hub; Gray
S-302-M51	Slipfits 1 1/2" or 2" pipe (1.9" OD or 2 3/8" OD) with 1/2" N.P.S.M. hub; Bronze
S-302-M52	Slipfits 1 1/2" or 2" pipe (1.9" OD or 2 3/8" OD) with 1/2" N.P.S.M. hub; White
TRN-XX ¹	Trunnion adaptor for 1/2" threaded knuckle mount

¹ Specify finish color to match fixture, e.g. DB - Bronze.

EQUIVALENCY INFORMATION

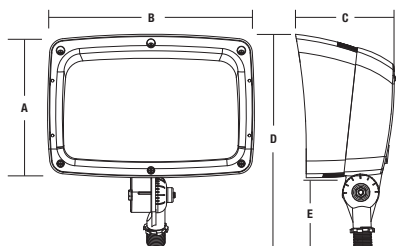
Equivalency			Energy Savings
MH	HPS	CFL	
150w	150w	2x42w	72%



ADDITIONAL ACCESSORIES ON PG. 41-43

TRN-XX

DIMENSIONS



A	B	C	D	E	Weight
6.7"	9.6"	4.5"	10.20"	3.5"	8.5 lbs.
169 mm	224 mm	115 mm	259 mm	89 mm	3.8 kg

FLL

FACTOR Large Flood - 28 LED high power or 140 LED mid-power

LED FLOODLIGHTING



28L with yoke

140L with Knuckle



Large LED flood with wide beam NEMA 6 x 6 or 7 x 7 distribution for lighting applications such as safety/security, facade, area, or signs;

- Operating temperature range -35°C to 40°C
- Replaces 250w and 400w HID
- Rugged die-cast aluminum housing with dark bronze finish
- Tempered glass lens protects LEDs and allows for cleaning/debris removal
- 120-277V operation, 50/60Hz, 100w
- Visor, louver, and vandal shield accessories available

- Vented housing isolates LED module from driver, maximizing product life and performance
- DesignLights Consortium (DLC) qualified
- IP65, listed to UL1598 for use in wet locations
- Driver RoHS compliant and IP66
- Adjustable yoke mounting for both 28L and 140L series with 3' SE00W cord with yoke mount
- Knuckle mount available for 140L series

STOCK ORDERING INFORMATION

Catalog Number	Mount	Max Candle Power	Beam Pattern	System Watts	# of Drivers/ Current	Voltage	CCT/CRI	Delivered Lumens	LPW	Weight lbs. (kg)
FLL-28L	Yoke	6935	Wide	95	1@1050mA	120-277V	5000K/70	9557	100.6	20 (9.0)
FLL-28L4K	Yoke	6682	Wide	95	1@1050mA	120-277V	4000K/70	9208	97	20 (9.0)
FLL-Y-140L5K-4	Yoke	5731	Wide	150	1@158mA	120-277V	5000K/70	14765	98.4	20 (9.0)
FLL-Y-140L4K-4	Yoke	5627	Wide	150	1@158mA	120-277V	4000K/80	14665	98	20 (9.0)
FLL-K-140L5K-4	Knuckle	5731	Wide	150	1@158mA	120-277V	5000K/70	14765	98.4	20 (9.0)
FLL-K-140L4K-4	Knuckle	5627	Wide	150	1@158mA	120-277V	4000K/80	14665	98	20 (9.0)

EQUIVALENCY INFORMATION

Equivalency			Energy Savings
MH	HPS	CFL	
250w	250w	2x42w+	66%

STOCK ACCESSORIES/REPLACEMENT PARTS - (ORDER SEPARATELY)

Catalog Number	Description
FLL-VISOR-DB	Top visor (Tap holes in lens frame for field installation)
93058186	96w, 120-277V driver, 1050mA (1 Qty)
FLL-LOUVER-BL	Black adjustable louver
ARF-SPC	Polycarbonate vandal shield

FLL-VISOR-DB

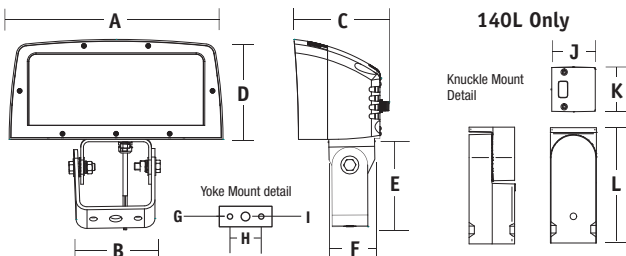


FLL-LOUVER-BL



ADDITIONAL ACCESSORIES ON PG. 41-43

DIMENSIONS



A	B	C	D	E	F	G
15"	5.5"	6.0"	7.0"	6.24"	3.3"	17/32"
378 mm	140 mm	152 mm	177 mm	158 mm	84 mm	14 mm

H	I	J	K	L	Weight
3-1/8"	7/8"	3.0"	2.9"	7.57"	20.6 lbs.
79 mm	22 mm	77 mm	75 mm	192 mm	9.3 kg

FACTOR Large Flood

Extra large LED flood with wide beam NEMA 6 x 6 distribution for lighting applications such as safety/security, facade, area, or signs; Operating temperature range -35°C to 40°C

- Replaces up to 750w HID
- 5000K CCT, 70 CRI
- Rugged die-cast aluminum housing with dark bronze finish
- Tempered glass lens protects LEDs and allows for cleaning/debris removal
- 120-277V operation, 50/60Hz

- Visor, louver, and vandal shield accessories available
- Vented housing isolates LED module from driver, maximizing product life and performance
- DesignLights Consortium (DLC) qualified
- IP65, listed to UL1598 for use in wet locations
- Driver RoHS compliant and IP66
- Traditional adjustable yoke mounting
- 3' SEOW cord



STOCK ORDERING INFORMATION

Catalog Number	Mount	Max Candle Power	Beam Pattern	System Watts	# Drivers/Current	Voltage	Color Temperature	Delivered Lumens	LPW	Weight lbs. (kg)
FXL-56L	Yoke	15816	Wide	187	2@1050mA	120-277V	5000K/70	21095	113	32 (14.5)
FXL-56L4K	Yoke	15239	Wide	187	2@1050mA	120-277V	4000K/70	20325	108	32 (14.5)

EQUIVALENCY INFORMATION

Equivalency			Energy Savings
MH	HPS	CFL	
400w-750w	400w	2x42w+	66%

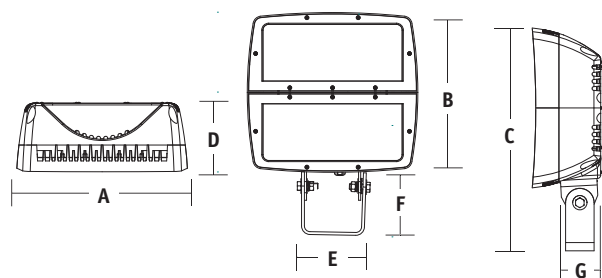
STOCK ACCESSORIES/REPLACEMENT PARTS - (ORDER SEPARATELY)

Catalog Number	Description
FLL-VISOR-DB	Top/Bottom visor (Tap holes in lens frame for field installation)
93058186	96w, 120-277V driver, 1050mA (2 Qty per fixture)
FLL-LOUVER-BL	Black adjustable louver (order 2 per fixture)
ARF-SPC	Polycarbonate vandal shield
4024C	Steel slipfitter for 2" pipe, 2 3/8" OD yoke mount, Bronze finish
4040	Heavy-duty steel wall/pole bracket; bronze Lektrocote®

ADDITIONAL ACCESSORIES ON PG. 41-43



DIMENSIONS



A	B	C	D	E	F	G	Weight
15"	14.0"	19.6"	6.0"	5.5"	6.24"	3.3"	36.2 lbs.
380 mm	356 mm	498 mm	152 mm	139 mm	158 mm	84 mm	16.4 kg

LFX

Laramie Extra Large Flood

LED FLOODLIGHTING



Superior high output, high efficiency LED floodlight with a variety of NEMA distributions for lighting applications such as general and security lighting for large area, building facades, signs and landscapes

- Replaces up to 1000w HID
- 3000K, 4000K, 5000K CCT, 70 CRI
- Rugged die-cast aluminum housing with dark bronze finish
- Tempered glass lens protects LEDs and allows for cleaning/debris removal
- Comes standard with 10kV surge protector

- Visor, wireguard, and vandal shield accessories available
- 120-277V operation, 50/60Hz
- 347-480V operation, 50/60Hz (MTO only)
- Distributions: Wide, Medium, and Narrow; Stock versions only available in Wide distribution
- IP65, listed to UL1598 for use in wet locations
- Driver RoHS compliant and IP66
- Traditional adjustable yoke mounting, with 3 ft. SO cord
- Knuckle slipfitter mounts (MTO only)

STOCK ORDERING INFORMATION

Catalog Number	Mount	Max Candle Power	Beam Pattern	System Watts	Current	Voltage	CCT/CRI	Delivered Lumens	LPW	Weight lbs. (kg)	Finish
LFX-345-4K-Y-7PR	Yoke	16,573	Wide	342w	1480mA	120-277V	4000K/70	37,313	108	63 (29)	Dark Bronze Textured
LFX-345-Y-7PR	Yoke	15,554	Wide	342w	1480mA	120-277V	5000K/70	35,125	103	63 (29)	

STOCK ACCESSORIES/REPLACEMENT PARTS - (ORDER SEPARATELY)

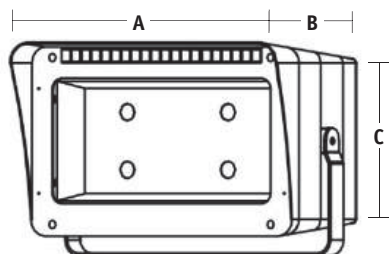
Catalog Number	Description
LFX-SPC	Vandal Shield Polycarbonate
LFX-TV	Top Visor
LFX-WG	Wire Guard

EQUIVALENCY INFORMATION

Equivalency		Energy Savings
MH	HPS	
1000w	1000w	68%

ADDITIONAL ACCESSORIES ON PG. 41-43

DIMENSIONS



Shown with Medium/Narrow Optic distribution



A	B	C	Weight
23.1"	14.6"	18.9"	63 lbs.
587 mm	370 mm	480 mm	29 kg

MARSHAL Decorative LED Twin Head Motion Sensor Kit

FLOODLIGHTING

Attractive security floodlight set. Powerful LED system saves energy and maintenance over traditional lighting sources.

- 2 adjustable heads and 1 adjustable motion sensor
- Replaces twin 150w incandescent lamps

- 180 degree coverage
- 120V/60Hz LED
- Dark Bronze or white finish
- Die-cast aluminum decorative heads
- 120V operation
- Listed to UL1598 for use in wet locations



STOCK ORDERING INFORMATION

Catalog Number	Mount	Color	Beam Pattern	Wattage	Voltage	CCT/CRI	Lumens	LPW	Weight lbs. (kg)
ML-2L3K-1-DB	Ceiling/Wall	Dark Bronze	Wide (6x6)	26.6w	120	3000K/83	2104	79	2.2 (1)
ML-2L3K-1-WH		White							



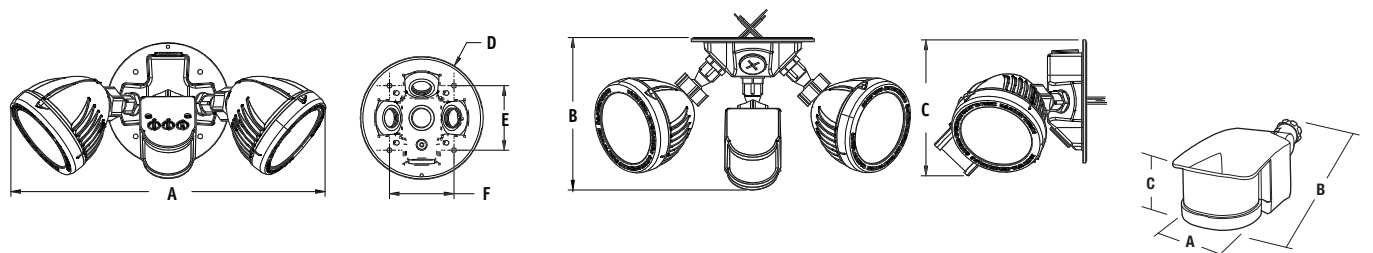
STOCK ORDERING INFORMATION

Catalog Number	Mount	Color	Description
MS-DB	1/2" threaded	Dark Bronze	180° coverage motion sensor only
MS-WH	1/2" threaded	White	180° coverage motion sensor only

PERFORMANCE INFORMATION

Equivalency		Energy Savings
MH	CFL	
150w	84w	82%

DIMENSIONS



A	B	C	D	E	F	Weight
6.1"	3.0"	2.7"	4.81"	2.52"	2.52"	2.2 lbs.
154 mm	76.2 mm	68.6 mm	122 mm	64 mm	64 mm	1 kg

A	B	C
0.25"	6"	0.25"
60 mm	152 mm	47 mm

MBUL

COLT Mini LED Bullet



General floodlighting, landscape lighting along paths, sidewalks and steps, accent and safety illumination

- Provides even floodlight distribution
- Units are 120V
- Listed to UL1598 for use in wet locations
- IP65
- NEMA 3R
- Stake included for easy installation and positioning

- Adjustable swivel for easy adjustment
- Two mounting capabilities:
 - 1/2" 14 NPS threaded mounting for box or pipe mounting
 - 7" stake with 8' 50 cord for landscape applications
- DesignLights Consortium (DLC) qualified
Consult DLC website for more details:
<http://www.designlights.org/QPL>

LANDSCAPE FLOOD

STOCK ORDERING INFORMATION

Catalog Number	Description	Finish	Weight lbs. (kg)
LED - Wet Location Listed - Universal Aiming			
MBUL-1L3K-1	LED bullet flood, 3000K CCT	Bronze	2 (0.9)

PERFORMANCE INFORMATION

Series Number	Equivalency			Delivered Lumens	System Watts	Lumens Per Watt	Beam Pattern	CCT	Voltage	# of Drivers/Current
	INC	HID	CFL							
MBUL-1L3K-1	100w	50w-70w	2x42w	1115	13	84.5	6 x 6	3000K	120V	N/A



8" 50 Cord

6.75" Stake included



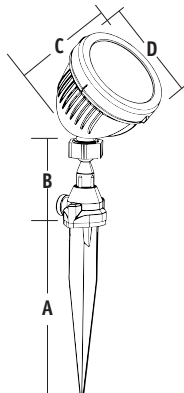
Knuckle mount

EQUIVALENCY INFORMATION

Equivalency			Energy Savings
MH	INC.	CFL	
50-70w	100w	84w	78%

ADDITIONAL ACCESSORIES ON PG. 41-43

DIMENSIONS



A	B	C	D
6.75"	2.875"	3.25"	3.5"
171 mm	73 mm	82 mm	89 mm

COLT LED Bullet

LANDSCAPE FLOOD

LED bullet is versatile, compact flood-light for landscape, accent, pole, column, facade and small area illumination

- Replaces up to 70w HID or 84w CFL
- Traditional 1/2" x 14 NPS threaded adjustable knuckle mounting
- 120-277V operation
- 50/60HZ
- Die-cast aluminum housing
- Decorative dark bronze finish
- 3 distribution options in one carton (narrow, medium, wide)

- Rotatable hood for versatile glare control
- 3000K or 4000K color temperature
- IP65 and certified to UL 1598 for use in wet locations
- Certified up to 40°C ambient per UL 1598
- Accessory kits available for trunnion mount and color/tinted light applications



Shown with Trunnion accessory

STOCK ORDERING INFORMATION

Catalog Number	Description	Finish	Weight lbs. (kg)
LED - Wet Location Listed - Universal Aiming			
BUL-1L3K-U	LED bullet flood, 3000K CCT	Bronze	5 (2.2)
BUL-1L4K-U	LED bullet flood, 4000K CCT	Bronze	5 (2.2)

PERFORMANCE INFORMATION

Series Number	Equivalency			Delivered Lumens	System Watts	Lumens Per Watt	Beam Pattern	CCT	Voltage	# of Drivers/ Current
	MH	HPS	CFL							
BUL-1L3K-U (wide)	70w	70w	84w	1802	21.2	85	3 x 3, 4 X 4, 6 X 6	3000K	120-277V	1@350mA
BUL-1L4K-U (wide)	70w	70w	84w	1886	21	90	3 x 3, 4 X 4, 6 X 6	4000K	120-277V	1@350mA
BUL-1L3K-U (narrow)	70w	70w	84w	1935	21.2	91	3 x 3, 4 X 4, 6 X 6	3000K	120-277V	1@350mA
BUL-1L4K-U (narrow)	70w	70w	84w	1965	21	93.5	3 x 3, 4 X 4, 6 X 6	4000K	120-277V	1@350mA

STOCK ACCESSORIES - Order Separately

Catalog Number	Description
BUL-COLOR	Lens kit with tinted color choices – Red, Blue, Green and Yellow
TRN-XX¹	Trunnion adaptor for 1/2" threaded knuckle mount

¹ Specify finish color to match fixture, e.g. 08 - Bronze.

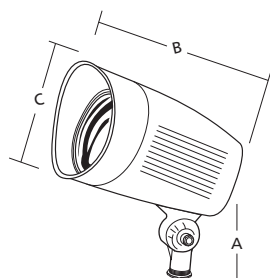


ADDITIONAL ACCESSORIES ON PG. 41-43

EQUIVALENCY INFORMATION

Equivalency			Energy Savings
MH	INC.	CFL	
150w	100w	84w	78%

DIMENSIONS



A	B	C
3"	6"	5"
76 mm	152 mm	127 mm

ALF

Linear LED Floodlight/Wall Mount

FLOODLIGHTING



ALF-6LU



ALF-12LU



- ALF is excellent for small floodlighting applications such as signs, façade, landscape accent or small area illumination
- The compact, low profile size allows the flood to be easily hidden or blend into the landscape environment
- Knuckle mount: Universal 1/2" swivel knuckle has serrated teeth for sure aiming
- Wall mount: Cast aluminum cover/quick mount plate and universal adapter allows easy installation to 3 1/2 or 4" standard junction boxes; Tilt for increased forward throw
- Universal voltage driver is 120-277V, 50/60Hz
- Impact resistant tempered glass lens seals to housing with silicone gaskets
- Dark bronze durable powder paint finish
- Wide 6x5 NEMA beam spread covers three times the set back distance with uniform light
- Listed to UL 1598 for use in wet locations
ALF-6: IP65, ALF12: IP64w

STOCK

ORDERING INFORMATION

Catalog Number	System Watts	Number of LEDs	Voltage ¹	Delivered Lumens	Max Candle Power	CCT	Beam Pattern	# Drivers/Current	Weight lbs. (kg)
1/2" Knuckle Mount									
ALF-6LU-5K-BZ	10.1w	6	120-277V	905	667	5000K	6 X 5	1@470mA	4.0 (1.8)
ALF-12LU-5K-BZ	21.4w	12	120-277V	1913	1395	5000K	6 X 5	2@470mA	8.0 (3.6)

¹ Unit should not be used above 240V in Canada

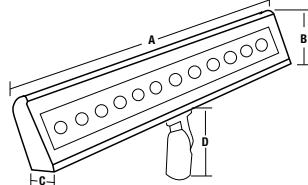
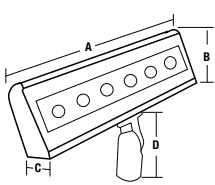
EQUIVALENCY INFORMATION

Series Number	Equivalency			Energy Savings
	MH	HPS	CFL	
ALF-6LU	70w	70w	26w	89%
ALF-12LU	100w	100w	42w	83%

ADDITIONAL ACCESSORIES ON PG. 41-43

DIMENSIONS

ORDERING INFORMATION



A	B	C	D
12/24"	3 1/2"	1 1/2"	3 1/2"
305/609.6 mm	89 mm	38 mm	89 mm

Mounting Accessories

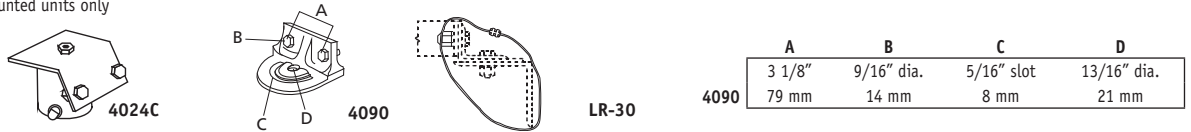
Accessories: Trunnion Mount Fittings

STOCK ORDERING INFORMATION

Catalog Number	Description	Weight lbs. (kg)
HID Floodlights		
4024C	Steel slipfitter for 2" pipe, 2 3/8" OD yoke mount, bronze finish; Available in gray: 4024CM53 and galvanized: 4024CM38	4 (1.8)
4090	Heavy-duty cast iron crossarm fitting for horizontal trunnion; Bronze Lektrocote®	3 (1.4)
LR-30 ¹	Safety retainer complete with crimp clamp and 30" long 1/8" stranded metal cable	.3 (0.1)

¹ For yoke (trunnion) mounted units only

DIMENSIONS



Accessories: Wall and Pole Mount Brackets

STOCK ORDERING INFORMATION (BC PACKAGING CODE)

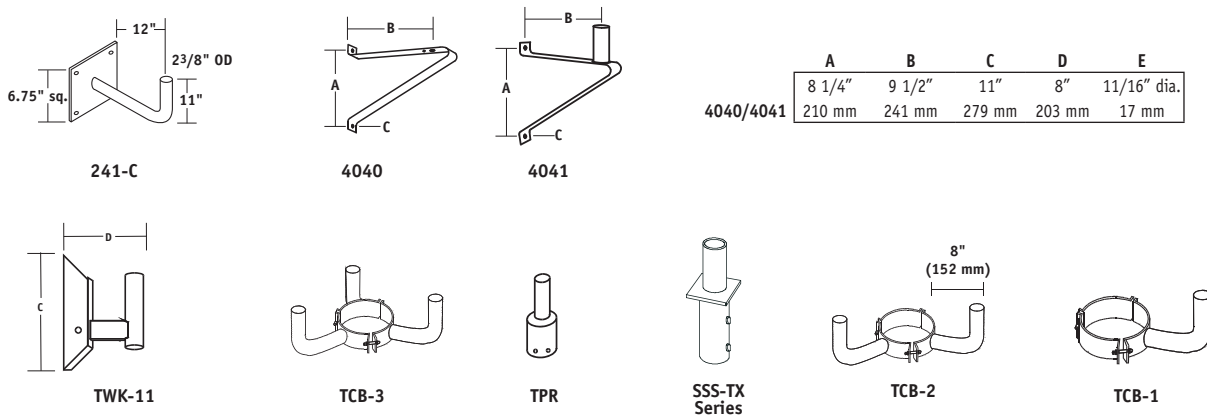
Catalog Number ¹	Description	Weight lbs. (kg)	Maximum Loading Weight
For Use With Crossarm Fittings			
4040	Heavy-duty steel wall/pole bracket; bronze Lektrocote®	5.5 (2.5)	90 (40.8)
For Use With Slipfitter Fittings			
4041	Heavy-duty steel wall/pole bracket 2" pipe (2 3/8" OD) tenon fitting for use with slipfitter units or 4024C; bronze Lektrocote®	7 (3.2)	90 (40.8)
241-C-XX	Flat surface bracket - 90° horn steel (2 3/8" OD)	16 (7.3)	70 (30.7)
TWK-11	Wall bracket with splice compartment for thru-wiring with 2" pipe (2 3/8" OD) tenon	15 (6.8)	90 (40.8)
TCB-1	Wood pole clamp on bracket with 2" pipe (2 3/8" OD) tenon; Clamps 6" to 12" diameter	16 (7.3)	70 (31.7)
TCB-2	Wood pole clamp on bracket with 2" pipe (2 3/8" OD) tenon; Two tenons at 120° (clamps 6" to 12" diameter)	20 (9.1)	140 (63.4)
TCB-3	Wood pole clamp on bracket with 2" pipe (2 3/8" OD) tenon; Three tenons at 120° (clamps 6" to 12" diameter)	28 (12.7)	210 (95.1)
Tenon Reducers			
TPR-2 ²	2 1/2" to 2" pipe size tenon reducer	6 (2.7)	105 (47.6)
TPR-3 ³	3" to 2" pipe size tenon reducer	8 (3.6)	105 (47.6)
TPR-4 ⁴	4" to 2" pipe size tenon reducer	9 (4.1)	105 (47.6)
SSS-T4-DB	2 3/8" OD Tenon top adapter for 4" square open top poles, bronze finish (slips 9" into pole aligns with #6 drill pattern)	—	17.5 (8)

¹ Bronze color standard, for other colors add suffix to catalog number: -M50 black finish, -M52 white finish, -M53 gray finish.

² Bracket I.D., 3 1/16"

³ Bracket I.D., 3 1/2"

⁴ Bracket I.D., 4 5/8"



Boxes & Covers

Hubbell has a variety of junction boxes and covers to allow easy installation of lampholders, compact floodlights and landscape luminaires. Cast aluminum construction, gasketed covers designed for

wet locations and conduit plugs are standard. Boxes have a natural aluminum finish. Covers are painted gray or black.

ORDERING INFORMATION: Cast Round Boxes

Catalog Number	Size in. (mm)	Hubs						Mt. Lugs	Weight lbs. (kg)	PKG. CODE	Source
		Side		Back		Cover					
		Qty.	Size	Qty.	Size	Qty.	Size				
S-314-B ¹	4 (102)	6	1/2"	1	1/2"	-	-	-	.75 (0.3)	BC	STOCK
S-329-B	4 (102)	4	1/2"	1	1/2"	1	1/2"	2	.75 (0.3)	BC	STOCK

¹ Box furnished without cover; If cover required, order applicable cover as listed in covers for round boxes



206-BC3

ORDERING INFORMATION: Round Covers - Cast Aluminum With Hubs

Catalog Number	Size in. (mm)	Boxes Used With	Tapped Hubs		Finish	Weight lbs. (kg)	PKG. CODE	Source
			Qty.	Size				
206-BC3	4 (102)	3 1/4" x 4" (83 mm x 102 mm)	3	1/2"	Gray	.5 (0.2)	BC	STOCK

Landscape Accessories

- These accessories make it simple to install the various Lightscaper® fixtures.
- Two grades of burial junction boxes, portable spike mounts and 2 3/8" stub up fitters are specifically designed to mate with lampholders and louver lights

STOCK

ORDERING INFORMATION: Landscape Accessories


Catalog Number	Description	Weight lbs. (kg)
Fitter		
S-302	Slipfits 1 1/2" or 2" pipe (1.9" OD or 2 3/8" OD) with 1/2" N.P.S.M. hub; Gray	.6 (0.3)
S-302-M51	Slipfits 1 1/2" or 2" pipe (1.9" OD or 2 3/8" OD) with 1/2" N.P.S.M. hub; Bronze	.6 (0.3)

S-302



Photocontrols

STOCK

Catalog Number	Voltage	Max. Watts Incand.	Max. Watts HID		Weight lbs. (kg)	
			HPF	NPF		
Photocontrol - Button Type¹						
	PBT-1 ⁶	120	1200	400	250	.125 (0.1)
	PBT-234 ⁶	208/240/277	1200	400	250	.125 (0.1)

DDL Dusk-to-Dawn

Multi-purpose LED Luminaire

- Rugged die-cast aluminum housing with both 2-3/8" & 1-5/8" OD mast arm mount capability as well as direct wall/ surface mounting
- Less refractor provides zero uplight design for environmentally friendly installations
- Refractor provides enhanced security lighting and LED brightness control when installed
- Three models up to 5200 lumens, up to 43.5w, up to 121 LPW efficacy
- Symmetric lens installed standard
- 120V operation
- DDL-9L only: Field rotatable Type II LED lens included for pathway/ roadway applications
- All models are DesignLights Consortium Qualified
- 120V twist-lock style photocontrol included
- Textured gray powder paint finish
- 24" (18" projection) arm included for DDL-9L and DDL-140L only, arm not included for DDL-56L
- ANSI 3G Rated
- Five year limited warranty -for more information visit: <http://www.hubbelloutdoor.com/resources/warranty/>



LED DUSK-TO-DAWN

STOCK ORDERING INFORMATION

Catalog Number	Mounting Height	Mount	System Watts	# of Drivers/ Current	Voltage	Color Temperature	Delivered Lumens	LPW	Weight lbs. (kg)
DDL-9L1	up to 20 ft.	Wall/ Arm included	40	1@1280mA	120V	5000K	3437	86	6.8 (3.08)
DDL-56L-4K-1-NA	up to 15 ft.	Wall/ Arm (not included)	30	1@150mA	120V	4000K	2906	97	6.8 (3.08)
DDL-140L-1	up to 25 ft.	Wall/ Arm included	43.5	1@92mA	120V	5000K	5279	121	6.8 (3.08)

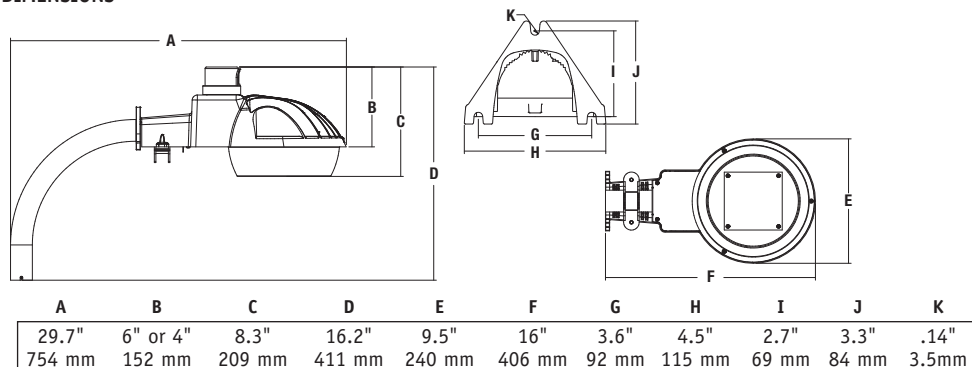
STOCK ACCESSORIES/REPLACEMENT PARTS - Order Separately

Catalog Number	Description
ARM-DD24	24" aluminum arm with hardware
ARM-DD30	30" aluminum arm with hardware
DDL-DRIVER-120V	Driver for DDL9L (120V)
DDL-DRIVER-140	Diver for DDL-140L (120V)
DDL-DRIVER-56	Driver for DDL-56L (120V)
DDL-LENS-140	LED Symmetric lens for DDL-140L
DDL-LENS2	LED Asymmetric lens for DDL-9L
DDL-LENS5	LED Symmetric lens for DDL-9L or DDL-56L
DDL-REFR	Refractor for all DDL models

PERFORMANCE INFORMATION

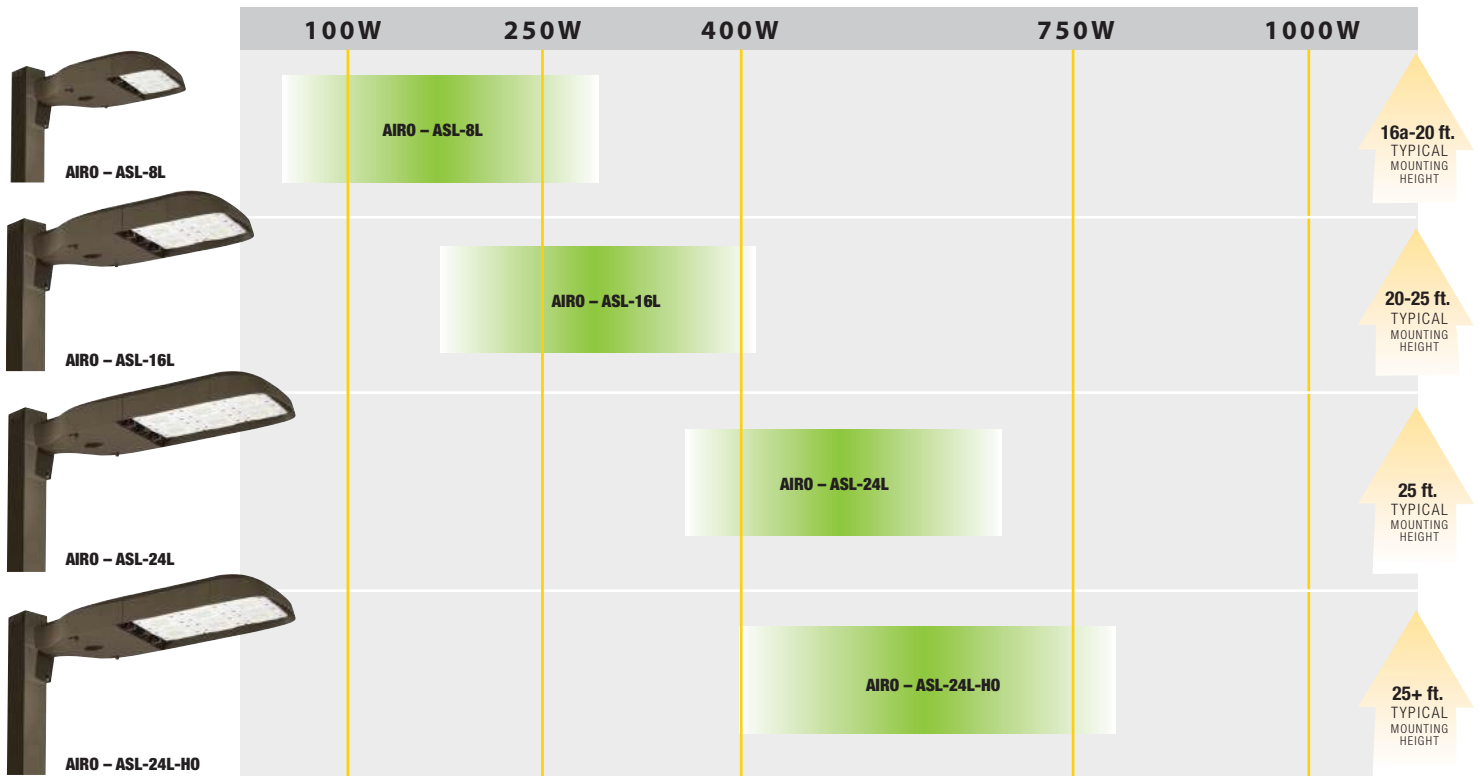
Series Number	Equivalency			Energy Savings
	MH	HPS	CFL	
DDL-9L1 (Symmetric lens)	100w	100w	85w	68%
DDL-9L1 (Roadway lens)	100w	100w	85w	68%
DDL-56L-4K-1-NA	100w	100w	85w	76%
DDL-140L-1	175w	150w	125w	79%

DIMENSIONS



AREA/SITE SELECTION GUIDE

LEGACY LAMP WATTAGE



HID System	HID Wattage	HID LIFE HOURS ¹	LED Wattage ²	LED Life Hours ³	Energy Savings
150w PSMH	185	15,000	62	> 125,000	66%
250w PSMH	283	15,000	62 / 123	> 125,000	56 – 78%
320w PSMH	361	20,000	123	> 125,000	65%
400w PSMH	459	20,000	123 / 181 / 225	> 125,000	50 – 73%
100w HPS	130	24,000	62	> 125,000	52%
250w HPS	295	24,000	62 / 123	> 125,000	58 – 78%
400w HPS	464	24,000	123 / 181 / 225	> 125,000	51 – 73%

NOTE: 1 - Hours of life based on 50% mortality
 2 - Actual wattage should be confirmed with site specific lighting calculations.
 3 - LED hours of life based on 70% of initial illumination @ 25°C

BEFORE



Old 400w HPS units, double configuration, mounted at 28 ft.

AFTER



New 210 watt LED, double configuration, mounted at 28 ft.

Hubbell's outdoor area lights offer tremendous energy and maintenance savings but also greatly improve the quality of illumination throughout the space.

FEATURED PRODUCTS

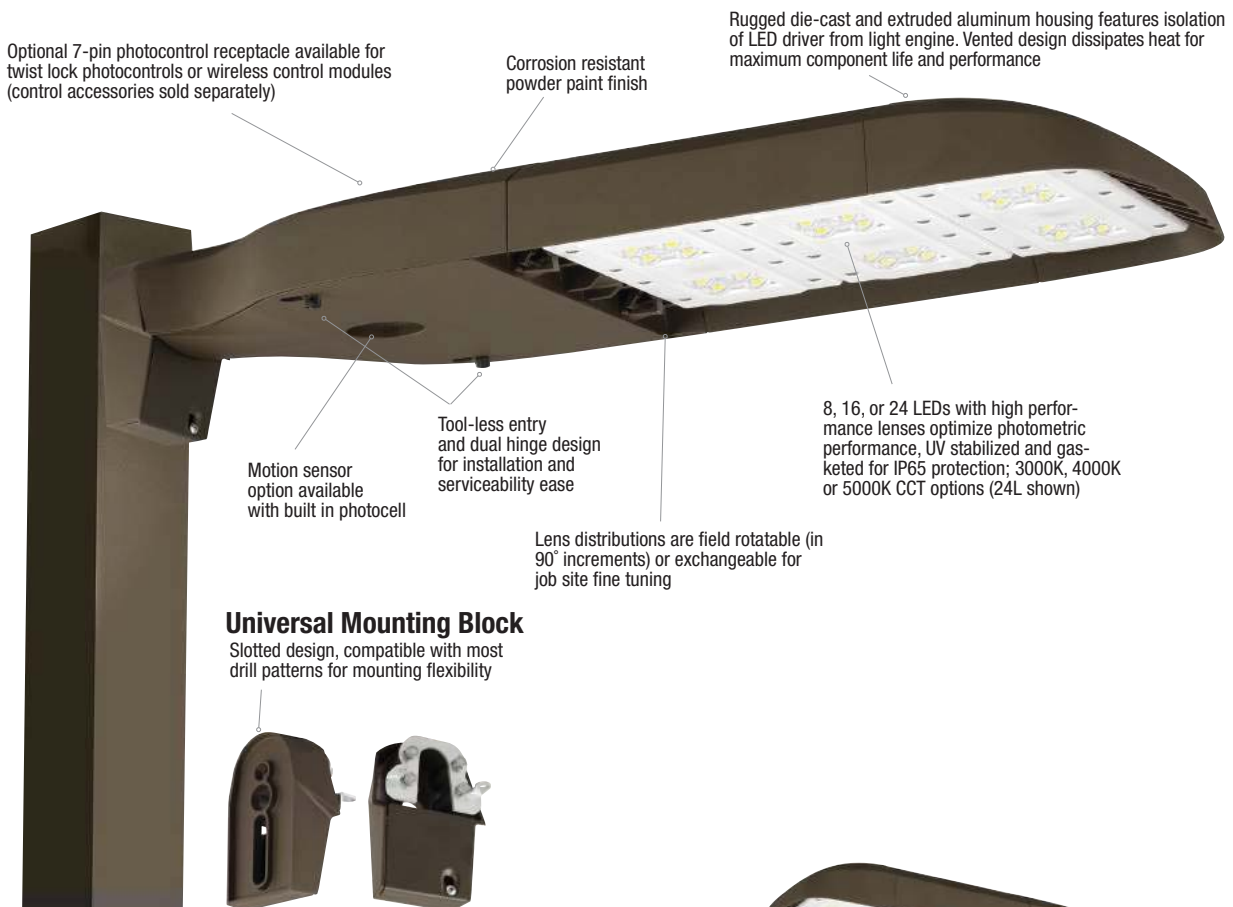
SLEEK DESIGN...MAXIMUM VERSATILITY

AIRO

Compact sleek design with multiple LED configurations and simple installation. The Airo includes a universal mounting block for easy pole installation or mast arm option for 2-3/8" OD roadway brackets. Wall mount accessory available for building mount applications. Additional applications include: area/site, roadway, and security lighting.

Features and Benefits:

- Capable of replacing up to 400w+ HID luminaires
- Competitively priced and stocked for immediate availability
- Compact and lightweight design with low EPA
- Tool-less entry for easy installation and maintenance
- Universal mounting block or mast arm option
- Control capabilities offer additional energy savings options
- 3G rated for high vibration applications including bridges and overpasses



Optional 7-pin photocontrol receptacle available for twist lock photocontrols or wireless control modules (control accessories sold separately)

Corrosion resistant powder paint finish

Rugged die-cast and extruded aluminum housing features isolation of LED driver from light engine. Vented design dissipates heat for maximum component life and performance

Motion sensor option available with built in photocell

Tool-less entry and dual hinge design for installation and serviceability ease

8, 16, or 24 LEDs with high performance lenses optimize photometric performance; UV stabilized and gasketed for IP65 protection; 3000K, 4000K or 5000K CCT options (24L shown)

Lens distributions are field rotatable (in 90° increments) or exchangeable for job site fine tuning

Universal Mounting Block

Slotted design, compatible with most drill patterns for mounting flexibility



VERSATILE CONFIGURATIONS



ASL-8L WITH WB-CR-XX

ASL-8L

ASL-16L

ASL-24L



Area/Site Roadway

AREA/SITE ROADWAY



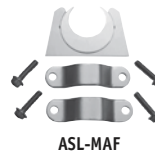
- Sleek design with multiple optical configurations and easy installation features
- Applications include: area/site, roadway, and security lighting
- Replaces up to 400w HID
- Universal mounting block standard (#2 drill pattern); Mast arm fitter option available for 2 3/8" OD arms
- Lens distributions are field rotatable (in 90° increments) or exchangeable for job site fine tuning
- -40 deg C to 40 deg C ambient operation
- Compact and lightweight design with low EPA
- Tool-less entry to wiring/driver compartment
- 10KA surge protection standard; Automatically takes fixture off-line for protection when device is consumed
- 7-pin photocontrol receptacle option available for twist lock photocontrols or wireless control module (control accessories sold separately)
- Utilizes high current, high output LEDs
- ANSI 3G rated for high vibration applications
- DesignLights Consortium (DLC) qualified, consult DLC website for more details: <http://www.designlights.org/QPL>
- Listed to UL1598 for use in wet locations
- IP65 optical assembly

STOCK ORDERING INFORMATION

Catalog Number	Mounting Height	Distribution	System Watts	# of Drivers/Current	Voltage	Color Temperature	Delivered Lumens	LPW	Weight lbs. (kg)
ASL-16L3	up to 15 ft.	Type III	123w	1@2100mA	120-277V	4000K	11153	91	18 (8.16)
ASL16L3SCPW*	up to 15 ft.	Type III	123w	1@2100mA	120-277V	4000K	11153	91	18 (8.16)
ASL-16L4	up to 15 ft.	Type IV	123w	1@2100mA	120-277V	4000K	11376	93	18 (8.16)
ASL-24L3	up to 25 ft.	Type III	181w	1@2100mA	120-277V	4000K	16364	91	20 (9.07)
ASL-24L-3-SCPW*	up to 25 ft.	Type III	181w	1@2100mA	120-277V	4000K	16364	91	20 (9.07)
ASL-24L4	up to 25 ft.	Type IV	181w	1@2100mA	120-277V	4000K	16752	93	20 (9.07)
ASL-24L-3-HO	25+	Type III	225w	1@700mA	120-277V	4000K	20927	93	20 (9.07)
ASL-24L-3-HO-SCPW*	25+	Type III	225w	1@700mA	120-277V	4000K	20927	93	20 (9.07)
ASL-24L-4-HO	25+	Type IV	225w	1@700mA	120-277V	4000K	21073	93	20 (9.07)

STOCK ACCESSORIES/REPLACEMENT PARTS - Order Separately

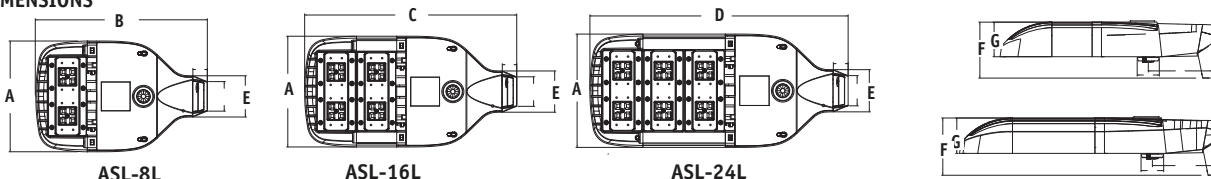
Catalog Number	Description
ASL-MAF	Mast arm kit and bird shield for mounting on 2 3/8" OD arms
CL15-RPA3-ACC-DB	Round Pole Adapter for ASL and CL15 luminaires (3.25"-3.75" diameter poles)
CL15-RPA4-ACC-DB	Round Pole Adapter for ASL and CL15 luminaires (3.875"-6" diameter poles)
WB-AREA-DB	Wall Bracket for Area Lights with #2 arm bolt pattern (ASL, Cimarron, M-Pulsive, Raven, ARA3)
TAB30M38	3/4" x 30" x 3" anchor bolt set (four individual bolts)
93062959	SSS-H Series pole anchor bolt template
PTL-1	Photocontrol-twist-lock cell (120V) - requires 7PR option
PTL-8	Photocontrol-twist-lock cell (120V-277V) - requires 7PR option
PSC	Shorting-cap-twist-lock - requires 7PR option



PERFORMANCE INFORMATION

Series Number	Equivalency		Energy Savings
	MH	HPS	
ASL-8L	175w	175w	72%
ASL-16L	250w	250w	60%
ASL-24L	400w	400w	61%

DIMENSIONS



A	B	C	D	E	F	G	Max Weight	8L	16L	24L
11.7"	17.25"	22.4"	26.6"	4.3"	5.9"	3.6"	20 lbs.	.50 ft. ²	.62 ft. ²	.75 ft. ²
297 mm	438 mm	569 mm	675 mm	109 mm	150 mm	91 mm	9.07 kg	.15 m ²	.18 m ²	.22 m ²





AREA/SITE ROADWAY

Airo

Luminaire / Pole Combination

PRONTO COMBO

AIRO STOCK

One of our most popular area lights paired with our most popular poles!

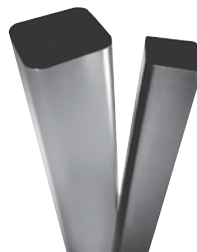
Airo Series Luminaire

- Three Sizes Up to 18,000 Lumens
- Single & Double 180 deg. Configurations 4000K & 5000K CCT (70 CRI)
- Type III & IV Distributions
- Optional 7-pin ANSI Twist-Lock PC Receptacle for Daylight and Wireless Control
- Dark Bronze Powder Paint (textured)



SSS Series Poles

- Square Straight Steel Construction
- 4" Square x 0.125" Wall Thickness
- 16', 20', & 25' Lengths
- Pole Base Accomodates 8'-10' bolt circles using four (4) 3/4" diameter anchor bolts
- Dark Bronze Powder Paint (textured)
- With or Without Anchor Bolts
- Select Configurations Include Vibration Damper





PRONTO COMBO



Airo LED and 4" Square Straight Steel Pronto Combo (Single)

Part Number	Catalog Number	Description
A12NT3S20	A-12-N-T3-S20	Single, ASL Medium size 11,000 Lumen LED, Dark Bronze, Type III, 4000K with 20' SSS pole, Dark Bronze, 120-277 Volt
A12NT3S20LAB	A-12-N-T3-S20-LAB	Single, ASL Medium size 11,000 Lumen LED, Dark Bronze, Type III, 4000K with 20' SSS pole, Dark Bronze, Less Anchor Bolts, 120-277 Volt
A12NT4S20	A-12-N-T4-S20	Single, ASL Medium size 11,000 Lumen LED, Dark Bronze, Type IV, 4000K with 20' SSS pole, Dark Bronze, 120-277 Volt
A12NT4S20LAB	A-12-N-T4-S20-LAB	Single, ASL Medium size 11,000 Lumen LED, Dark Bronze, Type IV, 4000K with 20' SSS pole, Dark Bronze, Less Anchor Bolts, 120-277 Volt
A18NT3S20	A-18-N-T3-S20	Single, ASL Large size 16,000 Lumen LED, Dark Bronze, Type III, 4000K with 20' SSS pole, Dark Bronze, 120-277 Volt
A18NT3S20LAB	A-18-N-T3-S20-LAB	Single, ASL Large size 16,000 Lumen LED, Dark Bronze, Type III, 4000K with 20' SSS pole, Dark Bronze, Less Anchor Bolts, 120-277 Volt
A18NT4S20	A-18-N-T4-S20	Single, ASL Large size 16,000 Lumen LED, Dark Bronze, Type IV, 4000K with 20' SSS pole, Dark Bronze, 120-277 Volt
A18NT4S20LAB	A-18-N-T4-S20-LAB	Single, ASL Large size 16,000 Lumen LED, Dark Bronze, Type IV, 4000K with 20' SSS pole, Dark Bronze, Less Anchor Bolts, 120-277 Volt
A18NT3S25	A-18-N-T3-S25	Single, ASL Large size 16,000 Lumen LED, Dark Bronze, Type III, 4000K with 25' SSS pole, Dark Bronze, 120-277 Volt
A18NT3S25LAB	A-18-N-T3-S25-LAB	Single, ASL Large size 16,000 Lumen LED, Dark Bronze, Type III, 4000K with 25' SSS pole, Dark Bronze, Less Anchor Bolts, 120-277 Volt
A18NT4S25	A-18-N-T4-S25	Single, ASL Large size 16,000 Lumen LED, Dark Bronze, Type IV, 4000K with 25' SSS pole, Dark Bronze, 120-277 Volt
A18NT4S25LAB	A-18-N-T4-S25-LAB	Single, ASL Large size 16,000 Lumen LED, Dark Bronze, Type IV, 4000K with 25' SSS pole, Dark Bronze, Less Anchor Bolts, 120-277 Volt

Airo LED and 4" Square Straight Steel Pronto Combo (Double)

Part Number	Catalog Number	Description
A122XNT3S20	A-12-2X-N-T3-S20	Double, ASL Medium size 11,000 Lumen LED, Dark Bronze, Type III, 4000K with 20' SSS pole, Dark Bronze, 120-277 Volt
A122XNT3S20LAB	A-12-2X-N-T3-S20-LAB	Double, ASL Medium size 11,000 Lumen LED, Dark Bronze, Type III, 4000K with 20' SSS pole, Dark Bronze, Less Anchor Bolts, 120-277 Volt
A122XNT4S20	A-12-2X-N-T4-S20-LAB	Double, ASL Large size 16,000 Lumen LED, Dark Bronze, Type IV, 4000K with 20' SSS pole, Dark Bronze, 120-277 Volt
A122XNT4S20LAB	A-12-2X-N-T4-S20-LAB	Double, ASL Large size 16,000 Lumen LED, Dark Bronze, Type IV, 4000K with 20' SSS pole, Dark Bronze, Less Anchor Bolts, 120-277 Volt
A182XNT3S20	A18-2X-N-T3-S20	Double, ASL Large size 16,000 Lumen LED, Dark Bronze, Type III, 4000K with 20' SSS pole, Dark Bronze, 120-277 Volt
A182XNT3S20LAB	A18-2X-N-T3-S20-LAB	Double, ASL Large size 16,000 Lumen LED, Dark Bronze, Type III, 4000K with 20' SSS pole, Dark Bronze, Less Anchor Bolts, 120-277 Volt
A182XNT4S20	A18-2X-N-T4-S20	Single, ASL Large size 16,000 Lumen LED, Dark Bronze, Type IV, 4000K with 20' SSS pole, Dark Bronze, 120-277 Volt
A182XNT4S20LAB	A18-2X-N-T4-S20-LAB	Double, ASL Large size 16,000 Lumen LED, Dark Bronze, Type IV, 4000K with 20' SSS pole, Dark Bronze, Less Anchor Bolts, 120-277 Volt
A182XNT3S25	A18-2X-N-T3-S25	Double, ASL Large size 16,000 Lumen LED, Dark Bronze, Type III, 4000K with 25' SSS pole, Dark Bronze, 120-277 Volt
A182XNT3S25LAB	A18-2X-N-T3-S25-LAB	Double, ASL Large size 16,000 Lumen LED, Dark Bronze, Type III, 4000K with 25' SSS pole, Dark Bronze, Less Anchor Bolts, 120-277 Volt
A182XNT4S25	A18-2X-N-T4-S25	Double, ASL Large size 16,000 Lumen LED, Dark Bronze, Type IV, 4000K with 25' SSS pole, Dark Bronze, 120-277 Volt
A182XNT4S25LAB	A18-2X-N-T4-S25-LAB	Double, ASL Large size 16,000 Lumen LED, Dark Bronze, Type IV, 4000K with 25' SSS pole, Dark Bronze, Less Anchor Bolts, 120-277 Volt



PRONTO COMBO

HID Equivalent = 150W - 250W Lamp

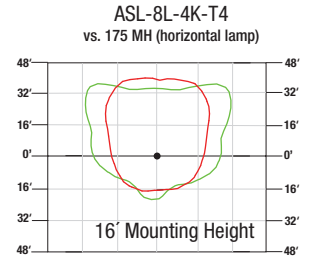
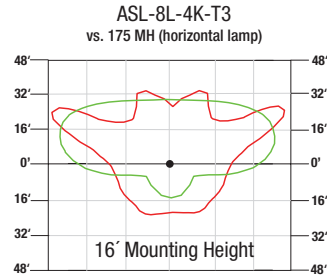


8

Performance Data

Series Number	HID Equivalency		Lumens Delivered		Number of LEDs	System Watts	Lumens Per Watt Type 4	CCT	Drivers / Current
	MH	HPS	Type 3	Type 4					
ASL-8L	175w - 250w	175w - 250w	6139	6285	8	62	101	5000K	1@2100mA
			5624	5757	8	62	93	4000K	1@2100mA

16 -20 ft. TYPICAL MOUNTING HEIGHT



175W HID 0.5 Foot-candles
62W LED 0.5 Foot-candles

16 FT. GRID SPACING

HID Equivalent = 250W - 400W Lamp

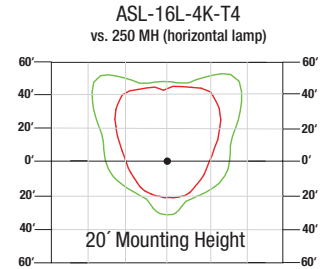
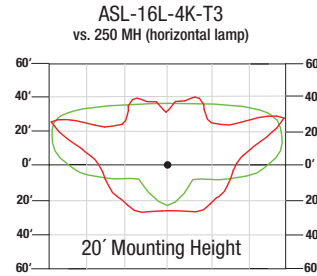


16

Performance Data

Series Number	HID Equivalency		Lumens Delivered		Number of LEDs	System Watts	Lumens Per Watt Type 4	CCT	Drivers / Current
	MH	HPS	Type 3	Type 4					
ASL-16L	250w - 400w	250w - 400w	12175	12463	16	123	101	5000K	1@2100mA
			11153	11417	16	123	93	4000K	1@2100mA

20 -25 ft. TYPICAL MOUNTING HEIGHT



250W HID 0.5 Foot-candles
123W LED 0.5 Foot-candles

20 FT. GRID SPACING

HID Equivalent = 400W+ Lamp

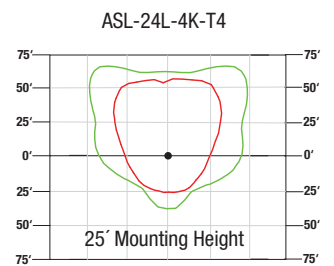
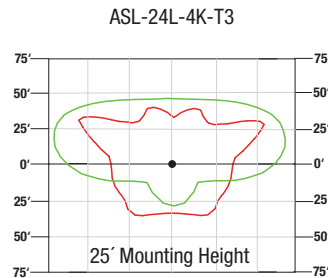


24

Performance Data

Series Number	HID Equivalency		Lumens Delivered		Number of LEDs	System Watts	Lumens Per Watt Type 4	CCT	Drivers / Current
	MH	HPS	Type 3	Type 4					
ASL-24L	400w+	400w+	17863	18287	24	181	101	5000K	1@2100mA
			16364	16752	24	181	93	4000K	1@2100mA

25 ft. TYPICAL MOUNTING HEIGHT



400W HID 0.5 Foot-candles
181W LED 0.5 Foot-candles

25 FT. GRID SPACING

SSS-H

Square Straight Steel

- Square straight steel shaft
- One-piece construction
- Side or tenon mounting available
- Ground provision standard
- Galvanized anchor bolts and template included (4-bolt design)
- Base cover standard (Square)
- Gasketed hand hole cover standard (3"x5")
- Powder coat paint finish

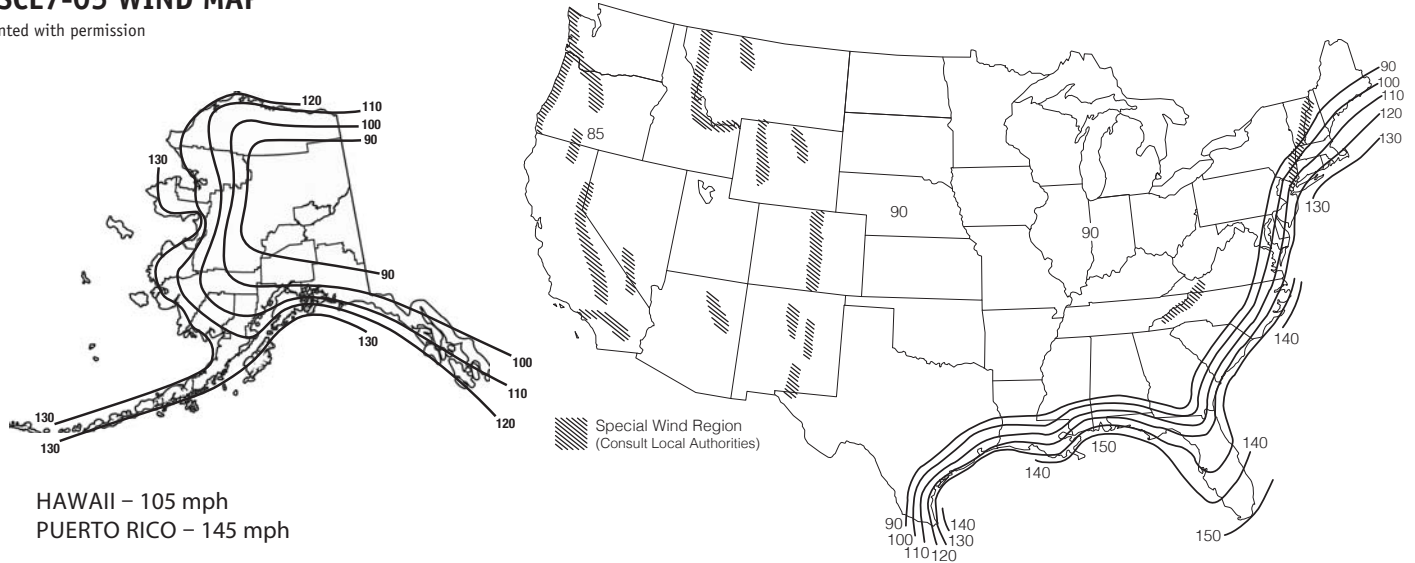
PRODUCT INFORMATION – Select configurations from our stock and quick shipment programs

Catalog Number	Pole Ht.		Nominal Shaft Dim.	Wind Load Rating ¹						Wall Thick.	Bolt Circle (Sug.)	Bolt Circle	Bolt Sq.	Base Plate (sq.)	Anchor Bolt Size	Bolt Proj.	Pole Wt (lbs)
	ft	m		85 MPH	90 MPH	100 MPH	110 MPH	120 MPH	145 MPH								
SSSH-16-40-A	16	4.9	4"	19.0	16.7	13.0	10.1	7.9	4.1	.125"	9"	8 - 10"	5.66" - 7.07"	9"Sq x .75"Thk	3/4 x 30 x 3"	3.5"	116
SSSH-20-40-A	20	6.1	4"	12.7	10.9	7.9	5.9	4.2	1.3	.125"	9"	8 - 10"	5.66" - 7.07"	9"	3/4 x 30 x 3"	4.5"	142
SSSH-25-40-A	25	7.6	4"	7.3	5.9	3.8	2.1	0.8	NR	.125"	9"	8 - 10"	5.66" - 7.07"	9"	3/4 x 30 x 3"	4.5"	175
SSSH-30-40-B	30	9.1	4"	8.0	6.6	4.1	2.2	0.8	NR	.188"	11"	10 - 12"	7.07" - 8.48"	10.50"	3/4 x 30 x 3"	4.5"	304
SSSH-30-50-B	30	9.1	5"	13.5	11.3	7.7	4.9	2.8	NR	.188"	11"	10.25-13.25"	7.25" - 9.37"	11.50"	1 x 36" x 4"	4.5"	387

The offering above is a small subset of the SSS-H series poles available from of Hubbell Outdoor Lighting. Please visit our website for a complete list of products including Round Straight Steel (RSS) and aluminum poles. For projects in the State of Florida, please refer to the Florida Building Code wind maps and associated Wind Load tables on the SSSH specification sheets.

ASCE7-05 WIND MAP

Printed with permission



NOTES

- Allowable EPA, to determine max pole loading weight, multiply allowable EPA by 30 lbs.
- The tables for allowable pole EPA are based on the ASCE 7-05 Wind Map. The Wind Maps are intended only as a general guide and cannot be used in conjunction with other maps. Always consult local authorities to determine maximum wind velocities, gusting and unique wind conditions for each specific application
- Allowable pole EPA for jobsite wind conditions must be equal to or greater than the total EPA for fixtures, arms, and accessories to be assembled to the pole. Responsibility lies with the specifier for correct pole selection. Installation of poles without luminaires or attachment of any unauthorized accessories to poles is discouraged and shall void the manufacturer's warranty
- Wind speeds and listed EPAs are for ground mounted installations. Poles mounted on structures (such as bridges and buildings) must consider vibration and coefficient of height factors beyond this general guide; Consult local and federal standards
- Wind Induced Vibration brought on by steady, unidirectional winds and other unpredictable aerodynamic forces are not included in wind velocity ratings. Consult Hubbell Lighting's Pole Vibration Application Guide for environmental risk factors and design considerations.
http://cdn.hubbelloutdoor.com/content/products/literature/literature_files/Pole_Wind_Induced_Flyer_HLOI0022.pdf
- Extreme Wind Events like, Hurricanes, Typhoons, Cyclones, or Tornadoes may expose poles to flying debris, wind shear or other detrimental effects not included in wind velocity ratings

STOCK ORDERED AS COMPLETE ASSEMBLIES

Catalog Number	Description
SSSH-20-40A-4-HV-DB-RDC	Complete 20' pole assembly (includes 20' x 4" x .125" thick pole shaft, anchor bolt set, anchor bolt template, square base cover, pole cap), Dark bronze powder paint finish
SSSH-25-40A-4-HV-DB-RDC	Complete 25' pole assembly (includes 20' x 4" x .125" thick pole shaft, anchor bolt set, anchor bolt template, square base cover, pole cap), Dark bronze powder paint finish
SSSH-30-50B-4-HV-DB-RDC	Complete 30' pole assembly (includes 30' x 5" x .188" thick pole shaft, anchor bolt set, anchor bolt template, square base cover, pole cap), Dark bronze powder paint finish

STOCK ORDERED AS INDIVIDUAL COMPONENTS

Catalog Number	Description
SSSH20-40A-4-HV-DB-WPO	20' x 4" x .125" wall pole shaft, Dark Bronze
TAB-30-M38	3/4" x 30" x 3" anchor bolt set (four individual bolts)
93062959	Anchor bolt template (DO NOT USE ON OTHER POLE DESIGNS)
SBC4-DB	4" square base cover (10 1/2" square x 5" deep, Dark Bronze)
20102389702	4" square pole cap
SSSH25-40A-4-HV-DB-WPO	25' x 4" x .125" wall pole shaft
TAB-30-M38	3/4" x 30" x 3" anchor bolt set (four individual bolts)
93062959	Anchor bolt template (DO NOT USE ON OTHER POLE DESIGNS)
SBC4-DB	4" square base cover (10 1/2" square x 5" deep, Dark Bronze)
20102389702	4" square pole cap
SSSH30-50B-4-HV-DB-WPO	30' x 5" x .188" wall pole shaft
TAB-36-M38	1" x 36" x 4" anchor bolt set (four individual bolts)
93062959	Anchor bolt template (DO NOT USE ON OTHER POLE DESIGNS)
SBC5-DB	5" square base cover (10 1/2" square x 5" deep), Dark Bronze
20102389802	5" square pole cap

FEATURED PRODUCTS

SEVEN LED CATEGORIES THAT COVER YOUR APPLICATIONS

INDOOR FEATURE PRODUCTS

- Simple fluorescent replacements
- Readily available in stock
- Affordably priced
- Familiar shapes, sizes, and appearances for simplicity of use
- 0-10V dimming, standard
- Field-installed Emergency Battery Pack (Dual-Lite PLDM10) accessory available
- Wide range of applications
- Universal voltage (120-277V)
- 80+ CRI



**Edge-lit Flat Panel
CFP**

**Center Lens Troffer
CCL**



**LED Troffer Retrofit Kit
SLK**

**Wrap Luminaire
CWP**



**Striplight
CSL**



**LED Enclosed &
Gasketed Fiberglass
LXEM**



**Linear LED High Bay
LLHV**



Edge-lit Flat Panel

FEATURES

- 1x4, 2x2, and 2x4 sizes
- 3500K or 4000K
- 0-10V dimming, standard
- Recessed mount
- T-bar clips for secure mounting
- Universal voltage (120-277V)
- -20°C to 40°C
- 80+ CRI
- IC rated
- 60,000 hour LEDs at L70 (up to 180,000 projected life) for reduced maintenance
- Unique curved 1 1/8" frame
- Field-installed Emergency Battery Pack (Dual-Lite PLDM10) accessory available
- DLC® (DesignLights Consortium) Qualified, with some Premium Qualified configurations - see www.designlights.org
- Five year warranty (Terms and Conditions apply)



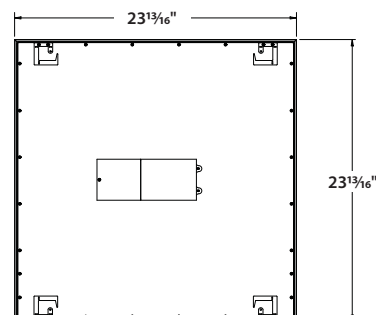
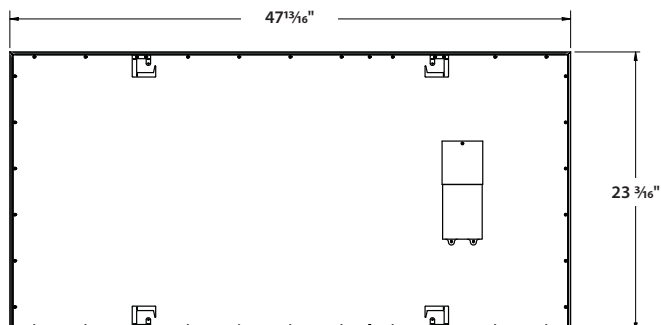
LENSED TROFFER

STOCK

ORDERING INFORMATION

Catalog Number	Description	Lumens	Watts	LPW	Qty on Pallet	PKG Code
CFP14-4035	1x4 Edge-Lit Flat Panel, 3500K	4357	38	113	51	BC
CFP14-4040	1x4 Edge-Lit Flat Panel, 4000K	4523	38	118	51	BC
CFP22-3335	2x2 Edge-Lit Flat Panel, 3500K	3382	32	106	40	BC
CFP22-3335-HE	2x2 Edge-Lit Flat Panel, 3500K, High Efficacy	3299	26	125	40	BC
CFP22-3340	2x2 Edge-Lit Flat Panel, 4000K	3475	32	109	40	BC
CFP22-3340-HE	2x2 Edge-Lit Flat Panel, 4000K, High Efficacy	3430	27	127	40	BC
CFP22-4035	2x2 Edge-Lit Flat Panel, 3500K	4604	41	112	40	BC
CFP22-4040	2x2 Edge-Lit Flat Panel, 4000K	4779	41	116	40	BC
CFP24-4135	2x4 Edge-Lit Flat Panel, 3500K	4307	40	107	20	BC
CFP24-4135-HE	2x4 Edge-Lit Flat Panel, 3500K, High Efficacy	4229	34	124	20	BC
CFP24-4140	2x4 Edge-Lit Flat Panel, 4000K	4123	40	103	20	BC
CFP24-4140-HE	2x4 Edge-Lit Flat Panel, 4000K, High Efficacy	4334	34	127	20	BC
CFP24-5535	2x4 Edge-Lit Flat Panel, 3500K	5447	49	110	20	BC
CFP24-5540	2x4 Edge-Lit Flat Panel, 4000K	5608	50	112	20	BC

DIMENSIONS



For more information visit www.columbialighting.com

Center Lens Troffer

TROFFERS



FEATURES

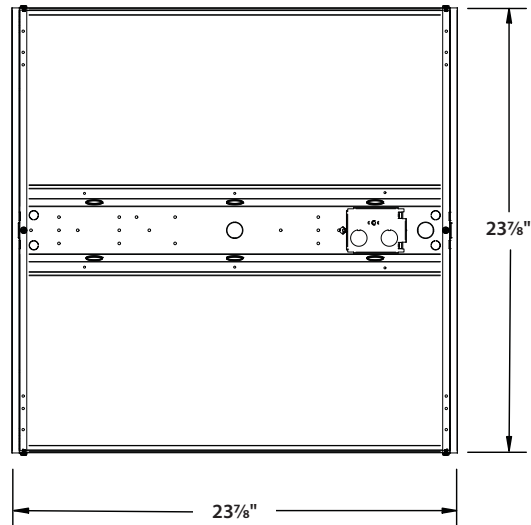
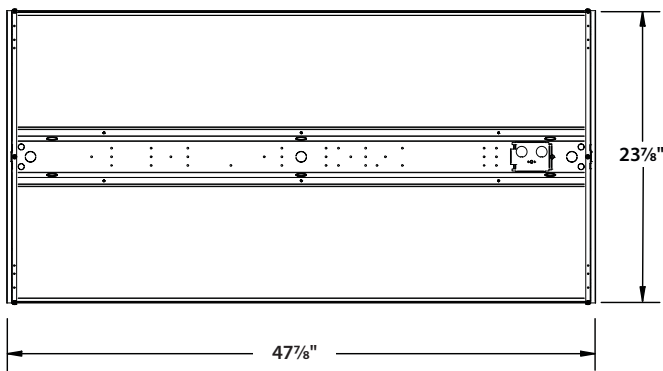
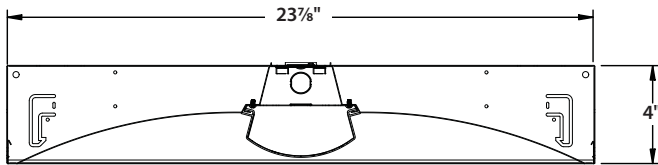
- 3,300 - 5,000 nominal lumens
- Up to 118 lumens per watt
- 3500K and 4000K
- 0-10V dimming, standard
- Fully assembled for quick installation
- Frosted acrylic lens
- Recessed mount
- Universal voltage (120-277V)
- 80+ CRI
- IC rated
- >54,000 hour LEDs at L70 for reduced maintenance
- Emergency battery backup available
- 5-Wire Flex available
- DLC® (DesignLights Consortium) Qualified - see www.designlights.org

STOCK

ORDERING INFORMATION

CATALOG NUMBER	DESCRIPTION	LUMENS	WATTS	LPW	QTY ON PALLET	PKG Code
CCL22-3335	2 x 2 Center Lens LED Troffer, 3,300 Lumens, 3500K	3223	28.9	112	40	BC
CCL22-3340	2 x 2 Center Lens LED Troffer, 3,300 Lumens, 4000K	3345	28.9	116	40	BC
CCL24-5035	2 x 4 Center Lens LED Troffer, 5,000 Lumens, 3500K	5001	43.9	114	20	BC
CCL24-5040	2 x 4 Center Lens LED Troffer, 5,000 Lumens, 4000K	5191	43.9	118	20	BC

DIMENSIONS



LED Troffer Retrofit Kit

FEATURES

- Contemporary style LED retrofit for existing 2x2 and 2x4 prismatic or parabolic troffers with depth 3-1/8" or greater
- 83 CRI standard or optional 90 CRI for color sensitive applications
- Fully integrated hinged door assembly allows for easy installation and rapid troffer conversion
- Reduces job site waste by reusing existing fixture housing
- High efficiency acrylic center lens features linear prisms for high performance without pixilation
- High Efficacy (HE) lumen packages available
- 60,000 hour LEDs at L80 (up to 150,000 projected life) for reduced maintenance
- Optional architecturally styled integration of daylight and occupancy sensor(s)
- Optional SpectraSync™ offers three modes of tunable white solutions and integrates seamlessly into a variety of control systems
- NX Distributed Intelligence™ provides options for standalone and networked integrated sensor with wired or wireless connectivity for NX system deployments
- DLC® (DesignLights Consortium) Qualified, with some Premium Qualified configurations - see www.designlights.org
- Five year warranty (Terms and Conditions apply)



LED RETROFIT KIT

STOCK

ORDERING INFORMATION

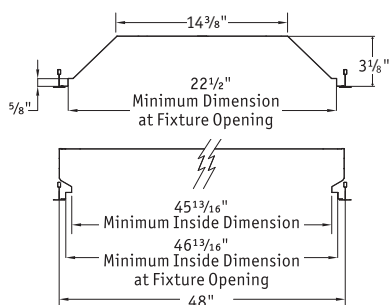
Catalog Number	Description	Lumens	Watts	LPW	Qty on Pallet	PKG Code
SLK22-40ML-EDU	2'x2' LED Troffer Retrofit Kit, 4000K, Medium Lumen, Curved Lens, Fixed Output Driver, 120V-277V	2473	29	121	40	BC
SLK22-40VWHE-EDU	2'x2' LED Troffer Retrofit Kit, 4000K, Very Low Watt High Efficacy, Curved Lens, Fixed Output Driver, 120V-277V	1600	13	127	40	BC
SLK24-40LW-EDU	2'x4' LED Troffer Retrofit Kit, 4000K, Low Watt, Curved Lens, Fixed Output Driver, 120V-277V	4465	36	124	20	BC
SLK24-40MWHE-EDU	2'x4' LED Troffer Retrofit Kit, 4000K, Medium Low Watt High Efficacy, Curved Lens, Fixed Output Driver, 120V-277V	3888	31	127	20	BC
SLK24-40VW-EDU	2'x4' LED Troffer Retrofit Kit, 4000K, Very Low Watt, Curved Lens, Fixed Output Driver, 120V-277V	3267	28	118	20	BC
SLK24-40VWHE-EDU	2'x4' LED Troffer Retrofit Kit, 4000K, Very Low Watt High Efficacy, Curved Lens, Fixed Output Driver, 120V-277V	3462	27	128	20	BC

DIMENSIONS

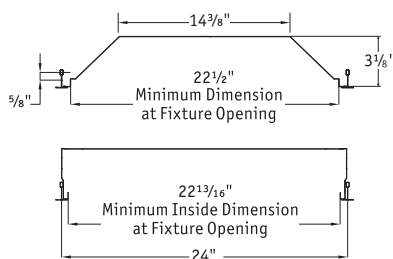
Fit & Function

Columbia recommends a trial installation prior to ordering project quantities to ensure proper fit. SLK retrofit kits are designed to fit into most parabolic and lensed-recessed troffers with minimum dimensional requirements. SLK retrofit kits are not compatible with air handling units.

2x4 Minimum Dimensions



2x2 Minimum Dimensions



CWP

Wrap Luminaire



FEATURES

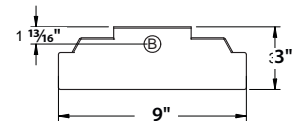
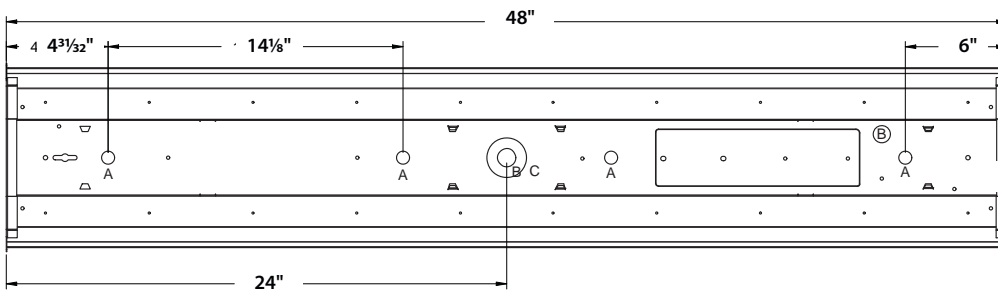
- 4,000 nominal lumens
- Up to 124 lumens per watt
- Choice of two color temperatures
- 0-10V dimming, standard
- Fully assembled for quick installation
- Frosted acrylic lens
- Wide range of applications
- Surface mount
- Universal voltage (120-277V)
- 80+ CRI
- DLC® (DesignLights Consortium)
Qualified - see www.designlights.org

WRAPS

STOCK ORDERING INFORMATION

Catalog Number	Description	Lumens	Watts	LPW	Qty on Pallet	PKG Code
CWP4-4035	4ft LED Wrap, 4,000 Lumens, 3500K, 0-10V dimming	4584	36.9	124	33	BC
CWP4-4040	4ft LED Wrap, 4,000 Lumens, 4000K, 0-10V dimming	4584	36.9	124	33	BC

DIMENSIONS



- A - 1/2" Diameter Knockout
- B - 7/8" Diameter Knockout
- C - 2" Diameter Knockout



FEATURES

- 4,000 and 8,000 nominal lumens
- Up to 112 lumens per watt
- Choice of two color temperatures
- 0-10V dimming, standard
- Fully assembled for quick installation
- Frosted acrylic lens
- Wide range of applications
- Surface mount
- Universal voltage (120-277V)
- 80+ CRI
- DLC® (DesignLights Consortium) Qualified - see www.designlights.org

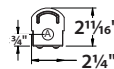
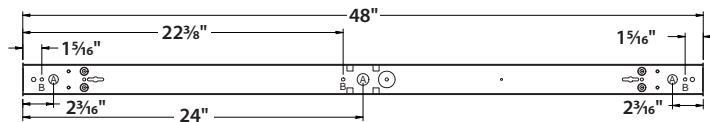


STOCK

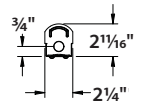
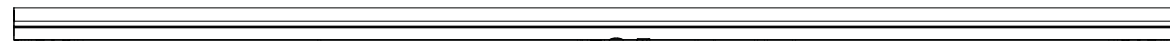
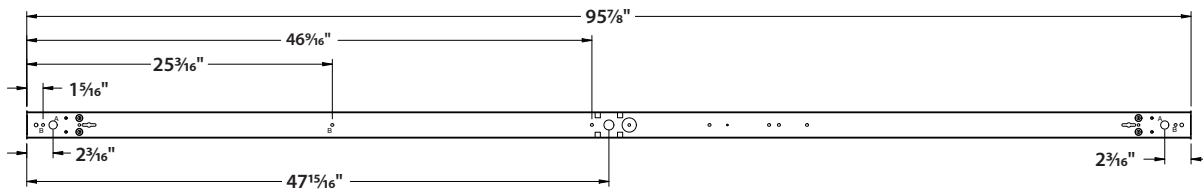
ORDERING INFORMATION

Catalog Number	Description	Lumens	Watts	LPW	Qty on Pallet	PKG Code
CSL4-4035	4ft LED Striplight, 4,000 Lumens, 3500K, 0-10V dimming	4231	40.2	105	120	BC
CSL4-4040	4ft LED Striplight, 4,000 Lumens, 4000K, 0-10V dimming	4517	40.2	112	120	BC
CSL8-8035	8ft LED Striplight, 8,000 Lumens, 3500K, 0-10V dimming	8460	80.5	105	120	BC
CSL8-8040	4ft LED Striplight, 8,000 Lumens, 4000K, 0-10V dimming	9036	80.5	112	120	BC

DIMENSIONS



A - 7/8" Diameter Knockout
B - 5/32" x 1/4" Hole



A - 7/8" Diameter Knockout
B - 5/32" x 1/4" Hole

LXEM

LED Enclosed & Gasketed Fiberglass

EXTREME ENVIRONMENT



FEATURES

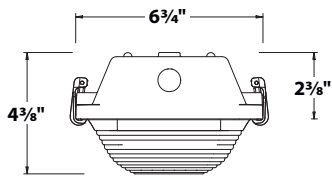
- Available in 2', 4', or 8' lengths
- Long life 60,000 hour LEDs at L80
- Four LED color choices
- IP65 all sizes, IP67 4' and 8'
- IP66 all sizes when ordered with standard polyacetal (POM) latches
- Fiberglass housing with F1 weatherability rating, standard
- Wet label standard
- Gasket is non-porous to ensure seal
- Impact modified acrylic lens equivalent to 100% DR
- ControlScope® compatible
- NEMA 4X housing
- Drivers include minimum 2.5kV surge protection
- Lens firmly secured with captive tamper resistance ready polyacetal latches
- Stainless steel latching optional
- Removable gear tray electrical access
- Includes surface mounting brackets
- Operates from -20°C to +50°C
- Installed battery pack optional
- UL Sanitation Certified per NSF Standards
- DLC® (DesignLights Consortium) Qualified - see www.designlights.org
- Five year warranty (Terms and Conditions apply)

STOCK

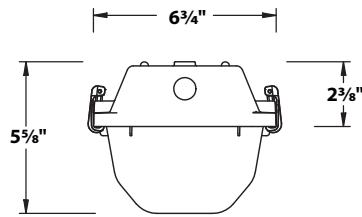
ORDERING INFORMATION

Catalog Number	Description	Lumens	Watts	LPW	Qty on Pallet	PKG Code
LXEM4-4OHL-RFA-EDU	4' LED Enclosed & Gasketed Fiberglass, 4000K High Lumen, Ribbed Frosted Acrylic Lens, 0-10V Dimming Driver, 120V-277V	6222	47	131	55	BC
LXEM4-35ML-RFA-EU	4' LED Enclosed & Gasketed Fiberglass, 3500K Medium Lumen, Ribbed Frosted Acrylic Lens, 0-10V Dimming Driver, 120V-277V	5089	42	121	55	BC
LXEM4-4OML-RFA-EDU	4' LED Enclosed & Gasketed Fiberglass, 4000K Medium Lumen, Ribbed Frosted Acrylic Lens, 0-10V Dimming Driver, 120V-277V	5168	42	123	55	BC
LXEM8-4OML-RFA-EDU	4' LED Enclosed & Gasketed Fiberglass, 4000K Medium Lumen, Ribbed Frosted Acrylic Lens, 0-10V Dimming Driver, 120V-277V	10336	84	123	55	BC

DIMENSIONS



RFA or RA Lens: 2', 4', 8'
RFP Lens: 2', 4'
RP Lens: 2', 4'



DFA or DCA Lens: 2', 4', 8'

Linear LED High Bay



INDUSTRIALS

FEATURES

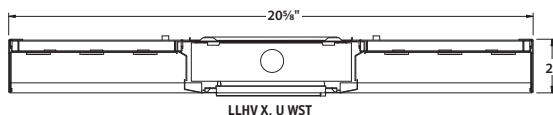
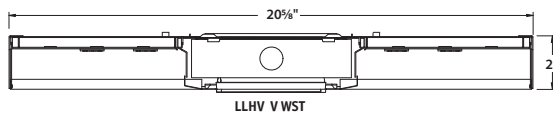
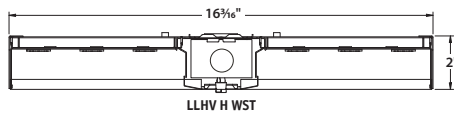
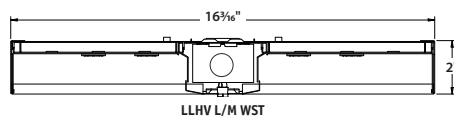
- Optical design provides one-for-one replacement of metal halide and fluorescent high bays with substantial energy savings
- High efficacy LEDs provide up to 158 lumens per watt
- Available in narrow or wide distribution
- Long-Life LEDs 60,000 hours at L80 with projected life over 200,000 hours for reduced life cycle maintenance costs
- Center driver cover allows tool-less access to electrical components for modular replaceability
- Drivers include 6kV surge protection
- Fixture to be suspended a minimum of 28" from solid surface
- Extremely low profile—only 2" overall height
- Quick and simple hanging systems include chain, tong or aircraft cable mounting
- Access cover in channel for easy wiring access
- "Plug and play" occupancy sensor, daylight sensor, cord and plug
- ControlScope® compatible
- Wire guard and/or lens option
- DLC® (DesignLights Consortium) Qualified - see www.designlights.org
- CSA listed and suitable for damp locations
- -20°C up to 65°C ambient operation; see table on specification sheet for details
- Five year warranty (Terms & Conditions apply)

STOCK

ORDERING INFORMATION

Catalog Number	Description	Lumens	Watts	LPW	Qty on Pallet	PKG Code
LLHV4-40H-WST-EDU	16"x48" VersaBay® LED High Bay, 4000K High Lumen, Wide Distribution, Solid Top, Fixed Output Driver, 120V-277V	24653	195	127	24	BC
LLHV4-40L-WST-EDU	16"x48" VersaBay® LED High Bay, 4000K Low Watt, Wide Distribution, Solid Top, Fixed Output Driver, 120V-277V	12453	89	140	24	BC
LLHV4-40M-WST-EDU	16"x48" VersaBay® LED High Bay, 4000K Medium Lumen, Wide Distribution, Solid Top, Fixed Output Driver, 120V-277V	18685	138	135	24	BC
LLHV4-50L-WST-EDU-OS1360	16"x48" VersaBay® LED High Bay, 5000K Low Watt, Wide Distribution, Solid Top, Fixed Output Driver, 120V-277V	13557	89	152	24	BC
LLHV4-50M-WST-EDU-OS1360	16"x48" VersaBay® LED High Bay, 5000K Medium Lumen, Wide Distribution, Solid Top, Fixed Output Driver, 120V-277V	20340	138	147	24	BC

DIMENSIONS



For more information visit www.columbialighting.com

FEATURED PRODUCT

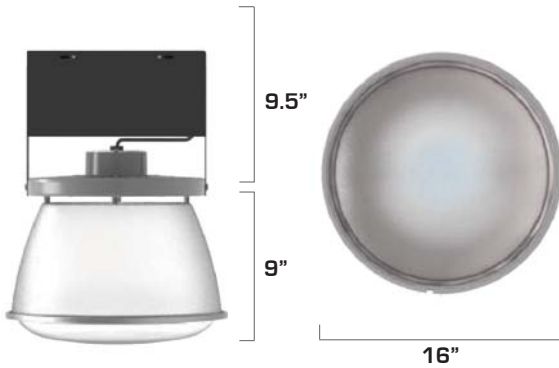
UTILITY. VERSATILITY. VALUE. VISION.

LED HIGHBAY

The Hubbell Industrial UTB is a versatile LED highbay designed to light gyms, industrial, multi-purpose rooms in schools and churches and retail. Its simple, straightforward design is meant to provide high quality light economically. It is available in a 28,000 lumen version and an 18,000 lumen version.

Features and Benefits:

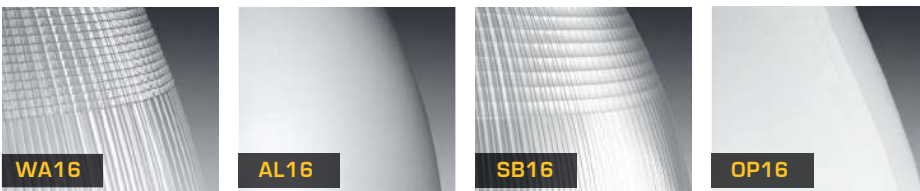
- The Utilibay™ LED Highbay is available with 4 different reflector options and 2 different lens options
- Light weight construction for easy installation
- Industry leading lumens per dollar
- Long lasting LED technology reduces maintenance costs
- Symmetrical design for consistent installed results
- Four reflector options to meet any lighting need



Lens Options



Reflector Options



UTILIBAY

LED Highbay

The Hubbell Industrial UTB is a light duty LED highbay meant to light gyms, light industrial, multi-purpose rooms in schools and churches and retail. Its minimalist design is meant to provide high quality light economically.

It is available in a 28,000 lumen version and a 18,000 lumen version. We also offer four different reflector options, all 16" in diameter at the bottom. We have a clear acrylic, translucent acrylic, opalescent acrylic and suspended bead. We also offer a 16" spun aluminum reflector.

The basic fixture will be offered in 4000°K and 5000°K color temperatures. There are two lens options and mounting accessories like cord and plug options and bottom wire guards.

The Utilibay™ LED Highbay is symmetrical for easy, one-for-one replacement of existing highbays.

CSA Certified to meet U.S. and Canadian standards. DLC® (DesignLights Consortium) Qualified - see www.designlights.org.



LED HIGHBAY

STOCK ORDERING INFORMATION

Catalog Number	Description	Wattage	Voltage	Weight lbs. (kg)	PKG. CODE
UTB-4K-N-MO-U-CD-GR	UTB Driver Pod 4000K LED, 18,000 lumen output, 0-10V Continuous Dimming, Gray	167	120-277V	19 (8.6)	BC
UTB-5K-N-MO-U-CD-GR	UTB Driver Pod 5000K LED, 18,000 lumen output, 0-10V Continuous Dimming, Gray	167	120-277V	19 (8.6)	BC
UTB-4K-N-HO-U-CD-GR	UTB Driver Pod 4000K LED, 28,000 lumen output, 0-10V Continuous Dimming, Gray	255	120-277V	19 (8.6)	BC
UTB-5K-N-HO-U-CD-GR	UTB Driver Pod 5000K LED, 28,000 lumen output, 0-10V Continuous Dimming, Gray	255	120-277V	19 (8.6)	BC
UTB-WA16	16" Clear Acrylic Refractor	N/A	-	2 (.9)	BC
UTB-OP16	16" Opalescent Reflector	N/A	-	2 (.9)	BC
UTB-SB16	16" Suspended Bead Reflector	N/A	-	2 (.9)	BC
UTB-AL16	16" Spun Aluminum Reflector	N/A	-	2 (.9)	BC
UTB-P95	High Transmission Bottom Lens	N/A	-	1 (.45)	BC
UTB-DLR	Dropped Lens Refractor	N/A	-	1 (.45)	BC
WG-16	Bottom Wire Guard	N/A	-	3 (1.3)	BC
CORD-UTB-C6HLP1-20A 6ft 120V 20A L5-20P	120V Twist Loc Plug 20A, 6 foot cord with Hook/Loop	N/A	-	2 (.9)	BC
CORD-UTB-C6HLP4- 20A 6ft 277V 20A L7-20P	277V Twist Loc Plug 20A, 6 foot cord with Hook/Loop	N/A	-	2 (.9)	BC

SIMPLE SOPHISTICATION



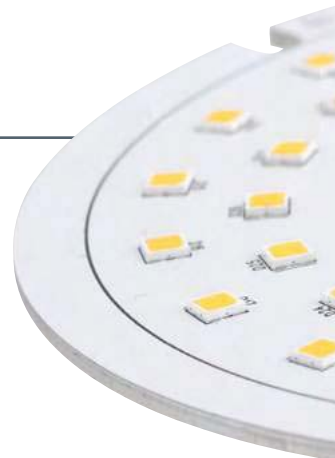
LBSLEDA

Features and Benefits:

- 13 watt input power, 1032 lumens
- Installs to standard 4x4 J-Box
- Energy Star Qualified, California Title 24 compliant
- Retrofit applications with compatible 4", 5" or 6" recessed housings using optional mounting kit
- Dimmable to 15% with many LED rated dimmers
- IC/Non-IC rated. Suitable for wet locations.
- CSA certified to US and Canadian safety standards

Performance and Economy

The Surface Mount Series is leading the industry in LED technology. The state-of-the-art design eliminates the need for a traditional LED driver. The series demonstrates superior efficiency and performance providing cost-effective solutions for customers and partners.



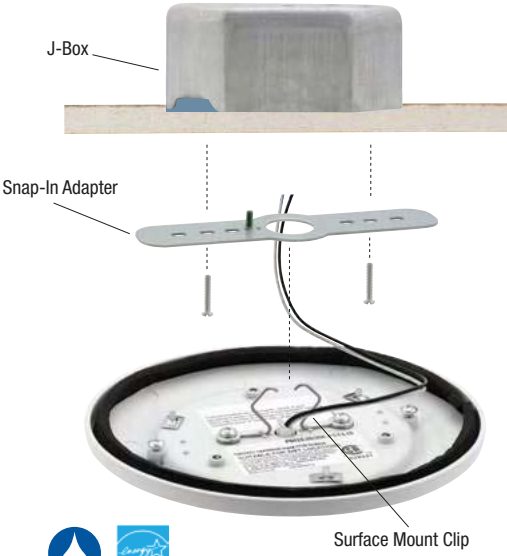
INSTALLATION

The surface mount uses an intuitive snap-in system that makes surface mount installation easier than ever. Simply install the snap-in-adaptor onto the junction box and connect wires. To finish the installation, snap the fixture into place using the surface mount clip. A great solution for fire rated applications when used in conjunction with a fire rated j-box.

(All hardware included)

The LBSLEDA (7" only) is also easily adapted to install into Prescolite and many competitive 4", 5" or 6" recessed cans with optional mounting kit LBSMTGKIT.

Surface Mount J-Box Installation



Surface Mount Clip



LB4A & LBEB4A

LiteBox®

4" LED Trims

LITEBOX



LBEB4A



LB4A



FEATURES

- Energy saving LED light engine with 9-watt input power
- Lumen output and distribution comparable up to 60W incandescent lamp
- Photometrics tested per IESNA LM-79-2008 standards
- New construction with BX4QL or IBX4QL, California Title 24 compliant
- Retrofit applications with compatible 4" housings using the universal screw base adapter
- Dimmable to 10% with most standard dimmers
- Easy installation with (3) friction spring clips and diffuse acrylic lens controls direct glare
- 60,000 hours life at 70% lumen maintenance per TM-21
- IC/Non-IC rated. Suitable for wet and damp locations.
- Energy Star Qualified
- Luminaires are certified by a National Recognized Testing Lab (NRTL).

STOCK		ORDERING INFORMATION				EXAMPLE: LB4A6L30K9 WH
LB4A	6L	30K	9	WH		
TRIM	OUTPUT	CCT	CRI	TRIM COLOR	ACCESSORIES	
LB4A 4" LiteBox Downlight LED Module with dimming to 10% 120V LBEB4A³ 4" LiteBox Adjustable LED Module with dimming to 10% 120V	6L 600 Lumens	27K 2700 Kelvin 30K 3000 Kelvin 35K 3500 Kelvin 40K² 4000 Kelvin	9 90+ CRI	WH White	LiteGear¹ Inverter, single phase central lighting, 125VA-250VA LPS Series¹ LitePower micro-inverter, 20VA-55VA BX4QL-120 Non-IC housing with supply wire quick connects	

LB4A & LBEB4A
 Compatible for use with Prescolite BX4QL/IBX4QL/RMN4QL 120. Partial list of competitor IC & Non-IC housings UL classified with 4" trims includes:

Manufacturer

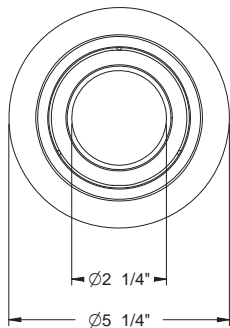
Capri
 Commercial Electric
 Elco
 Emerald
 Halo
 Intense
 Jimway
 Juno
 Lithonia
 LumaPro
 Luminaire
 Nora
 Progress
 Sea Gull
 WAC

For complete list of competitor part numbers, see spec sheet at www.Prescolite.com

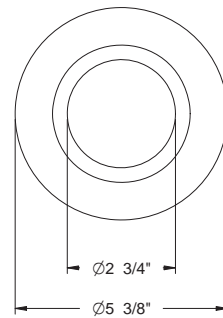
TRIM	OUTPUT	WATTS	LPW
LB4A6L30K9 WH	622	9	69
LBEB4A6L30K9 WH	637	9	74

NOTES

- ¹ See Central Inverter compatibility note and web links on spec sheet.
- ² Not available with LBEB4
- ³ Damp location only



LBEB4A



LB4A



FEATURES

- Energy saving LED light engine with 10-watt input power
- Lumen output and distribution comparable up to 65W BR30
- Photometrics tested per IESNA LM-79-2008 standards
- New construction with DBXQL, California Title 24 compliant
- Retrofit applications with compatible 6" housings using the universal screw base adapter
- Dimmable to 10% with most standard dimmers
- Easy installation with (3) friction spring clips and diffuse acrylic lens controls direct glare
- 60,000 hours life at 70% lumen maintenance per TM-21
- IC/Non-IC rated. Suitable for wet and damp locations.
- Energy Star Qualified
- Luminaires are certified by a National Recognized Testing Lab (NRTL).



LBEB6A



LB6A



STOCK

ORDERING INFORMATION

EXAMPLE: LB6A7L30K9 WH

LB6	7L	30K	9	WH	
TRIM	OUTPUT	CCT	CRI	TRIM COLOR	ACCESSORIES
LB6A 6" LiteBox Downlight LED Module with dimming to 10% 120V LBEB6A³ 6" LiteBox Adjustable LED Module with dimming to 10% 120V	7L 700 Lumens	27K 2700 Kelvin 30K 3000 Kelvin 35K 3500 Kelvin 40K² 4000 Kelvin	9 90+ CRI	WH White	LiteGear¹ Inverter, single phase central lighting, 125VA-250VA LPS Series¹ LitePower micro-inverter, 20VA-55VA DBXQL IC/Non-IC Airtight housing with supply wire quick connects

LB6A & LBEB6A

Compatible for use with Prescolite DBX, IBXHW, RMNICD, & FT6. Partial list of competitor IC & Non-IC housings UL classified with 6" trims includes:

Manufacturer

- Capri
- Commercial Electric
- Elco
- Emerald
- Halo
- Intense
- Jimway
- Juno
- Lithonia
- LumaPro
- Luminaire
- Nora
- Progress
- Sea Gull
- WAC

For complete list of competitor part numbers, see spec sheet at www.Prescolite.com

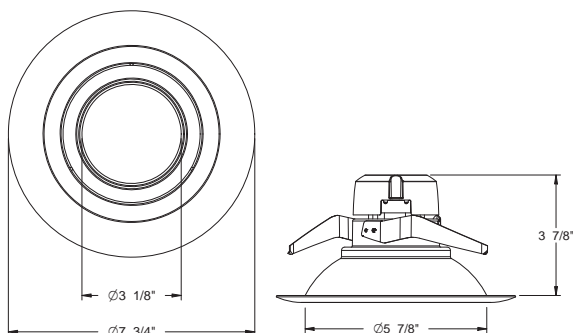
TRIM	OUTPUT	WATTS	LPW
LB6A7L30K9 WH	670	10	68
LBEB6A7L30K9 WH	722	10	71

NOTES

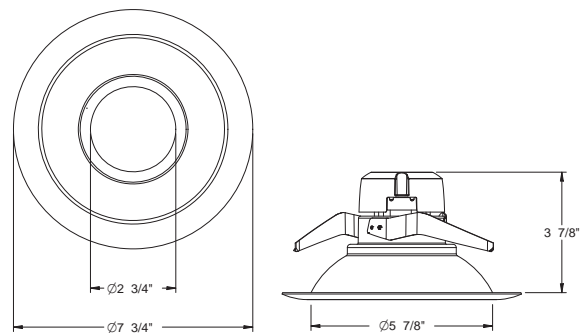
¹ See Central Inverter compatibility note and web links on spec sheet.

² Not available on the LBEB6

³ Damp location only



LBEB6A



LB6A

6" LED Trims

LITEBOX



LB6LED3



FEATURES

- Energy saving LED light engine with 15-watt input power
- Lumen output and distribution comparable to a 65W BR30 incandescent lamp
- Photometrics tested per IESNA LM-79-2008 standards
- New construction with DBXQL, California Title 24 compliant
- Retrofit applications with compatible 6" housings using the universal screw base adapter (see below)
- Dimmable to 15% with most standard dimmers
- Easy installation with (3) friction spring clips and diffuse acrylic lens controls direct glare
- 50,000 hours life at 70% lumen maintenance
- Die cast heat sink to maximize life expectancy and lumen output
- IC/Non-IC rated. Suitable for wet locations.
- Luminaires are certified by a National Recognized Testing Lab (NRTL), either UL or CSA.

STOCK

ORDERING INFORMATION

EXAMPLE: LB6LEDA10L

LB6LED	30K		WH	
TRIM	LED COLOR TEMP	CRI	TRIM COLOR	ACCESSORIES
LB6LEDA10L 6" 1000 Lumen LED module with dimming to 15% 120V	30K 3000 Kelvin 35K¹ 3500 Kelvin	Blank 80+ CRI	WH White	LiteGear Inverter, single phase central lighting, 125VA-250VA DBXQL IC/Non-IC Airtight housing with supply wire quick connects

NOTES

Dimmable using most 3-wire low voltage
See spec sheet or www.dual-lite.com for LiteGear Compatibility Matrix and compatible dimmers

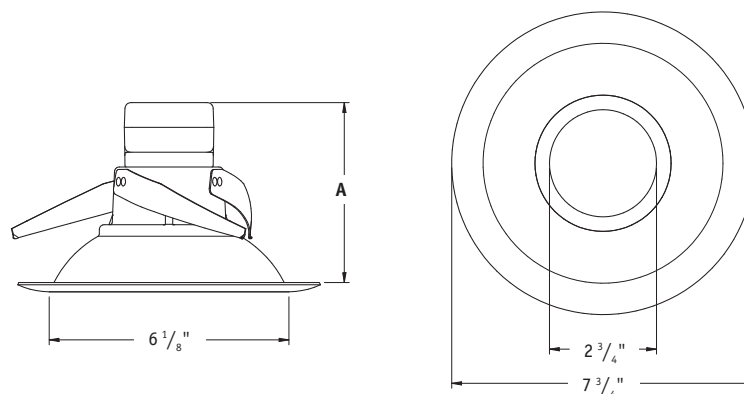
LB6LED3

Compatible for use with Prescolite DBX, RMNICD, FT6. Partial list of competitor IC & Non-IC housings UL classified with 6" trims includes:

Manufacturer

Capri
Commercial Electric
Elco
Emerald
Halo
Intense
Jimway
Juno
Lithonia
LumaPro
Luminaire
Nora
Progress
Sea Gull
WAC

For complete list of competitor part numbers, see spec sheet at www.Prescolite.com



LB6LEDA

Dim. A LB6LEDA10L = 4-5/8"

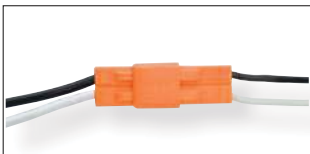
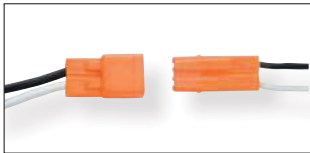
FEATURES

- Energy saving LED light engine with 12-14-watt input power
- California Title 24 compliant QuickLink connectors on housings and trims
- Lumen output and distribution comparable up to 75W PAR incandescent lamp.
- Photometrics tested per IESNA LM-79-2008 standards
- 60,000 hour life at 70% lumen maintenance per TM-21
- Heat sink to maximize life expectancy and lumen output.
- Excellent glare control and optical cutoff
- Dimmable to 15% with most standard dimmers
- IC/Non-IC, AirShield rated. Wet location with LB6LEDA.
- Luminaires are certified by a National Recognized Testing Lab (NRTL), either UL or CSA.



LITEBOX

STOCK		ORDERING INFORMATION		EXAMPLE: DBXQL-LB6LEDA30K WH		
DBXQL		-	LB6LEDA	30K		WH
HOUSING	HOUSING OPTIONS		TRIM	LED COLOR TEMP	CRI	TRIM COLOR
DBXQL 6" LED QuickLink housing	CP Chicago Plenum		LB6A 6" LiteBox Downlight LED Module with dimming to 10% 120V LBEB6A ² 6" LiteBox Adjustable LED Module with dimming to 10% 120V LB6LEDA10L ¹ 6" 1000 Lumen LED QuickLink trim	30K 3000 Kelvin 35K 3500 Kelvin	Blank 80+ CRI	WH White

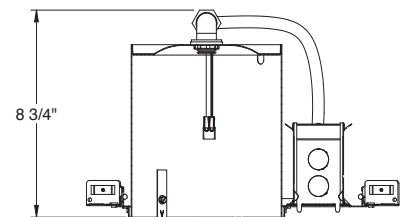
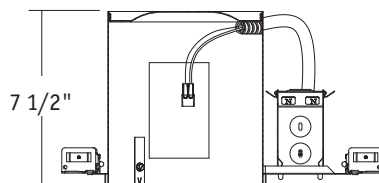
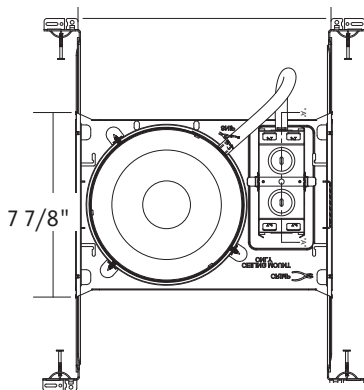


QuickLink: California Title 24 Compliant Connectors

QUICKLINK trims comply with the requirements of California Title 24 by providing a plug-in power connector in place of a screw shell socket. Ideal for residential and light commercial new construction applications where the use of screw shell sockets is restricted. The LB6LEDA trim is compatible with both an Edison Base and QL base housing.

NOTES

- ¹ See trim dimensions on page 329
 - ² Damp Location Only
- * See spec sheet or www.dual-lite.com for LiteGear Compatibility Matrix



Ceiling Cut Out: 6-7/8"
Maximum Ceiling Thickness: 1-1/2"

DBXQL

DBXQL CP

LBS5LED/LBSQ5LED/LBSLED

LiteBox®

5" & 7" Surface Mount LED Downlight 120V

LITEBOX



LBSLEDA10L



LBSQ5LEDA6L



LBS5LEDA6L



FEATURES

- Installs to Standard 4x4 J-Box
- Available in a 7", 1000+ Lumen output or a 5", 600+ lumen output.
- Lumen out put and distribution comparable up to 100W incandescent (7" models) and 65W incandescent (5" models)
- Dimmable to 15% using many LED rated dimmers
- Photometrics tested per IESNA-LM-79-2008 standards.
- Optional mounting to existing 4", 5", or 6" recessed can using the LBSMTGKIT (7" only).
- 60,000 hours life at 70% lumen maintenance per TM-21
- ENERGY STAR® Qualified , California Title 24 compliant
- IC/Non-IC rated. Suitable for wet locations.
- Luminaires are certified by a National Recognized Testing Lab (NRTL), either UL or CSA.

STOCK

ORDERING INFORMATION

EXAMPLE:LBSLEDA10L30K9 WH

LBSLEDA10L	30K	9	WH	
TRIM	LED COLOR	CRI	TRIM COLOR	ACCESSORIES
LBSLEDA10L Surface Mount Round LED Module	27K ¹ 2700 Kelvin 30K ¹ 3000 Kelvin 35K ¹ 3500 Kelvin 40K ² 4000 Kelvin 50K ² 5000 Kelvin	8 80+ CRI 9 90+ CRI	WH White	LiteGear³ Inverter, single phase central lighting, 125VA-250VA LPS Series³ LitePower micro-inverter, 20VA-55VA LBSMTGKIT Mounting kit for LiteBox LED Surface fixtures to install into most 4", 5", or 6" recessed cans. Set of 8. Not required for J-Box mounting

NOTES

- ¹ Available only in 90 CRI
- ² Available only in 80 CRI
- ³ See spec sheet for Central Inverter compatibility note and web links

STOCK

ORDERING INFORMATION

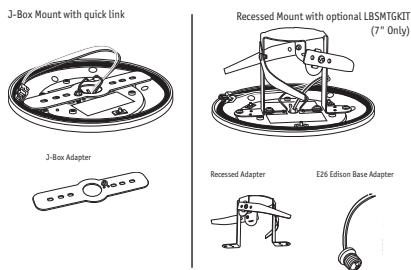
EXAMPLE:LBS5LEDA6L30K9 WH

LBS5LEDA6L	30K	9	WH
TRIM	LED COLOR	CRI	TRIM COLOR
LBS5LEDA6L 5" Round Surface Mount LBSQ5LEDA6L 5" Square Surface Mount	30K ¹ 3000 Kelvin	9 90+ CRI	WH White

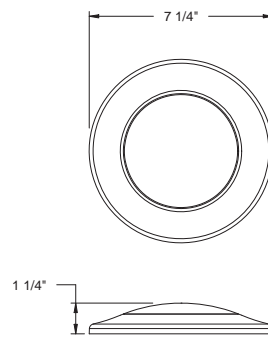
NOTES

- ¹ Available only in 90 CRI

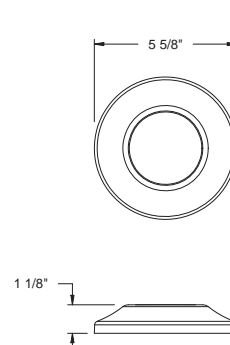
Mounting Options:



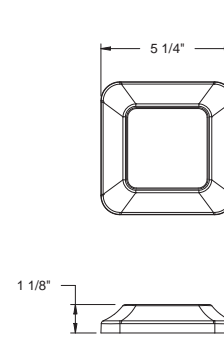
7" Round LiteBox LED



5" Round LiteBox LED



5" Square LiteBox LED



4" or 6" Recessed LED Downlight

FEATURES

- Highly reflective matte white finish with baffle
- 3000K color temperature LED
- 90 CRI
- 120V
- Dimming range from 100% through 10%
- Wet Location rated
- Title 24
- Installed with the following Prescolite housings:
6" - **DBXQL**
4" - **IBX4QL-120**

CDL4



CDL6

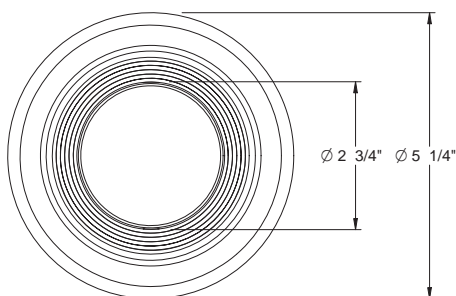
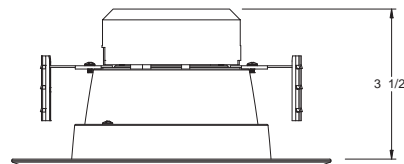
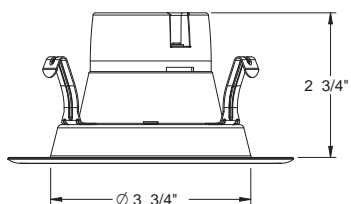
LED

STOCK

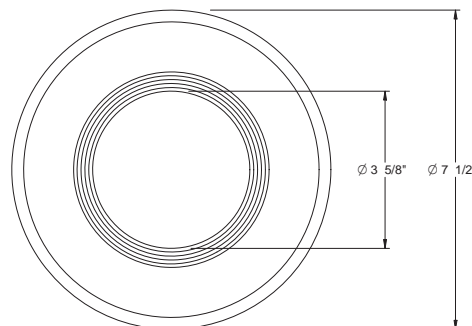
ORDERING INFORMATION

CATALOG NUMBER	DESCRIPTION	LUMENS	WATTS	LPW	MASTER CARTON QTY
CDL4-7L30KA WH	4" Downlight, 700 Lumens, 3000K, 90 CRI, White	700	9	81	8
CDL6-8L30KA WH	6" Downlight, 800 Lumens, 3000K, 90 CRI, White	800	10	76	8

DIMENSIONS



CDL4



CDL6

6" LED Downlight and Wall Wash

LITEBOX PLUS



lighting facts
LED Product Partner



FEATURES

- Energy saving LED light engine ranging from 10-20 watts of input power
- 3 output lumen levels that are comparable to 26 and 32 watt triple tube CFL lamps
- 3 CCT color choices offer the user a variety of both warm and cool environmental settings
- Standard 90+ CRI COB for natural color rendering within the space
- Standard 5% dimming with 0-10V and 120 Triac dimming
- Rapid installation of trim with driver quick connect system, and standard retention springs
- 60,000 hours life at 70% lumen maintenance per TM-21
- 8L, 11L IC rated, and 15L Non IC rated, suitable for wet loactions
- ENERGY STAR rated
- Title 24 compliant for non-residential usage

STOCK

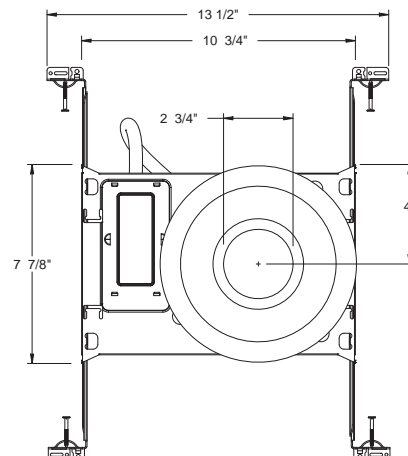
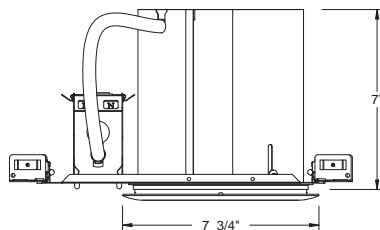
ORDERING INFORMATION

EXAMPLE: LBP6-6LBP15L30KWH

LBP6	-	6LBP	15L	30K		WH	
HOUSING		TRIM	OUTPUT	LED COLOR	CRI	TRIM COLOR	TRIM OPTIONS
LBP6 6" LED Housing LBP6CP⁴ 6" LED Chicago Plenum Housing		6LBP 6" LED Downlight 120-277V	8L 800 Lumen 11L 1100 Lumen 15L¹ 1500 Lumen	30K 3000 Kelvin 35K 3500 Kelvin 40K 4000 Kelvin	Blank 90+ CRI	WH White	Blank Downlight

NOTES

¹ 15L option is Non-IC rated.



LBP6

6" LiteFrame Commercial LED Downlights

LED system in 3000K, 3500K, 4000K

FEATURES

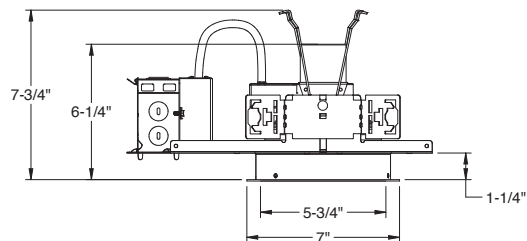
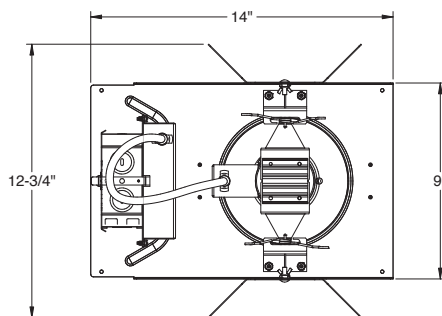
- Light Engine utilizes Nichia LEDs for controlled color consistency fixture to fixture
- 1000-1800 Lumens delivered
- Glare free optical control
- Shipped with pre-installed Light Commercial bar hangers.
- ENERGY STAR Qualified on standard downlights
- Minimum 50,000 hour at 70% lumen maintenance system life
- Photometrics tested per IESNA-LM-79-2008 standards
- Non-IC rated. Suitable for wet locations and through branch wiring
- Luminaires are certified by a National Recognized Testing Lab (NRTL), either UL or CSA.



LC6SL



STOCK		ORDERING INFORMATION		EXAMPLE: LC6SLDM-6LCSL14L35K8				
LC6SL	DM	6LCSL	14L	35K	8		WT	
HOUSING	DRIVER OPTIONS	TRIM APERTURE	OUTPUT	KELVIN	CRI	REF. FINISH/COLOR OPTION	REFLECTOR OPTIONS	ACCESSORIES
LC6SL Standard Lumen Non Dimming 120V-277V	DM 0-10V 10% Dimming	6LCSL Standard Lumen Clear Alzak Reflector	10L 1000 Lumen 14L 1400 Lumen 18L 1800 Lumen	30K 3000 Kelvin 35K 3500 Kelvin 40K 4000 Kelvin	8 80+ CRI	WH Painted Matte White Reflector and Flange	WT Painted White Flange Only	B24 Set of two (2) 24" bar hangers for T-bar ceilings

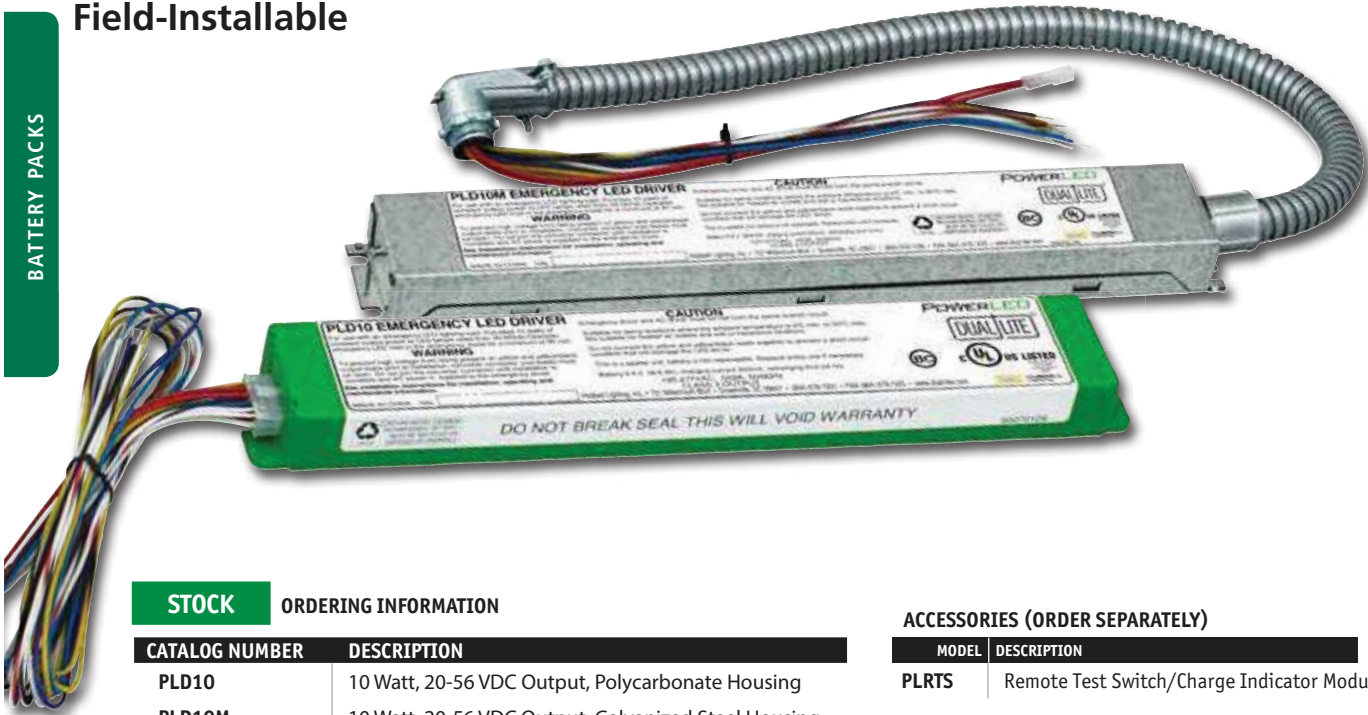


LC6SL

FEATURED PRODUCT - PLD10/M

Emergency LED Battery Pack Field-Installable

BATTERY PACKS



STOCK

ORDERING INFORMATION

CATALOG NUMBER	DESCRIPTION
PLD10	10 Watt, 20-56 VDC Output, Polycarbonate Housing
PLD10M	10 Watt, 20-56 VDC Output, Galvanized Steel Housing

ACCESSORIES (ORDER SEPARATELY)

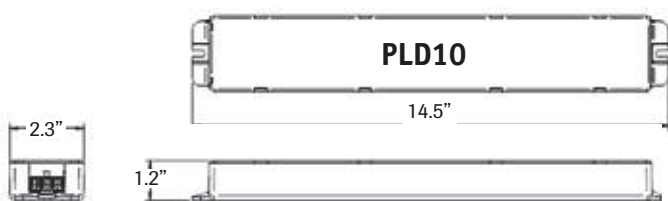
MODEL	DESCRIPTION
PLRTS	Remote Test Switch/Charge Indicator Module

Features and Benefits

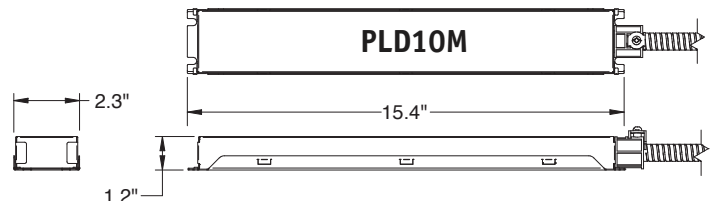
- Can be used with normally-on, normally-off or switched fixtures
- Constant 10W design provides emergency lighting without loss of lumen output
- Auto-sensing output voltage throughout full Vf range of 20-56V
- 2-wire, universal input voltage: 120-277VAC, 50/60Hz operation
- Long life, maintenance-free Nickel-Cadmium battery with 7-10 year life expectancy
- Electronic AC lockout and low voltage disconnect (LVD) circuit
- 2-wire test switch and LED charging indicator supplied standard
- Thermoplastic case (PLD10) for use inside fixture, or galvanized case (PLD10M) for use outside of fixture
- UL 924 Damp Location Listed for field installation, CSA 22.2 No. 141, and CEC-400-2014-009-CMF certified (CEC Title 20 Efficiency Standard)

SPECIFICATIONS

Input Voltage: 120 - 277 VAC (Universal), 50/60Hz
Input Power: 4.2 Watts (Maximum)
Charging Current: 200mA
Output Voltage: 20 - 56 VDC (Class 2 compliant)
Output Power: 10 Watts (constant)
Output Current: 0.50 A (@ 20 VDC) - 0.17A (@ 56 VDC)
Recharge time: 24 hours
Emergency Operation: 90 minutes (minimum)
Operating Temperature: 0°C to 55°C (32°F to 131°F)



Nominal Dimensions: 14.5" Lx 2.3" Wx 1.2" H



Nominal Dimensions: 15.4" Lx 2.3" Wx 1.2" H



PLD7/M/M2

Emergency LED Battery Pack Field-Installable

FEATURES

- Can be used with normally-on, normally-off or switched fixtures
- Constant 7W design provides emergency lighting without loss of lumen output
- Auto-sensing output voltage throughout full Vf range of 15-56VDC
- 2-wire, universal input voltage: 120-277VAC, 50/60Hz operation
- Long life, maintenance-free Nickel-Cadmium battery with 7-10 year life expectancy
- Electronic AC lockout and low voltage disconnect (LVD) circuit
- 2-wire test switch and LED charging indicator supplied standard
- Thermoplastic case (PLD7) for use inside fixture, or galvanized case (PLD7M / PLD7M2) for use outside of fixture
- UL 924 Damp Location Listed for field installation, CSA 22.2 No. 141, and CEC-400-2014-009-CMF certified (CEC Title 20 Efficiency Standard)



STOCK

ORDERING INFORMATION

CATALOG NUMBER	DESCRIPTION
PLD7	7 Watt, 15-56 VDC Output, Polycarbonate Housing
PLD7M	7 Watt, 15-56 VDC Output, Galvanized Steel Housing, One (1) Conduit
PLD7M2	7 Watt, 15-56VDC Output, Galvanized Steel Housing, Two (2) Conduits

ACCESSORIES (ORDER SEPARATELY)

MODEL	DESCRIPTION
PLR7S	Remote Test Switch/Charge Indicator Module

SPECIFICATIONS

Input Voltage: 120 - 277 VAC (Universal), 50/60Hz

Input Power: 2.6 Watts (maximum)

Max. AC Driver Output Current: 1.6A

Output Voltage: 15 - 56 VDC (Class 2 compliant)

Output Power: 7 Watts (constant)

Output Current: 0.47 A (@ 15 VDC) - 0.13A (@ 56 VDC)

Recharge time: 24 hours (maximum)

Emergency Operation: 90 minutes (minimum)

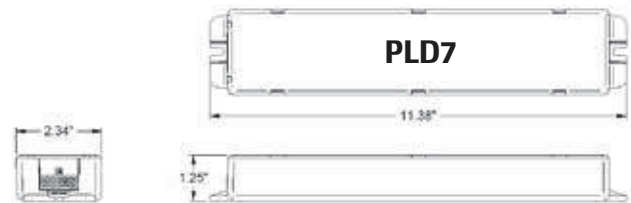
Operating Temperature: PLD7: 5°C (41°F) - 55°C (131°F)

PLD7M/M2: 0°C (32°F) - 55°C (131°F)

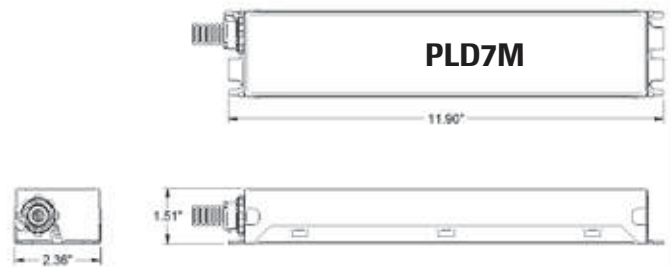
Weight: PLD7: 1.8lbs (0.82 kg)

PLD7M: 2.3lbs (1.04 kg)

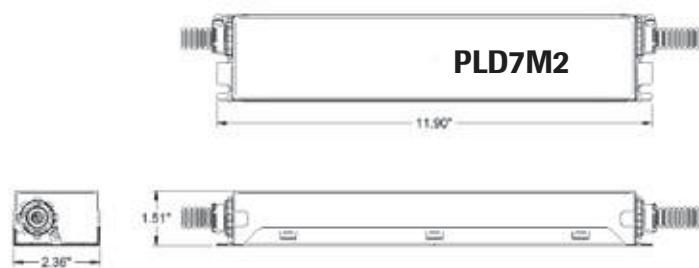
PLD7M2: 2.5 lbs (1.13 kg)



Nominal Dimensions: 11.4"L x 2.3"W x 1.3"H



Nominal Dimensions: 11.9"L x 2.4"W x 1.5"H



Nominal Dimensions: 11.9"L x 2.4"W x 1.5"H

LED Combination Exit/Emergency Light



FEATURES

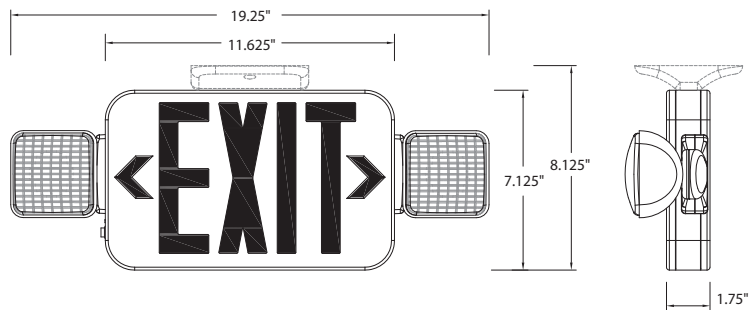
- 12 LED High-Output fully adjustable square lamp-heads
- LED life-cycle of more than 10 years
- Dual voltage at 120/277V AC input
- Long-Life Nickel Cadmium battery for UL recognized 90 minute emergency lighting
- UL924 Damp Location Listed
- Wall or Ceiling mount with canopy included
- Includes test switch and AC-On indicator

STOCK ORDERING INFORMATION

CATALOG NUMBER	DESCRIPTION
CCRHOSQ	Combination Exit/Emergency Light, Universal Face, Red Letters, Square Lamp-heads, NiCad Battery, Damp
CCGHOSQ	Combination Exit/Emergency Light, Universal Face, Green Letters, Square Lamp-heads, NiCad Battery, Damp

ACCESSORIES

MODEL	DESCRIPTION
WGEL	Wall Mount Wireguard- 8" H X 20" W X 8" D



Single Carton Weight: 2.5 lbs.
Master Carton Quantity: 6 each

LED Emergency Exit

FEATURES

- Exit sign for commercial applications
- UV stable thermoplastic white or black housing available
- Long life LED lamps provide bright, even illumination
- Universal end or ceiling mount
- Includes Self-Test/Self-Diagnostic Models
- Dual-voltage 120 or 277V AC input
- Remote capacity or extended runtime option
- Long-life Nickel Cadmium battery with fully automatic charger
- UL 924 Damp Location Listed



STOCK ORDERING INFORMATION

CATALOG NUMBER	DESCRIPTION
CAR	White Thermoplastic Exit, Universal Face, Red LED AC Only Exit
CAG	White Thermoplastic Exit, Universal Face, Green LED AC Only Exit
CARB	Black Thermoplastic Exit, Universal Face, Red LED AC Only Exit
CAGB	Black Thermoplastic Exit, Universal Face, Green LED AC Only Exit
CER	White Thermoplastic Exit, Universal Face, Red LED Emergency Exit
CERB	Black Thermoplastic Exit, Universal Face, Red LED Emergency Exit
CEG	White Thermoplastic Exit, Universal Face, Green LED Emergency Exit
CEGB	Black Thermoplastic Exit, Universal Face, Green LED Emergency Exit
CERRC	White Thermoplastic Exit, Universal Face, Red LED Emergency Exit, Remote Capacity
CERRCB	Black Thermoplastic Exit, Universal Face, Red LED Emergency Exit, Remote Capacity
CEGRC	White Thermoplastic Exit, Universal Face, Green LED Emergency Exit, Remote Capacity
CERSD	White Thermoplastic Exit, Universal Face, Red LED Emergency Exit, Self-Test/Self-Diagnostics
CEGSD	White Thermoplastic Exit, Universal Face, Green LED Emergency Exit, Self-Test/Self-Diagnostics

Note: Remote Capacity Unit will only power the Compass Indoor and Outdoor Remote (CIR and COR Series)

MATCHING REMOTE FIXTURES

MODEL DESCRIPTION

- CIR LED Indoor Remote Heads
- COR LED Outdoor Remote Heads

ACCESSORIES

MODEL DESCRIPTION

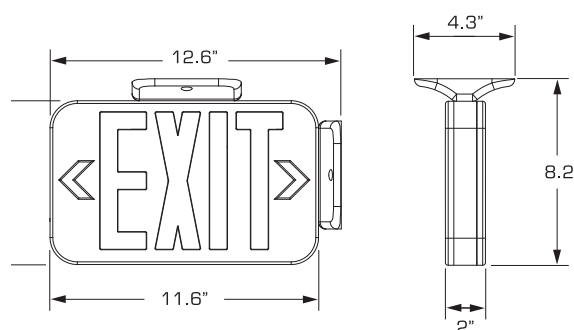
- WGLX Wall Mount Wireguard- 10" H X 14" W X 2.25" D

ELECTRONICS

- 90 minute emergency operation with 1 double or 2 single remotes
- Test switch and LED AC-on indicator light



CEGB



Single Carton Weight: 2 lbs.
Master Carton Quantity: 6 each



CIRS



CIRD



CORD



CORS

LED Combination Exit/Emergency Light



FEATURES

- LED life-cycle of more than 10 years
- Includes optional Self-Test/Self-Diagnostic models
- Molded-in template for Quick installation
- Dual-voltage 120 or 277V AC input
- Includes long-life Nickel Cadmium battery for UL recognized 90 minute emergency lighting
- Remote capacity or extended runtime option
- Damp Location Listed
- Provided with test switch and AC-On indicator
- Lamp-heads are fully adjustable

STOCK ORDERING INFORMATION

CATALOG NUMBER	DESCRIPTION
CCR	Combination Exit/Emergency Light, Universal Face, Red Letters, NiCad battery, Damp listed
CCRB	Black Thermoplastic, Combination Exit/Emergency Light, Universal Face, Red Letters
CCG	Combination Exit/Emergency Light, Universal Face, Green Letters, NiCad battery, Damp Listed
CCGB	Black Thermoplastic, Combination Exit/Emergency Light, Universal Face, Green Letters
CCRRC	Combination Exit/Emergency Light, Universal Face, Red Letters, NiCad battery, Remote Capacity, Damp Listed
CCRRCB	Black Thermoplastic, Combination Exit/Emergency Light, Universal Face, Red Letters, Remote Capacity
CCGRC	Combination Exit/Emergency Light, Universal Face, Green Letters, NiCad battery, Remote Capacity, Damp Listed
CCRS	Combination Exit/Emergency Light, Universal Face, Red Letters, Self-Test/Self-Diagnostics
CCGS	Combination Exit/Emergency Light, Universal Face, Green Letters, Self-Test/Self-Diagnostics
CCRRCSD	Combination Exit/Emergency Light, Universal Face, Red Letters, Self-Test/Self-Diagnostics, Remote Capacity
CCGRCS	Combination Exit/Emergency Light, Universal Face, Green Letters, Self-Test/Self-Diagnostics, Remote Capacity

Note: Remote Capacity Unit will only power the Compass Indoor and Outdoor Remote (CIR and COR Series)

MATCHING REMOTE FIXTURES

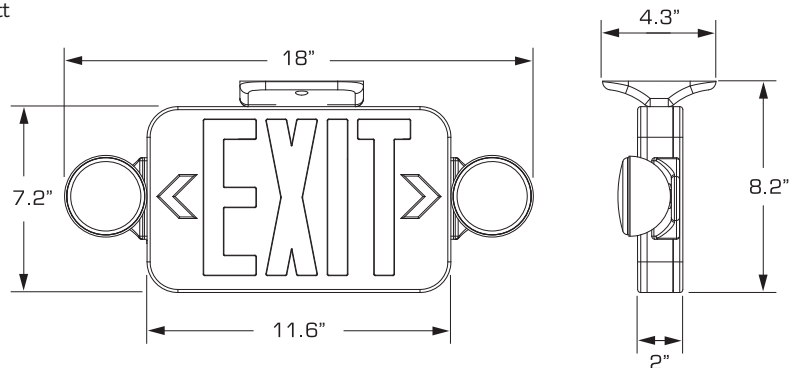
MODEL	DESCRIPTION
CIRS	LED Remote, Single Mounting Base, 3 VDC, 1 Watt
CIRD	LED Remote, Double Mounting Base, 3 VDC, 1 Watt
CORS	LED Outdoor Remote, Single, Mounting Base, 3 VDC, 1 Watt
CORD	LED Outdoor Remote, Double, Mounting Base, 3 VDC, 1 Watt

ACCESSORIES

MODEL	DESCRIPTION
WGEL	Wall Mount Wireguard- 8" H X 20" W X 8" D

ELECTRONICS

- 90 minute emergency operation with 1 double or 2 single remotes
- Test switch and LED AC-on indicator light



Single Carton Weight: 2.5 lbs.
Master Carton Quantity: 6 each

Wet Location LED Emergency Exit

FEATURES

- Exit sign for wet location or light industrial environments
- UV stable thermoplastic grey housing with polycarbonate lens
- Long life LED lamps provide bright, even illumination
- Single face end, wall or ceiling mount
- Double face end or ceiling mount
- Dual-voltage 120 or 277V AC input
- Long-life Nickel Cadmium battery with fully automatic charger
- UL 924 Wet Location Listed



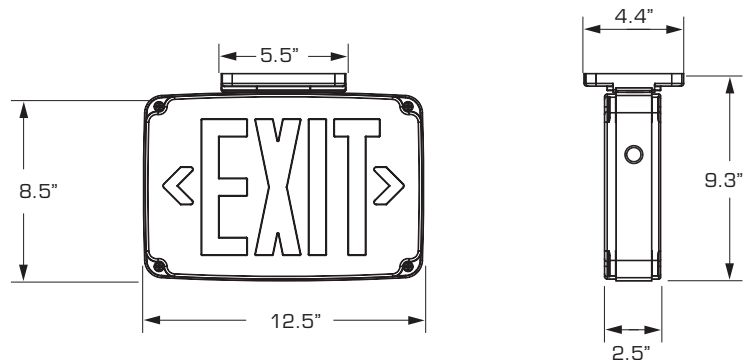
STOCK

ORDERING INFORMATION

CATALOG NUMBER	DESCRIPTION
CEWSRE	Thermoplastic, Wet Location Exit, Single-Face, Red Letters, Emergency
CEWDRE	Thermoplastic, Wet Location Exit, Double-Face, Red Letters, Emergency
CEWSGE	Thermoplastic, Wet Location Exit, Single-Face, Green Letters, Emergency
CEWDGE	Thermoplastic, Wet Location Exit, Double-Face, Green Letters, Emergency

ELECTRONICS

- 90 minute emergency operation
- Test switch and LED AC-on indicator light



Single Carton Weight: 4.3 lbs.
Master Carton Quantity: 6 each

Edge-Lit LED Emergency Exit



FEATURES

- Edgelit exit sign for architectural applications
- Brushed aluminum housing with field installed directional arrows
- Long life LED lamps provide bright, even illumination
- Includes AC only or emergency with battery
- Recessed or surface mount with canopy included
- Mirror divider on single and double-face models
- Dual-voltage 120 or 277V AC input
- Emergency models include long-life Nickel Cadmium battery
- UL 924 listed

STOCK ORDERING INFORMATION

CATALOG NUMBER	DESCRIPTION
CELS1RNE	Edge-Lit Exit, Surface Mount, Single Face, Red Letters, Brushed Aluminum, Battery
CELS1GNE	Edge-Lit Exit, Surface Mount, Single Face, Green Letters, Brushed Aluminum, Battery
CELS2RNE	Edge-Lit Exit, Surface Mount, Double Face, Red Letters, Brushed Aluminum, Battery
CELS2GNE	Edge-Lit Exit, Surface Mount, Double Face, Green Letters, Brushed Aluminum, Battery
CELS1RN	Edge-Lit Exit, Surface Mount, Single Face, Red Letters, Brushed Aluminum, AC only
CELS2RN	Edge-Lit Exit, Surface Mount, Double Face, Red Letters, Brushed Aluminum, AC only
CELS1GN	Edge-Lit Exit, Surface Mount, Single Face, Green Letters, Brushed Aluminum, AC only
CELS2GN	Edge-Lit Exit, Surface Mount, Double Face, Green Letters, Brushed Aluminum, AC only
CELR1RNE	Edge-Lit Exit, Recessed Mount, Single Face, Red Letters, Brushed Aluminum, Battery
CELR1GNE	Edge-Lit Exit, Recessed Mount, Single Face, Green Letters, Brushed Aluminum, Battery
CELR2RNE	Edge-Lit Exit, Recessed Mount, Double Face, Red Letters, Brushed Aluminum, Battery
CELR2GNE	Edge-Lit Exit, Recessed Mount, Double Face, Green Letters, Brushed Aluminum, Battery
CELR1RN	Edge-Lit Exit, Recessed Mount, Single Face, Red Letters, Brushed Aluminum, AC only
CELR2RN	Edge-Lit Exit, Recessed Mount, Double Face, Red Letters, Brushed Aluminum, AC only
CELR1GN	Edge-Lit Exit, Recessed Mount, Single Face, Green Letters, Brushed Aluminum, AC only
CELR2GN	Edge-Lit Exit, Recessed Mount, Double Face, Green Letters, Brushed Aluminum, AC only

Note: Remote Capacity Unit will only power the Compass Indoor and Outdoor Remote(CIR and COR Series)

ELECTRONICS

- Test switch and LED AC-on indicator light

ADDITIONAL MOUNTING OPTIONS



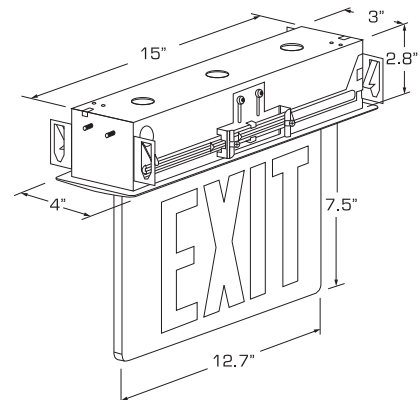
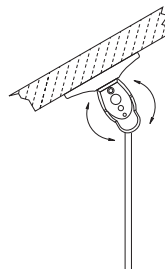
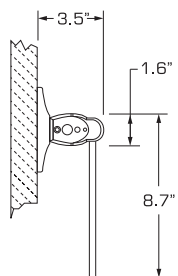
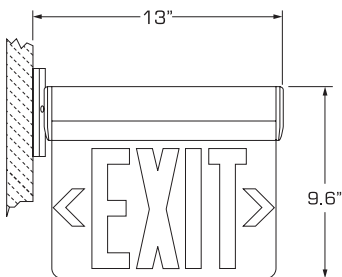
Surface Mount



Recessed Wall



Recessed Ceiling



Wet Location Combination Exit/Emergency Light

FEATURES

- LED based exit/emergency light for wall, ceiling or end mounting
- Includes Self-Test/Self-Diagnostics
- Housing made of 5VA flame retardant polycarbonate in white finish
- Exit face-plate and lamp-head shield made from high impact, UV stable polycarbonate
- Fully adjustable LED lamp-heads at 3.6W each
- Long life Nickel Cadmium Battery
- Temperature Range: 0°C to 50°C, CT Option: -20°C to 50°C
- UL924 Wet Location Listed



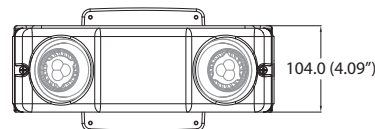
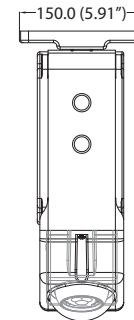
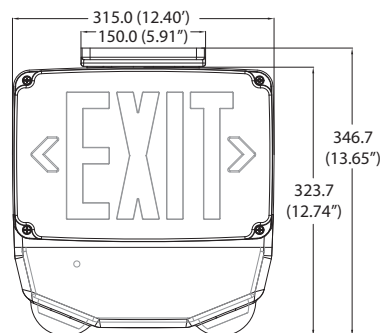
STOCK

ORDERING INFORMATION

CATALOG NUMBER	DESCRIPTION
CWC1RW	White Housing, Single Face, Red Letters
CWC2RW	White Housing, Double Face, Red Letters
CWC1GW	White Housing, Single Face, Green Letters
CWC2GW	White Housing, Double Face, Green Letters
CWC1RW-CT	White Housing, Single Face, Red Letters, Cold Temperature Operation
CWC2RW-CT	White Housing, Double Face, Red Letters, Cold Temperature Operation
CWC1GW-CT	White Housing, Single Face, Green Letters, Cold Temperature Operation
CWC2GW-CT	White Housing, Double Face, Green Letters, Cold Temperature Operation

ELECTRONICS

- 120/277VAC input
- AC lockout and Low Voltage disconnect
- Battery re-charge within 24 hours
- Self-Test/Self-Diagnostic circuitry
- Magnetic No Touch Testing



Single Carton Weight: 8.0 lbs.
Master Carton Quantity: 4 each

CCE Series

Thin Die-Cast LED Emergency Exit



EXIT SIGNS

FEATURES

- Thin die-cast aluminum Exit sign for commercial or light industrial applications
- Painted black housing with brushed aluminum face
- Long life LED lamps provide bright, even illumination
- Universal end or ceiling mount with canopy included
- Dual-voltage 120 or 277V AC input
- Emergency models include long-life Nickel Cadmium battery
- UL 924 Damp Location Listed

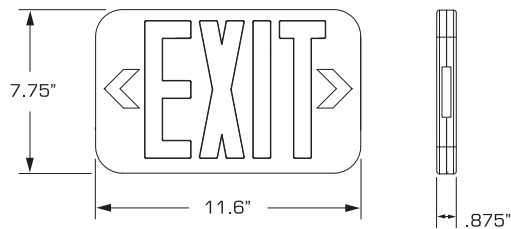
STOCK

ORDERING INFORMATION

CATALOG NUMBER	DESCRIPTION
CCESRE	Die-Cast Exit, Brushed Face, Black Housing, Single-Face, Red Letters, Emergency
CCEDRE	Die-Cast Exit, Brushed Face, Black Housing, Double-Face, Red Letters, Emergency
CCESGE	Die-Cast Exit, Brushed Face, Black Housing, Single-Face, Green Letters, Emergency
CCEDGE	Die-Cast Exit, Brushed Face, Black Housing, Double-Face, Green Letters, Emergency
CCESR	Die-Cast Exit, Brushed Face, Black Housing, Single-Face, Red Letters, AC
CCEDR	Die-Cast Exit, Brushed Face, Black Housing, Double-Face, Red Letters, AC
CCESG	Die-Cast Exit, Brushed Face, Black Housing, Single-Face, Green Letters, AC
CCEDG	Die-Cast Exit, Brushed Face, Black Housing, Double-Face, Green Letters, AC

ELECTRONICS

- 90 minute emergency operation
- AC or Emergency operation
- Test switch and LED AC-on indicator light



Single Carton Weight: 2.8 lbs.
Master Carton Quantity: 8 each

International Voltage SALIDA LED Exit

FEATURES

- LED life-cycle of more than 10 years
- Molded-in template for Quick installation
- Meets International input voltage requirements
- Optimal long-life 4.8V Nickel Cadmium battery for 90 minute emergency lighting
- Provided with test switch and AC-On indicator
- Canopy Included



STOCK

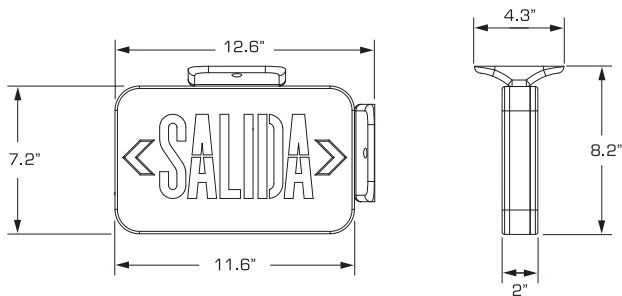
ORDERING INFORMATION

ACCESSORIES

MODEL	DESCRIPTION
CSRIV	120/220-240VAC, 50/60Hz., Universal SALIDA Face, Red LED, AC only
CSREIV	120/220-240VAC, 50/60Hz., Univ. SALIDA Face, Red LED Emergency, NiCad battery

ENERGY CONSUMPTION

CATALOG NUMBER	INPUT WATT (W)		INPUT AMPS	
	120VAC	230VAC	120VAC	230VAC
CSR Models	3.8	3.8	0.034	0.02



Single Carton Weight: 2 lbs
 Master Carton Quantity: 6 each

RME Series

Running Man LED Exit Sign



FEATURES

- LED Exit for Wall, Ceiling or End Mount with Running Man pictogram
- Heavy duty, 20 gauge steel housing includes 3 panel face options
- Energy saving, long-life LED lamps with dual 120/347 VAC input
- Long-Life Ni-Cad battery with fully automatic two-stage charger
- AC or Emergency operation with optional Self-Diagnostics
- Temperature range: 10°C to 50°C (50°F to 122°F)
- CSA 22.2 Listed for pictogram exit signs

EXIT SIGNS

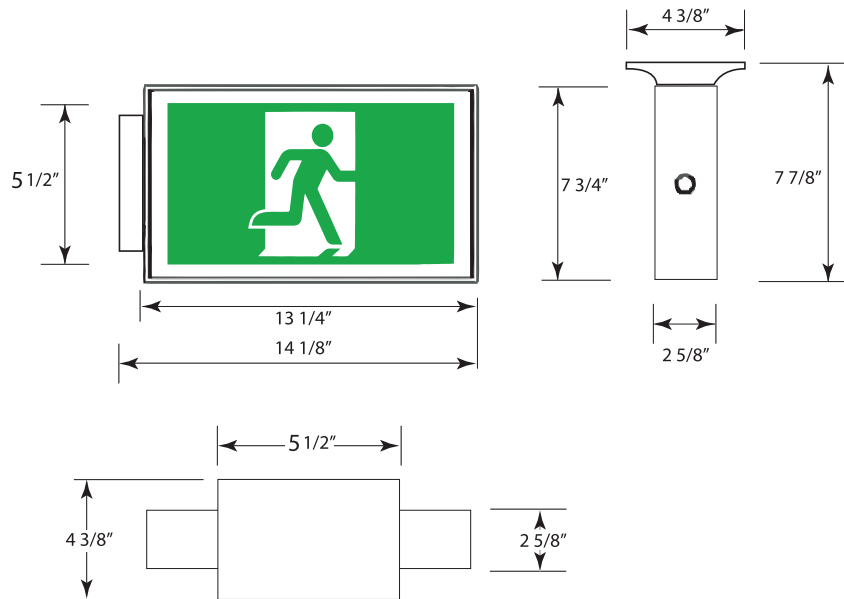
STOCK ORDERING INFORMATION

CATALOG NUMBER	DESCRIPTION
RMEUW	White Housing, AC only
RMEUWE	White Housing, NiCad Battery
RMEUWE-SD	White Housing, NiCad Battery, Self-Test/Self Diagnostic

PANEL FACE OPTIONS



DIMENSIONS



Single Carton Weight: 6.0 lbs.

LED Outdoor Remote

FEATURES

- Single or Double lamp-head remote with base
- LED life-cycle of more than 10 years
- Quick installation
- Fully adjustable lamp-heads
- Fully gasketed for application in wet environment



REMOTE

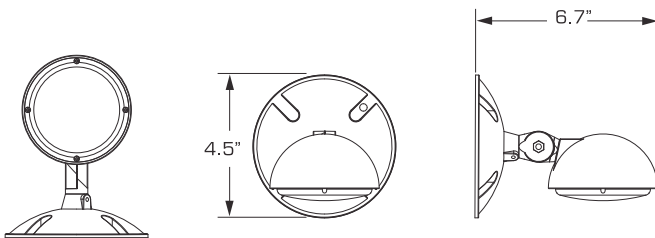
STOCK

ORDERING INFORMATION

CATALOG NUMBER	DESCRIPTION
CORS	LED Outdoor Remote, Single, Mounting Base, 3 VDC, 1 Watt
CORD	LED Outdoor Remote, Double, Mounting Base, 3 VDC, 1 Watt

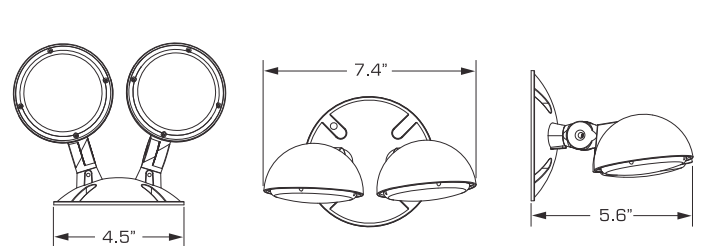
Note: Powered by Compass Exit, Combo or Emergency Light with Remote Capacity

CORS



Single Remote Carton Weight: 1 lbs.
Master Carton Quantity: 20 each

CORD



Double Remote Carton Weight: 1.2 lbs.
Master Carton Quantity: 20 each

CIR

LED Indoor Remote

REMOTE



FEATURES

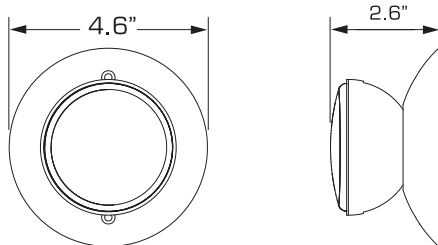
- Single or Double lamp-head remote with base-plate
- LED life-cycle of more than 10 years
- Quick installation
- Dual-voltage 120 or 277V AC input
- UL924 Damp Location Listed
- Fully adjustable lamp-heads

STOCK ORDERING INFORMATION

CATALOG NUMBER	DESCRIPTION
CIRS	LED Remote, Single Mounting Base, 3 VDC, 1 Watt
CIRD	LED Remote, Double Mounting Base, 3 VDC, 1 Watt

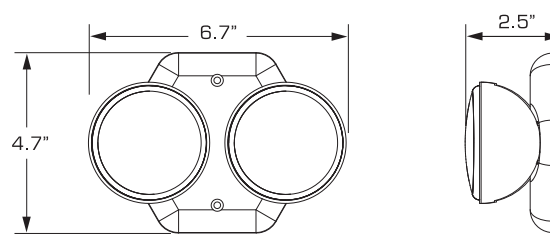
Note: Powered by the Compass Exit, Combo or Emergency Light with Remote Capacity

CIRS



Single Remote Carton Weight: 1 lbs.
Master Carton Quantity: 20 each

CIRD



Double Remote Carton Weight: 1.2 lbs.
Master Carton Quantity: 20 each

Decorative LED AC/Emergency Light

FEATURES

- Normally-on and emergency operation
- Durable die-cast aluminum housing
- Prismatic polycarbonate refractor
- 10 year LED life cycle
- Long-life Nickel Cadmium battery
- Fully sealed and gasketed design
- Includes self-diagnostic/self-test
- Includes conduit entry at top of unit
- Optional heater
- Photo-Control Standard
- Temp. range standard, 0°C to 50°C with heater, -30°C to 50°C
- UL924 Wet Location Listed



EMERGENCY LIGHTING

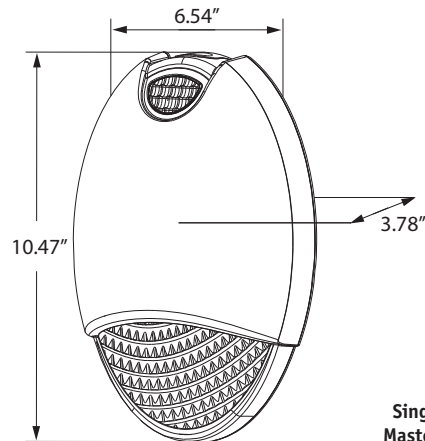
STOCK

ORDERING INFORMATION

CATALOG NUMBER	DESCRIPTION
CUWZ-PC	Die-Cast, Normally on/Emergency, 0° to 50°C, with Photo-Control, Dark Bronze Finish
CUWZ-HTR-PC	Die-Cast, Normally on/Emergency, -30° to 50°C, with HTR and Photo-Control, Dark Bronze Finish

ELECTRONICS

- Universal 100-300VAC input
- 4.8VDC Nickel Cadmium battery
- Battery re-charge within 24 hours
- Fully automatic solid-state charger



Single Carton Weight: 4.0 lbs.
Master Carton Quantity: 6 each

J-Box Mounted Emergency Light



FEATURES

- 2 designs for low-level or above the door mounting
- Models include PIR sensor for convenient night-light operation
- Thermoplastic housing in white or black finish
- Quick mount in a 4" j-box
- Long-life Nickel Metal Hydride Battery
- Temperature Range: Standard 10°C to 40°C
- UL924 Listed

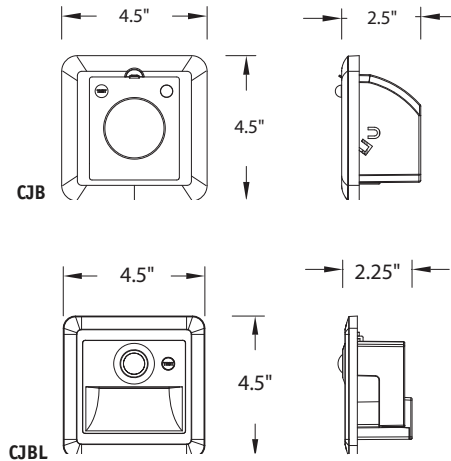
STOCK ORDERING INFORMATION

CATALOG NUMBER	DESCRIPTION
CJBLWE	Low level, white finish with battery
CJBLWEP	Low level, white finish, battery, PIR sensor
CJBLBE	Low level, black finish with battery
CJBLBEP	Low level, black finish, battery, PIR sensor
CJBWE	Adjustable angle, white finish with battery
CJBWEP	Adjustable angle, white finish, battery, PIR sensor
CJBBE	Adjustable angle, black finish with battery
CJBBEP	Adjustable angle, black finish, battery, PIR sensor

ELECTRONICS

- 120/277VAC input
- Battery re-charge within 24 hours
- Passive Infra-Red Sensor
- Ac-On and Push-to-Test Switch

DIMENSIONS



Single Carton Weight: 1.0 lb.
Master Carton Quantity: 12 each

Slim LED AC/Emergency Outdoor Light

FEATURES

- Durable die-cast housing in Dark Bronze, Black or White powder-coat finish
- Wall Mount with Universal KO and 1/2" NPT single conduit entry
- Includes 8 high power LEDs with operation in AC normally On and emergency mode
- Long life Nickel Cadmium Battery
- Includes Self-Test/Self-Diagnostic for worry-free operation and status
- Models include photo-sensor and PIR sensor for AC operation
- Temperature Range: Standard: 0°C to 50°C
- Heater Option: -25°C to 50°C
- UL924 Wet Location Listed
- DLC Listed



EMERGENCY LIGHTING

STOCK

ORDERING INFORMATION

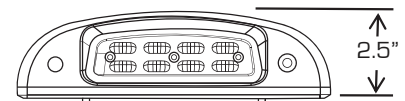
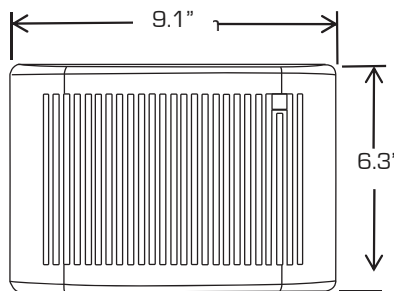
CATALOG NUMBER	DESCRIPTION
CUSO DB	Outdoor AC/EM, 3000K, Photo-sensor and PIR Motion Detect, Self-Diag., Dark Bronze
CUSO DB-H	Outdoor AC/EM, 3000K, Photo-sensor and PIR Motion Detect, Self-Diag., Dark Bronze, Heater
CUSO BK	Outdoor AC/EM, 3000K, Photo-sensor and PIR Motion Detect, Self-Diag., Black
CUSO BK-H	Outdoor AC/EM, 3000K, Photo-sensor and PIR Motion Detect, Self-Diag., Black, Heater
CUSO WH	Outdoor AC/EM, 3000K, Photo-sensor and PIR Motion Detect, Self-Diag., White
CUSO WH-H	Outdoor AC/EM, 3000K, Photo-sensor and PIR Motion Detect, Self-Diag., White, Heater
CUSO4DB-ND	Outdoor AC/EM, 4000K, Photo-sensor, Self-Diag., Dark Bronze
CUSO4DB-H-ND	Outdoor AC/EM, 4000K, Photo-sensor, Self-Diag., Dark Bronze, Heater
CUSO4BK-ND	Outdoor AC/EM, 4000K, Photo-sensor, Self-Diag., Black
CUSO4BK-H-ND	Outdoor AC/EM, 4000K, Photo-sensor, Self-Diag., Black, Heater
CUSO4WH-ND	Outdoor AC/EM, 4000K, Photo-sensor, Self-Diag., White
CUSO4WH-H-ND	Outdoor AC/EM, 4000K, Photo-sensor, Self-Diag., White, Heater

ELECTRONICS

- 120-277VAC, 60Hz input
- Battery re-charge within 24 hours
- Passive Infra-Red Sensor
- AC-On and Push-to-Test Switch

NOTES:

- Available in 3000K or 4000K color temperature.
- Models at 3000K include a photo-sensor and PIR(passive infra-red) motion detector which cannot be altered. The unit will only turn on in AC mode when motion is detected.
- Models at 4000K include a photo-sensor and do not include motion detector. The unit can be controlled by a switch, timer or the photo-cell.



Single Carton Weight: 4 lbs.
Master Carton Quantity: 6 each

CU2SQ

Square head LED Emergency Light

EMERGENCY LIGHTING



FEATURES

- Emergency unit for commercial applications
- UV stable thermoplastic white or black housing available
- Quick installation with fully adjustable lamp-heads
- Includes Self-Test/Self-Diagnostic models
- LED Lamps with a life-cycle of more than 10 years
- Dual-voltage 120 or 277V AC input
- Remote capacity or extended runtime option
- Long-life Nickel Cadmium battery with fully automatic charger
- UL 924 Damp Location Listed

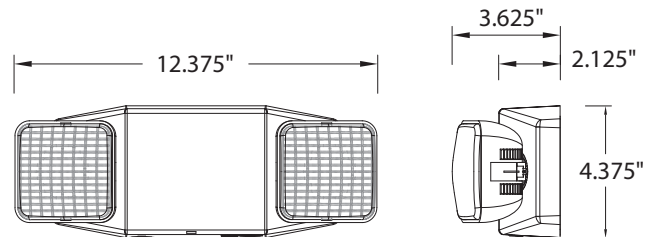
STOCK ORDERING INFORMATION

CATALOG NUMBER	DESCRIPTION
CU2SQ	White Thermoplastic, Dual Square Head Emergency Light, 120/277VAC Input, Damp Location Listed, 3.6VDC Output, 0.79W per lamp
CU2SQB	Black Thermoplastic, Dual Square Head Emergency Light, 120/277VAC Input, Damp Location Listed, 3.6VDC Output, 0.79W per lamp
CU2RCSQ	White Thermoplastic, Dual Square Head Emergency Light, 120/277VAC Input, Damp Location Listed, 3.6VDC Output, 0.79W per lamp, 2.3W of remote capacity to run CIR/COR remotes
CU2SQSD	White Thermoplastic, Dual Square Head Emergency Light, 120/277VAC Input, Damp Location Listed, 3.6VDC Output, 0.79W per lamp, Self-Test/Self-Diagnostics
CU2RCSQSD	White Thermoplastic, Dual Square Head Emergency Light, 120/277VAC Input, Damp Location Listed, 3.6VDC Output, 0.79W per lamp, Remote Capacity, Self-Test/Self-Diagnostics

Note: Remote Capacity Unit will only power the Compass Indoor and Outdoor Remote(CIR and COR Series)

MATCHING REMOTE FIXTURES

MODEL	DESCRIPTION
COR	LED Outdoor Remote Heads



ACCESSORIES

MODEL	DESCRIPTION
WGLZ	Wireguard- 6.25" H X 14" W X 4" D

ELECTRONICS

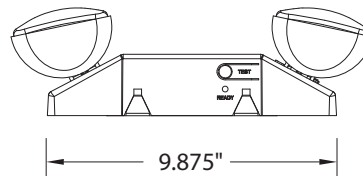
- 90 minute emergency operation
- Test switch and LED AC-on indicator light



COR



CU2SQ



Single Carton Weight: 1 lbs.
Master Carton Quantity: 12 each

Wet Location LED Emergency Light

FEATURES

- Emergency unit for wet location or light industrial applications
- UV stable thermoplastic grey housing available
- Quick installation with fully adjustable lamp-heads
- LED Lamps with a life-cycle of more than 10 years
- Dual-voltage 120 or 277V AC input
- Provided with water-proof test switch and AC-On indicator
- Remote capacity or extended runtime standard
- Long-life Nickel Cadmium battery with fully automatic charger
- UL 924 Wet Location Listed



STOCK ORDERING INFORMATION

CATALOG NUMBER	DESCRIPTION
CU2WG	Wet Location LED emergency light, Dual-Head Fully Adjustable, Grey Finish, Remote Capacity, 120/277 Input, 1.9 watts
CU2WB	Wet Location LED emergency light, Dual-Head Fully Adjustable, Black Finish, Remote Capacity, 120/277 Input, 1.9 watts

Note: Unit will only power 1 each Compass CWRD or 2 each CWRS remotes

MATCHING REMOTE FIXTURES

MODEL	DESCRIPTION
CWRS	LED Outdoor Remote, Single
CWRD	LED Outdoor Remote, Double

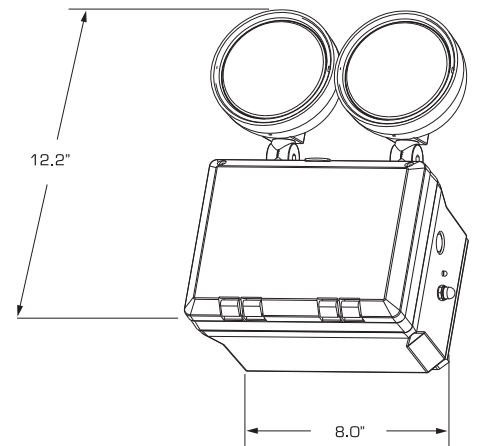
ACCESSORIES

MODEL	DESCRIPTION
WGEL	Wireguard- 8" H X 20" W X 8" D

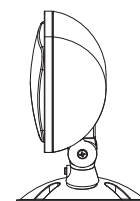
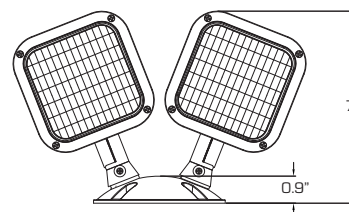
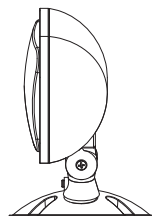
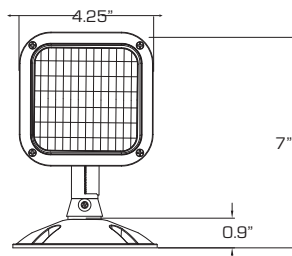
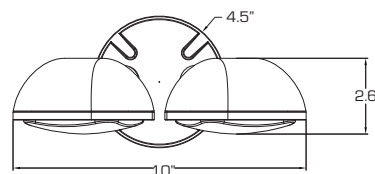
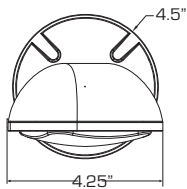
ELECTRONICS

- 90 minute emergency operation with 1 double or 2 single remotes
- Test switch and LED AC-on indicator light

CWRS



Single Carton Weight: 7.5 lbs.
Master Carton Quantity: 4 each



CU2FO

Fixed Optic LED Emergency Light

WET LOCATION EMERGENCY



FEATURES

- Emergency unit for commercial applications
- Quick installation with consistent and predictable aiming
- Dual-voltage 120 or 277V AC input
- Includes long-life Nickel Cadmium battery for UL recognized 90 minute emergency lighting
- External Push-to-Test and LED-On indicator
- 12 LED's per lamp-head for bright and even illumination
- Damp Location Listed for 20°C to 30°C(68°F-86°F)
- UL924 Wet Location Listed
- Wall or Ceiling mount

STOCK

ORDERING INFORMATION

CATALOG NUMBER

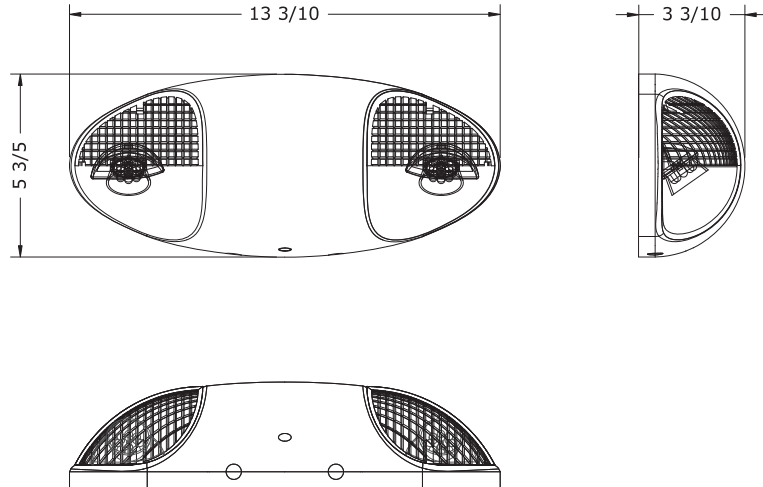
DESCRIPTION

CU2FO

White Thermoplastic, Clear Polycarbonate Covers, Fixed Optic Dual Head Emergency Light 120/277VAC Input, Damp Location Listed, 3.6VDC, 1.74W per lamp-head, 144 lumens per head.

ELECTRONICS

- 90 minute emergency operation
- Test switch and LED AC-on indicator light



Single Carton Weight: 2 lbs.
Master Carton Quantity: 12 each

Shielded Outdoor LED Emergency Light

FEATURES

- Emergency unit for outdoor commercial applications
- Includes clear polycarbonate shield
- Dual-voltage 120 or 277V AC input
- Includes long-life Nickel Cadmium battery for UL recognized 90 minute emergency lighting
- External Push-to-Test and LED-On indicator
- Fully adjustable lamp-heads
- 12 LED's per lamp-head for bright and even illumination
- Wet Location Listed 0°C to 40°C (32°F to 104°F)
- UL924 Wet Location Listed
- Wall or Ceiling mount



WET LOCATION EMERGENCY

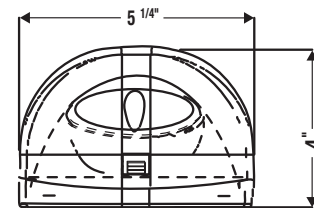
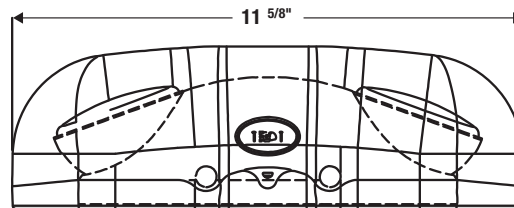
STOCK

ORDERING INFORMATION

CATALOG NUMBER	DESCRIPTION
CU2SO	White Thermoplastic Housing, Dual LED Lamps, UL Wet Location Listed, 120/277VAC Input, 3.6VDC, 1.36W per lamp-head, 99 lumens per head

ELECTRONICS

- 90 minute emergency operation
- Test switch and LED AC-on indicator light



Single Carton Weight: 2 lbs.
Master Carton Quantity: 12 each

CSWEU2LED

Outdoor Wet Location LED Emergency Light

WET LOCATION EMERGENCY



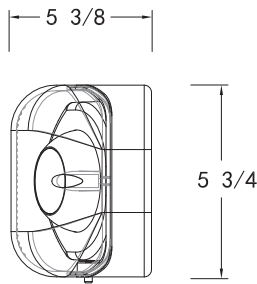
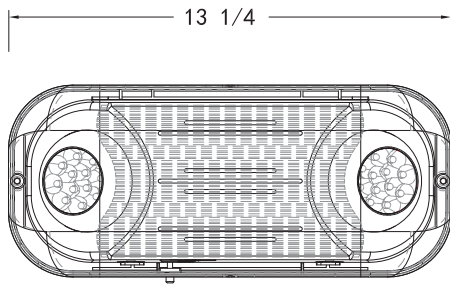
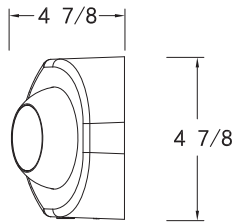
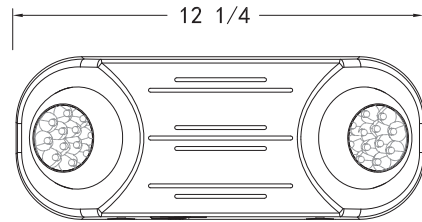
FEATURES

- Injection molded, flame retardant thermoplastic housing
- Fully gasketed clear poly-carbonate shield
- 2 each fully adjustable LED lamp-heads
- External Push-to-Test and LED-On indicator
- Long-Life Nickel Cadmium battery for UL recognized 90 minute emergency lighting
- Wet Location Listed for 10°C to 40°C(50°F-104°F)
- UL924 Wet Location Listed

STOCK

ORDERING INFORMATION

CATALOG NUMBER	DESCRIPTION
CSWEU2LED	Outdoor Wet Location LED Emergency Light, White Housing, Poly-Carbonate face-shield



The CSWEU2LED can be applied in areas susceptible to rain and severe moisture, such as parking decks and outdoor commercial applications.

LED Emergency Light

FEATURES

- Emergency unit for commercial applications
- UV stable thermoplastic white or black housing available
- Quick installation with fully adjustable lamp-heads
- LED Lamps with a life-cycle of more than 10 years
- Includes Self-Test/Self-Diagnostic models
- Dual-voltage 120 or 277V AC input
- Remote capacity or extended runtime option
- Long-life Nickel Cadmium battery with fully automatic charger
- UL 924 Damp Location Listed



STOCK

ORDERING INFORMATION

CATALOG NUMBER	DESCRIPTION
CU2	White Thermoplastic, Dual-Head LED Emergency Light , 120/277 Input, Damp Location Listed, 3 VDC, 1 Watt
CU2B	Black Thermoplastic, Dual-Head LED Emergency Light, 120/277 Input, Damp Location Listed, 3 VDC, 1 Watt
CU2RC	White Thermoplastic, Dual-Head LED Emergency Light, 120/277 Input, Damp Location Listed, Remote Capacity, 3 VDC, 1 Watt
CU2RCB	Black Thermoplastic, Dual-Head LED Emergency Light, 120/277 Input, Damp Location Listed, Remote Capacity, 3 VDC, 1 Watt
CU2SD	White Thermoplastic, Dual-Head LED Emergency Light , 120/277VAC, Damp Listed, 3 VDC, 1.77 Watt, Self-Test/Self-Diagnostics
CU2RCSD	White Thermoplastic, Dual-Head LED Emergency Light, 120/277VAC, Damp Listed, Remote Capacity, 3VDC, 1.77 Watt, Self-Test/Self-Diagnostics

Note: Remote Capacity Unit will only power the Compass Indoor and Outdoor Remote(CIR and COR Series)

MATCHING REMOTE FIXTURES

MODEL DESCRIPTION

- CIR LED Indoor Remote Heads
- COR LED Outdoor Remote Heads



CU2B

ACCESSORIES

MODEL DESCRIPTION

- WGLZ Wireguard- 6.25" H X 14" W X 4" D

ELECTRONICS

- 90 minute emergency operation
- Test switch and LED AC-on indicator light

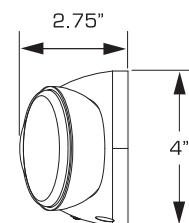
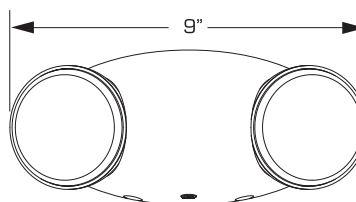
Single Carton Weight: 1 lbs.
Master Carton Quantity: 12 each



CIRS



CIRD



CORD



CORS

DLC7

Continuous Dimming Control



DLC7

FEATURES

- Controls 2-wire 0–10V dimming ballasts
- Light-sensitivity range of 0–500FC
- Selectable 3- or 8-second dimming rate
- Multiple calibration options
- Low-profile design
- Five-year limited warranty
- Low voltage device: 24 Vdc

STOCK

ORDERING INFORMATION

EXAMPLE: DLC7

Part Number	Catalog Number	UPC Code	Description
DLC7	DLC7	64018140461	Continuous Dimming Daylighting Control for 0-10V Dimming Ballasts, White

FEATURES

- Daylight sensor for Luxstat Daylight Harvesting System
- Architecturally attractive design
- Indoor and outdoor versions
- Open loop operation
- Foot-candle range: 3-6,000 fc
- Mounts vertically or horizontally
- Color coded, plug-and-play installation
- UL and cUL listed
- California Title 24 Compliant
- Five-year limited warranty
- Low voltage device: 24 Vdc



STOCK

ORDERING INFORMATION

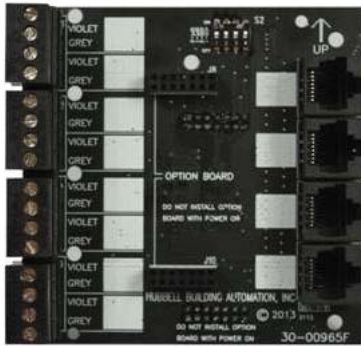
EXAMPLE: LUXSTATLS

Part Number	Catalog Number	UPC Code	Description
LUXSTATLS	LUXSTATLS	64018180173	Photosensor, Indoor, CX and NX Control Modules, 3 to 6000 FC Ranges, White
LUXSTATLSO	LUXSTATLSO	64018180178	Photosensor, Outdoor, CX and NX Control Modules, 3 to 6000 FC Ranges, White

CXDIMCONTRBD

CX Dimming Option Card

CX LIGHTING CONTROL PANELS



CXDIMCONTRBD

FEATURES

- Full range dimming with Preset dimming levels
- Ramp Up, Fade Down, Minimum Dim Level
- Max Dim Level (Demand Response System Settings)
- Operates with 0 - 10V drivers and dimmable ballasts
- Provides manual and automatic control of dimming levels
- Upgrade option to Existing and New CX Panels
- 8 Dimming Channels per card
- Works with Zone5 Switches
- Five-year warranty

STOCK

ORDERING INFORMATION

EXAMPLE: CXDIMCONTRBD

Part Number	Catalog Number	UPC Code	Description
CXDIMCONTRBD	CXDIMCONTRBD	64018170163	CX Lighting Control Panel 8-Channel Dimming Controller Option Board

CX Programmable Wall Switches

FEATURES

- Programmable for a variety of button functions
- Attractive, architecturally-pleasing decorator style design
- Gang-able with other decorator type devices
- Function specific button caps supplied with units
- Raise/Lower switch provides manual continuous dimming
- Toggle On/Off switch can control dimming or non-dimming loads
- Connect using CAT5 cables, 3 inch jumper supplied with each switch
- Use standard decorator wall plates (order separately)
- Five-year limited warranty
- Low voltage device: 24VDC



CXSW-1

STOCK

ORDERING INFORMATION

EXAMPLE: CXSW-1

Part Number	Catalog Number	UPC Code	Description
CXSW-1-WH	CXSW-1-WH	64018171208	CX Low Voltage, 1 Button, Programmable Switch, No Pilot, White
CXSW-2-WH	CXSW-2-WH	64018171209	CX Low Voltage, 2 Button, Programmable Switch, No Pilot, White
CXSW-3-WH	CXSW-3-WH	64018171210	CX Low Voltage, 3 Button, Programmable Switch, No Pilot, White
CXSW-4-WH	CXSW-4-WH	64018171211	CX Low Voltage, 4 Button, Programmable Switch, No Pilot, White
CXSW-6-WH	CXSW-6-WH	64018171212	CX Low Voltage, 6 Button, Programmable Switch, No Pilot, White

CX Lighting Control Panels



FEATURES

- 4, 8, 16, and 24 Relay Spaces / Dimming Channels
- Primary and secondary panel configurations on 8, 16 & 24 relay panels
- LCD user interface with keypad
- 365 day programming with 64 schedules
- Astronomical and real time clock
- Programmable dry contact inputs
- Selectable pre-programmed scenarios
- Programmable inputs accept low voltage switches, photocells or motion sensors
- Two low-voltage dry contact output relays
- Program uploads via removable SD memory card
- Listed to UL916, UL924 and cUL
- Five-year warranty

STOCK

ORDERING INFORMATION

EXAMPLE: OMNIDT2000BP1277

Part Number	Catalog Number	UPC Code	Description
CX042S042NN	CX042S042NN	64018120056	CX Lighting Control Panel, 4 Relay 120/277V Input, with 4-20A/1P Elect. Held NO Relays Nema 1 Sur. Encl. Stand Alone
CX082S082NM	CX082S082NM	64018120062	CX Lighting Control Panel, 8 Relay 120/277V Input, with 8-20A/1P Elect. Held NO Relays Nema 1 Sur. Encl. Master
CX082S083LM	CX082S083LM	64018120063	CX Lighting Control Panel, 8 Relay 120/277V Input, with 8-30A/1P Latching Relays Nema 1 Sur. Encl. Master
CX082S00SPM	CX082S00SPM	64018120065	CX Lighting Control Panel, 8 Relay 120/277V Input, w/Space for Field Installed CXR Relays Nema 1 Sur. Encl. Master
CX162S162NM	CX162S162NM	640181200921	CX Lighting Control Panel, 16 Relay 120/277V Input, with 16-20A/1P Elect. Held N/O Relays Nema 1 Sur. Encl. Master
CX162S163LM	CX162S163LM	640181200938	CX Lighting Control Panel, 16 Relay 120/277V Input, with 16-30A/1P Latching Relays Nema 1 Sur. Encl. Master
CX162S00SPM	CX162S00SPM	640181200952	CX Lighting Control Panel, 16 Relay 120/277V Input, w/Space for Field Installed CXR Relays Nema 1 Sur. Encl. Master
CX242S242NM	CX242S242NM	640181201041	CX Lighting Control Panel, 24 Relay 120/277V Input, with 24-20A/1P Elect. Held N/O Relays Nema 1 Sur. Encl. Master
CX242S243LM	CX242S243LM	640181201058	CX Lighting Control Panel, 24 Relay 120/277V Input, with 24-30A/1P Latching Relays Nema 1 Sur. Encl. Master

FEATURES

- Relays are mounted to individual relay cards
- Four types of relays – 20A/1P, N/O and 20A/2P, N/O, N/C (14K SCCR) and 30A 1P latching (18K SCCR)
- Smart Relay card self-identifies type automatically to panel
- Each relay includes 1 programmable input for low voltage switches, photo-cells, or motion sensors
- Panels are ordered fully populated with the same relay type or with space only for field installation of relay combinations
- Relay cards include a plug-in connector to panel motherboard and a single screw to secure it to the panel enclosure
- Relay cards include a manual override control button and LED status indication
- Listed to UL916 standard, UL924 and Canadian cUL
- Five-year warranty



STOCK

ORDERING INFORMATION

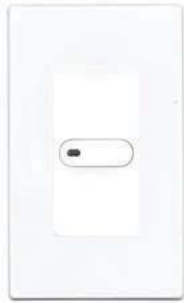
EXAMPLE: CXR2N

Part Number	Catalog Number	UPC Code	Description
CXR2N	CXR2N	640181201164	CXR Relay, 20A/1P Electrically Held N/O, for use with CX Panels
CXR3L	CXR3L	640181201171	CXR Relay, 30A/1P Latching, for use with CX Panels
CXR2N	CXR2N	64018120082	CXR Relay, 20A/2P Electrically Held N/O, for use with CX Panels

NXSW

NX Smart Switches

DISTRIBUTED CONTROLS



NXSW-1-WH

FEATURES

- Attractive, architecturally-pleasing decorator style design
- Gang-able with other decorator type devices
- Up to six buttons in a single gang
- Plug and play integration with NX SmartPORT™
- Five-year limited warranty
- Low voltage device: 24 VDC
- Delivers simplified configuration and control of Hubbell Lighting luminaires using SpectraSync™ color tuning technology

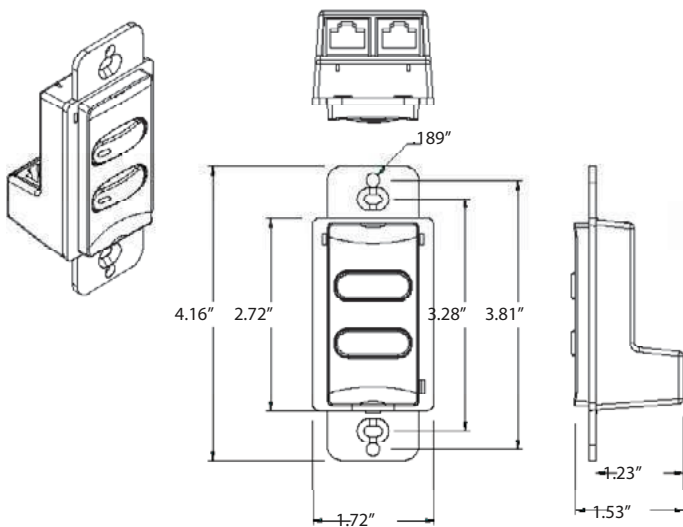
STOCK

ORDERING INFORMATION

EXAMPLE: NXSW-1-WH

Part Number	Catalog Number	UPC Code	Description
NXSW-1-WH	NXSW-1-WH	640181711229	NX Digital Toggle Switch, 1 Button, Momentary, Pilot, White
NXSW-1-IV	NXSW-1-IV	640181711205	NX Digital Toggle Switch, 1 Button, Momentary, Pilot, Ivory
NXSW-2-WH	NXSW-2-WH	640181711274	NX Digital Toggle Switch, 2 Buttons, Momentary, Pilot, White
NXSW-2-IV	NXSW-2-IV	640181711250	NX Digital Toggle Switch, 2 Buttons, Momentary, Pilot, Ivory
NXSW-3-WH	NXSW-3-WH	640181711328	NX Digital Toggle Switch, 3 Buttons, Momentary, Pilot, White
NXSW-3-IV	NXSW-3-IV	640181711304	NX Digital Toggle Switch, 3 Buttons, Momentary, Pilot, Ivory
NXSW-4-WH	NXSW-4-WH	640181711373	NX Digital Toggle Switch, 4 Buttons, Momentary, Pilot, White
NXSW-4-IV	NXSW-4-IV	640181711359	NX Digital Toggle Switch, 4 Buttons, Momentary, Pilot, Ivory
NXSW-6-WH	NXSW-6-WH	640181711427	NX Digital Toggle Switch, 6 Buttons, Momentary, Pilot, White
NXSW-6-IV	NXSW-6-IV	640181711403	NX Digital Toggle Switch, 6 Buttons, Momentary, Pilot, Ivory

DIMENSIONAL DATA



FEATURES

- Attractive, architecturally-pleasing decorator style design
- Custom button cap engraving available
- Multiple switch options available
- All switches mount to standard single or multi-gang wall boxes
- Plug and play integration with NX Room Controller
- Five-year limited warranty
- Low voltage device: 24VDC
- Delivers simplified configuration and control of Hubbell Lighting luminaires using SpectraSync™ color tuning technology



NXSW-ORLO

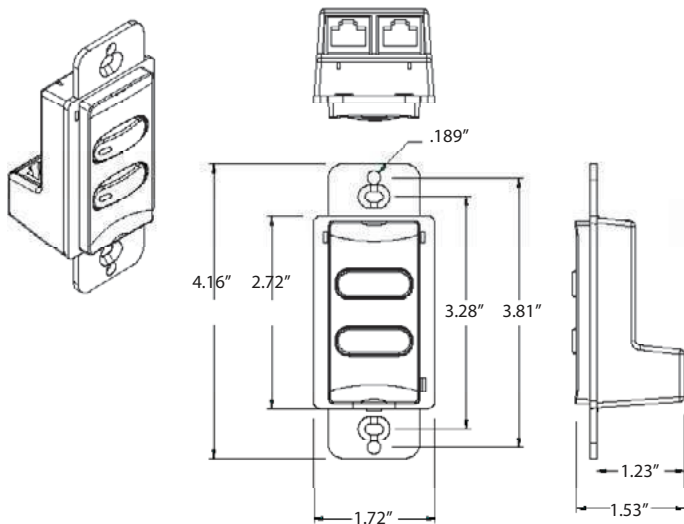
STOCK

ORDERING INFORMATION

EXAMPLE: NXSW-ORLO-WH

Part Number	Catalog Number	UPC Code	Description
NXSW-SS-WH	NXSW-SS-WH	640181711823	NX Digital Scene Switch, 6 Buttons, 4 Presets, Raise/Lower, White
NXSW-SS-IV	NXSW-SS-IV	640181711809	NX Digital Scene Switch, 6 Buttons, 4 Presets, Raise/Lower, Ivory
NXSW-RL-WH	NXSW-RL-WH	640181711724	NX Digital Switch Station, 2 Buttons, Raise/Lower, White
NXSW-RL-IV	NXSW-RL-IV	640181711700	NX Digital Switch Station, 2 Buttons, Raise/Lower, Ivory
NXSW-RL-GY	NXSW-RL-GY	640181711694	NX Digital Switch Station, 2 Buttons, Raise/Lower, Gray
NXSW-RL-BK	NXSW-RL-BK	640181711687	NX Digital Switch Station, 2 Buttons, Raise/Lowers, Black
NXSW-OO-WH	NXSW-OO-WH	640181711526	NX Digital Switch Station, On/Off, White
NXSW-OO-IV	NXSW-OO-IV	640181711502	NX Digital Switch Station, On/Off, Ivory
NXSW-ORLO-WH	NXSW-ORLO-WH	640181711571	NX Digital Switch Station, On/Raise/Lower/Off, White
NXSW-ORLO-IV	NXSW-ORLO-IV	640181711557	NX Digital Switch Station, On/Raise/Lower/Off, Ivory
NXSW-ORLO-LA	NXSW-ORLO-LA	640181711564	NX Digital Switch Station, On/Raise/Lower/Off, Light Almond

DIMENSIONAL DATA



NXSW-CCT

NX CCT Switch Station

DISTRIBUTED CONTROLS



NXSW-CCT-WH

FEATURES

- Compatible with Hubbell Lighting's SpectraSync™ enabled luminaires
- Attractive, decorator style design
- Mounts to standard single or multi-gang switch box
- Four factory preset LED color selections
- Manual raise to cool and lower to warm buttons
- Plug and Play integration with NX control system
- Simple CAT5 connection
- Five year limited warranty
- Class 2, low voltage device, 24 VDC

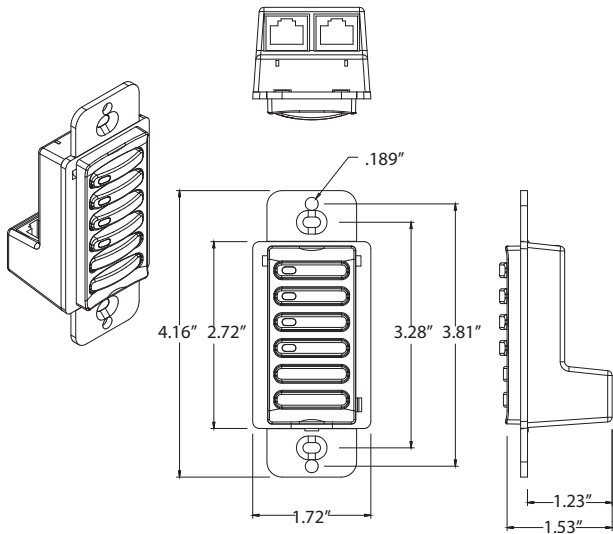
STOCK

ORDERING INFORMATION

EXAMPLE: NXSW-CCT-WH

Part Number	Catalog Number	UPC Code	Description
NXSW-CCT-WH	NXSW-CCT-WH	64018172145	NX Digital CCT Switch, 6 buttons, 4 presets, Raise/Lower, white
NXSW-CCT-IV	NXSW-CCT-IV	64018172150	NX Digital CCT Switch, 6 buttons, 4 presets, Raise/Lower, ivory
NXSW-CCT-GY	NXSW-CCT-GY	64018172154	NX Digital CCT Switch, 6 buttons, 4 presets, Raise/Lower, grey

DIMENSIONAL DATA



Default CCT Values for Preset Buttons

Focus	6500K	5000K
Work	5200K	4200K
Normal	4000K	3500K
Calm	2700K	2700K

Note: For customized CCT values use mobile NX Device Setup App

NX Room Controller

FEATURES

- Single or dual relay versions for On/Off or High/Low control
- Suitable for use with controlled receptacles
- Optional 0 – 10V interface for full range dimming control
- Auto configuration support for NX Occupancy Sensors, Daylight Sensors and Smart Switch Stations
- Advanced configuration with NXBTR Bluetooth® Radio Module and smart phone app
- Device intelligently and automatically responds to sensors and switches in the most energy-efficient manner
- Schedules are held in the devices (requires optional network connection)
- Retains data during power outages
- UL Listed
- Five-year limited warranty



NXRC-2RD-UNV

DISTRIBUTED CONTROLS

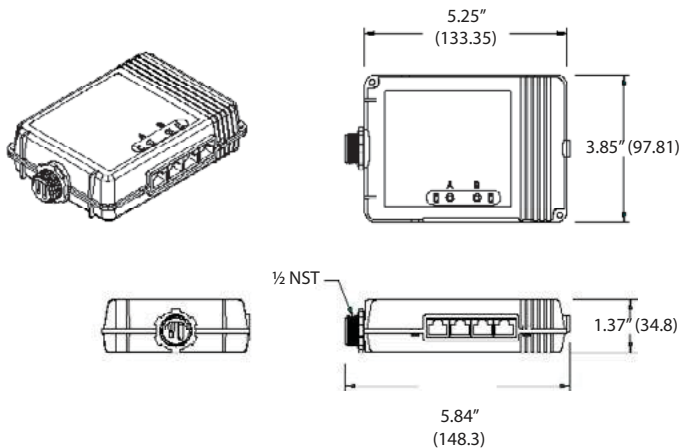
STOCK

ORDERING INFORMATION

EXAMPLE: NXDS-O

Part Number	Catalog Number	UPC Code	Description
NXRC-1R-UNV	NXRC-1R-UNV	640181710420	NX Room Controller, 1 Relay, Universal Voltage
NXRC-2R-UNV	NXRC-2R-UNV	640181710444	NX Room Controller, 2 Relay, Universal Voltage
NXRC-1RD-UNV	NXRC-1RD-UNV	640181710437	NX Room Controller, 1 Relay, 0 - 10V Dimming, Power Monitoring, Universal Voltage
NXRC-2RD-UNV	NXRC-2RD-UNV	640181710451	NX Room Controller, 2 Relay, 0 - 10V Dimming, Power Monitoring, Universal Voltage

DIMENSIONAL DATA



NXBTR

NX Bluetooth® Radio Module



NXBTR

FEATURES

- Simple plug in connection to RJ45 port on Room Controller or Smart Switch
- Self powered from the SmartPORT™
- LED status indicates successful connection
- Easily pairs with smart phone
- Bidirectional communication for set up of lighting control functions
- Five-year limited warranty

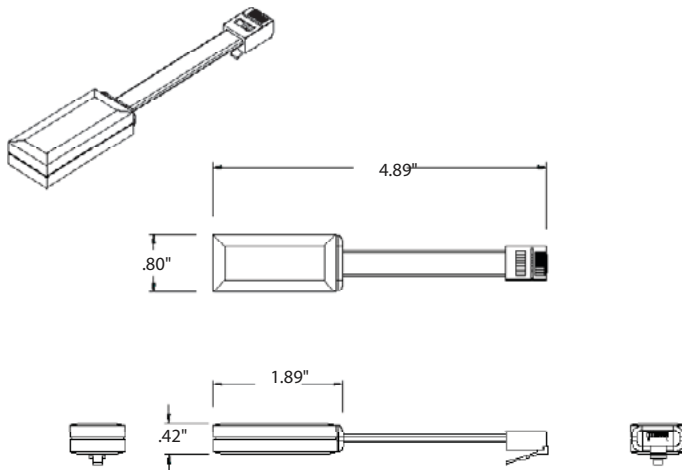
STOCK

ORDERING INFORMATION

EXAMPLE:NXBTR

Part Number	Catalog Number	UPC Code	Description
NXBTR	NXBTR	640181710505	Wireless bridge for Bluetooth radio communication with Room Controller

DIMENSIONAL DATA



NX Daylight Sensor

FEATURES

- Indoor and Outdoor models available
- Architecturally attractive design
- Open loop operation
- Foot-candle range: 3-6,000 fc
- Mounts vertically or horizontally
- Color coded, plug-and-play integration with NX Room Controller
- UL and cUL listed
- Five-year limited warranty



NXDS

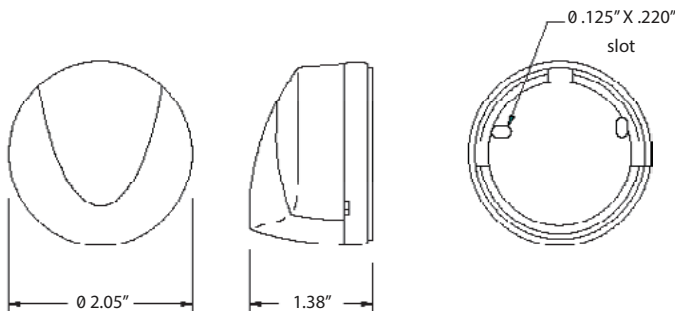
STOCK

ORDERING INFORMATION

EXAMPLE: NXDS-O

Part Number	Catalog Number	UPC Code	Description
NXDS	NXDS		NX Daylight Sensor
NXDS-O	NXDS-O		NX Daylight Sensor, Outdoor

DIMENSIONAL DATA



NXOS

NX Occupancy Sensors



FEATURES

- IntelliDAPT® self-adaptive technology – no manual adjustment required
- All-digital sensor
- Non-volatile memory for sensor settings
- 500 to 2,000 square-foot coverage area (based on model)
- Plug-and-play integration with NX Room Controller
- UL and cUL listed
- Five-year limited warranty

STOCK

ORDERING INFORMATION

EXAMPLE: NXOW-OMDT2

Part Number	Catalog Number	UPC Code	Description
NXOS-OMDT2-U	NXOS-OMDT2-U		
NXOS-OMDT2R-U	NXOS-OMDT2R-U		

Universal Voltage Power Packs

FEATURES

- Universal voltage: 100–277VAC; 50/60Hz
- Automatic voltage detection
- Electrical load switching capability: maximum of 20 Amps
- Regulated 24VDC current; 150mA output
- Zero Arc Point Switching
- Plenum rated
- Mounts: inside or outside a junction box; inside a fixture
- Available with exclusive Quick-to-Install (QTI) connector
- Companion auxiliary relay device available (MPSA)
- UL and cUL listed
- Five-year limited warranty
- Low voltage device: 24 VDC



UVPP

STOCK

ORDERING INFORMATION

EXAMPLE: UVPP

Part Number	Catalog Number	UPC Code	Description
UVPP	UVPP	64018180168	Universal Voltage Power Pack, 100-277 VAC
UVPPM	UVPPM	64018180167	Universal Voltage Power Pack with Manual ON/OFF Control, 100-277 VAC

OMNIDT

OMNI® Low Voltage Dual Technology Ultrasonic and PIR Ceiling Sensors



OMNIDT2000

FEATURES

- IntelliDAPT™ self-adaptive technology - no manual adjustment required
- All-digital dual technology (ultrasonic [US] and passive infrared [PIR]) sensor
- Non-volatile memory for sensor settings
- 500–2,000 square-foot coverage area (depending on model)
- Optional relay and photocell control
- Optional Quick to Install (QTI) connector
- UL and cUL listed
- California Title 24 compliant
- Five-year limited warranty
- Low Voltage 24VDC

OCCUPANCY/VACANCY SENSORS

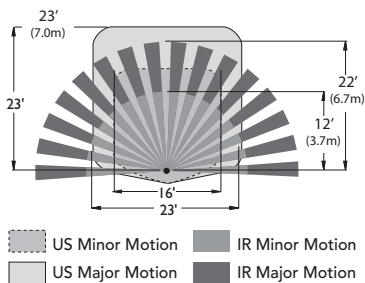
STOCK

ORDERING INFORMATION

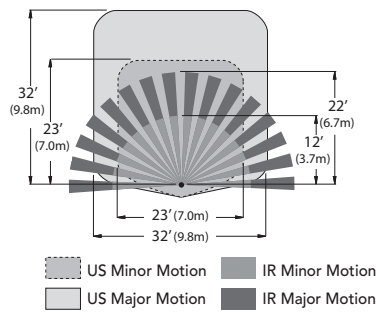
EXAMPLE: OMNIDT2000

Part Number	Catalog Number	UPC Code	Description
OMNIDT2000	OMNIDT2000	64018140286	OMNI Passive Infrared & Ultrasonic Ceiling Sensor with IntelliDAPT, 360°, 2000 Sq. Ft., White
OMNIDT2000RP	OMNIDT2000RP	64018140291	OMNI Passive Infrared & Ultrasonic Ceiling Sensor with IntelliDAPT, 360°, 2000 Sq. Ft., Relay & Photocell, White
OMNIDT1000	OMNIDT1000	64018140278	OMNI Passive Infrared & Ultrasonic Ceiling Sensor with IntelliDAPT, 180°, 1000 Sq. Ft., White
OMNIDT1000RP	OMNIDT1000RP	64018140281	OMNI Passive Infrared & Ultrasonic Ceiling Sensor with IntelliDAPT, 180°, 1000 Sq. Ft., Relay & Photocell, White
OMNIDT500	OMNIDT500	64018140266	OMNI Passive Infrared & Ultrasonic Ceiling Sensor with IntelliDAPT, 180°, 500 Sq. Ft., White
OMNIDT500RP	OMNIDT500RP	64018140271	OMNI Passive Infrared & Ultrasonic Ceiling Sensor with IntelliDAPT, 180°, 500 Sq. Ft., Relay & Photocell, White
OMNIDT500RP	OMNIDT500RP	64018140271	OMNI Passive Infrared & Ultrasonic Ceiling Sensor with IntelliDAPT, 180°, 500 Sq. Ft., Relay & Photocell, White

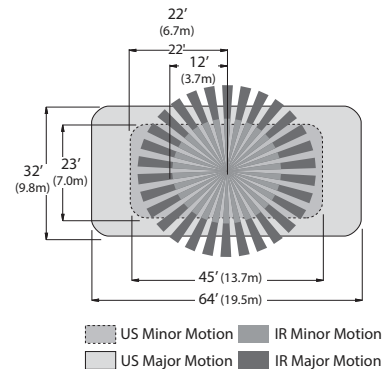
COVERAGE PATTERNS



OMNIDT500



OMNIDT1000



OMNIDT2000

OMNI® Low Voltage Ultrasonic Ceiling

FEATURES

- IntelliDAPT™ self-adaptive technology - no manual adjustment required
- Superior all-digital ultrasonic (US) minor motion detection
- Non-volatile memory for sensor settings
- 500–2,000 square-foot coverage area (depending on model)
- Optional relay and photocell control
- Optional Quick to Install (QTI) connector
- UL and cUL listed
- California Title 24 compliant
- Five-year limited warranty
- Low Voltage 24VDC



NXBTR

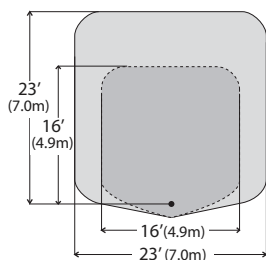
STOCK

ORDERING INFORMATION

EXAMPLE: OMNIUS500

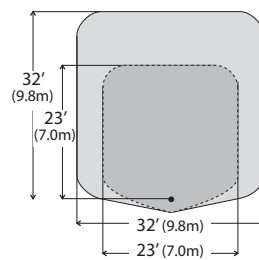
Part Number	Catalog Number	UPC Code	Description
OMNIUS2000	OMNIUS2000	64018140316	OMNI Ultrasonic Ceiling Sensor with IntelliDAPT, 360°, 2000 Sq. Ft., White
OMNIUS2000RP	OMNIUS2000RP	64018140321	OMNI Ultrasonic Ceiling Sensor with IntelliDAPT, 360°, 2000 Sq. Ft., Relay & Photocell, White
OMNIUS1000	OMNIUS1000	64018140306	OMNI Ultrasonic Ceiling Sensor with IntelliDAPT, 180°, 1000 Sq. Ft., White
OMNIUS1000RP	OMNIUS1000RP	64018140311	OMNI Ultrasonic Ceiling Sensor with IntelliDAPT, 180°, 1000 Sq. Ft., Relay & Photocell, White
OMNIUS500	OMNIUS500	64018140296	OMNI Ultrasonic Ceiling Sensor with IntelliDAPT, 180°, 500 Sq. Ft., White
OMNIUS500RP	OMNIUS500RP	64018140301	OMNI Ultrasonic Ceiling Sensor with IntelliDAPT, 180°, 500 Sq. Ft., Relay & Photocell, White

COVERAGE PATTERNS



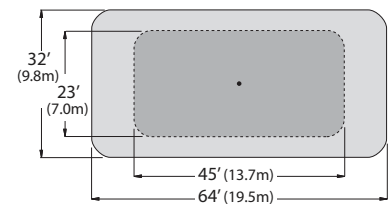
Minor Motion
Major Motion

US 500 RANGE



Minor Motion
Major Motion

US 1000 RANGE



Minor Motion
Major Motion

US 2000 RANGE

OMNIIR

OMNI® Low Voltage Passive Infrared Ceiling Sensors



OMNIIR

FEATURES

- IntelliDAPT™ self-adaptive technology—no manual adjustment required
- All-digital passive infrared (PIR) sensor
- Non-volatile memory for sensor settings
- 450 - 1,500 square-foot coverage area (depending on model)
- Optional relay and photocell control
- Optional Quick to Install (QTI) connector
- UL and cUL listed
- California Title 24 compliant
- Five-year limited warranty
- Low voltage device: 24VDC

OCCUPANCY/VACANCY SENSORS

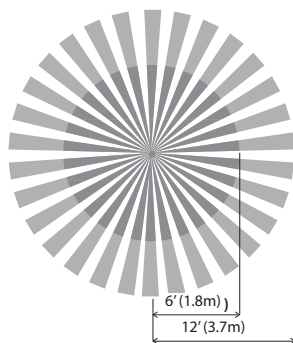
STOCK

ORDERING INFORMATION

EXAMPLE: OMNIIR

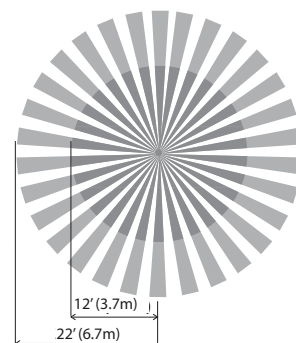
Part Number	Catalog Number	UPC Code	Description
OMNIIR	OMNIIR	64018140326	OMNI Passive Infrared Ceiling Sensor with IntelliDAPT, 360°, 450 Sq. Ft., White
OMNIIRRP	OMNIIRRP	64018140331	OMNI Passive Infrared Ceiling Sensor with IntelliDAPT, 360°, 450 Sq. Ft., Relay & Photocell, White
OMNIIRL	OMNIIRL	64018140336	OMNI Passive Infrared Ceiling Sensor with IntelliDAPT, 360°, 1500 Sq. Ft., White
OMNIIRLRP	OMNIIRLRP	64018140341	OMNI Passive Infrared Ceiling Sensor with IntelliDAPT, 360°, 1500 Sq. Ft., Relay & Photocell, White

COVERAGE PATTERNS



Minor Motion
 Major Motion

OMNI® IR RANGE



Minor Motion
 Major Motion

OMNI IRL RANGE

OMNI® Low Voltage Dual Technology Acoustic and PIR Ceiling Sensors

FEATURES

- IntelliDAPT™ self-adaptive technology - no manual adjustment required
- Superior all-digital ultrasonic (US) minor motion detection
- Non-volatile memory for sensor settings
- 500–2,000 square-foot coverage area (depending on model)
- Optional relay and photocell control
- Optional Quick to Install (QTI) connector
- UL and cUL listed
- California Title 24 compliant
- Five-year limited warranty
- Low Voltage 24VDC



OMNIDIA

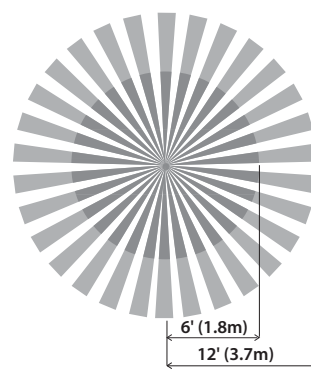
STOCK

ORDERING INFORMATION

EXAMPLE: OMNIDIA

Part Number	Catalog Number	UPC Code	Description
OMNIDIA	OMNIDIA	64018140346	OMNI Passive Infrared & Acoustic Ceiling Sensor with IntelliDAPT, 360°, 450 Sq. Ft., White
OMNIDIARP	OMNIDIARP	64018140351	OMNI Passive Infrared & Acoustic Ceiling Sensor with IntelliDAPT, 360°, 450 Sq. Ft., Relay & Photocell, White

COVERAGE PATTERN



- Minor Motion
- Major Motion

OMNIDT-BP

OMNI®-BP Line Voltage Dual Technology Ceiling Sensors



OMNIDT2000BP1277

FEATURES

- IntelliDAPT™ self-adaptive technology - no manual adjustment required
- All-digital dual technology (ultrasonic [US] and passive infrared [PIR]) sensor
- Non-volatile memory for sensor settings
- 500–2,000 square-foot coverage area (depending on model)
- Self-contained power supply
- Universal voltage (100-277VAC; 50/60 Hz)
- UL and cUL listed
- California Title 24 compliant
- Five-year warranty
- 120-277VAC

OCCUPANCY/VACANCY SENSORS

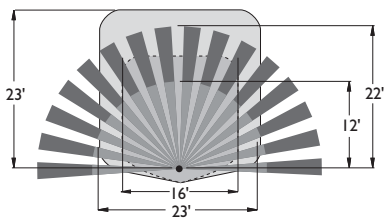
STOCK

ORDERING INFORMATION

EXAMPLE: OMNIDT2000BP1277

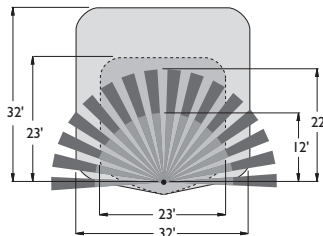
Part Number	Catalog Number	UPC Code	Description
OMNIDT2000BP1277	OMNIDT2000BP1277	64018140286	OMNI-BP Passive Infrared & Ultrasonic Ceiling Sensor with IntelliDAPT, 360°, 2000 Sq. Ft., Line-Voltage, 120/277VAC, White
OMNIDT1000BP1277	OMNIDT1000BP1277	64018140278	OMNI-BP Passive Infrared & Ultrasonic Ceiling Sensor with IntelliDAPT, 180°, 1000 Sq. Ft., Line-Voltage, 120/277VAC, White
OMNIDT500BP1277	OMNIDT500BP1277	64018140266	OMNI-BP Passive Infrared & Ultrasonic Ceiling Sensor with IntelliDAPT, 180°, 500 Sq. Ft., Line-Voltage, 120/277VAC, White

COVERAGE PATTERNS



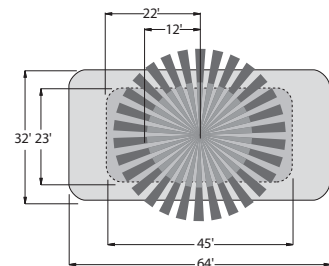
US Minor Motion IR Minor Motion

DT 500 RANGE



US Minor Motion IR Minor Motion
US Major Motion IR Major Motion

DT 1000 RANGE



US Minor Motion IR Minor Motion
US Major Motion IR Major Motion

DT 2000 RANGE

OMNI®-BP Low Voltage Passive Infrared Ceiling Sensors

FEATURES

- IntelliDAPT™ self-adaptive technology—no manual adjustment required
- All-digital passive infrared (PIR) sensor
- Non-volatile memory for sensor settings
- 450–1,500 square-foot coverage area (depending on model)
- Self-contained power supply
- Universal voltage (120-277VAC; 50/60 Hz)
- UL and cUL listed
- California Title 24 compliant
- Five-year warranty
- 120-277VAC



OMNIIRBP1277

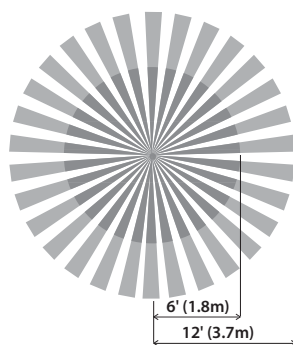
STOCK

ORDERING INFORMATION

EXAMPLE: OMNIIRBP1277

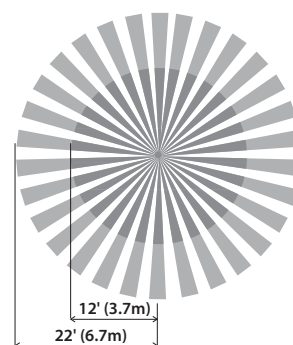
Part Number	Catalog Number	UPC Code	Description
OMNIIRBP1277	OMNIIRBP1277	64018140326	OMNI-BP Ultrasonic Ceiling Sensor with IntelliDAPT, 360°, 500 Sq. Ft., Line-Voltage, 120/277VAC, White
OMNIIRLBP1277	OMNIIRLBP1277	64018140336	OMNI-BP Passive Infrared Ceiling Sensor with IntelliDAPT, 360°, 1500 Sq. Ft., Line-Voltage, 120/277VAC, White

COVERAGE PATTERN



Minor Motion
 Major Motion

OMNI IR RANGE



Minor Motion
 Major Motion

OMNI IRL RANGE

LODT

LightOWL®-BP Dual Technology Ultrasonic and Passive Infrared Ceiling and Wall Mount Sensors



LODT

FEATURES

- IntelliDAPT™ self-adaptive technology—no manual adjustment required
- All-digital dual technology passive infrared (PIR) and ultrasonic (US) sensor
- Non-volatile memory for sensor settings
- 1,600 square-foot coverage area
- Optional relay and photocell control
- Optional Quick-to-Install (QTI) connector
- UL and cUL listed
- California Title 24 compliant
- Five-year limited warranty
- Low voltage device: 24VDC

OCCUPANCY/VACANCY SENSORS

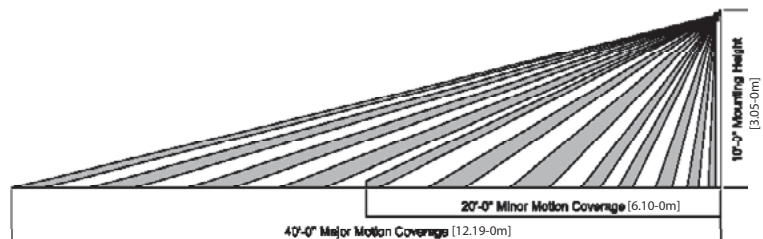
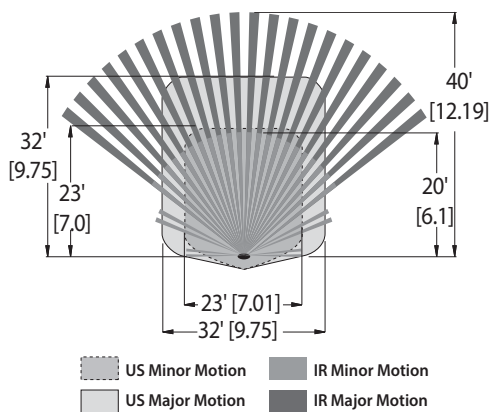
STOCK

ORDERING INFORMATION

EXAMPLE: LODT

Part Number	Catalog Number	UPC Code	Description
LODT	LODT	64018140226	LightOWL Passive Infrared & Ultrasonic Wall Sensor with IntelliDAPT, 1600 Sq. Ft.
LODTRP	LODTRP	64018140231	LightOWL Passive Infrared & Ultrasonic Wall Sensor with IntelliDAPT, 1600 Sq. Ft., Relay & Photocell

COVERAGE PATTERNS



LightOWL® Passive Infrared Ceiling and Wall Mount Sensors

FEATURES

- IntelliDAPT™ self-adaptive technology—no manual adjustment required
- All-digital dual technology passive infrared [PIR] sensor
- Non-volatile memory for sensor settings
- 1,600 square-foot coverage area
- Optional relay and photocell control
- Optional Quick-to-Install (QTI) connector
- UL and cUL listed
- California Title 24 compliant
- Five-year limited warranty
- Low voltage device: 24VDC



LOIRWW

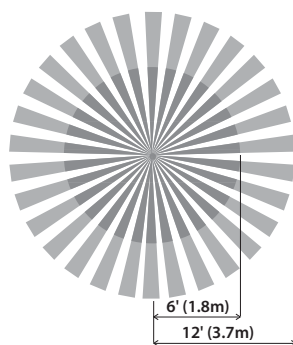
STOCK

ORDERING INFORMATION

EXAMPLE: LOIRWW

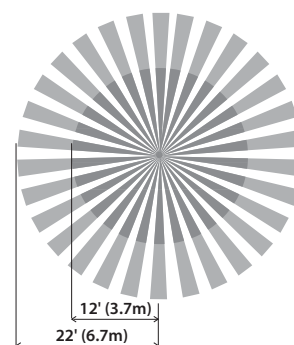
Part Number	Catalog Number	UPC Code	Description
LOIRWW	LOIRWW	64018140236	LightOWL Passive Infrared Wall Sensor with IntelliDAPT, 2500 Sq. Ft.
LOIRWVRP	LOIRWVRP	64018140241	LightOWL Passive Infrared Wall Sensor with IntelliDAPT, 2500 Sq. Ft., Relay & Photocell

COVERAGE PATTERN



Minor Motion
 Major Motion

OMNI IR RANGE



Minor Motion
 Major Motion

OMNI IRL RANGE

WSP

WASP™2 Occupancy Sensors

OCCUPANCY/VACANCY SENSORS



WSPMUNV

FEATURES

- Digital Passive Infrared (PIR) sensor
- Supported mounting heights:
- High mount lens: 30 ft outdoors; 45 ft indoors
- Low mount lens: 16 ft indoors/outdoors
- Multiple (single and dual) output versions
- Unique Smart Cycling for improved lamp life
- Daylight sensor for daylight harvesting applications
- End mount and surface mount versions
- Interchangeable high/low area detection lens options
- Low voltage and line voltage models available
- Low temperature/water-tight/indoor-outdoor versions
- UL and cUL listed
- Five-year limited warranty

STOCK

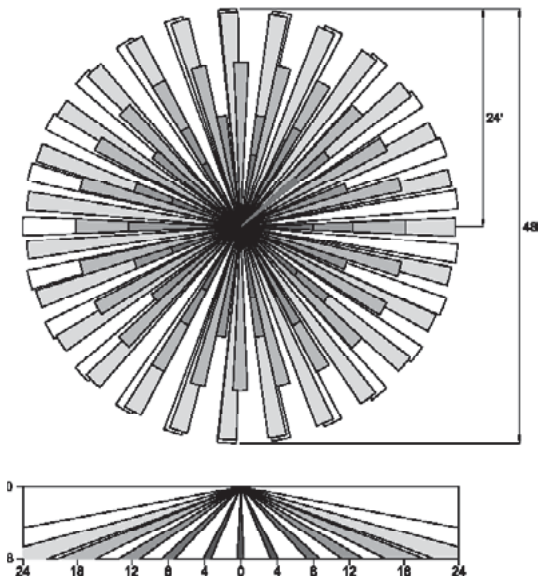
ORDERING INFORMATION

EXAMPLE: WSPMUNV

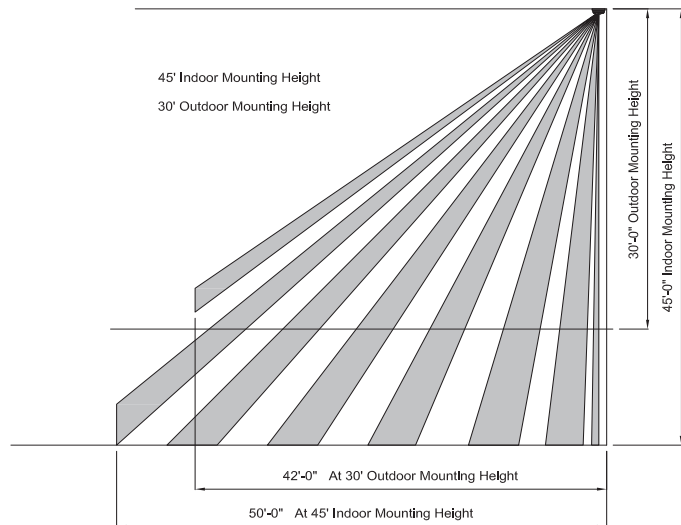
Part Number	Catalog Number	UPC Code	Description
WSPMUNV	WSPMUNV	64018120083	WASP2 Sensor with Daylighting, End Mount, 1 SPST Output, 120/277/347VAC, White
WSPSMUNV	WSPSMUNV	64018120041	WASP2 Sensor with Daylighting, Surface Mount, 1 SPST Output, 120/277/347VAC, White

COVERAGE PATTERNS

Sensor Lens Coverage and Detection Patterns
When Mounted at 8ft with Low Mount Lens



Sensor Lens Coverage and Detection Patterns
When Mounted at 30ft and 45ft with Standard Lens



Dimming WASP™2 Occupancy Sensors



WSPMUNV-D

- FEATURES
- Digital Passive Infrared (PIR) sensor
- Supported mounting heights:
- High mount lens: 30 ft (9.14m) outdoors; 45 ft (13.72m) indoors
- Low mount lens: 16 ft (4.88m) indoors/outdoors
- Controls 0-10V dimmable ballasts
- User controlled dimming presets
- Daylight sensor for daylight harvesting applications
- End mount and surface mount versions
- Interchangeable high/low area detection lens options
- Low voltage and line voltage models available
- Low temperature/water-tight/indoor/outdoor versions
- Withstands low temperature and conforms to IP65 water-tight standards

STOCK

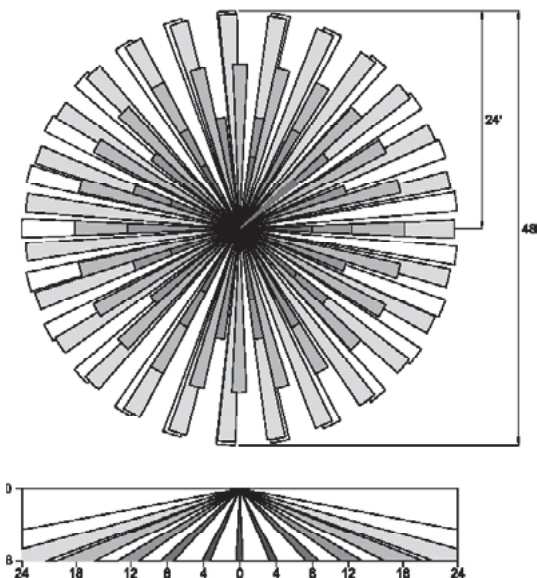
ORDERING INFORMATION

EXAMPLE: WSPMUNV-D

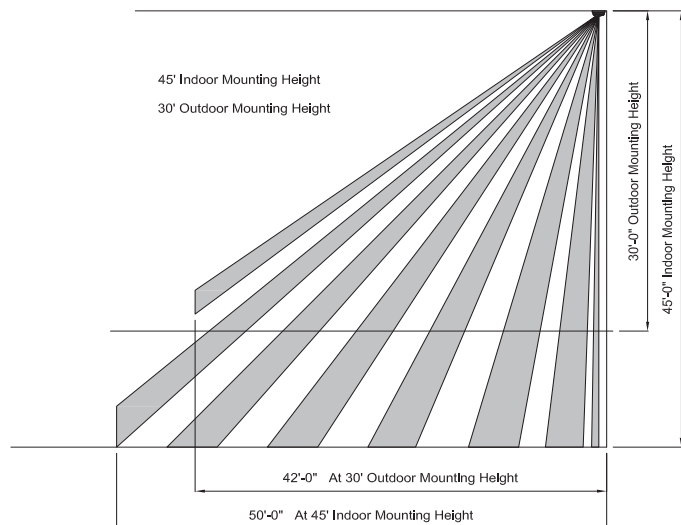
Part Number	Catalog Number	UPC Code	Description
WSPMUNV-D	WSPMUNV-D	64018170692	WASP2 Dimming Sensor with Daylighting, End Mnt, 1 SPST Output, 120/277/347VAC, White
WSPSMUNV-D	WSPSMUNV-D	64018170702	WASP2 Dimming Sensor with Daylighting, Surface Mnt, 1 SPST Output, 120/277/347VAC, White

COVERAGE PATTERNS

Sensor Lens Coverage and Detection Patterns
When Mounted at 8ft with Low Mount Lens



Sensor Lens Coverage and Detection Patterns
When Mounted at 30ft and 45ft with Standard Lens



LHD-IRS

LightHAWK®2 Dimming PIR Wall Switch Sensor



FEATURES

- Digital Passive Infrared (PIR) sensor
- IntelliDAPT® self-adaptive technology no manual adjustment required
- 1 relay model for single-level switching
- Occupancy (auto-on) and Vacancy (manual-on) operating modes
- Available with or without Neutral
- 1,000 sq. ft., 180° coverage area
- RhinoTuff™ vandal resistant lens
- 120/277VAC operation
- No minimum load requirement
- Zero Arc Point Switching
- Decorator-style wall plate sold separately
- Five-year warranty

STOCK

ORDERING INFORMATION

EXAMPLE: LHD-IRS3-N-GY

Part Number	Catalog Number	UPC Code	Description
LHD-IRS3-N-GY	LHD-IRS3-N-GY	64018170955	LightHAWK2 Dimmer Passive Infrared Wall Switch Sensor with IntelliDAPT, Single Circuit, Three Buttons, 120/277VAC, 1000 Sq. Ft., Photocell, Gray
LHD-IRS3-N-IV	LHD-IRS3-N-IV	64018170956	LightHAWK2 Dimmer Passive Infrared Wall Switch Sensor with IntelliDAPT, Single Circuit, Three Buttons, 120/277VAC, 1000 Sq. Ft., Photocell, Ivory
LHD-IRS3-N-WH	LHD-IRS3-N-WH	64018170958	LightHAWK2 Dimmer Passive Infrared Wall Switch Sensor with IntelliDAPT, Single Circuit, Three Buttons, 120/277VAC, 1000 Sq. Ft., Photocell, White

L V Series Low Voltage Switches

FEATURES

- Attractive, architecturally pleasing design
- Momentary or latching button action
- 1-4 buttons with or without LED
- Mounts to standard single-gang box
- California Title 24 compliant
- Five-year limited warranty
- Low voltage device: 24VDC



STOCK

ORDERING INFORMATION

EXAMPLE: LVSM2NPWH

Part Number	Catalog Number	UPC Code	Description
LVSM1NPWH	LVSM1NPWH	64018110026	Low Voltage Switch, Momentary, 1 Button, No Pilot, White
LVSM1PLWH	LVSM1PLWH	64018110037	Low Voltage Switch, Momentary, 1 Button, w/Pilot LED, White
LVSM2NPWH	LVSM2NPWH	64018110028	Low Voltage Switch, Momentary, 2 Button, No Pilot, White
LVSM2PLWH	LVSM2PLWH	64018110039	Low Voltage Switch, Momentary, 2 Button, w/Pilot LED's, White

LHIR/LHDCIR

LightHAWK®2 Passive Infrared Wall Switch Sensors

WALLBOX SWITCHES



FEATURES

- Digital passive infrared (PIR) sensor
- IntelliDAPT™ self-adaptive technology—no manual adjustment required
- Dual circuit has isolated relays
- Occupancy (auto-on) and Vacancy (manual-on) operating modes
- Available with or without Neutral
- 1,000 square-foot, 180° coverage area
- RhinoTuff™ vandal resistant lens
- 120/277VAC operation
- No minimum load requirement
- Zero Arc Point Switching
- 120-277VAC and 347VAC models
- Low voltage device: 24 Vdc
- Five-year limited warranty

STOCK

ORDERING INFORMATION

Part Number	Catalog Number	UPC Code	Description
LHIRS1-N-GY-M	LHIRS1-N-GY-M	64018170510	LightHawk Vacancy Neutral Passive Infrared Wall Switch Sensor with IntelliDAPT, Single Circuit, One Button, 120/277VAC, 1000 Sq. Ft., Photocell, Gray
LHIRS1-N-IV-M	LHIRS1-N-IV-M	64018170511	LightHawk Vacancy Neutral Passive Infrared Wall Switch Sensor with IntelliDAPT, Single Circuit, One Button, 120/277VAC, 1000 Sq. Ft., Photocell, Ivory
LHIRS1-N-WH-M	LHIRS1-N-WH-M	64018170513	LightHawk Vacancy Neutral Passive Infrared Wall Switch Sensor with IntelliDAPT, Single Circuit, One Button, 120/277VAC, 1000 Sq. Ft., Photocell, White
LHIRS1-N-GY	LHIRS1-N-GY	64018190083	LightHawk Neutral Passive Infrared Wall Switch Sensor with IntelliDAPT, Single Circuit, One Button, 120/277VAC, 1000 Sq. Ft., Photocell, Gray
LHIRS1-N-IV	LHIRS1-N-IV	64018190086	LightHawk Neutral Passive Infrared Wall Switch Sensor with IntelliDAPT, Single Circuit, One Button, 120/277VAC, 1000 Sq. Ft., Photocell, Ivory
LHIRS1-N-WH	LHIRS1-N-WH	64018190091	LightHawk Neutral Passive Infrared Wall Switch Sensor with IntelliDAPT, Single Circuit, One Button, 120/277VAC, 1000 Sq. Ft., Photocell, White
LHDCIRD2-N-GY-M	LHDCIRD2-N-GY-M	64018171442	LightHawk Vacancy Neutral Passive Infrared Wall Switch Sensor with IntelliDAPT, Dual Circuit, Isolated Relays, Two Buttons, 120/277VAC, 1000 Sq. Ft., Photocell, Gray
LHDCIRD2-N-IV-M	LHDCIRD2-N-IV-M	64018171446	LightHawk Vacancy Neutral Passive Infrared Wall Switch Sensor with IntelliDAPT, Dual Circuit, Isolated Relays, Two Buttons, 120/277VAC, 1000 Sq. Ft., Photocell, Ivory
LHDCIRD2-N-WH-M	LHDCIRD2-N-WH-M	64018171454	LightHawk Vacancy Neutral Passive Infrared Wall Switch Sensor with IntelliDAPT, Dual Circuit, Isolated Relays, Two Buttons, 120/277VAC, 1000 Sq. Ft., Photocell, White
LHDCIRD2-N-GY	LHDCIRD2-N-GY	64018171441	LightHawk Neutral Passive Infrared Wall Switch Sensor with IntelliDAPT, Dual Circuit, Isolated Relays, Two Buttons, 120/277VAC, 1000 Sq. Ft., Photocell, Gray
LHDCIRD2-N-IV	LHDCIRD2-N-IV	64018171445	LightHawk Neutral Passive Infrared Wall Switch Sensor with IntelliDAPT, Dual Circuit, Isolated Relays, Two Buttons, 120/277VAC, 1000 Sq. Ft., Photocell, Ivory
LHDCIRD2-N-WH	LHDCIRD2-N-WH	64018171453	LightHawk Neutral Passive Infrared Wall Switch Sensor with IntelliDAPT, Dual Circuit, Isolated Relays, Two Buttons, 120/277VAC, 1000 Sq. Ft., Photocell, White

LHUS/LHDCUS

LightHAWK®2 Ultrasonic Wall Switch Sensors

FEATURES

- Digital Ultrasonic (US) Sensor
- IntelliDAPT™ self-adaptive technology; no manual adjustment required
- Dual circuit has isolated relays
- Occupancy (auto-on) and Vacancy (manual-on) operating modes
- Available with or without Neutral
- 400 sq. ft., 180° coverage area
- 120/277VAC operation
- No minimum load requirement
- Zero Arc Point Switching
- 120-277VAC and 347VAC models
- Five-year limited warranty



WALLBOX SWITCHES

STOCK ORDERING INFORMATION

Part Number	Catalog Number	UPC Code	Description
LHUSS1-N-GY-M	LHUSS1-N-GY-M	64018170550	LightHawk Vacancy Neutral Ultrasonic Wall Switch Sensor with IntelliDAPT, Single Circuit, One Button, 120/277VAC, 400 Sq. Ft., Photocell, Gray
LHUSS1-N-IV-M	LHUSS1-N-IV-M	64018170551	LightHawk Vacancy Neutral Ultrasonic Wall Switch Sensor with IntelliDAPT, Single Circuit, One Button, 120/277VAC, 400 Sq. Ft., Photocell, Ivory
LHUSS1-N-WH-M	LHUSS1-N-WH-M	64018170553	LightHawk Vacancy Neutral Ultrasonic Wall Switch Sensor with IntelliDAPT, Single Circuit, One Button, 120/277VAC, 400 Sq. Ft., Photocell, White
LHUSS0-N-GY	LHUSS0-N-GY	64018160067	LightHawk Neutral Ultrasonic Wall Switch Sensor with IntelliDAPT, Single Circuit, No Button, 120/277VAC, 400 Sq. Ft., Photocell, Gray
LHUSS0-N-IV	LHUSS0-N-IV	64018160069	LightHawk Neutral Ultrasonic Wall Switch Sensor with IntelliDAPT, Single Circuit, No Button, 120/277VAC, 400 Sq. Ft., Photocell, Ivory
LHUSS0-N-WH	LHUSS0-N-WH	64018160116	LightHawk Neutral Ultrasonic Wall Switch Sensor with IntelliDAPT, Single Circuit, No Button, 120/277VAC, 400 Sq. Ft., Photocell, White
LHUSS1-N-GY	LHUSS1-N-GY	64018160197	LightHawk Neutral Ultrasonic Wall Switch Sensor with IntelliDAPT, Single Circuit, One Button, 120/277VAC, 400 Sq. Ft., Photocell, Gray
LHUSS1-N-IV	LHUSS1-N-IV	64018160199	LightHawk Neutral Ultrasonic Wall Switch Sensor with IntelliDAPT, Single Circuit, One Button, 120/277VAC, 400 Sq. Ft., Photocell, Ivory
LHUSS1-N-WH	LHUSS1-N-WH	64018140144	LightHawk Neutral Ultrasonic Wall Switch Sensor with IntelliDAPT, Single Circuit, One Button, 120/277VAC, 400 Sq. Ft., Photocell, White
LHDCUSD2-N-GY-M	LHDCUSD2-N-GY-M	64018171502	LightHawk Vacancy Neutral Ultrasonic Wall Switch Sensor with IntelliDAPT, Dual Circuit, Isolated Relays, Two Buttons, 120/277VAC, 400 Sq. Ft., Photocell, Gray
LHDCUSD2-N-IV-M	LHDCUSD2-N-IV-M	64018171506	LightHawk Vacancy Neutral Ultrasonic Wall Switch Sensor with IntelliDAPT, Dual Circuit, Isolated Relays, Two Buttons, 120/277VAC, 400 Sq. Ft., Photocell, Ivory
LHDCUSD2-N-WH-M	LHDCUSD2-N-WH-M	64018171514	LightHawk Vacancy Neutral Ultrasonic Wall Switch Sensor with IntelliDAPT, Dual Circuit, Isolated Relays, Two Buttons, 120/277VAC, 400 Sq. Ft., Photocell, White
LHDCUSD0-N-GY	LHDCUSD0-N-GY	64018171489	LightHawk Neutral Ultrasonic Wall Switch Sensor with IntelliDAPT, Dual Circuit, Isolated Relays, No Buttons, 120/277VAC, 400 Sq. Ft., Photocell, Gray
LHDCUSD0-N-IV	LHDCUSD0-N-IV	64018171491	LightHawk Neutral Ultrasonic Wall Switch Sensor with IntelliDAPT, Dual Circuit, Isolated Relays, No Buttons, 120/277VAC, 400 Sq. Ft., Photocell, Ivory
LHDCUSD0-N-WH	LHDCUSD0-N-WH	64018171495	LightHawk Neutral Ultrasonic Wall Switch Sensor with IntelliDAPT, Dual Circuit, Isolated Relays, No Buttons, 120/277VAC, 400 Sq. Ft., Photocell, White
LHDCUSD2-N-GY	LHDCUSD2-N-GY	64018171501	LightHawk Neutral Ultrasonic Wall Switch Sensor with IntelliDAPT, Dual Circuit, Isolated Relays, Two Buttons, 120/277VAC, 400 Sq. Ft., Photocell, Gray
LHDCUSD2-N-IV	LHDCUSD2-N-IV	64018171505	LightHawk Neutral Ultrasonic Wall Switch Sensor with IntelliDAPT, Dual Circuit, Isolated Relays, Two Buttons, 120/277VAC, 400 Sq. Ft., Photocell, Ivory
LHDCUSD2-N-WH	LHDCUSD2-N-WH	64018171513	LightHawk Neutral Ultrasonic Wall Switch Sensor with IntelliDAPT, Dual Circuit, Isolated Relays, Two Buttons, 120/277VAC, 400 Sq. Ft., Photocell, White

HUBBELL
Control Solutions

LHMT/LHDCMT

LightHAWK®2 Dual Technology Wall Switch Sensors



FEATURES

- Digital Dual Technology: (US) and (PIR) sensors
- IntelliDAPT® self-adaptive technology; no manual adjustment required
- 1 or 2 relay models for single-level switching or bi-level switching
- Occupancy (auto-on) and Vacancy (manual-on) operating modes
- Available with or without Neutral
- 1,000 sq. ft., 180° coverage area
- RhinoTuff™ vandal resistant lens
- 120/277VAC operation
- No minimum load requirement
- Zero Arc Point Switching
- Decorator-style wall plate sold separately
- Five-year limited warranty

STOCK ORDERING INFORMATION

Part Number	Catalog Number	UPC Code	Description
LHMTS1-N-GY-M	LHMTS1-N-GY-M	64018170530	LightHawk Vacancy Neutral Multi-Technology Wall Switch Sensor with IntelliDAPT, Single Circuit, One Button, 120/277VAC, 1000 Sq. Ft., Photocell, Gray
LHMTS1-N-IV-M	LHMTS1-N-IV-M	64018170531	LightHawk Vacancy Neutral Multi-Technology Wall Switch Sensor with IntelliDAPT, Single Circuit, One Button, 120/277VAC, 1000 Sq. Ft., Photocell, Ivory
LHMTS1-N-WH-M	LHMTS1-N-WH-M	64018170533	LightHawk Vacancy Neutral Multi-Technology Wall Switch Sensor with IntelliDAPT, Single Circuit, One Button, 120/277VAC, 1000 Sq. Ft., Photocell, White
LHMTS1-N-GY	LHMTS1-N-GY	64018190387	LightHawk Neutral Multi-Technology Wall Switch Sensor with IntelliDAPT, Single Circuit, One Button, 120/277VAC, 1000 Sq. Ft., Photocell, Gray
LHMTS1-N-IV	LHMTS1-N-IV	64018190389	LightHawk Neutral Multi-Technology Wall Switch Sensor with IntelliDAPT, Single Circuit, One Button, 120/277VAC, 1000 Sq. Ft., Photocell, Ivory
LHMTS1-N-WH	LHMTS1-N-WH	64018190393	LightHawk Neutral Multi-Technology Wall Switch Sensor with IntelliDAPT, Single Circuit, One Button, 120/277VAC, 1000 Sq. Ft., Photocell, White
LHDCMTD2-N-GY-M	LHDCMTD2-N-GY-M	64018171472	LightHawk Vacancy Neutral Multi-Technology Wall Switch Sensor with IntelliDAPT, Dual Circuit, Isolated Relays, Two Buttons, 120/277VAC, 1000 Sq. Ft., Photocell, Gray
LHDCMTD2-N-IV-M	LHDCMTD2-N-IV-M	64018171476	LightHawk Vacancy Neutral Multi-Technology Wall Switch Sensor with IntelliDAPT, Dual Circuit, Isolated Relays, Two Buttons, 120/277VAC, 1000 Sq. Ft., Photocell, Ivory
LHDCMTD2-N-WH-M	LHDCMTD2-N-WH-M	64018171484	LightHawk Vacancy Neutral Multi-Technology Wall Switch Sensor with IntelliDAPT, Dual Circuit, Isolated Relays, Two Buttons, 120/277VAC, 1000 Sq. Ft., Photocell, White
LHDCMTD2-N-GY	LHDCMTD2-N-GY	64018171471	LightHawk Neutral Multi-Technology Wall Switch Sensor with IntelliDAPT, Dual Circuit, Isolated Relays, Two Buttons, 120/277VAC, 1000 Sq. Ft., Photocell, Gray
LHDCMTD2-N-IV	LHDCMTD2-N-IV	64018171475	LightHawk Neutral Multi-Technology Wall Switch Sensor with IntelliDAPT, Dual Circuit, Isolated Relays, No Buttons, 120/277VAC, 1000 Sq. Ft., Photocell, Ivory
LHDCMTD2-N-LA	LHDCMTD2-N-LA	64018171479	LightHawk Neutral Multi-Technology Wall Switch Sensor with IntelliDAPT, Dual Circuit, Isolated Relays, Two Buttons, 120/277VAC, 1000 Sq. Ft., Photocell, Lt. Almond
LHDCMTD2-N-WH	LHDCMTD2-N-WH	64018171483	LightHawk Neutral Multi-Technology Wall Switch Sensor with IntelliDAPT, Dual Circuit, Isolated Relays, Two Buttons, 120/277VAC, 1000 Sq. Ft., Photocell, White

Automatic Passive Infrared Wall Switch Sensor

FEATURES

- Zero Arc Point Switching
- No minimum load requirement
- Adjustable time delay and sensitivity
- Walk test indicator
- Dual 120/277 VAC operation
- UL and cUL listed
- Title 24 compliant
- Five-year limited warranty
- 120-277 Vac

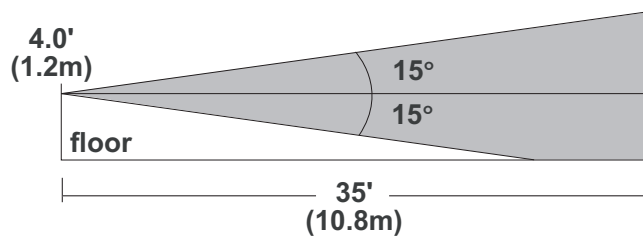
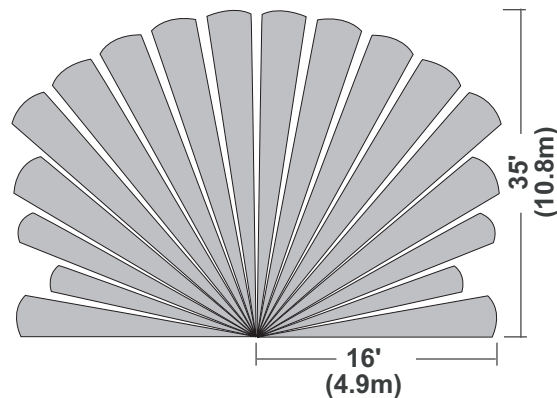


STOCK

ORDERING INFORMATION

EXAMPLE: IWSZP3PW

Part Number	Catalog Number	UPC Code	Description
IWSZP3PW	IWSZP3PW	64018110055	Passive Infrared Wall Switch Sensor, Auto ON / Auto OFF, 120/277VAC, 900 Sq. Ft., White
IWSZPMW	IWSZPMW	64018110115	Passive Infrared Wall Switch Sensor, Manual ON / Auto OFF, 120/277VAC, 900 Sq. Ft., White



TD300

Digital Programmable Timer



FEATURES

- Zero Arc Point Switching
- No minimum load requirement
- Adjustable time delay and sensitivity
- Walk test indicator
- Dual 120/277 VAC operation
- UL and cUL listed
- Title 24 compliant
- Five-year limited warranty
- 120-277 Vac

STOCK

ORDERING INFORMATION

EXAMPLE: TD300

Part Number	Catalog Number	UPC Code	Description
TD300	TD300	64018190010	Digital Programmable Timer, 120/230/277 VAC, White



ALERA LIGHTING

ARCHITECTURAL AREA LIGHTING

BEACON PRODUCTS

COLUMBIA LIGHTING

COMPASS

DUAL-LITE

HUBBELL CONTROL SOLUTIONS

HUBBELL INDUSTRIAL LIGHTING

HUBBELL OUTDOOR LIGHTING

KIM LIGHTING

KURT VERSEN

LITECONTROL

PRESCOLITE

WHITEWAY

701 Millennium Blvd. Greenville, SC 29607
Tel 864.678.1000
www.hubbelloutdoor.com

HOL00345 5K January 18, 2018 1:33 PM

Copyright © 2018 Hubbell Outdoor Lighting, a division of Hubbell Lighting, Inc. All rights reserved.
Please refer to online specifications for most up-to-date content as specifications are subject to change without notice.