

Oldcastle Precast[®]
Enclosure Solutions

Concrete Products Catalog



September 2009

Table of Contents

Utility and Valve Boxes3

Electrical and Telephone Boxes21

Traffic Utility Boxes & Traffic Valve Boxes35

Drainage Boxes.....45

Washington Department of Transportation (WDOT).....51

Maricopa Association of Governments (MAG)53

Pits, Vaults, & Catch Basins57

Fibrelyte Boxes73

Miscellaneous79

Cross Reference Guide.....85

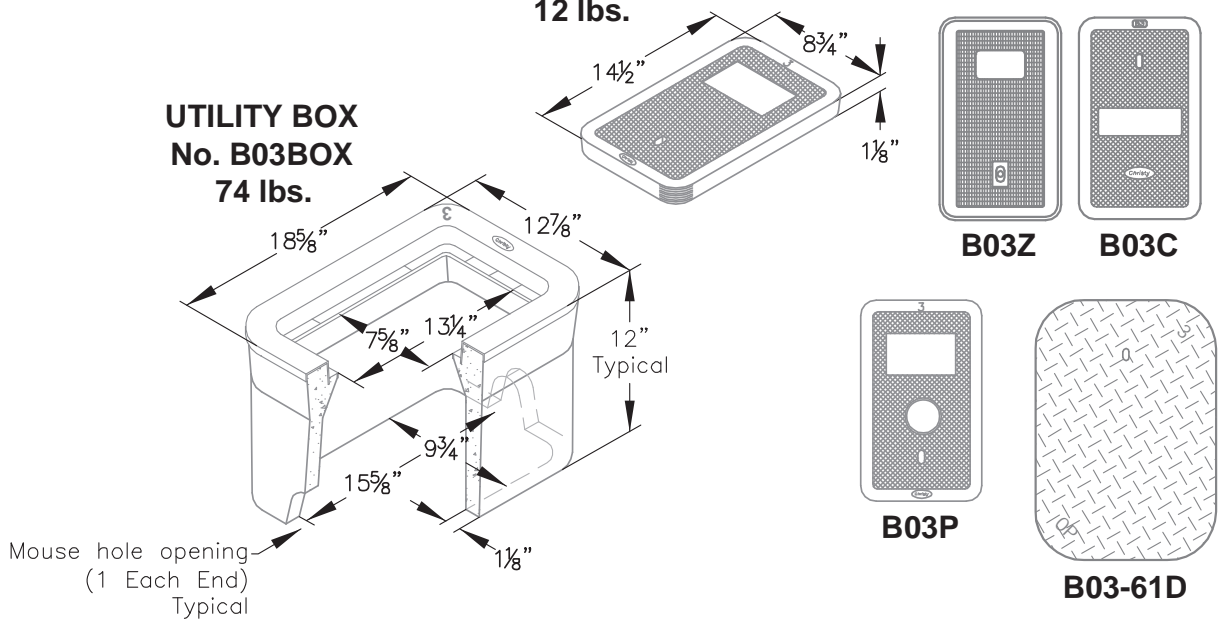
Installation Procedures Inside Back Cover



- Etched polypropylene face
- Face anchored in concrete
- Ultra-violet inhibitor
- Exceeds ASTM-D1693 Standards for Environmental Stress Cracking Resistance

**REINFORCED CONCRETE LID
No. B03D
12 lbs.**

**UTILITY BOX
No. B03BOX
74 lbs.**



A high density reinforced concrete box with non-settling shoulders positioned to maintain grade and facilitate back filling. Approximate dimensions and weight shown.

Ordering Code	Item	Approx. Shipping Weight	Description
B03BOX	BOX	74	B03 Utility Box (9 ³ / ₄ " x 15 ⁵ / ₈ ")- 28 per pallet
B03C	LID	13	Cast iron
B03D	LID	12	Reinforced concrete
B03Z	LID	12	Reinforced concrete w/ galvanized frame
B03TL	LID	15	Cast iron lid with lock
BUTLK	KEY	1	Universal TL key for cast iron lid with lock
B03-61D	COVER	14	Steel checker plate
B03SL	SLAB	22	Reinforced concrete (12 ⁷ / ₈ " x 18 ⁵ / ₈ ")

Galvanizing available on all steel covers.



Oldcastle Precast®
Enclosure Solutions
MADERA/TRACY/ROSEVILLE/PHOENIX
Phone: (800) 486-7070 Fax: (800) 486-6804
Copyright © 2009 Oldcastle Precast Inc.

B03 BOX

FILE NAME: B03_ISO
ISSUE DATE: January, 2009
www.oldcastleprecast.com

**B03 UTILITY BOX
9-3/4" x 15-5/8"**



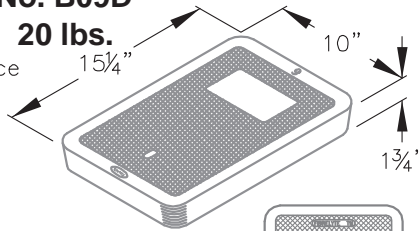
Back to Table of Contents

- Etched polypropylene face
- Face anchored in concrete
- Ultra-violet inhibitor
- Exceeds ASTM-D1693 Standards for Environmental Stress Cracking Resistance

Reinforced Concrete Lid

No. B09D

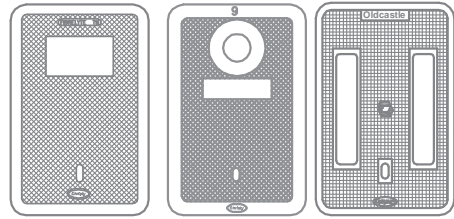
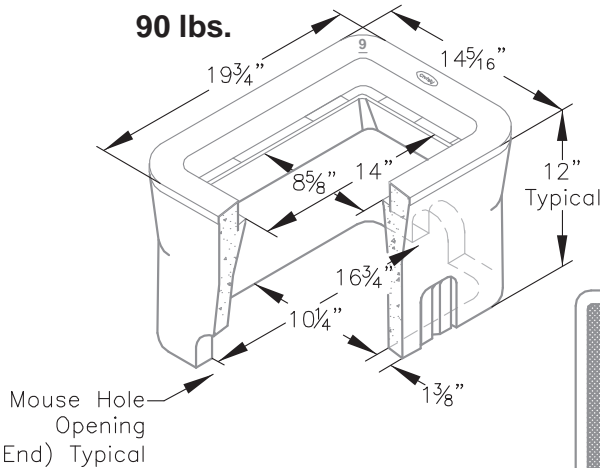
20 lbs.



UTILITY BOX

No. B09BOX

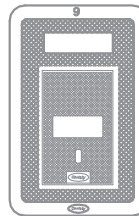
90 lbs.



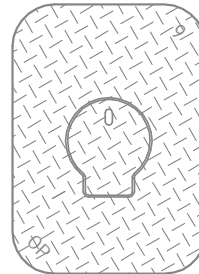
FL09D

B09P

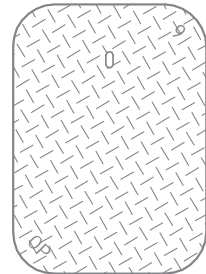
B09C



B09G



B09-61G



B09-61D

A high density reinforced concrete box with non-settling shoulders positioned to maintain grade and facilitate back filling. Approximate dimensions and weight shown.

Ordering Code	Item	Approx. Shipping Weight	Description
B09BOX	BOX	90	B09 Utility Box (10 1/4" x 16 3/4")- 28 per pallet
B09C	LID	22	Cast iron
B09D	LID	20	Reinforced concrete
FL09D	LID	5	Fibrelite lid, non-concrete
B09P	LID	20	Reinforced concrete with 1 3/4" hole for reading probe
B09G	LID	18	Reinforced concrete with 5" x 8" cast iron, self-closing, reading lid with frame
B09TL	LID	23	Cast iron lid with lock
BUTLK	KEY	1	Universal TL key for cast iron lid with lock
B09-61D	COVER	22	Steel checker plate
B09-61G	COVER	22	Steel checker plate with 6" round, self-closing reading lid
B09X12	EXTENSION	87	12" Reinforced concrete- 28 per pallet
B09SL	SLAB	32	Reinforced concrete (13 3/4" x 19 3/4")

Galvanizing available on all steel covers.



Oldcastle Precast®
Enclosure Solutions

MADERA/TRACY/ROSEVILLE/PHOENIX
Phone: (800) 486-7070 Fax: (800) 486-6804
Copyright © 2009 Oldcastle Precast Inc.

B09 BOX

FILE NAME: B09_ISO

ISSUE DATE: January, 2009

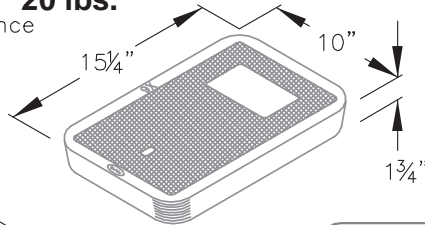
www.oldcastleprecast.com

B09 UTILITY BOX
10-1/4" x 16-3/4"

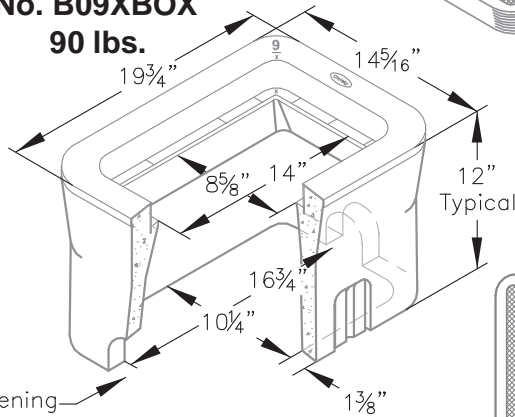


- Etched polypropylene face
- Face anchored in concrete
- Ultra-violet inhibitor
- Exceeds ASTM-D1693 Standards for Environmental Stress Cracking Resistance

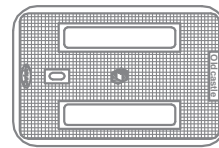
REINFORCED CONCRETE LID
No. B09XD
20 lbs.



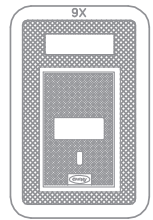
UTILITY BOX
No. B09XBOX
90 lbs.



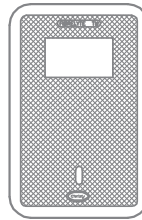
Mouse Hole Opening
(1 Each End) Typical



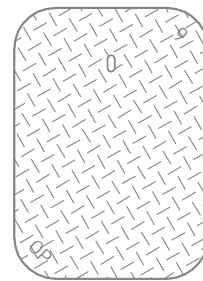
B09XC



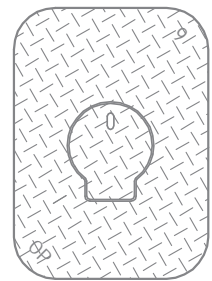
B09XG



FL09X



B09-61D



B09-61G

A high density reinforced concrete box with non-settling shoulders positioned to maintain grade and facilitate back filling. Approximate dimensions and weight shown.

Ordering Code	Item	Approx. Shipping Weight	Description
B09XBOX	BOX	90	B09X Utility Box (10 1/4" x 16 3/4") interchangeable with Brooks #36- 28 per pallet
B09XC	LID	22	Cast iron
B09XD	LID	20	Reinforced concrete
B09XG	LID	18	Reinforced concrete with 5" x 8" cast iron, self-closing, reading lid with frame
B09XTL	LID	23	Cast iron lid with lock
BUTLK	KEY	1	Universal TL key for cast iron lid with lock
FL09X	LID	5	Fibrelyte lid, non-concrete
B09-61D	COVER	22	Steel checker plate
B09-61G	COVER	22	Steel checker plate with 6" round, self-closing reading lid
B09X12	EXTENSION	87	12" Reinforced concrete- 28 per pallet
B09SL	SLAB	32	Reinforced concrete (13 1/4" x 19 3/4")

Galvanizing available on all steel covers.



Oldcastle Precast®
Enclosure Solutions
MADERA/TRACY/ROSEVILLE/PHOENIX
Phone: (800) 486-7070 Fax: (800) 486-6804
Copyright © 2009 Oldcastle Precast Inc.

B09X BOX

FILE NAME: B09X_ISO

ISSUE DATE: January, 2009

www.oldcastleprecast.com

B09X UTILITY BOX
10-1/4" x 16-3/4"



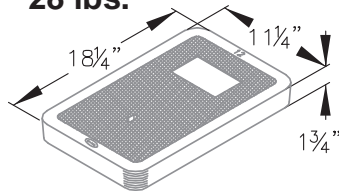
Back to Table of Contents

- Etched polypropylene face
- Face anchored in concrete
- Ultra-violet inhibitor
- Exceeds ASTM-D1693 Standards for Environmental Stress Cracking Resistance

REINFORCED CONCRETE LID

No. B12D

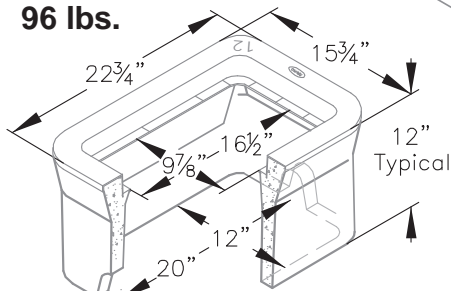
28 lbs.



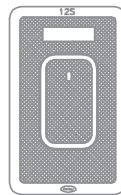
UTILITY BOX

No. B12BOX

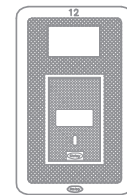
96 lbs.



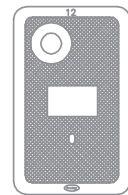
Mouse Hole-Opening
(1 Each End)
Typical



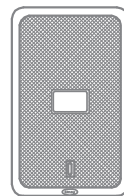
B12S



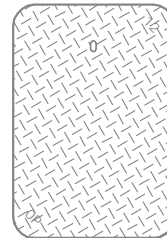
B12G



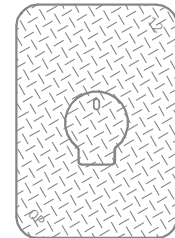
B12P



B12C



B12-61D



B12-61G

A high density reinforced concrete box with non-settling shoulders positioned to maintain grade and facilitate back filling. Approximate dimensions and weight shown.

Ordering Code	Item	Approx. Shipping Weight	Description
B12BOX	BOX	96	B12 Utility Box (12" x 20")- 20 per pallet
B12C	LID	26	Cast iron
B12D	LID	28	Reinforced concrete
B12G	LID	26	Reinforced concrete with 5" x 8" cast iron, self-closing, reading lid with frame
B12P	LID	26	Reinforced concrete with 2" hole for reading probe
B12S	LID	36	Reinforced concrete with 5 1/2" x 9 1/8" concrete reading lid
B12-61D	COVER	26	Steel checker plate
B12-61G	COVER	30	Steel checker plate with 6" round, self-closing, reading lid
B12X12	EXTENSION	103	12" Reinforced concrete- 20 per pallet

Galvanizing available on all steel covers.



Oldcastle Precast®
Enclosure Solutions

MADERA/TRACY/ROSEVILLE/PHOENIX
Phone: (800) 486-7070 Fax: (800) 486-6804
Copyright © 2009 Oldcastle Precast Inc.

B12 BOX

FILE NAME: B12_ISO

ISSUE DATE: January, 2009

www.oldcastleprecast.com

B12 UTILITY BOX

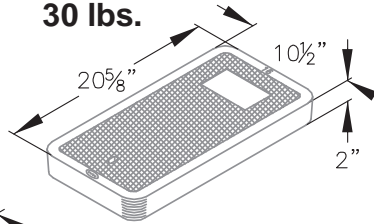
12" x 20"



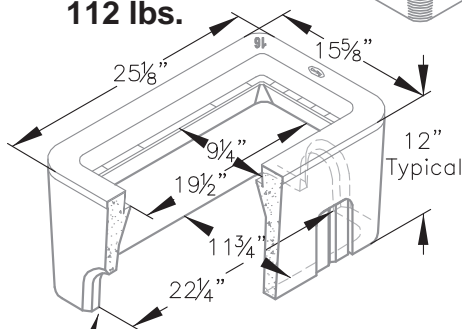
- Etched polypropylene face
- Face anchored in concrete
- Ultra-violet inhibitor
- Exceeds ASTM-D1693 Standards for Environmental Stress Cracking Resistance

REINFORCED CONCRETE LID

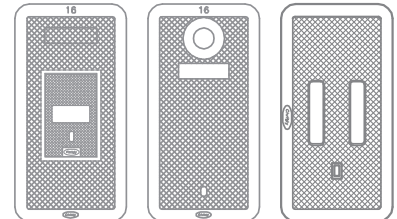
No. B16D
30 lbs.



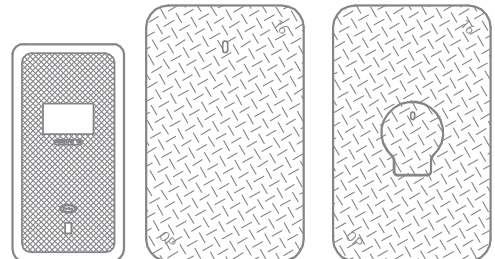
UTILITY BOX
No. B16BOX
112 lbs.



Mouse Hole Opening
(1 Each End) Typical



B16G B16P B16C



FL16D B16-61D B16-61G

A high density reinforced concrete box with non-settling shoulders positioned to maintain grade and facilitate back filling. Approximate dimensions and weight shown.

Ordering Code	Item	Approx. Shipping Weight	Description
B16BOX	BOX	112	B16 Utility Box (11 3/4" x 22 1/4")- 20 per pallet
B16C	LID	36	Cast iron
B16D	LID	30	Reinforced concrete
B16G	LID	30	Reinforced concrete with 5" x 8" cast iron, self-closing, reading lid with frame
B16P	LID	32	Reinforced concrete with 1 3/4" hole for reading probe
FL16D	LID	13	Fibrelyte lid, non-concrete
B16-61D	COVER	28	Steel checker plate
B16-61G	COVER	30	Steel checker plate with 6" round, self-closing, reading lid
B16X12	EXTENSION	113	12" Reinforced concrete- 20 per pallet
B16SL	SLAB	54	Reinforced concrete (16" x 26")

Galvanizing available on all steel covers.



Oldcastle Precast®
Enclosure Solutions
MADERA/TRACY/ROSEVILLE/PHOENIX
Phone: (800) 486-7070 Fax: (800) 486-6804
Copyright © 2009 Oldcastle Precast Inc.

B16 BOX

FILE NAME: B16_ISO
ISSUE DATE: January, 2009
www.oldcastleprecast.com

B16 UTILITY BOX
11-3/4" x 22-1/4"



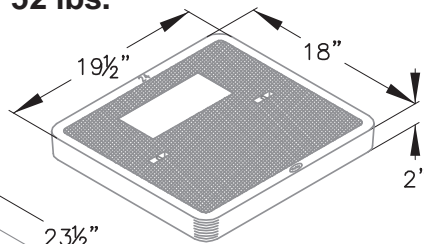
Back to Table of Contents

- Etched polypropylene face
- Face anchored in concrete
- Ultra-violet inhibitor
- Exceeds ASTM-D1693 Standards for Environmental Stress Cracking Resistance

REINFORCED CONCRETE LID

No. B24D

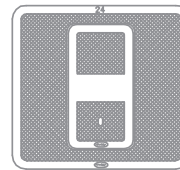
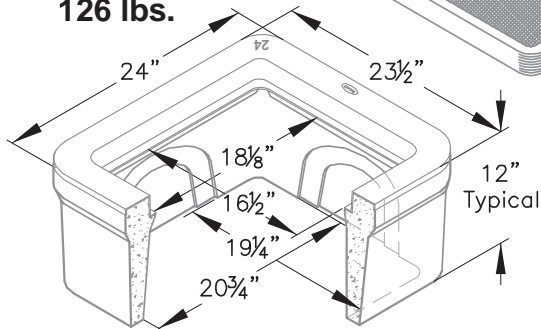
52 lbs.



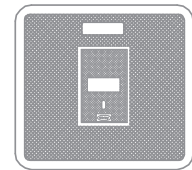
DUAL METER BOX

No. B24BOX

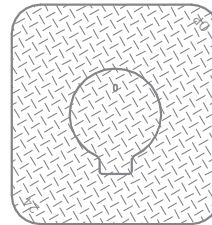
126 lbs.



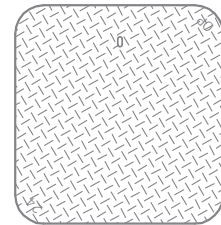
B24E



B24G



B24-61G



B24-61D

A high density reinforced designed to permit installation of 2 meters in the same box. One reading lid enables both meters to be read. Non-settling shoulders positioned to maintain grade and facilitate back filling. Approximate dimensions and weight shown.

Ordering Code	Item	Approx. Shipping Weight	Description
B24BOX	BOX	126	B24 Dual Meter Box (20 ³ / ₄ " x 19 ¹ / ₄ ")- 12 per pallet
B24D	LID	52	Reinforced concrete
B24E	LID	52	Reinforced concrete with 7" x 13 ¹ / ₂ " concrete reading lid
B24G	LID	50	Reinforced concrete with with 5" x 8" cast iron, self-closing, reading lid with frame
B24-61D	COVER	48	Steel checker plate
B24-61G	COVER	42	Steel checker plate with 10" round, self-closing, reading lid
B24X12	EXTENSION	164	12" Reinforced concrete (12 per pallet)

Galvanizing available on all steel covers.



Oldcastle Precast®
Enclosure Solutions

MADERA/TRACY/ROSEVILLE/PHOENIX
Phone: (800) 486-7070 Fax: (800) 486-6804
Copyright © 2009 Oldcastle Precast Inc.

B24 BOX

FILE NAME: B24_ISO

ISSUE DATE: January, 2009

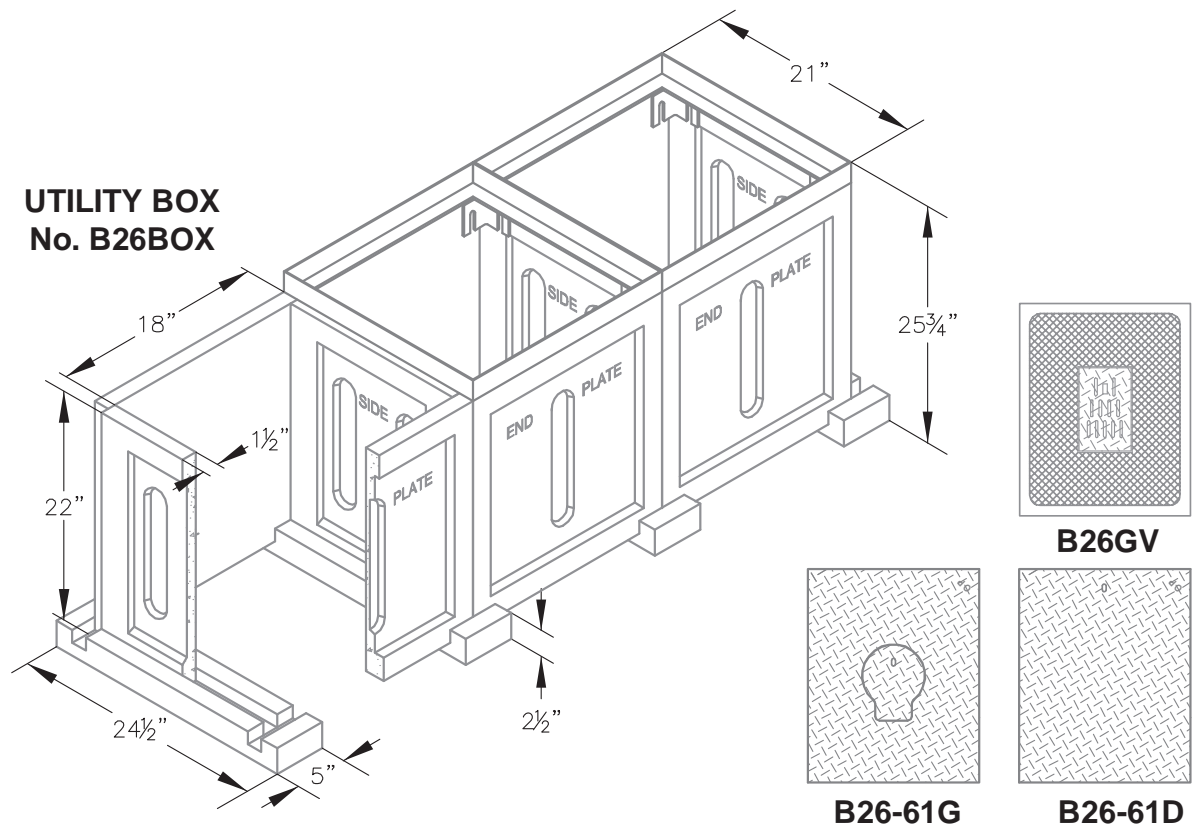
www.oldcastleprecast.com

B24 DUAL METER BOX

20-3/4" x 19-1/4"





**UTILITY BOX
No. B26BOX**



A high density reinforced concrete meter box engineered for simplicity of assembly and ease of adding on additional meter boxes whenever needed. Knockouts designed for flexibility in aligning meters with rigid connections. Approximate dimensions and weight shown.

Ordering Code	Item	Approx. Shipping Weight	Description
B26BOX	BOX		B26 Sectional Utility Box (Meets PG&E Gas Dept. Specs.)
B26SP	SIDE PLATE	34	Reinforced concrete, PG&E code 04-3211
B26EP	END PLATE	40	Reinforced concrete, PG&E code 04-3212
B26SIL	SILL	18	Reinforced concrete, PG&E code 04-3215
B26FR	FRAME	16	Steel fabricated, galvanized PG&E code 04-3216
B26D	LID	48	Reinforced concrete, PG&E code 04-3213
B26GV	LID	46	Reinforced concrete with 5" x 8" cast iron, self-closing, vented, reading lid with frame, PG&E code 04-2328
B26-61D	COVER	33	Steel checker plate, galvanized, PG&E code 04-3266
B26-61G	COVER	28	Steel checker plate with 6" round, self-closing, reading lid, galvanized, PG&E code 04-3267

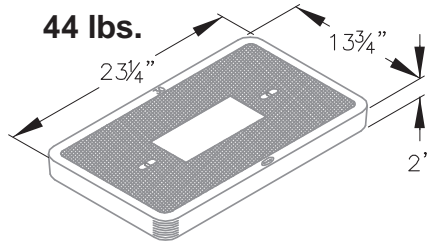
 <p>Oldcastle Precast® Enclosure Solutions MADERA/TRACY/ROSEVILLE/PHOENIX Phone: (800) 486-7070 Fax: (800) 486-6804 Copyright © 2009 Oldcastle Precast Inc.</p>	B26 BOX	B26 SECTIONAL UTILITY BOX 
	FILE NAME: B26_ISO	
	ISSUE DATE: January, 2009	
	www.oldcastleprecast.com	

Back to Table of Contents

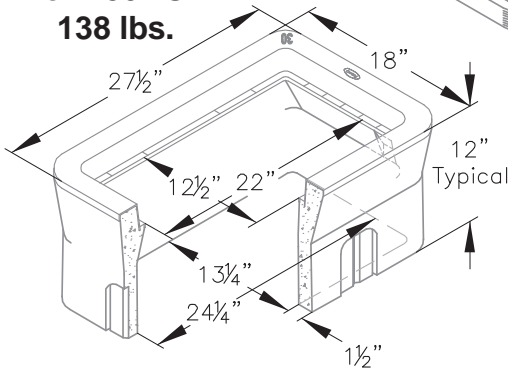
- Etched polypropylene face
- Face anchored in concrete
- Ultra-violet inhibitor
- Exceeds ASTM-D1693 Standards for Environmental Stress Cracking Resistance

REINFORCED CONCRETE LID

No. B30D
44 lbs.



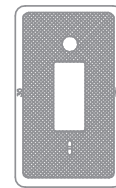
UTILITY BOX
No. B30BOX
138 lbs.



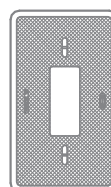
B30E



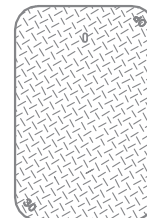
B30G



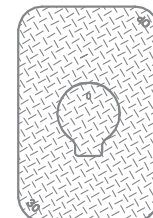
B30P



FL30D



B30-61D



B30-61G

A high density reinforced concrete box with non-settling shoulders positioned to maintain grade and facilitate back filling. Approximate dimensions and weight shown.

Ordering Code	Item	Approx. Shipping Weight	Description
N30BOX	BOX	138	B30 Utility Box (13 3/4" x 24 1/4")- 16 per pallet
B30D	LID	44	Reinforced concrete
FL30D	LID	20	Fibrelite lid, non-concrete
B30E	LID	56	Reinforced concrete with 7" x 13 1/2" concrete reading lid
B30G	LID	44	Reinforced concrete with 5" x 8" cast iron, self-closing, reading lid with frame
B30P	LID	45	Reinforced concrete with 1 3/4" hole for reading probe
B30-61D	COVER	38	Steel checker plate
B30-61G	COVER	38	Steel checker plate with 8" round, self-closing reading lid
B30X12	EXTENSION	116	12" Reinforced concrete - 16 per pallet
B30SL	SLAB	52	Reinforced concrete (16" x 28")

Galvanizing available on all steel covers



Oldcastle Precast®
Enclosure Solutions
MADERA/TRACY/ROSEVILLE/PHOENIX
Phone: (800) 486-7070 Fax: (800) 486-6804
Copyright © 2009 Oldcastle Precast Inc.

B30 BOX

FILE NAME: B30_ISO

ISSUE DATE: January, 2009

www.oldcastleprecast.com

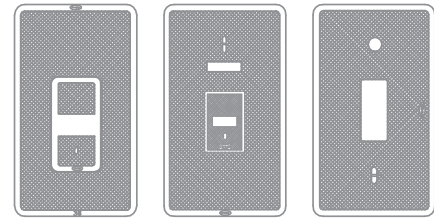
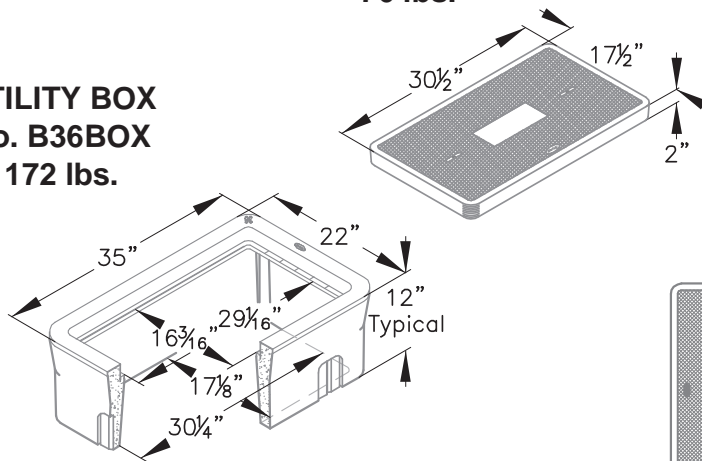
B30 UTILITY BOX
13-1/4" x 24-1/4"



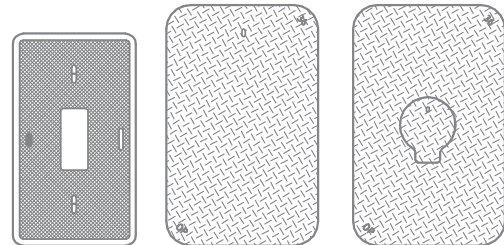
- Etched polypropylene face
- Face anchored in concrete
- Ultra-violet inhibitor
- Exceeds ASTM-D1693 Standards for Environmental Stress Cracking Resistance

REINFORCED CONCRETE LID
No. B36D
76 lbs.

UTILITY BOX
No. B36BOX
172 lbs.



B36E B36G B36P



FL36D B36-61D B36-61G

A high density reinforced concrete box with non-settling shoulders positioned to maintain grade and facilitate back filling. Approximate dimensions and weight shown.

Ordering Code	Item	Approx. Shipping Weight	Description
N36BOX	BOX	172	B36 Utility Box (17 1/8" x 30 1/4")- 8 per pallet
B36D	LID	76	Reinforced concrete
FL36D	LID	35	Fibrelyte lid, non-concrete
B36E	LID	96	Reinforced concrete with 7" x 13 1/2" concrete reading lid
B36G	LID	78	Reinforced concrete with 5" x 8" cast iron, self-closing, reading lid with frame
B36P	LID	78	Reinforced concrete with 1 3/4" hole for reading probe
B36-61D	COVER	56	Steel checker plate
B36-61G	COVER	60	Steel checker plate with 8" round, self-closing, reading lid
B36X12	EXTENSION	189	12" Reinforced concrete- 8 per pallet
B36SL	SLAB	104	Reinforced concrete (20" x 34")

Galvanizing available on all steel covers.

Oldcastle Precast®
 Enclosure Solutions
 MADERA/TRACY/ROSEVILLE/PHOENIX
 Phone: (800) 486-7070 Fax: (800) 486-6804
 Copyright © 2009 Oldcastle Precast Inc.

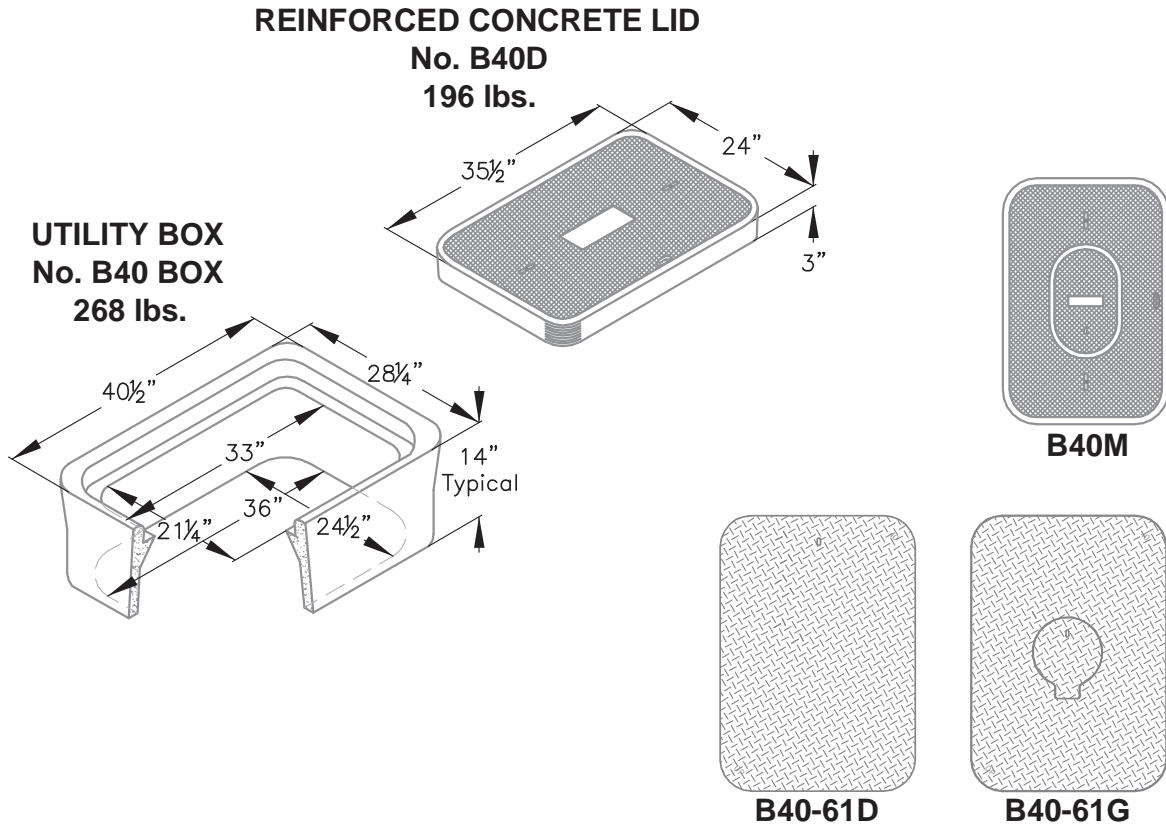
B36 BOX

FILE NAME: B36_ISO

ISSUE DATE: January, 2009

www.oldcastleprecast.com

B36 UTILITY BOX
17-1/8" x 30-1/4"



A high density reinforced concrete pull and junction box with end and side knockouts. Non-setting shoulders maintain grade and facilitate back filling. Approximate dimensions and weight shown.

Ordering Code	Item	Approx. Shipping Weight	Description
B40BOX	BOX	268	B40 Utility Box (24½" x 36")– 3 per pallet
B40D	LID	196	Reinforced concrete
B40M	LID	168	Reinforced concrete with 10" X 16" oval, concrete reading lid
B40-61D	COVER	82	Steel checker plate
B40-61G	COVER	84	Steel checker plate with 10" round, self-closing, reading lid
B40X10	EXTENSION	215	10" Reinforced concrete– 4 per pallet
B40SL	SLAB	201	Reinforced concrete (30" x 40")

Galvanizing available on all steel covers.



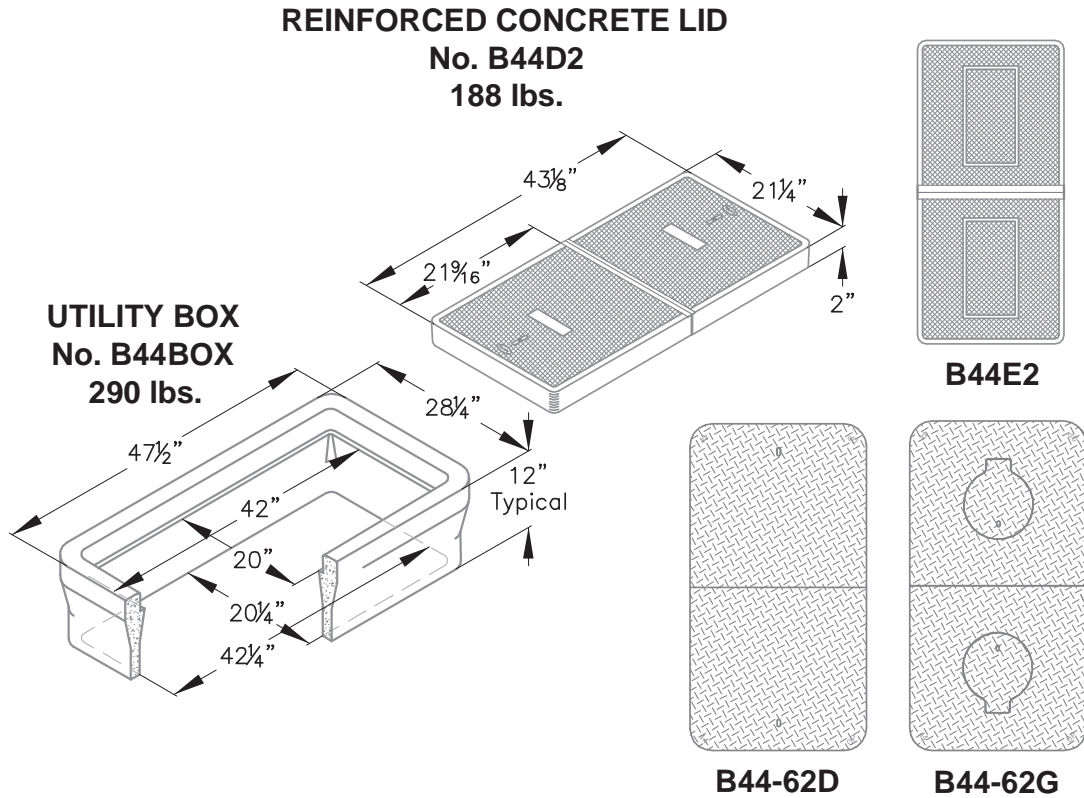
Oldcastle Precast®
Enclosure Solutions
 MADERA/TRACY/ROSEVILLE/PHOENIX
 Phone: (800) 486-7070 Fax: (800) 486-6804
 Copyright © 2009 Oldcastle Precast Inc.

B40 BOX

FILE NAME: B40_ISO
 ISSUE DATE: January, 2009
www.oldcastleprecast.com

B40 UTILITY BOX
24-1/2" x 36"





A high density reinforced concrete box with non-settling shoulders positioned to maintain grade and facilitate back filling. Approximate dimensions and weight shown.

Ordering Code	Item	Approx. Shipping Weight	Description
B44BOX	BOX	290	B44 Utility Box (20 1/4" x 42 1/4")- 6 per pallet
B44D2	LID	188	2 pc. Reinforced concrete
B44E2	LID	200	2 pc. Reinforced concrete with two 7" x 13 1/2" concrete reading lids
B44-62D	COVER	96	2 pc. Steel checker plate
B44-62G	COVER	99	2 pc. Steel checker plate with two 6" round, self-closing, reading lid
B44X8	EXTENSION	178	8" Reinforced concrete- 8 per pallet
B44SL	SLAB	150	Reinforced concrete (24 1/4" x 46")

Galvanizing available on all steel covers.



Oldcastle Precast®
 Enclosure Solutions
 MADERA/TRACY/ROSEVILLE/PHOENIX
 Phone: (800) 486-7070 Fax: (800) 486-6804
 Copyright © 2009 Oldcastle Precast Inc.

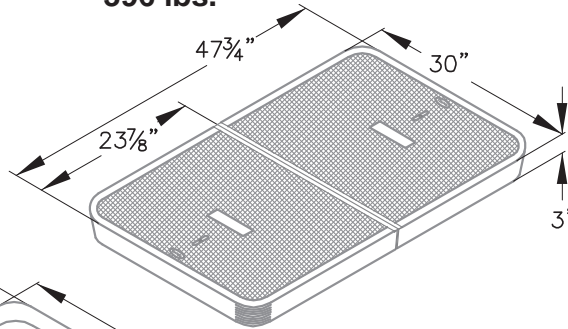
B44 BOX

FILE NAME: B44_ISO
 ISSUE DATE: January, 2009
www.oldcastleprecast.com

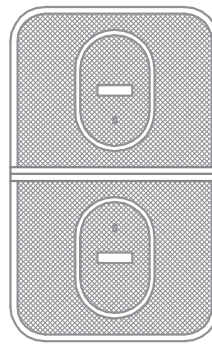
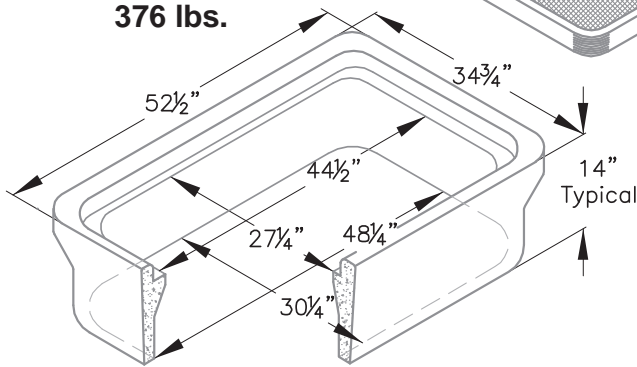
B44 UTILITY BOX
 20-1/4" x 42-1/4"



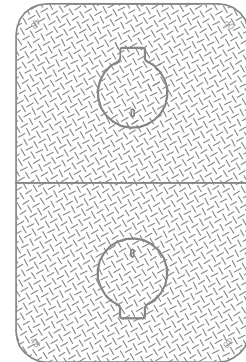
**REINFORCED CONCRETE LID
No. B48D2
396 lbs.**



**UTILITY BOX
No. B48BOX
376 lbs.**



B48M2



B48-62G

A high density reinforced concrete box with non-settling shoulders positioned to maintain grade and facilitate back filling. Approximate dimensions and weight shown.

Ordering Code	Item	Approx. Shipping Weight	Description
B48BOX*	BOX	376	B48 Utility Box (30 1/4" x 48 1/4")- 3 per pallet
B48D2	LID	396	2 pc. Reinforced concrete
B48M2	LID	321	2 pc. Reinforced concrete with two 10" x 16" oval, concrete reading lids
B48-62D	COVER	155	2 pc. Steel checker plate
B48-62G	COVER	154	2 pc. Steel checker plate with two 10" round, self-closing, reading lid
B48X10	EXTENSION	288	10" Reinforced concrete- 3 per pallet
B48SL	SLAB	406	Reinforced concrete (36" x 53")

* Will not accept bolt down lids (see Electrical N48T Box)
Galvanizing available on all steel covers.



Oldcastle Precast®
Enclosure Solutions
MADERA/TRACY/ROSEVILLE/PHOENIX
Phone: (800) 486-7070 Fax: (800) 486-6804
Copyright © 2009 Oldcastle Precast Inc.

B48 BOX

FILE NAME: B48_ISO

ISSUE DATE: January, 2009

www.oldcastleprecast.com

**B48 UTILITY BOX
30-1/4" x 48-1/4"**



REINFORCED CONCRETE LID
No. B52D3
532 lbs.

UTILITY BOX
No. B52BOX
454 lbs.

B52F3

B52M3

B52-62D

B52-62G

A high density reinforced concrete box with non-settling shoulders positioned to maintain grade and facilitate back filling. Approximate dimensions and weight shown.

Ordering Code	Item	Approx. Shipping Weight	Description
B52BOX*	BOX	454	B52 Utility Box (30" x 60")– 3 per pallet
B52D3	LID	532	3 pc. Reinforced concrete
B52F3	LID	476	3 pc. Reinforced concrete with one 8" round checker plate, reading lid
B52M3	LID	384	3 pc. Reinforced concrete with one 8" round checker plate, reading lid & two 10" x 16" oval, concrete reading lid
B52-62D	COVER	178	2 pc. Steel checker plate
B52-62G	COVER	182	2 pc. Steel checker plate with two 10" round, self-closing, reading lid
B52X10	EXTENSION	309	10" Reinforced concrete– 3 per pallet
B52SL	SLAB	550	Reinforced concrete (36" x 66")
B52DCS	SECTION	84	Center section, reinforced concrete, for 3pc. lids
B52FCS	SECTION	80	Center section, reinforced concrete with 8" round checker plate, reading lid for 3pc. lids

* Will not accept bolt down lids (see Electrical N52T Box)
Galvanizing available on all steel covers.

Oldcastle Precast®
Enclosure Solutions
MADERA/TRACY/ROSEVILLE/PHOENIX
Phone: (800) 486-7070 Fax: (800) 486-6804
Copyright © 2009 Oldcastle Precast Inc.

B52 BOX

FILE NAME: B52_ISO

ISSUE DATE: January, 2009

www.oldcastleprecast.com

B52 UTILITY BOX
30" x 60"

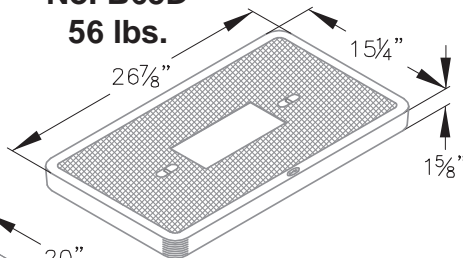
Back to Table of Contents

- Etched polypropylene face
- Face anchored in concrete
- Ultra-violet inhibitor
- Exceeds ASTM-D1693 Standards for Environmental Stress Cracking Resistance

REINFORCED CONCRETE LID

No. B65D

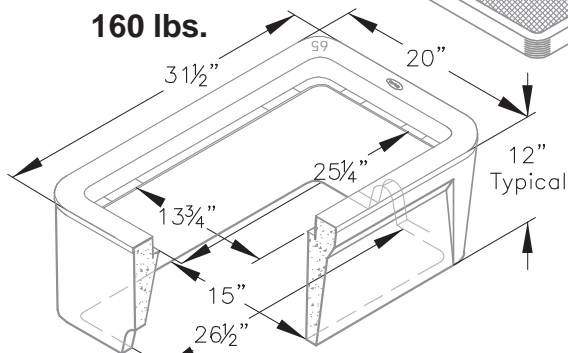
56 lbs.



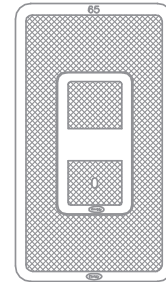
UTILITY BOX

No. B65BOX

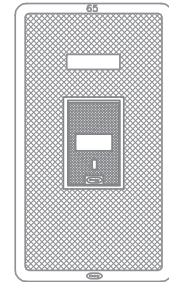
160 lbs.



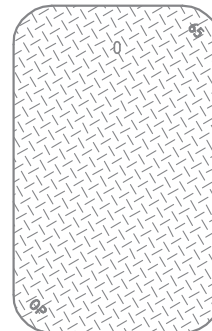
Mouse Hole Opening
(1 Each End)
Typical



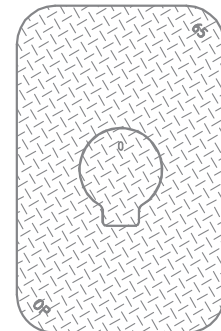
B65E



B65G



B65-61D



B65-61G

A high density reinforced concrete box with non-settling shoulders positioned to maintain grade and facilitate back filling. Approximate dimensions and weight shown.

Ordering Code	Item	Approx. Shipping Weight	Description
B65BOX	BOX	160	B65 Utility Box (15" x 26 1/2")- 8 per pallet
B65D	LID	56	Reinforced concrete
B65E	LID	64	Reinforced concrete with 7" x 13 1/2" concrete reading lid
B65G	LID	54	Reinforced concrete with 5" x 8" cast iron, self-closing, reading lid with frame
B65-61D	COVER	48	Steel checker plate
B65-61G	COVER	49	Steel checker plate with 8" round, self-closing, reading lid
B65X12	EXTENSION	141	12" Reinforced concrete- 8 per pallet
B36SL	SLAB	104	Reinforced concrete (20" x 34")

Galvanizing available on all steel covers.



Oldcastle Precast®
Enclosure Solutions

MADERA/TRACY/ROSEVILLE/PHOENIX
Phone: (800) 486-7070 Fax: (800) 486-6804
Copyright © 2009 Oldcastle Precast Inc.

B65 BOX

FILE NAME: B65_ISO

ISSUE DATE: January, 2009

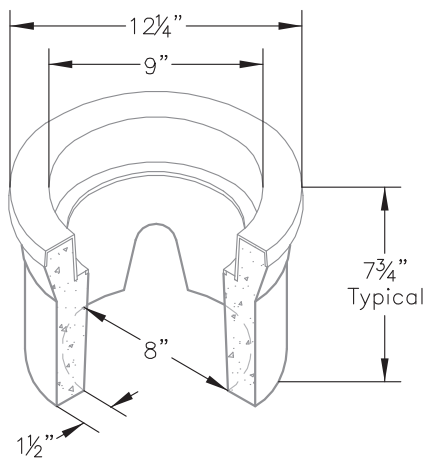
www.oldcastleprecast.com

B65 UTILITY BOX
15" x 26-1/2"

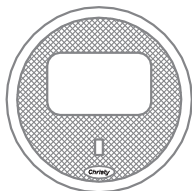
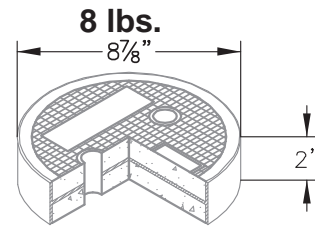


- Etched polypropylene face
- Face anchored in concrete
- Ultra-violet inhibitor
- Exceeds ASTM-D1693 Standards for Environmental Stress Cracking Resistance

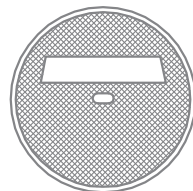
**CURB VALVE BOX
No. F01BOX
22 lbs.**



**REINFORCED CONCRETE LID
No. F08R
8 lbs.**



FL08D



F08C



V01-71C

A high density reinforced concrete box with non-settling shoulders positioned to maintain grade and facilitate back filling. Approximate dimensions and weight shown.

Ordering Code	Item	Approx. Shipping Weight	Description
F01BOX	BOX	22	F01 Curb Valve Box (8" I.D. x 7 3/4" high)– 48 per pallet
F08R	LID	8	Reinforced concrete lid with plastic ring
F08C	LID	8	Cast iron
FL08D	LID	3	Fibrelyte lid, non-concrete
V01-71C	GRATE	12	Cast iron



Oldcastle Precast®
Enclosure Solutions
MADERA/TRACY/ROSEVILLE/PHOENIX
Phone: (800) 486-7070 Fax: (800) 486-6804
Copyright © 2009 Oldcastle Precast Inc.

F01 BOX (STANDARD)

FILE NAME: F01_ISO
ISSUE DATE: January, 2009
www.oldcastleprecast.com

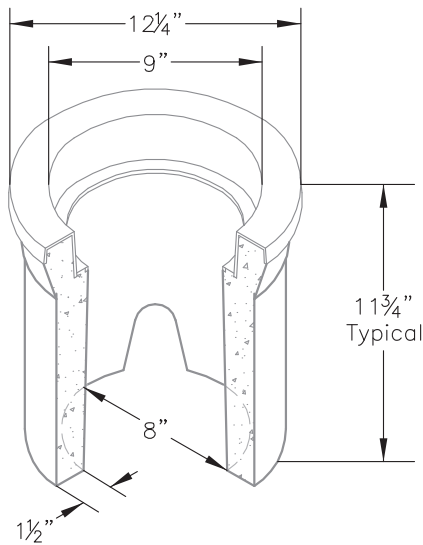
**F01 CURB VALVE BOX
8" I.D. x 7-3/4"**



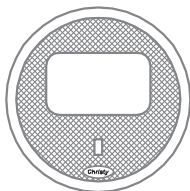
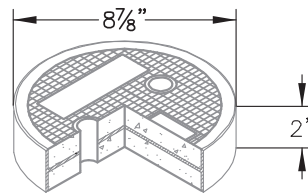
Back to Table of Contents

- Etched polypropylene face
- Face anchored in concrete
- Ultra-violet inhibitor
- Exceeds ASTM-D1693 Standards for Environmental Stress Cracking Resistance

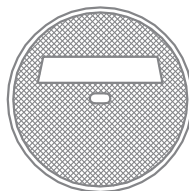
**CURB VALVE BOX
No. F08BOX
34 lbs.**



**REINFORCED CONCRETE LID
No. F08R
8 lbs.**



FL08D



F08C



V01-71C

A high density reinforced concrete box with non-settling shoulders positioned to maintain grade and facilitate back filling. Approximate dimensions and weight shown.

Ordering Code	Item	Approx. Shipping Weight	Description
F08BOX	BOX	34	F08 Curb Valve Box (8" I.D. x 11 3/4" high)– 48 per pallet
F08R	LID	8	Reinforced concrete with plastic ring
F08C	LID	8	Cast iron
FL08D	LID	2	Fibrelyte lid, non-concrete
V01-71C	GRATE	12	Cast iron



Oldcastle Precast[®]
Enclosure Solutions
MADERA/TRACY/ROSEVILLE/PHOENIX
Phone: (800) 486-7070 Fax: (800) 486-6804
Copyright © 2009 Oldcastle Precast Inc.

F08 BOX (STANDARD)

FILE NAME: F08_ISO

ISSUE DATE: January, 2009

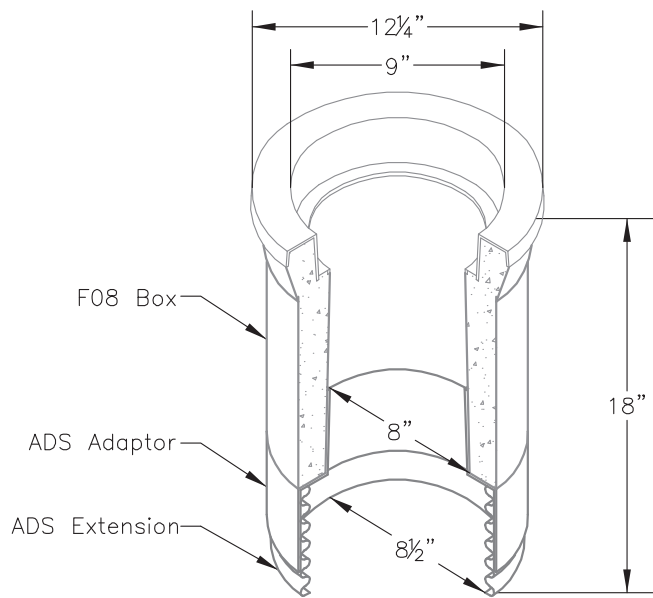
www.oldcastleprecast.com

**F08 CURB VALVE BOX
8" I.D. x 11-3/4"**

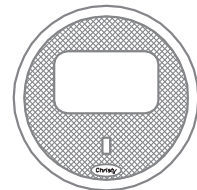
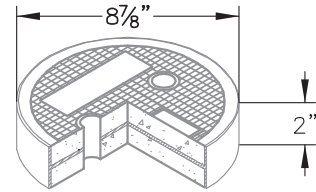


- Etched polypropylene face
- Face anchored in concrete
- Ultra-violet inhibitor
- Exceeds ASTM-D1693 Standards for Environmental Stress Cracking Resistance

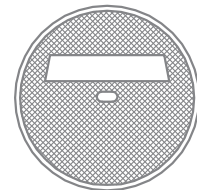
**CURB VALVE BOX
No. F14BOX
34 lbs.**



**REINFORCED CONCRETE LID
No. F08R
8 lbs.**



FL08D



F08C

A high density reinforced concrete box with non-settling shoulders positioned to maintain grade and facilitate back filling. Approximate dimensions and weight shown.

Ordering Code	Item	Approx. Shipping Weight	Description
F14BOX	BOX	34	F14 Curb Valve Box (8" I.D. x 18" high)– F08 Box with 6" ADS Extension & Adapter
F08R	LID	8	Reinforced concrete with plastic ring
F08C	LID	8	Cast iron
FL08D	LID	2	Fibrelyte lid, non-concrete
F08XAD	ADAPTER	1	ADS snap adapter
F14XP6	EXTENSION	1	ADS 6" plastic
F14XP120	EXTENSION	11	ADS 10' plastic



Oldcastle Precast®
Enclosure Solutions

MADERA/TRACY/ROSEVILLE/PHOENIX
Phone: (800) 486-7070 Fax: (800) 486-6804
Copyright © 2009 Oldcastle Precast Inc.

F14 BOX (STANDARD)

FILE NAME: F14_ISO

ISSUE DATE: January, 2009

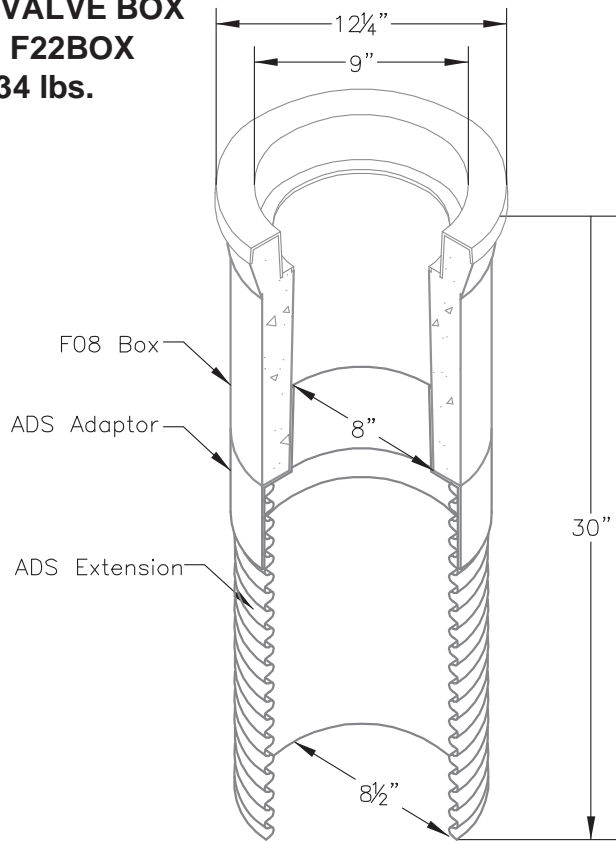
www.oldcastleprecast.com

**F14 CURB VALVE BOX
8" I.D. x 18"**

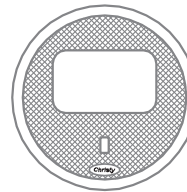
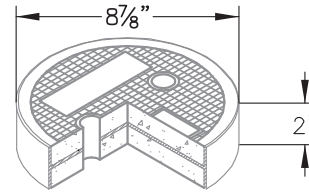


- Etched polypropylene face
- Face anchored in concrete
- Ultra-violet inhibitor
- Exceeds ASTM-D1693 Standards for Environmental Stress Cracking Resistance

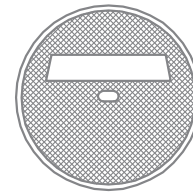
CURB VALVE BOX
No. F22BOX
34 lbs.



REINFORCED CONCRETE LID
No. F08R
8 lbs.



FL08D



F08C

A high density reinforced concrete box with non-settling shoulders positioned to maintain grade and facilitate back filling. Approximate dimensions and weight shown.

Ordering Code	Item	Approx. Shipping Weight	Description
F22BOX	BOX	34	F22 Curb Valve Box (8 1/2" I.D. x 30" high)– F08 Box with 18" ADS Extension & Adapter
F08R	LID	8	Reinforced concrete with plastic ring
F08C	LID	8	Cast iron
FL08D	LID	2	Fibrelyte lid, non-concrete
F08XAD	ADAPTER	1	ADS snap adapter
F08XP18	EXTENSION	2	ADS 18" plastic
F14XP120	EXTENSION	11	ADS 10' plastic



Oldcastle Precast®
Enclosure Solutions
 MADERA/TRACY/ROSEVILLE/PHOENIX
 Phone: (800) 486-7070 Fax: (800) 486-6804
 Copyright © 2009 Oldcastle Precast Inc.

F22 BOX (STANDARD)

FILE NAME: F22_ISO
 ISSUE DATE: January, 2009
www.oldcastleprecast.com

F22 CURB VALVE BOX
8" I.D. x 30"

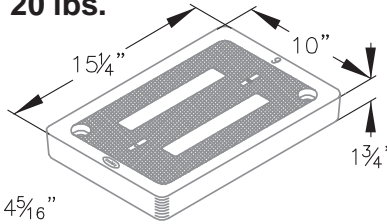


- Etched polypropylene face
- Face anchored in concrete
- Ultra-violet inhibitor
- Exceeds ASTM-D1693 Standards for Environmental Stress Cracking Resistance
- Meets Caltrans #3 1/2 State Specifications

REINFORCED CONCRETE LID

NO. N09T

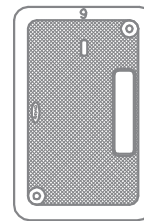
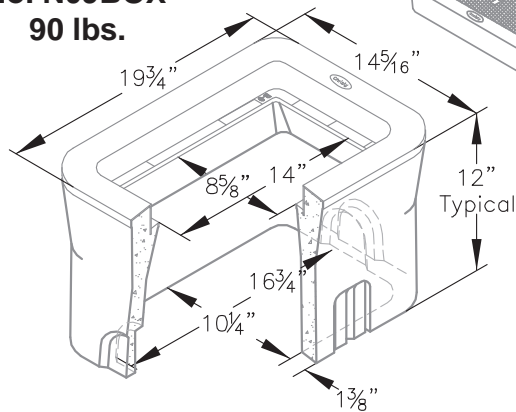
20 lbs.



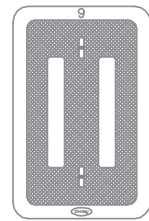
ELECTRICAL BOX

No. N09BOX

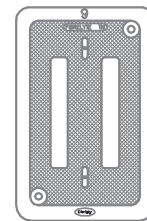
90 lbs.



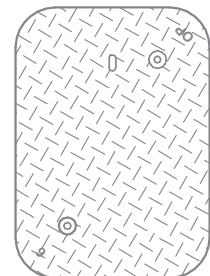
N09J



N09D



FL09T



N09-61J

A high density reinforced concrete pull and junction box with end and side knockouts. Non-settling shoulders maintain grade and facilitate back filling. Approximate dimensions and weight shown.

Ordering Code	Item	Approx. Shipping Weight	Description
N09BOX	BOX	90	N09 Electrical Box (10 1/4" x 16 3/4")- Meets #3-1/2 State Specifications- 28 per pallet
N09D	LID	20	Reinforced concrete
FL09D	LID	9	Fibreglass lid, non-concrete
N09T	LID	20	Reinforced concrete, bolt down (order N99 bolts separately)
FL09T	LID	9	Fibreglass lid, bolt down (order N99 bolts separately)
N09J	LID	22	Cast iron, bolt down (order N99 bolts separately)
B09-61D	COVER	22	Steel checker plate
N09-61J	COVER	22	Steel checker plate, bolt down (order N99 bolts separately)
B09X12	EXTENSION	87	12" Reinforced concrete - 28 per pallet
B09SL	SLAB	32	Reinforced concrete (12 3/4" x 19 3/4")

Galvanizing available on all steel covers



Oldcastle Precast®
Enclosure Solutions

MADERA/TRACY/ROSEVILLE/PHOENIX
Phone: (800) 486-7070 Fax: (800) 486-6804
Copyright © 2009 Oldcastle Precast Inc.

N09 BOX

FILE NAME: N09_ISO

ISSUE DATE: January, 2009

www.oldcastleprecast.com

N09 ELECTRICAL BOX

10-1/4" x 16-3/4"

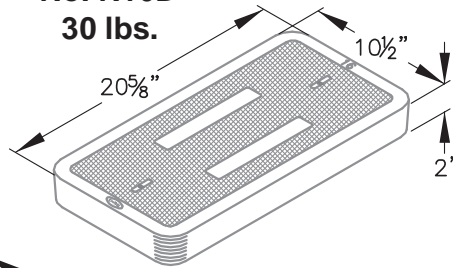


Back to Table of Contents

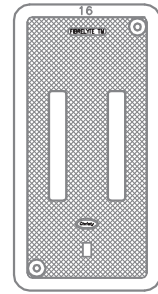
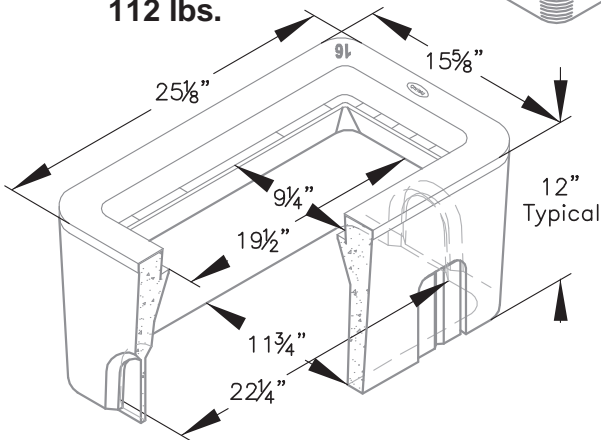
- Etched polypropylene face
- Face anchored in concrete
- Ultra-violet inhibitor
- Exceeds ASTM-D1693 Standards for Environmental Stress Cracking Resistance

REINFORCED CONCRETE LID

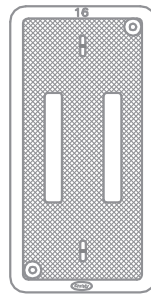
No. N16D
30 lbs.



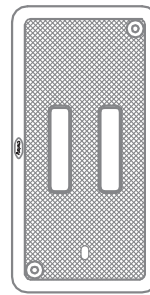
ELECTRICAL BOX
No. N16BOX
112 lbs.



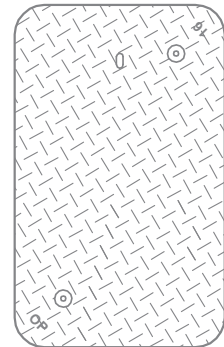
FL16T



N16T



N16J



N16-61J

A high density reinforced concrete pull and junction box with end and side knockouts. Non-settling shoulders maintain grade and facilitate back filling. Approximate dimensions and weight shown.

Ordering Code	Item	Approx. Shipping Weight	Description
N16BOX	BOX	112	N16 Electrical Box (11 3/4" x 22 1/4")- 20 per pallet
N16D	LID	30	Reinforced concrete
FL16D	LID	13	Fibrelyte lid, non-concrete
FL16T	LID	13	Fibrelyte lid, bolt down (order N99 bolts separately)
N16T	LID	30	Reinforced concrete lid, bolt down (order N99 bolts separately)
N16J	LID	36	Cast iron, bolt down (order N99 bolts separately)
B16-61D	COVER	28	Steel checker plate
N16-61J	COVER	28	Steel checker plate, bolt down (order N99 bolts separately)
B16X12	EXTENSION	113	12" Reinforced concrete - 20 per pallet
B16SL	SLAB	54	Reinforced concrete (16" x 27")

Galvanizing available on all steel covers



Oldcastle Precast®
Enclosure Solutions
MADERA/TRACY/ROSEVILLE/PHOENIX
Phone: (800) 486-7070 Fax: (800) 486-6804
Copyright © 2009 Oldcastle Precast Inc.

N16 BOX

FILE NAME: N16_ISO
ISSUE DATE: January, 2009
www.oldcastleprecast.com

N16 ELECTRICAL BOX
11-3/4" x 22-1/4"



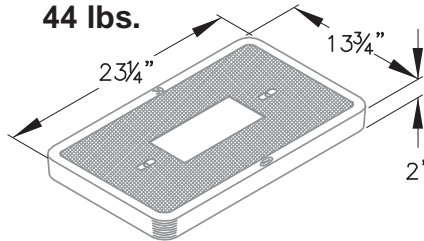
Back to Table of Contents

- Etched polypropylene face
- Face anchored in concrete
- Ultra-violet inhibitor
- Exceeds ASTM-D1693 Standards for Environmental Stress Cracking Resistance
- Meets Caltrans #5 State Specifications

REINFORCED CONCRETE LID

No. B30D

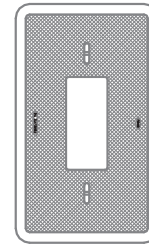
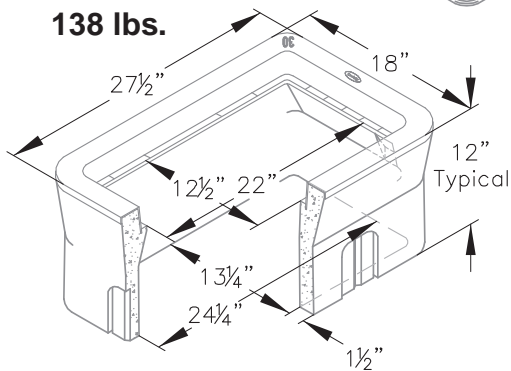
44 lbs.



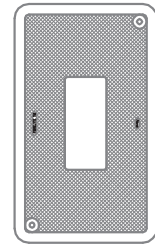
ELECTRICAL BOX

No. N30BOX

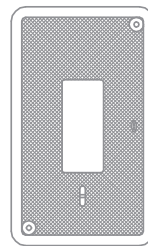
138 lbs.



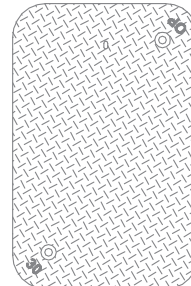
FL30D



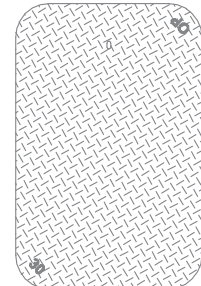
FL30T



N30T



N30-61J



B30-61D

A high density reinforced concrete pull and junction box with end and side knockouts. Non-settling shoulders maintain grade and facilitate back filling. Approximate dimensions and weight shown.

Ordering Code	Item	Approx. Shipping Weight	Description
N30BOX	BOX	138	N30 Electrical Box (13 1/4" x 24 1/4")- Meets #5 State Specifications- 16 per pallet
B30D	LID	44	Reinforced concrete
FL30D	LID	20	Fibrelyte lid, non-concrete
N30T	LID	44	Reinforced concrete, bolt down (order N99 bolts separately)
FL30T	LID	20	Fibrelyte lid, bolt down (order N99 bolts separately)
B30-61D	COVER	38	Steel checker plate
N30-61J	COVER	38	Steel checker plate, bolt down (order N99 bolts separately)
B30X12	EXTENSION	126	12" Reinforced concrete - 16 per pallet
B30SL	SLAB	52	Reinforced concrete (16" x 28")

Galvanizing available on all steel covers



Oldcastle Precast®
Enclosure Solutions

MADERA/TRACY/ROSEVILLE/PHOENIX
Phone: (800) 486-7070 Fax: (800) 486-6804
Copyright © 2009 Oldcastle Precast Inc.

N30 BOX

FILE NAME: N30_ISO

ISSUE DATE: January, 2009

www.oldcastleprecast.com

N30 ELECTRICAL BOX

13-1/4" x 24-1/4"

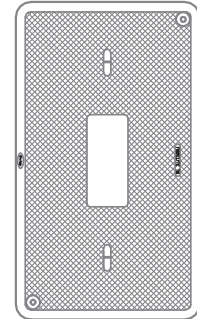
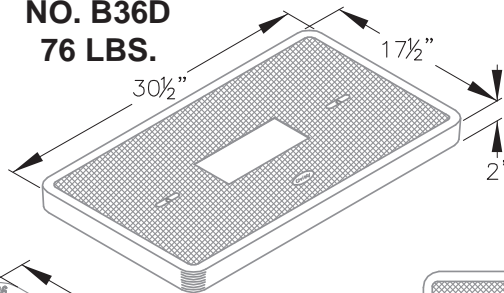


Back to Table of Contents

- Etched polypropylene face
- Face anchored in concrete
- Ultra-violet inhibitor
- Exceeds ASTM-D1693 Standards for Environmental Stress Cracking Resistance
- Meets Caltrans #6 State Specifications

REINFORCED CONCRETE LID

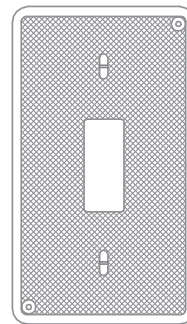
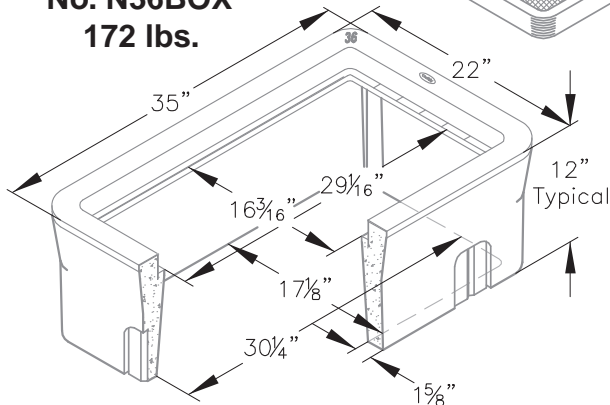
NO. B36D
76 LBS.



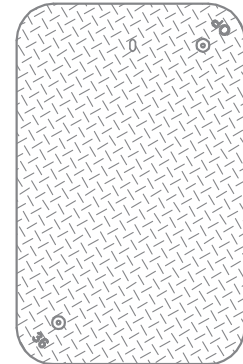
FL36T

ELECTRICAL BOX

No. N36BOX
172 lbs.



N36T



N36-61J

A high density reinforced concrete pull and junction box with end and side knockouts. Non-settling shoulders maintain grade and facilitate back filling. Approximate dimensions and weight shown.

Ordering Code	Item	Approx. Shipping Weight	Description
N36BOX	BOX	172	N36 Electrical Box (17 1/8" x 30 1/4")- Meets #6 State Specifications- 8 per pallet
B36D	LID	76	Reinforced concrete
FL36D	LID	35	Fibrelyte lid, non-concrete
N36T	LID	76	Reinforced concrete, bolt down (order N99 bolts separately)
FL36T	LID	35	Fibrelyte lid, bolt down (order N99 bolts separately)
B36-61D	COVER	56	Steel checker plate
N36-61J	COVER	56	Steel checker plate, bolt down (order N99 bolts separately)
B36X12	EXTENSION	189	12" Reinforced concrete - 8 per pallet
B36SL	SLAB	104	Reinforced concrete (20" x 34")

Galvanizing available on all steel covers



Oldcastle Precast®
Enclosure Solutions
MADERA/TRACY/ROSEVILLE/PHOENIX
Phone: (800) 486-7070 Fax: (800) 486-6804
Copyright © 2009 Oldcastle Precast Inc.

N36 BOX

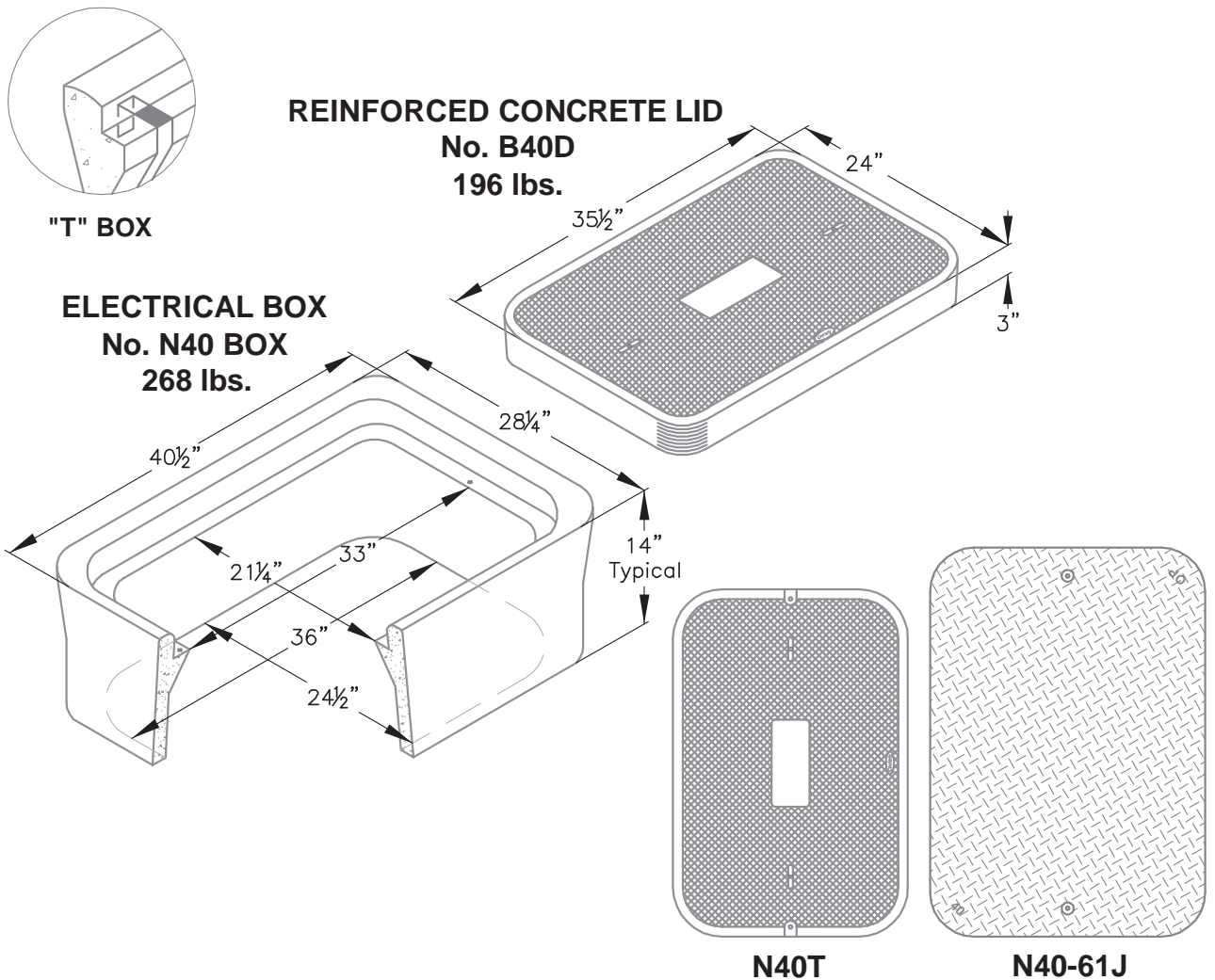
FILE NAME: N36_ISO

ISSUE DATE: January, 2009

www.oldcastleprecast.com

N36 ELECTRICAL BOX
17-1/8" x 30-1/4"





A high density reinforced concrete pull and junction box with end and side knockouts. Non-setting shoulders maintain grade and facilitate back filling. Approximate dimensions shown.

Ordering Code	Item	Approx. Shipping Weight	Description
B40BOX	BOX	268	N40 Electrical Box (24½" x 36")— 3 per pallet
B40D	LID	196	Reinforced concrete
N40T	LID	196	Reinforced concrete with hold down bolts
B40-61D	COVER	82	Steel checker plate
N40-61J	COVER	84	Steel checker plate with hold down bolts
B40X10	EXTENSION	215	10" Reinforced concrete – 4 per pallet
B40SL	SLAB	194	Reinforced concrete (30" x 40")

Galvanizing available on all steel covers



Oldcastle Precast®
Enclosure Solutions
 MADERA/TRACY/ROSEVILLE/PHOENIX
 Phone: (800) 486-7070 Fax: (800) 486-6804
 Copyright © 2009 Oldcastle Precast Inc.

N40 BOX

FILE NAME: N40_ISO

ISSUE DATE: January, 2009

www.oldcastleprecast.com

N40 ELECTRICAL BOX
24-1/2" x 36"



REINFORCED CONCRETE LID
No. N44D2
188 lbs.

ELECTRICAL BOX
No. N44BOX
290 lbs.

B44-62D

A high density reinforced concrete box with non-settling shoulders positioned to maintain grade and facilitate back filling. Approximate dimensions and weight shown.

Ordering Code	Item	Approx. Shipping Weight	Description
B44BOX	BOX	290	N44 Electrical Box (20½" x 42")– 6 per pallet
N44D2	LID	188	2 pc. Reinforced concrete
B44-62D	COVER	96	2 pc. Steel checker plate
B44X8	EXTENSION	178	8" reinforced concrete– 8 per pallet
B44SL	SLAB	150	Reinforced concrete (24¼" x 46")

Galvanizing available on all steel covers.

Oldcastle Precast®
Enclosure Solutions
MADERA/TRACY/ROSEVILLE/PHOENIX
Phone: (800) 486-7070 Fax: (800) 486-6804
Copyright © 2009 Oldcastle Precast Inc.

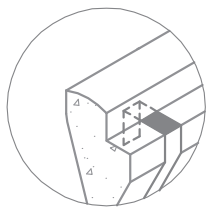
N44 BOX

FILE NAME: N44_ISO

ISSUE DATE: January, 2009

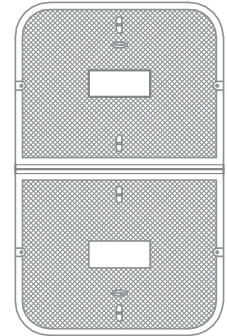
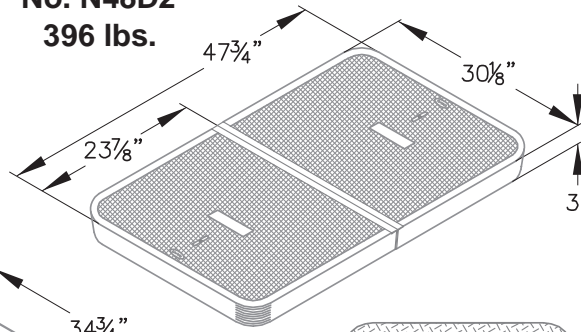
www.oldcastleprecast.com

N44 ELECTRICAL BOX
20-1/4" x 42-1/4"



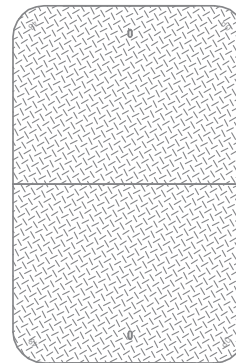
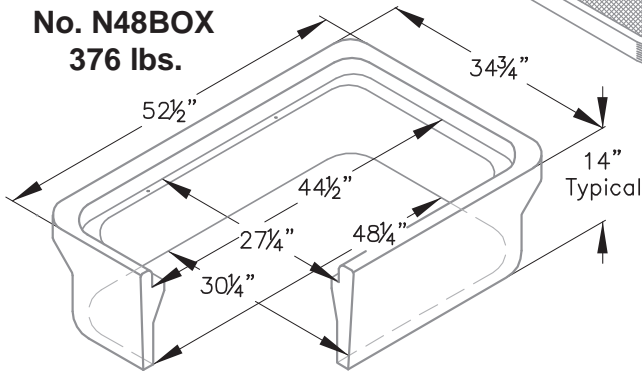
"T" BOX

**REINFORCED CONCRETE LID
No. N48D2
396 lbs.**

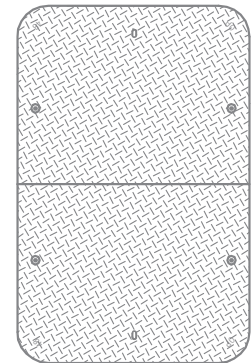


N48T2

**ELECTICAL BOX
No. N48BOX
376 lbs.**



B48-62D



B48-62J

A high density reinforced concrete pull and junction box with end and side knockouts. Non-setting shoulders maintain grade and facilitate back filling. Approximate dimensions and weight shown.

Ordering Code	Item	Approx. Shipping Weight	Description
B48BOX	BOX	376	B48 Utility Box (30 1/4" x 48 1/4") – 3 per pallet
N48TBOX*	BOX	376	N48 Electrical Box (30 1/4" x 48 1/4") – 3 per pallet
N48D2	LID	396	2 pc. Reinforced concrete
N48T2	LID	396	2 pc. Reinforced concrete with hold down bolts
B48-62D	COVER	155	2 pc. Steel checker plate
N48-62J	COVER	155	2 pc. Steel checker plate with hold down bolts
B48X10	EXTENSION	288	10" Reinforced concrete – 3 per pallet
B48SL	SLAB	406	Reinforced concrete (36" x 53")

*Boxes provided with bolt down provisions for use with bolt down lids.
Galvanizing available on all steel covers



Oldcastle Precast[®]
Enclosure Solutions
MADERA/TRACY/ROSEVILLE/PHOENIX
Phone: (800) 486-7070 Fax: (800) 486-6804
Copyright © 2009 Oldcastle Precast Inc.

N48 BOX

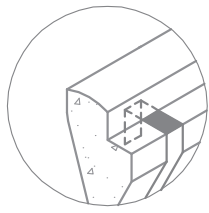
FILE NAME: N48_ISO

ISSUE DATE: January, 2009

www.oldcastleprecast.com

**N48 ELECTRICAL BOX
30-1/4" x 48-1/4"**

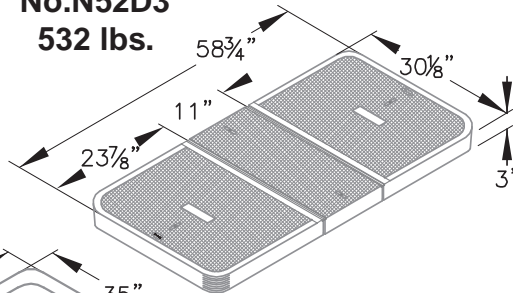




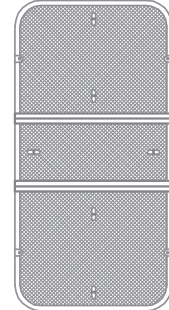
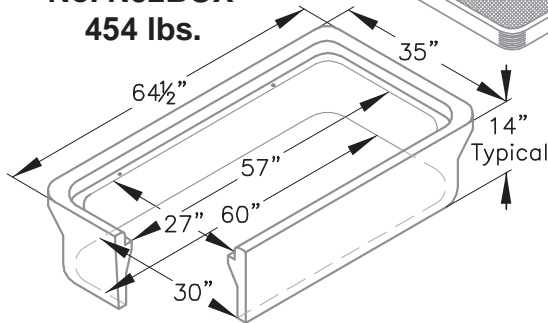
"T" BOX

REINFORCED CONCRETE LID

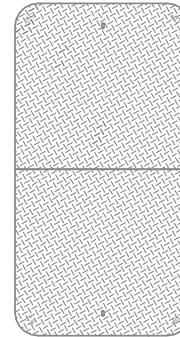
No.N52D3
532 lbs.



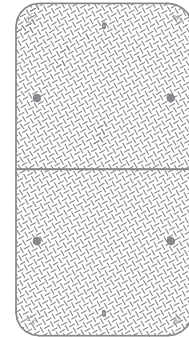
ELECTRICAL BOX
No. N52BOX
454 lbs.



N52T3



B52-62D



N52-62J

A high density reinforced concrete pull and junction box with end and side knockouts. Non-settling shoulders maintain grade and facilitate back filling. Approximate dimensions and weight shown.

Ordering Code	Item	Approx. Shipping Weight	Description
B52BOX	BOX	454	B52 Utility Box (30" x 60") – 3 per pallet
N52TBOX*	BOX	454	N52 Electrical Box (30" x 60") – 3 per pallet
N52D3	LID	532	3 pc. Reinforced concrete
N52T3	LID	532	3 pc. Reinforced concrete with hold down bolts and interlocking center section
B52-62D	COVER	178	2 pc. Steel checker plate
N52-62J	COVER	178	2 pc. Steel checker plate with hold down bolts
B52X10	EXTENSION	308	10" Reinforced concrete – 3 per pallet
B52SL	SLAB	509	Reinforced concrete (36" x 66")
N52TCS	SECTION	80	Center section w/ tabs, reinforced concrete, for 3pc. bolt down lids

*Boxes provided with bolt down provisions for use with bolt down lids.

Galvanizing available on all steel covers



Oldcastle Precast®
Enclosure Solutions

MADERA/TRACY/ROSEVILLE/PHOENIX
Phone: (800) 486-7070 Fax: (800) 486-6804
Copyright © 2009 Oldcastle Precast Inc.

N52 BOX

FILE NAME: N52_ISO

ISSUE DATE: January, 2009

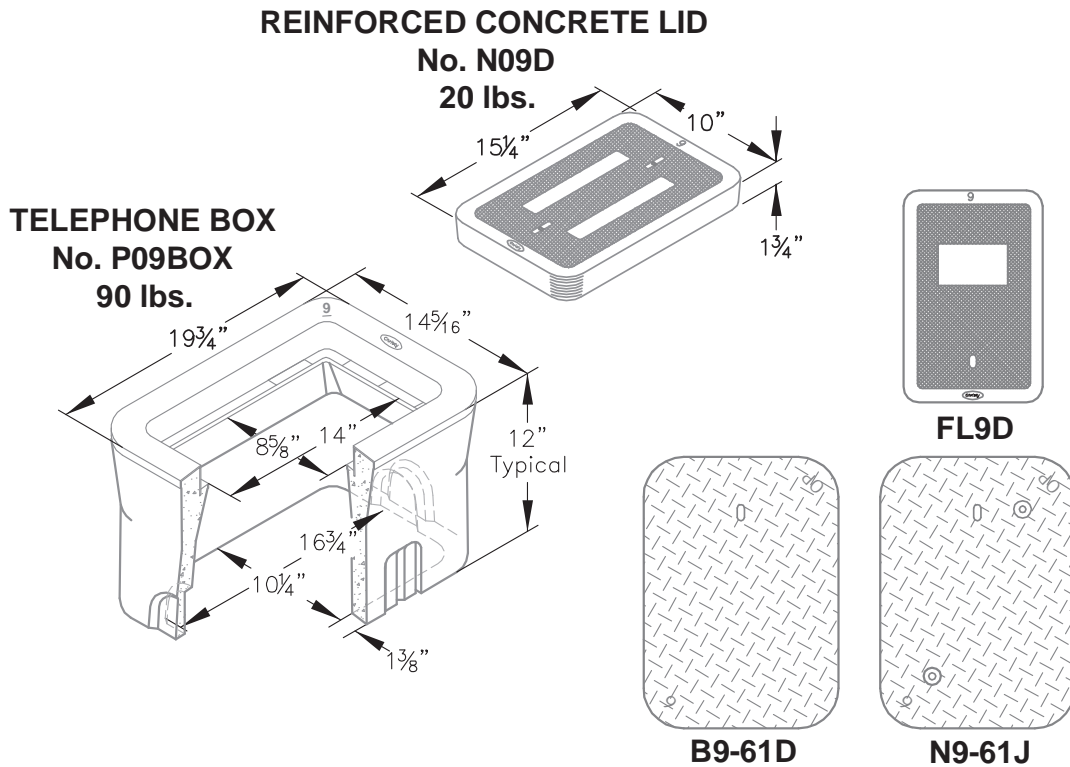
www.oldcastleprecast.com

N52 ELECTRICAL BOX
30" x 60"



Back to Table of Contents

- Etched polypropylene face
- Face anchored in concrete
- Ultra-violet inhibitor
- Exceeds ASTM-D1693 Standards for Environmental Stress Cracking Resistance



A high density reinforced concrete box with non-settling shoulders positioned to maintain grade and facilitate back filling. Approximate dimensions and weight shown.

Ordering Code	Item	Approx. Shipping Weight	Description
N09BOX	BOX	90	P09 Telephone Box (10 1/4" x 16 3/4") - 28 per pallet
B09D	LID	20	Reinforced concrete
FL09D	LID	9	Fibrelyte lid, non-concrete
B09-61D	COVER	22	Steel checker plate
N09-61J	COVER	22	Steel checker plate, bolt down (order bolts separate)
B09X12	EXTENSION	87	12" Reinforced concrete - 28 per pallet

Galvanizing available on all steel covers



Oldcastle Precast®
Enclosure Solutions
 MADERA/TRACY/ROSEVILLE/PHOENIX
 Phone: (800) 486-7070 Fax: (800) 486-6804
 Copyright © 2009 Oldcastle Precast Inc.

P09 BOX

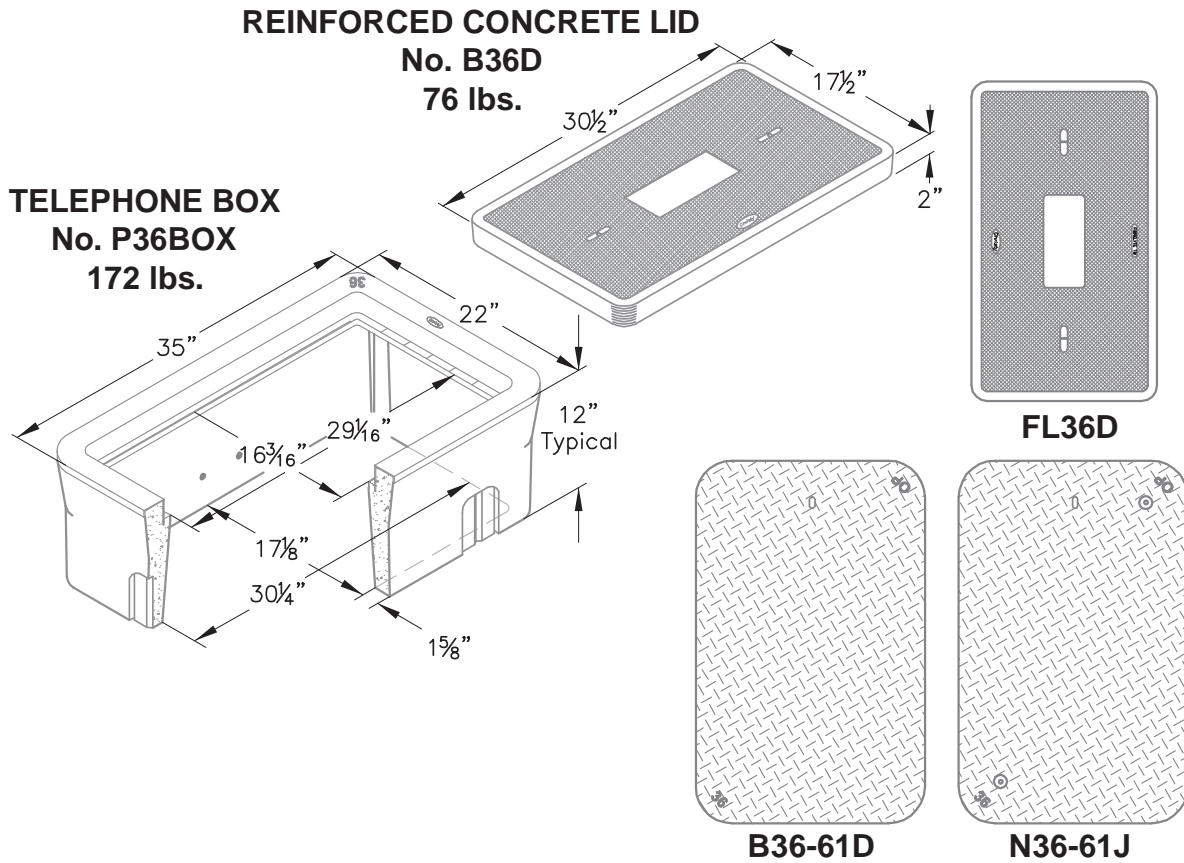
FILE NAME: P09_ISO
 ISSUE DATE: January, 2009
www.oldcastleprecast.com

P09 TELEPHONE BOX
10-1/4" X 16-3/4"



Back to Table of Contents


- Etched polypropylene face
- Face anchored in concrete
- Ultra-violet inhibitor
- Exceeds ASTM-D1693 Standards for Environmental Stress Cracking Resistance



A high density reinforced concrete box with non-settling shoulders positioned to maintain grade and facilitate back filling. Approximate dimensions and weight shown.

Ordering Code	Item	Approx. Shipping Weight	Description
P36BOX	BOX	172	P36 Telephone Box (17 ¹ / ₈ " x 30 ¹ / ₄ ") – 8 per pallet
B36D	LID	76	Reinforced concrete
FL36D	LID	35	Fibrelyte lid, non-concrete
B36-61D	COVER	56	Steel checker plate
N36-61J	COVER	56	Steel checker plate, bolt down (order bolts separate)
B36X12	EXTENSION	189	12" Reinforced concrete – 8 per pallet

Galvanizing available on all steel covers



Oldcastle Precast®
Enclosure Solutions
MADERA/TRACY/ROSEVILLE/PHOENIX
Phone: (800) 486-7070 Fax: (800) 486-6804
Copyright © 2009 Oldcastle Precast Inc.

P36 BOX

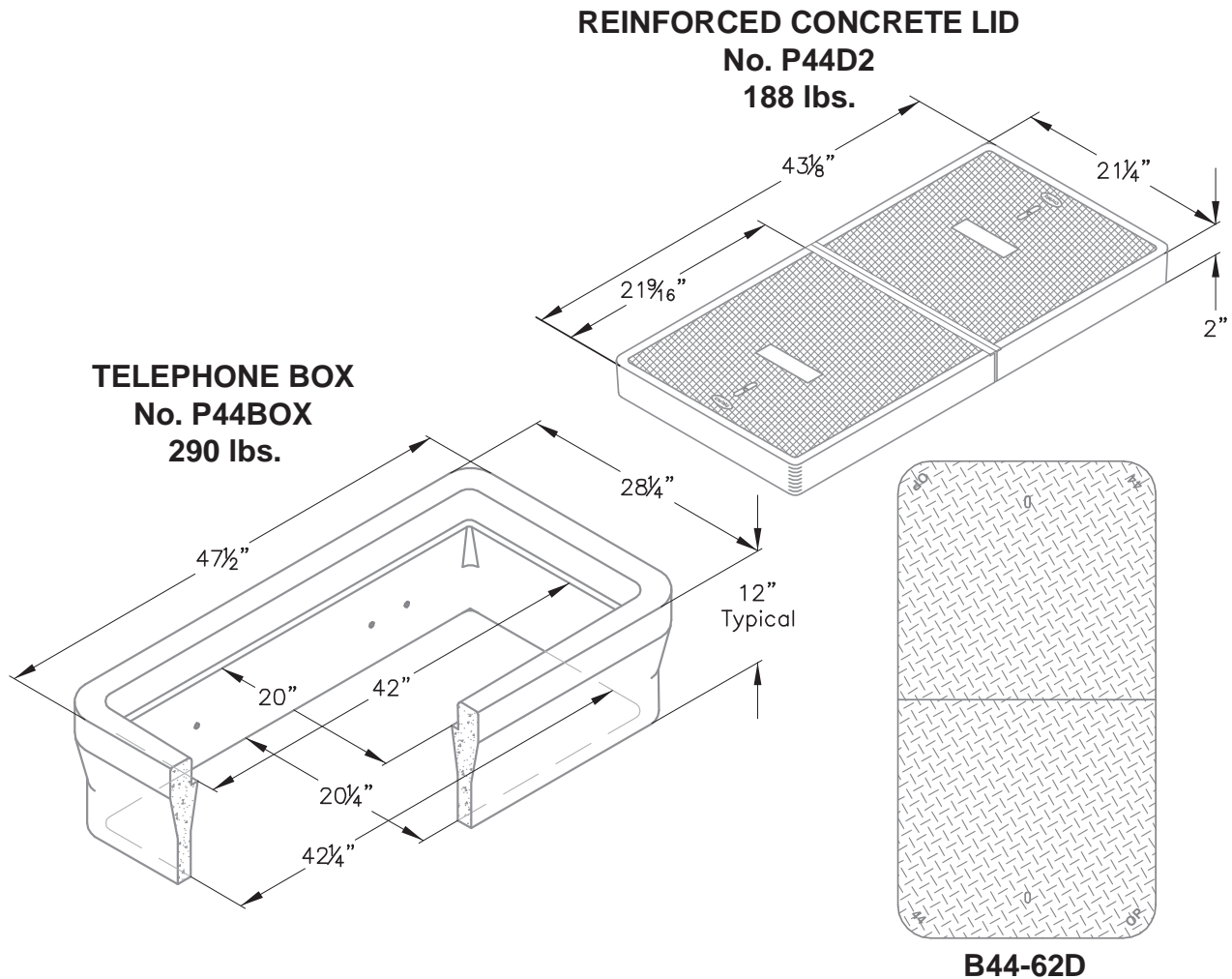
FILE NAME: P36_ISO

ISSUE DATE: January, 2009

www.oldcastleprecast.com

P36 TELEPHONE BOX
17-1/8" X 30-1/4"





A high density reinforced concrete box with non-settling shoulders positioned to maintain grade and facilitate back filling. Supplied with inserts to support brackets. Approximate dimensions and weight shown.

Ordering Code	Item	Approx. Shipping Weight	Description
P44BOX	BOX	290	P44 Telephone Box (20 1/4" x 42 1/4")- 6 per pallet
B44D2	LID	188	2 pc. Reinforced concrete
B44-62D	COVER	96	2 pc. Steel checker plate
B44X8	EXTENSION	178	8" Reinforced concrete - 8 per pallet
B44SL	SLAB	150	Reinforced concrete (24 1/4" x 46")

Galvanizing available on all steel covers



Oldcastle Precast®
Enclosure Solutions

MADERA/TRACY/ROSEVILLE/PHOENIX
Phone: (800) 486-7070 Fax: (800) 486-6804
Copyright © 2009 Oldcastle Precast Inc.

P44 BOX

FILE NAME: P44_ISO

ISSUE DATE: January, 2009

www.oldcastleprecast.com

P44 TELEPHONE BOX
20-1/4" x 42-1/4"

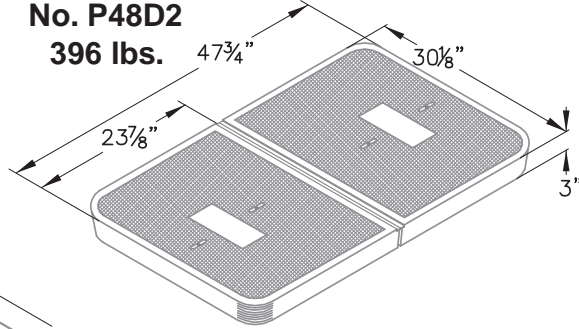




"T" BOX

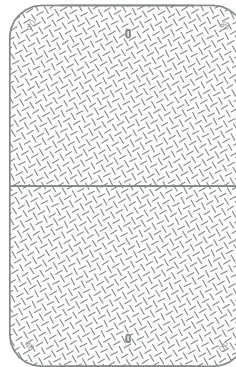
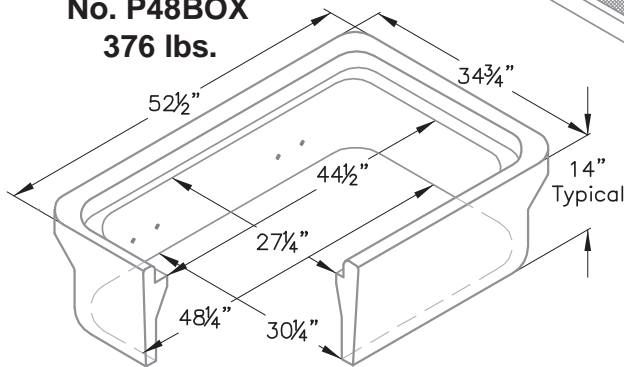
REINFORCED CONCRETE LID

No. P48D2
396 lbs.

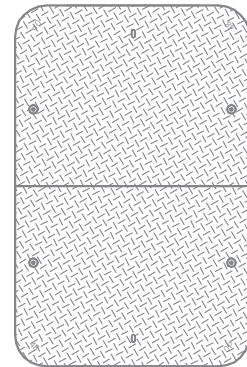


TELEPHONE BOX

No. P48BOX
376 lbs.



B48-62D



N48-62J

A high density reinforced concrete box with non-settling shoulders positioned to maintain grade and facilitate back filling. Supplied with inserts to support brackets. Approximate dimensions and weight shown.

Ordering Code	Item	Approx. Shipping Weight	Description
P48BOX	BOX	376	P48 Telephone Box (30 1/4" x 48 1/4") - 3 per pallet
P48TBOX*	BOX	376	P48T Telephone Box (30 1/4" x 48 1/4") - 3 per pallet with bolt down provisions
P48D2	LID	396	2 pc. Reinforced concrete
B48-62D	COVER	152	2 pc. Steel checker plate
N48-62J	COVER	152	2 pc. Steel checker plate with hold down bolts
B48X10	EXTENSION	288	10" Reinforced concrete - 3 per pallet
B48SL	SLAB	406	Reinforced concrete (36" x 53")

* Boxes provided with bolt down provisions for use with bolt down lids.

Galvanizing available on all steel covers



Oldcastle Precast®
Enclosure Solutions

MADERA/TRACY/ROSEVILLE/PHOENIX
Phone: (800) 486-7070 Fax: (800) 486-6804
Copyright © 2009 Oldcastle Precast Inc.

P48 BOX

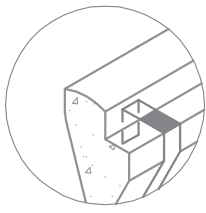
FILE NAME: P48_ISO

ISSUE DATE: January, 2009

www.oldcastleprecast.com

P48 TELEPHONE BOX
30-1/4" x 48-1/4"



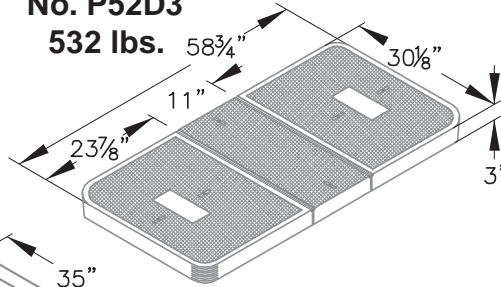


"T" BOX

REINFORCED CONCRETE LID

No. P52D3

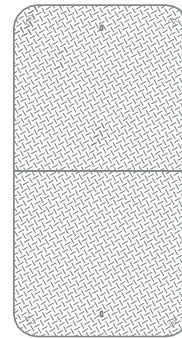
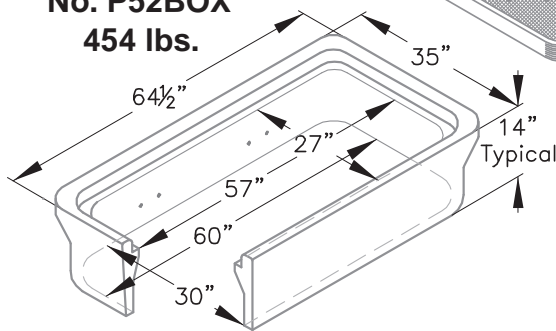
532 lbs.



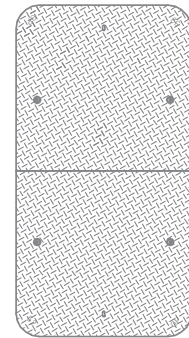
TELEPHONE BOX

No. P52BOX

454 lbs.



B52-62D



N52-62J

A high density reinforced concrete box with end knockouts and non-settling shoulders positioned to maintain grade and facilitate back filling. Supplied with inserts to support brackets. Approximate dimensions and weight shown.

Ordering Code	Item	Approx. Shipping Weight	Description
P52BOX	BOX	454	P52 Telephone Box (30" x 60")- 3 per pallet
P52TBOX*	BOX	454	P52T Telephone Box (30" x 60")- 3 per pallet with bolt down provisions
P52D3	LID	532	3 pc. Reinforced concrete
B52-62D	COVER	178	2 pc. Steel checker plate
N52-62J	COVER	178	2 pc. Steel checker plate with hold down bolts
B52X10	EXTENSION	309	10" Reinforced concrete - 3 per pallet
B52SL	SLAB	550	Reinforced concrete (36" x 66")

* Boxes provided with bolt down provisions for use with bolt down lids.

Galvanizing available on all steel covers



Oldcastle Precast®
Enclosure Solutions

MADERA/TRACY/ROSEVILLE/PHOENIX
Phone: (800) 486-7070 Fax: (800) 486-6804
Copyright © 2009 Oldcastle Precast Inc.

P52 BOX

FILE NAME: P52_ISO

ISSUE DATE: January, 2009

www.oldcastleprecast.com

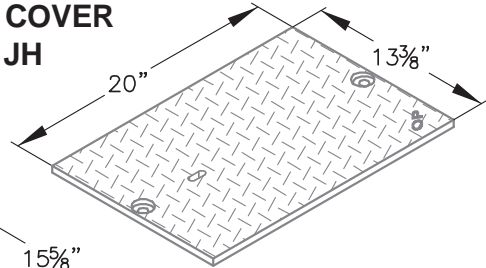
P52 TELEPHONE BOX

30" x 60"

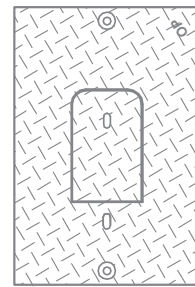
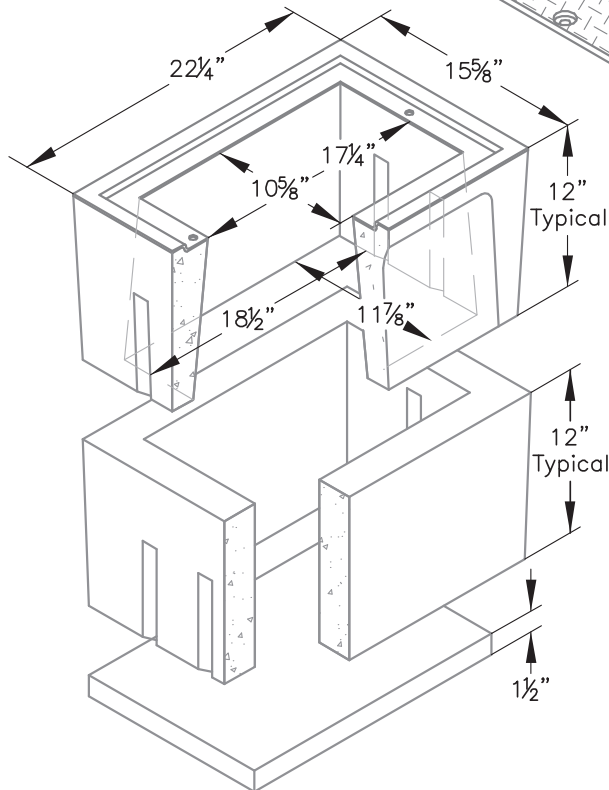


**Traffic Box
Caltrans No. 3-1/2T State Specs**

**STEEL CHECKER COVER
No. B1017-51JH
44 lbs.**



**TRAFFIC BOX
No. B1017BOX
130 lbs.**



B1017-51GH

A high density reinforced concrete box with non-settling shoulders positioned to maintain grade and facilitate back filling. Approximate dimensions and weight shown.

Ordering Code	Item	Approx. Shipping Weight	Description
B1017BOX	BOX	130	B1017 Utility Box (10 5/8" x 17 1/4") H/20 loading— 20 per pallet
B1017-51JH	COVER	44	Steel checker plate, H/20, bolt down
B1017-51GH	COVER	46	Steel checker plate, H/20 with reading lid 5" x 8"
B1017X12	EXTENSION	129	12" Reinforced concrete H/20 loading— 20 per pallet
B9SL	SLAB	32	Reinforced concrete 13 1/4" x 19 3/4")

Galvanizing available on all steel covers.



Oldcastle Precast®
 Enclosure Solutions
 MADERA/TRACY/ROSEVILLE/PHOENIX
 Phone: (800) 486-7070 Fax: (800) 486-6804
 Copyright © 2009 Oldcastle Precast Inc.

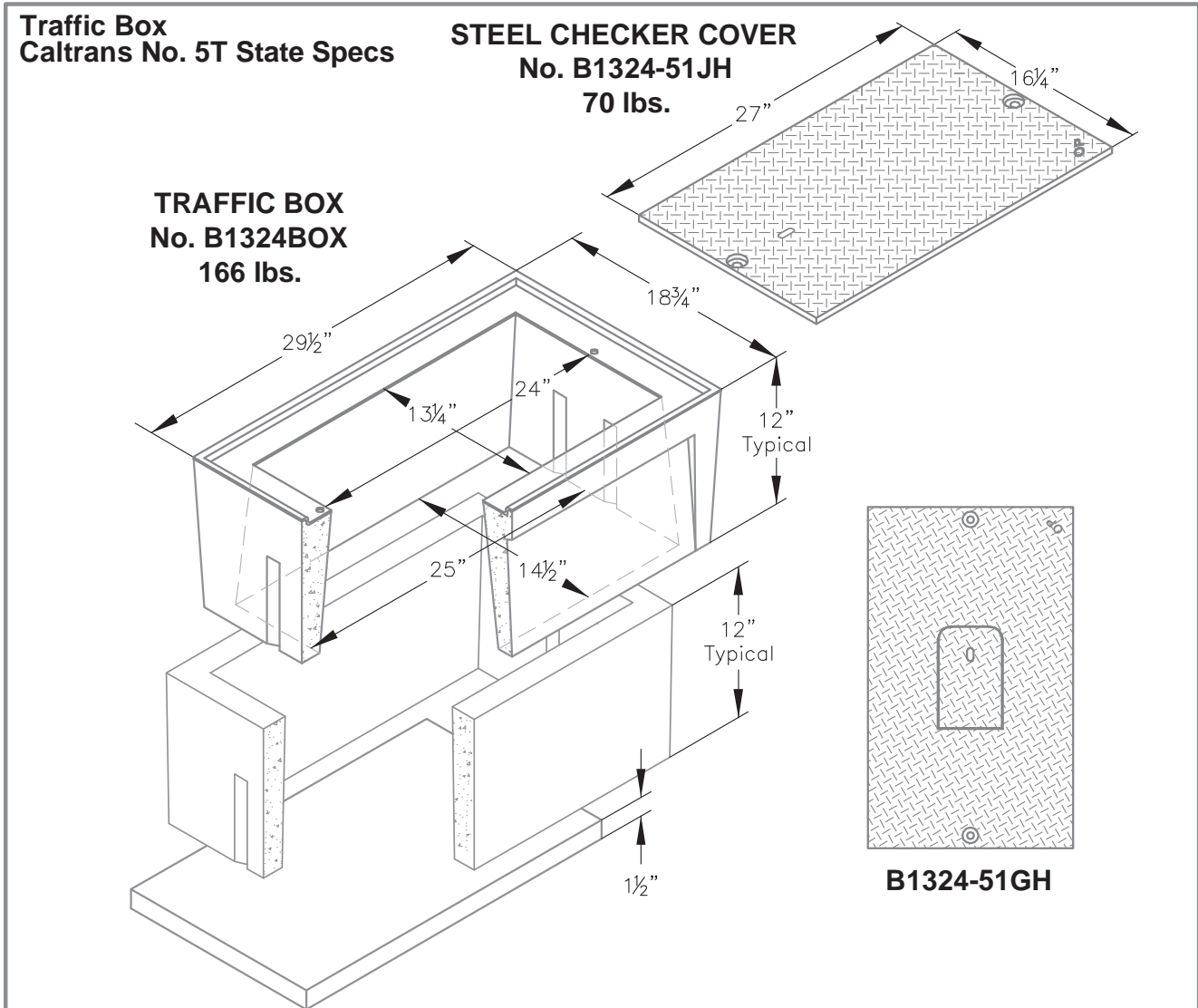
B1017 BOX

FILE NAME: B1017_ISO
 ISSUE DATE: January, 2009
www.oldcastleprecast.com

**B1017 BOX H/20 LOADING
10-5/8" x 17-1/4"**





Traffic Utility
Boxes & Traffic
Valve Boxes



A high density reinforced concrete box with non-settling shoulders positioned to maintain grade and facilitate back filling. Approximate dimensions and weight shown.

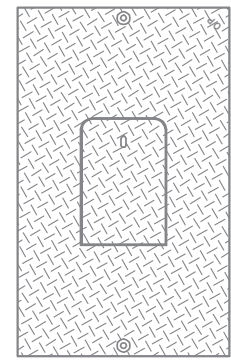
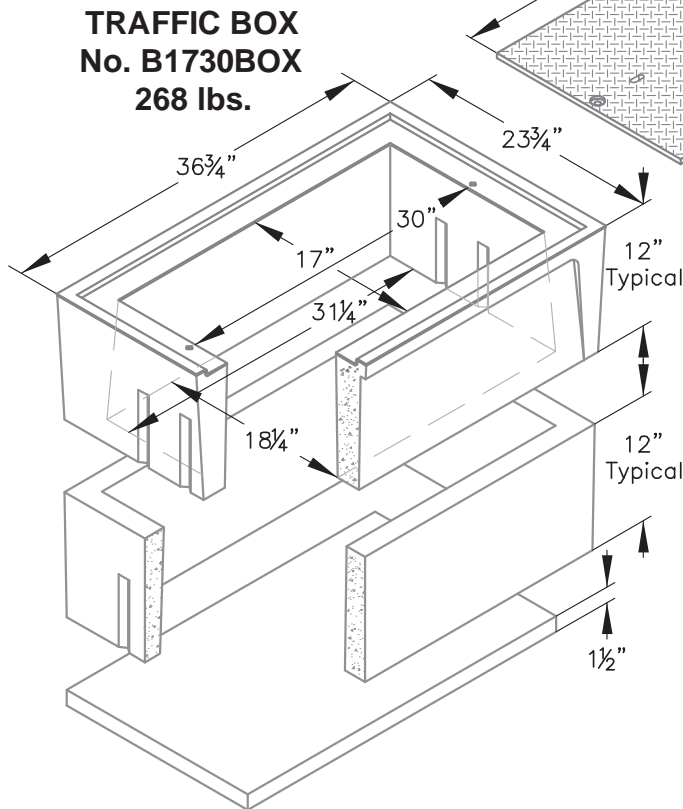
Ordering Code	Item	Approx. Shipping Weight	Description
B1324BOX	BOX	166	B1324 Utility Box (13 1/4" x 24") H/20 loading— 12 per pallet
B1324-51JH	COVER	70	Steel checker plate, H/20, bolt down
B1324-51GH	COVER	72	Steel checker plate, H/20 with reading lid 5" x 8"
B1324X12	EXTENSION	163	12" Reinforced concrete H/20 loading— 12 per pallet
B30SL	SLAB	52	Reinforced concrete (16" x 28")

Galvanizing available on all steel covers.

 Oldcastle Precast® Enclosure Solutions MADERA/TRACY/ROSEVILLE/PHOENIX Phone: (800) 486-7070 Fax: (800) 486-6804 Copyright © 2009 Oldcastle Precast Inc.	B1324 BOX	B1324 BOX H/20 LOADING 13-1/4" x 24" 
	FILE NAME: B1324_ISO	
	ISSUE DATE: January, 2009	
	www.oldcastleprecast.com	

**Traffic Box
Caltrans No. 6T State Specs**

**STEEL CHECKER COVER
No. B1730-51JH
111 lbs.**



B1730-51GH

A high density reinforced concrete box with non-settling shoulders positioned to maintain grade and facilitate back filling. Approximate dimensions and weight shown.

Ordering Code	Item	Approx. Shipping Weight	Description
B1730BOX	BOX	268	B1730 Utility Box (17" x 30") H/20 loading— 6 per pallet
B1730-51JH	COVER	111	Steel checker plate, H/20, bolt down
B1730-51G	COVER	112	Steel checker plate, H/20 loading, bolt down with reading lid 8" x 12"
B1730X12	EXTENSION	250	12" Reinforced concrete H/20 loading— 6 per pallet
B36SL	SLAB	108	Reinforced concrete (20" x 34")

Galvanizing available on all steel covers.



Oldcastle Precast®
Enclosure Solutions

MADERA/TRACY/ROSEVILLE/PHOENIX
Phone: (800) 486-7070 Fax: (800) 486-6804
Copyright © 2009 Oldcastle Precast Inc.

B1730 BOX

FILE NAME: B1730_ISO

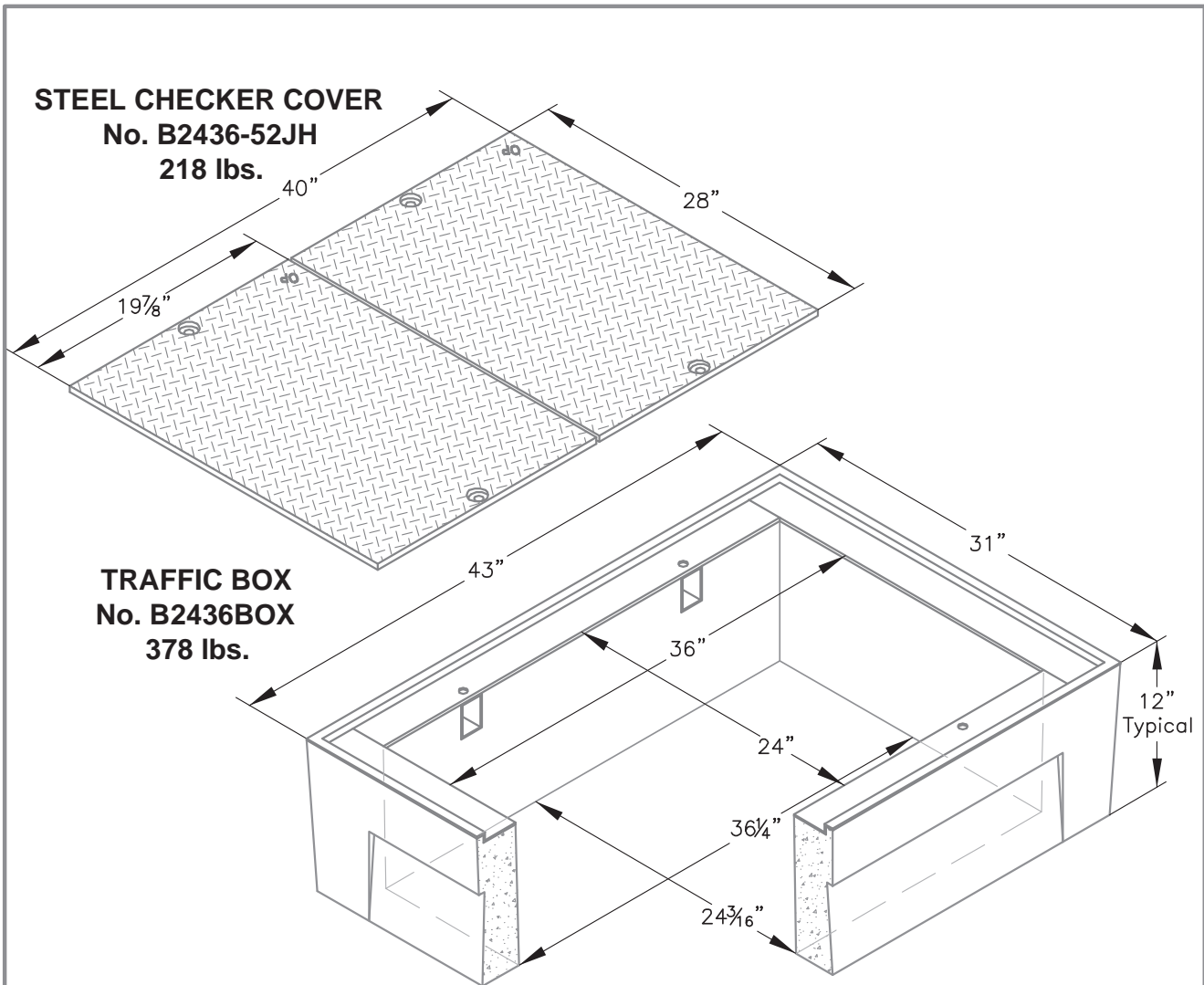
ISSUE DATE: January, 2009

www.oldcastleprecast.com

**B1730 BOX H/20 LOADING
17" x 30"**



Traffic Utility
Boxes & Traffic
Valve Boxes



A high density reinforced concrete box with non-settling shoulders positioned to maintain grade and facilitate back filling. Approximate dimensions and weight shown.

Ordering Code	Item	Approx. Shipping Weight	Description
B2436BOX	BOX	378	B2436 Utility Box (24" x 36") H/20 loading- 3 per pallet
B2436-52JH	COVER	218	2 pc. Steel checker plate, H/20, bolt down
B2436X12	EXTENSION	368	12" Reinforced concrete H/20 loading- 3 per pallet
B40SL	SLAB	201	Reinforced concrete (30" x 40")

Galvanizing available on all steel covers.



Oldcastle Precast®
 Enclosure Solutions
 MADERA/TRACY/ROSEVILLE/PHOENIX
 Phone: (800) 486-7070 Fax: (800) 486-6804
 Copyright © 2009 Oldcastle Precast Inc.

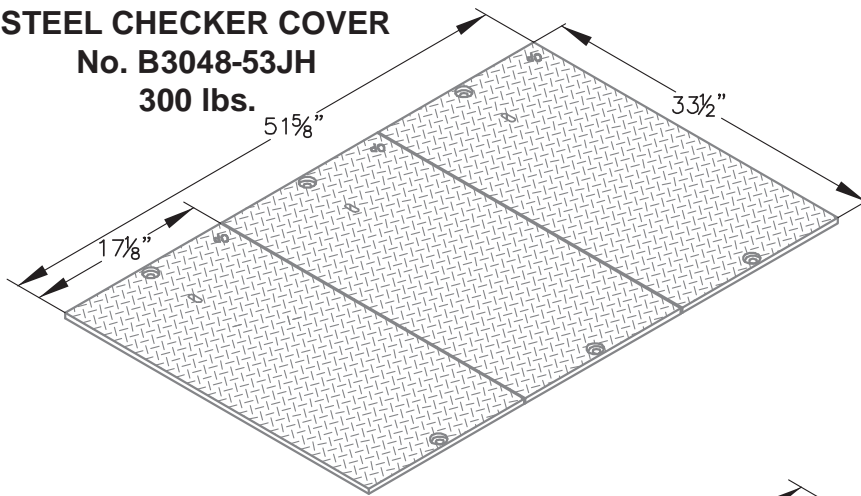
B2436 BOX

FILE NAME: B2436_ISO
 ISSUE DATE: January, 2009
www.oldcastleprecast.com

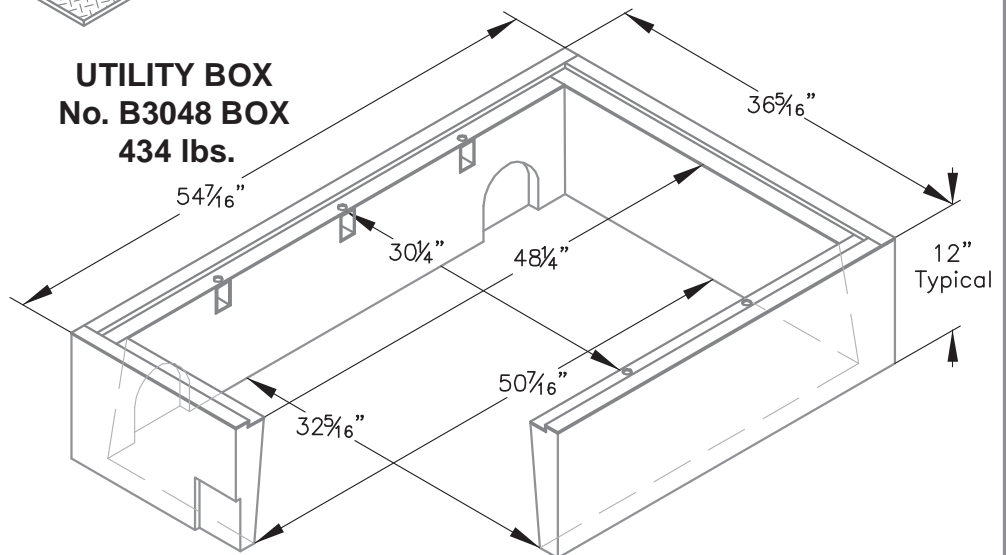
B2436 BOX H/20 LOADING
24" x 36"



STEEL CHECKER COVER
No. B3048-53JH
300 lbs.



UTILITY BOX
No. B3048 BOX
434 lbs.



A high density reinforced concrete box with non-settling shoulders positioned to maintain grade and facilitate back filling. Approximate dimensions and weight shown.

Ordering Code	Item	Approx. Shipping Weight	Description
B3048BOX	BOX	434	B3048 Utility Box (30 1/4" x 48 1/4") H/20 loading- 3 per pallet
B3048-53JH	COVER	300	3 pc. Steel checker plate, H/20, bolt down
B3048X12	EXTENSION	474	12" Reinforced concrete H/20 loading- 3 per pallet
B48SL	SLAB	406	Reinforced concrete (36" x 53")

Galvanizing available on all steel covers.



Oldcastle Precast®
Enclosure Solutions

MADERA/TRACY/ROSEVILLE/PHOENIX
Phone: (800) 486-7070 Fax: (800) 486-6804
Copyright © 2009 Oldcastle Precast Inc.

B3048 BOX

FILE NAME: B3048_ISO

ISSUE DATE: January, 2009

www.oldcastleprecast.com

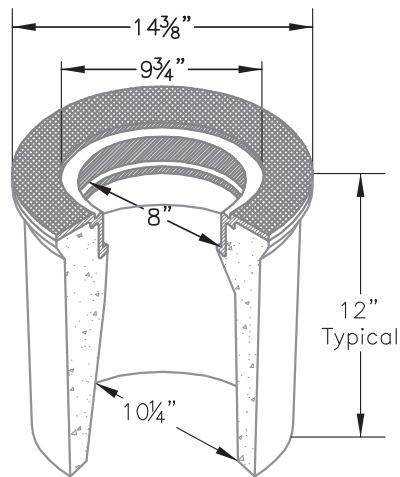
B3048 BOX H/20 LOADING

30-1/4" x 48-1/4"

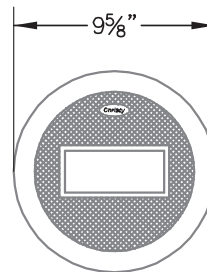


● Traffic Box is H/20 rated

**TRAFFIC VALVE BOX
No. G03BOX
72 lbs.**



**CAST IRON LID
No. G03C
14 lbs.**



High density reinforced concrete box with cast iron ring for heavy traffic areas. Engineered and designed to be interchangeable with Brooks 3RT. Vandal resistance is optional at extra cost by the addition of hold down bolts. Approximate dimensions and weight shown.

Ordering Code	Item	Approx. Shipping Weight	Description
G03BOX	BOX	72	G3 Traffic Valve Box (10 1/4" I.D. x 12" high)– Interchangeable with Brooks 3RT Box – 36 per pallet
G03C	LID	14	Cast iron
G05X12	EXTENSION	32	12" Reinforced concrete– 36 per pallet
G05XP8	EXTENSION	1	ADS 8" plastic
G05XP12	EXTENSION	1	ADS 12" plastic
F08XP18	EXTENSION	2	ADS 18" plastic
F14XP120	EXTENSION	11	ADS 10' length plastic

Oldcastle Precast®
Enclosure Solutions
MADERA/TRACY/ROSEVILLE/PHOENIX
Phone: (800) 486-7070 Fax: (800) 486-6804
Copyright © 2009 Oldcastle Precast Inc.

G03 BOX

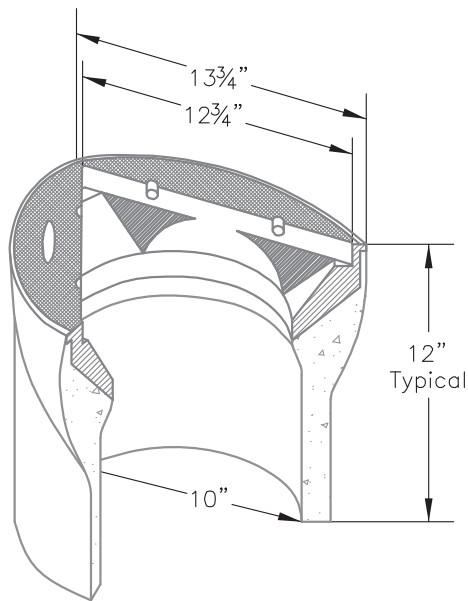
FILE NAME: G03_ISO
ISSUE DATE: January, 2009
www.oldcastleprecast.com

**G03 TRAFFIC VALVE BOX
10-1/4" I.D. x 12"**

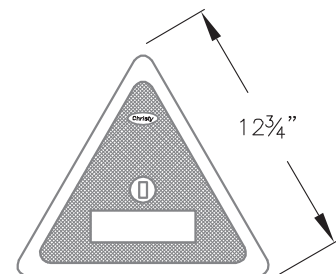


● Traffic Box is H/20 rated

**TRAFFIC VALVE BOX
No. G04BOX
60 lbs.**



**CAST IRON LID
No. G04C
16 lbs.**



High density reinforced concrete box with cast iron triangular top for heavy traffic areas. Engineered and designed to be interchangeable with Brooks 4TT. Approximate dimensions and weight shown.

Ordering Code	Item	Approx. Shipping Weight	Description
G04BOX	BOX	60	G04 Traffic Valve Box (10" I.D. x 12" high)– Interchangeable with Brooks 4TT Box – 36 per pallet
G04C	LID	16	Cast iron
G05X12	EXTENSION	32	12" Reinforced concrete– 36 per pallet
G05XP8	EXTENSION	1	ADS 8" plastic
G05XP12	EXTENSION	1	ADS 12" plastic
F08XP18	EXTENSION	2	ADS 18" plastic
F14XP120	EXTENSION	11	ADS 10' length plastic



Oldcastle Precast®
Enclosure Solutions

MADERA/TRACY/ROSEVILLE/PHOENIX
Phone: (800) 486-7070 Fax: (800) 486-6804
Copyright © 2009 Oldcastle Precast Inc.

G04 BOX

FILE NAME: G04_ISO

ISSUE DATE: January, 2009

www.oldcastleprecast.com

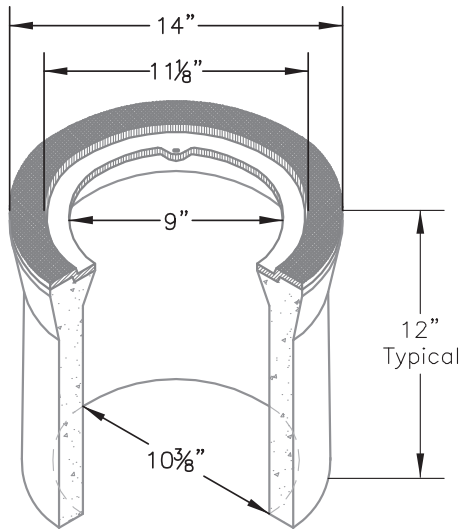
G04 TRAFFIC VALVE BOX

10" I.D. x 12"

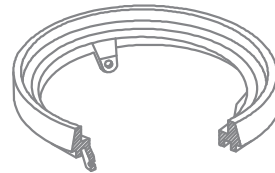
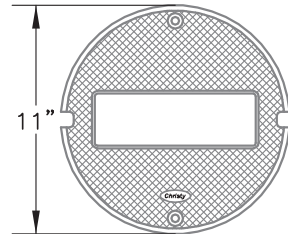


● Traffic Box is H/20 rated

**TRAFFIC VALVE BOX
No. G05TBOX
58 lbs.**



**CAST IRON BOLT DOWN LID
No. G05CT
14 lbs.**



**Locking
Grade Ring**

The carefully engineered cast iron lid and ring includes machined surfaces and bolting features reducing the danger of lid "pop-out" in high traffic areas. Bolt down recommended for high traffic areas. Approximate dimensions and weight shown. The largest throat diameter for any box in its size range permits quick, easy valve adjustments. The large throat also makes this unit highly adaptable as a survey monument box. Unique locking grade rings assure permanence and quality of surface grades when streets are re-paved. Telescoping extensions facilitate installation at jobsite and act to isolate pipeline from road shock.

Ordering Code	Item	Approx. Shipping Weight	Description
G05TBOX	BOX	58	G05T Traffic Valve Box (10 ³ / ₈ " I.D. x 12" high)– 36 per pallet– (includes ¼"–20 x 1", bolts)
G05CT	LID	14	Cast iron (Includes holes for bolt down feature)
G08X12	EXTENSION	38	12" reinforced concrete for the G05 & G08 boxes– 36 per pallet
G05X12T	EXTENSION	32	12" telescoping reinforced concrete– 36 per pallet
G05XP8	EXTENSION	1	ADS 8" plastic
G05XP12	EXTENSION	1	ADS 12" plastic
F08XP18	EXTENSION	2	ADS 18" plastic
F14XP120	EXTENSION	11	ADS 10' length plastic
G05GR10	GRADE RING	10	1" High cast iron
G05GR15	GRADE RING	14	1½" High cast iron
G05GR20	GRADE RING	18	2" High cast iron



Oldcastle Precast®
Enclosure Solutions
MADERA/TRACY/ROSEVILLE/PHOENIX
Phone: (800) 486-7070 Fax: (800) 486-6804
Copyright © 2009 Oldcastle Precast Inc.

G05 BOX

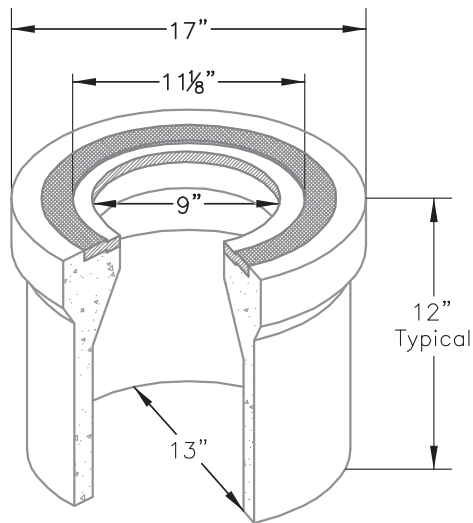
FILE NAME: G05_ISO
ISSUE DATE: January, 2009
www.oldcastleprecast.com

**G05 TRAFFIC VALVE BOX
10-3/8" I.D. x 12"**

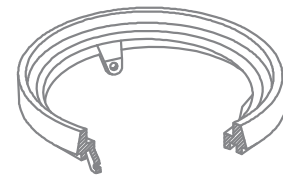
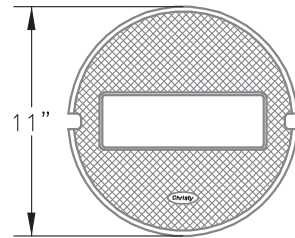


• Traffic Box is H/20 rated

**TRAFFIC VALVE BOX
No. G08BOX
90 lbs.**



**CAST IRON LID
No. G05C
14 lbs.**



**Locking
Grade Ring**

A high density reinforced concrete box used for access to underground valves. This box has a belled top to prevent settling. Approximate dimensions and weight shown.

Unique locking grade rings assure permanence and quality of surface grades when streets are re-paved. Telescoping extensions facilitate installations at jobsite and act to isolate pipeline from road shock.

Special lifting hole features incorporated in the lid design affords easy removal. Vandal resistance is optional at extra cost by the additions of hold down screws.

Ordering Code	Item	Approx. Shipping Weight	Description
G08BOX	BOX	90	G08 Traffic Valve Box (13" I.D. x 12" high)– 10 per pallet
G05C	LID	14	Cast iron
G08X8	EXTENSION	26	8" Reinforced concrete– 36 per pallet
G08X12	EXTENSION	38	12" Reinforced concrete for G05 & G08 Boxes– 36 per pallet
G05GR10	GRADE RING	10	1" High cast iron
G05GR15	GRADE RING	14	1½" High cast iron
G05GR20	GRADE RING	18	2" High cast iron



Oldcastle Precast®
Enclosure Solutions
MADERA/TRACY/ROSEVILLE/PHOENIX
Phone: (800) 486-7070 Fax: (800) 486-6804
Copyright © 2009 Oldcastle Precast Inc.

G08 BOX

FILE NAME: G08_ISO
ISSUE DATE: January, 2009
www.oldcastleprecast.com

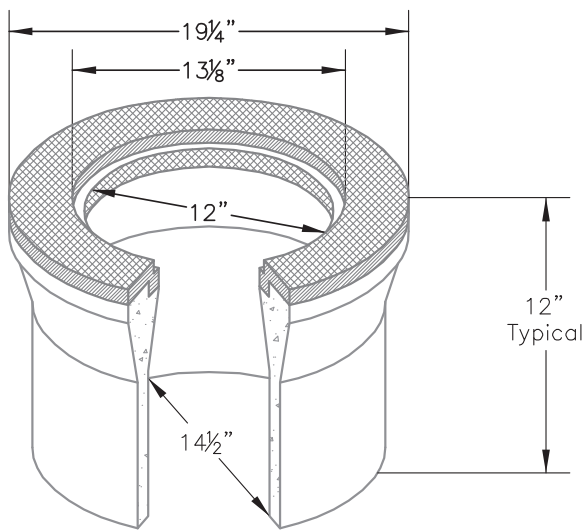
**G08 TRAFFIC VALVE BOX
13" I.D. x 12"**



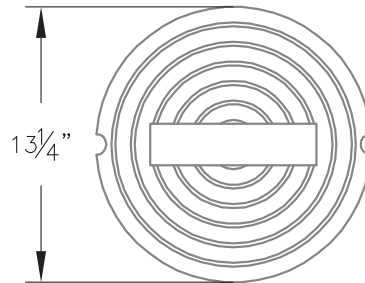
Traffic Utility
Boxes & Traffic
Valve Boxes

● Traffic Box is H/20 rated

TRAFFIC VALVE BOX
No. G12BOX
106 lbs.



CAST IRON LID
No. G12C
24 lbs.



A high density reinforced concrete box used for access to underground valves. Cast iron tapered lid and seat with debris proof design, permits snug fit and easy removal. The special concrete design of the box assists to maintain the grade under heavy traffic and isolate the pipeline from road shock.

Designed to enclose large shut off valves in heavy auto and truck traffic areas. Telescoping extensions facilitate installation at jobsite and act to isolate pipeline from road shock. Approximate dimensions and weight shown.

Ordering Code	Item	Approx. Shipping Weight	Description
G12BOX	BOX	106	G12 Traffic Valve Box (14 1/2" I.D. x 12" high)– 10 per pallet
G12C	LID	24	Cast iron
G12X12	EXTENSION	47	12" Reinforced concrete– 18 per pallet



Oldcastle Precast®
Enclosure Solutions
 MADERA/TRACY/ROSEVILLE/PHOENIX
 Phone: (800) 486-7070 Fax: (800) 486-6804
 Copyright © 2009 Oldcastle Precast Inc.

G12 BOX

FILE NAME: G12_ISO
 ISSUE DATE: January, 2009
www.oldcastleprecast.com

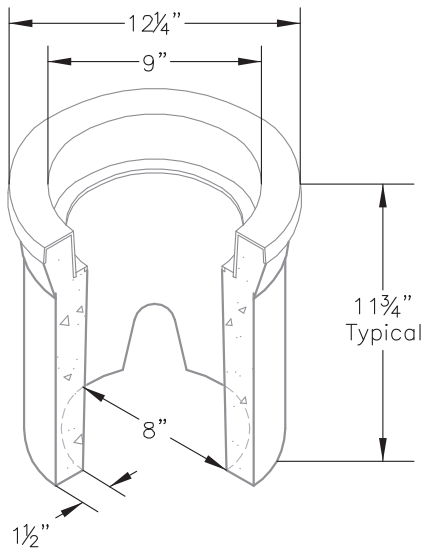
G12 TRAFFIC VALVE BOX
14-1/2" I.D. x 12"



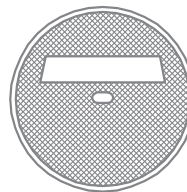
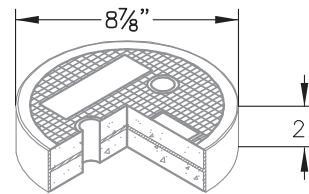
Back to Table of Contents

- Etched polypropylene face
- Face anchored in concrete
- Ultra-violet inhibitor
- Exceeds ASTM-D1693 Standards for Environmental Stress Cracking Resistance

**DRAIN BOX
No. V01BOX
34 lbs.**



**REINFORCED CONCRETE LID
No. F08R
8 lbs.**



F08C



V01-71C

A reinforced concrete dual purpose box designed for either light purpose drainage installations or enclosing sewer cleanouts in foot traffic areas. Tapered shoulders prevent settling. Notch accommodates up to approximately 4" O.D. pipe or drain tile. Approximate dimensions and weight shown.

Ordering Code	Item	Approx. Shipping Weight	Description
F08BOX	BOX	34	V01 Drain Box (8" I.D. x 12")- 48 per pallet
F08R	LID	8	Reinforced concrete lid with plastic ring
F08C	LID	8	Cast iron
V01-71C	GRATE	12	Cast iron



Oldcastle Precast®
Enclosure Solutions

MADERA/ROSEVILLE/TRACY
Phone: (800) 486-7070 Fax: (800) 486-6804
Copyright © 2009 Oldcastle Precast Inc.

V01 BOX (STANDARD)

FILE NAME: V01_ISO

ISSUE DATE: January, 2009

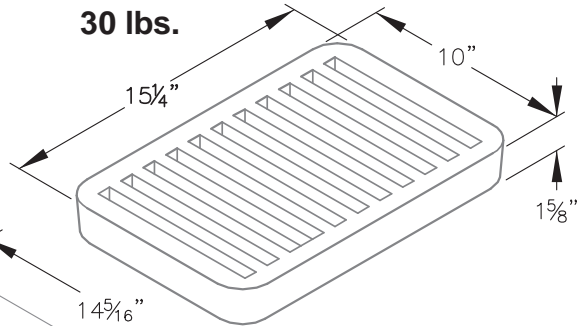
www.oldcastleprecast.com

**V01 DRAIN BOX
8" I.D. x 12**

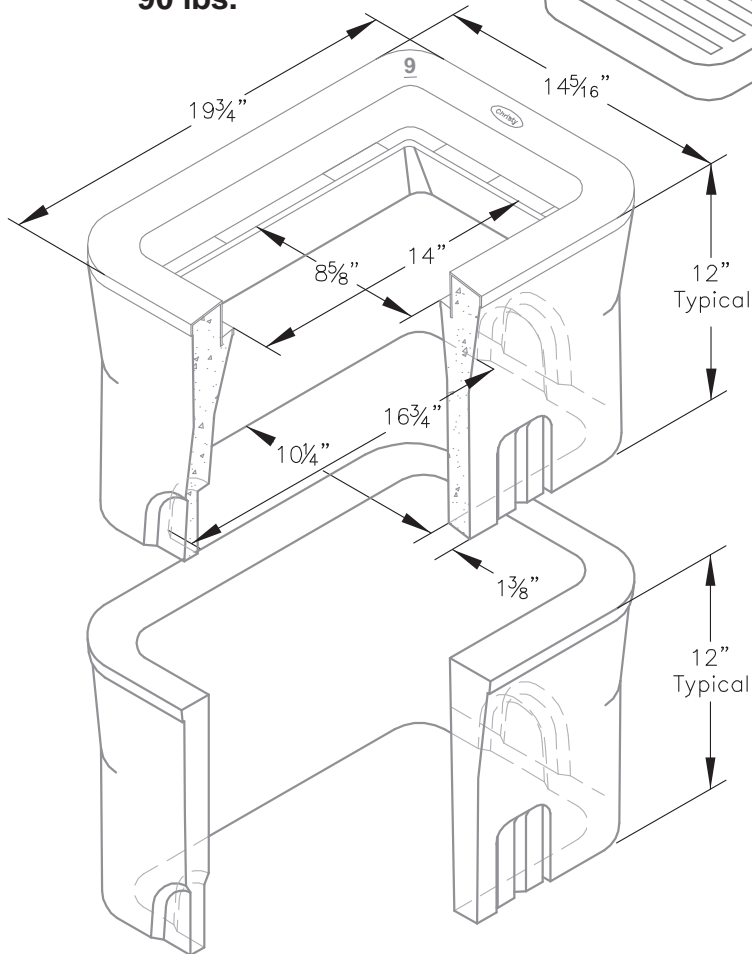


- Etched polypropylene face
- Face anchored in concrete
- Ultra-violet inhibitor
- Exceeds ASTM-D1693 Standards for Environmental Stress Cracking Resistance

CAST IRON GRATE
No. V09-71C
30 lbs.



DRAIN BOX
No. V09BOX
90 lbs.



A curb type reinforced box for use in light drainage installations. Approximate dimensions and weight shown.

Ordering Code	Item	Approx. Shipping Weight	Description
N09BOX	BOX	90	V09 Drain Box (10 1/4" x 16 3/4")- 28 per pallet
V09-71C	LID	30	Cast iron
B09X12	EXTENSION	87	12" Reinforced concrete- 28 per pallet



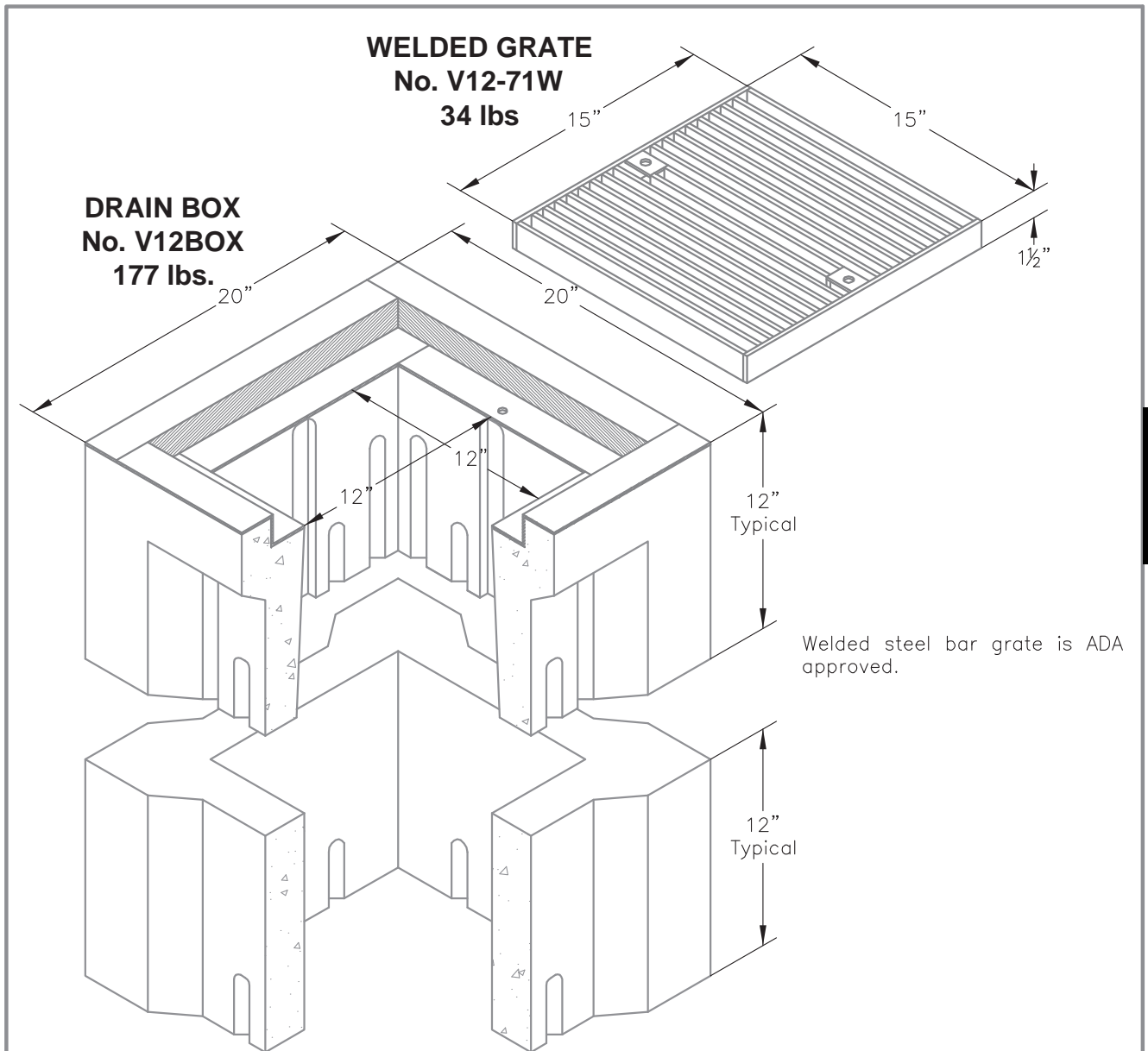
Oldcastle Precast®
Enclosure Solutions
 MADERA/TRACY/ROSEVILLE/PHOENIX
 Phone: (800) 486-7070 Fax: (800) 486-6804
 Copyright © 2009 Oldcastle Precast Inc.

V09 BOX

FILE NAME: V09_ISO
 ISSUE DATE: January, 2009
www.oldcastleprecast.com

V09 DRAIN BOX
10-1/4" x 16-3/4"





A high density reinforced concrete box with cast in galvanized frame, specifically engineered for heavy traffic areas. Approximate dimensions and weight shown.

Ordering Code	Item	Approx. Shipping Weight	Description
V12BOX	BOX	177	V12 Drain Box (12 x 12") H/20 Loading, bolt down Interchangeable with Brooks #1212 Box- 12 per pallet
V12-71W	GRATE	34	Welded, steel cross bars, H/20 loading, galvanized
V12X12	EXTENSION	120	12" Reinforced concrete- 12 per pallet



Oldcastle Precast®
Enclosure Solutions

MADERA/TRACY/ROSEVILLE/PHOENIX
Phone: (800) 486-7070 Fax: (800) 486-6804
Copyright © 2009 Oldcastle Precast Inc.

V12 DRAIN BOX

FILE NAME: V12_ISO

ISSUE DATE: January, 2009

www.oldcastleprecast.com

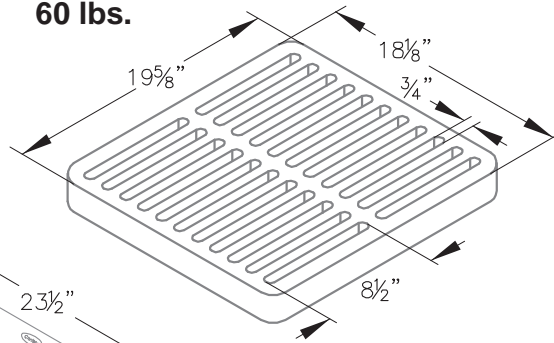
**V12 DRAIN BOX
12" x 12"**



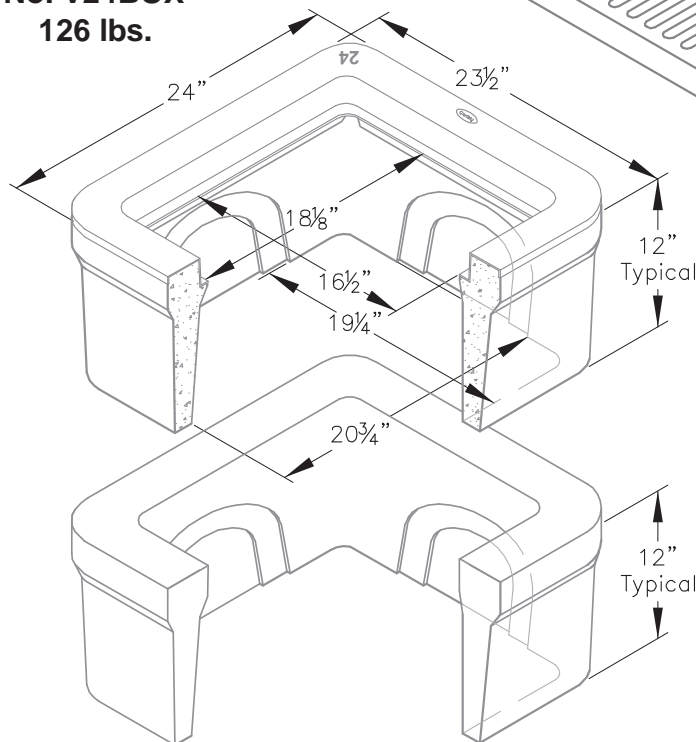
Back to Table of Contents

- Etched polypropylene face
- Face anchored in concrete
- Ultra-violet inhibitor
- Exceeds ASTM-D1693 Standards for Environmental Stress Cracking Resistance

**CAST IRON GRATE
No. V24-71C
60 lbs.**




**DRAIN BOX
No. V24BOX
126 lbs.**



A curb type reinforced box for use in light drainage installations. Approximate dimensions and weight shown. Grates are light duty (non-traffic).

Ordering Code	Item	Approx. Shipping Weight	Description
B24BOX	DRAIN BOX	126	V24 Drain Box (20 ³ / ₄ " x 19 ¹ / ₄ ")- 12 per pallet
V24-71C	GRATE	60	Cast iron
B24X12	EXTENSION	164	12" Reinforced concrete- 12 per pallet



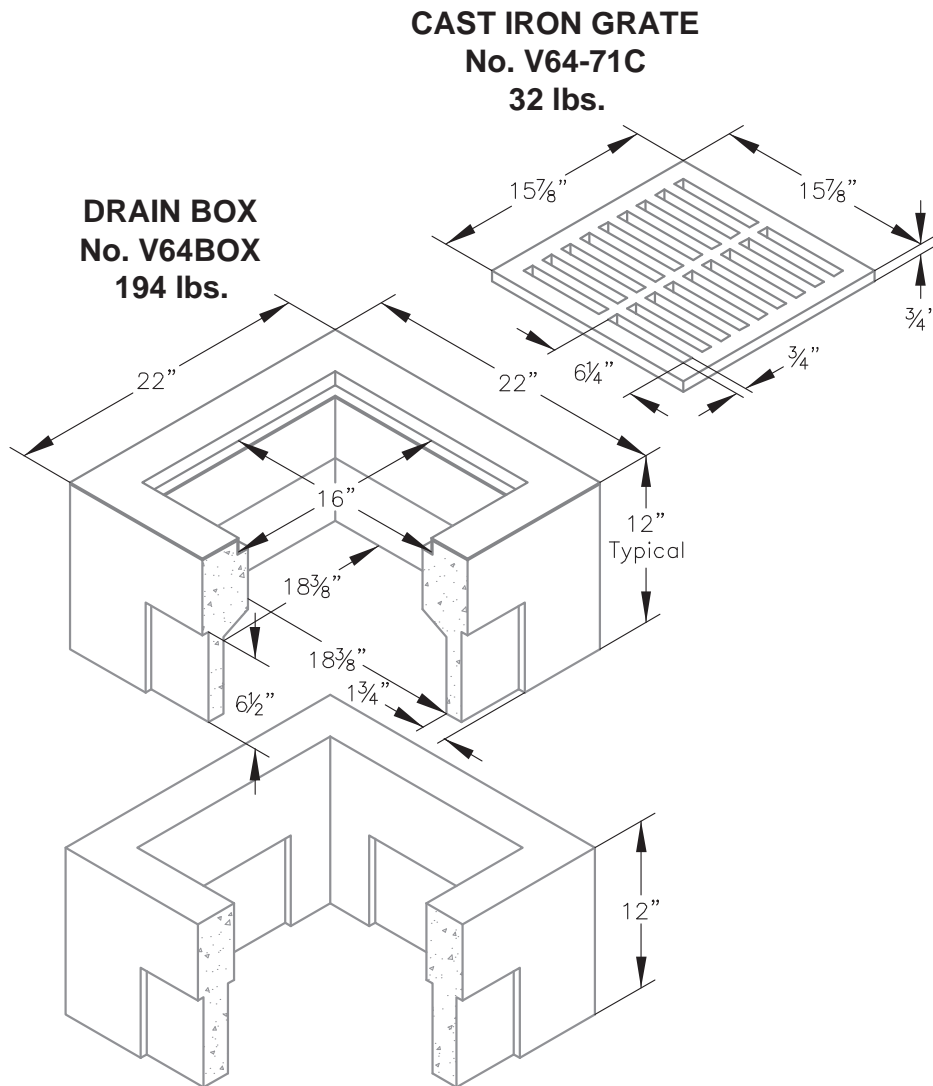
Oldcastle Precast®
Enclosure Solutions
MADERA/TRACY/ROSEVILLE/PHOENIX
Phone: (800) 486-7070 Fax: (800) 486-6804
Copyright © 2009 Oldcastle Precast Inc.

V24 DRAIN BOX

FILE NAME: V24_ISO
ISSUE DATE: January, 2009
www.oldcastleprecast.com

**V24 DRAIN BOX
20-3/4" x 19-1/4"**





This concrete drain box has a cast in galvanized frame and is specifically engineered for drainage in medium areas such as parking lots, school grounds, walkways, etc. Its design permits final grading material to "lock in" and finish clean. Knock-outs accommodate up to 8" O.D. pipe. Approximate dimensions and weight shown. Also available in bolt down.

Ordering Code	Item	Approx. Shipping Weight	Description
V64BOX	DRAIN BOX	194	V64 Drain Box (18 ³ / ₈ " x 18 ³ / ₈ ")- 12 per pallet
V64-71C	GRATE	32	Cast iron
V64X12	EXTENSION	152	12" Reinforced concrete - 12 per pallet



Oldcastle Precast®
 Enclosure Solutions
 MADERA/TRACY/ROSEVILLE/PHOENIX
 Phone: (800) 486-7070 Fax: (800) 486-6804
 Copyright © 2009 Oldcastle Precast Inc.

V64 DRAIN BOX

FILE NAME: V64_ISO

ISSUE DATE: January, 2009

www.oldcastleprecast.com

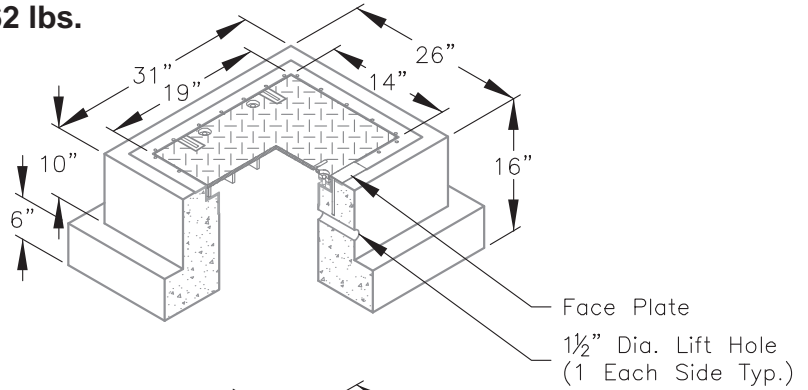
**V64 DRAIN BOX
 18-3/8" x 18-3/8"**



WDOT J-BOXES - HEAVY DUTY

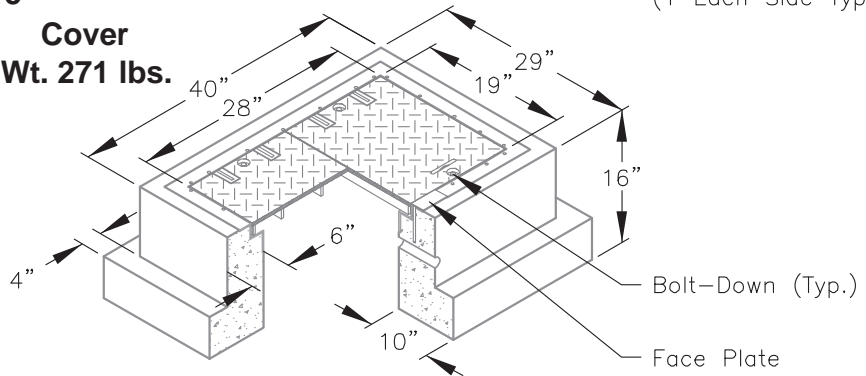
Type 4

Box **Cover**
Wt. 956 lbs. **Wt. 162 lbs.**



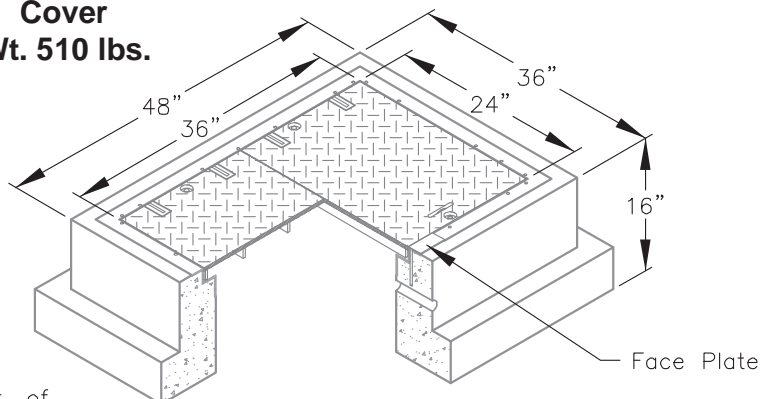
Type 5

Box **Cover**
Wt. 1270 lbs. **Wt. 271 lbs.**




Type 6

Box **Cover**
Wt. 1585 lbs. **Wt. 510 lbs.**



Notes:

1. Boxes meet Washington Dept. of Transportation Specification 9-29.2
2. Loading: Load tested 60,000 lbs.
3. Optional: Grounding wire.
4. Cover Material: Diamond Plate (GALV).



Oldcastle Precast®
 Enclosure Solutions
 MADERA/TRACY/ROSEVILLE/PHOENIX
 Phone: (800) 486-7070 Fax: (800) 486-6804
 Copyright © 2009 Oldcastle Precast Inc.

WDOT J-BOXES - HD

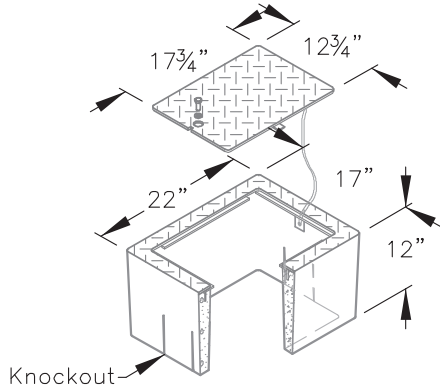
FILE NAME: WDOTHD_ISO
ISSUE DATE: January, 2009
www.oldcastleprecast.com

WDOT JB4 - 14x19
WDOT JB5 - 17x28
WDOT JB6 - 24x36

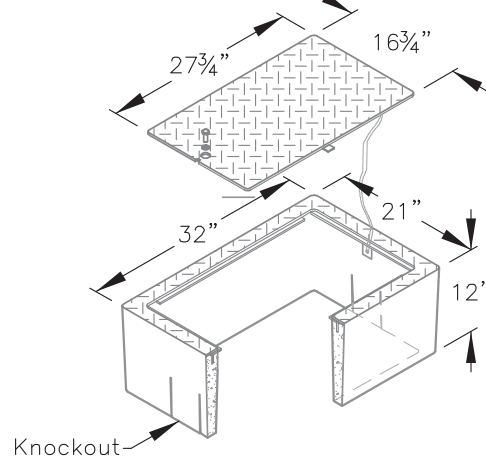


WDOT J-BOXES - STANDARD

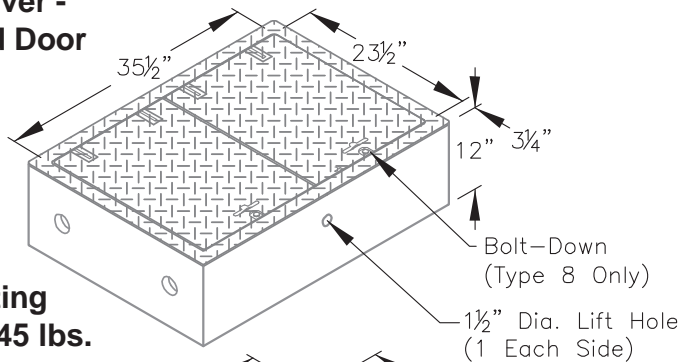
Type 1
Box **Cover**
Wt. 142 lbs **Wt. 22 lbs.**



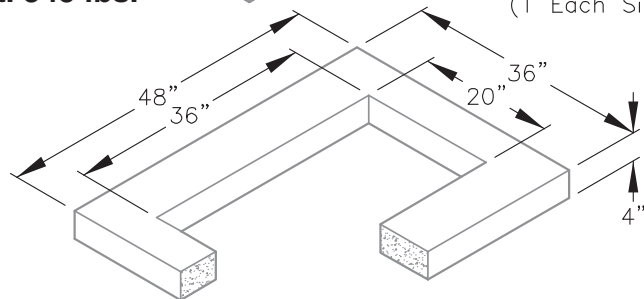
Type 2
Box **Cover**
Wt. 202 lbs **Wt. 46 lbs.**



**Type 7/8 Cover -
 Dual Hinged Door**



Type 7/8
Box **Footing**
Wt. 415 lbs **Wt. 345 lbs.**



Notes:

1. Boxes meet Washington Dept. of Transportation Specification 9-29.2
2. 12" extensions available.
3. Optional:
 - NonSlip Cover/Door.
 - Bolt-Down Cover/Door.
 - Grounding wire.
4. Loading: Suitable for H-20 wheel loading in off-street locations where not subjected to high density traffic.
5. Cover Material: Diamond Plate (GALV).



Oldcastle Precast®
 Enclosure Solutions

MADERA/TRACY/ROSEVILLE/PHOENIX
 Phone: (800) 486-7070 Fax: (800) 486-6804
 Copyright © 2009 Oldcastle Precast Inc.

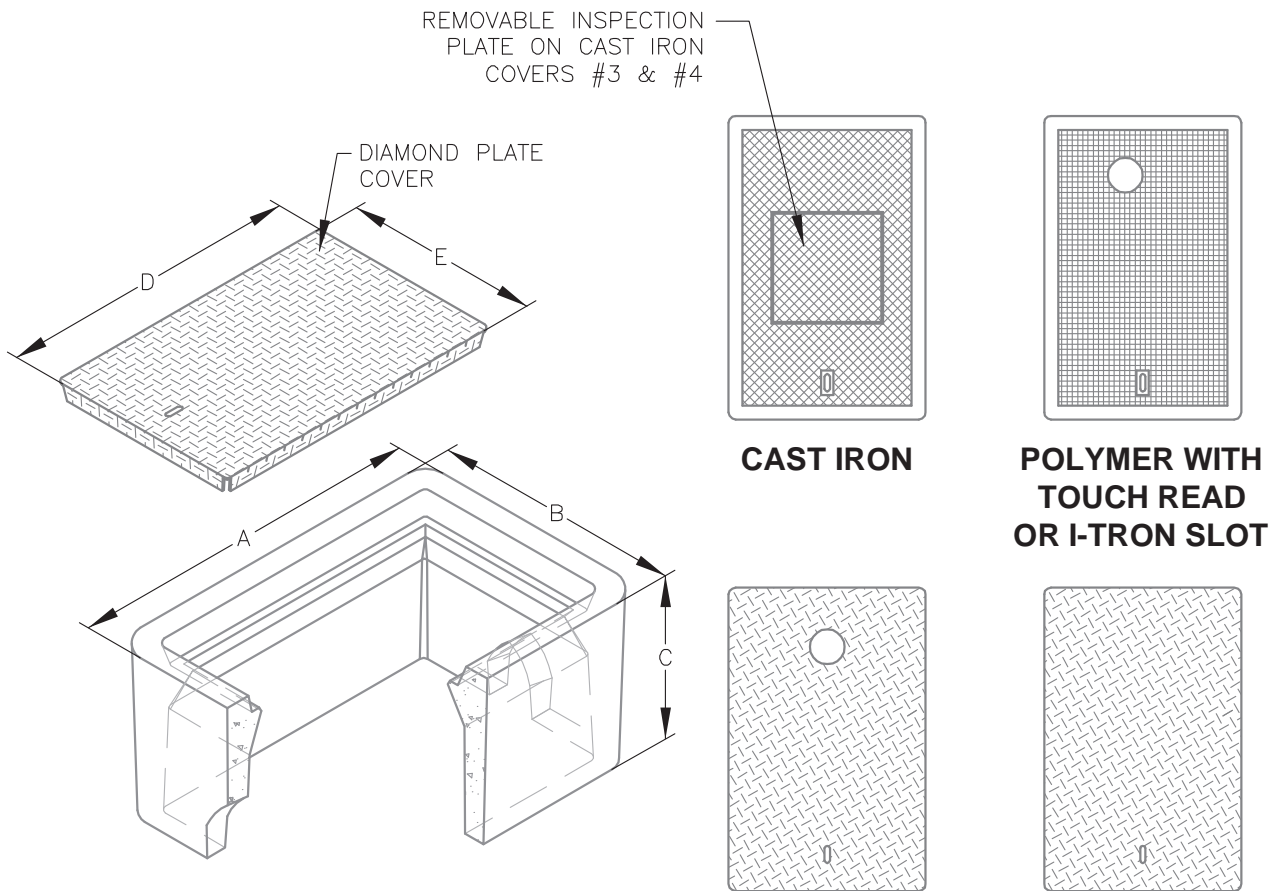
WDOT J-BOXES - STD

FILE NAME: WDOTST_ISO
 ISSUE DATE: January, 2009
www.oldcastleprecast.com

WDOT JB1 - 14x19
WDOT JB2 - 17x28
WDOT JB7/8 - 24x36



Back to Table of Contents



NOTES:

1. HIGH DENSITY CONCRETE BOXES CONFORMING TO MAG SPEC. 320.
2. MAG #2 SHOWN:
 - CONCRETE BOX
 - STEEL COVERS
 - CAST IRON LID
 - POLYMER LID
3. APPROXIMATE DIMENSIONS SHOWN.

MAG SPEC 320 BOX DIMENSIONS					MAG SPEC 320 BOX DIMENSIONS					COVER DIMENSIONS	
BOX NO.	A	B	C	BOX WEIGHT	CAST IRON	LID WEIGHT	POLYMER	DIAMOND WITH TOUCH READ & I-TRON SLOT	DIAMOND PLATE	D	E
1	19"	12"	12"	85 lbs.	NO. 1	5 lbs.	NO. 1	NO. 1	NO. 1	15-7/8"	9"
2	25-3/4"	18"	12"	139 lbs.	NO. 2	16 lbs.	NO. 2	NO. 2	NO. 2	21-3/4"	14-1/8"
3	29-1/2"	18-1/2"	12"	123 lbs.	NO. 3	23 lbs.	N/A	NO. 3	NO. 3	26-1/4"	15-1/4"
4	33-1/2"	22-3/4"	12"	196 lbs.	NO. 4	30 lbs.	N/A	NO. 4	NO. 4	30"	19-1/2"



Oldcastle Precast[®]
Enclosure Solutions

MADERA/TRACY/ROSEVILLE/PHOENIX
Phone: (800) 486-7070 Fax: (800) 486-6804
Copyright © 2009 Oldcastle Precast Inc.

MAG SPEC 320

FILE NAME: MAGSPECBOX_ISO

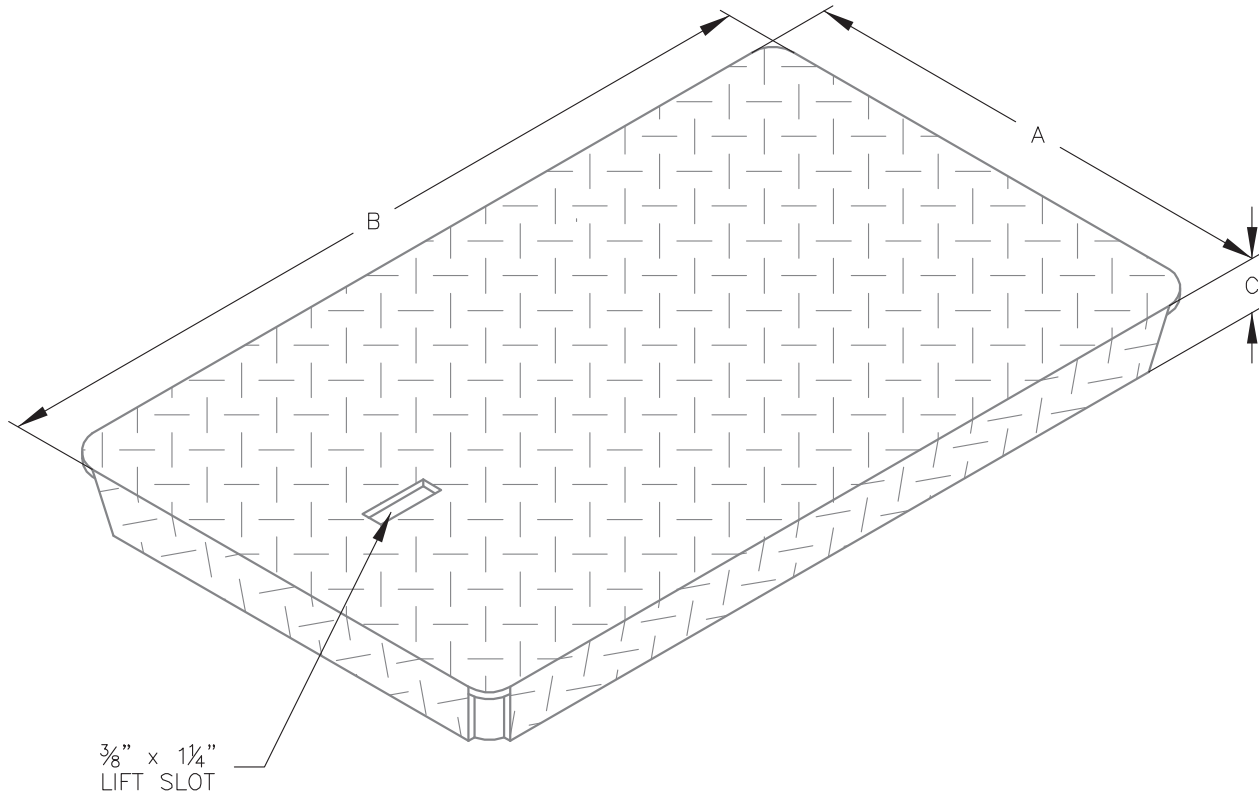
ISSUE DATE: January, 2009

www.oldcastleprecast.com

**MAG SPEC 320
CONCRETE METER BOXES**

CONTRACTORS / ENGINEERS SUPPLY

Back to Table of Contents



COVER SPECIFICATIONS					
COVER NO	A	B	C	MATERIAL	WEIGHT
T1	8-7/8"	14-3/4"	1-3/16"	14 GAUGE	4-1/4 lbs
1	9"	15-7/8"	1-3/8"	14 GAUGE	5-1/4 lbs
2	14-1/8"	21-3/4"	1-1/2"	12 GAUGE	12-1/4 lbs
3	15-1/4"	26-1/4"	1-1/2"	12 GAUGE	19-1/4 lbs
4	19-1/2"	30"	1-1/2"	11 GAUGE	33 lbs

NOTES: UNLESS OTHERWISE SPECIFIED.

1. MATERIAL: PER MAG SPEC 770.1
 - A. DIAMOND PLATE STEEL.
 - B. $\phi 3/4$ SCHEDULE 40 HEAVY WALL BLACK IRON PIPE.
2. FINISH: BLACK HOT DIPPED COAL TAR BITUMINOUS COATING AFTER ASSEMBLY.
3. STRUCTURAL BRACING NOT USED ON COVERS T1 & 1.
4. REINFORCED CORNER SHOWN.
5. OPTIONAL OPEN CORNER.



Oldcastle Precast[®]
Enclosure Solutions

MADERA/TRACY/ROSEVILLE/PHEONIX
Phone: (800) 486-7070 Fax: (800) 486-6804
Copyright © 2009 Oldcastle Precast Inc.

STEEL COVERS

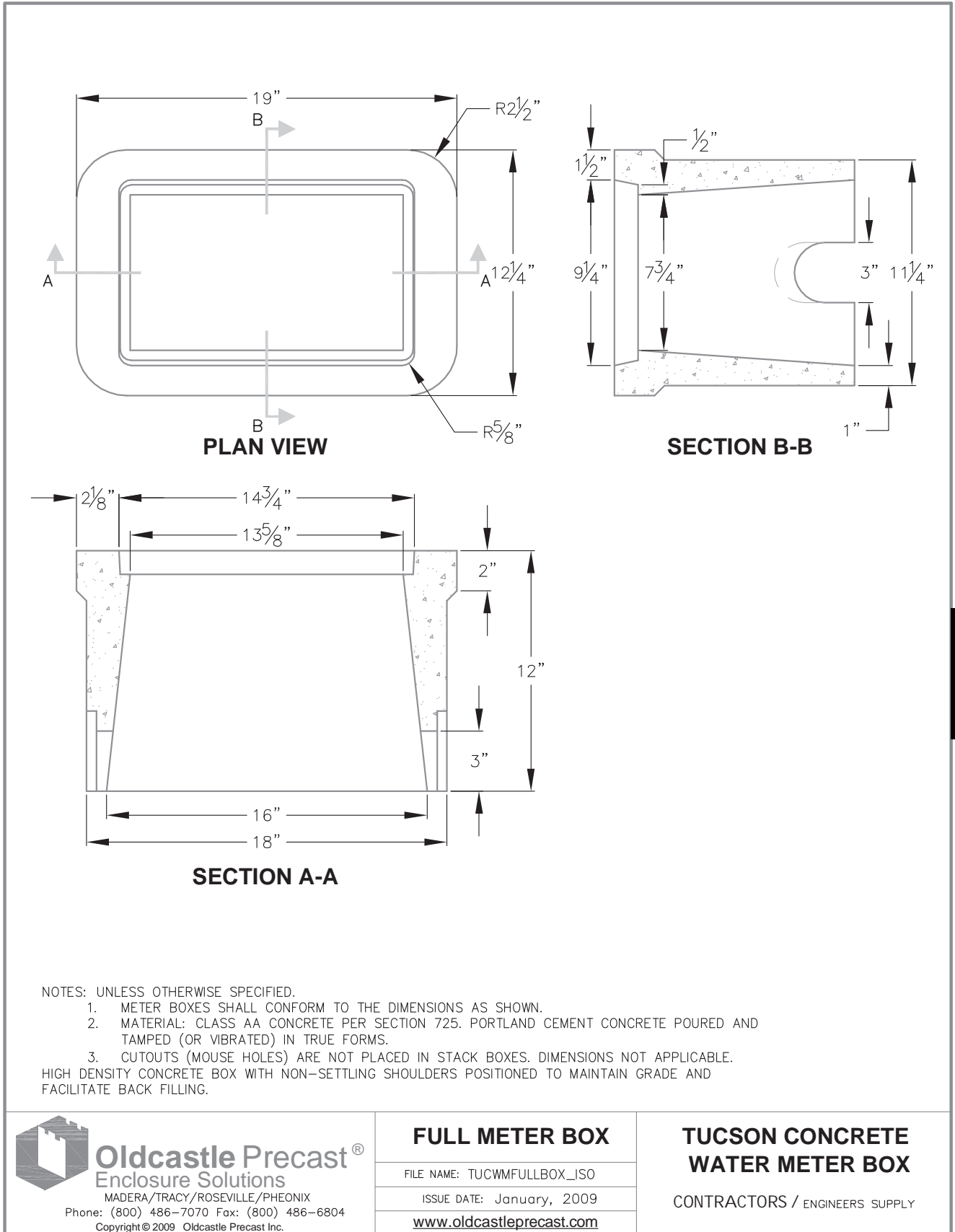
FILE NAME: SWMBOXCOVERS_ISO

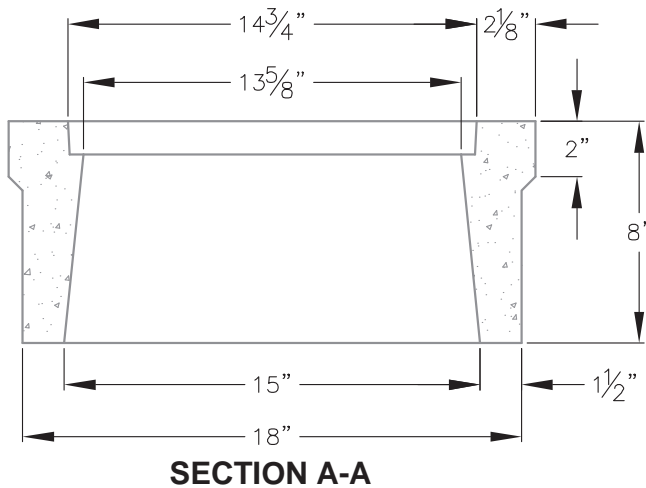
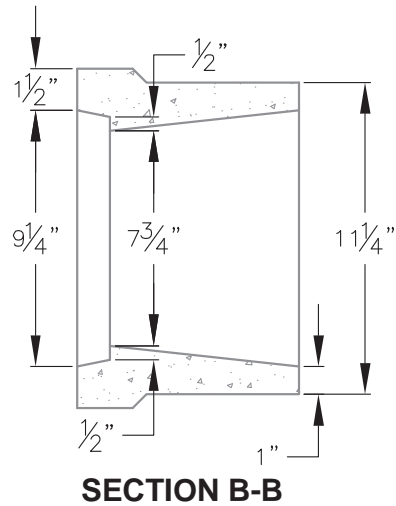
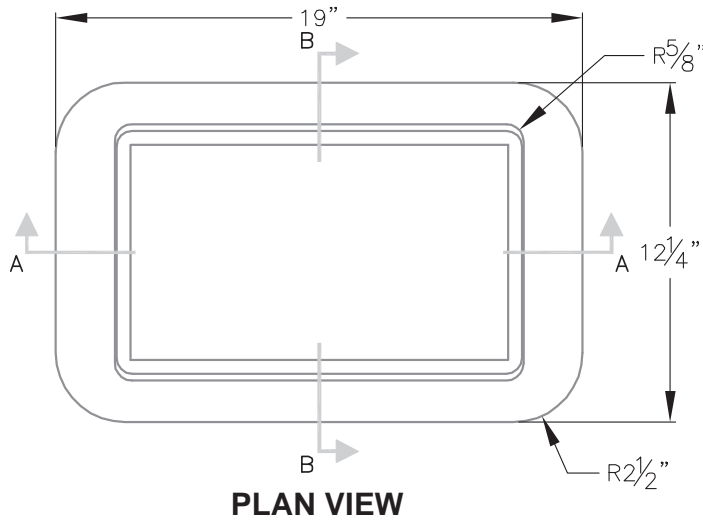
ISSUE DATE: January, 2009

www.oldcastleprecast.com

**STEEL WATER METER
BOX COVERS W/ WELDED
W/ WELDED CORNERS**

CONTRACTORS / ENGINEERS SUPPLY





NOTES: UNLESS OTHERWISE SPECIFIED.

1. METER BOXES SHALL CONFORM TO THE DIMENSIONS AS SHOWN.
2. MATERIAL: CLASS AA CONCRETE PER SECTION 725. PORTLAND CEMENT CONCRETE POURED AND TAMPED (OR VIBRATED) IN TRUE FORMS.
3. CUTOUTS (MOUSE HOLES) ARE NOT PLACED IN STACK BOXES. DIMENSIONS NOT APPLICABLE.

HIGH DENSITY CONCRETE BOX WITH NON-SETTLING SHOULDERS POSITIONED TO MAINTAIN GRADE AND FACILITATE BACK FILLING.



Oldcastle Precast[®]
Enclosure Solutions

MADERA/TRACY/ROSEVILLE/PHEONIX
Phone: (800) 486-7070 Fax: (800) 486-6804
Copyright © 2009 Oldcastle Precast Inc.

HALF METER BOX

FILE NAME: TUCWMHALFBOX_ISO

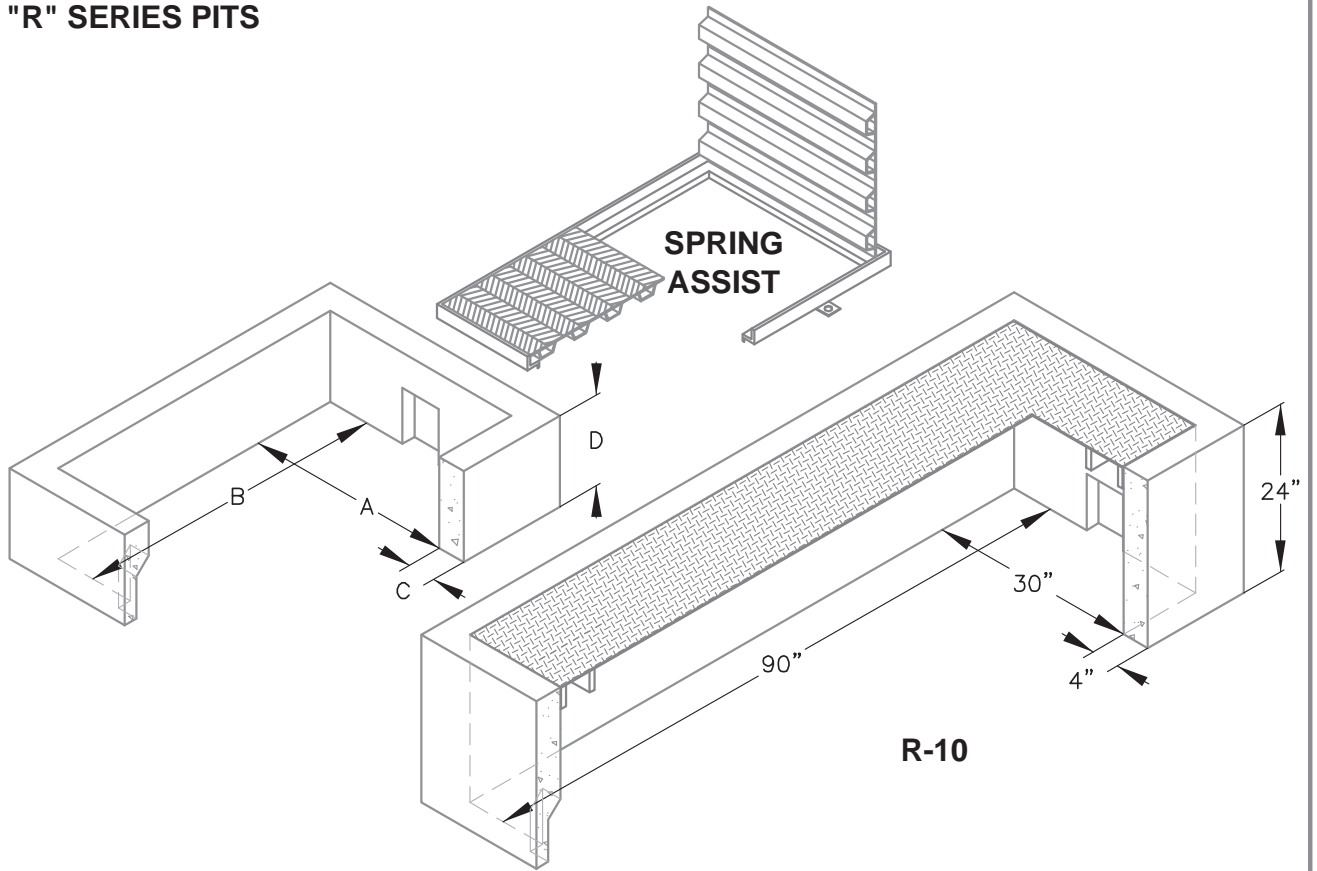
ISSUE DATE: January, 2009

www.oldcastleprecast.com

**TUCSON CONCRETE
WATER METER BOX**

CONTRACTORS / ENGINEERS SUPPLY

"R" SERIES PITS



A reinforced concrete box designed to provide high strength without excess weight. This pit is normally supplied with knockouts on ends only. Special openings or knockouts can be provided to customer's specifications at additional cost. Either plain checker plate covers, bolt down covers, or hinged covers are available. R-Series pits do not have bottoms. Approximate dimensions and weight shown.

PRODUCT NO.	DIMENSIONS					Approx. Wt. LBS
	A	B	C	D		
R10 PIT	2-1/2'	7-1/2'	4"	2' Deep	610 mm	2150
	762 mm	2286 mm	102 mm	3' Deep	914 mm	3220
R17 PIT	3'	5'	4"	2' Deep	610 mm	1860
	914 mm	1524 mm	102 mm	3' Deep	914 mm	2780
R27 PIT	4'	4'	4"	2' Deep	610 mm	1700
	1219 mm	1219 mm	102 mm	3' Deep	914 mm	2540
R33 PIT	4'	5'	4"	2' Deep	610 mm	1980
	1219 mm	1524 mm	102 mm	3' Deep	914 mm	2960
R37 PIT	4'	7'	4"	2' Deep	610 mm	2300
	1219 mm	2134 mm	102 mm	3' Deep	914 mm	3440

APPROXIMATE DIMENSIONS SHOWN

Special H/20 load traffic covers and frames available * Reading lids available at additional cost * Galvanizing available on all steel covers
 * Non-skid surface available H/20 standard for spring assist covers



Oldcastle Precast®
 Enclosure Solutions
 MADERA/TRACY/ROSEVILLE/PHOENIX
 Phone: (800) 486-7070 Fax: (800) 486-6804
 Copyright © 2009 Oldcastle Precast Inc.

"R" SERIES PITS

FILE NAME: R-SERIES-PITS_ISO
 ISSUE DATE: January, 2009
www.oldcastleprecast.com

"R" SERIES PITS



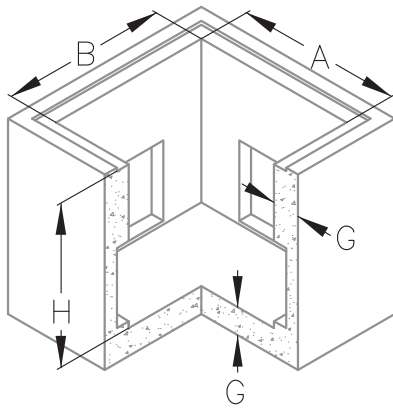
Back to Table of Contents

Accessories Available for R Series Pits

(All lids available with 8" round self-closing reading lid at additional cost- specify if desired)
All dimensions shown are inside.

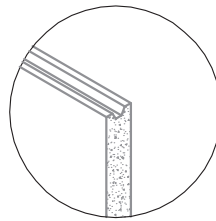
Ordering Code	Item	Approx. Shipping Weight	Description
R8P26	Pit	510	R8 Pit (21½" x 31¼" x 26" deep)
R8-61D	Cover	82	1 pc. Steel checker plate, parkway
R10P24	Pit	2150	R10 Pit (2½' x 7½' x 2' deep)
R10P36	Pit	3220	R10 Pit (2½' x 7½' x 3' deep)
R10-54D	Cover	315	4 pc. Steel checker plate, parkway
R10-54J	Cover	315	4 pc. Steel checker plate, parkway, bolt down
R10X24	Extension	2150	2' Reinforced concrete
R10X36	Extension	3220	3' Reinforced concrete
R17P24	Pit	1860	R17 Pit (3' x 5' x 2' deep)
R17P36	Pit	2870	R17 Pit (3' x 5' x 3' deep)
R17-52D	Cover	240	2 pc. Steel checker plate, parkway
R17-52J	Cover	240	2 pc. Steel checker plate, parkway, bolt down
R17-52HT	Cover	435	2 pc. Steel checker plate, H/20, hinged, torsion
R17X24	Extension	1860	2' Reinforced concrete
R17X36	Extension	2780	3' Reinforced concrete
R27P24	Pit	1700	R27 Pit (4' x 4' x 2' deep)
R27P36	Pit	2540	R27 Pit (4' x 4' x 3' deep)
R27-52D	Cover	250	2 pc. Steel checker plate, parkway
R27-52J	Cover	250	2 pc. Steel checker plate, parkway, bolt down
R27-52HT	Cover	425	2 pc. Steel checker plate, H/20, hinged, torsion
R27X24	Extension	1700	2' Reinforced concrete
R27X36	Extension	2780	3' Reinforced concrete
R33P24	Pit	1980	R33 Pit (4' x 5' x 2' deep)
R33P36	Pit	2960	R33 Pit (4' x 5' x 2' deep)
R33-52D	Cover	300	2 pc. Steel checker plate, parkway
R33-52J	Cover	300	2 pc. Steel checker plate, parkway, bolt down
R33-52HT	Cover	530	2 pc. Steel checker plate, H/20, hinged, torsion
R33X24	Extension	1980	2' Reinforced concrete
R33X36	Extension	2960	3' Reinforced concrete
R37P24	Pit	2300	R37 Pit (4' x 7' x 2' deep)
R37P36	Pit	3440	R37 Pit (4' x 7' x 3' deep)
R37-54D	Cover	465	4 pc. Steel checker plate, parkway
R37-54J	Cover	465	4 pc. Steel checker plate, parkway, bolt down
R37-52HT	Cover	685	2 pc. Steel checker plate, H/20, hinged, torsion
R37X24	Extension	2300	2' Reinforced concrete
R37X36	Extension	3440	3' Reinforced concrete
Galvanizing available for all steel covers.			

"T" SERIES ELECTRICAL VAULTS

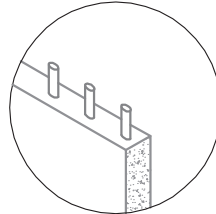


PRODUCT NUMBER	DIMENSIONS			
	A	B	H	G
T21V	2'	2'	**	4"
T23V	2'	2'	**	6"
T32V	2'	3'	**	6"
T36V	2'	4'	**	5"
T43V	3'	3'	**	6"
T52V	3'	4'	**	6"
T95V	3'	5'	30"	6"

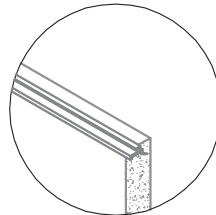
APPROXIMATE DIMENSIONS SHOWN



Grooved to receive tongue of grade rings.



6" exposed rebar to allow job site pouring of special curb shapes at grade level, etc.



Cast-in galvanized frame for 1/4" steel covers with bolt down provisions.

- ** • "T" series Electrical vaults are available in special heights upon request.
- These boxes are poured with a minimum of 4500 psi concrete and are reinforced.
- A removable steel pulling eye is provided upon request.

ALL PARKWAY COVERS ARE STEEL CHECKER PLATE WITH HOLD DOWN BOLTS— FRAME NOT INCLUDED.
 ALL TRAFFIC COVERS ARE SUPPLIED WITH ANGLE STIFFENERS AND HOLD DOWN BOLTS— FRAME NOT INCLUDED.



Oldcastle Precast®
 Enclosure Solutions

MADERA/TRACY/ROSEVILLE/PHOENIX
 Phone: (800) 486-7070 Fax: (800) 486-6804
 Copyright © 2009 Oldcastle Precast Inc.

"T" SERIES

FILE NAME: T-SERIES-ELECTRICAL-VAULTS

ISSUE DATE: January, 2009

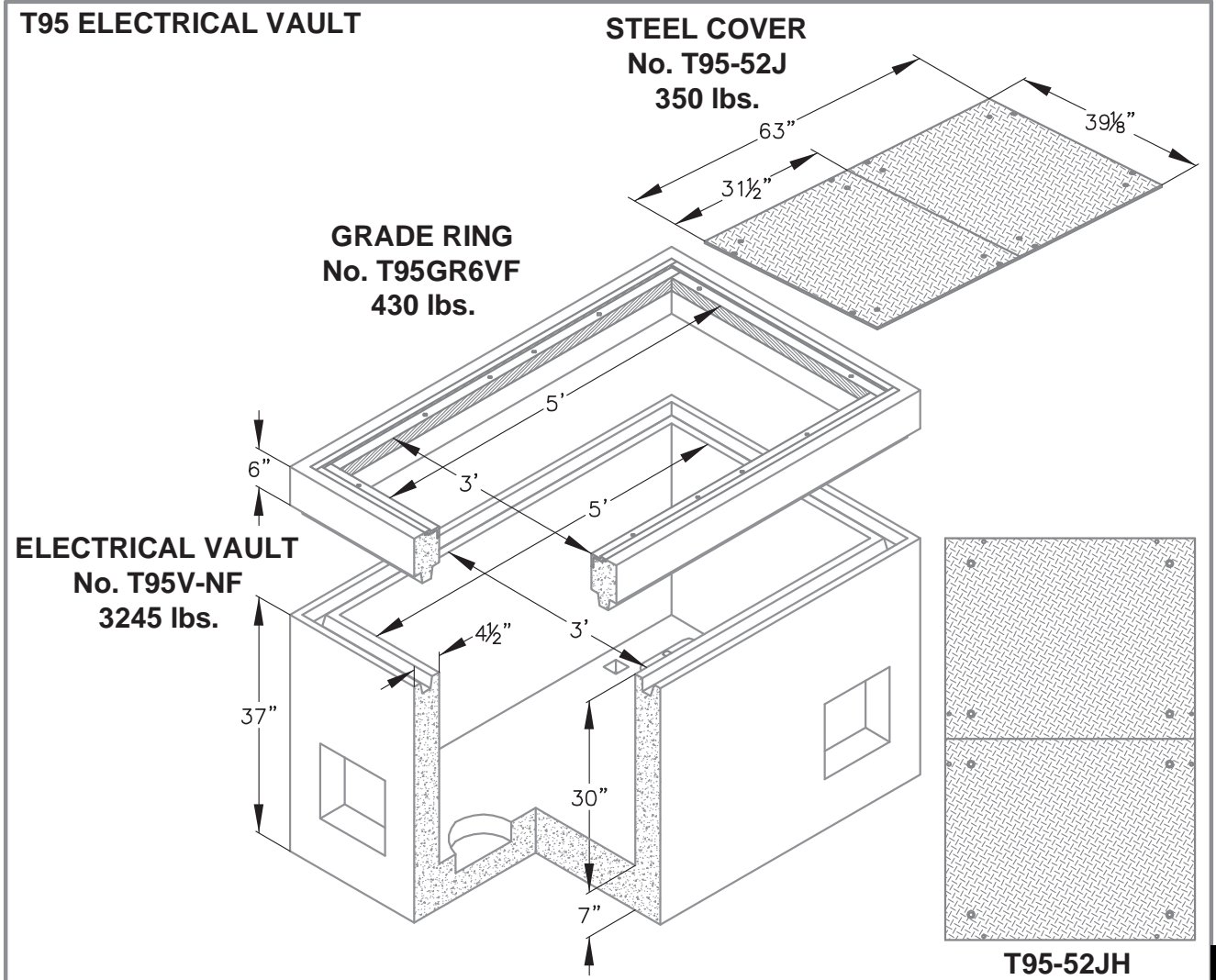
www.oldcastleprecast.com

"T" SERIES ELECTRICAL VAULTS



Back to Table of Contents

Ordering Code	Item	Approx. Shipping Weight	Description
T21V	Vault	1675	T21 Electrical Vault (2' 2' x 4" walls) with Vault Frame
T21-51J	Cover	60	Steel checker plate, parkway, bolt down
T21-51JH	Cover	136	Steel checker plate, H/20 loading, bolt down
T21S	Vault		T21S Sectional Vault (2' x 2' x 4") with Vault Frame
T21ST12VF	Top Section	384	12" Reinforced concrete with Vault Frame
T21ST6VF	Top Section	192	6" Reinforced concrete with Vault Frame
U21SX12NF	Extension	331	12" Reinforced concrete with knock outs, no frame
U21SSL	Slab	271	3" Reinforced concrete (33" x 33")
T21-51J	Cover	60	Steel checker plate, bolt down
T23V	Vault	2825	T23 Electrical Vault (2' x 2' x 6" walls) with Vault Frame
T21-51J	Cover	60	Steel checker plate, parkway, bolt down
T21-51JH	Cover	136	Steel checker plate, H/20 loading, bolt down
T32V	Vault	3350	T32 Electrical Vault (2' x 3' x 6" walls) with Vault Frame
T32-51J	Cover	95	Steel checker plate, parkway, bolt down
T32-51JH	Cover	140	Steel checker plate, H/20 loading, bolt down
T36V	Vault	3320	T36 Electrical Vault (2' x 4' x 5" walls) with Vault Frame
T36-51J	Cover	135	Steel checker plate, parkway, bolt down
T36-51JH	Cover	272	Steel checker plate, H/20 loading, bolt down
T43V	Vault	4220	T43 Electrical Vault (3' x 3' x 6" walls) with Vault Frame
T43-51J	Cover	135	Steel checker plate, parkway, bolt down
T43-51JH	Cover	300	Steel checker plate, H/20 loading, bolt down
T52V	Vault	4930	T52 Electrical Vault (3' x 4' x 6" walls) with Vault Frame
T52-52J	Cover	180	2 pc. Steel checker plate, parkway, bolt down
T52-52JH	Cover	287	2 pc. Steel checker plate, H/20 loading, bolt down
T95V	Vault	3245	T95 Electrical Vault (3' x 5' x 30" deep) No Vault Frame
T95-52J	Cover	350	2 pc. Steel checker plate, parkway, bolt down
T95-52JH	Cover	495	2 pc. Steel checker plate, H/20 loading, bolt down
T95GR6-VF	Grade Ring	575	T95 grade ring (3' x 5' x 6") with Vault Frame
T95GR12-VF	Grade Ring	430	(3' x 5' x 12") Reinforced concrete, w/ vault frame
T95GR12-NF	Grade Ring	985	(3' x 5' x 12") Reinforced concrete, no frame
Galvanizing available for all steel covers.			



A heavy duty reinforced concrete box with standard knockouts and pulling irons. Approximate dimensions and weight shown.

Ordering Code	Item	Approx. Shipping Weight	Description
T95V	VAULT	3245	T95 Electrical Vault Traffic (3' x 5' x 30" deep) No Vault Frame
T95-52J	COVER	350	2 pc. Steel checker plate, parkway, bolt down
T95-52JH	COVER	495	2 pc. Steel checker plate, H/20 loading, bolt down
T95GR6-VF	GRADE-RING	575	T95 grade ring (3' x 5' x 6") with vault frame
T95GR6	GRADE-RING	430	(3' x 5' x 6") Reinforced concrete, no frame
T95GR12	GRADE-RING	985	(3' x 5' x 12") Reinforced concrete, no frame

Galvanizing available on all steel covers



Oldcastle Precast®
 Enclosure Solutions
 MADERA/TRACY/ROSEVILLE/PHOENIX
 Phone: (800) 486-7070 Fax: (800) 486-6804
 Copyright © 2009 Oldcastle Precast Inc.

T95 VAULT

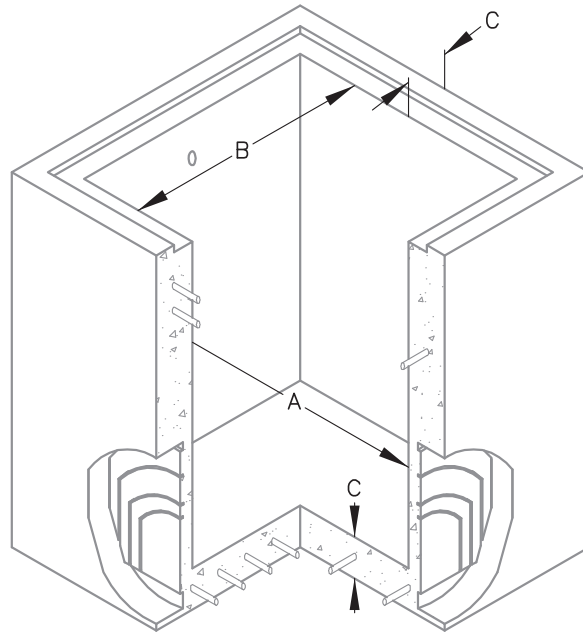
FILE NAME: T95_ISO
 ISSUE DATE: January, 2009
www.oldcastleprecast.com

**T95 ELECTRICAL VAULT
 3' X 5'**

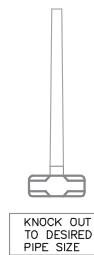
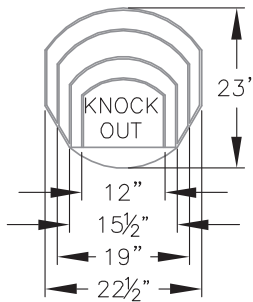


PITS, Vaults, & Catch Basins

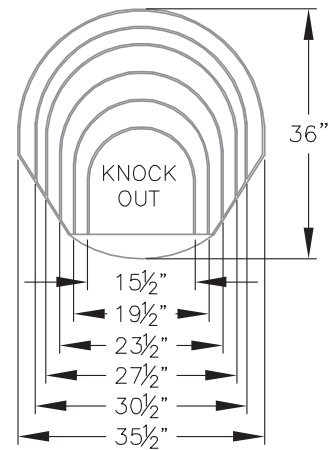
CATCH BASINS



PRODUCT NUMBER	DIMENSIONS		
	A	B	C
U21	2'	2'	4"
U23	2'	2'	6"
U32	2'	3'	6"
U36	2'	4'	5"
U43	3'	3'	6"
U52	3'	4'	6"




KNOCK OUT TO DESIRED PIPE SIZE



"U" Series Catch basins are specifically designed as a "heavy duty" standard for drainage installations. They provide greater labor savings, quality, and simplicity that standardization of pre-cast units make possible over pour-in-place installations.

Standard grade rings are available in 6" increments up to 4' high. Customer specified top edge choices cast into catch basin or grade ring.



Oldcastle Precast[®]
Enclosure Solutions
MADERA/TRACY/ROSEVILLE/PHOENIX
Phone: (800) 486-7070 Fax: (800) 486-6804
Copyright © 2009 Oldcastle Precast Inc.

U SERIES

FILE NAME: U-SERIES-CATCH-BASINS

ISSUE DATE: January, 2009

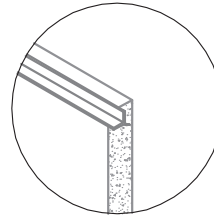
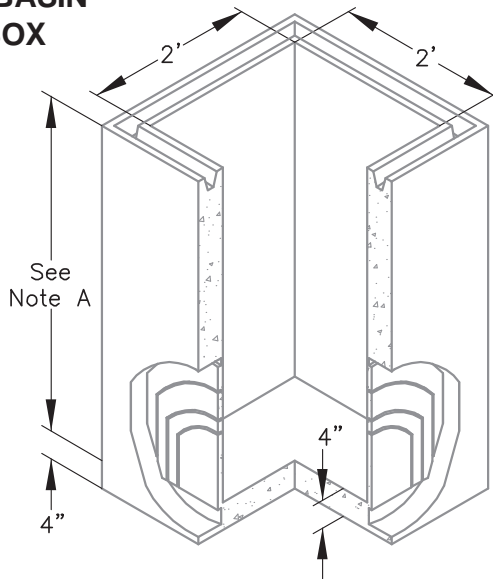
www.christyconcrete.com

"U" SERIES CATCH BASINS

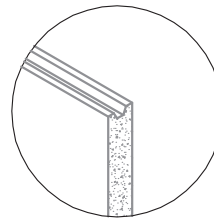


U21 CATCH BASIN

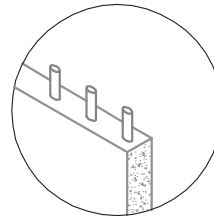
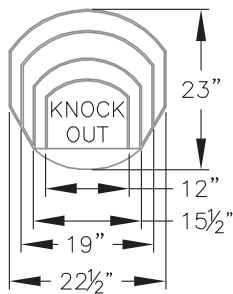
**CATCH BASIN
U21 BOX**



Cast-in galvanized frame for grates 1½" x 1½" angle iron with anchor bolts



Grooved to receive tongue of grade rings, curb inlets, etc.



6" exposed rebar to allow job site pouring of special curb shapes at grade level, etc.

Note A: height is per job specification.

- Knock-Outs available in grade rings and catch basins.
- Opening, locations, and sizes to job specifications.
- With or without bottom.
- Progressive webbed knock-outs provide maximum flexibility, permitting pipe of any size to be neatly and quickly grouted in at jobsite.
- Standard grade rings available in 6" increments up to 4' high.
- All reinforcing steel meets ASTM specifications as required



Oldcastle Precast®
Enclosure Solutions

MADERA/TRACY/ROSEVILLE/PHOENIX
Phone: (800) 486-7070 Fax: (800) 486-6804
Copyright © 2009 Oldcastle Precast Inc.

U21 CATCH BASIN

FILE NAME: U21_ISO

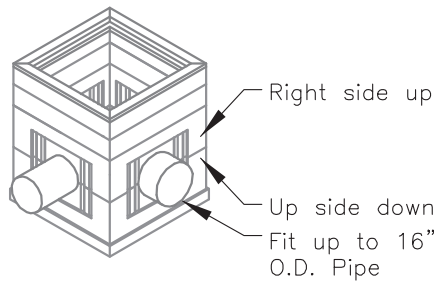
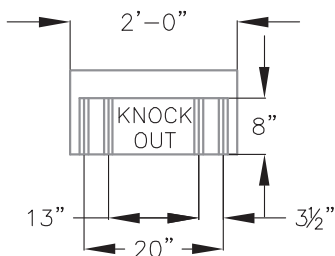
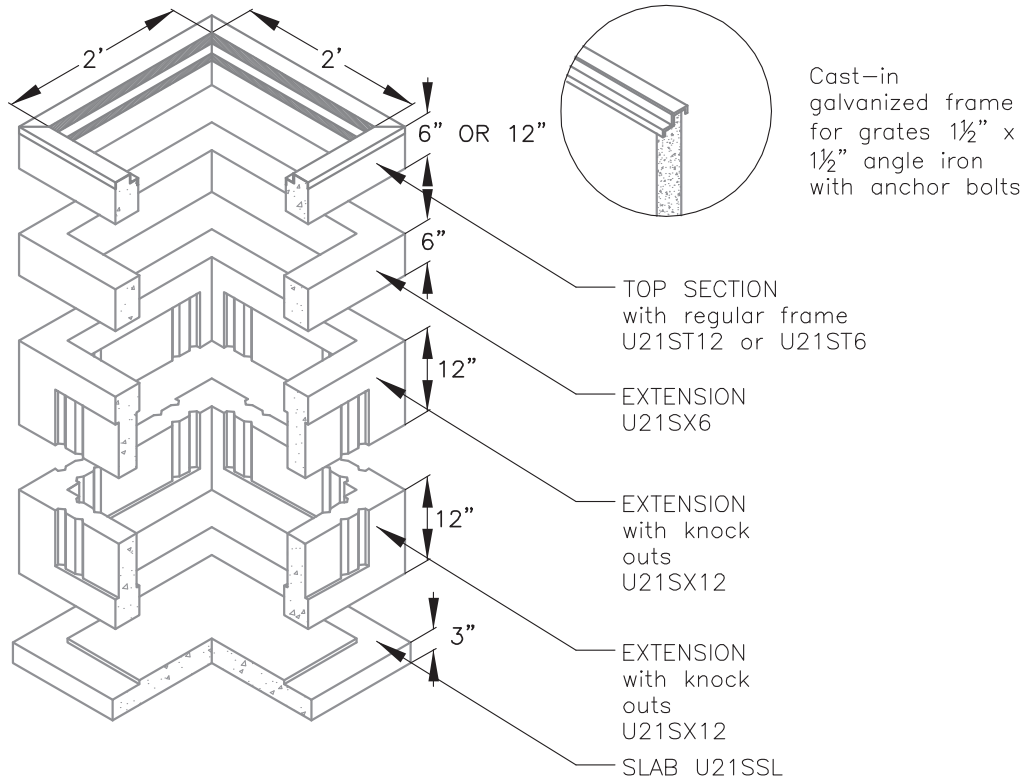
ISSUE DATE: January, 2009

www.oldcastleprecast.com

**U21 CATCH BASIN
2' x 2' W/ 4" WALLS**



U21 SECTIONAL CATCH BASIN



Ordering Code	Item	Approx. Shipping Weight	Description
U21S	DRAIN BOX		U21S Sectional drain Box (2' x 2' I.D.)
U21ST12RF	TOP SECTION	403	12" Reinforced concrete with regular frame
U21ST6RF	TOP SECTION	190	6" Reinforced concrete with regular frame
U21SX12NF	EXTENSION	337	12" Reinforced concrete with knock outs, no frame
U21SSL	SLAB	164	3" Reinforced concrete (33" x 33")



Oldcastle Precast®
Enclosure Solutions
MADERA/TRACY/ROSEVILLE/PHOENIX
Phone: (800) 486-7070 Fax: (800) 486-6804
Copyright © 2009 Oldcastle Precast Inc.

U21S SECTIONAL

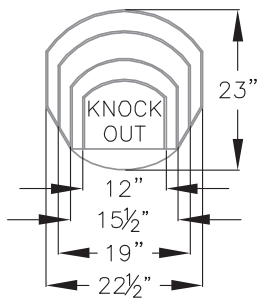
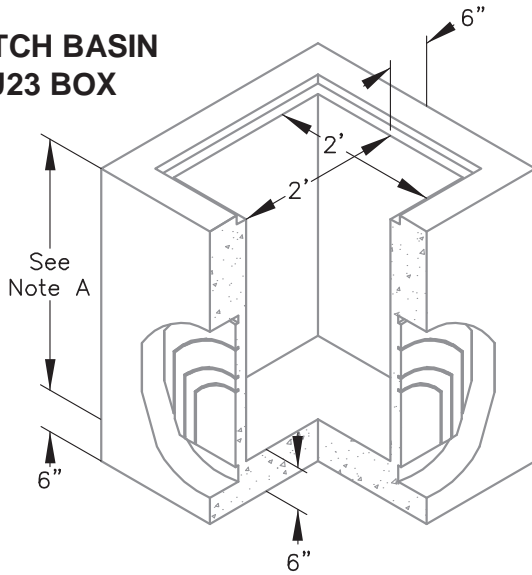
FILE NAME: U21S_ISO
ISSUE DATE: January, 2009
www.oldcastleprecast.com

U21S SECTIONAL CATCH BASIN



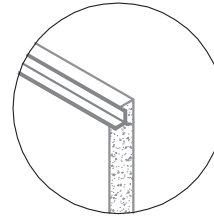
U23 CATCH BASIN

**CATCH BASIN
U23 BOX**

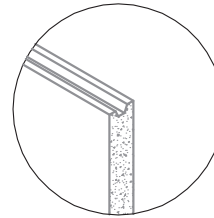


Note A: height is per job specification.

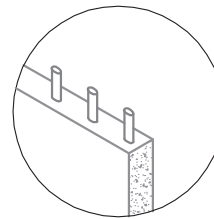
- Knock-Outs available in grade rings and catch basins.
- Opening, locations, and sizes to job specifications.
- With or without bottom.
- Progressive webbed knock-outs provide maximum flexibility, permitting pipe of any size to be neatly and quickly grouted in at jobsite.
- Standard grade rings available in 6" increments up to 4' high.
- All reinforcing steel meets ASTM specifications as required



Cast-in galvanized frame for grates 1½" x 1½" angle iron with anchor bolts



Grooved to receive tongue of grade rings, curb inlets, etc.



6" exposed rebar to allow job site pouring of special curb shapes at grade level, etc.



Oldcastle Precast®
Enclosure Solutions

MADERA/TRACY/ROSEVILLE/PHOENIX
Phone: (800) 486-7070 Fax: (800) 486-6804
Copyright © 2009 Oldcastle Precast Inc.

U23 CATCH BASIN

FILE NAME: U23_ISO

ISSUE DATE: January, 2009

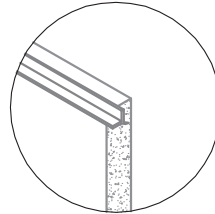
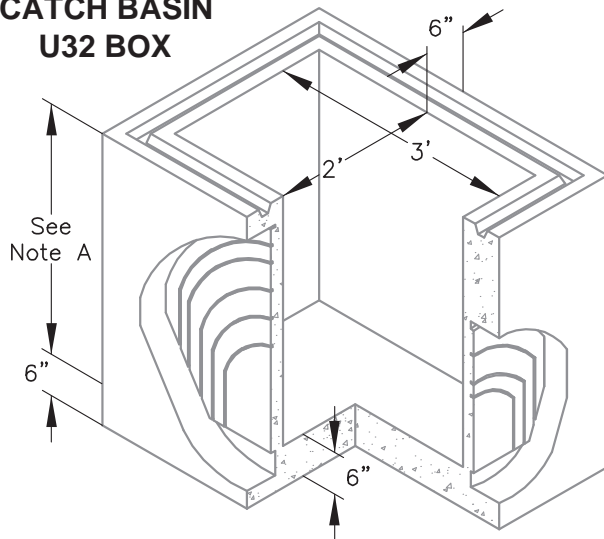
www.oldcastleprecast.com

**U23 CATCH BASIN
2' x 2' W/ 6" WALLS**

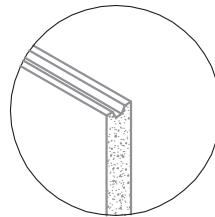
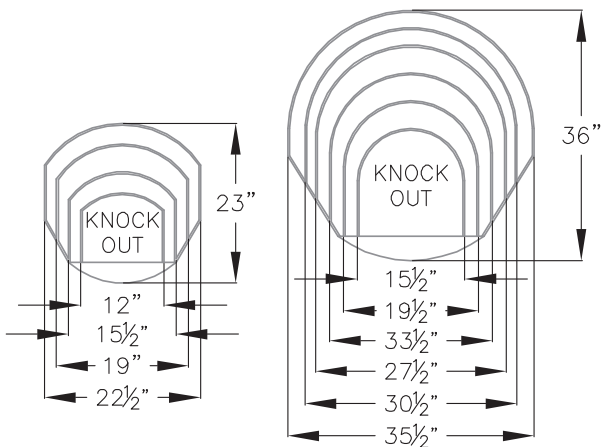


U32 CATCH BASIN

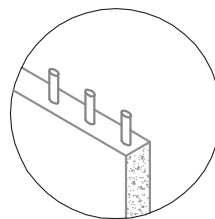
**CATCH BASIN
U32 BOX**



Cast-in galvanized frame for grates 1½" x 1½" angle iron with anchor bolts



Grooved to receive tongue of grade rings, curb inlets, etc.



6" exposed rebar to allow job site pouring of special curb shapes at grade level, etc.

Note A: height is per job specification.

- Knock-Outs available in grade rings and catch basins.
- Opening, locations, and sizes to job specifications.
- With or without bottom.
- Progressive webbed knock-outs provide maximum flexibility, permitting pipe of any size to be neatly and quickly grouted in at jobsite.
- Standard grade rings available in 6" increments up to 4' high.
- All reinforcing steel meets ASTM specifications as required



Oldcastle Precast®
Enclosure Solutions
MADERA/TRACY/ROSEVILLE/PHOENIX
Phone: (800) 486-7070 Fax: (800) 486-6804
Copyright © 2009 Oldcastle Precast Inc.

U32 CATCH BASIN

FILE NAME: U32_ISO

ISSUE DATE: January, 2009

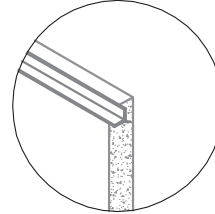
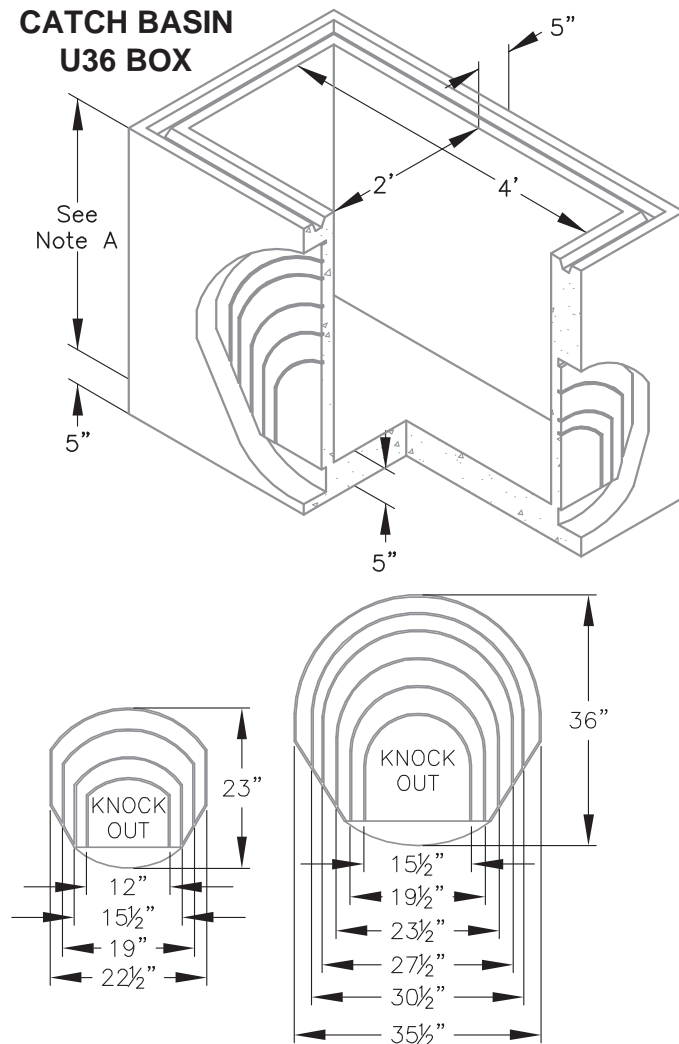
www.oldcastleprecast.com

**U32 CATCH BASIN
2' x 3' W/ 6" WALLS**

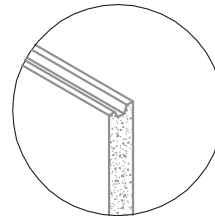


U36 CATCH BASIN

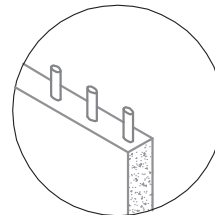
**CATCH BASIN
U36 BOX**



Cast-in galvanized frame for grates 1½" x 1½" angle iron with anchor bolts



Grooved to receive tongue of grade rings, curb inlets, etc.



6" exposed rebar to allow job site pouring of special curb shapes at grade level, etc.

Note A: height is per job specification.

- Knock-Outs available in grade rings and catch basins.
- Opening, locations, and sizes to job specifications.
- With or without bottom.
- Progressive webbed knock-outs provide maximum flexibility, permitting pipe of any size to be neatly and quickly grouted in at jobsite.
- Standard grade rings available in 6" increments up to 4' high.
- All reinforcing steel meets ASTM specifications as required



Oldcastle Precast®
Enclosure Solutions

MADERA/TRACY/ROSEVILLE/PHOENIX
Phone: (800) 486-7070 Fax: (800) 486-6804
Copyright © 2009 Oldcastle Precast Inc.

U36 CATCH BASIN

FILE NAME: U36_ISO

ISSUE DATE: January, 2009

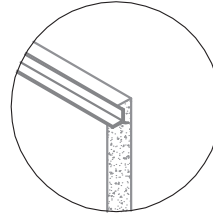
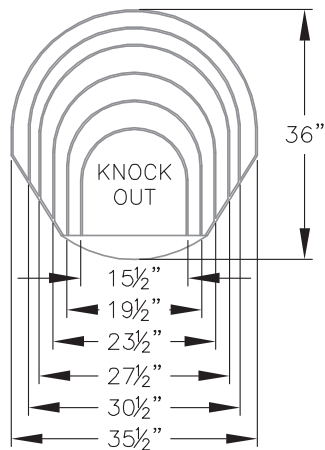
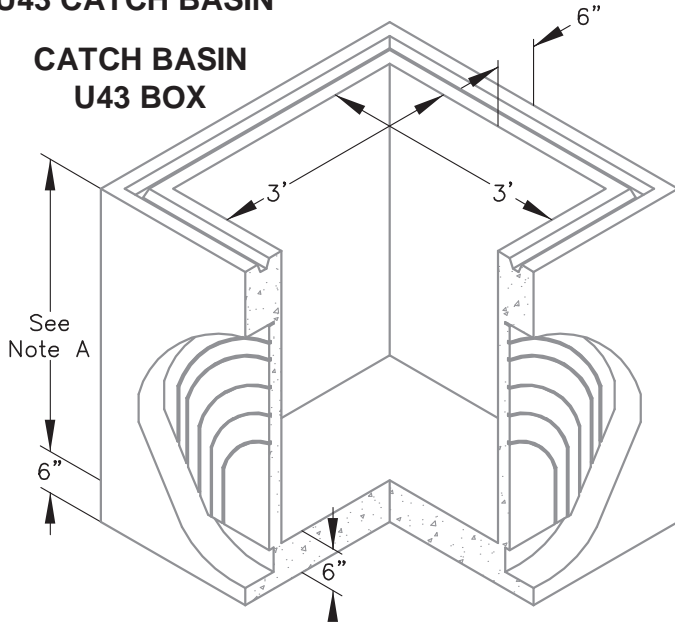
www.oldcastleprecast.com

**U36 CATCH BASIN
2' x 4' W/ 5" WALLS**

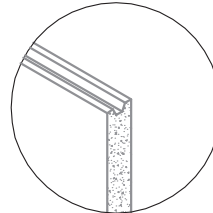


U43 CATCH BASIN

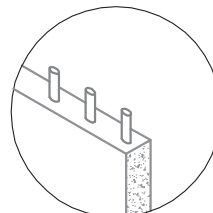
**CATCH BASIN
U43 BOX**



Cast-in galvanized frame for grates 1½" x 1½" angle iron with anchor bolts



Grooved to receive tongue of grade rings, curb inlets, etc.



6" exposed rebar to allow job site pouring of special curb shapes at grade level, etc.

Note A: height is per job specification.

- Knock-Outs available in grade rings and catch basins.
- Opening, locations, and sizes to job specifications.
- With or without bottom.
- Progressive webbed knock-outs provide maximum flexibility, permitting pipe of any size to be neatly and quickly grouted in at jobsite.
- Standard grade rings available in 6" increments up to 4' high.
- All reinforcing steel meets ASTM specifications as required



Oldcastle Precast®
Enclosure Solutions

MADERA/TRACY/ROSEVILLE/PHOENIX
Phone: (800) 486-7070 Fax: (800) 486-6804
Copyright © 2009 Oldcastle Precast Inc.

U43 CATCH BASIN

FILE NAME: U43_ISO

ISSUE DATE: January, 2009

www.oldcastleprecast.com

**U43 CATCH BASIN
3' x 3' w/ 6" WALLS**



U52 CATCH BASIN

CATCH BASIN U52 BOX

See Note A

6"

3'

4'

6"

36"

KNOCK OUT

15 1/2"

19 1/2"

23 1/2"

27 1/2"

30 1/2"

35 1/2"

Cast-in galvanized frame for grates 1 1/2" x 1 1/2" angle iron with anchor bolts

Grooved to receive tongue of grade rings, curb inlets, etc.

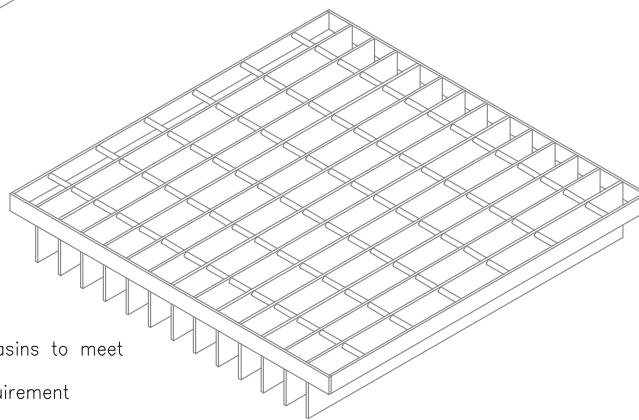
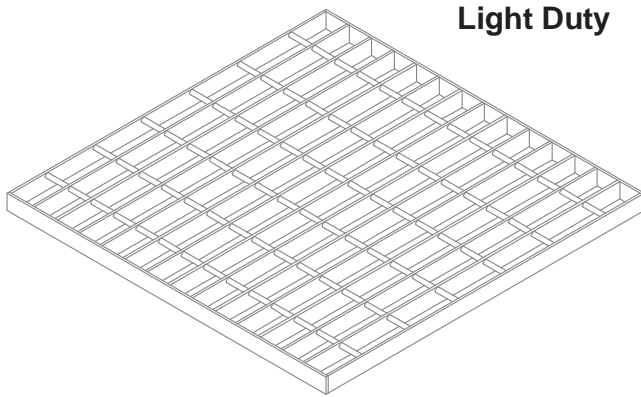
6" exposed rebar to allow job site pouring of special curb shapes at grade level, etc.

Note A: height is per job specification.

- Knock-Outs available in grade rings and catch basins.
- Opening, locations, and sizes to job specifications.
- With or without bottom.
- Progressive webbed knock-outs provide maximum flexibility, permitting pipe of any size to be neatly and quickly grouted in at jobsite.
- Standard grade rings available in 6" increments up to 4' high.
- All reinforcing steel meets ASTM specifications as required

Oldcastle Precast [®] Enclosure Solutions MADERA/TRACY/ROSEVILLE/PHOENIX Phone: (800) 486-7070 Fax: (800) 486-6804 Copyright © 2009 Oldcastle Precast Inc.	U52 CATCH BASIN	U52 CATCH BASIN 3' x 4' W/ 6" WALLS
	FILE NAME: U52_ISO	
	ISSUE DATE: January, 2009	
	www.oldcastleprecast.com	

**Welded Steel Grates with Cross Bars
77% Open Flow Area**



- Welded steel grates for "U" series catch basins to meet job specifications.
- Individual city, county, district or state requirement information available on request.
- See catch basin page for frame detail.
- ADA availability for all sizes.

Ordering Code	Item	Approx. Shipping Weight	Description
U21-NT	GRATE	35	26½" x 26½" (673 x 673 mm) welded, galvanized, non-traffic
U21-HT	GRATE	75	26½" x 26½" (673 x 673 mm) welded, galvanized, H/20 traffic
U32-HT	GRATE	112	26½" x 38" (673 x 965 mm) welded, galvanized, H/20 traffic
U36-HT	GRATE	155	26½" x 50" (673 x 1270 mm) welded, galvanized, H/20 traffic
U43-HT	GRATE	232	35½" x 40" (902 x 1016 mm) welded, galvanized, H/20 traffic
U52-HT	GRATE	280	40" x 47¼" (1016 x 1200 mm) welded, galvanized, H/20 traffic

All grates are galvanized, bicycle proof, and bolt down



Oldcastle Precast®
Enclosure Solutions
MADERA/TRACY/ROSEVILLE/PHOENIX
Phone: (800) 486-7070 Fax: (800) 486-6804
Copyright © 2009 Oldcastle Precast Inc.

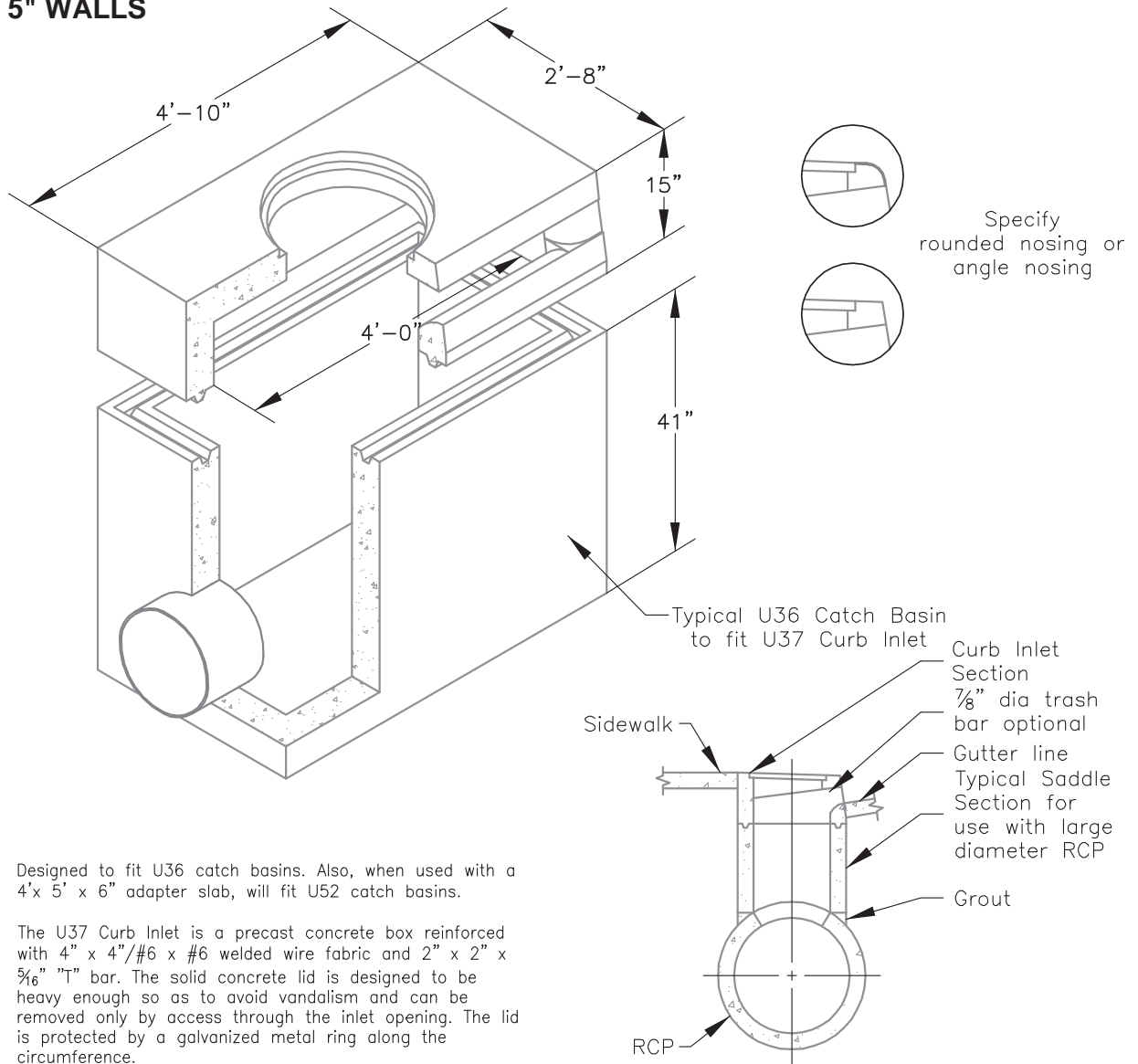
STEEL GRATES

FILE NAME: WELDED-STEEL-GRATES_ISO
ISSUE DATE: January, 2009
www.oldcastleprecast.com

WELDED STEEL GRATES



**U37 CURB INLET
w/ 5" WALLS**



Ordering Code	Item	Approx. Shipping Weight	Description
U37CI	CURB INLET	1644	U37 Curb Inlet (2' x 4' x 15" deep— 5" walls) Fits U36 Catch Basin
U37ASL	ADAPTER	1380	U37-A adapter slab (5' x 5' x 6") reinforced concrete— fits U52 catch basin
U37D	LID	76	24" Diameter reinforced concrete



Oldcastle Precast®
Enclosure Solutions
MADERA/TRACY/ROSEVILLE/PHOENIX
Phone: (800) 486-7070 Fax: (800) 486-6804
Copyright © 2009 Oldcastle Precast Inc.

U37 CURB INLET

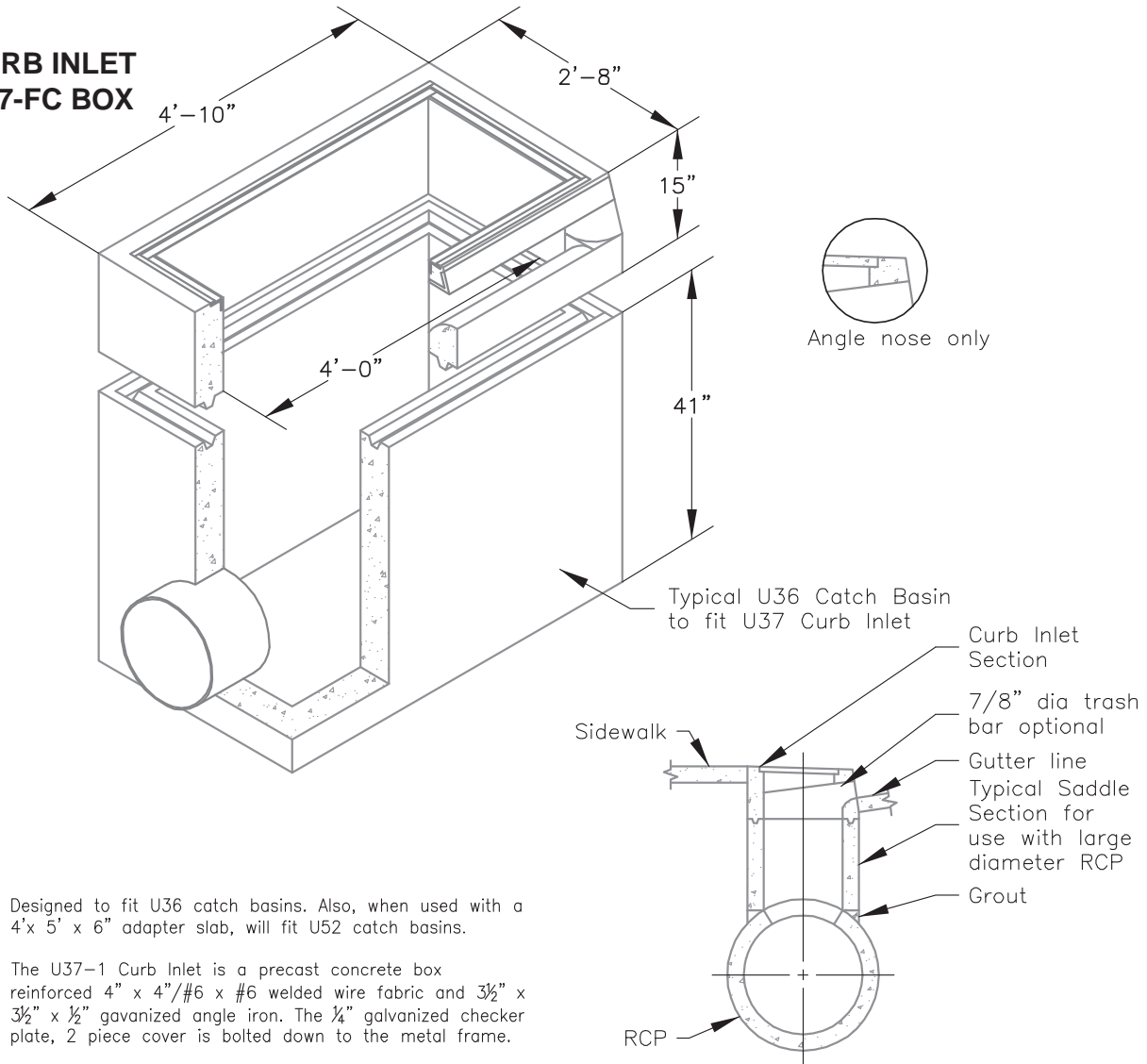
FILE NAME: 036CIU37_ISO
ISSUE DATE: January, 2009
www.oldcastleprecast.com

**U37 CURB INLET
2' x 4' x 15" DEEP**



**U37-FC CURB INLET
w/ 5" WALLS**


**CURB INLET
U37-FC BOX**



Designed to fit U36 catch basins. Also, when used with a 4' x 5' x 6" adapter slab, will fit U52 catch basins.

The U37-1 Curb Inlet is a precast concrete box reinforced 4" x 4"/#6 x #6 welded wire fabric and 3/2" x 3/2" x 1/2" galvanized angle iron. The 1/4" galvanized checker plate, 2 piece cover is bolted down to the metal frame.

Ordering Code	Item	Approx. Shipping Weight	Description
U37CI-FC	CURB INLET	1530	U37 Curb Inlet (2' x 4' x 15" deep- 5" walls) Fits U36 Catch Basin
U37ASL	ADAPTER	1380	U37-A adapter slab (5' x 5' x 6") reinforced concrete- fits U52 catch basin
U37-62D	COVER	113	Steel checker plate, galvanized, 2 pcs.



Oldcastle Precast®
Enclosure Solutions
MADERA/TRACY/ROSEVILLE/PHOENIX
Phone: (800) 486-7070 Fax: (800) 486-6804
Copyright © 2009 Oldcastle Precast Inc.

U37-FC CURB INLET

FILE NAME: U37FC_ISO

ISSUE DATE: January, 2009

www.oldcastleprecast.com

**U37-FC CURB INLET
2' x 4' x 15" DEEP**



**FIBRELYTE BOX
No. FL08TBOX
6 lbs.**

**FIBRELYTE LID
No. FL8D
2 lbs.**

FL8T LID

All Fibrelyte valve and utility boxes are designed to receive either Fibrelyte, standard Christy Concrete or cast iron lids. Fibrelyte is a durable, light weight and proven alternative to concrete. Approximate dimensions and weight shown.

Ordering Code	Item	Approx. Shipping Weight	Description
FL08TBOX	BOX	6	FL08T Box (9" dia. I.D. x 12" high) – 64 per pallet
FL08D	LID	2	Fibrelyte Lid
FL08T	LID	2	Fibrelyte lid, bolt down (bolt included)
ADS	EXTENSION		ADS plastic extension 6", 8", 12", 18" & 10' Standard lengths. Others on request. No adapter required.

Oldcastle Precast®
Enclosure Solutions
MADERA/TRACY/ROSEVILLE/PHOENIX
Phone: (800) 486-7070 Fax: (800) 486-6804
Copyright © 2009 Oldcastle Precast Inc.

FL08T BOX

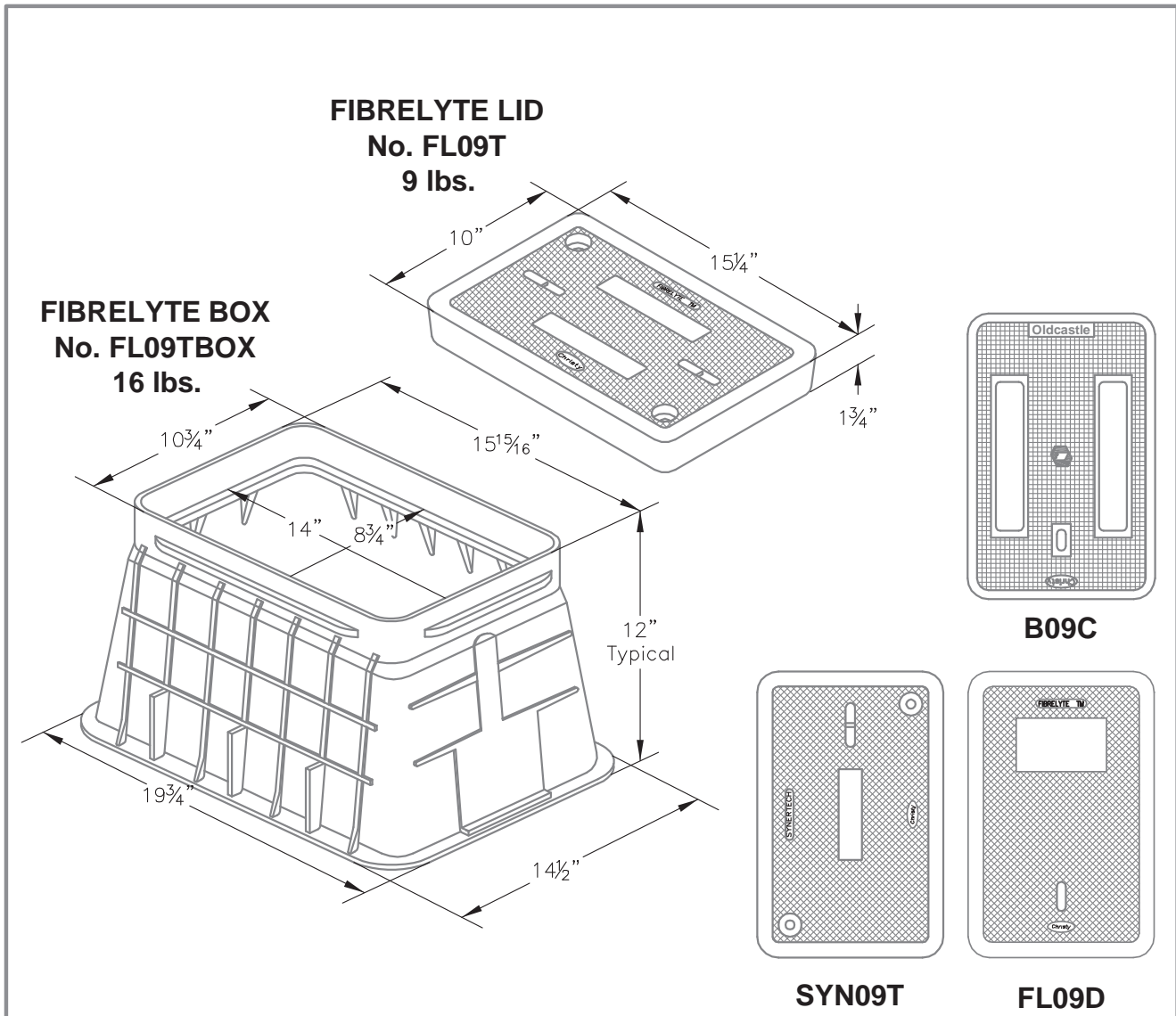
FILE NAME: FL08_ISO

ISSUE DATE: January, 2009

www.oldcastleprecast.com

**FL08 FIBRELYTE BOX
9" x 12"
FIBRELYTE®**

Back to Table of Contents



All Fibrelyte valve and utility boxes are designed to receive either Fibrelyte, Synertech, standard Christy Concrete or cast iron lids. Both Fibrelyte and Synertech are durable, light weight and proven alternative to concrete. Approximate dimensions and weight shown.

Ordering Code	Item	Approx. Shipping Weight	Description
FL09TBOX	BOX	16	FL09T Box (10" x 17" x 12" high) – 48 per pallet
FL09D	LID	9	Fibrelyte Lid
FL09T	LID	9	Fibrelyte lid, bolt down (order FL99 bolts separately)
B09C	LID	20	Cast Iron (bolt down available)
SYN09T	LID	21	Synertech lid, bolt down (order FL99 bolts separately)



Oldcastle Precast®
Enclosure Solutions
MADERA/TRACY/ROSEVILLE/PHOENIX
Phone: (800) 486-7070 Fax: (800) 486-6804
Copyright © 2009 Oldcastle Precast Inc.

FL09T BOX

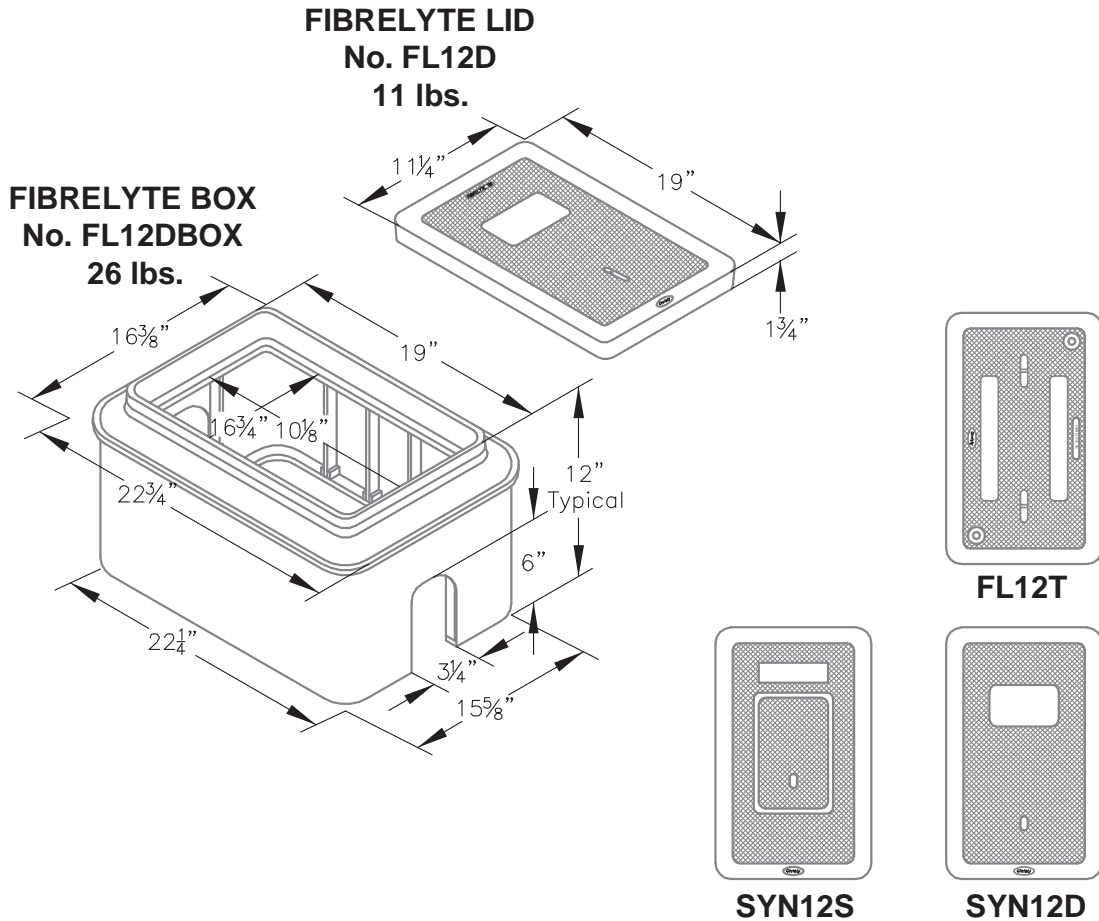
FILE NAME: FL09_ISO

ISSUE DATE: January, 2009

www.oldcastleprecast.com

FL09 FIBRELYTE BOX
10" x 17"

FIBRELYTE®



All Fibrelyte valve and utility boxes are designed to receive either Fibrelyte, Synertech, standard Christy Concrete or cast iron lids. Both Fibrelyte and Synertech are durable, light weight and proven alternative to concrete. Approximate dimensions and weight shown.

Ordering Code	Item	Approx. Shipping Weight	Description
FL12BOX	BOX	26	FL12 Box (12" x 20" I.D. x 12" high) – 20 per pallet
FL12TBOX	BOX	26	FL12T Box for FL12 bolt down lid
FL12D	LID	11	Fibrelyte Lid
FL12T	LID	11	Fibrelyte lid, bolt down (order FL99 bolts separately)
SYN12D	LID	13	Synertech lid
SYN12S	LID	13	Synertech lid w/ 5 1/2" x 9 1/8" reading lid



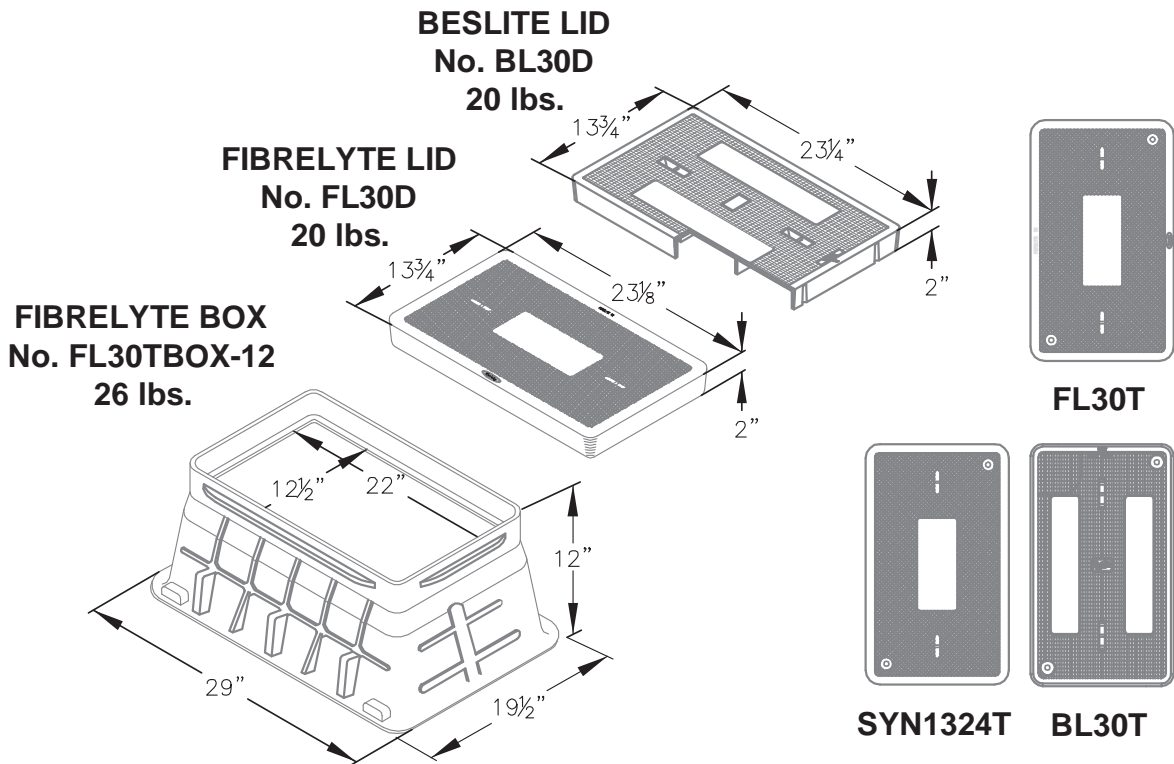
Oldcastle Precast[®]
 Enclosure Solutions
 MADERA/TRACY/ROSEVILLE/PHOENIX
 Phone: (800) 486-7070 Fax: (800) 486-6804
 Copyright © 2009 Oldcastle Precast Inc.

FL12 BOX

FILE NAME: FL12_JS0
 ISSUE DATE: January, 2009
www.oldcastleprecast.com

**FL12 FIBRELYTE BOX
 12" x 20"**

FIBRELYTE[®]



All Fibrelyte valve and utility boxes are designed to receive either Fibrelyte, Synertech, standard Christy Concrete or cast iron lids. Both Fibrelyte and Synertech are durable, light weight and proven alternative to concrete. Approximate dimensions shown.

Ordering Code	Item	Approx. Shipping Weight	Description
FL30TBOX12	BOX	26	FL30T Box (13" x 24" x 12" high) – 30 per pallet
FL30TBOX18	BOX	35	FL30T Box (13" x 24" x 18" high) – 18 per pallet
FL30TBOX20	BOX	36	FL30T Box (13" x 24" x 20" high) – 15 per pallet
FL30D	LID	20	Fibrelyte Lid
FL30T	LID	20	Fibrelyte lid, bolt down (order FL99 bolts separately)
BL30D	LID	20	Beslite Lid
BL30T	LID	20	Beslite lid, bolt down (order FL99 bolts separately)
BL30P	LID	20	Beslite Lid with probe hole
BL30PT	LID	20	Beslite lid with probe hole, bolt down
FL30X6	EXTENSION	9	6" High extension
FL30X8	EXTENSION	10	8" High extension
SYN1324T	LID	33	Synertech lid, bolt down (order FL99 bolts separately)



Oldcastle Precast®
 Enclosure Solutions
 MADERA/TRACY/ROSEVILLE/PHOENIX
 Phone: (800) 486-7070 Fax: (800) 486-6804
 Copyright © 2009 Oldcastle Precast Inc.

FL30T BOX

FILE NAME: FL30_ISO

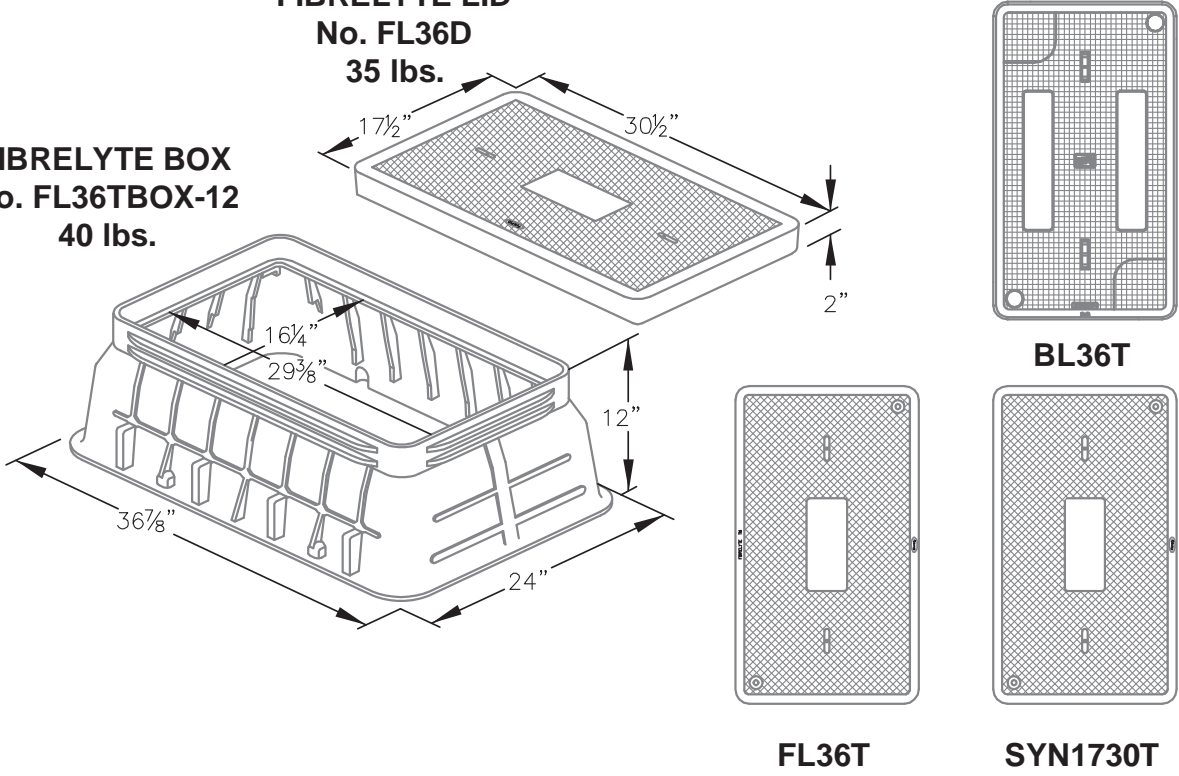
ISSUE DATE: January, 2009

www.oldcastleprecast.com

FL30T FIBRELYTE BOX
13" x 24"
FIBRELYTE®


FIBRELYTE BOX
No. FL36TBOX-12
40 lbs.

FIBRELYTE LID
No. FL36D
35 lbs.



All Fibrelyte valve and utility boxes are designed to receive either Fibrelyte, Synertech, standard Christy Concrete or cast iron lids. Both Fibrelyte and Synertech are durable, light weight and proven alternative to concrete. Approximate dimensions and weight shown.

Ordering Code	Item	Approx. Shipping Weight	Description
FL36TBOX12	BOX	40	FL36T Box (17" x 30" x 12" high) – 20 per pallet
FL36TBOX18	BOX	52	FL36T Box (17" x 30" x 18" high) – 12 per pallet
FL36TBOX20	BOX	58	FL36T Box (17" x 30" x 20" high) – 10 per pallet
FL36D	LID	35	Fibrelyte Lid
FL36T	LID	35	Fibrelyte lid, bolt down (order FL99 bolts separately)
BL36T	LID	35	Beslite lid, bolt down (order FL99 bolts separately)
FL36X6	EXTENSION	12	6" High extension
FL36X8	EXTENSION	18	8" High extension
SYN1730T	LID	60	Synertech lid, bolt down (order FL99 bolts separately)



Oldcastle Precast[®]
Enclosure Solutions
MADERA/TRACY/ROSEVILLE/PHOENIX
Phone: (800) 486-7070 Fax: (800) 486-6804
Copyright © 2009 Oldcastle Precast Inc.

FL36T BOX

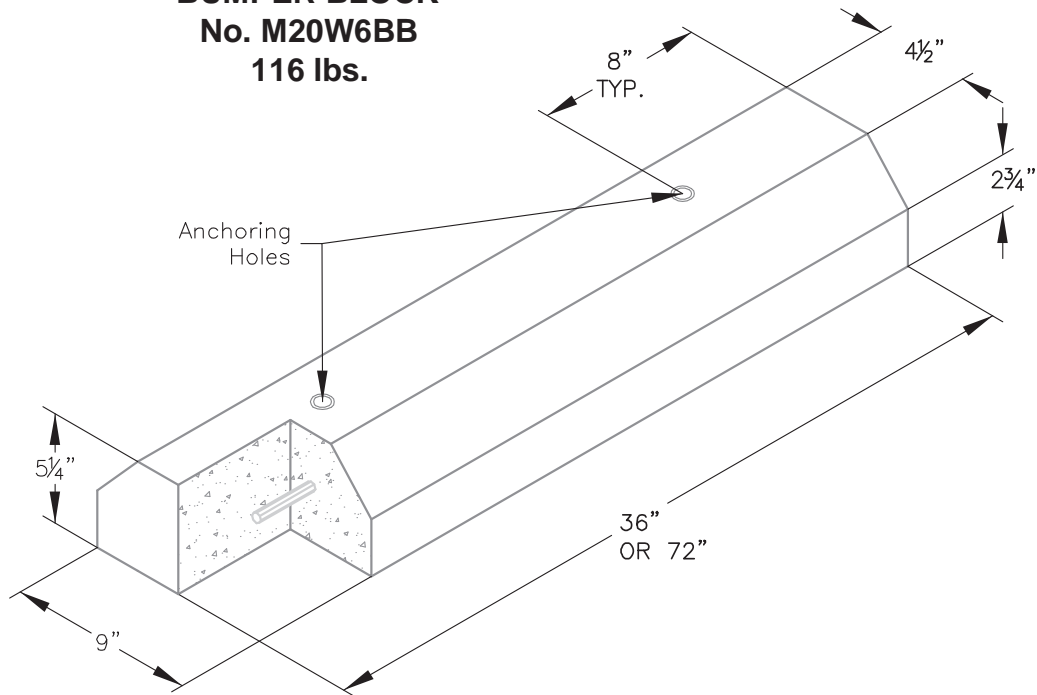
FILE NAME: FL36_ISO

ISSUE DATE: January, 2009

www.oldcastleprecast.com

FL36T FIBRELYTE BOX
17" x 30"
FIBRELYTE[®]

**BUMPER BLOCK
No. M20W6BB
116 lbs.**



A specifically designed bumper block for use in school campuses, shopping centers, apartments, playgrounds, ect. Made of reinforced concrete to withstand constant use and rough service. Can be installed with epoxy adhesive for permanent installation or without for non-permanent use. Approximate dimensions and weight shown.

Ordering Code	Item	Approx. Shipping Weight	Description
M20W6BB	BUMPER	116	3' Bumper block, reinforced concrete
M20W7BB	BUMPER	232	6' Bumper block, reinforced concrete



Oldcastle Precast®
Enclosure Solutions
MADERA/TRACY/ROSEVILLE/PHOENIX
Phone: (800) 486-7070 Fax: (800) 486-6804
Copyright © 2009 Oldcastle Precast Inc.

BUMPER BLOCK

FILE NAME: 20W6BUMBLOCK_ISO

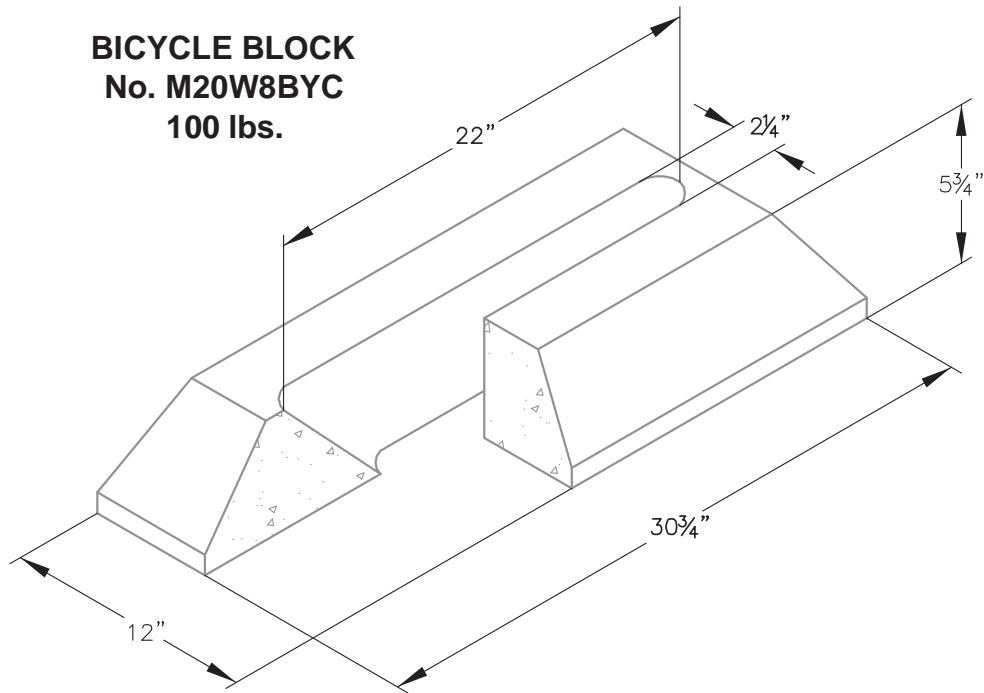
ISSUE DATE: January, 2009

www.oldcastleprecast.com

BUMPER BLOCK



Back to Table of Contents



A specifically designed bumper block for use in school campuses, shopping centers, apartments, playgrounds, ect. Made of reinforced concrete to withstand constant use and rough service. A 1" locking eye bolt will accommodate either steel chain or cable when used with a lock. Can be installed with epoxy adhesive for permanent installation or without for non-permanent use. will permit bicycle to stand in a vertical position without special blocking. Approximate dimensions and weight shown.

Ordering Code	Item	Approx. Shipping Weight	Description
M20W8BYC	BICYCLE	100	W8 Bicycle Block with locking eye bolt



Oldcastle Precast®
Enclosure Solutions
MADERA/TRACY/ROSEVILLE/PHOENIX
Phone: (800) 486-7070 Fax: (800) 486-6804
Copyright © 2009 Oldcastle Precast Inc.

BICYCLE BLOCK

FILE NAME: 20W8BYCBLOCK_ISO

ISSUE DATE: January, 2009

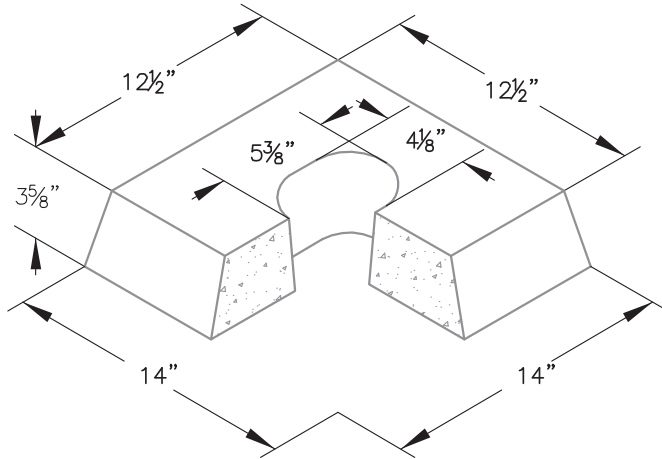
www.oldcastleprecast.com

BICYCLE BLOCK



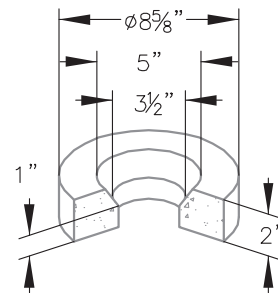
SPRINKLER BLOCK-A

**No. M30SBA
48 lbs.**



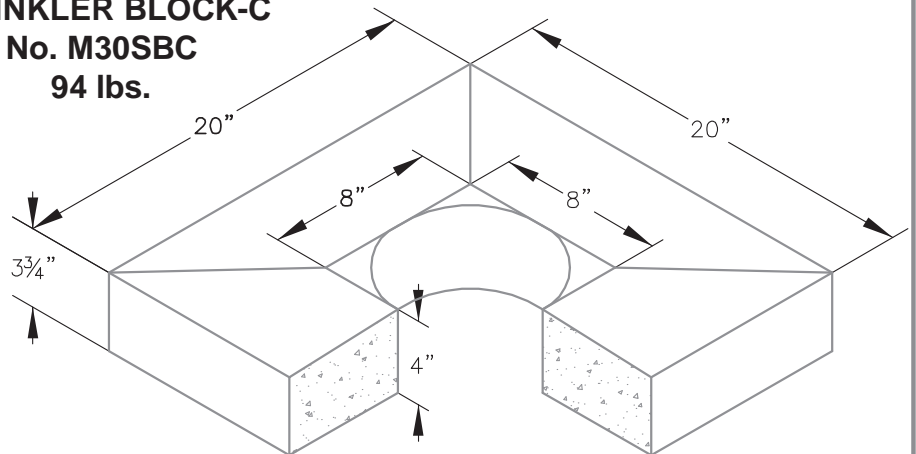
SPRINKLER BLOCK-B

**No. M30SBB
6 lbs.**



SPRINKLER BLOCK-C

**No. M30SBC
94 lbs.**



A precast concrete protector for a variety of sprinkler heads. For extra heavy duty applications where maximum protection is required. Can be set above ground or at ground level. Approximate dimensions and weight shown.

Ordering Code	Item	Approx. Shipping Weight	Description
M30SBA	SPRINKLER	48	Type A, sprinkler block (14" x 14" x 4")- 45 per pallet
M30SBB	SPRINKLER	6	Type B, sprinkler block (ø8 5/8" x 2")- 100 per pallet
M30SBC	SPRINKLER	94	Type C, sprinkler block (20" x 20" x 3 3/4") with 8" dia. hole.- 20 per pallet



Oldcastle Precast®
Enclosure Solutions

MADERA/TRACY/ROSEVILLE/PHOENIX
Phone: (800) 486-7070 Fax: (800) 486-6804
Copyright © 2009 Oldcastle Precast Inc.

SPRINKLER BLOCKS

FILE NAME: 30SPRBLOCK_ISO

ISSUE DATE: January, 2009

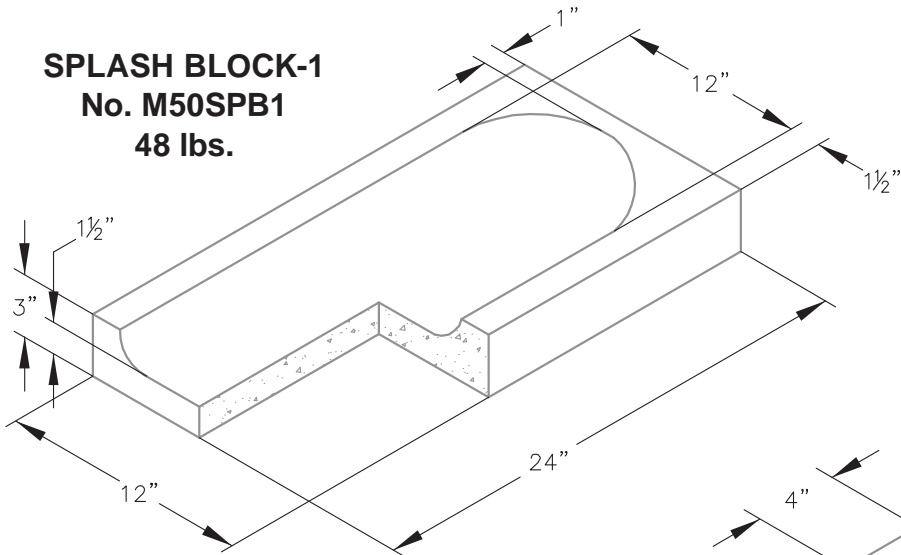
www.oldcastleprecast.com

SPRINKLER BLOCKS

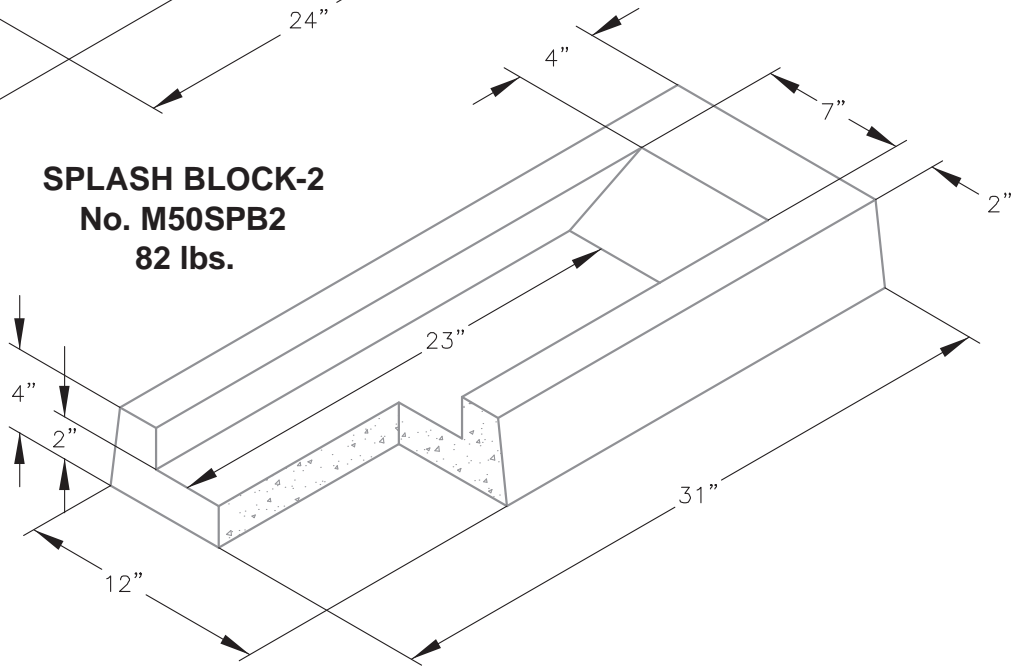


Miscellaneous

SPLASH BLOCK-1
No. M50SPB1
48 lbs.



SPLASH BLOCK-2
No. M50SPB2
82 lbs.



Ordering Code	Item	Approx. Shipping Weight	Description
M50SPB1	SPLASH	48	12" x 24" Splash block, reinforced concrete
M50SPB2	SPLASH	82	12" x 31" Splash block, reinforced concrete, FHA approved



Oldcastle Precast®
Enclosure Solutions
 MADERA/TRACY/ROSEVILLE/PHOENIX
 Phone: (800) 486-7070 Fax: (800) 486-6804
 Copyright © 2009 Oldcastle Precast Inc.

SPLASH BLOCK

FILE NAME: 50SPLBLOCK_ISO
 ISSUE DATE: January, 2009
www.oldcastleprecast.com

SPLASH BLOCK



Back to Table of Contents

Brass Nut, Large Penta

Brass Nut, Small Penta

Brass J-Bolt

Brass Washer

Brass Nut, Hex

Large Penta Bolt
3/8 x 3-1/2"-16UNC THD


Standard Penta Bolt
3/8 x 1"-16UNC THD

Standard Shoulder Bolt
3/8 x 3-1/2"-16UNC THD

Large Penta Bolt Socket

Small Penta Bolt Socket

Ordering Code	Item	Approx. Shipping Weight	Description
N99HDB	BOLTS (SET)	4 oz.	Brass hex head hold down bolts for N09, N12, N16, N30, N36, set of two.
N99PHB	BOLTS (SET)	4 oz.	Brass pentahead hold down bolts for N09, N12, N16, N30, N36, set of two.
N98HDB	BOLTS (SET)	4 oz.	Steel plated hold down bolts for N40, set of two.
N97HDB	BOLTS (SET)	8 oz.	Steel plated hold down bolts for N48, N52 set of four.
N99LPHN	NUTS (SET)	2 oz.	3/8" Pentahead nut (large), set of two.
M30PHS	LARGE SOCKET	4 oz.	Large Pentahead Socket
	SMALL SOCKET	4 oz.	Small Pentahead Socket
M36LH	LIFTING HOOK	1.5 lb.	3 ft. Universal Lifting Hook for the lids.



Oldcastle Precast®
Enclosure Solutions
MADERA/TRACY/ROSEVILLE/PHOENIX
Phone: (800) 486-7070 Fax: (800) 486-6804
Copyright © 2009 Oldcastle Precast Inc.


MISC. PARTS

FILE NAME: MISC-PARTS

ISSUE DATE: January, 2009

www.oldcastleprecast.com

MISCELLANEOUS PARTS



Miscellaneous

F G

h

Cross Reference Guide

Curb & Traffic Valve Boxes

Christy	BES	Brooks
F01 Valve Box	F1 Valve Box	
F08 Valve Box	F8 Valve Box	#1 RD Valve Box
F08D	F8D	#1 RD
F08C	F8C	#1 RDT
V01-71C	V1-71C	#1 RDTG
F14 Curb Valve Box	F14 Curb Valve Box	#30 18 Curb Valve Box
F08D	F08D	#30 18
FL08D	No Equal	
F08C	F08C	#30 18 T
V01-71C	V01-71C	
F22 Curb Valve Box	F22 Curb Valve Box	#30 30 Curb Valve Box
F08D	F08D	#30 30
FL08D	No Equal	
F08C	F08C	#30 30 T
V01-71C	V01-71C	
G03 Box		#3 Traffic V.B.
G03C	No Equal	#3RTT
G05X12		#3RT-12
G04 Box		#4 Traffic V.B.
G04C	No Equal	#4RTT
G05X12		#4RT-12
G05 Traffic Valve Box	G05 Traffic Valve Box	
G05C	G05C	
G05X12	G05X12	
G05VP Traffic Valve Box	G05VP Traffic Valve Box	

F G

h

Cross Reference Guide

Drainage Boxes

Christy	BES	Brooks
V01 Drain Box	V1 Drain Box	#1R Drain Box
V01-71C	V1-71C	#1 RDTG
N09 Drain Box	V09 Drain Box	#36 Drain Box
V09-71C	V09-71C	#36 DTG
B09X12	C09X12	#36 Ext.
V12 Drain Box	V12 Drain Box	#1212 Drain Box
V12-71C	V12-71C	#1212 Grate
V12X12	V12X12	
B24 Drain Box	V24 Drain Box	
V24-71C	V24-71C	
B24 Ext. (same as box)	C24X12	
V64 Drain Box	V64 Drain Box	#1818 Drain Box
V64-71C	V64-71C	#1818 Grate
V64X12	V64X12	#1818 Extension
V64X6	No Equal	

F G

h

Cross Reference Guide

Electrical Boxes

Christy	BES	Brooks
N09 Electrical Box	C09E Electrical Box	#3 1/2 PB Electrical Box
N09D	C09D	#3 1/2 PB
N09T	C09T	#3 1/2 PB B/D
N09J	C09J	#3 1/2 PB-T (C.I.) B/D
FL09T	No Equal	
N09-61D	C09-61D	#3 1/2 PB-T (STL)
N09-61J	C09-61J	#3 1/2 PB-T (STL) B/D
B09X12	C09X12	
B09SL	C09SL	#36 Slab
N16 Electrical Box	C16E Electrical Box	#5 PB Electrical Box
N16D	C16D	#5 PB
N16T	C16T	#5 PB B/D
FL16T	No Equal	
N16J	C16J	#5 PB-T (C.I.) B/D
N16-61D	C16-61D	#5 PB-T (STL)
N16-61J	C16-61J	#5 PB-T (STL) B/D
B16X12	C16X12	
B16SL	C16SL	
N30 Electrical Box	C30E Electrical Box	#38 PB Electrical Box
N30D	C30D	#38 PB
N30T	C30T	#38 PB B/D
FL30T	No Equal	
N30-61D	C30-61D	#38 PB-T (STL)
N30-61J	C30-61J	#38 PB-T (STL) B/D
B30X12	C30X12	#38 Ext.
B30SL	C30SL	#38 Slab
N36 Electrical Box	C36E Electrical Box	#66 Electrical Box
N36D	C36D	#66 PB
N36T	C36T	#66 PB B/D
FL36T	No Equal	
N36-61D	C36-61D	#66 PB-T (STL)
N36-61J	C36-61J	#66 PB-T (STL) B/D
B36X12	C36X12	

F G

h

Cross Reference Guide

Electrical Boxes

Christy	BES	Brooks
B36SL	C36SL	
N40 Electrical Box	C40E Electrical Box	#67 PB Electrical Box
N40D	C40D	#67 PB
N40T	C40T	#67 PB B/D
N40-61D	C40-61D	#67 PB-T (STL)
N40-61J	C40-61J	#67 PB-T (STL) B/D
B40X10	C40X10	#67 Ext.
B40SL	C40SL	#67 Slab
B44 Meter Box	C44E Electrical Box	
B44D2	C44D2	
B44-62D	C44-62D	
B44X8	C44X8	
B44SL	C44SL	
N48 Electrical Box	C48E Electrical Box	#68 PB Electrical Box
B48D	C48D	#68 PB
N48D2	C48D2	#68 PB
B48T2	C48T2	#68 PB B/D
B48-62D	C48-62D	#68 PB-T (STL)
N48-62J	C48-62J	#68 PB-T (STL) B/D
B48X10	C48X10	#68 Ext.
B48SL	C48SL	#68 Slab
N52 Electrical Box	C52E Electrical Box	#69 PB Electrical Box
N52D2	C52D2	
N52D3	C52D3	#69 PB
N52T3	C52T3	#69 PB B/D
B52-62D	C52-62D	#69 PB-T (STL)
N52-62J	C52-62J	#69 PB-T (STL) B/D
B52X10	C52X10	#69 Ext.
B52SL	C52SL	#69 Slab

F G

h

Cross Reference Guide

Water Meter Boxes

Christy	BES	Brooks
B03 Meter Box	C03W Meter Box	#3 Meter Box
B03C	C03C	#3T
B03D	C03D	#3s 1 piece
B03PB	C03D	
B03-61D	C03-61D	
B09 Meter Box	C09W Meter Box	
B09C	C09C	
B09D	C09D	
B09P	C09P	
B09G	C09G	
FL09D	No Equal	
B09-61D	C09-61D	
B09-61G	C09-61G	
B09X12	C09X12	
B09SL	C09SL	
B09X Meter Box	C09X Meter Box	#36 Meter Box
B09XD	C09XD	#36 T
B09XP	C09XP	
B09XG	C09XG	#36 1 piece
FL09XD	No Equal	
B09-61D	C09-61D	#36 S
B09-61G	C09-61G	#36 H
B09X12	C09X12	#36 Ext.
B09SL	C09SL	#36 Slab

F G

h

Cross Reference Guide

Water Meter Boxes

Christy	BES	Brooks
B12 Meter Box	C12 Meter Box	#37 Meter Box
B12D	C12D	#37 1 piece
B12P	C12P	
B12G	C12G	#37 H
FL12D	No Equal	
B12GP	C12GP	
B12S	C125	#37 S
B12-61D	C12-61D	#37 T
B12-61G	C12-61G	#37 TR
B12X12	C12X12	#37 Ext.
B16 Meter Box	C16W Meter Box	
B16C	C16C	
B16D	C16D	
B16P	C16P	
B16G	C16G	
FL16D	No Equal	
B16GP	C16GP	
B16-61D	C16-61D	
B16-61G	C16-61G	
B16-61GP	C16-61GP	
B16X12	C16X12	
B16SL	C16SL	
B24 Dual Meter Box	C24 Dual Meter Box	Dual 11 Meter Box
B24D	C24D	Dual 11 pieces
B24E	C24E	Dual 11 5
B24G	C24G	Dual 11 5
B24-61D	C24-61D	Dual 11 T
B24-61G	C24-61G	Dual 11 TR
B24 Ext. (same as box)	C24 Ext.	Dual 11 Ext.

F G h	Cross Reference Guide
-------	------------------------------

Water Meter Boxes

Christy	BES	Brooks
B30 Meter Box	C30 Merter Box	#38 Meter Box
B30D	C30D	#38 1 piece
B30P	C30P	
B30E	C30E	#38 S
B30G	C30G	#38 H
B30GP	C30GP	
FL30D	No Equal	
B30-61D	C30-61D	#38 T
B30-61P	C30-61P	
B30-61G	C30-61G	#38 TR
B30-61GP	C30-61GP	
B30X12	C30X12	#38 Ext.
B30SL	C30SL	#38 Slab
B36 Meter Box	C36 Meter Box	#66 Meter Box
B36D	C36D	#66 1 piece
B36P	C36P	
B36E	C36E	#66 S
B36G	C36G	#66 H
B36GP	C36GP	
FL36D	No Equal	
B36-61D	C36-61D	#66 T
B36-61P	C36-61P	
B36-61G	C36-61G	#66 TR
B36-61GP	C36-61GP	
B36X12	C36X12	#66 Ext.
B36SL	C36SL	#66 Slab
B40 Meter Box	C40 Meter Box	#67 Meter Box
B40D	C40D	#67 1 piece
B40P	C40P	
B40M	C40M	#67 S
B40-61D	C40-61D	#67 T
B40-61P	C40-61P	
B40-61G	C40-61G	#67 TR
B40X10	C40X10	#67 Ext.
B40SL	C40SL	#67 Slab

F G

h

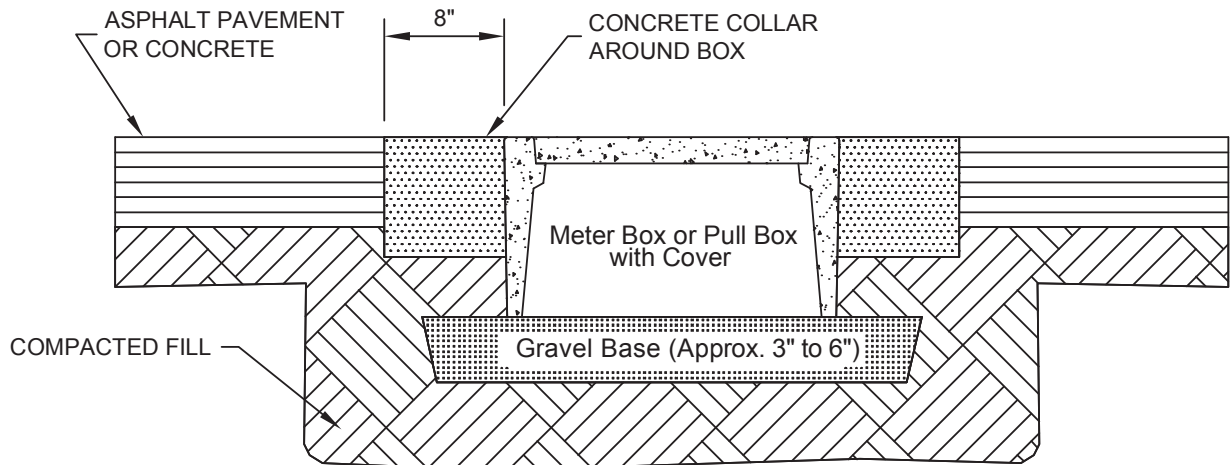
Cross Reference Guide

Water Meter Boxes

Christy	BES	Brooks
B44 Meter Box	C44 Meter Box	
B44D2	C44D2	
B44E2	C44E2	
B44-62D	C44-62D	
B44-62G	C44-62G	
B44X8	C44X8	
B44SL	C44SL	
B48 Meter Box	C48 Meter Box	#68 Meter Box
B48D	C48D	#68
B48M	C48M	#68 S
B48D2	C48D2	#68 2 piece
B48M2	C48M2	#68
B48-62D	C48-62D	#68 T
B48-62G	C48-62G	#68 TR
B48-62GP	C48-62GP	
B48X10	C48X10	#68 Ext.
B48SL	C48SL	#68 Slab
B52 Meter Box	C52 Meter Box	#69 Meter Box
B52D2	C52D2	
B52D3	C52D3	#69 3 piece
B52F3	C52F3	#69 3 piece, r/1
B52M3	C52M3	#69 3 piece
B52-62D	C52-62D	#69 2 piece T
B52-62G	C52-62G	#69 2 piece TR
B52X10	C52X10	#69 Ext.
B52SL	C52SL	#69 Slab

Installation Procedure

Installation in Concrete or Pavement
for driveways, parking lots and off-roadway applications
where subject to occasional non-deliberate light vehicles.



FIELD PREPARATION

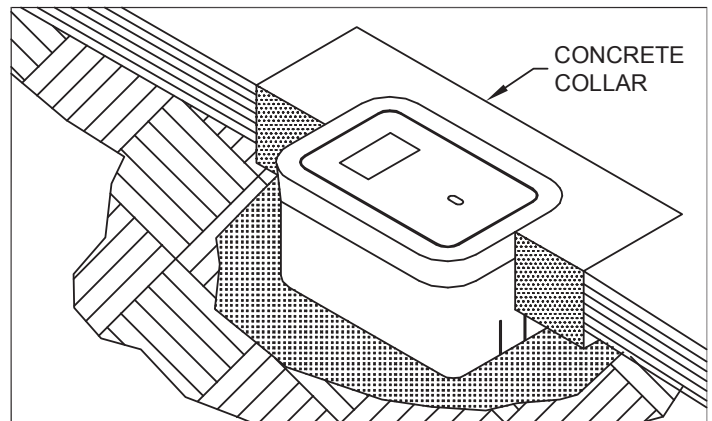
Prepare the excavation approximately 6" deeper than the overall height of the enclosure. The length and width of the excavation should be determined by adding 4" to 6" to the overall length and width of the box.

INSTALLATION RECOMMENDATIONS

Placement of approximately 3" to 6" of compacted material such as sand or gravel is the recommended material because of its drainage characteristics. The compacted material should be leveled so the top of the box is flush to grade.

BACKFILLING

Place selected backfill into the excavation at 12" lifts and compact. The backfill should be discontinued approximately 8" below the finish grade. The final 8" of the excavation should be finished with concrete. This should be accomplished by providing a form around the enclosure that would produce a 8" wide collar (see sketch).



Note: Minimum concrete collar strength is 3,000 psi.

QUIK-SPECIFICATION

Underground enclosures shall be manufactured by Oldcastle/Christy. Boxes and covers shall be concrete and have a pedestrian rated minimum vertical test load of 350 pounds per square foot. The concrete shall test to a minimum of 4500 psi compressive strength.



Oldcastle Precast[®]
Enclosure Solutions



Oldcastle Precast[®]
Enclosure Solutions

1-800-486-7070

MADERA

801 South Pine Street
Madera, CA 93637
Toll Free: 800-486-7070
Local: 559-675-1813
Fax: 800-486-6804

PORTLAND

11402 NE Marx Street
Portland, OR 97230
Toll Free: 800-509-6150
Fax: 503-255-0307

RIVERSIDE

2434 Rubidoux Blvd.
Riverside, CA 92509
Local: 888-683-6595
Fax: 888-683-6599

TRACY

10304 Linne Road
Tracy, CA 95377
Toll Free: 888-237-5055
Local: 209-820-2101
Fax: 209-229-1013

PHOENIX

5435 West Mohave Street
Phoenix, AZ 85043
Local: 602-272-1369
Fax: 602-233-2818

TUCSON

5230 East Canada Street
Tucson, AZ 85706
Local: 520-574-9535
Fax: 520-574-1545

oldcastleprecast.com/enclosuresolutions

christyconcrete.com

