

Clear Choice

“The machines my company builds are recognized around the world as the very best.

So the signaling devices we place on those machines MUST reflect that same level of quality.

That’s why we switched to 200 Class Clearview™ StackLights from Edwards.

You can actually feel the superior quality of these StackLights. Guess you can say they’re a ‘clear winner’.”



Product Index

With 140 years of invention and the latest LED technology, Edwards offers the most versatile beacon solutions anywhere, with a dazzling convergence of form and function. Whether it's engineering quality, easy installation, low maintenance or high visual output, with Edwards' Visual Signals, you'll always see the difference.

Visual Signals



Solar Beacons 1-4



StackLights 1-8



Beacons, Multi-Status LED 1-43



Beacons, Steady-On 1-51



Beacons, Explosionproof 1-65



Beacons, Multi-Mode LED 1-71



Beacons, Flashing LED 1-91



Beacons, Flashing Halogen 1-93



Beacons, Flashing Incandescent 1-95



Beacons, Flashing Xenon 1-112



Beacons, Explosionproof Fire Alarm 1-152



Beacons, Rotating 1-158

Visual Signals

Table of Contents

Description	Page	Description	Page
Solar Beacons		Beacons - Continued	
Multi-Mode LED 825 Class	1-4	Flashing LED 125 Class	1-91
Flashing LED 805 Class	1-7	Flashing Halogen 125 Class	1-93
StackLights		Flashing Incandescent 125 Class	1-95
70mm Clearview™ 200 Class	1-8	Flashing LED	
70mm 200 Class	1-14	or Incandescent 120 Class	1-97
48mm 200 Class	1-23	Flashing Halogen 105 Series	1-99
36mm 200 Class	1-26	Flashing Halogen	
25mm 200 Class	1-29	or Incandescent 48 Series	1-101
18mm 200 Class	1-31	Flashing Halogen 49 Series	1-103
. 102 Series	1-33	Flashing Halogen 50 Series	1-105
. 101 Series	1-39	Flashing LED Syrex Series	1-107
Beacons		Flashing LED Sonos Series	1-108
Multi-Status LED 125XBRi Series	1-43	Flashing LED Flashguard Series	1-109
Multi-Status LED 105XBRi Series	1-45	Flashing Xenon Sonos Series	1-111
Multi-Status LED 108 Series	1-47	Flashing Xenon Flashguard Series	1-112
Steady-On LED 125 Class	1-51	Flashing Xenon Syrex Series	1-114
Steady-On Halogen 125 Class	1-53	Flashing Xenon 89 Series	1-115
Steady-On		Flashing Xenon 125 Class	1-117
Incandescent 125 Class	1-55	Flashing Xenon 117 Class	1-119
Steady-On LED		Flashing Xenon 105 Series	1-121
or Incandescent 120 Class	1-57	Flashing Xenon 96 and 98 Series	1-124
Steady-On Halogen 105 Series	1-59	Flashing Xenon 96 Series	1-126
Steady-On Halogen		Flashing Xenon 92 Series	1-128
or Incandescent 48 Series	1-61	Flashing Xenon 90 Series	1-130
Steady-On Halogen 50 Series	1-63	Flashing Xenon 92 Series	1-132
Steady-On Halogen,		Flashing Xenon 57EDF Series	1-134
Explosionproof 116 Series	1-65	Flashing Xenon 93 and 97 Series	1-136
Steady-On LED Flashguard Series	1-69	Flashing Xenon 94 Series	1-139
Multi-Mode LED Polaris Class - 94 Series	1-71	Flashing Xenon 107 Series	1-141
Multi-Mode LED Polaris Class - 57 Series	1-73	Flashing Xenon,	
Multi-Mode LED 125XBR Class	1-75	Explosionproof	
Multi-Mode LED 105XBR Series	1-77	Fire Alarm 116 Series	1-152
Multi-Mode LED 48XBR Series	1-79	Flashing Xenon,	
Multi-Mode LED 117 Class	1-81	Explosionproof	
Multi-Mode LED 120 Class	1-83	Mass Notification 116 Series	1-154
Multi-Mode LED,		Flashing Xenon 3000 Series	1-157
Explosionproof 116 Series	1-85	Rotating Halogen	
Multi-Mode LED 107XBR Series	1-88	or Incandescent 52, 53 and 53D Series	1-158
		Rotating Halogen 58 Series	1-160
		Rotating Incandescent 100SB Series	1-162
		Rotating Halogen,	
		Explosionproof 116 Series	1-163

Solar Beacons

Multi-Mode LED

825 Class



The 825 Class Night Star Solar LED beacon is a self-contained, high-performance, low-maintenance and easy-to-install solar-powered light source suitable for a number of applications including obstruction lighting, industrial environments, wayfinding lighting and many others. All of the components are incorporated within a compact, stand-alone unit. The 825 also features a replaceable and recyclable battery pack that extends the service life beyond five years. The base and lens are made from a UV resistant, polycarbonate/polysilixane co-polymer with double O-ring sealing and a waterproof vent. The unit is available in blue, red, amber, green and white.

The 825 Class Night Star Solar LED beacon is the first solar product to incorporate intelligent deployment location settings that allow the 825 to be tuned to its location, protecting it against improper configuration. A microprocessor Energy Management System (EMS) monitors and adapts the brightness to environmental conditions for consistent operation and long life under the toughest conditions. These units are designed to operate from dusk to dawn and re-charge during daylight hours.

Easy configuration and programming options include an on-board user interface and Device Manager software through USB connection. The 825 is also available in a version that features an optional external on/off switch.

Features and Specifications

- Multi-mode (flashing or steady-on)
- LED light source
- Dusk-to-dawn operation
- Over 250 flash patterns
- Intuitive on-board user interface
- Replaceable and recyclable battery pack
- Intelligent deployment location settings to protect against improper configuration
- Optional external on/off switch
- IP68 rated
- Enclosure Class 6P
- Operating temperature range: -45°F to 124°F (-43°C to 51°C)

Ordering Information

Description	Cat. No.	LED Colors	Base Color	Candela Output	Replacement Battery Pack
Solar LED Beacon No Switch	825SOLARA	Amber	Gray	Color dependent. See chart, next page.	825BATTPK
	825SOLARB	Blue	Gray	Color dependent. See chart, next page	825BATTPK
	825SOLARG	Green	Gray	Color dependent. See chart, next page	825BATTPK
	825SOLARR	Red	Gray	Color dependent. See chart, next page	825BATTPK
	825SOLARW	White	Gray	Color dependent. See chart, next page	825BATTPK



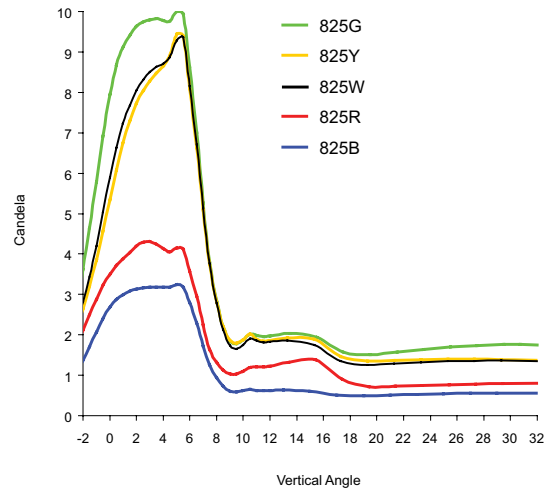
Solar Beacons Multi-Mode LED 825 Class



Ordering Information		Continued			
Description	Cat. No.	LED Colors	Base Color	Candela Output	Replacement Battery Pack
Solar LED Beacon With Switch	825SOLARASW	Amber	Gray	Color dependent. See chart below	825BATTPK
	825SOLARBSW	Blue	Gray	Color dependent. See chart below	825BATTPK
	825SOLARGSW	Green	Gray	Color dependent. See chart below	825BATTPK
	825SOLARRSW	Red	Gray	Color dependent. See chart below	825BATTPK
	825SOLARWSW	White	Gray	Color dependent. See chart below	825BATTPK

Accessories	
Cat. No.	Description
825BIRD	Bird Deterrent (1 ships with each light)
825REPLKITSW	Bottom Cover Replacement Kit (w/switch)
825REPLKIT	Bottom Cover Replacement Kit (w/o switch)
825BATTPK	Battery Pack
825BATTCHG	Battery Charger
825BCTOOL	Bottom Cover Removal Tool
825USB	USB Cable for 825 Solar, A-type plug to Mini-B-type plug, 2m long
825DVM	825 Class Device Manager Software CD
825MP	825 Class Mounting Plate
825STBK	825 Class Standard Bolt Kit
825SECBK	825 Class Security Bolt Kit
825FFC	825 NS 1.5" Diameter Frangible Coupling
825FF	825 NS 1.5" Diameter Floor Flange
825FC	825 NS 2" to 1" Diameter Frangible Coupling
825MPFF	825 NS 2" Floor Flange
825FMK	825 Fence Mounting Kit

Candela Output



VISUAL SIGNALS 1

Solar Beacons

Multi-Mode LED

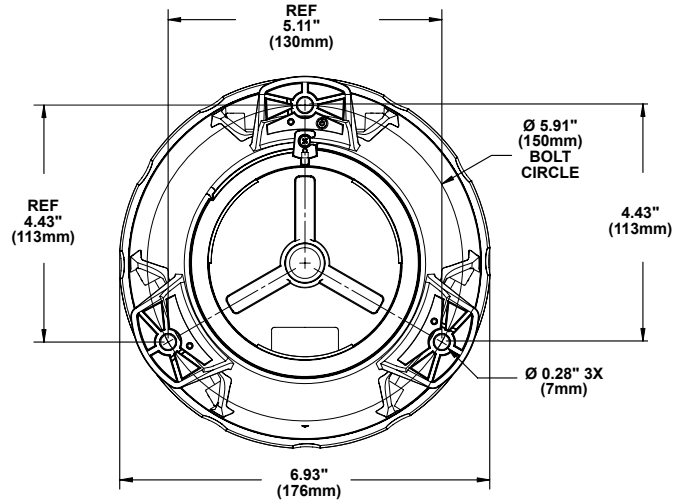
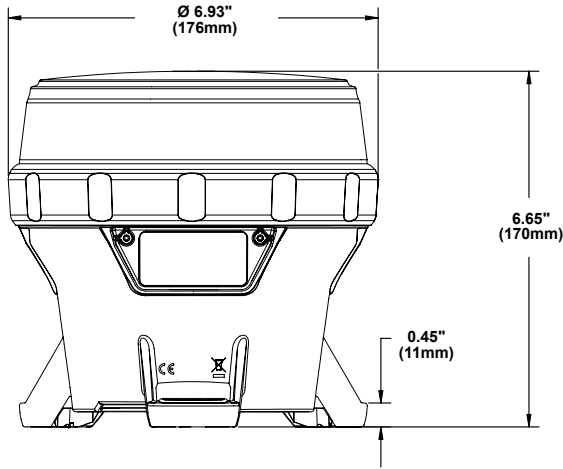
825 Class

Weights and Dimensions

Cat. No.	Approx. Net Weight (lb.)	Approx. Shipping Weight (lb.)
825SOLAR*	3.50	3.80
825SOLAR*SW	3.50	3.80

*Letter in this position designates lens color: A - amber, B - blue, G - green, R - red or W - white

VISUAL SIGNALS



Solar Beacons Flashing LED 805 Class



Coming In 2013

The 805 Class Solar LED Beacon is a self contained, economic and portable solar-powered LED light source. The 805 Class is powered by a nickel metal hydride (Ni-MH) battery, which allows the unit to operate up to 60 hours on a full charge. A full charge time is eight hours on a brightly lit sunny day. It comes with three super-bright LEDs that have a life expectancy of up to 70,000 hours. Each unit features an auto/off switch that allows the user to turn off the unit when not in use. When the switch is in the auto position, the unit will automatically turn on at dusk and off at dawn to preserve battery life. The lens and housing are constructed of a UV resistant polycarbonate.

Each unit comes with a mount that can be used for either surface or wall mounting. If used without the mounting base, the unit can be mounted on top of a typical traffic cone or any other similar type object.

Applications include obstruction marking, barricade marking, temporary construction zone marking or anywhere where electricity is not readily or easily available.

Features and Specifications

- LED light source
- Solar powered
- Auto/Off switch
- Flashing LED
- Flash rate 60 fpm (+/- 20)
- Ni-MH battery
- UV resistant polycarbonate lens and housing
- IP65 rated
- Operating temperature range: -4°F to 140°F (-20°C to 60°C)



3.54"



VISUAL SIGNALS

Ordering Information

Description	Cat. No.	LED Color	Lamp Life
Mini Solar LED Beacon	805SOLARW	White	Up to 70,000 hours
	805SOLARA	Amber	Up to 70,000 hours
	805SOLARR	Red	Up to 70,000 hours
	805SOLARB	Blue	Up to 70,000 hours
	805SOLARG	Green	Up to 70,000 hours

Accessories

Description	Cat. No.
Mounting Base, Gray	805BASE

Weights and Dimensions

Cat. No.	Approx. Net Weight (lb.)	Approx. Shipping Weight (lb.)	Dimensions	
			Diameter (In.)	Height (In.)
805SOLARW	1.2	1.40	3.54	6.30
805SOLARA	1.2	1.40	3.54	6.30
805SOLARR	1.2	1.40	3.54	6.30
805SOLARB	1.2	1.40	3.54	6.30
805SOLARG	1.2	1.40	3.54	6.30
805BASE	0.6	1.04	3.54	2.84



StackLight™ 200 Class 70mm Clearview™



The Edwards 200 Class 70mm ClearView™ LED StackLight is a versatile multi-mode signaling device that may contain up to five light modules, or four light modules with one sounder module in a single, integrated stack. The sounder module has been designed so that it is always in the top position.

The lens modules are clear, and are available with red, amber, blue, green and white LEDs. Options for steady-on or multi-mode are available. The lenses are made from a self-extinguishing polycarbonate material and are scratch and impact resistant.

Features and Specifications

- Steady-on or multi-mode (flashing or steady-on)
- LED light source
- Clear lens
- Interlocking system for quick assembly
- Available in gray or black
- Two optional NEMA Type 3R, IP54 rated sounders available:
 - Piezoelectric: 6 selectable tones
 - Magnetodynamic: 32 selectable tones
- Threaded footing must be ordered separately (not included with 270BC*)
- Additional mounting options available
- NEMA Type 4X rated
- IP66 rated base and light modules
- Operating temperature range: -22°F to 140°F (-30°C to 60°C)



←2.95"→



Ordering Information

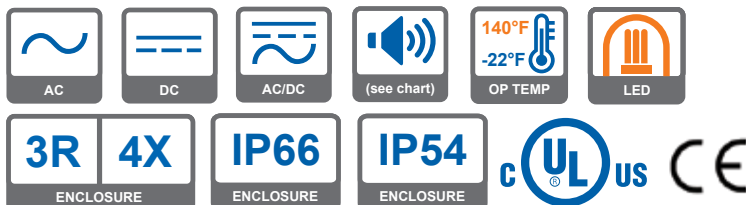
Description	Cat. No.*	Operating Temp.
Wiring Base and Cover - Gray	270BC ¹	-22°F to 140°F (-30°C to 60°C)

Module Type	Cat. No.*	Operating Voltage ²	Current	LED Color	Operating Temp.	
Gray Integrated LED Steady-on	270CLEDSA24AD	24V AC	0.085 A	Amber	-22°F to 122°F (-30°C to 50°C)	
		24V DC	0.065 A			
	270CLEDSR24AD	24V AC	0.085 A	Red	-22°F to 122°F (-30°C to 50°C)	
		24V DC	0.065 A			
	270CLEDSB24AD	24V AC	0.075 A	Blue	-22°F to 122°F (-30°C to 50°C)	
		24V DC	0.065 A			
	270CLEDSG24AD	24V AC	0.075 A	Green	-22°F to 122°F (-30°C to 50°C)	
		24V DC	0.065 A			
	270CLEDSW24AD	24V AC	0.075 A	White	-22°F to 122°F (-30°C to 50°C)	
		24V DC	0.065 A			
	270CLEDSA120A	270CLEDSA120A	120V AC	0.035 A	Amber	-22°F to 122°F (-30°C to 50°C)
			120V AC	0.035 A	Red	
			120V AC	0.035 A	Blue	
			120V AC	0.035 A	Green	
120V AC			0.035 A	White		

*NOTE: Add "B" to end of the catalog number for Black unit.

¹Threaded footing (270THF) is not included. Order separately.

²AC voltage frequency is 50/60 Hz



StackLight™ 200 Class 70mm Clearview™



Ordering Information		Continued								
Module Type	Cat. No.*	Operating Voltage ¹	Current	Current A (flash)			LED Color	Operating Temp.	Flash Rate	
				Single	Double	Triple				
Gray Integrated LED Multi-mode	270CLEDMA24AD	24V AC	0.085 A	0.060	0.050	0.050	Amber	-22°F to 122°F (-30°C to 50°C)	Single - 75 fpm Double - 85 fpm Triple - 85 fpm	
		24V DC	0.065 A	0.040	0.040	0.040				
	270CLEDMR24AD	24V AC	0.085 A	0.060	0.050	0.050	Red			
		24V DC	0.065 A	0.040	0.040	0.040				
	270CLEDMB24AD	24V AC	0.075 A	0.055	0.040	0.045	Blue			
		24V DC	0.065 A	0.040	0.040	0.040				
	270CLEDMG24AD	24V AC	0.075 A	0.055	0.040	0.045	Green			
		24V DC	0.065 A	0.040	0.040	0.040				
	270CLEDMW24AD	24V AC	0.075 A	0.055	0.040	0.045	White			
		24V DC	0.065 A	0.040	0.040	0.040				
	270CLEDMA120A	270CLEDMA120A	120V AC	0.035 A	0.025	0.020	0.025			Amber
			120V AC	0.035 A	0.025	0.020	0.025			Red
		270CLEDMB120A	120V AC	0.035 A	0.025	0.020	0.020			Blue
			120V AC	0.035 A	0.025	0.020	0.020			Green
270CLEDMG120A		120V AC	0.035 A	0.025	0.020	0.020	Green			
		120V AC	0.035 A	0.025	0.020	0.020	White			
Piezoelectric Acoustic - Gray (IP54)	270PZO1248AD	12V AC/DC	0.003 A							
		24V AC/DC	0.006 A				-22°F to 140°F (-30°C to 60°C)			
		48V AC/DC	0.013 A							
	270PZO120240A	120V AC	0.004 A				-22°F to 132.8°F (-30°C to 56°C)			
240V AC		0.010 A								
Magnetodynamic Acoustic - Gray (IP54)	270MDA1224AD						-22°F to 140°F (-30°C to 60°C)			
	270MDA120A		See chart on next page				-22°F to 122°F (-30°C to 50°C)			
	270MDA240A						-22°F to 122°F (-30°C to 50°C)			

*NOTE: Add "B" to end of the catalog number for Black unit.

¹AC voltage frequency is 50/60 Hz

VISUAL SIGNALS

StackLight™ 200 Class 70mm Clearview™

VISUAL SIGNALS

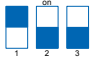

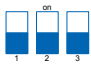
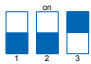


70mm Magnetodynamic (MDA) Acoustic Module

Sound Type	12V DC		24V DC		12V AC		24V AC		120V AC		240V AC		
	F (Hz) ¹	A	dB	A	dB	A	dB	A	dB	A	dB	A	dB
Bi-tone	450/540	0.100	89	0.120	96	0.340	93	0.380	98	0.055	96	0.035	97
	600/700	0.125	90	0.150	97	0.380	93	0.450	99	0.065	97	0.035	98
	600/700	0.125	90	0.145	97	0.390	93	0.450	99	0.065	97	0.035	98
	800/970	0.170	93	0.190	100	0.485	95	0.550	101	0.075	99	0.040	100
	2400/2850	0.335	98	0.450	106	0.945	101	0.1060	107	0.0105	102	0.060	103
Bi-tone with pause	600/700	0.030	90	0.045	96	0.120	92	0.170	98	0.055	97	0.030	98
	1200/1700	0.045	95	0.060	99	0.170	98	0.230	101	0.060	99	0.035	100
	2400/2830	0.070	100	0.090	105	0.210	103	0.295	106	0.085	102	0.045	102
Fast bi-tone	800/970	0.170	93	0.190	100	0.485	95	0.555	101	0.075	99	0.040	100
Multi-tone	1000/1700	0.150	95	0.185	100	0.445	98	0.555	101	0.070	99	0.040	99
Multi-tone (buzzer)	800/970	0.110	93	0.140	97	0.370	96	0.440	99	0.060	97	0.035	98
	2400/2830	0.290	100	0.335	104	0.755	103	0.875	106	0.090	102	0.050	102
Slow multi-tone	800/970	0.110	95	0.140	99	0.350	98	0.440	101	0.060	99	0.035	100
	2400/2830	0.290	101	0.335	106	0.720	104	0.855	107	0.095	103	0.050	104
Fast multi-tone	800/970	0.110	93	0.140	98	0.350	96	0.435	99	0.060	97	0.035	98
	2400/2830	0.290	101	0.335	105	0.725	103	0.865	106	0.095	102	0.050	103
Intermittent multi-tone	500/1200	0.085	96	0.110	99	0.280	98	0.355	101	0.065	99	0.035	100
Descending multi-tone	1200/500	0.095	94	0.125	98	0.315	97	0.385	100	0.060	98	0.035	99
Evacuation	430/560	0.110	87	0.125	96	0.345	89	0.400	97	0.060	96	0.035	96
Intermittent	660	0.045	90	0.065	94	0.190	92	0.250	96	0.045	95	0.025	95
	660	0.045	91	0.070	95	0.190	93	0.240	97	0.055	96	0.030	96
	970	0.030	92	0.050	96	0.130	94	0.185	97	0.050	96	0.030	97
Fast intermittent	2830	0.200	97	0.240	102	0.600	100	0.705	103	0.080	99	0.045	99
	2850	0.170	96	0.205	101	0.550	99	0.585	102	0.075	99	0.040	99
Slow intermittent	660	0.050	91	0.070	95	0.175	93	0.240	97	0.055	96	0.030	96
	970	0.070	93	0.095	97	0.230	95	0.295	98	0.065	96	0.035	97
Linear	300	0.040	87	0.060	91	0.170	91	0.220	93	0.040	93	0.025	93
	500	0.065	90	0.090	94	0.235	94	0.290	96	0.050	95	0.030	96
	1000	0.125	92	0.160	97	0.385	94	0.485	98	0.065	96	0.035	97
	2830	0.320	98	0.360	102	0.770	100	0.915	104	0.095	99	0.055	100
Modulated	1000/1700	0.150	97	0.185	102	0.440	100	0.550	103	0.075	101	0.040	101
	1400/1600	0.165	95	0.205	100	0.470	98	0.595	102	0.075	99	0.040	99

¹For AC voltages only

StackLight™ 200 Class 70mm Clearview™

70mm Piezoelectric (PZO) Acoustic Module Dip Switch Settings

Sound Type	Diagram	F (Hz) ¹	12V DC/V AC		24V DC/V AC		48V DC/V AC		120V AC		240V AC	
			A	dB at 1m	A	dB at 1m	A	dB at 1m	A	dB at 1m	A	dB at 1m
Continuous reduced output		50/60	0.003	75	0.006	81	0.013	83	0.004	75	0.010	81
Continuous maximum output		50/60	0.003	79	0.006	85	0.013	89	0.004	81	0.010	87
Slow intermittent reduced output		50/60	0.003	72	0.006	77	0.013	79	0.004	76	0.010	78
Slow intermittent maximum output		50/60	0.003	77	0.006	84	0.013	86	0.004	81	0.010	85
Fast intermittent reduced output		50/60	0.003	74	0.006	79	0.013	81	0.004	76	0.010	79
Fast intermittent maximum output		50/60	0.003	78	0.006	85	0.013	87	0.004	81	0.010	85

¹For AC voltages only

StackLight™ 200 Class 70mm Clearview™

Accessories	
Description	Cat. No.
Junction Box - Gray	270JBX**
Footing with Extension - Gray	270KIT**
Threaded Extension Pole 100mm - Gray	270TEP**
Threaded Footing - Gray	270THF**
Threaded Wall Mount - Gray	270TWM**
Double Threaded Wall Mount - Gray	270TWM2**
270 Flexible Steel Extension Rod - 370mm	270FLXT
270 Stainless Steel Extension Rod - 100mm	270SSXT100
270 Stainless Steel Extension Rod - 200mm	270SSXT200
270 Stainless Steel Extension Rod - 400mm	270SSXT400

****NOTE:** Add "B" to end of the catalog number for Black unit.



Junction Box



Threaded Footing



Footing with Extension



Threaded Extension Pole



100mm 200mm 400mm 370mm
Stainless Steel Flexible Steel
Extension Rod Extension Rod



Threaded Wall Mount



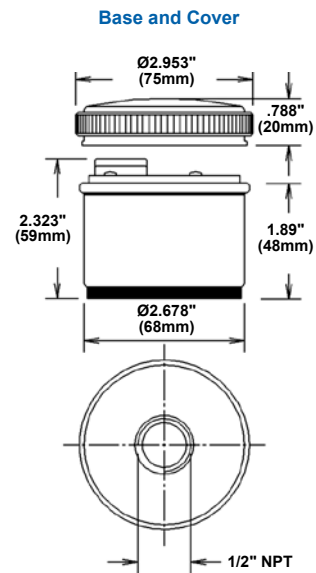
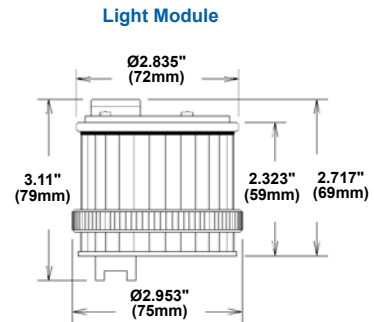
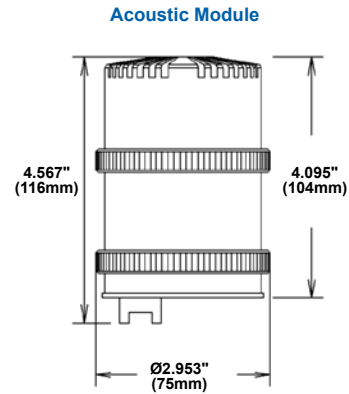
Double Threaded Wall Mount

StackLight™ 200 Class 70mm Clearview™

Weights and Dimensions

Cat. No.	Approx. Net Weight (lb.)	Approx. Shipping Weight (lb.)
270BC	0.27	0.83
270CLEDS*24AD	0.24	0.81
270CLEDS*120A	0.24	0.81
270CLEDM*120A	0.24	0.81
270CLEDM*24AD	0.24	0.81
270PZO1248AD	0.29	1.04
270PZO120240A	0.29	1.04
270MDA1224AD	0.53	1.28
270MDA120A	0.53	1.28
270MDA240A	0.02	0.09
270JBX	0.22	0.09
270KIT	0.13	1.10
270TEP	0.07	0.22
270THF	0.07	0.29
270TWM	0.09	0.59
270TWM2	0.11	0.62
270FLXT	0.57	1.30
270SSXT100	0.31	1.28
270SSXT200	0.40	1.30
270SSXT400	0.62	1.50

*Letter in this position designates lens color: A - amber, B - blue, G - green, R - red, or W - clear



StackLight™ 200 Class 70mm



Edwards 200 Class 70mm StackLight is a versatile signaling device that may contain up to five light modules, or four light modules with one sounder module in a single, integrated stack. The sounder module has been designed so that it is always in the top position.

The lens modules are available with LED, Incandescent or Xenon Strobe light sources. Options for steady-on, flashing or multi-mode are available. The lenses are made from a self-extinguishing polycarbonate material and are scratch and impact resistant.

Features and Specifications

- LED, Incandescent and Xenon Strobe light source
- Steady-on, flashing or multi-mode (flashing or steady-on)
- Interlocking system for quick assembly
- Available in gray or black
- Two optional NEMA Type 3R, IP54 rated sounders available:
 - Piezoelectric: 6 user selectable tones
 - Magnetodynamic: 32 user selectable tones
- Threaded footing must be ordered separately (not included with 270BC*)
- Additional mounting options available
- NEMA Type 4X rated
- IP66 rated base and light modules
- Operating temperature range: -22F° to 140°F (-30°C to 60°C)



Ordering Information

Description	Cat. No.*	Operating Temp.
Wiring Base and Cover - Gray	270BC ¹	-22°F to 140°F (-30°C to 60°C)

Module Type	Cat. No.*	Operating Voltage ²	Current	Lens/LED Color	Operating Temp.	
Gray Integrated LED Steady-on	270LEDSA24AD	24V AC	0.085 A	Amber	-22°F to 122°F (-30°C to 50°C)	
		24V DC	0.065 A			
	270LEDSR24AD	24V AC	0.085 A	Red	-22°F to 122°F (-30°C to 50°C)	
		24V DC	0.065 A			
	270LEDSY24AD	24V AC	0.085 A	Yellow	-22°F to 122°F (-30°C to 50°C)	
		24V DC	0.065 A			
	270LEDSB24AD	24V AC	0.075 A	Blue	-22°F to 122°F (-30°C to 50°C)	
		24V DC	0.065 A			
	270LEDSG24AD	24V AC	0.075 A	Green	-22°F to 122°F (-30°C to 50°C)	
		24V DC	0.065 A			
	270LEDSW24AD	24V AC	0.075 A	Clear/White	-22°F to 122°F (-30°C to 50°C)	
		24V DC	0.065 A			
	270LEDSA120A	270LEDSA120A	120V AC	0.035 A	Amber	-22°F to 122°F (-30°C to 50°C)
			120V AC	0.035 A	Red	
	270LEDSY120A	270LEDSY120A	120V AC	0.035 A	Yellow	-22°F to 122°F (-30°C to 50°C)
			120V AC	0.035 A	Blue	
	270LEDSB120A	270LEDSB120A	120V AC	0.035 A	Blue	-22°F to 122°F (-30°C to 50°C)
			120V AC	0.035 A	Green	
	270LEDSG120A	270LEDSG120A	120V AC	0.035 A	Green	-22°F to 122°F (-30°C to 50°C)
			120V AC	0.035 A	Clear/White	
270LEDSA240A	270LEDSA240A	240V AC	0.035 A	Amber	-22°F to 122°F (-30°C to 50°C)	
		240V AC	0.035 A	Red		
270LEDSY240A	270LEDSY240A	240V AC	0.035 A	Yellow	-22°F to 122°F (-30°C to 50°C)	
		240V AC	0.035 A	Blue		
270LEDSB240A	270LEDSB240A	240V AC	0.035 A	Blue	-22°F to 122°F (-30°C to 50°C)	
		240V AC	0.035 A	Green		
270LEDSG240A	270LEDSG240A	240V AC	0.035 A	Green	-22°F to 122°F (-30°C to 50°C)	
		240V AC	0.035 A	Clear/White		

*NOTE: Add "B" to end of the catalog number for Black unit.

¹Threaded footing (270THF) is not included. Order separately.

²AC voltage frequency is 50/60 Hz



StackLight™ 200 Class 70mm



Ordering Information

Continued

Module Type	Cat. No.*	Operating Voltage ¹	Current	Current (flash)			Lens/LED Color	Operating Temp.	Flash Rate
				Single	Double	Triple			
Gray Integrated LED Multi-mode	270LEDMA120A	120V AC	0.035 A	0.025 A	0.020 A	0.025 A	Amber	-22°F to 122°F (-30°C to 50°C)	Single - 75 fpm Double - 85 fpm Triple - 85 fpm
	270LEDMR120A	120V AC	0.035 A	0.025 A	0.020 A	0.025 A	Red		
	270LEDMY120A	120V AC	0.035 A	0.025 A	0.020 A	0.025 A	Yellow		
	270LEDMB120A	120V AC	0.035 A	0.025 A	0.020 A	0.020 A	Blue	-22°F to 122°F (-30°C to 50°C)	
	270LEDMG120A	120V AC	0.035 A	0.025 A	0.020 A	0.020 A	Green		
	270LEDMW120A	120V AC	0.035 A	0.025 A	0.020 A	0.020 A	Clear/White		
	270LEDMA240A	240V AC	0.035 A	0.025 A	0.020 A	0.025 A	Amber	-22°F to 122°F (-30°C to 50°C)	
	270LEDMR240A	240V AC	0.035 A	0.025 A	0.020 A	0.025 A	Red		
	270LEDMY240A	240V AC	0.035 A	0.025 A	0.020 A	0.025 A	Yellow		
	270LEDMB240A	240V AC	0.035 A	0.025 A	0.025 A	0.020 A	Blue	-22°F to 122°F (-30°C to 50°C)	
	270LEDMG240A	240V AC	0.035 A	0.025 A	0.025 A	0.020 A	Green		
	270LEDMW240A	240V AC	0.035 A	0.025 A	0.025 A	0.020 A	Clear/White		
	270LEDMA24AD	24V AC	0.085 A	0.060 A	0.050 A	0.050 A	Amber	-22°F to 122°F (-30°C to 50°C)	
		24V DC	0.065 A	0.040 A	0.040 A	0.040 A			
	270LEDMR24AD	24V AC	0.085 A	0.060 A	0.050 A	0.050 A	Red	-22°F to 122°F (-30°C to 50°C)	
		24V DC	0.065 A	0.040 A	0.040 A	0.040 A			
	270LEDMY24AD	24V AC	0.085 A	0.060 A	0.050 A	0.050 A	Yellow	-22°F to 122°F (-30°C to 50°C)	
		24V DC	0.065 A	0.040 A	0.040 A	0.040 A			
	270LEDMB24AD	24V AC	0.075 A	0.055 A	0.040 A	0.045 A	Blue	-22°F to 122°F (-30°C to 50°C)	
		24V DC	0.065 A	0.040 A	0.040 A	0.040 A			
270LEDMG24AD	24V AC	0.075 A	0.055 A	0.040 A	0.045 A	Green	-22°F to 122°F (-30°C to 50°C)		
	24V DC	0.065 A	0.040 A	0.040 A	0.040 A				
270LEDMW24AD	24V AC	0.075 A	0.055 A	0.040 A	0.045 A	Clear/White	-22°F to 122°F (-30°C to 50°C)		
	24V DC	0.065 A	0.040 A	0.040 A	0.040 A				

*NOTE: Add "B" to end of the catalog number for Black unit.

¹AC voltage frequency is 50/60 Hz

StackLight™
200 Class
70mm



VISUAL SIGNALS

Ordering Information		Continued			
Module Type	Cat. No.*	Operating Voltage ¹	Current	Lens/LED Color	Operating Temp.
Gray Steady-on LED or Incandescent Bulb (Sold separately)	270SB12240AD	12V AC/DC	0.430 A	Blue	-22°F to 140°F (-30°C to 60°C)
		24V AC/DC	0.210 A		
		48V AC/DC	0.100 A		
		110V AC	0.035 A		
		240V AC	0.022 A		
	270SA12240AD	12V AC/DC	0.430 A	Amber	-22°F to 140°F (-30°C to 60°C)
		24V AC/DC	0.210 A		
		48V AC/DC	0.100 A		
		110V AC	0.035 A		
		240V AC	0.022 A		
	270SR12240AD	12V AC/DC	0.430 A	Red	-22°F to 140°F (-30°C to 60°C)
		24V AC/DC	0.210 A		
		48V AC/DC	0.100 A		
		110V AC	0.035 A		
		240V AC	0.022 A		
	270SG12240AD	12V AC/DC	0.430 A	Green	-22°F to 140°F (-30°C to 60°C)
		24V AC/DC	0.210 A		
		48V AC/DC	0.100 A		
		110V AC	0.035 A		
		240V AC	0.022 A		
270SY12240AD	12V AC/DC	0.430 A	Yellow	-22°F to 140°F (-30°C to 60°C)	
	24V AC/DC	0.210 A			
	48V AC/DC	0.100 A			
	110V AC	0.035 A			
	240V AC	0.022 A			
270SW12240AD	12V AC/DC	0.430 A	Clear/White	-22°F to 140°F (-30°C to 60°C)	
	24V AC/DC	0.210 A			
	48V AC/DC	0.100 A			
	110V AC	0.035 A			
	240V AC	0.022 A			

***NOTE: Add "B" to end of the catalog number for Black unit.**

¹AC voltage frequency is 50/60 Hz

StackLight™
200 Class
70mm



Ordering Information		Continued				
Module Type	Cat. No.*	Operating Voltage ¹	Current	Lens/LED Color	Operating Temp.	Flash Rate
Gray Flashing LED or Incandescent Bulb (Sold separately)	270FB24240A	24V AC	0.210 A	Blue	-22°F to 140°F (-30°C to 60°C)	110 fpm (+/-20)
		48V AC	0.103 A			
		110V AC	0.037 A			
	270FA24240A	240V AC	0.027 A	Amber	-22°F to 140°F (-30°C to 60°C)	110 fpm (+/-20)
		24V AC	0.210 A			
		48V AC	0.103 A			
		110V AC	0.037 A			
	270FR24240A	240V AC	0.027 A	Red	-22°F to 140°F (-30°C to 60°C)	110 fpm (+/-20)
		24V AC	0.210 A			
		48V AC	0.103 A			
		110V AC	0.037 A			
	270FG24240A	240V AC	0.027 A	Green	-22°F to 140°F (-30°C to 60°C)	110 fpm (+/-20)
		24V AC	0.210 A			
		48V AC	0.103 A			
		110V AC	0.037 A			
	270FY24240A	240V AC	0.027 A	Yellow	-22°F to 140°F (-30°C to 60°C)	110 fpm (+/-20)
		24V AC	0.210 A			
		48V AC	0.103 A			
		110V AC	0.037 A			
	270FW24240A	240V AC	0.027 A	Clear/White	-22°F to 140°F (-30°C to 60°C)	110 fpm (+/-20)
		24V AC	0.210 A			
		48V AC	0.103 A			
		110V AC	0.037 A			
	270FB1248D	12V DC	0.430 A	Blue	-22°F to 140°F (-30°C to 60°C)	110 fpm (+/-20)
		24V DC	0.210 A			
		48V DC	0.103 A			
	270FA1248D	12V DC	0.430 A	Amber	-22°F to 140°F (-30°C to 60°C)	110 fpm (+/-20)
		24V DC	0.210 A			
		48V DC	0.103 A			
	270FR1248D	12V DC	0.430 A	Red	-22°F to 140°F (-30°C to 60°C)	110 fpm (+/-20)
24V DC		0.210 A				
48V DC		0.103 A				
270FG1248D	12V DC	0.430 A	Green	-22°F to 140°F (-30°C to 60°C)	110 fpm (+/-20)	
	24V DC	0.210 A				
	48V DC	0.103 A				
270FY1248D	12V DC	0.430 A	Yellow	-22°F to 140°F (-30°C to 60°C)	110 fpm (+/-20)	
	24V DC	0.210 A				
	48V DC	0.103 A				
270FW1248D	12V DC	0.430 A	Clear/White	-22°F to 140°F (-30°C to 60°C)	110 fpm (+/-20)	
	24V DC	0.210 A				
	48V DC	0.103 A				

*NOTE: Add "B" to end of the catalog number for Black unit.
¹AC voltage frequency is 50/60 Hz

VISUAL SIGNALS 1

StackLight™
200 Class
70mm



VISUAL SIGNALS

Ordering Information		Continued				
Module Type	Cat. No.*	Operating Voltage ¹	Current	Lens/LED Color	Operating Temp.	Flash Rate
Gray Xenon Strobe Modules	270STRB120A	120V AC	0.048 A	Blue	14°F to 109.4°F (-10°C to 43°C)	90 fpm (+/-20)
	270STRB240A	240V AC	0.055 A		90 fpm (+/-20)	
	270STRB24AD	24V AC/DC	0.280 A		14°F to 105.8°F (-10°C to 41°C)	65 fpm (+/-10)
	270STRA120A	120V AC	0.048 A	Amber	14°F to 109.4°F (-10°C to 43°C)	90 fpm (+/-20)
	270STRA240A	240V AC	0.055 A		90 fpm (+/-20)	
	270STRA24AD	24V AC/DC	0.280 A		14°F to 105.8°F (-10°C to 41°C)	65 fpm (+/-10)
	270STRR120A	120V AC	0.048 A	Red	14°F to 109.4°F (-10°C to 43°C)	90 fpm (+/-20)
	270STRR240A	240V AC	0.055 A		90 fpm (+/-20)	
	270STRR24AD	24V AC/DC	0.280 A		14°F to 105.8°F (-10°C to 41°C)	65 fpm (+/-10)
	270STRG120A	120V AC	0.048 A	Green	14°F to 109.4°F (-10°C to 43°C)	90 fpm (+/-20)
	270STRG240A	240V AC	0.055 A		90 fpm (+/-20)	
	270STRG24AD	24V AC/DC	0.280 A		14°F to 105.8°F (-10°C to 41°C)	65 fpm (+/-10)
	270STRY120A	120V AC	0.048 A	Yellow	14°F to 109.4°F (-10°C to 43°C)	90 fpm (+/-20)
	270STRY240A	240V AC	0.055 A		90 fpm (+/-20)	
	270STRY24AD	24V AC/DC	0.280 A		14°F to 105.8°F (-10°C to 41°C)	65 fpm (+/-10)
	270STRW120A	120V AC	0.048 A	Clear/White	14°F to 109.4°F (-10°C to 43°C)	90 fpm (+/-20)
	270STRW240A	240V AC	0.055 A		90 fpm (+/-20)	
	270STRW24AD	24V AC/DC	0.280 A		14°F to 105.8°F (-10°C to 41°C)	65 fpm (+/-10)
Gray Piezoelectric Acoustic (IP54)	270PZO1248AD	12V AC/DC	0.003 A		-22°F to 140°F (-30°C to 60°C)	
		24V AC/DC	0.006 A			
		48V AC/DC	0.013 A			
	270PZO120240A	120V AC	0.004 A		-22°F to 132.8°F (-30°C to 56°C)	
		240V AC	0.010 A			
Gray Magnetodynamic Acoustic (IP54)	270MDA1224AD		See chart on page 1-20		-22°F to 140°F (-30°C to 60°C)	
	270MDA120A				-22°F to 122°F (-30°C to 50°C)	
	270MDA240A					

***NOTE: Add "B" to end of the catalog number for Black unit.**

¹AC voltage frequency is 50/60 Hz

StackLight™

200 Class

70mm

Bulbs			
Description	Cat. No.	Operating Voltage	LED Color
LED Bulb	270LEDB120V	120V AC	Blue
	270LEDA120V	120V AC	Amber
	270LEDR120V	120V AC	Red
	270LEDG120V	120V AC	Green
	270LEDW120V	120V AC	White
	270LEDB240V	230/240V AC	Blue
	270LEDA240V	230/240V AC	Amber
	270LEDR240V	230/240V AC	Red
	270LEDG240V	230/240V AC	Green
	270LEDW240V	230/240V AC	White
	270LEDB12V	12V AC/DC	Blue
	270LEDA12V	12V AC/DC	Amber
	270LEDR12V	12V AC/DC	Red
	270LEDG12V	12V AC/DC	Green
	270LEDW12V	12V AC/DC	White
	270LEDB24V	24V AC/DC	Blue
	270LEDA24V	24V AC/DC	Amber
	270LEDR24V	24V AC/DC	Red
	270LEDG24V	24V AC/DC	Green
	270LEDW24V	24V AC/DC	White
5W Incandescent Bulb	2705W120V	120V AC	
5W Incandescent Bulb-25 Pack	2705W120V25PK	120V AC	
5W Incandescent Bulb	2705W240V	240V AC	
5W Incandescent Bulb-25 Pack	2705W240V25PK	240V AC	
5W Incandescent Bulb	2705W12V	12V AC/DC	
5W Incandescent Bulb-25 Pack	2705W12V25PK	12V AC/DC	
5W Incandescent Bulb	2705W24V	24V AC/DC	
5W Incandescent Bulb-25 Pack	2705W24V25PK	24V AC/DC	
5W Incandescent Bulb	2705W48V	48V AC/DC	
5W Incandescent Bulb-25 Pack	2705W48V25PK	48V AC/DC	



VISUAL SIGNALS

70mm Piezoelectric (PZO) Acoustic Module Dip Switch Settings

Sound Type	Diagram	F (Hz) ¹	12V DC/V AC		24V DC/V AC		48V DC/V AC		120V AC		240V AC	
			A	dB at 1m	A	dB at 1m	A	dB at 1m	A	dB at 1m	A	dB at 1m
Continuous reduced output		50/60	0.003	75	0.006	81	0.013	83	0.004	75	0.010	81
Continuous maximum output		50/60	0.003	79	0.006	85	0.013	89	0.004	81	0.010	87
Slow intermittent reduced output		50/60	0.003	72	0.006	77	0.013	79	0.004	76	0.010	78
Slow intermittent maximum output		50/60	0.003	77	0.006	84	0.013	86	0.004	81	0.010	85
Fast intermittent reduced output		50/60	0.003	74	0.006	79	0.013	81	0.004	76	0.010	79
Fast intermittent maximum output		50/60	0.003	78	0.006	85	0.013	87	0.004	81	0.010	85

¹For AC voltages only

StackLight™

200 Class

70mm

VISUAL SIGNALS

70mm Magnetodynamic (MDA) Acoustic Module

Sound Type	F (Hz) ¹	12V DC		24V DC		12V AC		24V AC		120V AC		240V AC	
		A	dB	A	dB	A	dB	A	dB	A	dB	A	dB
Bi-tone	450/540	0.100	89	0.120	96	0.340	93	0.380	98	0.055	96	0.035	97
	600/700	0.125	90	0.150	97	0.380	93	0.450	99	0.065	97	0.035	98
	600/700	0.125	90	0.145	97	0.390	93	0.450	99	0.065	97	0.035	98
	800/970	0.170	93	0.190	100	0.485	95	0.550	101	0.075	99	0.040	100
	2400/2850	0.335	98	0.450	106	0.945	101	0.1060	107	0.0105	102	0.060	103
Bi-tone with pause	600/700	0.030	90	0.045	96	0.120	92	0.170	98	0.055	97	0.030	98
	1200/1700	0.045	95	0.060	99	0.170	98	0.230	101	0.060	99	0.035	100
	2400/2830	0.070	100	0.090	105	0.210	103	0.295	106	0.085	102	0.045	102
Fast bi-tone	800/970	0.170	93	0.190	100	0.485	95	0.555	101	0.075	99	0.040	100
Multi-tone	1000/1700	0.150	95	0.185	100	0.445	98	0.555	101	0.070	99	0.040	99
Multi-tone (buzzer)	800/970	0.110	93	0.140	97	0.370	96	0.440	99	0.060	97	0.035	98
	2400/2830	0.290	100	0.335	104	0.755	103	0.875	106	0.090	102	0.050	102
Slow multi-tone	800/970	0.110	95	0.140	99	0.350	98	0.440	101	0.060	99	0.035	100
	2400/2830	0.290	101	0.335	106	0.720	104	0.855	107	0.095	103	0.050	104
Fast multi-tone	800/970	0.110	93	0.140	98	0.350	96	0.435	99	0.060	97	0.035	98
	2400/2830	0.290	101	0.335	105	0.725	103	0.865	106	0.095	102	0.050	103
Intermittent multi-tone	500/1200	0.085	96	0.110	99	0.280	98	0.355	101	0.065	99	0.035	100
Descending multi-tone	1200/500	0.095	94	0.125	98	0.315	97	0.385	100	0.060	98	0.035	99
Evacuation	430/560	0.110	87	0.125	96	0.345	89	0.400	97	0.060	96	0.035	96
Intermittent	660	0.045	90	0.065	94	0.190	92	0.250	96	0.045	95	0.025	95
	660	0.045	91	0.070	95	0.190	93	0.240	97	0.055	96	0.030	96
	970	0.030	92	0.050	96	0.130	94	0.185	97	0.050	96	0.030	97
Fast intermittent	2830	0.200	97	0.240	102	0.600	100	0.705	103	0.080	99	0.045	99
	2850	0.170	96	0.205	101	0.550	99	0.585	102	0.075	99	0.040	99
Slow intermittent	660	0.050	91	0.070	95	0.175	93	0.240	97	0.055	96	0.030	96
	970	0.070	93	0.095	97	0.230	95	0.295	98	0.065	96	0.035	97
Linear	300	0.040	87	0.060	91	0.170	91	0.220	93	0.040	93	0.025	93
	500	0.065	90	0.090	94	0.235	94	0.290	96	0.050	95	0.030	96
	1000	0.125	92	0.160	97	0.385	94	0.485	98	0.065	96	0.035	97
	2830	0.320	98	0.360	102	0.770	100	0.915	104	0.095	99	0.055	100
Modulated	1000/1700	0.150	97	0.185	102	0.440	100	0.550	103	0.075	101	0.040	101
	1400/1600	0.165	95	0.205	100	0.470	98	0.595	102	0.075	99	0.040	99

¹For AC voltages only

StackLight™

200 Class

70mm

Accessories

Description	Cat. No.
Junction Box - Gray	270JBX*
Footing with Extension - Gray	270KIT*
Threaded Extension Pole 100mm - Gray	270TEP*
Threaded Footing - Gray	270THF*
Threaded Wall Mount - Gray	270TWM*
Double Threaded Wall Mount - Gray	270TWM2*
270 Flexible Steel Extension Rod - 370mm	270FLXT
270 Stainless Steel Extension Rod - 100mm	270SSXT100
270 Stainless Steel Extension Rod - 200mm	270SSXT200
270 Stainless Steel Extension Rod - 400mm	270SSXT400

*NOTE: Add "B" to end of the catalog number for Black unit.



Junction Box



Threaded Footing



Footing with Extension



Threaded Extension Pole



100mm

200mm

400mm

370mm

Stainless Steel Extension Rod

Flexible Steel Extension Rod



Threaded Wall Mount



Double Threaded Wall Mount

StackLight™

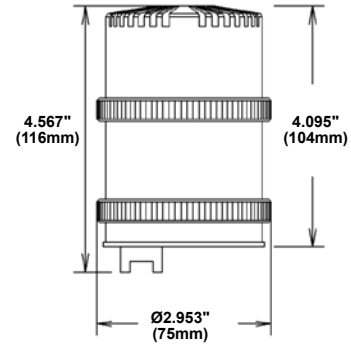
200 Class

70mm

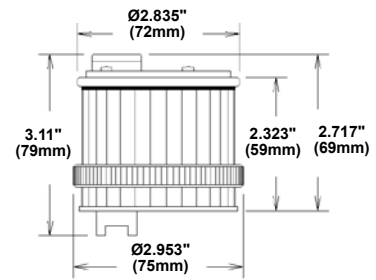
Weights and Dimensions

Cat. No.	Approx. Net Weight (lb.)	Approx. Shipping Weight (lb.)
270BC	0.27	0.83
270LEDS*24AD	0.24	0.81
270LEDS*120A	0.24	0.81
270LEDS*240A	0.24	0.81
270LEDM*120A	0.24	0.81
270LEDM*240A	0.24	0.81
270LEDM*24AD	0.24	0.81
270S*12240AD	0.20	0.76
270F*24240A	0.22	0.78
270F*1248D	0.22	0.78
270STR*120A	0.29	0.85
270STR*240A	0.29	0.85
270STR*24AD	0.29	0.85
270PZO1248AD	0.29	1.04
270PZO120240A	0.29	1.04
270MDA1224AD	0.53	1.28
270MDA120A	0.53	1.28
270MDA240A	0.02	0.09
270LED*120V	0.02	0.09
270LED*240V	0.02	0.09
270LED*12V	0.02	0.09
270LED*24V	0.02	0.09
2705W120V	0.01	0.09
2705W240V	0.01	0.09
2705W12V	0.01	0.09
2705W24V	0.01	0.09
2705W48V	0.01	0.09
270JBX	0.22	0.09
270KIT	0.13	1.10
270TEP	0.07	0.22
270THF	0.07	0.29
270TWM	0.09	0.60
270TWM2	0.11	0.62
270FLXT	0.57	1.30
270SSXT100	0.31	1.28
270SSXT200	0.40	1.30
270SSXT400	0.62	1.50

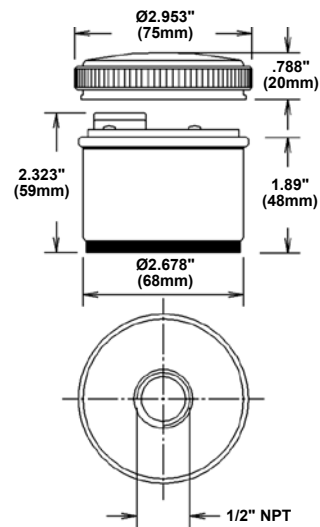
Acoustic Module



Light Module



Base and Cover



*Letter in this position designates lens color: A - amber, R - red, Y - yellow, B - blue, G - green, W - clear

StackLight™ 200 Class 48mm



Edwards 200 Class 48mm StackLight is a versatile signaling device that may contain up to five light modules, or four light modules with one sounder module in a single, integrated stack. The sounder module has been designed so that it is always in the top position.

The lens modules are available with LED light sources as a multi-mode device. The lenses are made from a self-extinguishing polycarbonate material and are scratch and impact resistant.

Features and Specifications

- Multi-mode (flashing or steady-on)
- LED light source
- dB rating: 77dB @ 1 meter/67dB @ 10ft.
- Interlocking system for quick assembly
- Available in gray or black
- Additional mounting options available
- One optional NEMA Type 3R, IP54 rated sounder available:
 - Magnetodynamic: one single tone
- NEMA Type 4X rated
- IP66 rated base and light modules
- Operating temperature range: -22F° to 122°F (-30°C to 50°C)



←1.89"→



VISUAL SIGNALS

Ordering Information

Description	Cat. No.*
Wiring Base, Cover and Foot - Gray	248BC

Module Type	Cat. No.*	Operating Voltage ¹	Current	LED Color	
Gray LED Multi-mode Lens Modules	248LEDMB120A	120V AC	0.065 A	Blue	
	248LEDMA120A	120V AC	0.065 A	Amber	
	248LEDMR120A	120V AC	0.065 A	Red	
	248LEDMG120A	120V AC	0.065 A	Green	
	248LEDMY120A	120V AC	0.065 A	Yellow	
	248LEDMW120A	120V AC	0.065 A	White	
	248LEDMB240A	240V AC	0.055 A	Blue	
	248LEDMA240A	240V AC	0.055 A	Amber	
	248LEDMR240A	240V AC	0.055 A	Red	
	248LEDMG240A	240V AC	0.055 A	Green	
	248LEDMY240A	240V AC	0.055 A	Yellow	
	248LEDMW240A	240V AC	0.055 A	White	
	248LEDMB24AD	24V AC/DC	0.030 A	Blue	
	248LEDMA24AD	24V AC/DC	0.030 A	Amber	
	248LEDMR24AD	24V AC/DC	0.030 A	Red	
	248LEDMG24AD	24V AC/DC	0.030 A	Green	
	248LEDMY24AD	24V AC/DC	0.030 A	Yellow	
	248LEDMW24AD	24V AC/DC	0.030 A	White	
	Gray Magnetodynamic Acoustic Modules	248MDA120A	120V AC	0.010 A	
		248MDA240A	240V AC	0.015 A	
248MDA24AD		24V AC/DC	0.130 A		

*NOTE: Add "B" to end of the catalog number for Black unit.

¹AC voltage frequency is 50/60 Hz

AC

AC/DC

77/67 dB

122°F
-22°F
OP TEMP

LED

3R

ENCLOSURE

4X

ENCLOSURE

IP66

ENCLOSURE

IP54

ENCLOSURE

StackLight™

200 Class

48mm

Accessories	
Description	Cat. No.
Junction Box - Gray	270JBX*
Footing with Extension - Gray	270KIT*
Threaded Extension Pole 100mm - Gray	270TEP*
Threaded Footing - Gray	270THF*
Threaded Wall Mount - Gray	270TWM*
Double Threaded Wall Mount - Gray	270TWM2*
270 Flexible Steel Extension Rod - 370mm	270FLXT
270 Stainless Steel Extension Rod - 100mm	270SSXT100
270 Stainless Steel Extension Rod - 200mm	270SSXT200
270 Stainless Steel Extension Rod - 400mm	270SSXT400

*NOTE: Add "B" to end of the catalog number for Black unit.



Junction Box



Threaded Footing



Footing with Extension



Threaded Extension Pole



100mm

200mm

400mm

370mm

Stainless Steel Extension Rod

Flexible Steel Extension Rod



Threaded Wall Mount



Double Threaded Wall Mount

StackLight™

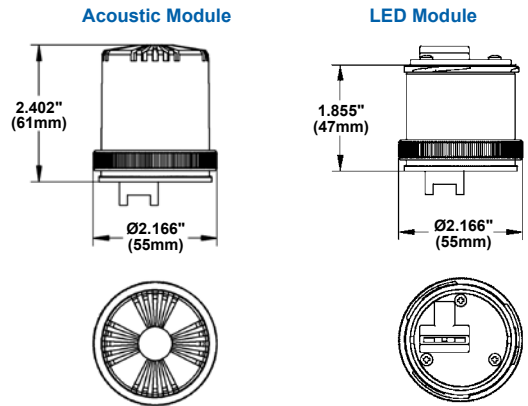
200 Class

48mm

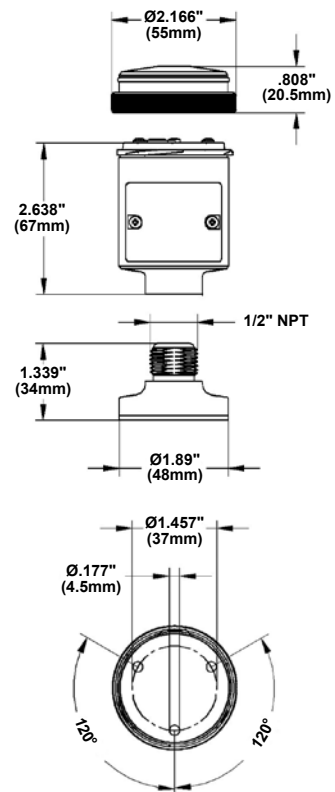
Weights and Dimensions

Cat. No.	Approx. Net Weight (lb.)	Approx. Shipping Weight (lb.)
248BC	0.22	0.72
248LEDM*120A	0.10	0.54
248LEDM*240A	0.10	0.54
248LEDM*24AD	0.10	0.54
248MDA120A	0.40	0.84
248MDA240A	0.40	0.84
248MDA24AD	0.40	0.84
270JBX	0.22	0.09
270KIT	0.13	1.10
270TEP	0.07	0.22
270THF	0.07	0.29
270TWM	0.09	0.59
270TWM2	0.11	0.62
270FLXT	0.57	1.30
270SSXT100	0.31	1.28
270SSXT200	0.40	1.30
270SSXT400	0.62	1.50

*Letter in this position designates lens color: A - amber, B - blue, G - green, R - red, W - clear or Y - yellow



Base, Cover and Foot



StackLight™ 200 Class 36mm



Edwards 200 Class 36mm StackLight is a versatile signaling device that may contain up to six light modules, or five light modules with one sounder module in a single, integrated stack. The sounder module has been designed so that it is always in the top position.

The lens modules are available as steady-on, LED light sources. The lenses are made from a self-extinguishing polycarbonate material and are scratch and impact resistant.

Features and Specifications

- LED light source
- Steady-on
- dB rating: 72dB @ 1 meter/62dB @ 10ft.
- Interlocking system for quick assembly
- Available in gray or black
- One optional IP54 rated sounder available:
 - Piezoelectric: one single tone
- Additional mounting options available
- NEMA Type 3R rated
- IP65 rated base and light modules
- Operating temperature range: -22F° to 122°F (-30°C to 50°C)



← 1.77" →



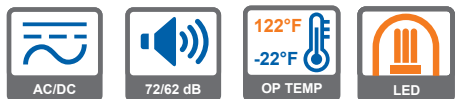
Ordering Information

Description	Cat. No.*
Wiring Base and Cover - Gray	236BC

Module Type	Cat. No.*	Operating Voltage ¹	Current	LED Color
Gray LED Steady-on	236LEDSB24AD	24V AC/DC	0.050 A	Blue
	236LEDSA24AD	24V AC/DC	0.045 A	Amber
	236LEDSR24AD	24V AC/DC	0.050 A	Red
	236LEDSG24AD	24V AC/DC	0.040 A	Green
	236LEDSY24AD	24V AC/DC	0.045 A	Yellow
	236LEDSW24AD	24V AC/DC	0.050 A	White
Gray - Piezoelectric Acoustic	236PZO	24V AC/DC	0.010 A	

*NOTE: Add "B" to end of the catalog number for Black unit.

¹AC voltage frequency is 50/60 Hz



StackLight™

200 Class

36mm

Accessories

Description	Cat. No.
Junction Box - Gray	270JBX*
Footring with Extension - Gray	270KIT*
Threaded Extension Pole 100mm - Gray	270TEP*
Threaded Footring - Gray	270THF*
Threaded Wall Mount - Gray	270TWM*
Double Threaded Wall Mount - Gray	270TWM2*
270 Flexible Steel Extension Rod - 370mm	270FLXT
270 Stainless Steel Extension Rod - 100mm	270SSXT100
270 Stainless Steel Extension Rod - 200mm	270SSXT200
270 Stainless Steel Extension Rod - 400mm	270SSXT400

*NOTE: Add "B" to end of the catalog number for Black unit.



Junction Box



Threaded Footring



Footring with Extension



Threaded Extension Pole



100mm

200mm

400mm

370mm

Stainless Steel Extension Rod

Flexible Steel Extension Rod



Threaded Wall Mount



Double Threaded Wall Mount

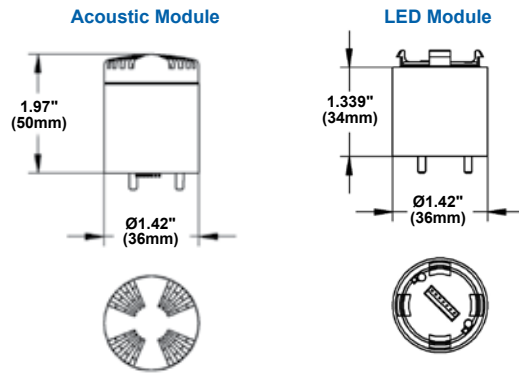
StackLight™

200 Class

36mm

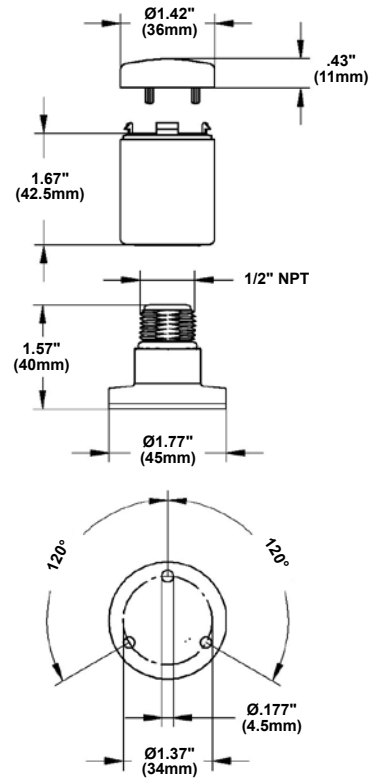
Weights and Dimensions

Cat. No.	Approx. Net Weight (lb.)	Approx. Shipping Weight (lb.)
236BC	0.12	0.33
236LEDS*24AD	0.04	0.24
236PZO	0.10	0.30
270JBX	0.22	0.09
270KIT	0.13	1.10
270TEP	0.07	0.22
270THF	0.07	0.29
270TWM	0.09	0.59
270TWM2	0.11	0.62
270FLXT	0.57	1.30
270SSXT100	0.31	1.28
270SSXT200	0.40	1.30
270SSXT400	0.62	1.50



*Letter in this position designates lens color: A - amber, B - blue, G - green, R - red, W - clear or Y - yellow

Base and Cover



StackLight™ 200 Class 25mm



Edwards 200 Class 25mm StackLight is a versatile signaling device that may contain up to six light modules, or five light modules with one sounder module in a single, integrated stack. The sounder module has been designed so that it is always in the top position.

The lens modules are available as steady-on, LED light sources. The lenses are made from a self-extinguishing polycarbonate material and are scratch and impact resistant.

Features and Specifications

- LED light source
- Steady-on
- dB rating: 65dB @ 1 meter/55dB @ 10ft.
- Interlocking system for quick assembly
- Available in gray or black
- One optional IP54 rated sounder available:
 - Piezoelectric: one single tone
- IP65 rated base and light module
- Operating temperature range: -22F° to 122°F (-30°C to 50°C)



← 1.77" →



VISUAL SIGNALS

Ordering Information

Description	Cat. No.*
Base and Cover - Gray	225BC

Module Type	Cat. No.*	Operating Voltage ¹	Current	LED Color
Gray LED Steady-on	225LEDSB24AD	24V AC/DC	0.030 A	Blue
	225LEDSA24AD	24V AC/DC	0.030 A	Amber
	225LEDSR24AD	24V AC/DC	0.030 A	Red
	225LEDSG24AD	24V AC/DC	0.025 A	Green
	225LEDSY24AD	24V AC/DC	0.030 A	Yellow
	225LEDSW24AD	24V AC/DC	0.035 A	White
Gray - Piezoelectric Acoustic	225PZO	24V AC/DC	0.005 A	

*NOTE: Add "B" to end of the catalog number for Black unit.

¹AC voltage frequency is 50/60 Hz



StackLight™

200 Class

25mm

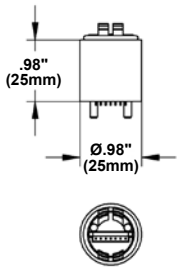
VISUAL SIGNALS

Weights and Dimensions

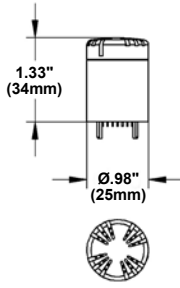
Cat. No.	Approx. Net Weight (lb.)	Approx. Shipping Weight (lb.)
225BC	0.06	0.27
225LEDS*24AD	0.02	0.09
225PZO	0.04	0.11

*Letter in this position designates lens color: A - amber, B - blue, G - green, R - red, W - clear or Y - yellow

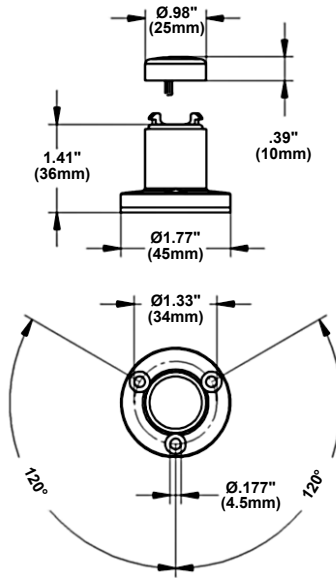
LED Module



Acoustic Module



Base and Cover



StackLight™ 200 Class 18mm



Edwards 200 Class 18mm StackLight is a versatile signaling device that may contain up to five light modules in a single, integrated stack.

The lens modules are available as steady-on, LED light sources. The lenses are made from a self-extinguishing polycarbonate material and are scratch and impact resistant. There is no sounder module available on the 18mm StackLight.

Features and Specifications

- LED light source
- Steady-on
- Interlocking system for quick assembly
- Available in gray or black
- No sounder module available
- IP65 base and light module
- Operating temperature range: -22°F to 122°F (-30°C to 50°C)



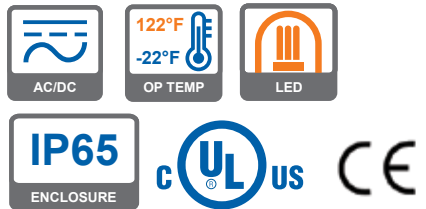
← 1.26" →



VISUAL SIGNALS

Ordering Information				
Description	Cat. No.*			
Base and Cover - Gray	218BC			
Module Type	Cat. No.*	Operating Voltage ¹	Current	LED Color
Gray LED Steady-on	218LEDSB24AD	24V AC/DC	0.015 A	Blue
	218LEDSA24AD	24V AC/DC	0.015 A	Amber
	218LEDSR24AD	24V AC/DC	0.015 A	Red
	218LEDSG24AD	24V AC/DC	0.015 A	Green
	218LEDSY24AD	24V AC/DC	0.015 A	Yellow
	218LEDSW24AD	24V AC/DC	0.015 A	White

*NOTE: Add "B" to end of the catalog number for Black unit.
¹AC voltage frequency is 50/60 Hz



StackLight™

200 Class

18mm

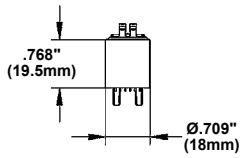
VISUAL SIGNALS

Weights and Dimensions

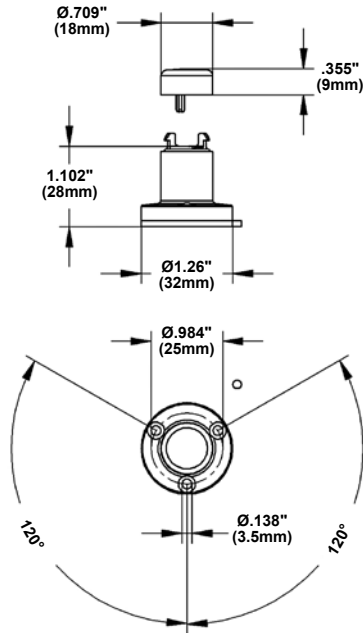
Cat. No.	Approx. Net Weight (lb.)	Approx. Shipping Weight (lb.)
218BC	0.03	0.24
218LEDS*24AD	0.01	0.09

*Letter in this position designates lens color: A - amber, B - blue, G - green, R - red, W - clear or Y- yellow

LED Module



Base and Cover



StackLight™ 102 Series

Edwards 102 Series StackLight is a unique audible-visual signaling device that may contain up to five light modules and a pulsating horn in a single, integrated stack. Two optional sounder modules are also available. The Tripliptical diffusion optic lens allows viewing from close up while still projecting the light through use of a built-in projection ring.

The lens modules are available with LED, Incandescent, Halogen or Strobe light sources. Options for steady-on or flashing are available. The 102 Series offers a shorter base for panel or conduit mounting as well as a taller base, designed for use with a sounder module.

Features and Specifications

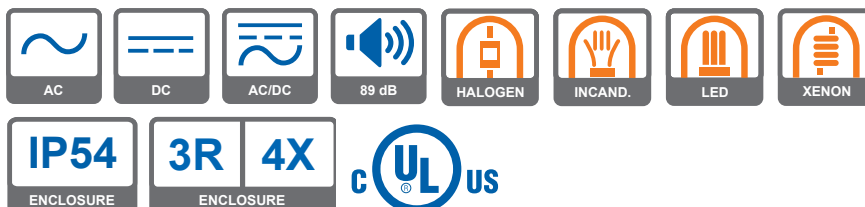
- LED, Incandescent, Halogen and Strobe light source
- Steady-on or flashing
- Six lens colors available
- Two optional IP54 sounders available:
 - Single tone module
 - Multi-tone module, eight available tones
- Sounder modules provide 89dB @ 1 meter/ 79dB @ 10ft.
- Base and light modules are IP65 rated
- Suitable for indoor and outdoor applications
- Option for panel or conduit mounting
- NEMA Type 3R and 4X enclosure
- Optional mounting not included



Ordering Information

Description	Cat. No.	Operating Voltage	Current ¹
Base Unit - Use with optional tone module	102TBS-N5	120V AC	0.60 A
	102TBS-G1	24V DC	1.75 A
Mini base for direct panel mount	102DMBS-N5	120V AC	0.60 A
	102DMBS-G1	24V DC	1.75 A
Mini base for 3/4" (19mm) conduit mount	102PMBS-N5	120V AC	0.60 A
	102PMBS-G1	24V DC	1.75 A

¹Currents shown are for a stackable with 5 light modules.



StackLight™ 102 Series

Ordering Information		Continued							
Description	Cat. No.	Operating Voltage	Current	Lens/LED Colors	Peak Candela	Lamp Ratings	Lamp Life Calculated ²	Lamp Life Projected ³	Replacement Lamp
Lens Module	102LM-A	—	—	Amber	—	—	—	—	—
	102LM-B	—	—	Blue	—	—	—	—	—
	102LM-C	—	—	Clear	—	—	—	—	—
	102LM-G	—	—	Green	—	—	—	—	—
	102LM-R	—	—	Red	—	—	—	—	—
	102LM-Y	—	—	Yellow	—	—	—	—	—
Steady-on Halogen	102LS-SINH-N5	120V AC	0.11 A	—	879	12 Watts	20,000 hr.	—	50LMP-12WH
	102LS-SINH-G1	24V DC	0.32 A	—	653	9 Watts	12,000 hr.	—	50LMP-9WH
Steady-on Incandescent	102LS-SIN-N5	120V AC	0.08 A	—	829	10 Watts	2,500 hr.	—	50LMP-10W
	102LS-SIN-G1	24V DC	0.32 A	—	829	10 Watts	10,000 hr.	—	Ind. Trade 303 ⁵
Flashing Halogen	102LS-FINH-N5	120V AC	0.11 A	—	879	12 Watts	20,000 hr.	25,000 hr.	50LMP-12WH
	102LS-FINH-G1	24V DC	0.32 A	—	653	9 Watts	12,000 hr.	15,000 hr.	50LMP-9WH
Flashing Incandescent	102LS-FIN-N5	120V AC	0.08 A	—	829	10 Watts	2,500 hr.	3,000 hr.	50LMP-10W
	102LS-FIN-G1	24V DC	0.32 A	—	829	10 Watts	10,000 hr.	12,500 hr.	Ind. Trade 303 ⁵
Strobe	102LS-ST-N5	120V AC	0.12 A	—	300,000	3 Joule	3,000 hr. ⁴	—	—
	102LS-ST-G1	24V DC	0.30 A	—	300,000	3 Joule	3,000 hr. ⁴	—	—
Steady-on LED	102LS-SLEDA-N5 ¹	120V AC	0.022 A	Amber	—	—	120,000 hr.	—	—
	102LS-SLEDA-G1 ¹	24V DC	0.062 A						
	102LS-SLEDB-N5 ¹	120V AC	0.022 A	Blue	—	—	120,000 hr.	—	—
	102LS-SLEDB-G1 ¹	24V DC	0.062 A						
	102LS-SLEDG-N5 ¹	120V AC	0.022 A	Green	—	—	120,000 hr.	—	—
	102LS-SLEDG-G1 ¹	24V DC	0.062 A						
	102LS-SLEDR-N5 ¹	120V AC	0.022 A	Red	—	—	120,000 hr.	—	—
	102LS-SLEDR-G1 ¹	24V DC	0.062 A						
	102LS-SLEDW-N5 ¹	120V AC	0.022 A	Clear/ White	—	—	120,000 hr.	—	—
	102LS-SLEDW-G1 ¹	24V DC	0.062 A						

¹NOTE: LED light sources must be used with the corresponding color lens module (e.g., a blue LED light source, 102LS-SLEDB-G1, must be used with a blue lens, 102LM-B).

²At nominal operating voltage.

³Projected lamp life based on manufacturer's calc. lamp life @ 65 fpm and 50% duty cycle.

⁴Strobe tube life @ operating power to 75% efficiency.

⁵User supplied

StackLight™ 102 Series

Ordering Information		Continued							
Description	Cat. No.	Operating Voltage	Current	Lens/LED Colors	Peak Candela	Lamp Ratings	Lamp Life Calculated ²	Lamp Life Projected ³	Replacement Lamp
Flashing LED	102LS-FLEDA-N5¹	120V AC	0.022 A	Amber	—	—	120,000 hr.	—	—
	102LS-FLEDA-G1¹	24V DC	0.062 A						
	102LS-FLEDB-N5¹	120V AC	0.022 A	Blue	—	—	120,000 hr.	—	—
	102LS-FLEDB-G1¹	24V DC	0.062 A						
	102LS-FLEDG-N5¹	120V AC	0.022 A	Green	—	—	120,000 hr.	—	—
	102LS-FLEDG-G1¹	24V DC	0.062 A						
	102LS-FLEDR-N5¹	120V AC	0.022 A	Red	—	—	120,000 hr.	—	—
	102LS-FLEDR-G1¹	24V DC	0.062 A						
	102LS-FLEDW-N5¹	120V AC	0.022 A	Clear/ White	—	—	120,000 hr.	—	—
	102LS-FLEDW-G1¹	24V DC	0.062 A						
Optional Tone Module	102SIGST-N5	120V AC	0.05 A	—	—	—	—	—	—
	102SIGST-G1	24V DC	0.05 A	—	—	—	—	—	—
	102SIGMT-N5	120V AC	0.05 A	—	—	—	—	—	—
	102SIGMT-G1	24V DC	0.05 A	—	—	—	—	—	—

¹NOTE: LED light sources must be used with the corresponding color lens module (e.g., a blue LED light source, 102LS-SLEDB-G1, must be used with a blue lens, 102LM-B).

²At nominal operating voltage.

³Projected lamp life based on manufacturer's calc. lamp life @ 65 fpm and 50% duty cycle.

Ordering Information			
Description	Cat. No.	Operating Voltage	Lens Colors
Pre-Assembled Three High Steady-On Incandescent Models with pipe mount base	102SIN-RGA-N5	120V AC	Red, Green, Amber
	102SIN-RBA-N5	120V AC	Red, Blue, Amber
	102SIN-RGA-G1	24V DC	Red, Green, Amber
	102SIN-RBA-G1	24V DC	Red, Blue, Amber

Accessories	
Description	Cat. No.
Pipe Mount Flange	102PMF
Pipe Extensions	4" 102MP-4
(for use with Pipe Mount Flange)	10" 102MP-10
	15" 102MP-15
Corner Mount Bracket	CBR
Wall Mount Bracket	WBR



StackLight™ 102 Series

Signal Input Load Characteristics

These devices may be operated by PLCs with output characteristics that match the input load requirements of the signal.

Cat. No.	Operating Voltage	Max. Off State Leakage Current (A)	Continuous On Current (A)	Surge (inrush / duration)
102SIGST-N5	120V AC	0.005	0.070	.35 A / .5 millisecond
102SIGST-G1	24V DC	0.005	0.050	.24 A / .2 millisecond
102SIGMT-N5	120V AC	0.005	0.070	.35 A / .5 millisecond
102SIGMT-G1	24V DC	0.005	0.050	.24 A / .2 millisecond
102LS-SIN-N5	120V AC	0.025	0.080	.15 A / 8 millisecond
102LS-SIN-G1	24V DC	0.025	0.032	.36 A / 1 millisecond
102LS-SINH-N5	120V AC	0.025	0.110	.5 A / 8 millisecond
102LS-SINH-G1	24V DC	0.025	0.320	.36 A / 1 millisecond
102LS-FIN-N5	120V AC	0.025	0.080	.3 A / 8 millisecond
102LS-FIN-G1	24V DC	0.025	0.032	1.4 A / 100 millisecond
102LS-FINH-N5	120V AC	0.025	0.110	1.15 A / 8 millisecond
102LS-FINH-G1	24V DC	0.025	0.320	1.2 A / 100 millisecond
102LS-ST-N5	120V AC	0.005	0.120	50 A / 1 millisecond
102LS-ST-G1	24V DC	0.0015	0.300	.33 A / 1 millisecond
102LS-SLED*-N5	120V AC	0.005	0.025	.09 A / 8 millisecond
102LS-SLED*-G1	24V DC	0.005	0.065	.025 A / 1 millisecond
102LS-FLED*-N5	120V AC	0.005	0.025	.09 A / 8 millisecond
102LS-FLED*-G1	24V DC	0.005	0.065	.07 A / 1 millisecond

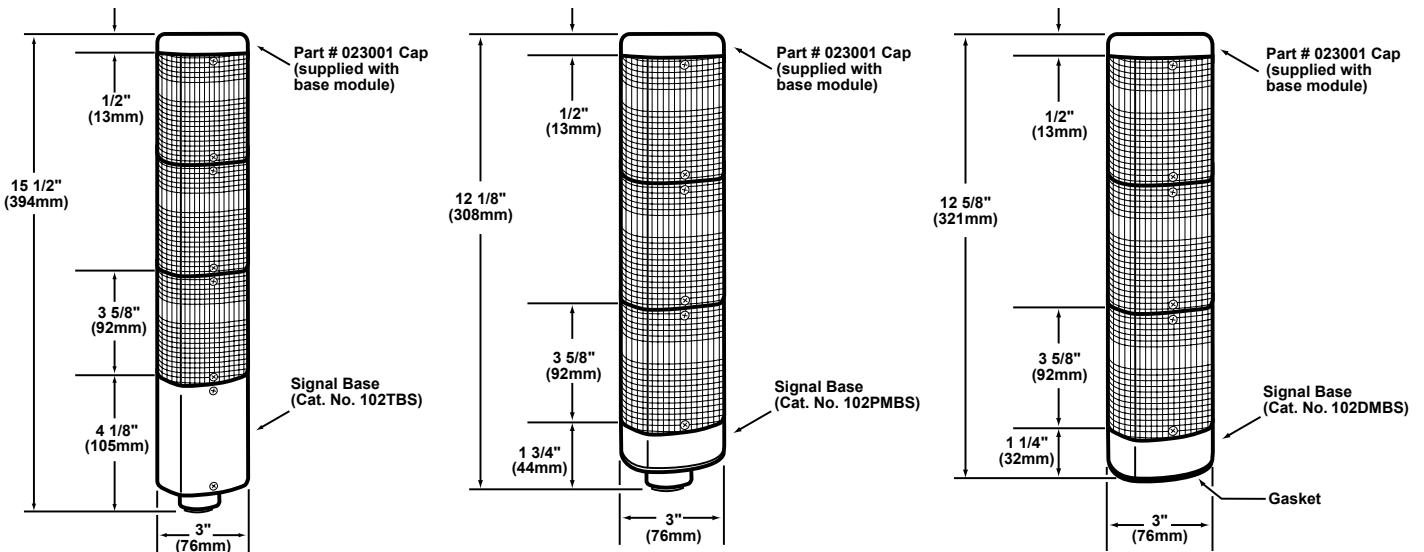
*Letter in this position designates lens and LED color: A - amber, B - blue, G - green, R - red or W - white

StackLight™ 102 Series

Weights and Dimensions

Cat. No.	Approx. Net Weight (lb.)	Approx. Shipping Weight (lb.)
102DMBS-G1	0.38	0.48
102DMBS-N5	0.38	0.48
102LM-*	0.33	0.43
102LS-FIN-G1	0.70	0.80
102LS-FINH-G1	0.70	0.80
102LS-FINH-N5	0.70	0.80
102LS-FIN-N5	0.70	0.80
102LS-FLED*-G1	0.70	0.80
102LS-FLED*-N5	0.70	0.80
102LS-SIN-G1	0.70	0.80
102LS-SINH-G1	0.70	0.80
102LS-SINH-N5	0.70	0.80
102LS-SIN-N5	0.70	0.80
102LS-SLED*-G1	0.70	0.80
102LS-SLED*-N5	0.70	0.80
102LS-ST-G1	0.70	0.80
102LS-ST-N5	0.70	0.80
102MP-10	0.83	0.83
102MP-15	1.14	1.14
102MP-4	0.31	0.31
102PMBS-G1	0.38	0.48
102PMBS-N5	0.38	0.48
102PMF	0.58	0.68
102SIGMT-DN-G1	0.26	0.36
102SIGMT-G1	0.26	0.36
102SIGMT-N5	0.26	0.36
102SIGST-G1	0.26	0.36
102SIGST-N5	0.26	0.36
102SIN-RBA-G1	1.44	1.61
102SIN-RBA-N5	1.44	1.61
102SIN-RGA-G1	1.44	1.61
102SIN-RGA-N5	1.44	1.61
102TBS-DN-G1	0.40	0.50
102TBS-DN-N5	0.40	0.50
102TBS-G1	0.45	0.55
102TBS-N5	0.45	0.55
102TBS-N5	0.45	0.55

*Letter in this position designates lens/LED color: A - amber, B - blue, G - green, R - red, or W - clear/white



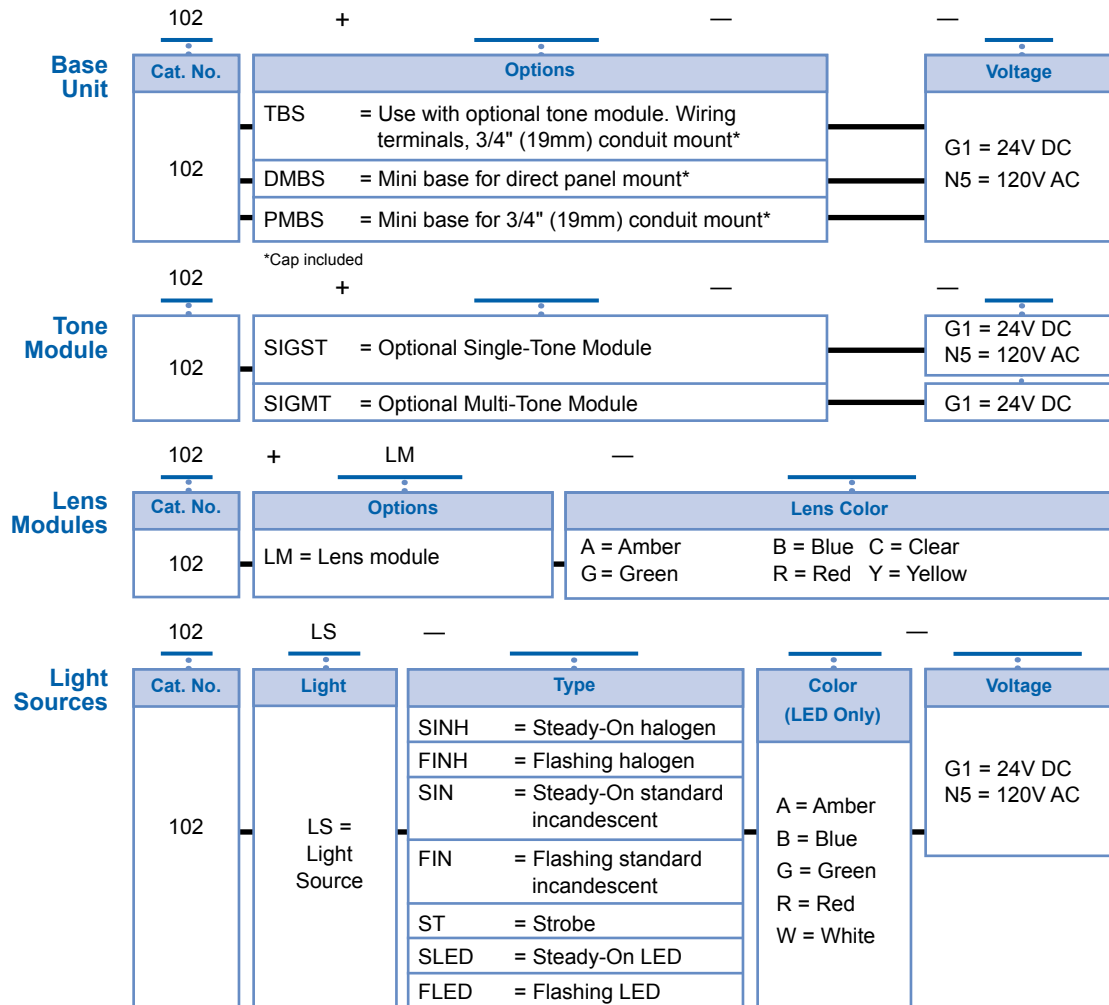
StackLight™ 102 Series

Technical Information

How to order Trilights StackLight

To build a StackLight, one base unit and the required number of lens modules and light sources need to be ordered. For example, to build a 120V AC, two high, steady incandescent StackLight on a direct mount base, order (one) 102DMBS-N5, (two) 102LM (in required colors), and (two) 102LS-SIN-N5.

VISUAL SIGNALS



StackLight™ 101 Series

Edwards 101 Series StackLight is a versatile signaling device that may contain up to five light modules and a pulsating horn in a single, integrated stack. The 85dB pulsating horn can be operated as a sixth independent signal or in conjunction with any one of the five light modules available.

The lens modules are available with LED, Incandescent or Strobe light sources. Options for steady-on, flashing or multi-mode are available. Ideal for heavy-duty use in locations where visibility over longer distances is required.

Features and Specifications

- LED, Incandescent, Halogen and Strobe light source
- Steady-on, flashing or multi-mode (flashing or steady-on)
- Base unit includes a pulsating horn, 95dB at 1 meter/85dB at 10 feet
- Option for panel or conduit mounting
- Can be mounted for use in indoor or outdoor applications (lens facing up for outdoor use).
- Designed for 4" octagonal box mounting



Ordering Information

Description	Cat. No.	Operating Voltage ¹	Current	Lens/ LED Colors	Lamp Life	Flash Rate	Replacement Horns	Replacement Lamps
Base Unit with Horn	101BS-N5	120V AC	0.05 A	—	—	—	123A-N5	—
	101BS-E1	12V DC	0.05 A	—	—	—	P-047570-0743	—
	101BS-G1	24V DC	0.05 A	—	—	—	P-047570-0743	—

Module Type	Cat. No.	Operating Voltage	Current	Lens/ LED Colors	Lamp Life	Flash Rate	Peak Candela	Replacement Lamps
Steady-on Incandescent	101SINR-E1	12V DC	1.0 A	Red	1,520 hours ²	—	2374	Industry trade No. 94 ⁴
	101SING-E1	12V DC	1.0 A	Green	1,520 hours ²	—	2374	
	101SINA-E1	12V DC	1.0 A	Amber	1,520 hours ²	—	2374	
	101SINB-E1	12V DC	1.0 A	Blue	1,520 hours ²	—	2374	
	101SINM-E1	12V DC	1.0 A	Magenta	1,520 hours ²	—	2374	
	101SINC-E1	12V DC	1.0 A	Clear	1,520 hours ²	—	2374	
Steady-on Halogen	101SINHR-G1	24V DC	0.32 A	Red	15,000 hours ²	—	653	50LMP– 9WH-D or industry trade no. 1692 ^{3,4}
	101SINHG-G1	24V DC	0.32 A	Green	15,000 hours ²	—	653	
	101SINHA-G1	24V DC	0.32 A	Amber	15,000 hours ²	—	653	
	101SINHB-G1	24V DC	0.32 A	Blue	15,000 hours ²	—	653	
	101SINHM-G1	24V DC	0.32 A	Magenta	15,000 hours ²	—	653	
	101SINHC-G1	24V DC	0.32 A	Clear	15,000 hours ²	—	653	

¹AC voltage frequency is 50/60 Hz
²Calculated at 65 fpm and 50% duty cycle
³Incandescent lamp
⁴User supplied



StackLight™ 101 Series

Ordering Information		Continued								
Module Type	Cat. No.	Operating Voltage ¹	Current	Lens/ LED Colors	Lamp Life	Flash Rate	Peak Candela	Replacement Lamps		
Steady-on Halogen (continued)	101SINHR-N5	120V AC	0.11 A	Red	25,000 hours ²	—	876	50LMP-9WH-D or industry trade no. 1692 ^{4,5}		
	101SINHG-N5	120V AC	0.11 A	Green	25,000 hours ²	—	876			
	101SINHA-N5	120V AC	0.11 A	Amber	25,000 hours ²	—	876			
	101SINHB-N5	120V AC	0.11 A	Blue	25,000 hours ²	—	876			
	101SINHM-N5	120V AC	0.11 A	Magenta	25,000 hours ²	—	876			
	101SINHC-N5	120V AC	0.11 A	Clear	25,000 hours ²	—	876			
Flashing Incandescent	101FINR-E1	12V DC	1.0 A	Red	1,520 hours ²	65 fpm	2374	Industry trade No. 94 ⁵		
	101FING-E1	12V DC	1.0 A	Green	1,520 hours ²		2374			
	101FINA-E1	12V DC	1.0 A	Amber	1,520 hours ²		2374			
	101FINB-E1	12V DC	1.0 A	Blue	1,520 hours ²		2374			
	101FINM-E1	12V DC	1.0 A	Magenta	1,520 hours ²		2374			
	101FINC-E1	12V DC	1.0 A	Clear	1,520 hours ²		2374			
Flashing Halogen	101FINHR-G1	24V DC	0.32 A	Red	15,000 hours ²	65 fpm	653	50LMP-9WH-D or industry trade no. 1692 ^{4,5}		
	101FINHG-G1	24V DC	0.32 A	Green	15,000 hours ²		653			
	101FINHA-G1	24V DC	0.32 A	Amber	15,000 hours ²		653			
	101FINHB-G1	24V DC	0.32 A	Blue	15,000 hours ²		653			
	101FINHM-G1	24V DC	0.32 A	Magenta	15,000 hours ²		653			
	101FINHC-G1	24V DC	0.32 A	Clear	15,000 hours ²		653			
	101FINHR-N5	120V AC	0.11 A	Red	25,000 hours ²	65 fpm	876	50LMP-12WH-D or industry trade no. 15T7DC ^{4,5}		
	101FINHG-N5	120V AC	0.11 A	Green	25,000 hours ²		876			
	101FINHA-N5	120V AC	0.11 A	Amber	25,000 hours ²		876			
	101FINHB-N5	120V AC	0.11 A	Blue	25,000 hours ²		876			
	101FINHM-N5	120V AC	0.11 A	Magenta	25,000 hours ²		876			
	101FINHC-N5	120V AC	0.11 A	Clear	25,000 hours ²		876			
	101STR-E1	12V DC	0.5 A	Red	3,000 hours ³		—		300,000	91B-ST
	101STG-E1	12V DC	0.5 A	Green	3,000 hours ³		—		300,000	
101STA-E1	12V DC	0.5 A	Amber	3,000 hours ³	—	300,000				
101STB-E1	12V DC	0.5 A	Blue	3,000 hours ³	—	300,000				
101STM-E1	12V DC	0.5 A	Magenta	3,000 hours ³	—	300,000				
101STC-E1	12V DC	0.5 A	Clear	3,000 hours ³	—	300,000				
Strobe	101STR-G1	24V DC	0.3 A	Red	3,000 hours ³	—	300,000	91B-ST		
	101STG-G1	24V DC	0.3 A	Green	3,000 hours ³		300,000			
	101STA-G1	24V DC	0.3 A	Amber	3,000 hours ³		300,000			
	101STB-G1	24V DC	0.3 A	Blue	3,000 hours ³		300,000			
	101STM-G1	24V DC	0.3 A	Magenta	3,000 hours ³		300,000			
	101STC-G1	24V DC	0.3 A	Clear	3,000 hours ³		300,000			
	101STR-N5	120V AC	0.12 A	Red	3,000 hours ³	—	300,000	91B-ST		
	101STG-N5	120V AC	0.12 A	Green	3,000 hours ³		300,000			
	101STA-N5	120V AC	0.12 A	Amber	3,000 hours ³		300,000			
	101STB-N5	120V AC	0.12 A	Blue	3,000 hours ³		300,000			
	101STM-N5	120V AC	0.12 A	Magenta	3,000 hours ³		300,000			
	101STC-N5	120V AC	0.12 A	Clear	3,000 hours ³		300,000			

¹AC voltage frequency is 50/60 Hz
²Calculated at 65 fpm and 50% duty cycle
³Operating power to 75% efficiency
⁴Incandescent lamp
⁵User supplied



Ordering Information		Continued						
Module Type	Cat. No.	Operating Voltage ¹	Current	Lens/ LED Colors	Lamp Life	Flash Rate	Replacement Horns	Replacement Lamps
Multi-mode XBR LED	101XBMR120A	120V AC	0.108 A	Red	148,000 hours (L70) ²	65 fpm	—	—
	101XBMRG120A	120V AC	0.108 A	Green			—	—
	101XBRMA120A	120V AC	0.108 A	Amber			—	—
	101XBRMB120A	120V AC	0.108 A	Blue			—	—
	101XBMRW120A	120V AC	0.108 A	Clear/White			—	—
	101XBMR24D	24V DC	0.215 A	Red	148,000 hours (L70) ²	65 fpm	—	—
	101XBMRG24D	24V DC	0.215 A	Green			—	—
	101XBRMA24D	24V DC	0.215 A	Amber			—	—
	101XBRMB24D	24V DC	0.215 A	Blue			—	—
	101XBMRW24D	24V DC	0.215 A	Clear/White			—	—

¹AC voltage frequency is 50/60 Hz

²LED Manufacturer's Median Projected LED Life for LUXEON Rebel LEDs (L70 at 85°C and T_{junction} 98°C). Actual LED life will vary inversely with ambient temperature, voltage, driver current, junction temperature and duty-cycle at which the signaling device is operated. Please refer to <http://www.philipslumileds.com/pdfs/WP15.pdf>.

Signal Input Load Characteristics

These devices may be operated by PLCs with output characteristics that match the input load requirements of the signal.

Cat. No.	Operating Voltage ¹	Max. Off State Leakage Current (A)	Continuous On Current (A)	Surge (inrush / duration)
101BS-N5	120V AC	0.025	0.050	2 A / 1 millisecond
101BS-G1	24V DC	0.025	0.050	2 A / 1 millisecond
101SINH*-N5	120V AC	0.025	0.110	0.5 A / 8 millisecond
101SINH*-G1	24V DC	0.025	0.320	0.36 A / 1 millisecond
101FINH*-N5	120V AC	0.025	0.110	1.15 A / 8 millisecond
101FINH*-G1	24V DC	0.025	0.320	1.2 A / 100 millisecond
101ST*-N5	120V AC	0.005	0.120	2.1 A / 1 millisecond
101ST*-G1	24V DC	0.0015	0.300	0.33 A / 1 millisecond
101XBRM**120A	120V AC	0.005	0.108	37.5 A / 164 microseconds
101XBRM**24D	24V DC	0.003	0.215	34.5 A / 52 microseconds

*Letter in this position designates lens color: A - amber, B - blue, G - green, R - red, C - Clear, or M - magenta

**Letter in this position designates lens/LED color: A - amber, B - blue, G - green, R - red, or W - clear/white

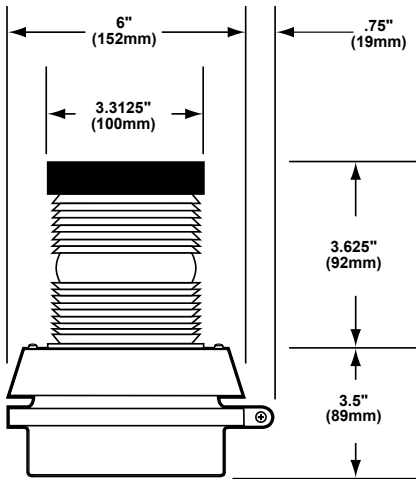
StackLight™ 101 Series

Weights and Dimensions

Cat. No.	Approx. Net Weight (lb.)	Approx. Shipping Weight (lb.)
101BS-N5	1.40	1.74
101BS-E1	1.40	1.74
101BS-G1	1.40	1.74
101SIN*-E1	0.63	0.79
101SINH*-G1	0.63	0.79
101SINH*-N5	0.63	0.79
101FIN*-E1	0.66	0.82
101FINH*-N5	0.66	0.82
101FINH*-G1	0.66	0.82
101ST*-N5	0.72	0.88
101ST*-E1	0.72	0.88
101ST*-G1	0.72	0.88
101XBRM**	0.81	0.97

*Letter in this position designates lens color: A - amber, B - blue, G - green, R - red, C - Clear, or M - magenta

**Letter in this position designates lens/LED color: A - amber, B - blue, G - green, R - red, or W - clear/white



Beacons Multi-Status LED 125XBri Class



Edwards 125XBri Series XTRA-BRITE™ LED multi-status indicator is a UL and cUL listed, multi-color visual signaling device. It features a corrosion resistant NEMA Type 4X enclosure and can be panel or conduit mounted. The base is manufactured from a 33% glass filled nylon, providing high resistance to heat and high chemical resistivity. The lens is made of shatter resistant polycarbonate.

Features and Specifications

- LED light source
- High-impact polycarbonate lens
- Gray or black glass filled nylon base
- XTRA-SAFE™ Technology¹ enables status indication for those who are color blind
- Dip switch settings for use with or without external control
- Flash rates
 - Red 240 fpm
 - Amber 120 fpm
 - Green/Blue 65 fpm
- NEMA Type 4X enclosure
- Suitable for indoor and outdoor applications
- Option for panel or conduit mounting
- Operating temperature range: -31F° to 150°F (-35°C to 66°C)



3.25"



1
VISUAL SIGNALS

Ordering Information

Description	Cat. No.	Operating Voltage ²	Current	LED Colors	Projected LED Life (L70) ³	Replacement Lens
Multi-status Indicator LED - Gray Base	125XBriRGA120A	120V AC	0.100 A	Red, Green, Amber	148,000 hours	125LC*
	125XBriRBA120A	120V AC	0.100 A	Red, Blue, Amber	148,000 hours	125LC*
	125XBriRGA24D	24V DC	0.150 A	Red, Green, Amber	148,000 hours	125LC*
	125XBriRBA24D	24V DC	0.150 A	Red, Blue, Amber	148,000 hours	125LC*
Multi-status Indicator LED - Black Base	125XBriRGA120AB	120V AC	0.100 A	Red, Green, Amber	148,000 hours	125LC*
	125XBriRBA120AB	120V AC	0.100 A	Red, Blue, Amber	148,000 hours	125LC*
	125XBriRGA24DB	24V DC	0.150 A	Red, Green, Amber	148,000 hours	125LC*
	125XBriRBA24DB	24V DC	0.150 A	Red, Blue, Amber	148,000 hours	125LC*

*Clear

¹See website for more information on our XTRA-SAFE Technology

²AC voltage frequency is 50/60 Hz

³LED Manufacturer's Median Projected LED Life for LUXEON Rebel LEDs (L70 at 85°C and T_{junction} 98°C). Actual LED life will vary inversely with ambient temperature, voltage, driver current, junction temperature and duty-cycle at which the signaling device is operated. Please refer to <http://www.philipsumileds.com/pdfs/WP15.pdf>.

Accessories

Description	Cat. No.
Corner Mount Bracket	CBR
Wall Mount Bracket	WBR



CBR
Corner Mount Bracket



WBR
Wall Mount Bracket



Beacons

Multi-Status LED

125XBRI Class

Signal Input Load Characteristics

These devices may be operated by PLCs with output characteristics that match the input load requirements of the signal.

Cat. No.	Operating Voltage ¹	Max. Off State Leakage Current (A)	Continuous On Current (A)	Surge (inrush / duration)
125XBRI ^R GA120A	120 VAC	0.0012	0.100	15 A / 30 μSeconds
125XBRI ^R BGA120A	120 VAC	0.0012	0.100	15 A / 30 μSeconds
125XBRI ^R GA24D	24 VDC	0.0012	0.150	10.5 A / 78 μSeconds
125XBRI ^R BGA24D	24 VDC	0.0012	0.150	10.5 A / 78 μSeconds
125XBRI ^R GA120AB	120 VAC	0.0012	0.100	15 A / 30 μSeconds
125XBRI ^R BGA120AB	120 VAC	0.0012	0.100	15 A / 30 μSeconds
125XBRI ^R GA24DB	24 VDC	0.0012	0.150	10.5 A / 78 μSeconds
125XBRI ^R BGA24DB	24 VDC	0.0012	0.150	10.5 A / 78 μSeconds

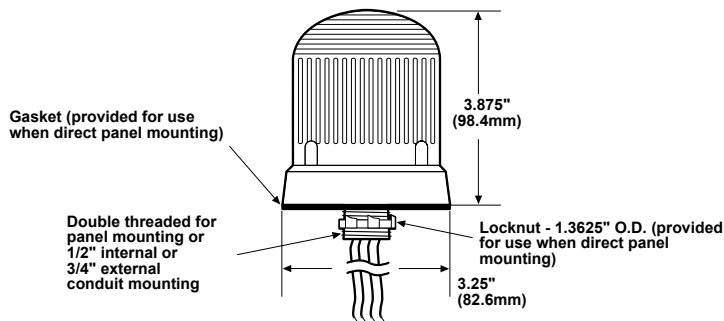
¹AC voltage frequency is 50/60 Hz

Weights and Dimensions

Cat. No.	Approx. Net Weight (lb.)	Approx. Shipping Weight (lb.)
125XBRI*120A	0.25	0.50
125XBRI**120A	0.25	0.50
125XBRI*24D	0.25	0.50
125XBRI**24D	0.25	0.50
125XBRI*120AB	0.25	0.50
125XBRI**120AB	0.25	0.50
125XBRI*24DB	0.25	0.50
125XBRI**24DB	0.25	0.50
CBR	4.00	4.20
WBR	2.30	2.50

*Letter in this position designates lens color: R - red, G - green, A - amber

**Letter in this position designates lens color: R - red, B - blue, A - amber



Beacons

Multi-Status LED

105XBRI Series



Edwards 105XBRI Series XTRA-BRITE™ LED multi-status indicator is a UL and cUL listed, multicolor visual signaling device. It features a corrosion resistant NEMA Type 4X enclosure, listed for Marine use, and can be wall, surface or pipe mounted. The base is manufactured from from glass-reinforced thermoplastic polyester resin, providing high resistance to heat and high chemical resistivity. The double Fresnel lens is made of shatter resistant polycarbonate.

Features and Specifications

- LED light source
- Screw on, high-impact polycarbonate lens
- Gray Rynite® (PET) base
- XTRA-SAFE™ Technology¹ enables status indication for those who are color blind
- Dip switch settings for use with or without external control
- Flash rates
 - Red 240 fpm
 - Amber 120 fpm
 - Green/Blue 65 fpm
- NEMA Type 4X enclosure
- Class I, Div. 2, Groups A, B, C and D; Class II, Div 2, Groups F and G; Class III
- Suitable for indoor and outdoor applications
- Option for wall, surface or pipe mounting
- Optional mounting not included
- Operating temperature range: -31F° to 150°F (-35°C to 66°C)



4.5"



VISUAL SIGNALS

Ordering Information

Description	Cat. No.	Operating Voltage ²	Current	LED Colors	Projected LED Life (L70) ³	Replacement Lens
Multi-status Indicator LED	105XBRI ^R GA120A	120V AC	0.100 A	Red, Green, Amber	148,000 hours	105-LC
	105XBRI ^R GA24D	24V DC	0.150 A	Red, Green, Amber	148,000 hours	105-LC
	105XBRI ^R B ^A 120A	120V AC	0.100 A	Red, Blue, Amber	148,000 hours	105-LC
	105XBRI ^R B ^A 24D	24V DC	0.150 A	Red, Blue, Amber	148,000 hours	105-LC

¹NOTE: See website for more information on our XTRA-SAFE Technology

²AC voltage frequency is 50/60 Hz.

³LED Manufacturer's Median Projected LED Life for LUXEON Rebel LEDs (L70 at 85°C and T_{junction} 98°C). Actual LED life will vary inversely with ambient temperature, voltage, driver current, junction temperature and duty-cycle at which the signaling device is operated. Please refer to <http://www.philipslumileds.com/pdfs/WP15.pdf>.

Signal Input Load Characteristics

These devices may be operated by PLCs with output characteristics that match the input load requirements of the signal.

Cat. No.	Operating Voltage ²	Max. Off State Leakage Current (A)	Continuous On Current (A)	Surge (inrush / duration)
105XBRI ^R GA120A	120 VAC	0.005	0.100	28.5 A / 212 μSeconds
105XBRI ^R GA24D	24 VDC	0.005	0.150	28 A / 65 μSeconds
105XBRI ^R B ^A 120A	120 VAC	0.005	0.100	28.5 A / 212 μSeconds
105XBRI ^R B ^A 24D	24 VDC	0.005	0.150	28 A / 65 μSeconds



Beacons

Multi-Status LED

105XBri Series

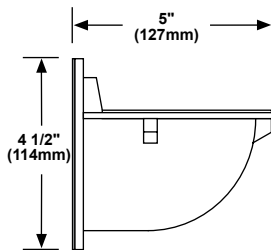
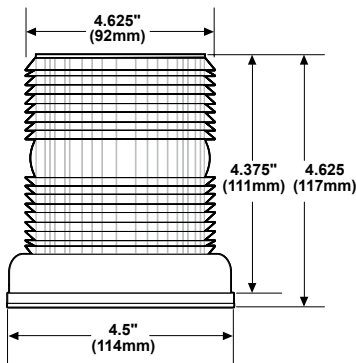
VISUAL SIGNALS

Hazardous Location Ratings

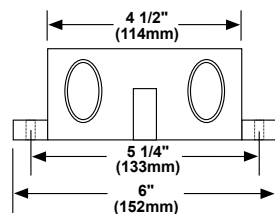
Cat. No.	Class	Division	Group	Operating Temperature
105XBRIrGA120A 105XBRIrGA24D	I	2	A, B, C, D	T5 (100°C, 212°F)
	II	2	F, G	T5 (100°C, 212°F)
	III			T5 (100°C, 212°F)
105XBRIrBA120A 105XBRIrBA24D	I	2	A, B, C, D	T6 (85°C, 185°F)
	II	2	G	T6 (85°C, 185°F)
	III			T6 (85°C, 185°F)

Weights and Dimensions

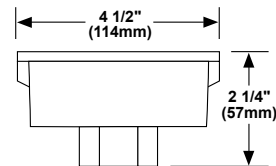
Cat. No.	Approx. Net Weight (lb.)	Approx. Shipping Weight (lb.)
105XBRIrGA120A	1.6	1.8
105XBRIrGA24D	1.6	1.8
105XBRIrBA120A	1.6	1.8
105XBRIrBA24D	1.6	1.8



Cat. No. 105BM Mounting Bracket
(Must be used with 105BX)



Cat. No. 105BX
Outlet Box Attachment
(4) 3/4" Threaded Hubs



Cat. No. 105PM
Pipe Mount Attachment
(Pipe mount is 3/4" NPT)

Beacons

Multi-Status LED

108 Series

Edwards 108I Series Chameleon™ LED multi-status indicator is a UL listed and IP65 rated multicolor device designed to function as either a steady-on or flashing visual signal. The 108I Series contains three different colored LED signals in one housing, with the option to add an additional lens module and light source – Strobe, Halogen, Incandescent or LED – for a fourth signal. It can be panel or conduit mounted.

The 108I Series features an optional multi-tone base module with eight available tones that can be operated as an additional signal or used in conjunction with any of the visual signals.

Features and Specifications

- 3 LED visual signals in one compact housing
- Option to add an additional module for a fourth light using one of the 102LM lens modules and the 102LS light sources
- 89dB @ 1m/79dB @ 10ft.
- Option to add multi-tone base module
- Option for panel or conduit mounting
- Suitable for indoor and outdoor applications
- NEMA Type 3R and Type 4X
- IP65 rated



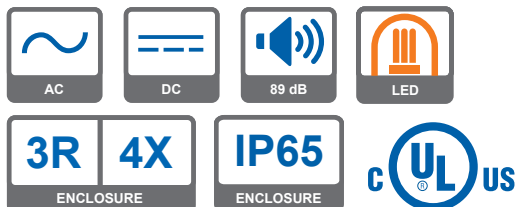
3"



Ordering Information				
Description	Cat. No.	Operating Voltage ¹	Current	Lens Colors
Pipe Mount (w/ tone module)	108I-RGA-N5	120V AC	0.115 A ²	Red, Green, Amber
	108I-RBA-N5	120V AC	0.115 A ²	Red, Blue, Amber
	108I-RGA-G1	24V DC	0.105 A ²	Red, Green, Amber
	108I-RBA-G1	24V DC	0.105 A ²	Red, Blue, Amber
Pipe Mount (short base)	108IP-RGA-N5	120V AC	0.045 A	Red, Green, Amber
	108IP-RBA-N5	120V AC	0.045 A	Red, Blue, Amber
	108IP-RGA-G1	24V DC	0.055 A	Red, Green, Amber
	108IP-RBA-G1	24V DC	0.055 A	Red, Blue, Amber
Direct Mount	108ID-RGA-N5	120V AC	0.045 A	Red, Green, Amber
	108ID-RBA-N5	120V AC	0.045 A	Red, Blue, Amber
	108ID-RGA-G1	24V DC	0.055 A	Red, Green, Amber
	108ID-RBA-G1	24V DC	0.055 A	Red, Blue, Amber

¹AC voltage frequency is 50/60 Hz.

²Includes tone module.



Beacons

Multi-Status LED

108 Series

Ordering Information		Continued								
Description	Cat. No.	Operating Voltage	Current	Lens/LED Colors	Peak Candela	Lamp Ratings	Lamp Life Calculated ²	Lamp Life Projected ³	Replacement Lamp	
Lens Module	102LM-A	—	—	Amber	—	—	—	—	—	
	102LM-B	—	—	Blue	—	—	—	—	—	
	102LM-C	—	—	Clear	—	—	—	—	—	
	102LM-G	—	—	Green	—	—	—	—	—	
	102LM-R	—	—	Red	—	—	—	—	—	
	102LM-Y	—	—	Yellow	—	—	—	—	—	
Steady-on Halogen	102LS-SINH-N5	120V AC	0.11 A	—	879	12 Watts	20,000 hr.	—	50LMP-12WH	
	102LS-SINH-G1	24V DC	0.32 A	—	653	9 Watts	12,000 hr.	—	50LMP-9WH	
Steady-on Incandescent	102LS-SIN-N5	120V AC	0.08 A	—	829	10 Watts	2,500 hr.	—	50LMP-10W	
	102LS-SIN-G1	24V DC	0.32 A	—	829	10 Watts	10,000 hr.	—	Ind. Trade 303 ⁵	
Flashing Halogen	102LS-FINH-N5	120V AC	0.11 A	—	879	12 Watts	20,000 hr.	25,000 hr.	50LMP-12WH	
	102LS-FINH-G1	24V DC	0.32 A	—	653	9 Watts	12,000 hr.	15,000 hr.	50LMP-9WH	
Flashing Incandescent	102LS-FIN-N5	120V AC	0.08 A	—	829	10 Watts	2,500 hr.	3,000 hr.	50LMP-10W	
	102LS-FIN-G1	24V DC	0.32 A	—	829	10 Watts	10,000 hr.	12,500 hr.	Ind. Trade 303 ⁵	
Strobe	102LS-ST-N5	120V AC	0.12 A	—	300,000	3 Joule	3,000 hr. ⁴	—	—	
	102LS-ST-G1	24V DC	0.30 A	—	300,000	3 Joule	3,000 hr. ⁴	—	—	
Steady-on LED	102LS-SLEDA-N5 ¹	120V AC	0.022 A	Amber	—	—	120,000 hr.	—	—	
	102LS-SLEDA-G1 ¹	24V DC	0.062 A							
	102LS-SLEDB-N5 ¹	120V AC	0.022 A	Blue	—	—	120,000 hr.	—	—	
	102LS-SLEDB-G1 ¹	24V DC	0.062 A							
	102LS-SLEDG-N5 ¹	120V AC	0.022 A	Green	—	—	120,000 hr.	—	—	
	102LS-SLEDG-G1 ¹	24V DC	0.062 A							
	102LS-SLEDR-N5 ¹	120V AC	0.022 A	Red	—	—	120,000 hr.	—	—	
	102LS-SLEDR-G1 ¹	24V DC	0.062 A							
	102LS-SLEDW-N5 ¹	120V AC	0.022 A	Clear/ White	—	—	120,000 hr.	—	—	
	102LS-SLEDW-G1 ¹	24V DC	0.062 A							
	Flashing LED	102LS-FLEDA-N5 ¹	120V AC	0.022 A	Amber	—	—	120,000 hr.	—	—
		102LS-FLEDA-G1 ¹	24V DC	0.062 A						
102LS-FLEDB-N5 ¹		120V AC	0.022 A	Blue	—	—	120,000 hr.	—	—	
102LS-FLEDB-G1 ¹		24V DC	0.062 A							
102LS-FLEDG-N5 ¹		120V AC	0.022 A	Green	—	—	120,000 hr.	—	—	
102LS-FLEDG-G1 ¹		24V DC	0.062 A							
102LS-FLEDR-N5 ¹		120V AC	0.022 A	Red	—	—	120,000 hr.	—	—	
102LS-FLEDR-G1 ¹		24V DC	0.062 A							
102LS-FLEDW-N5 ¹		120V AC	0.022 A	Clear/ White	—	—	120,000 hr.	—	—	
102LS-FLEDW-G1 ¹		24V DC	0.062 A							

¹NOTE: LED light sources must be used with the corresponding color lens module (e.g., a blue LED light source, 102LS-SLEDB-G1, must be used with a blue lens, 102LM-B).

²At nominal operating voltage.

³Projected lamp life based on manufacturer's calc. lamp life @ 65 fpm and 50% duty cycle.

⁴Strobe tube life @ operating power to 75% efficiency.

⁵User supplied

Beacons

Multi-Status LED

108 Series

Accessories		Cat. No.
Description		
Pipe Mount Flange		102PMF
Pipe Extensions (for use with Pipe Mount Flange)	4"	102MP-4
	10"	102MP-10
	15"	102MP-15
Corner Mount Bracket		CBR
Wall Mount Bracket		WBR



Signal Input Load Characteristics

These devices may be operated by PLCs with output characteristics that match the input load requirements of the signal.

Cat. No.	Operating Voltage	Max. Off State Leakage Current (A)	Continuous On Current (A)	Surge (inrush / duration)
108I-*-G1	24V DC	0.005	0.105	5 A / 1 millisecond
108I-*-N5	120V AC	0.005	0.115	30 A / 0.002 millisecond
108IP-*-G1	24V DC	0.005	0.055	5 A / 1 millisecond
108IP-*-N5	120V AC	0.005	0.045	13 A / 0.002 millisecond
108ID-*-G1	24V DC	0.005	0.055	5 A / 1 millisecond
108ID-*-N5	120V AC	0.005	0.045	13 A / 0.002 millisecond

*Letter in this position designates the colors of the LED clusters: RGA - red, green and amber or RBA - red, blue and amber

Beacons

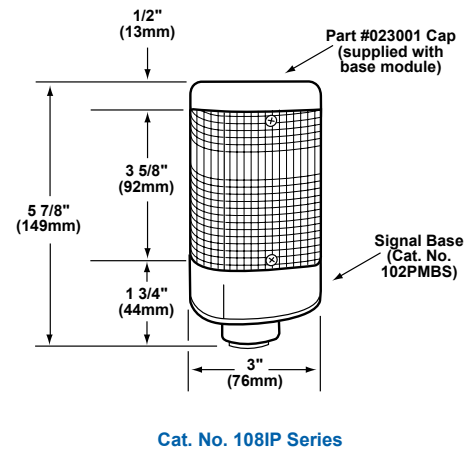
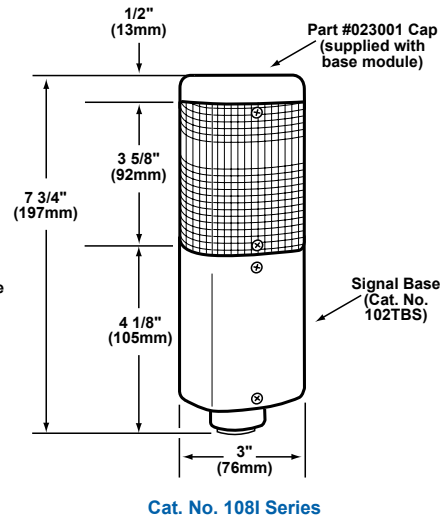
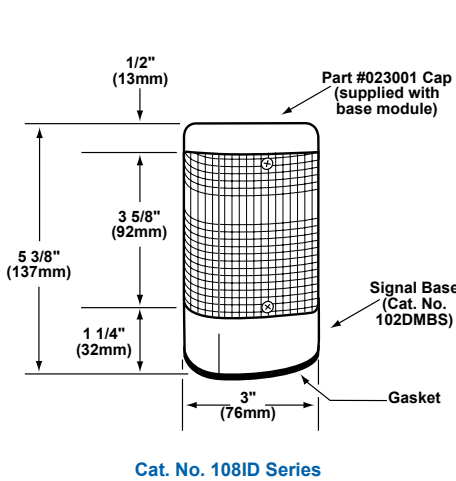
Multi-Status LED

108 Series

Weights and Dimensions		
Cat. No.	Approx. Net Weight (lb.)	Approx. Shipping Weight (lb.)
108I-RBA-G1	0.89	1.05
108I-RBA-N5	0.89	1.05
108I-RGA-G1	0.89	1.05
108I-RGA-N5	0.89	1.05
108IP-RBA-G1	0.89	1.05
108IP-RBA-N5	0.89	1.05
108IP-RGA-G1	0.89	1.05
108IP-RGA-N5	0.89	1.05
108ID-RGA-N5	0.69	0.88
108ID-RBA-N5	0.69	0.88
108ID-RGA-G1	0.69	0.88
108ID-RBA-G1	0.69	0.88
102LM-*	0.33	0.43
102LS-FIN-G1	0.70	0.80
102LS-FINH-G1	0.70	0.80
102LS-FINH-N5	0.70	0.80
102LS-FIN-N5	0.70	0.80
102LS-FLED*-G1	0.70	0.80
102LS-FLED*-N5	0.70	0.80
102LS-SIN-G1	0.70	0.80
102LS-SINH-G1	0.70	0.80
102LS-SINH-N5	0.70	0.80
102LS-SIN-N5	0.70	0.80
102LS-SLED*-G1	0.70	0.80
102LS-SLED*-N5	0.70	0.80
102LS-ST-G1	0.70	0.80
102LS-ST-N5	0.70	0.80

Weights and Dimensions			Continued
Cat. No.	Approx. Net Weight (lb.)	Approx. Shipping Weight (lb.)	
102MP-10	0.83	0.83	
102MP-15	1.14	1.14	
102MP-4	0.31	0.31	
102PMF	0.58	0.68	
102SIN-RBA-G1	1.44	1.61	
102SIN-RBA-N5	1.44	1.61	
102SIN-RGA-G1	1.44	1.61	
102SIN-RGA-N5	1.44	1.61	
CBR	4.00	4.20	
WBR	2.30	2.50	

*Letter in this position designates lens/LED color: A - amber, B - blue, G - green, R - red, or W - clear/white



Beacons Steady-On LED 125 Class



Edwards 125 Class standard steady-on LED beacons are NEMA Type 4X signaling devices, designed for indoor or outdoor applications where a continuous (steady-on) light source is required. Base material is gray or black, manufactured from a 33% glass filled nylon, providing a high resistance to heat and chemicals. The lens is made of shatter-resistant polycarbonate.

Features and Specifications

- LED light source
- Shatter-resistant polycarbonate lens
- Gray or black glass filled nylon base
- Suitable for use in indoor or outdoor applications
- NEMA Type 4X enclosure
- Option for panel or conduit mounting
- Operating temperature range: -31°F to 150°F (-35°C to 66°C)



3.25"



Ordering Information

Description	Cat. No.	Operating Voltage ¹	Current	LED Colors	Lamp Ratings	Replacement Lens
Steady-on LED - Gray Base	125LEDSA120A	120V AC	0.097 A	Amber	100,000 hours	125LA
	125LEDSB120A	120V AC	0.097 A	Blue	100,000 hours	125LB
	125LEDSG120A	120V AC	0.097 A	Green	100,000 hours	125LG
	125LEDSR120A	120V AC	0.097 A	Red	100,000 hours	125LR
	125LEDSA24D	24V DC	0.060 A	Amber	100,000 hours	125LA
	125LEDSB24D	24V DC	0.060 A	Blue	100,000 hours	125LB
	125LEDSG24D	24V DC	0.060 A	Green	100,000 hours	125LG
	125LEDSR24D	24V DC	0.060 A	Red	100,000 hours	125LR
Steady-on LED - Black Base	125LEDSA120AB	120V AC	0.097 A	Amber	100,000 hours	125LA
	125LEDSB120AB	120V AC	0.097 A	Blue	100,000 hours	125LB
	125LEDSG120AB	120V AC	0.097 A	Green	100,000 hours	125LG
	125LEDSR120AB	120V AC	0.097 A	Red	100,000 hours	125LR
	125LEDSA24DB	24V DC	0.060 A	Amber	100,000 hours	125LA
	125LEDSB24DB	24V DC	0.060 A	Blue	100,000 hours	125LB
	125LEDSG24DB	24V DC	0.060 A	Green	100,000 hours	125LG
	125LEDSR24DB	24V DC	0.060 A	Red	100,000 hours	125LR

¹AC voltage frequency is 50/60 Hz

Accessories

Description	Cat. No.
Protective Wire Guard	125GRD
Corner Mount Bracket	CBR
Wall Mount Bracket	WBR



125GRD
Protective Wire Guard



CBR
Corner Mount Bracket



WBR
Wall Mount Bracket



Beacons

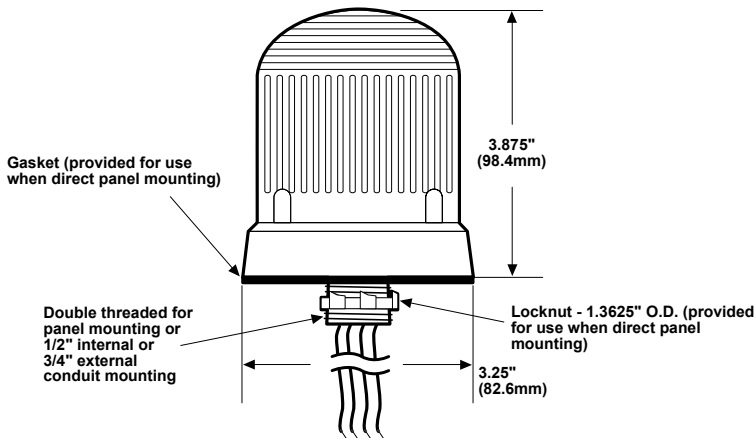
Steady-On LED

125 Class

Weights and Dimensions

Cat. No.	Approx. Net Weight (lb.)	Approx. Shipping Weight (lb.)
125LEDS*120A	0.49	0.59
125LEDS*24D	0.49	0.59
125LEDS*120AB	0.49	0.59
125LEDS*24DB	0.49	0.59
125GRD	0.61	0.77
CBR	4.00	4.20
WBR	2.30	2.50

*Letter in this position designates lens color: A - amber, B - blue, G - green or R - red



Beacons

Steady-On Halogen

125 Class



Edwards 125 Class standard steady-on Halogen beacons are NEMA Type 4X signaling devices, suitable for indoor or outdoor applications where a continuous (steady-on) light source is required. Base material is gray or black, manufactured from a 33% glass filled nylon, providing a high resistance to heat and chemicals. The lens is made of shatter-resistant polycarbonate.

Features and Specifications

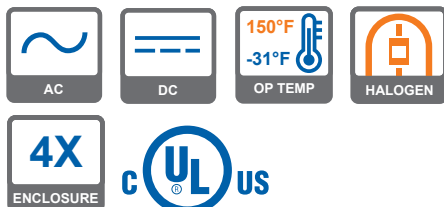
- Halogen light source
- Shatter-resistant polycarbonate lens
- Gray or black glass filled nylon base
- Suitable for use in indoor or outdoor applications
- NEMA Type 4X enclosure
- Option for panel or conduit mounting
- Operating temperature range: -31°F to 150°F (-35°C to 66°C)



Ordering Information

Description	Cat. No.	Operating Voltage ¹	Current	Lens Colors	Replacement	
					Lens	Lamp
Steady-on Beacon Halogen - Gray Base	125HALSA24A	24V AC	0.770 A	Amber	125LA	
	125HALSB24A	24V AC	0.770 A	Blue	125LB	50LMP-9WH-D
	125HALSC24A	24V AC	0.770 A	Clear	125LC	or industry trade
	125HALSG24A	24V AC	0.770 A	Green	125LG	no. 1692 ²
	125HALSR24A	24V AC	0.770 A	Red	125LR	
	125HALSA120A	120V AC	0.200 A	Amber	125LA	
	125HALSB120A	120V AC	0.200 A	Blue	125LB	50LMP-12WH-D
	125HALSC120A	120V AC	0.200 A	Clear	125LC	or industry trade
	125HALSG120A	120V AC	0.200 A	Green	125LG	no. 15T7DC ²
	125HALSR120A	120V AC	0.200 A	Red	125LR	
	125HALSA24D	24V DC	0.770 A	Amber	125LA	
	125HALSB24D	24V DC	0.770 A	Blue	125LB	50LMP-9WH-D
	125HALSC24D	24V DC	0.770 A	Clear	125LC	or industry trade
	125HALSG24D	24V DC	0.770 A	Green	125LG	no. 1692 ²
125HALSR24D	24V DC	0.770 A	Red	125LR		
Steady-on Beacon Halogen - Black Base	125HALSA24AB	24V AC	0.770 A	Amber	125LA	
	125HALSB24AB	24V AC	0.770 A	Blue	125LB	50LMP-9WH-D
	125HALSC24AB	24V AC	0.770 A	Clear	125LC	or industry trade
	125HALSG24AB	24V AC	0.770 A	Green	125LG	no. 1692 ²
	125HALSR24AB	24V AC	0.770 A	Red	125LR	
	125HALSA120AB	120V AC	0.200 A	Amber	125LA	
	125HALSB120AB	120V AC	0.200 A	Blue	125LB	50LMP-12WH-D
	125HALSC120AB	120V AC	0.200 A	Clear	125LC	or industry trade
	125HALSG120AB	120V AC	0.200 A	Green	125LG	no. 15T7DC ²
	125HALSR120AB	120V AC	0.200 A	Red	125LR	
	125HALSA24DB	24V DC	0.770 A	Amber	125LA	
	125HALSB24DB	24V DC	0.770 A	Blue	125LB	50LMP-9WH-D
	125HALSC24DB	24V DC	0.770 A	Clear	125LC	or industry trade
	125HALSG24DB	24V DC	0.770 A	Green	125LG	no. 1692 ²
125HALSR24DB	24V DC	0.770 A	Red	125LR		

¹AC voltage frequency is 50/60 Hz
²Incandescent lamps, user supplied



Beacons

Steady-On Halogen

125 Class

Accessories

Description	Cat. No.
Protective Wire Guard	125GRD
Corner Mount Bracket	CBR
Wall Mount Bracket	WBR



125GRD
Protective Wire Guard



CBR
Corner Mount Bracket

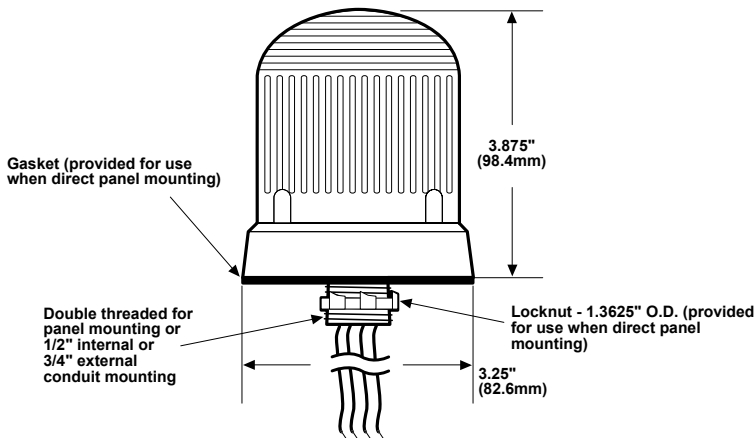


WBR
Wall Mount Bracket

Weights and Dimensions

Cat. No.	Approx. Net Weight (lb.)	Approx. Shipping Weight (lb.)
125HALS*24D	0.40	0.50
125HALS*24A	0.40	0.50
125HALS*120A	0.40	0.50
125HALS*24DB	0.40	0.50
125HALS*24AB	0.40	0.50
125HALS*120AB	0.40	0.50
125GRD	0.61	0.77
CBR	4.00	4.20
WBR	2.30	2.50

*Letter in this position designates lens color: A - amber, B - blue, C - clear, G - green or R - red



Beacons

Steady-On Incandescent

125 Class



Edwards 125 Class standard steady-on Incandescent beacons are NEMA Type 4X signaling devices, suitable for indoor or outdoor applications where a continuous (steady-on) light source is required. Base material is gray or black, manufactured from a 33% glass filled nylon, providing a high resistance to heat and chemicals. The lens is made of shatter-resistant polycarbonate.

Features and Specifications

- Incandescent light source
- Shatter-resistant polycarbonate lens
- Gray or black glass filled nylon base
- Suitable for use in indoor or outdoor applications
- NEMA Type 4X enclosure
- Option for panel or conduit mounting
- Operating temperature range: -31°F to 150°F (-35°C to 66°C)



3.25"



Ordering Information

Description	Cat. No.	Operating Voltage ¹	Current	Lens Colors	Replacement	
					Lens	Lamp
Steady-on Beacon Incandescent Grey Base	125INCSA120A	120V AC	0.15 A	Amber	125LA	Industry Trade 15T7DC ²
	125INCSB120A	120V AC	0.15 A	Blue	125LB	
	125INCSA120A	120V AC	0.15 A	Clear	125LC	
	125INCSG120A	120V AC	0.15 A	Green	125LG	
	125INCSR120A	120V AC	0.15 A	Red	125LR	
	125INCSA24D	24V DC	0.610 A	Amber	125LA	Industry Trade 1692 ²
	125INCSB24D	24V DC	0.610 A	Blue	125LB	
	125INCSA24D	24V DC	0.610 A	Clear	125LC	
	125INCSG24D	24V DC	0.610 A	Green	125LG	
	125INCSR24D	24V DC	0.610 A	Red	125LR	
Steady-on Beacon Incandescent Black Base	125INCSA120AB	120V AC	0.15 A	Amber	125LA	Industry Trade 15T7DC ²
	125INCSB120AB	120V AC	0.15 A	Blue	125LB	
	125INCSA120AB	120V AC	0.15 A	Clear	125LC	
	125INCSG120AB	120V AC	0.15 A	Green	125LG	
	125INCSR120AB	120V AC	0.15 A	Red	125LR	
	125INCSA24DB	24V DC	0.610 A	Amber	125LA	Industry Trade 1692 ²
	125INCSB24DB	24V DC	0.610 A	Blue	125LB	
	125INCSA24DB	24V DC	0.610 A	Clear	125LC	
	125INCSG24DB	24V DC	0.610 A	Green	125LG	
	125INCSR24DB	24V DC	0.610 A	Red	125LR	

¹AC voltage frequency is 50/60 Hz

²User supplied

Accessories

Description	Cat. No.
Protective Wire Guard	125GRD



Beacons

Steady-On Incandescent

125 Class

Signal Input Load Characteristics

These devices may be operated by PLCs with output characteristics that match the input load requirements of the signal.

Cat. No.**	Operating Voltage ¹	Max. Off State Leakage Current (A)	Continuous On Current (A)	Surge (inrush/duration)
125INCS*120A	120V AC	0.025	0.15 A	0.8 A Exponentially Decaying
125INCS*24D	24V DC	0.025	0.61 A	7 A Exponentially Decaying

*Letter in this position designates lens color: A - amber, B - blue, C - clear, G - green, or R - red

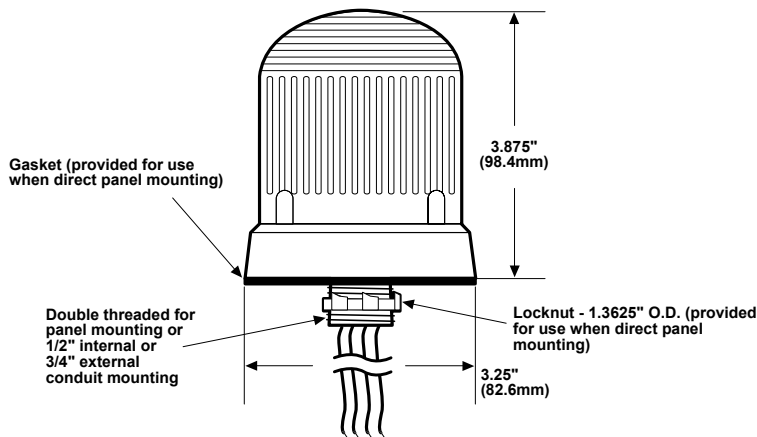
**Applies to all models with any lens color and with either a gray or black base.

¹AC voltage frequency is 50/60 Hz

Weights and Dimensions

Cat. No.	Approx. Net Weight (lb.)	Approx. Shipping Weight (lb.)
125INCS*24D	0.40	0.50
125INCS*120A	0.40	0.50
125INCS*24DB	0.40	0.50
125INCS*120AB	0.40	0.50
125GRD	0.61	0.77

*Letter in this position designates lens color: A - amber, B - blue, C - clear, G - green or R - red



Beacons

Steady-On LED or Incandescent

120 Class

NEW
Coming In 2013

The 120 Class multi-light source beacons are steady-on and require either an LED bulb or 5W incandescent bulb (sold separately).

The lenses are made from a self-extinguishing polycarbonate material, and are offered in amber, blue, green, red and clear.

The 120 Class are UL listed and carry a NEMA Type 4X and IP65 environmental rating.

Features and Specifications

- LED or Incandescent light source
- Five lens colors
- NEMA Type 4X and IP65 rated enclosure
- Multiple mounting options
- Operating temperature range: -22°F to 122°F (-30°C to 50°C)



2.99"

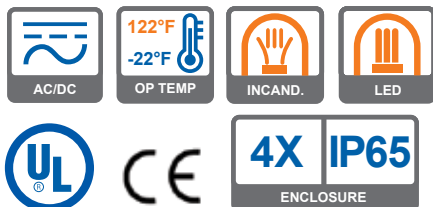


Ordering Information

Description	Cat. No.	Operating Voltage	Current	Lens Colors	Watts	Candela
Steady-on Beacon	120SB12240AD	12-240V AC/DC	0.43 - 0.022 A	Blue	5	4.0 - 2.5
	120SA12240AD	12-240V AC/DC	0.43 - 0.022 A	Amber	5	4.0 - 2.5
	120SR12240AD	12-240V AC/DC	0.43 - 0.022 A	Red	5	4.0 - 2.5
	120SG12240AD	12-240V AC/DC	0.43 - 0.022 A	Green	5	4.0 - 2.5
	120SW12240AD	12-240V AC/DC	0.43 - 0.022 A	Clear	5	4.0 - 2.5

Accessories

Description	Cat. No.
Junction Box	270JBX
Footing with Extension	270KIT
Threaded Extension Pole 100mm	270TEP
Threaded Footing	270THF
Threaded Wall Mount	270TWM
Double Threaded Wall Mount	270TWM2
Female Adapter Base	270FMLADAPT



1
VISUAL SIGNALS

Beacons

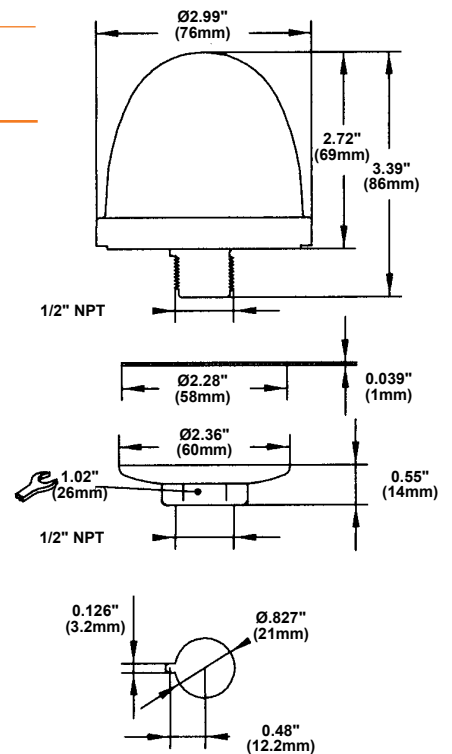
Steady-On LED or Incandescent

120 Class

Bulbs			
Description	Cat. No.	Operating Voltage	LED Color
LED Bulb	270LEDB120V	120V AC	Blue
	270LEDA120V	120V AC	Amber
	270LEDR120V	120V AC	Red
	270LEDG120V	120V AC	Green
	270LEDW120V	120V AC	White
	270LEDB240V	230/240V AC	Blue
	270LEDA240V	230/240V AC	Amber
	270LEDR240V	230/240V AC	Red
	270LEDG240V	230/240V AC	Green
	270LEDW240V	230/240V AC	White
	270LEDB12V	12V AC/DC	Blue
	270LEDA12V	12V AC/DC	Amber
	270LEDR12V	12V AC/DC	Red
	270LEDG12V	12V AC/DC	Green
	270LEDW12V	12V AC/DC	White
	270LEDB24V	24V AC/DC	Blue
	270LEDA24V	24V AC/DC	Amber
	270LEDR24V	24V AC/DC	Red
	270LEDG24V	24V AC/DC	Green
	270LEDW24V	24V AC/DC	White
5W Incandescent Bulb	2705W120V	120V AC	
5W Incandescent Bulb-25 Pack	2705W120V25PK	120V AC	
5W Incandescent Bulb	2705W240V	240V AC	
5W Incandescent Bulb-25 Pack	2705W240V25PK	240V AC	
5W Incandescent Bulb	2705W12V	12V AC/DC	
5W Incandescent Bulb-25 Pack	2705W12V25PK	12V AC/DC	
5W Incandescent Bulb	2705W24V	24V AC/DC	
5W Incandescent Bulb-25 Pack	2705W24V25PK	24V AC/DC	
5W Incandescent Bulb	2705W48V	48V AC/DC	
5W Incandescent Bulb-25 Pack	2705W48V25PK	48V AC/DC	



Weights and Dimensions		
Cat. No.	Approx. Net Weight (lb.)	Approx. Shipping Weight (lb.)
120SB12240AD	0.33	0.99
120SA12240AD	0.33	0.99
120SR12240AD	0.33	0.99
120SG12240AD	0.33	0.99
120SW12240AD	0.33	0.99
270JBX	0.22	0.90
270KIT	0.13	1.10
270TEP	0.07	0.22
270THF	0.07	0.29
270TWM	0.09	0.59
270TWM2	0.11	0.62
270FMLADAPT	0.02	0.26



Beacons

Steady-On Halogen

105 Series

Edwards 105 Series steady-on Halogen beacons are NEMA Type 4X signaling devices, suitable for indoor or outdoor applications where a continuous (steady-on) light source is required. Base material is gray, manufactured from glass-reinforced thermoplastic polyester resin and features brass hardware. The double fresnel lens is made of shatter-resistant polycarbonate.

Features and Specifications

- Halogen light source
- Shatter-resistant double fresnel polycarbonate lens
- Gray Rynite® (PET) base with brass hardware
- Suitable for use in indoor, outdoor and marine applications
- NEMA Type 4X and Marine rated
- Option for panel, conduit or wall mounting
- Class 1, Div 2, Groups A, B, C and D; Class II, Div 2, Groups F and G; Class III



Ordering Information							
Description	Cat. No.	Operating Voltage	Current	Lens Color	Peak Candela	Lamp Ratings	Replacement Lamp
Steady-on Beacon Halogen - AC	105SINHA-G5	24V AC	0.8 A	Amber	2839	20W, 20,000 hours ^{1,2}	50LMP-20WH or Ind. Trade No. 1692 ³
	105SINHB-G5	24V AC	0.8 A	Blue			
	105SINHC-G5	24V AC	0.8 A	Clear			
	105SINHG-G5	24V AC	0.8 A	Green			
	105SINHM-G5	24V AC	0.8 A	Magenta			
	105SINHR-G5	24V AC	0.8 A	Red			
	105SINHA-N5	120V AC	0.2 A	Amber	2198	25W, 20,000 hours ^{1,2}	50LMP-25WH or Ind. Trade No. 25T8DC ³
	105SINHB-N5	120V AC	0.2 A	Blue			
	105SINHC-N5	120V AC	0.2 A	Clear			
	105SINHG-N5	120V AC	0.2 A	Green			
	105SINHM-N5	120V AC	0.2 A	Magenta			
	105SINHR-N5	120V AC	0.2 A	Red			
Steady-on Beacon Halogen - DC	105SINHA-G1	24V DC	0.8 A	Amber	2839	20W, 20,000 hours ^{1,2}	50LMP-20WH or Ind. Trade No. 1692 ³
	105SINHB-G1	24V DC	0.8 A	Blue			
	105SINHC-G1	24V DC	0.8 A	Clear			
	105SINHG-G1	24V DC	0.8 A	Green			
	105SINHM-G1	24V DC	0.8 A	Magenta			
	105SINHR-G1	24V DC	0.8 A	Red			

¹At nominal operating voltage.

²Projected lamp life based on manufacturer's calculated lamp life at 65 fpm and 50% duty cycle.

³Incandescent lamp, user supplied



Beacons

Steady-On Halogen

105 Series

Accessories	
Description	Cat. No.
Wall Mount Bracket	105BM ¹
Outlet Box Attachment	105BX
Pipe Mount Attachment	105PM

¹Must be used with 105BX.



Hazardous Location Ratings

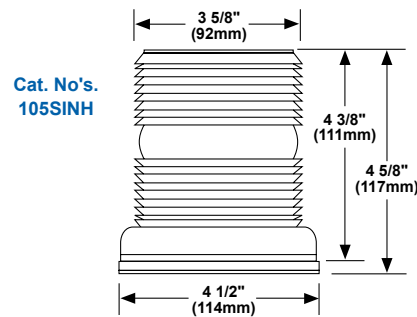
Cat. No.	Class	Division	Group	Operating Temperature
105FINH*-G1	I	2	A, B, C, D	T2D (215°C, 419°F)
105SINH*-G1	II	2	F, G	T4A (120°C, 248°F)
105FINH*-G5				
105SINH*-G5	III			T4A (120°C, 248°F)

*Letter in this position designates lens color: A - amber, B - blue, C - clear, G - green, M - magenta or R - red

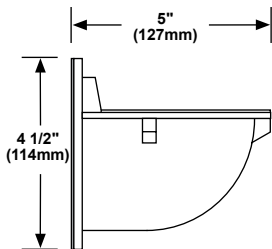
Weights and Dimensions

Cat. No.	Approx. Net Weight (lb.)	Approx. Shipping Weight (lb.)
105INH*G1	0.88	1.04
105INH*G5	0.88	1.04
105INH*N5	0.88	1.04
105PM	0.80	1.00
105BX	0.80	1.00
105BM	1.00	1.20

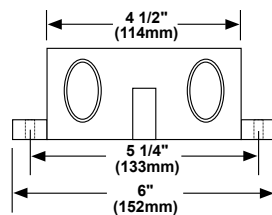
*Letter in this position designates lens color: A - amber, B - blue, C - clear, G - green, M - magenta or R - red



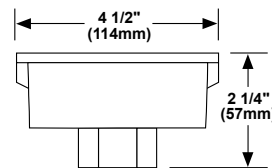
Cat. No's.
105SINH



Cat. No. 105BM Mounting Bracket
(must use with 105BX)



Cat. No. 105BX
Outlet Box Attachment
(Four 3/4" threaded hubs)



Cat. No. 105PM
Pipe Mount Attachment
(Pipe mount is 3/4" NPT)

Beacons

Steady-On Halogen or Incandescent

48 Series

Edwards Signaling 48 Series mid-sized, Halogen and Incandescent steady-on beacons are economical, NEMA Type 4X rated devices suitable for indoor or outdoor applications where a continuous (steady-on) light source is required. Base material is gray ABS. Unique snap-on, high-impact polycarbonate double fresnel lens is optically engineered to maximize light distribution and viewing distance.

Features and Specifications

- Halogen or Incandescent light source
- Quick snap-on, high-impact polycarbonate lens
- Gray ABS base
- Suitable for use in indoor and outdoor applications
- NEMA Type 4X enclosure
- Option for panel or conduit mounting
- Operating temperature range: -31°F to 150°F (-35°C to 66°C)



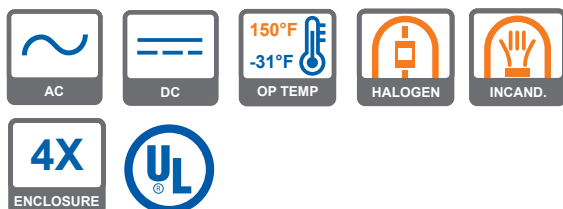
VISUAL SIGNALS

Ordering Information							
Description	Cat. No.	Operating Voltage	Operating Current	Lamp Ratings ¹	Lens Colors	Replacement	
						Lens	Lamp
Steady-on Beacon Halogen Light Source	48SINR-G5-20WH	24V AC	0.80 A	175 lumens, 2198 candela, 20,000 hr.	Red	96-LR	50LMP-20WH or Ind. Trade No. 1692 ²
	48SING-G5-20WH	24V AC	0.80 A		Green	96-LG	
	48SINA-G5-20WH	24V AC	0.80 A		Amber	96-LA	
	48SINB-G5-20WH	24V AC	0.80 A		Blue	96-LB	
	48SINC-G5-20WH	24V AC	0.80 A		Clear	96-LC	
	48SINM-G5-20WH	24V AC	0.80 A		Magenta	96-LM	
	48SINR-N5-25WH	120V AC	0.20 A	20 watts, 226 lumens, 2839 candela, 20,000 hr.	Red	96-LR	50LMP-25WH or Ind. Trade No. 25T8DC ²
	48SING-N5-25WH	120V AC	0.20 A		Green	96-LG	
	48SINA-N5-25WH	120V AC	0.20 A		Amber	96-LA	
	48SINB-N5-25WH	120V AC	0.20 A		Blue	96-LB	
	48SINC-N5-25WH	120V AC	0.20 A		Clear	96-LC	
	48SINM-N5-25WH	120V AC	0.20 A		Magenta	96-LM	
	48SINR-G1-20WH	24V DC	0.80 A	20 watts, 226 lumens, 2839 candela, 20,000 hr.	Red	96-LR	50LMP-20WH or Ind. Trade No. 1692 ²
	48SING-G1-20WH	24V DC	0.80 A		Green	96-LG	
	48SINA-G1-20WH	24V DC	0.80 A		Amber	96-LA	
	48SINB-G1-20WH	24V DC	0.80 A		Blue	96-LB	
	48SINC-G1-20WH	24V DC	0.80 A		Clear	96-LC	
	48SINM-G1-20WH	24V DC	0.80 A		Magenta	96-LM	
Steady-on Beacons Incandescent Light Source	48SINR-E1	12V DC	1.0 A	189 lumens, 2374 candela, 1,520 hr.	Red	96-LR	Industry Trade No. 94 ³
	48SING-E1	12V DC	1.0 A		Green	96-LG	
	48SINA-E1	12V DC	1.0 A		Amber	96-LA	
	48SINB-E1	12V DC	1.0 A		Blue	96-LB	
	48SINC-E1	12V DC	1.0 A		Clear	96-LC	
	48SINM-E1	12V DC	1.0 A		Magenta	96-LM	

¹Projected lamp life based on manufacturer's calculated lamp life at 65 fpm and 50% duty cycle.

²Incandescent lamps, user supplied

³User supplied



Beacons

Steady-On Halogen or Incandescent

48 Series

Accessories	
Description	Cat. No.
Gasket Kit suitable for outdoor surface installation – AC models	GSK-KIT
Corner Mount Bracket	CBR
Wall Mount Bracket	WBR



GSK-KIT
Gasket Kit



CBR
Corner Mount Bracket



WBR
Wall Mount Bracket

Signal Input Load Characteristics

These devices may be operated by PLCs with output characteristics that match the input load requirements of the signal.

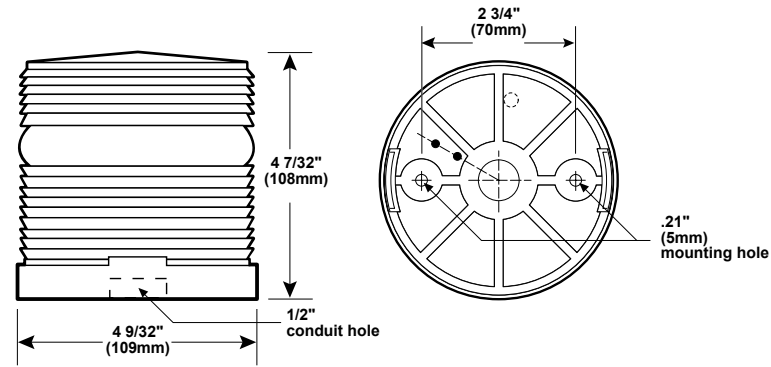
Cat. No.	Operating Voltage	Max. Off State Leakage Current (A)	Continuous On Current (A)	Surge (Inrush/Duration)
48SIN*-N5-25WH	120V AC 50/60 Hz	0.025	0.200	0.8 A / 8 mSeconds
48SIN*-G1-20WH	24V DC	0.025	0.800	0.9 A / 1 mSecond

*Letter in this position designates lens color: A - amber, B - blue, C - clear, G - green, M - magenta or R - red

Weights and Dimensions

Cat. No.	Approx. Net Weight (lb.)	Approx. Shipping Weight (lb.)
48SIN*-G5-20WH	0.63	0.79
48SIN*-N5-25WH	0.63	0.79
48SIN*-G1-20WH	0.63	0.79
48SIN*-E1	0.63	0.79
GSK-KIT	0.70	1.00
CBR	4.00	4.20
WBR	2.30	2.50

*Letter in this position designates lens color: A - amber, B - blue, C - clear, G - green, M - magenta or R - red



Use Cat. No. **GSK-KIT** gasket kit suitable for outdoor surface mount installation on AC units

Beacons

Steady-On Halogen

50 Series

Edwards 50SIN Series steady-on Halogen beacons are signaling devices, designed for indoor or outdoor applications where a continuous (steady-on) light source is required. The base is cast aluminum and can function as a junction box. The double fresnel lens is made of shatter-resistant polycarbonate and optically engineered to maximize light distribution and viewing distance.

Features and Specifications

- Halogen light source
- Shatter-resistant double fresnel polycarbonate lens
- Cast aluminum base can function as a junction box
- Suitable for use in indoor and outdoor applications
- Designed for 4" octagonal box
- Option for panel or conduit mounting
- Operating temperature range: -31°F to 150°F (-35°C to 66°C)



6"



Ordering Information

Description	Cat. No.	Operating Voltage ¹	Current	Lamp Ratings	Lens Colors	Replacement	
						Lens	Lamp
Steady-on Beacon Halogen	50SINR-N5-40WH	120V AC	0.29 A	40 watts, 265 lumens ² 3328 candela 20,000 hours ³	Red	92-LR	50LMP-40WH
	50SINA-N5-40WH	120V AC	0.29 A		Amber	92-LA	50LMP-40WH
	50SINB-N5-40WH	120V AC	0.29 A		Blue	92-LB	50LMP-40WH
	50SING-N5-40WH	120V AC	0.29 A		Green	92-LG	50LMP-40WH
	50SINM-N5-40WH	120V AC	0.29 A		Magenta	92-LM	50LMP-40WH
	50SINC-N5-40WH	120V AC	0.29 A		Clear	92-LC	50LMP-40WH

¹AC voltage frequency is 50/60 Hz

²Bulb manufacturer's lumen rating

³Projected lamp life based on manufacturer's calculated lamp life at 65 fpm and 50% duty cycle.

Accessories

Description	Cat. No.
Corner Mount Bracket	CBR
Wall Mount Bracket	WBR
Lens Guard	92-GRD



CBR
Corner Mount Bracket



WBR
Wall Mount Bracket



92-GRD
Lens Guard

Signal Input Load Characteristics

These devices may be operated by PLCs with output characteristics that match the input load requirements of the signal.

Cat. No.	Operating Voltage ¹	Max. Off State Leakage Current (A)	Continuous On Current (A)	Surge (Inrush/Duration)
50SIN*-N5-40WH	120V AC	0.025	0.290	0.47 A / 8 mSecond

*Letter in this position designates lens color: A - amber, B - blue, C - clear, G - green, M - magenta or R - red



Beacons

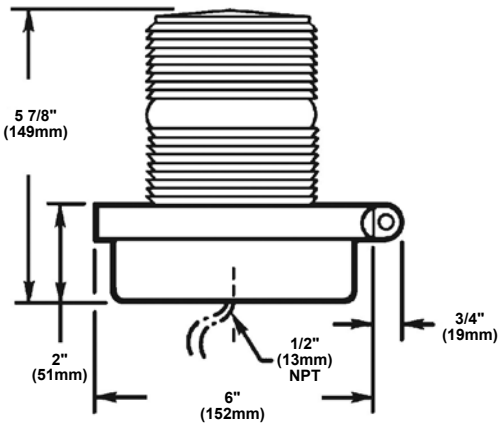
Steady-On Halogen

50 Series

Weights and Dimensions

Cat. No.	Approx. Net Weight (lb.)	Approx. Shipping Weight (lb.)
50SIN*-N5-40WH	1.32	1.66
92-GRD	0.31	0.47
CBR	4.00	4.20
WBR	2.30	2.50

*Letter in this position designates lens color: A - amber, B - blue, C - clear, G - green, M - magenta or R - red



Beacons: Explosionproof Steady-On Halogen 116 Series

Edwards 116 Series steady-on beacons are explosionproof signaling devices, suitable for hazardous indoor or outdoor applications. The housing is cast aluminum with a corrosion-resistant epoxy powder coat, and includes a dome guard. The fluted, high-impact glass dome provides even light distribution.

Features and Specifications

- Halogen light source
- Cast aluminum housing with epoxy powder coat and dome guard
- Quick connect for easy assembly and installation
- Suitable for use in indoor, outdoor, hazardous and marine applications
- NEMA Type 3R and Type 4X – Marine Rated
- Diode polarized for use on supervised circuits
- Cast aluminum housing
- Pendant, ceiling, bracket or stanchion mounting options (ordered separately)
- Explosionproof: Class I, Div 2, Groups A and B; Class I, Div 1 and 2, Groups C and D; Class II and III, Div 1, Groups E, F and G; Class II and III, Div 2, Group G



7.25"



NOTE: Mounting options not included (ordered separately)

Ordering Information

Description	Cat. No.	Operating Voltage		Peak Current	Candela	Lens Colors	Dome Guard	Replacement		
								Dome	Inner Lens	Lamp
Steady-on Beacon Halogen	116DEXMSINHA-GW	24 - 28V DC	0.8 A	2838	Amber	116-GRD	116-Globe	116-RIN-LA	50LMP-20WH	
	116DEXMSINHB-GW	24 - 28V DC	0.8 A	2838	Blue	116-GRD	116-Globe	116-RIN-LB	20W Halogen	
	116DEXMSINHC-GW	24 - 28V DC	0.8 A	2838	Clear	116-GRD	116-Globe	116-RIN-LC	Bulb	
	116DEXMSINHG-GW	24 - 28V DC	0.8 A	2838	Green	116-GRD	116-Globe	116-RIN-LG	25,000 hours. ¹	
	116DEXMSINHM-GW	24 - 28V DC	0.8 A	2838	Magenta	116-GRD	116-Globe	116-RIN-LM	or Ind. Trade	
	116DEXMSINHR-GW	24 - 28V DC	0.8 A	2838	Red	116-GRD	116-Globe	116-RIN-LR	No. 1692 ²	

¹Projected lamp life based on manufacturer's calculated lamp life at 65 fpm and 50% duty cycle.

²Incandescent lamp, user supplied

Required Mounting Options

Description	Cat. No.
Wall Bracket Mounting Elbow	116EX-B
Ceiling/Wall Mounting Module	116EX-C
Pendant Mounting Module	116EX-P
Stanchion Mounting Module	116EX-S

Hazardous Location Listings

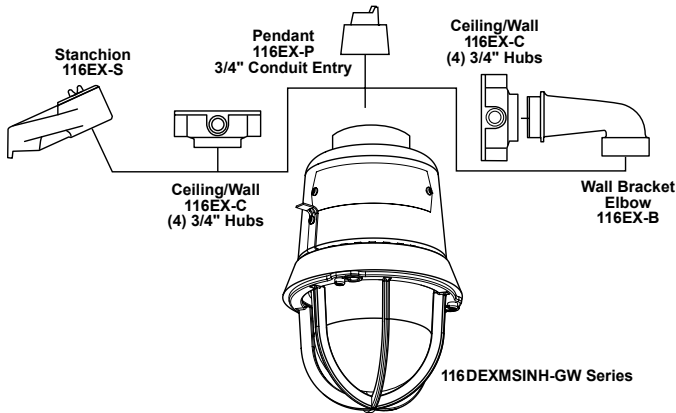
Cat. No.	Ambient Temp.	Supply Wire Temp. Marking	Operating Temperature			
			Class I, Div. 2 Groups A, B	Class I, Div. 1 & 2 Groups C, D	Class II & III, Div. 1 Groups E, F, G	Class II & III, Div. 2 Group G
116DEXMSINH*-GW	40°C	75°C	T3 (200°C)	T6 (85°C)	T4A (120°C)	T4A (120°C)
	55°C	90°C	T3 (200°C)	T6 (85°C)	T4 (135°C)	T4 (135°C)
	65°C	105°C	T2D (215°C)	T6 (85°C)	T4 (135°C)	T4 (135°C)

*Letter in this position designates lens color: A - amber, B - blue, C - clear, G - green, M - magenta, or R - red



Beacons: Explosionproof Steady-On Halogen 116 Series

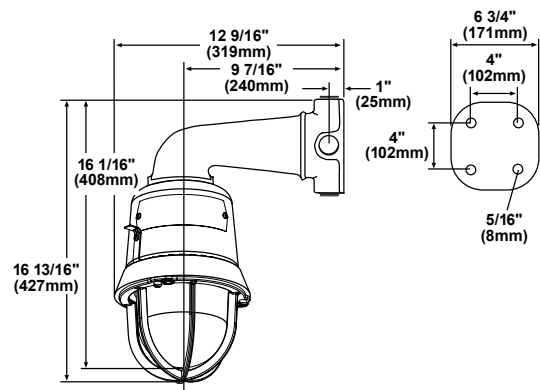
Mounting Options



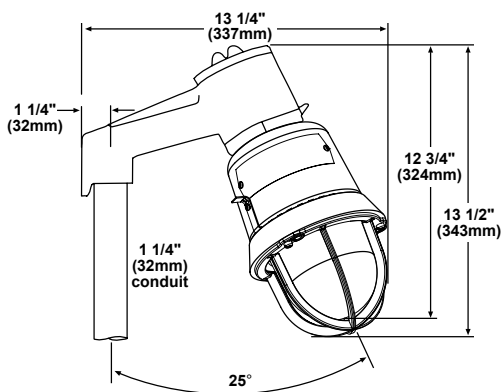
Weights and Dimensions

Cat. No.	Approx. Net Weight (lb.)	Approx. Shipping Weight (lb.)
116DEXMSINHA-GW	11.60	13.0
116DEXMSINHB-GW	11.60	13.0
116DEXMSINHC-GW	11.60	13.0
116DEXMSINHG-GW	11.60	13.0
116DEXMSINHM-GW	11.60	13.0
116DEXMSINHR-GW	11.60	13.0
116EX-B	2.02	2.28
116EX-C	2.50	2.80
116EX-P	1.10	1.26
116EX-S	2.62	2.90

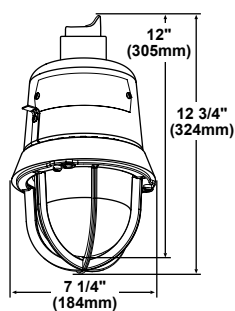
Wall Mount
116EX-B



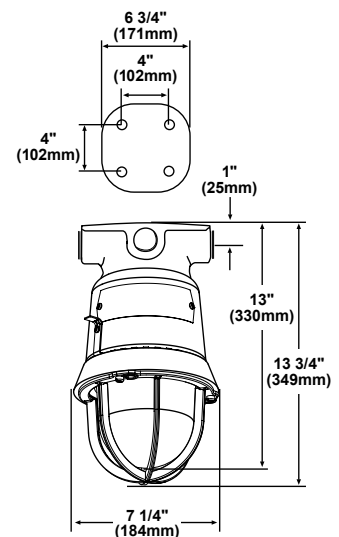
Stanchion Mount
116EX-S



Pendant Mount
116EX-P



Ceiling Mount
116EX-C



Beacons: Explosionproof Steady-On Halogen 116 Series

Edwards 116 Series steady-on beacons are explosionproof signaling devices, suitable for hazardous indoor or outdoor applications. The housing is cast aluminum with a corrosion-resistant epoxy powder coat, and includes a dome guard. The fluted, high-impact glass dome provides even light distribution.

Features and Specifications

- Halogen light source
- Cast aluminum housing with epoxy powder coat and dome guard
- Quick connect for easy assembly and installation
- Suitable for use in indoor, outdoor, hazardous and marine applications
- NEMA Type 3R and Type 4X – Marine Rated
- Cast aluminum housing
- Pendant, ceiling, bracket or stanchion mounting options (ordered separately)
- Explosionproof: Class I, Div 2, Groups A and B; Class I, Div 1 and 2, Groups C and D; Class II and III, Div 1, Groups E, F and G; Class II and III, Div 2, Group G



7.25"



NOTE: Mounting options not included (ordered separately)

Ordering Information

Description	Cat. No.	Operating Voltage ¹	Current	Peak Candela	Lens Colors	Replacement			
						Dome Guard	Dome	Inner Lens	Lamp
Steady-on Beacon Halogen	116EXMSINHA-N5	120V AC	0.35 A	3328	Amber	116-GRD	116-Globe	116-RIN-LA	
	116EXMSINHB-N5	120V AC	0.35 A	3328	Blue	116-GRD	116-Globe	116-RIN-LB	
	116EXMSINHC-N5	120V AC	0.35 A	3328	Clear	116-GRD	116-Globe	116-RIN-LC	50LMP-40WH
	116EXMSINHG-N5	120V AC	0.35 A	3328	Green	116-GRD	116-Globe	116-RIN-LG	25,000 hours. ²
	116EXMSINHM-N5	120V AC	0.35 A	3328	Magenta	116-GRD	116-Globe	116-RIN-LM	
	116EXMSINHR-N5	120V AC	0.35 A	3328	Red	116-GRD	116-Globe	116-RIN-LR	

¹AC voltage frequency is 50/60 Hz

²Projected life based on manufacturer's calculated lamp life.

Required Mounting Options

Description	Cat. No.
Wall Bracket Mounting Elbow	116EX-B
Ceiling/Wall Mounting Module	116EX-C
Pendant Mounting Module	116EX-P
Stanchion Mounting Module	116EX-S

Hazardous Location Listings

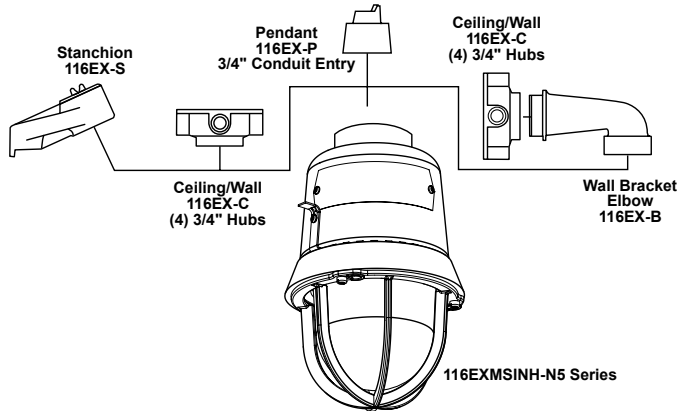
Cat. No.	Ambient Temp.	Supply Wire Temp. Marking	Operating Temperature			
			Class I, Div. 2 Groups A, B	Class I, Div. 1 & 2 Groups C, D	Class II & III, Div. 1 Groups E, F, G	Class II & III, Div. 2 Group G
116EXMSINH*-N5	40°C	75°C	T1 (450°C)	T6 (85°C)	T4A (120°C)	T4A (120°C)
	55°C	90°C	T1 (450°C)	T5 (100°C)	T4 (135°C)	T4 (135°C)
	65°C	105°C	T1 (450°C)	T5 (100°C)	T4 (135°C)	T4 (135°C)

*Letter in this position designates lens color: A - amber, B - blue, C - clear, G - green, M - magenta, or R - red



Beacons: Explosionproof Steady-On Halogen 116 Series

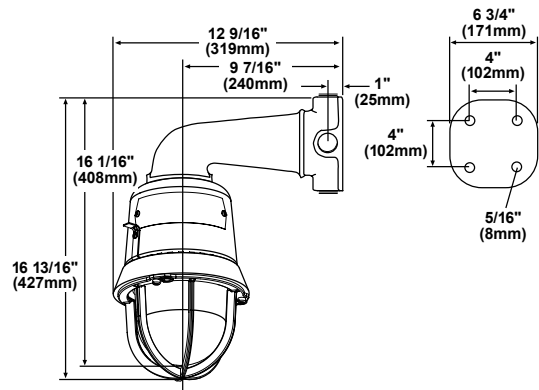
Mounting Options



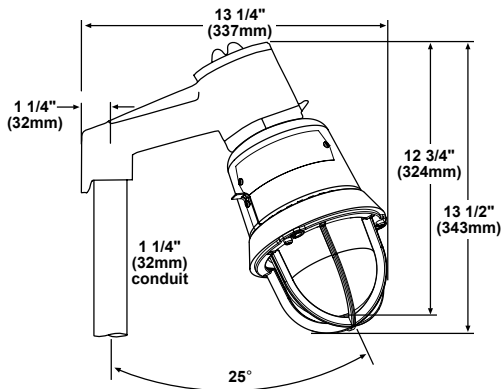
Weights and Dimensions

Cat. No.	Approx. Net Weight (lb.)	Approx. Shipping Weight (lb.)
116EXMSINHA-N5	11.60	13.0
116EXMSINHB-N5	11.60	13.0
116EXMSINHC-N5	11.60	13.0
116EXMSINHG-N5	11.60	13.0
116EXMSINHM-N5	11.60	13.0
116EXMSINHR-N5	11.60	13.0
116EX-B	2.02	2.28
116EX-C	2.50	2.80
116EX-P	1.10	1.26
116EX-S	2.62	2.90

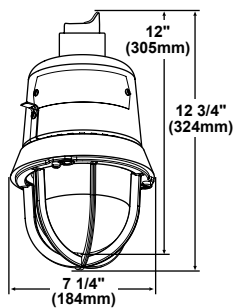
Wall Mount
116EX-B



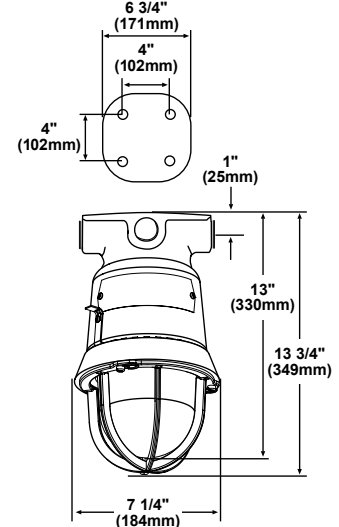
Stanchion Mount
116EX-S



Pendant Mount
116EX-P



Ceiling Mount
116EX-C



Beacons

Steady-On LED

Flashguard Series

Flashguard Steady-on LED beacons are visual indicators suitable for use in indoor and outdoor applications.

All Flashguard beacons are fitted with a diffuser for greater visibility and spread of light.

They include a terminal block and a 27mm deep base supplied with a seal and grommet.

An upgrade kit (with cable connector) is available to upgrade the product from IP65 rating to IP67.

Features and Specifications

- LED light source
- Compact, ultra modern sleek appearance
- IP65 rated; IP67 rated (with upgrade kit)
- White, high quality polycarbonate housing
- Suitable for use in indoor and outdoor applications
- Vandal-resistant safety locking mechanism
- Operating temperature range: -4°F to 158°F (-20°C to +70°C)



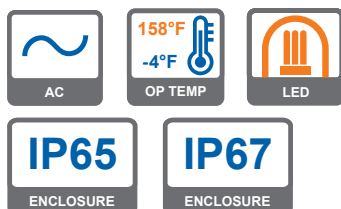
3.346"



VISUAL SIGNALS

Ordering Information					
Description	Edwards Cat. No.	Klaxon Cat. No.	Operating Voltage	Current	Lens Colors
LED Beacon Steady-on	45-711611	QBS-0007	110V AC	0.032 A	Red
	45-711621	QBS-0008	110V AC	0.032 A	Amber
	45-711631	QBS-0009	110V AC	0.032 A	Clear
	45-711641	QBS-0010	110V AC	0.032 A	Blue
	45-711651	QBS-0011	110V AC	0.032 A	Green
	45-712611	QBS-0022	230V AC	0.032 A	Red
	45-712621	QBS-0023	230V AC	0.032 A	Amber
	45-712631	QBS-0024	230V AC	0.032 A	Clear
	45-712641	QBS-0025	230V AC	0.032 A	Blue
	45-712651	QBS-0026	230V AC	0.032 A	Green

Accessories		
Description	Edwards Cat. No.	Klaxon Cat. No.
IP67 Upgrade Kit (AC)	45-710001	QBO-0005



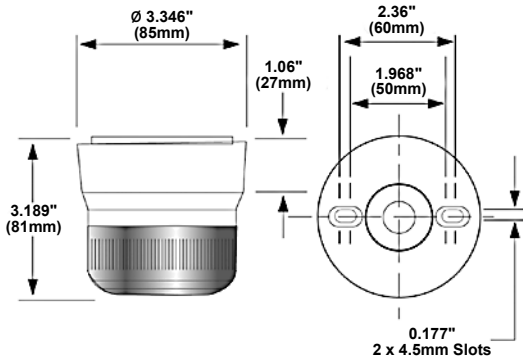
Beacons

Steady-On LED

Flashguard Series

Weights and Dimensions

Edwards Cat. No.	Klaxon Cat.No.	Approx. Net Weight (lb.)
45-711611	QBS-0007	0.31
45-711621	QBS-0008	0.31
45-711631	QBS-0009	0.31
45-711641	QBS-0010	0.31
45-711651	QBS-0011	0.31
45-712611	QBS-0022	0.31
45-712621	QBS-0023	0.31
45-712631	QBS-0024	0.31
45-712641	QBS-0025	0.31
45-712651	QBS-0026	0.31



Beacons

Multi-Mode LED

Polaris Class - 94 Series



Edwards Polaris™ Class 94 Series LED beacons are NEMA Type 4X and IP66 rated visual signals suitable for use in indoor and outdoor applications. The units are field configurable with up to seven flashing patterns, including steady-on, utilizing a “Hidden In Plain Sight” (HIPS) switch.

The inner, double fresnel lens is made of a high grade polycarbonate and is designed to magnify the ultra-bright LED’s inside. A clear, outer, impact-resistant polycarbonate dome offers additional protection against accidental impacts with machinery or falling objects. It also acts as a protective and simple to clean “dust and residue” cover.

The 94 Series beacons are designed to be mounted on 3/4 inch NPT conduit (indoor or outdoor). For outdoor installation and to maintain the NEMA and IP ratings, the beacon must be mounted with the dome facing directly up. When installing the beacon indoors in dry environments, it can be mounted in any position. The 94 Series housing has a cast base that can function as a junction box.

The Polaris Class is designed for any industrial or commercial applications that require the longevity of an LED and the brightness of a xenon strobe. These units are very effective in high noise areas where ear protection is worn or audible signals may not be heard.

Features and Specifications

- Multi-mode LED (steady-on plus seven flash patterns)
- LED light source
- Six lens colors
- 3/4" (19mm) NPT threaded conduit
- Hidden in Plain Sight (HIPS) switch
- High level of immunity to shock and vibration
- Black or gray base option
- Cast base can function as junction box
- NEMA Type 4X and IP66 rated
- Operating temperature range: -31°F to 150.8°F (-35°C to 66°C)



8.25"



VISUAL SIGNALS

Ordering Information

Description	Cat. No.	Operating Voltage ¹	Current	Lens Colors	Projected LED Life (L70) ²	Replacement	
						Dome	Lens
Multi-mode LED Gray Base AC	94PLEDMA120A	120V AC	0.250 A	Amber	148,000	94DV2-DC	93-LA
	94PLEDMB120A	120V AC	0.250 A	Blue	148,000	94DV2-DC	93-LB
	94PLEDMG120A	120V AC	0.250 A	Green	148,000	94DV2-DC	93-LG
	94PLEDMM120A	120V AC	0.250 A	Magenta	148,000	94DV2-DC	93-LM
	94PLEDMR120A	120V AC	0.250 A	Red	148,000	94DV2-DC	93-LR
	94PLEDMW120A	120V AC	0.250 A	Clear	148,000	94DV2-DC	93-LC
Multi-mode LED Black Base AC	94PLEDMA120AB	120V AC	0.250 A	Amber	148,000	94DV2-DC	93-LA
	94PLEDMB120AB	120V AC	0.250 A	Blue	148,000	94DV2-DC	93-LB
	94PLEDMG120AB	120V AC	0.250 A	Green	148,000	94DV2-DC	93-LG
	94PLEDMM120AB	120V AC	0.250 A	Magenta	148,000	94DV2-DC	93-LM
	94PLEDMR120AB	120V AC	0.250 A	Red	148,000	94DV2-DC	93-LR
	94PLEDMW120AB	120V AC	0.250 A	Clear	148,000	94DV2-DC	93-LC

¹AC voltage frequency is 50/60 Hz

²LED Manufacturer’s Median Projected LED Life for LUXEON Rebel LEDs (L70 at 85°C and Tjunction 98°C). Actual LED life will vary inversely with ambient temperature, voltage, driver current, junction temperature and duty-cycle at which the signaling device is operated. Please refer to <http://www.philipsumileds.com/pdfs/WP15.pdf>.



Beacons

Multi-Mode LED

Polaris Class - 94 Series



VISUAL SIGNALS

Ordering Information		Continued					
Description	Cat. No.	Operating Voltage ¹	Current	Lens Colors	Projected LED Life (L70) ²	Replacement	
						Dome	Lens
Multi-mode LED Gray Base AC/DC	94PLEDMA24AD	12V DC 24V AC/DC	0.700 A 0.550 A	Amber	148,000	94DV2-DC	93-LA
	94PLEDMB24AD	12V DC 24V AC/DC	0.700 A 0.550 A	Blue	148,000	94DV2-DC	93-LB
	94PLEDMG24AD	12V DC 24V AC/DC	0.700 A 0.550 A	Green	148,000	94DV2-DC	93-LG
	94PLEDMM24AD	12V DC 24V AC/DC	0.700 A 0.550 A	Magenta	148,000	94DV2-DC	93-LM
	94PLEDMR24AD	12V DC 24V AC/DC	0.700 A 0.550 A	Red	148,000	94DV2-DC	93-LR
	94PLEDMW24AD	12V DC 24V AC/DC	0.700 A 0.550 A	Clear	148,000	94DV2-DC	93-LC
Multi-mode LED Black Base AC/DC	94PLEDMA24ADB	12V DC 24V AC/DC	0.700 A 0.550 A	Amber	148,000	94DV2-DC	93-LA
	94PLEDMB24ADB	12V DC 24V AC/DC	0.700 A 0.550 A	Blue	148,000	94DV2-DC	93-LB
	94PLEDMG24ADB	12V DC 24V AC/DC	0.700 A 0.550 A	Green	148,000	94DV2-DC	93-LG
	94PLEDMM24ADB	12V DC 24V AC/DC	0.700 A 0.550 A	Magenta	148,000	94DV2-DC	93-LM
	94PLEDMR24ADB	12V DC 24V AC/DC	0.700 A 0.550 A	Red	148,000	94DV2-DC	93-LR
	94PLEDMW24ADB	12V DC 24V AC/DC	0.700 A 0.550 A	Clear	148,000	94DV2-DC	93-LC

¹AC voltage frequency is 50/60 Hz

²LED Manufacturer's Median Projected LED Life for LUXEON Rebel LEDs (L70 at 85°C and Tjunction 98°C). Actual LED life will vary inversely with ambient temperature, voltage, driver current, junction temperature and duty-cycle at which the signaling device is operated. Please refer to <http://www.philipslumileds.com/pdfs/WP15.pdf>.

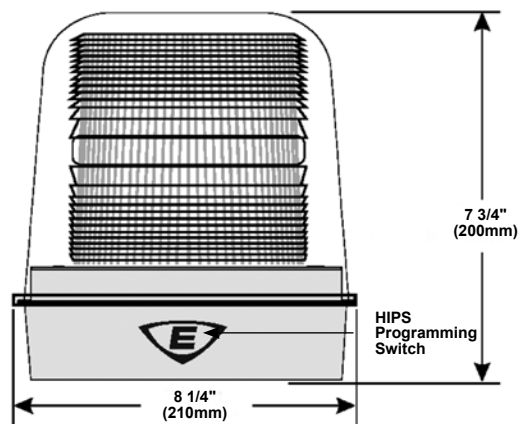
Flash Mode Selection	
Pattern	Description
Steady	Steady-On
S65	65 flashes per minute (FPM)
Light Burst	1000 FPM (seven pulses) 440 ms off/repeat
Singular Burst	120 FPM
Binary Burst	65 double FPM
Quad Burst	65 quad FPM
iBurst	750 FPM (nine pulses) 480 FPM (one pulse) 85 FPM (six pulses) 460 FPM (one pulse)

Accessories	
Description	Cat. No.
Corner Mount Bracket	CBR
Wall Mount Bracket	WBR



Weights and Dimensions		
Cat. No.	Approx. Net Weight (lb.)	Approx. Shipping Weight (lb.)
94PLEDM*120A	5.54	6.10
94PLEDM*120AB	5.54	6.10
94PLEDM*24AD	5.54	6.10
94PLEDM*24ADB	5.54	6.10
CBR	4.00	4.20
WBR	2.30	2.50

*Letter in this position designates lens color: A - amber, B - blue, G - green, M - magenta, R - red or W - clear



Beacons

Multi-Mode LED

Polaris Class - 57 Series



Edwards Polaris™ Class 57 Series LED beacons are NEMA Type 4X and IP66 rated visual signals suitable for use in indoor and outdoor applications. The units are field configurable with seven flash patterns, including steady-on, utilizing a “Hidden In Plain Sight” (HIPS) switch.

The inner, double fresnel lens is made of a high grade polycarbonate and is designed to magnify the ultra-bright LED’s inside. A clear, outer, impact-resistant polycarbonate dome offers additional protection against accidental impacts with machinery or falling objects. It also acts as a protective and simple to clean “dust and residue” cover.

The 57 Series beacons are designed to be mounted on 3/4 inch NPT conduit (indoor or outdoor). To maintain the NEMA and IP ratings for outdoor installation, the beacon must be mounted with the dome facing directly up. When installing the beacon indoors in dry environments, it can be mounted in any position.

The 57 Series is designed for industrial or commercial applications that require the longevity of an LED combined with the brightness of a xenon strobe. These units are very effective in high noise areas where ear protection is worn or audible signals may not be heard.

Features and Specifications

- Multi-mode LED (steady-on plus seven flash patterns)
- LED light source
- Six lens colors
- 3/4" (19mm) NPT threaded conduit
- Hidden in Plain Sight (HIPS) switch
- High level of immunity to shock and vibration
- Black or gray base option
- NEMA Type 4X and IP66 rated
- Operating temperature range: -31°F to 150.8°F (-35°C to 66°C)



6.5"



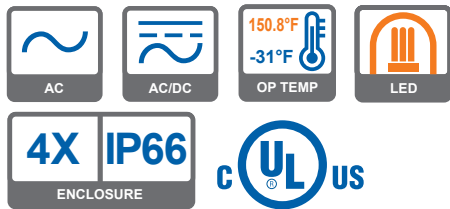
VISUAL SIGNALS

Ordering Information

Description	Cat. No.	Operating Voltage ¹	Current	Lens Colors	Projected LED Life (L70) ²	Replacement	
						Dome	Lens
Multi-mode LED AC Gray Base	57PLEDMA120A	120V AC	0.250 A	Amber	148,000	57E-DC	57E-LA
	57PLEDMB120A	120V AC	0.250 A	Blue	148,000	57E-DC	57E-LB
	57PLEDMG120A	120V AC	0.250 A	Green	148,000	57E-DC	57E-LG
	57PLEDMM120A	120V AC	0.250 A	Magenta	148,000	57E-DC	57E-LM
	57PLEDMR120A	120V AC	0.250 A	Red	148,000	57E-DC	57E-LR
	57PLEDMW120A	120V AC	0.250 A	Clear	148,000	57E-DC	57E-LC
Multi-mode LED AC Black Base	57PLEDMA120AB	120V AC	0.250 A	Amber	148,000	57E-DC	57E-LA
	57PLEDMB120AB	120V AC	0.250 A	Blue	148,000	57E-DC	57E-LB
	57PLEDMG120AB	120V AC	0.250 A	Green	148,000	57E-DC	57E-LG
	57PLEDMM120AB	120V AC	0.250 A	Magenta	148,000	57E-DC	57E-LM
	57PLEDMR120AB	120V AC	0.250 A	Red	148,000	57E-DC	57E-LR
	57PLEDMW120AB	120V AC	0.250 A	Clear	148,000	57E-DC	57E-LC

¹AC voltage frequency is 50/60 Hz

²LED Manufacturer’s Median Projected LED Life for LUXEON Rebel LEDs (L70 at 85°C and Tjunction 98°C). Actual LED life will vary inversely with ambient temperature, voltage, driver current, junction temperature and duty-cycle at which the signaling device is operated. Please refer to <http://www.philipsumleds.com/pdfs/WP15.pdf>.



Beacons

Multi-Mode LED

Polaris Class - 57 Series



VISUAL SIGNALS

Ordering Information		Continued					
Description	Cat. No.	Operating Voltage ¹	Current	Lens Colors	Projected LED Life (L70) ²	Replacement	
						Dome	Lens
Multi-mode LED AC/DC Gray Base	57PLEDMA24AD	12V DC 24V AC/DC	0.700 A 0.550 A	Amber	148,000	57E-DC	57E-LA
	57PLEDMB24AD	12V DC 24V AC/DC	0.700 A 0.550 A	Blue	148,000	57E-DC	57E-LB
	57PLEDMG24AD	12V DC 24V AC/DC	0.700 A 0.550 A	Green	148,000	57E-DC	57E-LG
	57PLEDMM24AD	12V DC 24V AC/DC	0.700 A 0.550 A	Magenta	148,000	57E-DC	57E-LM
	57PLEDMR24AD	12V DC 24V AC/DC	0.700 A 0.550 A	Red	148,000	57E-DC	57E-LR
	57PLEDMW24AD	12V DC 24V AC/DC	0.700 A 0.550 A	Clear	148,000	57E-DC	57E-LC
Multi-mode LED AC/DC Black Base	57PLEDMA24ADB	12V DC 24V AC/DC	0.700 A 0.550 A	Amber	148,000	57E-DC	57E-LA
	57PLEDMB24ADB	12V DC 24V AC/DC	0.700 A 0.550 A	Blue	148,000	57E-DC	57E-LB
	57PLEDMG24ADB	12V DC 24V AC/DC	0.700 A 0.550 A	Green	148,000	57E-DC	57E-LG
	57PLEDMM24ADB	12V DC 24V AC/DC	0.700 A 0.550 A	Magenta	148,000	57E-DC	57E-LM
	57PLEDMR24ADB	12V DC 24V AC/DC	0.700 A 0.550 A	Red	148,000	57E-DC	57E-LR
	57PLEDMW24ADB	12V DC 24V AC/DC	0.700 A 0.550 A	Clear	148,000	57E-DC	57E-LC

¹AC voltage frequency is 50/60 Hz

²LED Manufacturer's Median Projected LED Life for LUXEON Rebel LEDs (L70 at 85°C and Tjunction 98°C). Actual LED life will vary inversely with ambient temperature, voltage, driver current, junction temperature and duty-cycle at which the signaling device is operated. Please refer to <http://www.philipslumileds.com/pdfs/WP15.pdf>.

Flash Mode Selection	
Pattern	Description
Steady	Steady-On
S65	65 flashes per minute (FPM)
Light Burst	1000 FPM (seven pulses) 440 ms off/repeat
Singular Burst	120 FPM
Binary Burst	65 double FPM
Quad Burst	65 quad FPM
iBurst	750 FPM (nine pulses)
	480 FPM (one pulse)
	85 FPM (six pulses) 460 FPM (one pulse)

Accessories	
Description	Cat. No.
Corner Mount Bracket	CBR
Wall Mount Bracket	WBR



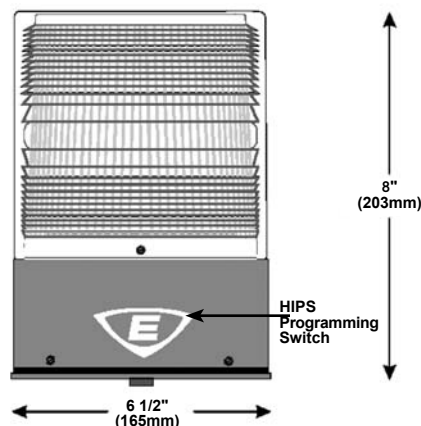
CBR
Corner Mount Bracket



WBR
Wall Mount Bracket

Weights and Dimensions		
Cat. No.	Approx. Net Weight (lb.)	Approx. Shipping Weight (lb.)
57PLEDM*24AD	2.92	3.40
57PLEDM*24ADB	2.92	3.40
57PLEDM*120A	2.92	3.40
57PLEDM*120AB	2.92	3.40
CBR	4.00	4.20
WBR	2.30	2.50

*Letter in this position designates lens color: A - amber, B - blue, G - green, M - magenta, R - red or W - clear



Beacons

Multi-Mode LED

125XBR Class



Edwards 125XBR Class XTRA-BRITE™ LED beacons are multi-mode signaling devices, available in two versions, steady-on/flashing (125XBRM) and steady-on/lightburst (125XBRZ). Both versions feature a corrosion resistant NEMA Type 4X enclosure and can be panel or conduit mounted. The base is manufactured from a 33% glass filled nylon, providing high resistance to heat and high chemical resistivity. The lens is made of shatter resistant polycarbonate.

Features and Specifications

- Multi-mode LED
125XBRM – steady-on/flashing (65 fpm)
125XBRZ – steady-on/lightburst (420 fpm)
- LED light source
- Gray or black glass filled nylon base
- Protective wire guard available
- Option for panel or conduit mounting
- NEMA Type 4X enclosure
- Operating temperature range: -31°F to 150°F (-35°C to 66°C)



3.25"



Ordering Information

Description	Cat. No.	Operating Voltage ¹	Current	LED Colors	Projected LED Life (L70) ²	Replacement Lens
Steady-on/ Flashing LED - Gray Base	125XBRMA120A	120V AC	0.108 A	Amber	148,000 hours	125LA
	125XBRMB120A	120V AC	0.108 A	Blue	148,000 hours	125LB
	125XBRMG120A	120V AC	0.108 A	Green	148,000 hours	125LG
	125XBRMR120A	120V AC	0.108 A	Red	148,000 hours	125LR
	125XBRMW120A	120V AC	0.108 A	White	148,000 hours	125LC
	125XBRMA24D	24V DC	0.215 A	Amber	148,000 hours	125LA
	125XBRMB24D	24V DC	0.215 A	Blue	148,000 hours	125LB
	125XBRMG24D	24V DC	0.215 A	Green	148,000 hours	125LG
	125XBRMR24D	24V DC	0.215 A	Red	148,000 hours	125LR
125XBRMW24D	24V DC	0.215 A	White	148,000 hours	125LC	
Steady-on/ Flashing LED - Black Base	125XBRMA120AB	120V AC	0.108 A	Amber	148,000 hours	125LA
	125XBRMB120AB	120V AC	0.108 A	Blue	148,000 hours	125LB
	125XBRMG120AB	120V AC	0.108 A	Green	148,000 hours	125LG
	125XBRMR120AB	120V AC	0.108 A	Red	148,000 hours	125LR
	125XBRMW120AB	120V AC	0.108 A	White	148,000 hours	125LC
	125XBRMA24DB	24V DC	0.215 A	Amber	148,000 hours	125LA
	125XBRMB24DB	24V DC	0.215 A	Blue	148,000 hours	125LB
	125XBRMG24DB	24V DC	0.215 A	Green	148,000 hours	125LG
	125XBRMR24DB	24V DC	0.215 A	Red	148,000 hours	125LR
125XBRMW24DB	24V DC	0.215 A	White	148,000 hours	125LC	
Steady-on/ Lightburst LED - Gray Base	125XBRZA120A	120V AC	0.108 A	Amber	148,000 hours	125LA
	125XBRZB120A	120V AC	0.108 A	Blue	148,000 hours	125LB
	125XBRZG120A	120V AC	0.108 A	Green	148,000 hours	125LG
	125XBRZR120A	120V AC	0.108 A	Red	148,000 hours	125LR
	125XBRZW120A	120V AC	0.108 A	White	148,000 hours	125LC
	125XBRZA24D	24V DC	0.215 A	Amber	148,000 hours	125LA
	125XBRZB24D	24V DC	0.215 A	Blue	148,000 hours	125LB
	125XBRZG24D	24V DC	0.215 A	Green	148,000 hours	125LG
	125XBRZR24D	24V DC	0.215 A	Red	148,000 hours	125LR
125XBRZW24D	24V DC	0.215 A	White	148,000 hours	125LC	

¹AC voltage frequency is 50/60 Hz

²LED Manufacturer's Median Projected LED Life for LUXEON Rebel LEDs (L70 at 85°C and T_{junction} 98°C). Actual LED life will vary inversely with ambient temperature, voltage, driver current, junction temperature and duty-cycle at which the signaling device is operated. Please refer to <http://www.philipslumileds.com/pdfs/WP15.pdf>.



Beacons

Multi-Mode LED

125XBR Class



Ordering Information		Continued				
Description	Cat. No.	Operating Voltage ¹	Current	LED Colors	Projected LED Life (L70) ²	Replacement Lens
Steady-on/ Lightburst LED - Black Base	125XBRZA120AB	120V AC	0.108 A	Amber	148,000 hours	125LA
	125XBRZB120AB	120V AC	0.108 A	Blue	148,000 hours	125LB
	125XBRZG120AB	120V AC	0.108 A	Green	148,000 hours	125LG
	125XBRZR120AB	120V AC	0.108 A	Red	148,000 hours	125LR
	125XBRZW120AB	120V AC	0.108 A	White	148,000 hours	125LC
	125XBRZA24DB	24V DC	0.215 A	Amber	148,000 hours	125LA
	125XBRZB24DB	24V DC	0.215 A	Blue	148,000 hours	125LB
	125XBRZG24DB	24V DC	0.215 A	Green	148,000 hours	125LG
	125XBRZR24DB	24V DC	0.215 A	Red	148,000 hours	125LR
	125XBRZW24DB	24V DC	0.215 A	White	148,000 hours	125LC

¹AC voltage frequency is 50/60 Hz

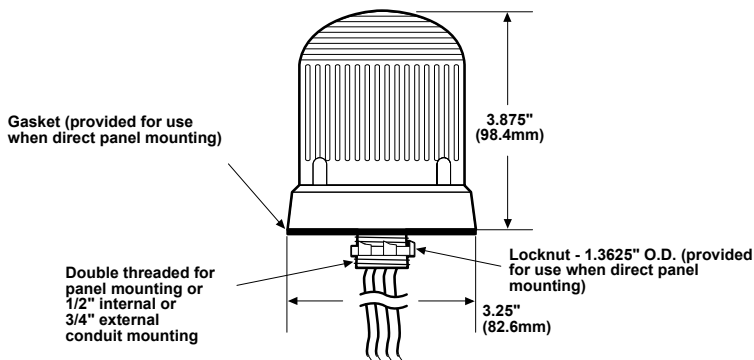
²LED Manufacturer's Median Projected LED Life for LUXEON Rebel LEDs (L70 at 85°C and T_{junction} 98°C). Actual LED life will vary inversely with ambient temperature, voltage, driver current, junction temperature and duty-cycle at which the signaling device is operated. Please refer to <http://www.philipslumileds.com/pdfs/WP15.pdf>.

Accessories	
Description	Cat. No.
Protective Wire Guard	125GRD
Corner Mount Bracket	CBR
Wall Mount Bracket	WBR



Weights and Dimensions		
Cat. No.	Approx. Net Weight (lb.)	Approx. Shipping Weight (lb.)
125XBRM*120A	0.25	0.50
125XBRM*24D	0.25	0.50
125XBRM*120AB	0.25	0.50
125XBRM*24DB	0.25	0.50
125XBRZ*120A	0.25	0.50
125XBRZ*24D	0.25	0.50
125XBRZ*120AB	0.25	0.50
125XBRZ*24DB	0.25	0.50
125GRD	0.61	0.77
CBR	4.00	4.20
WBR	2.30	2.50

*Letter in this position designates LED color: A - amber, B - blue, G - green, R - red or W - clear



Beacons Multi-Mode LED 105XBR Series



Edwards 105XBR Series XTRA-BRITE™ LED beacons are heavy-duty, multi-mode signaling devices, available in steady-on with the built-in option of switching to flashing mode via dipswitch. These signals are designed for use in industrial applications or applications where a NEMA Type 4X enclosure is required. The base is manufactured from glass-reinforced thermoplastic polyester resin and the double fresnel lens is made of shatter resistant polycarbonate. The unit can be panel, conduit or wall mounted.

Features and Specifications

- Multi-mode (flashing or steady-on)
- LED light source
- Flash rate 65 fpm
- Gray Rynite® (PET) base
- Option for panel, conduit or wall mounting
- NEMA Type 4X enclosure
- UL Listed for Marine applications
- Class I, Div 2, Groups A, B, C and D; Class II, Div 2, Groups F and G; Class III
- Operating temperature range: -31F° to 150°F (-35°C to 66°C)



3.75"



VISUAL SIGNALS

Ordering Information

Description	Cat. No.	Operating Voltage ¹	Current	LED Colors	Projected LED Life (L70) ²	Replacement Lens
LED Multi-mode AC	105XBRMA120A	120V AC	0.108 A	Amber	148,000 hours	105-LA
	105XBRMB120A	120V AC	0.108 A	Blue	148,000 hours	105-LB
	105XBRMG120A	120V AC	0.108 A	Green	148,000 hours	105-LG
	105XBRMR120A	120V AC	0.108 A	Red	148,000 hours	105-LR
	105XBRMW120A	120V AC	0.108 A	White	148,000 hours	105-LC
LED Multi-mode DC	105XBRMA24D	24V DC	0.215 A	Amber	148,000 hours	105-LA
	105XBRMB24D	24V DC	0.215 A	Blue	148,000 hours	105-LB
	105XBRMG24D	24V DC	0.215 A	Green	148,000 hours	105-LG
	105XBRMR4D	24V DC	0.215 A	Red	148,000 hours	105-LR
	105XBRMW24D	24V DC	0.215 A	White	148,000 hours	105-LC

¹AC voltage frequency is 50/60 Hz

²LED Manufacturer's Median Projected LED Life for LUXEON Rebel LEDs (L70 at 85°C and T_{junction} 98°C). Actual LED life will vary inversely with ambient temperature, voltage, driver current, junction temperature and duty-cycle at which the signaling device is operated. Please refer to <http://www.philipslumileds.com/pdfs/WP15.pdf>.

Accessories

Description	Cat. No.
Mounting Bracket	105BM ³
Outlet Box Attachment	105BX
Pipe Mount Attachment	105PM



Mounting Bracket



Outlet Box Attachment



Pipe Mount Attachment

³Must be used with the 105BX



Beacons

Multi-Mode LED

105XBR Series

VISUAL SIGNALS

Hazardous Location Listings

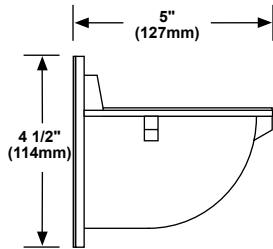
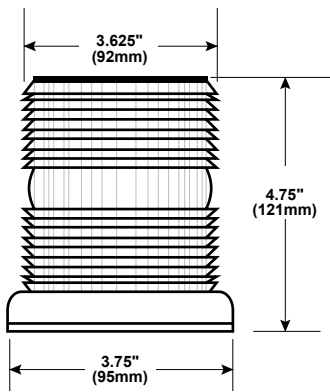
Cat. No.	Class	Division	Group	Operating Temperature
105XBRM*120A 105XBRM*24D	I	2	A, B, C, D	T4A (120°C, 248°F)
	II	2	F, G	T4A (120°C, 248°F)
	III			T4A (120°C, 248°F)

*Letter in this position designates LED color: A - amber, B - blue, G - green, R - red, or W - white

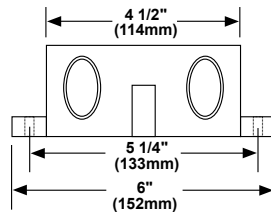
Weights and Dimensions

Cat. No.	Approx. Net Weight (lb.)	Approx. Shipping Weight (lb.)
105XBRM*120A	1.20	1.40
105XBRM*24D	1.20	1.40
105BX	0.80	1.00
105BM	1.00	1.20
105PM	0.80	1.00

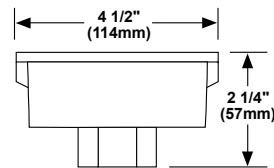
*Letter in this position designates LED color: A - amber, B - blue, G - green, R - red or W - white



Cat. No. 105BM Mounting Bracket
(use with 105BX)



Cat. No. 105BX
Outlet Box Attachment



Cat. No. 105PM
Pipe Mount Attachment
(Pipe mount is 3/4" NPT)

Beacons

Multi-Mode LED

48XBR Series



Edwards 48XBR Series XTRA-BRITE™ LED beacons are multi-mode signaling devices, available in steady-on with the built-in option of switching to flashing mode via dipswitch. These signals are suitable for use in indoor and outdoor applications or applications where a NEMA Type 4X enclosure is required. The base is manufactured from a polycarbonate/ABS blend, and the lens is made of shatter resistant polycarbonate. The unit can be panel or conduit mounted.

Features and Specifications

- Multi-mode (flashing or steady-on)
- LED light source
- Flash rate 65 fpm
- Available in gray
- Suitable for use in indoor and outdoor applications
- Option for panel or conduit mounting
- NEMA Type 4X enclosure
- Operating temperature range: -31°F to 150°F (-35°C to 66°C)



4.28"



Ordering Information

Description	Cat. No. ¹	Operating Voltage ²	Current	LED Colors	Projected LED Life (L70) ³	Replacement Lens
Multi-mode Beacon LED AC	48XBRMA120A	120V AC	0.108 A	Amber	148,000 hours	96-LA
	48XBRMB120A	120V AC	0.108 A	Blue	148,000 hours	96-LB
	48XBRMG120A	120V AC	0.108 A	Green	148,000 hours	96-LG
	48XBRMR120A	120V AC	0.108 A	Red	148,000 hours	96-LR
	48XBRMW120A	120V AC	0.108 A	White	148,000 hours	96-LC
Multi-mode Beacon LED DC	48XBRMA24D	24V DC	0.215 A	Amber	148,000 hours	96-LA
	48XBRMB24D	24V DC	0.215 A	Blue	148,000 hours	96-LB
	48XBRMG24D	24V DC	0.215 A	Green	148,000 hours	96-LG
	48XBRMR24D	24V DC	0.215 A	Red	148,000 hours	96-LR
	48XBRMW24D	24V DC	0.215 A	White	148,000 hours	96-LC

¹DC models provided w/surface mount kit

²AC voltage frequency is 50/60 Hz

³LED Manufacturer's Median Projected LED Life for LUXEON Rebel LEDs (L70 at 85°C and T_{junction} 98°C). Actual LED life will vary inversely with ambient temperature, voltage, driver current, junction temperature and duty-cycle at which the signaling device is operated. Please refer to <http://www.philipslumileds.com/pdfs/WP15.pdf>.

Accessories

Description	Cat. No.
Gasket Kit suitable for outdoor surface installation – AC models	GSK-KIT
Corner Mount Bracket	CBR
Wall Mount Bracket	WBR



GSK-KIT
Gasket Kit



CBR
Corner Mount Bracket



WBR
Wall Mount Bracket



Beacons

Multi-Mode LED

48XBR Series

Signal Input Load Characteristics

These devices may be operated by PLCs with output characteristics that match the input load requirements of the signal.

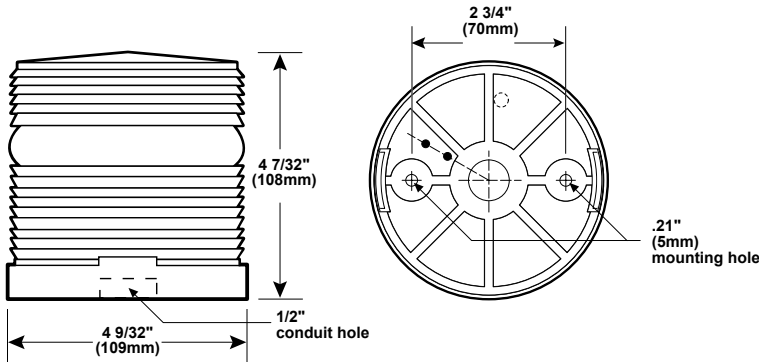
Cat. No.	Operating Voltage	Max. Off State Leakage Current (A)	Continuous On Current (A)	Surge (inrush / duration)
48XBRM*24D	24V DC	0.005	0.215	34.5 A / 52 microseconds
48XBRM*120A	120V AC 60 Hz	0.005	0.108	37.5 A / 164 microseconds

*Letter in this position designates LED color: A - amber, B - blue, G - green, R - red, or W - white

Weights and Dimensions

Cat. No.	Approx. Net Weight (lb.)	Approx. Shipping Weight (lb.)
48XBRM*120A	1.20	1.40
48XBRM*24D	1.20	1.40
GSK-KIT	0.70	1.00
CBR	4.00	4.20
WBR	2.30	2.50

*Letter in this position designates LED color: A - amber, B - blue, G - green, R - red, or W - white



Use Cat. No. GSK-KIT gasket kit suitable for outdoor surface mount installation on AC units

Beacons Multi-Mode LED 117 Class



Edwards 117 Class LED beacons are UL and cUL listed multi-mode visual signals designed for indoor and outdoor applications. They carry NEMA Type 4X and IP66 environmental ratings when surface mounted with the supplied gasket. The units are available in 120VAC or 12-48VDC and are field configurable with six flash patterns (plus steady-on) utilizing an internal board mounted push button on the DC models and an internal pattern select jumper on the AC models.

The high grade polycarbonate lens is shatter resistant and quickly threads on the base making it quick and simple to access the interior of the light to change the flash pattern as required. The base is manufactured from a 33% glass filled nylon, providing high resistance to heat and high chemical resistivity.

The 117 class LED beacon is designed for industrial and commercial applications that require the longevity of an LED combined with the brightness of a xenon strobe. These high quality units are very effective in high noise areas where ear protection is worn or audible signals may not be heard.

Features and Specifications

- Multi-mode LED (steady-on plus seven flash patterns)
- LED light source
- Suitable for use in indoor and outdoor applications
- Five lens colors
- Surface or conduit mounting
- 3/4" (19mm) NPT threaded conduit
- NEMA Type 4X and IP66 (when surface mounted with supplied gasket)



3.81"



VISUAL SIGNALS

Ordering Information

Description	Cat. No.	Operating Voltage	Current	Lens Colors	Replacement Lens
Multi-mode LED Beacon AC	117LEDMA120A	120V AC	0.091 A	Amber	117LA
	117LEDMB120A	120V AC	0.091 A	Blue	117LB
	117LEDMG120A	120V AC	0.091 A	Green	117LG
	117LEDMR120A	120V AC	0.091 A	Red	117LR
	117LEDMW120A	120V AC	0.091 A	Clear	117LC
Multi-mode LED Beacon DC	117LEDMA1248D	12/48V DC	0.245 A / 0.488 A	Amber	117LA
	117LEDMB1248D	12/48V DC	0.245 A / 0.488 A	Blue	117LB
	117LEDMG1248D	12/48V DC	0.245 A / 0.488 A	Green	117LG
	117LEDMR1248D	12/48V DC	0.245 A / 0.488 A	Red	117LR
	117LEDMW1248D	12/48V DC	0.245 A / 0.488 A	Clear	117LC



Beacons

Multi-Mode LED

117 Class

Signal Input Load Characteristics

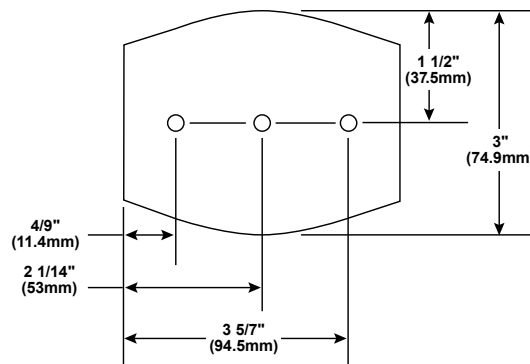
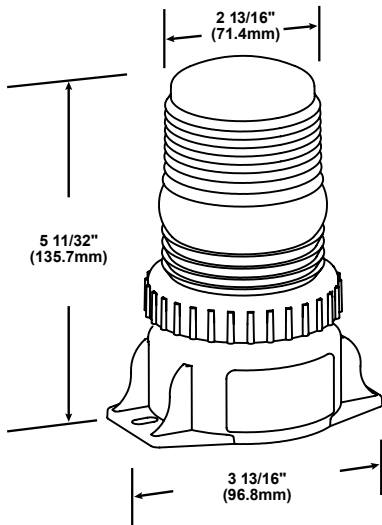
These devices may be operated by PLCs with output characteristics that match the input load requirements of the signal.

Cat. No.	Operating Voltage	Max. Off State Leakage Current (A)	Continuous On Current (A)
117LEDMA120A	120V AC	0.005	0.080
117LEDMB120A	120V AC	0.005	0.080
117LEDMG120A	120V AC	0.005	0.080
117LEDMR120A	120V AC	0.005	0.080
117LEDMW120A	120V AC	0.005	0.080
117LEDMA1248D	24V DC	0.005	0.110
117LEDMB1248D	24V DC	0.005	0.110
117LEDMG1248D	24V DC	0.005	0.110
117LEDMR1248D	24V DC	0.005	0.110
117LEDMW1248D	24V DC	0.005	0.110

Weights and Dimensions

Cat. No.	Approx. Net Weight (lb.)	Approx. Shipping Weight (lb.)
117LEDMA120A	0.50	0.60
117LEDMB120A	0.50	0.60
117LEDMG120A	0.50	0.60
117LEDMR120A	0.50	0.60
117LEDMW120A	0.50	0.60
117LEDMA1248D	0.50	0.60
117LEDMB1248D	0.50	0.60
117LEDMG1248D	0.50	0.60
117LEDMR1248D	0.50	0.60
117LEDMW1248D	0.50	0.60

*Letter in this position designates lens color: A - amber, B - blue, C - clear, G - green, M - magenta or R - red



Mounting

Beacons Multi-Mode LED 120 Class



The 120 Class Multi-mode LED beacons are configurable up to four flashing patterns, including steady-on.

The lenses are made from a self-extinguishing polycarbonate material, and are offered in amber, blue, green, red and clear.

The 120 Class are UL listed and carry a NEMA Type 4X and IP65 environmental rating.

Features and Specifications

- Multi-mode LED (steady-on plus four flash patterns)
- LED light source
- AC or AC/DC models
- Five lens colors
- NEMA Type 4X and IP65 rated enclosure
- Multiple mounting options
- Operating temperature range: -22°F to 122°F (-30°C to 50°C)



2.99"



Ordering Information

Description	Cat. No.	Operating Voltage ¹	Current	LED Colors
Multi-mode Beacon AC	120LEDMB90240A	90-240V AC	0.040 A	Blue
	120LEDMA90240A	90-240V AC	0.040 A	Amber
	120LEDMR90240A	90-240V AC	0.040 A	Red
	120LEDMG90240A	90-240V AC	0.040 A	Green
	120LEDMW90240A	90-240V AC	0.040 A	White
Multi-mode Beacon AC/DC	120LEDMB1224AD	12-24V AC/DC	0.180 A	Blue
	120LEDMA1224AD	12-24V AC/DC	0.180 A	Amber
	120LEDMR1224AD	12-24V AC/DC	0.180 A	Red
	120LEDMG1224AD	12-24V AC/DC	0.180 A	Green
	120LEDMW1224AD	12-24V AC/DC	0.180 A	White

¹AC voltage frequency is 50/60 Hz.

Accessories

Description	Cat. No.
Junction Box	270JBX
Footing with Extension	270KIT
Threaded Extension Pole 100mm	270TEP
Threaded Footing	270THF
Threaded Wall Mount	270TWM
Double Threaded Wall Mount	270TWM2
Female Adapter Base	270FMLADAPT



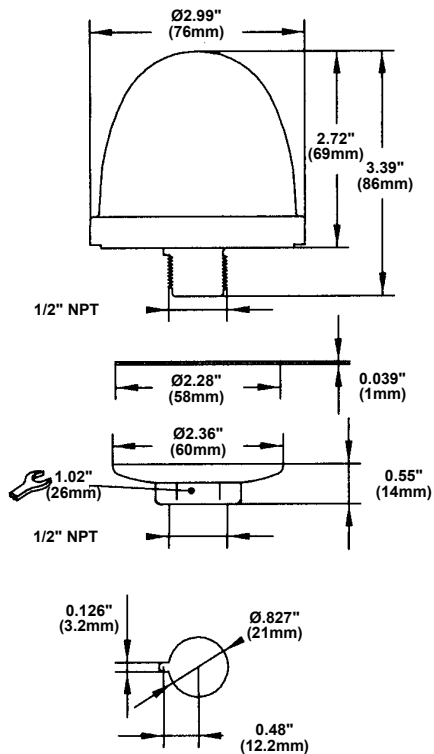
Beacons

Multi-Mode LED

120 Class

Weights and Dimensions

Cat. No.	Approx. Net Weight (lb.)	Approx. Shipping Weight (lb.)
120LEDMB90240A	0.35	1.00
120LEDMA90240A	0.35	1.00
120LEDMR90240A	0.35	1.00
120LEDMG90240A	0.35	1.00
120LEDMW90240A	0.35	1.00
120LEDMB1224AD	0.35	1.00
120LEDMA1224AD	0.35	1.00
120LEDMR1224AD	0.35	1.00
120LEDMG1224AD	0.35	1.00
120LEDMW1224AD	0.35	1.00
270JBX	0.22	0.90
270KIT	0.13	1.10
270TEP	0.07	0.22
270THF	0.07	0.29
270TWM	0.09	0.59
270TWM2	0.11	0.62
270FMLADAPT	0.02	0.26



Beacons: Explosionproof Multi-Mode LED 116 Series



The 116 Series LED Beacon is suitable for use in explosionproof and hazardous location applications such as oil platforms, refineries, granaries and chemical plants. UL and cUL listed for use in Class 1, Division 1 and 2 applications, this beacon is designed for areas requiring high visibility and notification as well as low maintenance. The long life LEDs reduce maintenance requirements by up to 90% when compared to a Xenon strobe tube. The LED light emits a 360-degree beam of light with 13 user selectable flash patterns in addition to a steady-on mode.

These beacons are UL and cUL listed for outdoor use as NEMA Type 3R, 4X, and Marine Rated enclosures. Mounting options are available (ordered separately) for ceiling, wall, pendant and stanchion mounts. The unit is supplied with a guard installed over the clear dome for additional protection against impact.

Features and Specifications

- Multi-mode LED (steady-on plus thirteen flash patterns)
- LED light source
- Five lens colors
- Ceiling, pendant, wall or stanchion mounting options (ordered separately)
- NEMA Type 3R, 4X and Marine Rated enclosures
- Explosionproof: Class I, Div 1, Groups C and D; Class I, Div 2, Groups A, B, C and D; Class II, Div 1 and 2, Groups E, F and G; Class III, Div 1 and 2



7.25"



NOTE: Mounting options not included (ordered separately)

VISUAL SIGNALS 1

Ordering Information

Description	Cat. No.	Operating Voltage ¹	Current	LED/Lens Colors	Flash Rate
Multi-mode LED	116EXMLEDA-Y6	120-240V AC 125-250V DC	0.215 A 0.176 A	Amber	Adjustable See Flash Mode Selection
	116EXMLEDB-Y6	120-240V AC 125-250V DC	0.215 A 0.176 A	Blue	Adjustable See Flash Mode Selection
	116EXMLEDW-Y6	120-240V AC 125-250V DC	0.215 A 0.176 A	White/Clear ²	Adjustable See Flash Mode Selection
	116EXMLEDG-Y6	120-240V AC 125-250V DC	0.215 A 0.176 A	Green	Adjustable See Flash Mode Selection
	116EXMLEDR-Y6	120-240V AC 125-250V DC	0.215 A 0.176 A	Red	Adjustable See Flash Mode Selection
	116EXMLEDA-AQ	24V AC/DC	1.18A AC 0.79A DC	Amber	Adjustable See Flash Mode Selection
	116EXMLEDB-AQ	24V AC/DC	1.18A AC 0.79A DC	Blue	Adjustable See Flash Mode Selection
	116EXMLEDG-AQ	24V AC/DC	1.18A AC 0.79A DC	Green	Adjustable See Flash Mode Selection
	116EXMLEDR-AQ	24V AC/DC	1.18A AC 0.79A DC	Red	Adjustable See Flash Mode Selection
	116EXMLEDW-AQ	24V AC/DC	1.18A AC 0.79A DC	White/Clear ²	Adjustable See Flash Mode Selection

¹AC voltage frequency is 50/60 Hz

²For most LED beacons, the LED color and lens color are the same. White LEDs are used with a clear inner lens for the White model.



Beacons: Explosionproof Multi-Mode LED 116 Series

Required Mounting Options

Description	Cat. No.	Conduit Size
Wall Bracket Mounting Elbow	116EX-B¹	—
Ceiling/Wall Mounting Module	116EX-C	3/4" NPT
Pendant Mounting Module	116EX-P	3/4" NPT
Stanchion Mounting Module	116EX-S	1 1/4" NPT

¹Note: Wall mount requires both 116EX-B and 116EX-C.

Hazardous Location Ratings

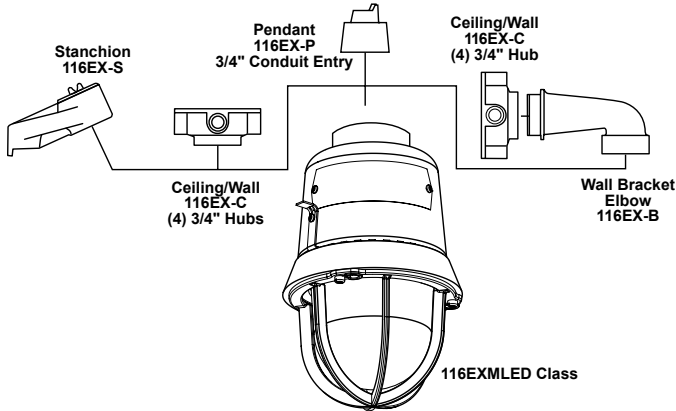
Cat. No.	Operating Temperature						
	Ambient Temp.	Supply Wire Temp. Marking	Class I, Div. 2 Groups A, B	Class I, Div. 1 & 2 Groups C, D	Class II, Div. 1 Groups E, F, G	Class II, Div. 2 Groups F, G	Class III, Div. 1 & 2
116 Series LED Beacon	40°C	75°C	T4 (135°C)	T6 (85°C)	T4A (120°C)	T4A (120°C)	T4A (120°C)
	55°C	90°C	T3C (160°C)	T6 (85°C)	T4 (135°C)	T4 (135°C)	T4 (135°C)
	65°C	105°C	T3C (160°C)	T6 (85°C)	T4 (135°C)	T4 (135°C)	T4 (135°C)

Flash Mode Selection

Pattern	Description	Switch S4	Switch S3	Switch S2	Switch S1
Steady-On	Steady	OFF	OFF	OFF	OFF
Multiburst 1	7 Bursts - Delay- Repeat	OFF	OFF	OFF	ON
Multiburst 2	5 Bursts - Delay - Repeat	OFF	OFF	ON	OFF
Multiburst 3	10 Bursts - 3 Bursts - Repeat	OFF	OFF	ON	ON
Multiburst 4	8 Bursts - delay w/slight illumination - Repeat	OFF	ON	OFF	OFF
Flash 1	65 FPM 10% Duty Cycle	OFF	ON	OFF	ON
Flash 2	65 FPM 25% Duty Cycle	OFF	ON	ON	OFF
Flash 3	65 FPM 50% Duty Cycle	OFF	ON	ON	ON
Flash 4	65 FPM 75% Duty Cycle	ON	OFF	OFF	OFF
Flash 5	80 FPM 10% Duty Cycle	ON	OFF	OFF	ON
Flash 6	80 FPM 25% Duty Cycle	ON	OFF	ON	OFF
Flash 7	80 FPM 50% Duty Cycle	ON	OFF	ON	ON
Flash 8	80 FPM 75% Duty Cycle	ON	ON	OFF	OFF
Ramper	Ramps up and then ramps down	ON	ON	OFF	ON

Beacons: Explosionproof Multi-Mode LED 116 Series

Mounting Options

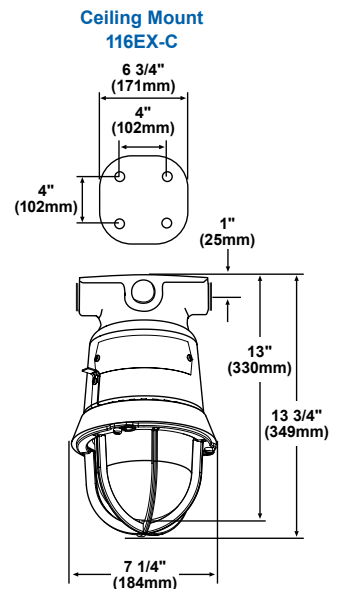
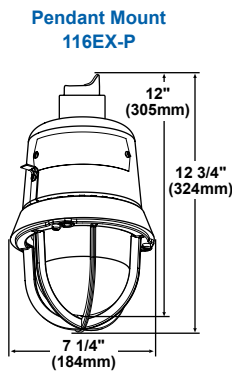
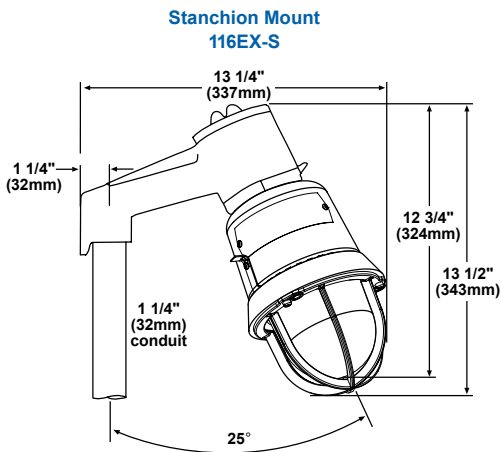
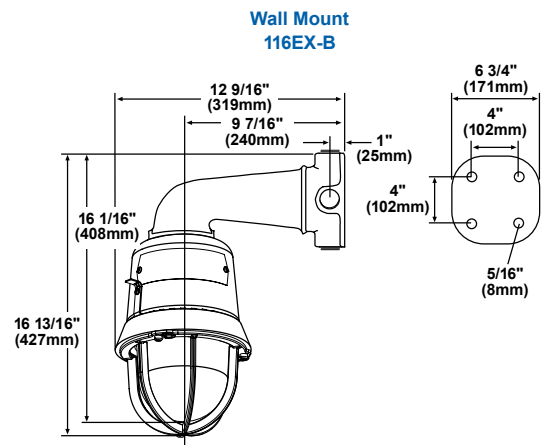


NOTE: 116EX-C must be used when application requires 116EX-B

Weights and Dimensions

Cat. No.	Approx. Net Weight (lb.)	Approx. Shipping Weight (lb.)
116EXMLEDA-Y6	11.40	12.44
116EXMLEDB-Y6	11.40	12.44
116EXMLEDW-Y6	11.40	12.44
116EXMLEDG-Y6	11.40	12.44
116EXMLEDR-Y6	11.40	12.44
116EXMLEDA-AQ	11.40	12.44
116EXMLEDB-AQ	11.40	12.44
116EXMLEDG-AQ	11.40	12.44
116EXMLEDR-AQ	11.40	12.44
116EXMLEDW-AQ	11.40	12.44
116EX-B	2.02	2.28
116EX-C	2.50	2.80
116EX-P	1.10	1.26
116EX-S	2.62	2.90

NOTE: For most LED beacons, the LED color and lens color are the same. White LEDs are used with a clear inner lens for the clear model.



Beacons

Multi-Mode LED

107XBR Series



The 107XBR hazardous location XTRA-BRITE™ LED visual signals are NEMA Type 3R and Type 4 heavy-duty visual signals suitable for use in indoor or outdoor applications. The units are available in 24V DC or 120V AC and are field configurable for steady-on or flashing (65 fpm). The inner, double fresnel lens is made of a high grade polycarbonate and is designed to magnify the super-bright LEDs inside. A clear, outer, impact-resistant glass globe also covers the lens and an optional dome guard fits over the glass dome to protect it against accidental impacts with machinery or falling objects.

The 107XBR has three different mounting configurations including the pendant mount, bracket mount and ceiling mount and can be mounted on 3/4" NPT threaded conduit.

Features and Specifications

- Multi-mode (flashing or steady-on)
- LED XTRA-BRITE™ light source
- Flash rate 65 fpm
- Five lens colors
- 3/4" NPT threaded conduit
- High level of immunity to shock and vibration
- Three mounting options: pendant, bracket or ceiling
- UL Listed for Class I, Div 2, Groups A, B, C, D; Class II, Div 1, Groups E, F, G; Class II, Div 2, Groups F and G; Class III, Div 1

Ordering Information

Description	Cat. No.	Operating Voltage ¹	Current	Lens Color	Median LED Life (L70) ²	Flash Rate ³	Replacement Dome
Pendant Mount AC	107XBRPMA120A	120V AC	0.115 A	Amber	148,000 hours	65 fpm	EDVPGL1HR
	107XBRPMB120A	120V AC	0.115 A	Blue	148,000 hours	65 fpm	EDVPGL1HR
	107XBRPMG120A	120V AC	0.115 A	Green	148,000 hours	65 fpm	EDVPGL1HR
	107XBRPMR120A	120V AC	0.115 A	Red	148,000 hours	65 fpm	EDVPGL1HR
	107XBRPMW120A	120V AC	0.115 A	Clear	148,000 hours	65 fpm	EDVPGL1HR
Bracket Mount AC	107XBRBMA120A	120V AC	0.115 A	Amber	148,000 hours	65 fpm	EDVPGL1HR
	107XBRBMB120A	120V AC	0.115 A	Blue	148,000 hours	65 fpm	EDVPGL1HR
	107XBRBMG120A	120V AC	0.115 A	Green	148,000 hours	65 fpm	EDVPGL1HR
	107XBRBMR120A	120V AC	0.115 A	Red	148,000 hours	65 fpm	EDVPGL1HR
	107XBRBMW120A	120V AC	0.115 A	Clear	148,000 hours	65 fpm	EDVPGL1HR
Ceiling Mount AC	107XBRCA120A	120V AC	0.115 A	Amber	148,000 hours	65 fpm	EDVPGL1HR
	107XBRCB120A	120V AC	0.115 A	Blue	148,000 hours	65 fpm	EDVPGL1HR
	107XBRCG120A	120V AC	0.115 A	Green	148,000 hours	65 fpm	EDVPGL1HR
	107XBRCMR120A	120V AC	0.115 A	Red	148,000 hours	65 fpm	EDVPGL1HR
	107XBRCMW120A	120V AC	0.115 A	Clear	148,000 hours	65 fpm	EDVPGL1HR

¹AC voltage frequency is 50/60 Hz

²Based on LED manufacturer's projections. Refer to <http://www.philipsumileds.com/pdfs/WP15.pdf>

³Only if activated by third yellow wire



Beacons Multi-Mode LED 107XBR Series



Ordering Information		Continued				
Description	Cat. No.	Operating Voltage	Current	Lens Color	Median LED Life (L70) ¹	Flash Rate ²
Pendant Mount DC	107XBRPMA24D	24V DC	0.220 A	Amber	148,000 hours	65 fpm
	107XBRPMB24D	24V DC	0.220 A	Blue	148,000 hours	65 fpm
	107XBRPMG24D	24V DC	0.220 A	Green	148,000 hours	65 fpm
	107XBRPMR24D	24V DC	0.220 A	Red	148,000 hours	65 fpm
	107XBRPMW24D	24V DC	0.220 A	Clear	148,000 hours	65 fpm
Bracket Mount DC	107XBRBMA24D	24V DC	0.220 A	Amber	148,000 hours	65 fpm
	107XBRBMB24D	24V DC	0.220 A	Blue	148,000 hours	65 fpm
	107XBRBMG24D	24V DC	0.220 A	Green	148,000 hours	65 fpm
	107XBRBMR24D	24V DC	0.220 A	Red	148,000 hours	65 fpm
	107XBRBMW24D	24V DC	0.220 A	Clear	148,000 hours	65 fpm
Ceiling Mount DC	107XBRCA24D	24V DC	0.220 A	Amber	148,000 hours	65 fpm
	107XBRCB24D	24V DC	0.220 A	Blue	148,000 hours	65 fpm
	107XBRCG24D	24V DC	0.220 A	Green	148,000 hours	65 fpm
	107XBRCMR24D	24V DC	0.220 A	Red	148,000 hours	65 fpm
	107XBRCMW24D	24V DC	0.220 A	Clear	148,000 hours	65 fpm

¹Based on LED manufacturer's projections. Refer to <http://www.philipslumileds.com/pdfs/WP15.pdf>
²Only if activated by third yellow wire

Accessories	
Description	Cat. No.
Optional Dome Guard	EDVPGU1

Hazardous Locations Listings		Operating Temperature				
Cat. No.	Ambient Temp.	Pendant, Bracket and Ceiling Mount			Pendant Mount Only	
		Class I, Div. 2, Groups A, B, C and D	Class II, Div. 1, Groups E, F, G	Class II, Div. 2, Groups F, G	Class III, Div. 1 & 2	
107XBR	40°C	135°C (T4)	85°C (T6)	85°C (T6)	85°C (T6)	
	55°C	135°C (T4)	85°C (T6)	85°C (T6)	85°C (T6)	
	65°C	135°C (T4)	85°C (T6)	85°C (T6)	85°C (T6)	

Note: Class II and Class III only apply to Pendant Mount with clear globes

VISUAL SIGNALS

Beacons

Multi-Mode LED

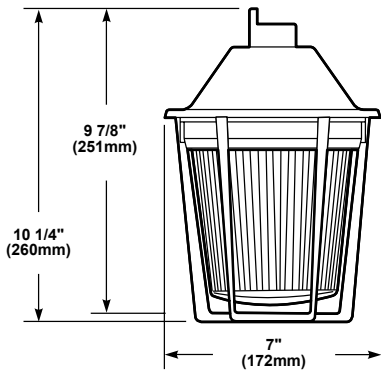
107XBR Series

Weights and Dimensions

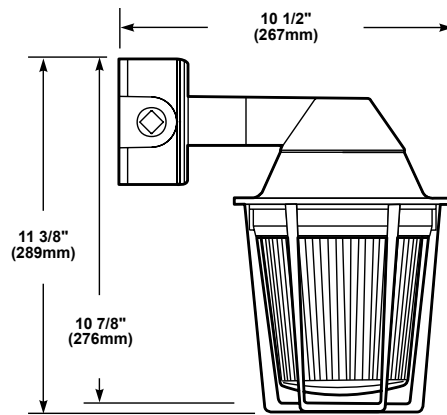
Cat. No.	Approx. Net Weight (lb.)	Approx. Shipping Weight (lb.)
107XBRBM*120A	6.40	10.87
107XBRCM*120A	5.40	9.87
107XBRPM*120A	4.50	8.97
107XBRBM*24D	6.40	10.87
107XBRCM*24D	5.40	9.87
107XBRPM*24D	4.50	8.97

*Letter in this position designates lens color: A - amber, B - blue, G - green, R - red, W - clear

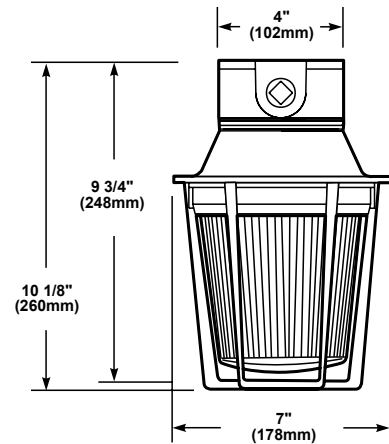
Pendant Mounting



Bracket Mounting



Ceiling Mounting



Beacons Flashing LED 125 Class



Edwards 125 Class standard flashing LED beacons are NEMA Type 4X signaling devices, suitable for use in indoor or outdoor applications where an intermittent (flashing) light source is required. Base material is gray or black, manufactured from a 33% glass filled nylon, providing a high resistance to heat and chemicals. The lens is made of shatter-resistant polycarbonate.

Features and Specifications

- LED light source
- Flash rate 65 fpm
- Shatter-resistant polycarbonate lens
- Gray or black glass filled nylon base
- Option for panel or conduit mounting
- Suitable for indoor or outdoor applications
- For outdoor use, lens should face up
- NEMA Type 4X enclosure
- Operating temperature range: -31°F to 150°F (-35°C to 66°C)



3.25"



Ordering Information						
Description	Cat. No.	Operating Voltage ¹	Current	LED Colors	Lamp Ratings	Replacement Lens
Flashing Beacon LED Gray Base	125LEDFA120A	120V AC	0.097 A	Amber	100,000 hours	125LA
	125LEDFB120A	120V AC	0.097 A	Blue	100,000 hours	125LB
	125LEDFG120A	120V AC	0.097 A	Green	100,000 hours	125LG
	125LEDFR120A	120V AC	0.097 A	Red	100,000 hours	125LR
	125LEDFA24D	24V DC	0.060 A	Amber	100,000 hours	125LA
	125LEDFB24D	24V DC	0.060 A	Blue	100,000 hours	125LB
	125LEDFG24D	24V DC	0.060 A	Green	100,000 hours	125LG
	125LEDFR24D	24V DC	0.060 A	Red	100,000 hours	125LR
Flashing Beacon LED Black Base	125LEDFA120AB	120V AC	0.097 A	Amber	100,000 hours	125LA
	125LEDFB120AB	120V AC	0.097 A	Blue	100,000 hours	125LB
	125LEDFG120AB	120V AC	0.097 A	Green	100,000 hours	125LG
	125LEDFR120AB	120V AC	0.097 A	Red	100,000 hours	125LR
	125LEDFA24DB	24V DC	0.060 A	Amber	100,000 hours	125LA
	125LEDFB24DB	24V DC	0.060 A	Blue	100,000 hours	125LB
	125LEDFG24DB	24V DC	0.060 A	Green	100,000 hours	125LG
	125LEDFR24DB	24V DC	0.060 A	Red	100,000 hours	125LR

¹AC voltage frequency is 50/60 Hz

Accessories	
Description	Cat. No.
Protective Wire Guard	125GRD
Corner Mount Bracket	CBR
Wall Mount Bracket	WBR



125GRD
Protective Wire Guard



CBR
Corner Mount Bracket



WBR
Wall Mount Bracket



Beacons

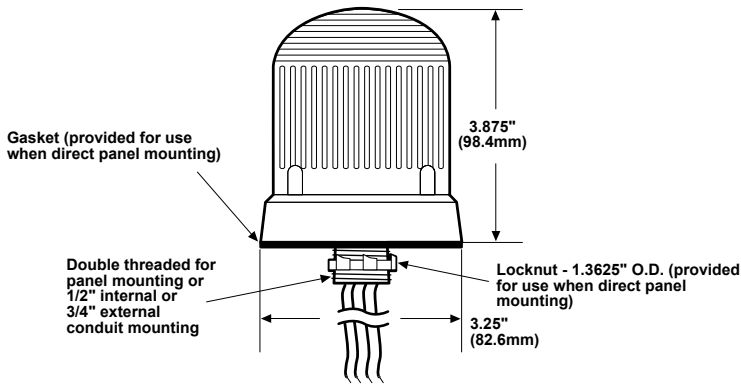
Flashing LED

125 Class

Weights and Dimensions

Cat. No.	Approx. Net Weight (lb.)	Approx. Shipping Weight (lb.)
125LEDF*120A	0.25	0.50
125LEDF*24D	0.25	0.50
125LEDF*120AB	0.25	0.50
125LEDF*24DB	0.25	0.50
125GRD	0.61	0.77
CBR	4.00	4.20
WBR	2.30	2.50

*Letter in this position designates LED color: A - amber, B - blue, G - green, R - red



Beacons

Flashing Halogen

125 Class



Edwards 125 Class standard flashing Halogen beacons are NEMA Type 4X signaling devices, suitable for use in indoor or outdoor applications where an intermittent (flashing) light source is required. Base material is gray or black, manufactured from a 33% glass filled nylon, providing a high resistance to heat and chemicals. The lens is made of shatter-resistant polycarbonate.

Features and Specifications

- Halogen light source
- Flash rate 65 fpm
- Shatter-resistant polycarbonate lens
- Gray or black glass filled nylon base
- Suitable for indoor or outdoor applications
- For outdoor use, lens should face up
- Option for panel or conduit mounting
- NEMA Type 4X enclosure
- Operating temperature range: -31°F to 150°F (-35°C to 66°C)



3.25"



Ordering Information

Description	Cat. No.	Operating Voltage ¹	Current	Lens Colors	Replacement	
					Lens	Lamp
Flashing Beacon Halogen Gray Base	125HALFA24A	24V AC	0.770 A	Amber	125LA	50LMP-9WH-D
	125HALFB24A	24V AC	0.770 A	Blue	125LB	or Ind. Trade
	125HALFC24A	24V AC	0.770 A	Clear	125LC	No. 1692 ³
	125HALFG24A	24V AC	0.770 A	Green	125LG	9 watts
	125HALFR24A	24V AC	0.770 A	Red	125LR	15,000 hrs ²
	125HALFA120A	120V AC	0.200 A	Amber	125LA	50LMP-12WH-D
	125HALFB120A	120V AC	0.200 A	Blue	125LB	or Ind. Trade
	125HALFC120A	120V AC	0.200 A	Clear	125LC	No. 15T7DC ³
	125HALFG120A	120V AC	0.200 A	Green	125LG	12 watts
	125HALFR120A	120V AC	0.200 A	Red	125LR	25,000 hrs ²
	125HALFA24D	24V DC	0.770 A	Amber	125LA	50LMP-9WH-D
	125HALFB24D	24V DC	0.770 A	Blue	125LB	or Ind. Trade
	125HALFC24D	24V DC	0.770 A	Clear	125LC	No. 1692 ³
	125HALFG24D	24V DC	0.770 A	Green	125LG	9 watts
	125HALFR24D	24V DC	0.770 A	Red	125LR	15,000 hrs ²
Flashing Beacon Halogen Black Base	125HALFA24AB	24V AC	0.770 A	Amber	125LA	50LMP-9WH-D
	125HALFB24AB	24V AC	0.770 A	Blue	125LB	or Ind. Trade
	125HALFC24AB	24V AC	0.770 A	Clear	125LC	No. 1692 ³
	125HALFG24AB	24V AC	0.770 A	Green	125LG	9 watts
	125HALFR24AB	24V AC	0.770 A	Red	125LR	15,000 hrs ²
	125HALFA120AB	120V AC	0.200 A	Amber	125LA	50LMP-12WH-D
	125HALFB120AB	120V AC	0.200 A	Blue	125LB	or Ind. Trade
	125HALFC120AB	120V AC	0.200 A	Clear	125LC	No. 15T7DC ³
	125HALFG120AB	120V AC	0.200 A	Green	125LG	12 watts
	125HALFR120AB	120V AC	0.200 A	Red	125LR	25,000 hrs ²
	125HALFA24DB	24V DC	0.770 A	Amber	125LA	50LMP-9WH-D
	125HALFB24DB	24V DC	0.770 A	Blue	125LB	or Ind. Trade
	125HALFC24DB	24V DC	0.770 A	Clear	125LC	No. 1692 ³
	125HALFG24DB	24V DC	0.770 A	Green	125LG	9 watts
	125HALFR24DB	24V DC	0.770 A	Red	125LR	15,000 hrs ²

¹AC voltage frequency is 50/60 Hz

²Projected lamp life based on manufacturers calculated lamp life at 65 fpm and 50% duty cycle

³Incandescent lamps, user supplied



Beacons

Flashing Halogen

125 Class

Accessories	
Description	Cat. No.
Protective Wire Guard	125GRD
Corner Mount Bracket	CBR
Wall Mount Bracket	WBR



125GRD
Protective Wire Guard



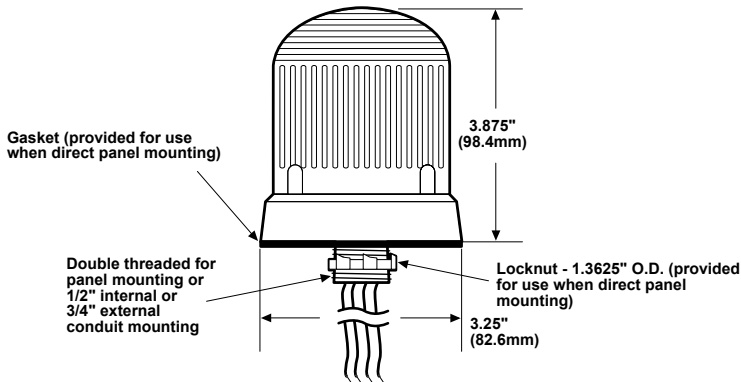
CBR
Corner Mount Bracket



WBR
Wall Mount Bracket

Weights and Dimensions		
Cat. No.	Approx. Net Weight (lb.)	Approx. Shipping Weight (lb.)
125HALF*24A	0.47	0.56
125HALF*120A	0.47	0.56
125HALF*24D	0.47	0.56
125HALF*24AB	0.47	0.56
125HALF*120AB	0.47	0.56
125HALF*24DB	0.47	0.56
125GRD	0.61	0.77
CBR	4.00	4.20
WBR	2.30	2.50

*Letter in this position designates lens color: A - amber, B - blue, G - green, R - red, C - clear



Beacons

Flashing Incandescent

125 Class



Edwards 125 Class standard flashing Incandescent beacons are NEMA Type 4X signaling devices, suitable for use in indoor or outdoor applications where an intermittent (flashing) light source is required. Base material is gray or black, manufactured from a 33% glass filled nylon, providing a high resistance to heat and chemicals. The lens is made of shatter-resistant polycarbonate.

Features and Specifications

- Incandescent light source
- Flash rate 65 fpm
- Shatter-resistant polycarbonate lens
- Gray or black glass filled nylon base
- Suitable for indoor or outdoor applications
- For outdoor use, lens should face up
- Option for panel or conduit mounting
- NEMA Type 4X enclosure
- Operating temperature range: -31°F to 150°F (-35°C to 66°C)



3.25"



Ordering Information

Description	Cat. No.	Operating Voltage ¹	Current	Lens Colors	Replacement	
					Lens	Lamp
Flashing Beacon Incandescent Gray Base	125INCFA120A	120V AC	0.150 A	Amber	125LA	Industry Trade 15T7DC ²
	125INCFB120A	120V AC	0.150 A	Blue	125LB	
	125INCFC120A	120V AC	0.150 A	Clear	125LC	
	125INCFG120A	120V AC	0.150 A	Green	125LG	
	125INCFR120A	120V AC	0.150 A	Red	125LR	
	125INCFA24D	24V DC	0.610 A	Amber	125LA	Industry Trade 1692 ²
	125INCFB24D	24V DC	0.610 A	Blue	125LB	
	125INCFC24D	24V DC	0.610 A	Clear	125LC	
	125INCFG24D	24V DC	0.610 A	Green	125LG	
	125INCFR24D	24V DC	0.610 A	Red	125LR	
Flashing Beacon Incandescent Black Base	125INCFA120AB	120V AC	0.150 A	Amber	125LA	Industry Trade 15T7DC ²
	125INCFB120AB	120V AC	0.150 A	Blue	125LB	
	125INCFC120AB	120V AC	0.150 A	Clear	125LC	
	125INCFG120AB	120V AC	0.150 A	Green	125LG	
	125INCFR120AB	120V AC	0.150 A	Red	125LR	
	125INCFA24DB	24V DC	0.610 A	Amber	125LA	Industry Trade 1692 ²
	125INCFB24DB	24V DC	0.610 A	Blue	125LB	
	125INCFC24DB	24V DC	0.610 A	Clear	125LC	
	125INCFG24DB	24V DC	0.610 A	Green	125LG	
	125INCFR24DB	24V DC	0.610 A	Red	125LR	

¹AC voltage frequency is 50/60 Hz

²User supplied

Accessories

Description	Cat. No.
Protective Wire Guard	125GRD
Corner Mount Bracket	CBR
Wall Mount Bracket	WBR



125GRD
Protective Wire Guard



CBR
Corner Mount Bracket



WBR
Wall Mount Bracket



Beacons

Flashing Incandescent

125 Class

Signal Input Load Characteristics

These devices may be operated by PLCs with output characteristics that match the input load requirements of the signal.

Cat. No. ¹	Operating ² Voltage	Max. Off State Leakage Current (A)	Continuous On Current (A)	Repetitive Surge	Surge (inrush / duration)
125INCF*24D	24V DC	0.025	0.610	0.68 A	7 A Exponentially Decaying
125INCF*120A	120V AC	0.025	0.150	0.3 A / 8 ms	0.8 A Exponentially Decaying

*Letter in this position designates lens color: A - amber, B - blue, C - clear, G - green, or R - red

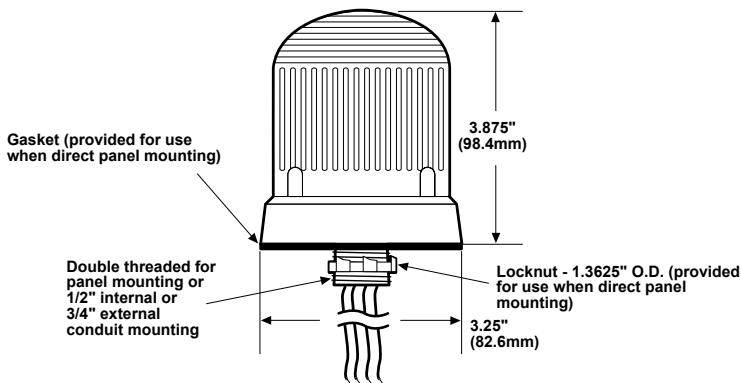
¹Applies to all models with any lens color and with either a gray or black base.

²AC voltage frequency is 50/60 Hz

Weights and Dimensions

Cat. No.	Approx. Net Weight (lb.)	Approx. Shipping Weight (lb.)
125INCF*120A	0.47	0.56
125INCF*24D	0.47	0.56
125INCF*120AB	0.47	0.56
125INCF*24DB	0.47	0.56
125GRD	0.61	0.77
CBR	4.00	4.20
WBR	2.30	2.50

*Letter in this position designates lens color: A - amber, B - blue, C - clear, G - green or R - red



Beacons

Flashing LED or Incandescent

120 Class

NEW
Coming In 2013



2.99"

R A G B C

The 120 Class multi-light source beacons are flashing and require either an LED bulb or 5W incandescent bulb (sold separately).

The lenses are made from a self-extinguishing polycarbonate material, and are offered in amber, blue, green, red and clear.

The 120 Class are UL listed and carry a NEMA Type 4X and IP65 environmental rating.

Features and Specifications

- LED or Incandescent light source (not included)
- AC or DC models
- Five lens colors
- NEMA Type 4X and IP65 rated enclosure
- Multiple mounting options
- Operating temperature range: -22°F to 122°F (-30°C to 50°C)

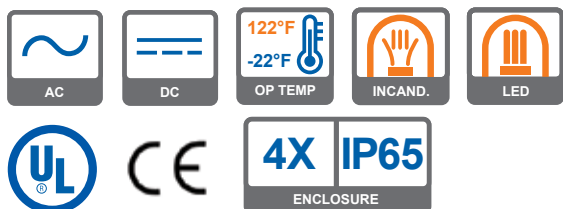
Ordering Information

Description	Cat. No.	Operating Voltage ¹	Current	Lens Colors	Watts	Candela
Flashing Beacon AC	120FB24240A	24-240V AC	0.21 - 0.022 A	Blue	5	3.0 - 2.5
	120FA24240A	24-240V AC	0.21 - 0.022 A	Amber	5	3.0 - 2.5
	120FR24240A	24-240V AC	0.21 - 0.022 A	Red	5	3.0 - 2.5
	120FG24240A	24-240V AC	0.21 - 0.022 A	Green	5	3.0 - 2.5
	120FW24240A	24-240V AC	0.21 - 0.022 A	Clear	5	3.0 - 2.5
Flashing Beacon DC	120FB1248D	12-48V DC	0.43 - 0.10 A	Blue	5	4.0 - 3.0
	120FA1248D	12-48V DC	0.43 - 0.10 A	Amber	5	4.0 - 3.0
	120FR1248D	12-48V DC	0.43 - 0.10 A	Red	5	4.0 - 3.0
	120FG1248D	12-48V DC	0.43 - 0.10 A	Green	5	4.0 - 3.0
	120FW1248D	12-48V DC	0.43 - 0.10 A	Clear	5	4.0 - 3.0

¹AC voltage frequency is 50/60 Hz.

Accessories

Description	Cat. No.
Junction Box	270JBX
Footing with Extension	270KIT
Threaded Extension Pole 100mm	270TEP
Threaded Footing	270THF
Threaded Wall Mount	270TWM
Double Threaded Wall Mount	270TWM2
Female Adapter Base	270FMLADAPT



1
VISUAL SIGNALS

Beacons

Flashing LED or Incandescent

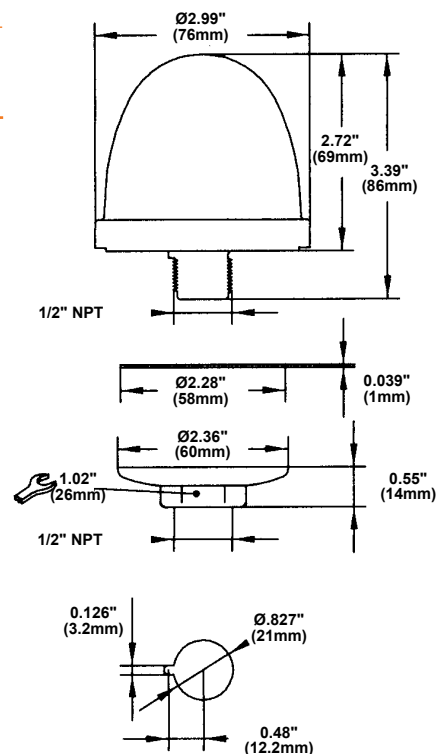
120 Class

Bulbs			
Description	Cat. No.	Operating Voltage	LED Color
LED Bulb	270LEDB120V	120V AC	Blue
	270LEDA120V	120V AC	Amber
	270LEDR120V	120V AC	Red
	270LEDG120V	120V AC	Green
	270LEDW120V	120V AC	White
	270LEDB240V	230/240V AC	Blue
	270LEDA240V	230/240V AC	Amber
	270LEDR240V	230/240V AC	Red
	270LEDG240V	230/240V AC	Green
	270LEDW240V	230/240V AC	White
	270LEDB12V	12V AC/DC	Blue
	270LEDA12V	12V AC/DC	Amber
	270LEDR12V	12V AC/DC	Red
	270LEDG12V	12V AC/DC	Green
	270LEDW12V	12V AC/DC	White
	270LEDB24V	24V AC/DC	Blue
	270LEDA24V	24V AC/DC	Amber
	270LEDR24V	24V AC/DC	Red
	270LEDG24V	24V AC/DC	Green
	270LEDW24V	24V AC/DC	White
5W Incandescent Bulb	2705W120V	120V AC	
5W Incandescent Bulb-25 Pack	2705W120V25PK	120V AC	
5W Incandescent Bulb	2705W240V	240V AC	
5W Incandescent Bulb-25 Pack	2705W240V25PK	240V AC	
5W Incandescent Bulb	2705W12V	12V AC/DC	
5W Incandescent Bulb-25 Pack	2705W12V25PK	12V AC/DC	
5W Incandescent Bulb	2705W24V	24V AC/DC	
5W Incandescent Bulb-25 Pack	2705W24V25PK	24V AC/DC	
5W Incandescent Bulb	2705W48V	48V AC/DC	
5W Incandescent Bulb-25 Pack	2705W48V25PK	48V AC/DC	



Weights and Dimensions

Cat. No.	Approx. Net Weight (lb.)	Approx. Shipping Weight (lb.)
120FB24240A	0.29	0.95
120FA24240A	0.29	0.95
120FR24240A	0.29	0.95
120FG24240A	0.29	0.95
120FW24240A	0.29	0.95
120FB1248D	0.29	0.95
120FA1248D	0.29	0.95
120FR1248D	0.29	0.95
120FG1248D	0.29	0.95
120FW1248D	0.29	0.95
270JBX	0.22	0.90
270KIT	0.13	1.10
270TEP	0.07	0.22
270THF	0.07	0.29
270TWM	0.09	0.59
270TWM2	0.11	0.62
270FMLADAPT	0.02	0.26



Beacons

Flashing Halogen

105 Series

Edwards 105 Series flashing Halogen beacons are NEMA Type 4X signaling devices, suitable for use in indoor or outdoor applications where an intermittent (flashing) light source is required. Base material is gray, manufactured from glass-reinforced thermoplastic polyester resin and features brass hardware. The double fresnel lens is made of shatter-resistant polycarbonate.

Features and Specifications

- Halogen light source
- Flash rate 65 fpm
- Shatter-resistant double fresnel polycarbonate lens
- Gray Rynite® (PET) base with brass hardware
- Suitable for indoor, outdoor and marine applications
- For outdoor use, lens should face up
- NEMA Type 4X enclosure
- Class I, Div 2, Groups A, B, C and D; Class II, Div 2, Groups F and G; Class III
- Option for panel or conduit mounting



Ordering Information							
Description	Cat. No.	Operating Voltage	Current	Lens Color	Peak Candela	Lamp Ratings	Replacement Lamp
Flashing Beacon Halogen AC	105FINHA-G5	24V AC	0.8 A	Amber	2839	20W, 20,000 hours ^{1,2}	50LMP-20WH or Ind. Trade No. 1692 ³
	105FINHB-G5	24V AC	0.8 A	Blue			
	105FINHC-G5	24V AC	0.8 A	Clear			
	105FINHG-G5	24V AC	0.8 A	Green			
	105FINHM-G5	24V AC	0.8 A	Magenta			
	105FINHR-G5	24V AC	0.8 A	Red	2198	25W, 20,000 hours ^{1,2}	50LMP-25WH or Ind. Trade No. 25T8DC ³
	105FINHA-N5	120V AC	0.2 A	Amber			
	105FINHB-N5	120V AC	0.2 A	Blue			
	105FINHC-N5	120V AC	0.2 A	Clear			
	105FINHG-N5	120V AC	0.2 A	Green			
105FINHM-N5	120V AC	0.2 A	Magenta	2839	20W, 20,000 hours ^{1,2}	50LMP-20WH or Ind. Trade No. 1692 ³	
105FINHR-N5	120V AC	0.2 A	Red				
105FINHA-G1	24V DC	0.8 A	Amber				
105FINHB-G1	24V DC	0.8 A	Blue				
105FINHC-G1	24V DC	0.8 A	Clear				
105FINHG-G1	24V DC	0.8 A	Green	2839	20W, 20,000 hours ^{1,2}	50LMP-20WH or Ind. Trade No. 1692 ³	
105FINHM-G1	24V DC	0.8 A	Magenta				
105FINHR-G1	24V DC	0.8 A	Red				

¹At nominal operating voltage.

²Projected lamp life based on manufacturer's calculated lamp life at 65 fpm and 50% duty cycle.

³Incandescent lamp, user supplied

Accessories	
Description	Cat. No.
Wall Mount Bracket	105BM ⁴
Outlet Box Attachment	105BX
Pipe Mount Attachment	105PM



Wall Mount Bracket

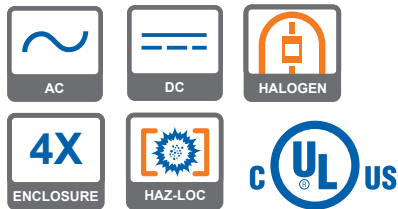


Outlet Box Attachment



Pipe Mount Attachment

⁴Must be used with the 105BX.



Beacons

Flashing Halogen

105 Series

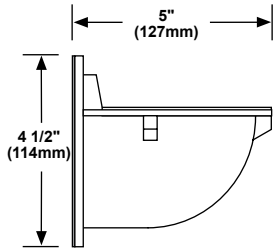
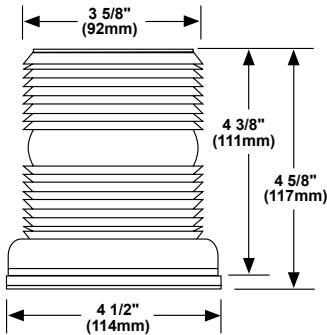
Hazardous Location Listings

Cat. No.	Class	Division	Group	Operating Temperature
105FINH*-N5	I	2	A, B, C, D	T2 (300°C, 572°F)
105SINH*-N5	II	2	F, G	T4 (135°C, 275°F)
	III			T4 (135°C, 275°F)

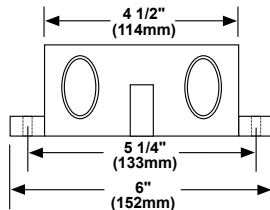
Weights and Dimensions

Cat. No.	Approx. Net Weight (lb.)	Approx. Shipping Weight (lb.)
105FINH*-G5	0.88	1.04
105FINH*-N5	0.88	1.04
105FINH*-G1	0.88	1.04
105BX	0.80	1.00
105BM	1.00	1.20
105PM	0.80	1.00

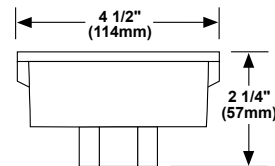
*Letter in this position designates lens color: A - amber, B - blue, C - clear, G - green, M - magenta or R - red



Cat. No. 105BM Mounting Bracket
(Must be used with 105BX)



Cat. No. 105BX
Outlet Box Attachment
(4) 3/4" Threaded Hubs



Cat. No. 105PM
Pipe Mount Attachment
(Pipe mount is 3/4" NPT)

Beacons

Flashing Halogen or Incandescent

48 Series

Edwards Signaling 48 Series mid-sized, Halogen and Incandescent flashing beacons are economical, NEMA Type 4X rated devices suitable for use in indoor or outdoor applications where a flashing light source is required. Base material is gray ABS. Unique snap-on, high-impact polycarbonate double fresnel lens is optically engineered to maximize light distribution and viewing distance.

Features and Specifications

- Halogen or Incandescent light source
- Flash rate 65 fpm
- Quick snap-on, high-impact polycarbonate lens
- Gray ABS base
- Suitable for use in indoor and outdoor applications
- For outdoor use, lens should face up
- Option for panel or conduit mounting
- NEMA Type 4X enclosure
- Operating temperature range: -31°F to 150°F (-35°C to 66°C)



VISUAL SIGNALS

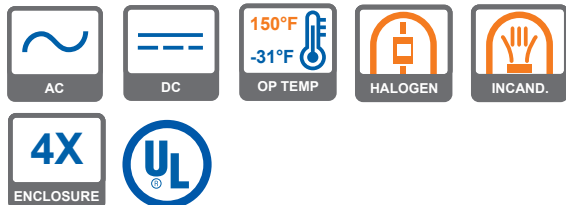
Ordering Information

Description	Cat. No.	Operating Voltage	Operating Current	Lens Colors	Lamp Ratings ¹	Replacement				
						Lens	Flasher	Lamp		
Flashing Beacon Halogen	48FINR-G5-20WH	24V AC	0.80 A	Red	25,000 hr.	96-LR	P-041917-0029	50LMP-20WH or Ind. Trade No. 1692 ^{2,3}		
	48FING-G5-20WH	24V AC	0.80 A	Green	25,000 hr.	96-LG				
	48FINA-G5-20WH	24V AC	0.80 A	Amber	25,000 hr.	96-LA				
	48FINB-G5-20WH	24V AC	0.80 A	Blue	25,000 hr.	96-LB				
	48FINC-G5-20WH	24V AC	0.80 A	Clear	25,000 hr.	96-LC				
	48FINM-G5-20WH	24V AC	0.80 A	Magenta	25,000 hr.	96-LM				
	48FINR-N5-25WH	120V AC	0.20 A	Red	25,000 hr.	96-LR	P-041917-0026	50LMP-25WH or Ind. Trade No. 25T8DC ^{2,3}		
	48FING-N5-25WH	120V AC	0.20 A	Green	25,000 hr.	96-LG				
	48FINA-N5-25WH	120V AC	0.20 A	Amber	25,000 hr.	96-LA				
	48FINB-N5-25WH	120V AC	0.20 A	Blue	25,000 hr.	96-LB				
	48FINC-N5-25WH	120V AC	0.20 A	Clear	25,000 hr.	96-LC				
	48FINM-N5-25WH	120V AC	0.20 A	Magenta	25,000 hr.	96-LM				
	Flashing Beacon Incandescent	48FINR-G1-20WH	24V DC	0.80 A	Red	25,000 hr.	96-LR	P-041917-0029	50LMP-20WH	
		48FING-G1-20WH	24V DC	0.80 A	Green	25,000 hr.	96-LG			
48FINA-G1-20WH		24V DC	0.80 A	Amber	25,000 hr.	96-LA				
48FINB-G1-20WH		24V DC	0.80 A	Blue	25,000 hr.	96-LB				
48FINC-G1-20WH		24V DC	0.80 A	Clear	25,000 hr.	96-LC				
48FINM-G1-20WH		24V DC	0.80 A	Magenta	25,000 hr.	96-LM				
48FINR-E1		12V DC	1.0 A	Red	1,520 hr.	96-LR	P-041917-0028			Industry Trade No. 94 ³
48FING-E1		12V DC	1.0 A	Green	1,520 hr.	96-LG				
48FINA-E1	12V DC	1.0 A	Amber	1,520 hr.	96-LA					
48FINB-E1	12V DC	1.0 A	Blue	1,520 hr.	96-LB					
48FINC-E1	12V DC	1.0 A	Clear	1,520 hr.	96-LC					
48FINM-E1	12V DC	1.0 A	Magenta	1,520 hr.	96-LM					

¹Projected lamp life based on manufacturer's calculated lamp life at 65 fpm and 50% duty cycle.

²Incandescent lamps

³User supplied



Beacons

Flashing Halogen or Incandescent

48 Series

Accessories

Description	Cat. No.
Gasket Kit suitable for outdoor surface installation – AC models	GSK-KIT
Corner Mount Bracket	CBR
Wall Mount Bracket	WBR



GSK-KIT
Gasket Kit



CBR
Corner Mount Bracket



WBR
Wall Mount Bracket

Signal Input Load Characteristics

These devices may be operated by PLCs with output characteristics that match the input load requirements of the signal.

Cat. No.	Operating ¹ Voltage	Max. Off State Leakage Current (A)	Continuous On Current (A)	Surge (inrush / duration)
48FIN*-N5-25WH	120V AC	0.025	0.200	1.3 A / 8 mSeconds
48FIN*-G1-20WH	24V DC	0.025	0.800	2.2 A / 100 mSeconds

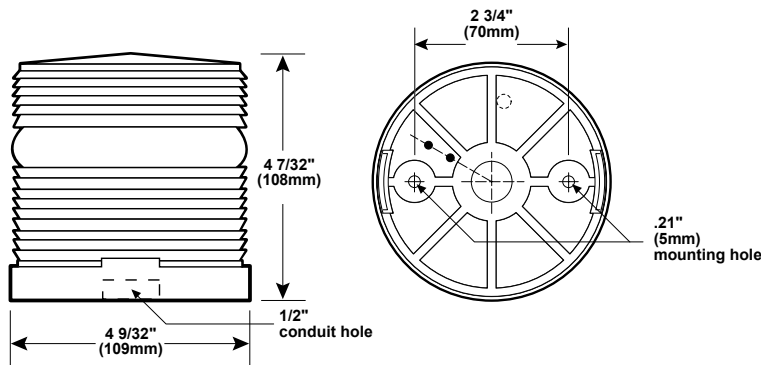
*Letter in this position designates lens color: A - amber, B - blue, C - clear, G - green, M - magenta or R - red

¹AC voltage frequency is 50/60 Hz

Weights and Dimensions

Cat. No.	Approx. Net Weight (lb.)	Approx. Shipping Weight (lb.)
48FIN*-G5-20WH	0.16	0.32
48FIN*-N5-25WH	0.16	0.32
48FIN*-G1-20WH	0.16	0.32
48FIN*-E1	0.70	0.86
GSK-KIT	0.70	1.00
CBR	4.00	4.20
WBR	2.30	2.50

*Letter in this position designates lens color: A - amber, B - blue, C - clear, G - green, M - magenta or R - red



Use Cat. No. GSK-KIT gasket kit suitable for outdoor surface mount installation on AC units

Beacons

Flashing Halogen

49 Series

Edwards 49 Series flashing Halogen beacons are signaling devices, suitable for use in indoor or outdoor applications where an intermittent (flashing) light source is required. They feature a protective polycarbonate dome and a cast metal base that can be used as a junction box. The double fresnel lens is made of shatter-resistant polycarbonate.

Features and Specifications

- Halogen light source
- Flash rate 65 fpm
- Shatter-resistant double fresnel polycarbonate lens
- Protective polycarbonate dome
- Cast metal base
- Suitable for use in indoor and outdoor applications
- For outdoor use, lens should face up
- 1/2" NPT conduit or surface mounting
- Designed for 4" octagonal box mounting
- Option for panel, conduit or wall mounting
- Operating temperature range: -31°F to 150°F (-35°C to 66°C)



Ordering Information

Description	Cat. No.	Operating Voltage ¹	Current	Lens Colors	Lamp Ratings	Replacement			
						Dome	Lens	Flasher	Lamp
Flashing Beacon Halogen	49R-N5-40WH	120V AC	0.30 A	Red		52-LC	92-LR		
	49A-N5-40WH	120V AC	0.30 A	Amber	40 watts	52-LC	92-LA		
	49B-N5-40WH	120V AC	0.30 A	Blue	265 lumens ²	52-LC	92-LB	P-041917-0026	50LMP-40WH
	49G-N5-40WH	120V AC	0.30 A	Green	3328 candela	52-LC	92-LG		
	49M-N5-40WH	120V AC	0.30 A	Magenta	25,000 hours ³	52-LC	92-LM		
	49C-N5-40WH	120V AC	0.30 A	Clear		52-LC	92-LC		
	49R-R5	240V AC	0.10 A	Red		52-LC	92-LR		
	49A-R5	240V AC	0.10 A	Amber	25 watts	52-LC	92-LA		
	49B-R5	240V AC	0.10 A	Blue	232 lumens ²	52-LC	92-LB	P-041917-0038	P-041917-0039 or Industry Trade No. 25T8/240V/DC/CL ⁴
	49G-R5	240V AC	0.10 A	Green	2914 candela	52-LC	92-LG		
49M-R5	240V AC	0.10 A	Magenta	120 hours ³	52-LC	92-LM			
49C-R5	240V AC	0.10 A	Clear		52-LC	92-LC			

¹AC voltage frequency is 50/60 Hz

²Bulb manufacturer's lumen rating

³Projected lamp life based on manufacturer's calculated lamp life at 65 fpm and 50% duty cycle.

⁴User supplied

Accessories

Description	Cat. No.
Corner Mount Bracket	CBR
Wall Mount Bracket	WBR



CBR
Corner Mount Bracket



WBR
Wall Mount Bracket



Beacons

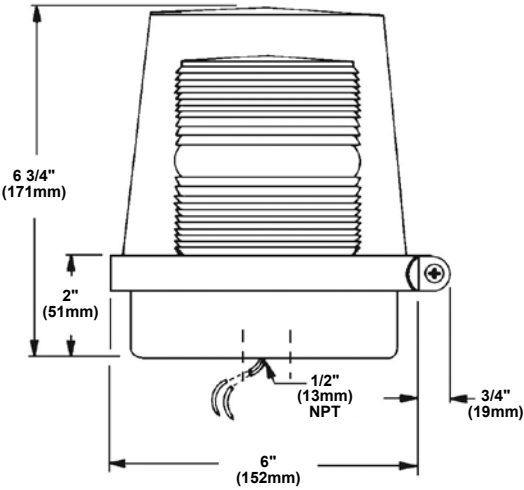
Flashing Halogen

49 Series

Weights and Dimensions

Cat. No.	Approx. Net Weight (lb.)	Approx. Shipping Weight (lb.)
49*-N5-40WH	1.73	2.06
49*-R5	1.73	2.06
CBR	4.00	4.20
WBR	2.30	2.50

*Letter in this position designates lens color: A - amber, B - blue, C - clear, G - green, M - magenta or R - red



Beacons

Flashing Halogen

50 Series

Edwards 50 Series flashing Halogen beacons are signaling devices, suitable for use in indoor or outdoor applications where an intermittent (flashing) light source is required. They feature a cast metal base that can be used as a junction box. The double fresnel lens is made of shatter-resistant polycarbonate.

Features and Specifications

- Halogen light source
- Flash rate 65 fpm
- Shatter-resistant double fresnel polycarbonate lens
- Cast metal base
- Suitable for use in indoor and outdoor applications
- For outdoor use, lens should face up
- 1/2" NPT conduit or surface mounting
- Designed for 4" octagonal box mounting
- Option for panel, conduit or wall mounting
- Operating temperature range: -31°F to 150°F (-35°C to 66°C)



VISUAL SIGNALS

Ordering Information

Description	Cat. No.	Operating Voltage ¹	Current	Lens Colors	Lamp Ratings	Replacement		
						Lens	Flasher	Lamp
Flashing Beacon Halogen	50A-G5-20WH	24V AC	0.80 A	Amber	20 watts 226 lumens ² 2839 candela 25,000 hours ³	92-LA	P-041917-0029	50LMP-20WH or Industry Trade No. 1692 ^{4,5}
	50B-G5-20WH	24V AC	0.80 A	Blue		92-LB		
	50C-G5-20WH	24V AC	0.80 A	Clear		92-LC		
	50G-G5-20WH	24V AC	0.80 A	Green		92-LG		
	50M-G5-20WH	24V AC	0.80 A	Magenta		92-LM		
	50R-G5-20WH	24V AC	0.80 A	Red		92-LR		
	50A-N5-40WH	120V AC	0.30 A	Amber	40 watts 265 lumens ² 3328 candela 25,000 hours ³	92-LA	P-041917-0026	50LMP-40WH
	50B-N5-40WH	120V AC	0.30 A	Blue		92-LB		
	50C-N5-40WH	120V AC	0.30 A	Clear		92-LC		
	50G-N5-40WH	120V AC	0.30 A	Green		92-LG		
	50M-N5-40WH	120V AC	0.30 A	Magenta		92-LM		
	50R-N5-40WH	120V AC	0.30 A	Red		92-LR		
	50A-R5	240V AC	0.10 A	Amber	25 watts 232 lumens ² 2914 candela 120 hours ³	92-LA	P-041917-0038	P-041917-0039 or Industry Trade No. 25T8/240V/DC/CL ⁵
	50B-R5	240V AC	0.10 A	Blue		92-LB		
	50C-R5	240V AC	0.10 A	Clear		92-LC		
	50G-R5	240V AC	0.10 A	Green		92-LG		
	50M-R5	240V AC	0.10 A	Magenta		92-LM		
	50R-R5	240V AC	0.10 A	Red		92-LR		

¹AC voltage frequency is 50/60 Hz

²Bulb manufacturer's lumen rating

³Projected lamp life based on manufacturer's calculated lamp life at 65 fpm and 50% duty cycle.

⁴Incandescent lamps

⁵User supplied

Accessories

Description	Cat. No.
Corner Mount Bracket	CBR
Wall Mount Bracket	WBR
Lens Guard	92-GRD



CBR
Corner Mount Bracket



WBR
Wall Mount Bracket



92-GRD
Lens Guard



Beacons

Flashing Halogen

50 Series

VISUAL SIGNALS

Signal Input Load Characteristics

These devices may be operated by PLCs with output characteristics that match the input load requirements of the signal.

Cat. No.	Operating ¹ Voltage	Max. Off State Leakage Current (A)	Continuous On Current (A)	Surge (inrush / duration)
50*-N5-40WH	120V AC	0.025	0.300	2 A / 8 mSeconds

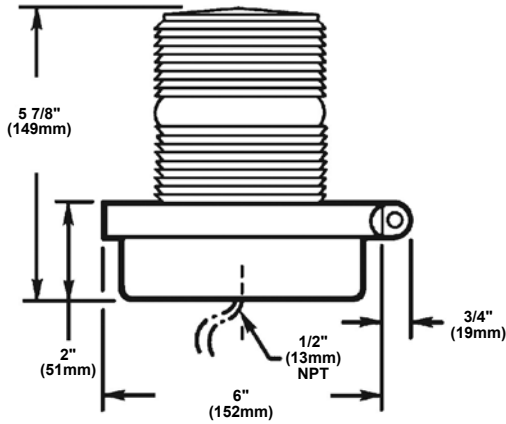
*Letter in this position designates lens color: A - amber, B - blue, C - clear, G - green, M - magenta or R - red

¹AC voltage frequency is 60 Hz

Weights and Dimensions

Cat. No.	Approx. Net Weight (lb.)	Approx. Shipping Weight (lb.)
50*-G5-20WH	1.54	1.87
50*-N5-40WH	1.54	1.87
50*-R5	1.54	1.87
CBR	4.00	4.20
WBR	2.30	2.50
92-GRD	0.31	0.47

*Letter in this position designates lens color: A - amber, B - blue, C - clear, G - green, M - magenta or R - red



Beacons

Flashing LED

Syrex Series

The Syrex IS beacon is an intrinsically safe visual suitable for use in hazardous area applications.

With three alarm stages and a low current consumption, the Syrex IS beacon is ideal for both warning and process control applications.

The Syrex IS beacon must be used with a galvanic isolator specified by the system certificates.

Features and Specifications

- LED light source
- Rated for Category 1
- ATEX approved
- II 1G EEx ia IIC T4
- ABS flame retardant UL94V0 and 5VA housing
- IP65 rated
- Flash rate 2 Hz or 1 Hz (double flash)
- Operating temperature range: -40°F to 140°F (-40°C to 60°C)



Ordering Information

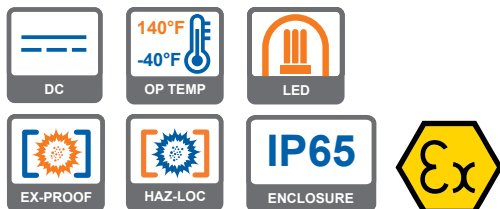
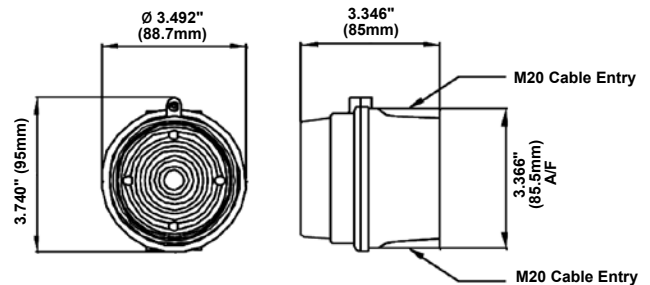
Description	Edwards Cat. No.	Klaxon Cat. No.	Operating Voltage	Current	Lens Color
IS-XN Beacon	17-970329	TCA-0026	6-28V DC	0.025 A	Red
	17-970337	TCA-0033	6-28V DC	0.025 A	Amber
	17-970338	TCA-0034	6-28V DC	0.025 A	Blue
	17-970339	TCA-0067	6-28V DC	0.025 A	Green

Accessories

Description	Edwards Cat. No.	Klaxon Cat. No.
Single Channel Galvanic Isolator	17-970362	TCA-0042
Dual Channel Galvanic Isolator	17-970395	TCA-0066
IS DIN Rail Enclosure (will accept 2X isolators)	17-970392	TCA-0065

Weights and Dimensions

Edwards Cat. No.	Klaxon Cat. No.	Approx. Net Weight (lb.)
17-970329	TCA-0026	0.77
17-970337	TCA-0033	0.77
17-970338	TCA-0034	0.77
17-970339	TCA-0067	0.77
17-970362	TCA-0042	0.50
17-970395	TCA-0066	0.50
17-970392	TCA-0065	0.50



Beacons

Flashing LED

Sonos Series

The Sonos Series LED beacon features connections made to the base during the initial wiring phase which results in faster and more reliable installation. The beacon head 'twists and clicks' into the base on commissioning, avoiding the wiring and connection problems associated with traditional alarm devices.

Deep base units have an IP65 rating and are suitable for use in indoor and outdoor applications. The Sonos Beacon utilizes a full faced, translucent case which provides a large lens area and a greater spread of light.

Sonos Beacon units have a deep or shallow red color base as standard and are available with a red or amber lens.

Features and Specifications

- LED light source
- High efficiency LED beacon consumes less than 5mA
- IP65 rated (deep base); IP21 rated (shallow base)
- Flame resistant polycarbonate construction
- Operating temperature range: -13°F to 158°F (-25°C to 70°C)

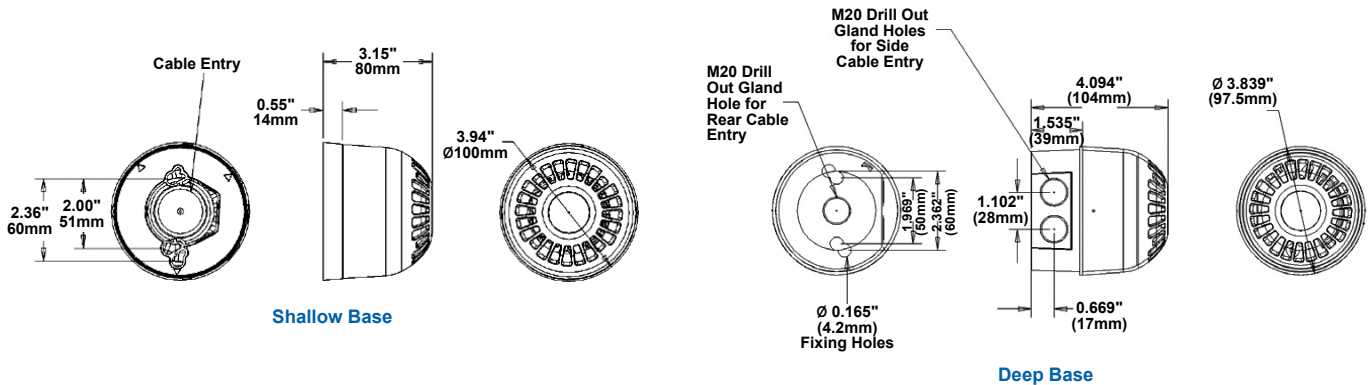


Ordering Information

Description	Edwards Cat. No.	Klaxon Cat. No.	Operating Voltage	Current	Base	Lens Color
Flashing LED	18-980507	PSB-0009	17-60V DC	0.005 A	Red; shallow	Red
	18-980510	PSB-0026	17-60V DC	0.005 A	Red; shallow	Amber
	18-980508	PSB-0017	17-60V DC	0.005 A	Red; deep	Red
	18-980511	PSB-0031	17-60V DC	0.005 A	Red; deep	Amber

Weights and Dimensions

Edwards Cat. No.	Klaxon Cat. No.	Approx. Net Weight (lb.)
18-980507	PSB-0009	0.49
18-980510	PSB-0026	0.49
18-980508	PSB-0017	0.55
18-980511	PSB-0031	0.55



DC

158°F
-13°F

OP TEMP

LED

IP21

ENCLOSURE

IP65

ENCLOSURE

Shallow Base Deep Base

Beacons

Flashing LED

Flashguard Series

Flashguard Flashing LED beacons are visual indicators suitable for use in indoor and outdoor applications.

All Flashguard beacons are fitted with a diffuser for greater visibility and spread of light.

They include a terminal block and a 27mm deep base supplied with a seal and grommet.

An upgrade kit (with cable connector) is available to upgrade the product from IP65 rating to IP67.

Features and Specifications

- LED light source
- Compact, ultra modern sleek appearance
- IP65 rated; IP67 rated (with upgrade kit)
- White, high quality polycarbonate housing
- Suitable for use in indoor and outdoor applications
- Vandal-resistant safety locking mechanism
- Operating temperature range: -4°F to 158°F (-20°C to +70°C)

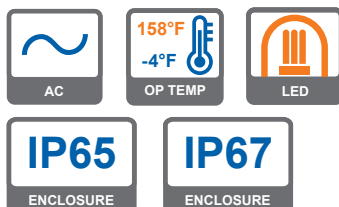


3.346"



Ordering Information						
Description	Edwards Cat. No.	Klaxon Cat. No.	Operating Voltage	Current	Lens Colors	Flash Rate
LED Beacon Flashing	45-711811	QBS-0012	110V AC	0.032 A	Red	60 fpm
	45-711821	QBS-0013	110V AC	0.032 A	Amber	60 fpm
	45-711831	QBS-0014	110V AC	0.032 A	Clear	60 fpm
	45-711841	QBS-0015	110V AC	0.032 A	Blue	60 fpm
	45-711851	QBS-0016	110V AC	0.032 A	Green	60 fpm
	45-712811	QBS-0027	230V AC	0.032 A	Red	60 fpm
	45-712821	QBS-0028	230V AC	0.032 A	Amber	60 fpm
	45-712831	QBS-0029	230V AC	0.032 A	Clear	60 fpm
	45-712841	QBS-0030	230V AC	0.032 A	Blue	60 fpm
	45-712851	QBS-0031	230V AC	0.032 A	Green	60 fpm

Accessories		
Description	Edwards Cat. No.	Klaxon Cat. No.
IP67 Upgrade Kit (AC)	45-710001	QBO-0005



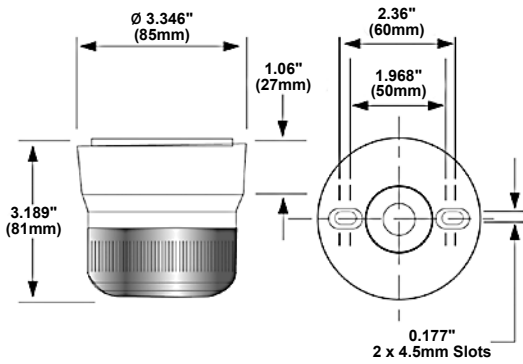
Beacons

Flashing LED

Flashguard Series

Weights and Dimensions

Edwards Cat. No.	Klaxon Cat.No.	Approx. Net Weight (lb.)
45-711811	QBS-0012	0.31
45-711821	QBS-0013	0.31
45-711831	QBS-0014	0.31
45-711841	QBS-0015	0.31
45-711851	QBS-0016	0.31
45-712811	QBS-0027	0.31
45-712821	QBS-0028	0.31
45-712831	QBS-0029	0.31
45-712841	QBS-0030	0.31
45-712851	QBS-0031	0.31



Beacons

Flashing Xenon

Sonos Series

Sonos Series Xenon beacon is a general purpose, high output Xenon beacon designed for industrial applications.

Sonos Xenon beacons are rated to IP65 and are suitable for use in indoor and outdoor applications.

The Sonos Xenon beacon features a full faced, translucent case giving a much larger lens area. This results in a greater light spread for more effective warning.

Features and Specifications

- Xenon strobe light source
- Flame retardent polycarbonate construction
- Red base
- IP65 rated
- Single/double flash (DC version)
- Operating temperature range: -13°F to 131°F (-25°C to 55°C)



3.84"

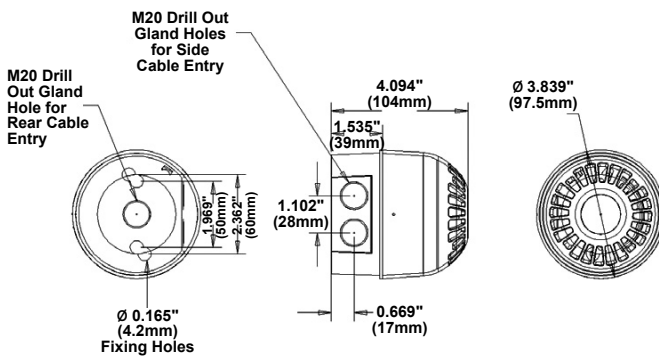


Ordering Information

Description	Edwards Cat. No.	Klaxon Cat. No.	Operating Voltage	Current	Lens Color
Flashing Xenon AC	18-980482	PSB-0002	110 - 230V AC	0.070 A	Red
	18-980483	PSB-0004	110 - 230V AC	0.070 A	Amber
	18-980583	PSB-0038	110 - 230V AC	0.070 A	Clear
Flashing Xenon DC	18-980584	PSB-0039	10 - 60V DC	0.330 A/24V DC	Red
	18-980585	PSB-0040	10 - 60V DC	0.330 A/24V DC	Amber
	18-980586	PSB-0041	10 - 60V DC	0.330 A/24V DC	Clear

Weights and Dimensions

Edwards Cat. No.	Klaxon Cat. No.	Approx. Net Weight (lb.)
18-980482	PSB-0002	0.55
18-980483	PSB-0004	0.55
18-980583	PSB-0038	0.55
18-980584	PSB-0039	0.55
18-980585	PSB-0040	0.55
18-980586	PSB-0041	0.55



Deep Base



Beacons

Flashing Xenon

Flashguard Series



3.346"



Flashguard Xenon beacons are visual indicators suitable for use in indoor and outdoor applications.

All Flashguard beacons are fitted with a diffuser for greater visibility and spread of light. Two styles are available, Standard and Low Profile.

Standard: includes a terminal block and a 27mm deep base supplied with a seal and grommet.

Low Profile: comes complete with a screw and nylon wing nut and is supplied with mounting gasket and 40cm of cable.

An upgrade kit (with cable connector) is available to upgrade the standard beacon from IP65 rating to IP67.

Features and Specifications

- Xenon light source
- Flash rate 60 fpm
- Compact, ultra modern sleek appearance
- White, high quality polycarbonate housing
- Suitable for use in indoor and outdoor applications
- 12V and 24V DC options in one user-selectable unit
- Vandal-resistant safety locking mechanism
- IP65 (Standard); IP67 (Low Profile)
- Operating temperature range: -4°F to 104°F (-20°C to 40°C)

Ordering Information

Description	Edwards Cat. No.	Klaxon Cat. No.	Operating Voltage ¹	Current	Lens Color	Watts
Standard Xenon	45-711311	QBS-0002	110V AC	0.024 A	Red	3
	45-711321	QBS-0003	110V AC	0.024 A	Amber	3
	45-711331	QBS-0004	110V AC	0.024 A	Clear	3
	45-711341	QBS-0005	110V AC	0.024 A	Blue	3
	45-711351	QBS-0006	110V AC	0.024 A	Green	3
	45-712311	QBS-0017	230V AC	0.015 A	Red	3
	45-712321	QBS-0018	230V AC	0.015 A	Amber	3
	45-712331	QBS-0019	230V AC	0.015 A	Clear	3
	45-712341	QBS-0020	230V AC	0.015 A	Blue	3
	45-712351	QBS-0021	230V AC	0.015 A	Green	3
	45-713111	QBS-0032	12/24V DC	0.060 A/0.045 A	Red	1
	45-713121	QBS-0034	12/24V DC	0.060 A/0.045 A	Amber	1
	45-713131	QBS-0035	12/24V DC	0.060 A/0.045 A	Clear	1
	45-713141	QBS-0036	12/24V DC	0.060 A/0.045 A	Blue	1
	45-713151	QBS-0037	12/24V DC	0.060 A/0.045 A	Green	1
	45-713211	QBS-0038	12/24V DC	0.115 A/0.070 A	Red	2
	45-713221	QBS-0042	12/24V DC	0.115 A/0.070 A	Amber	2
	45-713231	TKA-0126	12/24V DC	0.115 A/0.070 A	Clear	2
	45-713241	QBS-0047	12/24V DC	0.115 A/0.070 A	Blue	2
	45-713251	QBS-0050	12/24V DC	0.115 A/0.070 A	Green	2
	45-713311	QBS-0052	12/24V DC	0.14 A/0.085 A	Red	3
	45-713321	QBS-0054	12/24V DC	0.14 A/0.085 A	Amber	3
	45-713331	QBS-0055	12/24V DC	0.14 A/0.085 A	Clear	3
	45-713341	QBS-0056	12/24V DC	0.14 A/0.085 A	Blue	3
	45-713351	QBS-0058	12/24V DC	0.14 A/0.085 A	Green	3
	45-716411	QBS-0060	11-35V DC	—	Red	—
	45-716421	QBS-0063	11-35V DC	—	Amber	—
	45-716431	QBS-0065	11-35V DC	—	Clear	—
	45-716441	QBS-0067	11-35V DC	—	Blue	—
	45-716451	QBS-0069	11-35V DC	—	Green	—

¹12/24V DC units are user-configurable.



Standard

Low Profile

Beacons

Flashing Xenon

Flashguard Series

Ordering Information		Continued				
Description	Edwards Cat. No.	Klaxon Cat. No.	Operating Voltage ¹	Current	Lens Color	Watts
Low Profile Xenon	45-713213	QBS-0040	12/24V DC	0.115 A/0.070 A	Red	2
	45-713223	QBS-0044	12/24V DC	0.115 A/0.070 A	Amber	2
	45-713233	QBS-0046	12/24V DC	0.115 A/0.070 A	Clear	2
	45-713243	QBS-0049	12/24V DC	0.115 A/0.070 A	Blue	2
	45-713253	QBS-0051	12/24V DC	0.115 A/0.070 A	Green	2
	45-716413	QBS-0062	11-35V DC	—	Red	—
	45-716423	QBS-0064	11-35V DC	—	Amber	—
	45-716433	QBS-0066	11-35V DC	—	Clear	—
	45-716443	QBS-0068	11-35V DC	—	Blue	—
	45-716453	QBS-0070	11-35V DC	—	Green	—

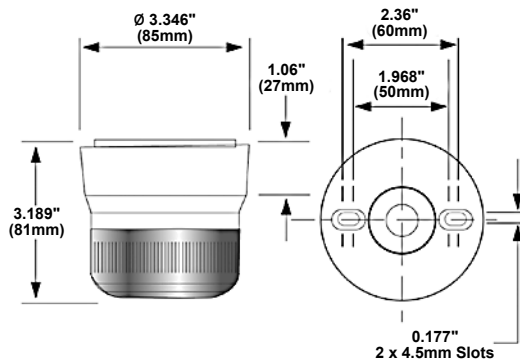
¹12/24V DC units are user-configurable.

Accessories		
Description	Edwards Cat. No.	Klaxon Cat. No.
IP67 Upgrade Kit (AC)	45-710001	QBO-0005
IP67 Upgrade Kit (DC)	45-710002	QBO-0006

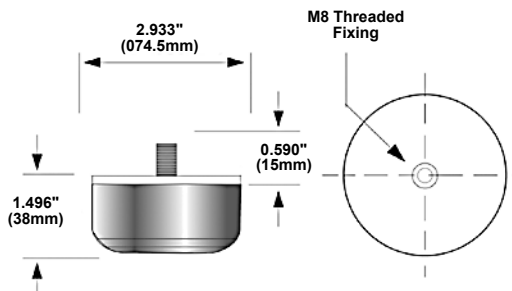
Weights and Dimensions		
Edwards Cat. No.	Klaxon Cat. No.	Approx. Net Weight (lb.)
45-711311	QBS-0002	0.31
45-711321	QBS-0003	0.31
45-711331	QBS-0004	0.31
45-711341	QBS-0005	0.31
45-711351	QBS-0006	0.31
45-712311	QBS-0017	0.31
45-712321	QBS-0018	0.31
45-712331	QBS-0019	0.31
45-712341	QBS-0020	0.31
45-712351	QBS-0021	0.31
45-713111	QBS-0032	0.31
45-713121	QBS-0034	0.31
45-713131	QBS-0035	0.31
45-713141	QBS-0036	0.31
45-713151	QBS-0037	0.31
45-713211	QBS-0038	0.31
45-713221	QBS-0042	0.31
45-713231	TKA-0126	0.31
45-713241	QBS-0047	0.31
45-713251	QBS-0050	0.31
45-713311	QBS-0052	0.31
45-713321	QBS-0054	0.31
45-713331	QBS-0055	0.31
45-713341	QBS-0056	0.31
45-713351	QBS-0058	0.31
45-716411	QBS-0060	0.31
45-716421	QBS-0063	0.31
45-716431	QBS-0065	0.31
45-716441	QBS-0067	0.31
45-716451	QBS-0069	0.31
45-713213	QBS-0040	0.18
45-713223	QBS-0044	0.18
45-713233	QBS-0046	0.18

Weights and Dimensions		
Edwards Cat. No.	Klaxon Cat. No.	Approx. Net Weight (lb.)
45-713243	QBS-0049	0.18
45-713253	QBS-0051	0.18
45-716413	QBS-0062	0.18
45-716423	QBS-0064	0.18
45-716433	QBS-0066	0.18
45-716443	QBS-0068	0.18
45-716453	QBS-0070	0.18

Standard



Low Profile



Beacons

Flashing Xenon

Syrex Series

The Exd Beacon is a powerful Xenon beacon suitable for use in hazardous area applications. Certified to II 2G Exd IIC T6, it is suitable for use in Zone 1 and Zone 2 areas. With a choice of two lens colors (red and amber), IP67 ingress protection and rugged design, it is suitable for use in indoor and outdoor applications.

The unit is fitted with two 20mm cable entries and has terminals that accept 4mm² cable for ease of installation. Dual In/Out terminals are also available on request.

Features and Specifications

- Xenon light source
- Marine Grade LM6 aluminum construction
- Lens guard included with beacon
- IP67 rated
- Rated for Category 2 use (formerly Zone 1 & 2)
- ATEX / IECEx Approved
- II 2G Exd IIC T6
- Operating temperature range: -58°F to 104°F (-50°C to 40°C)



6.02"

R A

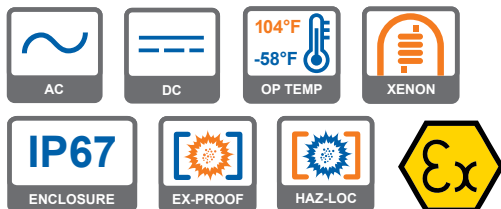
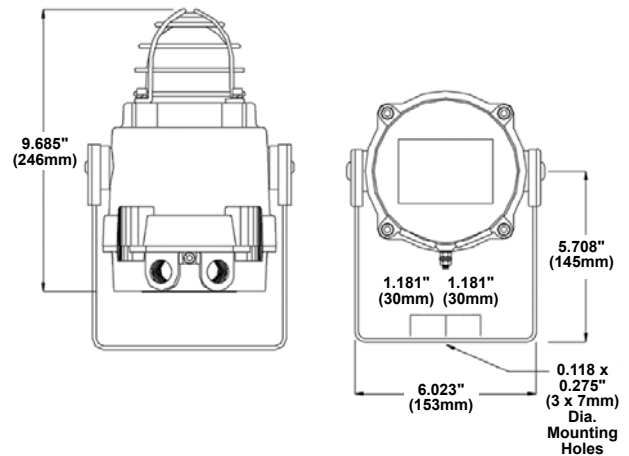
Ordering Information

Description	Edwards Cat. No.	Klaxon Cat. No.	Operating Voltage	Current	Lens Colors	Light Output
Exd Beacon Xenon Strobe	17-970273	TCA-0068	110V AC @ 50 Hz ¹	0.140 A	Red	5J
	17-970276	TCA-0018	110V AC @ 50 Hz ¹	0.140 A	Amber	5J
	17-970272	TCA-0014	230V AC @ 50 Hz ¹	0.055 A	Red	5J
	17-970275	TCA-0017	230V AC @ 50 Hz ¹	0.055 A	Amber	5J
	17-970274	TCA-0015	24V DC	0.300 A	Red	5J
	17-970277	TCA-0019	24V DC	0.300 A	Amber	5J

¹AC voltage frequency is 50 Hz only.
NOTE: AC models not for U.S. use.

Weights and Dimensions

Edwards Cat. No.	Klaxon Cat. No.	Approx. Net Weight (lb.)
17-970272	TCA-0068	5.40
17-970273	TCA-0018	5.40
17-970274	TCA-0014	5.40
17-970275	TCA-0017	5.40
17-970276	TCA-0015	5.40
17-970277	TCA-0019	5.40



Beacons

Flashing Xenon

89 Series

Edwards 89 Series Xenon strobe beacons are bright, up to 150 candela, low current visual signals suitable for indoor use only. Two mounting options are available; 89STR for flush mounting and the 89SMSTR for surface mounting on the supplied single gang surface box. The housing is made of gray, engineered thermoplastic. Ideal for use where a distinctive visual signal is required for timing, scheduling, paging, process control, general alarm and warning applications.

Features and Specifications

- Xenon strobe light source
- Flash rate 60 fpm
- Low current draw
- Screw terminals for easy wiring
- Suitable for indoor applications only
- 85% relative humidity at 86°F (30°C)
- Operating temperature range: 32°F to 120°F (0°C to 49°C)



3 3/8"



Ordering Information

Description	Cat. No.	Operating Voltage ¹	Current	Lens Color	Mounting	Effective Light Output UL 1638
Xenon Strobe AC/DC	89STRA-AQ	24V AC/DC	0.390 A	Amber	Flush	90 cd
	89STRB-AQ	24V AC/DC	0.390 A	Blue	Flush	20 cd
	89STRC-AQ	24V AC/DC	0.390 A	Clear	Flush	150 cd
	89STRG-AQ	24V AC/DC	0.390 A	Green	Flush	70 cd
	89STRR-AQ	24V AC/DC	0.390 A	Red	Flush	21 cd
	89SMSTRA-AQ	24V AC/DC	0.390 A	Amber	Surface	90 cd
	89SMSTRB-AQ	24V AC/DC	0.390 A	Blue	Surface	20 cd
	89SMSTRC-AQ	24V AC/DC	0.390 A	Clear	Surface	150 cd
	89SMSTRG-AQ	24V AC/DC	0.390 A	Green	Surface	70 cd
	89SMSTRR-AQ	24V AC/DC	0.390 A	Red	Surface	21 cd
Xenon Strobe AC	89STRA-N5	120V AC	0.115 A	Amber	Flush	90 cd
	89STRB-N5	120V AC	0.115 A	Blue	Flush	20 cd
	89STRC-N5	120V AC	0.115 A	Clear	Flush	150 cd
	89STRG-N5	120V AC	0.115 A	Green	Flush	70 cd
	89STRR-N5	120V AC	0.115 A	Red	Flush	21 cd
	89SMSTRA-N5	120V AC	0.115 A	Amber	Surface	90 cd
	89SMSTRB-N5	120V AC	0.115 A	Blue	Surface	20 cd
	89SMSTRC-N5	120V AC	0.115 A	Clear	Surface	150 cd
	89SMSTRG-N5	120V AC	0.115 A	Green	Surface	70 cd
	89SMSTRR-N5	120V AC	0.115 A	Red	Surface	21 cd

¹Operating voltage range: -20% to +10% of nominal voltage; AC voltage frequency is 50/60 Hz.



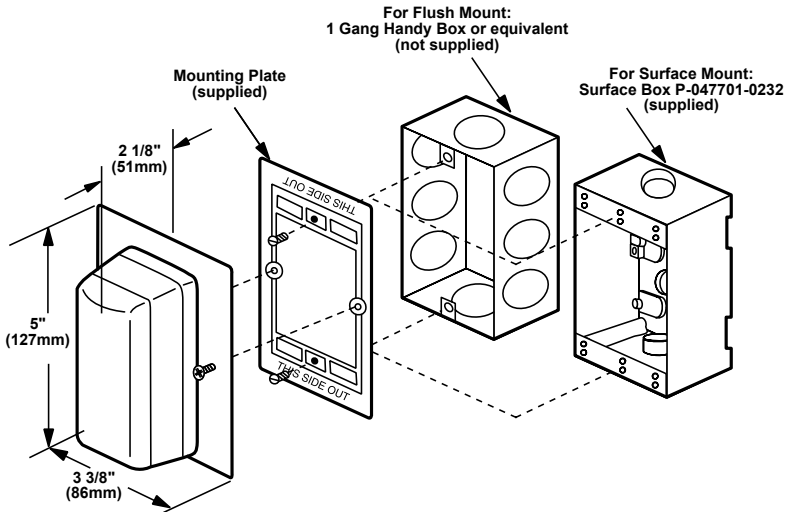
Beacons

Flashing Xenon

89 Series

Weights and Dimensions

Cat. No.	Approx. Net Weight (lb.)	Approx. Shipping Weight (lb.)
89STRA-AQ	0.34	0.60
89STRB-AQ	0.34	0.60
89STRC-AQ	0.34	0.60
89STRG-AQ	0.34	0.60
89STRR-AQ	0.34	0.60
89SMSTRA-AQ	0.91	1.20
89SMSTRB-AQ	0.91	1.20
89SMSTRC-AQ	0.91	1.20
89SMSTRG-AQ	0.91	1.20
89SMSTRR-AQ	0.91	1.20
89STRA-N5	0.34	0.60
89STRB-N5	0.34	0.60
89STRC-N5	0.34	0.60
89STRG-N5	0.34	0.60
89STRR-N5	0.34	0.60
89SMSTRA-N5	0.91	1.20
89SMSTRB-N5	0.91	1.20
89SMSTRC-N5	0.91	1.20
89SMSTRG-N5	0.91	1.20
89SMSTRR-N5	0.91	1.20



Beacons Flashing Xenon 125 Class



Edwards 125 Class Xenon strobe beacons are UL and cUL listed signaling devices, available in two versions, normal light output and high light output. Both versions feature a corrosion resistant NEMA Type 3R and 4X enclosure and be panel or conduit mounted. Base material is gray or black, manufactured from a 33% glass filled nylon, providing a high resistance to heat and chemicals. The lens is made of shatter-resistant polycarbonate.

Features and Specifications

- Xenon strobe light source
- Flash rate 65 fpm
- Shatter-resistant polycarbonate lens
- Gray or black glass filled nylon base
- Available in normal or high light output
- Suitable for indoor and outdoor applications
- For outdoor use, lens should face up
- Option for panel or conduit mounting
- NEMA Type 3R and 4X enclosure
- Operating temperature range: -31°F to 150°F (-35°C to 66°C)



3.25"



Ordering Information

Description	Cat. No.	Operating Voltage ¹	Current	Base Color	Lens Colors	Replacement	
						Lens	Strobe Tube
High Output 300,000 peak candela	125STRHA120A	120V AC	0.120 A	Gray	Amber	125LA	
	125STRHB120A	120V AC	0.120 A	Gray	Blue	125LB	
	125STRHC120A	120V AC	0.120 A	Gray	Clear	125LC	91B-ST
	125STRHG120A	120V AC	0.120 A	Gray	Green	125LG	
	125STRHR120A	120V AC	0.120 A	Gray	Red	125LR	
	125STRHA120AB	120V AC	0.120 A	Black	Amber	125LA	
	125STRHB120AB	120V AC	0.120 A	Black	Blue	125LB	
	125STRHC120AB	120V AC	0.120 A	Black	Clear	125LC	91B-ST
	125STRHG120AB	120V AC	0.120 A	Black	Green	125LG	
	125STRHR120AB	120V AC	0.120 A	Black	Red	125LR	
Normal Output 175,000 peak candela	125STRNA120A	120V AC	0.100 A	Gray	Amber	125LA	
	125STRNB120A	120V AC	0.100 A	Gray	Blue	125LB	
	125STRNC120A	120V AC	0.100 A	Gray	Clear	125LC	91B-ST
	125STRNG120A	120V AC	0.100 A	Gray	Green	125LG	
	125STRNR120A	120V AC	0.100 A	Gray	Red	125LR	
	125STRNA120AB	120V AC	0.100 A	Black	Amber	125LA	
	125STRNB120AB	120V AC	0.100 A	Black	Blue	125LB	
	125STRNC120AB	120V AC	0.100 A	Black	Clear	125LC	91B-ST
	125STRNG120AB	120V AC	0.100 A	Black	Green	125LG	
	125STRNR120AB	120V AC	0.100 A	Black	Red	125LR	
	125STRNA240A	240V AC	0.050 A	Gray	Amber	125LA	
	125STRNB240A	240V AC	0.050 A	Gray	Blue	125LB	
	125STRNC240A	240V AC	0.050 A	Gray	Clear	125LC	91B-ST
	125STRNG240A	240V AC	0.050 A	Gray	Green	125LG	
	125STRNR240A	240V AC	0.050 A	Gray	Red	125LR	
	125STRNA240AB	240V AC	0.050 A	Black	Amber	125LA	
	125STRNB240AB	240V AC	0.050 A	Black	Blue	125LB	
	125STRNC240AB	240V AC	0.050 A	Black	Clear	125LC	91B-ST
125STRNG240AB	240V AC	0.050 A	Black	Green	125LG		
125STRNR240AB	240V AC	0.050 A	Black	Red	125LR		

¹AC voltage frequency is 50/60 Hz



Beacons Flashing Xenon 125 Class



Ordering Information		Continued					Replacement	
Description	Cat. No.	Operating Voltage	Current	Base Color	Lens Colors	Replacement		
						Lens	Strobe Tube	
Normal Output 175,000 peak candela	125STRNA1248D	12-48V DC	0.350 A	Gray	Amber	125LA	114-ST	
	125STRNB1248D	12-48V DC	0.350 A	Gray	Blue	125LB		
	125STRNC1248D	12-48V DC	0.350 A	Gray	Clear	125LC		
	125STRNG1248D	12-48V DC	0.350 A	Gray	Green	125LG		
	125STRNR1248D	12-48V DC	0.350 A	Gray	Red	125LR		
	125STRNA1248DB	12-48V DC	0.350 A	Black	Amber	125LA	114-ST	
	125STRNB1248DB	12-48V DC	0.350 A	Black	Blue	125LB		
	125STRNC1248DB	12-48V DC	0.350 A	Black	Clear	125LC		
	125STRNG1248DB	12-48V DC	0.350 A	Black	Green	125LG		
	125STRNR1248DB	12-48V DC	0.350 A	Black	Red	125LR		

Accessories	
Description	Cat. No.
Protective Wire Guard	125GRD
Corner Mount Bracket	CBR
Wall Mount Bracket	WBR



125GRD
Protective Wire Guard



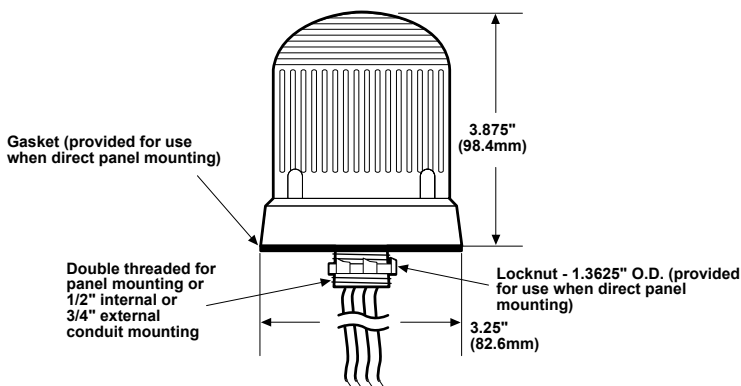
CBR
Corner Mount Bracket



WBR
Wall Mount Bracket

Weights and Dimensions		
Cat. No.	Approx. Net Weight (lb.)	Approx. Shipping Weight (lb.)
125STRH*120A	0.51	0.6
125STRH*120AB	0.51	0.6
125STRN*120A	0.52	0.61
125STRN*240A	0.52	0.61
125STRN*120AB	0.52	0.61
125STRN*240AB	0.52	0.61
125STRN*1248D	0.52	0.61
125STRN*1248DB	0.52	0.61
125GRD	0.61	0.77
CBR	4.00	4.20
WBR	2.30	2.50

*Letter in this position designates lens color: A - amber, B - blue, C - clear, G - green, or R - red



Beacons

Flashing Xenon

117 Class

The Edwards 117 Class Strobes provide a bright visual indication by utilizing a linear strobe tube inside a shatter resistant polycarbonate fresnel lens. They feature a NEMA Type 4X enclosure, and are suitable for use in indoor and outdoor applications where reliable and distinctive visual indication is required. When mounted outdoors the unit should be mounted with the lens facing up.

Designed for industrial, commercial, and institutional applications, the low profile 117 Class is suitable for industrial wash down applications as well as for use on tow motors and other vehicles. Edwards' strobe lights are particularly effective in high noise areas where ear protection must be worn and audible signals may not be heard or understood.

Features and Specifications

- Xenon strobe light source
- Flash rate 65 fpm
- Five lens colors
- Replacement lens not available
- Black Impact Resistant Polycarbonate ABS blend base
- Surface mounting
- Replaceable linear strobe tube powered at 1.75 joules
- NEMA Type 4X enclosure



3.81"



Ordering Information

Description	Cat. No.	Operating Voltage ¹	Current	Lens Color	Peak Candela	Lamp Rating ²	Replacement Strobe Tube
Flashing Strobe Beacon AC	117A-N5	120V AC	0.02 A	Amber	175,000	1500 hr.	91B-ST
	117B-N5	120V AC	0.02 A	Blue	175,000	1500 hr.	91B-ST
	117C-N5	120V AC	0.02 A	Clear	175,000	1500 hr.	91B-ST
	117G-N5	120V AC	0.02 A	Green	175,000	1500 hr.	91B-ST
	117R-N5	120V AC	0.02 A	Red	175,000	1500 hr.	91B-ST
	117A-R5	240V AC	0.015 A	Amber	175,000	1500 hr.	91B-ST
	117B-R5	240V AC	0.015 A	Blue	175,000	1500 hr.	91B-ST
	117C-R5	240V AC	0.015 A	Clear	175,000	1500 hr.	91B-ST
	117G-R5	240V AC	0.015 A	Green	175,000	1500 hr.	91B-ST
	117R-R5	240V AC	0.015 A	Red	175,000	1500 hr.	91B-ST
Flashing Strobe Beacon DC	117A-EM	10 - 110V DC	0.350 A	Amber	175,000	1500 hr.	114-ST
	117B-EM	10 - 110V DC	0.350 A	Blue	175,000	1500 hr.	114-ST
	117C-EM	10 - 110V DC	0.350 A	Clear	175,000	1500 hr.	114-ST
	117G-EM	10 - 110V DC	0.350 A	Green	175,000	1500 hr.	114-ST
	117R-EM	10 - 110V DC	0.350 A	Red	175,000	1500 hr.	114-ST

¹AC voltage frequency is 50/60 Hz

²Calculated strobe tube life at operating power to 75% efficiency.



Beacons

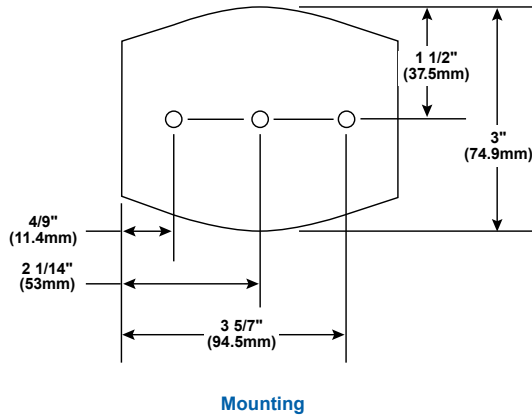
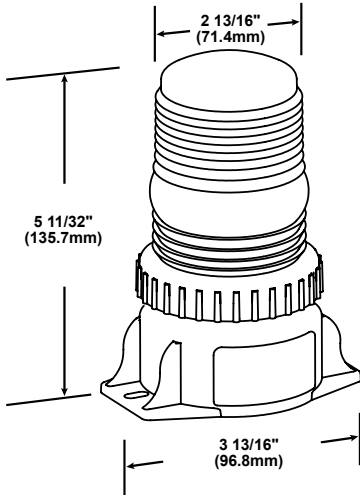
Flashing Xenon

117 Class

VISUAL SIGNALS

Weights and Dimensions		
Cat. No.	Approx. Net Weight (lb.)	Approx. Shipping Weight (lb.)
117*-N5	0.53	0.63
117*-R5	0.53	0.63
117*-EM	0.53	0.63

*Letter in this position designates lens color: A - amber, B - blue, C - clear, G - green and R - red



Beacons

Flashing Xenon

105 Series

Edwards 105 Series Xenon strobe beacons are heavy-duty visual signals suitable for use in indoor and outdoor applications where a corrosion resistant NEMA Type 4X enclosure is required. Base material is gray, manufactured from glass-reinforced thermoplastic polyester resin and features brass hardware. The double fresnel lens is made of shatter-resistant polycarbonate.

The 105DHISTC-FJ high intensity strobe is designed for use in compatible fire alarm system and other applications requiring electrical supervision of signaling circuit field wiring.

Features and Specifications

- Xenon strobe light source
- Flash rate 65 fpm
- Shatter-resistant double fresnel polycarbonate lens
- Gray Rynite® (PET) base with brass hardware
- Suitable for indoor, outdoor and marine applications
- For outdoor use, lens should face up
- Option for panel, conduit or wall mounting
- NEMA Type 4X enclosure
- Class I, Div 2, Groups A, B, C and D; Class II, Div 2, Groups F and G; Class III



4.5"



VISUAL SIGNALS

Ordering Information

Description	Cat. No.	Operating Voltage	Current	Lens Colors	Peak Candela	Replacement	
						Lens	Strobe Tube
Xenon Strobe 3 Joule	105STA-N5	120V AC	0.1 A	Amber	300,000	105-LA	
	105STB-N5	120V AC	0.1 A	Blue	300,000	105-LB	
	105STC-N5	120V AC	0.1 A	Clear	300,000	105-LC	91B-ST
	105STG-N5	120V AC	0.1 A	Green	300,000	105-LG	3,000 hours ¹
	105STM-N5	120V AC	0.1 A	Magenta	300,000	105-LM	
	105STR-N5	120V AC	0.1 A	Red	300,000	105-LR	
	105STA-R5	240V AC	0.02 A	Amber	300,000	105-LA	
	105STB-R5	240V AC	0.02 A	Blue	300,000	105-LB	
	105STC-R5	240V AC	0.02 A	Clear	300,000	105-LC	91B-ST
	105STG-R5	240V AC	0.02 A	Green	300,000	105-LG	3,000 hours ¹
	105STM-R5	240V AC	0.02 A	Magenta	300,000	105-LM	
	105STR-R5	240V AC	0.02 A	Red	300,000	105-LR	
	105STA-G1	24V DC	0.3 A	Amber	300,000	105-LA	
	105STB-G1	24V DC	0.3 A	Blue	300,000	105-LB	
	105STC-G1	24V DC	0.3 A	Clear	300,000	105-LC	91B-ST
	105STG-G1	24V DC	0.3 A	Green	300,000	105-LG	3,000 hours ¹
	105STM-G1	24V DC	0.3 A	Magenta	300,000	105-LM	
	105STR-G1	24V DC	0.3 A	Red	300,000	105-LR	
High Intensity 8 Joule Strobe	105HISTA-EK	12-48V AC	0.8 A @ 24V	Amber	800,000	105H-LA	
	105HISTB-EK	12-48V AC	0.8 A @ 24V	Blue	800,000	105H-LB	
	105HISTC-EK	12-48V AC	0.8 A @ 24V	Clear	800,000	105H-LC	92-ST
	105HISTG-EK	12-48V AC	0.8 A @ 24V	Green	800,000	105H-LG	3,000 hours ¹
	105HISTM-EK	12-48V AC	0.8 A @ 24V	Magenta	800,000	105H-LM	
	105HISTR-EK	12-48V AC	0.8 A @ 24V	Red	800,000	105H-LR	
	105HISTA-N5	120V AC	0.1 A	Amber	800,000	105H-LA	
	105HISTB-N5	120V AC	0.1 A	Blue	800,000	105H-LB	
	105HISTC-N5	120V AC	0.1 A	Clear	800,000	105H-LC	92-ST
	105HISTG-N5	120V AC	0.1 A	Green	800,000	105H-LG	3,000 hours ¹
105HISTM-N5	120V AC	0.1 A	Magenta	800,000	105H-LM		
105HISTR-N5	120V AC	0.1 A	Red	800,000	105H-LR		

¹Strobe tube life at operating power to 75% efficiency.



Beacons

Flashing Xenon

105 Series

Ordering Information		Continued						
Description	Cat. No.	Operating Voltage	Current	Lens Colors	Peak Candela	Replacement		
						Lens	Strobe Tube	
High Intensity 8 Joule Strobe (continued)	105HISTA-R5	240V AC	0.05 A	Amber	800,000	105H-LA		
	105HISTB-R5	240V AC	0.05 A	Blue	300,000	105H-LB		
	105HISTC-R5	240V AC	0.05 A	Clear	300,000	105H-LC	92-ST	
	105HISTG-R5	240V AC	0.05 A	Green	300,000	105H-LG	3,000 hours ¹	
	105HISTM-R5	240V AC	0.05 A	Magenta	300,000	105H-LM		
	105HISTR-R5	240V AC	0.05 A	Red	300,000	105H-LR		
	105DHISTA-FJ	20-30V DC	1.08 - 0.83 A	Amber	800,000	105H-LA		
	105DHISTB-FJ	20-30V DC	1.08 - 0.83 A	Blue	300,000	105H-LB		
	105DHISTG-FJ	20-30V DC	1.08 - 0.83 A	Green	300,000	105H-LG	92-ST	
	105DHISTM-FJ	20-30V DC	1.08 - 0.83 A	Magenta	300,000	105H-LM	3,000 hours ¹	
105DHISTR-FJ	20-30V DC	1.08 - 0.83 A	Red	300,000	105H-LR			
Fire Alarm (UL 1971) 8 Joule Strobe	105DHISTC-FJ	20-30V DC	1.08 - 0.83 A	Clear	26 cd wall (dome out) 24 cd wall (dome down) 26 cd ceiling	105H-LC	92-ST	

¹Strobe tube life at operating power to 75% efficiency.

Accessories		
Description	Cat. No.	
Wall Mount Bracket	105BM ²	
Outlet Box Attachment	105BX	
Pipe Mount Attachment	105PM	

²Must be used with the 105BX

Hazardous Location Listings				
Cat. No.	Class	Division	Group	Operating Temperature
105HIST*-N5	I	2	A, B, C, D	T2 (300°C, 572°F)
105HIST*-R5	II	2	F, G	T3B (165°C, 329°F)
	III			T3B (165°C, 329°F)
105HIST*-EK	I	2	A, B, C, D	T2A (280°C, 536°F)
105DHISTC-FJ	II	2	F, G	T3B (165°C, 329°F)
105DHIST*-FJ	III			T3B (165°C, 329°F)
105ST*-G1	I	2	A, B, C, D	T3 (200°C, 392°F)
105ST*-N5	II	2	F, G	T4A (120°C, 248°F)
105ST*-R5	III			T4A (120°C, 248°F)

*Letter in this position designates lens color: A - amber, B - blue, C - clear, G - green, M - magenta or R - red

Beacons

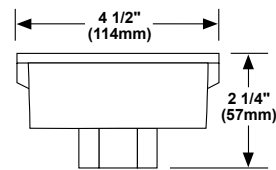
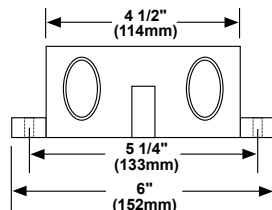
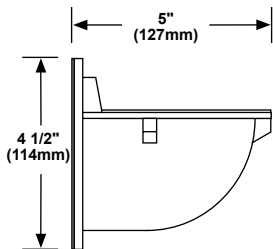
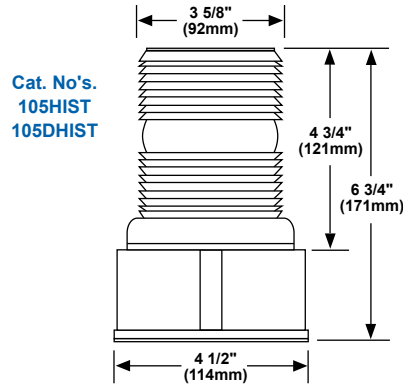
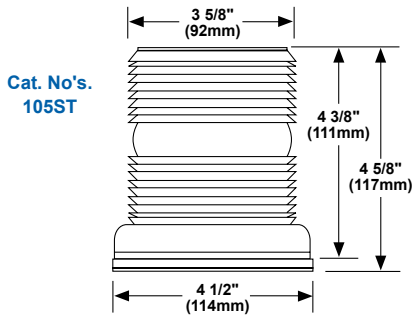
Flashing Xenon

105 Series

Weights and Dimensions

Cat. No.	Approx. Net Weight (lb.)	Approx. Shipping Weight (lb.)
105ST*-G1	1.06	1.22
105ST*-N5	1.01	1.17
105ST*-R5	1.01	1.17
105DHIST*-FJ	1.30	1.63
105HIST*-N5	1.30	1.63
105HIST*-R5	1.30	1.63
105HIST*-EK	1.30	1.63
105PM	0.80	1.00
105BM	1.00	1.20
105BX	0.80	1.00

*Letter in this position designates lens color: A - amber, B - blue, C - clear, G - green, M - magenta or R - red



Beacons

Flashing Xenon

96 and 98 Series

Edwards 96B and 98B Series Xenon strobe beacons are light duty visual signals suitable for use in industrial, commercial and institutional applications where short term intermittent visual signaling is required. Both series feature a corrosion resistant NEMA Type 4X enclosure and can be panel or conduit mounted. Optically designed fresnel lenses improve viewer perception for indoor and outdoor applications. The 96B and 98B Series are often used where a smaller output is desired or where multiple, smaller strobes are required. Trigger and timing circuits are included as integral parts of the power supply. Replacement costs are reduced, as it is necessary to replace only the strobe tube.

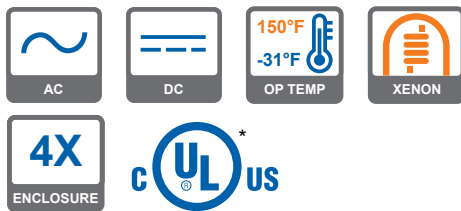
Features and Specifications

- Xenon strobe light source
- Flash rate 65 fpm
- Snap-on high impact plastic base
- Optically designed fresnel lenses
- Resistant to shock and vibration
- Suitable for indoor and outdoor applications
- For outdoor use, lens should face up
- NEMA Type 4X enclosure
- Option for panel or conduit mounting
- Operating temperature range: -31°F to 150°F (-35°C to 66°C)



Ordering Information						Replacement		
Description	Cat. No.	Operating Voltage ¹	Current	Lens Colors	Peak Candela	Replacement		
						Lens	Strobe Tube	
Xenon Strobe AC	96BA-N5	120V AC	0.10 A	Amber	300,000	96-LA	91B-ST 3,000 hours ²	
	96BB-N5	120V AC	0.10 A	Blue	300,000	96-LB		
	96BC-N5	120V AC	0.10 A	Clear	300,000	96-LC		
	96BG-N5	120V AC	0.10 A	Green	300,000	96-LG		
	96BM-N5	120V AC	0.10 A	Magenta	300,000	96-LM		
	96BR-N5	120V AC	0.10 A	Red	300,000	96-LR		
	96BA-R5	240V AC	0.02 A	Amber	300,000	96-LA	91B-ST 3,000 hours ²	
	96BB-R5	240V AC	0.02 A	Blue	300,000	96-LB		
	96BC-R5	240V AC	0.02 A	Clear	300,000	96-LC		
	96BG-R5	240V AC	0.02 A	Green	300,000	96-LG		
	96BM-R5	240V AC	0.02 A	Magenta	300,000	96-LM		
	96BR-R5	240V AC	0.02 A	Red	300,000	96-LR		
	Xenon Strobe DC	98BA-E1	12V DC	0.5 A	Amber	300,000	96-LA	91B-ST 3,000 hours ²
		98BB-E1	12V DC	0.5 A	Blue	300,000	96-LB	
98BC-E1		12V DC	0.5 A	Clear	300,000	96-LC		
98BG-E1		12V DC	0.5 A	Green	300,000	96-LG		
98BM-E1		12V DC	0.5 A	Magenta	300,000	96-LM		
98BR-E1		12V DC	0.5 A	Red	300,000	96-LR		
98BA-G1		24V DC	0.3 A	Amber	300,000	96-LA	91B-ST 3,000 hours ²	
98BB-G1		24V DC	0.3 A	Blue	300,000	96-LB		
98BC-G1		24V DC	0.3 A	Clear	300,000	96-LC		
98BG-G1		24V DC	0.3 A	Green	300,000	96-LG		
98BM-G1		24V DC	0.3 A	Magenta	300,000	96-LM		
98BR-G1		24V DC	0.3 A	Red	300,000	96-LR		

¹AC voltage frequency is 50/60 Hz
²Calculated at operating power to 75% efficiency.



*AC versions only

Beacons

Flashing Xenon

96 and 98 Series

Ordering Information		Continued					
Description	Cat. No.	Operating Voltage ¹	Current	Lens Colors	Peak Candela	Replacement	
						Lens	Strobe Tube
Xenon Strobe DC (continued)	98BA-FY	36V DC	0.3 A	Amber	300,000	96-LA	91B-ST 3,000 hours ¹
	98BB-FY	36V DC	0.3 A	Blue	300,000	96-LB	
	98BC-FY	36V DC	0.3 A	Clear	300,000	96-LC	
	98BG-FY	36V DC	0.3 A	Green	300,000	96-LG	
	98BM-FY	36V DC	0.3 A	Magenta	300,000	96-LM	
	98BR-FY	36V DC	0.3 A	Red	300,000	96-LR	

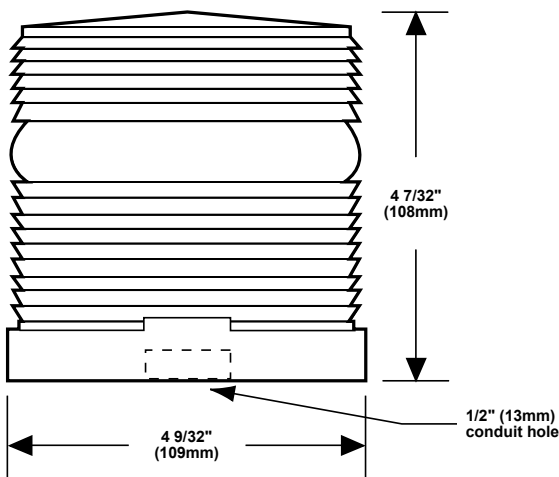
¹Calculated at operating power to 75% efficiency.

Accessories	
Description	Cat. No.
Corner Mount Bracket	CBR
Wall Mount Bracket	WBR



Weights and Dimensions		
Cat. No.	Approx. Net Weight (lb.)	Approx. Shipping Weight (lb.)
96B*-N5	1.30	1.46
96B*-R5	1.30	1.46
98B*-E1	1.32	1.48
98B*-G1	1.32	1.48
98B*-FY	1.32	1.48
CBR	4.00	4.20
WBR	2.30	2.50

*Letter in this position designates lens color: A - amber, B - blue, C - clear, G - green, M - magenta or R - red



Beacons

Flashing Xenon

96 Series

Edwards 96DV2 Series Xenon strobe beacons are light duty visual signals suitable for use in industrial, commercial and institutional applications where short term intermittent visual signaling is required. Optically designed fresnel lenses improve viewer perception for indoor, outdoor and wet locations requiring Division 2 and NEMA Type 4X specifications.

The 96DV2 Series can be panel or conduit mounted. Trigger and timing circuits are included as integral parts of the power supply. Replacement costs are reduced, as it is necessary to replace only the strobe tube.

Features and Specifications

- Xenon strobe light source
- Flash rate 65 fpm
- Optically designed fresnel lenses
- Resistant to shock and vibration
- Suitable for indoor and outdoor applications
- For outdoor use, lens should face up
- NEMA Type 4X enclosure
- Class I, Div 2, Groups A, B, C and D; Class II, Div 2, Groups F and G; Class III
- Option for panel or conduit mounting
- Operating temperature range: -31°F to 150°F (-35°C to 66°C)



4.28"



Ordering Information

Description	Cat. No.	Operating Voltage ¹	Current	Lens Colors	Peak Candela	Replacement	
						Lens	Strobe Tube
Xenon Strobe	96DV2A-N5	120V AC	0.03 A	Amber	300,000	96-LA	
	96DV2B-N5	120V AC	0.03 A	Blue	300,000	96-LB	
	96DV2C-N5	120V AC	0.03 A	Clear	300,000	96-LC	91B-ST
	96DV2G-N5	120V AC	0.03 A	Green	300,000	96-LG	3,000 hour ²
	96DV2M-N5	120V AC	0.03 A	Magenta	300,000	96-LM	
	96DV2R-N5	120V AC	0.03 A	Red	300,000	96-LR	

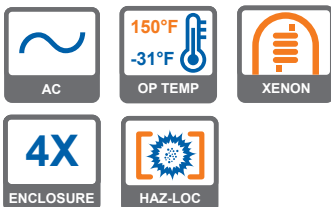
¹AC voltage frequency is 50/60 Hz

²Calculated at operating power to 75% efficiency.

Hazardous Location Listings

Cat. No.	Class	Division	Group	Operating Temperature Code
96DV2*-N5	I	2	A,B,C,D	T3C (160°C, 320°F)
	II	2	F,G	T6 (85°C, 185°F)
	III	—	—	T6 (85°C, 185°F)

*Letter in this position designates lens color: A - amber, B - blue, C - clear, G - green, M - magenta, or R - red



Beacons

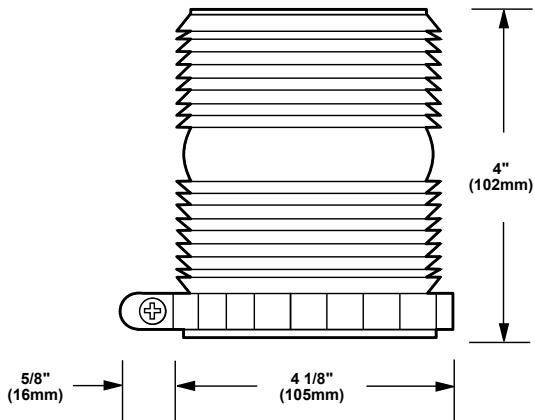
Flashing Xenon

96 Series

Weights and Dimensions

Cat. No.	Approx. Net Weight (lb.)	Approx. Shipping Weight (lb.)
96DV2*-N5	1.29	1.45

*Letter in this position designates lens color: A - amber, B - blue, C - clear, G - green, M - magenta or R - red



↑
VISUAL SIGNALS

Beacons

Flashing Xenon

92 Series

Edwards 92 Series Xenon strobe beacons are light duty visual signals suitable for use in industrial, commercial and institutional applications where short term intermittent visual signaling is required. They feature brilliant light output and a cast base that can be utilized as a junction box. Optically designed fresnel lenses improve viewer perception for indoor and outdoor applications. Trigger and timing circuits are included as integral parts of the power supply. Replacement costs are reduced, as it is necessary to replace only the strobe tube.

The 92PLC Series strobe is electrically isolated from leakage current to prevent false flashes. This series offers single and double flash models.

Features and Specifications

- Xenon strobe light source
- Flash rate 65 fpm
- Cast base can function as a junction box
- Optically designed fresnel lenses
- Suitable for indoor and outdoor applications
- For outdoor use, lens should face up
- Option for panel, conduit or box mounting
- Designed for 4" octagonal box mounting
- Operating temperature range: -31°F to 150°F (-35°C to 66°C)



5 5/8"



Ordering Information

Description	Cat. No.	Lens Colors	Operating Voltage ¹	Current	Peak Candela	Strobe Tube Life ²	Replacement	
							Lens	Strobe Tube
Xenon Strobe	92A-R5	Amber	240V AC	0.05 A	800,000	3,000 hr	V93-LA	
	92B-R5	Blue	240V AC	0.05 A	800,000	3,000 hr	V93-LB	
	92C-R5	Clear	240V AC	0.05 A	800,000	3,000 hr	V93-LC	92-ST
	92G-R5	Green	240V AC	0.05 A	800,000	3,000 hr	V93-LG	3,000 hour ²
	92M-R5	Magenta	240V AC	0.05 A	800,000	3,000 hr	V93-LM	
	92R-R5	Red	240V AC	0.05 A	800,000	3,000 hr	V93-LR	
Xenon Strobe Single Flash	92PLCA-N5	Amber	120V AC	0.1 A	1,400,000	5,000 hr	V93-LA	
	92PLCB-N5	Blue	120V AC	0.1 A	1,400,000	5,000 hr	V93-LB	
	92PLCC-N5	Clear	120V AC	0.1 A	1,400,000	5,000 hr	V93-LC	92-LST
	92PLCG-N5	Green	120V AC	0.1 A	1,400,000	5,000 hr	V93-LG	1,400,000 cd ²
	92PLCM-N5	Magenta	120V AC	0.1 A	1,400,000	5,000 hr	V93-LM	
Xenon Strobe Double Flash	92PLCR-N5	Red	120V AC	0.1 A	1,400,000	5,000 hr	V93-LR	
	92PLC-DFA-N5	Amber	120V AC	0.1 A	800,000	3,000 hr	V93-LA	
	92PLC-DFB-N5	Blue	120V AC	0.1 A	800,000	3,000 hr	V93-LB	
	92PLC-DFC-N5	Clear	120V AC	0.1 A	800,000	3,000 hr	V93-LC	92-LST
	92PLC-DFG-N5	Green	120V AC	0.1 A	800,000	3,000 hr	V93-LG	800,000 cd ²
	92PLC-DFM-N5	Magenta	120V AC	0.1 A	800,000	3,000 hr	V93-LM	
	92PLC-DFR-N5	Red	120V AC	0.1 A	800,000	3,000 hr	V93-LR	

¹AC voltage frequency is 50/60 Hz

²Calculated at operating power to 75% efficiency.

Accessories

Description	Cat. No.
Corner Mount Bracket	CBR
Wall Mount Bracket	WBR



CBR
Corner Mount Bracket



WBR
Wall Mount Bracket



Beacons

Flashing Xenon

92 Series

Signal Input Load Characteristics

These devices may be operated by PLCs with output characteristics that match the input load requirements of the signal.

Cat. No.	Operating ¹ Voltage	Max. Off State Leakage Current (A)	Continuous On Current (A)	Surge (inrush / duration)
92PLC*-N5	120V AC	0.005	0.100	20 A / .075 millisecond
92PLC-DF*-N5	120V AC	0.005	0.100	20 A / .075 millisecond

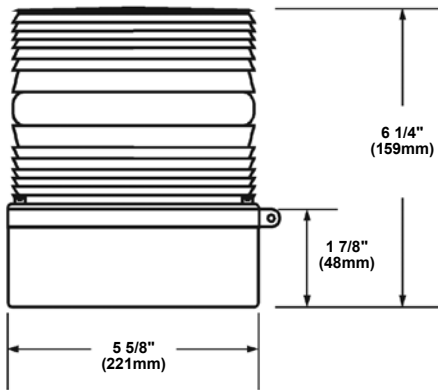
*Letter in this position designates lens color: A - amber, B - blue, C - clear, G - green, M - magenta, or R - red

¹AC voltage frequency is 60 Hz

Weights and Dimensions

Cat. No.	Approx. Net Weight (lb.)	Approx. Shipping Weight (lb.)
92*-R5	1.70	2.03
92PLC*-N5	1.70	2.03
92PLC-DF*-N5	1.70	2.03
CBR	4.00	4.20
WBR	2.30	2.50

*Letter in this position designates lens color: A - amber, B - blue, C - clear, G - green, M - magenta or R - red



Beacons

Flashing Xenon

90 Series

Edwards 90 Series Xenon strobe beacons are light duty visual signals suitable for use in industrial, commercial and institutional applications where short term intermittent visual signaling is required. They feature brilliant light output and a cast base that can be utilized as a junction box. Optically designed fresnel lenses improve viewer perception for indoor and outdoor applications. Trigger and timing circuits are included as integral parts of the power supply. Replacement costs are reduced, as it is necessary to replace only the strobe tube.

Features and Specifications

- Xenon strobe light source
- Flash rate 65 fpm
- Cast base can function as a junction box
- Optically designed fresnel lenses
- Suitable for indoor and outdoor applications
- For outdoor use, lens should face up
- Option for panel, conduit or box mounting
- Designed for 4" octagonal box mounting
- Operating temperature range: -31°F to 150°F (-35°C to 66°C)



Ordering Information

Description	Cat. No.	Operating Voltage ¹	Current	Lens Color	Peak Candela	Replacement		
						Lens	Strobe Tube	Dome
Xenon Strobe	90A-N5	120V AC	0.1 A	Amber	1,400,000	92-LA	92-LST 5,000 hours ²	52-LC
	90B-N5	120V AC	0.1 A	Blue	1,400,000	92-LB		
	90C-N5	120V AC	0.1 A	Clear	1,400,000	92-LC		
	90G-N5	120V AC	0.1 A	Green	1,400,000	92-LG		
	90M-N5	120V AC	0.1 A	Magenta	1,400,000	92-LM		
	90R-N5	120V AC	0.1 A	Red	1,400,000	92-LR		

¹AC voltage frequency is 50/60 Hz
²Calculated at operating power to 75% efficiency.

Accessories

Description	Cat. No.
Corner Mount Bracket	CBR
Wall Mount Bracket	WBR



Beacons

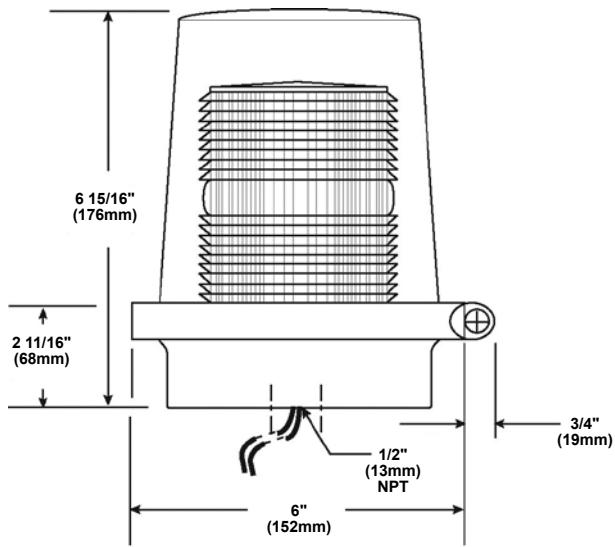
Flashing Xenon

90 Series

Weights and Dimensions

Cat. No.	Approx. Net Weight (lb.)	Approx. Shipping Weight (lb.)
90*-N5	1.75	2.08
CBR	4.00	4.20
WBR	2.30	2.50

*Letter in this position designates lens color: A - amber, B - blue, C - clear, G - green, M - magenta or R - red



Beacons

Flashing Xenon

92 Series

Edwards 92-N5 Series Xenon strobe beacons are light duty visual signals suitable for use in industrial, commercial and institutional applications where short term intermittent visual signaling is required. They feature brilliant light output and a cast base that can be utilized as a junction box. Optically designed fresnel lenses improve viewer perception for indoor and outdoor applications. Trigger and timing circuits are included as integral parts of the power supply. Replacement costs are reduced, as it is necessary to replace only the strobe tube.

Features and Specifications

- Xenon strobe light source
- Flash rate 65 fpm
- Cast base can function as a junction box
- Optically designed fresnel lenses
- Suitable for indoor and outdoor applications
- For outdoor use, lens should face up
- Option for panel, conduit or box mounting
- Designed for 4" octagonal box mounting
- Operating temperature range: -31°F to 150°F (-35°C to 65.6°C)



Ordering Information

Description	Cat. No.	Operating Voltage ¹	Current	Lens Colors	Peak Candela	Replacement	
						Lens	Strobe Tube
Xenon Strobe	92A-N5	120V AC	0.1 A	Amber	1,400,000	92-LA	92-LST 5,000 hour ²
	92B-N5	120V AC	0.1 A	Blue	1,400,000	92-LB	
	92C-N5	120V AC	0.1 A	Clear	1,400,000	92-LC	
	92G-N5	120V AC	0.1 A	Green	1,400,000	92-LG	
	92M-N5	120V AC	0.1 A	Magenta	1,400,000	92-LM	
	92R-N5	120V AC	0.1 A	Red	1,400,000	92-LR	

¹AC voltage frequency is 50/60 Hz
²Calculated at operating power to 75% efficiency.

Accessories

Description	Cat. No.
Corner Mount Bracket	CBR
Wall Mount Bracket	WBR
Lens Guard	92-GRD



Beacons

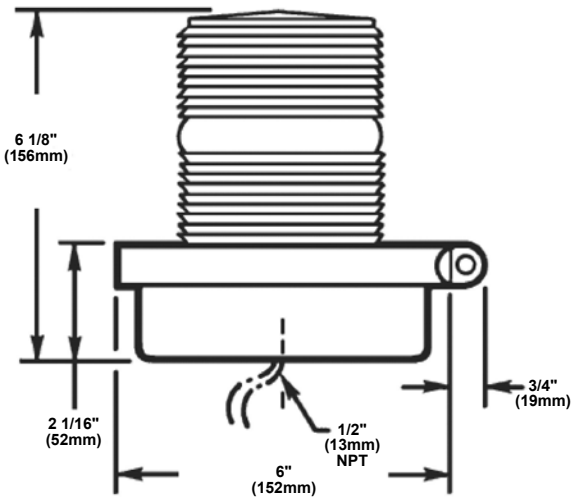
Flashing Xenon

92 Series

Weights and Dimensions

Cat. No.	Approx. Net Weight (lb.)	Approx. Shipping Weight (lb.)
92*-N5	1.60	1.93
CBR	4.00	4.20
WBR	2.30	2.50
92-GRD	0.31	0.47

*Letter in this position designates lens color: A - amber, B - blue, C - clear, G - green, M - magenta or R - red



Beacons

Flashing Xenon

57EDF Series

Edwards 57EDF Series Xenon strobe beacons are heavy-duty, double flash visual signals suitable for use in general signaling applications. The shatter resistant polycarbonate lens has been designed with a reflective double optics system that creates a unique rectangular column of light. This enhances light output by increasing the lens fill rate while minimizing the intense light burst normally characteristic of high intensity strobes. The new 57EDF Series is NEMA Type 4X rated for indoor and outdoor applications and can be conduit mounted only. The unit features a corrosion resistant, heat flowed epoxy finish base.

Features and Specifications

- Xenon strobe light source
- Shatter resistant polycarbonate lens
- Suitable for indoor and outdoor applications
- For outdoor use, lens should face up
- 3/4" conduit mount
- NEMA Type 4X enclosure
- Operating temperature range: -31°F to 150°F (-35°C to 66°C)



Ordering Information

Description	Cat. No.	Operating Voltage ¹	Current	Lens Colors	Peak Candela	Strobe Tube Life ²	Replacement		
							Lens	Strobe Tube	Dome
Xenon Strobe AC	57EDFA-N5	120V AC	0.2 A	Amber	2.3 million	3,000 hr	57E-LA		
	57EDFB-N5	120V AC	0.2 A	Blue	2.3 million	3,000 hr	57E-LB		
	57EDFC-N5	120V AC	0.2 A	Clear	2.3 million	3,000 hr	57E-LC	92-ST	57E-DC
	57EDFG-N5	120V AC	0.2 A	Green	2.3 million	3,000 hr	57E-LG		
	57EDFM-N5	120V AC	0.2 A	Magenta	2.3 million	3,000 hr	57E-LM		
	57EDFR-N5	120V AC	0.2 A	Red	2.3 million	3,000 hr	57E-LR		
	57EDFA-R5	240V AC	0.1 A	Amber	2.3 million	3,000 hr	57E-LA		
	57EDFB-R5	240V AC	0.1 A	Blue	2.3 million	3,000 hr	57E-LB		
	57EDFC-R5	240V AC	0.1 A	Clear	2.3 million	3,000 hr	57E-LC	92-ST	57E-DC
	57EDFG-R5	240V AC	0.1 A	Green	2.3 million	3,000 hr	57E-LG		
57EDFM-R5	240V AC	0.1 A	Magenta	2.3 million	3,000 hr	57E-LM			
Xenon Strobe DC	57EDFA-G1	24V DC	2.2 A	Amber	2.3 million	3,000 hr	57E-LA		
	57EDFB-G1	24V DC	2.2 A	Blue	2.3 million	3,000 hr	57E-LB		
	57EDFC-G1	24V DC	2.2 A	Clear	2.3 million	3,000 hr	57E-LC	92-ST	57E-DC
	57EDFG-G1	24V DC	2.2 A	Green	2.3 million	3,000 hr	57E-LG		
	57EDFM-G1	24V DC	2.2 A	Magenta	2.3 million	3,000 hr	57E-LM		
	57EDFR-G1	24V DC	2.2 A	Red	2.3 million	3,000 hr	57E-LR		

¹AC voltage frequency is 50/60 Hz

²Calculated strobe tube life at operating power to 75% efficiency

Accessories

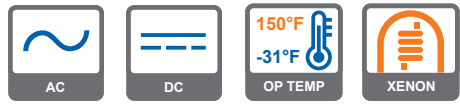
Description	Cat. No.
Corner Mount Bracket	CBR
Wall Mount Bracket	WBR



CBR
Corner Mount Bracket



WBR
Wall Mount Bracket



Beacons

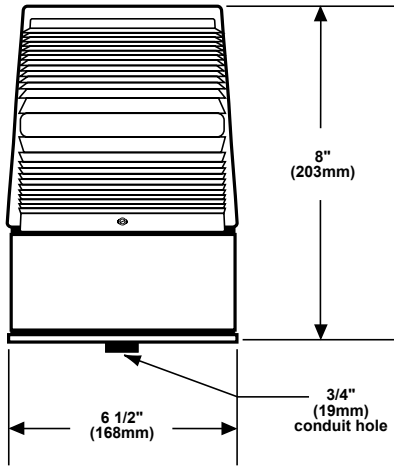
Flashing Xenon

57EDF Series

Weights and Dimensions

Cat. No.	Approx. Net Weight (lb.)	Approx. Shipping Weight (lb.)
57EDF*-N5	3.14	3.61
57EDF*-R5	3.14	3.61
57EDF*-G1	3.14	3.61
CBR	4.00	4.20
WBR	2.30	2.50

*Letter in this position designates lens color: A - amber, B - blue, C - clear, G - green, M - magenta or R - red



Beacons

Flashing Xenon

93 and 97 Series

Edwards 93 and 97 Series Xenon strobe beacons are heavy-duty visual signals suitable for use where more frequent and longer lasting signaling cycles may be required. Optically designed fresnel lenses improve viewer perception for indoor and outdoor applications. The base is cast and can be utilized as a junction box.

The 93DF and 97DF Series offers a double flash model that doubles the apparent strobe on-time (50 double flashes per minute). Trigger and timing circuits are included as integral parts of the power supply. Replacement costs are reduced, as it is necessary to replace only the strobe tube.

Features and Specifications

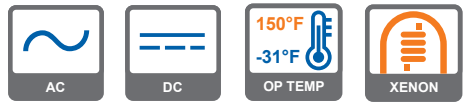
- Xenon strobe light source
- Cast base can function as a junction box
- Optically designed fresnel lenses
- Single and double flash models
- Suitable for indoor and outdoor applications
- For outdoor use, lens should face up
- 93 Series - 3/4" conduit mount
- 97 Series - panel or 3/4" conduit mounting
- Operating temperature range: -31°F to 150°F (-35°C to 66°C)



Ordering Information

Description	Cat. No.	Operating Voltage ¹	Current	Lens Colors	Flash Rate	Peak Candela	Replacement	
							Lens	Strobe Tube
Xenon Strobe Single Flash AC	93A-N5	120V AC	0.1 A	Amber	65 fpm	800,000	93-LA	92-ST 3,000 hour ²
	93B-N5	120V AC	0.1 A	Blue	65 fpm	800,000	93-LB	
	93C-N5	120V AC	0.1 A	Clear	65 fpm	800,000	93-LC	
	93G-N5	120V AC	0.1 A	Green	65 fpm	800,000	93-LG	
	93M-N5	120V AC	0.1 A	Magenta	65 fpm	800,000	93-LM	
	93R-N5	120V AC	0.1 A	Red	65 fpm	800,000	93-LR	
	93A-R5	240V AC	0.05 A	Amber	65 fpm	800,000	93-LA	92-ST 3,000 hour ²
	93B-R5	240V AC	0.05 A	Blue	65 fpm	800,000	93-LB	
	93C-R5	240V AC	0.05 A	Clear	65 fpm	800,000	93-LC	
	93G-R5	240V AC	0.05 A	Green	65 fpm	800,000	93-LG	
	93M-R5	240V AC	0.05 A	Magenta	65 fpm	800,000	93-LM	
	93R-R5	240V AC	0.05 A	Red	65 fpm	800,000	93-LR	
Xenon Strobe Double Flash AC	93DFA-N5	120V AC	0.1 A	Amber	50 dfpm	1,100,000	93-LA	92-ST 3,000 hour ²
	93DFB-N5	120V AC	0.1 A	Blue	50 dfpm	1,100,000	93-LB	
	93DFC-N5	120V AC	0.1 A	Clear	50 dfpm	1,100,000	93-LC	
	93DFG-N5	120V AC	0.1 A	Green	50 dfpm	1,100,000	93-LG	
	93DFM-N5	120V AC	0.1 A	Magenta	50 dfpm	1,100,000	93-LM	
	93DFR-N5	120V AC	0.1 A	Red	50 dfpm	1,100,000	93-LR	
	93DFA-R5	240V AC	0.05 A	Amber	50 dfpm	1,100,000	93-LA	92-ST 3,000 hour ²
	93DFB-R5	240V AC	0.05 A	Blue	50 dfpm	1,100,000	93-LB	
	93DFC-R5	240V AC	0.05 A	Clear	50 dfpm	1,100,000	93-LC	
	93DFG-R5	240V AC	0.05 A	Green	50 dfpm	1,100,000	93-LG	
	93DFM-R5	240V AC	0.05 A	Magenta	50 dfpm	1,100,000	93-LM	
	93DFR-R5	240V AC	0.05 A	Red	50 dfpm	1,100,000	93-LR	

¹AC voltage frequency is 50/60 Hz
²Calculated at operating power to 75% efficiency.



Beacons

Flashing Xenon

93 and 97 Series

Ordering Information		Continued						Replacement	
Description	Cat. No.	Operating Voltage	Current	Lens Colors	Flash Rate	Peak Candela	Lens	Strobe Tube	
Xenon Strobe Single Flash DC	97A-EK	12-48V DC	1.20 A	Amber	65 fpm	800,000	93-LA	92-ST 3,000 hour ¹	
	97B-EK	12-48V DC	1.20 A	Blue	65 fpm	800,000	93-LB		
	97C-EK	12-48V DC	1.20 A	Clear	65 fpm	800,000	93-LC		
	97G-EK	12-48V DC	1.20 A	Green	65 fpm	800,000	93-LG		
	97M-EK	12-48V DC	1.20 A	Magenta	65 fpm	800,000	93-LM		
	97R-EK	12-48V DC	1.20 A	Red	65 fpm	800,000	93-LR		
	97A-MP	72-125V DC	0.20 A	Amber	65 fpm	800,000	93-LA	92-ST 3,000 hour ¹	
	97B-MP	72-125V DC	0.20 A	Blue	65 fpm	800,000	93-LB		
	97C-MP	72-125V DC	0.20 A	Clear	65 fpm	800,000	93-LC		
	97G-MP	72-125V DC	0.20 A	Green	65 fpm	800,000	93-LG		
	97M-MP	72-125V DC	0.20 A	Magenta	65 fpm	800,000	93-LM		
	97R-MP	72-125V DC	0.20 A	Red	65 fpm	800,000	93-LR		
Xenon Strobe Double Flash DC	97DFA-EK	12-48V DC	1.20 A	Amber	50 dfpm	1,100,000	93-LA	92-ST 3,000 hour ¹	
	97DFB-EK	12-48V DC	1.20 A	Blue	50 dfpm	1,100,000	93-LB		
	97DFC-EK	12-48V DC	1.20 A	Clear	50 dfpm	1,100,000	93-LC		
	97DFG-EK	12-48V DC	1.20 A	Green	50 dfpm	1,100,000	93-LG		
	97DFM-EK	12-48V DC	1.20 A	Magenta	50 dfpm	1,100,000	93-LM		
	97DFR-EK	12-48V DC	1.20 A	Red	50 dfpm	1,100,000	93-LR		
	97DFA-MP	72-125V DC	0.20 A	Amber	50 dfpm	1,100,000	93-LA	92-ST 3,000 hour ¹	
	97DFB-MP	72-125V DC	0.20 A	Blue	50 dfpm	1,100,000	93-LB		
	97DFC-MP	72-125V DC	0.20 A	Clear	50 dfpm	1,100,000	93-LC		
	97DFG-MP	72-125V DC	0.20 A	Green	50 dfpm	1,100,000	93-LG		
	97DFM-MP	72-125V DC	0.20 A	Magenta	50 dfpm	1,100,000	93-LM		
	97DFR-MP	72-125V DC	0.20 A	Red	50 dfpm	1,100,000	93-LR		

¹Calculated at operating power to 75% efficiency.

Accessories	
Description	Cat. No.
Corner Mount Bracket	CBR
Wall Mount Bracket	WBR



CBR
Corner Mount Bracket



WBR
Wall Mount Bracket

Beacons

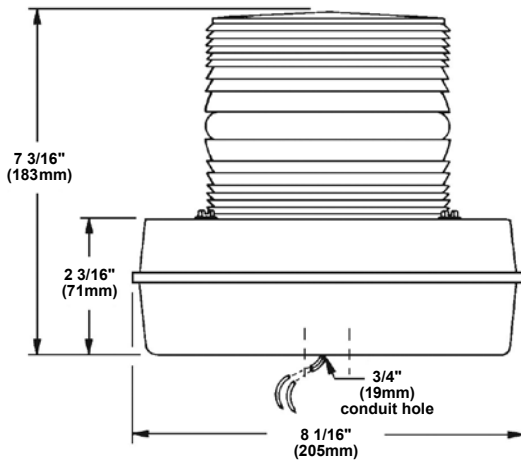
Flashing Xenon

93 and 97 Series

Weights and Dimensions

Cat. No.	Approx. Net Weight (lb.)	Approx. Shipping Weight (lb.)
93*-N5	5.22	5.80
93*-R5	5.22	5.80
93DF*-N5	5.22	5.80
93DF*-R5	5.22	5.80
97*-EK	5.22	5.80
97*-MP	5.22	5.80
97DF*-EK	5.22	5.80
97DF*-MP	5.22	5.80
CBR	4.00	4.20
WBR	2.30	2.50

*Letter in this position designates lens color: A - amber, B - blue, C - clear, G - green, M - magenta or R - red



Beacons

Flashing Xenon

94 Series

Edwards 94 Series Xenon strobe beacons are heavy-duty visual signals suitable for use where more frequent and longer lasting signaling cycles may be required. Optically designed fresnel lenses improve viewer perception for indoor and outdoor applications. The base is cast metal and can be utilized as a junction box.

The 94DF Series offers a double flash model that doubles the apparent strobe on-time (50 double flashes per minute). Trigger and timing circuits are included as integral parts of the power supply.

Replacement costs are reduced, as it is necessary to replace only the strobe tube.

The 94DV2 Series Division 2 Xenon strobe beacons are high profile visual signals suitable for outdoor and wet locations requiring a UL Listed, NEMA Type 4X enclosure. The 94DDV2 Series is Diode Polarized for use in electrically supervised circuits. Both versions can be conduit mounted.

Features and Specifications

- Xenon strobe light source
- Cast base can function as a junction box
- Optically designed fresnel lenses
- Suitable for indoor and outdoor applications
- For outdoor use, lens should face up
- Conduit mounting
- NEMA Type 4X enclosure
- Class I, Div 2, Groups A, B, C and D; Class II, Div 2, Groups F and G; Class III, (**94DV2 and 94DDV2**)



8 1/16"



Ordering Information

Description	Cat. No.	Operating Voltage ¹	Current	Lens Colors	Flash Rate	Peak Candela	Replacement		
							Lens	Dome	Strobe Tube
Xenon Strobe Single Flash	94A-N5	120V AC	0.1 A	Amber	65 fpm	800,000	93-LA	94-DC	92-ST 3,000 hour ²
	94B-N5	120V AC	0.1 A	Blue	65 fpm	800,000	93-LB		
	94C-N5	120V AC	0.1 A	Clear	65 fpm	800,000	93-LC		
	94G-N5	120V AC	0.1 A	Green	65 fpm	800,000	93-LG		
	94M-N5	120V AC	0.1 A	Magenta	65 fpm	800,000	93-LM		
	94R-N5	120V AC	0.1 A	Red	65 fpm	800,000	93-LR		
	94A-R5	240V AC	0.05 A	Amber	65 fpm	800,000	93-LA	94-DC	92-ST 3,000 hour ²
	94B-R5	240V AC	0.05 A	Blue	65 fpm	800,000	93-LB		
	94C-R5	240V AC	0.05 A	Clear	65 fpm	800,000	93-LC		
	94G-R5	240V AC	0.05 A	Green	65 fpm	800,000	93-LG		
	94M-R5	240V AC	0.05 A	Magenta	65 fpm	800,000	93-LM		
	94R-R5	240V AC	0.05 A	Red	65 fpm	800,000	93-LR		
Xenon Strobe Double Flash	94DFA-N5	120V AC	0.1 A	Amber	50 dfpm	1,100,000	93-LA	94-DC	92-ST 3,000 hour ²
	94DFB-N5	120V AC	0.1 A	Blue	50 dfpm	1,100,000	93-LB		
	94DFC-N5	120V AC	0.1 A	Clear	50 dfpm	1,100,000	93-LC		
	94DFG-N5	120V AC	0.1 A	Green	50 dfpm	1,100,000	93-LG		
	94DFM-N5	120V AC	0.1 A	Magenta	50 dfpm	1,100,000	93-LM		
	94DFR-N5	120V AC	0.1 A	Red	50 dfpm	1,100,000	93-LR		
	94DFA-R5	240V AC	0.05 A	Amber	50 dfpm	1,100,000	93-LA	94-DC	92-ST 3,000 hour ²
	94DFB-R5	240V AC	0.05 A	Blue	50 dfpm	1,100,000	93-LB		
	94DFC-R5	240V AC	0.05 A	Clear	50 dfpm	1,100,000	93-LC		
	94DFG-R5	240V AC	0.05 A	Green	50 dfpm	1,100,000	93-LG		
	94DFM-R5	240V AC	0.05 A	Magenta	50 dfpm	1,100,000	93-LM		
	94DFR-R5	240V AC	0.05 A	Red	50 dfpm	1,100,000	93-LR		

¹AC voltage frequency is 50/60 Hz

²Calculated at operating power to 75% efficiency.



Beacons

Flashing Xenon

94 Series

Ordering Information		Continued							
Description	Cat. No.	Operating Voltage ¹	Current	Lens Colors	Flash Rate	Peak Candela	Replacement		
							Lens	Dome	Strobe Tube
Xenon Strobe Haz Loc AC	94DV2A-N5	120V AC	0.1 A	Amber	65 fpm	800,000	93-LA		
	94DV2B-N5	120V AC	0.1 A	Blue	65 fpm	800,000	93-LB		
	94DV2C-N5	120V AC	0.1 A	Clear	65 fpm	800,000	93-LC	94DV2-DC	92-ST 3,000 hour ²
	94DV2G-N5	120V AC	0.1 A	Green	65 fpm	800,000	93-LG		
	94DV2M-N5	120V AC	0.1 A	Magenta	65 fpm	800,000	93-LM		
	94DV2R-N5	120V AC	0.1 A	Red	65 fpm	800,000	93-LR		
Xenon Strobe Haz Loc DC Diode Polarized	94DDV2A-G1	24V DC	1.2 A	Amber	65 fpm	800,000	93-LA		
	94DDV2B-G1	24V DC	1.2 A	Blue	65 fpm	800,000	93-LB		
	94DDV2C-G1	24V DC	1.2 A	Clear	65 fpm	800,000	93-LC	94DV2-DC	92-ST 3,000 hour ²
	94DDV2G-G1	24V DC	1.2 A	Green	65 fpm	800,000	93-LG		
	94DDV2M-G1	24V DC	1.2 A	Magenta	65 fpm	800,000	93-LM		
	94DDV2R-G1	24V DC	1.2 A	Red	65 fpm	800,000	93-LR		

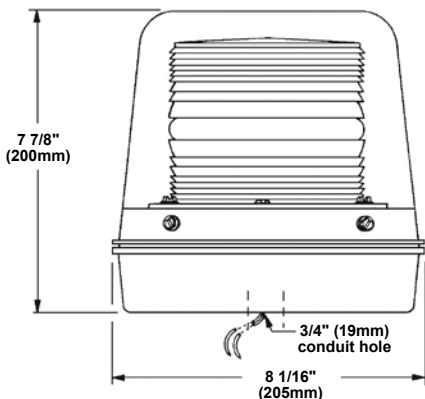
¹AC voltage frequency is 50/60 Hz
²Calculated at operating power to 75% efficiency.

Hazardous Location Listings				
Cat. No.	Class	Division	Group	Operating Temperature Code
94DV2*-N5	I	2	A, B, C, D	T3 (200°C, 392°F)
	II	2	F, G	T6 (85°C, 185°F)
	III			T6 (85°C, 185°F)
94DDV2*-G1	I	2	A, B, C, D	T3 (200°C, 392°F)
	II	2	F, G	T6 (85°C, 185°F)
	III			T6 (85°C, 185°F)

*Letter in this position designates lens color: A - amber, B - blue, C - clear, G - green, M - magenta, or R - red

Weights and Dimensions		
Cat. No.	Approx. Net Weight (lb.)	Approx. Shipping Weight (lb.)
94*-N5	5.53	6.10
94*-R5	5.53	6.10
94DF*-N5	5.53	6.10
94DF*-R5	5.53	6.10
94DV2*-N5	5.53	6.10
94DDV2*-G1	5.60	6.18

*Letter in this position designates lens color: A - amber, B - blue, C - clear, G - green, M - magenta or R - red



Beacons

Flashing Xenon

107 Series

Edwards 107DDV2 and 107DV2 Series Xenon strobe beacons are signaling devices designed for installation in Division 2 environments requiring a NEMA Type 3R or 4X installation. Rigid specifications and state-of-the-art technology provide for high visual output and low maintenance.

The 107DDV2 Series is Diode Polarized for use in electrically supervised circuits. Both versions can be bracket, ceiling or pendant mounted.

Features and Specifications

- Xenon strobe light source
- Flash rate 65 fpm
- High impact glass dome
- Dome Guard (Optional)
- NEMA Type 3R and 4X enclosure
- Suitable for indoor, outdoor and marine applications
- Option for bracket, ceiling or pendant mount
- Class I, Div 2, Groups A, B, C and D; Class II, Div 1, Groups E, F and G; Class II, Div 2, Groups F and G; Class III



Ordering Information

Description	Cat. No.	Operating Voltage ¹	Current	Lens Color	Peak Candela	Replacement		
						Inner Lens	Dome	Strobe Tube
Bracket Mount AC	107DV2BSTA-N5	120V AC	0.1 A	Amber	800,000	96-LA	EDVPGL1HR	92-ST 3,000 hr. ²
	107DV2BSTB-N5	120V AC	0.1 A	Blue	800,000	96-LB		
	107DV2BSTC-N5	120V AC	0.1 A	Clear	800,000	96-LC		
	107DV2BSTG-N5	120V AC	0.1 A	Green	800,000	96-LG		
	107DV2BSTM-N5	120V AC	0.1 A	Magenta	800,000	96-LM		
	107DV2BSTR-N5	120V AC	0.1 A	Red	800,000	96-LR		
	107DV2BSTA-R5	240V AC	0.05 A	Amber	800,000	96-LA	EDVPGL1HR	92-ST 3,000 hr. ²
	107DV2BSTB-R5	240V AC	0.05 A	Blue	800,000	96-LB		
	107DV2BSTC-R5	240V AC	0.05 A	Clear	800,000	96-LC		
	107DV2BSTG-R5	240V AC	0.05 A	Green	800,000	96-LG		
	107DV2BSTM-R5	240V AC	0.05 A	Magenta	800,000	96-LM		
	107DV2BSTR-R5	240V AC	0.05 A	Red	800,000	96-LR		
Bracket Mount DC	107DV2BSTA-EK	12 - 48V DC	1.2 A - 0.38 A	Amber	800,000	96-LA	EDVPGL1HR	92-ST 3,000 hr. ²
	107DV2BSTB-EK	12 - 48V DC	1.2 A - 0.38 A	Blue	800,000	96-LB		
	107DV2BSTC-EK	12 - 48V DC	1.2 A - 0.38 A	Clear	800,000	96-LC		
	107DV2BSTG-EK	12 - 48V DC	1.2 A - 0.38 A	Green	800,000	96-LG		
	107DV2BSTM-EK	12 - 48V DC	1.2 A - 0.38 A	Magenta	800,000	96-LM		
	107DV2BSTR-EK	12 - 48V DC	1.2 A - 0.38 A	Red	800,000	96-LR		
	107DV2BSTA-S1	250V DC	0.1 A	Amber	800,000	96-LA	EDVPGL1HR	92-ST 3,000 hr. ²
	107DV2BSTB-S1	250V DC	0.1 A	Blue	800,000	96-LB		
	107DV2BSTC-S1	250V DC	0.1 A	Clear	800,000	96-LC		
	107DV2BSTG-S1	250V DC	0.1 A	Green	800,000	96-LG		
	107DV2BSTM-S1	250V DC	0.1 A	Magenta	800,000	96-LM		
	107DV2BSTR-S1	250V DC	0.1 A	Red	800,000	96-LR		

¹AC voltage frequency is 60 Hz

²Calculated at operating power to 75% efficiency.



Beacons

Flashing Xenon

107 Series

Ordering Information		Continued						
Description	Cat. No.	Operating Voltage ¹	Current	Lens Color	Peak Candela	Replacement		
						Inner Lens	Dome	Strobe Tube
Ceiling Mount AC	107DV2CSTA-N5	120V AC	0.1 A	Amber	800,000	96-LA	EDVPG11HR	92-ST 3,000 hr. ²
	107DV2CSTB-N5	120V AC	0.1 A	Blue	800,000	96-LB		
	107DV2CSTC-N5	120V AC	0.1 A	Clear	800,000	96-LC		
	107DV2CSTG-N5	120V AC	0.1 A	Green	800,000	96-LG		
	107DV2CSTM-N5	120V AC	0.1 A	Magenta	800,000	96-LM		
	107DV2CSTR-N5	120V AC	0.1 A	Red	800,000	96-LR		
	107DV2CSTA-R5	240V AC	0.05 A	Amber	800,000	96-LA	EDVPG11HR	92-ST 3,000 hr. ²
	107DV2CSTB-R5	240V AC	0.05 A	Blue	800,000	96-LB		
	107DV2CSTC-R5	240V AC	0.05 A	Clear	800,000	96-LC		
	107DV2CSTG-R5	240V AC	0.05 A	Green	800,000	96-LG		
	107DV2CSTM-R5	240V AC	0.05 A	Magenta	800,000	96-LM		
	107DV2CSTR-R5	240V AC	0.05 A	Red	800,000	96-LR		
Ceiling Mount DC	107DV2CSTA-EK	12 - 48V DC	1.2 A	Amber	800,000	96-LA	EDVPG11HR	92-ST 3,000 hr. ²
	107DV2CSTB-EK	12 - 48V DC	1.2 A	Blue	800,000	96-LB		
	107DV2CSTC-EK	12 - 48V DC	1.2 A	Clear	800,000	96-LC		
	107DV2CSTG-EK	12 - 48V DC	1.2 A	Green	800,000	96-LG		
	107DV2CSTM-EK	12 - 48V DC	1.2 A	Magenta	800,000	96-LM		
	107DV2CSTR-EK	12 - 48V DC	1.2 A	Red	800,000	96-LR		
	107DV2CSTA-S1	250V DC	0.1 A	Amber	800,000	96-LA	EDVPG11HR	92-ST 3,000 hr. ²
	107DV2CSTB-S1	250V DC	0.1 A	Blue	800,000	96-LB		
	107DV2CSTC-S1	250V DC	0.1 A	Clear	800,000	96-LC		
	107DV2CSTG-S1	250V DC	0.1 A	Green	800,000	96-LG		
	107DV2CSTM-S1	250V DC	0.1 A	Magenta	800,000	96-LM		
	107DV2CSTR-S1	250V DC	0.1 A	Red	800,000	96-LR		
Pendant Mount AC	107DV2PSTA-N5	120V AC	0.1 A	Amber	800,000	96-LA	EDVPG11HR	92-ST 3,000 hr. ²
	107DV2PSTB-N5	120V AC	0.1 A	Blue	800,000	96-LB		
	107DV2PSTC-N5	120V AC	0.1 A	Clear	800,000	96-LC		
	107DV2PSTG-N5	120V AC	0.1 A	Green	800,000	96-LG		
	107DV2PSTM-N5	120V AC	0.1 A	Magenta	800,000	96-LM		
	107DV2PSTR-N5	120V AC	0.1 A	Red	800,000	96-LR		
	107DV2PSTA-R5	240V AC	0.05 A	Amber	800,000	96-LA	EDVPG11HR	92-ST 3,000 hr. ²
	107DV2PSTB-R5	240V AC	0.05 A	Blue	800,000	96-LB		
	107DV2PSTC-R5	240V AC	0.05 A	Clear	800,000	96-LC		
	107DV2PSTG-R5	240V AC	0.05 A	Green	800,000	96-LG		
	107DV2PSTM-R5	240V AC	0.05 A	Magenta	800,000	96-LM		
	107DV2PSTR-R5	240V AC	0.05 A	Red	800,000	96-LR		
Pendant Mount DC	107DV2PSTA-EK	12 - 48V DC	1.2 A	Amber	800,000	96-LA	EDVPG11HR	92-ST 3,000 hr. ²
	107DV2PSTB-EK	12 - 48V DC	1.2 A	Blue	800,000	96-LB		
	107DV2PSTC-EK	12 - 48V DC	1.2 A	Clear	800,000	96-LC		
	107DV2PSTG-EK	12 - 48V DC	1.2 A	Green	800,000	96-LG		
	107DV2PSTM-EK	12 - 48V DC	1.2 A	Magenta	800,000	96-LM		
	107DV2PSTR-EK	12 - 48V DC	1.2 A	Red	800,000	96-LR		
	107DV2PSTA-S1	250V DC	0.1 A	Amber	800,000	96-LA	EDVPG11HR	92-ST 3,000 hr. ²
	107DV2PSTB-S1	250V DC	0.1 A	Blue	800,000	96-LB		
	107DV2PSTC-S1	250V DC	0.1 A	Clear	800,000	96-LC		
	107DV2PSTG-S1	250V DC	0.1 A	Green	800,000	96-LG		
	107DV2PSTM-S1	250V DC	0.1 A	Magenta	800,000	96-LM		
	107DV2PSTR-S1	250V DC	0.1 A	Red	800,000	96-LR		

¹AC voltage frequency is 60 Hz

²Calculated at operating power to 75% efficiency.

Beacons

Flashing Xenon

107 Series

Ordering Information		Continued						
Description	Cat. No.	Operating Voltage	Current	Lens Colors	Peak Candela	Replacement		
						Inner Lens	Dome	Strobe Tube
Diode Polarized Bracket Mount	107DDV2BSTA-G1	24V DC	1.4 A	Amber	800,000	96-LA	EDVPGL1HR	92-ST 3,000 hr. ¹
	107DDV2BSTB-G1	24V DC	1.4 A	Blue	800,000	96-LB		
	107DDV2BSTC-G1	24V DC	1.4 A	Clear	800,000	96-LC		
	107DDV2BSTG-G1	24V DC	1.4 A	Green	800,000	96-LG		
	107DDV2BSTM-G1	24V DC	1.4 A	Magenta	800,000	96-LM		
	107DDV2BSTR-G1	24V DC	1.4 A	Red	800,000	96-LR		
Diode Polarized Ceiling Mount	107DDV2CSTA-G1	24V DC	1.4 A	Amber	800,000	96-LA	EDVPGL1HR	92-ST 3,000 hr. ¹
	107DDV2CSTB-G1	24V DC	1.4 A	Blue	800,000	96-LB		
	107DDV2CSTC-G1	24V DC	1.4 A	Clear	800,000	96-LC		
	107DDV2CSTG-G1	24V DC	1.4 A	Green	800,000	96-LG		
	107DDV2CSTM-G1	24V DC	1.4 A	Magenta	800,000	96-LM		
Diode Polarized Pendant Mount	107DDV2PSTA-G1	24V DC	1.4 A	Amber	800,000	96-LA	EDVPGL1HR	92-ST 3,000 hr. ¹
	107DDV2PSTB-G1	24V DC	1.4 A	Blue	800,000	96-LB		
	107DDV2PSTC-G1	24V DC	1.4 A	Clear	800,000	96-LC		
	107DDV2PSTG-G1	24V DC	1.4 A	Green	800,000	96-LG		
	107DDV2PSTM-G1	24V DC	1.4 A	Magenta	800,000	96-LM		
	107DDV2PSTR-G1	24V DC	1.4 A	Red	800,000	96-LR		

¹Calculated at operating power to 75% efficiency.

Accessories	
Description	Cat. No.
Optional Dome Guard	EDVPGU1

Hazardous Location Listings						
Cat. No.	Class	Division	Group	Ambient Temperature	Operating Temperature Code	
107DV2 [†] ST*-N5	I ²	2	A, B, C, D	40°C (104°F)	T2 (300°C, 572°F)	
107DV2 [†] ST*-R5				55°C (131°F)	T1 (450°C, 842°F)	
107DV2 [†] ST*-EK				65°C (149°F)	T1 (450°C, 842°F)	
107DV2 [†] ST*-S1	II ²	1 ²	E, F, G	40°C (104°F)	T4A (120°C, 248°F)	
107DDV2BST*-G1				55°C (131°F)	T4 (135°C, 275°F)	
107DDV2CST*-G1		2 ²	F, G	65°C (149°F)	T3C (160°C, 320°F)	
107DDV2PST*-G1	III ²	1 and 2 ²		65°C (149°F)	T3C (160°C, 320°F)	

*Letter in this position designates color of the globe: A - amber, B - blue, C - clear, G - green, R - red or M - magenta.

²Pendant mount models only. Pendant mount models are also listed for use in Class II, Division 1, Groups E, F and G, Class II, Division 2, Groups F and G and Class III, Division 1 and 2 hazardous locations.

[†]Insert "B" for bracket mount, "C" for ceiling mount, or "P" for pendant mount.

VISUAL SIGNALS 1

Beacons

Flashing Xenon

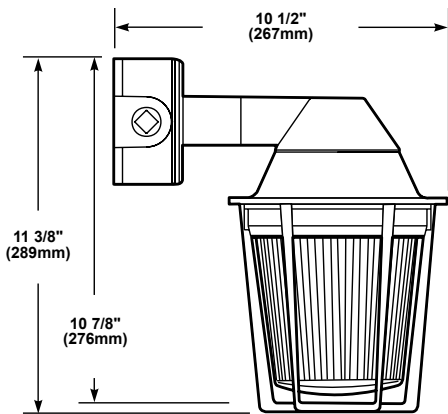
107 Series

Weights and Dimensions

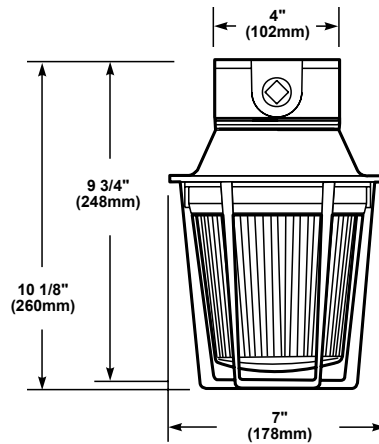
Cat. No.	Approx. Net Weight (lb.)	Approx. Shipping Weight (lb.)
107DV2BST*-N5	6.36	10.83
107DV2BST*-R5	6.36	10.83
107DV2BST*-EK	6.70	11.16
107DV2BST*-S1	6.70	11.16
107DV2CST*-N5	5.30	9.76
107DV2CST*-R5	5.30	9.76
107DV2CST*-EK	5.63	10.10
107DV2CST*-S1	5.63	10.10
107DV2PST*-N5	3.80	8.26
107DV2PST*-R5	3.80	8.26
107DV2PST*-EK	4.13	8.60
107DV2PST*-S1	4.13	8.60
107DDV2BST*-G1	6.81	11.27
107DDV2CBST*-G1	5.74	10.21
107DDV2PST*-G1	4.24	8.71

*Letter in this position designates lens color: A - amber, B - blue, C - clear, G - green, M - magenta or R - red

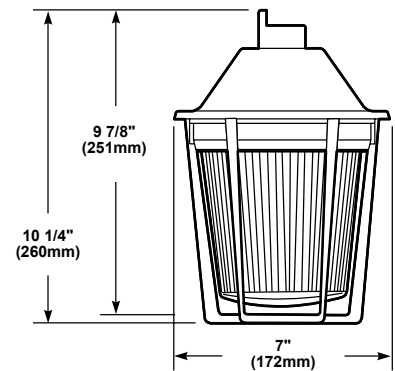
Bracket Mounting



Ceiling Mounting



Pendant Mounting



Beacons: Explosionproof Flashing Xenon 116 Series



7.25"



NOTE: Mounting options not included (ordered separately)

Edwards 116DEXMST-FJ and 116EXMST Series Xenon strobe beacons are explosionproof, signaling devices suitable for use in hazardous indoor or outdoor applications requiring NEMA Type 3R or 4X installations. The housing is cast aluminum with a corrosion resistance epoxy powder coat, and includes a dome guard. The fluted, high-impact glass dome provides even light distribution.

The 116DEXMST-FJ Series is Diode Polarized for use in electrically supervised circuits. Both versions can be bracket, ceiling, pendant or stanchion mounted.

Features and Specifications

- Xenon strobe light source
- Flash rate 65 fpm
- High impact glass dome, dome guard included
- Quick connect for easy assembly and installation
- Diode Polarized for use in electrically supervised circuits (116DEXMST-FJ Series only)
- Suitable for indoor and outdoor hazardous applications
- Bracket, ceiling, pendant or stanchion mounting options (ordered separately)
- NEMA Type 3R and 4X enclosure
- Explosionproof: Class I, Div 2, Groups A and B, Class I, Div 1 and 2, Groups C and D; Class II and III, Div 1, Groups E, F and G; Class II and III, Div 2, Groups F and G

Ordering Information

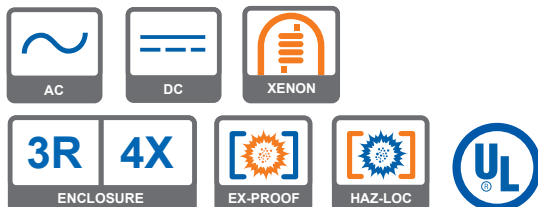
Description	Cat. No.	Operating Voltage ¹	Current	Lens Colors	Peak Candela	Replacement		
						Dome	Inner Lens	Strobe Tube
Xenon Strobe AC	116EXMSTA-N5	120V AC	0.1 A	Amber	800,000	116-Globe	116-ST-LA	
	116EXMSTB-N5	120V AC	0.1 A	Blue	800,000	116-Globe	116-ST-LB	
	116EXMSTC-N5	120V AC	0.1 A	Clear	800,000	116-Globe	116-ST-LC	92-ST
	116EXMSTG-N5	120V AC	0.1 A	Green	800,000	116-Globe	116-ST-LG	3,000 hours. ²
	116EXMSTM-N5	120V AC	0.1 A	Magenta	800,000	116-Globe	116-ST-LM	
	116EXMSTR-N5	120V AC	0.1 A	Red	800,000	116-Globe	116-ST-LR	
Diode Polarized DC	116DEXMSTA-FJ	16 - 33V DC	0.95 A - 0.55 A	Amber	800,000	116-Globe	116-ST-LA	
	116DEXMSTB-FJ	16 - 33V DC	0.95 A - 0.55 A	Blue	800,000	116-Globe	116-ST-LB	
	116DEXMSTC-FJ	16 - 33V DC	0.95 A - 0.55 A	Clear	800,000	116-Globe	116-ST-LC	92-ST
	116DEXMSTG-FJ	16 - 33V DC	0.95 A - 0.55 A	Green	800,000	116-Globe	116-ST-LG	3,000 hours. ²
	116DEXMSTM-FJ	16 - 33V DC	0.95 A - 0.55 A	Magenta	800,000	116-Globe	116-ST-LM	
	116DEXMSTR-FJ	16 - 33V DC	0.95 A - 0.55 A	Red	800,000	116-Globe	116-ST-LR	

¹AC voltage frequency is 50/60 Hz

²Calculated at operating power to 75% efficiency.

Required Mounting Options

Description	Cat. No.	Conduit Size
Wall Bracket Mounting Elbow	116EX-B	N/A
Ceiling/Wall Mounting Module	116EX-C	3/4" NPT
Pendant Mounting Module	116EX-P	3/4" NPT
Stanchion Mounting Module	116EX-S	1 1/4" NPT



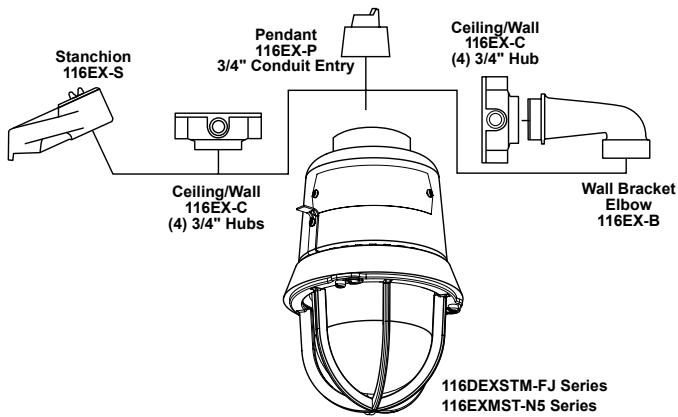
Beacons: Explosionproof Flashing Xenon 116 Series

Hazardous Location Listings

Cat. No.	Ambient Temp.	Supply Wire Temp. Marking	Operating Temperature			
			Class I, Div. 2 Groups A, B	Class I, Div. 1 & 2 Groups C, D	Class II & III, Div. 1 Groups E, F, G	Class II & III, Div. 2 Group F, G
116DEXSTM*-FJ	40°C	75°C	T2D (215°C)	T6 (85°C)	T4A (120°C)	T4A (120°C)
	55°C	90°C	T2C (230°C)	T6 (85°C)	T4 (135°C)	T4 (135°C)
116EXMST*-N5	40°C	75°C	T4 (135°C)	T6 (85°C)	T4A (120°C)	T4A (120°C)
	55°C	90°C	T3C (160°C)	T6 (85°C)	T4 (135°C)	T4 (135°C)
	65°C	105°C	T3C (160°C)	T6 (85°C)	T4 (135°C)	T4 (135°C)

*Letter in this position designates lens color: A - amber, B - blue, C - clear, G - green, M - magenta, or R - red

Mounting Options

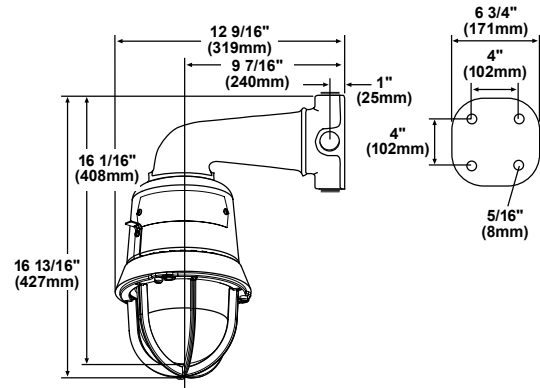


Beacons: Explosionproof Flashing Xenon 116 Series

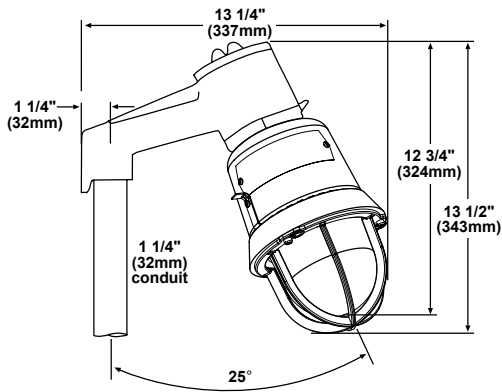
Weights and Dimensions

Cat. No.	Approx. Net Weight (lb.)	Approx. Shipping Weight (lb.)
116EXMSTA-N5	11.40	12.44
116EXMSTB-N5	11.40	12.44
116EXMSTC-N5	11.40	12.44
116EXMSTG-N5	11.40	12.44
116EXMSTM-N5	11.40	12.44
116EXMSTR-N5	11.40	12.44
116DEXMSTA-FJ	11.40	12.44
116DEXMSTB-FJ	11.40	12.44
116DEXMSTC-FJ	11.40	12.44
116DEXMSTG-FJ	11.40	12.44
116DEXMSTM-FJ	11.40	12.44
116DEXMSTR-FJ	11.40	12.44
116EX-B	2.02	2.28
116EX-C	2.50	2.80
116EX-P	1.10	1.26
116EX-S	2.62	2.90

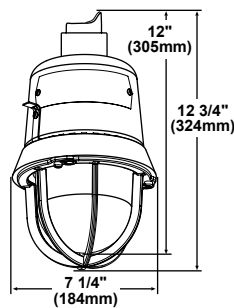
Wall Mount
116EX-B



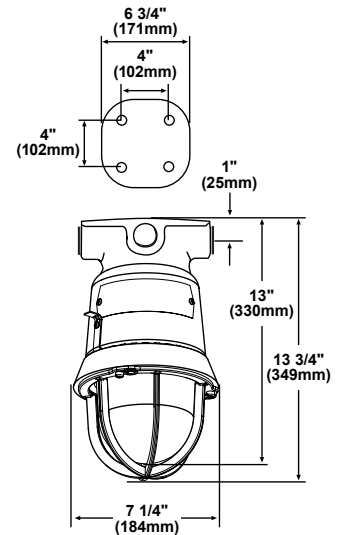
Stanchion Mount
116EX-S



Pendant Mount
116EX-P



Ceiling Mount
116EX-C



Beacons: Explosionproof Flashing Xenon 116 Series



← 7.25" →



NOTE: Mounting options not included (ordered separately)

Features and Specifications

- Xenon strobe light source
- Flash rate 65 fpm
- High impact glass dome, dome guard included
- Quick connect for easy assembly and installation
- Suitable for indoor and outdoor hazardous applications
- Bracket, ceiling, pendant or stanchion mounting options (ordered separately)
- NEMA Type 3R and 4X enclosure
- Class I, Div 2, Groups A and B; Class I, Div 1 and 2, Groups C and D; Class II and III, Div 1, Groups E, F and G; Class II and III, Div 2, Groups F and G

Edwards 116EXST-EK Series Xenon strobe beacons are explosionproof, signaling devices suitable for use in hazardous indoor or outdoor applications requiring NEMA Type 3R or 4X installations. The housing is cast aluminum with a corrosion resistance epoxy powder coat, and includes a dome guard. The fluted, high-impact glass dome provides even light distribution.

Ordering Information

Description	Cat. No.	Operating Voltage	Current	Lens Colors	Peak Candela	Replacement		
						Dome	Inner Lens	Strobe Tube
Xenon Strobe	116EXSTA-EK	12 - 48V DC	1.2 - 0.38 A	Amber	800,000	116-Globe	116-ST-LA	
	116EXSTB-EK	12 - 48V DC	1.2 - 0.38 A	Blue	800,000	116-Globe	116-ST-LB	
	116EXSTC-EK	12 - 48V DC	1.2 - 0.38 A	Clear	800,000	116-Globe	-	92-ST
	116EXSTG-EK	12 - 48V DC	1.2 - 0.38 A	Green	800,000	116-Globe	116-ST-LG	3,000 hr. ¹
	116EXSTM-EK	12 - 48V DC	1.2 - 0.38 A	Magenta	800,000	116-Globe	116-ST-LM	
	116EXSTR-EK	12 - 48V DC	1.2 - 0.38 A	Red	800,000	116-Globe	116-ST-LR	

¹Calculated at operating power to 75% efficiency.

Required Mounting Options

Description	Cat. No.	Conduit Size
Wall Bracket Mounting Elbow	116EX-B	N/A
Ceiling/Wall Mounting Module	116EX-C	3/4" NPT
Pendant Mounting Module	116EX-P	3/4" NPT
Stanchion Mounting Module	116EX-S	1 1/4" NPT

Hazardous Location Listings

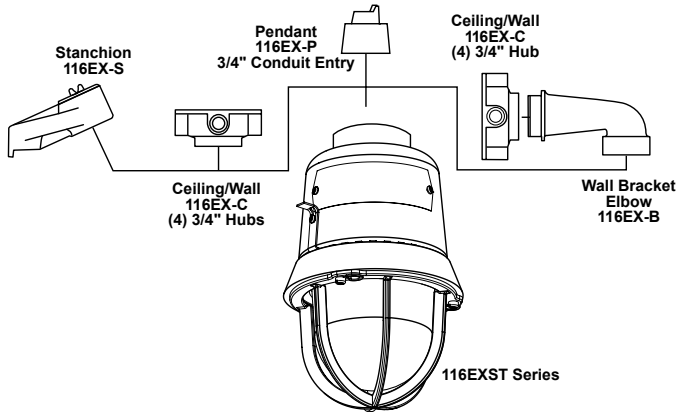
Cat. No.	Ambient Temp.	Supply Wire Temp. Marking	Operating Temperature			
			Class I, Div. 2 Groups A, B	Class I, Div. 1 & 2 Groups C, D	Class II & III, Div. 1 Groups E, F, G	Class II & III, Div. 2 Group G
116EXST*-EK	40°C	75°C	T3 (200°C)	T6 (85°C)	T4A (120°C)	T4A (120°C)
	55°C	90°C	T3 (200°C)	T6 (85°C)	T4 (135°C)	T4 (135°C)
	65°C	105°C	T2D (215°C)	T6 (85°C)	T4 (135°C)	T4 (135°C)

*Letter in this position designates lens color: A - amber, B - blue, C - clear, G - green, M - magenta, or R - red



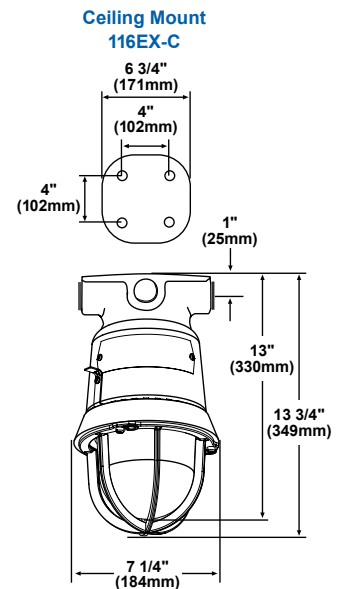
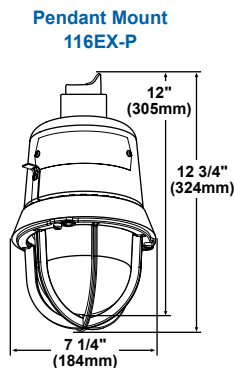
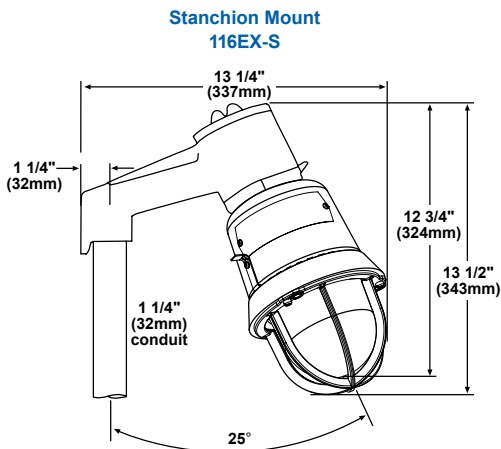
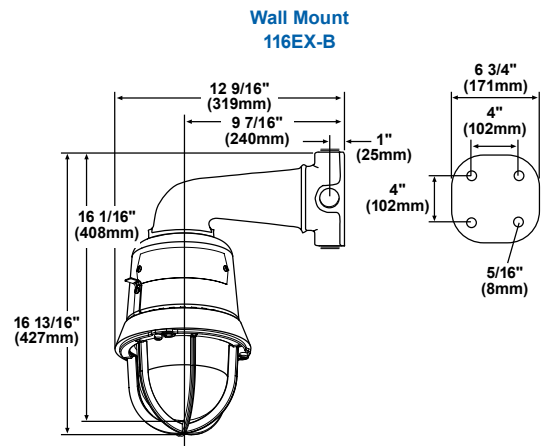
Beacons: Explosionproof Flashing Xenon 116 Series

Mounting Options



Weights and Dimensions

Cat. No.	Approx. Net Weight (lb.)	Approx. Shipping Weight (lb.)
116EXSTA-EK	11.40	12.44
116EXSTB-EK	11.40	12.44
116EXSTC-EK	11.40	12.44
116EXSTG-EK	11.40	12.44
116EXSTM-EK	11.40	12.44
116EXSTR-EK	11.40	12.44
116EX-B	2.02	2.28
116EX-C	2.50	2.80
116EX-P	1.10	1.26
116EX-S	2.62	2.90



Beacons: Explosionproof Flashing Xenon

116 Series



7.25"

C

NOTE: Mounting options not included (ordered separately)

Edwards 116DEXSTC-FJ Series Xenon strobe beacons are explosionproof, signaling devices suitable for use in hazardous indoor or outdoor applications requiring NEMA Type 3R or 4X installations. The housing is cast aluminum with a corrosion resistance epoxy powder coat, and includes a dome guard. The fluted, high-impact glass dome provides even light distribution.

The 116DEXSTC-FJ Series is Diode Polarized for use in electrically supervised circuits, such as fire alarm systems. The strobe, when wall, ceiling or pendant mounted, is UL 1971 listed (ADA) for indoor visual signaling applications for the hearing impaired in non-sleeping areas. The unit can be stanchion mounted as well (non-fire alarm use).

Features and Specifications

- Xenon strobe light source
- Flash rate 65 fpm
- High impact glass dome, dome guard included
- Quick connect for easy assembly and installation
- Diode Polarized for use in electrically supervised circuits
- Suitable for indoor and outdoor hazardous applications
- Bracket, ceiling, pendant or stanchion mounting options (ordered separately)
- NEMA Type 3R and 4X enclosure
- UL 1971 Listed (ADA)
- Explosionproof: Class I, Div 2, Groups A and B; Class I, Div 1 and 2, Groups C and D; Class II and III, Div 1, Groups E, F and G; Class II and III, Div 2, Groups F and G

Ordering Information

Description	Cat. No.	Operating Voltage	Current	Lens Colors	Candela	Replacement	
						Dome	Strobe Tube
Xenon Strobe	116DEXSTC-FJ	24V DC FWR	0.802 A (Max. DC) 1.14 A (Max. FWR)	Clear	60 ²	116-Globe	92-ST 3,000 hours. ¹

¹Calculated at operating power to 75% efficiency.

²UL1971 Fire Alarm output rating, 800,000 peak candela for non-fire alarm listing.

Required Mounting Options

Description	Cat. No.	Conduit Size
Wall Bracket Mounting Elbow	116EX-B	N/A
Ceiling/Wall Mounting Module	116EX-C	3/4" NPT
Pendant Mounting Module	116EX-P	3/4" NPT
Stanchion Mounting Module ³	116EX-S	1 1/4" NPT

³For non-fire alarm use.

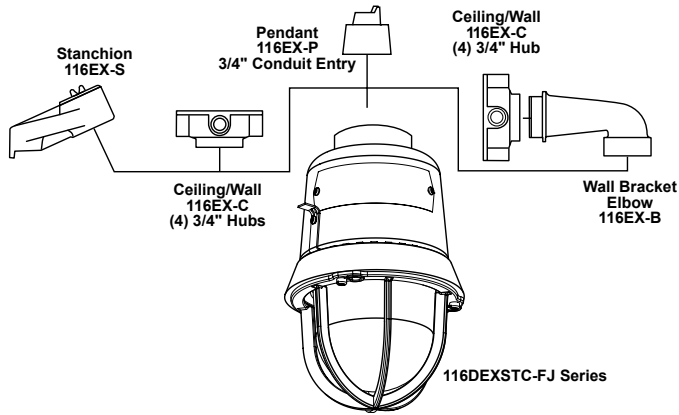
Hazardous Location Listings

Cat. No.	Ambient Temp.	Supply Wire Temp. Marking	Operating Temperature			
			Class I, Div. 2 Groups A, B	Class I, Div. 1 & 2 Groups C, D	Class II & III, Div. 1 Groups E, F, G	Class II & III, Div. 2 Group F, G
116DEXSTC-FJ	40°C	75°C	T2D (215°C)	T6 (85°C)	T4A (120°C)	T4A (120°C)
	55°C	90°C	T2C (230°C)	T6 (85°C)	T4 (135°C)	T4 (135°C)



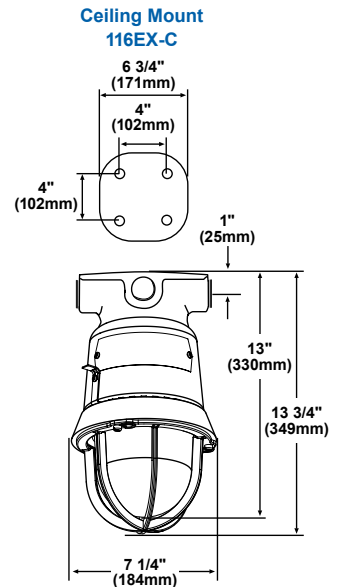
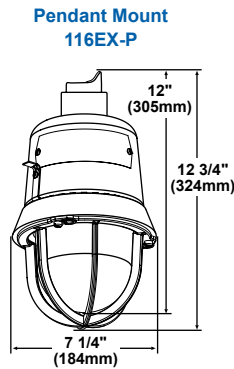
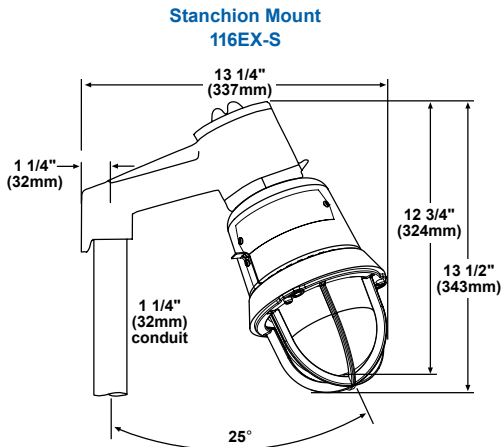
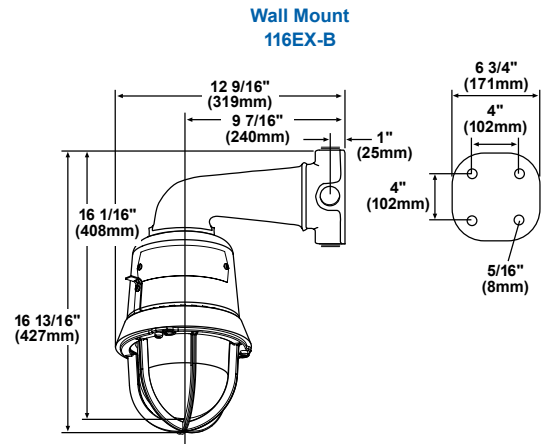
Beacons: Explosionproof Flashing Xenon 116 Series

Mounting Options



Weights and Dimensions

Cat. No.	Approx. Net Weight (lb.)	Approx. Shipping Weight (lb.)
116DEXSTC-FJ	11.40	12.44
116EX-B	2.02	2.28
116EX-C	2.50	2.80
116EX-P	1.10	1.26
116EX-S	2.62	2.90



Beacons: Explosionproof Fire Alarm Flashing Xenon 116 Series



NOTE: Mounting options not included (ordered separately)

Edwards 116 Series Genesis fire alarm strobe is designed for use in Class 1, Division 1 and 2 explosionproof and hazardous location applications where electrical supervision is required. The diode-polarized strobe is intended for indoor use in UL 1971 listed compatible fire alarm systems and is ADA compliant for the hearing impaired.

116 Series Genesis strobe provides 125 cd ceiling and 60 cd wall light output. With the guard installed, the strobe flashes with an output of 86 cd ceiling and 51 cd wall.

These units are UL 1638 and cUL listed for outdoor use as a NEMA Type 3R and 4X enclosure; and Canada (cUL) to Canadian standard ULC-S526-07 suitable for indoor or outdoor applications.

The strobes are designed to flash at the same rate (synchronize) when used with a compatible synchronization source, such as the EG1M-RM synchronization module, E-FSC and E-FSA fire panels, and EBPS series booster supplies.

Features and Specifications

- Xenon light source
- Flash rate 60 fpm
- Clear globe with dome guard
- Three mounting options: wall, ceiling, or pendant (ordered separately)
- Negligible in-rush current
- Approved for fire alarm applications
- NEMA Type 3R and 4X enclosures
- Can be synchronized when connected to a compatible Edwards control panel, booster power supply or synchronization module
- UL 1638, UL 1971 and cUL Listed
- Explosionproof: Class I, Div. 2, Groups A and B; Class I, Div. 1 and 2, Groups C and D; Class II, Div. 1, Groups E, F, G and Class III; Class II, Div. 2, Groups F, G and Class III.

Ordering Information

Description	Cat. No.	Operating Voltage ¹	Current	Lens Color	Replacement	
					Dome	Guard
Explosionproof Fire Alarm Strobe	116DEGEX-FJ	24V DC	0.505 A, DC, RMS 0.683 A, FWR, RMS	Clear	116-Globe	116-GRD

¹Regulated 16 to 33V DC/FWR.

Required Mounting Options²

Description	Cat. No.	Conduit Size
Wall Bracket Mounting Elbow	116EX-B ³	N/A
Ceiling/Wall Mounting Module	116EX-C	3/4" NPT
Pendant Mounting Module	116EX-P	3/4" NPT
Synchronization Module	EG1M-RM	—

²Mounting modules must be ordered separately.

³Note: Wall mount requires both 116EX-B and 116EX-C.

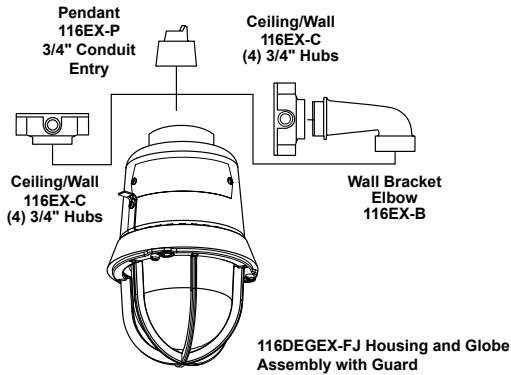
Hazardous Location Ratings

Cat. No.	Ambient Temp.	Supply Wire Temp. Marking	Operating Temperature			
			Class I, Div. 2 Groups A, B	Class I, Div. 1 & 2 Groups C, D	Class II, Div. 1 Groups E, F, G, & Class III	Class II, Div. 2 Groups F, G, & Class III
116 Series	40°C	75°C	T2B (260°C)	T6 (85°C)	T4A (120°C)	T4A (120°C)
	55°C	90°C	T2B (260°C)	T6 (85°C)	T4 (135°C)	T4 (135°C)
	65°C	105°C	T2B (260°C)	T6 (85°C)	T3C (160°C)	T3C (160°C)



Beacons: Explosionproof Fire Alarm Flashing Xenon 116 Series

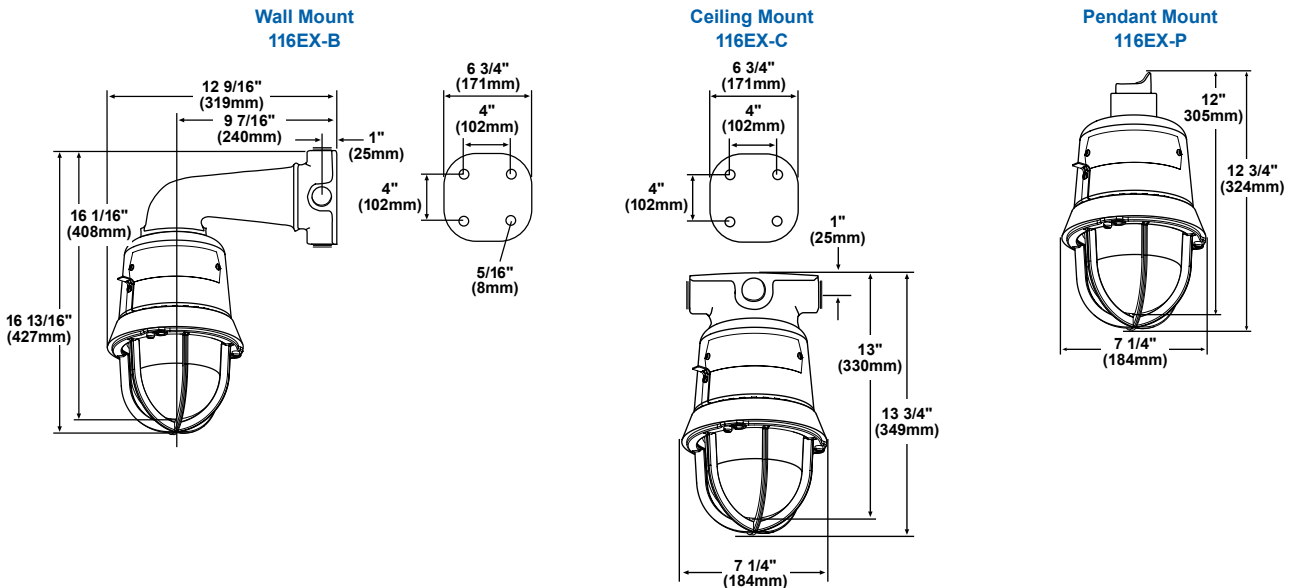
Mounting Options



NOTE: 116EX-C must be used when application requires 116EX-B

Weights and Dimensions

Cat. No.	Approx. Net Weight (lb.)	Approx. Shipping Weight (lb.)
116DEGEX-FJ	11.40	12.44
116EX-B	2.02	2.28
116EX-C	2.50	2.80
116EX-P	1.10	1.26
EG1M-RM	—	1.25



Beacons: Explosionproof Flashing Xenon 116 Series



Edwards 116 Series mass notification strobes are designed for use in Class 1, Division 1 and 2 explosionproof and hazardous location (non fire alarm) applications where electrical supervision is required. The units feature two lenses, an outer clear globe, and an inner colored lens available in amber, red, green, blue or magenta.

This diode-polarized unit is UL 1638 and cUL listed for outdoor use as a NEMA Type 3R and 4X enclosure. The strobe has been evaluated to UL 1971 polar plot requirements with on axis light output values.

The 116 Series features an enhanced synchronization circuit to comply with the latest requirements of UL 1971, signaling devices for the hearing impaired, and the Canadian standard CAN/ULC S526. Synchronized operation requires a separately installed synchronization control module, compatible Edwards control panel or booster power supply. See table on the following page for a list of compatible synchronization modules.

Mounting options are available (ordered separately) for wall, ceiling and pendant mounts. The unit is supplied with a guard installed over the clear outer globe for additional protection against impact.

Features and Specifications

- Xenon light source
- Clear globe with dome guard
- Five lens colors
- Flash rate 65 fpm
- Three mounting options: wall, ceiling, or pendant (ordered separately)
- Negligible in-rush current
- Can be synchronized when connected to a compatible Edwards control panel, booster power supply or synchronization module
- NEMA Type 3R and 4X enclosures
- Explosionproof: Class I, Div 1, Groups C and D; Class I, Div 2, Groups A and B; Class I, Div 1 and 2, Groups C and D; Class II and III, Div 1, Groups E, F and G; Class II and III, Div 2, Groups F and G.



← 7.25" →



NOTE: Mounting options not included (ordered separately)

Ordering Information

Description	Cat. No.	Operating Voltage	Current	Lens Colors	Light Output UL 1971	Replacement	
						Dome	Guard
Explosionproof Mass Notification Strobe	116DEGEXA-FJ	16-33V DC/FWR	0.505 A, DC, RMS 0.683 A, FWR, RMS	Amber	36 cd	116-Globe	116-GRD
	116DEGEXB-FJ	16-33V DC/FWR	0.505 A, DC, RMS 0.683 A, FWR, RMS	Blue	14 cd	116-Globe	116-GRD
	116DEGEXG-FJ	16-33V DC/FWR	0.505 A, DC, RMS 0.683 A, FWR, RMS	Green	19 cd	116-Globe	116-GRD
	116DEGEXM-FJ	16-33V DC/FWR	0.505 A, DC, RMS 0.683 A, FWR, RMS	Magenta	9 cd	116-Globe	116-GRD
	116DEGEXR-FJ	16-33V DC/FWR	0.505 A, DC, RMS 0.683 A, FWR, RMS	Red	6 cd	116-Globe	116-GRD



Beacons: Explosionproof Flashing Xenon 116 Series

Required Mounting Options

Description	Cat. No.	Conduit Size
Wall Bracket Mounting Elbow	116EX-B ¹	N/A
Ceiling/Wall Mounting Module	116EX-C	3/4" NPT
Pendant Mounting Module	116EX-P	3/4" NPT

¹Note: Wall mount requires both 116EX-B and 116EX-C.

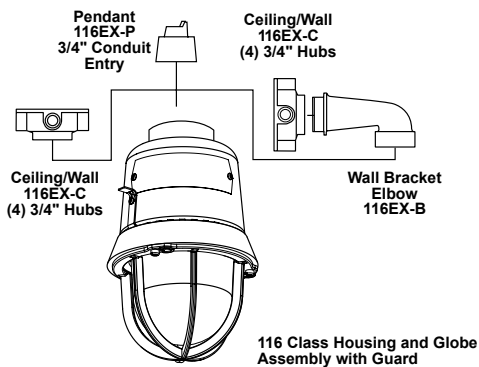
Compatible Synchronization Modules

Description	Cat. No.
Auto-sync Output Module	SIGA-CC1S
	SIGA-CC1S-LG
	SIGA-MCC1S
	SIGA-MCC1S-LG
Genesis Signal Master - Remote Mount	ADTG1M-RM
	EG1M-RM
	G1M-RM
	G1M-RM-LG
	MG1M-RM
	XLSG1M-RM
	ZG1M-RM

Hazardous Location Ratings

Cat. No.	Operating Temperature					
	Ambient Temp.	Supply Wire Temp. Marking	Class I, Div. 2 Groups A, B	Class I, Div. 1 & 2 Groups C, D	Class II & III, Div. 1 Groups E, F, G	Class II & III, Div. 2 Groups F, G
116 Series	40°C	75°C	T2B (260°C)	T6 (85°C)	T4A (120°C)	T4A (120°C)
	55°C	90°C	T2B (260°C)	T6 (85°C)	T4 (135°C)	T4 (135°C)
	65°C	105°C	T2B (260°C)	T6 (85°C)	T3C (160°C)	T3C (160°C)

Mounting Options



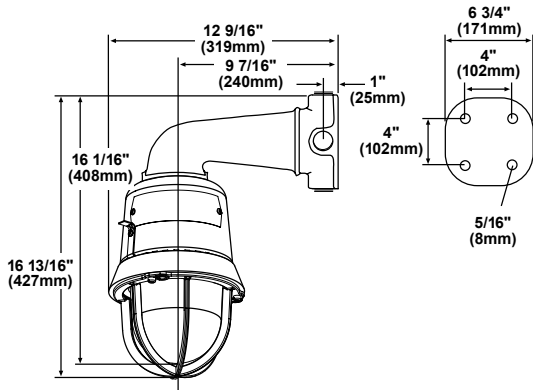
NOTE: 116EX-C must be used when application requires 116EX-B

Beacons: Explosionproof Flashing Xenon 116 Series

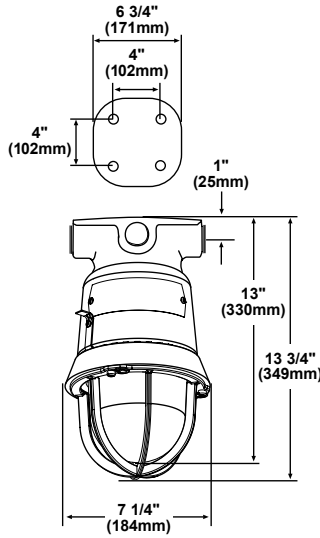
Weights and Dimensions

Cat. No.	Approx. Net Weight (lb.)	Approx. Shipping Weight (lb.)
116DEGEXA-FJ	11.40	12.44
116DEGEXB-FJ	11.40	12.44
116DEGEXG-FJ	11.40	12.44
116DEGEXM-FJ	11.40	12.44
116DEGEXR-FJ	11.40	12.44
116EX-B	2.02	2.28
116EX-C	2.50	2.80
116EX-P	1.10	1.26

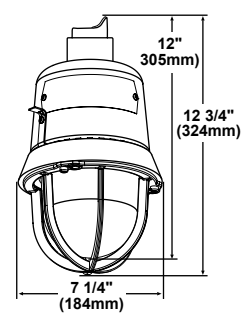
Wall Mount
116EX-B



Ceiling Mount
116EX-C



Pendant Mount
116EX-P



Beacons

Flashing Xenon

3000 Series

The 3000 Series beacons are surface, flange mounted strobes designed for industrial applications and for applications where warning on a moving vehicle, such as a fork lift or tow motor is required.

The unit draws low current for a 12-48 V DC unit. The twist on-off lens makes for easy strobe tube and/or lens replacement. The 3000 Series beacons also feature a fully gasketed lens.

Features and Specifications

- Xenon light source
- 1.5 Joule Strobe
- 80 Nominal Single Flashes per minute (fpm)
- Flange mount
- 18" wire leads
- Low current draw
- 150,000 peak candela



5"

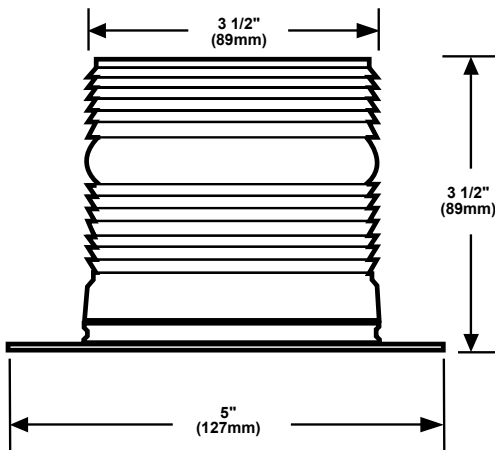


Ordering Information

Description	Cat. No.	Operating Voltage	Current	Lens Colors	Replacement	
					Lens	Strobe Tube
Flashing Beacon	3000SDR-EK	12-48V DC	0.275 A - 0.130 A	Red	3000LM-R	91B-ST
	3000SDA-EK	12-48V DC	0.275 A - 0.130 A	Amber	3000LM-A	91B-ST
	3000SDB-EK	12-48V DC	0.275 A - 0.130 A	Blue	3000LM-B	91B-ST
	3000SDG-EK	12-48V DC	0.275 A - 0.130 A	Green	3000LM-G	91B-ST
	3000SDC-EK	12-48V DC	0.275 A - 0.130 A	Clear	3000LM-C	91B-ST

Weights and Dimensions

Cat. No.	Approx. Net Weight (lb.)	Approx. Shipping Weight (lb.)
3000SDR-EK	0.57	0.72
3000SDA-EK	0.57	0.72
3000SDB-EK	0.57	0.72
3000SDG-EK	0.57	0.72
3000SDC-EK	0.57	0.72



Beacons

Rotating Halogen or Incandescent

52, 53 and 53D Series

Edwards 52, 53 and 53D Series rotating beacons are visual signals suitable for use in indoor or outdoor applications to provide maximum brilliance and long-term durability with minimum maintenance. The polycarbonate dome allows for easy cleaning.

The 52, 53 and 53D Series are ideal for use in high ambient noise applications, including security systems and factory/distribution facilities. The 53D Series is Diode Polarized for use in electrically supervised circuits.

Features and Specifications

- Halogen or Incandescent light source
- Light intensifying reflector
- Bayonet lamp socket for easy replacement
- Cast base can function as a junction box
- 1/2" NPT conduit or surface mounting
- For indoor applications, beacon may be mounted with lens pointing upward or downward
- For outdoor applications, lens should face up
- 52 Series must be conduit mounted for outdoor applications
- 53D is only suitable for indoor applications
- Designed for 4" octagonal box mounting
- Operating temperature range: -31°F to 150°F (-35°C to 66°C)



Ordering Information

Description	Cat. No.	Operating Voltage ¹	Current	Lens Colors	Lamp Ratings	Revolution Rate	Replacement		
							Lens	Lamp	
Halogen AC	52A-G5-20WH	24V AC	0.80 A	Amber	20 watts	75 rpm	52-LA	50-LMP-20WH or Industry Trade No. 1692 ^{4,5}	
	52B-G5-20WH	24V AC	0.80 A	Blue		75 rpm	52-LB		
	52C-G5-20WH	24V AC	0.80 A	Clear	226 lumens ²	75 rpm	52-LC		
	52G-G5-20WH	24V AC	0.80 A	Green	2839 cp	75 rpm	52-LG		
	52M-G5-20WH	24V AC	0.80 A	Magenta	25,000 hours ³	75 rpm	52-LM		
	52R-G5-20WH	24V AC	0.80 A	Red	75 rpm	52-LR			
	52A-N5-40WH	120V AC	0.35 A	Amber	40 watts	75 rpm	52-LA		
	52B-N5-40WH	120V AC	0.35 A	Blue		75 rpm	52-LB		
	52C-N5-40WH	120V AC	0.35 A	Clear	265 lumens ²	75 rpm	52-LC		50-LMP-40WH
	52G-N5-40WH	120V AC	0.35 A	Green	3328 cp	75 rpm	52-LG		
52M-N5-40WH	120V AC	0.35 A	Magenta	25,000 hours ³	75 rpm	52-LM			
52R-N5-40WH	120V AC	0.35 A	Red	75 rpm	52-LR				
Incandescent AC	52A-R5	240V AC	0.10 A	Amber	25 watts	75 rpm	52-LA	P-041917-0039 or Industry Trade No. 25T8/240V/DC/CL ⁵	
	52B-R5	240V AC	0.10 A	Blue		75 rpm	52-LB		
	52C-R5	240V AC	0.10 A	Clear	232 lumens ²	75 rpm	52-LC		
	52G-R5	240V AC	0.10 A	Green	2914 cp	75 rpm	52-LG		
	52M-R5	240V AC	0.10 A	Magenta	120 hours ³	75 rpm	52-LM		
52R-R5	240V AC	0.10 A	Red	75 rpm	52-LR				
Incandescent DC	53A-E1	12V DC	1.8 A	Amber	25 watts	75 rpm	52-LA	Industry Trade No. 1076 ⁵	
	53B-E1	12V DC	1.8 A	Blue		402 lumens ²	75 rpm		52-LB
	53C-E1	12V DC	1.8 A	Clear	5049 cp	75 rpm	52-LC		
	53G-E1	12V DC	1.8 A	Green	200 hours ³	75 rpm	52-LG		
	53R-E1	12V DC	1.8 A	Red	75 rpm	52-LR			

¹AC voltage frequency is 50/60 Hz

²Bulb manufacturer's lumen rating

³Projected lamp life based on manufacturer's calculated lamp life at 65 rpm and 50% duty cycle.

⁴Incandescent lamp

⁵User supplied



Beacons

Rotating Halogen or Incandescent

52, 53 and 53D Series

Ordering Information		Continued						
Description	Cat. No.	Operating Voltage	Current	Lens Colors	Lamp Ratings	Revolution Rate	Replacement	
							Lens	Lamp
Incandescent DC (continued)	53A-G1	24V DC	1.0 A	Amber	25 watts 402 lumens ¹ 5049 cp 500 hours ²	75 rpm	52-LA	Industry Trade No. 1638 ³
	53B-G1	24V DC	1.0 A	Blue		75 rpm	52-LB	
	53C-G1	24V DC	1.0 A	Clear		75 rpm	52-LC	
	53G-G1	24V DC	1.0 A	Green		75 rpm	52-LG	
	53R-G1	24V DC	1.0 A	Red		75 rpm	52-LR	
Incandescent Diode Polarized DC	53DA-GW	24 - 28V DC	1.0 A	Amber	25 watts 402 lumens ¹ 5049 cp 500 hours ²	75 rpm	52-LA	Industry Trade No. 1638 ³
	53DB-GW	24 - 28V DC	1.0 A	Blue		75 rpm	52-LB	
	53DC-GW	24 - 28V DC	1.0 A	Clear		75 rpm	52-LC	
	53DG-GW	24 - 28V DC	1.0 A	Green		75 rpm	52-GC	
	53DR-GW	24 - 28V DC	1.0 A	Red		75 rpm	52-LR	

¹Bulb manufacturer's lumen rating

²Projected lamp life based on manufacturer's calculated lamp life at 65 rpm and 50% duty cycle.

³User supplied

Accessories	
Description	Cat. No.
Corner Mount Bracket	CBR
Wall Mount Bracket	WBR



CBR
Corner Mount Bracket

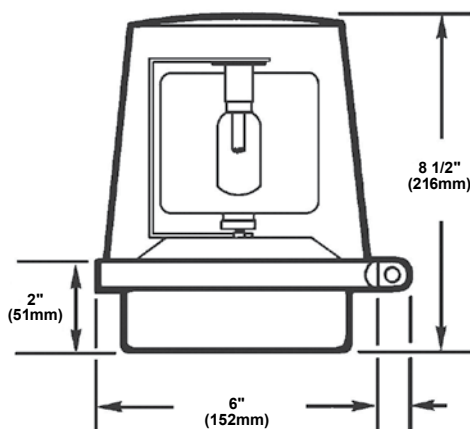


WBR
Wall Mount Bracket

Weights and Dimensions		
Cat. No.	Approx. Net Weight (lb.)	Approx. Shipping Weight (lb.)
52*-G5-20WH	1.88	2.21
52*-N5-40WH	2.40	2.80
52*-R5	1.88	2.21
53†-E1	1.62	1.96
53†-G1	1.62	1.96
53D†-GW	1.62	1.96
CBR	4.00	4.20
WBR	2.30	2.50

*Letter in this position designates lens color: A - amber, B - blue, C - clear, G - green, M - magenta or R - red

†Letter in this position designates lens color: A - amber, B - blue, C - clear, G - green or R - red



VISUAL SIGNALS 1

Beacons

Rotating Halogen

58 Series

Edwards 58 Series rotating beacons are heavy-duty visual signals suitable for use in hazardous indoor and outdoor applications where a corrosion resistant NEMA Type 4X enclosure is required. Features a bayonet base and a polycarbonate dome allows for easy cleaning. Ideal for use in high ambient noise applications where audible or visual signals are difficult to distinguish.

Features and Specifications

- Halogen light source
- Motor driven reflector
- Bayonet base lamp socket
- 3/4" NPT conduit or surface mounting
- Suitable for indoor or outdoor hazardous applications (with conduit mounting)
- For outdoor use, lens should face up
- NEMA Type 4X enclosure
- Class I, Div 2, Groups A, B, C and D; Class II, Div 2, Groups F and G; Class III, Div 1
- Operating temperature range: -31°F to 150°F (-35°C to 66°C)



8 1/16"



Ordering Information

Description	Cat. No.	Operating Voltage ¹	Current	Lens Colors	Lamp Ratings	Revolution Rate	Replacement	
							Dome	Lamp
Rotating Light Halogen	58A-N5-100WH	120V AC	1.0 A	Amber	1,800 lumens ² 1620 cd 1,000 hours ³	75 rpm	94DV2-DA	100Q/CL/DC/120V
	58B-N5-100WH	120V AC	1.0 A	Blue		75 rpm	94DV2-DB	
	58C-N5-100WH	120V AC	1.0 A	Clear		75 rpm	94DV2-DC	
	58G-N5-100WH	120V AC	1.0 A	Green		75 rpm	94DV2-DG	
	58M-N5-100WH	120V AC	1.0 A	Magenta		75 rpm	94DV2-DM	
	58R-N5-100WH	120V AC	1.0 A	Red		75 rpm	94DV2-DR	

¹AC voltage frequency is 50/60 Hz

²Bulb manufacturer's lumen rating

³Projected lamp life based on manufacturer's calculated lamp life at 65 rpm and 50% duty cycle.

Accessories

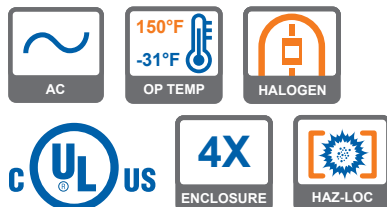
Description	Cat. No.
Corner Mount Bracket	CBR
Wall Mount Bracket	WBR



Hazardous Location Listings

Cat. No.	Class	Division	Group	Operating Temperature Code
58*-N5-100WH	I	2	A,B,C,D	T1 (450°C, 842°F)
	II	2	F,G	T6 (85°C, 185°F)
	III	1		T6 (85°C, 185°F)

*Letter in this position designates lens color: A - amber, B - blue, C - clear, G - green, M - magenta, or R - red



Beacons

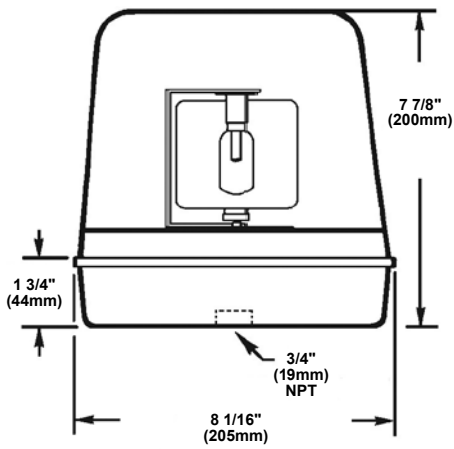
Rotating Halogen

58 Series

Weights and Dimensions

Cat. No.	Approx. Net Weight (lb.)	Approx. Shipping Weight (lb.)
58*-N5-100WH	5.60	6.20
CBR	4.00	4.20
WBR	2.30	2.50

*Letter in this position designates lens color: A - amber, B - blue, C - clear, G - green, M - magenta or R - red



Beacons

Rotating Incandescent

100SB Series

Edwards 100SB Series rotating beacons are heavy duty visual signals designed with dual sealed beam lamps that rotate 360 degrees within a high impact polycarbonate dome. The PVC coated base allows for greater corrosion resistance and durability. Features a quiet belt drive for simplified maintenance.

Features and Specifications

- Incandescent light source
- Dual sealed beams
- PVC coated base
- Quiet belt drive for simplified maintenance
- 3/4" NPT conduit mounting
- NEMA Type 3R enclosure
- For outdoor applications, lens should face up



8 1/2"



Ordering Information

Description	Cat. No.	Operating Voltage ¹	Current	Dome Colors	Flash Rate	Peak Candela	Replacement		
							Dome	Belt	Lamp
Rotating Light Incandescent	100SBA-N5	120V AC	0.8 A	Amber	80 fpm	35,000	100SB-LA		
	100SBB-N5	120V AC	0.8 A	Blue	80 fpm	35,000	100SB-LB		
	100SBC-N5	120V AC	0.8 A	Clear	80 fpm	35,000	100SB-LC	100SB-RB	GE #4416-1
	100SBG-N5	120V AC	0.8 A	Green	80 fpm	35,000	100SB-LG		900 hours. ^{2,3}
	100SBR-N5	120V AC	0.8 A	Red	80 fpm	35,000	100SB-LR		

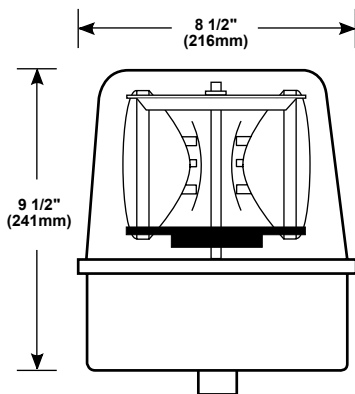
¹AC voltage frequency is 50/60 Hz

²Projected life based on manufacturer's calculated lamp life.

³User supplied

Weights and Dimensions

Cat. No.	Approx. Net Weight (lb.)	Approx. Shipping Weight (lb.)
100SBA-N5	7.72	8.64
100SBB-N5	7.72	8.64
100SBC-N5	7.72	8.64
100SBG-N5	7.72	8.64
100SBR-N5	7.72	8.64



Beacons: Explosionproof Rotating Halogen 116 Series

Edwards 116EXMRIN Series rotating beacons are explosionproof, signaling devices suitable for use in hazardous indoor or outdoor applications. The housing is cast aluminum with a corrosion resistance epoxy powder coat, and includes a dome guard. The fluted, high-impact glass dome provides even light distribution. The unit can be bracket, ceiling, pendant or stanchion mounted.

Features and Specifications

- Halogen light source
- High impact glass dome, dome guard included
- Quick connect for easy assembly and installation
- Suitable for indoor or outdoor hazardous applications
- 75 rotations per minute
- Bracket, ceiling, pendant or stanchion mounting options (ordered separately)
- NEMA Type 3R and 4X enclosure
- Marine rated
- Explosionproof: Class I, Div 2, Groups A and B; Class I, Div 1 and 2, Groups C and D; Class II and III, Div 1, Groups E, F and G; Class II and III, Div 2, Group G



7.25"



NOTE: Mounting options not included (ordered separately)

Ordering Information

Description	Cat. No.	Operating Voltage ¹	Current	Lens Colors	Peak Candela	Replacement		
						Dome	Inner Lens	Lamp
Rotating Light Halogen	116EXMRINHA-N5	120V AC	0.35 A	Amber	3,328	116-Globe	116-RIN-LA	
	116EXMRINHB-N5	120V AC	0.35 A	Blue	3,328	116-Globe	116-RIN-LB	
	116EXMRINHC-N5	120V AC	0.35 A	Clear	3,328	116-Globe	116-RIN-LC	50LMP-40WH
	116EXMRINHG-N5	120V AC	0.35 A	Green	3,328	116-Globe	116-RIN-LG	25,000 hours. ²
	116EXMRINHM-N5	120V AC	0.35 A	Magenta	3,328	116-Globe	116-RIN-LM	
	116EXMRINHR-N5	120V AC	0.35 A	Red	3,328	116-Globe	116-RIN-LR	

¹AC voltage frequency is 50/60 Hz

²Projected life based on manufacturer's calculated lamp life.

Required Mounting Options

Description	Cat. No.	Conduit Size
Wall Bracket Mounting Elbow	116EX-B	N/A
Ceiling/Wall Mounting Module	116EX-C	3/4" NPT
Pendant Mounting Module	116EX-P	3/4" NPT
Stanchion Mounting Module	116EX-S	1 1/4" NPT

Hazardous Location Listings

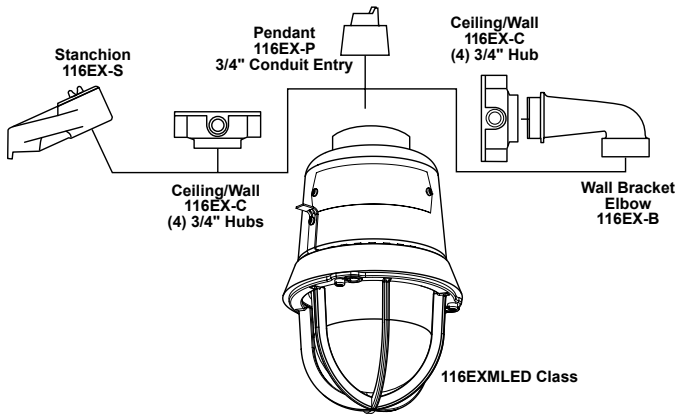
Cat. No.	Ambient Temp.	Supply Wire Temp. Marking	Operating Temperature			
			Class I, Div. 2 Groups A, B	Class I, Div. 1 & 2 Groups C, D	Class II & III, Div. 1 Groups E, F, G	Class II & III, Div. 2 Group G
116EXMRINH*-N5	40°C	75°C	T1 (450°C)	T6 (85°C)	T4A (120°C)	T4A (120°C)
	55°C	90°C	T1 (450°C)	T5 (100°C)	T4 (135°C)	T4 (135°C)
	65°C	105°C	T1 (450°C)	T5 (100°C)	T4 (135°C)	T4 (135°C)

*Letter in this position designates lens color: A - amber, B - blue, C - clear, G - green, M - magenta, or R - red



Beacons: Explosionproof Rotating Halogen 116 Series

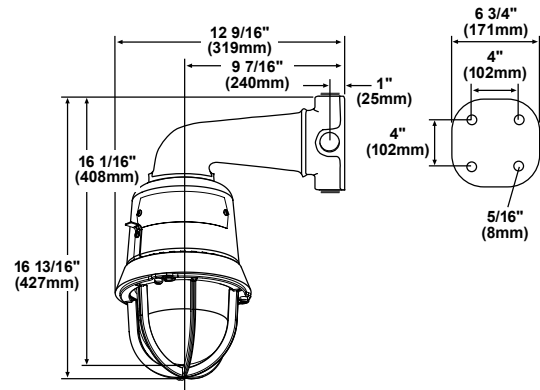
Mounting Options



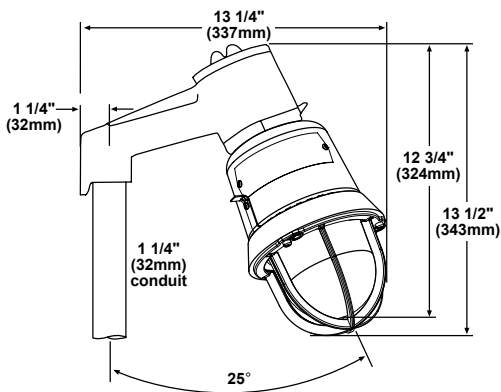
Weights and Dimensions

Cat. No.	Approx. Net Weight (lb.)	Approx. Shipping Weight (lb.)
116EXMRINHA-N5	11.60	13.00
116EXMRINHB-N5	11.60	13.00
116EXMRINHC-N5	11.60	13.00
116EXMRINHG-N5	11.60	13.00
116EXMRINHM-N5	11.60	13.00
116EXMRINHR-N5	11.60	13.00
116EX-B	2.02	2.28
116EX-C	2.50	2.80
116EX-P	1.10	1.26
116EX-S	2.62	2.90

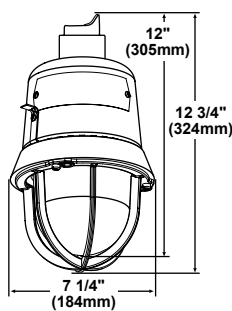
Wall Mount
116EX-B



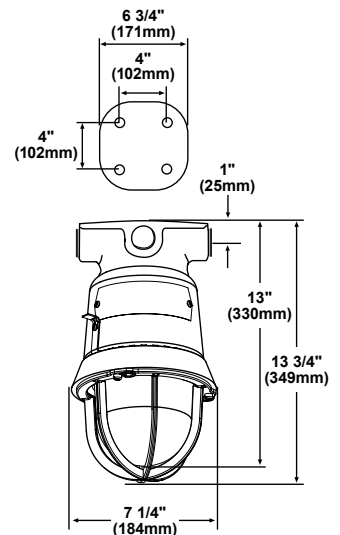
Stanchion Mount
116EX-S



Pendant Mount
116EX-P



Ceiling Mount
116EX-C



Beacons: Explosionproof Rotating Halogen 116 Series

Edwards 116DEXMRINH Series, supervised DC, rotating beacons are explosionproof, signaling devices designed for hazardous indoor or outdoor applications. The housing is cast aluminum with a corrosion resistance epoxy powder coat, and includes a dome guard. The fluted, high-impact glass dome provides even light distribution. The 116DEXMRINH Series is Diode Polarized for use in electrically supervised circuits and can be bracket, ceiling, pendant or stanchion mounted.

Features and Specifications

- Halogen light source
- High impact glass dome, dome guard included
- Quick connect for easy assembly and installation
- 75 rotations per minute
- Diode Polarized for use in electrically supervised circuits
- Suitable for indoor or outdoor hazardous applications
- Bracket, ceiling, pendant or stanchion mounting options (ordered separately)
- NEMA Type 3R and 4X enclosure
- Marine rated
- Explosionproof: Class I, Div 2, Groups A and B; Class I, Div 1 and 2, Groups C and D; Class II and III, Div 1, Groups E, F and G; Class II and III, Div 2, Group G



← 7.25" →



NOTE: Mounting options not included (ordered separately)

Ordering Information

Description	Cat. No.	Operating Voltage	Current	Lens Colors	Peak Candela	Replacement		
						Dome	Inner Lens	Lamp
Rotating Light Halogen	116DEXMRINHA-GW	24 - 28V DC	0.8 A	Amber	2838	116-Globe	116-RIN-LA	
	116DEXMRINHB-GW	24 - 28V DC	0.8 A	Blue	2838	116-Globe	116-RIN-LB	
	116DEXMRINHC-GW	24 - 28V DC	0.8 A	Clear	2838	116-Globe	116-RIN-LC	50LMP-20WH
	116DEXMRINHG-GW	24 - 28V DC	0.8 A	Green	2838	116-Globe	116-RIN-LG	25,000 hours. ¹
	116DEXMRINHM-GW	24 - 28V DC	0.8 A	Magenta	2838	116-Globe	116-RIN-LM	
	116DEXMRINHR-GW	24 - 28V DC	0.8 A	Red	2838	116-Globe	116-RIN-LR	

¹Projected life based on manufacturer's calculated lamp life.

Required Mounting Options

Description	Cat. No.	Conduit Size
Wall Bracket Mounting Elbow	116EX-B	N/A
Ceiling/Wall Mounting Module	116EX-C	3/4" NPT
Pendant Mounting Module	116EX-P	3/4" NPT
Stanchion Mounting Module	116EX-S	1 1/4" NPT

Hazardous Location Listings

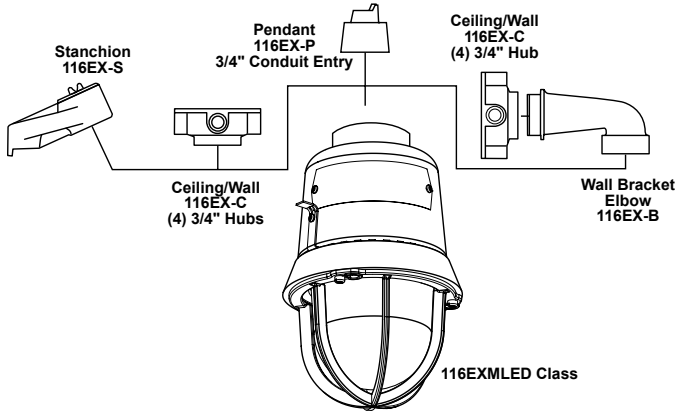
Cat. No.	Ambient Temp.	Supply Wire Temp. Marking	Operating Temperature			
			Class I, Div. 2 Groups A, B	Class I, Div. 1 & 2 Groups C, D	Class II & III, Div. 1 Groups E, F, G	Class II & III, Div. 2 Group G
116DEXMRINH*-GW	40°C	75°C	T3 (200°C)	T6 (85°C)	T4A (120°C)	T4A (120°C)
	55°C	90°C	T3 (200°C)	T6 (85°C)	T4 (135°C)	T4 (135°C)
	65°C	105°C	T2D (215°C)	T6 (85°C)	T4 (135°C)	T4 (135°C)

*Letter in this position designates lens color: A - amber, B - blue, C - clear, G - green, M - magenta, or R - red



Beacons: Explosionproof Rotating Halogen 116 Series

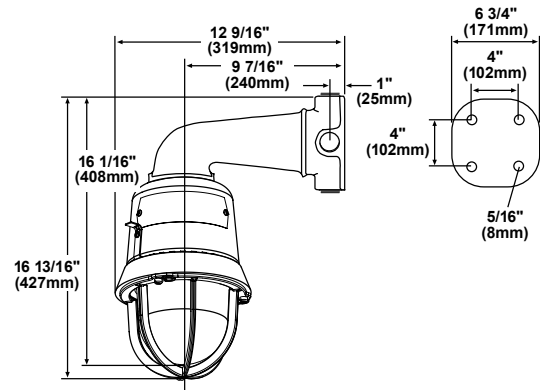
Mounting Options



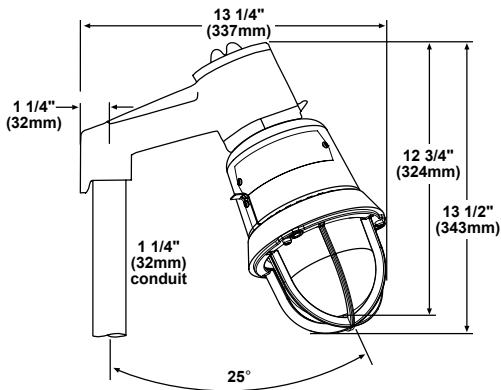
Weights and Dimensions

Cat. No.	Approx. Net Weight (lb.)	Approx. Shipping Weight (lb.)
116DEXMRINHA-GW	11.60	13.00
116DEXMRINHB-GW	11.60	13.00
116DEXMRINHC-GW	11.60	13.00
116DEXMRINHG-GW	11.60	13.00
116DEXMRINHM-GW	11.60	13.00
116DEXMRINHR-GW	11.60	13.00
116EX-B	2.02	2.28
116EX-C	2.50	2.80
116EX-P	1.10	1.26
116EX-S	2.62	2.90

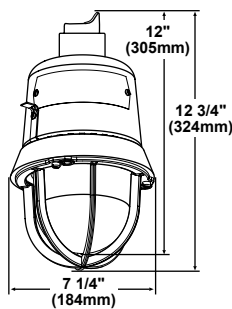
Wall Mount 116EX-B



Stanchion Mount 116EX-S



Pendant Mount 116EX-P



Ceiling Mount 116EX-C

