

# Cal Missile™

## Duct Cone Projectiles



Cal Am Manufacturing's Cal Missile™ is the Cadillac of all missile line carriers; constructed with heavy duty stainless steel hardware and polyurethane blow cups, this ultra-tough projectile will perform flawlessly for you time and time again. Used to pneumatically install pull line into conduit runs, the Cal Missile™ is fast and efficient, easily blowing through even out-of-round duct with hand blower tools. The Cal Missile™ features dual fastening rings, one on each end of the projectile and is available with either 2 or 3 polyurethane cups, which offer the elasticity of rubber combined with the toughness and durability of metal.

Compared to other projectiles which use plastic or foam; the polyurethane cups of the Cal Missile™ offer you superior performance, have a higher load bearing capacity and better elastic memory. These cups, which are resistant to solvents, oxygen, ozone and sunlight, have an outstanding flex-life guaranteed to outlast other elastomers on the market today. The Cal Missile™ will remain flexible and still perform at any temperature found on any terrestrial job site. When you are looking for the best duct cone projectile available today, look to Cal Am Manufacturing.

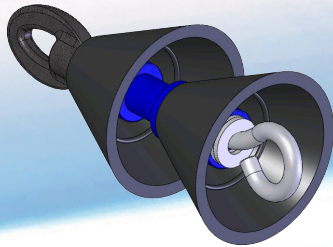
For over 25 years Cal Am has been providing the Power and Telecommunications industry with the highest quality conduit fittings and supports. For more information on other fine Cal Am products please call or visit our website at [calammfg.com](http://calammfg.com).

- **Ultra Tough and Re-usable**
- **Available in 22 sizes**
- **Fast Blowing, Low Friction**
- **For Use with Duct and Inner Duct**



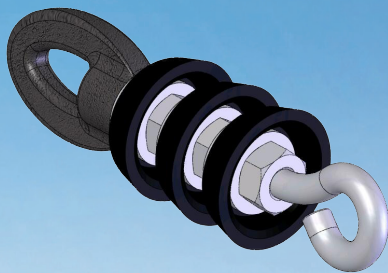


## Duct Cone Projectiles



PART #	SIZE	UNIT	CASE QTY
2110-010	1"	EA	1
2110-011	1-1/4" (SDR11)*	EA	1
2110-012	1-1/4"	EA	1
2110-013	1-3/8"	EA	1
2110-014	1-1/2" (SDR11)*	EA	1
2110-015	1-1/2"	EA	1
2110-017	1-7/8"	EA	1
2110-019	2" (SDR11)*	EA	1
2110-020	2"	EA	1
2110-025	2-1/2"	EA	1
2110-030	3"	EA	1
2110-040	4"	EA	1
2110-050	5"	EA	1
2110-060	6"	EA	1
2110-080	8"	EA	1

## Innerduct Cup Projectiles



PART #	SIZE	UNIT	CASE QTY
2120-007	3/4"	EA	1
2120-010	1"	EA	1
2120-011	1-1/8"	EA	1
2120-012	1-1/4"	EA	1
2120-013	1-3/8"	EA	1
2120-015	1-1/2"	EA	1
2120-020	2"	EA	1







Cal Am Duct Centralizers are used to support a section of conduit inside a larger diameter conduit. Our centralizers are easily installed in seconds, and can quickly be done by a single person without need of special tools. Made with the highest quality polypropylene, these centralizers are designed for reliability in underground or exposed environments. Our commitment to using state-of-the-art manufacturing processes and quality materials, we proudly stand behind our Cal Am product line.

For over 25 years Cal Am has been providing the Power and Telecommunications industry with the highest quality conduit fittings and supports. For more information on other fine Cal Am products please call or visit our website today at [www.calammfg.com](http://www.calammfg.com).

- **Installs in Seconds**
- **Rap Resistant**
- **Durable Design**
- **Underground & Exposed Application**



## Duct Centralizers

PART #	SIZE	CASE SIZE	CASE WEIGHT (LBS)	CASE QTY
6307-34	4' X 3/4"	14X10X6	9	225
6310-34	4" X 1"	14X10X6	9	225
6312-34	4" X 1-1/4"	16X12X8	N/A	350
6315-34	4" X 1-1/2"	16X12X8	18	300
6320-46	4" X 2"	16X12X8	18	250
6330-60	6" X 3"	16X12X12	18	100
6340-60	6" X 4"	16X12X8	11	60



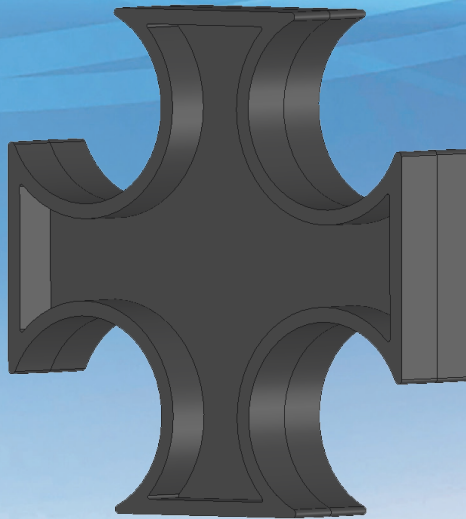


Our Clip Spacers are ideal for aligning HDPE and PVC conduit prior to entrenchment. Easy-to-use, conduit snaps solidly into place and can be installed right off the reel or prior to lifting the conduit into the trench.

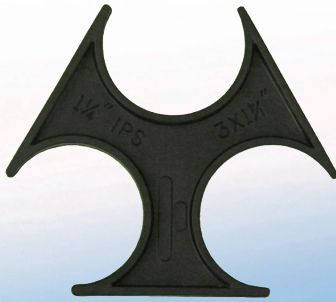
Available in 3, 4, and 6-way configurations, these spacers accommodate pipe ranging in size from 1" to 2".

For over 25 years Cal Am has been providing the Power and Telecommunications industry with the highest quality conduit fittings and supports. For more information on other fine Cal Am products please call or visit our website at [calammfg.com](http://calammfg.com).

- **For Use in both Exposed & Underground Applications**
- **10 Sizes to Choose From**
- **Install in Seconds**
- **Warp-Resistant, Durable Design**







### Clip Spacers, 3 Way

PART #	SIZE	UNIT	CASE QTY	CASE DIMENSIONS	CASE WEIGHT
A3W-12	1-1/4"	CS	320	18" x 12" x 12"	21
A3W-15	1-1/2"	CS	288	18" x 12" x 12"	21
A3W-20	2"	CS	224	18" x 12" x 12"	21



### Clip Spacers, 4 Way

PART #	SIZE	UNIT	CASE QTY	CASE DIMENSIONS	CASE WEIGHT
A4W-10	1"	CS	400	18" x 12" x 12"	21
A4W-12	1-1/4"	CS	240	18" x 12" x 12"	21
A4W-15	1-1/2"	CS	200	18" x 12" x 12"	21
A4W-2-12X2	2X2"/2X1-1/4"	CS	300	20" x 16" x 16"	40
A4W-20	2"	CS	250	16" x 16" x 19"	38



### Clip Spacers, 6 Way

PART #	SIZE	UNIT	CASE QTY	CASE DIMENSIONS	CASE WEIGHT
A6W-12	1-1/4"	CS	20	18" x 12" x 12"	20
A6W-15	1-1/2"	CS	34	16" x 16" x 19"	34



# Hi-Impact Utility Duct Spacers



Cal Am Manufacturing's Hi-Impact Utility Duct Spacers have been the choice for contractors for nearly two decades; utilizing a proven two-piece design specifically engineered to support duct arrays within trenching prior to encasement, these sturdy, versatile and light-weight spacers will not shift under the weight of your workmen to stay firmly in place during fill.

Available in 18 sizes, Cal Am's Utility Duct Spacers can accommodate duct work ranging in size from 2 to 8 inches while providing separation of 1.5 to 3 inches. Our spacers are also available in 18 pre-fabricated configurations make them the easiest spacer to install in the field

Molded from the finest grades of high impact polymers using state-of-the-art manufacturing techniques, these products are highly resistant to extreme temperature fluctuations, UV light, are virtually indestructible and offer the consistent lot-to-lot conformity that is a must when accurate duct separation is required.

For over 25 years Cal Am has been providing the Power and Telecommunications industry with the highest quality conduit fittings and supports. For more information on other fine Cal Am products please call or visit our website today at [www.calammfg.com](http://www.calammfg.com).

- **Resistant to Extreme Temperature Fluctuations**
- **Constructed of High Impact Polystyrene**
- **Available in 18 Sizes**
- **Snap-Fit Design for Fast Field Assembly**
- **Virtually Indestructible**







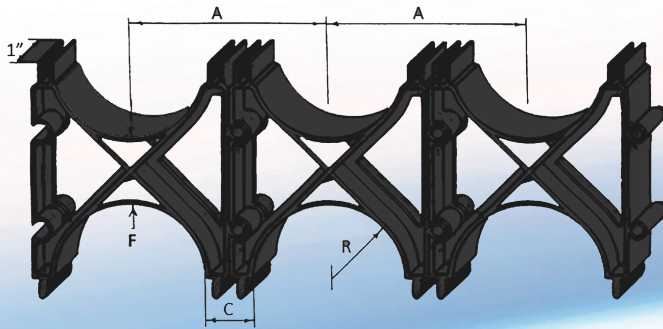
## Duct Spacers, Base

PART #	SIZE	UNIT	CASE QTY	CASE DIMENSIONS	CASE WEIGHT (LBS)
4020-15	2" x 1-1/2"	CS	450	22" x 22" x 18"	59
4020-20	2" x 2"	CS	325	22" x 22" x 18"	47
4020-30	2" x 3"	CS	300	22" x 22" x 18"	52
4030-15	3" x 1-1/2"	CS	250	22" x 22" x 18"	49
4030-20	3" x 2"	CS	225	22" x 22" x 18"	53
4030-30	3" x 3"	CS	190	22" x 22" x 18"	43
4040-10	4" x 1"	CS	250	22" x 22" x 18"	52
4040-15	4" x 1-1/2"	CS	180	22" x 22" x 18"	46
4040-20	4" x 2"	CS	180	22" x 22" x 18"	48
4040-30	4" x 3"	CS	150	22" x 22" x 18"	48
4050-15	5" x 1-1/2"	CS	140	22" x 22" x 18"	45
4050-20	5" x 2"	CS	100	22" x 22" x 18"	32
4050-30	5" x 3"	CS	90	22" x 22" x 18"	30
4060-15	6" x 1-1/2"	CS	100	22" x 22" x 18"	34
4060-20	6" x 2"	CS	100	22" x 22" x 18"	35
4060-30	6" x 3"	CS	90	22" x 22" x 18"	35
4080-20	8" x 2"	CS	65	22" x 22" x 18"	32
4080-30	8" x 3"	CS	60	22" x 22" x 18"	38

## Duct Spacers, Intermediate

PART #	SIZE	UNIT	CASE QTY	CASE DIMENSIONS	CASE WEIGHT (LBS)
4120-15	2" x 1-1/2"	CS	500	22" x 22" x 18"	53
4120-20	2" x 2"	CS	325	22" x 22" x 18"	41
4120-30	2" x 3"	CS	275	22" x 22" x 18"	41
4130-15	3" x 1-1/2"	CS	250	22" x 22" x 18"	37
4130-20	3" x 2"	CS	225	22" x 22" x 18"	37
4130-30	3" x 3"	CS	160	22" x 22" x 18"	31
4140-10	4" x 1"	CS	250	22" x 22" x 18"	50
4140-15	4" x 1-1/2"	CS	180	22" x 22" x 18"	38
4140-20	4" x 2"	CS	160	22" x 22" x 18"	39
4140-30	4" x 3"	CS	125	22" x 22" x 18"	36
4150-15	5" x 1-1/2"	CS	140	22" x 22" x 18"	35
4150-20	5" x 2"	CS	100	22" x 22" x 18"	29
4150-30	5" x 3"	CS	90	22" x 22" x 18"	29
4160-15	6" x 1-1/2"	CS	100	22" x 22" x 18"	31
4160-20	6" x 2"	CS	100	22" x 22" x 18"	31
4160-30	6" x 3"	CS	75	22" x 22" x 18"	27
4180-20	8" x 2"	CS	70	22" x 22" x 18"	30
4180-30	8" x 3"	CS	45	22" x 22" x 18"	28

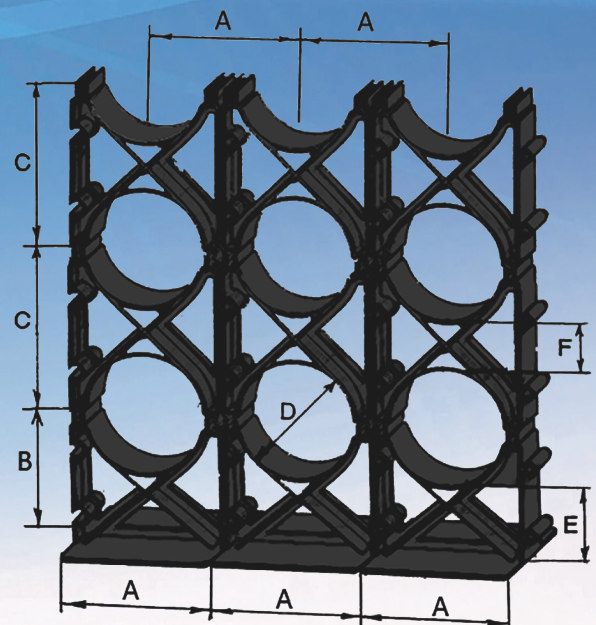
# Hi-Impact Utility Duct Spacers



## Dimensions

Spacer size	A	B	C	D	E	F	G
2" x 1 1/2"	3.975	4.250	3.985	2.500	3.000	1.500	1.250
2" x 2"	4.460	4.250	4.460	2.500	3.000	1.500	1.250
2" x 3"	5.465	4.255	5.460	2.500	3.000	3.000	1.250
3" x 1 1/2"	5.130	4.810	5.130	3.630	3.000	1.500	1.815
3" x 2"	5.630	4.810	5.630	3.630	3.000	2.000	1.815
3" x 3"	6.630	4.810	6.630	3.630	3.000	3.000	1.815
4" x 1"	5.630	4.060	5.630	4.630	3.000	1.000	2.315
4" x 1/2"	6.130	5.315	6.130	4.630	1.750	1.500	2.315
4" x 2"	6.610	5.315	6.630	4.630	3.000	2.000	2.315
4" x 3"	7.610	5.315	7.625	4.630	3.000	3.000	2.315
5" x 1 1/2"	7.325	5.900	7.325	5.690	3.000	1.500	2.845
5" x 2"	7.833	5.900	7.830	5.690	3.000	2.000	2.845
5" x 3"	8.690	5.900	8.690	5.690	3.000	3.000	2.845
6" x 1 1/2"	8.230	6.375	8.250	6.750	3.000	1.500	3.375
6" x 2"	8.730	6.375	7.730	6.750	3.000	2.000	3.375
6" x 3"	9.790	6.375	9.750	6.750	3.000	3.000	3.375
8" x 2"	10.800	7.250	10.580	8.680	3.000	2.06	4.340
8" x 3"	11.800	7.250	11.580	8.680	3.000	3.000	4.340

- Heavy Duty Strut Evenly Distributes Load
- Abundant Through-Holes for Maximum Fill Flow
- Snap-Fit System Holds & Secures Successive Duct Tiers
- Two-Piece Interlock Design Eliminates Banding
- Easy Slide Side Locks for Efficient Horizontal Construction
- Proven Base Plate Design Maintains Consistent Vertical Separation Between Trench Floor and First Duct Tier







# Schedule 40 PVC Duct Coupling

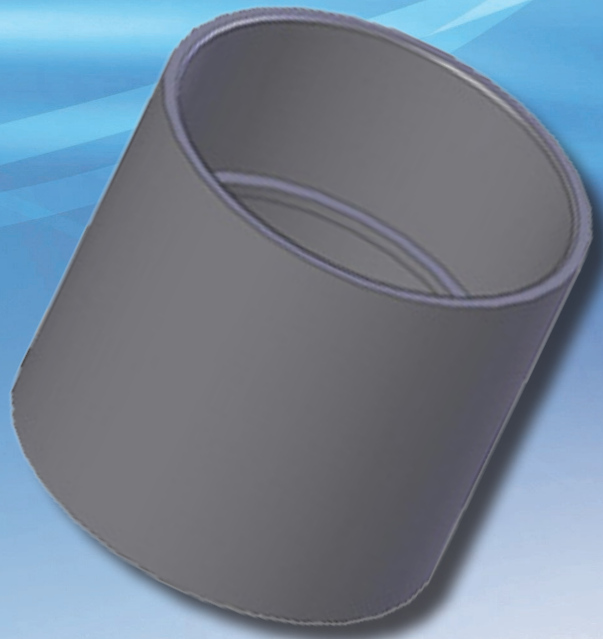
Cal Am offers Schedule 40 Duct Couplings in five popular sizes ranging from 2 to 6 inches in diameter and manufactured in accordance to application requirements listed in NEC Article 347 and 370 UL514, Mil-C-23571, Federal Specification WC 1094, ASTM F513-89, and NEMA Standards.

All of our PVC connectors are produced from the finest grades of high-impact Polyvinyl Chloride using state-of-the-art manufacturing techniques. Used to pair lengths of PVC conduit pipe in a variety of applications, this high-end fitting consists of two IPS Sockets with a firm, positive, center-stop. When both pieces of conduit pipe are seated firmly at the stopping position, this fitting provides for the solid unyielding union of the conduit that you demand.

As with all Cal Am fittings, you will find that these couplings offer superior lot-to-lot consistency, a smooth interior wall for easy installation and a durable, warp resistant design that you can rely upon in the field time and time again.

For over 25 years Cal Am has been providing the Power and Telecommunications industry with the highest quality conduit fittings and supports. For more information on other fine Cal Am products please call or visit our website at [calammfg.com](http://calammfg.com).

- For use in Exposed & underground applications
- 5 Sizes to Choose From
- Solid Mating Guaranteed
- Resists Extreme Temperature Fluctuations
- Easily Installs in Seconds



**CAL AM**  
MANUFACTURING

*Underground Electrical & Broadband Fittings*

# Schedule 40 PVC Duct Coupling



**CONTACT US TO FIND A DISTRIBUTOR NEAR YOU!**



<b>Standard Duct Coupling, Sch. 40</b>					
PART #	SIZE	UNIT	CASE QTY	CASE DIMENSIONS	CASE WEIGHT
3250-020	2"	CS	90	16" X 12" X 12"	13
3250-030	3"	CS	60	16" X 16" X 19"	32
3250-040	4"	CS	50	20" X 16" X 16"	35
3250-050	5"	CS	20	16" X 16" X 19"	18
3250-060	6"	CS	20	20" X 16" X 16"	21

**CALL FOR PRICE AND AVAILABILITY TODAY!**



# Kwikie™ Brand Conduit Plugs



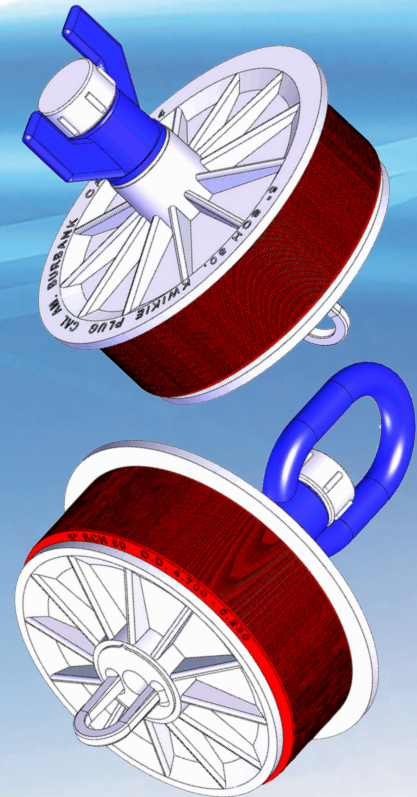
The original Kwikie brand mechanical plug is one of Cal Am Manufacturing's most popular products. Trusted by contractors world-wide to secure their conduit systems from the costly and often damaging incursion of water sedimentation and nesting animals, these high quality plugs are manufactured from a trio of hi-impact chemically inert resins that will also confine volatile and hazardous vapors to their source.

The Kwikie plug functions by compressing a thermoplastic elastomer seal between two UV, Ozone and chemically resistant compression plates through the hand tightening of a loop or wing nut; the compressed seal expanding into full contact with the inside pipe walls thereby providing an effective, permanent, positive seal to your conduit system in seconds. Once in place, the Kwikie plug will not move until you decide to remove it.

All Kwikie plugs that are designed for conduit pipe larger than two inches are hollow-stemmed and may be used for feeding or bleeding fluids from your lines (1/2" hose thread adaptor available). Other options include wing nuts or eye nuts for tightening the compression plates. Flush-fit vs. inside fit (the outside compression plate on flush-fit Kwikies will not enter the conduit) and schedule 40 and schedule 80 sizing. All Kwikie plugs come with a 1/2" rope tie for sealing and securing excess rope within the conduit system for future use.

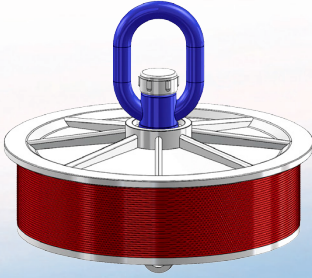
For over 25 years Cal Am has been providing the Power and Telecommunications industry with the highest quality conduit fittings and supports. For more information on other fine Cal Am products please call or visit our website at [calammfg.com](http://calammfg.com).

- **Corrosion Proof**
- **Gas & Water Tight**
- **Debris & Animal Secure**
- **Available in 13 sizes and 4 styles**
- **Removable & Reusable**



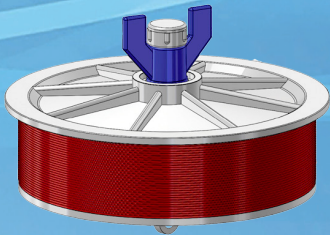


## Kwikie Plug, With Loop Nut



PART#	SIZE	DESCRIPTION	UNIT	CASE QTY	CASE SIZE	WEIGHT (LBS)
5120-07	3/4"	Solid Stem	CS	50	11" x 9" x 5"	3
5120-10	1"	Solid Stem	CS	50	11" x 9" x 5"	4
5120-12	1-1/4"	Solid Stem	CS	50	11" x 9" x 5"	4
5120-15	1-1/2"	Solid Stem	CS	50	13" x 9" x 7"	6
5120-20	2"	Solid Stem	CS	50	15" x 11" x 7"	8
5120-25L	2-1/2"	Hollow Stem	CS	30	17" x 13" x 9"	12
5120-30L	3"	Hollow Stem	CS	30	17" x 13" x 13"	14
5120-35L	3-1/2"	Hollow Stem	CS	30	17" x 13" x 13"	16
5120-40L	4"	Hollow Stem	CS	30	19" x 13" x 13"	17
5120-50L	5"	Hollow Stem	CS	20	19" x 13" x 13"	17
5120-58L	5"	Hollow Stem *Sch. 80	CS	20	19" x 13" x 13"	14
5120-60L	6"	Hollow Stem	CS	20	21" x 17" x 17"	17
5120-80L	8"	Hollow Stem	CS	12	21" x 17" x 17"	23

## Kwikie Plug, With Wing Nut



PART#	SIZE	DESCRIPTION	UNIT	CASE QTY	CASE SIZE	WEIGHT (LBS)
5120-25	2"-1/2"	Hollow Stem	CS	30	17" x 13 x 9"	11
5120-30	3"	Hollow Stem	CS	30	17" x 13" x 13"	14
5120-35	3"-1/2"	Hollow Stem	CS	30	17" x 13" x 13"	14
5120-40	4"	Hollow Stem	CS	30	19" x 13" x 13"	16
5120-50	5"	Hollow Stem	CS	20	19" x 13" x 13"	13
5120-58*	5"	Hollow Stem *Sch. 80	CS	20	19" x 13" x 13"	13
5120-60	6"	Hollow Stem	CS	20	21" x 17" x 17"	16
5120-80	8"	Hollow Stem	CS	12	21" x 17" x 17"	23

## Kwikie Plug, Inside Fit



PART#	SIZE	DESCRIPTION	UNIT	CASE QTY	CASE SIZE	WEIGHT (LBS)
5120-15P	1-1/2" LOOP	Solid Stem	CS	50	13x9x7	6
5120-20P	2" LOOP	Solid Stem	CS	50	15x11x7	8
5120-30PL	3" LOOP	Hollow Stem	CS	30	17x13x13	14
5120-30P	3" WING	Hollow Stem	CS	30	17x13x13	14
5120-40PL	4" LOOP	Hollow Stem	CS	30	19X13X13	17
5120-40P	4" WING	Hollow Stem	CS	30	19X13X13	16
5120-50PL	5" LOOP	Hollow Stem	CS	20	19X13X13	15
5120-50P	5" WING	Hollow Stem	CS	20	19X13X13	15
5120-60PL	6" LOOP	Hollow Stem	CS	20	21X17X17	17
5120-60P	6" WING	Hollow Stem	CS	20	21X17X17	17



# Schedule 40 PVC Caps & Riser Caps

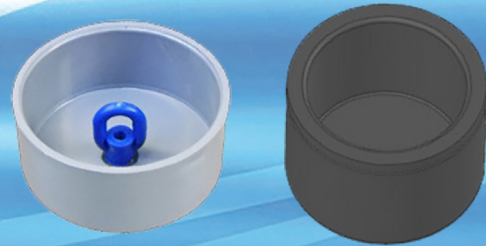


Our large line of schedule 40 caps are available in sizes ranging from ½ to 6 inches and are manufactured in accordance to application requirements listed in NEC Article 347 and 370 UL514, Mil-C-23571, Federal Specification WC 1094, ASTM F513-89, and NEMA Standards.

All of our caps are produced from the finest grades of high-impact Polyvinyl Chloride using state-of-the-art manufacturing techniques. You will find that these products offer excellent lot-to-lot consistency, smooth tapered walls for easier installation and a durable, warp-resistant design all at an affordable price.

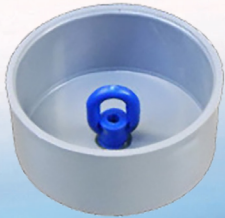
For over 25 years Cal Am has been providing the Power and Telecommunications industry with the highest quality conduit fittings and supports. For more information on other fine Cal Am products please call or visit our website at [calammfg.com](http://calammfg.com).

- **For use in Exposed & Underground Applications**
- **11 Sizes to Choose From**
- **Installs in Seconds**
- **Warp Resistant, Durable Design**



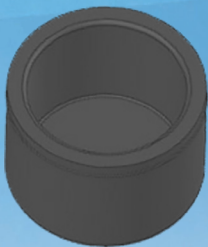


## Riser Cap, Sch. 40



PART #	SIZE	UNIT	CASE QTY	CASE DIMENSIONS	CASE WEIGHT
2042-015	1-1/2"	CS	100	14" x 10" x 6"	10
2042-020	2"	CS	100	12" x 10" x 10"	16
2042-025	2-1/2"	CS	60	16" x 12" x 8"	18
2042-030	3"	CS	60	16" x 12" x 12"	27
2042-040	4"	CS	30	16" x 12" x 12"	18
2042-050	5"	CS	15	16" x 12" x 12"	19
2042-060	6"	CS	10	16" x 12" x 12"	15

## Standard Cap, Sch. 40



PART #	SIZE	UNIT	CASE QTY	CASE DIMENSIONS	CASE WEIGHT
2046-005	1/2"	CS	100	10" x 8" x 4"	3
2046-007	3/4"	CS	100	10" x 8" x 4"	4
2046-010	1"	CS	100	12" x 8" x 4"	6
2046-012	1-1/4"	CS	100	12" x 8" x 6"	9
2046-015	1-1/2"	CS	100	14" x 10" x 10"	11
2046-020	2"	CS	100	12" x 10" x 10"	13
2046-025	2-1/2"	CS	60	16" x 12" x 8"	17
2046-030	3"	CS	60	16" x 12" x 12"	26
2046-040	4"	CS	30	16" x 12" x 12"	20
2046-050	5"	CS	15	16" x 12" x 12"	18
2046-060	6"	CS	10	16" x 12" x 12"	15





# Schedule 40 PVC Swedged Reducers & Reducer Bushings



Our large selection of molded swedged reducers and reducer bushings are available for conduit ranging in sizes from  $\frac{3}{4}$  to 4 inches and are manufactured in accordance to application requirements in NEX Article 347 and 370 UL 514, Mil-C-23571, Federal Specifications WC 1094, ASTM F513-89 and NEMA Standards.

All of our bell reducers and reducer bushings are produced from high-impact Polyvinyl Chloride using state-of-the-art manufacturing techniques. Use Cal Am's reducer bushings to connect different sizes of conduit when space is an issue and our standard bell reducers for general applications. Our reducers are available as Male Spigot x Male Spigot, IPS Socket x IPS Socket and IPS Socket to Male Spigot Combo; whatever your reducing needs, chances are Cal Am has the right fitting for you.

As with all Cal Am fittings, you will find that these reducers offer superior lot-to-lot consistency, a smooth interior wall for easy installation and a durable, warp resistant design that you can rely upon in the field time and time again.

For over 25 years Cal Am has been providing the Power and Telecommunications industry with the highest quality conduit fittings and supports. For more information on other fine Cal Am products please call or visit our website at [calammfg.com](http://calammfg.com).

## • For Use in Exposed & Underground

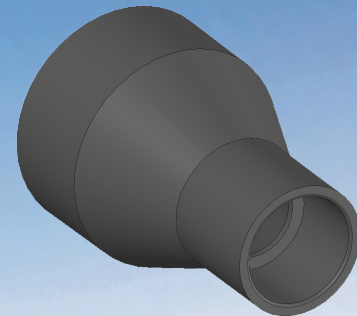
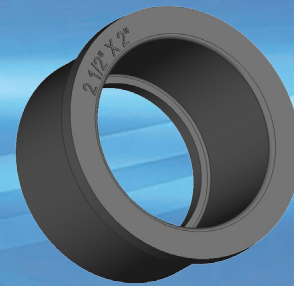
### Applications

## • 20 Sizes

## • Resists Extreme Temperature

### Fluctuations

## • Installs in Seconds

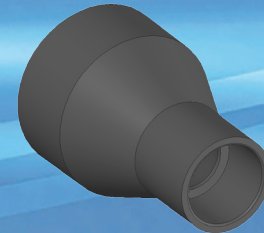
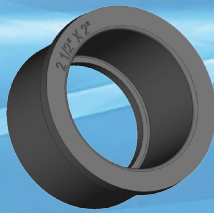


# Schedule 40 PVC Swedged Reducers & Reducer Bushings



## Swedged Reducers, Sch. 40 Conduit

PART #	SIZE	DESCRIPTION	UNIT	CASE QTY	CASE DIMMENSIONS	CASE WEIGHT (LBS)
3246-151	1-1/2" x 1"	Male Spigot x Male Spigot	CS	25	10" x 8" x 4"	4
3246-201	2" x 1"	Male Spigot x Male Spigot	CS	25	12" x 8" x 6"	5
3246-202	2" x 1-1/4"	Male Spigot x Male Spigot	CS	25	12" x 8" x 6"	5
3246-215	2" x 1-1/2"	Male Spigot x Male Spigot	CS	25	12" x 8" x 6"	6
3247-2010S	2"S x 1"S	Socket x Socket/Male Spigot Combo	CS	25	12" x 8" x 6"	6
3247-207S1M	2"S x 3/4"S	IPS Socket x IPS Socket	CS	25	12" x 8" x 6"	6
3247-2515S	2 1/2"S x 1 1/2"S	IPS Socket x IPS Socket	CS	25	14" x 10" x 6"	9
3247-2520S	2 1/2"S x 2"S	IPS Socket x IPS Socket	CS	25	14" x 10" x 6"	10
3247-3020S	3"S x 2"S	IPS Socket x IPS Socket	CS	25	12" x 10" x 10"	15
3247-3025S	3"S x 2 1/2"S	IPS Socket x IPS Socket	CS	25	16" x 12" x 8"	15
3247-4020S	4"S x 2"S	IPS Socket x IPS Socket	CS	25	16" x 12" x 12"	16



## Reducer Bushings, Sch. 40 Conduit

PART #	SIZE	UNIT	CASE QTY	CASE DIMENSIONS	CASE WEIGHT (LBS)
2048-105	3/4" x 1/2"	CS	100	10" X 8" X 4"	2
2048-107	1" x 3/4"	CS	100	10" X 8" X 4"	4
2048-121	1-1/4" x 1"	CS	50	10" X 8" X 4"	4
2048-127	1-1/4" x 3/4"	CS	50	12" X 8" X 4"	5
2048-151	1-1/2" x 1"	CS	40	12" X 8" X 4"	5
2048-152	1-1/2" x 1-1/4"	CS	40	12" X 8" X 4"	5
2048-215	2" x 1-1/2"	CS	25	12" X 8" X 4"	4
2048-252	1-1/2" x 2"	CS	15	12" X 8" X 4"	3
2048-320	3" x 2"	CS	25	14" X 10" X 6"	9

