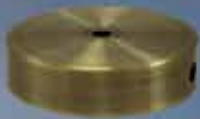


W.N. de SHERBININ

PRODUCTS INC.

YOUR LAMP PARTS SUPPLIER SINCE 1930



LIGHTING PARTS CATALOG



WN de Sherbinin Products

Celebrating 90 Years as one of America's leading lighting products distributors

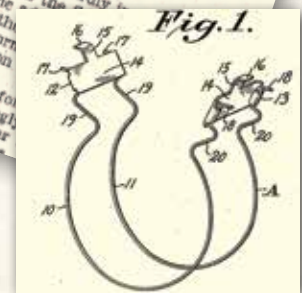
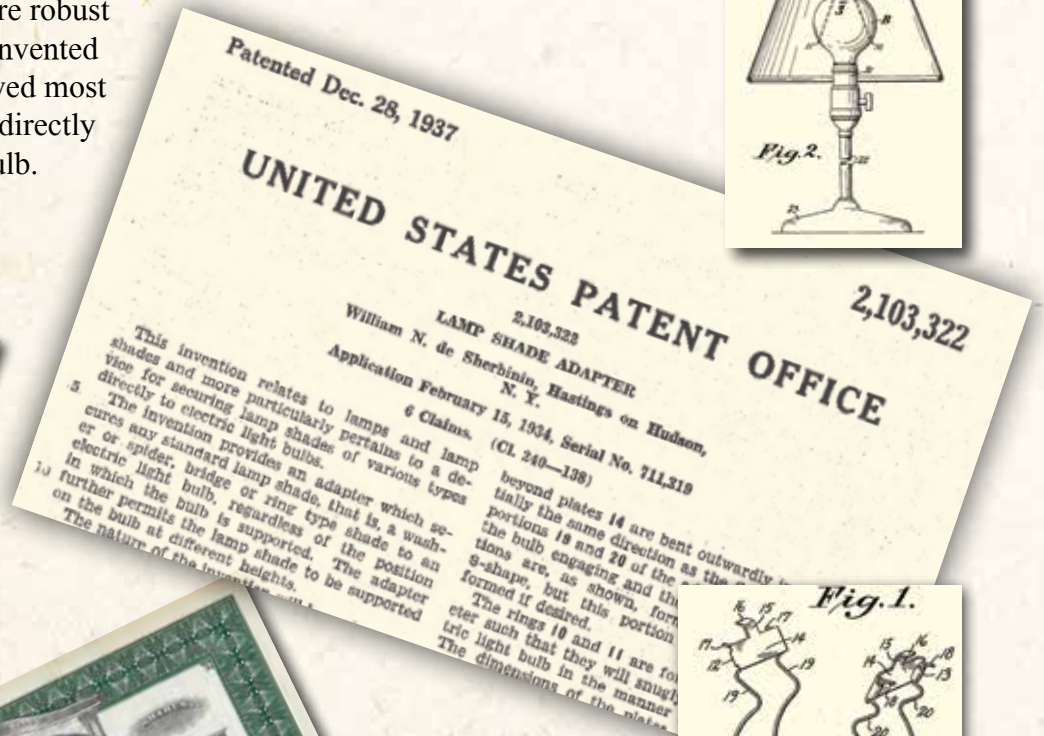
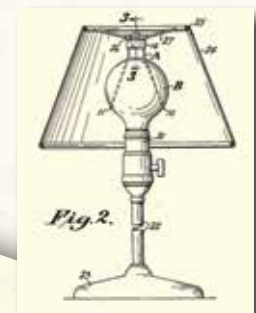
Along with millions of other Americans, William Nelson de Sherbinin lost his job early in the Great Depression. Out of desperation, "WN" developed a cork adaptor that would allow him to convert discarded bottles, jugs, and urns into lamps.

The "Corkateer" was born!

He would later patent several variations of this invention.

WN began making the cork adapters in his backyard barn near White Plains, New York, and selling both the adapters and his adapted lamps.

WN proved to be a prodigious inventor and in order to create a more robust market for his Corkateer, he invented another adapter, this one allowed most common lamp shades to clip directly on to an A-Lamp light bulb.



In 1953, W.N. de SHERBININ PRODUCTS had become a successful company and the family decided to incorporate. This is a scan of one of the original stock certificates.



WN de Sherbinin Corporate Offices
Circa 1950 to 1984

Around 1950, the de Sherbinin family converted a former Tea Factory into their company headquarters.



de Sherbinin Family and Staff

Circa 1968

W. N. de Sherbinin II (Bill) is middle top. His mother, Phyllis is bottom middle right, his sister Vira is next to Phyllis, and long time employee Emma Pavao is bottom right, holding a "Make-A-Lamp" kit.

Sadly, we have lost the original family and crew, WN passed away before the photo was taken in 1967, Phyllis in 1977, Vira in 1983, Bill in 1984.

Emma worked for WND until she was 82 years old and passed in September of 2017 at the age of 99.



W.N. de Sherbinin ad, circa 1951

W.N. de Sherbinin Products has been a long time industry leader in glass lamps and glass lighting products!

W.N. de SHERBININ

PRODUCTS INC.

LIGHTING YOUR WAY SINCE 1930

To Our Valued Customer;

We are excited to present our new Lighting Hardware Catalog.

New Items!

Our newest catalog contains hundreds of new items, including sockets and hardware in finishes, wire, lamp bases, finials... and the list goes on. We invite you to review the catalog and see for yourself.

Special Orders!

In addition to these hundreds of new items in our expanded catalog, W.N de Sherbinin is your Special Order resource. Our 90 years in business gives us the experience to help you run your business.

Our Special Order expertise includes: all types of hardware finishes and variations, sockets and other electrical items, Lamp Shades in all sizes, Crystal components (pinning, style, size), and even Glass! In a time when our competition doesn't even know what you are talking about, W. N. de Sherbinin is here to help.

Price List On-Line

W. N. de Sherbinin offers the unique cost saving tool of having our prices online and easy to access. When other companies print their price lists, they have to price in the potential for cost increases even before the costs rise.

Our price list is on our website at www.wndesherbinin.com. In the right-hand corner of the home page just enter your email address and password. Next to the Welcome tab you will see *Wholesale Pricing*, click there and a PDF document will open with our current pricing. Prices can also be found by selecting *More Information* on each individual item on the website.

If you are in the area you may visit our showroom at 50 Miry Brook Road Danbury, Ct 06810. We are open 8:00 to 3:30 Monday through Friday.

We take great pride in our efforts to provide you with fast, friendly service, and we thank you for your support as we celebrate 90 Years in Business!

Sincerely,
Your Business Partners at W.N. deSherbinin Products Inc.

Email – lampparts@wndesherbinin.com Website – www.wndesherbinin.com
50 Miry Brook Road Danbury, CT 06810
Mailing address is P.O. Box 3471 Danbury, CT 06813
Phone 203-791-0494 • Fax is 203-797-1385

SIZES FOR READY REFERENCES

Lamp parts sizes are sometimes confusing, so for the benefit of our customers who are not too familiar with these sizes, we are submitting the following for reference.

THREAD SIZE

M Stands for Male thread and **F** stands for Female Thread

1/4-27 is the size thread on top of the harp. (Finials are usually tapped 1/4-27 but are also available in 1/8-IP)

1/8-IP is the size thread that fits into ordinary lamp sockets. (Table lamps are assembled with 1/8-IP pipe)

1/8-IP is large hole and **1/4-27** is small hole. These sizes are often confusing (particularly on Finials) because at a glance it may appear that they should be the reverse.

1/4-IP is the size thread used in floor lamps

OIL LAMP ADAPTERS

NO. 00 (nutmeg size) fits 5/8" opening.

NO. 1 Adapters fit 7/8" opening. 1-1/4" bottom opening on collar.

NO. 2 Adapters fit 1 1/4" opening. 1-5/8" bottom opening on collar.

NO. 3 Adapters fit 1 3/4" opening.

SOME ABBREVIATIONS THAT ARE USED IN OUR CATALOG AND PRICE LIST ARE AS FOLLOWS:

BRASS in our catalog means unfinished brass unless followed by a finish

BRITE GILT - Brass plated finish on the caps & shells of sockets

UNO - Threading on a holder or shell of a socket to screw on a shade

BAKELITE - Term used to describe the brown or black plastic on a socket

CANDELABRA - Smaller size usually 3/4" for sockets or bulb base or candle covers

MEDIUM OR EDISON - Same term for a standard size socket or bulb base or candle covers

O.D. - Outside Diameter

W/SS - With Set Screw

BPL - Brass Plated & Lacquered

Br. - Brass

Fit - Fitter

Lacq. - Lacquered

Sprd. - Spread

Tap - Threaded

M - 1000

I.D. - Inside Diameter

L/SS - Less Set Screw

P&L - Solid Brass Polished & Lacquered

Br. Brass - Brushed Brass

Ht. Height

PL. - Plated

Slip - Not Threaded

C - 100

Vac Brass - Vacuum Brass

REFERENCE GUIDE OF THREAD SIZES

#4-36



3/32"

#6-32



1/8"

#8-32



5/32"

1/4"-20



1/4"

1/4"-27



1/4"

1/8 IPS



3/8"

1/4 IPS



1/2"

3/8 IPS



5/8"

**SOCKETS BRASS POLISHED & LACQUERED
CAP 1/8IP WITH SET SCREWS UL**



30782-Short Keyless Socket 660W-250V



30781-Push-Thru Socket 660W-250V



30785-3-Way Turn Knob Socket 250W-250V
30789-Polished Brass No lacquer Turn Knob Socket 250W-250V



30788-Bronze 3-Way Turn Knob Socket 250W-250V



30780-On-Off Turn Knob Socket 250W-250V



30784-On-Off Pull Chain Socket 660W-250V



30783-3-Terminal 2 Circuit Turn Knob Socket 250W-250V

BRASS POLISHED & LACQUERED UNO SOCKETS W/SS UL SOLD AS SET ONLY



30645-3-Way Turn Knob Uno Socket 250W-250V



30643-Full Keyless Uno Socket 660W-250V



30642-Short Keyless Uno Socket 660W-250V



30641-Push-Thru Uno Socket 660W-250V



30644-Turn Knob On-Off Uno Socket 250W-250V



30640-Pull Chain Uno Socket 660W-250V

CAST BRASS SOCKETS CAP 1/8IP WITH SET SCREWS UL



30820-Brass
Polished & Lacq.
Pull Chain Socket
660W-250V



30832-Unfinished Short Keyless Cast
Brass Cap With Set Screw



30821-Brass Polished & Lacq
Turn Knob Off/On
250W-250 Volt

30822-Polished & Lacq
Turn Knob 3-Way
250W-250V

30830-Unfinished Brass
Turn Knob Off/On
250W-250V

SOCKETS WITH UNO THREADS

UNO thread are the threads at the end of a socket that are used to mount items like lamp Shades and Glass Fitters equipped with female UNO threads. Page 69 of this catalog shows several UNO glass holders.



Turn Knob Off/On w/Uno
Thread
250W-250V

30825-Brass Polished & Lacq.

30852-TK Off/On Dark Antique

30834-3 Way Polished Nickel

30835-TK Off/On Polished Nickel

30837-Full Range Dimmer
Polished Nickel



30851-Dark Anitque w/Uno Thread

30833-Polished Nickel w/Uno Thread



Pull Chain Socket
w/Uno Threads
660W-250V

30824-Polished & Lacq.

30853-Dark Antique

30836-Polished Nickel



30831-3-Way with Uno thread
Unfinished cast brass with
cap with set screw.

UNO RINGS

UNO socket rings are used to mount non-threaded UNO accessories.
Please see page 89 for Glass and Metal socket accessory shades.



30890-Antique Cast Brass
Socket Ring 1 1/2" OD.
For Cast Brass Uno Sockets



30894-Black Cast Brass
Socket Ring 1 1/2" OD.
For Cast Brass Uno Sockets



30892-Dark Antique Cast Brass
Socket Ring 1 1/2" OD.
For Cast Brass Uno Sockets



30891-Polished Nickel Cast Brass
Socket Ring 1 1/2" OD.
For Cast Brass Uno Sockets



30893-Brass Polished & Lacq. Cast Brass
Socket Ring 1 1/2" OD.
For Cast Brass Uno Sockets

**MEDIUM BASE SOCKETS
ALL SOCKETS ARE UL**



Short Keyless Socket
660W-250V
30750-Brass Plated Cap W/SS



Full Keyless Socket
660W-250V
30778-Brass Plated
Cap W/SS



Push-Thru Socket
660W-250V
30751-Brass Plated
Cap W/SS



Push-Thru Socket With Side
Outlet Cap 660W-250V
Cap L/SS
30752-Brass Plated
30415-Nickel Plated



Pull chain
Socket 660W-250V
30753-Brass Plated Cap W/SS



3 Position Pull Chain Socket
Low, Med, Hi, Off
660W-250V
30762-Brass Plated



Turn Knob Socket
Off/On 250W-250V
30754-Brass Plated



3-Way Turn Knob Socket
250W-250V
30755-Brass Plated

**ANTIQUÉ FINISH SOCKETS
CAP WITH SET SCREWS**



30744-Dark Antique
Short Keyless
660W-250V



30746-Dark Antique
Pull Chain
660W-250V



30742-Dark Antique
Off/On Turn Knob



30743-Dark Antique
3-Way Knob Socket
250W-250V

MEDIUM BASE CAPS, SHELLS, UL INTERIORS



30179-Hi-Lo Turn Knob
250W-250V



**30684-3-Terminal 2
Circuit Turn Knob**
250W-250V



30681-3-Way Turn Knob
250W-250V



30679-3-Way *Oversized Key*
Black Cast Brass Key
For use with 3-way bulbs
250W-250V



30685-Pull-Chain Interior
660W-250V



**30680-On/Off Turn Knob
Interior** 250W-250V



30678-On/Off *Oversized Key*
Black Cast Brass Key
250W-250V



30683-Push-Thru
660W-250V



30130-Full Keyless 3-Way
660W-250V



30682-Short Keyless
660W-250V



30686-Full Keyless
660W-250V



Premium Turn Knob Interior
w/Nickel Plated
Copper Alloy Screw Shell
30687-On/Off
30688-Three-Way



Caps Less Set Screw
30690-1/8 IP BPL
30812-Solid Brass
Polished & Lacq.
30438-Polished Nickel



Caps With Set Screw
30691-1/8 IP BPL
30813-Solid Brass
Polished & Lacq.
30435-Polished Nickel



Short Keyless Shell
30816-Brass Polished & Lacq.
30693-Brass Plated Lacq.



Push-Thru Shell
30814-Brass Polished & Lacq.
30436-Polished Nickel
30694-Brass Plated Lacq.



Pull Chain & Turn Knob Shell
30815-Brass Polished & Lacq.
30437-Polished Nickel
30692-Brass Plated Lacq.



30695-Full Keyless Shell
Brass Plated

MEDIUM BASE SOCKETS UL SOLD AS SETS ONLY



Solid Brass
Satin Brass Socket Cap W/SS
30765-3-Way Turn Knob
30766-Off/On Turn Knob
30764-Pull Chain



Solid Brass
30770-Satin Nickel
3-Way Turn Knob Socket
Cap W/SS, 250W-250V



30771-Nickel Plated Socket
Short Keyless,
660W-250V
Cap W/SS



30772-Nickel Plated Socket
Full Keyless,
660W-250V
Cap W/SS



30773-Nickel Plated Socket
Push-Thru, 660W-250V
Cap W/SS



30774-Nickel Plated Socket
Pull Chain, 660W-250V
Cap W/SS



30775-Nickel Plated Socket
Turn Knob On/Off
250W-250V
Cap W/SS



30776-Nickel Plated Socket
Turn Knob 3-Way
250W-250V
Cap W/SS

REDUCERS & EXTENDERS



30040-Reducer
Standard to
Candelabra Base



30003-Intermediate
to Candelabra Base



30006-Standard Base
Raises Bulb 1"
Extender



30026-Candelabra To
Candelabra Extender



30007-Porcelain Adapter
Socket Screw-In Standard
Base Extender



30004-Mogul
To Standard Base



30039-Socket Enlarger
Candelabra To Edison Base



30001-Foreign Base
To Candelabra Base

DIMMER SOCKETS UL

HI-LO DIMMER

A Hi-Lo dimmer has a built in resistor that modulates the brightness of a regular light bulb in steps: Off-Low-Hi



30777-Brass Plated
Hi-Lo Dimmer
Turn Knob Socket Cap w/SS
150W-120V

FULL RANGE DIMMER

A Full Range Dimming Socket has a rheostat knob, which allows smooth dimming of a regular incandescent light bulb all the way from 0% (Off) to 100% Brightness.



30769-Imported Brass
Plated Cap L/SS Lamp
Dimmer Socket
200W-120V.
Incandescent only full
range dimmer Socket.



30787-200 Watt Full Range
Turn Knob Dimmer Socket
w/SS. Polished Brass & Lacq.



30176- Full Range Dimmer Socket.
Adjust light for all purposes, from
night light dimness to 150W.
Needs just a screw driver to install.
150W-120V AC only
Leviton Brand.



30768-Full Range Turn Knob
Dimmer Socket w/Removable
Knob. Nickel Finish
200W-120V



30631-Full Range Turn Knob
Dimmer Socket 150W-120V
Cap w/SS.
Polished Brass, no lacquer



Full Range Turn Knob
Dimmer Socket
150W-120V Cap w/SS
30632-Polished Nickel
30633-Satin Nickel



30634-Antique Brass Full Range
Dimmer Socket 150W-120V
Solid Brass, Cap w/SS



30635-Bronze Full Range
Dimmer Socket 150W-120V
Solid Brass, Cap w/SS

SOCKETS

LEVITON BRAND LAMP SOCKETS

*** L/SS DENOTES WITHOUT SET SCREWS & W/SS WITH SET SCREWS
ALL SOCKETS UL**



3-Way Pull Chain Socket 1/8IP
Includes **30148** Interior
30197-Brass W/SS
30198-Brass L/SS
30409-BPL W/SS
30410-BPL L/SS
250W-250V



Push-Thru Socket 1/8IP
Includes **30120** Interior
30182-Brass W/SS
30195-Brass L/SS
30102-BPL W/SS
30407-BPL L/SS
30122-Nickel W/SS
660W-250V



Short Keyless One-Way
On/Off Socket 1/8IP
Includes **30154** Interior
30185-Brass W/SS
30190-Brass L/SS
30452-Brass Uno Thread W/SS
30453-Brass Uno Thread L/SS
660W-250V



Full Keyless One-Way
On/Off Socket 1/8IP
Includes **30127** Interior
Includes **30187**-Brass W/SS
30180-Brass L/SS
30105-BPL W/SS
30400-BPL L/SS
30430-Nickel W/SS
660W-250V



Turn Knob On/Off Socket 1/8IP
Includes **30119** Interior
30191-Brass W/SS
30183-Brass L/SS
30454-Brass Uno W/SS
30455-Brass Uno L/SS
30103-BPL W/SS
30405-BPL L/SS
30123-Nickel W/SS
250W-250V



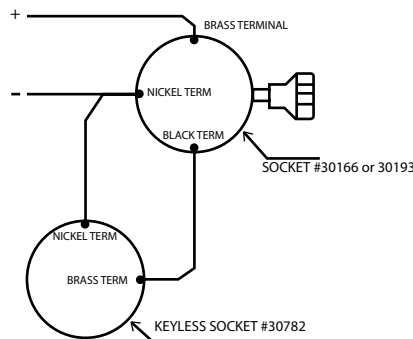
3-Way Turn Knob Socket 1/8IP
Includes **30100** Interior
30184-Brass W/SS
30192-Brass L/SS
30104-BPL W/SS
30108-BPL L/SS
30456-Brass Uno W/SS
30457-Brass Uno L/SS
30124-Nickel W/SS
250W-250V



On/Off Pull Chain Socket 1/8IP
Includes **30169** Interior
Includes **30181**-Brass W/SS
30196-Brass L/SS
30460-Brass Uno W/SS
30461-Brass Uno L/SS
30101-BPL W/SS
30408-BPL Gilt L/SS
660W-250V



Turn Knob Socket with 3 Terminals
1/8 IP 250W-250V
Includes **30166** Interior
30193-Brass W/SS
30194-Brass L/SS



Wiring diagram for 3 terminal socket
and any keyless socket.

Allows to top and bottom to light
separately or together

**STAMPED BRASS POLISHED NICKEL SOCKETS UL
CAPS WITH SET SCREWS**



30790-Polished Nickel
Short Keyless
660W-250V



30792-Polished Nickel
3-Way Metal Turn Knob
Socket 250W-250V



30791-Polished Nickel
On/Off Pull Chain Socket
660W-250V



Polished Nickel Uno Thread Socket
30661-Push-Thru
30662-Pull Chain
30663-3-Way
30660-TK On/Off



30794-Polished Nickel
On/Off Metal Turn Knob
Socket 250W-250V



30793-Polished Nickel
Push-Thru Socket.
660W-250W

STAMPED BRASS ANTIQUE FINISH UL



Antique Brass Finish Imported
Socket
30757-Pull Chain, UL, 660W-250V

W/ Black Plastic Knob
30758-Turn Knob On/Off, UL 250W-250V
30759-3-Way Turn Knob 250W-250V



Dark Antique Brass Finish Imported
Socket W/SS, with Uno threads
30670-3-Way Turn Knob
30672-Push-Thru
30671-Turn Knob On/Off



Regular Antique Brass Stamped
Socket Cap W/SS
30795-3-Way Turn Knob
30797-Push-Thru
30798-Pull Chain
30796-Short Keyless
30799-Turn Knob On/Off
30741-Full Keyless

LAMP SOCKET LINERS



30300-Cluster Socket Liner
2" Ht.
Fits 30118
Original use was for "Fat Boy" Sockets



30309-Paper Liner for Push-Thru Socket.
Standard base also to be used with keyless shells.
1 7/8" Ht.



30310-Paper Liner for Pull-Chain or Turn Knob. Standard base socket. 2" Ht.



30313-Keyless Paper Liner Standard Size.
For candle socket Edison only. 1 7/8" Ht.



30362-Paper Cap Liner



30363-Paper Liner for Short Keyless shells.
1 1/2" Ht.



30343-Short Liner for Standard Socket. 7/8" Ht.



30335-Candelabra Liner.
Fits all our candelabra sockets.
1 1/2" Ht.

LAMP SOCKET SHELLS LEVITON



Full Keyless Shell
30336-Brass
30342-Nickel
30323-Brite Gilt



Push Thru shell
30307-Brass
30316-Brite Gilt
30340-Nickel



Turn Knob or Pull Chain
30306-Brass
30308-Brite Gilt
30341-Nickel
30334-Brass Uno



Short Keyless Shell
30321-Brass
30337-Brass Uno Thread

LAMP SOCKET CAPS LEVITON



Caps 1/8 IP
30301-Brass W/SS
30302-Brass L/SS
30305-Brite Gilt W/SS
30317-Brite Gilt L/SS
30350-Nickel W/SS



Cap 1/4 IP
30385-Brass W/SS



Cap Side Outlet 1/8 IP
30345-Brass W/SS



51100-Swing Type Brass Swivel 1 1/2" Ht., 1/8 IP Nipple.

LAMP SOCKET INTERIORS UL



30174 3-Way Socket with 1/4" mandrel. 4/36 thread with hickey 250W-250V



30114-3-Terminal Turn Knob 1/4" mandrel for wiring top, bottom or both. 4/36 thread hickey is removable use with **30135**. 250W-250V



30175-Turn Knob Socket 1 1/2" mandrel no hickey. 4/36 thread 250W-250V



30170-Turn Knob (TK) Socket with hickey, with flush mandrel 4/36 thread. 250W-250V

LEVITON BRAND INTERIORS



VICTORIAN KEY INTERIORS
30159-Leviton Brand, 3-Way TK with black cast brass key.



30120-Push-Thru Interior. 660W-250V



30154-Keyless Short Bakelite Interior. 660W-250V

30167-TK On/Off - Leviton brand



30169-Pull Chain Interior w/brass chain.
30508-Pull Chain On/off w/nickel chain 660W-250V



30118-Pull Chain Interior for cluster. 250W-250V



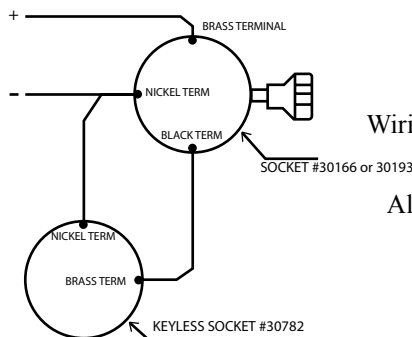
30148-3-Way (Lo-Med Hi-Off) Pull Chain Interior 250W-250V



30119-Removable Knob Interior, On/Off 250W-250V
30100-3-Way (Lo, Med, Hi-Off) removable knob interior 250W-250V, 4/36 mandrel



30166-3-Terminal Turn Knob Interior. 4/36 mandrel. 250W-250V



Wiring diagram for 3 terminal socket and any keyless socket.

Allows to top and bottom to light separately or together



30127-Full Keyless Interior. Fits our 30105. 660W-250V

**BLACK PHENOLIC CANDELABRA BASE SOCKETS
CAPS THREADED 1/8 IP UL**



30930-For use in USA & Canada. Full threaded skirt socket. Use with ring **30961**. 1 3/4" Ht. 75W-120V 1" OD



30956-For use in USA & Canada. Half threaded skirt socket. Use with ring **30961**. 1 3/4" Ht., 75W-120V



30934-For use in USA & Canada. Smooth skirt socket. 1 3/4" Top Dia. 1" 75W-120V



30961 Black Shade Ring With Shoulder For Threaded CB Sockets 1 3/4" OD, 1" ID

MEDIUM BASE SOCKETS-BLACK PHENOLIC CAPS THREADED 1/8 IP



30980-For use in USA & Canada. Nord socket with rocker switch, half threaded skirt. 2 3/4" Ht.



30988-For use in USA & Canada. Half threaded skirt socket. 2 3/4" Ht.



30630-For use in USA & Canada. Full threaded skirt socket 2" Ht.



30523-Threaded Socket w/Ring. 1/8 IP, hickey screw terminals. 660W-250V



57319-1 1/2" ID, 2 5/8" OD Large Metal Washer to be use with **30980** or **30988** to hold shades w/large openings.



30997-Black Shade Ring. For above medium base sockets 2 1/4" OD, 1 1/2" ID

PHENOLIC MEDIUM BASE SOCKETS - UL



30540-Keyless
UNO Threads
Does not take ring
2 3/4" Ht., 660W-250V



30541-Pull Chain
UNO Threads
Does not take ring
2 3/4" Ht., 660W-250V



30542-TK On/Off
30544-3-Way
UNO Threads
Does not take ring
2 3/4" Ht., 250W-250V



30543-Push Thru
UNO Threads
Does not take ring
2 3/4" Ht., 660W-250V

RINGS FOR THREADED SOCKETS ARE NOT THE SAME AS UNO RINGS AND DO NOT FIT THE SOCKETS ABOVE.



30545-Full Keyless
with threaded shell
and ring holder
2 3/4" Ht., 660W-250V



30546-Pull Chain
with threaded shell
and ring holder
2 3/4" Ht., 660W-250V



30547-TK On/Off
30548-3-Way
with threaded shell
and ring holder
2 3/4" Ht., 250W-250V



30549-Push Thru
with threaded shell
and ring holder
2 3/4" Ht., 660W-250V



30539-Short Keyless
with threaded shell
and ring holder
2 1/4" Ht. 660W-250V

30983-White Socket
Medium Base
with ring 2 1/16" HT
250W-250V



CAPS AND SHELLS-MEDIUM BASE



30533-Plain Bakelite Shell
with UNO threads
Does NOT take ring
1 13/16" Dia.



30534-Threaded Bakelite Shell
takes ring **30535**



30535-Threaded Bakelite ring
fits **30534** to hold shades.



30531-Bakelite Cap
W/SS for Pull Chain or
Turn Knob, 1/8 IP



30537-1/4 IPS Phenolic Cap
with metal bushing for Turn Knob
and Pull Chain



30530-Bakelite Cap for Keyless
and Push-Thru W/SS, 1/8 IP



30536-Short Keyless Cap
L/SS, 1/8 IP

PHENOLIC SOCKETS -UL



30147-Two Piece Turn Knob
Husk Socket
660W-250V,
Knob not removable
3" Ht.



30156-Bottom Turn Knob
Fixture Socket
660W-250V,
Knob not removable
3" Ht.



30720-Bakelite Keyless
Socket 5/8" Hickey,
Tap 1/8 IP
660W-250V,
1 3/4" Ht.

EDISON BASE KEYLESS CANDLE SOCKETS WITH PAPER LINERS



30718-2 1/8" Overall Ht.
Standard Keyless
660W-250V



30116-3" Overall Ht.
Standard Keyless
660W-250V



30117-Standard Keyless
adjustable.
Extends 4" to 5 1/2"
660W-250V



30144-Turn Knob Standard
adjustable. Extends 4" to 5 1/2"
with Flush mandrel
250W-250V

EDISON BASE/LEVITON BRAND KEYLESS CANDLE SOCKETS WITH PAPER LINERS



30115-2 1/8" Overall Ht.
Standard Keyless
660W-250V



30526-3" Overall Ht.
Standard Keyless
660W-250V



30527-Adjustable Standard Keyless
4" to 5 1/2", 660W-250V

CANDELABRA SOCKETS-UL



30142-Adjustable Keyless Socket
3 1/4" to 4 3/4", Hickey tapped 1/8 IP
75W-125V
Leviton Brand



30140- 2" Keyless Socket
Hickey tapped 1/8 IP
75W-125V
Leviton Brand



30141-1 1/2" Keyless Socket
Hickey tapped 1/8 IP
75W-125V
Leviton Brand



30068-Bakelite Candelabra Socket
1/2" Hickey from body with 18"
leads. 75W-125V



30723- Threaded Candelabra Socket
with ring, 12" leads. Total Ht. 1 1/2"
75W-125V. Use on vanity mirrors



30135- Bakelite with spring clip
Fits 7/8" to 1 1/8" dia, hole base/
18" leads. 75W-125V



30714-Candelabra base
with screw terminals and
bracket. Slips 1/8 IPS pipe
for mounting. 75W-125V



30716-4" Ht. Pigtail Candelabra Base
7" Width, 105° leads and 1/8 IPS hickey
75W-125V



30717-Adjustable Candelabra Socket
Adjusts from 4 3/4" to 6"
75W-125V



30713
6" Keyless
Socket Hickey,
Tap 1/8IP
75W-125V



30709
Candelabra Base
with screw terminals,
1/8 IPS Hickey, 4" Ht.
30708-3" Ht.
75W-125V



30711
Adjustable Keyless Socket
3 1/4" to 4 1/2",
Hickey Tap 1/8 IP
75W-125V



30712
2" Keyless Socket
Hickey Tap 1/8 IP
75W-125V



30710
1 1/2" Keyless Socket
Hickey Tap 1/8 IP
75W-125V

PORCELAIN SOCKETS-UL



30747-1 1/2" High Heat Porcelain Candelabra Socket and Liner
1/8 IP Hickey



30748-2" High Heat Porcelain Candelabra Socket and Liner
1/8 IP Hickey



30749-High Heat Porcelain Candelabra Socket and Liner
Adjustable 3 1/2" to 4 3/4"
1/8 IP Hickey



30703-2" Square Medium Base Porcelain One Piece Pony cleat Socket with screw terminals
660W-250V, 2"Ht.



30719-Porcelain Ceiling Socket Keyless Medium Base with Neck
660W-250V



30705- Medium Base Porcelain Socket with 105° 18" leads, 1/8 IP Hickey
1 7/8" Ht.
660W-250V



30702-2" Wide Medium Base Duplex Porcelain Socket. with metal flange cap. Tapped
1/8 IP, with set screw
660W-250V
Screw Terminals



30189-Porcelain Screw Type Keyless Socket
Threaded steel ring, insulated cap 1/8IP,
2" Ht., 2 3/16" ring dia. Comes with Metal & plastic ring. 660W-250V



30701-Medium Base Porcelain Socket with side outlet bushing. 2" Ht. Tapped 1/8 IPS with set screws
bushing extends 1/4" beyond edge of socket & centers 7/16" below cap surface with screws terminals .Rated
660W-250V

PORCELAIN SOCKETS-UL



30513-2 Piece ring type porcelain standard with terminals, 1 1/2" Ht. 660W-250V



30150-Porcelain Keyless Socket Tap 1/8 IP Leviton Brand. 1 3/4" Ht., 660W-250V



30700-Porcelain Keyless Socket with metal cap, Tap 1/8 IP Cooper Nickel screw shell, 2" Ht., **30729**-Bulk pack 150per Box. caps, insulators & Sockets



30160-Porcelain Keyless Socket without cap Leviton Brand. Use with 30706 or 30707 Cap 1 5/8" Ht., 660W-250V



Porcelain Socket with metal cap, 1/8 IP 660W-250V **30727**-Bronze **30731**-Black



30734-Porcelain Sockets with knotholed sideholes, metal cap 1/8 IP 660W-250V



30706-1/8 IP Cap **30707**-1/4 IP Cap Die cast caps for porcelain sockets with set screw, goes with **30160**



30736-3 Terminal Porcelain Socket ground screw terminal, metal cap, 1/8 IP 660W-250V

BOTTOM VIEW



30745-Imported Porcelain 3-Way Removable Turn-Knob Mogul Socket with bracket Tap 1/4 IP, 4 1/4" Ht. 750W-250V



30505-Porcelain Keyless Mogul Socket with 1/4 IP cap glazed, 3 1/2" Ht. 1500W-600V



30726-Porcelain Keyless Socket Tap 1/8 IP, 5/8" Hickey, 1 3/4" Ht. 660W-250V

CANDLE COVERS

25 WATT MAX IF USED WITH SHADE - WAX THICKNESS WILL VARY SLIGHTLY

NATURAL BEESWAX



White
Candelabra 3/4" ID
50860 4"
50861 6"
Standard 1 3/16" ID
50862 4"
50863 6"



Dark Beige
Candelabra 3/4" ID
50870 4"
50871 6"
Standard 1 3/16" ID
50876 4"
50877 6"



Cream
Candelabra 3/4" ID
50872 4"
50873 6"
Standard 1 3/16" ID
50878 4"
50879 6"



Tan
Candelabra 3/4" ID
50874 4"
50875 6"
Standard 1 3/16" ID
50880 4"
50881 6"



Cream
Candelabra
3/4" ID
50864 2"

RESIN CANDLE COVERS



Ivory Candelabra
7/8" ID
50945 4"
50946 6"



Amber Candle Cover
7/8" ID
50947 4"
50948 6"



Ivory Candle Cover
1 1/4" ID
50949 4"
50950 6"



Amber Candle Cover
1 1/4" ID
50938 4"
50939 6"



Amber Resin Candle Cover
3 3/8" ID
50970 4"

BEESWAX CANDLE COVERS EXTRA THICK



Black Beeswax
Candelabra 3/4" ID
50894 4"
50895 6"
Standard 1 3/16" ID
50896 4"
50897 6"



Cream Beeswax Drip
Candelabra 3/4" ID
50884 4" HT
2" Dia.



Brown Beeswax Drip
50886 4"
50887 6"
Candelabra 3/4" ID
Extra thick 2" Dia.

RESIN CANDLE COVERS



50992 3" Ht.
50990 4" Ht.
50993 5" Ht.
50991 6" Ht.
Resin Candle Covers - Ivory
7/8" ID, 1 1/4" OD no drips

Medium Base

50965 4" Ht.
50966 6" Ht.
Resin Candle Covers - Ivory
1 1/4" ID, 1 5/8" OD no drips



50976 3" Ht.
50977 4" Ht.
50978 5" Ht.
50979 6" Ht.
Resin Candle Covers - Honey
7/8" ID, 1 1/4" OD no drips

Medium Base

50958 4" Ht.
50959 6" Ht.
Resin Candle Covers - Honey
1 1/4" ID, 1 5/8" OD no drips



50994 3" Ht.
50995 4" Ht.
50996 5" Ht.
50997 6" Ht.
Resin Candle Covers- Black
7/8" ID, 1 1/4" OD no drips

Medium Base

50967 4" Ht.
50968 6" Ht.
Resin Candle Covers- Black
1 1/4" ID, 1 5/8" OD no drips



50984 3" Ht.
50985 4" Ht.
50987 5" Ht.
50986 6" Ht.
Candelabra Candle Cover - Honey
7/8" ID, 1 1/4" OD



50960 2" Ht.
50961 3" Ht.
50962 3 1/2" Ht.
50988 4" Ht.
50963 5" Ht.
50989 6" Ht.
50964 10" Ht.
Candelabra Candle Cover - Ivory
7/8" ID, 1 1/4" OD



50955 3" Ht.
50956 4" Ht.
50957 6" Ht.
Candelabra Candle Cover - Black
7/8" ID, 1 1/4" OD



Medium Base
50982 4" Ht.
50983 6" Ht.
Candelabra Candle Cover - Ivory
1 1/4" ID, 1 5/8" OD



Medium Base
50980 4" Ht.
50981 6" Ht.
Candelabra Candle Cover - Honey
1 1/4" ID, 1 5/8" OD



Medium Base
50998 4" Ht.
50999 6" Ht.
Candelabra Candle Cover - Black
1 1/4" ID 1 5/8" OD

CANDLE COVERS

WHITE PLASTIC



STANDARD
50258 2"
50259 3"
50260 4"
50276 5"
50268 6"
50261 12"
50273 36"
 1 3/16" I.D. 1 1/4" O.D.
 Fits over Standard Socket.

CANDELABRA
50251 1 1/2"
50254 2"
50255 3"
50256 4"
50267 6"
50257 12"
50272 36"
 13/16" ID 7/8" OD
 Fits over Candelabra Socket

CREAM PLASTIC



STANDARD
50933 4"
50934 6"
50935 12"
 1 3/16" I.D.
 1 1/4" O.D.

CANDELABRA
50930 4"
50931 6"
50932 12"
 13/16" I.D.
 7/8" O.D.

BLACK PLASTIC



50298 4" Black
 Plastic Standard
 Candle Cover
 1 3/16" ID
 1 1/4" OD

50297 4" Black
 Plastic Candelabra
 Candle Cover
 13/16" ID
 7/8" OD

PLASTIC DRIP



50286 2"
50285 3"
50263 4"
 13/16" ID 7/8" OD
 Candelabra Plastic
 Cover with drips

50288 3"
50289 4"
 13/16" ID 7/8" OD
 Cream Plastic
 Candelabra Cover
 with drips

CANDLE COVERS

PAPER



30354 4" Cream
30355 5" Cream
 Fits standard
 socket
 1 1/8" I.D.
 1 3/16" O.D.



30314 4" White
30353 5" White
 Fits standard
 socket
 1 1/8" I.D.
 1 3/16" O.D.



30312 4" White
30356 6" White
 Fits candelabra
 socket 11/16" I.D.
 7/8" O.D.



30357 4" Cream
30358 6" Cream
 Fits candelabra
 socket 11/16" I.D.
 7/8" O.D.



FIBRE DRIP CANDLE COVERS DOMESTIC

50290 4"
50291 6"
 Antique Finish
 w/gold drips
 13/16" I.D.
 15/16" O.D.
 Candelabra base

BLACK PLASTIC DRIP CANDLE COVERS



50295 4" Black
 w/Gold Drip
 Standard Candle Cover
 1 3/16" ID
 1 1/4" OD



50296 4" Black
 w/Gold Drip
 Candelabra Candle Cover
 13/16" ID
 7/8" OD



50596 4"
50597 6"
 Ivory w/Antique
 Fibre Drip
 Candelabra Candle Cover
 13/16" ID
 15/16" OD



50598 4"
50599 6"
 Ivory w/Antique
 Fibre Drip
 Standard Candle Cover
 1 3/16" ID
 1 5/16" OD

IMPORTED FIBRE DRIP CANDLE COVERS



50609 Standard
 Ht. 8"
 1 5/16" OD
 1 3/16" ID



50608 Standard
 Ht. 6"
 1 5/16" OD
 1 3/16" ID



50607 Standard
 Ht. 4"
 1 5/16" OD
 1 3/16" ID



50606 Candelabra
 Ht. 6"
 15/16" OD
 13/16" ID



50605 Candelabra
 Ht. 4"
 15/16" OD
 13/16" ID



50604 Candelabra
 Ht. 2"
 15/16" OD
 13/16" ID

SOCKET & PENDANT LIGHT KITS



Polish Nickel
Sliver Rayon Wire
54660 – Keyless
54661 – Turn Knob



Light Green Rayon Wire
Polish Nickel
54691 – Turn Knob



Light Blue Rayon Wire
Polish Nickel
54665 – Turn Knob



Black Rayon Wire
Polish Nickel
54647 – Keyless

Dark Antique Brass
54692 – Keyless

Dark Antique Brass
54666 – Turn Knob

Dark Antique Brass
54646 – Keyless

Dark Antique Brass
54693 – Turn Knob

Light Antique Brass
54648 – Keyless



Blue Rayon Wire
Polish Nickel
54664 – Keyless



Dark Green Rayon Wire
Polish Nickel
54668 – Keyless



Dark Blue Rayon Wire
Dark Antique Brass
54667 – Keyless



Red Rayon Wire
Polish Nickel
54663 – Keyless

DarkAntique Brass
54669 – Keyless

Dark Antique Brass
54662 – Keyless



Gold Rayon Wire
Dark Antique Brass
54690 – Turn Knob



31006 Black Swag Kit 15'
31002 White Swag Kit 15'
15' SVT-2 cable w/line switch
& plug. Line switch is 48" from
plug. 250 V-660W UL listed.



31000 White Pendant Set
31005 Black Pendant Set
4' SVT-2 cable medium base
socket w/shade ring.

HALOGEN SOCKETS AND PARTS UL



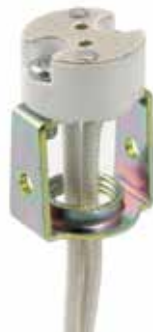
30972 Ceramic body nickel plated bronze contact. 6" Leads insulated by silicone and fiberglass for 200°C. 250V - 500W line voltage socket. Transformer not needed. On the minicam sockets you can use 30584 dimmers as well as the 30803 or 30808 slide dimmers. Please be aware of dimmer wattage limitations



30973 Bayonet ceramic body contact socket. 6" leads. Male thread 1/8-27 Max. wire temp. 200°C 75 W - 125 V UL Listed. These are line voltage sockets. Transformers are not needed. Takes a 22329 Bayonet Bulb



30969 Multi-base Bi-pin Quartz Socket. All of the bi-pin bulbs fit this universal socket. It also fits bulb types G4.0, G6.35, GY6.35, GX5.3(MR16) and GZ4(MR11). 250 Volt maximum voltage 12A maximum amperage. 750W- maximum wattage. 12" Leads. For the 12 volt bulbs you must use a transformer. 120 volt bulbs you do not need a transformer.



30965 Halogen Socket fits bulb G4.0, G5.3 & G6.35, 12" Leads 125V 75W



30567 Ivory Phenolic G9 Threaded Bi-Pin Socket 1/8 IP 20" UL1430 B/W Leads 250°C 3/4" Dia.



30574 Halogen Socket & Bracket w/leads Takes double ended bulbs. Bulb size 3 1/8" Outside Dia. 3 7/8" Inside Dia. 3 1/8" Takes our 22315 Bulb 150W-300W UL



30572 Reflector, 6 3/8" L x 2 3/4" W fits socket **30573**. Reflector is a holder for the socket.



30573 Socket & Bracket w/leads Takes halogen double ended bulbs. Bulb size 4 11/16" Outside Dia. 5 1/2" Inside Dia. 4 3/4" Takes our 22334 Bulb 300W - 125V UL

DIMMERS & FOOT SWITCHES UL



30803 Black Lamp floor dimmer, wired with 9' lead for lamp and 9' cord set with plug. Slide control. 600W max. Tri-level. Input 110-120V. Incandescent and Halogen. UL & CSA Listed.



30566 Black Single Pole Lamp Foot Control step on Off/On switch. Unassembled, takes 18/2 SPT-2 and SPT-1 wire. 3A - 125V UR



30041 Ivory Lamp Cord Dimmer Switch for use w/incandescent lamps. Glides from off to full light. Leviton Brand 2 1/2" long x 1 1/4" wide x 1 1/4" deep. Fits 18/2 SPT-1 & SPT-2 wire 200 Watt 120V



30584 Lamp Tube dimmer halogen 500W - 120VAC Full range w/positive on/off. 19" leads one end, 5" leads other end. Input 110-120V. UL and CSA Listed.
30585 BPL replacement knob.



30807 Snap in USB port with transformer kit, class 2 power supply Snap in USB port 13/16" x 21/32" opening. Class 2 100V-240V 50/60HZ input, 5Vdc 200 MA 10W output. Quick connect supply wires. 3" x 2" x 3/4"Ht.



30808 Black Slide Lamp Floor Dimmer - plug in Output 500W max Incandescent or Halogen 6' cord set SPT2 wire 500 W- 120V UL



30810- Clear plug in sliding floor dimmer 6' cord set SPT-2 Wire Incandescent & Halogen 500W-120V UL



30802 Touch & glow w/3 level brightness. You can plug any incandescent lamp into unit and it becomes a touch light. 200W max. - 120 VAC 50/60HZ

LAMP CONNECTORS - END BELLS - BEAD CHAIN



56055 Brass End Bell Fits #6 Chain



56054 Brass Ball Chain size #6. 1/8" Ball; 72 Balls / 1' Sold by the foot.
54847 Ball Chain #3 3/32" Ball 102 balls per 1 foot.



Hollow Beads - Open act as spacers and stops.
54848 Fits our #6 Chain 5/8" Opening
54849 Fits our #3 Chain 3/8" Opening



56058 Brass Chain Connector fits #6 Chain. O.D. 11/64" passes thru 3/16" Hole.



55619 Brass Pull Chain Ball 5/8" Dia.

UL TRANSFORMERS / DIMMERS



30806 Lamp Touch Dimmer
300 Watt touch Dimmer ,three
light levels of brightness.
Size-3" Length x 2" Wide x 1"
Height. Incandescent only

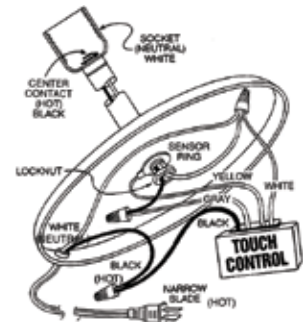


30912 Electronic Lamp Transformer Plug-in AC Adapter Class 2
An electronic transformer is built into a plug-box to control
halogen bulbs. Separated connector w/output wire for use
w/ 12V halogen lamp. UL & CSA Listed
Input AC-120V 60 HZ 0.5A
Output: AC 12V - 60W max. 8 Foot Cord
Soft start short circuit and overload protected. Doesn't handle
Hi/Lo dimmers.

30809 Lamp Touch Dimmer
150 Watt 3 levels of light
1 3/8" wide 2" long 3/4" ht.
Incandescent only



30918 Lamp Dimmable Transformer
For use with Halogen Lights only
2 3/4"L x 1 1/4"W x 3/4"Ht.
Auto reset protection operating frequency
Input 120V 60VA 0.5A
Output 12V60W Max
There are two 7" black & white leads and two
4" red leads UL Listed



30801 Lamp Touch Control Unit
Wires into lamp, mounts inside lamp base.
Provides 3 levels of light plus off.
For Halogen and Incandescent.
300W max 120VAC 50/60 HZ
1/3/4" L-3/4" Ht., 1 5/8" wide



FULL RANGE DIMMER SWITCHES

30580 Full Range Lamp Socket
Dimmer Medium Base
Candle Socket w/ Paper
Liner 150W Full Range
w/Removable Black Knob
1/8 IP w/Set Screw 5 1/2"
Leads 150W-120V



30582 Full Range Table Lamp
Dimmer Switch Paper Housing
300W Dimmer. 12" AWM
105°C Black Leads Strip 1/2"
w/Two Knobs: Black & Brass
2" Long, 1 1/4" W x 5/8" Ht.
60-300W-120V Halogen or Incandescent

UL CORD SETS WITH LINE SWITCHES



18/2 SPT-1

6' CORD

- 30230 Brown
- 30231 White
- 30237 Black
- 30266 Clear Gold
- 30267 Clear Silver

8' CORD

- 30232 Brown
- 30233 White
- 30238 Black
- 30239 Ivory
- 30298 Clear Silver
- 30299 Clear Gold

Cord set w/ line switch.
6' Cord Set Switch is 15" from lamp end.
8' Cord Set Switch is 23" from lamp end.
tinned ends. 18/2 SPT- 1 105°
w/ polarized molded plug.



6' CORD

- 30292 White
 - 30293 Brown
- Cord set w/ clip-in candelabra socket & line switch. Snap-In socket fits 1" hole. Switch is 12" from socket. Tinned ends. 18/2 SPT 1 60° w/ polarized plug.

18/2 SPT -2 CORD SETS



8' Cord

- 30286 Black
 - 30287 White
- Heavy Duty Cord Set 3 Prong Molded Plug Stripped & Slit. 18/3 SVT 105 degrees.



8' Cord

- 30270 15' Black SVT 2 Cord Set Round Wire.2 prong molded plug . stripped and slit.



8' CORD

- 30282 Brown
 - 30283 White
 - 30285 Gold
 - 31030 Silver
- Cord set w/ line switch. Switch is 15" from lamp end. tinned ends. 18/2 SPT- 2 105° w/polarized molded plug.

LUGS



- 51080 Brass Plated Lug- 1/8 ip
- 51081 Brass Plated Lug-1/4 ip

WIRE CONNECTORS



- 50243 Extra Small
 - 50244 Small
 - 50245 Medium
 - 50246 Large
- Bakelite Wire Connectors; solderless , tapeless. For joining combinations of solid or stranded wire. U.L. Listed.

PORCELAIN WIRE NUTS HIGH HEAT 300V UL



- 50224 Large 6 #18 Max
- 50223 Medium 4 #18 Max
- 50221 Small 2 #18 Max

WIRE CONNECTORS W/SPRING INSERT FOR 105° SUPPLY WIRE 300V



- 50237 Medium Orange 5 #18 Max
- 50238 Large Yellow 6 #18 Max
- 50239 Extra large Red 8 #18 Max

UL CORD SETS

18/2 SPT 1



- | | | | |
|-------------------------|---------------------------------|---------------------------------|--------------------------------|
| 6' CORD | 8' CORD | 10' CORD | 15' CORD |
| 30242 White | 30244 Black | 30249 Brown | 30280 Brown |
| 30243 Brown | 30245 White | 30247 Black | 30281 Clear Gold |
| 30240 Silver | 30246 Brown | 30275 Clear Gold | 30295 Black |
| 30241 Clear Gold | 30254 Clear Gold | 31040 Silver | 30296 Clear Silver |
| | 30264 Clear Silver | 31041 Antique Gold | 18/2 SPT 1 105° w/ polarized |
| | 30265 Ivory | 31042 Bronze opaque Gold | plug tinned ends, stripped and |
| | 30250 Opaque Bronze Gold | | slit. UL |
| | 31035 Antique Gold | | |

18/2 SPT-1 105° cord sets w/ polarized plug. tinned ends are stripped and slit. UL

RAYON CORD SETS



- | | | |
|--|--|------------------------------------|
| 30260 Clear Gold | 10.5' Cord with 9' Rayon Hounds tooth cord | 10' of cord with 8' Rayon Cord set |
| 30261 Clear Silver | set W/SVT-2 18-gauge round wire. | 18/2 Spt-2 105° w/molded polarized |
| 8' Cord Sets w/Hi-Lo Switch 18/2 SPT-2 | Stripped and tinned UL | Plug, stripped and tinned. UL |
| 105° w/polarized molded plug. | 30271 Black and White | 30252 Black |
| Switch 24" from free end. | 30272 Red and White | 30253 White |
| | | 30262 Brown |



Full Range dimmer cord set 11' cord
30" finned end lead 8' from plug end
To switch, SPT-2, 200-watt, 120 Volt
31020 Clear Silver
31021 Brown



31020

31021

18/2 - SPT 2 CORDSETS



8' Cord Set 18/2 SPT-2 w/ polarized plug
Ends are tinned and stripped, slit.
UL
30257 White
30258 Black
30259 Brown
30268 Clear Gold
30269 Clear Silver
31032 Antique Gold

12' Cord set 18/2 Spt-2 with polarized plug. /Ends are tinned
stripped and slit. UL
30277 Black
30278 Clear Gold
30279 Brown
31028 Clear Silver

15' cord set 18/2 SPT-2 w/polarized plug. Ends are tinned ,
stripped and slit. UL
30274 Black
30276 Clear Gold
30290 Brown
30291 Clear Silver

SPOOL WIRE - 250' ROLL UNLESS STATED



30209 Clear Gold
30210 Silver
30289 Black
30211 Brown
31051 Opaque Bronze Gold
31052 Antique Gold
 22 gauge 1/64 UL
 Very Thin - 2 Wire
 Ideal for Sconces.

31060 Clear Gold
31061 Silver
31062 Black
31063 Brown
31065 Opaque Bronze Gold
31064 Antique Gold
 20 gauge 1/64 UL
 Thin - 2 Wire



30201 Brown
30202 White
30203 Black
30204 Transparent Copper
30205 Clear Gold
30206 Clear Silver
30213 Opaque Bronze Gold
30200 Ivory
31046 Antique Gold
 250' Spools standard plastic covered wire
 18/2 SPT-1 parallel cord 105°-300V UL



30212 White
30216 Brown
30217 Silver
30218 Black
30222 Gold
 100' Spool Rayon Wire 18 gauge
 2 individually wrapped
 interior wires 18 Gauge



30219 Gold
30220 Brown
30294 Black
 250' spool 18-gauge rayon covered cord.
 2 individually wrapped interior wires.



30207 Black
30208 White
 500' spool 18 1/32 AWM
 Plastic covered single fixture wire.
 105°UL



250' Spool Wire 18/2 SPT-2,UL
30226 Brown
30227 Clear Gold
30228 Black
30229 White
30297 Clear Silver



30224 Bare Copper
30225 Tinned Silver
 250' Spool 18 16/30 B.C.
 Ground Wire - UL
31050 2500' Spool - Bare Copper



30215 18 1/32 P D
 Rayon/Cotton covered pulley cord 3 wire gold. Sold by the foot U. L.



31103 Black
31104 White
31105 Clear Silver
 250' spool wire 18/2 SVT 105°
 300 V round wire slip 1/8IPS
 Pendant and appliance cord



31101 Black
31100 White
 High heat 18/1 stranded 200°
 C SF-1
 Wire 250' spool, UL



31210 Jute rope lamp wire twisted with 2 wire, inside, Diameter 3/8".



31212
 Jute rope lamp wire twisted with 3 wires, Diameter approx. 1/2"

Linen Rope wire
 18-gauge wire fits through 1/4IP pipe
 Gives a macramé rope look to your fixture.
 Sold on 100-foot spools

WIRE

TWISTED RAYON WIRE

Sold by the foot or 100' spool.
2 conductors 18 gauge tinned copper



31200 Black



31201 Antique Gold



31203 Red



31207 Cream



31206 Brown



31202 Burnt Copper



31204 Dark Gray



31208 Silver

WIRE COLOR REFERENCE

THE SWATCHES BELOW REPRESENT OUR STOCK WIRE COLORS

COLORS MAY VARY SLIGHTLY



Ivory



Brown



White



Black



Transparent
Copper



Clear Gold



Clear Silver



White



Black



Opaque Bronze Gold



Gold Rayon Cotton



Gold Rayon



Brown Rayon



White Rayon



Bare Copper Wire



Black Rayon



Antique Gold



Tinned Copper Wire

UL LINE SWITCHES & DIMMER SWITCHES

30378 Brown
30379 White
30376 Black
30377 Clear Gold
30382 Clear Silver
 Push Button Line Switch for
 SPT2 Cord 3A-120 VAC



30943 Gold
30940 Black
30941 White
 Rocker switch for
 Round or flat wire
 2 (1) A 250v

30870 White
30871 Black
30872 Brown



Full range table top in-line dimmer switch.
 Thru cord slide ,dimmmable with LED 100w max
 Dimmable CFL 100w max , Incandescent 300 watt max
 120V SPT 2 18 gauge wire .
 Dimmer switch is not suitable for non-dimmable bulbs



30875 White
30876 Black
30877 Brown
 Full range table top in-line dimmer switch
 with 6' Plug-In Cord Set
 Dimmable Led 100 watt max
 Dimmable CFL 100 watt max, Incandescent 300 watt max
 120V SPT 2 18 gauge wire .
 Dimmer switch is not suitable for non-dimmable bulbs

SPT-1



Spt-1 line switch
 Hi Lo dimmer 200w-120v
 18/2- spt1 wire
30090 White
30091 Brown
30095 Ivory
30084 Black



Spt-1 line switches on /off
 6a 125v ac 3a 250v ac
 3a 125v 18/2-spt1 wire
30053 Ivory
30096 Brown
30097 White
30098 Black
30024 Clear Silver
30025 Clear Gold



Spt-1 line switches
 6a-125v 3a-250v
 3a-125v 18/2-spt1
 wire Leviton
30057 Black
30058 White

SPT-2 LINE SWITCHES HI-LO DIMMER SWITCH



Hi lo dimmer switches
 18/2 spt-2 wire
30395 White
30396 Ivory
30397 Black
30398 Brown

SPT-2 LINE SWITCHES



18/2 spt-2 wire
 on/off switch .
30075 White
30076 Ivory
30077 Black
30078 Brown



Slide on/off Line Switch screw
 teminals screw together case
 UL SPT-1 Cord and SPT-2
30443 White
30444 Gold
30445 Clear
30446 Black

PLUGS

ALL POLARIZED PLUGS UL ALSO NON-POLARIZED PLUGS



30074 Black plastic plug shield. Keeps plug ends from scratching during shipping.

CLAMP-ON PLUGS NO TOOLS NEEDED.
USE WITH STANDARD PARALLEL CORD.



30034 White Bakelite
30036 Brown Bakelite
UL 15A-125V
Non polarized



30383 Black
30384 White
30388 Brown
30087 clear silver
Polarized slide on plug
For 18/2 SPT-2 wire



30365 Brown
30366 Ivory
30367 Black
30368 White
30073 Clear Gold
30072 Clear Silver
Polarized slide on plug
For 18/2 SPT-1 wire



30038 Brown
Non polarized plug
For 18/2 - SPT1 wire



30011 Brown
30022 White
30010 Black
Attachment Plug with
Screw terminals 18/2 SVT round wire



Gilbert Slide-Top Outlet - Polarized

THE 1-2-3 PLUG
EASY TO ASSEMBLE OR REMOVE
NO STRIPPING NO SCREWS



30030 Black
30031 White
30032 Brown
30033 Ivory
Polarized. 10A-125V
18/2 - SPT1 Wire



30018 Brown
30019 Ivory
The 1-2-3 Plug is easy to assemble or remove. No stripping, no screws needed. Not Polarized.
18/2 SPT 1 Wire



30070 Brown
30071 White
30079 Clear
30381 Black
30062 Clear Gold
30063 Ivory
Academy Automatic Plug
Polarized.
18/2 - SPT1 Wire



30364 Black Round Plug
for round wire 15A-125V.
Non Polarized
Screw Terminals



30411 Black
30412 White
Rubber Polarized Plug
Screw Terminal 15A-125V

CANOPY SWITCHES UL



30045 3 Way Rotary Canopy Switch Nickel Knob 3/8" Shank



30046 Black Single Pole Push Button Canopy Switch On-Off 3/8" Shank



30086 Round Black Hi-Low Rocker Switch. Sequence: Hi-Low Rated: 6A-125V, 3A 250V 6" AWM 105°C Leads Strip 3/4"



30051 Nickel
30027 Brass single pole Push metal button canopy switch 6" wire leads 3/8" Shank



30067 Nickel Knob
30056 Brass Knob single circuit rotary canopy switch 1/8 IP, 5/8" metal shank, 6" leads



30044 Nickel
30065 Brass Single circuit pull chain switch. 6" wire leads.



30048 Brass
30049 Nickel Single circuit rotary canopy switch w/6" leads, 3/8" shank. Metal removable knob



30050 3/8" metal shank
30055 5/8" metal shank 3-way rotary canopy switch w/ brass knob 6" wire leads. Removable knob



30052 Black Phenolic button Switch For applications where wiring depth is limited 6" Leads

EXTENSIONS KEYS AND BUSHINGS



55256 Antique brass
55257 Satin Nickel
55258 Nickel
55259 Bronze
55264 Black
55265 Brass P&L
 Victorian Key for lamp socket
 4/36 thread 1" long 3/4" wide
 Solid brass



50002 Brass finish
50004 Antique brass
 Metal key for turn knob
 socket - 4/36 thread
 1 5/8" Long



55225 Brass
 1" long - 4/36 thread



55260 Brass Polished & Laquered
55261 Polish Nickel
55262 Antique Brass
 Brass socket knobs
 4/36 thread socket key



55221 1/2" length
55273 1" length
 4/36 F - 4/36 M
 Brass key extension

BRASS PLATED HOOKS



50091 Mini 5/8" HT 1/4" wide
50092 Small 1" HT 1/2" wide
50093 Standard 1 1/4" HT 1/2" wide

RUBBER CORRUGATED ADAPTERS 1/8 IP SLIP



41070 1/2" dia. 3/4" HT
41071 3/4" Dia. 3/4" HT
41072 15/16" dia. 3/4" HT



51074 Polished Nickel
51075 Antique
 Metal Lamp cord grip.
 Use with SVT-2 cord, rayon
 and plastic coated wire. 1/8IP



50247 Bakelite
 Knob for turn knob
 socket 1 3/4" long
 4/36 thread



55021 Brass Male
 1/8 IP Cord Inlet
 bushing 3/16" Ht
 1/2" Top Dia.



50235 Black Male
 1/8 IP
 Bakelite bushing



50241 Black Female 1/8 IP
50249 Black Female 1/4 IP
 Bakelite bushing



55006 Brass
 8/32 tap
 Eyelet bushing



51072 Black
51070 White
51076 Clear
 Plastic strain relief Knob
 use with 18/2 SVT wire.



55166 Brass 1/8 IP
 15/32" OD,
 3/16" long thread
 Cord bushing



50229 1/8 IP
50234 1/4IP
 Plastic nipple and
 Pipe bushing. fits into
 nipple or stem to
 Protect wire.



41005 Black Rubber
 Grommet 1/2" Dia.
 Slips Cord Holes



50213 Gold Tone 3/8"
50216 Black 3/8"
50218 Gold Tone 7/16"
50222 Black 7/16"
 Heyco snap-in bushing
 7/16" grommets will slip
 the 18/2 SPT2 wire



51073 Black
51071 White
 SVT cord grip
 w/ set screw.
 Works with SVT/2 and
 SVT/2 rayon cord.

WASHERS

RUBBER, FELT, STEEL, PLASTIC, BRASS PLATED

RUBBER - SLIPS 1/8 IP



- 41000 Black 3/4" Dia.
- 41002 White 3/4" Dia.
- 41016 White 1" Dia.
- 41004 Black 1" Dia.
- 41015 White 1 1/2" Dia.
- 41007 Black 1 1/2" Dia.
- 41009 White 2" Dia.

WHITE FELT - SLIPS 1/8 IP



- 41021 3/4" Dia.
- 41020 1" Dia.
- 41018 1 1/2" Dia.

LARGE STEEL - SLIPS 1/8 IP



- 57312 1" Dia.
- 57029 1 1/2" Dia.
- 57313 2" Dia.
- 57360 2 1/2" Dia.
- 57314 3" Dia.

CLEAR PLASTIC FOR CRYSTAL FIXTURES



- 57311 29/32" ID
- 1 1/2" OD
- Thickness 1/16"

CLEAR PLASTIC FOR CRYSTAL FIXTURES



- 57362 1 1/4" Dia.
- w/Lip 1/8 IP Slip

THIN STEEL - SLIPS 1/8 IP



- 57039 Brass plated 5/8" Dia.
- 57025 Steel 3/4" Dia.
- 57031 Brass plated 3/4" Dia.
- 57022 Brass plated 1" Dia.
- 57361 Steel 7/8" Dia.

LARGE STEEL - SLIPS 1/4 IP



- 57316 1" Dia.
- 57030 1 1/2" Dia.
- 57317 2" Dia.

LOCK TIGHT STEEL WASHERS



- 57024 Steel 1/8 IP
- Split type lock washer



- 57026 Steel 1/4 IP
- 57041 Brass Plate Slips 1/4 IP
- 57042 Brass Plate Slips 1/8 IP
- 57058 Steel Slips 1/8 IP
- 57363 Zinc Plated Slips 3/8 IP

LOCKWASHERS - LOCKNUTS BRASS KNURLED LOCKNUTS



55210 1/4-27 I P
3/4" O. D.



57303 Brass Tap
1/4-27
Dia. 9/16"
Thickness 3/32"



55212 1/4 IP
3/4" O.D.



55209 1/8 IP
3/4" O.D.



55211 1/8 IP
9/16" O.D.



57302 Nickel
57297 Satin Nickel
57298 Ant Brass
57299 Bronze
Brass beaded round
Locknut tap 1/8IP
Ht 9/16" W 5/32"



57304 Nickel
Plated Brass
Round Knurled
Locknut 9/16" Dia
1/8 IP



57305 Nickel
Plated Brass Round
Knurled Locknut
3/4" Dia 1/8 IP



55217 1/8 IP 1" O.D.
55298 1/4 IP 1" O.D.
EXTRA LARGE 1/8" THICK



55214 1/8 IP 9/16"
OD
55299 1/4 IP 3/4" OD
Brass round locknuts

MILLED STEEL HEXAGON LOCKNUTS MILLED FROM BAR



57321 Steel Locknut
3/8 IP 7/8" Dia.
1/8" Thick
Zinc Plated



57328 1/8 IP
9/16" O.D.



57329 1/4 IP
11/16" O.D.

BRASS HEX LOCKNUTS



57307 3/8 IP F
7/8" O.D.
7/32" Thick



55213 1/8 IP 1/2" dia
1/8" thick
55208 1/8 IP 1/2" dia
3/16" thick
55294 1/4 IP 5/8" dia
1/8" Thick



57309 1/4-27 IP
7/16" O.D.
1/8" Thick



57322 Steel Brass pl
1/8 IP 9/16" O.D.
1/8" Thick
57323 1/4 IP. Brass
plated 1/8" thick.
9/16" O.D.

STEEL HEX LOCKNUTS



57013 Heavy steel, 1/8 IP
9/16" O.D 3/16" Thick
57014 Brass pl. 1/8 IP
9/16" O.D 3/16" Thick
57035 Heavy steel 1/4 IP
3/4" OD, 1/4" Thick



57019 1/8 IP
Steel Pal Nut
brass plated.



57016 1/8 IP 9/16" O.D.
57017 1/4 IP 11/16" O.D.
57018 3/8 IP 7/8"
O.D. 1/8" Thick



57021 8/32 Thread
5/16" O.D.

BUSHINGS - REDUCERS - SCREWS

BRASS HEADLESS REDUCING BUSHINGS



55040 1/8 M to 1/4-27 F IP
55229 3/8 M to 1/8 F IP
55232 3/8 M to 1/4 F IP
55278 1/8 M to 8/32 F IP
55279 1/8 M to 6/32 F IP
55280 1/4 M to 1/8 F IP
55287 1/8 M to 1/4-20F IP

SOLID BRASS BUSHING REDUCERS WITH HEAD



55018 1/4 IP M to 1/8 IP F
55019 1/8 IP M to 1/4-27 IP F
55041 3/8 IP M to 1/8 IP F
55277 3/8 IP M to 1/4 IP F
55032 1/8 IP M to 8/32 IP F



56291 Brass Plated Plug for
 Swing Arms 7/16" Hole Plug
 for 1/8 IP Pipe hole

BRASS SHADE REST BUSHING



55033 1/8 IP M to 1/4 - 27 IP F
 Ht. 1/2" Dia. 1/2"

BRASS SHOULDER NIPPLE



55233 Brass
 1/8 IP M x 1/8 IP M
 15/32" Ht. 7/16" Dia.

KNURLED COUPLING



55124 Taped 1/8IP F
 5/16" Long Solid Brass

SOLID BRASS HEXAGON CAPNUT



55204 Tap 8/32F
 9/32"long. 11/32" Dia.

KNURLED NUT TAPPED



55205 Raw Brass
55295 Antique Brass
55296 Burnished & Lacq.
55297 Nickel
55216 Black
55293 Bronze
 tap 8/32 F
 19/64" Ht 11/32" Dia

55167
 Small Pear Shaped Knob
 Tapped 8/32

55206 Solid Brass Screw
 1/4 "Long 8/32 Thread

BATTERY NUT



55131 Brass 8/32 F

BRASS KNURLED HEAD SCREW 8/32 THREAD



55202 Brass 3/8" long
55282 Brass 1/2" long
55272 Brass 3/4" long

FINIAL SCREW



57001 1/2" Long
 1/4-27 Thread Brass
 Plated

BRASS PLATED ROUND HEAD SCREWS FOR CROSS BARS 8/32 THREAD



55112 3/16" Long
57004 1/2" Long
57046 3/4" Long
57005 1" Long
57006 1 1/2" Long
57007 2" Long

SHADE SCREW 8/32 THREAD



55201 1/4" Brass PL.
57002 1/2" Brass PL.
57520 1/2" Antique B.P.
57521 1/2" Solid Brass
57003 3/4" Brass PL.
57523 1/2" Nickel Plated



57505 Brass Plated 1/2"
 Long 6/32 Thread
 Oval Head Screw
 for switch plates



57000 Brass plated
 1/2"long 5/40 thread.

SHADE SCREW 6/32 THREAD



57530 1/2" Long Brass Plated

BRASS BALL HEAD THUMB SCREW 8/32 THREAD



55291 1/2" Thread length
55292 3/4" Thread length

CROSS BARS - HICKEYS - UNIVERSAL CROSS BARS STEEL HICKEYS - TAPPED

STEEL HICKEYS



54864 1/4 IP x 1/4 IP
54865 1/8 IP x 3/8 IP
1" Ceiling Hickey



54115 9/16" HT
1/8x1/8 IP W/
Ground Hole



54116 1/8 x 1/8
54117 1/8 x 1/4
stamped steel
1"HT



54101 Steel Pin-up
Bracket 1 3/4" long, 5/8"
wide. Used for pin-up
lamps.



54093 French Hook
Used to hang
European sconces.
Fits most electrical
boxes 4" Length

GEM BARS WITH GROUND SCREW



54102 3 7/8" Long 1/8IP Thread
54119 3 7/8" Long 1/4IP Thread



54104 Offset. Holes Tap 8/32 , slips
3/8" stud. 4 1/4" hole to hole



54110 4 1/8" Cross Bar. Tapped 1/4
IP. With Ground Hole



54096 1" wide x 4" length, with
Ground Screw



54113 E - Z Adjustable, Adjusts 4 1/2"
to 6 1/2" claw to claw



54103 6" Cross Bar. Tapped 1/8 IP



54861 4 5/8" Long x 1" Wide
With 3/4" Center Hole



Heavy Duty Cross Bar 4 1/8" Long
with ground screw.

54868 1/8IP
54862 1/4IP



54863 Cross Bar 3/8IP tapped
1" Width by 4 3/8" Long

UNIVERSAL CROSSBARS



51101 Brass Flange
Tap 1/8 IP 2 Screw Holes



54860 4" Combination
swivel gembar & crossbar
With ground screw



54856 Universal Circle Cross
Bar 1 13/16" center hole,
4" outer diameter.
6 holes tapped 8/32 on:
2 1/8" center to center
2 3/4" center to center
3 1/2" center to center



54105 4" Long Universal cross bar
3" wide screw holes are 2 3/4"x 3 1/2"
Center to center

VASE CAPS

VASE CAPS 7/16" CENTER HOLE TO SLIP 1/8 IP PIPE

NICKEL FINISH ON BRASS



Item	Inside Lip Diameter
56561	1 1/2"
56562	1 3/4"
56563	2"
56564	2 1/4"
56565	2 1/2"
56566	2 3/4"
56567	3"

Item	Inside Lip Diameter
56568	3 1/2"
56569	3 3/4"
56570	4"
56572	4 1/2"
56573	4 3/4"
56574	5"

ANTIQUÉ BRASS FINISH ON BRASS



Item	Inside Lip Diameter
56581	1 1/2"
56582	1 3/4"
56583	2"
56584	2 1/4"
56585	2 1/2"
56586	2 3/4"
56587	3"

Item	Inside Lip Diameter
56588	3 1/2"
56589	3 3/4"
56590	4"
56591	4 1/4"
56592	4 1/2"
56593	4 3/4"
56594	5"

FINISHED STEEL

**BRASS
POLISHED & LACQUERED**



Satin Nickel



Light Antique Brass

Item	Inside Lip Diameter
56101	1 3/8"
56104	1 3/4"
56105	1 7/8"
56106	2"
56108	2 1/4"
56110	2 1/2"
56112	2 3/4"
56114	3"
56116	3 1/4"
56118	3 1/2"

Item	Inside Lip Diameter
56120	3 3/4"
56122	4"
56124	4 1/4"
56126	4 1/2"
56128	4 3/4"
56130	5"
56134	5 1/2"

Item	Inside Lip Diameter
58225	1 1/2"
58226	1 3/4"
58227	2"
58228	2 1/4"
58229	2 1/2"
58230	2 3/4"
58231	3"
58232	3 1/4"
58233	3 1/2"

Item	Inside Lip Diameter
58234	3 3/4"
58235	4"
58236	4 3/4"
58237	4 1/2"
58238	4 3/4"
58239	5"
58240	5 1/4"
58241	5 1/2"
58242	6"

Item	Inside Lip Diameter
58200	1 1/2"
58201	1 3/4"
58202	2"
58203	2 1/4"
58204	2 1/2"
58205	2 3/4"
58206	3"
58207	3 1/4"
58208	3 1/2"

Item	Inside Lip Diameter
58209	3 3/4"
58210	4"
58211	4 3/4"
58212	4 1/2"
58213	4 3/4"
58214	5"
58215	5 1/4"
58216	5 1/2"
58217	6"

VASE CAPS

BRASS VASE CAPS 7/16" CENTER HOLE TO SLIP 1/8 IP PIPE

UNFINISHED BRASS



SATIN BRASS & LACQUERED



Item	Inside Lip Diameter
56500	1 1/4"
56501	1 3/8"
56502	1 1/2"
56503	1 5/8"
56504	1 3/4"
56505	1 7/8"
56506	2"
56507	2 1/8"
56508	2 1/4"
56509	2 3/8"
56510	2 1/2"
56511	2 5/8"
56512	2 3/4"
56513	2 7/8"
56514	3"
56515	3 1/8"
56516	3 1/4"
56517	3 3/8"
56518	3 1/2"
56519	3 5/8"
56520	3 3/4"
56521	3 7/8"

Item	Inside Lip Diameter
56522	4"
56523	4 1/8"
56524	4 1/4"
56526	4 1/2"
56528	4 3/4"
56529	4 7/8"
56530	5"
56532	5 1/4"
56534	5 1/2"
56535	5 5/8"
56536	5 3/4"
56538	6"
56539	6 1/4"
56540	6 1/2"
56541	6 3/4"
56542	7"
56543	7 1/2"
56544	8"

Item	Inside Lip Diameter
56000	1 1/4"
56001	1 3/8"
56002	1 1/2"
56003	1 5/8"
56004	1 3/4"
56005	1 7/8"
56006	2"
56007	2 1/8"
56008	2 1/4"
56009	2 3/8"
56010	2 1/2"
56011	2 5/8"
56012	2 3/4"
56013	2 7/8"
56014	3"
56015	3 1/8"
56016	3 1/4"
56017	3 3/8"
56018	3 1/2"
56019	3 5/8"
56020	3 3/4"
56021	3 7/8"

Item	Inside Lip Diameter
56022	4"
56023	4 1/8"
56024	4 1/4"
56026	4 1/2"
56028	4 3/4"
56029	4 7/8"
56030	5"
56032	5 1/4"
56034	5 1/2"
56035	5 5/8"
56036	5 3/4"
56038	6"
56152	6 1/8"
56039	6 1/4"
56040	6 1/2"
56042	7"
56044	8"



Smoke Bell
56062 Brass Brushed & Lacq.
 Dia. 3 1/2" Ht 2" to top of Loop

CHECK RINGS

STRAIGHT EDGE CHECK PLATE

TURNED RAW BRASS



1/8 IP

TURNED BRASS - SLIP



Burnished and Lacquered Brass
1/8 IP 1/4 IP



Antique Brass Turned Brass
Check rings slip 1/8IP



Brass Plated & Lacq
1/8 IP

Item	Inside Lip Diameter
55321	1/2"
55301	5/8"
55302	3/4"
55303	7/8"
55596	15/16"
55304	1"
55305	1 1/8"
55306	1 1/4"
55594	1 5/16"
55307	1 1/2"
55580	1 3/4"
55581	2"

Item	Inside Lip Diameter
55460	3/4"
55461	7/8"
55462	1"
55463	1 1/4"
55464	1 3/8"
55579	1 1/2"
55584	1 3/4"
55585	2"

Item	Inside Lip Diameter
55389	1/2"
55390	5/8"
55391	3/4"
55392	7/8"
55597	15/16"
55393	1"
55394	1 1/8"
55395	1 1/4"
55595	1 5/16"
55396	1 1/2"
55582	1 3/4"

Item	Inside Lip Diameter
55587	7/8"
55588	1"
55589	1 1/4"
55590	1 3/8"

Item	Inside Lip Diameter
55730	1/2"
55731	5/8"
55732	3/4"
55733	7/8"
55734	1"
55735	1 1/8"
55736	1 1/4"
55737	1 3/8"
55738	1 1/2"
55739	1 3/4"
55740	2"

Item	Inside Lip Diameter
54767	2 1/2"
54768	3"

CURLED EDGE STEEL CHECK RINGS



Brass Plated

1/8 IP

CURLED EDGE STEEL CHECK RINGS



Nickel Plated

1/8 IP

Antique Finish

1/8 IP



Polished Nickel Turned Brass
Check Rings Slip 1/8IP

STAMPED BRASS



Burnished & Lacquered
1/8 IP

Item	Inside Lip Diameter
54280	1/2"
54242	5/8"
54244	3/4"
54245	7/8"
54246	1"
54247	1 1/8"
54248	1 1/4"
54249	1 3/8"
54250	1 1/2"
54752	1 3/4"
54753	2"

Item	Inside Lip Diameter
54322	7/8"
54323	1"
54324	1 1/4"
54327	1 1/2"

Item	Inside Lip Diameter
54750	1/2"
54751	5/8"
54756	3/4"
54762	7/8"
54763	1"
54778	1 1/8"
54766	1 1/4"
54764	1 1/2"
54871	1 3/4"

Item	Inside Lip Diameter
54743	1/2"
54744	5/8"
54746	3/4"
54757	7/8"
54758	1"
54771	1 1/4"
54748	1 3/8"
54759	1 1/2"

Item	Inside Lip Diameter
55710	1/2"
55711	5/8"
55712	3/4"
55713	7/8"
55714	15/16"
55715	1"
55716	1 1/8"
55717	1 1/4"
55718	1 3/8"
55719	1 1/2"

Item	Inside Lip Diameter
54773	7/8"



Brass Plated Beaded Top
Check Ring 1/8 IP

Item	Inside Lip Diameter
54241	1 1/8"



Turned brass Square
Check Rings Slip 1/8 IP

Item	Inside Lip Diameter
54785	1/2"
54786	3/4"
54787	1"

Steel Brass Plated
Single thread cap 1/8 IP hole



54251 Brass Plated Dia. 1 1/4"

HARPS 4" - 14"



LIGHT DUTY
Minature Harps
Complete sets only

Item	Size
54005	4"
54007	5"
54008	5 1/2"



FOR COMPLETE HARP LIGHT DUTY
Complete Harp
Light Duty Brass Plated

Item	Size	Item	Size
54040	6"	54047	10"
54039	6 1/2"	54048	10 1/2"
54041	7"	54049	11"
54042	7 1/2"	54050	11 1/2"
54043	8"	54051	12"
54044	8 1/2"	54055	12 1/2"
54045	9"	54052	13"
54046	9 1/2"	54053	14"



HEAVY DUTY
Complete Harp
Heavy Duty Harp
Brass Plated

Item	Size	Item	Size
54019	6"	54027	10 1/2"
54036	6 1/2"	54028	11"
54020	7"	54029	11 1/2"
54021	7 1/2"	54030	12"
54022	8"	54034	12 1/2"
54023	8 1/2"	54031	13"
54024	9"	54059	13 1/2"
54025	9 1/2"	54032	14"
54026	10"		



HEAVY DUTY
Nickel Plated Harps
Heavy Duty

Item	Size
54478	6"
54479	6 1/2"
54480	7"
54481	7 1/2"
54482	8"
54483	8 1/2"
54484	9"
54485	9 1/2"
54486	10"
54487	10 1/2"
54488	11"
54489	12"



LIGHT DUTY
Nickel Plated Harps
Complete Sets Only

Item	Size
54009	6"
54002	6 1/2"
54010	7"
54003	7 1/2"
54011	8"
54004	8 1/2"
54012	9"
54016	9 1/2"
54013	10"
54017	10 1/2"
54014	11"
54018	11 1/2"
54015	12"



HEAVY DUTY
Antique Finish Harps
Complete Sets Only

Item	Size
54460	6"
54461	6 1/2"
54462	7"
54463	7 1/2"
54464	8"
54465	8 1/2"
54466	9"
54467	9 1/2"
54468	10"
54469	10 1/2"
54470	11"
54472	12"



54316 Harp Cup 2/38"
Ht. 2" Top Opening with
key hole Brass Plated



Brass Plated Harp for
Harp Cup
Fits our 54316

Item	Size
54087	6"
54089	7"
54090	8"
54092	9"
54088	10"

These Harps are full size add 2" for harp cup.



Harp Bottom Adapters
For Standard Phenolic Sockets
Steel Brass Plated
54060 slips 1 7/16" opening



Heavy duty Harp bottom
54061 Antique Finish
54057 Nickel Plated



Harp Bottoms
Brass Plated
54064 Light bottom 1/8 IP
54065 Heavy bottom 1/8 IP
54063 Nickel Plated 1/8 IP



Harp Bottoms
Brass Plated
54067 Light Bottom 1/4 IP
54068 Heavy Bottom 1/4 IP

For GU24 phenolic sockets
54058 slips 1 9/16" opening

BRASS SWIVELS - ARM ENDS & BACKS

BRASS IS UNFINISHED UNLESS STATED

SWIVELS



55060 Die Cast BPL Brass
Finish 180° top swivel
1/8M x 1/8F 360° turn swivel
Ht 2 3/8"



55146 Tapered Hang
Straight Swivel
w/stop.
1/8F x 1/8M
Ht 1 1/2" 5/8 Dia Brass
Swivel



55147 Modern Brass
Swivel
1/8M x 1/4F
Ht 1 1/4"
55144 1/8M X 1/8F



55143 Extra Small
Hang Straight
Swivel.
1/8F x 1/8F Ht 1"



55605 3/8F x 3/8F
Large Hang Straight
Swivel ring nut to
seat 1 1/16"



55029 Brass Ball
Swivel.
Ht 1 1/4"
Tap 1/8M x 1/8F



55024 Brass Finial
Base Swivel Top.
Ht 7/8"
1/4-27 IP



55667 Heavy Duty
Swivel
1/8M x 1/8F
1 3/4" Ht.
Unfinished



55668 Stop Swivel
1/8M x 1/4 F
1 5/8" Ht.
Unfinished



55669 Modern
Long Swivel
1/8M x 1/8F
1 1/2" Ht.
Unfinished



55680 Solid Brass
55598 Pol. & Lacq.
Side Swivel
1/8M x 1/8F, Ht. 1 7/8"

BRASS ARM ENDS & BACKS



55031 Arm End.
1/8F top & bottom.
1/8F one side hole.
Ht 15/16 " Dia. 9/16"



55039 Arm Back.
1/8F x 1/8F.
Ht 3/4"
Dia. 5/8"



55606 3 Way Arm Back
7/8" Dia. 1 1/16" Ht.
1/8F all 3 sides



55045 Arm Back.
1/8F x 1/8F
Ht 1 3/16"

STEEL SWIVELS



55760 BPL
55761 Nickel
55762 Satin Nickel
55763 Antique Brass
55764 Bronze
1 1/2" Ht. 5/8" dia
1/8F x 1/8M



55025 1/8M x 1/8F
Ht 1/2"
55026 1/8M x 1/4F
Ht 3/4"



55028 45° angle
1/8F x 1/8M
Ht 3/4"



55027 90° angle
1/8F x 1/8M
Ht 3/4"



55638 Brass Swivel
Butterfly Knob
dia 1/2" ht. 1 5/16"
1/8F x 1/8F

BRASS NOZZLES

BRASS NECKS - COUPLINGS
BRASS IS UNFINISHED UNLESS STATED



55074 Brass
55500 Burn & Lacq.
 Ht. 2" Tap 1/8 IP
 Dia. 7/8"



55075 Brass
55970 Polished Nickel
55972 Antique Brass
55973 Bronze
 Ht. 2" Slip 1/8 IP
 Dia. 7/8"



55053 Brass
55414 Burn. & Lacq.
55975 Polished Nickel
55976 Satin Nickel
55977 Antique Brass
55978 Bronze
 Ht. 1 1/2" Tap 1/8 IP
 Dia. 5/8"



55077 Brass
 Ht. 1 1/2" Slip 1/8 IP
 Dia. 11/16"



55062 Brass
55458 Burn. & Lacq.
55527 Polished Nickel
 Ht. 1 1/4" Slip 1/8 IP
 Dia. 7/8"



55057 Brass
55421 Burn. & Lacq.
 Ht. 7/8" Slip 1/8 IP
 Dia. 13/16"



55076 Brass
 Ht. 4 1/8" Tap 1/8 IP
 Dia. 3/4"



55055 Brass
 Ht. 2 5/8" Tap 1/8 IP
 Dia. 9/16"



55059 Brass
55466 Burn. & Lacq.
 Ht. 1 1/4" Tap 1/8 IP
 Dia. 7/8"



55052 Brass
55418 Burn. & Lacq.
55956 Nickel
55958 Antique Brass
55957 Satin Nickel
55955 Satin Brass
55959 Bronze
 Ht. 7/8" Tap 1/8 IP
 Dia. 13/16"



55078 Brass
55911 Polish Nickel
55913 Antique Brass
55912 Satin Nickel
55910 Satin Brass
55914 Black
 Ht. 9/16" Tap 1/8 IP
 Dia. 11/16"



55063 Brass
55459 Burn. & Lacq.
55942 Polish Nickel
55943 Satin Nickel
55940 Unfinish Brass
 Ht. 7/16" Slip 1/8 IP
 Dia. 11/16"



55079 Brass
55436 Burn. & Lacq.
55528 Polished Nickel
 Ht. 9/16" Slip 1/8 IP
 Dia. 3/4"



55064 Brass
55467 Burn. & Lacq.
55901 Polished Nickel
55902 Satin Nickel
 Ht. 7/16" Tap 1/8 IP
 Dia. 11/16"

**BRASS COUPLINGS AND NECKS
BRASS IS UNFINISHED UNLESS STATED**



55065 Brass
55413 Burn. & Lacq.
55519 Nickel
Ht. 5/8"
Tap 1/8 IP
Dia. 15/32"



55044 Brass
55476 Burn. & Lacq.
55538 Nickel
Ht. 7/8" 1/8 IP Tap
Dia. 15/32"



55532 Brass
Ht. 1" Tap 1/8 IP
Dia. 15/32"



55623 Brass
Coupling
1 1/2" Long
15/32" Width
Tap 1/8 IP



55624 Brass
Coupling 2" Long
Width 15/32"
Tap 1/8 IP

STRAIGHT COUPLING



55670 Brass
Ht. 3/4" Dia. 3/4"
3/8 IP x 3/8 IP



55072 Brass
Ht. 19/32"
Tap 1/8 IP
Dia. 1/2"



55482 Brass
Ht. 9/16"
Tap 1/8 IP
Dia. 1 1/4"



55531 Brass Check
For 1" Tubing.
Ht. 3/4" Slip 1/4 IP
Dia. 1 1/4".



55621 Nickel Plated
55965 Antique Brass
55964 Satin Nickel
55962 Satin Brass
55966 Bronze
Brass Neck
Ht 1 1/4" 1/8 IP Tap



55069 Brass
55434 Burn. & Lacq.
Ht. 5/8" Slip 1/8 IP
Dia. 15/16"



55070 Brass
55477 Burn. & Lacq.
Ht. 9/16"
Tap 1/4F x 1/8 F IP
Dia. 3/4"



55067 Brass
Ht. 9/16"
Tap 1/8 x 1/4 IP
Dia. 5/8"



55494 Brass
55498 Burn. & Lacq.
55961 Nickel
55923 Antique Brass
55922 Satin Nickel
55920 Satin Brass
55924 Black
Ht. 15/16" Tap 1/8 IP
Dia 13/16"



55530 Brass
55529 Burn. & Lacq.
Ht. 13/16" Slip 1/8 IP
Dia. 7/8"



55480 Brass
Ht. 3/4" Slip 1/8 IP
Dia. 1 1/8"



55622 Heavy Plain
Coupling Dia. 7/8"
Ht. 1" Unfinished Brass
Tapped all through
Tap 1/4 IP

BRASS NECKS - COUPLINGS
BRASS IS UNFINISHED UNLESS STATED



55625 Tapered Small
 Brass Coupling Ht.
 11/16" Width 7/16"
 Tap 1/8 IP



55487 Brass
 Ht. 3/4" Tap 1/8 IP
 Dia. 3/4"



55484 Brass
 Ht. 5/8", Tap 1/4 IP
 Dia. 5/8".



55051 Brass
 Ht. 19/32" Tap 1/8 IP
 Dia. 5/8"



55235 Brass
 Ht. 17/32"
 Tap 1/4 x 1/4 IP
 Dia. 5/8"



55537 Brass
 1/8 F Tap x 1/4 - 27 slip,
 Side Hole 8/32" Tap
 Ht. 17/32" Dia 1/2"



55060 Brass
 Ht. 5/8" Slip 1/8 IP
 Tap 1/4 IP Dia. 9 1/6"
 Side Hole 8/32" Tap



55483 Brass
 Ht. 5/8" Dia. 7/8"
 Tap 1/8M x 1/4F IP



55066 Brass
 Ht. 9/16" Tap 1/8 IP
 Dia. 1/2"

STAMPED STEEL NECKS



50012 Brass Finish
50307 Nickel Finish
50308 Antique Finish
 5/8" Ht. 7/8" Bottom
 1/8 IP Slip



50013 Brass Finish
50316 Nickel Finish
50317 Antique Finish
 1" Ht. 1" Bottom
 1/8 IP Slip



50318 Brass Finish
50319 Nickel Finish
50320 Antique Finish
 1 1/2" Ht. 7/8" Bottom
 Slip 1/8 IP



50327 Brass Finish
50328 Nickel Finish
50329 Antique Finish
 2" Ht. 7/8" Bottom
 Slip 1/8 IP

BALL FINIALS TAP 1/8 IP



Polished & Lacq.
55453 7/8" OD
55454 1" OD
55455 1 1/4" OD
55456 1 1/2" OD

Raw Brass
55161 7/8" OD
55162 1" OD
55163 1 1/4" OD
55164 1 1/2" OD

See our complete selection of lamp
 finials starting on page 95



50853 Nickel Plated
50854 Brass Plated
 7/16" Hole 1 3/16" Ht.
 3/4" Top-Bottom
 Seats 1 3/8"



50852 Antique Finish
 7/16" Hole 1 3/16" Ht.
 3/4" Top-Bottom
 Seats 1 3/8"

LAMPSHADE RISERS
SOLID BRASS RISERS - 1/4-27M X 1/4-27F
BRASS IS UNFINISHED UNLESS STATED
HEIGHT DOES NOT INCLUDE THREADS



55050
2" Unfinished Brass
55505
2" Burn. & Lacq.



55047
1 1/2" Unfinished Brass
55506
1 1/2" Burn. & Lacq.



55049
1" Unfinished Brass
55507
1" Burn. & Lacq.



55046
3/4" Unfinished Brass
55508
3/4" Burn. & Lacq.



55048
1/2" Unfinished Brass
55509
1/2" Burn. & Lacq.



55194 2" Brass
55193 1 1/2" Brass
55192 1" Brass
55191 3/4" Brass
55190 1/2" Brass



55061 Brass
55636 Nickel
55637 Antique
1/4-27 finial riser to
increase thread from
1/8 IP.
Ht. 5/16",



55626 1/2"
55628 1"
55629 1 1/2"
55630 2"
Nickel Finish
Solid Risers Brass



55631 1/2"
55632 3/4"
55633 1 "
55634 1 1/2"
Antique Finish
Solid Risers Brass

DIE CAST ZINC FINIALS



Acorn Knobs 1 1/2" Ht.
50086 Brass Plated & Lacq.
50080 Antique Finish
Tap 1/8 IP 15/16" Dia



Pineapple Finial
50069 Antique Finish
50064 Brass Plated & Lacq.
Tap 1/8 IP 1 3/8" Ht. 7/8" Dia



Large Pyramid Knob
50038 Antique Finish
Tap 1/8 IP
1 1/4" Ht. 7/8" Dia

FINIALS - TAP 1/4-27



54995 Brass Ball
Unfinished
1" Width
Tap 1/4-27



54990 Raw Brass
54991 Nickel Plated
Finial Ht. 1 7/16"
Width 7/8"
Tap 1/4-27

SOLID BRASS BALLS - FINIALS - KNOBS - CAPS
BRASS IS UNFINISHED UNLESS STATED

SOLID BRASS BALLS



55170 1/2" x 8/32 IP Tap
55175 3/4" X 1/8 IP Tap
55171 7/8" x 1/8 IP Tap
55172 1" x 1/8 IP Tap
55173 1 1/4" x 1/8 IP Tap
55180 5/8" x 1/8 Tap



55640 Antique
55641 Nickel
 3/8" diameter brass ball Lamp finial, Tap 8/32.
55642 Nickel
 3/4" diameter brass ball Lamp finial, Tap 1/8 IP

KNOBS



55009 Brass
 Ht 1" Tap 1/8 IP
55002 Brass
 Ht 3/4" Tap 1/8 IP
55001 Brass
 Ht 1/2" Tap 1/4 - 27
55433 Burn. & Lacq.

TURNED BRASS HALF BALLS



55189 1/2" Tap 8/32
55197 3/4" Tap 1/8 IP
55198 1" Tap 1/8 IP
 TAPPED HALFWAY THRU



55534 Brass
 Flat Knurled Bracket
 Ht 3/8"
 Tap 1/8 IP Unfinished



55036 Brass Knurled
 Ht 1/2" Tap 1/4 IP



55007 Brass
55533 Burn & Lacq.
 Bracket 9/16 OD
 Tap 1/8 IP Ht. 1/4"

CAPS



55014 Brass
55496 Burnished & Lacq.
 Ht 2 1/4"
 Tap 1/4 - 27

FINIALS



50161 Brass Plated
50162 Nickel Plated
50163 Antique Brass Plated
 Ht. 1/2"
 Tap 1/4-27



1" Ht. Tap 1/4-27
50170 Brass Plated
50171 Nickel Plated
50172 Antique Brass Plated



55013 Brass
55432 Burnished & Lacq.
 Ht 1"
 Tap 1/4 - 27



55080 Brass
55535 Burn & Lacq
 Ht 1 1/4" Tap 1/8 IP



55615 Brass
55616 Burn & Lacq
 Beaded Urn Finial
 Ht. 1 1/2" Tap 1/4-27



55085 Brass Pyramid
55488 Burn & Lacq.
 Ht 3/4" Tap 1/8 IP

DIE CAST LOOPS

DIE CAST



Screw Collar Loop
50108 Antique Brass Finish
50137 Brass Plated
50145 Chrome
50406 White
 Regular screw collar
 Loop ring seats 1 1/16"
 Tapped 1/4 IP F
 Ht. 1 7/8" Dia 3/4"



Screw Collar Loop
50070 Antique Brass
 Finish Tap 1/8 F
 w/wireway
 Ht. 1 7/8" Dia. 3/4"



Screw Collar Loop
50309 Brushed
 Nickel Plated Screw
 Collar Loop 1/4 IP
 Ht. 1 7/8" Dia. 3/4"



Screw Collar Loop
50299 Old Bronze
 Screw Collar Loop
 1/4 IP Ht. 1 7/8"
 Dia. 3/4"

SOLID BRASS



Cast Brass 1/8IP Screw Collar
 Loop 1 3/4" Ht w/ 1 3/16" Fits
 1" hole

- 58172** Unfinished
- 58173** Polished and Laquered
- 58174** Nickel
- 58175** Satin Nickel
- 58176** Antique Brass
- 58177** Bronze
- 58178** Black



Heavy Cast Brass
50407 Polished Chrome 1/8 IP
58182 Unfinish Brass 1/8 IP
58183 Polished & Lacq 1/8 IP
 Solid Brass Screw
 Collar Loop with Ring
 Fits 1" Canopy Hole
 Ring Dia. 1 1/8"
 Ht. 1 3/4"
58184 Unf Brass tap 1/4 IP
58185 Nickel tap 1/4IP
58186 Br P&L tap 1/4IP



50408 Cast Brass
 1/4 IP Heavy Duty Brass
 Screw Collar Loop with
 Ring Fits 1 1/4" Canopy
 Hole Ring Dia. 1 5/8"
 Ht. 2 1/4"



Cast Brass
56950 Unf Brass
58193 Antique Brass
58191 Nickel
58190 Brass Polished & Lacquered
58192 Satin Nickel
58195 Bronze
58196 Black
 Screw Collar Loop
 Tap 1/4 IP fits 1"hole
 Ht. 1 3/4" Diam 1 3/16"



BRASS SWIVELS



Heavy Duty Cast Brass
 Screw Collar Loops
 Base Ring Diameter 1 1/2"
 Ht. 1 9/16" Thread fits 1 3/8" Canopy hole

- 58145** 1/8 IPS Unfinished
- 58144** 1/4 IPS Unfinished



Very Heavy Duty Cast Brass
 Screw Collar Loops
 Base Ring Diameter 1 1/2"
 Ht. 3 1/4" Thread fits 1 3/8" Canopy hole

- 58198** 1/4 IPS Unfinished
- 58199** 3/8 IPS Unfinished



56966 Cast Brass
 Swivel Joint
 Ratchet grip
 1 3/4" Long
 Tap 1/8 IP F



56967 Cast brass swivel
 for SPT-2 Wire holes,
 Tapped 1/8 IP 1 7/16"
 Height, 1 11/16" Long.



CAST LOOPS

DIE CAST



50097 Brass Plated & Lacq.
50098 Antique Brass
50099 Black
50138 Vac. Brass
50146 Vac. Chrome
 Tap 1/8 F Ht. 1 1/4"
 Dia. 15/16"



58136 Chrome Finish
 Ht. 1 1/2" Female Loop
 1/8 IP



50103 Brass plated
50136 Antique Brass
 Tap 1/8 F
 Ht. 1 1/2"
 Dia. 1 3/8"



50101 Brass
 Plated
 1/8 M thread
 Ht. 1" Dia. 3/4"



50193 Antique
 Brass Finish 1"
 Male Loop
 w/wireway 1/8 IP
 Ht. 1 1/8"

CAST BRASS LOOPS



56958 Cast Brass Notched
 Loop. NOTCHED for chain
 fixtures to hang straight.
 Tap 1/8 IP w/wireway
 Ht. 2 7/8" 2" Width



56955 2 "Loop
 Tap 1/8 IP w/wireway
 Ht. 2 1/8"



56956 Brass Unfinished
58320 Nickel
58321 Polished and Lacquered
58322 Satin Nickel
58323 Antique Brass
58324 Bronze
58325 Black



Brass Loop
 Tap 1/8 IP F
 Ht. 1 1/8" Dia 1"
56953 Unfinished
58340 Polished and Lacquered
58341 Nickel
58342 Satin Nickel
58343 Antique Bronze
58344 Bronze
58345 Black



Loop Brass
 Tap 1/8 IP w/wireway
 Ht. 1 1/2"



56952 Loop Brass
 Tap 1/8 M
 Ht. 1 1/4" Dia.1"



Brass Loop
58135 Large Heavy Cast
 Brass Loop 2 3/4" Dia.
 Ht. 3 1/2" w/wireway
 Tap 1/8 IPS

Brass Hooks Unfinished
 Tap 1/8 IP w/ wireway
58300 Ht. 1 1/8" dia 7/8
58301 Ht. 1 3/4" dia. 1 5/8



Extra Heavy
 Giant Loop dia 3 1/2" Ht. 4 1/2"
58304 1/4 IP Tap
58305 3/8 IP Tap
58306 1/2 IP Tap



50051 Brass Twisted Loop
 Ht. 2 1/2"
 Tap 1/8 IP



3 1/4" x 2 1/4" Dai
 Heavy Cast Brass Loop
58307 1/8 IP Tap
58308 1/4 IP Tap
58309 3/8 IP Tap

LAMP WEIGHTS & LOADERS

CAST IRON - WEIGHT WILL VARY SLIGHTLY



50481 Dia. 2 1/2"
Ht. 7/16", Wt. 8 oz.
Slip 1/4 IP



50482 Dia. 3"
Ht. 5/8", Wt. 12 oz.
Slip 1/4 IP



50507 1 1/2 lb Loader
3 1/4" Dia. Slips 1/4 IP
3/4" Thick



50515 Dia . 3"
Ht. 1/2" Wt. 65 lbs.
Center Hole 1/8IP SLIP



50506 2lb Loader
4" Dia. 3/4" Thick
Slip 1/4 IP



50514 Lamp base loader
weight 4 1/8" dia 1.15lbs,
1/2 ht. center hole 1/8ip slip



50513 Lamp base loader
weight 4 3/4" dia 2.3lbs,
7/8 ht center hole 1/8ip slip

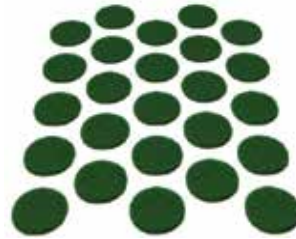


50509 Floor lamp base loader
weight 9 1/8" dia 6.35lbs,
7/8" ht center hole 1/4ip slip

LAMP FELT



41030 Green Felt
41049 Brown Felt
Self-adhesive back
Sold by the yard



41039 3/8" Dia.
41040 3/4" Dia.
Green Felt Dots On A Roll
Sold in 100 Or 1,000 Lots Only

FELT



41034 8" Square
41035 6" Square
Green felt pad
Self-gluing back



41045 4" Dia
41044 4 1/2" Dia.
41046 5" Dia.
41047 6" Dia.
41048 7" Dia.
41067 8" Dia.
41068 9" Dia.
41069 10" Dia.
Brown felt pad
Self-gluing back



41028 8" Dia.
41032 6" Dia.
Green felt pad
Self-gluing back



41041 4" Dia.
41036 5" Dia.
41037 6" Dia.
41038 8" Dia.
Gray felt
Pressboard backing
Self - Adhesive

BRASS TUBING

FIGURINE ARMS



Lamp Figurine Arms
1/8 IP Threaded each end
1/2" Top x 3/4" Bottom
2" Off set



Inside 1/2" OD
Unfinished Brass Pipe 1/8 IP
Inside Thread Length 3/4" Both Ends
57540 1 1/2"
57541 2"
57542 2 1/2"
57543 3"
57544 4"
57545 5"
57546 6"
57547 8"
57548 10"
57549 12"
57550 18"



Inside Threaded 1/2" OD
Nickel Plated Steel Pipe
Inside Thread Length 3/4" Both Ends
57560 1 1/2"
57561 2"
57562 3"
57563 4"
57564 5"
57565 6"
57566 8"
57567 12"

STEEL PLATED PIPE



1/8 IP Threaded each end 3/4"

Steel Brass Plated	Raw Brass
57180 8"	57250 8"
57181 9"	57252 10"
57182 10"	57258 16"
57183 11"	
57184 12"	
57185 13"	
57187 15"	
57188 16"	
57190 18"	

Allow 3" for Bend
Example: For 9" Figurine
or Statue, order 12" pipe.

Steel Brass Plated & Lacq.	Nickel Plated Steel Pipe
57200 3"	57390 4"
57201 4"	57391 6"
57202 5"	57392 8"
57203 6"	57393 10"
57204 7"	57394 12"
57205 8"	57395 14"
57206 9"	57396 16"
57207 10"	57397 18"
57209 12"	
57210 13"	
57211 14"	
57212 15"	
57215 18"	



Stems For Clusters 1/2" OD,
1/4 IP Threaded each end 1/4"
Will slip 1/8 IP Pipe

Steel - Brass Plated	Raw Brass
57090 6"	57270 6"
57091 8"	57271 8"
	57272 12"



Raw Brass Tubing 3/8" OD
1/8 IP Threaded each end 3/4"
55330 4"
55331 5"
55332 6"
55334 8"
55336 10"
55338 12"
55342 16"
55344 18"

THREADED PIPE, RODS, NIPPLES

1/8 IP Steel Pipe Raw
3/4 x 3/4 THREADED EACH END



- 57100 4"
- 57102 5"
- 57103 5 1/2"
- 57104 6"
- 57105 6 1/2"
- 57106 7"
- 57107 7 1/2"
- 57108 8"
- 57109 8 1/2"
- 57110 9"
- 57111 9 1/2"
- 57112 10"
- 57113 10 1/2"
- 57114 11"
- 57115 11 1/2"
- 57116 12"
- 57117 12 1/2"
- 57118 13"
- 57120 14"
- 57121 14 1/2"
- 57122 15"
- 57123 15 1/2"
- 57124 16"
- 57125 16 1/2"
- 57126 17"
- 57127 17 1/2"
- 57128 18"
- 57130 19"
- 57132 20"
- 57136 22"

1/8 IP Solid Brass
Threaded Pipe Nipple



- 55241 1/2"
- 55242 5/8"
- 55243 3/4"
- 55248 1"
- 55244 1 1/4"
- 55249 1 1/2"
- 55245 2"
- 55246 2 1/2"



- 57399 46" Steel Pipe
1/4 IP 1" THREAD EACH END
 - 57402 52" Steel Pipe
1/4 IP 1" THREAD EACH END
 - 57398 60" Steel Pipe
1/4 IP 1" THREAD EACH END
- Other sizes available for special orders of 100 pieces

1/8 IP Steel Threaded Pipe or Nipple



- 55284 3/8"
- 57072 1/2"
- 57073 5/8"
- 57074 3/4"
- 57075 1"
- 57087 1 1/4"
- 57076 1 1/2"
- 57089 1 3/4"
- 57077 2"
- 57085 2 1/4"
- 57078 2 1/2"
- 57079 3"
- 57080 3 1/2"
- 57081 4"
- 57082 4 1/2"
- 57083 5"
- 57088 6"
- 57225 6 1/2"
- 57227 8"



- Steel Threaded Pipe
- 57176 18" x 1/8 IP
- 57178 12" x 1/8 IP
- 57177 36" x 1/8 IP
- 57175 36" x 1/4 IP
- 57149 36" x 3/8 IP
- Brass Threaded Pipe
- 55281 36" x 1/8 IP



- 57095 Steel Brass
Plated 1/4- 27 rod
6" length
3/4" Thread one end



- Brass Flange /Nipple
- 55207 Brass
1/8 IP 1/2" Ht.
- 55266 Steel
1/8 IP 3/8" Ht.



- Brass Stop
Nipple 1/8 IP
57222 1/2" long

1/4 IP Steel Treaded Pipe
or Nipple



- 57051 3/4"
- 57052 1"
- 57053 1 1/4"
- 57054 1 1/2"
- 57055 2"
- 57263 2 1/2"
- 57057 3"
- 57265 4"
- 57268 6"

PLAIN SMOOTH TUBING



- 55351 36" Soft Brass 3/8" OD Unfinished
- 55326 36" Soft Brass 1/2" OD Unfinished
- 55564 36" Soft Brass 1/2" OD Pol. & Lacq.
- 55329 36" Soft Brass 3/4" OD Unfinished
- 55327 36" Soft Brass 7/8" OD Unfinished



Brass Pipe Slip Rings
w/ screws

- 55111 Slips 1/8 IP
- 55115 Slips 1/4 IP 17/32" Dia.
- 55117 Slips 1/2" 15/32" Dia.
- 55156 Slips 3/4"
- 55157 Slips 7/8"

If extra screws are needed,
order 55112

REFERENCE GUIDE OF THREAD SIZES

#4-36



3/32"

#6-32



1/8"

#8-32



5/32"

1/4"-20



1/4"

1/4"-27



1/4"

1/8 IPS



3/8"

1/4 IPS



1/2"

3/8 IPS



5/8"

BRASS ARMS
1/8 IP TUBING



55360 Raw Brass Arm w/armback
1/8 IP 8 1/2" L x 6 3/4" H
1/4" threads one end,
1/8F other end



55359 Raw Brass 6" L x 4 3/4" H
3/8" threaded at each end
55358 4 1/2" L x 4 1/4" H
3/8" threaded each end



55353 Raw Brass
Pin-Up Arm 5 1/2" L x 2 1/4" H
1/8 IP Threaded each end 1/2"



55727 Pin Up Arm
Unfinished Brass
10" L x 4 1/2" H
3/4" x 3/4" Threads



55356 Raw Brass
Plated Pin-Up Arm
7" L x 2 3/4" H
1/8 IP Threaded ea. end 1/4"



56969 Cast Brass Lighting Gascock
Slip 1/8 IP 1 1/8" L x 2" H

BRASS CAST ARMS



56917 Cast Brass Arm Ht
3 1/4" L x 3 1/4" H
Tap 1/8 IP x 1/8 IP



56926 Cast Brass Arm back
Unfinished Brass
2" L x 2" H
Tap 1/8 IP x 1/8 IP



56948 Cast Brass Arm
2 1/2" L x 2" H
Taps 1/8 IP x 1/8 IP



56963 Cast Brass Lighting Gascock
Tap 1/8 IP Ht. 3 1/4"
Polished only



Hole
55990 Cast Brass 8"
Open Arm Tap 1/8 IP
Both Ends



56946 Cast Brass Arm
6 1/4" L x 4 1/8" H
Tap 1/8 IP x 1/8 IP



56947 Cast Brass Arm
4 1/8" L x 3" H
Tap 1/8 IP x 1/8 IP



56898 Cast Brass Open Arm
5 1/4" L
Tap 1/8 IP both ends



56940 Cast Brass Arm
5 1/4" L
Taps 1/8 F x 1/8 F

BRASS ARMS

ALL THREADS 1/8 IP



55726 S Arm Unfinished Brass
9 1/2" L x 4 1/4" H
3/4" x 3/4" Threads each end



55724 S Arm Unfinished Brass
7 1/4" L x 3 1/4" H
1/2" x 1/2" Threads Each End



55355 Raw Brass J Arm
3 1/2" L x 3 3/8" H
Thread each end 1/4"
1/8 IP Tubing



55722 Brass Arm
2" L x 3 1/2" H
1/4" Thread each end



55570 Raw Brass
5 3/8" L x 2 1/2" H
3/8" threaded at each end



55361 Raw Brass 1/8 IP Pipe
4 3/8" L x 3 1/2" H
1/4" Thread one end 1/8 IPF



55720 Bent Arm
Unfinished Brass
2" L x 1 1/2" H
1/2" x 1/2" Threads



55721 Bent Arm
Unfinished Brass
2 1/2" L x 2" H
1/2" Threads



55379 Raw Brass
57370 Satin Brass
57371 Polished Nickel
57372 Satin Nickel
57373 Bronze Finish
2 1/4" L x 1 1/2" H
3/8" threaded at each end



55378 Raw Brass
57376 Satin Brass
57377 Polished Nickel
57380 Satin Nickel
2 1/2" L x 1 5/8" H
3/8" threaded at each end

CLUSTER BODIES



Brass
54970 2 Side Holes
 1/8 IP Top and Side Holes
 1/4 IP Bottom Hole



54971 No Side Holes
55184 2 Side Holes
55185 3 Side Holes
55186 4 Side Holes
55188 6 Side Holes
 1/8IP top & Bottom
 and side holes



55099 3 Side Holes
55100 2 Side Holes
 Turned brass Tapped 1/8 IP
 1/8F Top x 1/4F Bottom,
 1 1/8"OD



55153 Brass
55199 Polished & Lacq.
 1/8F Top 1/4F Bottom.
 2 Side Holes Tap 1/8F, 1 3/8" Ht.
 1 3/16" Width

TURNED BRASS 1/8 IP TOP & BOTTOM HOLES TAP 1/8 IP. 1 9/16" HT 1 1/2" DIA



Unfinished Brass
55645 2 holes 1/8IP
55646 3 holes 1/8IP
55647 4 holes 1/8IP
55648 5 holes 1/8IP.



Satin Brass
55654 2 holes 1/8IP
55655 3 holes 1/8IP
55656 4 holes 1/8IP



Bronze Finish
55664 2 holes 1/8IP
55665 3 holes 1/8IP



Satin Nickel
55658 2 holes 1/8IP
55659 3 holes 1/8IP
55660 4 holes 1/8IP



Polished Nickel
55650 2 holes 1/8IP
55651 3 holes 1/8IP
55652 4 holes 1/8IP

3 Holes Tap 1/8 IP Top and bottom holes
 tapped 1/8 IP 1 1/8"Dia. 1 1/8"Ht.

2 Holes Tap 1/8 IP Top and bottom holes
 tapped 1/8 IP 1 1/8"Dia. 1 1/8"Ht.

55695 Satin Brass
55696 Polish Nickel
55697 Satin Nickel
55698 Bronze



55690 Satin Brass
55691 Polish Nickel
55692 Satin Nickel
55693 Bronze



56878 Pol. & Lacq. Solid
 Brass 3 Arm Cluster Body
 Tap 1/8 IP 3 1/2" Dia.



56298 Raw Brass 3 Lite Cluster.
 1 1/4" from center to light. 1/8 IP
 Threaded all openings.



56180 Cluster Head Brass
 Unfinished 1/8 IP 1 3/4" Ht.
 2" Width.

CLUSTER SOCKETS



30550 Twin Cluster 6"
Wire Leads-3 1/2" Ht. 1/8 IP
Male Top & Bottom
Ht. 4 1/2" 660W - 250V



30162 Two Lite Cluster 1/8F X 1/8F
Standard Socket Ht. 3 3/8" Bracket Ht.
Leads 6" 105° 660W - 250V



30177 Three Lite Cluster
1/8M X 1/8M Standard Socket
3" Width 3 3/4" Bracket Ht.,
12" Leads 660W - 250V

CLUSTER ASSEMBLIES



Brass Wired 2 Lite Cluster w/6" leads 1/8 IP stem at top

- 57348** Antique Finish on Solid Brass Cluster
- 57347** Polished Nickel Finish Solid Brass
- 57349** Brass Polished & Lacquered Cluster



70077 Double Cluster Socket
Assembly 1/4 IP tap bottom. Each
socket is attached to a swivel. Solid
Brass Pol. & Lacq.



57168 Large Extension As-
sembly 6 parts - as shown
1/2" O.D. Brass Plated
tubing. With inside tubing.
Threaded 1/8 IP. Ht. 10",
extends to 12"



57173 Adj. 10" to 15"
57167 Adj. 21" to 30"
Figurine Assembly

CLUSTER ASSEMBLIES



57157 Adjustable Brass Cluster Pull Chain Socket unwired Ht. 9 1/2" Extends. 11 1/2" 1/8 IP



70076 Adjustable Double Cluster Socket Assembly. Unwired each socket is attached to a swivel. Solid brass polished & lacquered except for pipes. 10 1/2" Ht. extends to 13 1/2" Ht. 1/8 IP



57156 Brass Cluster 8 1/2" Ht. 1/8 IP



57155 Adjustable Brass Cluster Ht. 9" Extends to 14" 1/8 IP



56299 Raw Brass 5 1/2" spread end to end. Cluster is tapped 1/8F x 1/4F. Arm threaded 1/8M. Use 55018 to reduce bottom hole to 1/8 IP



56882 Steel Brass Plated 2 Light S-Arm body 7" Across, 1/8 IP top, 1/4 IP bottom. Cap with screw.



56883 Steel Brass Plated 2 Light S-Arm body. Wired with 2 Pull Chain sockets and Leads. Top 1/8 IP Bottom, 14" leads.



56879 Antique Finish
55980 Polished Chrome Finish
55981 Satin Nickel Finish
Wired 2 Light Cluster S Arm Cluster. Wired w/2 pull chain sockets & leads. Top 1/8 IP Bottom 1/4 IP 4" Arm Width 7" Length

STEEL CANDELABRA "S" CLUSTER



55982 Nickel Finish
55983 Brass Plated
55984 Antique Brass Finish
Inside Wiring Only.
6" Centers 1/8 IP Top & Bottom

**IMPORTED WOOD BASES
ALL WITH 1/8 IP CENTER HOLE
SIZES LISTED ARE INSERT MEASUREMENT**



Black Hand Carved Rosewood Base

- | | |
|---------------------|---------------------|
| 40424 3" | 40431 4 3/4" |
| 40425 3 1/4" | 40432 5" |
| 40426 3 1/2" | 40433 5 1/4" |
| 40427 3 3/4" | 40434 5 1/2" |
| 40428 4" | 40435 5 3/4" |
| 40429 4 1/4" | 40436 6" |
| 40430 4 1/2" | 40437 6 1/2" |
| | 40438 7" |



Light Brown Hand Carved Rosewood Base

- | | |
|---------------------|---------------------|
| 40404 3" | 40412 5" |
| 40405 3 1/4" | 40413 5 1/4" |
| 40406 3 1/2" | 40414 5 1/2" |
| 40407 3 3/4" | 40415 5 3/4" |
| 40408 4" | 40416 6" |
| 40409 4 1/4" | 40417 6 1/2" |
| 40410 4 1/2" | |
| 40411 4 3/4" | |



Wood Lamp Base Black Finish

- | | |
|---------------------|---------------------|
| 40600 2 1/4" | 40610 4 3/4" |
| 40601 2 1/2" | 40611 5" |
| 40603 3" | 40612 5 1/4" |
| 40604 3 1/4" | 40613 5 1/2" |
| 40605 3 1/2" | 40614 5 3/4" |
| 40606 3 3/4" | 40615 6" |
| 40607 4" | 40616 6 1/2" |
| 40608 4 1/4" | 40617 7" |
| 40609 4 1/2" | |



Wood Lamp Base Mahogany Finish

- | | |
|---------------------|---------------------|
| 40626 2 1/2" | 40635 4 3/4" |
| 40627 2 3/4" | 40636 5" |
| 40628 3" | 40637 5 1/4" |
| 40629 3 1/4" | 40638 5 1/2" |
| 40630 3 1/2" | 40639 5 3/4" |
| 40631 3 3/4" | 40640 6" |
| 40632 4" | 40641 6 1/2" |
| 40633 4 1/4" | 40642 7" |
| 40634 4 1/2" | |

IMPORTED WOOD BASES
ALL BASES W/CENTER HOLE - SIZES LISTED ARE INSERT MEASUREMENT



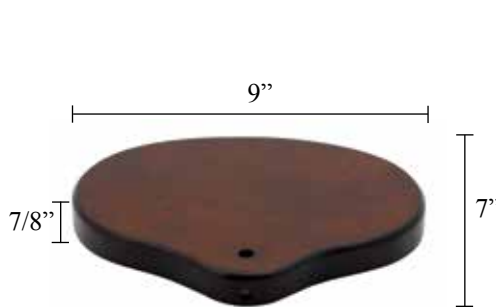
Wood Lamp Base Round
 Mahogany Finish
40651 2 1/2"
40652 3"
40653 3 1/2"
40654 4"
40655 4 1/2"
40656 5"
40657 5 1/2"
40658 6"
40659 6 1/2"



Wood Lamp Base Oval
 Mahogany Finish
40690 7" x 5"-2"Ht.
40691 8" x 6"-2"Ht.
40692 9" x 7"-2"Ht.



Wood Lamp Base Square
 Mahogany Finish
40680 4"
40681 5"
40682 6"
40683 7"



Hard Wood Tear Drop Base Colonial
 Dark Stain With Wireway
40341 9" L x 7" W 7/8" H



Hard Wood Tear Drop Base
 Colonial Dark Stain With Wireway
40330 7" L x 8" W 7/8" H

UNFINISHED WOOD BASES
ALL BASES 1/8 IP CENTER HOLE WITH WIREWAY



Square Base 1 3/4" Ht.
 Unfinished top
40722 5" Top x 6 1/2" Btm.
40723 5 1/2" Top x 7" Btm.
40725 6 1/2" Top x 8" Btm.



Square Base 1 1/8" Ht.
 Unfinished
40730 3" Top x 4" Btm.
40731 4" Top x 5" Btm.
40732 5" Top x 6" Btm.
40733 6" Top x 7" Btm.



Carved Hardwood Base Unfinished	
Top Diameter	Bottom Diameter
40393 3"	4"
40394 3 1/2"	4 1/2"
40395 4"	5"
40396 4 1/2"	5 1/2"
40397 5"	6"
40398 5 1/2"	6 1/2"
40399 6"	7"
1/8 IP Center Hole and Wireway Hole	
3/4 " Height.	

LAMP BASES



40314 4"

40315 5"

Black Square Marble
Polished Top and Sides
7/6" Center Hole
1/4" Countersunk Wireway



Brass Plated Steel



Antique Finish Steel



Black Finish Steel



Nickel Plated Steel



Satin Nickel Plated Steel



Unfinished Brass

4" BASES

57600 Brass Plated Steel
57601 Antique Finish Steel
57602 Black Finish Steel
57603 Nickel Plated Steel
57604 Satin Nickel Plated Steel
57605 Raw Brass
4" Base, 1" HT with center hole
and wire way hole rolled under
for felt.

5" BASES

57620 Brass Plated Steel
57621 Antique Finish Steel
57622 Black finish Steel
57623 Nickel Plated Steel
57624 Satin Nickel Plated Steel
57625 Raw Brass
5" Base, 1" HT with center hole
and wire way hole rolled under
for felt.

6" BASES

57630 Brass Plated Steel
57631 Antique Finish Steel
57632 Black Finish Steel
57633 Nickel Plated Steel
57634 Satin Nickel Plated Steel
57635 Raw Brass
6" Base, 1" HT with center hole
and wire way hole rolled under
for felt.

**TABLE LAMP BASES
ALL BASES WITH 1/8 IP CENTER HOLES AND WITH WIREWAY HOLE**

CAST METAL BASES



50593 Ht. 1 1/2" Top 5"
Bottom 6 1/4"



50428 Antique Finish Cast Brass Top
4" Ht. 2 1/4"
Has a center hole and a nite lite hole.



50423 Antique Finish Base Ht. 2" Top Inside
Dia. 4 1/8 with center hole and nite lite hold

**CAST BRASS BASES
1/8 IP CENTER HOLE - UNFINISHED**



56970 Cast Brass Base 1"
Top Dia. Bot. Dia. 4 5/8"
2" Ht.



56897 Cast Brass Base
3 1/8" Top Dia. 1/8 IP Center hole
O.D. 6 1/8" (w/legs) Ht. 1 3/8"

CHAIN

SOLD BY THE YARD SEE WEBSITE FOR ALL FINISHES



4 Gauge Fixture Chain
Sold by the yard.

- 54810** Brass Plated
- 54811** Black Finish
- 54812** Antique Brass
- 1 3/4" length, 1 1/8" width
recommend 75 lbs weight limit.
- 54820** Nickel
- 54822** Satin Nickel
- 54829** Rubbed Bronze



EXTRA HEAVY FICTURE CHAIN

- Sold by the yard.
- 54827** Brass Plated
- 54828** Antique Brass
- 54835** Nickel Plated
- 54836** Satin Nickel
- 54858** Rubbed Bronze



8 Gauge Fixture Chain
Sold by the yard.

- 54151** Brass Plated
- 54152** Nickel Plated
- 54140** Antique Copper
- 54148** Antique Brass
- 54147** Black Finish
- 54805** White Finish
- 54802** Pewter Finish
- 54804** Satin Brass Finish
- 54806** Dark Grey Finish

8 Gauge 15 foot Swag length

- 54139** Black Finish
- 54138** Brass Plated
- 54137** Antique Brass Finish
- 1 1/2" length, 7/8" width.
recommend 30 lbs.



8 Gauge Fixture Chain

- Sold by the yard
- 54826** Dull Antique Brass Finish
- 54846** Old Bronze Plated
- 54845** Brushed Nickel



11 Gauge Fixture Chain

- Sold by the yard.
- 54183** Black Finish
- 54184** Antique Brass Plated
- 54186** Brass Plated
- 54825** Nickel Plated
- 1 1/2" length, 7/8" width.
recommend 8 lbs.



BABY OVAL CHAIN

- 54146** Brass Plated
- 54154** Antique Brass
- recommend 10 lbs 7/8" length, 5/8"
width Chain sold by the yard.



- 54808** Black
- 12 Gauge Jack Chain
Sold by the foot



- 56191** #18 Solid Brass
- Double Jack Chain
Sold by the foot



- 56190** #18 Solid Brass
- Ladder Chain
Sold by the foot

Chainlinks

- 53000** Brass Plated
- 53001** Nickel
- 53002** Antique Brass
- 53007** Satin Nickel
- 53008** Bronze
- 53009** Black
- 2 1/2" long, 1" wide, 4 gauge.



Chainlinks

- 53004** Brass Plated
- 53005** Nickel
- 53006** Antique Brass
- 53012** Satin Nickel
- 53013** Bronze
- Chain links extra heavy 5/16" thickness,
2 3/4" long, 1 1/4" wide



CAST BRASS CHAIN & BRASS CHAIN



54803 Cast Brass Plain & Embossed Chain
8 Gauge, 21" Lengths



53973
8 1/4" Ht. x 1" W
Connector for chain



54814
Cast Brass Chain
21" Long



54813
Cast Brass Chain
21" Long



54815
Cast Brass Chain
21" Long



54838 Cast Brass
Chain 21" Long



54839 Cast Brass Chain
21" Long



8 Gauge Chain
Sold by the yard.
56193 Raw Brass
1 1/2" length
13/16" width
USA Made
56194 Raw Brass
8 gauge chain imported
56195- Raw Brass
4 gauge chain. Imported



54833 Antique Finish
Spanish Style Chain
1 Yd Length



54834 Brass Plated
Spanish Style Chain
1 Yd Length

CAST BRASS PARTS



53971
Cast Brass Rosette Cap
1" Dia. 1/8 IP Tap



53970
Raw Brass Chain Holder
2 3/4" Dia. Less Hooks
Slips 1/8 IP



53953
Cast Raw Brass Canopy
with loops
3 3/8" D x 3/4" H



53975
Small Cast Brass Rosette
Dia. 3/4" 1/8 IP Tap



53976
3-way chain connector
2 1/4" L x 2" H



53974
5" Long Cast Brass decorative chain connector
5" L x 1 1/2" H
Can also be used to hang planters

CAST BRASS CANOPIES



56318
Cast Brass Canopy
Light Antique Finish
6 1/4" D x 2 11/16" H
1 1/16" Hole



56319
Cast Brass Canopy
Dark Antique Finish
6 1/4" D x 2 11/16" H
1 1/16" Hole



56985
Cast Brass Canopy
Raw Brass
5 1/2" D x 1 5/8" H
1" Hole

CAST CANOPIES



53954
Cast Brass Dark Antique Finish
5 1/2" D x 1 1/2" H
Center Hole 1 1/16"



53956
Cast Brass Bronze Finish
5 1/2" D x 1 1/12" H
Center Hole 1 1/16"



53955
Polished Nickel Finish Cast Brass
5 1/2" D x 1 1/2" H
Center Hole 1 1/16"



56320
Unfinished Cast Brass
6" D x 1 3/4" H
1 1/16 Center Hole



56995
Unfinished Cast Brass
5 1/2" D x 1 3/4" H
1/8 IP Center Hole



53951
Unfinished Cast Brass
4 7/8" D x 3" H
1/8 IP Center Hole



50951
Pewter Finish Cast Metal
4 7/8" D x 1 5/8" H
Top 1 1/8" 1 1/16" Center Hole



50615
Antique Finish Cast Metal
1 1/4" Top 5" Bottom
1 1/16" Center Hole



50614
Silver Finish Cast Metal
5" D 1 1/4" Top
1 1/16" Center Hole



50397
Antique Finish Cast Metal
1 5/8" H 4 3/4" Bottom
1 1/16" Center Hole



50616
Silver Finish Cast Metal
5 7/8" D 1 1/4" Top
1 1/16" Center Hole



50617
Antique Finish Cast Metal
5 7/8" D 1 1/4" Top
1 1/16" Center Hole

BRASS CANOPIES



56078 Unf Brass
5 1/4" D x 1 1/4" H
11/16" Center Hole



56477
Brass Polished Only
5 1/8" D x 3 3/4" H
3/4" Slip Ring



56380
Raw Brass
5" Brass Canopy with
1 1/16" hole. 2 7/8" H



56052 Raw Brass
56063 Polished & lacquered
4 3/4" Dia. 1/8 IP Center hole
4 1/2" Holes spaced



56093 Raw Brass
56094 Polished & lacquered
5" Brass Canopy
1/8 IP Hole. 2 7/8" H



56051 Raw Brass
5" Brass Ribbed Canopy
W/ 1 1/16" hole for screw collar
or swivel. 1 1/4" H



56082 Raw Brass
5 1/4" D x 1 1/8" H
3/8" Center hole and two screw
holes spaced 2 3/4" center to center



56081 Raw Brass
6" D x 1 1/2" H
1" Center hole



56838 Brass Pol No Lacq
5 3/8" D 1 1/2" H
1 1/16" Center hole

SPUN BRASS BACK PLATES



6" Large Antique Style
Canopy 1 3/8" hole
54266 Unfinished Brass



56742 Raw Brass
Round back plate 6" wide
Center Hole 1/8 IP Slip
Can also be used as a canopy

STEEL CANOPIES
CANOPIES COME WITH MATCHING SCREW COLLAR LOOPS
CENTER HOLE 1 1/16" DIA. 5 1/4", 1/4 IP SCREW COLLAR LOOPS



54675 Brass Plated



54676 Bronze Plated



54677 Antique Plated



54678 Polished Chrome



54679 Pewter Plated



54130 Brass Plated Finish
54132 Antique Finish
54262 Black Finish
54263 White Finish
54264 Chrome Finish
54265 Unfinished Brass
 5" diameter by 1 1/4" deep.
 1-1/16" center hole



54337 Brass Plated
54338 Chrome Plated
 5" Dia. 1 1/16" Center hole
 1 3/4" Deep



54626 Brass Plated Finish
54625 Antique Finish
 Steel 5" dia. Canopy, 1 3/8" deep.
 1/8 IP center hole, 2 3/4" spaced
 holes. Ht. 1 1/4"



54621 Steel Chrome Finish
54620 Steel Antique Brass Finish
54622 Steel Satin Nickel Finish
54623 Steel White Finish
54624 Steel Black Finish
54260 Bronze
56077 Unfinished Brass
 5" Nickel finish steel lighting
 canopy, 5/8" height, and
 1/8 IP center hole.



54611 Nickel Finish
54612 Satin Nickel Finish
54610 Steel Antique Brass Finish
 5 1/4" dia. 1 1/8" height, 3/8" center hole
 and two screw holes spaced 2 3/4"
 center to center.



54637 Antique Brass
54638 Satin Nickel
54639 Bronze
 5" Ribbed Canopy Steel
 w/1 1/16" hole for screw
 collar or swivel. Ht. 1 1/4"

**CAST METAL BACK PLATES/CANOPIES
1/8 IP HOLE**



56978 Brass Plated
56979 Antique Finish
Round Dia. 5" 1/8 IP
Center Hole Slip



50952 Pewter Finish
Ht. 1" Top 1"
Bottom 4 3/4"
1/8 IP Center Hole



50542 Antique Finish
Ht. 8" Width 4 3/4"
1/8 IP Center Hole Slip



50541 Antique Finish
Ht. 8 1/2" Width 5 3/4"
Depth 1 1/2"
1/8 IP Center Hole Slip

UNFINISHED CAST BRASS BACK PLATES



56921 Cast Brass
5 1/4" Ht. 3 1/2" Wide
Center Hole 1/8 IP Slip



56920 Cast Brass
5 1/4" Ht. 3 1/2" Wide
Center Hole 1/8 IP Slip



56927 Cast Brass Rectangular
6 3/4" Ht.
3 1/4" inside width without holes

56923 Cast Brass
Round 4 5/8" Dia. 2 1/2" Deep.
1 1/4" Top Center Hole 1/8 IP Slip



**CAST BRASS SHADE HOLDERS
COMES WITH 3 SCREWS WHERE HOLES ARE INDICATED**



56902 4" Brass Holder with screws. Center hole tapped 1/8 IP.



56411 2 3/4" Dia. holds the 2 5/8" glass 1/8 IP center hole



56413 4" Brass Stamped Shade Holder 3/4" deep 1/8 IP center hole



56901 3 1/4" Brass Holder center hole tapped 1/8 IP
56452 Polished Nickel



2 1/4" Brass Holder - 1/8 IP Center Hole
56900 Unfinished
56453 Polished Nickel



56903 2 1/2" Brass Holder center hole slips 1/8 IP Ht. 1 1/2"



56904 2 1/4" Brass Holder center hole slips 1/8 IP Ht. 1"



56910 1 5/8" Brass Holder center hole 1/8 IP slip 1 3/4" Ht.

TORCHIERE HOLDERS



56385 Raw Brass
Ht. 5"
Spread 5 1/2"
Fitter 2 3/4"
1/8 IP Bottom Hole
With Keyhole



56372 Brass Pol. No Lacq.
56377 Polished & Lacq.
Keyless holder can be used w/neckless shades (30630 socket suggested) Dia. 4 1/8"
Ht. 3 3/8" Top Opening 2 3/4"
1/8 IP Center Hole Slip

SHADE HOLDERS - GLASS CHIMNEY HOLDERS 1/8 IP SLIP



54162 3" Steel Brass Plated
Undersocket type with side
keyhole slips 1/8 IP. Ht. 2 3/8".



56087 Raw Brass w/ Keyhole
2 5/8" Brass Chimney Holder w/
Keyhole. Ht. 2 5/8"

56089 Raw Brass w/ Keyhole

56090 Polished and Lacquered 3"
Brass Chimney Holder w/ Keyhole.
Ht. 2 3/4". Slips 1/8 IP



56091 Raw Brass
3" Brass Keyless Chimney Holder
Slips 1/8 IP. Ht. 2"

GLASS SHADE HOLDERS



80903 Antique Finish
Ball Shade Holder
w/3" Chimney Holder Used
with Gone With The Wind
Lamps w/keyhole
1/8 IP Slip



4" UNO Glass Shade Holder
Brass w/ 3/8 screw hole

- 58400** BPL Steel
- 58401** Nickel Steel
- 58402** Satin Nickel Steel
- 58403** Antique Brass Steel
- 58404** Bronze Steel
- 58405** Black Steel
- 58406** Unfinished Brass



- 56429** Unfinished Brass
2 1/4" UNO Threaded Glass Shade
Holder w/ Shade screw
Takes 57000 screws
- 58410** BPL Steel
- 58411** Polished Nickel Steel
- 58412** Satin Nickel Steel
- 58413** Antique Brass Steel
- 58414** Bronze Steel
- 58415** Black Steel



- 54198** Brass Plated
- 58420** Unfinished Brass
- 58421** Chrome Plated Steel
- 58422** Satin Nickel Steel
- 58423** Antique Brass Steel
- 58424** Bronze Steel
- 58425** Black Finish Steel
- 2 1/4" Clamp-on Shade Holder
for Brass Shell & BakeLite Sockets

Takes 57000 screws



3 1/4" UNO Glass Shade Holders
with 8/32 screws

- 58430** - Unf Brass
Steel holders
- 58431**- Brass Plated
- 58432**- Nickel Plated
- 58433**- Satin Nickel
- 58434**- Antique Brass Finish
- 58435**- Bronze Finish
- 58436** Black Finish

SOLID BRASS SHADE HOLDERS
BOTTOM HOLE SLIPS 1/8 IP PIPE



56772 6" Raw Brass Shade Holder with 3 Screw Holes, 2" Height, 2" Top, and 3/8" Hole



56375 Raw Brass
2 1/2" Glass shade holder



56095 Raw Brass
4 1/4" Glass shade holder



56204 Raw Brass
56206 Brushed Brass
2 1/4" Holder with screws
2 1/8" Ht. keyless.



56373 Raw Brass
56374 Pol. & Lacq.
Keyless 2 1/4" Fit. Ht. 2 1/2".



56750 Raw Brass
56751 Pol. & Lacq.
2 1/4" Holder with air holes & screws. 2 3/8" high. Keyless.



56756 Raw Brass
2 1/4" Holder with screws 1 1/2" High



56759 Raw Brass
3 1/4" Glass shade holder



54723 6" Antie Brass Finish steel holder



4" Steel Holder
54709 Antique Brass Finish
54706 Brass Plated & Lacq.Finish
54717 Chrome plated Finish



4 1/4" Steel Holder
54724 Brass Plated & Lacq.Finish
54725 Chrome Plated Finish



2 1/4" Steel Holder
54702 Antique Brass Finish
54701 Brass Plated & Lacq.Finish
54705 Chrome Plated Finish



54711 Chrome Finish
54712 Antique Finish
54710 Brass Plated
3 1/4" Shade Holder Steel

CANDLE CUPS



55086 Raw Turned
Brass Candle Cup
1" Ht. 3/4" ID Tap
1/8 IP 15/16" OD



56151 Raw Brass
1 1/2" Ht. 1 5/8"
Holder
1/8 IP



56423 Raw Brass
Candle Cup
1 1/8" Ht. Dia. 1"
Slips 1/8 IP

CANDELABRA BASE CANDLE CUPS



OD-1", ID 15/16", Ht. 1 7/8",
Center Hole 1/8IP Slip
54882-Unfinished Brass
54883-Steel Satin Brass
54884-Steel Brass Plated
54885-Steel Polished Nickel Plated
54886-Steel Satin Nickel Plated
54887-Steel Antique Brass Plated
54888-Steel Black Finish

MEDIUM BASE CANDLE CUPS



OD-1 5/8", ID 1 1/2", Ht. 1 7/8",
Center Hole 1/8IP Slip
54875-Unfinished Brass
54876-Steel Satin Brass
54877-Steel Brass Plated
54878-Steel Polished Nickel Plated
54879-Steel Satin Nickel Plated
54880-Steel Antique Brass Plated

**CANDLE CUPS - PLATES
CAST BRASS UNFINISHED
1/8 IP SLIP**



56983 Cast Brass
Candle Cup
Ht. 1 1/4"
Tap 1/8 IP
7/8" ID 1 3/8" OD



53986 Cast Brass
Candle Cup
Ht. 2 1/2"
Dia. 1 1/2"
Fits Standard
Candle Cover



58130 Cast Brass Candle
Cup
1 7/8" OD 1 1/4" ID
1 3/8" Ht. Slip 1/8 IP



53985 Cast Brass
Candle Cup Ht. 1 3/4"
Dia. 1 1/4"



56425 Raw Brass
56426 Pol & Lacq.
Brass Candle Plate
2" Dia. Slips 1/8 IP



58132 Cast Brass
Candle Plate
3 1/4" Dia. Slip 1/8 IP



56993 Cast Brass
Candle Plate
Dia. 2 1/2" Slips 1/8



58134 Cast Brass
Candle Plate 3" Dia.
7/8" Ht. Slip 1/8 IP



53987 Cast Brass
Candle Plate Ht. 3/4"
Dia. 2 5/8"



53989 Cast Brass
Candle Plate Ht. 1/2"
Dia. 2 1/2"



53990 Cast Brass
Candle Plate Ht. 1/2"
Dia. 1 3/4"



58131 Cast Brass Candle
Cup & Plate combination
2 3/4" Dia. Top 1 1/2" Ht.
Slip 1/8 IP 7/8" ID

SHADE ADAPTERS - SHADE HOLDERS
REDUCE YOUR LAMPSHADE INVENTORY BY STOCKING W.N. DESHERBININ ADAPTERS



50379
 To convert washer type shade to fit on torpedo bulb, 1/4 - 27 top thread



50378
 To convert washer type shade to fit on standard bulb, 1/4-27 top thread



40010
 The 4-in-1 adapter converts bridge, washer or chimney holder to clip-on.



40016 Clip-on Adapter on standard bulb - no drop 1/4-27 thread. This clip will let the shade sit lower than other bulb clips.



80601
 Torpedo Clip-on Brass Plated Adapter



40017
 Candelabra Clip-on Converts bridge washer or chimney holder to clip-on

TRIPODS - BRASS PLATED & LACQUERED



- 54202** 7" w/ 2 9/16" cntr hole - Fits #2 brass burners
- 54219** 7" w/ 2 11/16" cntr hole - Fits #2 brass plated burners
- 54203** 10" w/ 2 9/16" cntr hole - Fits #2 brass burners
- 54220** 10" w/ 2 11/16" cntr hole - Fits #2 brass plated burner
- 54218** 10" w/ 2 13/16" cntr hole - Fits central draft and rayo burners
- 54221** 10" w/ 3 1/16" cntr hole - Fits a #3 burner

TRIPODS WITH BRASS POLISHED & LACQUERD RING



- 54365** 7" w/2 9/16" cntr hole
- 54366** 10" w/2 9/16" cntr hole
- 54367** 7" w/2 1 /16" cntr hole
- 54368** 10" w/2 1 /16" cntr hole
- 54369** 10" w/2 13/16" cntr hole

BALL SHADE HOLDERS - TOP RING



56415 Raw Brass
4" Fitter with 2 7/8" center hole Fits
center draft burner.
56234



56403 Raw Brass
4" Fitter with 3 1/8" center hole.
Fits the Aladdin Burners



56405 Raw Brass
4" Fitter 2 5/8" center hole
Fits #2 flat wick burners.
Fits 54189, 54353



56281
4" Fitter with 2 5/8" center hole
fits all #2 flat wick burners.
Fits the 54189, 54353



56288
4" Fitter with 3 1/8" center hole
Fits the Aladdin Burners



56285
4" Fitter
2 7/8" center hole.
Fits center draft burners.
56234.



58000
Raw brass banding 1/2" wide 12 3/4"
long pieces for ball shade holder



Brass Rings
56485 7"
1/2" Ht. 1/2" Lip.



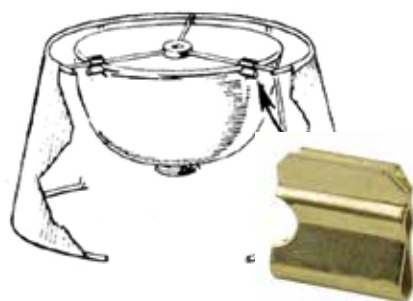
Shade Ring with banding
Antique Finish
54391 7" Diameter 3" Ht.



Reflector type Shade Risers Brass
Plated
54401 6"
54402 8"
54400 10"



Brass Ring Shade Holder
Polished & Lacquered
56472 10" x 3 7/8" Ht.



Clips hold shade firmly
against reflector. Easy to
install on any shade
54098 Brass Plated



54395 Antique Finish Holder
9 7/8" Holds prisms

OIL BURNERS



54351
#1 Burner with collar and wick, 2 5/8" chimney holder. Steel brass plated



54350
#2 Burner with collar and wick, 3" chimney holder. Steel brass plated. Takes the 54253 or 54356 collar.



70601 Brass Plated #2 Oil Burner w/Mason Jar Collar Takes a 3" Chimney

CUT OUT BURNER



54189
#2 Cut-out Eagle Burner 3" chimney holder. Steel Brass Plated. Fits 54253 or 54356 collars.



70604 Antique finish oil lamp burner No. 2 with mason jar collar, takes a 3" chimney.

WICKS

WICKS - FLAT



- 41051** #2 7/8" x 7 3/4"
- 41052** #00 3/8" x 8 1/4"
- 41053** #0 1/2" x 7 7/8"
- 41054** #1 5/8" x 8"
- 41055** #3 1 1/2" x 7 7/8"

ROUND CENTER DRAFT WICKS



41080
2 1/2" wide x 7 5/8" long
Measurements are measured flat



41061 2 1/2" Flat wick for burner no.15 kosmos



41062 1 5/8" Flat wick for burner no.8 kosmos



41064 1 3/8" Flat wick for burner no. 6 kosmos

ROPE WICKS



41059 Rope Wick 6" Long Dia. 3/16"

SOLID BRASS BURNERS & COLLARS



56258 #2 Queen Anne Burner fits collar 56237



56232 #2 Queen Anne Cut-Out Burner fits collar 56237. Takes a 3" Chimney



56237 Brass Double Ring #2 size collar



56257 #1 Queen Anne Oil Burner fits collar 56255



56231 #1 Brass Cut-Out Burner Takes the 56255 collar. Fits a 2 5/8" chimney



56255 #1 Brass Collar Heavy Duty. 5/8" Ht. 1 3/8" Width

NUTMEG '00' OIL BURNER



56455 Solid Brass Nutmeg Burner Fits 56457 collar 1 1/8" chimney holder (66117)



56457 Solid Brass Nutmeg Collar



56438 Brass Gem Artic Burner Fits chimney 66195. Fits collar 56433



56433 GemArtic Brass Collar



56461 #8 Kosmosburner diameter of center lip 2 3/16", 2 3/4" Ht.



56466 1 3/4" Bottom Diameter Collar 1 1/16" inside thread.

OIL LAMP ADAPTERS - COLLARS



54296 #1 Acorn Adapter Oil Lamp, 1/8 IP Nipple. Steel brass plated. Fits 56255 collar



55082 Solid Brass Adapter for #1 Oil Lamps. Fits 56255 collar



55083 For # 2 Oil Lamp 1/8 IP Nipple. Fits collar 56237
54358 For Steel Brass Plated Collars. Fits 54356



54356 #2 Steel Brass Plated and Lacquered Collar
54359 #2 Steel Collar Antique Finish



54253 Screw Type Collar for #2 Eagle Burner. Attaches to glass fonts with #2 threading



56230 Solid Brass Expander Screws into #1 size collar and fits #2 size burner. 1 7/16" O.D. Has 3/4" I.D.



56255 #1 Brass Collar Heavy Duty. 5/8" Ht. 1 3/8" Width



54355 Steel Brass Plated Screw Type #1 Collar



56236 Brass Collar to fit Center Draft Burner. 3/4" Ht. 2 7/8" Width Fits our 56234 burner



56238 Brass Collar Reducer. Converts #2 to #1



54294 Steel Brass Plated Mason Collar 2 3/4" Dia. #2 Threaded opening.



54315 Zinc Finish Mason Lid 1/8 IP Center hole



54308 Brass Plated Mason Lid 1/8 IP Center hole



56220 Brass Filler Cap Fits 56219 3/8" Ht. 1 1/16" Width



56219 Brass Filler Hoop. 3/8" Ht. 1" Width



56228 Brass Filler Cap Has #00 Male Nutmeg thread. Ht. 3/8" Width 7/8" Fits 56229



56229 Brass Filler Hoop, has #00 Female Nutmeg Thread. 5/16" Ht. 13/16" Width

CLEANERS, GLUES & CELLOPHANE



LOCTITE - USE THIS TO MAKE YOUR LAMPS TAMPER PROOF WITH **41229**

41228 Loctite removable thread locker. General purpose, medium strength adhesive for use with fasteners 1/4" and larger. Hand tool removable. 0.34 oz

41229 High Strength Loctite. Very high strength adhesive for locking all fasteners up to 1" dia where severe applications are evident or tamper-proofing where a difficult removal is desired 0.34 oz



41271 Simichrome Polish
The very finest metal polish for brass, copper, gold, silver, tin, bronze, pewter, etc. Contains no harmful acids to attack metals after use. Tube 1.76 oz



41014 Plastic tape 60' roll.



41295 Lamp shade dry cleaning sponge. chemically treated



41043 Cellophane rolls for wrap-ping lampshades priced per pound.



41227 Epoxy adhesive
Quick setting high strength. Sets in 4 to 6 minutes. Can be used on metal, glass, ceramics, fiberglass, and most plastics. 1 oz.



41299 Antique Bronze Acrylic Enamel
12oz Spray Can



JAX MASTER SOLUTIONS
PINT BOTTLES
NO OTHER SIZES AVAILABE
41215 Brass, copper, gold and marble cleaner. A heavy duty cleaner that removes tarnish, surface dirt, old lacquer and grease from brass, bronze and copper.



64191 1 lb. Spool Brass Wire



Prism Pins
50402 1" Brass
50403 1 1/2" Brass
50404 1" Silver
50405 1 1/2" Silver
Sold by 100 or 1,000 pieces



41290 Sparkle Plenty
Spray on crystal & fixture cleaner. Drip dry. 32 oz



DIAMOND DRILLS

With our diamond drill you must use water. There must be a constant flow or be submerged in water. This drill should be used on a drill press it is not recommended for hand held drill. The speed should be between 500 to 800 RPM. Any higher you will lose the diamond off the drill and probably break your piece. Slow even pressure is recommended. Avoid dwell which could deprive drill tip of coolant. Drill pieces no thicker than 1 1/4".

41161 8mm (For wire hole)
41162 12mm (For 3/8" hole)
41163 14mm (For 1/2" hole)



54159 Heavy Steel Chain Pliers



64190 Special Pliers for Pinning Prism with Cutting Edge

BULBS



Flicker Flame
22101
Candelabra Base
Clear Bulb 3 watts



Flicker Flame
22103
Standard Base
Clear Bulb 3 Watts



Flicker Flame
22104
Candelabra Base
3 Watts Bent Tip



Standard Base
22105 Flicker Flame
Flame Tip
Clear Bulb 3 Watts



Candelabra
Base
Clear Bulb
22108 15W
22131 25W
22113 40W
22212 60W
Frosted Bulb
22114 25W
22115 40W
22213 60W



Flame Tip
Candelabra
Base
Clear Bulb
22127 10W
22109 15W
22128 25W
22136 40W
22133 60W
Frosted Bulb
22129 10W
22130 25W
22135 40W



Flame Tip
Candelabra Base
Clear Bulb
22220 7.5W
22221 10 W
Frosted Bulb
22225 7.5 W



Standard Base
Flame Tip
Clear Bulb
22214 25W
Frosted Bulb
22217 25W
22219 60W



Standard
Base
Clear Bulb
22120 25W
22121 40W
Frosted Bulb
22210 25W
22211 40W



Antique Candelabra
Flame Tip Bulbs
22227 15W 130V
22228 25W 130V
22229 40W 130V



22132
Candelabra Base
Clear Bulb
7Watts



Clear Bulb
22330 - 25 Watts
22331 - 40 Watts
Petite Tear Drop
Candelabra Base



Tubular Bulb
Candelabra Base
22241 Clear 15W
- T-7



Tubular Bulb
Standard Base T-10 Can
be used in Picture Lamps
Clear Bulb
22245 25W
22246 40W

ANTIQURE REPRODUCTION LIGHT BULBS INCANDESCENT



22524-40 Watt
22523-60 Watt
Edison light bulb
120 volt standard base
2 1/2" w x 5 1/2" Ht.



22530-25 Watt
22532-40 Watt
Clear candelabra bulb
120 Volt with lifespan 3000
hours
1 3/8"W x 4 12" Ht.



22531-25 Watt
22533-40 Watt
Clear candelabra bulb
120 Volt with lifespan 3000
hours 1"W x 3"Ht.



22540-40 Watt
22541-60 Watt
120 Volt victorian light bulb
with standard base
2 1/2"W x 4 1/4"Ht.



22545-40 Watt
22546-60 Watt
120 Volt Edison light
bulb
with a standard base
2 1/4"W x 5"Ht.



22520-25 Watt
Edison Light Bulb
Candelabra
with a lifespan 3000
hours
2"w x 3 3/4" Ht



22521-25 Watt
120 Volt edison light bulb candelabra
with a lifespan 3000 hours
3 1/4" Ht x 1 1/2" wide.



High Intensity Bulb
22140 Intermediate Base
115-125 Volt, 40W
Domestic Code 40S11N

MOGUL BULBS



Candelabra Base Bubble
Bulbs Clear Bulb G 16 1/2
22232 40W



Appliance Bulbs
Standard Base
22260 40W Clear



22257 3-Way Mogul
Bulb 100 200 300 Watts
Ht. 6"



Standard Base General
Service Bulbs
Inside Frosted
22250 40W
22251 60W
22252 75W
22253 100W

3-Way Standard Base
22290 50-100-150

HALOGEN BULBS

BI-PINBULBS



22311 50W, Mr-16
12V Flood



22315 Short Bulb 300W
Fits Socket 30574
22334 Long Bulb 300W Fits
our Socket 30573 Halogen
Double Ended Bulbs

BI-PIN HALOGENBULBS



22341 Bulb 20W 12V
Clear G4 pin base.

LINEVOLTAGE BI-PINBULB



22350 50W Clear 120V
G6Y.35 pin base
22352 20W Clear 120V
GY8 Base



Bayonet Double
Contact Bulb
22329 75W 120V
Fits Socket 30973

FLAME TIP SILICONE BULBS



22400 6 Watt
Candelabra Flame
Tip Silicone Bulb



22409 15W
Candelabra Flame
Tip Silicone Bulb



22402 3 Watt
Candelabra
Flame
Tip Silicon Bulb



22401 Flicker
Flame 3 Watt
Candelabra Bulb



22403 5 Watt
Standard Base
Bulb



22404 7 1/2 Watt
Standard Base
Champagne Swirl
Silicone Bulb



22405 4 Watt
Candelabra
Champagne Swirl
Silicone Bulb



22406 7 Watt
Silicone Bulb
Candelbra Base



22407 7 Watt Amber
Silicone Bulb Candelabra
Base

COMPACT FLUORESCENT BULBS

DO NOT USE WITH TIMERS, DIMMERS OR EMERGENCY EXIT FIXTURES



22507 15 Watt (60 Watt)
600 Lumens 8,000 Hrs.
Ht. 6.61" Dia. 3.74"



22506 25 Watt (100 Watt)
1,050 Lumens 8,000 Hrs.
Reflector Bulb
Ht. 7.0" Dia. 4.72"



SWIRL BULB
22504 23 Watt (100 Watt)
1,300 Lumens 10,000 Hrs.
Ht. 5.74 Dia. 2.36



22513 14 Watt (60 Watt)
Flame Tip Standard Base
8,000 Hrs. 620 Lumens
Ht. 5.61 Dia. 2"
22514 7 Watts (25 Watt)
Flame Tip Standard Base
9,000 Hrs. 320 Lumens
Ht. 5" Dia. 1.65"



22512 9 Watt (30 Watt)
380 Lumens 8,000 Hrs.
Ht. 4" Dia. 2.5"



22505 Outdoor Par 38 Compact
Fluorescent 23 Watt (100 Watt)
Indoor/Outdoor
8,000 Hrs. 1,050 Lumens
Ht. 5.75" Dia. 4.75"
Not for use in Direct Rain

R 20

R 14

INCANDESCENT

R 30



Standard Base
22296 50W Frosted



Standard Base
R14 Flood Bulb
22284 40W
Frosted



Standard Base
22281 65W Flood Frosted
120V

ELECTRIFIED BURNERS

WIRED FROM SIDE W/PIGTAIL SOCKET



#2 Brass plated electrified burner, with 3 terminal turn knob socket to light top and bottom.
70137 Clear Gold Cord
 Takes a 3" chimney

WIRED FROM SIDE



#2 Brass plated burner. 8' Cord with 3" chimney fitter. Wired from side. Turn knob-on-off.
70174 Black Cord
70166 Brown Cord
70167 White Cord
70160 Clear Gold Cord
70169 Clear Silver Cord

WIRED FROM BOTTOM



#2 Brass plated burner. 8' Cord with 3" chimney fitter. Wired thru bottom for wiring bracket lamps. Turn knob-on-off.
70171 Clear Gold Cord
70172 Brown Cord



#2 Queen Anne Electrified Brass Burner Wired off-socket 8' cord, 3" chimney holder, fits collar #56237
70456 Clear Gold Cord
70457 Brown Cord



Solid brass #1 electrified burner with keyless socket, 6' cord with line switch.
70521 Brown Cord
70522 White Cord
70523 Clear Gold Cord
70524 Silver Cord
 Takes 2 5/8" chimney



11101
 Black three - piece wall bracket. 9" Ht.
 11 1/2" Wide



11112
 Wall Piece only for one arm. Finished in black 3 1/2" Ht.
 1 1/4" Wide



11111
 Wall Piece only. Finished in black wrought iron 3 1/8" Ht.
 1 7/8" Wide

WIRED KITS



Push-thru nickel standard socket wired w/side outlet. 8' cord.
70220 Brown Cord
70224 Silver Cord



Solid brass socket push-thru standard sockets w/side outlet. Wired 8' cord w/SS.
70511 Brown Cord
70512 Clear Gold Cord
70513 White Cord
70514 Silver Cord



Push-thru standard socket with side outlet. Wired 8' cord L/SS.
70197 Brown Cord
70121 White Cord
70122 Clear Gold Cord
70124 Silver Cord

CORK ADAPTERS TO USE WITH BOTTLES OR JUGS



#1 Brass adapter with 9" harp. 1 1/2" finial & push-thru socket w/side outlet. Brite gilt. Wired 8' cord. L/SS
70142 Clear Gold Cord
 #2 Brass adapter with 9" harp. 1 1/2" finial & push-thru socket w/side outlet. Brite gilt. Wired 8' cord. L/SS.
70147 Clear Gold Cord



Push Thru Socket, 9" Harp
 1 1/4" CORK DIA.
76006 8' Brown Cord
 1 3/4" CORK DIA.
76007 8' Brown Cord



Poly Bagged
 1 1/4" CORK DIA.
 W/PUSH-THRU SOCKET
76000 8' Brown Cord
76008 8' Clear Gold Cord
76010 8' Clear Silver Cord

1 3/4" CORK DIA
76100 8' Brown Cord
76011 8' Clear Gold Cord
76013 8' Clear Silver Cord

2 1/4" CORK DIA.
76200 8' Brown Cord
76201 8' Clear Gold Cord
76203 8' Clear Silver Cord



70112 Clear Gold Cord
 Electrified Candlestick &
 Bottle Adapters Fits 1/2" to 1"
 Opening Push-Thru Socket

GLASS SHADE HANGING KITS
WIRED HANGING HOLDER KIT. KITS INCLUDE: WIRED PORCELAIN SOCKET.
36" LONG CHAIN, SCREW COLLAR LOOP, CANOPY, CROSSBAR, WIRENUTS AND SCREWS



54656—Antique Brass
4" Holder



54657—Brass Plated
4" Holder



54658—Chrome
4" Holder



54659—Antique Brass
6" Holder



54654—Chrome
4 1/4" Holder



54650—Antique Brass
2 1/4" Holder



54649—Brass Plated
2 1/4" Holder



54653—Chrome
2 1/4" Holder



54655—Brass Plated
4 1/4" Holder

HANGING CANOPY KITS



Canopy Kit - 5" Smooth Canopy Hardware included as shown

- 54603** Dark Antique Brass
- 54604** Polished Nickel
- 54605** Light Antique Brass



Canopy Kit - 5 1/8" Solid Brass Canopy Hardware included as shown
54616 Polished Brass



Canopy Kit - 5" Ribbed Canopy Hardware included as shown

- 54615** Brass Plated
- 54617** Antique Brass
- 54618** Chrome
- 54619** Black



Canopy Kit - 5" Ribbed Screw Collar Canopy Hardware included as shown

- 54606** Brass Plated
- 54607** Antique Brass
- 54608** Chrome
- 54609** Black



Canopy Kit - Smooth Single Hole Canopy Hardware included as shown

- 54500** White
- 54501** Black
- 54502** Polished Nickel
- 54503** Antique Brass

MASON JAR WIRED KITS



Brass plated mason jar collar kit. Push-thru socket wired. 8' cord Collar 2 3/4" dia.
80321 Brown Cord
80322 Clear Gold Cord
80324 Clear Silver Cord



Brass plated mason collar kit with 1" neck, push-thru socket, wired, 8' cord.
70245 Brown Cord
70248 Clear Silver Cord
70246 Clear Gold Cord



Zinc mason jar lid with nickel push-thru socket, wired with 8' cord.
70260 Brown Cord
70264 Clear Silver Cord



Zinc mason lid with 1" neck BPL push-thru socket, 8' cord.
70256 Brown Cord
70257 Clear Gold Cord
70259 Clear Silver Cord



#2 Wired Burner w/mason jar collar . Takes a 3" chimney.
70600 Brass Plated Burner & Collar w/Clear Gold Cord

ADAPTERS



70551 3/4" Bottom Adapter
70552 15/16" Bottom Adapter
 Wired Candlestick Kit w/4" white candle cover, candelabra socket, clear silver cord set w/line switch



70553 3/4" Bottom Adapter
70554 15/16" Bottom Adapter
 Wired Gold Drip Candlestick Kit w/4" fibre drip candle cover, candelabra socket, clear gold cord w/line switch



76015 Spice Jar Adapter 1 1/4" Cork with Candelabra Socket, Candle cover, 8' White Cord with Line Switch

**CAST COLUMN AND BASES WITH WIREWAY HOLES
ALL ANTIQUE FINISH TAKES A 1/8 IP ROD**



50460 Antique Finish One piece unit. Ht. 7 1/2"
Bottom 4 1/2"
Top tapped 1/8 IP



50828 Antique Finish Ht. 13 1/2"
Top 1 3/4"
Base 4"



50824 Pewter Finish Ht. 13 1/2"
Top 1 3/4"
Bottom 4"



21073 HT 9 5/8" Antique Finish Lamp no harp bottom wired with keyless socket 8' brown cord set.



21068 Antique Finish Ht. 16 1/2"
Top 1 3/4"
Bottom 4". wired with antique socket and harp bottom 8' brown cord set.



21069 Pewter Finish Ht. 16 1/2"
Top 1 3/4"
Bottom 4" wired with nickel socket and harp bottom 8' black cord set.

RAYON WIRE PENDANT KITS



Pendant kit with 8' rayon wire svt-2 and matching canopy kit socket is cast and threaded with ring wired 20mm long uno threads. UL.

- 54681** Polished Brass Finish with Brown Rayon Wire
- 54682** Polished Nickel Finish with Black Rayon Wire
- 54684** Antique Brass Finish with Brown Rayon Wire
- 54686** Black Finish with Black Rayon Wire

RAYON WIRE PENDANT LIGHT FIXTURE



Pendant kit with 8' rayon wire svt-2 and matching canopy kit socket is stamped with no uno threads wired UL.

- 54900** Polished Nickel Finish with Black Rayon Wire
- 54901** Polished Nickel Finish with Black Rayon Wire
- 54902** Antique Brass Finish with Brown Rayon Wire
- 54903** Antique Brass Finish with Brown Rayon Wire
- 54904** Bronze Finish with Bronze Rayon Wire
- 54905** Black Finish with Black Rayon Wire

STEEL BULB CAGE

Cages open style Clamp-on

Clamp fits medium base sockets Lips

2.8mm Wire diameter 7 1/2" Ht., 4 3/4" Wide

- 10515** – Polished Brass Finish
- 10516** – Polished Nickel Finish
- 10517** – Antique Brass Finish
- 10518** - Bronze Finish
- 10519** – Black Finish



STEEL METAL PENDANT SHADES

7 1/2" Diameter, 1" Height, Hole is

1 13/32 will fit pendants 54681-54686

REPRODUCTION BULB CAGE

Cages open/close style

Clamp fits standard medium base sockets, 6 3/4" overall height & 4 3/4" cage width can use open or close 2.5mm wire



- 10510** – Polished Brass
- 10511** – Polished Nickel
- 10512** – Antique Brass
- 10513** – Black

Above bulb cages fit pendant kits 54900 - 54905



10502



10504

- 10500** – Polished Brass Finish
- 10501** – Polished Nickel Finish
- 10502** – Antique Brass Finish

- 10503** – Bronze Finish
- 10504** – Black Finish
- 10505** – Galvanized Finish

ROUND BENT GLASS SHADES

All glass is 11 1/4" round, bent with a 1 3/8" center hole



- 67100** – Clear Ribbed
- 67101** – Clear Leaf Pattern
- 67102** – Clear Seeded
- 67106** – Clear
- 67103** – Sky Blue Swirl
- 67105** – Dark Blue



67100



67101



67102



67106



67103



67105

Glass Pendant Shade Light Kits

Glass diameter 11-1/4". Bulb not included, suggested bulb-22546. Kits are UL recognized components.



19051
Blue Swirl Glass Pendant Light
Nickel socket and canopy
with blue rayon wire



19052
Seeded Glass Pendant Light
Antique brass socket and canopy
with blue rayon wire



19055
Ribbed Glass Pendant Light
Nickel socket and canopy
with silver rayon wire



19053
Glass Leaf Design Pendant Light
Antique socket and canopy with
red rayon wire.



19054
Clear Glass Pendant Light
Nickel socket and canopy with
black rayon wire

Metal Pendant Shade Light Kits

8' Length rayon wire. Bulb not included, suggested bulb-22546. Wire kits are UL listed.



19019
Antique Brass Metal Pendant Shade
Antique brass metal shade with
socket and canopy



19020
Black Metal Pendant Shade
Black metal shade with
socket and canopy



19021
Polished Nickel Metal Pendant Shade
Polished metal shade with
socket and canopy

REPRODUCTION METAL PENDANT CAGE LIGHT KITS
BULB NOT INCLUDED, SUGGESTED BULB-22546. WIRE KITS ARE UL LISTED.



19060
 Black Open/Close
 Bulb Cage Pendant
 Black cage 6 3/4" Ht. X 4 1/4" W
 with canopy and 8' black rayon wire



19061
 Polished Nickel Open/Close
 Bulb Cage Pendant
 Nickel cage 6 3/4" Ht. X 4 1/4" W
 with canopy and 8' black rayon wire



19062
 Polished Brass Open/Close
 Bulb Cage Pendant
 Polished brass cage 6 3/4" Ht. X 4 1/4" W
 with canopy and 8' brown rayon wire



19063
 Antique Brass Open/Close
 Bulb Cage Pendant
 Antique brass cage pendant with canopy
 and 8' brown rayon wire



19010
 Polished Brass Finish Cage
 With Canopy
 Polished brass finish cage with canopy
 and 8' brown rayon cord



19011
 Polished Nickel Finish Cage
 With Canopy
 Polished nickel finish cage with canopy
 and 8' black rayon cord



19012
 Antique Brass Finish Cage
 With Canopy
 Antique brass finish cage with canopy
 and 8' brown rayon cord



19013
 Black Finish Cage
 With Canopy
 Black finish cage with canopy
 and 8' black rayon cord

REPRODUCTION METAL PENDANT CAGE LIGHT FIXTURES
BULB NOT INCLUDED, SUGGESTED BULB-22546. UL LISTED FIXTURES.



19030

Pendant Lighting Polished Nickel
Polished nickel fixture, cage and clear glass.
complete UL Fixture with 6' clear wire-60 watt



19031

Pendant Lighting Polished Nickel & Black
Polished nickel fixture, black cage and smoke glass.
complete UL Fixture with 6' clear wire-60 watt



19032

Pendant Lighting Bronze
Bronze fixture, cage and Champagne glass.
complete UL Fixture with 6' black wire-60 watt



19035

Pendant Lighting Polished Nickel
Polished nickel fixture, cage and clear glass.
complete UL Fixture with 6' clear wire-60 watt



19037

Pendant Lighting Polished Nickel & Black
Polished nickel fixture with black cage and smoke glass.
complete UL Fixture with 6' clear wire-60 watt



19036

Pendant Lighting Bronze
Bronze fixture, cage and champagne glass.
complete UL Fixture with 6' black wire-60 watt

CLEAR GLASS PENDANT FIXTURES

Bulb not included, suggested bulb-22546. UL listed fixtures.



19080

Antique Brass

Clear Glass Pendant Fixtures
Canopy is 5 1/4" diameter with a
2 3/4" glass holder and 6 1/2' Wire



19081

Bronze

Clear Glass Pendant Fixtures
Canopy is 5 1/4" diameter with a
2 3/4" glass holder and 6 1/2' Wire



19082

Satin Nickel

Clear Glass Pendant Fixtures
Canopy is 5 1/4" diameter with a
2 3/4" glass holder and 6 1/2' Wire

SEMI-FLUSH OPAL GLASS SCHOOLHOUSE FIXTURES UL LISTED FIXTURES.



19070

Polished Nickel Semi-Flush Opal Glass
Schoolhouse Fixture

Canopy is 6 5/8" diameter with a 4 1/2" glass
holder and 12" diameter, 10 1/2" Extension



19071

Bronze Semi-Flush Opal Glass
Schoolhouse Fixture

Canopy is 6 5/8" diameter with a 4 1/2" glass
holder and 12" diameter, 10 1/2" Extension.



19072

Satin Nickel Semi-Flush Opal Glass
Schoolhouse Fixture

Canopy is 6 5/8" diameter with a 4 1/2" glass
holder and 12" diameter, 10 1/2" Extension

LAMP SHADE PENDANT KITS

ALL LAMP SHADE PENDANT ADAPTORS INCLUDE 100 WATT MEDIUM BASE PORCELAIN SOCKETS WITH DECORATIVE COVERS!



19090
1-Light Shade Adaptor Kit
Satin Brass Finish
UL Listed
5" Canopy
7' of Clear Gold SVT/3 Wire



19091
1-Light Shade Adaptor Kit
Polished Nickel Finish
UL Listed
5" Canopy
7' of Clear SVT/3 Wire



19092
1-Light Shade Adaptor Kit
Satin Nickel Finish
UL Listed
5" Canopy
7' of Clear SVT/3 Wire



19093
1-Light Shade Adaptor Kit
Bronze Finish
UL Listed
5" Canopy
7' of Brown SVT/3 Wire



19096
2-Light Shade Adaptor Kit
Polished Nickel Finish
UL Listed
5" Canopy
7' of Clear SVT/3 Wire



19097
2-Light Shade Adaptor Kit
Satin Nickel Finish
UL Listed
5" Canopy
7' of Clear SVT/3 Wire



19098
2-Light Shade Adaptor Kit
Bronze Finish
UL Listed
5" Canopy
7' of Brown SVT/3 Wire

LAMP FINIALS TAP 1/4-27



Solid Brass Finial
55022-Unfinished
55820-Pol. & Lacq.
55821-Satin Nickel
55822-Polished Nickel
55823-Antique Finish
55824-Black
 1 1/8" Ht., 1/2" Wide,
 Tap 1/4" - 27



Solid Brass Finial
54992-Unfinished
55840-Pol. & Lacq.
55841-Black
55842-Antique Brass
55843-Satin Nickel
55844-Polished Nickel
55845-Satin Brass
 3/4" Ht., 5/8" Wide,
 Tap 1/4"-27



Ball Lamp Finial
59570-Brass Pol. & Lacq.
59647-Antique Gold
59686-Nickel Plated
 1 1/8" HT., 7/8" Dia.



Ball Lamp Finial
59687-Nickel Plated
59648 Antique Gold
 1 1/2" HT., 1" Dia.



Ball Lamp Finial
59572-Brass Pol. & Lacq.
 1 3/4" HT., 1 1/4" Dia.



Solid Brass Finial
55003-Unfinished
55800-Pol. & Lacq.
55801-Satin Nickel
55802-Polish Nickel
55803-Black
 2" Ht., 7/16" Wide,
 Tap 1/4"-27



Solid Brass Finial
55010-Unfinished
55810-Satin Nickel
55811-Antique Brass
55812-Black
55813-Polished Nickel
55814-Pol. & Lacq.
 1 1/2" Ht., 7/16" Wide,
 Tap 1/4"-27



Cylinder Steel Plated Finial
55850-Brass Pol. & Lacq.
55851-Nickel Plated
55852-Stain Nickel
55853-Black
55854-Antique Brass
 5/8" Ht., 1/2" Wide,
 Tap 1/4" -27



Medium Cylinder
 Steel Plated Finial
55860-Brass Pol. & Lacq.
55861-Nickel Plated
55862-Stain Nickel
55863-Antique Brass
55864-Black
 3/4" Ht, 3/4" Wide,
 Tap 1/4" -27



Solid Brass Finial
55016-Unfinished
55834-Pol. & Lacq.
55831-Polished Nickel
55830-Satin Nickel
55832-Antique Brass
55833-Black
 2" Ht., 7/16" Wide,
 Tap 1/4" - 27



Ball Lamp Finial
59490-Satin Nickel
 1" Ht., 3/4" Dia.



Large Cylinder
 Plated Steel Finial
55880-Brass Plated
55881-Nickel Plated
 1" Ht., 1" Dia.



Tall Cylinder
 Plated Steel Finial
55870-Brass Pol. & Lacq.
55871-Nickel Plated
55872-Stain Nickel
55873-Antique Brass
55874-Black
 1" Ht, 1/2" Wide,
 Tap 1/4" -27

DECORATIVE LAMP FINIALS TAP 1/4-27



Circle Tree Finial
59515-Brass Pol. & Lacq.
 2 7/8" Ht., 2" Wide.



Oriental Symbol Finial
59500-Brass Pol. & Lacq.
 2 3/4" Ht., 1 3/4" Wide.



Oriental Cutout Finial
59503-Brass Pol. & Lacq.
 2 1/4" Ht., 1 3/8" Wide.



Oriental Cutout Finial
59510-Brass Pol. & Lacq.
 3 3/8" Ht., 2 3/8" Wide.



Rope Brass Finial
59519-Brass Pol. & Lacq.
59580-Antique Brass Finish
 2 1/2" Ht., 1 3/4" Dia.



Open Wreath Finial
59524-Brass Pol. & Lacq.
 2 3/4" Ht., 1 3/4" Dia.



Ring Finial
59548-Brass Pol. & Lacq.
 2 3/8" Ht., 1 7/8" Dia.



Brass Leaf Finial
59504-Brass Pol. & Lacq.
 3" Ht., 1 3/4" Wide.



Fan Finial
59496-Brass Pol. & Lacq.
 3" Ht., 2" Wide.



Brass Loop Finial
59517-Pol. & Lacq.
 3 1/4" Ht., 2" Dia.



Trophy Brass Finial
59706-Pol. & Lacq.
 3 1/4" Ht., 1 1/2" Dia.



Dragonfly Brass Finial
59724-Pol. & Lacq.
 1 5/8" Ht., 3" Dia.



Decorative Symbol Finial
59696-Nickel Plated
59717-Brass Pol. & Lacq.
 3 3/8" Ht., 1 1/4" Wide.



Brass Pineapple Finial
59631-Antique Brass Finish
 2 1/2" Ht., 5/8" Dia.



Flower Finial
59675-Satin Nickel
 2 7/8" Ht., 1 1/4" Wide.



Square Cast Brass Finial
50049-Cast Brass Raw
59589-Antique Brass
 1 7/8" Ht., 5/8" Wide.



Brass Lamp Finial
55013-Unfinished Brass
55432-Burn. & Lacq.
 1" Ht., 1/2" Dia.



Knurled Ball Lamp Finial
54996-Unfinished Brass
 3/4" Ht., 3/4" Dia.



Turned Brass Finial
55154-Raw Brass
55155-Pol. & Lacq.
 1 15/16" Ht., 3/4" Dia.



Brass Pyramid Finial
59727-Brass Pol. & Lacq.
 1 1/2" Ht., 7/8" Dia.

LAMP FINIALS TAP 1/4-27



Pyramid Knob-Small
54994-Brass Raw
3/4" Ht., 9/16" Wide.



Brass Pyramid Finial
50040-Cast Brass Raw
1" Ht., 1 1/4" Wide.



Brass Knob Finial
59670-Satin Nickel
1 1/2" Ht., 3/4" Dia.



Brass Knob Finial
55616-Pol. & Lacq.
1 1/2" Ht., 3/4" Dia.

DIE CAST LAMP FINIALS Tap 1/4-27



Lamp Knobs
50008-Nickel Plated
50009-Brass Plated
50010-Dark Antique
3/8" Ht., 11/16" Dia.



Die Cast Acorn Finial
50084-Brass Plated
50085-Antique Plated
59495-Chrome Plated
1 1/2" Ht., 7/8" Dia.



Die Cast Pineapple
50066-Brass Plated
50065-Antique Plated
1 1/2" Ht., 7/8" Dia.



Flame Die Cast Finial
50903-Brass Plated
50921-Antique Plated
2" Ht., 7/8" Dia.



Die Cast Pyramid Finial
59497-Chrome plated
1 1/2" Ht., 1 Wide.



Die Cast Brass Lamp Finial
59491-Antique Brass Plated
2" Ht., 1/2" Dia.



Die Cast Lamp Finial
59493-Antique Brass Plated
1 1/2" Ht., 3/4" Dia.



Die Cast Lamp Finial
59492-Chrome Plated
1 1/2" Ht., 3/4" Dia.

CRYSTAL LAMP FINIALS TAP 1/4-27

Clear Crystals Lamp Finials
Brass, Antique & Nickel Base
59307-Clear/Brass
59222-Clear/Antique
59237-Clear/Nickel
2 5/8" Ht., 1 1/4" Dia



Clear Crystals Lamp Finials
Brass, Antique & Nickel Base
59321-Clear/Brass
59220-Clear/Antique
59235-Clear/Nickel
3" Ht., 1 1/4" Dia.



Clear Crystals Lamp Finials
Brass, Antique & Nickel Base
59317-Clear/Brass
59223-Clear/Antique
59236-Clear/Nickel
3 1/4" Ht., 1 1/4" Dia.



Clear Crystal Lamp Finial
Brass, Antique & Nickel Base
59207-Clear/Brass
59221-Clear/Antique
59326-Clear/Nickel
3" Ht., 1 1/8" Dia.



Clear Acrylic Finial
59284-Brass
2" Ht., 1 1/16" Dia.



Clear Crystal Finial
59208-Brass
3 1/2" Ht., 5/8" Dia.



Clear Crystal Finial
59338-Brass
3 1/4" Ht., 1 1/4" Dia.



Clear Crystal Finial
59301-Brass
2 1/2" Ht., 1 1/4" Dia.



Clear Crystal Finial
59212-Brass
3 1/2" Ht., 1 1/8" Dia.



Clear Crystal Finial
59213-Brass
2 3/4" Ht., 1 1/4" Dia.

CRYSTAL LAMP FINIALS TAP 1/4-27

Color Crystals Lamp Finials
Brass Base
59330-Pink
59334-Ruby
55933-Amber
59337-Amethyst
59335-Blue
59336-Green
2 5/8" Ht., 1 1/4" Wide.



Colored Crystal Lamp Finials
Nickel Base
59230-Blue
59232-Amber
59233-Amethyst
59234-Green
59231-Ruby
2 5/8" Ht., 1 1/4" Wide.



Colored Crystal Lamp Finials
Antique Brass Base
59224-Blue
59225-Amber
59226-Green
59227-Amethyst
59228-Ruby
2 5/8" Ht., 1 1/4" Wide.



Lamp Finial Base
59133-Brass Pol. & Lacq.
59134-Polished Nickel Finish
59135-Antique Brass
1 3/4" HT.



CERAMIC BALL LAMP FINIALS TAP 1/4-27



Brass Base
59601-White/Brass
59606-Black/Brass
2" HT., 1 1/16" Dia.



Satin Nickel/Base
59730-White/Satin Nickel
59731-Black/Satin Nickel
2" HT., 1 1/16" Dia.

WOODEN BALL LAMP FINIALS TAP 1/4-27

Wooden Ball Lamp Finials
Brass Base
59414-Brown
59415-Black
59416-Mahogany
59417-Unfinished
2" HT., 1 1/4" Dia.



Wooden Ball Lamp Finials
Nickel Base
59481-White
59482-Brown
59483-Black
59480-Mahogany
2" HT., 1 1/4" Dia.



Wooden Ball Lamp Finials
Antique Base
59470-Brown
59471-Black
59472-Mahogany
2" HT., 1 1/4" Dia.



WOODEN BALL LAMP FINIALS TAP 1/4-27

Wooden Ball Lamp Finials
59418-Medium Brown
59419-Black
59420-Mahogany
59421-Unfinished
1 1/4" HT., 1 1/4" Dia.



59430-Mahogany
59431-Medium Brown
59432-Black
59433-White
7/8" HT., 7/8" Dia.



Product Index

1050089	2210479	2240181	3005131	3015016
1050189	2210579	2240281	3005231	3015410
1050289	2210879	2240381	3005329	3015613
1050389	2210979	2240481	3005531	3015910
1050489	2211379	2240581	3005631	3016016
1050589	2211479	2240681	3005729	3016255
1051089	2211579	2240781	3005829	3016610
1051189	2212079	2240981	3006230	3016710
1051289	2212179	2250482	3006330	3016910
1051389	2212779	2250582	3006531	3017010
1051589	2212879	2250682	3006731	3017410
1051689	2212979	2250782	3006814	3017510
1051789	2213079	2251282	3007030	301766
1051889	2213179	2251382	3007130	3017755
1051989	2213279	2251482	3007230	301794
1110183	2213379	2252080	3007330	301807
1111183	2213579	2252180	3007430	301817
1111283	2213679	2252380	3007529	301827
1901091	2214080	2252480	3007629	301837
1901191	2221079	2253080	3007729	301847
1901291	2221179	2253180	3007829	301857
1901391	2221279	2253280	3007930	301877
1901990	2221379	2253380	3008429	3018915
1902090	2221479	2254080	3008631	301907
1902190	2221679	2254180	3008730	301917
1903092	2221779	2254580	3009029	301927
1903192	2221979	2254680	3009129	301937
1903292	2222079	300015	3009529	301947
1903592	2222179	300035	3009629	301957
1903692	2222579	300045	3009729	301967
1903792	2222779	300065	3009829	301977
1905190	2222879	300075	3010010	301987
1905290	2222979	3001030	301017	3020027
1905390	2223280	3001130	301027	3020127
1905490	2224179	3001830	301037	3020227
1906091	2224579	3001930	301047	3020327
1906191	2224679	3002230	301057	3020427
1906291	2225080	3002429	301087	3020527
1906391	2225180	3002529	3011410	3020627
1907093	2225280	300265	3011513	3020727
1907193	2225380	3002731	3011613	3020827
1907293	2225780	3003030	3011713	3020927
1908093	2226080	3003130	3011810	3021027
1908193	2228182	3003230	3011910	3021127
1908293	2228482	3003330	3012010	3021227
1909094	2229080	3003430	301227	3021327
1909194	2229682	3003630	301237	3021527
1909294	2231181	3003830	301247	3021627
1909394	2231581	300395	3012710	3021727
1909694	2232981	300405	301304	3021827
1909794	2233079	3004123	3013514	3021927
1909894	2233179	3004431	3014014	3022027
2106888	2233481	3004531	3014114	3022227
2106988	2234181	3004631	3014214	3022527
2107388	2235081	3004831	3014413	3022627
2210179	2235281	3004931	3014713	3022727
2210379	2240081	3005031	3014810	3022827

3022927	303009	3041230	306411	307463
3023025	303019	304153	306421	3074715
3023125	303029	304307	306431	3074815
3023225	303059	304354	306441	3074915
3023325	303069	304364	306451	307503
3023725	303079	304374	306608	307513
3023825	303089	304384	306618	307523
3023925	303099	3044329	306628	307533
3024026	303109	3044429	306638	307543
3024126	3031220	3044529	306708	307553
3024226	303139	3044629	306718	307578
3024326	3031420	304527	306728	307588
3024426	303169	304537	306784	307598
3024526	303179	304547	306794	307623
3024626	303219	304557	306804	307645
3024726	303239	304567	306814	307655
3024926	303349	304577	306824	307665
3025026	303359	304607	306834	307686
3025226	303369	304617	306844	307696
3025326	303379	3050516	306854	307705
3025426	303409	3050810	306864	307715
3025726	303419	3051316	306874	307725
3025826	303429	3052311	306884	307735
3025926	303439	3052613	306904	307745
3026026	303459	3052713	306914	307755
3026126	303509	3053012	306924	307765
3026226	3035320	3053112	306934	307776
3026426	3035420	3053312	306944	307783
3026526	3035520	3053412	306954	307801
3026625	3035620	3053512	3070016	307811
3026725	3035720	3053612	3070115	307821
3026826	3035820	3053712	3070215	307831
3026926	303629	3053912	3070315	307841
3027025	303639	3054012	3070515	307851
3027126	3036430	3054112	3070616	307876
3027226	3036530	3054212	3070716	307881
3027426	3036630	3054312	3070914	307891
3027526	3036730	3054412	3071014	307908
3027626	3036830	3054512	3071114	307918
3027726	3037629	3054612	3071214	307928
3027826	3037729	3054712	3071314	307938
3027926	3037829	3054812	3071414	307948
3028026	3037929	3054912	3071614	307958
3028126	3038130	3055055	3071714	307968
3028225	3038229	3056623	3071813	307978
3028325	3038330	3056722	3071915	307988
3028525	3038430	3057222	3072013	307998
3028625	303859	3057322	3072314	3080124
3028725	3038830	3057422	3072616	3080223
3028927	3039529	3058024	3072716	3080323
3029026	3039629	3058224	3072916	3080624
3029126	3039729	3058423	3073116	3080723
3029225	3039829	3058523	3073416	3080823
3029325	304007	3063011	3073616	3080924
3029427	304057	306316	307391	3081023
3029526	304077	306326	307418	308124
3029626	304087	306336	307423	308134
3029727	304097	306346	307433	308144
3029825	304107	306356	307443	308154
3029925	3041130	306401	3074516	308164

308202	3105227	4042657	4069158	4127178
308212	3106427	4042757	4069258	4129078
308222	3106527	4042857	4072258	4129578
308242	3107030	4042957	4072358	4129978
308252	3107130	4043057	4072558	5000232
308302	3107230	4043157	4073058	5000432
308312	3107330	4043257	4073158	5000897
308322	3107430	4043357	4073258	5000997
308332	3107530	4043457	4073358	5001097
308342	3108030	4043557	4100033	5001244
308352	3108130	4043657	4100233	5001344
308362	3108230	4043757	4100433	5003845
308372	3108330	4043857	4100532	5004097
308512	3108430	4060057	4100733	5004996
308522	3108530	4060157	4100933	5005148
308532	3110027	4060457	4101478	5006041
3087029	3110127	4060557	4101533	5006445
3087129	3110327	4060657	4101633	5006597
3087229	3110427	4060757	4101833	5006697
3087529	3110527	4060857	4102033	5006945
3087629	3120028	4060957	4102133	5007047
3087729	3120128	4061057	4102849	5008045
308902	3120228	4061157	4103049	5008497
308912	3120328	4061257	4103249	5008597
308922	3120428	4061357	4103549	5008645
308932	3120628	4061457	4103649	5009132
308942	3120728	4061557	4103749	5009232
3091224	3120828	4061657	4103849	5009332
3091824	3121027	4061757	4103949	5009748
3093011	3121227	4062657	4104049	5009848
3093411	4001073	4062757	4104149	5009948
3094029	4001673	4062857	4104378	5010148
3094129	4001773	4062957	4104449	5010348
3094329	4031459	4063057	4104549	5010647
3095611	4031559	4063157	4104649	5010847
3096111	4033058	4063257	4104749	5013441
3096522	4034158	4063357	4104849	5013648
3096922	4039358	4063457	4104949	5013747
3097222	4039458	4063557	4105175	5013848
3097322	4039558	4063657	4105275	5014547
3098011	4039658	4063757	4105375	5014648
3098312	4039758	4063857	4105475	5016146
3098811	4039858	4063957	4105575	5016246
3099711	4039958	4064057	4105975	5016346
3100021	4040457	4064157	4106175	5017046
3100221	4040557	4064257	4106275	5017146
3100521	4040657	4065158	4106475	5017246
3100621	4040757	4065258	4106749	5019348
3102026	4040857	4065358	4106849	5021332
3102126	4040957	4065458	4106949	5021632
3102826	4041057	4065558	4107032	5021832
3103025	4041157	4065658	4107132	5022125
3103226	4041257	4065758	4107232	5022232
3103526	4041357	4065858	4108075	5022325
3104026	4041457	4065958	4116178	5022425
3104126	4041557	4068058	4116278	5022932
3104226	4041657	4068158	4121578	5023432
3104627	4041757	4068258	4122778	5023532
3105027	4042457	4068358	4122878	5023725
3105127	4042557	4069058	4122978	5023825

5023925	5050649	5093817	5300061	5404140
5024132	5050749	5093917	5300161	5404240
5024325	5050949	5094517	5300261	5404340
5024425	5051349	5094617	5300461	5404440
5024525	5051449	5094717	5300561	5404540
5024625	5051549	5094817	5300661	5404640
5024732	5054167	5094917	5300761	5404740
5024932	5054267	5095017	5300861	5404840
5025119	5059360	5095164	5300961	5404940
5025419	5059620	5095267	5301261	5405040
5025519	5059720	5095518	5301361	5405140
5025619	5059820	5095618	5395164	5405240
5025719	5059920	5095718	5395363	5405340
5025819	5060420	5095818	5395464	5405540
5025919	5060520	5095918	5395564	5405740
5026019	5060620	5096018	5395664	5405840
5026119	5060720	5096118	5397063	5405940
5026319	5060820	5096218	5397163	5406040
5026719	5060920	5096318	5397362	5406140
5026819	5061464	5096418	5397463	5406340
5027219	5061564	5096518	5397563	5406440
5027319	5061664	5096618	5397663	5406540
5027619	5061764	5096718	5398572	5406740
5028519	5082488	5096818	5398672	5406840
5028619	5082888	5097017	5398772	5408740
5028819	5085244	5097618	5398972	5408840
5028919	5085344	5097718	5399072	5408940
5029020	5085444	5097818	5400240	5409040
5029120	5086017	5097918	5400340	5409240
5029520	5086117	5098018	5400440	5409336
5029620	5086217	5098118	5400540	5409636
5029719	5086317	5098218	5400740	5409874
5029819	5086417	5098318	5400840	5410136
5029947	5087017	5098418	5400940	5410236
5030744	5087117	5098518	5401040	5410336
5030844	5087217	5098618	5401140	5410436
5030947	5087317	5098718	5401240	5410536
5031644	5087417	5098818	5401440	5411036
5031744	5087517	5098918	5401540	5411336
5031844	5087617	5099018	5401640	5411536
5031944	5087717	5099118	5401740	5411636
5032044	5087817	5099218	5401840	5411736
5032744	5087917	5099318	5401940	5411936
5032844	5088017	5099418	5402040	5413066
5032944	5088117	5099518	5402140	5413266
5037873	5088417	5099618	5402240	5413761
5037973	5088617	5099718	5402340	5413861
5039764	5088717	5099818	5402440	5413961
5040278	5089417	5099918	5402540	5414061
5040378	5089517	5107032	5402640	5414661
5040478	5089617	5107132	5402740	5414761
5040578	5089717	5107232	5402840	5414861
5040647	5090397	5107332	5402940	5415161
5040747	5092197	5107432	5403040	5415261
5040847	5093019	5107532	5403140	5415461
5042360	5093119	5107632	5403240	5415978
5042860	5093219	5108025	5403440	5418361
5046088	5093319	5108125	5403640	5418461
5048149	5093419	511009	5403940	5418661
5048249	5093519	5110136	5404040	5418975

5419869	5446740	5466221	5480861	5499545
5420273	5446840	5466321	5481061	5499696
5420373	5446940	5466421	5481161	5500146
5421873	5447040	5466621	5481261	5500246
5421973	5447240	5466721	5481362	5500395
5422073	5447840	5466821	5481462	5500632
5422173	5447940	5467566	5481562	5500746
5424139	5448040	5467666	5482061	5500946
5424239	5448140	5467766	5482261	5501095
5424439	5448240	5467866	5482561	5501346, 96
5424539	5448340	5467966	5482661	5501446
5424639	5448440	5468189	5482761	5501695
5424739	5448540	5468289	5482861	5501835
5424839	5448640	5468489	5482961	5501935
5424939	5448740	5468689	5483362	5502132
5425039	5448840	5469021	5483462	5502295
5425139	5448940	5469121	5483561	5502441
5425377	5450086	5469221	5483661	5502541
5426066	5450186	5469321	5483862	5502741
5426266	5450286	5470170	5483962	5502841
5426366	5450386	5470270	5484561	5502941
5426466	5460386	5470570	5484661	5503141
5426566	5460486	5470670	5484723	5503235
5426665	5460586	5470970	5484823	5503335
5428039	5460686	5471070	5484923	5503646
5429477	5460786	5471170	5485636	5503941
5429677	5460886	5471270	5485861	5504035
5430877	5460986	5471770	5486036	5504135
5431577	5461066	5472370	5486136	5504443
5431640	5461166	5472470	5486236	5504541
5432239	5461266	5472570	5486336	5504645
5432339	5461586	5474339	5486436	5504745
5432439	5461686	5474439	5486536	5504845
5432739	5461786	5474639	5486836	5504945
5433766	5461886	5474839	5487139	5505045
5433866	5461986	5475039	5487571	5505144
5435075	5462066	5475139	5487671	5505242
5435175	5462166	5475239	5487771	5505342
5435577	5462266	5475339	5487871	5505542
5435677	5462366	5475639	5487971	5505742
5435877	5462466	5475739	5488071	5505942
5435977	5462566	5475839	5488271	5506044
5436077	5462666	5475939	5488371	5506145
5436573	5463766	5476239	5488471	5506242
5436673	5463866	5476339	5488571	5506342
5436773	5463966	5476439	5488671	5506442
5436873	5464621	5476639	5488771	5506543
5436973	5464721	5476739	5488871	5506644
5439174	5464821	5476839	5490089	5506743
5439574	5464985	5477139	5490189	5506943
5440074	5465085	5477339	5490289	5507043
5440174	5465385	5477839	5490389	5507243
5440274	5465485	5478539	5490489	5507442
5446040	5465585	5478639	5490589	5507542
5446140	5465685	5478739	5497054	5507642
5446240	5465785	5480261	5497154	5507742
5446340	5465885	5480362	5499045	5507842
5446440	5465985	5480461	5499145	5507942
5446540	5466021	5480561	5499295	5508046
5446640	5466121	5480661	5499497	5508277

5508377	5522532	5535352	5553346	5566554
5508546	5522935	5535553	5553446	5566741
5508671	5523235	5535652	5553546	5566841
5509954	5523335	5535852	5553744	5566941
5510054	5523544	5535952	5553843	5567043
5511151	5524151	5536052	5556451	5568041
5511235	5524251	5536153	5557053	5569054
5511551	5524351	5537853	5557939	5569154
5511751	5524451	5537953	5558039	5569254
5512435	5524551	5538939	5558139	5569354
5513135	5524651	5539039	5558239	5569554
5514341	5524851	5539139	5558439	5569654
5514441	5524951	5539239	5558539	5569754
5514641	5525632	5539339	5558739	5569854
5514741	5525732	5539439	5558839	5571039
5515354	5525832	5539539	5558939	5571139
5515496	5525932	5539639	5559039	5571239
5515596	5526032	5541343	5559439	5571339
5515651	5526132	5541442	5559539	5571439
5515751	5526232	5541842	5559639	5571539
5516144	5526432	5542142	5559739	5571639
5516244	5526532	5543246, 96	5559841	5571739
5516344	5526651	5543443	5560541	5571839
5516444	5527235	5543642	5560641	5571939
5516632	5527332	5545344	5561546	5572053
5516735	5527735	5545444	5561646, 97	5572153
5517046	5527835	5545544	5561923	5572253
5517146	5527935	5545644	5562143	5572453
5517246	5528035	5545842	5562243	5572653
5517346	5528151	5545942	5562343	5572752
5517546	5528235	5546039	5562443	5573039
5518046	5528451	5546139	5562544	5573139
5518454	5528735	5546239	5562645	5573239
5518554	5529135	5546339	5562845	5573339
5518654	5529235	5546439	5562945	5573439
5518854	5529335	5546642	5563045	5573539
5518946	5529434, 35	5546742	5563145	5573639
5519045	5529535	5547643	5563245	5573739
5519145	5529635	5547743	5563345	5573839
5519245	5529834	5548043	5563445	5573939
5519345	5529934	5548243	5563645	5574039
5519445	5530139	5548344	5563745	5576041
5519746	5530239	5548444	5563841	5576141
5519846	5530339	5548744	5564046	5576241
5519954	5530439	5548846	5564146	5576341
5520135	5530539	5549443	5564246	5576441
5520235	5530639	5549646	5564554	5580095
5520435	5530739	5549843	5564654	5580195
5520535	5532139	5550042	5564754	5580295
5520635	5532651	5550545	5564854	5580395
5520751	5532951	5550645	5565054	5581095
5520834	5533050	5550745	5565154	5581195
5520934	5533150	5550845	5565254	5581295
5521034	5533250	5550945	5565454	5581395
5521134	5533450	5551943	5565554	5581495
5521234	5533650	5552842	5565654	5582095
5521334	5533850	5552943	5565854	5582195
5521434	5534250	5553043	5565954	5582295
5521734	5534450	5553143	5566054	5582395
5522132	5535151	5553243	5566454	5583095

5583195	5598156	5610137	5641574	5656737
5583295	5598256	5610437	5642371	5656837
5583395	5598356	5610537	5642572	5656937
5583495	5598456	5610637	5642672	5657037
5584095	5599052	5610837	5642969	5657237
5584195	5600038	5611037	5643376	5657337
5584295	5600138	5611237	5643876	5657437
5584395	5600238	5611437	5645268	5658137
5584495	5600338	5611637	5645368	5658237
5584595	5600438	5611837	5645576	5658337
5585095	5600538	5612037	5645776	5658437
5585195	5600638	5612237	5646176	5658537
5585295	5600738	5612437	5646676	5658637
5585395	5600838	5612637	5647274	5658737
5585495	5600938	5612837	5647765	5658837
5586095	5601038	5613037	5648574	5658937
5586195	5601138	5613437	5650038	5659037
5586295	5601238	5615171	5650138	5659137
5586395	5601338	5615238	5650238	5659237
5586495	5601438	5618054	5650338	5659337
5587095	5601538	5619061	5650438	5659437
5587195	5601638	5619161	5650538	5674265
5587295	5601738	5619362	5650638	5675070
5587395	5601838	5619462	5650738	5675170
5587495	5601938	5619562	5650838	5675670
5588095	5602038	5620470	5650938	5675970
5588195	5602138	5620670	5651038	5677270
5590142	5602238	5621977	5651138	5683865
5590242	5602338	5622077	5651238	5687854
5591042	5602438	5622877	5651338	5687956
5591142	5602638	5622977	5651438	5688256
5591242	5602838	5623077	5651538	5688356
5591342	5602938	5623176	5651638	5689760
5591442	5603038	5623276	5651738	5689852
5592043	5603238	5623677	5651838	5690068
5592243	5603438	5623776	5651938	5690168
5592343	5603538	5623877	5652038	5690268
5592443	5603638	5625576, 77	5652138	5690368
5593398	5603838	5625776	5652238	5690468
5594042	5603938	5625876	5652338	5691068
5594242	5604038	5628174	5652438	5691752
5594342	5604238	5628574	5652638	5692067
5595542	5604438	5628874	5652838	5692167
5595642	5605165	5629135	5652938	5692367
5595742	5605265	5629854	5653038	5692652
5595842	5605423	5629956	5653238	5692767
5595942	5605523	5631863	5653438	5694052
5596143	5605823	5631963	5653538	5694652
5596243	5606238	5632064	5653638	5694752
5596443	5606365	5637268	5653838	5694852
5596543	5607766	5637370	5653938	5695047
5596643	5608165	5637470	5654038	5695248
5597042	5608265	5637570	5654138	5695348
5597242	5608769	5637768	5654238	5695548
5597342	5608969	5638065	5654438	5695648
5597542	5609069	5638568	5656237	5695848
5597642	5609169	5640374	5656337	5696352
5597742	5609365	5640574	5656437	5696647
5597842	5609465	5641168	5656537	5696747
5598056	5609570	5641368	5656637	5696952

5697060	5710251	5721150	5740251	5818347
5697867	5710351	5721250	5750535	5818447
5697967	5710451	5721550	5752035	5818547
5698372	5710551	5722251	5752135	5818647
5698563	5710651	5722551	5752335	5819047
5699372	5710751	5722751	5753035	5819147
5699564	5710851	5725050	5754050	5819247
5700035	5710951	5725250	5754150	5819347
5700135	5711051	5725650	5754250	5819547
5700235	5711151	5726351	5754350	5819647
5700335	5711251	5726551	5754450	5819847
5700435	5711351	5726851	5754550	5819947
5700535	5711451	5727050	5754650	5820037
5700635	5711551	5727150	5754750	5820137
5700735	5711651	5727250	5754850	5820237
5701334	5711751	5729734	5754950	5820337
5701434	5711851	5729834	5755050	5820437
5701634	5712051	5729934	5756050	5820537
5701734	5712151	5730234	5756150	5820637
5701934	5712251	5730334	5756250	5820737
5702134	5712351	5730434	5756350	5820837
5702233	5712451	5730534	5756450	5820937
5702433	5712551	5730734	5756550	5821037
5702533	5712651	5730934	5756650	5821137
5702633	5712751	5731133	5756750	5821237
5702933	5712851	5731233	5760059	5821337
5703033	5713051	5731333	5760159	5821437
5703133	5713251	5731433	5760259	5821537
5703534	5713651	5731633	5760359	5821637
5703933	5714951	5731733	5760459	5821737
5704133	5715556	5731911	5760559	5822537
5704233	5715656	5732134	5762059	5822637
5704635	5715756	5732234	5762159	5822737
5705151	5716755	5732334	5762259	5822837
5705251	5716855	5732834	5762359	5822937
5705351	5717355	5732934	5762459	5823037
5705451	5717551	5734755	5762559	5823137
5705551	5717651	5734855	5763059	5823237
5705751	5717751	5734955	5763159	5823337
5705833	5717851	5736033	5763259	5823437
5707251	5718050	5736133	5763359	5823537
5707351	5718150	5736233	5763459	5823637
5707451	5718250	5736333	5763559	5823737
5707551	5718350	5737053	5800074	5823837
5707651	5718450	5737153	5813072	5823937
5707751	5718550	5737253	5813172	5824037
5707851	5718750	5737353	5813272	5824137
5707951	5718850	5737653	5813472	5824237
5708051	5719050	5737753	5813548	5830048
5708151	5720050	5738053	5813648	5830148
5708251	5720150	5739050	5814447	5830448
5708351	5720250	5739150	5814547	5830548
5708551	5720350	5739250	5817247	5830648
5708751	5720450	5739350	5817347	5830848
5708851	5720550	5739450	5817447	5830948
5708951	5720650	5739550	5817547	5831748
5709050	5720750	5739650	5817647	5832048
5709150	5720850	5739750	5817747	5832148
5709551	5720950	5739851	5817847	5832248
5710051	5721050	5739951	5818247	5832348

5832448	5930797	5971796	7600884
5832548	5931797	5972496	7601084
5834048	5932197	5972796	7601184
5834148	5932697	5973098	7601384
5834248	5933098	5973198	7601587
5834348	5933498	6419078	7610084
5834448	5933598	6419178	7620084
5834548	5933698	6710089	7620184
5840069	5933798	6710189	7620384
5840169	5933897	6710289	8032187
5840269	5941498	6710389	8032287
5840369	5941598	6710589	8032487
5840469	5941698	6710689	8060173
5840569	5941798	7007656	8090369
5840669	5941898	7007755		
5841069	5941998	7011284		
5841169	5942098	7012184		
5841269	5942198	7012284		
5841369	5943098	7012484		
5841469	5943198	7013783		
5841569	5943298	7014284		
5842069	5943398	7014784		
5842169	5947098	7016083		
5842269	5947198	7016683		
5842369	5947298	7016783		
5842469	5948098	7016983		
5842569	5948198	7017183		
5843069	5948298	7017283		
5843169	5948398	7017483		
5843269	5949095	7019784		
5843369	5949197	7022084		
5843469	5949297	7022484		
5843569	5949397	7024587		
5843669	5949597	7024687		
5913398	5949696	7024887		
5913498	5949797	7025687		
5913598	5950096	7025787		
5920797	5950396	7025987		
5920897	5950496	7026087		
5921297	5951096	7026487		
5921397	5951596	7045683		
5922097	5951796	7045783		
5922197	5951996	7051184		
5922297	5952496	7051284		
5922397	5954896	7051384		
5922498	5957095	7051484		
5922598	5957295	7052183		
5922698	5958096	7052283		
5922798	5958996	7052383		
5922898	5960198	7052483		
5923098	5960698	7055187		
5923198	5963196	7055287		
5923298	5964795	7055387		
5923398	5964895	7055487		
5923498	5967097	7060087		
5923597	5967596	7060175		
5923697	5968695	7060475		
5923797	5968795	7600084		
5928497	5969696	7600684		
5930197	5970696	7600784		

INDEX

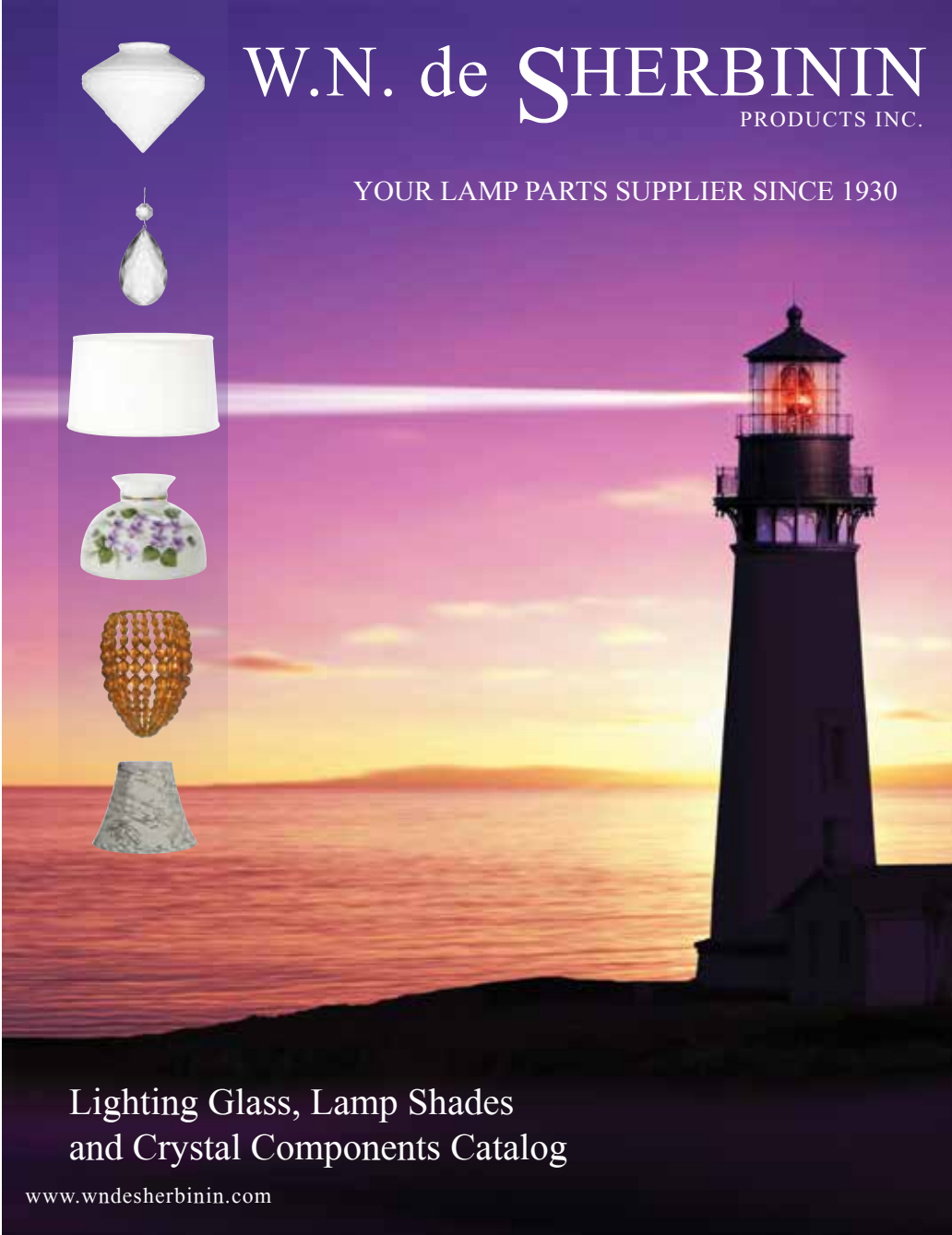
Adapters32, 95-96, 98	Chain61-62
	Candlesticks.....87		Bead.....23
	Lamp Shades73		Cast Brass62
	Oil Lamp.....77		Connectors.....23, 61
	Rubber Corregated.....32		Jack61
Adhesives78		Ladder.....61
Arms50, 52-53		Links61
	Bent.....50, 52-53		Pliers.....78
	Figurine.....50	Chandelier Cleaner78
	Pin-up52	Check Rings39
Back Plates67	Chimney Holders69
Balls, Brass45-46	Clips for	
Ball Shade Holders74	Reflector Shades74
Banding, Brass74	Clusters54-56
Bases57-60		Adjustable.....55-56
	Brass60		Assemblies.....56
	Cast Brass60		Bodies54
	Marble.....59		Socket55-56
	Metal.....59-60		Wired55-56
	Wood.....57-58	Collars76-77
Bell, Smoke38		Mason77
Brackets83		#1 and #176-77
Brass			Reducing.....77
	Ball45-46	Columns88
	Bases.....60	Columns and Bases88
	Caps4, 9	Connectors32
	Finials45, 46, 95-97	Cord Sets25, 26, 28
	Vase Caps.....37-38	Cork Adapters84
Bulbs79-82	Couplings42-44
	Compact Fluorescent.....82	Cross Bars36
	Halogen.....81	Dimmers23-24
	Mogul80		Switches.....31
	Silicone81	Diamond Drills78
Burners75-76, 83	Electric Tape78
	Brass76	Epoxy78
	Cut-Out.....75-76, 83	Extensions32
	Kosmos76		Brass Socket32
	Oil.....75-76	Felt49
	Wired83	Figurine Arns50
Bushings32, 35	Finials44-46, 95-98
	Bakelite.....32	Flange Nipple51
	Cord Inlet.....32	Flush Mounts93
	Eyelet.....32	French Hook36
	Reducer.....35	Gascock52
	Rubber32	Galleries69
Cages89	Grommets32
Candle Covers17-20	Halogen Parts22-24
	Beeswax.....18		Sockets.....22
Candle Cups71-72		Bulbs.....81
Candle Plates72	Harps40
Candlestick Adapter98	Hickeys36
Canopies63-66	Holders73, 74
	Hanger Kits.....86		Glass68-71
Caps4, 9, 77		Ball shade74
	Brass9		Student shade.....73-74
	Filler77	Hooks48
	Socket4-9	Hoops, Brass Filler77
Cast Brass Parts		Iron Brackets83
for Hanging Glass63	Jax Master Solutions78
Ceiling Kits85, 89-92		

INDEX

Keys, Extentions	32	Sparkle Plenty	78
Knobs	35, 46	Spiders	73
Lamp Shades Pendant	94	Spice Jar Adapters	98
Light Bulbs	79-82	Sponge for Lampshades	78
Liners, Paper		Stems for clusters	50
for Sockets	9	Swag Chain	61
Line Switches	29	Switches	31
Loaders	49	Swivels	9, 41
Locknuts	34	Tape, Electric	78
	Knurled	Touch Dimmers	24
 34	Tools	78
Loctite	78	Torchiere Holders	68
Loops	47-48	Transformers	23-24
Make a Lamp Kit	87	Tripods	73
Mason Jar Wire Kits	87	Tubing	50
Mogul Socket	16		Brass
	Bulb	Uno Shade Holders	69
 80	Vase Caps	37-38
Neck, Brass	42-44	Wall Brackets	83
	Brass Plated	Washers, Felt, Rubber,	
 44	Steel, Plastic	33
	Nickel	Weights	49
 42-44	Wicks	75
	Antique	Wire, Spools	27, 28
 42-44		Brass Wire
Nipples	51	 78
Nozzles	41	Wired Lamps	88
Oil Lamp Adapters	77	Wired Oil	
Paint Spray	78	Lamp Adapters	83, 84, 87
Pendant Light Kits	21, 89-94	Wired Kits	21, 83, 84, 85
Pin-Up Arms	52	Wood Bases	57-58
Pipe, Threaded	50-51		
	Slip Ring		
 51		
Plates, Back	67		
Pliers, Prism and Chain	78		
Plugs	30		
Plug-hole, Brass	78		
Polish Simochrome	78		
Prism Pins	78		
Reducers	5, 35		
Resin Candle Covers	18		
Rings	74		
Risers, Shade	74		
Rosettes	63		
Screws	35		
Screw Collar Loops	47		
Shade Holders	68-70, 73-74		
	Ball		
 74		
	Glass		
 73		
	Spiders, Tripods		
 73		
	Torchiere		
 74		
	Spiders w/Brass Ring		
 74		
Smoke Bell	38		
Sockets	1-16, 21, 22		
	Antique Finish		
 2, 3, 6, 8		
	Candelabra		
 14-15		
	Caps		
 4, 9		
	Cast Brass		
 2		
	Dimmer		
 6, 23, 24		
	Enlargers		
 5		
	Halogen		
 22		
	Interiors		
 4, 10		
	Phenolic		
 11-12		
	Porcelain		
 15-16		
	Reducers		
 5		

As your Complete Source for Lamp and Lighting Parts,
W. N. de Sherbinin is proud to offer the widest variety of Lighting Glass,
Lamp Shades, and Crystal Parts.

Please check out our full color Glass - Shade - Crystal Catalog!



The advertisement features a vertical strip on the left side containing six different lighting components: a white glass shade, a teardrop-shaped glass pendant, a white cylindrical lampshade, a glass vase with a floral pattern, a large crystal chandelier, and a white ceramic lamp base. The background is a photograph of a lighthouse on a rocky shore at sunset, with a beam of light from the lighthouse illuminating the sky. The text is overlaid on the right side of the image.

W.N. de SHERBININ
PRODUCTS INC.

YOUR LAMP PARTS SUPPLIER SINCE 1930

Lighting Glass, Lamp Shades
and Crystal Components Catalog

www.wndesherbinin.com

And remember:

We are always adding new items, and sourcing special items for our customers.
You can see all of the latest on our website:

www.wndesherbinin.com

Bill (W. N. de Sherbinin II) was an enterprising entrepreneur in his own right. He took his father's patented inventions and created retail packaged DIY kits in several variations. Then he took them on the road.

Bill sold his products to all of the major retailers in the Northeast, and continued to build the W. N. de Sherbinin Products Company into a leading wholesale supplier of lamp and lighting parts.



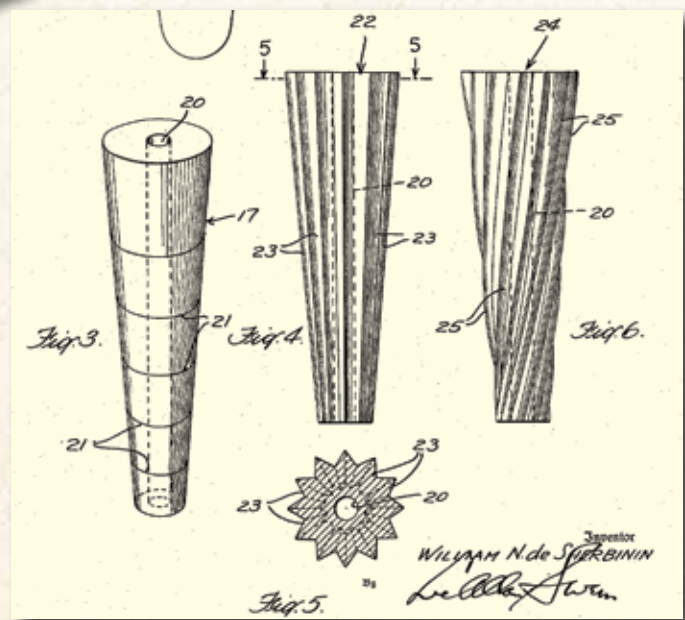
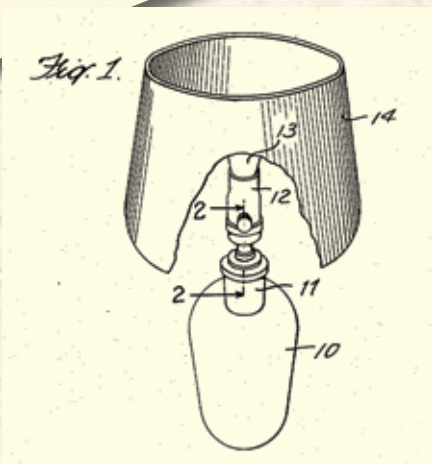
Bill de Sherbinin receives the Gold Award for product excellence from the President of Woolworth's Department stores in 1961. The W. N. de Sherbinin "Make-A-Lamp" kits were best sellers for Sears and Roebuck, Woolworth's and JC Penney.

2,724,048

W. N. DE SHERBININ
 BOTTLE NECK ADAPTER FOR ELECTRIC LIGHT SOCKETS
 Filed July 20, 1950

Nov. 15, 1955

The Cork "Stopper" Bottle Adapter
 Patented in 1955



Many of William Nelson de Sherbinin's inventions are still in common use today.

The Cork "Wrap" Bottle Adapter
 Patented in 1955

2,701,839

Feb. 8, 1955

W. N. DE SHERBININ
 BOTTLE OR VASE ATTACHED LAMP SUPPORT
 Filed Feb. 5, 1949

2,701,839

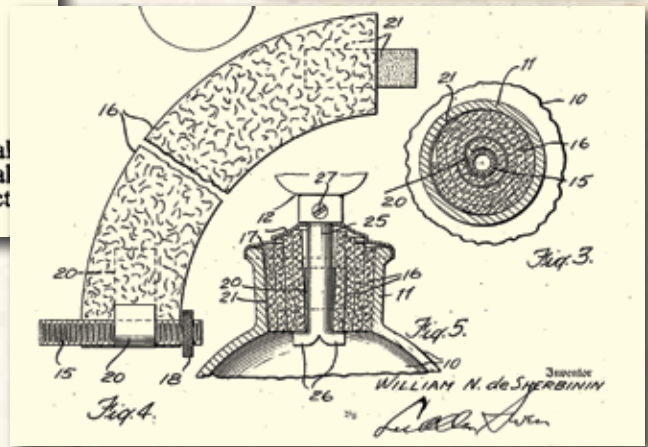
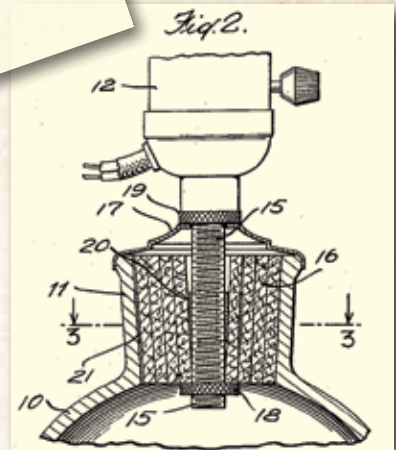
BOTTLE OR VASE ATTACHED LAMP SUPPORT

William N. de Sherbinin, Brookfield, Conn.

Application February 5, 1949, Serial No. 74,750

4 Claims. (Cl. 240-52.6)

This invention relates to electric light lamps.
 The invention provides a novel adapter which makes it possible to convert, readily, easily and economical almost any bottle, vase, jug or oil lamp to an electric light lamp.



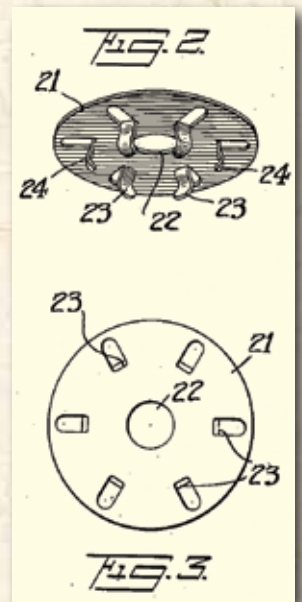
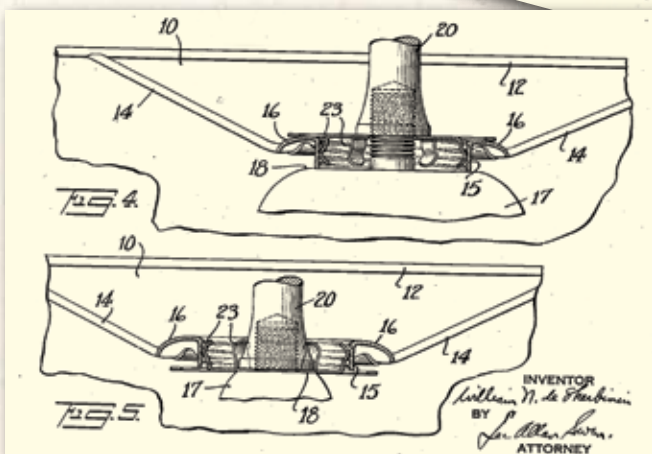
Dec. 25, 1934.

W. N. DE SHERBININ
 ADAPTER
 Filed March 23, 1932

1,985,488

UNO Shade Adapter
 Patented in 1932

This adapter allowed a Bridge Lamp Shade (now referred to as an UNO Shade) to be used with a harp.





W.N. de SHERBININ
PRODUCTS INC.

50 Miry Brook Road, Danbury, CT 06810
Phone: 203-791-0494 Fax: 203-797-1385
lampparts@wndesherbinin.com
www.wndesherbinin.com