

The Next 100 Years — Leading the Way

Leviton is the premier supplier of OEM lighting products and wiring devices, serving more markets today and staying ahead of the curve by anticipating tomorrow's innovations. Connect with Leviton's expanded product offerings for a competitive edge now and into the future.

Serving Multiple Markets

Rely on Leviton OEM for products targeted to your needs:

- Residential, commercial and industrial lighting components
- Connection products for portable power applications, including the entertainment industry, and marine and recreational vehicle power poles
- GFCI protection products for healthcare, food processing, industrial cleaning and sewer cleaning equipment
- LCDI power cord protection products for the room and portable air conditioning markets
- Wiring devices and lampholders for the appliance industry



Worldwide Reliability

Leviton's newest facility in China is wholly company owned, and like all Leviton manufacturing facilities enjoys ISO 9001 certification. The facility produces OEM products designed to the highest specifications and subjected to Leviton's demanding quality control.

Key Products Groups



Lampholders for Innovative Light Sources



Personnel Protection Products



Entertainment Connectors



Linear and Compact Fluorescent Lampholders

Setting the Pace Since 1906

Leviton — Your #1 Resource for a Complete OEM Connection

To meet the needs of OEM customers in a challenging market, Leviton encompasses a diverse and broad spectrum of complementary product groups and services. Look to Leviton for a complete line of plugs and connectors, pin and sleeve connectors, general and commercial wiring devices, LCDIs, GFCIs and GFCI cord sets, as well as voice/data connectivity devices and advanced lighting controls.

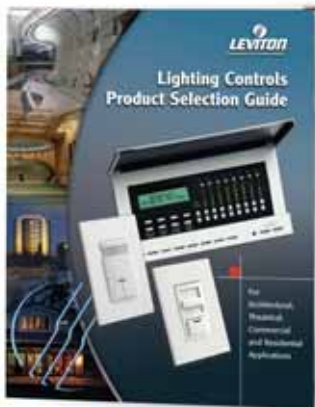


Leviton Wiring Devices

A comprehensive selection of Leviton products for Industrial, Commercial and Residential construction and maintenance, including switches, receptacles, plugs and connectors, wire mesh safety grips, lighting controls, surge protective devices, wallplates, communications premise wiring products and more.

Leviton Integrated Networks and Controls

Leviton's robust portfolio ranges from Structured Media™ components and systems that deliver high-speed bandwidth and entertainment technologies to leading-edge lighting controls for residential and commercial applications. Included are box-mounted dimmers and occupancy sensors, fan-speed controls and timers, plus Decora® home and security controls.



Lighting Management Systems

Advanced lighting control systems for architectural, theatrical, commercial and residential applications. The comprehensive selection includes a fluorescent energy management system, relay control panels and ceiling mount occupancy sensors with energy-saving benefits.

Voice & Data Connectivity

Designed to meet all networking needs, Voice & Data products include structured cabling systems, fiber and copper components, frame-to-frame solutions, and voice, data, audio and video connections.



Meeting the Highest Standards

Leviton Delivers Quality and Performance

Leviton is the largest producer of electrical wiring devices, including switches, lampholders, plugs, connectors, protection products and electronics—more than 25,000 different products.



Totally Integrated Mass Production

Leviton is the most vertically integrated manufacturer in the wiring device field. Virtually all plastics, stampings, eyelets, screws, nuts and wire are manufactured within its own industrial complex.

Worldwide Manufacturing—from the U.S. to China

Global in outlook, Leviton is a thriving multinational corporation with manufacturing facilities around the world. State-of-the-art sites are strategically located in the United States, Mexico and China. Leviton is well positioned to serve your needs.



Custom Design Capability plus Research and Development Programs

The Custom Design Engineering Group works with OEM's to develop unique devices that satisfy special application requirements. When specifications are demanding, Leviton's custom design capability provides the solution on time, on budget.

Performance and Reliability

Extensive quality control checks are an integral part of Leviton product lines. Components and finished products are subjected to vigorous testing at every stage of manufacture. Final inspections assure that Leviton products meet reliability and performance standards that often exceed UL and government standards.



Six Sigma Quality Improvement

Six Sigma is an integral part of Leviton's commitment to continuous improvement in productivity and customer satisfaction. The goal of Six Sigma is to achieve a performance standard of 99.9997%, which is defined as 3.4 defects per 1 million opportunities.

ISO 9001 Certified

As part of Leviton's commitment to total quality, all Leviton manufacturing facilities are ISO 9001 certified.



Prompt Coast-to-Coast Distribution and Customer Service

An extensive network of plants and distribution facilities assures timely delivery of Leviton products. Leviton customer service representatives are dedicated professionals committed to making sure you receive the best possible service.

For customer service, call: 1-800-833-3532

For 24-hour convenience, FAX: 1-800-832-9538, or email info@leviton.com

For technical support, call: 1-800-824-3005

SECTION A



SECTION B



SECTION C



SECTION D



SECTION E



SECTION F



SECTION G



SECTION H



SECTION I



SECTION J



SECTION K



SECTION L



SECTION M



SECTION N



SECTION O

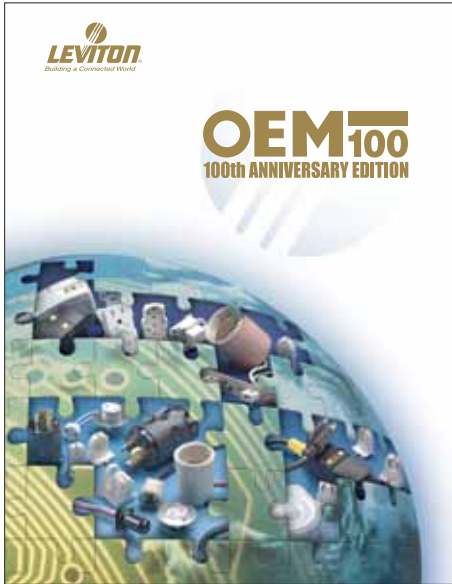


SECTION P



Master Table of Contents

About Leviton	i-iii
Guide to OEM-100 and Metric Conversion Chart	vi
Linear Fluorescent Lampholders	A
Compact Fluorescent Lampholders	B
Lampholders for Innovative Light Sources	C
Mogul/Medium HID Lampholders	D
Incandescent Lampholders and Brackets	E
Thermal Protectors	F
Metal Shell Lampholders	G
Phenolic Shell Lampholders	H
Candelabra Lampholders	I
Switches	J
Convenience Outlets and Receptacles	K
Personnel Protection Products	L
Surge Protective Devices	M
Lighting Controls	N
Fan and Motor Speed Controls	O
Plugs and Connectors	P
Catalog Number Index	Index Pages 1-5



Guide to OEM-100

1. Master Table of Contents

Lists the main sections of the catalog.

Example: To find switches, see the Master Table of Contents.

Switches are in section J, pages J1-J17.

2. Many sections have a quick guide.

Example: To find a rotary switch with a 6A-125VT rating, consult page J2.

3. Numerical Index

Example: To find Leviton catalog number 8052, consult the Numerical Index in the back of this catalog.

NOTE: Dimensions and other data are shown in this catalog for your convenience. However, we reserve the right to make changes in design from time to time that may alter dimensions and specifications. For this reason, we recommend verifying specifications before using them in product development.

Metric Conversion Chart

Fraction Inch	Decimal Inch	MM	Fraction Inch	Decimal Inch	MM	Fraction Inch	Decimal Inch	MM
1/64	.015625	.3969	23/64	.359375	9.1281	11/16	.6875	17.4625
1/32	.03125	.7938	3/8	.375	9.525	45/64	.703125	17.8594
3/64	.046875	1.1906	25/64	.390625	9.9219	23/32	.71875	18.2562
1/16	.0625	1.5875	13/32	.40625	10.3188	47/64	.734375	18.6531
5/64	.078125	1.9844	27/64	.421875	10.7156	3/4	.75	19.05
3/32	.09375	2.3812	7/16	.4375	11.1125	49/64	.765625	19.4469
7/64	.109375	2.7781	29/64	.453125	11.5094	25/32	.78125	19.8438
1/8	.125	3.175	15/32	.46875	11.9062	51/64	.796875	20.2406
9/64	.140625	3.5719	31/64	.484375	12.3031	13/16	.8125	20.6375
5/32	.15625	3.9688	1/2	.5	12.7	53/64	.828125	21.0344
11/64	.171875	4.3656	33/64	.515625	13.0969	27/32	.84375	21.4312
3/16	.1875	4.7625	17/32	.53125	13.4938	55/64	.859375	21.8281
13/64	.203125	5.1594	35/64	.546875	13.8906	7/8	.875	22.225
7/32	.21875	5.5562	9/16	.5625	14.2875	57/64	.890625	22.6219
15/64	.234375	5.9531	37/64	.578125	14.6844	29/32	.90625	23.0188
1/4	.25	6.35	19/32	.59375	15.0812	59/64	.921875	23.4156
17/64	.265625	6.7469	39/64	.609375	15.4781	15/16	.9375	23.8125
9/32	.28125	7.1438	5/8	.625	15.875	61/64	.953125	24.2094
19/64	.296875	7.5406	41/64	.640625	16.2719	31/32	.96875	24.6062
5/16	.3125	7.9375	21/32	.65625	16.6688	63/64	.984375	25.0031
21/64	.328125	8.3344	43/64	.671875	17.0656	1	1.0	25.4
11/32	.34375	8.7312						



table of contents

Linear Fluorescent Lampholders

Miniature Bi-Pin	A2-A4, A19
Low-Profile, Snap-In/Slide-On for T-5, Shunted and Non-shunted	A2
Tall-Profile, Snap-In/Slide-On for T-5, Shunted and Non-shunted	A3
T-8 to T-5 Adapter	A4
Butt-on for T-5	A19
Medium Bi-Pin	A5-A22, A25
Slide-On for T-8 and T-12, Shunted and Non-shunted	A5
Snap-In/Slide-On for T-8, Shunted and Non-shunted	A6
Snap-In/Slide-On for T-8 and T-12, Shunted and Non-shunted	A7
Low-Profile, Turn-Type for T-8, Shunted and Non-shunted	A8
Low-Profile, Turn-Type for T-8 and T-12	A9
Low-Profile, Turn-Type for T-8 and T-12, with Internal Shunt	A10
Straight-In for T-8, Shunted and Non-shunted	A11
Low-Profile, Straight-In for T-8 and T-12, Shunted and Non-shunted	A12
Straight-In, Butt-On for T-8 and T-12	A13
Straight-In, Self-Locking for T-8 and T-12	A14
Slide-On for T-8 and T-12 U-Shape Lamps	A15
Tall Profile, Turn-Type for T-8 and T-12, Shunted and Non-shunted	A16-A17
Disconnect (Circuit-Interrupting) for T-8 and T-12	A18
Automatic Locking and Ejection for T-8	A19
Thin, Rapid-Start Quickwire	A19
Thin Screw Terminal Lampholder for T-8 and T-12 with/without Starter Base	A20
Butt-On for T-8 and T-12	A21
Snap-In, Quickwire for T-8 and T-12, Shunted and Non-shunted	A22
Slide-On, Shallow Base for T-8 and T-12	A25
Slimline	A23-A24
Snap-In, Quickwire for T-8 and T-12	A23
Slide-On, Shallow Base for T-8 and T-12	A24
Recessed Double Contact High-Output	A23, A26-A28
Connectors and Starter Bases	A20, A29
Circline	A29
Starter Bases	A20, A29

NOTE: Dimensions in parentheses are in millimeters. All other dimensions are in inches

SECTION

A

MINIATURE BI-PIN SNAP-IN/ SLIDE-ON LAMPHOLDERS

Low Profile • G5 Base



LINEAR FLUORESCENT



13654-SWP

Snap-In/Slide-On Design and Lamp-Lock Socket for High-Output, Energy-Efficient T-5 Lamps

Miniature Bi-Pin Fluorescent Lampholders are dedicated for T-5 lamps with a slender 5/8" (16mm) diameter. Available shunted (Cat. No. 23654) and non-shunted (Cat. No. 13654). User-friendly benefits include snap-in or slide-on mounting options, and a 4-position, positive-stop lamp-lock socket that makes it easy to relamp in service. Available with an optional panel locator pin.

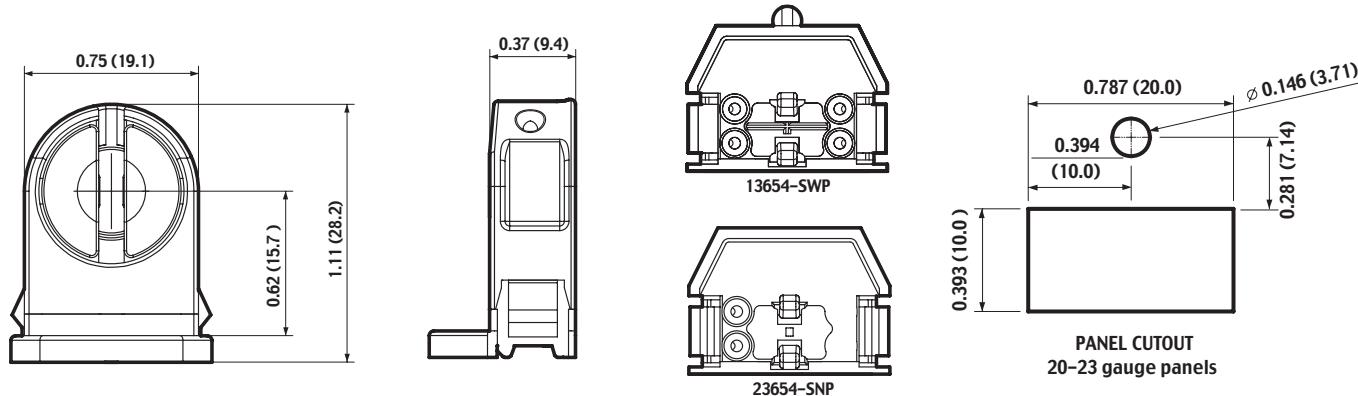
Cat. No. 13654-SWP: Low Profile Snap-In or Slide-On, with lamp-lock and locator pin.

Cat. No. 13654-SNP: Same as above, less locator pin.

Cat. No. 23654-SWP: Low Profile Snap-In or Slide-On, with lamp-lock and locator pin. Internal shunt connection for use with instant-start ballasts. Back of lampholder is stamped "S" to identify shunt and help prevent improper applications.

Cat. No. 23654-SNP: Same as above, less locator pin.

• 120W-600V • UL Listed E-5833 • CSA Certified LR-1863 • NOM Certified 057



Cat. No. 13654

MINIATURE BI-PIN SNAP-IN/ SLIDE-ON LAMPHOLDERS

Tall Profile • G5 Base



LINEAR FLUORESCENT

Snap-In/Slide-On Design and Lamp-Lock Socket for High-Output, Energy-Efficient T-5 Lamps

Miniature Bi-Pin Fluorescent Lampholders are dedicated for T-5 lamps with a slender 5/8" (16mm) diameter. Available shunted (Cat. No. 23654) and non-shunted (Cat. No. 13654). User-friendly benefits include snap-in or slide-on mounting options, and a 4-position, positive-stop lamp-lock socket that makes it easy to relamp in service. Available with an optional panel locator pin.

Cat. No. 13654-TWP: Tall Profile Snap-In or Slide-On, with lamp-lock and locator pin.

Cat. No. 13654-TNP: Same as above, less locator pin.

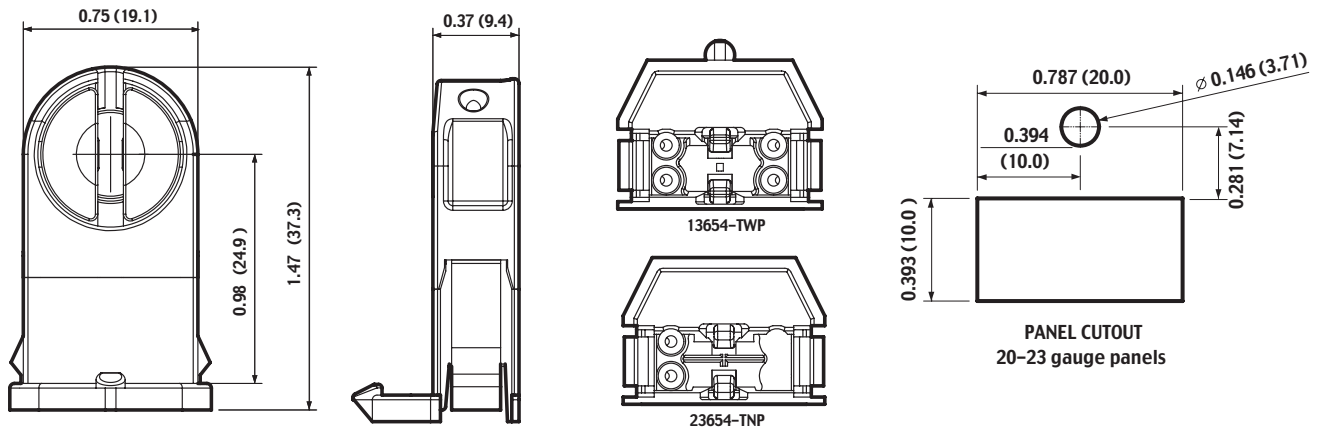
Cat. No. 23654-TWP: Tall Profile Snap-In or Slide-On, with lamp-lock and locator pin. Internal shunt connection for use with instant-start ballasts. Back of lampholder is stamped "S" to identify shunt and help prevent improper applications.

Cat. No. 23654-TNP: Same as above, less locator pin.

• 120W-600V • UL Listed E-5833 • CSA Certified LR-1863 • NOM Certified 057



SECTION A



Cat. No. 13654-TWP

BI-PIN FLUORESCENT LAMPHOLDERS

T-8 to T-5 Adapter • G5 Base



LINEAR FLUORESCENT



13654-EXL



13654-EXS

T-8 to T-5 Adapter

Adapts T-8 Fluorescent Fixtures to Accept Energy-Efficient T-5 Lamps

Simple, cost-effective solution for manufacturers seeking to incorporate miniature bi-pin T-5 lamps into an existing T-8 configuration fixture design. This innovative socket fits into existing slide-on T-8 lampholder cutouts and compensates for the variations in lamp length between T-8 linear fluorescent lamps and the corresponding lengths of T-5 lamps. No change in fixture tooling is required. Features include a 4-position, positive-stop lamp-lock socket that makes it simple for end-users to relamp in service. Molded in white chemical-resistant thermoplastic, the lampholder comes in a long or short version depending on the length of T-5 lamp being used (see chart below for proper ordering).

Nominal Lamp Length (in.)	T-8 Lamp Length, Actual (in.)	T-5 Lamp Length, Actual (in.)	Length Difference (in.)	Leviton Dash Nos. Needed
60	59.555	57.606	1.949	2 Long (-EXL)
48	47.725	45.795	1.930	2 Long (-EXL)
36	35.725	33.984	1.741	1 Long (-EXL), 1 Short (-EXS)
24	23.725	22.173	1.552	2 Short (-EXS)

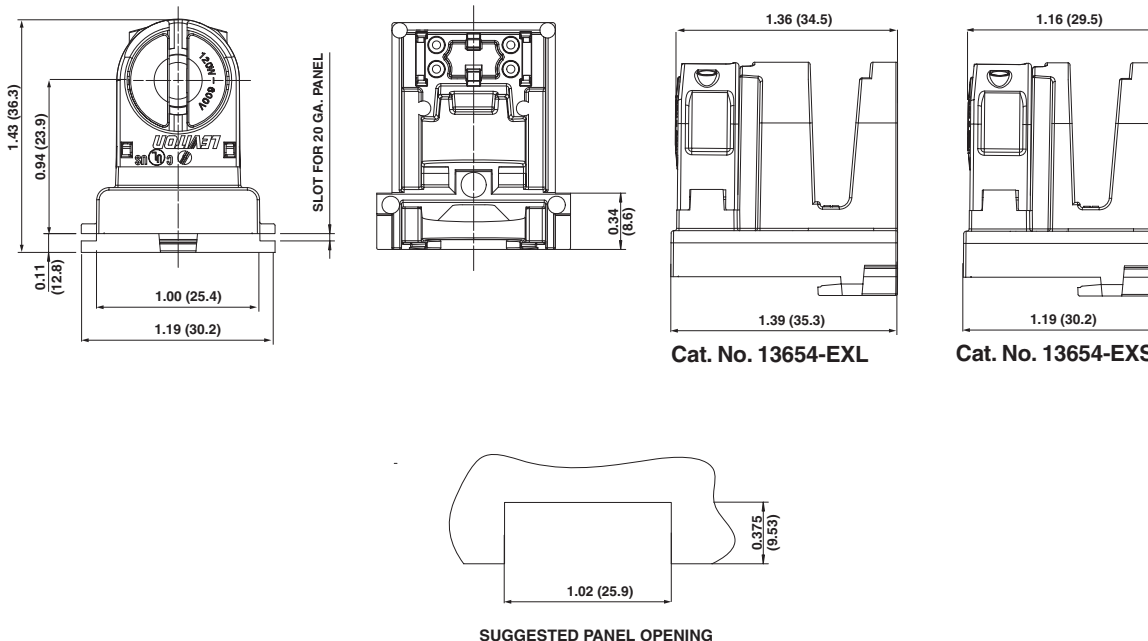
Cat. No. 13654-EXL: Long T-8 to T-5 adapter converts existing T-8 fixtures to accept energy-efficient T-5 lamps. With positive-stop lamp-lock socket.
See chart for conversion requirements.

Cat. No. 23654-EXL: Same as 13654-EXL, except shunted for use with instant-start ballasts.

Cat. No. 13654-EXS: Short T-8 to T-5 adapter converts existing T-8 fixtures to accept energy-efficient T-5 lamps. With positive-stop lamp-lock socket.
See chart for conversion requirements.

Cat. No. 23654-EXS: Same as 13654-EXS, except shunted for use with instant-start ballasts.

• 120W-600V • UL Listed E-5833 • CSA Certified LR-1863 • NOM Certified 057



Cat. No. 13654-EXL

Cat. No. 13654-EXS

Cat. No. 13654-EXL and 13654-EXS

MEDIUM BI-PIN FLUORESCENT LAMPHOLDERS

Medium and Tall Profile • G13 Base



LINEAR FLUORESCENT

Bottom-Wire Slide-On Design and Lamp-Lock Socket for T-8 and T-12 Lamps

Thermoplastic lampholder with slide-on mounting, knife-edge contacts, bottom-load wiring and a 4-position, positive stop lamp-lock that makes it simple for end-users to relamp in service. Fits thin 22 gauge panels. Available in two sizes: Medium Profile shunted (Cat. No. 23661) and non-shunted (Cat. No. 13661); and Tall-Profile shunted (Cat. No. 23660) and non-shunted (Cat. No. 13660).

Cat. No. 13660: Tall Profile slide-on with lamp-lock. 30 mm lamp center height. Non-shunted.

Cat. No. 23660: Same as above, except with internal shunt connection for use with instant-start ballasts

Cat. No. 13661: Medium Profile slide-on with lamp-lock. 23 mm lamp center height. Non-shunted.

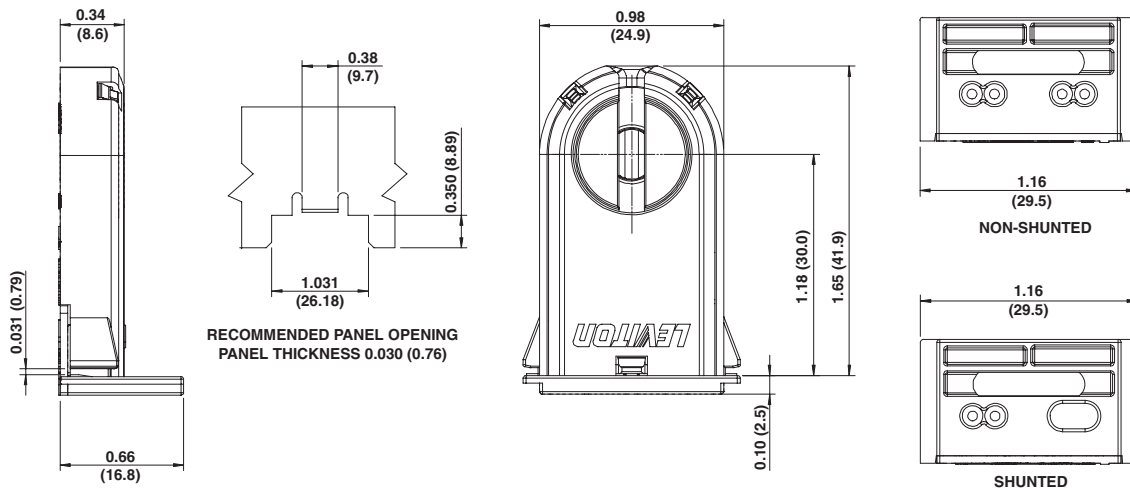
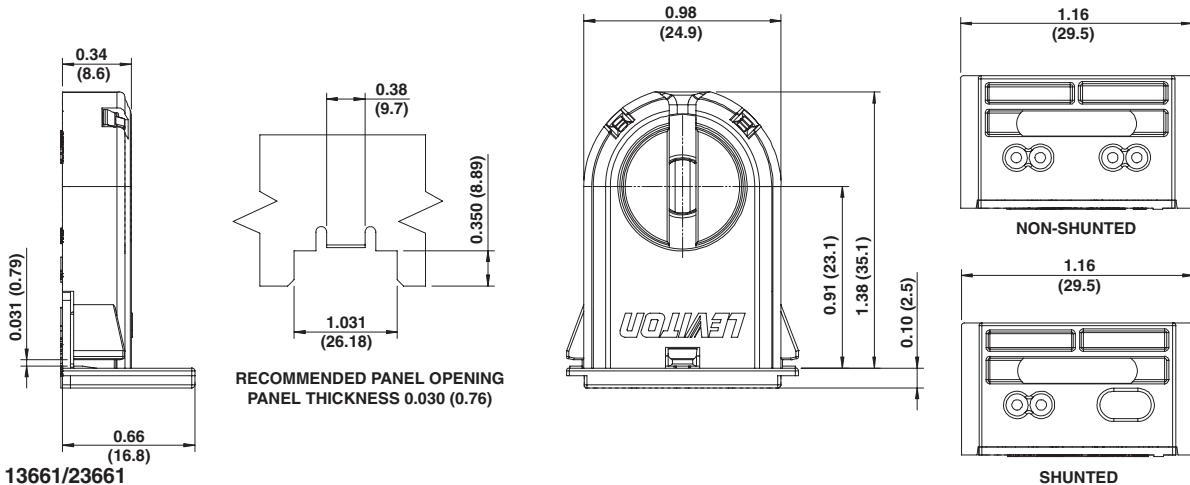
Cat. No. 23661: Same as above, except with internal shunt connection for use with instant-start ballasts



13660 & 13661

SECTION A

• 660W-600V •  E-5833 • NOM Certified 057 • VDE Certified to IEC



MEDIUM BI-PIN FLUORESCENT LAMP HOLDERS

Low Profile • G13 Base



LINEAR FLUORESCENT



13652

Snap-In/Slide-On Design and Lamp-Lock Socket

Dedicated for Energy-Efficient T-8 Lamps Only

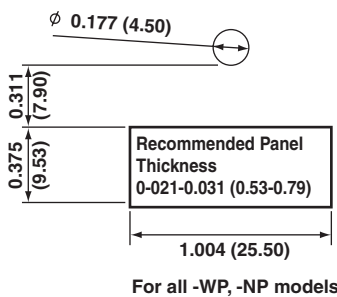
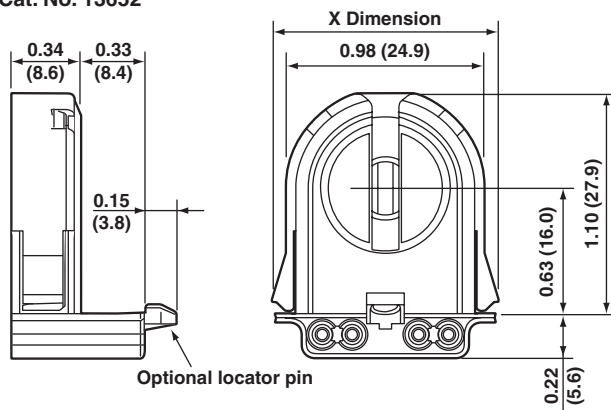
Extra-low profile thermoplastic lampholder with front push-in wiring ports for easier access, snap-in or slide-on mounting options, knife-edge contacts and a 4-position, positive-stop lamp lock that makes it simple for end-users to relamp in service. Fits thin 22 to 25 gauge panels that facilitate smaller, more cost-effective fixtures. With optional panel locator pin. Available shunted (Cat. No. 23652) and non-shunted (Cat. No. 13652).

Cat. Nos. 13652 & 23652

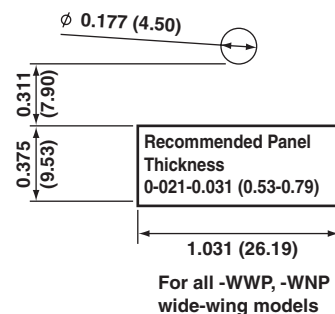
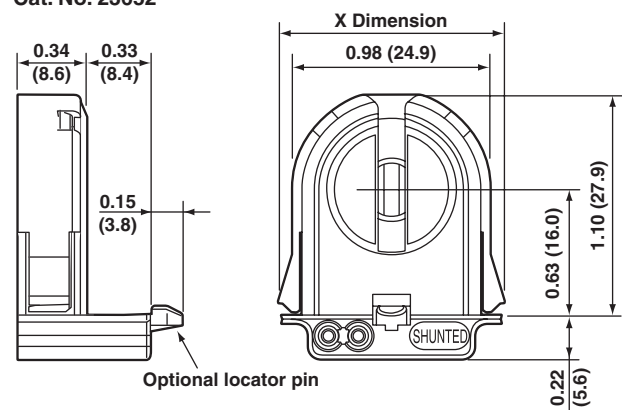
- 660W-600V • UL Listed E-5833 • CSA Certified LR-1863
- NOM Certified 057 • VDE Certified to IEC

Cat. No.	X Dimension	Description
13652-WP	1.12 (28.4)	Medium Bi-Pin Snap-In or Slide-On Fluorescent Lampholder, T-8 dedicated, with lamp lock.
13652-NP	1.12 (28.4)	Same as above less locator post.
23652-WP	1.12 (28.4)	Same as 13652-WP, except with internal shunt connection for use with instant-start ballasts. Back of lampholder is stamped "S" to identify shunt and help prevent improper applications.
23652-NP	1.12 (28.4)	Same as above less locator post.
13652-WWP	1.15 (29.2)	Medium Bi-Pin Snap-In or Slide-On Fluorescent Lampholder, T-8 dedicated, with lamp lock. Wide-wing design.
13652-WNP	1.15 (29.2)	Same as above less locator post.
23652-WWP	1.15 (29.2)	Same as 13652-WWP, except with internal shunt connection for use with instant-start ballasts. Back of lampholder is stamped "S" to identify shunt and help prevent improper applications.
23652-WNP	1.15 (29.2)	Same as above less locator post.

Cat. No. 13652



Cat. No. 23652



MEDIUM BI-PIN FLUORESCENT LAMP HOLDERS

Low Profile • G13 Base



LINEAR FLUORESCENT

Snap-In/Slide-On Design and Lamp-Lock Socket for T-8 and T-12 Lamps

Thermoplastic lampholder with front push-in wiring ports for easier access, snap-in or slide-on mounting options, knife-edge contacts and a 4-position, positive-stop lamp-lock that makes it simple for end-users to relamp in service. Fits thin 22 to 25 gauge panels that facilitate smaller, more cost-effective fixtures. With optional panel locator post. Available shunted (Cat. No. 23653) and non-shunted (Cat. No. 13653).

Cat. Nos. 13653 & 23653

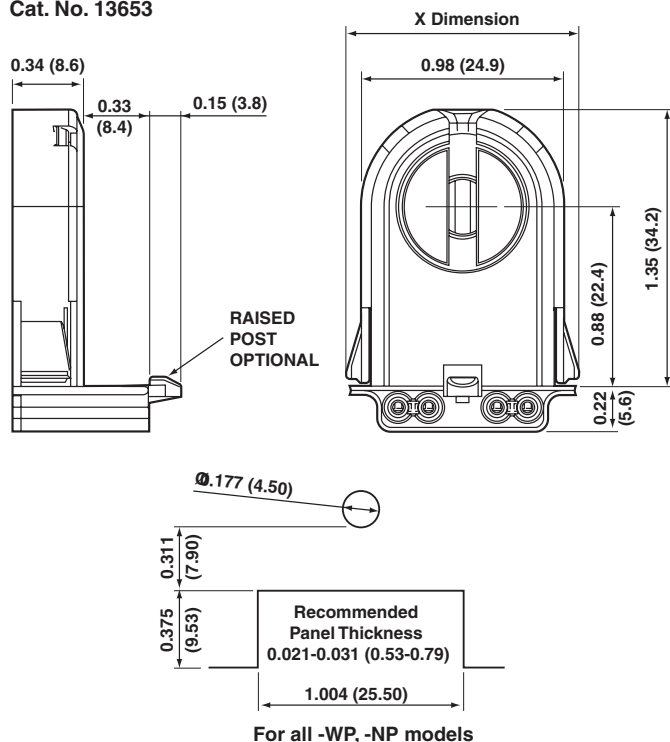
- 660W-600V • UL Listed E-5833 • CSA Certified LR-1863
- NOM Certified 057 • VDE Certified to IEC



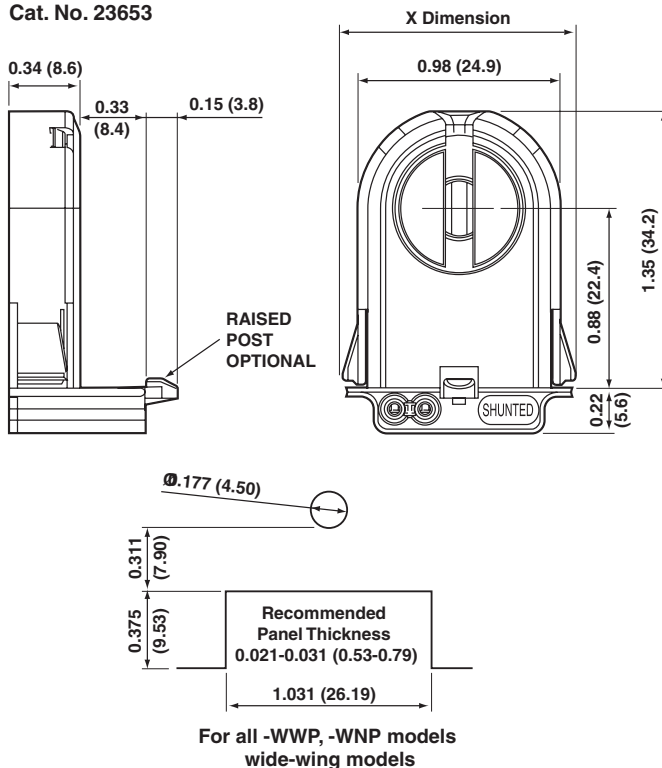
SECTION A

Cat. No.	X Dimension	Description
13653-WP	1.12 (28.4)	Medium Bi-Pin Snap-In or Slide-On Fluorescent Lampholder for T-8 and T-12 lamps, with lamp lock.
13653-NP	1.12 (28.4)	Same as above less locator post.
23653-WP	1.12 (28.4)	Same as 13653-WP, except with internal shunt connection for use with instant-start ballasts. Back of lampholder is stamped "S" to identify shunt and help prevent improper applications.
23653-NP	1.12 (28.4)	Same as above less locator post.
13653-WWP	1.15 (29.2)	Medium Bi-Pin Snap-In or Slide-On Fluorescent Lampholder for T-8 and T-12 lamps, with lamp lock. Wide-wing design.
13653-WNP	1.15 (29.2)	Same as above less locator post.
23653-WWP	1.15 (29.2)	Same as 13653-WWP, except with internal shunt connection for use with instant-start ballasts. Back of lampholder is stamped "S" to identify shunt and help prevent improper applications.
23653-WNP	1.15 (29.2)	Same as above less locator post.

Cat. No. 13653



Cat. No. 23653



MEDIUM BI-PIN TURN-TYPE LAMPHOLDERS

Low Profile • G13 Base



LINEAR FLUORESCENT



13651

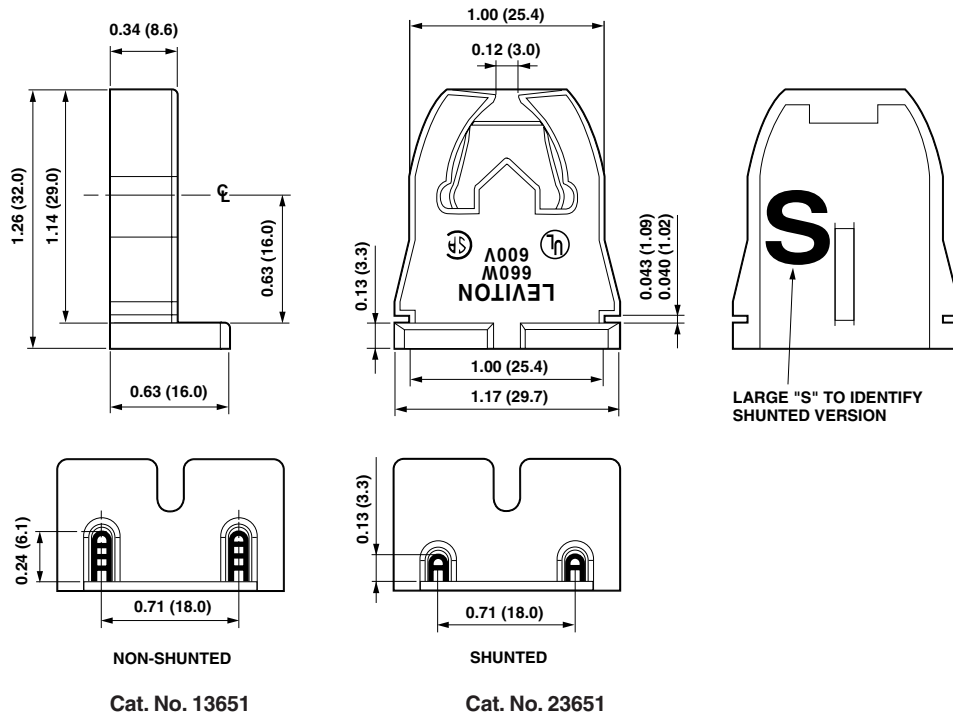
Designed for T-8 Lamps

Leviton's Medium Bi-Pin Low-Profile Lampholders Cat. Nos. 13651 (non-shunted) and 23651 (shunted) are dedicated only for T-8 fluorescent lamps. This prevents end-users from re-lamping in service with less efficient T-12 lamps. Designed with an extra low-profile, the lampholders make it possible to create smaller, more compact fixtures, reducing costs while adding versatility. Molded of white urea, they utilize a slide-on design for thin 20-gauge panels—the panels of choice for modern fixture design.

Cat. No. 13651: Medium Bi-Pin Twist-In Fluorescent Lampholder, dedicated for T-8 lamps only. Extra low-profile design. For use with 20 gauge panels.

Cat. No. 23651: Same as above, except with internal shunt connection for use with instant-start ballasts. Back of lampholder is stamped "S" to identify shunt and help prevent improper applications.

• 660W-600V • UL Listed E-5833 • CSA Certified LR-1863



MEDIUM BI-PIN STRAIGHT-IN LAMPHOLDERS

Low Profile • G13 Base



LINEAR FLUORESCENT

Turn-Type Lampholders for T-8 and T-12 Lamps

Low Profile. Molded, white thermosetting urea. Quickwire pressure terminals accept stranded No. 18 gauge, twisted and overtinned, or No. 18 solid or solder-dipped leads stripped 3/8". Knife-edge contacts. Unplated contacts are standard. Multiple terminal slots permit double connections at each contact.

Recessed wire wells completely enclose conductor, insulating against shorts.

Screws assembled or furnished bulk are #6-32 x 3/8".

Cat. Nos. 13351 & 13353

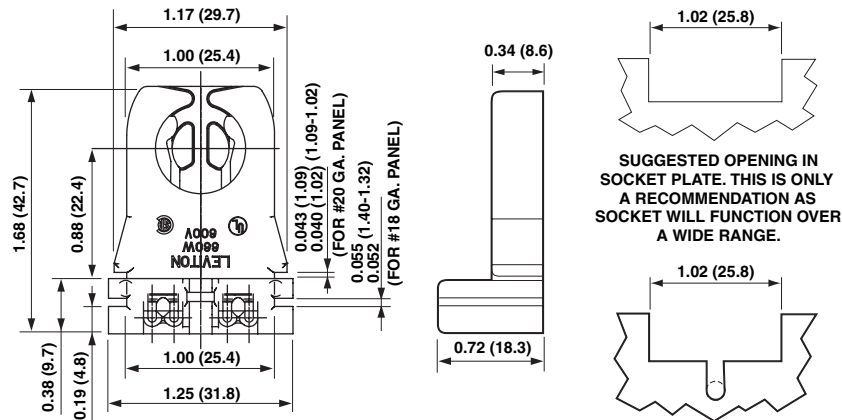
• 660W-600V • UL Listed E-5833 • CSA Certified LR-5863 • NOM Certified 057



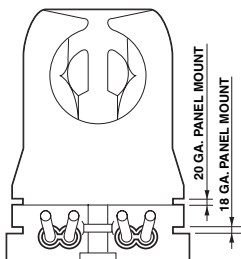
13351

SECTION A

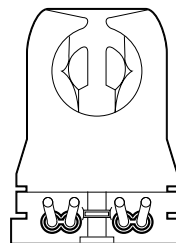
Typical Low-Profile Dimensions



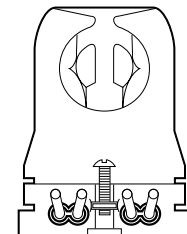
Cat. No. 13351



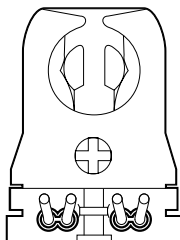
Cat. No. 13351 11/32" thick. Beveled front and individual contact legs for easier wire insertion.



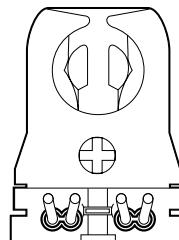
Cat. No. 13351-00N 11/32" thick #20 GA. Panel Mount Captive Nut, screws furnished bulk



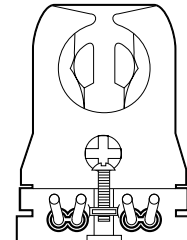
Cat. No. 13351-0NX 11/32" thick #20 GA. Panel Mount Captive Nut & Screw



Cat. No. 13353 11/32" thick #18 GA. Panel Mount



Cat. No. 13353-00N 11/32" thick #18 GA. Panel Mount Captive Nut, screws furnished bulk



Cat. No. 13353-0NX 11/32" thick #18 GA. Panel Mount Captive Nut & Screw

MEDIUM BI-PIN WITH INTERNAL SHUNT TURN-TYPE

Low Profile • G13 Base



LINEAR FLUORESCENT



23351

Lampholder with Internal Shunt Connection for T-8 and T-12 Lamps

Specially designed for use with electronic ballasts.

Provides easier fixture assembly by eliminating need for jumper-wire.

Turn-type, low profile, medium bi-pin lampholder with internal shunt connection. Knife-edge contacts. Body is molded, white thermosetting urea. Quickwire pressure terminals accept stranded No. 18 gauge twisted and overtinned, or No. 18 gauge solid or solder-dipped leads, stripped 3/8". Recessed wire well completely encloses conductor, insulating against shorts. The recessed wire well on one side of the lampholder is blocked off and labeled "SHUNTED," and the back cover is stamped "S" to help prevent improper applications.

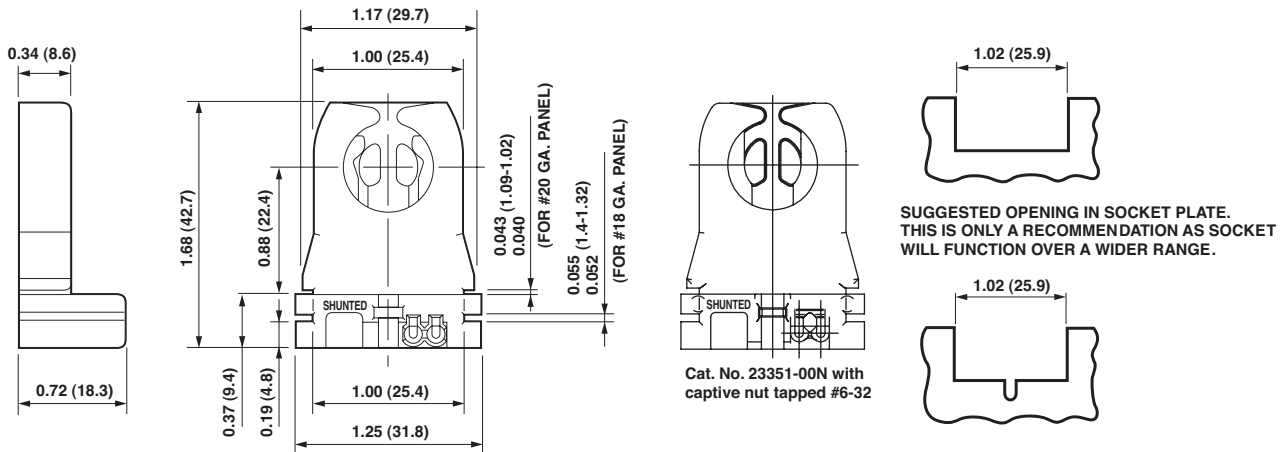
Cat. No. 23351: Medium Bi-Pin Turn-Type Fluorescent Lampholder for T-8 and T-12 Lamps, with internal shunt connection for use with electronic ballasts.

Cat. No. 23351-REJ: With rejection post on body, for T-8 lamps only.

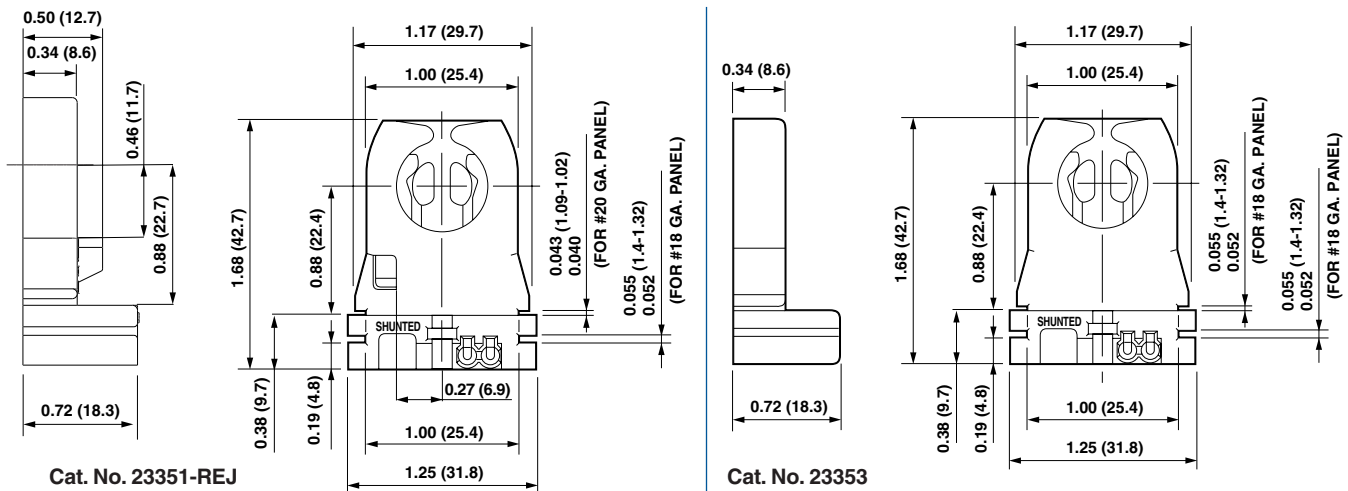
Cat. No. 23351-00N: Captive nut and screw.

Cat. No. 23353: With two side and two base slots for 18 ga. panels.

- 660W-600V
- UL Listed E-5833
- CSA Certified LR-1863



Cat. No. 23351



MEDIUM BI-PIN STRAIGHT-IN LAMPHOLDERS

G13 Base



LINEAR FLUORESCENT

Lampholders for Straight-In Lamp Insertion

Dedicated for T-8 Lamps

Molded in white thermosetting urea. Copper-alloy, double edge contacts, with easy-to-install design. Knife-edge contacts. Slide-on mounting for 20-gauge panels (Cat. No. 13451-020) or 18-gauge panels (Cat. No. 13451-018) permits quick installation. Terminals are push-in wire type. Will accept No. 18 AWG wire, either solid, solder-dipped, or twisted-tinned-and-fused wire.

Standard pack: bulk

Cat. No. 13451-018: For 18 gauge panel mount.

Cat. No. 13451-020: For 20 gauge panel mount.

Cat. No. 13451-0NX: Captive nut and screw.

Cat. No. 13451-00N: Same as 13451-0NX, with captive nut only.
#6-32 x 3/8" screws packed bulk.



13451-0NX

Lampholder with Internal Shunt Connection

Specially designed for use with electronic ballasts. Provides easier fixture assembly by eliminating need for jumper-wire.

Cat. No. 23451-018: For 18-gauge panel mount.

Cat. No. 23451-020: For 20-gauge panel mount.

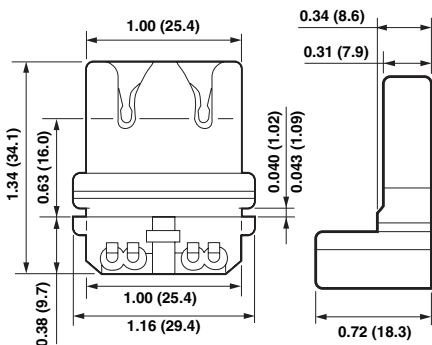
Cat. No. 23451-0NX: Captive nut and screw.

Cat. No. 23451-00N: Same as 23451-0NX, with captive nut only,
#6-32 x 3/8" screws packed bulk.

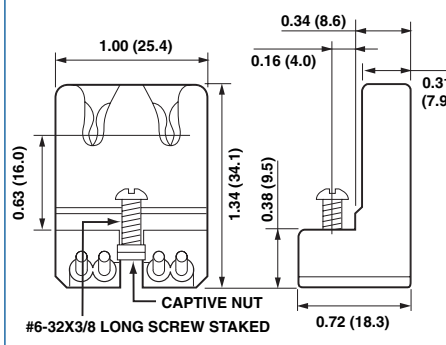


23451-020

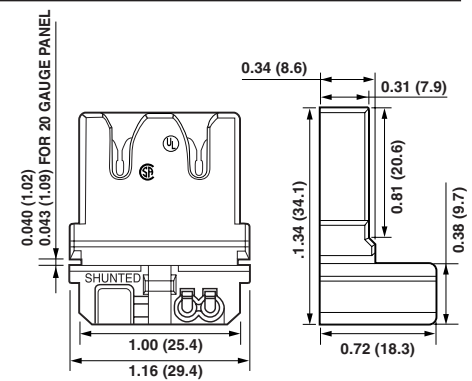
- 660W-600V
- UL Listed E-5833
- CSA Certified LR-5863
- NOM Certified 057



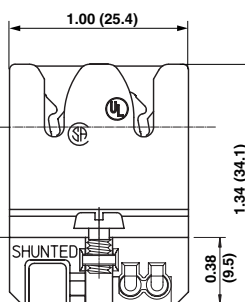
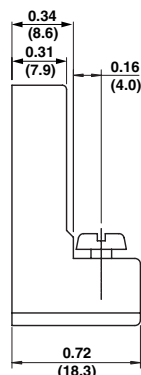
Cat. No. 13451-020



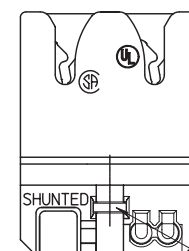
Cat. No. 13451-0NX



Cat. No. 23451-020



Cat. No. 23451-0NX



Cat. No. 23451-00N

CAPTIVE NUT TAPPED 6-32

MEDIUM BI-PIN STRAIGHT-IN LAMPHOLDERS

Low Profile • G13 Base



LINEAR FLUORESCENT



13150-UR7

Straight-In Lampholders for T-8 and T-12 Lamps

Low Profile Size

Straight-in double-edge contacts. Body is white thermosetting urea. Quickwire pressure terminals accept No. 18 gauge stranded, twisted and overtinned or No. 18 gauge solid or solder-dipped leads, stripped 3/8". Unplated contacts are standard.

Standard pack: bulk

Cat. No. 13150-UR7

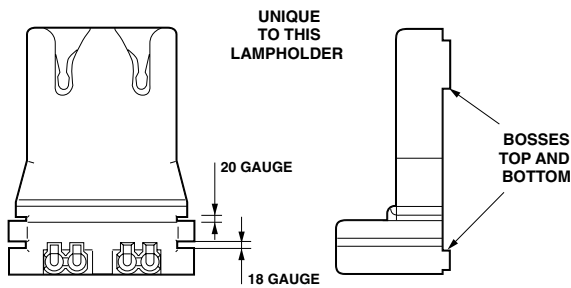
Lampholder with Internal Shunt Connection

Specially designed for use with electronic ballasts.

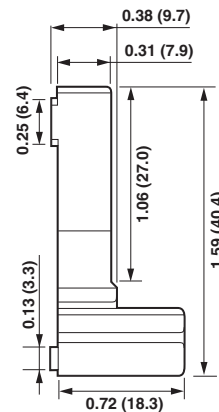
Provides easier fixture assembly by eliminating need for jumper-wire. Large "S" identifies shunted version.

Cat. No. 23150-UR7

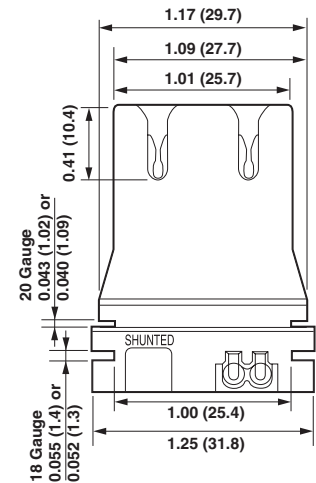
- 660W-600V
- UL Listed E-5833
- CSA Certified LR-1863
- NOM Certified 057



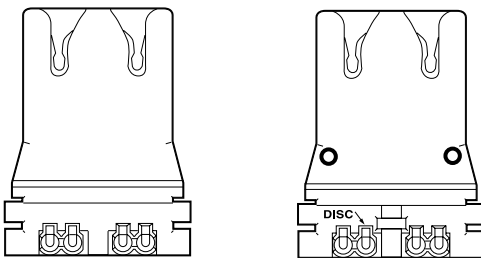
Cat. No. 13150-UR7 (Less Nut Slot)



Cat. No. 23150-UR7
(Less Nut Slot)



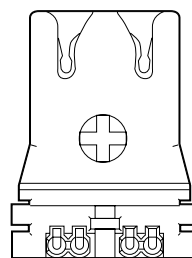
With Wings for 20 Gauge Panel



Cat. No. 13150-UR5
11/32" thick, less nut slot

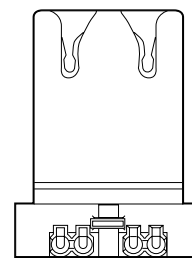
Cat. No. 13151-00D
5/16" thick, disconnect

With Wings for 18 Gauge Panel



Cat. No. 13153-00U
5/16" thick

Without Wings for Screw Mounting



Cat. No. 13250-0UN 11/32" thick,
captive nut and screws, furnished bulk

MEDIUM BI-PIN STRAIGHT-IN LAMPHOLDERS

G13 Base



LINEAR FLUORESCENT

Medium Bi-Pin Lampholders for T-8 and T-12 Lamps

Butt-On

Molded body (black or white – 377-00W). Slots designed for straight line lamp insertion into spring fingers. Leads are No. 18 AWG 105°C AWM-TEW plastic insulated wire, 9" long, stripped 3/4" (other type leads and lengths available). Back or flush wiring. Two mounting screws #4-36 x 1/2" long and nuts furnished.

Cat. No. 377

- 660W-250V • UL Listed E-5833 • CSA Certified LR-5863

Butt-On

Molded body, black or white (1377-00W). One-hole mounting. Leads are same as 377 (other type leads and lengths available). One #6-32 x 1/2" mounting screw furnished.

Cat. No. 1377

- 660W-600V • UL Listed E-5833 • CSA Certified LR-5863
- NOM Certified 057

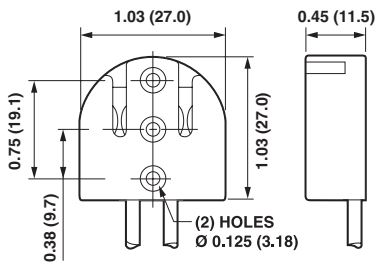


377

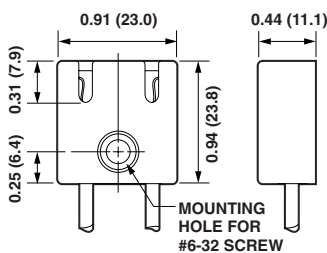


1377

SECTION A



Cat. No. 377



Cat. No. 1377

MEDIUM BI-PIN STRAIGHT-IN LAMPHOLDERS

Low Profile • G13 Base



LINEAR FLUORESCENT



23151-0LU

Straight-In Lampholder with Self-Locking Device for T-8 and T12 lamps

Straight-in double-edge contacts. Body is white thermosetting plastic with movable red fiber self-locking lamplock eyeleted to body. Quickwire push-in terminals accept #18 AWG solid, solder-dipped or twisted-and-tinned. Unplated contacts are standard.

Available with captive mounting nut and #6-32 x 3/8" screw.

Standard pack: bulk

Cat. No. 13151-0LU

Lampholder with Internal Shunt

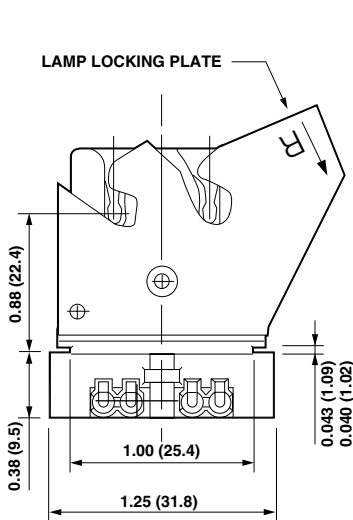
Specially designed for use with electronic ballasts.

Provides easier fixture assembly by eliminating need for jumper-wire. Large "S" identifies shunted version.

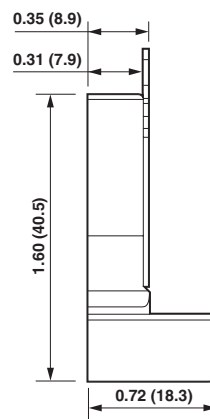
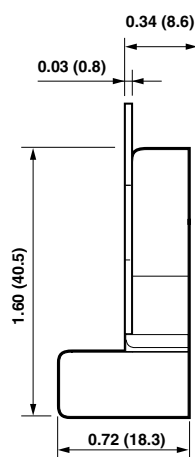
Cat. No. 23151-0LU

- 660W-600V
- UL Listed E-5833
- Nom Certified 057

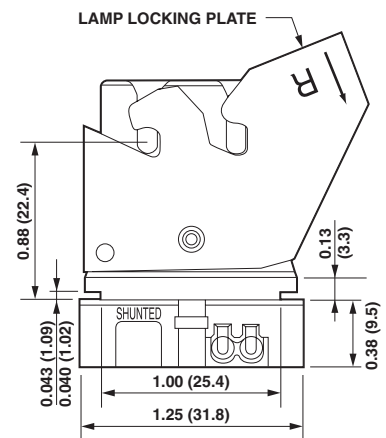
Cat. No.	Gauge	Description
13151-0LU	20	Lamplock less nut
13153-0LU	18	Lamplock less nut
13153-0LN	18	With captive nut less bosses
23151-0LU	20	Internally shunted less bosses



Cat. No. 13151-0LU



Cat. No. 23151-0LU



MEDIUM BI-PIN FLOATING ACTION

For U-Shape Lamps • G13 Base



LINEAR FLUORESCENT

Slide-On Self-Aligning for T8 and T12 U-Shape Lamps

Low profile body. Double edge contacts. Quickwire push-in wire terminals. White urea socket housing. Self-aligning action of the lampholder in the mounting slot completely floats lamp.

Cat. Nos. 13180-00U, 13180-0U2 & 13181-00U
(STANDARD)

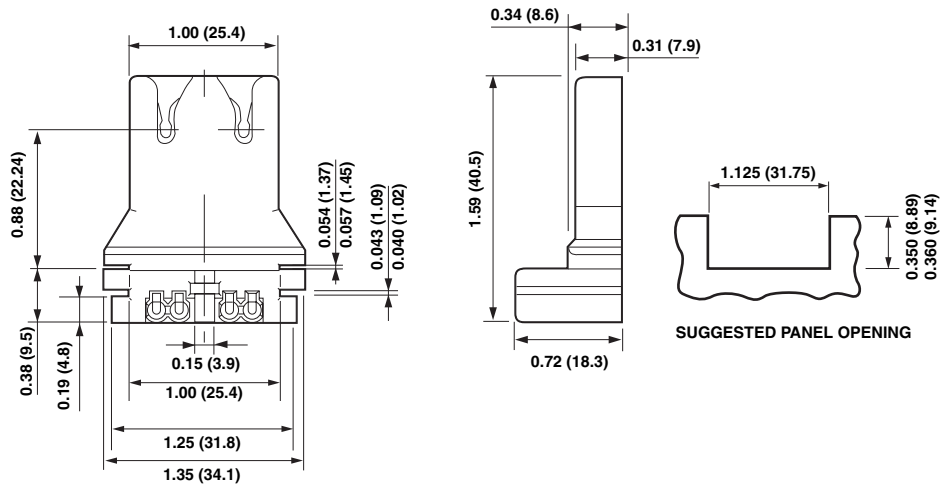
- 660W-600V • UL Listed E-5833
- NOM Certified 057

Cat. No. 13080
(STANDARD)

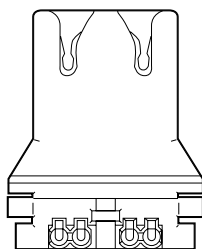
- 660W-600V • UL Listed E-5833
- CSA Certified LR-1863



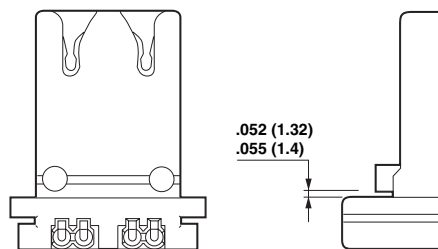
SECTION A



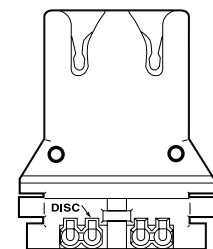
Cat. No. 13180-00U



Cat. No. 13180-00U for 18 or 20 gauge panel mount



Cat. No. 13180-0U2 for 18 gauge panel mount



Cat. No. 13181-00U Disconnect for 18 or 20 gauge panel mount

MEDIUM BI-PIN TURN-TYPE LAMPHOLDERS

Tall Profile • G13 Base



LINEAR FLUORESCENT



13354

Turn-Type Lampholders for T-8 and T-12 Lamps

Tall profile. Molded, white thermosetting urea. Knife-edge contacts. Quickwire pressure terminals accept stranded No. 18 gauge, twisted and overtinned, or No. 18 solid or solder-dipped leads, stripped 3/8". Multiple terminal slots permit double connections at each contact. Recessed wire wells completely enclose conductor, insulating against shorts. Screws assembled or furnished bulk are #6-32 x 3/8".

Cat. Nos. 13354 & 13355

Lampholders with Internal Shunt Connection

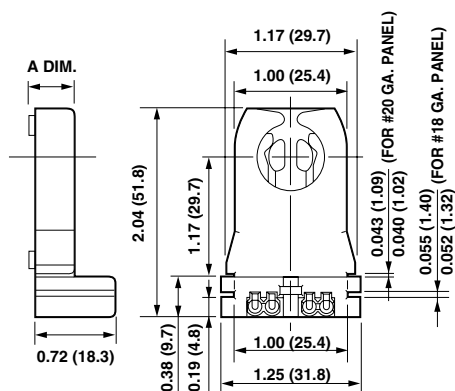
Specially designed for use with electronic ballasts.

Provides easier fixture assembly by eliminating need for jumper-wire. Large "S" identifies shunted version.

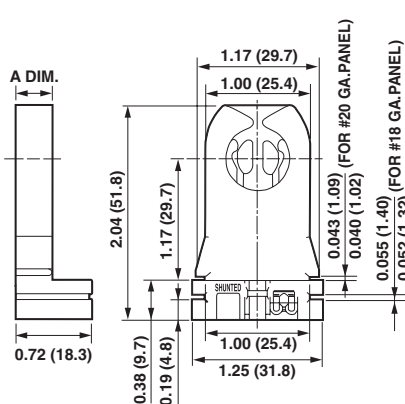
Cat. Nos. 23354 & 23355

- 660W-600V
- UL Listed E-5833
- CSA Certified LR-5863
- NOM Certified 057

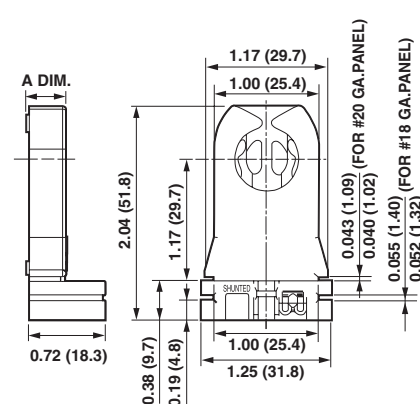
Cat. No.	A Dim. Thickness	Side Groove Mounting	With Captive Nut Assembled	Internal Shunt
13354	3/8 (9.53)	For #20 ga. panel	—	—
13354-00N	3/8 (9.53)	For #20 ga. panel	X	—
23354	3/8 (9.53)	For #20 ga. panel	—	X
13355	11/32 (8.73)	For #20 ga. panel	—	—
13355-00N	11/32 (8.73)	For #20 ga. panel	X	—
23355	11/32 (8.73)	For #20 ga. panel	—	X



Cat. No. 13354



Cat. No. 23354



Cat. No. 23355

MEDIUM BI-PIN TURN-TYPE LAMPHOLDERS

Tall Profile • G13 Base



LINEAR FLUORESCENT

Turn-Type Lampholders for T-8 and T-12 Lamps

Tall profile, pedestal-based fluorescent lampholders of molded, white thermosetting urea. Knife-edge contacts. Quickwire pressure terminals accept stranded No. 18 gauge, twisted and overtinned, or No. 18 solid or solder-dipped leads, stripped 3/8". Multiple terminal slots permit double connections at each contact. Recessed wire wells completely enclose conductor, insulating against shorts. Screws assembled or furnished bulk are #6-32 x 3/8".

Cat. Nos. 13357, 13358 & 13359 Series

Lampholder with Internal Shunt Connection

Specially designed for use with electronic ballasts.

Provides easier fixture assembly by eliminating need for jumper-wire. Large "S" identifies shunted version.

Cat. No. 23357

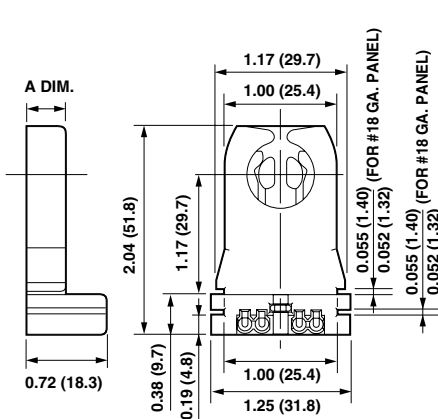
- 660W-600V • UL Listed E-5833 • CSA Certified LR-5863 • NOM Certified 057



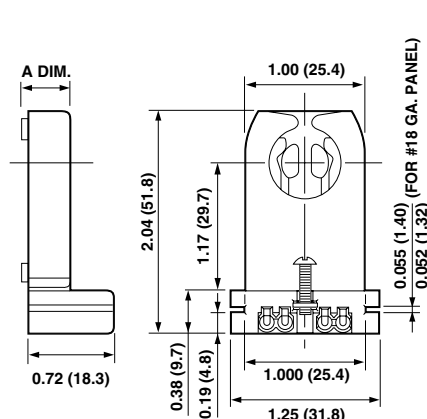
13357

SECTION A

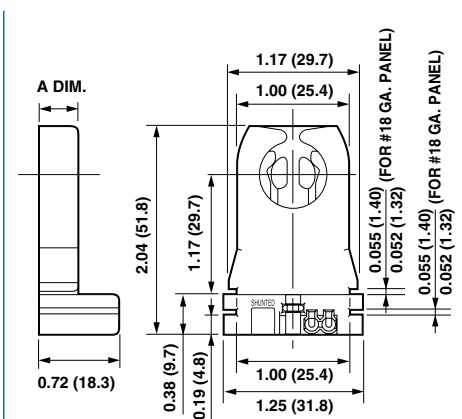
Cat. No.	A Dim. Thickness	Side Groove Mounting	With Captive Nut Assembled	With Captive Nut & Staked Set Screw Assembled
13357	11/32 (8.73)	For #18 ga. panel	-	-
13357-00N	11/32 (8.73)	For #18 ga. panel	X	-
13357-ONX	11/32 (8.73)	For #18 ga. panel	-	X
23357	11/32 (8.73)	For #18 ga. panel	-	-
13358	3/8 (9.53)	Less side grooves	-	-
13358-00N	3/8 (9.53)	Less side grooves	X	-
13358-ONX	3/8 (9.53)	Less side grooves	-	X
13359	11/32 (8.73)	Less side grooves	-	-
13359-00N	11/32 (8.73)	Less side grooves	X	-
13359-ONX	11/32 (8.73)	Less side grooves	-	X



Cat. No. 13357-00N



Cat. No. 13358-ONX



Cat. No. 23357

MEDIUM BI-PIN TURN-TYPE LAMPHOLDERS

Disconnect • G13 Base



LINEAR FLUORESCENT



13351-00D



13354-00D

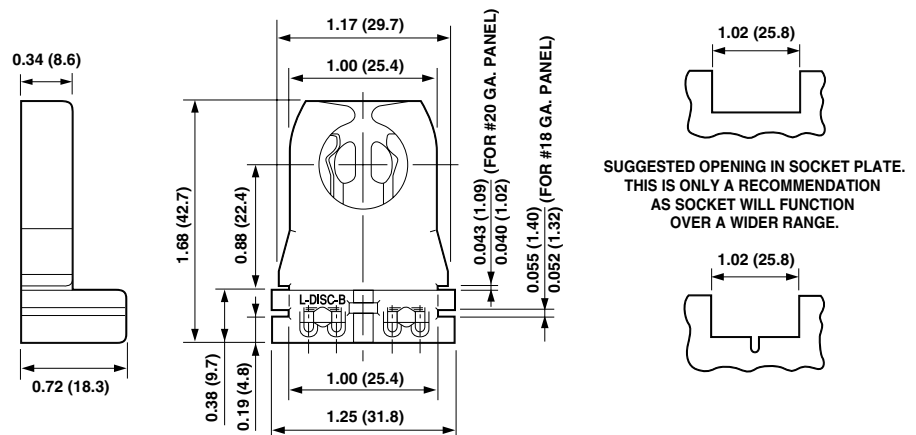
Disconnect/Circuit-Interrupting Fluorescent Lampholders for T-8 and T-12 Lamps

- Meets UL 1570 requirements for disconnect/circuit-interrupting lampholders in fixtures rated at 300V or greater
- Available in low-profile and tall-profile versions

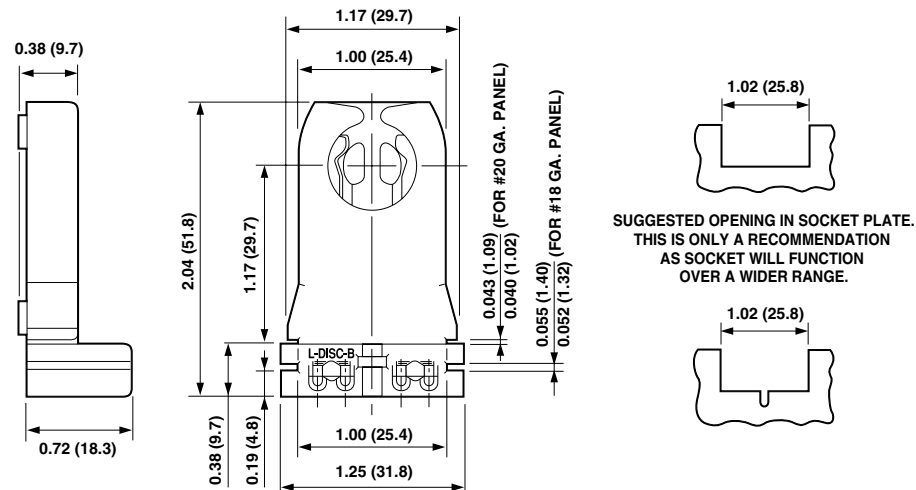
Turn-type, medium bi-pin lampholders for disconnect/circuit-interrupting applications. Knife-edge contacts. Body is molded, white thermosetting urea. Quickwire pressure terminals accept stranded No. 18 AWG twisted and overtinned, or No. 18 AWG solid or solder-dipped leads, stripped 3/8". Recessed wire well completely encloses conductor, insulating against shorts. The recessed wire well on one side of the lampholder is labeled "L-DISC-B" to clearly identify line and ballast disconnect terminals. The back of each lampholder is stamped "D" for easy identification as a disconnect device.

Cat. No. 13351-00D Low Profile & 13354-00D Tall Profile

- 660W-600V • UL Listed E-5833 • CSA Certified LR-1863 • NOM Certified 057



Cat. No. 13351-00D



Cat. No. 13354-00D

MEDIUM AND MINIATURE BI-PIN LAMPHOLDERS

G5/G13 Base



LINEAR FLUORESCENT

Medium Bi-Pin Lampholders for T-8 and T-12 Lamps – G13 Base

Automatic Locking & Ejection (T-8 only)

Nos. 486 & 487 furnished in pairs. Molded in white. Steel mounting bracket riveted to body. Mounting hole tapped #6-32. Leads are No. 18 AWG 105°C AWM-TEW plastic insulated wire, 6" long, stripped 3/4" (other type leads and lengths available).

Cat. Nos. 486 & 487

- 660W-250V • UL Listed E-5833 • CSA Certified LR-5863

Thin, Rapid-Start Quickwire

Each contact has two wire-slot terminals to accommodate all circuit requirements, including jumper connection for rapid-start circuits. Accepts No. 18 AWG wire, stripped-and-twisted 3/8" or solder-dipped full length. Release slots at each connection. One-screw mounting. Recess in rear for optional bracket-mounting.

Suggested max. bracket thickness: .047".

Back-to-back dimension: Nominal lamp length less 1/16". No. 431-02W same as No. 431, except mounting hole tapped #8-32.

Cat. No. 431

- 660W-600V • UL Listed E-5833 • CSA Certified LR-1863 • NOM Certified 057

Miniature Bi-Pin Lampholder for Standard T5 Lamps – G5 Base

(Not Suitable for High Output)

Molded black or white (-00W). Wired through back or flush with insulating mounting bracket. Special mounting brackets available. Leads are No. 18 AWG 105°C AWM-TEW plastic insulated wire, 6" long, stripped 3/4".

Standard pack: bulk

Cat. No. 420

- 75W-250V • UL Listed E-5833 • CSA Certified LR-5863 • NOM Certified 057



486



487

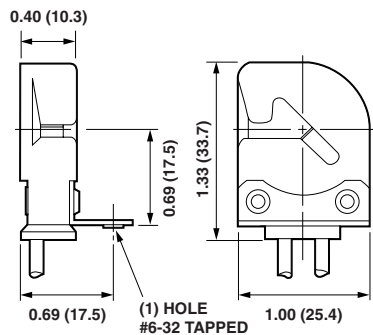


431

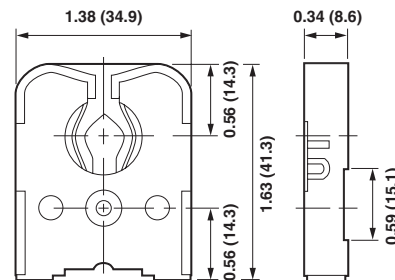


420

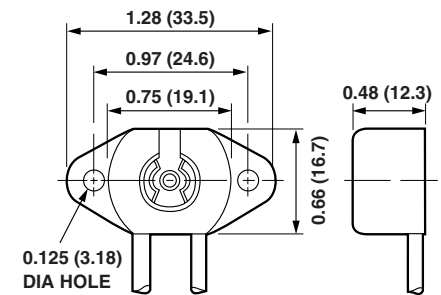
SECTION A



Cat. No. 487



Cat. No. 431



Cat. No. 420

MEDIUM BI-PIN LAMPHOLDERS

Screw Terminals • G13 Base



LINEAR FLUORESCENT



390-01W

Medium Bi-Pin Lampholder for T-8 and T-12 Lamps

Available in white only. Screw terminals on bottom with wireways for straight mounting, through slotted hole.

Grooves in slot for retaining square nut. Insulating cover. (1) round head #6-32 screw by 7/8" long and 1/4" square nut furnished. For flush or surface mounting.

Cat. No. 390-01W



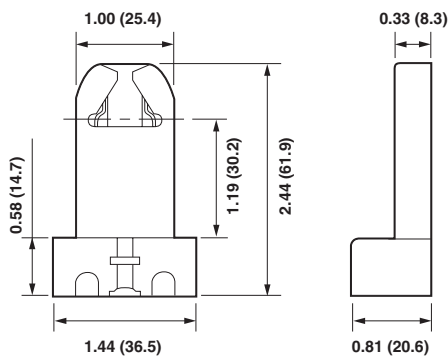
391-01W

Lampholder and Starter Base

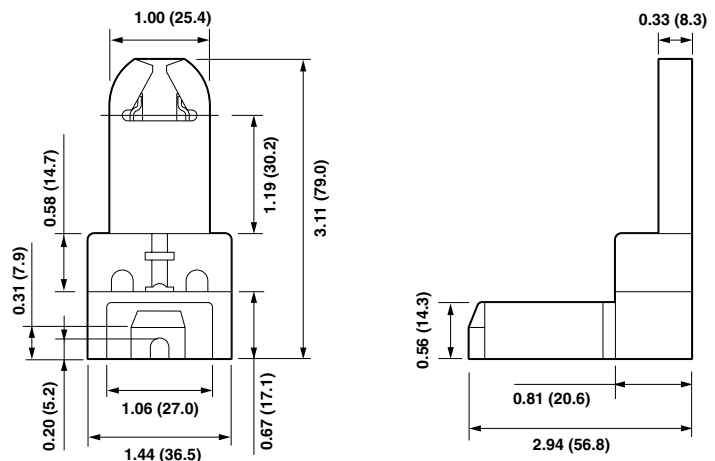
Same as Cat. No. 390-01W, attached to starter base and interconnected to eliminate wiring. Starter socket has flat phosphor bronze contacts. Terminals with wireways on bottom for straight or continuous wiring. Insulating cover (1) round head #6-32 screw by 1 5/8" long and 1/4" square nut furnished. Use with No. 390-01W.

Cat. No. 391-01W

- 660W-600V
- UL Listed 5833
- CSA Certified LR-5863



Cat. No. 390-01W



Cat. No. 391-01W

MEDIUM BI-PIN FLUORESCENT BUTT-ON LAMPHOLDERS

G13 Base



LINEAR FLUORESCENT

Rapid Start Lampholders for T-8 and T-12 Lamps

Cat. No. 395-00W: Available in white only. Leads are #18 AWG 105°C AWM-TEW plastic insulated wire, 9" long, stripped 3/4". Wireways for flush wiring.

Cat. No. 395-02W: Same as Cat. No. 395-00W, but with mounting holes tapped #4-36. Two #4-36 screws by 1 3/32" long furnished.

Cat. No. 389-00W: Disconnect lampholder with blue disconnect lead. Paired with Cat. No. 395-00W.

Cat. No. 434-00W: Same construction and dimensions as No. 395, but with tempered spring steel snap-on clips. Leads may be brought out straight or from rear, for flush mounting. When rear wiring is used, suggested panel opening is 5/8" dia.

- 660W-600V • UL Listed E-5833 • CSA Certified LR-5863
- NOM Certified 057

Plunger-Type

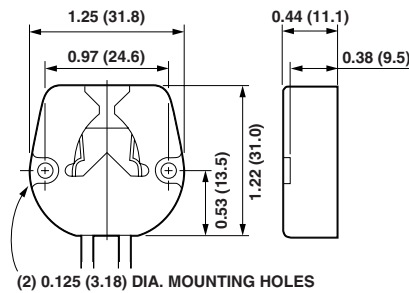
Molded white body. Copper alloy contacts. Leads, unless otherwise specified, will be one white, one black, No. 18 AWG 105°C AWM-TEW plastic insulated wire, 9" long, stripped 3/4". Two #6-32 screws furnished. Back-to-back lampholder dimensions 48 45/64", for 48" lamp.

Cat. Nos. 458 & 459

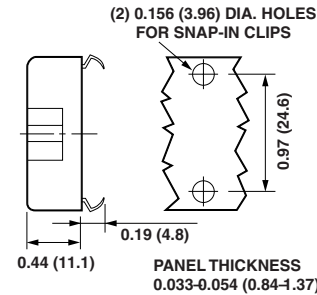
- 660W-600V • UL Listed E-5833 • CSA Certified LR-1863



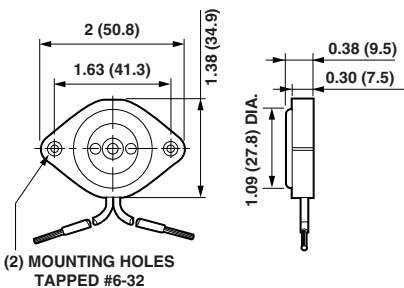
SECTION A



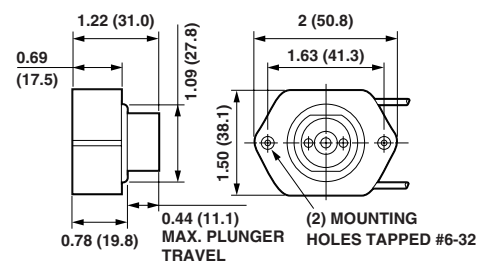
Cat. No. 395-00W



Cat. No. 434-00W



Cat. No. 458



Cat. No. 459

SNAP-IN QUICKWIRE FLUORESCENT LAMPHOLDERS G13 Base



LINEAR FLUORESCENT

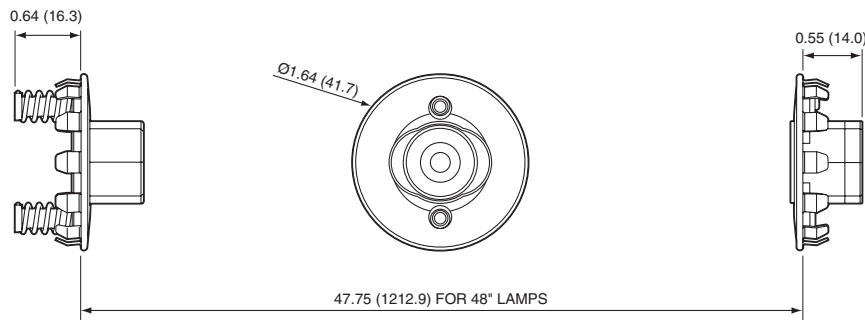


Medium Bi-Pin for T-8 and T-12 Lamps

Steel cover plates with multi-fingered stainless steel clip for fast snap-in assembly. Keyway provides proper orientation to secure the lampholder. Quickwire terminals accept either No. 18 AWG (stranded, twisted and tinned) or No. 18 AWG solid wire. Available shunted (Cat. No. 23518-23519) and non-shunted (13518-13519).

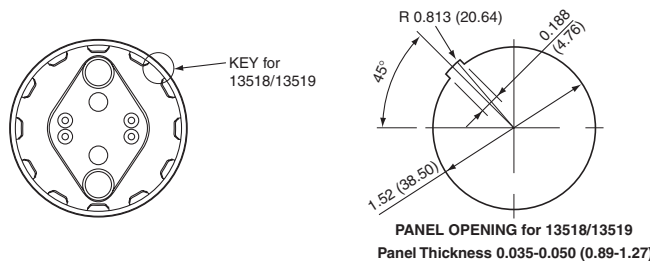
Cat. No.	Description
13518	Medium Bi-Pin Snap-In Fluorescent Lampholder for T-8 and T-12 lamps, plunger style.
13519	Medium Bi-Pin Snap-In Fluorescent Lampholder for T-8 and T-12 lamps, stationary style.
23518	Same as 13518, except with internal shunt connection for use with instant-start ballasts. Back of lampholder is stamped "S" to identify shunt and help prevent improper applications.
23519	Same as 13519, except with internal shunt connection for use with instant-start ballasts. Back of lampholder is stamped "S" to identify shunt and help prevent improper applications.

• 6660W-600V • UL Listed E-5833 • CSA Certified LR-5863 • NOM Certified 057



Cat. No. 13518
Plunger style

Cat. No. 13519
Stationary style



SNAP-IN QUICKWIRE FLUORESCENT LAMPHOLDERS

Fa8/R17d Base



LINEAR FLUORESCENT

Snap-In Quickwire Lampholders for T-8 and T-12 Lamps

Steel cover plate with multi-fingered clips for snap-in assembly. Keyway provides proper orientation and secures lampholder. Quickwire terminals accept either No. 18 AWG (Stranded, twisted and tinned), No. 18 AWG solid, or No. 16 AWG solid.

Slimline - Fa8 Base

Cat. No. 516
660W-1000V

Cat. No. 517
660W-600V

High Output - R17d Base 800MA and 1500MA

Cat. Nos. 523 & 524
660W-600V

- UL Listed E-5833
- CSA Certified LR-5863



516



517

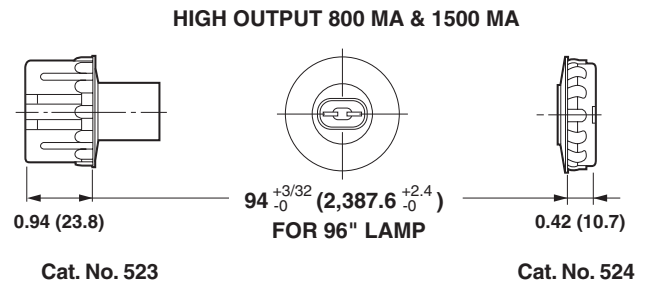
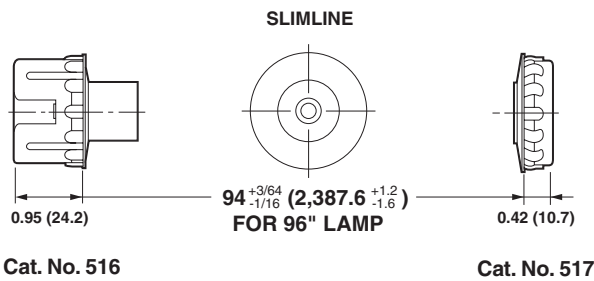


523

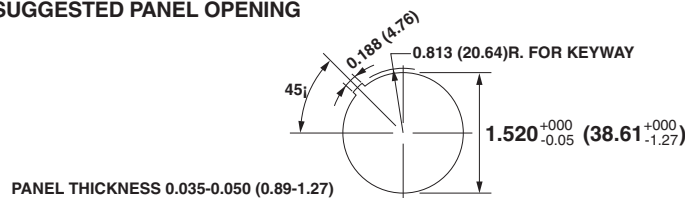


524

SECTION A



SUGGESTED PANEL OPENING



SLIMLINE LAMP HOLDERS

Fa8 Base



LINEAR FLUORESCENT

Shallow-Base Slide-On Lampholders with Lock-On Feature for T-8 and T-12 Lamps

Molded in white. Designed for slide-on or lock-on mounting on 20 gauge panels. Quickwire terminals accept No. 18 AWG stranded-twisted-and-overtinned or No. 18 AWG solid or solder-dipped leads, stripped 3/8"-5/8". Recessed wire-wells completely enclose conductor. Suitable for outdoor applications when properly enclosed.

Cat. No. 2536: Plunger Lampholder 660W-1000V

Cat. No. 2537: Stationary Lampholder 660W-600V

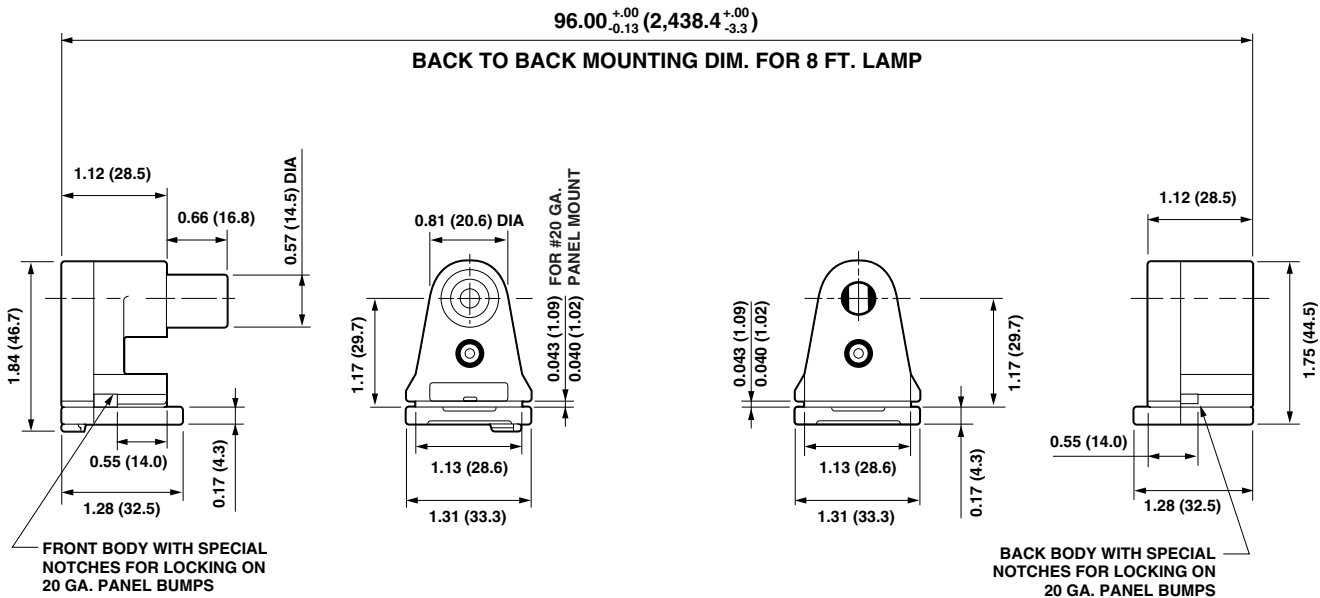
- UL Listed E-5833
- CSA Certified LR-1863
- NOM Certified 057



2536

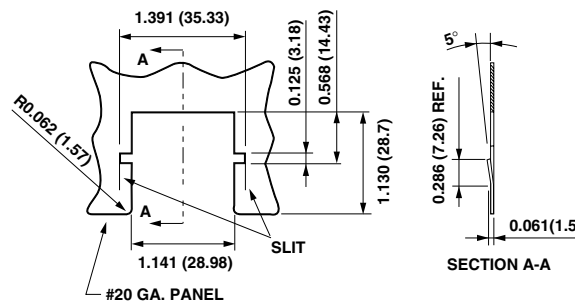


2537



Cat. No. 2536

Cat. No. 2537



MEDIUM BI-PIN LAMP HOLDERS

Pedestal Type • G13 Base



LINEAR FLUORESCENT

Slide-On, Shallow Base for T-8 and T-12 Lamps

Molded in white. Shallow wiring recess. Multiple terminal design accepts jumper leads on stationary end. Quickwire terminals accept No. 18 or No. 16 AWG solid; solder-dipped; or twisted, tinned and fused, stripped 3/8" to 5/8". Silver plated contacts. 20 gauge panel thickness.

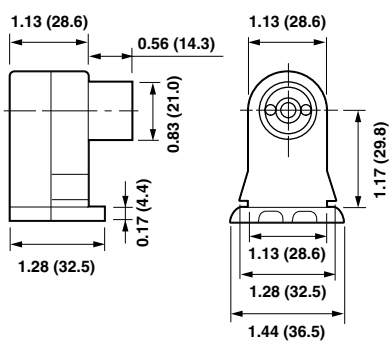
Cat. Nos. 13570 & 13571

- 660W-600V
- UL Listed E-5833
- CSA Certified LR-5863
- NOM Certified 057

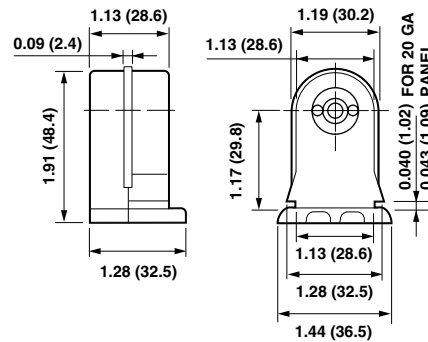
Cat. No.	Back-To-Back Dimension
13570	Nominal lamp length +1 3/4" ±1/32
13571	Nominal lamp length +1 3/4" ±1/32



SECTION A



Cat. No. 13570



Cat. No. 13571

HIGH OUTPUT 800MA AND 1500MA RECESSED DOUBLE CONTACT

Pedestal Type • R17d Base



LINEAR FLUORESCENT



13550



13551

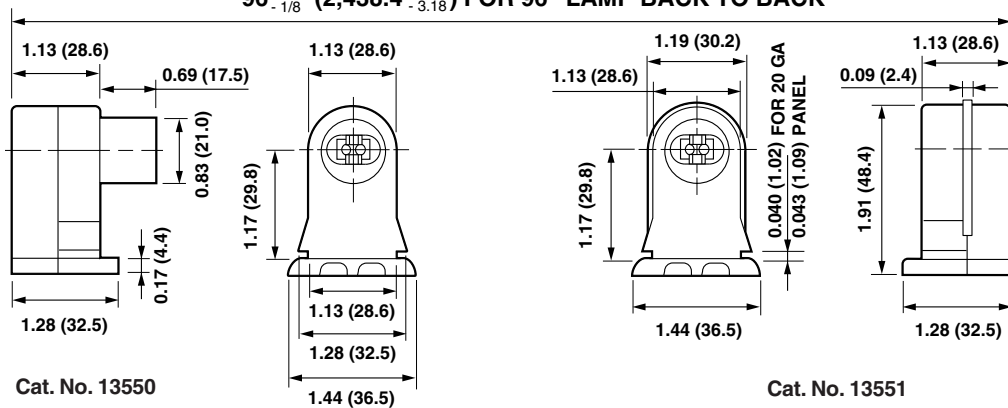
Slide-On, Shallow Base for T-8 and T-12 Lamps

Molded in white. Quickwire terminals accept No. 18 AWG twisted and tinned, solder-dipped, as well as solid leads – stripped 3/8" to 1/2". Slide-wipe horizontal contacts on both ends are silver-plated copper alloy. **Multiple terminal design accepts jumper leads on stationary end only.** Suitable for outdoor application when properly enclosed.

Cat. Nos. 13550 & 13551

- 660W-600V
- UL Listed E-5833
- CSA Certified LR-5863
- NOM Certified 057

96^{+0.000}/_{-1/8} (2,438.4^{+0.000}/_{-3.18}) FOR 96" LAMP BACK TO BACK



HIGH OUTPUT 800MA AND 1500MA RECESSED DOUBLE CONTACT

Pedestal Type • R17d Base



LINEAR FLUORESCENT

Rapid Start 800MA and 1500MA (T-12) HO Recessed Double Contact Screw Mounting

Molded in white. Silver-plated recessed double contacts. Screw terminals located in deeply-recessed wiring chambers. Wireways permit straight-in wiring. Permanently hinged cover over terminals. (1) #8-32 mounting screw by 1/2" long and nut furnished. Suitable for outdoor use when properly enclosed.

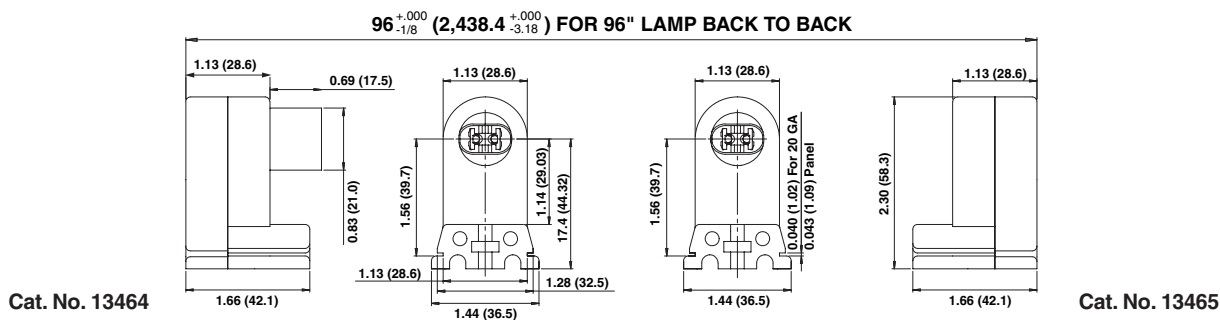
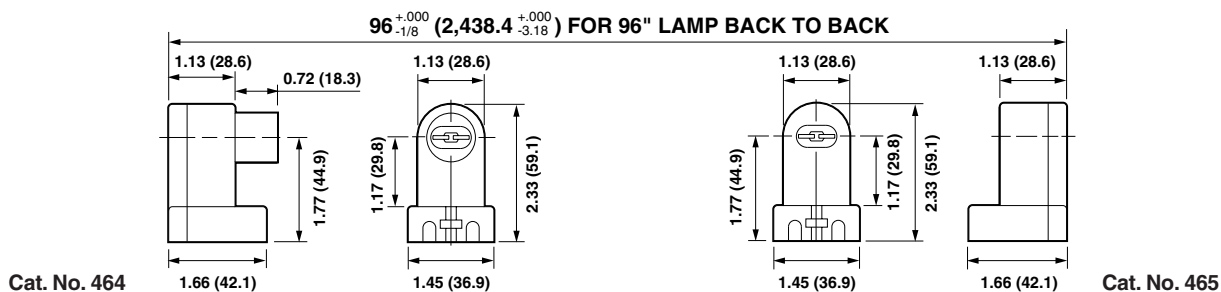
Cat. Nos. 464 & 465: Straight-In wiring

Cat. Nos. 13464 & 13465: Same as above, except with Push-In wiring

- 660W-600V • UL Listed E-5833 • CSA Certified LR-5863
- NOM Certified 057



SECTION A



HIGH OUTPUT 800MA AND 1500MA RECESSED DOUBLE CONTACT

Pedestal Type • R17d Base



LINEAR FLUORESCENT



13556

Slide-On, Shallow Base for Power Groove and Jacketed Lamps

Molded in white. Quickwire terminals accept No. 18 AWG twisted and tinned, solder-dipped, as well as solid leads – stripped 3/8" to 1/2". Slide-wipe contacts on both ends are silver-plated copper alloy. 20-gauge panel thickness, vertical contacts. **Multiple terminal design accepts jumper leads on stationary end only.** Suitable for outdoor application when properly enclosed.

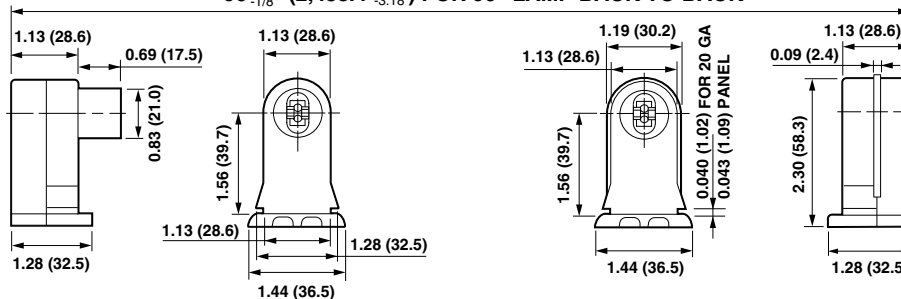
Cat. Nos. 13556 & 13557

- 660W-600V
- UL Listed E-5833
- CSA Certified LR-5863
- NOM Certified 057



13557

96^{+0.000}/_{-1/8} (2,438.4^{+0.000}/_{-3.18}) FOR 96" LAMP BACK TO BACK



Cat. No. 13556

Cat. No. 13557

CIRCLINE LAMP CONNECTOR/ STARTER BASES

G10q Base



LINEAR FLUORESCENT

Fluorescent Circline Lamp Connector

Available in white. Four leads (black, white, blue, red) No. 18 AWG 105°C AWM-TEW plastic insulated wire, 12" long, stripped 3/4". Used with high voltage instant starting transformers.

Cat. No. 408

- 660W-600V • UL Listed E-5833 • CSA Certified LR-5863



Starter Base with Terminals

Molded in black. Screw terminals on opposite sides. 2 mounting holes, on 1-7/16" centers. Two #6-32 x 13/16" Screws and nuts are furnished.

Cat. No. 380

- 660W-250V • UL Listed E-18135 • CSA Certified LR-5863



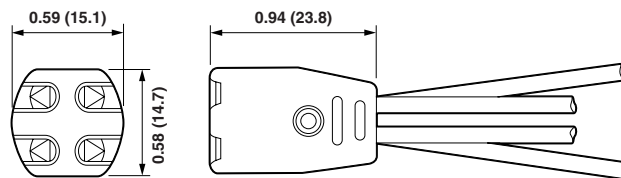
Starter Base with Leads

Cat. No. 396: Molded in black. Leads are No. 18 AWG 105°C AWM-TEW plastic insulated wire, 9" long, stripped 12". (2) #4-36 mounting screws by 7/16" long and nuts are furnished.

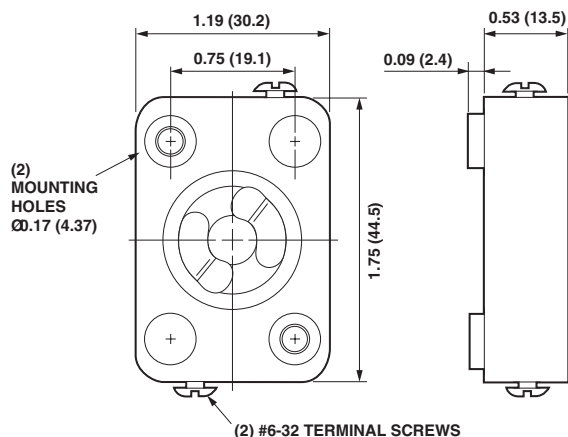
Cat. No. 396-001: Same base as 396, with mounting bracket assembled. Bracket provides #6-32 tapped holes on 1-7/16" centers. Other brackets available for special mounting applications.

Cat. No. 396-003: Same as No. 396 with holes tapped for #4-36 mounting screws. (2) 7/16" long screws furnished.

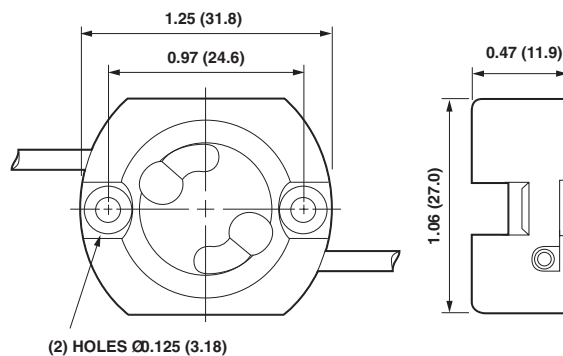
- 660W-250V • UL Listed E-18135 • CSA Certified LR-5863



Cat. No. 408



Cat. No. 380



Cat. No. 396



table of contents

Compact Fluorescent Lampholders

Introduction	B2
Smart CFL Color-Coding Chart	B3
G24q/GX24q Base	B4-B-9, B14-B15
Round Shape	B14-B15
G24d Base	B10-B13
Round Shape	B12-B13
GX23/GX23-2 Base	B16
G23/G23-2 Base	B17
Long Twin-Tube with 2G11 Base	B18, B20
Lamp Support Clips for Long Twin-Tube	B19-B20

NOTE: Dimensions in parentheses are in millimeters. All other dimensions are in inches.

SECTION

B

LEVITON

A Complete Line of Top-Quality Compact Fluorescent Lampholders (CFL's)

Leviton's outstanding line of Compact Fluorescent Lampholders (CFL's) now offers even more unique features. Our "Smart Lampholder" features an easy-to-read color code that immediately tells you the lamp wattage each lampholder accepts. This easy-to-read color-coded system simplifies stock organization. It significantly reduces assembly time by assuring selection of the correct lampholder. We've also added two new high-wattage CFL's (57- and 70-Watt) and a new round shape lampholder to the line. Another Leviton innovation is an internal rejection feature on all quad 4-pin Smart Lampholders to prevent the incorrect and time-consuming insertion of 2-pin lamps during assembly. Leviton also has a selection of bottom snap-in mount Smart Lampholders for the thinner and increasingly popular 18-20 gauge panels.

Smart Lampholders Provide Innovative Features:

- Bottom Snap-in Mounting for Easier Panel Assembly Available for 16 ga. and 18-20 ga. panels. Bottom snap-ins allow lampholders to be mounted on the top side of fixture panels, reducing assembly time
- Four Screw Holes for Greater Mounting Flexibility
- Two Wiring Ports per Contact Speed Harness Wiring
- Superior Metal-Spring Lamp-Retainer Clip
- Wire-Routing Options



COLOR-CODED COMPACT FLUORESCENT LAMPHOLDERS (CFL's)



COMPACT FLUORESCENT

"Smart" CFL Color-Coding Chart

	Color Code	Cat. No.	Dashes	Wattage
	White Body Only	26719	100, 200, 300, 400, 500	5, 7, 9
	White Body with Black	26720	100, 200, 300, 400, 500	13
	White Body with Black	26725	2A1, 201, 211, 221 4A1, 401, 411, 421	10/13
	White Body with Green	26725	2A2, 202, 212, 222, 4A2, 402, 412, 422	18
	White Body with Orange	26725	2A3, 203, 213, 223, 4A3, 403, 413, 423	26/32
	White Body with Yellow	26725	4A4, 404, 414, 424	42
	White Body with Blue	26725	4A5, 405, 415, 425	57
	White Body with Red	26725	4A6, 406, 416, 426	70
	White Body Only	26725	4A9, 419, 429 Universal*	26, 32, 42

SECTION B

Cat. No. 26719 Series for lamps with G23 and G23-2 base

Cat. No. 26720 Series for lamps with GX23 and GX23-2 base

Cat. No. 26725 Series for lamps with G24d, G24q and GX24q base

*For use with universal wattage ballast only

- 75W-600V • UL Listed E-5833[†] • CSA Certified LR-1863 • NOM Certified 057
- US Patent Nos. 6,039,597; 5,758,952

[†]UL Listed for indoor and outdoor applications when properly enclosed

All CFL bodies are white thermoplastic with color-coding as indicated above for wattage identification. Quick-connect push-in wiring terminals accept No. 18 AWG solid or twisted-and-overtinned leads, stripped 3/8 in.

COLOR-CODED COMPACT FLUORESCENT LAMPHOLDERS (CFL's) G24q/GX24q Base



COMPACT FLUORESCENT

Cat. No. 26725 Series G24q and GX24q Base, 4-pin For Use With 18 Ga. – 20 Ga. Panels

Suitable for dimming or electronic ballasts

Lampholders for 10-watt and 13-watt lamps are color-coded **black**.

Lampholders for 18-watt lamps are color-coded **green**.

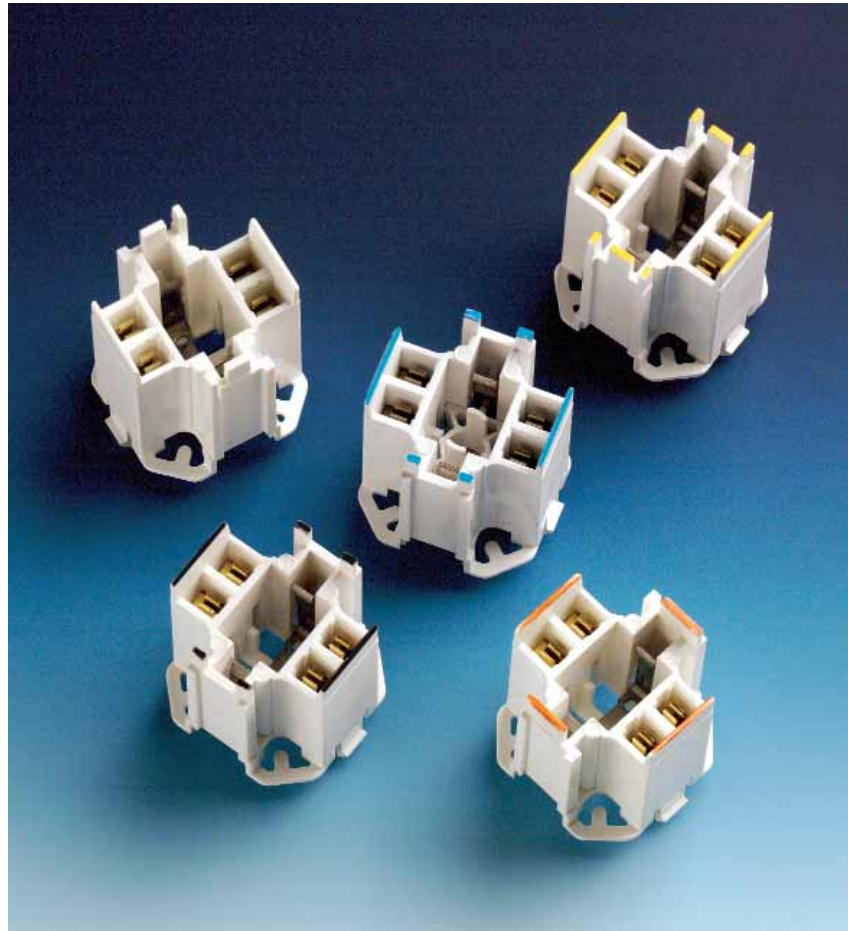
Lampholders for 26-watt and 32-watt lamps are color-coded **orange**.

Lampholders for 42-watt lamps are color-coded **yellow**.

Lampholders for 57-watt lamps are color-coded **blue**.

Lampholders for 70-watt lamps are color-coded **red**.

Universal lampholders for 26, 32 and 42-watt lamps are not color-coded—**white** body only.



Bottom Snap-In Mounting

For Use with 18 Ga.-20 Ga. panels

Leviton Cat. No.	Lamp Base	Color Code	Philips	Osram SYLVANIA	GE	Panasonic
26725-421	G24q-1	Black	PL-C, 10W, 13W	DULUX D 10W, 13W	DOUBLE BIAX 10W, 13W TRIPLE BIAX 13W	FDS 10W, 13W
	GX24q-1	Black				
26725-422	G24q-2	Green	PL-C, 18W	DULUX D 18W	DOUBLE BIAX 18W	FDS 18W
	GX24q-2	Green	PL-T, 18W	DUPLUX T/E 18W	TRIPLE BIAX 18W	FHT 18W
26725-423	G24q-3	Orange	PL-C, 26W	DULUX D/E 26W	DOUBLE BIAX 26W	FHT 26W, 32W
	GX24q-3	Orange	PLT 26W, 32W	DULUX T/E 26W, 32W	TRIPLE BIAX 26W, 32W	
26725-424	GX24q-4	Yellow	PL-T 42W	DULUX T/E 42W	PERFORMANCE BIAX 42W	—
26725-425	GX24q-5	Blue	—	DULUX T/E/IN 57W	HIGH OUTPUT BIAX 57W	—
26725-426	GX24q-6	Red	—	DULUX T/E/IN 70W	HIGH OUTPUT BIAX 70W	—
26725-429 Universal*	G24q-3 GX24q-4	No color code White body only	PL-T 26W, 32W, 42W	DULUX T/E 26W, 32W, 42W	TRIPLE BIAX 26W, 32W, 42W	FHT 26W, 32W

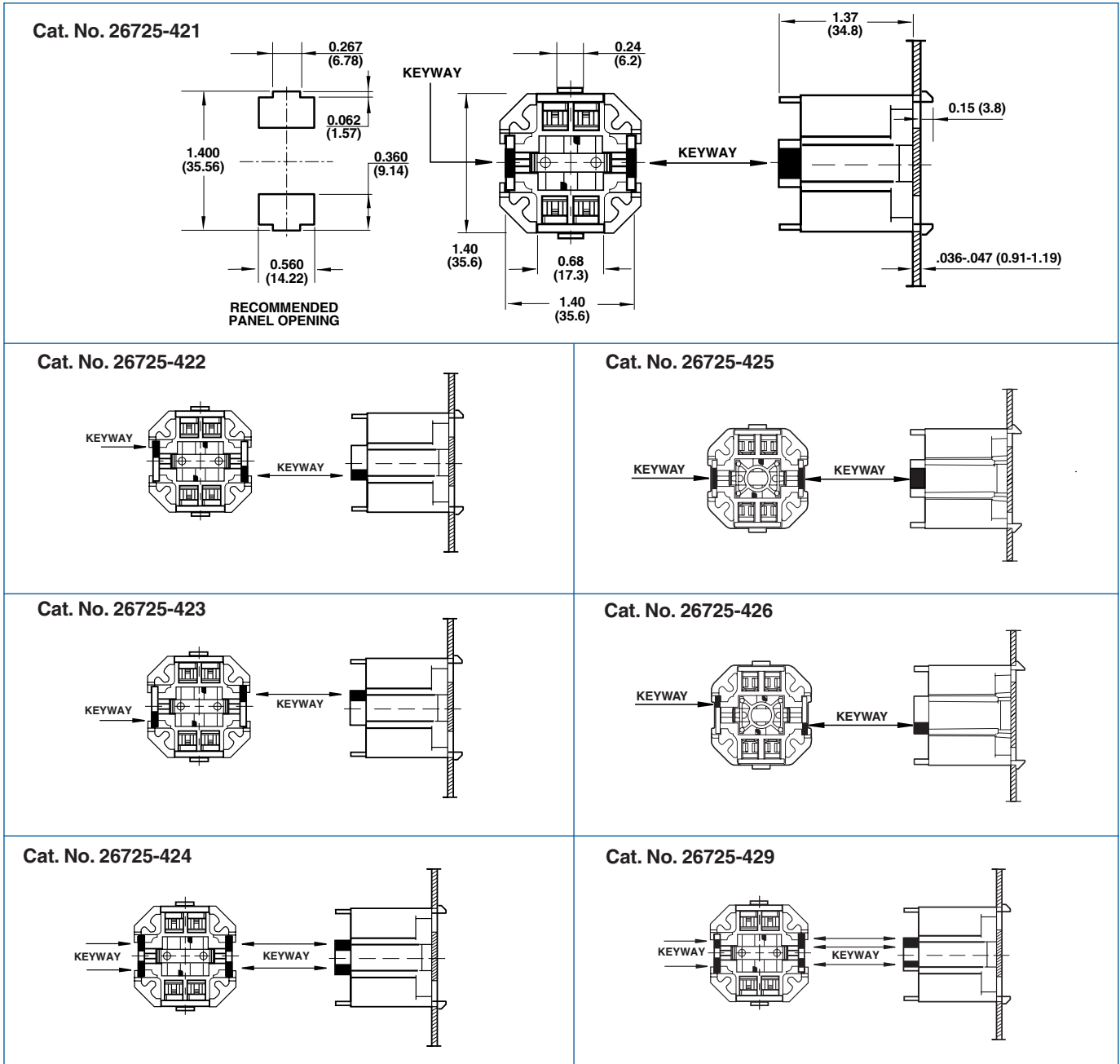
* For use with universal wattage ballast only.

COLOR-CODED COMPACT FLUORESCENT LAMPHOLDERS (CFL's) G24q/GX24q Base



COMPACT FLUORESCENT

Cat. No. 26725 Series Bottom Snap-In Mounting



SECTION B

COLOR-CODED COMPACT FLUORESCENT LAMPHOLDERS (CFL's) G24q/GX24q Base



COMPACT FLUORESCENT

Cat. No. 26725 Series G24q and GX24q Base, 4-pin

Suitable for dimming or
electronic ballasts

Lampholders for 10-watt and 13-watt
lamps are color-coded **black.**

Lampholders for 18-watt lamps are
color-coded **green.**

Lampholders for 26-watt and 32-watt
lamps are color-coded **orange.**

Lampholders for 42-watt lamps
are color-coded **yellow.**

Lampholders for 57-watt lamps
are color-coded **blue.**

Lampholders for 70-watt lamps
are color-coded **red.**

Universal lampholders for 26, 32- and
42-watt lamps are not color-coded—
white body only.



Bottom Screw-Down Mounting

Leviton Cat. No.	Lamp Base	Color Code	Philips	Osram SYLVANIA	GE	Panasonic
26725-411	G24q-1 GX24q-1	Black	PL-C, 10W, 13W	DULUX D/E 10W, 13W	DOUBLE BIAX 10W, 13W TRIPLE BIAX 13W	FDS 10W, 13W
26725-412	G24q-2 GX24q-2	Green	PL-C, 18W	DULUX D 18W	DOUBLE BIAX 18W	FDS 18W
		Green	PL-T, 18W	DUPLUX T/E 18W	TRIPLE BIAX 18W	FHT 18W
26725-413	G24q-3 GX24q-3	Orange	PL-C, 26W	DULUX D/E 26W	DOUBLE BIAX 26W	FHT 26W, 32W
		Orange	PLT 26W, 32W	DULUX T/E 26W, 32W	TRIPLE BIAX 26W, 32W	
26725-414	GX24q-4	Yellow	PL-T 42W	DULUX T/E 42W	PERFORMANCE BIAX 42W	—
26725-415	GX24q-5	Blue	—	DULUX T/E/IN 57W	HIGH OUTPUT BIAX 57W	—
26725-416	GX24q-6	Red	—	DULUX T/E/IN 70W	HIGH OUTPUT BIAX 70W	—
26725-419 Universal*	G24q-3 GX24q-4	No color code White body only	PL-T 26W, 32W, 42W	DULUX T/E 26W, 32W, 42W	TRIPLE BIAX 26W, 32W, 42W	FHT 26W, 32W

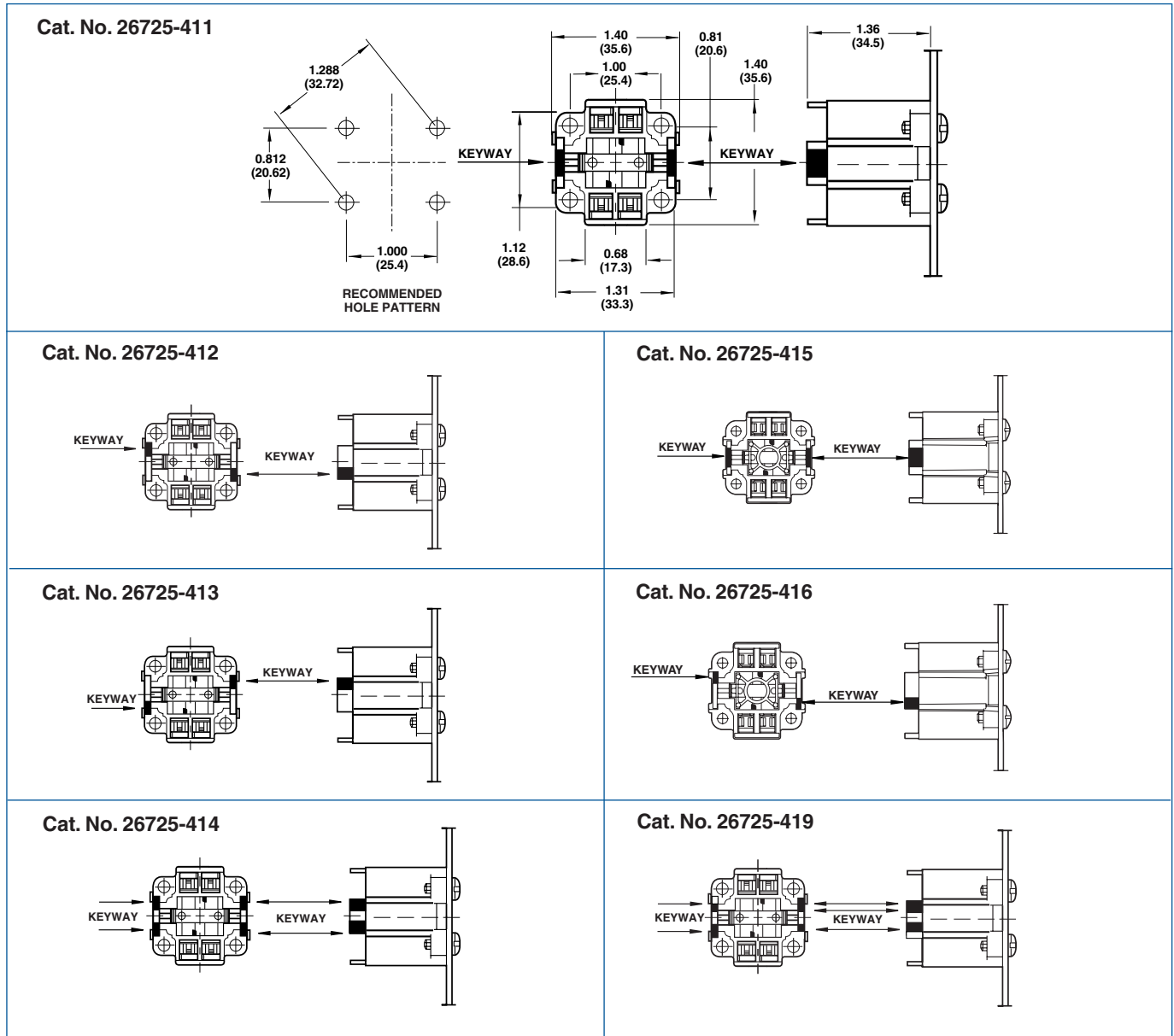
* For use with universal wattage ballast only.

COLOR-CODED COMPACT FLUORESCENT LAMPHOLDERS (CFL's) G24q/GX24q Base



COMPACT FLUORESCENT

Cat. No. 26725 Series Bottom Screw-Down Mounting



SECTION B

COLOR-CODED COMPACT FLUORESCENT LAMPHOLDERS (CFL's) G24q/GX24q Base



COMPACT FLUORESCENT

Cat. No. 26725 Series G24q and GX24q Base, 4-pin For Use With 16 Ga. Panels

Suitable for dimming or
electronic ballasts

Lampholders for 10-watt and 13-watt
lamps are color-coded **black.**

Lampholders for 18-watt lamps
are color-coded **green.**

Lampholders for 26-watt and 32-watt
lamps are color-coded **orange.**

Lampholders for 42-watt lamps
are color-coded **yellow.**

Lampholders for 57-watt lamps
are color-coded **blue.**

Lampholders for 70-watt lamps
are color-coded **red.**



Bottom Snap-In Mounting For Use with 16 Ga. panels

Leviton Cat. No.	Lamp Base	Color Code	Philips	Osram SYLVANIA	GE	Panasonic
26725-401	G24q-1	Black	PL-C, 10W, 13W	DULUX D 10W, 13W	DOUBLE BIAX 10W, 13W TRIPLE BIAX 13W	FDS 10W, 13W
	GX24q-1	Black				
26725-402	G24q-2	Green	PL-C, 18W	DULUX D 18W	DOUBLE BIAX 18W	FDS 18W
	GX24q-2	Green	PL-T, 18W	DUPLUX T/E 18W	TRIPLE BIAX 18W	FHT 18W
26725-403	G24q-3	Orange	PL-C, 26W	DULUX D/E 26W	DOUBLE BIAX 26W	FHT 26W, 32W
	GX24q-3	Orange	PLT 26W, 32W	DULUX T/E 26W, 32W	TRIPLE BIAX 26W, 32W	
26725-404	GX24q-4	Yellow	PL-T	DULUX T/E 42W	PERFORMANCE 42W	— BIAX 42W
26725-405	GX24q-5	Blue	—	DULUX T/E/IN 57W	HIGH OUTPUT BIAX 57W	—
26725-406	GX24q-6	Red	—	DULUX T/E/IN 70W	HIGH OUTPUT 70W	—

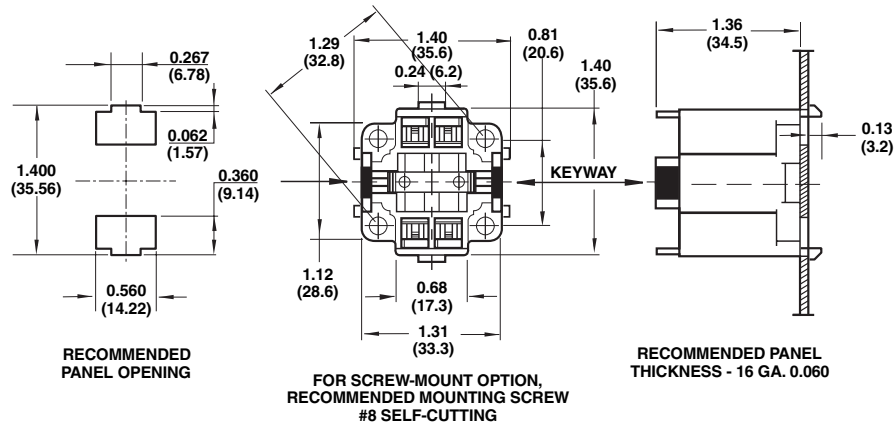
COLOR-CODED COMPACT FLUORESCENT LAMPHOLDERS (CFL's) G24q/GX24q Base



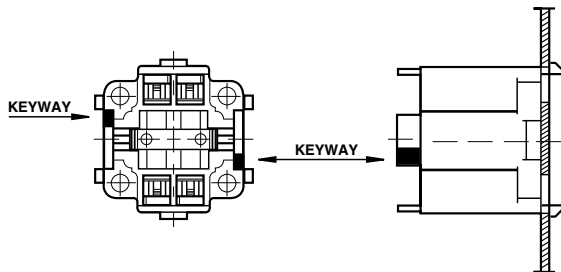
COMPACT FLUORESCENT

Cat. No. 26725 Series, Bottom Snap-In Mounting

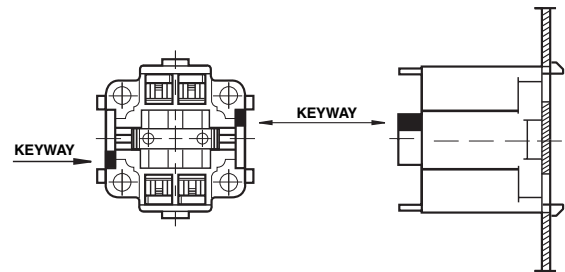
Cat. No. 26725-401



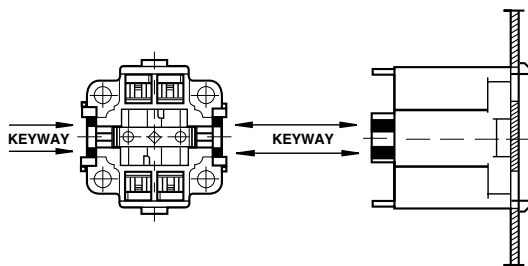
Cat. No. 26725-402



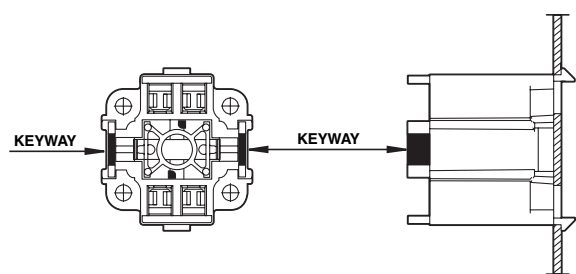
Cat. No. 26725-403



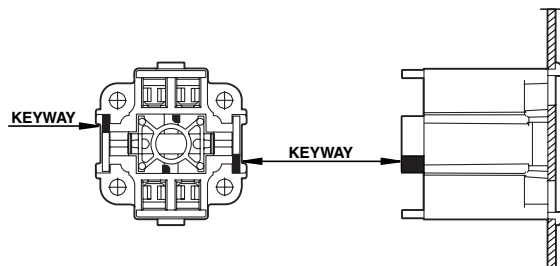
Cat. No. 26725-404



Cat. No. 26725-405



Cat. No. 26725-406



SECTION B

COLOR-CODED COMPACT FLUORESCENT LAMPHOLDERS (CFL's) G24d Base



COMPACT FLUORESCENT

Cat. No. 26725 Series

G24d Base, 2-pin Bottom Screw-Down Mounting Versions — Bottom Snap-in Mounting Versions for Use with 18 Ga. – 20 Ga. and 16-Ga. Panels

Lampholders for 10-watt and 13-watt
lamps are color-coded **black.**

Lampholders for 18-watt lamps are
color-coded **green.**

Lampholders for 26-watt lamps are
color-coded **orange.**



Bottom Screw-Down Mounting

Leviton Cat. No.	Lamp Base	Color Code	Philips	Osram SYLVANIA	GE	Panasonic
26725-211	G24d-1	Black	PL-C 10W, 13W	DULUX D 10W, 13W	DOUBLE BIAX 10W, 13W	—
26725-212	G24d-2	Green	PL-C 18W	DULUX D 18W	DOUBLE BIAX 18W	FDS 18W
26725-213	G24d-3	Orange	PL-C 26W	DULUX D 26W DULUX T 26W	DOUBLE BIAX 26W	—

Bottom Snap-In Mounting

For Use with 18 Ga. - 20 Ga. panels

26725-221	G24d-1	Black	PL-C, 10W, 13W	DULUX D 10W, 13W	DOUBLE BIAX 10W, 13W	—
26725-222	G24d-2	Green	PL-C, 18W	DULUX D 18W DULUX T 18W	DOUBLE BIAX 18W	FDS 18W
26725-223	G24d-3	Orange	PL-C, 26W	DULUX D 26W DULUX T 26W	DOUBLE BIAX 26W	—

For Use with 16 Ga. panels

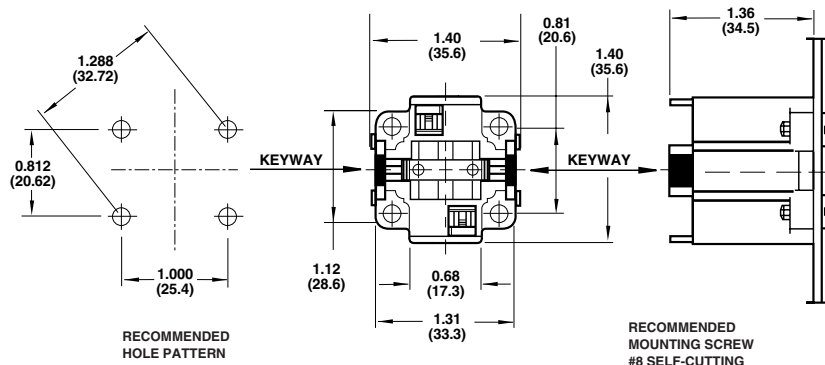
26725-201	G24d-1	Black	PL-C, 10W, 13W	DULUX D 10W, 13W	DOUBLE BIAX 10W, 13W	—
26725-202	G24d-2	Green	PL-C, 18W	DULUX D 18W DULUX T 18W	DOUBLE BIAX 18W	FDS 18W
26725-203	G24d-3	Orange	PL-C, 26W	DULUX D 26W DULUX T 26W	DOUBLE BIAX 26W	—

NOTE: Lamp names are trademarked by manufacturers.
See pages B4-B9 for Cat. No. 26725 G24q base, 4-pin lampholders (suitable for dimming or electronic ballasts).

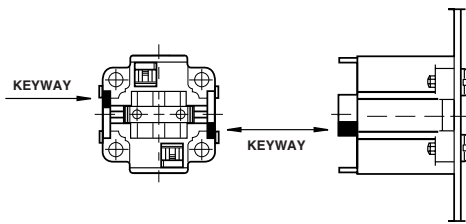
COLOR-CODED COMPACT FLUORESCENT LAMP HOLDERS (CFL's) G24d Base

Cat. No. 26725 Series, Bottom Screw-Down Mounting

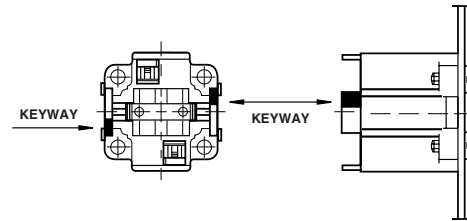
Cat. No. 26725-211



Cat. No. 26725-212



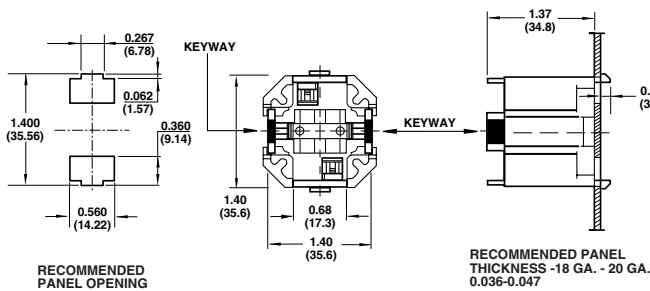
Cat. No. 26725-213



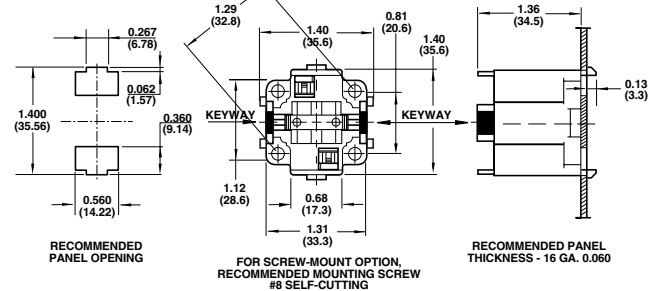
Bottom Snap-In Mounting for 18-20 Ga. Panels

Bottom Snap-In Mounting for 16 Ga. Panels

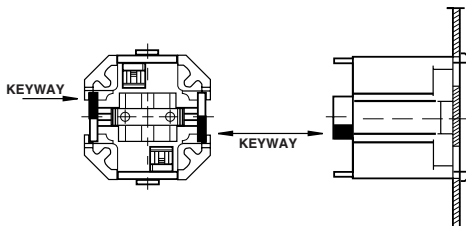
Cat. No. 26725-221



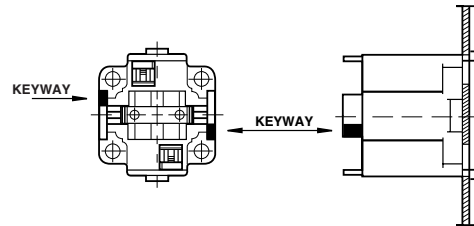
Cat. No. 26725-201



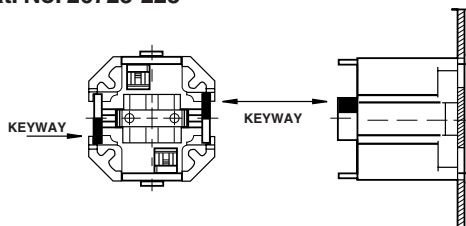
Cat. No. 26725-222



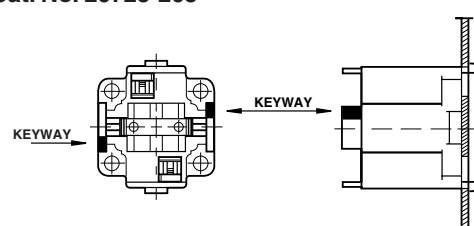
Cat. No. 26725-202



Cat. No. 26725-223



Cat. No. 26725-203



COLOR-CODED COMPACT FLUORESCENT LAMPHOLDERS (CFL's)

Round Shape • G24d Base



COMPACT FLUORESCENT

Round Shape

Cat. No. 26725-2A Series For G24d Base, 2-pin

Lampholders for 10-watt and 13-watt lamps are color-coded **black**.

Lampholders for 18-watt lamps are color-coded **green**.

Lampholders for 26-watt and 32-watt lamps are color-coded **orange**.



Cat. No. 26725-2A Series

For 10W, 13W, 18W and 26W lamps with G24d 2-pin base

2-Pin Bottom Screw-Down Mounting

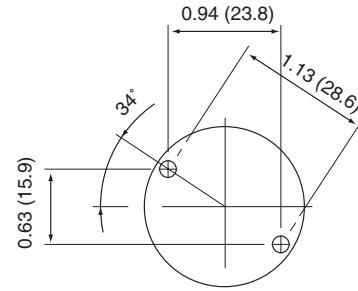
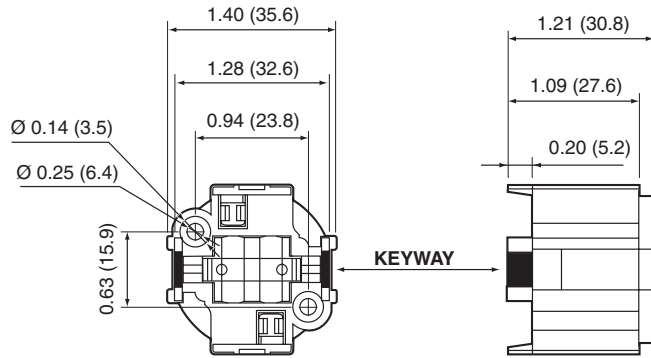
Leviton Cat. No.	Lamp Base	Color Code	Philips	Osram Sylvania	GE
26725-2A1	G24d-1	Black	PL-C, 10W, 13W	DULUX D 10W, 13W	DOUBLE BIAX 10W, 13W
26725-2A2	G24d-2	Green	PL-C, 18W	DULUX D 18W DULUX T 18W	DOUBLE BIAX 18W
26725-2A3	G24d-3	Orange	PL-C, 26W	DULUX D 26W DULUX T 26W	DOUBLE BIAX 26W

COLOR-CODED COMPACT FLUORESCENT LAMP HOLDERS (CFL's) Round Shape • G24d Base



COMPACT FLUORESCENT

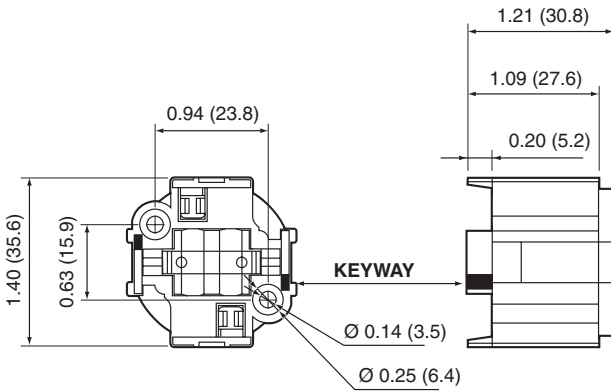
Round Shape
Cat. No. 26725-2A Series
For G24d Base, 2-pin



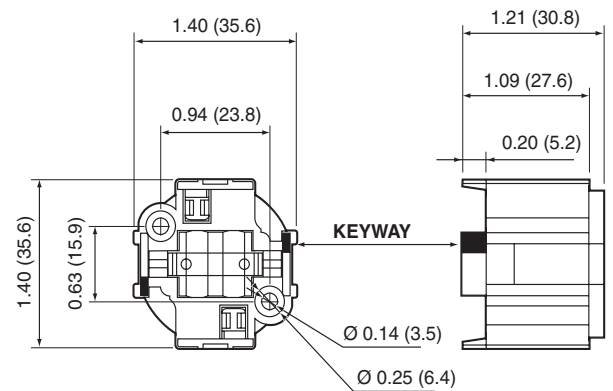
Recommended Panel Opening
for all CFL's listed

SECTION B

Cat. No. 26725-2A1



Cat. No. 26725-2A2



Cat. No. 26725-2A3

COLOR-CODED COMPACT FLUORESCENT LAMPHOLDERS (CFL's)

Round Shape • G24q/GX24q Base



COMPACT FLUORESCENT

Round Shape

Cat. No. 26725-4A Series
For G24q/GX24q Base, 4-pin
Suitable for dimming or
electronic ballasts

Lampholders for 10-watt and 13-watt lamps are color-coded **black.**

Lampholders for 18-watt lamps are color-coded **green.**

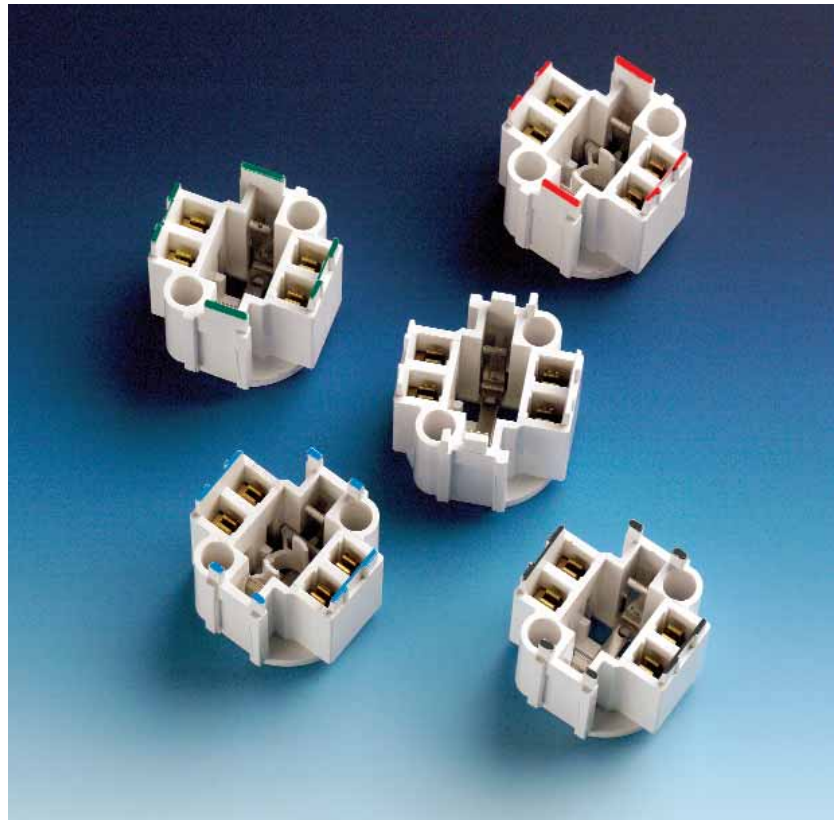
Lampholders for 26-watt and 32-watt lamps are color-coded **orange.**

Lampholders for 42-watt lamps are color-coded **yellow.**

Lampholders for 57-watt lamps are color-coded **blue.**

Lampholders for 70-watt lamps are color-coded **red.**

Universal lampholders for 26, 32 and 42-watt lamps are not color-coded — **white** body only.



4-Pin Bottom Screw-Down Mounting

Leviton Cat. No.	Lamp Base	Color Code	Philips	Osram Sylvania	GE
26725-4A1	G24q-1 GX24q-1	Black	PL-C, 10W, 13W	DULUX-D 10W, 13W	DOUBLE BIAX 10W, 13W TRIPLE BIAX 13W
26725-4A2	G24q-2 GX24q-2	Green Green	PL-C, 18W PL-C, 18W	DULUX D 18W DULUX T/E 18W	DOUBLE BIAX 18W TRIPLE BIAX 18W
26725-4A3	G24q-3 GX24q-3	Orange Orange	PL-C, 26W PL-T, 26W, 32W	DULUX D 26W DULUX T/E 26W, 32W	DOUBLE BIAX 26W TRIPLE BIAX 26W, 32W
26725-4A4	GX24q-4	Yellow	PL-T 42W	DULUX T/E 42W	PERFORMANCE BIAX 42W
26725-4A5	GX24q-5	Blue	–	DULUX T/E 57W	HIGH OUTPUT BIAX 57W
26725-4A6	GX24q-6	Red	–	DULUX T/E 70W	HIGH OUTPUT BIAX 70W
26725-4A9 Universal*	G24q-3 GX24q-4	No color code White body only	PL-T 26W, 32W, 42W	DULUX T/E 26W, 32W, 42W	TRIPLE BIAX 26W, 32W 42W

* For use with Universal ballast only

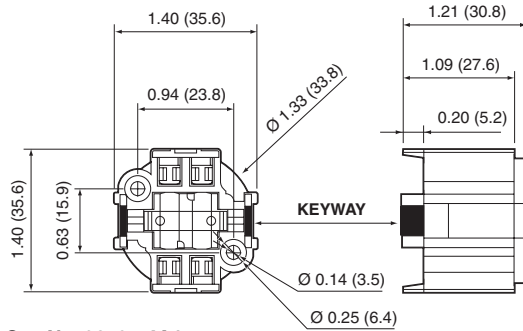
COLOR-CODED COMPACT FLUORESCENT LAMPHOLDERS (CFL's)

Round Shape • G24q/GX24q Base

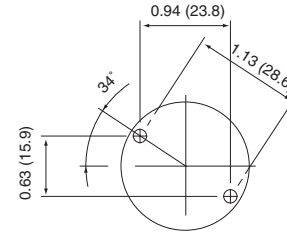


COMPACT FLUORESCENT

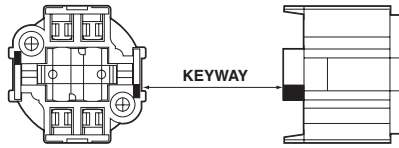
Round Shape
Cat. No. 26725-4A Series
For G24q/GX24q Base, 4-pin



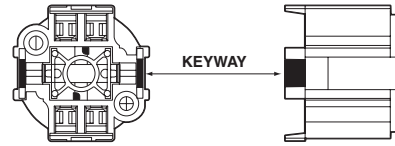
Cat. No. 26725-4A1



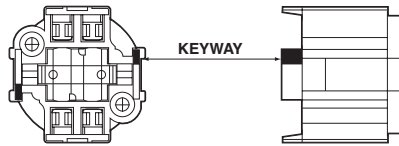
Recommended Panel Opening
for all CFL's listed



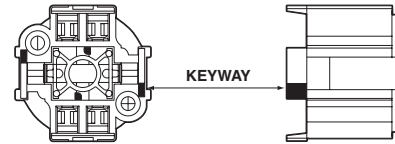
Cat. No. 26725-4A2



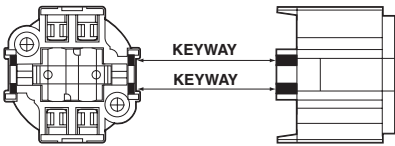
Cat. No. 26725-4A5



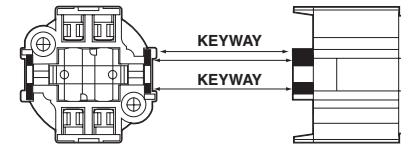
Cat. No. 26725-4A3



Cat. No. 26725-4A6



Cat. No. 26725-4A4



Cat. No. 26725-4A9

B
SECTION

COLOR-CODED COMPACT FLUORESCENT LAMPHOLDERS (CFL's) GX23/GX23-2 Base



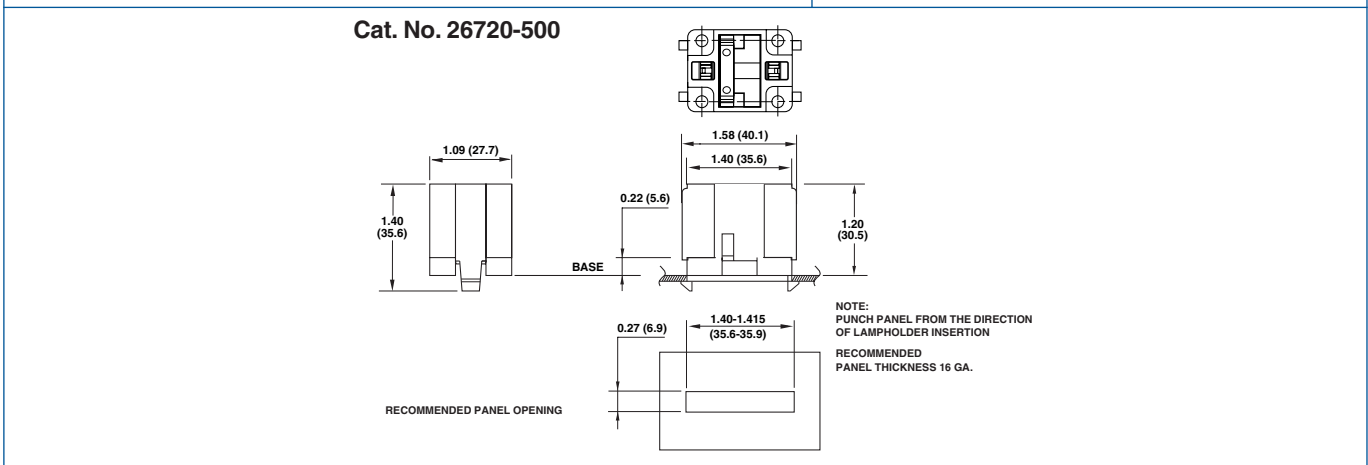
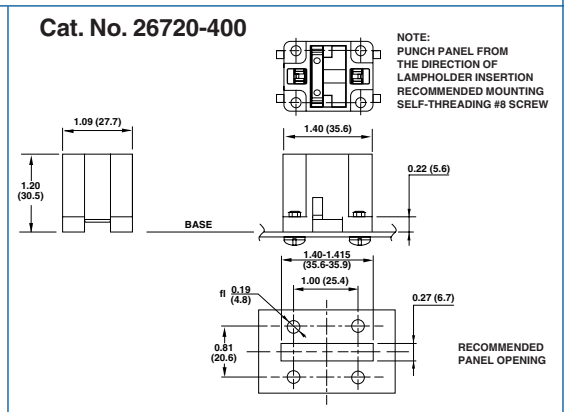
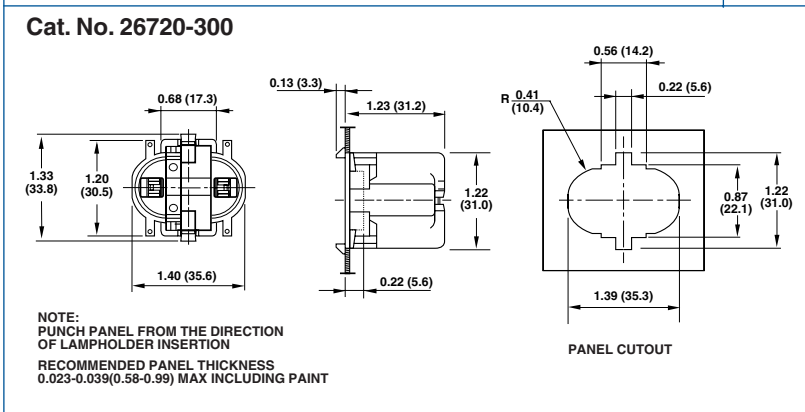
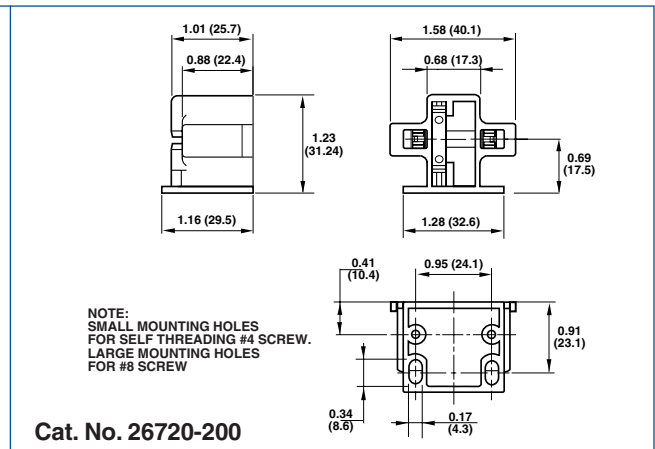
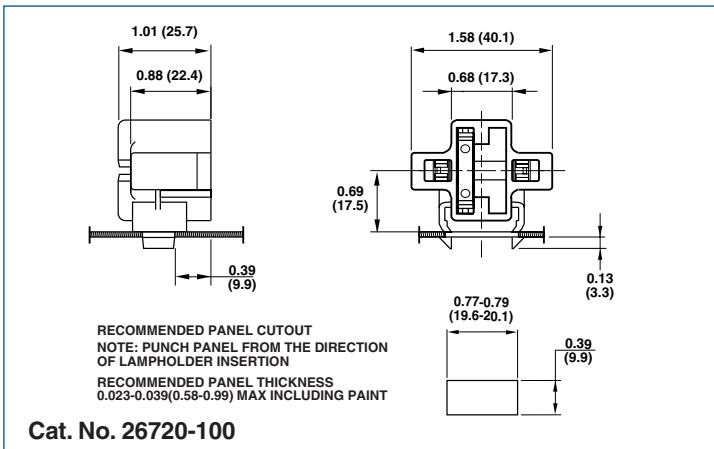
COMPACT FLUORESCENT

Cat. No. 26720 Series For GX23 and GX23-2 Lamp Base

Lampholders for 13-watt
lamps are color-coded **black.**

Leviton Cat. No.	Mounting	Lamp Base	Philips	Osram SYLVANIA	GE	Panasonic
26720-100	Horizontal snap-in	GX23, GX23-2	PL-S 13W PL-C 13W	DULUX S 13W DULUX D 13W	BIAX 13W DOUBLE BIAX 13W	FDS 13W
26720-200	Horizontal screw-down	GX23, GX23-2				
26720-300	Vertical top snap-in	GX23				
26720-400	Vertical screw-down	GX23, GX23-2				
26720-500	Vertical bottom snap-in for 16 ga. panels	GX23, GX23-2				

NOTE: Lamp names are trademarked by manufacturers.



COLOR-CODED COMPACT FLUORESCENT LAMPHOLDERS (CFL's) G23/G23-2 Base



COMPACT FLUORESCENT

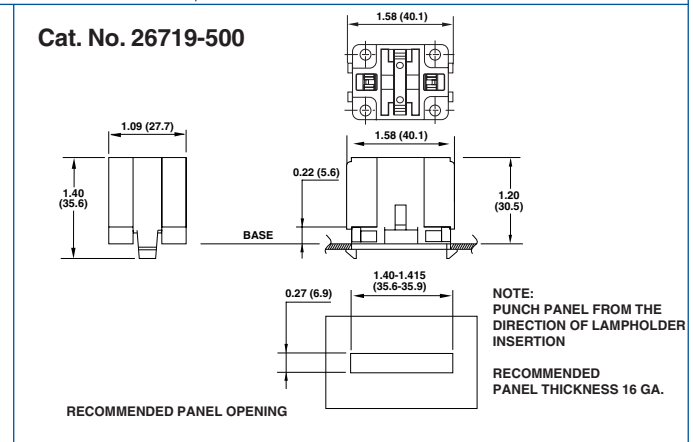
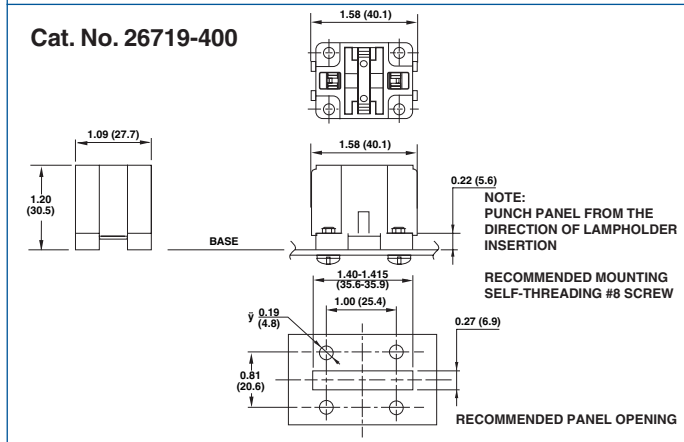
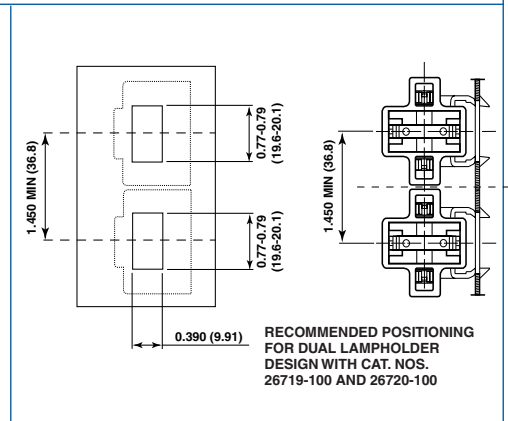
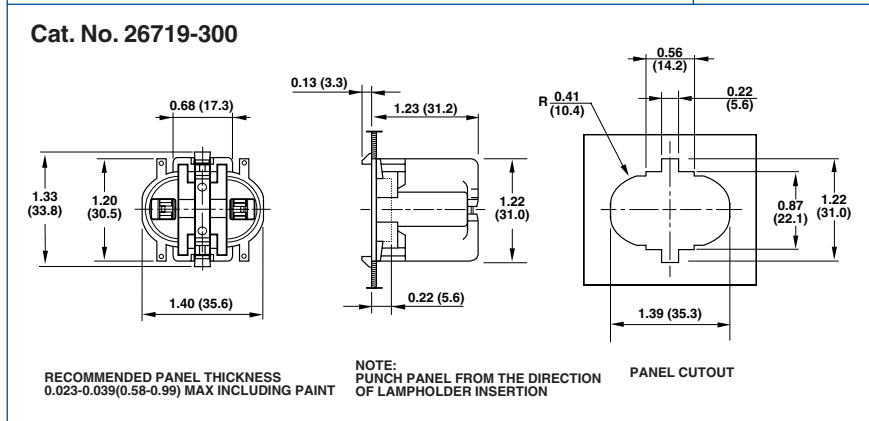
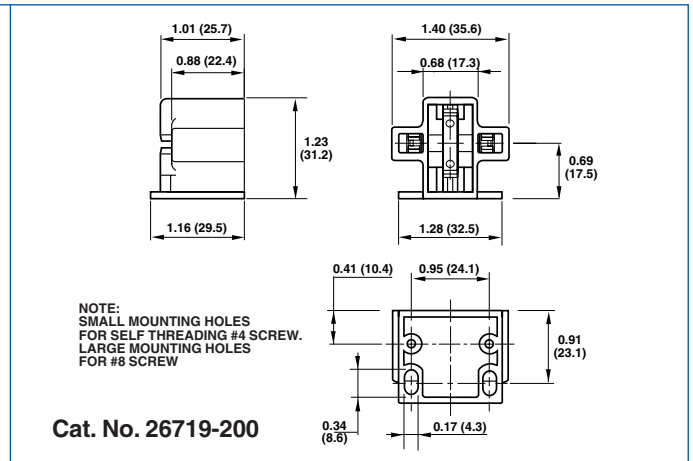
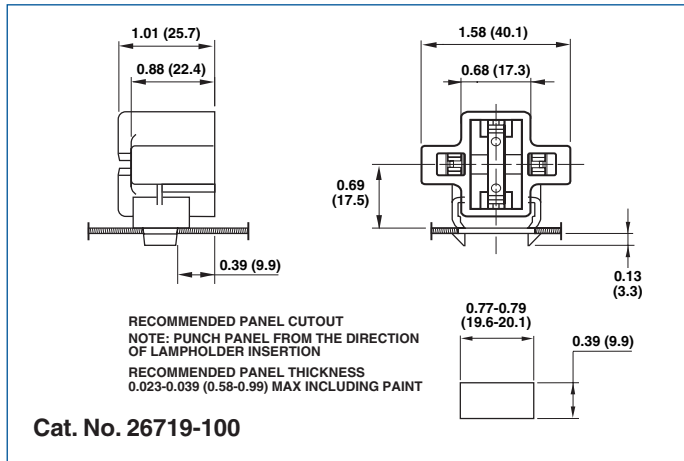
Cat. No. 26719 Series For G23 and G23-2 Lamp Base

Lampholders for 5-watt,
7-watt and 9-watt lamps
are color-coded **white**.

Leviton Cat. No.	Mounting	Lamp Base	Philips	Osram SYLVANIA	GE	Panasonic
26719-100	Horizontal snap-in	G23, G23-2	PL-S 5W, 7W, 9W	DULUX S 5W, 7W, 9W DULUX D, 9W	BIAX 5W, 7W, 9W DOUBLE BIAX 9W	FDS 9W
26719-200	Horizontal screw-down	G23, G23-2				
26719-300	Vertical top snap-in	G23				
26719-400	Vertical screw-down	G23, G23-2				
26719-500	Vertical bottom snap-in, for 16 Ga. panels	G23, G23-2				

NOTE: Lamp names are trademarked by manufacturers.

SECTION B



LONG TWIN TUBE LAMPHOLDERS

Low Profile Size
2G11 Base



COMPACT FLUORESCENT



Cat. No. 13454

Long Twin Tube Lampholders with 2G11 Base

Low Profile Size

Available in Horizontal Snap-In, Vertical Snap-In and Horizontal Screw-Mount versions. The Vertical Snap-In wireways allow wires to be routed on the top or bottom side of the panel for easier assembly of many popular fixture designs. All models allow a choice of bottom or back mounting in fixture panels and provide multiple wiring options to reduce fixture assembly time. The 2G11 lampholders provide multiple wiring ports for multiple lamp applications. Each lampholder features a metal-spring lamp retainer clip with a superior grip that holds the lamp in place.

Standard pack: bulk

Cat. No. 13453: Vertical Snap-In Mounting. Wireway allows routing on either top or bottom of mounting panel. Side push-in wiring.

Cat. No. 13454: Horizontal Snap-In Mounting. Bottom push-in wiring.

Cat. No. 13455: Horizontal Screw-Mount. Bottom push-in wiring.

Lampholder with Internal Shunt Connection

Specially designed for use with electronic ballasts. Provides easier fixture assembly by eliminating need for jumper-wire. Back of lampholder marked "SHUNTED."

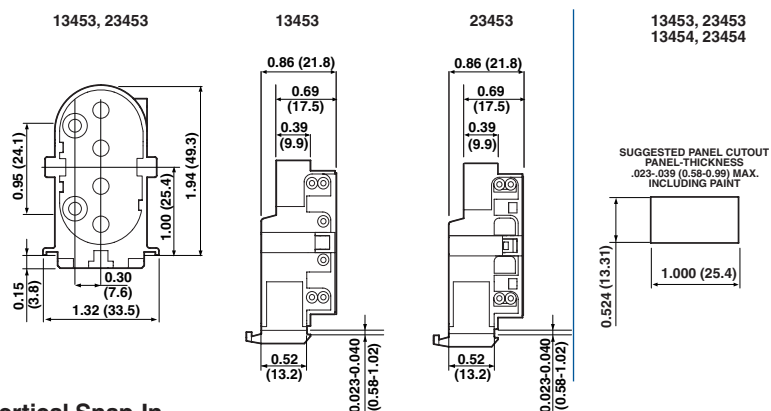
Cat. No. 23453: Vertical Snap-In Mounting. Wireway allows wire routing on either top or bottom of mounting panel. Side push-in wiring.

Cat. No. 23454: Horizontal Snap-In Mounting. Bottom push-in wiring.

Cat. No. 23455: Horizontal Screw-Mount. Bottom push-in wiring.

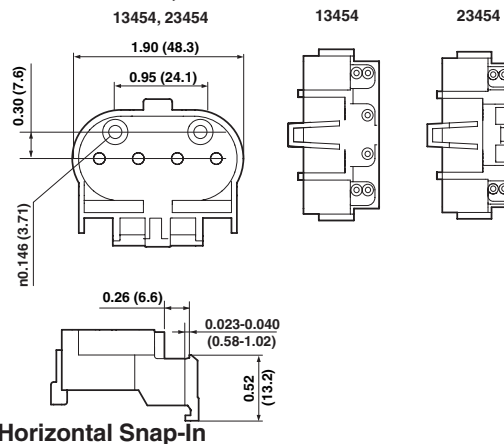
- 660W-600V • UL Listed E-5833 • CSA Certified LR-1863 • NOM Certified 057
- IEC Pending

Cat. Nos. 13453, 23453



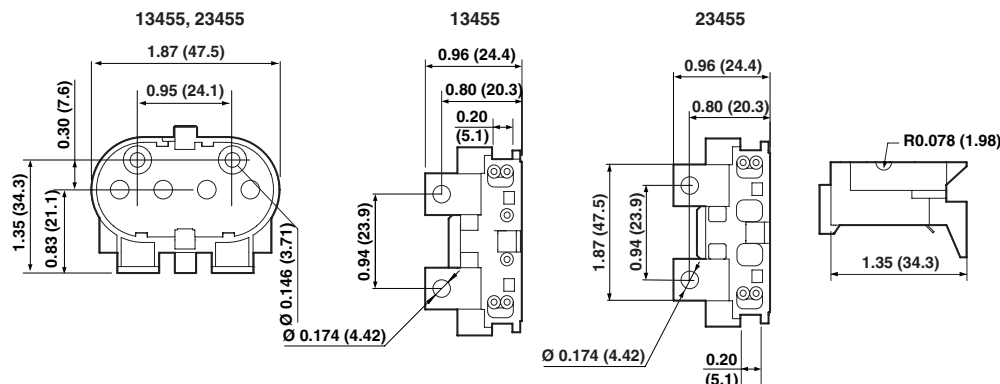
Vertical Snap-In

Cat. Nos. 13454, 23454



Horizontal Snap-In

Cat. Nos. 13455, 23455



Horizontal Screw-Mount

LAMP SUPPORT CLIPS

2G11 Base



COMPACT FLUORESCENT

Plastic and Stainless Steel Lamp Support Clips

Leviton offers a selection of lamp support clips for 2G11 lampholders. Clips are available in UV stable clear polycarbonate for horizontal or vertical mounting or in stainless steel with UV stable clear polycarbonate base for horizontal mounting only. The stainless steel clip is offered in short and tall versions.

Standard pack: bulk

Cat. No. 23452-V: Clear Vertical Lamp Support Clip*

Cat. No. 23452-H: Clear Horizontal Lamp Support Clip*

Cat. No. 23452-MTS: Stainless Steel Horizontal Lamp Support Clip, Short Version

Cat. No. 23452-MTL: Stainless Steel Horizontal Lamp Support Clip, Tall Version

* NOTE: Leviton strongly recommends replacing support clips 23452-V and 23452-H during lamp replacement.



Cat. No. 23452-H



Cat. No. 23452-V



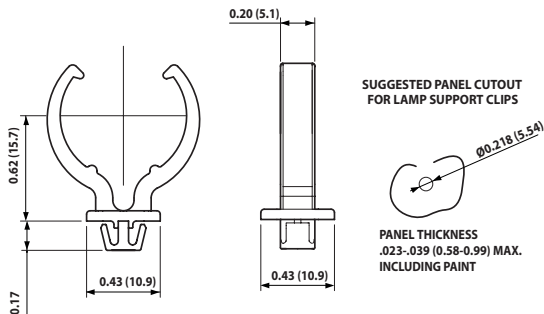
Cat. No. 23452-MTS



Cat. No. 23452-MTL

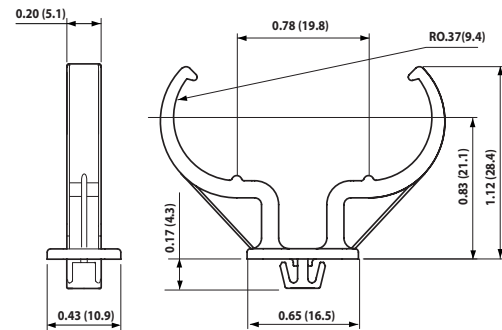
SECTION B

Cat. No. 23452-V



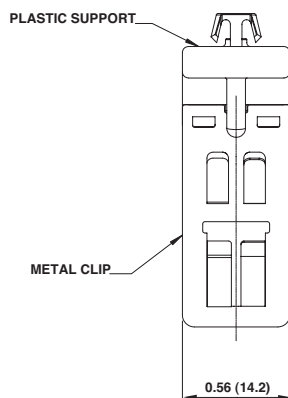
Vertical Lamp Support Clip

Cat. No. 23452-H

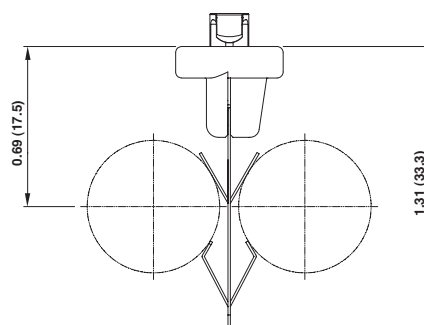


Horizontal Lamp Support Clip

Cat. Nos. 23452-MTS, 23452-MTL

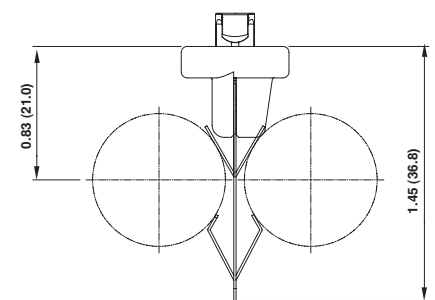


Cat. No. 23452-MTS



Horizontal Lamp Support Clip, Short

Cat. No. 23452-MTL



Horizontal Lamp Support Clip, Tall

4-PIN LONG TWIN TUBE LAMPHOLDERS

2G11 Base



COMPACT FLUORESCENT



Cat. No. 13452

Long Twin Tube Lampholders with 2G11 Base

Use with all long Twin Tube fluorescent lamps with 2G11 base. Molded in white thermosetting urea. Copper alloy, double-edge contacts with new easy to install design. Terminals are push-in wire type, and accept No. 18 AWG wire, either solid, solder-dipped, or twisted-tinned-and-fused, stripped 3/8".

Cat. No. 13452

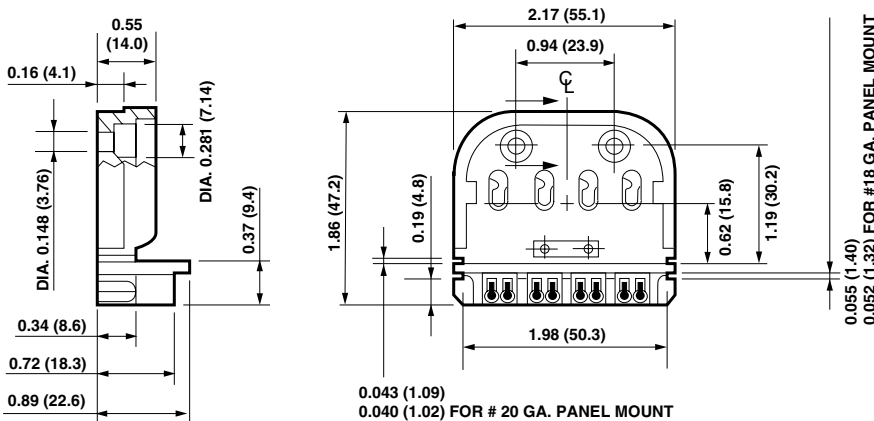
- 660W-600V • UL Listed E-5833 • CSA Certified LR-1863 • NOM Certified 057

Plastic Lamp Support Clips

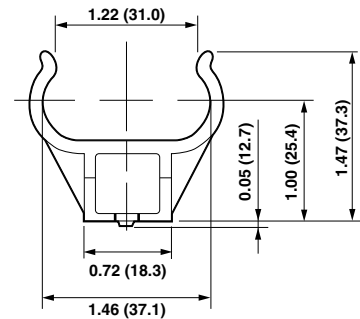
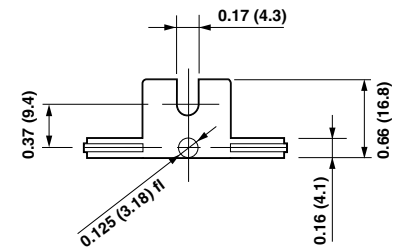
The two types of lamp support brackets pictured are available as separate catalog numbers. Cat. No. 23452-A for snap-in mounting and Cat. No. 23452-B for screw-down mounting.

Cat. Nos. 23452-A & 23452-B

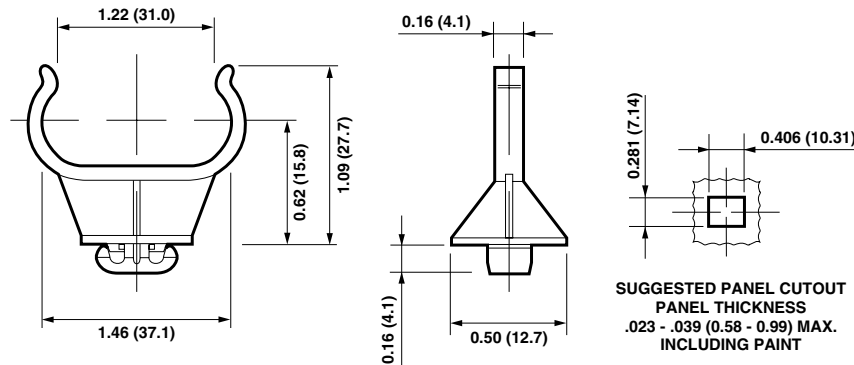
NOTE: Leviton strongly recommends replacing support clips 23452-A and 23452-B during lamp replacement.



Cat. No. 13452



Cat. No. 23452-B: Plastic Lamp Support Clips



SUGGESTED PANEL CUTOUT
PANEL THICKNESS
.023 - .039 (0.58 - 0.99) MAX.
INCLUDING PAINT

Cat. No. 23452-A: Plastic Lamp Support Clips



table of contents

Lampholders for Innovative Light Sources

Advances in lighting technology provide lamps with exceptional brightness, color rendition, energy efficiency and compact size. Leviton meets the needs of today's lighting industry by providing the exact lampholder you need for the latest metal halide, tungsten-halogen, HID and incandescent lamps. Our lampholders are ideal for indoor accent lighting, including showrooms, galleries, museums and merchandising/retail displays, plus track lighting, landscape and outdoor lighting. Leviton's OEM lighting experts can assist with all your design requirements for new light sources.

Miniature Bi-Pin Quartz	C2-C4, C7
Single-Ended Multi-Base	C2
Single-Ended	C3-C4
For Halogen Lamps, G4 Base	C7
Metal Halide G8.5 and GX8.5 Base	C5
Quartz Halogen GU10 Base	C6
Wedge Base Lampholders	C7-C9, C-14
Ceramic and LCP Resin	C7
Molded Plastic Body for T-5 and T-3 1/4 Miniature Incandescent Lamps	C8
Mounting Options	C9
Intellicircuit® for Transformer-less Series Circuit Board for T-3 1/4 Lamp Base	C14
Recessed Contact: Tungsten-Halogen, Double-Ended Metal Halide and High Pressure Sodium with R7s/RX7s Base	C10-C11
Double Contact Bayonet	C12
Metal Halide, G12 Base	C13
High-Pressure Sodium, PG-12 Base	C13

NOTE: Dimensions in parentheses are in millimeters. All other dimensions are in inches.

SECTION



SECTION C

MULTI-BASE MINIATURE BI-PIN QUARTZ

Single-Ended

G4/G6.35/GY6.35/GX5.3 (MR16)/GZ4 (MR11) Base



LAMP HOLDERS



80054-500



80054

Miniature Bi-Pin Quartz Lampholders

Single-Ended • Multi-Base

Multi-base miniature bi-pin quartz lampholder accepts all popular single-ended miniature quartz lamps, including G4, G6.35, GY6.35, GX5.3 (MR16) and GZ4 (MR11). It simplifies inventory by eliminating the need to stock a separate lampholder for every type of lamp base. Available with wire leads.

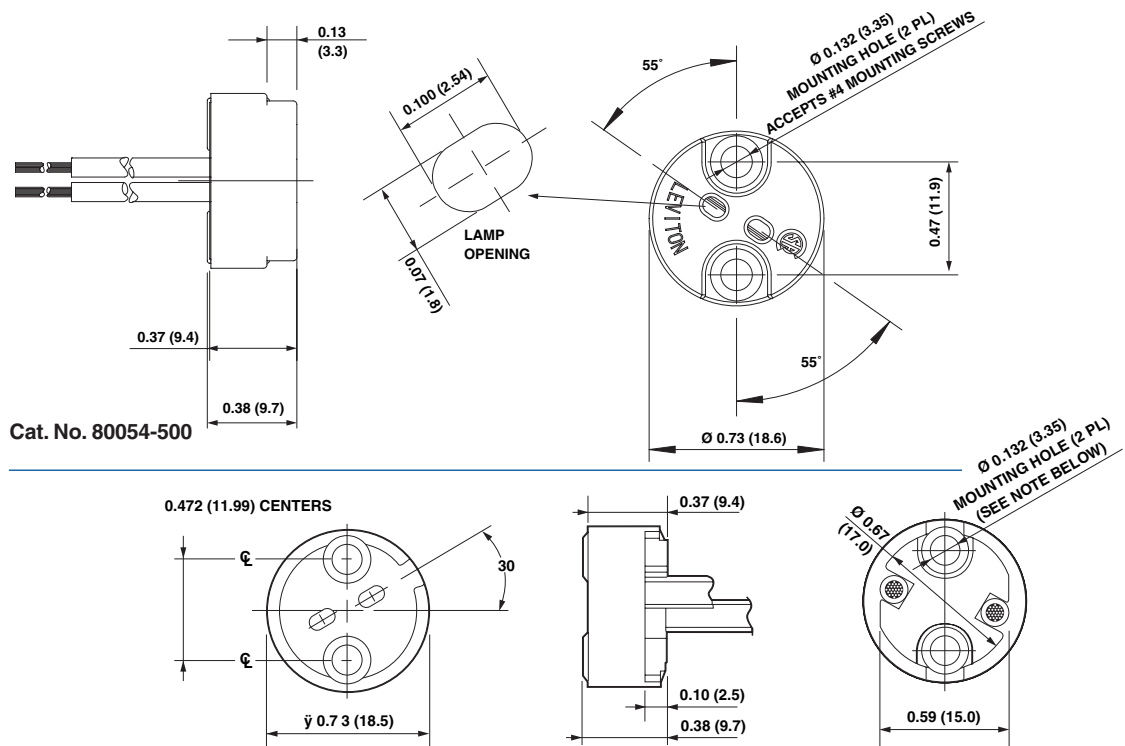
Note: Leads rated 250°C are available upon request. Leads can be terminated with .110, .187 or .250 inch quick-connect terminals upon request.

Cat. No. 80054-500 Multi-base miniature bi-pin quartz lampholder with solid nickel double-wipe contacts accepts all popular single-ended miniature quartz lamps including G4, G6.35, GY6.35 (MR-16) and GZ4 (MR11). Enhanced design has ceramic surface where lamp mates with socket for better heat resistance, and recessed mounting holes that allow screw heads to sit flush with surface and also allow rear bracket mounting. Two No.18 AWG Teflon® 250°C leads, 12" long, stripped 1/2".

Cat. No. 80054 Multi-base miniature bi-pin quartz lampholder. Accepts types G4, G6.35, GY6.35 (MR-16) and GZ4 (MR11) single-ended miniature quartz lamps. Ceramic body with mica cover. Two No. 18 AWG-SEW-1 200° leads, 12" long, stripped 1/2".

Rating: 250V maximum voltage
12A maximum amperage
750W maximum wattage

- UL Recognized Component E-13405
- CSA Certified LR-1863



NOTE: #2 FLAT COUNTERSUNK HEAD MOUNTING SCREW RECOMMENDED
MOUNTING HOLES ACCEPT UP TO #4 SCREW

Cat. No. 80054

To learn more about Leviton's outstanding offering of devices, visit our Website at: www.leviton.comBuilding A Connected World



MINIATURE BI-PIN QUARTZ LAMPHOLDERS

Single-Ended • GX5.3 (MR 16)/GY6.35 Base



LAMP HOLDERS

Miniature Bi-Pin Quartz Lampholders

Ceramic body with mica cover. Standard leads are No. 18 AWG SEW-1 200°C wire, 12" long, stripped 1/2". Leads rated 250°C are available upon request.

Cat. No. 80052

For lamps with ANSI designation GX5.3 (MR 16)

Cat. No. 80053

For lamps with ANSI designation GY6.35

Rating: 250V maximum voltage
12A maximum amperage
750W maximum wattage

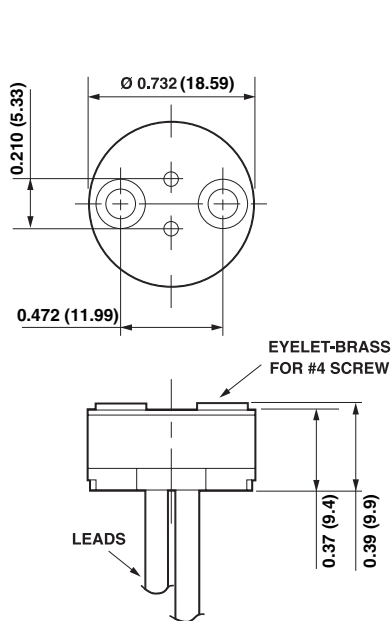


80052

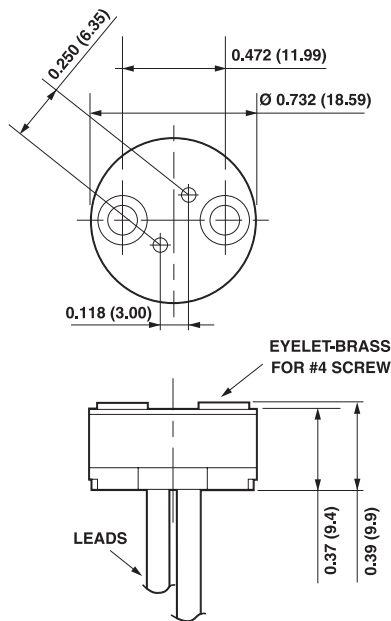


80053

- UL Recognized Component  E-13405
- CSA Certified LR-1863



Cat. No. 80052



Cat. No. 80053

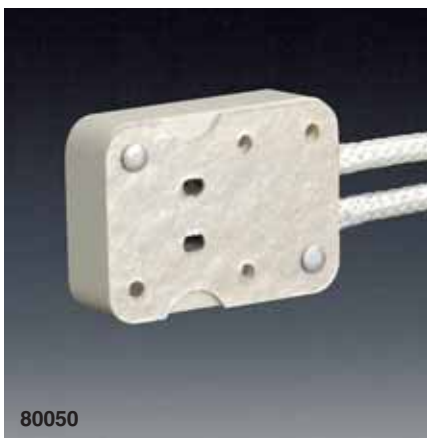
SECTION C

MINIATURE BI-PIN QUARTZ LAMPHOLDERS

Single-Ended • GX5.3 (MR 16) Base



LAMPHOLDERS



80050

Miniature Bi-Pin Quartz Lampholders

Ceramic body with mica cover. Standard leads are No. 18 AWG SEW-1 200°C wire, 12" long, stripped 1/2". Leads with 250°C rating are available upon request.

Cat. No. 80050 Lamp-supported lampholder.

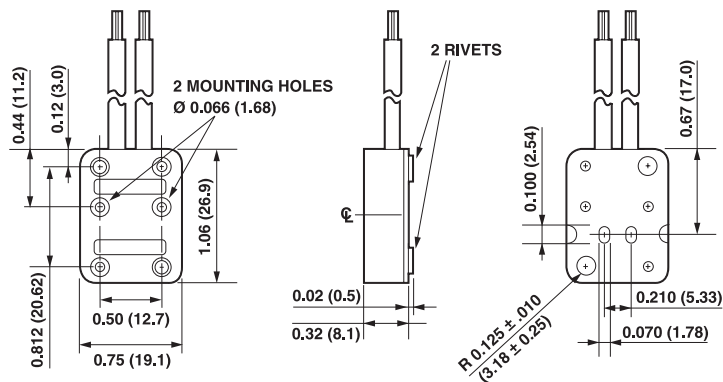
Cat. No. 80051 Same as 80050, except with mounting ears. For flush mounting. Also available with a choice of various brackets for bracket mounting.

Rating: 300V maximum voltage
10A maximum amperage
1000W maximum wattage

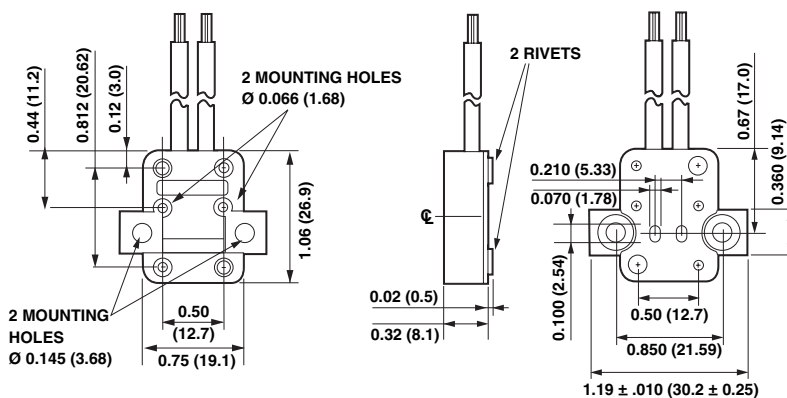
- UL Recognized Component E-13405
- CSA Certified LR-1863



80051



Cat. No. 80050



Cat. No. 80051

METAL HALIDE LAMPHOLDERS

Single-Ended • G8.5/GX8.5 Base

Metal Halide Lampholders

Ideal for indoor accent and display lighting, including gallery, museum and showroom applications

G8.5 Base

Ceramic lampholder designed for single-ended metal halide lamps with a G8.5 base. Lampholder has a lead-in edge on its body that helps ensure proper lamping. Other quality features include a specialized metal lamp-positioning clip (patent pending) that maintains lamp-seating position for accurate photometrics, spring-loaded, solid nickel contacts for superior electrical continuity and threaded bushings for secure mounting. Standard leads (2) are black, No. 18 AWG SEW-2 200°C 600V wire, 9" long, stripped 0.325". Other leads available upon request. Offered with and without a lamp-positioning clip.

Cat. No. 560

Rating: 660W-600V, 5KV Pulse Rated
Accepts Metal Halide G8.5 Lamps

- UL Listed  E-13405

GX8.5 Base

Ceramic lampholder designed for GX8.5 base metal halide lamps such as the Philips CDM-R111, rated up to 150 watts. Nickel alloy contacts. Standard leads (2) are black, No. 18 AWG SEW-2 200°C 600V wire, 12" long, stripped 1/2".

Cat. No. 565

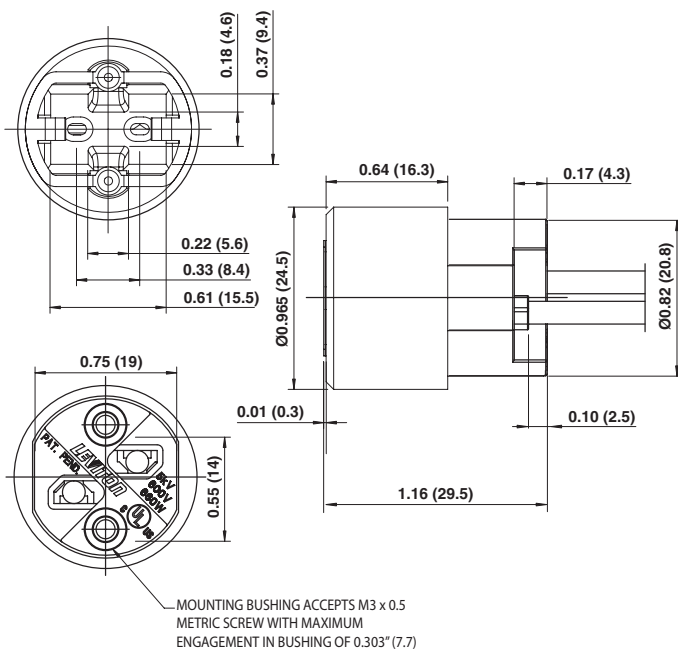
Rating: 660W-600V, 5KV Pulse Rated
Accepts Metal Halide GX8.5 Lamps

- UL Listed  E-13405

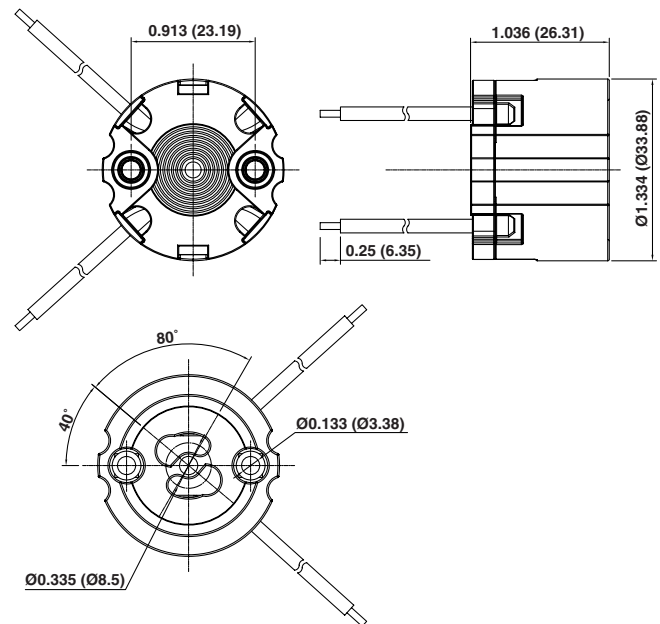


SECTION C

Patents Pending



Cat. No. 560



Cat. No. 565

QUARTZ HALOGEN LAMPHOLDER

Single-Ended
GU10 Base



LAMP HOLDERS



Quartz Halogen Lampholder for Lamps with GU10 Base

Ideal for indoor accent and display lighting, including gallery, museum and showroom applications

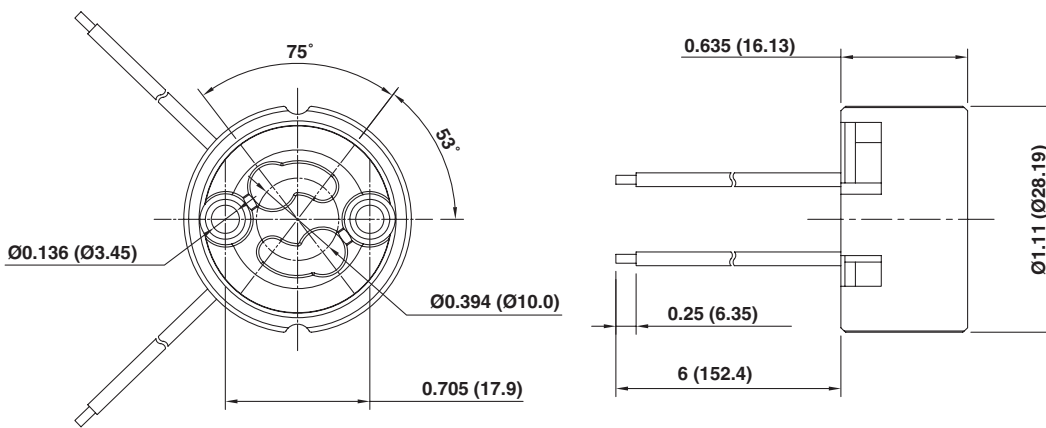
Ceramic lampholder designed for quartz halogen lamps with a GU10 base, rated up to 150 watts. Perfect for use in compact fixtures, GU10 base lamps operate at 120V and do not need a transformer, which simplifies design and reduces costs. These lamps are also fully dimmable. The lampholder twists in for fast installation and has spring-loaded, solid nickel contacts for superior electrical conductivity. Standard leads (2) are white, No. 20 AWG Teflon® wire rated 250°C 600V, 8" long, stripped 1/4".

Cat. No. 570

Rating: 660W-600V

Accepts Quartz Halogen GU10 Lamps

- UL Listed  US E-13405



Cat. No. 570

LAMP HOLDERS FOR HIGH-HEAT APPLICATIONS

W2.1 x 9.2d Base/G4 Base



LAMP HOLDERS

Wedge-Base and G4 Bi-Pin Base Lampholders for High-Heat Applications

Specially designed for high-heat resistance with two-piece body in ceramic or LCP resin. Standard leads (2) are white, No. 18 AWG SEW-1 200°C 300V wire, 9" long, stripped 1/2". Available with various bracket mountings and clips. See pages C8-C9.

Cat. No. 1562-100 Ceramic Body
Cat. No. 2562-100 LCP Resin Body
Rating: 37.5W-28V Max.

Accepts T-5 and T-3 1/4 (W2.1x9.2d Base) Miniature Wedge-Base Incandescent and Tungsten-Halogen Lamps

Cat. No. 1563-100
Rating: 250V maximum voltage
12A maximum amperage
750W maximum wattage

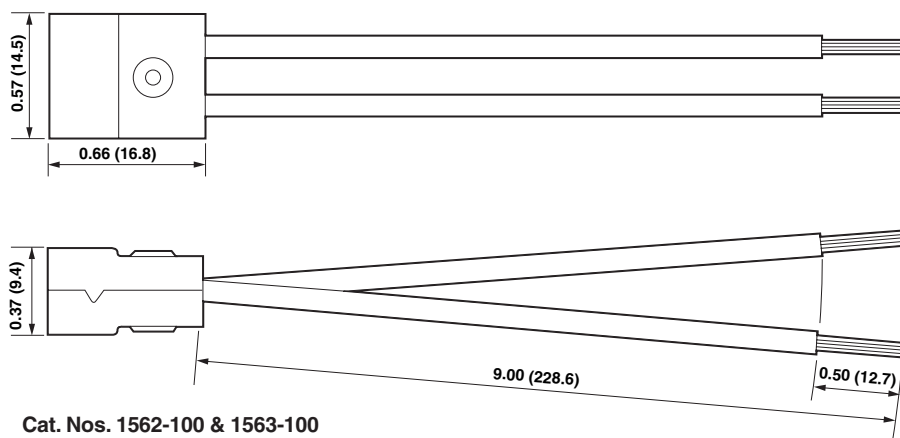
Accepts Type G4 Miniature Bi-Pin Halogen Lamps

- UL Recognized Component E-13405
- CSA Certified LR-1863

Warning: Miniature Quartz Halogen Lamps operate under pressure and high temperatures. To prevent socket damage, the design of the fixture and its application must be carefully considered. For Leviton warranties to apply to this product, lamp wattage, current and beam spread must be controlled to ensure that the following temperature limits are never exceeded.
At contacts within socket: 225°C
Socket lead wires: 200°C
Note: Maximum rating of 250°C available when appropriately rated leads are used.



SECTION C

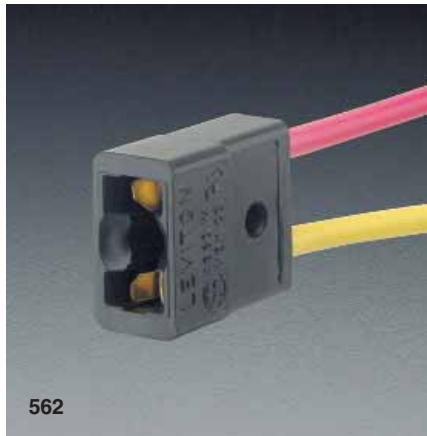


LAMPHOLDERS WITH MOLDED PLASTIC BODY

W2.1 x 9.2d Base



LAMPHOLDERS



562

Wedge-Base Lampholders

For T-5 and T-3 1/4 Miniature Incandescent Lamps
Ideal for emergency, landscape and outdoor accent lighting

Features black, all-plastic body. Standard leads (2) are black, No. 18 AWG 105°C 600V plastic insulated wire, 9" long, stripped 1/2". Other leads are available upon request. Harness sets also available, up to (4) leads per lampholder, see page C9.

Cat. No. 562 Series Bracket Mount

Cat. No. 562-800 Series Snap-In Mount

Rating: 37.5W-28V Max.

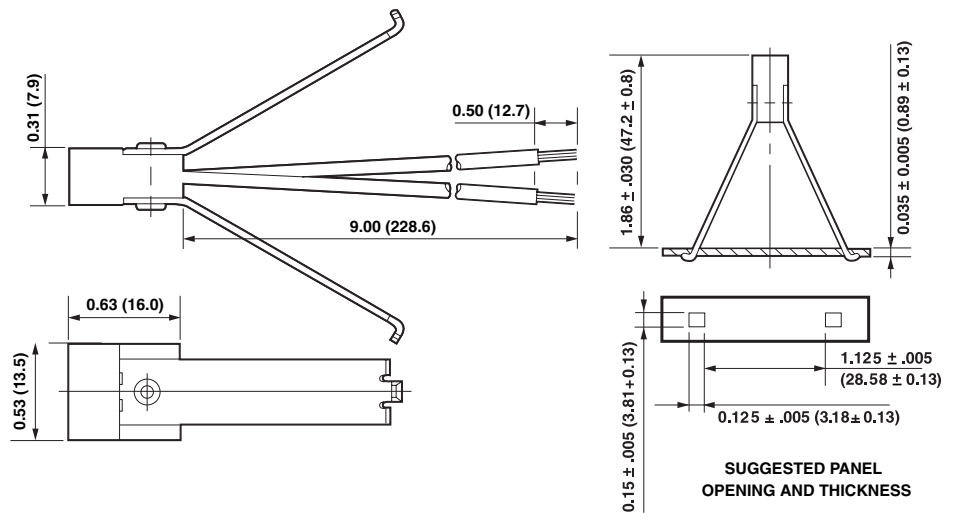
- UL Recognized Component E-13405
- CSA Certified LR-1863

See page C9 for other available bracket styles.

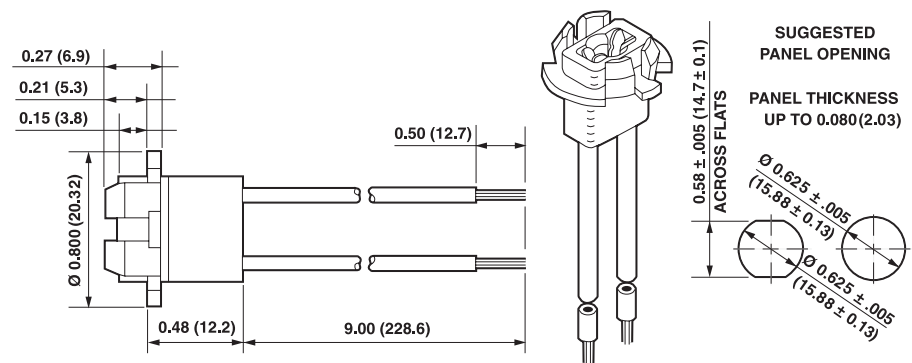
NOTE: The panel should be punched so that the snap-in housing enters the panel in the same direction as the punch for ease of assembly for Cat. No. 562-800.



562-800



Cat. No. 562 Bracket Mount



Cat. No. 562-800 Snap-In Mount

WEDGE-BASE LAMPHOLDERS

Mounting Options

Wedge-Base Lampholder with Mounting Brackets

For T-5 and T-3 1/4 Miniature Incandescent Lamps

Rating: 37.5W - 28V Max.

All 562 lampholders are available in harness sets of two or more lampholders

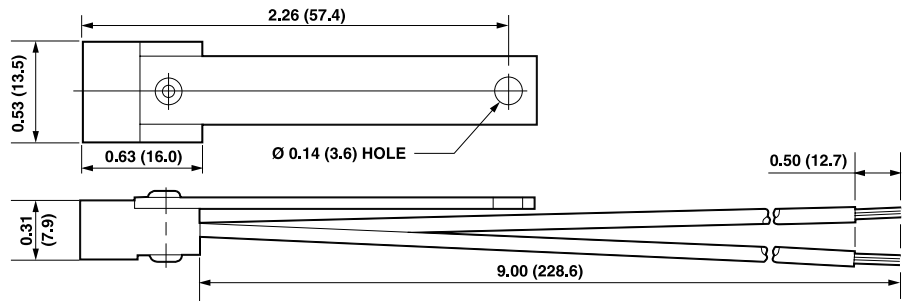
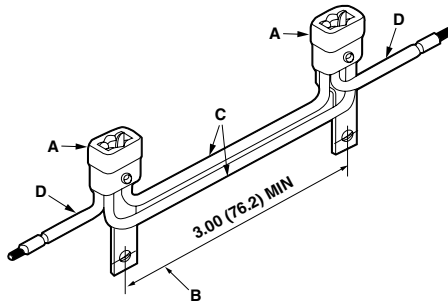
TO ORDER HARNESS SETS, SPECIFY:

- A. Style of lampholder; 562 series bracket mount, or 562-800 series snap-in mount.
- B. Center-to-center distance between lampholders. Minimum distance is 3".
- C. Wire type.
- D. Lead length and stripping for free-end leads.

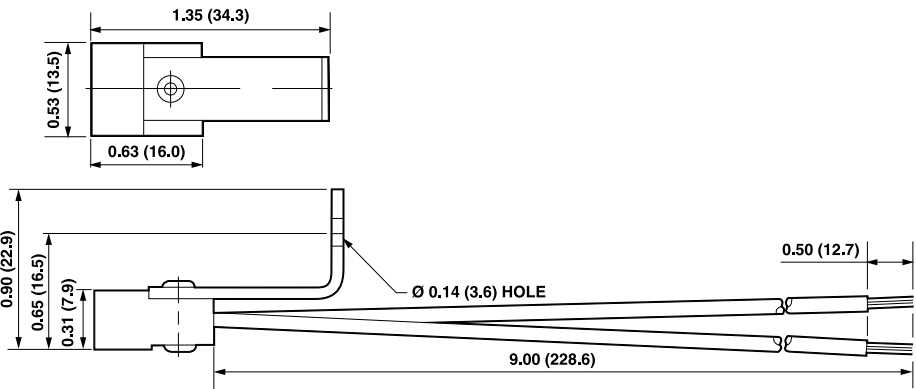
- UL Recognized Component  E-13405
- CSA Certified LR-1863

See page C8 for complete description of 562 Series lampholders.

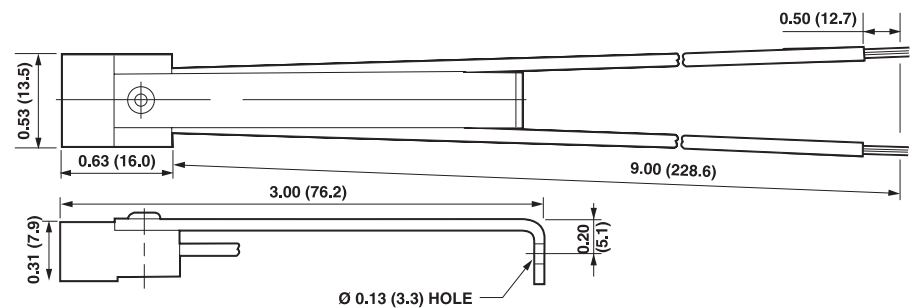
NOTE: Other bracket styles are available upon request.



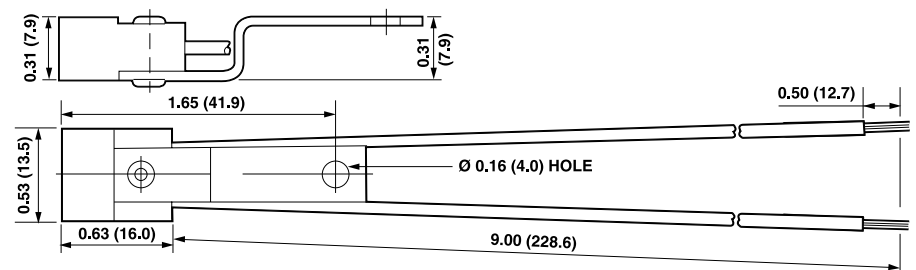
Cat. No. 562-001



Cat. No. 562-002



Cat. No. 562-003



Cat. No. 562-005

RECESSED-CONTACT LAMPHOLDERS

Front Flange Mounting • R7s/RX7s Base



LAMPHOLDERS



554 Series

Recessed-Contact Lampholders

For Tungsten-Halogen, Double-Ended Metal Halide and High-Pressure Sodium Lamps

Matching stationary and plunger-type recessed contact lampholders help fixture manufacturers conform to UL requirement 1571.

Compressible and non-compressible porcelain body with nickel-plated steel housing. One-piece solid copper pin contact, nickel-plated. Standard leads are No. 18 AWG stranded SEW-2 wire, 18" long, stripped 1/2". Rated 600V at 200°C. Other type and temperature leads available on inquiry.

For typical applications, Cat. No. 554-100 series stationary lampholder shown with matching Cat. No. 554 series plunger version.

Front Flange Mounting — Cat. No. 554 Series

5KV PULSE RATED, 3000W-600V • UL Listed E-13405

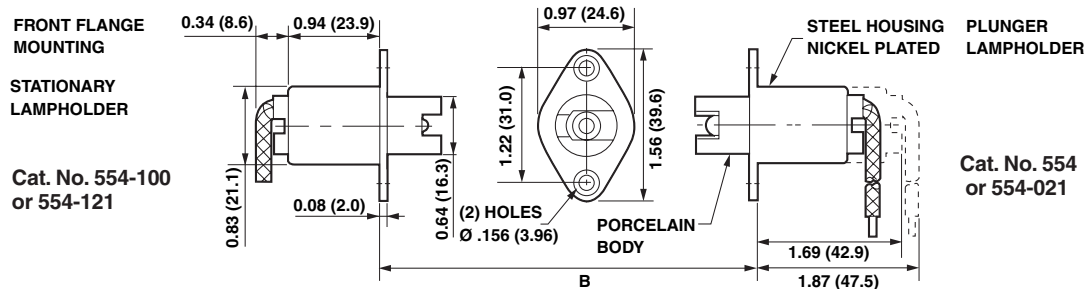
Cat. No. Stationary	Cat. No. Plunger	Lamp	B Dimension
554-121	554-021	70W Metal Halide (H.Q.I.)	5.000 ± 1/64 3/64 (127 ± 0.39 1.19)
554-121	554-021	150W Metal Halide (H.Q.I.)	5 11/16 ± 1/64 3/64 (144.46 ± 0.39 1.19)

3000W-600V • UL Listed E-13405 • CSA Certified LR-5863

Cat. No. Stationary	Cat. No. Plunger	Lamp	B Dimension
554-100	554	500W Tungsten-Halogen	5.000 ± 1/64 3/64 (127 ± 0.39 1.19)
554-100	554	1500W Tungsten-Halogen	10 3/8 ± 1/64 3/64 (263.52 ± 0.39 1.19)

CAUTION: If leads are exposed to ultraviolet wavelengths, silicon wire should be covered with sheathing or other means.

NOTE: Lampholders can be used with other lamp types within the specified voltage and wattage ratings.



RECESSED-CONTACT LAMPHOLDERS

Rear Flange Mounting • R7s/RX7s Base



LAMP HOLDERS

Recessed-Contact Lampholders

For Tungsten-Halogen, Double-Ended Metal Halide and High-Pressure Sodium Lamps

Matching stationary and plunger-type recessed contact lampholders help fixture manufacturers conform to UL requirement 1571.

Compressible and non-compressible porcelain body with nickel-plated steel housing. One-piece solid copper pin contact, nickel-plated. Standard leads are No. 18 AWG stranded SEW-2 wire, 18" long, stripped 1/2". Rated 600V at 200°C. Other type and temperature leads available on inquiry.

For typical applications, Cat. No. 555-100 series stationary lampholder shown with matching Cat. No. 555 series plunger version.

Rear Flange Mounting — Cat. No. 555 Series



555 Series

5KV PULSE RATED, 3000W-600V • UL Listed E-13405

Cat. No. Stationary	Cat. No. Plunger	Lamp	B Dimension
555-121	555-021	70W Metal Halide (H.Q.I.)	6 7/8 ± 1/16.000 (174.62 ± 1.58.000)
555-121	555-021	150W Metal Halide (H.Q.I.)	7 9/16 ± 1/16.000 (192.08 ± 1.58.000)

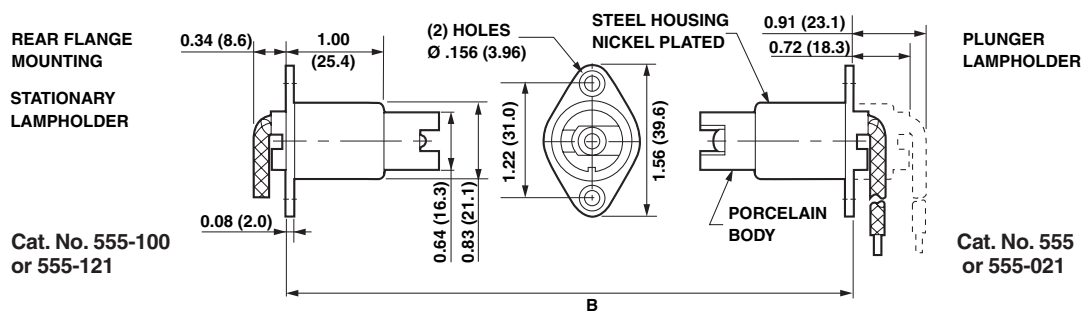
3000W-600V • UL Listed E-13405 • CSA Certified LR-5863

Cat. No. Stationary	Cat. No. Plunger	Lamp	B Dimension
555-100	555	500W Tungsten-Halogen	6 7/8 ± 1/16.000 (174.62 ± 1.58.000)
555-100	555	1500W Tungsten-Halogen	12 1/4 ± 1/16.000 (311.15 ± 1.58.000)

CAUTION: If leads are exposed to ultraviolet wavelengths, silicon wire should be covered with sheathing or other means.

NOTE: Lampholders can be used with other lamp types within the specified voltage and wattage ratings.

SECTION C



DOUBLE-CONTACT BAYONET METAL LAMPHOLDERS

BA15d Base



LAMPHOLDERS



Double Contact Bayonet Lampholders

For lamps with BA15d base

Longer nickel-plated shell design conforms to the latest UL requirements by stabilizing the bulb against coaxial displacement. Mounting bracket, male bushing and shell are grounded independent of contacts. Standard leads (2) are No. 18 AWG SEW-1 200° 300V wire, 12" long, stripped 1/2". Other wire types and lead lengths, and other mounting brackets are available upon request.

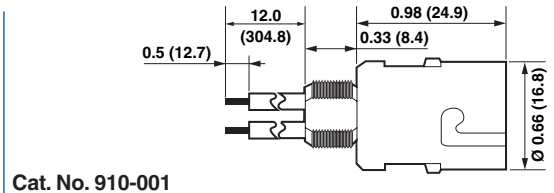
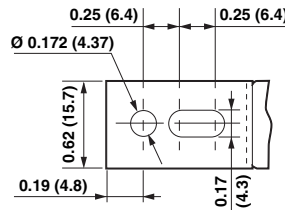
Standard pack: bulk

Cat. No. 910-001
with male bushing

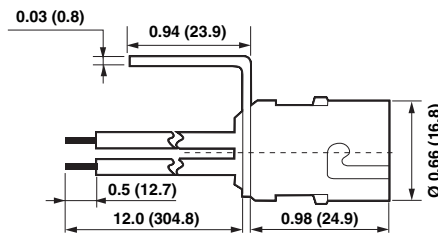
Cat. No. 910-200 Series
with mounting brackets

- 500W-125V • UL Listed E-13405
- CSA Certified LR-1863

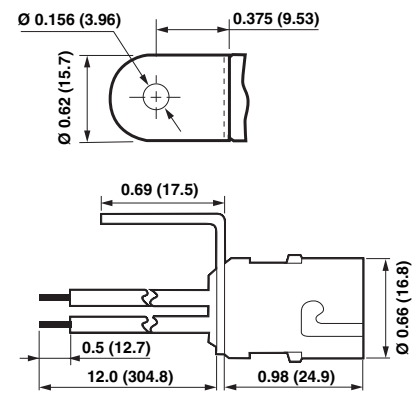
Warning: Double Contact Bayonet Lamps operate under pressure and high temperatures. To prevent socket damage, the design of the fixture and its application must be carefully considered. For Leviton warranties to apply to this product, lamp wattage, current and beam spread must be controlled to ensure that the following temperature limits are never exceeded.
At contacts within socket: 225°C
Socket lead wires: 200°C
Note: Maximum rating of 250°C available when appropriately rated leads are used.



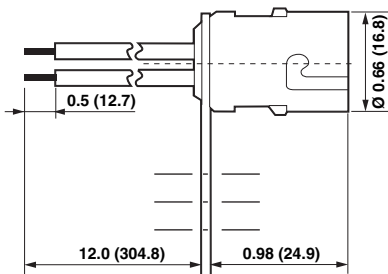
Cat. No. 910-001



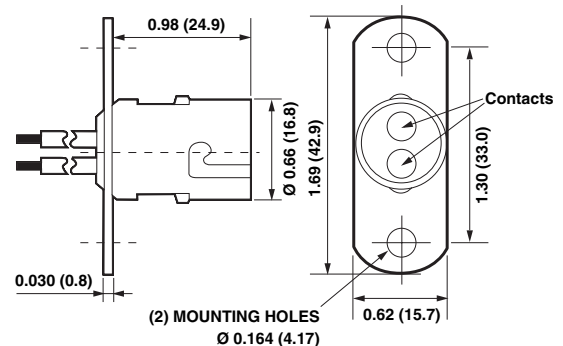
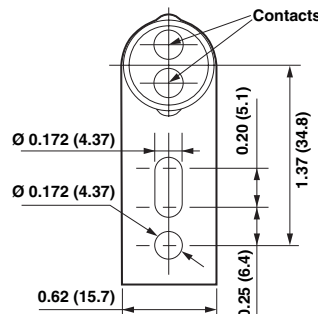
Cat. No. 910-201



Cat. No. 910-209



Cat. No. 910-203



Cat. No. 910-200

METAL HALIDE AND HIGH-PRESSURE SODIUM LAMPHOLDERS

G12 Base/PG-12 Base

Metal Halide Lamps with G12 Base

Cat. No. 557 porcelain lampholder is designed for single-ended metal halide lamps with a G12 base, rated up to 150 watts. Standard leads (2) are White, No. 18 AWG SEW-2 200°C 600V wire, 12" long, stripped 1/2".

Ideal for indoor accent and display lighting, including gallery, museum and showroom applications.

Cat. No. 557
660W-600V 5KV PULSE RATED

Installation notes

Leviton recommends supplementary sleeving be used on all insulated leads (Teflon, high-voltage silicon) for additional dielectric, physical and UV protection.

In all cases:

- Keep "hot" wire as short as possible (minimal slack)
- Run "hot" wire 3/8" clear of grounded metal if additional insulating sleeving is not used
- Avoid abrasion
- Screen wires from direct UV radiation
- Insulate wire nuts, etc., for pulse voltage
- Heat-cured silicon will limit outgassing

- UL Listed E-13405 • CSA Certified LR-1863



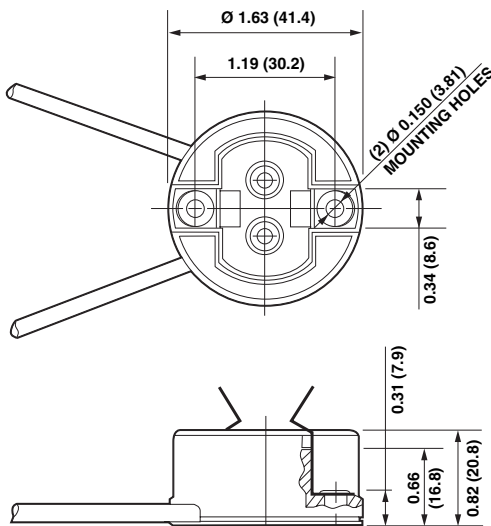
High-Pressure Sodium Lamps with PG-12 Base

Cat. No. 558 porcelain lampholder is designed for high-pressure sodium lamps with a PG-12 base, such as the Philips SDWT-T 35-, 50- and 100-watt White Son lamps. Standard leads, one Red (pulse) and one Blue, are No. 18 AWG SEW-2 200°C 600V wire, 12" long, stripped 1/2".

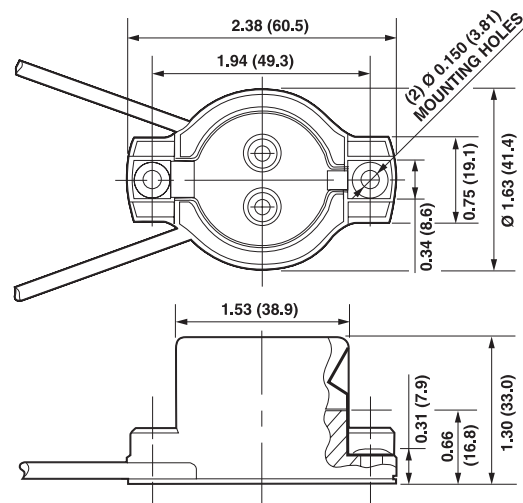
These lamps provide excellent brightness and color rendition for galleries, museums, showrooms and other accent and display light applications.

Cat. No. 558
660W-600V 5KV Pulse Rated

- UL Listed E-13405 • CSA Certified LR-1863



Cat. No. 557



Cat. No. 558

TRANSFORMER-LESS SERIES CIRCUIT BOARD

W2.1 x 9.2d Base



LAMP HOLDERS



Intellicircuit®

Patented Transformer-Less Series Circuit Board

If One Light Goes Out, Remaining Lights Stay On
Designed for low-voltage lamps in 5-light (24V) or 10-light (12V) configuration.

Applications: Under-cabinet lighting, accent lighting, display cabinet lighting, sconces and wall fixtures, indoor and outdoor signage, replacement for applications utilizing a transformer.

Leviton's unique patented circuitry for 120V applications eliminates the need for a transformer when utilizing low-voltage lamps. Eliminating the transformer facilitates the design of sleek low-profile fixtures that are cost-effective and lightweight. The innovative design utilizes a PC board with electronic components allowing one light to go out, while the remaining 4 lamps stay lit in a 5-light configuration. In a 10-light configuration, if 2 lamps go out, the remaining 8 stay lit.

The dimmable Intellicircuit® works with various Leviton lampholders and can be used with any standard Leviton dimmer. With built-in MOV surge protection, it's ideal in a hard-wired or portable fixture. Maximum size of the PC board is 12" x 9" (Min. Dimensions: 10.910"L x 0.820"W). The standard configuration is five 24V wedge-base lamps. Custom configurations are available. Contact your OEM representative for more information.

Cat. No. 31562

Rating: 2.5A-120V

Accepts (5) 24V (W2.1x9.2d Base) Wedge-Base
Low-Voltage Lamps with a T-3 1/4 Lamp Base
(Other configurations available upon request.)



table of contents

Mogul/Medium HID Lampholders

For EX39 Open-Fixture Mogul Lamps	D2
For E39 Mogul Lamps	D3
For E40/45 Mogul Lamps	D4
For Position-Oriented Horizontal HID Mogul Lamps	D5
For Use With Position-Oriented Lamps. Also Accepts all Mogul Base Lamps Except High Pressure Sodium	D6
For all High Pressure Sodium Lamps	D7
Mogul Socket with Screw Terminals for all Mogul Base Lamps Except Super Metalarc and High Pressure Sodium	D8
2-Piece Screw-Terminal Mogul Socket for all Mogul Socket Applications Except for Super Metalarc and High Pressure Sodium	D9
Mogul-to-Mogul Extension for High Pressure Sodium Lamps	D9
Medium Base Socket	D10
Medium Base Incandescent/HID.	D11
Medium Base Socket for High Pressure Sodium Lamps	D12
For all Low Pressure Sodium Lamps	D13
Par Connectors	D14-D15

CAUTION: Critical dimensions, clearances or other dimensional fits as between Leviton's products and your mating parts should be determined only on the basis of dimensions supplied in writing by the Engineering Staff of Leviton.

NOTE: Dimensions in parentheses are in millimeters. All other dimensions are in inches.

SECTION

D

SECTION D

MOGUL LAMPHOLDERS

Open Fixture • Pulse Rated
EX39 Base



HID



8751

Lampholder Designed for Open-Fixture Mogul-Base Lamps

The Leviton Cat. No. 8751 porcelain mogul lampholder is specially designed for use with shielded metal halide lamps. Mogul-base metal halide lamps without the inner protective shield will not make contact with the lampholder's center contact. Complies with NFPA 70-2005 requirements for open-rated fixtures.

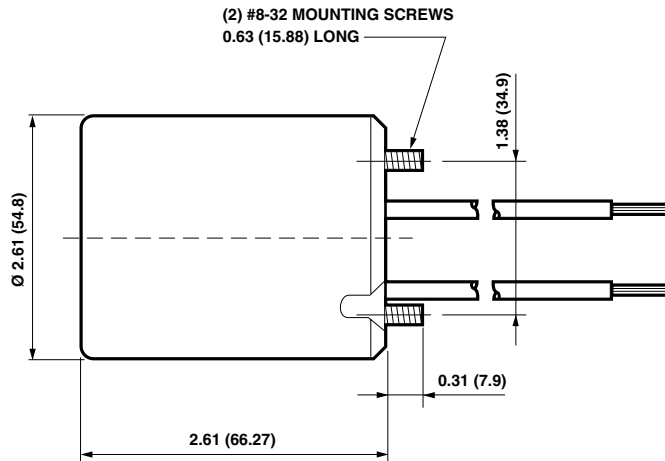
Light pink glazed porcelain body with wireways. Copper alloy, nickel-plated center contact and lamp-grip screw shell. Stainless steel coil spring under center contact. Two leads are No. 14 AWG 200°C 600V glass braid SEW-2, black and white, 12" long, stripped 1/2". Two #8-32 captive mounting screws.

Patent Numbers: 5,698,935; 5,874,800; 5,624,287; 5,711,689; 5,533,916.

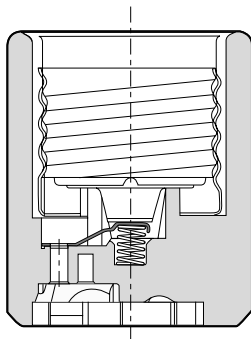
NOTE: The Cat. No. 8751 is also available with lock nut mounting upon request.

Cat. No. 8751

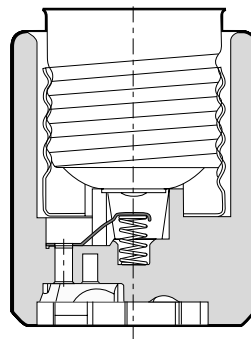
- 1500W-600V • 4 KV Pulse Rated • UL Listed E-13402 • CSA Certified LR-1863
- NOM Certified 057



Cat. No. 8751



Designed for metal halide mogul-base lamps with an inner protective shield.



Will not accept standard metal halide mogul-base lamps.

6 KV Pulse Rated with Quick-Connect Tabs

Simplifies Inventory – eliminates need for stocking different lampholders

Cat. No. 8781 series porcelain mogul lampholder accepts a wide range of incandescent and HID mogul base lamps, including mercury vapor, metal halide and high pressure sodium lamps. It is 6 KV pulse rated and features quick-connect tabs for fast, easy fixture wiring. Ideal for a wide variety of mogul applications, including parking lots, industrial buildings, street lighting, stadiums and recreational facilities.

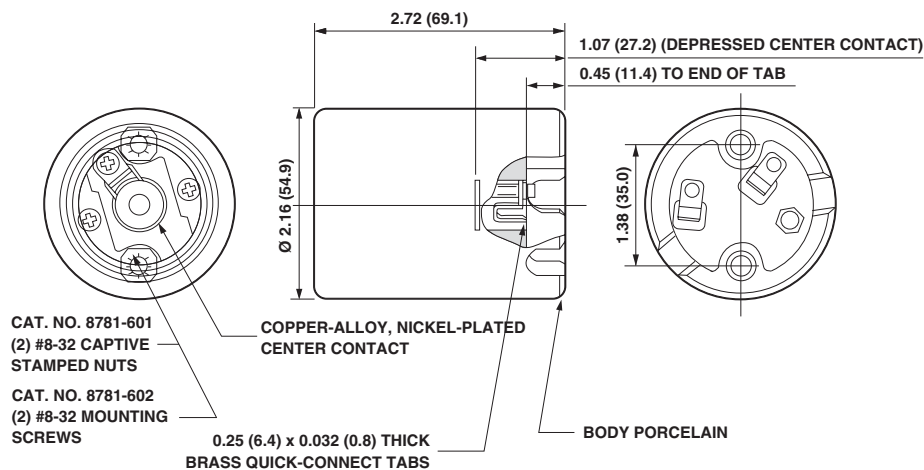
Features include: Porcelain body with wireways. Copper-alloy, nickel-plated screw shell with lamp grips. Copper-alloy, nickel-plated center contact (other contact materials supplied upon request). Two 1/4" brass quick-connect tabs. Choice of lock nut or screw mounting.



Cat. No. 8781 Series

- 2000W-600V • 6 KV Pulse Rated • UL Listed E-13402 • CSA Certified LR-1863
- NOM Certified 057

Cat. No.	Description
8781-600	Mogul Lampholder with wireways. (2) 0.250" wide x 0.032" thick quick-connect tabs. Less mounting screws and less #8-32 lock nuts.
8781-601	Same as 8781-600, except with (2) #8-32 lock nuts.
8781-602	Same as 8781-600, except with (2) #8-32 mounting screws.



Cat. No. 8781



E40/45 Base Mogul Lampholder Conforms to IEC/EN 60238 Standard

Designed Exclusively for E40/45 Base Mogul Lamps

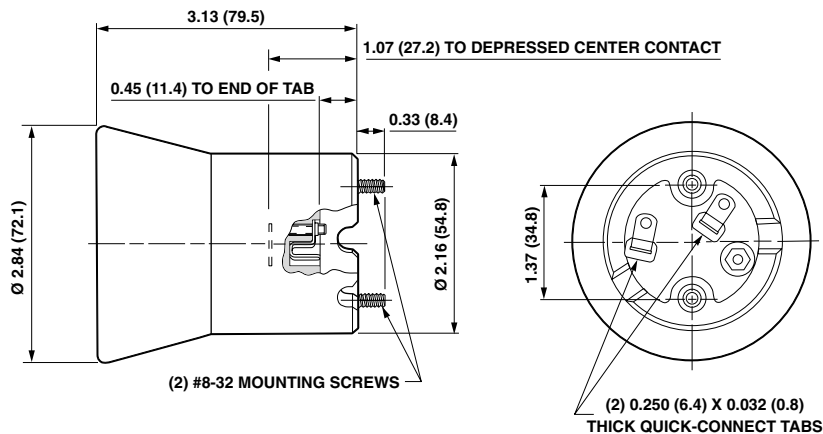
5 KV Pulse Rated with Quick-Connect Tabs – Meets IEC/EN 60238 Standard

European mogul lampholder provides the ultimate in quality and performance for HID lighting applications. Made from the highest-quality porcelain, the lampholder provides a superior screw shell with lamp grips. It bears the ENEC Mark (European Norms Electrical Certification), which represents conformity to IEC standards and is accepted by all European Union Member countries.

Cat. No. 8783 Series

- 16A-750V
- 5 KV Pulse Rated
- IEC/EN 60238 Standard
- NOM Certified 057

Cat. No.	Description
8783-000	Mogul Lampholder with wireways. (2) 0.250" wide x 0.032" thick quick-connect tabs. Less mounting screws and less #8-32 lock nuts.
8783-001	Same as 8783-000, except with (2) #8-32 lock nuts.
8783-002	Same as 8783-000, except with (2) #8-32 mounting screws.



Cat. No. 8783

MOGUL LAMPHOLDERS

Position Oriented • Pulse Rated • EP39 Base



HID

5 KV Pulse Rated, Position Oriented with Quick-Connect Tabs

Position-oriented porcelain mogul lampholder designed for horizontal-oriented HID lamps features a body notch on its rim for correct mounting orientation and quick-connect tabs for fast fixture wiring. Its versatile design simplifies inventory control. The Cat. No. 8752 lampholder is made of the highest quality yellow-glazed porcelain and has a copper-alloy, nickel-plated screw shell with unique locking stop for fixed lamp positioning. Applications include parking lots, garages, street lighting, stadium and recreational facilities.

Cat. No. 8752 Series

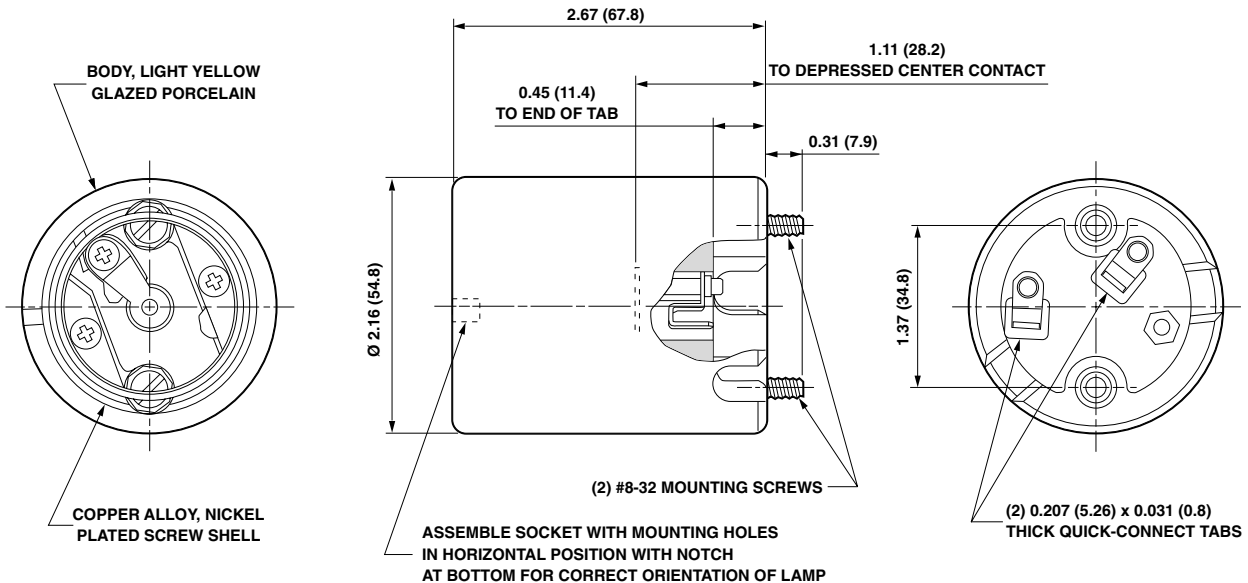
- 2000W-600V • 5 KV Pulse Rated • UL Listed E-13402 • CSA Certified LR-1863
- NOM Certified 057



8752

Cat. No.	Description
8752-520	Mogul Lampholder with position notch and wireways. (2) 0.207" wide x 0.031" thick quick-connect tabs. Less mounting screws and less #8-32 lock nuts.
8752-521	Same as 8752-520, except with (2) #8-32 lock nuts.
8752-522	Same as 8752-520, except with (2) #8-32 mounting screws.

NOTE: Cat. No. 8752 also available with two 0.250" wide quick-connect tabs.



Cat. No. 8752

SECTION D



Position Oriented with Leads

4 KV Pulse Rating Available

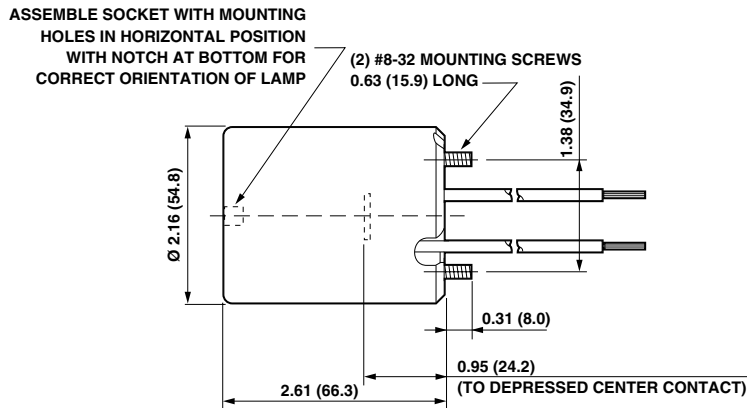
Porcelain body yellow glazed with wireways. Body notched on rim for correct mounting orientation. Designed for use with super Metalarc horizontal-operated HID lamps. Copper-alloy nickel-plated screw shell with unique locking stop for fixed positioning of lamp. Copper-alloy nickel-plated center contact with coil spring. Lugged leads are No. 14 AWG 200°C 600V glass braid SEW-2, 12" long, stripped 1/2". Choice of lock nut or screw mounting.

Standard pack: bulk

Cat. No. 8750 Series

- 1500W-600V • UL Listed E-1 3402 • CSA Certified LR-1863 • NOM Certified 057

Cat. No.	Description
8750-000	Mogul Lampholder with Position Notch and Wireways. (2) #8-32 screws.
8750-001	Mogul Lampholder with Position Notch and Wireways. (2) #10-32 lock nuts.



Cat. No. 8750

5 KV Pulse Rated

Porcelain body gray glazed with ceramic arc shield. Copper alloy nickel-plated screw shell with lamp grips. Copper alloy nickel-plated center contact. Lugged leads are No. 14 AWG 200°C 600V glass braid SEW-2, 16" long, stripped 1/2". Choice of bushing or screw mounting.

Standard pack: bulk

Cat. No. 8746 Series

- 1500W-600V • 5 KV Pulse Rated • UL Listed E-13402 • CSA Certified LR-1863
- NOM Certified 057

Cat. No.	Description
8746-000*	Mogul lampholder less wireways. (2) #8-32 screws.
8746-001	Mogul lampholder less wireways. (2) #8-32 bushings.
8746-002*	Mogul lampholder with wireways. (2) #8-32 screws.
8746-003	Mogul lampholder with wireways. (2) #8-32 bushings.

*Die-cast caps and insulators available unassembled only. See page D13.



4 KV Pulse Rated

Porcelain body white glazed. Copper alloy nickel-plated screw shell with lamp grips. Copper alloy nickel-plated center contact. Lugged leads are No. 14 AWG 200°C 600V glass braid SEW-2, 12" long, stripped 1/2". Choice of lock nut or screw mounting.

Standard pack: bulk

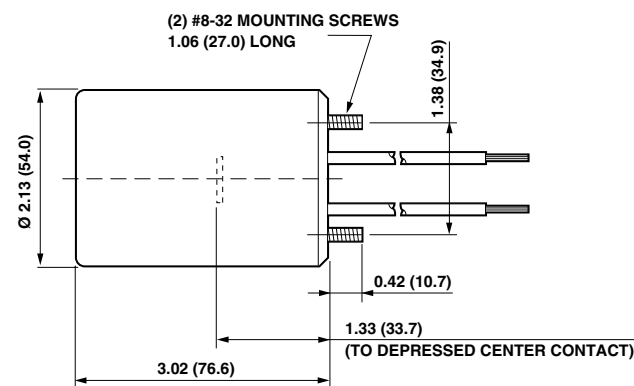
Cat. No. 8756 Series

- 1500W-600V • 4 KV Pulse Rated • UL Listed E-13402 • CSA Certified LR-1863
- NOM Certified 057

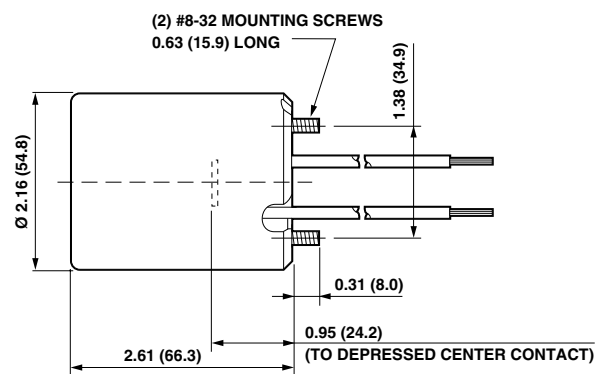
Cat. No.	Description
8756-000	Mogul lampholder. (2) #8-32 lock nuts.
8756-002*	Mogul lampholder. (2) #8-32 screws.

*Die-cast caps and insulators available unassembled only. See page D13.

NOTE: Variations available on request. Contact your Leviton OEM Representative for information.



Cat. No. 8746



Cat. No. 8756

MOGUL LAMPHOLDERS

Screw Terminals • Leads
E39 Base



HID • INCANDESCENT



Porcelain Mogul with Screw Terminals

4 KV Pulse Rating Available

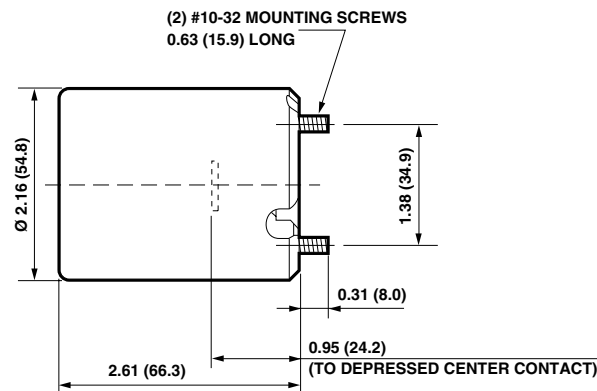
Porcelain body white glazed with wireways. Copper alloy nickel-plated screw shell with lamp grips. Nickel-plated bronze center contact. Screw terminals set in deep wire wells. Insulator furnished. Choice of lock nut or screw mounting. Die-cast caps available upon request.

Standard pack: bulk

Cat. No. 8694 Series

- 1500W-600V
- UL Listed E-13402
- CSA Certified LR-1863
- NOM Certified 057

Cat. No.	Description
8694-000	Mogul Lampholder with Wireways. (2) #8-32 lock nuts.
8694-004	Mogul Lampholder with Wireways. (2) #10-32 screws.
8694-400	4 KV Pulse Rated with Wireways. (2) #8-32 lock nuts.
8694-404	4 KV Pulse Rated with Wireways. (2) #10-32 screws.



Cat. No. 8694

MOGUL LAMPHOLDERS

Two-Piece • Mogul-to-Mogul Extension
E39 Base



HID • INCANDESCENT

Porcelain Two-Piece

Porcelain body white glazed. Copper alloy nickel-plated screw shell and center contact. Screw terminals. Elongated mounting holes for #8-32 screws on 1 1/2" centers. 3/4" dia. cord hold in cap.

Standard pack: bulk

Cat. No. 8765

- 1500W-600V • UL Listed E-13402 • NOM Certified 057



8765

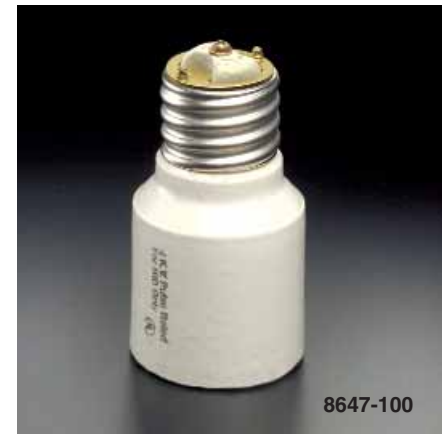
Mogul-to-Mogul Extension

Copper alloy nickel-plated screw shell. Extends mogul lamp 2 3/8".

Standard pack: bulk

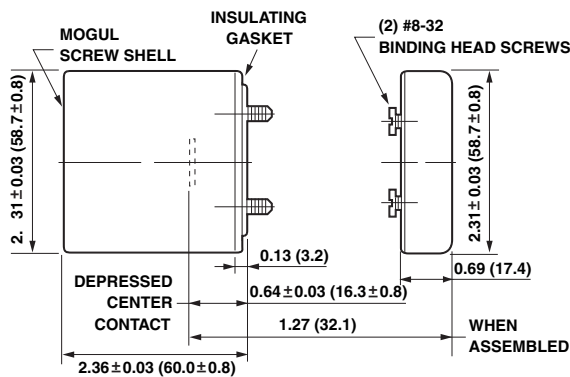
Cat. No. 8647-100

- 1500W-600V • 4 KV Pulse Rated • UL Listed E-13396 • CSA Certified LR-1863

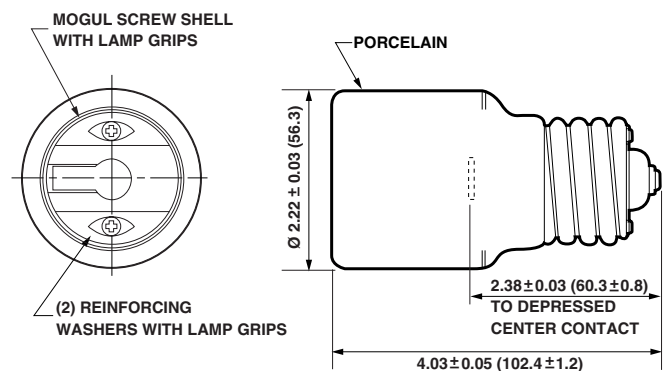


8647-100

SECTION D



Cat. No. 8765



Cat. No. 8647-100

MEDIUM BASE LAMPHOLDERS

Pulse Rated • EX26 Base



HID • INCANDESCENT



70051

Pulse Rated Lampholders Designed for Open-Fixture Medium-Base Lamps

HID and Incandescent Applications

Cat. Nos. 70051 & 70052 Series

For use in down-light applications with the G.E. MXR 32W metal halide lamp. Glazed porcelain body with special extended design conforms to UL requirements for the live screw shell. White glazed porcelain body. Copper alloy, nickel-plated screw shell. Copper alloy nickel-plated center contact with leaf spring under contact. Standard leads are No. 18 AWG (1 Red, 1 Blue) UL Style 3303, 150°C 1000V wire, 28" long, stripped 1/2". Complies with NFPA 70-2005 requirements for open-rated fixtures.

Patent Numbers: 5,683,271; 5,967,847

Standard pack: bulk

Cat. Nos. 70051-100 & 70052-100 Series

For use with open-fixture medium base lamps. Special extended body design. Leads are No. 18 AWG (1 black, 1 white) 200°C 600V SEW-2 (SF-2) wire, 9" long, stripped 1/2".

Standard pack: bulk

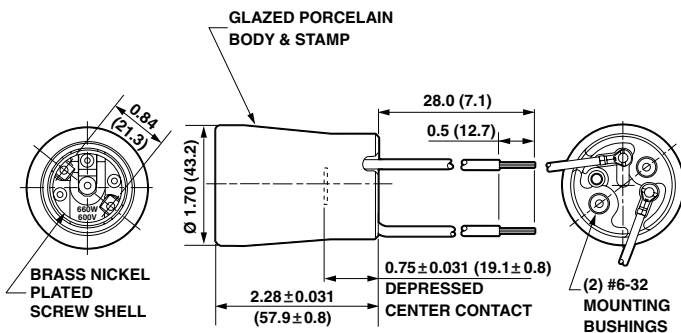
Cat. Nos. 70051 & 70051-100 Series

- 660W-600V • 4 KV Pulse Rated • UL Recognized Component E-3810
- NOM Certified 057

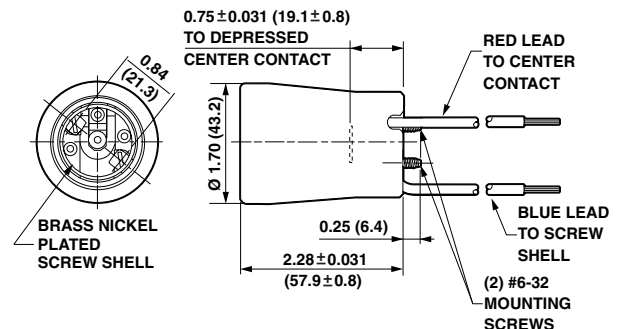
Cat. Nos. 70052 & 70052-100 Series

- 660W-600V • 4 KV Pulse Rated • UL Listed E-3810 • NOM Certified 057

Cat. No. Bushing Mount	Cat. No. Screw Mount	Cat. No. Bushing Mount	Cat. No. Screw Mount	With Screw Shell Reinforcing Washers	With Lamp Grip Screw Shell	Less Leaf Spring Under Center Contact
70051-000	70052-000	70051-100	70052-100	—	—	—
70051-001	70052-001	70051-101	70052-101	X	—	—
70051-002	70052-002	70051-102	70052-102	—	X	—
70051-003	70052-003	70051-103	70052-103	X	X	—
70051-010	70052-010	70051-110	70052-110	—	—	X
70051-011	70052-011	70051-111	70052-111	X	—	X
70051-012	70052-012	70051-112	70052-112	—	X	X
70051-013	70052-013	70051-113	70052-113	X	X	X



Cat. No. 70051



Cat. No. 70052

MEDIUM BASE LAMPHOLDERS

Pulse Rated • E26 Base



HID • INCANDESCENT

5 KV Pulse Rated Medium Base Lampholder with Quick-Connect Tabs

Designed for Multiple Incandescent and HID Applications

Leviton's porcelain medium base lampholder accepts a wide range of incandescent and HID medium base lamps, including mercury vapor, metal halide and high pressure sodium lamps. The Cat. No. 70048-500 is 5 KV pulse rated and features quick-connect tabs for fast, easy fixture wiring. The versatile lampholder helps consolidate your medium base lampholder inventory and reduce assembly time. Made from the highest-quality porcelain with a brass nickel-plated screw shell.

Applications include indoor lighting for retail, commercial and industrial facilities, parking lots and garages, outdoor stairways and pathways, recreational facilities and any commercial application where medium base incandescent or HID lighting is used.

Standard pack: bulk

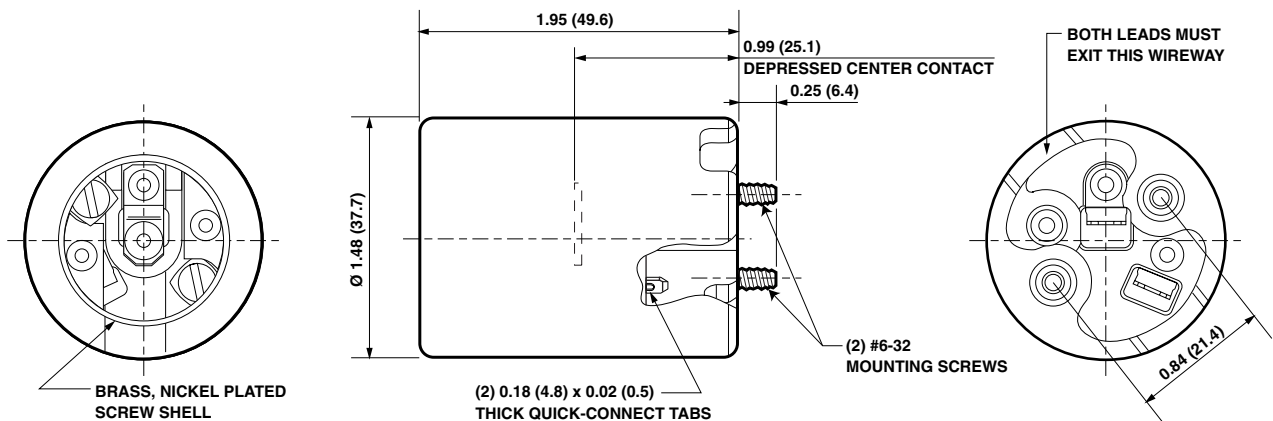
Cat. Nos. 70047-500 & 70048-500

- 660W-600V • 5 KV Pulse Rated • UL Listed E-3810 • CSA Certified LR-1863



70048-500

Cat. No.	Description
70047-500	Medium Base Lampholder with wireways. (2) 0.187" wide x 0.020" thick quick-connect tabs and (2) #6-32 mounting bushings.
70048-500	Same as above, with (2) #6-32 mounting screws.



Cat. No. 70048-500 Series

SECTION D

MEDIUM BASE LAMPHOLDERS

Pulse Rated
E26 Base



HID • INCANDESCENT



4 KV Pulse Rated Medium Base Porcelain Lampholders

HID & Incandescent Applications

White glazed porcelain body, copper alloy nickel-plated screw shell. Copper alloy nickel-plated center contact with leaf spring under contact. Standard leads: (1 black, 1 white) No. 18 ga. 200°C 600V SEW-2 (SF-2), 9" long, stripped 1/2".

Standard pack: bulk

Cat. Nos. 70045 & 70046 Series

- 660W-600V • 4 KV Pulse Rated • UL Listed E-3810 (70046 Series)
- UL Recognized Component E-3810 (70045 Series)
- CSA Certified LR-1863 • NOM Certified 057



Cat. No. Bushing Mount	Cat. No. Screw Mount	With Screw Shell Reinforcing Washers	With Lamp Grip Screw Shell	Less Leaf Spring Under Center Contact
70045-000	70046-000	—	—	—
70045-001	70046-001	X	—	—
70045-002	70046-002	—	X	—
70045-003	70046-003	X	X	—
70045-010	70046-010	—	—	X
70045-011	70046-011	X	—	X
70045-012	70046-012	—	X	X
70045-013	70046-013	X	X	X

NOTE: Cat. Nos. 70045-500 and 70046-500 available. Same as Nos. 70045 and 70046, except 5 KV pulse-rated. UL Recognized Components.

Cat. No.	Terminations
18875	Screw terminals
18876	Standard leads No. 18 ga. 200°C 600V SEW-2 (SF-2), 9" long, stripped 1/2"
18877	1/4" wide quick-connect tabs

Snap-In Mounting

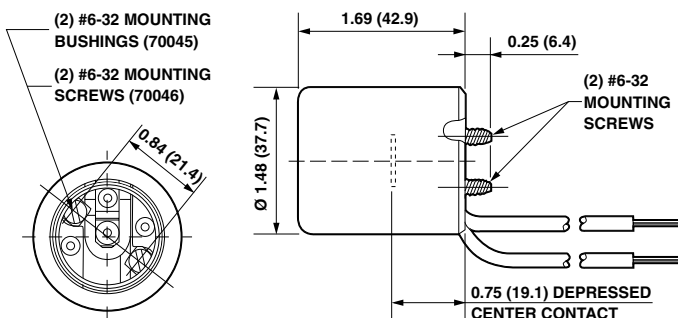
White unglazed porcelain body. Copper alloy screw shell.

Standard pack: bulk

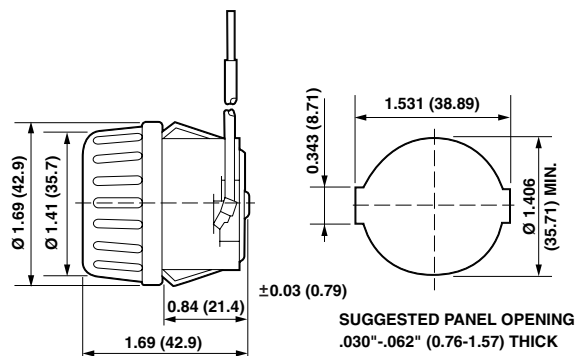
Cat. Nos. 18875, 18876 & 18877

- 660W-600V • 4 KV Pulse Rated • UL Listed E-3810 • CSA Certified LR-1863

NOTE: Cat. No. 18876-500 lampholder available. 5 KV pulse rated for use with Philips White Son metal halide lamps. UL Recognized Component.



Cat. No. 70045/70046



Cat. No. 18876

LOW PRESSURE SODIUM LAMPHOLDERS/CAPS

BY22d Base



HID

Low Pressure Sodium Porcelain Lampholder Single-End Bayonet Base

For indoor or outdoor applications. Not for residential use. Porcelain body white glazed. Bayonet base. Copper alloy nickel-plated contacts. Two leads, No. 16 AWG 150°C glass braided silicone rubber, rated at 1000V, 9" long, stripped 1/2".

Standard pack: bulk

Cat. No. 8806

- 660W-1000V • UL Listed E-5833



Die-Cast Mogul Caps

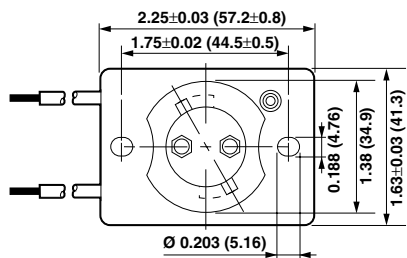
Caps are threaded as listed. Furnished with insulator. Mounting holes are tapped #8-32 on 1-3/8" centers. For use with mogul sockets designated in chart.

For use with X-6590 Series	For use with X-29348 Series
8694	8746 8746-002 8756-002

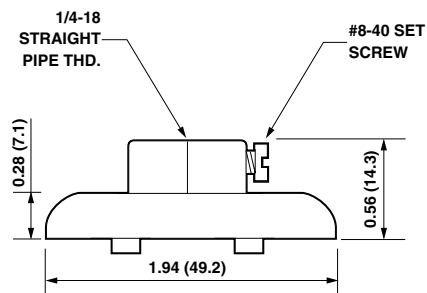
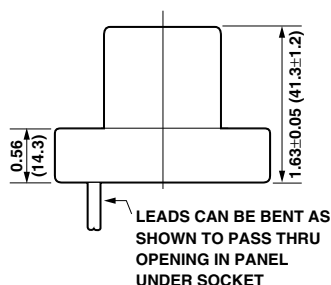


Cat. No.	Description	Tapped Hole	Tabs
X-6590	Mogul cap	1/4 IPS	Yes
X-6591	Mogul cap	3/8 IPS	Yes
X-6592	Mogul cap	1/2 IPS	Yes
X-29348	Mogul cap	1/4 IPS	No
X-29349	Mogul cap	3/8 IPS	No
X-29350	Mogul cap	1/2 IPS	No

SECTION D



Cat. No. 8806



Cat. No. X-6590



357

Mogul Base

For Par 56 & 64 lamps (Mogul end prong base)
4 KV and 5 KV versions

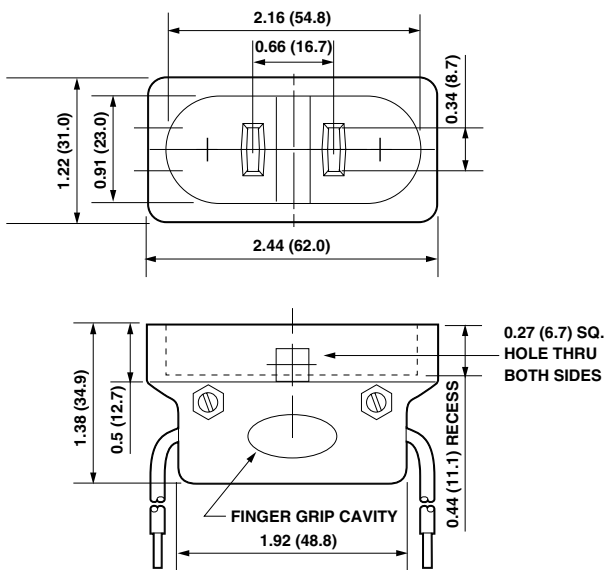
White, unglazed porcelain body. Heavy-duty, copper-alloy, nickel-plated contacts. Standard leads 18" long, stripped 3/4". Other wire lead types and lengths available.

Standard pack: bulk

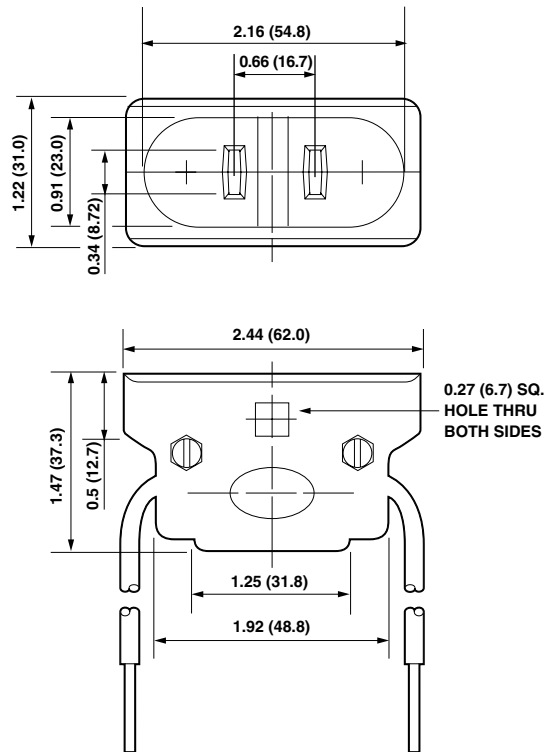
Cat. No. 357 Series

- UL Listed E-13405
- CSA Certified LR-5863

1000W-125V Cat. No.	4 KV Pulse Rated 1500W-600V Cat. No.	5 KV Pulse Rated 1500W-600V Cat. No.	Description
357-009	357-409	357-509	No. 14 Ga. SEW-2 200°C Leads
357-007	357-407	357-507	No. 16 Ga. SEW-2 200°C Leads



Cat. Nos. 357-009, 357-007



Cat. Nos. 357-409, 357-407, 357-509, 357-507

Medium Base

For Par 46 & 38 lamps

White, unglazed porcelain body. Heavy-duty, copper-alloy, nickel-plated contacts. Standard leads 18" long, stripped 3/4". Other wire lead types and lengths available.

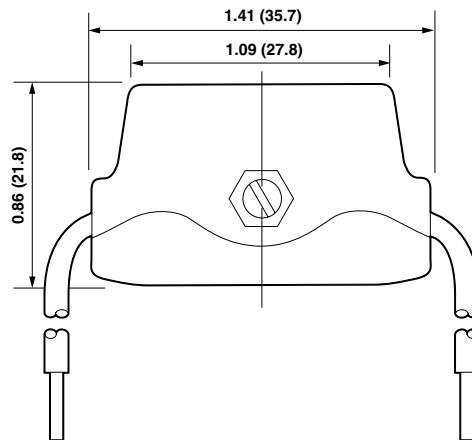
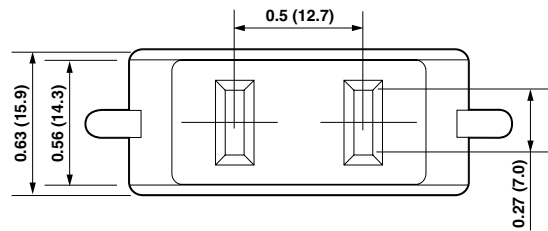
Standard pack: bulk

Cat. No. 368

- 660W-125V
- UL Listed E-13405
- CSA Certified LR 5863



Cat. No.	Description
368-001	No. 14 Ga. SEW-2 200°C leads.
368-002	No. 16 Ga. SEW-2 200°C leads.



Cat. No. 368



table of contents

Incandescent Lampholders and Brackets

Keyless Fixture Lampholders	E2-E4, E10, E13-E22
Keyless, Style AP	E5, E9
Brackets	E6-E8
Snap-In	E9-E11
Snap-In, Double Spring Clips	E10
Angle Mounted	E10
Keyless, Twin	E12
Caps	E16
Keyless, One-Piece and Two-Piece	E19
Keyless, Front Mounted	E20-E21
Keyless, Ring Type	E22
Keyless, Side Outlet	E22
Candle Sockets with Bottom Turn Knob	E23-E24
Candle Sockets	E25-E27
Multi-Lampholder Clusters	E28-E30
Pony Cleat Receptacles	E31
Adapters and Extensions	E32-E33
Pin-Type	E34

NOTE: Dimensions in parentheses are in millimeters. All other dimensions are in inches.

SECTION

E

SECTION E

KEYLESS FIXTURE LAMPHOLDERS

Phenolic
Medium Base E26



INCANDESCENT



2052



3352



2052-032 with BA-16351 cover, Type A-1 bracket



3354

Phenolic Keyless Fixture Lampholders

Cat. No. 2052 Series: Phenolic body. Aluminum screw shell. Standard leads are No. 18 ga. 105°C AWM-TEW plastic insulated wire, 6" long, stripped 3/4". Other wire specifications available. Insulating cover attached on request. Also available less leads, with eyelets for soldering (UL component listing). Available with 3/8" wide pad, less bracket, on request. Copper-alloy, nickel plated screw shell also available.

Standard pack: bulk

Cat. No. 2052 with Cover: 2052 series with phenolic cover, to comply with UL safety standard for electrical toys. Cover #BA-16351 accepts #18-2 SPT-1 wire. Covers accept all brackets used with 2052 series.

Cat. No. 2052 Series

- 660W-250V • UL Listed E-3810
- CSA Certified LR-1863 • NOM Certified 057

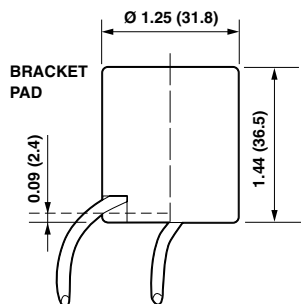
Cat. No. 3352: Same as 2052 series, but with screw terminals, backed out and staked. Body has wireways. Insulating cover available on request.

Cat. No. 3354: Same as 2052, but with quick-connect tabs: (1) 1/4" tab to center contact, (1) 3/16" tab to screw shell.

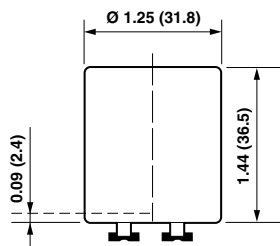
Cat. Nos. 3352 & 3354

- 660W-250V • UL Listed E-3810
- CSA Certified LR-1863 • NOM Certified 057

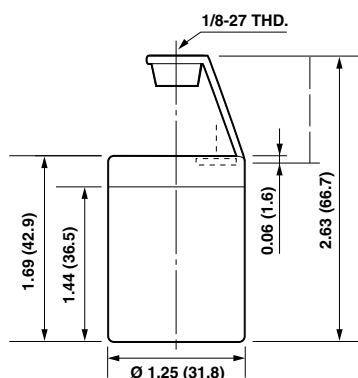
Brackets shown on pages E6-E8.



Cat. No. 2052



Cat. No. 3352



Cat. No. 2052-032
Shown with Optional Cover

KEYLESS FIXTURE LAMPHOLDERS

Porcelain
Medium Base E26



INCANDESCENT

Porcelain Keyless Fixture Lampholders

Cat. No. 8052 Series: Unglazed porcelain body with wireways. Aluminum screw shell. Standard leads are No. 18 ga. 105°C AWM-TEW plastic insulated wire, 6" long, stripped 3/4". Other wire specifications are available. Insulating cover attached on request.


Standard pack: bulk

- 660W-250V • UL Listed E-3810
- CSA Certified LR-1863 • NOM Certified 057




Cat. No. 8063: Unglazed porcelain body. Aluminum screw shell. #8-32 mounting bushing is located 3/8" off-center. Standard leads are No. 18 ga. 105°C AWM-TEW plastic insulated wire, 9" long, stripped 3/4".

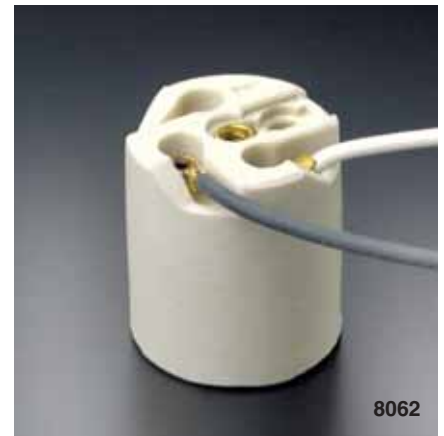
Standard pack: bulk

- 660W-250V • UL Recognized Component  • CSA Certified LR-1863
- NOM Certified 057

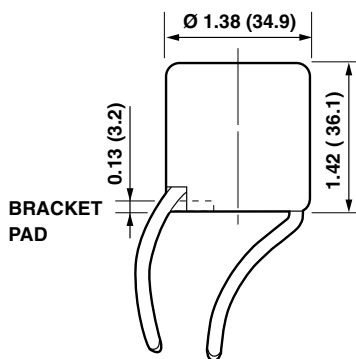
Cat. No. 8062: Unglazed porcelain body. Center bushing tapped #8-32. Standard leads are No. 18 ga. 105°C AWM-TEW plastic insulated wire 9" long, stripped 3/4". Aluminum screw shell.

Standard pack: bulk

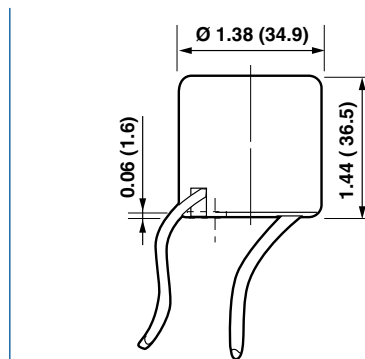
- 660W-250V • UL Recognized Component  • CSA Certified LR-1863
- NOM Certified 057



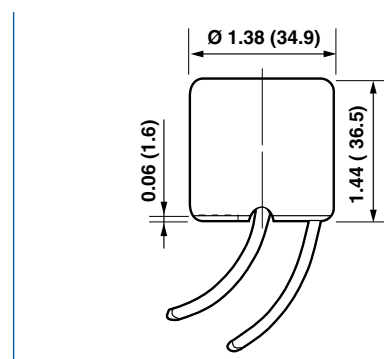
SECTION E



Cat. No. 8052



Cat. No. 8063



Cat. No. 8062

MEDIUM BASE LAMPHOLDERS

Phenolic • Porcelain

Medium Base E26



INCANDESCENT

Medium Base Lampholders

Style AP sockets feature recessed wire terminals to comply with the accessibility probe requirement of UL Standard 1598

Cat. No. 2052: Style AP

Phenolic body. Overall height 1 1/2", diameter 1 1/4".

Standard screw shell is aluminum. Available with screw shell of copper alloy or copper alloy nickel plate. Standard leads are No. 18 AWG 105°C AWM-TEW plastic insulated wire, 6" long, stripped 3/4". Leads are lugged to socket. If required, available with green grounding lead or bare copper lead assembled to bracket.

Standard pack: bulk



2052-008

Cat. No. 8052: Style AP

Unglazed porcelain body. Overall body height 1 1/2", diameter 1 3/8".

Standard screw shell is aluminum. Available with screw shell of copper alloy or copper alloy nickel plate. Standard leads are No. 18 AWG 105°C AWM-TEW plastic insulated wire, 6" long, stripped 3/4". Leads are lugged to socket. If required, available with green grounding lead or bare copper lead assembled to bracket.

Standard pack: bulk

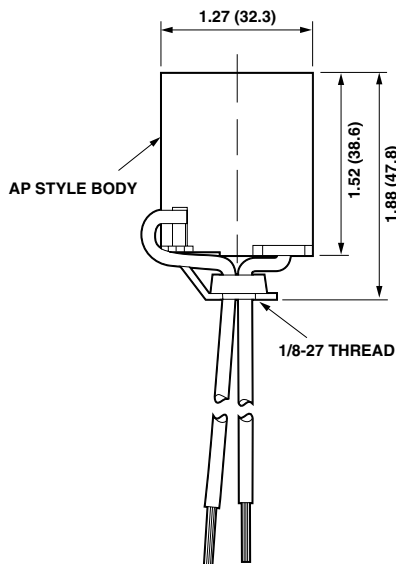
- 660W-250V
- UL Listed E-3810
- CSA Certified LR-1863
- NOM Certified 057



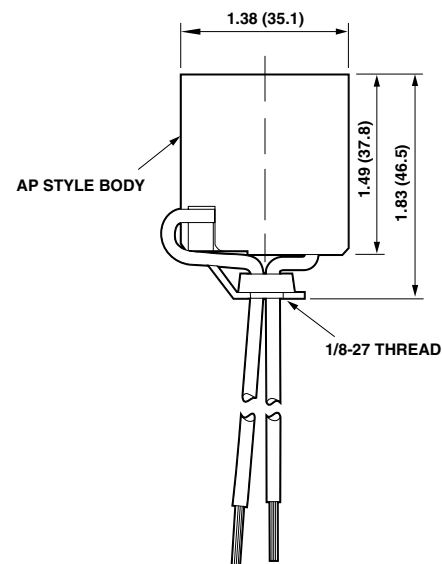
8052-008

Brackets shown on pages E6–E8.

Add bracket number to catalog number. Example: 2052-008.



Cat. No. 2052-008



Cat. No. 8052-008

SECTION E

KEYLESS FIXTURE LAMPHOLDERS

Porcelain
Medium Base E26



INCANDESCENT



3152

Porcelain Keyless Fixture Lampholders

Cat. No. 3152: Unglazed porcelain body with wireways. Aluminum screw shell. Screw terminals backed out and staked. Insulating cover available on request.

Standard pack: bulk

- 660W-250V
- UL Listed E-3810
- CSA Certified LR-1863
- NOM Certified 057

Cat. No. 3154: Same as 3152, but with quick-connect tabs.

Standard pack: bulk

- 660W-250V
- UL Listed E-3810
- CSA Certified LR-1863
- NOM Certified 057



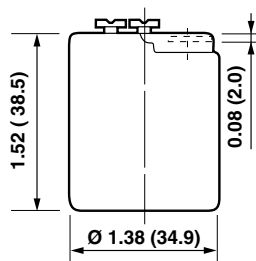
8152

Cat. No. 8152: Unglazed white porcelain body with wireways, black glazed flange at lamp end. Copper-alloy screw shell. Standard leads are No. 18 ga. 105° C AWM-TEW plastic insulated wire, 9" long, stripped 3/4".

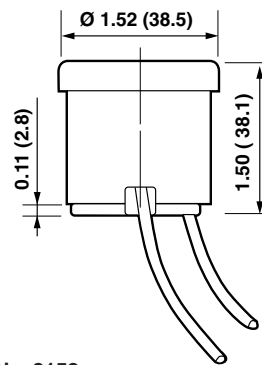
Standard pack: bulk

- 660W-250V
- UL Listed E-3810
- CSA Certified LR-1863
- NOM Certified 057

Brackets shown on pages E6-E8.



Cat. No. 3152



Cat. No. 8152

BRACKETS

Use With #2052 • 8052 • 3352 • 3152 • 8152



INCANDESCENT

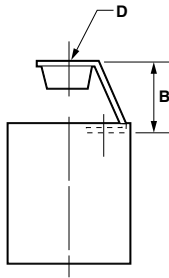


2052-032 with BA-16351 cover, Type A-1 bracket

Bracket Ordering Information

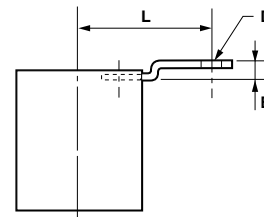
Leviton has a comprehensive selection of brackets for use with Catalog Numbers 2052, 8052, 3352, 3152 and 8152 medium base lampholders. To order, add bracket number to catalog number. Example: 2052-032.

Type A-1 Brackets



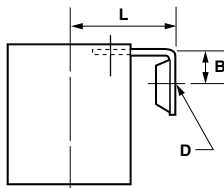
Dash No.	B	D
008	17/32 (13.49)	1/8-27
031	3/4 (19.05)	1/8-27
032	1 (25.4)	1/8-27
849	1-1/8 (28.58)	1/4-18
009	1-1/2 (38.1)	1/8-27

Type B-1 Up Brackets



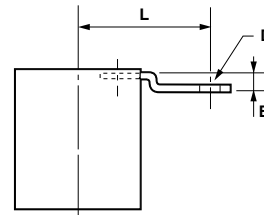
Dash No.	L	B	D
004	59/64 (23.42)	5/16 (7.94)	3/16 (4.76)
007	29/32 (23.02)	5/16 (7.94)	3/16 (4.76)

Type A-5 Down Brackets



Dash No.	L	B	D
440	1-5/64 (27.38)	11/32 (8.73)	1/8-27
756	1-1/4 (31.75)	11/32 (8.73)	1/8-27

Type B-1 Down Brackets



Dash No.	L	B	D
237	1-21/64 (33.73)	39/64 (15.48)	9/64 (3.57)
286	1 (25.4)	11/16 (17.46)	#8-32

BRACKETS

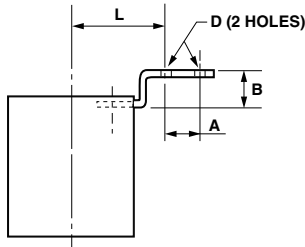
Use With #2052 • 8052 • 3352 • 3152 • 8152



INCANDESCENT

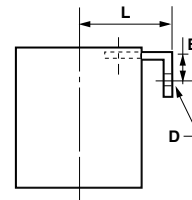
To order, add bracket number to catalog number. Example 2052-032.

Type B-4 Up Bracket



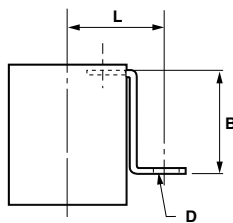
Dash No.	L	B	D	A
984	13/16 (20.64)	1/4 (6.35)	9/64 (3.57)	1/4 (6.35)

Type C-1 Down Brackets



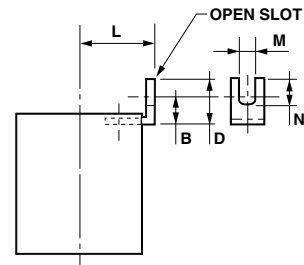
Dash No.	L	B	D
108	1-15/64 (31.35)	21/64 (8.33)	1/8 (3.18)

Type B-6 Down Bracket



Dash No.	L	B	D
A33	1-1/32 (26.19)	1-5/64 (27.38)	1/4 (6.35)

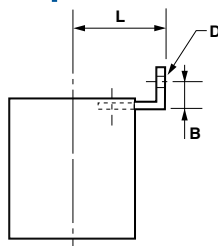
Type C-3 Up Brackets



Dash No.	L	B	D	M x N
001	45/64 (17.86)	3/16 (4.76)	7/8 (22.23)	11/64 x 11/16 (4.37 x 17.46)

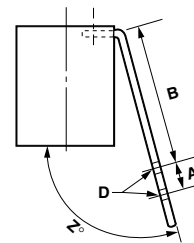
SECTION E

Type C-1 Up Brackets



Dash No.	L	B	D
00F	43/64 (17.07)	9/32 (7.14)	13/64 (5.16)

Type C-9



Dash No.	A	B	D	Z
253	3/8 (9.53)	1-47/64 (44.05)	5/32 (3.97)	104°

BRACKETS

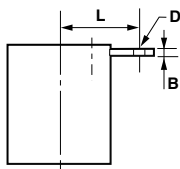
Use With #2052 • 8052 • 3352 • 3152 • 8152



INCANDESCENT

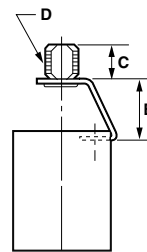
To order, add bracket number to catalog number. Example 2052-032.

Type D-1 Brackets



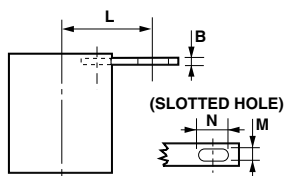
Dash No.	L	B	D
A31	7/8 (22.23)	3/64 (1.19)	#6-32

Type E-1 Brackets



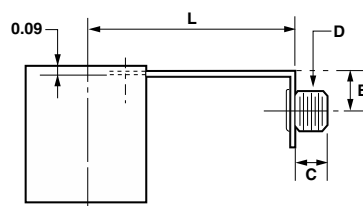
Dash No.	B	C	D
870	17/32 (13.49)	1/4 (6.35)	1/8-27 ROUND
201	17/32 (13.49)	21/64 (8.33)	1/8-27 ROUND
400	17/32 (13.49)	21/64 (8.33)	1/8-27 FLAT
933	17/32 (13.49)	21/64 (8.33)	1/8-27 FLAT
A28	17/32 (13.49)	13/32 (10.32)	1/8-27 FLAT
799	1 (25.4)	7/32 (5.56)	1/8-27 ROUND
823	17/32 (13.49)	21/64 (8.33)	1/8-27 ROUND
852	1 (25.4)	1/4 (6.35)	1/8-27 FLAT

Type D-3 Bracket



Dash No.	L	B	M x N
013	1-7/64 (28.18)	3/64 (1.19)	3/16 x 3/8 (4.76 x 9.53)

Type E-3 Brackets



Dash No.	L	B	C	D
171	1-37/64 (40.08)	13/32 (10.32)	21/64 (8.33)	1/8-27 Round

SNAP-IN LAMPHOLDERS

Porcelain • Phenolic
Medium Base E26

Snap-In Lampholders

Style AP Sockets feature recessed wire terminals to comply with the accessibility probe requirement of UL Standard 1598



2054-D



8054-F

Cat. No. 2054-D: Style AP

Phenolic body, 1 1/2" overall height, 1 1/4" diameter. Aluminum screw shell (copper alloy available on request). Standard leads are No. 18 AWG 105°C AWM-TEW plastic insulated wire, 6" long, stripped 3/4". Grounding lead available on request.

Standard pack: bulk

- 660W-250V • UL Listed E-3810
- CSA Certified LR-1863
- NOM Certified 057

Cat. No. 8054-F: Style AP

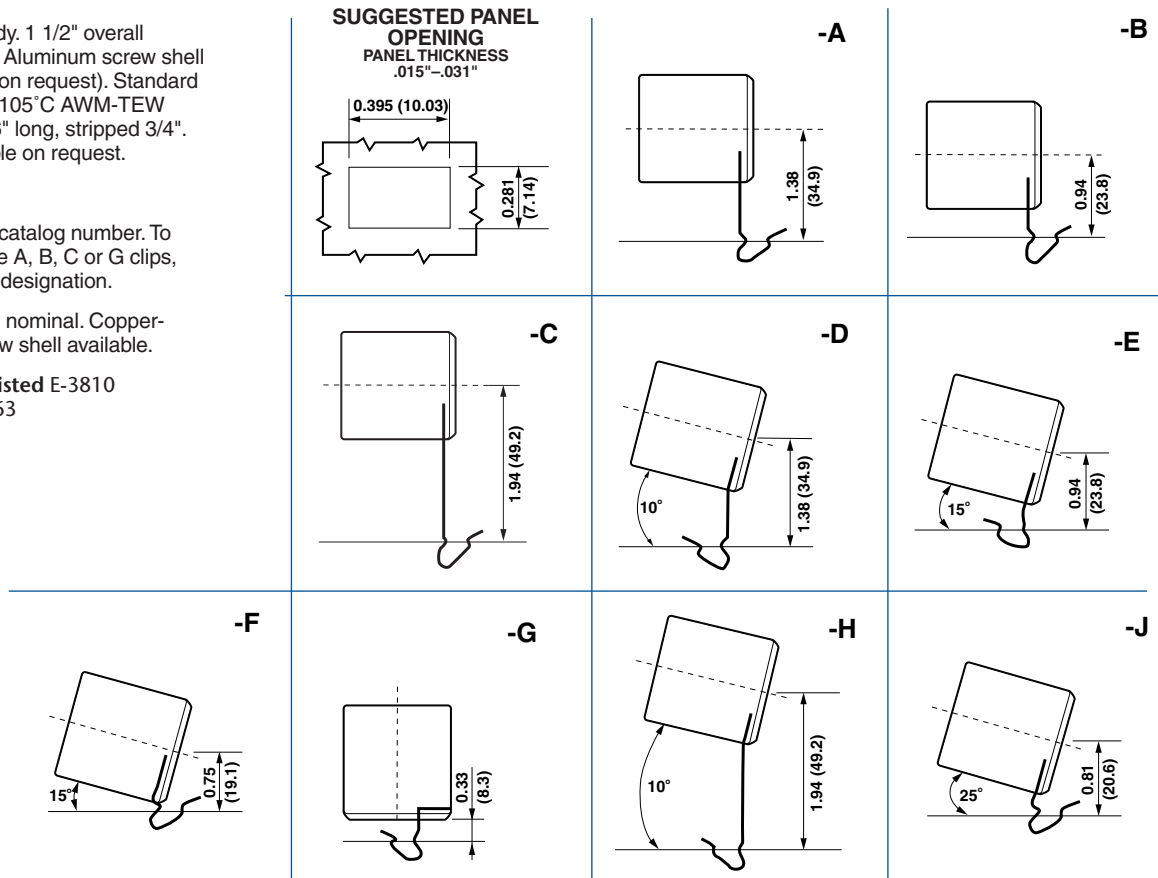
Unglazed porcelain body, 1 1/2" overall height, 1 3/8" diameter. Aluminum screw shell (copper alloy available on request). Standard leads are No. 18 AWG 105°C AWM-TEW plastic insulated wire, 6" long, stripped 3/4". Grounding lead available on request.

Standard pack: bulk

Add clip suffix to basic catalog number. To reverse direction of type A, B, C or G clips, add - 1 in front of letter designation.

NOTE: Dimensions are nominal. Copper alloy, nickel plated screw shell available.

- 660W-250V • UL Listed E-3810
- CSA Certified LR-1863
- NOM Certified 057



SECTION E

KEYLESS FIXTURE LAMPHOLDERS

Snap-In • Angle Mounted
Medium Base E26



INCANDESCENT



2054-700



8054-700

Snap-In Double Spring Clips

Double clips allow sockets to be assembled perpendicular to the fixture. Spring-tempered steel clips hold socket rigidly in place. Aluminum screw shell (copper alloy or copper alloy nickel plated available upon request). Leads are No. 18 AWG 105°C AWM-TEW 600V plastic insulated wire, 6" long, stripped 1/2".

Standard pack: bulk

Cat. No. 2054 phenolic body
Cat. No. 8054 unglazed porcelain body

- 660W-250V • UL Listed E-3810
- CSA Certified LR-1863
- NOM Certified 057

Cat. No.	A Dim.
2054-700	1 3/8 (34.93)
2054-701	1 3/4 (44.45)
8054-700	1 3/8 (34.93)
8054-701	1 3/4 (44.45)

Angle Pan Socket

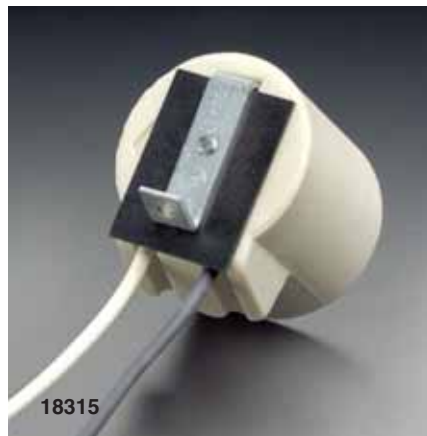
Unglazed porcelain socket mounts at an angle of approx. 15° to pan. Bracket has one hole tapped #6-32 for screw mounting. Pedestal of socket fits through piercing in pan. Aluminum screw shell (copper alloy or copper alloy nickel plated available upon request). Standard leads are No. 18 AWG 105°C AWM-TEW 600V plastic insulated wire, 9" long, stripped 3/4".

Standard pack: bulk

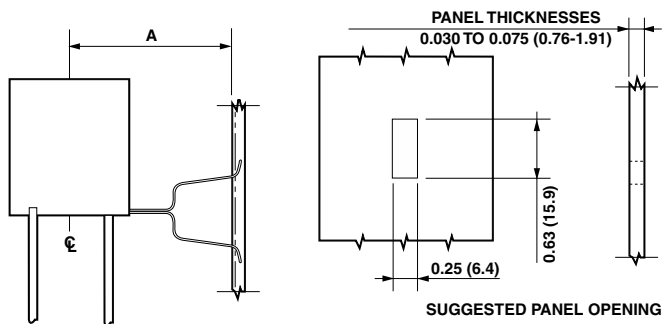
Cat. No. 18315

- 660W-250V • UL Listed E-3810
- CSA Certified LR-1863
- NOM Certified 057

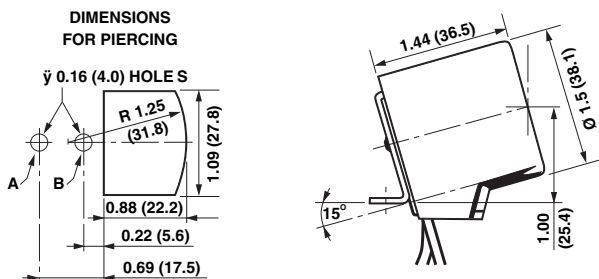
Cat. No.	Terminations	Bracket Mounting
18315	Leads	1-screw #6-32 (hole B)
18315-001	Leads	1-hole rivet (hole A)



18315



Cat. No. 2054-700



Cat. No. 18315 ANGLE PAN SOCKET

SNAP-IN LAMPHOLDERS

Porcelain • Phenolic
Medium Base E26



INCANDESCENT

U-Clip Snap-In Sockets

One-piece phenolic sockets, with or without vulcanized fiber cover riveted to body. Rust-resistant spring steel clip. Standard leads are No. 18 AWG 105°C AWM-TEW plastic insulated wire, 6" long, stripped 3/4".

Available with ground lead on request.

Standard pack: bulk

- 660W-250V • UL Listed E-3810 • CSA Certified LR-1863 • NOM Certified 057

Cat. No.	Description	Fiber Cover
2553*	U-Clip Snap-in Socket	No
2553-200	U-Clip Snap-in Socket, shallow mounted	No

*Also available with fiber cover on special request.



2553

Porcelain Snap-In Socket

White unglazed porcelain. Copper alloy, nickel-plated screw shell. Rust-resistant, spring-tempered steel clip. Standard leads are No. 18 ga. 105°C AWM-TEW plastic insulated wire, 9" long, stripped 3/4". Other wire types available.

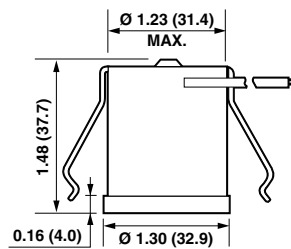
Standard pack: bulk

Cat. No. 8064

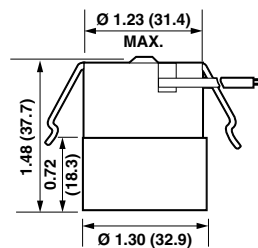
- 660W-250V • UL Listed E-3810 • CSA Certified LR-1863 • NOM Certified 057



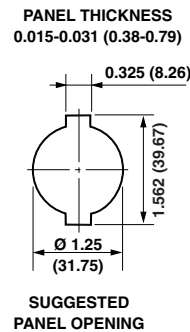
2553-200



Cat. No. 2553

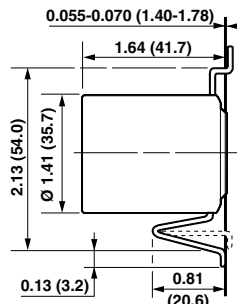


Cat. No. 2553-200

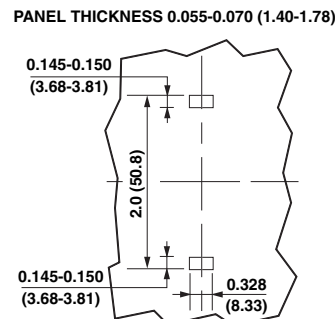


SUGGESTED
PANEL OPENING

U-CLIP SNAP-IN SOCKETS



Cat. No. 8064



SUGGESTED PANEL OPENING



8064

PORCELAIN SNAP-IN

KEYLESS TWIN LAMPHOLDERS

Porcelain
Medium Base E26



INCANDESCENT



4010

Bushed Flange, Screw Terminals

One-piece white glazed porcelain twin sockets, only 2 1/8" long, 1 1/2" dia., with centrally located insulated bushed steel flange. Bushing with set screw. Screw shells are copper alloy.

- 660W-250V
- UL Listed E-3810
- CSA Certified LR-1863
- NOM Certified 057

Cat. No.	Bushing
4010†	1/8-27

†The gasket supplied with this item is rated at 90° dry maximum.



4005

Single Bushing Mounted

Two bodies of white glazed porcelain with strap keyed to porcelain to prevent rotation. Sockets measure 3" across. Wiring terminals on inner end of one body only, with connection screws from opposite side completing the circuit and acting as means to tighten assembly to strap. Screw shells are copper alloy. Also available with leads (No. 18 ga. 105°C AWM-TEW plastic insulated wire, 9" long, stripped 3/4") for 2-circuit applications as Cat. No. 24005.

- 660W-250V
- UL Listed E-3810
- CSA Certified LR-1863
- NOM Certified 057

Cat. No.	Bushing
4005	1/8-27
4006	3/8-18
24005*	1/8-27

*Not CSA



24005



4008

Double Bushing Mounted

Bodies same as No. 4005 with strap, with two 1/8-27 bushings opposite each other. Dimension across socket is 3". Screw shells are copper alloy.

- 660W-250V
- UL Listed E-3810
- CSA Certified LR-1863
- NOM Certified 057

Cat. No.	Bushing
4008	(2) 1/8-27

KEYLESS FIXTURE LAMPHOLDERS

Porcelain
Medium Base E26



INCANDESCENT

With Screw Terminals 3 Wire Grounding

White glazed porcelain body. Green hex grounding screw. Spring-supported center contact. Screw shell reinforced with washers. No. 10088 fits all standard caps.

Standard pack: bulk

- 660W-250V • UL Listed E-3810 • CSA Certified LR-1863 • NOM Certified 057

Cat. No.	Description	Outer Diameter	Overall Height	Mounting
10038-005	Screw terminals-grounded	1 1/2 (38.1)	1 11/16 (42.86)	#6-32 bushings
10088	Heavy duty screw terminals	1 9/16 (39.69)	1 3/4 (44.45)	#6-32 screws



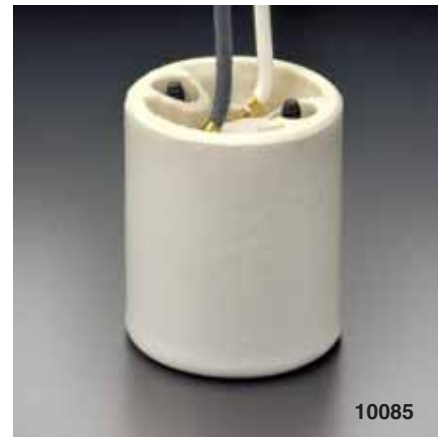
With Wire Leads

White glazed porcelain body. Screw shell is aluminum. Insulating washer has 11/32" hole. No. 10085 fits all standard caps. Standard leads are No. 18 AWG 105°C AWM-TEW plastic insulated wire, 9" long, stripped 3/4".

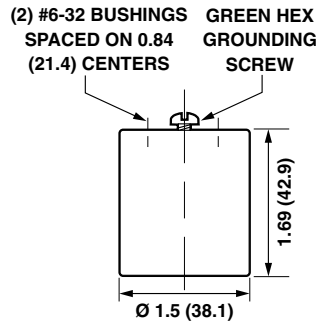
Standard pack: bulk

- 660W-250V • UL Listed E-3810 • CSA Certified LR-1863 • NOM Certified 057

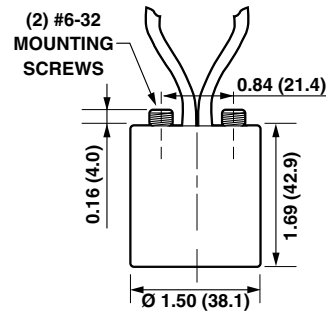
Cat. No.	Description
10085	Screws
10085-005†	Bushing-tapped #6-32



SECTION E



Cat. No. 10038-005



Cat. No. 10085

KEYLESS FIXTURE LAMPHOLDERS

Porcelain
Medium Base E26



INCANDESCENT



With Wire Leads and Wireways

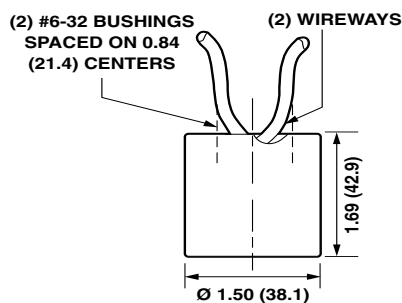
Unglazed porcelain body. Spring supported center contact. Reinforcing washer. Screw shell is nickel-plated copper alloy. Standard leads are No. 18 AWG 105°C AWM-TEW plastic insulated wire, 9" long, stripped 3/4".

Standard pack: bulk

- 660W-250V
- UL Listed E-3810
- CSA Certified LR-1863
- NOM Certified 057

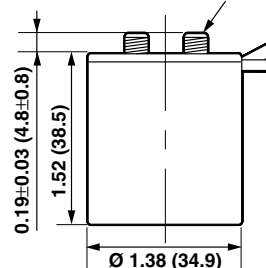
Cat. No.	Description	Wireways	Mounting
70035†	Spring Supported Center Contact	2	Bushings
70035-010†	Less Spring & Reinforcing Washer	1	Bushings
70036	Spring Supported Center Contact	2	Captive screws
70036-002	Less Spring & Reinforcing Washer	2	Less screws
70036-003	Less Spring & Reinforcing Washer	2	Captive screws
70036-004	Spring Supporting Center Contact	2	Less screws
70036-010	Less Spring & Reinforcing Washer	1	Captive screws

†UL Recognized Component
For Medium Base HID, See pages D10, D12.



Cat. No. 70035

(2) #6-32 MOUNTING SCREWS
SPACED ON 0.84 (21.4) CENTERS



Cat. No. 70036-010

KEYLESS FIXTURE LAMPHOLDERS

Porcelain
Medium Base E26



INCANDESCENT

Straight Body with Screw Terminals

White glazed porcelain body. Body, die cast cap and insulating washer come unassembled. Screws are tightened from inside of socket. Screw shell is nickel-plated copper alloy.

- 660W-250V
- UL Listed E-3810
- CSA Certified LR-1863
- NOM Certified 057

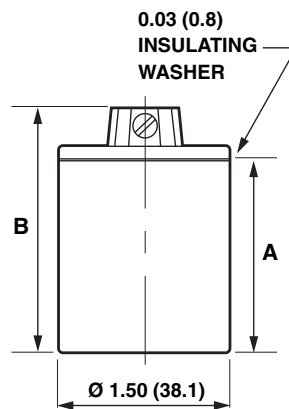
Cat. No.	Description	A Dim.	B Dim.
10045	1/8-27 cap	1 11/16 (42.86)	2 1/16 (52.39)
10046	1/4-18 cap	1 11/16 (42.86)	2 3/16 (55.56)
10049	3/8-18 cap	1 11/16 (42.86)	2 3/16 (55.56)
10051†	1/2-14 cap	1 11/16 (42.86)	2 13/32 (61.12)
10045-100†	Unglazed porcelain BA-23554 1/8-27 phenolic cap, AL/SS. One screw mounting.	1 11/16 (42.86)	2 9/16 (65.09)

†Not CSA

NOTE: For cap descriptions see page E16.



SECTION E



Cat. No. 10045



10065

Beaded Body, Screw Terminals

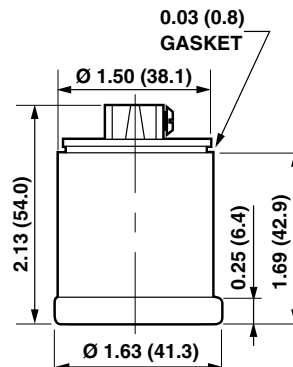
White glazed porcelain beaded body used for 1 1/2" clamp-type shade holder. Body, die cast 1/8-27 cap and insulating washer come unassembled. Screws are tightened from inside of socket. Screw shell is nickel-plated copper alloy.

Cat. No. 10065

- 660W-250V
- UL Listed E-3810
- NOM Certified 057
- CSA Certified LR-1863

Caps

<p>1/8 IPS Light Duty Metal Cap X-3347</p>	<p>1/8 IPS Heavy Duty Metal Cap X-2740</p>	<p>1/4 IPS Metal Cap X-12312</p>
<p>3/8 IPS Metal Cap X-1412</p>	<p>1/2 IPS Metal Cap X-14274</p>	<p>1/8 IPS Phenolic Cap available w/ss BA-23554</p>



Cat. No. 10065

KEYLESS FIXTURE LAMPHOLDERS

Porcelain
Medium Base E26



INCANDESCENT

With Screw Terminals

White glazed porcelain body. Nickel plated copper alloy screw shell. Captive mounting screws. Insulating washer has 11/32" hole. Fits all standard caps.

Standard pack: bulk

- 660W-250V • UL Listed E-3810 • CSA Certified LR-1863 • NOM Certified 057

Cat. No.	Description	Screw Shell	Mounting	A Dim.
10035	Spring Center Contact	Reinforced with washers	Screws	1 1/2 (38.1) max.
10035-005*	Spring Center Contact	Reinforced with washers	Bushings tapped #6-32 (no screws)	1 1/2 (38.1) max.

*UL Recognized Component



10035

With Screw Terminals/Wireways

White glazed porcelain body. Nickel plated copper alloy screw shell. Two opposite wireways (3/8" x 3/16" deep). Furnished with insulating washer (no hole). Fits all standard caps.

Standard pack: bulk

- 660W-250V • UL Listed E-3810 • CSA Certified LR-1863 • NOM Certified 057

Cat. No.	Wireways	Mounting
10045-004	2	Screws
10035-001*	2	Bushings tapped #6-32 (no screws)

*UL Recognized Component



10045-004

Cat. No. 10089: White glazed porcelain body. Nickel-plated copper alloy screw shell. Deep wiring wells. Body and die cast caps come unassembled.

Standard pack: bulk

- 660W-250V • UL Listed E-3810 • CSA Certified LR-1863 • NOM Certified 057

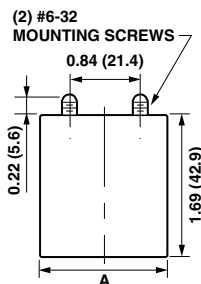
Cat. No. 20089: Same as above except rated 660W-600V

NOTE: For cap descriptions see page E16.

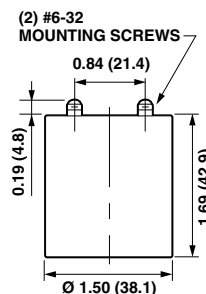


10089

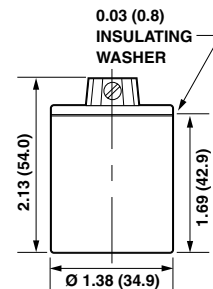
SECTION E



Cat. No. 10035



Cat. No. 10045-004



Cat. No. 10089

KEYLESS FIXTURE LAMPHOLDERS

Porcelain
Medium Base E26



INCANDESCENT



10035-220

Opposite Wireways

White glazed porcelain body with wireways. Spring center contact. Insulated washer has no hole. Standard leads are No. 18 AWG 105°C AWM-TEW plastic insulated wire, 9" long, stripped 3/4".

Standard pack: bulk

- 660W-250V • UL Listed E-3810 • CSA Certified LR-1863 • NOM Certified 057

Cat. No.	Mountings
10035-220*	Bushings
10035-210	Screws
10035-200	Less screws or bushings

*CSA Certified LR-1863, UL Recognized Component



70037

Recessed Quick-Connect Tabs

Unglazed porcelain body with two wireways. Copper-alloy nickel-plated screw shell. Aluminum screw shell optional. Recessed quick-connect tabs .205" x .032".

Standard pack: bulk

Cat. No. 70037

- 660W-250V
- UL Recognized Component

Cat. No.	Mountings
70037	#6-32 captive nuts
70040	#6-32 captive screws

Cat. No. 70040

- 660W-660V • UL Listed E-3810 • NOM Certified 057



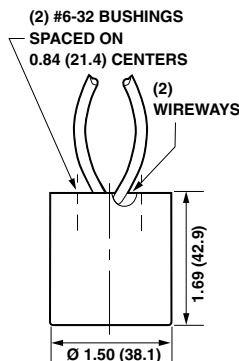
30

Heavy Duty Lampholder

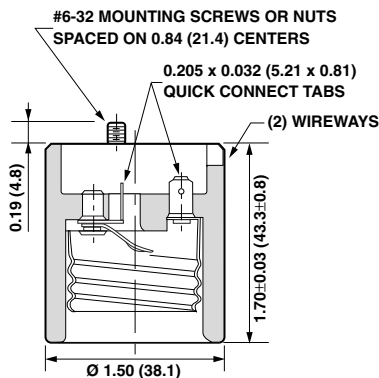
Body and cap white glazed porcelain. Wiring terminals are in cap. Positive, one-way cap-to-body fit. Copper alloy screw shell. The gasket supplied with this item is rated at 90°C dry maximum.

Cat. No. 30

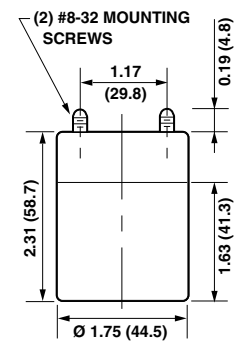
- 660W-250V • UL Listed E-3810 • NOM Certified 057



Cat. No. 10035-220



Cat. Nos. 70037 & 70040



Cat. No. 30

KEYLESS FIXTURE LAMPHOLDERS

Two-Piece • One-Piece • Porcelain
Medium Base E26



INCANDESCENT

Two-Piece Porcelain Ring-Type Lampholders

Cat. No. 9350: Base and ring unglazed. (Glazed rings available.) Screw terminals and wireways. Screw shell is copper alloy unless otherwise specified.

The gasket supplied with this item is rated at 90°C dry maximum.

Cat. No. 9350-003: Same as 9350, but with quick-connect terminals.

Cat. No. 9840: Base unglazed. Ring unglazed (available glazed). Screw terminals and porcelain protecting cap. Cap threads onto stud screw in base. Leads available to specification. Screw shell is aluminum. The gasket supplied with this item is rated at 90°C dry maximum.

Suggested panel opening

For Cat. Nos. 9350, 9350-003 and 9840: 1 7/16" (36.51) dia. hole.

- 660W-250V • UL Listed E-3810 • CSA Certified LR-1863 • NOM Certified 057



9350



9840



9885

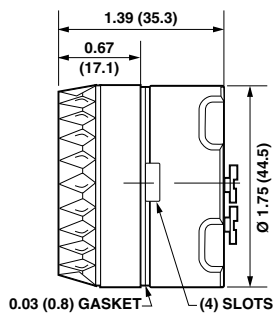
One-Piece

Porcelain unglazed body, except for glazed pilot. Required mounting hole 1-3/8" dia., maximum. Screw shell: Nickel-plated copper alloy. Screw terminals with wireways at bottom. Bushings tapped for (2) #8-32 screws. Mounting screws unassembled.

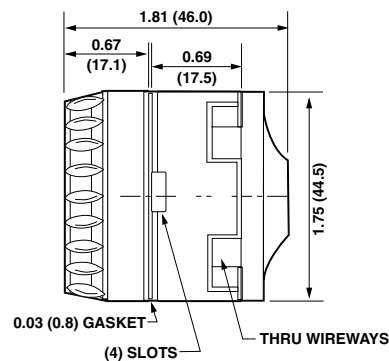
Standard pack: bulk

Cat. No. 9885

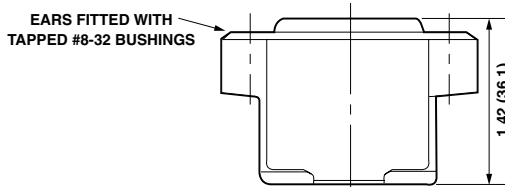
- 660W-600V • UL Listed E-3810 • CSA Certified LR-1863 • NOM Certified 057



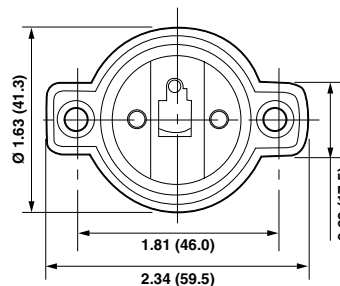
Cat. No. 9350



Cat. No. 9840



Cat. No. 9885



KEYLESS FIXTURE LAMP HOLDERS

Front Mounted • Snap-In
Medium Base E26



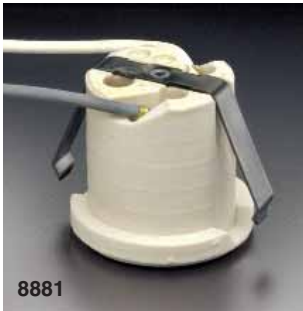
INCANDESCENT



8882



8880



8881



8875

One-Piece Shallow Shoulder with Quick-Connect Tabs

Cat. No. 8882: Unglazed porcelain body. Shallow lamp projection. Rust-proofed, spring-tempered steel mounting clip, riveted to body. Screw shell is copper alloy. With two .250" wide x .031" thick quick-connect terminals bent at 45°.

Standard pack: bulk

Cat. No. 8880: Same as No. 8882 with #6-32 screw terminals backed out and staked.

Cat. No. 8881: Same as No. 8880, with leads: No. 18 AWG 105° AWM-TEW plastic insulated wire, 6', stripped 3/4".

- 660W-250V • UL Listed E-3810 • CSA Certified LR-1863
- NOM Certified 057

One-Piece Shallow Back

Cat. No. 8875: Unglazed porcelain body. Rust-proofed, spring-tempered steel mounting clip riveted to body. Screw shell is copper alloy. Screw terminals: (2) #6-32 screws, backed out and staked.

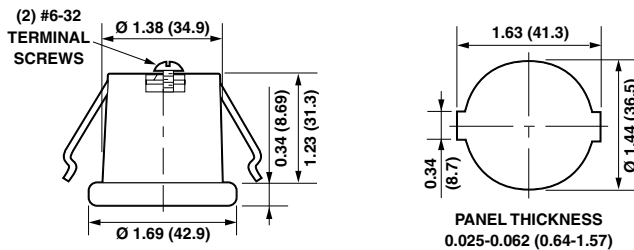
Standard pack: bulk

Cat. No. 8876: Same as No. 8875, with leads: No. 18 AWG 105° AWM-TEW plastic insulated wire, 9" long, striped 3/4". Also available with insulating cover.

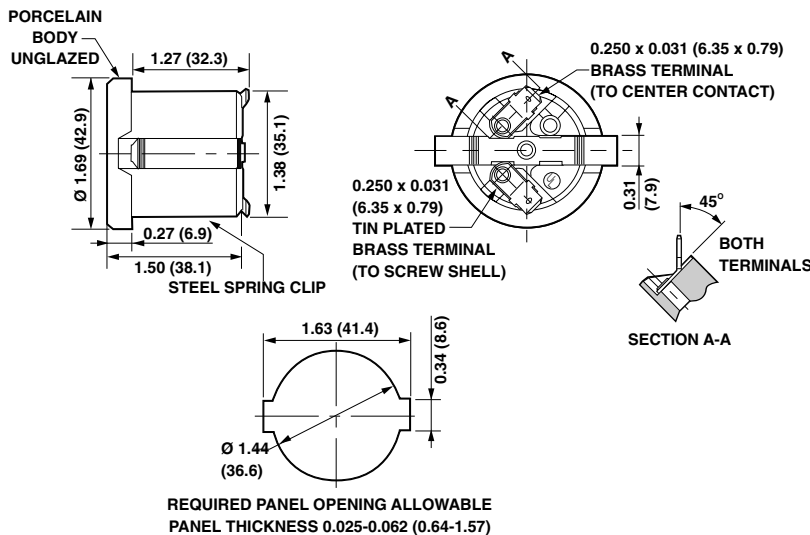
Cat. No. 8877: Same as No. 8875, with quick-connect terminals.

For medium base HID, see pages D10, D12.

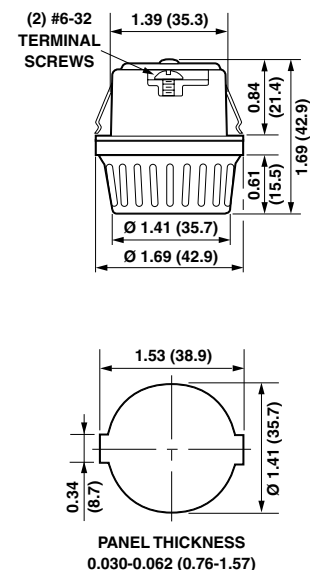
- 660W-250V • UL Listed E-3810 • CSA Certified LR-1863
- NOM Certified 057



Cat. No. 8880



Cat. No. 8882-009



Cat. No. 8875

KEYLESS FIXTURE LAMPHOLDERS

Porcelain
Medium Base E26

Single Screw Front Mounted, Removable Strap

Cat. No. 8871: Unglazed porcelain body. Screw terminals. Aluminum screw shell.

Standard pack: bulk

- 660W-250V • UL Listed E-3810 • NOM Certified 057

Cat. No. 8871-003: Same as No. 8871, except with leads: No. 18 AWG 105°C AWM-TEW plastic-insulated wire, 9" long, free ends stripped 3/4". Other leads available.

- 660W-250V • UL Listed E-3810 • CSA Certified LR-1863 • NOM Certified 057



One-Piece Snap-In

Cat. No. 8885: Unglazed porcelain body. Rust-resistant, spring-tempered steel mounting clips are riveted to body. Designed specifically for hi-hat units. Screw shell is nickel-plated copper alloy. With screw terminals.

Standard pack: bulk

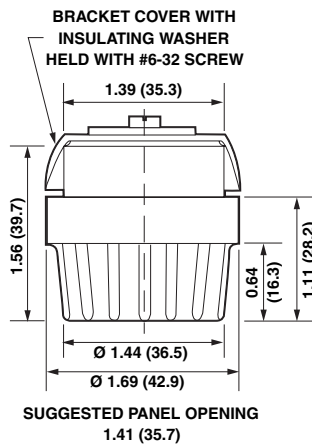
Cat. No. 8887-101: Same as No. 8885 with leads: No. 18 AWG 105°C AWM-TEW plastic insulated wire, 6" long, stripped 3/4" and lugged to socket. Other leads available.

Cat. No. 38887-101: Same as No. 8887-101 except rating is 660W-250V.

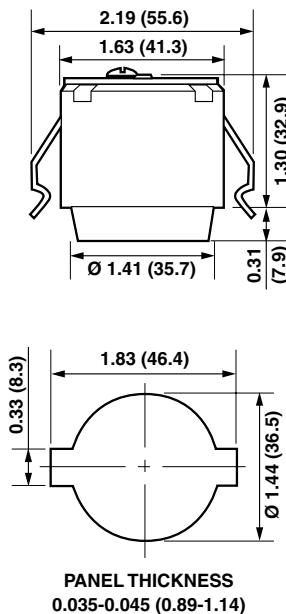
Cat. No. 8887-701: Same as No. 8887-101 except 5 KV pulse rated.

Available with AP style body.

- 660W-600V • UL Listed E-3810 • CSA Certified LR-1863



Cat. No. 8871



Cat. No. 8885

SECTION E

KEYLESS FIXTURE LAMPHOLDERS

Ring Type • Side Outlet
Medium Base E26



INCANDESCENT



8101

Two-Piece Ring Type

Unglazed porcelain base. Slot locks against rotation. Aluminum screw shell. Unglazed porcelain ring. (Glazed rings available.) Leads eyeleted to base. Leads are No. 18 AWG 105°C AWM-TEW plastic insulated wire, 9" long, stripped 3/4". Other leads available. Bases, rings and gaskets packed individually. The gasket supplied with this item is rated at 90°C dry maximum.

Standard pack: bulk

Cat. No. 8101

- 660W-250V
- UL Listed E-3810
- CSA Certified LR-1863
- NOM Certified 057



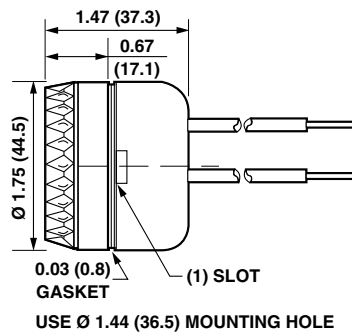
10091

Side Outlet, Bushing

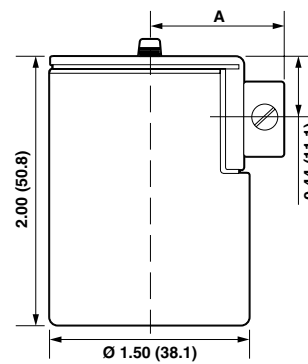
Body of one-piece white glazed porcelain. Flat steel cap with female threaded bushing set at angle and fitted with set screw. Cap keyed to porcelain body and held on with one center #8-32 screw tightened through inside of socket. Gasket between cap and porcelain insures tight-fitting assembly. The gasket supplied with this item is rated at 90°C dry maximum. Screw shell is copper alloy, nickel plated.

- 660W-250V
- UL Listed E-3810
- CSA Certified LR-1863

Cat. No.	Thread Size	A Dim.
10091	1/8-27	31/32 (24.61)



Cat. No. 8101



Cat. No. 10091

CANDLE SOCKETS

Bottom Turn Knob

Medium Base E26



INCANDESCENT

Single-Light, One-Piece Phenolic-Integral Turn Knob

One-piece phenolic body, 1 1/4" O.D. featuring built-in rotary switch with integral turn knob, or with integral stem threaded #4-36, less knob. Available with screw terminals or leads. Standard leads are No. 18 ga. 105°C AWM-TEW plastic insulated wire, 6" long, stripped 1/2".

Standard pack: bulk

Cat. No. 4155

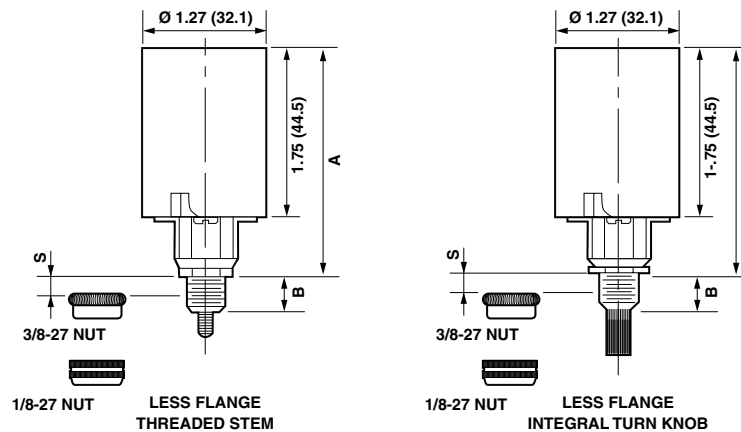
- 660W-250V
- UL Listed E-3810
- CSA Certified LR-1863
- NOM Certified 057



4155

Terminations	Bushing Thread	B	A	S	Phenolic Turn Knob	Less Knob #4-36 Stem
					Less Flange	Less Flange
Screw Terminals	3/8-27 ROUND	11/32 (8.73)	2 5/16 (58.74)	1/8 (3.18)	4155	4155-051
			2 9/16 (65.09)	1/8 (3.18)	4155-002	4155-052
			2 13/16 (71.44)	1/8 (3.18)	4155-003	4155-053
	1/8-27 FLAT SIDED	11/32 (8.73)	2 5/16 (58.74)	11/32 (8.73)	—	4155-056
			2 5/16 (58.74)	1/8 (3.18)	4155-026	—
			2 13/16 (71.44)	1/8 (8.18)	4155-046	—
Leads	3/8-27 ROUND	11/32 (8.73)	2 5/16 (58.74)	1/2 (12.7)	—	4155-040
			2 1/16 (52.39)	1/8 (3.18)	4155-111	4155-121
			2 5/16 (58.74)	1/8 (3.18)	4155-110	4155-122
	1/8-27 FLAT SIDED	11/32 (8.73)	2 1/16 (52.39)	1/8 (3.18)	4155-113	4155-123
			2 5/16 (58.74)	1/8 (3.18)	4155-114	—
			2 13/16 (71.44)	1/8 (3.18)	4155-115	4155-125

SECTION E



CANDLE SOCKETS

Bottom Turn Knob

Medium Base E26



INCANDESCENT



4158



4063

Single-Light, Two-Piece Phenolic Husk

Phenolic interior and removable husk. Interior is wired to screw terminals through side outlet in bottom of husk. Flats on bushing prevent rotation of husk. Non-removable phenolic knob. Bushing and knurl nut in nickel finish. Aluminum screw shell and terminal assembly.

Standard pack: bulk

- 660W-250V • UL Listed E-3810 • CSA Certified LR-1863 • NOM Certified 057

Cat. No.	Bushing	
	A	*S
4158	1/4 (6.35)	1/32 (.79)
4158-001	3/8 (9.52)	5/32 (3.97)
4158-002	1/2 (12.7)	9/32 (7.14)
4158-004	21/32 (16.67)	7/16 (11.11)
4158-003	1 1/32 (26.19)	1 3/16 (30.16)
4158-005	1 17/32 (38.89)	1 5/16 (33.34)

*S = length of usable bushing with knurl nut assembled.

Three-Light, Two-Piece Phenolic Husk

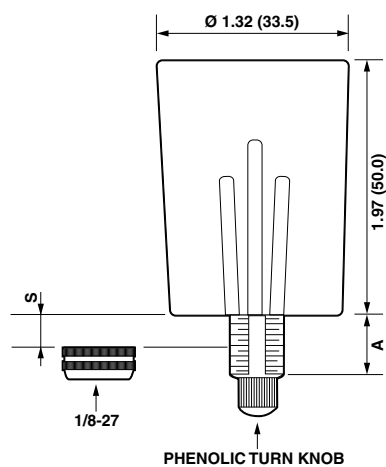
Two-piece phenolic interior and husk. Removable outer husk; side outlet for leads at bottom of husk. Flats on bushing prevent rotation. Black phenolic knob is non-removable. Three-position lighting sequence: LO-MED-HI-OFF.

Standard pack: bulk

- 250W-250V • UL Listed E-3810 • NOM Certified 057

Cat. No.	Bushing	
	A	S
4063-001	3/8 (9.52)	5/32 (3.97)
4063-002	1/2 (12.7)	9/32 (7.14)

Per UL 153, 3-way lampholders shall be installed so that bulb will be positioned base down.



Cat. No. 4158

Low-Medium-High Removable One-Leg Hickey

Phenolic body. Aluminum screw shell. Only two terminals for wiring. Dim. A= 1 1/16". Hickey tapped 1/8-27, requires at least 13/16" dia. flat at bottom of cup for clearance. Standard knob extends to clear 1 13/16" O.D. cup. Minimum hole for knob is 5/16" wide x 7/16" long.

Standard pack: bulk

Cat. No. 7098

- 250W-250V • UL Recognized Component  E-3810 • NOM Certified 057

Cat. No.	A Dim.	B Dim.	Hickey
7098-008	1 3/64 (26.59)	7/8 (22.23)	1/8-27
7098-015	1 3/64 (26.59)	1 1/8 (28.58)	1/8-27

Per UL 153, 3-way lampholders shall be installed so that bulb will be positioned base down.

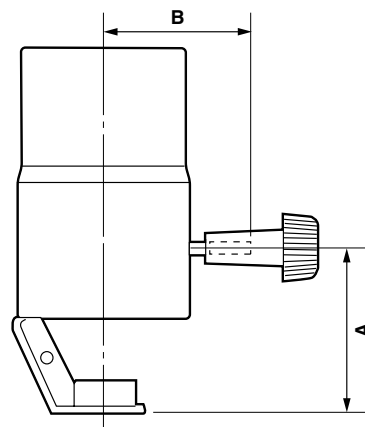


Three-Terminal Removable One-Leg Hickey

Phenolic body, screw shell, knob extensions, hickey and lining same as No. 7098. Designed with 3 screw terminals (colored brass, nickel and black). Accepts a single-filament lamp. To be wired in series with a keyless socket, same as No. 7070 on page G3.

Cat. No. 7069

- 250W-250V • UL Recognized Component  E-3810 • NOM Certified 057



Cat. No. 7098

SECTION E



9805

Single-Light Removable Turn Knob

Phenolic body, with lining over aluminum screw shell only. Knob is short and removable and clears for standard candle tube (1 5/16" O.D.). Hickey attached with one thru-screw, adjusts to vary overall height of socket from 4" to 5 1/2". Other dimensions: Body O.D.—1 5/32"; hickey tapped for 1/8-27 and requires 13/16" dia. flat at bottom of cup for clearance.

Standard pack: bulk
Knobs: Unassembled bagged

Cat. No. 9805

- 250W-250V • UL Recognized Component E-3810 • NOM Certified 057



9805-00A

Removable One-Leg Hickey

Phenolic body with lining over aluminum screw shell only. Dimension: Body is 1 5/32" O.D. Height from center of knob to bottom of hickey is 1 1/32"—same as brass shell socket. Overall height with hickey is 2 13/32". Hickeys 1/4", 1/2", 11/16" and 1" larger than above available in 1/8-27. Also available: Hickeys tapped for 1/4-18 having height of 1 1/16" from center of knob to bottom.

Standard pack: bulk
Knobs: Unassembled bagged

Cat. No. 9805-00A: Removable One-Leg Hickey

Cat. No. 9705-00A: Same as 9805-00A, except that overall height with hickey is 2 5/16". Height from center of knob is 15/16". Supplied with short lining.

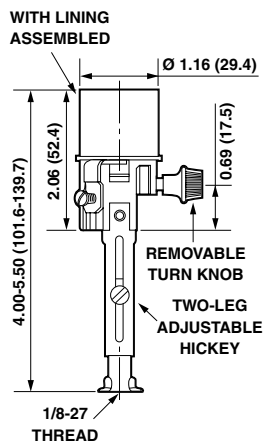
- 250W-250V • UL Recognized Component E-3810 • NOM Certified 057

Cat. No.	A	B	C
9805-00Z	2 13/32 (61.12)	1 1/16 (26.99)	1 1/32 (26.19)
9805-00A	2 13/32 (61.12)	5/8 (15.88)	1 1/32 (26.19)
9705-00A	2 19/64 (58.34)	5/8 (15.88)	59/64 (23.42)

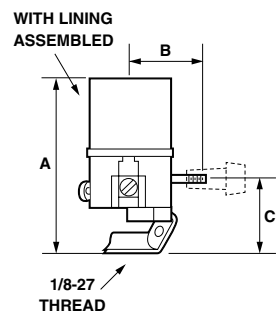
All sockets on page available with full lining.



9705-00A



Cat. No. 9805 Two-Leg Adjustable Hickey



Cat. Nos. 9705-00A, 9805-00Z, 9805-00A One-Leg Hickey

KEYLESS CANDLE SOCKETS

Medium Base E26



INCANDESCENT

Keyless Socket with Solid Hickey

Fiber disc body, 1 5/32" O.D. over lining by 1 5/8" long. Screw terminals. Locking liner. Hickey requires 13/16" flat for clearance at bottom of cup. Lining pushes down to rest on hickey. Used with standard candle tube, 1 5/16" O.D.

Cat. No. 8684

- 660W-250V • U L Listed E-3810 • CSA Certified LR- 1863

Fiber Disc Body, Leads Attached—Solid Hickey

Same dimensions as No. 8684. Standard Leads: No. 18 AWG 105°C AWM-TEW plastic insulated wire, 10 1/2" long, stripped 3/4". Other types and lead lengths available. Locking liner. Leads are pulled through hole as shown for easier assembly.

Standard pack: bulk

Cat. No. 8684-001

- 660W-250V • UL Listed E-3810 • NOM Certified 057



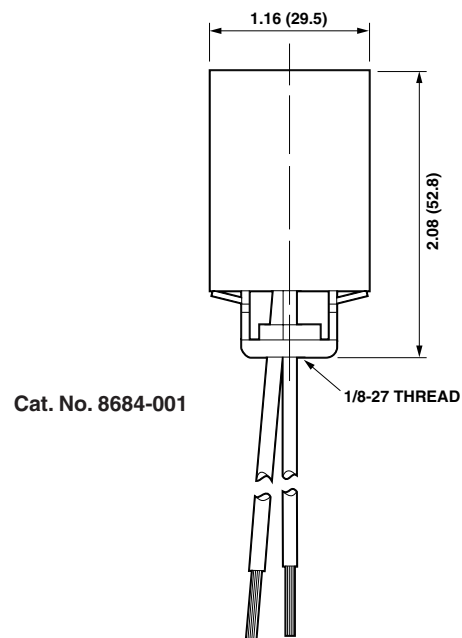
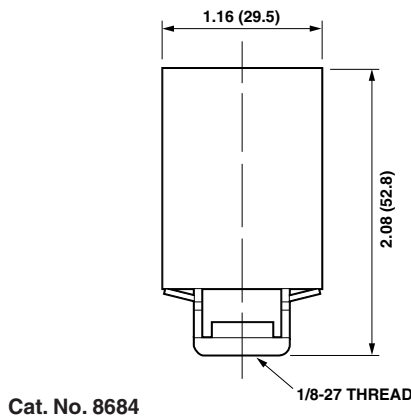
8684



8684-001

SECTION E

Cat. No.	Description	Hickey	Overall Height
8684	Screw term.	Solid	2.08 (52.8)
8688	Screw term.	Solid	3 (76.2)
9800	Screw term.	Adj.	4 - 5 3/4 (101.6 - 146.05)
8684-001	Leads	Solid	2.08 (52.8)
8688-001	Leads	Solid	3 (76.2)



MULTI-LAMPHOLDER CLUSTERS

Two-Light Offset
Medium Base E26



INCANDESCENT



4032-D5F



4034-F5A

Two-Light Offset

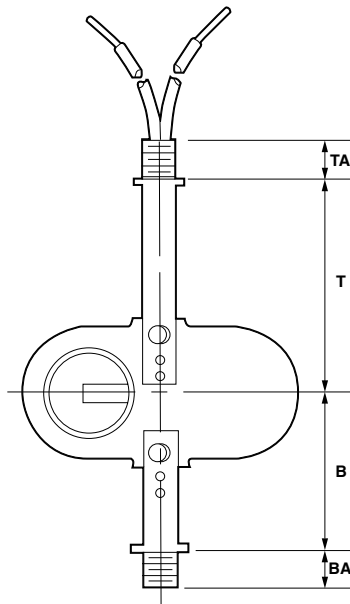
The offset-type lampholder—with two A-19 60-watt bulbs installed—measures 8 1/4" across the center of the fixture. All top-bracket bushings are flat-sided. Aluminum screw shell. Standard leads (unless otherwise specified) are No. 18 ga. 105°C AWM-TEW plastic insulated wire, 6" long (measured from point of emergence at top attachment), stripped 3/4".

Note: If grounding shunt is required for cluster, please specify.
Ground wire available on request.

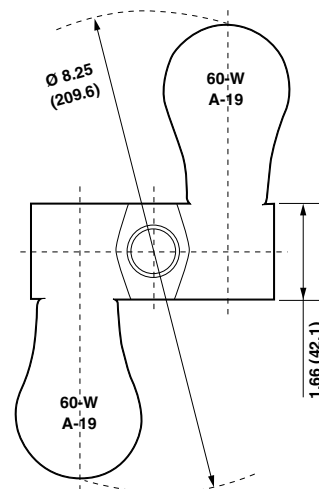
- 660W-250V
- UL Listed E-3810 (keyless only)
- CSA Certified LR-1863
- NOM Certified 057

Cat. No.	Description	Dimension				Overall Height
		T	TA	B	BA	
4032-D5F	1/8-27: male x male	1 3/4 (44.45)	5/16M (7.94)	1 1/2 (38.1)	7/16M (11.11)	3 1/4 (82.55)
4032-E5F	1/8-27: male x male	1 3/4 (44.45)	5/16M (7.94)	1 3/4 (44.45)	7/16M (11.11)	3 1/2 (88.9)
4034-F5A [†]	1/8-27: male x p.c. switch 1A-125V	1 3/4 (44.45)	5/16M (7.94)	1 15/16 (49.21)	1/2M* (12.7)	3 3/4 (95.25)

*Usable bushing †Not CSA



NOMINAL DIMENSIONS OF TWO-LIGHT OFFSET LAMPHOLDERS WITH BULBS



MULTI-LAMPHOLDER CLUSTERS

Two-Light Twin Medium Base E26



INCANDESCENT

Two-Light Twin

The twin lampholder—with two A-19 60-watt bulbs installed—measures 9 3/8" (nominal). All top-bracket bushings are flat-sided. Standard leads (unless otherwise specified) are No. 18 ga. 105°C AWM-TEW plastic insulated wire, 6" long (measured from point of emergence at top attachment), stripped 3/4". Aluminum screw shell. Ground wire available on request.

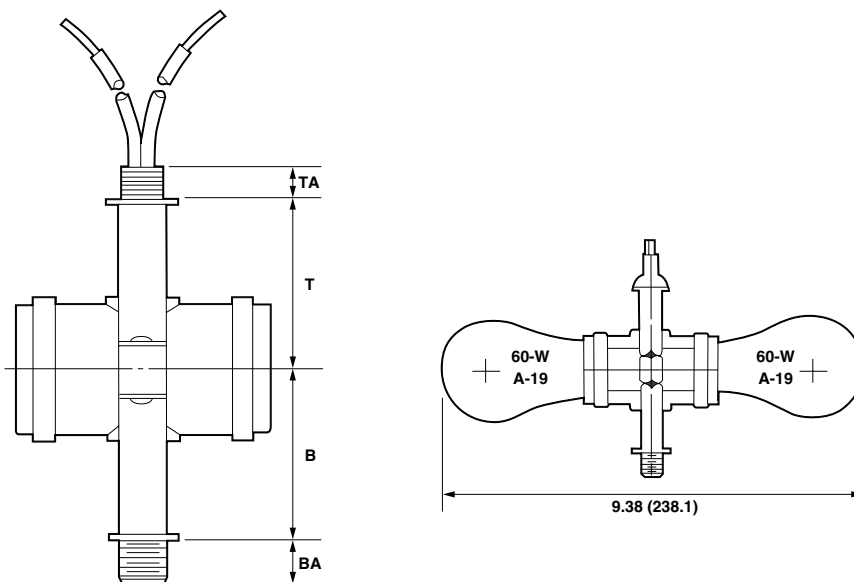
- 660W-250V
- UL Listed E-3810 (keyless only)
- CSA Certified LR-1863
- NOM Certified 057

Cat. No.	Description	T	Dimension			Overall Height T+B
			TA	B	BA	
4015-D4F†	1/8-27: male x male	1 11/16 (42.86)	5/16M (7.94)	1 11/16 (42.86)	7/16M (11.11)	3 3/8 (85.73)
4017-D4F	Male x PC Switch	1 11/16 (42.86)	5/16M (7.94)	1 13/16 (46.04)	3/8M* (9.53)	3 1/2 (88.9)
4017-D2F	1/8-27: male x male PC switch	1 1/16 (26.99)	5/16M (7.94)	1 3/4 (44.45)	3/8M* (9.53)	2 13/16 (71.44)
4020-A3A	1/8-27; male	1 5/16 (33.34)	5/16M (7.94)	—	—	2 (50.80)

*Usable bushing †CSA Certified LR-1863



SECTION E



MULTI-LAMPHOLDER CLUSTERS

Three Light
Medium Base E26



INCANDESCENT



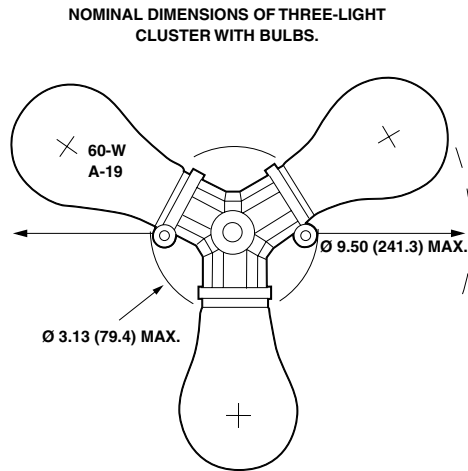
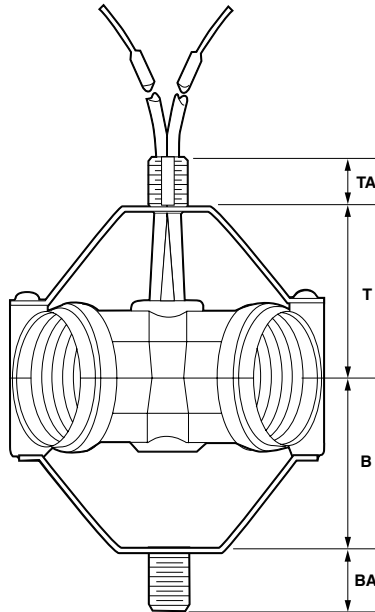
341-D4U

Three-Light

Compact one-piece three-light cluster. Standard leads (unless otherwise specified) are No. 18 ga. 105°C AWM-TEW plastic insulated wire, 6" long (measured from point of emergence at top attachment), stripped 3/4". Aluminum screw shell.

- 660W-250V
- UL Listed E-3810 (keyless only)
- CSA Certified LR-1863

Cat. No.	Description	Dimension				Overall Height T+B
		T	TA	B	BA	
341-D4U	1/8-27 male x male	1 3/4 (44.45)	1/2M (12.7)	1 3/4 (44.45)	7/16M (11.11)	3 1/2 (88.9)



LAMPHOLDERS

Porcelain • Phenolic

Medium Base E26/Candelabra Base E12



INCANDESCENT

One-Piece Pony Cleat Receptacles— Open Terminals

Square Medium Base E26

White glazed porcelain base 1 7/8" square by 1/2" high. Overall height 1 3/8". Mounting holes on 1 15/16" centers. Aluminum screw shell.

Cat. No. 9062

- 660W-250V • UL Listed E-3810 • CSA Certified LR-1863 • NOM Certified 057



9062

Square Medium Base E26

Same as 9062, except base is 1 15/16" square and height is 1 11/16". Deep well for electrical clearance.

Cat. No. 19062

- 660W-250V • UL Listed E-3810 • CSA Certified LR-1863 • NOM Certified 057



19062

Square Medium Base E26

Brown phenolic body. Same dimensions as No. 9062. Aluminum screw shell.

Cat. No. 9063

- 660W-250V • UL Listed E-3810 • CSA Certified LR-1863 • NOM Certified 057



9063

Round Candelabra Base E12

White urea. Base 1 7/16" O.D. Height 7/8". Two mounting holes on 1 1/8" centers accept #4 screws. Aluminum screw shell.

Cat. No. 10028

- 75W-125V



10028

Two-Piece Receptacles— Concealed Terminals

Low Surface Receptacle Medium Base E26

White glazed porcelain base 2 5/16" O.D. by 3/4" high. Wireways for top and continuous wiring. Mounting holes on 1 3/8" centers. Glazed ring 3/4" high. Aluminum screw shell.

Cat. No. 9880

- 660W-250V • UL Listed E-3810 • CSA Certified LR-1863 • NOM Certified 057



9880

SECTION E



Porcelain, One-Piece Adapter

(Medium-to-Medium)

One-piece, white glazed porcelain body. Dimensions: 1 5/8" O.D. by 2 3/16" high. Two mounting holes with bushings tapped for #4-36 screws. Copper alloy screw shell. Riveted construction. Extends lamp 1 1/4".

Standard pack: bulk

Cat. No. 2005

• 660W-250V • UL Listed E-13396 • CSA Certified LR-1863 • NOM Certified 057



Phenolic Adapter

(Medium-to-Medium)

Phenolic construction with male screw shell and molded female shell. Dimensions: 1 3/8" O.D. by 2 3/16" high. Extends lamp 1 3/16". Aluminum screw shell.

Standard pack: bulk

Cat. No. 2006

• 660W-250V • UL Listed E-13396 • CSA Certified LR-1863 • NOM Certified 057



Two-Piece Adapter Socket

(Medium-to-Medium)

Glazed porcelain body and ring. Body designed with 3/16" wide slot that keys to reflector or husk. Fits 1 3/8" dia. mounting hole. Extends lamp 1 1/4". Aluminum screw shell.

Standard pack: bulk

Cat. No. 2004

• 660W-250V • UL Listed E-13396 • CSA Certified LR-1863 • NOM Certified 057

Porcelain Adapter

(Mogul Base E39-to-Medium Base E26)

One-piece, white glazed porcelain body. Aluminum screw shell.

Standard pack: bulk

Cat. No. 8681

• 660W-250V • UL Listed E-13396 • CSA Certified LR-1863

Cat. No. 8681-400: 4KV Version



Phenolic Flanged Adapter

(Medium Base E26)

Phenolic body with standard male screw shell reinforced and eyeleted in place. Leads are No. 18 ga. 105°C AWM-TEW plastic insulated wire, 4 1/2" long, stripped 1/2" unless otherwise specified. Aluminum screw shell.

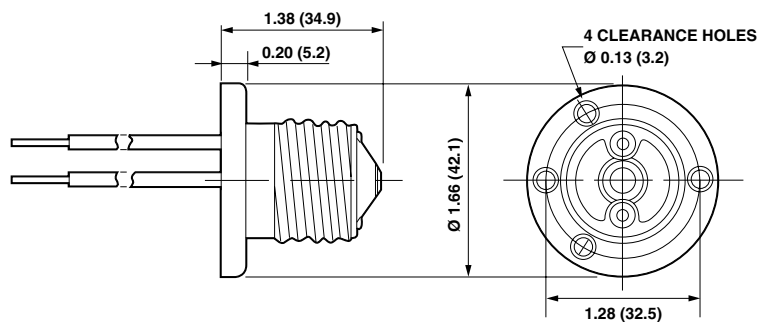
Standard pack: bulk

Cat. No. 165

Cat. No. 165-001 Same as No. 165, less leads

Cat. No. 165-P Porcelain version available upon request

• 660W-250V • UL Recognized Component  E-13396



Cat. No. 165

SECTION E

LAMPHOLDERS

Pin-Type • Single Circuit

Medium Base E26/Candelabra Base E12



INCANDESCENT



Phenolic Pin-Type

(Medium Base E26)

Two-piece, heavy-duty brown phenolic body. Detachable zinc-plated steel wire hook. Cooper alloy screw shell. Accepts No. 14 or No. 12 stranded insulated wire. Meets Fed. Spec. W-L 142a.

Dimensions: 1 1/2" max. O.D. Body height-1 7/8".

Standard pack: bulk

Cat. No. 167

Cat. No. 167-002: Socket less hook.

• 660W-250V • U L Listed E-3810 • CSA Certified LR- 1863 • NOM Certified 057



Phenolic Pin-Type

(Candelabra Base E12)

Similar to No. 167. Accepts No. 18 stranded insulated wire.

Dimensions: 3/4" max. O.D. Body height-1 1/4".

Standard pack: bulk

Cat. No. 267

Cat. No. 267-002: Socket less hook.

• 75W-125V • UL Listed E-13400 • CSA Certified LR- 1863 • NOM Certified 057



Complete Line of Thermal Protectors

For Recessed Incandescent, Fluorescent and HID Lighting Applications

- Complies with UL 873 requirements
- UL Recognized Component E-79658
- CSA LR-83639
- Wide choice of voltage and temperature ratings available
- Cat. No. 9454 and 35000, US Patent Nos. 5,177,658; 5,157,579; D278,050; D294,914; D328,284; 5,528,448; 5,719,736; 5,321,576
Canadian Patent Nos. 4,694,223; 1,265,185; 1,236,515
- Other US and foreign patents pending

table of contents

Self-Heating Thermal Protectors (SHTP's)	F2-F3
General Information and Easy Identification System	F2
Wiring Diagrams for Incandescent, HID and Fluorescent Applications	F3
Thermal Protectors	F4-F5
Snap-In Housing	F4
Harness Set	F5

NOTE: Dimensions in parentheses are in millimeters. All other dimensions are in inches.

NOTE: Thermal protectors are specialized devices with specific requirements for proper usage. Leviton is not responsible for improper selection of device, misuse, misinstallation or misapplication. Selection of product type, choice of application and installation should only be done by a qualified engineer.

SECTION

F

SECTION F

Self-Heating Thermal Protectors Feature

- Patented clips that snap into 1/2" trade-size knockouts for faster installation and reduced assembly time. (Reverse clip available upon request.)
- A simple identification numbering system that makes the correct rating choice easy for the manufacturers.
- Models available that comply with Articles 410-65(c) and 410-73(f) of the National Electrical Code for UL Listed and CSA Certified incandescent, fluorescent and HID fixtures, respectively.
- Standard leads are No. 18 AWG 105°C AWM-TEW plastic insulated wire, 6" long, stripped 1/2".

Leviton's Easy Identification System

Use Leviton's easy identification system to select the proper thermal protection device for your requirements.

The basic catalog number, 9454, is followed by a letter and two digits, such as 9454-W25.

Therefore, Cat. No. 9454-W25 is a four-lead, dual-rated thermal protection device with a 7.2k resistor and an opening temperature of 125°C.

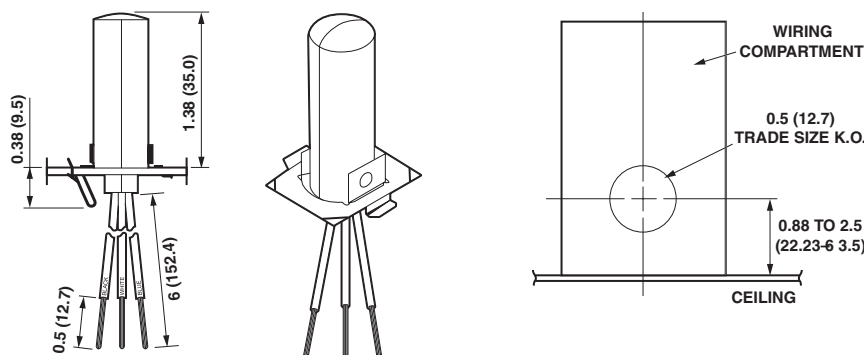
The letter designates the resistor values:

3-Lead Devices	4-Lead Devices
A = 7.2k resistor (120V)	R = 9.5k resistor (120/347V)
B = 12.3k resistor (120V)	T = 12.3k resistor (120/347V)
C = 37.5k resistor (277V)	U = 21.5k resistor (120/347V)
D = 8.2k resistor (120V)	W = 7.2k resistor (120/347V)
E = 21.5k resistor (208V)	Y = 8.2k resistor (120/347V)
F = 37.5k resistor (277V)	Z = 7.2k resistor (120/347V)
G = 72.0Ω resistor (12V)	
H = 28.8k resistor (240V)	
J = 9.5k resistor (120V)	
K = 72.0Ω resistor (12V)	
L = 43.5k resistor (277V)	
M = 60.0k resistor (347V)	
P = 72.0Ω resistor (12V)	
S = 7.2K resistor (120V)	

The two digits designate the opening temperature of the protection device in degrees Centigrade:

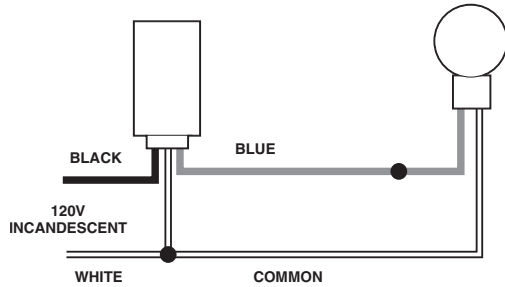
75 = 75°C	05 = 105°C	30 = 130°C
80 = 80°C	10 = 110°C	35 = 135°C
85 = 85°C	15 = 115°C	40 = 140°C
90 = 90°C	20 = 120°C	45 = 145°C
95 = 95°C	25 = 125°C	50 = 150°C
00 = 100°C		

NOTE: Custom-made thermal protectors with specified temperature profile and geometry are available on special request.

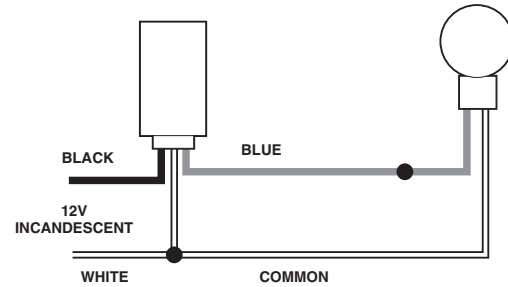


Cat. No. 9454

Wiring Diagrams for Incandescent Applications

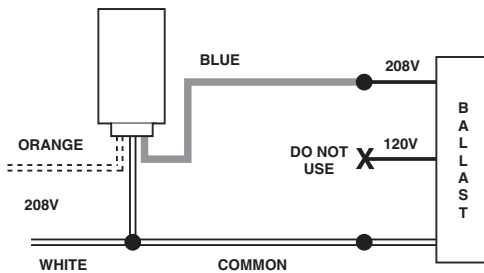


For Resistor Values B, D and S

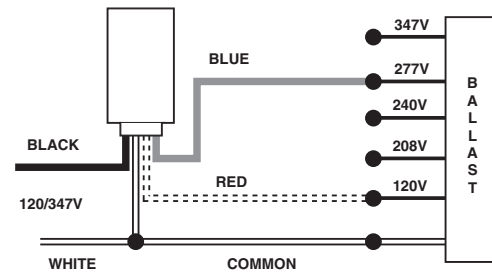


For Resistor Values G, K and P

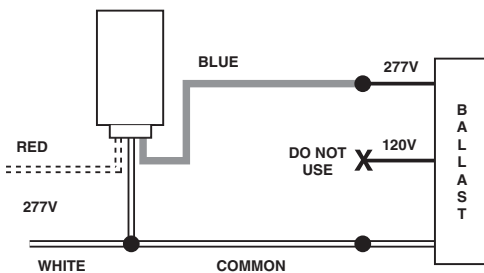
Wiring Diagrams for HID and Fluorescent Applications



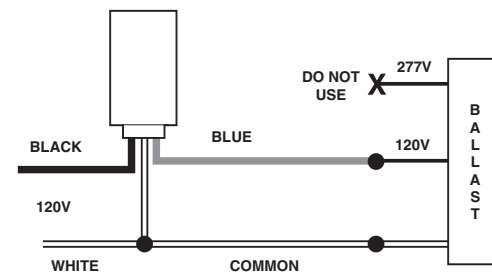
For Resistor Value E



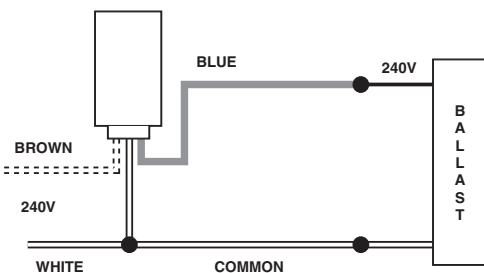
For Resistor Values R, T, U, W, Y and Z



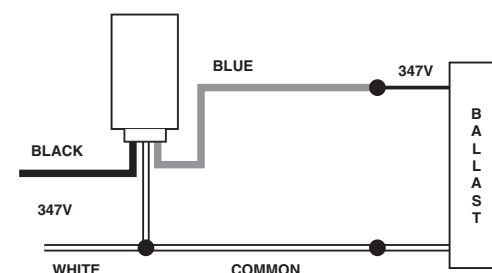
For Resistor Values C, F and L



For Resistor Values A, B, D, J and S



For Resistor Value H



For Resistor Value M

SECTION F



Cat. No. 35000 Snap-In Housing

Available with Leviton's Cat. No. 31282 In-Line Thermal Protection Harness Set

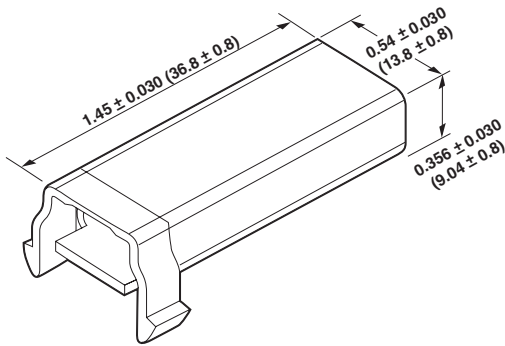
- Mounts directly to recessed fixture
- Eliminates the need for heat shrink tubing
- Generates savings by cutting assembly time

Cat. No. 35000

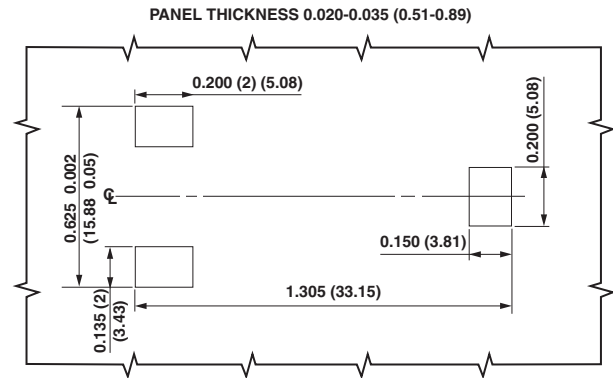
- UL Recognized Component E-79658 • US Patent No. DES. 328,284.
- CSA Certified LR-83639 • NOM Certified 057

Note: For ease of assembly, Cat. No. 35000 should enter panel in the same direction as the panel punch.

35000



Dimensional Drawing



Suggested Panel Opening Diagram

Complete In-Line Thermal Protection Wiring Harness Set

With No. 35000 Snap-In Housing and Snap-In Lampholder

Cat. No. 31282 Thermal Protector Wiring Harness Set—Custom designed for your application.

To order, specify the following:

- 1. Thermal protector rating**—Available in temperatures ranging from 75°C to 150°C, in 5° increments.
- 2. Wire type and lead lengths** for A and B, plus stripping length D. Also specify length of wire lead C between thermal unit and lampholder. Refer to diagram below.
- 3. Lampholder**—Standard lampholder with harness set is the Cat. No. 38887-101 porcelain lampholder, rated 660W-250V. Other lampholders available upon request.

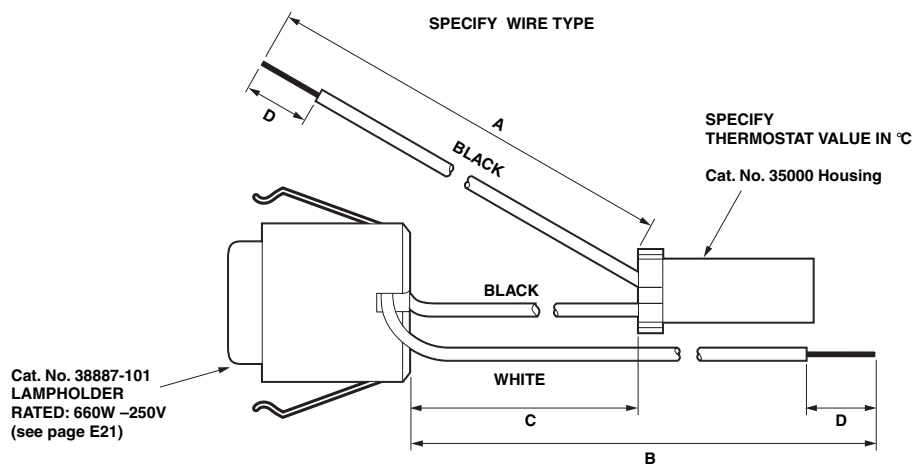


31282

Cat. No. 31282
Typical Harness Set

Example of Typical Harness Set

Cat. No. 31282, 110°C ±5° Thermal Switch with No. 35000 housing assembled. Leads: No. 18 AWG XLP 150°C 300V wire. Lead lengths A and B are 12" long, stripped 1/2" (D). Lead length C is 6". With No. 38887-101 snap-in lampholder.





Metal Shell Lampholders

table of contents

General Information	G2
Removable Turn Knob	G3
Push-Thru	G4
Key	G4
Keyless	G5
Pull Chain	G6
Standard Dimmer, Full Range	G7
Interiors	G8–G9
Caps	G10–G11
Shells	G10

ELECTROLIER	Cat. No.	Single Circ.	2-Circ. LMH	2-Circ. 3-Term.	UL	CSA	NOM	Rating	Notes	Page
Removable Turn Knob	10083	x	—	—	x	x	x	250W-250V	—	G3
	7090	—	x	—	x	x	x	250W-250V	—	G3
	7070	—	—	x	x	x	x	250W-250V	wire in series with keyless socket	G3
	6155	Hi-Lo Dimmer			x	x	—	150W-120V	AC only	G7
Push-Thru	7080	x	—	—	x	x	x	660W-250V	—	G4
Key	9346	x	—	—	x	x	x	250W-250V	—	G4
Keyless	7065	—	—	—	x	x	x	660W-250V	control by separate switch	G5
	9347	x	—	—	x	x	x	660W-250V	short Electrolier	G5
	8004	x	—	—	x	x	x	660W-250V	—	G5
Pull Chain	19980	x	—	—	x	x	x	660W-250V	—	G6
	7092	—	x	—	x	x	x	250W-250V	—	G6
STANDARD SIZE										
Dimmer, Full Range	6151	Full Range Dimmer			x	—	—	150W-120V	AC only	G7

NOTE: Dimensions in parentheses are in millimeters. All other dimensions are in inches.

SECTION

SECTION G

METAL SHELL LAMPHOLDERS

Electrolier • Standard
Medium Base E26d



INCANDESCENT



General Information

Finishes available:

Material	Finish	Color	Symbol
Aluminum	Polished gilt	Brass	PG
	Polished aluminum	Nickel	NI
Brass	Polished brass	Brass	BR

Packaging:

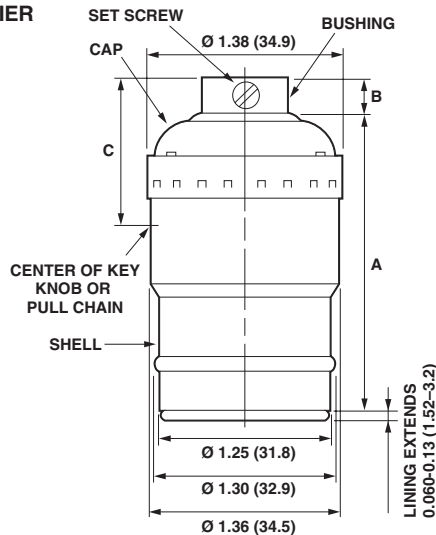
Bulk – Unassembled	Std. Pkg.
Interiors, with screws backed out	Bulk/500
Shells with lining	Bulk/1000
Caps with lining	Bulk/1000
Bulk – Assembled	Bulk/250

NOTE: Standard shells are without UNO thread. If shells are ordered with UNO thread, shells will be positive lock (8 bumps) and packed unassembled.

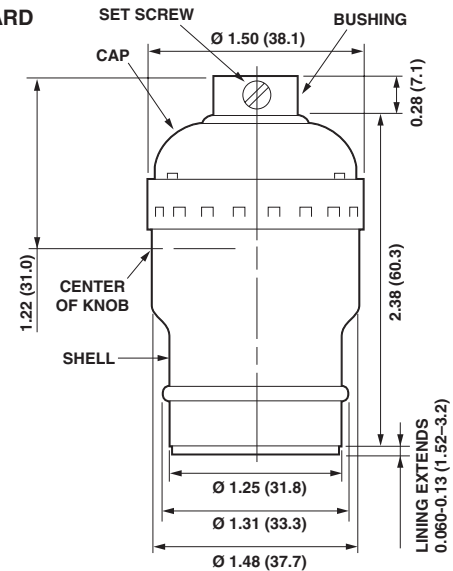
When Ordering, Please Specify:

- **Finish**
- **Packaging:** Bulk unassembled.
- **Set Screw:** With or without set screw.
- **Locking bumps on shell:** Standard is two pairs of locking bumps. If four pairs of locking bumps are required, please specify "8 bumps" or "Positive Lock."
- **Leads (Pre-wired sockets):** Wire type, lead length, stripping, color. Lead length is measured from point of emergence from cap or side outlet.

ELECTROLIER



STANDARD



		A	B	C
1/8" Bushing	Electrolier	2 3/8 (60.33)	7/32 (5.56)	1 7/32 (30.96)
	Short Electrolier	1 27/32 (46.83)	7/32 (5.56)	—
1/4" Bushing	Electrolier	2 3/8 (60.33)	11/32 (8.73)	1 9/32 (32.54)
	Short Electrolier	1 27/32 (46.83)	11/32 (8.73)	—

METAL SHELL LAMPHOLDERS

Electrolier • Turn Knob
Medium Base E26/E26d



INCANDESCENT

Removable Turn Knob, 3-Way (2-Circuit)

E26d Base

For operating a 2-filament lamp in a sequence of LOW-MEDIUM-HIGH-OFF.

Mandrel threaded #4-36
Interior No. 7090-M, page G9

Cat. No. 7090: Less set screw unless otherwise specified.

• 250W-250V • UL Listed E-3810 • CSA Certified LR-1863 • NOM Certified 057

Per UL 153, 3-way lampholders shall be installed so that bulb will be positioned base down.



Removable Turn Knob, Single Circuit

E26 Base

Knob is removable brown molded plastic.

Mandrel Threaded #4-36
Interior No. 10083-M, page G9

Cat. No. 10083: Less set screw unless otherwise specified.

• 250W-250V • UL Listed E-3810 • CSA Certified LR-1863 • NOM Certified 057



Removable Turn Knob 2-Circuit 3-Terminal

E26 Base

Uses single-filament lamp. Wired in series with a keyless socket with single-filament lamp.
Switch controls both single-filament lamps in a sequence of:

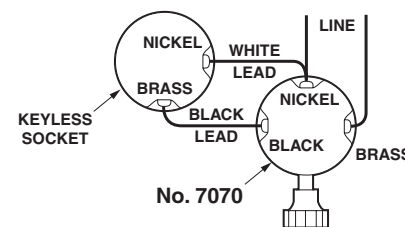
- | | |
|-------------|-----|
| (1) keyless | ON |
| (2) 7070 | ON |
| (3) both | ON |
| (4) both | OFF |

Second socket can be keyless socket for lighting effect or built-in night light. Total power consumption of both lamps must not exceed 250 watts. Removable knob is molded plastic.

Mandrel threaded #4-36
Interior No. 7070-M, page G9

Cat. No. 7070: Less set screw unless otherwise specified.

• 250W-250V • UL Listed E-3810 • CSA Certified LR-1863 • NOM Certified 057



Cat. No. 7070

Larger screw head terminal for easier wiring of two leads.

SECTION G

METAL SHELL LAMPHOLDERS

Electrolier • Push Thru, Key
Medium Base E26



Push-Thru, Single Circuit, Non-Removable Bar

Insulated nylon push bars. Travel of bars is 1/4". Interior No. 7080-M, page G8

Cat. No. 7080: Less set screw unless otherwise specified.

- 660W-250V
- UL Listed E-3810
- CSA Certified LR-1863
- NOM Certified 057

Cat. No.	CAP
7080	1/8 IPS bushing
6096	1/8 IPS side outlet



Turn Key, Single Circuit

Key is non-removable molded plastic. 1/8 IPS bushing. Interior No. 9346-M, page G9.

Cat. No. 9346: Less set screw unless otherwise specified.

- 250W-250V
- UL Listed E-3810
- CSA Certified LR-1863
- NOM Certified 057

METAL SHELL LAMPHOLDERS

Electrolier • Keyless
Medium Base E26/E26d

Keyless 3-Terminal

E26d Base

For 2-circuit (3-way) lamp. Must be controlled by separate switch. Sequence of operation determined by method of wiring the circuit control switch. Terminal screws are color-coded nickel to screw shell, brass to center contact, black to ring contact. Cap with 1/8 IPS bushing.

Three levels of light with 2-filament lamp. Connect No. 7065 lampholder to No. 573 or No. 663 four-position rotary circuit control switch.

Interior No. 7065-M, page G9.

Cat. No. 7065: Less set screw unless otherwise specified.

- 660W-250V • UL Listed E-3810 • CSA Certified LR-1863 • NOM Certified 057

Sequence of operation:
LOW-MEDIUM-HIGH-OFF
See Wiring Diagram below.

Sequence of operation:
HIGH-MEDIUM-LOW-OFF
See Wiring Diagram below.

Connections	
573 or 663 switch lead	7065 terminal
line to black blue to red to	brass black nickel to white

Connections	
573 or 663 switch lead	7065 terminal
line to red black to blue to	black brass nickel to white



Keyless Single Circuit

E26 Base

Short Electrolier Size

Interior has two projections that prevent rotation in shell. Cap with 1/8 IPS bushing.

Interior No. 9347-M, page G9.

Cat. No. 9347: Less set screw unless otherwise specified.

- 660W-250V • UL Listed E-3810 • CSA Certified LR-1863 • NOM Certified 057

Keyless Single Circuit

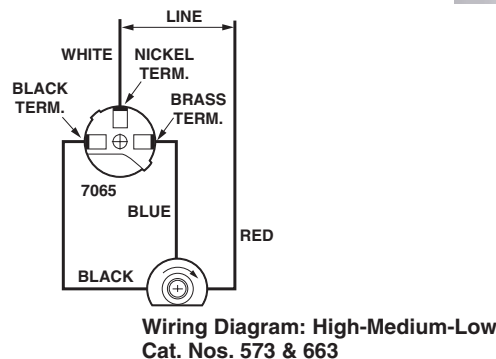
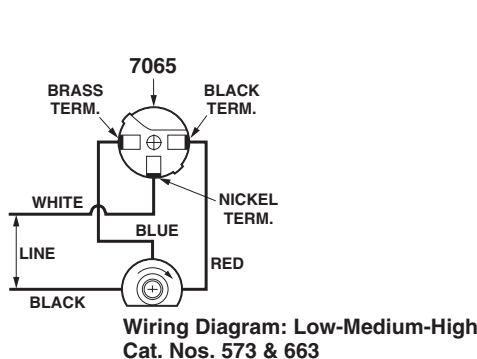
E26 Base

Interior has two projections that prevent rotation in shell. Cap with 1/8 IPS bushing.

Interior No. 8004-M, page G9.

Cat. No. 8004: Less set screw unless otherwise specified.

- 660W-250V • UL Listed E-3810 • CSA Certified LR-1863 • NOM Certified 057



METAL SHELL LAMPHOLDERS

Electrolier • Pull Chain
Medium Base E26/E26d



19980

Pull Chain Single Circuit

E26 Base

1/8 IPS bushing. Interior No. 19980-M, page G8.

Cat. No. 19980: Less set screw unless otherwise specified.

- 660W-250V • UL Listed E-3810 • CSA Certified LR-1863 • NOM Certified 057

Pull Chain 3-Way (2-Circuit)

E26d Base

For operating a 2-filament lamp in a sequence of LOW-MEDIUM-HIGH-OFF. 1/8 IPS bushing. Interior No. 7092-M, page G8.

Cat. No. 7092: Less set screw unless otherwise specified.

Per UL 153, 3-way lampholders shall be installed so that bulb will be positioned base down.

- 250W-250V • UL Listed E-3810 • CSA Certified LR-1863 • NOM Certified 057

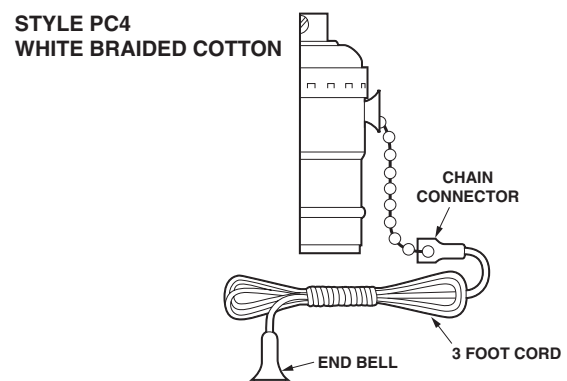
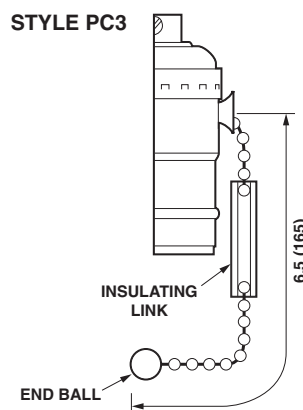
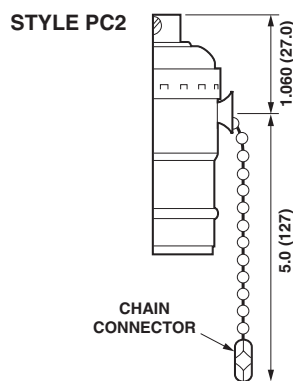
When Ordering, Please Specify:

- catalog number
- with or less set screw
- style
- length of chain, if other than specified

Less set screw unless otherwise specified.



7092



Typical Options for Pull Chain Lampholders

Style PC 2: 5" chain with chain connector.

Style PC 3: Chain, insulating link, chain with end ball, 6 1/2" long.

Style PC 4: Chain, chain connector, 3-foot white braided cotton cord, end bell.

METAL SHELL LAMPHOLDERS

Standard and Electrolier
Medium Base E26

Full Range Dimmer Socket Removable Turn Knob, Standard Size

Makes any lamp an infinitely variable light source. Uses single-filament lamp. 0%-100% rotary dimming control with positive ON-OFF.

Cat. No. 6151

- 150W-120V AC only
- UL Recognized Component  E-3810

Cat. No.	Description	Cap	Set Screw
6151	Dimmer socket	1/8 IPS bushing	Yes



Hi-Lo Dimmer, Removable Turn Knob, Electrolier Size

For operating a single-filament lamp in a sequence of HI-LO-OFF. Removable knob is molded plastic.

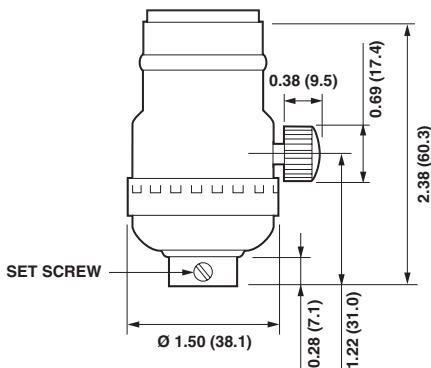
Mandrel threaded #6-32
Interior No. 6155-M, page G9

Cat. No. 6155: Less set screw unless otherwise specified.

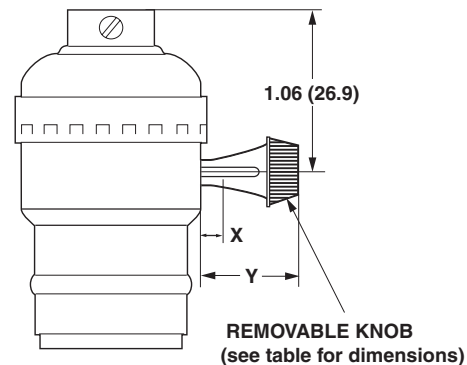
Per UL 153, 3-way lampholders shall be installed so that bulb will be positioned base down.

- 150W-120V AC only
- UL Recognized Component  E-3810
- CSA Certified LR-1863

Cat. No.	Description	Cap	X	Y
6155	Hi-Lo Turn Knob Dimmer	1/8 IPS bushing	3/16 (4.76)	3/4 (19.05)



Cat. No. 6151



Cat. No. 6155

METAL SHELL LAMPHOLDERS

Interior Mechanisms

Medium Base E26/E26d



INCANDESCENT



19980-M

Pull Chain or Nylon Pull Cord Electrolier

E26/E26d Base

Phenolic interior. Terminal screws backed out. Bead chain: 5" long, plus end ball. Finish: Brass or nickel. Nylon pull cord, plus chain connector.

Standard pack: bulk

Cat. No. 19980-M: Pull chain interior, electrolier. E26 base

Cat. No. 19980-010: Nylon pull cord interior, electrolier. E26 base

- 660W-250V
- UL Recognized Component  E-3810

Cat. No. 7092-M: Pull chain interior, electrolier 3-way. Sequence of operation: LO-MED-HI-OFF. E26d base

Standard pack: bulk

- 250W-250V
- UL Recognized Component  E-3810



19980-010



7080-M

Push-Thru Electrolier

E26 Base

Phenolic interior. Terminal screws backed out. Non-removable push bars. For use with trouble lights, check with your Leviton representative.

Standard pack: bulk

Cat. No. 7080-M: Push-Thru interior

- 660W-250V
- UL Recognized Component  E-3810



7080-050

Push-Thru for Trouble Light

E26 Base

Phenolic interior. Side contacts for 2-wire outlet. With terminal screws, backed out, or with tabs for crimping on leads.

Cat. No. 7080-050: Push-Thru interior. Brass outlet contacts and terminal screws

Standard pack: bulk

- 660W-250V
- UL Recognized Component  E-3810

METAL SHELL LAMPHOLDERS

Electrolier • Interior Mechanisms
Medium Base E26/E26d



INCANDESCENT

Removable Turn Knob

E26/E26d Base

Phenolic one-piece interior. Terminal screws backed out.

Standard pack: bulk

- 250W-250V • UL Recognized Component E-3810

Cat. No.	Description	Mandrel
10083-M	Removable turn knob electrolier E26 Base	4-36 x 3/16"
7090-M	Removable turn knob, two circuit, electrolier 3-way, L-M-H-OFF E26d Base	4-36 x 3/16"
7070-M	Removable turn knob electrolier 3-terminal E26 Base (See page G3 for wiring diagram)	4-36 x 3/16"

Cat. No.	Description	Mandrel
6155-M	Removable turn knob electrolier HI-LO DIMMER, H-L-OFF E26 Base	6-32 x 3/16"



Keyless Electrolier, Short Electrolier

E26/E26d Base

Phenolic interior. Two projections on opposite sides lock with shell to prevent rotation.
Terminal screws backed out.

Standard pack: bulk

- 660W-250V • UL Recognized Component E-3810

Cat. No.	Description
8004-M	Keyless electrolier E26 Base
7065-M	Keyless electrolier, 3-way E26d Base
9347-M	Keyless short electrolier E26 Base



Turn Key Electrolier

E26 Base

Phenolic interior. Key is non-removable molded plastic. Terminal screws backed out.

Standard pack: bulk

Cat. No. 9346-M: Electrolier interior

- 250W-250V • UL Recognized Component E-3810



SECTION G

CAPS AND SHELLS FOR METAL SHELL LAMPHOLDERS Linings Assembled with Shells

Ratings marked on shell correspond to rating of interior mechanism



INCANDESCENT



7113

Turn Key, Pull Chain or Turn Knob

Cat. No.	Size	Rating	Std. Pkg.
7113	Electrolier	250W	Bulk
7117	Electrolier (P.C.)	660W	Bulk
7110	Electrolier	150W-120V AC only	Bulk



7111

Push-Thru

Cat. No.	Size	Rating	Std. Pkg.
7111	Electrolier	660W	Bulk



7108

Keyless

Cat. No.	Size	Rating	Std. Pkg.
7108	Electrolier	660W	Bulk
7106	Short electrolier (brass)	660W	Bulk
7211	Short electrolier (aluminum)	660W	Bulk

Finishes Available:

Material	Finish	Symbol
Aluminum	Polished gilt	PG
	Polished aluminum	NI
Brass	Polished brass	BR

Threaded Female Bushing

Set screw threaded #8-32.

Standard pack: bulk

Cat. No.	IPS Thread	Set Screw
Electrolier		
7130	1/8	Yes
7132	1/8	No
7133	1/4	Yes
7159	1/4	No
Standard		
7250	1/8	Yes



Side Outlet

Side outlet is insulated. Diameter 9/32" (7.14).

Standard pack: bulk

Cat. No.	Description	Set Screw
Electrolier		
7183	1/8 IPS bushing	Yes
7184	1/8 IPS bushing	No





table of contents

Phenolic Shell Lampholders

Nylon Pull Cord	H2
Pull Chain	H2
Push Thru	H2
Keyless	H2
Turn Knob	H2
Caps and Shells	H3

NOTE: Dimensions in parentheses are in millimeters. All other dimensions are in inches.

SECTION

H

SECTION
H

PHENOLIC SHELL LAMPHOLDERS

Medium Base E26



INCANDESCENT

Phenolic Cap and Shell Lampholders

Cap and shell: Two piece black molded thermosetting phenolic, for temperatures up to 150°C. Shell with standard UNO thread for shade holder available on request. Shell less UNO thread is standard.

Screw shell: Aluminum.

Standard pack: Bulk, unassembled.

NOTE: If used in enclosed fixture or lamp, ample space and ventilation should be provided to maintain safe temperature limit.

Available with leads on special request.
Specify wire type, lead length, color, stripping.

- UL Listed E-3810
- CSA Certified LR-1863
- NOM Certified 057



97092



95110

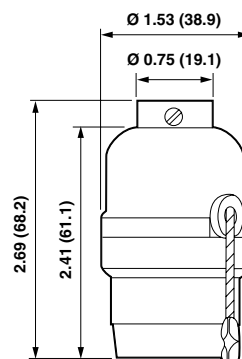


95080

Cat. No.	Description	Rating	Cap	Interior	Side Outlet	Set Screw
97092	Nylon pull cord-type A* 2-circuit. Sequence: Lo-Med-Hi-Off	250W-250V	1/8 IPS	7092-2M	No	Yes
95065	Pull chain†	660W-250V	1/8 IPS	19980-M	No	Yes
97093	Pull chain†, 2-circuit. Sequence: Lo-Med-Hi-Off	250W-250V	1/8 IPS	7092-M	No	Yes
95110	Push thru	660W-250V	1/8 IPS	7080-M	No	Yes
95080	Keyless	660W-250V	1/8 IPS	8004-M	No	Yes
95085	Turn knob, removable	250W-250V	1/8 IPS	10083-M	No	Yes
95090	Turn knob, removable 2-circuit. Lo-Med-Hi-Off	250W-250V	1/8 IPS	7090-M	No	Yes

*Type A: 1" (25.4) nylon cord, brass connector.

† Brass-finished chain is standard. Nickel-finished chain available on request.



Cat. No. 97092

PHENOLIC SHELL LAMPHOLDERS

Caps and Shells

Caps, Shells and Ring

Black molded thermosetting phenolic for temperatures up to 150°C.

Cat. No.	Description	Set Screw
7233	Outer threaded phenolic shell	—
7234	Phenolic ring for use with 7233 shell	—
7235*	Shallow phenolic cap	Yes

* For use with 9347-M interior only.

Cat. No.	Description	Electrolier Interior Used	Set Screw
7220	Shell without UNO thread	—	—
7220-UNO	Shell with UNO thread	—	—

Cat. No.	Description	Electrolier Interior Used	Set Screw
7221	1/8 IPS cap	Pull chain, key or turn knob	Yes

Cat. No.	Description	Electrolier Interior Used	Set Screw
7222	1/8 IPS cap	Keyless	Yes

Cat. No.	Description	Electrolier Interior Used	Set Screw
7225	1/8 IPS cap	Push-thru	No
7226	1/8 IPS cap	Push-thru	Yes

NOTE: Cap and shell available with appropriate interiors shown in section G





table of contents

Candelabra Lampholders

Phenolic, Ordering Information	I2
Phenolic with Fixture Brackets	I3
Phenolic, Single-Leg Hickeys with Bushings	I3
Phenolic, Single-Leg Hickeys with Inside Extrusions	I4
Phenolic Double-Leg Hickeys with Inside Extrusions	I4
Phenolic, Double-Leg Hickeys with Outside Extrusions	I5
Phenolic, Snap-In Mounting	I5
Phenolic, without Bracket	I5
Phenolic, with Hickeys	I6
Porcelain, with Hickeys	I7
Surface Cleat Socket	I7
Sockets with Outer Threaded Body	I8
Klik-Snap™ for Lanced Panels	I9
Bayonet, Double Contact	I10–I11
Bayonet, Single Contact	I11
Intermediate Lampholders	I12

NOTE: Dimensions in parentheses are in millimeters. All other dimensions are in inches.

SECTION

I

SECTION I

CANDELABRA LAMPHOLDERS

Phenolic • 10014 Series

E12 Base



INCANDESCENT



10014 Series Phenolic Candelabra Lampholders

Catalog Numbering System Identifies Mounting Style and Overall Height

Octagonal Flange Design Allows Ease of Installation in Deep Cup Applications

- 75W-125V
- UL Listed E-13400
- CSA Certified LR-1863

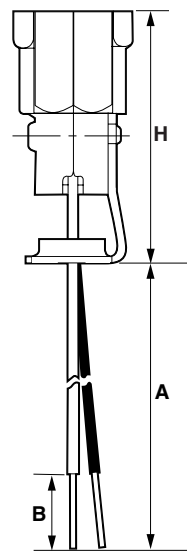
All 10014 Series lampholders feature the octagonal flange design, .765 (19.43) across flats.

Ordering Information

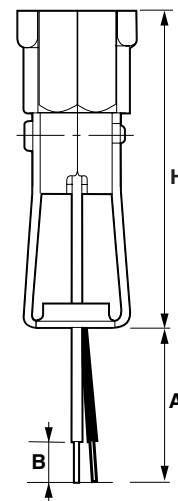
When ordering, please specify:

1. Catalog-Dash number for desired mounting style.
2. Wire type: Standard leads are No. 18 ga. 105°C AWM-TEW plastic wire, black and white. SPT-1 wire available upon request.
3. Lead length (Dimension A) and stripping (Dimension B): refer to appropriate diagram for each catalog-dash number. Also indicate slitting if SPT-1 wire is ordered.
4. For 10014-400, -500, -600 and -650 Series, leads are pulled through bracket unless otherwise specified.

Special brackets and other wire types are available on request.



10014-500 Series



10014-600 Series
Solid Hickey

CANDELABRA LAMPHOLDERS

Phenolic • 10014 Series

E12 Base

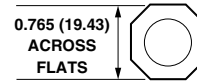


INCANDESCENT

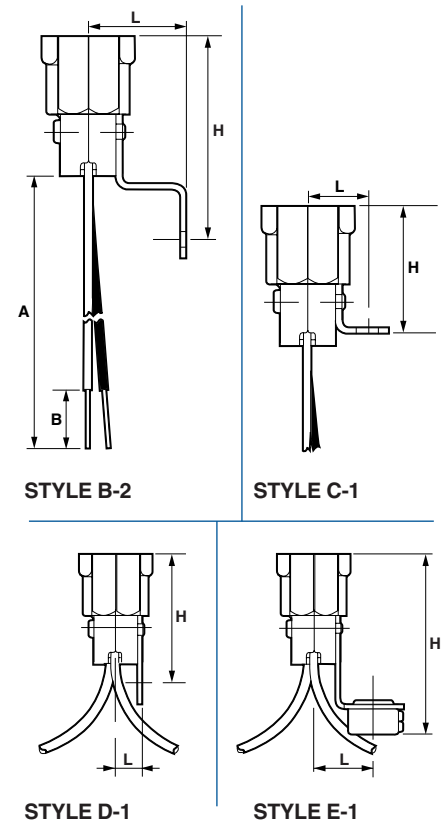
10014-001-016 Fixture Bracket Series

All 10014 Series lampholders feature the octagonal flange design, .765 (19.43) across flats.

- 75W-125V
- UL Listed E-13400
- CSA Certified LR-1863

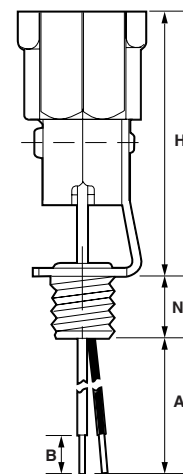


Cat. No.	Bracket Style	H	L	Hole Dia.
10014-001	C-1	1 7/64 (28.18)	17/32 (13.49)	.200 (5.08)
10014-002	C-1	1 11/32 (34.13)	33/64 (13.1)	.190 (4.83)
10014-003	C-1	1 7/64 (28.18)	17/32 (13.49)	.156 (3.96)
10014-005	B-2	1 7/16 (36.51)	15/16 (23.81)	.142 (3.61)
10014-006	B-2	1 49/64 (44.85)	55/64 (21.83)	.136 (3.45)
10014-011	D-1	1 7/16 (36.51)	.290 (7.37)	.187 (4.75)
10014-016	E-1	2 1/64 (51.2)	21/32 (16.67)	.408 (10.36) Bushing w/set screw



10014-400 Series Single-Leg Hickey with 1/8-27 Bushing

Cat. No.	H Dim.	N Dim.
10014-400	1 11/16 (42.86)	3/8 (9.53)
10014-402	1 11/16 (42.86)	1/4 (6.35)
10014-404	1 11/16 (42.86)	5/16 (7.94) flat-sided
10014-405	1 11/16 (42.86)	5/16 (7.94)
10014-406	2 7/8 (73.03)	5/16 (7.94)
10014-407	1 11/16 (42.86)	1/2 (12.7)
10014-416	2 7/8 (73.03)	1/4 (6.35) flat-sided



For ordering information, see page I2

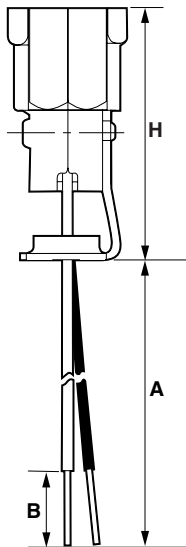
CANDELABRA LAMPHOLDERS

Phenolic • 10014 Series

E12 Base



INCANDESCENT

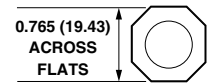


10014-500 Series

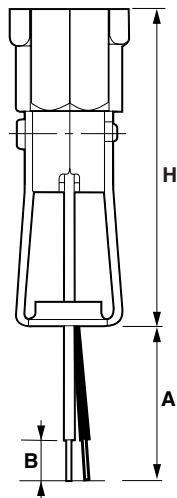
10014-500 Series Single-Leg Hickey with Inside Extrusion 1/8-27

All 10014 Series lampholders feature the octagonal flange design, .765 (19.43) across flats.

- 75W-125V
- UL Listed E-13400
- CSA Certified LR-1863



Cat. No.	H Dim.	Cat. No.	H Dim.	Cat. No.	H Dim.
10014-500	1 11/16 (42.86)	10014-515	3 9/16 (90.49)	10014-528	1 1/2 (38.1)
10014-502	1 15/16 (49.21)	10014-518	3 15/16 (100.01)	10014-530	2 7/8 (73.03)
10014-505	2 5/16 (58.74)	10014-524	2 1/8 (53.98)	10014-532	4 1/2 (114.3)
10014-509	2 13/16 (71.44)	10014-525	2 1/2 (63.5)	10014-534	3 1/4 (82.55)



10014-600 Series
Solid Hickey

10014-600 Series Double-Leg Hickey with Inside Extrusion 1/8-27

Solid Hickey

Cat. No.	H Dim.
10014-600	3 1/16 (77.79)
10014-601	3 9/16 (90.49)
10014-602	3 5/8 (92.08)
10014-605	2 15/16 (74.61)
10014-612	3 13/16 (96.84)
10014-613	3 27/64 (86.92)

For ordering information, see page 12.

CANDELABRA LAMPHOLDERS

Phenolic • 10014 Series

E12 Base

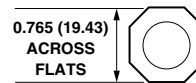


INCANDESCENT

10014-627 Double-Leg Hickey with Outside Extrusion 1/8-27

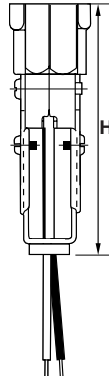
All 10014 Series lampholders feature the octagonal flange design, .765 (19.43) across flats.

- 75W-125V
- UL Listed E-13400
- CSA Certified LR-1863



Adjustable Hickey

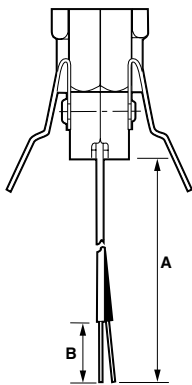
Cat. No.	H Dim.
10014-627	3 3/16-4 3/8 (80.96-111.13)



10014-800 Series Snap-In Mounting

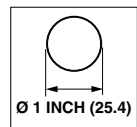
10014-800 Double Spring Clip

Spring-tempered steel clip holds socket rigidly in place. Height of socket from panel is 1".



Cat. No. 10014-800

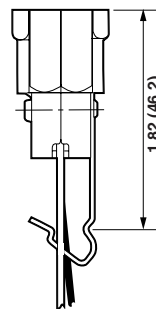
SUGGESTED PANEL OPENING



PANEL THICKNESS
0.06 (1.6)

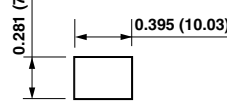
10014-801 Spring Clip

Spring-tempered steel clip snaps into panel and holds socket rigidly in place.



Cat. No. 10014-801

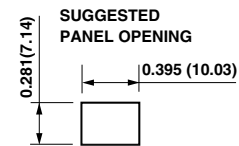
SUGGESTED PANEL OPENING



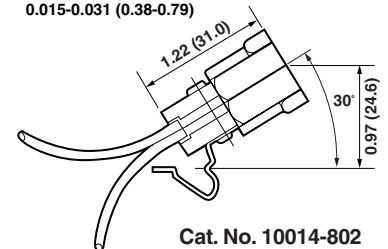
PANEL THICKNESS
0.015-0.031 (0.38-0.79)

10014-802 Spring Clip

Spring-tempered steel clip snaps into panel and holds socket rigidly in place.

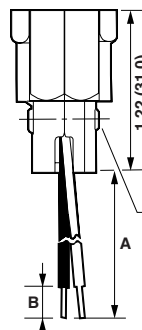


PANEL THICKNESS
0.015-0.031 (0.38-0.79)



Cat. No. 10014-802

10014-850 No Bracket–Eyelet Only



EYELET ACCOMMODATES #4-36 SCREW
TO ASSEMBLE BRACKET

Cat. No. 10014-850

For ordering information, see page 12.

CANDELABRA LAMPHOLDERS

Phenolic with Screw Terminals

E12 Base



INCANDESCENT



10025



10025-007

10025 Series with Hickey

Phenolic body, 25/32" dia. over lining. Snap-on lining per UL Standard 1571. With #6-32, 3/8" dia. binder head terminal screws.

Standard pack: bulk

- 75W-125V
- UL Listed E-13400
- CSA Certified LR-1863

Two-Leg Solid Hickey

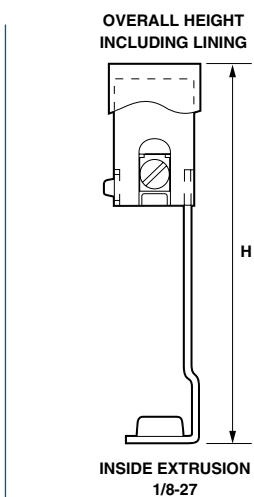
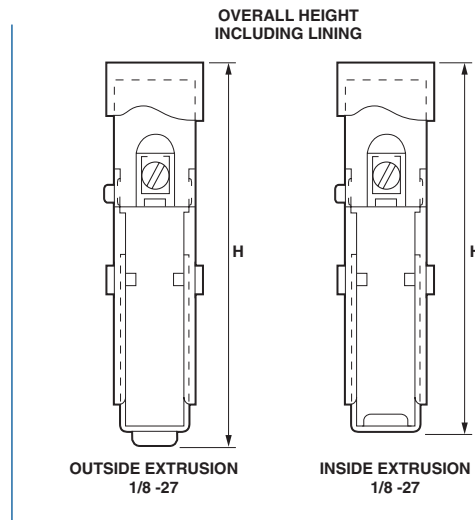
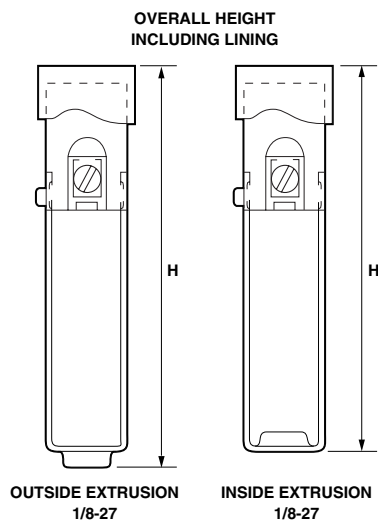
Cat. No.	Extrusion	H Dim.
10027	Outside	1 3/4 (44.45)
10025	Outside	2 3/32 (53.18)
10027-035	Outside	3 (76.2)
10027-037	Inside	2 9/16 (65.09)
10025-010	Inside	3 1/2 (88.9)
10025-007	Inside	3 7/8 (98.43)
10025-011	Inside	4 (101.6)
10025-008	Inside	4 1/16 (103.19)

Two-Leg Adjustable Hickey

Cat. No.	Extrusion	H Dim.
10026	Outside	3 1/2-4 5/8 (88.9-117.48)
10026-004	Inside	4 1/4-5 1/2 (107.95-139.7)

One-Leg Solid Hickey

Cat. No.	H Dim.
10025-015	4 (101.6)



CANDELABRA LAMPHOLDERS

Porcelain with Screw Terminals

E12 Base



INCANDESCENT

20025 Series with Hickey Removable Screw Assembly

White unglazed porcelain body. Aluminum screw shell. Screw terminals. Snap-on lining per UL Standard 1571 is UL approved for 170°C applications.

Standard pack: bulk

- 75W-125V
- UL Listed E-13400

Cat. No.	Hickey	Extrusion	H Dimension
20025	Solid	Outside	2 3/32 (53.18)
20025-001	Solid	Outside	1 25/32 (45.24)



20025

Surface Cleat Socket

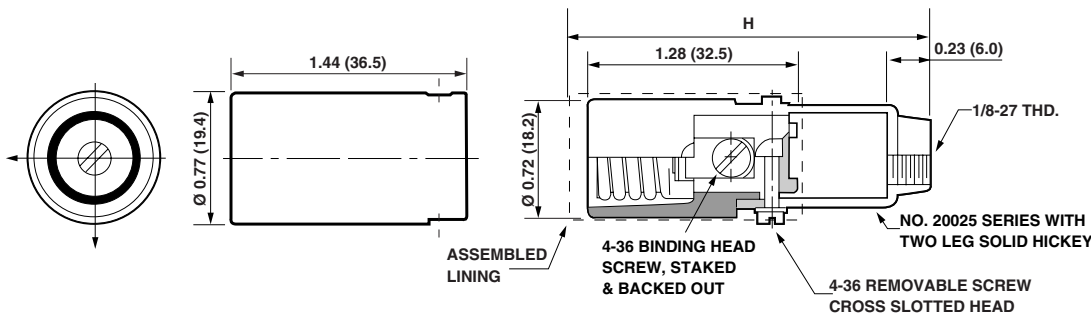
White urea. Base 1 7/16 (36.51) O.D. Height 7/8 (22.23). Two mounting holes on 1 1/8 (28.58) centers accept #4 screws. Aluminum screw shell.

Cat. No. 10028

- 75W-125V



10028



Cat. No. 20025

CANDELABRA SOCKETS

With Outer Threaded Body

E12 Base



INCANDESCENT



10032-200

Candelabra Sockets

With Outer Threaded Body

Molded plastic body with a special locking feature to prevent body halves from twisting out of alignment. Standard leads are 4 1/2" No. 18 AWG 105°C AWM-TEW plastic insulated wire with 3/4" stripping. Sockets can be supplied with various hickey, brackets and lead lengths. They can also be supplied wired together in harness sets.

Choice of brass or plastic finishing nuts (see following page).

Standard pack: bulk

Cat. Nos. 10032 & 10032-200

- 75W-125V
- UL Listed E-13400
- CSA Certified LR-1863



10032

Harness Sets

Cat. No. 31239: 500 of Cat. No. 10032 or Cat. No. 10032-200 sockets on a spool, prewired per customer center-to-center specifications. Choice of 18 ga. SPT-1 or 18 ga. 105°C AWM-TEW plastic insulated wire.

To order, please specify:

1. Style of socket, 10032 or 10032-200.
2. Center-to-center distance between sockets (2" minimum).
3. Wire type and color.
4. Style of finishing nut.



10032 Series*



10032-200 Series*

NOTE: With #18-2 SPT-1, maximum number of sockets per application is 16; with #18 ga. 105°C AWM-TEW plastic insulated wire, maximum number of sockets per application is 10.

*Available with various hickey and brackets.

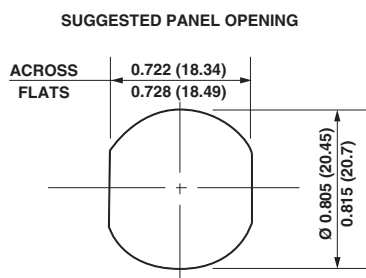
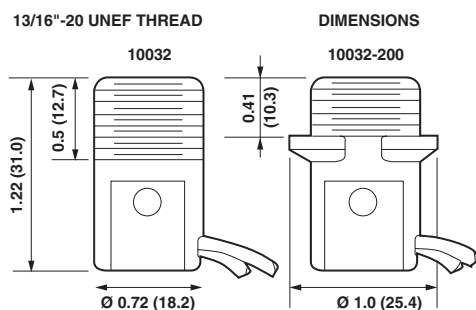


Harness Sets†



Harness Sets†

†Available in harness sets of two or more sockets. Minimum center-to-center distance is 2" (50.8).



CANDELABRA LAMPHOLDERS

Plastic • Klik-Snap™

E12 Base



INCANDESCENT

Fast-Installation Klik-Snap Candelabra Lampholders for Lanced Panels

Snap-in design permits easy assembly of lampholders to fixture. Eliminates cost of riveting bracket to panel. Standard leads are #18 ga. 105°C AWM-TEW plastic insulated wire, 4 1/2" long, stripped 1/2". Other wire specifications available.

Both types of externally threaded sockets available in harness sets of two or more sockets (minimum center-to-center distance is 2").

Cat. No. 10032-010: Plastic body.

Cat. No. 10032-210: Plastic body with flange.

- UL Listed E-13400 • CSA Certified LR-1863

NOTE: With #18-2 SPT-1, maximum number of sockets per application is 16; with #18 ga. 105°C AWM-TEW plastic insulated wire, maximum number of sockets per application is 10.



10032-210



X-25297

Finishing Nuts

Order Separately

Cat. No. X-25297: Flat Brass (Also available with nickel finish.)

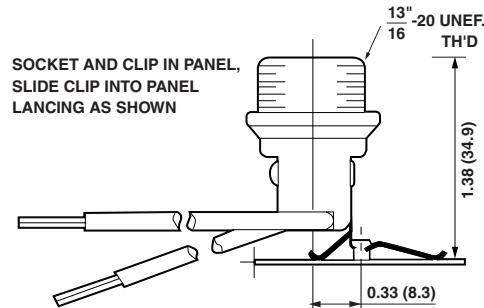
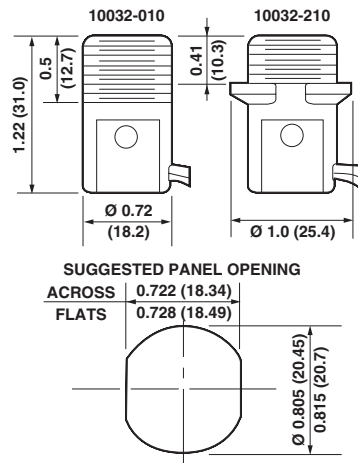
Cat. No. X-25298: Shouldered Brass (Also available with nickel finish.)

Cat. No. BA-23569: Brown Molded Plastic



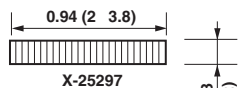
BA-23569

DIMENSIONS

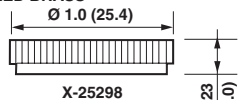


Cat. No. 10032-210

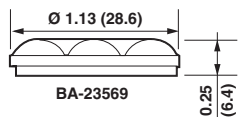
FLAT BRASS



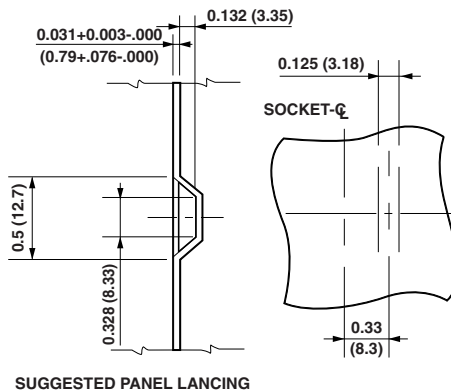
SHOULDERED BRASS



BROWN MOLDED PLASTIC



ORDER FINISHING NUTS SEPARATELY



CANDELABRA LAMPHOLDERS

Bayonet Type
BA15d Base



INCANDESCENT



910-001

Double Contact Bayonet Lampholder

For lamps with BA15d base

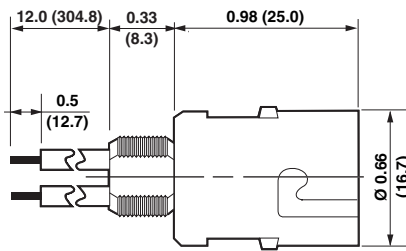
Longer nickel-plated metal shell design conforms to the latest UL requirements by stabilizing the bulb against coaxial displacement. Mounting bracket, male bushing and shell are grounded independent of contacts. Standard leads (2) are No. 18 AWG SEW-1 200° 300V wire, 12" long, stripped 1/2". Other wire types, lead lengths and mounting brackets are available upon request.

Standard pack: bulk

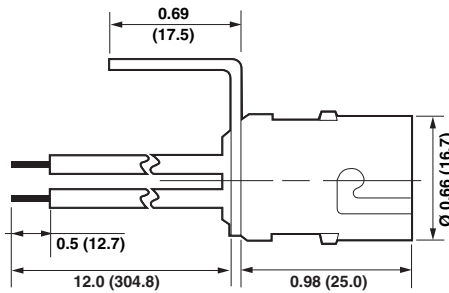
Cat. No. 910-001: With male bushing

Cat. No. 910-200 Series: With mounting brackets

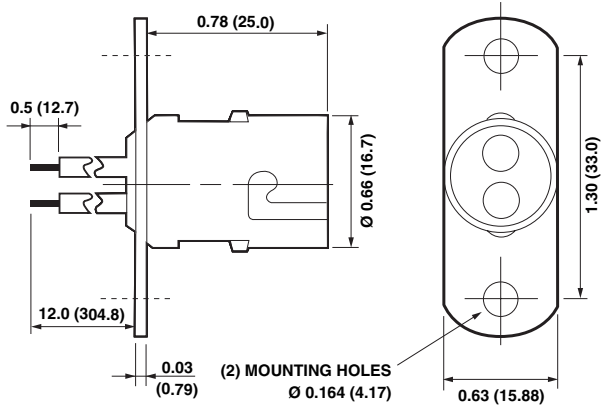
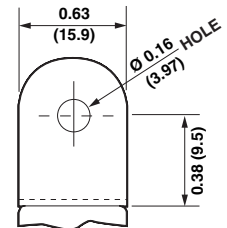
- 500W-125V
- UL Listed E-13405
- CSA Certified LR-1863
- NOM Certified 057



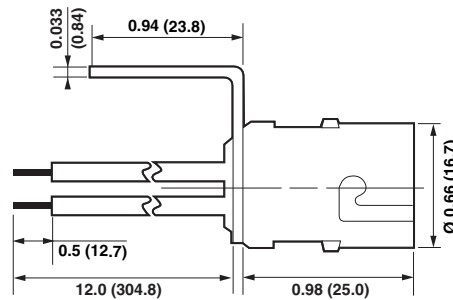
Cat. No. 910-001



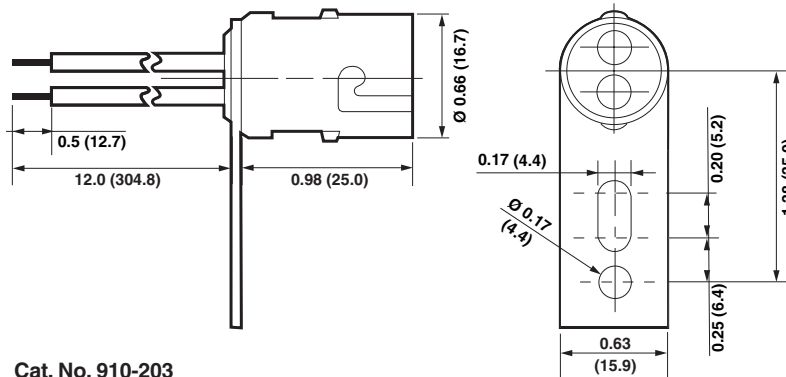
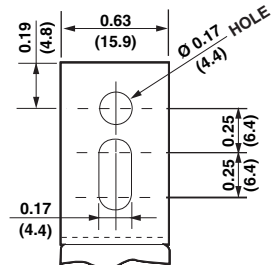
Cat. No. 910-209



Cat. No. 910-200



Cat. No. 910-201



Cat. No. 910-203

CANDELABRA LAMPHOLDERS

Bayonet Type
BA15d/BA15 Base



INCANDESCENT

Double Contact with Bracket

BA15d base

Phenolic body. Lamp cavity deep enough to cover lamp shell. Flange diameter: 7/8" outside, 39/64" inside. Standard leads are No. 18 AWG 105°C AWM-TEW plastic insulated wire, 6" long, stripped 3/4".

Standard pack: bulk
Other brackets or hickey available.

Cat. No. 10004

- 75W-125V • UL Listed E-13405 • CSA Certified LR-1863



10004

Bayonet-Single Contact

BA15 base

For high intensity lighting and other low voltage applications.

With Flat Bracket

Two leads—one black, one white 6" long, No. 18 AWG 105°C AWM-TEW plastic insulated wire, stripped 3/4".

Standard pack: bulk

Cat. No. 905



905

With Male Bushing

Single black lead to center contact, 18" long, No. 20 AWG 105°C AWM-TEW plastic insulated wire, stripped 3/4". Male bushing permanently attached to body.

Standard pack: bulk

Cat. No. 907

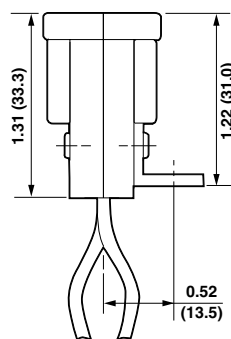


907

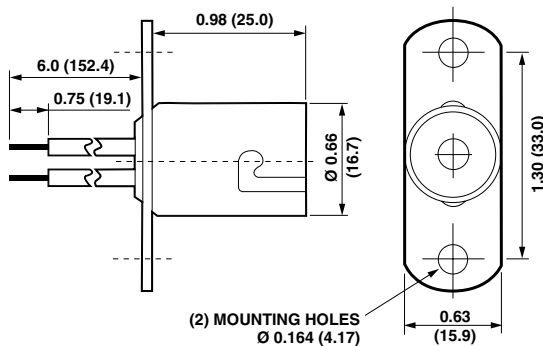
Cat. No.	Description
905*	Bayonet Socket—Flat Bracket

Cat. No.	Description
907*	Bayonet Socket—Flat Sided Male Bushing

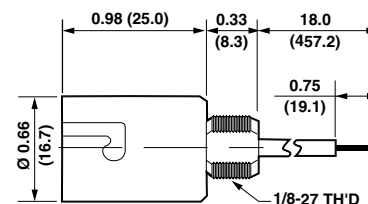
*Low voltage sockets not subject to UL listing.



Cat. No. 10004



Cat. No. 905



Cat. No. 907

INTERMEDIATE LAMPHOLDERS

E17 Base



INCANDESCENT



10016-003



10016-056

Intermediate Lampholders

Cat. No. 10016-003: With hickey. Phenolic body with flared opening and molded screw shell threads. 15/16" O.D. Overall height with 1/8 IPS riveted hickey, 1 7/8". No exposed live parts; no lining required. Standard leads 4 1/2" No. 18 AWG 105°C AWM-TEW plastic insulated wire, stripped 3/4". Other leads and lead orientation available. Other brackets available, see pages E6-E8.

Standard pack: bulk

- 75W-250V
- UL Listed E-13400
- CSA Certified LR-1863

Cat. No. 10016: Same as 10016-003, with bracket. Most popular brackets with dimensions shown on chart. Other brackets available

Cat. No.	Bracket Style	H	L	Hole (s)
10016	C1	1 9/32 (32.54)	17/32 (13.49)	.200 (5.08)
10016-056	C1	1 29/32 (48.42)	37/64 (14.68)	8-32
10016-069	C1	1 27/32 (46.83)	59/64 (23.42)	.154 (3.91)
10016-086	B1	1 19/32 (40.48)	15/16 (23.81)	.142 (3.61)
10016-500	G2	25/32 (19.84)	21/32 (16.67)	—
10016-080	D1	1 1/32 (26.19)	1/2 (12.7)	(Two) .147 (3.73)
10016-072	G3	1.13 (28.7)	.69 (17.53)	—

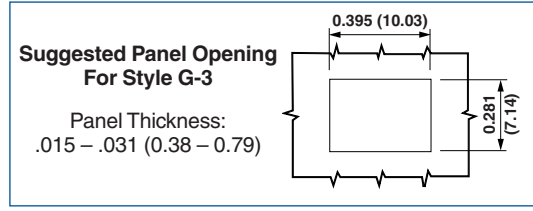
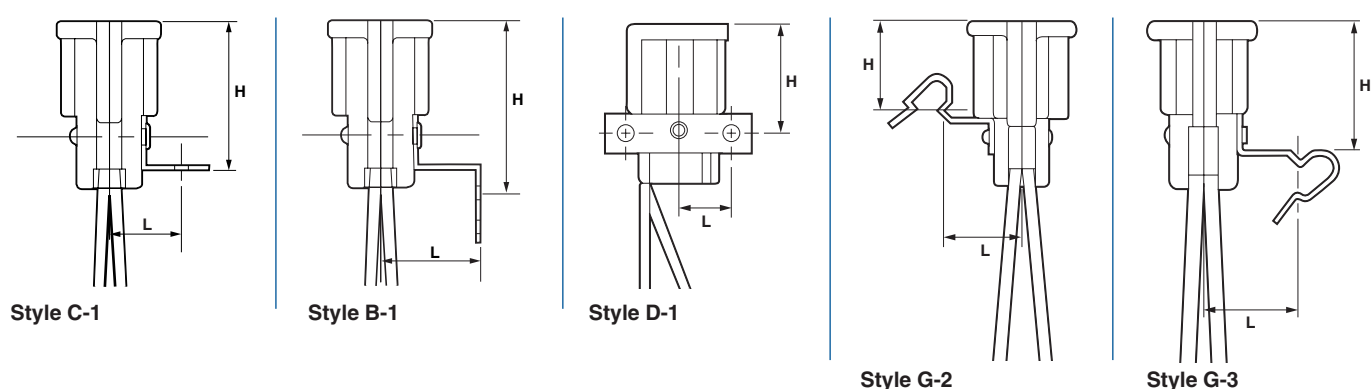




table of contents

Switches

Quick Guide to Switches	J2-J3
Push Switches	J4-J7
Single Pole ON-OFF	J4-J5
Fluorescent Lamp/Starter	J6
Single Pole Momentary	J7
Rotary Switches	J8-J10
Single Pole ON-OFF	J8
Two-Circuit/Four-Position	J9
Hardware	J10
Toggle Switches	J11-J14
Single Pole-Single Throw	J11-J13
Heavy Duty	J14
Pull Chain Switches	J15-J17
Single Pole ON-OFF	J15
Heavy Duty	J16-J17

Note: Dimensions in parenthesis are in millimeters. All other dimensions are in inches.

SECTION

J

LEVITON

Push Switches

Rating	Cat. No.	Leads	Single Pole ON-OFF	Notes	Page No.
40W-125VAC Fluorescent	9382 9382-500	X X	X X	Plastic button Plastic button	J6 J6
3A-125VAC-L 1A-250VAC	9575-500	X	X	Plastic button	J4
3A-125VAC-L 1.5A-250VAC	9575 90679 92679	X X X	X X X	Plastic button Aluminum button Fully Insulated/ Plastic button	J4 J5 J5
3A-125VAC 1.5A-277VAC	2592	X	—	S.P. Momentary/Normally ON Fully Insulated	J7
3A-125VAC	2591	X	—	S.P. Momentary/Normally OFF Fully Insulated	J7

Rotary Switches

Rating	Cat. No.	Single Pole ON-OFF	2-Circuit 4-Position	Page No.
3A-125VAC 1.5A-125VAC-L 1A-250VAC	90572-L03 90577-00L	X X	— —	J8 J8
3A-125VT 1A-250V	573	—	X	J9
6A-125VAC 3A-250VAC	90572 90577	X X	— —	J8 J8
6A-125VT 3A-250V	663	—	X	J9

For Switch Hardware, see page J10

Toggle Switches

Rating	Cat. No.	Terminations	Circuit	Page No.
3A-125V T 6A-125V 3A-250V	1720-005	Leads	SPST ON-OFF	J11
3A-125VAC-L 6A-125VAC 3A-250VAC	720 series	Leads	SPST ON-OFF	J12
6A-125V 3A-250V	735 series	Screw terminals	SPST ON-OFF	J13
8A-125V	1738-005 738-003	Leads Leads	SPST ON-OFF SPST ON-OFF	J11 J11
10A-125V	1748-005	Leads	SPST ON-OFF	J11
15A-125VAC 10A-250VAC 3/4 HP-120/ 240V AC	5700 series	Screw terminals Quick-connect tabs	SPST SPDT DPST DPDT	J14

Pull-Chain Switches

Rating	Cat. No.	Description	Sequence of Operation	Page No.
1A-125VT 3A-125V 1A-250V	10097-008	Single-Pole	ON-OFF	J15
3A-125VAC-L 6A-125VAC 3A-250VAC	10041-500	Single-Pole	ON-OFF	J15
3A-250VAC 6A-125VAC 1/4 HP-125/250VAC	1690	2-Circuit, 3 Position	OFF (1-2 connected internally)/L-1/L-2	J16
4A-250VAC 8A-125VAC 1/3HP-125/250VAC	1690	2-Circuit, 3 Position	OFF (1-2 connected internally)/L-1/L-2	J16
3A-250VAC 6A-125VAC 3A-125VAC-L 1/4 HP-125/250VAC	1689	2-Circuit, 4 Position	2-Circuit OFF (1-2 connected internally)/L-1/L-2/L-1-2, or SPST (omit wire to #2 terminal) OFF/L-1/ OFF/L-1	J16
4A-250VAC 8A-125VAC 1/3 HP-125/250VAC	1684	2-Circuit, 4 Position	2-Circuit OFF (1-2 connected internally)/L-1/L-2/L-1-2, or SPST (omit wire to #2 terminal) OFF/L-1/ OFF/L-1	J16
3A-250VAC 6A-125VAC 1/4 HP-125/250VAC	1691	3-Circuit, 4 Position With Neutral Splicer	3-Circuit OFF (no internal connection) L-1/L-2/L-3, or 2-circuit OFF (no internal connection)/L-1/OFF (omit wire to #2 terminal)/L-3	J17
4A-250VAC 8A-125VAC 1/3 HP-125/250VAC	1691	3-Circuit, 4 Position With Neutral Splicer	3-Circuit OFF (no internal connection) L-1/L-2/L-3, or 2-circuit OFF (no internal connection)/L-1/OFF (omit wire to #2 terminal)/L-3	J17



Plastic Pushbutton with Leads

Streamlined design features fewer moving parts for improved operating efficiency

Molded plastic body, cover and pushbutton. Aluminum bushing and knurl nut. Steel lock nut. Standard leads, (2) black, are No. 18 AWG 105°C AWM-TEW plastic insulated wire, 6" long, stripped 1/2".

Standard pack: bulk

Cat. No. 9575

- 3A-125V AC-L / 1.5A-250V AC • UL Recognized Component  E-7458
- CSA Certified LR-3413 • NOM Certified 057

Cat. No.	Bushing Dimension	Configuration
9575	3/8-27 x 11/32 (8.73)	Round

Other variations available upon request.



All Plastic Construction—Ideal for applications where metal parts are subject to corrosion

All plastic body, cover, bushing and pushbutton. One-piece cover and bushing—Hex nut eliminated. Aluminum knurl nut. Standard leads, (2) black, are No. 18 AWG 105°C AWM-TEW plastic insulated wire, 6" long, stripped 1/2".

Standard pack: bulk

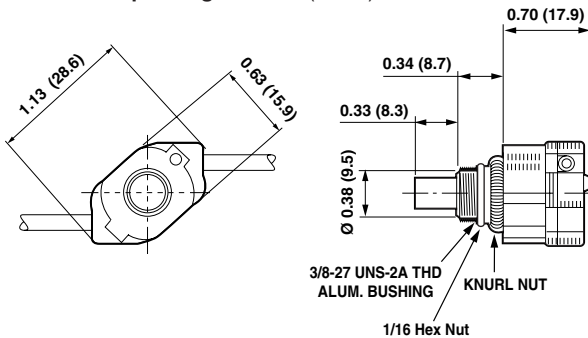
Cat. No. 9575-500

- 3A-125V AC-L / 1A-250V AC • UL Recognized Component  E-7458
- CSA Certified LR-3413 • NOM Certified 057

Cat. No.	Bushing Dimension	Configuration
9575-500	3/8-27 x 11/32 (8.73)	Round

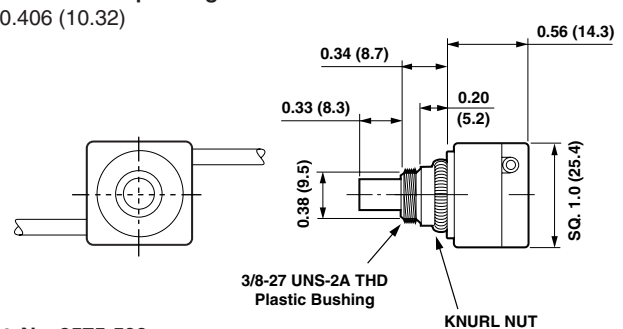
Other variations available upon request.

Recommended piercing: \varnothing 0.406 (10.32)



Cat. No. 9575

Recommended piercing: \varnothing 0.406 (10.32)



Cat. No. 9575-500

PUSH SWITCHES

Single Pole • ON-OFF

Metal Pushbutton with Leads

Molded plastic body. Aluminum bushing, pushbutton and knurl nut, plain or brass finish. Steel lock nut. Standard leads are No. 18 AWG 105°C AWM-TEW plastic insulated wire, 6" long, stripped 1/2". Custom wire types, leads and stripping lengths available.

Standard pack: bulk

Cat. No. 90679 Series

- 3A-125V AC-L / 1.5A-250V AC • UL Recognized Component  E-7458
- CSA Certified LR-3413 • NOM Certified 057

Cat. No.	X Dimension	Y Dimension	Usable Bushing
90679-001	3/8 x 13/32 (10.32) Round	11/32 (8.73)	7/64 (2.78)
90679-002	3/8 x 13/32 (10.32) Flat-sided	11/32 (8.73)	7/64 (2.78)
90679-003	1/8 IPS x 13/32 (10.32) Flat-sided	11/32 (8.73)	7/64 (2.78)
90679-004	3/8 x 9/16 (14.29) Round	9/32 (7.14)	13/64 (5.16)
90679-005	3/8 x 1/2 (12.7) Round	17/64 (6.75)	17/64 (6.75)
90679-006	3/8 x 5/8 (15.88) Round	9/32 (7.14)	21/64 (8.33)



For Double Insulated Applications

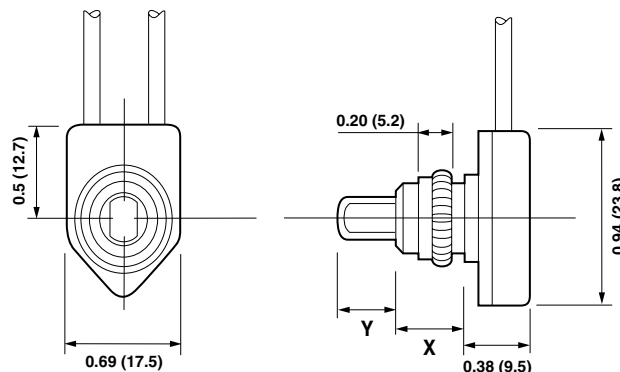
Molded plastic body, bushing and pushbutton. Lock nut eliminated. Aluminum knurl nut, plain or brass finish. Standard leads are No. 18 AWG 105°C plastic insulated wire, 6" long, stripped 1/2". Custom wire types, leads and stripping lengths available.

Standard pack: bulk

Cat. No. 92679-001

- 3A-125V AC-L / 1.5A-250V AC • UL Recognized Component  E-7458
- CSA Certified LR-3413 • NOM Certified 057

Cat. No.	X Dimension	Y Dimension	Usable Bushing
92679-001	3/8 x 27/64 (10.72) Round	11/32 (8.73)	3/16 (4.76)



Recommended Piercing: Ø 0.406 (10.32)

Cat. No. 92679

FLUORESCENT LAMP STARTER PUSH SWITCHES

For Use with Single Lamp, 15W to 40W • Eliminates Need for Separate Starter



SWITCHES



9382

Fluorescent Starter/ON-OFF Plastic Pushbutton with Leads

Streamlined design features fewer moving parts for improved operating efficiency

Molded plastic body, cover and pushbutton. Aluminum bushing and knurl nut. Steel lock nut. Standard leads (2 black, 2 blue) are No. 18 AWG 105°C AWM-TEW plastic insulated wire, 6" long, stripped 1/2".

Standard pack: bulk

Cat. No. 9382

- 40W-125V AC
- UL Listed E-18134
- CSA Certified LR-3413
- NOM Certified 057

Cat. No.	Bushing Dimension	Configuration
9382	3/8-27 x 11/32 (8.73)	Round

Other variations available upon request.



9382-500

All Plastic Construction—Ideal for applications where metal parts are subject to corrosion

All plastic body, cover, bushing and pushbutton. One-piece cover and bushing—Hex nut eliminated. Aluminum knurl nut. Standard leads (2 black, 2 blue) are No. 18 AWG 105°C AWM-TEW plastic insulated wire, 6" long, stripped 1/2".

Standard pack: bulk

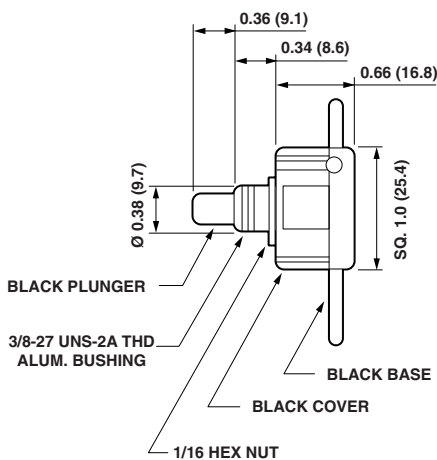
Cat. No. 9382-500

- 40W-125V AC
- UL Listed E-18134
- CSA Certified LR-3413

Cat. No.	Bushing Dimension	Configuration
9382-500	3/8-27 x 11/32 (8.73)	Round

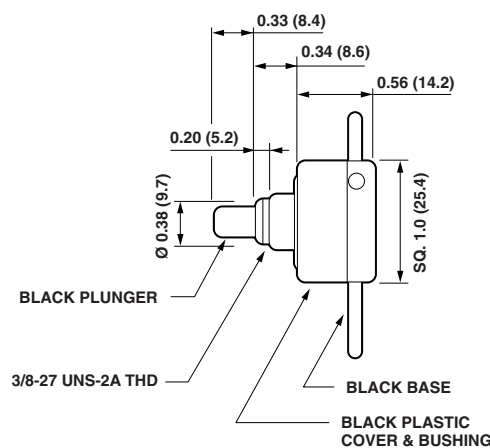
Other variations available upon request.

Recommended Piercing: \varnothing 0.406 (10.32)



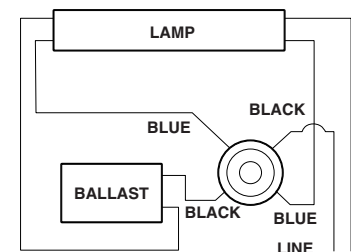
Cat. No. 9382

Recommended Piercing: \varnothing 0.406 (10.32)



Cat. No. 9382-500

WIRING DIAGRAM



Cat. Nos. 9382 & 9382-500

PUSH SWITCHES

Single Pole Momentary

For Double Insulated Applications

Molded plastic body, pushbutton and bushing. Aluminum knurl nut, plain or brass finish. Standard leads are No. 18 AWG 105°C AWM-TEW plastic insulated wire, 6" long, stripped 1/2".

Standard pack: bulk

Cat. No. 2591: Normally OFF

- 3A-125V AC • UL Recognized Component  E-7458 • NOM Certified 057

Cat. No. 2592: Normally ON

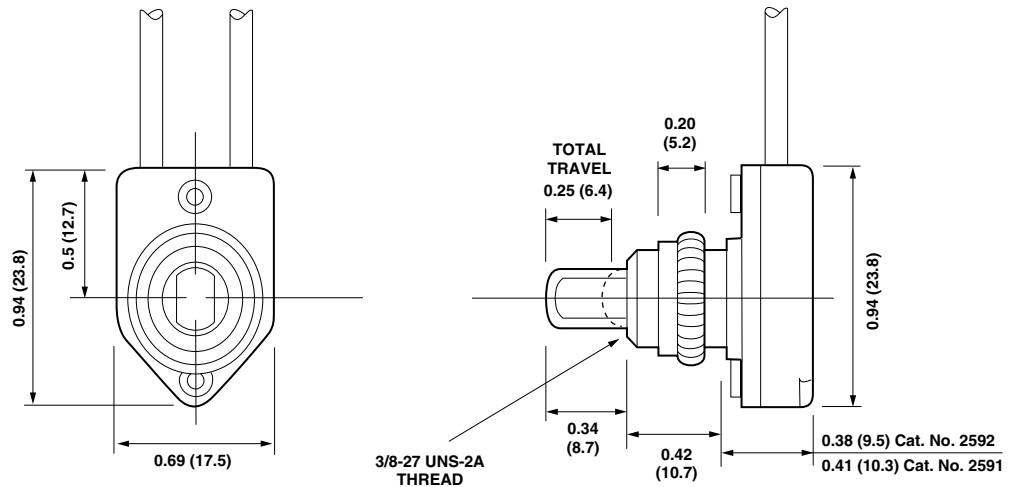
- 3A-125V AC / 1.5A-277V AC • UL Recognized Component  E-7458
- NOM Certified 057



2591

Cat. No.	Bushing	Usable Bushing
2591	3/8-27 x 27/64 (10.72) round	3/16 (4.76)
2592	3/8-27 x 27/64 (10.72) round	3/16 (4.76)

Recommended Piercing: \varnothing 0.406 (10.32)



Cat. Nos. 2591 & 2592



Non-Removable Plastic Knob

Compact switch with molded plastic body. Molded plastic knob. Aluminum bushing and knurl nut, plain or brass finish. Steel lock nut. Standard leads (2 black) are No. 18 AWG 105°C AWM-TEW plastic insulated wire, 6" long, stripped 1/2".

Standard pack: bulk

Cat. Nos. 90572: 6A-125V AC / 3A-250V AC

Cat. Nos. 90572-L Series: 1.5A-125V AC-L / 1A-250V AC / 3A-125V AC

- UL Recognized Component  E-7458
- CSA Certified LR-3413
- NOM Certified 057

Cat. No.	L-Rated Cat. No.	Bushing Thread	Configuration	X Dimension	Y Dimension	Knurl Nut
90572-000	90572-L03	3/8-27	Round	11/32 (8.73)	11/32 (8.73)	KA
90572-001	90572-L04	3/8-27	Round	7/16 (11.11)	1/4 (6.35)	KA
90572-002	90572-L05	1/8-27	Flat-sided	11/32 (8.73)	11/32 (8.73)	KC

Other variations available upon request.



Non-Removable Metal Knob

Compact switch with molded plastic body. Aluminum bushing, knob and knurl nut, plain or brass finish. Steel lock nut. Standard leads (2 black) are No. 18 AWG 105°C AWM-TEW plastic insulated wire, 6" long, stripped 1/2".

Standard pack: bulk

If specially ordered less knobs, spindle is #4-36 x 3/16" (3/8" bushing) or #4-36 x 9/64" (5/8" bushing). Spindles threaded #8-32 available on special request.

Cat. Nos. 90577: 6A-125V AC / 3A-250V AC

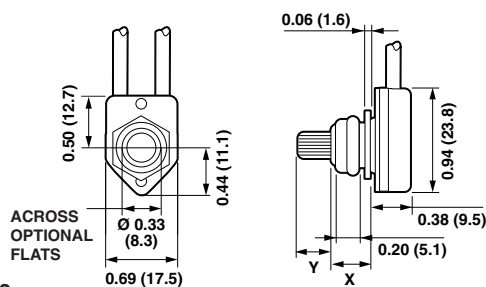
Cat. Nos. 90577-L Series: 1.5A-125V AC-L / 1A-250V AC / 3A-125V AC

- UL Recognized Component  E-7458
- CSA Certified LR-3413
- NOM Certified 057

Unassembled Knob Cat. No.	Non-Removable Knob Cat. No.	Unassembled Knob Cat. No.	Non-Removable Knob Cat. No.	Bushing Thread	Configuration	X Dimension	Knurl Nut
90577-00L	90577-L10	90577-000	90577-010	3/8-27	Round	3/8 (9.53)	KA
90577-L01	90577-L11	90577-001	90577-011	3/8-27	Flat-sided	3/8 (9.53)	KA
90577-L02	90577-L12	90577-002	90577-012	1/8-IPS	Flat-sided	3/8 (9.53)	KC
90577-L03	90577-L13	90577-003	90577-013	3/8-27	Round	5/8 (15.88)	KA
90577-L04	90577-L14	90577-004	90577-014	3/8-27	Flat-sided	5/8 (15.88)	KA
90577-L05	90577-L15	90577-005	90577-015	1/8-IPS	Flat-sided	5/8 (15.88)	KC

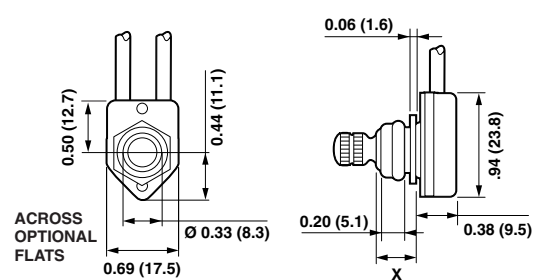
Other variations available upon request.

Mounting Hole: \varnothing 0.406 (10.32)



Cat. No. 90572

Mounting Hole: \varnothing 0.406 (10.32)



Cat. No. 90577

ROTARY SWITCHES

Two Circuit • Four Position

Two-Circuit, Four-Position Metal Knob

Molded plastic body. Bushing is aluminum (1/8 IPS) or zinc die casting (3/8), plain or brass finish. Aluminum knob, and knurl nut, plain or brass finish. Steel lock nut. If ordered less knob, spindle is as noted below. Standard leads (3, black, blue, red) are No. 18 AWG 105°C AWM-TEW plastic insulated wire, 6" long, stripped 1/2".

Standard pack: bulk

Cat. No. 573 series

- 3A-125VT / 1A-250V • UL Listed E-7443 • CSA Certified LR-3413 • NOM Certified 057

Removable Knob Cat. No.	Non-Removable Knob Cat. No.	X Dimension	Knob Style	Knurl Nut	Usable Bushing
—	573-035	3/8-27 x 3/8 (9.53) round	ME	KA	7/64 (2.78)
573-046	573-036	3/8-27 x 13/32 (10.32) round	MA	KA	9/64 (3.57)
573-047	573-037	1/8 IPS x 13/32 (10.32) flat-sided	MA	KC	3/32 (2.38)
573-048	573-038	3/8-27 x 5/8 (15.88) round	MA	KA	23/64 (9.13)
573-049	573-039	1/8 IPS x 5/8 (15.88) flat-sided	MA	KC	5/16 (7.94)
573-027	573 [†] -000	3/8-27 x 3/8 (9.53) round	MA	KA	7/64 (2.78)

[†]Lock nut is round knurl.

Spindle less knob: #4-36 x 5/32 (3.97).

Cat. No. 663 Series

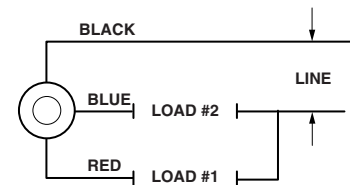
- 6A-125VT / 3A-250V • UL Listed E-7443 • CSA Certified LR-3413 • NOM Certified 057

—	663-020	3/8-27 x 3/8 (9.53) round	ME	KA	7/64 (2.78)
663-031	663-021	3/8-27 x 13/32 (10.32) round	MA	KA	9/64 (3.57)
663-032	663-022	1/8 IPS x 13/32 (10.32) flat-sided	MA	KC	3/32 (2.38)
663-033	663-023	3/8-27 x 5/8 (15.88) round	MA	KA	23/64 (9.13)
663-034	663-024	1/8 IPS x 5/8 (15.88) flat-sided	MA	KC	5/16 (7.94)

Spindle less knob: #4-36 x 5/32 (3.97).

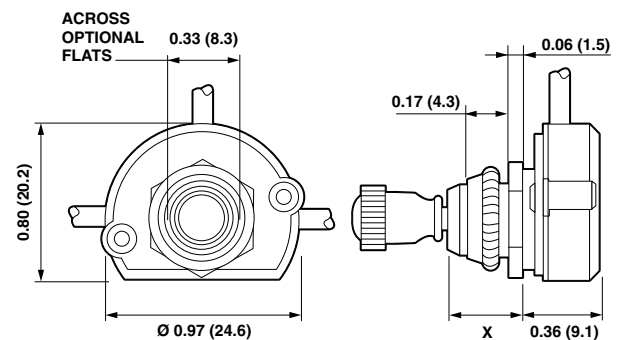


WIRING DIAGRAM



Cat. No. 573, 663 Sequence of Operation	
Position	Circuit
1	OFF
2	Load 1 ON
3	Load 2 ON
4	Load 1 & Load 2 ON

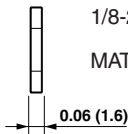
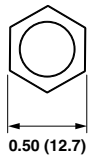
Knob styles shown on page J10.



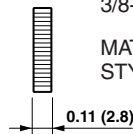
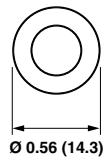
Mounting Hole: \varnothing 0.406 (10.32)

Cat. Nos. 573 series & 663 series

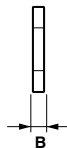
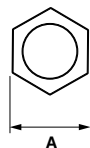
Locking Nuts



1/8-27 THREAD
MAT: STEEL STYLE: H1



3/8-27 THREAD
MAT: ALUMINUM
STYLE: L5



3/8-27 THREAD

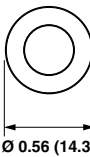
MAT: STEEL STYLE: H5
MAT: BRASS STYLE: H6

A

B

0.52 (13.1)
0.50 (12.7)

0.06 (1.6)
0.13 (3.2)



1/8-27 THREAD

MAT: ALUMINUM

STYLE: L1
STYLE: L2

B

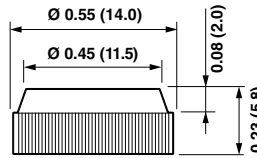
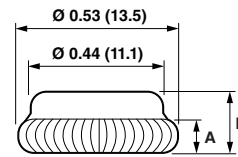
.050 (1.27)
.100 (2.54)

Knurl Nut Styles

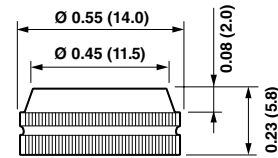
Dimensions For Style KA

Material	A	B
Aluminum	7/64 (2.78)	13/64 (5.16)
Brass & Aluminum	3/32 (2.38)	11/64 (4.37)

THREAD SIZE 3/8-27
STYLE: KA

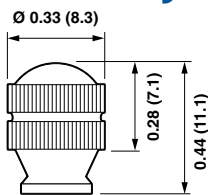


THREAD SIZE 3/8-27
BRASS STYLE: KB

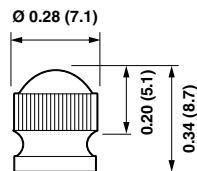


THREAD SIZE 1/8-27
ALUMINUM STYLE: KC

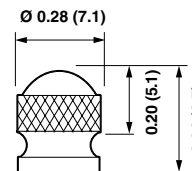
Knob Styles



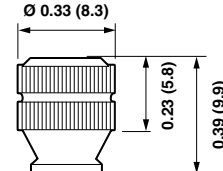
MAT: ALUMINUM
STYLE: MA 4-36 OR 8-32



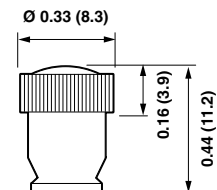
MAT: BRASS
STYLE: MB 4-36 OR 8-32



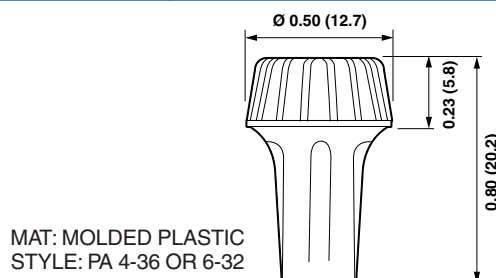
MAT: ALUMINUM
STYLE: MC 4-36



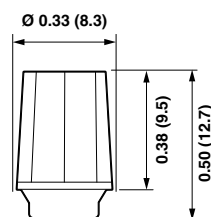
MAT: ALUMINUM
STYLE: MD 8-32



MAT: ALUMINUM
STYLE: ME
No thread, push-on type



MAT: MOLDED PLASTIC
STYLE: PA 4-36 OR 6-32



MAT: MOLDED PLASTIC
STYLE: PC 4-36

Molded knobs available in black, brown, ivory or white. Other colors available on special order based on quantity requirements.

TOGGLE SWITCHES

Single Pole • Single-Throw

For Double Insulated Applications

Molded plastic body, bushing and toggle. Aluminum knurl nut, plain or brass finish. Steel nickel-plated indicator plate, with ON-OFF designations, keyed to bushing. Standard leads (2, black) are No. 18 ga. 105°C AWM-TEW plastic insulated wire, 6" long, stripped 1/2".

Standard pack: bulk

Cat. No. 1720-005:

- 3A-125VT, 6A-125V, 3A-250V • UL Listed E-7458 • CSA Certified LR-3413
- NOM Certified 057

(Also available with CSA rating 2A-347V upon request.)

Cat. No. 1748-005: Same as 1720-005, except standard leads (2) black are No. 16 ga. 105° AWM-TEW plastic insulated wire, 6" long, stripped 1/2".

- 10A-125V • UL Listed E-7458 • NOM Certified 057

Cat. No. 1738-005: Same as 1720-005, except standard leads (2) black are No. 16 ga. 105° AWM-TEW plastic insulated wire, 6" long, stripped 1/2".

- 8A-125V • UL Listed E-7458 • CSA Certified LR-3413 • NOM Certified 057



1720-005



1738-005

Cat. No.	Bushing Dimension	Toggle Type
1720-005	15/32-32 x 11/32 (8.73)	Bat
1748-005	15/32-32 x 11/32 (8.73)	Bat
1738-005	15/32-32 x 11/32 (8.73)	Bat

Metal Toggle

Molded plastic body, aluminum bushing and toggle. Aluminum knurl nut, plain or brass finish. Steel nickel-plated indicator plate, with ON-OFF designations, keyed to bushing. Lock nut furnished. Standard leads (2, black) are No. 16 ga. 105°C AWM-TEW plastic insulated wire, 6" long, stripped 1/2".

Standard pack: bulk

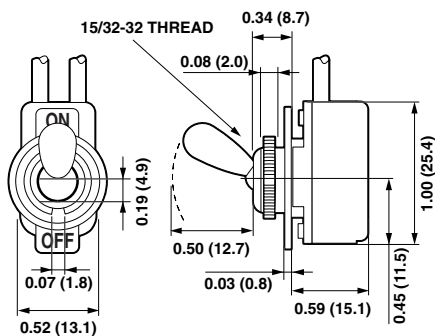
Cat. No. 738-003

- 8A-125V • CSA Certified LR-3413 • NOM Certified 057

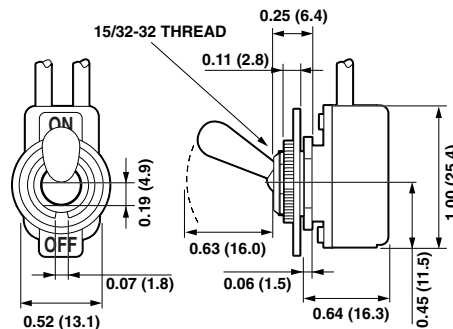
Cat. No.	Bushing Dimension	Toggle Type
738-003	15/32-32 x 1/4 (6.35)	Bat



738-003



Cat. Nos. 1720-005, 1738-005, 1748-005



Cat. No. 738-003

For recommended piercing, see page J13



720-142

Metal Toggle with Leads

Molded plastic body. Aluminum bushing, toggle and knurl nut, plain or brass finish. Steel lock nut. Steel nickel-plated indicator plate, with ON-OFF designations, keyed to bushing. Standard leads (2, black) are No. 18 ga. 105°C AWM-TEW plastic insulated wire, 6" long, stripped 1/2".

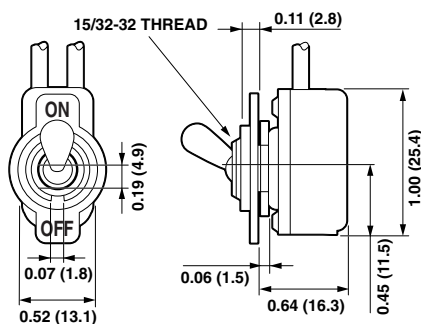
Standard pack: bulk

Cat. No. 720 Series

- 3A-125V AC-L / 6A-125V AC / 3A-250V AC • UL Listed E-7458
- CSA Certified LR-3413 • NOM Certified 057

Cat. No.	Bushing Length	Toggle Type	Toggle Length
720-134	1/4 (6.35)	Ball	25/64 (9.92)
720-135	11/32 (8.73)	Ball	23/64 (9.13)
720-136	15/32 (11.91)	Ball	27/64 (10.72)
720-139	1/4 (6.35)	Bat	5/8 (15.88)
720-140	11/32 (8.73)	Bat	5/8 (15.88)
720-141	15/32 (11.91)	Bat	19/32 (15.08)
720-142	9/16 (14.29)	Bat	31/64 (12.3)
720-145	7/16 (11.11)	Paddle	39/64 (15.48)
720-146	15/32 (11.91)	Paddle	37/64 (14.68)
720-147	9/16 (14.29)	Paddle	37/64 (14.68)
720-150	15/32 (11.91)	Flat Bat	21/32 (16.67)
720-151	9/16 (14.29)	Flat Bat	39/64 (15.48)

For recommended piercing, see page J13.



Cat. No. 720-142

TOGGLE SWITCHES

Single Pole • Single-Throw • Toggles and Piercings



SWITCHES

Metal Toggle Screw Terminals

Molded plastic body. Aluminum bushing, toggle and knurl nut, plain or brass finish. Steel lock nut. Steel nickel-plated indicator plate, with ON-OFF designations, keyed to bushing. Two #6-32 brass screw terminals for No. 18 AWG wire.

Standard pack: bulk

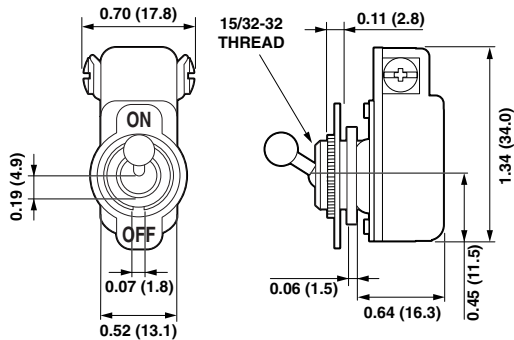
Cat. No. 735 Series

- 6A-125V / 3A-250V • UL Listed E-7458 • CSA Certified LR-3413 • NOM Certified 057

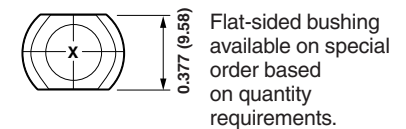
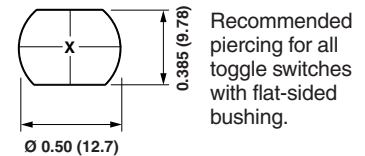
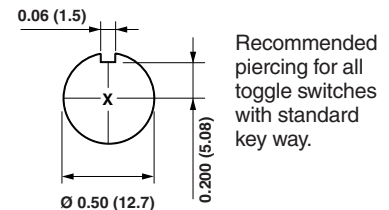


735-010

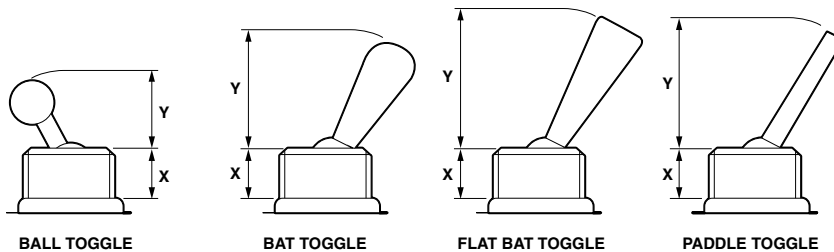
Cat. No.	X Bushing Length	Toggle Type	Y Toggle Length
735-010	1/4 (6.35)	Ball	25/64 (9.92)
735-011	11/32 (8.73)	Ball	23/64 (9.13)
735-012	15/32 (11.91)	Ball	27/64 (10.72)
735-015	1/4 (6.35)	Bat	5/8 (15.88)
735-016	11/32 (8.73)	Bat	5/8 (15.88)
735-017	15/32 (11.91)	Bat	19/32 (15.08)
735-018	9/16 (14.29)	Bat	31/64 (12.3)
735-021	7/16 (11.11)	Paddle	39/64 (15.48)
735-022	15/32 (11.91)	Paddle	37/64 (14.68)
735-023	9/16 (14.29)	Paddle	37/64 (14.68)
735-026	15/32 (11.91)	Flat Bat	21/32 (16.67)
735-027	9/16 (14.29)	Flat Bat	39/64 (15.48)



Cat. No. 735-010



Toggles and bushings available for Cat. Nos. 720 and 735 switches.



NOTE: Dimensions in parentheses are in millimeters. All other dimensions are in inches.



5744



5724

Single Pole • Double Pole

Molded phenolic body. Lock nut. Aluminum toggle bushing and knurl nut, plain or brass finish. Steel cover with corrosion-resistant finish. Stamped with ON-OFF marking. Other markings available on request. Heavy duty silver cadmium-oxide contacts. Phenolic barriers separate contacts of opposite polarity for added protection against short circuits. Brass terminals.

Standard pack: bulk

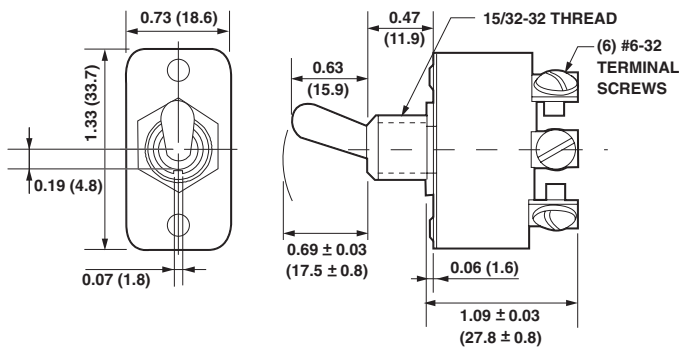
Cat. No. 5700 Series

- 15A-125V AC / 10A-250V AC / 3/4HP-120/240V AC
- UL Recognized Component  E-7458 • CSA Certified LR-3413 • NOM Certified 057

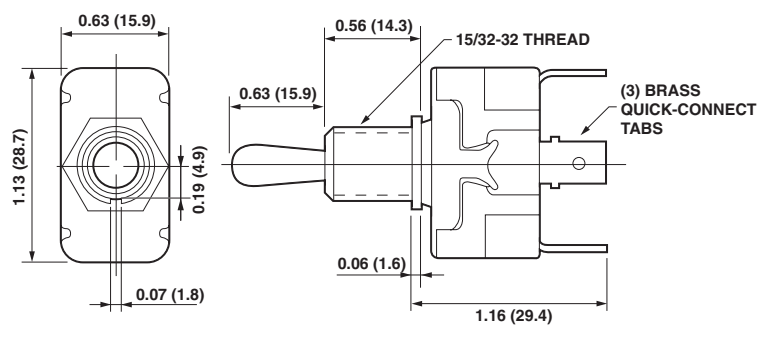
Circuit	Switching Characteristics	Screw Terminals	Quick Connect Tabs
SPST	ON-OFF	5731	5721
SPDT	ON-ON	5733†	—
SPDT	ON-OFF-ON	5734	5724
SPDT	ON-OFF-momentary ON	5735*	—
DPST	ON-OFF	5741	—
DPDT	ON-ON	5743	—
DPDT	ON-OFF-ON	5744	—

Other variations available upon request.

†Rated 3/4 HP at 240V only. *Not CSA, rated 1/2 HP at 120/240V AC.



Cat. No. 5744



Cat. No. 5724

PULL CHAIN SWITCHES

Single Pole • ON-OFF

Single Pole ON-OFF

Available with metal cover and bushing or plastic cover and bushing

Aluminum knurled bellmouth, brass or nickel finish. 1 11/16" chain, 3 ft. cord with plastic chain connector and end bell. Standard leads are 18 AWG copper-stranded 105°C AWM-TEW plastic insulated wire, 6" long, stripped 1/2". Steel hexnut available on request.

Standard pack: bulk

Cat. No. 10097 Series

- 1A-125VT / 3A-125V / 1A-250V • UL Listed E-7443 • CSA Certified LR-3413
- NOM Certified 057

Cat. No.	Bushing Dimension	Cover/Bushing Material
10097-008	3/8-27 x 5/16 (7.94)	Plastic or Metal
10097-009	1/8-27 x 1/2 (12.7)	Plastic only
10097-010	1/8-27 x 9/16 (14.29)	Metal only
10097-011	1/8-27 x 5/16 (7.94)	Metal only
10097-014	1/8-27 x 3/8 (9.53)	Plastic or Metal



Single Pole ON-OFF

Plastic body and bushing

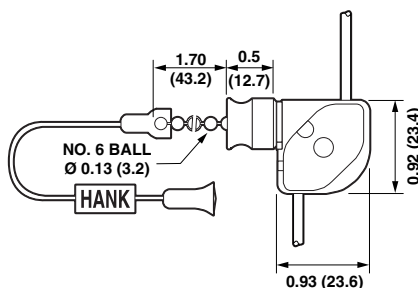
Aluminum knurled bellmouth, brass or nickel finish. 1 11/16" chain, 3 ft. cord with plastic chain connector and end bell. Standard leads are 18 AWG copper-stranded 105°C AWM-TEW plastic insulated wire, 6" long, stripped 1/2". Steel hexnut available on request.

Standard pack: bulk

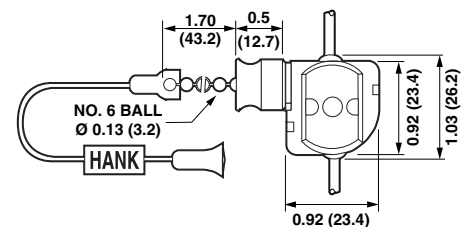
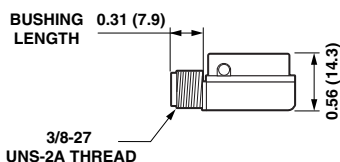
Cat. No. 10041-500

- 3A-125V AC-L / 6A-125V AC / 3A-250V AC • UL Recognized Component E-7458
- CSA Certified LR-3413 • NOM Certified 057

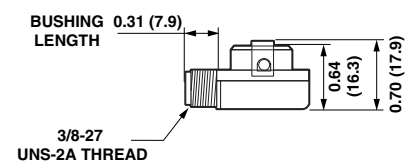
Cat. No.	Bushing
10041-500	3/8-27 x 5/16 (7.94)



Cat. No. 10097-008



Cat. No. 10041-500



PULL CHAIN SWITCHES Heavy Duty

With Recessed Quickwire™ Push-in Terminals



1690

2-Circuit 3-Position

Sequence of operation OFF/L-1/L-2
(1-2 connected internally in OFF position)

Phenolic body, polycarbonate cover with bushing, Quickwire push-in terminals, will accept #18 AWG solid, twisted-and-tinned or overtinned conductors. Steel chain, brass finish 3 3/4" long. Also available with nickel finish. 3 ft. cord with plastic connector and end bell. Aluminum knurl nut, brass finish. Available with nickel finish. Also available with leads assembled upon request.

Standard pack: bulk

Cat. Nos. 1690 & 1690-100 (with neutral splice box)

- 3A-250V AC / 6A-125V AC / 1/4 HP-125/250V AC • CSA Certified LR-3413
- NOM Certified 057

- 4A-250V AC / 8A-125V AC / 1/3 HP-125/250V AC
- UL Recognized Component LR-7458 • NOM Certified 057



1689

2-Circuit 4-Position

Sequence of operation

2-CIRCUIT	SPST**
OFF*	OFF
L-1	L-1
L-2	OFF
L-1-2	L-1

*1-2 connected internally in OFF position
**omit wire to #2 terminal

Phenolic body, polycarbonate cover with bushing, Quickwire push-in terminals, will accept #18 AWG solid, twisted-and-tinned or overtinned conductors. Steel chain, brass finish 3 3/4" long. Also available with nickel finish. 3 ft. cord with plastic connector and end bell. Aluminum knurl nut, brass finish. Available with nickel finish. Also available with leads assembled upon request.

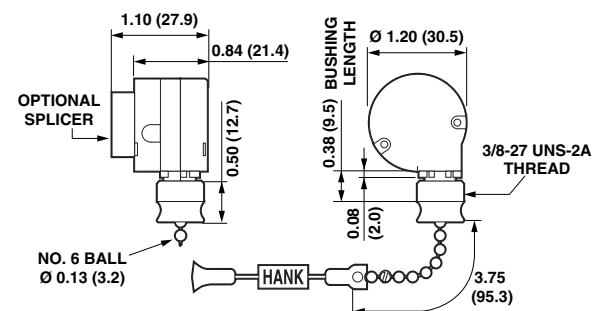
Standard pack: bulk

Cat. Nos. 1689 & 1689-100 (with neutral splice box)

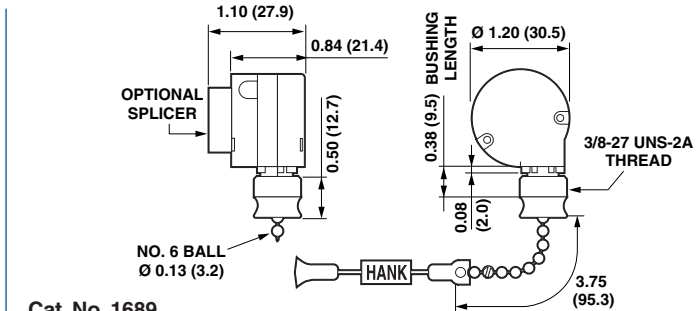
- 3A-250V AC / 6A-125V AC / 3A-125V AC-L / 1/4 HP-125/250V AC
- UL Recognized Component LR-7458 • CSA Certified LR-3413 • NOM Certified 057

Cat. No. 1684

- 4A-250V AC / 8A-125V AC / 1/3 HP-125/250V AC
- UL Recognized Component LR-7458 • NOM Certified 057



Cat. No. 1690



Cat. No. 1689
Cat. No. 1684

PULL CHAIN SWITCHES Heavy Duty With Recessed Quickwire™ Push-in Terminals

3-Circuit 4-Position with Neutral Splicer

Sequence of operation

3-CIRCUIT	2-CIRCUIT
OFF*	OFF*
L-1	L-1
L-2	OFF**
L-3	L-3

*No internal connection in OFF position
**omit wire to #2 terminal




Phenolic body, polycarbonate cover with bushing, Quickwire push-in terminals, will accept #18 AWG solid, twisted-and-tinned or overtinned conductors. Steel chain, brass finish 3 3/4" long. Also available with nickel finish. 3 ft. cord with plastic connector and end bell. Aluminum knurl nut, brass finish. Available with nickel finish.

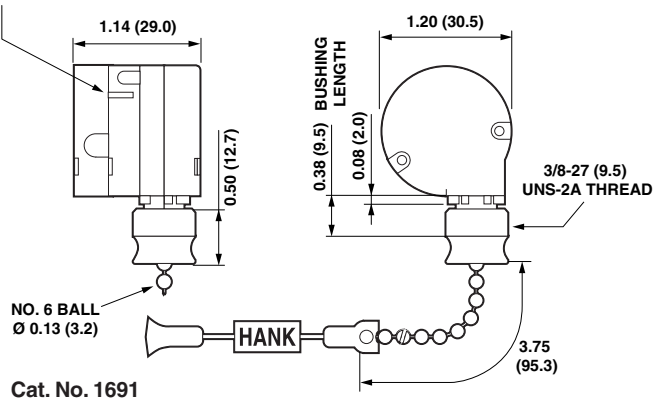
Standard pack: bulk

Also available with leads assembled. Cat. No. 1691-050 standard leads (one black, one red, one blue) are 18 ga. AWG-TEW plastic insulated wire 6" long. Stripped 1/2".

Cat. No. 1691 & 1691-050

- 3A-250V AC / 6A-125V AC / 1/4 HP-125/250V AC • CSA Certified LR-3413
- NOM Certified 057
- 4A-250V AC / 8A-125V AC / 1/3 HP-125/250V AC
- UL Recognized Component  E-7458 • NOM Certified 057

NOTCHES (I, II, III) FOR CIRCUIT IDENTIFICATION,
USE NOTCHES AS NUMBER INDICATORS



Cat. No. 1691

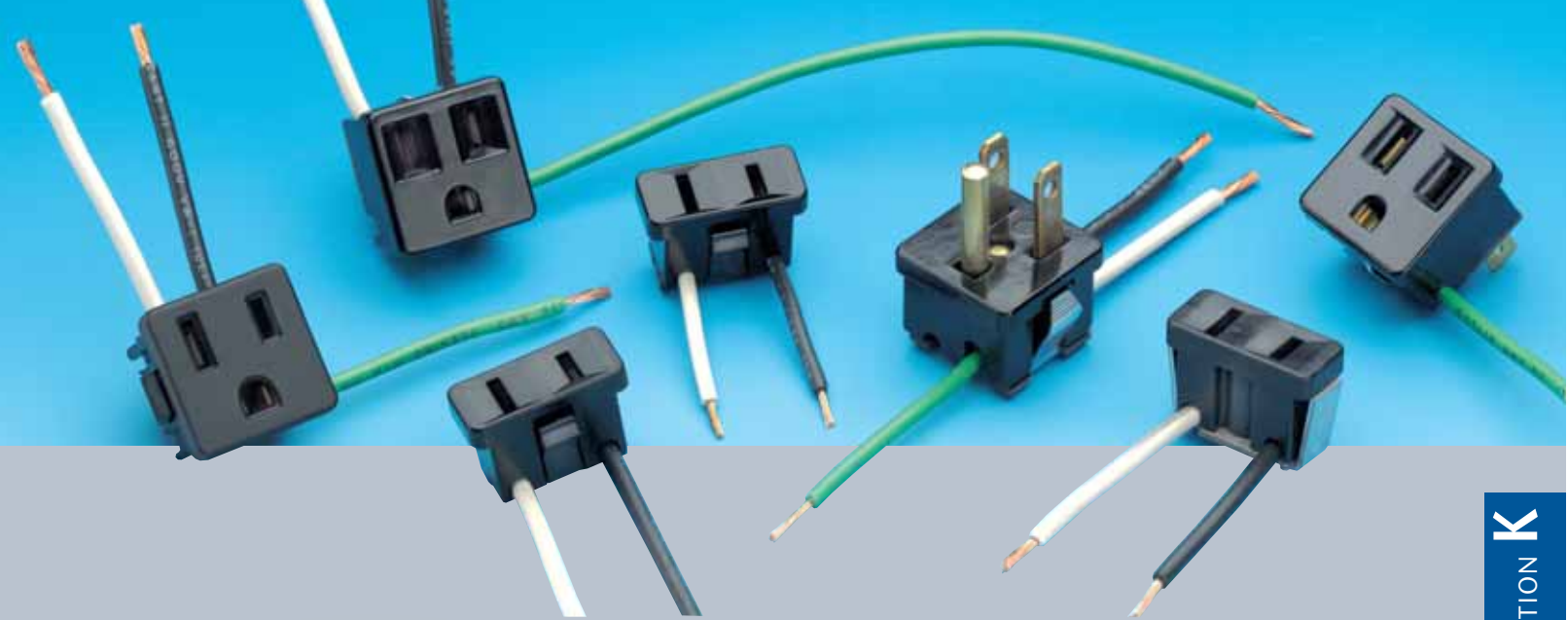






table of contents


Convenience Outlets and Receptacles

Snap-In Convenience Outlets

- 2-Pole, 3-Wire Grounding **K2-K7**
- Grounding Outlet with Grounding Lead **K2-K4, K6-K7**
- Grounding Plug **K5**
- Grounding Outlet with Solder Lug or Screw Terminal Ground. **K6-K7**
- Outlet with Back-Strap Mounting. **K8**
- Flat Head Convenience Outlets **K8**
- Straight Blade Receptacles, Box Mount **K9-K11**
- DIN-Rail Mount Receptacles. **K12**

Quick Guide to Snap-In Outlets and Plugs

Panel Cutout Dimensions	Description	Rating/NEMA	Cat. No.	UL	CSA	NOM	Page No.
.953 x .953 (24.21 X 24.21)	Grounding outlet with grounding lead	15A-125V 5-15R 	1374 (-001 to -204)	✓	✓	✓	K2-K4
			1374 (-500)	✓	✓	✓	K6-K7
.953 x .953 (24.21 x 24.21)	Grounding plug	15A-125V 5-15P 	1373	✓	✓	—	K5
.953 x .953 (24.21 x 24.21)	Grounding outlet with solder lug or screw terminal ground	15A-125V 5-15R 	1374 (-625 to -675)	*	✓	✓	K6-K7
			1374 (-725 to -775)	✓	✓	✓	K6-K7
.969 x .516 (24.59 x 13.11)	Outlets	15A-125V Polarized 1-15R 	306	✓	✓	✓	K8
			1306	✓	✓	✓	K8
			298	*	—	✓	K8

*UL Recognized Component 

NOTE: Dimensions in parentheses are in millimeters. All other dimensions are in inches.

SNAP-IN CONVENIENCE OUTLETS

2-Pole • 3-Wire Grounding



CONVENIENCE OUTLETS
AND RECEPTACLES



1374-001



1374-201



1374-500

Snap-In Convenience Outlets

Body:

Molded plastic, black or white.

Clip:

Plastic serrated clip with integral back cover—for thick panels, or
Steel clip with corrosion-resistant finish. (See below for panel thickness details.)

Steel clip available in three styles:

- Serrated clip
 - .020"-thick pointed clip—for thin metal panels.
 - .025"-thick pointed clip—for plastic or heavier metal panels.
- (For pointed clip: Unless otherwise specified, .025" clip will be standard)

Leads:

Standard leads are: two leads, one black and one white, No. 14 AWG 105°C AWM-TEW plastic insulated wire, 6" long, stripped 1/2"; and one green lead, No. 16 AWG 105°C AWM-TEW plastic insulated wire, 6" long, stripped 1/2". White lead to polarized slot.

For other lead specifications, please state wire type, lead length and stripping.

Special or Optional Terminations

(Plastic Clips not available)

Cat. No. 1374-500: (2) .250" Quick-connect tabs. (1) Green grounding lead, No. 16 AWG 105°C AWM-TEW plastic insulated wire, 6" long, stripped 1/2". (See page K6)

Cat. Nos. 1374-625, -650, -675, -725, -750, -775: Same as above; also ground termination available as screw or solder lug. (See page K6)

Standard pack: bulk.

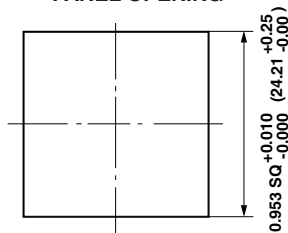
When ordering Cat. No. 1374, please specify:

- Catalog—dash number
- Clip style, and if steel pointed clip, .020" or .025" thick.
- Panel thickness (see diagram below).
- Body color: Black or white. Other colors available on special order based on quantity requirements.
- Style number: 1,2,3 or 4 (See page K3)
- Special marking (on request).
- Leads: Type color, length (dimensions A, B, C & D) stripping (dimensions A1, B1, C1 & D1) terminations (if other than standard) See page K3.

- 15A-125V • UL Listed E-13399
- CSA Certified LR-2781 • NOM Certified 057 • NEMA 5-15R



PANEL OPENING



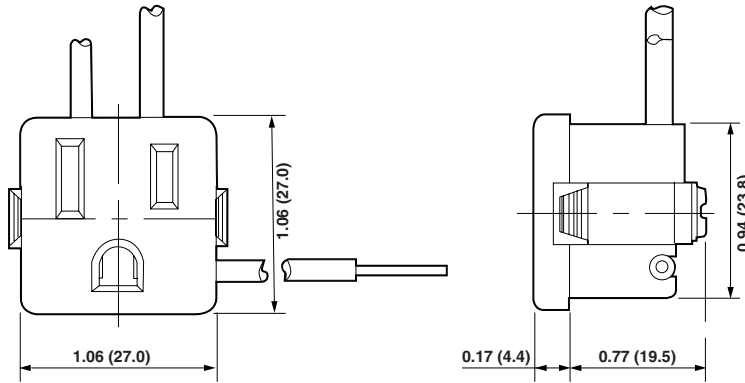
FOR PANEL THICKNESS: .031-.080 (0.79-2.03),
STEEL POINTED OR
STEEL SERRATED CLIP

FOR PANEL THICKNESS: .080-.125 (2.03-3.18),
STEEL SERRATED OR
PLASTIC SERRATED CLIP

IMPORTANT: PLEASE SPECIFY PANEL THICKNESS
AND CLIP STYLE

SNAP-IN CONVENIENCE OUTLETS

2-Pole • 3-Wire Grounding

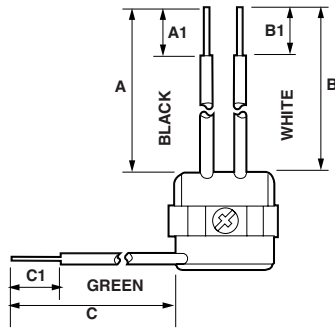


Cat. No. 1374-001

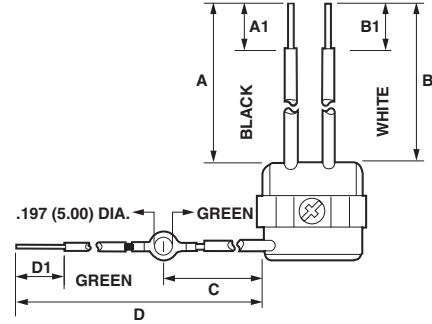


SECTION K

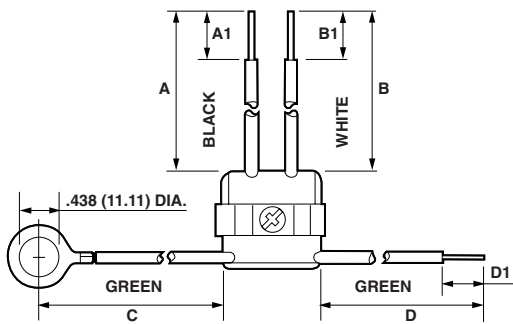
Cat. No.	Style	A	A1	B	B1	C	C1	D	D1
1374-001	1	6 (152.4)	1/2 (12.7)	6 (152.4)	1/2 (12.7)	6 (152.4)	1/2 (12.7)	—	—
1374-002	2	6 (152.4)	1/2 (12.7)	6 (152.4)	1/2 (12.7)	6 (152.4)	—	12 (304.8)	1/2 (12.7)
1374-003	3	6 (152.4)	1/2 (12.7)	6 (152.4)	1/2 (12.7)	6 (152.4)	—	6 (152.4)	1/2 (12.7)
1374-004	4	6 (152.4)	1/2 (12.7)	6 (152.4)	1/2 (12.7)	6 (152.4)	—	6 (152.4)	1/2 (12.7)



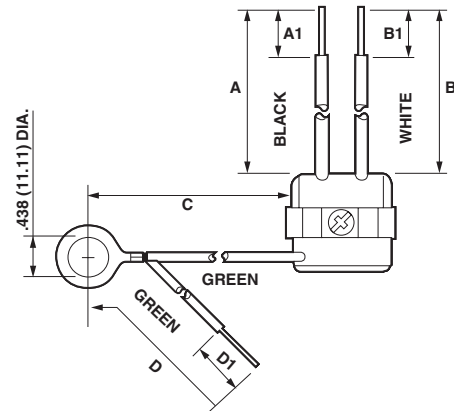
Cat. No. 1374-001 (Style 1)



Cat. No. 1374-002 (Style 2)



Cat. No. 1374-003 (Style 3)



Cat. No. 1374-004 (Style 4)

SNAP-IN CONVENIENCE OUTLETS

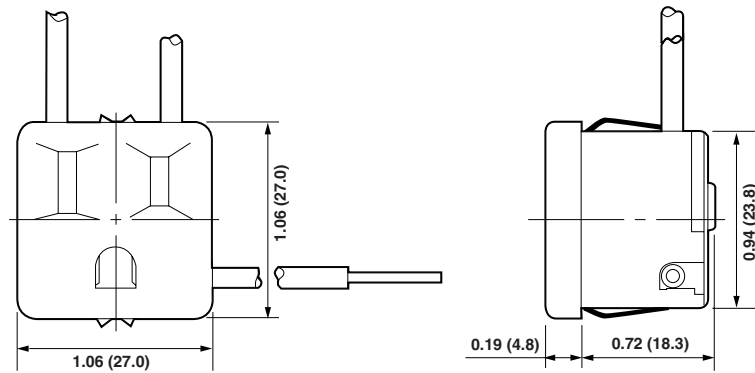
2-Pole • 3-Wire Grounding



CONVENIENCE OUTLETS
AND RECEPTACLES

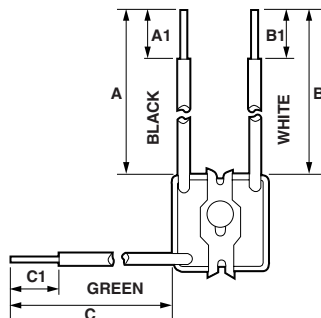


1374-201

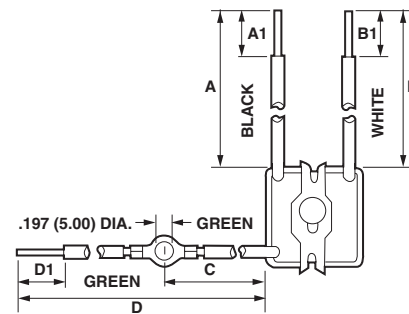


Cat. No. 1374-201

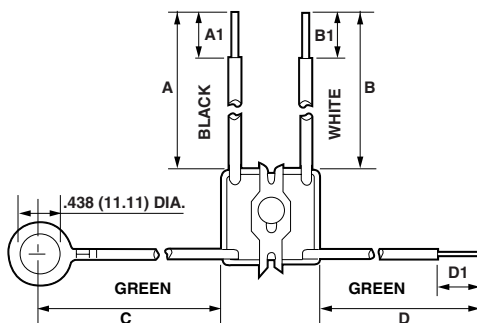
Cat. No.	Style	A	A1	B	B1	C	C1	D	D1
1374-201	1	6 (152.4)	1/2 (12.7)	6 (152.4)	1/2 (12.7)	6 (152.4)	1/2 (12.7)	—	—
1374-202	2	6 (152.4)	1/2 (12.7)	6 (152.4)	1/2 (12.7)	6 (152.4)	—	12 (304.3)	1/2 (12.7)
1374-203	3	6 (152.4)	1/2 (12.7)	6 (152.4)	1/2 (12.7)	6 (152.4)	—	6 (152.4)	1/2 (12.7)
1374-204	4	6 (152.4)	1/2 (12.7)	6 (152.4)	1/2 (12.7)	6 (152.4)	—	6 (152.4)	1/2 (12.7)



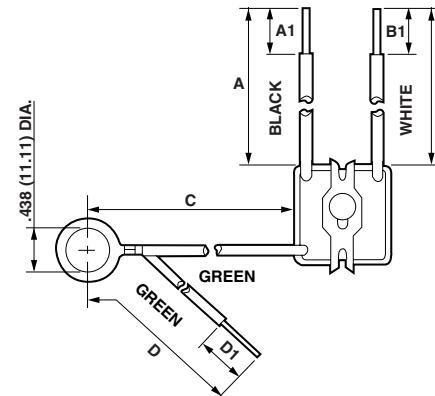
Cat. No. 1374-201 (Style 1)



Cat. No. 1374-202 (Style 2)



Cat. No. 1374-203 (Style 3)



Cat. No. 1374-204 (Style 4)

SNAP-IN CONVENIENCE OUTLETS

2-Pole • 3-Wire Grounding



CONVENIENCE OUTLETS
AND RECEPTACLES

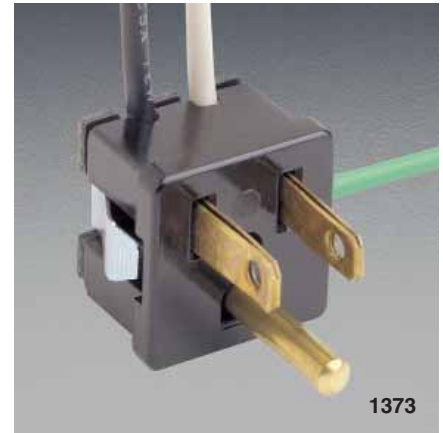
Snap-In Convenience Plug

Cat. No. 1373: 3-wire grounding power plug. Molded plastic body, black or white. Other colors available on special order based on quantity requirements. Steel serrated clip with corrosion-resistant finish. Two blades and grounding pin are brass.

Leads: Standard leads are one black, one white, No. 14 AWG 105°C AWM-TEW plastic insulated wire, 6" long, stripped 1/2"; and one green, No. 16 AWG 105°C AWM-TEW plastic insulated wire, 6" long, stripped 1/2".

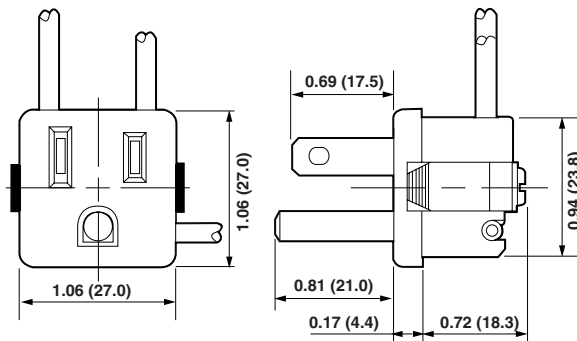
Standard pack: bulk

- 15A-125V • UL Listed E-13393
- CSA Certified LR-2781 • NEMA 5-15P



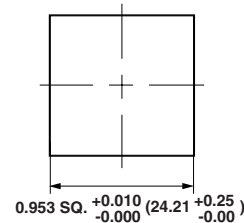
1373

SECTION K



Cat. No. 1373

PANEL OPENING



For .031-.080 (0.79-2.03) Thick Panels Only

SNAP-IN CONVENIENCE OUTLETS

2-Pole • 3-Wire Grounding



CONVENIENCE OUTLETS
AND RECEPTACLES



1374-500

Snap-In Convenience Outlets 1374 Series

Leviton 3-wire grounding outlets are available with serrated or pointed clip styles and wire leads or quick-connect tabs.

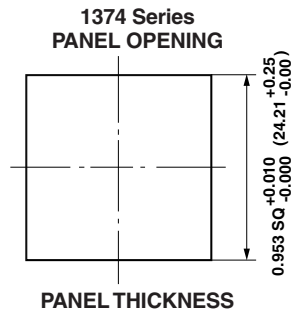
- 15A-125V • CSA Certified LR-2781 • NEMA 5-15R



Devices with solder lugs are UL Recognized E-13399
Cat. No. 1374-500 and devices with terminal screws are
UL Listed E-13399 and NOM Certified 057

Cat. No.	Standard Clip Style	Ground Connection	Hot & Neutral Termination
1374-500	.025" (0.64)* Pointed	6" Wire Lead	Quick Connect Tabs
1374-625	Serrated	Solder Lug	6" Wire Leads
1374-650	.025"(0.64)* Pointed	Solder Lug	6" Wire Leads
1374-675	.025"(0.64)* Pointed	Solder Lug	Quick Connect Tabs
1374-725	Serrated	Screw Terminal	6" Wire Leads
1374-750	.025"(0.64)* Pointed	Screw Terminal	6" Wire Leads
1374-775	.025"(0.64)* Pointed	Screw Terminal	Quick Connect Tabs

*Can also be specified with a .020"(0.51) Pointed Clip.



Important: please specify panel thickness and clip style:

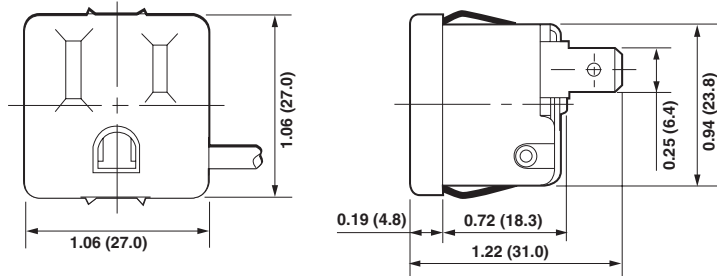
For .031"-.080" (0.79-2.03)—
steel pointed clip or serrated clip

For .080"-.125" (2.03-3.18)—
steel serrated clip only

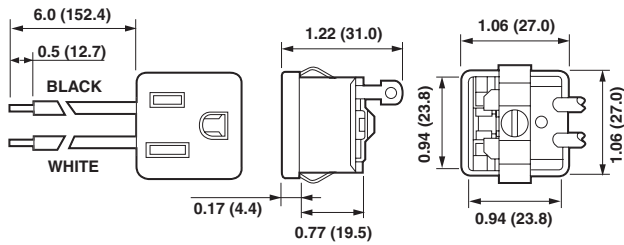
SNAP-IN CONVENIENCE OUTLETS

2-Pole • 3-Wire Grounding

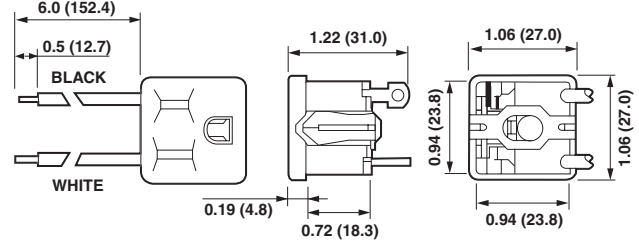
Snap-In Convenience Outlets – 1374 Series



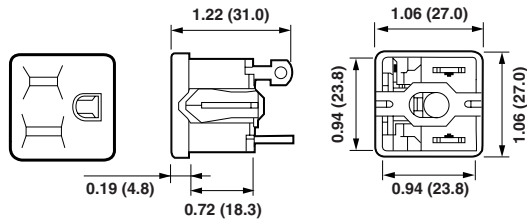
Cat. No. 1374-500 with pointed clip, wire lead and quick connect terminals



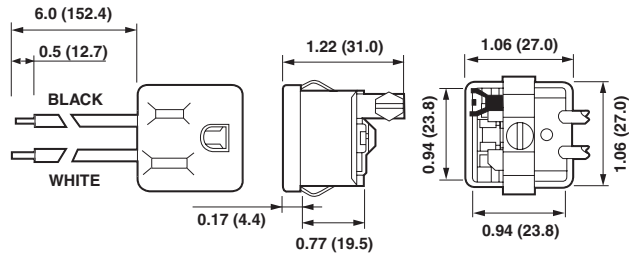
Cat. No. 1374-625 with serrated clip, wire leads, and solder lug ground connection



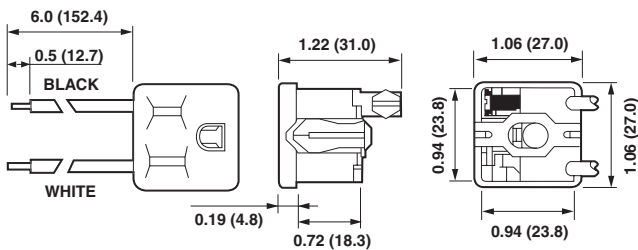
Cat. No. 1374-650 with pointed clip, wire leads, and solder lug ground connection



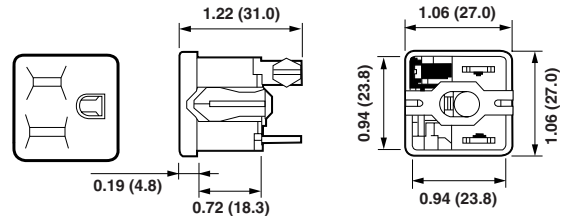
Cat. No. 1374-675 with pointed clip, quick connect terminals, and solder lug ground connection



Cat. No. 1374-725 with serrated clip, wire leads, and screw terminal ground connection



Cat. No. 1374-750 with pointed clip, wire leads, and screw terminal ground connection



Cat. No. 1374-775 with pointed clip, quick connect terminals, and screw terminal ground connection



Back-Strap Mounting

Cat. No. 306: For surface mounting, adapted for use with flat-type plugs. Round plugs may be used when properly protected.

Leads: Standard leads are No. 14 AWG 105°C AWM-TEW plastic insulated wire, 6" long, stripped 3/4", internally soldered. Other leads available on inquiry.

Body: Plastic, black or white.

Clip: Steel with corrosion-resistant finish.

Standard pack: bulk

- 15A-125V Polarized
- UL Listed E-13399
- CSA Certified LR-2781
- NOM Certified 057
- NEMA 1-15R

Cat. No.	Description	Leads
306	Black	14 ga.
306-00W	White	14 ga.

Flat-Head Convenience Outlet

Cat. No. 1306: For snap-in mounting applications where a grounding wire is not required.

Leads: Standard leads are No. 14 AWG 105°C AWM-TEW plastic insulated wire, 6" long, stripped 3/4". Other leads available on inquiry, including straight or 90° orientation.

Body: Plastic, black or white.

Clip: Plastic serrated clip with integral back cover, metal clip is optional.

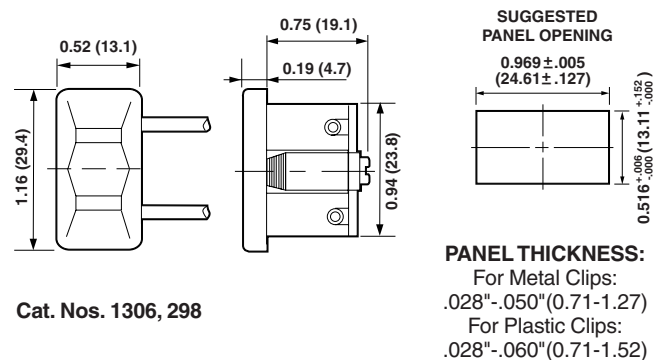
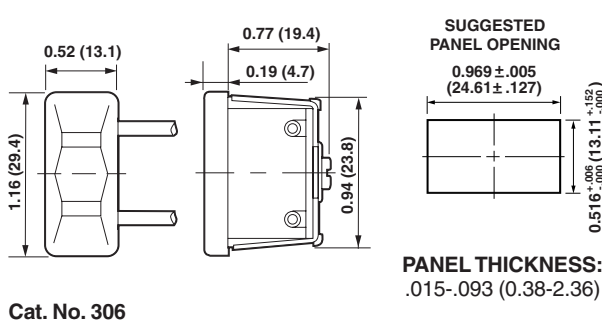
Cat. No. 298: Same specifications as 1306, but with No. 18 AWG leads.

Cat. No. 298-300: 2-pole, 3-wire grounding with No. 18 AWG leads and metal clip.

Standard pack: bulk

- 15A-125V Polarized
- UL Listed E-13399 (Cat. No. 1306)
- UL Recognized Component (Cat. No. 298)
- CSA Certified LR-2781 (Cat. No. 1306)
- NOM Certified 057
- NEMA 1-15R

Cat. No.	Description	Leads
1306	Black	14 ga.
1306-00W	White	14 ga.
298	Black	18 ga.
298-00W	White	18 ga.
298-300	Black	18 ga.



STRAIGHT BLADE RECEPTACLES

Back and Side Wired • Box Mount



CONVENIENCE OUTLETS
AND RECEPTACLES



Back and Side Wired Receptacles

Heavy-duty receptacles with large-head, triple-drive terminal screws, backed out and staked, accept No. 10 copper or copper-clad wire. Back-wiring clamps accept up to No. 10 copper or copper-clad wire. All power contacts are triple wipe for maximum conductivity and plug retention. Features included heavy-gauge, rust-resistant steel mounting strap and captive mounting screws for fast installation.



Standard pack: bulk

- UL Listed E-13399 • CSA Certified LR-406 • NOM Certified 057

15A-125V and 15A-250V Grounding

Cat. No.	Description	Color*	NEMA Configuration
BR15	Duplex Receptacle	I, W, GY, E, A	5-15R 
5088	Single Receptacle	I, A	
5098	Duplex Receptacle	Brown Only	6-15R 
5089	Single Receptacle	I, Brown N/A	

20A-125V and 20A-250V Grounding

Cat. No.	Description	Color*	NEMA Configuration
BR20	Duplex Receptacle	I, W, GY, E, A	5-20R 
5891	Single Receptacle	W	
5824	Duplex Receptacle	I, A	6-20R 
5823	Single Receptacle	I	

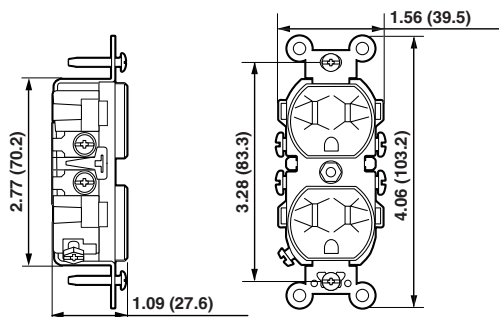
* Basic Cat. Nos. denote Brown color, For other color selections add suffix to catalog number as follows: Ivory (-I), White (-W), Gray (-GY), Black (E), Almond (-A).



BR15

SECTION K

Cat. Nos. BR15, 5098, BR20 and 5824



STRAIGHT BLADE RECEPTACLES

Dual Voltage • Box Mount



CONVENIENCE OUTLETS
AND RECEPTACLES



5844

Dual Voltage Receptacles

Back and side-wired receptacles with large-head, triple-drive terminal screws, backed out and staked, accept No. 10 copper or copper-clad wire. Back-wiring clamps accept up to No. 10 copper or copper-clad wire. All power contacts are triple wipe for maximum conductivity and plug retention. Features included heavy-gauge, rust-resistant steel mounting strap and captive mounting screws for fast installation.

- UL Listed E-13399
- CSA Certified LR-406
- NOM Certified 057

Back and Side-Wired 20A-125V / 20A-250V Grounding

Cat. No.	Description	Color*	NEMA Configuration
5844	Duplex Receptacle, Dual Voltage†	I	5-20R
			6-20R

†Not CSA Certified.

Side-Wired 15A-125V / 15A-250V Grounding

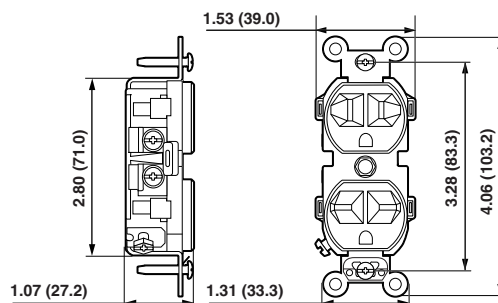
Cat. No.	Description	Color*	NEMA Configuration
5031	Duplex Receptacle, Dual Voltage	I, W	5-15R
			6-15R

20A-125V / 20A-250V Grounding

Cat. No.	Description	Color*	NEMA Configuration
5842	Duplex Receptacle, Dual Voltage	I	5-20R
			6-20R

* Basic Cat. Nos. denote Brown color, For other color selections add suffix to catalog number as follows: Ivory (-I), White (-W).

Cat. Nos. 5031, 5842 and 5844



STRAIGHT BLADE RECEPTACLES

Quickwire Push-In and Side-Wired Box Mount




CONVENIENCE OUTLETS
AND RECEPTACLES

Quickwire Receptacles

Duplex Quickwire receptacles with double-wipe power contacts. Quickwire push-in terminals accept No. 14 solid copper wire only. Heavy-gauge, rust-resistant steel mounting strap. Break-off plaster ears for best flush alignment.

- UL Listed E-13399
- CSA Certified LR-406
- NOM Certified 057

8-Hole Quickwire Push-In 15A-125V Grounding

Cat. No.	Description	Color*	NEMA Configuration
5248-0CP	Duplex Receptacle	I, W	5-15R 
5248-004	Duplex Receptacle, Less Plaster Ears	I, W	5-15R 



SECTION K

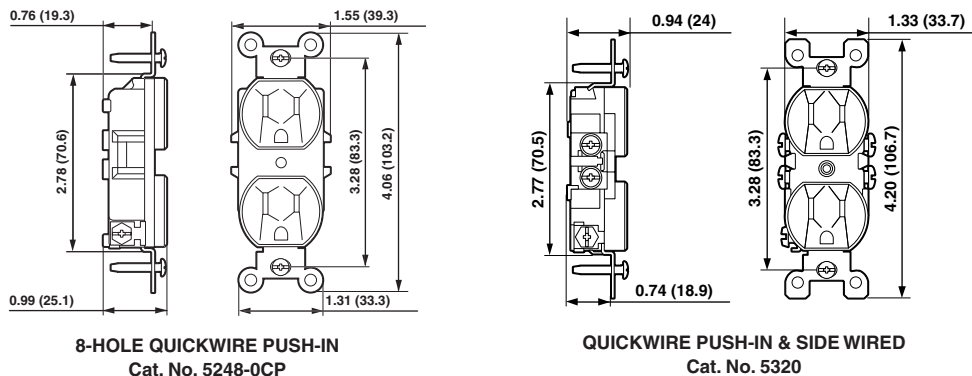
Quickwire Push-In and Side-Wired 15A-125V Grounding

Cat. No.	Description	Color*	NEMA Configuration
5320-0CP	Duplex Receptacle, All Screws Backed Out	I, W, A, E	5-15R 
5320-00S	Duplex Receptacle, Self-Grounding	I, W, A	5-15R 
5320-004	Duplex Receptacle, Less Plaster Ears†, All Screws Backed Out	I, W	5-15R 



†Not CSA Certified.

* Basic Cat. Nos. denote Brown color, For other color selections add suffix to catalog number as follows: Ivory (-I), White (-W), Almond (-A), Black (-E).





16252-DIN

DIN-Rail Receptacle Modules for Equipment-Cabinet Mounting

Ideal for cord-connected test equipment and portable computers, DIN-rail duplex receptacle module offers plug-in convenience. Receptacle modules are designed for use on 120V single-phase AC power sources. Incoming Line, Neutral and Ground are hardwired into terminal block on top of enclosure. Constructed with impact-resistant thermoplastic cover that comes in black only. Smooth Decora face reduces dirt build-up and simplifies cleaning.

Note: Other DIN-Rail Receptacle Modules are available:

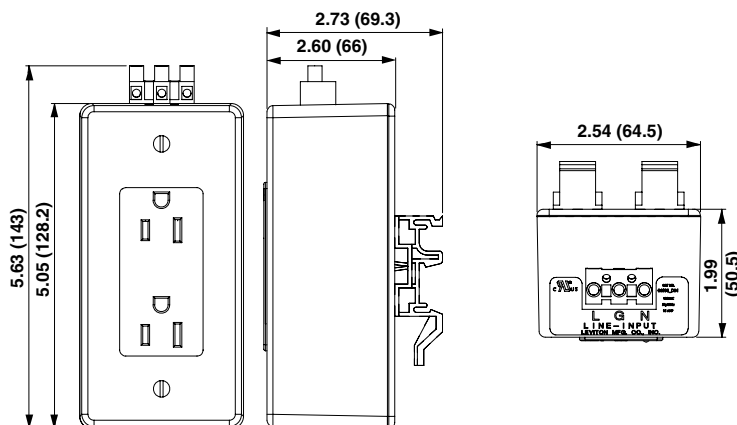
For Hospital Grade Surge Protected Duplex Receptacle (Cat. No. 3880-DIN), see page M2.

For GFCI Protected SmartLock Duplex Receptacle Module (Cat. No. 8598-DIN), see page L7.

- cURus Recognized Component • UL 498 Listed
- CSA Certified 152105 • NOM Certified 057

15A-125V

Cat. No.	Description	NEMA Configuration
16252-DIN	DIN-Rail Mount Industrial Grade Duplex 15A-125V Receptacle Module. Black enclosure with Gray receptacle.	5-15R



Cat. No. 16252-DIN



table of contents

Personnel Protection Products

Leviton Manufacturing Company has been leading the industry for over thirty years in the development of safeguards to help protect against electrical shock. One safeguard widely used in numerous applications is the ground fault circuit interrupter, or GFCI. Every edition of the National Electric Code contains new and revised conditions requiring GFCI protection. Leviton has responded to the growing demand for shock protection devices by developing its advanced technology SmartLock® line, GFCI cord sets and other products to meet the most stringent application requirements.

Leviton has long recognized the importance of setting and maintaining the highest production and performance standards possible for its GFCI devices. Each model is engineered and constructed to meet or exceed stringent industry standards, such as UL 943, as well as Leviton's own demanding quality assurance criteria. Our Quality Assurance team has designed and built unique computerized GFCI test stations for use at Leviton production facilities. Our production facilities are registered to the ISO 9002 International standard.

Right-Angle GFCI Plugs	L2
GFCI Extension Cords—Manual and Automatic Reset	L3
High Current SmartLock® GFCI	L4-L5
Panel-Mount GFCI	L6
SmartLock® GFCI	L7
LCDI Cord Sets for Portable Air Conditioners	L8

NOTE: Dimensions in parentheses are in millimeters. All other dimensions are in inches.



16593



16594 (open)

Right-Angle GFCI Plugs

Features:

- UL Standard 943 Class A GFCI with open neutral protection
 - Right-angle design provides ease of use in a variety of locations
 - Ideal for use with spa units, high pressure washers, building maintenance equipment, submersible pumps, and a wide variety of portable equipment
 - Available with manual reset or automatic reset. Manual reset versions will not reset to ON after power interruption, helping to avoid potential accidents with power tools
 - Accepts 3-wire flexible cord, SJT type only No. 18 (.300")–No. 12 (.450") cord diameter range
 - Ultrasonically welded housing and wiring terminal chamber sealed with silicone rubber gaskets for superior protection against moisture and dust
 - Specially designed Raintight-While-in-Use Cover, NEMA 3R rated, available to protect right-angle GFCI plug when used in wet locations
- UL Recognized Component E-48380 • 15A Units also CSA Certified LR-57811

Automatic Reset Right-Angle GFCI Plug — Black Body

Cat. No.	Description/Rating	NEMA Configuration
16592	15A-125V Right-Angle GFCI Plug	1-15P
16593	15A-125V Right-Angle GFCI Plug	5-15P
16893	20A-125V Right-Angle GFCI Plug	5-20P

* Also available pre-assembled with cord as special order.

Manual Reset Right Angle GFCI Plug — Black Body

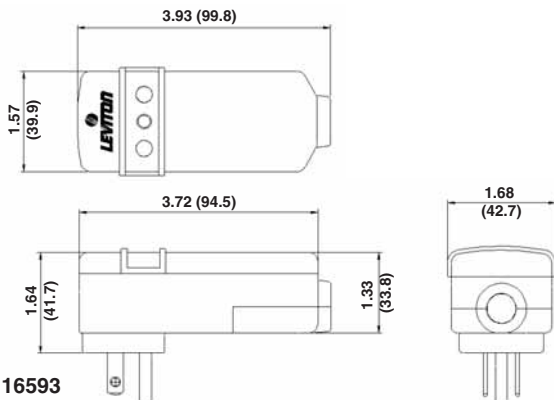
Cat. No.	Description/Rating	NEMA Configuration
16594	15A-125V Right-Angle GFCI Plug	5-15P
16894	20A-125V Right-Angle GFCI Plug	5-20P

* Also available pre-assembled with cord as special order.

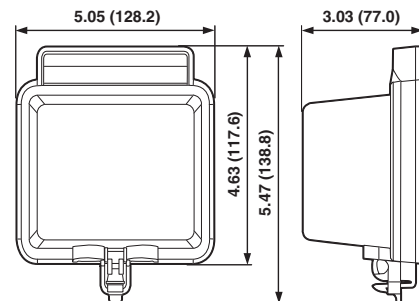
Raintight-While-in-Use Cover — Clear

Cat. No.	Description/Rating
86593	Raintight-While-In-Use Cover, designed for use with Right-Angle GFCI Plugs

• UL Recognized Component E-48380, 15A units also CSA Certified LR-57811



Cat. No. 16593



Cat. No. 86593

Automatic and Manual GFCI Cord Sets – Black Body

Features:

Automatic Reset GFCI Cord Sets and Extension Cords

- Automatically resets ON after power interruption
- Available in 2-ft, 6-ft and 25-ft lengths except where indicated














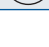
Manual Reset GFCI Cord Sets

- Will not reset to ON after power interruption, helping to avoid potential accidents with power tools
- Water-resistant SJTW-A cable, yellow (14/3 for 15A, 12/3 for 20A)
- Available in 3-ft and 25-ft lengths
- Models available with Wetguard® plugs and connectors for outstanding corrosion resistance where water and moisture are present

- UL Listed E-48380 • 15A Units also CSA Certified LR-5781 • NOM Certified 057













Automatic Reset – Black Body

Cat. No.	Description/Rating	Length (In Feet)	NEMA Configuration	
			Plug End	Connector End
GFA15-02C	15A-125V GFCI Cord Set	2'	5-15P 	5-15R 
GFA15-06C	Same as above	6'		
GFA15-25C	Same as above	25'		
GFA15-3TC	15A-125V Triple-tap Cord Set	3'	5-15P 	5-15R 
GFA20-03C	20A-125V GFCI Cord Set	3'	5-20P 	5-20R 
GFA15-3LC	15A-125V GFCI Cord Set	3'	L5-15P 	L5-15R 
GFA20-3LC	20A-125V GFCI Cord Set	3'	L5-20P 	L5-20R 
GFA15-37E	15A- 125V GFCI Extension Cord	37'	5-15P 	No Connector
GFA15-35E	15A-250V GFCI Extension Cord	35'	6-15P 	No Connector
GFA20-37E	20A-125V GFCI Extension Cord	37'	5-20P 	No Connector
GFA20-35E	20A-250V GFCI Extension Cord	35'	6-20P 	No Connector





Manual Reset GFCI Cord Sets – Black Body

Cat. No.	Description/Rating	Length (In Feet)	NEMA Configuration	
			Plug End	Connector End
GFM15-03C	15A-125V GFCI Cord Set	3'	5-15P 	5-15R 
GFM15-25C	Same as above	25'		
GFM15-3TC	15A-125V Triple-tap GFCI Cord Set	3'	5-15P 	5-15R 
GFM20-03C	20A-125V GFCI Cord Set	3'	5-20P 	5-20R 
GFM15-3WC	15A-125V GFCI Cord Set with Wetguard™ Plug and Connector	3'	5-15P 	5-15R 
GFM15-25W	Same as above	25'		
GFM20-3WC	Rated 20A-125V GFCI Cord Set with Wetguard™ Plug and Connector	3'	5-20P 	5-20R 

Automatic Reset GFCI with Remote Test/Reset Module

Ideal for large equipment or vending machines where access to test/reset buttons may be difficult.

Cat. No.	Description	NEMA Plug Configuration	Connector
GFA15-Rxx	15A-125V Cord Set with IEC 320 Connector, available in cord lengths as specified by customer	5-15P 	IEC 320 



8895

SmartLock® High-Current GFCI Adds Ground-Fault Protection to Heavy Equipment

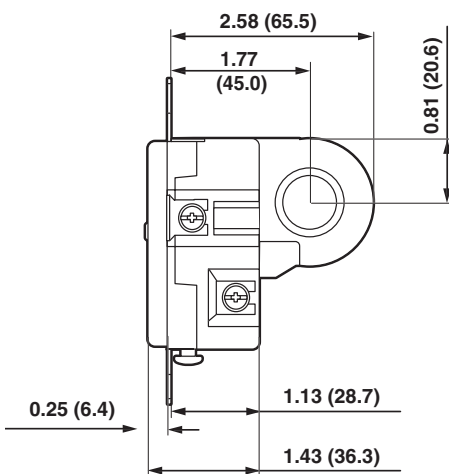
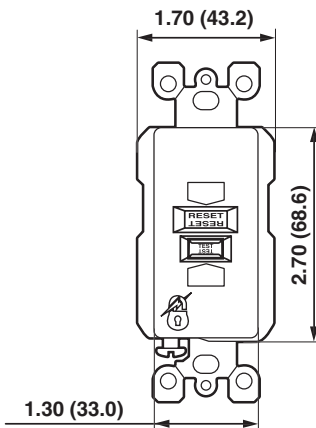
Dedicated Only for 3- and 4-Wire Systems That Include Grounded Neutral

Leviton's High-Current GFCI provides critical ground fault protection for OEM's to add to spas and industrial equipment as required by the National Electrical Code. It features the same internal circuitry as other back and side wired GFCI receptacles, but works by tripping a relay unit supplied by the manufacturer rather than tripping the motor directly. Developed for equipment with current requirements of up to 80 amperes, Cat. No. 8895 is UL-recognized and requires a 120VAC line-side feed for sensor electronics to operate. Conductors for the equipment pass through the Sense Transformer (donut) in the back of the GFCI. The sensor monitors current flow between all conductors. When a current imbalance caused by a ground fault of more than 5mA (± 1 mA) occurs, the GFCI trips the relay, disconnecting power to the equipment.

NOTE: Each Cat. No. 8895 and contactor or relay combination MUST be approved by UL. See Table 1 for 50-amp relays and Table 2 for 80-amp relays that have been approved for use with Cat. No. 8895.

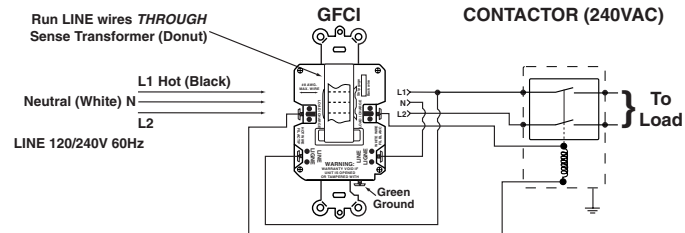
Features:

- Adds ground fault protection to heavy equipment
- Contact rating at GFCI: 20-125V; load capability with 125V control relay 80A @ 240V max.
- TEST and RESET buttons confirm proper operation
- Ideal for use with spas, heater packs, high pressure washers, industrial mixers and other equipment

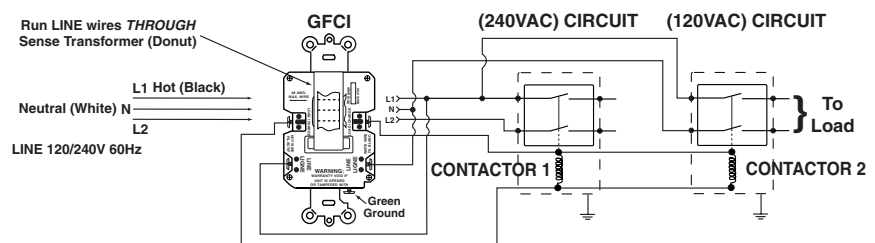


Cat. No. 8895

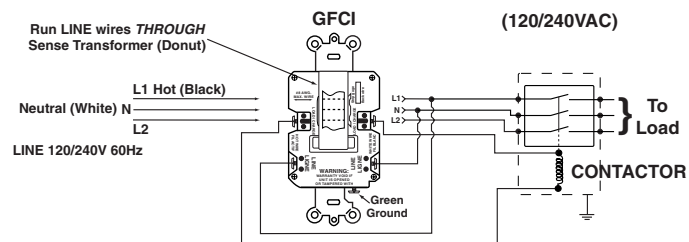
80 AMP GFCI WIRING DIAGRAM 1—240V LOAD ONLY



80 AMP GFCI WIRING DIAGRAM 2—MULTIPLE CONTACTORS



80 AMP GFCI WIRING DIAGRAM 3—120/240V CIRCUIT WITH ONE 3-POLE CONTACTOR



50-Amp and 80-Amp Auxiliary Relay (Contactor) Information

Features:

- The contactors below have been tested in accordance with UL Standard 943 for GFCI's. No other relays can be substituted
- No loads other than the 120V contactor coils may be connected to the Cat. No. 8895 load terminals
- Indicator Lights used on the load terminals of Cat. No. 8895 must be rated no higher than 7.5W. Higher ratings on the load terminals will slow the response time of contactors

Cat. No. 8895

- **Rated: 80A-120/240VAC, 60 Hz** maximum load using an Auxiliary Relay (not supplied). GFCI Load Terminals are used to supply relay coils at 125V, 60 Hz up to a maximum of 0.6 amperes.
- **Voltage: 120/240VAC, 60 Hz**
- **UL Recognized Component** #E-48380

Manufacturer	Cat. No.	Full Load Amp Rating	Volts	Poles
Joslyn Clark	A77-306657A-1	30	240	2
Joslyn Clark	A77-306680A	20	240	2
Joslyn Clark	A77-288520A-1	50	240	3
Joslyn Clark	A77-309046A-221	50	240	3
Potter & Brumfield	P31E42AQ0105	50	240	3
Square D	DP32V02	28	240	2
Furnas	45CA20AF	20	240	2
Furnas	42CE35AF106	40	240	3
Furnas	45CG20AF	20	240	2
Furnas	45DG20AF	20	240	2
Furnas	45EG20AF	30	240	2
Furnas	45FG20AF	30	240	2
Furnas	45GG20AF	33	240	2
Products Unlimited	3300-20T15 100	30	240	2
Products Unlimited	3300-30T15 100	40	30	3

Table 1 – 50 AMPS

- The GFCI can protect up to a maximum of 50 amps using any combination of the Contactors listed in Table 1
- Maximum short-circuit rating of 2000 amps

Manufacturer	Cat. No.	Full Load Amp Rating	Resistive Amp Rating	Max. Fuse Size	Wire Size
Joslyn Clark	A77-288520A-1	75	90	80	4
Furnas	42FE35AF106	75	93	80	4
Joslyn Clark	A77-309046A-221	50	50	50	6
Products Unlimited	3300-30J10-100CL	40	50	50	6
Products Unlimited	3300-20T6-100	30	40	40	8
Square D	DP32V02	30	40	40	8
Joslyn	A77-306657-A1	30	40	40	8
Furnas	45DG20AF	25	35	35	8
Joslyn Clark	A77-306680A-1	20	30	30	10

Table 2 – 80 AMPS

- The GFCI can protect up to a maximum of 80 amps using any combination of ONLY the Contactors listed in Table 2
- Maximum short-circuit rating of 5000 amps



36596



36895

Panel Mount GFCI

This GFCI configuration is designed for installation in any application where tampering with the GFCI must be avoided or where other GFCI cord-connected or hard-wired devices are not appropriate. The compact 36596 is supplied with leads for easy location and installation between LINE and LOAD inside equipment housings. Special moisture-resistant TEST and RESET buttons, as well as the power indicator light, are located on the front of the device. These must be exposed when mounted.

Features:

- Impact-resistant yellow thermoplastic housing
- Class A GFCI operation
- Provides open-neutral protection
- GFCI automatically resets after power interruption
- Power indicator light goes OFF if GFCI trips or unit is unplugged

Cat. No. 36596

- 20A-125V AC • UL Recognized Component E-48380
- UL Standard: 943 Class A GFCI with open-neutral protection

Panel Mount GFCI for Theater Dimming Systems

Provides personnel protection for lighting loads controlled by phase-control dimmers. Conveniently mounts on standard lighting equipment panels that are widely used in entertainment industry settings. Powered by a separate 120VAC line that is isolated from the dimming-controlled lighting load, this innovative circuit design enables Cat. No. 36895 to provide UL Class A GFCI protection regardless of dimmer setting.

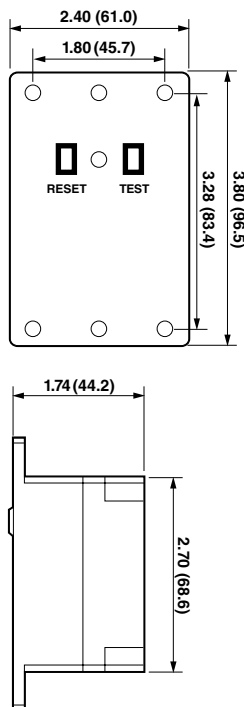
Backed by Leviton's One-Year Limited Warranty.

Features:

- Rugged, impact-resistant thermoplastic high-visibility yellow housing with moisture-resistant TEST and RESET buttons
- Trip threshold of 5mA±1mA
- Open-neutral protection ensures GFCI will trip if there is a break in the neutral conductor feeding power to the GFCI
- GFCI automatically resets after power interruption
- Power indicator light goes OFF if GFCI trips or unit is unplugged
- Patented circuit for phase-control dimming applications

Cat. No. 36895

- 20A-125V AC • UL Recognized Component E-48380
- UL Standard: 943 Class A GFCI with open-neutral protection • CSA Certified LR-57811



Cat. Nos. 36596 & 36895

SmartLock® GFCI Receptacles

SmartLock Advanced GFCI Receptacles protect against ground fault shock hazard from frayed wiring, damaged appliances and tools, and contact with dampness, where electrical contact might be made that would provide a path to ground through a human body. GFCIs are available with or without an indicator light on the face of device, which serves as a built-in test lamp and indicates unit is powered. Matching wallplates can be supplied with all GFCIs.

All SmartLock receptacles feature:

- Tough, impact-resistant construction
- Trip threshold of 5mA ± 1mA
- Silver alloy contacts.
- Terminal screw connections (except 8599-L series, which is equipped with 4 1/2 inch leads)
- Back and side wired
- **UL Listed E-48380, UL Standards:** 943 Class A (GFCI) & 498 (Receptacle)
- **CSA Certified LR-57811** • **NOM Certified 057**



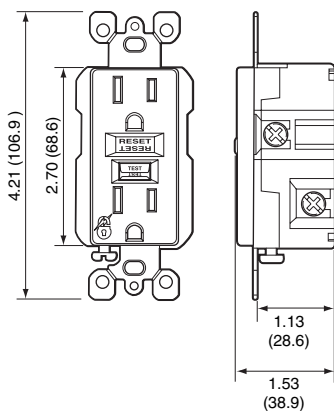
8598-W

Hospital Grade GFCIs include all the features above, plus:

- UL Listed Hospital Grade High Abuse Receptacle Construction

Switch-Rated Feed-Through GFCI

Cat. No. 8590 GFCI has no receptacle slots and is switch rated for 1.5 HP at 120 volts. The TEST/RESET button is suitable for switching (TEST = OFF ~ RESET = ON) when there is a need to switch a load or downstream receptacles. Improved noise immunity helps prevent false-tripping and is specially designed for spa applications.



Cat. No. 8599

Cat. No. Brown	Cat. No. Ivory	Cat. No. White	Cat. No. Gray	Cat. No. Red	Cat. No. Almond	Cat. No. Black	Description
NEMA 5-15R 15A-125V AC at receptacle, 20A-125V AC feed-through							
8598	8598-I	8598-W	8598-GY	----	8598-A	8598-E	Indicator Light
8599	8599-I	8599-W	8599-GY	----	8599-A	8599-E	No indicator light
----	8599-LI	8599-LW	----	----	----	----	Black/Red Buttons No indicator light, with 4 1/2" leads
NEMA 5-20R 20A-125V AC at receptacle and feed-through							
8898	8898-I	8898-W	----	----	8898-A	----	With indicator light
8899	8899-I	8899-W	8899-GY	----	8899-A	8899-E	No indicator light
----	8899-SGI	8899-SGW	----	----	----	----	No indicator light, w/self-grounding clip
HOSPITAL GRADE NEMA 5-15R 15A-125V AC at receptacle, 20A-125V AC feed-through							
8598-HG	8598-HGI	8598-HGW	8598-HGG	8598-HGR	8598-HGA	8598-DIN (DIN-rail mount)	With indicator light
HOSPITAL GRADE NEMA 5-20R 20A-125V AC at receptacle and feed-through							
8898-HG	8898-HGI	8898-HGW	8898-HGG	8898-HGR	8898-HGA	----	Indicator light
FEED-THROUGH 20A-125V AC feed-through only, switch rated 1.5 HP @ 120V							
----	8590-I	8590-W	----	----	8590-A	8590-XE	Blank face, no indicator light With noise immunity for SPA applications

SECTION L

LCDI CORD SETS FOR PORTABLE AIR CONDITIONERS



PERSONNEL PROTECTION PRODUCTS



LD151

Leakage Current Detector Interrupter (LCDI) Cord Sets for Portable Room Air Conditioners

Help Protect Users From Fire Due to a Damaged Power Supply Cord

LCDI cord sets for portable room air conditioners incorporate detection electronics and an interrupter mechanism that cuts power when the cord's safety limits are compromised and current leakage occurs. To ensure protection of users who might come in contact with the cord's compromised insulation, the tripped device cannot be reset until the unsafe electrical situation is rectified. LCDI cord sets provide a reliable way to protect users from fire hazard due to damaged power cords on cord-connected portable room air conditioners, including window/sleeve, windowless, spot cooler and PTAC types.

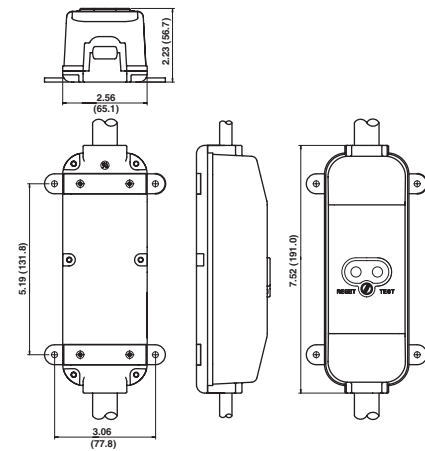
They meet cord compliance requirements for portable air conditioners incorporated into UL-484* that applies to all portable air conditioners manufactured after August 1, 2004.

* A cord-connected single-phase room air conditioner shall be provided with a factory installed LCDI or AFCI protection to reduce the risk of fire due to arcing faults in the power supply cord.

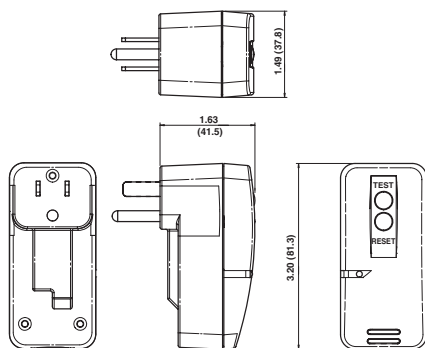
Features:

- LCDI technology provides enhanced immunity to false tripping
- Available factory-wired to customer's specifications for color, length and termination
- Compact LCDI housing of high-impact polycarbonate accepts #18-#10 cord sizes depending on model
- Tripped LCDI cannot be reset until the unsafe electrical situation is rectified (cord set should be replaced with new LCDI cord set)
- Power indicator light goes OFF if LCDI trips or unit is unplugged
- Backed by Limited 1-Year Warranty

- UL Recognized Component E-217793
- Meets all requirements of NEC 2002-Article 440.65
- Meets all requirements of UL-484



Cat. No. LD302



Cat. No. LD151 (shown)
Cat. No. LD202

Cat. No.	Rating		LCDI Cord Set Description
LD151	NEMA 5-15P 15A-125V		Wire gauges available: 18, 16, 14 Custom colors, lengths and terminations
LD152	NEMA 6-15P 15A-250V		Wire gauges available: 18, 16, 14, 12 Custom colors, lengths and terminations
LD201	NEMA 5-20P 20A-125V		Wire gauges available: 18, 16, 14, 12 Custom colors, lengths and terminations
LD202	NEMA 6-20P 20A-250V		Wire gauges available: 18, 16, 14, 12 Custom colors, lengths and terminations
LD302	NEMA 6-30P 30A-250V		Wire gauges available: 12, 10 Custom colors, lengths and terminations



Surge Protective Devices

For Original Equipment Manufacturers

Leviton Wired-Module Surge Protective Devices are specially designed for use by OEM's who wish to incorporate integral transient voltage surge suppression as a feature of their products. Our experienced engineering staff can also work with OEM's to adapt any of Leviton's state-of-the-art Surge Protective Devices for their equipment needs.

Transient voltage surges are present on AC power and communication lines within every facility. These transient voltage surges are particularly threatening to a wide variety of modern electronic equipment.

See your Leviton OEM representative today for detailed information on Leviton's broad selection of Surge Protective Devices.

table of contents

Equipment Cabinet Devices	M2-M3
Wired-Module Devices	M4-M6
Wired-In Devices for Traffic Signal Control	M7
Wired-In Devices for Low-Voltage Communication Protection Modules	M8-M9
Rack-Mount Devices	M10-M11
Surge Arresters	M12

NOTE: Dimensions in parentheses are in millimeters. All other dimensions are in inches.

SECTION

M

LEVITON

Industrial Grade

Equipment-Cabinet Surge Protective Devices

Modules are designed for mounting in standard equipment cabinets where transient voltage surge suppression is desired for the enclosed equipment. Compact black-box styling coordinates with other mounted equipment. The MOV-based suppression circuitry provides optimum clamping. Three-module choice: either DIN-rail mounting, terminal block wiring or wire leads.

Backed by a Limited 10 Year Warranty

Cat. No. 3800 Series

- UL Recognized Component tested to UL 1449 Standard
- CSA Certified

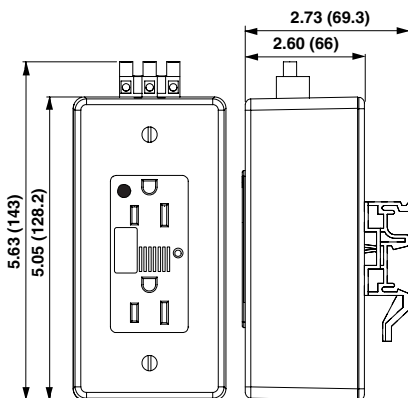


3800

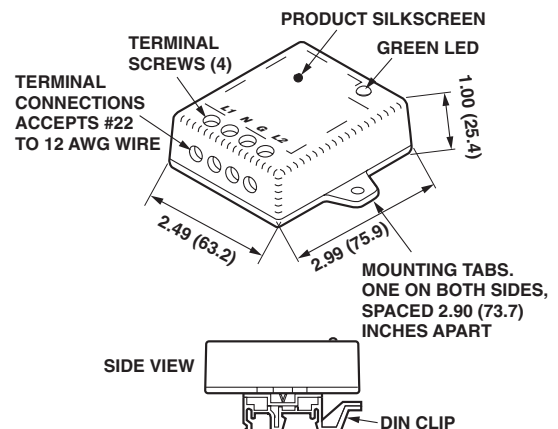


3880

Description	Cat. No.	Nominal Rating
For DIN Rail Mounting, with Terminal Block	3800-DIN	120V AC
Terminal Block	3800-OWM	120V AC
Pigtail Wire Leads	3800-OEM	120V AC
For DIN Rail Mounting, with Terminal Block; 12V DC	3812-DIN	12V DC
Terminal Block; 12V DC	3812-OWM	12V DC
Pigtail Wire Leads, 6" long; 12V DC	3812-OEM	12V DC
For DIN Rail Mounting, with Terminal Block; 24V DC	3824-DIN	24V DC
Terminal Block; 24V DC	3824-OWM	24V DC
Pigtail Wire Leads, 6" long; 24V DC	3824-OEM	24V DC
For DIN Rail Mounting, with Terminal Block; 240V AC	3840-DIN	240V AC
Terminal Block; 240V AC	3840-OWM	240V AC
Pigtail Wire Leads, 6" long; 240V AC	3840-OEM	240V AC
For DIN Rail Mounting, with Terminal Block; 48V DC	3848-DIN	48V DC
Terminal Block; 48V DC	3848-OWM	48V DC
Pigtail Wire Leads, 6" long; 48V DC	3848-OEM	48V DC
Duplex Hospital Grade NEMA 5-15R Receptacle	3880-DIN	120V AC
For DIN Rail Mounting, with Terminal Block		



Cat. No. 3880-DIN



Cat. No. 3840-DIN

AC Module Data

Specification	Cat. No. 3800	Cat. No. 3840	Cat. No. 3880
Rated line voltage	120V (VRMS)	240V (VRMS)	125V (VRMS)
Maximum continuous operating voltage	135V	250V	150V (RMS)
Maximum single-pulse transient current (8x20µs, Amps peak)	1300A (L-N) 6500A (L-G) 6500A (N-G)	1300A (L-N) 6500A (L-G) 6500A (N-G)	24kA (L-N) 12kA (L-G) 12kA (N-G)
Rated single-pulse transient Energy (10x100µs, impulse)	280 Joules	280 Joules	320 Joules
Noise rejection @ 5kHz-5MHz	-35db	-35db	-35db

AC Clamping Performance

Specification	Cat. No. 3800	Cat. No. 3840	Cat. No. 3880
UL Standard 1449 permanently wired test (8x20µs, 3000A)	L-N: 500V Peak L-G: 500V Peak N-G: 500V Peak	L-N: 330V Peak L-G: 400V Peak N-G: 330V Peak	L-N 400V Peak L-G 400V Peak N-G 400V Peak

Wiring Means:

Nos. 3800-DIN, 3800-OWM: Terminal block accepts 22 AWG to 12 AWG conductors

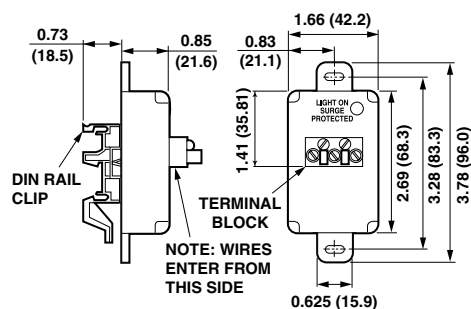
No. 3800-OEM: #16 AWG leads, 6" long, stripped 1/2".

DC Module Data

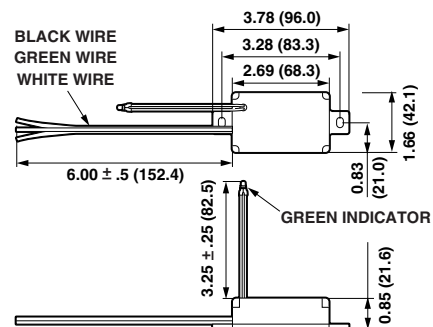
Cat. No.	Max. DC Operating Voltage	(+) to (-) Clamping	Maximum Surge Current
3812-DIN, -OWM, -OEM	13.2V DC	17V Peak	10A
3824-DIN, -OWM, -OEM	26.4V DC	33V Peak	10A
3848-DIN, -OWM, -OEM	52.8V DC	70V Peak	10A

Physical Specifications

Operating Temperature Range: -10°C to 60°C
Storage Temperature Range: -20°C to 85°C



Cat. No. 3800-DIN



NOTE: ALL DIMENSIONS ARE FOR REFERENCE ONLY
REFER TO PART DRAWINGS FOR SPECIFICATIONS

Cat. No. 3800-OEM

Industrial Grade

Wired-Module Surge Protective Devices



51020-0WM

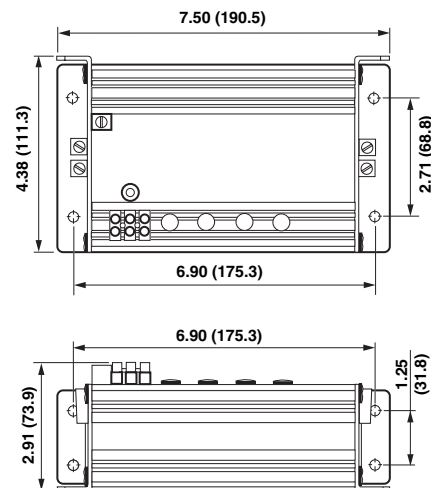
Ideal for equipment manufacturers who wish to incorporate 120/240V surge protection as a product feature or provide surge protection to branch circuits. These compact units have extruded aluminum housings for mechanical strength in demanding applications, real-time diagnostics for visual display of power and suppression status, as well as a built-in acoustic alarm that sounds if surge protection is lost. Additional features include: staged multi-component surge suppression circuitry with clamping envelope that follows AC sine-wave, thermal-fuse protection for primary and secondary suppression circuits. Also available with DIN rail mounting.

Backed by Leviton's Limited Ten-Year Warranty

Cat. Nos. 51020 & 51240

- UL Recognized Component E-146315 tested to UL 1449 Standard
- Cat. No. 51020 also • CSA Certified LR-80198M7-8M

Description	Cat. No.	Nominal Rating
1 Phase 3-Wire	51020-0WM	20A 120V AC
1 Phase 3-Wire, with DIN-rail mounting	51020-DIN	20A 120V AC
1 Phase 3-Wire	51240-0WM	20A 240V AC
1 Phase 3-Wire, with DIN-rail mounting	51240-DIN	20A 240V AC



Cat. Nos. 51020-0WM, 51240-0WM, 51020-DIN & 51240-DIN

General Data

Industrial Grade

Cat. No.	Rated Line Voltage (VRMS)	MCOV
51020-0WM	120V AC (20 Amps max. load)	150V
51020-DIN	120V AC (20 Amps max. load)	150V
51240-0WM	240V AC (20 Amps max. load)	270V
51240-DIN	240V AC (20 Amps max. load)	270V

Performance Specifications

Specification	51020-0WM 51020-DIN	51240-0WM 51240-DIN
Max. single-pulse transient current (8x20µs Amps peak)	L-N: 52kA L-G: 52kA	L-L: 52kA L-G: 52kA
Noise Rejection @ 50 Ohms 5k to 100Mhz Normal and Common Mode	-20 to -30	-40 to -50
Operating Frequency Range	50, 60Hz	50, 60Hz

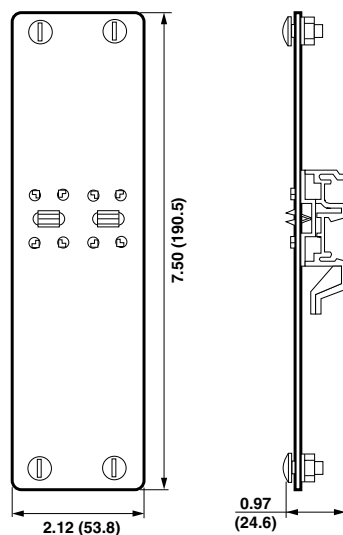


Clamping Performance

Specification	51020-0WM 51020-DIN	51240-0WM 51240-DIN
UL 1449 ratings	L-N: 330V L-G: 330V N-G: 400V	L-L: 600V L-G: 600V
Fault current rating (AIC rating assigned per UL)	5000A	5000A

Physical Specifications

Operating Temperature Range:	-10°C to 60°C
Storage Temperature Range:	-20°C to 85°C
Dimensions (LxWxD):	7.5" (190.5) x 2.34" (59.44)
Termination Means:	Screw terminals accept 14AWG to 12AWG conductors



Cat. Nos. 51020-DIN & 51240-DIN



51005-DIN

Wired Module Surge Protective Devices

Industrial Grade

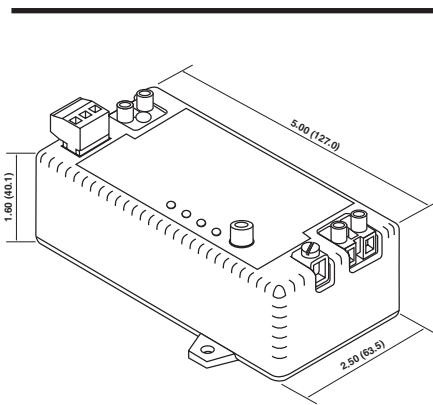


Modules are designed for industrial environments and OEM applications, with extruded aluminum housing for mechanical strength and real-time diagnostics for visual display of power and suppression status. Built-in acoustic alarm sounds if surge protection is lost. Staged multi-component surge suppression circuitry provides clamping envelope that follows AC sine wave contour. Equipped with dry relay contacts for remote monitoring. Also available with DIN rail mounting.

Backed by Leviton's Limited 10-Year Warranty

Cat. Nos. 51005 & 51010 Series

- UL Recognized Component E-146315 tested to UL 1449 Standard
- CSA Certified LR-94773



Cat. Nos. 51005 & 51010 Series

Description	Cat. No.	Nominal Rating
1 Phase 3-Wire	51005-0WM	5A 120V AC
1 Phase 3-Wire	51005-DIN	5A 120V AC
1 Phase 3-Wire	51010-0WM	10A 120V AC
1 Phase 3-Wire	51010-DIN	10A 120V AC

General Data

Cat. No.	Rated Line Voltage (VRMS)	MCOV
51005-0WM	120V AC (5 Amps max. load)	150V
51005-DIN	120V AC (5 Amps max. load)	150V
51010-0WM	120V AC (10 Amps max. load)	150V
51010-DIN	120V AC (10 Amps max. load)	150V

Performance Specifications

Specification	51005-0WM 51005-DIN	51010-0WM 51010-DIN
Max. single-pulse transient current (8x20ms Amps peak)	L-N: 26kA L-G: 13kA N-G: 13kA	L-N: 26kA L-G: 13kA N-G: 13kA
Noise Rejection @ 50 Ohms 10k to 100Mhz Normal and Common Mode	-20 to -40	-20 to -40
Operating Frequency Range	50, 60Hz	50, 60Hz

Clamping Performance

Specification	51005-0WM	51010-0WM
UL 1449 ratings	L-N: 400V L-G: 400V	L-L: 400V L-G: 400V
Fault current rating (AIC rating assigned per UL)	5000A	5000A

Physical Specifications

Operating Temperature Range:	-10°C to 60°C
Storage Temperature Range:	-20°C to 85°C
Dimensions (LxWxD)	5.00" (127.0) x 1.60" (40.1) x 2.50" (63.5)
Termination Means:	Screw Terminals accept 14AWG to 12AWG conductors

Traffic Signal Control Surge Protective Device

Industrial Grade

The 51020-WMT is a surge protective device for use in traffic signal control equipment. It offers a quick, cost-effective turnkey solution to the problem of transient voltage surges causing malfunctions in traffic signal control systems. Features include real-time diagnostics with visual and acoustic alarms if surge protection is lost, as well as LED indication of open ground line or reverse polarity. The device is parallel operated and can be connected to any 120V single-phase service regardless of ampacity. Surge Protector Performance-tested to ANSI/IEEE C62.31 standards for categories A, B and C environments.

Backed by Leviton's Limited Ten-Year Warranty

Cat. No. 51020-WMT

- UL Listed tested to UL 1449 Standard
- CSA Certified



51020-WMT

General Data

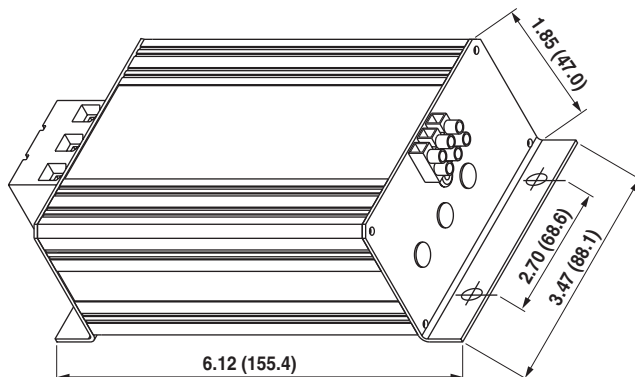
Specification	Cat. No. 51020-WMT
Rated line voltage	120V (VRMS)
Maximum continuous operating voltage	150V AC
Maximum single-pulse transient current (8x20µs, Amps peak)	L-N: 26kA L-G: 26kA
Rated single-pulse transient energy (10x1000µs, impulse)	L-N: 320J L-G: 320J
Noise rejection @ 50 Ohms 5k to 100MHz Normal and Common Mode	-40 to -50
Operating Frequency Range	50, 60Hz

Clamping Performance

Cat. B3 combination wave (8x20µs) peak clamping voltage	L-N: 300V L-G: 350V
UL 1449 ratings	L-N: 330V L-G: 400V

Physical Specifications

Operating Temperature Range:	-10°C to 60°C
Storage Temperature Range:	-20°C to 85°C
Wiring Means: Line, neutral and ground terminals accept up to 6 AWG gauge wire.	



Cat. No. 51020-WMT

SECTION M



3420-009

Communication Protection Modules— Low Voltage

Industrial Grade



For Factory Automation and Industrial Control

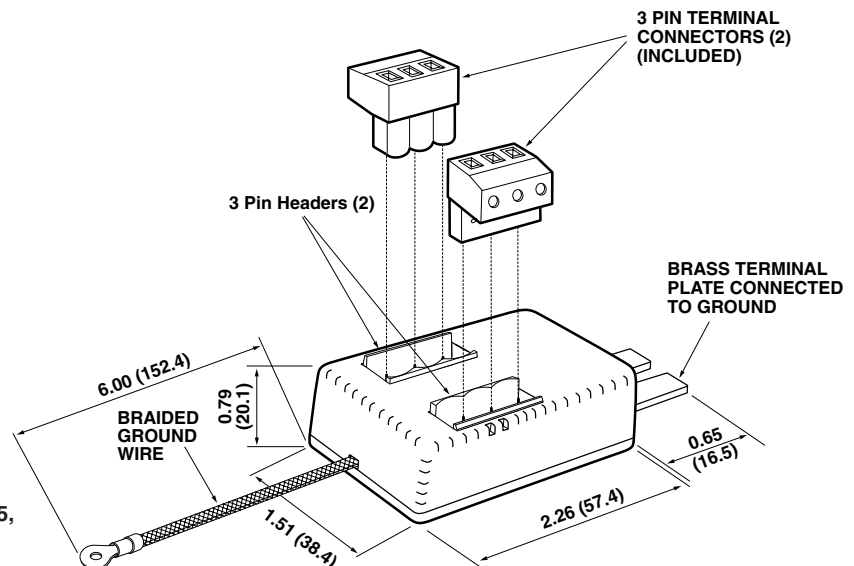
Leviton Surge Protective Devices are designed to provide transient voltage surge suppression for a comprehensive selection of programmable logic devices and other computer-related data network products. All units are UL 497B Listed and CE marked for data communication circuits. They provide low clamping voltages and withstand high transient current surges that may be encountered by equipment in harsh electromagnetic environments or regions with high exposure to lightning.

- UL 497B Listed E-175161
- CE Marked
- CSA Certified LR-94773

Catalog Number	Application
3803-DHP†	For Data Highway and Remote I/O networks, sometimes referred to as Blue Hose*
3803-485†	For Allen-Bradley DH-485 networks
3803-SPX	For SERIPLEX Control Bus networks
3803-CAN	For Honeywell Canada networks
3803-MOD	For Modbus and Modbus Plus networks
3420-009†	For 4-20ma Signal Loop networks, 9V DC
3420-035†	For 4-20ma Signal Loop networks, 35V DC
3860-GEF	For GE Fanuc Control Bus networks
3861-ETH	For Ethernet PLC ports and CAT 3 networks
3862-CON	For ControlNet networks
3863-DEV	For DeviceNet networks

* Trademark Allen Bradley

† Referenced with the Rockwell Automation Encompass Program, which references complementary products from third party manufacturers committed to providing quality products and services that enhance the Rockwell Automation Solution products and solve the industrial automation needs of mutual customers.



Cat. Nos. 3803-MOD, 3803-DHP, 3803-485, 3420-009 & 3420-035

Communication Protection Modules— Low Voltage

Industrial Grade



For Factory Automation and Industrial Control



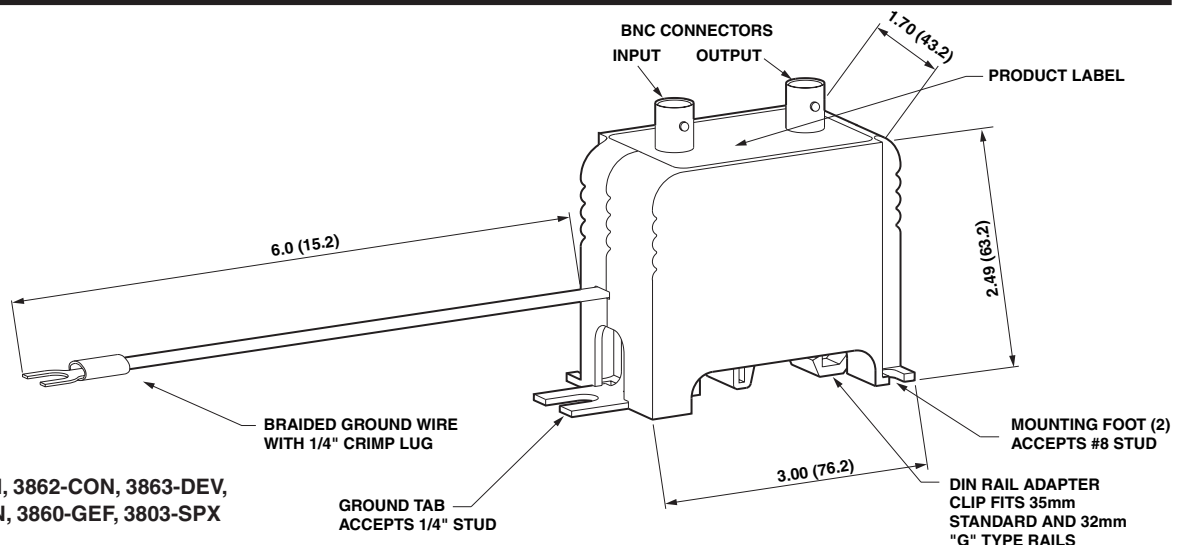
Catalog Number	Max DC Operating Voltage		Clamping Voltage		Surge current (1 pulse)	Capacitance	
	L-G	L-L	L-G	L-L		L-G	L-L
3803-DHP	9.6V DC	—	81V	—	1kA	53pf	53pf
3803-485	9.6V DC	—	81V	—	1kA	53pf	53pf
3803-SPX	13.6V DC	30V DC	130V	123V	1kA	—	53pf
3803-CAN	25V DC	—	105V	45V	1kA	28pf	20pf
3803-MOD	9.6V DC	—	81V	—	1kA	53pf	53pf
3420-009	9.6V DC	—	81V ¹	—	1kA	53pf	53pf
3420-035	38.5V DC	—	155V ²	—	1kA	53pf	53pf
3860-GEF	100V DC ³	16V DC ⁴	205 ³	61V ⁴	1kA	20pf	17pf
3861-ETH	19.8V DC	5.6V DC	119V	56V	1kA	20pf	17pf
3862-CON	9.18V DC	9.18V DC ⁵	62V	37V	1kA	53pf	53pf
3863-DEV	19.8V DC	5.6V DC	119V	56V	1kA	28pf	20pf

SECTION M

Physical Specifications

	3803-DHP, 3803-485, 3803-MOD 3420-009, 3420-035	3803-SPX, 3803-CAN, 3860 Series
Operating Temperature Range:	-40°C to 60°C	-10°C to 85°C
Storage Temperature Range:	-40°C to 90°C	-20°C to 85°C

- NOTES: ¹ 11.8V @ .01kA
² 50V @ .01 kA
³ Serial 1 L-G (shield out) & Serial 2 L-G (shield out)
⁴ Serial 1 Line- Serial 2 Line
⁵ Line-Shield



Cat. Nos. 3861-ETH, 3862-CON, 3863-DEV,
3803-CAN, 3860-GEF, 3803-SPX



19-inch Rack-Mount Surge Protective Devices

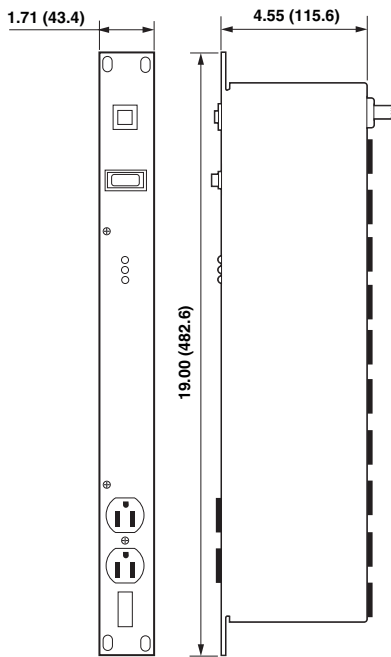
Industrial Grade

Mounts on 19" equipment racks to provide point-of-use surge suppression for electronic equipment. Clamping profile tightly tracks AC sine wave. Provides 6 protected duplex receptacles—5 in back, 1 in front. Available with easy-access ON/OFF rocker-style switch, or without switch to avoid unnecessary equipment switching. Resettable circuit breaker protects against overloading and power supply failure. Provides 12-ft. line cord with either NEMA 5-15P, L5-15P, 5-20P or L5-20P plug.

Backed by a Lifetime Limited Downline Warranty.

Cat. No. 5500 Series

- UL Recognized Component tested to UL 1449 Standard
- CSA Certified



Cat. No. 5500-190

Description	Cat. No.	Rating
With ON/OFF Switch, NEMA 5-15P Straight Blade Plug	5500-190	15A 120V
With ON/OFF Switch, NEMA 5-15P Straight Blade Plug	5505-190	15A 120V
Without ON/OFF Switch, NEMA 5-15P Straight Blade Plug	5500-15N	15A 120V
With ON/OFF Switch, NEMA L5-15P Locking Plug	5500-15L	15A 120V
Without ON/OFF Switch, NEMA L5-15P Locking Plug	5500-NL	15A 120V
With ON/OFF Switch, NEMA 5-20P Straight Blade Plug	5500-192	20A 120V
Without ON/OFF Switch, NEMA 5-20P Straight Blade Plug	5500-20N	20A 120V
With ON/OFF Switch, NEMA L5-20P Locking Plug	5500-20L	20A 120V
Without ON/OFF Switch, NEMA L5-20P Locking Plug	5500-2NL	20A 120V

General Data

Specifications	5500-190, 5505-190, 5500-15N, 5500-15L, 5500-NL	5500-192, 5500-20N, 5500-20L, 5500-2NL
Rated line voltage (VRMS)	120V	120V
Load current	15A	20A
Max. continuous operating voltage	135V	135V
Operating frequency range	50, 60Hz	50, 60Hz
Circuit type	Staged multi-component, series	Staged multi-component, series

Clamping Performance—Normal Mode followed by (Common Mode)

Specifications	All 5500 Rack-Mount Devices	5505-190
Max. single-pulse transient current (8x20µs, Amps peak)	52kA	20kA
EM/RFI noise rejection @ 50 Ohms 5kHz-100MHz	50-60dB (30-40dB)	50-60dB (30-40 dB)
UL 1449 ratings (8x20µs @ 3kA (L-N/L-G, N-G))	330/330/330	400/400/400

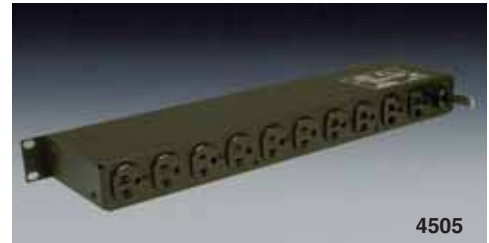
19-Inch Rack Mount Multi-Outlet Devices (Non-Surge)

Industrial Grade

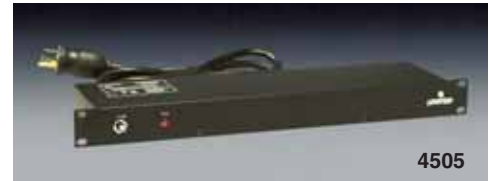
Mounts on 19" equipment racks and has 5 duplex receptacles. Designed without a switch to avoid unnecessary equipment switching. Features include 20A locking plug to prevent accidental power loss to connected equipment, LED to indicate power light is on and 20A circuit breaker for protection against overloading.

Cat. No. 4505 Series

- UL Recognized Component tested to UL 1363 Standard
- CSA Certified



4505



4505

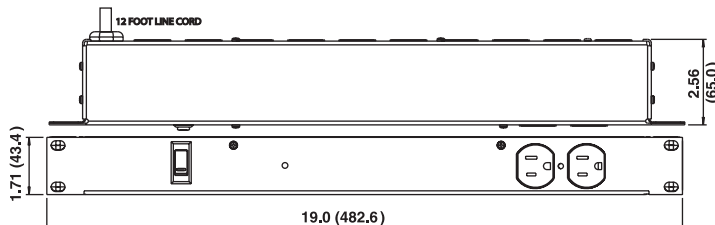
Description	Cat. No.	Rating
19" Rack-Mount Power Center with 7 1/2-ft. Cord	4505-20L	20A 125V
19" Rack-Mount Power Center with 10-ft. Cord	4505-20T	20A 125V



Multi-Outlet Power Strips

Leviton has a large selection of Multi-Outlet Power Strips for your OEM needs. The selection includes surge-protected and non-surge strips in a variety of lengths. Call your OEM representative for more information.

SECTION M



Cat. No. 4505



54175-SSA

Secondary Surge Arresters for Industrial and Commercial Environments

Industrial Grade

Leviton's Secondary Surge Arresters are ideal for use in agricultural, oil/petrochemical and construction industries, helping to prevent external power surges from entering buildings, transformers and submersible pumps. Built of high-impact, non-conductive, fiberglass-reinforced polycarbonate, the rugged, compact units come with 18" pigtail wires and are easy to install. Available with and without LED's and audible alarms.

Cat. Nos. 54175, 55175 & 55650 Series

- UL Listed E-146315 tested to UL (OWHX) Secondary Surge Arresters & IEEE C62.11 Standards
- CSA Certified LR-94773 • ANSI/IEEE C-62.11



55175-ASA

Description	Cat. No.	Rating
Secondary Surge Arrester	54175-SSA	120/240, 200A
Secondary Surge Arrester w/LED's and Audible Alarm	55175-ASA	120/240, 200A
Secondary Surge Arrester	55175-SSA	120/240, 200A

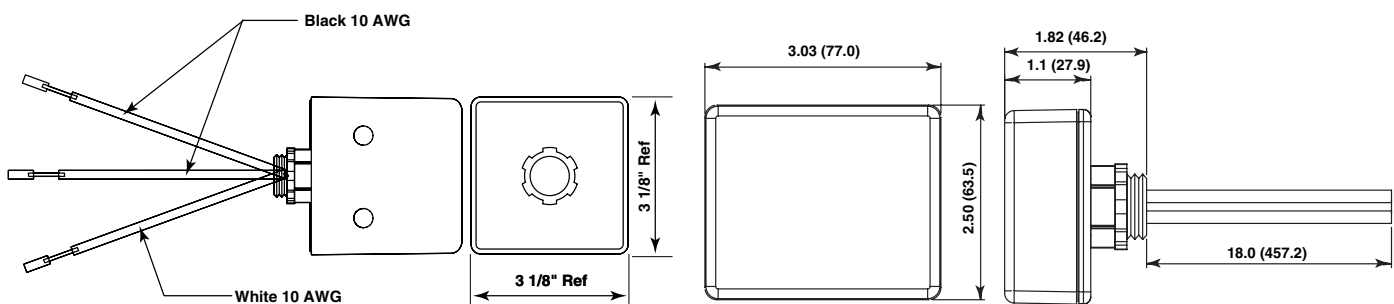
Performance Specifications:

Cat. No.	MCOV	UL 1449 (2nd Ed) Impulse 6kV/500A	Max. Surge Current (Test w/8x20ms Wave)
54175-SSA	150V AC*	L-N: 400V	L-N: 52kA
55175-ASA	180V AC	L-N: 400V	L-N: 70kA
55175-SSA	180V AC	L-N: 400V	L-N: 70kA

* MOV's rated at 150V. UL assigns a derated MCOV of 132V for surge arrester applications.

Physical Specifications

Operating Temperature Range: -10°C to 60°C
 Storage Temperature Range: -20°C to 85°C



55175 Series

54175 Series



table of contents

Lighting Controls

Architectural Specification Dimmers	N2-N3
Traditional Lighting Controls	N4-N7
Lamp Dimmer/Heater Controls	N8
Table-Top and Lamp Cord Dimmers	N9
Dimmer Sockets	N10
Occupancy Sensors	N11-N13

This is just a sampling of the Lighting Controls available. For a catalog of the complete selection, contact your Leviton OEM representative.

NOTE: Dimensions in parentheses are in millimeters. All other dimensions are in inches.



80800

Renoir™ Incandescent Architectural Preset Slide Dimmers

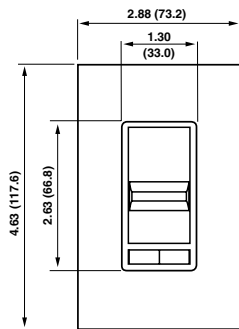
Commercial Grade

Smooth-action, linear slide control provides easy, precise operation. Available in single-pole (one location) and 3-way (multi-location) versions.

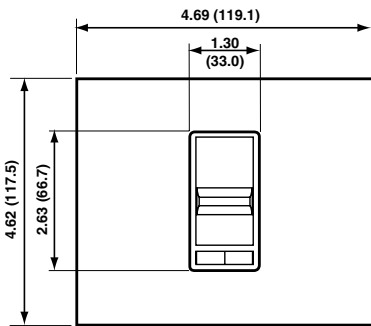
Features:

- ON/OFF rocker switch turns lights ON at last selected brightness level
- 3-way dimmer is used with standard 3-way ON/OFF switch
- Snap-on cover conceals heatfins
- Fins are easily removed for multi-gang applications
- Large radio/TV interference filter
- Fits into standard wallbox
- Illuminated versions available

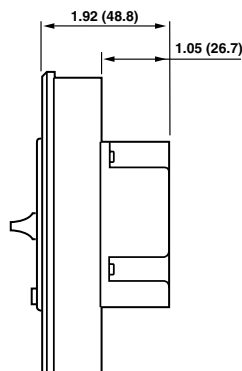
- 120V AC 60 Hz • UL Listed E-31373 • CSA Certified LR-3413 • NOM Certified 057



Cat. No. 80800, 81000



Cat. No. 81500, 82000



Side View

Description	Cat. No.	Rating	Color*
Narrow Fin			
Renoir Single-Pole	80800	800W	I, W, GY
Renoir 3-Way	80800-3	800W	I, W, GY
Renoir Single-Pole	81000	1000W	I, W, GY
Renoir Single-Pole, Illuminated	81000-L	1000W	I, W
Renoir 3-Way	81000-3	1000W	I, W, GY
Renoir 3-Way, Illuminated	81000-L3	1000W	I, W
Wide Fin			
Renoir Single-Pole	81500	1500W	I, W, GY
Renoir Single-Pole	82000	2000W	I, W, GY

Renoir Architectural Fin Width: Narrow: 2.88" (73.2 mm)–Wide: 4.69" (119.1 mm)

* Color: Add suffix to catalog number as follows for color selections: Ivory (-I), White (-W), Gray (-GY).

NOTE: Sharing a neutral wire may cause flickering. Connect all dimmers to the same phase or run a separate neutral to each phase. Consult Leviton Techline if problems persist. When ganging these dimmers, no derating is necessary except on those units which have had both sets of snap-off fins removed. These shall be derated as follows:

81000 Series	800 Watts max. per unit
81500 Series	1300 Watts max. per unit
82000	1800 Watts max. per unit

Van Gogh™ Incandescent Architectural Rotary Dimmers

Commercial Grade

Classic rotary architectural-style dimmer is a popular choice in many installations. Available in Rotary ON/OFF (single-pole only) and Push-ON/Push-OFF (single-pole and 3-way) versions.

Features:

- Positive ON-OFF switching
- Smooth, clockwise rotary action controls brightness
- 3-way version is used with a standard 3-way ON/OFF switch
- Snap-on cover conceals heat fins
- Color-matched dimmer control knob with gold insert
- Fins are easily removed for multi-gang applications
- Fits in standard wall box
- Large radio/TV interference filter

- 120V AC 60 Hz • UL Listed E-31373 (62000 File E-66800) • CSA Certified LR-3413
- NOM Certified 057

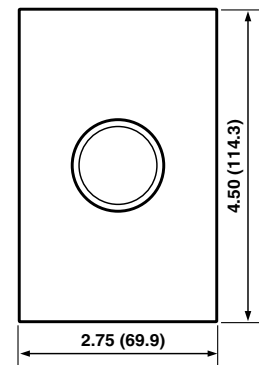
Description	Cat. No.	Rating	Color*
Narrow Fin			
Van Gogh Single Pole Rotary	60800	800W	I, W
Van Gogh 3-Way Push-ON/ Push-OFF	60800-3	800W	I, W
Van Gogh Single-Pole Rotary	61000	1000W	I, W
Van Gogh 3-Way Push ON/Push OFF	61000-3	1000W	I, W
Wide Fin			
Van Gogh Single Pole Rotary	61500	1500W	I, W
Van Gogh Single Pole Rotary	62000	2000W	I, W

Van Gogh Architectural Fin Width: Narrow: 2.75" (69.9 mm)–Wide: 4.56" (115.8 mm)

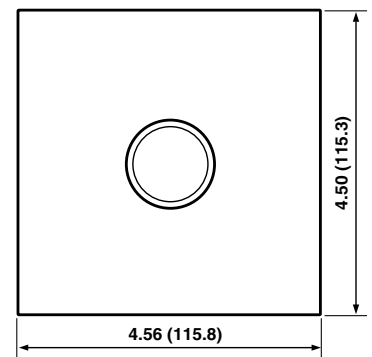
* Color: Add suffix to catalog number as follows for color selections: Ivory (-I), White (-W).

NOTE: Sharing a neutral wire may cause flickering. Connect all dimmers to the same phase or run a separate neutral to each phase. Consult Leviton Techline if problems persist. When ganging these dimmers, no derating is necessary except on those units which have had both sets of snap-off fins removed. These shall be derated as follows:

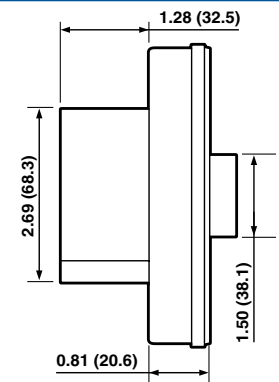
61000 Series	800 Watts max. per unit
61500	1300 Watts max. per unit
62000	1800 Watts max. per unit



Cat. No. 60800, 61000



Cat. No. 61500, 62000



Side View

SECTION N



IPI06-LAW

IllumaTech™ Decora® Preset Slide Dimmers

Commercial Grade

IllumaTech Lighting Controls are compatible with all Decora designer-style devices. Preset versions provide an easy-to-use pushbutton switch with locator LED that's easy to find in the dark. All IllumaTech Preset Dimmers provide single-pole (one location) and 3-way (multi-location) control when used with a 3-way switch.

Features:

- Fluid slide movement allows fine adjustment of light level with minimum effort
- Captured, wrap-around slide bar stays in place and cannot fall off during use
- Attractive Decora styling blends with any interior
- Compatible with Decora screwless and Decora standard designer wallplates
- Snap-On Color Change Kits allow color changes on any device, eliminating the need to stock a separate device for every available color
- Dimmers are packaged with 2 colors in 1 box. For other colors, order Color Change Kits

- UL Listed E-31373 • CSA Certified LR-3413

Single Pole and 3-Way

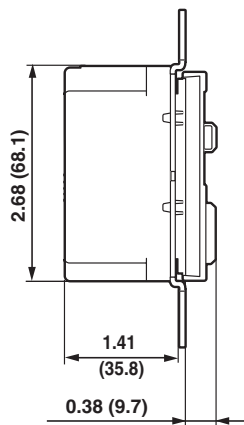
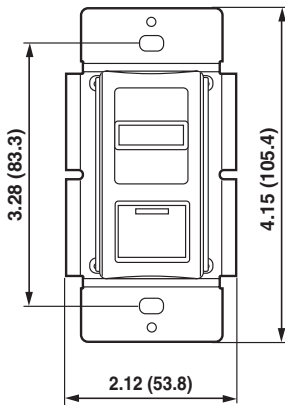
Description	Cat. No.	Rating	Color*
IllumaTech Incandescent, With LED Locator	IPI06-LAW	600W	W + A
	IPI06-LEI	120V AC 60 Hz	I + E
IllumaTech Incandescent, With LED Locator	IPI10-LAW	1000W	W + A
	IPI10-LEI	120VAC 60 Hz	I + E
IllumaTech Electronic Low-Voltage, with LED Locator	IPE04-LAW	400VA (320W) 120V AC 60 Hz	W + A
IllumaTech Magnetic Low-Voltage, with LED Locator	IPM06-LAW	600VA (450W) 120V AC 60 Hz	W + A
IllumaTech Magnetic Low-Voltage, with LED Locator	IPM10-LAW	1000VA (800W) 120V AC 60 Hz	W + A
IllumaTech Advance Mark 7™ 0-10V Fluorescent Dimming Ballast, with LED Locator	IP710-DAW	1200VA @ 120V AC 60Hz; 1500VA @277V AC 60 Hz	W + A
IllumaTech Advance Mark 10™ Powerline Fluorescent Dimming Ballast	IPX06-1AW	600VA, 120V AC 60 Hz	W + A
IllumaTech Advance Mark 10™ Powerline Fluorescent Dimming Ballast	IPX10-1AW	1000VA, 120V AC 60 Hz	W + A
IllumaTech Advance Mark 10™ Powerline Fluorescent Dimming Ballast	IPX06-7AW	600VA, 277V AC 60 Hz	W + A
IllumaTech Advance Mark 10™ Powerline Fluorescent Dimming Ballast	IPX12-7AW	1200VA, 277V AC 60 Hz	W + A

* IllumaTech dimmers are packaged 2 colors in 1 box: White and Almond (W + A) and (some models) Ivory + Black (I + E). For other colors, order Color Change Kit.

Color Change Kits

Description	Cat. No.	Rating	Color**
IllumaTech Color Change Kits for Dimmers w/LED	IPKIT-00	—	I, W, A, G, R, E, B
IllumaTech Color Change Kits for Dimmers without LED	IPKIT-0N	—	I, W, A, G, R, E, B

** To order Color Change Kit, add suffix to end of catalog number as follows: Ivory (I), White (W), Almond (A), Gray (G), Red (R), Black (E) and Brown (B).



Cat. No. IPI06-LAW

Note: Use with Leviton Power Extenders to extend load capacity. For more information, call your Leviton OEM representative.

IllumaTech™ Decora® Preset Rotary Dimmers

Commercial Grade

IllumaTech Decora Rotary Controls combine traditional rotary dial with contemporary Decora styling. All IllumaTech Rotary Dimmers provide single-pole (one location) and 3-way (multi-location) control when used with a 3-way switch.

Features:

- Available in illuminated and non-illuminated versions
- Slim, compact housing fits easily into a standard wallbox and is suitable for multi-gang installations
- Attractive Decora styling coordinates perfectly with Leviton's complete line of Decora wiring devices
- Compatible with Decora Plus screwless and Decora standard wallplates

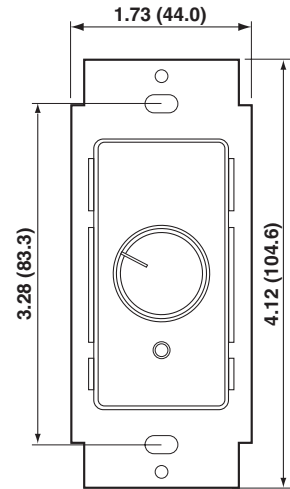
• 120V AC 60 Hz Only • UL Listed E-31373 • CSA Certified LR-3413 • NOM Certified 057

Description	Cat. No.	Rating	Color*
IllumaTech Rotary Incandescent, Single-Pole and 3-way, Illuminated	RPI06-LAW	600W	W + A
	RPI06-LEI		I + E
IllumaTech Rotary Incandescent, Single-Pole and 3-way, Non-Illuminated	RPI06-0AW	600W	W + A
	RPI06-0EI		I + E

* IllumaTech rotary dimmers are packaged 2 colors in 1 box: White and Almond (W + A) and Ivory + Black (I + E).



RPI06-LAW



IllumaTech™ Decora® Slide-to-Off Dimmers (formerly called Non-Preset)

IllumaTech Lighting Controls are compatible with all Decora designer-style devices.

Features:

- Fluid slide movement allows fine adjustment of light level with minimum effort
- Captured, wrap-around slide bar stays in place and cannot fall off during use
- Attractive Decora styling blends with any interior
- Compatible with Decora screwless and Decora standard designer wallplates
- Snap-On Color Change Kits allow color changes on any device, eliminating the need to stock a separate device for every available color

• 120V AC 60 Hz Only • UL Listed E-31373 • CSA Certified LR-3413

Single-Pole Only, with LED Locator

Description	Cat. No.	Rating	Color*
IllumaTech Incandescent	INI06-1L	600W	I, W, A
IllumaTech Incandescent (no LED locator)†	INI06-10	600W	I, W, A
IllumaTech Incandescent	INI10-1L	1000W	I, W, A
IllumaTech Magnetic Low-Voltage	INM06-1L	600VA (450W)	I, W, A
IllumaTech Magnetic Low-Voltage	INM10-1L	1000VA (800W)	I, W

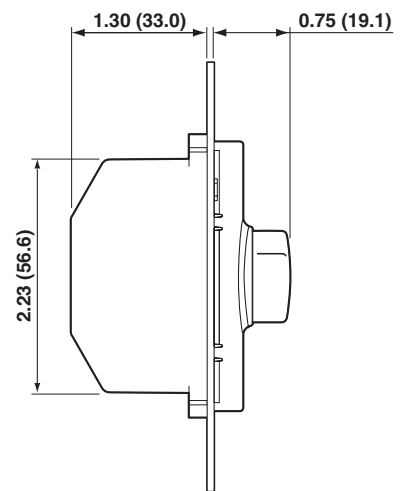
* To order color, add suffix to end of catalog number as follows: White (W), Ivory (I), Almond (A). For other colors, order Color Change Kits.

† No Color Change Kit available.

Color Change Kit

Description	Cat. No.	Rating	Color**
IllumaTech Color Change Kit for Dimmers w/LED	INKIT-00	—	W, I, A, G, E, B

** To order Color Change Kit, add suffix to end of catalog number as follows: Ivory (I), White (W), Almond (A), Gray (G), Black (E) and Brown (B).



Cat. No. RPI06-LAW

Note: Use with Leviton Power Extenders to extend load capacity. For more information, call your Leviton OEM representative.

SECTION Z



6623-P

SureSlide™ Decora® Full-Range Incandescent Slide Dimmers

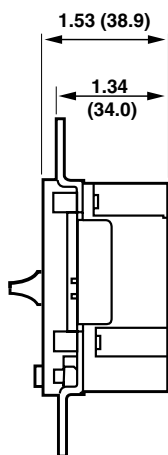
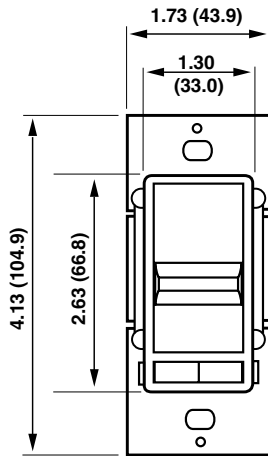
Residential Grade

SureSlide Dimmers come in preset and non-preset models that are compatible with all Decora designer-style devices. Preset (-P) models with separate rocker switch allow ON/OFF switching without disturbing preset light levels. Selection includes optional illuminated preset slide dimmers in single-pole and three-way models. Non-preset models feature positive ON/OFF switching contacts that are operated by the slide mechanism.

Features:

- Decora styling coordinates with Leviton's complete line of Decora wiring devices
- Permanently mounted smooth-action integrated linear slide control for easy, precise operation
- SureSlide features a slim, compact housing that fits easily into a standard wallbox and is suitable for multi-gang installations
- Preset versions provide single-pole (one-location) and multi-location lighting control when used with a 3-way switch
- Manual low-end trim adjustment feature allows precise adjustment of lamp brightness at low-end setting at time of installation
- Compatible with Decora screwless and Decora standard designer wallplates
- Reliable solid state circuitry with built-in radio-TV interference filter

- 120V 60 Hz AC • UL Listed E-31373 • CSA Certified LR-3413 • NOM Certified 057



SureSlide Preset All Models

Description	Cat. No.	Rating	Color*
SureSlide Single-Pole with Optional Illumination	6631-L	600W	I, W, A
SureSlide 3-Way with Preset ON/OFF Switch	6623-P	600W	I, W, GY, E
SureSlide 3-Way with Preset On/OFF Switch, Optional Illumination	6633-PL	600W	I, W, A

* Color: Add suffix to catalog number as follows for colors: Ivory (-I), White (-W), Gray (-GY), Black (-E), Almond (-A).

Trimatron™ Dimmer Switches

Residential Grade

Trimatron Deluxe Full-Range Rotary Wall Dimmers

Leviton Trimatron lighting controls are traditional rotary-style dimmers featuring an ultra-compact design that fits in even the tightest single-gang wallboxes and is suitable for multi-gang installations. Internal control mechanism is based on advanced thick-film circuitry. Silver contact assures positive, reliable ON-OFF action.

Features:

- Built-in radio/TV interference filter
- Compatible with Leviton standard toggle-switch wallplates
- Units are easy to gang
- Wire leads provide fast, easy assembly and wiring

- 600W-120V AC INCANDESCENT • UL Listed E-31373 • CSA Certified LR-3413
- NOM Certified 057



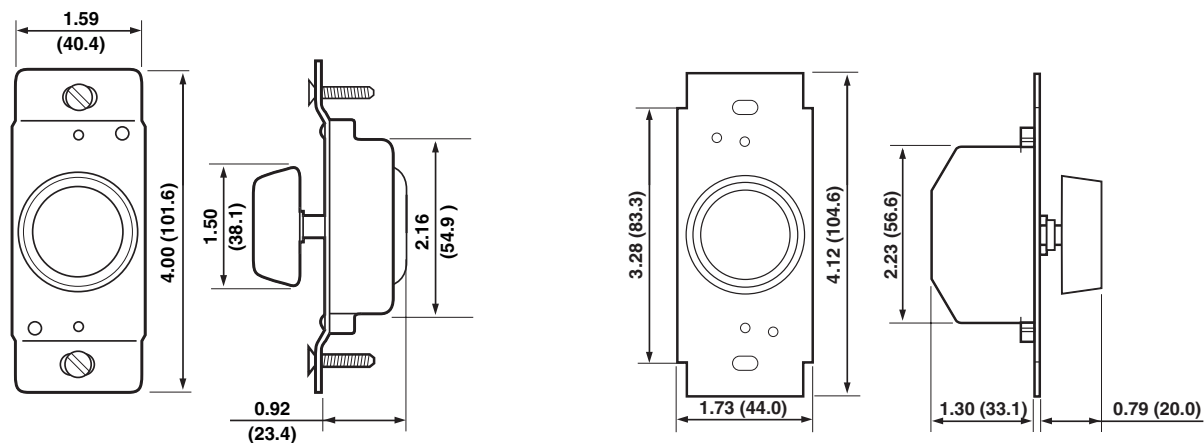
6681

Description	Cat. No.	Rating	Color*
Trimatron Deluxe Push-ON/ Push-OFF Single-Pole	6681	600W	I, W, A
Trimatron Deluxe Push-ON/ Push-OFF 3-Way	6683	600W	I, W, A
Trimatron Single-Pole Deluxe Rotary	6602	600W	I, W
Trimatron Single-Pole Deluxe Rotary	6602-220	600W-220V† AC 50 Hz	W

† Not UL Listed or CSA Certified

* Color: Add suffix to catalog numbers as follows for color selections: Ivory (-I), White (-W), Almond (-A).

SECTION N



Cat. No. 6602

Cat. No. 6681, 6683



Lamp Dimmers/ Heater Controls

Full Range

To control brightness of incandescent or quartz lamps. Full-range rotary control. Positive ON-OFF at extreme counter-clockwise position. Reliable solid-state circuitry, heat-dispersion protected. Radio/TV interference filter. Standard leads are No. 18 ga. 105°C AWM-TEW plastic insulated wire, 7" long, stripped 3/4" and overtinned. Hex nut assembled, knurl nut supplied E.I.A.-standard 1/4" flatted "D" nylon shaft.

- 120V AC 50-60 Hz • UL Recognized Component E-7458
- 220V AC 50 Hz available as a special order

NOTE: 220V AC devices are not UL Listed or CSA Certified



Description	Turns On	STYLE A		STYLE B		STYLE C	
		200W	300W	400W	600W	400W	600W
2 Black leads	LOW	6204	6304	6404	6604	6404-2	6604-2
	HIGH	6204-1	6304-1	6404-1	6604-1	6404-3	6604-3
3 Color-coded leads (3rd lead is Auxiliary-function)	LOW	6204-4	6304-4	6404-4	6604-4	6404-6	6604-6
	HIGH	6204-5	6304-5	6404-5	6604-5	6404-7	6604-7
Amps. available to constant output	—	4.3	3.5	2.7	1.0	2.7	1.0

NOTES: 1) All ratings based on maximum ambient temperature of 35°C.

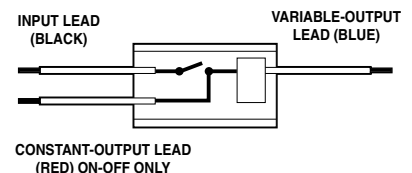
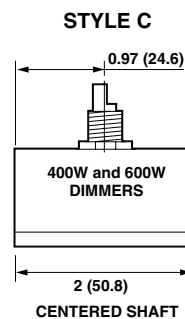
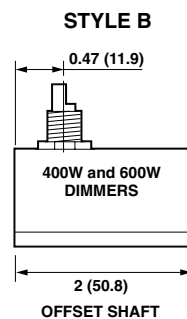
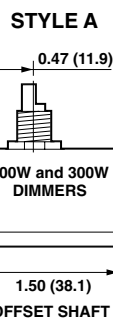
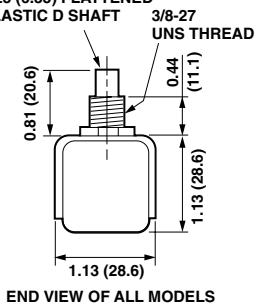
2) "OFF" is always extreme counter-clockwise. Models that turn on LOW, start at lowest power and increase with clockwise rotation of knob. Models that turn on HIGH, start at highest rating and decrease with clockwise rotation.



Knob Color†	Cat. No.
Black	6120-DB
White	6120-DW

NOTE: Knobs must be ordered separately.
† Solid color, no insert.

E.I.A. STANDARD
0.25 (6.35) FLATTENED
PLASTIC D SHAFT



Models with extra wire in the switch circuit turn on indicator lamps or other associated devices that must bypass the variable control function.

TABLE-TOP AND LAMP CORD DIMMERS

Incandescent Only



LIGHTING CONTROLS

Plug-In Table-Top Lamp Dimmer

Converts any plug-in lamp into a dimmer and provides full-range dimming. No wiring is necessary. Features ON/OFF indicator light, easy slide control and six-foot cord with polarized plug. In white.

- 300W-120V AC Incandescent only • UL Listed E-11919

Description	Cat. No.
Full Range Plug-In Table-Top Dimmer with ON/OFF Indicator Light, White	TBI03-1LW



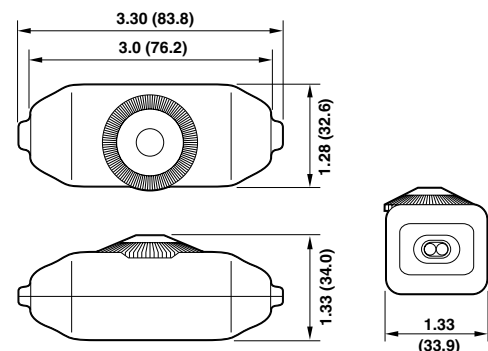
Full Range Feed-Thru Lamp Cord Dimmer

Full range rotary brightness control with positive ON-OFF. Offset knob. Completely insulated thermosetting plastic housing—no exposed metal parts. Screw terminals. Easily installed into parallel lamp cord. For use on #18-2 SPT-1 and SPT-2.

- 200W-120V AC Incandescent only
- UL Recognized Component E-7443

Description	Cat. No.
Full Range Lamp Cord Dimmer, Brown	6250-3
Full Range Lamp Cord Dimmer, Ivory	6250-3I

Other colors available on quantity orders. Also available wired to power supply cord.



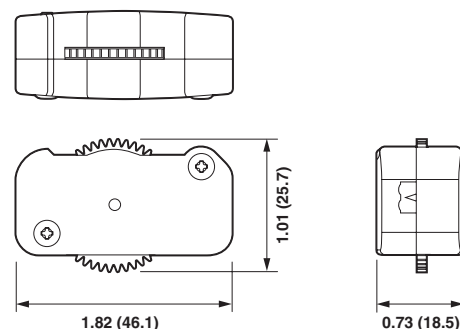
Cat. No. 6250-3

Hi-Lo Feed-Thru Lamp Cord Dimmer

Sequence: LO-HI-OFF. Positive, uni-direction wheel-action switch. Two-piece phenolic or urea body. Molded urea or phenolic wheel with serrated edge for easy fingertip control. Contact pins make positive connection automatically—no stripping of conductors. For use on #18-2 SPT-2 parallel lamp cord.

- 200W-120V AC Incandescent only
- UL Recognized Component E-7458

Description	Cat. No.
HI-LO Lamp Cord Dimmer, Brown	1420
HI-LO Lamp Cord Dimmer, Ivory	1420-I
HI-LO Lamp Cord Dimmer, White	1420-W



Cat. No. 1420

Also available unassembled, with captive screws. Nuts packed separately.

SECTION N



6151

Full Range Dimmer Socket

Removable Turn Knob

Makes any lamp an infinitely variable light source. Uses single-filament lamp. Full range rotary dimming control with positive ON-OFF.

- 150W-120V AC only
- UL Recognized Component E-3810

Description	Cat. No.	Cap Bushing	Set Screw
Dimmer Socket	6151	1/8 IPS	Yes
Dimmer Socket	6151-3	1/4 IPS	Yes

NOTE: knob and extension shaft must be crimped.

Extensions for Cat. No. 6151 Socket (see assembly drawing below)

Description	Cat. No.
Extension adapter	22994-PRT
Extension shaft 3/4" (19.05)	1074-PRT
Extension shaft 1" (25.4)	9800-PRT
Phenolic knob 1/2" dia. (12.7)	6417-PRT

NOTE: Specify all sockets with or without set screw.



6155

Hi-Lo Dimmer Socket

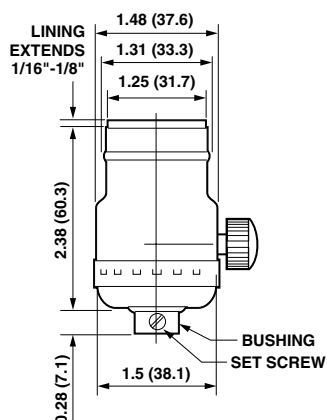
Removable Turn Knob

For operating a single-filament lamp in a sequence of HI-LO-OFF. Removable knob is molded brown plastic. Metal shell or phenolic shell. Mandrel threaded #6-32.

- 150W-120V AC only
- UL Recognized Component E-3810
- CSA Certified LR-1863

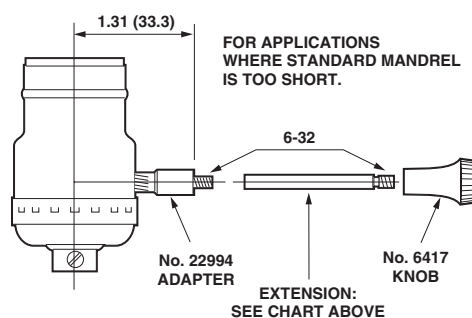
Description	Cat. No.	Cap Bushing
HI-LO turn knob dimmer socket, metal shell	6155	1/8 IPS

NOTE: Specify all sockets with or without set screw. See page G7 for dimensions.



Cat. No. 6151

SPECIAL EXTENSION ASSEMBLY



Multi-Technology Ceiling-Mount Occupancy Sensors

Commercial Grade

Ideal for office areas with cubicles, warehouse and storage facilities, cafeterias, and public areas in commercial facilities.

Advanced motion sensors combine infrared and ultrasonic technology for highly accurate monitoring without false triggers. All-digital self-adjusting technology provides "install and forget" solution for automatic lighting control. Use with Leviton Power Pack or Centura Dimming Power Pack. Consult your Leviton OEM representative for more information on Power Packs.

Features:

- Ultrasonic sensing for maximum sensitivity combined with passive infrared (PIR) sensing to prevent false triggers from air conditioning and corridor activity
- Self-adjusting settings continuously analyze and adjust sensitivity, timer operation and air current compensation for reliable, long-term performance
- Ambient light override to prevent lights from turning on when there is ample natural light



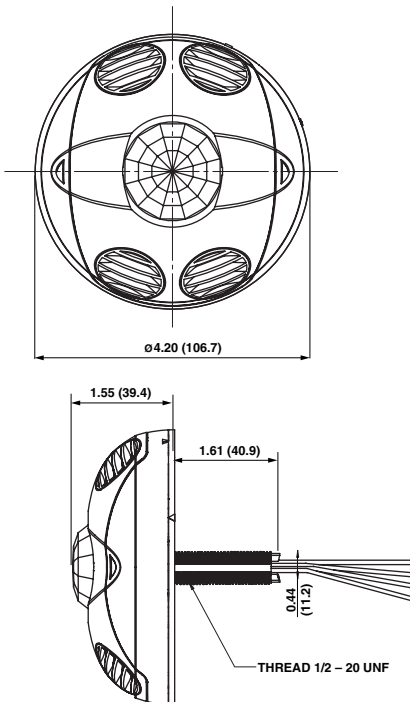
OSC20-M

Multi-Technology Ceiling-Mount Occupancy Sensors

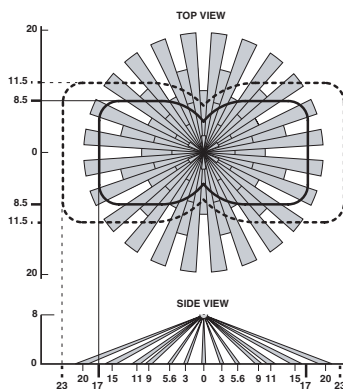
Description	Cat. No.	Operating Frequency	Coverage	Color
Multi-tech Ceiling-Mount Occupancy Sensor	OSC10-M0W	40kHz	360°, 1000 sq. ft.	White
Multi-tech Ceiling-Mount Occupancy Sensor	OSC20-M0W	35kHz	360°, 2000 sq. ft.	White

Note: Use low-voltage wiring to connect sensors to Power Pack or Centura power pack.

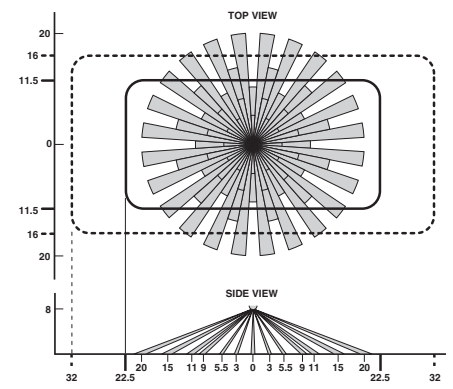
- CUL/US Listed 1034 • FCC and NOM Certified 057
- California Title 24 compliant and meets ASHRAE Standard 90.1 requirements.



- Major Motion, IR
- Minor Motion, Ultrasonic
- ⋯ Major Motion, Ultrasonic



OSC10-M0W Field of View



OSC20-M0W Field of View

Cat. Nos. OSC10-M0W and OSC20-M0W



OSC04-10W

Infrared Ceiling-Mount Occupancy Sensors Commercial Grade

Ideal for use in small offices, closets, open offices and other areas in commercial facilities with unobstructed view of the sensor.

The Infrared Ceiling Sensor is a low-voltage occupancy detector that works in conjunction with the Leviton Power Pack or Centura System to control lighting. Consult your Leviton OEM representative for more information on Power Packs.

Features:

- Self-adjusting settings continuously analyze and adjust sensitivity, timer operation and long-term performance
- Ambient light override prevents lights from turning ON when there is ample natural light
- Manual delayed-off-time settings of 30 seconds to 30 minutes
- Self-adjusting delayed-off-time interval settings of 30 seconds to 30 minutes. Compensates for real-time occupancy patterns, preventing unnecessary ON/OFF switching
- Non-volatile memory preserves all automatic and manual settings during power outages
- Small, unobtrusive unit blends with any décor

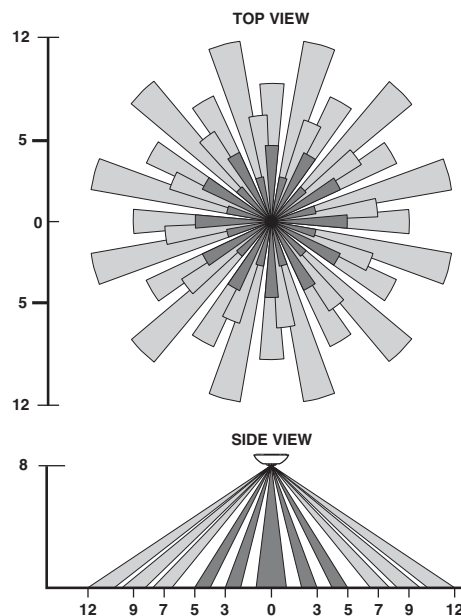
Infrared Ceiling-Mount Occupancy Sensors

Description	Cat. No.	Rating	Color*
Infrared Ceiling-Mount Occupancy Sensor	OSC04-10W	360°, 450 sq. ft.	White
Infrared Ceiling-Mount Occupancy Sensor	OSC15-10W	360°, 1500 sq. ft.	White
Protective Cage	ODCCG-000	-----	White

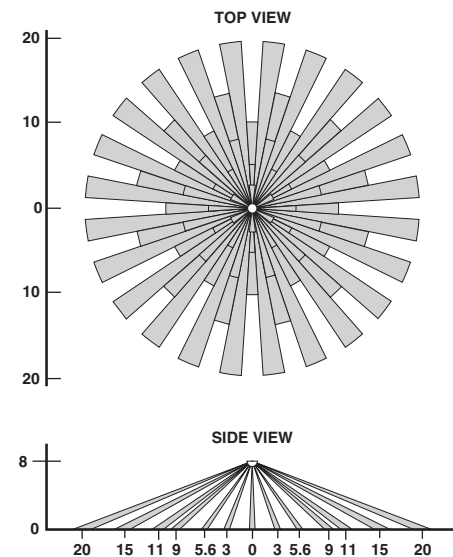
Note: Use low-voltage wiring to connect sensors to Power Pack or Centura power pack.

- CUL/US Listed 9034 • FCC and NOM Certified 057
- California Title 24 compliant and meets ASHRAE Standard 90.1 Requirement

Minor Motion, IR
 Major Motion, IR



OSC04-10W Field of View (in feet)



OSC15-10W Field of View

Decora® Wall-Switch Infrared Occupancy Sensors Commercial Grade

Ideal for use in small offices, conference rooms, storage rooms and other areas.

Convenient switch and occupancy sensor combination in sleek Decora-style unit. Advanced passive infrared technology for highly accurate monitoring in a variety of commercial applications.

Features:

- 180° coverage pattern up to 2100 sq. ft.
- Exclusive automatic “Walk-Through” sensing increases energy savings by shutting lights within 2 1/2 minutes after momentary occupancy (ODS15-ID, ODS0D-ID)
- Self-adjusting delayed-OFF time interval settings compensate for real-time occupancy patterns, preventing unnecessary ON/OFF switching (ODS15-ID, ODS0D-ID)
- One unit can be used for 120-277V 60 Hz AC lighting: incandescent, magnetic or electronic low-voltage, and magnetic or electronic fluorescent; and motor loads (ODS10-ID and ODS15-ID)
- Ambient light override turns lights ON at any time regardless of override setting
- Fits in standard wallbox — units may be ganged



Decora Wall-Switch Infrared Occupancy Sensors

Description	Cat. No.	Operating Frequency	Coverage	Color*
Decora Wall-Switch PIR Occupancy Sensor	ODS10-ID	Incandescent: 800W @ 120V. Fluorescent: 1200VA @ 120V, 2700VA @ 277V. For 60 Hz AC only. Motor: 1/4 HP @ 120V	180°, 2100 sq.ft.	I, W, A, G
Decora Wall-Switch PIR Occupancy Sensor with Self-adaptive Technology	ODS15-ID	Incandescent: 1800W @ 120V. Fluorescent: 1800VA @ 120V, 4000VA @ 277V. For 60 Hz AC only. Motor: 1/4 HP @ 120V	180°, 2100 sq.ft.	I, W, A, G
Dual-Relay Decora Wall-Switch PIR Occupancy Sensor with Self-adaptive Technology. Default setting = Conference Room mode; alternate setting = Classroom mode**	ODS0D-ID	Primary Relay: Fluorescent: 1200VA @ 120V, 2700VA @ 277V; Incandescent: 800W @ 120V. Secondary Relay: Fluorescent: 800VA @ 120V, 1200VA @ 277V; Incandescent: 800W @ 120V. For 60 Hz AC only.	180°, 2100 sq.ft.	I, W, A, G

* To order color, add suffix to end of catalog number as follows: Ivory (I), White (W), Almond (A), Gray (G).

** In Conference Room Mode, both primary and secondary relays respond to ambient light override. In Classroom Mode, primary relay responds only to ambient light override.

- UL Listed E-118904 (Cat. No. ODS0D-ID is C UL US Certified)
- CSA Certified LR-91148M
- California Title 24 Compliant and meets ASHRAE Standard 90.1 Requirements

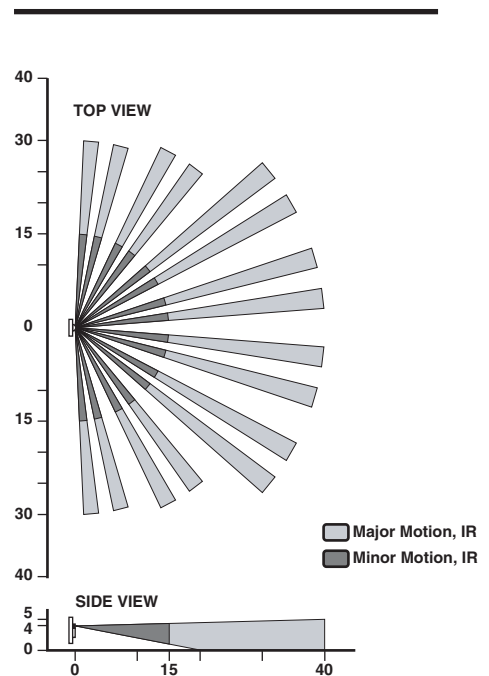




table of contents

Fan and Motor Speed Controls

Wall-Mount Fan Speed Controls	02-03
Wall-Mount Motor and Fan Speed Controls	04
Motor Speed Controls	05
AC Combination Devices for Fan Speed Controls.	06

NOTE: Dimensions in parentheses are in millimeters. All other dimensions are in inches.

SECTION





IPF01-LAW

IllumaTech™ Decora Preset Slide Fan Speed Controls

Commercial Grade

IllumaTech Fan Speed Controls are compatible with all Decora designer-style devices. All IllumaTech Preset Controls provide single-pole (one location) and 3-way (multi-location) control when used with a 3-way switch.

Features:

- Fluid slide movement allows fine adjustment of light level with minimum effort
- Quiet 1.5 Amp Fan Speed Controls are ideal for libraries, study rooms and any area where ceiling fan noise could become distracting. Full-range 5-amp fan speed controls also available
- Snap-On Color Change Kits allow color changes on any device, eliminating the need to stock a separate device for every available color
- Fan Speed Controls are packaged with 2 colors in 1 box. For other colors, order Color Change Kit

• 120V AC 60 Hz • UL Listed E-31373 • CSA Certified LR-3413

Single Pole and 3-Way, with LED Locator

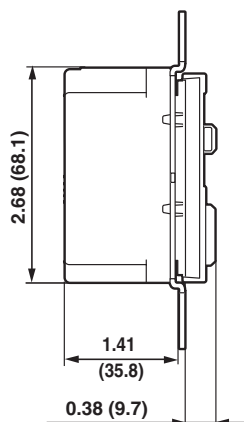
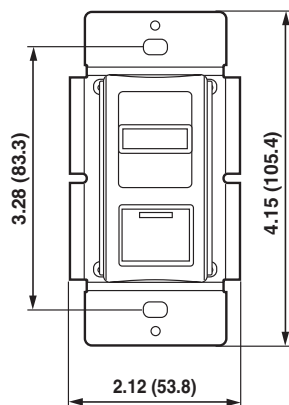
Description	Cat. No.	Rating	Color*
IllumaTech Quiet Fan Speed Control	IPF01-LAW	1.5 Amp 120V AC 60 Hz	W + A
IllumaTech Fan Speed Control	IPF05-LAW	5 Amp 120V AC 60 Hz	W + A

* IllumaTech Fan Speed Controls are packaged 2 colors in 1 box: White and Almond (W + A). For other colors, order Color Change Kits.

Color Change Kits

Description	Cat. No.	Rating	Color**
IllumaTech Color Change Kit for Quiet Fan Speed Control IPF01	IPQFK-00	—	I, W, A, G, E, B
IllumaTech Color Change Kit for IPF05	IPKIT-00	—	I, W, A, G, E, B

** To order Color Change Kits, add suffix to end of catalog number as follows: Ivory (I), White (W), Almond (A), Gray (G), Black (E) and Brown (B).



Cat. No. IPF01-LAW

WALL-MOUNT FAN SPEED CONTROLS

IllumaTech™ Rotary Fan Speed Controls

Commercial Grade

Features:

- Combines traditional rotary dial with contemporary Decora styling
- Quiet 1.5 Amp Fan Speed Controls are perfect for libraries, study rooms and any area where ceiling fan noise could become distracting
- Dual fan speed control and dimmer is ideal for ceiling fans with built-in light fixtures
- Rotary Fan Speed Controls are packaged 2 color in 1 box
- 120V AC 60 Hz Only • UL Listed E-31373 • CSA Certified LR-3413

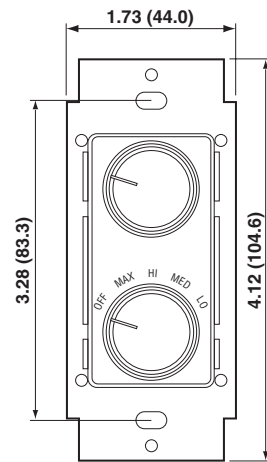
Description	Cat. No.	Rating	Color*
IllumaTech Rotary Quiet Fan Speed Control, Single-Pole, Non-Illuminated	RTF01-0AW	1.5 Amp	W + A
	RTF01-0IE		I + E
IllumaTech Rotary Dual Quiet Fan Speed Control and Fixture Dimmer, Single-Pole, Non-Illuminated	RTD01-0AW	1.5 Amp Fan Control/ 300W Dimmer	W + A
	RTD01-0IE		I + E

* IllumaTech fan speed controls are packaged 2 colors in 1 box: White and Almond (W + A), Ivory and Black (I + E).

- 120V AC 60 Hz Only • UL Listed E-31373 • CSA Certified LR-3413 • NOM Certified 057



RTD01-0AW



IllumaTech™ Slide-to-Off Fan Speed Controls

(Formerly called Non-Preset)

Features:

- Fluid slide movement allows fine adjustment of light level with minimum effort
- Quiet 1.5 Amp Fan Speed Controls are perfect for libraries, study rooms and any area where ceiling fan noise could become distracting
- 120V AC 60 Hz Only • UL Listed E-31373 • CSA Certified LR-3413

Single-Pole Only, with LED Locator

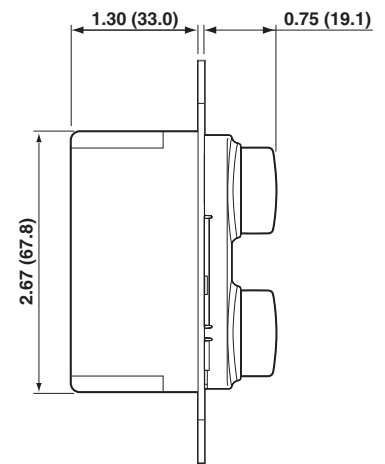
Description	Cat. No.	Rating	Color*
IllumaTech Quiet Fan Speed Control	INF01-1L	1.5 Amp	I, W, A
IllumaTech Fan Speed Control	INF05-1L	5 Amp	I, W, A

*To order color, add suffix to end of catalog number as follows: Ivory (I), White (W), Almond (A). For other colors, order Color Change Kit.

Color Change Kits

Description	Cat. No.	Rating	Color**
IllumaTech Color Change Kit for Quiet Fan Speed Control INF01	INQFK-00	—	I, W, A, G, E, B
IllumaTech Color Change Kit for INF05	INKIT-00	—	I, W, A, G, E, B

** To order Color Change Kit, add suffix to end of catalog number as follows: Ivory (I), White (W), Almond (A), Gray (G), Black (E) and Brown (B).



Cat. No. RTD01-0AW

SECTION 0



Variable Fan Speed Controls

For Use with Split Capacitor or Shaded Pole Motors Only

- 120V 60 Hz AC Only
- UL Listed E-54101
- CSA Certified LR-3413
- NOM Certified 057

Cat. No.	Color	Description	Rating
6616-1XI 6616-1XW	Ivory White	Variable Fan Speed Control with positive ON-OFF switch—turns On High. Manual low speed trim adjuster. Built-in RFI filter.	5 Amp



Quiet Fan Speed Controls

- Quiet Fan Speed Controls have special circuitry to reduce fan motor noise at low speeds
- Decora-style units can be ganged with other Leviton Decora devices
- For Use with Split Capacitor or Shaded Pole Motors Only

- 1.5 Amp 120V 60 Hz AC Only
- UL Listed E-123566
- CSA Certified LR-3413
- NOM Certified 057

Quiet Rotary Fan Speed Controls

Cat. No.	Color	Description
6639-I 6639-W	Ivory White	Quiet 4-Level Fan Speed Control with Off-High-Medium-Low 1-Low 2 fan speeds.

Quiet Step Slide Fan Speed Controls

Cat. No.	Color	Description
6629-I 6629-W 6629-A 6629-GY	Ivory White Almond Gray	Decora Quiet Step Slide Fan Speed Control with Off-Low-Medium-High fan speeds.
6629-3I 6629-3W 6629-3A 6629-3GY	Ivory White Almond Gray	Decora 3-Way Quiet Step Slide Fan Speed Control with Off-Low-Medium-High fan speeds.
6630-I 6630-W 6630-A 6630-GY	Ivory White Almond Gray	Decora Dual Quiet Step Slide Fan Speed Control and Step Slide Light Switch. Speed Control rated 1.5A w/Off-Low-Medium-High. Light switch rated 300 Watts w/Off-Low-Medium-High.

Motor Speed Controls

Full Range

Motor speed controls permit variation of speed of most shaded pole, permanent magnet, and universal motors. For special application, contact your Leviton representative

Control features: Infinitely variable control. Positive ON-OFF switch. Advanced solid-state circuitry, heat-dispersion protected. Radio/TV interference filter. Standard leads are No. 18 ga. 105°C AWM-TEW plastic insulated wire, 7" long, stripped 3/4" and overtinned. Hex nut assembled; knurl nut supplied. Shaft is E.I.A.-standard 1/4" flatted "D" nylon.

- 120V AC 50-60 Hz • UL Recognized Component E-7458
- 220V AC 50 Hz available as a special order

NOTE: 220V devices are not UL Listed or CSA Certified.



STYLE A
Offset Shaft

STYLE B
Offset Shaft

STYLE C
Centered Shaft

Description	Turns On	STYLE A		STYLE B		STYLE C	
		2.5A	3.3A	5.0A	3.3A	5.0A	
2 Black leads	LOW	6310	6410	6610	6410-2	6610-2	
	HIGH	6310-1	6410-1	6610-1	6410-3	6610-3	
3 Color-coded leads (3rd lead is Auxiliary-function)	LOW	6310-4	6410-4	6610-4	6410-6	6610-6	
	HIGH	6310-5	6410-5	6610-5	6410-7	6610-7	
Amps. available to constant output	—	3.5	2.7	1.0	2.7	1.0	



6310 W/ 6120-DB KNOB

NOTES: 1) All ratings based on maximum ambient temperature of 35°C.
2) "OFF" is always extreme counter-clockwise. Models that turn on LOW, start at lowest power and increase with clockwise rotation of knob. Models that turn on HIGH, start at highest rating and decrease with clockwise rotation.

Knob Color†	Cat. No.
Black	6120-DB
White	6120-DW

NOTE: Knobs must be ordered separately.
† Solid color, no insert

WARNING-Tests have established that certain failure modes of solid-state motor speed controllers will introduce voltage asymmetry to the motor. Such voltages applied to certain AC motors, i.e., small shaded-pole, permanent split-capacitor motors, etc., can cause hazardous overheating to occur. Therefore, a thermal switch should be used in combination with the motor to limit its temperature to the parameters established for the motor in question by its manufacturer.

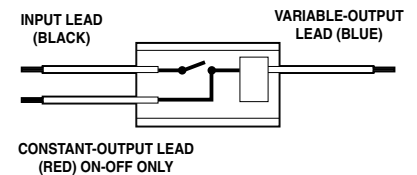
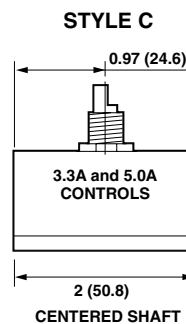
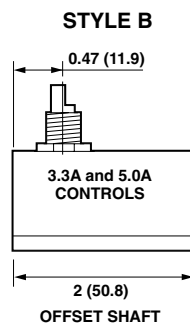
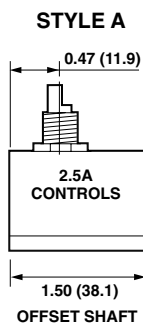
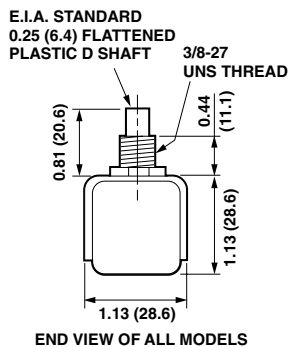


Knurl nut supplied



6120-DB

SECTION 0



Models with extra wire in the switch circuit turn on indicator lamps or other associated devices that must bypass the variable control function.



1755-W

Decora[®] Combination Devices

Commercial Grade

Multi-switch combination devices save space and add convenience. Common terminal shunted internally to all switches. Elegant Decora styling permits ganging with other Decora devices.

- UL Listed 7458 • CSA Certified LR-3413 • NOM Certified 057

Decora Combination Switches

Individual Switches: 15A 120V/Device Total: 20A-120V†

Description	Cat. No.	Color*
Dual Rocker Switches	1754	I, W, A
Dual Rocker Switches with Grounding Lead	1754-2	W
Illuminated Dual Rocker Switches light is ON when top rocker is off	1754-IL	I, W, A
Three Rocker Switches	1755	I, W, A
Three Rocker Switches with Grounding Lead	1755-2	I, W
Three Rocker Switches (Double Pole ON-OFF-ON Top Switch; Two Single-Pole Switches	1759	I, W

* Color: Add suffix to catalog number as follows for color selections: Ivory (-I), White (-W), Almond (-A).

† WARNING: Although each individual rocker switch is rated up to 15A 120V, the total combined load for both duplex or all three triplex switches MUST NOT EXCEED 20 Amps.

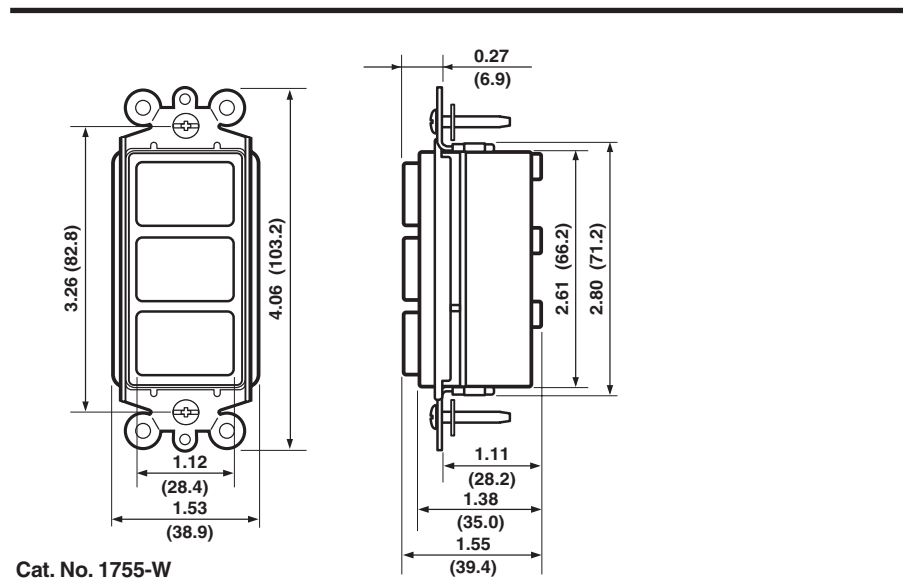




table of contents

Plugs and Connectors

Straight Blade Plugs and Connectors	P2-P3
Python®	P2
NEMA Locking Devices	P4-P7
Black & White™	P4-P5
Commercial Grade	P6
Midget Locking and Straight Blade Devices	P7
Wetguard® Plugs, Connectors and Receptacles	P8-P9
Pin and Sleeve Devices, North American Watertight	P10-P13
Features	P10-P11
20 and 30 Amp	P12
60 and 100 Amp	P13
Mechanical Interlock Devices, North American Watertight	P14-P17
Features	P14-P15
20 and 30 Amp	P16
60 and 100 Amp	P17
ECT® Cam-Type Connectors	P18-P19
ECT® Stage Pin Devices	P20-P21
Resource and Technical Information	P22-P24
NEMA Straight Blade Configurations	P22
NEMA Locking Configurations	P23
Glossary and Horsepower Ratings	P24

This is a sampling of the many Leviton Plug and Connector products available. For an Industrial Wiring Device catalog with a complete listing, contact your OEM representative.

NOTE: Dimensions in parentheses are in millimeters. All other dimensions are in inches.

SECTION

P



PYTHON® Plugs, Connectors and Angle Plugs

Industrial and Hospital Grade

Python 15A and 20A plugs and connectors provide a hinged design for fast, easy installation and assembly. Features include tough high-impact body, enclosed termination area and triple-drive screws for easy wiring — Standard, Phillips, Robertson.

TYPE	PYTHON PLUG	PYTHON CONNECTOR	PYTHON ANGLE PLUG
15A 125V, 2-POLE, 3-WIRE GROUNDING		5-15P	5-15R
Industrial Grade			
Black	5256-VB	5259-VB	—
Yellow	5256-VY	5259-VY	5256-VA
Gray	5256-VGY	5259-VGY	—
Hospital Grade			
White	8256-V	8259-V	—
15A 250V, 2-POLE, 3-WIRE GROUNDING		6-15P	6-15R
Industrial Grade			
Yellow	15656-VY	15659-VY	15656-VA
Hospital Grade			
White	8656-V	8659-V	—
20A 125V, 2-POLE, 3-WIRE GROUNDING		5-20P	5-20R
Industrial Grade			
Black	5356-VB	5359-VB	—
Yellow	5356-VY	5359-VY	5356-VA
Hospital Grade			
White	8356-V	8359-V	—
20A 250V, 2-POLE, 3-WIRE GROUNDING		6-20P	6-20R
Industrial Grade			
Yellow	5456-VY	5459-VY	5456-VA
Hospital Grade			
White	8456-V	8459-V	—



ELECTRICAL		
DIELECTRIC VOLTAGE	CURRENT INTERR.	TEMP. RISE
Withstands 2000V per UL 498	Full rated current	Max 30°C after 250 cycles of overload at 200% of rated current

MECHANICAL			
TERMINAL I.D.	TERMINAL ACCOMM.	PRODUCT I.D.	CORD GRIP RANGE
Brass, hot Grounding White, neutral	#18 - #10 AWG	Ratings & NEMA I.D. permanently marked on device	.245" - .700"
ENVIRONMENTAL			
FLAMMABILITY		OPERATING TEMP.	
Rated V-2 per UL 94		-40°C to 60°C	

STANDARDS & CERTIFICATIONS					
NEMA WD-6	ANSI C-73	UL 498	UL Fed Spec Listed WC-596	CSA C22.2 No. 42	NOM
✓	✓	✓	#E13393 Applies to Hospital Grade Versions Only	#LR-406	#057

STRAIGHT BLADE PLUGS AND CONNECTORS

Straight Blade Commercial and Industrial Grade Plugs, Connectors and Angle Plugs

Built for rugged applications, Leviton's 15A and 20A straight blade devices feature triple-drive head screws — Standard, Phillips, Robertson. NEMA configuration number and rating is molded on face of device for easy identification.

TYPE	PLUG	CONNECTOR	ANGLE PLUG	FLANGED INLET	FLANGED OUTLET
15A 125V, 2-POLE, 3-WIRE GROUNDING			5-15P 5-15R		
Commercial Grade					
Yellow PVC	515PV	515CV	—	—	—
White PVC	—	—	515AN	—	—
Yellow and Steel Armored	515PA	515CA	—	—	—
Black Rubber	515PR	515CR	—	—	—
Black	—	—	—	5239	—
Industrial Grade					
All White	—	—	—	5278-C	5279-C
20A 125V, 2-POLE, 3-WIRE GROUNDING			5-20P 5-20R		
Commercial Grade					
Yellow PVC	520PV	520CV	—	—	—
Yellow and Armored Steel	520PA	520CA	—	—	—
Black Rubber	520PR	520CR	—	—	—
All White	—	—	—	15378-C	15379-C
15A 250V, 2-POLE, 3-WIRE GROUNDING			6-15P 6-15R		
Commercial Grade					
Yellow PVC	615PV	—	—	—	—
Yellow and Steel Armored	615PA	615CA	—	—	—
Brown Base, White Flange	—	—	—	5240	—
Black Rubber	615PR	—	—	—	—
Industrial Grade					
All White	—	—	—	15678-C	15679-C
20A 250V, 2-POLE, 3-WIRE GROUNDING			6-20P 6-20R		
Commercial Grade					
Yellow PVC	620PV	620CV	—	—	—
Yellow and Armored Steel	620PA	620CA	—	—	—
Brown Base, White Flange	—	—	—	5829	—
Black Rubber	620PR	620CR	—	—	—
All White	—	—	—	5478-C	5479-C



10 YEAR LIMITED WARRANTY

ELECTRICAL		
DIELECTRIC VOLTAGE	CURRENT INTERR.	TEMP. RISE
Withstands 2000V per UL 498	Full rated current	30°C max at full rated current after 50 cycles overload at 150% rated current for both AC and DC per UL 498

MECHANICAL			
TERMINAL I.D.	TERMINAL ACCOMM.	PRODUCT I.D.	CORD GRIP RANGE
Brass, hot	#18 - #12 AWG	Ratings & NEMA I.D. permanently marked on device	.245" - .700"
Grounding			
White, neutral			
ENVIRONMENTAL			
FLAMMABILITY		OPERATING TEMP.	
Rated V-2 per UL 94		-40°C to 60°C	

STANDARDS & CERTIFICATIONS					
NEMA WD-6	ANSI C-73	UL 498	UL Fed Spec Listed WC-596	CSA C22.2 No. 42	NOM
✓	✓	✓	—	#LR-406	#057

NEMA Locking Devices

**LIFETIME
WARRANTY**

BLACK & WHITE
INDUSTRIAL GRADE PLUGS & CONNECTORS



2730



2731



2733



2735



2736

15/20/30 Amp NEMA Locking Devices

POLES/WIRES	AMPS	VOLTS	NEMA	AC HP RATING	RECEPTACLE	PLUG	CONNECTOR	FLANGED INLET	FLANGED OUTLET
Locking 2-Pole 3-Wire Grounding	15	125V 250V 277V AC	L5-15 L6-15 L7-15	.5 1.5* 2	4710 4560 4760	4720-C 4570-C 4770-C	4729-C 4579-C 4779-C	4716-C 4586-C 4786-C	4715-C 4585-C 4785-C
	20	125V 250V 277V AC 347V AC 480V AC 600V AC	L5-20 L6-20 L7-20 L24-20 L8-20 L9-20	1 2* 2 N/A 3 N/A	2310 2320 2330 3720 2340 2350	2311 2321 2331 3721 2341 2351	2313 2323 2333 3723 2343 2353	2315 2325 2335 3755 2345 2355	2316 2326 2336 3756 2346 2356
	30	125V 250V 277V AC 480V AC 600V AC	L5-30 L6-30 L7-30 L8-30 L9-30	2 2* 3 5 N/A	2610 2620 2630 2640 2650-A	2611 2621 2631 2641 C2651	2613 C2623 2633 2643 C2653	2615 2625F 2635 2645 2655	2616 2626F 2636 2646 2656
Locking 3-Pole 3-Wire Grounding	15	3ø 250V	L11-15	2	4870	4880-C	4889	-	-
	20	125/250V 3ø 250V 3ø 480V	L10-20 L11-20 L12-20	2L-L*/1 L-N 2L-L*/2 L-N 5	2360 2370 2380	2361 2371 2381	2363 2373 2383	2365 2375 2385	2366 2376 2386
	30	125/250V 3ø 250V 3ø 480V 3ø 600V	L10-30 L11-30 L12-30 L13-30	2L-N 3 10 N/A	2660-A 2670 2680 2690	2661 2671 2681 2691	2663 2673 2683 2693	2665 2675 2685 2695	2666 2676 2686 2696
Locking 3-Pole 4-Wire Grounding	20	125/250V 3ø 250V	L14-20 L15-20 3ø 480V	2L-L*/1 L-N 3 L16-20	2410 2420 2430	2411 2421 2431	2413 2423 2433	2415 2425 2435	2416 2426 2436
	30	125/250V 3ø 250V 3ø 480V 3ø 600V	L14-30 L15-30 L16-30 L17-30	2L-L*/2 L-N 3 10 N/A	2710 2720 2730 2740	2711 2721 2731 2741	2713 2723 2733 2743	2715 2725 2735 2745	2716 2726 2736 2746
Locking 4-Pole 4-Wire Grounding	20	3øY 120/208V 3øY 277/480V 3øY 347/600V	L18-20 L19-20 L20-20	2 5 N/A	2440 2450 2460	2441 2451 2461	2443 2453 2463	2445 2455 2465	2446 2456 2466
	30	3øY 120/208V 3øY 277/480V 3øY 347/600V	L18-30 L19-30 L20-30	3 10 N/A	2750 2760 2770	2751 2761 2771	2753 2763 2773	2755 2765 2775	2756 2766 2776
Locking 4-Pole 5-Wire Grounding	20	3øY 120/208V 3øY 277/480V 3øY 347/600V	L21-20 L22-20 L23-20	2 5 N/A	2510 2520 2530	2511 2521 2531	2513 2523 2533	2515 2525 2535	2516 2526 2536
	30	3øY 120/208V 3øY 277/480V 3øY 347/600V	L21-30 L22-30 L23-30	3 10 N/A	2810 2820 2830	2811 2821 2831	2813 2823 2833	2815 2825 2835	2816 2826 2836

* Suitable for 208V motor applications at HP rating L-L Denotes phase-to-phase HP rating L-N Denotes phase-to-neutral HP rating

Locking Plug & Connector Features



Power Light (-PL) Devices
20 and 30 Amp locking devices feature a green LED bulb rated at 100,000 hours, 24 x 7 for 11.5 years.

External cord clamp utilizes deep slotted/Phillips steel screws that are backed out and positioned inside shrouded pockets. External clamp accepts wire mesh grips.

Cable gauge identifies maximum cord size allowed with strain relief insert

Internal wiring chambers isolate individual conductors to prevent flashover, arcing, and stray strands of wire

Backed-out, color-coded terminal screws help identify hot, neutral and ground terminals

Transparent wiring chambers provides a means of visual inspection of conductors and terminals

Cleat on contacts cuts oxidation when plug blades enter contact surface

Speed drive screws for faster assembly

Ergonomically designed fluted body with radial gripping ridge creates an ideal surface for gripping, turning, and pulling

2813

Combination #10-32 deep slotted/Phillips brass screws easily torque to 10-14 in.-lbs.



4720-C Plug with Wire Mesh Grip



Shrouded pockets in cord clamp prevent slippage of screwdriver blade when tightening cord clamp screws.



Wire clamps move within individual chambers to provide positive crimp lock without cutting wire strands.



Captive terminal screws eliminate nuisance dropping and searching for missing screws.



Deep-funnelled, large wire wells guide conductors into termination position.

COMPONENT	DESCRIPTION
Body	Super Tough Nylon
Back Cover	Thermoplastic
Wiring Module	Nylon
Cord-Clamp	Nylon
Clamp Insert	Nylon
Blades/Contacts	Solid Brass
Terminal Screws	Brass
Assembly Screws	Steel, Zinc-Plated

STANDARDS & CERTIFICATIONS					
NEMA WD-6	ANSI C-73	UL 498	UL Fed Spec WC-596	CSA C22.2 No. 42	NOM
✓	✓	✓	#E13393	#LR-406	#057



Strain relief insert is easily removed without removing cord clamp to accommodate larger cords.

CORD CLAMP RANGES	
15A, 3W	.240" - .700" 18-10 AWG
20A, 3W	.385" - .780" 16-10 AWG
20A, 4W	.595" - .895" 14-10 AWG
20A, 5W	.595" - .895" 14-10 AWG
30A, 3W	.385" - .860" 16-8 AWG
30A, 4W	.595" - 1.150" 14-8 AWG
30A, 5W	.595" - 1.150" 14-8 AWG



NEMA 2-Pole, 3-Wire Locking Plugs Offer Easy Assembly Commercial Grade

Applications:

- Pendant lighting fixtures
- Commercial food processing equipment
- Commercial and industrial cleaning equipment

Leviton's line of locking plugs offers OEM's high quality 2-pole, 3-wire grounding devices for equipment that requires a NEMA locking plug configuration. The plugs are provided in a convenient OEM-size bulk package of 100 devices in a divider carton with the terminal screws backed out and husks located in separate carton compartment for easy assembly on production lines. Leviton's NEMA locking plugs are built to provide excellent performance in demanding settings and meet the highest industry standards.

Features:

- Nylon dead-front design
- Rugged PVC husk UL94 V-2 rated
- Individual wiring compartments for easy assembly
- One-piece brass contacts for high reliability

ELECTRICAL		
DIELECTRIC VOLTAGE	CURRENT INTERR.	TEMP. RISE
Withstands 2000V per UL 498	Full rated current	Max 30°C at full rated current after 50 cycles overload at 150% rated current for both AC and DC per UL 498

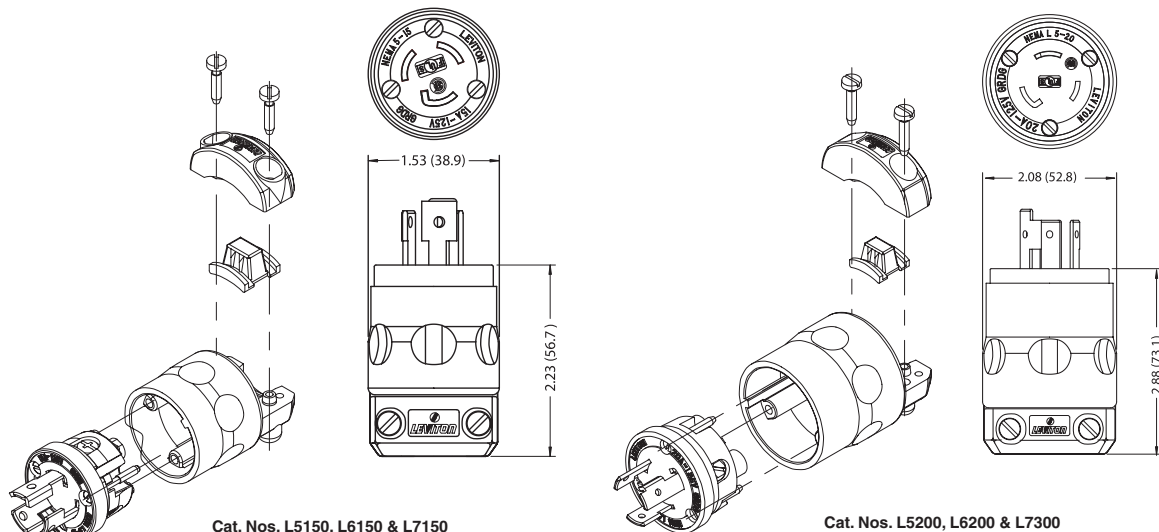
MECHANICAL			
TERMINAL I.D.	TERMINAL ACCOMM.	PRODUCT I.D.	CORD GRIP RANGE
Brass, hot Grounding White, neutral	#18 - #10 AWG	Ratings & NEMA I.D. permanently marked on device	15A Plugs: .240"-.700" 20A & 30A Plugs: .385"-.860"

ENVIRONMENTAL	
FLAMMABILITY	OPERATING TEMP.
Rated V-2 per UL 94	-40°C to 60°C

STANDARDS & CERTIFICATIONS					
NEMA	ANSI	UL	UL Fed Spec	CSA	NOM
WD-6	C-73	498	Listed WC-596	C22.2 No. 42	
✓	✓	✓	#E13393	#LR-406	#057

2-Pole 3-Wire Grounding Locking Plugs – Black PVC Husk

Catalog Number	Rating	NEMA Configuration
L5150	15A, 125V	L5-15P
L6150	15A, 250V	L6-15P
L7150	15A, 277VAC	L7-15P
L5200	20A, 125V	L5-20P
L6200	20A, 250V	L6-20P
L7300	30A, 277VAC	L7-30P



Cat. Nos. L5150, L6150 & L7150

Cat. Nos. L5200, L6200 & L7300

NEMA Midget Locking and Straight Blade Devices Industrial Grade

TYPE	PLUG	CONNECTOR	ANGLE PLUG	ANGLE CONNECTOR	FLANGED INLET	FLANGED OUTLET
15A 125V, 2-POLE, 2-WIRE NON-GROUNDING, LOCKING					NEMA ML1	
Black & White Nylon	ML1-P	ML1-C	ML1-AP	ML1-AC	-	-
White Nylon	-	-	-	-	ML1-PB	ML1-PER
Metal & White Nylon	-	-	-	-	-	-
15A 125V, 2-POLE, 3-WIRE GROUNDING, LOCKING					NEMA ML2	
Black & White Nylon	ML2-P	ML2-C	ML2-AP	ML2-AC	-	-
White Nylon	-	-	-	-	ML2-PB	ML2-PER
Metal & White Nylon	-	-	-	-	-	-
15A 125/250V, 3-POLE, 3-WIRE NON-GROUNDING, LOCKING					NEMA ML3	
Black & White Nylon	ML3-P	ML3-C	ML3-AP	ML3-AC	-	-
White Nylon	-	-	-	-	ML3-PB	ML3-PER
Metal & White Nylon	-	-	-	-	-	-
15A 125V, 2-POLE, 2-WIRE NON-GROUNDING, STRAIGHT BLADE					NEMA 1-15	
Black & White Nylon	MS2-P	-	MS2-AP	-	-	-



ELECTRICAL		
DIELECTRIC VOLTAGE	CURRENT INTERRUPT.	TEMP. RISE
Withstands 2000V per UL 498	Full rated current	Max 30°C at after 250 cycles overload at 200% of rated current

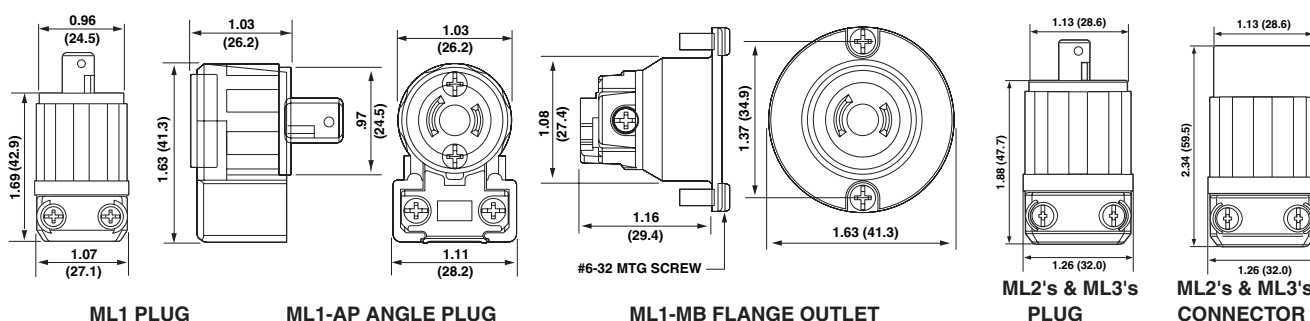
MECHANICAL			
TERMINAL I.D.	TERMINAL ACCOMM.	PRODUCT I.D.	CORD GRIP RANGE
Brass, hot Grounding	#18 - #10 AWG	Ratings & NEMA I.D. permanently marked on device	.218"-.430"
White, neutral			

ENVIRONMENTAL	
FLAMMABILITY	OPERATING TEMP.
Rated V-2 per UL 94	-40°C to 60°C

STANDARDS & CERTIFICATIONS					
NEMA WD-6	ANSI C-73	UL 498	UL Fed Spec Listed WC-596	CSA C22.2 No. 42	NOM
✓	✓	✓	#E13393 Plugs, Connectors & Flanged Inlets #E13399 Receptacles & Flanged Outlets	#LR-406	#057



SECTION P



WETGUARD® PLUGS, CONNECTORS AND RECEPTACLES



PLUGS AND CONNECTORS



Wetguard Products
Are Engineered to Meet or Exceed UL and IEC Watertight Standards

Plugs & Connectors mated or with closure caps meet IP66 & IP67 Standards

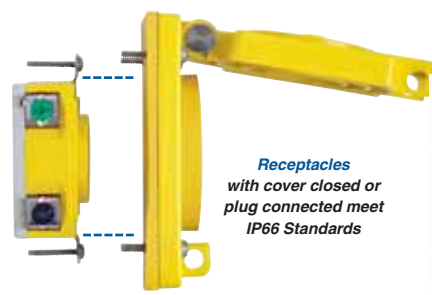
All Wetguard Devices Type 3, 3S, 4, 4X, 6 & 6P



26W47



27W47-B



67W47

Receptacles with cover closed or plug connected meet IP66 Standards

LIFETIME WARRANTY



23CM-10

POLES/WIRES	AMPS	VOLTS	NEMA	PLUG		CONNECTOR W/ CLOSURE CAP		CORROSION RESISTANT RECEPTACLE, COVER, GASKET	CORROSION RESISTANT RECEPTACLE
				YELLOW	BLACK	YELLOW	BLACK		
Straight Blade 2-Pole 3-Wire Grounding	15	125V	5-15	14W47	14W47-B	15W47	15W47-B	60W47	5261-CR
		250V	6-15	14W49	-	15W49	-	60W49	5661-CR
		277V AC	7-15	14W34	-	15W34	-	-	-
	20	125V	5-20	14W33	-	15W33	-	60W33	5361-CR
		250V	6-20	14W48	-	15W48	-	60W48	5461-CR
Locking 2-Pole 3-Wire Grounding	15	125V	L5-15	24W47	-	25W47	-	65W47	47CM-10
		250V	L6-15	24W49	-	25W49	-	65W49	45CM-60
		277V AC	L7-15	24W34	-	25W34	-	65W34	47CM-60
	20	125V	L5-20	26W47	26W47-B	27W47	27W47-B	67W47	23CM-10
		250V	L6-20	26W48	-	27W48	-	67W48	23CM-20
		277V AC	L7-20	26W49	-	27W49	-	67W49	23CM-30
Locking 3-Pole 4-Wire Grounding	20	125/250V	L14-20	26W74	-	27W74	-	67W74	24CM-10
		3ø 250V	L15-20	26W75	-	27W75	-	67W75	24CM-20
		3ø 480V	L16-20	26W76	-	27W76	-	67W76	24CM-30
Locking 3-Pole 3-Wire Non-Grounding	20	125/250V	Non-NEMA	26W08	-	27W08	-	67W08*	7310-B*
Locking 4-Pole 4-Wire Non-Grounding	20	3øY 120/208V	Non-NEMA	26W09	-	27W09	-	67W09*	7410-B*
Locking 4-Pole 5-Wire Grounding	20	3øY 120/208V	L21-20	26W81	26W81-B	27W81	27W81-B	67W81*	2510*
		3øY 277/480V	L22-20	26W82	-	27W82	-	67W82*	2520*
		3øY 347/600V	L23-20	26W83	-	27W83	-	67W83*	2530*
Locking 2-Pole 3-Wire Grounding	30	125V	L5-30	28W47	28W47-B	29W47	29W47-B	69W47	26CM-10
		250V	L6-30	28W48	-	29W48	-	69W48	26CM-20
		277V AC	L7-30	28W49	-	29W49	-	69W49*	2630*
Locking 3-Pole 4-Wire Grounding	30	125/250V	L14-30	28W74	-	29W74	-	69W74	27CM-10
		3ø 250V	L15-30	28W75	-	29W75	-	69W75	27CM-20
		3ø 480V	L16-30	28W76	-	29W76	-	69W76*	2730*
		3ø 600V	L17-30	28W77	-	29W77	-	69W77*	2740*
Locking 3-Pole 3-Wire Non-Grounding	30	125/250V	Non-NEMA	28W08	-	29W08	-	69W08*	3330*
Locking 4-Pole 4-Wire Non-Grounding	30	3øY 120/208V	Non-NEMA	28W09	-	29W09	-	69W09*	3430*
Locking 4-Pole 5-Wire Grounding	30	3øY 120/208V	L21-30	28W81	-	29W81	-	69W81*	2810*
		3øY 277/480V	L22-30	28W82	-	29W82	-	69W82*	2820*
		3øY 347/600V	L23-30	28W83	-	29W83	-	69W83*	2830*

* Non-corrosion resistant receptacle

To learn more about Leviton's outstanding offering of devices, visit our Website at: www.leviton.comBuilding A Connected World

WETGUARD® PLUGS, CONNECTORS AND RECEPTACLES

Wetguard® Features

Wetguard Products Meet IP and NEMA Watertight Standards



LIFETIME WARRANTY



Wetguard Products Are Engineered to Meet or Exceed UL and IEC Watertight Standards

Superior Performance - Superior Safety

NEMA configuration number and rating molded onto device face

Cord Ranges 0.375" min., 1.125" max.

Module and husk keyed for alignment

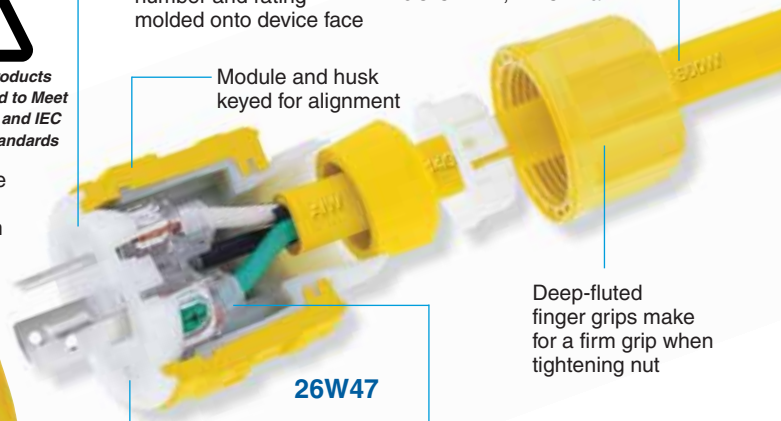
Heavy-duty, one-piece nickel-plated brass contacts for maximum conductivity

Deep-fluted finger grips make for a firm grip when tightening nut

Clear back cover on wiring module for easy inspection of wired terminals

Rubber body is molded to bondable nylon substrate to maximize sealing capability

EPTR rubber parts resist water and most acids, alkalis, grease, oil, and solvents. Offers UV stability and resists fungal growth



26W47

Non-magnetic stainless steel body assembly screws prevent electromagnetic interference

Extra large, deep wiring wells for quick, easy insertion of stranded conductors

Combination Phillips/standard assembly screws (Robertson/Slotted for Canada)

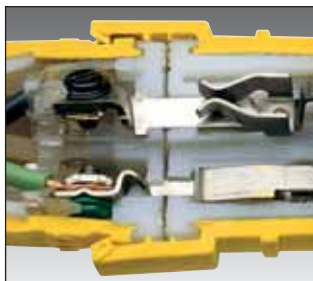
Innovative strain relief system and compression nut provide a watertight seal and prevent cord slippage

Nickel-plated brass blades, contacts, wiring screws and lugs resist corrosion

National Electrical Code Article 100
Watertight: Constructed so that moisture will not enter the enclosure under specified test conditions



Superior Performance - Superior Safety



Interlocking tongue and groove construction forms barrier against entry of dirt and moisture.



Multi-point sealing system utilizes a nut, strain relief washer and a rubber bushing to form a watertight cord grip seal.



Corrosion resistant brass nickel-plated blades pass 500 Hr. salt spray test.

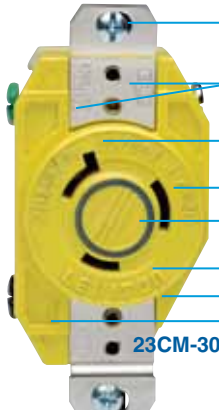


Single piece high-conductivity rivetless contacts reduce potential for overheating.

PLUG/CONNECTOR COMPONENTS	DESCRIPTION
Body	Ethylene Propylene Thermoplastic Rubber
Compression Nut; Strain Relief	Nylon
Wiring Module	Thermoplastic
Bushing	Ethylene Propylene Thermoplastic Rubber
Blades/Contacts; Terminal Clamps	Nickel-Plated Brass
Terminal Screws	Nickel-Plated #10 Brass
Assembly Screws	Stainless Steel 300 Series
Wiring Module	Bondable Nylon

STANDARDS & CERTIFICATIONS

NEMA	ANSI	UL	UL Fed Spec	CSA	NOM
WD-6	C-73	496	WC-596	C22.2 No. 42	
✓	✓	✓	#E13393	#LR-406	#057



Extra thick 0.050" nickel-plated brass mounting strap

Stamped-in agency certifications

Amperage & voltage rating

NEMA line number

Color-coded voltage rating

Manufacturer

Uni-body face

Stability ribs

23CM-30

V-0-MAX
CORROSION RESISTANT
FLUSH RECEPTACLES-UL V-0 RATING

V-0-MAX have a one-piece 0.040" thick brass, high-copper content contacts with nickel-plated clamp type terminals.

Color-Coded Voltage Ratings		
● 125V	● 250V	● 277V AC
● 125/250V	● 3ø250V	● 3ø480V

FLAMMABILITY CLASSIFICATIONS

The UL 94 20mm Vertical Burning Test compares plastic materials in terms of three burning characteristics: Relative Speed of Burning, Ability to Extinguish Fire and Inability to Propagate Fire. The V-0-MAX Receptacle materials have earned the best rating possible: V-0

PIN & SLEEVE DEVICES

North American Watertight Pin & Sleeve Devices
IEC 309-1 & 309-2



PLUGS AND CONNECTORS

2 YEAR LIMITED
WARRANTY

Pin & Sleeve Device Features

The Watertight Line: North American-Rated Devices

Superior Connection... Superior Protection

- Rugged housing, made of superior performance Valox 357, provides maximum corrosion protection and makes the device resistant to impact and abuse; greater resistance to temperature extremes, V-0 flame rated and superior UV stability.
- Contact carrier resists arcing and internal heat build-up; 60 and 100 amp contact/pin carriers are made of reinforced nylon for even greater strength and temperature resistance.
- Solid brass terminal screws on 20A,30A & 60A devices provide maximum clamping pressure.
- Stainless steel terminal screws and terminals on 100A devices provide corrosion resistance in caustic environments.
- Dependable, clean brass construction for long life, reliable electrical contact, maximum conductivity, and corrosion resistance.
- Watertight Chloroprene onion skin grommet provides a precise, reliable seal at the cable entry point.
- Ground, neutral and phase terminals are clearly identified by color coding or letters and numbering on both front & back side.
- Multiple contact points assure a continuously reliable electrical connection.

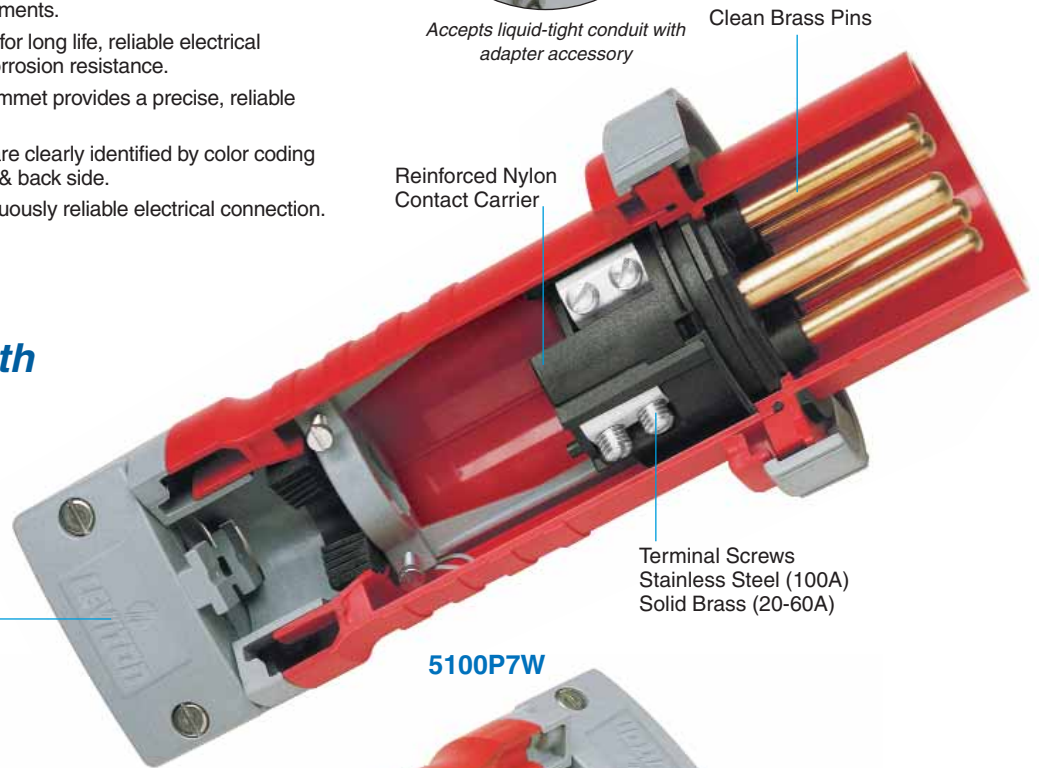


Accepts liquid-tight conduit with adapter accessory



Engineered to IP67
Watertight Standards
North American Rated Devices
20, 30, 60 & 100 Amp

**UL Rated for both
50 and 60 Hz
Applications.**



Clean Brass Pins

Reinforced Nylon Contact Carrier

Terminal Screws
Stainless Steel (100A)
Solid Brass (20-60A)

Heavy-Duty
Valox 357 Exterior
Cord Clamp

5100P7W



Watertight Chloroprene
Onion Skin Grommet

5100C7W

Super-Durable
Valox 357 Housing

Front Terminals,
Raised Lettering,
Identification

Rear Terminals, Raised
Lettering, Identification

Calibrated, Self-Adjusting
Contacts

Valox® is a registered trademark of GE.

PIN & SLEEVE DEVICES

North American Watertight Pin & Sleeve Devices
IEC 309-1 & 309-2



PLUGS AND CONNECTORS



Super Tough Housing

- Provides maximum protection from abuse and environment
- Heavy-wall molding of Valox 357 resists impact, heat, flame and chemicals
- Superior performance in low-to-high ambient temperature extremes (-40°C to 60°C)
- Excellent UV stability for superior outdoor performance (UL1682)
- V-0 flammability rating
- Fully insulated
- Color-coded by voltage for easy identification



Pin & Contact Carrier 60 & 100 Amp

- Protects pins & contacts, holding them firmly in place
- Pin Carrier and Contact Carrier constructed of glass fiber reinforced nylon for maximum impact resistance and maximum protection of pins and contacts
- Superior arc-tracking resistance
- Excellent heat-resistance and flame-resistance
- Chamfered wire entry makes wiring easier



External Cord Clamp

- Protects terminals from strain
- Accommodates a wide variety of cord sizes
- Excellent impact strength
- Excellent UV stability for superior outdoor performance (UL1682)
- V-0 flammability rating



Pin & Contact Carrier 20 & 30 Amp

- Pin Carrier and Contact Carrier constructed of nylon for maximum impact resistance and maximum protection of pins and contacts
- Terminal screws are aligned on a single plane for easier access
- Internal hinged cord clamp adds strain-relief and swings aside when wiring terminals
- Large diameter combination head terminal screws



Internal Cord Clamp

- Secondary method for eliminating strain on terminals and conductors
- True IEC 309-1 & 309-2 acceptance
- Constructed of sturdy thermoplastic for tough environments
- Removes easily for user convenience



Pins

- Designed for manageable insertion/withdrawal force
- Clean brass construction resists corrosion, provides superior contact and low electrical resistance
- Rounded tips reduce insertion force and decrease wear on the contact surface area



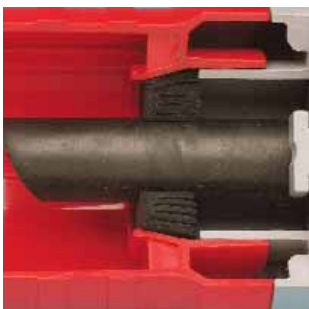
Spring Loaded Cover, Cover Arm, & Locking Rings

- Rings lock plug to connector
- Spring loaded cover closes automatically
- "Performance grade" Stainless Steel cover spring for superior corrosion-resistance and long life
- Excellent UV stability for outdoor use
- V-0 flammability rating
- Interior arm design in 60 and 100 amp helps eliminate breakage



Sleeves (Contacts)

- Designed for manageable insertion/withdrawal force
- Clean brass construction resists corrosion, provides superior contact and low electrical resistance
- Self-adjusting, machine-calibrated contacts for accurate contact pressure designed for superior wiping and cleaning action
- Made from high performance Swedish Industrial Standard (SIS) Brass 5170-04
- Positioned at sleeve entrance, stainless steel spring enables pin cleaning at earliest point of entry



Gasket/Grommet

- Prevents moisture, dust, and contaminants from entering housing or pin/contact carrier
- Solid Chloroprene for positive seal and excellent chemical/corrosion-resistance
- Onion skin design on grommet provides precise watertight fit, eliminating the need to choose from multiple grommets that may not fit the cable jacket precisely



Terminal Screws

- Engineered to provide maximum holding power and lowest electrical resistance
- Accepts a wide range of conductors
- Double screws ensure secure connection
- Direct bearing pressure terminals for 20, 30 and 60 Amp ratings; pressure clamp termination for 100 Amp devices
- Stainless steel terminal screws and terminals for top performance on 100 Amp

PIN & SLEEVE DEVICES

North American Watertight Pin & Sleeve Devices
20 & 30 Amp



PLUGS AND CONNECTORS

2 YEAR LIMITED
WARRANTY

DEVICE	WIRE SIZES					
	FROM			TO		
	AWG	COND	TYPE	AWG	COND	TYPE
20A	#14	3	S	#12	3	S
20A	#14	4	S	#12	4	S
20A	#14	5	S	#12	5	S
30A	#12	3	S	#10	3	SorW
30A	#12	4	S	#10	4	SorW
30A	#12	5	S	#10	5	SorW



Engineered to IP67
Watertight Standards



320P4W
Plug

320C4W
Connector

420R9W
Receptacle

420B9W
Inlet

BX230-V
Back Box

North American Devices, IEC 309-1 & 309-2

AMPS	WIRING	VOLTAGE AC	CONNECTOR/RECEPTACLE	PLUG/INLET	PLUG	CONNECTOR	RECEPTACLE	INLET	BACK BOX
20	2p3w	125			320P4W	320C4W	320R4W	320B4W	BX230-V
	2p3w	250			320P6W	320C6W	320R6W	320B6W	BX230-V
	2p3w	480			320P7W	320C7W	320R7W	320B7W	BX230-V
	3p4w	125/250			420P12W	420C12W	420R12W	420B12W	BX230-V
	3p4w	3Ø250			420P9W	420C9W	420R9W	420B9W	BX230-V
	3p4w	3Ø480			420P7W	420C7W	420R7W	420B7W	BX230-V
	3p4w	3Ø600			420P5W	420C5W	420R5W	420B5W	BX230-V
	4p5w	3ØY120/208			520P9W	520C9W	520R9W	520B9W	BX230-V
	4p5w	3ØY277/480			520P7W	520C7W	520R7W	520B7W	BX230-V
	4p5w	3ØY347/600			520P5W	520C5W	520R5W	520B5W	BX230-V
30	2p3w	125			330P4W	330C4W	330R4W	330B4W	BX230-V
	2p3w	250			330P6W	330C6W	330R6W	330B6W	BX230-V
	2p3w	480			330P7W	330C7W	330R7W	330B7W	BX230-V
	3p4w	125/250			430P12W	430C12W	430R12W	430B12W	BX230-V
	3p4w	3Ø250			430P9W	430C9W	430R9W	430B9W	BX230-V
	3p4w	3Ø480			430P7W	430C7W	430R7W	430B7W	BX230-V
	3p4w	3Ø600			430P5W	430C5W	430R5W	430B5W	BX230-V
	4p5w	3ØY120/208			530P9W	530C9W	530R9W	530B9W	BX230-V
	4p5w	3ØY277/480			530P7W	530C7W	530R7W	530B7W	BX230-V
	4p5w	3ØY347/600			530P5W	530C5W	530R5W	530B5W	BX230-V

PIN & SLEEVE DEVICES

North American Watertight Pin & Sleeve Devices
60 & 100 Amp



PLUGS AND CONNECTORS

**2 YEAR LIMITED
WARRANTY**



DEVICE	WIRE SIZES					
	FROM			TO		
	AWG	COND	TYPE	AWG	COND	TYPE
60A	#8	3	SorW	#4	3	W
60A	#8	4	SorW	#4	4	W
60A	#8	5	SorW	#4	5	W
100A	#3	3	W	#1	3	W
100A	#3	4	W	#1	4	W
100A	#3	5	W	#1	5	W



Engineered to IP67
Watertight Standards

North American Devices, IEC 309-1 & 309-2

AMPS	WIRING	VOLTAGE AC	CONNECTOR/RECEPTACLE	PLUG/INLET	PLUG	CONNECTOR	RECEPTACLE	INLET	BACK BOX
60	2p3w	125			360P4W	360C4W	360R4W	360B4W	BX60-V
	2p3w	250			360P6W	360C6W	360R6W	360B6W	BX60-V
	2p3w	480			360P7W	360C7W	360R7W	360B7W	BX60-V
	3p4w	125/250			460P12W	460C12W	460R12W	460B12W	BX60-V
	3p4w	3Ø250			460P9W	460C9W	460R9W	460B9W	BX60-V
	3p4w	3Ø480			460P7W	460C7W	460R7W	460B7W	BX60-V
	3p4w	3Ø600			460P5W	460C5W	460R5W	460B5W	BX60-V
	4p5w	3ØY120/208			560P9W	560C9W	560R9W	560B9W	BX60-V
	4p5w	3ØY277/480			560P7W	560C7W	560R7W	560B7W	BX60-V
	4p5w	3ØY347/600			560P5W	560C5W	560R5W	560B5W	BX60-V
100	2p3w	125			3100P4W	3100C4W	3100R4W	3100B4W	BX100-V
	2p3w	250			3100P6W	3100C6W	3100R6W	3100B6W	BX100-V
	2p3w	480			3100P7W	3100C7W	3100R7W	3100B7W	BX100-V
	3p4w	125/250			4100P12W	4100C12W	4100R12W	4100B12W	BX100-V
	3p4w	3Ø250			4100P9W	4100C9W	4100R9W	4100B9W	BX100-V
	3p4w	3Ø480			4100P7W	4100C7W	4100R7W	4100B7W	BX100-V
	3p4w	3Ø600			4100P5W	4100C5W	4100R5W	4100B5W	BX100-V
	4p5w	3ØY120/208			5100P9W	5100C9W	5100R9W	5100B9W	BX100-V
	4p5w	3ØY277/480			5100P7W	5100C7W	5100R7W	5100B7W	BX100-V
	4p5w	3ØY347/600			5100P5W	5100C5W	5100R5W	5100B5W	BX100-V

SECTION P

MECHANICAL INTERLOCK DEVICES

North American Watertight Mechanical Interlocks
IEC 309-1 & 309-2



PLUGS AND CONNECTORS

Mechanical Interlock Features

2 YEAR LIMITED
WARRANTY

Type 3R, 4X and 12K
IP67



Engineered to UL & IEC
Watertight Standards



560M17W
60 Amp

Fused Models Accept
"Class J" Time-Delay Fuses



420M19W
20 Amp



420MF9W
20 Amp, Fused

PowerSwitch Mechanical Interlocks

- 20 Amp Non-Fused & Fused
- 30 Amp Non-Fused & Fused
- 60 Amp Non-Fused & Fused
- 100 Amp Non-Fused

PowerSwitch Mechanical Interlock devices incorporate a disconnect safety switch and IEC receptacle in a non-metallic watertight enclosure. The interlock mechanism prevents making and breaking of power under load. "The switch cannot be actuated to the **ON** position until an IEC compatible plug is fully inserted, and the plug cannot be removed until the switch is in the **OFF** position."

The complete IEC 309-1 and 309-2 system of plugs, connectors, inlets and mechanical interlock devices can be used for both retrofit and new installations enhancing safety and performance in critical power connections.

Mechanical Interlock Features

2 YEAR LIMITED WARRANTY

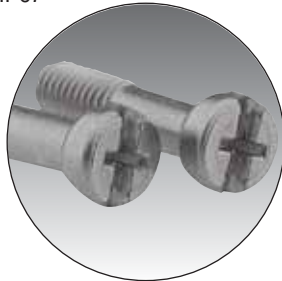
Liquid-tight conduit fitting can be installed for top or bottom feed

- One fitting supplied:
- 20-30 Amp - 3/4"
 - 60 Amp - 1-1/4"
 - 100 Amp - 1-1/2"

Stainless steel screws are captive and will not fall out when cover is opened

Impact, UV and chemical-resistant Valox enclosure rated to UL and IEC watertight standards

- Type 3R, 4X & 12K
- IP67



Cover Screws: 1-1/8" deep slotted, LG stainless steel.
Mounting Screws: 10-24 x 1/2" deep slotted, LG stainless steel.

Pre-wired grounding plate connects to metal conduit grounding system

Brass threaded inserts will not strip, provide higher torque, and form tighter seal between back box and cover

Rugged hinge mechanism pivots 180° for easy access during installation and maintenance



420MF9W

Fused Models Accept "Class J" Time-Delay Fuses

Red "pistol grip" handle provides visual confirmation of switch's status

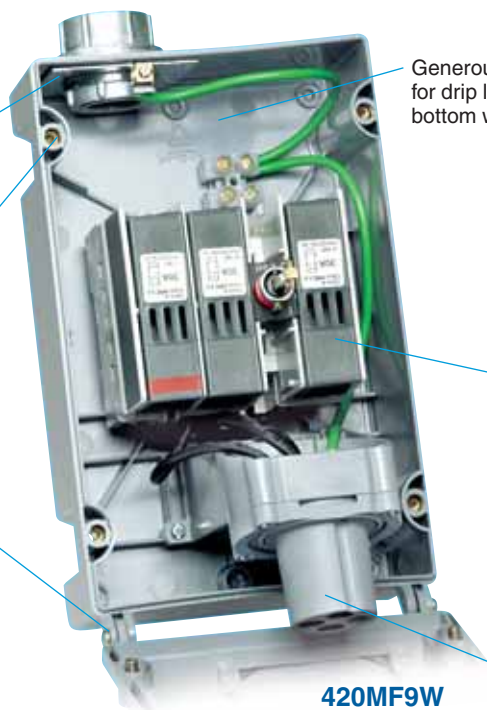
Integrated lockout handle meets OSHA safety regulations



Handle with padlock installed

Circuit identification pad for means of identifying specific equipment loads

Color-coded receptacle cover indicates voltage rating of device and seals against water and other contaminants when not in use

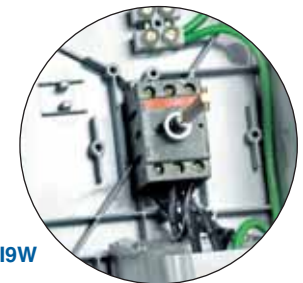


420MF9W

Generous wiring space for drip loop or top to bottom wiring

- Disconnect switch with integrated fuse holder offers proven performance in a compact package
- Fused cartridges accept "Class J" fuses (not included)
 - One factory installed auxiliary contact (normally opened - 10 Amp). Additional auxiliary contact available (normally closed - 10 Amp)
 - Easily accessible neutral and ground terminal blocks

Pre-wired IEC receptacle accepts all manufacturer's IEC 309-2 plugs



420MI9W

Compact non-fused mechanical interlocks are easy to wire

STANDARDS & CERTIFICATIONS						
Mechanical Interlocks						
UL 231 & UL1686	UL 98 Fused	UL 508 Non-Fused	CSA C22.2 No. 182.1 & 14	NOM	CE	IEC 309-1 & 309-2
#E171391			LR-700925	✓	✓	✓

MECHANICAL INTERLOCK DEVICES

North American Watertight Mechanical Interlocks
Non-Fused & Fused • 20 & 30 Amp



PLUGS AND CONNECTORS



Fused Models Accept
"Class J" Time-Delay
Fuses

2 YEAR LIMITED
WARRANTY



Engineered to UL & IEC
Watertight Standards

Type 3R, 4X & 12K
IP67

420MF9W

AMPS	WIRING	VOLTAGE AC	RECEPTACLE CONFIG.	PLUG CONFIG.	NON-FUSED		FUSED		USE PLUG CAT. NO.
					MECHANICAL INTERLOCK	HP RATING	MECHANICAL INTERLOCK	HP RATING	
20	2p3w	240			320MI6W	3	–	–	320P6W
	2p3w	480			320MI7W	5	–	–	320P7W
	3p4w	125/250			420MI12W	*	420MF12W	*	420P12W
	3p4w	3Ø240			420MI9W	5	420MF9W	5	420P9W
	3p4w	3Ø480			420MI7W	10	420MF7W	10	420P7W
	3p4w	3Ø600			420MI5W	15	420MF5W	15	420P5W
	4p5w	3ØY120/208			520MI9W	5	–	–	520P9W
	4p5w	3ØY277/480			520MI7W	10	–	–	520P7W
	4p5w	3ØY347/600			520MI5W	15	–	–	520P5W
30	2p3w	240			330MI6W	5	–	–	330P6W
	2p3w	480			330MI7W	10	–	–	330P7W
	3p4w	125/250			430MI12W	*	430MF12W	*	430P12W
	3p4w	3Ø240			430MI9W	10	430MF9W	7.5	430P9W
	3p4w	3Ø480			430MI7W	20	430MF7W	15	430P7W
	3p4w	3Ø600			430MI5W	25	430MF5W	20	430P5W
	4p5w	3ØY120/208			530MI9W	10	–	–	530P9W
	4p5w	3ØY277/480			530MI7W	20	530MF7W	15	530P7W
	4p5w	3ØY347/600			530MI5W	25	530MF5W	20	530P5W

* Consult factory for your specific application.

VOLTS	MAX. HP RATINGS PER UL508 NON-FUSED SAFETY DISCONNECT SWITCHES		
	DS30-AX	DS60-AX	DS100-AX
120V AC	1	2	5
208V AC	5	20	25
240V AC	2.5	10	15
480V AC	5	20	25
600V AC	NA	20	20
3Ø Y120/208V AC	5	20	25
3Ø 240V AC	5	20	30
3Ø 480V AC	15	40	50
3Ø 600V AC	15	40	50

VOLTS	MAX. HP RATINGS PER UL508 FUSED SAFETY DISCONNECT SWITCHES	
	DS30-FAX	DS60-FAX
120V AC	2	NR
208V AC	7.5	15
240V AC	3	NR
480V AC	7.5	NR
600V AC	20	NR
3Ø Y 120/208V AC	7.5	15
3Ø 240V AC	7.5	15
3Ø 480V AC	15	30
3Ø 600V AC	20	50

NR = Not Rated NA = Not Available

MECHANICAL INTERLOCK DEVICES

North American Watertight Mechanical Interlocks
Non-Fused & Fused • 60 & 100 Amp



PLUGS AND CONNECTORS

2 YEAR LIMITED
WARRANTY



Fused Models Accept
“Class J” Time-Delay Fuses



Engineered to UL & IEC
Watertight Standards

Type 3R, 4X & 12K IP67

560MI7W

AMPS	WIRING	VOLTAGE AC	RECEPTACLE CONFIG.	PLUG CONFIG.	NON-FUSED		FUSED		USE PLUG CAT. NO.
					MECHANICAL INTERLOCK	HP RATING	MECHANICAL INTERLOCK	HP RATING	
60	2p3w	240			360MI6W	10	360MF6W	*	360P6W
	2p3w	480			360MI7W	20	—	—	360P7W
	3p4w	125/250			460MI12W	*	460MF12W	*	460P12W
	3p4w	3Ø240			460MI9W	20	460MF9W	15	460P9W
	3p4w	3Ø480			460MI7W	40	460MF7W	30	460P7W
	3p4w	3Ø600			460MI5W	40	460MF5W	50	460P5W
	4p5w	3ØY120/208			560MI9W	20	560MF9W	15	560P9W
	4p5w	3ØY277/480			560MI7W	40	—	—	560P7W
	4p5w	3ØY347/600			560MI5W	40	—	—	560P5W

Type 3R, 4X & 12K IP67

AMPS	WIRING	VOLTAGE AC	RECEPTACLE CONFIG.	PLUG CONFIG.	NON-FUSED		USE PLUG CAT. NO.
					MECHANICAL INTERLOCK	HORSEPOWER RATING	
100	2p3w	125			3100MI4W	5	3100P4W
	2p3w	240			3100MI6W	15	3100P6W
	2p3w	480			3100MI7W	25	3100P7W
	3p4w	125/250			4100MI12W	*	4100P12W
	3p4w	3Ø240			4100MI9W	30	4100P9W
	3p4w	3Ø480			4100MI7W	50	4100P7W
	3p4w	3Ø600			4100MI5W	50	4100P5W
	4p5w	3ØY120/208			5100MI9W	25	5100P9W
	4p5w	3ØY277/480			5100MI7W	50	5100P7W
	4p5w	3ØY347/600			5100MI5W	50	5100P5W

* Consult factory for your specific application.

For answers to technical questions, call Leviton's Techline at 1-800-824-3005 ...Building A Connected World

SECTION P

ECT Single-Pole Cam-Type Connectors



Industrial Grade

15 SERIES

15D23-B **15R21-H**

Mini Cam Plugs - Up to 140 Amp Inline Detachable Connectors

- Single Set Screw or Crimped Termination
- Santoprene Insulator is shatter and crack proof
- Self compensating for wear-slit and cam male contact design
- Compatible with other cam type devices
- Color-coded insulators for easy phase identification

Male / Female Panel Receptacles

- Threaded stud terminal available in various lengths (.50" std.)
- Santoprene insulator is shatter and crack proof
- Compatible with other cam type devices
- Color-coded for easy phase identification

16 & 18 SERIES

16D24-Y **16V21-G** **16A23-E**

16 Series – Taper Nose – Up to 400 Amp, 600V
18 Series – Ball Nose – Up to 400 Amp, 600V

Inline Detachable Connectors

- Single or Double Set Screw, or Crimped Termination
- Reusable sleeves and contacts easy assembly and disassembly without special tools
- Compatible with other cam type devices
- Santoprene Insulator is shatter and crack proof
- Self compensating for wear-slit and cam male contact design
- Color-coded insulators for easy phase identification

Male / Female Panel Receptacles

- Double Set Screw termination or threaded stud terminal available in various lengths (.75" std.)
- Santoprene Insulator is shatter and crack proof
- Compatible with other cam type devices
- Color-coded insulators for easy phase identification

Multi-Way Connectors

- Paralleling and Tapping Tees
- 3 – Fers
- Double Females and Double Males

17 & 19 SERIES

17D23-E **19V21-E**

17 Series – Taper Nose – Up to 690 AMP, 600V
19 Series – Ball Nose – Up to 690 AMP, 600V

In Lines

- Designed to withstand grueling industrial use
- Double set screw or Crimped termination
- 250 – 350MCM; 350 – 500MCM; 500 – 750MCM Cable sizes
- Detachable or Vulcanized insulators
- Compatible with other manufacturers
- Protective Caps

Panel Receptacles

- 90 degree and 30 degree
- Male and Female Receptacles
- Threaded stud termination

22 & 23 SERIES

22L21-R **22R23-E**

22 Series – Latching Ball Nose – Up to 690 AMP, 600V
23 Series – Latching Taper Nose – Up to 690 AMP, 600V

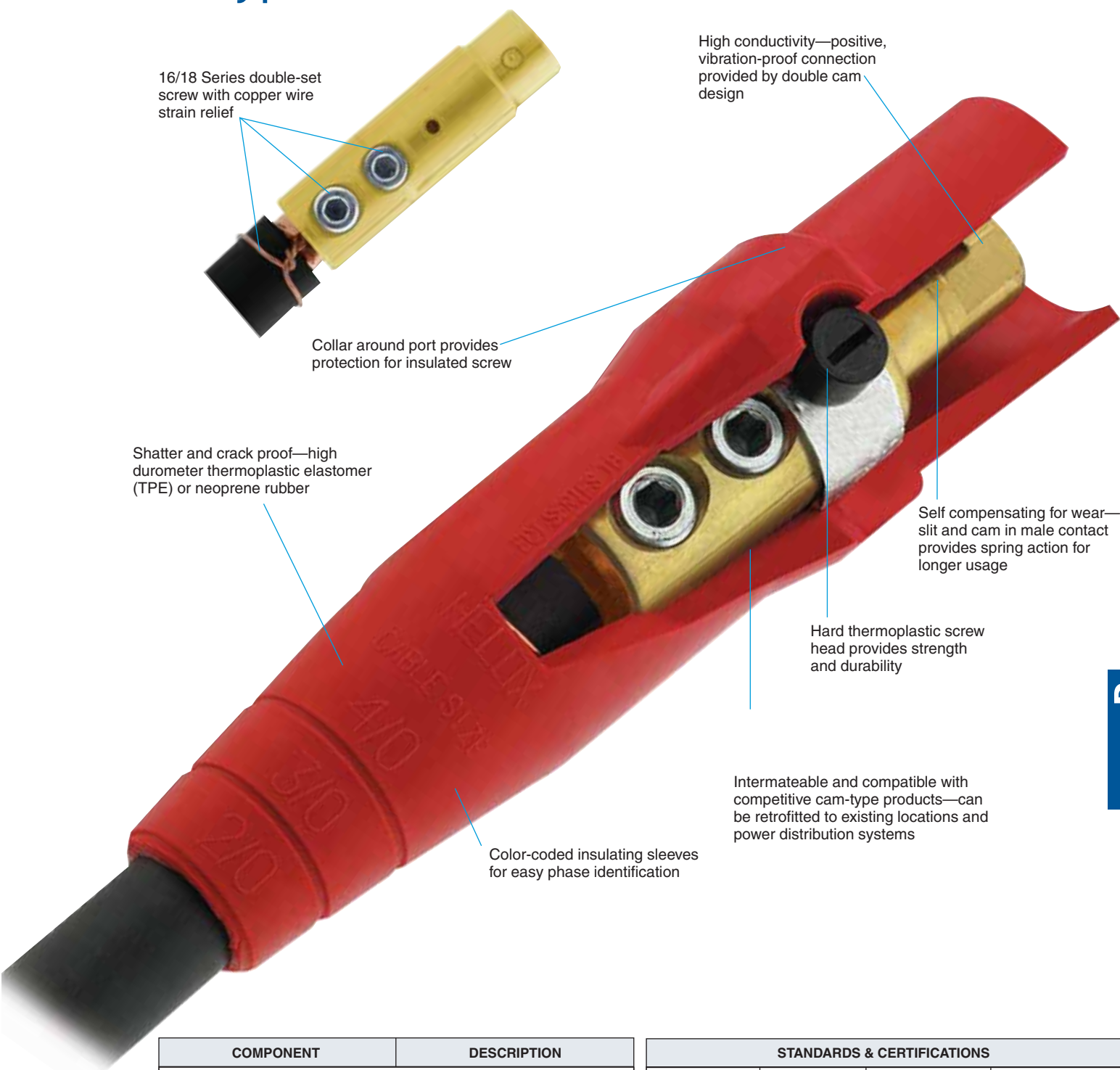
In Lines

- Positive latching – Vibration Resistant
- Tested by ETL Laboratories to meet Navy Specifications
- Compatible with other manufacturers
- Crimped Termination
- 250 – 350MCM; 350 – 500MCM; 500 – 750MCM Cable sizes
- Waterproof when Vulcanized

Panel Receptacles

- 90 degree and 30 degree
- Male and Female Receptacles
- Threaded stud termination

Cam-Type Connector Features



16/18 Series double-set screw with copper wire strain relief

High conductivity—positive, vibration-proof connection provided by double cam design

Collar around port provides protection for insulated screw

Shatter and crack proof—high durometer thermoplastic elastomer (TPE) or neoprene rubber

Self compensating for wear—slit and cam in male contact provides spring action for longer usage

Hard thermoplastic screw head provides strength and durability

Intermateable and compatible with competitive cam-type products—can be retrofitted to existing locations and power distribution systems

Color-coded insulating sleeves for easy phase identification

COMPONENT	DESCRIPTION
15, 16, 18 Series Connectors	
Sleeve	Santoprene
Contact	Brass
Strain Relief	Copper Wire
17, 19, 22, 23 Series Connectors	
Sleeve	Neoprene
Contact	Brass
Strain Relief	Copper Wire

STANDARDS & CERTIFICATIONS			
Series	NEMA	UL	CSA
15	3R*	#E151429	#LR-76878-4
16	3R*	#E151429	#LR-76878-4
17	----	----	----
18	----	#E151429	#LR-76878-4
19	----	----	----
22	----	#E255773	----
23	----	----	----

* For use outdoors

ECT Stage Pin Device Features

Conforms to USITT (United States Institute for Theater Technology) S3 Standard for Stage Pin Connectors

Male pins and female contacts have a one-piece solid brass design for superior current flow and resistance from abuse

Male pins and female contacts float to ensure compatibility with all competitive products and improved electrical connections

Terminal identification letters on device ensure quick and accurate termination

100MP-E

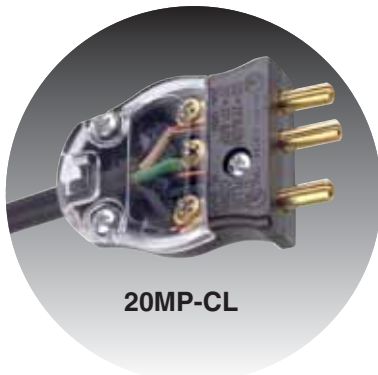
Slit in male pin provides spring action to compensate for wear

100FP-E

60 and 100 Amp versions have rugged phenolic housings for superior high temperature performance



60 and 100 Amp plugs and connectors have Sure Grip™ edge for easy handling



20MP-CL

20 Amp version is available with a clear cover to allow for visual inspection of proper termination of conductors.

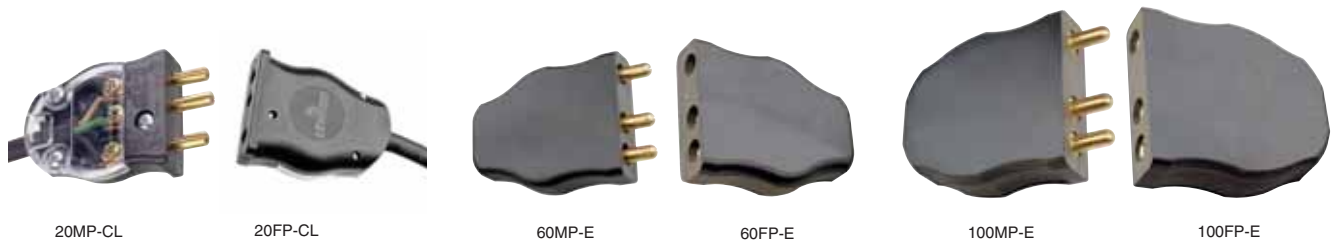
Other colors available include white, blue, green, yellow, red and orange. Consult factory for availability.



Stage Pin Devices

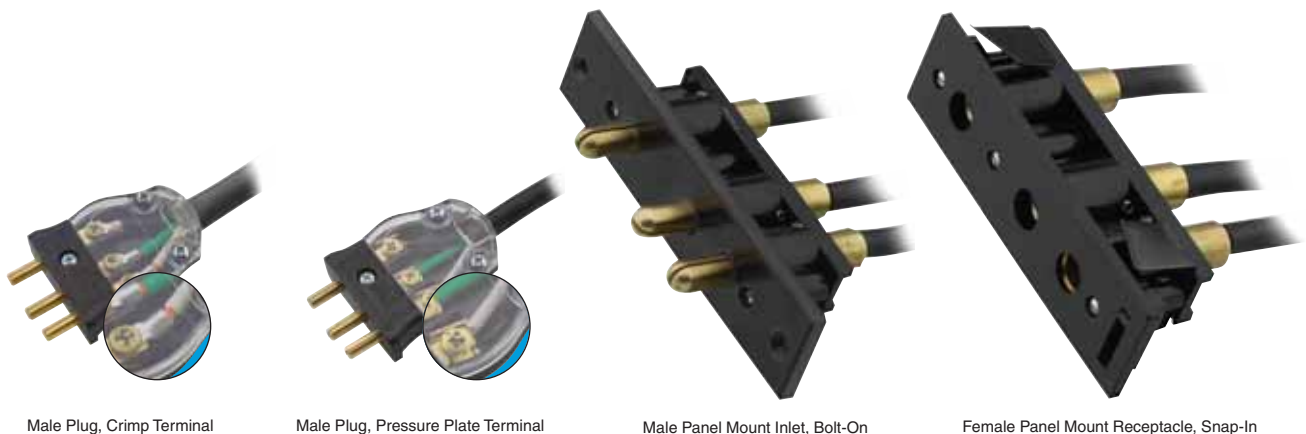
ECT STAGE PIN DEVICES

20, 60 & 100 Amp



DESCRIPTION	CATALOG NO.	COLOR*
20A 125V, 2-P 3-W, Grounding		
Male Plug-Pressure Plate Terminal Male Plug-Pressure Plate Terminal	20MP-E 20MP-CL	Black Black w/ Clear Cover
Male Plug-Crimp Terminal Male Plug-Crimp Terminal	20MC-E 20MC-CL	Black Black w/ Clear Cover
Female Connector-Pressure Plate Terminal Female Connector-Pressure Plate Terminal	20FP-E 20FP-CL	Black Black w/ Clear Cover
Female Connector-Crimp Terminal Female Connector-Crimp Terminal	20FC-E 20FC-CL	Black Black w/ Clear Cover
Panel Mount Female Receptacle-Set Screw Terminal, Snap-In Mounting	20RS-E	Black
Panel Mount Male Inlet-Screw Terminal, Snap-In Mounting	20IS-E	Black
60A 125V, 2-P 3-W, Grounding		
Male Plug-Set Screw Terminal	60MP-E	Black
Female Connector-Set Screw Terminal	60FP-E	Black
Panel Mount Female Receptacle-Set Screw Terminal, Snap-In Mounting	60RS-E	Black
Panel Mount Female Receptacle-Set Screw Terminal, Bolt-On Mounting	60RB-E	Black
Panel Mount Male Inlet-Set Screw Terminal, Snap-In Mounting	60IS-E	Black
Panel Mount Male Inlet-Set Screw Terminal, Bolt-On Mounting	60IB-E	Black
100A 125V, 2-P 3-W, Grounding		
Male Plug-Set Screw Terminal	100MP-E	Black
Female Connector-Set Screw Terminal	100FP-E	Black
Panel Mount Female Receptacle-Set Screw Terminal, Bolt-On Mounting	100RB-E	Black
Panel Mount Male Inlet-Set Screw Terminal, Bolt-On Mounting	100IB-E	Black

*For 20 Amp male plugs and female connectors, covers are available in white, blue, green, yellow, red and orange. Consult factory for availability.



Male Plug, Crimp Terminal

Male Plug, Pressure Plate Terminal

Male Panel Mount Inlet, Bolt-On

Female Panel Mount Receptacle, Snap-In

RESOURCE & TECHNICAL INFORMATION

NEMA Straight Blade Configurations



PLUGS AND CONNECTORS

NEMA Straight Blade Configurations

NEMA CONFIGURATIONS FOR GENERAL-PURPOSE NON-LOCKING PLUGS, CONNECTORS, RECEPTACLES AND INLETS

WIRING / VOLTAGE		15 AMPERE		20 AMPERE		30 AMPERE		50 AMPERE		60 AMPERE		
		RECEPTACLE	PLUG	RECEPTACLE	PLUG	RECEPTACLE	PLUG	RECEPTACLE	PLUG	RECEPTACLE	PLUG	
2-POLE 2-WIRE	125V	1										
	250V	2										
	277V AC	3				RESERVED FOR FUTURE CONFIGURATIONS						
	600V	4				RESERVED FOR FUTURE CONFIGURATIONS						
2-POLE 3-WIRE GROUNDING	125V	5										
	250V	6										
	277V AC	7										
	347V AC	24										
	480V AC	8					RESERVED FOR FUTURE CONFIGURATIONS					
	600V AC	9					RESERVED FOR FUTURE CONFIGURATIONS					
3-POLE 3-WIRE	125/250V	10										
	3Ø 250V	11										
	3Ø 480V	12					RESERVED FOR FUTURE CONFIGURATIONS					
	3Ø 600V	13					RESERVED FOR FUTURE CONFIGURATIONS					
3-POLE 4-WIRE GROUNDING	125/250V	14										
	3Ø 250V	15										
	3Ø 480V	16					RESERVED FOR FUTURE CONFIGURATIONS					
	3Ø 600V	17					RESERVED FOR FUTURE CONFIGURATIONS					
4-POLE 4-WIRE	3ØY 120/208V	18										
	3ØY 277/480V	19					RESERVED FOR FUTURE CONFIGURATIONS					
	3ØY 347/600V	20					RESERVED FOR FUTURE CONFIGURATIONS					
4-POLE 5-WIRE GROUNDING	3ØY 120/208V	21					RESERVED FOR FUTURE CONFIGURATIONS					
	3ØY 277/480V	22					RESERVED FOR FUTURE CONFIGURATIONS					
	3ØY 347/600V	23					RESERVED FOR FUTURE CONFIGURATIONS					

NEMA Locking Configurations

NEMA CONFIGURATIONS FOR LOCKING TYPE PLUGS, CONNECTORS, RECEPTACLES AND INLETS

WIRING / VOLTAGE			15 AMPERE		20 AMPERE		30 AMPERE	
			RECEPTACLE	PLUG	RECEPTACLE	PLUG	RECEPTACLE	PLUG
2-POLE 2-WIRE	125V	L1	L1-15R	L1-15P				
	250V	L2			L2-20R	L2-20P		
	277V AC	L3			RESERVED FOR FUTURE CONFIGURATIONS			
	600V	L4			RESERVED FOR FUTURE CONFIGURATIONS			
2-POLE 3-WIRE GROUNDING	125V	L5	L5-15R	L5-15P	L5-20R	L5-20P	L5-30R	L5-30P
	250V	L6	L6-15R	L6-15P	L6-20R	L6-20P	L6-30R	L6-30P
	277V AC	L7	L7-15R	L7-15P	L7-20R	L7-20P	L7-30R	L7-30P
	347V AC	L24			L24-20R	L24-20P		
	480V AC	L8			L8-20R	L8-20P	L8-30R	L8-30P
	600V AC	L9			L9-20R	L9-20P	L9-30R	L9-30P
3-POLE 3-WIRE	125/250V	L10			L10-20R	L10-20P	L10-30R	L10-30P
	3Ø 250V	L11	L11-15R	L11-15P	L11-20R	L11-20P	L11-30R	L11-30P
	3Ø 480V	L12			L12-20R	L12-20P	L12-30R	L12-30P
	3Ø 600V	L13					L13-30R	L13-30P
3-POLE 4-WIRE GROUNDING	125/250V	L14			L14-20R	L14-20P	L14-30R	L14-30P
	3Ø 250V	L15			L15-20R	L15-20P	L15-30R	L15-30P
	3Ø 480V	L16			L16-20R	L16-20P	L16-30R	L16-30P
	3Ø 600V	L17					L17-30R	L17-30P
4-POLE 4-WIRE	3ØY 120/208V	L18			L18-20R	L18-20P	L18-30R	L18-30P
	3ØY 277/480V	L19			L19-20R	L19-20P	L19-30R	L19-30P
	3ØY 347/600V	L20			L20-20R	L20-20P	L20-30R	L20-30P
4-POLE 5-WIRE GROUNDING	3ØY 120/208V	L21			L21-20R	L21-20P	L21-30R	L21-30P
	3ØY 277/480V	L22			L22-20R	L22-20P	L22-30R	L22-30P
	3ØY 347/600V	L23			L23-20R	L23-20P	L23-30R	L23-30P

TECHNICAL INFORMATION

For Straight Blade and Locking Plugs and Connectors



PLUGS AND CONNECTORS

Glossary

General Terms

Flanged Inlet — A plug intended for flush mounting on appliances or equipment to provide a means for power connection via a cord connector.

Flanged Outlet — A receptacle intended for flush mounting on appliances or equipment to establish electrical connection via an inserted plug.

Plug — A device with male contacts intended for insertion into a receptacle to establish electrical connection between the attached flexible cord and the conductors connected to the receptacle.

Cord Connectors

Angle — A connector that allows the attached flexible cord to exit at right angles.

Corrosion Resistant — A connector constructed of special materials and/or suitably plated metal parts that is designed to withstand corrosive environments. Corrosion resistant devices pass the ASTM B117-13 five-hundred hour Salt Spray (Fog) Test with no visible corrosion.

Dust-Tight — A connector designed so that dust will not interfere with its operation. The IP Suitability Rating designates the degree of protection a device offers against the ingress of foreign objects (e.g. IP 20).

Explosion Proof — A connector constructed to meet the requirements of hazardous locations as defined by the National Electrical Code, NFPA-70.

Hospital Grade — A connector designed to meet the performance requirements of high-abuse areas typically found in health care facilities. These connectors are tested to the Hospital Grade requirements of Underwriters Laboratories Inc. Standard 498.

Locking — A connector designed to lock an inserted plug with a matching blade configuration when the plug is rotated in a clockwise direction. The plug can only be removed by first turning it in a counter-clockwise direction.

Midget — A connector designed with a smaller body diameter than standard connectors with a similar rating.

Molded On — A connector that is factory molded to a length of flexible cord.

Pin and Sleeve — A connector with hollow, cylindrical sleeve-type contacts.

Straight Blade — A non-locking connector into which mating plugs are inserted at a right angle to the plane of the connector face.

Weatherproof — A connector specially constructed so that exposure to weather will not interfere with its operation.

Flanged Inlets

Corrosion Resistant — An inlet constructed of special materials and/or suitably plated metal parts that is designed to withstand corrosive environments. Corrosion resistant devices pass the ASTM B117-13 five-hundred hour Salt Spray (Fog) Test with no visible corrosion.

Flush-Mounted — An inlet intended to be installed flush with the surface of a panel or a piece of equipment.

Locking — An inlet designed to lock an inserted matching connector when the connector is rotated in a clockwise direction. The connector can only be removed by first turning it in a counter-clockwise direction.

Midget — An inlet designed with a smaller body diameter than standard connectors with a similar rating.

Pin and Sleeve — An inlet with round pin-type contacts intended to mate with a connector having hollow cylindrical female contacts.

Straight Blade — A non-locking inlet into which mating connectors are inserted at a right angle to the plane of the connector face.

Surface-Mounted — An inlet designed to be surface mounted on a panel or piece of equipment.

Watertight — An inlet specially constructed so that water will not enter under specified test conditions. The IP Suitability Rating designates the degree of protection a device offers against the ingress of moisture and water (e.g. IP 55, IP 44).

Weatherproof — An inlet specially constructed to protect it from the effects of weather in outdoor locations.

Flanged Outlets

Corrosion Resistant — An outlet constructed of special materials and/or suitably plated metal parts that is designed to withstand corrosive environments. Corrosion resistant devices pass the ASTM B117-13 five-hundred hour Salt Spray (Fog) Test with no visible corrosion.

Flush-Mounted — An outlet intended to be installed flush with the surface of a panel or a piece of equipment.

Locking — An outlet designed to lock an inserted plug with a matching blade configuration when the plug is rotated in a clockwise direction. The plug can only be removed by first turning it in a counter-clockwise direction.

Midget — An outlet designed with a smaller body diameter than standard devices with a similar rating.

Pin and Sleeve — An outlet with hollow cylindrical female contacts intended to mate with a plug having round pin contacts.

Straight Blade — A non-locking outlet into which mating straight-blade plugs are inserted at a right angle to the plane of the outlet face.

Surface-Mounted — An outlet designed to be surface mounted on a panel or piece of equipment.

Watertight — An outlet specially constructed so that water will not enter under specified test conditions. The IP Suitability Rating designates the degree of protection a device offers against the ingress of moisture and water (e.g. IP 55, IP 44).

Weatherproof — An outlet specially constructed so that exposure to weather will not interfere with its operation.

Plugs

Angle — A plug that allows the attached flexible cord to exit at right angles.

Corrosion Resistant — A plug constructed of special materials and/or suitably plated metal parts that is designed to withstand corrosive environments. Corrosion resistant devices pass the ASTM B117-13 five-hundred hour Salt Spray (Fog) Test with no visible corrosion.

Dust-Tight — A plug designed so that dust will not interfere with its operation. The IP Suitability Rating designates the degree of protection a device offers against the ingress of foreign objects (e.g. IP 20).

Explosion Proof — A plug constructed to meet the requirements of hazardous locations as defined by the National Electrical Code, NFPA-70.

Hospital Grade — A plug designed to meet the performance requirements of high-abuse areas typically found in health care facilities. These plugs are tested to the Hospital Grade requirements of Underwriters Laboratories Inc. Standard 498.

Locking — A plug designed to lock into a matching connector or receptacle configuration when the plug is rotated in a clockwise direction. The plug can only be removed by turning it in a counter-clockwise direction.

Midget — A plug designed with a smaller body diameter than standard plugs with a similar rating.

Molded On — A plug that is factory molded to a length of flexible cord.

Pin and Sleeve — A plug with round pin blades.

Straight Blade — A non-locking plug that is inserted at a right angle to the plane of the matching device face.

Weatherproof — A plug specially constructed so that exposure to weather will not interfere with its operation.

Horsepower Ratings for NEMA Configurations for Straight Blade Plugs and Receptacles

NEMA	AC HP Rating	Rating
1-15	0.5	15A-125V
2-15	1.5*	15A-250V
2-20	2*	20A-250V
2-30	2*	30A-250V
5-15	0.5	15A-125V
5-20	1	20A-125V
5-30	2	30A-125V
5-50	2	50A-125V
6-15	1.5*	15A-250V
6-20	2*	20A-250V
6-30	2*	30A-250V
6-50	3*	50A-250V
7-15	2	15A-277V AC Only
7-20	2	20A-277V AC Only
7-30	3	30A-277V AC Only
7-50	5	50A-277V AC Only
10-20	2 L-L*/1 L-N	20A-125/250V
10-30	2 L-L*/2 L-N	30A-125/250V
10-50	3 L-L*/2 L-N	50A-125/250V
11-15	2	15A-250V 3Ø
11-20	3	20A-250V 3Ø
11-30	3	30A-250V 3Ø
11-50	7.5	50A-250V 3Ø
14-15	1.5 L-L*/0.5 L-N	15A-125/250V
14-20	2 L-L*/1 L-N	20A-125/250V
14-30	2 L-L*/2 L-N	30A-125/250V
14-50	3 L-L*/2 L-N	50A-125/250V
14-60	3 L-L*/2 L-N	60A-125/250V
15-15	2	15A-250V 3Ø
15-20	3	20A-250V 3Ø
15-30	3	30A-250V 3Ø
15-50	7.5	50A-250V 3Ø
15-60	10	60A-250V 3Ø
18-15	2	15A-120/208V 3ØY
18-20	2	20A-120/208V 3ØY
18-30	3	30A-120/208V 3ØY
18-50	7.5	50A-120/208V 3ØY
18-60	7.5	60A-120/208V 3ØY

L-L Denotes phase-to-phase HP rating • L-N Denotes phase-to-neutral HP rating

* Suitable for 208V motor applications at HP rating

CATALOG NUMBER INDEX



Cat. No.	Page No.	Cat. No.	Page No.	Cat. No.	Page No.
BR15	K9	L7300	P6	298	K8
BR20	K9	LD151	L8	306	K8
BX60	P13	LD152	L8	320xxx Series	P12, P16
BX100	P13	LD201	L8	330xxx Series	P12, P16
BX230	P12	LD202	L8	341	E30
DS30	P16	LD302	L8	357 Series	D14
DS60	P16	ML1	P7	360xxx Series	P13, P17
DS100	P16	ML2	P7	368	D15
GFA15	L3	ML3	P7	377	A13
GFA20	L3	MS2	P7	380	A29
GFM15	L3	ODCCG	N12	389	A21
GFM20	L3	ODS0D	N13	390	A20
INF01	O3	ODS10	N13	391	A20
INF05	O3	ODS15	N13	395	A21
INI06	N5	OSC04	N12	396	A29
INI10	N5	OSC10	N11	408	A29
INKIT	N5, O3	OSC15	N12	420	A19
INM06	N5	OSC20	N11	420xxx Series	P12, P14-P16
INM10	N5	RPI06	N5	430xxx Series	P12, P16
INQFK	O3	RTD01	O3	431	A19
IP710	N4	RTF01	O3	434	A21
IPE04	N4	TBI03	N9	458	A21
IPF01	O2	14Wxx to 69Wxx	P8-P9	459	A21
IPF05	O2	15 Series Cam	P18-P19	460xxx Series	P13, P17
IPI06	N4	16 Series Cam	P18-P19	464	A27
IPI10	N4	17 Series Cam	P18-P19	465	A27
IPKIT	N4, O2	18 Series Cam	P18-P19	486	A19
IPM06	N4	19 Series Cam	P18-P19	487	A19
IPM10	N4	20xx Series	P20-P21	515xx Series	P3
IPQFK	O2	22 Series Cam	P18-P19	516	A23
IPX06	N4	23 Series Cam	P18-P19	517	A23
IPX10	N4	23CM to 47CM Series	P8	520xxx Series	P3, P12, P16
IPX12	N4	30	E18	523	A23
L5150	P6	60xx Series	P21	524	A23
L5200	P6	100xx Series	P20-P21	530xxx Series	P12, P16
L6150	P6	165	E33	554 Series	C10
L6200	P6	167	E34	555 Series	C11
L7150	P6	267	E34	557	C13

CATALOG NUMBER INDEX

Cat. No.	Page No.	Cat. No.	Page No.	Cat. No.	Page No.
558	C13	2006	E32	4500 Series	P4
560	C5	2052 Series	E2, E5	4505 Series	M11
560xxx Series	P13, P14, P17	2054	E10	4700 Series	P4
562	C8-C9	2054-D	E9	4800 Series	P4
562-800	C8	2300 Series	P4	5031	K10
565	C5	2400 Series	P4	5088	K9
570	C6	2500 Series	P4, P8	5089	K9
573 Series	J2, J9	2536	A24	5098	K9
615xx Series	P3	2537	A24	5100xxx	P10, P13, P17
620xx Series	P3	2553	E11	5239	P3
663 Series	J2, J9	2562	C7	5240	P3
720 Series	J3, J12	2591	J2, J7	5248	K11
735 Series	J3, J13	2592	J2, J7	5256	P2
738	J3, J11	2600 Series	P4, P8	5259	P2
905	I11	2700 Series	P4, P8	5261	P8
907	I11	2800 Series	P4-P5, P8	5278	P3
910-001	C12, I10	3100xxx	P13, P17	5279	P3
910-200 Series	C12, I10	3152	E4	5320	K11
1005	E15	3154	E4	5356	P2
1306	K8	3330	P8	5359	P2
1373	K5	3352	E2	5361	P8
1374 Series	K2-K4, K6-K7	3354	E2	5456	P2
1377	A13	3420	M8-M9	5459	P2
1420	N9	3430	P8	5461	P8
1562	C7	3800 Series	M2-M3, M8-M9	5478	P3
1563	C7	4005	E12	5479	P3
1684	J3, J16	4006	E12	5500 Series	M10
1689	J3, J16	4008	E12	5661	P8
1690	J3, J16	4010	E12	5700 Series	J3, J14
1691	J3, J17	4015	E29	5823	K9
1720	J3, J11	4017	E29	5824	K9
1738	J3, J11	4020	E29	5829	P3
1748	J3, J11	4032	E28	5842	K10
1754	O6	4034	E28	5844	K10
1755	O6	4063	E24	5891	K9
1759	O6	4100xxx	P13, P17	6096	G4
2004	E32	4155	E23	6120	N8, O5
2005	E32	4158	E24	6151	G7, N10

CATALOG NUMBER INDEX

Cat. No.	Page No.	Cat. No.	Page No.	Cat. No.	Page No.
6155	G7, N10	7117	G10	8647	D9
6155-M	G9	7130	G11	8656	P2
6204	N8	7132	G11	8659	P2
6250	N9	7133	G11	8681	E33
6304	N8	7159	G11	8684	E27
6310	O5	7183	G11	8688	E27
6404	N8	7184	G11	8694	D8
6410	O5	7211	G10	8746 Series	D7
6602	N7	7220	H3	8750	D6
6604	N8	7221	H3	8751	D2
6610	O5	7222	H3	8752 Series	D5
6616	O4	7225	H3	8756 Series	D7
6623	N6	7226	H3	8765	D9
6629	O4	7233	H3	8781 Series	D3
6630	O4	7234	H3	8783 Series	D4
6631	N6	7235	H3	8806	D13
6633	N6	7250	G11	8871	E21
6639	O4	7310	P8	8875	E20
6681	N7	7410	P8	8876	E20
6683	N7	8004	G5	8877	E20
7065	G5	8004-M	G9	8880	E20
7065-M	G9	8052 Series	E3, E5	8881	E20
7069	E25	8054	E10	8882	E20
7070	G3	8054-F	E9	8885	E21
7070-M	G9	8062	E3	8887	E21
7080	G4	8063	E3	8895	L4-L5
7080-M	G8	8064	E11	8898	L7
7080-050	G8	8101	E22	8899	L7
7090	G2-G3	8152	E4	9062	E31
7090-M	G9	8256	P2	9063	E31
7092	G6	8259	P2	9346	G4
7092-M	G8	8356	P2	9346-M	G9
7098	E25	8359	P2	9347	G5
7106	G10	8456	P2	9347-M	G9
7108	G10	8459	P2	9350	E19
7110	G10	8590	L7	9382	J2, J6
7111	G10	8598	L7	9454	F2
7113	G10	8599	L7	9575	J2, J4

CATALOG NUMBER INDEX

Cat. No.	Page No.	Cat. No.	Page No.	Cat. No.	Page No.
9705	E26	13153	A12	16252-DIN	K12
9800	E27	13180	A15	16592	L2
9805	E26	13181	A15	16593	L2
9840	E19	13250	A12	16594	L2
9880	E31	13351	A9, A18	16893	L2
9885	E19	13353	A9	16894	L2
10004	I11	13354	A16, A18	18315	E10
10014 Series	I2	13355	A16	18875	D12
10014-001 to -016	I3	13357	A17	18876	D12
10014-400 Series	I3	13358	A17	18877	D12
10014-500 Series	I4	13359	A17	19062	E31
10014-600 Series	I4	13451	A11	19980	G6
10014-627	I5	13452	B20	19980-M	G8
10014-800 Series	I5	13453	B18	19980-010	G8
10016	I12	13454	B18	20025 Series	I7
10025 Series	I6	13455	B18	20089	E17
10028	E31, I7	13464	A27	23150	A12
10032	I8	13465	A27	23151	A14
10032-010	I9	13518	A22	23351	A10
10032-210	I9	13519	A22	23353	A10
10035	E17-E18	13550	A26	23354	A16
10038	E13	13551	A26	23355	A16
10041	J3, J15	13556	A28	23357	A17
10045	E15, E17	13557	A28	23451	A11
10046	E15	13570	A25	23452	B19-B20
10049	E15	13571	A25	23453	B18
10051	E15	13651	A8	23454	B18
10065	E16	13652	A6	23455	B18
10083	G3	13653	A7	23518	A22
10083-M	G9	13654	A2-A4	23519	A22
10085	E13	13660	A5	23651	A8
10088	E13	13661	A5	23652	A6
10089	E17	15378	P3	23653	A7
10091	E22	15379	P3	23654	A2-A4
10097 Series	J3, J15	15656	P2	23660	A5
13080	A15	15659	P2	23661	A5
13150	A12	15678	P3	24005	E12
13151	A12, A14	15679	P3	26719 Series	B3, B17

CATALOG NUMBER INDEX

Cat. No.	Page No.	Cat. No.	Page No.	Cat. No.	Page No.
26720 Series	B3, B16	80054	C2	Lamp Support Clips	
26725 Series	B3-B15	80800	N2	23452-A	B20
31239	I8	81000	N2	23452-B	B20
31282	F5	81500	N2	23452-H	B19
31562	C14	82000	N2	23452-V	B19
35000	F4	86593	L2	23452-MTL	B19
36596	L6	90572	J2, J8	23452-MTS	B19
36895	L6	90577	J2, J8		
38887	E21	90679	J2, J5	Metal Caps	
51005 Series	M6	92679	J2, J5	X-1412	E16
51010 Series	M6	95065	H2	X-2740	E16
51020	M4-M5, M7	95080	H2	X-3347	E16
51240	M4-M5	95085	H2	X-12312	E16
54175 Series	M12	95090	H2	X-14274	E16
55175 Series	M12	95110	H2		
55650 Series	M12	97092	H2	Mogul Caps	
60800	N3	97093	H2	X-6590	D13
61000	N3			X-6591	D13
61500	N3	Brackets	E6-E8	X-6592	D13
62000	N3			X-29348	D13
70035	E14	Extension Adapter		X-29349	D13
70036	E14	22994-PRT	N10	X-29350	D13
70037	E18				
70040	E18	Extension Shafts		Phenolic Cap	
70045 Series	D12	1074-PRT	N10	BA-23554	E16
70046 Series	D12	9800-PRT	N10		
70047	D11			Phenolic Knob	
70048	D11	Finishing Nuts		6417-PRT	N10
70051 Series	D10	BA-23569	I9		
70051-100 Series	D10	X-25297	I9		
70052 Series	D10	X-25298	I9		
70052-100 Series	D10				
80050	C4	Hardware, Switches			
80051	C4	Knob Styles	J10		
80052	C3	Knurl Nut Styles	J10		
80053	C3	Locking Nuts	J10		



Connect with Leviton Voice & Data Products for OEM's

Voice & Data offers the most comprehensive selection of multimedia and structured cabling solutions for OEM applications. The state-of-the-art connectivity devices support industry standards and open-architecture requirements. Designed to reduce installation time and costs, all Voice & Data products are UL Listed, meet NEC requirements and comply with the latest TIA/EIA guidelines.

Products include:

- QuickPort® Snap-In Adapters and Connectors for UTP copper cable
 - eXtreme® 6+ GigaMax® 5e and Cat 5
- QuickPort® Snap-In Modules:
 - BNC and F-Type adapters, RCA adapters, S-Video connectors
- Complete selection of patch panels, including eXtreme® 6+, GigaMax® 5e and Cat 5
- DuraPort™ Industrial IP67-rated connectors, patch cords and wallplates that resist moisture and corrosion

Voice & Data products are built with quality details: 12-, 24-, 48- and 96-port panels (and 12-port patch block) come prefigured with craft-friendly 110-Style punchdowns on the rear and six-port RJ-45 front modules. All patch panels mount in standard 19" equipment racks.

Voice & Data Product Highlights



Category 5 QuickPort® Snap-In Connectors

8-position, 8-conductor Cat 5 connectors feature dual color-coded wiring labels with T568A and T568B wiring patterns for dual flexibility, plus fast, accurate 110 termination.



Category 5 Patch Cords

Cat 5 patch cords use compliant stranded wire as specified by TIA guidelines to ensure adequate "flex life." In 3', 5', 7', 10', 15' and 20' lengths.



GigaMax® Category 5e QuickPort® Snap-In Connectors

8-position, 8-conductor GigaMax 5e+ component-rated connectors utilize patented Retention Force Technology (RFT) and pair separation towers for quicker terminations. Color-coded wiring labels with T568A and T568B wiring patterns.



GigaMax® 5e Patch Cords

GigaMax 5e patch cords with strain-relief boots use compliant stranded wire to ensure adequate "flex life," and are suitable for Cat 5e and 5e+ applications. In 3', 5', 7', 10', 15' and 20' lengths.



eXtreme 6+ QuickPort Snap-in Connectors

8-position, 8-conductor Cat 6 connectors feature patented Retention Force Technology for error-free performance. Pair separation towers and dual, color-coded wiring labels provide fast, accurate termination.



eXtreme® 6+ Patch Cords

High quality patch cords with matching slimline boots use compliant stranded wire to ensure "flex life" and long-term channel integrity. In 3', 5', 7', 10', 15' and 20' lengths.



BNC QuickPort® Snap-In Adapters

White and nickel- or gold-plated BNC bulkhead adapters fit any QuickPort housing. One female-to-female connector per unit pack. For high-end audio, home theater, CCTV, and LAN applications.



QuickPort® S-Video Connectors

Flush-mount S-Video connector on the front and 110-style IDC punchdowns on the rear allow video system connections via high-speed Cat 5, 5e or 6 UTP cable networks.



F-Type QuickPort® Snap-In Adapters

Nickel- or gold-plated F-Type bulkhead adapters fit any QuickPort housing. For TV, VCR, DVD, satellite and home theater applications.



QuickPort® RCA Adapters

Black, yellow or red striped color-coded module for front and rear connections using RCA plugs. Ideal for audio/video and home theater applications.



QuickPort® RCA-110 Connectors

Transmit audio/video signals over standard Cat 5, 5e or 6 UTP cabling, with 110-style IDC punchdowns on the rear for fast installation. For audio/video, VCR, DVD, computers and gaming consoles.



Type 625B4 Telephone Wall Jacks

Manufactured with high-efficiency automated equipment, the new lead frame design has no wires to break, increasing reliability and ease of installation. Fits standard NEMA wallboxes. In 6-position, 4-conductor configuration.



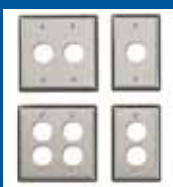
DuraPort™ Category 5e+ Industrial Connector Housings

Category 5e+ industrial connector housings protect critical network components in an industrial environment. Includes dust cap.



DuraPort™ Industrial Category 6 Patch Cords

Sheathed in Thermoplastic Elastomer, DuraPort™ Patch Cords resist heat, abrasion and tearing. Available in six standard lengths plus custom lengths in Industrial Plug-to-Industrial Plug and Industrial Plug-to-RJ45 Plug configurations.



DuraPort™ Industrial Stainless Steel Wallplates

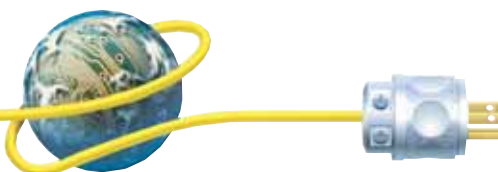
Over-molded gasket, with embedded sealing feature for mounting holes, ensures a watertight fit. Durable and easy-to-clean. In 1- and 2-port single-gang, or 2- and 4-port dual-gang configurations.



QuickPort® Single-Gang Multi-Port Wallplates

Single-gang flush mount wallplates offer field-configurable flexibility. Available with or without designation windows, in 1-, 2-, 3-, 4- or 6-port configurations.

This is a sampling of the many Leviton Voice & Data products available in a wide range of colors and styles. For a Structured Cabling Systems catalog with a complete listing, contact your OEM representative.



Leviton Manufacturing Co., Inc.

59-25 Little Neck Parkway, Little Neck, NY 11362-2591
Telephone: 1-800-833-3532 • FAX: 1-800-832-9538 • Email: info@leviton.com
Tech Line (8:30AM-7:30PM E.S.T. Monday-Friday): 1-800-824-3005

Leviton Manufacturing of Canada, Ltd.

165 Hymus Boulevard, Pointe Claire, Quebec H9R 1E9
Telephone: 1-800-469-7890 • FAX: 1-800-563-1853

Leviton S.A. de C.V.

General Arista 54-A Col. Argentina, Mexico D.F., C.P. 11270
Telephone: 011-525-386-1131, 011-525-386-2052 • FAX: 011-525-386-1797

Visit Leviton's Website at www.leviton.com

