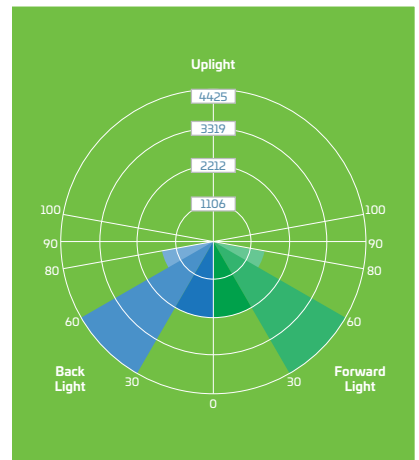
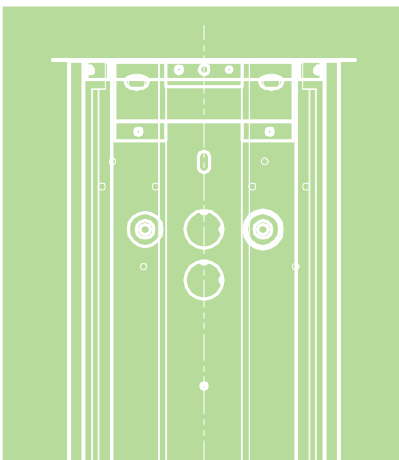
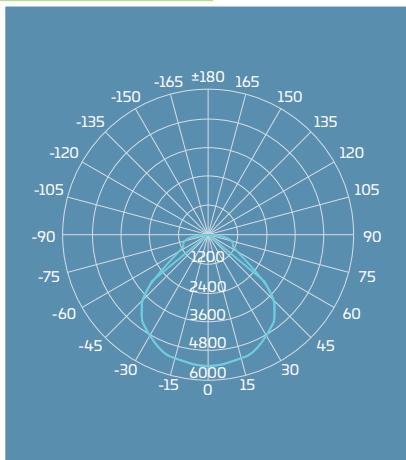
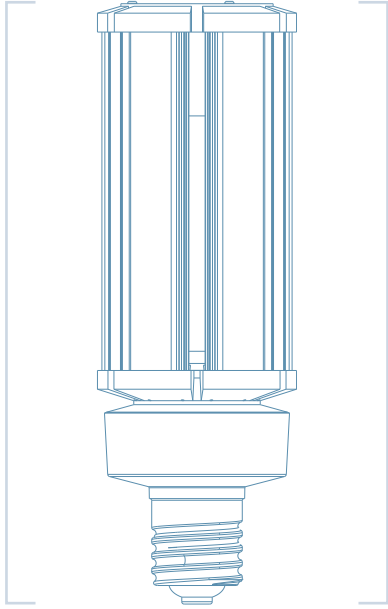


SPECIFICATION SHEET BROCHURE



solutions. service. simplicity. eiko.com

LED LAMPS



Customers everywhere are turning to LED lamps for their unprecedented energy efficiency and long life.

LEDs provide lower energy consumption and reduced maintenance costs due to less frequent replacement.

EiKO carries a broad range of LED lamps, including A-line, Linear, HID Replacement, PAR, BR, MR, PL, PLL, Decorative and Filament, and Downlights.

Find out more at EIKO.COM!



LAMP TYPES

CLICK TO JUMP



A-LAMPS



LINEAR



HID REPLACEMENT



PAR REFLECTOR



BR REFLECTOR



MR REFLECTOR



PL



PLL



DECORATIVE



FILAMENT



DOWNLIGHT



WEDGE

JUMP TO FIXTURES

A15/A19 REPLACEMENT : E26 BASE

DESCRIPTION

LED A-Line Replacement Lamps directly replace incandescent A lamps at a fraction of the energy cost.

FEATURES

- Direct replacement for 40W, 60W, 75W, or 100W incandescent A-lamps
- 300° Omni beam angle is ideal for table lamps, wall sconces, and luminous globe fixtures
- 80% more efficient and 30x longer life than standard incandescent
- Shatter-resistant plastic housing for reduced risk of injury and breakage
- Compatible with a wide array of dimmers
- ANSI construction compliant
- Not for use with electronic timers, photocells, or motion/occupancy sensors

WARRANTY

- 5 year limited warranty; see eiko.com for warranty details

APPLICATIONS

- Restaurants & Hospitality
- Retail
- Residential
- Accent/Display Lighting
- Healthcare



A15
E26

A19
E26



A19
GU24



A15 Colored
E26



PERFORMANCE	Power Consumption	5W	6W	8W	9W/9.5W	11W	15W
	Lumens	-	480	800	800	1,100	1,600
	Efficacy (LPW)	-	80	100	89	100	107
	CRI	80+					
	Beam	240°/300°					
	CCT	2700K/3000K/4000K/5000K					
	Life (L70)	10,000/15,000/25,000 hours					
ELECTRICAL	Power Factor	>0.7					
	Input Voltage	120V					
CONSTRUCTION	Operating Temperature	-4°F to 104°F (-20°C to 40°C)					
	Base	E26					
LISTINGS	Certification(s)	ENERGY STAR® Rated; cULus Classified					
	Material Usage	RoHS Compliant; no mercury or lead					
	Environment	Suitable for damp locations; Enclosed fixture rated (select items)					

PERFORMANCE SUMMARY

A15 MEDIUM BASE (E26):

Order Code	Item #	Lumens	Watts	LPW	CCT	CRI	Beam	MOL	MOD	Life/Hours	Replaces Incan.	ES
09976	LED5WA15/OMN/BLUE-G8	-	5W		Blue	-	300°	3.58"	1.89"	10K	-	
09981	LED5WA15/OMN/RED-G8	-	5W		Red	-	300°	3.58"	1.89"	10K	-	
09973	LED5WA15/OMN/YELLOW-G8*	-	5W		Yellow	-	300°	3.58"	1.89"	10K	-	
10057	LED8WA15/OMN/827-DIM-G8*	800	8W		2700K	80+	240°	3.49"	1.97"	25K	60W A15	★
10058	LED8WA15/OMN/830-DIM-G8*	800	8W		3000K	80+	240°	3.49"	1.97"	25K	60W A15	★
10059	LED8WA15/OMN/840-DIM-G8*	800	8W		4000K	80+	240°	3.49"	1.97"	25K	60W A15	★

A19 MEDIUM BASE (E26):

Order Code	Item #	Lumens	Watts	LPW	CCT	CRI	Beam	MOL	MOD	Life/Hours	Replaces Incan.	ES
09882	LED6WA19/OMN/827-DIM-G8*	480	6W		2700K	80+	300°	4.21"	2.36"	25K	40W A19	★
09887	LED6WA19/OMN/827-G8*	480	6W		2700K	80+	300°	4.33"	2.36"	25K	40W A19	★
09750	LED6WA19/OMN/830-G8*	480	6W		3000K	80+	300°	4.33"	2.36"	25K	40W A19	★
09751	LED6WA19/OMN/840-G8*	480	6W		4000K	80+	300°	4.33"	2.36"	25K	40W A19	★
09748	LED6WA19/OMN/830-DIM-G8*	480	6W		3000K	80+	300°	4.33"	2.36"	25K	40W A19	★
09749	LED6WA19/OMN/840-DIM-G8*	480	6W		4000K	80+	300°	4.33"	2.36"	25K	40W A19	★
09895	LED9WA19/OMN/827-DIM-G8*	800	9W		2700K	80+	300°	4.21"	2.36"	25K	60W A19	★
09896	LED9WA19/OMN/830-DIM-G8*	800	9W		3000K	80+	300°	4.21"	2.36"	25K	60W A19	★
09752	LED9WA19/OMN/840-DIM-G8*	800	9W		4000K	80+	300°	4.21"	2.36"	25K	60W A19	★
10060	LED9WA19/OMN/850-DIM-G8*	800	9W		5000K	80+	300°	4.21"	2.36"	25K	60W A19	★
09889	LED9.5WA19/OMN/827-G8*	800	9.5W		2700K	80+	300°	4.33"	2.36"	25K	60W A19	★
09753	LED9.5WA19/OMN/830-G8*	800	9.5W		3000K	80+	300°	4.33"	2.36"	25K	60W A19	★
09941	LED9.5WA19/OMN/840-G8*	800	9.5W		4000K	80+	300°	4.33"	2.36"	25K	60W A19	★
09885	LED11WA19/OMN/827-DIM-G8*	1,100	11W		2700K	80+	300°	4.33"	2.36"	25K	75W A19	★
09942	LED11WA19/OMN/830-DIM-G8*	1,100	11W		3000K	80+	300°	4.33"	2.36"	25K	75W A19	★
09943	LED11WA19/OMN/840-DIM-G8*	1,100	11W		4000K	80+	300°	4.33"	2.36"	25K	75W A19	★
10061	LED11WA19/OMN/850-DIM-G8*	1,100	11W		5000K	80+	300°	4.33"	2.36"	25K	75W A19	★
09886	LED15WA19/OMN/827-DIM-G8*	1,600	15W		2700K	80+	300°	4.33"	2.36"	25K	100W A19	★
09944	LED15WA19/OMN/830-DIM-G8*	1,600	15W		3000K	80+	300°	4.33"	2.36"	25K	100W A19	★
09945	LED15WA19/OMN/840-DIM-G8*	1,600	15W		4000K	80+	300°	4.33"	2.36"	25K	100W A19	★
09946	LED15WA19/OMN/850-DIM-G8*	1,600	15W		5000K	80+	300°	4.33"	2.36"	25K	100W A19	★

A19 GU24 BASE:

Order Code	Item #	Lumens	Watts	LPW	CCT	CRI	Beam	MOL	MOD	Life/Hours	Replaces Incan.	ES
09974	LED9WA19/OMN/827-GU24-DIM-G8	800	9W		2700K	80+	300°	4.25"	2.36"	25K	60W A19	★
09975	LED9WA19/OMN/830-GU24-DIM-G8	800	9W		3000K	80+	300°	4.25"	2.36"	25K	60W A19	★
10108	LED9WA19/OMN/840-GU24-DIM-G8	800	9W		4000K	80+	300°	4.25"	2.36"	25K	60W A19	★
10122	LED11WA19/OMN/827-GU24-DIM-G8	1,100	11W		2700K	80+	300°	4.25"	2.36"	15K	75W A19	★
10014	LED11WA19/OMN/830-GU24-DIM-G8	1,100	11W		3000K	80+	300°	4.25"	2.36"	15K	75W A19	★
10100	LED11WA19/OMN/840-GU24-DIM-G8	1,100	11W		4000K	80+	300°	4.25"	2.36"	15K	75W A19	★
10125	LED15WA19/OMN/830-GU24-DIM-G8 †	1,600	15W		3000K	80+	300°	4.25"	2.36"	15K	75W A19	★

NOTE: Use order code when ordering. *Enclosed fixture rated. †Canada only. ★ENERGY STAR® Rated

A19 REPLACEMENT : E26 & GU24 BASE

DESCRIPTION

LED A19 Replacement Lamps directly replace incandescent A19 lamps at a fraction of the energy cost.

FEATURES

- Direct replacement for 40, 60, 75, and 100W incandescent A-lamps
- 300° Omni beam angle is ideal for table lamps, wall sconces, and luminous globe fixtures
- 80% more efficient and 30x longer life than standard incandescent
- Compatible with a wide array of dimmers
- Shatter-resistant plastic housing for reduced risk of injury and breakage

WARRANTY

- 5 year limited warranty; see eiko.com for warranty details

APPLICATIONS

- Restaurants & Hospitality
- Retail
- Residential
- Accent/Display Lighting
- Healthcare



A19 E26



A19 GU24



PERFORMANCE	Power Consumption	6W	9W	11W	15W
	Lumens	480	800	1,100	1,600
	Efficacy (LPW)	80	89	100	107
	CRI	80+			
	Beam	300°			
	CCT	2700K, 3000K, 4000K			
	Life (L70)	25,000 hours			
ELECTRICAL	Power Factor				
	Input Voltage	120V			
CONSTRUCTION	Operating Temperature	-4°F to 104°F (-20°C to 40°C)			
	Base	E26, GU24			
LISTINGS	Certification(s)	ENERGY STAR® Rated; cULus Classified			
	Material Usage	RoHS Compliant; no mercury or lead			
	Environment	Enclosed fixture rated; Suitable for dry or damp locations			

PERFORMANCE SUMMARY

MEDIUM BASE (E26):


Order Code	Item #	Lumens	Watts	LPW	CCT	CRI	Volts	Life/Hours	Replaces Incan.	ES
10274	LED6WA19/OMN/827-DIM-G9	480	6W	80	2700K	80+	120V	25,000	40W	★
10276	LED6WA19/OMN/830-DIM-G9	480	6W	80	3000K	80+	120V	25,000	40W	★
10277	LED6WA19/OMN/840-DIM-G9	480	6W	80	4000K	80+	120V	25,000	40W	★
10283	LED9WA19/OMN/827-DIM-G9	800	9W	89	2700K	80+	120V	25,000	60W	★
10285	LED9WA19/OMN/830-DIM-G9	800	9W	89	3000K	80+	120V	25,000	60W	★
10287	LED9WA19/OMN/840-DIM-G9	800	9W	89	4000K	80+	120V	25,000	60W	★
10289	LED9WA19/OMN/850-DIM-G9	800	9W	89	5000K	80+	120V	25,000	60W	★
10269	LED15WA19/OMN/827-DIM-G9	1,600	15W	107	2700K	80+	120V	25,000	100W	★
10270	LED15WA19/OMN/830-DIM-G9	1,600	15W	107	3000K	80+	120V	25,000	100W	★
10271	LED15WA19/OMN/840-DIM-G9	1,600	15W	107	4000K	80+	120V	25,000	100W	★
10273	LED15WA19/OMN/850-DIM-G9	1,600	15W	107	5000K	80+	120V	25,000	100W	★

GU24 BASE:

Order Code	Item #	Lumens	Watts	LPW	CCT	CRI	Volts	Life/Hours	Replaces Incan.	ES
10284	LED9WA19/OMN/827-GU24-DIM-G9	800	9W	89	2700K	80+	120V	25,000	60W	★
10286	LED9WA19/OMN/830-GU24-DIM-G9	800	9W	89	3000K	80+	120V	25,000	60W	★
10288	LED9WA19/OMN/840-GU24-DIM-G9	800	9W	89	4000K	80+	120V	25,000	60W	★
10266	LED11WA19/OMN/827-GU24-DIM-G9	1,100	11W	100	2700K	80+	120V	25,000	75W	★
10267	LED11WA19/OMN/830-GU24-DIM-G9	1,100	11W	100	3000K	80+	120V	25,000	75W	★
10268	LED11WA19/OMN/840-GU24-DIM-G9	1,100	11W	100	3000K	80+	120V	25,000	75W	★

NOTE: Use order code when ordering. ★ENERGY STAR® Rated

DIMENSIONS



Wattage/Base	MOL	MOD
6-9W/E26	4.21"/106.9mm	2.36"/59.9mm
15W/E26	4.61"/117.1mm	2.36"/59.9mm
9-11W/GU24	4.21"/106.9mm	2.36"/59.9mm

A19 REPLACEMENT : HIGH-WATT

DESCRIPTION

LED High-Watt A-Lamps directly replace high-wattage incandescent A lamps at a fraction of the energy cost.

FEATURES

- Direct replacement for 125/150/200W incandescent A-lamps and up to 70W HID lamps
- 80% more efficient and 30x longer life than standard incandescent
- Shatter-resistant plastic housing for reduced risk of injury and breakage
- Non-dimmable

WARRANTY

- 5 year limited warranty; see eiko.com for warranty details

APPLICATIONS

- Restaurants & Hospitality
- Retail
- Residential
- Accent/Display Lighting
- Healthcare
- Bollards
- Post-Tops



PERFORMANCE	Power Consumption	19W	25W	29W
	Lumens	2,000	2,550	3,050
	Efficacy (LPW)	105	102	105
	CRI		80+	
	Beam		220°	
	CCT		3000K, 4000K, 5000K	
	Life (L70)		25,000 hours	
ELECTRICAL	Power Factor	>0.9		
	Input Voltage	120-277V		
CONSTRUCTION	Operating Temperature	-20°C (-4°F) to 45°C (113°F)		
	Base	E26		
LISTINGS	Certification(s)	ENERGY STAR® Rated; cULus Classified		
	Material Usage	RoHS Compliant; no mercury or lead		
	Environment	Enclosed fixture rated; UL Approved for damp locations		

PERFORMANCE SUMMARY

Order Code	Item #	Lumens	Watts	LPW	CCT	CRI	Volts	Life/Hours	Replaces Incan.	ES
10530	LED19WA21/OMN/830-G8	2,000	19W	105	3000K	80+	120-277V	25,000	125W A21	★
10531	LED19WA21/OMN/840-G8	2,000	19W	105	4000K	80+	120-277V	25,000	125W A21	★
10532	LED19WA21/OMN/850-G8	2,000	19W	105	5000K	80+	120-277V	25,000	125W A21	★
10533	LED25WA21/OMN/830-G8	2,550	25W	102	3000K	80+	120-277V	25,000	150W A21	
10534	LED25WA21/OMN/840-G8	2,550	25W	102	4000K	80+	120-277V	25,000	150W A21	
10535	LED25WA21/OMN/850-G8	2,550	25W	102	5000K	80+	120-277V	25,000	150W A21	★
10536	LED29WA23/OMN/830-G8	3,050	29W	105	3000K	80+	120-277V	25,000	200W A23	★
10537	LED29WA23/OMN/840-G8	3,050	29W	105	4000K	80+	120-277V	25,000	200W A23	
10538	LED29WA23/OMN/850-G8	3,050	29W	105	5000K	80+	120-277V	25,000	200W A23	

NOTE: Use order code when ordering. ★ENERGY STAR® Rated

DIMENSIONS



A19 REPLACEMENT : E26 BASE

DESCRIPTION

LED A19 Replacement Lamps are a cost-effective, energy-efficient alternative to incandescent filament lamps.

FEATURES

- Direct replacement for 40 & 60W incandescent A lamps
- 240° beam angle is ideal for table lamps, wall sconces, and luminous globe fixtures
- 80% more efficient and 30x longer life than standard incandescent
- Smooth, clean outside housing
- Dimmable versions are compatible with a wide array of dimmers
- Comfortable diffused light
- Instant-On with no warm up, unlike CFLs
- Shatter resistant for reduced risk of injury and breakage
- Standard series 80+ CRI for enhanced color and lighting uniformity from lamp to lamp

WARRANTY

- 5 year limited warranty; see eiko.com for warranty details

APPLICATIONS

- Restaurants & Hospitality
- Retail
- Residential
- Accent/Display Lighting
- Healthcare



RoHS
Compliant

cUL US LISTED


PERFORMANCE	Power Consumption	6W	9W
	Lumens	450	800
	Efficacy (LPW)	75	89
	Beam	240°	
	CRI	80+	
	CCT	3000K, 4000K	
	Life (L70)	10,000 hours	
ELECTRICAL	Power Factor	≥0.9	
	THD	<20%	
	Input Voltage	120VAC	
CONSTRUCTION	Operating Temperature	-4°F to 104°F (-20°C to 40°C)	
	Base	E26	
LISTINGS	Certification(s)	cULus Listed	
	Material Usage	RoHS Compliant; no mercury or lead	
	Environment	Suitable for use in damp locations	

PERFORMANCE SUMMARY

Order Code	Item #	Lumens	Watts	CCT	CRI	Volts	Base	MOL	MOD	Dimming	Life/Hours
10106	LED6WA19/ADV/840-G8	450	6W	4000K	80+	120V	E26	4.21"	2.36"	Non-Dimmable	10,000
10107	LED9WA19/ADV/830-G8	800	9W	3000K	80+	120V	E26	4.21"	2.36"	Non-Dimmable	10,000
10282	LED9WA19/ADV/830-G9	800	9W	3000K	80+	120V	E26	4.21"	2.36"	Non-Dimmable	10,000
10281	LED9WA19/ADV/830-DIM-G9	800	9W	3000K	80+	120V	E26	4.21"	2.36"	Dimmable	10,000

NOTE: Use order code when ordering.

DIMENSIONS



Wattage	MOL	MOD
6W	4.21"/108mm	2.36"/60mm
9W	4.21"/108mm	2.36"/60mm

T8 TUBES : BYPASS/LINE VOLTAGE : GLASS

DESCRIPTION

LED T8 Replacement Lamps directly replace fluorescent T8 lamps at a fraction of the energy cost.

FEATURES

- Solid state replacement for 2 ft., 3 ft. and 4 ft. T8 or T12 G13 base or U6 linear fluorescent
- Single-end powered, operates on 120V-277V line voltage; 347V options available (Canada only)
- Frosted lens for uniform diffuse appearance
- Select items feature PET coating to protect glass envelope and reduce risk of breakage
- No external ballast or driver required
- Up to 50% instant energy savings
- Existing fixture maintains original UL compliance per UL1598C listing
- Suitable for use in totally enclosed fixtures (excluding U6 items)
- Integral drivers provide easy installation
- For use with non-shunted tombstone lampholders
- UL 1598C Listed
- Non-dimmable

WARRANTY

- 5 year limited warranty; see eiko.com for warranty details

APPLICATIONS

- Commercial
- Industrial
- Hospitality
- Education
- Healthcare
- Retail



	Power Consumption	9W	11.5W	12W	12.5W	15W	18W
PERFORMANCE	Lumens	1100, 1150	1700, 1800	1400, 1450	1700, 1800	1700, 1800	2200
	Efficacy (LPW)	122, 128	148, 157	117, 121	136, 144	113, 120	122
	CRI	80+					
	Beam						
	CCT	3500K, 4000K, 5000K					
	Life (L70)	50,000 hours					
	ELECTRICAL	Power Factor	≥0.9				
THD		<20%					
Input Voltage		120V					
CONSTRUCTION	Operating Temperature	-4°F to 113°F (-20°C to 45°C)					
	Base	G13					
	Lens	Frosted					
LISTINGS	Certification(s)	DesignLights Consortium® Qualified; NSF Listed; cULus Classified; FCC					
	Material Usage	RoHS Compliant; no mercury or lead					
	Environment	Suitable for use in totally enclosed fixtures					

PERFORMANCE SUMMARY

Order Code	Item #	Lngh	Lumens	Watts	LPW	CCT	CRI	Beam	Appearance	Envelope	Life/Hours	DLC
09322	LED9WT8F/24/835K-G7D	2'	9W	1,100	120+	3500K	80+	210°	Frosted	Glass	50K	✓
09323	LED9WT8F/24/840K-G7D	2'	9W	1,150	120+	4000K	80+	210°	Frosted	Glass	50K	✓
09324	LED9WT8F/24/850K-G7D	2'	9W	1,150	120+	5000K	80+	210°	Frosted	Glass	50K	✓
09666	LED11.5WT8/48/835-G7D	4'	11.5W	1,700	120+	3500K	80+	210°	Frosted	Glass	50K	✓
09667	LED11.5WT8/48/840-G7D	4'	11.5W	1,800	120+	4000K	80+	210°	Frosted	Glass	50K	✓
09668	LED11.5WT8/48/850-G7D	4'	11.5W	1,800	120+	5000K	80+	210°	Frosted	Glass	50K	✓
09669	LED11.5WT8/48/835-PET-G7D*	4'	11.5W	1,700	120+	3500K	80+	210°	Frosted	Glass	50K	✓
09670	LED11.5WT8/48/840-PET-G7D*	4'	11.5W	1,800	120+	4000K	80+	210°	Frosted	Glass	50K	✓
09671	LED11.5WT8/48/850-PET-G7D*	4'	11.5W	1,800	120+	5000K	80+	210°	Frosted	Glass	50K	✓
09319	LED12WT8F/36/835K-G7D	3'	12W	1,400	120+	3500K	80+	210°	Frosted	Glass	50K	
09320	LED12WT8F/36/840K-G7D	3'	12W	1,450	120+	4000K	80+	210°	Frosted	Glass	50K	
09321	LED12WT8F/36/850K-G7D	3'	12W	1,450	120+	5000K	80+	210°	Frosted	Glass	50K	
09371	LED12WT8/PRM/48/835-G7D	4'	12.5W	1,700	140+	3500K	80+	210°	Frosted	Glass	50K	✓
09372	LED12WT8/PRM/48/840-G7D	4'	12.5W	1,800	140+	4000K	80+	210°	Frosted	Glass	50K	✓
09373	LED12WT8/PRM/48/850-G7D	4'	12.5W	1,800	140+	5000K	80+	210°	Frosted	Glass	50K	✓
09288	LED15WT8F/48/835K-G7D	4'	15W	1,700	120+	3500K	80+	210°	Frosted	Glass	50K	✓
09278	LED15WT8F/48/840K-G7D	4'	15W	1,800	120+	4000K	80+	210°	Frosted	Glass	50K	✓
09279	LED15WT8F/48/850K-G7D	4'	15W	1,800	120+	5000K	80+	210°	Frosted	Glass	50K	✓
09396	LED18WT8F/48/835-G7D	4'	18W	2,200	120+	3500K	80+	210°	Frosted	Glass	50K	✓
09397	LED18WT8F/48/840-G7D	4'	18W	2,200	120+	4000K	80+	210°	Frosted	Glass	50K	✓
09398	LED18WT8F/48/850-G7D	4'	18W	2,200	120+	5000K	80+	210°	Frosted	Glass	50K	✓
09893	LED18WT8F/48/835-G7D-347V †	4'	18W	2,200	120+	3500K	80+	210°	Frosted	Glass	50K	✓
09891	LED18WT8F/48/840-G7D-347V †	4'	18W	2,200	120+	4000K	80+	210°	Frosted	Glass	50K	✓
09894	LED18WT8F/48/850-G7D-347V †	4'	18W	2,200	120+	5000K	80+	210°	Frosted	Glass	50K	✓
09789	LED15WT8F/U6/835-G7D	U6	15W	1,700	113+	3500K	80+	210°	Frosted	Glass	50K	✓
09790	LED15WT8F/U6/840-G7D	U6	15W	1,800	120+	4000K	80+	210°	Frosted	Glass	50K	✓
09791	LED15WT8F/U6/850-G7D	U6	15W	1,800	120+	5000K	80+	210°	Frosted	Glass	50K	✓

NOTE: Use order code when ordering. *PET coated for reduced risk of breakage. †Canada only. ✓DesignLights Consortium Qualified

WIRING DIAGRAM

Wiring Directions

1. Disconnect and remove ballast.
2. Confirm or install non-shunted sockets for input end of lamp (required).
3. Connect A/C power directly to non-shunted socket. Note: "shunted" or "jumpered" sockets are commonly found in T8 instant-start fluorescent fixtures and must be replaced.

For use with NON-shunted tombstone lamp holders only.

T8 TUBES : BYPASS/LINE VOLTAGE : 8'

DESCRIPTION

LED T8 Replacement Lamps directly replace fluorescent T8 lamps at a fraction of the energy cost.

FEATURES

- Solid state replacement for high output 8' T8 and T12 fluorescent lamps
- Direct replacement of single-pin LED slimline with HO-equivalent lumen output
- Double-ended single contact base – same as T8 and T12 lamps
- Simple installation; bypass ballast, connect line voltage to single-pin sockets
- Frosted lens for uniform diffuse appearance
- No ballast or external driver required
- High Output: 5,500 lumens; 127lpw
- Instant-On with no warm up like fluorescents
- Integral 120~277V drivers provide easy installation
- Existing fixture maintains original UL compliance per UL1598C listing
- Does not operate on emergency backup

WARRANTY

- 5 year limited warranty; see eiko.com for warranty details

APPLICATIONS

- Commercial
- Conference rooms
- Hospitality
- Education
- Healthcare
- Retail
- Residential



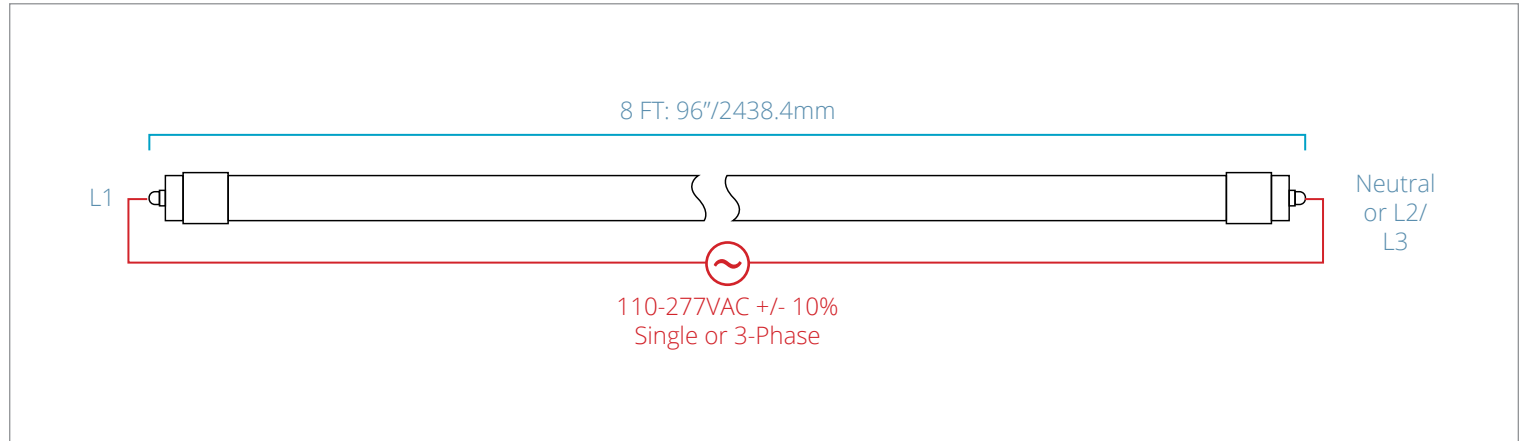
PERFORMANCE	Power Consumption	43W
	Lumens	5,500
	Efficacy (LPW)	128
	CRI	80+
	Beam	210°
	CCT	4000K, 5000K
	Life (L70)	50,000 hours
ELECTRICAL	Power Factor	≥0.9
	THD	<20%
	Input Voltage	120V
CONSTRUCTION	Operating Temperature	-4°F to 113°F (-20°C to 45°C)
	Base	Fa8
	Lens	Frosted
LISTINGS	Certification(s)	DesignLights Consortium® Qualified; NSF Listed; cULus Listed; FCC
	Material Usage	RoHS Compliant; no mercury or lead
	Environment	Damp location rated

PERFORMANCE SUMMARY

Order Code	Item #	Length	Lumens	Watts	CCT	CRI	Volts	Life/Hours	Replaces	DLC
09567	LED43WT8/96/840-DBL-G7D	8'	5,500	43W	4000K	80+	120-277V	50K	59W T8; 60/75W T12	✓
09568	LED43WT8/96/850-DBL-G7D	8'	5,500	43W	5000K	80+	120-277V	50K	59W T8; 60/75W T12	✓

NOTE: Use order code when ordering. ✓DesignLights Consortium Qualified

DIMENSIONS / WIRING DIAGRAM



NSF offers the most accepted and trusted certification and verification programs for commercial foodservice equipment, specified by health departments, restaurant buyers and specifiers worldwide. NSF means market access – products with the NSF mark receive guaranteed regulatory acceptance in North America and improved acceptance worldwide. Verification programs, such as HACCP Compliance Verification - EU, demonstrate hygienic quality, independently verified by a trusted source.

T8 TUBES : BYPASS/LINE VOLTAGE : DOUBLE-ENDED

DESCRIPTION

LED T8 Replacement Lamps directly replace fluorescent T8 lamps at a fraction of the energy cost.

FEATURES

- Solid state replacement for 2', 3', or 4' T8 linear fluorescent
- Use with shunted (T8) or non-shunted (T12) lamp holders
- Frosted lens for uniform diffuse appearance
- No external ballast or driver required
- Ultra-high performance LEDs deliver 121+ lpw
- Instant-On with no warm up like fluorescents
- Integral 120~277V drivers provide easy installation
- Contains no mercury or lead; classified as non-hazardous waste
- Use with shunted (T8) or non-shunted (T12) lamp holders
- Note: Both pins on each end of lamp must be connected to line voltage. Non-shunted (T12) lamp holders require field-installed jumper wire tying both pins together; see wiring diagram.

WARRANTY

- 5 year limited warranty; see eiko.com for warranty details

APPLICATIONS

- Commercial
- Conference rooms
- Hospitality
- Education
- Healthcare
- Retail
- Residential



		9W	12W	14W	17W
PERFORMANCE	Power Consumption	9W	12W	14W	17W
	Lumens	1,150	1,400/1,450	1,700/1,800	2,100/2,200
	Efficacy (LPW)	128	117/121	121/129	124/129
	CRI	80+			
	CCT	3500K, 4000K, 5000K			
	Life (L70)	50,000 hours			
ELECTRICAL	Power Factor	≥0.97			
	THD	<20%			
	Input Voltage	120V			
CONSTRUCTION	Operating Temperature	-4°F to 113°F (-20°C to 45°C)			
	Base	G13			
	Lens	Frosted			
LISTINGS	Certification(s)	DesignLights Consortium® Qualified; NSF Listed; cULus Listed; FCC			
	Material Usage	RoHS Compliant; no mercury or lead			
	Environment				

PERFORMANCE SUMMARY

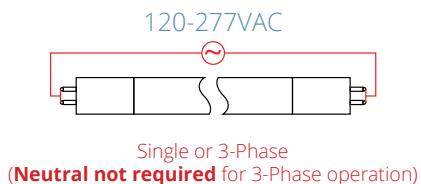
Order Code	Item #	Length	Lumens	Watts	CCT	CRI	Appearance	Life/Hours	DLC
09598	LED9WT8/24/840-DBL-G7D	2'	1,150	9W	4000K	80+	Frosted	50K	✓
09599	LED9WT8/24/850-DBL-G7D	2'	1,150	9W	5000K	80+	Frosted	50K	✓
09600	LED12WT8/36/835-DBL-G7D*	3'	1,400	12W	3500K	80+	Frosted	50K	✓
09601	LED12WT8/36/840-DBL-G7D	3'	1,450	12W	4000K	80+	Frosted	50K	✓
09602	LED12WT8/36/850-DBL-G7D	3'	1,450	12W	5000K	80+	Frosted	50K	✓
09594	LED14WT8/48/835-DBL-G7D	4'	1,700	14W	3500K	80+	Frosted	50K	✓
09595	LED14WT8/48/840-DBL-G7D	4'	1,800	14W	4000K	80+	Frosted	50K	✓
09603	LED14WT8/48/850-DBL-G7D	4'	1,800	14W	5000K	80+	Frosted	50K	✓
09604	LED17WT8/48/835-DBL-G7D	4'	2,100	17W	3500K	80+	Frosted	50K	✓
09605	LED17WT8/48/840-DBL-G7D	4'	2,200	17W	4000K	80+	Frosted	50K	✓
09606	LED17WT8/48/850-DBL-G7D	4'	2,200	17W	5000K	80+	Frosted	50K	✓

NOTE: Use order code when ordering. *Special order only. MOQ 500 pcs. ✓DesignLights Consortium Qualified

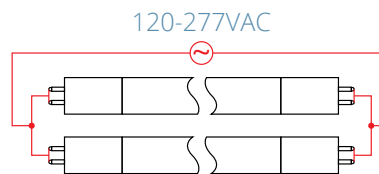
DIMENSIONS / WIRING DIAGRAM

2': 24"/609.6mm
3': 36"/914.4mm
4': 48"/1219.2mm

Single Lamp Operation



2 Lamp Operation



NOTE: both pins on each end of lamp must be connected to line voltage as shown above. If lamp holder is a "non-shunted" (T12) type, it must be shunted (shorted) by external jumper. Most T8 lamp holders are internally shunted and will not require an external jumper.



NSF offers the most accepted and trusted certification and verification programs for commercial foodservice equipment, specified by health departments, restaurant buyers and specifiers worldwide. NSF means market access – products with the NSF mark receive guaranteed regulatory acceptance in North America and improved acceptance worldwide. Verification programs, such as HACCP Compliance Verification - EU, demonstrate hygienic quality, independently verified by a trusted source.

T8 TUBES : BYPASS/LINE VOLTAGE : NANO-POLYCARBONATE

DESCRIPTION

LED T8 Replacement Lamps directly replace fluorescent T8 lamps at a fraction of the energy cost.

FEATURES

- Solid state replacement for 4 ft. T8 or T12 G13 base linear fluorescent
- Single-end powered, operates on 120V-277V line voltage
- Rugged thermoplastic nano-polycarbonate construction
- Frosted lens for uniform diffuse appearance
- No external ballast or driver required
- Ultra-high performance LEDs deliver 120 lpw
- Up to 50% instant energy savings
- Existing fixture maintains original UL compliance per UL1598C listing
- Suitable for use in totally enclosed fixtures
- Integral 120~277V drivers provide easy installation
- For use with non-shunted tombstone lampholders
- UL 1598C listed
- Non-dimmable

WARRANTY

- 5 year limited warranty; see eiko.com for warranty details

APPLICATIONS

- Commercial
- Industrial
- Hospitality
- Education
- Healthcare
- Retail



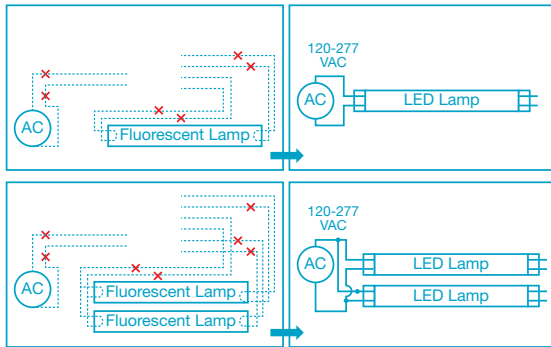
PERFORMANCE	Power Consumption	14W	17W	18W
	Lumens	1,800	2,200	2,200
	Efficacy (LPW)	129	129	122
	CRI	80+		
	CCT	3500K, 4000K, 5000K		
	Life (L70)	50,000 hours		
ELECTRICAL	Power Factor	≥0.9		
	THD	<20%		
	Input Voltage	120V		
CONSTRUCTION	Operating Temperature	-4°F to 113°F (-20°C to 45°C)		
	Base	G13		
	Lens	Frosted		
LISTINGS	Certification(s)	DesignLights Consortium® Qualified; NSF Listed; cULus Classified; FCC		
	Material Usage	RoHS Compliant; no mercury or lead		
	Environment			

PERFORMANCE SUMMARY

Order Code	Item #	Lngh	Lumens	Watts	LPW	CCT	CRI	Beam	Appearance	Envelope	Life/Hours	DLC
09736	LED14WT8/P/48/835-G8D	4'	1,800	14W	128+	3500K	80+	210°	Frosted	Nano-Polycarb	50K	✓
09735	LED14WT8/P/48/840-G8D	4'	1,800	14W	128+	4000K	80+	210°	Frosted	Nano-Polycarb	50K	✓
09734	LED14WT8/P/48/850-G8D	4'	1,800	14W	128+	5000K	80+	210°	Frosted	Nano-Polycarb	50K	✓
09733	LED17WT8/P/48/835-G8D	4'	2,200	17W	129+	3500K	80+	210°	Frosted	Nano-Polycarb	50K	✓
09732	LED17WT8/P/48/840-G8D	4'	2,200	17W	129+	4000K	80+	210°	Frosted	Nano-Polycarb	50K	✓
09731	LED17WT8/P/48/850-G8D	4'	2,200	17W	129+	5000K	80+	210°	Frosted	Nano-Polycarb	50K	✓
10090	LED18WT8F/U6/835-G8D	U6	2,200	18W	122+	3500K	80+		Frosted		50K	
10091	LED18WT8F/U6/840-G8D	U6	2,200	18W	122+	4000K	80+		Frosted		50K	
10092	LED18WT8F/U6/850-G8D	U6	2,200	18W	122+	5000K	80+		Frosted		50K	

NOTE: Use order code when ordering. ✓DesignLights Consortium Qualified

WIRING DIAGRAM



Wiring Directions

1. Disconnect and remove ballast.
2. Confirm or install non-shunted sockets for input end of lamp (required).
3. Connect A/C power directly to non-shunted socket. Note: "shunted" or "jumpered" sockets are commonly found in T8 instant-start fluorescent fixtures and must be replaced.



For use with NON-shunted tombstone lamp holders only.



NSF offers the most accepted and trusted certification and verification programs for commercial foodservice equipment, specified by health departments, restaurant buyers and specifiers worldwide. NSF means market access – products with the NSF mark receive guaranteed regulatory acceptance in North America and improved acceptance worldwide. Verification programs, such as HACCP Compliance Verification - EU, demonstrate hygienic quality, independently verified by a trusted source.

T8 TUBES : BYPASS/LINE VOLTAGE : 8' DOUBLE-ENDED

DESCRIPTION

LED T8 Replacement Lamps directly replace fluorescent T8 lamps at a fraction of the energy cost.

FEATURES

- Solid state replacement for high output 8' T8 and T12 fluorescent lamps
- Direct replacement of 8' LED slimline with an 8' HO lumen output
- Recessed double contact (R17d) base
- Simple installation; bypass ballast, connect line voltage to sockets
- Frosted lens for uniform diffuse appearance
- No ballast or external driver required
- High Output: 5,500 lumens; 127 lpw
- Instant-On with no warm up like fluorescents
- Integral 120~277V drivers provide easy installation
- Existing fixture maintains original UL compliance per UL1598C listing
- Does not operate on emergency backup

WARRANTY

- 5 year limited warranty; see eiko.com for warranty details

APPLICATIONS

- Commercial
- Conference rooms
- Hospitality
- Education
- Healthcare
- Retail
- Residential



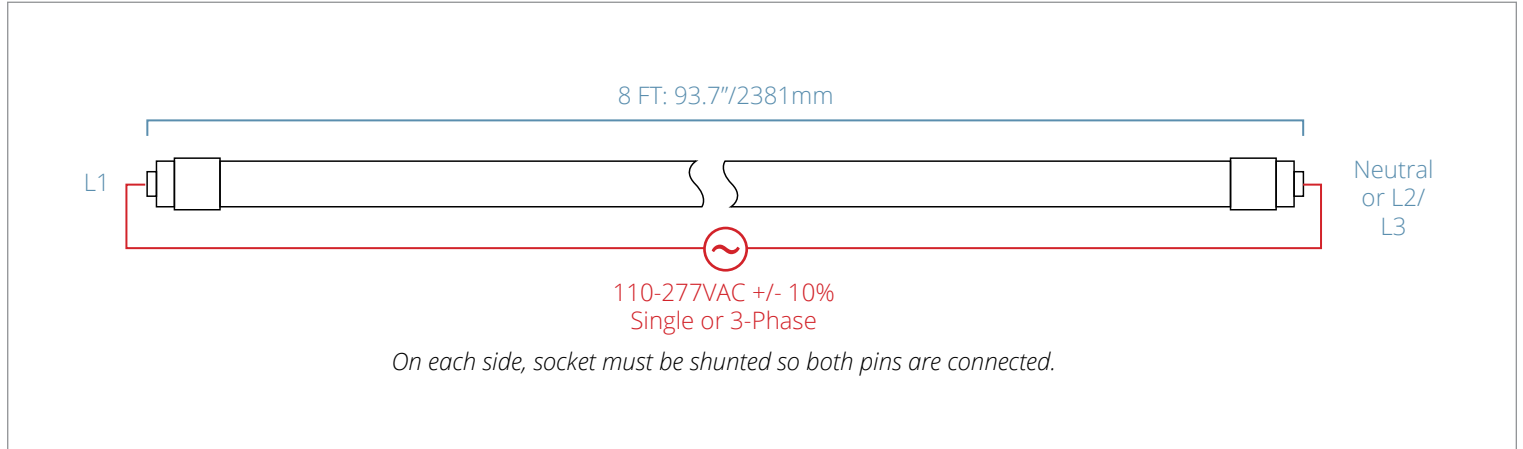
PERFORMANCE	Power Consumption	43W
	Lumens	5,500
	Efficacy (LPW)	128
	CRI	80+
	CCT	4000K, 5000K
	Life (L70)	50,000 hours
ELECTRICAL	Power Factor	≥0.9
	THD	<20%
	Input Voltage	120V
CONSTRUCTION	Operating Temperature	-4°F to 113°F (-20°C to 45°C)
	Base	R17d
	Lens	Frosted
LISTINGS	Certification(s)	NSF Listed; cULus Classified; FCC
	Material Usage	RoHS Compliant; no mercury or lead
	Environment	

PERFORMANCE SUMMARY

Order Code	Item #	Lngh	Lumens	Watts	CCT	CRI	Appearance	Envelope	Life/Hours
10104	LED43WT8/96/840-R17D-G8	8'	5,500	43W	4000K	80+	Frosted	Glass	50K
10105	LED43WT8/96/850-R17D-G8	8'	5,500	43W	5000K	80+	Frosted	Glass	50K

NOTE: Use order code when ordering.

DIMENSIONS



NSF offers the most accepted and trusted certification and verification programs for commercial foodservice equipment, specified by health departments, restaurant buyers and specifiers worldwide. NSF means market access – products with the NSF mark receive guaranteed regulatory acceptance in North America and improved acceptance worldwide. Verification programs, such as HACCP Compliance Verification - EU, demonstrate hygienic quality, independently verified by a trusted source.

T8 TUBE LIGHTS : DOUBLE-ENDED

DESCRIPTION

Double-ended LED T8 tube lights are among the optimal choices when upgrading from fluorescent to LED. Simple modifications on install allow for years of efficient, maintenance-free, low-cost operation.

FEATURES

- Solid state replacement for 4' T8 linear fluorescent
- Use with shunted (T8) or non-shunted (T12) lamp holders
- Frosted lens for uniform diffuse appearance
- No external ballast or driver required
- Note: Both pins on each end of lamp must be connected to line voltage. Non-shunted (T12) lamp holders require field-installed jumper wire tying both pins together; see wiring diagram.

WARRANTY

- 5 year limited warranty; see eiko.com for warranty details

APPLICATIONS

- Commercial
- Conference rooms
- Hospitality
- Education
- Healthcare
- Retail
- Residential

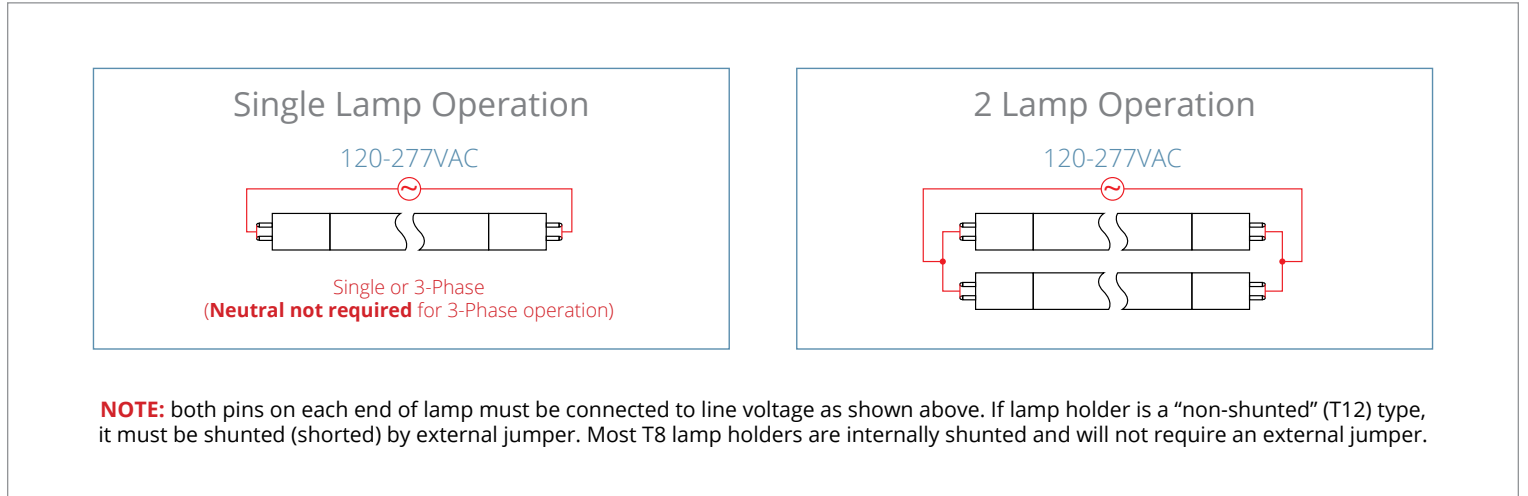


PERFORMANCE	Power Consumption	12W	15W
	Lumens	1,800	2,200
	Efficacy (LPW)	150	147
	CRI	80+	
	Beam	210°	
	CCT	3000K, 4000K, 5000K	
	Life (L70)	50,000 hours	
ELECTRICAL	Power Factor	≥0.9	
	THD	<20%	
	Input Voltage	120-277V	
CONSTRUCTION	Operating Temperature	-4°F to 113°F (-20°C to 45°C)	
	Lens	Frosted glass	
	Base	G13	
LISTINGS	Certification(s)	DesignLights Consortium® Qualified; cULus Classified; FCC; NSF Listed	
	Material Usage	RoHS Compliant; no mercury or lead	
	Environment	Dry and damp locations; Rated for enclosed fixtures	

PERFORMANCE SUMMARY

Order Code	Item #	Length	Lumens	Watts	LPW	CCT	CRI	Volts	Beam	Life/Hours	DLC
10437	LED12WT8/48/835-DBL-G8D	4'	1,800	12W	150	3500K	80+	120-277	210°	50,000	✓
10435	LED12WT8/48/840-DBL-G8D	4'	1,800	12W	150	4000K	80+	120-277	210°	50,000	✓
10438	LED12WT8/48/850-DBL-G8D	4'	1,800	12W	150	5000K	80+	120-277	210°	50,000	✓
10469	LED15WT8/48/835-DBL-G8D	4'	2,200	15W	147	3500K	80+	120-277	210°	50,000	✓
10436	LED15WT8/48/840-DBL-G8D	4'	2,200	15W	147	4000K	80+	120-277	210°	50,000	✓
10470	LED15WT8/48/850-DBL-G8D	4'	2,200	15W	147	5000K	80+	120-277	210°	50,000	✓

WIRING DIAGRAM



T8 TUBES : BYPASS : HIGH-LUMEN : SINGLE-ENDED

DESCRIPTION

LED T8 Replacement Lamps directly replace fluorescent T8 lamps at a fraction of the energy cost.

FEATURES

- Solid state replacement for 4 ft. T8 or T12 G13 base linear fluorescent
- Single-end powered, operates on 120V-277V line voltage
- Frosted lens for uniform diffuse appearance
- No external ballast or driver required
- Ultra-high performance LEDs deliver 135 lpw
- Up to 50% instant energy savings
- Existing fixture maintains original UL compliance
- Integral 120~277V drivers provide easy installation
- For use with non-shunted tombstone lampholders
- Non-dimmable

WARRANTY

- 5 year limited warranty; see eiko.com for warranty details

APPLICATIONS

- Commercial
- Industrial
- Hospitality
- Education
- Healthcare
- Retail



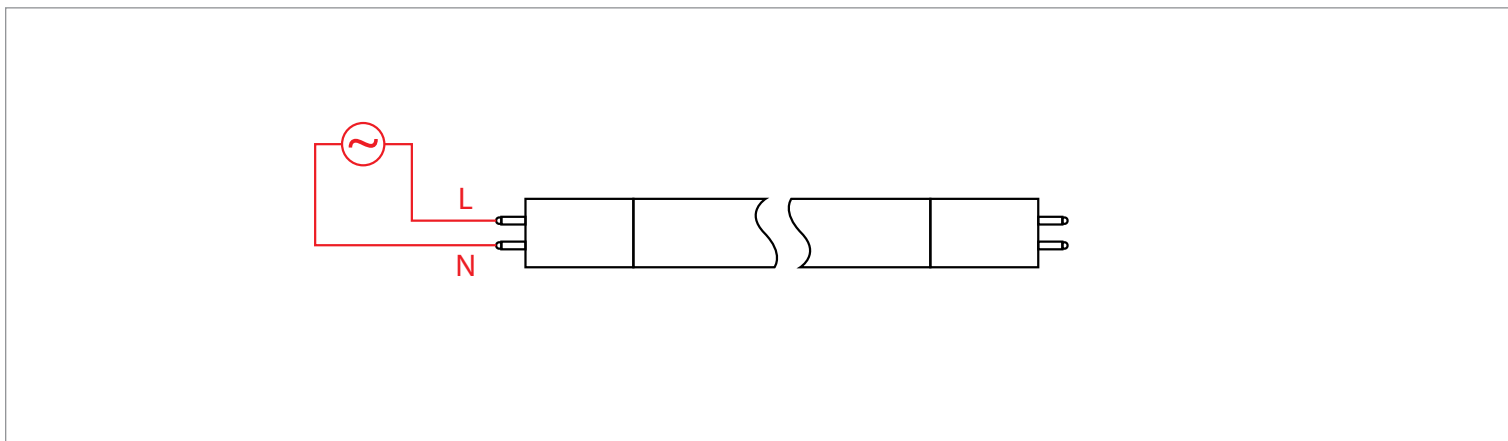
PERFORMANCE	Power Consumption	26W
	Lumens	3,500
	Efficacy (LPW)	135
	CRI	80+
	CCT	4000K, 5000K
	Life (L70)	50,000 hours
ELECTRICAL	Power Factor	≥0.9
	THD	<20%
	Input Voltage	120-277V
CONSTRUCTION	Operating Temperature	-4°F to 113°F (-20°C to 45°C)
	Base	G13
	Lens	Frosted
LISTINGS	Certification(s)	DesignLights Consortium® Qualified; cULus Classified; FCC
	Material Usage	RoHS Compliant; no mercury or lead
	Environment	

PERFORMANCE SUMMARY

Order Code	Item #	Length	Lumens	Watts	LPW	CCT	CRI	Beam	Wiring	Life/Hours	DLC
10467	LED26WT8/48/840-G8D	4'	3,500	26W	135	4000K	80+	240°	Single-Ended	50,000	✓
10468	LED26WT8/48/850-G8D	4'	3,500	26W	135	5000K	80+	240°	Single-Ended	50,000	✓

NOTE: Use order code when ordering.

WIRING DIAGRAM



T8 TUBES : BYPASS : HIGH-LUMEN : SINGLE/DOUBLE-ENDED

DESCRIPTION

LED T8 Replacement Lamps directly replace fluorescent T8 lamps at a fraction of the energy cost.

FEATURES

- Solid state replacement for 4 ft. T8 or T12 G13 base linear fluorescent
- Single- or double-end powered, operates on 120V-277V line voltage
- Frosted lens for uniform diffuse appearance
- No external ballast or driver required
- Ultra-high performance LEDs deliver 135 lpw
- Up to 50% instant energy savings
- Existing fixture maintains original UL compliance
- Integral 120~277V drivers provide easy installation
- For use with non-shunted tombstone lampholders
- Non-dimmable

WARRANTY

- 5 year limited warranty; see eiko.com for warranty details

APPLICATIONS

- Commercial
- Industrial
- Hospitality
- Education
- Healthcare
- Retail



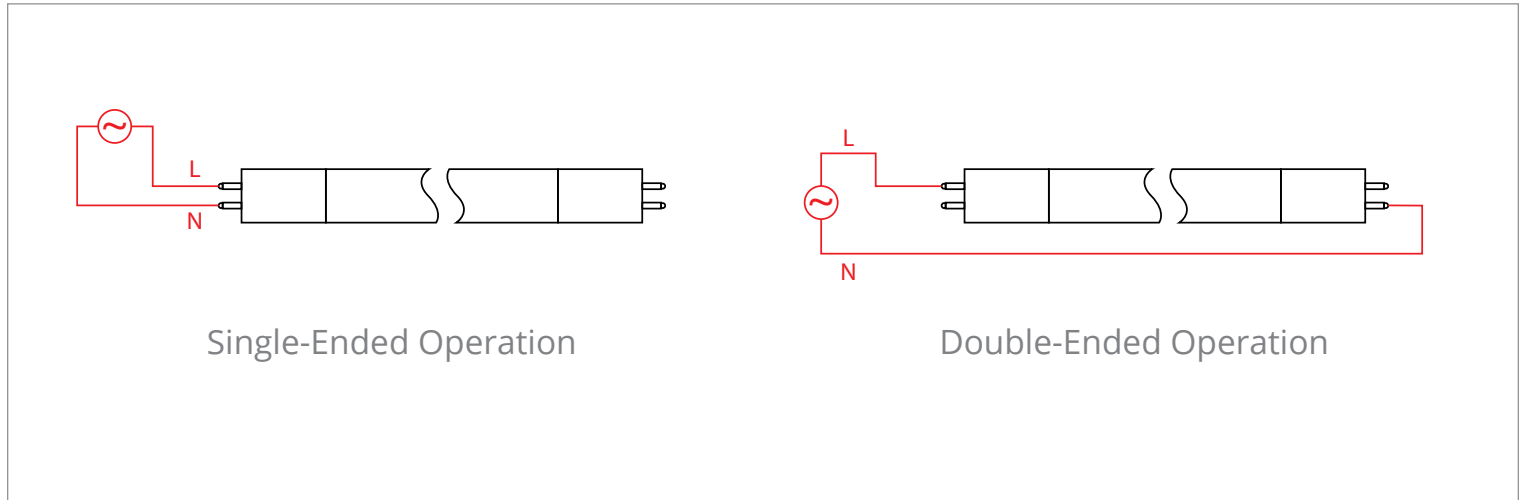
PERFORMANCE	Power Consumption	18.5W
	Lumens	2,600
	Efficacy (LPW)	141
	CRI	80+
	CCT	4000K, 5000K
	Life (L70)	50,000 hours
ELECTRICAL	Power Factor	≥0.9
	THD	<20%
	Input Voltage	120-277V
CONSTRUCTION	Operating Temperature	-4°F to 113°F (-20°C to 45°C)
	Base	G13
	Lens	Frosted
LISTINGS	Certification(s)	DesignLights Consortium® Qualified; cULus Classified; FCC
	Material Usage	RoHS Compliant; no mercury or lead
	Environment	

PERFORMANCE SUMMARY

Order Code	Item #	Length	Lumens	LPW	Watts	CCT	CRI	Beam	Wiring	Life/Hours	DLC
10465	LED18.5WT8/48/840-G8D	4'	2,600	141	18.5W	4000K	80+	240°	Single- or Double-Ended	50,000	✓
10466	LED18.5WT8/48/850-G8D	4'	2,600	141	18.5W	5000K	80+	240°	Single- or Double-Ended	50,000	✓

NOTE: Use order code when ordering.

WIRING DIAGRAM



T8 DUAL MODE : ELECTRONIC BALLAST COMPATIBLE

DESCRIPTION

LED T8 Dual Mode Replacement Lamps offer a versatile range of installation options - single-ended or double-ended, with ballast, emergency battery, or direct line voltage.

FEATURES

- Hybrid dual mode for use with programmed start and emergency electronic ballasts OR direct line voltage
- Direct replacement for conventional linear fluorescent tubes
- Single or double end powered
- Instant full brightness
- Frosted glass lens reduces visual glare
- Up to 80% energy savings
- Ultra-high performance LED delivers >150 lpw
- Suitable for use in totally enclosed fixtures
- Compatible with select emergency battery backup
- Does not operate on magnetic ballasts
- Does not operate on T12 ballasts
- Compatible with electronic ballasts or direct line voltage 120-277V
- UL 1598C listed
- Compatible with select programmed start ballasts
- Visit eiko.com to view complete ballast compatibility information

WARRANTY

- 5 year limited warranty; see eiko.com for warranty details

APPLICATIONS

- Highbays
- Troffers
- Industrial Strips
- Cove Lighting
- Warehouses
- Stairwells
- Cold Storage



PERFORMANCE	Bare Lamp Wattage	12W
	System Wattage	14W
	Lumens	1,800/1,900
	Efficacy (LPW)	150/158
	CRI	80+
	CCT	3500K, 4000K, 5000K
	Life (L70)	50,000 hours
ELECTRICAL	Power Factor	≥0.9
	THD	<20%
	Input Voltage	120-277V
CONSTRUCTION	Operating Temperature	-4°F to 113°F (-20°C to 45°C)
	Base	G13
LISTINGS	Certification(s)	DesignLights Consortium® Qualified; ETL Sanitation Listed; cULus Listed
	Material Usage	RoHS Compliant; no mercury or lead
	Environment	UL Listed for damp locations

PERFORMANCE SUMMARY

Order Code	Item #	Length	Lumens	Bare Lamp Watts*	System Watts*	Volts Ballast Dependent	CCT	CRI	Glass Tube	Beam	Life/Hours	DLC
10101	LED12WT8/48/835-G8DM	4'	1,800	12W	14W	120-277V	3500K	80+	Frosted	190°	50K	✓
10102	LED12WT8/48/840-G8DM	4'	1,900	12W	14W	120-277V	4000K	80+	Frosted	190°	50K	✓
10103	LED12WT8/48/850-G8DM	4'	1,900	12W	14W	120-277V	5000K	80+	Frosted	190°	50K	✓

NOTE: Use order code when ordering. ✓DesignLights Consortium® Qualified
 * Lamp consumes 12 watts when operated on line voltage. System wattage is 14 watts per lamp when operated on ballast.

WIRING DIAGRAMS FOR LINE VOLTAGE OPERATION



OPTION 1: Connecting AC line voltage to a non-shunted socket on only one end (single-ended mode). Bring line and neutral to pins "N1" and "L." Do not connect "N2" and "N3" - damage may result.



OPTION 2: Connecting AC line voltage to non-shunted sockets on both ends (double-ended mode). Bring line to both "N1" and "L." Bring neutral to both "N2" and "N3."



OPTION 3: Connecting AC line voltage to shunted sockets on both ends (double-ended mode). Bring line to N1/L side and neutral to N2/N3 side.

T8 DIRECT FIT : GLASS

DESCRIPTION

LED T8 Dual Mode Replacement Lamps are compatible with instant start electronic ballasts OR direct line voltage.

FEATURES

- Directly replaces 4ft F32T8 (32W, 28W, 25W) lamps
- No socket changes, uses shunted or non-shunted sockets
- Operates on most electronic T8 (instant & programmed) and battery backup ballasts
- Instantaneous full light output upon power-up
- With shatterproof PET coating
- Frosted glass lens reduces visual glare
- Suitable for use in totally enclosed fixtures
- No rewiring or modifications of any kind required
- Does not operate on magnetic ballasts
- Does not operate on T12 ballasts
- Can be operated on fluorescent battery backup
- **See eiko.com for a list of tested ballasts**

WARRANTY

- 5 year limited warranty; see eiko.com for warranty details

APPLICATIONS

- Highbays
- Troffers
- Industrial Strips
- Cove Lighting
- Warehouses
- Stairwells
- Cold Storage



PERFORMANCE	Bare Lamp Wattage	11.5W	15W
	Lumens	1,700	2,100/2,200
	Efficacy (LPW)	148	140/147
	CRI	80+	
	Beam	220°	
	CCT	3500K, 4000K, 5000K	
	Life (L70)	50,000 hours	
ELECTRICAL	Power Factor	≥0.9	
	THD	<20%	
	Input Voltage	120-277V; 347V	
CONSTRUCTION	Operating Temperature	-4°F to 113°F (-20°C to 45°C)	
	Base	G13	
LISTINGS	Certification(s)	DesignLights Consortium® Qualified; NSF Listed; cULus Listed; FCC	
	Material Usage	RoHS Compliant; no mercury or lead	
	Environment	UL Listed for damp locations	

PERFORMANCE SUMMARY

Order Code	Item #	Length	Lumens	Nominal Watts	Volts Ballast Dependent	Emergency Ballast Compatible	CCT	CRI	Glass Tube	Beam	Life/ Hours	DLC
09562	LED11.5WT8/48/835-PET-G7DR†	4'	1,700	11.5W	120-277V, 347V	X	3500K	80+	Frosted	220°	50K	✓
09563	LED11.5WT8/48/840-PET-G7DR†	4'	1,800	11.5W	120-277V, 347V	X	4000K	80+	Frosted	220°	50K	✓
09564	LED11.5WT8/48/850-PET-G7DR†	4'	1,800	11.5W	120-277V, 347V	X	5000K	80+	Frosted	220°	50K	✓
09672	LED15WT8/48/835-PET-G7DR†	4'	2,100	15W	120-277V, 347V	X	3500K	80+	Frosted	220°	50K	✓
09673	LED15WT8/48/840-PET-G7DR†	4'	2,200	15W	120-277V, 347V	X	4000K	80+	Frosted	220°	50K	✓
09674	LED15WT8/48/850-PET-G7DR†	4'	2,200	15W	120-277V, 347V	X	5000K	80+	Frosted	220°	50K	✓

NOTE: Use order code when ordering. †PET coated for reduced risk of breakage. ✓DesignLights Consortium® Qualified

WATTS & LUMENS*

Lamp	System Wattage			Bare Lamp Lumens		
	Low BF = .75	Normal BF = .88	High BF = 1.18	Low BF = .75	Normal BF = .88	High BF = 1.18
LED11.5WT8/48/8XX-G7DR	12.5	13.9	24.1	1600	1780	2820
LED15WT8/48/8XX-G7DR	15.8	17.5	24.1	1960	2180	2820

*Watts and lumens will vary by ballast and fixture. Visit eiko.com to view complete ballast compatibility information.

PHOTOMETRICS



NSF offers the most accepted and trusted certification and verification programs for commercial foodservice equipment, specified by health departments, restaurant buyers and specifiers worldwide. NSF means market access – products with the NSF mark receive guaranteed regulatory acceptance in North America and improved acceptance worldwide. Verification programs, such as HACCP Compliance Verification - EU, demonstrate hygienic quality, independently verified by a trusted source.

T8 DIRECT FIT : GLASS

DESCRIPTION

LED T8 Direct Fit Replacement Lamps directly replace fluorescent T8 lamps at a fraction of the energy cost.

FEATURES

- No socket changes, uses shunted or non-shunted sockets
- Operates on most electronic T8 (instant & programmed) ballasts
- Instantaneous full light output upon power-up
- Frosted glass lens reduces visual glare
- Suitable for use in totally enclosed fixtures
- No rewiring or modifications of any kind required
- Does not operate on magnetic ballasts
- Does not operate on T12 ballasts
- Operates on AC emergency ballasts as listed in ballast compatibility list
- **Visit eiko.com to view complete ballast compatibility information**

WARRANTY

- 5 year limited warranty; see eiko.com for warranty details

APPLICATIONS

- Highbays
- Troffers
- Industrial Strips
- Cove Lighting
- Warehouses
- Stairwells
- Cold Storage



PERFORMANCE	Bare Lamp Wattage	10W	12W	15W
	Lumens	1,450	1,700/1,800	2,100/2,200
	Efficacy (LPW)	145	142/150	140/147
	CRI		80+	
	Beam		220°	
	CCT		3500K, 4000K, 5000K	
	Life (L70)		50,000 hours	
ELECTRICAL	Power Factor		≥0.9	
	THD		<20%	
	Input Voltage		120-277V; 347V	
CONSTRUCTION	Operating Temperature		-4°F to 113°F (-20°C to 45°C)	
	Base		G13	
LISTINGS	Certification(s)	DesignLights Consortium® Qualified; NSF Listed; cULus Listed; FCC		
	Material Usage	RoHS Compliant; no mercury or lead		
	Environment	UL Listed for damp locations		

PERFORMANCE SUMMARY

Order Code	Item #	Length	Lumens	Nominal Watts	Volts Ballast Dependent	CCT	CRI	Glass Tube	Beam	Life/ Hours	DLC
10303	LED10WT8F/36/835-G8DR	3'	1,450	10W	120-277V, 347V	3500K	80+	Frosted	220°	50K	✓
10262	LED10WT8F/36/840-G8DR	3'	1,450	10W	120-277V, 347V	4000K	80+	Frosted	220°	50K	✓
10263	LED10WT8F/36/850-G8DR	3'	1,450	10W	120-277V, 347V	5000K	80+	Frosted	220°	50K	✓
09931	LED12WT8/48/835-G8DR	4'	1,700	12W	120-277V, 347V	3500K	80+	Frosted	220°	50K	✓
09932	LED12WT8/48/840-G8DR	4'	1,800	12W	120-277V, 347V	4000K	80+	Frosted	220°	50K	✓
09933	LED12WT8/48/850-G8DR	4'	1,800	12W	120-277V, 347V	5000K	80+	Frosted	220°	50K	✓
09934	LED15WT8/48/835-G8DR	4'	2,100	15W	120-277V, 347V	3500K	80+	Frosted	220°	50K	✓
09935	LED15WT8/48/840-G8DR	4'	2,200	15W	120-277V, 347V	4000K	80+	Frosted	220°	50K	✓
09936	LED15WT8/48/850-G8DR	4'	2,200	15W	120-277V, 347V	5000K	80+	Frosted	220°	50K	✓

NOTE: Use order code when ordering. ✓DesignLights Consortium® Qualified

PHOTOMETRICS



NSF offers the most accepted and trusted certification and verification programs for commercial foodservice equipment, specified by health departments, restaurant buyers and specifiers worldwide. NSF means market access – products with the NSF mark receive guaranteed regulatory acceptance in North America and improved acceptance worldwide. Verification programs, such as HACCP Compliance Verification - EU, demonstrate hygienic quality, independently verified by a trusted source.

T8 DIRECT FIT : U-BEND

DESCRIPTION

LED T8 Direct Fit Replacement Lamps directly replace fluorescent T8 lamps at a fraction of the energy cost.

FEATURES

- Directly replaces fluorescent U-bend lamps
- No socket changes, uses shunted or non-shunted sockets
- Operates on most electronic T8 (instant & programmed) ballasts
- Instantaneous full light output upon power-up
- Frosted glass lens reduces visual glare
- Suitable for use in totally enclosed fixtures
- No rewiring or modifications of any kind required
- Does not operate on magnetic ballasts
- Does not operate on T12 ballasts
- Visit eiko.com to view complete ballast compatibility information

WARRANTY

- 5 year limited warranty; see eiko.com for warranty details

APPLICATIONS

- Highbays
- Troffers
- Industrial Strips
- Cove Lighting
- Warehouses
- Stairwells
- Cold Storage



PERFORMANCE	Bare Lamp Wattage	11.5W
	Lumens	1,800
	Efficacy (LPW)	157
	CRI	80+
	CCT	3500K, 4000K, 5000K
	Life (L70)	50,000 hours
ELECTRICAL	Power Factor	≥0.9
	THD	<20%
	Input Voltage	120-277V; 347V
CONSTRUCTION	Operating Temperature	-4°F to 113°F (-20°C to 45°C)
	Base	G13
LISTINGS	Certification(s)	DesignLights Consortium® Qualified; NSF Listed; cULus Listed; FCC
	Material Usage	RoHS Compliant; no mercury or lead
	Environment	UL Listed for damp locations

PERFORMANCE SUMMARY

Order Code	Item #	Length	Lumens	Nominal Watts	Volts Ballast Dependent	CCT	CRI	Glass Tube	Life/Hours	DLC
10093	LED11.5WT8F/U6/835-G8DR	6" U-Bend	1,800	11.5W	120-277V, 347V	3500K	80+	Frosted	50K	✓
10063	LED11.5WT8F/U6/840-G8DR	6" U-Bend	1,800	11.5W	120-277V, 347V	4000K	80+	Frosted	50K	✓
10068	LED11.5WT8F/U6/850-G8DR	6" U-Bend	1,800	11.5W	120-277V, 347V	5000K	80+	Frosted	50K	✓

NOTE: Use order code when ordering. ✓DesignLights Consortium® Qualified



NSF offers the most accepted and trusted certification and verification programs for commercial foodservice equipment, specified by health departments, restaurant buyers and specifiers worldwide. NSF means market access – products with the NSF mark receive guaranteed regulatory acceptance in North America and improved acceptance worldwide. Verification programs, such as HACCP Compliance Verification - EU, demonstrate hygienic quality, independently verified by a trusted source.

LED T5 DIRECT FIT : ELECTRONIC BALLAST COMPATIBLE

DESCRIPTION

LED T5 Direct Fit Replacement Lamps directly replace fluorescent T5 lamps at a fraction of the energy cost.

FEATURES

- Directly replaces T5 fluorescent lamps
- No socket changes; for use with non-shunted socketed fixtures
- Operates on most popular electronic programmed start fluorescent T5 ballasts
- No rewiring or modifications of any kind required
- Frosted glass lens reduces visual glare
- R9>20
- Compatible with select electronic ballasts
- Does not operate on fluorescent battery backup
- Does not operate on magnetic ballasts
- Does not operate on T8 or T12 ballasts
- Does not operate on dimming ballasts
- Refer to ballast compatibility checklist to confirm lamp/ballast system operability

WARRANTY

- 5 year limited warranty; see eiko.com for warranty details

APPLICATIONS

- Highbays
- Troffers
- Industrial Strips
- Cove Lighting
- Warehouses
- Stairwells
- Cold Storage



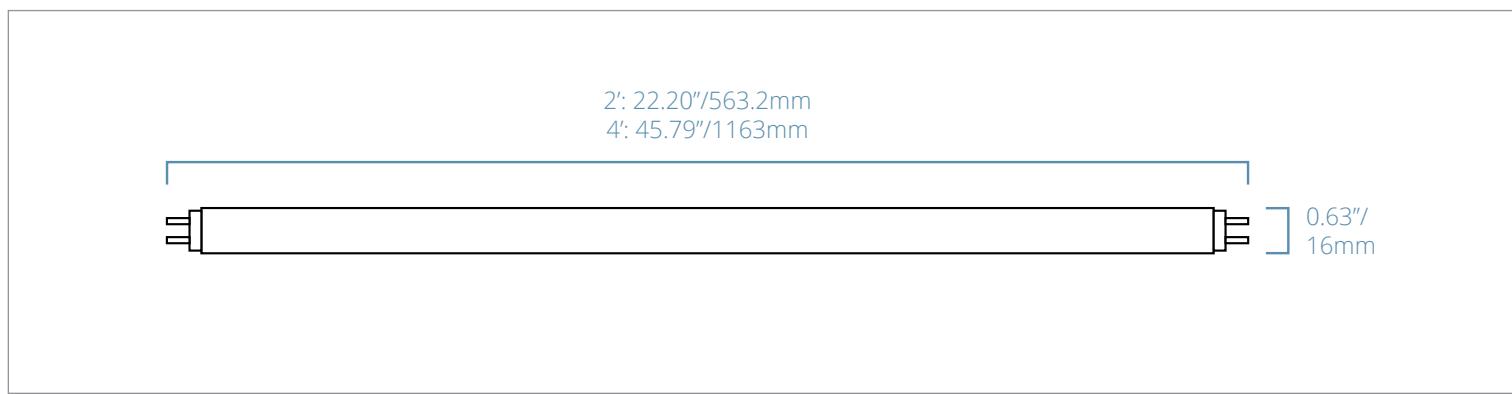
PERFORMANCE	Power Consumption	11W	12.5W	25W
	Lumens	1,350/1,400	1,700/1,800	3,200/3,500
	Efficacy (LPW)	123/127	136/144	128/140
	CRI		80+	
	Beam		185°	
	CCT		3500K, 4000K, 5000K	
	Life (L70)		50,000 hours	
ELECTRICAL	Power Factor		≥0.9	
	THD		<20%	
	Input Voltage		120-277V	
CONSTRUCTION	Operating Temperature		-4°F to 113°F (-20°C to +45°C)	
	Lens		Frosted	
	Base		G5	
LISTINGS	Certification(s)	DesignLights Consortium® Qualified; NSF Listed; cULus Classified; FCC		
	Material Usage	RoHS Compliant; no mercury or lead		
	Environment			

PERFORMANCE SUMMARY

Order Code	Item #	Length	Lumens	Lamp Watts	Volts (Ballast Dependent)	CCT	CRI	Glass Tube	Beam	Life/ Hours	Replaces Fluor	DLC
09549	LED25WT5HO/46/835-G7DR	4'	3,200	25W	120-277V	3500K	80+	Frosted	185°	50K	54W	✓
09550	LED25WT5HO/46/840-G7DR	4'	3,500	25W	120-277V	4000K	80+	Frosted	185°	50K	54W	✓
09551	LED25WT5HO/46/850-G7DR	4'	3,500	25W	120-277V	5000K	80+	Frosted	185°	50K	54W	✓
09553	LED11WT5HO/22/835-G7DR	2'	1,350	11W	120-277V	3500K	80+	Frosted	185°	50K	24W	
09554	LED11WT5HO/22/840-G7DR	2'	1,400	11W	120-277V	4000K	80+	Frosted	185°	50K	24W	
09555	LED11WT5HO/22/850-G7DR	2'	1,400	11W	120-277V	5000K	80+	Frosted	185°	50K	24W	
09556	LED12.5WT5HE/46/835-G7DR	4'	1,700	12.5W	120-277V	3500K	80+	Frosted	185°	50K	28W	
09557	LED12.5WT5HE/46/840-G7DR	4'	1,800	12.5W	120-277V	4000K	80+	Frosted	185°	50K	28W	
09558	LED12.5WT5HE/46/850-G7DR	4'	1,800	12.5W	120-277V	5000K	80+	Frosted	185°	50K	28W	

NOTE: Use order code when ordering. ✓DesignLights Consortium® Qualified

DIMENSIONS



NSF offers the most accepted and trusted certification and verification programs for commercial foodservice equipment, specified by health departments, restaurant buyers and specifiers worldwide. NSF means market access – products with the NSF mark receive guaranteed regulatory acceptance in North America and improved acceptance worldwide. Verification programs, such as HACCP Compliance Verification - EU, demonstrate hygienic quality, independently verified by a trusted source.

LED T5 DIRECT FIT : ELECTRONIC BALLAST COMPATIBLE

DESCRIPTION

LED T5 Direct Fit Replacement Lamps directly replace fluorescent T5 lamps at a fraction of the energy cost.

FEATURES

- Directly replaces T5 fluorescent lamps
- No socket changes
- Operates on most popular electronic programmed start fluorescent T5 ballasts
- No rewiring or modifications of any kind required
- Frosted glass lens reduces visual glare
- R9>20
- Compatible with select electronic ballasts
- Does not operate on fluorescent battery backup
- Does not operate on magnetic ballasts
- Does not operate on T8 or T12 ballasts
- Does not operate on dimming ballasts
- Refer to ballast compatibility checklist to confirm lamp/ballast system operability

WARRANTY

- 5 year limited warranty; see eiko.com for warranty details

APPLICATIONS

- Highbays
- Troffers
- Industrial Strips
- Cove Lighting
- Warehouses
- Stairwells
- Cold Storage



PERFORMANCE	Power Consumption	11W	25W
	Lumens	1,350/1,400	3,300/3,500
	Efficacy (LPW)	123/127	132/140
	CRI	80+	
	Beam	185°	
	CCT	3500K, 4000K, 5000K	
	Life (L70)	50,000 hours	
ELECTRICAL	Power Factor	≥0.9	
	THD	<20%	
	Input Voltage	120-277V	
CONSTRUCTION	Operating Temperature	-4°F to 113°F (-20°C to +45°C)	
	Lens	Frosted	
	Base	G5	
LISTINGS	Certification(s)	DesignLights Consortium® Qualified; NSF Listed; cULus Classified; FCC	
	Material Usage	RoHS Compliant; no mercury or lead	
	Environment		

PERFORMANCE SUMMARY

Order Code	Item #	Length	Lumens	Lamp Watts	Volts (Ballast Dependent)	CCT	CRI	Glass Tube	Beam	Life/ Hours	Replaces Fluor	DLC
10128	LED11WT5HO/22/835-G8DR	2'	1,350	11W	120-277V	3500K	80+	Frosted	185°	50K	28W	✓
10129	LED11WT5HO/22/840-G8DR	2'	1,400	11W	120-277V	4000K	80+	Frosted	185°	50K	28W	✓
10039	LED11WT5HO/22/850-G8DR*	2'	1,400	11W	120-277V	5000K	80+	Frosted	185°	50K	28W	✓
09928	LED25WT5HO/46/835-G8DR	4'	3,300	25W	120-277V	3500K	80+	Frosted	185°	50K	54W	✓
09930	LED25WT5HO/46/840-G8DR	4'	3,500	25W	120-277V	4000K	80+	Frosted	185°	50K	54W	✓
09900	LED25WT5HO/46/850-G8DR	4'	3,500	25W	120-277V	5000K	80+	Frosted	185°	50K	54W	✓

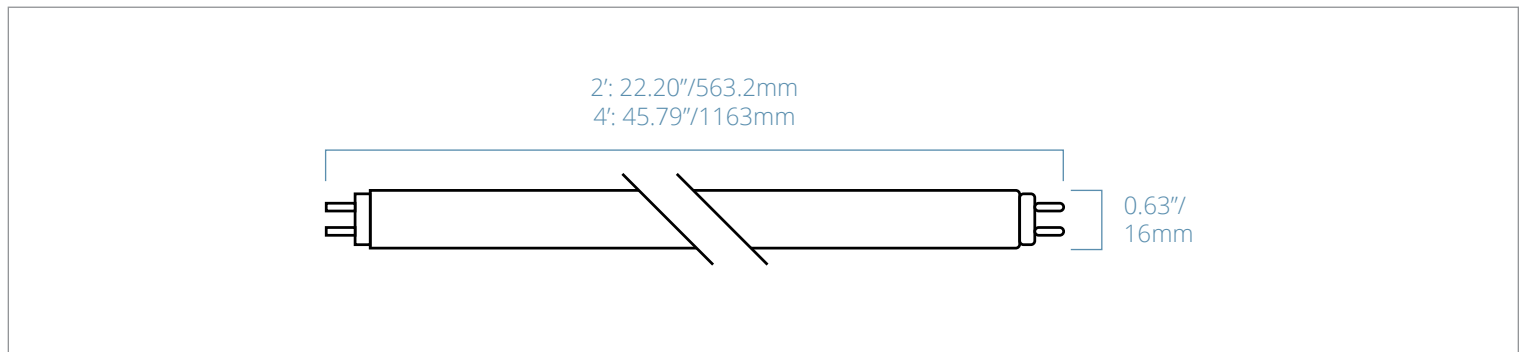
NOTE: Use order code when ordering. ✓DesignLights Consortium® Qualified

WATTS & LUMENS*

Lamp	CCT (K)	Lngth (ft)	Bare Lamp (Rated)		Bare Lamp Wattage			System Wattage			Initial Lumens		
			Nominal Wattage	Nominal Lumens	Low BF = .75	Normal BF = .88	High BF = 1.18	Low BF = .75	Normal BF = .88	High BF = 1.18	Low BF = .75	Normal BF = .88	High BF = 1.18
LED25WT5HO/46/835-G8DR	3500	4	25	3300	/	25.0	/	/	28.0	/	/	3350	/
LED25WT5HO/46/840-G8DR	4000	4	25	3500	/	25.0	/	/	28.0	/	/	3500	/
LED25WT5HO/46/850-G8DR	5000	4	25	3500	/	25.0	/	/	28.0	/	/	3500	/

*Watts and lumens will vary by ballast and fixture. Visit eiko.com to view complete ballast compatibility information.

DIMENSIONS



NSF offers the most accepted and trusted certification and verification programs for commercial foodservice equipment, specified by health departments, restaurant buyers and specifiers worldwide. NSF means market access – products with the NSF mark receive guaranteed regulatory acceptance in North America and improved acceptance worldwide. Verification programs, such as HACCP Compliance Verification - EU, demonstrate hygienic quality, independently verified by a trusted source.

LED T5HO : LINE VOLTAGE : DOUBLE-ENDED

DESCRIPTION

LED T5HO Ballast Bypass/Line Voltage Replacement Lamps directly replace 4' fluorescent T5HO lamps at a fraction of the energy cost.

FEATURES

- Solid state replacement for 4 ft. T5 linear fluorescent
- Double-end powered
- Frosted lens for uniform diffuse appearance
- No external ballast or driver required
- Ultra-high performance LEDs deliver 132 lpw
- Up to 50% instant energy savings
- Existing fixture maintains original UL compliance per UL1598C listing
- Suitable for use in totally enclosed fixtures
- Integral 120~277V drivers provide easy installation
- Use with T5 lamp holders
- Non-dimmable

WARRANTY

- 5 year limited warranty; see eiko.com for warranty details

APPLICATIONS

- Commercial
- Industrial
- Hospitality
- Education
- Healthcare
- Retail



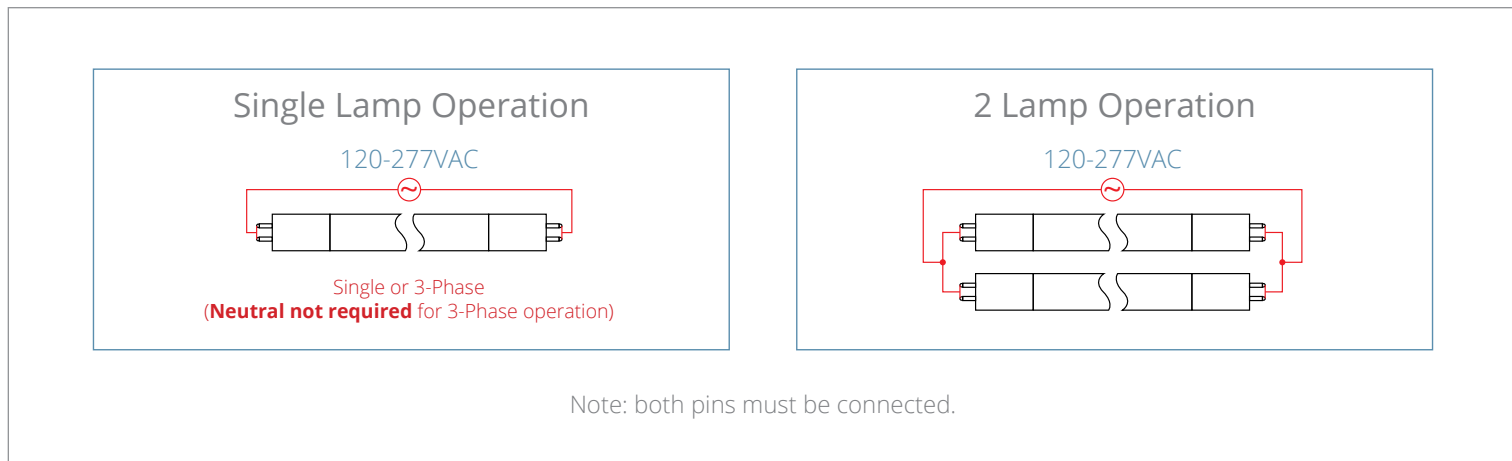
PERFORMANCE	Power Consumption	25W
	Lumens	3,300/3,375/3,500
	Efficacy (LPW)	132/135/140
	CRI	80+
	CCT	3500K, 4000K, 5000K
	Life (L70)	50,000 hours
ELECTRICAL	Power Factor	≥0.9
	THD	<20%
	Input Voltage	120-277V; 277-347V
CONSTRUCTION	Operating Temperature	-4°F to 113°F (-20°C to +45°C)
	Lens	Frosted
	Base	G5
LISTINGS	Certification(s)	DesignLights Consortium® Qualified; NSF Listed; cULus Classified; FCC
	Material Usage	
	Environment	

PERFORMANCE SUMMARY

Order Code	Item #	Length	Lumens	Watts	LPW	Volts	CCT	CRI	Envelope	Life/Hours	DLC
09949	LED25WT5HO/46/835-G8D	4'	3,300	25W	132	120-277V	3500K	80+	Glass	50,000	✓
09947	LED25WT5HO/46/840-G8D	4'	3,500	25W	140	120-277V	4000K	80+	Glass	50,000	✓
09948	LED25WT5HO/46/850-G8D	4'	3,500	25W	140	120-277V	5000K	80+	Glass	50,000	✓
10047	LED25WT5HO/46/835-G8D-347V*	4'	3,375	25W	135	277-347V	3500K	80+	Glass	50,000	✓
10048	LED25WT5HO/46/840-G8D-347V*	4'	3,375	25W	135	277-347V	4000K	80+	Glass	50,000	✓
10049	LED25WT5HO/46/850-G8D-347V*	4'	3,375	25W	135	277-347V	5000K	80+	Glass	50,000	✓

NOTE: Use order code when ordering. *Canada only. ✓DesignLights Consortium® Qualified

DIMENSIONS



NSF offers the most accepted and trusted certification and verification programs for commercial foodservice equipment, specified by health departments, restaurant buyers and specifiers worldwide. NSF means market access – products with the NSF mark receive guaranteed regulatory acceptance in North America and improved acceptance worldwide. Verification programs, such as HACCP Compliance Verification - EU, demonstrate hygienic quality, independently verified by a trusted source.

T8 DIRECT FIT : U-BEND

DESCRIPTION

LED T8 Direct Fit Replacement Lamps directly replace fluorescent T8 lamps at a fraction of the energy cost.

FEATURES

- Directly replaces fluorescent U1 lamps
- No socket changes, uses shunted or non-shunted sockets
- Operates on most electronic T8 (instant & programmed), and dimming ballasts
- Instantaneous full light output upon power-up
- Frosted glass lens reduces visual glare
- Suitable for use in totally enclosed fixtures
- No rewiring or modifications of any kind required

WARRANTY

- 5 year limited warranty; see eiko.com for warranty details

APPLICATIONS

- Highbays
- Troffers
- Industrial Strips
- Cove Lighting
- Warehouses
- Stairwells
- Cold Storage



PERFORMANCE	Bare Lamp Wattage	11.5W
	Lumens	1,800
	Efficacy (LPW)	157
	CRI	80+
	CCT	3500K, 4000K, 5000K
	Life (L70)	50,000 hours
ELECTRICAL	Power Factor	≥0.9
	THD	<20%
	Input Voltage	120-277V; 347V
CONSTRUCTION	Operating Temperature	-4°F to 113°F (-20°C to 45°C)
	Base	G13
LISTINGS	Certification(s)	DesignLights Consortium® Qualified; NSF Listed; cULus Listed; FCC
	Material Usage	RoHS Compliant; no mercury or lead
	Environment	UL Listed for damp locations

PERFORMANCE SUMMARY

Order Code	Item #	Lumens	Watts	CCT	CRI	MOL	Base	Life/Hours	Replaces Fluorescent	DLC
10094	LED11.5WT8F/U1/835-G8DR	11.5W	1,800	3500K	82+	2.24"/570mm	G13	50K	31W	✓
10095	LED11.5WT8F/U1/840-G8DR	11.5W	1,800	4000K	82+	2.24"/570mm	G13	50K	31W	✓
10096	LED11.5WT8F/U1/850-G8DR	11.5W	1,800	5000K	82+	2.24"/570mm	G13	50K	31W	✓

NOTE: Use order code when ordering. ✓DesignLights Consortium® Qualified

DIMENSIONS



NSF offers the most accepted and trusted certification and verification programs for commercial foodservice equipment, specified by health departments, restaurant buyers and specifiers worldwide. NSF means market access – products with the NSF mark receive guaranteed regulatory acceptance in North America and improved acceptance worldwide. Verification programs, such as HACCP Compliance Verification - EU, demonstrate hygienic quality, independently verified by a trusted source.

T8 TYPE C : TUBE AND DRIVER

DESCRIPTION

LED T8 Type C Linear Tubes are an optimal choice when upgrading existing fluorescent tubes to LED. Type C tubes use an external driver to operate the lamp rather than an external ballast, eliminating ballast compatibility issues and ensuring optimal system efficacy and performance.

FEATURES

- Fits into existing linear fluorescent fixtures
- External driver directly replaces fluorescent ballast
- PET coated to protect against shattering
- 0-10V dimming
- Fixture maintains original UL compliance

WARRANTY

- 5 year limited warranty; see eiko.com for warranty details

APPLICATIONS

- Commercial
- Conference rooms
- Hospitality
- Education
- Healthcare
- Retail
- Residential



PERFORMANCE	Power Consumption	11.5W	16W
	Lumens	1,800	2,400
	Efficacy (LPW)	157 lpw	150 lpw
	CRI	80+	
	Beam	240°	
	CCT	3500K, 4000K, 5000K	
	Life (L70)	50,000 hours	
ELECTRICAL	Power Factor	≥0.88	
	Input Voltage	120-277V	
	Driver Voltage	120-277V	
CONSTRUCTION	Operating Temperature	-4°F to 113°F (-20°C to +45°C)	
	Tube	T8	
	Lens	Frosted glass with PET coating	
	Base	G13	
LISTINGS	Certification(s)	DesignLights Consortium® Qualified; ETL Sanitation Listed; cULus Classified; FCC	
	Material Usage	RoHS Compliant; no mercury	
	Environment	Dry or Damp	

PERFORMANCE SUMMARY

LED8WT8/24/8xx-PET-G8C

System Wattage per Lamp

Order Code	Item #	CCT	CRI	Bare Lamp Wattage	Lumens	System Wattage per Lamp				4 Lamp Nom. Efficiency	2 Lamp Nom. Efficiency	DLC
						4 Lamps	3 Lamps	2 Lamps	1 Lamp			
10486	LED8WT8/24/835-PET-G8C	3500K	82	8W	1130	8.9	9	9.1	9.2	127.0	124.2	✓
10487	LED8WT8/24/840-PET-G8C	4000K	82	8W	1160	8.9	9	9.1	9.2	130.3	127.5	✓
10488	LED8WT8/24/850-PET-G8C	5000K	82	8W	1200	8.9	9	9.1	9.2	134.8	131.9	✓

LED11.5WT8/48/8xx-PET-G8C

System Wattage per Lamp

Order Code	Item #	CCT	CRI	Bare Lamp Wattage	Lumens	System Wattage per Lamp				4 Lamp Nom. Efficiency	2 Lamp Nom. Efficiency	DLC
						4 Lamps	3 Lamps	2 Lamps	1 Lamp			
10443	LED11.5WT8/48/835-PET-G8C	3500K	82	11.5W	1700	13.3	13.5	13.6	13.8	127.8	125.0	✓
10444	LED11.5WT8/48/840-PET-G8C	4000K	82	11.5W	1750	13.3	13.5	13.6	13.8	131.6	128.7	✓
10445	LED11.5WT8/48/850-PET-G8C	5000K	82	11.5W	1800	13.3	13.5	13.6	13.8	135.3	132.4	✓

LED16WT8/48/8xx-PET-G8C

System Wattage per Lamp

Order Code	Item #	CCT	CRI	Bare Lamp Wattage	Lumens	System Wattage per Lamp				4 Lamp Nom. Efficiency	2 Lamp Nom. Efficiency	DLC
						4 Lamps	3 Lamps	2 Lamps	1 Lamp			
10446	LED16WT8/48/835-PET-G8C	3500K	82	16W	2225	18.2	18.5	18.7	18.9	122.3	119.0	✓
10447	LED16WT8/48/840-PET-G8C	4000K	82	16W	2250	18.2	18.5	18.7	18.9	123.6	120.3	✓
10448	LED16WT8/48/850-PET-G8C	5000K	82	16W	2300	18.2	18.5	18.7	18.9	126.4	123.0	✓

T8 DRIVERS

Order Code	Item #	Input Voltage	Dimming	Description	Dimensions	Output Current
10492	PML-2×9T8-U	120-277V	0-10V dimming	LED driver for (1-2) 2FT Type C Tube	1.1"×1.3"×9.5"	185mA
10493	PML-4×9T8-U	120-277V	0-10V dimming	LED driver for (3-4) 2FT Type C Tube	1.3"×1.8"×9.5"	185mA
10455	PML-2×13T8-U	120-277V	0-10V dimming	LED driver for (1-2) 4FT Type C Tube	1.1"×1.3"×9.5"	270mA
10456	PML-4×13T8-U	120-277V	0-10V dimming	LED driver for (3-4) 4FT Type C Tube	1.3"×1.8"×9.5"	270mA
10457	PML-2×18T8-U	120-277V	0-10V dimming	LED driver for (1-2) 4FT Type C Tube	1.1"×1.3"×9.5"	370mA
10458	PML-4×18T8-U	120-277V	0-10V dimming	LED driver for (3-4) 4FT Type C Tube	1.3"×1.8"×9.5"	370mA

T5 TYPE C : TUBE AND DRIVER

DESCRIPTION

LED T5 Type C Linear Tubes are an optimal choice when upgrading existing fluorescent tubes to LED. Type C tubes use an external driver to operate the lamp rather than an external ballast, eliminating ballast compatibility issues and ensuring optimal system efficacy and performance.

FEATURES

- Fits into existing linear fluorescent fixtures
- External driver directly replaces fluorescent ballast
- PET coated to protect against shattering
- 0-10V dimming
- Fixture maintains original UL compliance

WARRANTY

- 5 year limited warranty; see eiko.com for warranty details

APPLICATIONS

- Commercial
- Conference rooms
- Hospitality
- Education
- Healthcare
- Retail
- Residential



PERFORMANCE	Power Consumption	22.5W
	Lumens	3,400
	Efficacy (LPW)	151 lpw
	CRI	80+
	Beam	240°
	CCT	3500K, 4000K, 5000K
	Life (L70)	50,000 hours
ELECTRICAL	Power Factor	≥0.88
	Input Voltage	120-277V
	Driver Voltage	120-277V
CONSTRUCTION	Operating Temperature	-4°F to 113°F (-20°C to +45°C)
	Tube	T5
	Lens	Frosted glass with PET coating
	Base	G5
LISTINGS	Certification(s)	DesignLights Consortium® Qualified; ETL Sanitation Listed; cULus Classified; FCC
	Material Usage	RoHS Compliant; no mercury
	Environment	Dry or Damp

PERFORMANCE SUMMARY

LED22.5WT5HO/46/8xx-PET-G8C

System Wattage per Lamp

Order Code	Item #	CCT	CRI	Bare Lamp Wattage	Lumens	PML-4x25T5-U		PML-2x25T5-U		4 Lamp Nom. Efficiency	2 Lamp Nom. Efficiency	DLC
						4 Lamps	3 Lamps	2 Lamps	1 Lamp			
10449	LED22.5WT5HO/46/840-PET-G8C	4000K	82	22.5W	3300	24.5	25.1	25.04	25.7	134.7	131.8	✓
10450	LED22.5WT5HO/46/850-PET-G8C	5000K	82	22.5W	3400	24.5	25.1	25.04	25.7	138.8	135.8	✓

T5 DRIVERS

Order Code	Item #	Input Voltage	Dimming	Description	Dimensions	Output Current
10459	PML-2x25T5-U	120-277V	0-10V dimming	LED driver for (1-2) 46IN Type C Tube	1.1"×1.3"×9.5"	500mA
10460	PML-4x25T5-U	120-277V	0-10V dimming	LED driver for (3-4) 46IN Type C Tube	1.3"×1.8"×9.5"	500mA

LED HID REPLACEMENT : LARGE

DESCRIPTION

LED HID Replacement Lamps directly replace high-watt HID fixtures at a fraction of the energy cost.

FEATURES

- LED replacement for high wattage HID fixtures from 320W to 600W
- Consumes up to 87% less energy than conventional HID systems
- State-of-the-art LED light sources deliver over 130 lumens per watt
- Lasts 3x longer than metal halide or HPS HID lamps
- Shatter resistant for reduced risk of injury & breakage
- Safety tether kit included
- Integral driver, eliminates the need for external driver or ballast
- EX39/E39 base: Suitable for use in totally enclosed or open rated fixtures
- Direct line voltage 100-277V or 347V - not compatible with ballasts
- Non-dimmable
- Universal mounting position
- UL1598C – Existing fixtures retain UL certification
- Built-in 6kV surge protection included
- Operating frequency 50-60Hz
- Damp location rated
- **When used in enclosed fixtures, minimum compartment dimensions 9.25" x 9.25" x 17.3" (235mm x 235mm x 440mm)**

WARRANTY

- 5 year limited warranty; see eiko.com for warranty details

APPLICATIONS

- Industrial
- Commercial



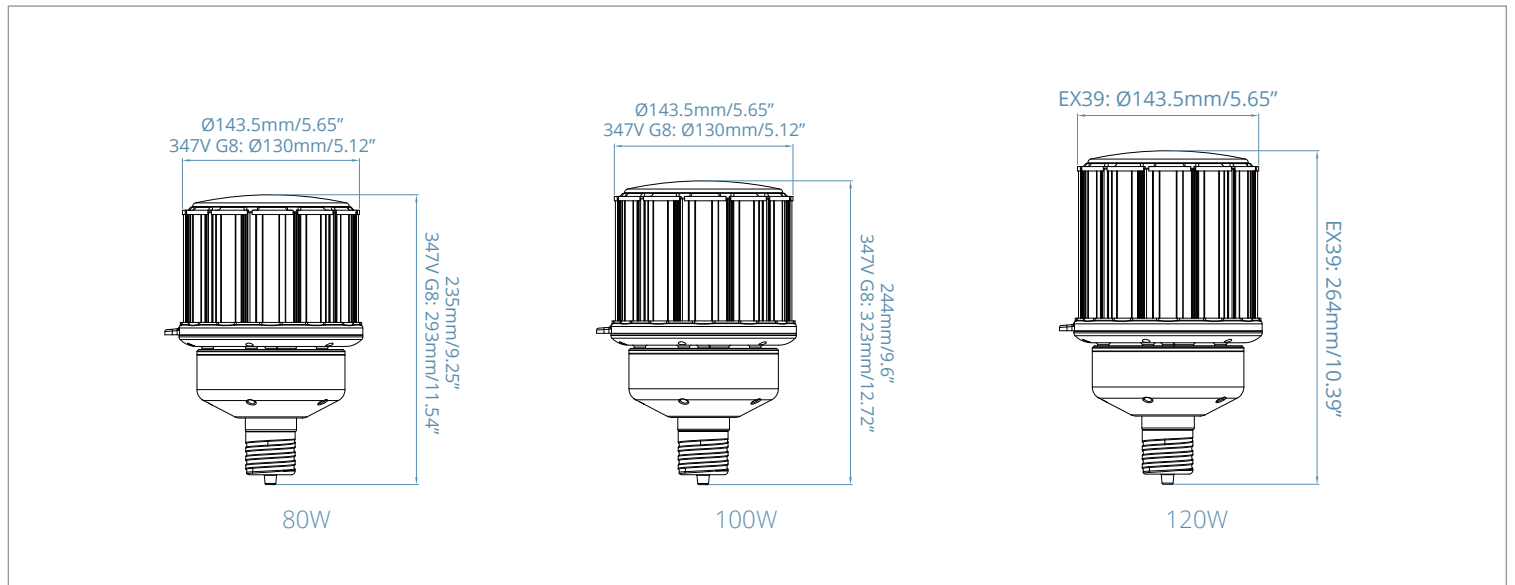
	Power Consumption	80W	100W	120W
PERFORMANCE	Lumens	10,400/10,640	11,900/13,000/13,300/13,500	15,600/15,960
	Efficacy (LPW)	130/133	119/130/133/135	130/133
	CRI	80+		
	CCT	3000K, 4000K, 5000K		
	Life (L70)	50,000 hours		
ELECTRICAL	Power Factor	≥0.9		
	THD	<20%		
	Input Voltage	100-277V		
CONSTRUCTION	Operating Temperature	-40°F to 140°F (-40°C to 60°C)		
	Base	E39/EX39		
LISTINGS	Certification(s)	DesignLights Consortium® Qualified; cULus Classified		
	Material Usage	RoHS Compliant; no mercury or lead		
	Environment	Damp location rated		

PERFORMANCE SUMMARY

Order Code	Item #	Lumens	Watts	CCT	CRI	Volts	Base	Life/Hours	Replaces HID	DLC
09346	LED80WPT40KMOG-G6	10,400	80W	4000K	80+	100-277V	EX39	50K	320W HID	✓
09347	LED80WPT50KMOG-G6	10,640	80W	5000K	80+	100-277V	EX39	50K	320W HID	✓
09827	LED80WPT40KMOG-347V-G8*	10,400	80W	4000K	80+	347V	E39	50K	320W HID	✓
09828	LED80WPT50KMOG-347V-G8*	10,800	80W	5000K	80+	347V	E39	50K	320W HID	✓
09661	LED100WPT30KMOG-G6	11,900	100W	3000K	80+	100-277V	EX39	50K	400W HID	
09348	LED100WPT40KMOG-G6	13,000	100W	4000K	80+	100-277V	EX39	50K	400W HID	✓
09153	LED100WPT50KMOG-G6	13,300	100W	5000K	80+	100-277V	EX39	50K	400W HID	✓
09451	LED100WPT40KMOG-347V-G7*	11,900	100W	4000K	80+	347V	E39	50K	250-400W	
09452	LED100WPT50KMOG-347V-G7*	11,900	100W	5000K	80+	347V	E39	50K	250-400W	
09825	LED100WPT40KMOG-347V-G8*	13,000	100W	4000K	80+	347V	E39	50K	250-400W	✓
09826	LED100WPT50KMOG-347V-G8*	13,500	100W	5000K	80+	347V	E39	50K	250-400W	✓
09349	LED120WPT40KMOG-G6	15,600	120W	4000K	80+	100-277V	EX39	50K	600W HID	✓
09154	LED120WPT50KMOG-G6	15,960	120W	5000K	80+	100-277V	EX39	50K	600W HID	✓

NOTE: Use order code when ordering. *Canada only. ✓DesignLights Consortium® Qualified
When used in enclosed fixture, minimum lamp compartment dimensions 9.25" x 9.25" x 17.3" (235mm x 235mm x 440mm). Compatible with EX39 & E39 sockets

DIMENSIONS



LED HID REPLACEMENT : HORIZONTAL

DESCRIPTION

LED HID Replacement Lamps directly replace high-watt HID fixtures at a fraction of the energy cost.

FEATURES

- LED replacement for high wattage HID fixtures from 100W to 250W
- Consumes up to 80% less energy than conventional HID systems
- State-of-the-art LED light sources deliver over 140 lumens per watt
- Rotatable base provides precision aiming
- Lasts 3x longer than metal halide or HPS HID lamps
- Shatter resistant for reduced risk of injury & breakage
- Integral driver, eliminates the need for external driver or ballast
- Suitable for use in totally enclosed fixtures
- Direct line voltage 100-277V - not compatible with ballasts
- Non-dimmable
- Horizontal mounting position
- UL1598C – Existing fixtures retain UL certification
- Built-in 4kV surge protection included

WARRANTY

- 5 year limited warranty; see eiko.com for warranty details

APPLICATIONS

- Industrial
- Commercial



RoHS
Compliant



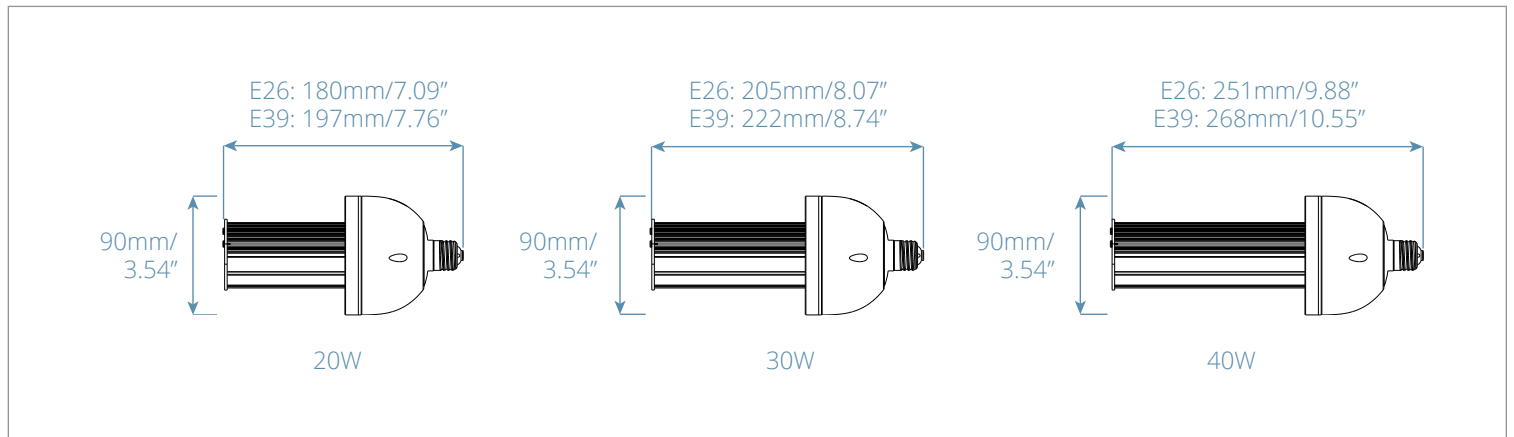
	Power Consumption	20W	30W	40W
PERFORMANCE	Lumens	2,700/2,800	4,050/4,200	5,400/5,600
	Efficacy (LPW)	135/140	135/140	135/140
	CRI	80+		
	CCT	3000K, 4000K, 5000K		
	Life (L70)	50,000 hours		
ELECTRICAL	Power Factor	≥0.9		
	THD	<20%		
	Input Voltage	100-277V		
CONSTRUCTION	Operating Temperature	-40°F to 140°F (-40°C to 60°C)		
	Base	E39/EX39		
LISTINGS	Certification(s)	cULus Classified		
	Material Usage	RoHS Compliant; no mercury or lead		
	Environment	Damp location rated		

PERFORMANCE SUMMARY

Order Code	Item #	Lumens	Watts	CCT	CRI	Volts	Base	Beam	MOL	MOD	Life/Hours	Replaces HID
09652	LED20WPT/180/30KMED-G7	2,700	20W	3000K	80+	100-277V	E26	180°	7.09/180	3.54/90	50K	100W
09653	LED20WPT/180/40KMED-G7	2,700	20W	4000K	80+	100-277V	E26	180°	7.09/180	3.54/90	50K	100W
09654	LED20WPT/180/50KMED-G7	2,800	20W	5000K	80+	100-277V	E26	180°	7.09/180	3.54/90	50K	100W
09655	LED30WPT/180/30KMED-G7	4,050	30W	3000K	80+	100-277V	E26	180°	8.07/205	3.54/90	50K	175W
09656	LED30WPT/180/40KMED-G7	4,050	30W	4000K	80+	100-277V	E26	180°	8.07/205	3.54/90	50K	175W
09657	LED30WPT/180/50KMED-G7	4,200	30W	5000K	80+	100-277V	E26	180°	8.07/205	3.54/90	50K	175W
09658	LED40WPT/180/30KMED-G7	5,400	40W	3000K	80+	100-277V	E26	180°	9.88/251	3.54/90	50K	250W
09659	LED40WPT/180/40KMED-G7	5,400	40W	4000K	80+	100-277V	E26	180°	9.88/251	3.54/90	50K	250W
09660	LED40WPT/180/50KMED-G7	5,600	40W	5000K	80+	100-277V	E26	180°	9.88/251	3.54/90	50K	250W
09402	LED20WPT/180/40KMOG-G7	2,700	20W	4000K	80+	100-277V	E39	180°	7.76/197	3.54/90	50K	100W
09403	LED20WPT/180/50KMOG-G7	2,800	20W	5000K	80+	100-277V	E39	180°	7.76/197	3.54/90	50K	100W
09404	LED30WPT/180/40KMOG-G7	4,050	30W	4000K	80+	100-277V	E39	180°	8.74/222	3.54/90	50K	175W
09405	LED30WPT/180/50KMOG-G7	4,200	30W	5000K	80+	100-277V	E39	180°	8.74/222	3.54/90	50K	175W
09406	LED40WPT/180/40KMOG-G7	5,400	40W	4000K	80+	100-277V	E39	180°	10.55/268	3.54/90	50K	250W
09407	LED40WPT/180/50KMOG-G7	5,600	40W	5000K	80+	100-277V	E39	180°	10.55/268	3.54/90	50K	250W

NOTE: Use order code when ordering.

DIMENSIONS



LED HID REPLACEMENT : AREA LIGHT

DESCRIPTION

LED HID Replacement Lamps directly replace high-watt HID fixtures at a fraction of the energy cost.

FEATURES

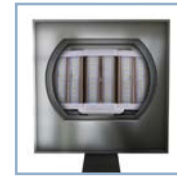
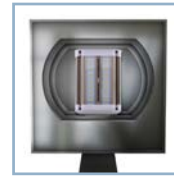
- Cost-effective solid state solution for area light applications, replacing high-wattage HID luminaires
- 130 lpw ultra-high efficiency delivers superior performance over legacy HID
- 180° beam angle; lamp body folds out to provide directional lighting
- Install into mogul socket, turn the rotatable lamp body to face desired area, and unfold lamp to fully illuminate desired area; see installation manual for additional details
- Ballast bypass; connects to line voltage
- Flame-retardant casing
- Instant-on with no warmup
- Suitable for use in enclosed fixtures
- Lamp must be operated in open configuration. Lamp will overheat if operated while folded closed
- Lamp support (included) required for use to properly support weight of lamp in fixture

WARRANTY

- 5 year limited warranty; see eiko.com for warranty details

APPLICATIONS

- Parking Areas
- Automotive Dealerships
- Roadways
- Campuses
- Streetscapes
- Airports
- Area security lighting



Expands to illuminate wide area



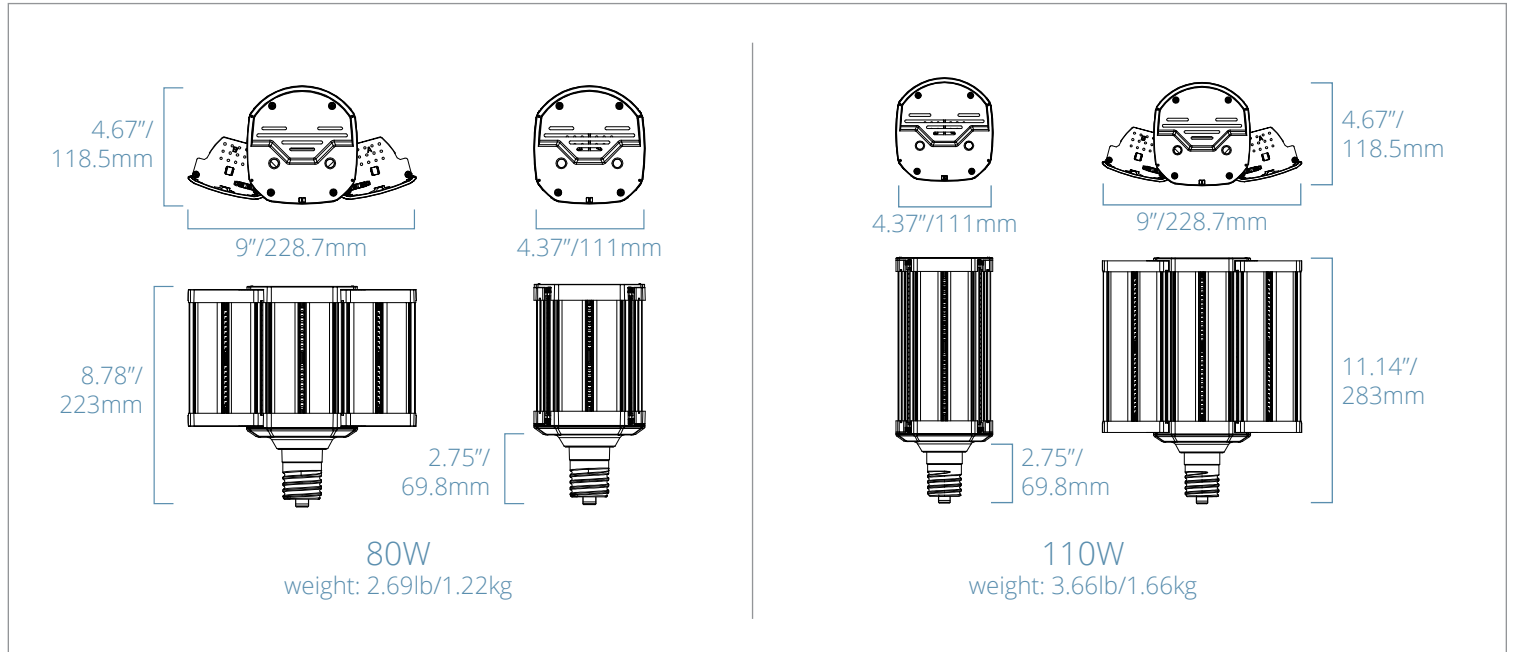
PERFORMANCE	Power Consumption	80W	110W
	Lumens	10,400/10,800	14,300/14,850
	Efficacy (LPW)	130/135	130/135
	CRI	80+	
	CCT	3000K, 4000K, 5000K	
	Life (L70)	50,000 hours	
ELECTRICAL	Power Factor	≥0.9	
	THD	<20%	
	Input Voltage	120-277V	
CONSTRUCTION	Operating Temperature	-40°F to 140°F (-40°C to 60°C)	
	Base	EX39	
LISTINGS	Certification(s)	DesignLights Consortium® Qualified; cULus Listed	
	Material Usage		
	Environment	Damp location rated	

PERFORMANCE SUMMARY

Order Code	Item #	Lumens	Watts	CCT	CRI	Volts	Base	Life/Hours	Replaces HID	DLC
09643	LED80WAL30KMOG-G7	10,400	80	3000K	80+	120-277V	EX39	50K	400W	✓
09644	LED80WAL40KMOG-G7	10,400	80	4000K	80+	120-277V	EX39	50K	400W	✓
09645	LED80WAL50KMOG-G7	10,800	80	5000K	80+	120-277V	EX39	50K	400W	✓
09646	LED110WAL30KMOG-G7	14,300	110	3000K	80+	120-277V	EX39	50K	600W	✓
09647	LED110WAL40KMOG-G7	14,300	110	4000K	80+	120-277V	EX39	50K	600W	✓
09648	LED110WAL50KMOG-G7	14,850	110	5000K	80+	120-277V	EX39	50K	600W	✓

NOTE: Use order code when ordering. ✓DesignLights Consortium® Qualified

DIMENSIONS



LED HID REPLACEMENT : HIGHBAY/LOWBAY

DESCRIPTION

LED HID Replacement Lamps directly replace high-watt HID fixtures at a fraction of the energy cost.

FEATURES

- Cost-effective solution for highbay and lowbay applications, replacing 400W HID fixtures
- 135 lpw ultra-high efficiency delivers superior performance over legacy HID
- Lasts 3x longer than metal halide or HPS
- Ballast bypass; connects to line voltage
- Up to 80% energy savings
- Solid state; no fans or moving parts
- Instant-on with no warmup
- Surge Suppression: 6kV
- Suitable for use in enclosed fixtures

WARRANTY

- 5 year limited warranty; see eiko.com for warranty details

APPLICATIONS

- Warehouses
- Manufacturing Plants
- Distribution Centers
- Grocery Stores
- Gymnasiums
- Indoor Recreational Facilities
- Cold Storage
- Big Box Retail
- Service Repair Centers



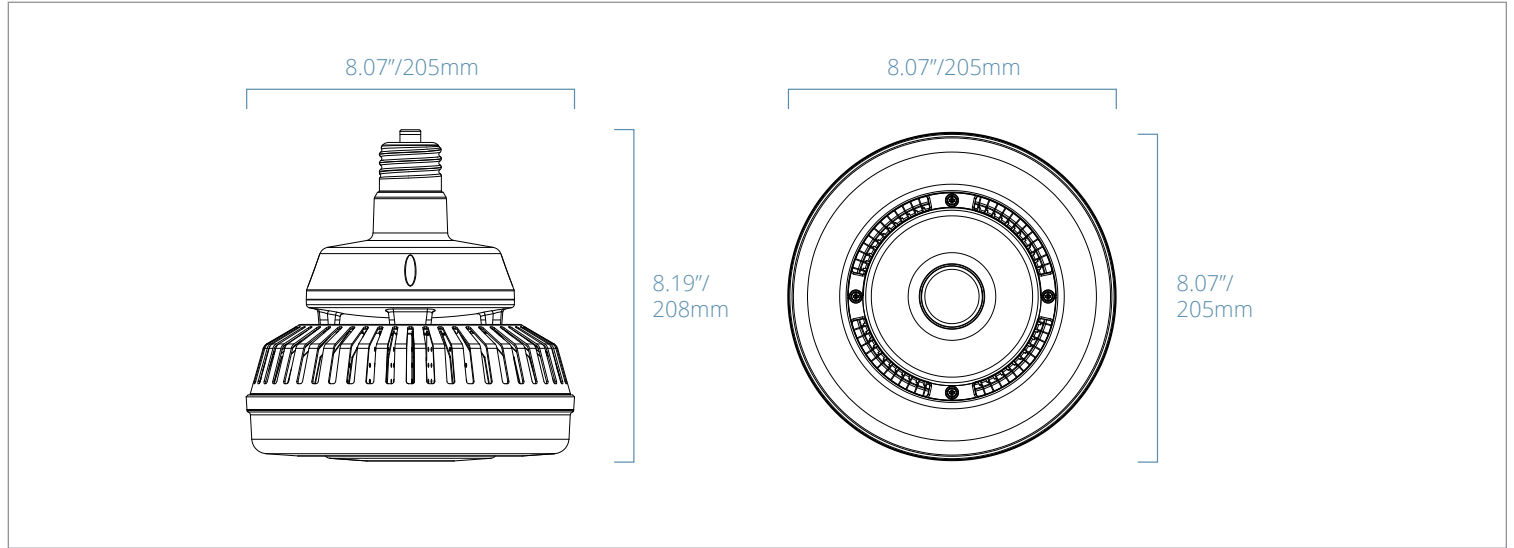
PERFORMANCE	Power Consumption	115W
	Lumens	14,950/15,525
	Efficacy (LPW)	130/135
	CRI	80+
	CCT	3000K, 4000K, 5000K
	Life (L70)	50,000 hours
ELECTRICAL	Power Factor	≥0.9
	THD	<20%
	Input Voltage	120-277V
CONSTRUCTION	Operating Temperature	-40°F to 140°F (-40°C to 60°C)
	Base	EX39
LISTINGS	Certification(s)	DesignLights Consortium® Qualified; cULus Listed; FCC
	Material Usage	
	Environment	UL Dry/Damp location rated

PERFORMANCE SUMMARY

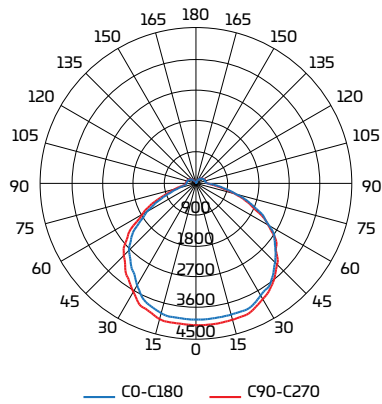
Order Code	Item #	Lumens	Watts	CCT	CRI	Volts	Base	Life/Hours	Replaces HID	DLC
09698	LED115WB40KMOG-G7	14,950	115W	4000K	80+	120-277V	EX39	50K	400W	✓
09699	LED115WB50KMOG-G7	15,525	115W	5000K	80+	120-277V	EX39	50K	400W	✓

NOTE: Use order code when ordering. ✓DesignLights Consortium® Qualified

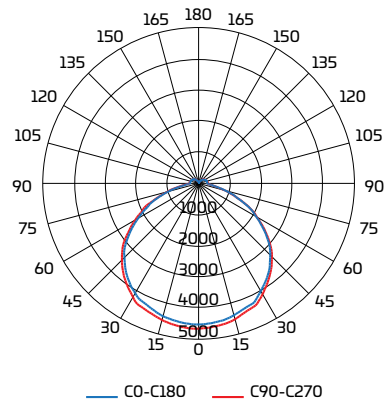
DIMENSIONS



PHOTOMETRICS



4000K



5000K

LED HID REPLACEMENT : HIGHBAY/LOWBAY

DESCRIPTION

LED HID Replacement Lamps directly replace high-watt HID fixtures at a fraction of the energy cost.

FEATURES

- LED replacement for high wattage 150W and 400W HID fixtures
- Consumes up to 80% less energy than conventional HID systems
- Ballast bypass/line voltage operation - eliminates need for external driver or ballast
- State-of-the-art LED light sources deliver over 116 lumens per watt
- Lasts 3x longer than metal halide or HPS HID lamps
- Shatter resistant for reduced risk of injury & breakage
- Non-dimmable
- Universal mounting position
- Direct line voltage 120-277V - not compatible with ballasts
- UL1598C – Existing fixtures retain UL certification
- Not for use in enclosed fixtures

WARRANTY

- 5 year limited warranty; see eiko.com for warranty details

APPLICATIONS

- High bay
- Low bay
- Warehouse lighting
- Gymnasiums



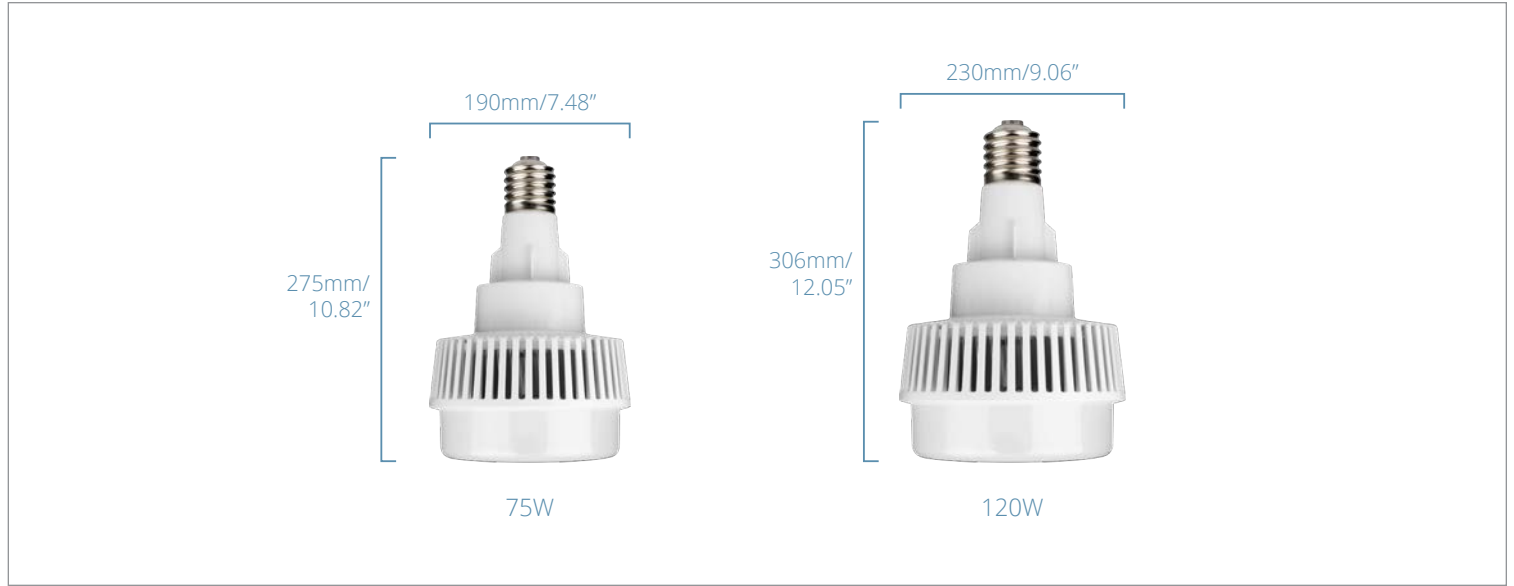
PERFORMANCE	Power Consumption	75W	120W
	Lumens	9,000	14,000
	Efficacy (LPW)	120	117
	CRI	80+	
	CCT	5000K	
	Life (L70)	50,000 hours	
ELECTRICAL	Power Factor	≥0.9	
	THD	<20%	
	Input Voltage	120-277V	
CONSTRUCTION	Operating Temperature	-4°F to 140°F (-20°C to 60°C)	
	Base	E39	
LISTINGS	Certification(s)	DesignLights Consortium® Qualified; cULus Classified	
	Material Usage	RoHS Compliant; no mercury or lead	
	Environment	cULus damp location rated	

PERFORMANCE SUMMARY

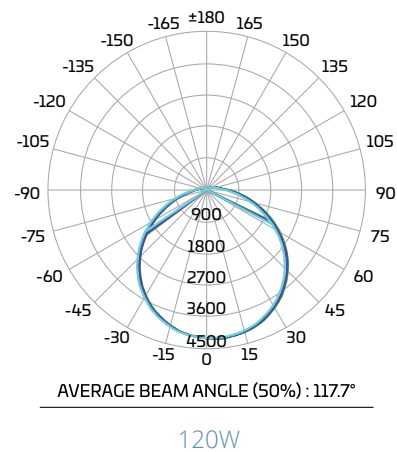
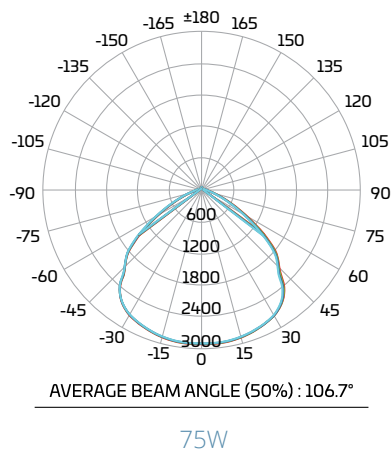
Order Code	Item #	Lumens	Watts	CCT	CRI	Volts	Life/Hours	Replaces HID	DLC
10097	LED75WHB50KMOG-G8	9000	75W	5000K	80+	120-277V	50K	150W	✓
10098	LED120WHB50KMOG-G8	14,000	120W	80+	120-277V	50K	400W	✓	

NOTE: Use order code when ordering. ✓DesignLights Consortium® Qualified

DIMENSIONS



PHOTOMETRICS



LED HID REPLACEMENT : TEMPORARY WORK LIGHT

DESCRIPTION

A cost-effective, solid-state solution for task light applications, the Temporary Work Light delivers superior performance over legacy HID fixtures at 100 lpw. Operating on 120V, Temporary Work Lights are linkable, allowing for multiple lamps to be powered by one outlet.

FEATURES

- 360° beam angle; 300° beam spread
- Base up, base down or horizontal operation
- Linkable for use in single outlet (100W = 6 pcs max; 150W = 4 pcs max)
- Provides easy operation and high lumen output with cage for protection in demanding environments
- Includes 5' power cord with plug and retractable handle
- Remote control allows for easy on/off operation

WARRANTY

- 5 year limited warranty; see eiko.com for warranty details

APPLICATIONS

- Task Lighting
- Commercial
- Work Areas
- Construction
- Temporary highbay



100W

150W



Linkable for use in single outlet



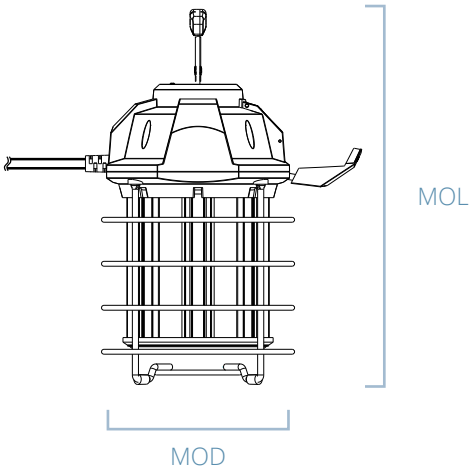
PERFORMANCE	Power Consumption	100W	150W
	Lumens	10,000	15,000
	Efficacy (LPW)	100	100
	CRI	80+	
	Beam	360° angle; 300° spread	
	CCT	5000K	
	Life (L70)	50,000 hours	
ELECTRICAL	Power Factor	≥0.9	
	THD	>20%	
	Input Voltage	120VAC	
CONSTRUCTION	Operating Temperature	-22°F to 104°F (-30°C to +40°C)	
	Base	Hook Base	
LISTINGS	Certification(s)	cULus Classified; FCC	
	Material Usage	RoHS Compliant; no mercury	
	Environment	IP64	

PERFORMANCE SUMMARY

Order Code	Item #	Lumens	Watts	LPW	CCT	CRI	Volts	Life/Hours	Replaces HID
10471	LED100WTMP50K	10,000	100W	100	5000K	80+	120VAC	50,000	150W
10472	LED150WTMP50K	15,000	150W	100	5000K	80+	120VAC	50,000	250W

NOTE: Use order code when ordering.

DIMENSIONS



Size (Wattage)	MOL	MOD
100W	12.05"/306mm	6.22"/158mm
150W	13.43"/341mm	6.22"/158mm

LED HID REPLACEMENT : MEDIUM

DESCRIPTION

LED HID Replacement Lamps are an ideal alternative to high-watt HID lamps, consuming up to 80% less energy and delivering an impressive 130+ lumens per watt.

FEATURES

- Universal mounting position
- Lasts 3x longer than metal halide or HPS HID lamps
- Eliminates maintenance costs for over 10 years; no expensive HID lamps or ballasts to replace
- Shatter resistant for reduced risk of injury or breakage
- Integral driver; eliminates the need for external driver or ballast
- Environmentally friendly: contains no glass, mercury, or lead
- Built-in 4kV surge protection

WARRANTY

- 5 year limited warranty; see eiko.com for warranty details

APPLICATIONS

- Industrial
- Commercial
- Post-Tops
- Shoebox Fixtures
- High Bay
- Cobra Head



	Power Consumption	27W	36W	45W	54W
PERFORMANCE	Lumens	3,650-3,900	4,850-5,200	6,100-6,500	7,300-7,800
	Efficacy (LPW)	135-144	135-144	136-144	135-144
	CRI	80+			
	Beam	Omnidirectional			
	CCT	3000K, 4000K, 5000K			
	Life (L70)	50,000 hours			
	ELECTRICAL	Power Factor	≥0.9		
Input Voltage		120-277V; 347			
CONSTRUCTION	Operating Temperature	Above -40°F - 140°F (-40°C - 60°C)			
	Lens				
	Base	E26; EX39			
LISTINGS	Certification(s)	DesignLights Consortium® Qualified; cULus Classified			
	Material Usage	RoHS Compliant; no mercury			
	Environment	IP64 Rated; Suitable for use in enclosed fixtures			

PERFORMANCE SUMMARY

MEDIUM BASE (E26):

Order Code	Item #	Lumens	Watts	LPW	CCT	CRI	Volts	Life/Hours	Replaces HID
10228	LED27WPT30KMED-G8	3,650	27	135	3000K	80+	100-277	50,000	50-125W
10229	LED27WPT40KMED-G8	3,750	27	139	4000K	80+	100-277	50,000	50-125W
10231	LED27WPT50KMED-G8	3,900	27	144	5000K	80+	100-277	50,000	50-125W
10233	LED36WPT30KMED-G8	4,850	36	135	3000K	80+	100-277	50,000	100-150W
10238	LED36WPT40KMED-G8	5,000	36	139	4000K	80+	100-277	50,000	100-150W
10240	LED36WPT50KMED-G8	5,200	36	144	5000K	80+	100-277	50,000	100-150W
10242	LED45WPT30KMED-G8	6,100	45	136	3000K	80+	100-277	50,000	150-175W
10370	LED45WPT40KMED-347V-G8	6,525	45	145	4000K	80+	347	50,000	150-175W
10244	LED45WPT40KMED-G8	6,300	45	140	4000K	80+	100-277	50,000	150-175W
10246	LED45WPT50KMED-G8	6,500	45	144	5000K	80+	100-277	50,000	150-175W
10248	LED54WPT30KMED-G8	7,300	54	135	3000K	80+	100-277	50,000	150-175W
10371	LED54WPT40KMED-347V-G8	7,830	54	145	4000K	80+	347	50,000	150-175W
10250	LED54WPT40KMED-G8	7,550	54	140	4000K	80+	100-277	50,000	150-175W
10252	LED54WPT50KMED-G8	7,800	54	144	5000K	80+	100-277	50,000	150-175W

MOGUL BASE (EX39):

Order Code	Item #	Lumens	Watts	LPW	CCT	CRI	Volts	Life/Hours	Replaces HID	DLC
10227	LED27WPT30KMOG-G8	3,650	27W	135	3000K	80+	100-277	50,000	50-125W	✓
10230	LED27WPT40KMOG-G8	3,750	27W	139	4000K	80+	100-277	50,000	50-125W	✓
10232	LED27WPT50KMOG-G8	3,900	27W	144	5000K	80+	100-277	50,000	50-125W	✓
10237	LED36WPT30KMOG-G8	4,850	36W	135	3000K	80+	100-277	50,000	100-150W	✓
10239	LED36WPT40KMOG-G8	5,000	36W	139	4000K	80+	100-277	50,000	100-150W	✓
10241	LED36WPT50KMOG-G8	5,200	36W	144	5000K	80+	100-277	50,000	100-150W	✓
10243	LED45WPT30KMOG-G8	6,100	45W	136	3000K	80+	100-277	50,000	150-175W	✓
10372	LED45WPT40KMOG-347V-G8	6,525	45W	145	4000K	80+	347	50,000	150-175W	✓
10245	LED45WPT40KMOG-G8	6,300	45W	140	4000K	80+	100-277	50,000	150-175W	✓
10247	LED45WPT50KMOG-G8	6,500	45W	144	5000K	80+	100-277	50,000	150-175W	✓
10249	LED54WPT30KMOG-G8	7,300	54W	135	3000K	80+	100-277	50,000	150-175W	✓
10373	LED54WPT40KMOG-347V-G8	7,830	54W	145	4000K	80+	347	50,000	150-175W	✓
10251	LED54WPT40KMOG-G8	7,550	54W	140	4000K	80+	100-277	50,000	150-175W	✓
10374	LED54WPT50KMOG-347V-G8	8,100	54W	150	5000K	80+	347	50,000	150-175W	✓
10253	LED54WPT50KMOG-G8	7,800	54W	144	5000K	80+	100-277	50,000	150-175W	✓

NOTE: Use order code when ordering. ✓ DesignLights Consortium® Qualified

LED HID REPLACEMENT : LARGE

DESCRIPTION

LED HID Replacement Lamps are an ideal alternative to high-watt HID lamps, consuming up to 80% less energy and delivering an impressive 130+ lumens per watt.

FEATURES

- Universal mounting position
- Lasts 3x longer than metal halide or HPS HID lamps
- Eliminates maintenance costs for over 10 years; no expensive HID lamps or ballasts to replace
- Shatter resistant for reduced risk of injury or breakage
- Integral driver; eliminates the need for external driver or ballast
- Environmentally friendly: contains no glass, mercury, or lead

WARRANTY

- 5 year limited warranty; see eiko.com for warranty details

APPLICATIONS

- Industrial
- Commercial
- Post-Tops
- Shoebox Fixtures
- High Bay
- Cobra Head



80W
EX39

100W
EX39

120W
EX39



	Power Consumption	80W	100W	120W
PERFORMANCE	Lumens	10,400-10,800	12,800-13,500	15,600-15,840
	Efficacy (LPW)	130-135	130-135	130-132
	CRI	80+		
	Beam	Omnidirectional		
	CCT	4000K, 5000K		
	Life (L70)	50,000 hours		
	ELECTRICAL	Power Factor	≥0.9	
Input Voltage		120-277V; 347		
CONSTRUCTION	Operating Temperature	-4°F - 122°F (-20°C - 50°C)		
	Lens			
	Base	EX39		
LISTINGS	Certification(s)	DesignLights Consortium® Qualified; cULus Classified		
	Material Usage	RoHS Compliant; no mercury		
	Environment	IP64 Rated; Suitable for use in enclosed fixtures		

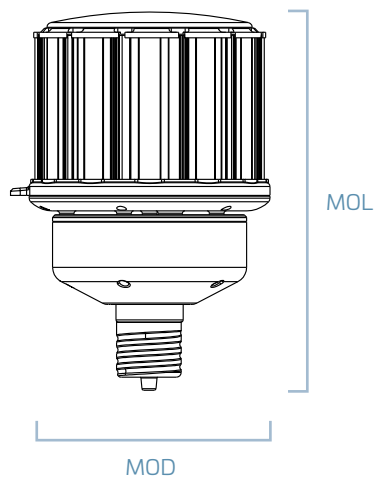
PERFORMANCE SUMMARY

MOGUL BASE (EX39):

Order Code	Item #	Lumens	Watts	LPW	CCT	CRI	Volts	Life/Hours	Replaces HID	DLC
09827	LED80WPT40KMOG-347V-G8	10,400	80W	130	4000K	80+	347	50,000	320W	✓
10260	LED80WPT40KMOG-G8	10,400	80W	130	5000K	80+	100-277	50,000	320W	✓
09828	LED80WPT50KMOG-347V-G8	10,800	80W	135	4000K	80+	347	50,000	320W	✓
10261	LED80WPT50KMOG-G8	10,560	80W	132	5000K	80+	100-277	50,000	320W	✓
10254	LED100WPT30KMOG-G8	12,800	100W	128	3000K	80+	100-277	50,000	400W	✓
09825	LED100WPT40KMOG-347V-G8	13,000	100W	130	4000K	80+	347	50,000	400W	✓
10255	LED100WPT40KMOG-G8	13,000	100W	130	4000K	80+	100-277	50,000	400W	✓
09826	LED100WPT50KMOG-347V-G8	13,500	100W	135	5000K	80+	347	50,000	400W	✓
10256	LED100WPT50KMOG-G8	13,200	100W	132	5000K	80+	100-277	50,000	400W	✓
10258	LED120WPT40KMOG-G8	15,600	120W	130	4000K	80+	100-277	50,000	600W	✓
10259	LED120WPT50KMOG-G8	15,840	120W	132	5000K	80+	100-277	50,000	600W	✓

NOTE: Use order code when ordering. ✓DesignLights Consortium® Qualified

DIMENSIONS



	100-277V	
Size (Wattage)	MOL	MOD
80W	9.21"/234mm	5.87"/149mm
100W	9.57"/243mm	5.87"/149mm
120W	10.35"/263mm	5.87"/149mm

	347V	
Size (Wattage)	MOL	MOD
80W	11.61"/295mm	5.12"/130mm
100W	12.8"/325mm	5.12"/130mm

PAR LAMPS : PAR 16 & PAR20

DESCRIPTION

LED PAR Replacement Lamps directly replace incandescent PAR lamps at a fraction of the energy cost.

FEATURES

- Compatible with a wide array of dimmers
- +25,000 hour rated life for ENERGY STAR® Approved lamps*
- 50,000 hour design life**
- Up to 80% electricity savings vs. halogen
- 20°, 25° and 40° beam angles available
- Environmentally friendly: contains no glass, mercury or lead
- Shatter-resistant for reduced risk of injury and breakage

WARRANTY

- 5 year limited warranty; see eiko.com for warranty details

APPLICATIONS

- Recessed / Track Lighting
- Property Management
- Accent / Display Lighting
- Retail / Residential
- Hospitality
- Houses of Worship
- Healthcare
- Task Lighting



* Early initial qualification for ENERGY STAR allows for directional lamp life claims of 25,000 hours (L70) with 3,000 hour actual test data, LM80 data and in-situ temperature measurements. As the lamps pass ENERGY STAR requirements, manufacturers may increase the lifetime of a product as dictated by ENERGY STAR guidelines. See http://www.energystar.gov/index.cfm?fuseaction=products_for_partners.showLightbulbs for further details.

** Design life is based on engineering testing and probability analysis



PERFORMANCE	Power Consumption	7W	7W
	Lumens	490	500
	Efficacy (LPW)	70	71
	CRI	80+	
	Beam	20°, 25°, 40°	
	CCT	2700K, 3000K, 4000K	
	Life (L70)	25,000 hours*	
	ELECTRICAL	Power Factor	≥0.9
THD		<20%	
Input Voltage		120V	
CONSTRUCTION	Operating Temperature	-40°F to 104°F (-40°C to 40°C)	
	Base	E26	
LISTINGS	Certification(s)	ENERGY STAR® Rated; cULus Classified	
	Material Usage	RoHS Compliant; no mercury or lead	
	Environment	Not for use in enclosed fixtures, with electronic timers, photocells, or motion/occupancy sensors	

PERFORMANCE SUMMARY

PAR16:

Order Code	Item #	Lumens	Watts	CBCP	CCT	CRI	Beam	MOL	MOD	Life/Hours	Replaces Incan.	Wet Location Rated	ES
09038	LED7WPAR16/NFL/827K-DIM-G5	490	7W	3,195	2700K	80+	20°	2.87"	1.97"	25K	50W		★
09039	LED7WPAR16/NFL/830K-DIM-G5	490	7W	3,276	3000K	80+	20°	2.87"	1.97"	25K	50W		★
09040	LED7WPAR16/NFL/840K-DIM-G5	490	7W	3,458	4000K	80+	20°	2.87"	1.97"	25K	50W		★
09041	LED7WPAR16/FL/827K-DIM-G5	490	7W	878.4	2700K	80+	40°	2.87"	1.97"	25K	50W		★
09042	LED7WPAR16/FL/830K-DIM-G5	490	7W	938.2	3000K	80+	40°	2.87"	1.97"	25K	50W		★
09043	LED7WPAR16/FL/840K-DIM-G5	490	7W	931.2	4000K	80+	40°	2.87"	1.97"	25K	50W		★

PAR20:

Order Code	Item #	Lumens	Watts	CBCP	CCT	CRI	Beam	MOL	MOD	Life/Hours	Replaces Incan.	Wet Location Rated	ES
09970	LED7WPAR20/FL/827-DIM-G8	500	7W	1135	2700K	80+	40°	3.19"	2.48"	25K	50W		
09971	LED7WPAR20/FL/830-DIM-G8	500	7W	969	3000K	80+	40°	3.19"	2.48"	25K	50W	💧	
09984	LED7WPAR20/FL/840-DIM-G8	500	7W	1169	4000K	80+	40°	3.19"	2.48"	25K	50W	💧	
09985	LED7WPAR20/NFL/827-DIM-G8	500	7W	1366	2700K	80+	25°	3.19"	2.48"	25K	50W	💧	
09986	LED7WPAR20/NFL/830-DIM-G8	500	7W	1533	3000K	80+	25°	3.19"	2.48"	25K	50W	💧	
09972	LED7WPAR20/NFL/840-DIM-G8	500	7W	1639	4000K	80+	25°	3.19"	2.48"	25K	50W	💧	

NOTE: Use order code when ordering. **While supplies last. 💧Wet Location Rated ★ENERGY STAR® Approved

DIMENSIONS



PAR LAMPS : PAR 30 & PAR30SN

DESCRIPTION

LED PAR Replacement Lamps directly replace incandescent PAR lamps at a fraction of the energy cost.

FEATURES

- Compatible with a wide array of dimmers
- +25,000 hour rated life for ENERGY STAR® Approved lamps*
- 50,000 hour design life**
- Up to 80% electricity savings vs. halogen
- 25° and 40° beam angles available
- No mercury or UV/IR emissions
- Shatter-resistant for reduced risk of injury and breakage

WARRANTY

- 5 year limited warranty; see eiko.com for warranty details

APPLICATIONS

- Recessed / Track Lighting
- Property Management
- Accent / Display Lighting
- Retail / Residential
- Hospitality
- Houses of Worship
- Healthcare
- Task Lighting



* Early initial qualification for ENERGY STAR allows for directional lamp life claims of 25,000 hours (L70) with 3,000 hour actual test data, LM80 data and in-situ temperature measurements. As the lamps pass ENERGY STAR requirements, manufacturers may increase the lifetime of a product as dictated by ENERGY STAR guidelines. See http://www.energystar.gov/index.cfm?fuseaction=products_for_partners.showLightbulbs for further details.

** Design life is based on engineering testing and probability analysis



PERFORMANCE	Power Consumption	11W
	Lumens	850
	Efficacy (LPW)	77
	CRI	80+
	Beam	25°, 40°
	CCT	2700K, 3000K, 4000K
	Life (L70)	25,000 hours*
	ELECTRICAL	Power Factor
THD		<20%
Input Voltage		120V
CONSTRUCTION	Operating Temperature	-40°F to 104°F (-40°C to 40°C)
	Base	E26
LISTINGS	Certification(s)	ENERGY STAR® Rated; cULus Classified
	Material Usage	RoHS Compliant; no mercury or lead
	Environment	Not for use in enclosed fixtures, with electronic timers, photocells, or motion/occupancy sensors

PERFORMANCE SUMMARY

PAR30:

Order Code	Item #	Lumens	Watts	CBCP	CCT	CRI	Beam	MOL	Life/Hours	Replaces Incan.	Wet Location Rated	ES
09993	LED11WPAR30/FL/827-DIM-G8	850	11W	1917	2700K	80+	40°	4.57"	25K	75W	💧	★
10070	LED11WPAR30/FL/830-DIM-G8	850	11W	1564	3000K	80+	40°	4.57"	25K	75W	💧	★
10071	LED11WPAR30/FL/840-DIM-G8	850	11W	1605	4000K	80+	40°	4.57"	25K	75W	💧	★
09994	LED11WPAR30/FL/850-DIM-G8	850	11W	1809	5000K	80+	40°	4.57"	25K	75W	💧	★
10072	LED11WPAR30/NFL/827-DIM-G8	850	11W	2326	2700K	80+	25°	4.57"	25K	75W	💧	★
10073	LED11WPAR30/NFL/830-DIM-G8	850	11W	2415	3000K	80+	25°	4.57"	25K	75W	💧	★
10074	LED11WPAR30/NFL/840-DIM-G8	850	11W	2548	4000K	80+	25°	4.57"	25K	75W	💧	★

PAR30SN:

Order Code	Item #	Lumens	Watts	CBCP	CCT	CRI	Beam	MOL	Life/Hours	Replaces Incan.	Wet Location Rated	ES
10075	LED11WPAR30S/FL/827-DIM-G8	850	11W	1644	2700K	80+	40°	3.62"	25K	75W		★
10076	LED11WPAR30S/FL/830-DIM-G8	850	11W	1536	3000K	80+	40°	3.62"	25K	75W		★
10077	LED11WPAR30S/FL/840-DIM-G8	850	11W	1586	4000K	80+	40°	3.62"	25K	75W		★
10078	LED11WPAR30S/NFL/827-DIM-G8	850	11W	2460	2700K	80+	25°	3.62"	25K	75W		★
10079	LED11WPAR30S/NFL/830-DIM-G8	850	11W	2415	3000K	80+	25°	3.62"	25K	75W		★
10080	LED11WPAR30S/NFL/840-DIM-G8	850	11W	2297	4000K	80+	25°	3.62"	25K	75W		★

NOTE: Use order code when ordering. 💧Wet Location Rated ★ENERGY STAR® Approved

DIMENSIONS



PAR LAMPS : PAR 38

DESCRIPTION

LED PAR Replacement Lamps directly replace incandescent PAR lamps at a fraction of the energy cost.

FEATURES

- Compatible with a wide array of dimmers
- +25,000 hour rated life for ENERGY STAR® Approved lamps*
- 50,000 hour design life**
- Up to 80% electricity savings vs. halogen
- No mercury or UV/IR emissions
- Shatter-resistant for reduced risk of injury and breakage

WARRANTY

- 5 year limited warranty; see eiko.com for warranty details

APPLICATIONS

- Recessed / Track Lighting
- Property Management
- Accent / Display Lighting
- Retail / Residential
- Hospitality
- Houses of Worship
- Healthcare
- Task Lighting



* Early initial qualification for ENERGY STAR allows for directional lamp life claims of 25,000 hours (L70) with 3,000 hour actual test data, LM80 data and in-situ temperature measurements. As the lamps pass ENERGY STAR requirements, manufacturers may increase the lifetime of a product as dictated by ENERGY STAR guidelines. See http://www.energystar.gov/index.cfm?fuseaction=products_for_partners.showLightbulbs for further details.

** Design life is based on engineering testing and probability analysis



PERFORMANCE	Power Consumption	13W	15W	20W
	Lumens	1,050	1,250	1,700
	Efficacy (LPW)	81	83	85
	CRI	80+		
	Beam	25°, 30°, 40°, 45°		
	CCT	2700K, 3000K, 4000K, 5000K		
	Life (L70)	25,000 hours*		
ELECTRICAL	Power Factor	≥0.9		
	THD	<20%		
	Input Voltage	120V		
CONSTRUCTION	Operating Temperature	-40°F to 104°F (-40°C to 40°C)		
	Base	E26		
LISTINGS	Certification(s)	ENERGY STAR® Rated; cULus Classified		
	Material Usage	RoHS Compliant; no mercury or lead		
	Environment	Not for use in enclosed fixtures, with electronic timers, photocells, or motion/occupancy sensors		

PERFORMANCE SUMMARY

Order Code	Item #	Lumens	Watts	CBCP	CCT	CRI	Beam	MOL	Life/Hours	Replaces Incan.	Wet Location Rated	ES
09161	LED13WPAR38/FL/827K-DIM-G6	1,050	13W	2802	2700K	80+	40°	5.16"	25K	120W		★
09162	LED13WPAR38/FL/830K-DIM-G6	1,050	13W	3298	3000K	80+	40°	5.16"	25K	120W		★
09163	LED13WPAR38/FL/840K-DIM-G6	1,050	13W	3094	4000K	80+	40°	5.16"	25K	120W		★
09164	LED13WPAR38/NFL/827K-DIM-G6	1,050	13W		2700K	80+	25°	5.16"	25K	120W		★
09165	LED13WPAR38/NFL/830K-DIM-G6	1,050	13W		3000K	80+	25°	5.16"	25K	120W		★
09166	LED13WPAR38/NFL/840K-DIM-G6	1,050	13W		4000K	80+	25°	5.16"	25K	120W		★
10069	LED15WPAR38/FL/827-DIM-G8	1,250	15W	2411	2700K	80+	40°	5.16"	25K	120W	💧	★
09990	LED15WPAR38/FL/830-DIM-G8	1,250	15W	2527	3000K	80+	40°	5.16"	25K	120W	💧	★
09991	LED15WPAR38/FL/840-DIM-G8	1,250	15W	2870	4000K	80+	40°	5.16"	25K	120W	💧	★
09992	LED15WPAR38/FL/850-DIM-G8	1,250	15W	2877	5000K	80+	40°	5.16"	25K	120W	💧	★
10064	LED15WPAR38/NFL/827-DIM-G8	1,250	15W	3333	2700K	80+	25°	5.16"	25K	120W	💧	★
10065	LED15WPAR38/NFL/830-DIM-G8	1,250	15W	3483	3000K	80+	25°	5.16"	25K	120W	💧	★
10066	LED15WPAR38/NFL/840-DIM-G8	1,250	15W	3942	4000K	80+	25°	5.16"	25K	120W	💧	★
09170	LED20WPAR38/FL/827K-DIM-G6	1,700	20W	3179	2700K	80+	45°	5.16"	25K	150W		★
09171	LED20WPAR38/FL/830K-DIM-G6	1,700	20W	3021	3000K	80+	45°	5.16"	25K	150W		★
09172	LED20WPAR38/FL/840K-DIM-G6	1,700	20W	3535	4000K	80+	45°	5.16"	25K	150W		★
09173	LED20WPAR38/NFL/827K-DIM-G6	1,700	20W	6140	2700K	80+	30°	5.16"	25K	150W		
09174	LED20WPAR38/NFL/830K-DIM-G6	1,700	20W	5638	3000K	80+	30°	5.16"	25K	150W		
09175	LED20WPAR38/NFL/840K-DIM-G6	1,700	20W	6739	4000K	80+	30°	5.16"	25K	150W		★

NOTE: Use order code when ordering. 💧Wet Location Rated ★ENERGY STAR® Approved

DIMENSIONS



BR LAMPS : BR20, BR30, BR40

DESCRIPTION

LED BR Replacement Lamps directly replace incandescent BR lamps at a fraction of the energy cost.

FEATURES

- 80% more efficient and 30x longer life than standard incandescent
- Smooth body with ANSI standard form factor
- +25,000 hour rated life for ENERGY STAR® Approved lamps*
- 50,000 hour design life**
- Acceptable for ICAT rated downlights
- Shatter resistant for reduced risk of injury and breakage

WARRANTY

- 5 year limited warranty; see eiko.com for warranty details

APPLICATIONS

- Recessed Lighting
- Accent / Display Lighting
- Retail / Residential
- Hospitality
- Track Lighting
- Healthcare
- Office
- Hotel



* Early initial qualification for ENERGY STAR allows for directional lamp life claims of 25,000 hours (L70) with 3,000 hour actual test data, LM80 data and in-situ temperature measurements. As the lamps pass ENERGY STAR requirements, manufacturers may increase the lifetime of a product as dictated by ENERGY STAR guidelines. See http://www.energystar.gov/index.cfm?fuseaction=products_for_partners.showLightbulbs for further details.

** Design life is based on engineering testing and probability analysis



PERFORMANCE	Power Consumption	7W	8W	11W	12W	17W
	Lumens	550	650	850	1,050	1,400
	Efficacy (LPW)	79	81	77	88	82
	CRI	80+				
	Beam	120°				
	CCT	2700K, 3000K, 4000K, 5000K				
	Life (L70)	25,000 hours*				
ELECTRICAL	Power Factor	≥0.9				
	Input Voltage	120V				
CONSTRUCTION	Base	E26				
LISTINGS	Certification(s)	ENERGY STAR® Rated; cULus Classified				
	Material Usage	RoHS Compliant; no mercury or lead				
	Environment	Dry and damp location rated				

PERFORMANCE SUMMARY

BR20:

Order Code	Item #	Lumens	Watts	CCT	CRI	Beam	MOL	Life/Hours	Replaces Incan.	ES
10087	LED7WBR20/827-DIM-G8	550	7W	2700K	80+	120°	3.82"	25,000	55W R20	★
10005	LED7WBR20/830-DIM-G8	550	7W	3000K	80+	120°	3.82"	25,000	55W R20	★
10006	LED7WBR20/840-DIM-G8	550	7W	4000K	80+	120°	3.82"	25,000	55W R20	★
08932	LED7WBR20/827K-DIM-G5	550	7W	2700K	80+	120°	3.82"	25,000	55W R20	★
08933	LED7WBR20/830K-DIM-G5	550	7W	3000K	80+	120°	3.82"	25,000	55W R20	
08935	LED7WBR20/840K-DIM-G5	550	7W	4000K	80+	120°	3.82"	25,000	55W R20	★

BR30:

Order Code	Item #	Lumens	Watts	CCT	CRI	Beam	MOL	Life/Hours	Replaces Incan.	ES
10375	LED8WBR30/827-DIM-G9	650	8W	2700K	80+	120°	5.15"	25,000	65W BR30	
10376	LED8WBR30/830-DIM-G9	650	8W	3000K	80+	120°	5.15"	25,000	65W BR30	
10377	LED8WBR30/840-DIM-G9	650	8W	4000K	80+	120°	5.15"	25,000	65W BR30	
08998	LED8WBR30/827K-DIM-G5	650	8W	2700K	80+	120°	5.08"	25,000	65W BR30	★
08999	LED8WBR30/830K-DIM-G5	650	8W	3000K	80+	120°	5.08"	25,000	65W BR30	★
09000	LED8WBR30/840K-DIM-G5	650	8W	4000K	80+	120°	5.08"	25,000	65W BR30	★
10002	LED11WBR30/827-DIM-G8	850	11W	2700K	80+	120°	5.12"	25,000	65W BR30	★
10003	LED11WBR30/830-DIM-G8	850	11W	3000K	80+	120°	5.12"	25,000	65W BR30	★
10004	LED11WBR30/840-DIM-G8	850	11W	4000K	80+	120°	5.12"	25,000	65W BR30	★
10086	LED11WBR30/850-DIM-G8	850	11W	5000K	80+	120°	5.12"	25,000	65W BR30	★
08936	LED11WBR30/827K-DIM-G5	850	11W	2700K	80+	120°	5.08"	25,000	65W BR30	★
08937	LED11WBR30/830K-DIM-G5	850	11W	3000K	80+	120°	5.08"	25,000	65W BR30	★
08938	LED11WBR30/840K-DIM-G5	850	11W	4000K	80+	120°	5.08"	25,000	65W BR30	★
09111	LED11WBR30/850K-DIM-G5	850	11W	5000K	80+	120°	5.08"	25,000	65W BR30	★

BR40:

Order Code	Item #	Lumens	Watts	CCT	CRI	Beam	MOL	Life/Hours	Replaces Incan.	ES
10084	LED12WBR40/827-DIM-G8	1,050	12W	2700K	80+	120°	6.26"	25,000	80W BR40	★
09998	LED12WBR40/830-DIM-G8	1,050	12W	3000K	80+	120°	6.26"	25,000	80W BR40	★
10085	LED12WBR40/840-DIM-G8	1,050	12W	4000K	80+	120°	6.26"	25,000	80W BR40	★
08940	LED12WBR40/830K-DIM-G5	1,050	12W	3000K	80+	120°	6.26"	25,000	80W BR40	★
10010	LED17WBR40/827-DIM-G8	1,400	17W	2700K	80+	120°	6.26"	25,000	100W BR40	★
09996	LED17WBR40/830-DIM-G8	1,400	17W	3000K	80+	120°	6.26"	25,000	100W BR40	★
09997	LED17WBR40/840-DIM-G8	1,400	17W	4000K	80+	120°	6.26"	25,000	100W BR40	★
08943	LED17WBR40/830K-DIM-G5	1,400	17W	3000K	80+	120°	6.26"	25,000	100W BR40	★
08944	LED17WBR40/840K-DIM-G5	1,400	17W	4000K	80+	120°	6.26"	25,000	100W BR40	★

NOTE: Use order code when ordering. ★ENERGY STAR Rated

MR16 : DIMMABLE : GU10 BASE

DESCRIPTION

LED MR16 Replacement Lamps directly replace halogen miniature reflector lamps at a fraction of the energy cost.

FEATURES

- 25,000 hour rated life lasting 30x longer than halogen incandescent*
- Available in two beam distributions: 20° Narrow Flood and 40° Flood
- Shatter-resistant for reduced risk of injury or breakage
- Compatibility with a wide array of dimmers
- Not for use with electronic timers, photocells, or motion/occupancy sensors
- For use with non-shunted tombstone lampholders

WARRANTY

- 5 year limited warranty; see eiko.com for warranty details

APPLICATIONS

- Recessed / Track Lighting
- Property Management
- Accent / Display Lighting
- Retail / Residential
- Hospitality
- Houses of Worship
- Healthcare
- Task Lighting



* Early initial qualification for ENERGY STAR allows for directional lamp life claims of 25,000 hours (L70) with 3,000 hour actual test data, LM80 data and in-situ temperature measurements. As the lamps pass ENERGY STAR requirements, manufacturers may increase the lifetime of a product as dictated by ENERGY STAR guidelines. See http://www.energystar.gov/index.cfm?fuseaction=products_for_partners.showLightbulbs for further details. Design life is based on engineering testing and probability analysis.



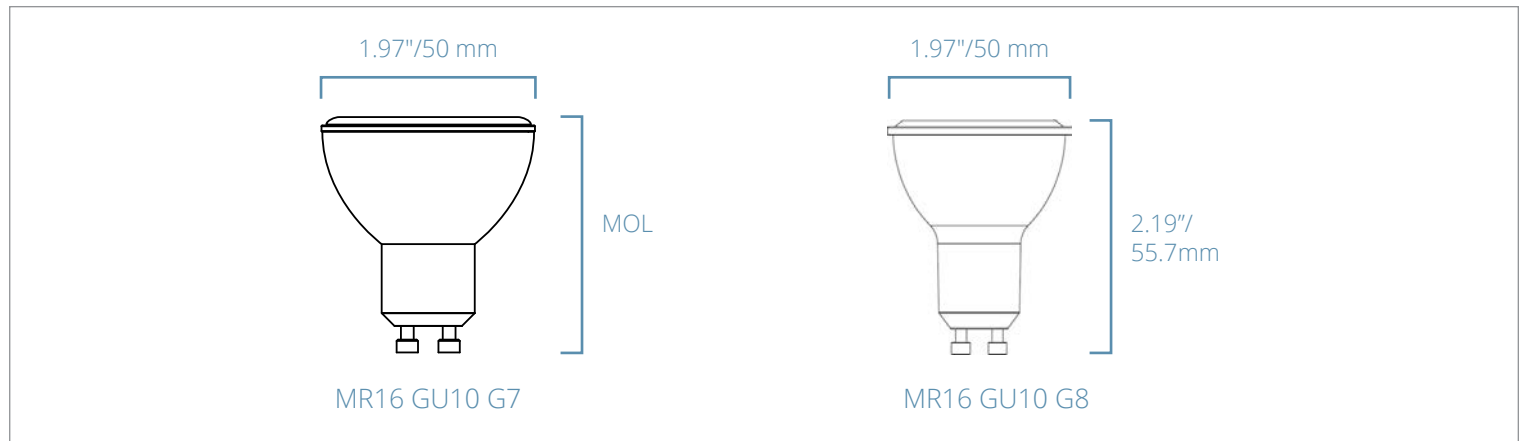
PERFORMANCE	Power Consumption	7W
	Lumens	500/450
	Efficacy (LPW)	71/64
	CRI	80+
	Beam	20°/40°
	CCT	2700K, 3000K, 4000K
	Life (L70)	50,000 hours
ELECTRICAL	Power Factor	≥0.9
	THD	<20%
	Input Voltage	120V
CONSTRUCTION	Operating Temperature	-40°F to 104°F (-40°C to 40°C)
	Base	GU10
LISTINGS	Certification(s)	ENERGY STAR® Rated; cULus Classified
	Material Usage	RoHS Compliant; no mercury or lead
	Environment	

PERFORMANCE SUMMARY

Order Code	Item #	Lumens	Watts	CCT	CRI	Beam	MOL	Life/Hours	Replaces Halogen	ES
10067	LED7WGU10/FL/827-DIM-G8	7W	500	2700K	80+	40°	2.19"	25,000	50W GU10	★
10011	LED7WGU10/FL/830-DIM-G8	7W	500	3000K	80+	40°	2.19"	25,000	50W GU10	★
10081	LED7WGU10/FL/840-DIM-G8	7W	500	4000K	80+	40°	2.19"	25,000	50W GU10	★
09988	LED7WGU10/NFL/827-DIM-G8	7W	500	2700K	80+	20°	2.19"	25,000	50W GU10	★
10013	LED7WGU10/NFL/830-DIM-G8	7W	500	3000K	80+	20°	2.19"	25,000	50W GU10	★
09496	LED7WGU10/FL/827-DIM-G7	7W	500	2700K	80+	40°	2.19"	25,000	50W GU10	★
09497	LED7WGU10/FL/830-DIM-G7	7W	500	3000K	80+	40°	2.19"	25,000	50W GU10	★
09498	LED7WGU10/FL/840-DIM-G7	7W	500	4000K	80+	40°	2.19"	25,000	50W GU10	★
09546	LED7WGU10/NFL/827-DIM-G7	7W	500	2700K	80+	20°	2.19"	25,000	50W GU10	★
09547	LED7WGU10/NFL/830-DIM-G7	7W	500	3000K	80+	20°	2.19"	25,000	50W GU10	★
09548	LED7WGU10/NFL/840-DIM-G7	7W	500	4000K	80+	20°	2.19"	25,000	50W GU10	★
09435	LED7WGU10/20/827-DIM-G7	7W	500	2700K	80+	20°	2.13"	25,000	50W GU10	★
09436	LED7WGU10/20/830-DIM-G7	7W	500	3000K	80+	20°	2.13"	25,000	50W GU10	★
09437	LED7WGU10/20/840-DIM-G7	7W	500	4000K	80+	20°	2.13"	25,000	50W GU10	★
09438	LED7WGU10/40/827-DIM-G7	7W	500	2700K	80+	40°	2.13"	25,000	50W GU10	★
09439	LED7WGU10/40/830-DIM-G7	7W	500	3000K	80+	40°	2.13"	25,000	50W GU10	★
09440	LED7WGU10/40/840-DIM-G7	7W	500	4000K	80+	40°	2.13"	25,000	50W GU10	★
08840	LED7WGU10/20/840-DIM-G4	7W	450	4000K	80+	20°	2.13"	25,000	50W GU10	

NOTE: Use order code when ordering. ★ENERGY STAR Approved

DIMENSIONS



MR16 : DIMMABLE : GU5.3 BASE

DESCRIPTION

LED MR16 Replacement Lamps directly replace halogen miniature reflector lamps at a fraction of the energy cost.

FEATURES

- Direct replacement for halogen miniature reflector lamps
- 25,000 hour rated life lasting 30x longer than halogen incandescent*
- Shatter-resistant for reduced risk of injury or breakage
- Compatible with a wide array of dimmers
- Not for use in enclosed fixtures
- Not for use with electronic timers, photocells, or motion/occupancy sensors

WARRANTY

- 5 year limited warranty; see eiko.com for warranty details

APPLICATIONS

- Recessed / Track Lighting
- Property Management
- Accent / Display Lighting
- Retail / Residential
- Hospitality
- Houses of Worship
- Healthcare
- Task Lighting



* Early initial qualification for ENERGY STAR allows for directional lamp life claims of 25,000 hours (L70) with 3,000 hour actual test data, LM80 data and in-situ temperature measurements. As the lamps pass ENERGY STAR requirements, manufacturers may increase the lifetime of a product as dictated by ENERGY STAR guidelines. See http://www.energystar.gov/index.cfm?fuseaction=products_for_partners.showLightbulbs for further details. Design life is based on engineering testing and probability analysis.



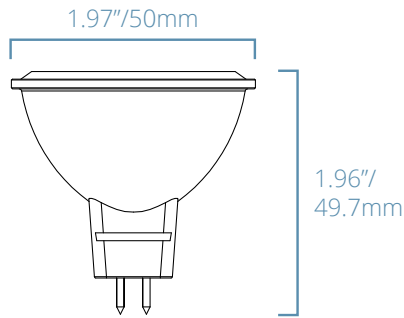
PERFORMANCE	Power Consumption	7W
	Lumens	490/500
	Efficacy (LPW)	70/71
	CRI	80+
	Beam	20°/25°/40°
	CCT	2700K, 3000K, 4000K
	Life (L70)	25,000 hours
ELECTRICAL	Power Factor	≥0.9
	THD	<20%
	Input Voltage	12V AC/DC
CONSTRUCTION	Operating Temperature	-40°F to 104°F (-40°C to 40°C)
	Base	GU5.3
LISTINGS	Certification(s)	cULus Listed
	Material Usage	RoHS Compliant; no mercury or lead
	Environment	

PERFORMANCE SUMMARY

Order Code	Item #	Lumens	Watts	CCT	CRI	Beam	MOL	Life/Hours	Replaces Halogen	ES
09429	LED7WMR16/20/827-DIM-G7	7W	490	2700K	80+	20°	1.96"	25K	50W	★
09430	LED7WMR16/20/830-DIM-G7	7W	490	3000K	80+	20°	1.96"	25K	50W	★
09431	LED7WMR16/20/840-DIM-G7	7W	490	4000K	80+	20°	1.96"	25K	50W	★
09432	LED7WMR16/40/827-DIM-G7	7W	490	2700K	80+	40°	1.96"	25K	50W	★
09433	LED7WMR16/40/830-DIM-G7	7W	490	3000K	80+	40°	1.96"	25K	50W	★
09434	LED7WMR16/40/840-DIM-G7	7W	490	4000K	80+	40°	1.96"	25K	50W	★
09493	LED7WMR16/FL/827-DIM-G7	7W	500	2700K	80+	40°	1.96"	25K	50W	★
09494	LED7WMR16/FL/830-DIM-G7	7W	500	3000K	80+	40°	1.96"	25K	50W	★
09495	LED7WMR16/FL/840-DIM-G7	7W	500	4000K	80+	40°	1.96"	25K	50W	★
09543	LED7WMR16/NFL/827-DIM-G7	7W	500	2700K	80+	25°	1.96"	25K	50W	★
09544	LED7WMR16/NFL/830-DIM-G7	7W	500	3000K	80+	25°	1.96"	25K	50W	★
09545	LED7WMR16/NFL/840-DIM-G7	7W	500	4000K	80+	25°	1.96"	25K	50W	★

NOTE: Use order code when ordering. ★ENERGY STAR Approved

DIMENSIONS



LED PL : DIRECT REPLACEMENT LAMPS

DESCRIPTION

LED PL Replacement Lamps directly replace fluorescent PL lamps at a fraction of the energy cost.

FEATURES

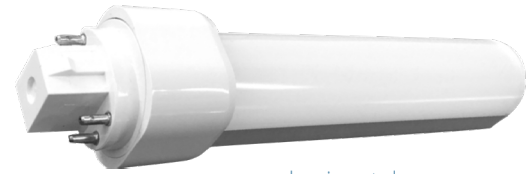
- 2-pin directly replaces 13, 18, 26W quad-tube and 4-pin directly replaces 26, 32, 42W quad- and triple-tube PL fluorescent lamps
- Available in two ergonomically crafted models: horizontal (with rotatable base) or vertical orientation
- Plug-and-Play installation for 2-pin magnetic ballast model or 4 pin electronic ballast compatible model
- Instant-on with no warmup, unlike compact fluorescent
- Shatter resistant for reduced risk of injury and breakage
- Input voltage driven by installed PL electric/magnetic ballast
- Consumes 1/3 the energy and lasts 5x longer than 26 watt compact fluorescent
- Suitable for use in totally enclosed recessed fixtures
- Non-dimmable
- **Not compatible with all ballasts. See eiko.com for list of tested ballasts**

WARRANTY

- 5 year limited warranty; see eiko.com for warranty details

APPLICATIONS

- Commercial/Residential
- Hotel/Hospitality
- Education
- Healthcare
- Retail
- Property Management



horizontal



vertical



PERFORMANCE	Power Consumption	9W
	Lumens	850/900
	Efficacy (LPW)	94/100
	CRI	80+
	Beam	120°
	CCT	2700K, 3000K, 3500K, 4000K
	Life (L70)	50,000 hours
ELECTRICAL	Power Factor	≥0.9
	THD	<20%
	Input Voltage	120-277V
CONSTRUCTION	Base	G24d-1, G24d-2, G24d-3, G24q-3, GX24q-3, GX24q-4
LISTINGS	Certification(s)	DesignLights Consortium® Qualified; cULus Classified
	Material Usage	RoHS Compliant; no mercury or lead
	Environment	UL/cUL Classified for damp locations

PERFORMANCE SUMMARY

2-PIN MAGNETIC BALLAST COMPATIBLE / NON-DIMMABLE:*

Order Code	Item #	Lumens	Watts	CCT	CRI	MOL	Orientation	Base	Life/Hours	Replaces Fluor
09332	LED9W2PH/827DR-G6	850	9W	2700K	80+	5.39"	Horizontal	G24d-1, G24d-2, G24d-3	50K	26W 2-pin quad
09250	LED9W2PH/830DR-G6	850	9W	3000K	80+	5.39"	Horizontal	G24d-1, G24d-2, G24d-3	50K	26W 2-pin quad
09251	LED9W2PH/835DR-G6	850	9W	3500K	80+	5.39"	Horizontal	G24d-1, G24d-2, G24d-3	50K	26W 2-pin quad
09252	LED9W2PH/840DR-G6	900	9W	4000K	80+	5.39"	Horizontal	G24d-1, G24d-2, G24d-3	50K	26W 2-pin quad
09334	LED9W2PV/827DR-G6	850	9W	2700K	80+	4.57"	Vertical	G24d-1, G24d-2, G24d-3	50K	13/18/26W 2-pin quad
09253	LED9W2PV/830DR-G6	850	9W	3000K	80+	4.57"	Vertical	G24d-1, G24d-2, G24d-3	50K	13/18/26W 2-pin quad
09254	LED9W2PV/835DR-G6	850	9W	3500K	80+	4.57"	Vertical	G24d-1, G24d-2, G24d-3	50K	13/18/26W 2-pin quad
09255	LED9W2PV/840DR-G6	900	9W	4000K	80+	4.57"	Vertical	G24d-1, G24d-2, G24d-3	50K	13/18/26W 2-pin quad

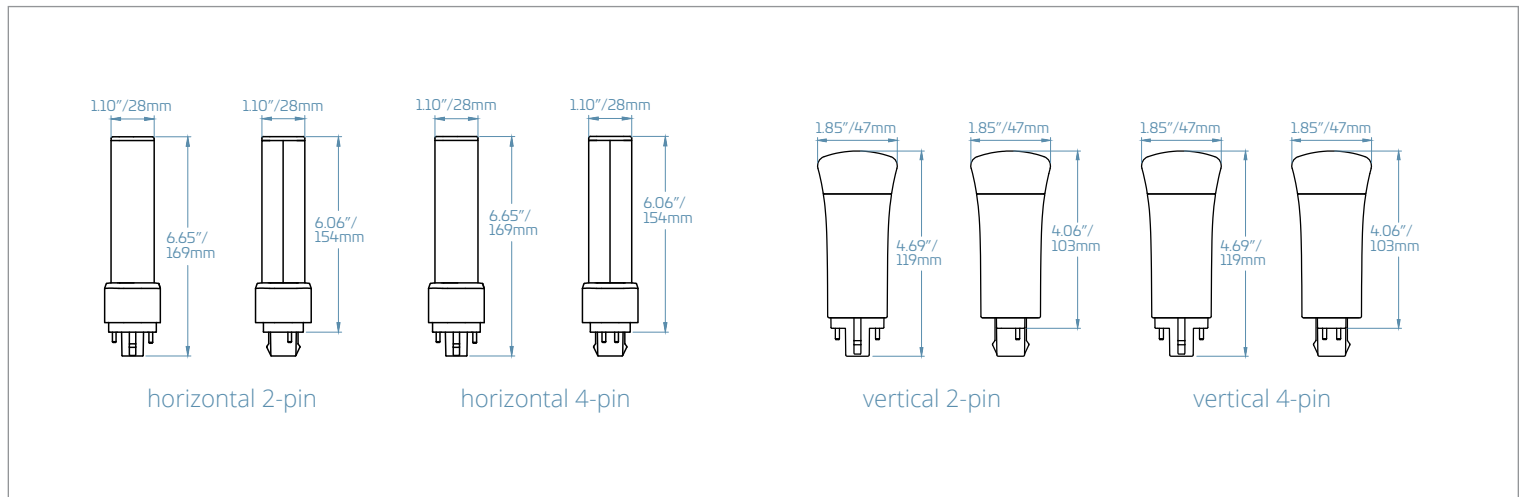
NOTE: Use order code when ordering. Visit eiko.com for complete ballast compatibility information. *Not for use with emergency ballasts.

4-PIN ELECTRONIC BALLAST COMPATIBLE / NON-DIMMABLE:*

Order Code	Item #	Lumens	Watts	CCT	CRI	MOL	Orientation	Base	Life/Hours	Replaces Fluor	DLC
09331	LED9W4PH/827DR-G6	9W	850	2700K	80+	6.57"	Horizontal	G24q-3, GX24q-3, GX24q-4	50K	26/32/42W 4-pin quad & triple	
09244	LED9W4PH/830DR-G6	9W	850	3000K	80+	6.57"	Horizontal	G24q-3, GX24q-3, GX24q-4	50K	26/32/42W 4-pin quad & triple	✓
09245	LED9W4PH/835DR-G6	9W	850	3500K	80+	6.57"	Horizontal	G24q-3, GX24q-3, GX24q-4	50K	26/32/42W 4-pin quad & triple	✓
09246	LED9W4PH/840DR-G6	9W	900	4000K	80+	6.57"	Horizontal	G24q-3, GX24q-3, GX24q-4	50K	26/32/42W 4-pin quad & triple	✓
09333	LED9W4PV/827DR-G6	9W	850	2700K	80+	4.57"	Vertical	G24q-3, GX24q-3, GX24q-4	50K	26/32/42W 4-pin quad & triple	
09247	LED9W4PV/830DR-G6	9W	850	3000K	80+	4.57"	Vertical	G24q-3, GX24q-3, GX24q-4	50K	26/32/42W 4-pin quad & triple	✓
09248	LED9W4PV/835DR-G6	9W	850	3500K	80+	4.57"	Vertical	G24q-3, GX24q-3, GX24q-4	50K	26/32/42W 4-pin quad & triple	✓
09249	LED9W4PV/840DR-G6	9W	900	4000K	80+	4.57"	Vertical	G24q-3, GX24q-3, GX24q-4	50K	26/32/42W 4-pin quad & triple	✓

NOTE: Use order code when ordering. Visit eiko.com for complete ballast compatibility information. *Not for use with emergency ballasts. ✓DesignLights Consortium® Qualified

DIMENSIONS



LED PL : DIRECT REPLACEMENT LAMPS

DESCRIPTION

LED PL Replacement Lamps directly replace fluorescent PL lamps at a fraction of the energy cost.

FEATURES

- Plug-and-Play installation for 2-pin G23, GX23 or GX23-2 base (magnetic ballast compatible)
- Lasts 5x longer than compact fluorescent lamps
- Consumes up to 87% less energy than conventional CFL
- Base rotates for precision orientation once installed in fixture
- Shatter-resistant for reduced risk of injury and breakage
- Instant-on with no warmup, unlike CFLs
- G23 directly replaces 7W, 9W, 11W dual tube PLS CFL lamps
- GX23 directly replaces 13W dual & quad tube PLS CFL lamps
- GX23 (duo) base version also fits GX23-2 (quad)

WARRANTY

- 5 year limited warranty; see eiko.com for warranty details

APPLICATIONS

- Commercial/Residential
- Hotel/Hospitality
- Education
- Healthcare
- Retail
- Property Management



G23 base



GX23 base



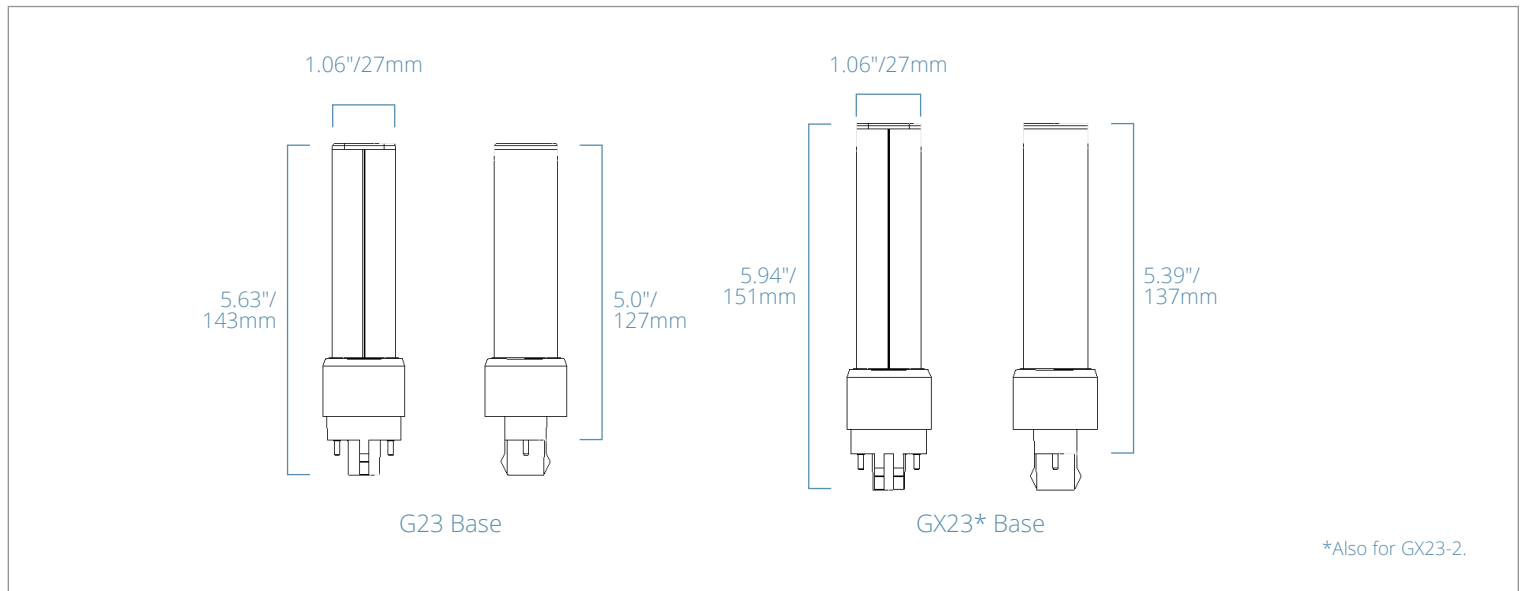
PERFORMANCE	Power Consumption	5W	7W
	Lumens	475/500	650/700
	Efficacy (LPW)	95/100	93/100
	CRI	80+	
	Beam	120°	
	CCT	2700K, 3500K, 4000K, 5000K	
	Life (L70)	50,000 hours	
ELECTRICAL	Power Factor	≥0.9	
	THD	<20%	
	Input Voltage	120-277V	
CONSTRUCTION	Base	G23, GX23	
LISTINGS	Certification(s)	cULus Classified	
	Material Usage	RoHS Compliant; no mercury or lead	
	Environment	UL/cUL Classified for damp locations	

PERFORMANCE SUMMARY

Order Code	Item #	Lumens	Watts	CCT	CRI	MOL	Orientation	Base	Life/Hours	Replaces Fluor
09526	LED5W2PH/G23/827-G7*	475	5W	2700K	80+	143mm	Horizontal	G23	50K	7/9/11W 2 pin dual
09527	LED5W2PH/G23/835-G7*	475	5W	3500K	80+	143mm	Horizontal	G23	50K	7/9/11W 2 pin dual
09528	LED5W2PH/G23/840-G7*	500	5W	4000K	80+	143mm	Horizontal	G23	50K	7/9/11W 2 pin dual
09529	LED5W2PH/G23/850-G7*	500	5W	5000K	80+	143mm	Horizontal	G23	50K	7/9/11W 2 pin dual
09530	LED7W2PH/GX23/827-G7*	650	7W	2700K	80+	151mm	Horizontal	GX23	50K	13W 2 pin dual & quad
09531	LED7W2PH/GX23/835-G7*	650	7W	3500K	80+	151mm	Horizontal	GX23	50K	13W 2 pin dual & quad
09532	LED7W2PH/GX23/840-G7*	700	7W	4000K	80+	151mm	Horizontal	GX23	50K	13W 2 pin dual & quad
09533	LED7W2PH/GX23/850-G7*	700	7W	5000K	80+	151mm	Horizontal	GX23	50K	13W 2 pin dual & quad

NOTE: Use order code when ordering. Visit eiko.com for complete ballast compatibility information. *Not for use with emergency ballasts.

DIMENSIONS



BALLAST COMPATIBILITY

- Philips Advance H-1B13-TP
- Philips Advance LPL-5-9-TP
- Robertson SP4827P

LED PL : DIRECT REPLACEMENT LAMPS

DESCRIPTION

LED PL Replacement Lamps directly replace fluorescent PL lamps at a fraction of the energy cost.

FEATURES

- Plug-and-Play installation for 2-pin G23, GX23 or G24Q base (magnetic ballast compatible)
- Lasts 5x longer than compact fluorescent lamps
- Consumes up to 87% less energy than conventional CFL
- Base rotates for precision orientation once installed in fixture
- Shatter-resistant for reduced risk of injury and breakage
- Instant-on with no warmup, unlike CFLs
- Suitable for use in 6" cans

WARRANTY

- 5 year limited warranty; see eiko.com for warranty details

APPLICATIONS

- Commercial/Residential
- Hotel/Hospitality
- Education
- Healthcare
- Retail
- Property Management



G23 base Horizontal



GX23 base Horizontal



G24Q base Horizontal



G24Q base Vertical



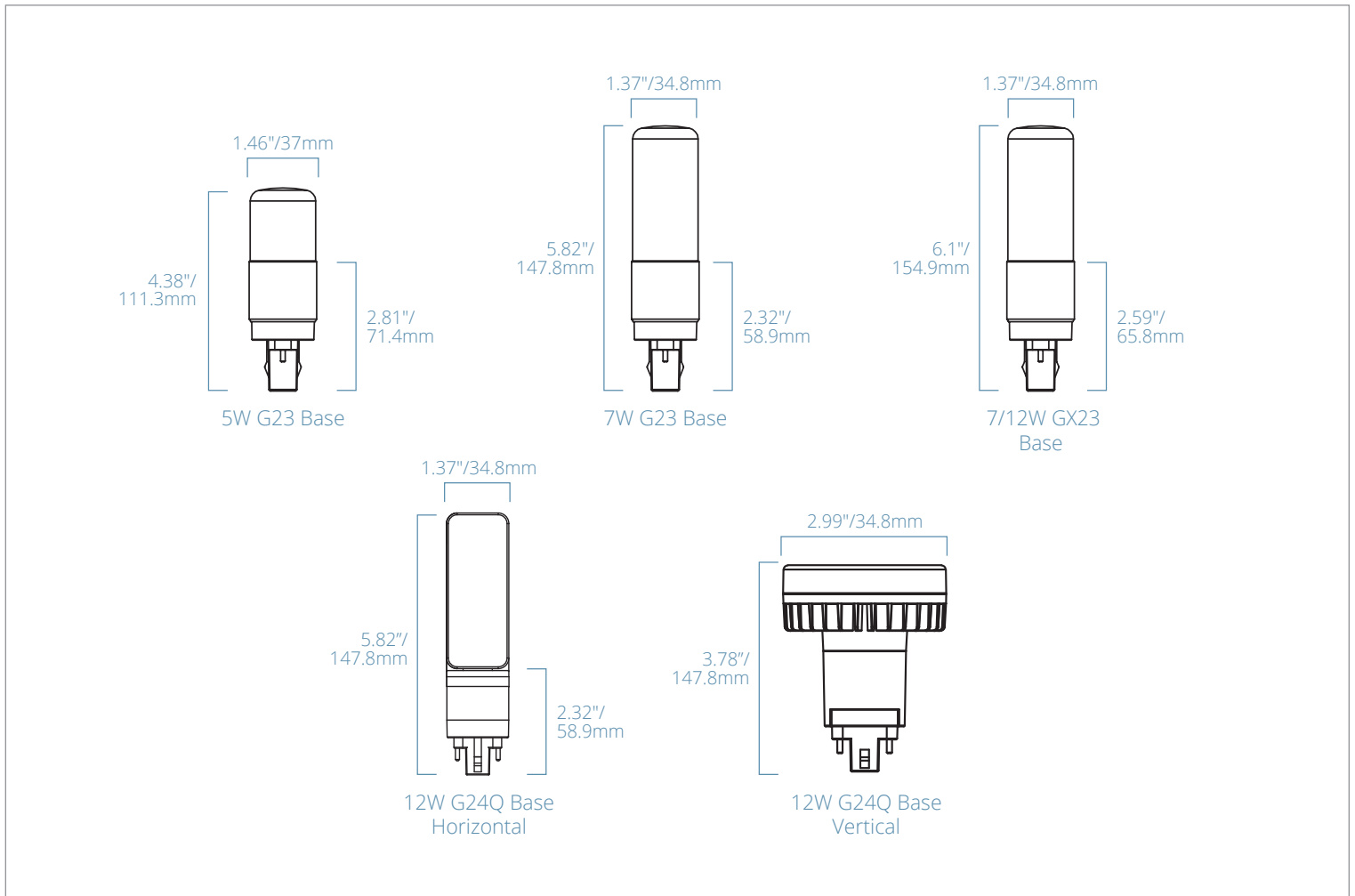
PERFORMANCE	Power Consumption	5W	7W	12W
	Lumens	500	700	1100
	Efficacy (LPW)	100	100	92
	CRI		80+	
	Beam		120°	
	CCT		3500K	
	Life (L70)		50,000 hours	
ELECTRICAL	Power Factor		≥0.9	
	THD		<20%	
	Input Voltage		120-277V	
CONSTRUCTION	Base		G23, GX23, G24Q	
LISTINGS	Certification(s)		cULus Classified	
	Material Usage		RoHS Compliant; no mercury or lead	
	Environment		UL/cUL Classified for damp locations	

PERFORMANCE SUMMARY

Order Code	Item #	Lumens	Watts	CCT	CRI	MOL	Orientation	Base	Life/Hours	Replaces Fluor
09782	LED5W2PH/G23/835DM-G7B*	500	5W	3500K	80+	4.38"	Horizontal	G23	50K	13W CFL
09626	LED7W2PH/G23/835DM-G7*	700	7W	3500K	80+	5.82"	Horizontal	G23	50K	18W CFL
09627	LED7W2PH/GX23/835DM-G7*	700	7W	3500K	80+	6.1"	Horizontal	GX23	50K	18W CFL
09629	LED12W2PH/GX23/835DM-G7	1100	12W	3500K	80+	6.1"	Horizontal	GX23	50K	26W CFL
09630	LED12W4PH/G24Q/835DM-G7	1100	12W	3500K	80+	5.82"	Horizontal	G24Q	50K	26W CFL
09631	LED12W4PV/G24Q/835DM-G7	1100	12W	3500K	80+	3.78"	Vertical	G24Q	50K	26W CFL

NOTE: Use order code when ordering. Visit eiko.com for complete ballast compatibility information. Not for use with emergency ballasts.
*See instruction manual for ballast compatibility list.

DIMENSIONS



LED PL : DIRECT REPLACEMENT LAMPS

DESCRIPTION

LED PL Replacement Lamps directly replace fluorescent PL lamps at a fraction of the energy cost.

FEATURES

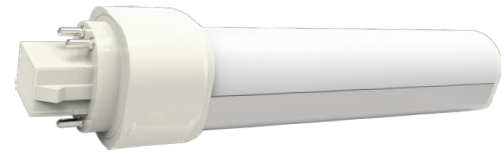
- Plug-and-play installation for 4-pin G24Q and GX24Q bases
- Lasts 5x longer than compact fluorescent lamps
- Consumes up to 1/3 the energy of conventional CFL
- Base rotates for precision orientation once installed in fixture
- Shatter-resistant for reduced risk of injury and breakage
- Instant-on with no warmup, unlike CFLs
- 9W G24Q replaces 26-42W CFL
- Suitable for use in 6" cans
- Non-dimmable
- **Not compatible with all ballasts. See eiko.com for list of tested ballasts**

WARRANTY

- 5 year limited warranty; see eiko.com for warranty details

APPLICATIONS

- Commercial/Residential
- Hotel/Hospitality
- Education
- Healthcare
- Retail
- Property Management



G24Q base
Horizontal



G24Q base
Vertical



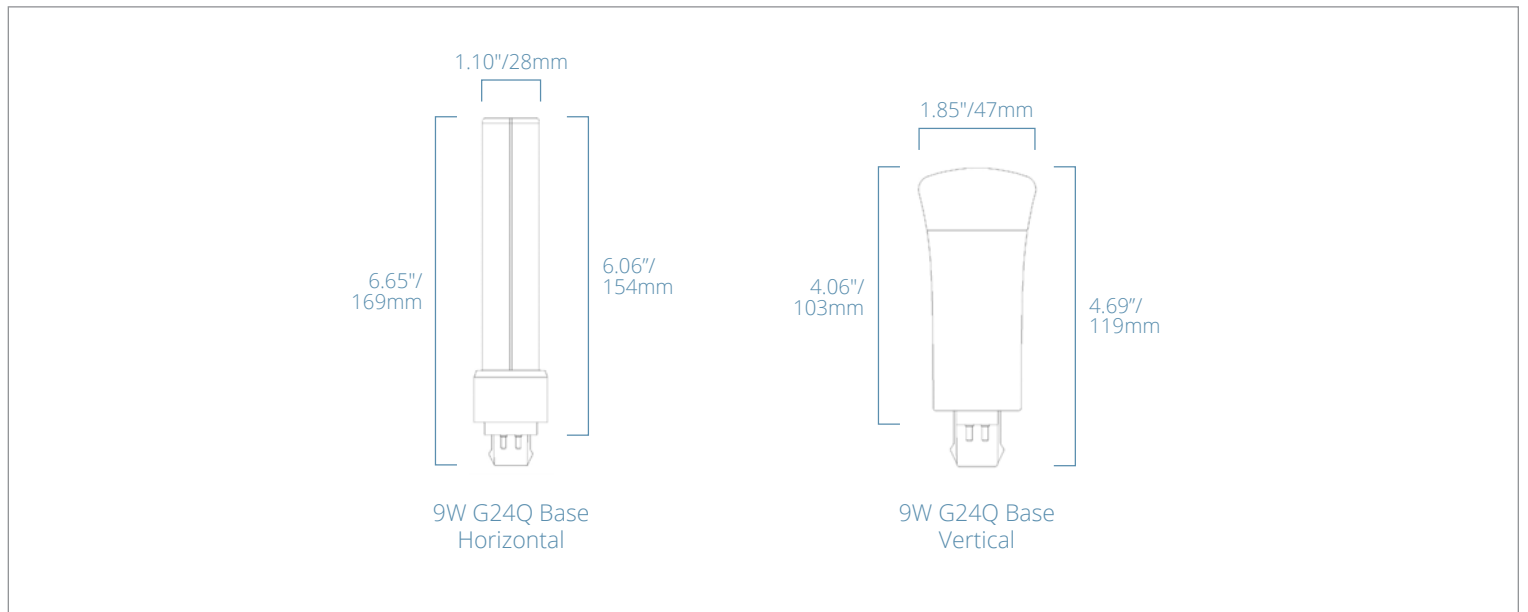
PERFORMANCE	Power Consumption	9W
	Lumens	900/950/1,000
	Efficacy (LPW)	100/106/111
	CRI	80+
	Beam	140°
	CCT	2700K, 3000K, 3500K, 4000K
	Life (L70)	50,000 hours
ELECTRICAL	Power Factor	≥0.9
	THD	<20%
	Input Voltage	120-277V
	Operating Temperature	-4°F to 113°F (-20°C to 45°C)
CONSTRUCTION	Base	G24Q; GX24Q
LISTINGS	Certification(s)	cULus Classified
	Material Usage	RoHS Compliant; no mercury or lead
	Environment	UL/cUL Classified for damp locations; Enclosed fixture rated

PERFORMANCE SUMMARY

Order Code	Item #	Lumens	Watts	CCT	CRI	MOL	Orientation	Base	Beam	Life/Hours	Replaces Fluor
09938	LED9W4PH/827DR-G7	900	9W	2700K	80+	6.65"	Horizontal	G24Q/GX24Q	140°	50K	26-42W CFL
09901	LED9W4PH/830DR-G7	950	9W	3000K	80+	6.65"	Horizontal	G24Q/GX24Q	140°	50K	26-42W CFL
09902	LED9W4PH/835DR-G7	950	9W	3500K	80+	6.65"	Horizontal	G24Q/GX24Q	140°	50K	26-42W CFL
09903	LED9W4PH/840DR-G7	1,000	9W	4000K	80+	6.65"	Horizontal	G24Q/GX24Q	140°	50K	26-42W CFL
09939	LED9W4PV/827DR-G7	900	9W	2700K	80+	4.69"	Vertical	G24Q/GX24Q	140°	50K	26-42W CFL
09940	LED9W4PV/830DR-G7	950	9W	3000K	80+	4.69"	Vertical	G24Q/GX24Q	140°	50K	26-42W CFL
09925	LED9W4PV/835DR-G7	950	9W	3500K	80+	4.69"	Vertical	G24Q/GX24Q	140°	50K	26-42W CFL
09926	LED9W4PV/840DR-G7	1,000	9W	4000K	80+	4.69"	Vertical	G24Q/GX24Q	140°	50K	26-42W CFL

NOTE: Use order code when ordering. Visit eiko.com for complete ballast compatibility information. Not for use with emergency ballasts.

DIMENSIONS



LED PL : DUAL MODE REPLACEMENT LAMPS

DESCRIPTION

LED PL Replacement Lamps directly replace fluorescent PL lamps at a fraction of the energy cost.

FEATURES

- Dual mode: operates on existing ballasts or line voltage
- Lasts 5x longer than compact fluorescent lamps
- Consumes up to 1/3 the energy of conventional CFL
- Base rotates for precision orientation once installed in fixture
- Shatter-resistant for reduced risk of injury and breakage
- Instant-on with no warmup, unlike CFLs
- Suitable for use in 6" cans
- Non-dimmable
- 12W items not for use in totally enclosed luminaires

WARRANTY

- 5 year limited warranty; see eiko.com for warranty details

APPLICATIONS

- Commercial/Residential
- Hotel/Hospitality
- Education
- Healthcare
- Retail
- Property Management



RoHS
Compliant

cUL[®] US

CLASSIFIED
cUL[®] US

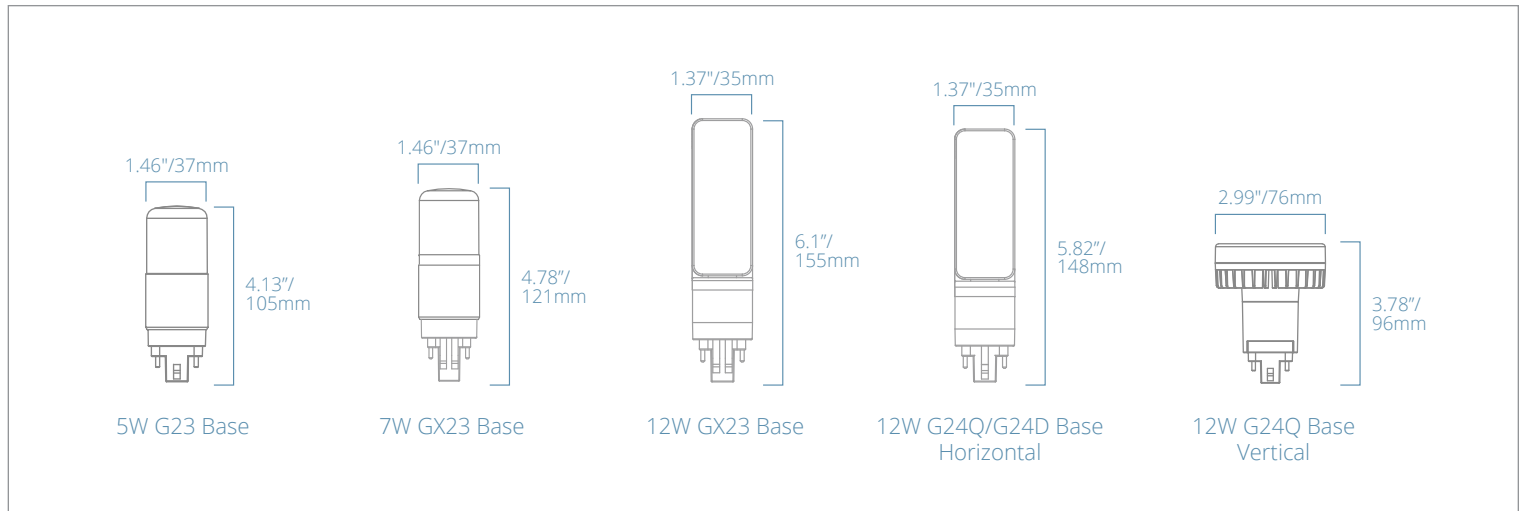
PERFORMANCE	Power Consumption	5W	7W	12W
	Lumens	475/500	700	1,100
	Efficacy (LPW)	95/100	100	92
	CRI		80+	
	Beam		140°	
	CCT		2700K, 3000K, 3500K, 4000K	
	Life (L70)		50,000 hours	
ELECTRICAL	Power Factor		≥0.9	
	THD		<20%	
	Input Voltage		120-277V	
CONSTRUCTION	Operating Temperature		-20°C (-4°F) to 40°C (104°F)	
	Base		G23, GX23, G24Q, G24D, GX24Q	
LISTINGS	Certification(s)		cULus Classified	
	Material Usage		RoHS Compliant; no mercury or lead	
	Environment		UL/cUL Classified for damp locations	

PERFORMANCE SUMMARY

Order Code	Item #	Lumens	Watts	CCT	CRI	MOL	Orientation	Base	Life/Hours	Replaces Fluor
10172	LED5W2P/G23/827DM-G7B	475	5W	2700K	80+	4.13"	Vertical	G23	50,000	13W CFL
10173	LED5W2P/G23/830DM-G7B	475	5W	3000K	80+	4.13"	Vertical	G23	50,000	13W CFL
10174	LED5W2P/G23/835DM-G7B	475	5W	3500K	80+	4.13"	Vertical	G23	50,000	13W CFL
10180	LED5W2P/G23/840DM-G7B	475	5W	4000K	80+	4.13"	Vertical	G23	50,000	13W CFL
09782	LED5W2PH/G23/835DM-G7B	500	5W	3500K	80+	4.13"	Horizontal	G23	50,000	13W CFL
09626	LED7W2PH/G23/835DM-G7	700	7W	3500K	80+	5.82"	Horizontal	G23	50,000	18W CFL
10176	LED7W2P/GX23/827DM-G7B	700	7W	2700K	80+	4.78"	Vertical	GX23	50,000	18W CFL
10177	LED7W2P/GX23/830DM-G7B	700	7W	3000K	80+	4.78"	Vertical	GX23	50,000	18W CFL
09904	LED7W2P/GX23/835DM-G7B	700	7W	3500K	80+	4.78"	Vertical	GX23	50,000	18W CFL
10178	LED7W2P/GX23/840DM-G7B	700	7W	4000K	80+	4.78"	Vertical	GX23	50,000	18W CFL
09627	LED7W2PH/GX23/835DM-G7	700	7W	3500K	80+	6.1"	Horizontal	GX23	50,000	18W CFL
10163	LED12W2PH/GX23/827DM-G7*	1,100	12W	2700K	80+	6.1"	Horizontal	GX23	50,000	26W CFL
10164	LED12W2PH/GX23/830DM-G7*	1,100	12W	3000K	80+	6.1"	Horizontal	GX23	50,000	26W CFL
09629	LED12W2PH/GX23/835DM-G7*	1,100	12W	3500K	80+	6.1"	Horizontal	GX23	50,000	26W CFL
10179	LED12W2PH/GX23/840DM-G7*	1,100	12W	4000K	80+	6.1"	Horizontal	GX23	50,000	26W CFL
10166	LED12W4PH/G24Q/827DM-G7*	1,100	12W	2700K	80+	5.82"	Horizontal	G24Q/GX24Q	50,000	26W CFL
10167	LED12W4PH/G24Q/830DM-G7*	1,100	12W	3000K	80+	5.82"	Horizontal	G24Q/GX24Q	50,000	26W CFL
09630	LED12W4PH/G24Q/835DM-G7*	1,100	12W	3500K	80+	5.82"	Horizontal	G24Q/GX24Q	50,000	26W CFL
10168	LED12W4PH/G24Q/840DM-G7*	1,100	12W	4000K	80+	5.82"	Horizontal	G24Q/GX24Q	50,000	26W CFL
10169	LED12W4PV/G24Q/827DM-G7*	1,100	12W	2700K	80+	3.78"	Vertical	G24Q/GX24Q	50,000	26W CFL
10170	LED12W4PV/G24Q/830DM-G7*	1,100	12W	3000K	80+	3.78"	Vertical	G24Q/GX24Q	50,000	26W CFL
09631	LED12W4PV/G24Q/835DM-G7*	1,100	12W	3500K	80+	3.78"	Vertical	G24Q/GX24Q	50,000	26W CFL
10171	LED12W4PV/G24Q/840DM-G7*	1,100	12W	4000K	80+	3.78"	Vertical	G24Q/GX24Q	50,000	26W CFL
10473	LED12W2PH/G24D/835DM-G7	1,100	12W	3500K	80+	5.82"	Horizontal	G24D	50,000	26W CFL
10474	LED12W2PH/G24D/840DM-G7	1,100	12W	4000K	80+	5.82"	Horizontal	G24D	50,000	26W CFL

NOTE: Use order code when ordering. Visit eiko.com for complete ballast compatibility information. Not for use with emergency ballasts.
*Not for use in totally enclosed luminaires (12W only).

DIMENSIONS



LED PLL : DIRECT FIT

DESCRIPTION

LED PLL Replacement Lamps directly replace compact fluorescent PLL lamps at a fraction of the energy cost.

FEATURES

- Directly replace 40W CFL PLL lamps
- Solid state replacement for 2' 40W PLL compact fluorescent lamps with 2G11 base
- Frosted lens for uniform diffuse appearance
- Up to 50% instant energy savings
- Instant-On with no warm up like fluorescents
- Suitable for use in totally enclosed fixtures
- No rewiring or modifications to fixture of any kind required
- Frosted glass lens reduces visual glare
- Not compatible with emergency ballasts
- Note: check eiko.com for ballast compatibility

WARRANTY

- 5 year limited warranty; see eiko.com for warranty details

APPLICATIONS

- Retail
- Hospitality
- Office
- Ceiling Luminaires



RoHS
Compliant

FC

cUL US LISTED

PERFORMANCE	Power Consumption	23W
	Lumens	2,600/2,800
	Efficacy (LPW)	113/122
	CRI	80+
	Beam	220°
	CCT	3000K, 3500K, 4000K, 5000K
	Life (L70)	50,000 hours
ELECTRICAL	Power Factor	≥0.9
	THD	<20%
	Input Voltage	120-277V
CONSTRUCTION	Operating Temperature	-4°F to 113°F (-20°C to 45°C)
	Base	2G11
LISTINGS	Certification(s)	cULus Listed; FCC
	Material Usage	RoHS Compliant; no mercury or lead
	Environment	UL Listed for damp locations

PERFORMANCE SUMMARY

Order Code	Item #	Lumens	Watts	CCT	CRI	MOL	Base	Life/Hours	Replaces Fluor
60461	LED23W/PLL/830-G7DR	2,600	23W	3000K	80+	22.2"	2G11	50K	40W CFL PLL
60462	LED23W/PLL/835-G7DR	2,600	23W	3500K	80+	22.2"	2G11	50K	40W CFL PLL
60463	LED23W/PLL/840-G7DR	2,800	23W	4000K	80+	22.2"	2G11	50K	40W CFL PLL
60464	LED23W/PLL/850-G7DR	2,800	23W	5000K	80+	22.2"	2G11	50K	40W CFL PLL

NOTE: Use order code when ordering.

DIMENSIONS



DECORATIVE LAMPS : B11 & G25

DESCRIPTION

LED Decorative Replacement Lamps directly replace incandescent bullet and globe lamps at a fraction of the energy cost.

FEATURES

- 15,000-25,000 hour rated life for ENERGY STAR® Approved lamps*
- 50,000 hour design life**
- Ideal for wall sconces and ceiling fans
- Lasts 30x longer than incandescent
- Instant-On with no warm up, unlike CFLs

WARRANTY

- 5 year limited warranty; see eiko.com for warranty details

APPLICATIONS

- Chandeliers
- Accent/display lighting
- Sconces
- Lanterns
- Hospitality
- Residential
- Vanity mirrors



* Early initial qualification for ENERGY STAR allows for directional lamp life claims of 25,000 hours (L70) with 3,000 hour actual test data, LM80 data and in-situ temperature measurements. As the lamps pass ENERGY STAR requirements, manufacturers may increase the lifetime of a product as dictated by ENERGY STAR guidelines. See http://www.energystar.gov/index.cfm?fuseaction=products_for_partners.showLightbulbs for further details.

** Design life is based on engineering testing and probability analysis



PERFORMANCE	Power Consumption	6W	4.9/5W	5W
	Lumens	450	315/325/350	325/350
	Efficacy (LPW)	75	64/65/70	65/70
	CRI	80+		
	CCT	2700K, 3000K		
	Life (L70)	15,000, 25,000, 40,000 hours*		
ELECTRICAL	Power Factor	≥0.9		
	THD	<20%		
	Input Voltage	120V		
CONSTRUCTION	Operating Temperature	-40°F to 104°F (-40°C to 40°C)		
	Base	E26	E12	E26
LISTINGS	Certification(s)	ENERGY STAR® Rated; cULus Classified		
	Material Usage	RoHS Compliant; no mercury or lead		

PERFORMANCE SUMMARY

G25 (E26 BASE):

Order Code	Item #	Lumens	Watts	CCT	CRI	MOL	Life/Hours	Replaces Incan.	ES
10082	LED6WG25/827-DIM-G8†	6W	450	2700K	80+	4.46"	25,000	50W G25	★
10083	LED6WG25/830-DIM-G8	6W	450	3000K	80+	4.46"	25,000	50W G25	★
09995	LED6WG25/840-DIM-G8	6W	450	4000K	80+	4.46"	25,000	50W G25	★
90038	LED6WG25/827K-DIM-G4	6W	450	2700K	80+	4.78"	15,000	50W G25	★
90037	LED6WG25/830K-DIM-G4	6W	450	3000K	80+	4.78"	25,000	50W G25	★
90036	LED6WG25/840K-DIM-G4	6W	450	4000K	80+	4.78"	25,000	50W G25	★

B11 (E12 BASE):

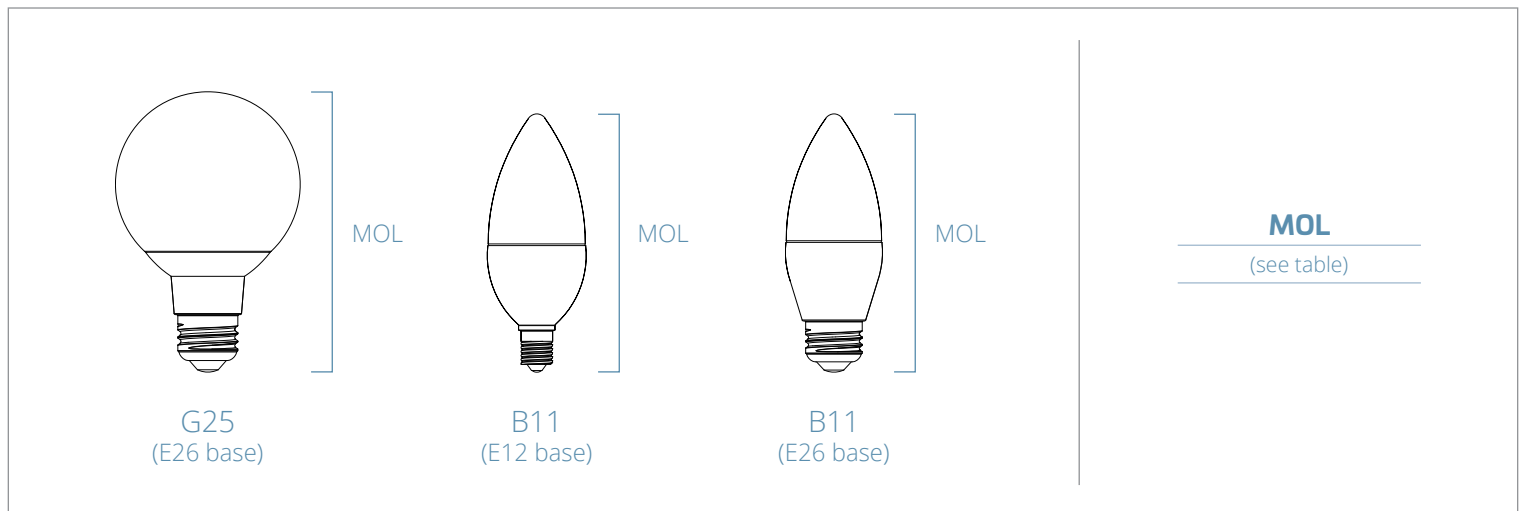
Order Code	Item #	Lumens	Watts	CCT	CRI	MOL	Life/Hours	Replaces Incan.	ES
10007	LED5WB11/E12/827-DIM-G8	5W	350	2700K	80+	3.83"	25,000	40W B11	★
10008	LED5WB11/E12/830-DIM-G8	5W	350	3000K	80+	3.83"	25,000	40W B11	★
08425	LED4.9WB11/E12/827-DIM†	4.9W	315	2700K	80+	4.06"	40,000	40W B11	★
08426	LED4.9WB11/E12/830-DIM†	4.9W	315	3000K	80+	4.06"	40,000	40W B11	★
08729	LED5WB11/E12/827-DIM-G5	5W	325	2700K	80+	3.83"	15,000	40W B11	★
08730	LED5WB11/E12/830-DIM-G5	5W	325	3000K	80+	3.83"	15,000	40W B11	★

B11 (E26 BASE):

Order Code	Item #	Lumens	Watts	CCT	CRI	MOL	Life/Hours	Replaces Incan.	ES
10088	LED5WB11/E26/827-DIM-G8	5W	350	2700K	80+	3.80"	25,000	40W B11	★
10089	LED5WB11/E26/830-DIM-G8	5W	350	3000K	80+	3.80"	25,000	40W B11	★
08731	LED5WB11/E26/827-DIM-G5	5W	325	2700K	80+	3.70"	15,000	40W B11	★
08732	LED5WB11/E26/830-DIM-G5	5W	325	3000K	80+	3.70"	15,000	40W B11	★

NOTE: Use order code when ordering. ★ENERGY STAR® Approved

DIMENSIONS



LED FILAMENT DECORATIVE

DESCRIPTION

LED Filament Decorative Replacement Lamps are a cost-effective, energy-efficient alternative to incandescent filament lamps.

FEATURES

- LED lamp with the same vintage look and feel as traditional incandescent filament lamps
- 80% more efficient and 20x longer life than incandescent
- 2200K amber and 2700K clear available in various decorative shapes
- Compatible with a wide array of leading edge TRIAC dimmers
- Suitable for use in totally enclosed fixtures
- Dimmable down to 10% of full light output
- Not intended for use with emergency exits

WARRANTY

- 5 year limited warranty; see eiko.com for warranty details

APPLICATIONS

- Chandeliers
- Accent/display lighting
- Sconces
- Lanterns
- Hospitality
- Residential
- Vanity mirrors



Top: A15; A19; A19 Silver Bowl; ST19
 Middle: G16; G25; S14
 Bottom: B11 E26; B11 E12; BA11 E12; T10; T6 E12; T6.5 E17



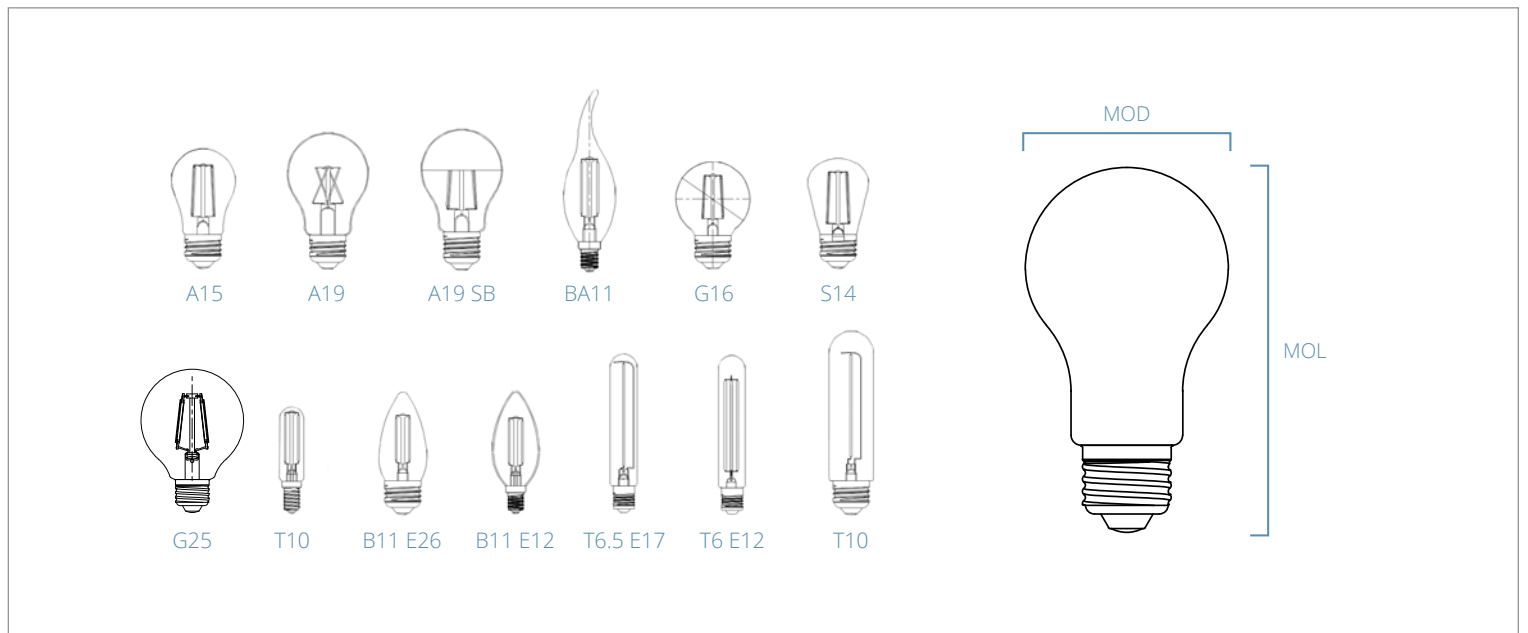
PERFORMANCE	Power Consumption	2.5W	4W	4.5W	5W	7W
	Lumens	200/250	250/300/350/400	350/400/450/470/500	500	700/800
	Efficacy (LPW)	80/100	63/75/88/100	78/89/100/104/111	100	100/114
	CRI	80+				
	CCT	2200K, 2700K				
	Life (L70)	15,000 hours				
ELECTRICAL	Power Factor	≥0.9				
	THD	<20%				
	Input Voltage	120VAC				
CONSTRUCTION	Lens	Frosted				
	Base	G5				
LISTINGS	Certification(s)	ENERGY STAR® Approved; cULus Listed				
	Material Usage	RoHS Compliant; no mercury or lead				
	Environment	Suitable for use in damp locations				

PERFORMANCE SUMMARY

Order Code	Item #	Lumens	Watts	CCT	CRI	Volts	Shape	Base	MOL	MOD	Life/Hours	ES
09858	LED2.5WB11E12/FIL/827-DIM-G7	200	2.5W	2700K	80+	120VAC	B11	E12	3.8/96.6	1.38/35	15,000	★
09869	LED2.5WT10/FIL/827-DIM-G7	250	2.5W	2700K	80+	120VAC	T10	E26	5.31/135	1.3/33	15,000	
09866	LED2.5WT6.5E17/FIL/827-DIM-G7	200	2.5W	2700K	80+	120VAC	T6.5	E17	4.65/118	0.79/20	15,000	
09865	LED2WT6E12/FIL/827-DIM-G7	120	2W	2700K	80+	120VAC	T6	E12	3.15/80	0.71/18	15,000	
09856	LED4.5WA15/FIL/827-DIM-G7	450	4.5W	2700K	80+	120VAC	A15	E26	3.46/88	1.89/48	15,000	
09871	LED4.5WA19/FIL/822-DIM-G7	350	4.5W	2200K	80+	120VAC	A19	E26	3.94/100	2.36/60	15,000	
09857	LED4.5WA19/FIL/SB/827-DIM-G7	400	4.5W	2700K	80+	120VAC	A19	E26	3.94/100	2.36/60	15,000	
09859	LED4.5WB11E12/FIL/827-DIM-G7	500	4.5W	2700K	80+	120VAC	B11	E12	3.8/96.6	1.38/35	15,000	
09862	LED4.5WG16/FIL/827-DIM-G7	500	4.5W	2700K	80+	120VAC	G16	E26	3.15/80	2.17/55	15,000	
09875	LED4.5WG25/FIL/827-DIM-G7	470	4.5W	2700K	80+	120VAC	G25	E26			15,000	
09868	LED4.5WT6.5E17/FIL/827-DIM-G7	450	4.5W	2700K	80+	120VAC	T6.5	E17	4.65/118	0.79/20	15,000	
09855	LED4WA15/FIL/827-DIM-G7	300	4W	2700K	80+	120VAC	A15	E26	3.46/88	1.89/48	15,000	
09892	LED4WB11E12/FIL/827-DIM-G7	300	4W	2700K	80+	120VAC	B11	E12	3.8/96.6	1.38/35	15,000	★
09860	LED4WBA11E12/FIL/827-DIM-G7	400	4W	2700K	80+	120VAC	BA11	E12	4.84/123	1.38/35	15,000	
09861	LED4WG16/FIL/827-DIM-G7	350	4W	2700K	80+	120VAC	G16	E26	3.15/80	2.17/55	15,000	
09864	LED4WS14/FIL/827-DIM-G7	300	4W	2700K	80+	120VAC	S14	E26	3.19/81	1.77/45	15,000	
09863	LED4WS14/FIL/822-DIM-G7	250	4W	2200K	80+	120VAC	S14	E26	3.19/81	1.77/45	15,000	
09879	LED4WST19/FIL/822K-DIM-G7	400	4W	2200K	80+	120VAC	ST19	E26			15,000	
09870	LED4WT10/FIL/827-DIM-G7	450	4W	2700K	80+	120VAC	T10	E26	5.31/135	1.3/33	15,000	
09867	LED4WT6.5E17/FIL/827-DIM-G7	300	4W	2700K	80+	120VAC	T6.5	E17	4.65/118	0.79/20	15,000	
09878	LED5WB11E26/FIL/827K-DIM-G7	500	5W	2700K	80+	120VAC	B11	E26	3.62/92	1.38/35	15,000	
09877	LED7WA19/FIL/827-DIM-G7	800	7W	2700K	80+	120VAC	A19	E26	4.13/105	2.36/60	15,000	★
09441	LED7WA19/FIL/SB/827K-DIM-G7	700	7W	2700K	80+	120VAC	A19	E26	3.94/100	2.36/60	15,000	

NOTE: Use order code when ordering. ★ENERGY STAR® Approved

DIMENSIONS



DK4 : 4" LED DOWNLIGHT KIT

DESCRIPTION

The ultra-efficient LED Downlight Kit is designed to retrofit into existing incandescent recessed downlights, reducing energy consumption by up to 80%.

FEATURES

- Fits many popular 4" recessed downlight fixtures
- Integrated white trim with both medium base (E26) and GU24 socket adapters (included) for direct replacement
- Lasts up to 30X longer than traditional incandescent
- Choice of cool white or warm white color temperatures
- Dimmable 10-100%
- Instant-on, no warm-up time

WARRANTY

- 5 year limited warranty; see eiko.com for warranty details

APPLICATIONS

- Healthcare
- Hospitality
- Office
- Property Management
- Residential
- Retail



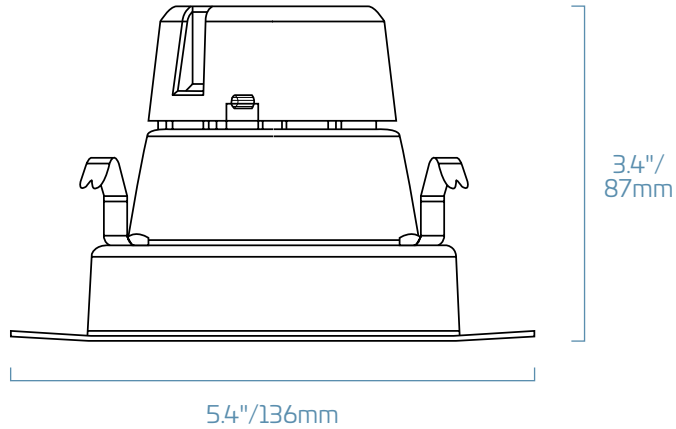
PERFORMANCE	Power Consumption	10W
	Lumens	650
	Efficacy (LPW)	65
	CRI	80+
	CCT	2700K/3000K/4000K
	Life (L70)	35,000 hours
ELECTRICAL	Power Factor	>0.7
	Input Voltage	120V @60Hz
CONSTRUCTION	Operating Temperature	
	Base	E26; GU24
LISTINGS	Certification(s)	ENERGY STAR® Rated; cULus Classified
	Material Usage	RoHS Compliant; no mercury or lead
	Environment	UL Wet Location Listed

PERFORMANCE SUMMARY

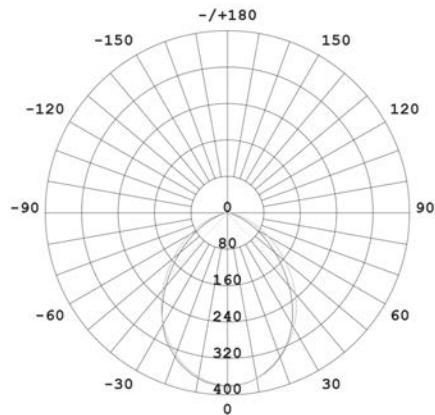
Order Code	Item #	Lumens	Watts	LPW	CCT	CRI	MOL	Life/Hours	Replaces Incan.	ES
09365	LED-DK4-10W827-DIM-G5	650	10W	65	2700K	80+	5.4"	35,000	65W BR	★
09077	LED-DK4-10W830-DIM-G5	650	10W	65	3000K	80+	5.4"	35,000	65W BR	★
09078	LED-DK4-10W840-DIM-G5	650	10W	65	4000K	80+	5.4"	35,000	65W BR	★

NOTE: Use order code when ordering. ★ENERGY STAR® Rated

DIMENSIONS



PHOTOMETRICS



DK4 : 4" LED DOWNLIGHT KIT

DESCRIPTION

The ultra-efficient LED Downlight Kit is designed to retrofit into existing incandescent recessed downlights, reducing energy consumption by up to 80%.

FEATURES

- Fits many popular 4" recessed downlight fixtures
- Integrated white aluminum powder coated trim with medium base (E26) for direct replacement
- E26 and GU24 bases included
- Lasts up to 30X longer than traditional incandescent
- Choice of cool white or warm white color temperatures
- Dimmable 10-100%
- Instant-on, no warm-up time

WARRANTY

- 5 year limited warranty; see eiko.com for warranty details

APPLICATIONS

- Healthcare
- Hospitality
- Office
- Property Management
- Residential
- Retail



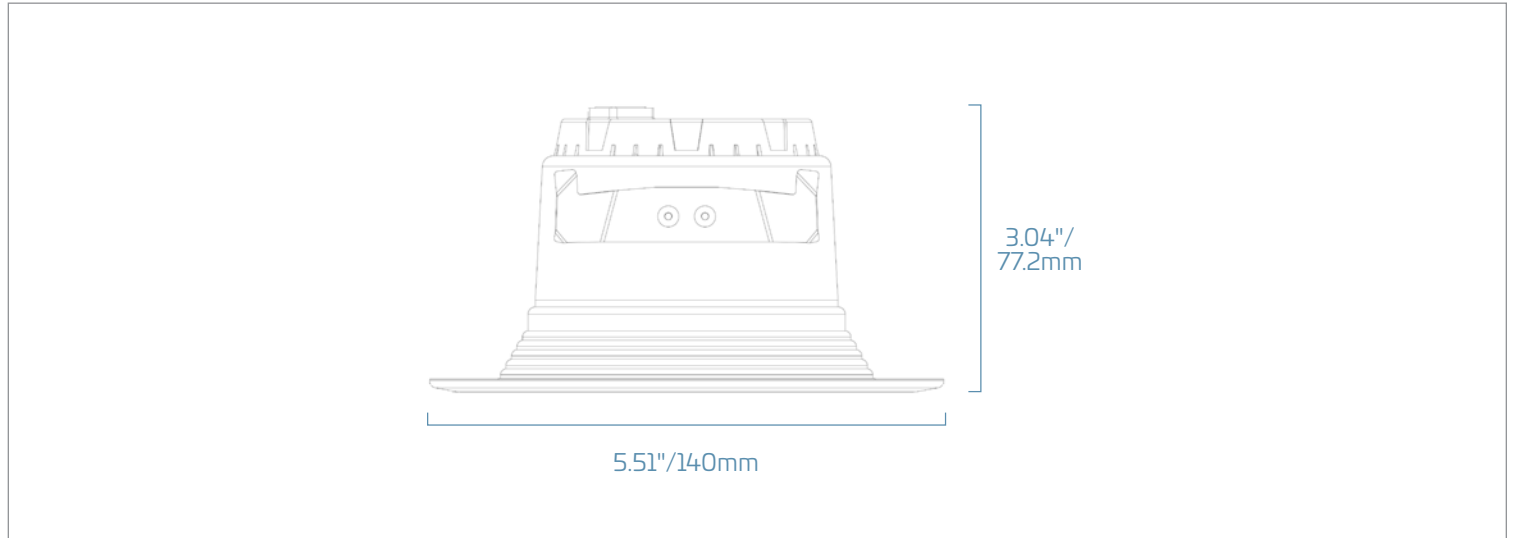
PERFORMANCE	Power Consumption	9W
	Lumens	600
	Efficacy (LPW)	67
	CRI	90+
	CCT	2700K/3000K/4000K/5000K
	Life (L70)	50,000 hours
ELECTRICAL	Power Factor	>0.7
	Input Voltage	120V @60Hz
CONSTRUCTION	Operating Temperature	
	Base	E26; GU24
LISTINGS	Certification(s)	ENERGY STAR® Rated; cULus Classified
	Material Usage	RoHS Compliant; no mercury or lead
	Environment	UL Wet Location Listed; IC Rated for use in insulated ceilings

PERFORMANCE SUMMARY

Order Code	Item #	Lumens	Watts	LPW	CCT	CRI	Life/Hours	Replaces Incan.	ES
09677	LED-DK4-9W927-DIM-G7	600	9W	67	2700K	90+	50,000	65W BR	★
09678	LED-DK4-9W930-DIM-G7	600	9W	67	3000K	90+	50,000	65W BR	★
09679	LED-DK4-9W940-DIM-G7	600	9W	67	4000K	90+	50,000	65W BR	★
09680	LED-DK4-9W950-DIM-G7	600	9W	67	5000K	90+	50,000	65W BR	★

NOTE: Use order code when ordering. ★ENERGY STAR® Rated

DIMENSIONS



DIMMER COMPATIBILITY

LUTRON	TGCL-153PH
	CTCL-153P
	MACL-153M
	PD-6WCL
	DVCL-153P
	CT-603PG
	S-603P
	S-600P
	MSCL-OP-153M
LEVITON	6672-1LW
	IPL06
	6674
	DSL06-1LZ
TOP	CAT.NO.SI06P
	RHCL453P

DK4 : 4" LED DOWNLIGHT KIT : 90CRI

DESCRIPTION

The ultra-efficient LED Downlight Kit is designed to retrofit into existing incandescent recessed downlights, reducing energy consumption by up to 80%.

FEATURES

- Fits many popular 4" recessed downlight fixtures
- Integrated white aluminum powder coated trim with medium base (E26) for direct replacement
- E26 and GU24 bases included
- Lasts up to 30X longer than traditional incandescent
- Dimmable 10-100%
- Instant-on, no warm-up time

WARRANTY

- 5 year limited warranty; see eiko.com for warranty details

APPLICATIONS

- Healthcare
- Hospitality
- Office
- Property Management
- Residential
- Retail



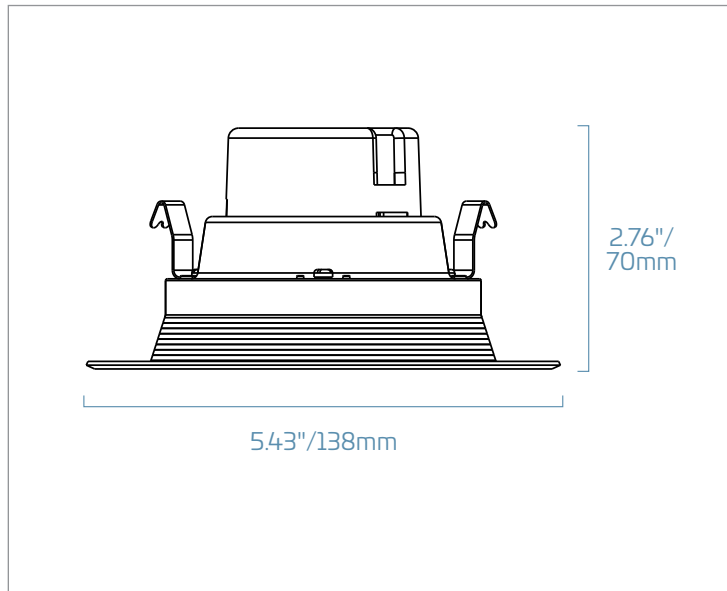
PERFORMANCE	Power Consumption	13W
	Lumens	900
	Efficacy (LPW)	69
	CRI	90+
	CCT	2700K/3000K/4000K/5000K
	Life (L70)	35,000 hours
ELECTRICAL	Power Factor	>0.7
	Input Voltage	120V @60Hz
CONSTRUCTION	Operating Temperature	
	Base	E26
LISTINGS	Certification(s)	ENERGY STAR® Rated; cULus Classified; CEC Title 24, JA8; CEC Title 20
	Material Usage	RoHS Compliant; no mercury or lead
	Environment	UL Wet Location Listed; IC Rated for use in insulated ceilings

PERFORMANCE SUMMARY

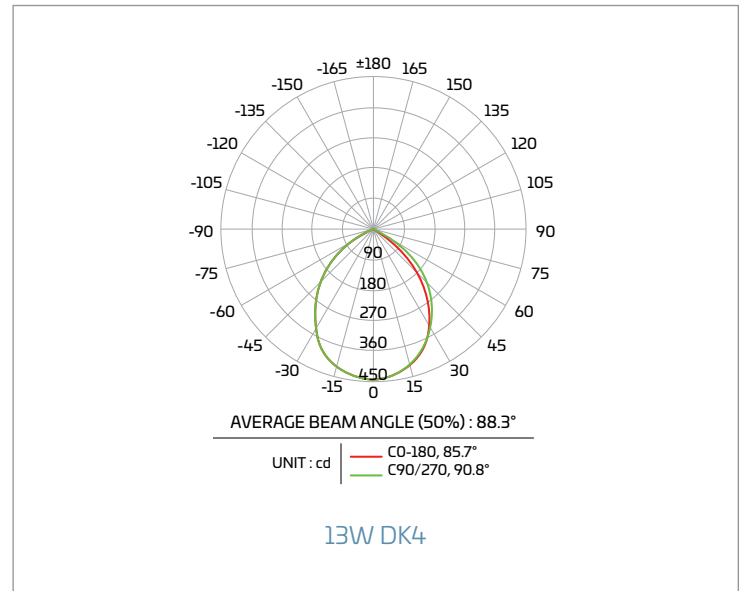
Order Code	Item #	Lumens	Watts	LPW	CCT	CRI	Life/Hours	Replaces Incan.	ES
10337	DK4-13W/9/927-D-120-W/B	900	13W	69	2700K	90+	35,000	80W BR	★
10338	DK4-13W/9/930-D-120-W/B	900	13W	69	3000K	90+	35,000	80W BR	★
10339	DK4-13W/9/940-D-120-W/B	900	13W	69	4000K	90+	35,000	80W BR	★
10340	DK4-13W/9/950-D-120-W/B	900	13W	69	5000K	90+	35,000	80W BR	★

NOTE: Use order code when ordering. ★ENERGY STAR® Rated

DIMENSIONS



PHOTOMETRICS



DIMMER COMPATIBILITY

AH SDM/600/WHTTE 600W	✓	LEVITON WHITE NO.IPL06 600W	✓	LUTRON MSCL-OP153MH-WH	✓	LUTRON D-600PH-3CK 600W	✗
AH SDM3/1000/WHTTE 1000W	✓	LUTRON AY-600PH-WH	✗	LUTRON PD-6WCL	✗	LUTRON D-600R-WH 600W	✓
ALMOND LUXDM600-12 600W	✓	LUTRON AY-600P-WH	✓	LUTRON S-10PH 1000W	✓	LUTRON DV-600PH-WH 600W	✓
CTL DM600-12-3 600W	✓	LUTRON AYCL-153PH	✓	LUTRON S-600-AL 600W	✓	LUTRON DV-603P600W	✓
GE 18024 600W	✓	LUTRON AYCL-153P-WH	✗	LUTRON S-600H-WH 600W	✗	LUTRON DV-603PH-WH 600W	✓
LEVITON 603-6631-A 600W	✓	LUTRON D-600PH-DK 600W	✗	LUTRON S-600-IV 600W	✓	LUTRON DV-603PR 600W	✗
LEVITON 6631-A 600W	✓	LUTRON D-600RH-DK 600W	✓	LUTRON S-600PR-WH 600W	✗	LUTRON DVCL-153PH 600W	✗
LEVITON 6683 600W	✓	LUTRON D-600R-IV 600W	✓	LUTRON S-600P-WH	✗	LUTRON DVW-600PH-WH 600W	✗
LEVITON 6683-10Z 600W	✓	LUTRON DV-600P-WH	✓	LUTRON S-603PGH-WH 600W	✓	LUTRON DVWCL-153PH-WH 600W	✗
LEVITON 6683-IW 600W	✗	LUTRON DV-603PH-WH 600W	✓	LUTRON S-603PH-WH 600W	✓	LUTRON LGCL-153CL 600W	✗
LEVITON IPI06 600W	✗	LUTRON DVCL-153P-WH 600W	✗	LUTRON SCL-153PH-WH	✓	LUTRON MAW-600 600W	✗
LEVITON IPI06-1LZ 600W	✓	LUTRON DVCL-253PH	✓	LUTRON SELV-300P-WH	✓	LUTRON MAW-600H-AL 600W	✗
LEVITON S-600P-WH	✗	LUTRON DVWCL-153PH-WHC	✗	LUTRON TG-600PH-IV 600W	✗	LUTRON MAW-600H-WH 600W	✗
LEVITON White/Lvory/Light Almond IPI10-1LZ 600W	✓	LUTRON MACL-153MH-WH	✓	LUTRON TG-600PH-WH 600W	✓	LUTRON S-600 600W	✓
LEVITON 6631-LA 600W	✓	LUTRON MACL-153MLH-WH	✓	LUTRON TG-603PGH-WH	✗	LUTRON SCL-153P-WH 600W	✓
LEVITON 6684 600W	✗	LUTRON MACL-153MR-WH	✗	LUTRON TGCL-153PH-WH	✗	LUTRON TGCL-153PH-WH 600W	✗
LEVITON LIGHT ALMOND NO.6672 600W	✓	LUTRON MACL-153M-WH	✗	LUTRON CT-103P-WH 1000W	✗	LUTRON TGCL-153PLH-WH 600W	✗
		LUTRON MA-RH	✗	LUTRON CTCL-153P-WH 600W	✗	Maxxima MEW-DM600	✗

DK4 : 4" LED DOWNLIGHT KIT : 90CRI

DESCRIPTION

The ultra-efficient LED Downlight Kit is designed to retrofit into existing incandescent recessed downlights, reducing energy consumption by up to 80%.

FEATURES

- Fits many popular 4" recessed downlight fixtures
- Integrated white aluminum powder coated trim with medium base (E26) for direct replacement
- E26 and GU24 bases included
- Lasts up to 30X longer than traditional incandescent
- Dimmable 10-100%
- Instant-on, no warm-up time

WARRANTY

- 5 year limited warranty; see eiko.com for warranty details

APPLICATIONS

- Healthcare
- Hospitality
- Office
- Property Management
- Residential
- Retail



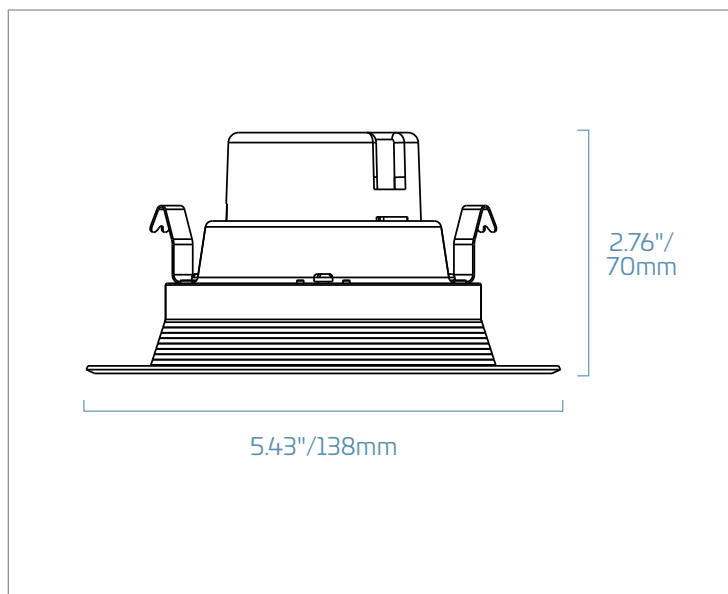
PERFORMANCE	Power Consumption	10W	13W
	Lumens	800	1,000
	Efficacy (LPW)	80	77
	CRI	80+	
	CCT	2700K/3000K/4000K/5000K	
	Life (L70)	35,000 hours	
ELECTRICAL	Power Factor	>0.7	
	Input Voltage	120V @60Hz	
CONSTRUCTION	Operating Temperature		
	Base	E26	
LISTINGS	Certification(s)	ENERGY STAR® Rated; cULus Classified; CEC Title 24, JA8; CEC Title 20	
	Material Usage	RoHS Compliant; no mercury or lead	
	Environment	UL Wet Location Listed; IC Rated for use in insulated ceilings	

PERFORMANCE SUMMARY

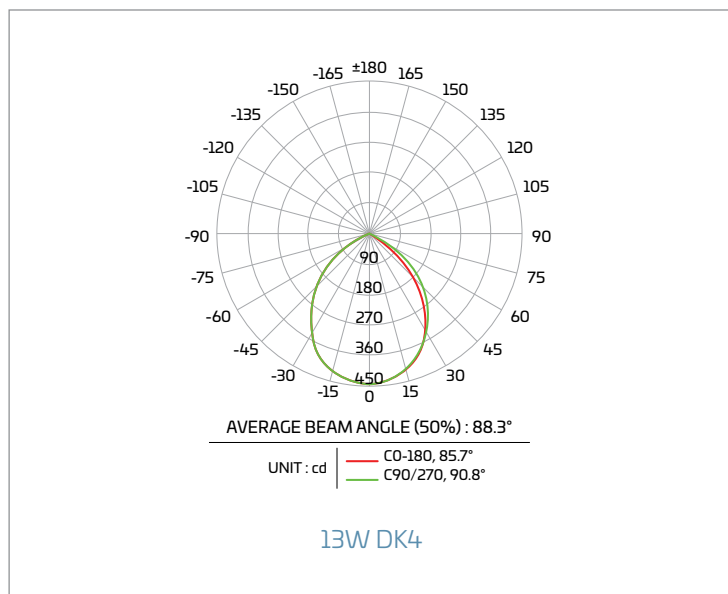
Order Code	Item #	Lumens	Watts	LPW	CCT	CRI	Life/Hours	Replaces Incan.	ES
10315	DK4-10W/8/827-D-120-W/B	800	10W	80	2700K	80+	35,000	65W BR	★
10316	DK4-10W/8/830-D-120-W/B	800	10W	80	3000K	80+	35,000	65W BR	★
10317	DK4-10W/8/840-D-120-W/B	800	10W	80	4000K	80+	35,000	65W BR	★
10318	DK4-10W/8/850-D-120-W/B	800	10W	80	5000K	80+	35,000	65W BR	★
10319	DK4-13W/10/827-D-120-W/B	1,000	13W	77	2700K	80+	35,000	80W BR	★
10320	DK4-13W/10/830-D-120-W/B	1,000	13W	77	3000K	80+	35,000	80W BR	★
10321	DK4-13W/10/840-D-120-W/B	1,000	13W	77	4000K	80+	35,000	80W BR	★
10322	DK4-13W/10/850-D-120-W/B	1,000	13W	77	5000K	80+	35,000	80W BR	★

NOTE: Use order code when ordering. ★ENERGY STAR® Rated

DIMENSIONS



PHOTOMETRICS



DIMMER COMPATIBILITY

AH SDM/600/WHTTE 600W	✓	LEVITON WHITE NO.IPL06 600W	✓	LUTRON MSCL-OP153MH-WH	✓	LUTRON D-600PH-3CK 600W	✗
AH SDM3/1000/WHTTE 1000W	✓	LUTRON AY-600PH-WH	✗	LUTRON PD-6WCL	✗	LUTRON D-600R-WH 600W	✓
ALMOND LUXDM600-12 600W	✓	LUTRON AY-600P-WH	✓	LUTRON S-10PH 1000W	✓	LUTRON DV-600PH-WH 600W	✓
CTL DM600-12-3 600W	✓	LUTRON AYCL-153PH	✓	LUTRON S-600-AL 600W	✓	LUTRON DV-603P600W	✓
GE 18024 600W	✓	LUTRON AYCL-153P-WH	✗	LUTRON S-600H-WH 600W	✗	LUTRON DV-603PH-WH 600W	✓
LEVITON 603-6631-A 600W	✓	LUTRON D-600PH-DK 600W	✗	LUTRON S-600-IV 600W	✓	LUTRON DV-603PR 600W	✗
LEVITON 6631-A 600W	✓	LUTRON D-600RH-DK 600W	✓	LUTRON S-600PR-WH 600W	✗	LUTRON DVCL-153PH 600W	✗
LEVITON 6683 600W	✓	LUTRON D-600R-IV 600W	✓	LUTRON S-600P-WH	✗	LUTRON DVW-600PH-WH 600W	✗
LEVITON 6683-10Z 600W	✓	LUTRON DV-600P-WH	✓	LUTRON S-603PGH-WH 600W	✓	LUTRON DVWCL-153PH-WH 600W	✗
LEVITON 6683-1W 600W	✗	LUTRON DV-603PH-WH 600W	✓	LUTRON S-603PH-WH 600W	✓	LUTRON LGCL-153CL 600W	✗
LEVITON IPI06 600W	✗	LUTRON DVCL-153P-WH 600W	✗	LUTRON SCL-153PH-WH	✓	LUTRON MAW-600 600W	✗
LEVITON IPI06-1LZ 600W	✓	LUTRON DVCL-253PH	✓	LUTRON SELV-300P-WH	✓	LUTRON MAW-600H-AL 600W	✗
LEVITON S-600P-WH	✗	LUTRON DVWCL-153PH-WHC	✗	LUTRON TG-600PH-IV 600W	✗	LUTRON MAW-600H-WH 600W	✗
LEVITON White/Lvory/Light Almond IPI10-1LZ 600W	✓	LUTRON MACL-153MH-WH	✓	LUTRON TG-600PH-WH 600W	✓	LUTRON S-600 600W	✓
LEVITON 6631-LA 600W	✓	LUTRON MACL-153MLH-WH	✓	LUTRON TG-603PGH-WH	✗	LUTRON SCL-153P-WH 600W	✓
LEVITON 6684 600W	✗	LUTRON MACL-153MR-WH	✗	LUTRON TGCL-153PH-WH	✗	LUTRON TGCL-153PH-WH 600W	✗
LEVITON LIGHT ALMOND NO.6672 600W	✓	LUTRON MACL-153M-WH	✗	LUTRON CT-103P-WH 1000W	✗	LUTRON TGCL-153PLH-WH 600W	✗
		LUTRON MA-RH	✗	LUTRON CTCL-153P-WH 600W	✗	Maxxima MEW-DM600	✗

DK6 : 5/6" LED DOWNLIGHT KIT

DESCRIPTION

The ultra-efficient LED Downlight Kit is designed to retrofit into existing incandescent recessed downlights, reducing energy consumption by up to 80%.

FEATURES

- Fits many popular 5" & 6" recessed downlight fixtures
- Integrated white trim with both medium base (E26) and GU24 socket adapters (included) for direct replacement
- Lasts up to 30X longer than traditional incandescent
- Choice of warm white or cool white color temperatures
- Instant-on, no warm-up time
- Dimmable 10-100%

WARRANTY

- 5 year limited warranty; see eiko.com for warranty details

APPLICATIONS

- Healthcare
- Hospitality
- Office
- Property Management
- Residential
- Retail



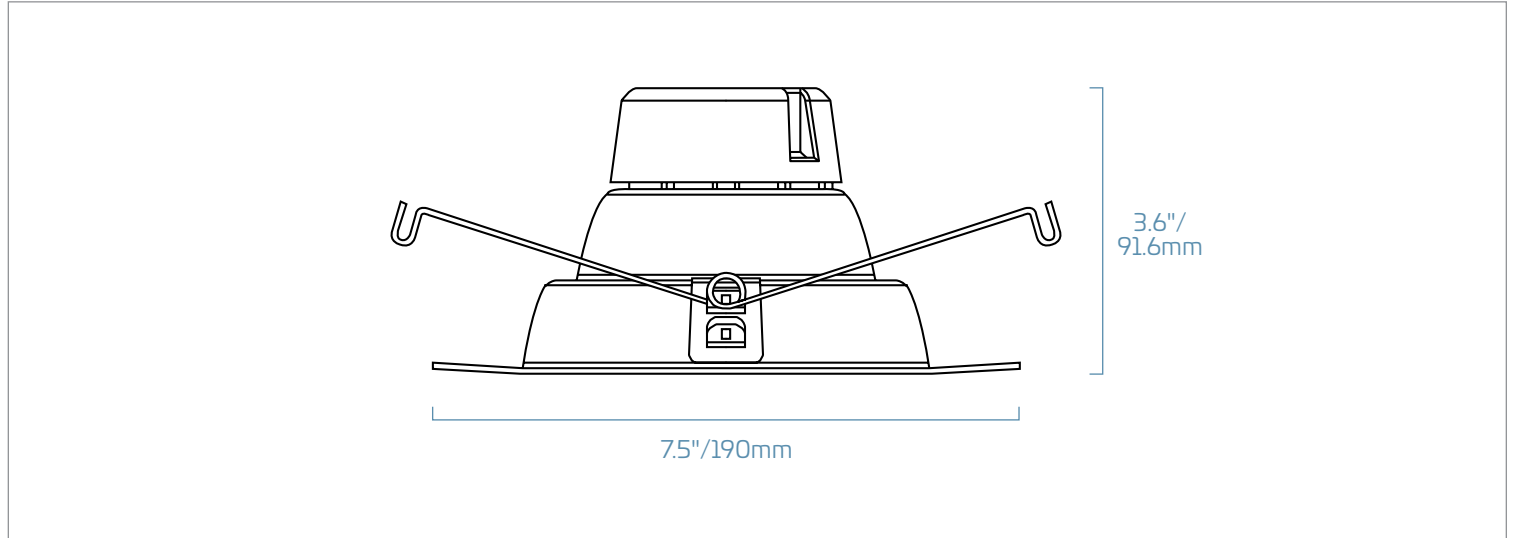
PERFORMANCE	Power Consumption	15W	17W
	Lumens	900	1,200
	Efficacy (LPW)	60	71
	CRI	90+	80+
	CCT	3000K	2700K
	Life (L70)	35,000 hours	
ELECTRICAL	Power Factor	>0.7	
	Input Voltage	120V @60Hz	
CONSTRUCTION	Operating Temperature		
	Base	E26; GU24	
LISTINGS	Certification(s)	ENERGY STAR® Rated; cULus Classified	
	Material Usage	RoHS Compliant; no mercury or lead	
	Environment	Rated for Damp and Wet Locations	

PERFORMANCE SUMMARY

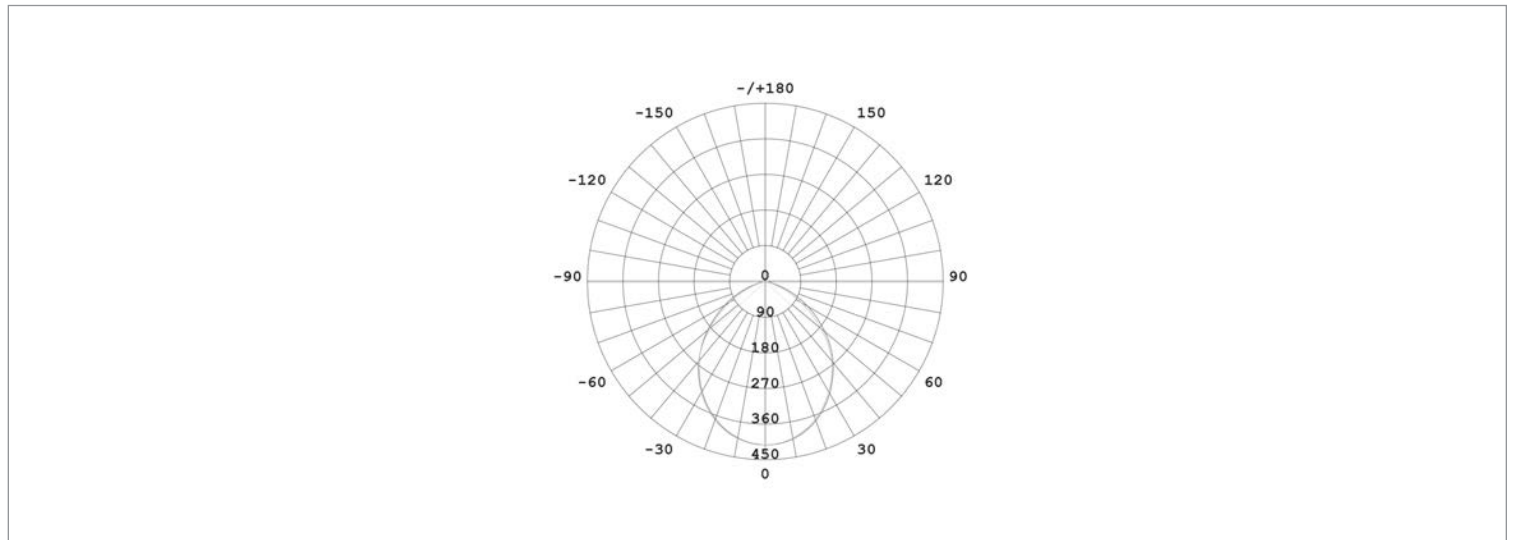
Order Code	Item #	Lumens	Watts	LPW	CCT	CRI	MOL	Life/Hours	Replaces Incan.	ES
09327	LED-DK6-15W930-DIM-G5	900	15W	60	3000K	90+	3.61"	35K	65W BR	★
09367	LED-DK6-17W827-DIM-G5	1,200	17W	71	2700K	80+	7.5"	35K	90W BR	

NOTE: Use order code when ordering. ★ENERGY STAR® Rated

DIMENSIONS



PHOTOMETRICS



DK6 : 5/6" LED DOWNLIGHT KIT

DESCRIPTION

The ultra-efficient LED Downlight Kit is designed to retrofit into existing incandescent recessed downlights, reducing energy consumption by up to 80%.

FEATURES

- Fits many popular 5" & 6" recessed downlight fixtures
- Integrated white aluminum powder coated trim with medium base (E26) for direct replacement
- Dimmable 10-100%
- Lasts up to 30X longer than traditional incandescent
- Choice of warm white or cool white color temperatures
- Instant-on, no warm-up time

WARRANTY

- 5 year limited warranty; see eiko.com for warranty details

APPLICATIONS

- Healthcare
- Hospitality
- Office
- Property Management
- Residential
- Retail



E26 base



GU24 base



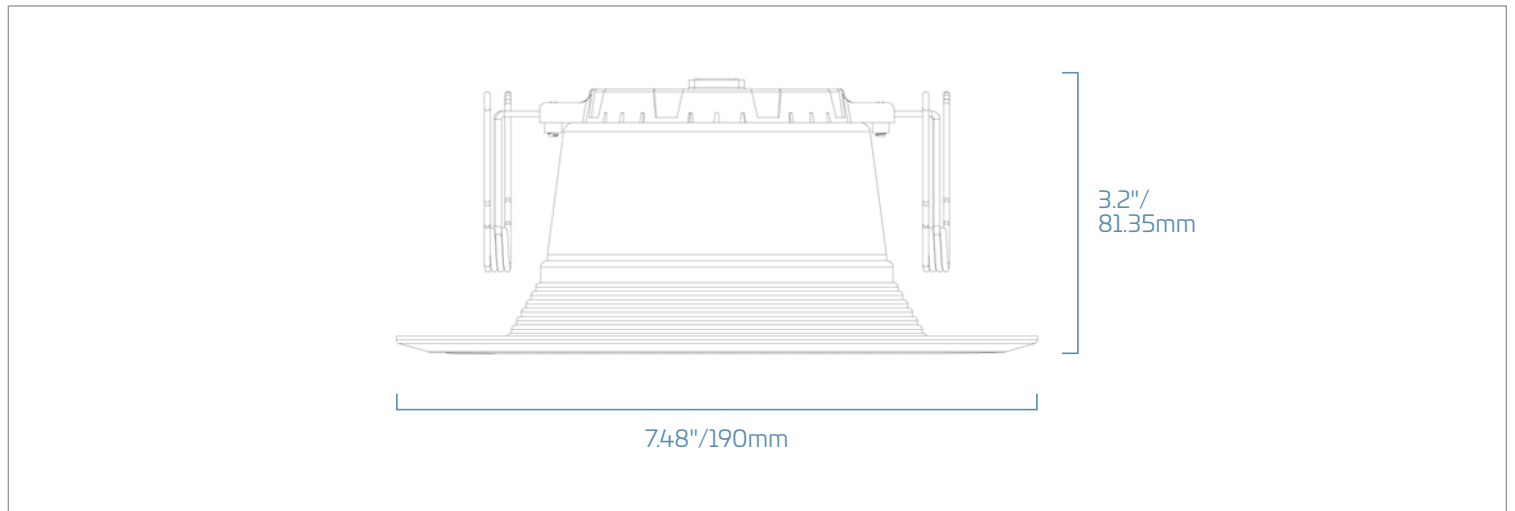
PERFORMANCE	Power Consumption	11W	15W
	Lumens	700	1,100
	Efficacy (LPW)	64	73
	CRI	90+	
	CCT	2700K/3000K/4000K/5000K	
	Life (L70)	50,000 hours	
ELECTRICAL	Power Factor	>0.7	
	Input Voltage	120V @60Hz	
CONSTRUCTION	Operating Temperature		
	Base	E26; GU24	
LISTINGS	Certification(s)	ENERGY STAR® Rated; cULus Classified	
	Material Usage	RoHS Compliant; no mercury or lead	
	Environment	Rated for Damp and Wet Locations; IC rated for use in insulated ceilings	

PERFORMANCE SUMMARY

Order Code	Item #	Lumens	Watts	LPW	CCT	CRI	Life/Hours	Replaces Incan.	ES
09681	LED-DK6-11W927-DIM-G7	700	11W	64	2700K	90+	50,000	65W BR	★
09682	LED-DK6-11W930-DIM-G7	700	11W	64	3000K	90+	50,000	65W BR	★
09683	LED-DK6-11W940-DIM-G7	700	11W	64	4000K	90+	50,000	65W BR	★
09684	LED-DK6-11W950-DIM-G7	700	11W	64	5000K	90+	50,000	65W BR	★
09685	LED-DK6-15W927-DIM-G7	1100	15W	73	2700K	90+	50,000	90W BR	★
09686	LED-DK6-15W930-DIM-G7	1100	15W	73	3000K	90+	50,000	90W BR	★
09687	LED-DK6-15W940-DIM-G7	1100	15W	73	4000K	90+	50,000	90W BR	★
09688	LED-DK6-15W950-DIM-G7	1100	15W	73	5000K	90+	50,000	90W BR	★

NOTE: Use order code when ordering. ★ENERGY STAR® Rated

DIMENSIONS



DIMMER COMPATIBILITY

LUTRON	TGCL-153PH
	CTCL-153P
	MACL-153M
	PD-6WCL
	DVCL-153P
	CT-603PG
	S-603P
	S-600P
	MSCL-OP-153M
LEVITON	6672-1LW
	IPL06
	6674
	DSL06-1LZ
TOP	CAT.NO.SI06P
	RHCL453P

DK6 : 5/6" LED DOWNLIGHT KIT : 90CRI

DESCRIPTION

The ultra-efficient LED Downlight Kit is designed to retrofit into existing incandescent recessed downlights, reducing energy consumption by up to 80%.

FEATURES

- Fits many popular 5" & 6" recessed downlight fixtures
- Integrated white aluminum powder coated trim
- E26 and GU24 bases included
- Dimmable 10-100%
- Lasts up to 30X longer than traditional incandescent
- Choice of four color temperatures
- Instant-on, no warm-up time

WARRANTY

- 5 year limited warranty; see eiko.com for warranty details

APPLICATIONS

- Healthcare
- Hospitality
- Office
- Property Management
- Residential
- Retail



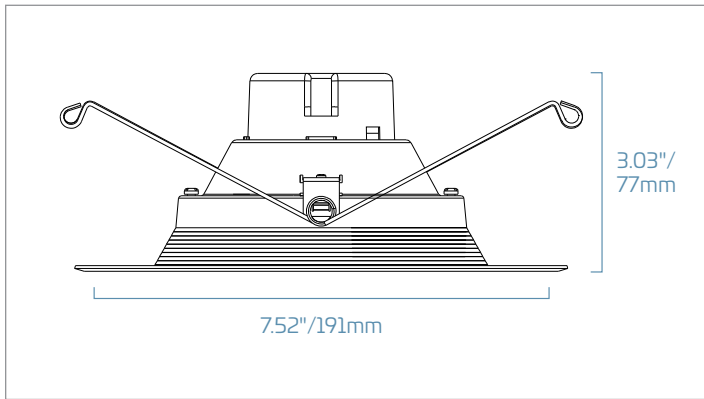
PERFORMANCE	Power Consumption	12W	18W
	Lumens	800	1,250
	Efficacy (LPW)	67	69
	CRI	90+	
	CCT	2700K/3000K/4000K/5000K	
	Life (L70)	35,000 hours	
ELECTRICAL	Power Factor	>0.7	
	Input Voltage	120V @60Hz	
CONSTRUCTION	Operating Temperature		
	Base	E26	
LISTINGS	Certification(s)	ENERGY STAR® Rated; cULus Classified; CEC Title 24, JA8; CEC Title 20	
	Material Usage	RoHS Compliant; no mercury or lead	
	Environment	UL Wet Location Listed; IC rated for use in insulated ceilings	

PERFORMANCE SUMMARY

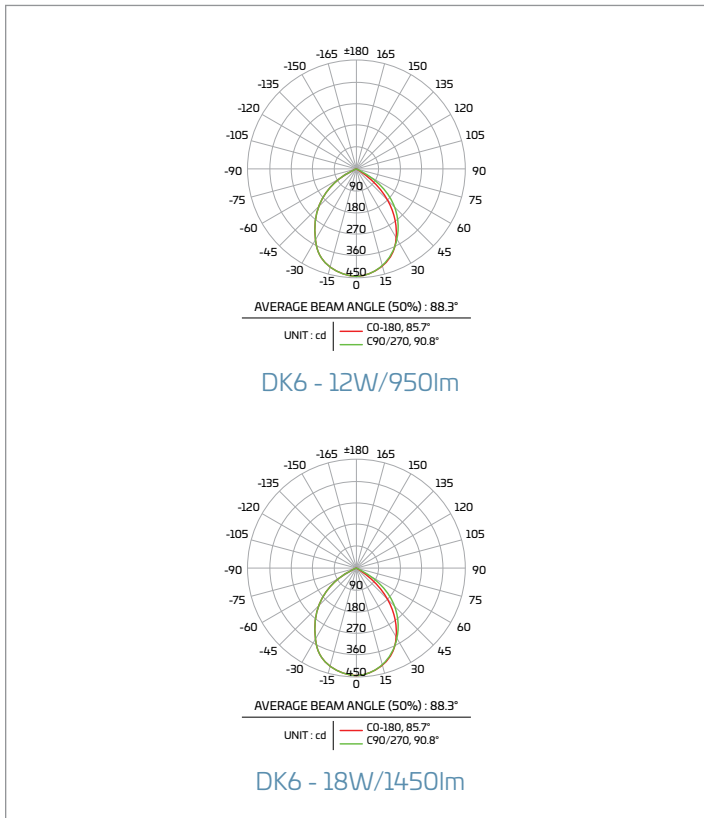
Order Code	Item #	Lumens	Watts	LPW	CCT	CRI	Life/Hours	Replaces Incan.	ES
10341	DK6-12W/8/927-D-120-W/B	800	12W		2700K	90+	35,000	65W BR	★
10342	DK6-12W/8/930-D-120-W/B	800	12W		3000K	90+	35,000	65W BR	★
10343	DK6-12W/8/940-D-120-W/B	800	12W		4000K	90+	35,000	65W BR	★
10344	DK6-12W/8/950-D-120-W/B	800	12W		5000K	90+	35,000	65W BR	★
10345	DK6-18W/12.5/927-D-120-W/B	1,250	18W		2700K	90+	35,000	100W BR	★
10346	DK6-18W/12.5/930-D-120-W/B	1,250	18W		3000K	90+	35,000	100W BR	★
10347	DK6-18W/12.5/940-D-120-W/B	1,250	18W		4000K	90+	35,000	100W BR	★
10350	DK6-18W/12.5/950-D-120-W/B	1,250	18W		5000K	90+	35,000	100W BR	★

NOTE: Use order code when ordering. ★ENERGY STAR® Rated

DIMENSIONS



PHOTOMETRICS



DIMMER COMPATIBILITY

Dimmer	12 W	18 W	Dimmer	12 W	18 W
AH SDM/600/WHTE 600W	✓	✓	LUTRON TG-603PGH-WH	✓	✓
AH SDM3/1000/WHTE 1000W	✓	✓	LUTRON TGCL-153PH-WH	✓	✓
ALMOND LUXDM600-12 600W	✓	✗	LUTRON CT-103P-WH 1000W	✗	✗
CTL DM600-12-3 600W	✓	✓	LUTRON CTCL-153P-WH 600W	✗	✗
GE 18024 600W	✓	✓	LUTRON D-600PH-3CK 600W	✗	✗
LEVITON IPI06 600W	✗	✗	LUTRON D-600PH-DK 600W	✗	✓
LEVITON IPI06-1LZ 600W	✓	✓	LUTRON D-600RH-DK 600W	✓	✗
LEVITON White/Lvory/Light Almond IPI10-1LZ 600W	✓	✓	LUTRON D-600R-IV 600W	✓	✓
LEVITON 603-6631-A 600W	✓	✓	LUTRON D-600R-WH 600W	✓	✗
LEVITON 6631-A 600W	✓	✓	LUTRON DV-600PH-WH 600W	✓	✓
LEVITON 6631-LA 600W	✓	✓	LUTRON DV-603P600W	✓	✓
LEVITON 6631-LA 600W	✓	✓	LUTRON DV-603PH-WH 600W	✓	✓
LEVITON 6683 600W	✓	✗	LUTRON DV-603PH 600W	✗	✓
LEVITON 6683-1OZ 600W	✓	✗	LUTRON DVCL-153PH 600W	✗	✗
LEVITON 6683-1W 600W	✗	✗	LUTRON DVCL-153PH-WH 600W	✗	✗
LEVITON 6684 600W	✗	✗	LUTRON DVW-600PH-WH 600W	✗	✓
LEVITON LIGHT ALMOND NO.6672 600W	✓	✓	LUTRON DVWCL-153PH-WH 600W	✗	✗
LEVITON WHITE NO.IPL06 600W	✓	✓	LUTRON DVWCL-153PH-WHC	✗	✗
LUTRON AY-600PH-WH	✗	✓	LUTRON LGCL-153CL 600W	✗	✗
LUTRON AY-600P-WH	✓	✓	LUTRON MAW-600 600W	✗	✗
LUTRON AYCL-153PH	✓	✓	LUTRON MAW-600H-AL 600W	✗	✗
LUTRON AYCL-153P-WH	✗	✓	LUTRON MAW-600H-WH 600W	✗	✗
LUTRON DV-600P-WH	✓	✓	LUTRON S-10PH 1000W	✓	✓
LUTRON DVCL-253PH	✓	✓	LUTRON S-600 600W	✓	✓
LUTRON MACL-153MH-WH	✓	✓	LUTRON S-600-AL 600W	✓	✓
LUTRON MACL-153MLH-WH	✓	✓	LUTRON S-600-IV 600W	✓	✓
LUTRON MACL-153MR-WH	✗	✓	LUTRON S-600PR-WH 600W	✗	✗
LUTRON MACL-153M-WH	✗	✓	LUTRON S-603PH-WH 600W	✓	✓
LUTRON MA-RH	✗	✗	LUTRON SCL-153P-WH 600W	✓	✓
LUTRON MSCL-OP153MH-WH	✓	✓	LUTRON TG-600PH-IV 600W	✗	✓
LUTRON PD-6WCL	✓	✓	LUTRON TG-600PH-WH 600W	✓	✓
LUTRON S-600H-WH 600W	✗	✗	LUTRON TGCL-153PH-WH 600W	✗	✗
LUTRON S-600P-WH	✗	✓	LUTRON TGCL-153PLH-WH 600W	✗	✓
LUTRON S-600P-WH	✗	✗	Maxxima MEW-DM600	✗	✗
LUTRON S-603PGH-WH 600W	✓	✓			
LUTRON SCL-153PH-WH	✓	✓			
LUTRON SELV-300P-WH	✓	✓			

DK6 : 5/6" LED DOWNLIGHT KIT

DESCRIPTION

The ultra-efficient LED Downlight Kit is designed to retrofit into existing incandescent recessed downlights, reducing energy consumption by up to 80%.

FEATURES

- Fits many popular 5" & 6" recessed downlight fixtures
- Integrated white aluminum powder coated trim
- E26 base included
- Dimmable 10-100%
- Lasts up to 30X longer than traditional incandescent
- Choice of four color temperatures
- Instant-on, no warm-up time

WARRANTY

- 5 year limited warranty; see eiko.com for warranty details

APPLICATIONS

- Healthcare
- Hospitality
- Office
- Property Management
- Residential
- Retail



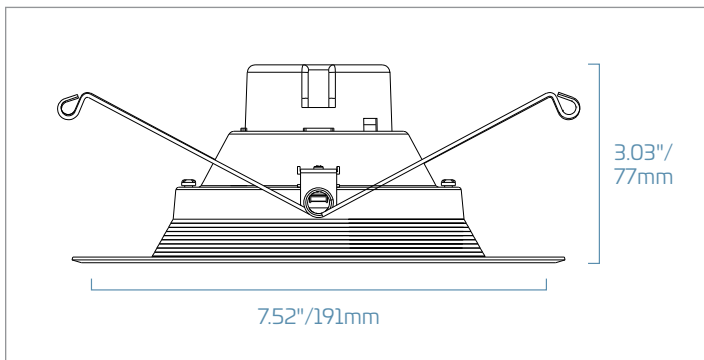
PERFORMANCE	Power Consumption	12W	15W	18W
	Lumens	1,000	1,250	1,450/1,500
	Efficacy (LPW)	83	83	83
	CRI	80+		
	CCT	2700K/3000K/4000K/5000K		
	Life (L70)	35,000 hours		
ELECTRICAL	Power Factor	>0.7		
	Input Voltage	120V @60Hz		
CONSTRUCTION	Operating Temperature			
	Base	E26		
LISTINGS	Certification(s)	ENERGY STAR® Rated; cULus Classified		
	Material Usage	RoHS Compliant; no mercury or lead		
	Environment	UL Wet Location Listed; IC rated for use in insulated ceilings		

PERFORMANCE SUMMARY

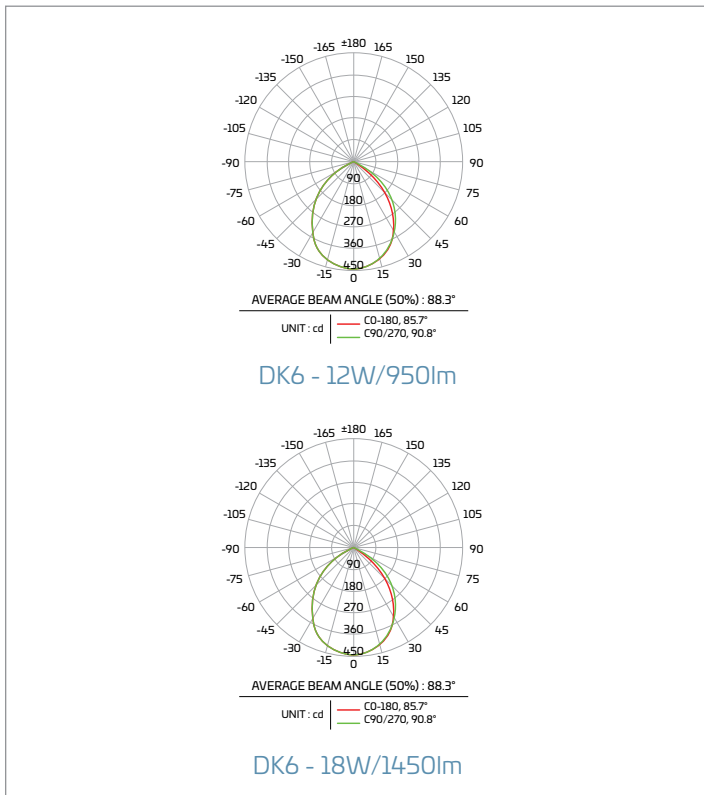
Order Code	Item #	Lumens	Watts	LPW	CCT	CRI	Life/Hours	Replaces Incan.	ES
10323	DK6-12W/10/827-D-120-W/B	1,000	12W		2700K	80+	35,000	65W BR	★
10324	DK6-12W/10/830-D-120-W/B	1,000	12W		3000K	80+	35,000	65W BR	★
10325	DK6-12W/10/840-D-120-W/B	1,000	12W		4000K	80+	35,000	65W BR	★
10326	DK6-12W/10/850-D-120-W/B	1,000	12W		5000K	80+	35,000	65W BR	★
10327	DK6-15W/12.5/827-D-120-W/B	1,250	15W		2700K	80+	35,000	90W BR	★
10328	DK6-15W/12.5/830-D-120-W/B	1,250	15W		3000K	80+	35,000	90W BR	★
10331	DK6-15W/12.5/840-D-120-W/B	1,250	15W		4000K	80+	35,000	90W BR	★
10332	DK6-15W/12.5/850-D-120-W/B	1,250	15W		5000K	80+	35,000	90W BR	★
10333	DK6-18W/15/827-D-120-W/B	1,450	18W		2700K	80+	35,000	100W BR	★
10334	DK6-18W/15/830-D-120-W/B	1,500	18W		3000K	80+	35,000	100W BR	★
10335	DK6-18W/15/840-D-120-W/B	1,500	18W		4000K	80+	35,000	100W BR	★
10336	DK6-18W/15/850-D-120-W/B	1,500	18W		5000K	80+	35,000	100W BR	★

NOTE: Use order code when ordering. ★ENERGY STAR® Rated

DIMENSIONS



PHOTOMETRICS



DIMMER COMPATIBILITY

Dimmer	12 W			15 W			18 W		
	✓	✓	✓	✓	✓	✓	✓	✓	✓
AH SDM/600/WHITTE 600W	✓	✓	✓						
AH SDM3/1000/WHITTE 1000W	✓	✓	✓						
ALMOND LUXDM600-12 600W	✓	✗	✗						
CTL DM600-12-3 600W	✓	✓	✓						
GE 18024 600W	✓	✓	✓						
LEVITON 6631-A 600W	✓	✓	✓						
LEVITON IPI06 600W	✗	✗	✗						
LEVITON IPI06-1LZ 600W	✓	✓	✓						
LEVITON 603-6631-A 600W	✓	✓	✓						
LEVITON 6631-LA 600W									
LEVITON 6631-LA 600W	✓	✓	✓						
LEVITON 6683 600W	✓	✗	✗						
LEVITON 6683-10Z 600W	✓	✗	✗						
LEVITON 6683-IW 600W	✗	✗	✗						
LEVITON 6684 600W	✗	✗	✗						
LEVITON LIGHT ALMOND NO.6672 600W	✓	✓	✓						
LEVITON WHITE NO.IPL06 600W	✓	✓	✓						
LEVITON White/Lvory/Light Almond IPI10-1LZ 600W	✓	✓	✓						
LUTRON AY-600PH-WH	✗	✓	✓						
LUTRON AY-600P-WH	✓	✓	✓						
LUTRON AYCL-153PH	✓	✓	✓						
LUTRON AYCL-153P-WH	✗	✓	✓						
LUTRON DV-600P-WH	✓	✓	✓						
LUTRON DVCL-253PH	✓	✓	✓						
LUTRON MACL-153MH-WH	✓	✓	✓						
LUTRON MACL-153MLH-WH	✓	✓	✓						
LUTRON MACL-153MR-WH	✗	✓	✓						
LUTRON MACL-153M-WH	✗	✓	✓						
LUTRON MA-RH	✗	✗	✗						
LUTRON MSCL-OP153MH-WH	✓	✓	✓						
LUTRON PD-6WCL	✓	✓	✓						
LUTRON S-600H-WH 600W	✗	✗	✗						
LUTRON S-600P-WH	✗	✓	✓						
LUTRON S-600P-WH	✗	✗	✗						
LUTRON SCL-153PH-WH	✓	✓	✓						
LUTRON SCL-153PH-WH	✓	✓	✓						
LUTRON SELV-300P-WH	✓	✓	✓						
LUTRON TG-603PGH-WH	✓	✓	✓						
LUTRON TGCL-153PH-WH	✓	✓	✓						
LUTRON CT-103P-WH 1000W	✗	✗	✗						
LUTRON CTCL-153P-WH 600W	✗	✗	✗						
LUTRON D-600PH-3CK 600W	✗	✗	✗						
LUTRON D-600PH-DK 600W	✗	✗	✓						
LUTRON D-600RH-DK 600W	✓	✗	✗						
LUTRON D-600R-IV 600W	✓	✓	✓						
LUTRON D-600R-WH 600W	✓	✗	✗						
LUTRON DV-600PH-WH 600W	✓	✓	✓						
LUTRON DV-603P600W	✓	✓	✓						
LUTRON DV-603PH-WH 600W	✓	✓	✓						
LUTRON DV-603PH-WH 600W	✓	✓	✓						
LUTRON DV-603PR 600W	✗	✓	✓						
LUTRON DVCL-153PH 600W	✗	✗	✗						
LUTRON DVCL-153P-WH 600W	✗	✗	✗						
LUTRON DW-600PH-WH 600W	✗	✓	✓						
LUTRON DWVCL-153PH-WH 600W	✗	✗	✗						
LUTRON DWVCL-153PH-WHC	✗	✗	✗						
LUTRON LGCL-153CL 600W	✗	✗	✗						
LUTRON MAW-600 600W	✗	✗	✗						
LUTRON MAW-600H-AL 600W	✗	✗	✗						
LUTRON MAW-600H-WH 600W	✗	✗	✗						
LUTRON S-10PH 1000W	✓	✓	✓						
LUTRON S-600 600W	✓	✓	✓						
LUTRON S-600-AL 600W	✓	✓	✓						
LUTRON S-600-IV 600W	✓	✓	✓						
LUTRON S-600PR-WH 600W	✗	✗	✗						
LUTRON S-603PGH-WH 600W	✓	✓	✓						
LUTRON S-603PH-WH 600W	✓	✓	✓						
LUTRON SCL-153P-WH 600W	✓	✓	✓						
LUTRON TG-600PH-IV 600W	✗	✓	✓						
LUTRON TG-600PH-WH 600W	✓	✓	✓						
LUTRON TGCL-153PH-WH 600W	✗	✗	✗						
LUTRON TGCL-153PLH-WH 600W	✗	✓	✓						
Maxxima MEW-DM600	✗	✗	✗						

DLK : 4" LED ROTATABLE EYE

DESCRIPTION

The ultra-efficient aimable LED Downlight Kit is designed to retrofit into existing incandescent recessed downlights, reducing energy consumption by up to 80%.

FEATURES

- Ideal for accent, display, or wall washing
- Fits many popular 4" recessed downlight fixtures
- Integrated white trim with both medium base (E26) and GU24 socket adapters (included) for direct replacement
- Lasts up to 30X longer than traditional incandescent
- Choice of warm white or cool white color temperatures
- Instant-on, no warm-up time

WARRANTY

- 5 year limited warranty; see eiko.com for warranty details

APPLICATIONS

- Healthcare
- Hospitality
- Office
- Property Management
- Residential
- Retail



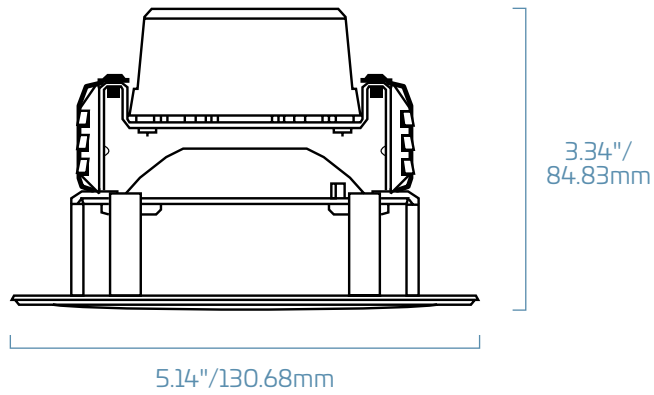
PERFORMANCE	Power Consumption	11W
	Lumens	650
	Efficacy (LPW)	59
	CRI	80+
	CCT	3000K/4000K
	Life (L70)	35,000 hours
ELECTRICAL	Power Factor	>0.7
	Input Voltage	120V @60Hz
CONSTRUCTION	Operating Temperature	
	Lens	30° aimable and 355° rotatable
	Base	E26; GU24
LISTINGS	Certification(s)	ENERGY STAR® Rated; cULus Classified
	Material Usage	RoHS Compliant; no mercury or lead
	Environment	UL Damp Location Listed

PERFORMANCE SUMMARY

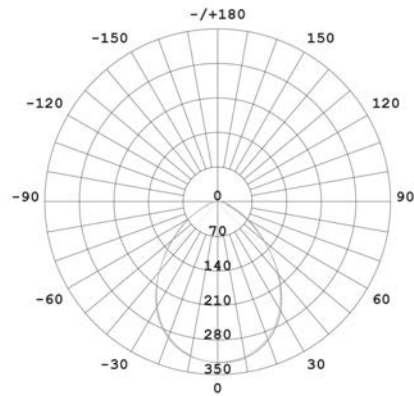
Order Code	Item #	Lumens	Watts	LPW	CCT	CRI	MOL	Life/Hours	Replaces Incan.	ES
09083	LED-DK4RT-11W830-DIM-G5	650	11W	59	3000K	80+	5.14"	35K	65W BR	★
09084	LED-DK4RT-11W840-DIM-G5	650	11W	59	4000K	80+	5.14"	35K	65W BR	★

NOTE: Use order code when ordering. ★ENERGY STAR® Rated

DIMENSIONS



PHOTOMETRICS



DLK : 6" LED ROTATABLE EYE

DESCRIPTION

The ultra-efficient aimable LED Downlight Kit is designed to retrofit into existing incandescent recessed downlights, reducing energy consumption by up to 80%.

FEATURES

- Ideal for accent, display, and wall washing
- Fits many popular 6" recessed downlight fixtures
- Integrated white trim with both medium base (E26) and GU24 socket adapters (included) for direct replacement
- Lasts up to 30X longer than traditional incandescent
- Choice of warm white or cool white color temperatures
- Instant-on, no warm-up time

WARRANTY

- 5 year limited warranty; see eiko.com for warranty details

APPLICATIONS

- Healthcare
- Hospitality
- Office
- Property Management
- Residential
- Retail



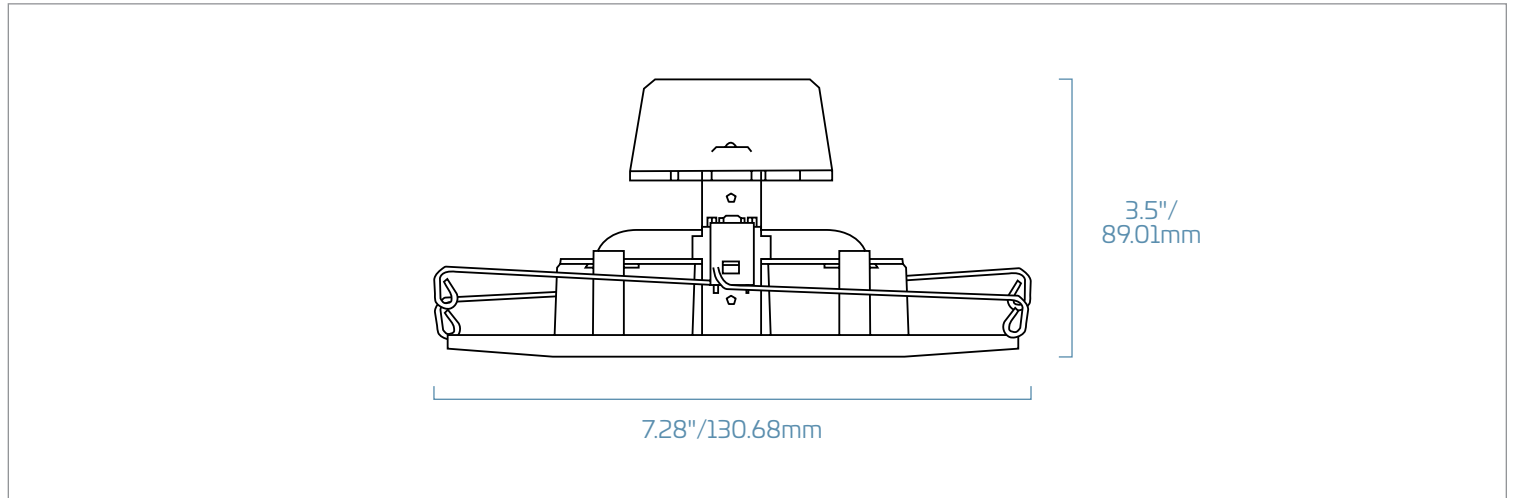
PERFORMANCE	Power Consumption	11W
	Lumens	750
	Efficacy (LPW)	68
	CRI	80+
	CCT	3000K/4000K
	Life (L70)	35,000 hours
ELECTRICAL	Power Factor	>0.7
	Input Voltage	120V @60Hz
CONSTRUCTION	Operating Temperature	
	Lens	30° aimable and 355° rotatable
	Base	E26; GU24
LISTINGS	Certification(s)	ENERGY STAR® Rated; cULus Classified
	Material Usage	RoHS Compliant; no mercury or lead
	Environment	UL Damp Location Listed

PERFORMANCE SUMMARY

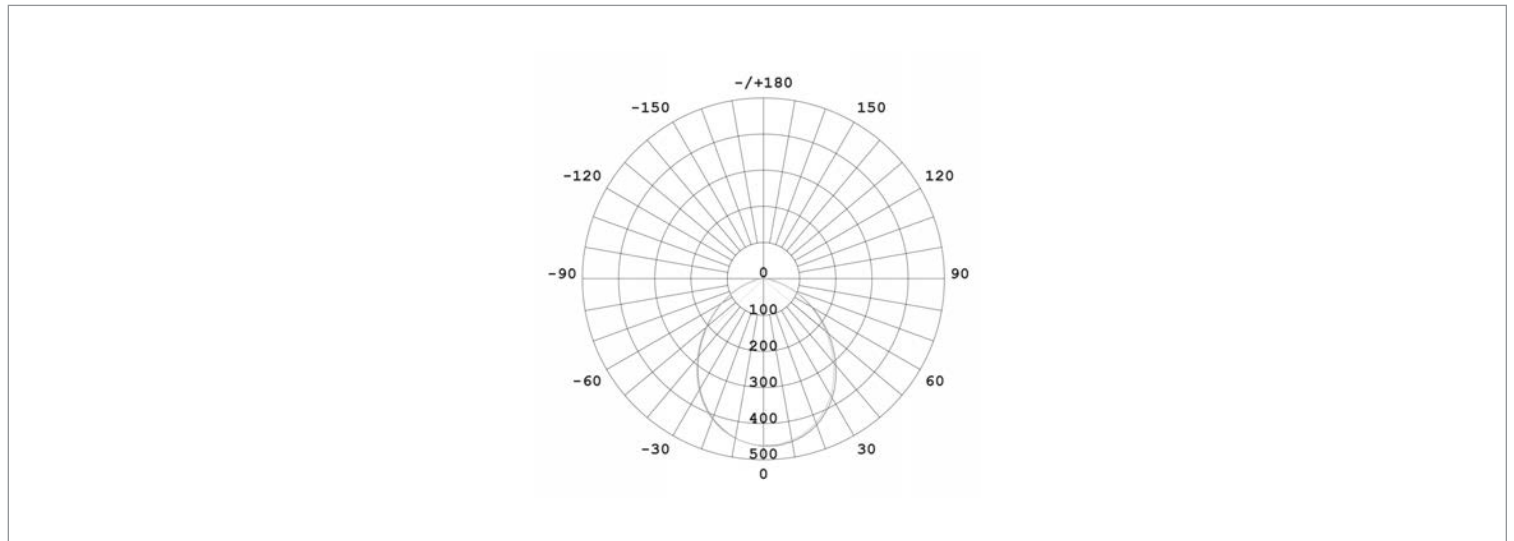
Order Code	Item #	Lumens	Watts	LPW	CCT	CRI	MOL	Life/Hours	Replaces Incan.	ES
09085	LED-DK6RT-11W830-DIM-G5	750	11W	68	3000K	80+	7.28"	35K	65W BR	★
09086	LED-DK6RT-11W840-DIM-G5	750	11W	68	4000K	80+	7.28"	35K	65W BR	★

NOTE: Use order code when ordering. ★ENERGY STAR® Rated

DIMENSIONS



PHOTOMETRICS



AK : ADJUSTABLE NECK DOWNLIGHT : 2-PACK

DESCRIPTION

The AK Adjustable Neck Downlight is designed for easy installation into recessed cans - simply screw in and push into place.

FEATURES

- Available in 4" and 5"/6" versions
- Replaces up to 65W BR30 lamps in 5" or 6" recessed downlights
- Up to 75% energy savings
- Lasts up to 20 times longer than incandescents
- Dimmable down to 20%

WARRANTY

- 5 year limited warranty; see eiko.com for warranty details

APPLICATIONS

- Hospitality
- Office
- Property Management
- Residential
- Retail



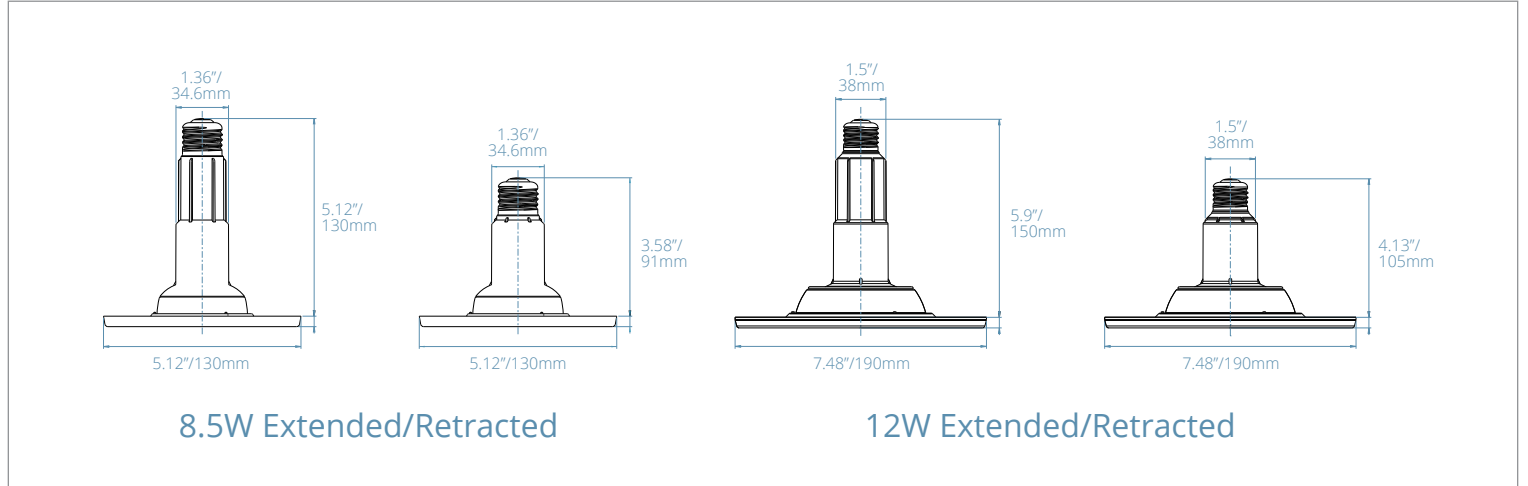
PERFORMANCE	Power Consumption	8.5W	12W
	Lumens	500	800
	Efficacy (LPW)	59	67
	CRI	80+	
	CCT	2700K Soft White	
	Life (L70)	25,000 hours	
ELECTRICAL	Power Factor	≥0.9	
	THD	<20%	
	Input Voltage	120V @ 60Hz	
CONSTRUCTION	Operating Temperature		
	Base	E26	
LISTINGS	Certification(s)	ENERGY STAR® Rated; cULus Classified	
	Material Usage	RoHS Compliant; no mercury or lead	
	Environment	UL Damp Location Listed; Suitable for Type IC, Non-IC, and air tight housings	

PERFORMANCE SUMMARY

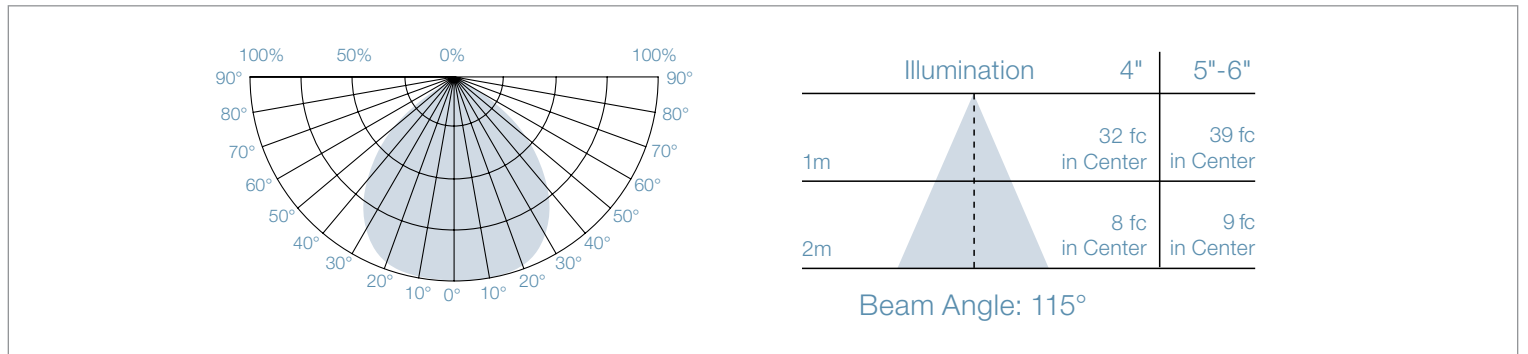
Order Code	Item #	Lumens	Watts	LPW	Size	Beam	CCT	CRI	Life/Hours	Volts	Replaces Incan.	ES
09524	AK4-8.5W827-DIM-G7 2PK	500	8.5W	59	4"	115°	2700K	80+	25,000	120	50W BR20	★
09525	AK6-12W827-DIM-G7 2PK	800	12W	67	5", 6"	110°	2700K	80+	25,000	120	65W BR30	★

NOTE: Use order code when ordering. ★ENERGY STAR® Approved

DIMENSIONS



PHOTOMETRICS



INSTALLATION



LANDSCAPE REPLACEMENT LAMPS

DESCRIPTION

LED Landscape Replacement Lamps directly replace halogen incandescent G4 and G9 base lamps at a fraction of the energy cost.

FEATURES

- Direct replacement for halogen Incandescent G4 and G9 base lamps
- Consumes 75% less energy and lasts 25x longer than incandescent bulbs
- 25,000 hour rated life for ENERGY STAR® Approved lamps*
- 50,000 hour design life**
- 200° multi-directional beam angle
- Integrated driver
- Emits virtually no UV or IR radiation
- Non-dimmable
- Not for use in totally enclosed luminaires

WARRANTY

- 5 year limited warranty; see eiko.com for warranty details

APPLICATIONS

- Landscape lighting
- Deck and patio
- Accent lighting
- Under cabinet lighting
- Pendant and downlighting
- Signs and display lighting
- Steps / Pathway

* Early initial qualification for ENERGY STAR allows for directional lamp life claims of 25,000 hours (L70) with 3,000 hour actual test data, LM80 data and in-situ temperature measurements. As the lamps pass ENERGY STAR requirements, manufacturers may increase the lifetime of a product as dictated by ENERGY STAR guidelines. See http://www.energystar.gov/index.cfm?fuseaction=products_for_partners.showLightbulbs for further details. Design life is based on engineering testing and probability analysis.



G4

G9

RoHS Compliant

cUL US LISTED

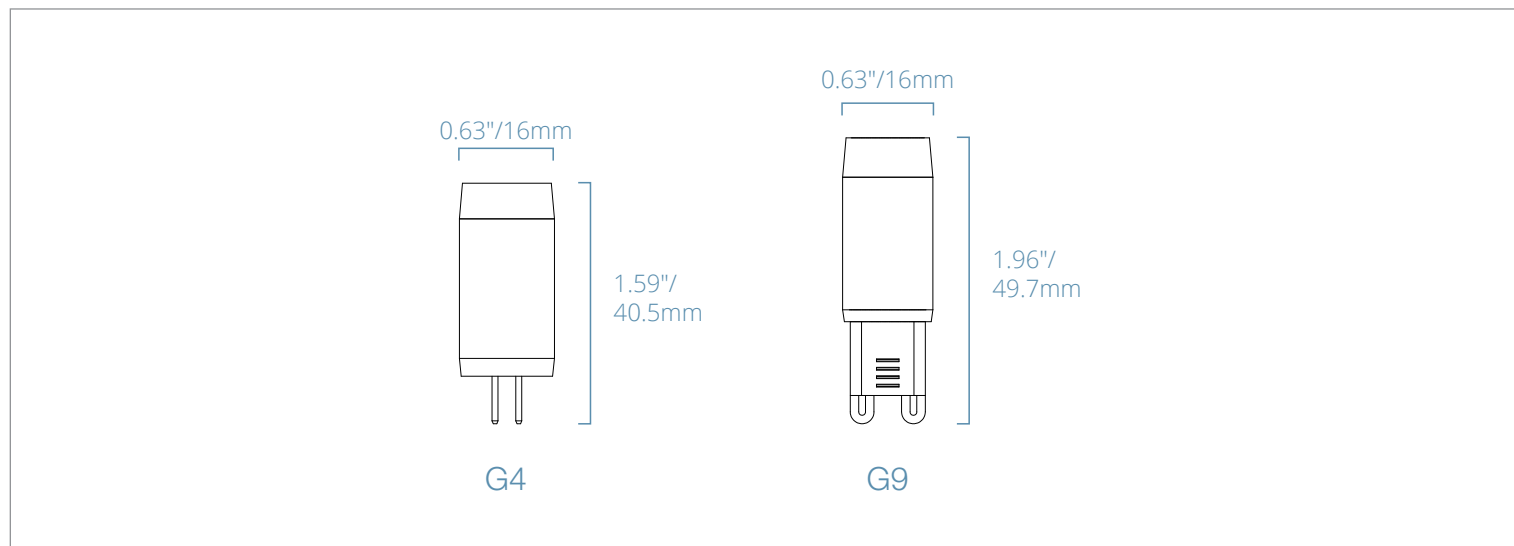
PERFORMANCE	Power Consumption	3W
	Lumens	200
	Efficacy (LPW)	67
	CRI	80+
	Beam	200°
	CCT	3000K, 4000K, 5000K
	Life (L70)	25,000 hours
ELECTRICAL	Power Factor	≥0.9
	THD	<20%
	Input Voltage	12V AC/DC / 120V
CONSTRUCTION	Operating Temperature	-40°F to 104°F (-40°C to 40°C)
	Base	G4/G9
LISTINGS	Certification(s)	cULus Listed
	Material Usage	RoHS Compliant; no mercury or lead
	Environment	

PERFORMANCE SUMMARY

Order Code	Item #	Lumens	Watts	Volts	CCT	CRI	MOL	Life/Hours	Replaces Incandescent
08605	LED2WG4/830K-G4	200	3W	12V	3000K	80+	1.59"	25,000	10W G4
08606	LED2WG4/840K-G4	200	3W	12V	4000K	80+	1.59"	25,000	10W G4
08607	LED2WG4/850K-G4	200	3W	12V	5000K	80+	1.59"	25,000	10W G4
08608	LED2WG9/830K-G4	200	3W	120V	3000K	80+	1.96"	25,000	10W G9
08609	LED2WG9/840K-G4	200	3W	120V	4000K	80+	1.96"	25,000	10W G9
08610	LED2WG9/850K-G4	200	3W	120V	5000K	80+	1.96"	25,000	10W G9

NOTE: Use order code when ordering.

DIMENSIONS





LED FIXTURES



LED Fixtures have revolutionized the way customers think about lighting.

LEDs provide lower energy consumption and reduced maintenance costs due to less frequent replacement.

EiKO carries a broad range of LED based fixtures, including Site Lighters, Roadway Lights, Linears, Troffers, Strips, Highbays, Floods, Canopy Lights, and Wallpacks.

Find out more at EIKO.COM!



FIXTURE TYPES

CLICK TO JUMP



VERT



SIG



FLJ



BAY



LLH



LLW



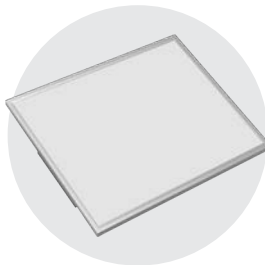
STR



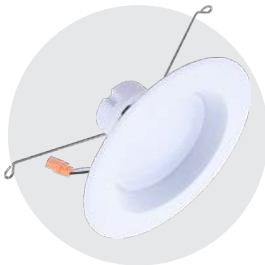
VTS



VOL



SLM



DK



SCRG



SCST



DTD



WMG



WMC



WPT



WPW



WFA



SENSORS



VERT : SITE LIGHTING PLATFORM

DESCRIPTION

VERT fixtures are cost-effective multi-use site and area lights. Available in multiple lumen packages with precision optics and flexible mounting options for a variety of outdoor applications. Additional options allow endless configurations for unmatched flexibility.

FEATURES

- Modern, low-profile design
- Easy installation
- Multiple mounting options available for versatile use
- Polycarbonate TIR optics

LISTINGS

- UL Listed for wet locations
- IP65 Rated
- DesignLights Consortium® Premium Qualified - meets the requirements for the highest DLC qualification for efficacy and lumen maintenance
- 3G Rated per ANSI C136.31

PERFORMANCE

- Rated lifetime L70: 60,000 hours
- 4000K, 5000K CCT
- CRI: 70+

ELECTRICAL

- Input voltage: 100-277V; 200-480V
- 0-10V dimming
- Power Factor: >.9
- THD: <20%

THERMAL

- -40°F up to 122°F (-40°C up to 50°C) operating temperature

CONSTRUCTION

- Diecast aluminum body with durable powder coat finish
- UV stabilized polycarbonate lens
- Stainless steel hardware

WARRANTY

- 5 year limited warranty; see eiko.com for warranty details

project name	type
catalog number	
comments	voltage
approved by	date



APPLICATIONS

- Parking Areas
- Automotive Dealerships
- Roadways
- Campuses
- Streetscapes
- Airports
- Area security lighting
- Building facades
- Signs
- Entryways



ORDERING INFORMATION

EXAMPLE: VRT1-130/C5/740-U-D-T3-BZ (item) + VRT-S-BZ (mount)
(Mount required to order)

Base Item								Mount (Required)
Model	Package	Efficacy	CRI/CCT	Voltage	Dimming	Distribution	Finish	
VRT1 - Vert 100-150W	125 - 100W; 13,000 lm	C5 - ≥125lpw	740 - 70 CRI; 4000K 750 - 70 CRI; 5000K	U - 100- 277V V - 200- 480V	D - 0-10V Dimming	T3 - Type 3 T5 - Type 5	BZ - Bronze <i>Custom colors available; contact EiKO for details</i>	VRT-S-BZ - Slipfitter, 2-3/8", Bronze VRT-D-BZ - Direct Mount, Bronze VRT-Y-BZ - Yoke Mount, Bronze
	130 - 100W; 13,000 lm							
	195 - 150W; 19,500 lm							
VRT2 - Vert 185-300W	240 - 185W; 24,000 lm	C5 - ≥125lpw	740 - 70 CRI; 4000K 750 - 70 CRI; 5000K	U - 100- 277V V - 200- 480V	D - 0-10V Dimming	T3 - Type 3 T5 - Type 5	BZ - Bronze <i>Custom colors available; contact EiKO for details</i>	VRT-S-BZ - Slipfitter, 2-3/8", Bronze VRT-D-BZ - Direct Mount, Bronze VRT-Y-BZ - Yoke Mount, Bronze
	250 - 200W; 25,000 lm							
380 - 300W; 38,000 lm								
VRT3 - Vert 450W	563 - 450W; 56,250 lm							

PERFORMANCE SUMMARY

Order Code	Item #	Watts	Lumens	CCT	CRI	Volts	Replaces HID	DLC
10526	VRT1-125/C5/740-V-D-T3-BZ	100W	13,000	4000K	70+	200-480V	up to 320W	✓
10528	VRT1-125/C5/750-V-D-T3-BZ	100W	13,000	5000K	70+	200-480V		✓
10527	VRT1-125/C5/740-V-D-T5-BZ	100W	13,000	4000K	70+	200-480V		✓
10529	VRT1-125/C5/750-V-D-T5-BZ	100W	13,000	5000K	70+	200-480V		✓
10137	VRT1-130/C5/740-U-D-T3-BZ	100W	13,000	4000K	70+	100-277V		✓
10150	VRT1-130/C5/740-U-D-T5-BZ	100W	13,000	4000K	70+	100-277V		✓
10138	VRT1-130/C5/750-U-D-T3-BZ	100W	13,000	5000K	70+	100-277V		✓
10151	VRT1-130/C5/750-U-D-T5-BZ	100W	13,000	5000K	70+	100-277V		✓
10139	VRT1-195/C5/740-U-D-T3-BZ	150W	19,500	4000K	70+	100-277V		✓
10152	VRT1-195/C5/740-U-D-T5-BZ	150W	19,500	4000K	70+	100-277V		✓
10141	VRT1-195/C5/740-V-D-T3-BZ	150W	19,500	4000K	70+	200-480V	✓	
10154	VRT1-195/C5/740-V-D-T5-BZ	150W	19,500	4000K	70+	200-480V	✓	
10140	VRT1-195/C5/750-U-D-T3-BZ	150W	19,500	5000K	70+	100-277V	✓	
10153	VRT1-195/C5/750-U-D-T5-BZ	150W	19,500	5000K	70+	100-277V	✓	
10142	VRT1-195/C5/750-V-D-T3-BZ	150W	19,500	5000K	70+	200-480V	✓	
10155	VRT1-195/C5/750-V-D-T5-BZ	150W	19,500	5000K	70+	200-480V	✓	
10143	VRT2-240/C5/740-U-D-T3-BZ	185W	24,000	4000K	70+	100-277V	up to 400W	✓
10156	VRT2-240/C5/740-U-D-T5-BZ	185W	24,000	4000K	70+	100-277V		✓
10144	VRT2-240/C5/750-U-D-T3-BZ	185W	24,000	5000K	70+	100-277V		✓
10157	VRT2-240/C5/750-U-D-T5-BZ	185W	24,000	5000K	70+	100-277V		✓
10516	VRT2-250/C5/740-V-D-T3-BZ	200W	25,000	4000K	70+	200-480V		✓
10518	VRT2-250/C5/750-V-D-T3-BZ	200W	25,000	5000K	70+	200-480V		✓
10517	VRT2-250/C5/740-V-D-T5-BZ	200W	25,000	4000K	70+	200-480V		✓
10519	VRT2-250/C5/750-V-D-T5-BZ	200W	25,000	5000K	70+	200-480V		✓
10145	VRT2-380/C5/740-U-D-T3-BZ	300W	38,000	4000K	70+	100-277V		✓
10158	VRT2-380/C5/740-U-D-T5-BZ	300W	38,000	4000K	70+	100-277V		✓
10148	VRT2-380/C5/740-V-D-T3-BZ	300W	38,000	4000K	70+	200-480V	✓	
10160	VRT2-380/C5/740-V-D-T5-BZ	300W	38,000	4000K	70+	200-480V	up to 1000W	✓
10147	VRT2-380/C5/750-U-D-T3-BZ	300W	38,000	5000K	70+	100-277V		✓
10159	VRT2-380/C5/750-U-D-T5-BZ	300W	38,000	5000K	70+	100-277V		✓
10149	VRT2-380/C5/750-V-D-T3-BZ	300W	38,000	5000K	70+	200-480V		✓
10161	VRT2-380/C5/750-V-D-T5-BZ	300W	38,000	5000K	70+	200-480V		✓
10520	VRT3-563/C5/740-U-D-T3-BZ	450W	56,250	4000K	70+	100-277V		✓
10521	VRT3-563/C5/750-U-D-T3-BZ	450W	56,250	5000K	70+	100-277V	up to 1200W	✓
10524	VRT3-563/C5/740-V-D-T3-BZ	450W	56,250	4000K	70+	200-480V		✓
10525	VRT3-563/C5/750-V-D-T3-BZ	450W	56,250	5000K	70+	200-480V		✓

✓ DesignLights Consortium® Premium Qualified

MOUNTING OPTIONS (Must be ordered with fixture)

10162	VRT-S-BZ	Slipfitter Mount for VERT, 2 3/8", Bronze
10135	VRT-D-BZ	Direct Mount for VERT, Bronze
10134	VRT-Y-BZ	Yoke Mount for VERT, Bronze



SIGNAL : LED FLOOD LIGHT & HIGHBAY

DESCRIPTION

SIGNAL is the brightest flood light/highbay fixture on the market with an output of nearly 100,000 lumens. SIGNAL's lightweight design allows for easy installation and unparalleled energy savings.

FEATURES

- Light weight for easy installation
- Multiple distributions available to optimize performance
- Optional visor and reflector help prevent light pollution

LISTINGS

- ETL Listed for wet locations
- IP65 Rated
- 3G rated per ANSI C136.31
- DesignLights Consortium® Premium Qualified - meets the requirements for the highest DLC qualification for efficacy and lumen maintenance

PERFORMANCE

- Rated lifetime L70: >50,000 hours
- 4000K, 5000K CCT
- CRI: >70
- 450W - 72,000 lm, 160 lpw
- 600W - 96,000 lm, 160 lpw

ELECTRICAL

- Input voltage: 100-277V; 277-480V
- 0-10V dimming
- Power Factor: >.9
- THD: <20%
- Constant lumen output options available

THERMAL

- -40°F to 122 °F (-40°C to 50°C) operating temperature

CONSTRUCTION

- Cold forged aluminum heatsink ensures optimal performance
- Stainless steel hardware
- Durable powder coat finish

WARRANTY

- 5 year limited warranty; see eiko.com for warranty details

project name	type
catalog number	
comments	voltage
approved by	date



APPLICATIONS

- Warehouses
- Manufacturing Plants
- Distributions centers
- Hangars
- High Mast
- Bridges, Monuments, Facades
- Rail, Shipping, Work Yards
- Construction Sites
- Outdoor Sports Fields
- Stadiums and Arenas



ORDERING INFORMATION

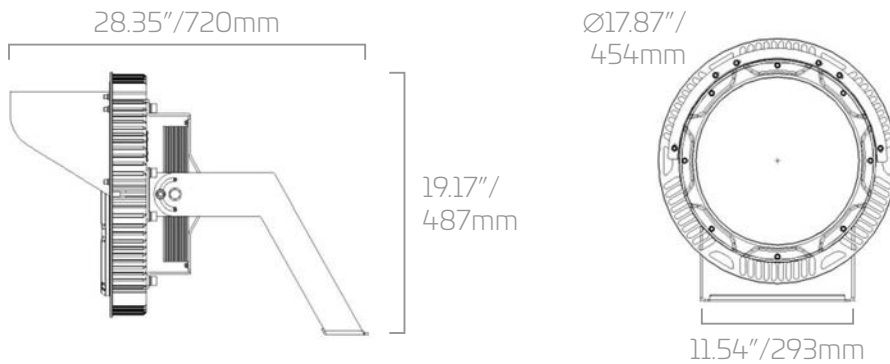
EXAMPLE: SIG-720/G0/740-U-D-G-BK

Model	Package	LPW	CRI/CCT	Voltage	Dimming	Lens	Finish
SIG - SIGNAL	720 - 450W; 72,000 lm 960 - 600W; 96,000 lm	G0 - 160 lpw	740 - 70 CRI; 4000K 750 - 70 CRI; 5000K	U - 120-277V V - 277-480V	D - 0-10V Dimming	G - Glass	BK - Black

PERFORMANCE SUMMARY

Order Code	Item #	Watts	Lumens	CCT	CRI	Volts	DLC Premium
10290	SIG-720/G0/740-U-D-G-BK	450W	72,000	4000K	70+	120-277V	✓
10294	SIG-720/G0/740-V-D-G-BK	450W	72,000	4000K	70+	277-480V	✓
10291	SIG-720/G0/750-U-D-G-BK	450W	72,000	5000K	70+	120-277V	✓
10295	SIG-720/G0/750-V-D-G-BK	450W	72,000	5000K	70+	277-480V	✓
10292	SIG-960/G0/740-U-D-G-BK	600W	96,000	4000K	70+	120-277V	✓
10296	SIG-960/G0/740-V-D-G-BK	600W	96,000	4000K	70+	277-480V	✓
10293	SIG-960/G0/750-U-D-G-BK	600W	96,000	5000K	70+	120-277V	✓
10297	SIG-960/G0/750-V-D-G-BK	600W	96,000	5000K	70+	277-480V	✓

DIMENSIONS



EPA: 2.1
 Weight: 450W: 24.7 lbs
 600W: 26.3 lbs

SIGNAL with optional SIG-Y and SIG-VISOR

AVAILABLE ACCESSORIES

Order Code	Item #	Description
10188	SIG-LENS-PC30D	Signal Lens, 30°
10189	SIG-LENS-PC60D	Signal Lens, 60°
10190	SIG-REFLECTOR-AL90D	Signal Reflector, Aluminum, 90°
10187	SIG-SMK-BK	Signal Surface Mount Kit, Black
10185	SIG-VISOR-BK	Signal Visor, Black
10186	SIG-Y-BK	Signal Yoke Mounting Bracket, Black
10298	SIG-S-BK	Signal Slipfitter for up to 2-3/8" Pipe, Black





FLJ : LED UTILITY FLOOD LIGHT

DESCRIPTION

A cost-effective solid state solution for flood light applications.

FEATURES

- Instant-on with no warmup
- Compact and stylish design with slipfitter mount

LISTINGS

- UL Listed for wet locations
- IP65 Rated
- DesignLights Consortium® Qualified - meets DLC requirements for efficacy and lumen maintenance
- DesignLights Consortium® Premium Qualified - meets the requirements for the highest DLC qualification for efficacy and lumen maintenance

PERFORMANCE

- Rated lifetime L70: 50,000 hours
- 3000K, 4000K, 5000K CCT
- CRI: 70+; 80+

ELECTRICAL

- Input voltage: 120-277V; 277-480V
- Power Factor: >.90
- THD: <20%

THERMAL

- -40°F to 104°F (-40°C to 40°C) operating temperature

CONSTRUCTION

- Aluminum heat sink with durable powder coating
- Impact-resistant polycarbonate lens

WARRANTY

- 5 year limited warranty; see eiko.com for warranty details

project name	type
catalog number	
comments	voltage
approved by	date



1C - yoke



1C - knuckle



FLJ-108/130



3C - yoke



3C - knuckle



FLJ-165



5C - yoke



5C - knuckle

APPLICATIONS

- Building Facades
- Safety / Security
- Signs
- Entryways
- Area Lighting
- Pathway
- External Security Lighting
- Parking Lots



ORDERING INFORMATION

EXAMPLE: FLJ-108/D5/740-U-D-S-BZ

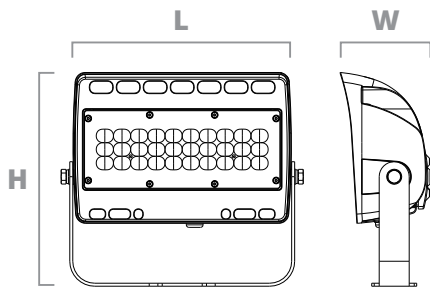
Model	Package	Efficacy	CRI/CCT	Voltage	Dimming	Mount	Finish
FLJ : LED Utility Flood Light	1C - 1,270/1,423 lm	D5 - 135 lpw D0 - 130 lpw B0 - 110 lpw	30K - 3000K	U - 100-277V V - 277-480V	D - 0-10V Dimming	S - Slipfitter	BZ - Bronze
	3C - 3,135/3,538 lm		50K - 5000K				
	5C - 5,411/6,103 lm		740 - 70 CRI; 4000K				
	108 - 10,800 lm		750 - 70 CRI; 5000K				
	130 - 13,000 lm		840 - 80 CRI; 4000K				
165 - 16,500 lm	850 - 80 CRI; 5000K						

PERFORMANCE SUMMARY

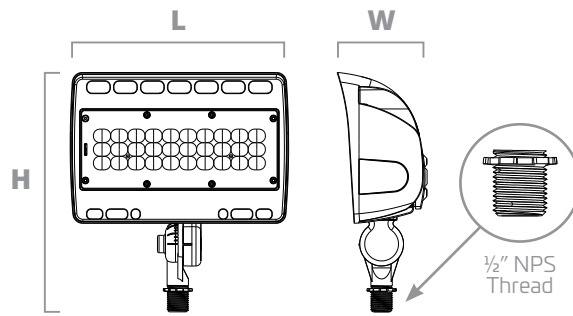
Order Code	Item #	Watts	Lumens	CCT	CRI	Volts	Mount	DLC
09618	FLJ-1C-30K-Y-U	12W	1,270	3000K	80+	100-277V	Yoke	✓
09619	FLJ-1C-30K-K-U	12W	1,270	3000K	80+	100-277V	Knuckle 1/2" NPS	✓
09611	FLJ-1C-50K-Y-U	12W	1,423	5000K	80+	100-277V	Yoke	✓
09612	FLJ-1C-50K-K-U	12W	1,423	5000K	80+	100-277V	Knuckle 1/2" NPS	✓
09613	FLJ-3C-30K-Y-U	30W	3,135	3000K	80+	100-277V	Yoke	✓
09614	FLJ-3C-30K-K-U	30W	3,135	3000K	80+	100-277V	Knuckle 1/2" NPS	✓
09615	FLJ-3C-50K-Y-U	30W	3,538	5000K	80+	100-277V	Yoke	✓
09623	FLJ-3C-50K-K-U	30W	3,538	5000K	80+	100-277V	Knuckle 1/2" NPS	✓
09620	FLJ-5C-30K-Y-U	50W	5,411	3000K	80+	100-277V	Yoke	✓
09621	FLJ-5C-30K-K-U	50W	5,411	3000K	80+	100-277V	Knuckle 1/2" NPS	✓
09616	FLJ-5C-50K-Y-U	50W	6,103	5000K	80+	100-277V	Yoke	✓
09617	FLJ-5C-50K-K-U	50W	6,103	5000K	80+	100-277V	Knuckle 1/2" NPS	✓
10304	FLJ-108/D5/740-U-D-S-BZ	80W	10,800	4000K	70+	100-277V	Slipfitter	✓✓
10305	FLJ-108/D5/750-U-D-S-BZ	80W	10,800	5000K	70+	100-277V	Slipfitter	✓✓
10306	FLJ-130/D0/740-U-D-S-BZ	100W	13,000	4000K	70+	100-277V	Slipfitter	✓✓
10308	FLJ-130/D0/750-U-D-S-BZ	100W	13,000	5000K	70+	100-277V	Slipfitter	✓✓
10307	FLJ-130/D0/740-V-D-S-BZ	100W	13,000	4000K	70+	277-480V	Slipfitter	✓
10309	FLJ-130/D0/750-V-D-S-BZ	100W	13,000	5000K	70+	277-480V	Slipfitter	✓
10310	FLJ-165/B0/840-U-D-S-BZ	150W	16,500	4000K	80+	100-277V	Slipfitter	✓
10312	FLJ-165/B0/850-U-D-S-BZ	150W	16,500	5000K	80+	100-277V	Slipfitter	✓
10311	FLJ-165/B0/840-V-D-S-BZ	150W	16,500	4000K	80+	277-480V	Slipfitter	✓
10313	FLJ-165/B0/850-V-D-S-BZ	150W	16,500	5000K	80+	277-480V	Slipfitter	✓

✓ DesignLights Consortium® Qualified ✓✓ DesignLights Consortium® Premium Qualified

DIMENSIONS

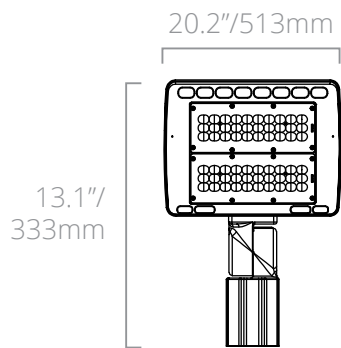


12-30W Yoke

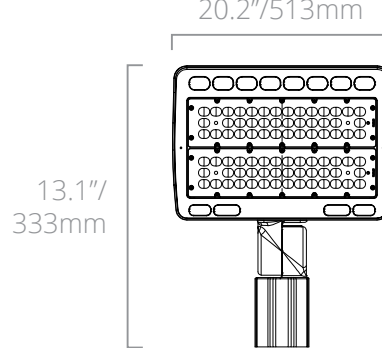
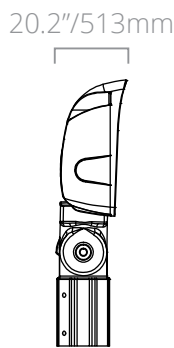


12-30W Knuckle

Model	Dimensions LxWxH
1C-12W Knuckle	120 x 66 x 143 mm 4.75 x 2.625 x 5.63"
1C-12W Yoke	139 x 66 x 125 mm 5.47 x 2.625 x 4.92"
3C-30W Knuckle	175 x 78 x 121 mm 6.875 x 3.125 x 4.75"
3C-30W Yoke	198 x 78 x 183 mm 7.8 x 3.125 x 7.20"
5C-50W Knuckle	219 x 90 x 239 mm 8.625 x 3.5 x 9.41"
5C-50W Yoke	242 x 90 x 214 mm 9.52 x 3.5 x 8.43"



80W/100W



150W



BAY : LED BAY LIGHT ROUND

DESCRIPTION

A cost-effective solid state solution for highbay applications, providing one-for-one replacement of high-wattage HID fixtures.

FEATURES

- Up to 135 lpw ultra-high efficiency delivers superior performance over legacy HID highbays
- Instant-on with no warmup
- Continuous dimming to 10%

LISTINGS

- UL Listed for wet locations
- IP65 Rated – protected from total dust ingress; protected from low-pressure water jets from any direction
- DesignLights Consortium® Premium Qualified - meets the requirements for the highest DLC qualification for efficacy and lumen maintenance

PERFORMANCE

- LED Rated lifetime L90: 50,000 hours
- 4000K, 5000K CCT
- CRI: 80+

THERMAL

- -40°F to 122°F (-40°C to +50°C) operating temperature

ELECTRICAL

- Input voltage: 100-277V, 200-480V
- Dimmable power supply (1-10V)
- Driver efficiency: >85%
- Power Factor: >.95
- THD: <20%

CONSTRUCTION

- Lightweight construction (8.6–10.8 lbs) allows for quick and easy installation
- Glass lens for long life in harsh conditions
- Stainless steel hardware
- Magnesium alloy heatsink with durable powder coat finish
- 6' cord included

WARRANTY

- 5 year limited warranty; see eiko.com for warranty details

project name	type
catalog number	
comments	voltage
approved by	date



APPLICATIONS

- Warehouses
- Manufacturing Plants
- Distribution Centers
- Grocery Stores
- Gymsnasiums
- Indoor Recreational Facilities
- Cold Storage
- Big Box Retail
- Service Repair Centers



ORDERING INFORMATION

EXAMPLE: BAY-3C-50K-U

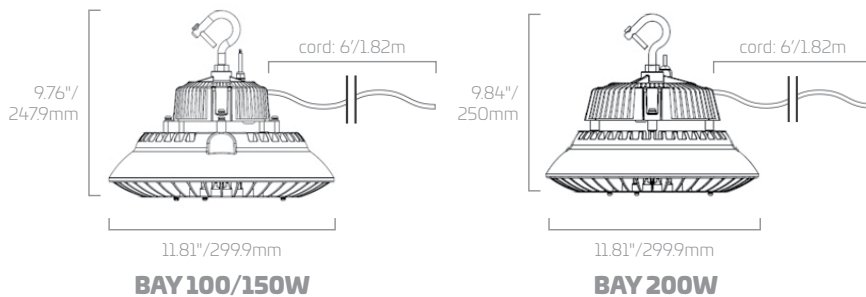
Model	Package	CCT	Voltage
BAY : LED Bay Light Round	3C - 100W; 12,500 lm 4C - 150W; 18,750 lm 5C - 200W; 25,000 lm	40K - 4000K 50K - 5000K	U - 100-277V V - 200-480V

PERFORMANCE SUMMARY

Order Code	Item #	Watts	Lumens	LPW (TYP)	CCT	CRI	Dimming	Volts	DLC
09796	BAY-3C-40K-U	100W	13,600	135	4000K	80+	1-10V	100-277V	P
09582	BAY-3C-50K-U	100W	13,600	135	5000K	80+	1-10V	100-277V	P
09797	BAY-3C-40K-V	100W	13,600	135	4000K	80+	1-10V	200-480V	P
09588	BAY-3C-50K-V	100W	13,600	135	5000K	80+	1-10V	200-480V	P
09798	BAY-4C-40K-U	150W	20,400	135	4000K	80+	1-10V	100-277V	P
09583	BAY-4C-50K-U	150W	20,400	135	5000K	80+	1-10V	100-277V	P
09799	BAY-4C-40K-V	150W	20,400	135	4000K	80+	1-10V	200-480V	P
09589	BAY-4C-50K-V	150W	20,400	135	5000K	80+	1-10V	200-480V	P
09800	BAY-5C-40K-U	200W	27,200	135	4000K	80+	1-10V	100-277V	P
09584	BAY-5C-50K-U	200W	27,200	135	5000K	80+	1-10V	100-277V	P
09801	BAY-5C-40K-V	200W	27,200	135	4000K	80+	1-10V	200-480V	P
09590	BAY-5C-50K-V	200W	27,200	135	5000K	80+	1-10V	200-480V	P

P DesignLights Consortium® Premium Qualified. See note below regarding reflectors.

DIMENSIONS



LUMEN MAINTENANCE*

Ambient Temp	Lumen Depreciation	Reported Hours
25°C	L90	50,000
	L80	>60,000
	L70	>60,000
40°C	L90	>33,000
	L80	>60,000
	L70	>60,000
50°C	L90	>28,000
	L80	>60,000
	L70	>60,000

*In accordance with IES TM-21 per ENERGY STAR® Calculator rev. 02.08.2016

AVAILABLE ACCESSORIES

Order Code	Item #	Description
09585	BAY-REFLECTOR BT-AL-60D*	60° Beam Aluminum Reflector
09586	BAY-REFLECTOR BT-AL-90D*	90° Beam Aluminum Reflector
09587	BAY-REFLECTOR BT-PC-70D*	70° Beam Polycarbonate Reflector
09914	BAY-REFLECTOR-CV16	16" Cloudveil™ Reflector
09915	BAY-REFLECTOR-CV22	22" Cloudveil™ Reflector
10387	BAY-REFLECTOR-AC16	Light Reflector Clear Acrylic
10382	BAY-CCL-16	16" Clear Conic Lens Acrylic
10384	BAY-CCL-22	22" Clear Conic Lens Acrylic
10383	BAY-CDL-16	16" Clear Drop Lens Acrylic
10385	BAY-CDL-22	22" Clear Drop Lens Acrylic
10386	BAY-CWB-16	16" Clear Wide Bay Lens Acrylic
10380	BAY-BAND-16	Stainless Steel Clamp Band, 16" Reflectors
10381	BAY-BAND-22	Stainless Steel Clamp Band, 22" Reflectors
09912	BAY-WG-AL	Wireguard, Aluminum Reflector
09913	BAY-WG-GL	Wireguard, Glass
09911	BAY-WG-PC	Wireguard, PC Reflector
09910	BAY-SEN-1A-KIT	Occupancy/Photocontrol Sensor Kit, Remote Controllable
10378	BAY-PA-1/2NPS-W	Pipe Adaptor 1/2" NPS White
10379	BAY-PA-3/4NPS-W	Pipe Adaptor 3/4" NPS White

*Products with these reflectors installed are DLC Standard qualified.





LLH : LED LINEAR HIGHBAY

DESCRIPTION

A cost-effective solid state LED solution for highbay and lowbay applications, replacing up to 250 watt and 400 watt HID fixtures and multi-lamp fluorescent luminaires.

FEATURES

- >130 lpw ultra-high efficiency delivers superior performance over fluorescent and HID, saving up to 60% of energy costs
- Universal 0-10V driver for continuous dimming
- 1S items feature pre-installed adjustable microwave occupancy sensor

LISTINGS

- UL Listed for damp locations
- DesignLights Consortium® Premium Qualified - meets the requirements for the highest DLC qualification for efficacy and lumen maintenance

PERFORMANCE

- Rated lifetime L70
>100,000 @ 40°C (104°F)
>72,000 @ 50°C (122°F)
- 4000K, 5000K CCT
- CRI: 80+

ELECTRICAL

- Input voltage: 120-277V, 347-480V
- Dimmable power supply (0-10V)
- Driver efficiency: >85%
- Power Factor: >.9
- THD: <20%

THERMAL

- -22°F to 122°F (-30°C to 50°C) operating temperature

CONSTRUCTION

- Heavy gauge steel body with welded frame construction resists twisting and bowing
- Diffuse frosted acrylic lens to control glare (standard) or optional clear lens for higher light output (sold separately)
- 10 ft. Y-toggle aircraft cable mounting hardware included
- Built-in 2.5kV surge protection

WARRANTY

- 5 year limited warranty; see eiko.com for warranty details

project name	type
catalog number	
comments	voltage
approved by	date



LLH-1C
LLH-2C
LLH-3C
(Shown with optional wire guard assembly)



LLH-4C
LLH-5C

APPLICATIONS

- Warehouses
- Manufacturing Plants
- Distribution Centers
- Grocery Stores
- Gymnasiums
- Indoor Recreational Facilities
- Cold Storage
- Big Box Retail
- Service Repair Centers



ORDERING INFORMATION

EXAMPLE: LLH-1C-50K-U-1S

Model	Package	CCT	Voltage	Sensor
LLH : LED Linear Highbay	1C - 110W; 14,000 lm 2C - 162W; 21,000 lm 3C - 223W; 29,000 lm 4C - 265W; 35,000 lm 5C - 321W; 42,000 lm	40K - 4000K 50K - 5000K	U - 120-277V V - 347-480V	1S - Occupancy Sensor (Blank) - No sensor

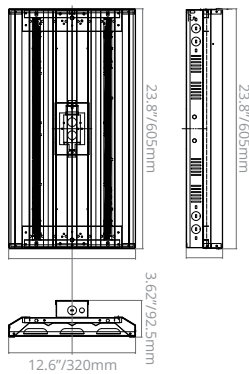
PERFORMANCE SUMMARY

Order Code	Item #	Length	Watts	Lumens	LPW	CCT	Lens	Driver	Volts	Replaces Fluor	DLC Premium
09703	LLH-1C-40K-U	2'	110W	14,410	131	4000K	Frosted	0-10V	120-277	HBF 6x T8/4x T5	✓
09793	LLH-1C-40K-V	2'	110W	14,300	130	4000K	Frosted	0-10V	347-480	HBF 6x T8/4x T5	✓
09538	LLH-1C-50K-U	2'	110W	14,410	131	5000K	Frosted	0-10V	120-277	HBF 6x T8/4x T5	✓
09741	LLH-1C-50K-V	2'	110W	14,410	131	5000K	Frosted	0-10V	347-480	HBF 6x T8/4x T5	✓
09571	LLH-1C-50K-U-1S †	2'	110W	14,410	131	5000K	Frosted	1-10V	120-277	HBF 6x T8/4x T5	
09771	LLH-2C-40K-U	2'	162W	21,222	131	4000K	Frosted	0-10V	120-277	HBF 8x T8/6x T5 HO	✓
09794	LLH-2C-40K-V	2'	162W	21,060	130	4000K	Frosted	0-10V	347-480	HBF 8x T8/6x T5 HO	✓
09539	LLH-2C-50K-U	2'	162W	21,222	131	5000K	Frosted	0-10V	120-277	HBF 8x T8/6x T5 HO	✓
09742	LLH-2C-50K-V	2'	162W	21,222	131	5000K	Frosted	0-10V	347-480	HBF 8x T8/6x T5 HO	✓
09572	LLH-2C-50K-U-1S †	2'	162W	21,222	131	5000K	Frosted	1-10V	120-277	HBF 8x T8/6x T5 HO	
09772	LLH-3C-40K-U	4'	223W	29,213	131	4000K	Frosted	0-10V	120-277	8x T5 HO	✓
09795	LLH-3C-40K-V	4'	223W	28,990	130	4000K	Frosted	0-10V	347-480	8x T5 HO	✓
09540	LLH-3C-50K-U	4'	223W	29,213	131	5000K	Frosted	0-10V	120-277	8x T5 HO	✓
09573	LLH-3C-50K-U-1S †	4'	223W	29,213	131	5000K	Frosted	1-10V	120-277	8x T5 HO	
09591	LLH-3C-50K-V	4'	223W	29,213	131	5000K	Frosted	0-10V	347-480	8x T5 HO	✓
09773	LLH-4C-40K-U	4'	265W	34,715	131	4000K	Frosted	0-10V	120-277	8x T5 HO	✓
09541	LLH-4C-50K-U	4'	265W	34,715	131	5000K	Frosted	0-10V	120-277	8x T5 HO	✓
10265	LLH-5C-40K-V	4'	321W	41,920	130	4000K	Frosted	0-10V	347-480	8x T5 HO	✓
09774	LLH-5C-40K-U	4'	321W	41,920	130	4000K	Frosted	0-10V	120-277	8x T5 HO	✓
09542	LLH-5C-50K-U	4'	321W	41,920	130	5000K	Frosted	0-10V	120-277	8x T5 HO	✓
09592	LLH-5C-50K-V	4'	321W	41,920	130	5000K	Frosted	0-10V	347-480	8x T5 HO	✓

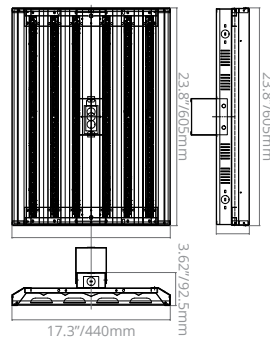
✓DesignLights Consortium® Premium Qualified

†Occupancy sensor factory installed

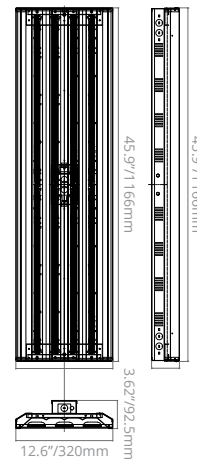
DIMENSIONS



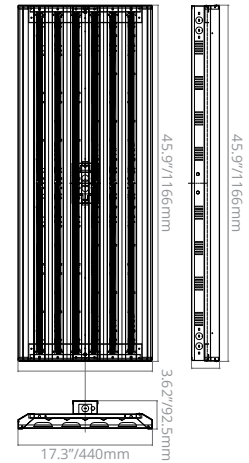
LLH-1C



LLH-2C



LLH-3C



LLH-4C / LLH-5C

AVAILABLE ACCESSORIES

Order Code	Item #	Description
09850	FHSCP-UNV-10.7WL	10.7W Emergency Battery Backup
09852	FHSCP-UNV-13.7WL	13.7W Emergency Battery Backup
09854	FHSCP-UNV-17WL	17W Emergency Battery Backup
09849	FHSCP-UNV-5WL	5W Emergency Battery Backup
09851	FHSCP-UNV-7.8WL	7.8W Emergency Battery Backup
09226	LLH-CHAIN	Mounting Chain for LLH, 1.05 meters (1 pair)
09336	LLH-CL-2x1	Clear Lens for LLH-1C-xxK-U
09337	LLH-CL-2x1.5	Clear Lens for LLH-2C-xxK-U
09338	LLH-CL-4x1	Clear Lens for LLH-3C-xxK-U
09700	LLH-CL-4x1.5	Replacement Clear Lens for LLH-4C-xxK-U, LLH-5C-xxK-U
09339	LLH-FL-2x1	Replacement Frosted Lens for LLH-1C-xxK-U
09340	LLH-FL-2x1.5	Replacement Frosted Lens for LLH-2C-xxK-U
09341	LLH-FL-4x1	Replacement Frosted Lens for LLH-3C-xxK-U
09701	LLH-FL-4x1.5	Replacement Frosted Lens for LLH-4C-xxK-U, LLH-5C-xxK-U

Order Code	Item #	Description
09227	LLH-PENDANT BOX	Pendant Box for LLH, 3/4" NPT
09818	LLH-SMK-1	Surface Mount Kit, 12.6"
09819	LLH-SMK-2	Surface Mount Kit, 17.3"
09230	LLH-V HOOK-1	V-Hook (1 pair) for LLH-1C-xxK-U, LLH-3C-xxK-U
09229	LLH-V HOOK-1.5	V-Hook (1 pair) for LLH-2C-xxK-U, LLH-4C-xxK-U, LLH-5C-xxK-U
09222	LLH-WG-2x1	Wireguard for LLH-1C-xxK-U
09223	LLH-WG-2x1.5	Wireguard for LLH-2C-xxK-U
09224	LLH-WG-4x1	Wireguard for LLH-3C-xxK-U
09702	LLH-WG-4x1.5	Wireguard for LLH-4C-xxK-U, LLH-5C-xxK-U
08845	LLH-YTK	Y-Toggle Cable - 10 ft. (1 only/2 needed per order)

For sensor options, see EIKO Sensor Overview at eiko.com



LLW : LED LINEAR WRAP

DESCRIPTION

- Cost-effective and energy efficient 4ft LED utility wrap fixture
- 130 lumens per watt
- Ideal replacement for less efficient fluorescent wrap fixtures
- Features full length wrap-around U-shaped prismatic acrylic lens
- Universal 0-10V driver for continuous dimming standard

LISTINGS

- DesignLights Consortium® Premium Qualified - meets the requirements for the highest DLC qualification for efficacy and lumen maintenance

LED CHARACTERISTICS

- Rated lifetime L70: 50,000 hours
- 4000K CCT
- CRI: 80+
- 4160lm @ 32W : 130lpw
- 4420lm @ 34W : 130lpw
- 4608lm @ 36W : 128lpw
- 5200lm @ 40W : 130lpw
- 5334lm @ 42W : 127lpw

ELECTRICAL

- Input voltage: 120-277V
- Dimmable power supply (0-10V)
- Power Factor: >.90
- THD: <20%

CONSTRUCTION

- Durable steel body construction with white polyester powder coat finish
- -4°F to 122°F (-20°C to 50°C) operating temperature

WARRANTY

- 5 year limited warranty; see eiko.com for warranty details

project name	type
catalog number	
comments	voltage
approved by	date



APPLICATIONS

- Storage areas
- Utility rooms
- Schools
- Stairwell
- Workshops
- Corridors



ORDERING INFORMATION

EXAMPLE: LLW-4C-40K-U

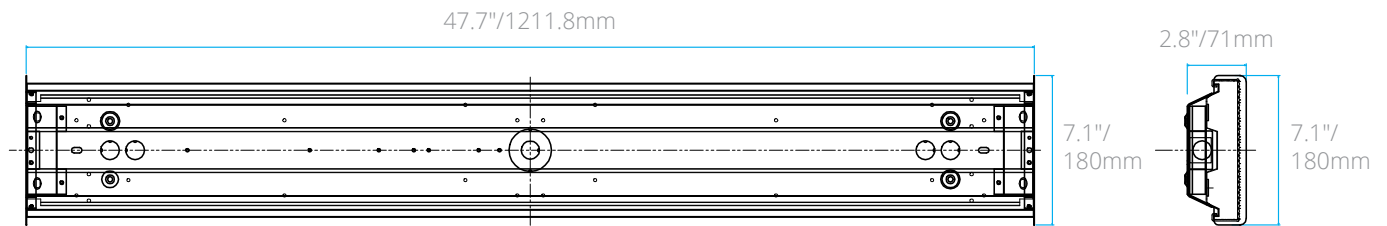
Model	Package	CCT	Voltage
LLW : LED Linear Wrap	3C - 32W; 4,160 lm 4C - 36W; 4,608 lm 4CP - 34W; 4,420 lm 5C - 42W; 5,334 lm 5CP - 40W; 5,200 lm	40K - 4000K	U - 120-277V

PERFORMANCE SUMMARY

Order Code	Item #	Watts	Lumens	LPW	CCT	CRI	Volts	Fluor. Equiv.	DLC Premium
09425	LLW-3C-40K-U	32W	4,160	130	4000K	80+	120-277V	2 lamp F32T8	✓
09426	LLW-4C-40K-U	36W	4,608	128	4000K	80+	120-277V	2 lamp F32T8	✓
09704	LLW-4CP-40K-U	34W	4,420	130	4000K	80+	120-277V	2 lamp F32T8	✓
09427	LLW-5C-40K-U	42W	5,334	127	4000K	80+	120-277V	2 lamp F32T8	✓
09705	LLW-5CP-40K-U	40W	5,200	130	4000K	80+	120-277V	2 lamp F32T8	✓

✓DesignLights Consortium® Premium Qualified

DIMENSIONS



AVAILABLE ACCESSORIES

Order Code	Item #	Description
09849	FHSCP-UNV-5WL	5W Emergency Battery Backup
09851	FHSCP-UNV-7.8WL	7.8W Emergency Battery Backup
09850	FHSCP-UNV-10.7WL	10.7W Emergency Battery Backup
09852	FHSCP-UNV-13.7WL	13.7W Emergency Battery Backup
09854	FHSCP-UNV-17WL	17W Emergency Battery Backup
09844	LLW-LENS	Replacement Lens for LLW Fixtures



STR : LED LINEAR STRIP

DESCRIPTION

A compact, efficient strip light whose narrow width and low profile makes it an ideal choice for size-restricted architectural applications.

FEATURES

- Continuous dimming to 10%

LISTINGS

- UL Listed for dry/damp locations
- DesignLights Consortium® Premium Qualified - meets the requirements for the highest DLC qualification for efficacy and lumen maintenance

PERFORMANCE

- Rated lifetime L70: 50,000 hours
- 4000K, 5000K CCT
- CRI: 80+
- 3,013lm @ 23W (131 lpw)
- 4,224lm @ 32W (132 lpw)
- 6,026lm @ 46W (131 lpw)
- 6,000lm @ 46W (130 lpw)
- 8,500lm @ 65W (130 lpw)
- 9,750lm @ 75W (130 lpw)
- 11,700lm @ 90W (130 lpw)

ELECTRICAL

- Input voltage: 120-277V; 347V (Canada only)
- Dimmable power supply (0-10V dimming)
- Power Factor: >0.9
- THD: <20%

THERMAL

- -4°F to 122°F (-20°C to +50°C) operating temperature

CONSTRUCTION

- Powder coated steel construction
- Acrylic lens

WARRANTY

- 5 year limited warranty; see eiko.com for warranty details

project name	type
catalog number	
comments	voltage
approved by	date



APPLICATIONS

- Storage areas
- Utility areas
- Coves
- Display cases
- Retail
- Task lighting
- General area lighting



ORDERING INFORMATION

EXAMPLE: STR8-60/D0/840-U-D

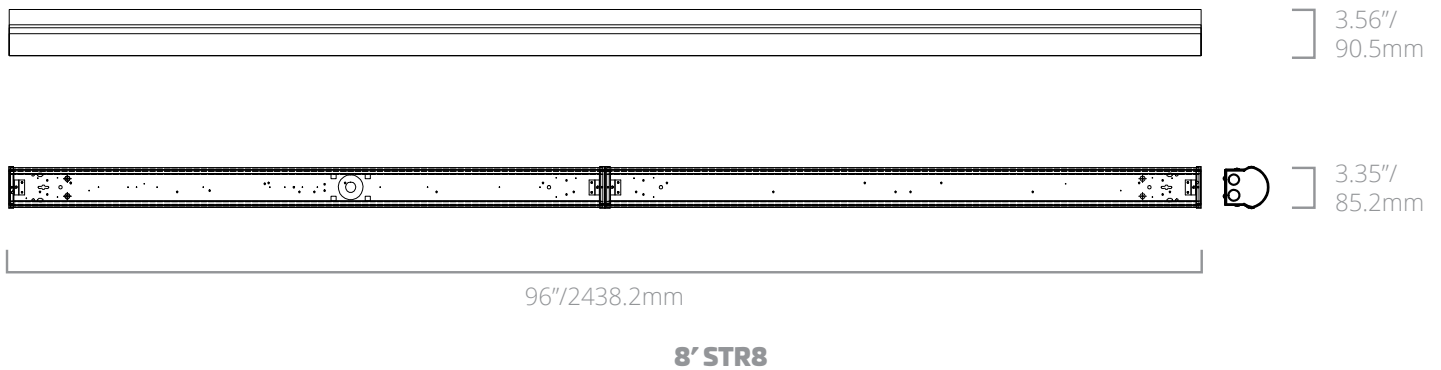
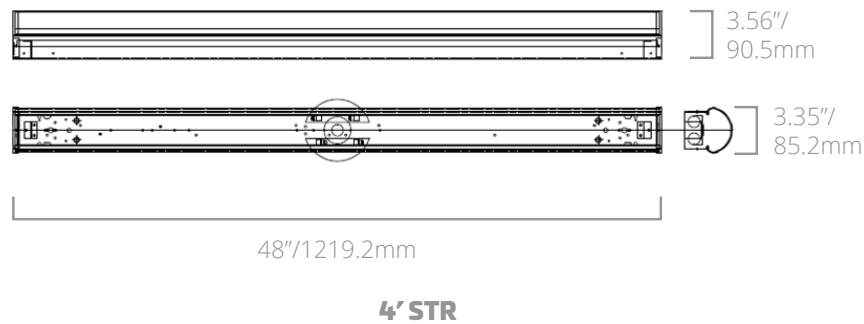
Model	Package	Efficacy	CCT	Voltage	Dimming
STR : LED Linear Strip, 4' STR8 : LED Linear Strip, 8'	2C - 23W; 3,000/3,013 lm 3C - 32W; 4,000/4,224 lm 4C - 46W; 6,000/6,026 lm 60 - 46W; 6,000 lm 85 - 65W; 8,500 lm 97 - 75W; 9,750 lm 117 - 90W; 11,700 lm	D0 - 130 lpw	40K - 4000K 50K - 5000K 840 - 80 CRI; 4000K 850 - 80 CRI; 5000K	U - 120-277V H - 347V	D - 0-10V Dimming

PERFORMANCE SUMMARY

Order Code	Item #	Length	Watts	Lumens	LPW	CCT	CRI	Volts	Dimming	DLC
09534	STR-2C-40K-U	4'	23W	3,013	130	4000K	80+	120-277VAC	0-10V	✓✓
09820	STR-2C-50K-U	4'	23W	3,000	130	5000K	80+	120-277VAC	0-10V	✓✓
09535	STR-3C-40K-U	4'	32W	4,224	130	4000K	80+	120-277VAC	0-10V	✓✓
09821	STR-3C-50K-U	4'	32W	4,200	130	5000K	80+	120-277VAC	0-10V	✓✓
09536	STR-4C-40K-U	4'	46W	6,026	130	4000K	80+	120-277VAC	0-10V	✓✓
09822	STR-4C-50K-U	4'	46W	6,000	130	5000K	80+	120-277VAC	0-10V	✓✓
10351	STR8-60/D0/840-U-D	8'	46W	6,000	130	4000K	80+	120-277V	0-10V	✓✓
10352	STR8-60/D0/850-U-D	8'	46W	6,000	130	5000K	80+	120-277V	0-10V	✓✓
10353	STR8-85/D0/840-U-D	8'	65W	8,500	130	4000K	80+	120-277V	0-10V	✓✓
10354	STR8-85/D0/850-U-D	8'	65W	8,500	130	5000K	80+	120-277V	0-10V	✓✓
10358	STR8-97/D0/840-H-D*	8'	75W	9,750	130	4000K	80+	347V	0-10V	
10359	STR8-97/D0/850-H-D*	8'	75W	9,750	130	5000K	80+	347V	0-10V	
10355	STR8-117/D0/840-U-D	8'	90W	11,700	130	4000K	80+	120-277V	0-10V	✓✓
10356	STR8-117/D0/850-U-D	8'	90W	11,700	130	5000K	80+	120-277V	0-10V	✓✓

*Canada only ✓✓DesignLights Consortium® Premium Qualified

DIMENSIONS



AVAILABLE ACCESSORIES

Order Code	Item #	Description
09823	STR-LCK	LED Strip, Linear Connection Kit
09843	STR-LENS	Replacement Lens for STR Fixtures
09788	STR-4-WG-W	Wire Guard, 4 ft. LED Strip, White
10357	STR8-WG-W	Wire Guard 8 ft LED Strip, White



VTS : LED VAPOR TIGHT SURFACE

DESCRIPTION

- Cost effective solid state LED solution for utility lighting applications replacing fluorescent luminaires
- >110 lpw ultra-high efficiency delivers superior performance
- Universal 120-277V operation
- 0-10V dimming control
- Includes surface mount hardware, v-hooks for hanging and cable gland for sealing power cable entry
- Includes multiple knockouts for pendant and conduit mounting

LISTINGS

- UL Listed for wet locations
- IP65 Rated
- DesignLights Consortium® Premium Qualified - meets the requirements for the highest DLC qualification for efficacy and lumen maintenance

LED CHARACTERISTICS

- Rated lifetime L70: 50,000 hours
- 4000K, 5000K CCT
- CRI: 80+

ELECTRICAL

- Input voltage: 120-277V
- Dimmable power supply (0-10V)
- Power Factor: >.90
- THD: <20%
- Driver Efficiency: >85%

CONSTRUCTION

- Durable polycarbonate lens and housing for demanding environments
- -22°F to 122°F (-30°C to 50°C) operating temperature

WARRANTY

- 5 year limited warranty; see eiko.com for warranty details

project name	type
catalog number	
comments	voltage
approved by	date



APPLICATIONS

- Parking Garage
- Utility Lighting
- Stairwells
- Warehouses
- Industrial/Commercial
- Low Bay
- Walkways
- Eaves
- Canopies



ORDERING INFORMATION

EXAMPLE: VTS-5CP-40K-U

Model	Package	CCT	Voltage
VTS : LED Vapor Tight Surface	4CS - 40W; 4,400 lm 5CP - 40W; 5,200 lm 7CP - 52W; 6,760 lm 7CS - 65W; 7,150 lm	40K - 4000K	U - 120-277V

EXAMPLE: VTS-4-45/B0/850-DIM-U

Model	Length	Package	Efficacy	CCT/CRI	Voltage
VTS : LED Vapor Tight Surface	4 - 4'	45 - 40W; 4,500 lm 52 - 40W; 5,200 lm 68 - 52W; 6,800 lm 75 - 65W; 7,500 lm	B0 - 110 lpw D0 - 130 lpw B5 - 115 lpw	850 - 80 CRI; 5000K	U - 120-277V

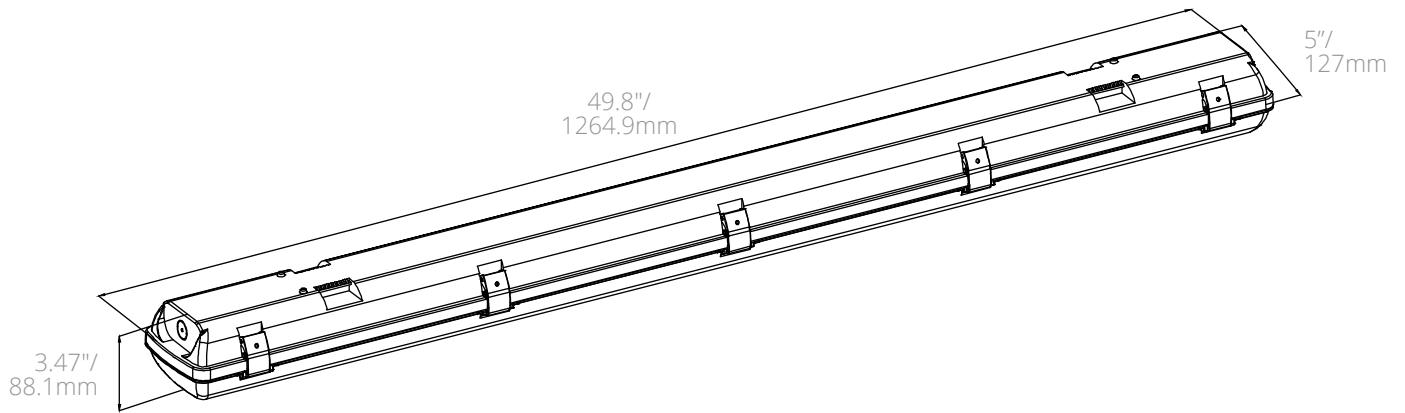
PERFORMANCE SUMMARY

Order Code	Item #	Watts	Lumens	CCT	CRI	Volts	Dimming	DLC
09714	VTS-4CS-40K-U	40W	4,400	4000K	80+	120-277V	0-10V	✓
09979	VTS-4-45/B0/850-DIM-U	40W	4,500	5000K	80+	120-277V	0-10V	✓
09715	VTS-7CS-40K-U	65W	7,150	4000K	80+	120-277V	0-10V	✓
09980	VTS-4-75/B5/850-DIM-U	65W	7,500	5000K	80+	120-277V	0-10V	✓
09712	VTS-5CP-40K-U	40W	5,200	4000K	80+	120-277V	0-10V	✓✓
09977	VTS-4-52/D0/850-DIM-U	40W	5,200	5000K	80+	120-277V	0-10V	✓✓
09713	VTS-7CP-40K-U	52W	6,760	4000K	80+	120-277V	0-10V	✓✓
09978	VTS-4-68/D0/850-DIM-U	52W	6,800	5000K	80+	120-277V	0-10V	✓✓

✓ DesignLights Consortium® Qualified

✓✓ DesignLights Consortium® Premium Qualified

DIMENSIONS



AVAILABLE ACCESSORIES

Order Code	Item #	Description
09966	PC1-4036-U	Photocell, Flush Mount, 120-277V
09967	PC1-4136-U	Photocell, Stem Mount, Side Lens, 120-277V
09968	PC1-4236-U	Photocell, Stem Swivel Mount, Side Lens, 120-277V
09969	PC1-4736-U	Photocell, Stem Swivel Mount, Top Lens, 120-277V

For sensor options, see Eiko Sensor Overview at eiko.com



VOL : VOLUMETRIC LED TROFFER

DESCRIPTION

- Cost-effective architectural recessed LED luminaire
- Direct/indirect illumination provides visual comfort with minimal glare
- Clean line styling complements today's modern office decor
- One for one alternative LED solution to fluorescent troffers
- Up to 50% energy savings over fluorescent troffers
- 0-10V dimmable standard
- 125-130 lumens per watt
- Available in 2'x2' and 2'x4'

LISTINGS

- UL Listed for dry/damp locations
- IC Rated for insulation contact
- DesignLights Consortium® Premium Qualified - meets the requirements for the highest DLC qualification for efficacy and lumen maintenance

LED CHARACTERISTICS

- Rated lifetime L70: 50,000 hours
- 3500K, 4000K, 5000K CCT
- CRI: 80+
- 2'x2': 3200lm (approx.) @ 26W
- 2'x2' (CP): 3250lm (approx.) @26W
- 2'x4': 5900lm (approx.) @ 48W
- 2'x4' (CP): 5796lm (approx.) @ 46W

ELECTRICAL

- Input voltage: 120-277V
- Dimmable power supply (0-10V)
- Power Factor: >.90
- THD: <15%

CONSTRUCTION

- Single lens center basket with swept white sidewall reflector
- Features integral earthquake clips
- -4°F to 104°F (-20°C to 40°C) operating temperature

WARRANTY

- 5 year limited warranty; see eiko.com for warranty details

project name	type
catalog number	
comments	voltage
approved by	date



2x2



2x4

APPLICATIONS

- Conference rooms
- Retail
- Offices
- Hospitality
- Healthcare
- Schools
- Reception areas
- Corridors
- Foyer



ORDERING INFORMATION

EXAMPLE: VOL22-3C-35K-U

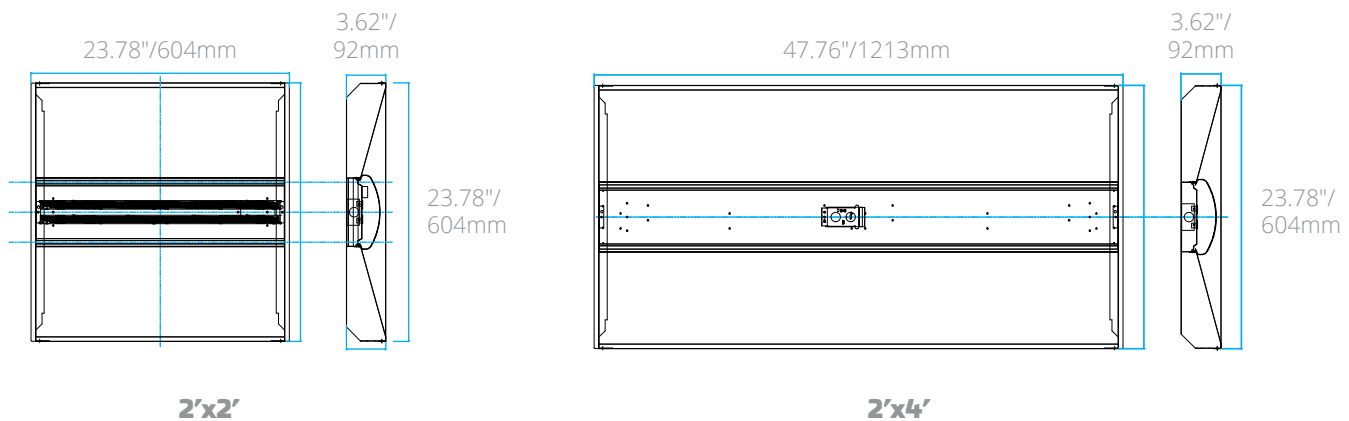
Model	Size	Package	CCT	Voltage
VOL : Volumetric LED Troffer	22 - 2'x2' 24 - 2'x4'	3C - 26W; 3,100/3,275 lm 3CP - 26W; 3,250 lm 5C - 48W; 5,620/5,970/6,115 lm 5CP - 46W; 5,796 lm	35K - 3500K 40K - 4000K 50K - 5000K	U - 120-277V

PERFORMANCE SUMMARY

Order Code	Item #	Watts	Lumens	LPW	CCT	CRI	Volts	Fluor. Equiv.	DLC Premium
09469	VOL22-3C-35K-U	26W	3,110	120	3500K	80+	120-277V	3x 17WT8, 2U31T8	✓
09470	VOL22-3C-40K-U	26W	3,275	126	4000K	80+	120-277V	3x 17WT8, 2U31T8	✓
09491	VOL22-3C-50K-U	26W	3,275	126	5000K	80+	120-277V	3x 17WT8, 2U31T8	✓
09471	VOL24-5C-35K-U	48W	5,620	117	3500K	80+	120-277V	2x 32T8, 3x 32T8	✓
09472	VOL24-5C-40K-U	48W	5,970	124	4000K	80+	120-277V	2x 32T8, 3x 32T8	✓
09492	VOL24-5C-50K-U	48W	6,115	127	5000K	80+	120-277V	2x 32T8, 3x 32T8	✓
09706	VOL22-3CP-35K-U	26W	3,250	125	3500K	80+	120-277V	3x 17WT8, 2U31T8	✓
09707	VOL22-3CP-40K-U	26W	3,250	125	4000K	80+	120-277V	3x 17WT8, 2U31T8	✓
09708	VOL22-3CP-50K-U	26W	3,250	125	5000K	80+	120-277V	3x 17WT8, 2U31T8	✓
09709	VOL24-5CP-35K-U	46W	5,796	126	3500K	80+	120-277V	2x 32T8, 3x 32T8	✓
09710	VOL24-5CP-40K-U	46W	5,796	126	4000K	80+	120-277V	2x 32T8, 3x 32T8	✓
09711	VOL24-5CP-50K-U	46W	5,796	126	5000K	80+	120-277V	2x 32T8, 3x 32T8	✓

✓DesignLights Consortium® Premium Qualified

DIMENSIONS



AVAILABLE ACCESSORIES

Order Code	Item #	Description
09849	FHSCP-UNV-5WL	5W Emergency Battery Backup
09851	FHSCP-UNV-7.8WL	7.8W Emergency Battery Backup
09850	FHSCP-UNV-10.7WL	10.7W Emergency Battery Backup
09852	FHSCP-UNV-13.7WL	13.7W Emergency Battery Backup
09854	FHSCP-UNV-17WL	17W Emergency Battery Backup
09898	VOL22-SMK-W	2x2 Surface Mount Kit, White
09899	VOL24-SMK-W	2x4 Surface Mount Kit, White



SLM : LED SLIM PANEL

DESCRIPTION

An ultra-slim, modern LED panel featuring edge-lit design for impressive visual comfort and uniform illumination.

FEATURES

- Acrylic (PMMA) lightguide for superior performance, UV resistance, anti-yellowing, and lumen maintenance
- One for one alternative LED solution to fluorescent troffers
- Thin profile is ideal for shallow plenum spaces
- Up to 47% energy savings and up to 21/2 times longer life (compared to traditional fluorescent troffers)
- Features integral earthquake clips
- Available in 1'x4', 2'x2' and 2'x4'
- Fits standard T-bar and narrow grid drop ceilings

LISTINGS

- UL Listed for dry/damp locations
- IC Rated for insulation contact
- DesignLights Consortium® Qualified - meets DLC requirements for efficacy and lumen maintenance
- Select versions DesignLights Consortium® Premium Qualified - meets the requirements for the highest DLC qualification for efficacy and lumen maintenance

PERFORMANCE

- Rated lifetime L70: 50,000 hours
- 3500K, 4000K, 5000K CCT
- CRI: 80+
- 1'x4': 3750lm @ 30W
- 2'x2': 3000-5000lm @ 30/40W
- 2'x4': 4000-6250lm @ 40/50W

ELECTRICAL

- Input voltage: 120-277V
- Dimmable power supply (0-10V)
- Power Factor: >.90
- THD: <15%

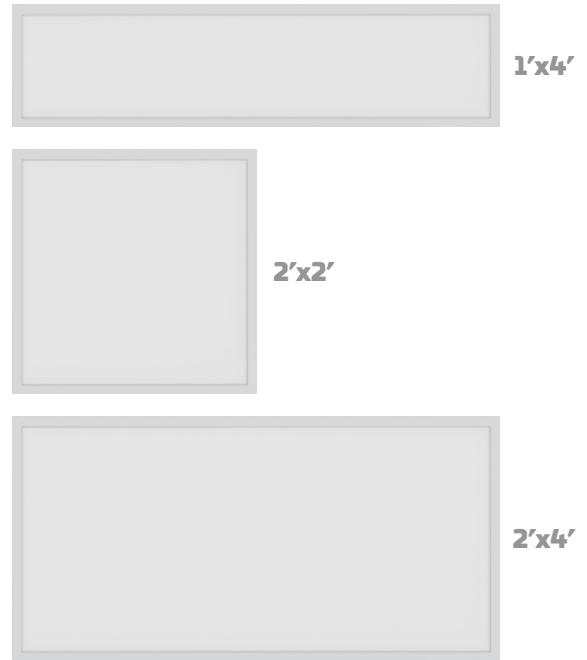
CONSTRUCTION

- -4°F to 104°F (-20°C to +40°C) operating temperature

WARRANTY

- 5 year limited warranty; see eiko.com for warranty details

project name	type
catalog number	
comments	voltage
approved by	date



APPLICATIONS

- Conference rooms
- Retail
- Offices
- Hospitality
- Healthcare
- Schools
- Reception areas
- Corridors
- Foyer



ORDERING INFORMATION

EXAMPLE: SLM22-3C-40K-U

Model	Size	Package	CCT	Voltage
SLM : LED Slim Panel	14 - 1'x4'	3CB - 30W; 3,000 lm	35K - 3500K 40K - 4000K 50K - 5000K	U - 120-277V
	22 - 2'x2'	4CB - 30W; 3,750 lm / 40W; 4,000 lm		
	24 - 2'x4'	5CB - 40W; 5,000 lm		
		6CB - 50W; 6,250 lm		

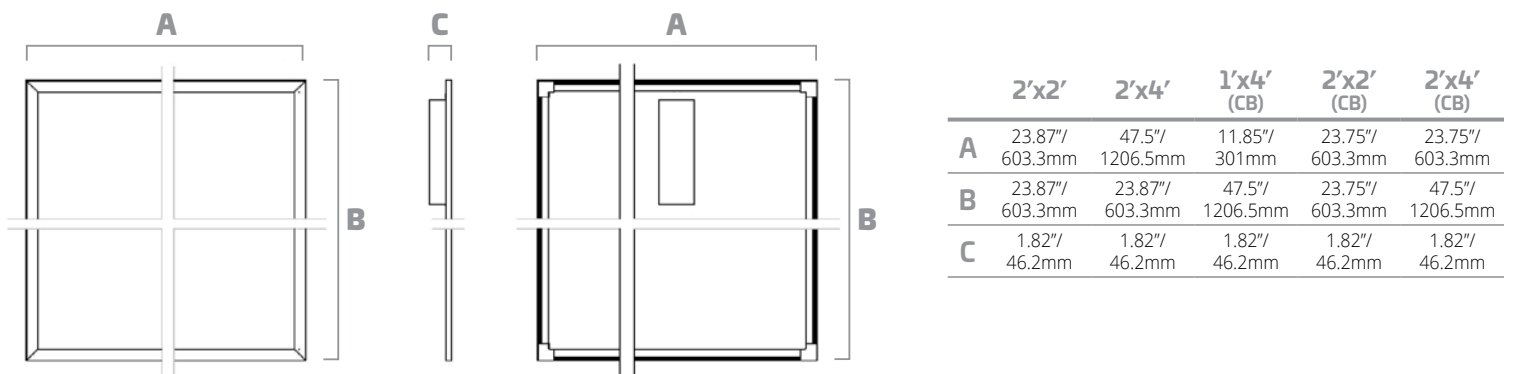
PERFORMANCE SUMMARY

Order Code	Item #	Watts	Lumens	LPW	CCT	CRI	Volts	Dimming	DLC
10015	SLM22-3CB-35K-U	30W	3,000	100	3500K	80+	120-277V	0-10V	✓
10016	SLM22-3CB-40K-U	30W	3,000	100	4000K	80+	120-277V	0-10V	✓
10017	SLM22-3CB-50K-U	30W	3,000	100	5000K	80+	120-277V	0-10V	✓
10018	SLM24-4CB-35K-U	40W	4,000	100	3500K	80+	100-277V	0-10V	✓
10019	SLM24-4CB-40K-U	40W	4,000	100	4000K	80+	100-277V	0-10V	✓
10021	SLM24-4CB-50K-U	40W	4,000	100	5000K	80+	100-277V	0-10V	✓
09760	SLM14-4CB-35K-U	30W	3,750	125	3500K	80+	100-277V	0-10V	✓✓
09761	SLM14-4CB-40K-U	30W	3,750	125	4000K	80+	100-277V	0-10V	✓✓
09762	SLM14-4CB-50K-U	30W	3,750	125	5000K	80+	100-277V	0-10V	✓✓
09763	SLM22-4CB-35K-U	30W	3,750	125	3500K	80+	100-277V	0-10V	✓✓
09764	SLM22-4CB-40K-U	30W	3,750	125	4000K	80+	100-277V	0-10V	✓✓
09765	SLM22-4CB-50K-U	30W	3,750	125	5000K	80+	100-277V	0-10V	✓✓
09754	SLM22-5CB-35K-U	40W	5,000	125	3500K	80+	100-277V	0-10V	✓✓
09755	SLM22-5CB-40K-U	40W	5,000	125	4000K	80+	100-277V	0-10V	✓✓
09756	SLM22-5CB-50K-U	40W	5,000	125	5000K	80+	100-277V	0-10V	✓✓
09766	SLM24-5CB-35K-U	40W	5,000	125	3500K	80+	100-277V	0-10V	✓✓
09767	SLM24-5CB-40K-U	40W	5,000	125	4000K	80+	100-277V	0-10V	✓✓
09768	SLM24-5CB-50K-U	40W	5,000	125	5000K	80+	100-277V	0-10V	✓✓
09757	SLM24-6CB-35K-U	50W	6,250	125	3500K	80+	100-277V	0-10V	✓✓
09758	SLM24-6CB-40K-U	50W	6,250	125	4000K	80+	100-277V	0-10V	✓✓
09759	SLM24-6CB-50K-U	50W	6,250	125	5000K	80+	100-277V	0-10V	✓✓

✓ DesignLights Consortium® Qualified

✓✓ DesignLights Consortium® Premium Qualified

DIMENSIONS



AVAILABLE ACCESSORIES

Order Code	Item #	Description	Order Code	Item #	Description
10051	SLM14-CABLE-CB	1x4 Cable Set, 4 Cables per Set	09695	SLM24-SM	2x4 Surface Mount Kit White
09692	SLM22-CABLE	2x2 Cable Set, 4 Cables per Set	09849	FHSCP-UNV-5WL	5W Emergency Battery Backup
10050	SLM22-CABLE-CB	2x2 Cable Set for CB, 4 Cables per Set	09851	FHSCP-UNV-7.8WL	7.8W Emergency Battery Backup
09693	SLM24-CABLE	2x4 Cable Set, 6 Cables per Set	09850	FHSCP-UNV-10.7WL	10.7W Emergency Battery Backup
10052	SLM24-CABLE-CB	2x4 Cable Set for CB, 6 Cables per Set	09852	FHSCP-UNV-13.7WL	13.7W Emergency Battery Backup
09905	SLM14-SM	1x4 Surface Mount Kit White	09854	FHSCP-UNV-17WL	17W Emergency Battery Backup
09694	SLM22-SM	2x2 Surface Mount Kit White			



SLM : LED SLIM PANEL

DESCRIPTION

An ultra-slim, modern LED panel featuring edge-lit design for impressive visual comfort and uniform illumination.

FEATURES

- Acrylic (PMMA) lightguide for superior performance, UV resistance, anti-yellowing, and lumen maintenance
- One for one alternative LED solution to fluorescent troffers
- Thin profile is ideal for shallow plenum spaces
- Up to 47% energy savings and up to 21/2 times longer life (compared to traditional fluorescent troffers)
- Features integral earthquake clips
- Available in 2'x2' and 2'x4'
- Fits standard T-bar and narrow grid drop ceilings

LISTINGS

- DesignLights Consortium® Qualified - meets DLC requirements for efficacy and lumen maintenance
- UL Listed for dry/damp locations
- IC Rated for insulation contact

PERFORMANCE

- Rated lifetime L70: 50,000 hours
- 3500K, 4000K, 5000K CCT
- CRI: 80+
- 2'x2': 4000lm @ 40W
- 2'x4': 5000lm @ 50W

ELECTRICAL

- Input voltage: 120-277V; 120-347V
- Dimmable power supply (0-10V)
- Power Factor: >.90
- THD: <20%

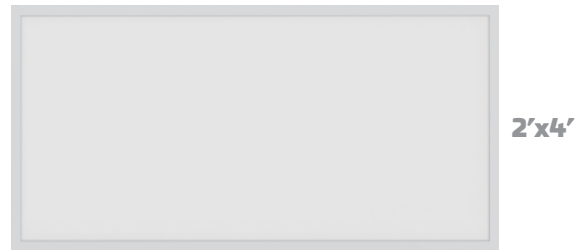
CONSTRUCTION

- -4°F to 122°F (-20°C to +50°C) operating temperature

WARRANTY

- 5 year limited warranty; see eiko.com for warranty details

project name	type
catalog number	
comments	voltage
approved by	date



APPLICATIONS

- Conference rooms
- Retail
- Offices
- Hospitality
- Healthcare
- Schools
- Reception areas
- Corridors
- Foyer



ORDERING INFORMATION

EXAMPLE: SLM22-40/A0/835-H-D

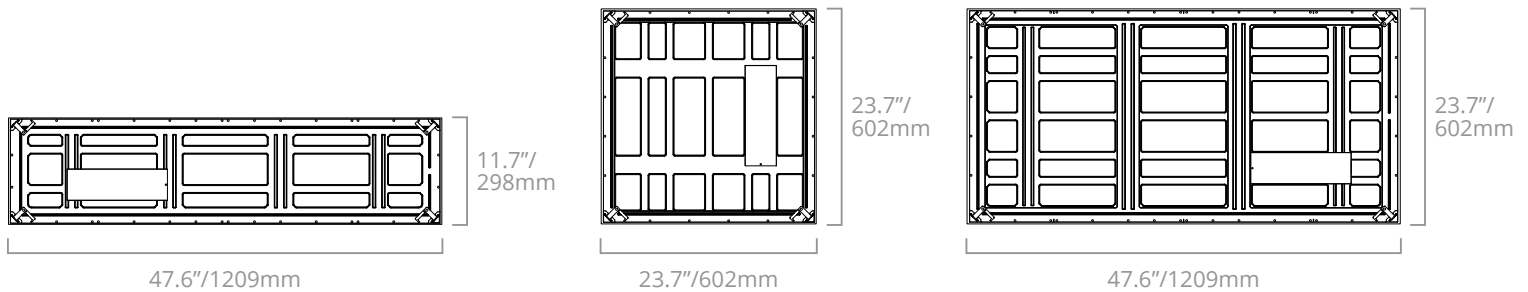
Model	Size	Package	Efficacy	CCT	Voltage	Dimming
SLM : LED Slim Panel	22 - 2'x2'	40 - 40W; 4,000 lm	A0 - 100 lpw	35K - 3500K	U - 120-277V H - 120-347V	D - 0-10V Dimming
	24 - 2'x4'	50 - 50W; 5,000 lm		40K - 4000K		
				50K - 5000K		

PERFORMANCE SUMMARY

Order Code	Item #	Watts	Lumens	LPW	CCT	CRI	Volts	Dimming	DLC
10205	SLM22-40/A0/835-U-D	40W	4,000	100	3500K	80+	120-277V	0-10V	✓
10206	SLM22-40/A0/840-U-D	40W	4,000	100	4000K	80+	120-277V	0-10V	✓
10207	SLM22-40/A0/850-U-D	40W	4,000	100	5000K	80+	120-277V	0-10V	✓
10211	SLM24-40/A0/835-U-D	40W	4,000	100	3500K	80+	120-277V	0-10V	✓
10212	SLM24-40/A0/840-U-D	40W	4,000	100	4000K	80+	120-277V	0-10V	✓
10213	SLM24-40/A0/850-U-D	40W	4,000	100	5000K	80+	120-277V	0-10V	✓
10214	SLM24-50/A0/835-U-D	50W	5,000	100	3500K	80+	120-277V	0-10V	✓
10215	SLM24-50/A0/840-U-D	50W	5,000	100	4000K	80+	120-277V	0-10V	✓
10216	SLM24-50/A0/850-U-D	50W	5,000	100	5000K	80+	120-277V	0-10V	✓
10208	SLM22-40/A0/835-H-D*	40W	4,000	100	3500K	80+	120-347V	0-10V	✓
10209	SLM22-40/A0/840-H-D*	40W	4,000	100	4000K	80+	120-347V	0-10V	✓
10210	SLM22-40/A0/850-H-D*	40W	4,000	100	5000K	80+	120-347V	0-10V	✓
10217	SLM24-50/A0/835-H-D*	50W	5,000	100	3500K	80+	120-347V	0-10V	✓
10218	SLM24-50/A0/840-H-D*	50W	5,000	100	4000K	80+	120-347V	0-10V	✓
10219	SLM24-50/A0/850-H-D*	50W	5,000	100	5000K	80+	120-347V	0-10V	✓

*Canada only. ✓DesignLights Consortium® Qualified

DIMENSIONS



AVAILABLE ACCESSORIES

Order Code	Item #	Description
10366	SLM22-RMK-A	SLM22 Recessed Mounting Kit
10368	SLM24-RMK-A	SLM24 Recessed Mounting Kit
10369	SLM-SCK-A	SLM22/14/24 Suspension Cable Kit
09905	SLM14-SM	SLM14 Surface Mount Kit White
09694	SLM22-SM	SLM22 Surface Mount Kit White
09695	SLM24-SM	SLM24 Surface Mount Kit White

Order Code	Item #	Description
09849	FHSCP-UNV-5WL	5W Emergency Battery Backup
09851	FHSCP-UNV-7.8WL	7.8W Emergency Battery Backup
09850	FHSCP-UNV-10.7WL	10.7W Emergency Battery Backup
09852	FHSCP-UNV-13.7WL	13.7W Emergency Battery Backup
09854	FHSCP-UNV-17WL	17W Emergency Battery Backup



CDR : COMMERCIAL DOWNLIGHT RETROFIT

DESCRIPTION

CDR Commercial Downlights are LED retrofit options to replace legacy downlights in many existing architectural and commercial housings. Available in 6" and 8" options, CDR Downlights offer easy installation and last up to 4x longer than CFL.

FEATURES

- Replaces legacy 6" or 8" CFL, HID or incandescent downlights
- Provides comfortable diffused light with no dark spots
- Dimmable to 5% with most Lutron and Leviton 0-10V dimmers
- Pre-wired conduit and quick connector allow for easy installation
- 85° beam angle
- Clips for secure installation into multiple housing types included

LISTINGS

- UL Listed for Dry/Damp Locations
- ENERGY STAR® Approved for superior energy efficiency

PERFORMANCE

- Rated lifetime L70: 50,000 hours
- 4000K CCT
- CRI: >80

ELECTRICAL

- Input voltage: 100-277VAC
- 0-10V dimming
- Power Factor: >0.95
- THD: <20%

THERMAL

- -13°F to 104°F (-25°C to 40°C) operating temperature

CONSTRUCTION

- Silver satin finish with white trim
- Frosted lens for diffuse lighting

WARRANTY

- 5 year limited warranty; see eiko.com for warranty details

project name	type
catalog number	
comments	voltage
approved by	date



APPLICATIONS

- Hotel Lobby
- Shopping Center
- Supermarket
- Recreation Center
- Public Areas
- Corridors
- Offices
- Schools
- Hospitality
- Retail



ORDERING INFORMATION

EXAMPLE: CDR-6-15/85/840-SSW-DIM-U

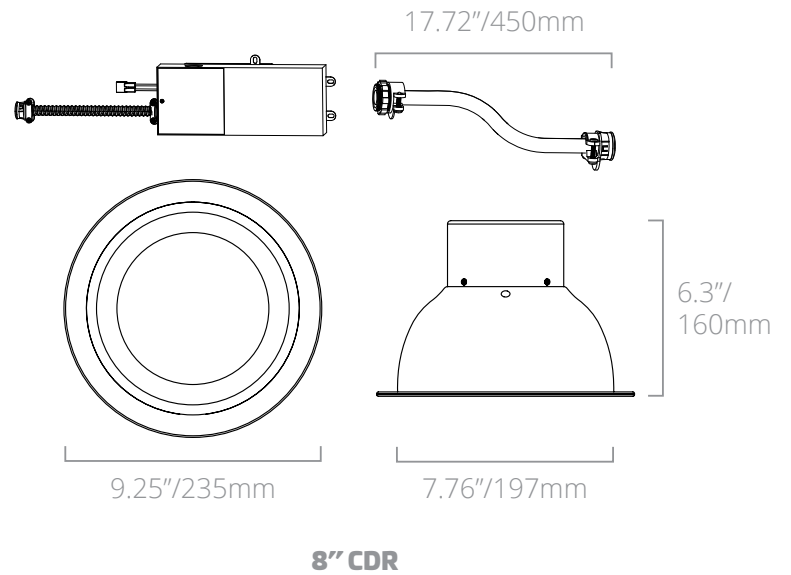
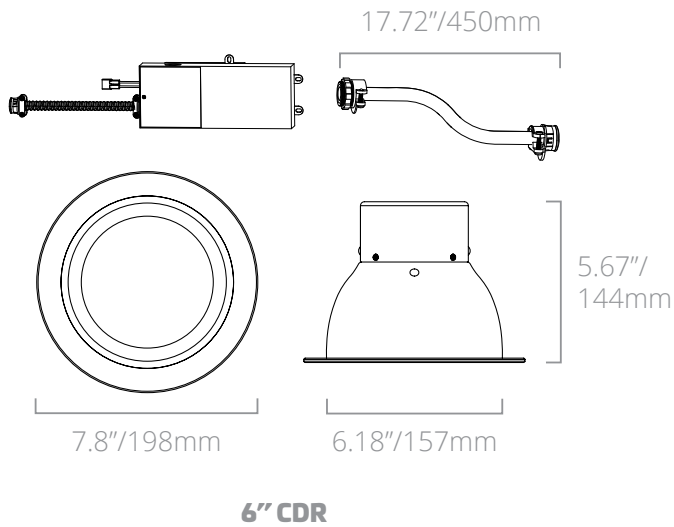
Model	Size	Lumens	LPW	CRI/CCT	Finish	Dimming	Voltage
CDR : Commercial Downlight Retrofit	6 - 6"	10 - 1,000 lm 15 - 1,500 lm 23 - 2,300 lm	85 - 85 lpw	840 - 80 CRI; 4000K	SSW - Silver satin finish with white trim	DIM - 0-10V dimming	U - 100-277VAC
	8 - 8"	10 - 1,000 lm 15 - 1,500 lm 20 - 2,000 lm 33 - 3,300 lm					

PERFORMANCE SUMMARY

Order Code	Item #	Size	Watts	Lumens	CCT	CRI	Volts	CFL Equiv.	ES
10121	CDR-6-10/85/840-SSW-DIM-U	6"	12W	1,000	4000K	80+	100-277VAC		★
10115	CDR-6-15/85/840-SSW-DIM-U	6"	18W	1,500	4000K	80+	100-277VAC		★
10116	CDR-6-23/85/840-SSW-DIM-U	6"	27W	2,300	4000K	80+	100-277VAC	42W	★
10117	CDR-8-10/85/840-SSW-DIM-U	8"	12W	1,000	4000K	80+	100-277VAC		★
10118	CDR-8-15/85/840-SSW-DIM-U	8"	18W	1,500	4000K	80+	100-277VAC		★
10119	CDR-8-20/85/840-SSW-DIM-U	8"	24W	2,000	4000K	80+	100-277VAC	42W	★
10120	CDR-8-33/85/840-SSW-DIM-U	8"	40W	3,300	4000K	80+	100-277VAC		★

★ENERGY STAR® Approved

DIMENSIONS





DSK : LED SLIM DISK DOWNLIGHT

DESCRIPTION

DSK Slim Disk Downlights are LED downlights that easily install into standard electrical junction boxes and deliver superior energy efficiency and performance.

FEATURES

- Easily installs into standard electrical junction box (J-Box)
- Ultra slim modern design with smooth uniform light guide lens
- Edge-lit waveguide lens for impressive visual comfort
- Surface mount - extremely low 5/8" profile
- Excellent alternative to recessed lighting when plenum space is limited
- Installs in seconds with j-box adapter plate
- Available in 5" and 7"
- Damp location listed

LISTINGS

- ENERGY STAR® Approved
- California Title 24 high efficacy compliance

PERFORMANCE

- Rated lifetime L70: 50,000 hours
- 2700K, 3000K, 4000K CCT
- CRI: >80

ELECTRICAL

- Input voltage: 100-277VAC
- Dimmable to 10% with compatible triac dimmers
- Power Factor: >0.9
- THD: <20%

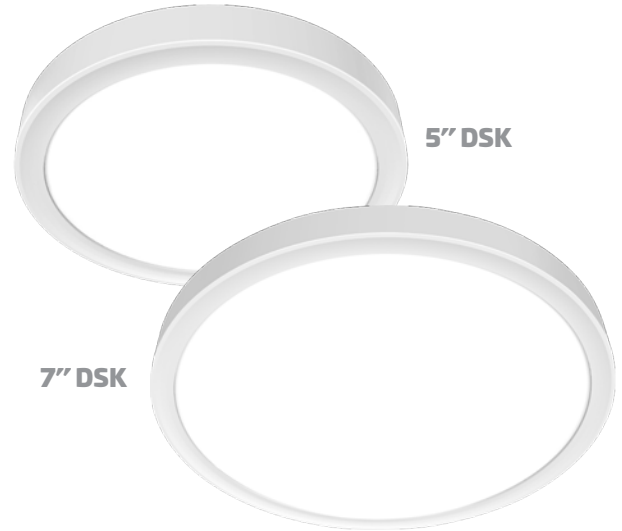
CONSTRUCTION

- Frosted lens for diffuse lighting

WARRANTY

- 5 year limited warranty; see eiko.com for warranty details

project name	type
catalog number	
comments	voltage
approved by	date



APPLICATIONS

- Residential
- Retail
- Apartment complexes
- Hospitality
- Offices
- Hallways
- Corridors



ORDERING INFORMATION

EXAMPLE: DSK-11W930-DIM-G7

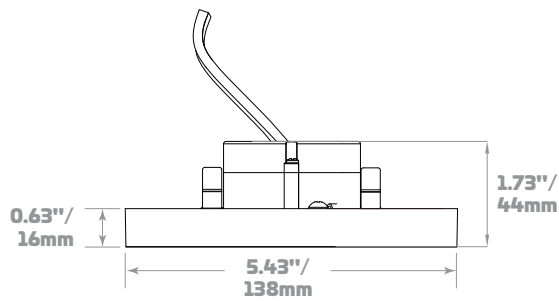
Model	Package	Dimming
DSK : Slim Disk Downlight	11W927 - 11 watts; 90CRI; 2700K 11W930 - 11 watts; 90CRI; 3000K 11W940 - 11 watts; 90CRI; 4000K 15W927 - 15 watts; 90CRI; 2700K 15W930 - 15 watts; 90CRI; 3000K 15W940 - 15 watts; 90CRI; 4000K	DIM - 0-10V dimming

PERFORMANCE SUMMARY

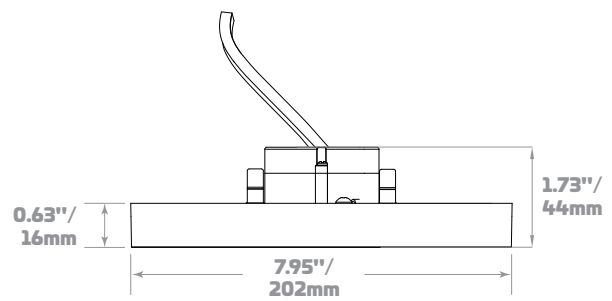
Order Code	Item #	Lumens	Watts	CCT	CRI	Life Hours	Size	Volts	Replaces Incan.	ES
09518	DSK-11W927-DIM-G7	650	10.5W	2700K	90	50K	5"	120V	50W BR20	★
09519	DSK-11W930-DIM-G7	650	10.5W	3000K	90	50K	5"	120V	50W BR20	★
09520	DSK-11W940-DIM-G7	650	10.5W	4000K	90	50K	5"	120V	50W BR20	★
09521	DSK-15W927-DIM-G7	850	15W	2700K	90	50K	7"	120V	65W BR30	★
09522	DSK-15W930-DIM-G7	850	15W	3000K	90	50K	7"	120V	65W BR30	★
09523	DSK-15W940-DIM-G7	850	15W	4000K	90	50K	7"	120V	65W BR30	★

NOTE: Use order code when ordering. ★ENERGY STAR® Approved

DIMENSIONS



5" Slim Disk Downlight



7" Slim Disk Downlight



DKDS : DOWNLIGHT DISK SURFACE KIT

DESCRIPTION

A flexible, low cost downlight solution for new construction and recessed can LED retrofit applications. It can be installed virtually anywhere, provides true color rendering with 90+ CRI, and can be continuously dimmed to 10% with standard dimmers.

FEATURES

- Low profile, driverless design
- Continuous dimming from 10-100% with many Triac dimmers
- Surface mounts to a standard 4" junction box
- Retrofit into an existing recessed can (hardware included in the box)

LISTINGS

- UL Listed for wet locations
- ENERGY STAR® Approved for superior energy efficiency
- CEC JA8 Compliant

PERFORMANCE

- Rated lifetime L70: 50,000 hours
- 2700K, 3000K, 4000K, 5000K CCT
- CRI: 90+

ELECTRICAL

- Input voltage: 120VAC
- Power Factor: >.90
- THD: <20%

CONSTRUCTION

- Aluminum trim with white powder coat finish

WARRANTY

- 5 year limited warranty; see eiko.com for warranty details

project name	type
catalog number	
comments	voltage
approved by	date



APPLICATIONS

- Healthcare
- Hospitality
- Office
- Property Management
- Residential
- Retail



ORDERING INFORMATION

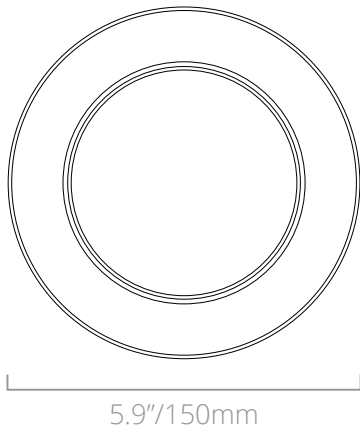
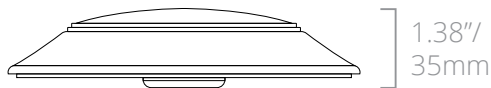
EXAMPLE: DKDS-4-12W/7/927-DIM-120

Model	Size	Wattage	Lumens	CRI/CCT	Dimming	Voltage
DKDS : Downlight Disk Surface Kit	4 - 4"	12W - 12W	6.5 - 650 LM	927 - 90 CRI; 2700K	DIM - Triac dimmable	120 - 120V
	6 - 6"	15W - 15W	7.5 - 750 LM 9.5 - 950 LM 10.5 - 1,050 LM	930 - 90 CRI; 3000K 940 - 90 CRI; 4000K 950 - 90 CRI; 5000K		

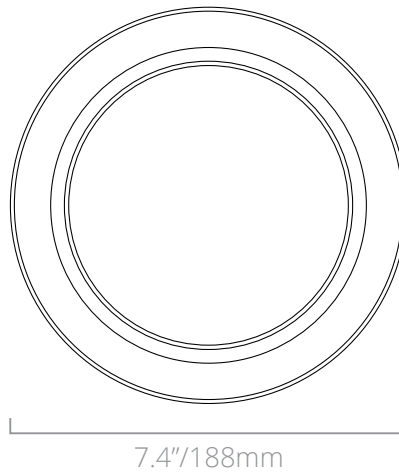
PERFORMANCE SUMMARY

Order Code	Item #	Watts	Lumens	CCT	CRI	Volts	Replaces Halogen	ES
09916	DKDS-4-12W/6.5/927-DIM-120	12W	650	2700K	90+	120V	75W	★
09917	DKDS-4-12W/6.5/930-DIM-120	12W	650	3000K	90+	120V	75W	★
10299	DKDS-4-12W/7.5/940-DIM-120	12W	750	4000K	90+	120V	75W	
10300	DKDS-4-12W/7.5/950-DIM-120	12W	750	5000K	90+	120V	75W	
09920	DKDS-6-15W/9.5/927-DIM-120	15W	950	2700K	90+	120V	90W	★
09921	DKDS-6-15W/9.5/930-DIM-120	15W	950	3000K	90+	120V	90W	★
10301	DKDS-6-15W/10.5/940-DIM-120	15W	1,050	4000K	90+	120V	90W	
10302	DKDS-6-15W/10.5/950-DIM-120	15W	1,050	5000K	90+	120V	90W	

DIMENSIONS



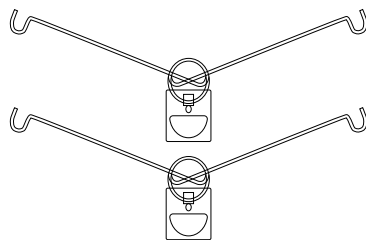
DKDS-4



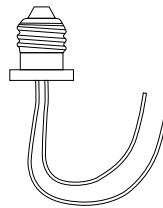
DKDS-6

INCLUDED ACCESSORIES

- E26 socket adapter
- Mounting bracket
- Housing insert



Retrofit Kit



E26 Adapter



Surface Mount Bracket



SCRG : SURFACE CANOPY, ROUND GARAGE

DESCRIPTION

A cost-effective, multipurpose fixture for garage and canopy lighting. It provides unmatched versatility with multiple mounting options, durable construction and an optional sensor for use in a wide range of indoor and outdoor applications.

FEATURES

- 130 lpw ultra-high efficiency delivers superior performance
- Optional integrated microwave motion sensor with photocell offers fully adjustable on/off and bi-level dimming capabilities
- Optional remote control commissioning device available for integrated sensors
- 0-10V dimming control

LISTINGS

- UL Listed for wet locations
- IP65 Rated
- DesignLights Consortium® Premium Qualified - meets the requirements for the highest DLC qualification for efficacy and lumen maintenance

PERFORMANCE

- Rated lifetime L90: >50,000 hours
- 4000K, 5000K CCT
- CRI: 80+

ELECTRICAL

- Input voltage: 120-277V
- Dimmable power supply (0-10V)
- Power Factor: >.9
- THD: <20%

THERMAL

- -40°F to 104°F (-40°C to 40°C) operating temperature

CONSTRUCTION

- Diecast aluminum heatsink
- Optional Integrated microwave motion and photocell sensor
- Impact-resistant polycarbonate lens
- 1/2" NPS entry point for conduit and accessories
- 3/4" NPS pendant mount
- Quick mount surface bracket included

WARRANTY

- 5 year limited warranty; see eiko.com for warranty details

project name	type
catalog number	
comments	voltage
approved by	date



APPLICATIONS

- Strip malls
- Entryways
- Educational facilities
- Plazas
- Canopies
- Eaves
- Public rest areas
- Cold storage
- Bridges, tunnels, and overpasses (with 3G bracket)
- Lowbay



ORDERING INFORMATION

EXAMPLE: SCRG-75/D0/840-DIM-U-W

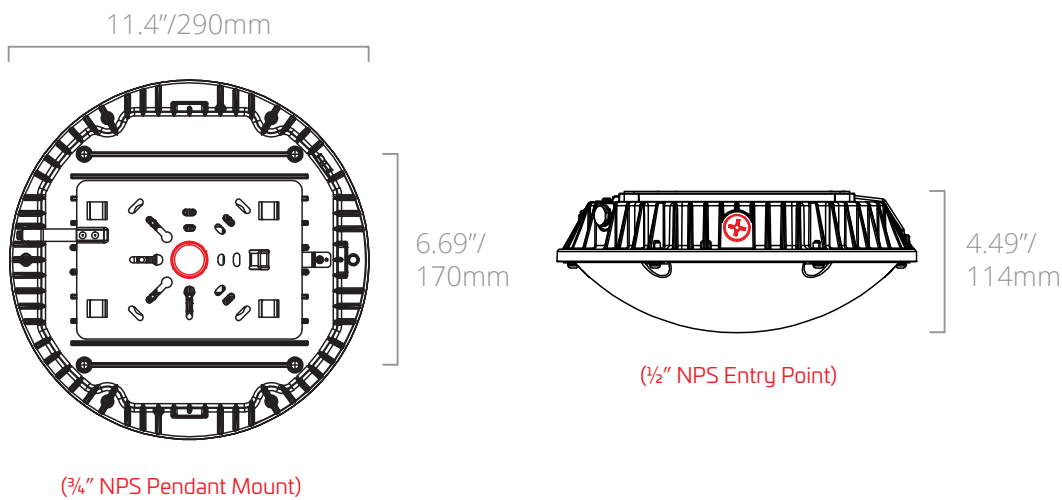
Model	Package	LPW	CCT/CRI	Dimming	Voltage	Sensor	Finish
SCRG : Surface Canopy Round, Garage	50 - 40W; 5,000 lm 75 - 60W; 8,000 lm	D0 - 130	840 - 4000K; 80CRI 850 - 5000K; 80CRI	DIM - Dimmable	U - Universal	S1B - Sensor (Blank) - No sensor	W - White

PERFORMANCE SUMMARY

Order Code	Item #	Watts	Lumens	CCT	CRI	Dimming	Volts	DLC
09955	SCRG-50/D0/840-DIM-U-W	40W	5000	4000K	80+	0-10V	120-277V	✓
09956	SCRG-50/D0/850-DIM-U-W	40W	5000	5000K	80+	0-10V	120-277V	✓
09957	SCRG-75/D0/840-DIM-U-W	60W	8000	4000K	80+	0-10V	120-277V	✓
09958	SCRG-75/D0/850-DIM-U-W	60W	8000	5000K	80+	0-10V	120-277V	✓
09959	SCRG-50/D0/840-DIM-U-S1B-W	40W	5000	4000K	80+	0-10V	120-277V	✓
09960	SCRG-50/D0/850-DIM-U-S1B-W	40W	5000	5000K	80+	0-10V	120-277V	✓
09961	SCRG-75/D0/840-DIM-U-S1B-W	60W	8000	4000K	80+	0-10V	120-277V	✓
09962	SCRG-75/D0/850-DIM-U-S1B-W	60W	8000	5000K	80+	0-10V	120-277V	✓

✓DesignLights Consortium® Premium Qualified

DIMENSIONS



AVAILABLE ACCESSORIES

Order Code	Item #	Description
10113	SEN-S1-RC2	Remote Control for S1B Sensors
09963	SCRG-3G-BRK	Quick Mount Bracket for SCRG 3G applications
09908	SEN-S1A-KO	Sensor, OCC/PC/RC, IP65, 1/2" Knock Out Mount, Remote Controllable



SCST : LED SLIM CANOPY

DESCRIPTION

The SCST features a streamlined appearance and straight-forward mounting features that allow for surface or pendant mounting in a wide variety of applications.

FEATURES

- Low-profile and lightweight die-cast aluminum housing
- Built-in features and internal driver allow for surface mounting or pendant mounting to 3/4" NPS stem

LISTINGS

- UL Listed for wet locations
- DesignLights Consortium® Qualified - meets DLC requirements for efficacy and lumen maintenance
- IP65 Rated
- ROHS Compliant

PERFORMANCE

- Rated lifetime L70: 60,000 hours
- 14,000lm @ 127W (110 lpw)
- 16,000lm @ 145W (110 lpw)
- 5000K CCT
- CRI: 80+

ELECTRICAL

- Input voltage: 120-277V; 200-480V
- Power Factor: >0.90
- THD: <20%

THERMAL

- -40°F to 113°F (-40°C to 45°C) operating temperature

CONSTRUCTION

- Polyester powder coating protects against environmental changes without peeling or cracking (consult factory for other color options)
- Pre-wired with 3' cable

WARRANTY

- 5 year limited warranty; see eiko.com for warranty details

project name	type
catalog number	
comments	voltage
approved by	date



APPLICATIONS

- Gas station canopies
- Drive-thru and other canopy applications
- Loading docks
- Mass transit depots



ORDERING INFORMATION

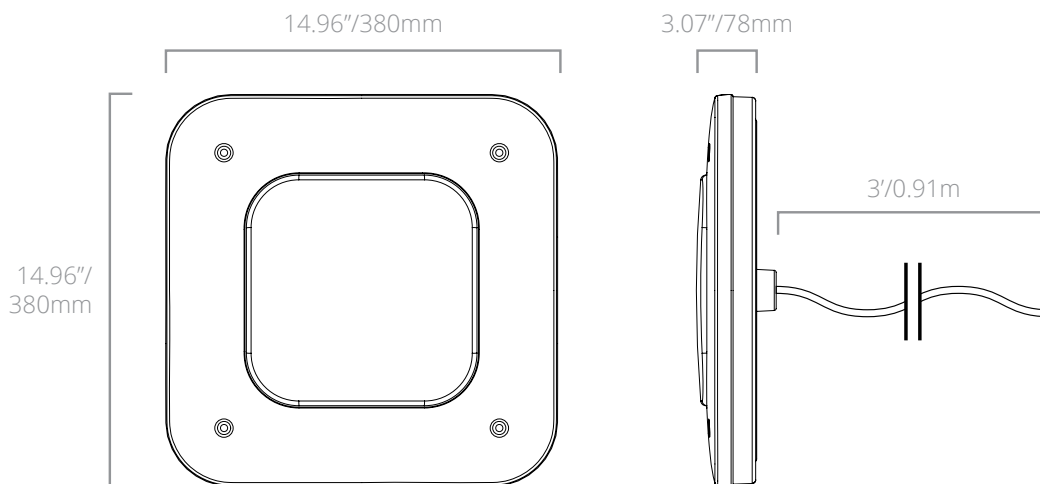
EXAMPLE: SCST-140/B0/850-U-W

Model	Package	LPW	CRI/CCT	Voltage	Finish
SCST : LED Slim Canopy	140 - 14,000 lm 160 - 16,000 lm	B0 - 110 lpw	850K - 80+ CRI; 5000K	U - 120-277V V - 200-480V	W - White

PERFORMANCE SUMMARY

Order Code	Item #	Watts	Lumens	CCT	CRI	Volts	HID Equiv.	DLC
09952	SCST-140/B0/850-U-W	127W	14,000	5000K	80+	120-277V	250-400W	✓
09953	SCST-140/B0/850-V-W	127W	14,000	5000K	80+	200-480V	250-400W	✓
09954	SCST-160/B0/850-U-W	145W	16,000	5000K	80+	120-277V	400-600W	✓

DIMENSIONS





DTD : LED DUSK TO DAWN

DESCRIPTION

A cost-effective, durable LED solution for area and general security lighting.

FEATURES

- 90% energy savings vs. traditional HID sources
- 13 years of maintenance-free operation with LED lifespan of 50,000 hours
- Instant-on with no warm-up, unlike HID
- Universal 120-277V photo control provides nighttime ON / daytime OFF
- Polyester powder coat gray finish for extra corrosion protection
- Suitable for wall or pole mount applications

LISTINGS

- UL Listed for wet locations
- DesignLights Consortium® Qualified - meets DLC requirements for efficacy and lumen maintenance
- IP65 Rated

PERFORMANCE

- Rated lifetime L70: 50,000 hours
- 5000K CCT
- CRI: >70

ELECTRICAL

- DTD-95 and DTD-140 feature 10kV surge protection
- Input voltage: 120-277V
- 0-10V dimming
- Power Factor: >.9
- THD: <20%

THERMAL

- -40°F to 104°F (-40°C to 40°C) operating temperature

CONSTRUCTION

- Diecast aluminum housing
- Impact resistant, non-yellowing polycarbonate lens
- Includes separate galvanized steel mounting arm
- 2-3/8" mounting arm fitting

WARRANTY

- 5 year limited warranty; see eiko.com for warranty details

project name	type
catalog number	
comments	voltage
approved by	date



APPLICATIONS

- Farms / Barns
- Security
- Industrial Yards
- Building Perimeters
- Storage Sheds
- Entryways / Pathways
- Area Lighting



ORDERING INFORMATION

EXAMPLE: DTD-60/C0/850-GY-U

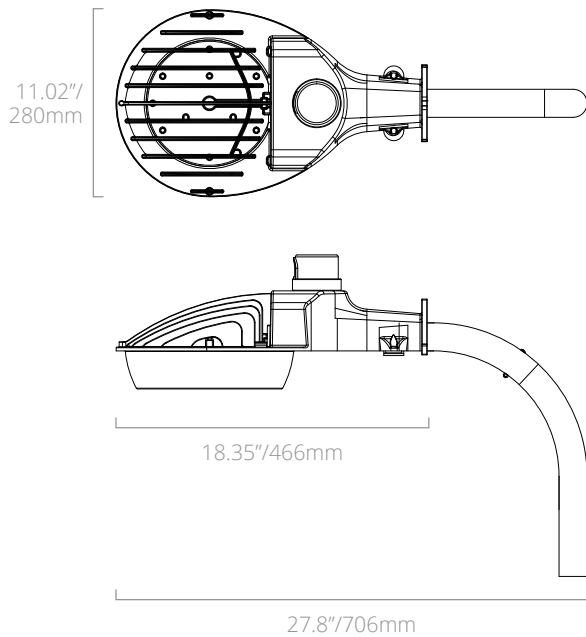
Model	Package	LPW	CCT	Dimming	Finish	Voltage
DTD : LED Dusk to Dawn	60 - 50W; 6,000 lm 95 - 79W; 9,500 lm 140 - 122W; 14,000 lm	C0 - 120 lpw B5 - 115 lpw	5000K CCT	DIM /(Blank) - 0-10V Dimming	GY - Grey	U - 120-277V

PERFORMANCE SUMMARY

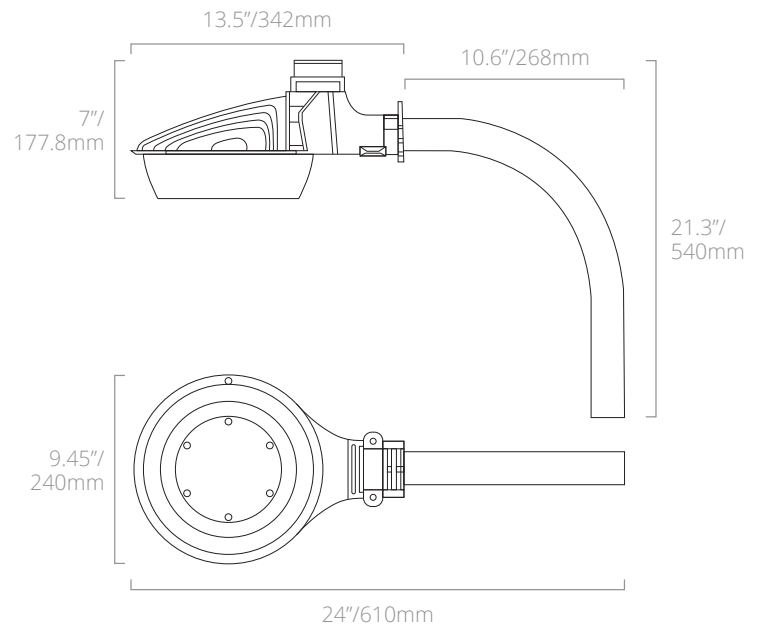
Order Code	Item #	Watts	Lumens	CCT	Volts	HID Equiv.	DLC
10477	DTD-60/C0/850-GY-U	50W	6,000	5000K	120-277V	up to 250W	✓✓
09964	DTD-95/C0/850-DIM-GY-U	79W	9,500	5000K	120-277V	up to 250W	✓
09965	DTD-140/B5/850-DIM-GY-U	122W	14,000	5000K	120-277V	up to 320W	✓

✓DesignLights Consortium® Qualified ✓✓DesignLights Premium Consortium® Qualified

DIMENSIONS



DTD-60/C0/850-GY-U



DTD-95/C0/850-DIM-GY-U
DTD-140/B5/850-DIM-GY-U

AVAILABLE ACCESSORIES

Order Code	Item #	Description
10040	PC1-4500	Shorting Plug 120-480V 15A 2-year Warranty
10041	PC1-4536S-U	Photocell Twist-lock 120-277V 2A 6-year Warranty (Replace Factory Installed Twist-Lock 120-277V PC)
10042	PC1-4536P-U	Premium Photocell Twist-lock 120-277V 6A 8-year Warranty



WMG : LED WALLPACK GLASS

DESCRIPTION

- Dimming standard on 3C, 4C and 5C models
- UV stabilized powder-coated bronze finish
- Enclosure and hardware are corrosion resistant

LISTINGS

- UL Listed for wet locations
- IP65 Rated
- DesignLights Consortium® Qualified - meets DLC requirements for efficacy and lumen maintenance

LED CHARACTERISTICS

- Rated lifetime L70: 50,000 hours
- 4000K, 5000K CCT
- CRI: 70+

ELECTRICAL

- Input voltage: 120-277V; 277-480V
- Power Factor: >.90
- THD: <20%

THERMAL

- -40°F to 104°F (-40°C to 40°C) operating temperature

CONSTRUCTION

- Die-cast aluminum body with traditional HID appearance
- Multiple ½" NPS entry points for conduit and accessories
- Fully sealed and gasketed
- Borosilicate tempered glass lens

WARRANTY

- 5 year limited warranty; see eiko.com for warranty details

project name	type
catalog number	
comments	voltage
approved by	date



WMG-1C



WMG-2C/3C/4C



WMG-5C

APPLICATIONS

- Industrial Parks
- Loading Docks
- Utility Sheds
- Entryways
- Walkways
- Storage Areas
- Security



ORDERING INFORMATION

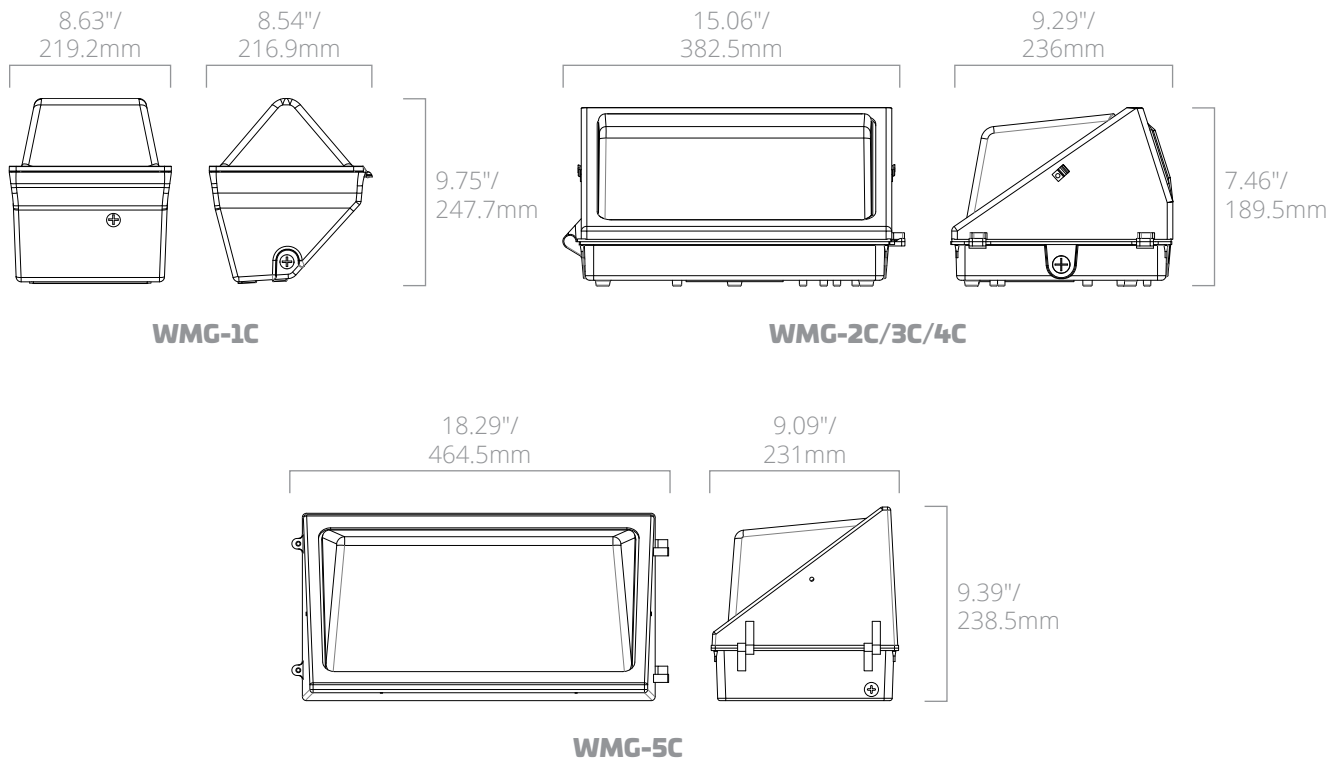
EXAMPLE: WMG-1C-40K-U

Model	Package	CCT	Voltage
WMG : LED Wallpack Glass	1C - 30W; 3,200 lm 2C - 40W; 4,600 lm / 50W; 5,800 lm 3C - 60W; 7,000 lm 4C - 80W; 9,800 lm 5C - 120W; 13,000 lm	40K - 4000K 50K - 5000K	U - 120-277V V - 277-480V

PERFORMANCE SUMMARY

Order Code	Item #	Watts	Lumens	CCT	CRI	Volts	Dimming	DLC
09802	WMG-1C-40K-U	30W	3,200	4000K	70+	120-277V	N/A	✓
09574	WMG-1C-50K-U	30W	3,200	5000K	70+	120-277V	N/A	✓
09803	WMG-2C-40K-U	50W	5,800	4000K	70+	120-277V	N/A	✓
09807	WMG-2C-40K-V	40W	4,600	4000K	70+	277-480V	N/A	✓
09575	WMG-2C-50K-U	50W	5,800	5000K	70+	120-277V	N/A	✓
09596	WMG-2C-50K-V	40W	4,600	5000K	70+	277-480V	N/A	✓
09804	WMG-3C-40K-U	60W	7,000	4000K	70+	120-277V	0-10V	✓
09576	WMG-3C-50K-U	60W	7,000	5000K	70+	120-277V	0-10V	✓
09805	WMG-4C-40K-U	80W	9,800	4000K	70+	120-277V	0-10V	✓
09577	WMG-4C-50K-U	80W	9,800	5000K	70+	120-277V	0-10V	✓
09808	WMG-4C-40K-V	80W	9,800	4000K	70+	277-480V	0-10V	✓
09809	WMG-4C-50K-V	80W	9,800	5000K	70+	277-480V	0-10V	✓
09806	WMG-5C-40K-U	120W	13,000	4000K	70+	120-277V	0-10V	✓
09578	WMG-5C-50K-U	120W	13,000	5000K	70+	120-277V	0-10V	✓

DIMENSIONS



ACCESSORIES

Order Code	Item #	Description
09966	PC1-4036-U	Photocell, Flush Mount, 120-277V
09967	PC1-4136-U	Photocell, Stem Mount, Side Lens, 120-277V
09968	PC1-4236-U	Photocell, Stem Swivel Mount, Side Lens, 120-277V
09969	PC1-4736-U	Photocell, Stem Swivel Mount, Top Lens, 120-277V



WMC : LED WALLPACK CUBE

DESCRIPTION

- Economical and energy efficient LED solution for general purpose wall mount lighting
- Integrated dusk-to-dawn button type photocontrol

LISTINGS

- UL Listed for wet locations
- IP65 Rated
- DesignLights Consortium® Qualified - meets DLC requirements for efficacy and lumen maintenance

LED CHARACTERISTICS

- Rated lifetime L70: 50,000 hours
- 4000K/5000K CCT
- CRI: 80+

ELECTRICAL

- Input voltage: 120-277V
- Power Factor: >.90
- THD: <20%

CONSTRUCTION

- Durable die cast aluminum housing with polycarbonate impact-resistant lens
- Fully sealed and gasketed, wet location rated
- Enclosure and hardware are corrosion resistant
- -40°F to 104°F (-40°C to 40°C) operating temperature

WARRANTY

- 5 year limited warranty; see eiko.com for warranty details

project name	type
catalog number	
comments	voltage
approved by	date



APPLICATIONS

- Residential Exteriors
- Entrances
- Storage Facilities
- Convenience Stores
- Recreational Areas
- Housing Complexes
- Security



ORDERING INFORMATION

EXAMPLE: WMC-2C-50K-U

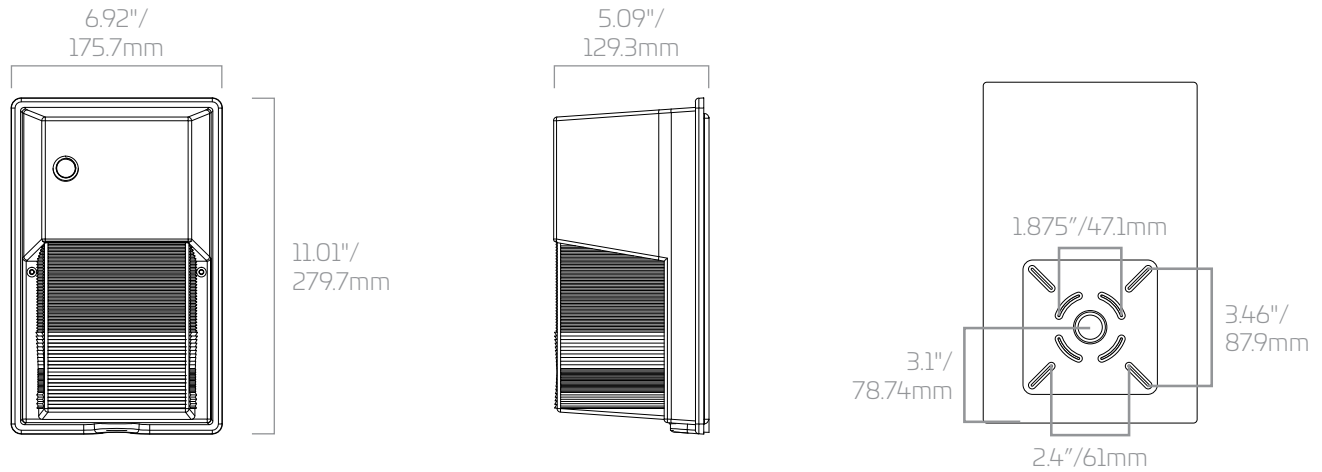
Model	Package	CCT	Voltage
WMC : LED Wallpack Cube	2C - 20W; 1,900 lm 3C - 30W; 2,800 lm	40K - 4000K 50K - 5000K	U - 120-277V

PERFORMANCE SUMMARY

Order Code	Item #	Watts	Lumens	CCT	CRI	Volts	HID Equiv.	DLC
09810	WMC-2C-40K-U	20W	1,900	4000K	80+	120-277V	150W	✓
09580	WMC-2C-50K-U	20W	1,900	5000K	80+	120-277V	150W	✓
09811	WMC-3C-40K-U	30W	2,850	4000K	80+	120-277V	150W	✓
09581	WMC-3C-50K-U	30W	2,800	5000K	80+	120-277V	150W	✓

✓DesignLights Consortium® Qualified

DIMENSIONS



ACCESSORIES

Order Code	Item #	Description
09966	PC1-4036-U	Photocell, Flush Mount, 120-277V (for replacement of integrated photocell)



WPT : LED WALLPACK TRAPEZOID

DESCRIPTION

- Latest generation of LED chips delivers a similar light output to a 175, 250, or 400W metal halide using only 1/3 the energy consumption
- Full cutoff optics prevents neighborhood light trespass; item is night sky friendly
- Fits most standard J-boxes

LISTINGS

- UL Listed for wet locations
- IP65 Rated
- IC Protection
- DesignLights Consortium® Qualified - meets DLC requirements for efficacy and lumen maintenance

LED CHARACTERISTICS

- Rated lifetime L70: 50,000 hours
- 4000K/5000K CCT
- CRI: 70+

ELECTRICAL

- Input voltage: 120-277V; 347-480V
- Power Factor: >.90
- THD: <20%

CONSTRUCTION

- Die-cast aluminum body
- Heat and impact resistant polycarbonate optics
- 1/2" NPS entry points for conduit and accessories
- -40°F to 104°F (-40°C to 40°C) operating temperature

WARRANTY

- 5 year limited warranty; see eiko.com for warranty details

project name	type
catalog number	
comments	voltage
approved by	date



APPLICATIONS

- Industrial Parks
- Loading Docks
- Utility Sheds
- Entryways
- Walkways
- Storage Areas
- Security



ORDERING INFORMATION

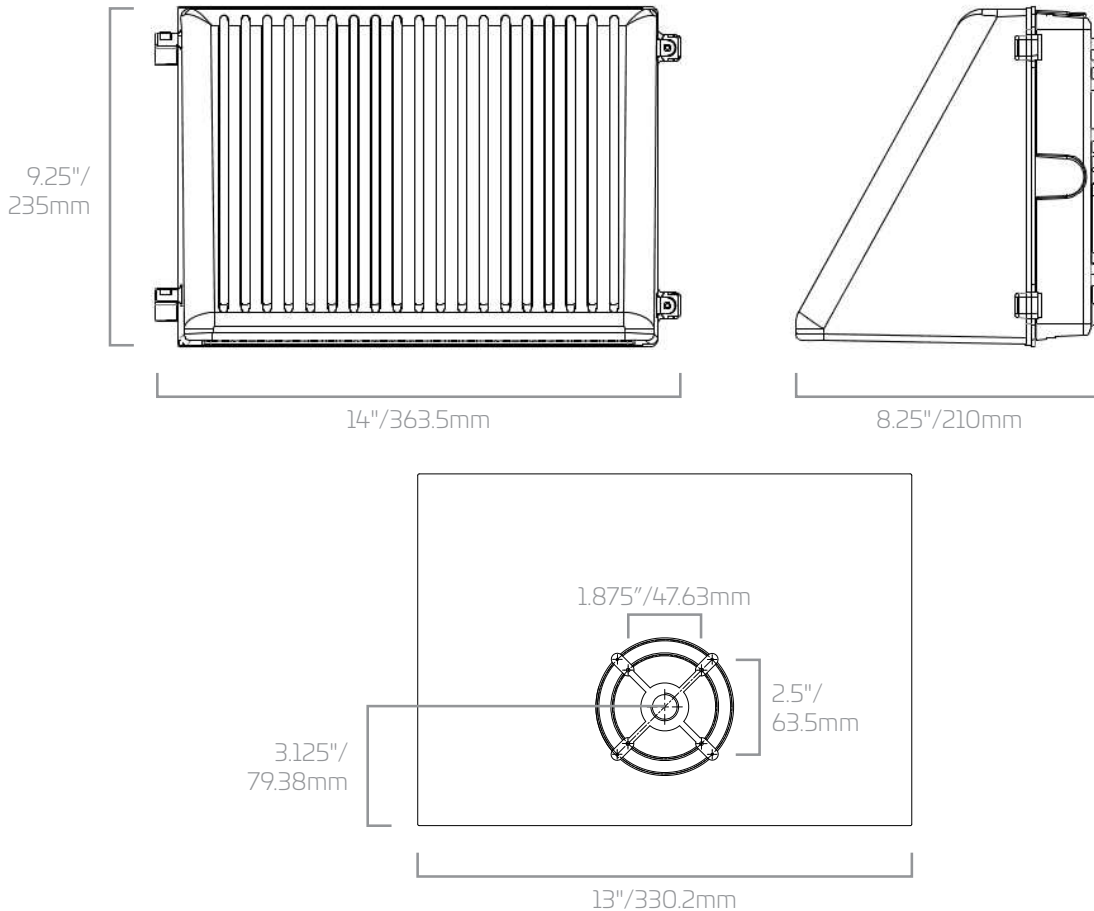
EXAMPLE: WPT1-55/840-BZ-U

Model	Package	CRI/CCT	Finish	Voltage
WPT1 : LED Wallpack Trapezoid	55 - 50W; 5,500 lm	840 - 80 CRI; 4000K	BZ - Bronze	U - 120-277V
	88 - 80W; 8,800 lm	850 - 80 CRI; 5000K		V - 347-480V

PERFORMANCE SUMMARY

Order Code	Item #	Watts	Lumens	CCT	CRI	Volts	Replaces HID	DLC
09812	WPT1-55/840-BZ-U	50W	5,500	4000K	70+	120-277V	175-250W	✓
09813	WPT1-55/850-BZ-U	50W	5,500	5000K	70+	120-277V	175-250W	✓
09814	WPT1-88/840-BZ-U	80W	8,800	4000K	70+	120-277V	250-400W	✓
09816	WPT1-88/840-BZ-V	80W	8,800	4000K	70+	347-480V	250-400W	✓
09815	WPT1-88/850-BZ-U	80W	8,800	5000K	70+	120-277V	250-400W	✓
09817	WPT1-88/850-BZ-V	80W	8,800	5000K	70+	347-480V	250-400W	✓

DIMENSIONS



AVAILABLE ACCESSORIES

Order Code	Item #	Description
08746	WP-347T	Wallpack Step Down Transformer - 347V
09966	PC1-4036-U	Photocell, Flush Mount, 120-277V
09967	PC1-4136-U	Photocell, Stem Mount, Side Lens, 120-277V
09968	PC1-4236-U	Photocell, Stem Swivel Mount, Side Lens, 120-277V
09969	PC1-4736-U	Photocell, Stem Swivel Mount, Top Lens, 120-277V



WPW : LED WALLPACK WEDGE

DESCRIPTION

- Economical solution for general purpose wall mount lighting that consumes 1/6th the energy of a comparable 60W incandescent
- Dusk-to-dawn button type photo control included
- Full cutoff optics prevents neighborhood light trespass
- Chip-on-board LED performance

LED CHARACTERISTICS

- Rated lifetime L70: 50,000 hours
- 5000K CCT
- CRI: 70+
- 828 lumens @ 11W: 75 lpw

ELECTRICAL

- Input voltage: 120-277V

CONSTRUCTION

- High impact polycarbonate lens
- Diecast aluminum construction with durable polyester powder coat bronze finish
- Quick mount hardware allows for quick installation
- Weatherproof seal prevents water and bug penetration
- -40°F to 104°F (-40°C to 40°C) operating temperature

WARRANTY

- 5 year limited warranty; see eiko.com for warranty details

project name	type
catalog number	
comments	voltage
approved by	date



APPLICATIONS

- Condominiums
- Apartment Complexes
- Industrial Parks
- Utility Sheds
- Entryways
- Storage Areas
- Security
- Garages
- Marinas
- Rest Areas
- Public Storage



ORDERING INFORMATION

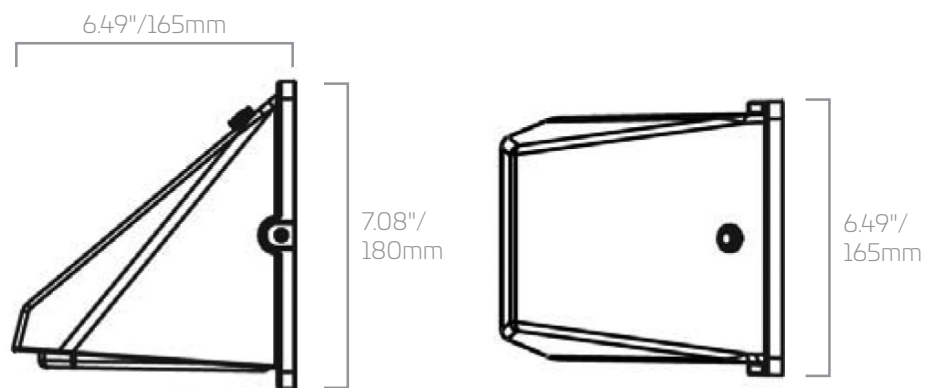
EXAMPLE: WPW-1C-120

Model	Package	Voltage
WPW : LED Wallpack Wedge	1C - 11W; 828 lm	120 - 120-277V

PERFORMANCE SUMMARY

Order Code	Item #	Watts	Lumens	CCT	CRI	Volts	Replaces Incan.
08589	WPW-1C-120	11W	828	5000K	70+	120-277V	60W

DIMENSIONS



AVAILABLE ACCESSORIES

Order Code	Item #	Description
08864	LP-1013-36-C0300	Replacement Driver for WPW-1C-120



WFA : LED WALLPACK FLOOD, ARCH

DESCRIPTION

- Highly adaptable mounting options provides ultimate versatility
- Can mount to wall, inverted, flood, bollard, or low-level lighting
- Contemporary smooth vertical body architectural styling
- Offered in medium and large housing configurations
- Full cutoff – Night Sky Friendly
- UV stabilized TGIC carbon bronze powder coat finish
- Latest generation of LED chips delivers similar light output as 70-400W HID while using 1/3 the energy
- LED mirrored reflector provides forward throw optical performance

LISTINGS

- UL & CUL listed for wet locations
- DesignLights Consortium® Qualified - meets DLC requirements for efficacy and lumen maintenance

LED CHARACTERISTICS

- Rated lifetime L70: 50,000 hours
- 5000K CCT
- CRI: 70+
- WFAM- 22W=1,910 lm
40W=3,158 lm
- WFAL- 87W=7,152 lm

ELECTRICAL

- Input voltage: 120-277V
- Dimmable power supply (0-10V)
- Power Factor: >.90
- THD: <15%

THERMAL

- -40°F to 104°F (-40°C to 40°C) operating temperature

CONSTRUCTION

- Progressive two piece aluminum diecast construction
- High-impact resistant tempered glass lens
- Stainless steel hardware

WARRANTY

- 5 year limited warranty; see eiko.com for warranty details

project name	type
catalog number	
comments	voltage
approved by	date



WFAM
(Medium)



WFAL
(Large)

APPLICATIONS

- Architectural building façade/canopy
- Entryways
- Loading Docks
- Pathway / stairways
- Industrial parks
- Multi-use facilities
- Perimeter parking areas
- Storage Areas
- Schools
- Apartment complexes



ORDERING INFORMATION

EXAMPLE: WFAM-1C-U

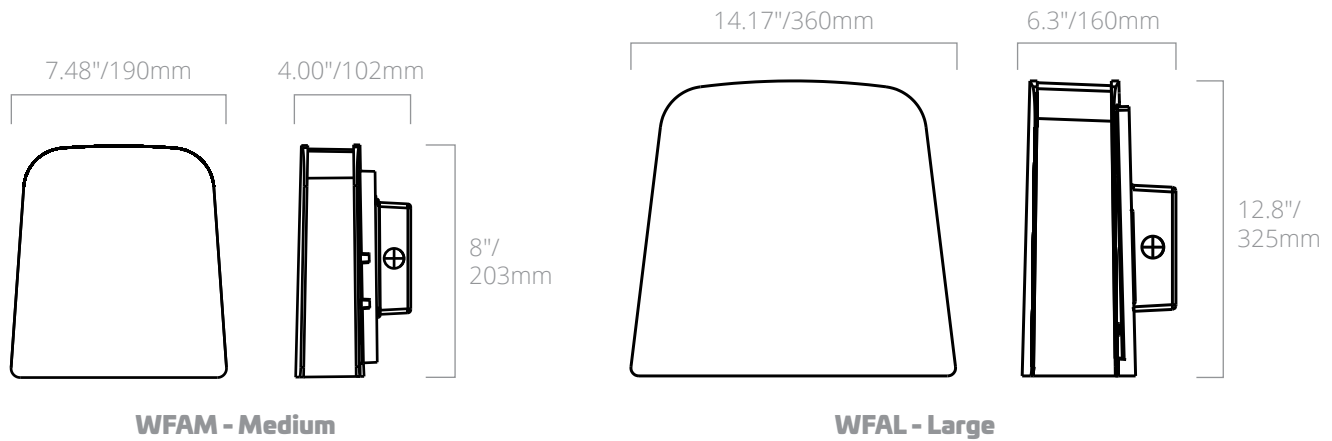
Model	Size	Package	Voltage
WFA : LED Wallpack, Flood Arch	M - Medium L - Large	1C - 22W; 1,910 lm 2C - 40W; 3,158 lm 3C - 83W; 7,970 lm	U - 120-277V

PERFORMANCE SUMMARY

Order Code	Item #	Watts	Lumens	CCT	CRI	Volts	HID Equiv.	DLC
08597	WFAM-1C-U	22W	1,910	5000K	70+	120-277V	70-150W	✓
08598	WFAM-2C-U	40W	3,158	5000K	70+	120-277V	175-250W	
08599	WFAL-3C-U	83W	7,970	5000K	70+	120-277V	400W	

✓DesignLights Consortium® Qualified

DIMENSIONS



AVAILABLE ACCESSORIES

Order Code	Item #	Description
08738	PCB1	Photocontrol, Button Type 120V
08739	PCB2	Photocontrol, Button Type 277V
08703	WFAM-SF	Slipfitter 2-3/8" and Junction Box
08704	WFAM-KN	Knuckle 1/2" and Junction Box
08705	WFAM-UT	U Bracket Trunnion and Junction Box
08867	LP1020-36-C0480	Replacement Driver for WFAM-1C-U
08863	LP1040-36-C0950	Replacement Driver for WFAM-2C-U
08738	PCB1	Photocontrol, Button Type 120V
08739	PCB2	Photocontrol, Button Type 277V
08706	WFAL-SF	Slipfitter 2-3/8" and Junction Box
08707	WFAL-UT	U Bracket Trunnion and Junction Box



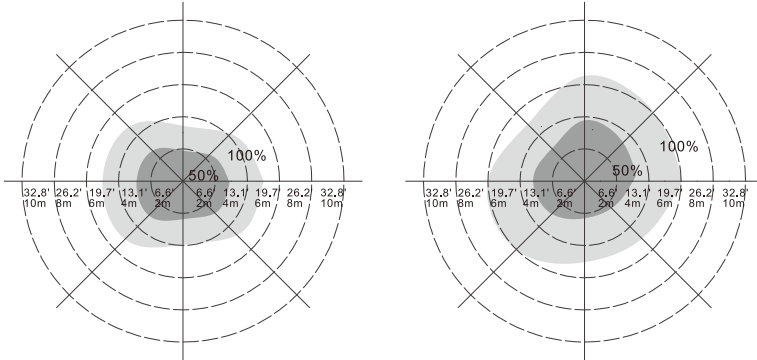
SEN-S1A-KO : PIR OCCUPANCY/DAYLIGHT SENSOR

DESCRIPTION

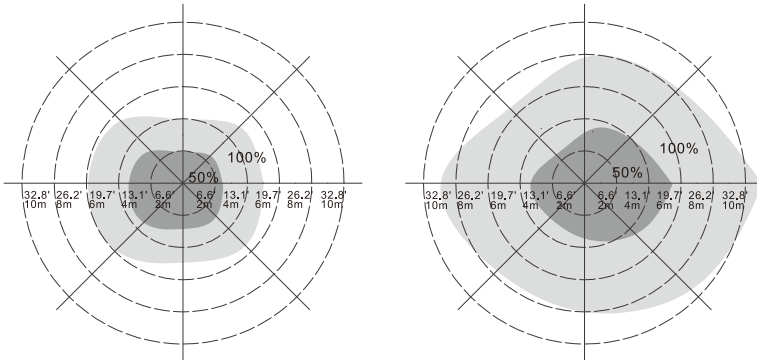
- Microwave occupancy sensor
- 120-277VAC multiple line voltage operation
- UL Listed for wet locations
- IP65 Rated
- Optional remote (SEN-S1-RC) commissioning device for sensor control
- Direct lead wires for easy wiring connection

DETECTION PATTERN (CEILING MOUNT)

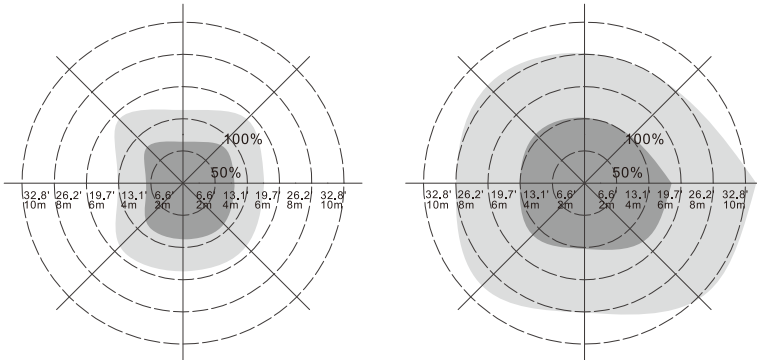
Mounting height: 9.8ft / 3m



Mounting height: 19.7ft / 6m



Mounting height: 29.5ft / 9m



SPECIFICATIONS

Input voltage	120/277VAC, 50/60Hz
Rated load	120VAC 50/60Hz 4A electronic/magnetic ballast 277VAC 50/60Hz 3A electronic/magnetic ballast
Detection area	26.2 ft (8m) Max. (radius) adjustable
Hold time	5s/30s/1min/3min/5min/10min/20min/30min
Daylight sensor	5lux/15lux/30lux/50lux/100lux/150lux/Disable
Stand-by period	0s/10s/1min/3min/5min/10min/30min/+∞
Stand-by dimming level	10%/20%/30%/50%
Sensor principle	Microwave motion detector
Microwave frequency	5.8GHz±75MHz, ISM wave band
Mounting height	9.8-49.2 ft (3-15m)
Detection angle	150° (wall installation); 360° (ceiling installation)
Motion detection	1.6~9.8 ft/s (0.5~3m/s)
Operating temperature	-31°F ~ 131°F (-35°C ~ 55°C)
IP rating	IP65



SEN-S1-RC

Optional Remote Control for S1A Sensors
(See page 7)



SEN-3A-KO : PIR OCCUPANCY/DAYLIGHT SENSOR

DESCRIPTION

- Omni-directional quad element infrared sensor
- 120/277VAC multiple line voltage operation
- UL Listed for wet locations
- Hybrid switching for controlling loads with high inrush current (HIC)
- Digital potentiometer for quick and easy setting
- Walk test and sensor operation LED indicator
- Direct lead wires for easy wiring connection

LENS : SEN-3-LENS-HBS

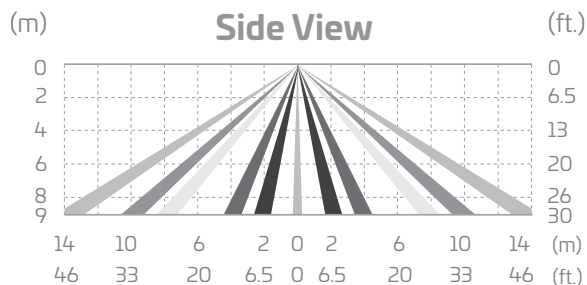
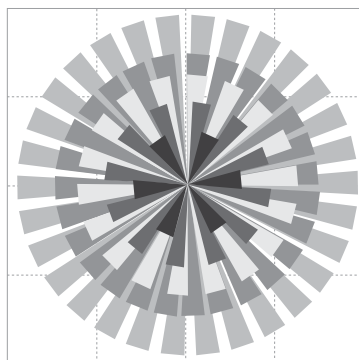
(Included with sensor)



Mounting Height	ft.	15	20	26	30
	m	4.5	6.0	8.0	9.0
Max. Coverage Diameter	ft.	45	60	78	90
	m	13.5	18.0	24.0	27.0

DETECTION PATTERN

Top View



SENSOR SETTINGS

Delay Time

The SEN-3A-KO series offers 7 different delay time selection via digital potentiometers. The light will remain ON if sensor detects occupant's movement before the set delay time expires.

Ambient Light

The SEN-3A-KO offers 7 different ambient light level selection via potentiometers. The sensor will not switch ON the light if the LUX value of ambient light is higher than set level.

Settings	1	2	3	4	5	6	7
Time	T	1'	3'	5'	10'	20'	30'
Lux	12	25	50	90	130	220	24H

Factory Set

SPECIFICATIONS

Power supply	120/277VAC, 50/60Hz
Maximum load @ -40°F~131°F (-40°C~55°C)	Incan./Halogen - 800/1200W(VA)@120/277V
	Fluor. Ballast/CFL - 800/1200W(VA)@120/277V
	Ballast Electronic (LED) - 540/1200VA@120-277V
Maximum load @ 131°F~158°F (55°C~70°C)	Incan./Halogen - 500/750W(VA)@120/277V
	Fluor. Ballast/CFL - 500/750W(VA)@120/277V
	Ballast Electronic (LED) - 500/750VA@120-277V
Infrared sensor	Omni-directional quad element pyroelectric
Photo sensor	Digital ambient sensor
HIC protection	Max. 80A for 16.7msec
Dim control output	0-10V, max 25mA sinking current
Detectable speed	1~10 ft/sec (0.3~3m/sec)
Mounting height	Subject to the lens type applied
Detection range	Subject to the lens type and mounting height
Remote range	33 ft. (10m) indoor, no backlight
Op. humidity	Max. 95% RH
Op. temperature	-40°F~158°F (-40°C~70°C)
Dimensions	ø2.36"xH1.45" (ø60xH37mm)



SEN-3AA-KO : LINE VOLTAGE OCCUPANCY SENSOR

DESCRIPTION

- Omni-directional quad element infrared sensor
- 120/277VAC universal line voltage powered
- Frequency detection zero-cross relay switching
- Programmable potentiometer for quick and easy setting
- Test and sensor operation LED indicator
- Direct lead wires for easy wiring connection

LENS : SEN-3-LENS-HBS

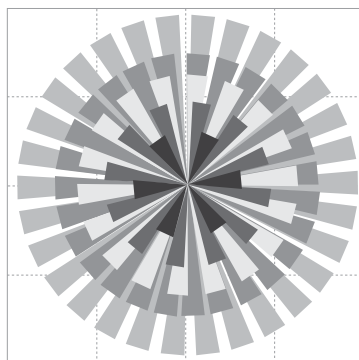
(Included with sensor)



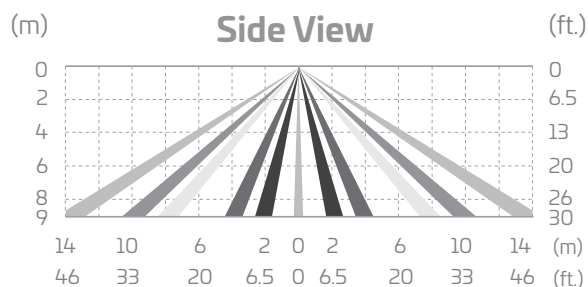
Mounting Height	ft.	15	20	26	30
	m	4.5	6.0	8.0	9.0
Max. Coverage Diameter	ft.	45	60	78	90
	m	13.5	18.0	24.0	27.0

DETECTION PATTERN

Top View



Side View



SENSOR SETTINGS

Delay Time

The SEN-3AA-KO series offers 7 different delay time selection via digital potentiometers. The light will remain ON if sensor detects occupant's movement before the set delay time expires.

Ambient Light

The SEN-3AA-KO offers 7 different ambient light level selection via potentiometers. The sensor will not switch ON the light if the LUX value of ambient light is higher than set level.

Settings	1	2	3	4	5	6	7
Time	T	1'	3'	5'	10'	20'	30'
Lux	12	25	50	90	130	220	24H

Factory Set

SPECIFICATIONS

Power supply	120/277VAC, 50/60Hz
Maximum load @ -40°F~131°F (-40°C~55°C)	Fluor. Ballast/CFL - 800/1200W(VA)@120/277V Ballast Electronic (LED) - 540/1200VA@120-277V
Maximum load @ 131°F~158°F (55°C~70°C)	Fluor. Ballast/CFL - 500/750W(VA)@120/277V Ballast Electronic (LED) - 500/750VA@120-277V
Infrared sensor	Omni-directional quad element
Detectable speed	1~10 ft/sec (0.3~3m/sec)
Mounting height	Subject to the lens type applied
Detection range	Subject to the lens type and mounting height
Ambient light level	7 level digital potentiometer
Delay time setting	T/1'/3'/5'/10'/20'/30', T=10 sec. for testing
Op. humidity	Max. 95% RH
Op. temperature	-40°F~158°F (-40°C~70°C)
Dimensions	ø2.36"xH1.45" (ø60xH37mm)



SEN-3B-KO : PIR OCCUPANCY/DAYLIGHT SENSOR

DESCRIPTION

- Omni-directional quad element infrared sensor
- 120/277VAC multiple line voltage operation
- IP66 Rated for wet locations
- Hybrid switching for controlling loads with high inrush current (HIC)
- Built-in digital data control ambient light sensor
- 2-way IR remote programmable sensor setting (separate remote required)
- Multi-level high/low dim control

LENS : SEN-3-LENS-HBS

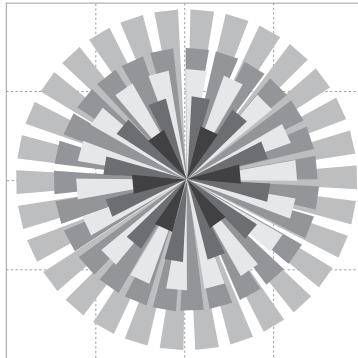
(Included with sensor)



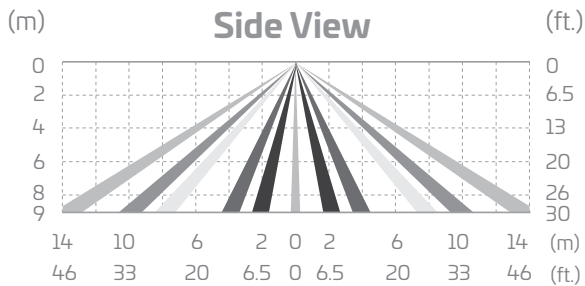
Mounting Height	ft.	15	20	26	30
	m	4.5	6.0	8.0	9.0
Max. Coverage Diameter	ft.	45	60	78	90
	m	13.5	18.0	24.0	27.0

DETECTION PATTERN

Top View



Side View



SPECIFICATIONS

Power supply	120/277VAC, 50/60Hz
Maximum load @ -40°F~131°F (-40°C~55°C)	Incan./Halogen - 800/1200W(VA)@120/277V
	Fluor. Ballast/CFL - 800/1200W(VA)@120/277V
	Ballast Electronic (LED) - 540/1200VA@120-277V
Maximum load @ 131°F~158°F (55°C~70°C)	Incan./Halogen - 500/750W(VA)@120/277V
	Fluor. Ballast/CFL - 500/750W(VA)@120/277V
	Ballast Electronic (LED) - 500/750VA@120-277V
Infrared sensor	Omni-directional quad element pyroelectric
Photo sensor	Digital ambient sensor
HIC protection	Max. 80A for 16.7msec
Dim control output	0-10V, max 25mA sinking current
Detectable speed	1~10 ft/sec (0.3~3m/sec)
Mounting height	Subject to the lens type applied
Detection range	Subject to the lens type and mounting height
Remote range	33 ft. (10m) indoor, no backlight
Op. humidity	Max. 95% RH
Op. temperature	-40°F~158°F (-40°C~70°C)
Dimensions	ø2.36"xH1.45" (ø60xH37mm)



SEN-3-RC

Remote Control required
(Sold separately - see page 7)



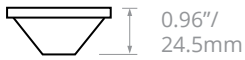
SEN-3C-KO : PIR OCCUPANCY/DAYLIGHT SENSOR

DESCRIPTION

- Omni-directional quad element infrared sensor
- 347/480VAC multiple line voltage operation
- UL Listed for wet locations
- Hybrid switching for controlling loads with high inrush current (HIC)
- Digital potentiometer for quick and easy setting
- Walk test and sensor operation LED indicator
- Direct lead wires for easy wiring connection
- 2-way IR remote programmable sensor setting (separate remote required)

LENS : SEN-3-LENS-HBS

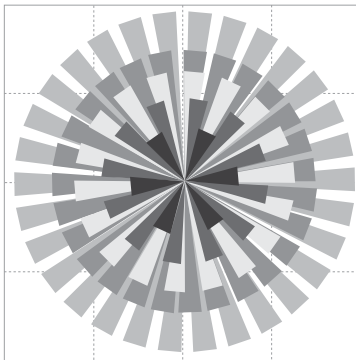
(Included with sensor)



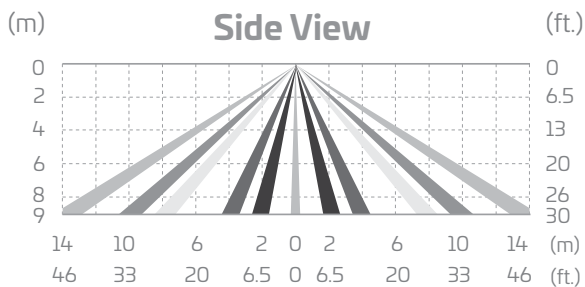
Mounting Height	ft.	15	20	26	30
	m	4.5	6.0	8.0	9.0
Max. Coverage Diameter	ft.	45	60	78	90
	m	13.5	18.0	24.0	27.0

DETECTION PATTERN

Top View



Side View



SENSOR SETTINGS

Delay Time

The SEN-3A-KO series offers 7 different delay time selection via digital potentiometers. The light will remain ON if sensor detects occupant's movement before the set delay time expires.

Ambient Light

The SEN-3A-KO offers 7 different ambient light level selection via potentiometers. The sensor will not switch ON the light if the LUX value of ambient light is higher than set level.

Settings	1	2	3	4	5	6	7
Time	T	1'	3'	5'	10'	20'	30'
Lux	12	25	50	90	130	220	24H

Factory Set

SPECIFICATIONS

Power supply	347/480VAC, 60Hz	
Maximum load	347 VAC	480 VAC
Fluor. ballast	1500 W(VA)	2160 W(VA)
Ballast electronic	1500 VA	2160 VA
Infrared sensor	Omni-directional quad element pyroelectric	
Photo sensor	Digital ambient light sensor	
Load switching	Zero-cross control relay	
Dim control output	0-10V, max 25mA sinking current	
Detectable speed	0.5~10 ft/sec (0.15~3m/sec)	
Mounting height	Subject to the lens type applied	
Detection range	Subject to the lens type and mounting height	
Remote range	33 ft. (10m) indoor	
Op. humidity	Max. 95% RH	
Op. temperature	-40°F~-131°F (-40°C~55°C)	
Dimensions	H4.37" x W3.54" x D1.8"	

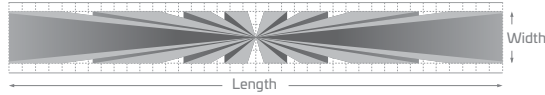


SEN-3-RC

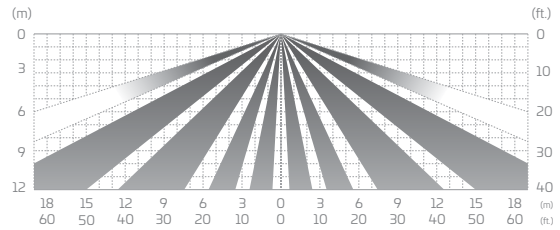
Remote Control required
(Sold separately - see page 7)



SEN-3-LENS-AISLE

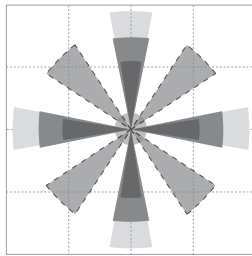


Top View

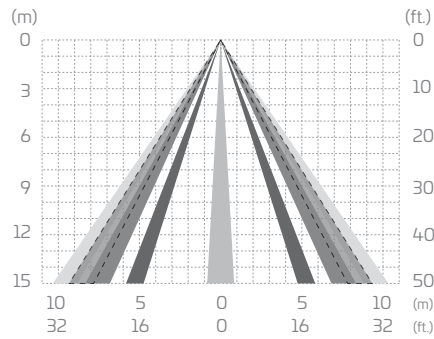


Side View

SEN-3-LENS-HBH

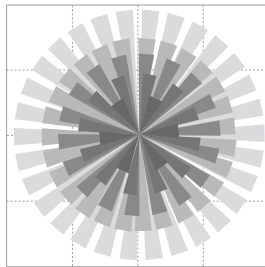


Top View

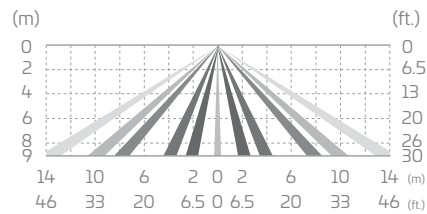


Side View

SEN-3-LENS-HBS



Top View

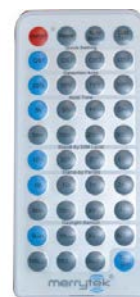


Side View

SEN-S1-RC : REMOTE CONTROL FOR S1A SENSORS

DESCRIPTION

- Infrared remote control commissioning device providing easy configuration of SEN-S1A sensors



SEN-S1-RC2 : REMOTE CONTROL FOR S1B SENSORS

DESCRIPTION

- Infrared remote control commissioning device providing easy configuration of SEN-S1B sensors



SEN-3-RC : REMOTE CONTROL FOR SEN-3B/3C SENSORS

DESCRIPTION

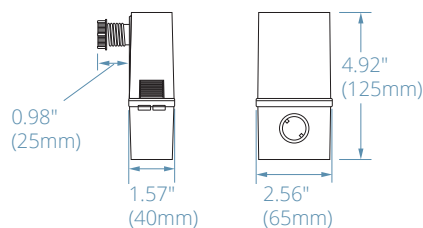
- Universal two-way remote programming device providing easy configuration of SEN-3B/C sensors
- Current settings of installed sensor can be downloaded to the remote programmer
- Long range 2-way communication
- Easily duplicates one sensor setting to another
- In addition to programming, can be used as standard remote for manual control of lighting levels



SEN-EMA : SENSOR EXTENSION MOUNTING ADAPTER

DESCRIPTION

- Mounting adapter for sensors





solutions. service. simplicity. eiko.com