

# UNDERGROUND ENCLOSURES

UG-15



# Hubbell Underground Enclosures

Strength, performance, quality, and outstanding customer service have been hallmarks of all Hubbell underground enclosure brands for more than 40 years. The industry leader for applications in non-deliberate traffic areas, our enclosures provide rugged and cost-effective protection for a variety of electric utility, commercial & industrial, communications, water and gas equipment while meeting the specific demands of your industry.

All Hubbell underground enclosure brands come backed with cutting-edge engineering expertise and a total commitment to quality that is designed into our products. Our engineers are respected and valued advisors throughout the industry and our quality processes are among the most sophisticated in application. When you need unyielding performance and reliability, Hubbell underground enclosure brands are the right choice.

Hubbell is proud to offer the wide selection of underground enclosures found in this catalog. The following pages outline our industry leading Quazite, Quazite FRP and Pencil brands. In addition to our core products and options, Hubbell can help customize a solution for your project and application.





Hubbell Enclosures	4
Quazite Size Chart	5
Quazite FRP Size Chart	6
PenCell Size Chart	7
ANSI Tier Selection & Placement	8
ANSI Tier Selection Guide	10

**Quazite Enclosures** ..... 12

Quazite Selection Guide	14
Quazite Size Chart	16
Drawings	17
6" x 8" PC Style	17
8" x 8" PC Style	18
8" x 18" PC Style	19
10" x 15" PT Style	20
11" x 18" PG Style	21
11" x 18" PC Style	22
11" x 20" PG Style	23
12" x 12" PC Style	24
12" x 12" PX Style	25
13" x 24" PG Style	26
13" x 24" PD Style	27
13" x 24" PC Style	28
13" x 24" PT Style	29
17" x 30" PG Style	30
17" x 30" PD Style	32
17" x 30" PC Style	33
17" x 30" PT Style	34
24" x 24" PG Style	35
24" x 36" PG Style	36
24" x 36" PD Style	38
30" x 48" PG Style	39
30" x 48" PD Style	41
30" x 60" PG Style	42
36" x 36" PG Style	43
36" x 60" PG Style	44
36" x 72" PG Style	46
48" x 48" PG Style	47
48" x 72" PG Style	48
48" x 78" PG Style	49
48" x 96" PG Style	50
27" Round Polymer Concrete Style	51
39" Round Polymer Concrete Style	53
5" x 16" Median Barrier Enclosure	55
10" x 12" Jersey Style Median Barrier Enclosure	56
Dimensional Data	57
Cell Site Enclosure	58
Communications Cabinet Foundations Information	59
Cover Options / Logo Codes	60
EZ Auger Upgrade Kits	63
Quazite Options	64
Dividers	66
Specifications and Data	67
Color Options	68

**Quazite FRP** ..... 70

Quazite FRP Selection Guide	72
Quazite FRP Size Chart	73
6" x 8" Straight Wall	74
10" x 15" Straight and Flared Wall	75-76
11" x 18" Straight and Flared Wall	77-78

11" x 21" Straight Wall	79
11" x 32" Straight and Flared Wall	80-81
12" x 12" Straight and Flared Wall	82-83
13" x 24" Straight and Flared Wall	84-85
15" x 17" Straight and Flared Wall	86-87
15" x 27" Straight and Flared Wall	88-89
16" x 22" Straight and Flared Wall	90-91
17" x 30" Straight and Flared Wall	92-93
24" x 24" Straight Wall	95
24" x 36" Straight and Flared Wall	96-98
24" x 60" Flared Wall	100
30" x 48" Straight and Flared Wall	101-104
30" x 48" Corrugated Wall	105-106
30" x 60" Straight Wall	107-108
30" x 60" Corrugated Wall	109-110
36" x 36" Straight Wall	111-112
36" x 60" Straight Wall	113-114
36" x 60" Corrugated Wall	115-116
36" x 72" Straight Wall	117
36" x 72" Corrugated Wall	118-119
36" x 96" Corrugated Wall	120-121
48" x 48" Corrugated Wall	122-123
48" x 72" Corrugated Wall	124-125
48" x 78" Corrugated Wall	126-127
48" x 96" Corrugated Wall	128-129
78" x 96" Corrugated Wall	130-131
96" x 96" Corrugated Wall	132-133
20" Round	134
27" Round	135
32" Round	136
39" Round	137
Cover Options	138
Color Options	139
Quazite FRP Options	140-145

**PenCell** ..... 146

PenCell Selection Guide	148
PenCell Size Chart	149
PenCell Drawings	151
DT Series	
11" x 18"	151
12" x 12"	152
13" x 24"	153
17" x 30"	154
24" x 36"	156
30" x 48"	157
PE Series	
6" Round	158
9" Round	159
10" Round	160
14" Rectangular	161
20" Rectangular	162
30" Rectangular	163
36" Rectangular	164
PM (PEM) Series	
10" x 10"	165
10" x 14"	166
10" x 18"	167
12" x 12"	168
12" x 20"	170
12" x 24"	171
18" x 18"	172
18" x 24"	173

18" x 30"	174
24" x 24"	175
24" x 36"	176
24" x 48"	177
24" x 60"	178
30" x 36"	179
30" x 48"	180
30" x 60"	181
36" x 36"	182
36" x 48"	183
36" x 60"	184
48" x 48"	185
PR (PEMR) Series	186
12" Round	186
18" Round	187
Cover Options	188
Accessories	189
Options	191
Color Options	192
PenCell Option System	193
Installation Guide	194-195
Hole Cutting Instructions	196
EZ Nut Cleaning/Replacement	198
Concrete Collar Applications	199
Internal Bracing	200-201
Quazite Part Number System	202-203
Quazite FRP Part Number System	204-205
PenCell Part Number System	206-207
Terms & Conditions	208



# Hubbell Underground Enclosures

Hubbell offers three distinct brands of underground enclosures. All three are built with the same attention to quality and performance that you know and expect from Hubbell. Each brand is made of a different base material. Our comprehensive product offering is tailored to ensure that your application requirements are met, no matter what. Based on your design style preference, Hubbell offers Quazite® monolithic polymer concrete, Quazite® FRP fiberglass-reinforced polymer, and PenCell HDPE enclosure products. All three brands offer superior performance and unique benefits.

## Quazite® Enclosures

Polymer concrete is made from select-grade aggregates in combination with a polymer resin system. When combined through a process of mixing, molding, and curing, an extremely powerful cross-linked bond is formed. Precast polymer concrete is reinforced with fiberglass to give it additional strength and rigidity.

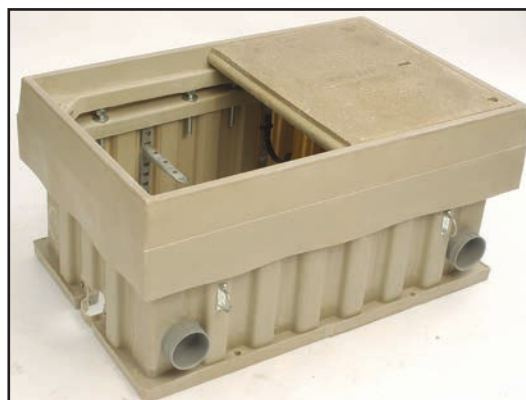
Polymer Concrete



## Quazite® FRP Enclosures

Fiberglass-reinforced polymer, also called FRP, is a special combination of polymer concrete and fiber-reinforced polymer. This hybrid construction, formed from an FRP shell and a polymer concrete ring and cover, delivers a high strength, lightweight, abrasion-resistant product that is protected from ultraviolet rays.

Fiberglass Reinforced Polymer



## PenCell® Enclosures

Structural foam molded high density polyethylene, also called HDPE, is a light weight, high strength plastic molding process that provides outstanding structural integrity and durability. HDPE enclosures are mated with covers made from a variety of materials: HDPE, polymer concrete or steel. This combination creates a highly versatile choice for underground utility enclosures where low weight and high strength are necessary.

High Density Polyethylene (HDPE)



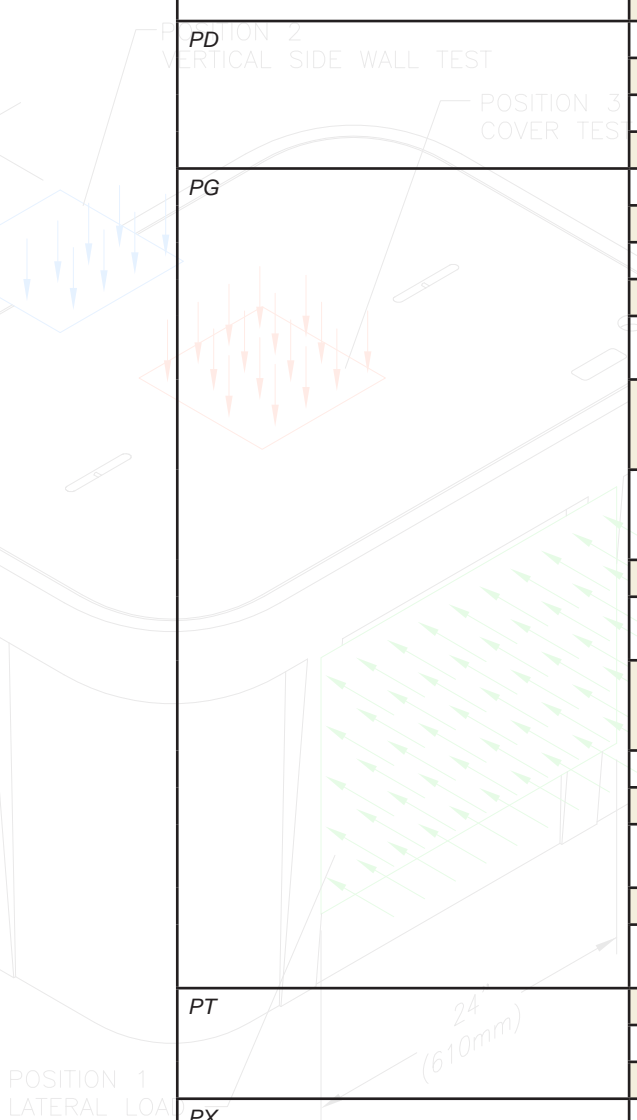
10"  
(254mm)  
SQUARE



# Quazite: Available Size Chart

INTRODUCTION

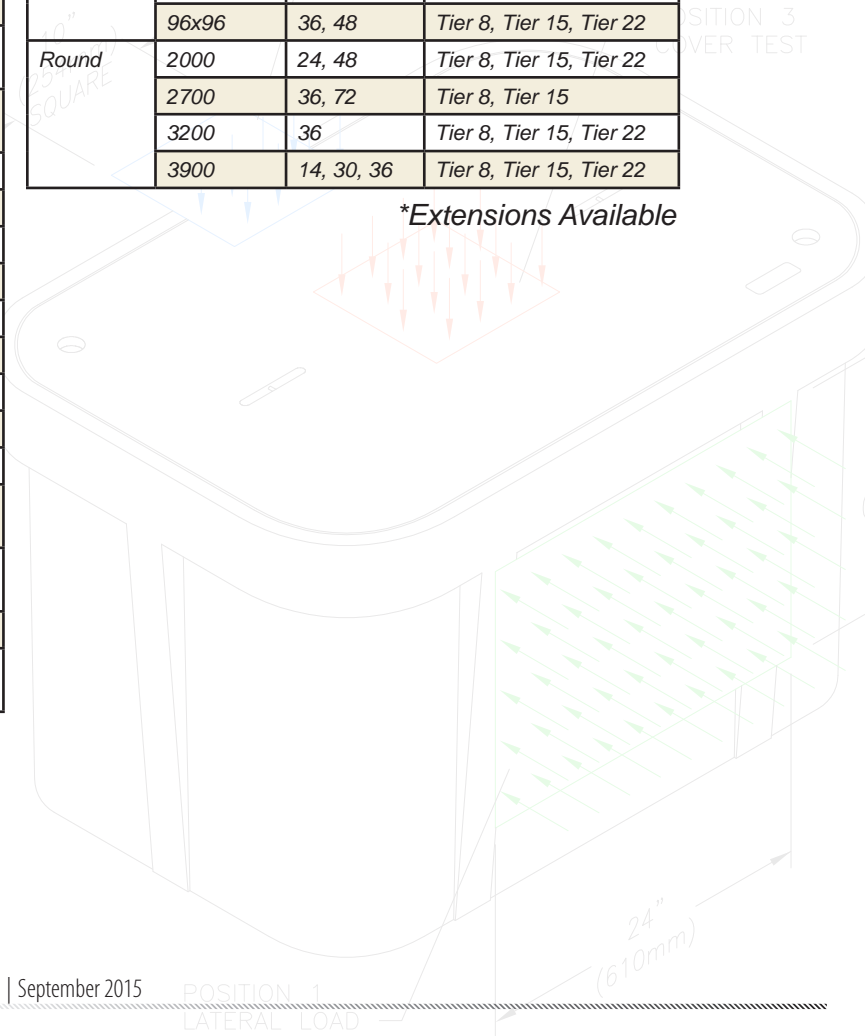
Style	Size	Depths	Assembly Load Rating Options	UL
PC	6x8	6 3/4	Tier 15	Yes
	8x8	12, 18	Tier 15	Yes
	8x18	7, 8	Tier 8, Tier 15	Yes
	11x18	12, 18	Tier 8	Yes
	12x12	12	Tier 8, Tier 15	Yes
	13x24	12	Tier 5	Yes
	17x30	12	Tier 5	Yes
PD	13x24	18, 26	Tier 8, Tier 15, Tier 22	Yes
	17x30	18, 26	Tier 8, Tier 15, Tier 22	Yes
	24x36	18, 26, 48	Tier 8, Tier 15, Tier 22	Yes
	30x48	24, 48	Tier 8, Tier 15, Tier 22	Yes
PG	11x18	12, 18	Tier 8, Tier 15, Tier 22	Yes
	11x20	12, 18	Tier 8, Tier 15, Tier 22	No
	13x24	12, 18, 24	Tier 8, Tier 15, Tier 22	Yes
	17x30	12, 18, 22, 24, 30	Tier 8, Tier 15, Tier 22	Yes
	24x24	24 (Extensions Available)	Tier 8, Tier 15, Tier 22	Yes
	24x36	18, 24, 30, 36, 42 (Extensions Available)	Tier 8, Tier 15, Tier 22	Yes
	30x48	18, 24, 36, 48 (Extensions Available)	Tier 8, Tier 15, Tier 22	Yes
	30x60	21, 30, 36	Tier 5, Tier 15, Tier 22	No
	36x36	36 (Extensions Available)	Tier 8, Tier 15, Tier 22	Yes
	36x60	19, 24, 31, 36 (Extensions Available)	Tier 5, Tier 15, Tier 22	No
	36x72	21, 36	Tier 5, Tier 15, Tier 22	No
	48x48	36, 48	Tier 5, Tier 15, Tier 22	No
	48x72	36, 48 (Extensions Available)	Tier 5, Tier 15, Tier 22	No
	48x78	27, 36	Design 12,000 lbs / Test 24,000 lbs	No
48x96	48 (Extensions Available)	Tier 5, Tier 15, Tier 22	No	
PT	10x15	18	Tier 8, Tier 15	No
	13x24	18	Tier 8, Tier 15	Yes
	17x30	18	Tier 8, Tier 15	Yes
PX	12x12	24	Tier 8, Tier 15	Yes
Median	5x16		Tier 8, Tier 15	No
	10x12		Tier 8, Tier 15	No
Round	27	36, 48	Tier 8, Tier 15, Tier 22	Yes
	39	18, 24, 36, 48, 72	Tier 8, Tier 15, Tier 22	Yes



# Quazite FRP: Available Size Chart

Style	Size	Depths	Load Rating Options
Straight Wall	6x8	6-3/4	Tier 8
	10x15	12	Tier 8, Tier 15
	11x18	12, 18	Tier 8, Tier 15, Tier 22
	11x21	12	Tier 5, Tier 8, Tier 15
	11x32	12	Tier 5, Tier 8, Tier 15
	12x12	12	Tier 8, Tier 15, Tier 22
	13x24	12, 18	Tier 8, Tier 15, Tier 22
	15x17	12	Tier 8, Tier 15
	15x27	12	Tier 5, Tier 8
	16x22	18	Tier 8, Tier 15
	17x30	12, 18, 22, 30	Tier 8, Tier 15, Tier 22
	24x24	12, 18, 24	Tier 8, Tier 15, Tier 22
	24x36	18, 24, 30	Tier 8, Tier 15, Tier 22
	30x48	18, 24, 36	Tier 8, Tier 15, Tier 22
	30x60	18, 30, 36, 48	Tier 8, Tier 15, Tier 22
	36x36	18, 24, 30, 36, 48	Tier 8, Tier 15, Tier 22
	36x60	18, 24, 30, 36, 48	Tier 8, Tier 15, Tier 22
	36x72	36, 48	Tier 8, Tier 15, Tier 22
Flared Wall	10x15	12, 18	Tier 8, Tier 15
	11x18	12, 18	Tier 8, Tier 15, Tier 22
	11x32	12	Tier 5, Tier 8
	12x12	12, 24	Tier 8, Tier 15
	13x24	12, 18, 24*	Tier 8, Tier 15, Tier 22
	15x17	12	Tier 5, Tier 8, Tier 15
	15x27	12	Tier 5, Tier 8
	16x22	30	Tier 8, Tier 15
	17x30	12, 18, 22, 24, 30, 34*	Tier 8, Tier 15, Tier 22
	24x36	18, 24, 30, 36, 42, 48*	Tier 8, Tier 15, Tier 22
	24x60	24	Tier 5
	30x48	18, 24, 30, 36	Tier 8, Tier 15, Tier 22

Style	Size	Depths	Load Rating Options	
Corrugated Wall	30x48	18, 24, 30, 36, 48*	Tier 8, Tier 15, Tier 22	
	30x60	18, 24, 30, 36, 48	Tier 5, Tier 8, Tier 15, Tier 22	
	36x60	18, 24, 30, 36, 48	Tier 8, Tier 15, Tier 22	
	36x72	18, 24, 30, 36, 48	Tier 8, Tier 15, Tier 22	
	36x96	30, 36, 48	Tier 8, Tier 15, Tier 22	
	48x48	18, 24, 30, 36, 48	Tier 8, Tier 15, Tier 22	
	48x72	18, 24, 30, 36, 48	Tier 8, Tier 15, Tier 22	
	48x78	18, 24, 30, 36, 48	Tier 8, Tier 15, Tier 22	
	48x96	18, 24, 30, 36, 48	Tier 8, Tier 15, Tier 22	
	78x96	36, 48	Tier 8, Tier 15, Tier 22	
	96x96	36, 48	Tier 8, Tier 15, Tier 22	
	Round	2000	24, 48	Tier 8, Tier 15, Tier 22
		2700	36, 72	Tier 8, Tier 15
3200		36	Tier 8, Tier 15, Tier 22	
3900		14, 30, 36	Tier 8, Tier 15, Tier 22	





# PenCell: Available Size Chart

Style	Size	Depths	Load Rating Options
DT	11x18	9, 11, 18, 20	5k, Tier 15
	12x12	14, 16, 20, 25	5K, Tier 15
	13x24	15, 17, 18, 23, 24*	5K, Tier 15
	17x30	15, 17, 18, 24, 26, 30, 32, 36, 38*	5k, Tier 15, Tier 22 (24" & 36" depth only)
	24x36	18, 24, 36	5K, Tier 15, Tier 22
	30x48	18, 24, 36	5K, Tier 15, Tier 22
PE	6	9	5K
	9	10	5K
	10	18, 19	5K
	14	12, 17*	5K
	20	17, 19	5K, 10K
	30	12, 17, 19*	5K, 10K
	36	15	5K
PM	10x10	12	20K
	10x14	12	20K
	10x18	12	20K
	12x12	24	20K
	12x18	24	20K
	12x20	18	20K
	12x24	24	20K
	18x18	24	5K, 20K
	18x24	24	20K
	18x30	24	20K
	24x24	24*	5K, 20K
	24x36	24*	5K, 20K
	24x48	24*	5K, 20K
	24x60	24*	5K, 20K
	30x36	24*	5K, 20K
	30x48	24*	5K, 20K
	30x60	24*	5K, 20K
	36x36	24*	5K, 20K
	36x48	24*	5K, 20K
	36x60	24*	5K, 20K
48x48	24, 30, 36, 42, 48*	20K	
Round	12x12	24	20K
	18x18	24	20K




\*Extensions Available

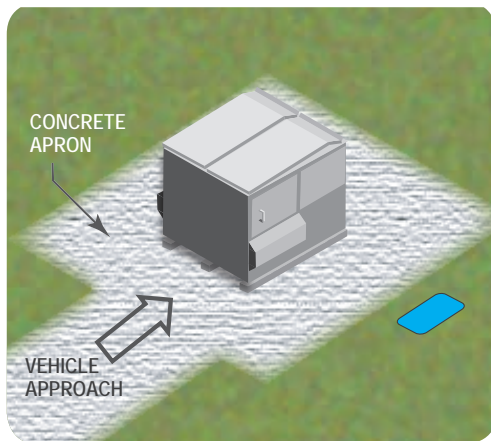
# “ANSI Tier” Selection and Placement in Non-Deliberate Vehicular Traffic Applications

## All load ratings are not the same

All Hubbell enclosures include load ratings either as a specified design load, or as a “Tier” rating that designates the achievement of a particular ANSI load rating level. Most Hubbell enclosures use the ANSI Tier rating system. However, some of the PenCell enclosures use the “K” rating system. More information on both of these ratings can be found in this catalog. If you have any questions, our engineering department is here to help.

The enclosures shown in these sketches have been color coded to indicate the proper Tier level required for the application.

-  Pedestrian/Tier 5
-  Tier 8
-  Tier 15 or 22



## TRASH RECEPTACLE APPLICATION

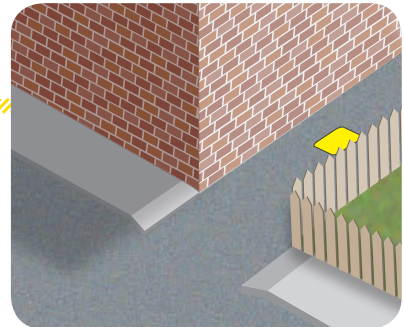
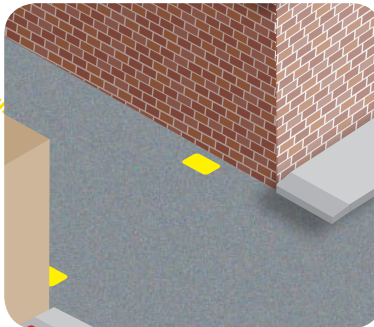
(NON-DELIBERATE TRAFFIC)

Where there is a trash receptacle, place the enclosure away from the concrete that the receptacle is set on. Even though the traffic expected on the receptacle’s concrete apron is occasional, it is deliberate because the traffic is both intentional and heavy in nature. Correct placement will ensure the wheels of the truck will not roll over the enclosure.

## DUAL LANE ALLEY

(NON-DELIBERATE TRAFFIC)

In a single lane alleyway, the enclosure should be placed in the center of the alleyway. This minimizes the possibility of the enclosure being run over. In a dual lane alleyway, the enclosure should be placed as close to the building as possible. Typically, two vehicles will not be in the alleyway at the same time, so chances of the enclosure being run over are minimal. Knowledge of the location and expected traffic patterns should be used to determine if traffic will be deliberate or non-deliberate.



## RESIDENTIAL

(NON-DELIBERATE TRAFFIC)

Enclosures may be placed in grassy areas, sidewalks or in areas next to a structure or pole where it is unlikely a vehicle will run over it. Do not place enclosures in the street or driveway where traffic is anticipated and deliberate.





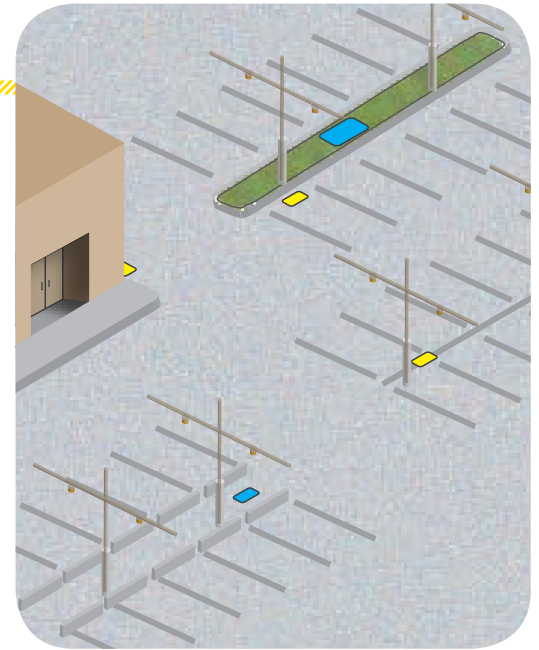
# “ANSI Tier” Selection and Placement in Non-Deliberate Vehicular Traffic Applications

## PARKING LOTS

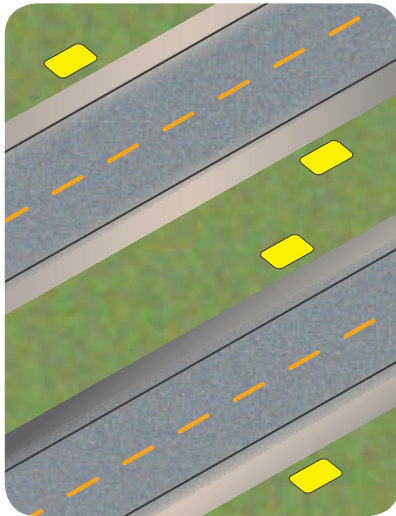
(NON-DELIBERATE TRAFFIC)

Enclosure applications:

- In the front center of a parking space so that vehicle tires will straddle the enclosure.
- In the grassy area where the parking lot ends.
- Alongside and close to the lighting poles.
- Between parking curbs where the possibility of running over the enclosure is remote.
- Along the building but not in front of a door or pick up area where vehicular traffic is expected.



INTRODUCTION



## DIVIDED HIGHWAY

(NON-DELIBERATE TRAFFIC)

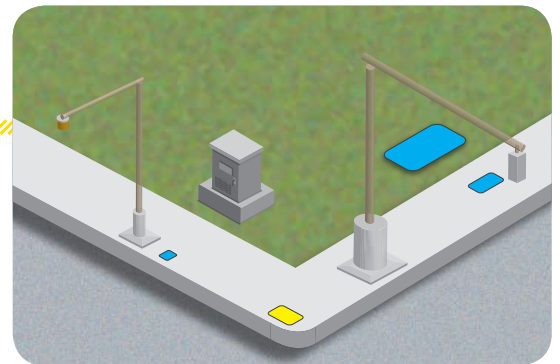
On a divided highway, place the enclosure in any area that is not paved and where deliberate traffic is not expected. They can be placed in the grassy median or off the shoulder of the highway.

NOTE: The paved shoulder of the highway is normally considered a deliberate traffic location because it may be used as a breakdown lane or as an actual traffic lane in times of construction. Therefore, an enclosure should never be placed in the paved shoulder of a road or in the road itself. The enclosure should be placed off the shoulder, in the grassy areas.

## SIDEWAY & GRASSY AREA

(NON-DELIBERATE TRAFFIC)

An enclosure can be placed in any grassy area and in most sidewalks. However, an enclosure should not be placed in a sidewalk where a driveway crosses over the sidewalk.



# ANSI/SCTE Tier Selection Guide

## Load Ratings – Steadfast Reliability

Many Hubbell underground enclosures are designed to meet or exceed the load requirements set forth in the American National Standards Institute’s ANSI/SCTE 77 2013 “Specification for Underground Enclosure Integrity.” ANSI tier designations represent the minimum allowable load requirements in the industry to ensure underground enclosures are always secure and reliable.

The ANSI application tier number relates to a nominal design load multiplied by 1,000 pounds. For example, Tier 8 is 8 x 1,000 pounds, or 8,000 lbs. All ANSI tier loadings will have a corresponding test load, which is 50% greater than the design load. The maximum deflection at the indicated design load shall be a half-inch for vertical tests and a quarter-inch per foot of length for lateral tests.

### Application Tiers & Static Vertical Wheel Load Ratings per ANSI/SCTE 77 2013 “Specification for Underground Enclosure Integrity”

*NOTE — Quazite® products are not intended for use in deliberate traffic areas.*

Application Tiers	Loading Requirements			UL Listed to meet ANSI 77 Requirements
<b>Light Duty</b> Pedestrian Traffic Only	<b>Vertical</b>	<b>Test Load</b>	13.3kN 3,000 lbs.	
<b>Tier 5</b> Sidewalk applications with a safety factor for occasional non-deliberate vehicular traffic	<b>Vertical</b>	<b>Design Load</b> <b>Test Load</b>	22.2 kN 33.3 kN 5,000 lbs. 7,500 lbs.	PC 13"x24" or PC 17"x30" style enclosure and cover assemblies with standard covers <b>(CA)</b> and standard covers w/o bolts <b>(WA)</b> .
	<b>Lateral</b>	<b>Design Load</b> <b>Test Load</b>	28.7 kPa 43.1 kPa 600 lbs./sq. ft. 900 lbs./sq. ft.	
<b>TIER 8</b> Sidewalk applications with a safety factor for non-deliberate vehicular traffic	<b>Vertical</b>	<b>Design Load</b> <b>Test Load</b>	35.6 kN 53.4 kN 8000 lbs. 12,000 lbs.	PG and PT style enclosure and cover assemblies up to 30"x 48" and PC style in sizes 6"x 8", 8"x18", 11"x18" and 12"x12" with standard covers <b>(CA)</b> and standard covers w/o bolts <b>(WA)</b> .
	<b>Lateral</b>	<b>Design Load</b> <b>Test Load</b>	28.7 kPa 43.1 kPa 600 lbs./sq. ft. 900 lbs./sq. ft.	
<b>TIER 15</b> Driveway, parking lot, and off-roadway applications subject to occasional non-deliberate heavy vehicular traffic	<b>Vertical</b>	<b>Design Load</b> <b>Test Load</b>	66.7 kN 100.1 kN 15,000 lbs. 22,500 lbs.	PG, PT and PC style enclosure and cover assemblies up to 30"x48" with heavy duty covers <b>(HA)</b> .
	<b>Lateral</b>	<b>Design Load</b> <b>Test Load</b>	38.3 kPa 57.5 kPa 800 lbs./sq. ft. 1,200 lbs./sq. ft.	
<b>TIER 22</b> Driveway, parking lot, and off-roadway applications subject to occasional non-deliberate heavy vehicular traffic	<b>Vertical</b>	<b>Design Load</b> <b>Test Load</b>	100.1 kN 150.1 kN 22,500 lbs. 33,750 lbs.	PC, PD, PG and PT style enclosure and cover assemblies up to 30"x 48" with extra heavy duty covers <b>(HH)</b> .
	<b>Lateral</b>	<b>Design Load</b> <b>Test Load</b>	38.3 kPa 57.5 kPa 800 lbs./sq. ft. 1,200 lbs./sq. ft.	

**AASHTO H-20**  
Deliberate vehicular traffic applications ONLY. Quazite® does not currently offer any enclosures for this application tier.

Certified precast concrete, cast iron or other AASHTO recognized materials.\*

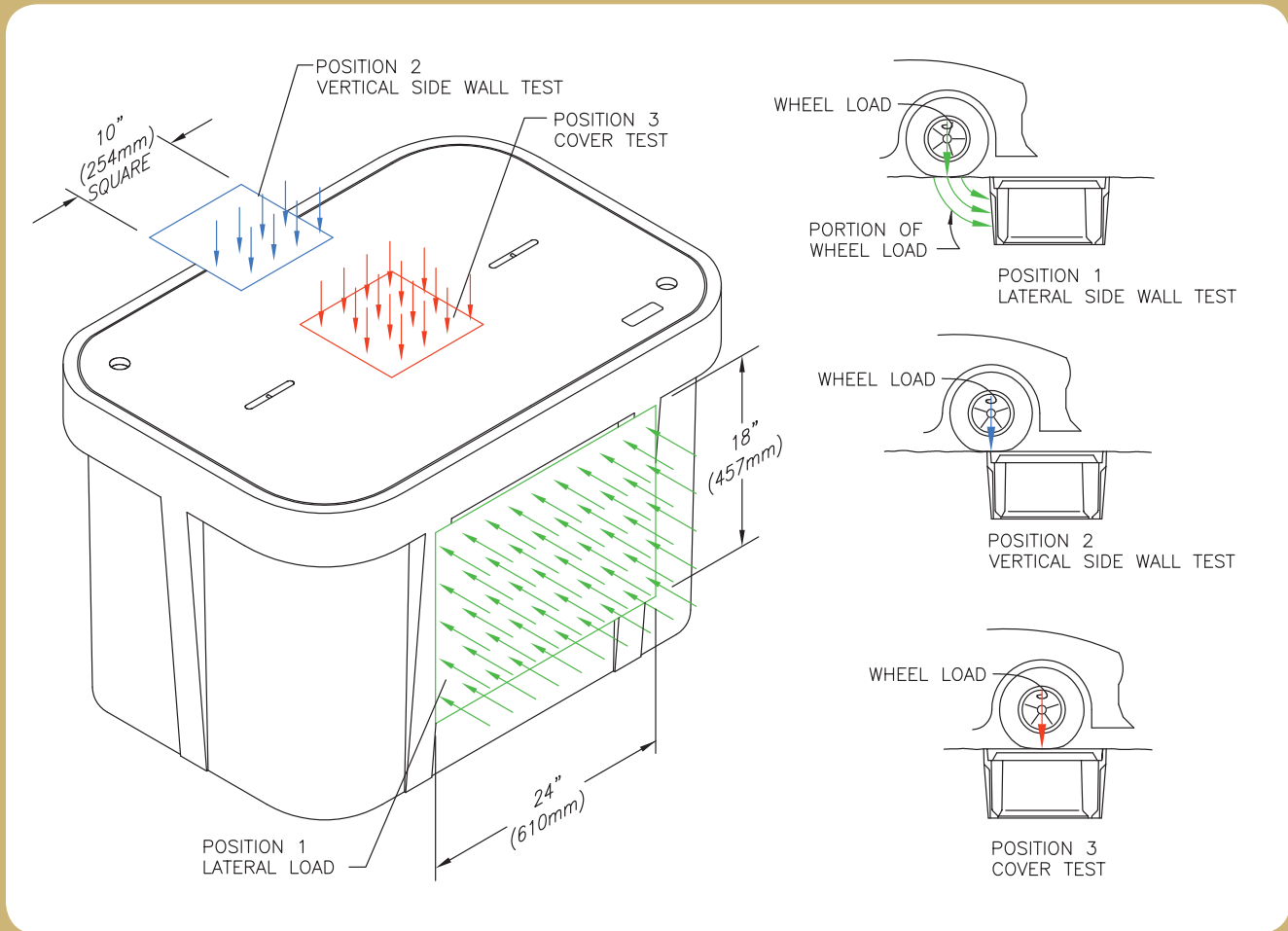
*\*There are no AASHTO design or test provisions for polymer composites. Therefore there is no recognized method of testing for qualification. Applying other material testing methods to polymer composites is not recognized by AASHTO. BUYER BEWARE!*



## Three-Position Testing – Proven Endurance.

A key requirement outlined in ANSI/SCTE 77 2013 is three-position testing for enclosures. Three-position testing is a method to verify product performance, and is accomplished by test loading at three pre-designated critical points. Quazite products have been tested at each of the three positions and all have met or surpassed requirements.

- The latest copy of the standard may be purchased from ANSI. It may also be viewed in PDF form on SCTE's website at [http://www.scte.org/documents/pdf/Standards/ANSI\\_SCTE%2077%202013.pdf](http://www.scte.org/documents/pdf/Standards/ANSI_SCTE%2077%202013.pdf)





# Quazite®

Hubbell maintains a large inventory of Quazite enclosures to serve your needs.



QUAZITE

1/2"  
PULL

9 3/8"  
(238)

ER LOGO —  
QUAZITE  
C STAINLE  
OLT W/W CC

1/4"  
(19)

ER LOGO —

QUAZITE LOGO —

.5 COEFFICIENT OF FRICTION



## NEC & Underground Enclosures

The National Electric Code states in article 314.30 that enclosures "...shall be designed and installed to withstand all loads likely to be imposed..." and addresses issues related to enclosure size, wiring entries, enclosures without bottoms, and bonding requirements for covers. "

The code references the ANSI/SCTE 77 "Specification for Underground Enclosure Integrity" National Standard, which outlines various tests that enclosures must pass to meet the standard. ANSI/SCTE 77 also provides load charts with Tier ratings to help users determine the appropriate enclosure to select based on the loadings expected in the application.

### Quazite® – UL-Listed to ANSI Standard.

All Quazite® polymer concrete enclosures meet or exceed the test provisions of ANSI/SCTE 77 2013, and most polymer concrete enclosures sized 30" x 48" and smaller are UL-Listed to the ANSI National Standard as referenced in the 2005, 2008, 2011 and 2014 NEC. To achieve this, Quazite® enclosures must pass numerous material and product performance tests before they can meet ANSI/SCTE 77 2013.

### Testing Requirements for ANSI/SCTE 77 2013

- Three-Position Load Testing to simulate actual application performance
- UV Degradation per ASTM G-154
- Fire Resistance per RUS 7CFR 1755.910 (PE-91)
- Chemical Resistance per ASTM D-543
- Water Absorption per ASTM D-570
- Impact Resistance per ASTM D2444
- Accelerated service per ASTM D-756, procedure E

Note: Quazite® recommends testing by third party organizations such as UL or ETL to verify that enclosures meet all test provisions of ANSI/SCTE 77.

### Quazite® – Peace of Mind.

Quazite® enclosures have undergone rigorous physical, environmental, and internal equipment-protection tests, and have been found by UL to meet the requirements required by the ANSI Standard. By adhering to the NEC, ANSI, and UL requirements, in the enclosure-selection process, users are ensured long service life. Quazite® enclosures offer not only improved manageability and cost-efficiency over other enclosures, but peace of mind as well.

*National Fire Protection Agency, 2005, 2008, 2011 and 2014  
National Electric Code.*

*Subsequent to the issuance of the 2005 NEC, ANSI approved an updated version of the standard, ANSI/SCTE 77 2013.*

*The latest copy of the standard may be purchased from ANSI.  
It may also be viewed in PDF form on SCTE's website at [http://www.scte.org/documents/pdf/Standards/ANSI\\_SCTE%2077%202013.pdf](http://www.scte.org/documents/pdf/Standards/ANSI_SCTE%2077%202013.pdf)*

# Quazite Selection Guide

QUAZITE



## Style Guide – Tailored Product Variety.

We offer a wide variety of box styles in order to meet your most specialized enclosure needs. Each style offers specific strengths and assets for diverse functionality

### PG Style

Straight sides allow for easy adjustment of box should the grade level change. Used for a variety of purposes, such as a splice box, pull box, equipment enclosure, or for any application requiring easy access to an underground service. PG boxes are stackable for increased depth.



### PC Style

Straight sides allow for easy adjustment of box should the grade level change. All PC boxes are stackable and are available with gasketing.



### PX Style

PX Styles are excellent for service box assemblies and offer flared design to prevent frost heave. PX boxes are also nestable for compact storage.



### PT Style

The flared design prevents frost heave, and covers are interchangeable with many precast concrete parts. PT boxes are also nestable for compact storage.



### PD Style

These enclosures feature a 1 degree flare for maximum strength. Flared design optimizes internal volume and minimizes frost heave.



## • PR Style

This polymer concrete round enclosure can prevent a cover from falling into the box.



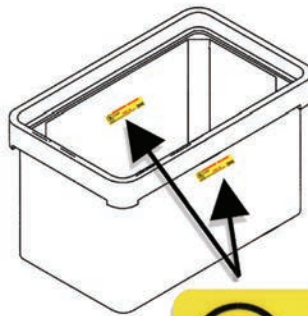
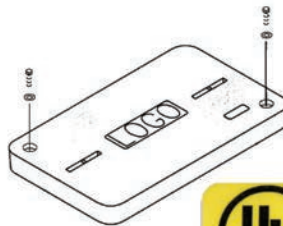
## UL Listing

indicates UL Listing

### UL Listed Enclosures

Determine if a UL listed enclosure is required for your installation. Federally funded electrical and telecom projects, as well as many state and municipal projects, generally require the use of a UL Listed product whenever one is available.

Most Quazite® polymer concrete underground handhole enclosures in sizes through 30" x 48" and smaller are agency listed. These products are clearly marked with the UL label on both the box and underneath the cover. Special order boxes with holes (or mouseholes, etc.) may qualify for UL listing as long as the holes do not exceed more than 25 percent of the area of each sidewall and as long as the holes do not cut into a structural reinforcing rib, corner, or box lip.



Highlighted areas indicate UL Listing

# Quazite: Available Size Chart

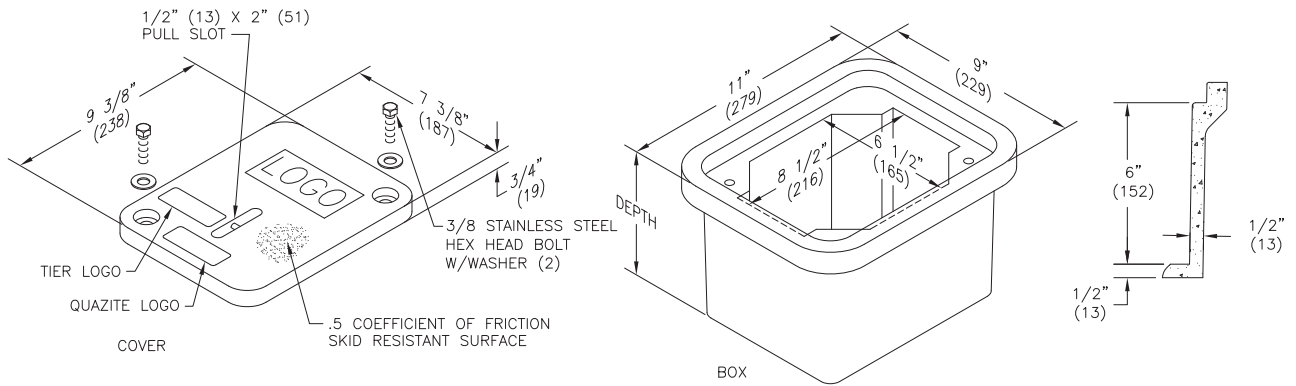
QUAZITE

Style	Size	Depths	Assembly Load Rating Options	UL
PC	6x8	6 3/4	Tier 15	Yes
	8x8	12, 18	Tier 15	Yes
	8x18	7, 8	Tier 8, Tier 15	Yes
	11x18	12, 18	Tier 8	Yes
	12x12	12	Tier 8, Tier 15	Yes
	13x24	12	Tier 5	Yes
	17x30	12	Tier 5	Yes
PD	13x24	18, 26	Tier 8, Tier 15, Tier 22	Yes
	17x30	18, 26	Tier 8, Tier 15, Tier 22	Yes
	24x36	18, 26, 48	Tier 8, Tier 15, Tier 22	Yes
	30x48	24, 48	Tier 8, Tier 15, Tier 22	Yes
PG	11x18	12, 18	Tier 8, Tier 15, Tier 22	Yes
	11x20	12, 18	Tier 8, Tier 15, Tier 22	No
	13x24	12, 18, 24	Tier 8, Tier 15, Tier 22	Yes
	17x30	12, 18, 22, 24, 30	Tier 8, Tier 15, Tier 22	Yes
	24x24	24 (Extensions Available)	Tier 8, Tier 15, Tier 22	Yes
	24x36	18, 24, 30, 36, 42 (Extensions Available)	Tier 8, Tier 15, Tier 22	Yes
	30x48	18, 24, 36, 48 (Extensions Available)	Tier 8, Tier 15, Tier 22	Yes
	30x60	21, 30, 36	Tier 5, Tier 15, Tier 22	No
	36x36	36 (Extensions Available)	Tier 8, Tier 15, Tier 22	Yes
	36x60	19, 24, 31, 36 (Extensions Available)	Tier 5, Tier 15, Tier 22	No
	36x72	21, 36	Tier 5, Tier 15, Tier 22	No
	48x48	36, 48	Tier 5, Tier 15, Tier 22	No
	48x72	36, 48 (Extensions Available)	Tier 5, Tier 15, Tier 22	No
	48x78	27, 36	Design 12,000 lbs / Test 24,000 lbs	No
	48x96	48 (Extensions Available)	Tier 5, Tier 15, Tier 22	No
PT	10x15	18	Tier 8, Tier 15	No
	13x24	18	Tier 8, Tier 15	Yes
	17x30	18	Tier 8, Tier 15	Yes
PX	12x12	24	Tier 8, Tier 15	Yes
Median	5x16		Tier 8, Tier 15	No
	10x12		Tier 8, Tier 15	No
Round	27	36, 48	Tier 8, Tier 15, Tier 22	Yes
	39	18, 24, 36, 48, 72	Tier 8, Tier 15, Tier 22	Yes

# Dimensions / Data

## 6" x 8" PC Style Polymer Concrete (Stackable) Assembly

**Hex Head Bolts are Standard**



### Covers

	DESCRIPTION	TIER	DESIGN / TEST LOAD #	WEIGHT #	PALLET QTY	PART NO.
UL	W/ 2 Bolts	15	15,000 / 22,500	4	40	PC0608HA00**
UL	Gasketed w/4 bolts	15	15,000 / 22,500	4	40	PC0608HG00**

Replace \*\* with a logo code found on page 60.

NOTE: Gasketed covers and bolt grommets must be used with a gasketed box. Gaskets reduce the inflow of fluids but do not make the enclosure water tight.

### Boxes

	DESCRIPTION	DEPTH	TIER	DESIGN / TEST LOAD #	WEIGHT #	PALLET QTY	PART NO.
UL	Standard Open Bottom	6 3/4"	15	15,000/22,500	14	160	PC0608BA06
UL	Solid Bottom	7 1/4"	15	15,000/22,500	15	160	PC0608DA06

To order gasketed boxes, replace the letter "A" with the letter "G".

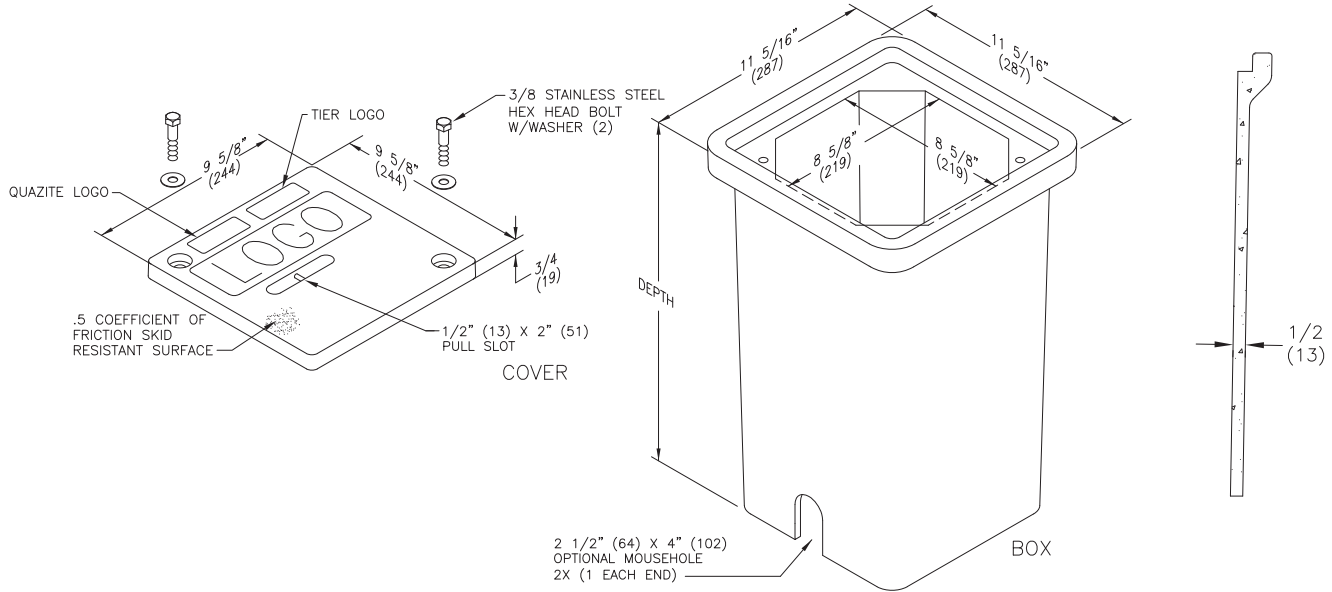
NOTE: Gasketed covers and bolt grommets must be used with a gasketed box. Gaskets reduce the inflow of fluids but do not make the enclosure water tight.



# Dimensions / Data

## 8" x 8" PC Style Polymer Concrete (Stackable) Assembly

**Hex Head Bolts are Standard**



### Covers

	DESCRIPTION	TIER	DESIGN / TEST LOAD #	WEIGHT #	PALLET QTY	PART NO.
	W/ 2 Bolts	15	15,000 / 22,500	6	36	PC0808HA00**
	Gasketed W/ 2 Bolts	15	15,000 / 22,500	6	36	PC0808HG00**

Replace \*\* with a logo code found on page 60.

NOTE: Gasketed covers and bolt grommets must be used with a gasketed box. Gaskets reduce the inflow of fluids but do not make the enclosure water tight.

### Boxes

	DESCRIPTION	DEPTH	TIER	DESIGN / TEST LOAD #	WEIGHT #	PALLET QTY	PART NO.
	Standard Open Bottom	12"	15	15,000/22,500	25	36	PC0808BA12
		18"	15	15,000/22,500	36	24	PC0808BA18
	Solid Bottom	18 1/2"	15	15,000/22,500	42	24	PC0808DA18

To order boxes with 2 standard mouseholes, replace the letter "A" with the letter "B".

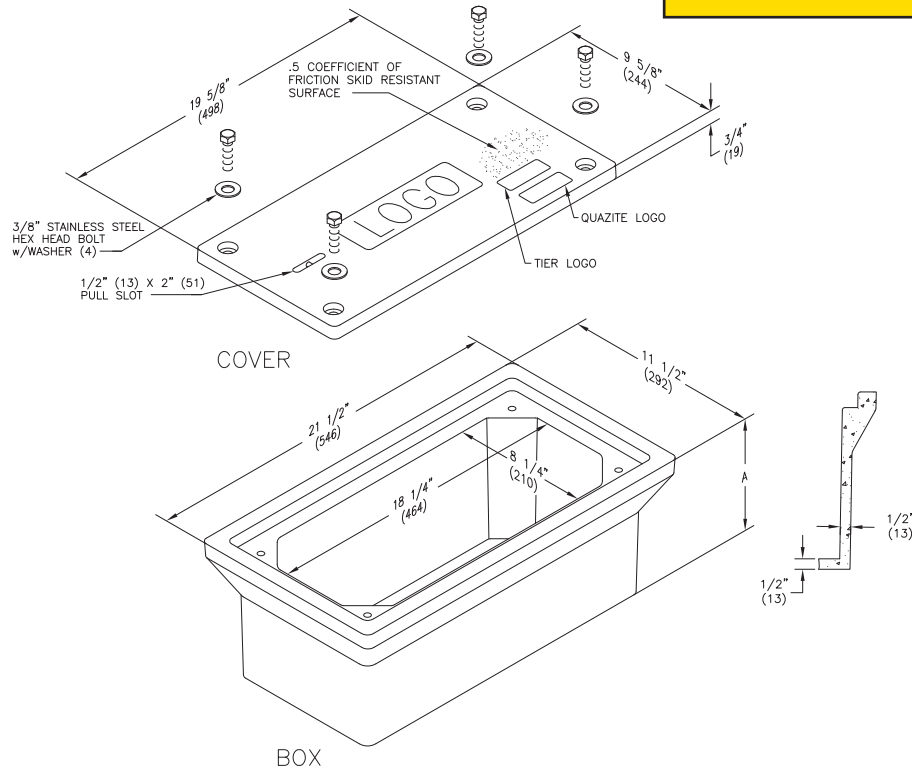
To order gasketed boxes, replace the letter "A" with the letter "G".

NOTE: Gasketed covers and bolt grommets must be used with a gasketed box. Gaskets reduce the inflow of fluids but do not make the enclosure water tight.

# Dimensions / Data

## 8" x 18" PC Style Polymer Concrete (Stackable) Assembly

**Hex Head Bolts are Standard**



### Covers

	DESCRIPTION	TIER	DESIGN / TEST LOAD #	WEIGHT #	PALLET QTY	PART NO.
	W/ 4 Bolts	8	8,000 / 12,000	11	20	PC0818CA00**
	No Bolts	8	8,000 / 12,000	11	20	PC0818WA00**
	W/ 4 Bolts	15	15,000 / 22,500	11	20	PC0818HA00**

Replace \*\* with a logo code found on page 60.  
 To order gasketed covers replace the letter "A" with the letter "G".  
 NOTE: Gasketed covers and bolt grommets must be used with a gasketed box. Gaskets reduce the inflow of fluids but do not make the enclosure water tight.

### Boxes

	DESCRIPTION	DEPTH	TIER	DESIGN / TEST LOAD #	WEIGHT #	PALLET QTY	PART NO.
	Standard Open Bottom	7"	15	15,000/22,500	25	20	PC0818BA07
		8"	15	15,000/22,500	27	20	PC0818BA08
	Solid Bottom	7 1/2"	15	15,000/22,500	32	20	PC0818DA07
		8 1/2"	15	15,000/22,500	35	20	PC0818DA08

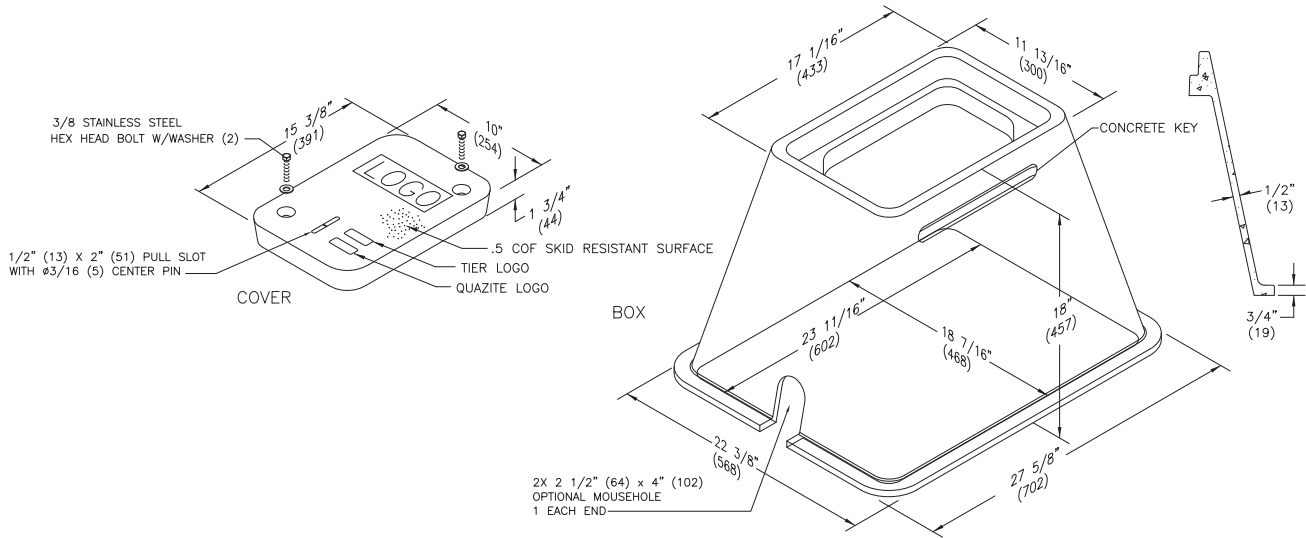
To order boxes with 2 standard mouseholes, replace the letter "A" with the letter "B".  
 To order gasketed boxes, replace the letter "A" with the letter "G".  
 NOTE: Gasketed covers and bolt grommets must be used with a gasketed box. Gaskets reduce the inflow of fluids but do not make the enclosure water tight.

QUAZITE

# Dimensions / Data

## 10" x 15" PT Style Polymer Concrete (Nestable) Assembly

**Hex Head Bolts are Standard**



### Covers

DESCRIPTION	TIER	DESIGN / TEST LOAD #	WEIGHT #	PALLET QTY	PART NO.
W/ 2 Bolts	8	8,000 / 12,000	20	40	PG1015CA00**
W/ 2 Bolts	15	15,000 / 22,500	20	40	PG1015HA00**
No Bolts	8	8,000 / 12,000	20	40	PG1015WA00**

To order gasketed covers, replace the letter "A" with the letter "G".  
 Replace \*\* with a logo code found on page 60. See page 65 for meter and touch/radio read cover options.  
 NOTE: Gasketed covers and bolt grommets must be used with a gasketed box. Gaskets reduce the inflow of fluids but do not make the enclosure water tight.

### Boxes

DESCRIPTION	DEPTH	TIER	DESIGN / TEST LOAD #	WEIGHT #	PALLET QTY	PART NO.
Standard Open Bottom	18"	15	15,000/22,500	70	5	PT1015BA18

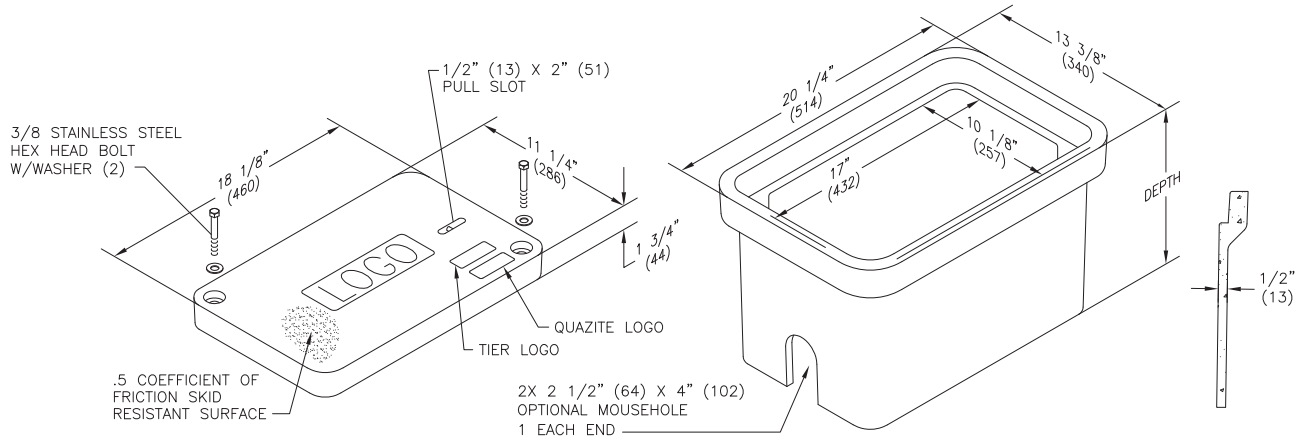
To order boxes with 2 standard mouseholes, replace the letter "A" with the letter "B".  
 To order gasketed boxes, replace the letter "A" with the letter "G".  
 NOTE: Gasketed covers and bolt grommets must be used with a gasketed box. Gaskets reduce the inflow of fluids but do not make the enclosure water tight.

QUAZITE

# Dimensions / Data

## 11" x 18" PG Style Polymer Concrete (Stackable) Assembly

**Hex Head Bolts are Standard**



### Covers

	DESCRIPTION	TIER	DESIGN / TEST LOAD #	WEIGHT #	PALLET QTY	PART NO.
UL	W/ 2 Bolts	8	8,000 / 12,000	27	40	PG1118CA00**
UL	W/ 2 Bolts	15	15,000 / 22,500	27	40	PG1118HA00**
UL	No Bolts	8	8,000 / 12,000	27	40	PG1118WA00**
UL	W/ 2 Bolts	22	22,500 / 33,750	27	40	PG1118HH00**

To order gasketed covers, replace the letter "A" with the letter "G".

Replace \*\* with a logo code found on page 60. See page 65 for meter and touch/radio read cover options.

NOTE: Gasketed covers and bolt grommets must be used with a gasketed box. Gaskets reduce the inflow of fluids but do not make the enclosure water tight.

### Boxes

	DESCRIPTION	DEPTH	TIER	DESIGN / TEST LOAD #	WEIGHT #	PALLET QTY	PART NO.
UL	Standard Open Bottom	12"	22	22,500 / 33,750	40	30	PG1118BA12
UL		18"		22,500 / 33,750	53	24	PG1118BA18
UL	Solid Bottom	12 1/2"	22	22,500 / 33,750	43	30	PG1118DA12
UL		18 1/2"		22,500 / 33,750	60	24	PG1118DA18
UL	Footed Box	12 1/2"	22	22,500 / 33,750	41	30	PG1118JA12
UL		18 1/2"		22,500 / 33,750	55	24	PG1118JA18

To order boxes with 2 standard mouseholes, replace the letter "A" with the letter "B".

To order gasketed boxes, replace the letter "A" with the letter "G".

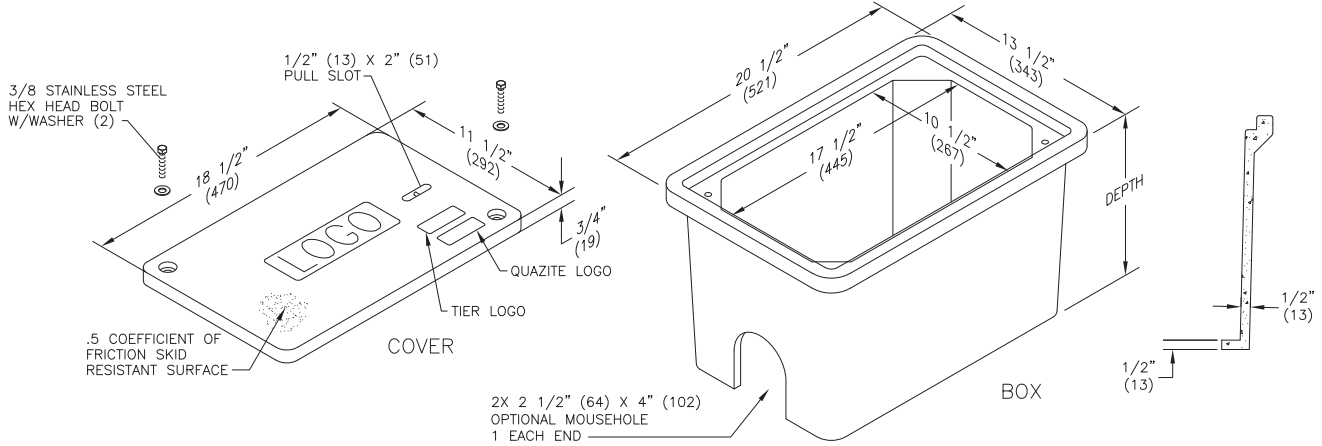
NOTE: Gasketed covers and bolt grommets must be used with a gasketed box. Gaskets reduce the inflow of fluids but do not make the enclosure water tight.



# Dimensions / Data

## 11" x 18" PC Style Polymer Concrete (Stackable) Assembly

**Hex Head Bolts are Standard**



### Covers

	DESCRIPTION	TIER	DESIGN / TEST LOAD #	WEIGHT #	PALLET QTY	PART NO.
UL	W/ 2 Bolts	8	8,000 / 12,000	13	40	PC1118CA00**
UL	Gasketed W/ 4 Bolts	8	8,000 / 12,000	13	40	PC1118CG00**
UL	No Bolts	8	8,000 / 12,000	13	40	PC1118WA00**

Replace \*\* with a logo code found on page 60.

NOTE: Gasketed covers and bolt grommets must be used with a gasketed box. Gaskets reduce the inflow of fluids but do not make the enclosure water tight.

### Boxes

	DESCRIPTION	DEPTH	TIER	DESIGN / TEST LOAD #	WEIGHT #	PALLET QTY	PART NO.
UL	Std. Open Bottom	12"	15	15,000 / 22,500	37	24	PC1118BA12
UL		18"		15,000 / 22,500	53	30	PC1118BA18
UL	Solid Bottom	12 1/2"	15	15,000 / 22,500	45	24	PC1118DA12
UL		18 1/2"		15,000 / 22,500	60	30	PC1118DA18
UL	Footed Box	12 1/2"	15	15,000 / 22,500	37	24	PC1118JA12
UL		18 1/2"		15,000 / 22,500	56	30	PC1118JA18

To order boxes with 2 standard mouseholes, replace the letter "A" with the letter "B".

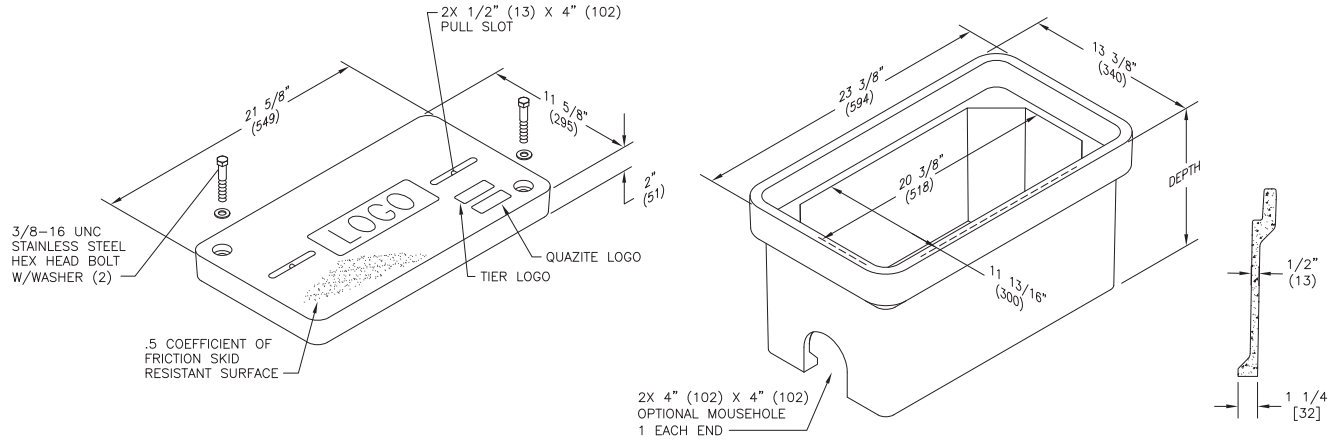
To order gasketed boxes, replace the letter "A" with the letter "G".

NOTE: Gasketed covers and bolt grommets must be used with a gasketed box. Gaskets reduce the inflow of fluids but do not make the enclosure water tight.

# Dimensions / Data

## 11" x 20" PG Style Polymer Concrete (Stackable) Assembly

**Hex Head Bolts are Standard**



### Covers

DESCRIPTION	TIER	DESIGN / TEST LOAD #	WEIGHT #	PALLET QTY	PART NO.
W/ 2 Bolts	8	8,000 / 12,000	28	30	PG1120CA00**
W/ 2 Bolts	15	15,000 / 22,500	38	30	PG1120HA00**
No Bolts	8	8,000 / 12,000	28	30	PG1120WA00**
W/ 2 Bolts	22	22,500 / 33,750	38	30	PG1120HH00**

To order gasketed covers, replace the letter "A" with the letter "G".  
 Replace \*\* with a logo code found on page 60. See page 65 for meter and touch/radio read cover options.  
 NOTE: Gasketed covers and bolt grommets must be used with a gasketed box. Gaskets reduce the inflow of fluids but do not make the enclosure water tight.

### Boxes

DESCRIPTION	DEPTH	TIER	DESIGN / TEST LOAD #	WEIGHT #	PALLET QTY	PART NO.
Standard Open Bottom	12"	22	22,500 / 33,750	50	20	PG1120BA12
	18"		22,500 / 33,750	69	16	PG1120BA18
Solid Bottom	12 1/2"	22	22,500 / 33,750	58	20	PG1120DA12
	18 1/2"		22,500 / 33,750	77	16	PG1120DA18

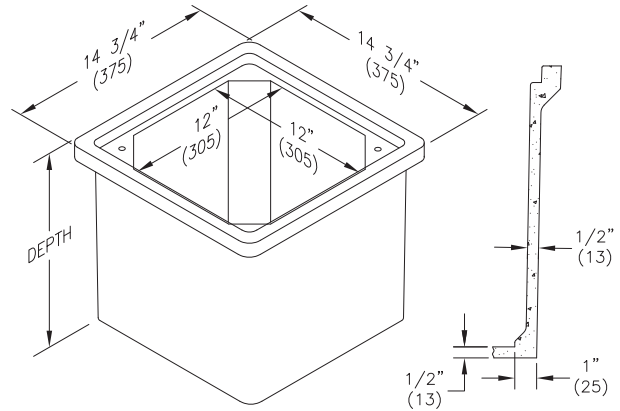
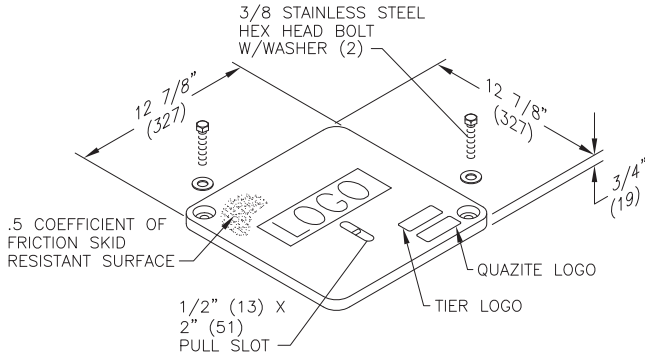
To order boxes with 2 standard mouseholes, replace the letter "A" with the letter "B".  
 To order gasketed boxes, replace the letter "A" with the letter "G".  
 NOTE: Gasketed covers and bolt grommets must be used with a gasketed box. Gaskets reduce the inflow of fluids but do not make the enclosure water tight.

QUAZITE

# Dimensions / Data

## 12" x 12" PC Style Polymer Concrete (Stackable) Assembly

**Hex Head Bolts are Standard**



### Covers

	DESCRIPTION	TIER	DESIGN / TEST LOAD #	WEIGHT #	PALLET QTY	PART NO.
UL	W/ 2 Bolts	8	8,000 / 12,000	12	60	PC1212CA00**
UL	W/ 2 Bolts	15	15,000 / 22,500	12	60	PC1212HA00**
UL	No Bolts	8	8,000 / 12,000	12	60	PC1212WA00**

To order gasketed covers, replace the letter "A" with the letter "G".

Gasketed covers are with 4 bolts.

Replace \*\* with a logo code found on page 60.

NOTE: Gasketed covers and bolt grommets must be used with a gasketed box. Gaskets reduce the inflow of fluids but do not make the enclosure water tight.

### Boxes

	DESCRIPTION	DEPTH	TIER	DESIGN / TEST LOAD #	WEIGHT #	PALLET QTY	PART NO.
UL	Standard Open Bottom	12"	15	15,000 / 22,500	36	30	PC1212BA12
UL	Solid Bottom	12 1/2"	15	15,000 / 22,500	41	30	PC1212DA12

To order gasketed boxes, replace the letter "A" with the letter "G".

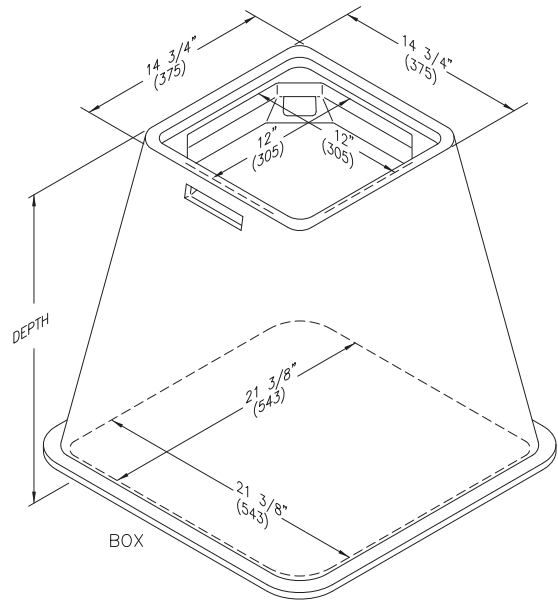
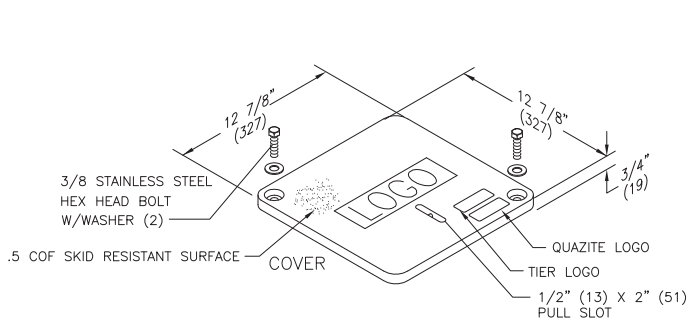
Gaskets reduce the inflow of fluids but do not make the enclosure water tight.

NOTE: Gasketed covers and bolt grommets must be used with a gasketed box. Gaskets reduce the inflow of fluids but do not make the enclosure water tight.

# Dimensions / Data

## 12" x 12" PX Style Polymer Concrete (Nestable) Assembly

**Hex Head Bolts are Standard**



### Covers

	DESCRIPTION	TIER	DESIGN / TEST LOAD #	WEIGHT #	PALLET QTY	PART NO.
	W/ 2 Bolts	8	8,000 / 12,000	20	60	PC1212CA00**
	W/ 2 Bolts	15	15,000 / 22,500	20	60	PC1212HA00**
	No Bolts	8	8,000 / 12,000	20	60	PC1212WA00**

To order gasketed covers, replace the letter "A" with the letter "G".

Gasketed covers are with 4 bolts.

Replace \*\* with a logo code found on page 60.

NOTE: Gasketed covers and bolt grommets must be used with a gasketed box. Gaskets reduce the inflow of fluids but do not make the enclosure water tight.

### Boxes

	DESCRIPTION	DEPTH	TIER	DESIGN / TEST LOAD #	WEIGHT #	PALLET QTY	PART NO.
	Standard Open Bottom	24"	15	15,000 / 22,500	85	5	PX1212BA24

To order gasketed boxes, replace the letter "A" with the letter "G".

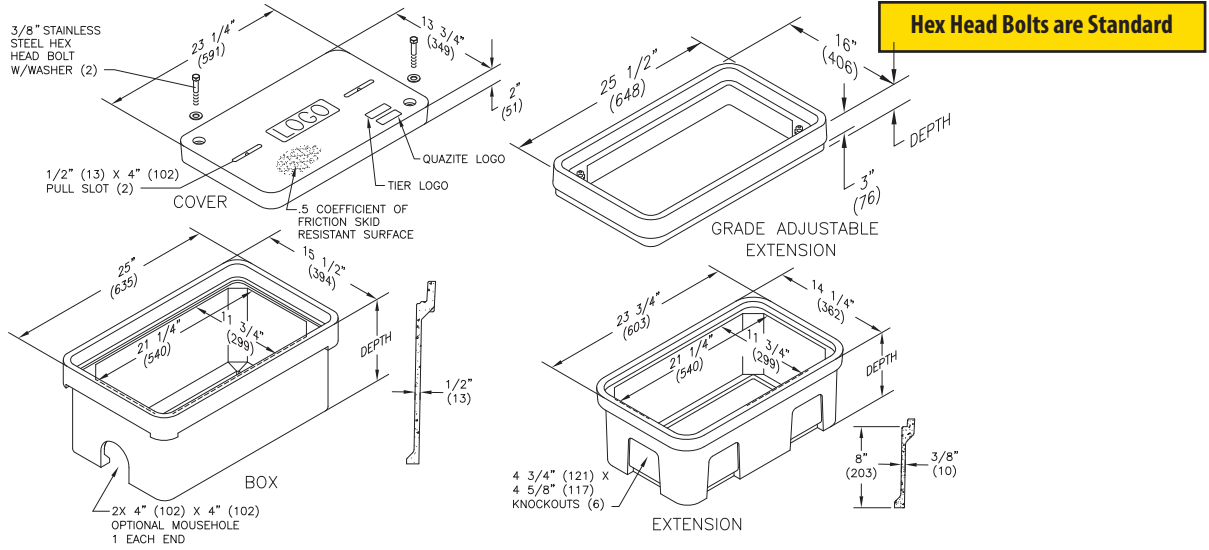
NOTE: Gasketed covers and bolt grommets must be used with a gasketed box. Gaskets reduce the inflow of fluids but do not make the enclosure water tight.

QUAZITE



# Dimensions / Data

## 13" x 24" PG Style Polymer Concrete (Stackable) Assembly



**Hex Head Bolts are Standard**

### Covers

DESCRIPTION	TIER	DESIGN / TEST LOAD #	WEIGHT #	PALLET QTY	PART NO.
W/ 2 Bolts	8	8,000 / 12,000	33	30	PG1324CA00**
W/ 2 Bolts	15	15,000 / 22,500	51	30	PG1324HA00**
W/ 2 Bolts	22	22,500 / 33,750	54	30	PG1324HH00**
No Bolts	8	8,000 / 12,000	33	30	PG1324WA00**

To order gasketed covers, replace the letter "A" with the letter "G".  
 Replace \*\* with a logo code found on page 60. See page 65 for meter and touch/radio read cover options.  
 NOTE: Gasketed covers and bolt grommets must be used with a gasketed box. Gaskets reduce the inflow of fluids but do not make the enclosure water tight.

### Boxes

DESCRIPTION	DEPTH	TIER	DESIGN / TEST LOAD #	WEIGHT #	PALLET QTY	PART NO.
Standard Open Bottom	12"	22	22,500 / 33,700	53	20	PG1324BA12
	18"		22,500 / 33,700	72	16	PG1324BA18
	24"		22,500 / 33,700	91	12	PG1324BA24
Solid Bottom	12 1/2"	22	22,500 / 33,700	63	20	PG1324DA12
	18 1/2"		22,500 / 33,700	85	16	PG1324DA18
	24 1/2"		22,500 / 33,700	107	12	PG1324DA24

To order boxes with 2 standard mouseholes, replace the letter "A" with the letter "B".  
 To order gasketed boxes, replace the letter "A" with the letter "G".

### Extensions (for use under box only, one per box)

DESCRIPTION	DEPTH	TIER	DESIGN / TEST LOAD #	WEIGHT #	PALLET QTY	PART NO.
8" - Open Bottom	8 3/4"	22	22,500 / 33,750	25	24	PG1324EA08
8" - Solid Bottom	9 1/4"	22	22,500 / 33,750	35	24	PG1324RA08

### Grade Adjustable Extension (for use on top of box only, one per box)

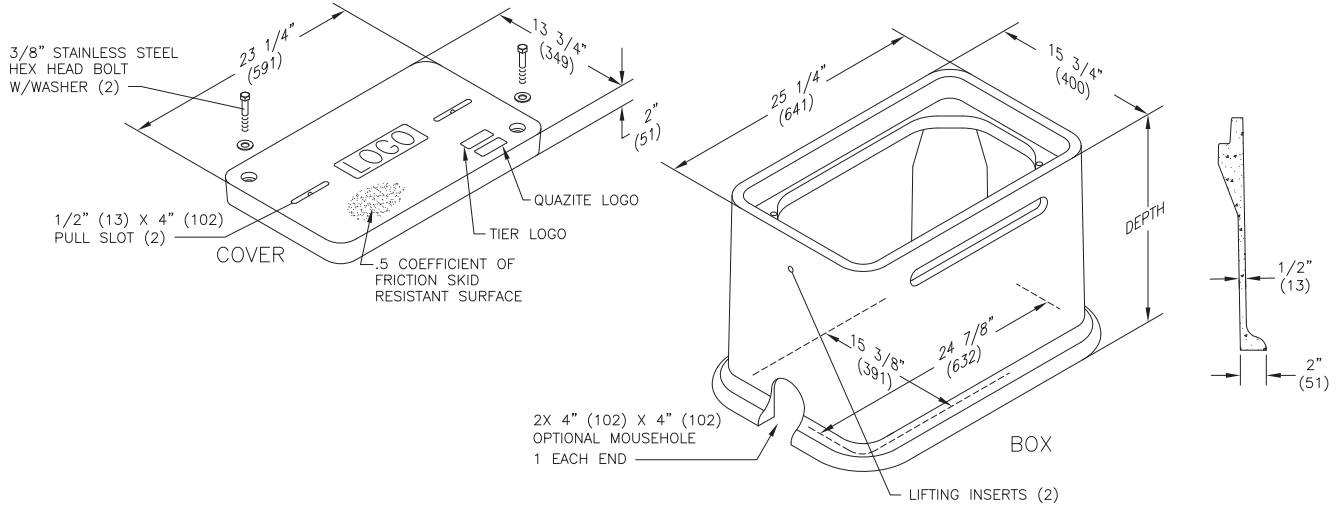
DESCRIPTION	DEPTH	TIER	DESIGN / TEST LOAD #	WEIGHT #	PALLET QTY	PART NO.
3" Top Extension	5 1/8"	22	22,500 / 33,750	37	24	PG1324ED03

QUAZITE

# Dimensions / Data

## 13" x 24" PD Style Polymer Concrete (Stackable) Assembly

**Hex Head Bolts are Standard**



### Covers

	DESCRIPTION	TIER	DESIGN / TEST LOAD #	WEIGHT #	PALLET QTY	PART NO.
	W/ 2 Bolts	8	8,000 / 12,000	33	30	PG1324CA00**
	W/ 2 Bolts	15	15,000 / 22,500	51	30	PG1324HA00**
	W/ 2 Bolts	22	22,500 / 33,750	54	30	PG1324HH00**
	No Bolts	8	8,000 / 12,000	33	30	PG1324WA00**

Replace \*\* with a logo code found on page 60. See page 65 for meter and touch/radio read cover options.  
To order gasketed covers, replace the letter "A" with the letter "G".

### Boxes

	DESCRIPTION	DEPTH	TIER	DESIGN / TEST LOAD #	WEIGHT #	PALLET QTY	PART NO.
	Standard Open Bottom	18"	22	22,500 / 33,750	104	4	PD1324BA18
	Open Bottom	26"	22	22,500 / 33,750	133	4	PD1324BA26

To order boxes with 2 standard mouseholes, replace the letter "A" with the letter "B".

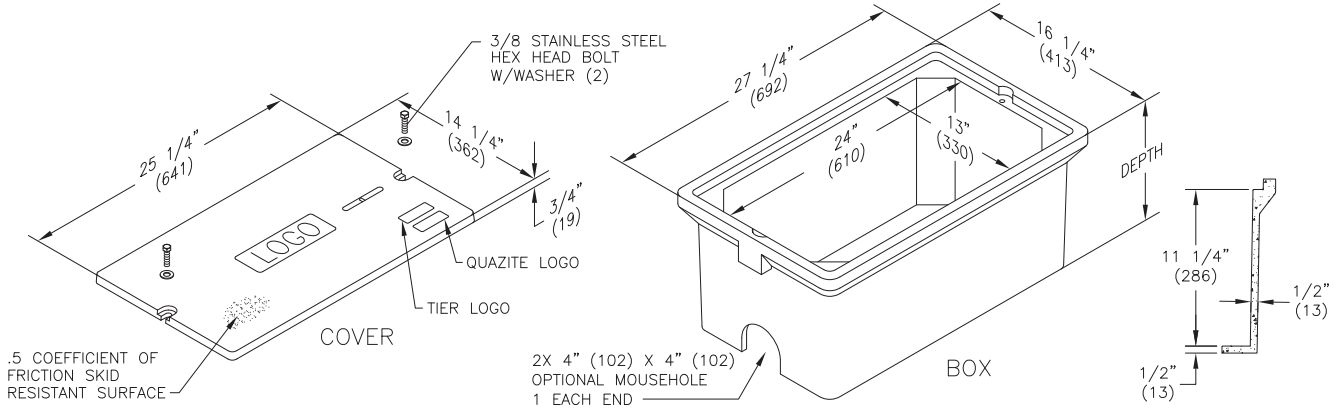
To order gasketed boxes, replace the letter "A" with the letter "G".

NOTE: Gasketed covers and bolt grommets must be used with a gasketed box. Gaskets reduce the inflow of fluids but do not make the enclosure water tight.

# Dimensions / Data

## 13" x 24" PC Style Polymer Concrete (Stackable) Assembly

**Hex Head Bolts are Standard**



### Covers

	DESCRIPTION	TIER	DESIGN / TEST LOAD #	WEIGHT #	PALLET QTY	PART NO.
UL	W/ 2 Bolts	5	5,000 / 7,500	23	40	PC1324CA00**
UL	No Bolts	5	5,000 / 7,500	23	40	PC1324WA00**

To order gasketed covers, replace the letter "A" with the letter "G".

Replace \*\* with a logo code found on page 60.

NOTE: Gasketed covers and bolt grommets must be used with a gasketed box. Gaskets reduce the inflow of fluids but do not make the enclosure water tight.

### Boxes

	DESCRIPTION	DEPTH	TIER	DESIGN / TEST LOAD #	WEIGHT #	PALLET QTY	PART NO.
UL	Standard Open Bottom	12"	5	5,000 / 7,500	50	20	PC1324BA12
UL	Solid Bottom	12 1/2"	5	5,000 / 7,500	60	20	PC1324DA12
UL	Footed Box	12 1/2"	5	5,000 / 7,500	57	20	PC1324JA12

To order boxes with 2 standard mouseholes, replace the letter "A" with the letter "B".

To order gasketed boxes, replace the letter "A" with the letter "G".

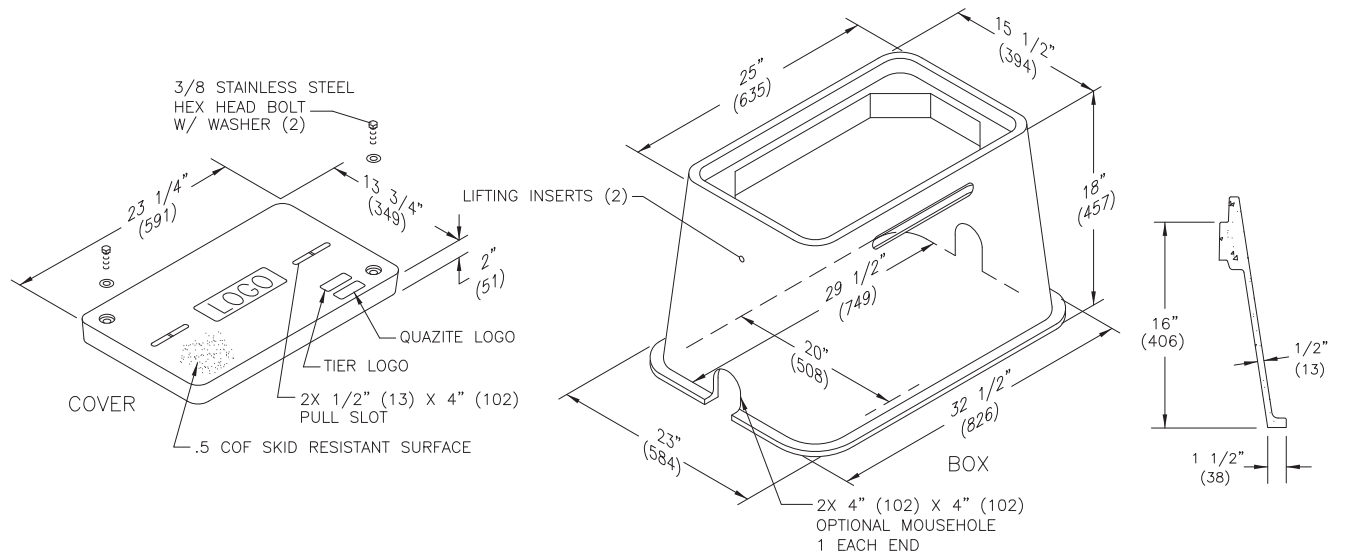
NOTE: Gasketed covers and bolt grommets must be used with a gasketed box. Gaskets reduce the inflow of fluids but do not make the enclosure water tight.

QUAZITE

# Dimensions / Data

## 13" x 24" PT Style Polymer Concrete (Nestable) Assembly

**Hex Head Bolts are Standard**



### Covers

	DESCRIPTION	TIER	DESIGN / TEST LOAD #	WEIGHT #	PALLET QTY	PART NO.
UL	W/ 2 Bolts	8	8,000 / 12,000	32	30	PT1324CA00**
UL	W/ 2 Bolts	15	15,000 / 22,500	49	30	PT1324HA00**

To order gasketed covers, replace the letter "A" with the letter "G".  
 Replace \*\* with a logo code found on page 60. See page 65 for meter and touch/radio read cover options.  
 NOTE: Gasketed covers and bolt grommets must be used with a gasketed box. Gaskets reduce the inflow of fluids but do not make the enclosure water tight.

### Boxes

	DESCRIPTION	DEPTH	TIER	DESIGN / TEST LOAD #	WEIGHT #	PALLET QTY	PART NO.
UL	Standard Open Bottom	18"	15	15,000 / 22,500	97	5	PT1324BA18

To order boxes with 2 standard mouseholes, replace the letter "A" with the letter "B".  
 To order gasketed boxes, replace the letter "A" with the letter "G".  
 NOTE: Gasketed covers and bolt grommets must be used with a gasketed box. Gaskets reduce the inflow of fluids but do not make the enclosure water tight.

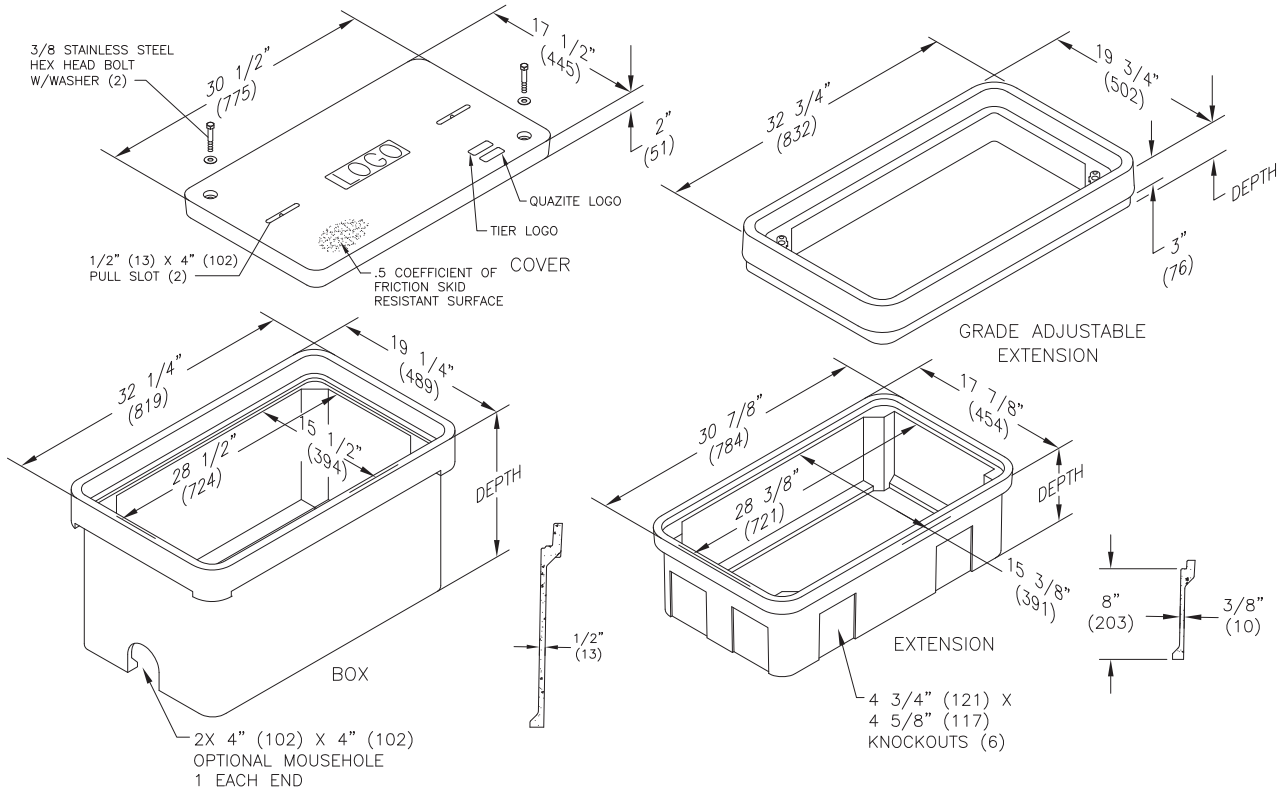
**QUAZITE**



# Dimensions / Data

## 17" x 30" PG Style Polymer Concrete (Stackable) Assembly

**Hex Head Bolts are Standard**



### Covers

	DESCRIPTION	TIER	DESIGN / TEST LOAD #	WEIGHT #	PALLET QTY	PART NO.
UL	W/ 2 Bolts	8	8,000 / 12,000	52	20	PG1730CA00**
UL	W/ 2 Bolts	15	15,000 / 22,500	83	20	PG1730HA00**
UL	W/ 2 Bolts	22	22,500 / 33,750	83	20	PG1730HH00**
UL	No Bolts	8	8,000 / 12,000	52	20	PG1730WA00**

To order gasketed covers, replace the letter "A" with the letter "G".

Replace \*\* with a logo code found on page 60. See page 65 for meter and touch/radio read cover options.

NOTE: Gasketed covers and bolt grommets must be used with a gasketed box. Gaskets reduce the inflow of fluids but do not make the enclosure water tight.

QUAZITE

# Dimensions / Data 17" x 30" PG Style Polymer Concrete (Stackable) Assembly (Continued)

**Hex Head Bolts are Standard**

**Boxes (Box depths 22" thru 30" must be used as bottom of any stack)**

	DESCRIPTION	DEPTH	TIER	DESIGN / TEST LOAD #	WEIGHT #	PALLET QTY	PART NO.
	Standard Open Bottom	12"	22	22,500 / 33,750	67	10	PG1730BA12
		18"		22,500 / 33,750	94	8	PG1730BA18
		22"		22,500 / 33,750	106	6	PG1730BA22
		24"		22,500 / 33,750	122	6	PG1730BA24
		30"		22,500 / 33,750	144	4	PG1730BA30
	Solid Bottom	12 1/2"	22	22,500 / 33,750	85	10	PG1730DA12
		18 1/2"		22,500 / 33,750	112	8	PG1730DA18
		22 1/2"		22,500 / 33,750	124	6	PG1730DA22
		24 1/2"		22,500 / 33,750	137	6	PG1730DA24
		30 1/2"		22,500 / 33,750	150	4	PG1730DA30

To order boxes with 2 standard mouseholes, replace the letter "A" with the letter "B".  
 To order gasketed boxes, replace the letter "A" with the letter "G".  
 NOTE: Gasketed cover and bolt grommets must be used with a gasketed box. Gaskets reduce the inflow of fluids but do not make the enclosure water tight.

**Bottom Extensions (for use under 12" and 18" boxes only, one per box)**

DESCRIPTION	DEPTH	TIER	DESIGN / TEST LOAD #	WEIGHT #	PALLET QTY	PART NO.
Open bottom	8 3/4"	22	22,500 / 33,750	36	12	PG1730EA08
Solid bottom	9 1/4"	22	22,500 / 33,750	55	12	PG1730RA08

**Grade Adjustable Extension (for use on top of box only, one per box)**

DESCRIPTION	DEPTH	TIER	DESIGN / TEST LOAD #	WEIGHT #	PALLET QTY	PART NO.
3" Top extension	5 1/8"	22	22,500 / 33,750	48	12	PG1730ED03

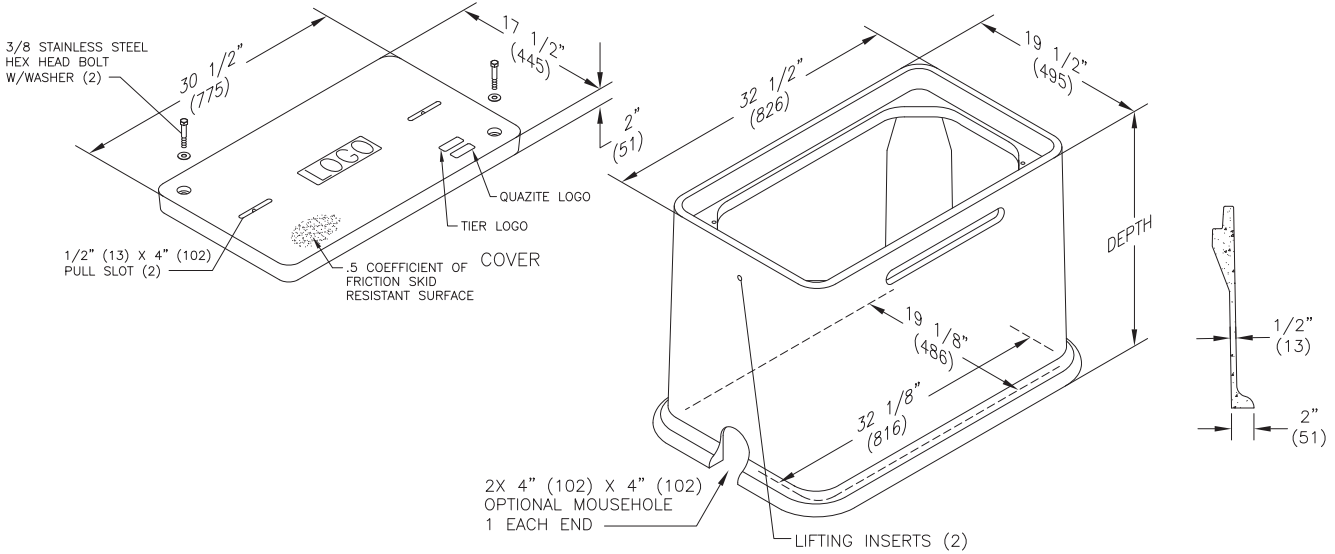
QUAZITE



# Dimensions / Data

## 17" x 30" PD Style Polymer Concrete Assembly

**Hex Head Bolts are Standard**



### Covers

	DESCRIPTION	TIER	DESIGN / TEST LOAD #	WEIGHT #	PALLET QTY	PART NO.
UL	W/ 2 Bolts	8	8,000 / 12,000	52	20	PG1730CA00**
UL	W/ 2 Bolts	15	15,000 / 22,500	83	20	PG1730HA00**
UL	W/ 2 Bolts	22	22,500 / 33,750	83	20	PG1730HH00**
UL	No Bolts	8	8,000 / 12,000	52	20	PG1730WA00**

To order gasketed covers, replace the letter "A" with the letter "G".  
 Replace \*\* with a logo code found on page 60. See page 65 for meter and touch/radio read cover options.

### Boxes

	DESCRIPTION	DEPTH	TIER	DESIGN / TEST LOAD #	WEIGHT #	PALLET QTY	PART NO.
UL	Standard Open Bottom	18"	22	22,500 / 33,750	129	4	PD1730BA18
UL	Open Bottom	26"	22	22,500 / 33,750	166	4	PD1730BA26

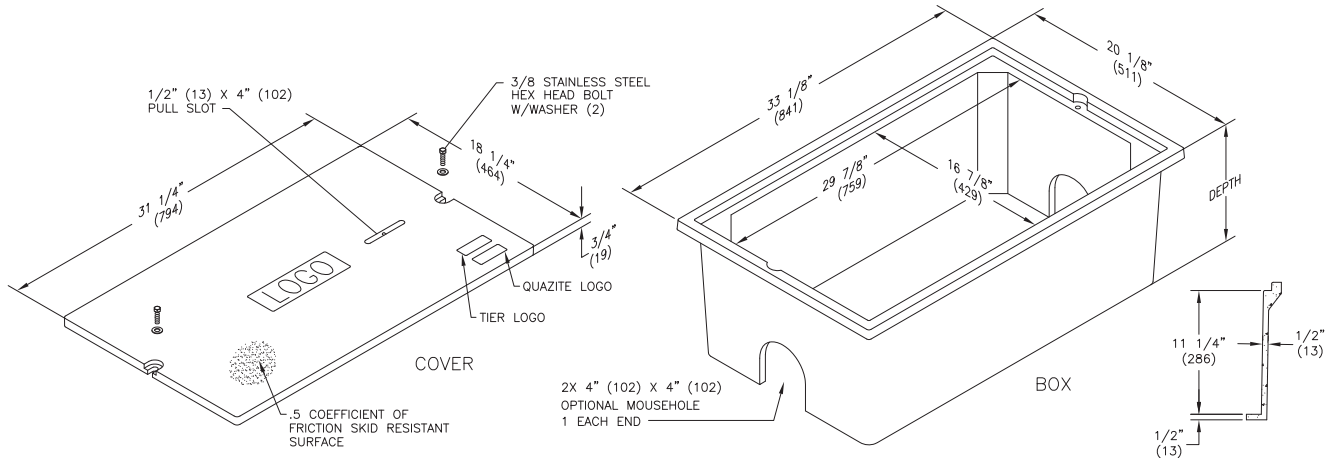
To order boxes with 2 standard mouseholes, replace the letter "A" with the letter "B".  
 To order gasketed boxes, replace the letter "A" with the letter "G".  
 NOTE: Gasketed covers and bolt grommets must be used with a gasketed box. Gaskets reduce the inflow of fluids but do not make the enclosure water tight.

QUAZITE

# Dimensions / Data

## 17" x 30" PC Style Polymer Concrete (Stackable) Assembly

**Hex Head Bolts are Standard**



### Covers

	DESCRIPTION	TIER	DESIGN / TEST LOAD #	WEIGHT #	PALLET QTY	PART NO.
	W/ 2 Bolts	5	5,000 / 7,500	33	30	PC1730CA00**
	No Bolts	5	5,000 / 7,500	33	30	PC1730WA00**

To order gasketed covers, replace the letter "A" with the letter "G".

Replace \*\* with a logo code found on page 60.

NOTE: Gasketed covers and bolt grommets must be used with a gasketed box. Gaskets reduce the inflow of fluids but do not make the enclosure water tight.

### Boxes

	DESCRIPTION	DEPTH	TIER	DESIGN / TEST LOAD #	WEIGHT #	PALLET QTY	PART NO.
	Standard Open Bottom	12"	5	5,000 / 7,500	58	10	PC1730BA12
	Solid Bottom	12 1/2"	5	5,000 / 7,500	83	10	PC1730DA12
	Footed Box	12 1/2"	5	5,000 / 7,500	67	10	PC1730JA12

To order boxes with 2 standard mouseholes, replace the letter "A" with the letter "B".

To order gasketed boxes, replace the letter "A" with the letter "G".

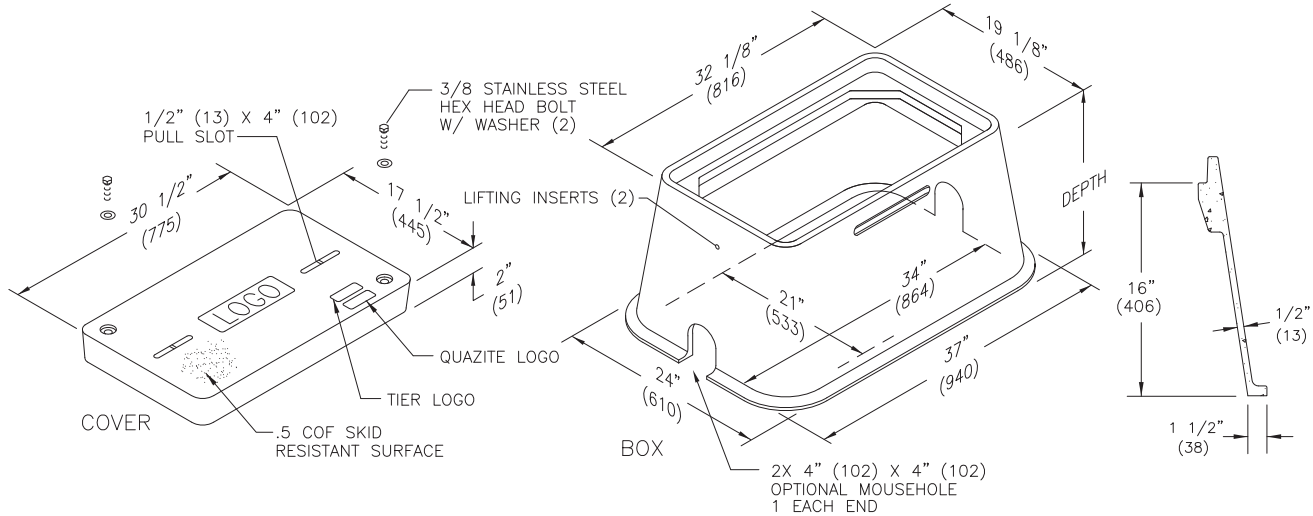
NOTE: Gasketed covers and bolt grommets must be used with a gasketed box. Gaskets reduce the inflow of fluids but do not make the enclosure water tight.



# Dimensions / Data

## 17" x 30" PT Style Polymer Concrete (Nestable) Assembly

**Hex Head Bolts are Standard**



### Covers

	DESCRIPTION	TIER	DESIGN / TEST LOAD #	WEIGHT #	PALLET QTY	PART NO.
	W/ 2 Bolts	8	8,000 / 12,000	52	20	PT1730CA00**
	W/ No Bolts	8	8,000 / 12,000	52	20	PT1730WA00**
	W/ 2 Bolts	15	15,000 / 22,500	83	20	PT1730HA00**

To order gasketed covers, replace the letter "A" with the letter "G".  
 Replace \*\* with a logo code found on page 60. See page 65 for meter and touch/radio read cover options.  
 NOTE: Gasketed covers and bolt grommets must be used with a gasketed box. Gaskets reduce the inflow of fluids but do not make the enclosure water tight.

### Boxes

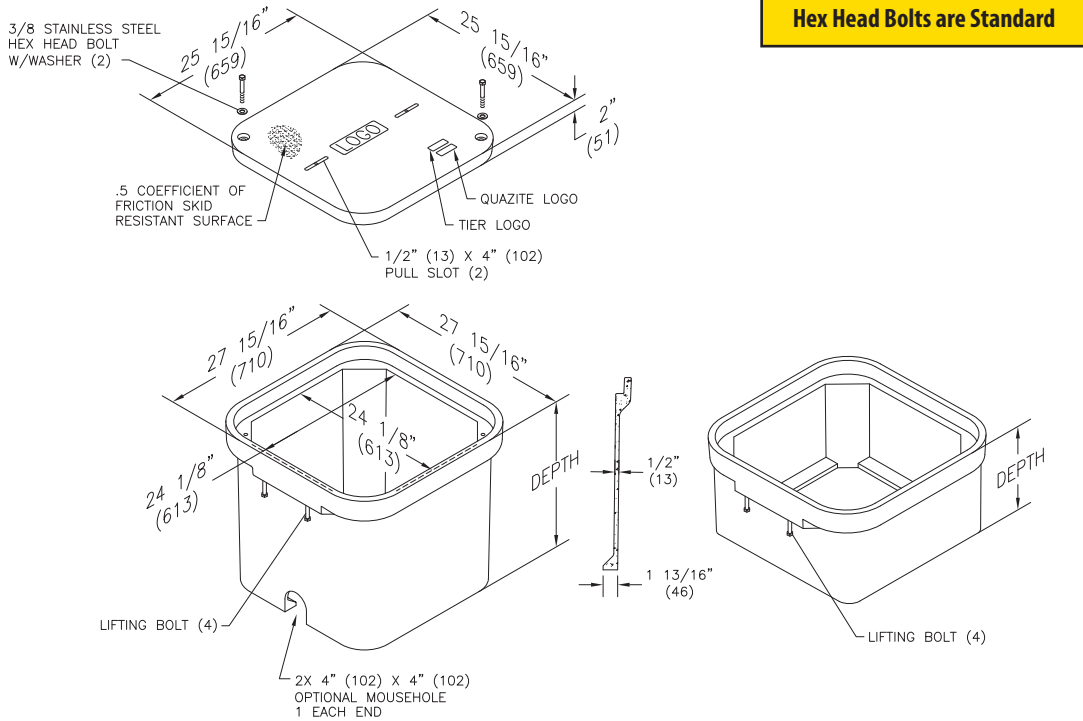
	DESCRIPTION	DEPTH	TIER	DESIGN / TEST LOAD #	WEIGHT #	PALLET QTY	PART NO.
	Standard Open Bottom	18"	15	15,000 / 22,500	126	5	PT1730BA18

To order boxes with 2 standard mouseholes, replace the letter "A" with the letter "B".  
 To order gasketed boxes, replace the letter "A" with the letter "G".  
 NOTE: Gasketed covers and bolt grommets must be used with a gasketed box. Gaskets reduce the inflow of fluids but do not make the enclosure water tight.

QUAZITE

# Dimensions / Data

## 24" x 24" PG Style Polymer Concrete (Stackable) Assembly



### Covers

	DESCRIPTION	TIER	DESIGN / TEST LOAD #	WEIGHT #	PALLET QTY	PART NO.
UL	W/ 2 Bolts	8	8,000 / 12,000	70	10	PG2424CA00**
UL	W/ 2 Bolts	15	15,000 / 22,500	100	10	PG2424HA00**
UL	No Bolts	8	8,000 / 12,000	70	10	PG2424WA00**
UL	W/ 2 Bolts	22	22,500 / 33,750	100	10	PG2424HH00**

To order gasketed covers, replace the letter "A" with the letter "G".  
 Replace \*\* with a logo code found on page 60. See page 65 for meter and touch/radio read cover options.  
 NOTE: Gasketed covers and bolt grommets must be used with a gasketed box. Gaskets reduce the inflow of fluids but do not make the enclosure water tight.

### Boxes

	DESCRIPTION	DEPTH	TIER	DESIGN / TEST LOAD #	WEIGHT #	PALLET QTY	PART NO.
UL	Standard Open Bottom	24"	22	22,500 / 33,750	165	2	PG2424BA24
UL	Solid Bottom	24 1/2"	22	22,500 / 33,750	185	2	PG2424DA24

To order boxes with 2 standard mouseholes, replace the letter "A" with the letter "B".  
 To order gasketed boxes, replace the letter "A" with the letter "G".  
 NOTE: Gasketed covers and bolt grommets must be used with a gasketed box. Gaskets reduce the inflow of fluids but do not make the enclosure water tight.

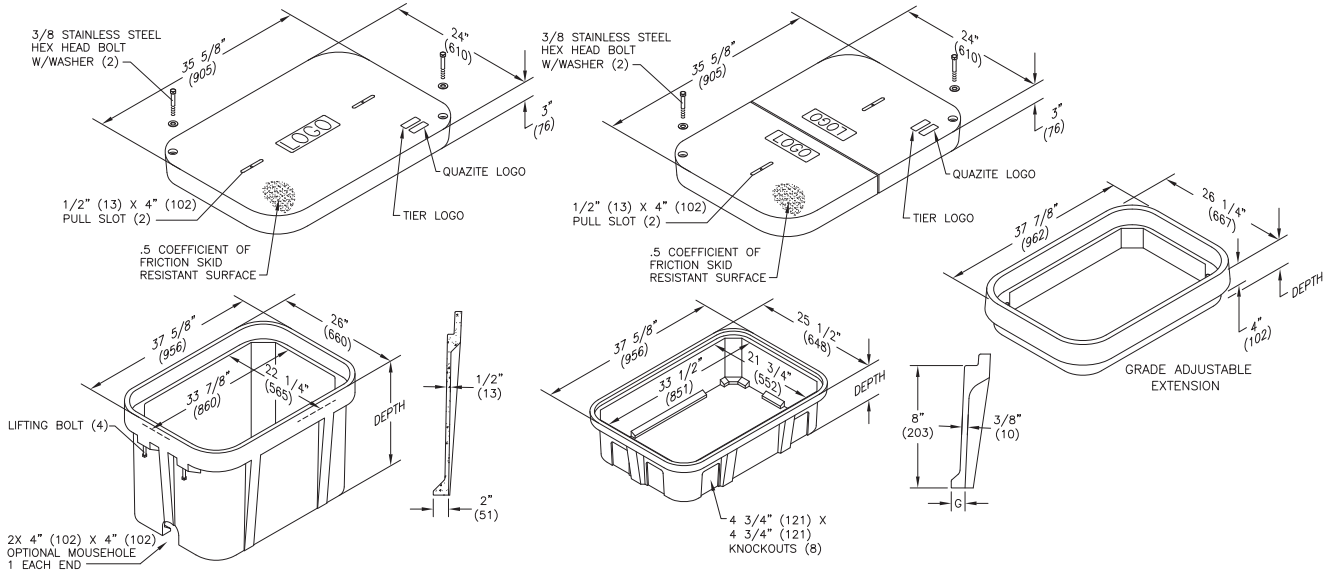
### Extensions (Open bottom can be used as top or bottom, solid bottom is bottom extension only)

DESCRIPTION	DEPTH	TIER	DESIGN / TEST LOAD #	WEIGHT #	PALLET QTY	PART NO.
Open Bottom	8"	22	22,500 / 33,750	71	8	PG2424EA06
Open Bottom	14"	22	22,500 / 33,750	112	6	PG2424EA12
Solid Bottom	8 1/2"	22	22,500 / 33,750	96	8	PG2424RA06
Solid Bottom	14 1/2"	22	22,500 / 33,750	130	6	PG2424RA12

# Dimensions / Data

## 24" x 36" PG Style Polymer Concrete (Stackable) Assembly

**Hex Head Bolts are Standard**



### Covers

	DESCRIPTION	TIER	DESIGN / TEST LOAD #	WEIGHT #	PALLET QTY	PART NO.
UL	W/ 2 Bolts	8	8,000 / 12,000	100	10	PG2436CA00**
	2 piece w/2 Bolts	8	8,000 / 12,000	122	10	PG2436CS00**
UL	W/ 2 Bolts	15	15,000 / 22,500	115	10	PG2436HA00**
UL	2 piece w/2 Bolts	15	15,000 / 22,500	122	10	PG2436HS00**
UL	W/ 2 Bolts	22	22,500 / 33,750	122	10	PG2436HH00**
UL	No Bolts	8	8,000 / 12,000	100	10	PG2436WA00**

To order gasketed covers, replace the letter "A" with the letter "G".

Replace \*\* with a logo code found on page 60. See page 65 for meter and touch/radio read cover options.

NOTE: Gasketed covers and bolt grommets must be used with a gasketed box. Gaskets reduce the inflow of fluids but do not make the enclosure water tight.

# Dimensions / Data 24" x 36" PG Style Polymer Concrete (Stackable) Assembly (Continued)

Hex Head Bolts are Standard

## Boxes (Box depths 24" thru 42" must be used as bottom of any stack)

	DESCRIPTION	DEPTH	TIER	DESIGN / TEST LOAD #	WEIGHT #	PALLET QTY	PART NO.
    	Standard Open Bottom	18"	22	22,500 / 33,750	141	4	PG2436BA18
		24"		22,500 / 33,750	180	3	PG2436BA24
		30"		22,500 / 33,750	196	2	PG2436BA30
		36"		22,500 / 33,750	254	2	PG2436BA36
		42"		22,500 / 33,750	293	1	PG2436BA42
    	Solid Bottom	18 1/2"	22	22,500 / 33,750	171	4	PG2436DA18
		24 1/2"		22,500 / 33,750	228	3	PG2436DA24
		30 1/2"		22,500 / 33,750	238	2	PG2436DA30
		36 1/2"		22,500 / 33,750	282	2	PG2436DA36
		42 1/2"		22,500 / 33,750	321	1	PG2436DA42

To order boxes with 2 standard mouseholes, replace the letter "A" with the letter "B".

To order gasketed boxes, replace the letter "A" with the letter "G".

NOTE: 24" thru 42" boxes must be used as bottom on any stack.

NOTE: Gasketed covers and bolt grommets must be used with a gasketed box. Gaskets reduce the inflow of fluids but do not make the enclosure water tight.

## Bottom Extensions (for use under 12" and 18" boxes only, one per box)

DESCRIPTION	DEPTH	TIER	DESIGN / TEST LOAD #	WEIGHT #	PALLET QTY	PART NO.
Open bottom	8 3/4"	22	22,500 / 33,750	81	6	PG2436EA08
Solid bottom	9 1/4"	22	22,500 / 33,750	95	6	PG2436RA08

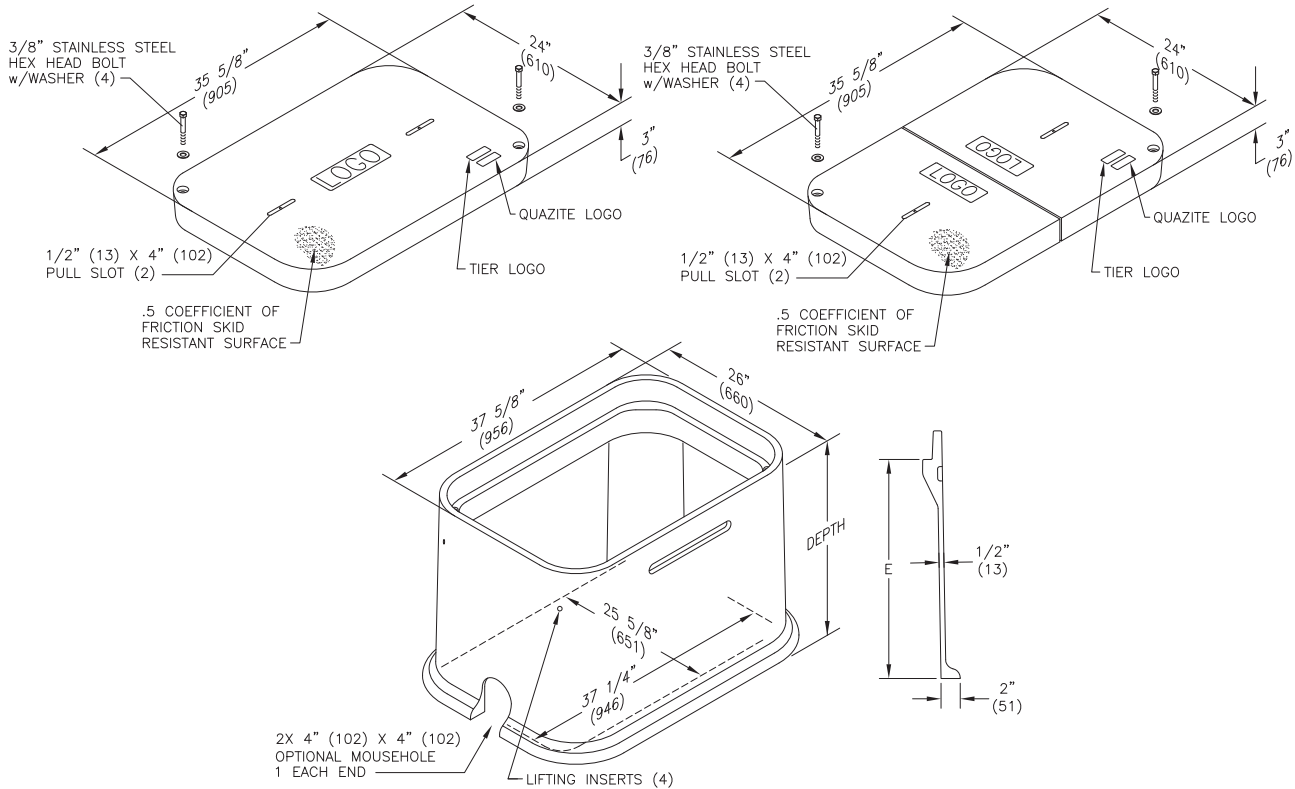
## Grade Adjustable Extension

DESCRIPTION	DEPTH	TIER	DESIGN / TEST LOAD #	WEIGHT #	PALLET QTY	PART NO.
4" top extension, 1/2 thread	7 1/8"	22	22,500 / 33,750	80	6	PG2436ED04
4" top extension, 3/8 thread	7 1/8"	22	22,500 / 33,750	80	6	PG2436E503

# Dimensions / Data

## 24" x 36" PD Style Polymer Concrete Assembly

Hex Head Bolts are Standard



### Covers

	DESCRIPTION	TIER	DESIGN / TEST LOAD #	WEIGHT #	PALLET QTY	PART NO.
UL	W/ 2 Bolts	8	8,000 / 12,000	100	10	PG2436CA00**
	2 piece w/2 Bolts	8	8,000 / 12,000	122	10	PG2436CS00**
UL	W/ 2 Bolts	15	15,000 / 22,500	115	10	PG2436HA00**
UL	2 piece w/2 Bolts	15	15,000 / 22,500	122	10	PG2436HS00**
UL	W/ 2 Bolts	22	22,500 / 33,750	122	10	PG2436HH00**
UL	No Bolts	8	8,000 / 12,000	100	10	PG2436WA00**

To order gasketed covers, replace the letter "A" with the letter "G".  
 Replace \*\* with a logo code found on page 60. See page 65 for meter and touch/radio read cover options.  
 NOTE: Gasketed covers and bolt grommets must be used with a gasketed box. Gaskets reduce the inflow of fluids but do not make the enclosure water tight.

### Boxes

	DESCRIPTION	DEPTH	TIER	DESIGN / TEST LOAD #	WEIGHT #	PALLET QTY	PART NO.
UL	Standard Open Bottom	18"	22	22,500 / 33,750	159	2	PD2436BA18
UL		26"	22	22,500 / 33,750	199	2	PD2436BA26
		48"	22	22,500 / 33,750	313	1	PD2436BA48

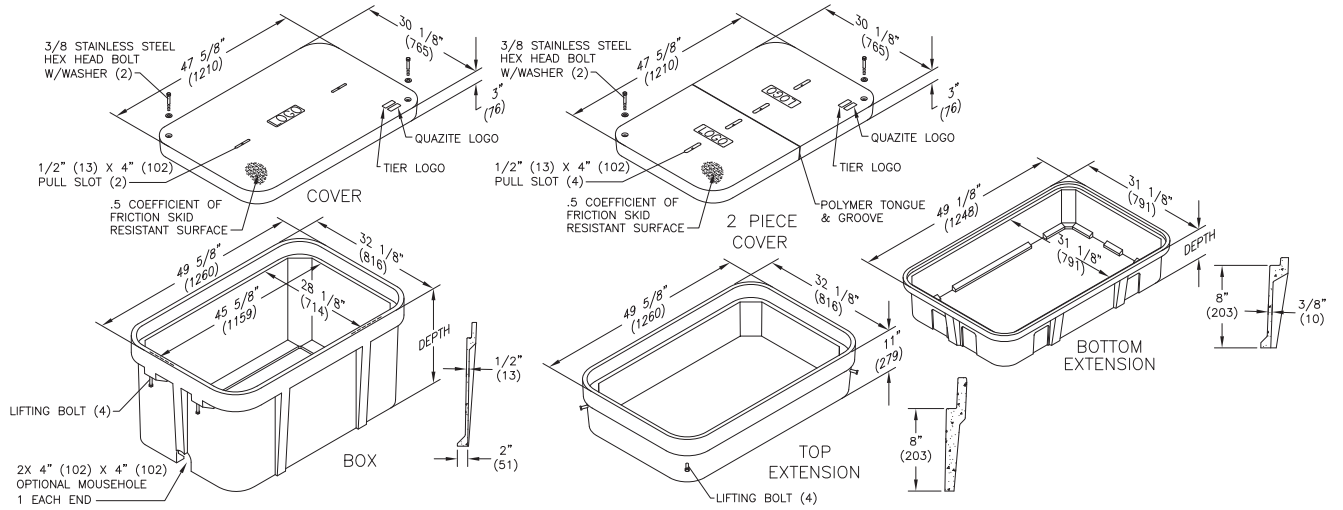
To order boxes with 2 standard mouseholes, replace the letter "A" with the letter "B".  
 To order gasketed boxes, replace the letter "A" with the letter "G".  
 NOTE: Gasketed covers and bolt grommets must be used with a gasketed box. Gaskets reduce the inflow of fluids but do not make the enclosure water tight.



# Dimensions / Data

## 30" x 48" PG Style Polymer Concrete (Stackable) Assembly

**Hex Head Bolts are Standard**



### Covers

	DESCRIPTION	TIER	DESIGN / TEST LOAD #	WEIGHT #	PALLET QTY	PART NO.
UL	W/ 2 Bolts	8	8,000 / 12,000	159	10	PG3048CA00**
	2 piece w/2 Bolts	8	8,000 / 12,000	181	10	PG3048CS00**
UL	W/ 2 Bolts	15	15,000 / 22,500	206	10	PG3048HA00**
UL	2 piece w/2 Bolts	15	15,000 / 22,500	206	10	PG3048HS00**
UL	W/ 2 Bolts	22	22,500 / 33,750	220	10	PG3048HH00**
UL	No Bolts	8	8,000 / 12,000	159	10	PG3048WA00**

To order gasketed covers, replace the letter "A" with the letter "G".

Replace \*\* with a logo code found on page 60. See page 65 for meter and touch/radio read cover options.







NOTE: Gasketed covers and bolt grommets must be used with a gasketed box. Gaskets reduce the inflow of fluids but do not make the enclosure water tight.

QUAZITE

# Dimensions / Data 30" x 48" PG Style Polymer Concrete (Stackable) Assembly (Continued)

**Hex Head Bolts are Standard**

**Boxes (Box depths 24" thru 48" must be used as bottom of any stack)**

DESCRIPTION	DEPTH	TIER	DESIGN / TEST LOAD #	WEIGHT #	PALLET QTY	PART NO.
   Standard Open Bottom	18"	22	22,500 / 33,750	185	4	PG3048BA18
	24"		22,500 / 33,750	236	3	PG3048BA24
	36"		22,500 / 33,750	343	2	PG3048BA36
	48"		22,500 / 33,750	450	1	PG3048BA48
   Solid Bottom	18 1/2"	22	22,500 / 33,750	220	4	PG3048DA18
	24 1/2"		22,500 / 33,750	287	3	PG3048DA24
	36 1/2"		22,500 / 33,750	394	2	PG3048DA36
	48"		22,500 / 33,750	501	1	PG3048DA48

To order boxes with 2 standard mouseholes, replace the letter "A" with the letter "B".  
 To order gasketed boxes, replace the letter "A" with the letter "G".  
 NOTE: Gasketed covers and bolt grommets must be used with a gasketed box. Gaskets reduce the inflow of fluids but do not make the enclosure water tight.

**Top Extension**

DESCRIPTION	DEPTH	TIER	DESIGN / TEST LOAD #	WEIGHT #	PALLET QTY	PART NO.
Open bottom	11"	22	22,500 / 33,750	100	8	PG3048EA11

**Bottom Extensions (for use under 18" box only, one per box)**

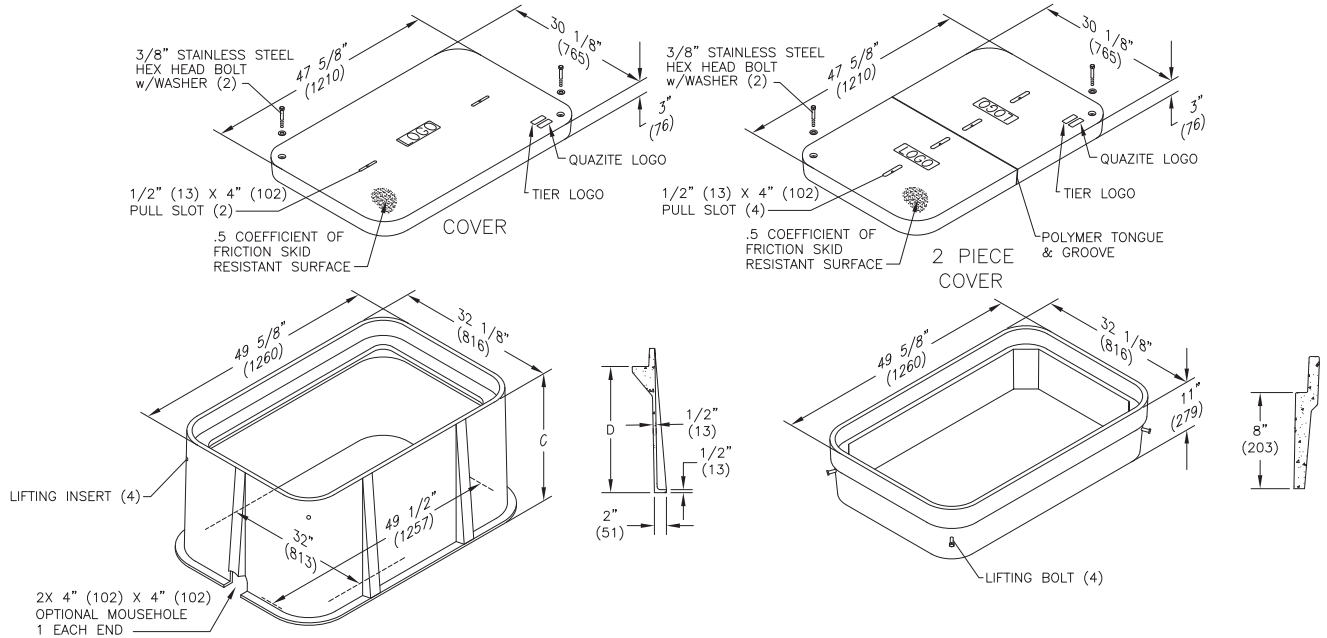
DESCRIPTION	DEPTH	TIER	DESIGN / TEST LOAD #	WEIGHT #	PALLET QTY	PART NO.
Open bottom	8 3/4"	22	22,500 / 33,750	102	8	PG3048EA08
Solid bottom	9 1/4"	22	22,500 / 33,750	151	8	PG3048RA08

QUAZITE

# Dimensions / Data

## 30" x 48" PD Style Polymer Concrete (Nestable) Assembly

Hex Head Bolts are Standard



### Covers

	DESCRIPTION	TIER	DESIGN / TEST LOAD #	WEIGHT #	PALLET QTY	PART NO.
U <sub>L</sub>	W/ 2 Bolts	8	8,000 / 12,000	159	10	PG3048CA00**
	2 piece w/2 Bolts	8	8,000 / 12,000	181	10	PG3048CS00**
U <sub>L</sub>	W/ 2 Bolts	15	15,000 / 22,500	206	10	PG3048HA00**
U <sub>L</sub>	2 piece w/2 Bolts	15	15,000 / 22,500	206	10	PG3048HS00**
U <sub>L</sub>	W/ 2 Bolts	22	22,500 / 33,750	220	10	PG3048HH00**
U <sub>L</sub>	No Bolts	8	8,000 / 12,000	159	10	PG3048WA00**

To order gasketed covers, replace the letter "A" with the letter "G".

Replace \*\* with a logo code found on page 60. See page 65 for meter and touch/radio read cover options.

NOTE: Gasketed covers and bolt grommets must be used with a gasketed box. Gaskets reduce the inflow of fluids but do not make the enclosure water tight.

### Boxes

	DESCRIPTION	DEPTH	TIER	DESIGN / TEST LOAD #	WEIGHT #	PALLET QTY	PART NO.
U <sub>L</sub>	Standard Open Bottom	24"	22	22,500 / 33,750	286	2	PD3048BA24
U <sub>L</sub>		48"	22	22,500 / 33,750	614	1	PD3048BA48

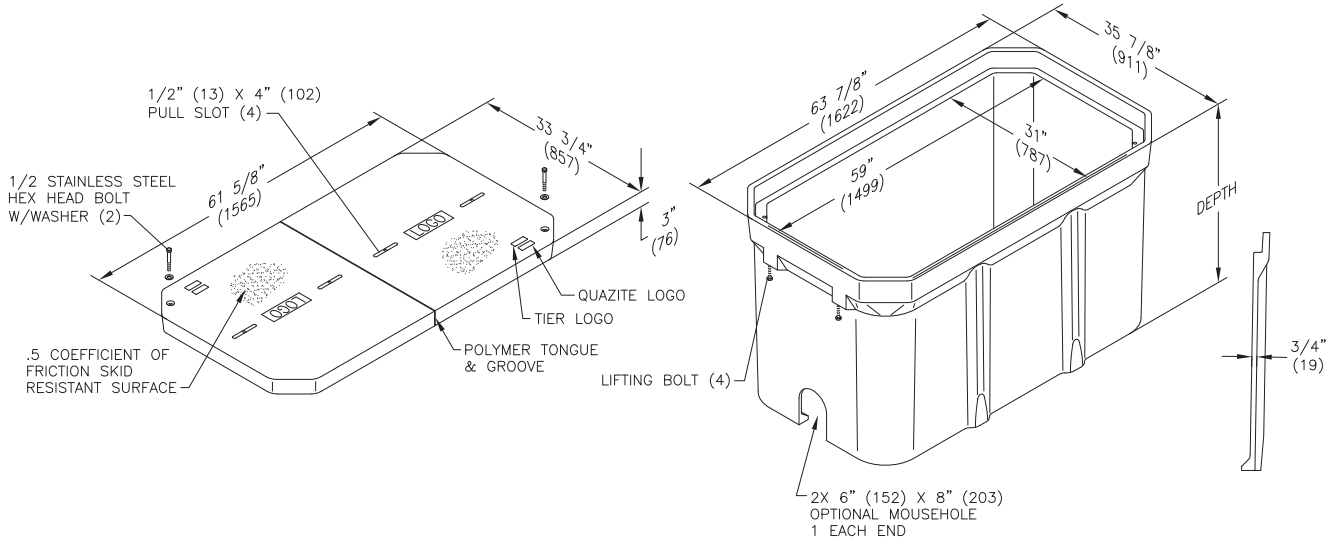
### Top Extension

	DESCRIPTION	DEPTH	TIER	DESIGN / TEST LOAD #	WEIGHT #	PALLET QTY	PART NO.
	Open bottom	11"	22	22,500 / 33,750	100	8	PG3048EA11

# Dimensions / Data

## 30" x 60" PG Style Polymer Concrete (Stackable) Assembly

**Hex Head Bolts are Standard**



### Covers

DESCRIPTION	TIER	DESIGN / TEST LOAD #	WEIGHT #	PALLET QTY	PART NO.
Lightweight 2 Bolts	5	5,000 / 7,500	228	10	LG3060CA00**
W/ 2 Bolts	15	15,000 / 22,500	346	10	PG3060HA00**
W/ 2 Bolts	22	22,500 / 33,750	368	10	PG3060HH00**
Lightweight No bolts	5	5,000 / 7,500	228	10	LG3060WA00**

Replace \*\* with a logo code found on page 60. See page 65 for meter and touch/radio read cover options.

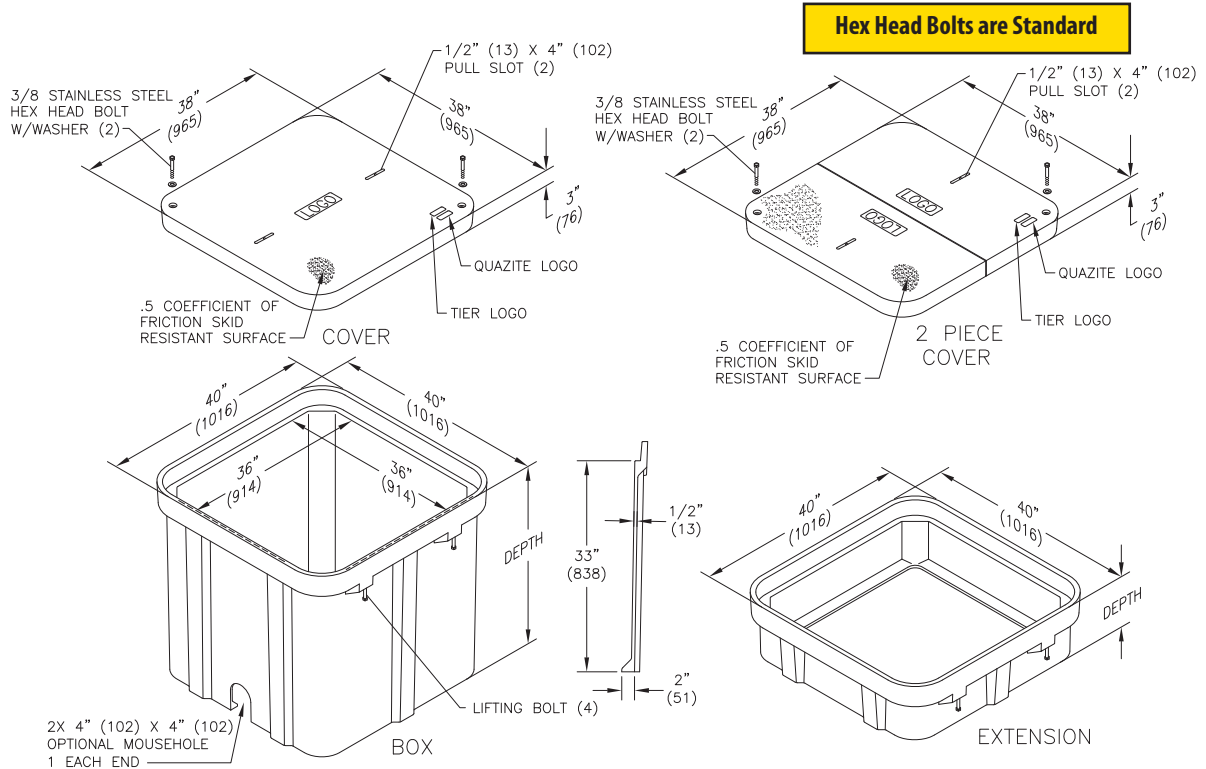
### Boxes (Box depths 30" and 36" must be used as bottom of any stack)

DESCRIPTION	DEPTH	TIER	DESIGN / TEST LOAD #	WEIGHT #	PALLET QTY	PART NO.
Standard Open Bottom	21"	22	22,500 / 33,750	350	4	PG3060BA21
	30"		22,500 / 33,750	492	3	PG3060BA30
	36"		22,500 / 33,750	565	2	PG3060BA36
Solid Bottom	21 1/2"	22	22,500 / 33,750	420	4	PG3060DA21
	30 1/2"		22,500 / 33,750	532	3	PG3060DA30
	36 1/2"		22,500 / 33,750	601	2	PG3060DA36

To order boxes with 2 standard mouseholes, replace the letter "A" with the letter "B".

# Dimensions / Data

## 36" x 36" PG Style Polymer Concrete (Stackable) Assembly



### Covers

	DESCRIPTION	TIER	DESIGN / TEST LOAD #	WEIGHT #	PALLET QTY	PART NO.
UL	W/ 2 Bolts	8	8,000 / 12,000	174	10	PG3636CA00**
	2 piece w/2 Bolts	8	8,000 / 12,000	220	10	PG3636CS00**
UL	W/ 2 Bolts	15	15,000 / 22,500	220	10	PG3636HA00**
UL	2 piece w/2 Bolts	15	15,000 / 22,500	220	10	PG3636HS00**
UL	W/ 2 Bolts	22	22,500 / 33,750	330	10	PG3636HH00**
UL	No Bolts	8	8,000 / 12,000	174	10	PG3636WA00**

To order gasketed covers, replace the letter "A" with the letter "G".

Replace \*\* with a logo code found on page 60. See page 65 for meter and touch/radio read cover options.

NOTE: Gasketed covers and bolt grommets must be used with a gasketed box. Gaskets reduce the inflow of fluids but do not make the enclosure water tight.

### Boxes

	DESCRIPTION	DEPTH	TIER	DESIGN / TEST LOAD #	WEIGHT #	PALLET QTY	PART NO.
UL	Standard Open Bottom	36"	22	22,500 / 33,750	367	2	PG3636BA36
UL	Solid Bottom	36 1/2"					

To order boxes with 2 standard mouseholes, replace the letter "A" with the letter "B".

To order gasketed boxes, replace the letter "A" with the letter "G".

NOTE: Gasketed covers and bolt grommets must be used with a gasketed box. Gaskets reduce the inflow of fluids but do not make the enclosure water tight.

### Top Extensions

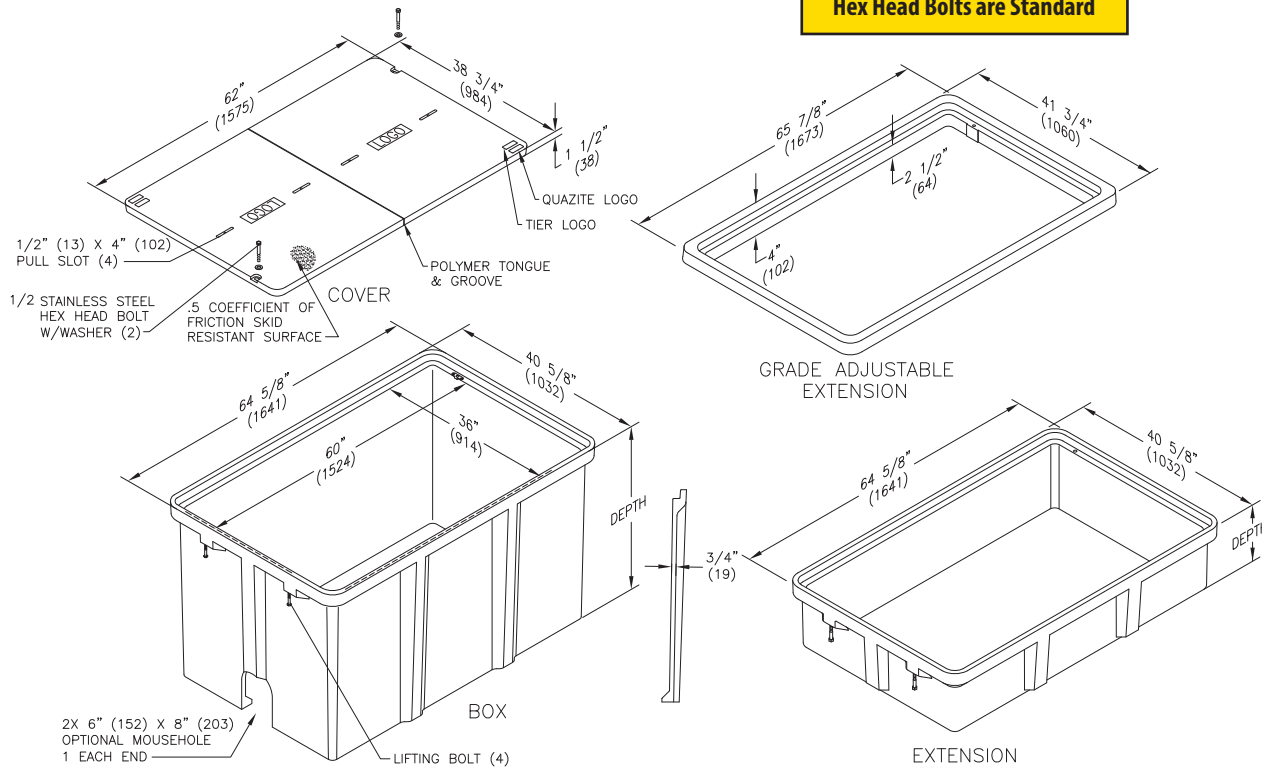
	DESCRIPTION	DEPTH	TIER	DESIGN / TEST LOAD #	WEIGHT #	PALLET QTY	PART NO.
	Open bottom	12"	22	22,500 / 33,750	129	6	PG3636EA12



# Dimensions / Data

## 36" x 60" PG Style Polymer Concrete (Stackable) Assembly

**Hex Head Bolts are Standard**



### Covers

DESCRIPTION	TIER	DESIGN / TEST LOAD #	WEIGHT #	PALLET QTY	PART NO.
Lightweight 2 Bolts	5	5,000 / 7,500	222	10	LG3660CA00**
W/ 2 Bolts	15	15,000 / 22,500	384	10	PG3660HA00**
W/ 2 Bolts	22	22,500 / 33,750	470	10	PG3660HH00**
Lightweight No bolts	5	5,000 / 7,500	222	10	LG3660WA00**

Replace \*\* with a logo code found on page 60. See page 65 for meter and touch/radio read cover options.

### Boxes (Box depths 31" and 36" must be used as bottom of any stack)

DESCRIPTION	DEPTH	TIER	DESIGN / TEST LOAD #	WEIGHT #	PALLET QTY	PART NO.
Standard Open Bottom	19"	22	22,500 / 33,750	381	4	PG3660BA19
	24"		22,500 / 33,750	397	3	PG3660BA24
	31"		22,500 / 33,750	481	2	PG3660BA31
	36"		22,500 / 33,750	647	2	PG3660BA36
Solid Bottom	19 1/2"	22	22,500 / 33,750	479	4	PG3660DA19
	24 1/2"		22,500 / 33,750	495	3	PG3660DA24
	31 1/2"		22,500 / 33,750	590	2	PG3660DA31
	36 1/2"		22,500 / 33,750	738	2	PG3660DA36

To order boxes with 2 standard mouseholes, replace the letter "A" with the letter "B".

QUAZITE

# Dimensions / Data 36" x 60" PG Style Polymer Concrete (Stackable) Assembly (Continued)

## Grade Adjustable Extension

DESCRIPTION	DEPTH	TIER	DESIGN / TEST LOAD #	WEIGHT #	PALLET QTY	PART NO.
Top extension	2 1/2"	22	22,500 / 33,750	116	6	PG3660ED03

## Bottom Extensions

DESCRIPTION	DEPTH	TIER	DESIGN / TEST LOAD #	WEIGHT #	PALLET QTY	PART NO.
Open bottom	11 1/2"	22	22,500 / 33,750	200	6	PG3660EA12

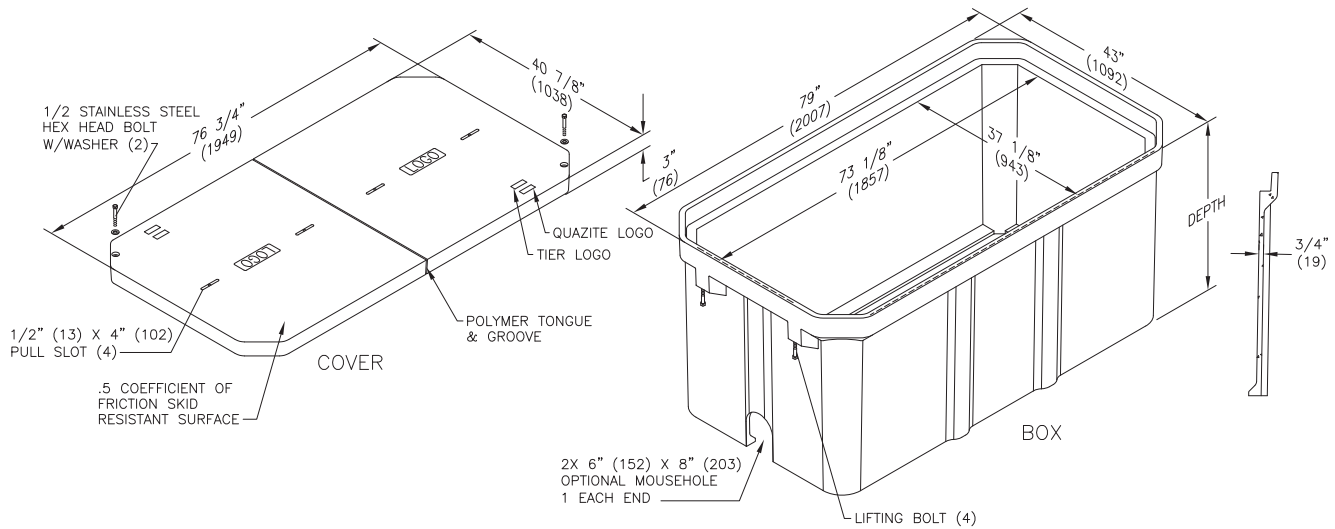


QUAZITE

# Dimensions / Data

## 36" x 72" PG Style Polymer Concrete (Stackable) Assembly

**Hex Head Bolts are Standard**



### Covers

DESCRIPTION	TIER	DESIGN / TEST LOAD #	WEIGHT #	PALLET QTY	PART NO.
Lightweight 2 Bolts	5	5,000 / 7,500	310	10	LG3672CA00**
W/ 2 Bolts	15	15,000 / 22,500	488	10	PG3672HA00**
W/ 2 Bolts	22	22,500 / 33,750	544	10	PG3672HH00**
Lightweight No bolts	5	5,000 / 7,500	310	10	LG3672WA00**

Replace \*\* with a logo code found on page 60. See page 65 for meter and touch/radio read cover options.

### Boxes (Box depth 36" must be used as bottom of any stack)

DESCRIPTION	DEPTH	TIER	DESIGN / TEST LOAD #	WEIGHT #	PALLET QTY	PART NO.
Standard Open Bottom	21"	22	22,500 / 33,750	448	3	PG3672BA21
	36"		22,500 / 33,750	768	2	PG3672BA36
Solid Bottom	21 1/2"	22	22,500 / 33,750	569	3	PG3672DA21
	36 1/2"		22,500 / 33,750	822	2	PG3672DA36

To order boxes with 2 standard mouseholes, replace the letter "A" with the letter "B".

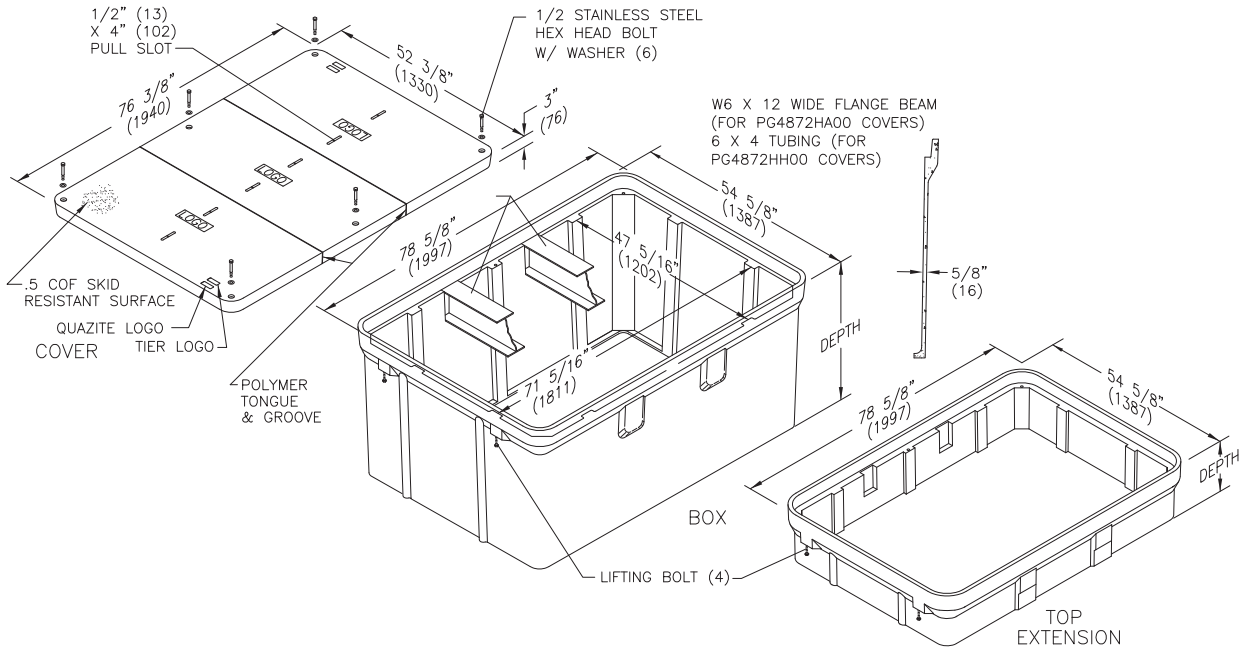
QUAZITE



# Dimensions / Data

## 48" x 72" PG Style Polymer Concrete (Stackable) Assembly

**Hex Head Bolts are Standard**



### Covers

DESCRIPTION	TIER	DESIGN / TEST LOAD #	WEIGHT #	PALLET QTY	PART NO.
Lightweight 6 Bolts	5	5,000 / 7,500	447	2	LG4872CA00**
W/ 6 Bolts	15	15,000 / 22,500	573	2	PG4872HA00**
W/ 6 Bolts	22	22,500 / 33,750	891	2	PG4872HH00**
Lightweight No bolts	5	5,000 / 7,500	447	2	LG4872WA00**

Replace \*\* with a logo code found on page 60. See page 65 for meter and touch/radio read cover options.

### Boxes

DESCRIPTION	DEPTH	TIER	DESIGN / TEST LOAD #	WEIGHT #	PALLET QTY	PART NO.
Standard Open Bottom	36"	22	22,500 / 33,750	810	2	PG4872BA36
	48"		22,500 / 33,750	1050	1	PG4872BA48
Solid Bottom	36 1/2"	22	22,500 / 33,750	1065	2	PG4872DA36
	48 1/2"		22,500 / 33,750	1245	1	PG4872DA48

To order boxes with 2 standard mouseholes, replace the letter "A" with the letter "B".

### Top Extension

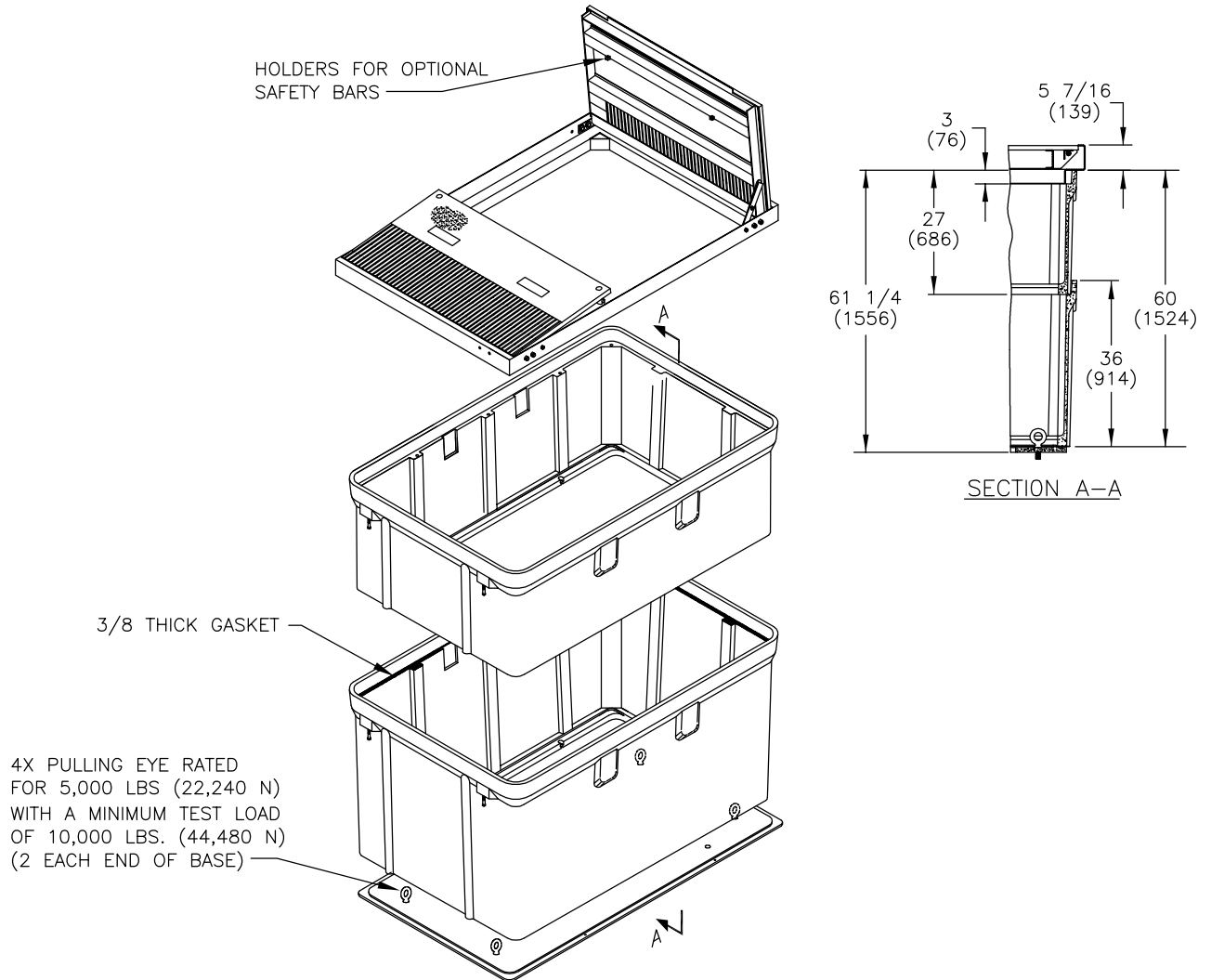
DESCRIPTION	DEPTH	TIER	DESIGN / TEST LOAD #	WEIGHT #	PALLET QTY	PART NO.
Open Bottom, No beam provided	15"	22	22,500 / 33,750	359	5	PG4872EA12



# Dimensions / Data

## 48" x 78" PG Style Polymer Concrete Assembly

Hex Head Bolts are Standard



QUAZITE

### Covers

DESCRIPTION	TIER	DESIGN / TEST LOAD #	WEIGHT #	PALLET QTY	PART NO.
Torsion	N/A	12,000 / 24,000	622	10	PG4878CT00**

Replace \*\* with a logo code found on page 60.

### Boxes (Box Depth 36" must be used as bottom of any stack)

DESCRIPTION	DEPTH	TIER	DESIGN / TEST LOAD #	WEIGHT #	PALLET QTY	PART NO.
Standard Open Bottom	27"	22	22,500 / 33,750	867	1	PG4878BA27
	36	22	22,500 / 33,750	707	1	PG4878BG36

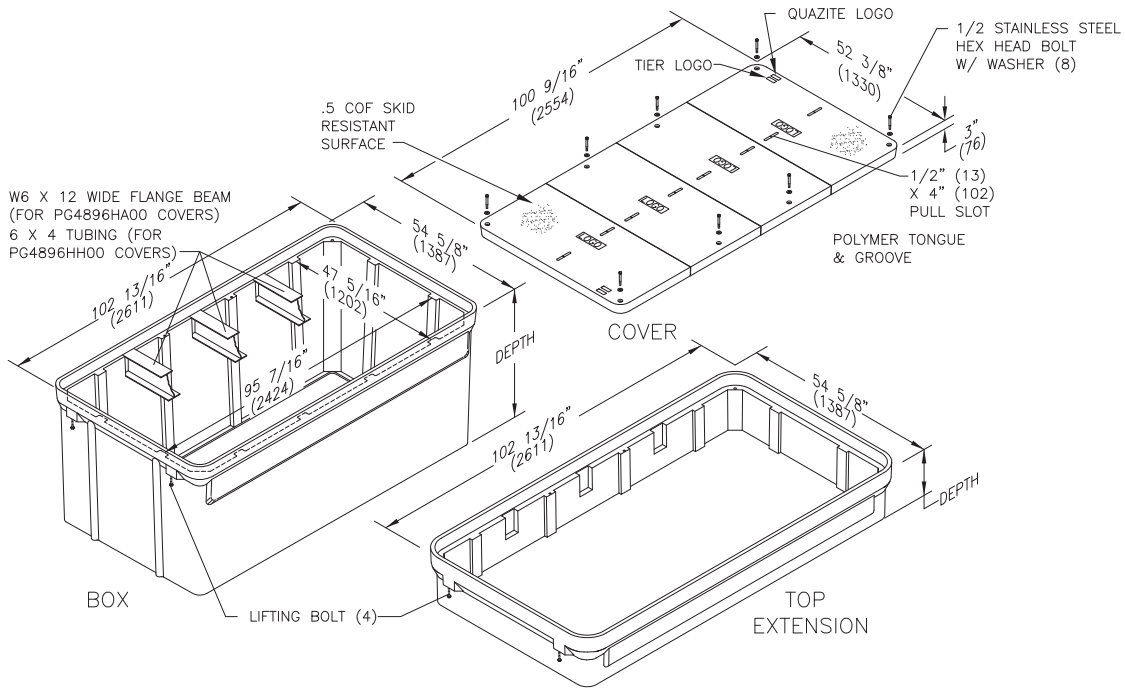
### Base

DESCRIPTION	WEIGHT #	PART NO.
Bottom with pulling eyes & ground holes	555	PG4878D500

# Dimensions / Data

## 48" x 96" PG Style Polymer Concrete (Stackable) Assembly

**Hex Head Bolts are Standard**



### Covers

DESCRIPTION	TIER	DESIGN / TEST LOAD #	WEIGHT #	PALLET QTY	PART NO.
Lightweight 8 Bolts	5	5,000 / 7,500	608	2	LG4896CA00**
W/ 8 Bolts	15	15,000 / 22,500	794	2	PG4896HA00**
W/ 8 Bolts	22	22,500 / 33,750	1186	2	PG4896HH00**
Lightweight No bolts	5	5,000 / 7,500	608	2	LG4896WA00**

Replace \*\* with a logo code found on page 60. See page 65 for meter and touch/radio read cover options.

### Boxes

DESCRIPTION	DEPTH	TIER	DESIGN / TEST LOAD #	WEIGHT #	PALLET QTY	PART NO.
Standard Open Bottom	48"	22	22,500 / 33,750	1384	1	PG4896BA48
Solid Bottom	48 1/2"	22	22,500 / 33,750	1537	1	PG4896DA48

To order boxes with 2 standard mouseholes, replace the letter "A" with the letter "B".

### Top Extension

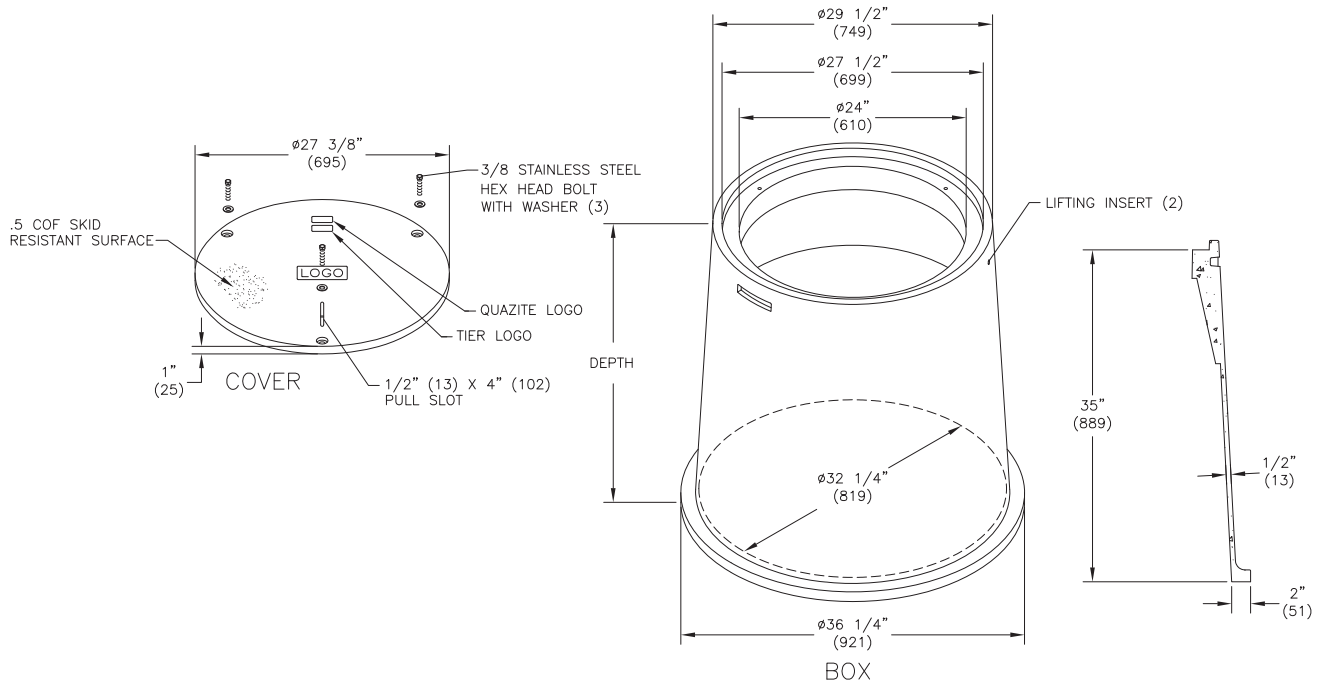
DESCRIPTION	DEPTH	TIER	DESIGN / TEST LOAD #	WEIGHT #	PALLET QTY	PART NO.
Open Bottom, No beam provided	15"	22	22,500 / 33,750	485	5	PG4896EA12

QUAZITE

# Dimensions / Data

## 27" Round Style Polymer Concrete (Nestable) Assembly

**Hex Head Bolts are Standard**



### Covers

	DESCRIPTION	TIER	DESIGN / TEST LOAD #	WEIGHT #	PALLET QTY	PART NO.
UL	W/ 3 Bolts	8	8,000 / 12,000	53	10	PR2700CA00**
	W/ 3 Bolts	15	15,000 / 22,500	75	10	PR2700HA00**
	W/ 3 Bolts	22	22,500 / 33,750	75	10	PR2700HH00**

To order gasketed covers, replace the letter "A" with the letter "G".

Replace \*\* with a logo code found on page 60.

NOTE: Gasketed covers and bolt grommets must be used with a gasketed box. Gaskets reduce the inflow of fluids but do not make the enclosure water tight.

### Boxes

	DESCRIPTION	DEPTH	TIER	DESIGN / TEST LOAD #	WEIGHT #	PALLET QTY	PART NO.
UL	Standard Open Bottom	36"	22	22,500 / 33,750	278	3	PR2732BA36

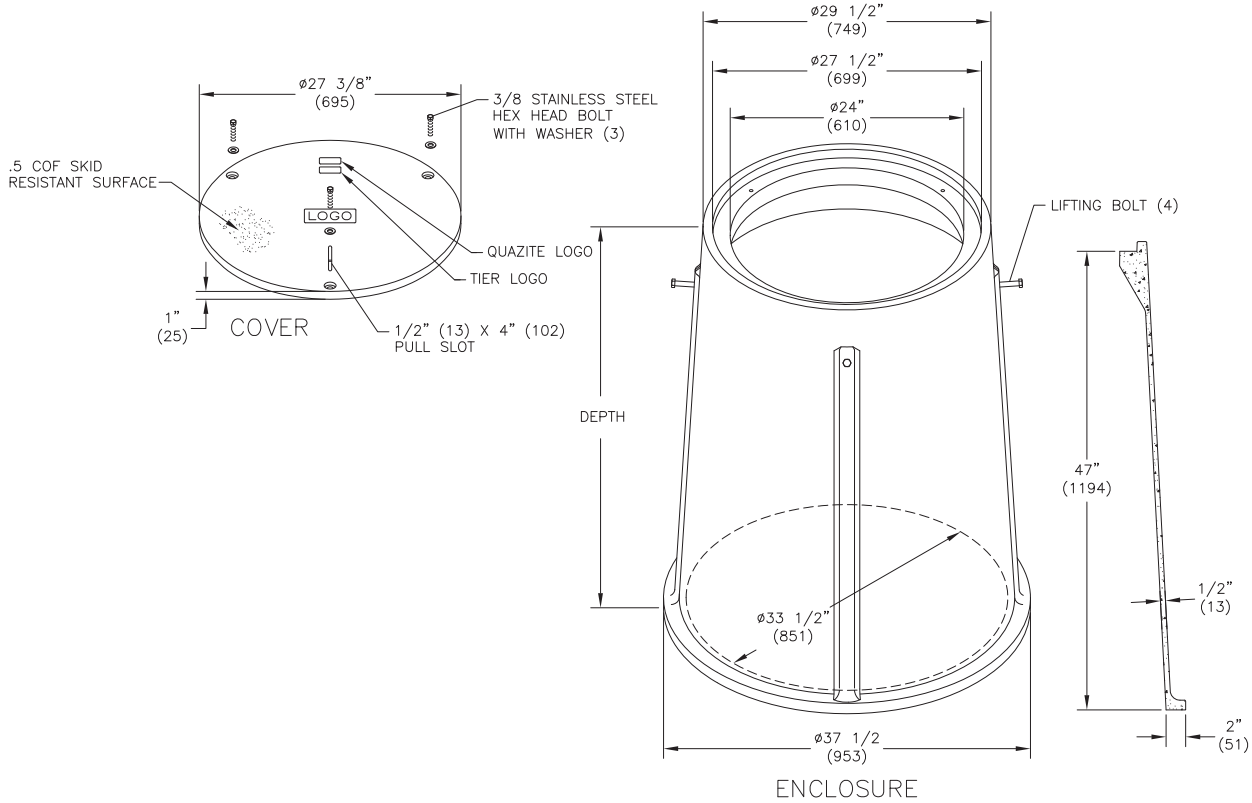
To order gasketed boxes, replace the letter "A" with the letter "G".

NOTE: Gasketed covers and bolt grommets must be used with a gasketed box. Gaskets reduce the inflow of fluids but do not make the enclosure water tight.

# Dimensions / Data

## 27" Round Style Polymer Concrete Assembly

**Hex Head Bolts are Standard**



### Covers

	DESCRIPTION	TIER	DESIGN / TEST LOAD #	WEIGHT #	PALLET QTY	PART NO.
UL	W/ 3 Bolts	8	8,000 / 12,000	53	10	PR2700CA00**
	W/ 3 Bolts	15	15,000 / 22,500	75	10	PR2700HA00**
	W/ 3 Bolts	22	22,500 / 33,750	75	10	PR2700HH00**

To order gasketed covers, replace the letter "A" with the letter "G".  
 Replace \*\* with a logo code found on page 60.

NOTE: Gasketed covers and bolt grommets must be used with a gasketed box. Gaskets reduce the inflow of fluids but do not make the enclosure water tight.

### Boxes

	DESCRIPTION	DEPTH	TIER	DESIGN / TEST LOAD #	WEIGHT #	PALLET QTY	PART NO.
UL	Standard Open Bottom	48"	22	22,500 / 33,750	283	2	PR2733BA48

To order gasketed boxes, replace the letter "A" with the letter "G".

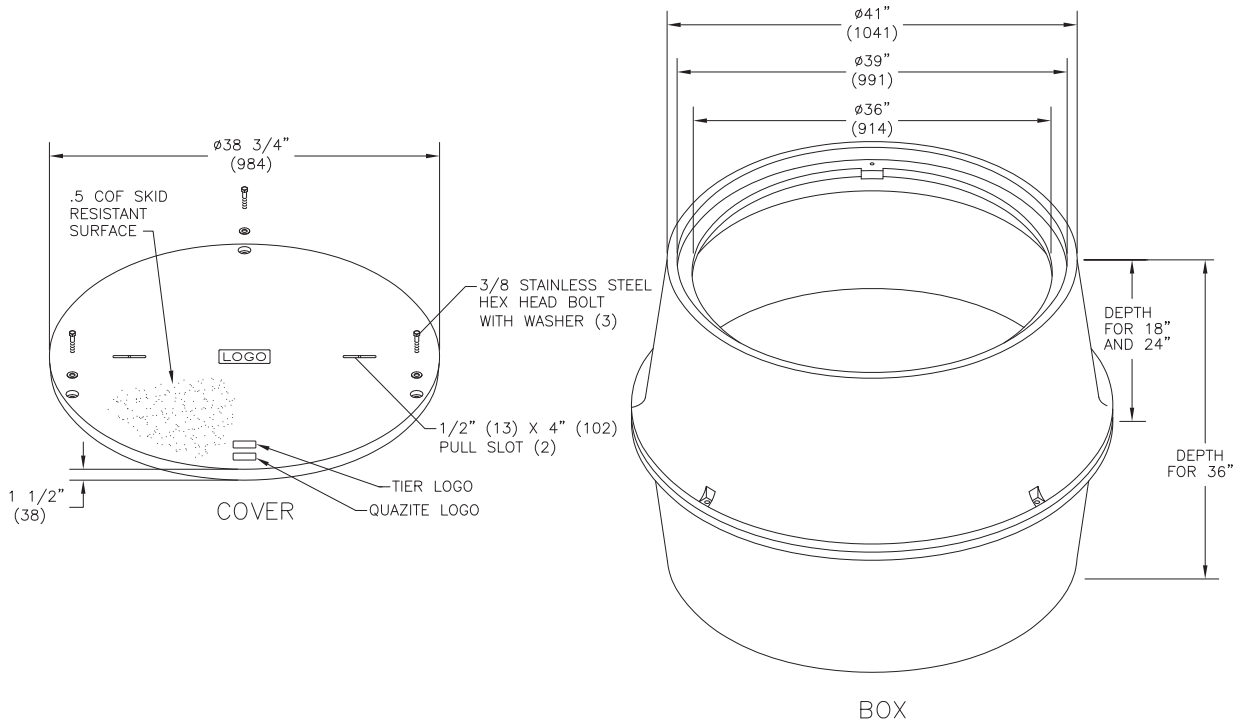
NOTE: Gasketed covers and bolt grommets must be used with a gasketed box. Gaskets reduce the inflow of fluids but do not make the enclosure water tight.

QUAZITE

# Dimensions / Data

## 39" Round Style Polymer Concrete (Nestable) Assembly

**Hex Head Bolts are Standard**



### Covers

	DESCRIPTION	TIER	DESIGN / TEST LOAD #	WEIGHT #	PALLET QTY	PART NO.
UL	W/ 3 Bolts	8	8,000 / 12,000	141	10	PR3900CA00**
UL	W/ 3 Bolts	15	15,000 / 22,500	180	10	PR3900HA00**
UL	W/ 3 Bolts	22	22,500 / 33,750	180	10	PR3900HH00**

To order gasketed covers, replace the letter "A" with the letter "G".  
Replace \*\* with a logo code found on page 60.

NOTE: Gasketed covers and bolt grommets must be used with a gasketed box. Gaskets reduce the inflow of fluids but do not make the enclosure water tight.

### Boxes

	DESCRIPTION	DEPTH	TIER	DESIGN / TEST LOAD #	WEIGHT #	PALLET QTY	PART NO.
UL	Standard Open Bottom	18"	22	22,500 / 33,750	244	3	PR3943BA18
		24"	22	22,500 / 33,750	326	2	PR3944BA24
UL		36"	22	22,500 / 33,750	488	1	PR3943BA36

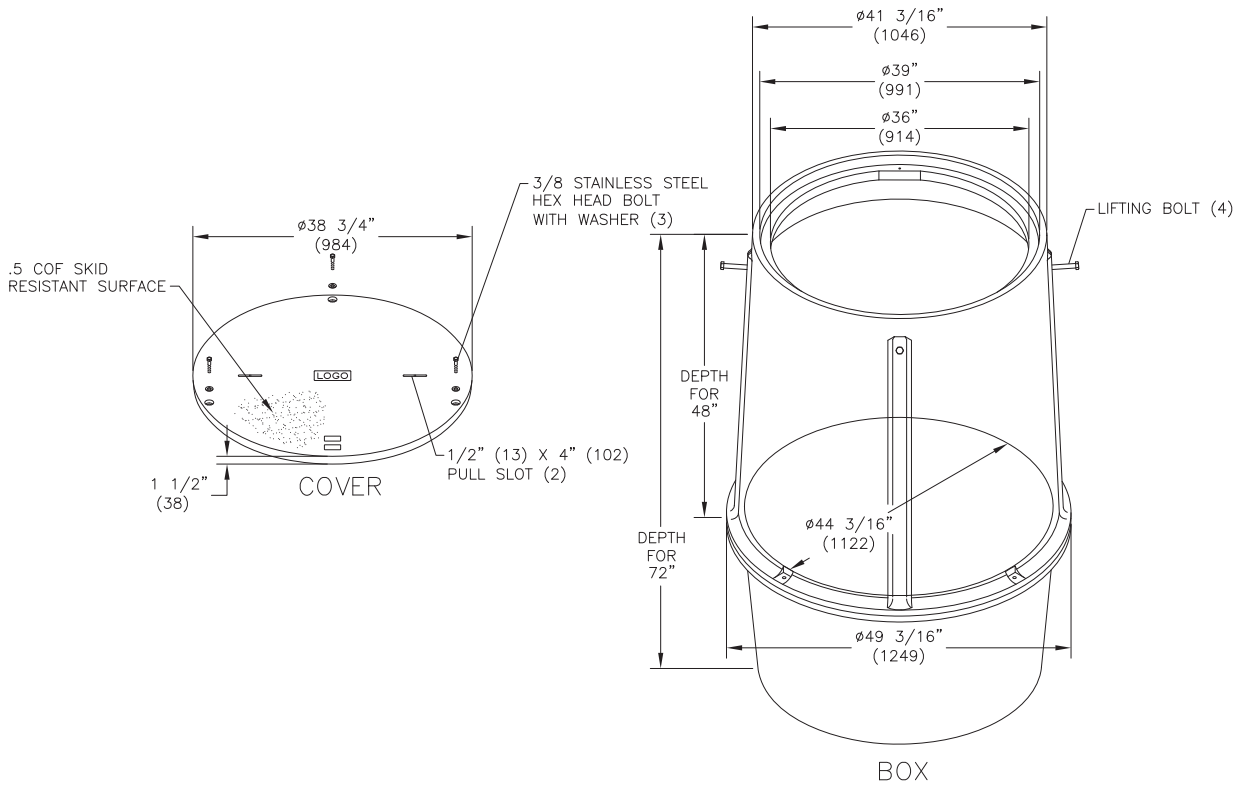
To order gasketed boxes, replace the letter "A" with the letter "G".

NOTE: Gasketed covers and bolt grommets must be used with a gasketed box. Gaskets reduce the inflow of fluids but do not make the enclosure water tight.

NOTE: 36" depth created by bolting 2-18" deep boxes bottom to bottom.



**Hex Head Bolts are Standard**



### Covers

	DESCRIPTION	TIER	DESIGN / TEST LOAD #	WEIGHT #	PALLET QTY	PART NO.
UL	W/ 3 Bolts	8	8,000 / 12,000	141	10	PR3900CA00**
UL	W/ 3 Bolts	15	15,000 / 22,500	180	10	PR3900HA00**
UL	W/ 3 Bolts	22	22,500 / 33,750	180	10	PR3900HH00**

To order gasketed covers, replace the letter "A" with the letter "G".

Replace \*\* with a logo code found on page 60.

NOTE: Gasketed covers and bolt grommets must be used with a gasketed box. Gaskets reduce the inflow of fluids but do not make the enclosure water tight.

### Boxes

	DESCRIPTION	DEPTH	TIER	DESIGN / TEST LOAD #	WEIGHT #	PALLET QTY	PART NO.
	Standard Open Bottom	48"	22	22,500 / 33,750	377	2	PR3944BA48
		72"	22	22,500 / 33,750	707	1	PR3944BA72

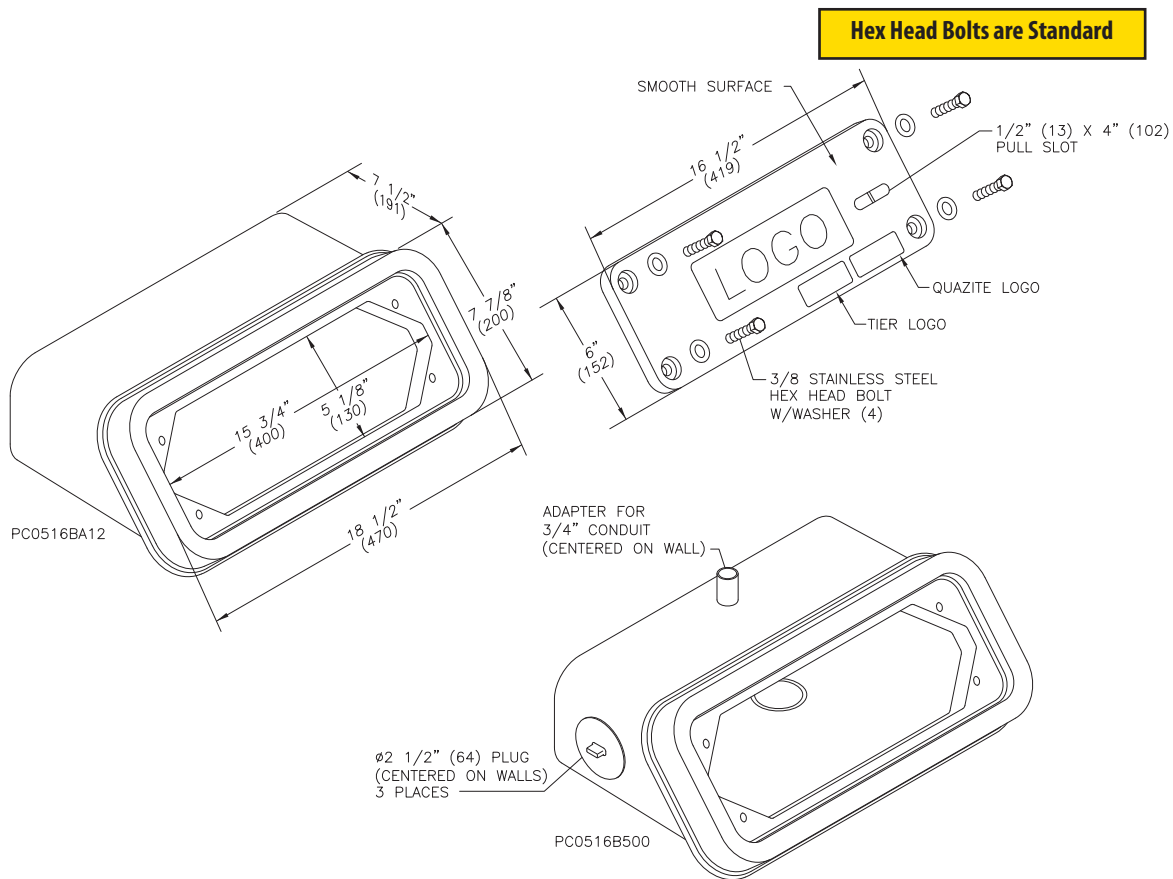
To order gasketed boxes, replace the letter "A" with the letter "G".

NOTE: Gasketed covers and bolt grommets must be used with a gasketed box. Gaskets reduce the inflow of fluids but do not make the enclosure water tight.

NOTE: 72" depth created by bolting 1-48" & 1-24" deep box bottom to bottom.

# Dimensions / Data

## 5" x 16" Median Barrier Enclosure



### Covers

DESCRIPTION	TIER	DESIGN / TEST LOAD #	WEIGHT #	PALLET QTY	PART NO.
W/ 4 Bolts	8	8,000 / 12,000	6	36	PC0516CA00**

Replace \*\* with a logo code found on page 60.

### Boxes

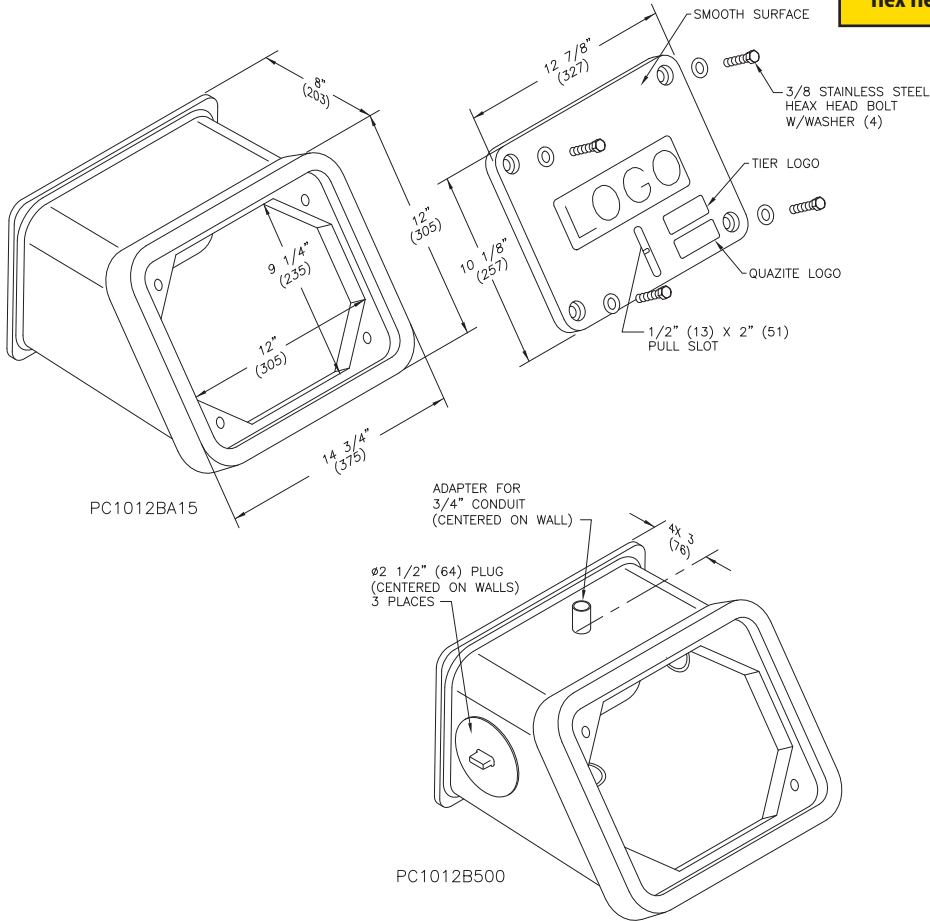
DESCRIPTION	DEPTH	TIER	DESIGN / TEST LOAD #	WEIGHT #	PALLET QTY	PART NO.
Closed Bottom	7 1/2"	15	15,000/22,500	25	36	PC0516BA12
Closed Bottom	7 1/2"	15	15,000/22,500	25	36	PC0516B500

**QUAZITE**

# Dimensions / Data

## 10" x 12" Jersey Style Median Barrier Enclosure

**Hex Head Bolts are Standard**



### Covers

DESCRIPTION	TIER	DESIGN / TEST LOAD #	WEIGHT #	PALLET QTY	PART NO.
W/ 4 Bolts	8	8,000 / 12,000	8	24	PC1012CA00**

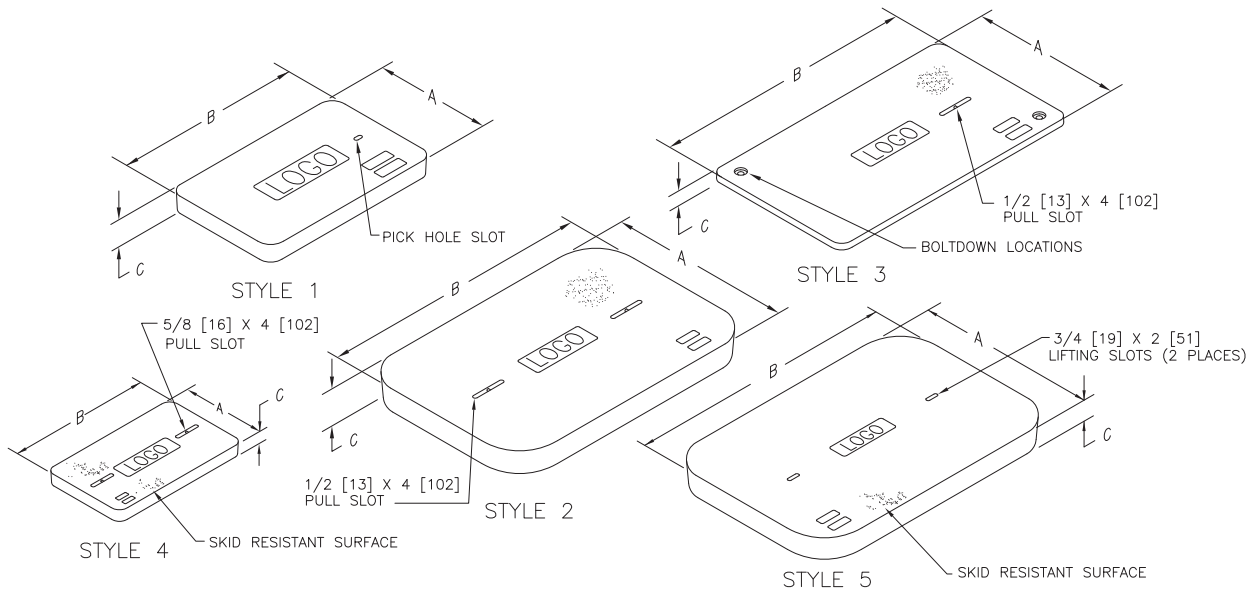
Replace \*\* with a logo code found on page 60.

### Boxes

DESCRIPTION	DEPTH	TIER	DESIGN / TEST LOAD #	WEIGHT #	PALLET QTY	PART NO.
Solid Bottom	8"	15	15,000/22,500	23	24	PC1012BA15
Solid Bottom	8"	15	15,000/22,500	23	24	PC1012B500

# Dimensions / Data

## Replacement Covers



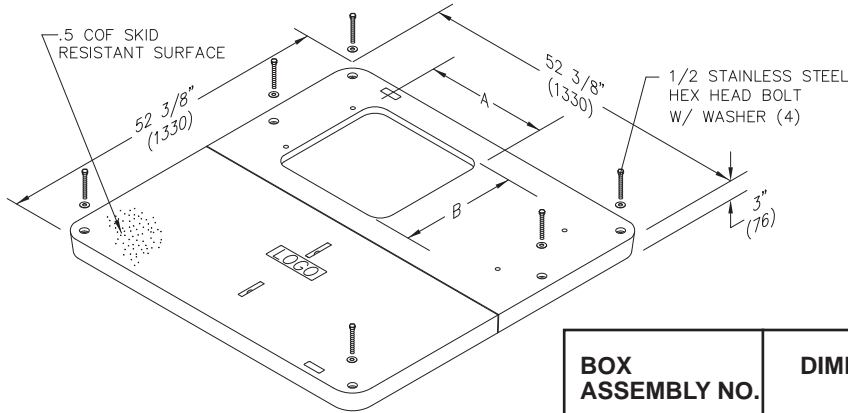
### Polymer Concrete

STYLE	DIM. A	DIM. B	DIM. C	TIER	DESIGN / TEST LOAD #	BOLT DOWN	WEIGHT#	PALLET QTY	REPLACEMENT PART NO.
1	10"	15 3/8"	1 3/4"	8	8,000 / 12,000	NO	20	40	PG1015WAS0
1	11 1/4"	18 1/8"	1 3/4"	8	8,000 / 12,000	NO	27	40	PG1118WAS0
2	10 5/8"	20 3/4"	2"	8	8,000 / 12,000	NO	33	40	PG1121WA00
4	13 3/4"	23 1/4"	2"	8	8,000 / 12,000	NO	23	50	C001324501
4	13 3/4"	23 1/4"	2"	8	8,000 / 12,000	YES	23	50	C101324501
2	13 3/4"	24 1/4"	2"	8	8,000 / 12,000	NO	32	30	PG1324WA00
3	13 5/8"	23 1/8"	3/4"	5	5,000 / 7,500	YES	18	40	PX1324CA00
2	17 1/2"	30 1/2"	2"	8	8,000 / 12,000	NO	56	20	PG1730WA00
3	17 3/8"	30 3/8"	3/4"	5	5,000 / 7,500	YES	34	20	PX1730CA00
4	17 1/2"	30 1/2"	2"	8	8,000 / 12,000	NO	32	50	C001730500
4	17 1/2"	30 1/2"	2"	8	8,000 / 12,000	YES	32	50	C101730500
2	19 5/8"	19 5/8"	2"	8	8,000 / 12,000	NO	34	20	PG1819WA00
2	21 1/8"	43 1/8"	2"	8	8,000 / 12,000	NO	90	10	PG2042WA00
4	21 1/8"	43 1/8"	2"	8	8,000 / 12,000	NO	56	20	C00204202A
4	21 1/8"	43 1/8"	2"	8	8,000 / 12,000	YES	56	20	C10204202A
2	24"	35 5/8"	3"	8	8,000 / 12,000	NO	109	10	PA2436WA00
2	30 1/8"	47 5/8"	3"	8	8,000 / 12,000	NO	177	10	PA3048WA00
5	30 1/8"	47 5/8"	3"	8	8,000 / 12,000	NO	47 1/8	10	C003048503
5	30 1/8"	47 5/8"	3"	8	8,000 / 12,000	YES	47 1/8	10	C103048503
3	30 1/8"	59 1/2"	3"	8	8,000 / 12,000	YES	128	10	LG3059CA00
5	30"	59 5/8"	3"	8	8,000 / 12,000	NO	59 1/8	5	C003060501
5	30"	59 5/8"	3"	8	8,000 / 12,000	YES	59 1/8	5	C103060501

LG3059CA00 is a 2 piece cover.

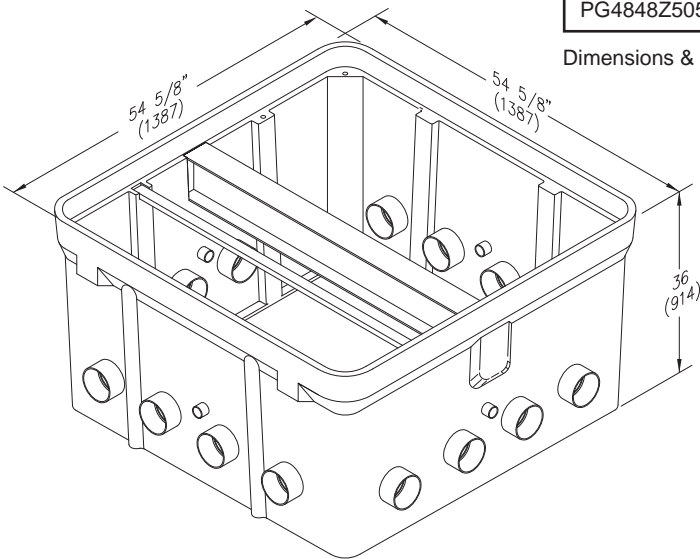
**DIMENSIONS/DATA**

**Hex Head Bolts are Standard**



BOX ASSEMBLY NO.	DIMENSION A	DIMENSION B
PG4848Z511	19" (483 mm)	18 1/8" (460 mm)
PG4848Z505	10" (254 mm)	18 1/4" (464 mm)

Dimensions & weights in parentheses are metric equivalent.



QUAZITE



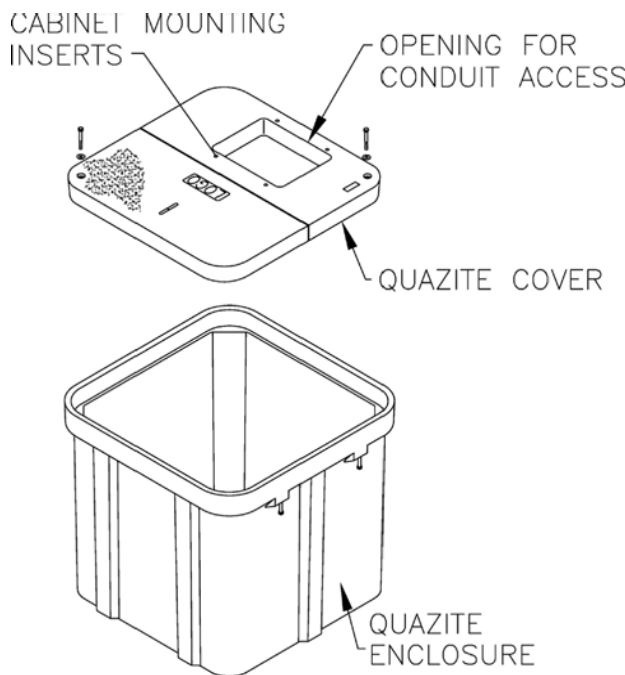
QUAZITE® cell site enclosures allow cellular providers easy access to their cable lines and provide plenty of room for the addition of new lines. Sixteen 4" terminators enable providers to easily add new feeder cables to existing sites. The terminators also reduce the risk of disturbing existing service when adding new cables because installers can clearly see where other cables are entering the box.

QUAZITE® cell site enclosures also make equipment changes and upgrades easy and cost effective. Poured-in-place pads must be completely replaced if changes and upgrades became necessary, but QUAZITE® cell site enclosures feature replaceable covers and an open area inside the enclosure. As a result, new cable lines can easily be added without replacing the pad. Also, providers only need to replace the covers if cabinets with new bolt patterns are installed.

For other sizes and configurations contact your Hubbell / Quazite representative.

# DIMENSIONS/DATA

## Equipment Enclosures



**Due to the rapid evolution of suppliers and their equipment, Hubbell requires the customer to provide confirmation of equipment mounting features, dimensions, & throat size.**

Equipment Manufacturer & Model Number	Enclosure Size
ACE 214	48 X 48 X 36
ACE 92, 100, & 200	36 X 60 X 36
ADC 576 (TE CONNECTIVITY)	48 X 48 X 36
ADC FAT (TE CONNECTIVITY)	24 X 36 X 42
ADC Gen 2 (TE CONNECTIVITY)	36 X 60 X 36 & 48 X 48 X 36
ADC Gen 3 & 3E FDH 144, 216, 288, & 432 (TE CONNECTIVITY)	36 X 36 X 36 & 48 X 48 X 36
ADC Medium 216/432 (TE CONNECTIVITY)	36 X 36 X 36
ADC Small 144 (TE CONNECTIVITY)	36 X 36 X 36
ADC Splitter FDH1G-144/216 (TE CONNECTIVITY)	36 X 60 X 36
AFL FDH 100 (FD000094 MTG. SKIRT)	30 X 48 X 24, 36 X 60 X 24, 36 X 60 X 36, & 48 X 48 X 36
Clearfield 288 PON, 432 PON, & 576 PON	24 X 36 X 30
Charles BD03	24 X 24 X 24, 24 X 36 X 30, 30 X 48 X 36, 36 X 60 X 36, & 48 X 72 X 48
Charles BD04	24 X 24 X 24, 24 X 36 X 30, 30 X 48 X 36, 36 X 60 X 36, & 48 X 72 X 48
Charles BD05	24 X 24 X 24, 24 X 36 X 30, 30 X 48 X 36, 36 X 60 X 36, & 48 X 72 X 48
Charles BD07	24 X 24 X 24, 24 X 36 X 30, 30 X 48 X 36, 36 X 60 X 36, & 48 X 72 X 48
Corning 144/216	36 X 60 X 36
Corning 216 or LCA 288	36 X 36 X 36
Corning Gen 3	36 X 72 X 36
Corning Gen 3 & 3E FDH 144, 216, 288, & 432	36 X 36 X 36 & 48 X 48 X 36
Corning LCA-432	36 X 60 X 36
Corning Nex Gen LCA-432	36 X 36 X 36
Emerson/Marconi UPCBD7	30 X 48 X 36, & 48 X 72 X 48
Emerson Sole	30 X 48 X 36
Emerson Span	48 X 48 X 48
Hub CSC (TE CONNECTIVITY)	48 X 72 X 48
OFS Orbital 288 FTTX	36 X 36 X 36

Information shown is a partial listing and is for reference only. Contact equipment manufacturer for specific mounting dimensions, throat size and other details.

QUAZITE





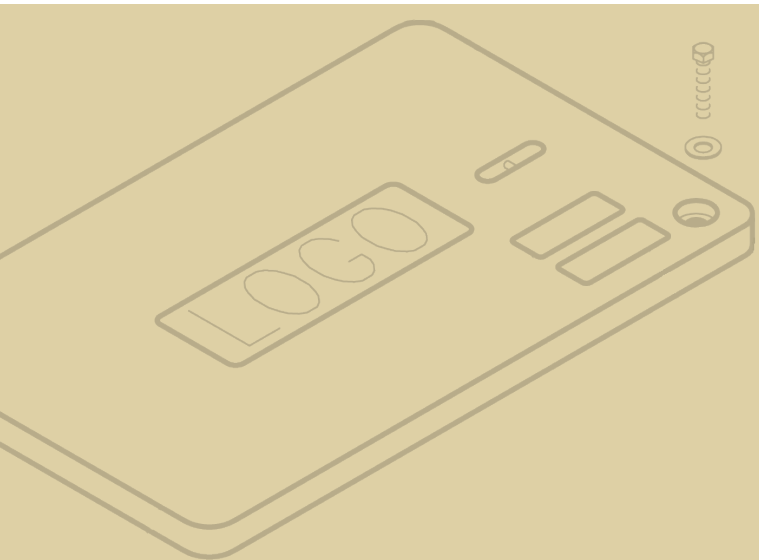
Most commonly used cover logos are shown below.  
 Custom Logos are available. Contact your Quazite/Hubbell Representative.

## QUAZITE® COVER OPTIONS



POLYMER CONCRETE LOGO CODES	DESCRIPTION
09	BLANK
10	CATV
12	COMMUNICATIONS
14	CONTROLS
17	ELECTRIC
21	FIBER OPTICS
22	FIRE ALARM
23	GAS
24	GROUND
26	HIGH VOLTAGE
29	LIGHTING
36	SECURITY
38	SIGNAL
40	STATE TRAFFIC SIGNAL
41	STREET LIGHTING
42	TELECOM
43	TELEPHONE
44	TRAFFIC
45	TRAFFIC CONTROL
46	TRAFFIC SIGNAL
48	TV
50	WATER
57	EMERGENCY
65	ILLUMINATION
81	DANGER HIGH VOLTAGE
84	POWER
92	TELECOMMUNICATIONS
3A	DOT
6B	INSTRUMENTATION
ZA	IRRIGATION
K91	RECLAIMED WATER
KH1	FIBEROPTIC

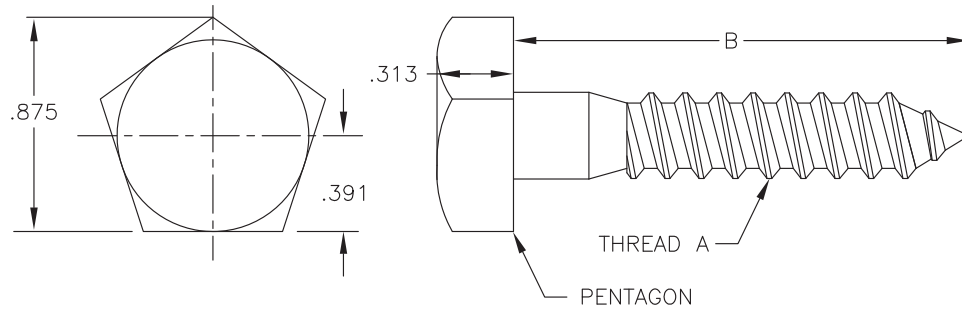
QUAZITE



# Cover Options:

## • Tamper Resistant Penta-Head Bolt

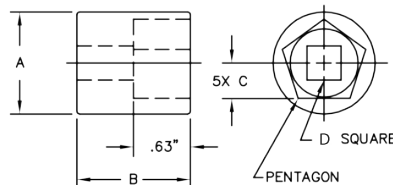
This upgrade option includes a special penta head bolt that can only be turned using a Penta-Head socket. To order this option for Polymer Concrete Covers, add the suffix P to the end of the cover part number. (Example: PG2436HA0017P).



# Quazite® Tools

QUAZITE

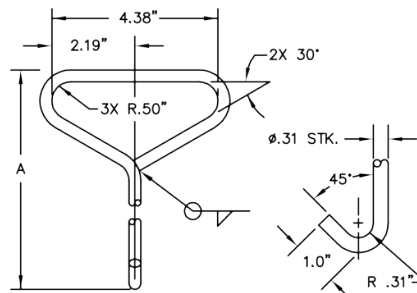
## Tamper Resistant Standard Penta-Head Socket - Alloy Steel



Part No.	UPC #	(A)	(B)	(C)	(D)
C082920	11844	1.13"	2.00"	.391"	.375"
C082922	11845	0.88"	1.50"	.250"	.375"
WP74900	N/A	1.13"	2.00"	.391"	.500"
WP74902	N/A	1.13"	2.00"	.391"	*

\* Includes integral T-handle

## Cover Hook - Electroplated Steel



Description	Part No.	UPC#	(A)
Short Cover Hook	C082905	11842	7.0"
Long Cover Hook	C082908	11843	27.0"

## Cover Options:

### • Electronic Markers (Cast in Cover)

A full range of electronic markers are encased in the polymer concrete PC, PG, PT, LG, LT, or PR style covers. Specify frequency for your utility type by inserting the code letter into the 10th digit of the cover number.

(Example: PG3048CA0P09)

TYPE	POLYMER CONCRETE CODE	FREQUENCY
TELECOMMUNICATIONS	T	101.4 kHz
POWER	P	169.8 kHz
GAS	G	83.0 kHz
WATER	W	145.7 kHz
SANITARY	S	121.6 kHz

### • Quazite® Torsion Covers

Feature a skid-resistant surface and come with an assisted, low-force cover opening that bolts closed. Torsion covers range in size from 35-5/8" x 58-3/4" to 54-5/8" x 81-5/8". Torsion Covers provide easy access to the vault when open, and security when closed.

### • Lightweight Covers

The reduced weight combined with the tremendous strength of Hubbell's lightweight cover design translates into speed and productivity. Contact your Hubbell / Quazite representative for more information.

### • Touch Read

Touch Read counter bores and Radio Read opening are available in several size covers. Contact your Hubbell / Quazite representative for more information.

QUAZITE



# EZ AUGER™ Upgrade Kits

Most existing Quazite polymer concrete enclosures can be upgraded to EZ Auger™ bolt technology. Upgrade kits are available for most enclosures in both hex head and penta head configurations.

HEX HEAD KIT	Quazite's Self-Cleaning EZ Auger™ Bolt System Upgrade Kit for Polymer Concrete Enclosures (Each assembly includes 2 HEX HEAD EZ Auger™ bolts, 2 EZ Auger™ nuts and 2 washers)			
	Thread	Part No.	UPC # 66-2037	Cover Application
	3/8-7 Lag Thread	C082500	12861	PC0608, PC0818, PC1012, PC1118, PC1212, PC1324, PC1730, PX1324, PX1730, PR2700
	3/8-7 Lag Thread	C082507	18369	PG1015, PG1118
	3/8-7 Lag Thread	C082505	12862	PG1324, PG1730
	3/8-7 Lag Thread	C082510	12863	PG2436, PG3048, PG3636
	3/8-7 Lag Thread	C082512	17590	PG3048 Overlapping
	1/2-6 Lag Thread	C082522	17591	LG3660
	1/2-6 Lag Thread	C082524	17592	PG3660 Overlapping
	1/2-6 Lag Thread	C082526	17593	PG3060, PG3672, PG4848, PG4872, PG4896
1/2-6 Lag Thread	C082528	17594	PG3060 Overlapping	

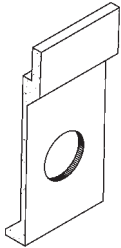
PENTA HEAD KIT	Hubbell's Self-Cleaning EZ Auger™ Bolt System Upgrade Kit for Polymer Concrete Enclosures (Each assembly includes 2 PENTA HEAD EZ Auger™ bolts, 2 EZ Auger™ nuts and 2 washers)			
	Thread	Part No.	UPC # 66-2037	Cover Application
	3/8-7 Lag Thread	C082600	18378	PC0608, PC0818, PC1012, PC1118, PC1212, PC1324, PC1730, PX1324, PX1730, PR2700
	3/8-7 Lag Thread	C082607	18379	PG1015, PG1118
	3/8-7 Lag Thread	C082605	18377	PG1324, PG1730
	3/8-7 Lag Thread	C082610	18376	PG2436, PG3048, PG3636
	3/8-7 Lag Thread	C082612	18375	PG3048 Overlapping
	1/2-6 Lag Thread	C082622	18374	LG3660
	1/2-6 Lag Thread	C082624	18373	PG3660 Overlapping
	1/2-6 Lag Thread	C082626	18372	PG3060, PG3672, PG4848, PG4872, PG4896
1/2-6 Lag Thread	C082628	18371	PG3060 Overlapping	

QUAZITE

# Polymer Concrete Enclosure Options:

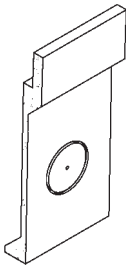
Quazite® features several different accessories for its boxes, including cable racks, unistrut racks, pulleys, knockouts, coiling brackets, and terminators. Knockouts are pre-scored at the factory, allowing for easy break out without the need for special tools. Pulleys feature a forged-steel eye-nut and a steel-reinforcing plate.

## Holes



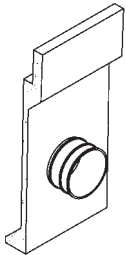
Conduit Sizes  
(For actual hole sizes and locations see page 58.)  
2"  
3"  
4" Electrical  
4" Telephone  
5"  
6"  
Other hole sizes available. Contact your local HUBBELL®/QUAZITE® representative for additional  
Special order boxes with holes (or mouseholes, etc.) may qualify for UL Listing as long as the holes do not exceed more than 25% of the area of each sidewall and as long as the holes do not cut into a structural reinforcing rib, corner, or box lip.

## Knockouts



Conduit Sizes  
(For actual hole sizes and locations see page 58.)  
2"  
3"  
4" Electrical  
4" Telephone  
5"  
6"  
Other knockout sizes available. Contact your local HUBBELL®/QUAZITE® representative for additional  
Special order boxes with holes (or mouseholes, etc.) may qualify for UL Listing as long as the holes do not exceed more than 25% of the area of each sidewall and as long as the holes do not cut into a structural reinforcing rib, corner, or box lip.

## Terminators



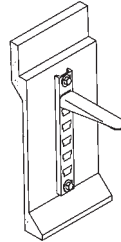
Conduit Sizes  
(For actual hole sizes and locations see page 58.)  
2"  
3"  
4" (Electrical & Telephone)\*  
5"  
6"  
\*New 4" terminator design accommodates both electrical and telephone conduit sizes. Other terminator sizes available. Contact your local HUBBELL®/QUAZITE® representative for additional  
Special order boxes with holes (or mouseholes, etc.) may qualify for UL Listing as long as the holes do not exceed more than 25% of the area of each sidewall and as long as the holes do not cut into a structural reinforcing rib, corner, or box lip.

## Strut Racks



Box and cover struts available. Contact your local HUBBELL®/QUAZITE® representative for sizes.  
Inserts must be located in ribs. See page 67 for rib locations.  
Width x Depth \_\_\_\_\_  
1-5/8" x 1-5/8"

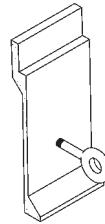
## Cable Racks & Rack Hooks - Galvanized Steel



**Cable Racks** available in the following lengths:  
12" length C080911  
18" length C080910  
24" length C080915  
30" length C080920  
36" length C080921

See page 141 for cable rack locations.  
**Cable Rack Hooks** **Part No.**  
7-1/2" length C2031132  
10" length C080907

## Pulling Eyes



Available Ratings  
1,500 lbs.  
3,000 lbs.  
10,000 lbs.

## Captive Bolts

Captive bolts are available for PC, PG, LG, PT, LT and PR style covers. Captive bolts prevent the bolt from falling out of the cover when the cover is removed.

# Polymer Concrete Enclosure Options:

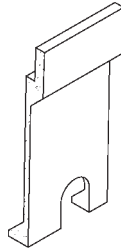
## Bolt Holes

Sizes  
3/8"  
1/4"  
1/2"

## Mouseholes

There is no additional charge for mouseholes in the standard size and location for their respective enclosures. PC0608, PC0818 and PC1212 boxes usually do not have mouseholes. See pg. 139 for locations.

Mousehole Sizes	Standard on Boxes
2-1/2" x 4"	LT1015, PC1118, PG1118
4" x 4"	PC1324, PT1324, PC1730, PT1730, PG1324, PG2424, PG1730, PD1730, PG2436, PG3048, PD3048, PG3636
6" x 8"	PG3060, PG3660, PG3672, PG4848, PG4872, PG4896



Special order boxes with holes (or mouseholes, etc.) may qualify for UL Listing as long as the holes do not exceed more than 25% of the area of each sidewall and as long as the holes do not cut into a structural reinforcing rib, corner, or box lip.

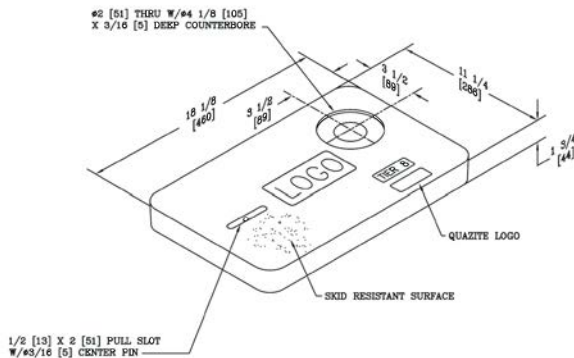
Other sizes available. Contact your local HUBBELL®/QUAZITE® representative for information.

## Pull Slots

The standard cover pull slot measures 1/2" x 4". Bell cover pull slots measuring 1" x 4" are available upon request.

## Touch/Radio Read Option

Holes for touch or radio read applications can be provided in covers as needed.



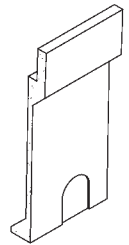
## Inserts - 18-8 Stainless Steel

Available Sizes  
3/8" or 1/2"

Inserts must be located in ribs. See page 139 for rib locations.

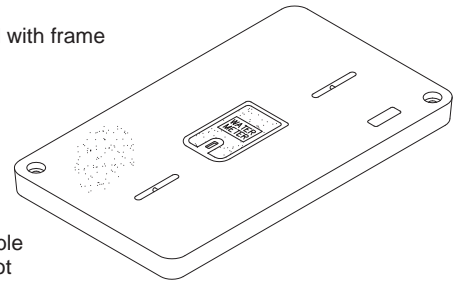
## Mousehole Knockouts

There is no additional charge for mousehole knockouts in the standard size and location for their respective enclosures. Contact your local HUBBELL®/QUAZITE® representative for size options. See pg. 139 for locations.



## Hinged Meter Lids\*

Available Sizes  
Cast iron 4 1/2" x 7 1/2" lid  
Cast iron 6" x 9" lid  
Cast iron 9" x 12" lid with frame



\*Select sizes available in Tier 15. Tier 22 not available.

## Drop-in Meter Lids\*

Available Sizes  
Polymer concrete 6" x 9" drop-in lid  
Polymer concrete 7" x 13" drop-in lid  
Polymer concrete 9" x 15" drop-in lid

\*Select sizes available in Tier 15. Tier 22 not available.





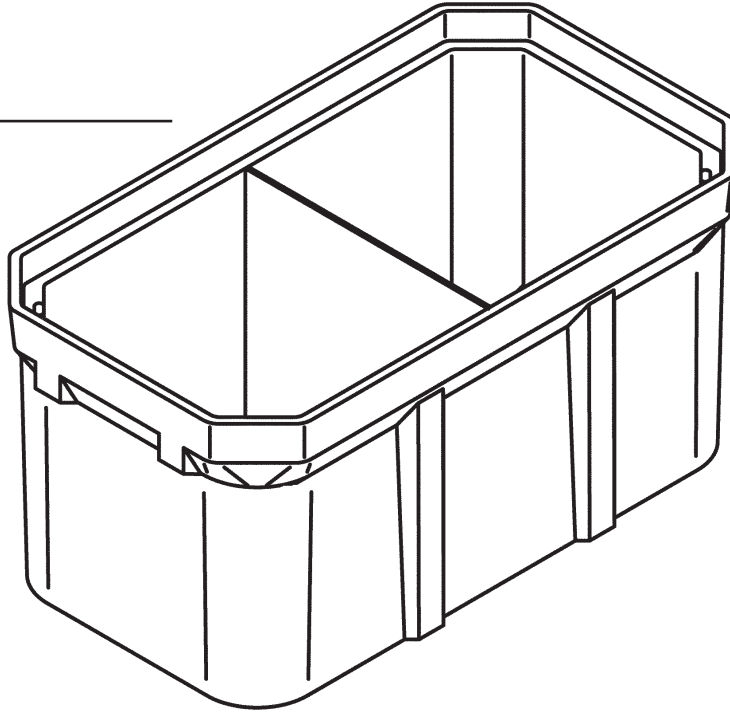
# Polymer Concrete Enclosure Dividers:

## Divided Boxes

Dividers are available for the following size enclosures:

24" x 36" x 18"	36" x 72" x 21"
24" x 36" x 30"	36" x 72" x 36"
24" x 36" x 42"	48" x 48" x 36"
30" x 48" x 18"	48" x 48" x 48"
30" x 48" x 36"	48" x 72" x 36"
30" x 60" x 21"	48" x 72" x 48"
30" x 60" x 36"	48" x 96" x 48"
36" x 36" x 36"	
36" x 60" x 36"	

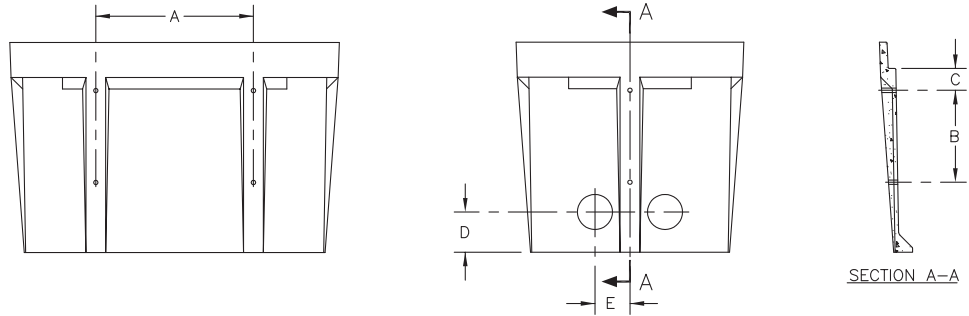
NOTE: Dividers are not sold separately.



Dividers are typically located at the center of the box. Multiple dividers are also available. Additional dividers not listed may be available upon request. Contact your local HUBBELL® / QUAZITE® representative.

# SPECIFICATIONS/DATA Standard Cable Rack Insert, Terminator, Knockout & Hole Locations

**Mouseholes (not illustrated)** - The standard location for mouseholes is in the center of the end walls of the enclosure.



## BOXES

PART NO.	DIMENSIONS				
	A	B	C	D	E
PG2424BA24	12" (305 mm)	10 1/2" (267mm)	4" (102 mm)	5 1/2" (140mm)	4" (102mm)
PG2436BA18	18" (457mm)	9" (229mm)	2 1/2" (64 mm)	5 1/2" (140mm)	4" (102mm)
PG2436BA24	18" (457mm)	13 1/2" (343mm)	2 1/2" (64 mm)	5 1/2" (140mm)	4" (102mm)
PG2436BA30	18" (457mm)	13 1/2" (343mm)	2 1/2" (64 mm)	5 1/2" (140mm)	4" (102mm)
PG2436BA42	18" (457mm)	13 1/2" (343mm)	2 1/2" (64 mm)	5 1/2" (140mm)	4" (102mm)
PD3048BA24	22" (559mm)	10 1/2" (267mm)	6" (152 mm)	5 1/2" (140mm)	5 1/2" (140mm)
PD3048BA48	22" (559mm)	13 1/2" (343 mm)	6" (152 mm)	5 1/2" (140mm)	5 1/2" (140mm)
PG3048BA18	22" (559mm)	9" (229mm)	2 1/2" (64 mm)	5 1/2" (140mm)	5 1/2" (140mm)
PG3048BA24	22" (559mm)	10 1/2" (267mm)	2 1/2" (64 mm)	5 1/2" (140mm)	5 1/2" (140mm)
PG3048BA36	22" (559mm)	13 1/2" (343mm)	2 1/2" (64 mm)	5 1/2" (140mm)	5 1/2" (140mm)
PG3060BA21	20 3/4" (527mm)	10 1/2" (267mm)	2 1/2" (64 mm)	5 1/2" (140mm)	7" (178mm)
PG3060BA30	24" (610mm)	10 1/2" (267mm)	2 1/2" (64 mm)	5 1/2" (140mm)	7" (178mm)
PG3060BA36	20 3/4" (527mm)	10 1/2" (267mm)	2 1/2" (64 mm)	5 1/2" (140mm)	7" (178mm)
PG3636BA36	18" (457mm)	13 1/2" (343mm)	2 1/2" (64 mm)	5 1/2" (140mm)	7" (178mm)
PG3660BA19	22" (559mm)	10 1/2" (267mm)	4" (102 mm)	5 1/2" (140mm)	9" (229mm)
PG3660BA24	22" (559mm)	10 1/2" (267mm)	4" (102 mm)	5 1/2" (140mm)	9" (229mm)
PG3660BA31	22" (559mm)	10 1/2" (267mm)	4" (102 mm)	5 1/2" (140mm)	9" (229mm)
PG3660BA36	22" (559mm)	10 1/2" (267mm)	4" (102 mm)	5 1/2" (140mm)	9" (229mm)
PG3672BA21	20" (508mm)	10 1/2" (267mm)	2 1/2" (76 mm)	5 1/2" (140mm)	9" (229mm)
PG3672BA36	20" (508mm)	10 1/2" (267mm)	3" (76 mm)	5 1/2" (140mm)	9" (229mm)
PG4848BA36	22" (559mm)	10 1/2" (267mm)	5 1/2" (140 mm)	7" (178mm)	5 1/2" (140mm)
PG4848BA48	22" (559mm)	10 1/2" (267mm)	5 1/2" (140 mm)	7" (178mm)	5 1/2" (140mm)
PG4872BA36	46" (1168mm)	13 1/2" (343mm)	5 1/2" (140 mm)	7" (178mm)	5 1/2" (140mm)
PG4872BA48	46" (1168mm)	13 1/2" (343mm)	5 1/2" (140 mm)	7" (178mm)	5 1/2" (140mm)
PG4896BA48	24 3/16" (614mm)	13 1/2" (343mm)	5 1/2" (140 mm)	7" (178mm)	5 1/2" (140mm)

**NOTE** - Holes should be located only in the walls of an enclosure. Do not cut holes in ribs or corners. Hole locations are ± 1" (25mm). Dimensions & weights in parentheses are metric equivalent.

## HOLE SIZING FOR NON-METALLIC CONDUIT / DUCT

NOMINAL SIZE	1/2"	3/4"	1"	1 1/4"	1 1/2"	2"	3"	4" (elec.)	4" (tele.)	5"	6"
CONDUIT O.D.	.840	1.050	1.315	1.660	1.900	2.375	3.500	4.500	4.350	5.563	6.625
HOLE SIZE	1"	1 1/4"	1 3/8"	1 3/4"	2"	2 1/2"	3 3/4"	4 3/4"	4 3/4"	5 3/4"	6 3/4"

Quazite recommends that holes be punched 1/8" to 1/4" larger than the actual outside diameter of the conduit duct. If more precise holes are required, contact your local HUBBELL®/QUAZITE® representative.

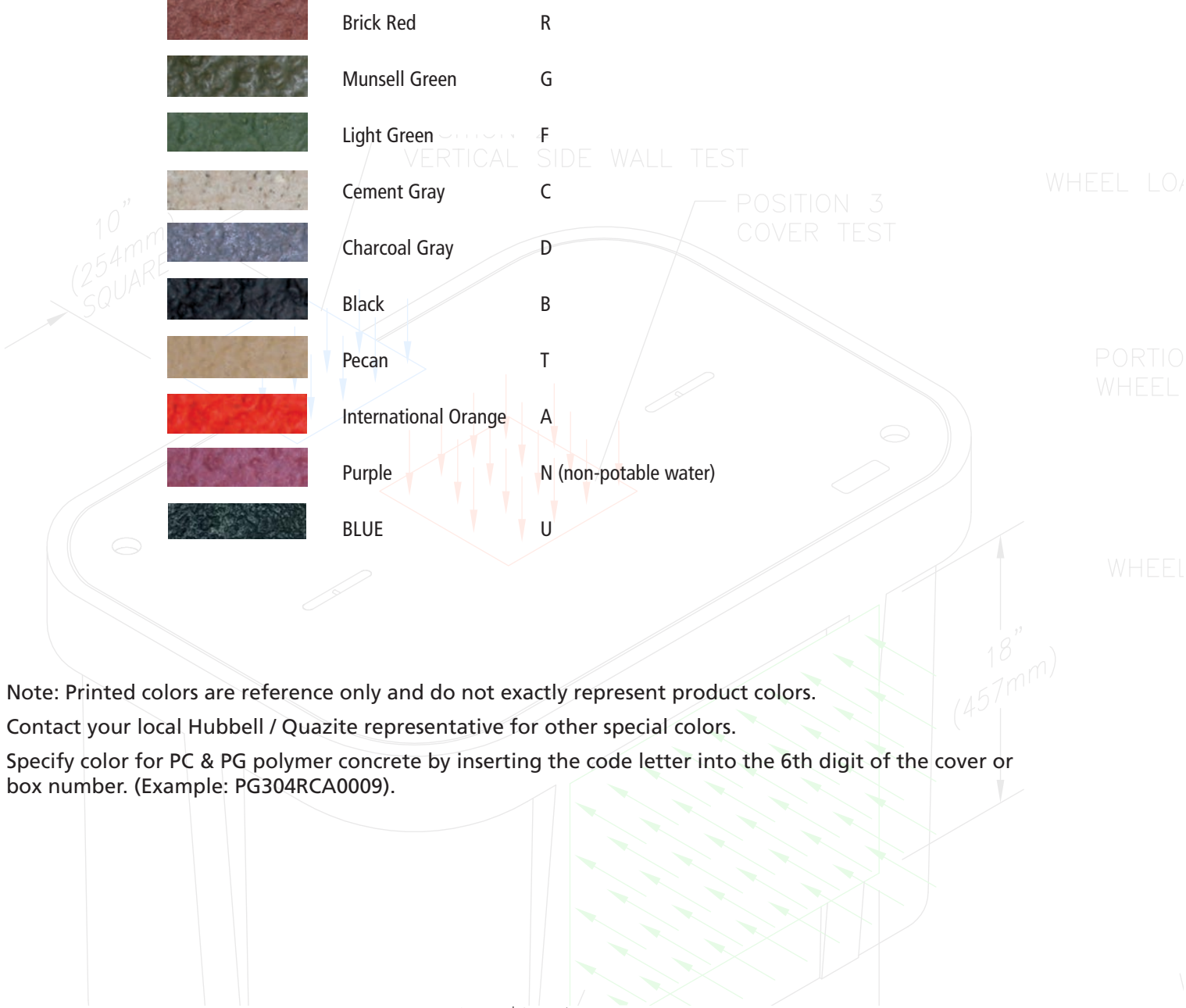
# Quazite® Color Options



The standard color for QUAZITE® products is concrete gray. Various color options allow for blending with adjacent materials or special identification of enclosures. Some commonly requested colors include:

Color Sample	Description	Polymer Concrete Part No. Code
	Brick Red	R
	Munsell Green	G
	Light Green	F
	Cement Gray	C
	Charcoal Gray	D
	Black	B
	Pecan	T
	International Orange	A
	Purple	N (non-potable water)
	BLUE	U

QUAZITE



Note: Printed colors are reference only and do not exactly represent product colors.

Contact your local Hubbell / Quazite representative for other special colors.

Specify color for PC & PG polymer concrete by inserting the code letter into the 6th digit of the cover or box number. (Example: PG304RCA0009).

# Quazite<sup>®</sup> in the field



QUAZITE

# Quazite® FRP

Hubbell maintains a large inventory of Quazite FRP enclosures to serve your needs.



QUAZITE FRP

1/2" PULL  
3/8"

ER LOGO -  
QUAZITE  
STAINLE  
OLT W/W

1/4"  
19)

.5 COEFFICIENT OF FRICTION  
RESISTANT SURFACE





## NEC & Underground Enclosures

The National Electric Code states in article 314.30 that enclosures "...shall be designed and installed to withstand all loads likely to be imposed..." and addresses issues related to enclosure size, wiring entries, enclosures without bottoms, and bonding requirements for covers. "

The code references the ANSI/SCTE 77 "Specification for Underground Enclosure Integrity" National Standard, which outlines various tests that enclosures must pass to meet the standard. ANSI/SCTE 77 also provides load charts with Tier ratings to help users determine the appropriate enclosure to select based on the loadings expected in the application.

### Quazite® FRP – ANSI Standard.

All Quazite® FRP enclosures meet or exceed the test provisions of ANSI/SCTE 77 2013 as referenced in the 2005, 2008, 2011 and 2014 NEC. To achieve this, Quazite® FRP enclosures must pass numerous material and product performance tests before they can meet ANSI/SCTE 77 2013.

### Testing Requirements for ANSI/SCTE 77 2013

- Three-Position Load Testing to simulate actual application performance
- UV Degradation per ASTM G-154
- Fire Resistance per RUS 7CFR 1755.910 (PE-91)
- Chemical Resistance per ASTM D-543
- Water Absorption per ASTM D-570
- Impact Resistance per ASTM D2444
- Accelerated service per ASTM D-756, procedure E

### Quazite® FRP – Peace of Mind.

Quazite® FRP enclosures have undergone rigorous physical, environmental, and internal equipment-protection tests and meet the requirements of the ANSI Standard. By adhering to the NEC and ANSI requirements in the enclosure-selection process, users are ensured long service life. Quazite® FRP enclosures offer not only improved manageability and cost-efficiency over other enclosures, but peace of mind as well.

*National Fire Protection Agency, 2005, 2008, 2011 and 2014 National Electric Code.*

*Subsequent to the issuance of the 2005 NEC, ANSI approved an updated version of the standard, ANSI/SCTE 77 2013.*

*The latest copy of the standard may be purchased from ANSI. It may also be viewed in PDF form on SCTE's website at [http://www.scte.org/documents/pdf/Standards/ANSI\\_SCTE%2077%202013.pdf](http://www.scte.org/documents/pdf/Standards/ANSI_SCTE%2077%202013.pdf)*





## Style Guide – Tailored Product Variety.

We offer a wide variety of FRP box styles in order to meet your most specialized enclosure needs. Each style offers specific strengths and assets for diverse functionality

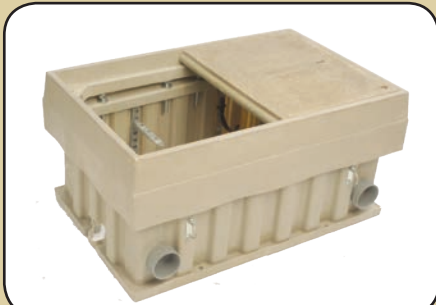
### • FRP Flared Wall Style

This style features a unique combination of polymer concrete and fiber-reinforced polymer. FRP flared wall styles are nestable for compact storage and shipment. The flared wall design also optimizes internal volume and minimizes frost heave.



### • FRP Straight Wall Style

This style features a unique combination of polymer concrete and fiber-reinforced polymer. FRP straight wall boxes are stackable for increased depth. Straight wall design is also easy to remove or adjust in the field.



### • Corrugated Style

A special combination of polymer concrete and fiber-reinforced polymer along with the corrugated walls give this style design flexibility, added strength and durability. Adjust-to-grade or torsion options also available on select sizes.



### • FRP Round Style

This round enclosure features a unique combination of polymer concrete and fiber-reinforced polymer. The shape also prevents a cover from falling into the box.

# Quazite FRP: Available Size Chart

Style	Size	Depths	Load Rating Options
Straight Wall	6x8	6-3/4	Tier 8
	10x15	12	Tier 8, Tier 15
	11x18	12, 18	Tier 8, Tier 15, Tier 22
	11x21	12	Tier 5, Tier 8, Tier 15
	11x32	12	Tier 5, Tier 8, Tier 15
	12x12	12	Tier 8, Tier 15, Tier 22
	13x24	12, 18	Tier 8, Tier 15, Tier 22
	15x17	12	Tier 8, Tier 15
	15x27	12	Tier 5, Tier 8
	16x22	18	Tier 8, Tier 15
	17x30	12, 18, 22, 30	Tier 8, Tier 15, Tier 22
	24x24	12, 18, 24	Tier 8, Tier 15, Tier 22
	24x36	18, 24, 30	Tier 8, Tier 15, Tier 22
	30x48	18, 24, 36	Tier 8, Tier 15, Tier 22
	30x60	18, 30, 36, 48	Tier 8, Tier 15, Tier 22
	36x36	18, 24, 30, 36, 48	Tier 8, Tier 15, Tier 22
	36x60	18, 24, 30, 36, 48	Tier 8, Tier 15, Tier 22
36x72	36, 48	Tier 8, Tier 15, Tier 22	
Flared Wall	10x15	12, 18	Tier 8, Tier 15
	11x18	12, 18	Tier 8, Tier 15, Tier 22
	11x32	12	Tier 5, Tier 8
	12x12	12, 24	Tier 8, Tier 15
	13x24	12, 18, 24*	Tier 8, Tier 15, Tier 22
	15x17	12	Tier 5, Tier 8, Tier 15
	15x27	12	Tier 5, Tier 8
	16x22	30	Tier 8, Tier 15
	17x30	12, 18, 22, 24, 30, 34*	Tier 8, Tier 15, Tier 22
	24x36	18, 24, 30, 36, 42, 48*	Tier 8, Tier 15, Tier 22
	24x60	24	Tier 5
	30x48	18, 24, 30, 36	Tier 8, Tier 15, Tier 22

Style	Size	Depths	Load Rating Options	
Corrugated Wall	30x48	18, 24, 30, 36, 48*	Tier 8, Tier 15, Tier 22	
	30x60	18, 24, 30, 36, 48	Tier 5, Tier 8, Tier 15, Tier 22	
	36x60	18, 24, 30, 36, 48	Tier 8, Tier 15, Tier 22	
	36x72	18, 24, 30, 36, 48	Tier 8, Tier 15, Tier 22	
	36x96	30, 36, 48	Tier 8, Tier 15, Tier 22	
	48x48	18, 24, 30, 36, 48	Tier 8, Tier 15, Tier 22	
	48x72	18, 24, 30, 36, 48	Tier 8, Tier 15, Tier 22	
	48x78	18, 24, 30, 36, 48	Tier 8, Tier 15, Tier 22	
	48x96	18, 24, 30, 36, 48	Tier 8, Tier 15, Tier 22	
	78x96	36, 48	Tier 8, Tier 15, Tier 22	
	96x96	36, 48	Tier 8, Tier 15, Tier 22	
	Round	2000	24, 48	Tier 8, Tier 15, Tier 22
		2700	36, 72	Tier 8, Tier 15
3200		36	Tier 8, Tier 15, Tier 22	
3900		14, 30, 36	Tier 8, Tier 15, Tier 22	

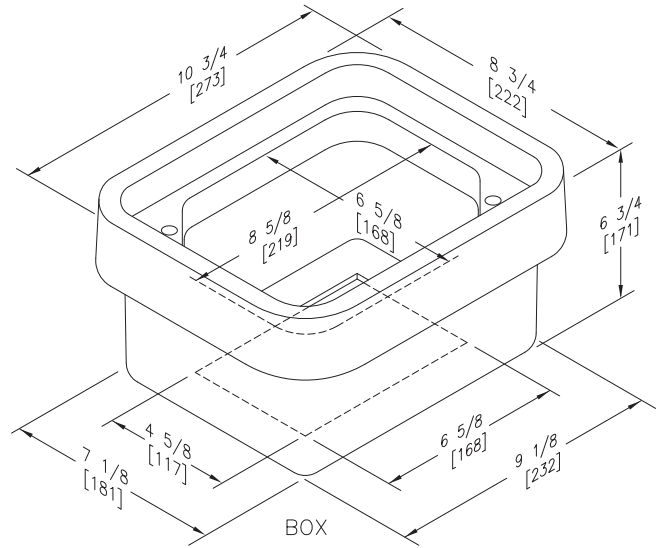
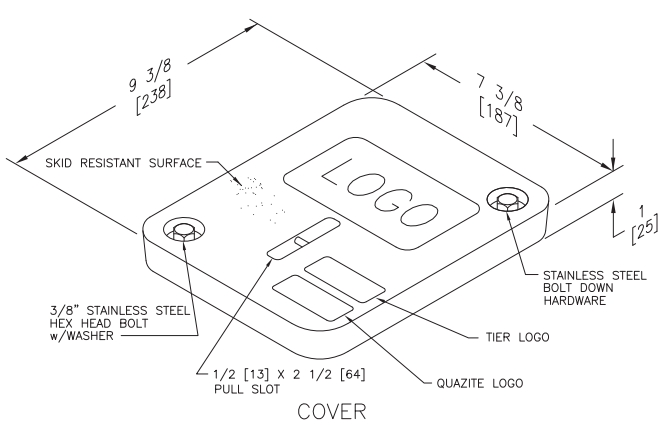
\*Extensions Available



# Dimensions / Data

6" x 8" FRP Straight Wall Stackable

**Hex Head Bolts are Standard**



**QUAZITE FRP**

**Covers**

DESCRIPTION	TIER	DESIGN / TEST LOAD #	WEIGHT #	PALLET QTY	PART NO.
W/ 2 Bolts	8	8,000 / 12,000	5	300	C30060801A***
No Bolts	8	8,000 / 12,000	5	300	C00060801A***

Replace \*\*\* with a logo code found on page 138.

**Boxes**

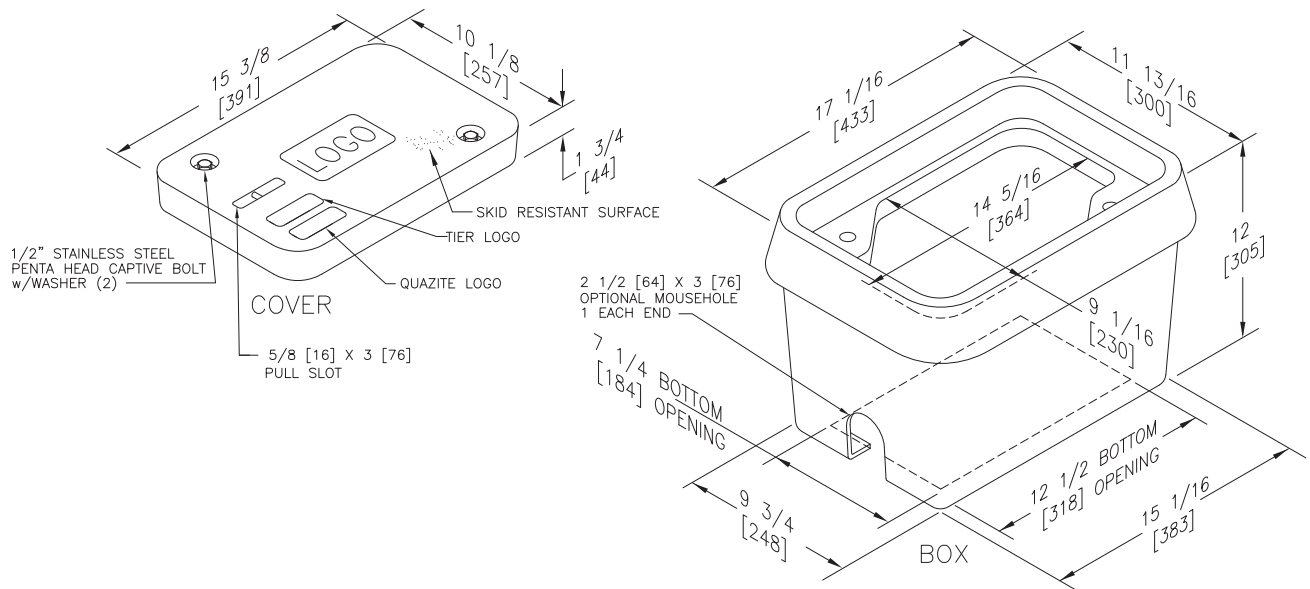
DESCRIPTION	DEPTH	TIER	DESIGN / TEST LOAD #	WEIGHT #	PALLET QTY	PART NO.
Standard Open	6-3/4"	8	8,000 / 12,000	6	64	B33060806A
Solid Bottom	6-3/4"	8	8,000 / 12,000	6.5	64	B33060806B

To order gasketed boxes, replace the last character with "G".  
NOTE: Gasket reduce the inflow of fluids but do not make the enclosure water tight.

# Dimensions / Data

10" x 15" FRP Straight Wall Stackable

**Penta Head Bolts are Standard**



## Covers

DESCRIPTION	TIER	DESIGN / TEST LOAD #	WEIGHT #	PALLET QTY	PART NO.
W/ 2 Bolts	8	8,000 / 12,000	17	100	C10101502A***
W/ 2 Bolts	15	15,000 / 22,500	19	100	C12101502A***
No Bolts	8	8,000 / 12,000	17	100	C00101502A***
No Bolts, W/CI Reader, Over 90	5	5,000 / 7,500	20	100	C08101502C009
No Bolts, W/CI Reader, Under 90	5	5,000 / 7,500	20	100	C08101502D009
No Bolts, W/CI Reader, Over 90	8	8,000 / 12,000	20	100	C00101502C009
No Bolts, W/CI Reader, Under 90	8	8,000 / 12,000	20	100	C00101502D009
No Bolts, W/CI Reader, Over 90	15	15,000 / 22,500	20	100	C02101502C009
No Bolts, W/CI Reader, Under 90	15	15,000 / 22,500	20	100	C02101502D009

Replace \*\*\* with a logo code found on page 138. See page 141 for other meter lid and touch/radio read cover options.

## Boxes

DESCRIPTION	DEPTH	TIER	DESIGN / TEST LOAD #	WEIGHT #	PALLET QTY	PART NO.
Standard Open Bottom	12"	8	8,000 / 12,000	24	25	B13101512A
	12"	15	15,000 / 22,500	27	25	B14101512A
Solid Bottom	12"	8	8,000 / 12,000	28	25	B13101512B
	12"	15	15,000 / 22,500	31	25	B14101512B

To order boxes with 2 standard mouseholes, replace the last character with "M".

To order gasketed boxes, replace the last character with "G".

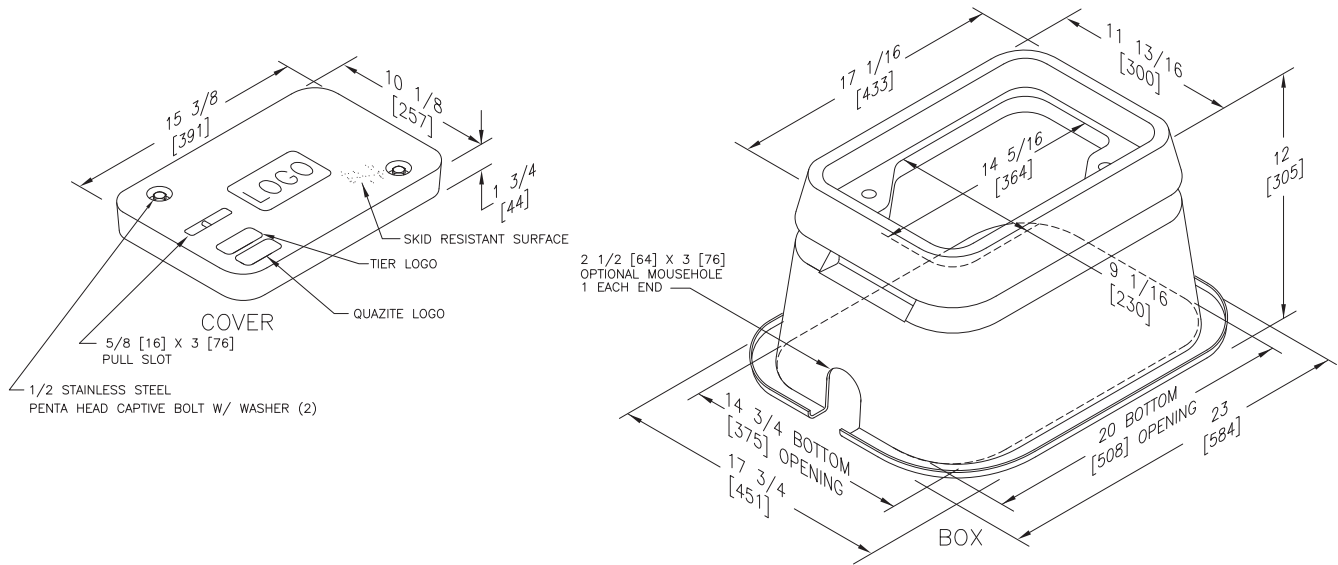
NOTE: Gasket reduce the inflow of fluids but do not make the enclosure water tight.

QUAZITE FRP

# Dimensions / Data

10" x 15" FRP Flared

**Penta Head Bolts are Standard**



## Covers

DESCRIPTION	TIER	DESIGN / TEST LOAD #	WEIGHT #	PALLET QTY	PART NO.
W/ 2 Bolts	8	8,000 / 12,000	17	100	C10101502A***
W/ 2 Bolts	15	15,000 / 22,500	19	100	C12101502A***
No Bolts	8	8,000 / 12,000	17	100	C00101502A***
No Bolts, W/CI Reader, Over 90	5	5,000 / 7,500	20	100	C08101502C009
No Bolts, W/CI Reader, Under 90	5	5,000 / 7,500	20	100	C08101502D009
No Bolts, W/CI Reader, Over 90	8	8,000 / 12,000	20	100	C00101502C009
No Bolts, W/CI Reader, Under 90	8	8,000 / 12,000	20	100	C00101502D009
No Bolts, W/CI Reader, Over 90	15	15,000 / 22,500	20	100	C02101502C009
No Bolts, W/CI Reader, Under 90	15	15,000 / 22,500	20	100	C02101502D009

Replace \*\*\* with a logo code found on page 138. See page 141 for other meter lid and touch/radio read cover options.

## Boxes

DESCRIPTION	DEPTH	TIER	DESIGN / TEST LOAD #	WEIGHT #	PALLET QTY	PART NO.
Standard Open Bottom	12"	8	8,000 / 12,000	22	50	B10101512A
	18"		8,000 / 12,000	36	20	B10101518A
	12"	15	15,000 / 22,500	25	50	B12101512A
	18"		15,000 / 22,500	38	20	B12101518A

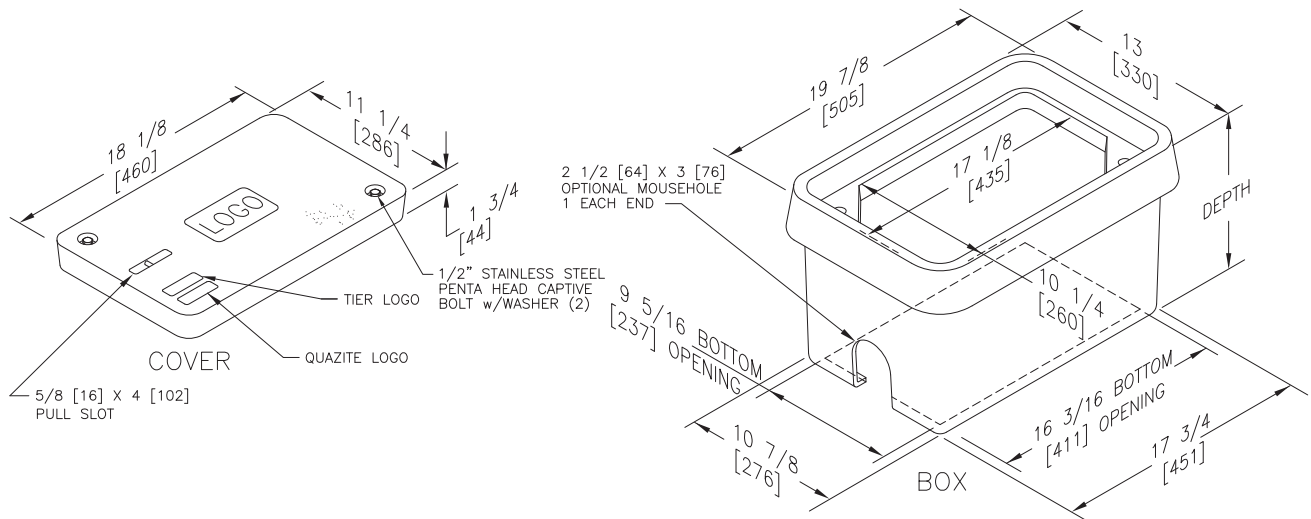
To order boxes with 2 standard mouseholes, replace the last character with "M".  
 To order gasketed boxes, replace the last character with "G".  
 Gaskets reduce the inflow of fluids but do not make the enclosure water tight.  
 NOTE: Cover rating cannot exceed box rating.

QUAZITE FRP

# Dimensions / Data

11" x 18" FRP Straight Wall Stackable

**Penta Head Bolts are Standard**



## Covers

DESCRIPTION	TIER	DESIGN / TEST LOAD #	WEIGHT #	PALLET QTY	PART NO.
W/ 2 Bolts	8	8,000 / 12,000	21	100	C10111802A***
W/ 2 Bolts	15	15,000 / 22,500	23	100	C12111802A***
No Bolts	8	8,000 / 12,000	21	100	C00111802A***
W/ 2 Bolts	22	22,500 / 33,750	23	100	C16111802A***
No Bolts, W/CI Reader, Over 90	5*	5,000 / 7,500	26	100	C08111802C009
No Bolts, W/CI Reader, Under 90	5*	5,000 / 7,500	26	100	C08111802D009

Replace \*\*\* with a logo code found on page 138. See page 141 for other meter lid and touch/radio read cover options.  
\* CI Reader covers also available in Tier 8.

## Boxes

DESCRIPTION	DEPTH	TIER	DESIGN / TEST LOAD #	WEIGHT #	PALLET QTY	PART NO.
Standard Open Bottom	12"	8	8,000/12,000	25	25	B13111812A
	18"		8,000/12,000	29	20	B13111818A
	12"	15	15,000/22,500	28	25	B14111812A
	18"		15,000/22,500	32	20	B14111818A
	12"	22	22,500/33,750	28	25	B16111812A
	18"		22,500/33,750	32	20	B16111818A
Solid Bottom	12"	8	8,000/12,000	27	25	B13111812B
	18"		8,000/12,000	31	20	B13111818B
	12"	15	15,000/22,500	30	25	B14111812B
	18"		15,000/22,500	34	20	B14111818B
	12"	22	22,500/33,750	30	25	B16111812B
	18"		22,500/33,750	34	20	B16111818B

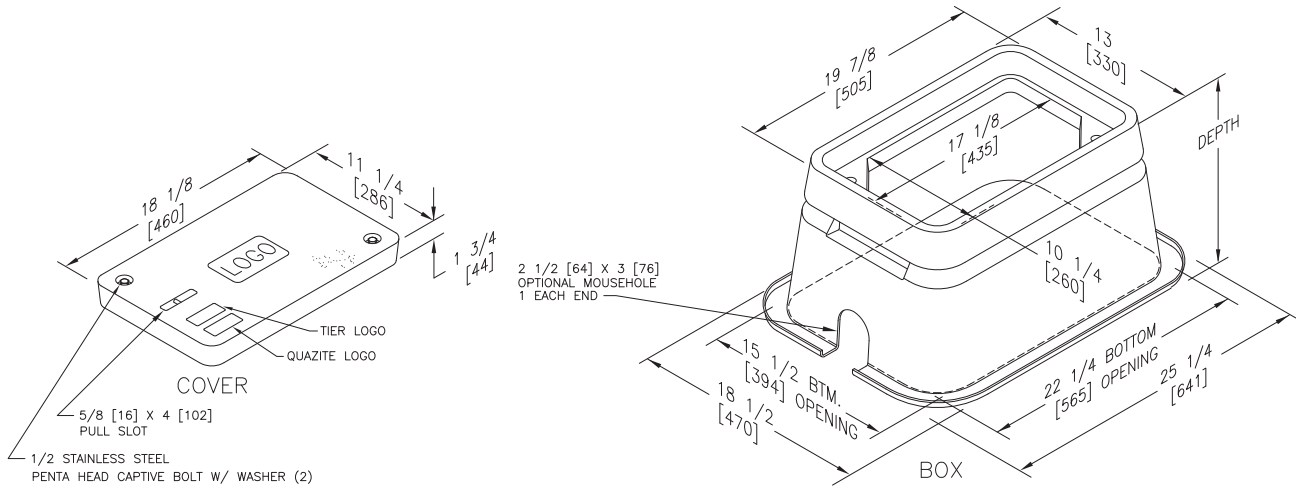
To order boxes with 2 standard mouseholes, replace the last character with "M".  
To order gasketed boxes, replace the last character with "G".  
NOTE: Gasket reduce the inflow of fluids but do not make the enclosure water tight.



# Dimensions / Data

## 11" x 18" Flared Wall Style FRP (Nestable) Assembly

**Penta Head Bolts are Standard**



### Covers

DESCRIPTION	TIER	DESIGN / TEST LOAD #	WEIGHT #	PALLET QTY	PART NO.
W/ 2 Bolts	8	8,000 / 12,000	21	100	C10111802A***
W/ 2 Bolts	15	15,000 / 22,500	23	100	C12111802A***
No Bolts	8	8,000 / 12,000	21	100	C00111802A***
W/ 2 Bolts	22	22,500 / 33,750	23	100	C16111802A***
No Bolts, W/CI Reader, Over 90	5*	5,000 / 7,500	26	100	C08111802C009
No Bolts, W/CI Reader, Under 90	5*	5,000 / 7,500	26	100	C08111802D009

Replace \*\*\* with a logo code found on page 138. See page 141 for other meter lid and touch/radio read cover options.  
\* CI Reader covers also available in Tier 8.

### Boxes

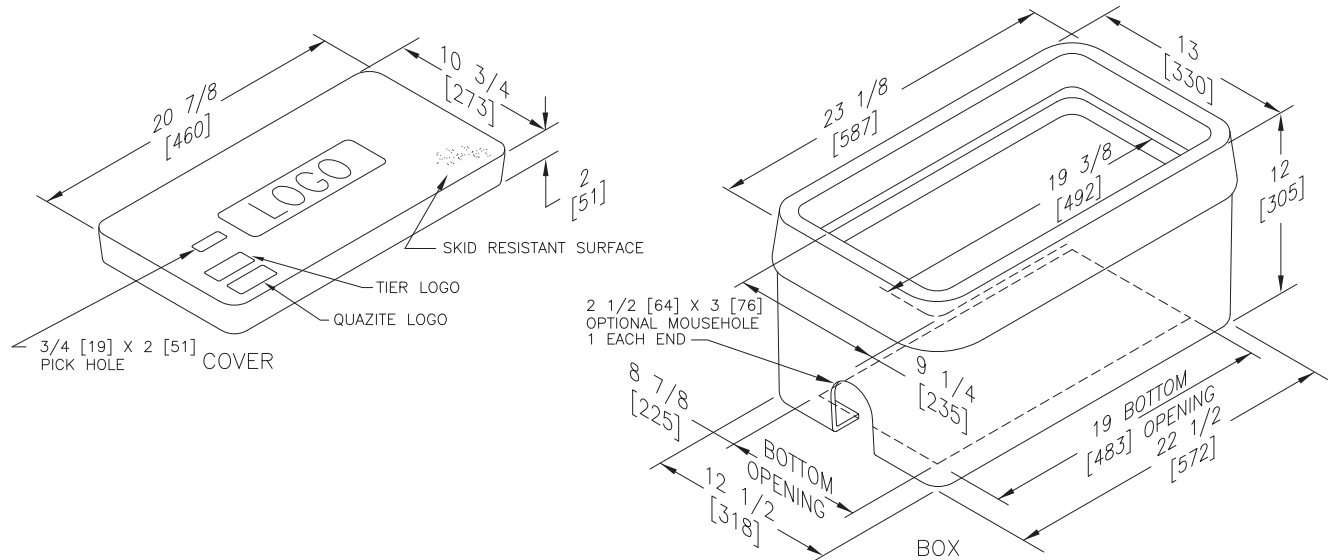
DESCRIPTION	DEPTH	TIER	DESIGN / TEST LOAD #	WEIGHT #	PALLET QTY	PART NO.
Standard Open Bottom	12"	8	8,000 / 12,000	25	50	B10111812A
	18"		8,000 / 12,000	29	40	B10111818A
	12"	15	15,000 / 22,500	28	50	B12111812A
	18"		15,000 / 22,500	32	40	B12111818A
	12"	22	22,500 / 33,750	28	50	B19111812A
	18"		22,500 / 33,750	32	40	B19111818A

To order boxes with 2 standard mouseholes, replace the last character with "M".  
To order gasketed boxes, replace the last character with "G".  
Gaskets reduce the inflow of fluids but do not make the enclosure water tight.  
NOTE: Cover rating cannot exceed box rating.

# Dimensions / Data

11" x 21" FRP Straight Wall

**Penta Head Bolts are Standard**



## Covers

DESCRIPTION	TIER	DESIGN / TEST LOAD #	WEIGHT #	PALLET QTY	PART NO.
No Bolts	8	8,000 / 12,000	27	100	C00112102A***
No Bolts	15	15,000 / 22,500	27	100	C02112102A***
No Bolts, w/CI Reader, Over 90	5*	5,000 / 7,500	32	100	C08112102C009
No Bolts, w/CI Reader, Under 90	5*	5,000 / 7,500	32	100	C08112102D009

Replace \*\*\* with a logo code found on page 138. See page 141 for other meter lid and touch/radio read cover options.  
\* CI Reader covers also available in Tier 8.

## Boxes

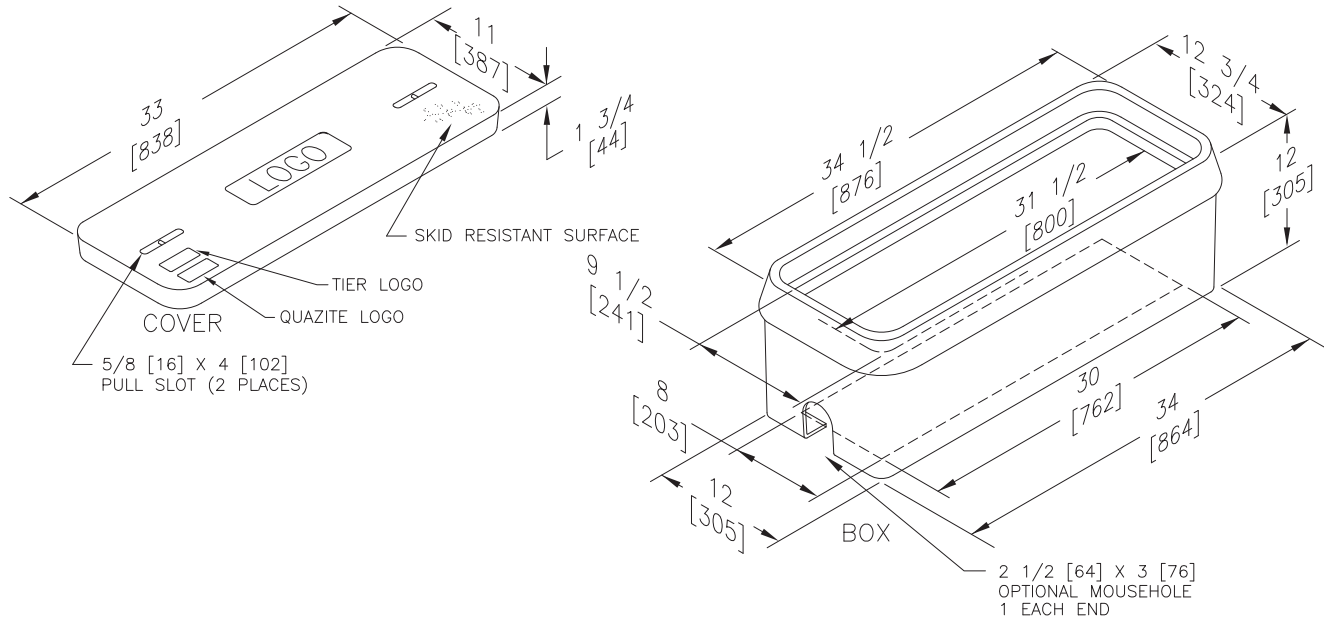
DESCRIPTION	DEPTH	TIER	DESIGN / TEST LOAD #	WEIGHT #	PALLET QTY	PART NO.
Standard Open Bottom	12"	8	8,000/12,000	30	25	B03112112A
	12"	15	15,000/22,500	34	25	B04112112A
Solid Bottom	12"	8	8,000/12,000	32	25	B03112112B
	12"	15	15,000/22,500	36	25	B04112112B

To order boxes with 2 standard mouseholes, replace the last character with "M".

# Dimensions / Data

11" x 32" FRP Straight Wall

**Penta Head Bolts are Standard**



## Covers

DESCRIPTION	TIER	DESIGN / TEST LOAD #	WEIGHT #	PALLET QTY	PART NO.
No Bolts	8	8,000 / 12,000	40	100	C00113202A***
No Bolts	15	15,000 / 22,500	43	100	C02113202A***
No Bolts, W/CI Reader, Over 90	5*	5,000 / 7,500	45	100	C08113202C009
No Bolts, W/CI Reader, Under 90	5*	5,000 / 7,500	45	100	C08113202D009

Replace \*\*\* with a logo code found on page 138. See page 141 for other meter lid and touch/radio read cover options.

\* CI Reader covers also available in Tier 8.

## Boxes

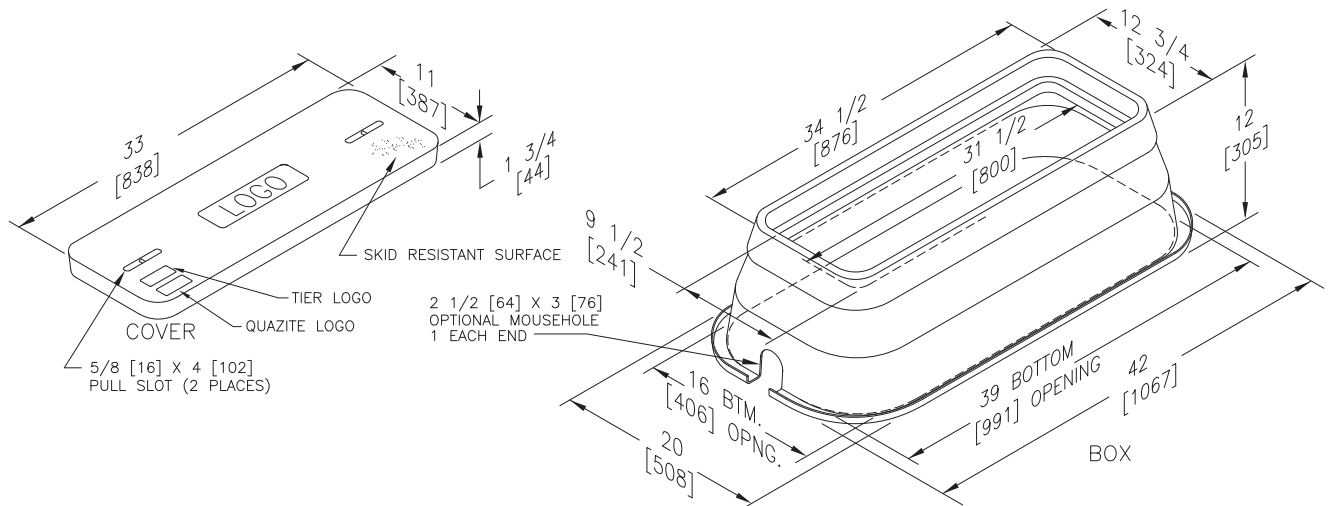
DESCRIPTION	DEPTH	TIER	DESIGN / TEST LOAD #	WEIGHT #	PALLET QTY	PART NO.
Standard Open Bottom	12"	8	8,000/12,000	40	16	B03113212A
	12"	15	15,000/22,500	44	16	B04113212A
Solid Bottom	12"	8	8,000/12,000	42	16	B03113212B
	12"	15	15,000/22,500	46	16	B04113212B

To order boxes with 2 standard mouseholes, replace the last character with "M".

# Dimensions / Data

## 11" x 32" Flared Wall Style FRP (Nestable) Assembly

**Penta Head Bolts are Standard**



### Covers

DESCRIPTION	TIER	DESIGN / TEST LOAD #	WEIGHT #	PALLET QTY	PART NO.
No Bolts	8	8,000 / 12,000	40	100	C00113202A***
No Bolts, W/CI Reader, Over 90	5*	5,000 / 7,500	45	100	C08113202C009
No Bolts, W/CI Reader, Under 90	5*	5,000 / 7,500	45	100	C08113202D009

Replace \*\*\* with a logo code found on page 138. See page 141 for other meter lid and touch/radio read cover options.  
\* CI Reader covers also available in Tier 8.

### Boxes

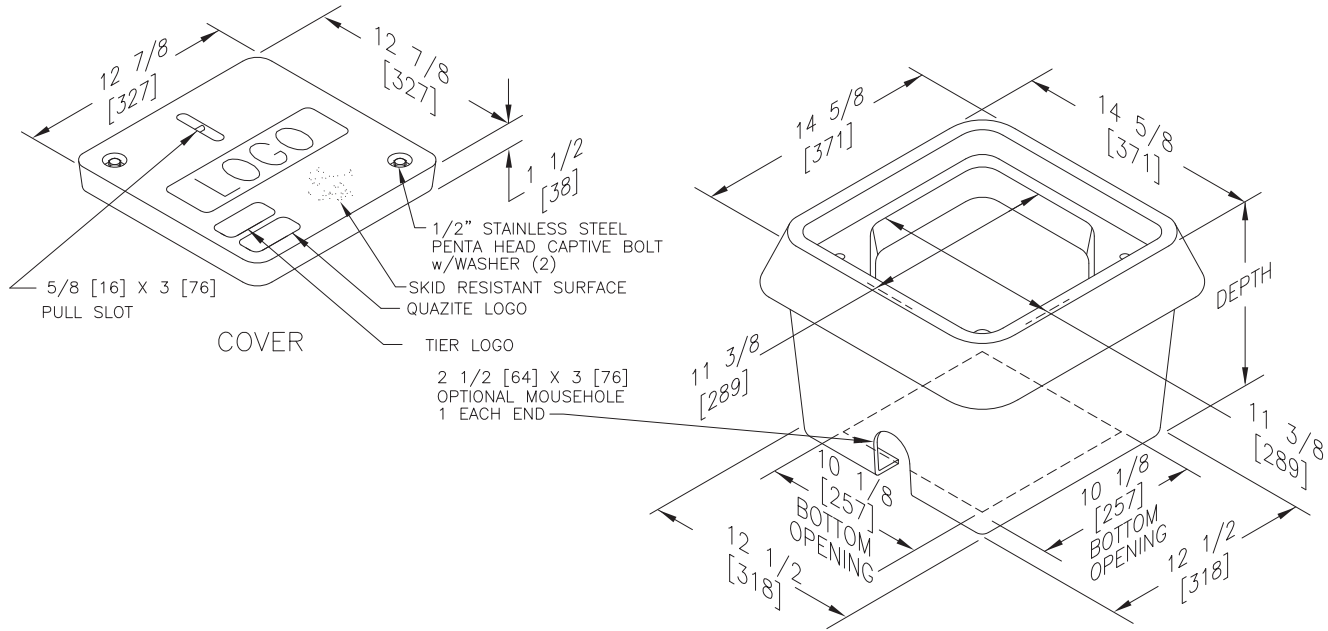
DESCRIPTION	DEPTH	TIER	DESIGN / TEST LOAD #	WEIGHT #	PALLET QTY	PART NO.
Standard Open Bottom	12"	8	8,000 / 12,000	40	16	B00113212A

To order boxes with 2 standard mouseholes, replace the last character with "M".

# Dimensions / Data

12" x 12" FRP Straight Wall Stackable

**Penta Head Bolts are Standard**



## Covers

DESCRIPTION	TIER	DESIGN / TEST LOAD #	WEIGHT #	PALLET QTY	PART NO.
W/ 2 Bolts	8	8,000 / 12,000	14	100	C10121202A***
W/ 2 Bolts	15	15,000 / 22,500	15	100	C12121202A***
No Bolts	8	8,000 / 12,000	14	100	C00121202A***
W/ 2 Bolts	22	22,500 / 33,750	15	100	C16121202A***

Replace \*\*\* with a logo code found on page 138.

## Boxes

DESCRIPTION	DEPTH	TIER	DESIGN / TEST LOAD #	WEIGHT #	PALLET QTY	PART NO.
Standard Open Bottom	12"	8	8,000 / 12,000	26	30	B13121212A
	12"	15	15,000 / 22,500	30	30	B14121212A
	12"	22	22,500 / 33,750	30	30	B16121212A
Solid Bottom	12"	8	8,000 / 12,000	27	30	B13121212B
	12"	15	15,000 / 22,500	31	30	B14121212B
	12"	22	22,500 / 33,750	31	30	B16121212B

To order boxes with 2 standard mouseholes, replace the last character with "M".

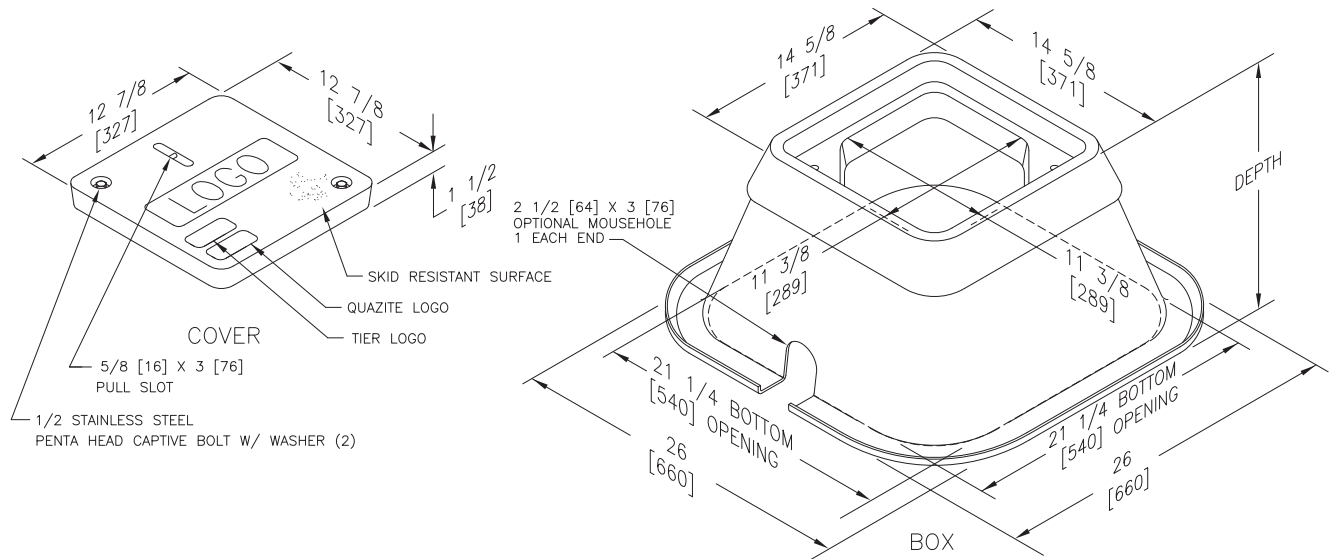
To order gasketed boxes, replace the last character with "G".

NOTE: Gasket reduce the inflow of fluids but do not make the enclosure water tight.

# Dimensions / Data

12" x 12" FRP Flared

**Penta Head Bolts are Standard**



## Covers

DESCRIPTION	TIER	DESIGN / TEST LOAD #	WEIGHT #	PALLET QTY	PART NO.
W/ 2 Bolts	8	8,000 / 12,000	27	100	C10121202A***
W/ 2 Bolts	15	15,000 / 22,500	27	100	C12121202A***
No Bolts	8	8,000 / 12,000	27	100	C00121202A***

Replace \*\*\* with a logo code found on page 138.

## Boxes

DESCRIPTION	DEPTH	TIER	DESIGN / TEST LOAD #	WEIGHT #	PALLET QTY	PART NO.
Standard Open Bottom	12"	8	8,000 / 12,000	28	10	B10121212A
	24"		8,000 / 12,000	45	10	B10121224A
	12"	15	15,000 / 22,500	32	10	B12121212A
	24"		15,000 / 22,500	51	10	B12121224A

To order boxes with 2 standard mouseholes, replace the last character with "M".  
 To order gasketed boxes, replace the last character with "G".  
 Gaskets reduce the inflow of fluids but do not make the enclosure water tight.  
 NOTE: Cover rating cannot exceed box rating.

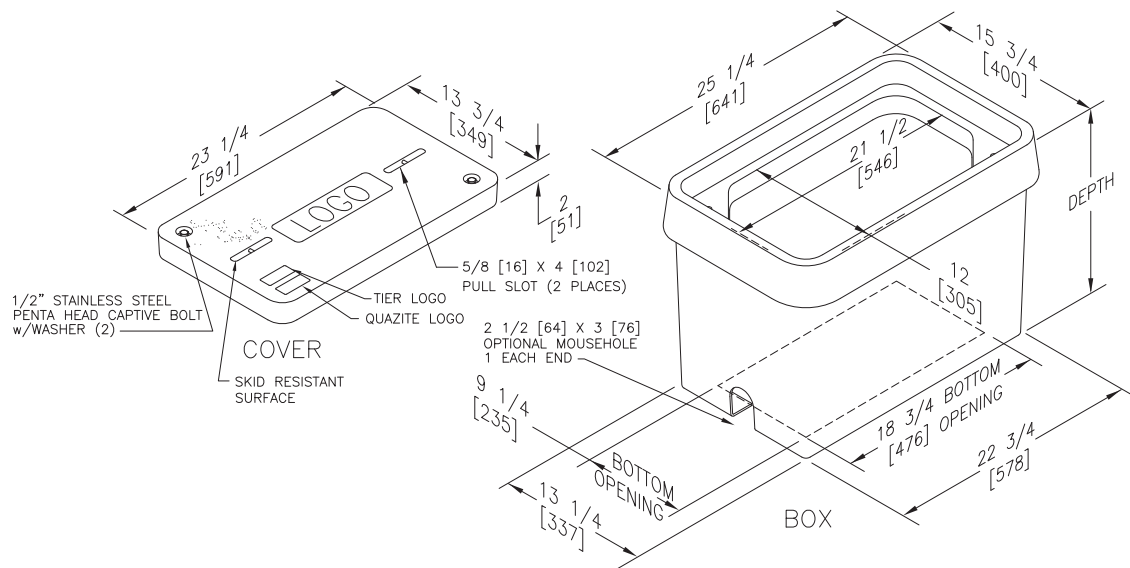
**QUAZITE FRP**



# Dimensions / Data

13" x 24" FRP Straight Wall Stackable

**Penta Head Bolts are Standard**



## Covers

DESCRIPTION	TIER	DESIGN / TEST LOAD #	WEIGHT #	PALLET QTY	PART NO.
W/ 2 Bolts	8	8,000 / 12,000	26	50	C10132402A***
W/ 2 Bolts	15	15,000 / 22,500	40	50	C12132402A***
No Bolts	8	8,000 / 12,000	26	50	C00132402A***
W/ 2 Bolts	22	22,500 / 33,750	40	50	C16132402A***
No Bolts, W/CI Reader, Over 90	5*	5,000 / 7,500	30	50	C08132402C009
No Bolts, W/CI Reader, Under 90	5*	5,000 / 7,500	30	50	C08132402D009

Replace \*\*\* with a logo code found on page 138. See page 141 for other meter lid and touch/radio read cover options.  
\* CI Reader covers also available in Tier 8.

## Boxes

DESCRIPTION	DEPTH	TIER	DESIGN / TEST LOAD #	WEIGHT #	PALLET QTY	PART NO.
Standard Open Bottom	12"	8	8,000 / 12,000	38	20	B13132412A
	18"			44	16	B13132418A
	12"	15	15,000 / 22,500	42	20	B14132412A
	18"			50	16	B14132418A
Solid Bottom	12"	22	22,500 / 33,750	42	20	B16132412A
	12"			8	8,000 / 12,000	40
	18"	46	16			B13132418B
	12"	15	15,000 / 22,500	44	20	B14132412B
	18"			52	16	B14132418B
	12"	22	22,500 / 33,750	44	20	B16132412B

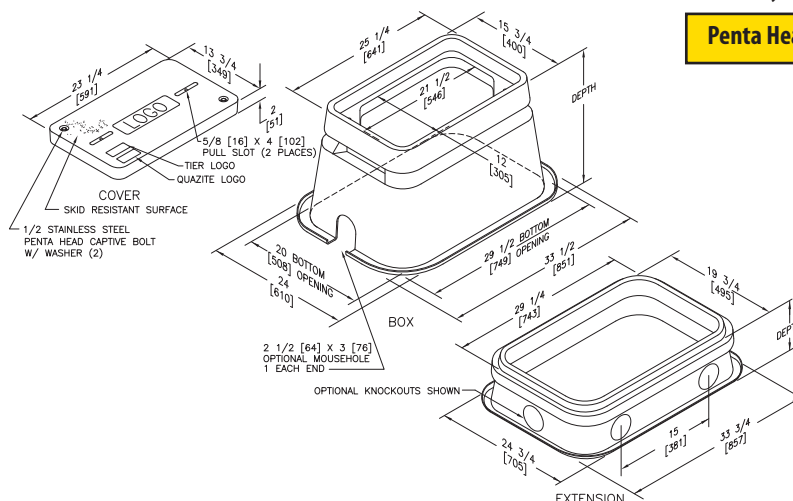
To order boxes with 2 standard mouseholes, replace the last character with "M".  
To order gasketed boxes, replace the last character with "G".  
Gasket reduce the inflow of fluids but do not make the enclosure water tight.  
NOTE: Cover rating cannot exceed box rating.

QUAZITE FRP

# Dimensions / Data

## 13" x 24" Flared Wall Style FRP (Nestable) Assembly

**Penta Head Bolts are Standard**



### Covers

DESCRIPTION	TIER	DESIGN / TEST LOAD #	WEIGHT #	PALLET QTY	PART NO.
W/ 2 Bolts	8	8,000 / 12,000	26	50	C10132402A***
W/ 2 Bolts	15	15,000 / 22,500	40	50	C12132402A***
No Bolts	8	8,000 / 12,000	26	50	C00132402A***
W/ 2 Bolts	22	22,500 / 33,750	40	50	C16132402A***
No Bolts, W/CI Reader, Over 90	5*	5,000 / 7,500	30	50	C08132402C009
No Bolts, W/CI Reader, Under 90	5*	5,000 / 7,500	30	50	C08132402D009

Replace \*\*\* with a logo code found on page 138. See page 141 for other meter lid and touch/radio read cover options.  
\* CI Reader covers also available in Tier 8.

### Boxes

DESCRIPTION	DEPTH	TIER	DESIGN / TEST LOAD #	WEIGHT #	PALLET QTY	PART NO.
Standard Open Bottom	12"	8	8,000 / 12,000	38	16	B10132412A
	18"		8,000 / 12,000	44	16	B10132418A
	24"		8,000 / 12,000	52	10	B10132424A
	12"	15	15,000 / 22,500	42	16	B12132412A
	18"		15,000 / 22,500	50	16	B12132418A
	24"		15,000 / 22,500	58	10	B12132424A
	12"	22	22,500 / 33,750	42	16	B19132412A
	18"		22,500 / 33,750	50	16	B19132418A
24"	22,500 / 33,750		58	10	B19132424A	

To order boxes with 2 standard mouseholes, replace the last character with "M".  
To order gasketed boxes, replace the last character with "G".  
Gaskets reduce the inflow of fluids but do not make the enclosure water tight.  
NOTE: Cover rating cannot exceed box rating.

### Bottom Extensions

DESCRIPTION	DEPTH	TIER	DESIGN / TEST LOAD #	WEIGHT #	PALLET QTY	PART NO.
8" - Tier 8	8"	8	8,000 / 12,000	33	12	E00132408A
8" - Tier 15	8"	15	15,000 / 22,500	38	12	E02132408A

To order boxes with 2 standard mouseholes, replace the last character with "M".  
To order gasketed boxes, replace the last character with "G".

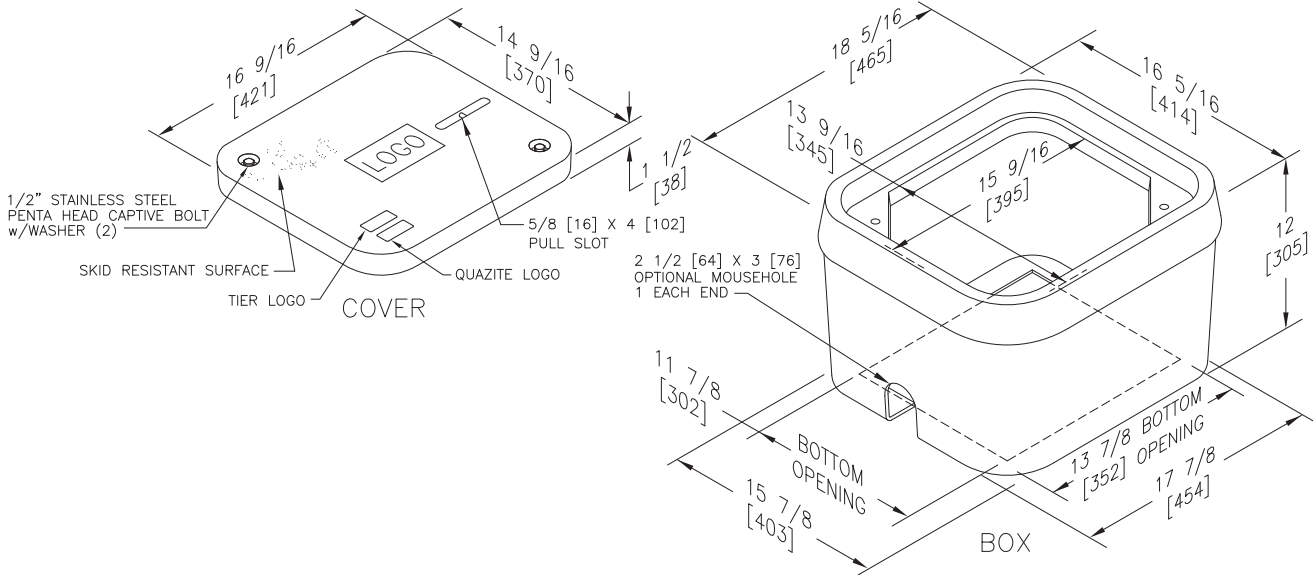


QUAZITE FRP

# Dimensions / Data

15" x 17" FRP Straight Wall

**Penta Head Bolts are Standard**



## Covers

DESCRIPTION	TIER	DESIGN / TEST LOAD #	WEIGHT #	PALLET QTY	PART NO.
W/ 2 Bolts	8	8,000 / 12,000	22	100	C10151702A***
W/ 2 Bolts	15	15,000 / 22,500	25	100	C12151702A***
No Bolts	8	8,000 / 12,000	22	100	C00151702A***
No Bolts	15	15,000 / 22,500	25	100	C02151702A***
No Bolts, w/CI Reader, Over 90	5*	5,000 / 7,500	30	100	C08151702E009
No Bolts, w/CI Reader, Under 90	5*	5,000 / 7,500	30	100	C08151702F009

Replace \*\*\* with a logo code found on page 138. See page 141 for other meter lid and touch/radio read cover options.  
\* CI Reader covers also available in Tier 8.

## Boxes

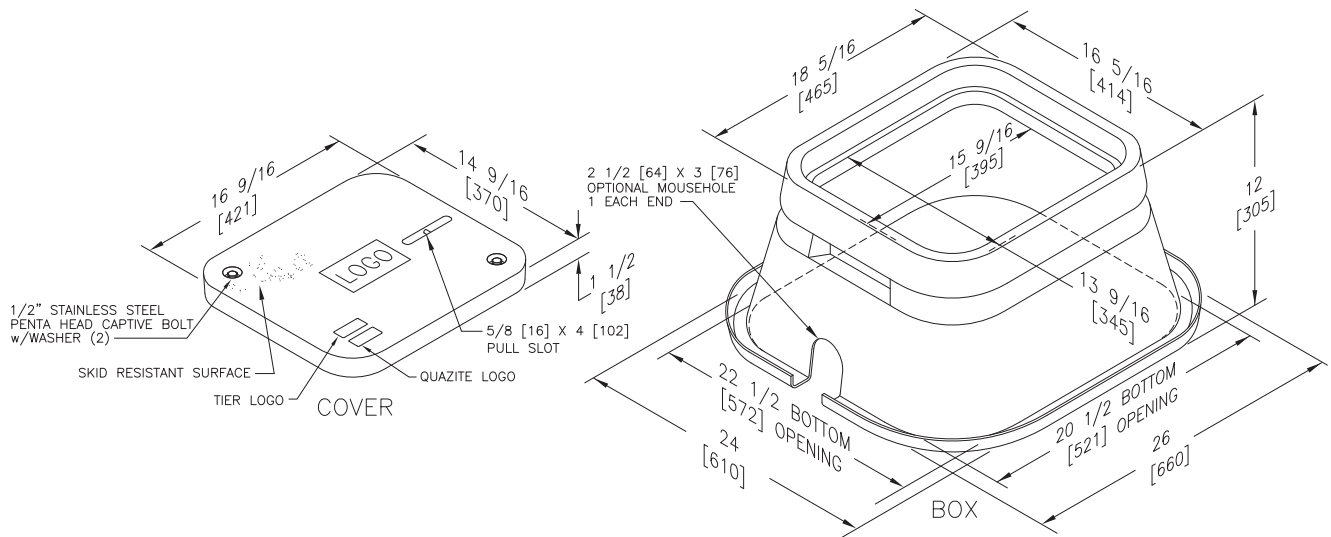
DESCRIPTION	DEPTH	TIER	DESIGN / TEST LOAD #	WEIGHT #	PALLET QTY	PART NO.
Standard Open Bottom	12"	8	8,000 / 12,000	24	20	B13151712A
	12"	15	15,000 / 22,500	28	20	B14151712A
Open Bottom, No Bolts	12"	8	8,000 / 12,000	24	20	B03151712A
	12"	15	15,000 / 22,500	28	20	B04151712A
Solid Bottom	12"	8	8,000 / 12,000	26	20	B13151712B
	12"	15	15,000 / 22,500	30	20	B14151712B

To order boxes with 2 standard mouseholes, replace the last character with "M".  
To order gasketed boxes, replace the last character with "G".  
Gasket reduce the inflow of fluids but do not make the enclosure water tight.  
NOTE: Cover rating cannot exceed box rating.

# Dimensions / Data

15" x 17" FRP Flared

**Penta Head Bolts are Standard**



## Covers

DESCRIPTION	TIER	DESIGN / TEST LOAD #	WEIGHT #	PALLET QTY	PART NO.
W/ 2 Bolts	8	8,000 / 12,000	22	100	C10151702A***
W/ 2 Bolts	15	15,000 / 22,500	25	100	C12151702A***
No Bolts	8	8,000 / 12,000	22	100	C00151702A***
No Bolts, w/CI Reader, Over 90	5*	5,000 / 7,500	27	100	C08151702E009
No Bolts, w/CI Reader, Under 90	5*	5,000 / 7,500	27	100	C08151702F009

Replace \*\*\* with a logo code found on page 138. See page 141 for other meter lid and touch/radio read cover options.  
\* CI Reader covers also available in Tier 8.

## Boxes

DESCRIPTION	DEPTH	TIER	DESIGN / TEST LOAD #	WEIGHT #	PALLET QTY	PART NO.
Standard Open Bottom	12"	8	8,000 / 12,000	24	20	B10151712A
	12"	15	15,000 / 22,500	28	20	B12151712A

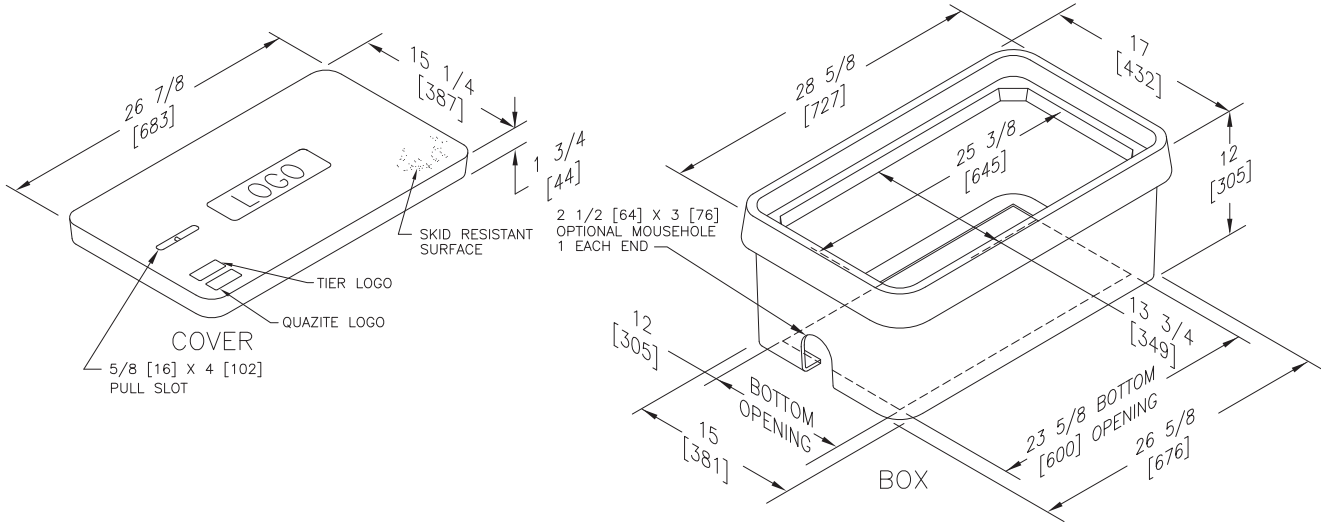
To order with 2 standard mouseholes, replace the last character with "M".  
To order gasketed boxes, replace the letter "A" with the letter "G".  
NOTE: Gasket reduce the inflow of fluids but do not make the enclosure water tight.  
NOTE: Cover rating cannot exceed box rating.

QUAZITE FRP

# Dimensions / Data

15" x 27" FRP Straight Wall Stackable

**Penta Head Bolts are Standard**



## Covers

DESCRIPTION	TIER	DESIGN / TEST LOAD #	WEIGHT #	PALLET QTY	PART NO.
No Bolts	8	8,000 / 12,000	22	50	C00152702A***
No Bolts, w/CI Reader, Over 90	5	5,000 / 7,500	27	50	C08152702E009
No Bolts, w/CI Reader, Under 90	5	5,000 / 7,500	27	50	C08152702F009

Replace \*\*\* with a logo code found on page 138. See page 141 for other meter lid and touch/radio read cover options.

## Boxes

DESCRIPTION	DEPTH	TIER	DESIGN / TEST LOAD #	WEIGHT #	PALLET QTY	PART NO.
Standard Open Bottom	12"	8	8,000 / 12,000	32	10	B03152712A
Solid Bottom	12"	8	8,000 / 12,000	34	10	B03152712B

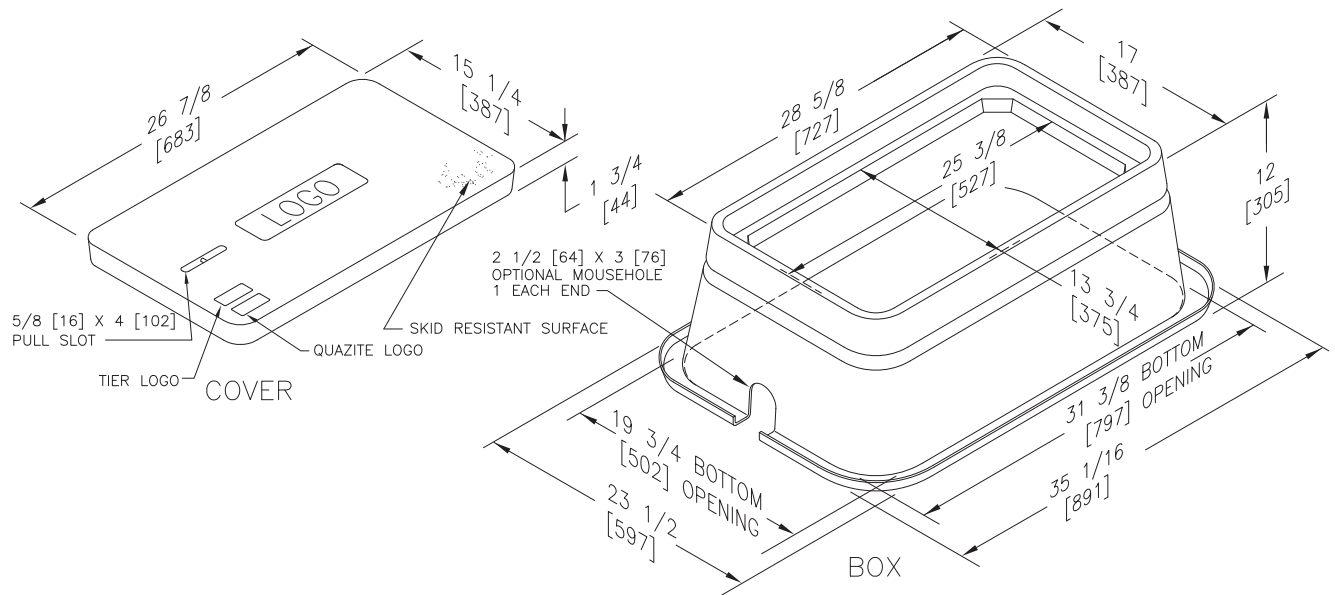
To order with 2 standard mouseholes, replace the last character with "M".  
NOTE: Cover rating cannot exceed box rating.

QUAZITE FRP

# Dimensions / Data

15" x 27" FRP Flared

**Penta Head Bolts are Standard**



## Covers

DESCRIPTION	TIER	DESIGN / TEST LOAD #	WEIGHT #	PALLET QTY	PART NO.
No Bolts	8	8,000 / 12,000	22	50	C00152702A***
No Bolts, w/CI Reader, Over 90	5	5,000 / 7,500	27	50	C08152702E009
No Bolts, w/CI Reader, Under 90	5	5,000 / 7,500	27	50	C08152702F009

Replace \*\*\* with a logo code found on page 138. See page 141 for other meter lid and touch/radio read cover options.

## Boxes

DESCRIPTION	DEPTH	TIER	DESIGN / TEST LOAD #	WEIGHT #	PALLET QTY	PART NO.
Standard Open Bottom	12"	8	8,000 / 12,000	32	10	B00152712A

To order with 2 standard mouseholes, replace the last character with "M".  
NOTE: Cover rating cannot exceed box rating.

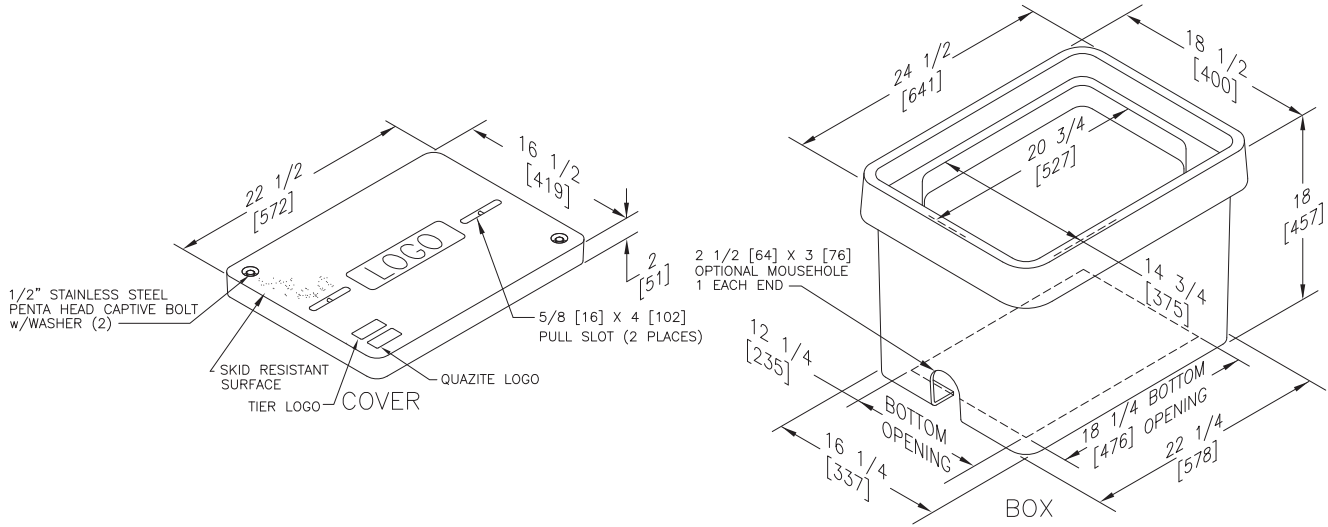
QUAZITE FRP



# Dimensions / Data

## 16" x 22" FRP Straight Wall Stackable

**Penta Head Bolts are Standard**



### Covers

DESCRIPTION	TIER	DESIGN / TEST LOAD #	WEIGHT #	PALLET QTY	PART NO.
W/ 2 Bolts	8	8,000 / 12,000	29	50	C10162202A***
W/ 2 Bolts	15	15,000 / 22,500	34	50	C12162202A***
No Bolts	8	8,000 / 12,000	29	50	C00162202A***
No Bolts	15	15,000 / 22,500	34	50	C02162202A***

Replace \*\*\* with a logo code found on page 138. See page 141 for other meter lid and touch/radio read cover options.

### Boxes

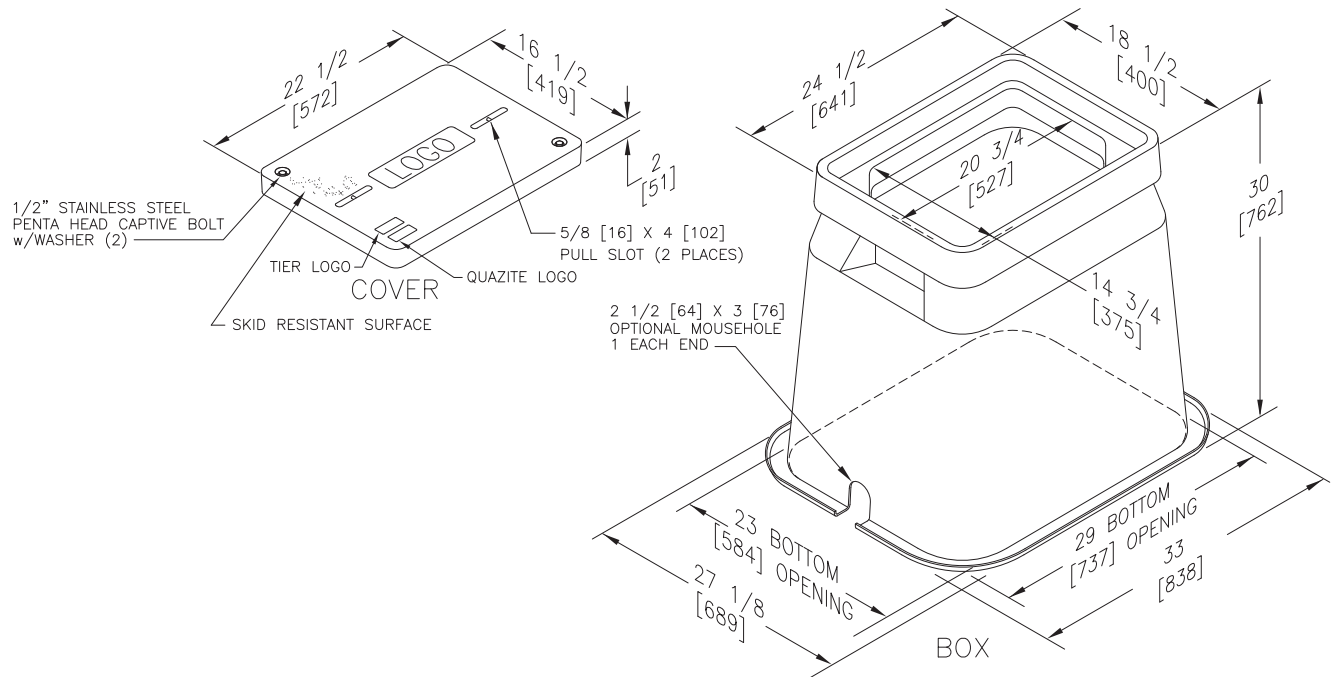
DESCRIPTION	DEPTH	TIER	DESIGN / TEST LOAD #	WEIGHT #	PALLET QTY	PART NO.
Standard Open Bottom	18"	8	8,000 / 12,000	42	9	B13162218A
	18"	15	15,000 / 22,500	52	9	B14162218A
No Bolts	18"	8	8,000 / 12,000	42	9	B03162218A
No Bolts	18"	15	15,000 / 22,500	42	9	B04162218A
Solid Bottom	18"	8	8,000 / 12,000	46	9	B13162218B
	18"	15	15,000 / 22,500	56	9	B14162218B
No Bolts	18"	8	8,000 / 12,000	42	9	B03162218B
No Bolts	18"	15	15,000 / 22,500	42	9	B04162218B

To order boxes with 2 standard mouseholes, replace the letter "A" with letter "B".  
 NOTE: Gasket reduce the inflow of fluids but do not make the enclosure water tight.  
 NOTE: Cover rating cannot exceed box rating.

# Dimensions / Data

16" x 22" FRP Flared

**Penta Head Bolts are Standard**



## Covers

DESCRIPTION	TIER	DESIGN / TEST LOAD #	WEIGHT #	PALLET QTY	PART NO.
W/ 2 Bolts	8	8,000 / 12,000	29	50	C10162202A***
W/ 2 Bolts	15	15,000 / 22,500	34	50	C12162202A***
No Bolts	8	8,000 / 12,000	29	50	C00162202A***
No Bolts	15	15,000 / 22,500	34	50	C02162202A***

Replace \*\*\* with a logo code found on page 138. See page 141 for other meter lid and touch/radio read cover options.

## Boxes

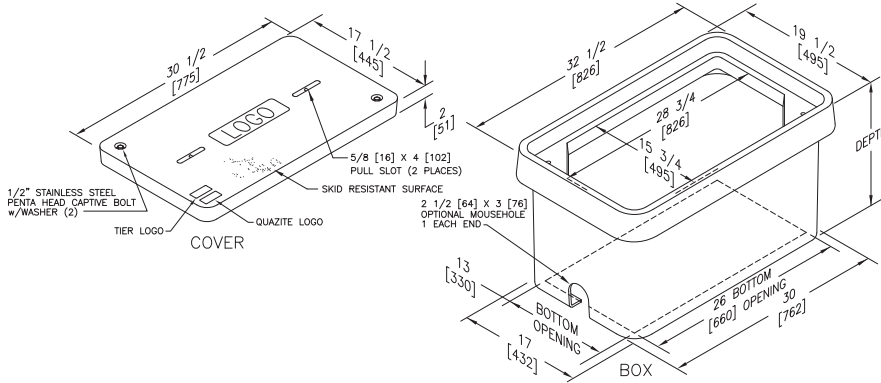
DESCRIPTION	DEPTH	TIER	DESIGN / TEST LOAD #	WEIGHT #	PALLET QTY	PART NO.
Standard Open Bottom	30"	8	8,000 / 12,000	66	10	B10162230A
	30"	15	15,000 / 22,500	76	10	B12162230A
No Bolt	30"	8	8,000 / 12,000	66	10	B00162230A
	30"	15	15,000 / 22,500	66	10	B02162230A

To order boxes with 2 standard mouseholes, replace the letter "A" with letter "B".  
NOTE: Gasket reduce the inflow of fluids but do not make the enclosure water tight.  
NOTE: Cover rating cannot exceed box rating.

QUAZITE FRP

# Dimensions / Data

17" x 30" FRP Straight Wall Stackable



**Penta Head Bolts are Standard**

## Covers

DESCRIPTION	TIER	DESIGN / TEST LOAD #	WEIGHT #	PALLET QTY	PART NO.
W/ 2 Bolts	8	8,000 / 12,000	27	50	C10173002A***
W/ 2 Bolts	15	15,000 / 22,500	27	50	C12173002A***
No Bolts	8	8,000 / 12,000	27	50	C00173002A***
No Bolts	15	15,000 / 22,500	27	50	C02173002A***
W/ 2 Bolts	22	22,500 / 33,750	27	50	C16173002A***
No Bolts, W/CI Reader, Over 90	5	5,000 / 7,500	53	50	C08173003E009
No Bolts, W/CI Reader, Under 90	5	5,000 / 7,500	53	50	C08173003F009
No Bolts, W/CI Reader, Over 90	8	8,000 / 12,000	53	50	C00173003E009
No Bolts, W/CI Reader, Under 90	8	8,000 / 12,000	53	50	C00173003F009

Replace \*\*\* with a logo code found on page 138. See page 141 for other meter lid and touch/radio read cover options.

## Boxes

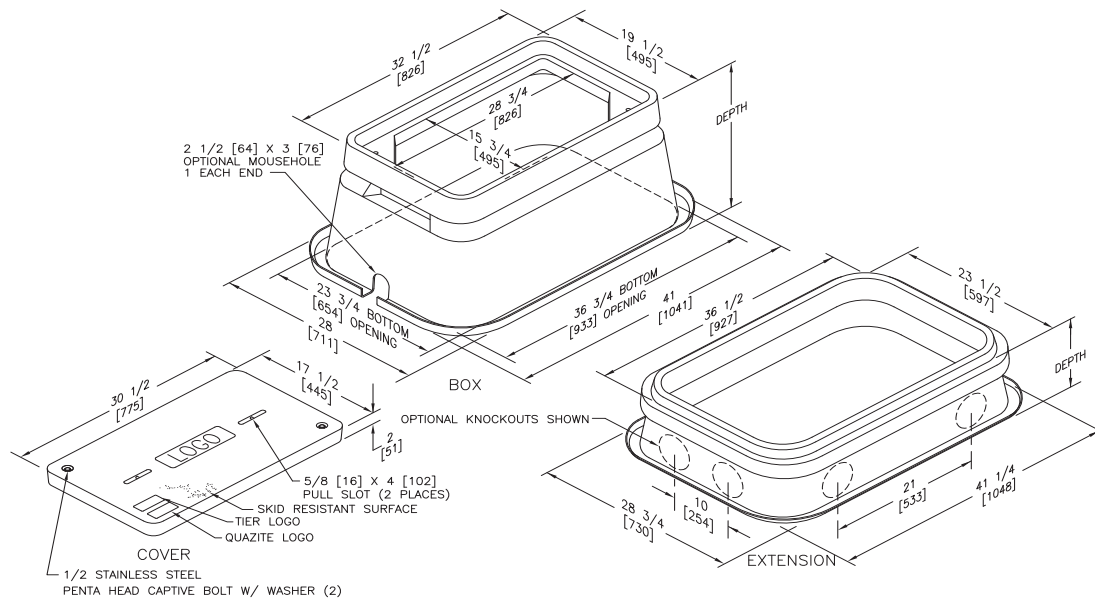
DESCRIPTION	DEPTH	TIER	DESIGN / TEST LOAD #	WEIGHT #	PALLET QTY	PART NO.	
Standard Open Bottom	12"	8	8,000 / 12,000	46	10	B13173012A	
	18"		8,000 / 12,000	58	9	B13173018A	
	22"		8,000 / 12,000	68	8	B13173022A	
	30"		8,000 / 12,000	88	6	B13173030A	
	12"	15	15,000 / 22,500	50	10	B14173012A	
	18"		15,000 / 22,500	62	9	B14173018A	
	22"		15,000 / 22,500	74	8	B14173022A	
	30"		15,000 / 22,500	94	6	B14173030A	
	12"	22	22,500 / 33,750	50	10	B16173012A	
	18"		22,500 / 33,750	62	9	B16173018A	
	Solid Bottom	12"	8	8,000 / 12,000	51	10	B13173012B
		18"		8,000 / 12,000	63	9	B13173018B
22"		8,000 / 12,000		73	8	B13173022B	
30"		8,000 / 12,000		93	6	B13173030B	
12"		15	15,000 / 22,500	55	10	B14173012B	
18"			15,000 / 22,500	67	9	B14173018B	
22"			15,000 / 22,500	79	8	B14173022B	
30"			15,000 / 22,500	99	6	B14173030B	
12"		22	22,500 / 33,750	55	10	B16173012B	
18"			22,500 / 33,750	67	9	B16173018B	

To order boxes with 2 standard mouseholes, replace the last character with "M". To order gasketed boxes, replace the last character with "G". NOTE: Gaskets reduce the inflow of fluids but do not make the enclosure water tight. NOTE: Cover rating cannot exceed box rating.

# Dimensions / Data

17" x 30" Flared Wall Style FRP (Nestable) Assembly

**Penta Head Bolts are Standard**



## Covers

DESCRIPTION	TIER	DESIGN / TEST LOAD #	WEIGHT #	PALLET QTY	PART NO.
W/ 2 Bolts	8	8,000 / 12,000	47	50	C10173002A***
W/ 2 Bolts	15	15,000 / 22,500	51	50	C12173002A***
No Bolts	8	8,000 / 12,000	47	50	C00173002A***
No Bolts	15	15,000 / 22,500	51	50	C02173002A***
W/ 2 Bolts	22	22,500 / 33,750	51	50	C16173002A***
No Bolts, W/CI Reader, Over 90	5	5,000 / 7,500	53	50	C08173003E009
No Bolts, W/CI Reader, Under 90	5	5,000 / 7,500	53	50	C08173003F009
No Bolts, W/CI Reader, Over 90	8	8,000 / 12,000	53	50	C00173003E009
No Bolts, W/CI Reader, Under 90	8	8,000 / 12,000	53	50	C00173003F009

Replace \*\*\* with a logo code found on page 138. See page 141 for other meter lid and touch/radio read cover options.

QUAZITE FRP

# Dimensions / Data

17" x 30" Flared Wall Style FRP (Nestable) Assembly (Continued)

**Penta Head Bolts are Standard**

## Boxes

DESCRIPTION	DEPTH	TIER	DESIGN / TEST LOAD #	WEIGHT #	PALLET QTY	PART NO.
Standard Open Bottom	12"	8	8,000 / 12,000	46	10	B10173012A
	18"		8,000 / 12,000	58	10	B10173018A
	22"		8,000 / 12,000	68	10	B10173022A
	24"		8,000 / 12,000	78	10	B10173024A
	30"		8,000 / 12,000	88	10	B10173030A
	34"		8,000 / 12,000	96	8	B10173034A
	12"	15	15,000 / 22,500	50	10	B12173012A
	18"		15,000 / 22,500	64	10	B12173018A
	22"		15,000 / 22,500	74	10	B12173022A
	24"		15,000 / 22,500	84	10	B12173024A
	30"		15,000 / 22,500	94	10	B12173030A
	34"		15,000 / 22,500	102	8	B12173034A
	12"	22	22,500 / 33,750	50	10	B19173012A
	18"		22,500 / 33,750	64	10	B19173018A
	22"		22,500 / 33,750	74	10	B19173022A
	24"		22,500 / 33,750	84	10	B19173024A
	30"		22,500 / 33,750	94	10	B19173030A

To order boxes with 2 standard mouseholes, replace the last character with "M".  
 To order gasketed boxes, replace the last character with "G".  
 Gaskets reduce the inflow of fluids but do not make the enclosure water tight.  
 NOTE: Cover rating cannot exceed box rating.

## Bottom Extensions

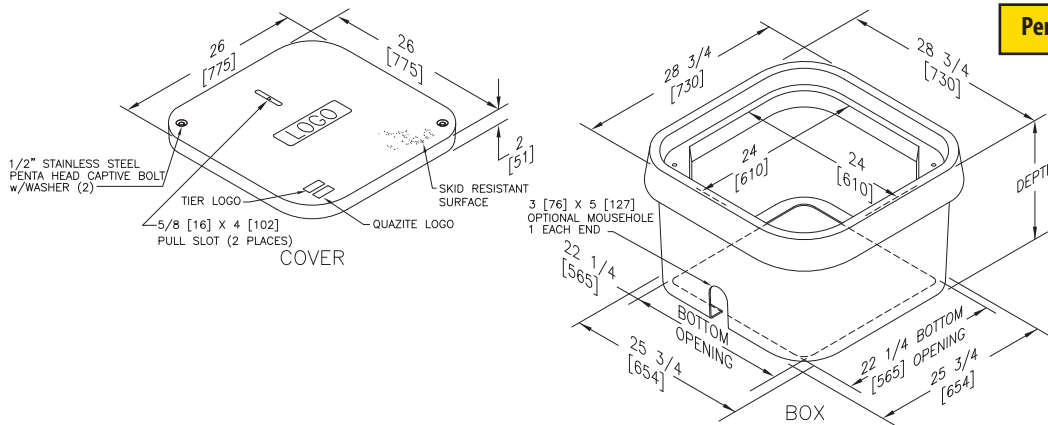
DESCRIPTION	DEPTH	TIER	DESIGN / TEST LOAD #	WEIGHT #	PALLET QTY	PART NO.
8" - Tier 8	8"	8	8,000 / 12,000	39	12	E00173008A
8" - Tier 15	8"	15	15,000 / 22,500	45	12	E02173008A
16" - Tier 8	16"	8	8,000 / 12,000	42	8	E00173016A
16" - Tier 15	16"	15	15,000 / 22,500	48	8	E02173016A

To order boxes with 2 standard mouseholes, replace the last character with "M".  
 To order gasketed boxes, replace the last character with "G".

QUAZITE FRP

# Dimensions / Data

## 24" x 24" FRP Straight Wall Stackable



### Covers

DESCRIPTION	TIER	DESIGN / TEST LOAD #	WEIGHT #	PALLET QTY	PART NO.
W/ 2 Bolts	8	8,000 / 12,000	70	20	C10242402A***
W/ 2 Bolts	15	15,000 / 22,500	100	20	C12242402A***
No Bolts	8	8,000 / 12,000	70	20	C00242402A***
W/ 2 Bolts	22	22,500 / 33,750	100	20	C16242402A***

Replace \*\*\* with a logo code found on page 138. See page 141 for other meter lid and touch/radio read cover options.

### Boxes

DESCRIPTION	DEPTH	TIER	DESIGN / TEST LOAD #	WEIGHT #	PALLET QTY	PART NO.
Standard Open Bottom	12"	8	8,000 / 12,000	74	9	B13242412A
	18"		8,000 / 12,000	78	5	B13242418A
	24"		8,000 / 12,000	83	5	B13242424A
	12"	15	15,000 / 22,500	77	9	B14242412A
	18"		15,000 / 22,500	84	5	B14242418A
	24"		15,000 / 22,500	92	5	B14242424A
	12"	22	22,500 / 33,750	77	9	B16242412A
	18"		22,500 / 33,750	84	5	B16242418A
	24"		22,500 / 33,750	92	5	B16242424A
Solid Bottom	12"	8	8,000 / 12,000	81	9	B13242412B
	18"		8,000 / 12,000	85	5	B13242418B
	24"		8,000 / 12,000	90	5	B13242424B
	12"	15	15,000 / 22,500	84	9	B14242412B
	18"		15,000 / 22,500	91	5	B14242418B
	24"		15,000 / 22,500	99	5	B14242424B
	12"	22	22,500 / 33,750	84	9	B16242412B
	18"		22,500 / 33,750	91	5	B16242418B
	24"		22,500 / 33,750	99	5	B16242424B

To order boxes with 2 standard mouseholes, replace the last character with "M".

To order gasketed boxes, replace the last character with "G".

NOTE: Gasket reduce the inflow of fluids but do not make the enclosure water tight.

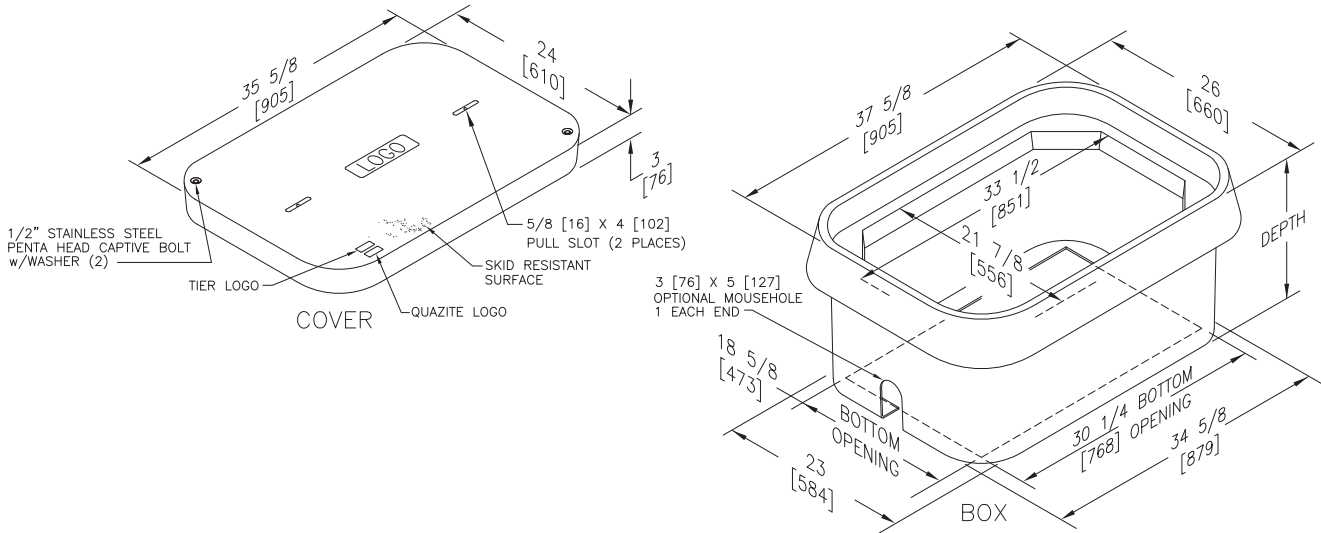
NOTE: Cover rating cannot exceed box rating.



# Dimensions / Data

24" x 36" FRP Straight Wall Stackable

**Penta Head Bolts are Standard**



## Covers

DESCRIPTION	TIER	DESIGN / TEST LOAD #	WEIGHT #	PALLET QTY	PART NO.
W/ 2 Bolts	8	8,000 / 12,000	86	20	C10243603A***
W/ 2 Bolts	15	15,000 / 22,500	94	20	C12243603A***
No Bolts	8	8,000 / 12,000	86	20	C00243603A***
W/ 2 Bolts	22	22,500 / 33,750	94	20	C16243603A***
No Bolts, W/CI Reader, Over 90	5	5,000 / 7,500	89	20	C08243603E009
No Bolts, W/CI Reader, Under 90	5	5,000 / 7,500	89	20	C08243603F009
No Bolts, W/CI Reader, Over 90	8	8,000 / 12,000	89	20	C00243603E009
No Bolts, W/CI Reader, Under 90	8	8,000 / 12,000	89	20	C00243603F009

Replace \*\*\* with a logo code found on page 138. See page 141 for other meter lid and touch/radio read cover options.

# Dimensions / Data

24" x 36" FRP Straight Wall Stackable (Continued)

**Penta Head Bolts are Standard**

**Boxes**

DESCRIPTION	DEPTH	TIER	DESIGN / TEST LOAD #	WEIGHT #	PALLET QTY	PART NO.		
Standard Open Bottom	18"	8	8,000 / 12,000	100	6	B13243618A		
	24"		8,000 / 12,000	109	5	B13243624A		
	30"		8,000 / 12,000	118	4	B13243630A		
	Standard Open Bottom	18"	15	15,000 / 22,500	105	6	B14243618A	
		24"		15,000 / 22,500	114	5	B14243624A	
		30"		15,000 / 22,500	123	4	B14243630A	
		Standard Open Bottom	18"	22	22,500 / 33,750	105	6	B16243618A
			24"		22,500 / 33,750	114	5	B16243624A
			30"		22,500 / 33,750	123	4	B16243630A
Solid Bottom	18"	8	8,000 / 12,000	107	6	B13243618B		
	24"		8,000 / 12,000	116	5	B13243624B		
	30"		8,000 / 12,000	125	4	B13243630B		
	Solid Bottom	18"	15	15,000 / 22,500	112	6	B14243618B	
		24"		15,000 / 22,500	121	5	B14243624B	
		30"		15,000 / 22,500	130	4	B14243630B	
	Solid Bottom	18"	22	22,500 / 33,750	112	6	B16243618B	
		24"		22,500 / 33,750	121	5	B16243624B	
		30"		22,500 / 33,750	130	4	B16243630B	

To order boxes with 2 standard mouseholes, replace the last character with "M". To order gasketed boxes, replace the last character with "G". NOTE: Gasket reduce the inflow of fluids but do not make the enclosure water tight.  
 NOTE: Cover rating cannot exceed box rating.

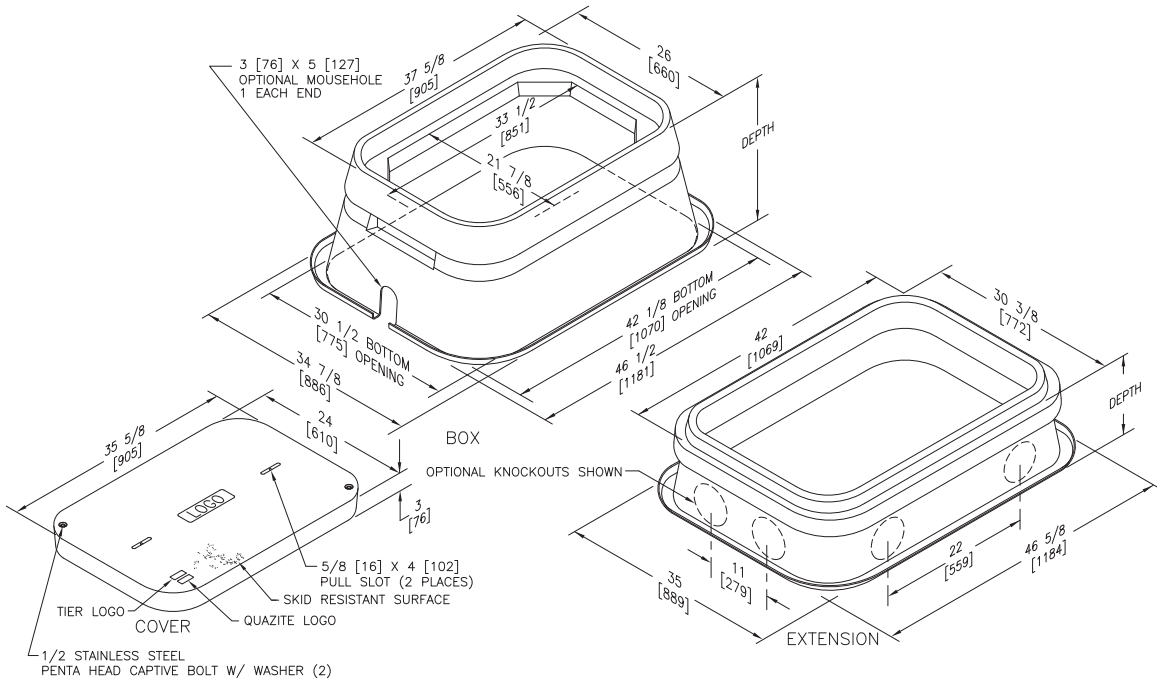
QUAZITE FRP



# Dimensions / Data

## 24" x 36" Flared Wall Style FRP (Nestable) Assembly

**Penta Head Bolts are Standard**



### Covers

DESCRIPTION	TIER	DESIGN / TEST LOAD #	WEIGHT #	PALLET QTY	PART NO.
W/ 2 Bolts	8	8,000 / 12,000	86	20	C10243603A***
W/ 2 Bolts	15	15,000 / 22,500	94	20	C12243603A***
No Bolts	8	8,000 / 12,000	86	20	C00243603A***
W/ 2 Bolts	22	22,500 / 33,750	94	20	C16243603A***
No Bolts, W/CI Reader, Over 90	5	5,000 / 7,500	89	20	C08243603E009
No Bolts, W/CI Reader, Under 90	5	5,000 / 7,500	89	20	C08243603F009
No Bolts, W/CI Reader, Over 90	8	8,000 / 12,000	89	20	C00243603E009
No Bolts, W/CI Reader, Under 90	8	8,000 / 12,000	89	20	C00243603F009

Replace \*\*\* with a logo code found on page 138. See page 141 for other meter lid and touch/radio read cover options.

QUAZITE FRP

# Dimensions / Data

24" x 36" Flared Wall Style FRP (Nestable) Assembly (Continued)

**Penta Head Bolts are Standard**

## Boxes

DESCRIPTION	DEPTH	TIER	DESIGN / TEST LOAD #	WEIGHT #	PALLET QTY	PART NO.
Standard Open Bottom	18"	8	8,000 / 12,000	100	5	B10243618A
	24"		8,000 / 12,000	109	5	B10243624A
	30"		8,000 / 12,000	118	5	B10243630A
	36"		8,000 / 12,000	124	4	B10243636A
	42"		8,000 / 12,000	127	3	B10243642A
	48"		8,000 / 12,000	133	3	B10243648A
	18"	15	15,000 / 22,500	105	5	B12243618A
	24"		15,000 / 22,500	114	5	B12243624A
	30"		15,000 / 22,500	123	5	B12243630A
	36"		15,000 / 22,500	129	4	B12243636A
	42"		15,000 / 22,500	132	3	B12243642A
	48"		15,000 / 22,500	138	3	B12243648A
	18"	22	22,500 / 33,750	105	5	B19243618A
	24"		22,500 / 33,750	114	5	B19243624A

To order boxes with 2 standard mouseholes, replace the last character with "M".  
 To order gasketed boxes, replace the last character with "G".  
 Gaskets reduce the inflow of fluids but do not make the enclosure water tight.  
 NOTE: Cover rating cannot exceed box rating.

## Bottom Extensions

DESCRIPTION	DEPTH	TIER	DESIGN / TEST LOAD #	WEIGHT #	PALLET QTY	PART NO.
8" - Tier 8	8"	8	8,000 / 12,000	46	6	E00243608A
8" - Tier 15	8"	15	15,000 / 22,500	46	6	E02243608A
16" - Tier 8	16"	8	8,000 / 12,000	55	5	E00243616A
16" - Tier 15	16"	15	15,000 / 22,500	63	5	E02243616A

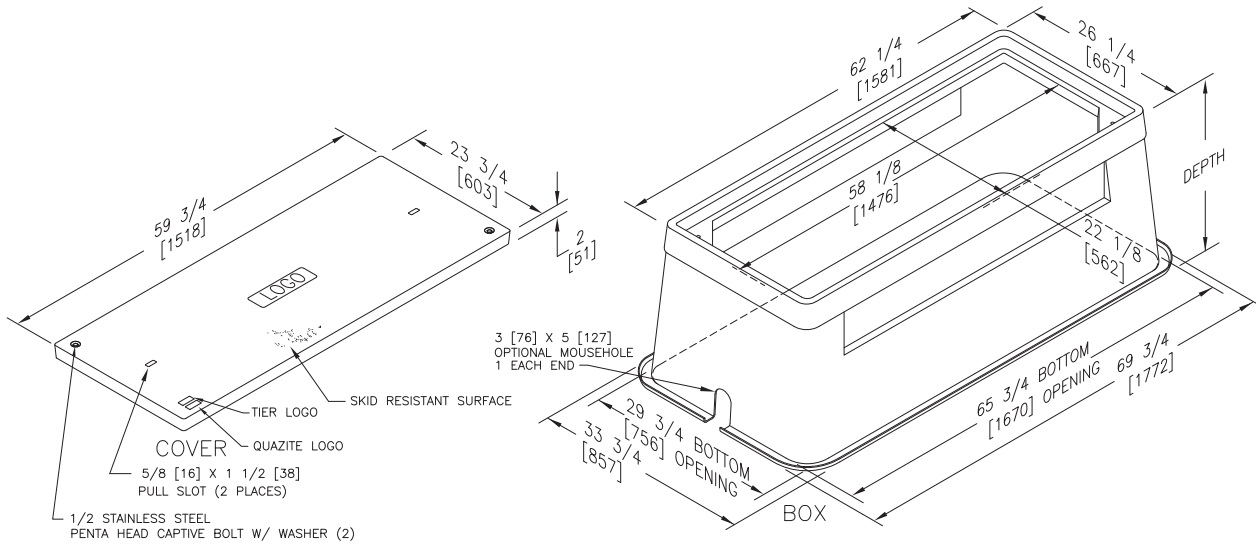
**QUAZITE FRP**



# Dimensions / Data

## 24" x 60" Flared Wall Style FRP (Nestable) Assembly

**Penta Head Bolts are Standard**



### Covers

DESCRIPTION	TIER	DESIGN / TEST LOAD #	WEIGHT #	PALLET QTY	PART NO.
W/ 2 Bolts	5	5,000 / 7,500	65	10	C18246002A***
No Bolts	5	5,000 / 7,500	65	10	C08246002A***

Replace \*\*\* with a logo code found on page 138. See page 141 for other meter lid and touch/radio read cover options.

### Boxes

DESCRIPTION	DEPTH	TIER	DESIGN / TEST LOAD #	WEIGHT #	PALLET QTY	PART NO.
Standard Open Bottom	24"	5	5,000 / 7,500	115	5	B18246024A

To order boxes with two standard mouse holes, replace the last character with "M".

To order gasketed boxes, replace the last character with "G".

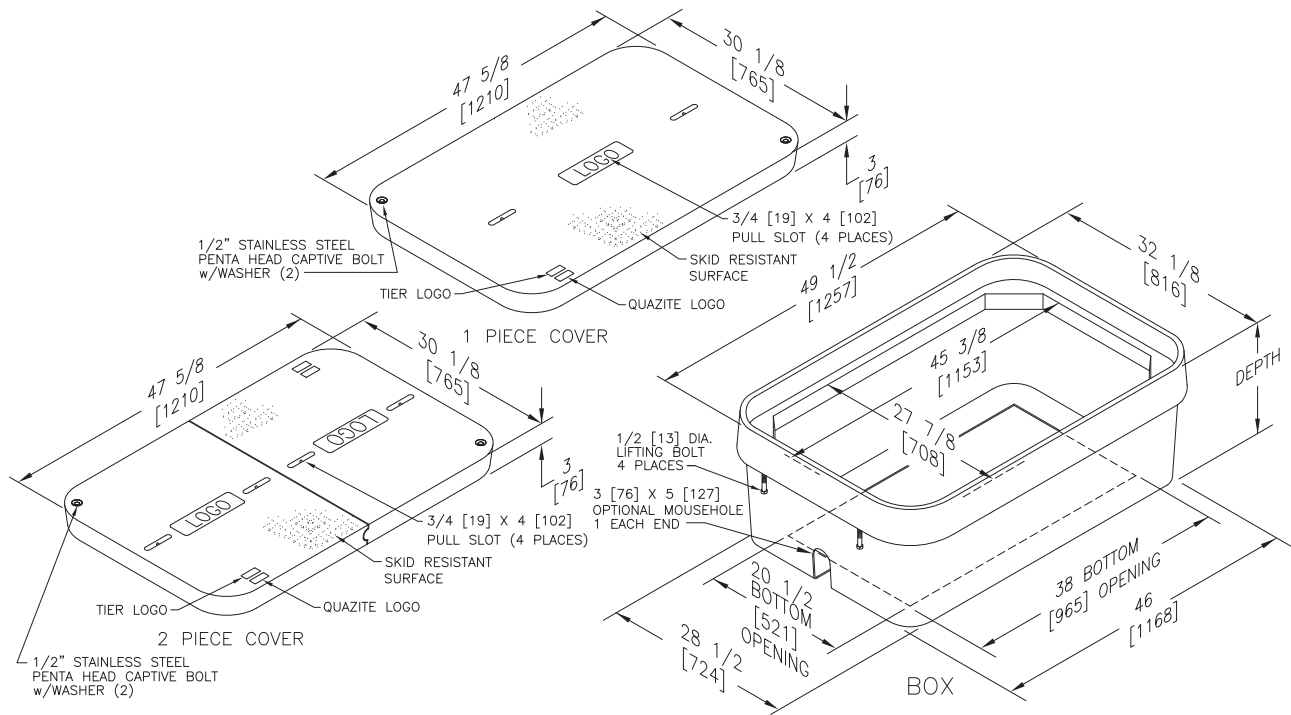
Gaskets reduce the inflow of fluids but do not make the enclosure water tight.

NOTE: Cover rating cannot exceed box rating.

# Dimensions / Data

30" x 48" FRP Straight Wall Stackable

**Penta Head Bolts are Standard**



## Covers

DESCRIPTION	TIER	DESIGN / TEST LOAD #	WEIGHT #	PALLET QTY	PART NO.
2 Piece W/ 2 Bolts	8	8,000 / 12,000	165	10	C10304803A***
2 Piece W/ 2 Bolts	15	15,000 / 22,500	225	10	C12304803A***
2 Piece No Bolts	8	8,000 / 12,000	165	10	C00304803A***
2 Piece W/ 2 Bolts	22	22,500 / 33,750	225	10	C16304803A***
1 Piece W/ 2 Bolts	8	8,000 / 12,000	165	10	C10304803Y***
1 Piece W/ 2 Bolts	15	15,000 / 22,500	225	10	C12304803Y***
No Bolts, W/CI Reader, Over 90	5	5,000 / 7,500	168	10	C08304803E009
No Bolts, W/CI Reader, Under 90	5	5,000 / 7,500	168	10	C08304803F009
No Bolts, W/CI Reader, Over 90	8	8,000 / 12,000	168	10	C00304803E009
No Bolts, W/CI Reader, Under 90	8	8,000 / 12,000	168	10	C00304803F009

Replace \*\*\* with a logo code found on page 138. See page 141 for other meter lid and touch/radio read cover options.

QUAZITE FRP



# Dimensions / Data

30" x 48" FRP Straight Wall Stackable (Continued)

**Penta Head Bolts are Standard**

Boxes								
DESCRIPTION	DEPTH	TIER	DESIGN / TEST LOAD #	WEIGHT #	PALLET QTY	PART NO.		
Standard Open Bottom	18"	8	8,000 / 12,000	130	6	B13304818A		
	24"		8,000 / 12,000	148	5	B13304824A		
	36"		8,000 / 12,000	160	4	B13304836A		
	Standard Open Bottom	18"	15	15,000 / 22,500	135	6	B14304818A	
		24"		15,000 / 22,500	153	5	B14304824A	
		36"		15,000 / 22,500	170	4	B14304836A	
		18"		22	22,500 / 33,750	135	6	B16304818A
		24"			22,500 / 33,750	153	5	B16304824A
		36"			22,500 / 33,750	170	4	B16304836A
Solid Bottom	18"	8	8,000 / 12,000	140	6	B13304818B		
	24"		8,000 / 12,000	158	5	B13304824B		
	36"		8,000 / 12,000	170	4	B13304836B		
	Solid Bottom	18"	15	15,000 / 22,500	140	6	B14304818B	
		24"		15,000 / 22,500	158	5	B14304824B	
		36"		15,000 / 22,500	170	4	B14304836B	
		18"		22	22,500 / 33,750	140	6	B16304818B
		24"			22,500 / 33,750	158	5	B16304824B
		22"			22,500 / 33,750	170	4	B16304836B

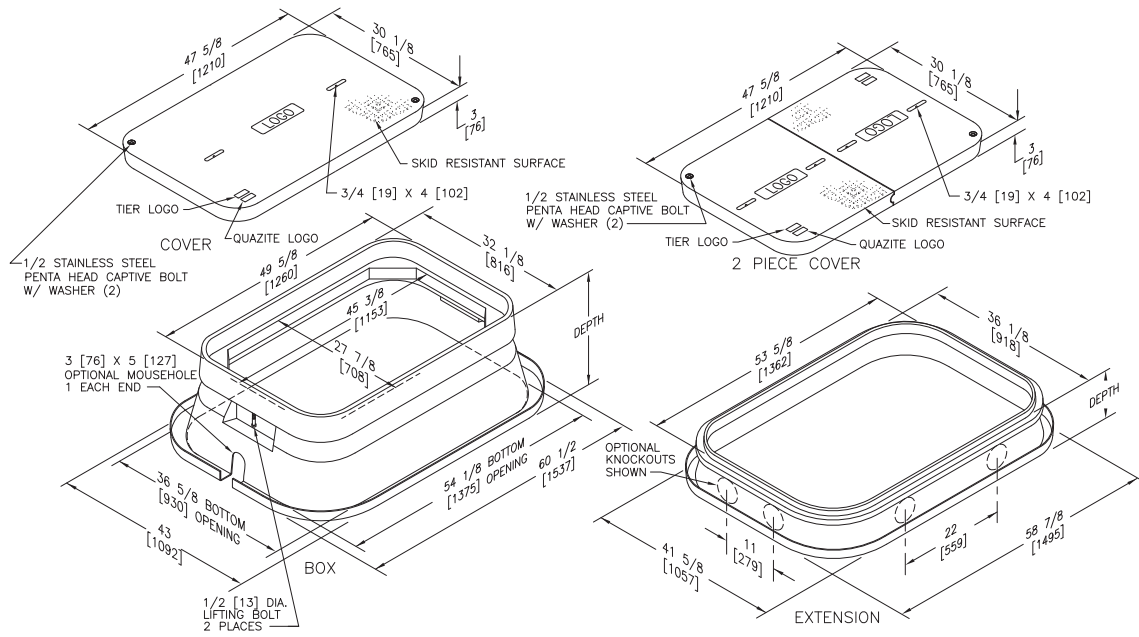
To order boxes with 2 standard mouseholes, replace the last character with "M".  
 To order gasketed boxes, replace the last character with "G".  
 NOTE: Gasket reduce the inflow of fluids but do not make the enclosure water tight.  
 NOTE: Cover rating cannot exceed box rating.

QUAZITE FRP

# Dimensions / Data

## 30" x 48" Flared Wall Style FRP (Nestable) Assembly

**Penta Head Bolts are Standard**



### Covers

DESCRIPTION	TIER	DESIGN / TEST LOAD #	WEIGHT #	PALLET QTY	PART NO.
2 piece w/2 bolts	8	8,000 / 12,000	165	10	C10304803A***
2 piece w/2 bolts	15	15,000 / 22,500	225	10	C12304803A***
2 piece w/no bolts	8	8,000 / 12,000	165	10	C00304803A***
2 piece w/2 bolts	22	22,500 / 33,750	225	10	C16304803A***
1 piece w/2 bolts	8	8,000 / 12,000	165	10	C10304803Y***
1 piece w/2 bolts	15	15,000 / 22,500	225	10	C12304803Y***
No Bolts, W/CI Reader, Over 90	5	5,000 / 7,500	168	10	C08304803E009
No Bolts, W/CI Reader, Under 90	5	5,000 / 7,500	168	10	C08304803F009
No Bolts, W/CI Reader, Over 90	8	8,000 / 12,000	168	10	C00304803E009
No Bolts, W/CI Reader, Under 90	8	8,000 / 12,000	168	10	C00304803F009

Replace \*\*\* with a logo code found on page 138. See page 141 for other meter lid and touch/radio read cover options.

# Dimensions / Data

30" x 48" Flared Wall Style FRP (Nestable) Assembly (Continued)

**Penta Head Bolts are Standard**

## Boxes

DESCRIPTION	DEPTH	TIER	DESIGN / TEST LOAD #	WEIGHT #	PALLET QTY	PART NO.
Standard Open Bottom	18"	8	8,000 / 12,000	145	5	B10304818A
	24"		8,000 / 12,000	155	5	B10304824A
	30"		8,000 / 12,000	175	5	B10304830A
	36"		8,000 / 12,000	190	4	B10304836A
	18"	15	15,000 / 22,500	150	5	B12304818A
	24"		15,000 / 22,500	160	5	B12304824A
	30"		15,000 / 22,500	180	5	B12304830A
	36"		15,000 / 22,500	200	4	B12304836A
	18"	22	22,500 / 33,750	150	5	B19304818A
	24"		22,500 / 33,750	160	5	B19304824A
	30"		22,500 / 33,750	180	5	B19304830A
	36"		22,500 / 33,750	200	4	B19304836A

To order boxes with 2 standard mouseholes, replace the last character with "M".

To order gasketed boxes, replace the last character with "G".

Gaskets reduce the inflow of fluids but do not make the enclosure water tight. One piece covers are recommended when using gaskets.

NOTE: Cover rating cannot exceed box rating.

## Bottom Extensions

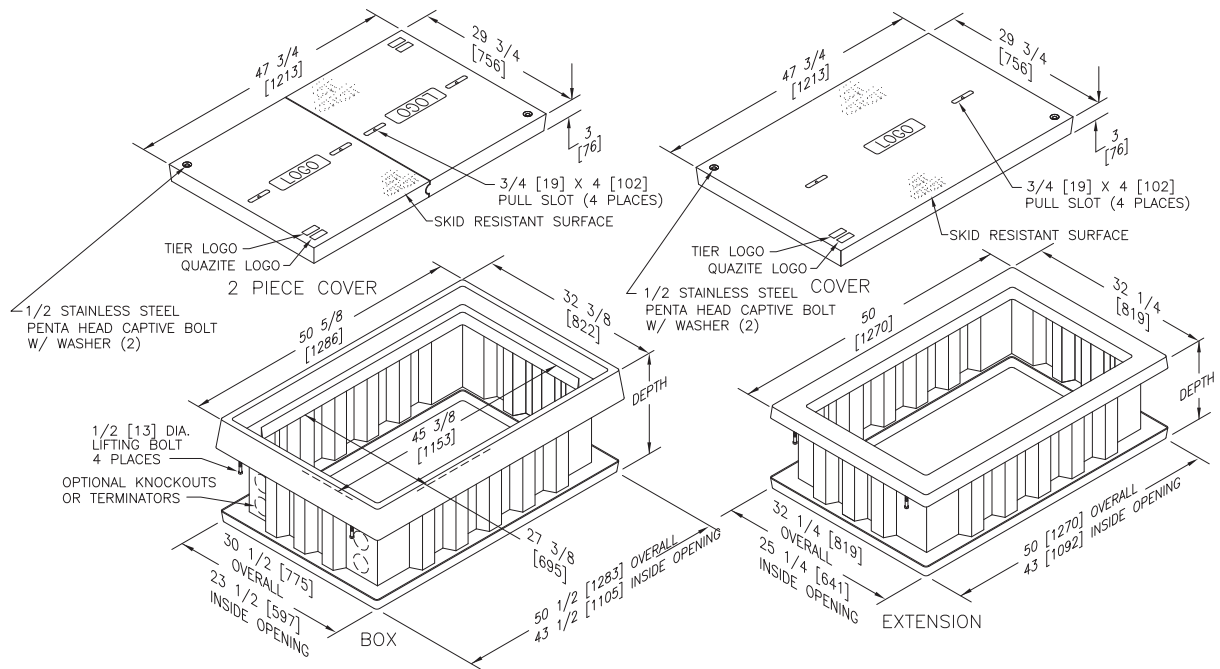
DESCRIPTION	DEPTH	TIER	DESIGN / TEST LOAD #	WEIGHT #	PALLET QTY	PART NO.
8" - Tier 8	8"	8	8,000 / 12,000	55	5	E00304808A
8" - Tier 15	8"	15	15,000 / 22,500	65	5	E02304808A
16" - Tier 8	16"	8	8,000 / 12,000	100	3	E00304816A
16" - Tier 15	16"	15	15,000 / 22,500	110	3	E02304816A

NOTE: Cover rating cannot exceed box rating.

# Dimensions / Data

## 30" x 48" Corrugated Wall Style Assembly

**Penta Head Bolts are Standard**



### Covers

DESCRIPTION	TIER	DESIGN / TEST LOAD #	WEIGHT #	PALLET QTY	PART NO.
2 piece w/2 bolts	8	8,000 / 12,000	165	3	C1A304803A***
2 piece w/no bolts	8	8,000 / 12,000	165	3	C0A304803A***
2 piece w/2 bolts	15	15,000 / 22,500	220	3	C1B304803A***
2 piece w/2 bolts	22	22,500 / 33,750	225	3	C1C304803A***
1 piece w/2 bolts	8	8,000 / 12,000	165	3	C1A304803Y***
1 piece w/2 bolts	15	15,000 / 22,500	225	3	C1B304803Y***
No Bolts, W/CI Reader, Over 90	5	5,000 / 7,500	168	3	C0E304803E009
No Bolts, W/CI Reader, Under 90	5	5,000 / 7,500	168	3	C0E304803F009
No Bolts, W/CI Reader, Over 90	8	8,000 / 12,000	168	3	C0A304803E009
No Bolts, W/CI Reader, Under 90	8	8,000 / 12,000	168	3	C0A304803F009

Replace \*\*\* with a logo code found on page 138. See page 141 for other meter lid and touch/radio read cover options.

**Penta Head Bolts are Standard**

### Boxes

DESCRIPTION	DEPTH	TIER	DESIGN / TEST LOAD #	WEIGHT #	PALLET QTY	PART NO.
Standard Open Bottom	18"	8	8,000 / 12,000	190	1	B1A304818A
	24"		8,000 / 12,000	199	1	B1A304824A
	30"		8,000 / 12,000	209	1	B1A304830A
	36"		8,000 / 12,000	218	1	B1A304836A
	48"		8,000 / 12,000	236	1	B1A304848A
Standard Open Bottom	18"	15	15,000 / 22,500	190	1	B1B304818A
	24"		15,000 / 22,500	199	1	B1B304824A
	30"		15,000 / 22,500	209	1	B1B304830A
	36"		15,000 / 22,500	218	1	B1B304836A
	48"		15,000 / 22,500	236	1	B1B304848A
Standard Open Bottom	18"	22	22,500 / 33,750	190	1	B1C304818A
	24"		22,500 / 33,750	199	1	B1C304824A
	30"		22,500 / 33,750	209	1	B1C304830A
	36"		22,500 / 33,750	218	1	B1C304836A
	48"		22,500 / 33,750	236	1	B1C304848A

To order boxes with an integral bottom, replace the last character with "B".

To order gasketed boxes, replace the last character with "G".

To order adjust-to-grade boxes, replace the last character with "W".

Gaskets reduce the inflow of fluids but do not make the enclosure water tight. One piece covers are recommended when using gaskets.

NOTE: Cover rating cannot exceed box rating.

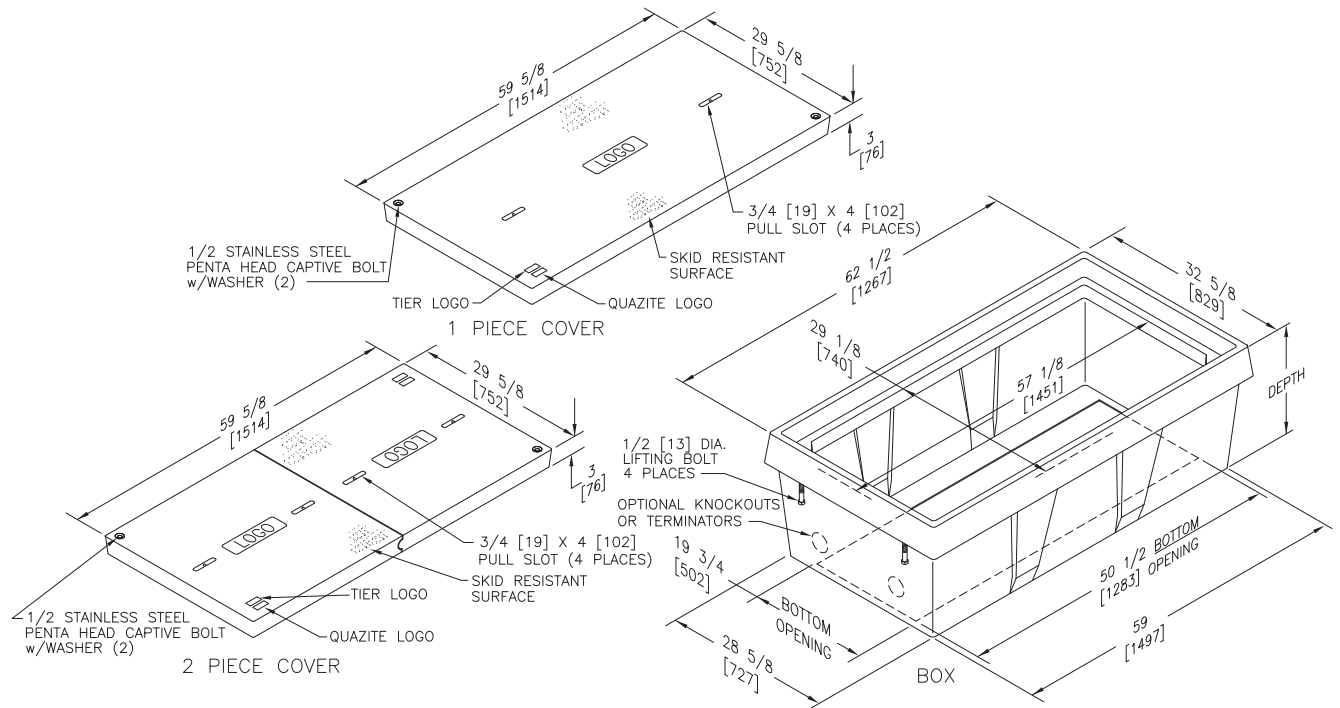
### Bottom Extensions

DESCRIPTION	DEPTH	TIER	DESIGN / TEST LOAD #	WEIGHT #	PALLET QTY	PART NO.
Standard Open Bottom	8"	8	8,000 / 12,000	105	1	E0A304808A
	12"		8,000 / 12,000	111	1	E0A304812A
	18"		8,000 / 12,000	120	1	E0A304818A
	24"		8,000 / 12,000	129	1	E0A304824A
Standard Open Bottom	8"	15	15,000 / 22,500	105	1	E0B304808A
	12"		15,000 / 22,500	111	1	E0B304812A
	18"		15,000 / 22,500	120	1	E0B304818A
	24"		15,000 / 22,500	129	1	E0B304824A
Standard Open Bottom	8"	22	22,500 / 33,750	105	1	E0C304808A
	12"		22,500 / 33,750	111	1	E0C304812A
	18"		22,500 / 33,750	120	1	E0C304818A
	24"		22,500 / 33,750	129	1	E0C304824A

# Dimensions / Data

30" x 60" FRP Straight Wall Stackable

**Penta Head Bolts are Standard**



## Covers

DESCRIPTION	TIER	DESIGN / TEST LOAD #	WEIGHT #	PALLET QTY	PART NO.
2 Piece W/ 2 Bolts	8	8,000 / 12,000	208	10	C1A306003A***
2 Piece W/ 2 Bolts	15	15,000 / 22,500	268	10	C1B306003A***
2 Piece No Bolts	8	8,000 / 12,000	208	10	COA306003A***
2 Piece W/ 2 Bolts	22	22,500 / 33,750	268	10	C1C306003A***
1 Piece W/ 2 Bolts	8	8,000 / 12,000	208	10	C1A306003Y***
1 Piece W/ 2 Bolts	15	15,000 / 22,500	268	10	C1B306003Y***
W/2 Bolts, W/CI Reader, Over 90	5	5,000 / 7,500	211	10	C1E306003E009
W/2 Bolts, W/CI Reader, Under 90	5	5,000 / 7,500	211	10	C1E306003F009

Replace \*\*\* with a logo code found on page 138. See page 141 for other meter lid and touch/radio read cover options.



**Penta Head Bolts are Standard**

### Boxes

DESCRIPTION	DEPTH	TIER	DESIGN / TEST LOAD #	WEIGHT #	PALLET QTY	PART NO.
Standard Open Bottom	18"	8	8,000 / 12,000	195	1	B13306018A
	30"		8,000 / 12,000	220	1	B13306030A
	36"		8,000 / 12,000	235	1	B13306036A
	48"		8,000 / 12,000	255	1	B13306048A
	18"	15	15,000 / 22,500	251	1	B14306018A
	30"		15,000 / 22,500	271	1	B14306030A
	36"		15,000 / 22,500	286	1	B14306036A
	48"		15,000 / 22,500	306	1	B14306048A
	18"	22	22,500 / 33,750	251	1	B16306018A
	30"		22,500 / 33,750	271	1	B16306030A
	36"		22,500 / 33,750	286	1	B16306036A
	48"		22,500 / 33,750	306	1	B16306048A
Solid Bottom	18"	8	8,000 / 12,000	210	1	B13306018B
	30"		8,000 / 12,000	235	1	B13306030B
	36"		8,000 / 12,000	250	1	B13306036B
	48"		8,000 / 12,000	270	1	B13306048B
	18"	15	15,000 / 22,500	266	1	B14306018B
	30"		15,000 / 22,500	286	1	B14306030B
	36"		15,000 / 22,500	301	1	B14306036B
	48"		15,000 / 22,500	321	1	B14306048B
	18"	22	22,500 / 33,750	266	1	B16306018B
	30"		22,500 / 33,750	286	1	B16306030B
	36"		22,500 / 33,750	301	1	B16306036B
	48"		22,500 / 33,750	321	1	B16306048B

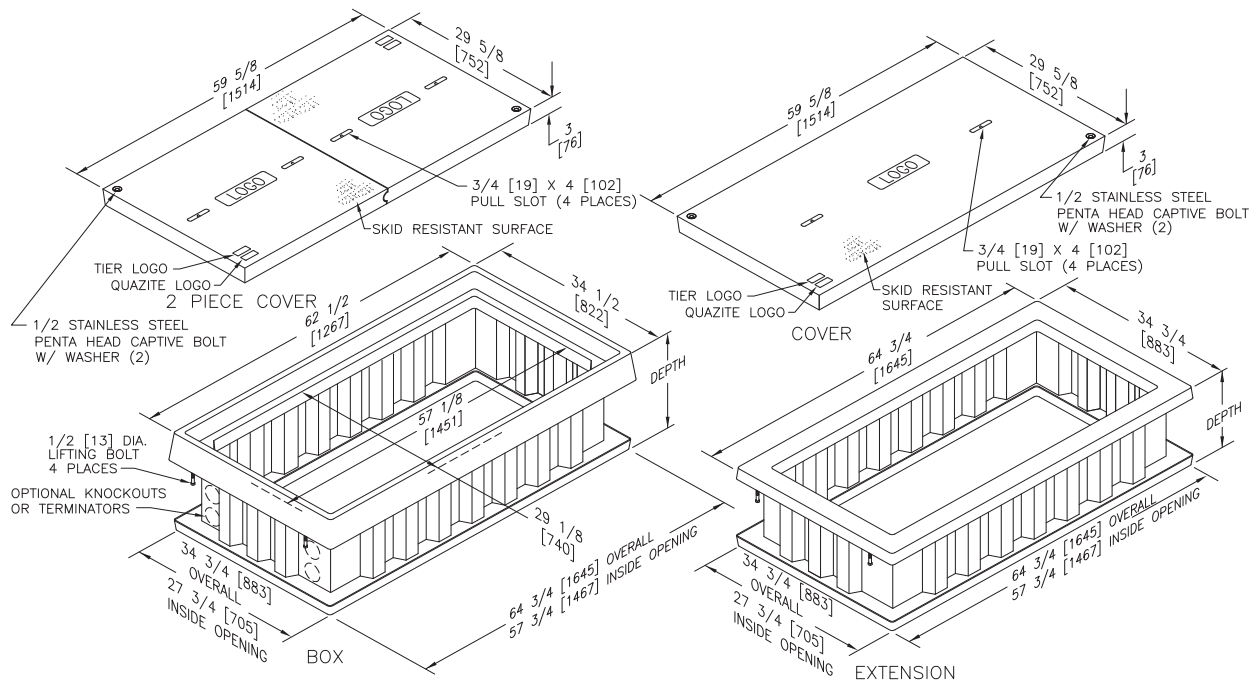
To order boxes with 2 standard mouseholes, replace the last character with "M". To order gasketed boxes, replace the last character with "G". NOTE: Gaskets reduce the inflow of fluids but do not make the enclosure water tight. NOTE: Cover rating cannot exceed box rating.

QUAZITE FRP

# Dimensions / Data

## 30" x 60" Corrugated Wall Style Assembly

**Penta Head Bolts are Standard**



### Covers

DESCRIPTION	TIER	DESIGN / TEST LOAD #	WEIGHT #	PALLET QTY	PART NO.
2 piece w/2 bolts	8	8,000 / 12,000	208	1	C1A306003A***
2 piece w/no bolts	8	8,000 / 12,000	208	1	COA306003A***
2 piece w/2 bolts	15	15,000 / 22,500	268	1	C1B306003A***
2 piece w/2 bolts	22	22,500 / 33,750	268	1	C1C306003A***
1 piece w/2 bolts	8	8,000 / 12,000	208	1	C1A306003Y***
1 piece w/2 bolts	15	15,000 / 22,500	268	1	C1B306003Y***
W/2 Bolts, W/CI Reader, Over 90	5	5,000 / 7,500	211	1	C1E306003E009
W/2 Bolts, W/CI Reader, Under 90	5	5,000 / 7,500	211	1	C1E306003F009

Replace \*\*\* with a logo code found on page 138. See page 141 for other meter lid and touch/radio read cover options.

# Dimensions / Data

## 30" x 60" Corrugated Wall Style Assembly (Continued)

**Penta Head Bolts are Standard**

### Boxes

DESCRIPTION	DEPTH	TIER	DESIGN / TEST LOAD #	WEIGHT #	PALLET QTY	PART NO.
Standard Open Bottom	18"	8	8,000 / 12,000	229	1	B1A306018A
	24"		8,000 / 12,000	240	1	B1A306024A
	30"		8,000 / 12,000	251	1	B1A306030A
	36"		8,000 / 12,000	263	1	B1A306036A
	48"		8,000 / 12,000	286	1	B1A306048A
Standard Open Bottom	18"	15	15,000 / 22,500	229	1	B1B306018A
	24"		15,000 / 22,500	240	1	B1B306024A
	30"		15,000 / 22,500	251	1	B1B306030A
	36"		15,000 / 22,500	263	1	B1B306036A
	48"		15,000 / 22,500	286	1	B1B306048A
Standard Open Bottom	18"	22	22,500 / 33,750	229	1	B1C306018A
	24"		22,500 / 33,750	240	1	B1C306024A
	30"		22,500 / 33,750	251	1	B1C306030A
	36"		22,500 / 33,750	263	1	B1C306036A
	48"		22,500 / 33,750	286	1	B1C306048A

To order boxes with an integral bottom, replace the last character with "B".  
 To order adjust-to-grade boxes, replace the last character with "W".  
 NOTE: Cover rating cannot exceed box rating.

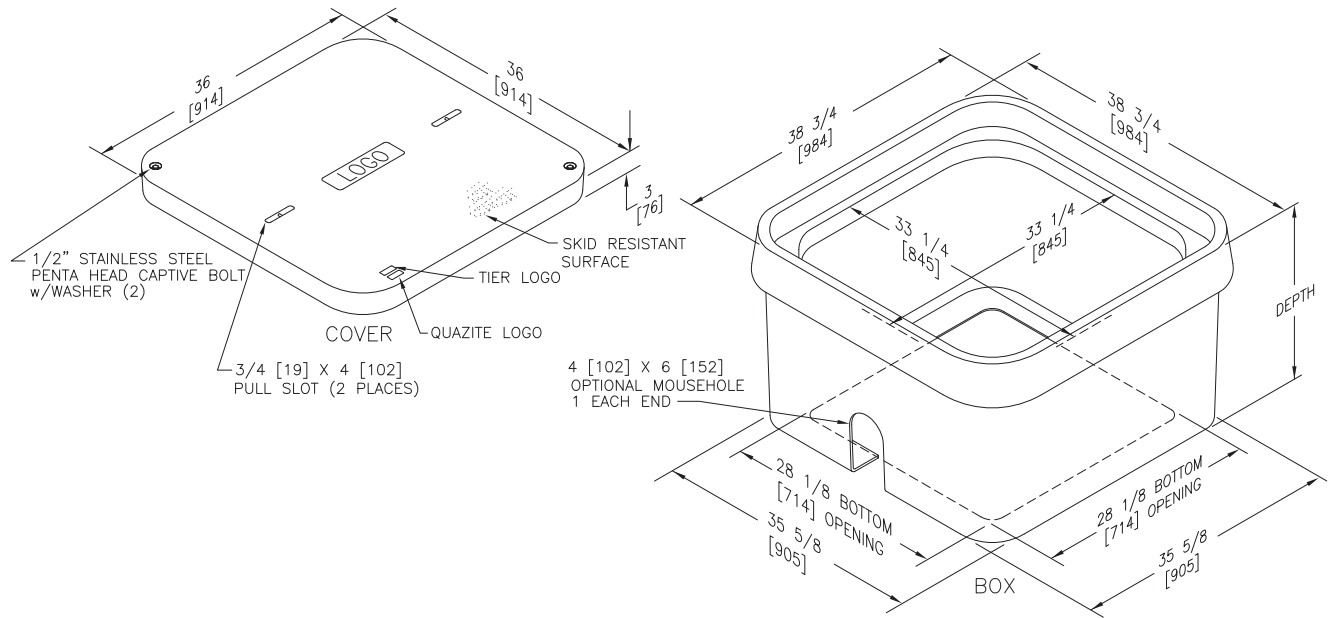
### Bottom Extensions

DESCRIPTION	DEPTH	TIER	DESIGN / TEST LOAD #	WEIGHT #	PALLET QTY	PART NO.
Standard Open Bottom	8"	8	8,000 / 12,000	131	1	E0A306008A
	12"		8,000 / 12,000	139	1	E0A306012A
	18"		8,000 / 12,000	150	1	E0A306018A
	24"		8,000 / 12,000	161	1	E0A306024A
Standard Open Bottom	8"	15	15,000 / 22,500	131	1	E0B306008A
	12"		15,000 / 22,500	139	1	E0B306012A
	18"		15,000 / 22,500	150	1	E0B306018A
	24"		15,000 / 22,500	161	1	E0B306024A
Standard Open Bottom	8"	22	22,500 / 33,750	131	1	E0C306008A
	12"		22,500 / 33,750	139	1	E0C306012A
	18"		22,500 / 33,750	150	1	E0C306018A
	24"		22,500 / 33,750	161	1	E0C306024A

# Dimensions / Data

36" x 36" FRP Straight Wall Stackable

**Penta Head Bolts are Standard**



## Covers

DESCRIPTION	TIER	DESIGN / TEST LOAD #	WEIGHT #	PALLET QTY	PART NO.
W/ 2 Bolts	8	8,000 / 12,000	140	50	C10363603A***
W/ 2 Bolts	15	15,000 / 22,500	170	50	C12363603A***
No Bolts	8	8,000 / 12,000	140	50	C00363603A***
W/ 2 Bolts	22	22,500 / 33,750	170	50	C16363603A***

Replace \*\*\* with a logo code found on page 138. See page 141 for other meter lid and touch/radio read cover options.

**QUAZITE FRP**

# Dimensions / Data

36" x 36" FRP Straight Wall Stackable (Continued)

**Penta Head Bolts are Standard**

## Boxes

DESCRIPTION	DEPTH	TIER	DESIGN / TEST LOAD #	WEIGHT #	PALLET QTY	PART NO.
Standard Open Bottom	18"	8	8,000 / 12,000	130	10	B13363618A
	24"		8,000 / 12,000	140	10	B13363624A
	30"		8,000 / 12,000	150	10	B13363630A
	36"		8,000 / 12,000	160	10	B13363636A
	48"		8,000 / 12,000	180	10	B13363648A
	18"	15	15,000 / 22,500	140	10	B14363618A
	24"		15,000 / 22,500	150	10	B14363624A
	30"		15,000 / 22,500	160	10	B14363630A
	36"		15,000 / 22,500	165	10	B14363636A
	48"		15,000 / 22,500	185	10	B14363648A
	18"	22	22,500 / 33,750	140	10	B16363618A
	24"		22,500 / 33,750	150	10	B16363624A
	30"		22,500 / 33,750	160	10	B16363630A
	36"		22,500 / 33,750	165	10	B16363636A
	48"		22,500 / 33,750	185	10	B16363648A
Solid Bottom	18"	8	8,000 / 12,000	140	10	B13363618B
	24"		8,000 / 12,000	150	10	B13363624B
	30"		8,000 / 12,000	160	10	B13363630B
	36"		8,000 / 12,000	170	10	B13363636B
	48"		8,000 / 12,000	190	10	B13363648B
	18"	15	15,000 / 22,500	150	10	B14363618B
	24"		15,000 / 22,500	160	10	B14363624B
	30"		15,000 / 22,500	170	10	B14363630B
	36"		15,000 / 22,500	175	10	B14363636B
	48"		15,000 / 22,500	195	10	B14363648B
	18"	22	22,500 / 33,750	150	10	B16363618B
	24"		22,500 / 33,750	160	10	B16363624B
	30"		22,500 / 33,750	170	10	B16363630B
	36"		22,500 / 33,750	175	10	B16363636B
	48"		22,500 / 33,750	195	10	B16363648B

To order boxes with 2 standard mouseholes, replace the last character with "M".

To order gasketed boxes, replace the last character with "G".

NOTE: Gasket reduce the inflow of fluids but do not make the enclosure water tight.

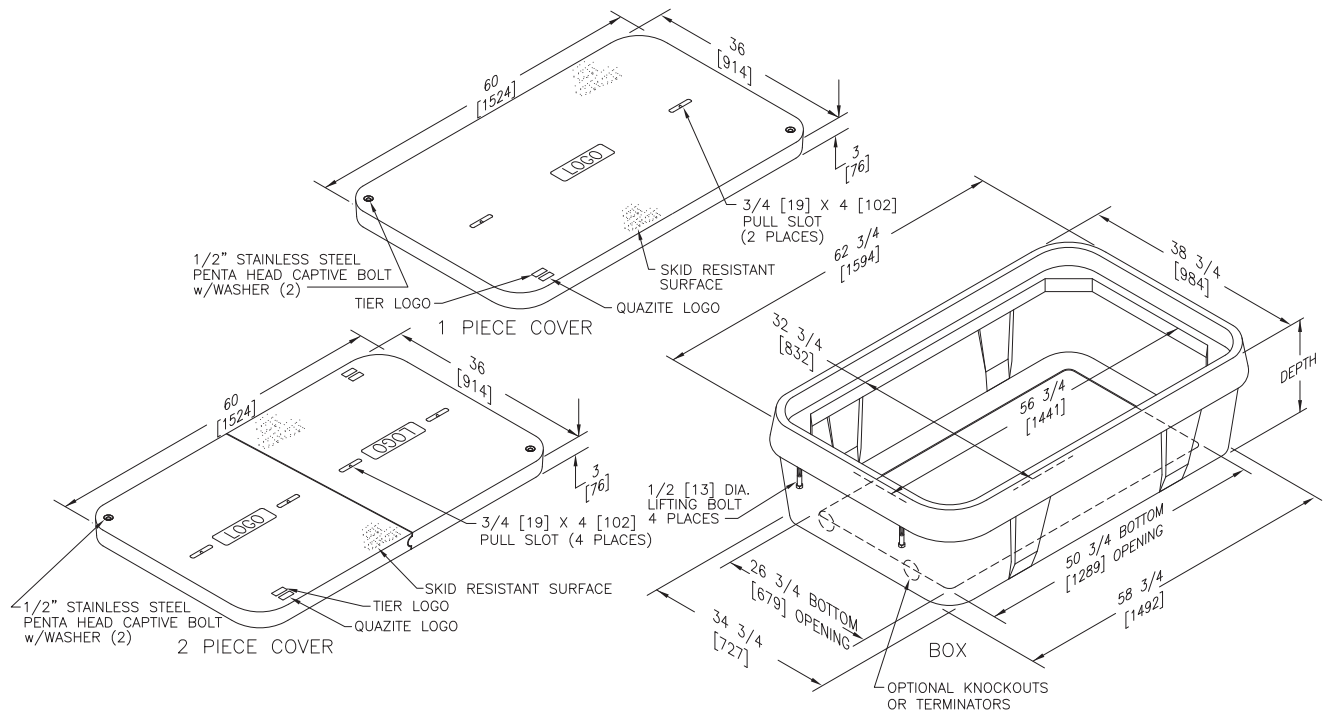
NOTE: Cover rating cannot exceed box rating.

QUAZITE FRP

# Dimensions / Data

36" x 60" FRP Straight Wall Stackable

**Penta Head Bolts are Standard**



## Covers

DESCRIPTION	TIER	DESIGN / TEST LOAD #	WEIGHT #	PALLET QTY	PART NO.
2 Piece W/ 2 Bolts	8	8,000 / 12,000	273	10	C10366003A***
2 Piece W/ 2 Bolts	15	15,000 / 22,500	333	10	C12366003A***
2 Piece No Bolts	8	8,000 / 12,000	273	10	C00366003A***
2 Piece W/ 2 Bolts	22	22,500 / 33,750	333	10	C16366003A***
1 Piece W/ 2 Bolts	8	8,000 / 12,000	273	10	C10366003Y***
1 Piece W/ 2 Bolts	15	15,000 / 22,500	333	10	C12366003Y***

Replace \*\*\* with a logo code found on page 138. See page 141 for other meter lid and touch/radio read cover options.

**QUAZITE FRP**



# Dimensions / Data

36" x 60" FRP Straight Wall Stackable (Continued)

**Penta Head Bolts are Standard**

## Boxes

DESCRIPTION	DEPTH	TIER	DESIGN / TEST LOAD #	WEIGHT #	PALLET QTY	PART NO.
Standard Open Bottom	18"	8	8,000 / 12,000	212	1	B13366018A
	24"		8,000 / 12,000	222	1	B13366024A
	30"		8,000 / 12,000	236	1	B13366030A
	36"		8,000 / 12,000	260	1	B13366036A
	48"		8,000 / 12,000	308	1	B13366048A
	18"	15	15,000 / 22,500	237	1	B14366018A
	24"		15,000 / 22,500	247	1	B14366024A
	30"		15,000 / 22,500	261	1	B14366030A
	36"		15,000 / 22,500	285	1	B14366036A
	48"		15,000 / 22,500	333	1	B14366048A
	18"	22	22,500 / 33,750	237	1	B16366018A
	24"		22,500 / 33,750	247	1	B16366024A
	30"		22,500 / 33,750	261	1	B16366030A
	36"		22,500 / 33,750	285	1	B16366036A
	48"		22,500 / 33,750	333	1	B16366048A
Solid Bottom	18"	8	8,000 / 12,000	230	1	B13366018B
	24"		8,000 / 12,000	240	1	B13366024B
	30"		8,000 / 12,000	254	1	B13366030B
	36"		8,000 / 12,000	278	1	B13366036B
	48"		8,000 / 12,000	326	1	B13366048B
	18"	15	15,000 / 22,500	255	1	B14366018B
	24"		15,000 / 22,500	265	1	B14366024B
	30"		15,000 / 22,500	279	1	B14366030B
	36"		15,000 / 22,500	303	1	B14366036B
	48"		15,000 / 22,500	351	1	B14366048B
	18"	22	22,500 / 33,750	255	1	B16366018B
	24"		22,500 / 33,750	265	1	B16366024B
	30"		22,500 / 33,750	279	1	B16366030B
	36"		22,500 / 33,750	303	1	B16366036B
	48"		22,500 / 33,750	351	1	B16366048B

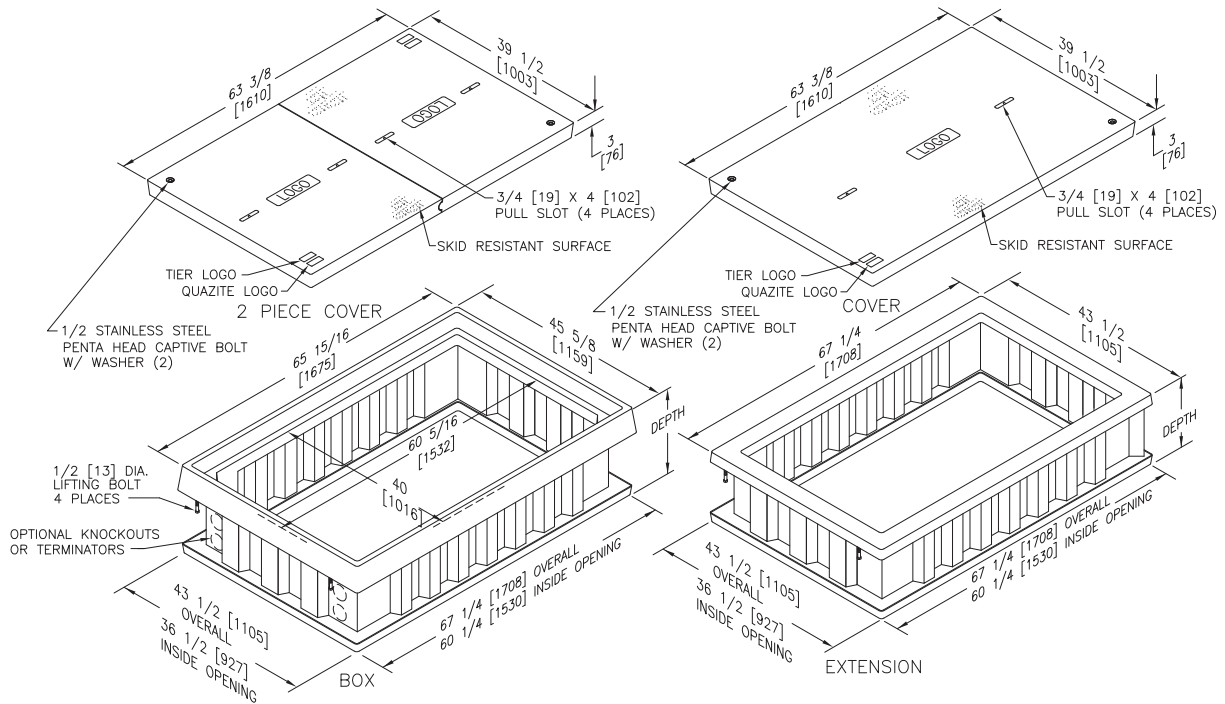
To order boxes with 2 standard mouseholes, replace the last character with "M".  
 To order gasketed boxes, replace the last character with "G".  
 NOTE: Gasket reduce the inflow of fluids but do not make the enclosure water tight.  
 NOTE: Cover rating cannot exceed box rating.

QUAZITE FRP

# Dimensions / Data

## 36" x 60" Corrugated Wall Style Assembly

**Penta Head Bolts are Standard**



### Covers

DESCRIPTION	TIER	DESIGN / TEST LOAD #	WEIGHT #	PALLET QTY	PART NO.
2 Piece W/ 2 Bolts	8	8,000 / 12,000	273	1	C1A366003A***
2 Piece No Bolts	8	8,000 / 12,000	273	1	C0A366003A***
2 Piece W/ 2 Bolts	15	15,000 / 22,500	333	1	C1B366003A***
2 Piece W/ 2 Bolts	22	22,500 / 33,750	333	1	C1C366003A***
1 Piece w/2 Bolts	8	8,000 / 12,000	273	1	C1A366003Y***
1 Piece w/2 Bolts	15	15,000 / 22,500	333	1	C1B366003Y***

Replace \*\*\* with a logo code found on page 138. See page 141 for other meter lid and touch/radio read cover options.

**QUAZITE FRP**

# Dimensions / Data

## 36" x 60" Corrugated Wall Style Assembly (Continued)

**Penta Head Bolts are Standard**

### Boxes

DESCRIPTION	DEPTH	TIER	DESIGN / TEST LOAD #	WEIGHT #	PALLET QTY	PART NO.
Standard Open Bottom	18"	8	8,000 / 12,000	212	1	B1A366018A
	24"		8,000 / 12,000	222	1	B1A366024A
	30"		8,000 / 12,000	236	1	B1A366030A
	36"		8,000 / 12,000	260	1	B1A366036A
	48"		8,000 / 12,000	308	1	B1A366048A
Standard Open Bottom	18"	15	15,000 / 22,500	232	1	B1B366018A
	24"		15,000 / 22,500	252	1	B1B366024A
	30"		15,000 / 22,500	256	1	B1B366030A
	36"		15,000 / 22,500	280	1	B1B366036A
	48"		15,000 / 22,500	328	1	B1B366048A
Standard Open Bottom	18"	22	22,500 / 33,750	232	1	B1C366018A
	24"		22,500 / 33,750	252	1	B1C366024A
	30"		22,500 / 33,750	256	1	B1C366030A
	36"		22,500 / 33,750	280	1	B1C366036A
	48"		22,500 / 33,750	328	1	B1C366048A

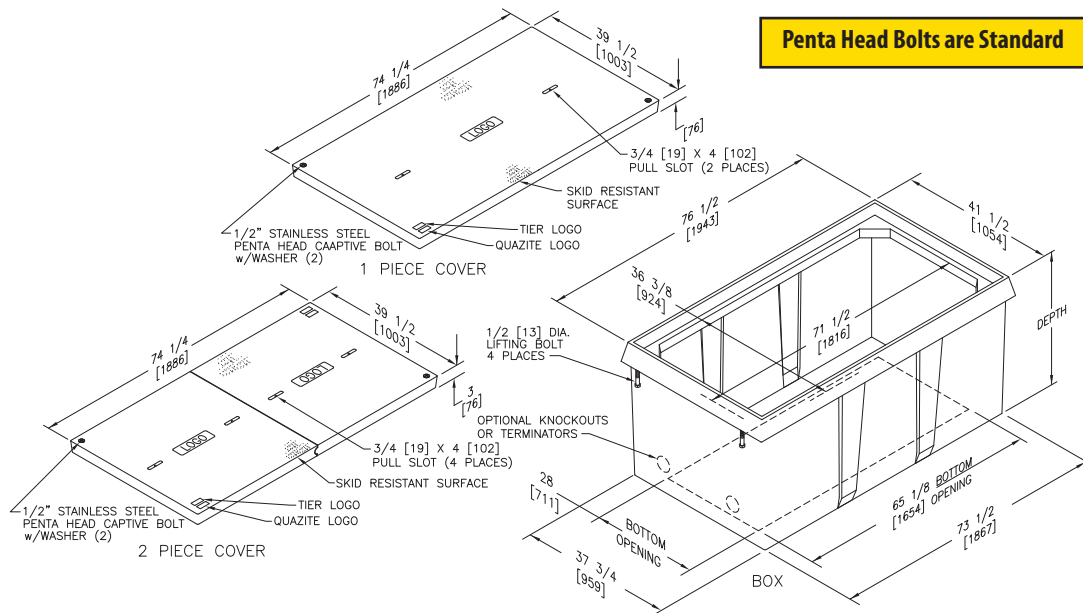
To order boxes with an integral bottom, replace the last character with "B".  
 To order adjust-to-grade boxes, replace the last character with "W".  
 NOTE: Cover rating cannot exceed box rating.

### Bottom Extensions

DESCRIPTION	DEPTH	TIER	DESIGN / TEST LOAD #	WEIGHT #	PALLET QTY	PART NO.
Standard Open Bottom	8"	8	8,000 / 12,000	173	1	E0A366008A
	12"		8,000 / 12,000	182	1	E0A366012A
	18"		8,000 / 12,000	197	1	E0A366018A
	24"		8,000 / 12,000	212	1	E0A366024A
Standard Open Bottom	8"	15	15,000 / 22,500	173	1	E0B366008A
	12"		15,000 / 22,500	182	1	E0B366012A
	18"		15,000 / 22,500	197	1	E0B366018A
	24"		15,000 / 22,500	212	1	E0B366024A
Standard Open Bottom	8"	22	22,500 / 33,750	173	1	E0C366008A
	12"		22,500 / 33,750	182	1	E0C366012A
	18"		22,500 / 33,750	197	1	E0C366018A
	24"		22,500 / 33,750	212	1	E0C366024A

# Dimensions / Data

36" x 72" FRP Straight Wall Stackable



## Covers

DESCRIPTION	TIER	DESIGN / TEST LOAD #	WEIGHT #	PALLET QTY	PART NO.
2 Piece W/ 2 Bolts	8	8,000 / 12,000	275	10	C1A367203A***
2 Piece W/ 2 Bolts	15	15,000 / 22,500	355	10	C1B367203A***
2 Piece No Bolts	8	8,000 / 12,000	275	10	COA367203A***
2 Piece W/ 2 Bolts	22	22,500 / 33,750	355	10	C1C367203A***
1 Piece W/ 2 Bolts	8	8,000 / 12,000	275	10	C1A367203Y***
1 Piece W/ 2 Bolts	15	15,000 / 22,500	355	10	C1B367203Y***

Replace \*\*\* with a logo code found on page 138. See page 141 for other meter lid and touch/radio read cover options.

## Boxes

DESCRIPTION	DEPTH	TIER	DESIGN / TEST LOAD #	WEIGHT #	PALLET QTY	PART NO.
Standard Open Bottom	36"	8	8,000 / 12,000	326	1	B13367236A
	48"		8,000 / 12,000	382	1	B13367248A
	36"	15	15,000 / 22,500	346	1	B14367236A
	48"		15,000 / 22,500	402	1	B14367248A
	36"	22	22,500 / 33,750	346	1	B16367236A
	48"		22,500 / 33,750	402	1	B16367248A
Solid Bottom	36"	8	8,000 / 12,000	353	1	B13367236B
	48"		8,000 / 12,000	414	1	B13367248B
	36"	15	15,000 / 22,500	375	1	B14367236B
	48"		15,000 / 22,500	436	1	B14367248B
	36"	22	22,500 / 33,750	375	1	B16367236B
	48"		22,500 / 33,750	436	1	B16367248B

To order boxes with 2 standard mouseholes, replace the last character with "M".

To order gasketed boxes, replace the last character with "G".

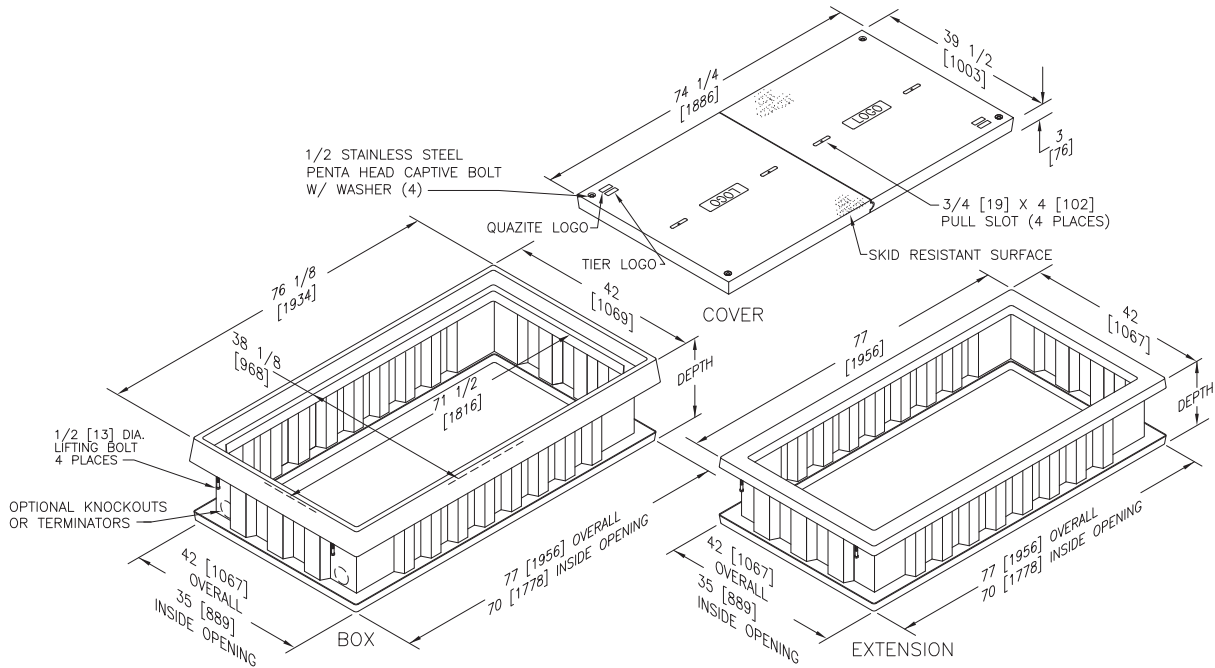
NOTE: Gasket reduce the inflow of fluids but do not make the enclosure water tight.

NOTE: Cover rating cannot exceed box rating.

# Dimensions / Data

## 36" x 72" Corrugated Wall Style Assembly

**Penta Head Bolts are Standard**



### Covers

DESCRIPTION	TIER	DESIGN / TEST LOAD #	WEIGHT #	PALLET QTY	PART NO.
W/ 4 Bolts	8	8,000 / 12,000	275	5	C1A367203A***
No Bolts	8	8,000 / 12,000	275	5	COA367203A***
W/ 4 Bolts	15	15,000 / 22,500	355	5	C1B367203A***
W/ 4 Bolts	22	22,500 / 33,750	355	5	C1C367203A***

Replace \*\*\* with a logo code found on page 138. See page 141 for other meter lid and touch/radio read cover options.

# Dimensions / Data

## 36" x 72" Corrugated Wall Style Assembly (Continued)

**Penta Head Bolts are Standard**

Boxes						
DESCRIPTION	DEPTH	TIER	DESIGN / TEST LOAD #	WEIGHT #	PALLET QTY	PART NO.
Standard Open Bottom	18"	8	8,000 / 12,000	269	1	B1A367218A
	24"		8,000 / 12,000	284	1	B1A367224A
	30"		8,000 / 12,000	299	1	B1A367230A
	36"		8,000 / 12,000	313	1	B1A367236A
	48"		8,000 / 12,000	343	1	B1A367248A
Standard Open Bottom	18"	15	15,000 / 22,500	300	1	B1B367218A
	24"		15,000 / 22,500	315	1	B1B367224A
	30"		15,000 / 22,500	330	1	B1B367230A
	36"		15,000 / 22,500	344	1	B1B367236A
	48"		15,000 / 22,500	374	1	B1B367248A
Standard Open Bottom	18"	22	22,500 / 33,750	300	1	B1C367218A
	24"		22,500 / 33,750	315	1	B1C367224A
	30"		22,500 / 33,750	330	1	B1C367230A
	36"		22,500 / 33,750	344	1	B1C367236A
	48"		22,500 / 33,750	374	1	B1C367248A

To order boxes with an integral bottom, replace the last character with "B".

To order adjust-to-grade boxes, replace the last character with "W".

NOTE: Cover rating cannot exceed box rating.

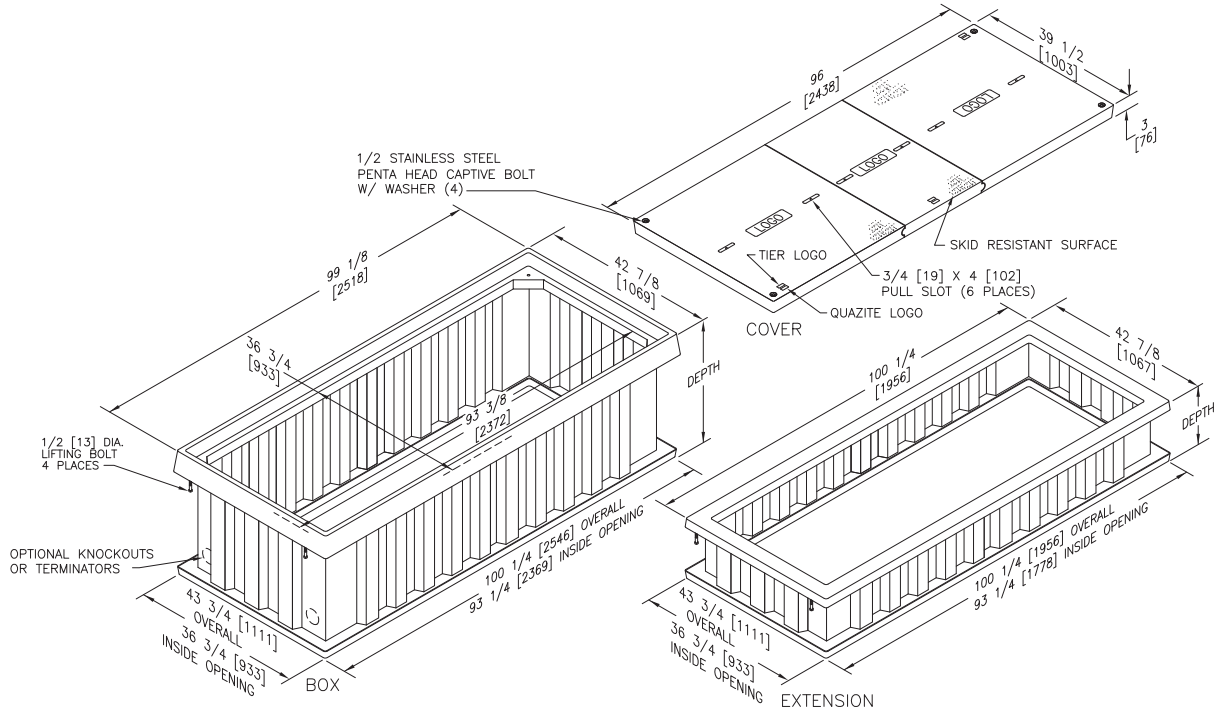
Bottom Extensions						
DESCRIPTION	DEPTH	TIER	DESIGN / TEST LOAD #	WEIGHT #	PALLET QTY	PART NO.
Standard Open Bottom	8"	8	8,000 / 12,000	186	1	E0A367208A
	12"		8,000 / 12,000	193	1	E0A367212A
	18"		8,000 / 12,000	205	1	E0A367218A
	24"		8,000 / 12,000	217	1	E0A367224A
Standard Open Bottom	8"	15	15,000 / 22,500	186	1	E0B367208A
	12"		15,000 / 22,500	193	1	E0B367212A
	18"		15,000 / 22,500	205	1	E0B367218A
	24"		15,000 / 22,500	217	1	E0B367224A
Standard Open Bottom	8"	22	22,500 / 33,750	186	1	E0C367208A
	12"		22,500 / 33,750	193	1	E0C367212A
	18"		22,500 / 33,750	205	1	E0C367218A
	24"		22,500 / 33,750	217	1	E0C367224A



# Dimensions / Data

## 36" x 96" Corrugated Wall Style Assembly

**Penta Head Bolts are Standard**



### Covers

DESCRIPTION	TIER	DESIGN / TEST LOAD #	WEIGHT #	PALLET QTY	PART NO.
W/ 4 Bolts	8	8,000 / 12,000	400	2	C1A369603A***
No Bolts	8	8,000 / 12,000	400	2	C0A369603A***
W/ 4 Bolts	15	15,000 / 22,500	420	2	C1B369603A***
W/ 4 Bolts	22	22,500 / 33,750	420	2	C1C369603A***

Replace \*\*\* with a logo code found on page 138. See page 141 for other meter lid and touch/radio read cover options.

**QUAZITE FRP**

# Dimensions / Data

## 36" x 96" Corrugated Wall Style Assembly (Continued)

**Penta Head Bolts are Standard**
**Boxes**

DESCRIPTION	DEPTH	TIER	DESIGN / TEST LOAD #	WEIGHT #	PALLET QTY	PART NO.
Standard Open Bottom	30"	8	8,000 / 12,000	649	1	B1A369630A
	36"		8,000 / 12,000	669	1	B1A369636A
	48"		8,000 / 12,000	709	1	B1A369648A
Standard Open Bottom	30"	15	15,000 / 22,500	798	1	B1B369630A
	36"		15,000 / 22,500	818	1	B1B369636A
	48"		15,000 / 22,500	858	1	B1B369648A
Standard Open Bottom	30"	22	22,500 / 33,750	798	1	B1C369630A
	36"		22,500 / 33,750	818	1	B1C369636A
	48"		22,500 / 33,750	858	1	B1C369648A

To order boxes with an integral bottom, replace the last character with "B".  
 NOTE: Cover rating cannot exceed box rating.

**Bottom Extensions**

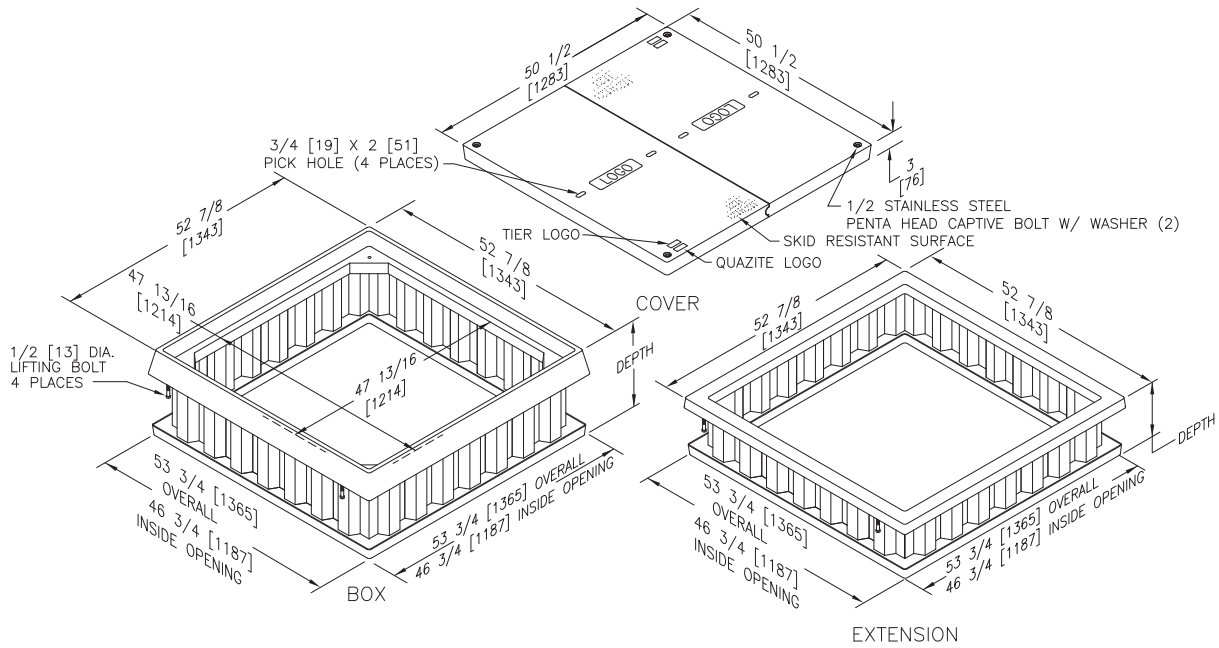
DESCRIPTION	DEPTH	TIER	DESIGN / TEST LOAD #	WEIGHT #	PALLET QTY	PART NO.
Standard Open Bottom	12"	8	8,000 / 12,000	246	1	E0A369612A
	18"		8,000 / 12,000	258	1	E0A369618A
	24"		8,000 / 12,000	270	1	E0A369624A
	36"		8,000 / 12,000	294	1	E0A369636A
	48"		8,000 / 12,000	318	1	E0A369648A
Standard Open Bottom	12"	15	15,000 / 22,500	246	1	E0B369612A
	18"		15,000 / 22,500	258	1	E0B369618A
	24"		15,000 / 22,500	270	1	E0B369624A
	36"		15,000 / 22,500	294	1	E0B369636A
	48"		15,000 / 22,500	318	1	E0B369648A
Standard Open Bottom	12"	22	22,500 / 33,750	246	1	E0C369612A
	18"		22,500 / 33,750	258	1	E0C369618A
	24"		22,500 / 33,750	270	1	E0C369624A
	36"		22,500 / 33,750	294	1	E0C369636A
	48"		22,500 / 33,750	318	1	E0C369648A



# Dimensions / Data

## 48" x 48" Corrugated Wall Style Assembly

**Penta Head Bolts are Standard**



### Covers

DESCRIPTION	TIER	DESIGN / TEST LOAD #	WEIGHT #	PALLET QTY	PART NO.
W/ 4 Bolts	8	8,000 / 12,000	271	3	C1A484803A***
No Bolts	8	8,000 / 12,000	271	3	C0A484803A***
W/ 4 Bolts	15	15,000 / 22,500	345	3	C1B484803A***
W/ 4 Bolts	22	22,500 / 33,750	345	3	C1C484803A***

Replace \*\*\* with a logo code found on page 138. See page 141 for other meter lid and touch/radio read cover options.

# Dimensions / Data

## 48" x 48" Corrugated Wall Style Assembly (Continued)

**Penta Head Bolts are Standard**

Boxes						
DESCRIPTION	DEPTH	TIER	DESIGN / TEST LOAD #	WEIGHT #	PALLET QTY	PART NO.
Standard Open Bottom	18"	8	8,000 / 12,000	262	1	B1A484818A
	24"		8,000 / 12,000	275	1	B1A484824A
	30"		8,000 / 12,000	288	1	B1A484830A
	36"		8,000 / 12,000	301	1	B1A484836A
	48"		8,000 / 12,000	327	1	B1A484848A
Standard Open Bottom	18"	15	15,000 / 22,500	291	1	B1B484818A
	24"		15,000 / 22,500	304	1	B1B484824A
	30"		15,000 / 22,500	317	1	B1B484830A
	36"		15,000 / 22,500	330	1	B1B484836A
	48"		15,000 / 22,500	356	1	B1B484848A
Standard Open Bottom	18"	22	22,500 / 33,750	291	1	B1C484818A
	24"		22,500 / 33,750	304	1	B1C484824A
	30"		22,500 / 33,750	317	1	B1C484830A
	36"		22,500 / 33,750	330	1	B1C484836A
	48"		22,500 / 33,750	356	1	B1C484848A

To order boxes with an integral bottom, replace the last character with "B".  
 To order adjust-to-grade boxes, replace the last character with "W".

NOTE: Cover rating cannot exceed box rating.

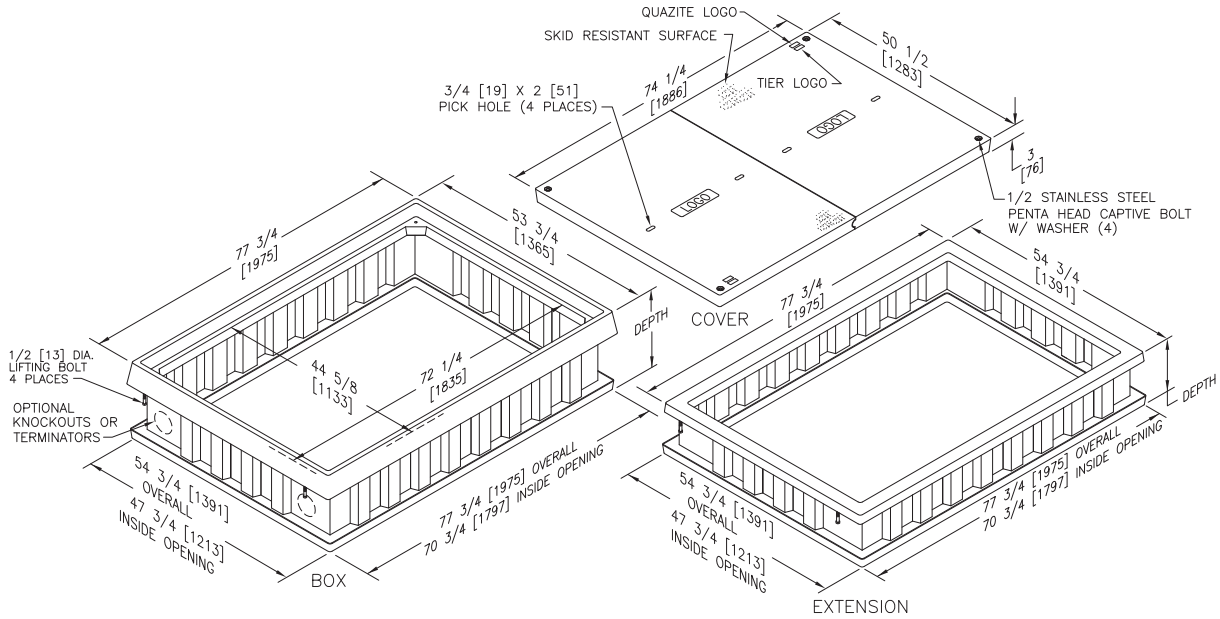
Bottom Extensions						
DESCRIPTION	DEPTH	TIER	DESIGN / TEST LOAD #	WEIGHT #	PALLET QTY	PART NO.
Standard Open Bottom	12"	8	8,000 / 12,000	240	1	E0A484812A
	18"		8,000 / 12,000	265	1	E0A484818A
	24"		8,000 / 12,000	290	1	E0A484824A
Standard Open Bottom	12"	15	15,000 / 22,500	240	1	E0B484812A
	18"		15,000 / 22,500	265	1	E0B484818A
	24"		15,000 / 22,500	290	1	E0B484824A
Standard Open Bottom	12"	22	22,500 / 33,750	240	1	E0C484812A
	18"		22,500 / 33,750	265	1	E0C484818A
	24"		22,500 / 33,750	290	1	E0C484824A

**QUAZITE FRP**

# Dimensions / Data

## 48" x 72" Corrugated Wall Style Assembly

**Penta Head Bolts are Standard**



### Covers

DESCRIPTION	TIER	DESIGN / TEST LOAD #	WEIGHT #	PALLET QTY	PART NO.
W/ 4 Bolts	8	8,000 / 12,000	294	3	C1A487203A***
No Bolts	8	8,000 / 12,000	294	3	COA487203A***
W/ 4 Bolts	15	15,000 / 22,500	368	3	C1B487203A***
W/ 4 Bolts	22	22,500 / 33,750	368	3	C1C487203A***

Replace \*\*\* with a logo code found on page 138. See page 141 for other meter lid and touch/radio read cover options.

# Dimensions / Data

## 48" x 72" Corrugated Wall Style Assembly (Continued)

**Penta Head Bolts are Standard**

Boxes						
DESCRIPTION	DEPTH	TIER	DESIGN / TEST LOAD #	WEIGHT #	PALLET QTY	PART NO.
Standard Open Bottom	18"	8	8,000 / 12,000	348	1	B1A487218A
	24"		8,000 / 12,000	364	1	B1A487224A
	30"		8,000 / 12,000	380	1	B1A487230A
	36"		8,000 / 12,000	396	1	B1A487236A
	48"		8,000 / 12,000	428	1	B1A487248A
Standard Open Bottom	18"	15	15,000 / 22,500	387	1	B1B487218A
	24"		15,000 / 22,500	403	1	B1B487224A
	30"		15,000 / 22,500	419	1	B1B487230A
	36"		15,000 / 22,500	435	1	B1B487236A
	48"		15,000 / 22,500	467	1	B1B487248A
Standard Open Bottom	18"	22	22,500 / 33,750	387	1	B1C487218A
	24"		22,500 / 33,750	403	1	B1C487224A
	30"		22,500 / 33,750	419	1	B1C487230A
	36"		22,500 / 33,750	435	1	B1C487236A
	48"		22,500 / 33,750	467	1	B1C487248A

To order boxes with an integral bottom, replace the last character with "B".

To order adjust-to-grade boxes, replace the last character with "W".

NOTE: Cover rating cannot exceed box rating.

Bottom Extensions						
DESCRIPTION	DEPTH	TIER	DESIGN / TEST LOAD #	WEIGHT #	PALLET QTY	PART NO.
Standard Open Bottom	12"	8	8,000 / 12,000	240	1	E0A487212A
	18"		8,000 / 12,000	265	1	E0A487218A
	24"		8,000 / 12,000	290	1	E0A487224A
	36"		8,000 / 12,000	310	1	E0A487236A
Standard Open Bottom	12"	15	15,000 / 22,500	240	1	E0B487212A
	18"		15,000 / 22,500	265	1	E0B487218A
	24"		15,000 / 22,500	290	1	E0B487224A
	36"		15,000 / 22,500	310	1	E0B487236A
Standard Open Bottom	12"	22	22,500 / 33,750	240	1	E0C487212A
	18"		22,500 / 33,750	265	1	E0C487218A
	24"		22,500 / 33,750	290	1	E0C487224A
	36"		22,500 / 33,750	310	1	E0C487236A

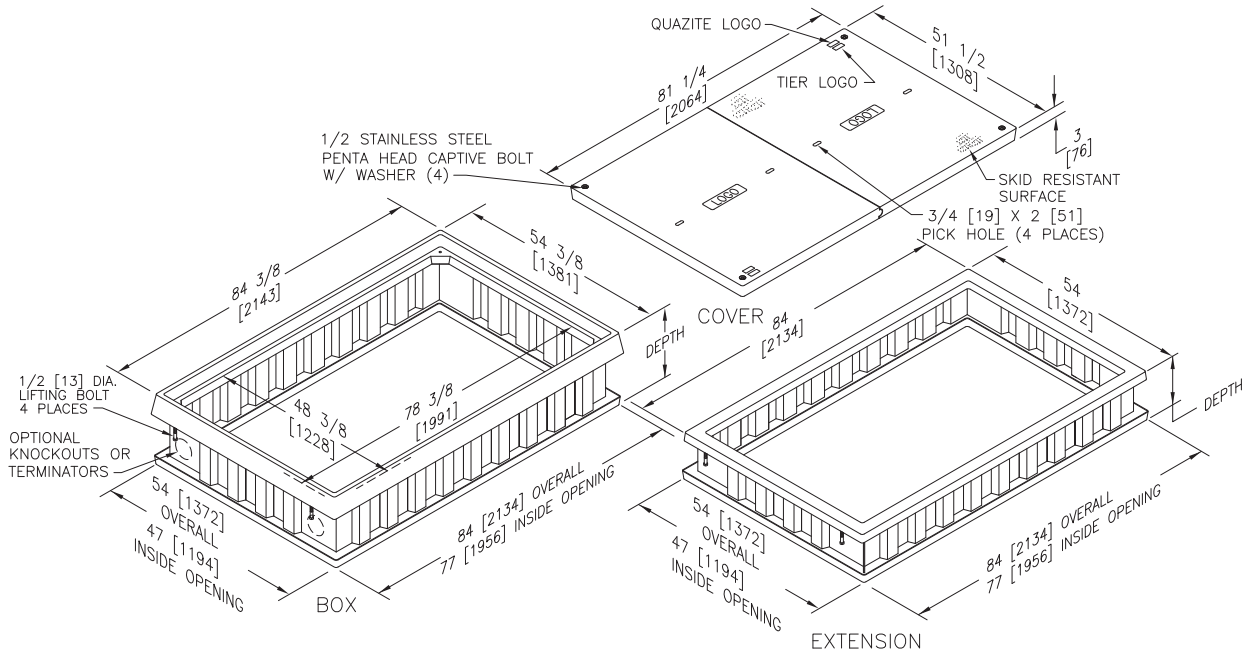
QUAZITE FRP



# Dimensions / Data

## 48" x 78" Corrugated Wall Style Assembly

**Penta Head Bolts are Standard**



### Covers

DESCRIPTION	TIER	DESIGN / TEST LOAD #	WEIGHT #	PALLET QTY	PART NO.
W/ 4 Bolts	8	8,000 / 12,000	320	5	C1A487803A***
No Bolts	8	8,000 / 12,000	320	5	C0A487803A***
W/ 4 Bolts	15	15,000 / 22,500	400	5	C1B487803A***
W/ 4 Bolts	22	22,500 / 33,750	400	5	C1C487803A***

Replace \*\*\* with a logo code found on page 138. See page 141 for other meter lid and touch/radio read cover options.

# Dimensions / Data

## 48" x 78" Corrugated Wall Style Assembly (Continued)

**Penta Head Bolts are Standard**

Boxes						
DESCRIPTION	DEPTH	TIER	DESIGN / TEST LOAD #	WEIGHT #	PALLET QTY	PART NO.
Standard Open Bottom	18"	8	8,000 / 12,000	384	1	B1A487818A
	24"		8,000 / 12,000	400	1	B1A487824A
	30"		8,000 / 12,000	415	1	B1A487830A
	36"		8,000 / 12,000	431	1	B1A487836A
	48"		8,000 / 12,000	463	1	B1A487848A
Standard Open Bottom	18"	15	15,000 / 22,500	423	1	B1B487818A
	24"		15,000 / 22,500	439	1	B1B487824A
	30"		15,000 / 22,500	454	1	B1B487830A
	36"		15,000 / 22,500	470	1	B1B487836A
	48"		15,000 / 22,500	502	1	B1B487848A
Standard Open Bottom	18"	22	22,500 / 33,750	423	1	B1C487818A
	24"		22,500 / 33,750	439	1	B1C487824A
	30"		22,500 / 33,750	454	1	B1C487830A
	36"		22,500 / 33,750	470	1	B1C487836A
	48"		22,500 / 33,750	502	1	B1C487848A

To order boxes with an integral bottom, replace the last character with "B".  
 To order adjust-to-grade boxes, replace the last character with "W".  
 NOTE: Cover rating cannot exceed box rating.

Bottom Extensions						
DESCRIPTION	DEPTH	TIER	DESIGN / TEST LOAD #	WEIGHT #	PALLET QTY	PART NO.
Standard Open Bottom	12"	8	8,000 / 12,000	275	1	E0A487812A
	18"		8,000 / 12,000	294	1	E0A487818A
	24"		8,000 / 12,000	312	1	E0A487824A
	36"		8,000 / 12,000	331	1	E0A487836A
Standard Open Bottom	12"	15	15,000 / 22,500	275	1	E0B487812A
	18"		15,000 / 22,500	294	1	E0B487818A
	24"		15,000 / 22,500	312	1	E0B487824A
	36"		15,000 / 22,500	331	1	E0B487836A
Standard Open Bottom	12"	22	22,500 / 33,750	275	1	E0C487812A
	18"		22,500 / 33,750	294	1	E0C487818A
	24"		22,500 / 33,750	312	1	E0C487824A
	36"		22,500 / 33,750	331	1	E0C487836A

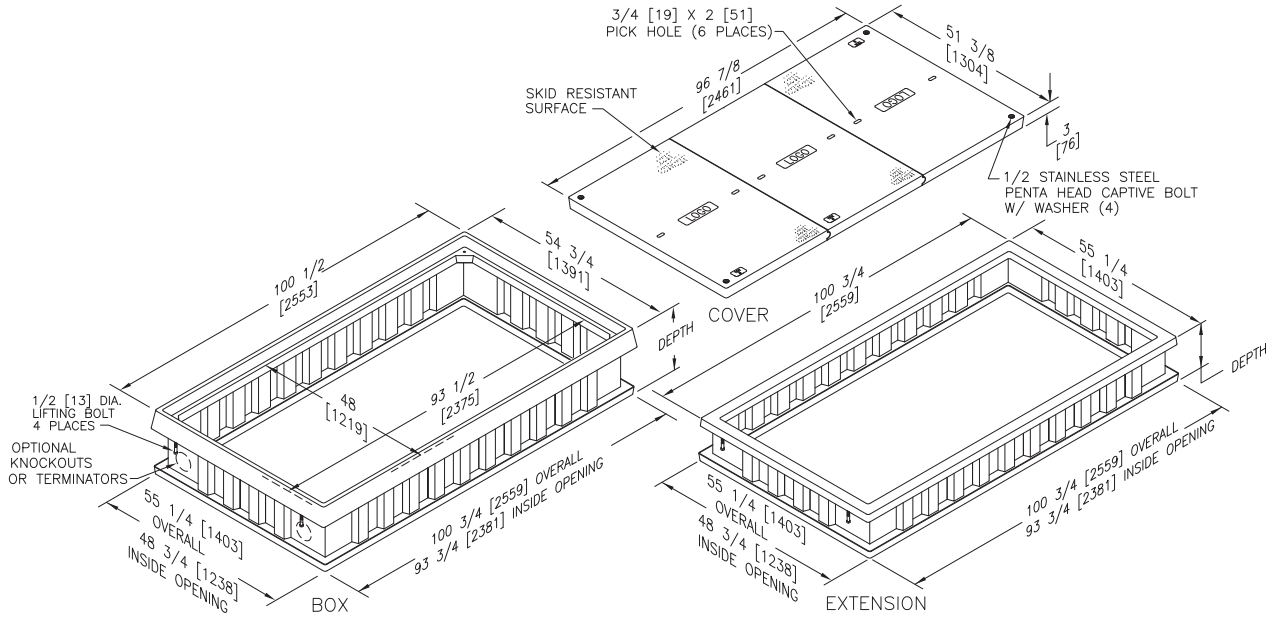
QUAZITE FRP



# Dimensions / Data

## 48" x 96" Corrugated Wall Style Assembly

**Penta Head Bolts are Standard**



### Covers

DESCRIPTION	TIER	DESIGN / TEST LOAD #	WEIGHT #	PALLET QTY	PART NO.
W/ 4 Bolts	8	8,000 / 12,000	402	2	C1A489603A***
No Bolts	8	8,000 / 12,000	402	2	C0A489603A***
W/ 4 Bolts	15	15,000 / 22,500	520	2	C1B489603A***
W/ 4 Bolts	22	22,500 / 33,750	520	2	C1C489603A***

Replace \*\*\* with a logo code found on page 138. See page 141 for other meter lid and touch/radio read cover options.

# Dimensions / Data

## 48" x 96" Corrugated Wall Style Assembly (Continued)

**Penta Head Bolts are Standard**

Boxes						
DESCRIPTION	DEPTH	TIER	DESIGN / TEST LOAD #	WEIGHT #	PALLET QTY	PART NO.
Standard Open Bottom	18"	8	8,000 / 12,000	694	1	B1A489618A
	24"		8,000 / 12,000	713	1	B1A489624A
	30"		8,000 / 12,000	729	1	B1A489630A
	36"		8,000 / 12,000	748	1	B1A489636A
	48"		8,000 / 12,000	767	1	B1A489648A
Standard Open Bottom	18"	15	15,000 / 22,500	776	1	B1B489618A
	24"		15,000 / 22,500	795	1	B1B489624A
	30"		15,000 / 22,500	811	1	B1B489630A
	36"		15,000 / 22,500	830	1	B1B489636A
	48"		15,000 / 22,500	849	1	B1B489648A
Standard Open Bottom	18"	22	22,500 / 33,750	776	1	B1C489618A
	24"		22,500 / 33,750	795	1	B1C489624A
	30"		22,500 / 33,750	811	1	B1C489630A
	36"		22,500 / 33,750	830	1	B1C489636A
	48"		22,500 / 33,750	849	1	B1C489648A

To order boxes with an integral bottom, replace the last character with "B".

To order adjust-to-grade boxes, replace the last character with "W".

NOTE: Cover rating cannot exceed box rating.

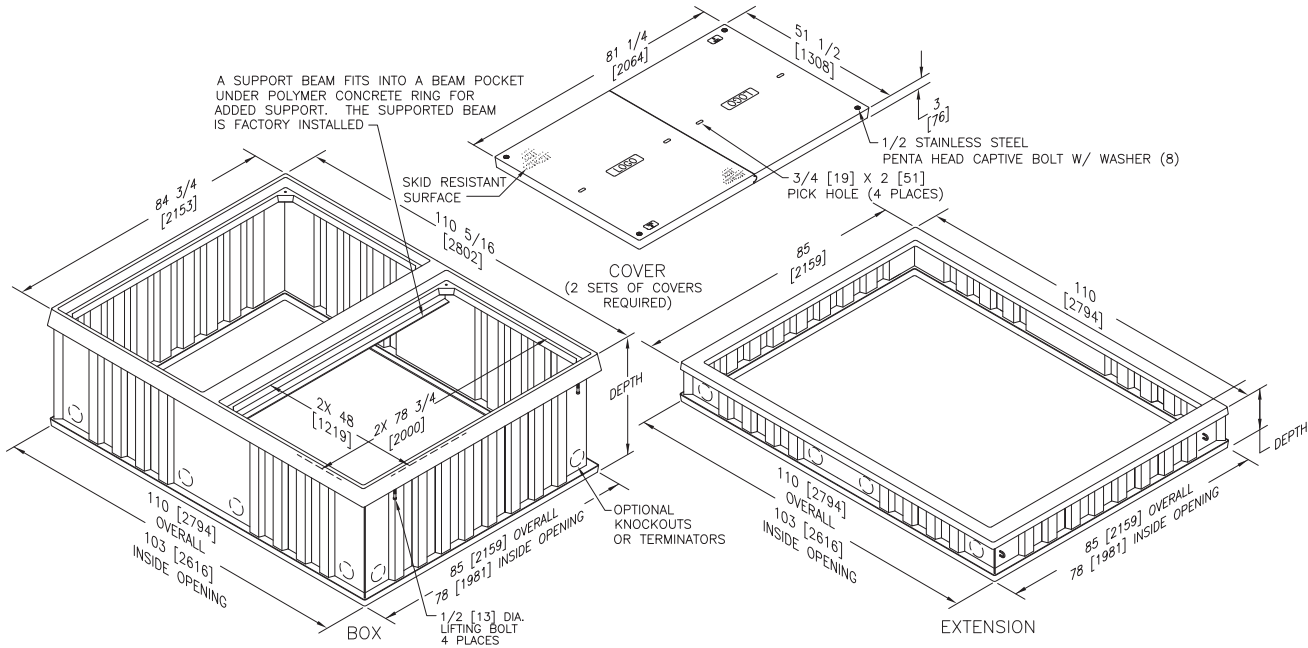
Bottom Extensions						
DESCRIPTION	DEPTH	TIER	DESIGN / TEST LOAD #	WEIGHT #	PALLET QTY	PART NO.
Standard Open Bottom	12"	8	8,000 / 12,000	299	1	E0A489612A
	18"		8,000 / 12,000	305	1	E0A489618A
	24"		8,000 / 12,000	311	1	E0A489624A
	36"		8,000 / 12,000	317	1	E0A489636A
	44"		8,000 / 12,000	323	1	E0A489644A
Standard Open Bottom	12"	15	15,000 / 22,500	299	1	E0B489612A
	18"		15,000 / 22,500	305	1	E0B489618A
	24"		15,000 / 22,500	311	1	E0B489624A
	36"		15,000 / 22,500	317	1	E0B489636A
	44"		15,000 / 22,500	323	1	E0B489644A
Standard Open Bottom	12"	22	22,500 / 33,750	299	1	E0C489612A
	18"		22,500 / 33,750	305	1	E0C489618A
	24"		22,500 / 33,750	311	1	E0C489624A
	36"		22,500 / 33,750	317	1	E0C489636A
	44"		22,500 / 33,750	323	1	E0C489644A

QUAZITE FRP

# Dimensions / Data

## 78" x 96" Corrugated Wall Style Assembly

**Penta Head Bolts are Standard**



### Covers

DESCRIPTION	TIER	DESIGN / TEST LOAD #	WEIGHT #	PALLET QTY	PART NO.
W/ 8 Bolts	8	8,000 / 12,000	704	1	C1A789603A***
No Bolts	8	8,000 / 12,000	704	1	C0A789603A***
W/ 8 Bolts	15	15,000 / 22,500	880	1	C1B789603A***
W/ 8 Bolts	22	22,500 / 33,750	880	1	C1C789603A***

Replace \*\*\* with a logo code found on page 138. See page 141 for other meter lid and touch/radio read cover options.

### Boxes

DESCRIPTION	DEPTH	TIER	DESIGN / TEST LOAD #	WEIGHT #	PALLET QTY	PART NO.
Standard Open Bottom	36"	8	8,000 / 12,000	1826	1	B1A789636A
	48"		8,000 / 12,000	1892	1	B1A789648A
Standard Open Bottom	36"	15	15,000 / 22,500	1826	1	B1B789636A
	48"		15,000 / 22,500	1892	1	B1B789648A
Standard Open Bottom	36"	22	22,500 / 33,750	1826	1	B1C789636A
	48"		22,500 / 33,750	1892	1	B1C789648A

To order boxes with an integral bottom, replace the last character with "B".  
NOTE: Cover rating cannot exceed box rating.

# Dimensions / Data

## 78" x 96" Corrugated Wall Style Assembly (Continued)

**Penta Head Bolts are Standard**

<b>Bottom Extensions</b>						
DESCRIPTION	DEPTH	TIER	DESIGN / TEST LOAD #	WEIGHT #	PALLET QTY	PART NO.
Standard Open Bottom	12"	8	8,000 / 12,000	1050	1	E0A789612A
	24"		8,000 / 12,000	1063	1	E0A789624A
	36'		8,000 / 12,000	1076	1	E0A789636A
	44"		8,000 / 12,000	1089	1	E0A789644A
Standard Open Bottom	12"	15	15,000 / 22,500	1050	1	E0B789612A
	24"		15,000 / 22,500	1063	1	E0B789624A
	36'		15,000 / 22,500	1076	1	E0B789636A
	44"		15,000 / 22,500	1089	1	E0B789644A
Standard Open Bottom	12"	22	22,500 / 33,750	1050	1	E0C789612A
	24"		22,500 / 33,750	1063	1	E0C789624A
	36'		22,500 / 33,750	1076	1	E0C789636A
	44"		22,500 / 33,750	1089	1	E0C789644A

**QUAZITE FRP**

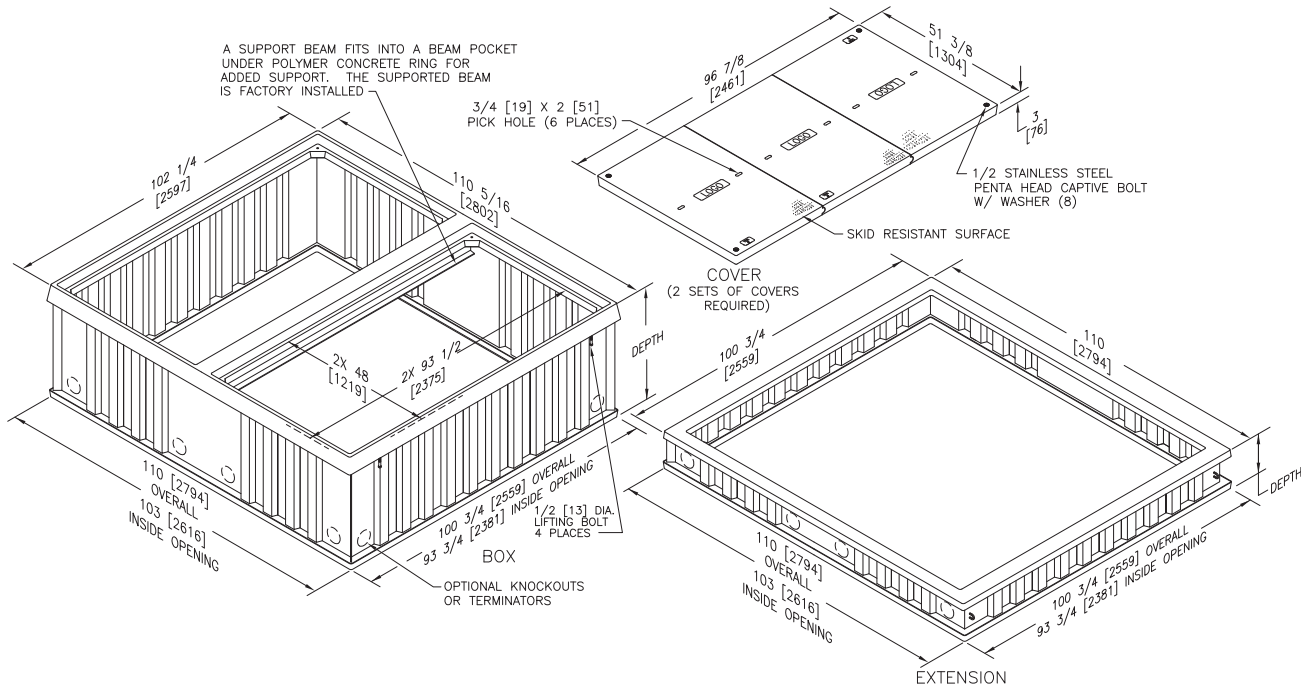




# Dimensions / Data

## 96" x 96" Corrugated Wall Style Assembly

**Penta Head Bolts are Standard**



### Covers

DESCRIPTION	TIER	DESIGN / TEST LOAD #	WEIGHT #	PALLET QTY	PART NO.
W/ 8 Bolts	8	8,000 / 12,000	804	1	C1A969603A***
No Bolts	8	8,000 / 12,000	804	1	C0A969603A***
W/ 8 Bolts	15	15,000 / 22,500	1005	1	C1B969603A***
W/ 8 Bolts	22	22,500 / 33,750	1005	1	C1C969603A***

Replace \*\*\* with a logo code found on page 138. See page 141 for other meter lid and touch/radio read cover options.

### Boxes

DESCRIPTION	DEPTH	TIER	DESIGN / TEST LOAD #	WEIGHT #	PALLET QTY	PART NO.
Standard Open Bottom	36"	8	8,000 / 12,000	2247	1	B1A969636A
	48"		8,000 / 12,000	2328	1	B1A969648A
Standard Open Bottom	36"	15	15,000 / 22,500	2247	1	B1B969636A
	48"		15,000 / 22,500	2328	1	B1B969648A
Standard Open Bottom	36"	22	22,500 / 33,750	2247	1	B1C969636A
	48"		22,500 / 33,750	2328	1	B1C969648A

To order boxes with an integral bottom, replace the last character with "B".  
NOTE: Cover rating cannot exceed box rating.

# Dimensions / Data

96" x 96" Corrugated Wall Style Assembly (Continued)

**Penta Head Bolts are Standard**

Bottom Extensions						
DESCRIPTION	DEPTH	TIER	DESIGN / TEST LOAD #	WEIGHT #	PALLET QTY	PART NO.
Standard Open Bottom	12"	8	8,000 / 12,000	1292	1	E0A969612A
	24"		8,000 / 12,000	1308	1	E0A969624A
	35"		8,000 / 12,000	1324	1	E0A969636A
	44"		8,000 / 12,000	1340	1	E0A969644A
Standard Open Bottom	12"	15	15,000 / 22,500	1292	1	E0B969612A
	24"		15,000 / 22,500	1308	1	E0B969624A
	35"		15,000 / 22,500	1324	1	E0B969636A
	44"		15,000 / 22,500	1340	1	E0B969644A
Standard Open Bottom	12"	22	22,500 / 33,750	1292	1	E0C969612A
	24"		22,500 / 33,750	1308	1	E0C969624A
	35"		22,500 / 33,750	1324	1	E0C969636A
	44"		22,500 / 33,750	1340	1	E0C969644A

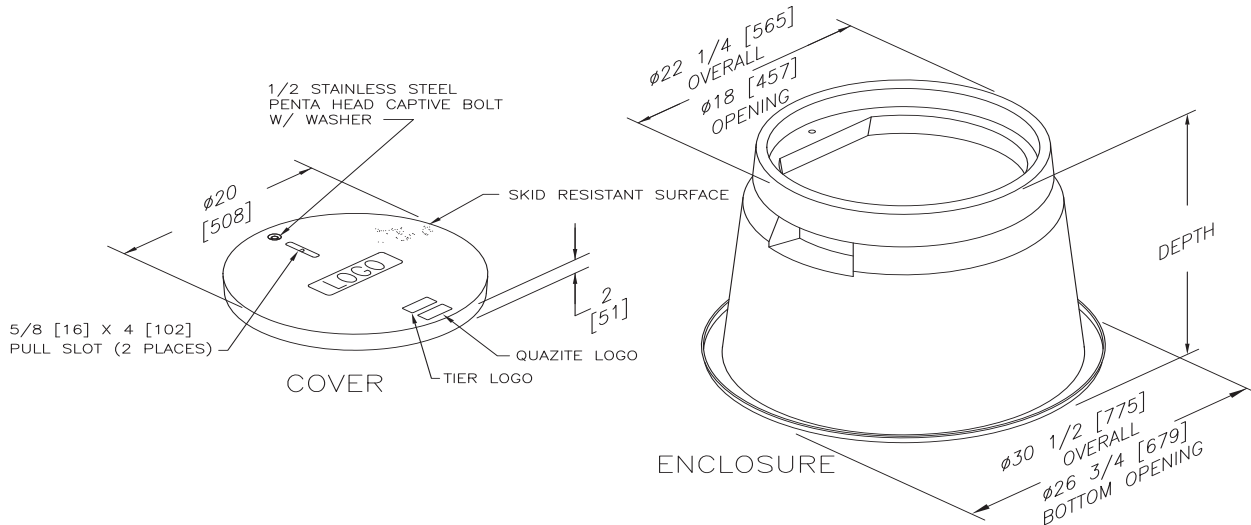
**QUAZITE FRP**



# Dimensions / Data

## 2000 Round Enclosure FRP (Nestable) Assembly

**Penta Head Bolts are Standard**



### Covers

DESCRIPTION	TIER	DESIGN / TEST LOAD #	WEIGHT #	PALLET QTY	PART NO.
W/ 1 Bolts	8	8,000 / 12,000	23	20	C10200002A***
W/ 1 Bolts	15	15,000 / 22,500	34	20	C12200002A***
W/ 1 Bolts	22	22,500 / 33,750	34	20	C16200002A***
No Bolts	8	8,000 / 12,000	23	20	C00200002A***

Replace \*\*\* with a logo code found on page 138.

### Boxes

DESCRIPTION	DEPTH	TIER	DESIGN / TEST LOAD #	WEIGHT #	PALLET QTY	PART NO.
Standard Open Bottom	24"	8	8,000 / 12,000	48	10	B10200024A
	48"		8,000 / 12,000	96	6	B10200048A
Standard Open Bottom	24"	15	15,000 / 22,500	59	10	B12200024A
	48"		15,000 / 22,500	118	6	B12200048A
Standard Open Bottom	24"	22	22,500 / 33,750	59	10	B19200024A
	48"		22,500 / 33,750	118	6	B19200048A

48" Depth created by bolting 2-24" deep boxes bottom to bottom.

To order gasketed boxes, replace the last character with "G".

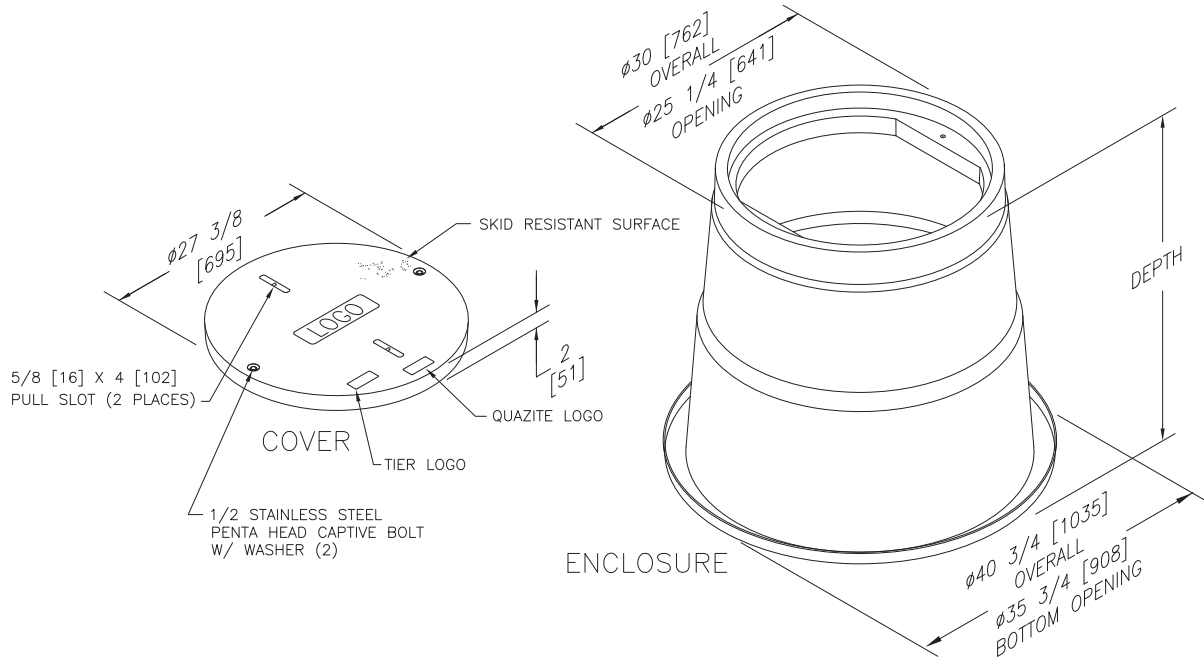
Gaskets reduce the inflow of fluids but do not make the enclosure water tight.

NOTE: Cover rating cannot exceed box rating.

# Dimensions / Data

## 2700 Round FRP (Nestable) Assembly

**Penta Head Bolts are Standard**



### Covers

DESCRIPTION	TIER	DESIGN / TEST LOAD #	WEIGHT #	PALLET QTY	PART NO.
W/ 2 Bolts	8	8,000 / 12,000	50	10	C10270002A***
W/ 2 Bolts	15	15,000 / 22,500	65	10	C12270002A***
No Bolts	8	8,000 / 12,000	50	10	C00270002A***

Replace \*\*\* with a logo code found on page 138.

### Boxes

DESCRIPTION	DEPTH	TIER	DESIGN / TEST LOAD #	WEIGHT #	PALLET QTY	PART NO.
Standard Open Bottom	36"	8	8,000 / 12,000	95	5	B10270036A
	72"		8,000 / 12,000	190	1	B10270072A
Standard Open Bottom	36"	15	15,000 / 22,500	121	5	B12270036A
	72"		15,000 / 22,500	242	1	B12270072A

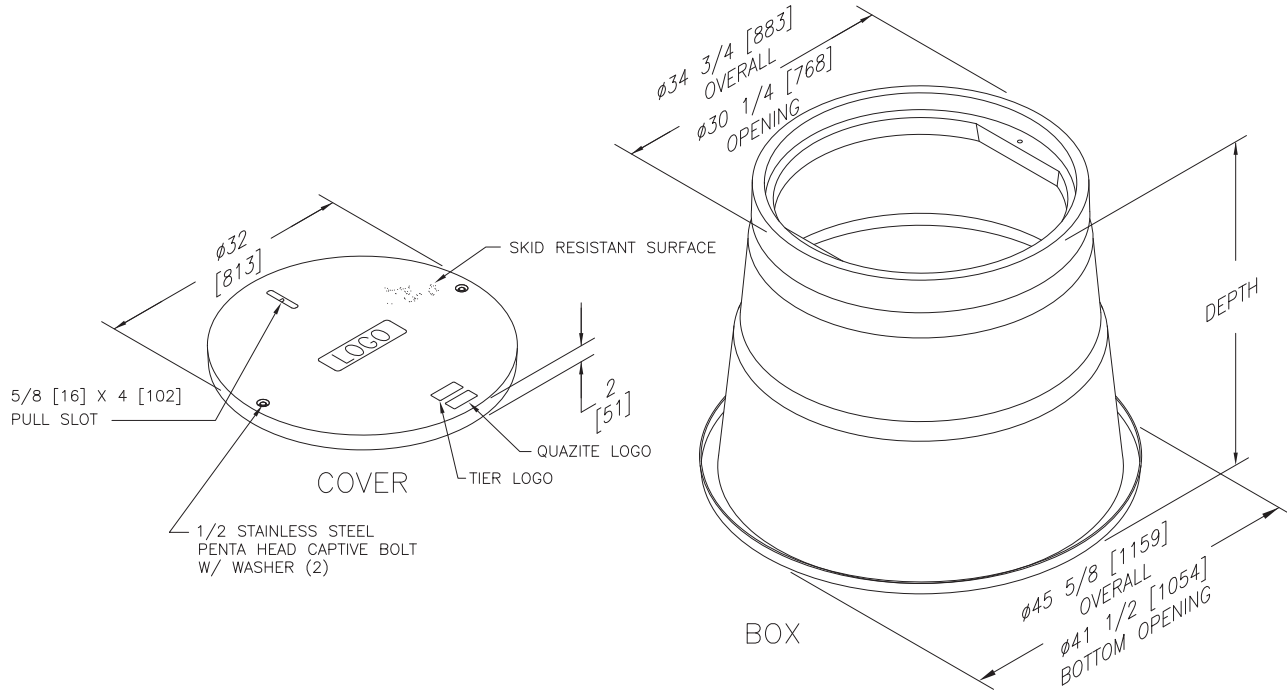
To order gasketed boxes, replace the last character with "G".  
 72" Depth created by bolting 2-36" deep boxes bottom to bottom.  
 Gaskets reduce the inflow of fluids but do not make the enclosure water tight.  
 NOTE: Cover rating cannot exceed box rating.

**QUAZITE FRP**

# Dimensions / Data

## 3200 Round Enclosure FRP (Nestable) Assembly

**Penta Head Bolts are Standard**



### Covers

DESCRIPTION	TIER	DESIGN / TEST LOAD #	WEIGHT #	PALLET QTY	PART NO.
W/ 2 Bolts	8	8,000 / 12,000	91	10	C10320002A***
W/ 2 Bolts	15	15,000 / 22,500	106	10	C12320002A***
W/ 2 Bolts	22	22,500 / 33,750	106	10	C16320002A***
No Bolts	8	8,000 / 12,000	91	10	C00320002A***

Replace \*\*\* with a logo code found on page 138.

### Boxes

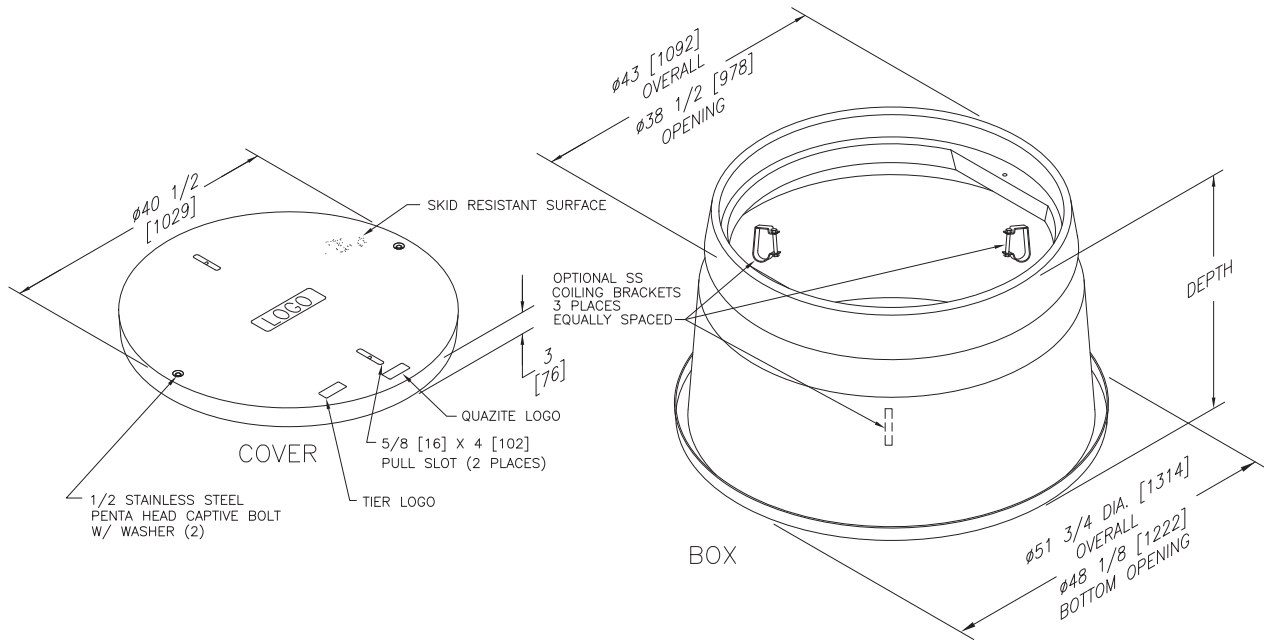
DESCRIPTION	DEPTH	TIER	DESIGN / TEST LOAD #	WEIGHT #	PALLET QTY	PART NO.
Standard Open Bottom	36"	8	8,000 / 12,000	95	5	B10320036A
Standard Open Bottom	36"	15	15,000 / 22,500	121	5	B12320036A
Standard Open Bottom	36"	22	22,500 / 33,750	121	5	B19320036A

To order gasketed boxes, replace the last character with "G".  
Gaskets reduce the inflow of fluids but do not make the enclosure water tight.  
NOTE: Cover rating cannot exceed box rating.

# Dimensions / Data

## 3900 Round Enclosure FRP (Nestable) Assembly

**Penta Head Bolts are Standard**



### Covers

DESCRIPTION	TIER	DESIGN / TEST LOAD #	WEIGHT #	PALLET QTY	PART NO.
W/ 2 Bolts	8	8,000 / 12,000	200	5	C10390003A***
W/ 2 Bolts	15	15,000 / 22,500	250	5	C12390003A***
W/ 2 Bolts	22	22,500 / 33,750	250	5	C16390003A***
No Bolts	8	8,000 / 12,000	200	5	C00390003A***

Replace \*\*\* with a logo code found on page 138.

### Boxes

DESCRIPTION	DEPTH	TIER	DESIGN / TEST LOAD #	WEIGHT #	PALLET QTY	PART NO.
Standard Open Bottom	14"	8	8,000 / 12,000	154	1	B10390014A
	30"		8,000 / 12,000	168	1	B10390030A
	36"		8,000 / 12,000	175	1	B10390036A
Standard Open Bottom	14"	15	15,000 / 22,500	158	1	B12390014A
	30"		15,000 / 22,500	179	1	B12390030A
	36"		15,000 / 22,500	190	1	B12390036A
Standard Open Bottom	14"	22	22,500 / 33,750	158	1	B19390014A
	30"		22,500 / 33,750	179	1	B19390030A
	36"		22,500 / 33,750	190	1	B19390036A

To order gasketed boxes, replace the last character with "G".

Gaskets reduce the inflow of fluids but do not make the enclosure water tight.

NOTE: Cover rating cannot exceed box rating.

Most commonly used cover logos are shown below.  
 Custom Logos are available. Contact your Quazite/Hubbell Representative.

## QUAZITE® FRP COVER OPTIONS











### LOGOS

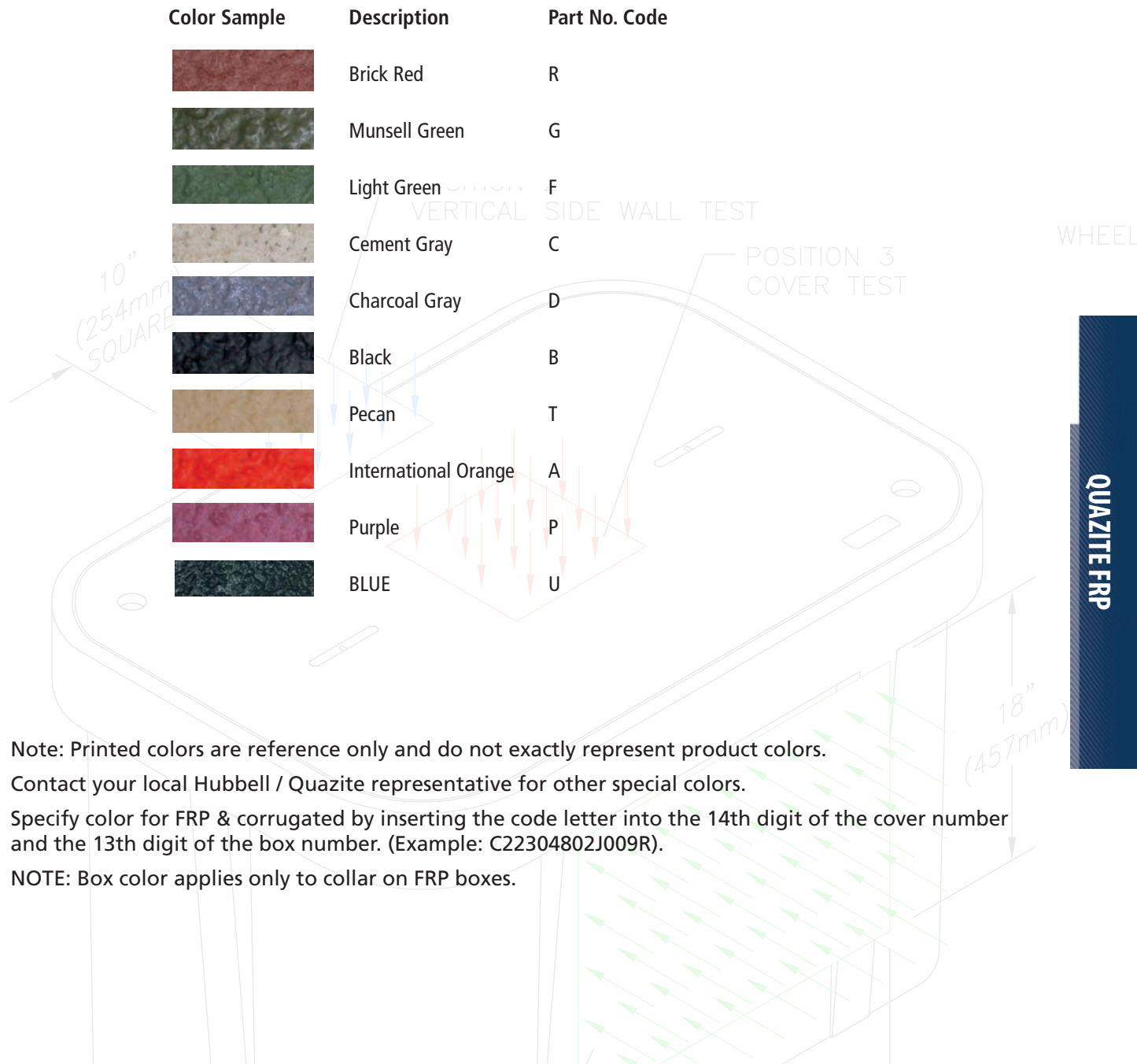
FRP & CORRUGATED LOGO CODES	DESCRIPTION
009	BLANK
010	CATV
012	COMMUNICATIONS
014	CONTROLS
017	ELECTRIC
021	FIBER OPTICS
022	FIRE ALARM
023	GAS
024	GROUND
026	HIGH VOLTAGE
029	LIGHTING
036	SECURITY
038	SIGNAL
040	STATE TRAFFIC SIGNAL
041	STREET LIGHTING
042	TELECOM
043	TELEPHONE
044	TRAFFIC
045	TRAFFIC CONTROL
046	TRAFFIC SIGNAL
048	TV
050	WATER
057	EMERGENCY
065	ILLUMINATION
081	DANGER HIGH VOLTAGE
084	POWER
092	TELECOMMUNICATIONS
03A	DOT
06B	INSTRUMENTATION
0ZA	IRRIGATION
K91	RECLAIMED WATER
KH1	FIBEROPTIC



# Quazite FRP Color Options

The standard color for QUAZITE FRP products is concrete gray. Various color options allow for blending with adjacent materials or special identification of enclosures. Some commonly requested colors include:

Color Sample	Description	Part No. Code
	Brick Red	R
	Munsell Green	G
	Light Green	F
	Cement Gray	C
	Charcoal Gray	D
	Black	B
	Pecan	T
	International Orange	A
	Purple	P
	BLUE	U



10" (254mm) SQUARE

VERTICAL SIDE WALL TEST

POSITION 3 COVER TEST

18" (457mm)

WHEEL

QUAZITE FRP

Note: Printed colors are reference only and do not exactly represent product colors.

Contact your local Hubbell / Quazite representative for other special colors.

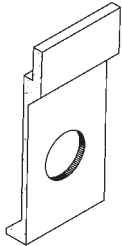
Specify color for FRP & corrugated by inserting the code letter into the 14th digit of the cover number and the 13th digit of the box number. (Example: C22304802J009R).

NOTE: Box color applies only to collar on FRP boxes.

# FRP Enclosure Options:

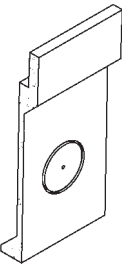
Quazite FRP features several different accessories for its boxes, including cable racks, unistrut racks, pulleys, knockouts, coiling brackets, and terminators. Knockouts are pre-scored at the factory, allowing for easy break out without the need for special tools. Pulleys feature a forged-steel eye-nut and a steel-reinforcing plate.

## Holes



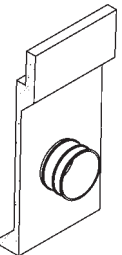
Conduit Sizes  
(For actual hole sizes and locations see page 58.)  
2"  
3"  
4" Electrical  
4" Telephone  
5"  
6"  
Other hole sizes available. Contact your local HUBBELL®/QUAZITE® representative for additional  
Special order boxes with holes (or mouseholes, etc.) may qualify for UL Listing as long as the holes do not exceed more than 25% of the area of each sidewall and as long as the holes do not cut into a structural reinforcing rib, corner, or box lip.

## Knockouts



Conduit Sizes  
(For actual hole sizes and locations see page 58.)  
2"  
3"  
4" Electrical  
4" Telephone  
5"  
6"  
Other knockout sizes available. Contact your local HUBBELL®/QUAZITE® representative for additional  
Special order boxes with holes (or mouseholes, etc.) may qualify for UL Listing as long as the holes do not exceed more than 25% of the area of each sidewall and as long as the holes do not cut into a structural reinforcing rib, corner, or box lip.

## Terminators



Conduit Sizes  
(For actual hole sizes and locations see page 58.)  
2"  
3"  
4" (Electrical & Telephone)\*  
5"  
6"  
\*New 4" terminator design accommodates both electrical and telephone conduit sizes. Other terminator sizes available. Contact your local HUBBELL®/QUAZITE® representative for additional  
Special order boxes with holes (or mouseholes, etc.) may qualify for UL Listing as long as the holes do not exceed more than 25% of the area of each sidewall and as long as the holes do not cut into a structural reinforcing rib, corner, or box lip.

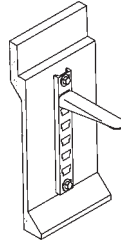
## Strut Racks



Box and cover struts available. Contact your local HUBBELL®/QUAZITE® representative for sizes.

Width x Depth  
1-5/8" x 1-5/8"

## Cable Racks & Rack Hooks - Galvanized Steel

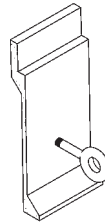


**Cable Racks** available in the following lengths:  
12" length C080911  
18" length C080910  
24" length C080915  
30" length C080920  
36" length C080921

See page 141 for cable rack locations.

Cable Rack Hooks	Part No.
7-1/2" length	C2031132
10" length	C080907

## Pulling Eyes



Available Ratings  
1,500 lbs.  
3,000 lbs.  
10,000 lbs.

## Captive Bolts

Captive bolts are standard on all FRP products except for the 6 x 8 enclosure. Captive bolts prevent the bolt from falling out of the cover when the cover is removed.

# FRP Enclosure Options:

## Bolt Holes

Sizes

3/8"

1/4"

1/2"

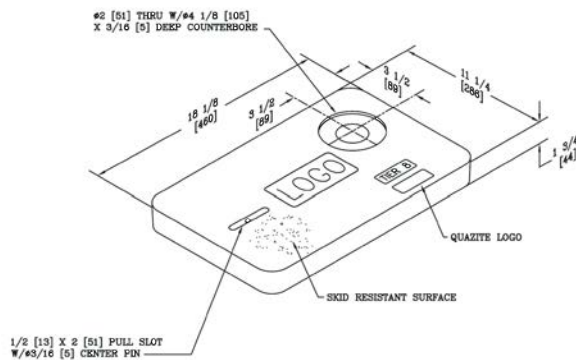
## Inserts - 18-8 Stainless Steel

Available Sizes

3/8" or 1/2"

## Touch/Radio Read Option

Holes for touch or radio read applications can be provided in covers as needed.



## Pull Slots

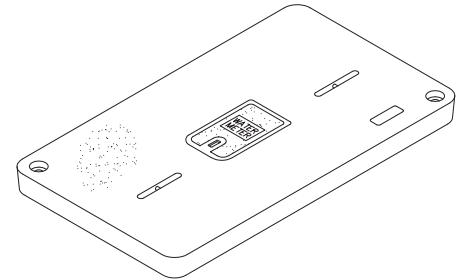
The standard cover pull slot measures 1/2" x 4". Bell cover pull slots measuring 1" x 4" are available upon request.

## Hinged Meter Lids\*

Available Sizes

Cast iron 4" x 6" lid

Cast iron 6" x 9" lid



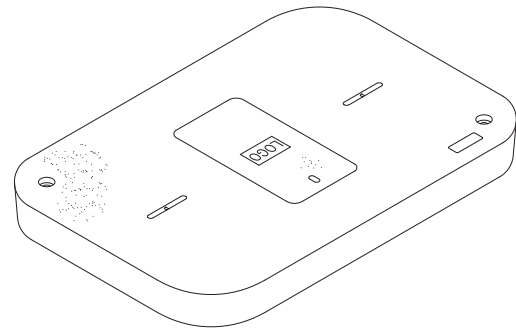
## Drop-in Meter Lids\*

Available Sizes

Polymer concrete 6" x 9" drop-in lid

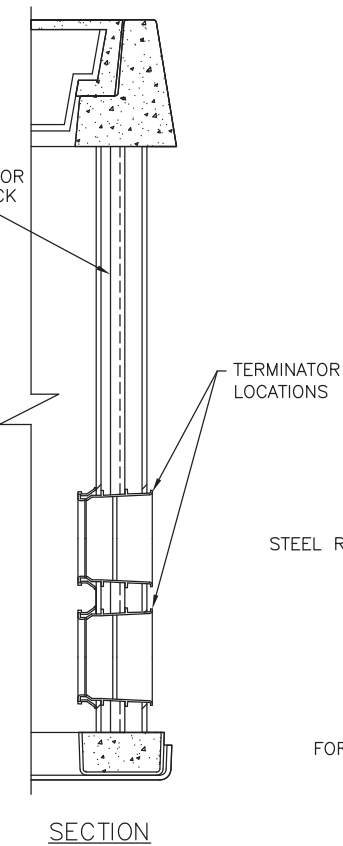
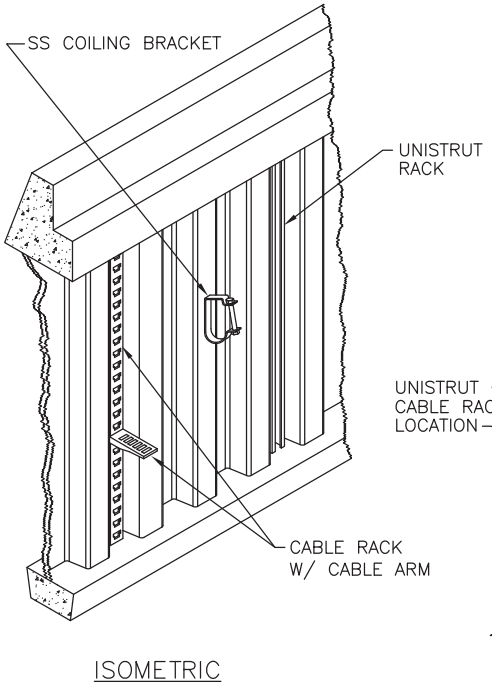
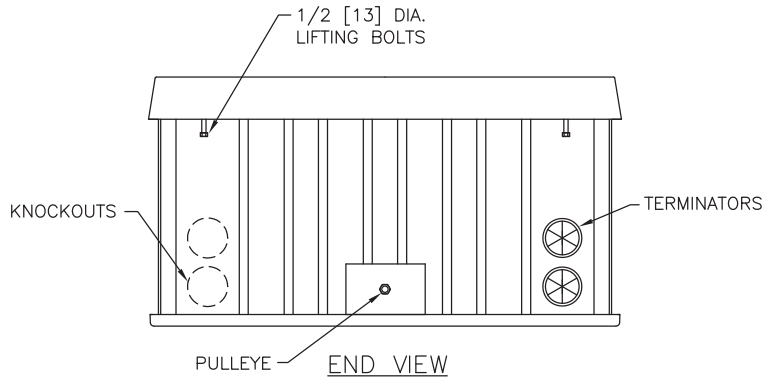
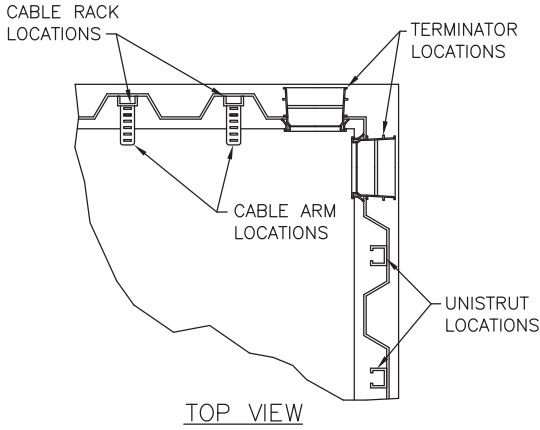
Polymer concrete 7" x 13" drop-in lid

Polymer concrete 9" x 15" drop-in lid



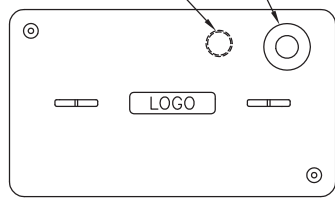
\*Select sizes available in Tier 15.  
Tier 22 not available.

# TYPICAL FEATURES AND DETAILS OF FRP ENCLOSURES

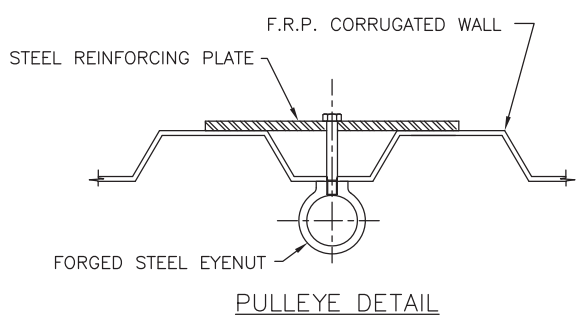


OPTIONAL 2 [51] DIA. THRU HOLE  
W/ 4 1/8 [105] DIA. X 3/16 [5] C'BORE  
TOUCH READ OR RADIO READ OPENING  
MORE SIZES ARE AVAILABLE  
CONTACT SALES ASSOCIATE  
FOR MORE INFORMATION

OPTIONAL TELEPHONE OR ELECTRIC  
EMS MARKER (CAST IN COVER)

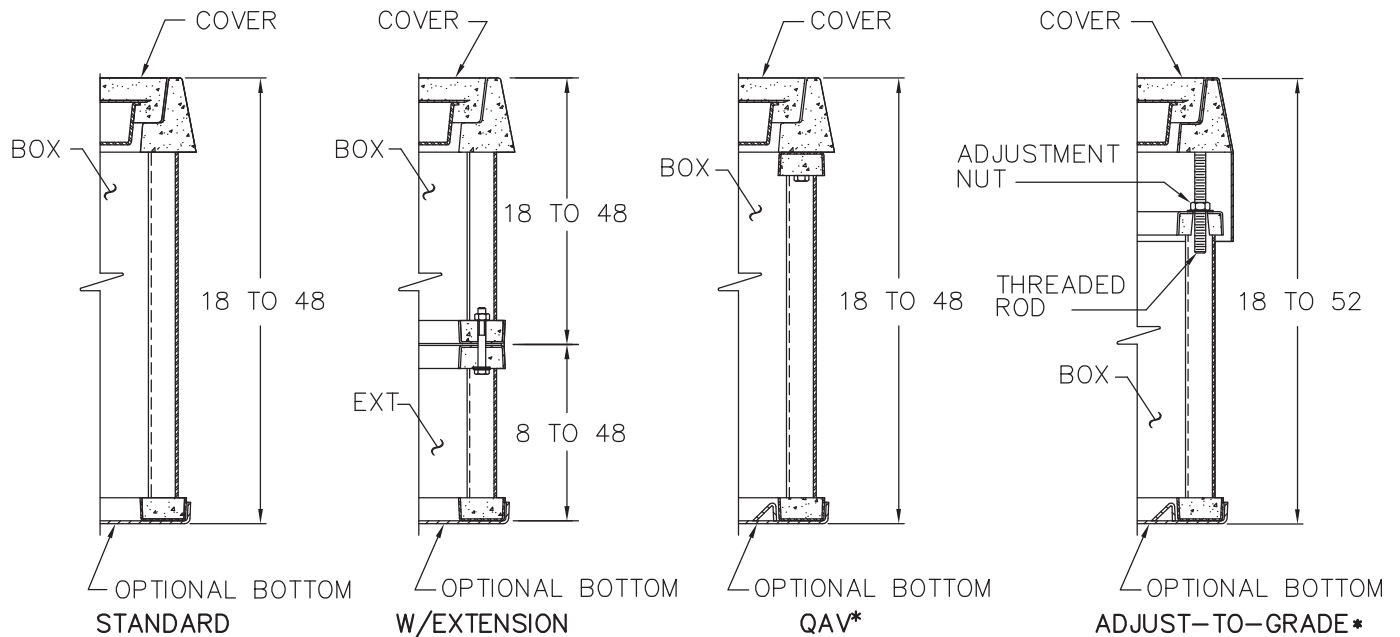


w/ ELECTRONIC MARKER  
& TOUCH READER OPTIONS



QUAZITE FRP

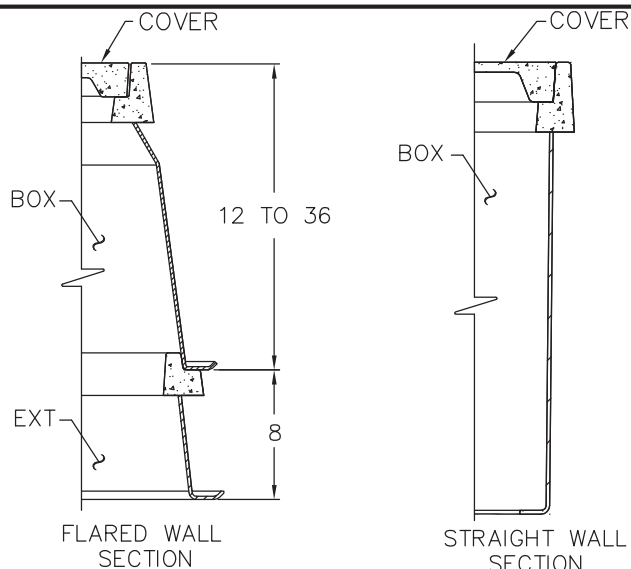
# FRP ENCLOSURE SPECIFICATIONS/DATA



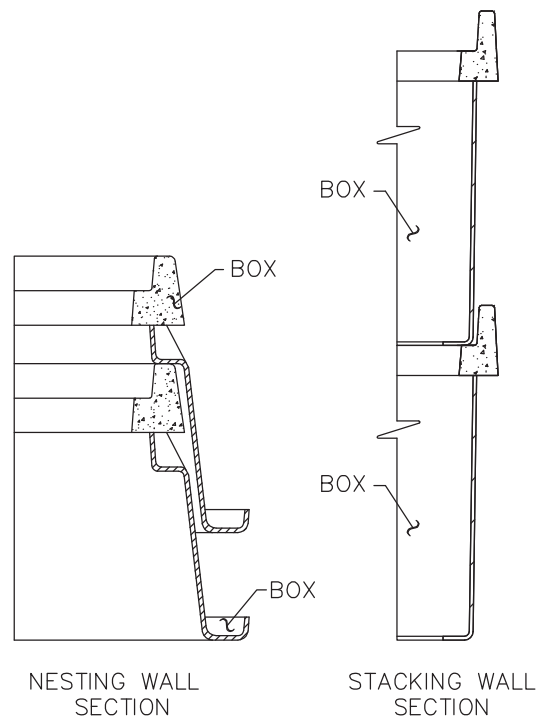
- |                |                |
|----------------|----------------|
| 30 X 48 SERIES | 48 X 72 SERIES |
| 30 X 60 SERIES | 48 X 78 SERIES |
| 36 X 60 SERIES | 48 X 96 SERIES |
| 48 X 48 SERIES |                |

STANDARD ADJUSTMENT RANGE IS 4". CONSULT FACTORY IF A LARGER RANGE IS REQUIRED.

\* CAN RETROFIT IN PLACE WITH TOP EXTENSIONS TO ACCOMODATE FUTURE GRADE CHANGES

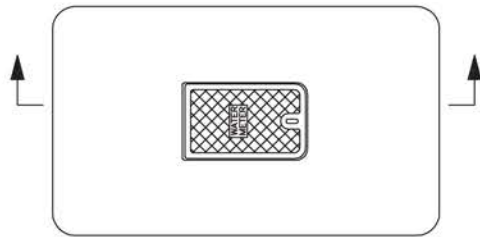


- |                 |                        |
|-----------------|------------------------|
| 10 X 15 SERIES  | } EXTENSIONS AVAILABLE |
| 11 X 18 SERIES  |                        |
| 15 X 17 SERIES  |                        |
| 15 X 27 SERIES  |                        |
| 13 X 24 SERIES  |                        |
| 17 X 30 SERIES  |                        |
| 24 X 36 SERIES  |                        |
| 30 X 48W SERIES |                        |

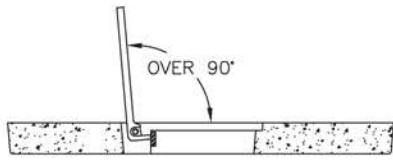


QUAZITE FRP

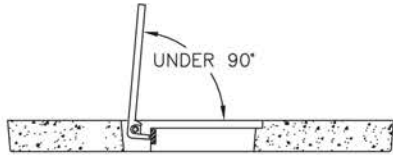
# FRP ENCLOSURE OPTIONS



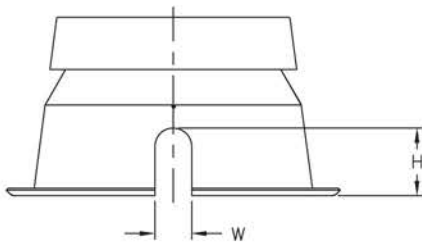
HINGED CAST IRON READER DOOR  
(FOR METER BOXES, WATER, GAS, ETC.)



SECTION LID STAYS OPEN



SECTION SELF CLOSING LID



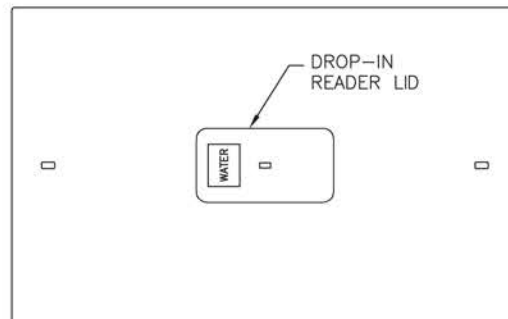
STANDARD MOUSEHOLES		
BOX SERIES	W	H
11 X 18	2-1/2	3
13 X 24	2-1/2	3
15 X 27	2-1/2	3
17 X 30	2-1/2	3
24 X 36	3	5
30 X 48	3	5
30 X 60	3	5
36 X 60 & LARGER	4	6

STANDARD READER DOOR LOCATION		
BOX SIZE	DOOR SIZE	DETAIL
11 X 18	4 X 6	A
13 X 24	4 X 6	A
15 X 27	4 X 6	A
17 X 30	6 X 9	A
24 X 36	6 X 9	A
30 X 48	6 X 9	A
36 X 60 (1PC)	6 X 9	A
36 X 60 (2PC)	6 X 9	B
48 X 78 (2PC)	6 X 9	B
48 X 96 (3PC)	6 X 9	*

\* READER DOOR CENTERED  
IN CENTER COVER

DETAIL "A"

DETAIL "B"



COVER



COVER SECTION

DROP IN READER LID SIZES
6 x 9 x 1
7 x 13 x 1
9 x 15 x 1

Select sizes available in Tier 15. Tier 22 not available.







# Pencell<sup>®</sup> PLASTICS

Hubbell maintains a large inventory of PenCell enclosures to serve your needs.



PENCCELL

.5 COEFFICIENT OF FRICTION  
SKID RESISTANT SURFACE



## NEC & Underground Enclosures

The National Electric Code states in article 314.30 that enclosures "...shall be designed and installed to withstand all loads likely to be imposed..." and addresses issues related to enclosure size, wiring entries, enclosures without bottoms, and bonding requirements for covers. "

The code references the ANSI/SCTE 77 "Specification for Underground Enclosure Integrity" National Standard, which outlines various tests that enclosures must pass to meet the standard. ANSI/SCTE 77 also provides load charts with Tier ratings to help users determine the appropriate enclosure to select based on the loadings expected in the application.

### PenCell

PenCell DT enclosures with polymer concrete covers meet or exceed the test provisions of ANSI/SCTE 77 2013. To achieve this, PenCell enclosures must pass numerous material and product performance tests before they can meet ANSI/SCTE 77 2013.

### Testing Requirements for ANSI/SCTE 77 2013

- Three-Position Load Testing to simulate actual application performance
- UV Degradation per ASTM G-154
- Fire Resistance per RUS 7CFR 1755.910 (PE-91)
- Chemical Resistance per ASTM D-543
- Water Absorption per ASTM D-570
- Impact Resistance per ASTM D2444
- Accelerated service per ASTM D-756, procedure E

## "K" rating

For projects where Tier Ratings are not required, we offer products that have been tested in our labs to meet 5K, 10K, or 20K loads. The K-load testing differs from ANSI/SCTE 77 Tier testing in that the K-load testing is a one-time, vertical cover test to ensure the enclosure can safely withstand the static load. By contrast, the ANSI/SCTE 77 Tier testing includes cyclic testing of enclosures in three positions: lateral sidewall, vertical sidewall, and vertical cover. We carefully test and periodically retest our products to ensure they meet and will continue to meet the demands of their intended use.

Currently, there is not a standard for testing enclosures with a "K" load rating designation. No association should be made stating that enclosures with this designation meet the testing requirements of any standard such as ANSI/SCTE 77, WUC 3.6 or any other.

Cover Type	Cover Rating	Test Area
Plastic	5K (5,000 lbs)	10" X 10"
Steel	10K (10,000 lbs)	10" X 10"
Polymer Concrete	20K (20,000 lbs)	10" X 10"

# PenCell Selection Guide

## Style Guide – Tailored Product Variety.

We offer a wide variety of box styles in order to meet your most specialized enclosure needs. Each style offers specific strengths and assets for diverse functionality



### • DT Style

Heavy duty straight wall enclosures made of a structurally ribbed HDPE box and a cover made from either polymer concrete or HDPE. DT series enclosures with polymer concrete covers achieve specific ANSI/SCTE 77 Tier ratings.



### • PE Style

Light duty enclosures that include round models as well as rectangular vault models. Various cover options include HDPE or galvanized diamond plate steel. Spacers and lower extensions are available on specific rectangular vault models. Most rectangular vault models are adaptable to our above-grade pedestals.



### • PM (PEM) Style

Grade level enclosures made of an HDPE foam molded box that offers modular construction. It's tapered walls prevent frost heave while allowing the units to be nested during storage. This highly versatile series can be combined with various cover options that include polymer concrete, HDPE and even split 2-piece designs. Extensions are also available.



### • PR (PEMR) Style

Round top enclosures made of an HDPE tapered box combined with a polymer concrete ring and cover. The round shape also prevents the cover from falling into the enclosure cavity.

# PenCell: Available Size Chart

Style	Size	Depths	Load Rating Options
DT	11x18	9, 11, 18, 20	5K, Tier 15
	12x12	14, 16, 20, 25	5K, Tier 15
	13x24	15, 17, 18, 23, 24*	5K, Tier 15
	17x30	15, 17, 18, 24, 26, 30, 32, 36, 38*	5K, Tier 15, Tier 22 (24" & 36" depth only)
	24x36	18, 24, 36	5K, Tier 15, Tier 22
	30x48	18, 24, 36	5K, Tier 15, Tier 22
PE	6	9	5K
	9	10	5K
	10	18, 19	5K
	14	12, 17*	5K
	20	17, 19	5K, 10K
	30	12, 17, 19*	5K, 10K
	36	15	5K
PM	10x10	12	20K
	10x14	12	20K
	10x18	12	20K
	12x12	24	20K
	12x18	24	20K
	12x20	18	20K
	12x24	24	20K
	18x18	24	5K, 20K
	18x24	24	20K
	18x30	24	20K
	24x24	24*	5K, 20K
	24x36	24*	5K, 20K
	24x48	24*	5K, 20K
	24x60	24*	5K, 20K
	30x36	24*	5K, 20K
	30x48	24*	5K, 20K
	30x60	24*	5K, 20K
	36x36	24*	5K, 20K
	36x48	24*	5K, 20K
36x60	24*	5K, 20K	
48x48	24, 30, 36, 42, 48*	20K	
Round	12x12	24	20K
	18x18	24	20K

\*Extensions Available



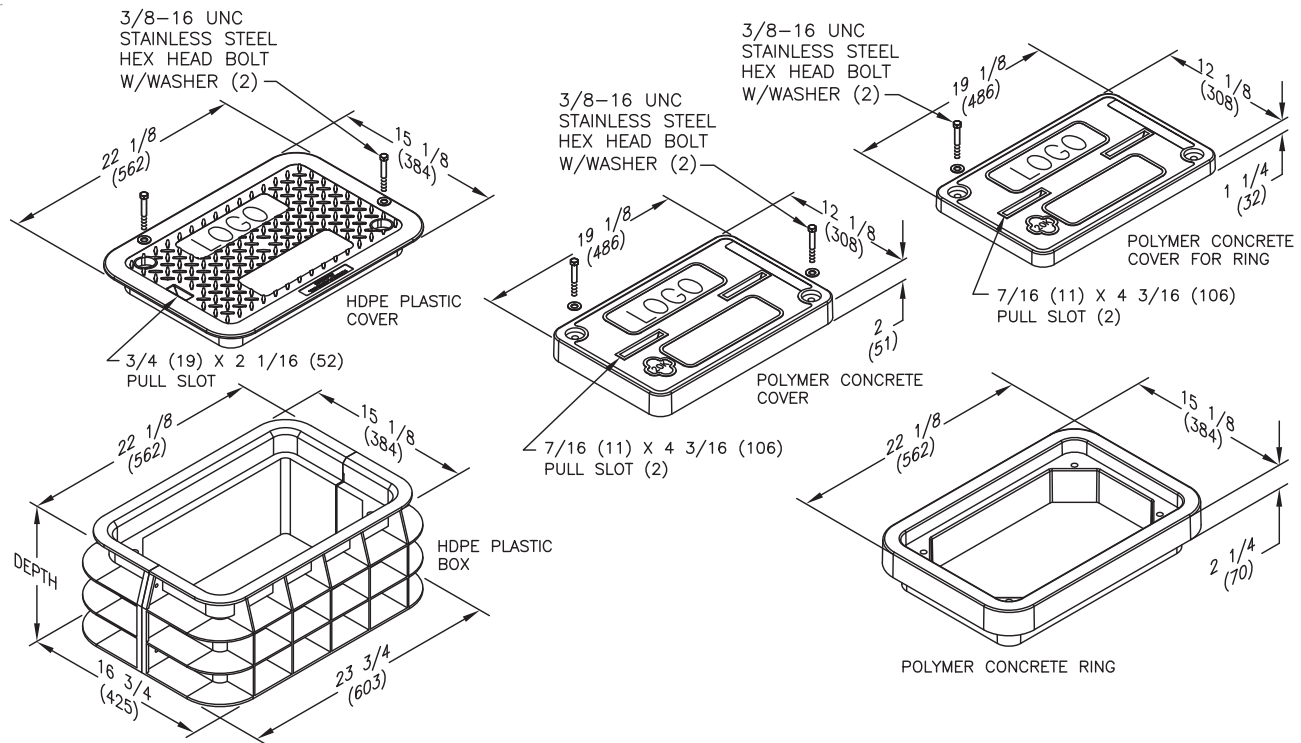


PENCELL

# Dimensions / Data

11" x 18" PenCell DT

**Hex Head Bolts are Standard**



## Assemblies

DESCRIPTION	DEPTH	TIER	DESIGN / TEST LOAD	WEIGHT	PALLET QTY	OLD PART NO.	NEW PART NO.
Box & Polymer Concrete Cover	9"	15	15,000 / 22,500	43	36	DT-2-1118PCH	DT111809PCH00***
Box w/ PC Ring & Cover	11"	15	15,000 / 22,500	62	33	DT-1118PCH	DT111812PRH00***
Box & HDPE Cover	9"	N/A	N/A / 5,000	15	54	DT-1118HD	DT111809HDH00***
Box & Polymer Concrete Cover	18"	15	15,000 / 22,500	53	18	DT-2-1118-18PCH	DT111818PCH00***
Box w/ PC Ring & Cover	20"	15	15,000 / 22,500	72	30	DT-1118-20PCH	DT111820PRH00***
Box & HDPE Cover	18"	N/A	N/A / 5,000	25	30	DT-1118-18HDH	DT111818HDH00***

## Covers & Ring

DESCRIPTION	TIER	DESIGN / TEST LOAD #	WEIGHT #	MATERIAL	OLD PART NO.	NEW PART NO.
2" Poly Concrete W/ Bolts	15	15,000 / 22,500	33	Poly Concrete	DT-2-1118PCLH	DT1118CLH00***
1 1/4" Poly Conc W/ Bolts	15	15,000 / 22,500	22	Poly Concrete	DT-1118PCLH	DT1118CTH00***
HDPE Cover	N/A	N/A / 5,000	5	HDPE	DT-1118PLH	DT1118PLI12***
2 1/4" PC Ring	15	15,000 / 22,500	19	Poly Concrete	PCRDT1118	DT1118RR

Replace \*\*\* with a logo code found on page 188.

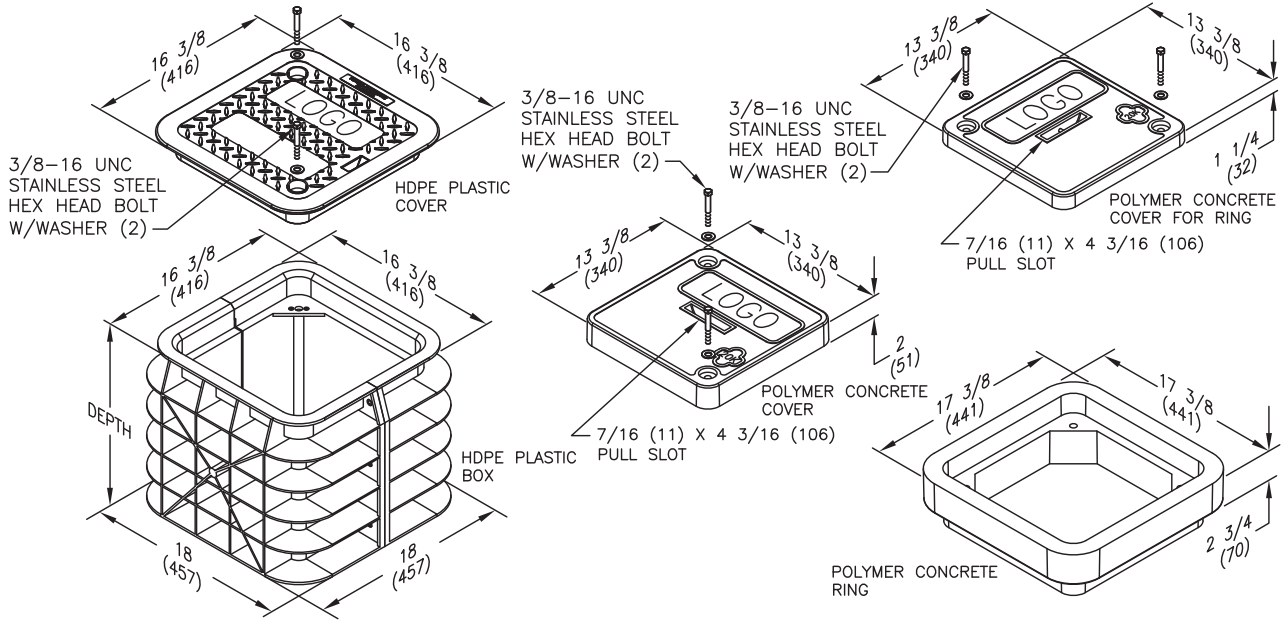
## Boxes

DESCRIPTION	DEPTH	TIER	DESIGN / TEST LOAD #	WEIGHT #	PALLET QTY	OLD PART NO.	NEW PART NO.
Gray Open Bottom	9"	15	15,000 / 22,500	10	40	DT-1118GS-Y	DT111809GSY
Green Open Bottom	9"	15	15,000 / 22,500	10	40	DT-1118GS	DT111809GSN

# Dimensions / Data

12" x 12" PenCell DT

**Hex Head Bolts are Standard**



## Assemblies

DESCRIPTION	DEPTH	TIER	DESIGN / TEST LOAD	WEIGHT	PALLET QTY	OLD PART NO.	NEW PART NO.
Box & Concrete Cover	14"	15	15,000 / 22,500	38	35	DT-2-1212PCH	DT121212PCH00***
Box w/ PC Ring & Cover	16"	15	15,000 / 22,500	54	35	DT-1212PCH	DT121214PRH00***
Box & HDPE Cover	14"	N/A	N/A / 5,000	18	35	DT-1212HD	DT121212HDH00***

## Covers & Ring

DESCRIPTION	TIER	DESIGN / TEST LOAD #	WEIGHT #	MATERIAL	OLD PART NO.	NEW PART NO.
2" Poly Concrete W/ Bolts	15	15,000 / 22,500	24	Poly Concrete	DT-2-1212PCLH	DT1212CLH00***
1 1/4" Poly Conc W/ Bolts	15	15,000 / 22,500	17	Poly Concrete	DT-1212PCLH	DT1212CTH00***
HDPE Cover	N/A	N/A / 5,000	4	HDPE	DT-1212PLH	DT1212PLI12***
2 1/4" PC Ring	15	15,000 / 22,500	23	Poly Concrete	PCRD1212	DT1212RR

Replace \*\*\* with a logo code found on page 188.

## Boxes

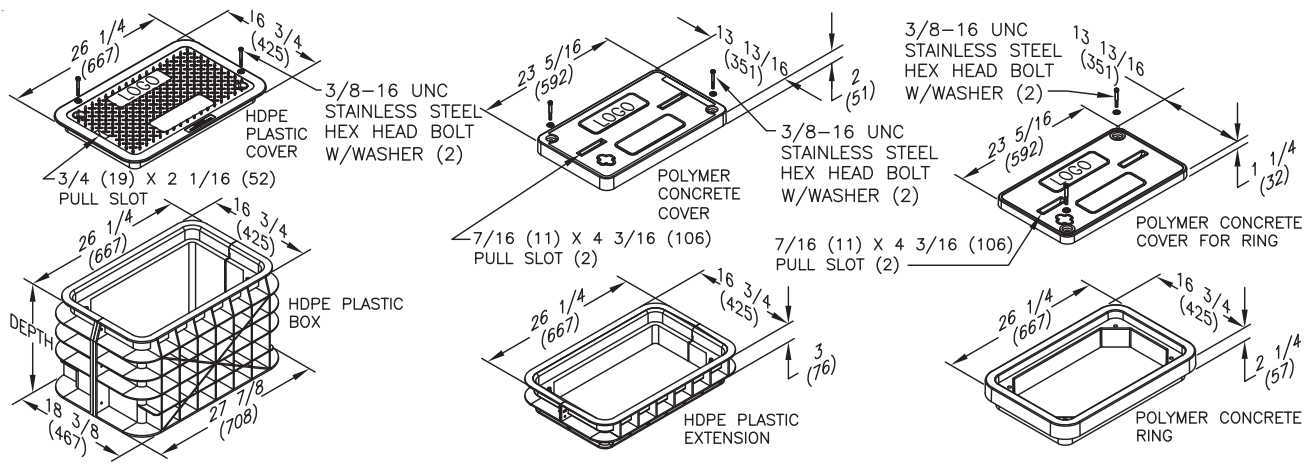
DESCRIPTION	DEPTH	TIER	DESIGN / TEST LOAD #	WEIGHT #	PALLET QTY	OLD PART NO.	NEW PART NO.
Gray Open Bottom	14"	15	15,000 / 22,500	14	35	DT-1212GS-Y	DT121212GSY
Green Open Bottom	14"	15	15,000 / 22,500	14	35	DT-1212GS	DT121212GSN



# Dimensions / Data

13" x 24" PenCell DT

**Hex Head Bolts are Standard**



## Assemblies

DESCRIPTION	DEPTH	TIER	DESIGN / TEST LOAD	WEIGHT	PALLET QTY	OLD PART NO.	NEW PART NO.
Box & Polymer Concrete Cover	15"	15	15,000 / 22,500	63	25	DT-2-1324PCH	DT132415PCH00***
Box & HDPE Cover	15"	N/A	N/A / 5,000	26	25	DT-1324HD	DT132415HDH00***
Box, Ext & Polymer Concrete Cover	18"	15	15,000 / 22,500	68	25	DT-2-1324-18PCH	DT132418PCH00***
Box w/ PC Ring & Cover	17"	15	15,000 / 22,500	85	25	DT-1324-18PCH	DT132418PRH00***
Box, Ext & HDPE Cover	18"	N/A	N/A / 5,000	31	25	DT-1324-18HDH	DT132418HDH00***
Box, (3) Ext & Polymer Concrete Cover	24"	15	15,000 / 22,500	78	20	DT-2-1324-24PCH	DT132424PCH00***
Box, (2) Ext w/ PC Ring & Cover	23"	15	15,000 / 22,500	95	20	DT-1324-24PCH	DT132424PRH00***
Box, (3) Ext & HDPE Cover	24"	N/A	N/A / 5,000	41	20	DT-1324-24HDH	DT132424HDH00***

## Covers & Ring

DESCRIPTION	TIER	DESIGN / TEST LOAD #	WEIGHT #	MATERIAL	OLD PART NO.	NEW PART NO.
2" Poly Concrete W/ Bolts	15	15,000 / 22,500	43	Poly Concrete	DT-2-1324PCLH	DT1324CLH00***
1 1/4" Poly Conc W/ Bolts	15	15,000 / 22,500	65	Poly Concrete	DT-1324PCLH	DT1324CTH00***
HDPE Cover	N/A	N/A / 5,000	6	HDPE	DT-1324PLH	DT1324PLI12***
2 1/4" PC Ring	15	15,000 / 22,500	22	Poly Concrete	PCRD1324	DT1324RR

Replace \*\*\* with a logo code found on page 188.

## Boxes

DESCRIPTION	DEPTH	TIER	DESIGN / TEST LOAD #	WEIGHT #	PALLET QTY	OLD PART NO.	NEW PART NO.
Gray Open Bottom	15"	15	15,000 / 22,500	20	25	DT-1324GS-Y	DT132415GSY
Green Open Bottom	15"	15	15,000 / 22,500	20	25	DT-1324GS	DT132415GSN

## Extensions

DESCRIPTION	DEPTH	TIER	DESIGN / TEST LOAD #	WEIGHT #	PALLET QTY	OLD PART NO.	NEW PART NO.
HDPE Extension (Gray)	3"	15	15,000 / 22,500	5	40	DT-1324-3EXT-Y	DT132403EXY
HDPE Extension (Green)	3"	15	15,000 / 22,500	5	40	DT-1324-3EXT	DT132403EXN

# Dimensions / Data

17" x 30" PenCell DT

## Assemblies with Concrete Covers

DESCRIPTION	DEPTH	TIER	DESIGN / TEST LOAD	WEIGHT	PALLET QTY	OLD PART NO.	NEW PART NO.
Box & 2" Cover	15"	15	15,000 / 22,500	102	12	DT-2-1730PCH	DT173015PCH00***
With 3" Extension	18"	15	15,000 / 22,500	108	12	DT-2-1730-18PCH	DT173018PCH00***
Box, PC Ring & Cover	17 1/4"	15	15,000 / 22,500	123	12	DT-1730-18PCH	DT173018PRH00***
Box & 2" Cover	24"	15	15,000 / 22,500	124	12	DT-2-1730-24PCH	DT173024PCH00***
Box, PC Ring & Cover	26 1/4"	15	15,000 / 22,500	145	N/A	DT-1730-24PCH	DT173024PRH00***
With (2) 3" Extensions	30"	15	15,000 / 22,500	130	6	DT-2-1730-30PCH	DT173030PCH00***
Box, PC Ring & Cover							
With (2) 3" Extensions	32 1/4"	15	15,000 / 22,500	157	N/A	DT-1730-30PCH	DT173030PRH00***
Box & 2" Cover	36"	15	15,000 / 22,500	140	6	DT-2-1730-36PCH	DT173036PCH00***
Box, PC Ring & Cover	38 1/4"	15	15,000 / 22,500	161	N/A	DT-1730-36PCH	DT173036PRH00***

NOTE: Tier 22 available for 24" & 36" depth boxes/assemblies..

## Assemblies with HDPE Covers

DESCRIPTION	DEPTH	TIER	DESIGN / TEST LOAD	WEIGHT	PALLET QTY	OLD PART NO.	NEW PART NO.
Box & Cover	15"	N/A	N/A / 5,000	35	12	DT-1730HD	DT173015HDH00***
With 3" Extension	18"	N/A	N/A / 5,000	41	12	DT-1730-HDH	DT173018HDH00***
Box & Cover	24"	N/A	N/A / 5,000	50	12	DT-1730-24HDH	DT173024HDH00***
With (2) 3" Extensions	30"	N/A	N/A / 5,000	57	6	DT-1730-30HDH	DT173030HDH00***
Box & Cover	36"	N/A	N/A / 5,000	73	6	DT-1730-36HDH	DT173036HDH00***

## Covers & Polymer Concrete Ring

DESCRIPTION	TIER	DESIGN / TEST LOAD #	WEIGHT #	MATERIAL	OLD PART NO.	NEW PART NO.
2" with Bolts	15	15,000 / 22,500	77	Poly Concrete	DT-2-1730PCLH	DT1730CLH00***
1 1/4" with Bolts	15	15,000 / 22,500	60	Poly Concrete	DT-1730PCLH	DT1730CTH00***
HDPE Cover	N/A	N/A / 5,000	10	HDPE	DT-1730PLH	DT1730PLI12***
PC Ring	15	15,000 / 22,500	38	Poly Concrete	PCRDT1730	DT1730RR

NOTE: Tier 22 available for 24" & 36" depth boxes/assemblies..

## Boxes

DESCRIPTION	DEPTH	TIER	DESIGN / TEST LOAD #	WEIGHT #	PALLET QTY	OLD PART NO.	NEW PART NO.
Gray Open Bottom	15"	15	15,000 / 22,500	25	12	DT-1730GS-Y	DT173015GSY
Green Open Bottom	15"	15	15,000 / 22,500	25	12	DT-1730GS	DT173015GSN
Gray Open Bottom	24"	15	15,000 / 22,500	47	12	DT-1730-24GS-Y	DT173024GSY
Green Open Bottom	24"	15	15,000 / 22,500	47	12	DT-1730-24GS	DT173024GSN
Gray Open Bottom	36"	15	15,000 / 22,500	63	6	DT-1730-36GS-Y	DT173036GSY
Green Open Bottom	36"	15	15,000 / 22,500	63	6	DT-1730-36GS	DT173036GSN

NOTE: Tier 22 available for 24" & 36" depth boxes/assemblies..

## Extensions

DESCRIPTION	DEPTH	TIER	DESIGN / TEST LOAD #	WEIGHT #	PALLET QTY	OLD PART NO.	NEW PART NO.
Gray	3"	15	15,000 / 22,500	6	40	DT-1730-3EXT-Y	DT173003EXY
Green	3"	15	15,000 / 22,500	6	40	DT-1730-3EXT	DT173003EXN

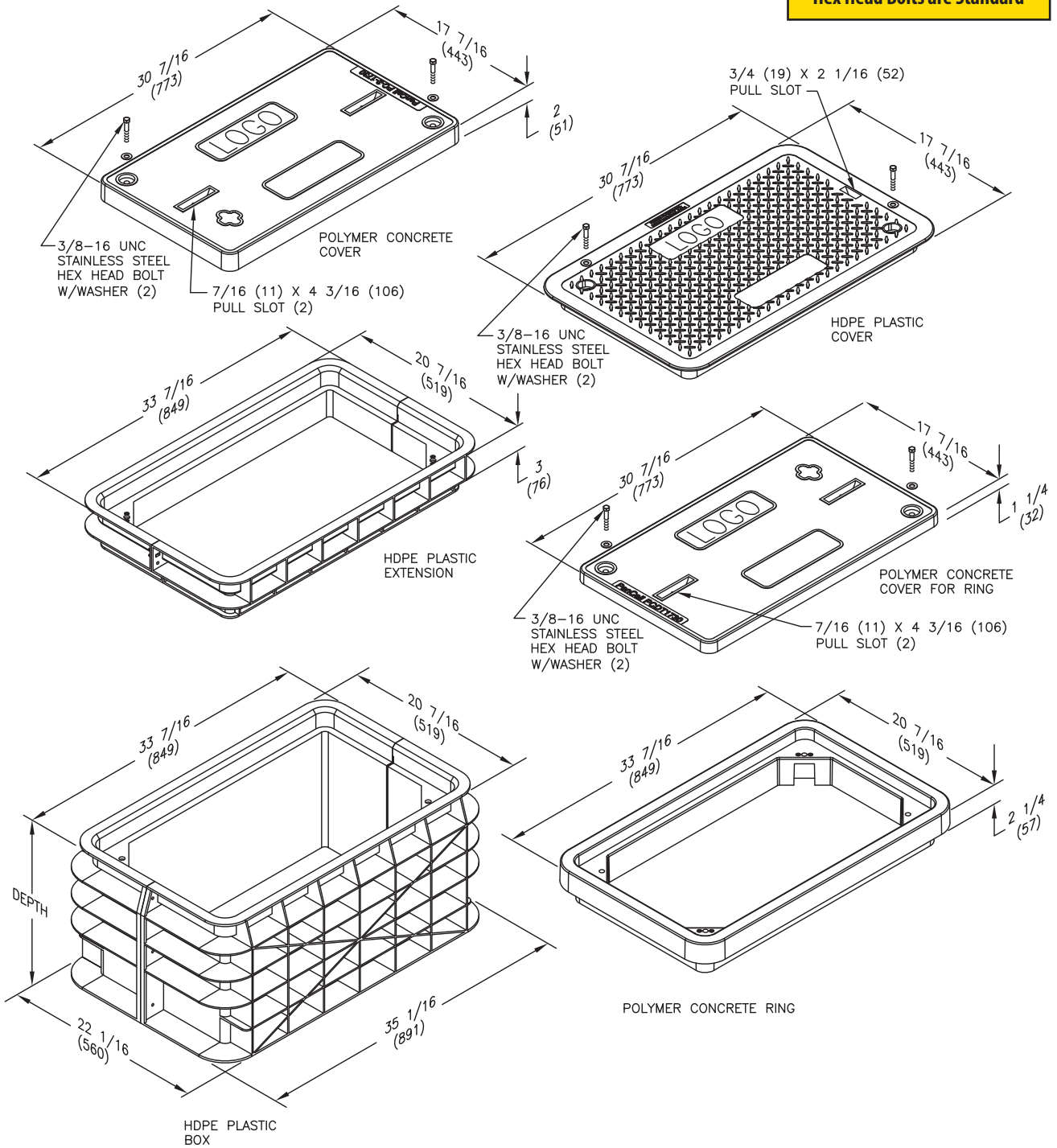
Replace \*\*\* with a logo code found on page 188.



# Dimensions / Data

17" x 30" PenCell DT (continued)

**Hex Head Bolts are Standard**

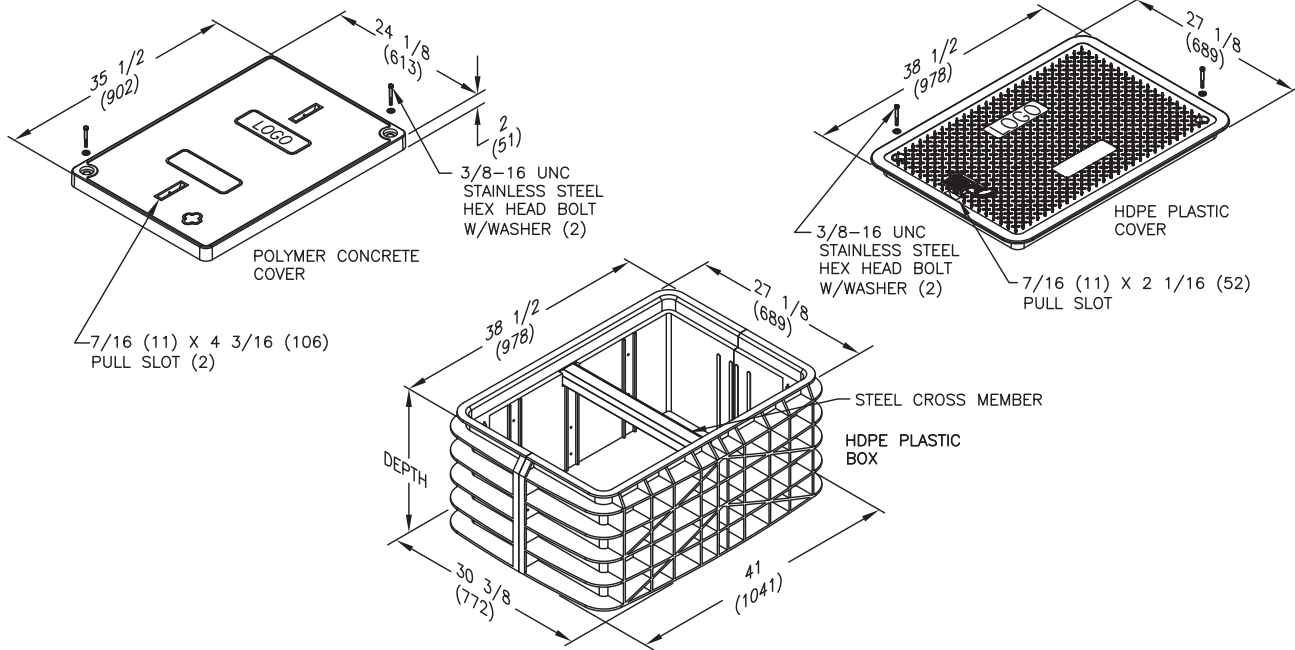


**PENCELL**

# Dimensions / Data

24" x 36" PenCell DT

**Hex Head Bolts are Standard**



## Assemblies

DESCRIPTION	DEPTH	TIER	DESIGN / TEST LOAD	WEIGHT	PALLET QTY	OLD PART NO.	NEW PART NO.
Box & Polymer Concrete Cover	18"	15	15,000 / 22,500	164	2	DT-2-2436-18PCH	DT243618PCH00***
Box & HDPE Cover	18"	N/A	N/A / 5,000	65	6	DT-2436-18H	DT243618HDH00***
Box & Polymer Concrete Cover	24"	15	15,000 / 22,500	180	4	DT-2-2436PCH	DT243624PCH00***
Box & HDPE Cover	24"	N/A	N/A / 5,000	81	4	DT-2436HD	DT243624HDH00***
Box & Polymer Concrete Cover	36"	15	15,000 / 22,500	229	2	DT-2-2436-36PCH	DT243636PCH00***
Box & HDPE Cover	36"	N/A	N/A / 5,000	130	2	DT-2436PLH	DT243636HDH00***

## Covers

DESCRIPTION	TIER	DESIGN / TEST LOAD #	WEIGHT #	MATERIAL	OLD PART NO.	NEW PART NO.
2" with Bolts	15	15,000 / 22,500	117	Poly Concrete	DT-2-2436PCLH	DT2436CLH00***
HDPE with Bolts	N/A	N/A / 5,000	18	HDPE	DT-2436PLH	DT2436PLI12***

Replace \*\*\* with a logo code found on page 188. NOTE: Tier 22 available.

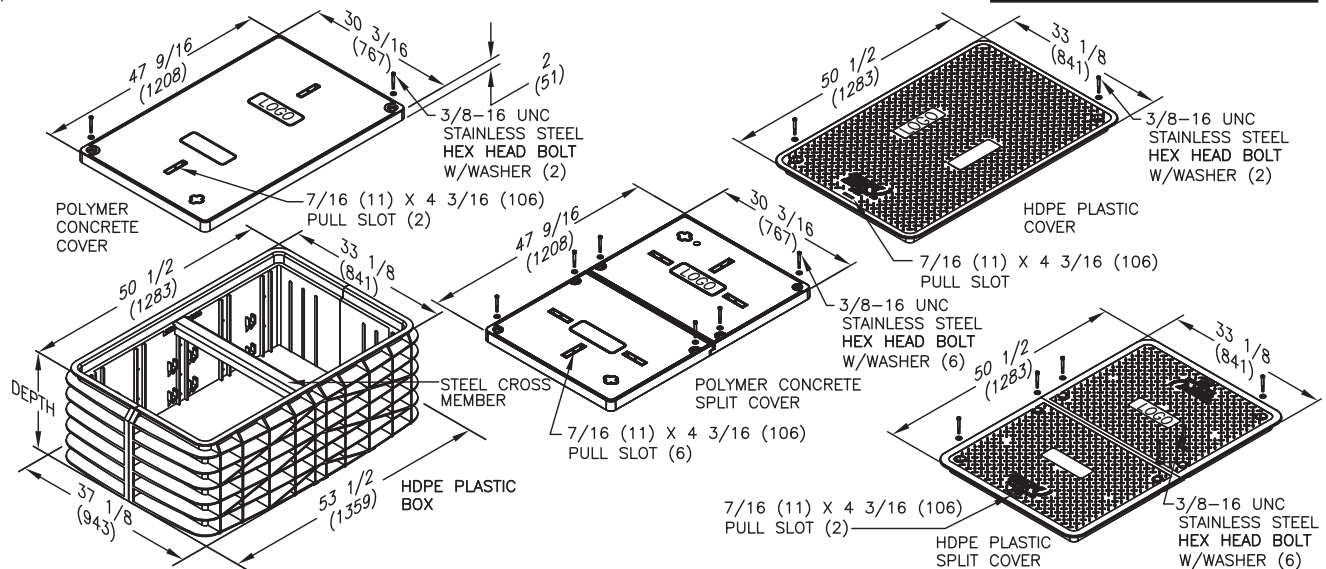
## Boxes

DESCRIPTION	DEPTH	TIER	DESIGN / TEST LOAD #	WEIGHT #	PALLET QTY	OLD PART NO.	NEW PART NO.
Gray Open Bottom	18"	15	15,000 / 22,500	47	6	DT-2436-18GS-Y	DT243618GSY
Green Open Bottom	18"	15	15,000 / 22,500	47	6	DT-2436-18GS	DT243618GSN
Gray Open Bottom	24"	15	15,000 / 22,500	63	4	DT-2436-24GS-Y	DT243624GSY
Green Open Bottom	24"	15	15,000 / 22,500	63	4	DT-2436-24GS	DT243624GSN
Gray Open Bottom	36"	15	15,000 / 22,500	112	2	DT-2436-36GS-Y	DT243636GSY
Green Open Bottom	36"	15	15,000 / 22,500	112	2	DT-2436-36GS	DT243636GSN

# Dimensions / Data

30" x 48" PenCell DT

**Hex Head Bolts are Standard**



## Assemblies

DESCRIPTION	DEPTH	TIER	DESIGN / TEST LOAD	WEIGHT	PALLET QTY	OLD PART NO.	NEW PART NO.
Box & Polymer Concrete Cover	18"	15	15,000 / 22,500	264	1	DT-2-3048-18PCH	DT304818PCH00***
Box & HDPE Cover	18"	N/A	N/A / 5,000	88	1	DT-3048-18H	DT304818HDH00***
Box & Polymer Concrete Cover	24"	15	15,000 / 22,500	285	1	DT-2-3048-24PCH	DT304824PCH00***
Box & HDPE Cover	24"	N/A	N/A / 5,000	109	1	DT-3048-24H	DT304824HDH00***
Box & Polymer Concrete Cover	36"	15	15,000 / 22,500	322	1	DT-2-3048-36PCH	DT304836PCH00***
Box & HDPE Cover	36"	N/A	N/A / 5,000	146	1	DT-3048-36H	DT304836HDH00***

## Covers

DESCRIPTION	TIER	DESIGN / TEST LOAD #	WEIGHT #	MATERIAL	OLD PART NO.	NEW PART NO.
2" with Bolts	15	15,000 / 22,500	200	Poly Concrete	DT-2-3048PCLH	DT3048CLH00***
HDPE with Bolts	N/A	N/A / 5,000	24	HDPE	DT-3048PLH	DT3048PLI12***
2" Split Cover	15	15,000 / 22,500	216	Poly Concrete	PCLDT-2-3048-SPL	DT3048CSH00***
HDPE Split Cover	N/A	N/A / 5,000	26	HDPE	DT-3048PLH-SPL	DT3048SPI12***

Replace \*\*\* with a logo code found on page 188. NOTE: Tier 22 available.

## Boxes

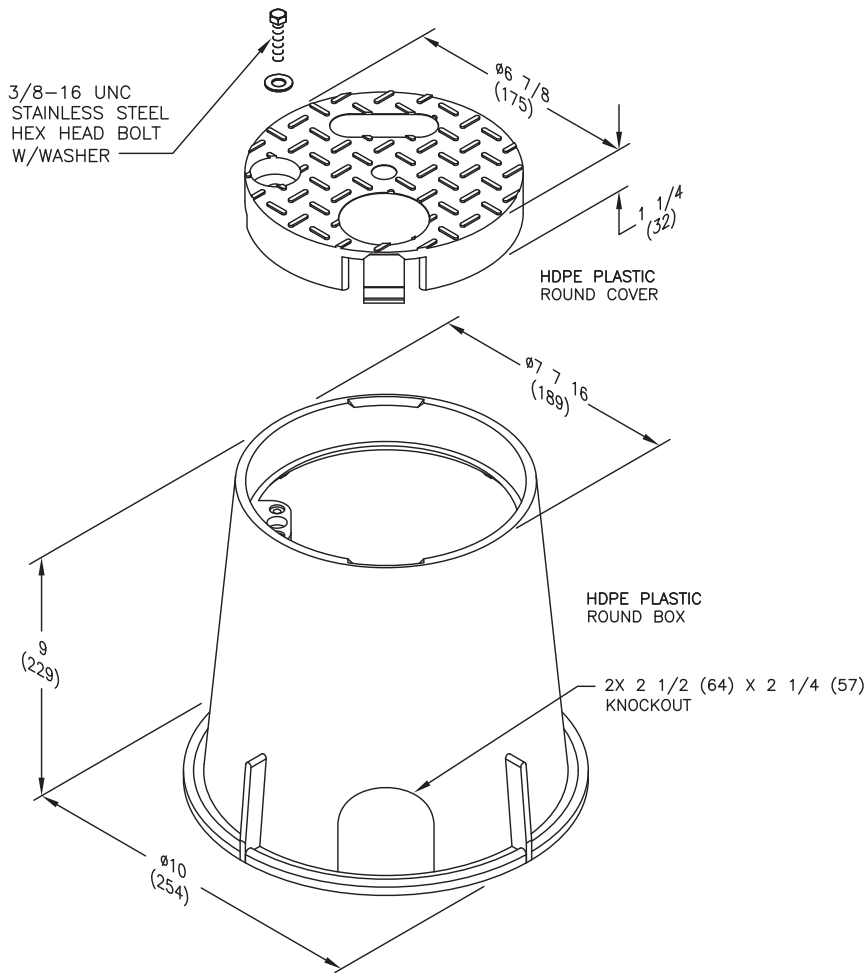
DESCRIPTION	DEPTH	TIER	DESIGN / TEST LOAD #	WEIGHT #	PALLET QTY	OLD PART NO.	NEW PART NO.
Gray Open Bottom	18"	15	15,000 / 22,500	64	N/A	DT-3048-18GS-Y	DT304818GSY
Green Open Bottom	18"	15	15,000 / 22,500	64	N/A	DT-3048-18GS	DT304818GSN
Gray Open Bottom	24"	15	15,000 / 22,500	85	4	DT-3048-24GS-Y	DT304824GSY
Green Open Bottom	24"	15	15,000 / 22,500	85	4	DT-3048-24GS	DT304824GSN
Gray Open Bottom	36"	15	15,000 / 22,500	122	2	DT-3048-36GS-Y	DT304836GSY
Green Open Bottom	36"	15	15,000 / 22,500	122	2	DT-3048-36GS	DT304836GSN



# Dimensions / Data

6" PenCell PE

**Hex Head Bolts are Standard**



## Assemblies

DESCRIPTION	DEPTH	TIER	DESIGN / TEST LOAD	WEIGHT	PALLET QTY	OLD PART NO.	NEW PART NO.
Box & HDPE Cover	9"	N/A	N/A / 5,000	3	300	PE-6HDH	PE6HDH00***
With Knockouts	9"	N/A	N/A / 5,000	3	300	PE-6HDHK	PE6HDHKO***

## Covers

DESCRIPTION	TIER	DESIGN / TEST LOAD #	WEIGHT #	MATERIAL	OLD PART NO.	NEW PART NO.
HDPE	N/A	N/A / 5,000	1	HDPE	PE-6-PLH	PE6PLI12***

Replace \*\*\* with a logo code found on page 188.

## Boxes

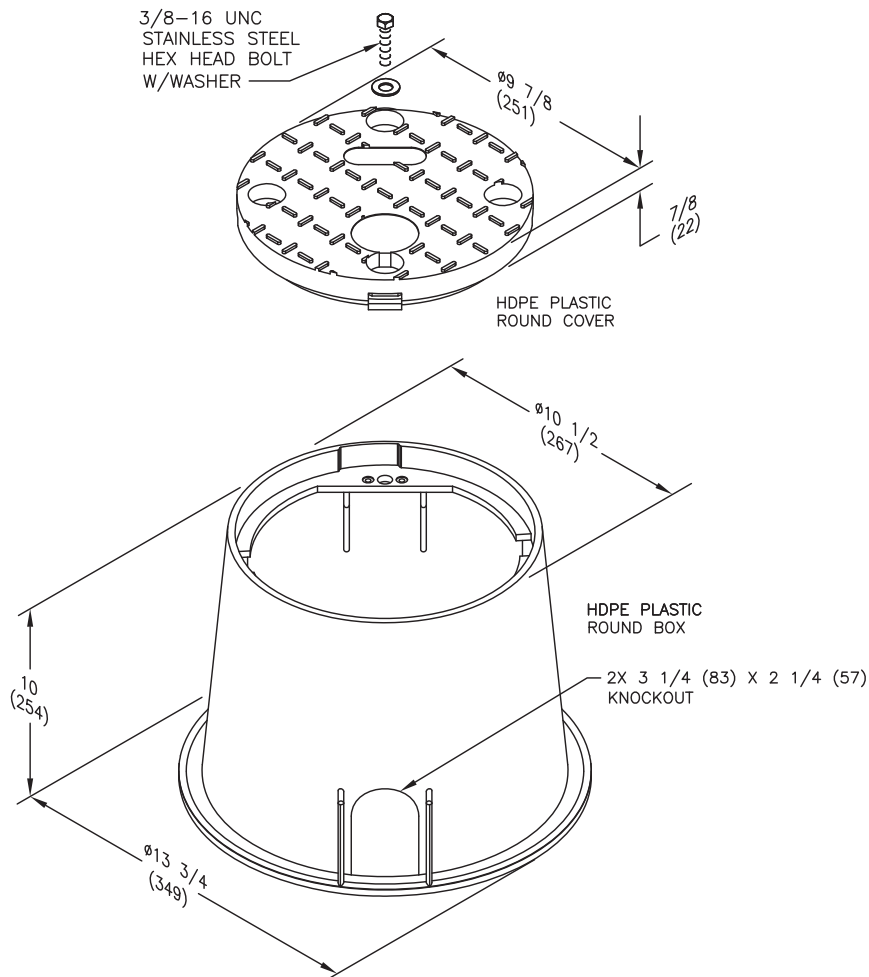
DESCRIPTION	DEPTH	TIER	DESIGN / TEST LOAD #	WEIGHT #	PALLET QTY	OLD PART NO.	NEW PART NO.
Green Open Bottom	9"	N/A	N/A / 5,000	2	300	PE-6-GS	PE6GS101
With Knockouts	9"	N/A	N/A / 5,000	2	300	PE-6-GSK	PE6GS105



# Dimensions / Data

9" PenCell PE

**Hex Head Bolts are Standard**



## Assemblies

DESCRIPTION	DEPTH	TIER	DESIGN / TEST LOAD	WEIGHT	PALLET QTY	OLD PART NO.	NEW PART NO.
Box & HDPE Cover	10"	N/A	N/A / 5,000	4	200	PE-9HDH	PE9HDH00***
With Knockouts	10"	N/A	N/A / 5,000	4	200	PE-9HDHK	PE9HDHK0***

## Covers

DESCRIPTION	TIER	DESIGN / TEST LOAD #	WEIGHT #	MATERIAL	OLD PART NO.	NEW PART NO.
HDPE	N/A	N/A / 5,000	1	HDPE	PE-9-PLH	PE9PL112***

Replace \*\*\* with a logo code found on page 188.

## Boxes

DESCRIPTION	DEPTH	TIER	DESIGN / TEST LOAD #	WEIGHT #	PALLET QTY	OLD PART NO.	NEW PART NO.
Green Open Bottom	10"	N/A	N/A / 5,000	3	200	PE-9-GS	PE9GSI01
With Knockouts	10"	N/A	N/A / 5,000	3	200	PE-9-GSK	PE9GSI05

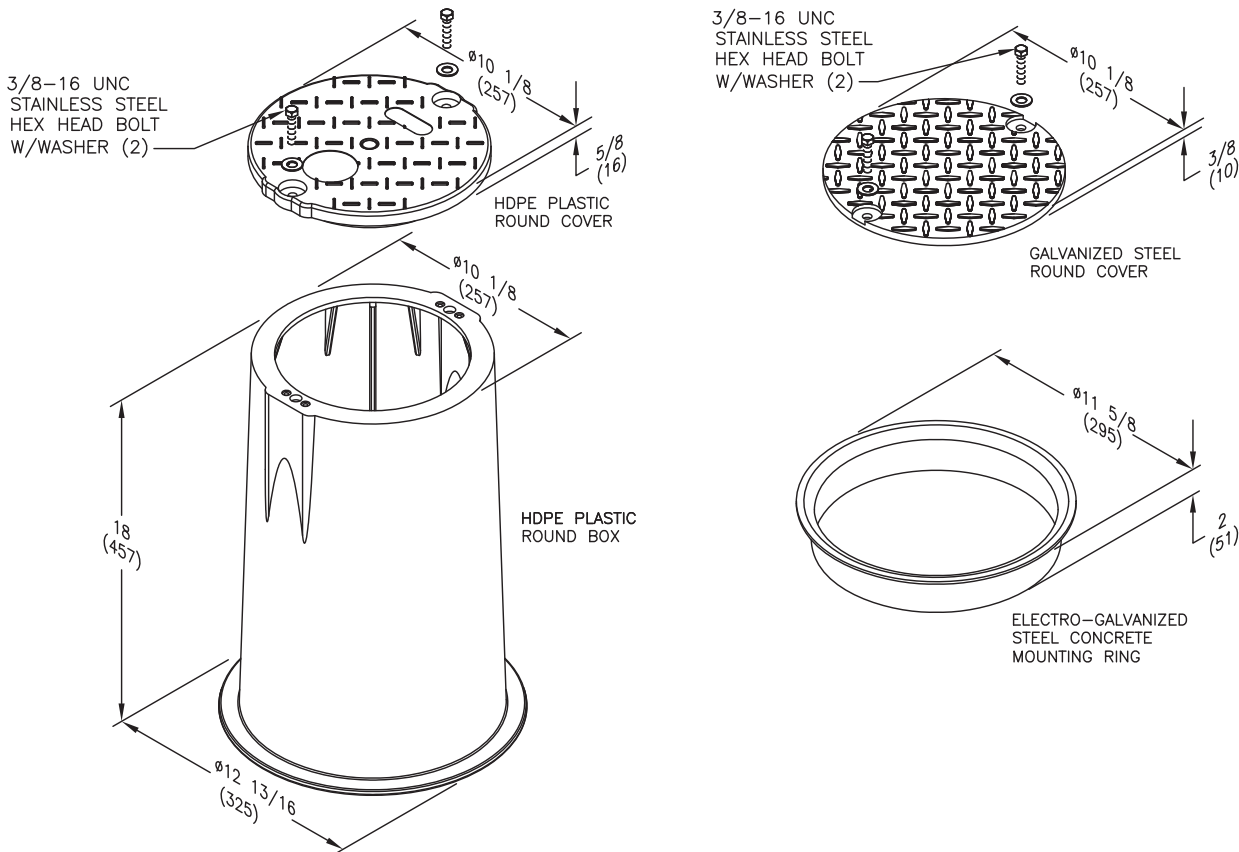


PENCELL

# Dimensions / Data

10" PenCell PE

**Hex Head Bolts are Standard**



## Assemblies

DESCRIPTION	DEPTH	TIER	DESIGN / TEST LOAD	WEIGHT	PALLET QTY	OLD PART NO.	NEW PART NO.
Box & HDPE Cover	18 5/8"	N/A	N/A / 5,000	7	52	PE-10HDH	PE10HDH00***
With Steel/PC Ring	19"	N/A	N/A / 5,000	9	26	PE-10HDH-4	PE10URH00***
Box & Steel Cover	18 1/4"	N/A	N/A / 10,000	15	20	PE-10-UH	PE10UPH00***
With Steel/PC Ring	19"	N/A	N/A / 10,000	17	26	PE-10-UH-4	PE10U4H00***

## Covers & Concrete Ring

DESCRIPTION	TIER	DESIGN / TEST LOAD #	WEIGHT #	MATERIAL	OLD PART NO.	NEW PART NO.
HDPE	N/A	N/A / 5,000	2	HDPE	PE-10-PLH	PE10PLI12***
Steel	N/A	N/A / 10,000	10	Steel	PE-10-SLH	PE10SLH00***
Steel/PC Ring	N/A	N/A / 10,000	2	Steel/PC	PE-10-4	RM02101

Replace \*\*\* with a logo code found on page 188.

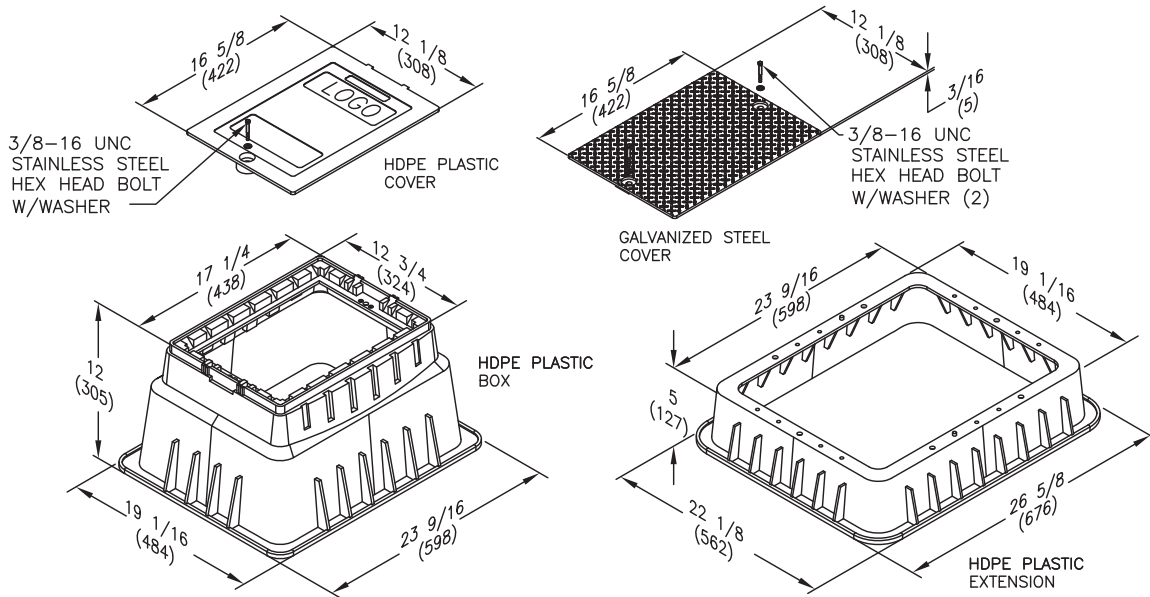
## Boxes

DESCRIPTION	DEPTH	TIER	DESIGN / TEST LOAD #	WEIGHT #	PALLET QTY	OLD PART NO.	NEW PART NO.
Green Open Bottom	18"	N/A	N/A / 5,000	5	52	PE-10-GS	PE10GSI01
Box for Steel/PC Ring	18"	N/A	N/A / 5,000	5	52	PE-10-GS	PE10GSI00

# Dimensions / Data

14" PenCell PE

Hex Head Bolts are Standard



## Assemblies

DESCRIPTION	DEPTH	TIER	DESIGN / TEST LOAD	WEIGHT	PALLET QTY	OLD PART NO.	NEW PART NO.
Box & HDPE Cover	12"	N/A	N/A / 5,000	13	96	PE-14HDH	PE14HDH00***
W/ Penta Bolt/Crimp	12"	N/A	N/A / 5,000	13	96	PE-14HDXCL	PE14HDXCL***
Box & Steel Cover	12"	N/A	N/A / 10,000	21	48	PE-14-UH	PE14UPH00***
With Ground Lug	12"	N/A	N/A / 10,000	21	48	PE-14-UHG	PE14UPHGR***
Box & HDPE Cover	17"	N/A	N/A / 5,000	16	30	PE-14HDH-5	PE14H5H00***
With 5" Bottom Ext	17"	N/A	N/A / 5,000	24	30	PE-14-UH-5	PE14S5H00***

## Covers

DESCRIPTION	TIER	DESIGN / TEST LOAD #	WEIGHT #	MATERIAL	OLD PART NO.	NEW PART NO.
HDPE	N/A	N/A / 5,000	3	HDPE	PE-14-PLH	PE14PLI12***
Steel	N/A	N/A / 10,000	12	Steel	PE-14-SLH	PE14SLH00***

Replace \*\*\* with a logo code found on page 188.

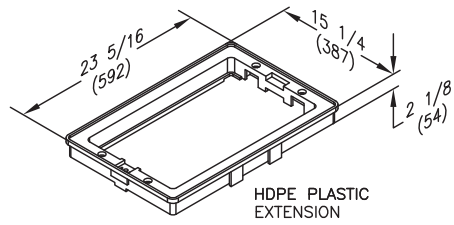
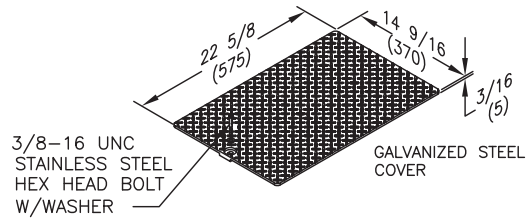
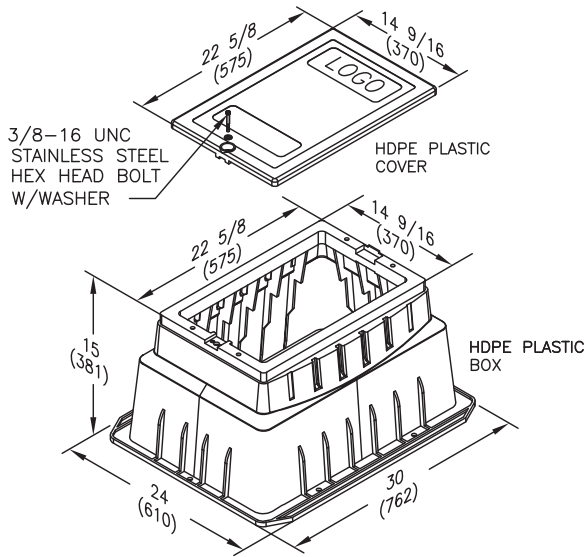
## Boxes

DESCRIPTION	DEPTH	TIER	DESIGN / TEST LOAD #	WEIGHT #	PALLET QTY	OLD PART NO.	NEW PART NO.
Green Open Bottom	12"	N/A	N/A / 5,000	10	96	PE-14-GS	PE14GSI01

## Extension

DESCRIPTION	DEPTH	TIER	DESIGN / TEST LOAD #	WEIGHT #	PALLET QTY	OLD PART NO.	NEW PART NO.
5" Bottom	5"	N/A	N/A / 5,000	3	60	PE-14-5	PE1405EXN

**Hex Head Bolts are Standard**



### Assemblies

DESCRIPTION	DEPTH	TIER	DESIGN / TEST LOAD	WEIGHT	PALLET QTY	OLD PART NO.	NEW PART NO.
Box & HDPE Cover	17"	N/A	N/A / 5,000	23	40	PE-20HDH	PE20HDH00***
W/ Penta Bolt/Crimp	17"	N/A	N/A / 5,000	23	40	PE-20HDXCL	PE20HDXCL***
Box & Steel Cover	17"	N/A	N/A / 10,000	34	32	PE-20-UH	PE20UPH00***
With Ground Lug	17"	N/A	N/A / 10,000	34	32	PE-20-UHG	PE20UPHGR***
Box & HDPE Cover	19"	N/A	N/A / 5,000	28	32	PE-20HDH-2	PE20H2H00***
With 2" Spacer Ext	19"	N/A	N/A / 10,000	39	24	PE-20-UH-2	PE20S2H00***

### Covers

DESCRIPTION	TIER	DESIGN / TEST LOAD #	WEIGHT #	MATERIAL	OLD PART NO.	NEW PART NO.
HDPE	N/A	N/A / 5,000	6	HDPE	PE-20-PLH	PE20PLI12***
HDPE w/ Penta	N/A	N/A / 5,000	6	HDPE	PE-20-PLXCL	PE20PLI13***
Steel	N/A	N/A / 10,000	19	Steel	PE-20-SLH	PE20SLH00***

Replace \*\*\* with a logo code found on page 188.

### Boxes

DESCRIPTION	DEPTH	TIER	DESIGN / TEST LOAD #	WEIGHT #	PALLET QTY	OLD PART NO.	NEW PART NO.
Green Open Bottom	17"	N/A	N/A / 5,000	15	40	PE-20-GS	PE20GSI01
Green with Crimp Lck	17"	N/A	N/A / 5,000	15	40	PE-20-GSXCL	PE20GSI03

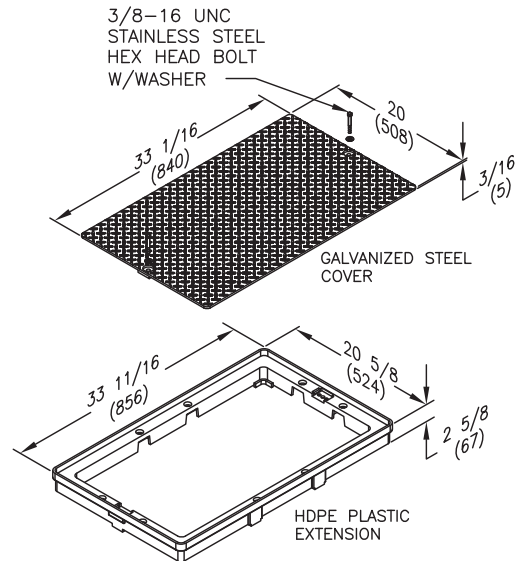
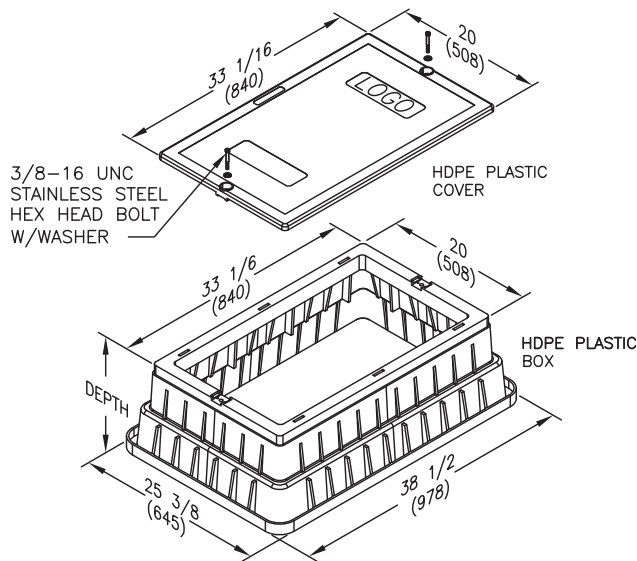
### Extension

DESCRIPTION	DEPTH	TIER	DESIGN / TEST LOAD #	WEIGHT #	PALLET QTY	OLD PART NO.	NEW PART NO.
2" Top Spacer	2"	N/A	N/A / 5,000	5	50	PE-20-2	PE20G2

# Dimensions / Data

30" PenCell PE

**Hex Head Bolts are Standard**



## Assemblies

DESCRIPTION	DEPTH	TIER	DESIGN / TEST LOAD	WEIGHT	PALLET QTY	OLD PART NO.	NEW PART NO.
Box & HDPE Cover	12"	N/A	N/A / 5,000	35	20	PE-30-12HDH	PE3012HDH00***
Box & Steel Cover	12"	N/A	N/A / 10,000	57	14	PE-30-12UH	PE3012UPH00***
Box & HDPE Cover	17"	N/A	N/A / 5,000	38	18	PE-30-HDH	PE30HDH00***
With Penta Blt/Crimp	17"	N/A	N/A / 5,000	38	16	PE-30HDXCL	PE30HDXCL***
Box & Steel Cover	17"	N/A	N/A / 10,000	60	12	PE-30-UH	PE30UPH00***
With Ground Lug	17"	N/A	N/A / 10,000	60	12	PE-30-UHG	PE30UPHGR***
Box & HDPE Cover W/ 2" Top Ext	19"	N/A	N/A / 5,000	43	16	PE-30HDH-2	PE30H2H00***
With 2" Top Ext & GL	19"	N/A	N/A / 10,000	65	12	PE-30-UH-2	PE30S2HGR***

## Covers

DESCRIPTION	TIER	DESIGN / TEST LOAD #	WEIGHT #	MATERIAL	OLD PART NO.	NEW PART NO.
HDPE	N/A	N/A / 5,000	13	HDPE	PE-30-PLH	PE30PLI12***
HDPE w/ Penta	N/A	N/A / 5,000	13	HDPE	PE-30-PLXCL	PE30PLI07***
Steel	N/A	N/A / 10,000	35	Steel	PE-30-SLH	PE30SLH00***

Replace \*\*\* with a logo code found on page 188.

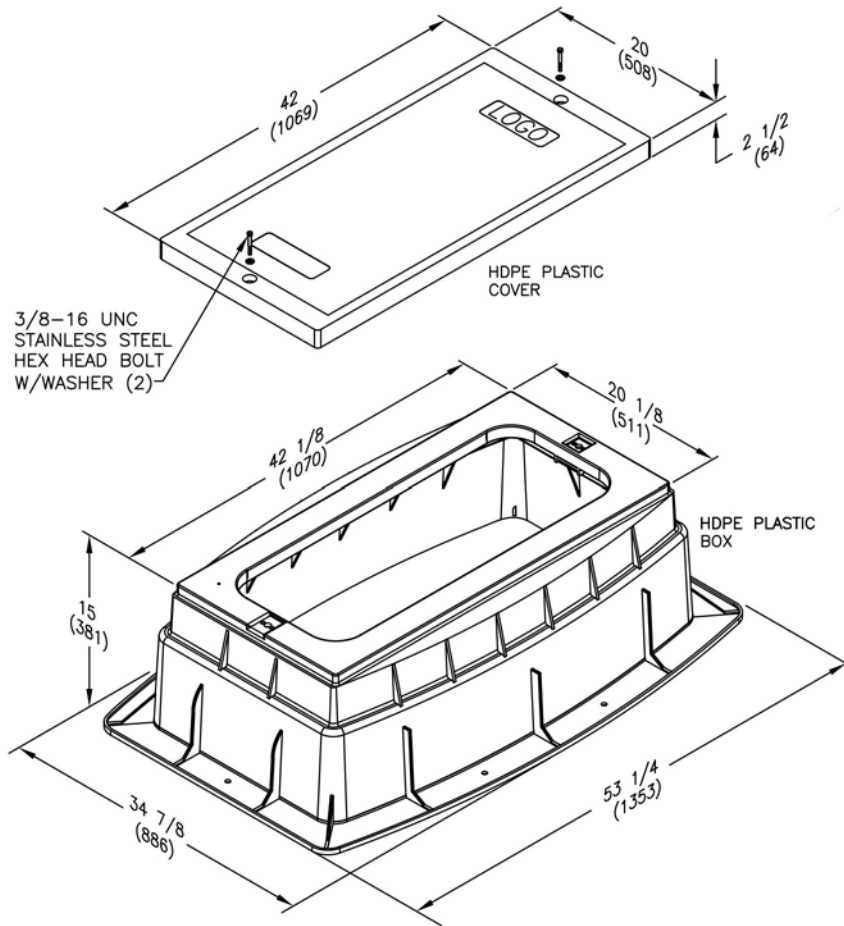
## Boxes

DESCRIPTION	DEPTH	TIER	DESIGN / TEST LOAD #	WEIGHT #	PALLET QTY	OLD PART NO.	NEW PART NO.
Open Bottom	12"	N/A	N/A / 5,000	22	20	PE-30-12GS	PE3012GSI01
Open Bottom	17"	N/A	N/A / 5,000	25	18	PE-30-GS	PE30GSI01

## Extension

DESCRIPTION	DEPTH	TIER	DESIGN / TEST LOAD #	WEIGHT #	PALLET QTY	OLD PART NO.	NEW PART NO.
2" Top Spacer	2"	N/A	N/A / 5,000	N/A	N/A	PE-30-2	PE30G2

**Hex Head Bolts are Standard**



### Assemblies

DESCRIPTION	DEPTH	TIER	DESIGN / TEST LOAD	WEIGHT	PALLET QTY	OLD PART NO.	NEW PART NO.
Box & HDPE Cover	15"	N/A	N/A / 5,000	45	9	PE-36HDH	PE36HDH00***

### Covers

DESCRIPTION	TIER	DESIGN / TEST LOAD #	WEIGHT #	MATERIAL	OLD PART NO.	NEW PART NO.
HDPE	N/A	N/A / 5,000	15	HDPE	PE-36-PLH	PE36PLI12***

Replace \*\*\* with a logo code found on page 188.

### Boxes

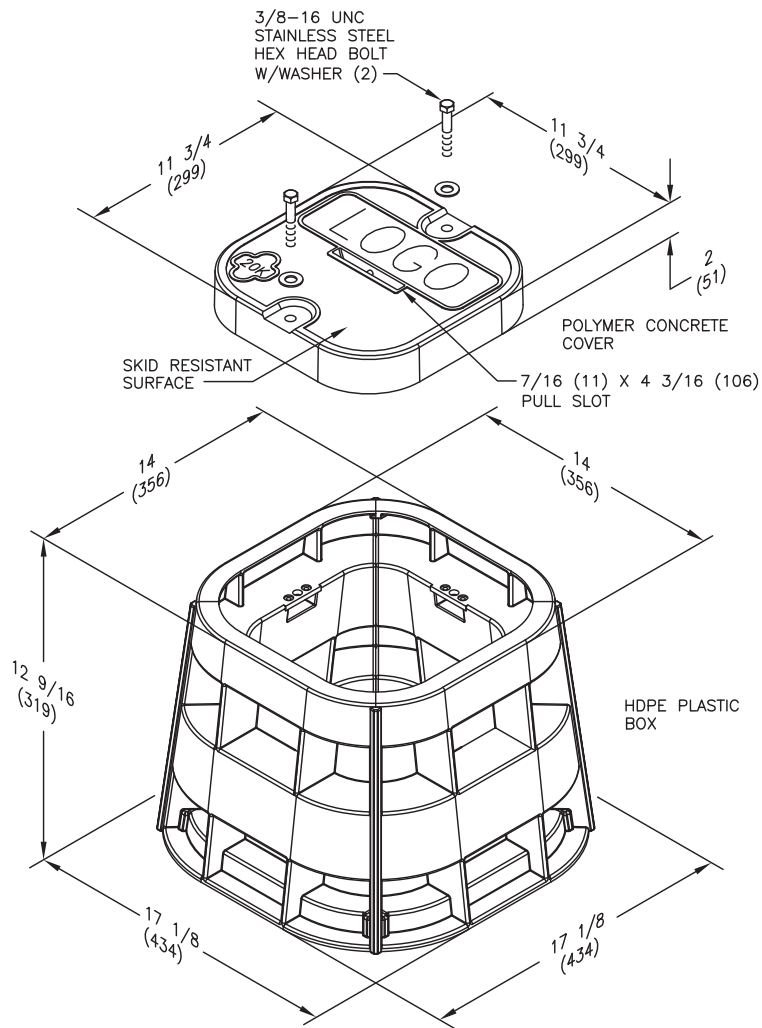
DESCRIPTION	DEPTH	TIER	DESIGN / TEST LOAD #	WEIGHT #	PALLET QTY	OLD PART NO.	NEW PART NO.
Open Bottom	15"	N/A	N/A / 5,000	30	9	PE-36-GS	PE36GSI01



# Dimensions / Data

10" x 10" PenCell PM (PEM 10 Series)

**Hex Head Bolts are Standard**



## Assembly

DESCRIPTION	DEPTH	TIER	DESIGN / TEST LOAD #	WEIGHT #	PALLET QTY	OLD PART NO.	NEW PART NO.
Box & Polymer Concrete Cover	12"	N/A	N/A / 20,000	30	45	PEM-1010-PCH	PM101012PCH00***

## Cover

DESCRIPTION	TIER	DESIGN / TEST LOAD #	WEIGHT #	MATERIAL	OLD PART NO.	NEW PART NO.
1 Piece W/ 2 Bolts	N/A	N/A / 20,000	19	Poly Concrete	PEM-1010-PCLH	PM101012PCH00***

## Box

DESCRIPTION	DEPTH	TIER	DESIGN / TEST LOAD #	WEIGHT #	PALLET QTY	OLD PART NO.	NEW PART NO.
Open Bottom	12"	N/A	N/A / 20,000	11	45	PEM-1010-GS	PM101012GSY

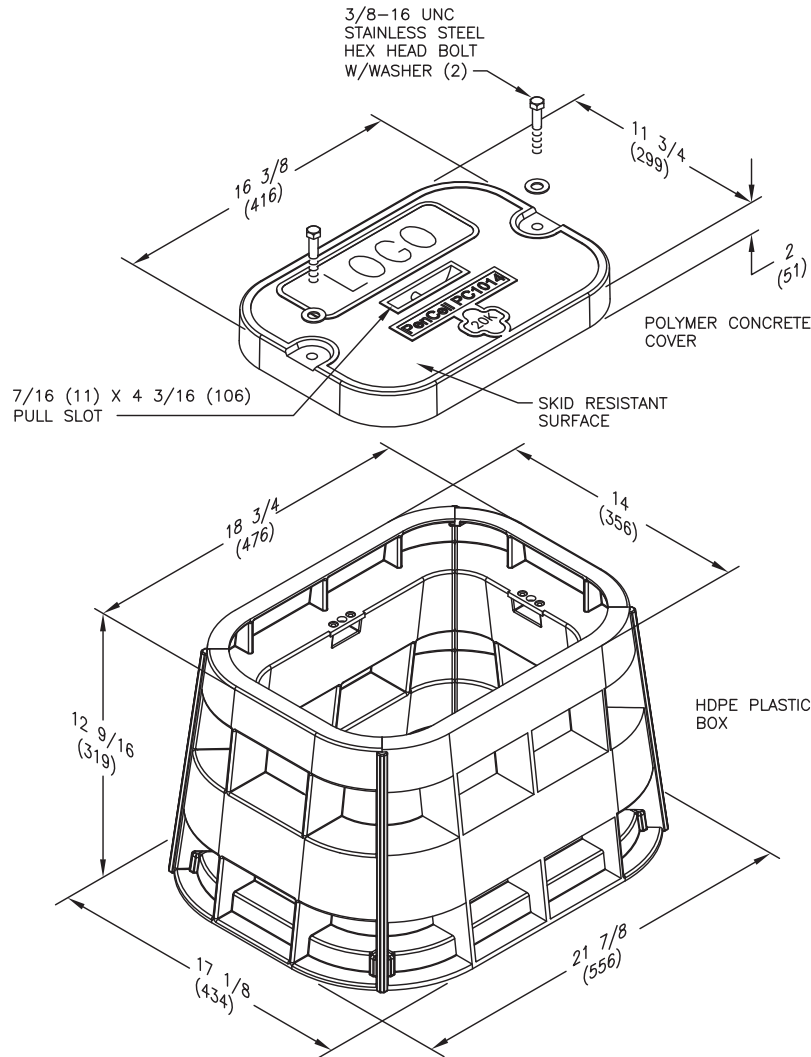
Replace \*\*\* with a logo code found on page 188.

PENCELL

# Dimensions / Data

10" x 14" PenCell PM (PEM 10 Series)

**Hex Head Bolts are Standard**



## Assembly

DESCRIPTION	DEPTH	TIER	DESIGN / TEST LOAD #	WEIGHT #	PALLET QTY	OLD PART NO.	NEW PART NO.
Box & Polymer Concrete Cover	12"	N/A	N/A / 20,000	41	40	PEM-1014-PCH	PM101412PCH00***

## Cover

DESCRIPTION	TIER	DESIGN / TEST LOAD #	WEIGHT #	MATERIAL	OLD PART NO.	NEW PART NO.
1 Piece W/ 2 Bolts	N/A	N/A / 20,000	26	Poly Concrete	PEM-1014-PCLH	PM1014CLH00***

## Box

DESCRIPTION	DEPTH	TIER	DESIGN / TEST LOAD #	WEIGHT #	PALLET QTY	OLD PART NO.	NEW PART NO.
Open Bottom	12"	N/A	N/A / 20,000	15	40	PEM-1014-GS	PM101412GSY

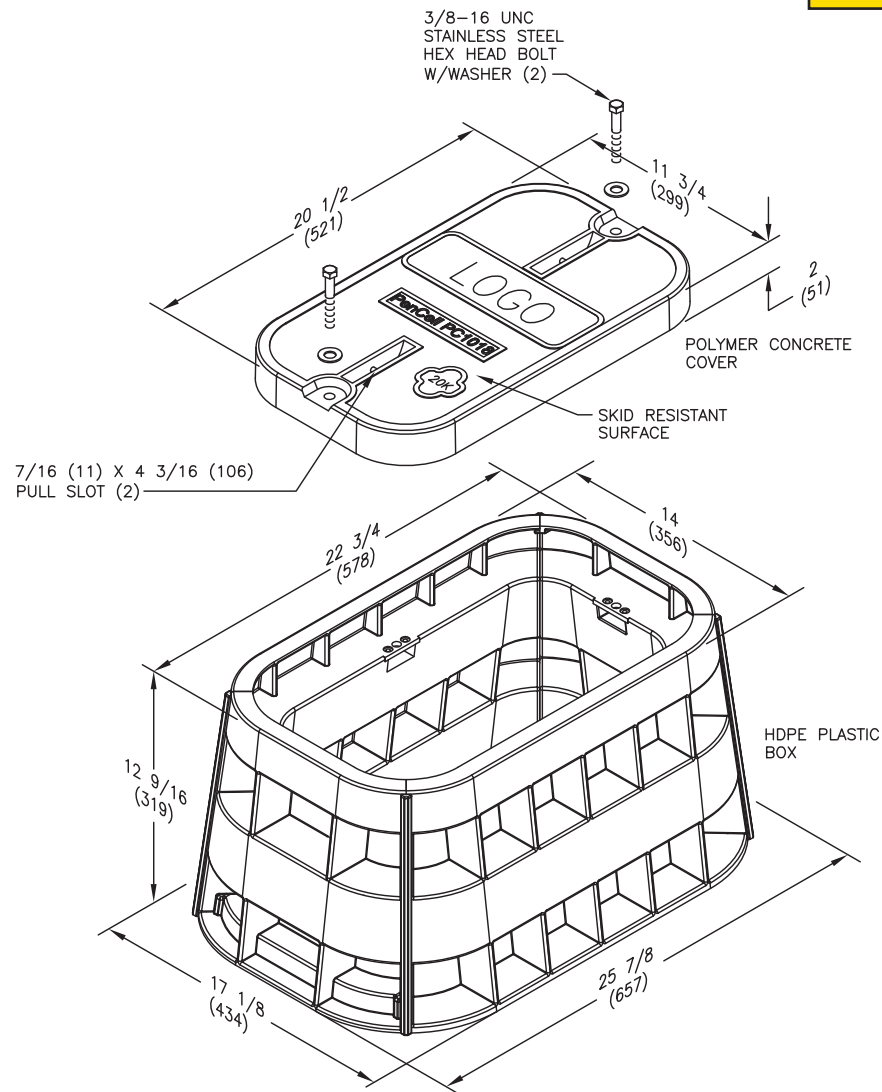
Replace \*\*\* with a logo code found on page 188.

PENCELL

# Dimensions / Data

## 10" x 18" PenCell PM (PEM 10 Series)

**Hex Head Bolts are Standard**



### Assembly

DESCRIPTION	DEPTH	TIER	DESIGN / TEST LOAD #	WEIGHT #	PALLET QTY	OLD PART NO.	NEW PART NO.
Box & Polymer Concrete Cover	12"	N/A	N/A / 20,000	52	40	PEM-1018-PCH	PM101812PCH00***

### Cover

DESCRIPTION	TIER	DESIGN / TEST LOAD #	WEIGHT #	MATERIAL	OLD PART NO.	NEW PART NO.
1 Piece W/ 2 Bolts	N/A	N/A / 20,000	33	Poly Concrete	PEM-1018-PCLH	PM101812PCLH00***

### Box

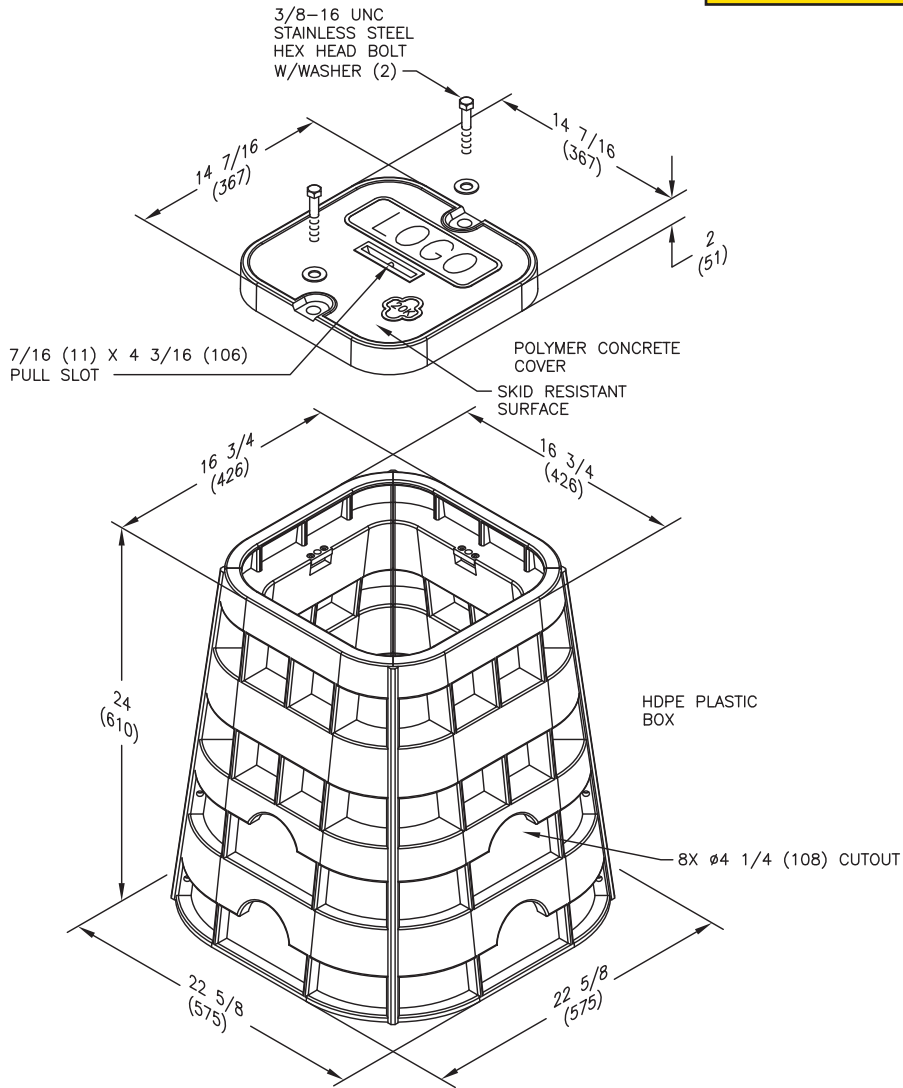
DESCRIPTION	DEPTH	TIER	DESIGN / TEST LOAD #	WEIGHT #	PALLET QTY	OLD PART NO.	NEW PART NO.
Open Bottom	12"	N/A	N/A / 20,000	19	40	PEM-1018-GS	PM101812GSY

Replace \*\*\* with a logo code found on page 188.

# Dimensions / Data

12" x 12" PenCell PM (PEM 12 Series)

**Hex Head Bolts are Standard**



## Assembly

DESCRIPTION	DEPTH	TIER	DESIGN / TEST LOAD #	WEIGHT #	PALLET QTY	OLD PART NO.	NEW PART NO.
Box & Polymer Concrete Cover	24"	N/A	N/A / 20,000	68	16	PEM-1212-PCH	PM121224PCH00***

## Cover

DESCRIPTION	TIER	DESIGN / TEST LOAD #	WEIGHT #	MATERIAL	OLD PART NO.	NEW PART NO.
1 Piece W/ 2 Bolts	N/A	N/A / 20,000	28	Poly Concrete	PEM-1212-PCLH	PM1212CLH00***

## Box

DESCRIPTION	DEPTH	TIER	DESIGN / TEST LOAD #	WEIGHT #	PALLET QTY	OLD PART NO.	NEW PART NO.
Open Bottom	24"	N/A	N/A / 20,000	40	16	PEM-1212-GS	PM121224GSY

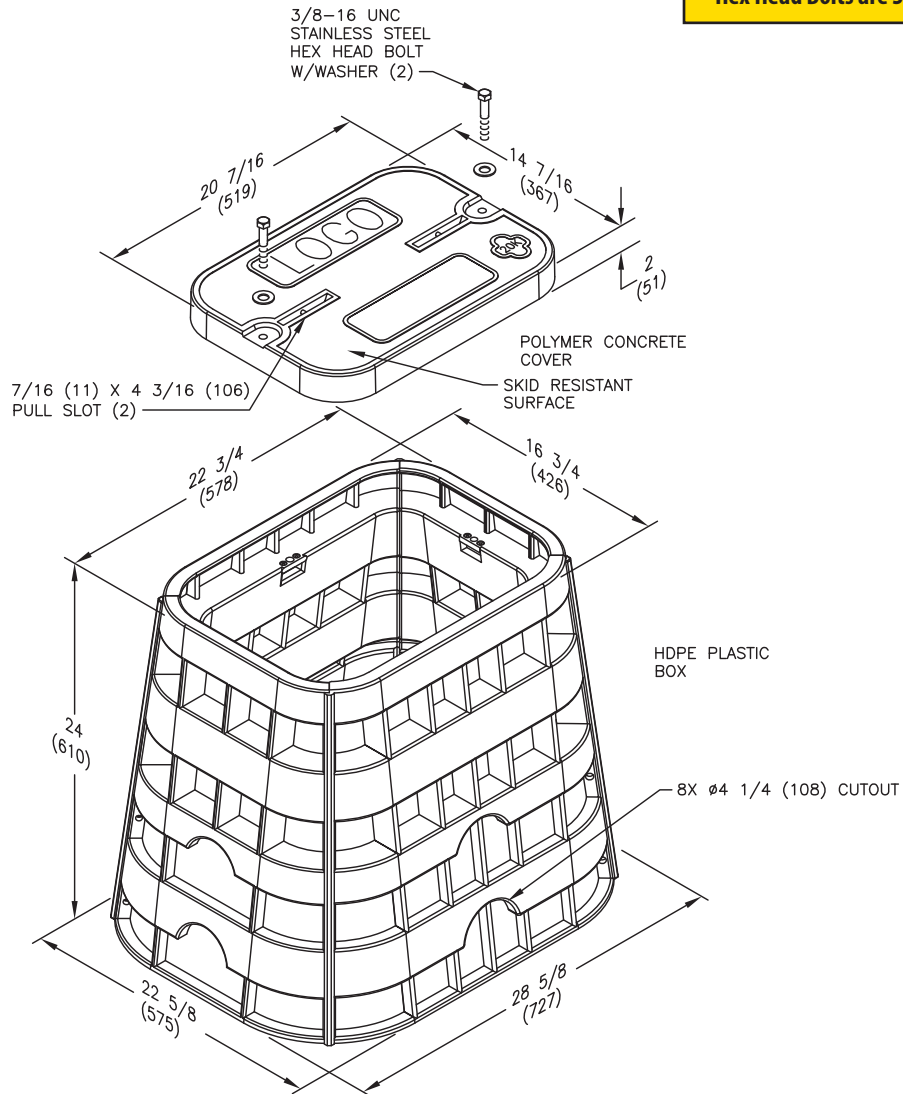
Replace \*\*\* with a logo code found on page 188.

PENCELL

# Dimensions / Data

## 12" x 18" PenCell PM (PEM 12 Series)

**Hex Head Bolts are Standard**



### Assembly

DESCRIPTION	DEPTH	TIER	DESIGN / TEST LOAD #	WEIGHT #	PALLET QTY	OLD PART NO.	NEW PART NO.
Box & Polymer Concrete Cover	24"	N/A	N/A / 20,000	82	20	PEM-1218-PCH	PM121824PCH00***

### Cover

DESCRIPTION	TIER	DESIGN / TEST LOAD #	WEIGHT #	MATERIAL	OLD PART NO.	NEW PART NO.
1 Piece W/ 2 Bolts	N/A	N/A / 20,000	45	Poly Concrete	PEM-1218-PCLH	PM1218CLH00***

### Box

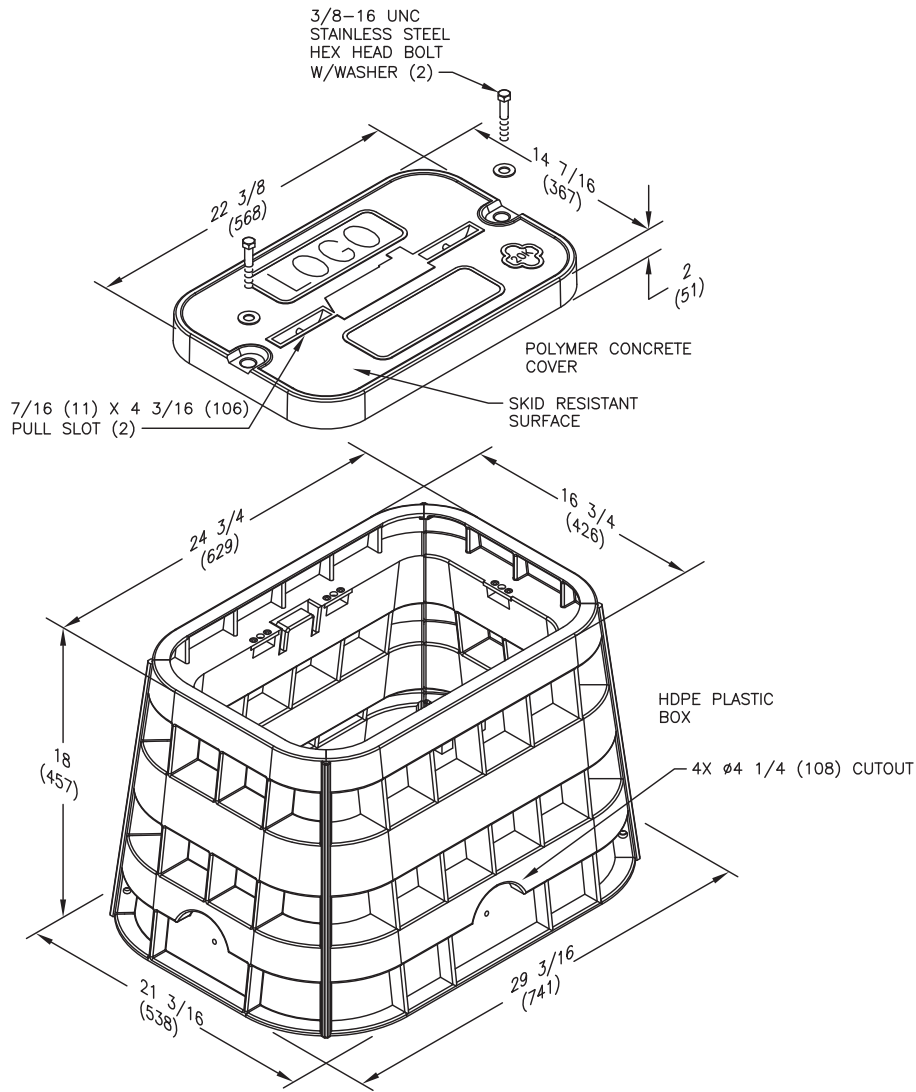
DESCRIPTION	DEPTH	TIER	DESIGN / TEST LOAD #	WEIGHT #	PALLET QTY	OLD PART NO.	NEW PART NO.
Open Bottom	24"	N/A	N/A / 20,000	37	20	PEM-1218-GS	PM121824GSY

Replace \*\*\* with a logo code found on page 188.

# Dimensions / Data

12" x 20" PenCell PM (PEM 12 Series)

**Hex Head Bolts are Standard**



## Assembly

DESCRIPTION	DEPTH	TIER	DESIGN / TEST LOAD #	WEIGHT #	PALLET QTY	OLD PART NO.	NEW PART NO.
Box & Polymer Concrete Cover	18"	N/A	N/A / 20,000	92	30	PEM-1220-PCH	PM122018PCH00***

## Cover

DESCRIPTION	TIER	DESIGN / TEST LOAD #	WEIGHT #	MATERIAL	OLD PART NO.	NEW PART NO.
1 Piece W/ 2 Bolts	N/A	N/A / 20,000	47	Poly Concrete	PEM-1220-PCLH	PM1220CLH00***

## Box

DESCRIPTION	DEPTH	TIER	DESIGN / TEST LOAD #	WEIGHT #	PALLET QTY	OLD PART NO.	NEW PART NO.
Open Bottom	18"	N/A	N/A / 20,000	45	30	PEM-1220-GS	PM122018GSY

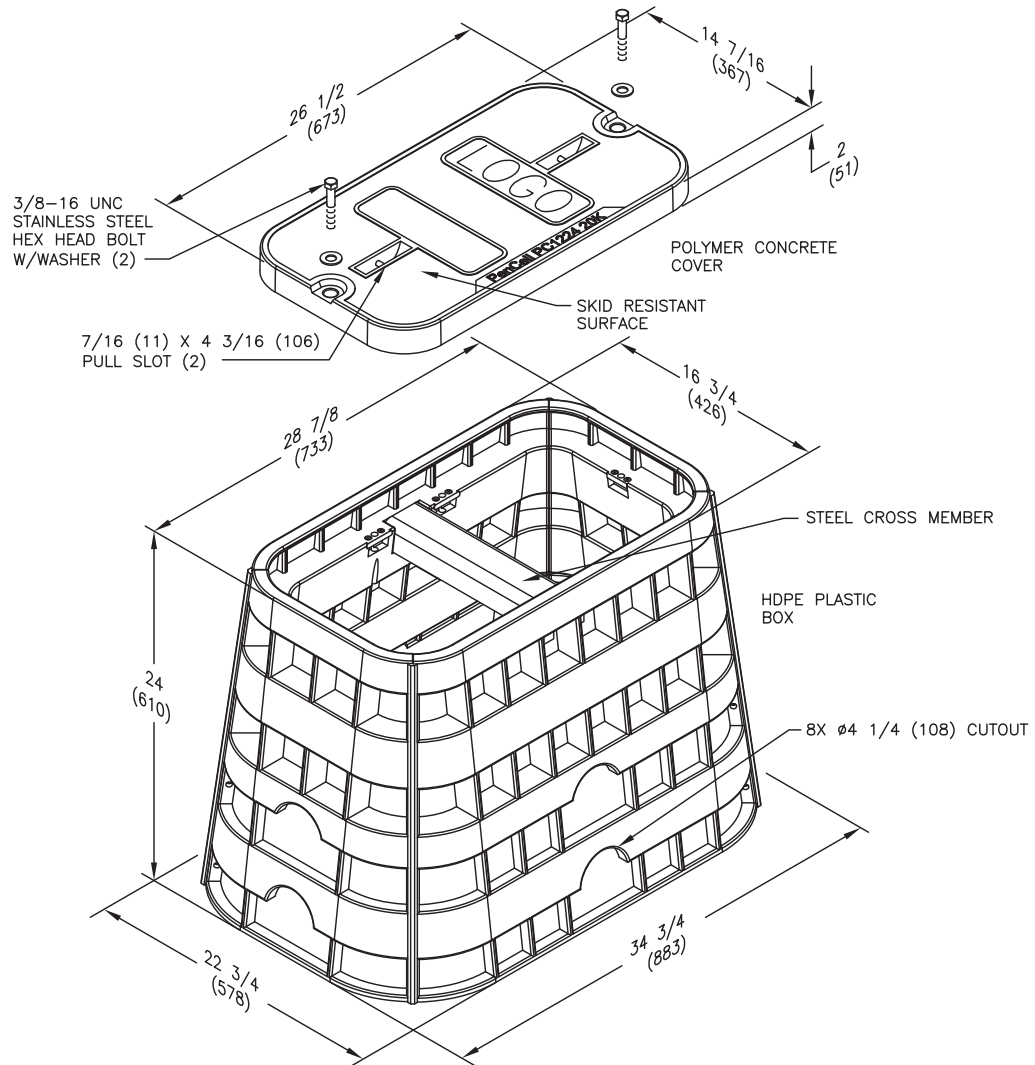
Replace \*\*\* with a logo code found on page 188.



# Dimensions / Data

12" x 24" PenCell PM (PEM 12 Series)

**Hex Head Bolts are Standard**



## Assembly

DESCRIPTION	DEPTH	TIER	DESIGN / TEST LOAD #	WEIGHT #	PALLET QTY	OLD PART NO.	NEW PART NO.
Box & Polymer Concrete Cover	24"	N/A	N/A / 20,000	105	20	PEM-1224-PCH	PM122424PCH00***

## Cover

DESCRIPTION	TIER	DESIGN / TEST LOAD #	WEIGHT #	MATERIAL	OLD PART NO.	NEW PART NO.
1 Piece W/ 2 Bolts	N/A	N/A / 20,000	54	Poly Concrete	PEM-1224-PCLH	PM1224CLH00***

## Box

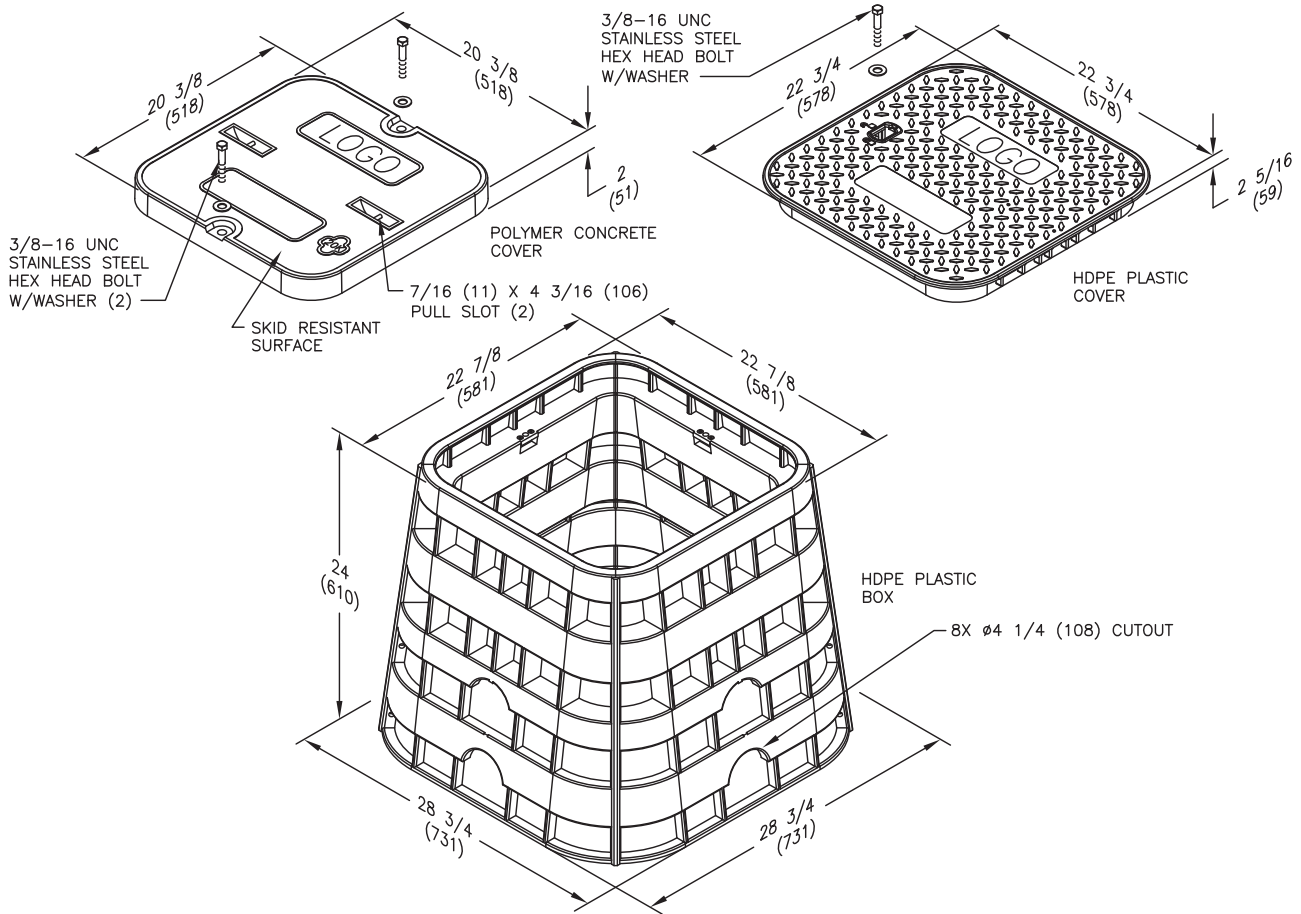
DESCRIPTION	DEPTH	TIER	DESIGN / TEST LOAD #	WEIGHT #	PALLET QTY	OLD PART NO.	NEW PART NO.
Open Bottom	24"	N/A	N/A / 20,000	51	20	PEM-1224-GS	PM122424GSY

Replace \*\*\* with a logo code found on page 188.

# Dimensions / Data

18" x 18" PenCell PM (PEM 18 Series)

**Hex Head Bolts are Standard**



## Assemblies

DESCRIPTION	DEPTH	TIER	DESIGN / TEST LOAD #	WEIGHT #	PALLET QTY	OLD PART NO.	NEW PART NO.
Box & Polymer Concrete Cover	24"	N/A	N/A / 20,000	103	20	PEM-1818-PCH	PM181824PCH00***
Box & HDPE Cover	24"	N/A	N/A / 5,000	58	20	PEM-1818H	PM181824HDH00***

## Covers

DESCRIPTION	TIER	DESIGN / TEST LOAD #	WEIGHT #	MATERIAL	OLD PART NO.	NEW PART NO.
1 Piece W/ 2 Bolts	N/A	N/A / 20,000	54	Poly Concrete	PEM-1818-PCLH	PM1818CLH00***
1 Piece W/ 2 Bolts	N/A	N/A / 5,000	7	HDPE	PEM-1818PLH	PM1818PLI12***

## Boxes

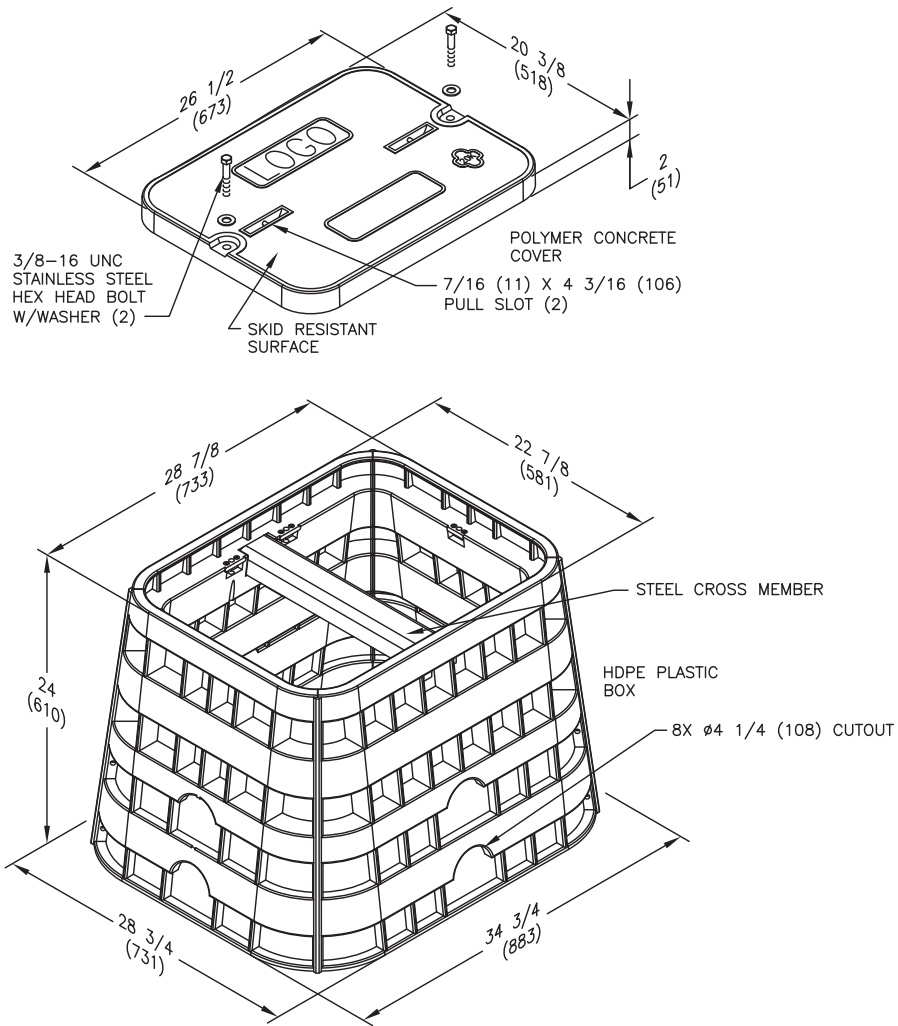
DESCRIPTION	DEPTH	TIER	DESIGN / TEST LOAD #	WEIGHT #	PALLET QTY	OLD PART NO.	NEW PART NO.
Gray Open Bottom	24"	N/A	N/A / 20,000	51	20	PEM-1818-GS	PM181824GSY
Green Open Bottom	24"	N/A	N/A / 20,000	51	20	PEM-1818-GS	PM181824GSN

Replace \*\*\* with a logo code found on page 188.

# Dimensions / Data

18" x 24" PenCell PM (PEM 18 Series)

**Hex Head Bolts are Standard**



## Assembly

DESCRIPTION	DEPTH	TIER	DESIGN / TEST LOAD #	WEIGHT #	PALLET QTY	OLD PART NO.	NEW PART NO.
Box & Polymer Concrete Cover	24"	N/A	N/A / 20,000	128	20	PEM-1824-PCH	PM182424PCH00***

## Cover

DESCRIPTION	TIER	DESIGN / TEST LOAD #	WEIGHT #	MATERIAL	OLD PART NO.	NEW PART NO.
1 Piece W/ 2 Bolts	N/A	N/A / 20,000	62	Poly Concrete	PEM-1824-PCLH	PM1824CLH00***

## Box

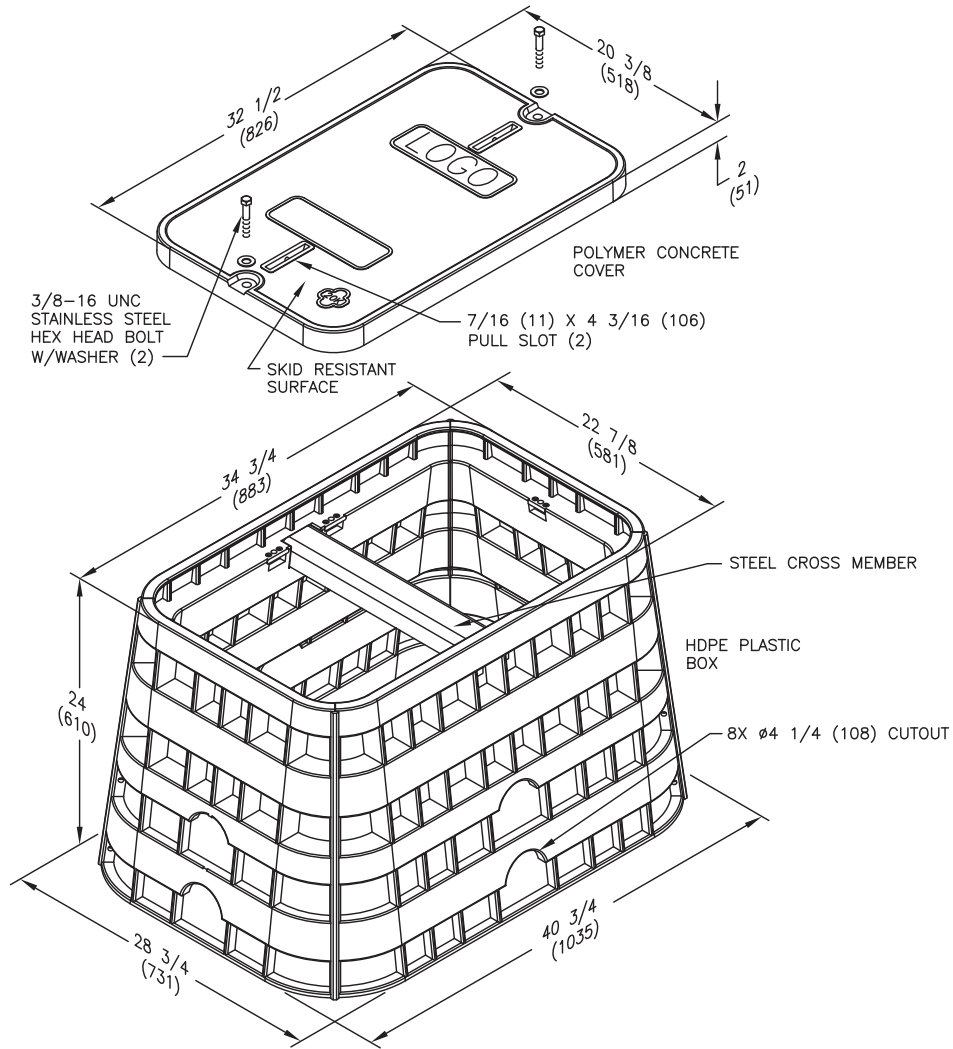
DESCRIPTION	DEPTH	TIER	DESIGN / TEST LOAD #	WEIGHT #	PALLET QTY	OLD PART NO.	NEW PART NO.
Open Bottom	24"	N/A	N/A / 20,000	66	20	PEM-1824-GS	PM182424GSY

Replace \*\*\* with a logo code found on page 188.

# Dimensions / Data

18" x 30" PenCell PM (PEM 18 Series)

**Hex Head Bolts are Standard**



## Assembly

DESCRIPTION	DEPTH	TIER	DESIGN / TEST LOAD #	WEIGHT #	PALLET QTY	OLD PART NO.	NEW PART NO.
Box & Polymer Concrete Cover	24"	N/A	N/A / 20,000	170	20	PEM-1830-PCH	PM183024PCH00***

## Cover

DESCRIPTION	TIER	DESIGN / TEST LOAD #	WEIGHT #	MATERIAL	OLD PART NO.	NEW PART NO.
1 Piece W/ 2 Bolts	N/A	N/A / 20,000	70	Poly Concrete	PEM-1830-PCLH	PM1830CLH00***

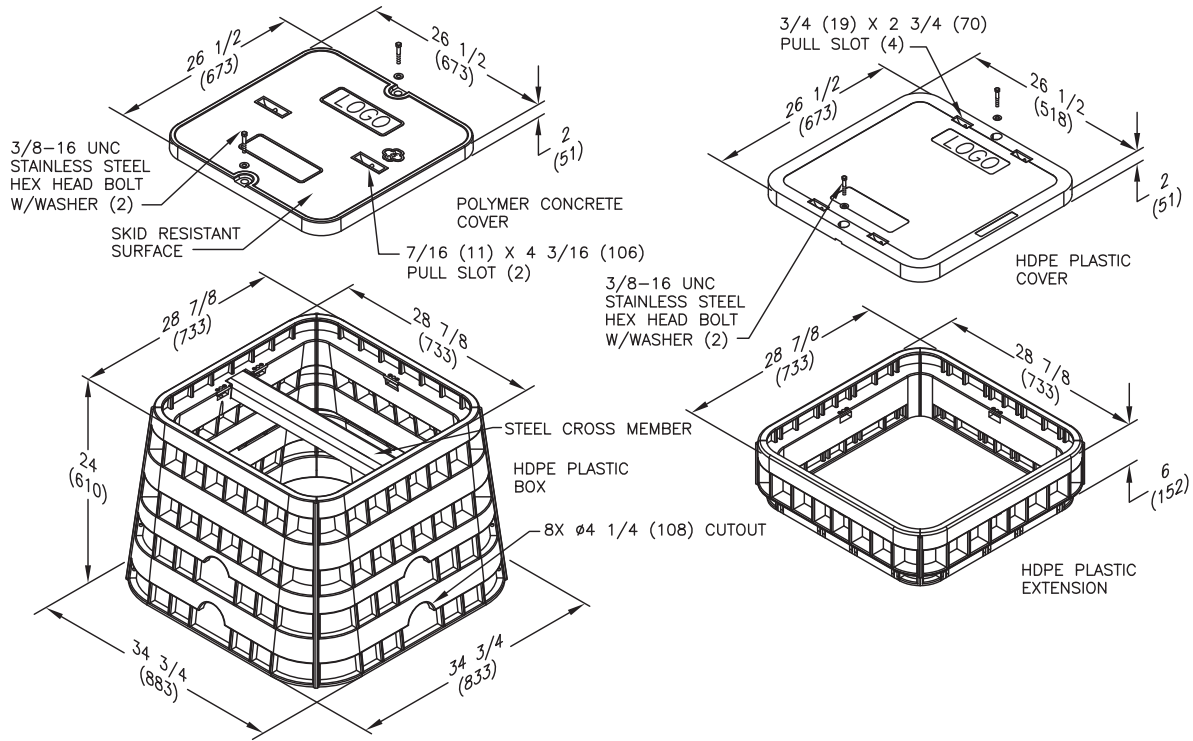
## Box

DESCRIPTION	DEPTH	TIER	DESIGN / TEST LOAD #	WEIGHT #	PALLET QTY	OLD PART NO.	NEW PART NO.
Open Bottom	24"	N/A	N/A / 20,000	100	20	PEM-1830-GS	PM183024GSY

Replace \*\*\* with a logo code found on page 188.

# Dimensions / Data

## 24" x 24" PenCell PM (PEM 24 Series)

**Hex Head Bolts are Standard**


### Assemblies

DESCRIPTION	DEPTH	TIER	DESIGN / TEST LOAD #	WEIGHT #	PALLET QTY	OLD PART NO.	NEW PART NO.
Box & Polymer Concrete Cover	24"	N/A	N/A / 20,000	150	6	PEM-2424-PCH	PM242424PCH00***
Box & HDPE Cover	24"	N/A	N/A / 5,000	75	10	PEM-2424H	PM242424HDH00***

### Covers

DESCRIPTION	TIER	DESIGN / TEST LOAD #	WEIGHT #	MATERIAL	OLD PART NO.	NEW PART NO.
1 Piece W/ 2 Bolts	N/A	N/A / 20,000	100	Poly Concrete	PEM-2424-PCLH	PM242424CLH00***
1 Piece W/ 2 Bolts	N/A	N/A / 5,000	25	HDPE	PEM-2424PLH	PM242424PLH12***

### Boxes

DESCRIPTION	DEPTH	TIER	DESIGN / TEST LOAD #	WEIGHT #	PALLET QTY	OLD PART NO.	NEW PART NO.
Gray Open Bottom	24"	N/A	N/A / 20,000	50	10	PEM-2424-GS	PM242424GSY
Green Open Bottom	24"	N/A	N/A / 20,000	50	10	PEM-2424-GS	PM242424GSN

### Extensions

DESCRIPTION	DEPTH	TIER	DESIGN / TEST LOAD #	WEIGHT #	PALLET QTY	OLD PART NO.	NEW PART NO.
Gray	6"	N/A	N/A / 20,000	20	20	PEM-2424-6	PM242406EXY
Green	6"	N/A	N/A / 20,000	20	20	PEM-2424-6	PM242406EXN

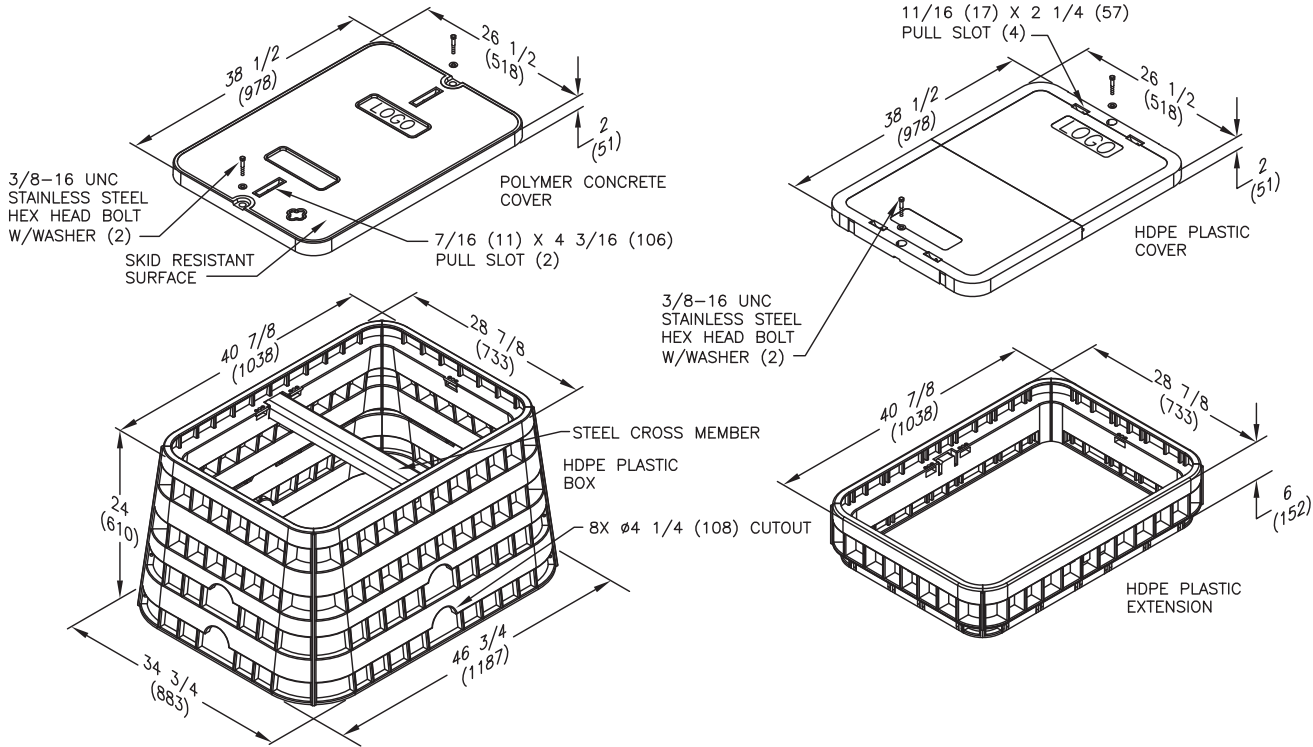
Replace \*\*\* with a logo code found on page 188.



# Dimensions / Data

24" x 36" PenCell PM (PEM 24 Series)

**Hex Head Bolts are Standard**



## Assemblies

DESCRIPTION	DEPTH	TIER	DESIGN / TEST LOAD #	WEIGHT #	PALLET QTY	OLD PART NO.	NEW PART NO.
Box & Polymer Concrete Cover	24"	N/A	N/A / 20,000	224	4	PEM-2436-PCH	PM243624PCH00***
Box & HDPE Cover	24"	N/A	N/A / 5,000	99	6	PEM-2436H	PM243624HHD00***

## Covers

DESCRIPTION	TIER	DESIGN / TEST LOAD #	WEIGHT #	MATERIAL	OLD PART NO.	NEW PART NO.
1 Piece W/ 2 Bolts	N/A	N/A / 20,000	151	Poly Concrete	PEM-2436-PCLH	PM2436CLH00***
2 Piece W/ 2 Bolts	N/A	N/A / 5,000	26	HDPE	PEM-2436PLH	PM2436PLI12***

## Boxes

DESCRIPTION	DEPTH	TIER	DESIGN / TEST LOAD #	WEIGHT #	PALLET QTY	OLD PART NO.	NEW PART NO.
Gray Open Bottom	24"	N/A	N/A / 20,000	73	6	PEM-2436-GS	PM243624GSY
Green Open Bottom	24"	N/A	N/A / 20,000	73	6	PEM-2436-GS	PM243624GSN

## Extensions

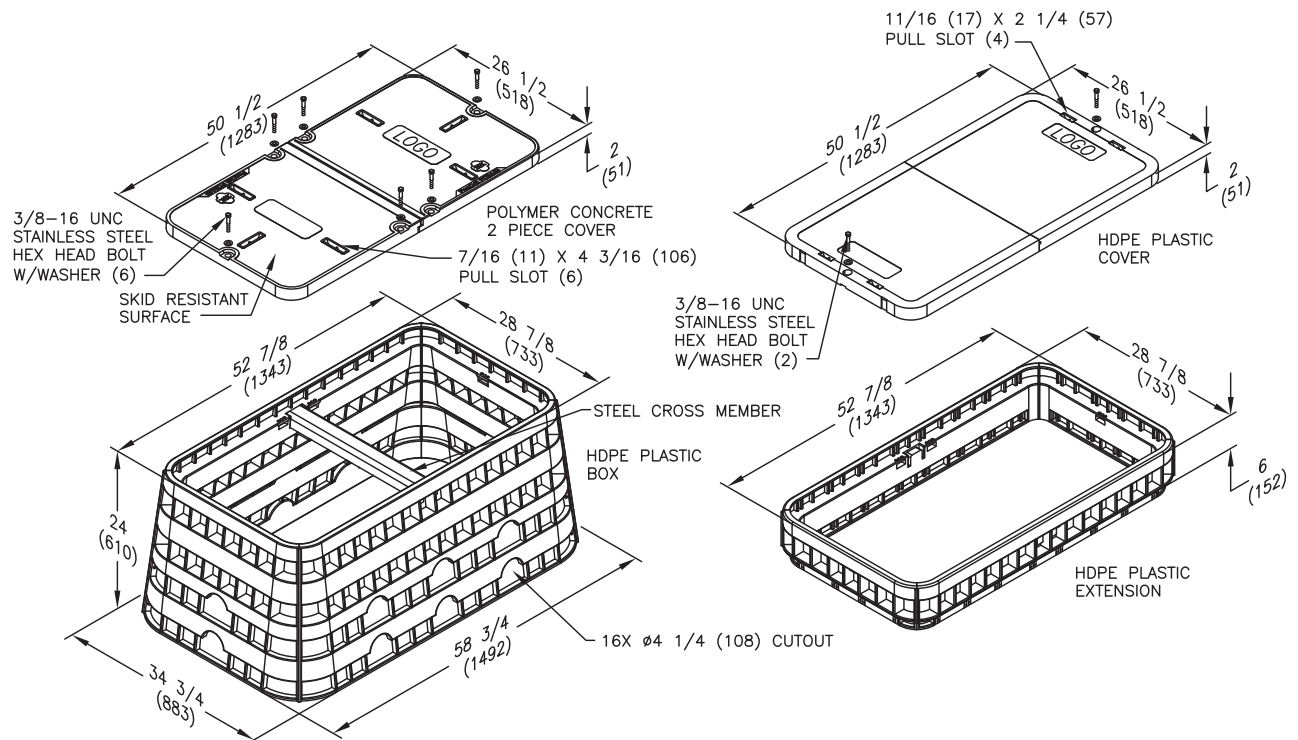
DESCRIPTION	DEPTH	TIER	DESIGN / TEST LOAD #	WEIGHT #	PALLET QTY	OLD PART NO.	NEW PART NO.
Gray	6"	N/A	N/A / 20,000	30	20	PEM-2436-6	PM243606EXY
Green	6"	N/A	N/A / 20,000	30	20	PEM-2436-6	PM243606EXN

Replace \*\*\* with a logo code found on page 188.



# Dimensions / Data

## 24" x 48" PenCell PM (PEM 24 Series)

**Hex Head Bolts are Standard**


### Assemblies

DESCRIPTION	DEPTH	TIER	DESIGN / TEST LOAD #	WEIGHT #	PALLET QTY	OLD PART NO.	NEW PART NO.
Box & Polymer Concrete Cover	24"	N/A	N/A / 20,000	271	1	PEM-2448-PCH	PM244824PCH00***
Box & HDPE Cover	24"	N/A	N/A / 5,000	113	2	PEM-2448H	PM244824HDH00***

### Covers

DESCRIPTION	TIER	DESIGN / TEST LOAD #	WEIGHT #	MATERIAL	OLD PART NO.	NEW PART NO.
2 Piece W/ 6 Bolts	N/A	N/A / 20,000	187	Poly Concrete	PEM-2448-PCLH	PM2448CLH00***
2 Piece W/ 2 Bolts	N/A	N/A / 5,000	30	HDPE	PEM-2448PLH	PM2448PLI12***

### Boxes

DESCRIPTION	DEPTH	TIER	DESIGN / TEST LOAD #	WEIGHT #	PALLET QTY	OLD PART NO.	NEW PART NO.
Gray Open Bottom	24"	N/A	N/A / 20,000	84	3	PEM-2448-GS	PM244824GSY
Green Open Bottom	24"	N/A	N/A / 20,000	84	3	PEM-2448-GS	PM244824GSN

### Extensions

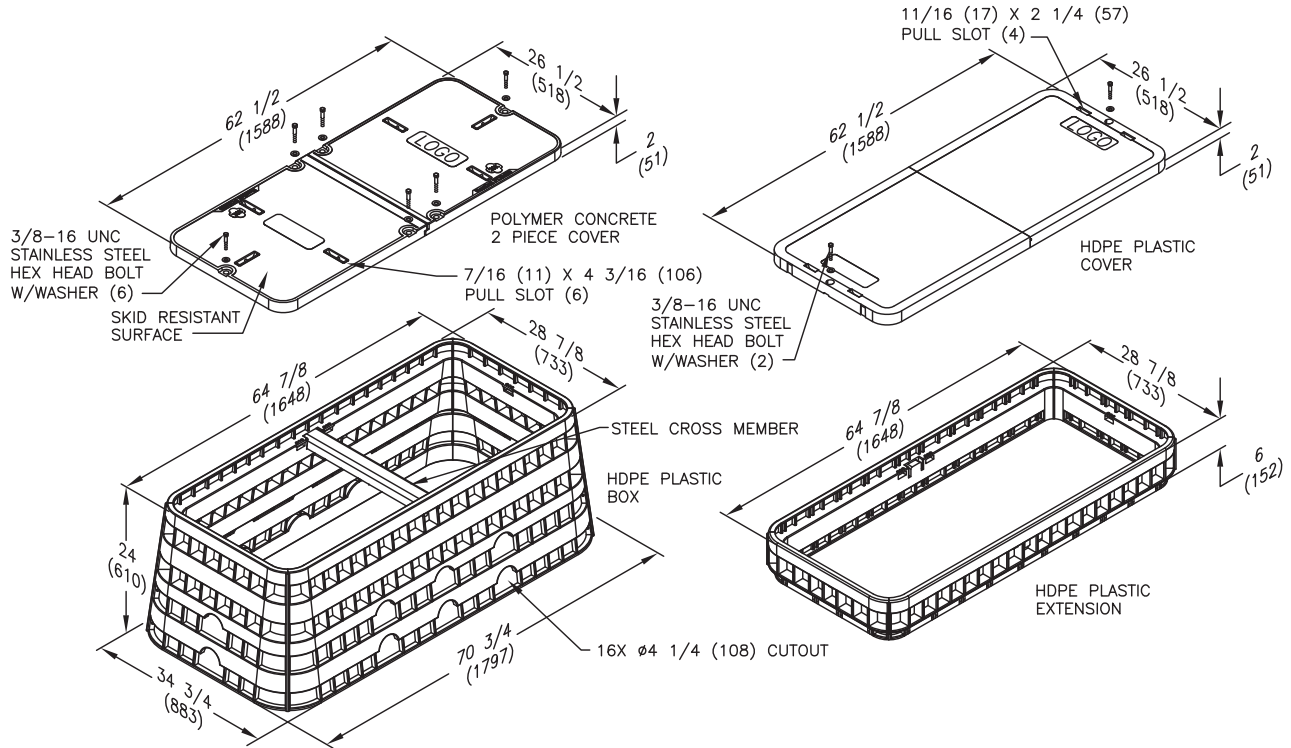
DESCRIPTION	DEPTH	TIER	DESIGN / TEST LOAD #	WEIGHT #	PALLET QTY	OLD PART NO.	NEW PART NO.
Gray	6"	N/A	N/A / 20,000	35	10	PEM-2448-6	PM244806EXY
Green	6"	N/A	N/A / 20,000	35	10	PEM-2448-6	PM244806EXN

Replace \*\*\* with a logo code found on page 188.

# Dimensions / Data

24" x 60" PenCell PM (PEM 24 Series)

**Hex Head Bolts are Standard**



## Assemblies

DESCRIPTION	DEPTH	TIER	DESIGN / TEST LOAD #	WEIGHT #	PALLET QTY	OLD PART NO.	NEW PART NO.
Box & Polymer Concrete Cover	24"	N/A	N/A / 20,000	328	1	PEM-2460-PCH	PM246024PCH00***
Box & HDPE Cover	24"	N/A	N/A / 5,000	132	3	PEM-2460H	PM246024HDH00***

## Covers

DESCRIPTION	TIER	DESIGN / TEST LOAD #	WEIGHT #	MATERIAL	OLD PART NO.	NEW PART NO.
2 Piece W/ 6 Bolts	N/A	N/A / 20,000	232	Poly Concrete	PEM-2460-PCLH	PM2460CLH00***
2 Piece W/ 2 Bolts	N/A	N/A / 5,000	37	HDPE	PEM-2460PLH	PM2460PLI12***

## Boxes

DESCRIPTION	DEPTH	TIER	DESIGN / TEST LOAD #	WEIGHT #	PALLET QTY	OLD PART NO.	NEW PART NO.
Gray Open Bottom	24"	N/A	N/A / 20,000	96	3	PEM-2460-GS	PM246024GSY
Green Open Bottom	24"	N/A	N/A / 20,000	96	3	PEM-2460-GS	PM246024GSN

## Extensions

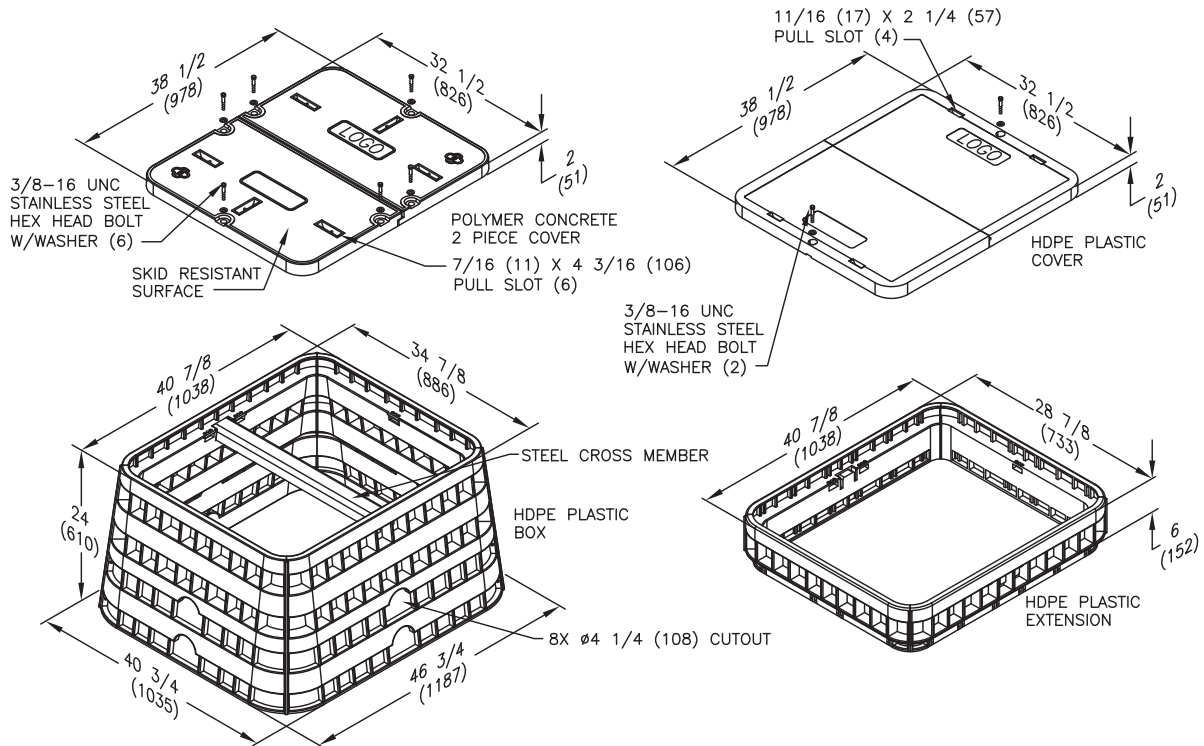
DESCRIPTION	DEPTH	TIER	DESIGN / TEST LOAD #	WEIGHT #	PALLET QTY	OLD PART NO.	NEW PART NO.
Gray	6"	N/A	N/A / 20,000	40	10	PEM-2460-6	PM246006EXY
Green	6"	N/A	N/A / 20,000	40	10	PEM-2460-6	PM246006EXN

Replace \*\*\* with a logo code found on page 188.

# Dimensions / Data

## 30" x 36" PenCell PM (PEM 30 Series)

**Hex Head Bolts are Standard**



### Assemblies

DESCRIPTION	DEPTH	TIER	DESIGN / TEST LOAD #	WEIGHT #	PALLET QTY	OLD PART NO.	NEW PART NO.
Box & Polymer Concrete Cover	24"	N/A	N/A / 20,000	275	2	PEM-3036-PCH	PM303624PCH00***
Box & HDPE Cover	24"	N/A	N/A / 5,000	118	3	PEM-3036H	PM303624HDH00***

### Covers

DESCRIPTION	TIER	DESIGN / TEST LOAD #	WEIGHT #	MATERIAL	OLD PART NO.	NEW PART NO.
2 Piece W/ 6 Bolts	N/A	N/A / 20,000	186	Poly Concrete	PEM-3036-PCLH	PM3036CLH00***
2 Piece W/ 2 Bolts	N/A	N/A / 5,000	29	HDPE	PEM-3036PLH	PM3036PL112***

### Boxes

DESCRIPTION	DEPTH	TIER	DESIGN / TEST LOAD #	WEIGHT #	PALLET QTY	OLD PART NO.	NEW PART NO.
Gray Open Bottom	24"	N/A	N/A / 20,000	89	3	PEM-3036-GS	PM303624GSY
Green Open Bottom	24"	N/A	N/A / 20,000	89	3	PEM-3036-GS	PM303624GSN

### Extensions

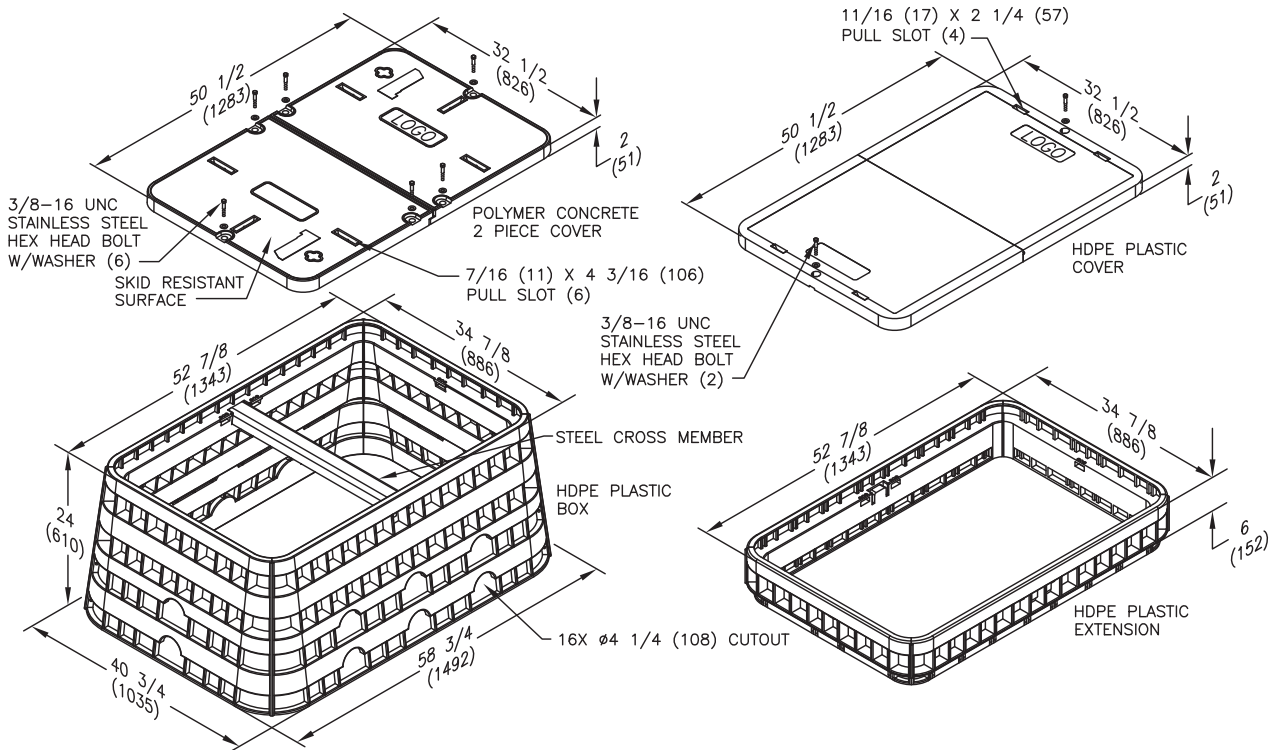
DESCRIPTION	DEPTH	TIER	DESIGN / TEST LOAD #	WEIGHT #	PALLET QTY	OLD PART NO.	NEW PART NO.
Gray	6"	N/A	N/A / 20,000	25	10	PEM-3036-6	PM303606EXY
Green	6"	N/A	N/A / 20,000	25	10	PEM-3036-6	PM303606EXN

Replace \*\*\* with a logo code found on page 188.

# Dimensions / Data

30" x 48" PenCell PM (PEM 30 Series)

**Hex Head Bolts are Standard**



## Assemblies

DESCRIPTION	DEPTH	TIER	DESIGN / TEST LOAD #	WEIGHT #	PALLET QTY	OLD PART NO.	NEW PART NO.
Box & Polymer Concrete Cover	24"	N/A	N/A / 20,000	339	3	PEM-3048-PCH	PM304824PCH00***
Box & HDPE Cover	24"	N/A	N/A / 5,000	132	3	PEM-3048H	PM304824HDH00***

## Covers

DESCRIPTION	TIER	DESIGN / TEST LOAD #	WEIGHT #	MATERIAL	OLD PART NO.	NEW PART NO.
2 Piece W/ 6 Bolts	N/A	N/A / 20,000	246	Poly Concrete	PEM-3048-PCLH	PM3048CLH00***
2 Piece W/ 2 Bolts	N/A	N/A / 5,000	39	HDPE	PEM-3048PLH	PM3048PLI12***

## Boxes

DESCRIPTION	DEPTH	TIER	DESIGN / TEST LOAD #	WEIGHT #	PALLET QTY	OLD PART NO.	NEW PART NO.
Gray Open Bottom	24"	N/A	N/A / 20,000	93	3	PEM-3048-GS	PM304824GSY
Green Open Bottom	24"	N/A	N/A / 20,000	93	3	PEM-3048-GS	PM304824GSN

## Extensions

DESCRIPTION	DEPTH	TIER	DESIGN / TEST LOAD #	WEIGHT #	PALLET QTY	OLD PART NO.	NEW PART NO.
Gray	6"	N/A	N/A / 20,000	40	10	PEM-3048-6	PM304806EXY
Green	6"	N/A	N/A / 20,000	40	10	PEM-3048-6	PM304806EXN

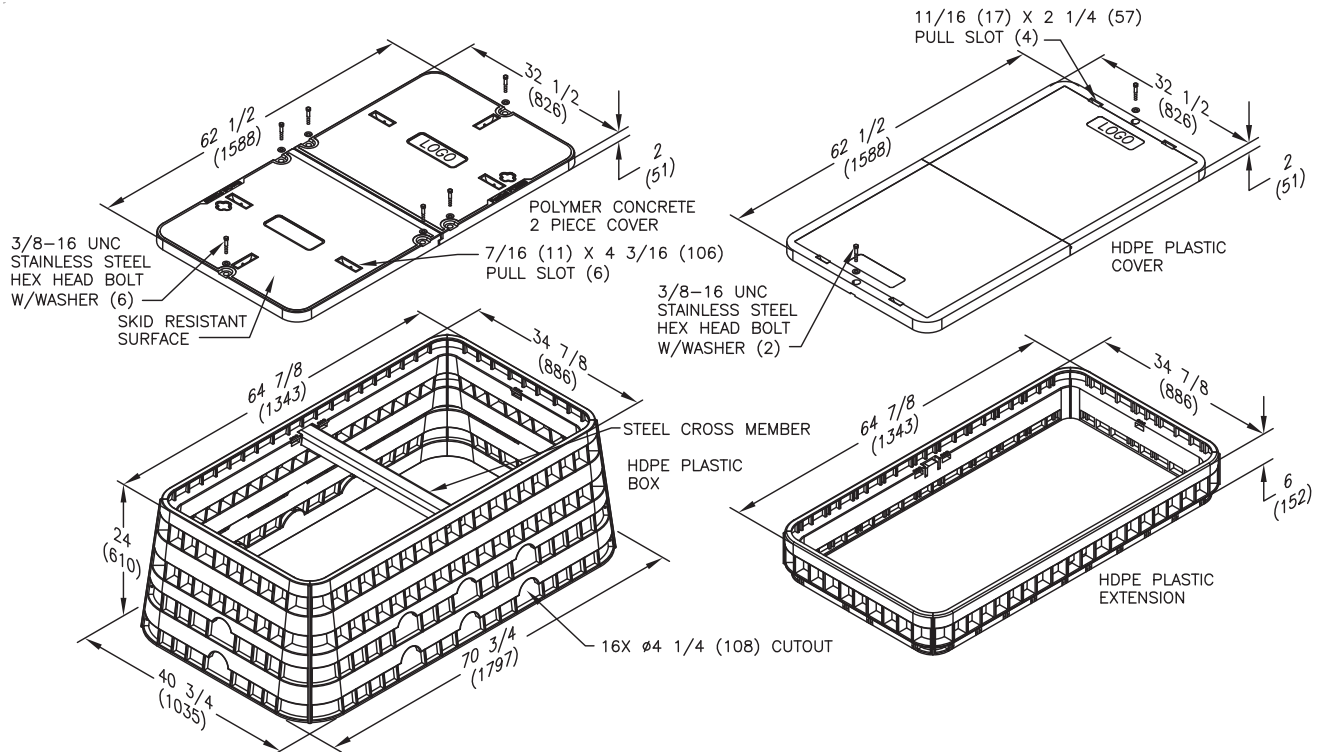
Replace \*\*\* with a logo code found on page 188.



# Dimensions / Data

## 30" x 60" PenCell PM (PEM 30 Series)

**Hex Head Bolts are Standard**



### Assemblies

DESCRIPTION	DEPTH	TIER	DESIGN / TEST LOAD #	WEIGHT #	PALLET QTY	OLD PART NO.	NEW PART NO.
Box & Polymer Concrete Cover	24"	N/A	N/A / 20,000	405	1	PEM-3060-PCH	PM306024PCH00***
Box & HDPE Cover	24"	N/A	N/A / 5,000	156	3	PEM-3060H	PM306024HDH00***

### Covers

DESCRIPTION	TIER	DESIGN / TEST LOAD #	WEIGHT #	MATERIAL	OLD PART NO.	NEW PART NO.
2 Piece W/ 6 Bolts	N/A	N/A / 20,000	297	Poly Concrete	PEM-3060-PCLH	PM3060CLH00***
2 Piece W/ 2 Bolts	N/A	N/A / 5,000	48	HDPE	PEM-3060PLH	PM3060PL12***

### Boxes

DESCRIPTION	DEPTH	TIER	DESIGN / TEST LOAD #	WEIGHT #	PALLET QTY	OLD PART NO.	NEW PART NO.
Gray Open Bottom	24"	N/A	N/A / 20,000	108	3	PEM-3060-GS	PM306024GSY
Green Open Bottom	24"	N/A	N/A / 20,000	108	3	PEM-3060-GS	PM306024GSN

### Extensions

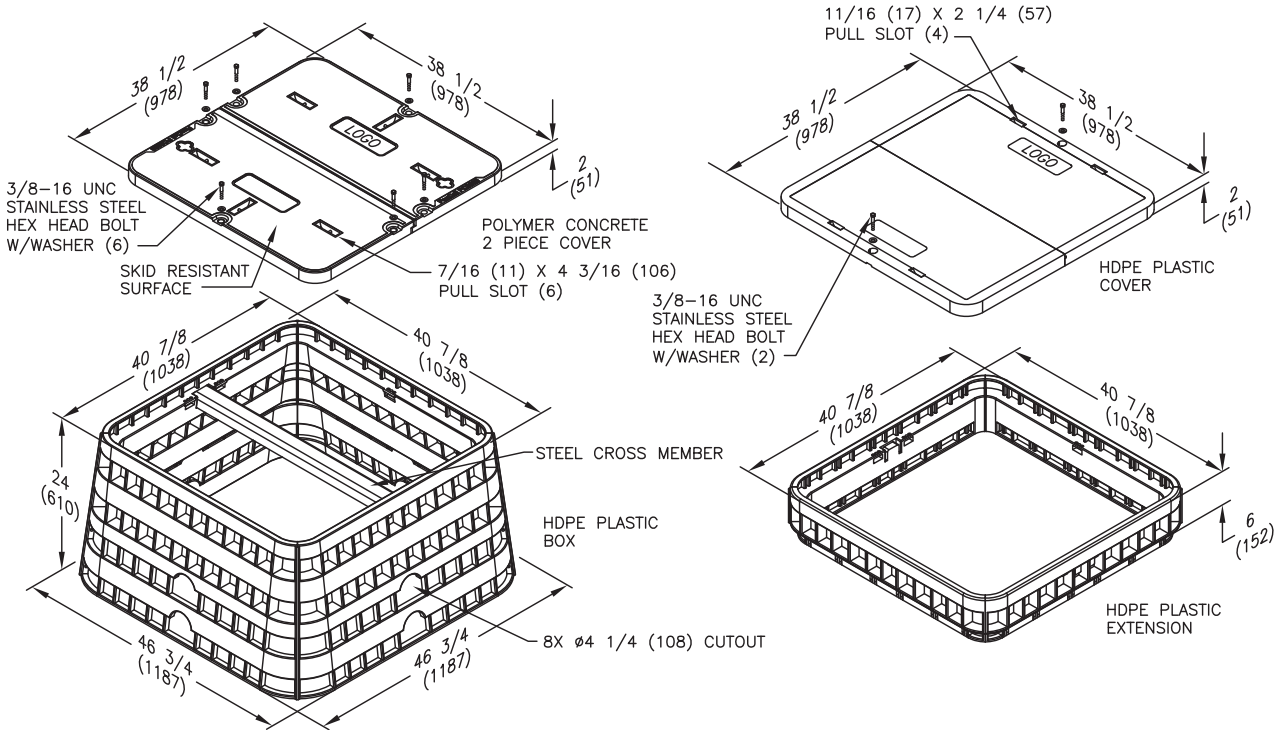
DESCRIPTION	DEPTH	TIER	DESIGN / TEST LOAD #	WEIGHT #	PALLET QTY	OLD PART NO.	NEW PART NO.
Gray	6"	N/A	N/A / 20,000	45	10	PEM-3060-6	PM306006EXY
Green	6"	N/A	N/A / 20,000	45	10	PEM-3060-6	PM306006EXN

Replace \*\*\* with a logo code found on page 188.

# Dimensions / Data

36" x 36" PenCell PM (PEM 36 Series)

**Hex Head Bolts are Standard**



## Assemblies

DESCRIPTION	DEPTH	TIER	DESIGN / TEST LOAD #	WEIGHT #	PALLET QTY	OLD PART NO.	NEW PART NO.
Box & Polymer Concrete Cover	24"	N/A	N/A / 20,000	354	2	PEM-3636-PCH	PM363624PCH00***
Box & HDPE Cover	24"	N/A	N/A / 5,000	135	3	PEM-3636H	PM363624HDH00***

## Covers

DESCRIPTION	TIER	DESIGN / TEST LOAD #	WEIGHT #	MATERIAL	OLD PART NO.	NEW PART NO.
2 Piece W/ 6 Bolts	N/A	N/A / 20,000	250	Poly Concrete	PEM-3636-PCLH	PM3636CLH00***
2 Piece W/ 2 Bolts	N/A	N/A / 5,000	31	HDPE	PEM-3636PLH	PM3636PLI12***

## Boxes

DESCRIPTION	DEPTH	TIER	DESIGN / TEST LOAD #	WEIGHT #	PALLET QTY	OLD PART NO.	NEW PART NO.
Gray Open Bottom	24"	N/A	N/A / 20,000	104	3	PEM-3636-GS	PM363624GSY
Green Open Bottom	24"	N/A	N/A / 20,000	104	3	PEM-3636-GS	PM363624GSN

## Extensions

DESCRIPTION	DEPTH	TIER	DESIGN / TEST LOAD #	WEIGHT #	PALLET QTY	OLD PART NO.	NEW PART NO.
Gray	6"	N/A	N/A / 20,000	31	10	PEM-3636-6	PM363606EXY
Green	6"	N/A	N/A / 20,000	31	10	PEM-3636-6	PM363606EXN

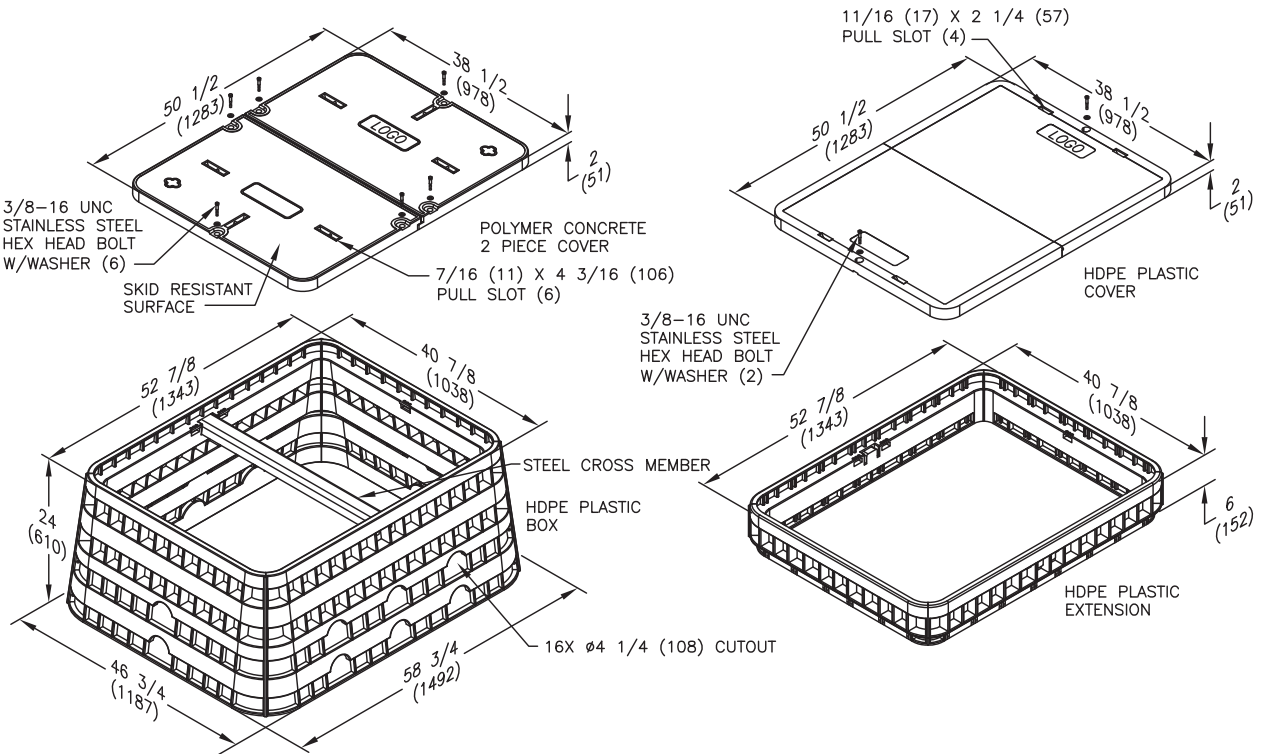
Replace \*\*\* with a logo code found on page 188.



# Dimensions / Data

36" x 48" PenCell PM (PEM 36 Series)

**Hex Head Bolts are Standard**



## Assemblies

DESCRIPTION	DEPTH	TIER	DESIGN / TEST LOAD #	WEIGHT #	PALLET QTY	OLD PART NO.	NEW PART NO.
Box & Polymer Concrete Cover	24"	N/A	N/A / 20,000	389	1	PEM-3648-PCH	PM364824PCH00***
Box & HDPE Cover	24"	N/A	N/A / 5,000	160	3	PEM-3648H	PM364824HDH00***

## Covers

DESCRIPTION	TIER	DESIGN / TEST LOAD #	WEIGHT #	MATERIAL	OLD PART NO.	NEW PART NO.
2 Piece W/ 6 Bolts	N/A	N/A / 20,000	285	Poly Concrete	PEM-3648-PCLH	PM3648CLH00***
2 Piece W/ 2 Bolts	N/A	N/A / 5,000	56	HDPE	PEM-3648PLH	PM3648PLI12***

## Boxes

DESCRIPTION	DEPTH	TIER	DESIGN / TEST LOAD #	WEIGHT #	PALLET QTY	OLD PART NO.	NEW PART NO.
Gray Open Bottom	24"	N/A	N/A / 20,000	104	3	PEM-3648-GS	PM364824GSY
Green Open Bottom	24"	N/A	N/A / 20,000	104	3	PEM-3648-GS	PM364824GSN

## Extensions

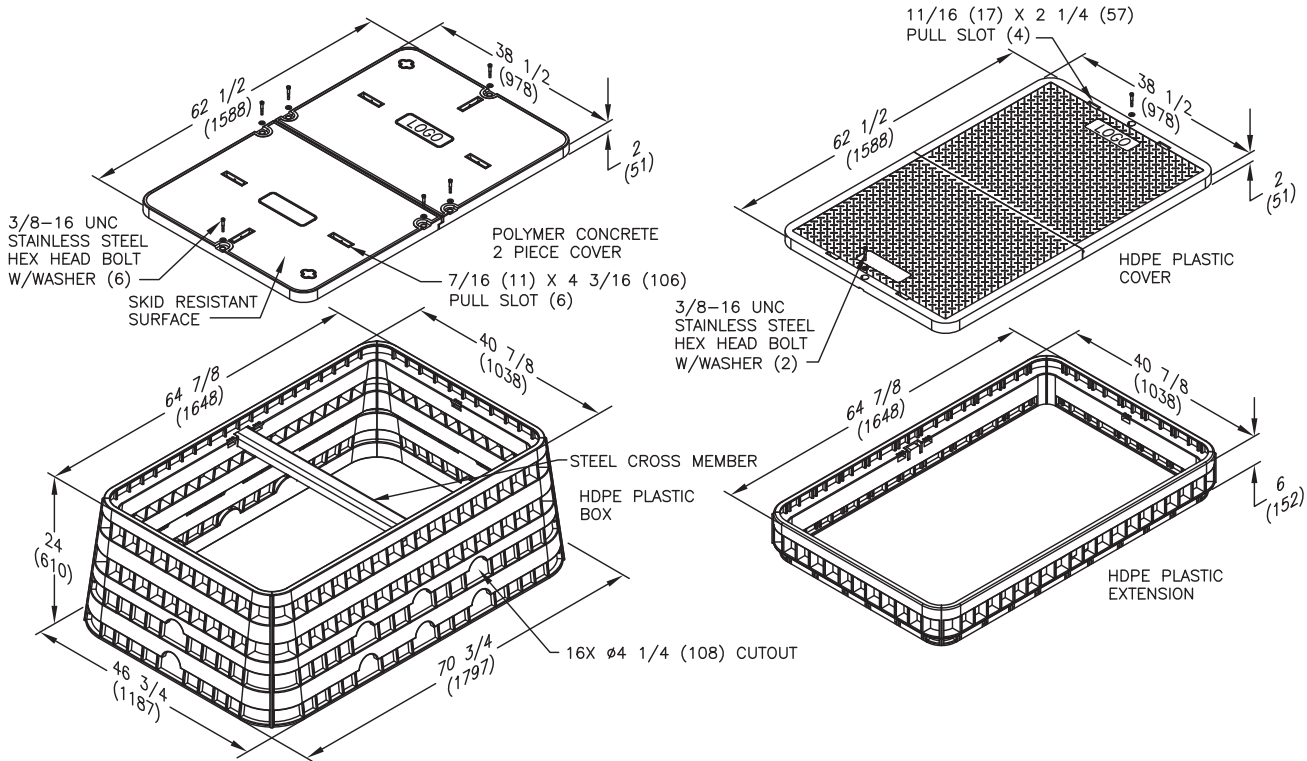
DESCRIPTION	DEPTH	TIER	DESIGN / TEST LOAD #	WEIGHT #	PALLET QTY	OLD PART NO.	NEW PART NO.
Gray	6"	N/A	N/A / 20,000	32	10	PEM-3648-6	PM364806EXY
Green	6"	N/A	N/A / 20,000	32	10	PEM-3648-6	PM364806EXN

Replace \*\*\* with a logo code found on page 188.

# Dimensions / Data

36" x 60" PenCell PM (PEM 36 Series)

**Hex Head Bolts are Standard**



## Assemblies

DESCRIPTION	DEPTH	TIER	DESIGN / TEST LOAD #	WEIGHT #	PALLET QTY	OLD PART NO.	NEW PART NO.
Box & Polymer Concrete Cover	24"	N/A	N/A / 20,000	465	1	PEM-3660-PCH	PM366024PCH00***
Box & HDPE Cover	24"	N/A	N/A / 5,000	160	3	PEM-3660H	PM366024HDH00***

## Covers

DESCRIPTION	TIER	DESIGN / TEST LOAD #	WEIGHT #	MATERIAL	OLD PART NO.	NEW PART NO.
2 Piece W/ 6 Bolts	N/A	N/A / 20,000	350	Poly Concrete	PEM-3660-PCLH	PM3660CLH00***
2 Piece W/ 2 Bolts	N/A	N/A / 5,000	71	HDPE	PEM-3660PLH	PM3660PLI12***

## Boxes

DESCRIPTION	DEPTH	TIER	DESIGN / TEST LOAD #	WEIGHT #	PALLET QTY	OLD PART NO.	NEW PART NO.
Gray Open Bottom	24"	N/A	N/A / 20,000	114	3	PEM-3660-GS	PM366024GSY
Green Open Bottom	24"	N/A	N/A / 20,000	114	3	PEM-3660-GS	PM366024GSN

## Extensions

DESCRIPTION	DEPTH	TIER	DESIGN / TEST LOAD #	WEIGHT #	PALLET QTY	OLD PART NO.	NEW PART NO.
Gray	6"	N/A	N/A / 20,000	41	10	PEM-3660-6	PM366006EXY
Green	6"	N/A	N/A / 20,000	41	10	PEM-3660-6	PM366006EXN

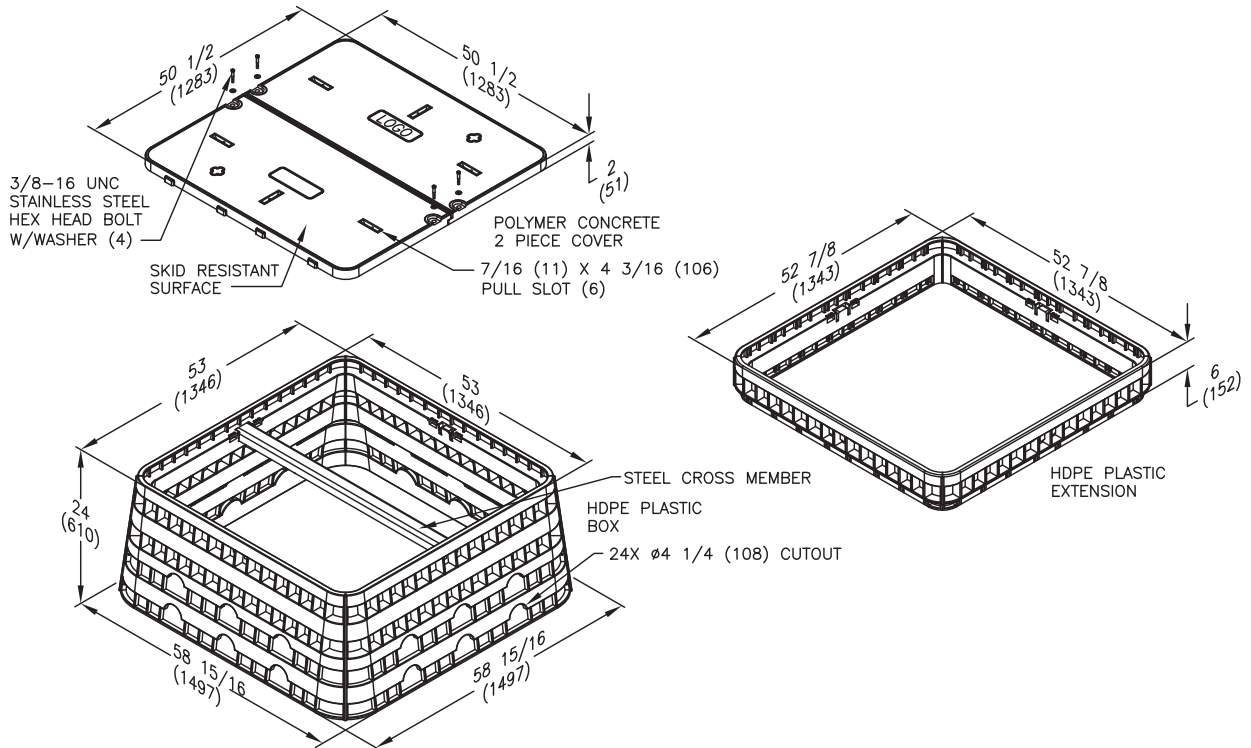
Replace \*\*\* with a logo code found on page 188.



# Dimensions / Data

48" x 48" PenCell PM (PEM 48 Series)

**Hex Head Bolts are Standard**



## Assemblies

DESCRIPTION	DEPTH	TIER	DESIGN / TEST LOAD #	WEIGHT #	PALLET QTY	OLD PART NO.	NEW PART NO.
Box & Polymer Concrete Cover	24"	N/A	N/A / 20,000	465	1	PEM-4848PCH	PM484824PCH00***
With 6" Extension	30"	N/A	N/A / 20,000	507	1	PEM-4848-30PCH	PM484830PCH00***
With (2) 6" Extensions	36"	N/A	N/A / 20,000	549	1	PEM-4848-36PCH	PM484836PCH00***
With modified 2-piece GS	42"	N/A	N/A / 20,000	591	1	PEM-4848-42PCH	PM484842PCH00***
With inverted 2-piece GS	48"	N/A	N/A / 20,000	633	1	PEM-4848-48PCH	PM484848PCH00***

## Cover

DESCRIPTION	TIER	DESIGN / TEST LOAD #	WEIGHT #	MATERIAL	OLD PART NO.	NEW PART NO.
2 Piece W/ 4 Bolts	N/A	N/A / 20,000	350	Poly Concrete	PEM-4848PCLH	PM4848CLH00***

Replace \*\*\* with a logo code found on page 188.

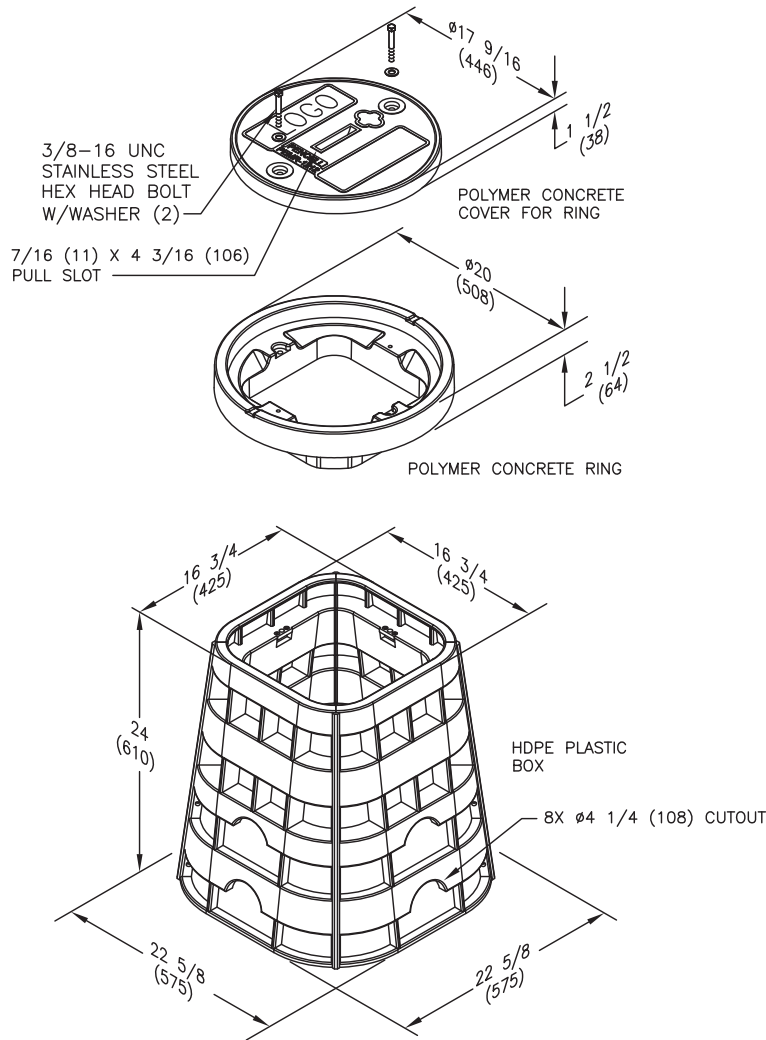
## Boxes

DESCRIPTION	DEPTH	TIER	DESIGN / TEST LOAD #	WEIGHT #	PALLET QTY	OLD PART NO.	NEW PART NO.
Gray Open Bottom	24"	N/A	N/A / 20,000	114	2	PEM-4848GS	PM484824GSY

## Extension

DESCRIPTION	DEPTH	TIER	DESIGN / TEST LOAD #	WEIGHT #	PALLET QTY	OLD PART NO.	NEW PART NO.
Gray	6"	N/A	N/A / 20,000	42	6	PEM-4848-6EXT	PM484806EXY

**PENCELL**

**Hex Head Bolts are Standard**


### Assemblies

DESCRIPTION	DEPTH	TIER	DESIGN / TEST LOAD #	WEIGHT #	PALLET QTY	OLD PART NO.	NEW PART NO.
Box w/ Poly Conc Cover & Ring	24"	N/A	N/A / 20,000	90	4	PEMR-1212PCH	PR121224PRH00***

### Cover & Ring

DESCRIPTION	TIER	DESIGN / TEST LOAD #	WEIGHT #	MATERIAL	OLD PART NO.	NEW PART NO.
PC Cover & Ring	N/A	N/A / 20,000	53	Poly Concrete	PEM-1212PCLH	PR1212LRH00***

Replace \*\*\* with a logo code found on page 188.

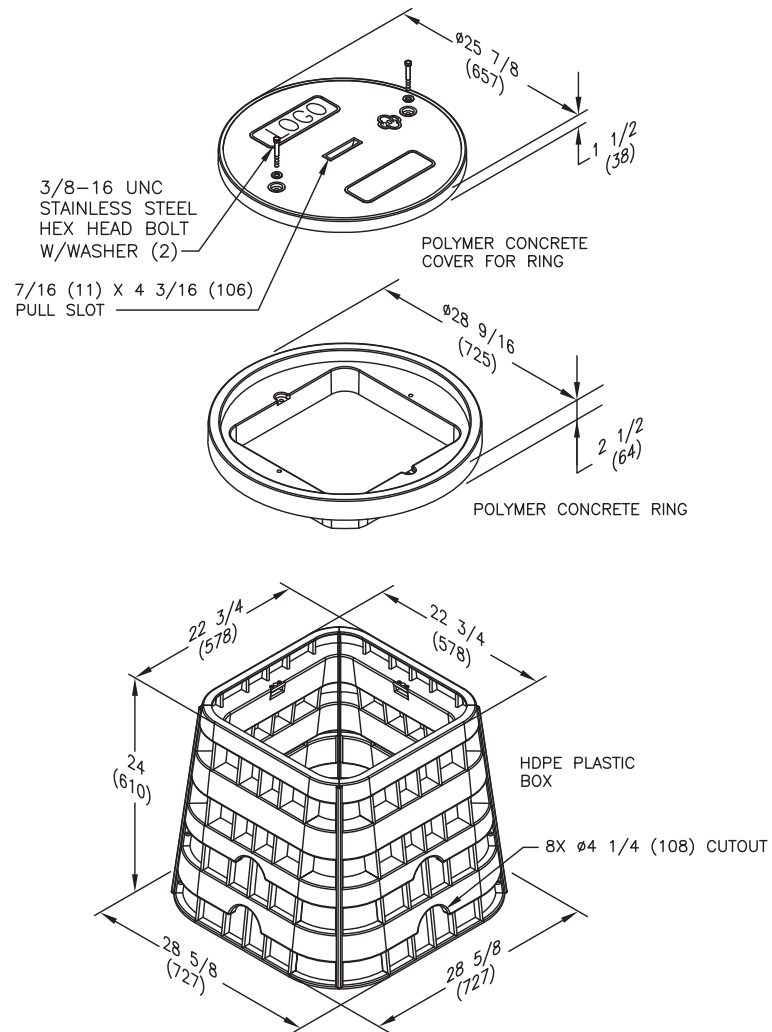
### Boxes

DESCRIPTION	DEPTH	TIER	DESIGN / TEST LOAD #	WEIGHT #	PALLET QTY	OLD PART NO.	NEW PART NO.
Green Open Bottom	24"	N/A	N/A / 20,000	37	4	PEMR-1212GSN	PM121224GSN

# Dimensions / Data

18" x 18" PenCell PR (PEMR 18)

**Hex Head Bolts are Standard**



## Assemblies

DESCRIPTION	DEPTH	TIER	DESIGN / TEST LOAD #	WEIGHT #	PALLET QTY	OLD PART NO.	NEW PART NO.
Box w/ Poly Conc Cover & Ring	24"	N/A	N/A / 20,000	160	4	PEMR-1818PCH	PR181824PRH00***

## Cover & Ring

DESCRIPTION	TIER	DESIGN / TEST LOAD #	WEIGHT #	MATERIAL	OLD PART NO.	NEW PART NO.
PC Cover & Ring	N/A	N/A / 20,000	110	Poly Concrete	PEMR-1818PCLH	PR1818LRH00***

Replace \*\*\* with a logo code found on page 188.

## Boxes

DESCRIPTION	DEPTH	TIER	DESIGN / TEST LOAD #	WEIGHT #	PALLET QTY	OLD PART NO.	NEW PART NO.
Green Open Bottom	24"	N/A	N/A / 20,000	50	4	PEMR-1818GS	PM181824GSN

**PENCELL**



**Most commonly used cover logos are shown below.  
Custom Logos are available. Contact your Quazite/Hubbell Representative.**

## PENCELL COVER OPTIONS

### LOGOS

PENCELL LOGO CODES	DESCRIPTION
009	BLANK
010	CATV
012	COMMUNICATIONS
014	CONTROLS
017	ELECTRIC
021	FIBER OPTICS
022	FIRE ALARM
023	GAS
024	GROUND
026	HIGH VOLTAGE
029	LIGHTING
036	SECURITY
038	SIGNAL
040	STATE TRAFFIC SIGNAL
041	STREET LIGHTING
042	TELECOM
043	TELEPHONE
044	TRAFFIC
045	TRAFFIC CONTROL
046	TRAFFIC SIGNAL
048	TV
050	WATER
057	EMERGENCY
065	ILLUMINATION
081	DANGER HIGH VOLTAGE
084	POWER
092	TELECOMMUNICATIONS
03A	DOT
06B	INSTRUMENTATION
0ZA	IRRIGATION
K91	RECLAIMED WATER
KH1	FIBEROPTIC
5P3	ELECTRIC WARNING DO NOT OPEN

PENCELL



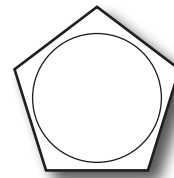


# Optional Accessories:

PenCell underground enclosures come standard with a hex-head bolt to secure the lid onto the box. For additional security, Penta Head bolts are also available. The table below shows additional options available by box style.



Hex Head



Penta Head

	Locks	Brackets						
	<i>Crimp Locks</i>	<i>Swing Arms</i>	<i>J Hooks</i>	<i>Custom</i>	<i>End Bells</i>	<i>Ground Lugs</i>	<i>Pulling Eyes</i>	<i>Temp. Service Outlet</i>
<i>DT Series</i>	N/A	1324, 1730, 2436, 3048	All	All	1730, 2436, 3048	N/A	3048	N/A
<i>PE Series</i>	14, 20, 30	N/A	N/A	All	N/A	14, 20, 30 w/ steel lids	N/A	14, 20, 30
<i>PM Series</i>	N/A	1830 up to 3660	All	All	1830 and up less 24" deep	N/A	3660	N/A

# Optional Accessories:

These and other accessories are available for your PenCell Enclosure. Contact your representative or customer service for more information.



Pulling Eyes



Swingarm Brackets



Terminators & Plastic Bolt Caps



3M Electronic Markers



Aluminum J Hooks



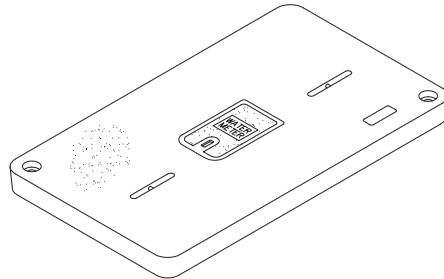
Small Lifting Hook

PENCCELL

# PenCell Enclosure Options (polymer concrete only):

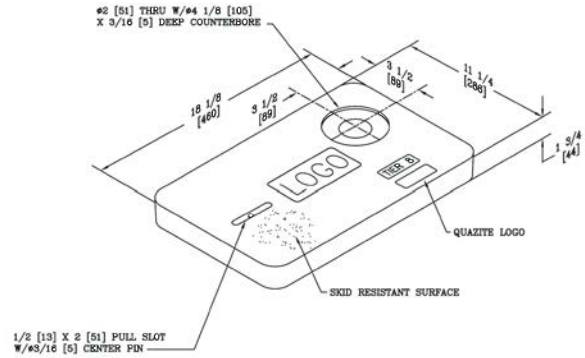
## Hinged Meter Lids\*

Available Sizes  
 Cast iron 4" x 6" lid  
 Cast iron 6" x 9" lid



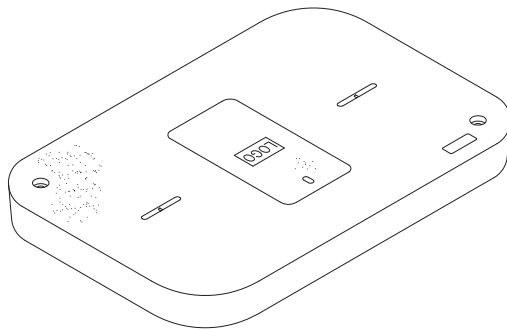
## Touch/Radio Read Option

Holes for touch or radio read applications can be provided in covers as needed.



## Drop-in Meter Lids\*

Available Sizes  
 Polymer concrete 6" x 9" drop-in lid  
 Polymer concrete 7" x 13" drop-in lid  
 Polymer concrete 9" x 15" drop-in lid



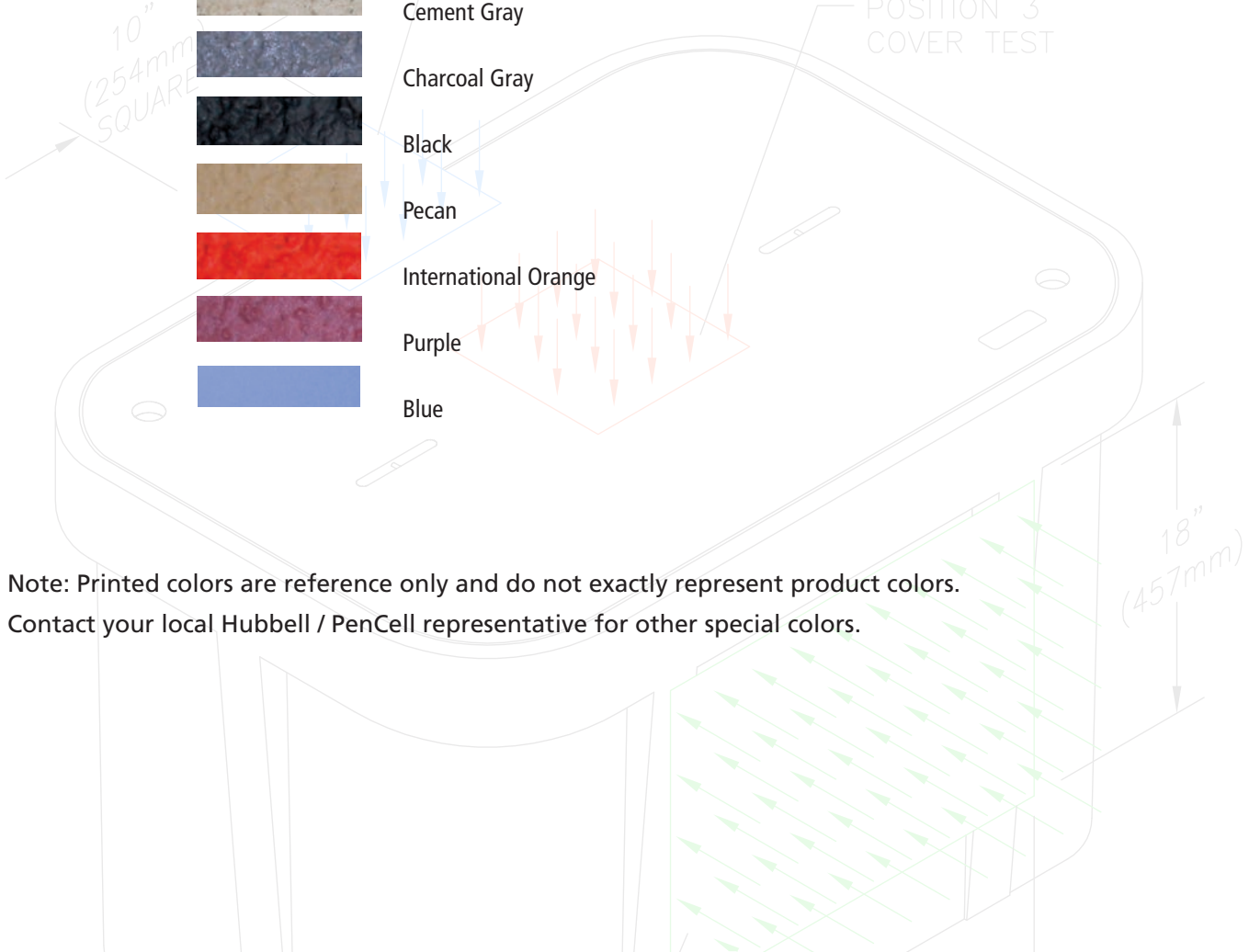
\*Select sizes available in Tier 15.  
 Tier 22 not available.

# PenCell Color Options (polymer collar, ring, covers only)

Most PenCell HDPE boxes are available only in green or gray, and the standard color for polymer concrete collars and covers is concrete gray. However, polymer concrete collars and covers can be provided in various color options to allow for blending with adjacent materials or special identification of enclosures. Some commonly requested colors include:

Color Sample	Description
	Brick Red
	Forest Green
	Light Green
	Cement Gray
	Charcoal Gray
	Black
	Pecan
	International Orange
	Purple
	Blue

10"  
(254mm)  
SQUARE



Note: Printed colors are reference only and do not exactly represent product colors. Contact your local Hubbell / PenCell representative for other special colors.

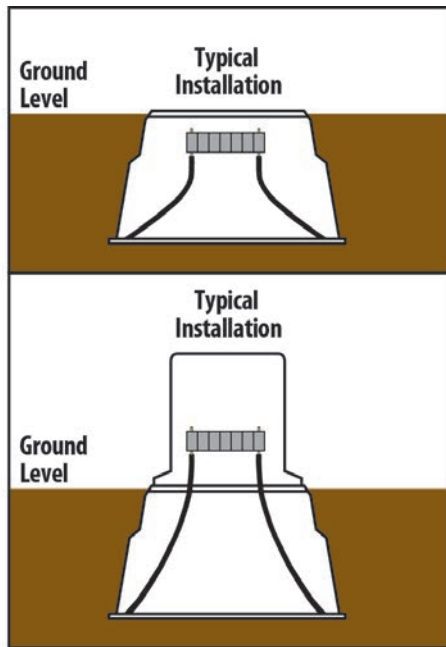
PENCELL

# PenCell Option System:

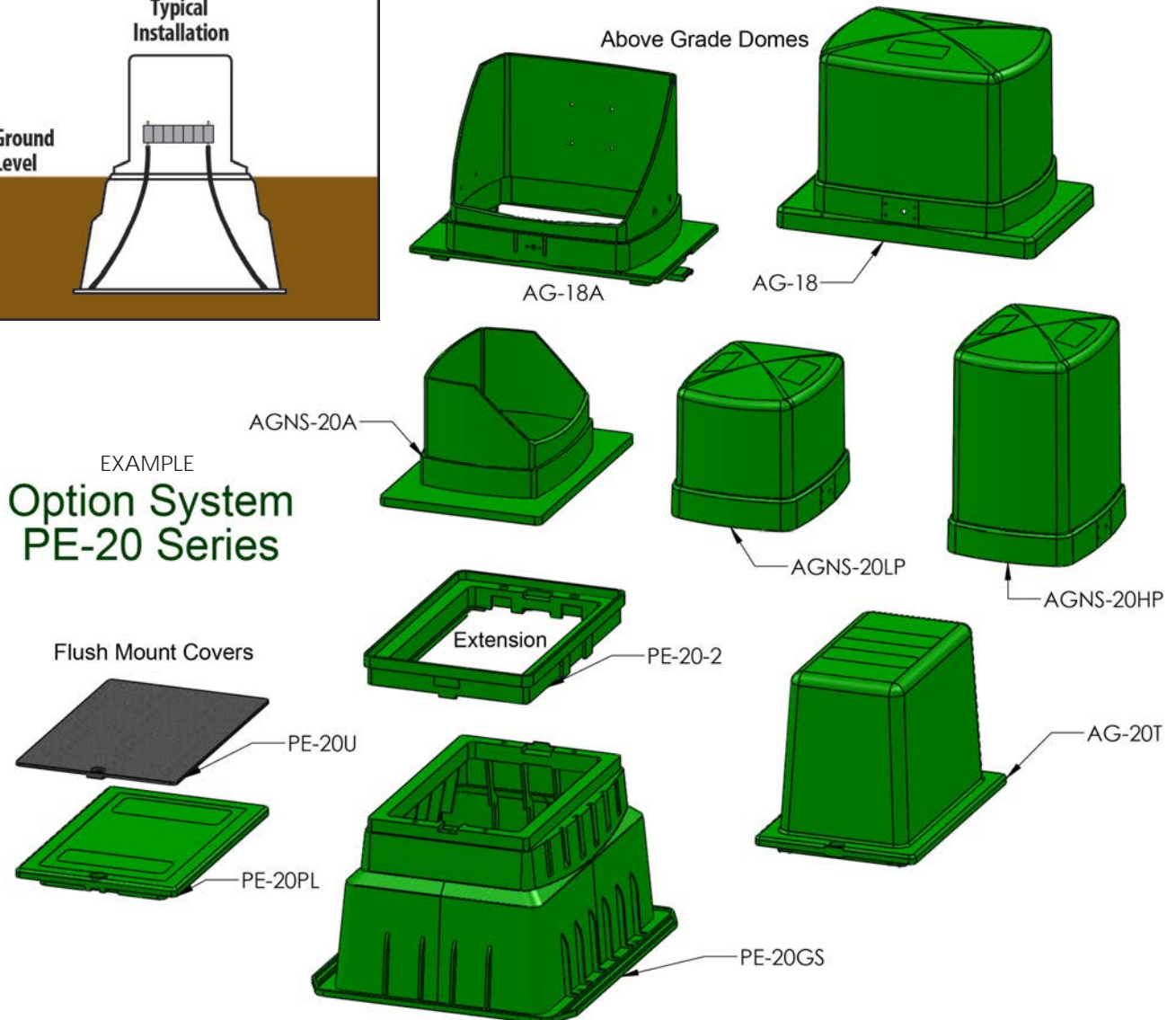
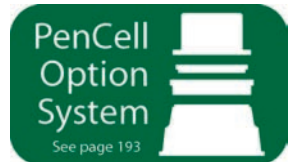
## Exclusively from PenCell

Only PenCell Plastics offers a system that accommodates your future planning.

- ◆ Change cover material
- ◆ Add above-ground pedestal



Look for this symbol throughout this section of the catalog. It identifies an Option System compatible product.



EXAMPLE  
Option System  
PE-20 Series

PENCELL



# Installation:

Guidelines for installing your Quazite® enclosure vary depending on size, location, and environmental factors. Quazite® enclosures are designed for non-deliberate traffic areas only.

## Small Enclosure Installation

### 1 Excavation

Excavate approximately 6 inches deeper than the depth of the enclosure. Add 6 inches of gravel or crushed rock for drainage.



### 2 Placement

Carefully lower enclosure into the hole until the top is at grade level.



### 3 Filling

Fill and compact the soil to grade level with the cover on the enclosure.



### 4 Adjustment

If the grade level is raised later, a straight-sided enclosure can be pulled up and bricks added at the bottom on one or four sides to conform to the landscape.





Attach nylon straps or chains to the lifting bolts.



Lift and position enclosure with backhoe.



Place gravel in the enclosure and around the side. Lift enclosure to let gravel run underneath.

## Install and Protect

Environmental factors should always be considered when installing enclosures of all sizes. Local conditions could dictate additions during installation, such as Concrete Collars or Internal Bracing. These additions provide security, support, and protection.

## Large Enclosure Installation

Quazite® enclosures sized 24" x 36" and larger can be safely and securely installed by following four simple steps. Quazite® enclosures are designed for non-deliberate traffic areas only.

### 1 Site Selection

Select an appropriate site or location that is suitable for an underground enclosure.

- Site features to consider prior to final selection include:
  - Utility easements
  - Parking lots
  - Parking lot entrances
  - Shipping and delivery docks
  - Waste-removal containers (dumpsters)

### 2 Conduits and Piping Preparation

- Trench and/or plow conduit.
- Bore under road crossings & railroads.
- Mark the depth of conduit using marker tape.

### 3 Excavate

- Excavate approximately 1-2 feet longer and wider than the box, and 6-8 inches deeper than the depth of the enclosure.
- Add a rodent barrier if necessary.
- Add 6 inches of gravel or crushed rock for drainage.

### 4 Placement

- Remove enclosure from the pallet to prepare for placement.
- Place nylon straps or chains around the lifting bolts and secure it to the backhoe bucket. The angle between the strap and the enclosure should not be less than 45 degrees.
- Lift the enclosure and place it into the hole.
- Place gravel in the enclosure and around the side if necessary.
- Lift the enclosure to the proper elevation, allowing gravel to run out under the enclosure.
- Check the enclosure's elevation with a level and range pole, and make the necessary adjustments with the backhoe bucket.
- Once the enclosure is set to the proper elevation, reinstall the covers, and back fill.
- If 95% compaction is required, internal bracing should be used on all manufacturers' enclosures to prevent deflection and premature failure.

# Hole Cutting Instructions

## Methods for Cutting Holes in Hubbell Enclosures:

### Hole Saw

1. Drill a 7/8" pilot hole with a carbide tipped masonry drill.
2. Drill hole using a diamond tipped masonry hole saw.
  - This is the preferred method from engineering.
  - Estimated drilling time is 1 - 1.5 minutes.
3. Wood cutting hole saw may be used on Quazite FRP and PenCell HDPE enclosures (15 - 20 seconds).
4. Depending on the box, cutting these holes from the inside or outside may work better. Cutting on a smooth flat area of the wall vs. a ribbed uneven area works best.



### Knockout Punch Driver

#### 1. Set up the punch

- 1.01 Slide the die over the pull rod.
- 1.02 Insert pull rod into pilot hole.
- 1.03 Thread the punch onto the pull rod.

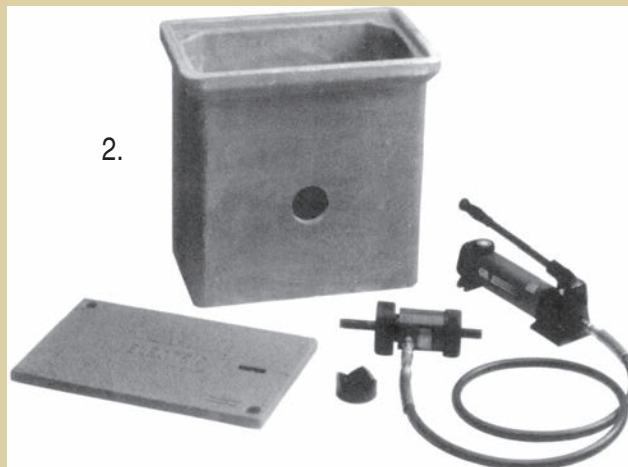
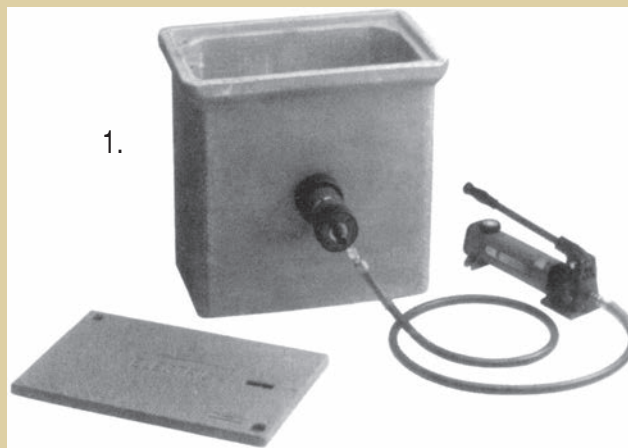
#### 2. Punch hole and remove

- 2.01 Operate hand pump until the punch penetrates the surface.
- 2.02 Open pump release valve.
- 2.03 Remove the slug.

#### NOTES:

- 1) Quazite UL Listed enclosures with holes drilled in the field may qualify for UL Listing as long as the holes do not exceed more than 25% of the area of each sidewall and as long as the holes do not cut into a structural reinforcing rib, corner, or box lip.
- 2) Quazite FRP enclosures, follow the same guideline as #1 above.
- 3) PenCell HDPE enclosures, we recommend never removing more than 20% of the total area of any wall.

Contact your representative if there are any questions.







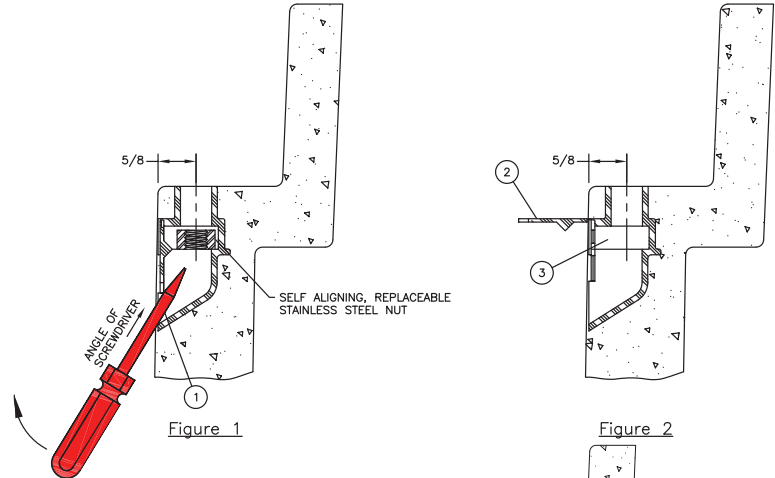
# EZ-Nut and Self-Aligning Nut Cleaning & Replacement Instructions

Quazite has redesigned the EZ-Nut assembly (Style "B") to provide a 40% greater drainage opening area and enable quicker and easier nut replacement. This Style "B" design will be included in new production, but existing inventories may have the older Style "A" EZ-Nut assembly. These instructions are provided in the event it is necessary to replace an existing nut.

\*To determine which EZ-Nut design is in any box, insert a screwdriver into the drainage opening and pull upward. If the door does not pop open, the Style "A" EZ-Nut is in the box. Follow the instructions for the Style "A" design. If the door pops open, follow the instructions for the Style "B" EZ-Nut design.

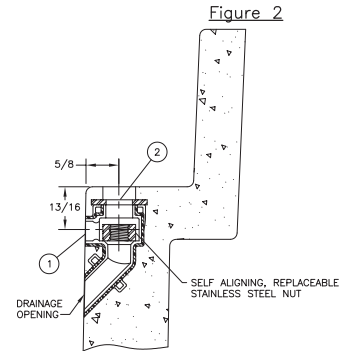
## Style "B" EZ-Nut replacement procedure\*

1. Locate the drainage opening in the area containing the insert. Insert a screwdriver into the opening at approximately the angle shown in Figure 1.
2. After inserting the screwdriver into the drainage opening, pull upward on the handle of the screwdriver in order to pry open the door of the insert as shown in Figure 2.
3. If necessary, remove any remaining debris from the opening. After the opening is clear, remove existing nut and replace with a nut of the required size.



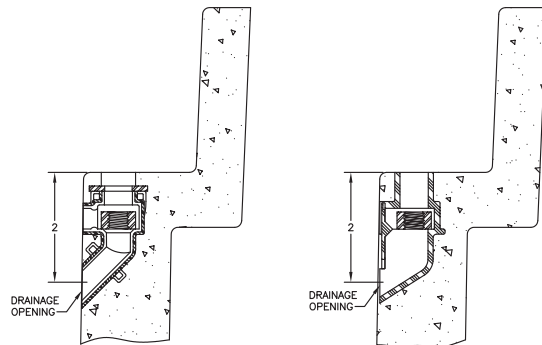
## Style "A" EZ-Nut replacement procedure\*

1. Measure 13/16" down from bearing ledge of the enclosure. Using a screwdriver and hammer, punch a hole into the cavity of the insert. Clear excess material out of the opening.
2. Insert a screwdriver into the top opening and push the square nut out of the opening just created. Replace with a new square nut and plug the cavity in the sidewall if necessary.



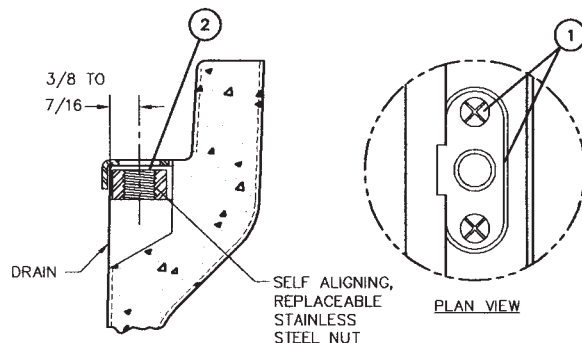
## EZ-Nut Cleanout Procedure

1. Make certain drain hole is clear. If it is not, scrape off material with a flat edge and remove any visible obstruction(s). The drain hole is located approximately 2" below the bearing ledge.
2. Insert flat head screw driver into insert. Scrape dirt off of threads and clean out any excess dirt.
3. (Optional) Spray WD-40® or equivalent lubricant into insert to lubricate the threads and help loosen any remaining debris.
4. Replace cover and secure bolts into insert.

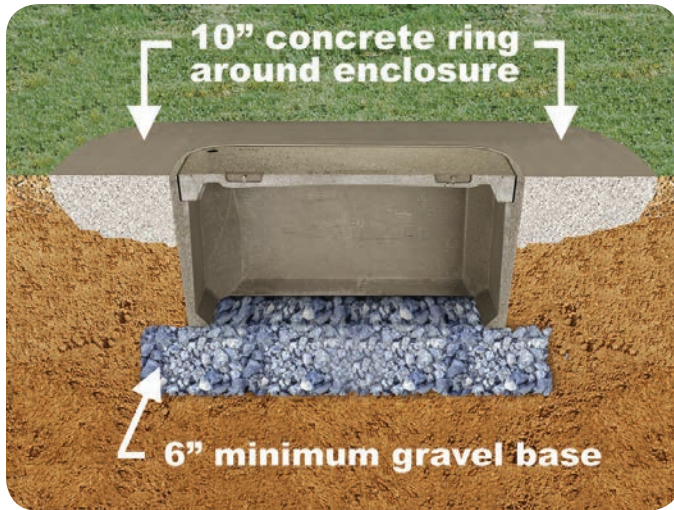


## Self-Aligning Nut Replacement:

1. Remove screws using a phillips screwdriver. Then remove the retainer clip.
2. Remove square nut and replace it with a new square nut.
3. Replace the retainer clip and screws.



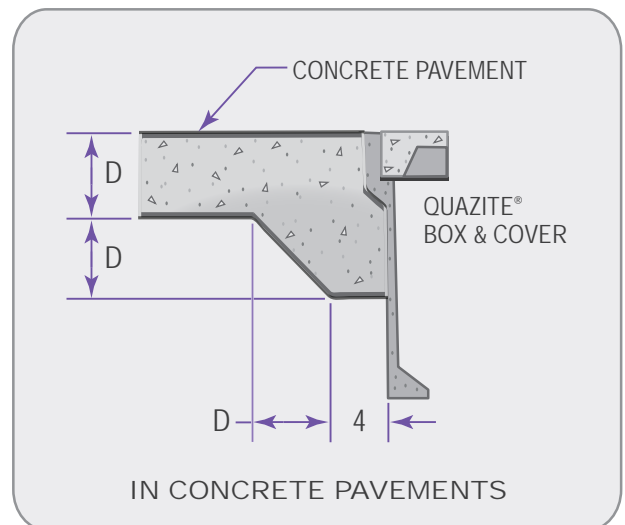
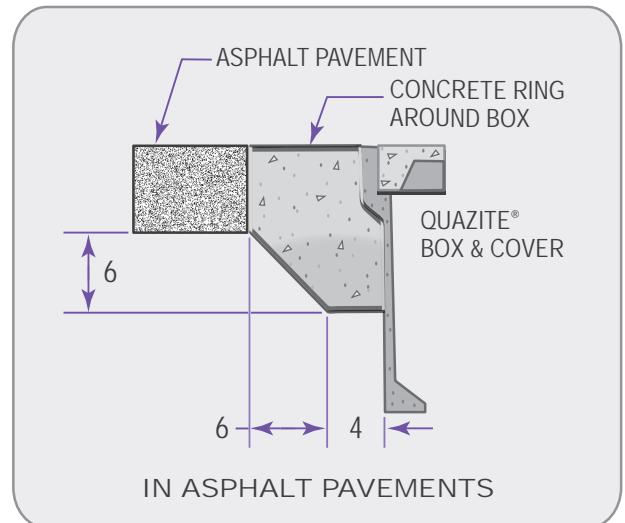
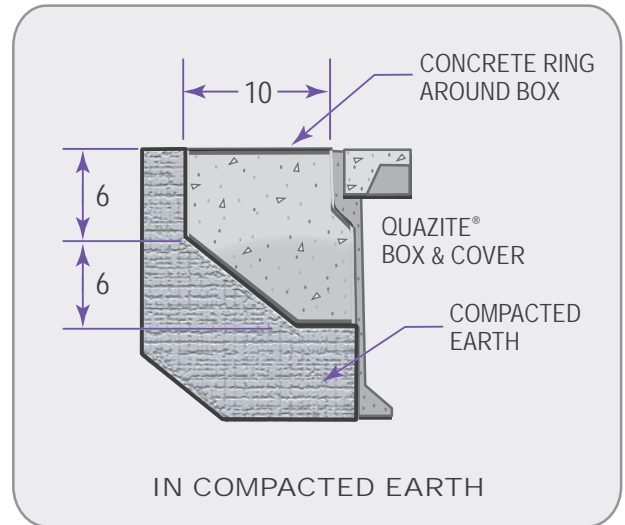
# Concrete Collar Application:



Concrete collars may be desired to give added protection to Hubbell enclosures installed by driveways, parking lots, and off-roadway areas that are subject to occasional non-deliberate traffic. Concrete collars are not necessary in grassy areas or areas subject solely to pedestrian traffic.

## \*Notes:

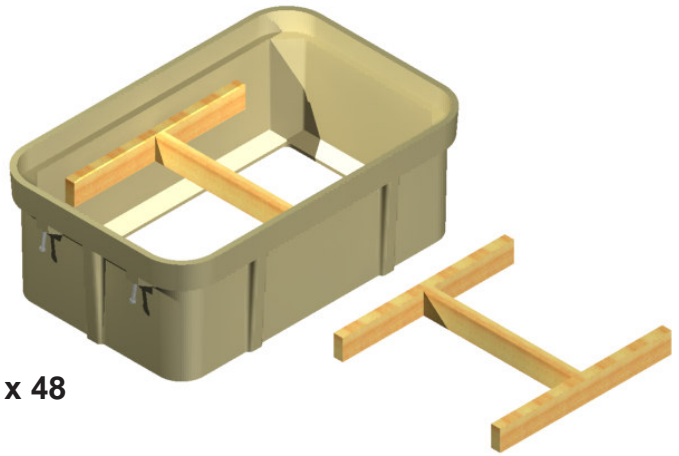
- Concrete encasement to be 3,000 psi minimum
- Concrete encasement collar dimension, D, to be equal to design pavement depth
- Pavement and subgrade to be as shown on the engineering plans



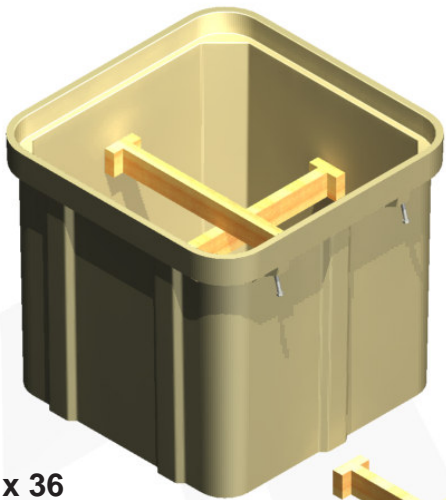
# Internal Bracing: Polymer Concrete

Internal bracing may be warranted for any manufacturer's underground enclosure. If 95% compaction is required, or if heavy vehicles will be present during construction and/or throughout the life of the enclosure, internal bracing during backfilling operations will ensure minimal box sidewall deflections. This applies to enclosures made from any material to maintain the original sidewall geometry. Supports should be 2 x 4s or similar material sized to hold at mid-depth.

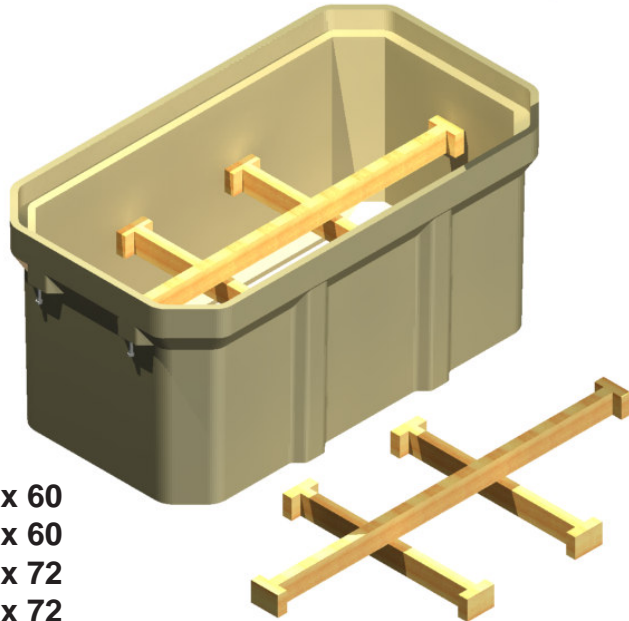
NOTE: Applicable PenCell enclosures come standard with bracing.



30 x 48



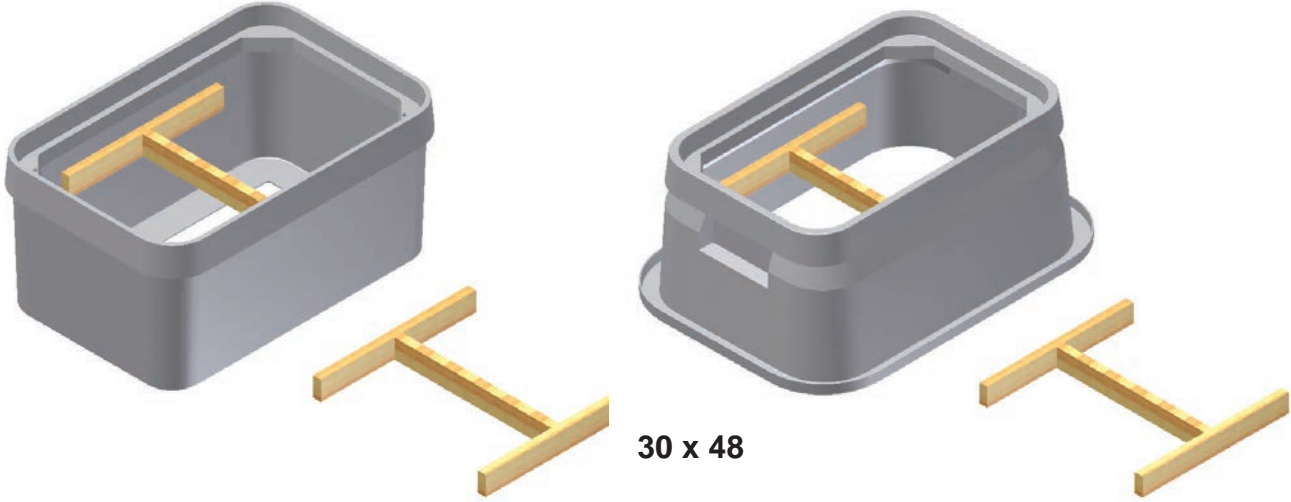
36 x 36  
48 x 48



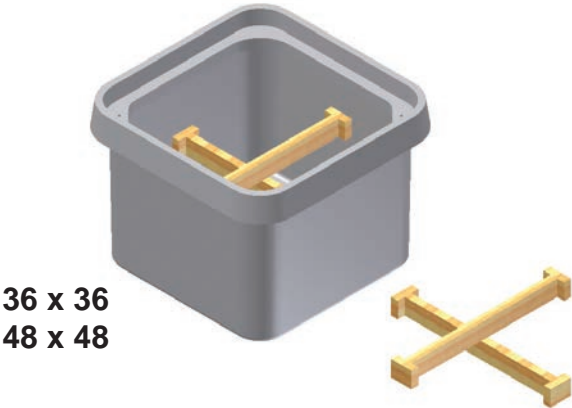
30 x 60  
36 x 60  
36 x 72  
48 x 72  
48 x 96



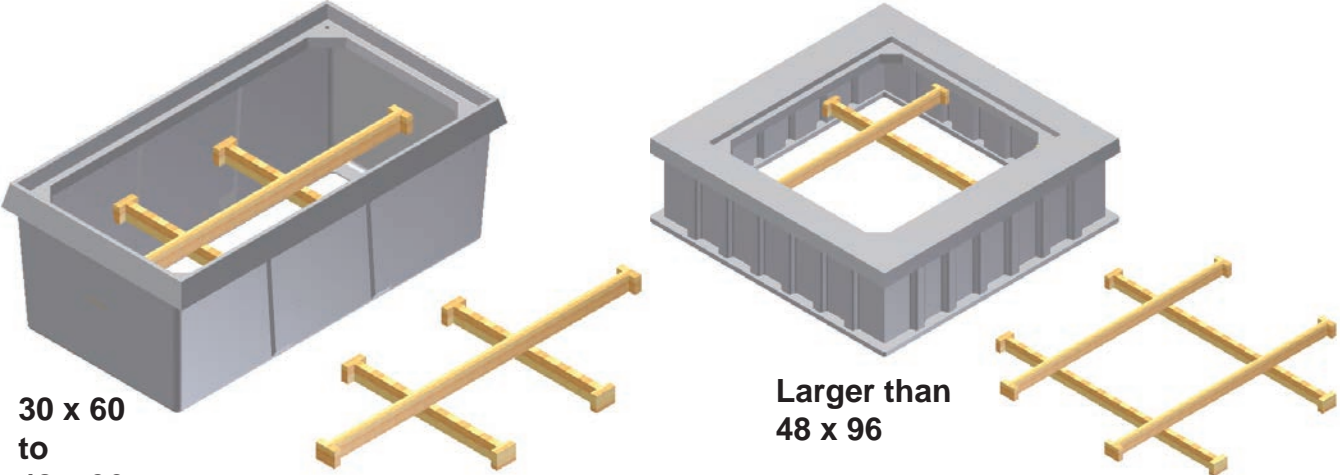
# Internal Bracing: FRP



30 x 48



36 x 36  
48 x 48



30 x 60  
to  
48 x 96

Larger than  
48 x 96



# Polymer Concrete Catalog Numbering System for Boxes and Covers

TECH INFO

1 Weight	2 Style	3,4,5,6 Size	7 Item - Covers	8 Item - Covers	9 Cover Variation	10 Cover Variation
L (LW PC)	A (Special Covers)	0608	C (Standard)	A (Standard)	0 (Standard Cover)	0 (Standard Cover)
P (PC)	C (Box Straight Sides w/ 3/4" cover)	0818	**H (H.D. 22,500# Test)	C (Overlapping)	A (Aluminum)	1 (Opens Over 90°)
	D (Flared Box w/1° Taper w/2" or 3" cover)	0914	S (Steel Cover)	G (Gasketed)	B (Captive Bolt)	2 (Opens Under 90°)
	G (Box Straight Sides 1 1/2", 1 1/16", 2", or 3" cover)	0915	W (Non-Bolt down Cover)	***H (33,750# Test)	D (Deep C'Bores for Locking Cylinders)	M (Metal Locator)
	R (Round Enclosure)	1015		J (Grade Adjustable Frame)	G (Galvanized)	R (Rockwell Touch Reader)
	T (Flared Box w/2" or 3" cover)	1016		S (Split Cover)	K (6"x9" Polymer Drop in Lid)	
	X (Replacement Cover or PX box 3/4" Cover)	1118		T (Torsion Cover)	L (7"x13 1/2" Polymer Drop in Lid)	<b>Markers</b>
		1212			P (CI 6" x 9" Meter Lid)	G (Gas)
		1324			Q (CI 9" x 12" Meter Lid)	P (Power)
		1730			R (CI 4 1/2" x 7 1/2" Meter Lid)	S (Sanitary)
		2042			S (Thru Slot 1/2" x 1")	T (Telephone)
		2424			T (1" x 4" Pull Slot)	W (Water)
		2436			V (CI 4 7/8" x 4 7/8" Vented Meter Lid)	
		2700				
		2733	<b>Item - Boxes</b>	<b>Item - Boxes</b>	<b>Box Depth</b>	<b>Box Depth</b>
		3048	B (Box Open Base)	A (Standard)	1	2
		3060	D (Solid Base)	B (Std. Mouseholes)	1	8
		3660	E (Extension)	C (Divided)	2	4
		3672	J (Footed Box)	G (Gasketed)	3	6
		3943	R (Extension w/ Solid Base)			
		4848				
		4872	Z (Assembly)			
		4896				
		*				

\* Designates a special color - R=Red, G=Green, etc.

\*\* This load is tested over a 10"x10" area

\*\*\* This load is tested over a 10"x20" area

L = Lightweight

P = Standard





# FRP & Corrugated Catalog Numbering System for Boxes & Covers

1 Item	2 Bolt/Insert Assembly/Cover	3 Style	4,5, 6,7 Size	8, 9 Depth/ Thickness Covers	10 Modification - Cover
A (Assembly)	0 (Non Bolting)	0 (Flared Wall Box/Cover - Tier 8)	0608	01	A (Standard)
B (Box)	1 (1/2-13 UNC Bolt Penta)	2 (Flared Wall Box/Cover - Tier 15)	1015	02	C (4"x6" Cast Iron Reader Door Over 90) D (4"x6" Cast Iron Reader Door Under 90)
C (Cover)	2 (1/2-13 UNC Bolt Hex)	3 (Straight Wall Box - Tier 8)	1118	03	E (6"x9" Cast Iron Reader Door Over 90) F (6"x9" Cast Iron Reader Door Under 90)
E (Extension)	3 (3/8-16 UNC Bolt Hex & Washer)	4 (Straight Wall Box - Tier 15)	1121	<b>Boxes/ Extensions</b>	G (Gasket) J (Power Marker)
	4 (3/8-16 UNC Bolt Penta & Washer)	6 (Straight Wall Box/Cover - Tier 22)	1132		08
	5 (1/2-6 Coil Thread Bolt Penta)	7 (Cover/Assembly - Pedestrian Traffic)	1212	12	M (Metal Locator) N (Round Cover Insert)
	6 (1/2-6 Auger Bolt Hex)	8 (Cover/Assembly - Tier 5)	1324	18	P (Touch Read) Q (1/2"x 1" Pick Holes)
	7 (1/2"-6 Auger Bolt Penta)	9 (Flared Wall Box - Tier 22)	1517	22	R (Radio Read)
	<b>Box</b>	A (Corrugated Wall Box/Square Corner Cover - Tier 8)	1527	24	S (Split Cover (2436 and smaller) T (6"x9" Polymer Drop-in Lid)
		0 (Non Bolting)	B (Corrugated Wall Box/Square Corner Cover - Tier 15)	1622	30
	1 (1/2-13 UNC Insert)	C (Corrugated Wall Box/Square Corner Cover - Tier 22)	1730	34	Y (1 pc Panel Cover (3048 thru 3672)) Z (2 pc Panel Cover (3048 thru 3672))
	3 (3/8-16 UNC Insert)	D (Corrugated Wall Assembly/ Square Corner Cover - Pedestrian Traffic)	2424	36	
	5 (1/2-6 Coil Thread Insert)	E (Corrugated Wall Assembly/ Square Corner Cover - Tier 5)	2436	42	
			2460	48	H (QAV III)
			3048		L (Oversized Shell)
			3060		M (Standard Mouseholes)
			3636		P (Intercept Panel) R (Collar for Round Cover)
			3660		T (Top Extension)
			3672		W (Grade Adjustable)
			3696		X (Separate Base)

Note: Cover rating can not exceed box rating.









12, 13 Options	14, 15, 16 Cover Logo (See page xx for other logos)
00 (No Options) CL (Crimp Lock) CP (Cap Lock) DV (Divider) EM (Power Marker) GR (Ground Lug) IR (Inner Ring Support) KO (Knockouts) SB (Steel Beam - 10K) SR (Steel Ring for PE10) TM (Telephone Marker)	009 (Blank) 010 (CATV) 012 (COMMUNICATIONS) 014 (CONTROLS) 017 (ELECTRIC) 021 (FIBER OPTICS) 022 (FIRE ALARM) 023 (GAS) 024 (GROUND) 026 (HIGH VOLTAGE) 029 (LIGHTING) 036 (SECURITY) 038 (SIGNAL) 041 (STREET LIGHTING) 042 (TELECOM) 043 (TELEPHONE) 044 (TRAFFIC) 045 (TRAFFIC CONTROL) 046 (TRAFFIC SIGNAL) 048 (TV) 050 (WATER) 057 (EMERGENCY) 081 (DANGER HIGH VOLTAGE) 084 (POWER) 092 (TELECOMMUNICATIONS) OZA (IRRIGATION) KH1 (FIBEROPTIC) 5P3 (ELECTRIC WARNING DO NOT OPEN)



**Sample PenCell Part Number**

D
T
2
4
3
6
1
8
H
D
H
0
0
9

1
2
3
4
5
6
7
8
9
10
11
12
13
14
15
16

Style

Size

Depth

Type

Options

Cover Logo

..... Bolt/Hardware





# HUBBELL LENOIR CITY, INC. TERMS & CONDITIONS OF SALES

Hubbell Lenoir City, Inc. (hereinafter called HLC) hereby gives notice of its exception to any different or additional terms and conditions other than as stated herein. All sales are expressly made conditional on Buyer's assent to the following terms and conditions. Buyer's acceptance of the provisions of HLC's terms and conditions as recited herein shall be conclusively presumed upon Buyer's receipt of the goods, or if no written objection is received by HLC within fifteen (15) days from the date on HLC's order acknowledgment, whichever event shall first occur. These terms and conditions constitute the entire agreement between HLC and Buyer, and supersede other communications between the two parties, whether written or oral.

## PRICING

Refer to appropriate Price Schedule, unless otherwise quoted.

## TERMS

HLC's payment terms are net 30 days. Invoices will be dated the day of shipment. A service charge of 1-1/2% per month or, if such rate exceeds the maximum lawful rate, the maximum lawful rate shall be assessed on all past due accounts and shall be payable on demand.

## QUOTATIONS

Unless otherwise stated in writing, HLC's quotations are subject to acceptance by the Buyer within thirty (30) days from the date of issue.

## SALES AND SIMILAR TAXES

HLC's prices do not include any sales, use, excise or similar taxes. Consequently, in addition to the price specified herein, the amount of any present or future sales, use, excise or other similar tax applicable to the sale or use of the equipment hereunder, shall be paid by the Buyer, or in lieu thereof the Buyer shall provide HLC with a tax exemption certificate acceptable to the taxing authorities.

## ACCEPTANCE OF ORDERS

All orders are subject to acceptance by HLC at its main office at 3621 Industrial Park Drive, Lenoir City, TN, USA, and to "HLC Terms and Conditions of Sales". Any other terms proposed by Buyer are rejected unless expressly accepted in writing. Orders shall be deemed to be executed in the State of Virginia and shall be construed and performed in accordance with the Laws of that State. Acceptance of any order is subject to availability of product and the ability of HLC to deliver. Orders will be billed at prices in effect at time of shipment unless otherwise agreed.

## SALES BY AGENTS

Sales by agents or through overseas representatives shall be at prices, terms and conditions of sale specified by HLC. All invoices will be issued by and payment remitted to HLC.

## DELAY

HLC will use reasonable efforts to meet shipment or delivery dates specified by HLC, but such dates are estimates only. HLC shall in no event be liable for any delay or nondelivery if such delay or nondelivery is caused directly or indirectly by Acts of God, fire, flood, strike or lockout or other labor dispute, accident, civil commotion, riot, war, governmental regulation or order, whether or not it later proves to be invalid, or from any other cause or causes (whether or not similar to any of the foregoing) beyond HLC's control. In no case will HLC be liable for loss of profits or any special or consequential damages on account of any delay in delivery or nondelivery whether or not excused hereunder.

## SHIPPING DEFERMENT

Buyer requests for shipping deferment must be approved by HLC and are subject to price negotiation.

## LIMITED WARRANTY AND LIMITATION OF LIABILITY

**MATERIAL:** HLC warrants all products sold by it to be merchantable (as such term is defined in the Uniform Commercial Code) and to be free from defects in material and workmanship. Buyer must notify HLC promptly of any claim under this warranty. The Buyer's exclusive remedy for breach of this warranty shall be the repair or replacement, F.O.B. factory, at HLC's option, of any product defective under the warranty, which is returned to HLC within one year from the date of shipment. **NO OTHER WARRANTY, WHETHER EXPRESS OR ARISING BY OPERATION OF THE LAW, COURSE OF DEALING, USAGE OF TRADE OR OTHERWISE IMPLIED, SHALL EXIST IN CONNECTION WITH HLC'S PRODUCTS OR ANY SALE OR USE THEREOF. HLC SHALL IN NO EVENT BE LIABLE FOR ANY LOSS OF PROFITS OR CONSEQUENTIAL OR SPECIAL DAMAGES INCURRED BY BUYER. HLC's warranty shall run only to the first Buyer of a product from HLC, from HLC's Buyer, or from an original equipment manufacturer reselling HLC's product, and is non-assignable and non-transferable and shall be of no force and effect if asserted by any person other than such first Buyer. This warranty applies only to the use of the product as intended by HLC and does not cover any modification, misapplication, or misuse of said product.**



## LIMITED WARRANTY AND LIMITATION OF LIABILITY (continued)

**APPLICATION:** HLC does not warrant the accuracy of and results from product or system performance recommendations resulting from any engineering analysis or study. This applies regardless of whether a charge is made for the recommendation, or if it is provided free of charge. Responsibility for selection of the proper product of application rests solely with the purchaser. In the event of errors or inaccuracies determined to be caused by HLC, its liability will be limited to the reperformance of any such analysis or study.

**PURCHASER INSPECTIONS:** Tests, inspections and acceptance of all material must be made at the factory. Purchasers' inspectors are welcome at the factories and are provided with the necessary facilities for carrying out their work. Name and phone number of who should be contacted for inspection should be given to HLC no later than two weeks prior to scheduled shipment date.

**LIMITATION OF LIABILITY:** IN NO EVENT, WHETHER AS A RESULT OF BREACH OF CONTRACT OR WARRANTY OR ALLEGED NEGLIGENCE, SHALL HLC BE LIABLE FOR SPECIAL OR CONSEQUENTIAL DAMAGES INCLUDING, BUT NOT LIMITED TO, LOSS OF PROFITS OR REVENUE, LOSS OF USE OF THE EQUIPMENT OR ANY ASSOCIATED EQUIPMENT, LOSS OF CAPITAL, COST OF SUBSTITUTE EQUIPMENT, FACILITIES OR SERVICES, DOWNTIME COSTS, OR CLAIMS OF THIRD PARTIES OF THE BUYER FOR SUCH DAMAGES. Any claim by Buyer for breach of the foregoing warranty shall be deemed waived by Buyer unless submitted to HLC in writing within thirty (30) days from the date Buyer discovered, or by reasonable inspection should have discovered the alleged breach. Any cause of action for breach of the foregoing warranty shall be brought within one year after the cause of action has accrued.

## FREIGHT ALLOWANCE and F.O.B. POINT

All shipments are F.O.B. origin. Risk of loss and title of goods shall pass to Buyer upon delivery to the designated carrier. Freight is prepaid and allowed on all shipments of products with a net order value of \$5,000 and above to destinations within the Continental U.S.A and Canada. Shipments to Alaska and Hawaii are F.O.B. Pacific Coast docks, collect beyond. Tool trailers will be F.O.B. HLC's dock – no freight allowed.

HLC reserves the right to route all qualified freight allowed shipments via least expensive surface route within the Continental United States and Canada. Buyer will assume all charges for transportation specified via more expensive means. Acceptance of a specified routing does not constitute a guarantee of ship date, transit time or arrival date. HLC will not be responsible for any cartage or storage charges at destination.

HLC's responsibility for exception-free delivery ceases when the transportation company receives shipment in good condition. Claims for loss or damage must be reported directly to the carrier. HLC's willingness to assist does not indicate liability for claim or replacement.

## PARTIAL RELEASE

If an order has multiple releases specified by the Buyer, each release will be treated as individual orders, relative to freight allowance and minimum billing.

## BACK ORDERS

Back orders that are the responsibility of HLC will be shipped F.O.B. factory or point of shipment with freight prepaid and allowed via the most cost effective method, providing the original order qualified for freight allowance.

## MINIMUM BILLING

Standard Orders -- \$400 net per order. Minimum waived on hardware only orders. \$40 surcharge for below minimum orders.

## ORDER ADD-ON POLICY

HLC's "Add-On" policy allows you to add items to an existing unshipped order for up to fifteen (15) days from the entry date of the original order.

## DELIVERY SCHEDULE

Based on estimated shipping dates, HLC makes every effort to meet Buyer's shipping requirements. HLC will not assume liability because of delayed shipment for any reason. HLC's responsibility ceases upon acceptance of shipment by carrier.

## CANCELLATIONS

Cancellation of an order for current stock product requires a minimum of five (5) days' notice prior to actual ship date. Stock item orders shipped after cancellation notice is received, but before expiration of the five-day requirement, will be subject to all standard Returned Goods conditions.

Cancellation on non-stock items may be made only if no work has been performed or material purchased. If cancellation is requested after work is in progress, there will be a cancellation charge as established by HLC.

Orders may not be cancelled unless HLC gives its written consent, and then only upon agreement as to applicable cancellation charges.



## RETURNED GOODS

GENERAL CONDITIONS applying to all transactions:

1. Merchandise is not returnable without the written consent of HLC.
2. Request for permission to return merchandise must be made in writing within one year from date of shipment, and Buyer must provide original HLC invoice number.
3. Material to be returned must be considered standard material by HLC.
4. HLC reserves the right to refuse returns of any special or made-to-order material, regardless of condition.
5. All returned goods must be in excellent, resaleable condition and packaged in the original carton. Products will be inspected upon return; and any service or repair needed to place them in first class, saleable condition will be charged and added to the restocking charge.
6. A 30% restocking charge will be deducted from all credits issued on authorized returns.
7. Return Goods Authorization (RGA) Packing List, supplied by the factory, must accompany the return shipment.
8. Return freight must be prepaid. Material must be received by HLC within sixty (60) days of issuance of RGA.
9. Net value of the return must not be less than \$250.
10. HLC reserves the right to deduct for any damage sustained in transit.
11. Unauthorized returns will be refused. Equipment returned without proper authorization from HLC will, at the sole option of HLC, be returned to the Buyer freight collect, or scrapped immediately with no issuance of credit. Unauthorized material included in a return will not be credited.

## BROKEN PACKAGE POLICY

Shipments will be made in standard package quantities or multiples thereof. HLC Customer Service will notify the Buyer of any orders that do not comply. The Buyer must authorize an adjustment to comply with standard package quantities before the order will be entered.

## QUOTATION PRICE PROTECTION

All prices shown in the price lists are subject to change without notice.  
All quotations on special products or modifications to catalog items are binding only if confirmed in writing by the factory for the period shown on the quotation.  
Price protection will be provided for a period of thirty (30) days from date of quotation from HLC.

## ORDERS

All orders are taken and prices quoted only with the understanding that each order shall be subject to the acceptance of HLC at its principal office upon such terms as we may specify when order is received.  
Prices to cover amount of any sales or excise tax which now or hereinafter may be imposed by any taxing authority upon this merchandise or the sale or manufacture thereof.

## PRODUCT SPECIFICATION

HLC reserves the right to discontinue items, modify designs, and change specifications or prices without incurring obligation.

## INVOICING

All invoices are due and payable per the standard terms stated herein. In the case of an apparent discrepancy in a line item charge, Buyer is obligated to advise HLC Customer Service in writing of the nature of the claimed discrepancy within five (5) days of receipt of the invoice. This includes all requests for proof of delivery. A claim of discrepancy does not relieve Buyer of the absolute obligation to pay the remaining balance of the invoice in accordance with the standard terms of payment. HLC, after review, will have sole discretion to resolve the discrepancy; and the Buyer expressly agrees to abide by HLC's decision. HLC will promptly advise Buyer of its decision regarding any disputed items or charges.

## OSHA

HLC warrants that at time of shipment, the equipment will conform to the applicable occupational safety and health standards promulgated pursuant to the Federal Occupational Safety and Health Act of 1970, which are in effect on the date that HLC enters its acknowledgment of Buyer's order. The Buyer's exclusive remedy and HLC's liability for breach of this warranty is limited to replacement of the nonconforming equipment.

## FAIR LABOR STANDARDS ACT AS AMENDED

HLC represents that any goods to be delivered hereunder will be produced in compliance with the requirements of the Fair Labor Standards Act of 1938, as amended.

## NOTE

These Terms and Conditions supersede all those published and issued previously by Hubbell Lenoir City, Inc., Quazite, CDR Systems, CDR, Polycast, Electrimold, Custom Composites, Western Power Products, Comcore, Hotbox, Windbreaker and Jandec.









Hubbell Enclosures  
Hubbell Lenoir City, Inc  
3621 Industrial Park Drive • Lenoir City, Tennessee 37771  
Phone: 800.346.3062 or 865.986.9726 • Fax: 865.986.0585  
hubbellenlosures@hubbell.com  
www.quazite.com  
www.pencell.com

CA\_07\_017\_E

