



**2016-17**  
**PRODUCT CATALOG**



COMMERCIAL &  
RESIDENTIAL HEATING &  
VENTILATION PRODUCTS

**Q MARK**<sup>®</sup>  
A Marley Engineered Products Brand

# TABLE OF CONTENTS

## OVERVIEW PG 4



About Our Company	pg 4
Look For These Icons	pg 4
Benefits of Electric Heat	pg 4

## WALL HEATERS PG 5



SSAR Architectural SmartSeries®	pg 6
SSHO Commercial SmartSeries®	pg 7
HT Residential SmartSeries®	pg 8
MCSSAR Mechanical Artisan™	pg 9
AWH Series Architectural Heavy-Duty	pg 10
CWH Series Architectural Small Wall Heaters	pg 12
CWH1000 Series Commercial Fan-Forced	pg 13
CWH3000 Series Commercial Fan-Forced	pg 14
GFR Series Fan-Forced	pg 16
QFG Series Fan-Forced	pg 17
LFK Series Commercial Fan-Forced	pg 18
ECP Series Euro-Style, Convection	pg 20
SED Series Fan-Forced	pg 21
COS-E™ Series Residential Fan-Forced, Zonal	pg 22
EFQ Series Commercial Fan-Forced	pg 24

## UNIT HEATERS PG 25



GH48R Series Garage Heaters	pg 26
MWUH Series Horizontal/Downflow	pg 27
MUH35 Series	pg 28
MUH Series	pg 30
IUH Series Industrial	pg 34
CU900 Series Custom Cabinet Heaters	pg 36
CUS900 Series Stock Cabinet Heaters	pg 40
Finned Tube Electric Duct Heaters	pg 41
Open Coil Electric Duct Heaters	pg 41
MSPH Series Plenum-Rated	pg 42
CHPR25 Series Plenum-Rated	pg 44

## HAZARDOUS ENVIRONMENT PG 45



GUX Series Explosion-Proof Heaters	pg 46
QWD Series Washdown Corrosion-Resistant Heaters	pg 48
ICG Series Explosion-Proof Convectors	pg 50

## CEILING HEATERS PG 53



CDF Series Commercial Downflow	pg 54
EFF Series Ceiling-Mounted Fan-Forced	pg 56
QCH Series Ceiling-Mounted Fan-Forced	pg 58

## SPECIALTY HEATERS PG 59



QTS Series Toe Space Fan-Forced	pg 60
WHT500 Series Utility Well House	pg 61
FDI Series Floor Drop-In	pg 61
CFWF Series Counterflow Electric Wall Furnaces	pg 62

## CONVECTION HEATERS PG 63



KCJ Series Institutional Electric	pg 64
DBA & SHA Series Architectural Sill-Height	pg 66
DBSL Series Slimline Aluminum	pg 74
SLQDB Series Draft Barrier	pg 76
CPH & DPH Series Commercial & Decorative Pedestal	pg 80
CSH Series Commercial Sill-Height	pg 86
DSH Series Decorative Sill-Height	pg 91
ST Series Commercial Slope-Top	pg 96

# TABLE OF CONTENTS

## BASEBOARD HEATERS PG 99



2500 Series Electric	pg 100
HBB Series Electric Hydronic	pg 102
QMKC Series Commerical	pg 104
CBD Series Commerical	pg 106

## RADIANT HEATERS PG 109



CP Series Ceiling Panels	pg 110
RCC Series Cove Heaters	pg 113
Infrared Heaters Introduction	pg 112
QHRA11 & QHRA66 Series Plug-In Infrared Heaters	pg 115
QVRC44 Series Commercial Infrared Heaters	pg 115
FRP/FRS Series Infrared Heaters	pg 116
HRK Series Single-Element Infrared Heaters	pg 118
FRR Series Plug-In Radiant Heaters	pg 119
CHRR Series Plug-In Radiant Heaters	pg 120
BRM Series Industrial Infrared Heaters	pg 121
CRN Series Industrial Permanent Infrared Heaters	pg 122
ARL Series Portable Infrared Heaters	pg 123
Electric Control Panels	pg 123

## PORTABLE HEATERS PG 125



WPC1500 Series Portable Radiant Convection	pg 126
202SL Series Radiant Plug-In Under Desk	pg 126
MMHD Series Portable Fan-Forced Utility	pg 127
MCM Series Portable Fan-Forced/Radiant Utility	pg 127
QPH4A Series Portable Unit	pg 128
BRH Series Contractor	pg 128
PT268 Series Portable Electric	pg 129
LFH Series Portable Digital Hydronic	pg 129
FHP Series Portable Electric Hydronic	pg 130
FBE Series Portable Electric Convectur	pg 130
TBX Moble Warming™ Portable Electric	pg 131
MSDH Series High-Temp Electric Blower	pg 132
MEDH Series Portable Electric Blower	pg 133

## AIR CURTAINS PG 135



Air Curtain Applications	pg 136
Low Profile Series	pg 137
Environmental Series	pg 138
3-Phase Environmental Electrically Heated	pg 140
Single-Phase Environmental Electrically Heated	pg 141
24 in. Drive-Thru Window Unit	pg 141
Environmental Hot Water/Steam-Heated	pg 142
High-Velocity Series	pg 143
3-Phase High-Velocity Electrically Heated	pg 144
High-Velocity Hot Water/Steam-Heated	pg 145
Accessories & Controls	pg 146

## CEILING FANS PG 147



Destratification Ceiling Fans	pg 148
Specialty Ceiling Fans	pg 149
Accessories	pg 150

## THERMOSTATS & CONTROLS PG 151



Compatibility Chart	pg 152
Model Selection Chart	pg 153
Thermostats & Controls	pg 154

## APPENDIX PG 157



Certification Descriptions
Paint Policy
Custom Engineered Convectors
Notes



## ABOUT | OUR COMPANY

For over 50 years, Marley Engineered Products® has built on a reputation of quality and innovation, creating Simplified Solutions for our Complex World™. We offer high quality, reliable heating products for residential, commercial and industrial applications throughout North America. Marley Engineered Products are among the most specified in the construction industry.

With manufacturing operations in Bennettsville, South Carolina and administrative offices in Burr Ridge, Illinois, Marley Engineered Products are sold through select distributors in the United States and Canada. For excellence in heating solutions, contact your local Marley Engineered Products representative.

## WHAT'S NEW | LOOK FOR THESE ICONS



### MADE-TO-ORDER

Marley Engineered Products prides itself with being able to provide custom heating solutions for a wide array of applications and spaces. Unlike most heating manufacturers, we will work with you to meet the specifications and unique needs of your project rather than steer you towards off-the-shelf options. Please contact our knowledgeable team of engineers and technicians at 843.454.4328 for more information on what Made-To-Order heating products will work for you.



### ENERGY-EFFICIENT

Our heating products are designed with energy-saving technology to keep end users comfortable while keeping energy bills low. Many of our products can maintain temperature within 1.5 degrees of the set thermostat temperature for precision comfort and heating. Marley Engineered Products produces electric convectors that are rated 100% efficient, as well as radiant ceiling panels that also save substantial energy by heating people rather than all the air in a room or building.



### CLIP-N-FIT

The patented CLIP-N-FIT® feature (US Patented No. 6172343) allows the installer to change the wattage of the heater to a lower output without moving jumper wire. Each heater is factory-wired for its maximum wattage. To change wattage, clip out either jumper 1 or 2 as shown in the installation manual for desired wattage. The CLIP-N-FIT® feature also prevents the operator from changing the wattage after installation.



### INVISIBLE HEAT

For customers requiring heating solutions that are concealed or inconspicuous, Marley Engineered Products offers products that can be tailored to blend into any environment via recessing, custom paint options or fitting within a specific environment. These items provide an enhanced customer experience while being out of sight, and out of mind.



### COMPLETE SYSTEM SOLUTION

Marley Engineered Products has an efficient and sophisticated solution for every space from floor to ceiling whether a single-family home, multi-story office building or expansive industrial facility. We also have a wide array of compatible thermostats, controls and accessories for applicable heating products.



## BENEFITS OF ELECTRIC HEAT

### EFFICIENT

Electric heat is 100% efficient. Offers the lowest initial installed cost. Flexibility of zonal and control of electric heating products provides end-users competitive operating costs.

### PRACTICAL

Can be used as a stand-alone heating system or in conjunction with a forced air system. Ideal for remodeling projects where it is not practical to extend ductwork or piping.

### CLEAN & SAFE

Can create a healthier environment for people, particularly those suffering from allergies. Often times, ducts become moldy or dirty with many forced air heating systems.

### TECHNOLOGY

New technologies allow heating elements to be integrated structurally, as well as perform primary functions as building components in floors, walls and ceilings.

### GRID MANAGEMENT & SUPPORT

Electric heating systems with control systems can be used by utilities to balance power supply and demand while also providing other critical grid management balancing services.

*Information from the North American Electric Heating Industry Coalition (NAEHIC)*

# WALL HEATERS



# WALL HEATERS



## PROGRAMMABLE WALL HEATER SSAR ARCHITECTURAL SMARTSERIES®



NORTHERN WHITE

**IDEAL SPACES** | Bedrooms; Living/Family Rooms; Basements; Offices; Conference Rooms; Lobbies; Waiting Rooms; Entrance Ways; Vestibules; Restaurants; Stairwells

**COLORS** | Northern White; Navajo White; Aluminum; Statuary Bronze

**TEMP RANGE** | 40°-99°F

**GRILLE** | 19-1/4" H x 15-13/16" W x 1-3/8" D

**BACK BOX** | 18-1/4" H x 14-3/8" W x 3-3/4" D

**CFM** | 100

- The best in contemporary design with digital touch screen LCD thermostat (5/2-day programming)
- Rugged heavy duty die cast aluminum grille, BMS compatible – Connects to Building Management Systems for optimum control
- Energy efficiency with proportional heating that automatically adjusts wattage output
- Maintains heat within 1.5 degree of set temperature (as compared to five degrees with conventional bi-metal thermostats)
- Hold function maintains constant set temperature. Use for freeze protection or vacation setting when away
- Lockout Feature – Securely maintain comfort levels
- ‘Right out of the box’ installation; fits recessed between standard studs walls with two-piece construction
- No ducting or plumbing needed means no heat loss before the heat enters the room
- Power on/off switch for added safety during maintenance

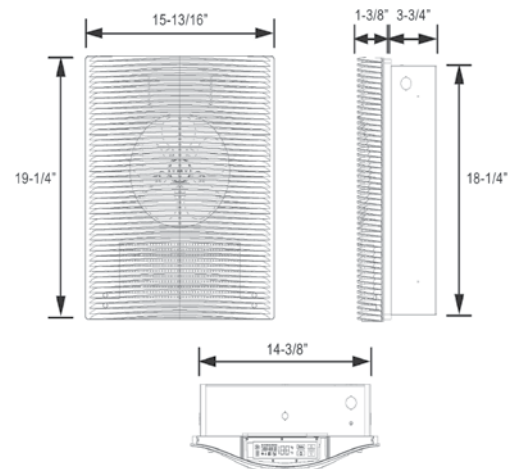
### MODELS & SPECIFICATIONS

CATALOG NO.	UPC	VOLTS	WATTS	AMPS	PHASES	BTU/HR.	SHIP WT. (LBS)
SSAR1802	685360 156835	120	900/1800	15	1	6,142	25
SSAR4808	685360 156750	208	1440/4800	23.1	1	16,378	25
SSAR4804	685360 156781	240	1440/4800	20	1	16,378	25
SSAR4807	685360 156798	277	1440/4800	17.3	1	16,378	25

### SURFACE MOUNTING FRAME ACCESSORIES

CATALOG NO.	UPC	DESCRIPTION	SHIP WT. (LBS)
HTWHSM	6 85360 15545 6	Surface Mounting Frame 15-3/8" W x 19-3/16" H x 3-3/4" D	4
HTWHS1	6 85360 15548 7	1 in. Semi-Recess Mounting Frame 15-3/8" W x 19-3/16" H x 1" D	4
HTWHS2	6 85360 15551 7	2 in. Semi-Recess Mounting Frame 15-3/8" W x 19-3/16" H x 2" D	4

NOTE: Standard grille color is Northern White. Add W (Navajo White), AL (Aluminum) or BZ (Bronze) suffix to catalog number of both the heater and mounting frame (ex. SSAR1802AL). Mounting Limitations: Do not install heater closer than 12 in. to the floor, 12 in. to an adjacent wall, 36 in. to the ceiling. Do not install heater behind towel rack or door, upside down or sideways, in the floor, in the ceiling, or in closets.





## HIGH-OUTPUT WALL HEATER SSHO COMMERCIAL SMARTSERIES®



### AVAILABLE COLORS



NORTHERN WHITE

**IDEAL SPACES** | Bedrooms; Living/Family Rooms; Basements; Offices; Conference Rooms; Lobbies; Waiting Rooms; Entrance Ways; Vestibules; Restaurants; Stairwells

**COLORS** | Northern White; Statuary Bronze; Navajo White; Custom Colors Available\*

**TEMP RANGE** | 40°-99°F

**GRILLE** | 19-1/8" H x 15-3/4" W x 1-3/8" D    **BACK BOX** | 18-1/4" H x 14-3/8" W x 4" D    **CFM** | 100

- BMS compatible – Connects to Building Management Systems for optimum control
- Energy efficiency with proportional heating that automatically adjusts wattage output
- Maintains heat within 1.5 degree of set temperature (as compared to five degrees with conventional bi-metal thermostats)
- Hold function maintains constant set temperature. Use for freeze protection or vacation setting when away
- Lockout Feature – Securely maintain comfort levels
- No ducting or plumbing needed means no heat loss before the heat enters the room
- SmartSeries® Digital Thermostat: 5/2-day programmability with four program periods per day
- 'Right out of the box' - three-piece construction – Includes back box, Element/Fan Deck and Grille
- Fits recessed between standard stud walls or use with optional surface mounting frame (ideal for block or plaster walls)
- Power on/off switch for added safety during maintenance

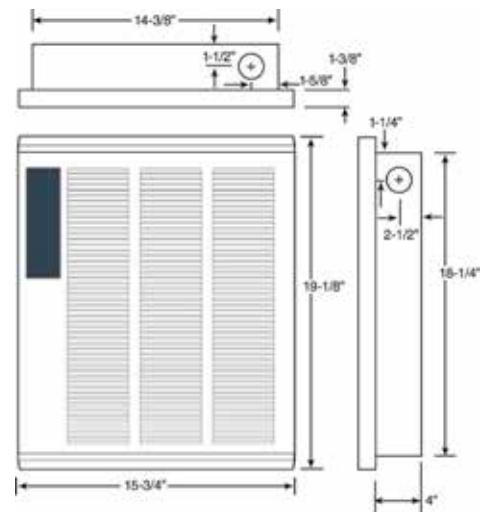
### MODELS & SPECIFICATIONS

CATALOG NO.	UPC	VOLTS	WATTS	AMPS	PHASES	BTU/HR.	SHIP WT. (LBS)
SSHO4008	6 85360 15670 5	208	1800/4000	8.7/19.2	1	13,650	26
SSHO4004	6 85360 15672 9	240	1800/4000	7.5/16.7	1	13,650	26
SSHO4007	6 85360 15673 6	277	1800/4000	6.5/14.4	1	13,650	26

### SURFACE MOUNTING FRAME ACCESSORIES

CATALOG NO.	UPC	DESCRIPTION	SHIP WT. (LBS)
HTWHSM	6 85360 15545 6	Surface Mounting Frame 15-3/8" W x 19-3/16" H x 3-3/4" D	4
HTWHS1	6 85360 15548 7	1 in. Semi-Recess Mounting Frame 15-3/8" W x 19-3/16" H x 1" D	4
HTWHS2	6 85360 15551 7	2 in. Semi-Recess Mounting Frame 15-3/8" W x 19-3/16" H x 2" D	4

NOTE: \*See page 157 for information on custom paint colors. Add NV (Navajo White) or SB (Stat Bronze) suffix to catalog number (ex. SSHO4008NV). Mounting Limitations: Do not install heater closer than 12 in. to the floor, 12 in. to an adjacent wall, 36 in. to the ceiling. Do not install heater behind towel rack or door, upside down or sideways, in the floor, in the ceiling, or in closets.





# WALL HEATERS



## PROGRAMMABLE WALL HEATER HT RESIDENTIAL SMARTSERIES®



### AVAILABLE COLORS



GRAY

**IDEAL SPACES** | Bedrooms; Living/Family Rooms; Kitchens; Bathrooms; Basements; Offices; Conference Rooms; Hallways; Lobbies; Waiting Rooms; Entrance Ways; Vestibules

**COLORS** | Northern White; Gray

**TEMP RANGE** | 40°-99°F

**GRILLE** | 19-9/16" H x 13-11/16" W x 1" D    **BACK BOX** | 17-7/16" H x 12" W x 3-3/4" D    **CFM** | 100

- Heater automatically adjusts wattage output and blower speed for whisper-quiet operation and optimum comfort
- Heating element is heavy-duty, non-glowing steel fins brazed to steel sheathed tubular elements placed in grid pattern that covers the entire discharge area
- Automatic fan delay eliminates cold drafts on start-up and discharges residual heat from the heater body during shut down
- SmartSeries® Digital Thermostat: 5/2-day programming with four periods per day
- Contemporary, clean design with easy to use LED touch screen
- Easy installation - heater is mounted prior to wiring. Both hands are free to make field connections in spacious compartment

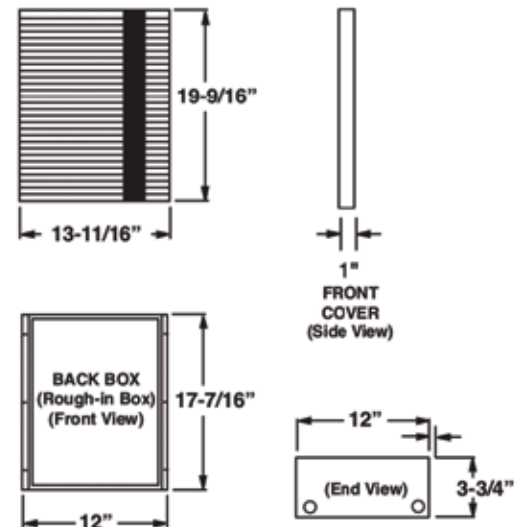
### MODELS & SPECIFICATIONS

CATALOG NO.	UPC	VOLTS	WATTS	AMPS	PHASES	BTU/HR.	SHIP WT. (LBS)
HT2024SS	6 85360 15351 3	240	250/2000	1.0/8.3	1	853/6826	20
HT1502SS	6 85360 15350 6	120	200/1500	1.6/12.5	1	682/5120	20
HT2024SSNW	6 85360 15854 9	240	250/2000	1.0/8.3	1	853/6826	27
HT1502SSNW	6 85360 15852 5	120	200/1500	1.6/12.5	1	682/5120	27

### SURFACE MOUNTING FRAME ACCESSORIES

CATALOG NO.	UPC	DESCRIPTION	SHIP WT. (LBS)
SMHTSSW	6 85360 15631 6	Northern White Surface Mounting Frame, 14-5/8"W X 20-1/4"H X 3-3/4"	2.6
SMHTSSBL	6 85360 15630 9	Black Surface Mounting Frame, 14-5/8"W X 20-1/4"H X 3-3/4"D	2.6

NOTE: Mounting Limitations: Do not install heater closer than 12 in. to the floor, 12 in. to an adjacent wall, 36 in. to the ceiling. Do not install heater behind towel rack or door, upside down or sideways, in the floor, in the ceiling, or in closets.







## ARCHITECTURAL HEAVY-DUTY WALL HEATER MCSSAR MECHANICAL ARTISAN™



BRONZE

**IDEAL SPACES** | Bedrooms; Living/Family Rooms; Basements; Offices; Conference Rooms; Lobbies; Waiting Rooms; Entrance Ways; Vestibules; Restaurants; Stairwells

**COLORS** | Northern White; Navajo White; Statuary Bronze; Aluminum

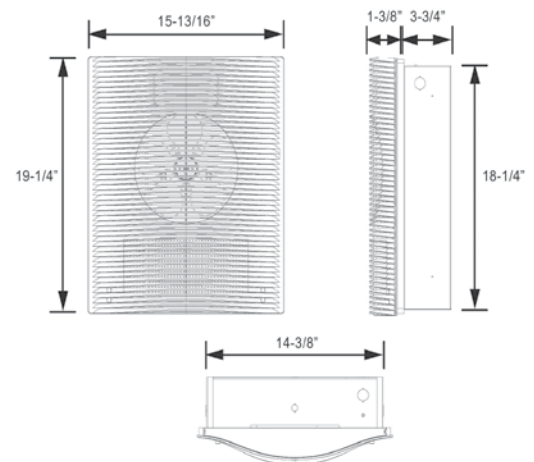
**TEMP RANGE** | 40°-99°F

**GRILLE** | 19-1/4" H x 15-13/16" W x 1-3/8" D **BACK BOX** | 18-1/4" H x 14-3/8" W x 3-3/4" D **CFM** | 100

- Contemporary, yet functional design
- Save time and money on installation
- Two-piece construction; includes back box, element/fan deck/grille
- Built-in, tamper-resistant thermostat
- Recess or surface mounting to wall
- Excellent for zone heating - heat where you do need it, not where you don't
- Steel-sheathed heating element combines the durability of a steel tubular heater with the excellent heat transfer characteristics of aluminum fins
- Rugged heavy-duty aluminum die-cast grille
- Power on/off switch for added safety during maintenance

### MODELS & SPECIFICATIONS

CATALOG NO.	UPC	VOLTS	WATTS	AMPS	PHASES	BTU/HR.	SHIP WT. (LBS)
MCSSAR1802	6 85360 16105 1	120	1800/900	15	1	6,142	27
MCSSAR4808	6 85360 16111 2	208	4000/2000	19.2	1	13,640	27
MCSSAR4804	6 85360 16109 9	240	4800/2400	20	1	16,368	27
MCSSAR4807	6 85360 16107 5	277	4800/2400	17.3	1	16,368	27



### SURFACE MOUNTING FRAME ACCESSORIES

CATALOG NO.	UPC	DESCRIPTION	SHIP WT. (LBS)
HTWHSM	6 85360 15545 6	Surface Mounting Frame 16-1/4" W x 19-3/8" H x 3-7/8" D	4
HTWHS1	6 85360 15548 7	1 in. Semi-Recess Mounting Frame 16-1/4" W x 19-3/8" H x 1" D	4
HTWHS2	6 85360 15551 7	2 in. Semi-Recess Mounting Frame 16-1/4" W x 19-3/8" H x 2" D	4
MCAR2	6 85360 16160 0	24V Time-delay relay rated 30A @ 120 - 277V	2
MCAR12	6 85360 16159 4	120V Time-delay relay rated 30A @ 120 - 277V	2

NOTE: Standard grille color is Northern White. Add W (Navajo White), AL (Aluminum) or BZ (Bronze) suffix to catalog number (ex. MCSSAR4808BZ). Allow two weeks delivery for models with special color. Mounting Limitations: For wall mounting, do not install back box closer than 8 in. from floor or adjacent wall. Do not install heater behind towel rack, behind door, in floor, in closet, in ceiling or where air flow may be obstructed. All controls are concealed behind the front cover making them essentially tamper proof. They will accommodate pneumatic/electric or low-voltage controls commonly used with computerized energy management systems.



## ARCHITECTURAL HEAVY-DUTY WALL HEATER AWH SERIES

### AVAILABLE COLORS



Northern  
White



Statuary  
Bronze



BRONZE & NORTHERN WHITE



**IDEAL SPACES** | Vestibules; Entrance Ways; Lobbies; Hallways; Stairwells; Restaurants; Conference Rooms; Offices; Basements; Family Rooms

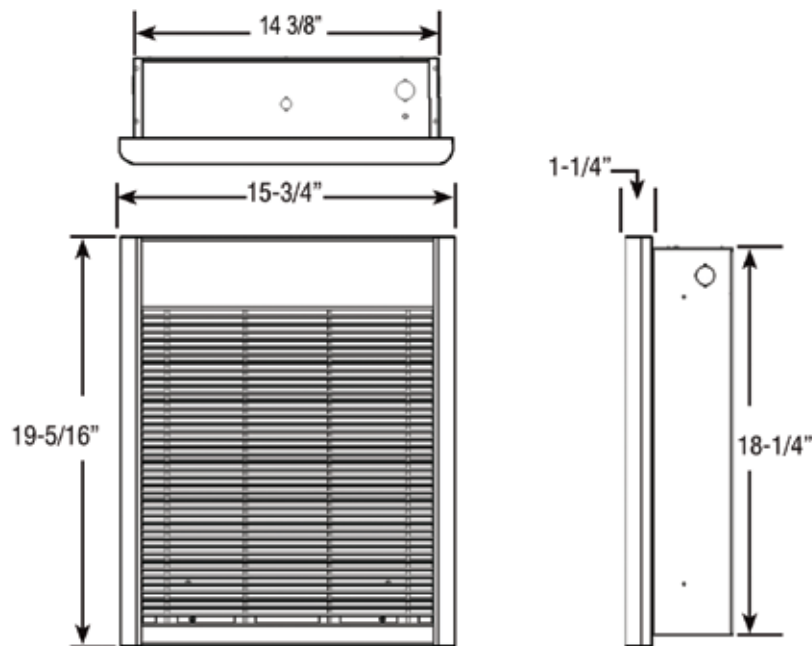
**COLORS** | Northern White; Statuary Bronze

**TEMP RANGE** | 40°-90°F

**GRILLE** | 19-5/16" H x 15-3/4" W x 1-1/4" D **BACK BOX** | 18-1/4" H x 14-3/8" W x 3-7/8" D

**CFM** | 100

- BMS-compatible through an optional relay
- Contemporary bar-stock grille designed to provide optimized airflow
- Manual reset thermal overheat protector disconnects power in the event of accidental blockage
- Built in tamper-resistant thermostat
- All units have a permanently lubricated and enclosed fan motor, which creates long life, low maintenance, and gently distributes warmth throughout the area
- Automatic fan delay eliminates cold drafts on start-up and discharges residual heat from the heater body during shut down
- Power on/off switch for added safety during maintenance



## MODELS & SPECIFICATIONS

CATALOG NO.	UPC	VOLTS	WATTS	AMPS	PHASES	BTU/HR.	SHIP WT. (LBS.)
AWH3150F	6 85360 16186 0	120	1500	12.5	1	5118	25
AWH3180F	6 85360 16188 4	120	1800	15	1	6142	25
AWH4408F	6 85360 16210 2	208	4000/2000	19.2 / 9.6	1	13,649/6824	25
AWH4404F	6 85360 16198 3	240	4000/2000	16.7/8.3	1	13,649/6824	25
		208	3000/1500	14.4 / 7.2		10,236/5118	
AWH4407F	6 85360 16206 5	277	4000/2000	14.4 / 7.2	1	13,649/6824	25
		240	3000/1500	12.5/6.3		10,236/5118	
AWH4307F	6 85360 16194 5	277	3000/1500	10.8 / 5.4	1	10,236/5118	25
AWH4303F	6 85360 16402 1	347	3000	8.6	1	10,236	25
AWH4306F	6 85360 16406 9	600	3000	5	1	10,236	25
AWH4506F	6 85360 16414 4	600	4800	8	1	16,378	25
AWH4508F	6 85360 16230 0	208	4800	23.1	1	16,378	25
AWH4504F	6 85360 16218 8	240	4800	20	1	16,378	25
		208	3600	17.3		12,284	
AWH4507F	6 85360 16226 3	277	4800	17.3	1	16,378	25
		240	3600	15		12,284	
AWH4503F	6 85360 16410 6	347	4800	13.8	1	16,378	25
AWH44083F	6 85360 16214 0	208	4000	11.1	3	13,649	25
AWH45083F	6 85360 16222 5	208	4800	13.3	3	16,378	25
AWH44043F	6 85360 16202 7	240	4000	9.6	3	13,649	25
AWH45043F	6 85360 16234 8	240	4800	11.6	3	16,378	25

NOTE: \*Factory-wired for higher wattage, field-convertible to half wattage. Standard finish is Statuary Bronze; For Northern White, add NW suffix to catalog number. Allow two weeks delivery for models with Northern White finish.

## ACCESSORIES

CATALOG NO.	UPC	DESCRIPTION	SHIP WT. (LBS)
AWHPE*	6 85360 00721 2	Pneumatic/Electric switch. Factory set at 10 PSIG to "make" on pressure drop. May be field wired to "break" on pressure drop. Pressure set point adjustable to 30 PSIG. (field-installed)	2
AWHR2 (24V)*	6 85360 00723 6	Time delay relay 40-60 seconds to close when energized. Use 120V or 24V power supply from remote source (field-installed)	2
AWHR12 (120V)*	6 85360 00722 9		
AWHS1	6 85360 00726 7	1 in. deep surface mounting frame for semi-recessed installation, Statuary Bronze	2
AWHS2	6 85360 00728 1	2 in. deep surface mounting frame for semi-recessed installation, Statuary Bronze	2
AWHSM	6 85360 00724 3	Surface mounting frame for surface installations. Painted to match heater decor, 3-13/16 in. deep, Statuary Bronze	5
LFKSFCNW	6 85360 16079 5	14-gauge security front cover, Northern White	6

NOTE: \* Will accommodate pneumatic/electric or low-voltage controls commonly used with computerized energy management systems Mounting Limitations: For wall mounting, do not install back box closer than 8 in. from floor or adjacent wall. Do not install heater behind towel rack, behind door, in floor, in closet, in ceiling or where air flow may be obstructed. All controls are concealed behind the front cover making them essentially tamper proof.



# WALL HEATERS



## COMMERCIAL FAN-FORCED WALL HEATER CWH SERIES ARCHITECTURAL SMALL WALL HEATERS



STATUARY  
BRONZE



**IDEAL SPACES** | Vestibules; Entrance Ways; Lobbies; Hallways; Stairwells; Restaurants; Conference Rooms; Offices; Basements; Family Rooms; Bedrooms

**COLORS** | Statuary Bronze

**TEMP RANGE** | 40°-90°F

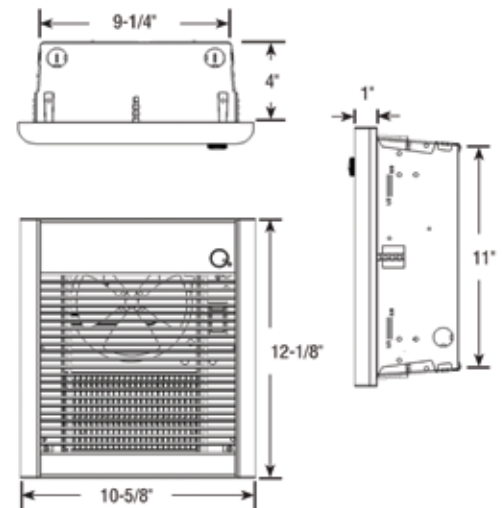
**GRILLE** | 12-1/8" H x 10-5/8" W x 1" D **BACK BOX** | 11" H x 9-1/4" W x 4" D

**CFM** | 65

- Contemporary bar-stock grille designed to provide optimized airflow
- Automatic fan delay eliminates cold drafts on start-up and discharges residual heat from the heater body during shut down
- Manual reset thermal overheat protector disconnects power in the event of accidental blockage
- All units have a permanently lubricated enclosed fan motor, which creates long life and low maintenance, and gently distributes warmth throughout the area
- Built-in power on/off switch for added safety during maintenance and built in tamper-resistant thermostat
- Tamper-proof plug for thermostat hole

### MODELS & SPECIFICATIONS

CATALOG NO.	UPC	VOLTS	WATTS	AMPS	PHASES	BTU/HR	SHIP WT. (LBS)
CWH1101DSAF	6 85360 16296 6	120	1000	8.4	1	3413	12
			500	4.2	1	1706	12
CWH1151DSAF	6 85360 16298 0	120	1500	12.5	1	5120	12
			750	6.25	1	2560	12
CWH1201DSAF	6 85360 16302 4	120	1800	15	1	6143	12
CWH1202DSAF	6 85360 16306 2	240	2000	8.4	1	6826	12
			1000	4.2	1	3413	12
		208	1500	7.3	1	5120	12
			750	3.61	1	2560	12
CWH1207DSAF	6 85360 16308 6	277	2000	7.3	1	6826	12
			1000	3.61	1	3413	12
		240	1500	6.25	1	5120	12
			750	3.2	1	2560	12
CWH1157DSAF	6 85360 16300 0	277	1500	5.5	1	5120	12
			750	2.75	1	2560	12
		240	1125	4.7	1	3840	12
			562	2.35	1	1920	12
CWH1208DSAF	6 85360 16304 8	208	2000	9.6	1	6826	12
			1000	4.8	1	3413	12



NOTE: Factory-wired for higher wattage, field-convertible to half wattage. Do not install heater closer than 4 in. from floor. Do not install heater behind towel rack, behind door, in floor, in ceiling, in closet, or where air flow may be obstructed.

### ACCESSORIES

CATALOG NO.	UPC	DESCRIPTION	SHIP WT. (LBS)
CWHSMAG	6 85360 14852 6	Surface Mounting Frame (Accessory). Order separately. 12-1/2" H x 10-3/8" W x 4" D, Statuary Bronze	3
CWHS1AG	6 85360 14853 3	1 in. Semi-Recess Mounting Frame, 12-1/2" H x 10-3/8" W x 1" D, Statuary Bronze	3
CWHS2AG	6 85360 14854 0	2 in. Semi-Recess Mounting Frame, 12-1/2" H x 10-3/8" W x 2" D, Statuary Bronze	3



## COMMERCIAL FAN-FORCED WALL HEATER CWH1000 SERIES



NORTHERN WHITE

**IDEAL SPACES** | Vestibules; Entrance Ways; Lobbies; Hallways; Stairwells; Restaurants; Conference Rooms; Offices; Basements; Family Rooms; Bedrooms

**COLORS** | Northern White

**TEMP RANGE** | 40°-85°F

**GRILLE** | 12-1/8" H x 10-5/8" W x 7/8" D

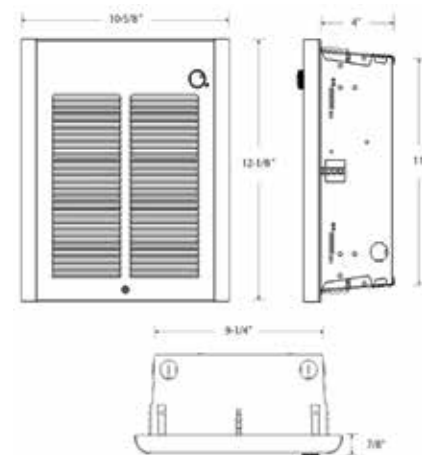
**BACK BOX** | 11" H x 9-1/4" W x 4" D

**CFM** | 65

- Contemporary, commercial-grade steel grille, designed to provide comfort through optimized airflow
- Power on/off switch for added safety during maintenance
- Manual reset thermal overload protector disconnects power in the event of accidental blockage
- Automatic fan delay eliminates cold drafts on start-up and discharges residual heat from the heater body during shut down
- Integral thermostat allows for easy adjustment of room temperature to maintain desired comfort level
- All units have a permanently lubricated fan motor, which creates long life and low maintenance, and gently distributes warmth throughout the area
- Tamper-proof plug for thermostat hole

### MODELS & SPECIFICATIONS

CATALOG NO.	UPC	VOLTS	WATTS	AMPS	PHASE	BTU/HR	SHIP WT. (LBS.)
CWH1101DSF	6 85360 16296 6	120	1000/500	8.4/4.2	1	3413/1706	12
CWH1151DSF	6 85360 16298 0	120	1500/750	12.5/6.25	1	5120/2560	12
CWH1201DSF	6 85360 16302 4	120	1800	15	1	6143	12
CWH1202DSF	6 85360 16306 2	240	2000/1000	8.3/4.2	1	6826/3413	12
		208	1500/750	7.2/3.61		5120/2560	
CWH1157DSF	6 85360 16300 0	277	1500/750	5.5/2.75	1	5120/2560	12
		240	1125/562	4.7/2.35		3840/1920	
CWH1207DSF	6 85360 16308 6	277	2000/1000	7.2/3.61	1	6826/3413	12
		240	1500/750	6.25/3.2		5120/2560	
CWH1208DSF	6 85360 16304 8	208	2000/1000	9.6/4.8	1	6826/3413	12



### ACCESSORIES

CATALOG NO.	UPC	DESCRIPTION	SHIP WT. (LBS)
CWHSM	6 85360 13947 0	Surface Mounting Frame. Order Separately. 12-1/2" H x 10-3/8" W x 4" D. Northern White	3
CWHS1	6 85360 13948 7	1 in. Recess Mounting Frame (Accessory) Order Separately, Northern White	3
CWHS2	6 85360 13949 4	2 in. Recess Mounting Frame (Accessory) Order Separately, Northern White	3
SRAFCTPF	6 85360 13950 0	Tamper-Resistant Front Cover, Northern White	1



## COMMERCIAL FAN-FORCED WALL HEATER CWH3000 SERIES



NORTHERN WHITE



**IDEAL SPACES** | Mechanical Rooms; Vestibules; Entrance Ways; Lobbies; Hallways; Stairwells; Restaurants; Conference Rooms; Medical Offices; Basements; Family Rooms

**COLORS** | Northern White

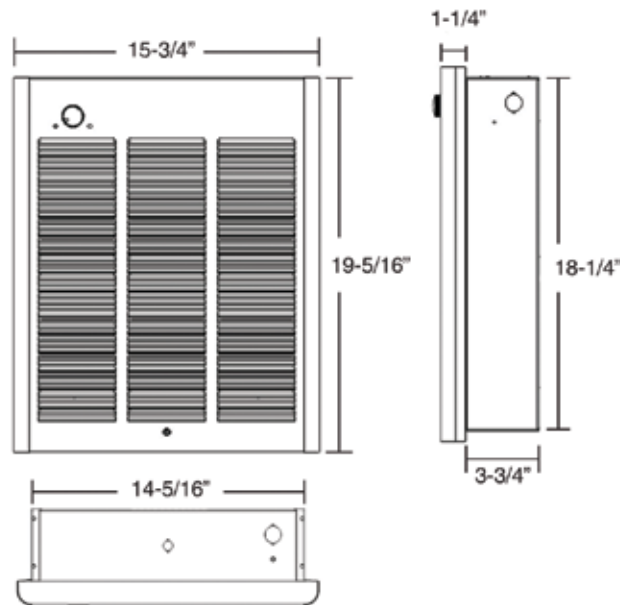
**TEMP RANGE** | 40°-90°F

**GRILLE** | 19-5/16" H x 15-3/4" W x 7/8" D

**BACK BOX** | 18-1/4" H x 14-5/16" W x 3-3/4" D

**CFM** | 100

- Contemporary design combined with commercial-grade steel grille to provide comfort through optimized airflow
- Fan-only operation for summer use
- Built-in power on/off switch for added safety during maintenance
- Manual reset thermal overheat protector disconnects power in the event of accidental blockage
- Automatic fan delay eliminates cold drafts on start-up and discharges residual heat from the heater body during shut down
- Integral double-pole thermostat allows for easy adjustment to maintain desired temperature
- All units have a permanently lubricated enclosed fan motor, which creates long life, low maintenance, and gently distributes warmth throughout the area





## MODELS & SPECIFICATIONS

CATALOG NO.	UPC	VOLTS	WATTS	AMPS	PHASE	BTU/HR	SHIP WT. (LBS)
CWH3150F	6 85360 16238 6	120	1500	12.5	1	5118	25
CWH3180F	6 85360 16240 9	120	1800	15	1	6142	25
CWH3404F *	6 85360 16246 1	240	4000/2000	16.7/8.3	1	13,649/6824	25
		208	3000/1500	14.5/7.2		10,236/5118	
CWH3407F*	6 85360 16248 5	277	4000/2000	14.5/7.2	1	13,649/6824	25
		240	3000/1500	12.5/6.3		10,236/5118	
CWH3307F*	6 85360 16242 3	277	3000/1500	10.8/5.4	1	10,236/5118	25
CWH3408F*	6 85360 16250 8	208	4000/2000	19.2/9.6	1	13,649/6824	25
CWH34083F	6 85360 16250 8	208	4000	11.1	3	13,649	25
CWH34043F	6 85360 16244 7	240	4000	9.7	3	13,649	25
CWH3504F	6 85360 16256 0	240	4800	20	1	16,378	25
		208	3600	17.3		12,284	
CWH3507F	6 85360 16258 4	277	4800	17.3	1	16,378	25
		240	3600	15.0		12,284	
CWH3508F	6 85360 16262 1	208	4800	23.1	1	16,378	25
CWH35083F	6 85360 16260 7	208	4800	13.4	3	16,378	25
CWH35043F	6 85360 16254 6	240	4800	11.6	3	16,378	25
CWH3203F	6 85360 16418 2	347	2000	5.8	1	6824	25
CWH3206F	6 85360 01909 3	600	2000	3.3	1	6824	25
CWH3153F	6 85360 16422 9	347	1500	4.3	1	5118	25
CWH3156F	6 85360 16424 3	600	1500	2.5	1	5118	25
CWH3303F	6 85360 01921 5	347	3000	8.6	1	10,236	25
CWH3306F	6 85360 01924 6	600	3000	5	1	10,236	25
CWH3403F	6 85360 01932 1	347	4000	11.5	1	13,649	25
CWH3406F	6 85360 01943 7	600	4000	6.7	1	13,649	25
CWH3503F	6 85360 01959 8	347	4800	13.8	1	16,378	25
CWH3506F	6 85360 01970 3	600	4800	8	1	16,378	25

NOTE: \*Factory-wired for higher wattage, field-convertible to half wattage. For wall mounting - Do not install back box closer than 8 in. from floor or adjacent wall. Do not install heater behind towel rack, behind door, in floor, in closet, in ceiling or where air flow may be obstructed.

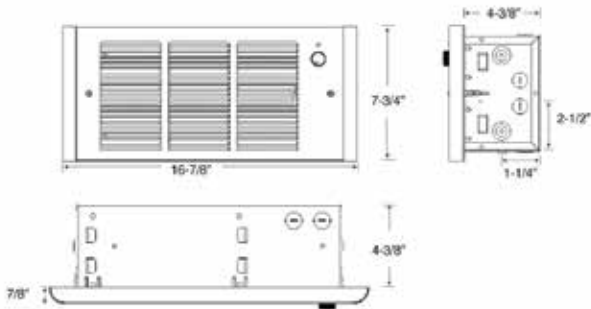
## ACCESSORIES

CATALOG NO.	UPC	DESCRIPTION	SHIP WT. (LBS)
FRAFCTPF	6 85360 02710 4	Tamper-Proof Front Cover, Northern White	2
CWH3SM	6 85360 02822 4	Surface Mounting Frame, Northern White	5
CWH3S1	6 85360 03036 4	1 in. Semi-Recessed Frame, Northern White	2
CWH3S2	6 85360 03035 7	2 in. Semi-Recessed Frame, Northern White	2
LFKSFCNW	6 85360 16079 5	14-gauge Security Front Cover, Northern White	6

# WALL HEATERS



## FAN-FORCED WALL HEATER GFR SERIES



NORTHERN WHITE

**IDEAL SPACES** | Bedrooms; Living/Family Rooms; Kitchens; Bathrooms; Basements; Offices; Conference Rooms; Hallways; Lobbies; Waiting Rooms

**COLORS** | Northern White

**TEMP RANGE** | 40°-85°F

**GRILLE** | 16-7/8" W X 7-3/4" H X 7/8" D

**BACK BOX** | 14-3/8" W X 4-5/8" H X 4-3/8" D

**CFM** | 50

- Patented CLIP-N-FIT® feature allows installer to change the desired wattage output without moving the jumper wire
- Contemporary register-style grille that blends with any residential or commercial appeal
- Tangential blower for whisper-quiet operation
- Dual Protection: thermal cutout with indicator light and one time thermal fuse
- Permanently lubricated fan motor and dust-protected bearings

### MODELS & SPECIFICATIONS

CATALOG NO.	UPC	VOLTS	WATTS	AMPS	BUILT IN THERM	SHIP WT (LBS)
GFR1500F	6 85360 03368 6	120	1500/1125/750/375	12.5/9.4/6.3/3.1	No	10
GFR2004F	6 85360 03372 3	240*	2000/1500/1000/500	8.3/6.3/4.2/2.1	No	10
GFR2404F	6 85360 03375 4	240*	2400/1800/1200/600	10.0/7.5/5.0/2.5	No	10
GFR1500T2F	6 85360 03369 3	120	1500/1125/750/375	12.5/9.4/6.3/3.1	Double Pole	11
GFR2004T2F	6 85360 03374 7	240*	2000/1500/1000/500	8.3/6.3/4.2/2.1	Double Pole	11
GFR2404T2F	6 85360 03377 8	240*	2400/1800/1200/600	10.0/7.5/5.0/2.5	Double Pole	11

NOTE: For wall mounting only. Do not install back box closer than 4 in. from floor, 6 in. from adjacent walls and 36 in. from the ceiling. Do not install heater behind towel rack, behind door, in floor, in closet, in ceiling or where airflow may be obstructed. To insure proper operation, maintain 5 ft. minimum clearance to furniture or other objects placed directly in front of the heater. \*Will operate on 208V at 75% of rated wattages. For installations over 7,500 ft. above sea level we recommend using models under 1500 watts. "T2F" Model are complete heater assemblies with grille, back box, and thermostat.

### SUGGESTED CONTROLS

view page 151 for more options and information

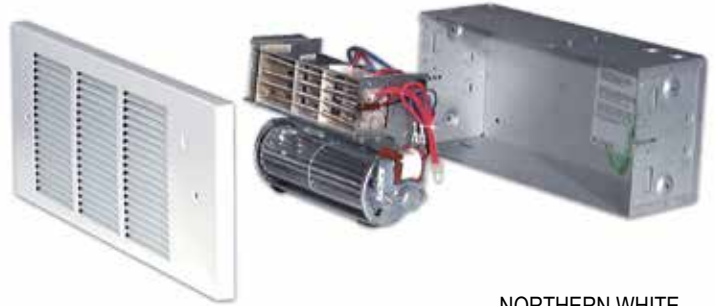
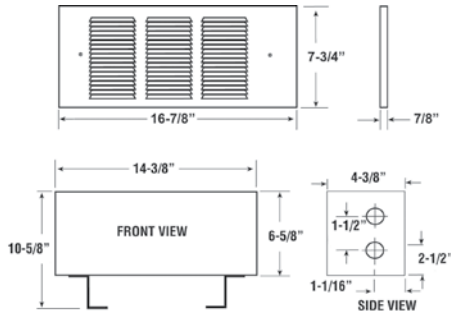


### ACCESSORIES

CATALOG NO.	UPC	DESCRIPTION	SHIP WT. (LBS)
GFRBB	6 85360 03363 1	Single Backbox For GFR Series Heater	2
GFRBB6	6 85360 03364 8	Multi-Pack Backbox (6Pcs)	10
QFGTSP	6 85360 03362 4	Single-Pole Thermostat (Field-Installed)	1
QFGTDP	6 85360 05925 9	Double-Pole Thermostat (Field-Installed)	1
GFRSM	6 85360 05926 6	Surface Mounting Frame	2



## FAN-FORCED WALL HEATER QFG SERIES



NORTHERN WHITE

**IDEAL SPACES** | Bedrooms; Living/Family Rooms; Kitchens; Bathrooms; Basements; Offices; Conference Rooms; Hallways; Lobbies; Waiting Rooms

**COLORS** | Northern White

**TEMP RANGE** | 40°-85°F

**GRILLE** | 16-7/8" W X 7-3/4" H X 7/8" D

**BACK BOX** | 14-3/8" W X 6-5/8" H X 4-3/8" D

**CFM** | 50

- Patented CLIP-N-FIT® feature allows installer to change the desired wattage output without moving the jumper wire
- Three-piece construction for ease of installation
- Tangential blower for whisper quiet operation
- Northern White durable polyester powder coat finish
- Use multiple heaters controlled by a single thermostat
- Open coil element assures instantaneous heat and low maintenance
- Dual Protection: Thermal cutout with indicator light and one time thermal fuse
- Permanently lubricated fan motor and dust-protected bearings
- Use with built-in or wall-mounted thermostat

### MODELS & SPECIFICATIONS

CATALOG NO.	UPC	VOLTS	WATTS	AMPS	BUILT IN THERM	SHIP WT (LBS)
QFG1512IFM	6-85360 08809 9	120	375/750/1125/1500	3.1/6.3/9.4/12.5	No	8
QFG2024IFM	6-85360 08810 5	240	500/1000/1500/2000	2.1/4.2/6.3/8.3	No	8
QFG2224IFM	6-85360 08811 2	240	563/1125/1688/2250	2.3/4.7/7.0/9.4	No	8
QFG2228IF	6-85360 05947 1	208	2200	10.6	No	8
QFG1512T2M	6-85360 05937 2	120	1500/1125/750/375	12.5/9.4/6.3/3.1	Yes	8
QFG2024T2M	6-85360 05941 9	240	2000/1500/1000/500	8.3/6.3/4.2/2.1	Yes	8
QFG2224T2M	6-85360 05946 4	240	2250/1688/1125/563	9.4/7.0/4.7/2.3	Yes	8

NOTE: \*Will operate on 208V at 75% of rated wattages. "IF" models include heater assembly and grille only. Order back box separately; See accessories. For installations over 7,500 ft. above sea level we recommend using models under 1500 watts. "T2" Model are complete heater assemblies with grille, back box, and thermostat. For wall mounting only. Do not install back box closer than 4 in. from floor, 6 in. from adjacent walls and 36 in. from the ceiling. Do not install heater behind towel rack, behind door, in floor, in closet, in ceiling or where airflow may be obstructed. To insure proper operation, maintain 5 ft. minimum clearance to furniture or other objects placed directly in front of the heater.

### ACCESSORIES

CATALOG NO.	UPC	DESCRIPTION	SHIP WT. (LBS)
GFRBB	6 85360 03362 4	Single Backbox For Qfg Series Heater	2
GFRBB6	6 85360 03363 1	Multi-Pack Backbox (6Pcs)	10
QFGTSP	6 85360 03367 9	Single-Pole Thermostat (Field-Installed)	1
QFGTDP	6 85360 03366 2	Double-Pole Thermostat (Field-Installed)	1
GFRSM	6 85360 03364 8	Surface Mounting Frame	2

### SUGGESTED CONTROLS

view page 151 for more options and information







## COMMERCIAL FAN-FORCED WALL HEATER LFK SERIES



NORTHERN WHITE



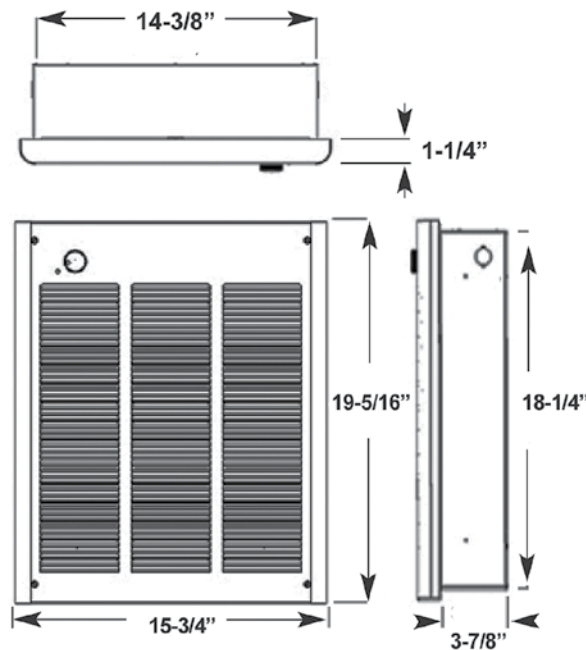
**IDEAL SPACES** | Mechanical Rooms; Vestibules; Entrance Ways; Lobbies; Hallways; Hotel Stairwells; Restaurants; Conference Rooms; Medical Offices; Basements; Living/Family Rooms

**COLORS** | Northern White **TEMP RANGE** | 40°-90°F

**GRILLE** | 19-5/16" H x 15-3/4" W x 1-1/4" D **BACK BOX** | 18-1/4" H x 14-3/8" W x 3-7/8" D

**CFM** | 100

- Contemporary commercial-grade steel grille designed to provide a clean appearance and rugged use
- Manual reset thermal overheat protector disconnects power in the event of accidental blockage
- Automatic fan delay eliminates cold drafts on start-up and discharges residual heat from the heater body during shut down
- Integral double-pole thermostat allows for easy adjustment
- of room temperature to maintain desired comfort level
- Positive OFF switch to assure heater will not operate if not needed
- All units have a permanently lubricated enclosed fan motor, which creates long life, low maintenance, and distributes warmth throughout the area
- Tamper-proof plug for thermostat hole



## MODELS & SPECIFICATIONS

CATALOG NO.	UPC	VOLTS	WATTS	AMPS	PHASE	BTU/HR	SHIP WT. (LBS.)
LFK151F	6 85360 16268 3	120	1500/750	12.5	1	5118/2559	22
LFK204F	6 85360 16270 6	240	2000	8.3	1	6824	22
		208	1500	7.2		5118	
LFK303F	6 85360 16272 0	347	3000	8.6	1	10236	22
LFK304F	6 85360 16274 4	240	3000/1500	12.5	1	10,236/5118	22
LFK306F	6 85360 16276 8	600	3000	5.0	1	10,236	22
LFK403F	6 85360 16181 5	347	4000	11.5	1	13,649	22
LFK404F	6 85360 16179 2	240	4000/2000	16.7	1	13,649/6824	22
		208	3000/1500	14.4		10,236/5118	
LFK406F	6 85360 16278 2	600	4000	6.7	1	13,649	22
LFK408F	6 85360 16282 9	208	4000/2000	19.2	1	13,649/6824	22
LFK483F	6 85360 16280 5	347	4800	13.8	1	16,378	22
LFK484F	6 85360 16286 7	240	4800/2400	20	1	16,378/8189	22
		208	3600/1800	17.3		12,284/6142	
LFK486F	6 85360 16288 1	600	4800	8.0	1	16,378	22
LFK4083F	6 85360 16280 5	208	4000	11.1	3	13,649	22
LFK487F	6 85360 16290 4	277	4800/2400	17.3	1	16,378/8189	22
		240	3600/1800	15.0		12,284/6142	
LFK488F	6 85360 16294 2	208	4800	23.1	1	16,378	22
LFK4883F	6 85360 16292 8	208	4800	13.3	3	16,378	23

## ACCESSORIES

CATALOG NO.	UPC	DESCRIPTION	SHIP WT. (LBS)
LFKSFCNW	6 85360 16079 5	14-Gauge Security Front Cover, Northern White	6
LFKSM	6 85360 07467 2	Surface Mounting Frame For Surface Installations. 3-13/16" Deep, Northern White	1
LFKS1	6 85360 07468 9	1 in. Deep Surface Mounting Frame For Semi-Recessed Installation, Northern White	1
LFKS2	6 85360 07469 6	2 in. Deep Surface Mounting Frame For Semi-Recessed Installation, Northern White	1

# CLIP-N-FIT

Our patented CLIP-N-FIT® feature allows the installer to change the wattage of the heater to a lower output without moving jumper wire!







**LOOK FOR THIS ICON...**  
for products with the Clip-N-Fit feature!



# WALL HEATERS



## EURO STYLE, CONVECTION WALL HEATER ECP SERIES



NORTHERN WHITE

**IDEAL SPACES** | Bedrooms; Living/Family Rooms; Bathrooms; Basements; Offices; Conference Rooms; Waiting Rooms; Other Common Areas

**COLORS** | Northern White    **GRILLE** | 26-1/4" H x 16-1/4" W x 1-5/8" D    **BACK BOX** | 23-1/8" H x 14-1/4" W x 2-22/25" D

- Ideal for instant, convection heat in supplemental heating applications
- Heavy-duty metal grille offers attractive appearance and directs air outward to effectively distribute heat to the middle of the room
- Contemporary styling uses soft curves on all edges, avoiding the sharp corners
- Closely spaced bar grille design discourages insertion of foreign objects
- Large wiring compartment is accessible from front of heater enabling rapid, easy hookup
- Dual Functional Heating - convection out the top and radiant warmth from the front - all in one heater
- Convection heat minimizes air flow, reducing flow of bacteria and dust
- Steel finned metal sheath electric heating elements provide uniform heat and long service life
- Surface-mounted or recessed between 16 in. OC studs

### MODELS & SPECIFICATIONS

CATALOG NO.	UPC	VOLTS	WATTS	AMPS	BUILT-IN THERM	SHIP WT. (LBS)
ECP1024	6 85360 12732 3	240/208	1000/750	4.2/3.6	No	27
ECP1524	6 85360 12733 0	240/208	1500/1125	6.3/5.4	No	27

### SUGGESTED CONTROLS

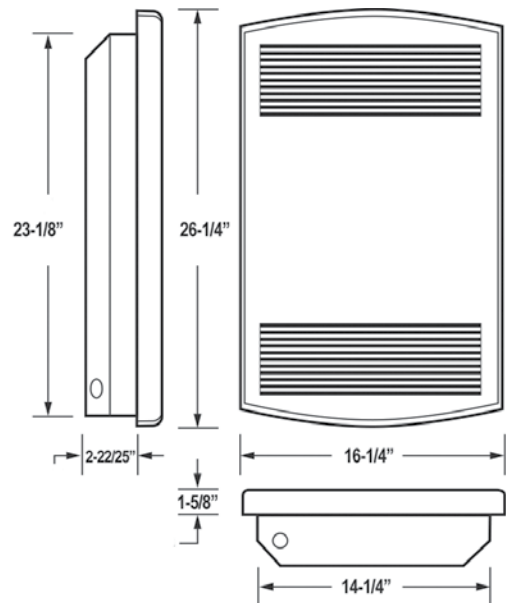
view page 151 for more options and information



TL8230A1003/U



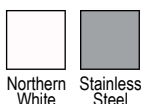
M602W





## FAN-FORCED WALL HEATER SED SERIES

### AVAILABLE COLORS



Northern  
White

Stainless  
Steel



NORTHERN  
WHITE

**IDEAL SPACES** | Bedrooms; Living/Family Rooms; Kitchens; Bathrooms; Basements; Offices; Conference Rooms; Hallways; Lobbies; Waiting Rooms

**COLORS** | Northern White; Stainless Steel

**TEMP RANGE** | 45°-90°F

**GRILLE** | 14-1/2" H x 10-1/2" W x 1-1/4" D    **BACK BOX** | 12-1/2" H x 9" W x 2-19/15" D

**CFM** | 50

- Ideally suited for recessed shallow wall mount applications such as manufactured homes
- Fast response open coil element for instantaneous heat and low maintenance
- Dual Protection: Thermal cutout with indicator light and one-time thermal fuse
- Field wiring compartment for ease of installation
- Built-in double-pole thermostat on all units
- Ceiling-mount units (1,000 watt units) and surface-mount accessories available

## MODELS & SPECIFICATIONS

CATALOG NO.	UPC	VOLTS	WATTS	AMPS	CEILING MOUNT	SHIP WT (LBS)
SED1012C*	6 85360 08190 8	120	1000	8.3	Yes	12
SED1024C*	6 85360 08191 5	240/208	1000/750	4.2/3.6	Yes	12
SED1512	6 85360 08192 2	120	1500	12.5	No	12
SED2024	6 85360 08193 9	240/208	2000/1500	8.3/7.2	No	12
SED1012W	6 85360 14888 5	120	1000	8.3	Yes	12
SED1024W	6 85360 15698 9	240/208	1000/750	4.2/3.6	Yes	12

NOTE: \*Stainless steel models.

## ACCESSORIES

CATALOG NO.	UPC	DESCRIPTION	SHIP WT. (LBS)
SEDSM	6 85360 01043 1	Northern White Surface Mounting Frame	3
SEDSMC	6 85360 12617 3	Stainless Steel Surface Mounting Frame	3
SEDFCW	6 85360 12616 6	Front Cover - Northern White	2
SEDFCC	6 85360 12615 9	Front Cover - Stainless Steel	2



# WALL HEATERS



## RESIDENTIAL FAN-FORCED ZONAL WALL HEATER COS-E SERIES™



NORTHERN  
WHITE

**IDEAL SPACES** | Bedrooms; Living/Family Rooms; Kitchens; Bathrooms; Basements; Offices; Hallways; Lobbies; Waiting Rooms

**COLORS** | Northern White

**TEMP RANGE** | 40°-90°F

**GRILLE** | 12" H x 9" W x 0.9" D

**BACK BOX** | 8-1/2" H x 6-9/25" W x 4" D

**CFM** | 50

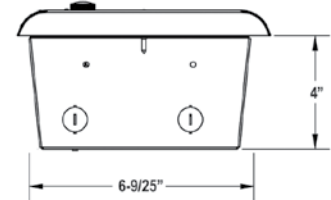
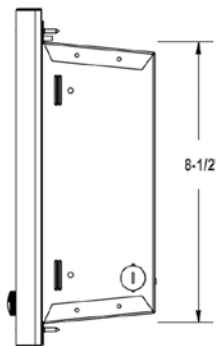
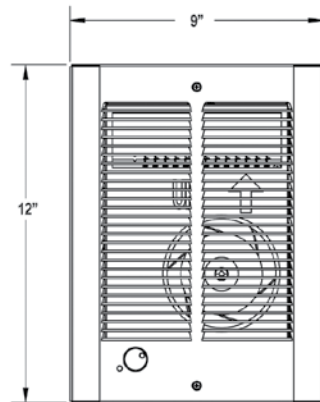
- Patented CLIP-N-FIT® feature allows installer to change the desired wattage output without moving the jumper wire
- Dual Protection: self-hold limit with one-time thermal fuse
- Dual voltage and wattage ratings help reduce inventory levels
- Contemporary look and compact size ideal for new residential or commercial installations where space is limited
- Quick installation and easy service with heater/fan assembly fitting into back box with a single screw
- Double-pole thermostat on all models
- Efficient quiet operation from smooth running multi-layer impeller
- Adaptable for retrofits (such as provided with UL-approved COS-E and CS Models)\*
- Thermostat with positive OFF position for added safety

\*Adaptable for retrofits into 7-7/8 in. x 11-1/2 in. x 4 in. back-box (such as provided with UL-approved COS-E and CS Models) and same rough-in opening if new box is desired.

**SUGGESTED CONTROLS**  
view page 151 for more information

TH106A

M601W



## MODELS & SPECIFICATIONS

CATALOG NO.	UPC	VOLTS (1)	VOLTS (2)	WATTS (1)	WATTS (2)	AMPS (1)	AMPS (2)	SHIP WT. (LBS)
CZ1512T	6 85360 16164 8	120	-	1500/750	-	12.5/6.3	-	11
CZ1012T	6 85360 16165 5	120	-	1000/500	-	8.4/4.2	-	8.1
CZ1048T	6 85360 16163 1	208	240	750/375	1000/500	7.2/3.6	8.4/4.2	11
CZ1548T	6 85360 16162 4	208	240	1125/570	1500/750	5.4/2.7	6.3/3.2	5.6
CZ2048T	6 85360 16161 7	208	240	1500/750	2000/1000	3.6/1.8	4.2/2.1	11
MOTOR AND GRILLE ONLY								
CZ1512IF*	6 85360 16172 3	120	-	1500/750	-	12.5/6.3	-	5.7
CZ1012IF*	6 85360 16173 0	120	-	1000/500	-	8.4/4.2	-	5.7
CZ1048IF*	6 85360 16176 1	208	240	750/375	1000/500	7.2/3.6	8.4/4.2	5.6
CZ1548IF*	6 85360 16175 4	208	240	1125/570	1500/750	5.4/2.7	6.3/3.2	5.6
CZ2048IF*	6 85360 16174 7	208	240	1500/750	2000/1000	3.6/1.8	4.2/2.1	11

NOTE: \*IF" models include heater motor/assembly and grille only with no back box.

## ACCESSORIES

CATALOG NO.	UPC	DESCRIPTION	SHIP WT. (LBS)
CZBB	6 85360 16333 8	Back Box Only (Used with "IF" suffix models)	2
CZBB6	6 85360 16334 5	Back Box Multi-Pack (Used with "IF" suffix models)	10.5
CZTDP	6 85360 16332 1	Double-Pole Built-in Thermostat Kit (Range: 40-85°F)	1
CZSM	6 85360 16335 2	Surface Mounting Frame	2
CZ2CRAKIT	6 85360 16519 6	Retrofit Kit CRA to COS-E	2

**DON'T FORGET TO ORDER**

# THERMOSTATS & CONTROLS

**WITH APPLICABLE HEATING UNITS!**

**CHECK OUT THE THERMOSTATS  
& CONTROLS SECTION  
FOR MORE INFORMATION!**





# WALL HEATERS



## COMMERCIAL FAN-FORCED WALL HEATER EFQ SERIES



NORTHERN WHITE



**IDEAL SPACES** | Offices; Stores; Schools; Churches; Hospitals; Dormitories; Airport Terminals; Reception Rooms; Lobbies; Corridors; Stairwells; Conference Rooms; Hallways; Lobbies; Waiting Rooms

**COLORS** | Northern White

**TEMP RANGE** | 60°-90°F

**GRILLE** | 31-3/4" W x 22-3/4" H x 1-1/2" D    **BACK BOX** | 30-1/2" W x 21-1/8" H x 3-3/4" D

**CFM** | 200

- Steel finned metal sheath electric heating elements with low sheath temperatures provided uniform heat and long service life
- Rugged stamped steel front cover provides a down-flow air pattern Integral thermostat for quick installation; separate thermostat not necessary
- Thermal overheat protectors disconnect power in event of accidental blockage
- Power on/off switch for added safety during maintenance
- Permanently lubricated enclosed fan motor provides long-life and low maintenance

### MODELS & SPECIFICATIONS

CATALOG NO.	UPC	VOLTS	PHASE	WATTS	AMPS	BUILT-IN THERMOSTAT	SHIP WT. (LBS)
EFQ6008	6 85360 02135 5	208	1	6000	28.8	Yes	50
EFQ6004	6 8536 02131 7	240	1	6000	25	Yes	50
EFQ6007	6 8536 02134 8	277	1	6000	21.7	Yes	50
EFQ6003	6 8536 02130 0	347	1	6000	17.3	Yes	50
EFQ60048	6 8536 02132 4	480	1	6000	12.5	Yes	50
EFQ6006	6 8536 02133 1	600	1	6000	10	Yes	50
EFQ8008	6 8536 02141 6	208	1	8000	38.5	Yes	50
EFQ8004	6 8536 02137 9	240	1	8000	33.3	Yes	50
EFQ8007	6 8536 02140 9	277	1	8000	28.9	Yes	50
EFQ8003	6 8536 02136 2	347	1	8000	23.1	Yes	50
EFQ80048	6 8536 02138 6	480	1	8000	16.7	Yes	50
EFQ8006	6 8536 02139 3	600	1	8000	13.3	Yes	50

### ACCESSORIES

CATALOG NO.	UPC	DESCRIPTION	SHIP WT. (LBS)
EFQSM	6 85360 02127 0	Surface Mounting Frame	6
EFQS1	6 85360 02128 7	1 in. Semi-Recess Frame	5
EFQS2	6 85360 02129 4	2 in. Semi-Recess Frame	6
EFQR24	6 85360 02126 3	24V Power Relay	1
EFQR120	6 85360 02125 6	120V Power Relay	1



# UNIT HEATERS







## GARAGE UNIT HEATER GH48R SERIES



Remote control requires  
(2) AAA batteries. Not included.



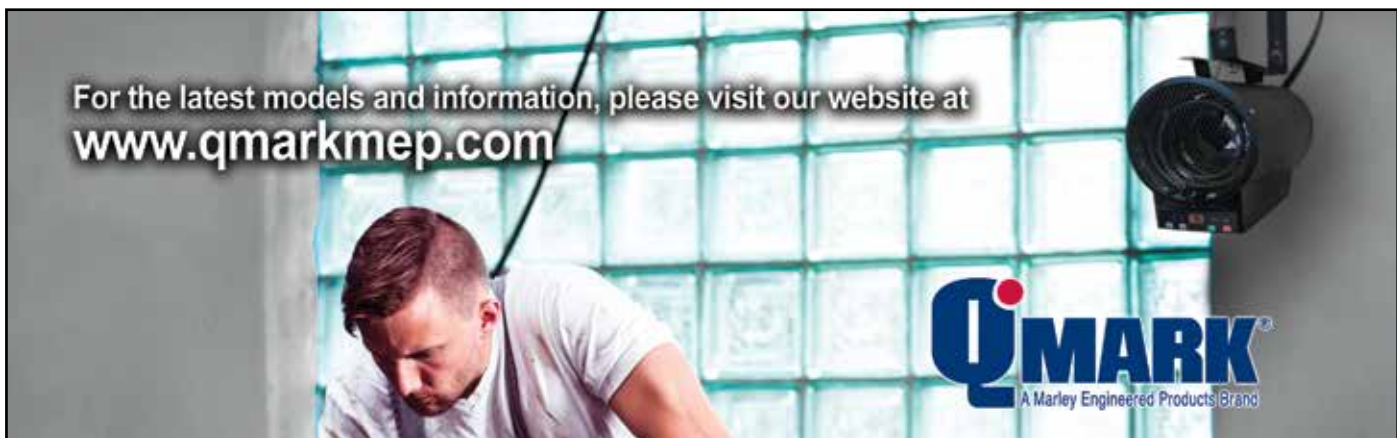
BLACK

**IDEAL SPACES** | Garages; Warehouses; Storage Facilities; Stockrooms; Workshops  
**COLORS** | Black  
**DIMENSIONS** | 17-3/4" L x 18" H x 12" D      **TEMP RANGE** | 45°-99° F      **CFM** | 160

- Built-in digital interface
- Remote control included for easy operation
- Optional timer feature; up to nine hours with automatic shut off
- Power indicator light
- Automatic fan delay eliminates cold drafts on start-up and discharges residual heat from the heater body during shut down
- Stainless steel tubular heating element
- Includes mounting bracket for wall or ceiling installation

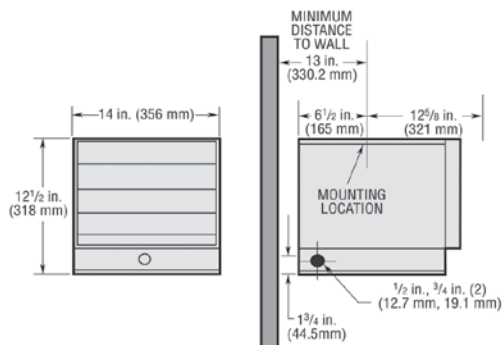
### MODELS & SPECIFICATIONS

CATALOG NO.	UPC	VOLTS	WATTS	AMPS	BTU/HR	SHIP WT. (LBS)
GH48R	6 85360 16569 1	240	2400/4800	10/20	8189/16,378	13
		208	1800/3600	8.6/17.3	6142/12,284	13





## HORIZONTAL/DOWNFLOW UNIT HEATER | MWUH SERIES



NEUTRAL GRAY

**IDEAL SPACES** | Factories; Garages; Maintenance Rooms; Warehouses; Public Buildings; Service Stations; Workshops; Stairwells

**COLORS** | Neutral Gray

**DIMENSIONS** | 14" L x 12-1/2" H x 11-1/4" D

**TEMP RANGE** | 45°-90° F

**CFM** | 270

- Heater comes equipped with ceiling-mount bracket for horizontal or vertical flow mounting or any position in between
- Built-in single-pole thermostat
- Copper-brazed steel fins with steel sheathed tubular elements for uniform heating and longevity
- Adjustable louvers control air throw direction
- Automatic fan delay eliminates cold drafts on start-up and discharges residual heat from the heater body during shut down
- High limit cutout automatically shuts off current in event of overheating and reactivates unit when temperature returns to normal
- Disconnect switch (DS30) option available for heaters 24 amps or lower.

### MODELS & SPECIFICATIONS

CATALOG NO.	UPC	VOLTS	WATTS	BTU/HR.	FAN MOTOR WATTS	CONTROL & FAN MOTOR VOLTS	FAN MOTOR RPM	AIR THROW (FT.)	MIN. MOUNTING HEIGHT (FT)	HEATER AMPS	MIN. CKR. AMPS	SHIP WT. (LBS)
MWUH5004	6 85360 03880 3	208	1874	6396	6	208	1350	16	6	9.0	11.3	24
			2500	8553						12.0	15.0	
			3123	10659						15.0	18.5	
			3750	12799						18.0	22.5	
		240	2500	8533		240				10.4	13.0	
			3332	11365						13.9	17.4	
			4165	14215						17.4	21.8	
			5000	17065						20.9	26.1	
MWUH7504	6 85360 14870 0	208	2812	9598	6	208	1400	18	8	13.5	11.3	27
			3750	12799						18.0	15.0	
			4685	15990						22.5	18.5	
			5625	19198						27.1	22.5	
		240	3750	12799		240				15.6	19.5	
			5000	17065						20.8	26.0	
			6250	21331						26.0	32.5	
			7500	25598						31.3	39.1	
MWUH5008	6 85360 04771 3	208	2500	8533	6	208	1400	16	8	12.0	-	26
			3332	11365						16.0	15.0	
			4165	14215						20.0	20.0	
			5000	17065						24.0	26.0	

NOTE: Disconnect switch (DS30) option available for heaters 24 amps or lower. Optional CWB1A combination wall/ceiling bracket available.



## UNIT HEATER | MUH35 SERIES

CHARCOAL GRAY



**IDEAL SPACES** | Factories; Garages; Schools; Shipping Docks; Warehouses

**COLORS** | Charcoal Gray

**DIMENSIONS** | 22" L x 16" H (14" w/o bracket) x 8" D

**TEMP RANGE** | 40°-90° F

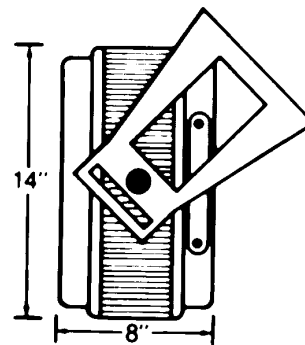
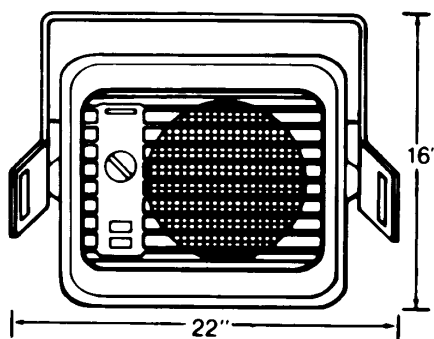
**CFM** | 210

- Air flow can be directed vertically, horizontally or any position in between
- Mounts either on wall or ceiling for primary or spot heating (bracket included)
- Built-in bi-metal thermostat; multiple wattage heat selector switch for precise amount of heat
- Fan-only switch for air movement when no heat is required
- Specially designed venturi outlet to meet required additional air throw in vertical position
- Advanced pull-through air flow design draws air across heating element for even air distribution and cooler element operation
- Heavy gauge die-formed steel housing and completely enclosed fan motor
- Aluminum-finned, copper-clad steel sheath heating element extends life due to cooler sheath temperature and faster heat dissipation
- Manual reset thermal cut-off button located on front for easy access

### MODELS & SPECIFICATIONS

CATALOG NO.	UPC	VOLTS	WATTS	BTU/HR.	AMPS	SHIP WT. (LBS)
MUH35	6 85360 04757 7	240	5000/3333	17060/11372	21.0/14.0	28
		208	3750/2500	12795/8530	18.0/12.0	
PHCS1B	Cord & Plug Assembly (Optional)					

AIR DELIVERY DATA			FAN MOTOR DATA			MAXIMUM EFFECTIVE MOUNTING HEIGHT		HORIZONTAL AIR THROW	WIRE SIZE
CFM	FPM	ΔT(°F)	VOLTS	RPM	HP	HORIZ.	VERT.		
210	550	71	240/208	1600	1/100	8	15	24	AWG 10





**TERRACE**  
Infrared Heaters  
Portable Utility Heaters



**DINING ROOM**  
Baseboard Heaters  
Specialty Heaters  
Wall Heaters



**BONUS ROOM**  
Specialty Heaters  
Wall Heaters  
Unit Heaters



**ATTIC**  
Wall Heaters  
Portable Heaters  
Unit Heaters  
Ceiling Fans



**GARAGE**  
Unit Heaters  
Portable Utility Heaters  
Infrared Heaters



**BATHROOM**  
Baseboard Heaters  
Specialty Heaters  
Wall Heaters  
Radiant Ceiling Panels



**BEDROOM**  
Baseboard Heaters  
Wall Heaters  
Portable Heaters  
Radiant Ceiling Panels



**BASEMENT**  
Wall Heaters  
Portable Heaters  
Unit Heaters  
Radiant Ceiling Panels



**KITCHEN**  
Baseboard Heaters  
Specialty Heaters  
Wall Heaters



**FAMILY ROOM**  
Baseboard Heaters  
Specialty Heaters  
Wall Heaters  
Ceiling Fans



**HOME OFFICE**  
Baseboard Heaters  
Wall Heaters  
Portable Heaters



**STORAGE**  
Specialty Heaters  
Wall Heaters  
Unit Heaters





## UNIT HEATER | MUH SERIES



NEUTRAL GRAY

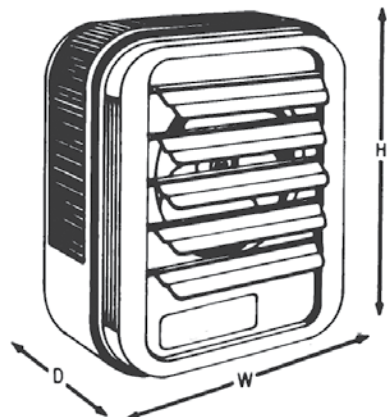


**IDEAL SPACES** | Factories; Warehouses; Garages; Stairwells; Shipping Docks; Power Stations; Mechanical Rooms

**COLORS** | Neutral Gray/Statuary Bronze

**DIMENSIONS** | Varies (see diagram)      **TEMP RANGE** | 40°-90° F      **CFM** | 350-3000

- Wide range of optional control kits are field-installable, increasing the unit's adaptability to specification market
- Small- to medium-case construction is 20-gauge steel with larger cabinet 18-gauge steel
- Advanced pull-through air flow design draws air across heating element for even air distribution and cooler element operation
- Specially designed venturi outlet to meet required additional air throw in vertical position
- Branch circuit fusing (when required)
- Completely enclosed fan motor
- 2-speed fan selector switch (25 to 50 kW models)
- Optional fan-only switch for air movement with no heat
- 1- or 3-phase wiring on 5 kW through 10 kW 208/240V and 15 kW 208V units (field-interchangeable)
- Aluminum-finned, copper-clad steel sheath heating element extends life due to cooler sheath temperature and faster heat dissipation
- 24V control transformer standard on most models, providing safer and more accurate means of temperature control. 3 kW and 5 kW, 208-277V, have line voltage controls as standard (24V control available on made-to-order basis)
- Automatic reset linear thermal cut-out, capillary type, provides protection over entire length of element areas (manual reset protection available on made-to-order basis)
- No piping flues, valves or traps needed for installation
- Individually adjustable louvers to direct air flow



CATALOG NO.	HEIGHT (IN)	WIDTH (IN)	DEPTH (IN)
MUH03 & 05	16	14	7-1/2
MUH07 & 10	21-3/4	19	7-1/2
MUH15 & 20	21-3/4	19	12-3/4
MUH25 & 30	30	26-5/8	11-3/4
MUH40 & 50	30	26-5/8	17-1/8

## MODELS & SPECIFICATIONS

CATALOG NO.	UPC 6-85380	ELECTRICAL DATA				AIR DELIVERY DATA FAN MOTOR DATA							MOUNTING HEIGHT			SHIP WT. (LBS) W/BROCKT			
		VOLTS	PHASE	KW	BTU/HR.	AMPS (3)	CONTROL VOLT (1)	2 STAGE ELEMENT CONTROL	CFM (2)	FPM (2)	ΔT(°F)	VOLTS	RPM (2)	HP	HORIZ.		VERT.	HORIZ. THROW	WIRE SIZE
MUH0381	047218	208	1	3	10.2	14.5	208	N/A	350	800	27°	208	1600	1/100	8	9	12	AWG 12	1
MUH0381*	047287	208	1-3	5	17	24	208	5A	350	800	45°	208	1600	1/100	8	9	12	AWG 10	27
MUH078*	047355	208	1-3	7.5	25.6	36	24	5B	650	970	37°	208	1600	1/30	9	14	18	AWG 6	38
MUH108*	047416	208	1-3	10	34.1	48	24	5B	650	970	49°	208	1600	1/30	9	14	18	AWG 4	38
MUH158*	047454	208	1-3	15	51.2	72	24	5A	910	1640	52°	208	1530	1/20	35	50	AWG 2	53	
MUH208*	047492	208	3	20	68.2	56	24	5A	1320	2060	48°	208	1500	1/10	12	23	41	AWG 4	60
MUH308*	047560	208	3	30	102.3	84	24	5A	2100/1800	2100/2030	45°/53°	208	1600/1375	1/4	12	20	50	AWG 1	93
MUH508*	047669	208	3	50	170.5	139	24	5A	3000/2600	3260/2900	53°/61°	208	1525/1420	1/2	15	25	60	AWG 4/0	114
MUH0321	047214	208/240	1	2.2/3.0	7.5/10.2	11.0/12.5	208/240	N/A	350	800	27°	208/240	1600	1/100	8	9	12	AWG 12	27
MUH0521*	047225	208/240	1-3	3.7/5.0	12.6/17.0	18.0/21.0	208/240	5A	350	800	45°	208/240	1600	1/100	8	9	12	AWG 10	27
MUH072*	047300	208/240	1-3	5.6/7.5	19.1/25.6	27.0/31.3	24	5B	650	970	37°	208/240	1600	1/30	9	14	18	AWG 8	38
MUH102*	047362	208/240	1-3	7.5/10.0	25.6/34.1	36.0/42.0	24	5B	650	970	49°	208/240	1600	1/30	9	14	18	AWG 6	38
MUH152*	047423	208/240	3	11.2/15.0	38.2/51.2	31.3/36.1	24	5C	910	1640	52°	208/240	1530	1/20	35	50	AWG 6	53	
MUH202*	047461	208/240	3	15.0/20.0	51.2/68.2	41.2/48.0	24	5C	1320	2060	48°	208/240	1500	1/10	12	23	41	AWG 4	60
MUH252*	047508	208/240	3	18.7/25.0	63.8/85.2	52.0/60.0	24	5A	2100/1800	2100/2030	38°/44°	208/240	1600/1375	1/4	13	23	50	AWG 3	93
MUH302*	047539	208/240	3	22.5/30.0	76.7/102.3	63.0/72.3	24	5A	2100/1800	2100/2030	45°/53°	208/240	1600/1375	1/4	12	20	50	AWG 2	93
MUH402*	047607	208/240	3	30.0/40.0	102.3/136.4	83.4/96.4	24	5A	3000/2600	3260/2900	42°/49°	208/240	1525/1420	1/2	15	28	60	AWG 1/0	114
MUH502*	047638	208/240	3	37.5/50.0	127.3/170.5	104.2/120.4	24	5A	3000/2600	3260/2900	53°/61°	208/240	1525/1420	1/2	15	25	60	AWG 3/0	114
MUH0371	047201	277	1	3	10.2	11	277	N/A	350	800	27°	277	1600	1/100	8	9	12	AWG 14	27
MUH0571	047270	277	1	5	17	18	277	N/A	350	800	45°	277	1600	1/100	8	9	12	AWG 10	27
MUH077	047348	277	1	7.5	25.6	27	24	5B	650	970	37°	277	1600	1/30	9	14	18	AWG 8	38
MUH107	047409	277	1	10	34.1	36	24	5B	650	970	49°	277	1600	1/30	9	14	18	AWG 6	38
MUH0341*	047188	480	3	5	10.2	3.6	24	N/A	350	800	27°	480	1600	1/100	8	9	12	AWG 14	27
MUH0541*	047256	480	3	5	17	6	24	N/A	350	800	45°	480	1600	1/100	8	9	12	AWG 14	27
MUH074*	047324	480	3	7.5	25.6	9	24	5B	650	970	37°	480	1600	1/30	9	14	18	AWG 14	38
MUH104*	047386	480	3	10	34.1	12	24	5B	650	970	49°	480	1600	1/30	9	14	18	AWG 14	38
MUH154*	047430	480	3	15	51.2	18	24	5C	910	1640	52°	480	1530	1/20	35	50	AWG 10	53	
MUH204*	047478	480	3	20	68.2	24	24	5C	1320	2060	48°	480	1500	1/10	12	23	41	AWG 10	60
MUH254*	047515	480	3	25	85.2	30	24	5C	2100/1800	2100/2030	38°/44°	480	1600/1375	1/4	13	23	50	AWG 8	93
MUH304*	047546	480	3	30	102.3	36	24	5C	2100/1800	2100/2030	45°/53°	480	1600/1375	1/4	12	20	50	AWG 6	93
MUH404*	047614	480	3	40	136.4	48	24	5A	3000/2600	3260/2900	42°/49°	480	1525/1420	1/2	15	28	60	AWG 4	114
MUH504*	047645	480	3	50	170.5	60.2	24	5A	3000/2600	3260/2900	53°/61°	480	1525/1420	1/2	15	25	60	AWG 4	114
MUH0331	047171	347	1	3	10.2	8.6	347	N/A	350	800	27°	347	1600	1/100	8	9	12	AWG 14	27
MUH0531	047249	347	1	5	17	14.4	347	N/A	350	800	45°	347	1600	1/100	8	9	12	AWG 10	27
MUH073	047317	347	1	7.5	25.6	37	24	5B	650	970	37°	347	1600	1/30	9	14	18	AWG 14	38
MUH103	047379	347	1	10	34.1	28.8	24	5B	650	970	49°	347	1600	1/30	9	14	18	AWG 14	38
MUH0361*	047195	600	3	3	10.2	2.9	24	N/A	350	800	27°	600	1600	1/100	8	9	12	AWG 14	27
MUH0561*	047263	600	3	5	17	4.8	24	N/A	350	800	45°	600	1600	1/100	8	9	12	AWG 10	27
MUH076*	047331	600	3	7.5	25.6	7.3	24	5B	650	970	37°	600	1600	1/30	9	14	18	AWG 14	38
MUH106*	047393	600	3	10	34.1	9.7	24	5B	650	970	49°	600	1600	1/30	9	14	18	AWG 14	38
MUH156*	047447	600	3	15	51.2	14.5	24	5C	910	1640	52°	600	1530	1/20	35	50	AWG 12	53	
MUH206*	047485	600	3	20	68.2	19.3	24	5C	1320	2060	48°	600	1500	1/10	12	23	41	AWG 12	60
MUH256*	047522	600	3	25	85.2	24.2	24	5C	2100/1800	2100/2030	38°/44°	600	1600/1375	1/4	13	23	50	AWG 10	93
MUH306*	047553	600	3	30	102.3	29	24	5C	2100/1800	2100/2030	45°/53°	600	1600/1375	1/4	12	20	50	AWG 8	93
MUH406*	047621	600	3	40	136.4	38.7	24	5A	3000/2600	3260/2900	42°/49°	600	1525/1420	1/2	15	28	60	AWG 6	114
MUH506*	047652	600	3	50	170.5	48.3	24	5A	3000/2600	3260/2900	53°/61°	600	1525/1420	1/2	15	25	60	AWG 3	114

NOTE: All standard units are supplied with a low voltage control transformer and contactor (24V) except MUH03 and MUH05, 208V, 240V and 277V models. Low voltage control on these units is available on made to order. All units are also available on special order for 120V control, internal with transformer or external without transformer. On dual-voltage units CFM, FPM, & RPM ratings are listed at higher voltage operation. On dual-phase units maximum amp draw is listed for respective voltage. 25 thru 50 KW models having two-speed motors and dual CFM ratings are listed in Full Line Catalog. 5A, Standard; 5B, Optional - made to order - amp load unbalanced on three-phase; 5C, Optional - made to order - amp load unbalanced on three-phase. \*Must use two-stage Thermostat on 3/0 operation.

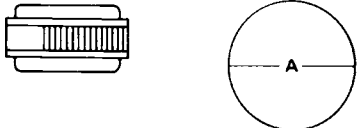
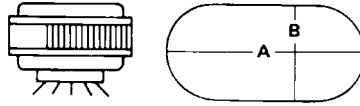
# UNIT HEATERS

## OPTIONAL FIELD-INSTALLED ELECTRICAL CONTROLS

CATALOG NO.	UPC	DESCRIPTION	ELECTRICAL RATING	COMPATIBLE WITH
UHMT1	6 85360 15241 7	Single Pole Internal Thermostat- Temp Range: 40° - 85°F	25A @ 120, 240VAC Res. 22A @ 277VAC Res.	All MUH Series Heaters (except MUH0521 3 PH, MUH0581 3 PH which use UHMT2)
UHMT2	6 85360 15242 4	Two Stage Internal Thermostat-Temp Range: 40° - 85°F	25A @ 120, 240VAC Res. 22A @ 277VAC Res. 125VA	MUH0521 3 PH, MUH0581 3 PH, MUH158, MUH208, MUH252, MUH302, MUH308, MUH402, MUH404, MUH406, MUH502, MUH504, MUH506, MUH508
MCFS	6 85360 04637 2	Internal Summer Fan Switch 250, 480, 600V.A.C. 1,2 OR 3 PH	Pilot Duty 6A, 600VAC Res. 2 HP	All MUH Series Heaters
MRFS1	6 85360 04708 9	Remote Summer Fan Switch (Line Voltage)	2 HP, 250-480VAC	All MUH Series Heaters
MRFS2	6 85360 04709 6	Remote Summer Fan Switch with Relay (24V Coil-Single Pole Normally Open)	6 AFL, 35 ALR, 250VAC, 60Hz 3 AFL, 18 ALR, 480VAC, 60Hz	All MUH Series Heaters (except MUH0321, MUH0371, MUH0381, MUH0521, MUH0571, MUH0581) Units unless optional control transformer is supplied
MHRT	6 85360 04694 5	Heat Recovery Thermostat with Relay (24V Coil-Single Pole Normally Open) Hi - 120°F, Low - 60°F	6 AFL, 35 ALR, 250VAC, 60Hz 3 AFL, 18 ALR, 480VAC, 60Hz	All MUH Series Heaters (except MUH0321, MUH0371, MUH0381, MUH0521, MUH0571, MUH0581) Units unless optional control transformer is supplied
MPDS25	6 85360 04703 4	Power Disconnect Switch (3-Pole)	30A @ 600VAC, Res.	MUH0321, MUH0341, MUH0371, MUH0381, MUH0521, MUH0541, MUH0571, MUH0581, MUH073, MUH074, MUH076, MUH104, MUH106, MUH154, MUH156, MUH204, MUH206
MPDS60	6 85360 04704 1	Power Disconnect Switch (3-Pole)	80A @ 600VAC, Res.	MUH072, MUH077, MUH078, MUH102, MUH103, MUH107, MUH108, MUH152, MUH202, MUH208, MUH252, MUH254, MUH256, MUH304, MUH306, MUH404, MUH406, MUH504, MUH506

NOTE: Any field installed options assembled in the factory require added surcharge. See price book for charges. MPDS60 disconnect switch is not suitable for field installation on 7.5kw and 10kw unit heaters.

## DIFFUSER SELECTOR TABLES FOR VERTICAL MOUNTING

CATALOG NO.	DESCRIPTION	CATALOG NO.	MAX. MOUNTING HEIGHT	(A) DIMENSION	DIFFUSER PATTERN AND AREA
NONE	WITHOUT DIFFUSER No diffuser needed where a straight downflow air pattern is required. For maximum air throw, remove louvers. Any of three diffusers can be added to basic heater.	MUH03 & MUH05	9	18	
NONE		MUH07 & MUH10	14	26	
NONE		MUH15	20	35	
NONE		MUH20	23	40	
NONE		MUH25	23	63	
NONE		MUH30	20	55	
NONE		MUH40	28	70	
NONE		MUH50	25	63	
MLDS	LOUVER DIFFUSER Permits directional (straight line) air flow as in air curtain application over doorways. Rectangular coverage, Louvers can be turned in either direction.	MUH03 & MUH05	9	25(A) 12(B)	
MLDM		MUH07 & MUH10	14	39(A) 19(B)	
MLDM		MUH15	18	50(A) 25(B)	
MLDM		MUH20	20	56(A) 28(B)	
MLDL		MUH25	23	72(A) 36(B)	
MLDL		MUH30	20		
MLDL		MUH40	24	88(A) 44(B)	
MLDL		MUH50	22	80(A) 40(B)	







## INDUSTRIAL UNIT HEATER IUH SERIES



NEUTRAL  
GRAY



**IDEAL SPACES** | Factories; Garages; Stores; Maintenance Room; Warehouses; Public Buildings; Service Stations; Workshops; Stairwells

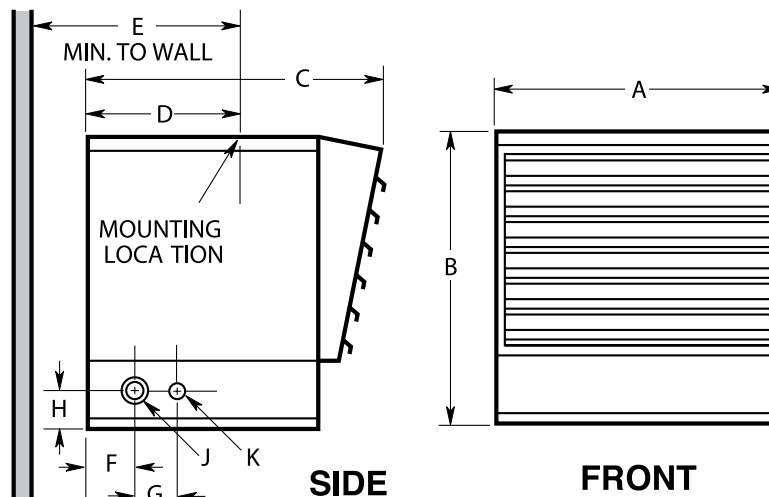
**COLORS** | Neutral Gray

**DIMENSIONS** | Varies (see specifications)

**TEMP RANGE** | 60°-120° F

**CFM** | 270-1800

- All motors and contactor coils are 240V and operate on the secondary of a factory-installed step-down power transformer on 480V and 600V heaters so a separate fan and motor control power source is not needed
- Automatic fan delay eliminates cold drafts on start-up and discharges residual heat from the heater body during shut down
- Steel fins are copper-brazed to low-watt density, steel-sheathed tubular heating elements
- 5 and 7.5 kW models also come equipped with ceiling mounting bracket for horizontal or vertical flow mounting or any position in between
- Uniform discharge of all heated air lowers internal operating temperatures and prolongs element life
- Cabinet is finished with a polyester powder coating for excellent corrosion resistance
- Element finished with aluminized paint for corrosion resistance
- Fins and elements are arranged in a uniform grid pattern and fit closely into air discharge area to assure that all incoming air passes through heating element
- High-limit cut-off automatically shuts off current in the event of overheating and reactivates unit when temperature returns to normal



## MODELS & SPECIFICATIONS

CATALOG NO.	UPC	KW. CAP.	BTU/ HR.	HTR. VOLT	PHASE	THREADED ROD SIZE	HEATER 1 PH	AMPS 3 PH	HP or WATTS	FAN & FAN MOTOR VOLTAGE	AIR MOTOR RPM	AIR VOL. CFM	TEMP. RISE	MAX THROW	MFG. HEIGHT	SHIP WT. (LBS.)
IUH520	6 85360 04196 4	5	17	208	1-3	1/2"-13 NC	20.8	12.5	6.0W	208	1400	270	60°F	16'	8'	26
IUH524	6 85360 04197 1	5	17	240	1-3	1/2"-13 NC	24	13.8	6.0W	240	1400	270	60°F	16'	8'	26
IUH548	6 85360 04202 2	5	17	480	1-3	1/2"-13 NC	10.4	6	6.0W	240	1400	270	60°F	16'	8'	31
IUH560	6 85360 04204 6	5	17	600	3	1/2"-13 NC	-	4.8	6.0W	240	1400	270	60°F	16'	8'	31
IUH720	6 85360 04207 7	7.5	25.6	208	1-3	1/2"-13 NC	36.6	21.3	6.0W	208	1400	270	85°F	18'	8'	27
IUH724	6 85360 04209 1	7.5	25.6	240	1-3	1/2"-13 NC	31.3	18.1	6.0W	240	1400	270	85°F	18'	8'	27
IUH748	6 85360 04212 1	7.5	25.6	480	1-3	1/2"-13 NC	15.6	9	6.0W	240	1400	270	85°F	18'	8'	31
IUH760	6 85360 04214 5	7.5	25.6	600	3	1/2"-13 NC	-	7.2	6.0W	240	1400	270	85°F	18'	8'	31
IUH1024	6 85360 04176 6	10	34.1	240	1-3	1/2"-13 NC	41.7	25.7	1/10 HP	240	1550	500	63°F	20'	9'	62
IUH1048	6 85360 04180 3	10	34.1	480	1-3	1/2"-13 NC	21.6	12.8	1/10 HP	240	1550	500	63°F	20'	9'	72
IUH1060	6 85360 04182 7	10	34.1	600	3	1/2"-13 NC	-	9.6	1/10 HP	240	1550	500	63°F	20'	9'	72
IUH1524	6 85360 04184 1	15	51.2	240	1-3	1/2"-13 NC	64.1	37.7	1/10 HP	240	1550	750	63°F	28'	11'	68
IUH1548	6 85360 04187 2	15	51.2	480	1-3	1/2"-13 NC	32.1	18.8	1/10 HP	240	1550	750	63°F	28'	11'	78
IUH1560	6 85360 04188 9	15	51.2	600	3	1/2"-13 NC	-	14.5	1/10 HP	240	1550	750	63°F	28'	11'	80
IUH2048	6 85360 04190 2	20	68.2	480	1-3	1/2"-13 NC	42.5	24.8	1/10 HP	240	1550	1000	63°F	32'	13'	78
IUH2060	6 85360 04191 9	20	68.2	600	3	1/2"-13 NC	-	19.3	1/10 HP	240	1550	1000	63°F	32'	13'	80
IUH2548	6 85360 04192 6	25	85.2	480	3	1/2"-13 NC	-	31.1	1/3 HP	240	1550	1300	61°F	34'	14'	136
IUH2560	6 85360 04193 3	25	85.2	600	3	1/2"-13 NC	-	24	1/3 HP	240	1550	1300	61°F	34'	14'	142
IUH3048	6 85360 04194 0	30	102.2	480	3	1/2"-13 NC	-	36.9	1/3 HP	240	1550	1800	53°F	38'	15'	142
IUH3060	6 85360 04195 74	30	102.2	600	3	1/2"-13 NC	-	28.9	1/3 HP	240	1550	1800	53°F	38'	15'	142

## ACCESSORIES

CATALOG NO.	UPC	DESCRIPTION	SHIP WT. (LBS)
CWB1A	6 85360 01820 1	Combination wall/ceiling bracket for 5KW thru 15KW units	4
CWB2A	6 85360 15240 0	Same as above but for 20KW thru 50KW units	14
UHTA1*	6 85360 15243 1	Single-Pole Thermostat kit 60-120°F temp.range for field installation in all units except 3 PH IUH520 and IUH524, 3 PH	1
UHTA2*	6 85360 15244 8	Double-Pole Thermostat (60-120°F) for 3 PH IUH520 and IUH524, 3 PH	1
IUHDS30*	6 85360 01995 6	3-pole power disconnect switch kit for field installation on all horizontal unit heaters rated 24 amps or less.	1
IUHDS63*	6 85360 01996 3	3-pole power disconnect switch kit for field installation on all horizontal unit heaters 10KW and above rated 24 to 50 amps.	1
IUHSW	6 85360 03672 4	Summer-Winter Fan Switch Kit. Field installed. Provides summer fan operation.	1

NOTE: When controls are to be factory-installed, list unit, control, and factory installation adder separately.

## DIMENSIONS (see diagram on facing page)

KW SIZE	A	B	C	D	E	F	G	H	I	J
5-7.5	14"	12-1/2"	12-3/8"	5-1/2"	13"	1-3/4"	1-3/8"	1-1/2"	(2) 1/2", 3/4"	1/2"
10-20	18"	18"	17-1/2"	9-15/32"	*	2"	2-1/2"	2-1/4"	(2) 3/4", 1"	(3) 1", 1 1/4", 1-1/2"
25-30	26"	24"	23-1/8"	9-15/32"	20"	2"	2-3/4"	2-1/4"	(2) 1", 1 1/2"	(3) 1", 1-1/2", 2"

NOTE: \*13 in. for 10-15 kW units; 16 in. for 20 kW unit. 5 kW and 7.5 kW can be used in horizontal vertical position. Heaters come equipped with ceiling mounting bracket for horizontal or vertical flow mounting or any position between.



## CUSTOM CABINET UNIT HEATER CU900 SERIES

### AVAILABLE COLORS



NEUTRAL GRAY  
WITH OPTIONAL  
ARCHITECTURAL-STYLE  
GRILLE IN  
STATUARY BRONZE



**IDEAL SPACES** | School Hallways; Churches; Transportation Terminals; Stairwells; Entrance Ways; Vestibules; Lobbies; Mechanical Rooms

**COLORS** | Neutral Gray; Charcoal Gray; Aluminum; Navajo White; Northern White; Statuary Bronze; Desert Tan; Gloss Black; Custom Colors Available

**DIMENSIONS** | 26-3/8" H x 9-3/4" D (length varies)

**TEMP RANGE** | 55°-85° F

**CFM** | 200-1000

- 16 air inlet/outlet combinations that are all field-changeable
- BMS-compatible
- One-person maintenance on ceiling applications with hinged front panel
- Cabinet constructed of heavy 16-gauge cold-rolled steel to provide strength and finished with a polyester powder coating for corrosion resistance
- Motors are mounted with automatic thermal overload protection; motor fuse protection is provided on all heaters to meet safety requirements
- Plate fin element - steel fins are copper-brazed to low-watt density, steel-sheathed tubular heating elements
- Element is finished with aluminized paint for corrosion resistance
- Fins and elements are arranged in a uniform grid pattern and fit closely into the discharge area to assure that all outgoing air passes through the heating element
- Thermal safety cutout - installed with direct contact to the heating element. Automatically shuts off the heater in the event of overheating reactivates the heater when operating temperature returns to normal
- Built-in thermostat\*— single-pole, snap-action thermostat with remote bulb sensor located directly in the air intake
- Tamper-resistant, two-position selector switch to select full heat at high fan speed and reduced heat at low fan speed\*
- Automatic fan delay eliminates cold drafts on start-up and discharges residual heat from the heater body during shut down
- Front cover interlock de-energizes unit when front cover is removed for added safety
- Disposable air filter mounted in inlet air stream; optional permanent and washable aluminum filters available
- Standard stamped louvered grilles; optional architectural-style grille available; optional aluminum wall louver available, ideal for exterior masonry or panel walls

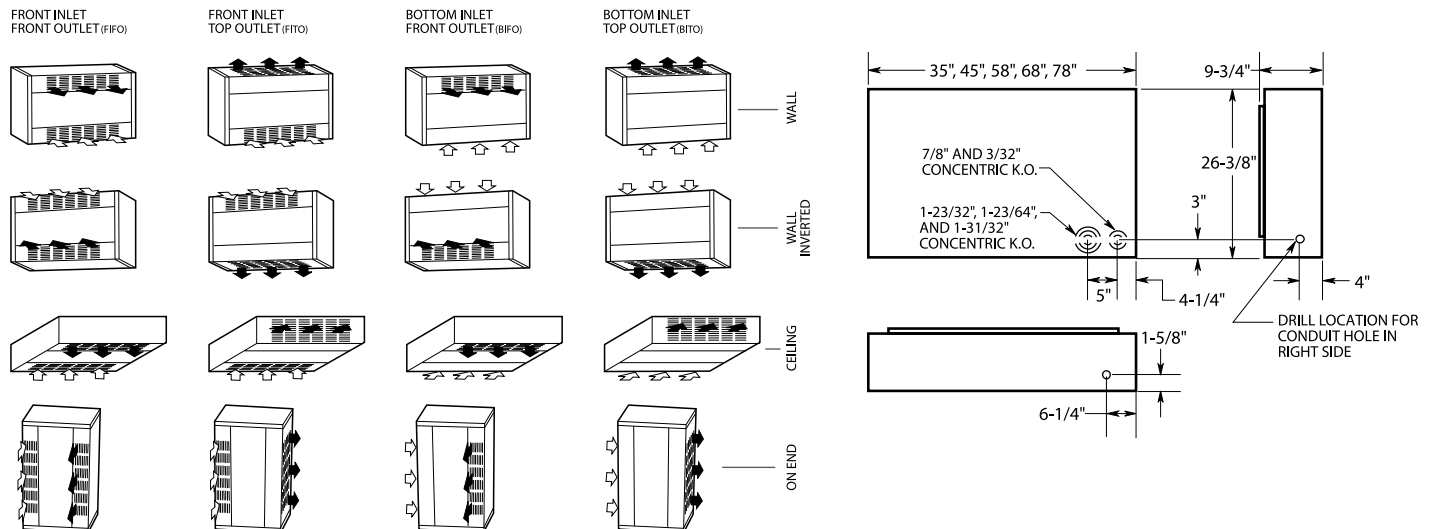
\*Optional feature. Contact sales representative or factory regarding optional features available, including: built-in fan switch; 120V control, electronically controlled outside air damper; inlet and discharge duct collars; dead-front and fused dead-front disconnect switches; built-in night set back relay; and trim kits. See page 39 to find out how to order cabinet unit heaters.

## MODELS & SPECIFICATIONS

SERIES	KW	BTU/HR	FINAL AIR TEMP (Deg. F)	CFM*	208	208	240	240	277	347	380**	480	600	
					1 PH 60 HZ	3 PH 60 HZ	1 PH 60 HZ	3 PH 60 HZ	1 PH 60 HZ	1 PH 60 HZ	3 PH 60 HZ	3 PH 60 HZ	3 PH 60 HZ	
<b>CU935</b> 35 in. (L) 120 LBS.	2	6,826	85	250	10	6	9	6	8	7	4	3	3	
	3	10,239	98		15	9	13	8	12	9	5	4	4	
	4	13,652	111		20	12	17	10	15	12	7	6	5	
	5	17,065	123		25	15	22	13	19	15	8	7	6	
	6	20,478	136		30	17	26	15	22	18	10	8	7	
<b>CU945</b> 45 in. (L) 160 LBS.	7	23,891	148	500	34	20	30	18	26	21	11	9	7	
	8	27,304	161		39	23	34	20	30	24	13	10	8	
	4	13,652	85		750	20	12	18	11	16	13	7	6	5
	6	27,478	98			30	18	26	16	23	18	10	8	7
	8	27,304	111			40	23	34	20	30	24	13	11	9
10	34,130	123	48	29		43	25	37	30	16	13	11		
12	40,956	136	59	34		51	30	44	36	19	16	13		
<b>CU958</b> 58 in. (L) 200 LBS.	14	47,782	148	750	68	40	59	35	52	41	22	18	15	
	16	54,608	161		78	46	68	40	59	47	25	20	17	
	6	20,478	85		750	30	18	26	16	23	18	10	8	7
	8	27,304	96			40	23	34	20	30	24	13	11	9
	10	34,130	103			48	29	43	25	37	30	16	13	11
12	40,956	111	59	34		51	30	44	36	19	16	13		
14	47,782	118	68	40		59	35	52	41	22	18	15		
<b>CU968</b> 68 in. (L) 260 LBS.	16	54,608	128	750	78	46	68	40	59	47	25	20	17	
	6	20,478	85		1,000	31	19	27	16	24	19	11	9	8
	9	30,717	98			45	27	39	24	34	28	16	13	11
	12	40,956	111			60	35	52	31	45	36	20	16	13
	15	51,195	123			74	44	64	38	56	45	25	20	16
18	61,434	136	88	52		77	45	67	-	29	24	19		
<b>CU978</b> 78 in. (L) 300 LBS.	21	71,673	148	1,000	-	60	89	52	78	-	34	27	22	
	24	81,912	161		-	69	-	60	-	-	38	31	25	
	8	27,304	85		1,000	41	24	36	21	31	25	14	12	10
	12	40,956	98			60	36	52	31	46	37	20	17	14
	16	54,608	111			79	47	69	41	60	48	27	21	18
20	68,260	123	-	58		86	50	74	-	33	26	21		
24	81,912	136	-	69		-	60	-	-	39	31	25		
<b>CU978</b> 78 in. (L) 300 LBS.	28	95,564	148	1,000	-	80	-	70	-	-	45	36	29	
	32	109,216	161		-	91	-	79	-	-	-	41	33	

NOTE: RED numbers represent circuit breakers or fused disconnect required. \*\*380V units will operate with a 16% reduction in heating capacity. +Based on 60°F inlet air temperature. \*Values shown is high speed.

## MULTIPLE AIR FLOW COMBINATIONS





# UNIT HEATERS

## ACCESSORIES

CATALOG NO.	DESCRIPTION	COMPATIBLE WITH	FUNCTION	SHIP WT. (LBS)
CU935RTK	Ceiling or Wall Recess Trim Kit	CU935	Provides a neat finish to semi-recessed or full recessed application.	3
CU945RTK		CU945		4
CU958RTK		CU958		5
CU968RTK		CU968		6
CU978RTK		CU978		7
CU935BK	Floor/Toe-Space Base Kit	CU935	16 gauge, muted black base is recessed from the heater front and sides to provide an attractive and practical floor mounting application.	9
CU945BK		CU945		10
CU958BK		CU958		11
CU968BK		CU968		13
CU978BK		CU978		15
CU935AWL	100% Outside Air, Exterior Aluminum Wall Louver	CU935	Used on exterior of masonry or panel walls of 2-3/4" or greater to provide a finished exterior For heaters 100% outside dampers.	5
CU945AWL		CU945		6
CU958AWL		CU958		7
CU968AWL		CU968		9
CU978AWL		CU978		10
CU935WF	Permanent, Reusable Washable Filter	CU935	Replaces standard filter Washable filter can be cleaned and replaced.	4
CU945WF		CU945		6
CU958WF		CU958		8
CU968WF		CU968		10
CU978WF		CU978		12

## OPTIONAL FACTORY-INSTALLED ACCESSORIES

ACCESSORY		DESCRIPTION
2-STAGE THERMOSTAT Built-or Remote	Standard	Built-in (or remote-mounted) single-pole, single-stage thermostat that cycles the element(s) and fan. Fan speed and element wattage selected by the built-in HIGH or LOW selector switch.
	Optional	Built-in (or remote-mounted) two-stage thermostat that cycles 2/3 of the element for during first stage and full heat during second stage. Fan cycles on high speed only.
120V CONTROL Internally Generated	Standard	Control supply is internally generated 24V. Field supplied 24V control supply can be applied to heater. (Requires removing only one jumper wire in the control panel).
	Optional	120V internally generated control voltage is available. Field supplied 120V control supply can be applied to heater. (Requires removing only one jumper wire in the control panel.)
MANUAL RESET	Standard	Heater is supplied with auto-reset over temperature cutout.
	Optional	Manual Reset over temperature cutout wired into control circuit. Supplied in addition to auto-reset cutout.
DEAD FRONT DISCONNECT SWITCH	Standard	Supply terminal block in the control compartment.
	Optional	A three pole non-fused disconnect switch disconnects power to the heater. Design prevents entry into the control compartment until disconnect switch is turned to the OFF position.
DEAD FRONT FUSED DISCONNECT SWITCH †	Standard	Supply terminal block in the control compartment.
	Optional	A three pole non-fused disconnect switch and circuit breaker(s) sized to the heater load protects heater and disconnects power to the heater. Design prevents entry into the control compartment until disconnect switch is turned to the OFF position.
SUMMER FAN SWITCH	Standard	Fan cycles as the heat cycles on and off.
	Optional	Built-in switch provides continuous fan operation with or without heat, or automatic fan cycling as the heat cycles on and off.
ON/OFF SWITCH	Standard	No switch supplied.
	Optional	Built-in switch provides continuous fan operation with or without heat, or automatic fan cycling as the heat cycles on and off.
KEY LOCK FOR FRONT COVER	Standard	Two (2) slotted head spring latches.
	Optional	Two (2) toolhead key lock style spring latches prevent unauthorized adjustment of controls and provides additional safety from injury due to contact with internal components.
NIGHT SET-BACK RELAY 24V or 120V	Standard	Heater will not set back at night.
	Optional	Ability to set-back heater from energy management system that supplies (Specify - 24V or 120V) to relay holding coil for day operation.
MOTORIZED 100% OUTSIDE AIR DAMPER*	Standard	Return air only.
	Optional	24V electronically controlled damper with rear mounted duct collar permits outside air to enter the chamber at 100%. If power is interrupted at the heater, outside damper remains in the open/closed position from the last switch setting. Damper fully opens in less than 2 minutes when selector switch is in the open damper* position. (Available only with heaters having 24V control supply. Cannot be used with 120V control supply or with bottom inlet configuration)
INLET OR DISCHARGE DUCT COLLAR(S)	Standard	Slotted louver grilles.
	Optional	Collars provide easy connection of field supplied duct work. We do not recommend exceeding 0.2 in. wg external static pressure. Heater with duct collars are supplied with a single speed high static motor.
ARCHITECTURAL EXTRUDED ALUMINUM GRILLES	Standard	Slotted louver grilles.
	Optional	Architectural styled extruded aluminum grille to enhance the appearance of the cabinet unit heater. This option is only available for both inlet and discharge openings ordered at the same time. Can not be ordered separately.

NOTE: † Plus price of circuit breaker. \*Need to add summer fan switch and heat on/off switch. Allow 4 to 6 weeks for shipment with these options.

## HOW TO ORDER CABINET UNIT HEATERS - CU900

PRODUCT	SERIES	LENGTH	KW	VOLTS	PHASE	INLET AIR	DISCHARGE AIR	MODEL	T' STAT	CONTROL SUPPLY	CIRCUIT BREAKER	MANUAL RESET	SUMMER FAN SWITCH	DISCONNECT SWITCH	HEAT ON-OFF SWITCH	NIGHT SETBACK RELAY	FILTER	OUTSIDE AIR DAMPER	FRONT COVER KEY LOCK	DUCT COLLARS/GRILLES
C	U	9						B												

Cabinet Unit Heater

900 Series

35 = 35" Cabinet Length  
 45 = 45" Cabinet Length  
 58 = 58" Cabinet Length  
 68 = 68" Cabinet Length  
 78 = 78" Cabinet Length

See Chart (2 KW = 02, 32 KW = 32)

20 = 208 Volt Supply Power  
 24 = 240 Volt Supply Power  
 27 = 277 Volt Supply Power  
 34 = 347 Volt Supply Power  
 38 = 380 Volt Supply Power (3-Phase Only)  
 48 = 480 Volt Supply Power (3-Phase Only)  
 60 = 600 Volt Supply Power (3-Phase Only)

1 = Single Phase Supply Power  
 3 = Three Phase Supply Power

F = Front Inlet Air Configuration  
 B = Bottom Inlet Air Configuration

F = Front Discharge Air Configuration  
 T = Top Discharge Air Configuration

Series Model Number

A = Architectural Extruded Aluminum Grille  
 0 = Standard Louver Grilles  
 1 = Inlet Duct Collars/Discharge Louver Grille  
 D = Inlet Louver Grille/Discharge Duct Collar  
 B = Inlet Duct Collar/Discharge Duct Collar

0 = Standard Lock  
 K = Key Lock

0 = Standard, No Outside Air Damper (must be Ø for bottom Inlet)  
 A = Motorized 100% Outside Air Damper

0 = Standard Throw-away Filter  
 P = Permanent "Washable" Filter

0 = Standard, No Night Setback Relay  
 1 = Night Setback Relay (120 Volt Holding Coil)  
 2 = Night Setback Relay (24 Volt Holding Coil)

0 = Standard, No ON - OFF Switch  
 S = ON - OFF Switch

0 = Standard, No Disconnect Switch  
 S = Disconnect Switch  
 F = Fused (Circuit Breaker) Disconnect Switch

0 = Standard, No Summer Fan Switch  
 S = Summer Fan Switch

0 = Standard, No Manual Reset  
 M = Manual Reset

0 = No Circuit Breaker(s)  
 C = Circuit Breaker(s), Required or Optional

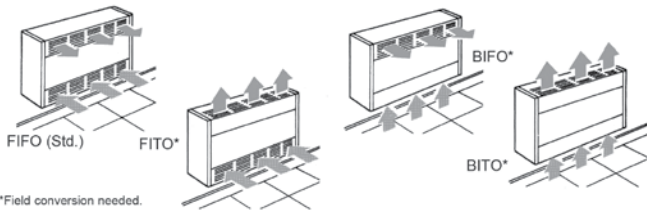
2 = Standard Internal Generated 24 Volt Control  
 1 = Internal Generated 120 Volt Control

1B = Standard Single Pole, Single Stage Built-In Thermostat  
 1R = Single Pole, Single Stage Remote (Wall Thermostat)  
 2B = Two Stage Built-In Thermostat  
 2R = Two Stage Remote (Wall Thermostat)





## STOCK CABINET UNIT HEATER CUS900 SERIES



\*Field conversion needed.

NEUTRAL GRAY



**IDEAL SPACES** | School Hallways; Churches; Transportation Terminals; Stairwells; Entrance Ways; Vestibules; Lobbies; Mechanical Rooms

**COLORS** | Neutral Gray

**DIMENSIONS** | 35 or 45" L x 26-3/8" H x 9-7/8" D

**TEMP RANGE** | 60°-85° F

**CFM** | 200-500

- Terminals for direct connection to BAS or EMS
- Built in disconnect switch and thermostat
- Field-convertible units available or voltage specific
- High/low heat setting
- All 3-phase heaters have balanced heating load
- Two cabinet sizes - 35 in. and 45 in.

### MODELS & SPECIFICATIONS

CATALOG NO.	UPC	KW		CFM		DIM	MOTOR	FANS	WT. (LBS.)	VOLTS/PH.	AMPS
		HI	LO	HI	LO						
<b>NON-FIELD CONVERTIBLE MODELS (VOLTAGE SPECIFIC)</b>											
CUS93505271FFNC	6 85360 16511 0	5	3.3	250	200	35" W x 26-3/8" H x 9-7/8" D	1	1	120	277V/1	18.0
CUS93505483FFNC	6 85360 16513 4									480V/3	6.0
CUS94510271FFNC	6 85360 16515 8	10	6.7	500	400	45" W x 26-3/8" H x 9-7/8" D	1	1	160	277V/1	36.0
CUS94510483FFNC	6 85360 16517 2									480V/3	12.0
<b>CONVERTIBLE MODELS</b>											
CUS93505203FF*	6 85360 01791 4	5	3.3	250	200	45" W x 26-3/8" H x 9-7/8" D	1	2	120	208V/3	14.0
CUS93505243FF*	6 85360 01792 1									240V/3	12.0
CUS93505483FF*	6 85360 01793 8									480V/3	6.0
CUS93505603FF*	6 85360 01794 5									600V/3	4.8
CUS94510203FF*	6 85360 01795 2	10	6.7	500	400	45" W x 26-3/8" H x 9-7/8" D	1	2	160	208V/3	34.0
CUS94510243FF*	6 85360 01796 9									240V/3	15.0
CUS94510483FF*	6 85360 01797 6									480V/3	12.0
CUS94510603FF*	6 85360 01798 3									600V/3	9.0

NOTE: \*Factory supplied 208V or 240V, 3PH field convertible to 1 PH, 480V 3 PH convertible to 277V 1 PH, 600V 3 PH convertible to 347V 1 PH. \*\*Amps shown are 3 PH, High heat operation. Field Convertible to 1PH.

### ACCESSORIES

CATALOG NO.	DESCRIPTION	COMPATIBLE WITH	FUNCTION	SHIP WT. (LBS)
CU935RTK	Ceiling or Wall Recess Trim Kit	CU935	Provides a neat finish to semi-recessed or full recessed application.	3
CU945RTK		CU945		4
CU935BK	Floor/Toe-Space Base Kit	CU935	16 gauge, muted black base is recessed from the heater front and sides to provide an attractive and practical floor mounting application.	9
CU945BK		CU945		10
CU935AWL	100% Outside Air, Exterior Aluminum Wall Louver	CU935	Used on exterior of masonry or panel walls of 2-3/4 in. or greater to provide a finished exterior For heaters 100% outside dampers.	5
CU945AWL		CU945		6
CU935WF	Permanent, Reusable Washable Filter	CU935	Replaces standard filter Washable filter can be cleaned and replaced.	4
CU945WF		CU945		6



## FINNED TUBE ELECTRIC | DUCT HEATER

- Available CSA- and UL-listed in slip-in or flanged configurations with heavy gauge galvanized steel frame and terminal box construction
- All units include primary and secondary thermal protection
- Designed for vertical or horizontal airflow in either direction
- Finned elements are constructed with highest Grade-A 80/20 nickel-chromium-resistance wire, helically wound and centered within a sheath of either copper-plated or stainless steel, compacted with magnesium oxide to assure excellent heat transfer and double sealed
- Heat output up to 1000 kW
- Variety of construction styles, features and control options



### IDEAL SPACES

Office Buildings; Retail Stores; Warehouses;  
Schools; Hotels; Hospitals

## OPEN COIL ELECTRIC | DUCT HEATER

- Available CSA- and UL-listed in slip-in or flanged configurations with heavy gauge galvanized steel frame and terminal box construction
- NEMA 12 and NEMA 4 models available
- All units include primary and secondary thermal protection
- Designed for vertical or horizontal airflow in either direction
- Alternate constructions are available for oven heaters, round duct, bottom insert and rain tight installations
- Elements are constructed using only the highest Grade-A 80/20 nickel-chromium resistance wire with stainless steel terminals
- Custom engineered - optional construction features include recessed, dust tight or insulated terminal box, insulated flanges and protective screens.
- Heat output up to 1000 kW
- Variety of construction styles, features and control options



### IDEAL SPACES

Office Buildings; Retail Stores; Warehouses;  
Schools; Hotels; Hospitals

#### RATING AND SIZES

The duct heaters are custom designed at no extra charge to your exact size, wattage, voltage, phase and number of steps. Any duct size from W = 6 in. and H = 6 in. minimum to W = 144 in. and H = 96 in. maximum, wattages up to 1000 kW can be furnished. Base price depends upon duct size and kW rating; base price is the same for single or three phase and does not change with number of steps. For practical design of heater, minimum recommended kW per step is .5 kW for 208V, 240V single-phase; 1.0 kW for 277V or 480V single-phase and 2.0 kW for 208V, 240V, 480V or 600V 3-phase.





## PLENUM-RATED UNIT HEATER MSPH SERIES

CONCEALED SPACE USE - ZERO CLEARANCE



NEUTRAL GRAY

**IDEAL SPACES** | Concealed Areas; Concession Stands; Bathrooms; Plenum Areas; Entrance Ways

**COLORS** | Neutral Gray

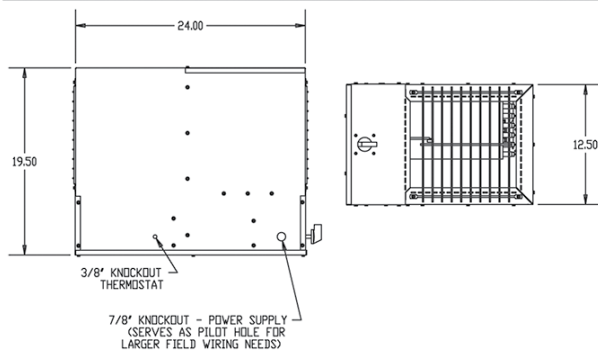
**DIMENSIONS** | Varies (see specifications)

**TEMP RANGE** | 40°-90° F

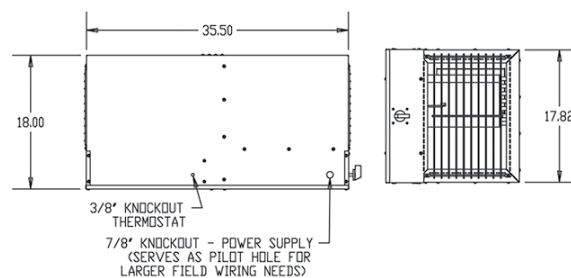
**CFM** | 350-1000

- Plenum-rated approved for installations in concealed spaces (between finished ceiling and drop ceiling, plenum space, or inside a plenum). It may be installed in areas that are not readily accessible and may be installed for freeze protection
- Compact size, zero clearance, design for horizontal installation
- Connects to duct work for home extensions – eliminates running duct work to HVAC saving money and time
- High limit thermal cutout - automatic reset
- Built-in disconnect switch
- Fan-only option
- Timed blower on/off delay
- External 24V thermostat control (not included)
- PSC-type 2-speed motor (ex. 480V models)
- Multiple heat rise selection
- 20-gauge all powder coated steel construction
- Acoustic fiberglass insulation
- Single point power connection
- Heavy-duty steel finned heating element
- Quiet, efficient, forward-curved centrifugal blower

### DIMENSIONS - Small Cabinet



### DIMENSIONS - Large Cabinet





## MODELS & SPECIFICATIONS

CATALOG NO.	UPC	PHASE	KW	VOLTS	AMP*	LOW SPEED*		HIGH SPEED**		SHIP WT. (LBS)	H x W x L
						CFM	RISE	CFM	RISE		
MSPH138124 MSPH132124 MSPH137124	6 85360 14994 3 6 85360 15010 9 6 85360 15016 1	1	3	208 240 277	15.32 13.4 11.63	350	27°F	400	24°F	57	12.5" x 19.5" x 24"
MSPH138324 MSPH132324 MSPH134324	6 85360 14996 7 6 85360 15012 3 6 85360 15014 7	3	3	208 240 480	9.23 8.12 4.11						
MSPH158124 MSPH152124 MSPH157124	6 85360 15006 2 6 85360 14998 1 6 85360 15004 8	1	5	208 240 277	24.94 21.73 18.85	350	45°F	400	39°F	57	12.5" x 19.5" x 24"
MSPH158324 MSPH152324 MSPH154324	6 85360 15008 6 6 85360 15000 0 6 85360 15002 4	3	5	208 240 480	14.78 12.93 6.51						
MSPH158124L MSPH152124L MSPH157124L	6 85360 15104 5 6 85360 15096 3 6 85360 15102 1	1	5	208 240 277	24.94 21.73 18.85	850	20°F	1000	16°F	69	18" x 18" x 35.5"
MSPH158324L MSPH152324L MSPH154324L	6 85360 15106 9 6 85360 15098 7 6 85360 15100 7	3	5	208 240 480	14.78 12.93 6.51						
MSPH1758124 MSPH1752124 MSPH1757124	6 85360 15026 0 6 85360 15018 5 6 85360 15024 6	1	7.5	208 240 277	38.12 33.31 28.91	850	28°F	1000	24°F	69	18" x 18" x 35.5"
MSPH1758324 MSPH1752324 MSPH1754324	6 85360 15028 4 6 85360 15020 8 6 85360 15022 2	3	7.5	208 240 480	22.88 20.1 10.16						
MSPH1102124 MSPH1107124	6 85360 15030 7 6 85360 15036 9	1	10	240 277	43.73 37.93	850	37°F		31°F	69	18" x 18" x 35.5"
MSPH2102124 MSPH2107124	6 85360 15108 3 6 85360 15114 4	1	10	240 277	43.73 37.93	850	37° / 20°F	1000	31° / 16°F		
MSPH1108324 MSPH1102324 MSPH1104324	6 85360 15038 3 6 85360 15032 1 6 85360 15034 5	3	10	208 240 480	29.82 26.12 13.17		37°F		31°F		
MSPH2108324 MSPH2102324 MSPH2104324	6 85360 15116 8 6 85360 15110 6 6 85360 15112 0		10	208 240 480	29.82 26.12 13.17	850	37° / 20°F	1000	31° / 16°F		
MSPH1158324 MSPH1152324 MSPH1154324	6 85360 15044 4 6 85360 15040 6 6 85360 15042 0	3	15	208 240 480	43.9 38.14 19.18	850	56°F	1000	47°F		
MSPH2152324 MSPH2154324	6 85360 15118 2 6 85360 15120 5	3	15	240 480	38.14 19.18	850	56° / 28°F	1000	47° / 24°F		

NOTE: \*Total Amps including Resistive and Inductive loads. \*\*Low and High speed fan operation is determined during installation of thermostat set up † Tested @0.2" S.P.  
 \*\* Low speed fan operation not available on 480V models.

## ACCESSORIES

CATALOG NO.	DESCRIPTION	OPENING	DIMENSIONS (W x H x D)	SHIP WT. (LBS)
FRST10	Throw away filter, including rack for 3 & 5KW unit.	Inlet side	15" X 20" X 4.5"	4
FRWS15	Reusable filter, including rack for 3 & 5KW unit.	Inlet side	15" X 20" X 4.5"	4
FRLT20	Throw away filter, including rack for 7.5 to 15KW unit.	Inlet side	15" X 20" X 4.5"	5
FRWL25	Reusable filter, including rack for 7.5 to 15KW unit.	Inlet side	15" X 20" X 4.5"	5
LKS10	Adjustable louver kit for 3 & 5KW units	Outlet side	15" X 20" X 4.5"	5.5
LKL15	Adjustable louver kit for 7.5 to 15KW units	Outlet side	15" X 20" X 4.5"	6
AES10	Aluminum Wall Louver kit for inside heated room for 3 & 5KW units	Inside room	Rough in: 13-11/16" X 13-3/4"	3
AES15	Aluminum Wall Louver kit for inside heated room for 7.5 to 15KW units	Inside room	Rough in: 15-3/4" X 15-3/4"	3.5
TH5220D1003	Electronic Digital 2-Stage 24V Thermostat	Inside room	5 3/4" x 3-3/4" x 1-1/2"	4
PRHT1	Single Pole Field installed thermostat. Range 40° to 85°F	At heater	25A @ 240V resistive; 22A @ 277V	3



## PLENUM-RATED UNIT HEATER CHPR25 SERIES

CONCEALED SPACE USE - ZERO CLEARANCE



NEUTRAL GRAY

**IDEAL SPACES** | Between Finished Ceiling and Drop Ceiling; Plenum Space; Freeze Protection

**COLORS** | Neutral Gray

**DIMENSIONS** | 14" L x 12-1/2" H x 14" D

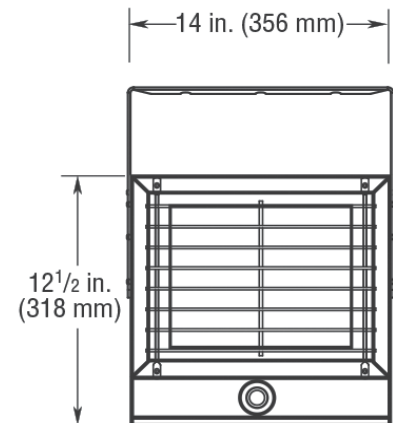
**TEMP RANGE** | 40°-90° F

**CFM** | 150

- Plenum-rated approved for installations in concealed spaces (between finished ceiling and drop ceiling, plenum space, or inside a plenum). It may be installed in areas that are not readily accessible and may be installed for freeze protection
- 18-gauge all steel casing with polyester powder coat finish for corrosion protection
- Steel finned low-watt density element. High limit thermal cutout automatically shuts off current in event of overheating and reactivates the heater when temperature returns to normal
- Fan delay control. feature allows only warm air to be distributed; optional alarm (240V) to alert automatic thermal limit tripped (Model AFL240)
- Built-in thermostat
- Control box gasket to keep out moisture and dust; NEMA 12 construction
- Fan motor completely enclosed, permanently lubricated and thermally protected
- Single point field wiring connection for easy installation and maintenance

### MODELS & SPECIFICATIONS

CATALOG NO.	UPC NUMBER	VOLTS	HZ	KW	PHASE	BTU/HR	FPM	RISE	SHIP AMPS	SHIP WT. (LBS)
CHPR25	6 85360 14954 7	240	50/60	2.5	1	8530	1880	60°F	10.7	26
		208	50/60	1.9		6398		46°F	9.42	



### ACCESSORIES

CATALOG NO.	UPC	DESCRIPTION	SHIP WT. (LBS)
AFL240	6 8536015347 6	Thermal Limit Alarm	1

# HAZARDOUS ENVIRONMENT





## EXPLOSION-PROOF UNIT HEATER | **GUX SERIES**



NAVAJO  
WHITE

**IDEAL SPACES** | Oil Refineries; Sewage Treatment Plants; Petrochemical Plants; Oil Rigs; Unattended Pumping Stations; Chemical Storage/Handling Facilities; Paint Storage Areas; Other Hazardous Environments

**COLORS** | Navajo White

**DIMENSIONS** | Varies (see specifications)

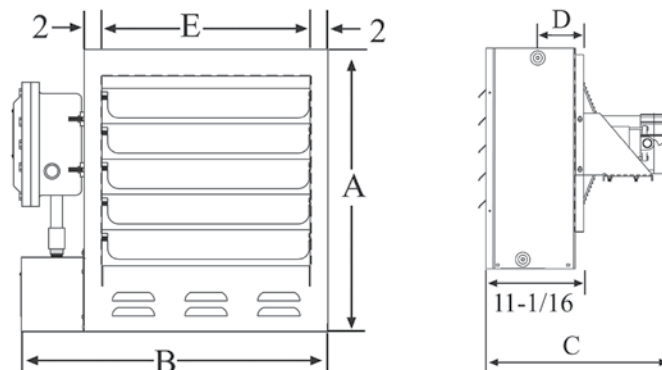
**TEMP RANGE** | 50°-90° F

**CFM** | 700-2330

- Heats areas classified as hazardous locations designated as Class I, Group C & D Division 1 & 2 or Class II, Groups E, F, and G with a T3B ignition temperature code rating (329°F, 165°C) or higher to provide primary or supplementary heating for comfort or freeze protection
- Pre-wired, self-contained control center. Standard controls include automatic reset thermal limit, magnetic contactor, and 24V control circuit transformer
- An automatic reset high limit cutout unit is standard (optional additional manual reset high limit cutout available)
- Optional factory built-in thermostat, disconnect switch, fan selector switch, 120V control circuit, and pilot light
- Advanced heat exchanger design allows lower operating temperatures from liquid to air heat exchanger with steel tubes, aluminum fins, a non-toxic heat transfer fluid, and a pressure relief plug
- Ball bearing permanently lubricated; explosion-proof motor has built-in thermal overload protection
- Powder-coated heavy-gauge steel cabinet surrounding 14-gauge heavy-duty steel frame supports internal components

### DIMENSIONS

UNIT SIZE	A		B		C		D		E	
	IN.	MM	IN.	MM	IN.	MM	IN.	MM	IN.	MM
3-10kW	19-1/8	486	23-7/8	606	21	533	3-1/5	89	13-5/8	346
15-20kW	25	635	27-7/8	708	21	533	4-13/32	112	17-5/8	448
25-30kW	32-1/8	816	31-7/8	810	21-3/4	552	5-1/2	140	21-5/8	549





# HAZARDOUS ENVIRONMENT

## MODELS & SPECIFICATIONS

CATALOG NO.	UPC	HEATER VOLTS	WATTS (KW)	PHASE	CONTROL VOLTS*	OUTPUT BTU/HR.	TOTAL AMPS	VOLUME CFM	AIR TEMP RISE	THROW	SHIP WT. (LBS)	SHIP STATUS
GUX300812	6 85360 03470 6	208	3	1	24	10,236	16.7	700	13°F	28 ft.	135	AS
GUX300832	6 85360 03477 5	208	3	3	24	10,236	9.7	700	13°F	28 ft.	135	AS
GUX300412	6 85360 03448 5	240	3	1	24	10,236	14.8	700	13°F	28 ft.	135	C
GUX300432	6 85360 03452 7	240	3	3	24	10,236	8.6	700	13°F	28 ft.	135	C
GUX3004832	6 85360 03458 4	480	3	3	24	10,236	4.3	700	13°F	28 ft.	135	C
GUX300632	6 85360 03468 3	600	3	3	24	10,236	3.6	700	13°F	28 ft.	135	C
GUX500812	6 85360 03503 1	208	5	1	24	17,060	26.3	700	22°F	28 ft.	135	C
GUX500832	6 85360 03508 6	208	5	3	24	17,060	15.3	700	22°F	28 ft.	135	C
GUX500412	6 85360 03481 2	240	5	1	24	17,060	23.1	700	22°F	28 ft.	135	AS
GUX500432	6 85360 03486 7	240	5	3	24	17,060	13.5	700	22°F	28 ft.	135	C
GUX5004832	6 85360 03491 1	480	5	3	24	17,060	6.8	700	22°F	28 ft.	135	S
GUX500632	6 85360 03501 7	600	5	3	24	17,060	5.6	700	22°F	28 ft.	135	C
GUX750812	6 85360 03530 7	208	7.5	1	24	25,590	38.4	840	27°F	28 ft.	135	C
GUX750832	6 85360 03532 1	208	7.5	3	24	25,590	22.2	840	27°F	28 ft.	135	C
GUX750412	6 85360 03513 0	240	7.5	1	24	25,590	33.6	840	27°F	28 ft.	135	AS
GUX750432	6 85360 03517 8	240	7.5	3	24	25,590	19.4	840	27°F	28 ft.	135	C
GUX7504832	6 85360 03521 5	480	7.5	3	24	25,590	9.7	840	27°F	28 ft.	135	S
GUX750632	6 85360 03528 4	600	7.5	3	24	25,590	8.1	840	27°F	28 ft.	135	C
GUX1000832	6 85360 03404 1	208	10	3	24	34,120	29.2	840	36°F	32 ft.	140	C
GUX1000412	6 85360 03387 7	240	10	1	24	34,120	44.5	840	36°F	32 ft.	140	C
GUX1000432	6 85360 03390 7	240	10	3	24	34,120	25.5	840	36°F	32 ft.	140	C
GUX10004832	6 85360 03396 9	480	10	3	24	34,120	12.7	840	36°F	32 ft.	140	S
GUX1000632	6 85360 03402 7	600	10	3	24	34,120	10.6	840	36°F	32 ft.	140	C
GUX1500832	6 85360 03420 1	208	15	3	24	51,180	43	1450	31°F	47 ft.	160	AS
GUX1500432	6 85360 03408 9	240	15	3	24	51,180	37.5	1450	31°F	47 ft.	160	C
GUX15004832	6 85360 03411 9	480	15	3	24	51,180	18.7	1450	31°F	47 ft.	160	S
GUX1500632	6 85360 03418 8	600	15	3	24	51,180	15.7	1450	31°F	47 ft.	160	C
GUX20004832	6 85360 03427 0	480	20	3	24	68,240	24.8	1400	43°F	43 ft.	171	S
GUX2000632	6 85360 03434 8	600	20	3	24	68,240	20.7	1400	43°F	43 ft.	171	C
GUX25004832	6 85360 03436 2	480	25	3	24	85,300	31.1	2330	32°F	54 ft.	216	AS
GUX2500632	6 85360 03439 3	600	25	3	24	85,300	25.8	2330	32°F	54 ft.	216	C
GUX30004832	6 85360 03440 9	480	30	3	24	102,360	37.1	2330	39°F	54 ft.	216	AS
GUX3000632	6 85360 03444 7	600	30	3	24	102,360	30.2	2330	39°F	54 ft.	216	C

NOTE: Above models have built-in 24V control; optional 120V control is available (replace "2" suffix with "1" for 120V control). Includes element, motor, and transformer. All units with status "C" or "AS" are made-to-order and are non-returnable.

## ACCESSORIES

CATALOG NO.	UPC	DESCRIPTION
GUXPM12	6 85360 03379 2	Pole Mounting Bracket for units 3KW thru 10KW
GUXPM16	6 85360 03380 8	Pole Mounting Bracket for units 15KW thru 20KW
GUXPM18	6 85360 03381 5	Pole Mounting Bracket for units 25KW thru 30KW
GUXWM12	6 85360 03382 2	Wall Mounting Kit for units 3KW thru 10KW
GUXWM16	6 85360 03383 9	Wall Mounting Kit for units 15KW thru 20KW
GUXWM18	6 85360 03384 6	Wall Mounting Kit for units 25KW thru 30KW
GUXCM0	6 85360 03378 5	Ceiling/Hang Mounting Kit for all Models

NOTE: Specify type of mounting bracket required at time of order entry.

SUFFIX	DESCRIPTION
AM	Automatic and Manual reset limits
T	Thermostat, 20°-80°F
L	Pilot Light (HEATER ON)
K	Pilot Light (LIMIT TRIPPED)
S	Selector Switch (AUTO/FAN ONLY)
D	Disconnect Switch - 15 amp for heaters rated 12 amps or lower  Disconnect Switch - 30 amp for heaters between 13-24 amps  Disconnect Switch - 60 amp for heaters 24 amps or higher
1*	120 Volt Control Transformer
E	Artic Construction

\* - Change heater suffix "2" to "1" for this option





## WASHDOWN CORROSION-RESISTANT UNIT HEATER | QWD SERIES

STAINLESS  
STEEL



**IDEAL SPACES** | Wastewater Treatment Plants; Coal Handling Areas; Food Processing Plants; Greenhouses; Foundries; Steel Mills; Cement Plants; Car Washes; Ship/Marine Docks

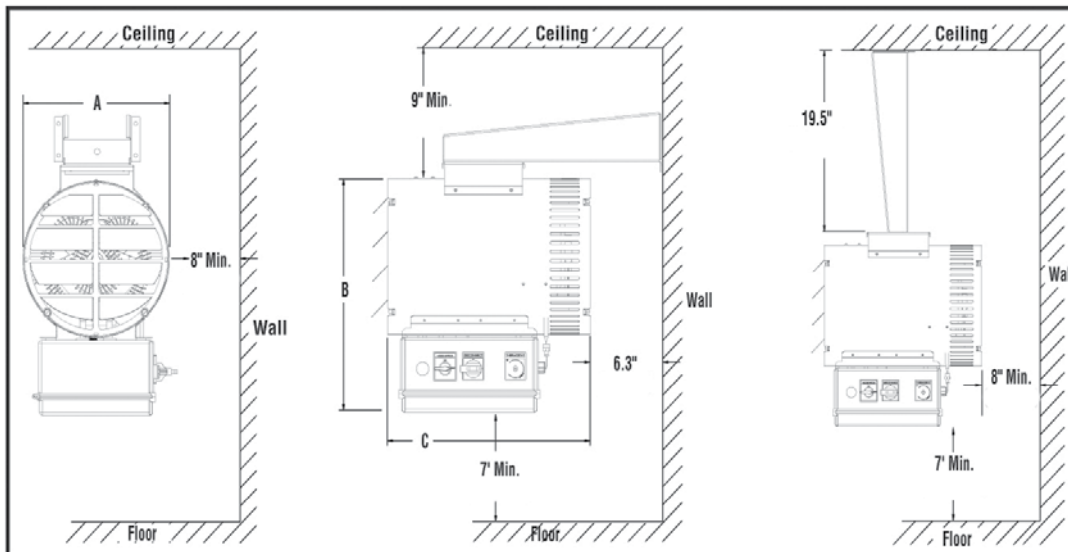
**COLORS** | Stainless Steel

**DIMENSIONS** | Varies (see specifications)

**TEMP RANGE** | 55°-90° F

**CFM** | 700-2400

- Heater offers corrosion protection in harsh environments with ability to be hosed down for cleaning
- Completely enclosed ball bearing motor that is epoxy-coated for moisture and corrosion resistance
- NEMA 4X junction box protects against water and dust
- 16-gauge 304 Stainless Steel cabinet for longer life and rust-resistance
- 24V controls improves safety with remote thermostat
- 316 Stainless Steel-finned elements for improved heat distribution
- 14-gauge Stainless Steel wall/ceiling bracket provides multiple options for mounting
- Automatic temperature high reset limit activates if the temperature gets too high
- Wall thermostat WT11A is NEMA 4X Rated



### DIMENSIONS

KW	A	B	C	D
2-10	13	19.5	18	19.5
12.5-39.0	20	31	27	24.2

# HAZARDOUS ENVIRONMENT

## MODELS & SPECIFICATIONS

CATALOG NO.	HEATER KW	VOLTS	MOTOR PHASE	OUTPUT BTU/HR	HEATER AMPS	MOTOR VOLTS	MOTOR PHASE	MOTOR AMPS	TEMP RISE	CFM	SHIP WT. (LBS.)
QWD02112	2	120	1	6,824	16.7	120	1	1.554	9	700	60
QWD02812	2	208	1	6,824	9.6	208	1	0.896	9	700	60
QWD02212	2	240	1	6,824	8.3	240	1	0.777	9	700	60
QWD03112	3	120	1	10,236	25.0	120	1	1.554	14	700	60
QWD03812	3	208	1	10,236	14.4	208	1	0.896	14	700	60
QWD03212	3	240	1	10,236	12.5	240	1	0.777	14	700	60
QWD03712	3	277	1	10,236	10.8	277	1	0.673	14	700	60
QWD03832	3	208	3	10,236	8.3	208	1	0.896	14	700	60
QWD03232	3	240	3	10,236	7.2	240	1	0.777	14	700	60
QWD03432	3	480	3	10,236	3.6	480	1	0.388	14	700	60
QWD05812	5	208	1	17,060	24.0	208	1	0.896	23	700	60
QWD05212	5	240	1	17,060	20.8	240	1	0.777	23	700	60
QWD05712	5	277	1	17,060	18.1	277	1	0.673	23	700	60
QWD05412	5	480	1	17,060	10.4	480	1	0.388	23	700	60
QWD05832	5	208	3	17,060	13.9	208	1	0.896	23	700	60
QWD05232	5	240	3	17,060	12.0	240	1	0.777	23	700	60
QWD05432	5	480	3	17,060	6.0	480	1	0.388	23	700	60
QWD05632	5	600	3	17,060	7.2	240	1	1.8	23	1450	75
QWD07812	7.5	208	1	25,590	36.1	208	1	0.896	34	700	60
QWD07212	7.5	240	1	25,590	31.3	240	1	0.777	34	700	60
QWD07712	7.5	277	1	25,590	27.1	277	1	0.673	34	700	60
QWD07412	7.5	480	1	25,590	15.6	480	1	0.388	34	700	60
QWD07832	7.5	208	3	25,590	20.8	208	1	0.896	34	700	60
QWD07232	7.5	240	3	25,590	18.0	240	1	0.777	34	700	60
QWD07432	7.5	480	3	25,590	9.0	480	1	0.388	34	700	60
QWD07632	7.5	600	3	25,590	7.2	240	1	1.8	34	1450	75
QWD10212	10	240	1	34,120	41.7	240	1	0.777	22	1450	60
QWD10712	10	277	1	34,120	36.1	277	1	0.673	22	1450	60
QWD10412	10	480	1	34,120	20.8	480	1	0.388	22	1450	60
QWD10832	10	208	3	34,120	27.8	208	1	0.896	22	1450	60
QWD10232	10	240	3	34,120	24.1	240	1	0.777	22	1450	60
QWD10432	10	480	3	34,120	12.0	480	1	0.388	22	1450	60
QWD12812	12.5	208	1	42,650	60.1	208	1	1.793	27	1450	60
QWD12212	12.5	240	1	42,650	52.1	240	1	1.554	27	1450	60
QWD12832	12.5	208	3	42,650	34.7	208	1	1.793	27	1450	60
QWD12232	12.5	240	3	42,650	30.1	240	1	1.554	27	1450	60
QWD12432	12.5	480	3	42,650	15.0	480	1	0.777	27	1450	60
QWD15812	15	208	1	51,180	72.1	208	1	1.793	20	2400	60
QWD15212	15	240	1	51,180	62.5	240	1	1.554	20	2400	110
QWD15412	15	480	1	51,180	31.3	480	1	0.777	20	2400	110
QWD15832	15	208	3	51,180	41.6	208	1	1.793	20	2400	110
QWD15232	15	240	3	51,180	36.1	240	1	1.554	20	2400	110
QWD15432	15	480	3	51,180	18.0	480	1	0.777	20	2400	110
QWD20412	20	480	1	68,240	41.7	480	1	0.777	26	2400	120
QWD20232	20	240	3	68,240	48.1	240	1	1.554	26	2400	120
QWD20432	20	480	3	68,240	24.1	480	1	0.777	26	2400	120
QWD25832	25	208	3	85,300	69.4	208	1	1.793	33	2400	120
QWD25232	25	240	3	85,300	60.1	240	1	1.554	33	2400	120
QWD25432	25	480	3	85,300	30.1	480	1	0.777	33	2400	120
QWD30832	30	208	3	102,360	83.3	208	1	1.793	39	2400	120
QWD30232	30	240	3	102,360	72.2	240	1	1.554	39	2400	120
QWD30432	30	480	3	102,360	36.1	480	1	0.777	39	2400	120
QWD39432	39	480	3	133,068	46.9	480	1	0.777	51	2400	120

## ACCESSORIES (FACTORY-INSTALLED ONLY)

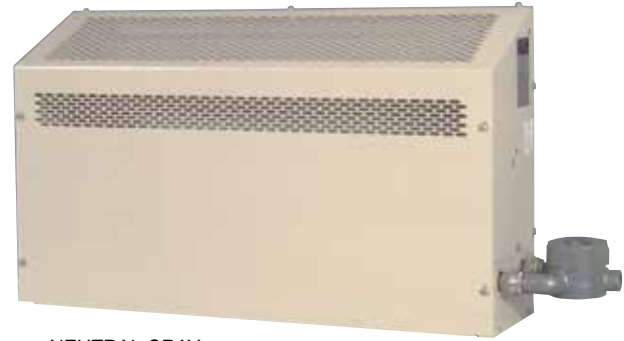
SUFFIX	DESCRIPTION
T	Thermostat
L	Pilot Light
S	Selector Switch
D	Disconnect Switch
E	Monel Element*
M	Manual Reset
P	Epoxy Coating

\* Monel elements are subject to longer lead times. Please contact factory for details. All units other than standard models are non-returnable.

# HAZARDOUS ENVIRONMENT



## EXPLOSION-PROOF CONVECTORS | ICG SERIES



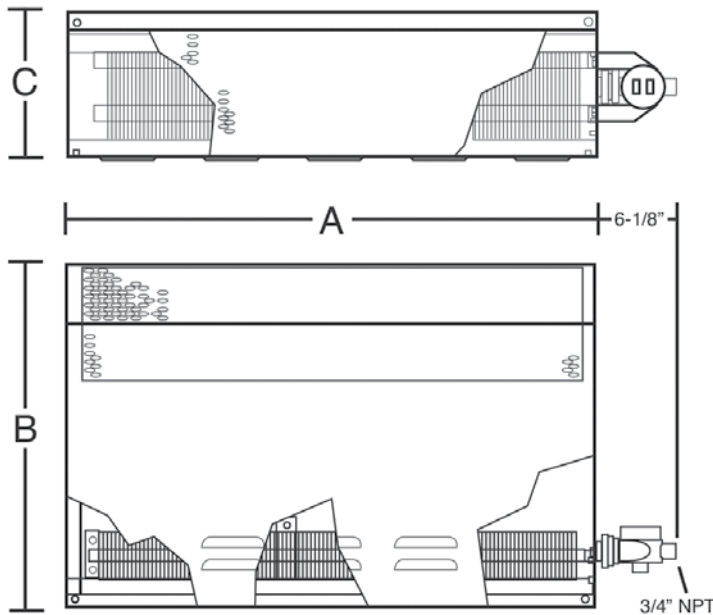
NEUTRAL GRAY

**IDEAL SPACES** | Oil Rigs and Refineries; Sewage Treatment Plants; Petrochemical Plants; Pumping Stations; Chemical Storage/Handling Facilities; Paint Storage Areas; Other Hazardous Areas

**COLORS** | Neutral Gray

**DIMENSIONS** | Varies (see specifications)

- Designed to heat areas classified as hazardous locations designated for Class I, Groups B, C, & D. Division 1 and 2 environments
- Polyester powder-coated heavy-gauge steel provides excellent corrosion resistance
- Explosion-proof junction boxes included for conduit entry and ease of wiring
- High quality, long life tubular elements with high-grade resistance wire embedded in MGO, centered in heavy gauge 1.25 in. diameter sheath with 3 x 3.25 in. fins
- Easily mounted with wall mounting brackets (included)
- Sloped top cabinet prevents objects from being set on top which could restrict airflow



### DIMENSIONS

KW	LENGTH (IN)	HEIGHT (IN)	WIDTH (IN)
1.8 and 3.6	34	20	9
3.2 and 7.6	58	20	9

NOTE: Add 8-7/8 in. to total length of heater to allow for junction box on right side of heater.

# HAZARDOUS ENVIRONMENT

## MODELS & SPECIFICATIONS

CATALOG NO.	UPC	HEATER VOLTS	WATTS (K/W)	PHASE	AMPS	BTU/HR	SHIP WT. (LBS)	SHIP STATUS
<b>T2A TEMPERATURE RATING (536° F)</b>								
ICG18001	6 85360 04000 4	120	1.8	1	15.0	6,140	46	AS
ICG18081	6 85360 04020 2	208	1.8	1	8.7	6,140		S
ICG18083	6 85360 04025 7	208	1.8	3	5.0	6,140		C
ICG18041	6 85360 04004 2	240	1.8	1	7.5	6,140		S
ICG18043	6 85360 04008 0	240	1.8	3	4.4	6,140		C
ICG18071	6 85360 04018 9	277	1.8	1	6.5	6,140		C
ICG180481	6 85360 04011 0	480	1.8	1	3.8	6,140		C
ICG180483	6 85360 04014 1	480	1.8	3	2.2	6,140		C
<b>T2B TEMPERATURE RATING (536° F)</b>								
ICG36081	6 85360 04088 2	208	3.6	1	17.3	12,300	58	S
ICG36083	6 85360 04091 2	208	3.6	3	10.0	12,300		C
ICG36041	6 85360 04069 1	240	3.6	1	15.0	12,300		S
ICG36043	6 85360 04072 1	240	3.6	3	8.7	12,300		C
ICG36071	6 85360 04085 1	277	3.6	1	13.0	12,300		C
ICG360481	6 85360 04074 5	480	3.6	1	7.5	12,300		C
ICG360483	6 85360 04077 6	480	3.6	3	4.3	12,300		S
ICG36063	6 85360 04083 7	600	3.6	3	6.3	12,300		C
<b>T2C TEMPERATURE RATING (536° F)</b>								
ICG76081	6 85360 13595 3	208	7.6	1	36.5	25,930	94	C
ICG76083	6 85360 08562 3	208	7.6	3	21.1	25,930		C
ICG76041	6 85360 08555 5	240	7.6	1	31.7	25,930		C
ICG76043	6 85360 12131 4	240	7.6	3	18.3	25,930		C
ICG76071	6 85360 08561 6	277	7.6	1	27.4	25,930		C
ICG760481	6 85360 08557 9	480	7.6	1	15.8	25,930		C
ICG760483	6 85360 08558 6	480	7.6	3	9.2	25,930		C
ICG76063	6 85360 08559 3	600	7.6	3	9.2	25,930		C
<b>T3A TEMPERATURE RATING (356° F)</b>								
ICG32081	6 85360 04065 3	208	3.2	1	15.4	11,000	84	C
ICG32083	6 85360 04066 0	208	3.2	3	8.9	11,000		C
ICG32041	6 85360 04061 5	240	3.2	1	13.3	11,000		C
ICG32043	6 85360 08648 4	240	3.2	3	7.7	11,000		C
ICG32071	6 85360 04046 4	277	3.2	1	11.6	11,000		C
ICG320481	6 85360 04062 2	480	3.2	1	6.7	11,000		C
ICG320483	6 85360 04063 9	480	3.2	3	3.8	11,000		C
ICG32063	6 85360 16059 7	600	3.2	3	5.6	11,000		C

## ACCESSORIES (FACTORY-INSTALLED ONLY)

CATALOG NO.	DESCRIPTION
T	Thermostat 45°-85°F (Class I, Group C & D only)
CX	24V Control Contactor and Transformer (see note #2 below)
CX1	120V Control Contactor and Transformer (see note #3 below)
TB	Thermostat 45°-85°F (Class 1, Group B,C, & D)

NOTE: Units with factory built-in controls will increase in length by 2-3/4 in. over what is shown above. 480V unit heaters with built-in thermostat require "CX" option. All units with status "C" or "AS" are made-to-order and are non-returnable. See below for availability status.

## AVAILABILITY STATUS

SERIES	CODE DESCRIPTION	LEAD TIME
GUX	Code S - Stock unit (no built-in controls)	4 weeks
	Code AS - Assemble to stock units (with or without built-in controls)	5 weeks
	Code C - Custom (with or without built-in controls)	6 weeks
ICG	Code S - Stock unit (no built-in controls)	4 weeks
	Code C - Custom (with or without built-in controls)	6 weeks

NOTE: All stock units with built-in controls are the same as code AS units



### FOYER/LOBBY

Air Curtains  
Convection Heaters  
Baseboard Heaters  
Cabinet Heaters



### TERRACE

Infrared Heaters



### MEETING ROOM

Convection Heaters  
Baseboard Heaters  
Wall Heaters  
Radiant Ceiling Panels



### CONFERENCE

Convection Heaters  
Baseboard Heaters  
Wall Heaters  
Radiant Ceiling Panels



### COMMON AREA

Convection Heaters  
Baseboard Heaters  
Ceiling Heaters  
Cabinet Heaters



### OFFICE

Convection Heaters  
Baseboard Heaters  
Wall Heaters  
Portable Heaters



### CAFETERIA

Convection Heaters  
Baseboard Heaters  
Cabinet Heaters  
Ceiling Fans



### ENTRANCE

Infrared Heaters



### WAITING ROOM

Convection Heaters  
Baseboard Heaters  
Wall Heaters  
Ceiling Heaters



# CEILING HEATERS

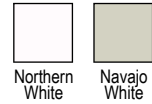


# CEILING HEATERS



## COMMERCIAL DOWNFLOW CEILING HEATER CDF SERIES

### AVAILABLE COLORS



Phosphatized, baked enamel finish: All sheet metal and extruded aluminum parts, except the back box, are phosphatized, then finished by a baked enamel electrostatic painting process.



Elements: Steel fins are copper-brazed to low-watt density, steel-sheathed, tubular heating elements which are arranged in a uniform grid pattern. The grid covers the entire intake area, resulting in uniform heating of all discharged air.

Efficient Operation: The five-bladed aluminum fan and the rugged impedance-protected, totally-enclosed motor, achieve efficient operation.



NORTHERN WHITE



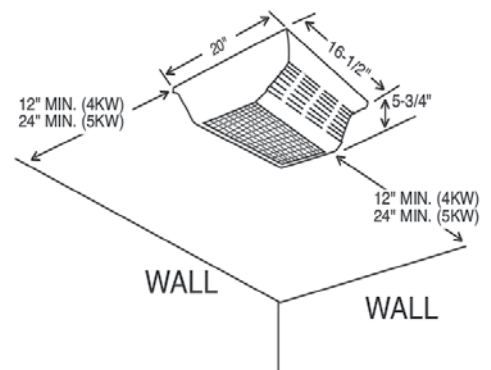
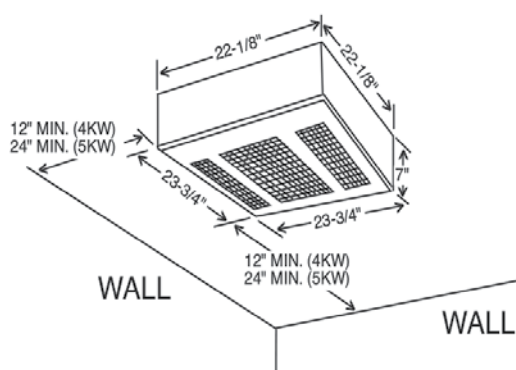
**IDEAL SPACES** | Bathrooms; Offices; Conference Rooms; Lobbies; Waiting Rooms; Entrance Ways  
**COLORS** | Northern White; Navajo White  
**TEMP RANGE** | 45° - 90°F  
**RECESSED** | 23-3/4" W x 23-3/4" L x 7" D    **SURFACE** | 16-1/2" W x 20" L x 5-3/4" D    **CFM** | 300

- CDFSE "surface enclosures" are designed to mount flat on the ceiling and extend only 6 in. into the room
- CDFRE "recessed enclosures" have no protrusions outside recess box, allowing the heater to recess only 7 in. into ceiling space. Mounts in T-Bar or permanent ceiling with trim ring
- 208V and 240V heaters can be field-converted from single- to three-phase operation. 5,000-watt heater can be field-converted to 3,800 or 2,500 watts and 4,000-watt heater to 3,000 or 2,000 watts
- BMS-compatible with use of relays
- Three adjustable airflow patterns from 14 ft. ceilings: wide, narrow or asymmetrical patterns
- Automatic fan delay eliminates cold drafts on start-up and discharges residual heat from the heater body during shut down
- Automatic thermal cutout: shuts off the heater in the event of over-heating and reactivates heater when temperature returns to normal
- Easy installation: Thumb pins align and temporarily hold enclosure cover to heating section freeing both hands to finish installation

### SUGGESTED CONTROLS

view page 151 for more information

MS26 or M601W



## MODELS & SPECIFICATIONS

CATALOG NO.	UPC	MOUNTING	KW	BTU/HR	AMPS	VOLTS	PHASE	SHIP WT (LBS)
CDF548	6 85360 01510 1	Heater Section Only	4/3/2	13.7/10.2/6.8	19.2/14.2/9.6	208	1-3	27
CDF542	6 85360 01508 8				16.7/12.5/8.3	240	1-3	
CDF547	6 85360 01509 5		5/3.8/2.5	17.1/13/8.5	14.4/10.8/7.2	277	1	
CDF558	6 85360 01513 2				24/18.3/12	208	1-3	
CDF552	6 85360 01511 8			20.8/15.8/10.4	240	1-3	27	
CDF557	6 85360 01512 5			18.1/13.7/9	277	1		

## ACCESSORIES

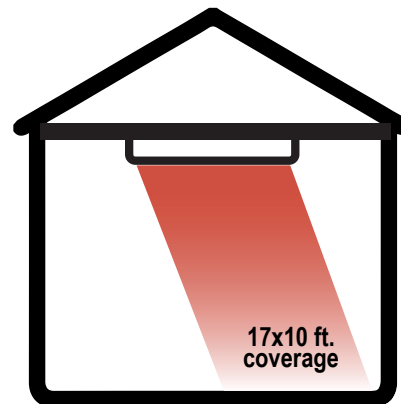
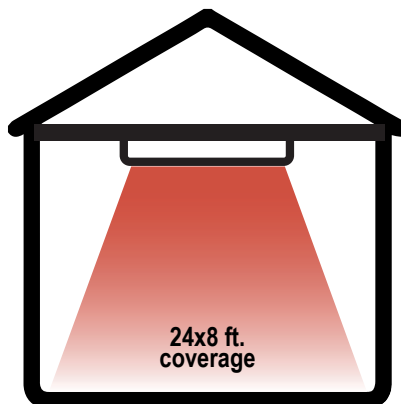
CATALOG NO.	UPC	DESCRIPTION	SHIP WT (LBS.)
CDFSE	6 85360 01501 9	Surface-mounted enclosure (Navajo White) - to be used With above heater section. 20" L x 16-1/2" W x 5-3/4" D	10
CDFRE	6 85360 01498 2	Recessed-mounted enclosure (Navajo White) - to be used With above heater section. 23-3/4" L x 23-3/4" W x 7" D	18
CDFSENW	6 85360 14961 5	Surface-mounted Northern White - to be used With above heater section. 20" L x 16-1/2" W x 5-3/4" D	10
CDFRENW	6 85360 14963 9	Recessed-mounted Northern White - to be used With above heater section. 23-3/4" L x 23-3/4" W x 7" D	18
CDFT	6 85360 01503 3	Integral thermostat SPST - Range 45 to 95°F	1
CDF24R	6 85360 01507 1	Relay (Time Delay 45-60 sec. to close when energized) requires 24V supply from remote source	1
CDFR12	6 85360 01500 2	Relay (Time Delay 45-60 sec. to close when energized) requires 120V supply from remote source	1
CDFDS	6 85360 01496 8	Power Disconnect Switch (3-Pole) 30 amps, 600 volts, 3Ø, 60 Hz	1
CDSTK	6 85360 01504 0	Trim Ring for mounting on permanent ceiling (cannot be factory installed)	1
CDFTR4	6 85360 01505 7	208/240V Primary Transformer/24V sec. and 24V holding coil control relay	1
CDFTR7	6 85360 01506 4	277V Primary Transformer/24V sec. and 24V holding coil control relay	1

NOTE: Factory-wired for highest wattage, field-convertible to lower wattages. Factory-wired 1-PH, field convertible to 3-PH dual-phase units, maximum amp draw is listed. Amperage shown is for single phase. For factory installation of above controls, additional charges apply.

## ADJUSTABLE AIRFLOW OPTIONS

### WIDE PATTERN (24x8 ft. coverage)

In standard ceiling applications (8-10 ft.), heater disperses the air to give a gentle, less pronounced pattern while circulating all the air from floor to ceiling.

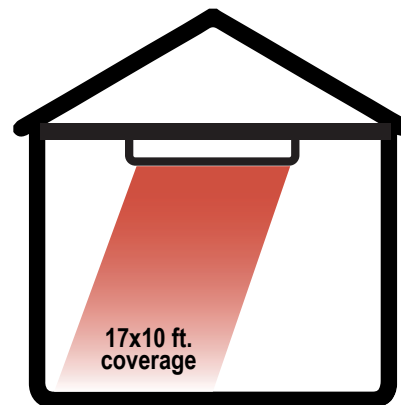
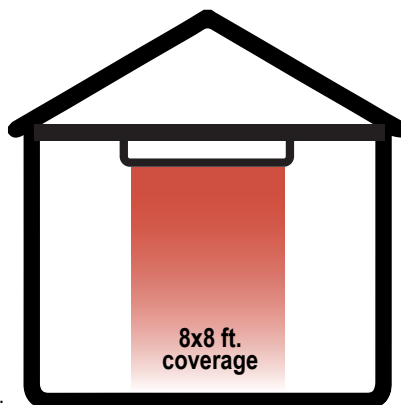


### ASYMMETRICAL PATTERN (17x10 ft. coverage)

Heated air is directed in a specific direction, allowing the heater to be located where space allows, with the heated air delivered to where it is required.

### NARROW PATTERN (8x8 ft. coverage)

For high ceiling applications (11-14 ft.), fan concentrates the heated air to ensure full penetration to the floor level.



# CEILING HEATERS



## CEILING-MOUNTED FAN-FORCED HEATER EFF SERIES



NAVAJO WHITE

**IDEAL SPACES** | Entryways; Hallways; Restrooms; Detention Environments; Lobbies

**COLORS** | Navajo White

**TEMP RANGE** | 40°-90° F

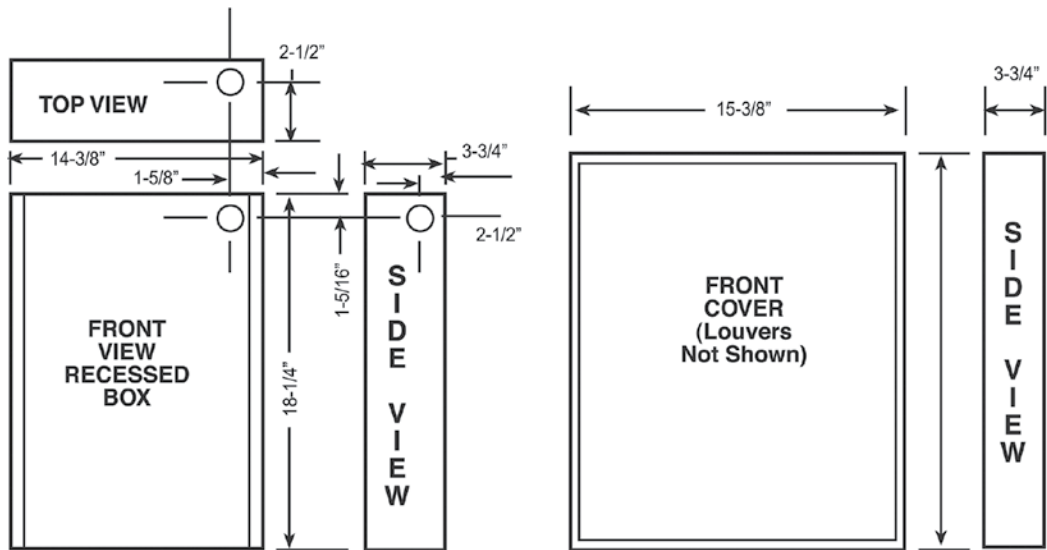
**GRILLE** | 15-3/4" W x 19-1/8" L x 1" D    **BACK BOX** | 14-3/8" W x 18-1/4" L

**CFM** | 150

- Accommodates pneumatic/electric or low voltage controls commonly used with BMS Systems
- Built in power on/off switch
- When using wall thermostat, separate thermostat wiring is required
- Automatic fan delay eliminates cold drafts on start-up and discharges residual heat from the heater body during shut down
- Multiple mounting options: recessed, surface or T-Bar
- Heavy duty 14-gauge louvered front cover grille with tamper-resistant screws

**SUGGESTED CONTROLS**  
view page 151 for more information

MS26 or M601W





## MODELS & SPECIFICATIONS

CATALOG NO.	UPC	VOLTS	WATTS	AMPS	BTU/HR.	SHIP WT. (LBS)
EFF1500	6 85360 14810 6	120	1500	12.5	5120	23
EFF3007	6 85360 05907 5	277	3000/1500	10.8/5.4	10239/5120	23
EFF4008	6 85360 05913 6	208	4000/2000	19.2/9.8	13652/6826	23
EFF4004	6 85360 05909 9	240	4000/2000	16.7/14.4	13652/10239	23
		208	3000/1500		10239/5120	
EFF4007	6 85360 05912 9	277	4000/2000	14.4/12.5	13652/10239	23
		240	3000/1500		10239/5120	
EFF4804	6 85360 05916 7	240/208	4800/3600	20.0/17.3	16382/12287	23
EFF4807	6 85360 05919 8	277/240	4800/3600	17.3/15.0	16382/12287	23
EFF3003	6 85360 02108 9	347	3000	8.6	10239	23
EFF3006	6 85360 02109 6	600	3000	5	10239	23
EFF4003	6 85360 02111 9	347	4000	11.5	13652	23
EFF4006	6 85360 02114 0	600	4000	6.7	13652	23
EFF4803	6 85360 02118 8	347	4800	13.8	16382	23
EFF4806	6 85360 02121 8	600	4800	8	16382	23
EFF48483	6 85360 15584 5	480	4800	5.8	16382	23
EFF48483LV	6 85360 15586 9	480	4800	5.8	16382	23

NOTE: Factory-wired for highest wattage, field-convertible to lower wattages.

## ACCESSORIES

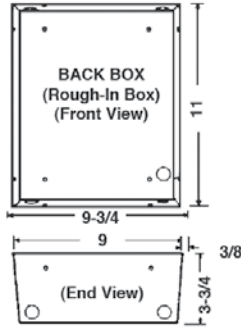
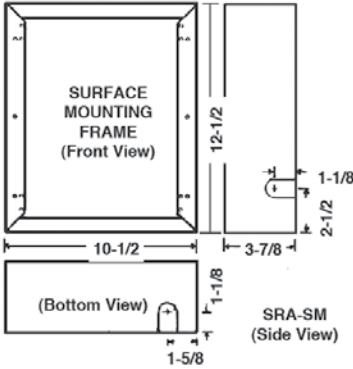
CATALOG NO.	UPC	DESCRIPTION	SHIP WT. (LBS)
EFFSM	6 85360 02098 3	Surface Mounting Sleeve - Navajo White	6
EFFR2 (24V)	6 85360 02097 6	Time delay relay, 45-60 seconds to close when energized; Uses remote 24V or 120V power source	1
EFFR12 (120V)	6 85360 02096 9		
EFFTBF	6 85360 02099 0	T-Bar Frame Kit	4.5
EFFT1	6 85360 02102 7	Single Pole T-Stat. (Field Installed)	1
EFFT2	6 85360 02103 4	Double Pole Thermostat. (Field Installed)	2
EFFTR4	6 85360 02100 3	208/240V Primary Transformer 24V Relay	1
EFFTR7	6 85360 02101 0	277V Primary 24V Sec. Transformer Relay	1







## CEILING-MOUNTED FAN-FORCED HEATER QCH SERIES



NORTHERN WHITE

**IDEAL SPACES** | Basements; Offices; Converted Attics; Bathrooms; Workshops; Lobbies; Hallways; Common Areas

**COLORS** | Northern White

**TEMP RANGE** | 45°-95° F

**GRILLE** | 10-1/2" L x 12-1/2" W x 1" D

**BACK BOX** | 9-3/4" L x 11" W x 3-3/4" D

**CFM** | 65

- Dual voltage and wattage
- Built-in power on/off switch
- Thermal cutout to shut off heater in case of overheating
- Easy installation with a three-piece design
- Automatic fan delay eliminates cold drafts on start-up and discharges residual heat from the heater body during shut down
- Recessed or surface installation options available
- Remote wall thermostat required

### MODELS & SPECIFICATIONS

CATALOG NO.	UPC	VOLTS	WATTS	AMPS	SHIP WT. (LBS)
QCH1101F	685360165028	120	1000	8.3	10
			500	4.7	
QCH1151F	685360165035	120	1500	12.5	
			750	6.3	
QCH1202F	685360165042	240/208	2000/1500	8.3/7.2	
			1000/750	4.2/3.6	
QCH1207F	685360165059	277/240	2000/1500	7.2/6.3	
			1000/750	3.6/3.1	

NOTE: Factory-wired for highest wattage, field-convertible to lower wattages.

**SUGGESTED CONTROLS**  
view page 151 for more information

MS26 or M601W

### ACCESSORIES

CATALOG NO.	UPC	DESCRIPTION	SHIP WT. (LBS)
QCHSM	6 85360 05872 6	Surface mounting sleeve, Northern White	2
QCHS1	6 85360 05873 3	1 in. Semi-Recessed Frame, Northern White	
QCHS2	6 85360 05874 0	2 in. Semi-Recessed Frame, Northern White	
QCHTBF	6 85360 08738 2	T-Bar Frame Kit, Northern White	5

NOTE: Requires two separate leads from heater to single-pole wall thermostat.

# SPECIALTY HEATERS





## TOE SPACE FAN-FORCED HEATER | QTS SERIES

- Tangential blower for quiet operations
- Ability to reduce wattage by half when needed
- Thermal cutout indicated with pilot light protects against overheating
- Steel plate fin element in a uniform grid pattern for uniform heating
- Built-in thermostat models available
- Three-piece construction for easy installation
- Use with built-in thermostat or remote wall-mounted thermostat



BLACK

**IDEAL SPACES** | Kitchens, Bathrooms; Stairwells; Checkout Counters; Toll Booths

**COLORS** | Black; Northern White

**GRILLE** | 3-5/8" H x 15-3/8" W

**BACK BOX** | 3-1/2" H x 14-1/8" W x 8-7/8" D

**TEMP RANGE** | 45°-85°F

### MODELS & SPECIFICATIONS

CATALOG NO.	UPC	VOLTS	WATTS	AMPS	SHIP WT. (LBS)
QTS1100*	6 85360 06538 0	120	1125/563	9.4/4.7	10
QTS1104*	6 85360 06539 7	240	1125/563	4.7/2.3	10
		208	844/422	4.1/2.0	
QTS1500T**	6 85360 06541 0	120	1500/750	12.5/6.3	11
QTS1504T**	6 85360 06543 4	240/208	1500/750	6.3/3.1	11
			1125/564	5.4/2.7	

NOTE: \* Models require QTSTSP or remote wall-mounted thermostat. \*\* Models shipped with single-pole thermostat installed. Add NW to catalog number for Northern White (ex. QTS1100NW).

### ACCESSORIES

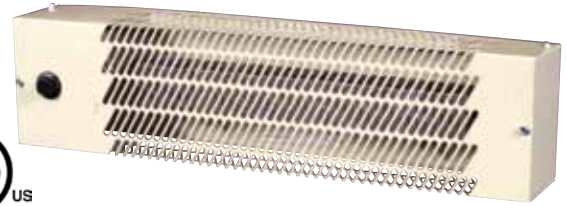
CATALOG NO.	UPC	DESCRIPTION	SHIP WT. (LBS)
QTSAG	6 85360 06532 8	Adapter Grille 3-1/2" H x 2-3/8" W	1
QTSTSP	6 85360 06533 5	120-240V Thermostat Kit	1





## UTILITY WELL HOUSE HEATER | WHT500 SERIES

- Install it anywhere heat is needed to prevent pipes and other water, hydraulic fluid or oil-filled equipment from freezing
- Designed to provide automatic, 24-hour protection. Set thermostat at any desired level and leave it
- Aluminum-finned element provides fast heat and steel sheath cools element for extended life
- Heater cabinet is galvanized steel and epoxy painted for corrosion protection
- Thermostat is completely contained within control box
- Quick 240/208V field conversion to 120V
- All power supply and control wiring terminates in the tamper-proof control box — no live voltage in element area



NEUTRAL GRAY

**IDEAL SPACES** | Pump houses; utility rooms; relay stations; construction sheds; cabins

**COLORS** | Neutral Gray

**DIMENSIONS** | 21" L x 5" H x 3-1/2" D

**TEMP RANGE** | 40°-70°F

### MODELS & SPECIFICATIONS

CATALOG NO.	UPC	VOLTS	WATTS	AMPS	SHIP WT. (LBS)
WHT500	6 85360 08049 9	240/208/120	500/376/500	2.1/1.8/4.2	6

## FLOOR DROP-IN HEATER | FDI SERIES



- Universal size combined with a heavy-duty grille
- Quick Installation – mounts between floor joists parallel or perpendicular
- Overheat thermal protector
- Flow pattern is 5 ft. wide and 4 ft. high
- Push-on tab wire terminals
- Quiet operation



SANDAL WOOD

**IDEAL SPACES** | Bedrooms; Living/Family Rooms; Offices; Conference Rooms; Hallways; Lobbies; Waiting Rooms

**COLORS** | Sandal Wood

**GRILLE** | 15-3/8" L x 8-3/4" W

**BACK BOX** | 14" L x 7-1/4" W x 6-5/8" D

**TEMP RANGE** | 55°-90°F

### MODELS & SPECIFICATIONS

CATALOG NO.	UPC	VOLTS	CFM	WATTS	AMPS	SHIP WT. (LBS)
FDI1500	6 85360 02626 8	120	80	1500/750	12.5/6.3	10
FDI1504	6 85360 02628 2	240	80	1500/750	6.3/3.1	10
		208	80	1125/563	5.4/2.7	
FDITSP	6 85360 02619 0	120-240V Thermostat Kit				1

NOTE: \*60 hz. single-phase. Do not install in bathroom or other areas where water may enter heater unit. Do not locate where air flow may be obstructed (under drapes, behind doors, etc.). Keep short side 36 in. min. and long side 3 in. min. from side walls. Do not install in ceiling or wall.





## COUNTERFLOW ELECTRIC WALL FURNACE CFWF SERIES

**IDEAL SPACES** | Bedrooms; Living/Family Rooms; Basements; Offices; Conference Rooms; Hallways; Lobbies; Waiting Rooms

**COLORS** | Northern White

**DIMENSIONS** | 72-1/2" H x 14-1/8" W x 7" D **CFM** | 300

- Heater draws in cool air at top inlet, forcing air downward via fan over heating element and then quietly discharging warm air thru bottom inlet
- Warm air at floor creates a gentle convective process in room, preventing stratification of warm air near ceiling and ensuring comfort for occupants
- Heater can be surface-mounted or recessed into wall sections (maximum depth of recess is 5-3/8 in.)
- Heavy-duty open coil electric heating elements provides uniform heat and long operating life
- Digital 24V, two-wire electronic thermostat included with heater
- Contemporary styling uses soft curves on all edges, avoiding sharp corners of a square design
- Large wiring compartment is accessible from front of heater enabling rapid, easy hookup
- Optional rear outlet package allows some heated air to adjoining rooms; mounted inside wall behind heater

NORTHERN  
WHITE



### MODELS & SPECIFICATIONS

CATALOG NO	UPC	VOLTS	kW	AMPS	SHIP WT. (LBS)
CFWF920	6 85360 08643 9	120	9.2	39	60

NOTE: Unit can be surface-mounted or recessed (recess mount wall opening 75-1/2" H x 14-3/8" W).

### ACCESSORIES

CATALOG NO	UPC	DESCRIPTION	SHIP WT. (LBS)
CFWFRO	6 85360 10716 5	Rear Outlet Package	6



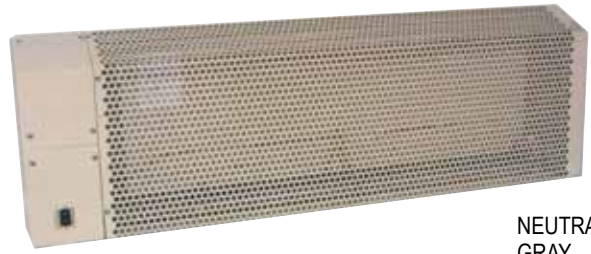
# CONVECTION HEATERS



# CONVECTION HEATERS



## INSTITUTIONAL ELECTRIC CONVECTOR KCJ SERIES



NEUTRAL  
GRAY

**IDEAL SPACES** | Offices; Conference Rooms; Hallways; Lobbies; Waiting Rooms; Other Common Areas

**COLORS** | Neutral Gray

**DIMENSIONS** | 16" (H) x 5" (D) x (length varies)

- Durable, tamper-resistant convection heat
- Low operating temperatures of 140°F maximum surface temperature in a 70°F ambient
- Internal, secured thermostat with 55° to 100°F range
- 12-gauge perforated steel provides rugged resistance to vandalism
- Epoxy baked enamel finish insures resistance to chipping, cracking and rusting
- Sloped top cabinet prevents objects from being set on top, which could restrict airflow
- Internal DPST disconnect switch is accessible without removing cover

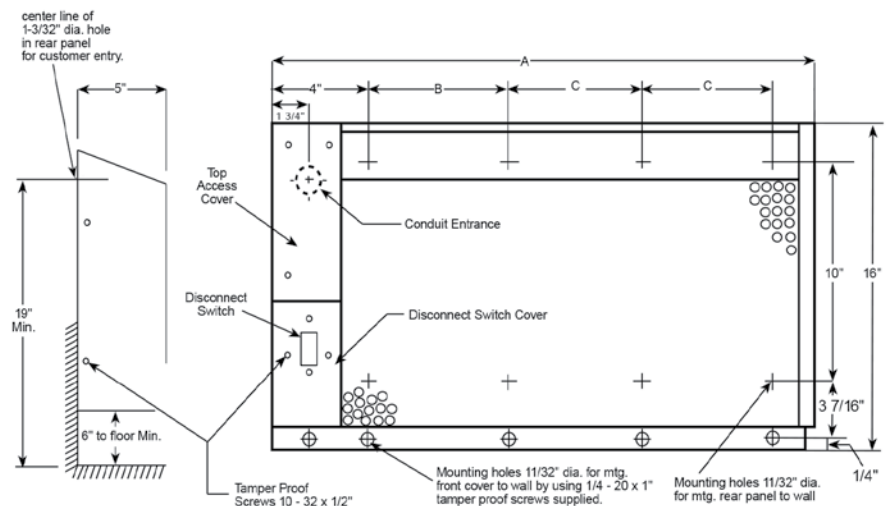
### MODELS & SPECIFICATIONS

CATALOG NO.	VOLTS	WATTS (K/W)	AMPS	SHIP WT. (LBS)
KCJ400	120	400	3.3	40
KCJ408	208		1.9	
KCJ404	240		1.7	
KCJ407	277		1.4	
KCJ500	120	500	4.2	45
KCJ508	208		2.4	
KCJ504	240		2.2	
KCJ507	277		1.8	
KCJ750	120	750	6.3	55
KCJ758	208		3.6	
KCJ754	240		3.3	
KCJ757	277		2.7	
KCJ753	347	2.2		
KCJ1000	120	1000	8.3	65
KCJ1008	208		4.8	
KCJ1004	240		4.4	
KCJ1007	277		3.6	
KCJ1003	347	2.9		
KCJ1006	600	1.7		
KCJ1250	120	1250	10.4	80
KCJ1258	208		6	
KCJ1254	240		5.4	
KCJ1257	277		4.5	
KCJ1253	347	3.6		
KCJ1256	600	2.1		
KCJ1500	120	1500	12.5	95
KCJ1508	208		7.2	
KCJ1504	240		6.5	
KCJ1507	277		5.4	
KCJ1503	347	4.3		
KCJ1506	600	2.5		
KCJ2008	208	2000	9.6	
KCJ2004	240		8.8	
KCJ2007	277		7.2	
KCJ2003	347		5.8	
KCJ2006	600	3.3		

### DIMENSIONS

WATTS	LENGTH (IN) - A	HEIGHT (IN)	DEPTH (IN)
400	24	16	5
500	28	16	5
750	36	16	5
1000	48	16	5
1250	60	16	5
1500	72	16	5
2000	96	16	5

NOTE: Products are made-to-order and cannot be returned.





# MADE<sup>TO</sup> ORDER



MARLEY ENGINEERED PRODUCTS OFFERS  
MADE-TO-ORDER HEATING SOLUTIONS TO  
ACCOMMODATE ANY BUILDING SPECIFICATION  
OR SPACE CONFIGURATION.

WORK WITH OUR TEAM TO SELECT THE RIGHT HEATING  
PRODUCTS AND ACCESSORIES FOR YOUR PROJECT. WE  
WILL CUSTOM MANUFACTURE OUR PRODUCTS TO  
YOUR EXACT SPECIFICATIONS.



LOOK FOR THIS SYMBOL FOR PRODUCTS  
AVAILABLE FOR MADE-TO-ORDER!

FOR MORE INFORMATION, CONTACT YOUR LOCAL  
QMARK SALES REPRESENTATIVE, OR DISTRIBUTOR.



**Marley**<sup>®</sup>  
Engineered Products





## ARCHITECTURAL SILL-HEIGHT CONVECTOR DBA & SHA SERIES

### AVAILABLE COLORS



CHARCOAL GRAY

**IDEAL SPACES** | Residential (DBA): Living Rooms; Bedrooms; Other Similar Areas with Floor-to-Ceiling Windows  
 Institutional and Commercial (SHA or DBA): Offices; Hallways; Lobbies; Condos; Conference Rooms;  
 Retail Spaces; Other Similar Areas

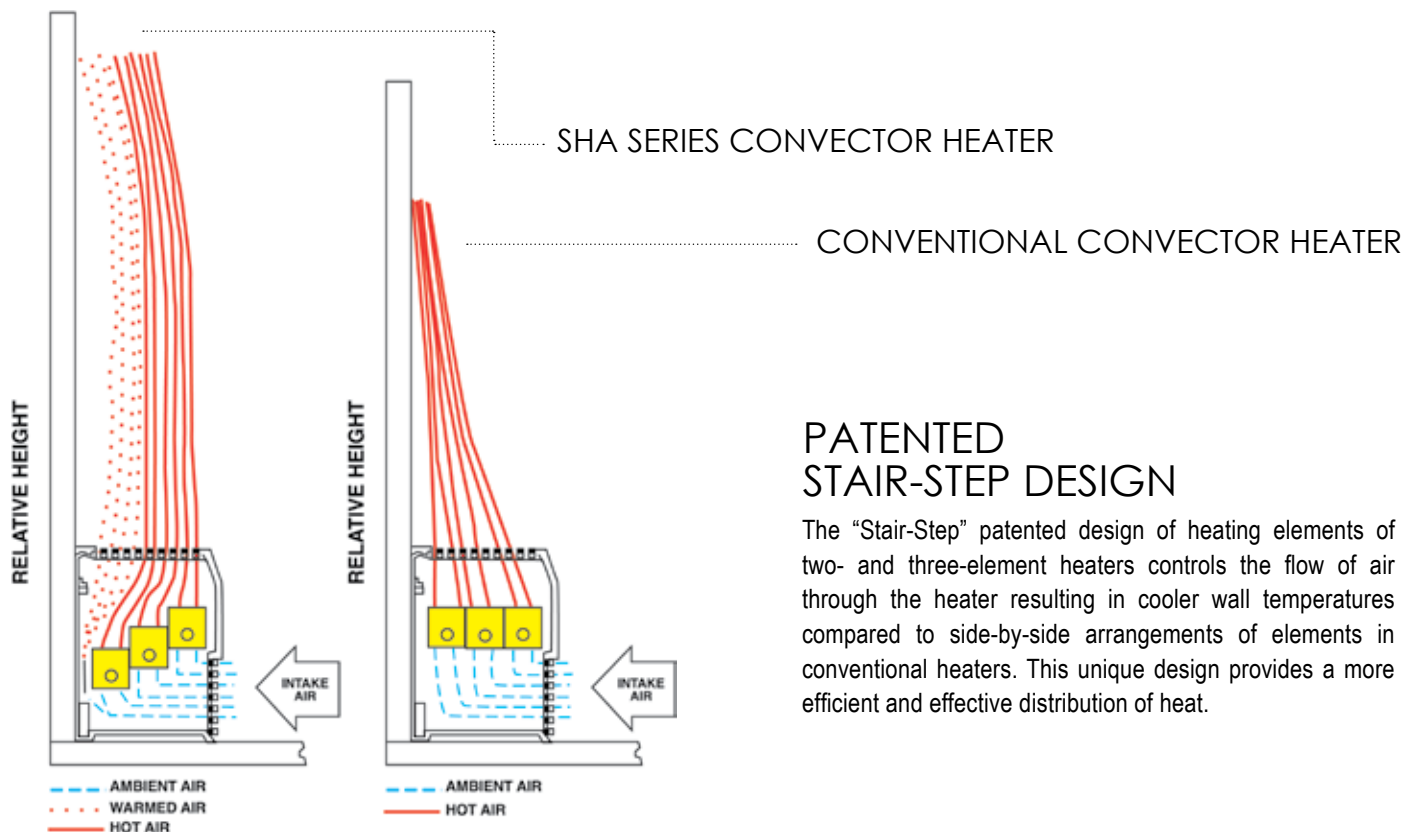
**COLORS** | Neutral Gray; Charcoal Gray; Navajo White; Northern White; Statuary Bronze; Desert Tan; Black;  
 Custom Colors, Clear, Bronze Anodized Finishes Available

**DIMENSIONS** | (DBA) 6" H x 3-5/8"D (Length varies)

**DIMENSIONS** | (SHA) 7" H x 5-5/8"D (Length varies)

- DBA Series is approved for residential applications
- Patented "Stair-Step" SHA heating element design accommodates a multitude of applications and heating needs (see diagram on next page)
- Unique two-piece extruded aluminum "Snap-Lock" closure design secures the one-piece top and front grilles to the one-piece back and bottom providing a rapid, secure fit all along the length of the unit
- Front/bottom inlet air grille utilizes slots which create an attractive installation where inlet grille is visible
- Blend into any décor with custom paint and anodizing upon request
- Units can be mounted on floor, wall, or pedestals
- Customize space with wall-to-wall installation, or as discrete units in standard lengths of 28 in. to 10 ft.
- Units are available in a wide range of heating capacities per foot length (see specifications)
- Architectural-style end sections give a finished look when used as a stand-alone or where a wall-to-wall run is not desired
- Inside and outside corners can be ordered factory-cut and mitered to fit difficult or unusual spaces
- Right -or left-hand entry and built-in wire way (equivalent to 3/4 in. conduit) with factory-installed wiring
- Full line of trim accessories, including matching blank sections, end caps, filler sections, inside and outside corners, diagonal end sections, and splice plates
- Optional built-in controls include: line-voltage thermostat; two-stage thermostat; on/off switch; transformer relay; power relay and pneumatic/switch
- Easy connection of supply wiring from bottom, rear or end, as well as multiple wiring of adjacent heaters from one entry point
- Thermal limit switch with linear type (full length) sensing bulb provides constant protection against overheating from any cause
- Switch will automatically reset when normal operating temperatures are restored
- Discharge air openings in top grille are punched slots which are pencil-proof for safety

# CONVECTION HEATERS



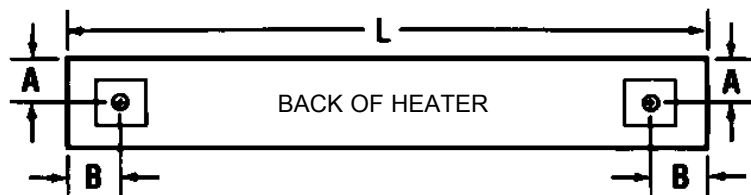
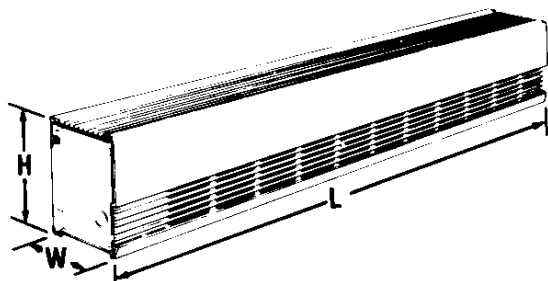
## PATENTED STAIR-STEP DESIGN

The "Stair-Step" patented design of heating elements of two- and three-element heaters controls the flow of air through the heater resulting in cooler wall temperatures compared to side-by-side arrangements of elements in conventional heaters. This unique design provides a more efficient and effective distribution of heat.

## CABINET STYLES

Two cabinet styles are available. The **DBA Series**, designed for residential applications, is 3-5/8 x 6 in. and is available with one heating element. The **SHA Series**, designed for commercial applications, is 5-3/8 x 7 in. and is available with one, two, or three elements. Both styles are available in two versions: front-in/top-out and bottom-in/top-out.

## DIMENSIONS & STANDARD PEDESTAL PLACEMENT



### DIMENSIONS

CATALOG NO.	H	W	L
DBA	6"	3-5/8"	28"-15'
SHA	7"	3-5/8"	28"-15'

### STANDARD PEDESTAL PLACEMENT

CATALOG NO.	A	B	L
DBA	2"	2-1/4"	28"-10'
SHA	2"	2-1/4"	28"-12'

NOTE: On units longer than 10 ft., three pedestals are required. Consult factory for placement.



# CONVECTION HEATERS

## MODELS & SPECIFICATIONS | DBA SERIES

CATALOG NO.	LENGTH (FT)	WATTS PER FT.	TOTAL WATTS	120V	208V	240V	277V	347V	600V	SHIP WT. (LBS)
DBA02	2.3	100	200	1.7	1.0	0.8	-	-	-	8
		125	250	2.1	1.2	1.0	0.9	-	-	
		150	300	2.5	1.4	1.3	1.1	-	-	
		188	376	3.1	1.8	1.6	1.4	-	-	
		250	500	4.2	2.4	2.1	1.8	1.4	-	
DBA03	3	100	300	2.5	1.4	1.3	1.1	-	-	10
		125	375	3.1	1.8	1.6	1.4	1.1	-	
		150	450	3.8	2.2	1.9	1.6	1.3	-	
		188	564	4.7	2.7	2.4	2.0	1.6	-	
		250	750	6.3	3.6	3.1	2.7	2.2	-	
DBA04	4	100	400	3.3	1.9	1.7	1.4	1.2	-	13
		125	500	4.2	2.4	2.1	1.8	1.4	-	
		150	600	5.0	2.9	2.5	2.2	1.7	-	
		188	752	6.3	3.6	3.1	2.7	2.2	1.3	
		250	1000	8.3	4.8	4.2	3.6	2.9	1.7	
DBA05	5	100	500	4.2	2.4	2.1	1.8	1.4	-	17
		125	625	5.2	3.0	2.6	2.3	1.8	1.0	
		150	750	6.3	3.6	3.1	2.7	2.2	1.3	
		188	940	7.8	4.5	3.9	3.4	2.7	1.6	
		250	1250	10.4	6.0	5.2	4.5	3.6	2.1	
DBA06	6	100	600	5.0	2.9	2.5	2.2	1.7	1.0	20
		125	750	6.3	3.6	3.1	2.7	2.2	1.3	
		150	900	7.5	4.3	3.8	3.2	2.6	1.5	
		188	1128	9.4	5.4	4.7	4.1	3.3	1.9	
		250	1500	12.5	7.2	6.3	5.4	4.3	2.5	
DBA07	7	100	700	-	3.4	2.9	2.5	2.0	-	24
		125	875	-	4.2	3.6	3.2	2.5	-	
		150	1050	-	5.0	4.4	3.8	3.0	-	
		188	1316	-	6.3	5.5	4.8	3.8	-	
		250	1750	-	8.4	7.3	6.3	5.0	2.9	
DBA08	8	100	800	-	3.8	3.3	2.9	2.3	1.3	27
		125	1000	-	4.8	4.2	3.6	2.9	1.7	
		150	1200	-	5.8	5.0	4.3	3.5	2.0	
		188	1504	-	7.2	6.3	5.4	4.3	2.5	
		250	2000	-	9.6	8.3	7.2	5.8	3.3	
DBA09	9	100	900	-	4.3	3.8	3.2	2.6	-	30
		125	1125	-	5.4	4.7	4.1	3.2	-	
		150	1350	-	6.5	5.6	4.9	3.9	-	
		188	1692	-	8.1	7.1	6.1	4.9	2.8	
		250	2250	-	10.8	9.4	8.1	6.5	3.8	
DBA10	10	100	1000	-	4.8	4.2	3.6	2.9	1.7	33
		125	1250	-	6.0	5.2	4.5	3.6	2.1	
		150	1500	-	7.2	6.3	5.4	4.3	2.5	
		188	1880	-	9.0	7.8	6.8	5.4	3.1	
		250	2500	-	12.0	10.4	9.0	7.2	4.2	

NOTE: Cabinet available up to 15 ft. length. Custom length cabinets are priced with heater and blank to the next larger size. Backs are provided standard with no finish. For finished backs, add 10% to list price. Knockouts on back omitted by request only. All models are NON-STOCK made-to-order. When ordering, specify quantity, catalog number, voltage, wattage, optional controls, and color. Consult sales representative for lead times.

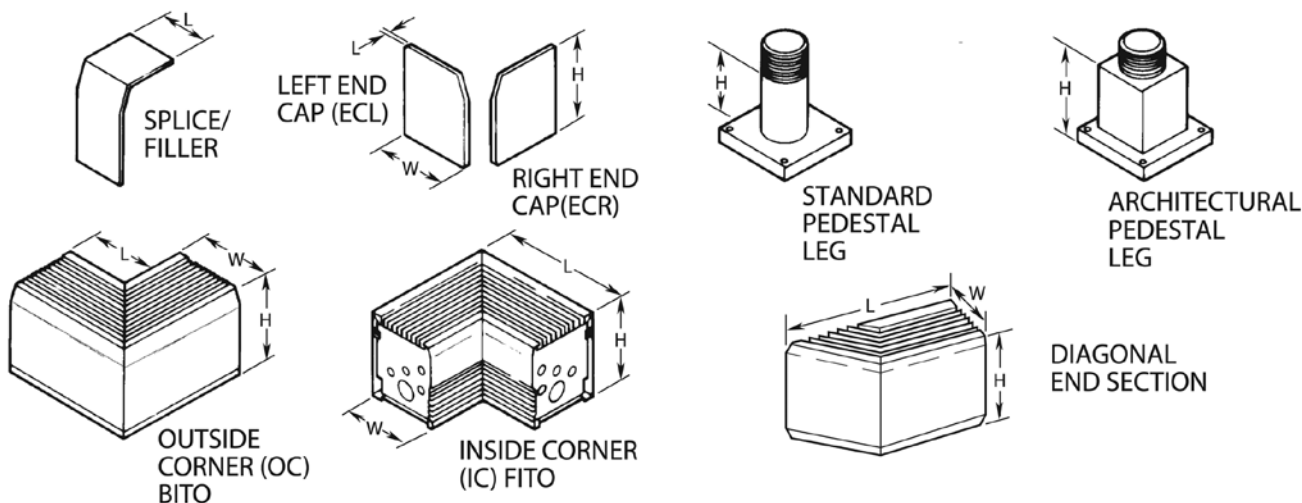
## BLANK SECTIONS & ACCESSORIES | DBA SERIES

CATALOG NO.	DIMENSIONS (W x H x L)	INLET	SHIP WT. (LBS)
DBABS1F	3-5/8" x 6" x 1'	Front	4
DBABS1B		Bottom	
DBABS2F	3-5/8" x 6" x 28"	Front	7
DBABS2B		Bottom	
DBABS3F	3-5/8" x 6" x 3'	Front	9
DBABS3B		Bottom	
DBABS4F	3-5/8" x 6" x 4'	Front	12
DBABS4B		Bottom	
DBABS5F	3-5/8" x 6" x 5'	Front	16
DBABS5B		Bottom	
DBABS6F	3-5/8" x 6" x 6'	Front	19
DBABS6B		Bottom	
DBABS7F	3-5/8" x 6" x 7'	Front	22.5
DBABS7B		Bottom	
DBABS8F	3-5/8" x 6" x 8'	Front	24
DBABS8B		Bottom	
DBABS9F	3-5/8" x 6" x 9'	Front	27
DBABS9B		Bottom	
DBABS10F	3-5/8" x 6" x 10'	Front	30
DBABS10B		Bottom	

NOTE: Blank section grilles are not punched unless requested.

CATALOG NO.	DESCRIPTION	ADD'T'L WALL SPACE REQUIRED (IN)	SHIP WT. (LBS)
DBAECL	End Cap - Left	1/8	1
DBAECR	End Cap - Right		
DBAECLS	End Cap w/Screws - Left		
DBAECRS	End Cap w/Screws - Right		
DBAICF	Inside Corner-Front In	8-1/2	5
DBAICB	Inside Corner-Bottom In	8-1/2	5
DBAOCF	Outside Corner-Front In	5	4
DBAOCB	Outside Corner-Bottom In	5	4
DBA135ICF	135° Inside Corner-Fnt. In	8-1/2	5
DBA135ICB	135° Inside Corner-Bot. In	8-1/2	5
DBA135OCF	135° Outside Corner-Fnt. In	5	4
DBA135OCB	135° Outside Corner-Bot. In	5	4
DBADESBL	Dec. End Section-Bot. In, Left	9-9/64	5
DBADESBR	Dec. End Section-Bot. In, Right		5
DBADESFL	Dec. End Section-Fnt. In, Left		4
DBADESFR	Dec. End Section-Fnt. In, Right		4
DBASP	Splice Plate	0 - 1/4	1
DBAFL3	Filler Section 3 in.	0 - 3	1
DBAFL6	Filler Section 6 in.	3 - 6	1
DBAFL9	Filler Section 9 in.	6 - 9	1
DBAFL12	Filler Section 12 in.	9 - 12	1
DBA-FL18	Filler Section 18 in.	15 - 18	1.5
DBADRF	Receptacle Section-Fnt. In	4-1/2	1.5
DBADRB	Receptacle Section-Bot. In		
DBAPEF	Pneu/Ele Sw-Fnt. In	4-1/2	2
DBAPEB	Pneu/Ele Sw-Bot. In		
PK3S*	Standard Pedestal 2-7/8 in. (H)	-	2
PK3A*	Architectural Pedestal 2-7/8 in. (H)	-	2
SO1A	Stand-Off Bracket	-	1

\*One pedestal. Two required on units up to 10 ft., three required on units over 10ft.  
Add suffix -P for painted, -C for clear anodized, -B for bronze anodized  
(excludes PK3S - Black only).



# CONVECTION HEATERS

## MODELS & SPECIFICATIONS | SHA SERIES

CATALOG NO	LENGTH (FT)	WATTS PER FT.	TOTAL WATTS	120V	208V	240V	277V	347V	600V	SHIP WT. (LBS)
SHA02	2.3	100	200	1.7	1.0	0.8	-	-	-	8
		125	250	2.1	1.2	1.0	0.9	-	-	
		150	300	2.5	1.4	1.3	1.1	-	-	
		188	376	3.1	1.8	1.6	1.4	-	-	
		250	500	4.2	2.4	2.1	1.8	1.4	-	
SHA03	3	100	300	2.5	1.4	1.3	1.1	-	-	10
		125	375	3.1	1.8	1.6	1.4	1.1	-	
		150	450	3.8	2.2	1.9	1.6	1.3	-	
		188	564	4.7	2.7	2.4	2.0	1.6	-	
		250	750	6.3	3.6	3.1	2.7	2.2	-	
SHA04	4	100	400	3.3	1.9	1.7	1.4	1.2	-	13
		125	500	4.2	2.4	2.1	1.8	1.4	-	
		150	600	5.0	2.9	2.5	2.2	1.7	-	
		188	752	6.3	3.6	3.1	2.7	2.2	1.3	
		250	1000	8.3	4.8	4.2	3.6	2.9	1.7	
SHA05	5	100	500	4.2	2.4	2.1	1.8	1.4	-	17
		125	625	5.2	3.0	2.6	2.3	1.8	1.0	
		150	750	6.3	3.6	3.1	2.7	2.2	1.3	
		188	940	7.8	4.5	3.9	3.4	2.7	1.6	
		250	1250	10.4	6.0	5.2	4.5	3.6	2.1	
SHA06	6	100	600	5.0	2.9	2.5	2.2	1.7	1.0	20
		125	750	6.3	3.6	3.1	2.7	2.2	1.3	
		150	900	7.5	4.3	3.8	3.2	2.6	1.5	
		188	1128	9.4	5.4	4.7	4.1	3.3	1.9	
		250	1500	12.5	7.2	6.3	5.4	4.3	2.5	
SHA07	7	100	700	-	3.4	2.9	2.5	2.0	-	24
		125	875	-	4.2	3.6	3.2	2.5	-	
		150	1050	-	5.0	4.4	3.8	3.0	-	
		188	1316	-	6.3	5.5	4.8	3.8	-	
		250	1750	-	8.4	7.3	6.3	5.0	2.9	
SHA08	8	100	800	-	3.8	3.3	2.9	2.3	1.3	27
		125	1000	-	4.8	4.2	3.6	2.9	1.7	
		150	1200	-	5.8	5.0	4.3	3.5	2.0	
		188	1504	-	7.2	6.3	5.4	4.3	2.5	
		250	2000	-	9.6	8.3	7.2	5.8	3.3	
SHA09	9	100	900	-	4.3	3.8	3.2	2.6	-	30
		125	1125	-	5.4	4.7	4.1	3.2	-	
		150	1350	-	6.5	5.6	4.9	3.9	-	
		188	1692	-	8.1	7.1	6.1	4.9	2.8	
		250	2250	-	10.8	9.4	8.1	6.5	3.8	
SHA10	10	100	1000	-	4.8	4.2	3.6	2.9	1.7	33
		125	1250	-	6.0	5.2	4.5	3.6	2.1	
		150	1500	-	7.2	6.3	5.4	4.3	2.5	
		188	1880	-	9.0	7.8	6.8	5.4	3.1	
		250	2500	-	12.0	10.4	9.0	7.2	4.2	

NOTE: Cabinet available up to 12 ft. length. Custom length cabinets are priced with heater and blank to the next larger size. Backs are provided standard with no finish. For finished backs, add 10% to list price. Knockouts on back omitted by request only. All models are NON-STOCK made-to-order. When ordering, specify quantity, catalog number, voltage, wattage, optional controls, and color. Consult sales representative for lead times.

# CONVECTION HEATERS

## MODELS & SPECIFICATIONS | SHA SERIES MULTIPLE-ELEMENT UNITS

CATALOG NO	LENGTH (FT)	WATTS PER FT.	TOTAL WATTS	208V (1 PH / 3 PH)	240V (1 PH / 3 PH)	277V (1 PH)	347V (1 PH)	600V (1 PH / 3 PH)	NO. OF ELEMENTS	SHIP WT. (LBS)
SHA02	2.3	375	750	3.6 / -	3.1 / -	2.7	-	-	3 3	12
		500	1000	4.8 / -	4.2 / -	3.6	2.9	-		
		600	1200	5.8 / 3.3	5.0 / 2.9	4.3	-	-		
		750*	1500	7.2 / 4.2	6.3 / 3.6	5.4	4.3	-		
SHA03	3	375	1125	5.4 / -	4.7 / -	4.1	-	-	2 3	15.5
		500	1500	7.2 / -	6.3 / -	5.4	4.3	-		
		600	1800	8.7 / 5.0	7.5 / 4.3	6.5	-	-		
		750*	2250	10.8 / 6.3	9.4 / 5.4	8.1	6.5	-		
SHA04	4	375	1500	7.2 / -	6.3 / -	5.4	4.3	-	2 3	20
		500	2000	9.6 / -	8.3 / -	7.2	5.8	3.3 / -		
		600	2400	11.5 / 6.7	10.0 / 5.8	8.7	6.9	-		
		750*	3000	14.4 / 8.3	12.5 / 7.2	10.8	8.6	5.0 / 2.9		
SHA05	5	375	1875	9.0 / -	7.8 / -	6.8	5.4	3.1 / -	2 3	25.5
		500	2500	12.0 / -	10.4 / -	9.0	7.2	4.2 / -		
		600	3000	14.4 / 8.3	12.5 / 7.2	10.8	8.6	5.0 / 2.9		
		750*	3750	18.0 / 10.4	15.6 / 9.0	13.5	10.8	6.3 / 3.6		
SHA06	6	375	2250	10.8 / -	9.4 / -	8.1	6.5	3.8 / -	2 3	30
		500	3000	14.4 / -	12.5 / -	10.8	8.6	5.0 / -		
		600	3600	17.3 / 10.0	15.0 / 8.7	13.0	10.4	6.0 / 3.5		
		750*	4500	21.6 / 12.5	18.8 / 10.8	16.2	13.0	7.5 / 4.3		
SHA07	7	375	2625	12.6 / -	10.9 / -	9.5	7.6	-	2 3	35
		500	3500	16.8 / -	14.6 / -	12.6	10.1	5.8 / -		
		600	4200	20.2 / 11.7	17.5 / 10.1	15.2	12.1	-		
		750*	5250	25.2 / 14.6	21.9 / 12.6	19.0	15.1	8.8 / 5.1		
SHA08	8	375	3000	14.4 / -	12.5 / -	10.8	8.6	5.0 / -	2 3	40
		500	4000	19.2 / -	16.7 / -	14.4	11.5	6.7 / -		
		600	4800	23.1 / 13.3	20.0 / 11.6	17.3	13.8	8.0 / 4.6		
		750*	6000	28.8 / 16.7	25.0 / 14.5	21.7	17.3	10.0 / 5.8		
SHA09	9	375	3375	16.2 / -	14.1 / -	12.2	9.7	5.6 / -	2 3	45
		500	4500	21.6 / -	18.8 / -	16.2	13.0	7.5 / -		
		600	5400	26.0 / 15.0	22.5 / 13.0	19.5	15.6	9.0 / 5.2		
		750*	6750	32.5 / 18.8	28.1 / 16.3	24.4	19.5	11.3 / 6.5		
SHA10	10	375	3750	18.0 / -	15.6 / -	13.5	10.8	6.3 / -	2 3	50
		500	5000	24.0 / -	20.8 / -	18.1	14.4	8.3 / -		
		600	6000	28.8 / 16.7	25.0 / 14.5	21.7	17.3	10.0 / 5.8		
		750*	7500	36.1 / 20.8	31.3 / 18.1	27.1	21.6	12.5 / 7.2		

NOTE: \*750W models have bottom inlet only

Cabinet available up to 12 ft. length. Custom length cabinets are priced with heater and blank to the next larger size. Backs are provided standard with no finish. For finished backs, add 10% to list price. Knockouts on back omitted by request only. All models are NON-STOCK made-to-order. When ordering, specify quantity, catalog number, voltage, wattage, optional controls, and color. Consult sales representative for lead times.



# CONVECTION HEATERS

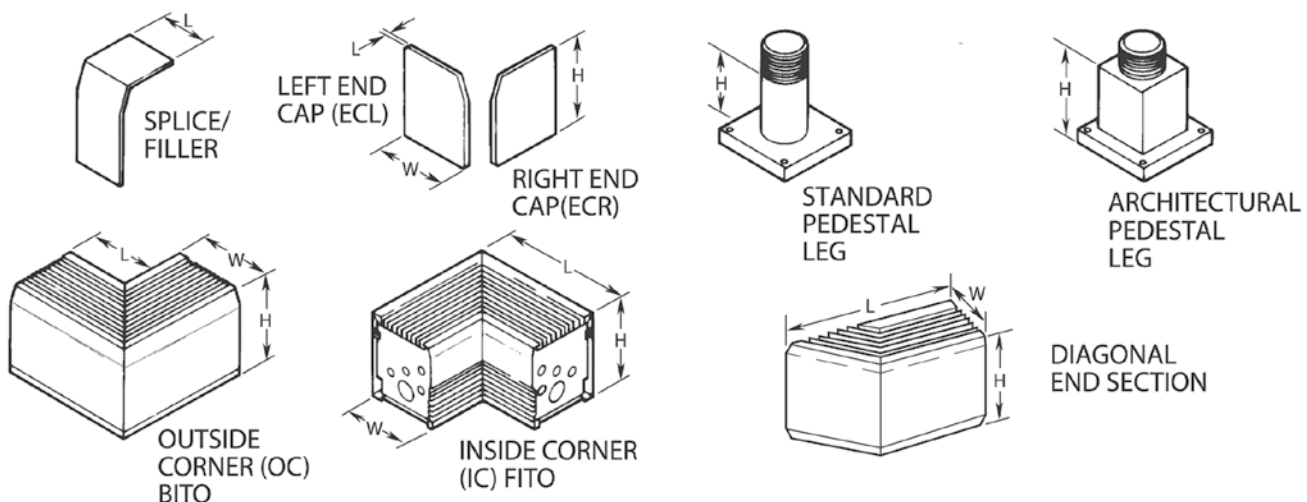
## BLANK SECTIONS & ACCESSORIES | SHA SERIES

CATALOG NO.	DIMENSIONS (W x H x L)	INLET	SHIP WT. (LBS)
SHABS1F	5-3/8" x 7" x 1'	Front	7
SHABS1B		Bottom	
SHABS2F	5-3/8" x 7" x 28"	Front	11
SHABS2B		Bottom	
SHABS3F	5-3/8" x 7" x 3'	Front	14
SHABS3B		Bottom	
SHABS4F	5-3/8" x 7" x 4'	Front	18
SHABS4B		Bottom	
SHABS5F	5-3/8" x 7" x 5'	Front	22
SHABS5B		Bottom	
SHABS6F	5-3/8" x 7" x 6'	Front	27
SHABS6B		Bottom	
SHABS7F	5-3/8" x 7" x 7'	Front	32
SHABS7B		Bottom	
SHABS8F	5-3/8" x 7" x 8'	Front	37
SHABS8B		Bottom	
SHABS9F	5-3/8" x 7" x 9'	Front	40
SHABS9B		Bottom	
SHABS10F	5-3/8" x 7" x 10'	Front	44
SHABS10B		Bottom	

NOTE: Blank section grilles are not punched unless requested.

CATALOG NO.	DESCRIPTION	ADDT'L WALL SPACE REQUIRED (IN)	SHIP WT. (LBS)
SHAACL	End Cap - Left	1/8	1
SHAECR	End Cap - Right		
SHAECLS	End Cap w/Screws - Left		
SHAECRS	End Cap w/Screws - Right		
SHAICF	Inside Corner-Front In	10	11
SHAICB	Inside Corner-Bottom In	10	11
SHAOCF	Outside Corner-Front In	5	7
SHAOCB	Outside Corner-Bottom In	5	7
SHA135ICF	135° Inside Corner-Fnt. In	10	11
SHA135ICB	135° Inside Corner-Bot. In	10	11
SHA135OCF	135° Outside Corner-Fnt. In	5	7
SHA135OCB	135° Outside Corner-Bot. In	5	7
SHADESBL	Dec. End Section-Bot. In, Left	12-1/2	11
SHADESBR	Dec. End Section-Bot. In, Right		11
SHADESFL	Dec. End Section-Fnt. In, Left		7
SHADESFR	Dec. End Section-Fnt. In, Right		7
SHASP	Splice Plate	0 - 1/4	1
SHAFL3	Filler Section 3 in.	0 - 3	1
SHAFL6	Filler Section 6 in.	3 - 6	1
SHAFL9	Filler Section 9 in.	6 - 9	2
SHAFL12	Filler Section 12 in.	9 - 12	3
SHA-FL18	Filler Section 18 in.	15 - 18	5
SHADRF	Receptacle Section-Fnt. In	4-1/2	2
SHADRB	Receptacle Section-Bot. In		
PK5S*	Standard Pedestal 4-1/8 in. (H)	-	2
PK5A*	Architectural Pedestal 4-1/8 in. (H)	-	2
SO1A	Stand-Off Bracket	-	1

\*One pedestal. Two required on units up to 10 ft., three required on units over 10ft.  
Add suffix -P for painted, -C for clear anodized, -B for bronze anodized (excludes PK5S - Black only).





# CONVECTION HEATERS

## OPTIONAL BUILT-IN CONTROLS | DBA & SHA SERIES

see page 98 for additional controls

SUFFIX ADDITION TO BASIC CATALOG NO. (SEE NOTE D)	OPTIONAL BUILT-IN CONTROL	RATINGS & DESCRIPTIONS
T	Single-Pole Thermostat	Rated 24 amps @ 120-240 VAC and 22 amps @ 277 VAC. Pilot duty rating of 125 VA (all voltages). 60-120°F temperature range; adjustable through outlet grille-tamper-resistant. (See Note B) Not available on three-phase heaters.
2T	Double-Pole Thermostat	Rated 24 amps @ 120-240 VAC and 22 amps @ 277 VAC. Pilot duty rating of 125 VA (all voltages). 60-120°F temperature range; adjustable through outlet grille-tamper-resistant. (See Note B for amperage restrictions.)
DS	Power On/Off Switch	Double-pole, rated 20 amp @ 120-277 VAC. (See Note A) For three-phase heaters and single-phase heaters over 20 amps specify two.
TR	Transformer Relay	Single-pole, low voltage relay with built-in transformer (24 VAC control), rated 22 amps @ 120-240 VAC and 22 amps @ 277 VAC. (See note E) 17 amps @ 347V. Not available on three-phase heaters.
PR	Power Relay	Single-pole thermal time delay relay, rated 25 amps @ 120-600 VAC. (See Notes E & F). Specify control voltage.
2ST	2-Stage Thermostat	Rated 24 amps @ 120-240 VAC and 22 amps @ 277 VAC. Pilot duty rating of 125 VA (all voltages). 60-120°F temperature range, adjustable through outlet grille-tamper-resistant. Available on 2- or 3-element, single-phase heaters only.
PE	Pneumatic/Electric Switch	Pressure set-point @ 10 PSIG adjustable to 30 PSIG. Can be set to "make" or "break" on pressure drop. Rated 25 amps @ 120-277 VAC. (See Note G)
PDT	Single-Pole Thermostat	Same as -T except Pilot Duty. (See Note C)
2TPD	Double-Pole Thermostat	Same as -2T except Pilot Duty. (See Note C & D)
M	Outlet Mesh	Price per foot

**NOTE:**

- A. For single-phase loads over 20A and all three-phase loads, specify (2) power on/off switches.
- B. This control option is not available on single-phase heaters over 24 amps (22 amps on 277 VAC). In combination with the power on/off switch option use the 2ST thermostat option on heaters over 20 amps.
- C. A second transformer relay can be sequenced off the first transformer relay in the same heater. Up to 30 power relays in different heaters can be controlled by (1) single-stage pilot duty thermostat.
- D. Up to 30 power relays in different heater can be controlled by each stage of a two-stage pilot duty thermostat.
- E. Two relays are required on single-phase heaters over 20 amps with a power on/off switch, over 25 amps without a power on/off and on all three-phase heaters. Two relays are available for two-stage on two- or three-element heaters only.
- F. Three power relays are available for three-stage on three-element heaters only.
- G. Fits in SHA unit only. For DBA, PE will be installed in 4-1/2 in. section.

PRODUCT			CABINET LENGTH		WATT DENSITY		INLET AIR CONFIG.	VOLTS	NO. OF PHASES	UNIT DESIGNATION	CONTROLS					
S	H	A	0	8	5	0	B	2	0	3	C	D	S	2	S	T

### HOW TO ORDER CONVECTION HEATERS - DBA & SHA SERIES

**Series Name**

02 = 2.3 ft. 03 = 3 ft.  
 04 = 4 ft. 05 = 5 ft.  
 06 = 6 ft. 07 = 7 ft.  
 08 = 8 ft. 09 = 9 ft.  
 10 = 10 ft.

[DBA] 100 w/ft., 125 w/ft., 150 w/ft.,  
 188 w/ft., 250 w/ft.

[SHA] include all DBA watt densities plus  
 375 w/ft., 500 w/ft., 600 w/ft. and 750 w/  
 ft. (bottom inlet only).

B = Bottom Inlet  
 F = Front Inlet

- T = Single-Pole Thermostats
- 2T = Double-Pole Thermostats
- DS = Power On/Off Switch
- TR = Transformer Relay
- PR = Power Relay
- PE = Pneumatic/Electric Switch
- 2ST = Two-stage thermostat

S - Standard Unit: Cabinet is the same length as heat deck.  
 C - Custom Unit: Cabinet longer than heat deck (e.g. 6 ft. heat deck in a 7 ft. 3 in. cabinet) or multiple heat decks in single cabinet (e.g. 3 ft. and 28 in. heat deck in an 8 ft. 6 in. cabinet). Custom units require use of Custom Convector Layout Form to detail the unit for order entry.

1= single-phase | 3 = three-phase

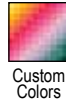
12 = 120V; 20 = 208V | 24 = 240V; 27 = 277V

# CONVECTION HEATERS



## SLIMLINE ALUMINUM CONVECTOR DBSL SERIES

### AVAILABLE COLORS



Custom Colors



NAVAJO WHITE

**IDEAL SPACES** | Offices; Hallways; Lobbies; Conference Rooms; Condos; Retail; Other Areas with Floor-to-Ceiling Windows

**COLORS** | Neutral Gray; Charcoal Gray; Navajo White; Northern White; Statuary Bronze; Desert Tan; Black; Custom Colors, Baked Enamel and Anodized Finishes Available

**DIMENSIONS** | 6" H x 2-3/4"D (Length varies)

- Approved for residential applications
- Ideal for elegant, supplemental comfort under windows for heat loss and condensation prevention
- Unique two-piece extruded aluminum "Snap-Lock" closure design secures the one-piece top and front grilles to the one-piece back and bottom providing a rapid, secure fit all along the length of the unit
- Front/bottom inlet air grille utilizes slots which create an attractive installation where inlet grille is visible
- Unit comes standard with rear knockouts and unpainted back. Optional custom-painted backs and rear knockout options are available
- Blend into any décor with custom paint and anodizing upon request
- Units can be mounted on floor, wall, or pedestals
- Customize space with wall-to-wall installation, or as discrete units in standard lengths of 2-10 ft.
- Units are available in a wide range of heating capacities per foot length (see specification charts)
- Inside and outside corners can be ordered factory-cut and mitered to fit difficult or unusual spaces
- Architectural-style end sections give a finished look when used as a stand-alone or where a wall-to-wall run is not desired
- Full line of trim accessories, including matching blank sections, end caps, filler sections, inside and outside corners, diagonal end sections, and splice plates
- Optional built-in controls include: line-voltage thermostat; two-stage thermostat; on/off switch; transformer relay; power relay and pneumatic/switch
- Right -or left-hand entry and built-in wire way (equivalent to 1/2 in. conduit) with factory-installed wiring
- Easy connection of supply wiring from bottom, rear or end, as well as multiple wiring of adjacent heaters from one entry point
- Thermal limit switch with linear type (full length) sensing bulb provides constant protection against overheating from any cause
- Switch will automatically reset when normal operating temperatures are restored
- Discharge air openings in top grille are punched slots which are pencil-proof for safety



Bottom inlet unit is only 2-3/4 in. wide by 6 in. tall. Can be mounted to wall (3 in. above floor) or in front of window mounted on pedestals.



Front inlet unit is only 2-3/4 in. wide by 6 in. tall. Can be mounted to wall or directly to floor.



Hollow pedestals are 3 in. tall and allow concealed wiring access when stubbed through concrete floors.

# CONVECTION HEATERS

## MODELS & SPECIFICATIONS

CATALOG NO.	LENGTH (FT)	VOLTS	WATTS/FT. OPTIONS	SHIP WT. (LBS)
DBSL01	2	120	188	8
		208	150; 188	
		220	125	
		240	150; 188; 250	
		277	188; 250	
DBSL02	2.3	120	100; 125; 150; 188; 250	8
		208	100; 125; 150; 188; 250	
		220	100; 125; 188	
		240	100; 125; 150; 188; 250	
		277	125; 150; 188; 250	
DBSL03	3	120	100; 125; 150; 188; 250	10
		208	100; 125; 150; 188; 250	
		220	100; 125; 250	
		240	100; 125; 150; 188; 250	
		277	100; 125; 150; 188; 250	
DBSL04	4	120	100; 125; 150; 188; 250	13
		208	100; 125; 150; 188; 250	
		220	100; 125; 150; 188; 250	
		240	100; 125; 150; 188; 250	
		277	100; 125; 150; 188; 250	
DBSL05	5	120	100; 125; 150; 188; 250	17
		208	100; 125; 150; 188; 250	
		220	100; 125; 150; 250	
		240	100; 125; 150; 188; 250	
		277	100; 125; 150; 188; 250	
DBSL06	6	120	100; 125; 150; 188; 250	20
		208	100; 125; 150; 188; 250	
		220	100; 125; 150; 250	
		240	100; 125; 150; 188; 250	
		277	100; 125; 150; 188; 250	
		347	125; 150; 188; 250	
		600	100; 125; 150; 188; 250	

NOTE: Additional cabinet sizes available up to 12 ft. length. Backs are provided standard with no finish. For finished backs, add 10% to list price. Knockouts on back omitted by request only. All models are non-stock, made-to-order. Consult sales representative for more information on specs and lead times.

## OPTIONAL BUILT-IN CONTROLS

SUFFIX ADDITION TO CATALOG NO. (SEE NOTE D)	OPTIONAL BUILT-IN CONTROLS	RATINGS & DESCRIPTIONS
T	Single-Pole Thermostat	Rated 24 amps @ 120-240 VAC and 22 amps @ 277 VAC. Pilot duty rating of 125 VA (all voltages) 60-120°F temperature range adjustable through outlet grille-tamper-resistant. (See Note B)
2T	Double-Pole Thermostat	Rated 24 amps @ 120-240 VAC and 22 amps @ 277 VAC. Pilot duty rating of 125 VA (all voltages). 60-120°F temperature range adjustable through outlet grille-tamper-resistant. (See Note B for amperage restrictions)
DS	Power On/Off Switch	Double-pole, rated 20 amp @ 120-277 VAC. (See Note A.) For heaters over 20 amps specify two
TR*	Transformer Relay	Single-pole, low voltage relay with built-in transformer (24 VAC control), rated 25 amps @ 120-240 VAC and 22 amps @ 277 VAC. (See Note E and F) 17 amps @ 347V. Not available for three-phase heaters
PR	Power Relay	Single-pole magnetic relay, rated 25 amps @ 120-600 VAC. (See Note E). Specify control voltage
PE*	Pneumatic / Electric	Pressure set-point @ 10 PSIG adjustable to 30 PSIG. Can be set to "make" or "break" on pressure drop
	Switch	Rated 25 amps @ 120-277 VAC. (See Note F)
PDT	Single-Pole Thermostat	Same as -T except Pilot Duty. (See Note C)
R*	Receptacle	For built-in or as installed in a control section

NOTES: \*Will add 4 in. to length of heater. (A) For single-phase loads over 20A, specify (2) power on/off switches. (B) This control option is not available on single-phase heaters over 24 amps (22 amps on 277 VAC). In combination with the power on/off switch option use the 2T thermostat option on heaters over 20 amps. (C) Requires PR or TR. (D) Up to 30 power relays in different heaters can be controlled by each stage of a two-stage pilot duty thermostat. (E) Two relays are required on single-phase heaters over 20 amps with a disconnect switch, over 25 amps without a disconnect switch. (F) For DBSL Series the TR (transformer relay) R (Duplex Receptacle) PE (Pneumatic switch) will be installed in separate 4 in. long internal control boxes.

## BLANK SECTIONS & ACCESSORIES

CATALOG NO. (See Note 1)	DIMENSIONS W x H x L	INLET	SHIP WT. (LBS)
SLCBS1F	2-3/4" x 6" x 1'	Front	4
SLCBS1B		Bottom	
SLCBS2F	2-3/4" x 6" x 28"	Front	7
SLCBS2B		Bottom	
SLCBS3F	2-3/4" x 6" x 3'	Front	9
SLCBS3B		Bottom	
SLCBS4F	2-3/4" x 6" x 4'	Front	12
SLCBS4B		Bottom	
SLCBS5F	2-3/4" x 6" x 5'	Front	16
SLCBS5B		Bottom	
SLCBS6F	2-3/4" x 6" x 6'	Front	19
SLCBS6B		Bottom	

NOTE: Blank section grilles are not punched unless requested. Additional sections available for cabinets up to 12 ft. length.

CATALOG NO.*	DESCRIPTION	ADD'L WALL SPACE REQUIRED (IN)	SHIP WT. (LBS)
SLCECL	End Cap - Left	1/8	1
SLCECR	End Cap - Right	1/8	1
SLCICF	Inside Corner-Front In	8 - 1/2	5
SLCICB	Inside Corner-Bottom In	8 - 1/2	5
SLCOCF	Outside Corner-Front In	5	4
SLCOCB	Outside Corner-Bottom In	5	4
SLCDESBL	Dec. End Section-Bot. In, Left	9 - 9/64	5
SLCDESBR	Dec. End Section-Bot. In, Right	9 - 9/64	5
SLCDESFL	Dec. End Section-Fnt. In, Left	9 - 9/64	4
SLCDESFR	Dec. End Section-Fnt. In, Right	9 - 9/64	4
SLCSP	Splice Plate	0 - 1/4	1
SLCFL3	Filler Section 3 in.	0 - 3	1
SLCFL6	Filler Section 6 in.	3 - 6	1
SLCFL9	Filler Section 9 in.	6 - 9	1
SLCFL12	Filler Section 12 in.	9 - 12	1
SLCFL18	Filler Section 18 in.	12 - 18	1.5
SLCFL24	Filler Section 24 in.	18 - 24	1.5
SLCDRF	Receptacle Section-Fnt. In	4 - 1/2	1.5
SLCDRB	Receptacle Section-Bot. In	4 - 1/2	1.5
SLCPEF	Pneu/Ele Sw-Fnt. In	4 - 1/2	2
SLCPEB	Pneu/Ele Sw-Bot. In	4 - 1/2	2
SLCPK3A**	Architectural Pedestal	-	2
SO1A	Stand-Off Bracket	-	1

NOTE: \*Add suffix -P for painted, -C for clear anodized, -B for bronze anodized. \*\*One pedestal. Two pedestals required on units up to 10 ft. and three required on units over 10 ft.

FOR INFORMATION ON HOW TO ORDER THE DBSL SERIES, SEE PAGE 78.



## DRAFT BARRIER CONVECTOR SLQDB SERIES

### AVAILABLE COLORS



GLOSS BLACK

**IDEAL SPACES** | Offices; Hallways; Lobbies; Conference Rooms; Retail; Other Similar Areas with Floor-to-Ceiling Windows

**COLORS** | Neutral Gray; Charcoal Gray; Navajo White; Northern White; Statuary Bronze; Desert Tan; Black; Custom Colors, Baked Enamel and Anodized Finishes Available

**DIMENSIONS** | 4" H x 2-5/8" D (Length varies)

- Ideal for elegant, supplemental comfort under windows for heat loss and condensation prevention
- Unique two-piece extruded aluminum "Snap-Lock" closure design secures the one-piece top and front grilles to the one-piece back and bottom providing a rapid, secure fit all along the length of the unit
- Front/bottom inlet air grille utilizes slots which create an attractive installation where inlet grille is visible
- Unit comes standard with rear knockouts and unpainted back. Optional custom-painted backs and rear knockout options are available
- Blend into any décor with custom paint and anodizing upon request
- Units can be mounted on floor, wall, or pedestals
- Customize space with wall-to-wall installation, or as discrete units in standard lengths of 2-10 ft.
- Single or multiple heat decks are available upon request to accommodate a multitude of spaces
- Units are available in a wide range of heating capacities per foot length (see specification charts)
- Inside and outside corners can be ordered factory-cut and mitered to fit difficult or unusual spaces
- Architectural-style end sections give a finished look when used as a stand-alone or where a wall-to-wall run is not desired
- Full line of trim accessories, including matching blank sections, end caps, filler sections, inside and outside corners, diagonal end sections, and splice plates
- Optional built-in controls include: line-voltage thermostat; two-stage thermostat; on/off switch; transformer relay; power relay and pneumatic/switch
- Right -or left-hand entry and built-in wire way (equivalent to 1/2 in. conduit) with factory-installed wiring
- Easy connection of supply wiring from bottom, rear or end, as well as multiple wiring of adjacent heaters from one entry point
- Thermal limit switch with linear type (full length) sensing bulb provides constant protection against overheating from any cause
- Switch will automatically reset when normal operating temperatures are restored
- Discharge air openings in top grille are punched slots which are pencil-proof for safety



Bottom inlet unit is only 2-5/8 in. wide by 4 in. tall. Can be mounted to wall (2 in. above floor) or in front of window mounted on pedestals.



Hollow pedestals are 3 in. tall and allow concealed wiring access when stubbed through concrete floors.

# CONVECTION HEATERS

## MODELS & SPECIFICATIONS

CATALOG NO.	LENGTH (FT)	VOLTS	WATTS/FT. OPTIONS	SHIP WT. (LBS)
SLQDB024	2	120	188	8
		208	150; 188	
		220	125	
		240	150; 188; 250	
		277	188; 250	
SLQDB028	2.3	120	100; 125; 150; 188; 250	8
		208	100; 125; 150; 188; 250	
		220	100; 125; 188	
		240	100; 125; 150; 188; 250	
		277	125; 150; 188; 250	
		347	250	
SLQDB03	3	120	100; 125; 150; 188; 250	10
		208	100; 125; 150; 188; 250	
		220	100; 125; 250	
		240	100; 125; 150; 188; 250	
		277	100; 125; 150; 188; 250	
		347	125; 150; 188; 250	
SLQDB04	4	120	100; 125; 150; 188; 250	13
		208	100; 125; 150; 188; 250	
		220	100; 125; 150; 188; 250	
		240	100; 125; 150; 188; 250	
		277	100; 125; 150; 188; 250	
		347	100; 125; 150; 188; 250	
		600	188; 250	
SLQDB05	5	120	100; 125; 150; 188; 250	17
		208	100; 125; 150; 188; 250	
		220	100; 125; 150; 250	
		240	100; 125; 150; 188; 250	
		277	100; 125; 150; 188; 250	
		347	125; 150; 188; 250	
SLQDB06	6	120	100; 125; 150; 188; 250	20
		208	100; 125; 150; 188; 250	
		220	100; 125; 150; 250	
		240	100; 125; 150; 188; 250	
		277	100; 125; 150; 188; 250	
		347	125; 150; 188; 250	
600	100; 125; 150; 188; 250			

NOTE: Additional cabinet sizes available up to 12 ft. length. Backs are provided standard with no finish. For finished backs, add 10% to list price. Knockouts on back omitted by request only. All models are non-stock, made-to-order. Consult sales representative for more information on specs and lead times.

## BLANK SECTIONS & ACCESSORIES

CATALOG NO. (See Note 1)	DIMENSIONS W x H x L	SHIP WT. (LBS)
SLDBS1B	2-5/8" x 4" x 1'	4
SLDBS2B	2-5/8" x 4" x 28"	7
SLDBS3B	2-5/8" x 4" x 3'	9
SLDBS4B	2-5/8" x 4" x 4'	12
SLDBS5B	2-5/8" x 4" x 5'	16
SLDBS6B	2-5/8" x 4" x 6'	19

NOTE: Blank section grilles are not punched unless requested. Additional sections available for cabinets up to 12 ft. length.

CATALOG NO.*	DESCRIPTION	ADD'L WALL SPACE REQUIRED (IN)	SHIP WT. (LBS)
SLDECL	End Cap - Left	1/8	1
SLDECR	End Cap - Right	1/8	1
SLDICF	Inside Corner-Front In	8 - 1/2	5
SLDICB	Inside Corner-Bottom In	8 - 1/2	5
SLDOCF	Outside Corner-Front In	5	4
SLDOCB	Outside Corner-Bottom In	5	4
SLDDESBL	Dec. End Section-Bot. In, Left	9 - 9/64	5
SLDDESBR	Dec. End Section-Bot. In, Right	9 - 9/64	5
SLDDESFL	Dec. End Section-Fnt. In, Left	9 - 9/64	4
SLDDESFR	Dec. End Section-Fnt. In, Right	9 - 9/64	4
SLDSP	Splice Plate	0 - 1/4	1
SLDFL3	Filler Section 3 in.	0 - 3	1
SLDFL6	Filler Section 6 in.	3 - 6	1
SLDFL9	Filler Section 9 in.	6 - 9	1
SLDFL12	Filler Section 12 in.	9 - 12	1
SLDFL18	Filler Section 18 in.	12 - 18	1.5
SLDFL24	Filler Section 24 in.	18 - 24	1.5
SLDDRF	Receptacle Section-Fnt. In	4 - 1/2	1.5
SLDDRB	Receptacle Section-Bot. In	4 - 1/2	1.5
SLDPEF	Pneu/Ele Sw-Fnt. In	4 - 1/2	2
SLDPEB	Pneu/Ele Sw-Bot. In	4 - 1/2	2
SLDPK3A**	Architectural Pedestal	-	2
SO1A	Stand-Off Bracket	-	1

NOTE: \*Add suffix -P for painted, -C for clear anodized, -B for bronze anodized. \*\*One pedestal. Two pedestals required on units up to 10 ft. and three required on units over 10 ft.

## OPTIONAL BUILT-IN CONTROLS

SUFFIX ADDITION TO BASIC CATALOG NO.	OPTIONAL BUILT-IN CONTROL	RATINGS & DESCRIPTIONS
T	Single-Pole Thermostat	Rated 24 amps @ 120-240 VAC and 22 amps @ 277 VAC. Pilot duty rating of 125 VA (all voltages). 60-120°F temperature range; adjustable through outlet grille-tamper-resistant. (See Note B) Not available on three-phase heaters.
DS	Power On/Off Switch	Double-pole, rated 20 amp @ 120-277 VAC. (See Note A) For three-phase heaters and single-phase heaters over 20 amps specify two.
PR	Power Relay	Single-pole magnetic relay, rated 18 amps @ 120-600 VAC. (See Note C) Specify control voltage. Rated 24 amps @ 120-240 VAC and 22 amps @ 277 VAC. Pilot duty rating of 125 VA - all voltages (See Note C)

NOTE:

- A. For single-phase loads over 20A and all three-phase loads, specify (2) power on/off switches.
- B. This control option is not available on single-phase heaters over 24 amps (22 amps on 277 VAC).
- C. Specify holding coil voltage where applicable.

FOR INFORMATION ON HOW TO ORDER THE SLQDB SERIES, SEE PAGE 79.



# CONVECTION HEATERS

## HOW TO ORDER CONVECTION HEATERS - DBSL SERIES



PRODUCT	NOMINAL UNIT LENGTH (FT)	WATTS/FT	INLET	VOLTAGE	LAYOUT	FRONT/BACK PAINT	OPTIONS	CONTROL LOCATION	THERMOSTAT	DISCONNECT SWITCH	POWER RELAY	TRANSFORMER RELAY	DUPLEX RECEPTACLE	PNEUMATIC SWITCH	DWO
DBSL	12	250	F	20	C	BB	3	R	T	D	0	X	0	0	D

**Convection Heater**

01 = 2 ft. 07 = 7 ft.  
 02 = 2.3 ft. 08 = 8 ft.  
 03 = 3 ft. 09 = 9 ft.  
 04 = 4 ft. 10 = 10 ft.  
 05 = 5 ft. 11 = 11 ft.  
 06 = 6 ft. 12 = 12 ft.

100 188  
 125 250  
 150

F = Front Inlet Air Configuration  
 (also equals dual inlet)  
 B = Bottom Inlet Air Configuration

12 = 120V 27 = 277V  
 20 = 208V 34 = 347V  
 22 = 220V 60 = 600V  
 24 = 240V

S = Standard: Heat deck and control locations determined by the factory.

C = Custom: Heat deck locations determined by the representative using custom layout form. Control locations must be accounted for in layout (see Control Location notes).

M = Mill A = Aluminum  
 C = Clear Anodized S = Statuary Bronze  
 Z = Bronze Anodized N = Neutral Gray  
 K = Black Anodized T = Desert Tan  
 G = Charcoal Gray W = Northern White  
 B = Black U = Custom (Requires DWO)  
 P = Navajo White

0 = None End caps (2) will have same finish as front cover. Pedestal quantity will vary based on length of unit. All options will ship in same carton as the unit.  
 1 = Pedestals  
 2 = End Caps  
 3 = Both

0 = None  
 D = DWO (Designated Work Order for custom finishes, controls, etc.)

0 = None  
 U = Pneumatic Switch (requires DWO)\*  
 \*Adds 4 in. to length of unit.

0 = None  
 R = Duplex Receptacle\*  
 \*Adds 4 in. to length of unit.

0 = None  
 X = Transformer Relay\*  
 \*Provides 24VAC power for external wall thermostat. Adds 4 in. to length of unit.

0 = None  
 L = Line voltage coil (same as heater voltage)  
 1 = 120VAC holding coil  
 2 = 24VAC holding coil  
 NOTE: Power relay requires external voltage

0 = None  
 D = (1) two-pole switch  
 C = (2) two-pole switches (requires DWO)

0 = None S = Double-Pole  
 T = Single-Pole P = Pilot Duty (requires PR or TR)

L = Left R = Right  
 Due to space constraints the disconnect switch and thermostat must always be mounted on the opposite side of all other controls. Control location and incoming power connection is determined by the location of the disconnect switch and thermostat when facing the unit.



**Custom colors for your space.**

LOOK FOR THIS ICON FOR MADE-TO-ORDER PRODUCTS!



# CONVECTION HEATERS

## HOW TO ORDER CONVECTION HEATERS - SLQDB SERIES

PRODUCT	NOMINAL UNIT LENGTH (FT)	WATTS/FT	INLET	VOLTAGE	LAYOUT	FRONT/BACK PAINT	OPTIONS	CONTROL LOCATION	THERMOSTAT	DISCONNECT SWITCH	DWO
SLQDB	12	188	B	24	S	GG	3	R	T	D	D



### Convection Heater

01 = 2 ft.    06 = 6 ft.  
 02 = 2.3 ft.    07 = 7 ft.  
 03 = 3 ft.    08 = 8 ft.  
 04 = 4 ft.    09 = 9 ft.  
 05 = 5 ft.    10 = 10 ft.

100    188  
 125    250  
 150

B = Bottom Inlet  
 Air Configuration Only

12 = 120V    27 = 277V  
 20 = 208V    34 = 347V  
 22 = 220V    60 = 600V  
 24 = 240V

S = Standard: Heat deck and control locations determined by the factory.

C = Custom: Heat deck locations determined by the representative using custom layout form. Control locations must be accounted for in layout (see Control Location notes).

M = Mill                      A = Aluminum  
 C = Clear Anodized        S = Statuary Bronze  
 Z = Bronze Anodized      N = Neutral Gray  
 K = Black Anodized        T = Desert Tan  
 G = Charcoal Gray        W = Northern White  
 B = Black                    U = Custom (Requires DWO)  
 P = Navajo White

0 = None                      End caps (2) will have same finish as front cover. Pedestal quantity will vary based on length of unit. All options will ship in same carton as the unit.  
 1 = Pedestals  
 2 = End Caps  
 3 = Both

0 = None  
 D = DWO (Designated Work Order for custom finishes, controls, etc.)

0 = None                      D = (1) two-pole switch

0 = None                      T = Single-Pole

L = Left    R = Right  
 Due to space constraints the disconnect switch and thermostat must always be mounted on the opposite side of all other controls. Control location and incoming power connection is determined by the location of the disconnect switch and thermostat when facing the unit.



## Made to your specifications.



LOOK FOR THIS ICON FOR MADE-TO-ORDER PRODUCTS!

# CONVECTION HEATERS



## COMMERCIAL & DECORATIVE PEDESTAL CPH & DPH SERIES

### AVAILABLE COLORS

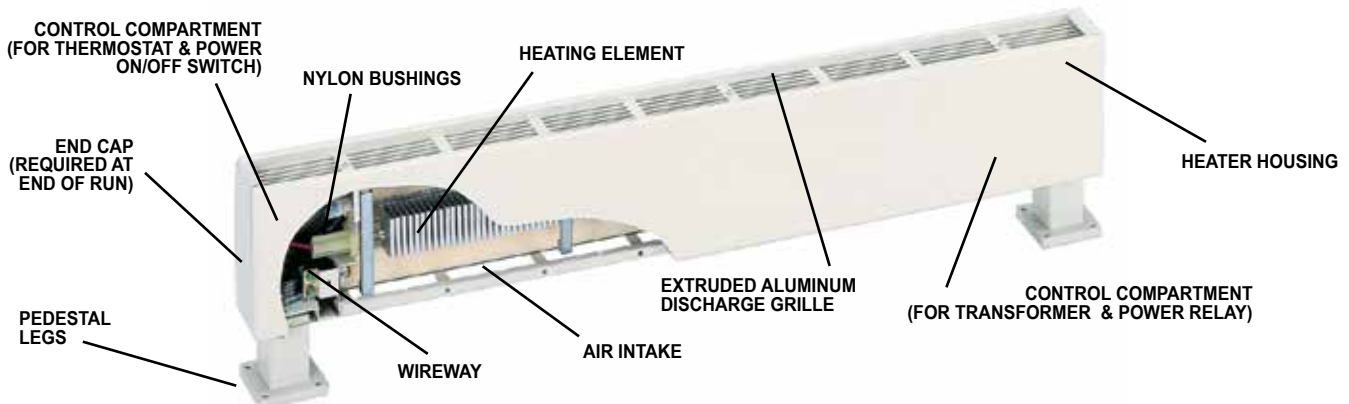


**IDEAL SPACES** | Institutional and Commercial: Offices; Hallways; Lobbies; Condos; Conference Rooms; Retail Spaces; Terminals; Other Areas Without Wall Mounting Options

**COLORS** | Neutral Gray; Charcoal Gray; Navajo White; Northern White; Statuary Bronze; Desert Tan; Gloss Black; Custom Colors Available

**DIMENSIONS** | See specifications

- CPH (Commercial) and DPH (Decorative); ideal for primary, secondary or supplemental heat where wall mounting is not viable
- Perfect for under-the-window heat loss and condensation prevention
- Durable front cover constructed of 16-gauge steel (optional 14-gauge available)
- Pedestal-mounted design; bottom inlet - top outlet
- Units may contain 1-3 heating elements that yield a broad range of heating capacity (see specifications)
- Optional 1/4 in. mesh located under the discharge grille to deter insertion of objects and restriction of airflow
- Blend into any décor with 8 standard color options or custom finishes available upon request
- Units can be mounted from wall-to-wall or as discrete units in standard lengths of 28 in. to 10 ft.
- Optional built-in controls include: line voltage thermostat (SPST or DPST); power on/off switch; power relay; or transformer relay (see specifications)
- Right- or left-hand entry/wiring flexibility with identical pre-wired junction boxes at either end
- Built-in wire way with factory-installed wiring rated 35 amps for CPH05 and 45 amps for CPH07
- Easy connection of supply wiring from bottom, rear or end, as well as multiple wiring of adjacent heaters from one entry point
- For service, all internal parts are accessible by removing cover



# CONVECTION HEATERS

## MODELS & SPECIFICATIONS | CPH SERIES (5-1/2" x 3" w/SINGLE ELEMENT)

CATALOG NO	LENGTH (FT)	WATTS PER FT.	TOTAL HEATING CAPACITY		AMPS						NO. OF ELEMENTS	SHIP WT. (LBS)
			TOTAL WATTS	BTU/HR	120V	208V	240V	277V	347V	600V		
CPH05A2125	2.3	125	250	853	2.1	1.2	1.0	0.9	0.7	0.4	1	11
CPH05A2188		188	375	1280	3.1	1.8	1.6	1.4	1.1	0.6		
CPH05A2250		250*	500	1706	4.2	2.4	2.1	1.8	1.4	0.8		
CPH05A3125	3	125	375	1280	3.1	1.8	1.6	1.4	1.1	0.6	1	15
CPH05A3188		188	546	1925	4.7	2.7	2.4	2.0	1.6	0.9		
CPH05A3250		250*	750	2560	6.2	3.6	3.1	2.7	2.2	1.2		
CPH05A4125	4	125	500	1706	4.2	2.4	2.1	1.8	1.4	0.8	1	18
CPH05A4188		188	750	2560	6.2	3.6	3.1	2.7	2.2	1.2		
CPH05A4250		250*	1000	3412	8.3	4.8	4.2	3.6	2.9	1.7		
CPH05A5125	5	125	625	2133	5.2	3.0	2.6	2.3	1.8	1.0	1	25
CPH05A5188		188	940	3208	7.8	4.5	3.9	3.4	2.7	1.6		
CPH05A5250		250*	1250	4266	10.4	6.0	5.2	4.5	3.6	2.1		
CPH05A6125	6	125	750	2560	6.2	3.6	3.1	2.7	2.2	1.2	1	29
CPH05A6188		188	1125	3840	9.4	5.4	4.7	4.1	3.2	1.9		
CPH05A6250		250*	1500	5120	12.5	7.2	6.3	5.4	4.3	2.5		
CPH05A8125	8	125	1000	3412	-	4.8	4.2	3.6	2.8	1.7	1	38
CPH05A8188		188	1500	5120	-	7.2	6.3	5.4	4.3	2.5		
CPH05A8250		250*	2000	6824	-	9.6	8.3	7.2	5.8	3.3		
CPH05A10125	10	125	1250	4266	-	6.0	5.2	4.5	3.6	2.1	1	47
CPH05A10188		188	1875	6400	-	9.0	7.8	6.8	5.4	3.1		
CPH05A10250		250*	2500	8532	-	12.0	10.4	9.0	7.2	4.2		

## MODELS & SPECIFICATIONS | CPH SERIES (7" x 5" w/MULTIPLE ELEMENTS)

CONT. ON NEXT PAGE

CATALOG NO	LENGTH (FT)	WATTS PER FT.	TOTAL HEATING CAPACITY		AMPS					NO. OF ELEMENTS	SHIP WT. (LBS)
			TOTAL WATTS	BTU/HR	208V (1 PH / 3 PH)	240V (1 PH / 3 PH)	277V (1 PH)	347V (1 PH)	600V (1 PH / 3 PH)		
CPH07A2125	2.3	125	250	853	1.2 / -	1.0 / -	0.9	0.7	0.4 / -	1	18
CPH07A2188		188	375	1280	1.8 / -	1.6 / -	1.4	1.1	0.6 / -		
CPH07A2250		250	500	1706	2.4 / -	2.1 / -	1.8	1.4	0.8 / -		
CPH07A2375		375	750	2560	3.6 / -	3.1 / -	2.7	2.2	1.2 / -	2	
CPH07A2500		500	1000	3412	4.8 / -	4.2 / -	3.6	2.9	1.7 / -		
CPH07A2564		564	1125	3840	5.4 / 3.1	4.7 / 2.7	4.1	3.2	1.9 / 1.1	3	
CPH07A2625		625	1250	4266	6.0 / 3.5	5.2 / 3.0	4.5	3.6	2.1 / 1.2		
CPH07A2750		750	1500	5120	7.2 / 4.2	6.3 / 3.6	5.4	4.3	2.5 / 1.4		
CPH07A3125	3	125	375	1280	1.8 / -	1.6 / -	1.4	1.1	0.6 / -	1	22
CPH07A3188		188	564	1925	2.7 / -	2.4 / -	2.0	1.6	0.9 / -		
CPH07A3250		250	750	2560	3.6 / -	3.1 / -	2.7	2.2	1.2 / -		
CPH07A3375		375	1125	3840	5.4 / -	4.7 / -	4.1	3.2	1.9 / -	2	
CPH07A3500		500	1500	5120	7.2 / -	6.3 / -	5.4	4.3	2.5 / -		
CPH07A3564		564	1690	5768	8.1 / 4.7	7.0 / 4.1	6.1	4.8	2.8 / 1.6	3	
CPH07A3625		625	1875	6400	9.0 / 5.2	7.8 / 4.5	6.8	5.4	3.1 / 1.8		
CPH07A3750		750	2250	7680	10.8 / 6.3	9.4 / 5.4	8.1	6.5	3.7 / 2.1		
CPH07A4125	4	125	500	1706	2.4 / -	2.1 / -	1.8	1.4	0.8 / -	1	29
CPH07A4188		188	750	2560	3.6 / -	3.1 / -	2.7	2.2	1.2 / -		
CPH07A4250		250	1000	3412	4.8 / -	4.2 / -	3.6	2.9	1.7 / -		
CPH07A4375		375	1500	5120	7.2 / -	6.3 / -	5.4	4.3	2.5 / -	2	
CPH07A4500		500	2000	6824	9.6 / -	8.3 / -	7.2	5.8	3.3 / -		
CPH07A4564		564	2250	7680	10.8 / 6.3	9.4 / 5.4	8.1	6.5	3.7 / 2.1	3	
CPH07A4625		625	2500	8532	12.0 / 7.0	10.4 / 6.0	9.0	7.2	4.2 / 2.4		
CPH07A4750		750	3000	10239	14.4 / 8.3	12.5 / 7.2	10.8	8.6	5.0 / 2.9		
CPH07A5125	5	125	624	2133	3.0 / -	2.6 / -	2.3	1.8	1.0 / -	1	37
CPH07A5188		188	940	3208	4.5 / -	3.9 / -	3.4	2.7	1.6 / -		
CPH07A5250		250	1250	4266	6.0 / -	5.2 / -	4.5	3.6	2.1 / -		
CPH07A5375		375	1875	6400	9.0 / -	7.8 / -	6.8	5.4	3.1 / -	2	
CPH07A5500		500	2500	8532	12.0 / -	10.4 / -	9.0	7.2	4.2 / -		
CPH07A5564		564	2820	9625	13.6 / 7.8	11.8 / 6.8	10.2	8.1	4.7 / 2.7	3	
CPH07A5625		625	3125	10665	15.0 / 8.7	13.0 / 7.5	11.3	9.0	5.2 / 3.0		
CPH07A5750		750	3750	12800	18.0 / 10.4	15.6 / 9.0	13.5	10.8	6.2 / 3.6		

NOTE: All models are NON-STOCK, MADE-TO-ORDER. When ordering, specify quantity, catalog number, voltage, wattage, optional controls, and color. Consult sales representative for lead times. OPTIONAL CONTROLS ON PAGE 98.



# CONVECTION HEATERS

## MODELS & SPECIFICATIONS | CPH SERIES (7" x 5" w/MULTIPLE ELEMENTS)

CONT. FROM PREVIOUS PAGE

CATALOG NO	LENGTH (FT)	WATTS PER FT.	TOTAL HEATING CAPACITY		AMPS					NO. OF ELEMENTS	SHIP WT. (LBS)
			TOTAL WATTS	BTU/HR	208V (1 PH / 3 PH)	240V (1 PH / 3 PH)	277V (1 PH)	347V (1 PH)	600V (1 PH / 3 PH)		
CPH07A6125	6	125	750	2560	3.6 / -	3.1 / -	2.7	2.2	1.2 / -	1	44
CPH07A6188		188	1125	3840	5.4 / -	4.7 / -	4.1	3.2	1.9 / -		
CPH07A6250		250	1500	5120	7.2 / -	6.3 / -	5.4	4.3	2.5 / -		
CPH07A6375		375	2250	7680	10.8 / -	9.4 / -	8.1	6.5	3.7 / -	2	
CPH07A6500		500	3000	10,239	14.4 / -	12.5 / -	10.8	8.6	5.0 / -		
CPH07A6564		564	3380	11,535	16.3 / 9.4	14.1 / 8.1	12.2	9.7	5.6 / 3.2	3	
CPH07A6625		625	3750	12,800	18.0 / 10.4	15.6 / 9.0	13.5	10.8	6.2 / 3.6		
CPH07A6750		750	4500	15,358	21.6 / 12.5	18.8 / 10.8	16.2	12.9	7.5 / 4.3		
CPH07A8125	8	125	1000	3412	4.8 / -	4.2 / -	3.6	2.9	1.7 / -	1	58
CPH07A8188		188	1500	5120	7.2 / -	6.3 / -	5.4	4.3	2.5 / -		
CPH07A8250		250	2000	6824	9.6 / -	8.3 / -	7.2	5.8	3.3 / -		
CPH07A8375		375	3000	10,239	14.4 / -	12.5 / -	10.8	8.6	5.0 / -	2	
CPH07A8500		500	4000	13,652	19.2 / -	16.7 / -	14.4	11.5	6.7 / -		
CPH07A8564		564	4500	15,358	21.6 / 12.5	18.8 / 10.8	16.2	13.0	7.5 / 4.3	3	
CPH07A8625		625	5000	17,065	24.0 / 13.9	20.8 / 12.0	18.1	14.4	8.3 / 4.8		
CPH07A8750		750	6000	20,478	28.8 / 16.7	25.0 / 14.5	21.7	17.3	10.0 / 5.8		
CPH07A10125	10	125	1250	4266	6.0 / -	5.2 / -	4.5	3.6	2.1 / -	1	72
CPH07A10188		188	1875	6400	9.0 / -	7.8 / -	6.8	5.4	3.1 / -		
CPH07A10250		250	2500	8532	12.0 / -	10.4 / -	9.0	7.2	4.2 / -		
CPH07A10375		375	3750	12,800	18.0 / -	15.6 / -	13.5	10.8	6.2 / -	2	
CPH07A10500		500	5000	17,065	24.0 / -	20.8 / -	18.1	14.4	8.3 / -		
CPH07A10564		564	5640	19,250	27.1 / 15.7	23.5 / 13.6	20.4	16.2	9.4 / 5.4	3	
CPH07A10625		625	6250	21,330	30.0 / 17.4	26.0 / 15.0	22.6	18.0	10.4 / 6.0		
CPH07A10750		750	7500	25,600	36.1 / 20.8	31.3 / 18.1	27.1	21.6	12.5 / 7.2		

NOTE: All models are NON-STOCK, MADE-TO-ORDER. When ordering, specify quantity, catalog number, voltage, wattage, optional controls, and color. Consult sales representative for lead times. OPTIONAL CONTROLS ON PAGE 98.

## ACCESSORIES | CPH SERIES

CATALOG NO	DESCRIPTION	COMPATIBLE WITH	SHIP WT. (LBS)
CPH05BL21	28-Inch Blank Section	CPH05A Heaters	10
CPH05BL31	3-Foot Blank Section		13
CPH05BL41	4-Foot Blank Section		17
CPH05BL51	5 Foot Blank Section		21
CPH05BL61	6-Foot Blank Section		25
CPH05BL81	8-Foot Blank Section	CPH05A Heaters	32
CPH05BL101	10-Foot Blank Section		42
CPH07BL21	28-Inch Blank Section		14
CPH07BL31	3-Foot Blank Section	CPH07A Heaters	18
CPH07BL41	4-Foot Blank Section		24
CPH05BL51	5 Foot Blank Section		30
CPH07BL61	6-Foot Blank Section		36
CPH07BL81	8-Foot Blank Section		CPH07A Heaters
CPH07BL101	10-Foot Blank Section	60	
PHB052	Pedestal Leg Kit for 2, 3 & 4 ft. units	Legs must be ordered with CPH05A Heaters/Blanks	3
PHB053	Pedestal Leg Kit for 5, 6 & 8 ft. units		4
PHB054	Pedestal Leg Kit for 10 ft. unit		5
PHB072	Pedestal Leg Kit for 2, 3 & 4 ft. units	Legs must be ordered with CPH07A Heaters/Blanks	4
PHB073	Pedestal Leg Kit for 5, 6 & 8 ft. units		5
PHB074	Pedestal Leg Kit for 10 ft. unit		7
CSH05ECR	Right Hand End Cap	CPH05A/07A Heaters/Blanks	1
CSH07ECR	Right Hand End Cap		1
CSH05ECL	Left Hand End Cap	CPH05A/07A Heaters/Blanks	1
CSH07ECL	Left Hand End Cap		1

NOTE: OPTIONAL CONTROLS ON PAGE 98. Outlet Mesh: Price per foot. 14-Gauge Front Cover: add 10% to heater price. Standard color included in base price. Other colors available. View paint policy on page 157. If color is not specified, front covers will be neutral grey. Back, grille, and accessories will be statutory bronze. When ordering, specify heater catalog number, voltage, phase, suffix catalog number for built-in controls, color, and options. Specify color for pedestal legs.

# CONVECTION HEATERS

## MODELS & SPECIFICATIONS | DPH SERIES (5-1/2" x 3" w/SINGLE ELEMENT)

CATALOG NO	LENGTH (FT)	WATTS PER FT.	TOTAL HEATING CAPACITY		AMPS						NO. OF ELEMENTS	SHIP WT. (LBS)
			TOTAL WATTS	BTU/HR	120V	208V	240V	277V	347V	600V		
DPH05A2125	2.3	125	250	853	2.1	1.2	1.0	0.9	0.7	0.4	1	11
DPH05A2188		188	375	1280	3.1	1.8	1.6	1.4	1.1	0.6		
DPH05A2250		250*	500	1706	4.2	2.4	2.1	1.8	1.4	0.8		
DPH05A3125	3	125	375	1280	3.1	1.8	1.6	1.4	1.1	0.6	1	15
DPH05A3188		188	546	1925	4.7	2.7	2.4	2.0	1.6	0.9		
DPH05A3250		250*	750	2560	6.2	3.6	3.1	2.7	2.2	1.2		
DPH05A4125	4	125	500	1706	4.2	2.4	2.1	1.8	1.4	0.8	1	18
DPH05A4188		188	750	2560	6.2	3.6	3.1	2.7	2.2	1.2		
DPH05A4250		250*	1000	3412	8.3	4.8	4.2	3.6	2.9	1.7		
DPH05A5125	5	125	625	2133	5.2	3.0	2.6	2.3	1.8	1.0	1	25
DPH05A5188		188	940	3208	7.8	4.5	3.9	3.4	2.7	1.6		
DPH05A5250		250*	1250	4266	10.4	6.0	5.2	4.5	3.6	2.1		
DPH05A6125	6	125	750	2560	6.2	3.6	3.1	2.7	2.2	1.2	1	29
DPH05A6188		188	1125	3840	9.4	5.4	4.7	4.1	3.2	1.9		
DPH05A6250		250*	1500	5120	12.5	7.2	6.3	5.4	4.3	2.5		
DPH05A8125	8	125	1000	3412	-	4.8	4.2	3.6	2.8	1.7	1	38
DPH05A8188		188	1500	5120	-	7.2	6.3	5.4	4.3	2.5		
DPH05A8250		250*	2000	6824	-	9.6	8.3	7.2	5.8	3.3		
DPH05A10125	10	125	1250	4266	-	6.0	5.2	4.5	3.6	2.1	1	47
DPH05A10188		188	1875	6400	-	9.0	7.8	6.8	5.4	3.1		
DPH05A10250		250*	2500	8532	-	12.0	10.4	9.0	7.2	4.2		

## MODELS & SPECIFICATIONS | DPH SERIES (7" x 5" w/MULTIPLE ELEMENTS)

CONT. ON NEXT PAGE

CATALOG NO	LENGTH (FT)	WATTS PER FT.	TOTAL HEATING CAPACITY		AMPS					NO. OF ELEMENTS	SHIP WT. (LBS)
			TOTAL WATTS	BTU/HR	208V (1 PH / 3 PH)	240V (1 PH / 3 PH)	277V (1 PH)	347V (1 PH)	600V (1 PH / 3 PH)		
DPH07A2125	2.3	125	250	853	1.2 / -	1.0 / -	0.9	0.7	0.4 / -	1	18
DPH07A2188		188	375	1280	1.8 / -	1.6 / -	1.4	1.1	0.6 / -		
DPH07A2250		250	500	1706	2.4 / -	2.1 / -	1.8	1.4	0.8 / -		
DPH07A2375		375	750	2560	3.6 / -	3.1 / -	2.7	2.2	1.2 / -	2	
DPH07A2500		500	1000	3412	4.8 / -	4.2 / -	3.6	2.9	1.7 / -		
DPH07A2564		564	1125	3840	5.4 / 3.1	4.7 / 2.7	4.1	3.2	1.9 / 1.1	3	
DPH07A2625		625	1250	4266	6.0 / 3.5	5.2 / 3.0	4.5	3.6	2.1 / 1.2		
DPH07A2750		750	1500	5120	7.2 / 4.2	6.3 / 3.6	5.4	4.3	2.5 / 1.4		
DPH07A3125	3	125	375	1280	1.8 / -	1.6 / -	1.4	1.1	0.6 / -	1	22
DPH07A3188		188	564	1925	2.7 / -	2.4 / -	2.0	1.6	0.9 / -		
DPH07A3250		250	750	2560	3.6 / -	3.1 / -	2.7	2.2	1.2 / -		
DPH07A3375		375	1125	3840	5.4 / -	4.7 / -	4.1	3.2	1.9 / -	2	
DPH07A3500		500	1500	5120	7.2 / -	6.3 / -	5.4	4.3	2.5 / -		
DPH07A3564		564	1690	5768	8.1 / 4.7	7.0 / 4.1	6.1	4.8	2.8 / 1.6	3	
DPH07A3625		625	1875	6400	9.0 / 5.2	7.8 / 4.5	6.8	5.4	3.1 / 1.8		
DPH07A3750		750	2250	7680	10.8 / 6.3	9.4 / 5.4	8.1	6.5	3.7 / 2.1		
DPH07A4125	4	125	500	1706	2.4 / -	2.1 / -	1.8	1.4	0.8 / -	1	29
DPH07A4188		188	750	2560	3.6 / -	3.1 / -	2.7	2.2	1.2 / -		
DPH07A4250		250	1000	3412	4.8 / -	4.2 / -	3.6	2.9	1.7 / -		
DPH07A4375		375	1500	5120	7.2 / -	6.3 / -	5.4	4.3	2.5 / -	2	
DPH07A4500		500	2000	6824	9.6 / -	8.3 / -	7.2	5.8	3.3 / -		
DPH07A4564		564	2250	7680	10.8 / 6.3	9.4 / 5.4	8.1	6.5	3.7 / 2.1	3	
DPH07A4625		625	2500	8532	12.0 / 7.0	10.4 / 6.0	9.0	7.2	4.2 / 2.4		
DPH07A4750		750	3000	10239	14.4 / 8.3	12.5 / 7.2	10.8	8.6	5.0 / 2.9		
DPH07A5125	5	125	624	2133	3.0 / -	2.6 / -	2.3	1.8	1.0 / -	1	37
DPH07A5188		188	940	3208	4.5 / -	3.9 / -	3.4	2.7	1.6 / -		
DPH07A5250		250	1250	4266	6.0 / -	5.2 / -	4.5	3.6	2.1 / -		
DPH07A5375		375	1875	6400	9.0 / -	7.8 / -	6.8	5.4	3.1 / -	2	
DPH07A5500		500	2500	8532	12.0 / -	10.4 / -	9.0	7.2	4.2 / -		
DPH07A5564		564	2820	9625	13.6 / 7.8	11.8 / 6.8	10.2	8.1	4.7 / 2.7	3	
DPH07A5625		625	3125	10665	15.0 / 8.7	13.0 / 7.5	11.3	9.0	5.2 / 3.0		
DPH07A5750		750	3750	12800	18.0 / 10.4	15.6 / 9.0	13.5	10.8	6.2 / 3.6		

NOTE: All models are NON-STOCK, MADE-TO-ORDER. When ordering, specify quantity, catalog number, voltage, wattage, optional controls, and color. Consult sales representative for lead times.  
OPTIONAL CONTROLS ON PAGE 98.

# CONVECTION HEATERS

## MODELS & SPECIFICATIONS | DPH SERIES (7" x 5" w/MULTIPLE ELEMENTS)

CONT. FROM PREVIOUS PAGE

CATALOG NO	LENGTH (FT)	WATTS PER FT.	TOTAL HEATING CAPACITY		AMPS					NO. OF ELEMENTS	SHIP WT. (LBS)
			TOTAL WATTS	BTU/HR	208V (1 PH / 3 PH)	240V (1 PH / 3 PH)	277V (1 PH)	347V (1 PH)	600V (1 PH / 3 PH)		
DPH07A6125	6	125	750	2560	3.6 / -	3.1 / -	2.7	2.2	1.2 / -	1	44
DPH07A6188		188	1125	3840	5.4 / -	4.7 / -	4.1	3.2	1.9 / -		
DPH07A6250		250	1500	5120	7.2 / -	6.3 / -	5.4	4.3	2.5 / -		
DPH07A6375		375	2250	7680	10.8 / -	9.4 / -	8.1	6.5	3.7 / -	2	
DPH07A6500		500	3000	10,239	14.4 / -	12.5 / -	10.8	8.6	5.0 / -		
DPH07A6564		564	3380	11,535	16.3 / 9.4	14.1 / 8.1	12.2	9.7	5.6 / 3.2	3	
DPH07A6625		625	3750	12,800	18.0 / 10.4	15.6 / 9.0	13.5	10.8	6.2 / 3.6		
DPH07A6750		750	4500	15,358	21.6 / 12.5	18.8 / 10.8	16.2	12.9	7.5 / 4.3		
DPH07A8125	8	125	1000	3412	4.8 / -	4.2 / -	3.6	2.9	1.7 / -	1	58
DPH07A8188		188	1500	5120	7.2 / -	6.3 / -	5.4	4.3	2.5 / -		
DPH07A8250		250	2000	6824	9.6 / -	8.3 / -	7.2	5.8	3.3 / -		
DPH07A8375		375	3000	10,239	14.4 / -	12.5 / -	10.8	8.6	5.0 / -	2	
DPH07A8500		500	4000	13,652	19.2 / -	16.7 / -	14.4	11.5	6.7 / -		
DPH07A8564		564	4500	15,358	21.6 / 12.5	18.8 / 10.8	16.2	13.0	7.5 / 4.3	3	
DPH07A8625		625	5000	17,065	24.0 / 13.9	20.8 / 12.0	18.1	14.4	8.3 / 4.8		
DPH07A8750		750	6000	20,478	28.8 / 16.7	25.0 / 14.5	21.7	17.3	10.0 / 5.8		
DPH07A10125	10	125	1250	4266	6.0 / -	5.2 / -	4.5	3.6	2.1 / -	1	72
DPH07A10188		188	1875	6400	9.0 / -	7.8 / -	6.8	5.4	3.1 / -		
DPH07A10250		250	2500	8532	12.0 / -	10.4 / -	9.0	7.2	4.2 / -		
DPH07A10375		375	3750	12,800	18.0 / -	15.6 / -	13.5	10.8	6.2 / -	2	
DPH07A10500		500	5000	17,065	24.0 / -	20.8 / -	18.1	14.4	8.3 / -		
DPH07A10564		564	5640	19,250	27.1 / 15.7	23.5 / 13.6	20.4	16.2	9.4 / 5.4	3	
DPH07A10625		625	6250	21,330	30.0 / 17.4	26.0 / 15.0	22.6	18.0	10.4 / 6.0		
DPH07A10750		750	7500	25,600	36.1 / 20.8	31.3 / 18.1	27.1	21.6	12.5 / 7.2		

NOTE: All models are NON-STOCK, MADE-TO-ORDER. When ordering, specify quantity, catalog number, voltage, wattage, optional controls, and color. Consult sales representative for lead times. OPTIONAL CONTROLS ON PAGE 98.

## ACCESSORIES | DPH SERIES

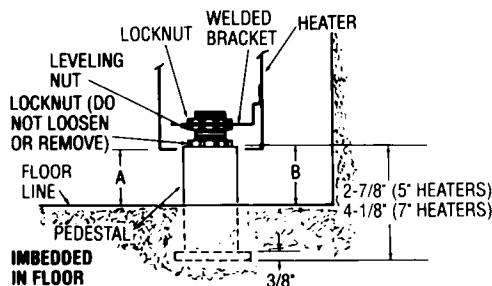
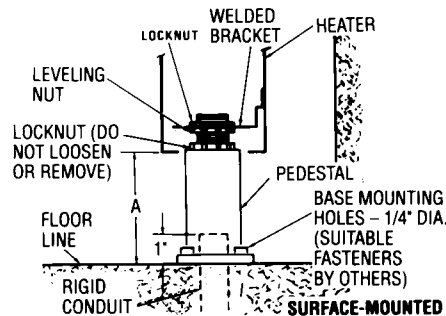
CATALOG NO	DESCRIPTION	COMPATIBLE WITH	SHIP WT. (LBS)
DPH05BL21	28-Inch Blank Section	DPH05A Heaters	10
DPH05BL31	3-Foot Blank Section		13
DPH05BL41	4-Foot Blank Section		17
DPH05BL51	5 Foot Blank Section		21
DPH05BL61	6-Foot Blank Section		25
DPH05BL81	8-Foot Blank Section	DPH05A Heaters	32
DPH05BL101	10-Foot Blank Section		42
DPH07BL21	28-Inch Blank Section		14
DPH07BL31	3-Foot Blank Section	DPH07A Heaters	18
DPH07BL41	4-Foot Blank Section		24
DPH05BL51	5 Foot Blank Section		30
DPH07BL61	6-Foot Blank Section		36
DPH07BL81	8-Foot Blank Section		48
DPH07BL101	10-Foot Blank Section	60	
PHB052	Pedestal Leg Kit for 2, 3 & 4 ft. units	Legs must be ordered with DPH05A Heaters/Blanks	3
PHB053	Pedestal Leg Kit for 5, 6 & 8 ft. units		4
PHB054	Pedestal Leg Kit for 10 ft. unit		5
PHB072	Pedestal Leg Kit for 2, 3 & 4 ft. units	Legs must be ordered with DPH07A Heaters/Blanks	4
PHB073	Pedestal Leg Kit for 5, 6 & 8 ft. units		5
PHB074	Pedestal Leg Kit for 10 ft. unit		7
DSH05ECR	Right Hand End Cap	DPH05A/07A Heaters/Blanks	1
DSH07ECR	Right Hand End Cap		1
DSH05ECL	Left Hand End Cap	DPH05A/07A Heaters/Blanks	1
DSH07ECL	Left Hand End Cap		1

NOTE: OPTIONAL CONTROLS ON PAGE 98. Outlet Mesh: Price per foot. 14-Gauge Front Cover: add 10% to heater price. Standard color included in base price. Other colors available. View paint policy on page 157. If color is not specified, front covers will be neutral grey. Back, grille, and accessories will be statuary bronze. When ordering, specify heater catalog number, voltage, phase, suffix catalog number for built-in controls, color, and options. Specify color for pedestal legs.

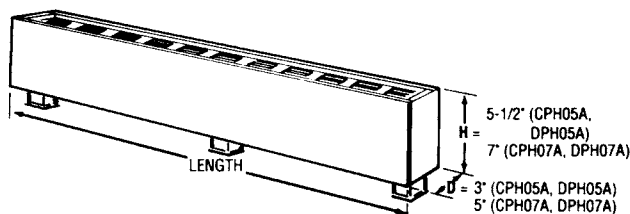
## ACCESSORIES | CPH & DPH SERIES

CATALOG NO	COMPATIBLE WITH	HEIGHT (IN)	DEPTH (IN)	LENGTH (IN)	ADDT'L LENGTH* (IN)
<b>LEFT END CAPS</b>					
CSH05ECL**	CPH05	5-1/2	2-1/2	-	1/8
CSH07ECL**	CPH07	7	4-3/4		
DSH05ECL**	DPH05	5-1/2	2-1/2		
DSH07ECL**	DPH07	7	4-3/4		
<b>RIGHT END CAPS</b>					
CSH05ECR**	CPH05	5-1/2	2-1/2	-	1/8
CSH07ECR**	CPH07	7	4-3/4		
DSH05ECR**	DPH05	5-1/2	2-1/2		
DSH07ECR**	DPH07	7	4-3/4		
<b>PEDESTAL LEGS (FOR CPH05 AND DPH05 HEATERS)</b>					
PHB052**		2, 3, & 4 ft. heaters and blank sections			
PHB053**		5, 6, & 8 ft. heaters and blank sections			
PHB054**		10 ft. heaters and blank sections			
<b>PEDESTAL LEGS (FOR CPH07 AND DPH07 HEATERS)</b>					
PHB072**		2, 3, & 4 ft. heaters and blank sections			
PHB073**		5, 6, & 8 ft. heaters and blank sections			
PHB074**		10 ft. heaters and blank sections			
<b>BLANK SECTIONS (CPH05)</b>					
CPH05BL21	CPH05	5-1/2	3	28	28
CPH05BL31				36	36
CPH05BL41				48	48
CPH05BL51				60	60
CPH05BL61				72	72
CPH05BL81				96	96
CPH05BL101				120	120
<b>BLANK SECTIONS (CPH07)</b>					
CPH07BL21	CPH07	7	5	28	28
CPH07BL31				36	36
CPH07BL41				48	48
CPH07BL51				60	60
CPH07BL61				72	72
CPH07BL81				96	96
CPH07BL101				120	120
<b>BLANK SECTIONS (DPH05)</b>					
DPH05BL21	DPH05	5-1/2	3	28	28
DPH05BL31				36	36
DPH05BL41				48	48
DPH05BL51				60	60
DPH05BL61				72	72
DPH05BL81				96	96
DPH05BL101				120	120
<b>BLANK SECTIONS (DPH07)</b>					
DPH07BL21	DPH07	7	5	28	28
DPH07BL31				36	36
DPH07BL41				48	48
DPH07BL51				60	60
DPH07BL61				72	72
DPH07BL81				96	96
DPH07BL101				120	120

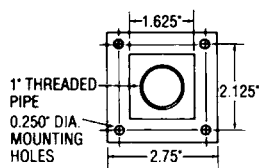
NOTE: \*Additional length the accessory adds to the total installation. \*\*Built-in duplex receptacle available. (See diagram to right.)



### HEATING AND BLANK SECTIONS

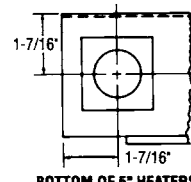


### PEDESTAL DETAILS

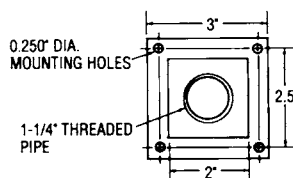


### 5\"/>

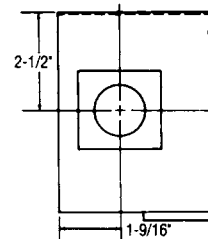
### PEDESTAL LOCATION



### BOTTOM OF 5\"/>



### 7\"/>



### BOTTOM OF 7\"/>

## MOUNTING | CPH & DPH SERIES

HEATER CAPACITY (Watt/Ft.)	HEATER DIMENSION "A" (IN.) (Minimum Mounting Height Above Floor)	PEDESTAL DIMENSION "B" (IN.) (Minimum Height Above Floor)	CATALOG NO.	HEIGHT ABOVE FLOOR (IN.)	
				MIN.	MAX.
125, 188 and 250	1-3/4	2	DPH05	2-5/8	3-3/8
375, 500, 564, 625 and 750	3	3-1/4	DPH07	3-7/8	4-5/8



# CONVECTION HEATERS



## COMMERCIAL SILL-HEIGHT CONVECTOR CSH SERIES

### AVAILABLE COLORS



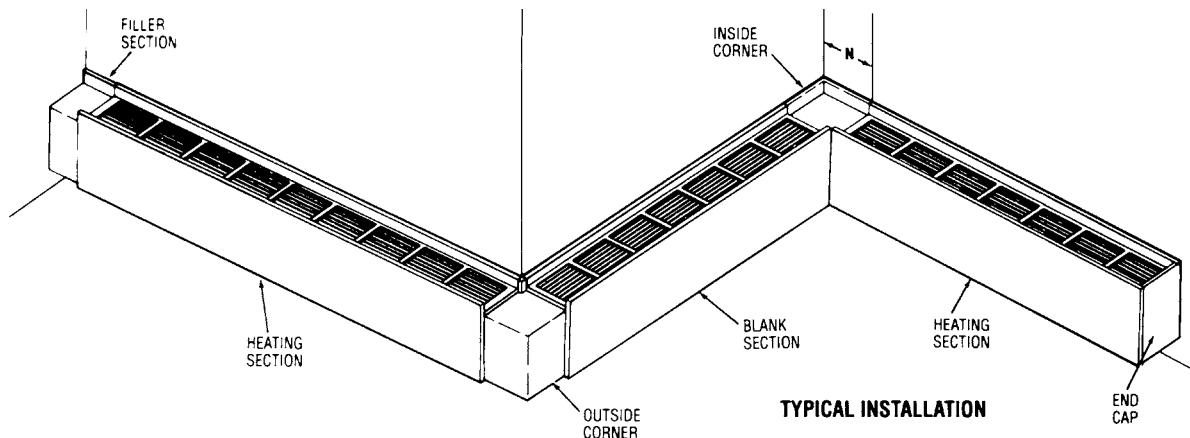
**IDEAL SPACES** | Offices; Hallways; Lobbies; Conference Rooms; Retail; Other Similar Areas with Floor-to-Ceiling Windows

**COLORS** | Neutral Gray; Charcoal Gray; Navajo White; Northern White; Statuary Bronze; Desert Tan; Black; Custom Colors, Baked Enamel Finishes Available

**DIMENSIONS** | See specifications

- Perfect for under-the-window heat loss and condensation prevention
- Durable front cover constructed of 16-gauge steel (optional 14-gauge available)
- Wall-mounted design; bottom or front inlet - top outlet
- Units may contain 1-3 heating elements that yield a broad range of heating capacity (see specifications)
- Optional 1/4 in. mesh located under the discharge grille to deter insertion of objects and restriction of airflow
- Blend into any décor with 8 standard color options or custom finishes and anodizing available upon request
- Locate at sill height (or lower) or run from mullion-to-mullion
- Units can be mounted from wall-to-wall or as discrete units in standard lengths of 28 in. to 10 ft.
- Optional built-in controls include: line voltage thermostat (SPST or DPST); two-stage thermostat; power on/off switch; transformer relay; and power relay (see specifications)
- Right- or left-hand entry/wiring flexibility with identical pre-wired junction boxes at either end
- Easy connection of supply wiring from bottom, rear or end, as well as multiple wiring of adjacent heaters from one entry point
- For service, all internal parts are accessible by removing cover

Front inlet models mount flush with floor; 125 to 250 watts per foot units can be positioned within 1-3/4 in. of floor; 375 to 750 watts per foot units can be positioned to within 3 in. of floor; 5-1/2 in. and 7 in. high models are available with top outlet only; 14 in. models are available with top or front outlet.



# CONVECTION HEATERS

## MODELS & SPECIFICATIONS | CSH05 (5-1/2" x 3" w/SINGLE ELEMENT)

CATALOG NO	LENGTH (FT)	WATTS PER FT.	TOTAL HEATING CAPACITY		AMPS						NO. OF ELEMENTS	SHIP WT. (LBS)
			TOTAL WATTS	BTU/HR	120V	208V	240V	277V	347V	600V		
CSH05A2125	2.3	125	250	853	2.1	1.2	1.0	0.9	0.7	0.4	1	11
CSH05A2188		188	375	1280	3.1	1.8	1.6	1.4	1.1	0.6		
CSH05A2250		250	500	1706	4.2	2.4	2.1	1.8	1.4	0.8		
CSH05A3125	3	125	375	1280	3.1	1.8	1.6	1.4	1.1	0.6	1	14
CSH05A3188		188	546	1925	4.7	2.7	2.4	2.0	1.6	0.9		
CSH05A3250		250	750	2560	6.2	3.6	3.1	2.7	2.2	1.2		
CSH05A4125	4	125	500	1706	4.2	2.4	2.1	1.8	1.4	0.8	1	19
CSH05A4188		188	750	2560	6.2	3.6	3.1	2.7	2.2	1.2		
CSH05A4250		250	1000	3412	8.3	4.8	4.2	3.6	2.9	1.7		
CSH05A5125	5	125	625	2133	5.2	3.0	2.6	2.3	1.8	1.0	1	23
CSH05A5188		188	940	3208	7.8	4.5	3.9	3.4	2.7	1.6		
CSH05A5250		250	1250	4266	10.4	6.0	5.2	4.5	3.6	2.1		
CSH05A6125	6	125	750	2560	6.2	3.6	3.1	2.7	2.2	1.2	1	27
CSH05A6188		188	1125	3840	9.4	5.4	4.7	4.1	3.2	1.9		
CSH05A6250		250	1500	5120	12.5	7.2	6.3	5.4	4.3	2.5		
CSH05A8125	8	125	1000	3412	-	4.8	4.2	3.6	2.8	1.7	1	37
CSH05A8188		188	1500	5120	-	7.2	6.3	5.4	4.3	2.5		
CSH05A8250		250	2000	6824	-	9.6	8.3	7.2	5.8	3.3		
CSH05A10125	10	125	1250	4266	-	6.0	5.2	4.5	3.6	2.1	1	47
CSH05A10188		188	1875	6400	-	9.0	7.8	6.8	5.4	3.1		
CSH05A10250		250	2500	8532	-	12.0	10.4	9.0	7.2	4.2		

## MODELS & SPECIFICATIONS | CSH07 (7" x 5" w/MULTIPLE ELEMENTS)

CONT. ON NEXT PAGE

CATALOG NO	LENGTH (FT)	WATTS PER FT.	TOTAL HEATING CAPACITY		AMPS					NO. OF ELEMENTS	SHIP WT. (LBS)
			TOTAL WATTS	BTU/HR	208V (1 PH / 3 PH)	240V (1 PH / 3 PH)	277V (1 PH)	347V (1 PH)	600V (1 PH / 3 PH)		
CSH07A2125	2.3	125	250	853	1.2 / -	1.0 / -	0.9	0.7	0.4 / -	1	17
CSH07A2188		188	375	1280	1.8 / -	1.6 / -	1.4	1.1	0.6 / -		
CSH07A2250		250	500	1706	2.4 / -	2.1 / -	1.8	1.4	0.8 / -		
CSH07A2375		375	750	2560	3.6 / -	3.1 / -	2.7	2.2	1.2 / -	2	
CSH07A2500		500	1000	3412	4.8 / -	4.2 / -	3.6	2.9	1.7 / -		
CSH07A2564		564	1125	3840	5.4 / 3.1	4.7 / 2.7	4.1	3.2	1.9 / 1.1	3	
CSH07A2625		625	1250	4266	6.0 / 3.5	5.2 / 3.0	4.5	3.6	2.1 / 1.2		
CSH07A2750		750	1500	5120	7.2 / 4.2	6.3 / 3.6	5.4	4.3	2.5 / 1.4		
CSH07A3125	3	125	375	1280	1.8 / -	1.6 / -	1.4	1.1	0.6 / -	1	21
CSH07A3188		188	564	1925	2.7 / -	2.4 / -	2.0	1.6	0.9 / -		
CSH07A3250		250	750	2560	3.6 / -	3.1 / -	2.7	2.2	1.2 / -		
CSH07A3375		375	1125	3840	5.4 / -	4.7 / -	4.1	3.2	1.9 / -	2	
CSH07A3500		500	1500	5120	7.2 / -	6.3 / -	5.4	4.3	2.5 / -		
CSH07A3564		564	1690	5768	8.1 / 4.7	7.0 / 4.1	6.1	4.8	2.8 / 1.6	3	
CSH07A3625		625	1875	6400	9.0 / 5.2	7.8 / 4.5	6.8	5.4	3.1 / 1.8		
CSH07A-3750		750	2250	7680	10.8 / 6.3	9.4 / 5.4	8.1	6.5	3.7 / 2.1		
CSH07A4125	4	125	500	1706	2.4 / -	2.1 / -	1.8	1.4	0.8 / -	1	28
CSH07A4188		188	750	2560	3.6 / -	3.1 / -	2.7	2.2	1.2 / -		
CSH07A4250		250	1000	3412	4.8 / -	4.2 / -	3.6	2.9	1.7 / -		
CSH07A4375		375	1500	5120	7.2 / -	6.3 / -	5.4	4.3	2.5 / -	2	
CSH07A4500		500	2000	6824	9.6 / -	8.3 / -	7.2	5.8	3.3 / -		
CSH07A4564		564	2250	7680	10.8 / 6.3	9.4 / 5.4	8.1	6.5	3.7 / 2.1	3	
CSH07A4625		625	2500	8532	12.0 / 7.0	10.4 / 6.0	9.0	7.2	4.2 / 2.4		
CSH07A4750		750	3000	10239	14.4 / 8.3	12.5 / 7.2	10.8	8.6	5.0 / 2.9		
CSH07A5125	5	125	624	2133	3.0 / -	2.6 / -	2.3	1.8	1.0 / -	1	35
CSH07A5188		188	940	3208	4.5 / -	3.9 / -	3.4	2.7	1.6 / -		
CSH07A5250		250	1250	4266	6.0 / -	5.2 / -	4.5	3.6	2.1 / -		
CSH07A5375		375	1875	6400	9.0 / -	7.8 / -	6.8	5.4	3.1 / -	2	
CSH07A5500		500	2500	8532	12.0 / -	10.4 / -	9.0	7.2	4.2 / -		
CSH07A5564		564	2820	9625	13.6 / 7.8	11.8 / 6.8	10.2	8.1	4.7 / 2.7	3	
CSH07A5625		625	3125	10665	15.0 / 8.7	13.0 / 7.5	11.3	9.0	5.2 / 3.0		
CSH07A5750		750	3750	12800	18.0 / 10.4	15.6 / 9.0	13.5	10.8	6.2 / 3.6		

NOTE: All models are NON-STOCK, MADE-TO-ORDER. When ordering, specify quantity, catalog number, voltage, wattage, optional controls, and color. Consult sales representative for lead times. OPTIONAL CONTROLS ON PAGE 98.

# CONVECTION HEATERS

## MODELS & SPECIFICATIONS | CSH07 (7" x 5" w/MULTIPLE ELEMENTS)

CONT. FROM PREVIOUS PAGE

CATALOG NO	LENGTH (FT)	WATTS PER FT.	TOTAL HEATING CAPACITY		AMPS					NO. OF ELEMENTS	SHIP WT. (LBS)
			TOTAL WATTS	BTU/HR	208V (1 PH / 3 PH)	240V (1 PH / 3 PH)	277V (1 PH)	347V (1 PH)	600V (1 PH / 3 PH)		
CSH07A6125	6	125	750	2560	3.6 / -	3.1 / -	2.7	2.2	1.2 / -	1	42
CSH07A6188		188	1125	3840	5.4 / -	4.7 / -	4.1	3.2	1.9 / -		
CSH07A6250		250	1500	5120	7.2 / -	6.3 / -	5.4	4.3	2.5 / -		
CSH07A6375		375	2250	7680	10.8 / -	9.4 / -	8.1	6.5	3.7 / -	2	
CSH07A6500		500	3000	10,239	14.4 / -	12.5 / -	10.8	8.6	5.0 / -		
CSH07A6564		564	3380	11,535	16.3 / 9.4	14.1 / 8.1	12.2	9.7	5.6 / 3.2	3	
CSH07A6625		625	3750	12,800	18.0 / 10.4	15.6 / 9.0	13.5	10.8	6.2 / 3.6		
CSH07A6750		750	4500	15,358	21.6 / 12.5	18.8 / 10.8	16.2	12.9	7.5 / 4.3		
CSH07A8125	8	125	1000	3412	4.8 / -	4.2 / -	3.6	2.9	1.7 / -	1	56
CSH07A8188		188	1500	5120	7.2 / -	6.3 / -	5.4	4.3	2.5 / -		
CSH07A8250		250	2000	6824	9.6 / -	8.3 / -	7.2	5.8	3.3 / -		
CSH07A8375		375	3000	10,239	14.4 / -	12.5 / -	10.8	8.6	5.0 / -	2	
CSH07A8500		500	4000	13,652	19.2 / -	16.7 / -	14.4	11.5	6.7 / -		
CSH07A8564		564	4500	15,358	21.6 / 12.5	18.8 / 10.8	16.2	13.0	7.5 / 4.3	3	
CSH07A8625		625	5000	17,065	24.0 / 13.9	20.8 / 12.0	18.1	14.4	8.3 / 4.8		
CSH07A8750		750	6000	20,478	28.8 / 16.7	25.0 / 14.5	21.7	17.3	10.0 / 5.8		
CSH07A10125	10	125	1250	4266	6.0 / -	5.2 / -	4.5	3.6	2.1 / -	1	70
CSH07A10188		188	1875	6400	9.0 / -	7.8 / -	6.8	5.4	3.1 / -		
CSH07A10250		250	2500	8532	12.0 / -	10.4 / -	9.0	7.2	4.2 / -		
CSH07A10375		375	3750	12,800	18.0 / -	15.6 / -	13.5	10.8	6.2 / -	2	
CSH07A10500		500	5000	17,065	24.0 / -	20.8 / -	18.1	14.4	8.3 / -		
CSH07A10564		564	5640	19,250	27.1 / 15.7	23.5 / 13.6	20.4	16.2	9.4 / 5.4	3	
CSH07A10625		625	6250	21,330	30.0 / 17.4	26.0 / 15.0	22.6	18.0	10.4 / 6.0		
CSH07A10750		750	7500	25,600	36.1 / 20.8	31.3 / 18.1	27.1	21.6	12.5 / 7.2		

## MODELS & SPECIFICATIONS | CSH14 (14" x 5" w/MULTIPLE ELEMENTS)

CONT. ON NEXT PAGE

CATALOG NO	LENGTH (FT)	WATTS PER FT.	TOTAL HEATING CAPACITY		AMPS					NO. OF ELEMENTS	SHIP WT. (LBS)
			TOTAL WATTS	BTU/HR	208V (1 PH / 3 PH)	240V (1 PH / 3 PH)	277V (1 PH)	347V (1 PH)	600V (1 PH / 3 PH)		
CSH14A2125	2.3	125	250	853	1.2 / -	1.0 / -	0.9	0.7	0.4 / -	1	25
CSH14A2188		188	375	1280	1.8 / -	1.6 / -	1.4	1.1	0.6 / -		
CSH14A2250		250	500	1706	2.4 / -	2.1 / -	1.8	1.4	0.8 / -		
CSH14A2375		375	750	2560	3.6 / -	3.1 / -	2.7	2.2	1.2 / -	2	
CSH14A2500		500	1000	3412	4.8 / -	4.2 / -	3.6	2.9	1.7 / -		
CSH14A2564		564	1125	3840	5.4 / 3.1	4.7 / 2.7	4.1	3.2	1.9 / 1.1	3	
CSH14A2625		625	1250	4266	6.0 / 3.5	5.2 / 3.0	4.5	3.6	2.1 / 1.2		
CSH14A2750		750	1500	5120	7.2 / 4.2	6.3 / 3.6	5.4	4.3	2.5 / 1.4		
CSH14A3125	3	125	375	1280	1.8 / -	1.6 / -	1.4	1.1	0.6 / -	1	32
CSH14A3188		188	564	1925	2.7 / -	2.4 / -	2.0	1.6	0.9 / -		
CSH14A3250		250	750	2560	3.6 / -	3.1 / -	2.7	2.2	1.2 / -		
CSH14A3375		375	1125	3840	5.4 / -	4.7 / -	4.1	3.2	1.9 / -	2	
CSH14A3500		500	1500	5120	7.2 / -	6.3 / -	5.4	4.3	2.5 / -		
CSH14A3564		564	1690	5768	8.1 / 4.7	7.0 / 4.1	6.1	4.8	2.8 / 1.6	3	
CSH14A3625		625	1875	6400	9.0 / 5.2	7.8 / 4.5	6.8	5.4	3.1 / 1.8		
CSH14A-3750		750	2250	7680	10.8 / 6.3	9.4 / 5.4	8.1	6.5	3.7 / 2.1		
CSH14A4125	4	125	500	1706	2.4 / -	2.1 / -	1.8	1.4	0.8 / -	1	42
CSH14A4188		188	750	2560	3.6 / -	3.1 / -	2.7	2.2	1.2 / -		
CSH14A4250		250	1000	3412	4.8 / -	4.2 / -	3.6	2.9	1.7 / -		
CSH14A4375		375	1500	5120	7.2 / -	6.3 / -	5.4	4.3	2.5 / -	2	
CSH14A4500		500	2000	6824	9.6 / -	8.3 / -	7.2	5.8	3.3 / -		
CSH14A4564		564	2250	7680	10.8 / 6.3	9.4 / 5.4	8.1	6.5	3.7 / 2.1	3	
CSH14A4625		625	2500	8532	12.0 / 7.0	10.4 / 6.0	9.0	7.2	4.2 / 2.4		
CSH14A4750		750	3000	10239	14.4 / 8.3	12.5 / 7.2	10.8	8.6	5.0 / 2.9		

NOTE: All models are NON-STOCK, MADE-TO-ORDER. When ordering, specify quantity, catalog number, voltage, wattage, optional controls, and color. Consult sales representative for lead times.

OPTIONAL CONTROLS ON PAGE 98.

# CONVECTION HEATERS

## MODELS & SPECIFICATIONS | CSH14 (14" x 5" w/MULTIPLE ELEMENTS)

CONT. FROM PREVIOUS PAGE

CATALOG NO	LENGTH (FT)	WATTS PER FT.	TOTAL HEATING CAPACITY		AMPS					NO. OF ELEMENTS	SHIP WT. (LBS)
			TOTAL WATTS	BTU/HR	208V (1 PH / 3 PH)	240V (1 PH / 3 PH)	277V (1 PH)	347V (1 PH)	600V (1 PH / 3 PH)		
CSH14A5125	5	125	624	2133	3.0 / -	2.6 / -	2.3	1.8	1.0 / -	1	53
CSH14A5188		188	940	3208	4.5 / -	3.9 / -	3.4	2.7	1.6 / -		
CSH14A5250		250	1250	4266	6.0 / -	5.2 / -	4.5	3.6	2.1 / -		
CSH14A5375		375	1875	6400	9.0 / -	7.8 / -	6.8	5.4	3.1 / -	2	
CSH14A5500		500	2500	8532	12.0 / -	10.4 / -	9.0	7.2	4.2 / -		
CSH14A5564		564	2820	9625	13.6 / 7.8	11.8 / 6.8	10.2	8.1	4.7 / 2.7	3	
CSH14A5625		625	3125	10665	15.0 / 8.7	13.0 / 7.5	11.3	9.0	5.2 / 3.0		
CSH14A5750		750	3750	12800	18.0 / 10.4	15.6 / 9.0	13.5	10.8	6.2 / 3.6		
CSH14A6125		6	125	750	2560	3.6 / -	3.1 / -	2.7	2.2	1.2 / -	
CSH14A6188	188		1125	3840	5.4 / -	4.7 / -	4.1	3.2	1.9 / -		
CSH14A6250	250		1500	5120	7.2 / -	6.3 / -	5.4	4.3	2.5 / -		
CSH14A6375	375		2250	7680	10.8 / -	9.4 / -	8.1	6.5	3.7 / -	2	
CSH14A6500	500		3000	10,239	14.4 / -	12.5 / -	10.8	8.6	5.0 / -		
CSH14A6564	564		3380	11,535	16.3 / 9.4	14.1 / 8.1	12.2	9.7	5.6 / 3.2	3	
CSH14A6625	625		3750	12,800	18.0 / 10.4	15.6 / 9.0	13.5	10.8	6.2 / 3.6		
CSH14A6750	750		4500	15,358	21.6 / 12.5	18.8 / 10.8	16.2	12.9	7.5 / 4.3		
CSH14A8125	8		125	1000	3412	4.8 / -	4.2 / -	3.6	2.9	1.7 / -	1
CSH14A8188		188	1500	5120	7.2 / -	6.3 / -	5.4	4.3	2.5 / -		
CSH14A8250		250	2000	6824	9.6 / -	8.3 / -	7.2	5.8	3.3 / -		
CSH14A8375		375	3000	10,239	14.4 / -	12.5 / -	10.8	8.6	5.0 / -	2	
CSH14A8500		500	4000	13,652	19.2 / -	16.7 / -	14.4	11.5	6.7 / -		
CSH14A8564		564	4500	15,358	21.6 / 12.5	18.8 / 10.8	16.2	13.0	7.5 / 4.3	3	
CSH14A8625		625	5000	17,065	24.0 / 13.9	20.8 / 12.0	18.1	14.4	8.3 / 4.8		
CSH14A8750		750	6000	20,478	28.8 / 16.7	25.0 / 14.5	21.7	17.3	10.0 / 5.8		
CSH14A10125		10	125	1250	4266	6.0 / -	5.2 / -	4.5	3.6	2.1 / -	1
CSH14A10188	188		1875	6400	9.0 / -	7.8 / -	6.8	5.4	3.1 / -		
CSH14A10250	250		2500	8532	12.0 / -	10.4 / -	9.0	7.2	4.2 / -		
CSH14A10375	375		3750	12,800	18.0 / -	15.6 / -	13.5	10.8	6.2 / -	2	
CSH14A10500	500		5000	17,065	24.0 / -	20.8 / -	18.1	14.4	8.3 / -		
CSH14A10564	564		5640	19,250	27.1 / 15.7	23.5 / 13.6	20.4	16.2	9.4 / 5.4	3	
CSH14A10625	625		6250	21,330	30.0 / 17.4	26.0 / 15.0	22.6	18.0	10.4 / 6.0		
CSH14A10750	750		7500	25,600	36.1 / 20.8	31.3 / 18.1	27.1	21.6	12.5 / 7.2		

## ACCESSORIES | CPH SERIES

CATALOG NO.	DESCRIPTION	COMPATIBLE WITH	SHIP WT. (LBS)
CSH05BL21*	28 in. Blank Section	CSH05 Heaters	10
CSH05BL31*	3 ft. Blank Section		14
CSH05BL41*	4 ft. Blank Section		18
CSH05BL51*	5 ft. Blank Section		23
CSH05BL61*	6 ft. Blank Section		27
CSH05BL81*	8 ft. Blank Section		36
CSH05BL101*	10 ft. Blank Section		45
CSH07BL21*	28 in. Blank Section		CSH07 Heaters
CSH07BL31*	3 ft. Blank Section	20	
CSH07BL41*	4 ft. Blank Section	26	
CSH07BL51*	5 ft. Blank Section	33	
CSH07BL61*	6 ft. Blank Section	39	
CSH07BL81*	8 ft. Blank Section	52	
CSH07BL101*	10 ft. Blank Section	65	
CSH14BL21*	28 in. Blank Section	CSH14 Heaters	
CSH14BL31*	3 ft. Blank Section		30
CSH14BL41*	4 ft. Blank Section		40
CSH14BL51*	5 ft. Blank Section		50
CSH14BL61*	6 ft. Blank Section		60
CSH14BL81*	8 ft. Blank Section		80
CSH14BL101*	10 ft. Blank Section		100
Stand-Off	SO1		CSH05 Heaters
Bracket	SO2	CSH07 Heaters	1

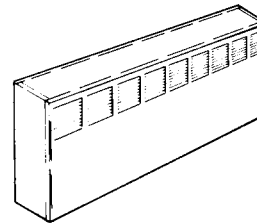
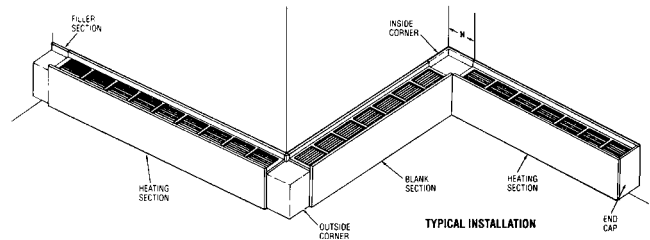
NOTE: **OPTIONAL CONTROLS ON PAGE 98.** Outlet Mesh: Price per foot. 14-Gauge Front Cover: add 10% to heater price. Standard color included in base price. Other colors available. View paint policy on page 157. Maximum of 250 watts per ft. on front outlet models. When ordering, specify heater catalog number, voltage, phase, suffix catalog number for built-in controls, color, and options. 2. If color is not specified, front covers will be neutral grey. Front outlet models available only in 14 in. height and 125, 188 and 250 Wt./Ft. configuration. Outlet mesh is not available on front outlet models.

CATALOG NO.	DESCRIPTION	COMPATIBLE WITH	SHIP WT. (LBS)
CSH05ECL	Left End Caps	All CSH Heaters	1
CSH07ECL			1
CSH14ECL			1
CSH05ECR	Right End Caps	All CSH Heaters	1
CSH07ECR			1
CSH14ECR			1
CSH05FL3	3 in. Filler Section	All CSH Heaters	1
CSH07FL3			2
CSH14FL3			3
CSH05FL6	6 in. Filler Section	All CSH Heaters	2
CSH07FL6			3
CSH14FL6			5
CSH05FL9	9 in. Filler Section	All CSH Heaters	3
CSH07FL9			4
CSH14FL9			6
CSH05FL12	12 in. Filler Section	All CSH Heaters	4
CSH07FL12			5
CSH14FL12			8
CSH05FL18	18 in. Filler Section	All CSH Heaters	5
CSH07FL18			6
CSH14FL18			9
CSH05IC1*	Inside Corners	All CSH Heaters	2
CSH07IC1*			4
CSH14IC1*			6
CSH05OC1*	Outside Corners	All CSH Heaters	1
CSH07OC1*			2
CSH14OC1*			4
SHCC05	Conduit Corners	All CSH Heaters	4
SHCC0714			5

# CONVECTION HEATERS

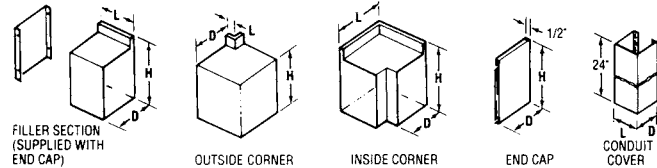
## ACCESSORIES

CATALOG NO	COMPATIBLE WITH	HEIGHT (IN)	DEPTH (IN)	LENGTH (IN)	ADDT'L LENGTH* (IN)
<b>LEFT END CAPS</b>					
CSH05ECL**	CSH05	5-1/2	2-1/2	-	1/8
CSH07ECL**	CSH07	7	4-1/4		
CSH14ECL**	CSH14	14	4-1/4		
<b>RIGHT END CAPS</b>					
CSH05ECR**	CSH05	5-1/2	2-1/2	-	1/8
CSH07ECR**	CSH07	7	4-1/4		
CSH14ECR**	CSH14	14	4-1/4		
<b>FILLER SECTIONS</b>					
CSH05FL3	CSH05	5-1/2	5-1/8	4	0-3
CSH07FL3	CSH07	7	6-1/8		
CSH14FL3	CSH14	14	13-1/8		
CSH05FL6**	CSH05	5-1/8	2-1/2	7	3-6
CSH07FL6**	CSH07	6-1/8	4-1/2		
CSH14FL6**	CSH14	13-1/8	4-1/2		
CSH05FL9**	CSH05	5-1/8	2-1/2	10	6-9
CSH07FL9**	CSH07	6-1/8	4-1/2		
CSH14FL9**	CSH14	13-1/8	4-1/2		
CSH05FL12**	CSH05	5-1/8	2-1/2	13	9-12
CSH07FL12**	CSH07	6-1/8	4-1/2		
CSH14FL12**	CSH14	13-1/8	4-1/2		
CSH05FL18**	CSH05	5-1/8	2-1/2	19	15-18
CSH07FL18**	CSH07	6-1/8	4-1/2		
CSH14FL18**	CSH14	13-1/8	4-1/2		
<b>INSIDE CORNERS</b>					
CSH05IC1	CSH05	5-1/8	2-1/2	4-1/2	3-3-1/2
CSH07IC1	CSH07	6-1/8	4-1/2	6	5-5-1/2
CSH14IC1	CSH14	13-1/8	4-1/2	6	5-5-1/2
<b>OUTSIDE CORNERS</b>					
CSH05OC1	CSH05	5-1/8	2-1/2	1	0-1/2
CSH07OC1	CSH07	6-1/8	4-1/2		
CSH14OC1	CSH14	13-1/8	4-1/2		
<b>CONDUIT CORNERS</b>					
SHCC05	CSH05	-	2-5/8	2-1/2	-
SHCC07	CSH07	-	-	-	-
SHCC14	CSH14	-	3-5/8	3	-
<b>STAND-OFF BRACKETS</b>					
SO1	CSH05	4-3/4	3/4	3	-
SO2	CSH07	6-3/4	3/4	3	-
<b>BLANK SECTIONS (CSH05)</b>					
CSH05BL21	CSH05	5-1/2	3	28	28
CSH05BL31				36	36
CSH05BL41				48	48
CSH05BL51				60	60
CSH05BL61				72	72
CSH05BL81				96	96
CSH05BL101				120	120
<b>BLANK SECTIONS (CSH07A)</b>					
CSH07BL21	CSHA07	7	5	28	28
CSH07BL31				36	36
CSH07BL41				48	48
CSH07BL51				60	60
CSH07BL61				72	72
CSH07BL81				96	96
CSH07BL101				120	120
<b>BLANK SECTIONS (CSH14A)</b>					
CSH14BL21	CSHA14	14	5	28	28
CSH14BL31				36	36
CSH14BL41				48	48
CSH14BL51				60	60
CSH14BL61				72	72
CSH14BL81				96	96
CSH14BL101				120	120

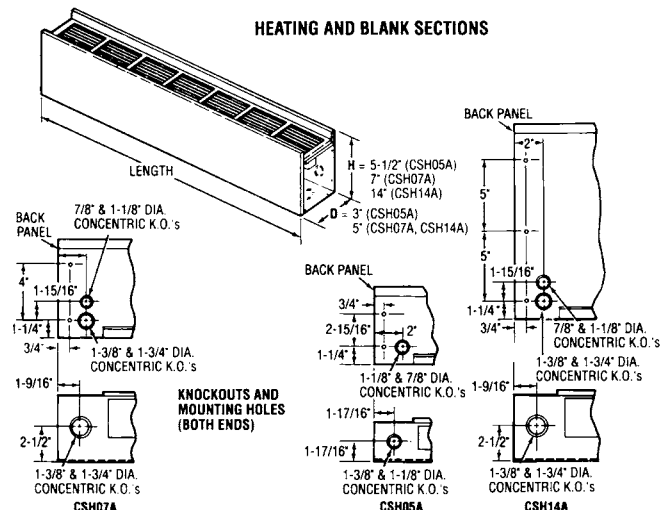


### FRONT OUTLET MODEL

Front outlet is available on Catalog No. CSH14A heaters only in 125, 188 and 250 watts/foot configuration. Outlet mesh is not available on front outlet models.



### HEATING AND BLANK SECTIONS



\*Additional length the accessory adds to the total installation length. \*\* Built-in duplex receptacle available. Add model numbers suffix "-1" for bottom inlet - top outlet; add suffix "-3" for bottom inlet - front outlet.





# CONVECTION HEATERS

## DECORATIVE SILL-HEIGHT CONVECTOR DSH SERIES

### AVAILABLE COLORS



NAVAJO WHITE

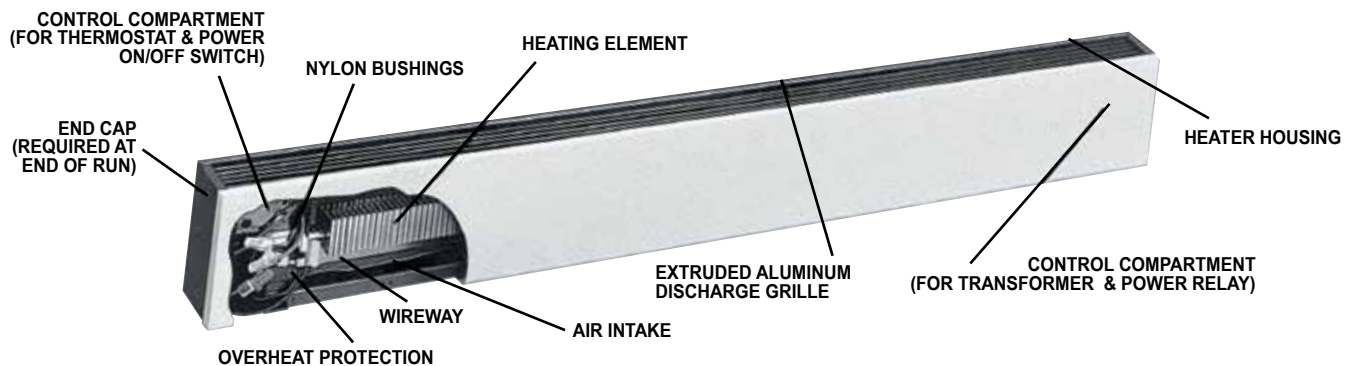
**IDEAL SPACES** | Offices; Hallways; Lobbies; Conference Rooms; Retail; Other Similar Areas with Floor-to-Ceiling Windows

**COLORS** | Neutral Gray; Charcoal Gray; Stainless Steel; Navajo White; Northern White; Statuary Bronze; Desert Tan; Black; Custom Colors, Baked Enamel and Anodized Finishes Available

**DIMENSIONS** | Refer to specifications for dimensions available

- Perfect for under-the-window heat loss and condensation prevention
- Durable front cover constructed of 16-gauge steel (optional 14-gauge available)
- Wall-mounted design with extruded aluminum; bottom or front inlet - top outlet discharge grille
- Units may contain 1-3 heating elements that yield a broad range of heating capacity (see specifications)
- Optional 1/4 in. mesh located under the discharge grille to deter insertion of objects and restriction of airflow
- Blend into any décor with 8 standard color options or custom finishes available upon request
- Units can be mounted from wall-to-wall or as discrete units in standard lengths of 28 in. to 10 ft.
- Locate at sill height (or lower) or run from mullion-to-mullion
- Optional built-in controls include: line voltage thermostat (SPST or DPST); two-stage thermostat; power on/off switch; transformer relay; and power relay (see specifications)
- Right- or left-hand entry/wiring flexibility with identical pre-wired junction boxes at either end
- Built-in wire way with factory-installed wiring rated 35 amps for CPH05 and 45 amps for CPH07
- Easy connection of supply wiring from bottom, rear or end, as well as multiple wiring of adjacent heaters from one entry point
- For service, all internal parts are accessible by removing cover

Front inlet models mount flush with floor; 125 to 250 watts per foot units can be positioned within 1-3/4 in. of floor; 375 to 750 watts per foot units can be positioned to within 3 in. of floor; 5-1/2 in. and 7 in. high models are available with top outlet only; 14 in. models are available with top or front outlet.



# CONVECTION HEATERS

## MODELS & SPECIFICATIONS | DSH05 (5-1/2" x 3" w/SINGLE ELEMENT)

CATALOG NO	LENGTH (FT)	WATTS PER FT.	TOTAL HEATING CAPACITY		AMPS						NO. OF ELEMENTS	SHIP WT. (LBS)
			TOTAL WATTS	BTU/HR	120V	208V	240V	277V	347V	600V		
DSH05A2125	2.3	125	250	853	2.1	1.2	1.0	0.9	0.7	0.4	1	12
DSH05A2188		188	375	1280	3.1	1.8	1.6	1.4	1.1	0.6		
DSH05A2250		250	500	1706	4.2	2.4	2.1	1.8	1.4	0.8		
DSH05A3125	3	125	375	1280	3.1	1.8	1.6	1.4	1.1	0.6	1	13
DSH05A3188		188	546	1925	4.7	2.7	2.4	2.0	1.6	0.9		
DSH05A3250		250	750	2560	6.2	3.6	3.1	2.7	2.2	1.2		
DSH05A4125	4	125	500	1706	4.2	2.4	2.1	1.8	1.4	0.8	1	17
DSH05A4188		188	750	2560	6.2	3.6	3.1	2.7	2.2	1.2		
DSH05A4250		250	1000	3412	8.3	4.8	4.2	3.6	2.9	1.7		
DSH05A5125	5	125	625	2133	5.2	3.0	2.6	2.3	1.8	1.0	1	22
DSH05A5188		188	940	3208	7.8	4.5	3.9	3.4	2.7	1.6		
DSH05A5250		250	1250	4266	10.4	6.0	5.2	4.5	3.6	2.1		
DSH05A6125	6	125	750	2560	6.2	3.6	3.1	2.7	2.2	1.2	1	26
DSH05A6188		188	1125	3840	9.4	5.4	4.7	4.1	3.2	1.9		
DSH05A6250		250	1500	5120	12.5	7.2	6.3	5.4	4.3	2.5		
DSH05A8125	8	125	1000	3412	-	4.8	4.2	3.6	2.8	1.7	1	35
DSH05A8188		188	1500	5120	-	7.2	6.3	5.4	4.3	2.5		
DSH05A8250		250	2000	6824	-	9.6	8.3	7.2	5.8	3.3		
DSH05A10125	10	125	1250	4266	-	6.0	5.2	4.5	3.6	2.1	1	43
DSH05A10188		188	1875	6400	-	9.0	7.8	6.8	5.4	3.1		
DSH05A10250		250	2500	8532	-	12.0	10.4	9.0	7.2	4.2		

## MODELS & SPECIFICATIONS | DSH07 (7" x 5" w/MULTIPLE ELEMENTS)

CONT. ON NEXT PAGE

CATALOG NO	LENGTH (FT)	WATTS PER FT.	TOTAL HEATING CAPACITY		AMPS					NO. OF ELEMENTS	SHIP WT. (LBS)
			TOTAL WATTS	BTU/HR	208V (1 PH / 3 PH)	240V (1 PH / 3 PH)	277V (1 PH)	347V (1 PH)	600V (1 PH / 3 PH)		
DSH07A2125	2.3	125	250	853	1.2 / -	1.0 / -	0.9	0.7	0.4 / -	1	15
DSH07A2188		188	375	1280	1.8 / -	1.6 / -	1.4	1.1	0.6 / -		
DSH07A2250		250	500	1706	2.4 / -	2.1 / -	1.8	1.4	0.8 / -		
DSH07A2375		375	750	2560	3.6 / -	3.1 / -	2.7	2.2	1.2 / -	2	
DSH07A2500		500	1000	3412	4.8 / -	4.2 / -	3.6	2.9	1.7 / -		
DSH07A2564		564	1125	3840	5.4 / 3.1	4.7 / 2.7	4.1	3.2	1.9 / 1.1	3	
DSH07A2625		625	1250	4266	6.0 / 3.5	5.2 / 3.0	4.5	3.6	2.1 / 1.2		
DSH07A2750	750	1500	5120	7.2 / 4.2	6.3 / 3.6	5.4	4.3	2.5 / 1.4			
DSH07A3125	3	125	375	1280	1.8 / -	1.6 / -	1.4	1.1	0.6 / -	1	20
DSH07A3188		188	564	1925	2.7 / -	2.4 / -	2.0	1.6	0.9 / -		
DSH07A3250		250	750	2560	3.6 / -	3.1 / -	2.7	2.2	1.2 / -		
DSH07A3375		375	1125	3840	5.4 / -	4.7 / -	4.1	3.2	1.9 / -	2	
DSH07A3500		500	1500	5120	7.2 / -	6.3 / -	5.4	4.3	2.5 / -		
DSH07A3564		564	1690	5768	8.1 / 4.7	7.0 / 4.1	6.1	4.8	2.8 / 1.6	3	
DSH07A3625		625	1875	6400	9.0 / 5.2	7.8 / 4.5	6.8	5.4	3.1 / 1.8		
DSH07A3750	750	2250	7680	10.8 / 6.3	9.4 / 5.4	8.1	6.5	3.7 / 2.1			
DSH07A4125	4	125	500	1706	2.4 / -	2.1 / -	1.8	1.4	0.8 / -	1	26
DSH07A4188		188	750	2560	3.6 / -	3.1 / -	2.7	2.2	1.2 / -		
DSH07A4250		250	1000	3412	4.8 / -	4.2 / -	3.6	2.9	1.7 / -		
DSH07A4375		375	1500	5120	7.2 / -	6.3 / -	5.4	4.3	2.5 / -	2	
DSH07A4500		500	2000	6824	9.6 / -	8.3 / -	7.2	5.8	3.3 / -		
DSH07A4564		564	2250	7680	10.8 / 6.3	9.4 / 5.4	8.1	6.5	3.7 / 2.1	3	
DSH07A4625		625	2500	8532	12.0 / 7.0	10.4 / 6.0	9.0	7.2	4.2 / 2.4		
DSH07A4750	750	3000	10239	14.4 / 8.3	12.5 / 7.2	10.8	8.6	5.0 / 2.9			
DSH07A5125	5	125	624	2133	3.0 / -	2.6 / -	2.3	1.8	1.0 / -	1	33
DSH07A5188		188	940	3208	4.5 / -	3.9 / -	3.4	2.7	1.6 / -		
DSH07A5250		250	1250	4266	6.0 / -	5.2 / -	4.5	3.6	2.1 / -		
DSH07A5375		375	1875	6400	9.0 / -	7.8 / -	6.8	5.4	3.1 / -	2	
DSH07A5500		500	2500	8532	12.0 / -	10.4 / -	9.0	7.2	4.2 / -		
DSH07A5564		564	2820	9625	13.6 / 7.8	11.8 / 6.8	10.2	8.1	4.7 / 2.7	3	
DSH07A5625		625	3125	10665	15.0 / 8.7	13.0 / 7.5	11.3	9.0	5.2 / 3.0		
DSH07A5750	750	3750	12800	18.0 / 10.4	15.6 / 9.0	13.5	10.8	6.2 / 3.6			

# CONVECTION HEATERS

## MODELS & SPECIFICATIONS | DSH07 (7" x 5" w/MULTIPLE ELEMENTS)

CONT. FROM PREVIOUS PAGE

CATALOG NO	LENGTH (FT)	WATTS PER FT.	TOTAL HEATING CAPACITY		AMPS					NO. OF ELEMENTS	SHIP WT. (LBS)
			TOTAL WATTS	BTU/HR	208V (1 PH / 3 PH)	240V (1 PH / 3 PH)	277V (1 PH)	347V (1 PH)	600V (1 PH / 3 PH)		
DSH07A6125	6	125	750	2560	3.6 / -	3.1 / -	2.7	2.2	1.2 / -	1	39
DSH07A6188		188	1125	3840	5.4 / -	4.7 / -	4.1	3.2	1.9 / -		
DSH07A6250		250	1500	5120	7.2 / -	6.3 / -	5.4	4.3	2.5 / -		
DSH07A6375		375	2250	7680	10.8 / -	9.4 / -	8.1	6.5	3.7 / -	2	
DSH07A6500		500	3000	10,239	14.4 / -	12.5 / -	10.8	8.6	5.0 / -		
DSH07A6564		564	3380	11,535	16.3 / 9.4	14.1 / 8.1	12.2	9.7	5.6 / 3.2	3	
DSH07A6625		625	3750	12,800	18.0 / 10.4	15.6 / 9.0	13.5	10.8	6.2 / 3.6		
DSH07A6750		750	4500	15,358	21.6 / 12.5	18.8 / 10.8	16.2	12.9	7.5 / 4.3		
DSH07A8125	8	125	1000	3412	4.8 / -	4.2 / -	3.6	2.9	1.7 / -	1	52
DSH07A8188		188	1500	5120	7.2 / -	6.3 / -	5.4	4.3	2.5 / -		
DSH07A8250		250	2000	6824	9.6 / -	8.3 / -	7.2	5.8	3.3 / -		
DSH07A8375		375	3000	10,239	14.4 / -	12.5 / -	10.8	8.6	5.0 / -	2	
DSH07A8500		500	4000	13,652	19.2 / -	16.7 / -	14.4	11.5	6.7 / -		
DSH07A8564		564	4500	15,358	21.6 / 12.5	18.8 / 10.8	16.2	13.0	7.5 / 4.3	3	
DSH07A8625		625	5000	17,065	24.0 / 13.9	20.8 / 12.0	18.1	14.4	8.3 / 4.8		
DSH07A8750		750	6000	20,478	28.8 / 16.7	25.0 / 14.5	21.7	17.3	10.0 / 5.8		
DSH07A10125	10	125	1250	4266	6.0 / -	5.2 / -	4.5	3.6	2.1 / -	1	65
DSH07A10188		188	1875	6400	9.0 / -	7.8 / -	6.8	5.4	3.1 / -		
DSH07A10250		250	2500	8532	12.0 / -	10.4 / -	9.0	7.2	4.2 / -		
DSH07A10375		375	3750	12,800	18.0 / -	15.6 / -	13.5	10.8	6.2 / -	2	
DSH07A10500		500	5000	17,065	24.0 / -	20.8 / -	18.1	14.4	8.3 / -		
DSH07A10564		564	5640	19,250	27.1 / 15.7	23.5 / 13.6	20.4	16.2	9.4 / 5.4	3	
DSH07A10625		625	6250	21,330	30.0 / 17.4	26.0 / 15.0	22.6	18.0	10.4 / 6.0		
DSH07A10750		750	7500	25,600	36.1 / 20.8	31.3 / 18.1	27.1	21.6	12.5 / 7.2		

## MODELS & SPECIFICATIONS | DSH14 (14" x 5" w/MULTIPLE ELEMENTS)

CONT. ON NEXT PAGE

CATALOG NO	LENGTH (FT)	WATTS PER FT.	TOTAL HEATING CAPACITY		AMPS					NO. OF ELEMENTS	SHIP WT. (LBS)
			TOTAL WATTS	BTU/HR	208V (1 PH / 3 PH)	240V (1 PH / 3 PH)	277V (1 PH)	347V (1 PH)	600V (1 PH / 3 PH)		
DSH14A2125	2.3	125	250	853	1.2 / -	1.0 / -	0.9	0.7	0.4 / -	1	23
DSH14A2188		188	375	1280	1.8 / -	1.6 / -	1.4	1.1	0.6 / -		
DSH14A2250		250	500	1706	2.4 / -	2.1 / -	1.8	1.4	0.8 / -		
DSH14A2375		375	750	2560	3.6 / -	3.1 / -	2.7	2.2	1.2 / -	2	
DSH14A2500		500	1000	3412	4.8 / -	4.2 / -	3.6	2.9	1.7 / -		
DSH14A2564		564	1125	3840	5.4 / 3.1	4.7 / 2.7	4.1	3.2	1.9 / 1.1	3	
DSH14A2625		625	1250	4266	6.0 / 3.5	5.2 / 3.0	4.5	3.6	2.1 / 1.2		
DSH14A2750		750	1500	5120	7.2 / 4.2	6.3 / 3.6	5.4	4.3	2.5 / 1.4		
DSH14A3125	3	125	375	1280	1.8 / -	1.6 / -	1.4	1.1	0.6 / -	1	30
DSH14A3188		188	564	1925	2.7 / -	2.4 / -	2.0	1.6	0.9 / -		
DSH14A3250		250	750	2560	3.6 / -	3.1 / -	2.7	2.2	1.2 / -		
DSH14A3375		375	1125	3840	5.4 / -	4.7 / -	4.1	3.2	1.9 / -	2	
DSH14A3500		500	1500	5120	7.2 / -	6.3 / -	5.4	4.3	2.5 / -		
DSH14A3564		564	1690	5768	8.1 / 4.7	7.0 / 4.1	6.1	4.8	2.8 / 1.6	3	
DSH14A3625		625	1875	6400	9.0 / 5.2	7.8 / 4.5	6.8	5.4	3.1 / 1.8		
DSH14A3750		750	2250	7680	10.8 / 6.3	9.4 / 5.4	8.1	6.5	3.7 / 2.1		
DSH14A4125	4	125	500	1706	2.4 / -	2.1 / -	1.8	1.4	0.8 / -	1	40
DSH14A4188		188	750	2560	3.6 / -	3.1 / -	2.7	2.2	1.2 / -		
DSH14A4250		250	1000	3412	4.8 / -	4.2 / -	3.6	2.9	1.7 / -		
DSH14A4375		375	1500	5120	7.2 / -	6.3 / -	5.4	4.3	2.5 / -	2	
DSH14A4500		500	2000	6824	9.6 / -	8.3 / -	7.2	5.8	3.3 / -		
DSH14A4564		564	2250	7680	10.8 / 6.3	9.4 / 5.4	8.1	6.5	3.7 / 2.1	3	
DSH14A4625		625	2500	8532	12.0 / 7.0	10.4 / 6.0	9.0	7.2	4.2 / 2.4		
DSH14A4750		750	3000	10,239	14.4 / 8.3	12.5 / 7.2	10.8	8.6	5.0 / 2.9		

NOTE: All models are NON-STOCK, MADE-TO-ORDER. When ordering, specify quantity, catalog number, voltage, wattage, optional controls, and color. Consult sales representative for lead times.  
OPTIONAL CONTROLS ON PAGE 98.

# CONVECTION HEATERS

## MODELS & SPECIFICATIONS | DSH14 (14" x 5" w/MULTIPLE ELEMENTS)

CONT. FROM PREVIOUS PAGE

CATALOG NO	LENGTH (FT)	WATTS PER FT.	TOTAL HEATING CAPACITY		AMPS					NO. OF ELEMENTS	SHIP WT. (LBS)
			TOTAL WATTS	BTU/HR	208V (1 PH / 3 PH)	240V (1 PH / 3 PH)	277V (1 PH)	347V (1 PH)	600V (1 PH / 3 PH)		
DSH14A5125	5	125	624	2133	3.0 / -	2.6 / -	2.3	1.8	1.0 / -	1	50
DSH14A5188		188	940	3208	4.5 / -	3.9 / -	3.4	2.7	1.6 / -		
DSH14A5250		250	1250	4266	6.0 / -	5.2 / -	4.5	3.6	2.1 / -		
DSH14A5375		375	1875	6400	9.0 / -	7.8 / -	6.8	5.4	3.1 / -	2	
DSH14A5500		500	2500	8532	12.0 / -	10.4 / -	9.0	7.2	4.2 / -		
DSH14A5564		564	2820	9625	13.6 / 7.8	11.8 / 6.8	10.2	8.1	4.7 / 2.7	3	
DSH14A5625		625	3125	10665	15.0 / 8.7	13.0 / 7.5	11.3	9.0	5.2 / 3.0		
DSH14A5750	750	3750	12800	18.0 / 10.4	15.6 / 9.0	13.5	10.8	6.2 / 3.6			
DSH14A6125	6	125	750	2560	3.6 / -	3.1 / -	2.7	2.2	1.2 / -	1	60
DSH14A6188		188	1125	3840	5.4 / -	4.7 / -	4.1	3.2	1.9 / -		
DSH14A6250		250	1500	5120	7.2 / -	6.3 / -	5.4	4.3	2.5 / -		
DSH14A6375		375	2250	7680	10.8 / -	9.4 / -	8.1	6.5	3.7 / -	2	
DSH14A6500		500	3000	10,239	14.4 / -	12.5 / -	10.8	8.6	5.0 / -		
DSH14A6564		564	3380	11,535	16.3 / 9.4	14.1 / 8.1	12.2	9.7	5.6 / 3.2	3	
DSH14A6625		625	3750	12,800	18.0 / 10.4	15.6 / 9.0	13.5	10.8	6.2 / 3.6		
DSH14A6750	750	4500	15,358	21.6 / 12.5	18.8 / 10.8	16.2	12.9	7.5 / 4.3			
DSH14A8125	8	125	1000	3412	4.8 / -	4.2 / -	3.6	2.9	1.7 / -	1	80
DSH14A8188		188	1500	5120	7.2 / -	6.3 / -	5.4	4.3	2.5 / -		
DSH14A8250		250	2000	6824	9.6 / -	8.3 / -	7.2	5.8	3.3 / -		
DSH14A8375		375	3000	10,239	14.4 / -	12.5 / -	10.8	8.6	5.0 / -	2	
DSH14A8500		500	4000	13,652	19.2 / -	16.7 / -	14.4	11.5	6.7 / -		
DSH14A8564		564	4500	15,358	21.6 / 12.5	18.8 / 10.8	16.2	13.0	7.5 / 4.3	3	
DSH14A8625		625	5000	17,065	24.0 / 13.9	20.8 / 12.0	18.1	14.4	8.3 / 4.8		
DSH14A8750	750	6000	20,478	28.8 / 16.7	25.0 / 14.5	21.7	17.3	10.0 / 5.8			
DSH14A10125	10	125	1250	4266	6.0 / -	5.2 / -	4.5	3.6	2.1 / -	1	100
DSH14A10188		188	1875	6400	9.0 / -	7.8 / -	6.8	5.4	3.1 / -		
DSH14A10250		250	2500	8532	12.0 / -	10.4 / -	9.0	7.2	4.2 / -		
DSH14A10375		375	3750	12,800	18.0 / -	15.6 / -	13.5	10.8	6.2 / -	2	
DSH14A10500		500	5000	17,065	24.0 / -	20.8 / -	18.1	14.4	8.3 / -		
DSH14A10564		564	5640	19,250	27.1 / 15.7	23.5 / 13.6	20.4	16.2	9.4 / 5.4	3	
DSH14A10625		625	6250	21,330	30.0 / 17.4	26.0 / 15.0	22.6	18.0	10.4 / 6.0		
DSH14A10750	750	7500	25,600	36.1 / 20.8	31.3 / 18.1	27.1	21.6	12.5 / 7.2			

## ACCESSORIES

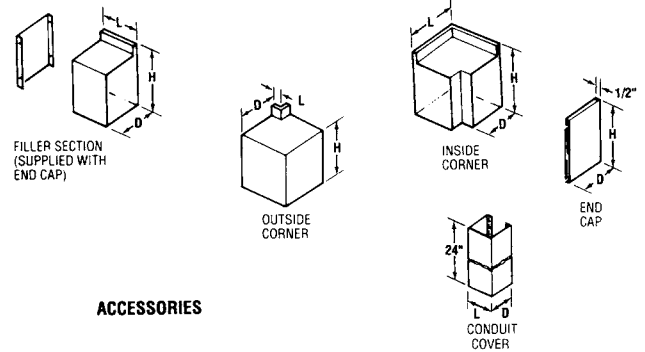
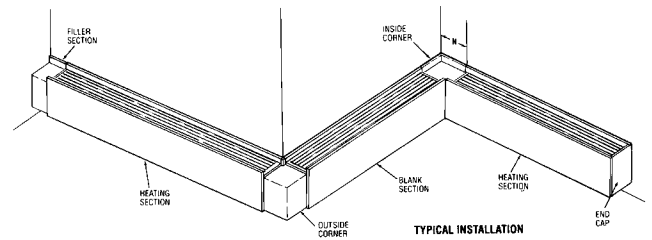
CATALOG NO.	DESCRIPTION	COMPATIBLE WITH	SHIP WT. (LBS)
DSH05-BL2*	28 in. Blank Section	DSH05 Heaters	10
DSH05BL3*	3 ft. Blank Section		13
DSH05BL4*	4 ft. Blank Section		17
DSH05BL5*	5 ft. Blank Section		21
DSH05BL6*	6 ft. Blank Section		25
DSH05BL8*	8 ft. Blank Section		32
DSH05BL10*	10 ft. Blank Section		42
DSH07BL2*	28 in. Blank Section	DSH07 Heaters	14
DSH07BL3*	3 ft. Blank Section		18
DSH07BL4*	4 ft. Blank Section		24
DSH07BL5*	5 ft. Blank Section		30
DSH07BL6*	6 ft. Blank Section		36
DSH07BL8*	8 ft. Blank Section		48
DSH07BL10*	10 ft. Blank Section		60
DSH14BL2*	28 in. Blank Section	DSH14 Heaters	22
DSH14BL3*	3 ft. Blank Section		29
DSH14BL4*	4 ft. Blank Section		38
DSH14BL5*	5 ft. Blank Section		48
DSH14BL6*	6 ft. Blank Section		57
DSH14BL8*	8 ft. Blank Section		76
DSH14BL10*	10 ft. Blank Section		95
Stand-Off	SO1	DSH05 Heaters	1
Bracket	SO2	DSH07 Heaters	1

CATALOG NO.	DESCRIPTION	COMPATIBLE WITH	SHIP WT. (LBS)
DSH05ECL	Left End Caps	All DSH Heaters	1
DSH07ECL			1
DSH14ECL			1
DSH05ECR	Right End Caps	All DSH Heaters	1
DSH07ECR			1
DSH14ECR			1
DSH05FL3	3 in. Filler Section	All DSH Heaters	1
DSH07FL3			2
DSH14FL3			3
DSH05FL6	6 in. Filler Section	All DSH Heaters	2
DSH07FL6			3
DSH14FL6			5
DSH05FL9	9 in. Filler Section	All DSH Heaters	3
DSH07FL9			4
DSH14FL9			6
DSH05FL12	12 in. Filler Section	All DSH Heaters	4
DSH07FL12			5
DSH14FL12			8
DSH05FL18	18 in. Filler Section	All DSH Heaters	5
DSH07FL18			6
DSH14FL18			9
DSH05IC*	Inside Corners	All DSH Heaters	2
DSH07IC*			4
DSH14IC			6
DSH05OC*	Outside Corners	All DSH Heaters	1
DSH07OC*			2
DSH14OC*			4
SHCC05	Conduit Corners	All DSH Heaters	4
SHCC0714			5

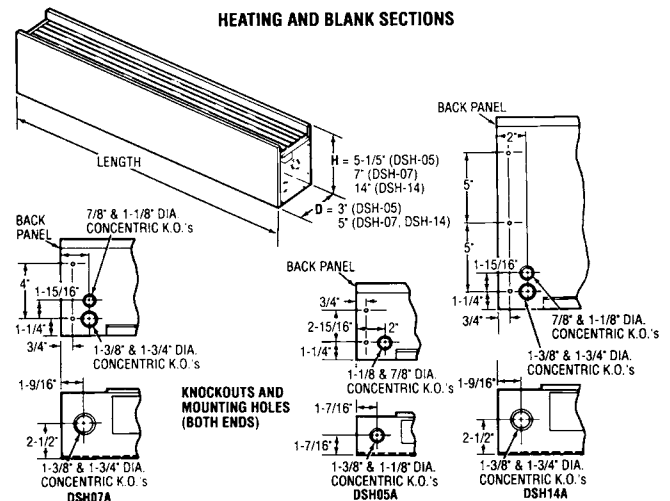
NOTE: OPTIONAL CONTROLS ON PAGE 98. Outlet Mesh: Price per foot. 14-Gauge Front Cover: add 10% to heater price. Standard color included in base price. Other colors available. View paint policy on page 157. Maximum of 250 watts per ft. on front outlet models. When ordering, specify heater catalog number, voltage, phase, suffix catalog number for built-in controls, color, and options. 2. If color is not specified, front covers will be neutral grey. Front outlet models available only in 14 in. height and 125, 188 and 250 Wt./ft. configuration. Outlet mesh is not available on front outlet models.

## ACCESSORIES

CATALOG NO	COMPATIBLE WITH	HEIGHT (IN)	DEPTH (IN)	LENGTH (IN)	ADDT'L LENGTH* (IN)
<b>LEFT END CAPS</b>					
DSH05ECL**	DSH05	5-1/2	2-1/2	-	1/8
DSH07ECL**	DSH07	7	4-1/4		
DSH14ECL**	DSH14	14	4-1/4		
<b>RIGHT END CAPS</b>					
DSH05ECR**	DSH05	5-1/2	2-1/2	-	1/8
DSH07ECR**	DSH07	7	4-1/4		
DSH14ECR**	DSH14	14	4-1/4		
<b>FILLER SECTIONS</b>					
DSH05FL3	DSH05	5-1/2	5-1/8	4	0-3
DSH07FL3	DSH07	7	6-1/8		
DSH14FL3	DSH14	14	13-1/8		
DSH05FL6**	DSH05	5-1/8	2-1/2	7	3-6
DSH07FL6**	DSH07	6-1/8	4-1/2		
DSH14FL6**	DSH14	13-1/8	4-1/2		
DSH05FL9**	DSH05	5-1/8	2-1/2	10	6-9
DSH07FL9**	DSH07	6-1/8	4-1/2		
DSH14FL9**	DSH14	13-1/8	4-1/2		
DSH05FL12**	DSH05	5-1/8	2-1/2	13	9-12
DSH07FL12**	DSH07	6-1/8	4-1/2		
DSH14FL12**	DSH14	13-1/8	4-1/2		
DSH05FL18**	DSH05	5-1/8	2-1/2	19	15-18
DSH07FL18**	DSH07	6-1/8	4-1/2		
DSH14FL18**	DSH14	13-1/8	4-1/2		
<b>INSIDE CORNERS</b>					
DSH05IC1	DSH05	5-1/8	2-1/2	4-1/2	3-3-1/2
DSH07IC1	DSH07	6-1/8	4-1/2	6	5-5-1/2
DSH14IC1	DSH14	13-1/8	4-1/2	6	5-5-1/2
<b>OUTSIDE CORNERS</b>					
DSH05OC1	DSH05	5-1/8	2-1/2	1	0-1/2
DSH07OC1	DSH07	6-1/8	4-1/2		
DSH14OC1	DSH14	13-1/8	4-1/2		
<b>CONDUIT CORNERS</b>					
SHCC05	DSH05	-	2-5/8	2-1/2	-
SHCC07	DSH07	-	-	-	-
SHCC14	DSH14	-	3-5/8	3	-
<b>STAND-OFF BRACKETS</b>					
SO1	DSH05A	4-3/4	3/4	3	-
SO2	DSH07A	6-3/4	3/4	3	-
<b>BLANK SECTIONS (CSH05)</b>					
DSH05BL21	DSH05	5-1/2	3	28	28
DSH05BL31				36	36
DSH05BL41				48	48
DSH05BL51				60	60
DSH05BL61				72	72
DSH05BL81				96	96
DSH05BL101				120	120
<b>BLANK SECTIONS (CSH07A)</b>					
DSH07BL21	DSHA07	7	5	28	28
DSH07BL31				36	36
DSH07BL41				48	48
DSH07BL51				60	60
DSH07BL61				72	72
DSH07BL81				96	96
DSH07BL101				120	120
<b>BLANK SECTIONS (CSH14A)</b>					
DSH14BL21	DSHA14	14	5	28	28
DSH14BL31				36	36
DSH14BL41				48	48
DSH14BL51				60	60
DSH14BL61				72	72
DSH14BL81				96	96
DSH14BL101				120	120



ACCESSORIES



\*Additional length the accessory adds to the total installation length. \*\* Built-in duplex receptacle available. Add model numbers suffix "-1" for bottom inlet - top outlet; add suffix "-3" for bottom inlet - front outlet.



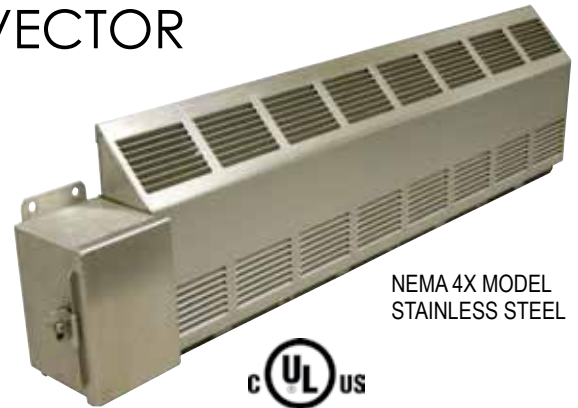


## COMMERCIAL SLOPE-TOP CONVECTOR ST SERIES

### NEMA 4X Models

The NEMA 4X series units are designed to withstand wet (e.g. food processing, breweries) or corrosive (e.g. wastewater treatment plants, indoor swimming pools) environments. These units are constructed with rugged 16-gauge stainless steel back and front covers.

### AVAILABLE COLORS



NEMA 4X MODEL  
STAINLESS STEEL



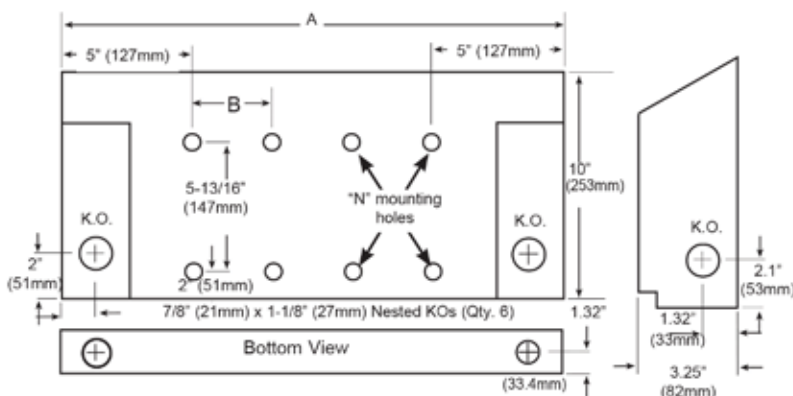
**IDEAL SPACES** | (STANDARD) Offices; Corridors; Lobbies; Maintenance Rooms; Stairwells; Other Similar Spaces  
(NEMA 4x) Food Processing Areas; Dairies; Breweries; Locker Rooms; Stadium Dugouts; Other Areas  
Subject To High Pressure Hosing and/or Wet Conditions

**COLORS** | Neutral Gray; Charcoal Gray; Aluminum; Navajo White; Northern White; Statuary Bronze; Desert Tan; Gloss Black;  
Custom Colors Available

**DIMENSIONS** | See specifications

- NEMA 4X model\* consists of stainless steel design rated for washdown and corrosive environments
- Designed to mount on wall at sill height (or lower) and can be positioned directly on floor. End of unit can be positioned against adjacent sidewall if desired
- Front cover fabricated from 16-gauge steel; back cover is constructed of 18-gauge steel
- Thermal limit switch with linear type (full length) sensing bulb provides constant protection against overheating from any cause. Switch will automatically reset when normal operating temperatures are restored
- Elements are long-life metal sheath type, anchored to allow for quiet expansion and contraction
- Baked enamel finishes that are compatible with all interior decors
- Attractive 45° sloped top discourages use of heater as a shelf or a “stepstool”
- Units can be mounted from wall-to-wall or as discrete units in standard lengths of 28 in. to 10 ft.
- Optional built-in controls include: thermostat; disconnect switch; transformer relay; and power relay (see specifications)
- Accessories include complete line of matching splice sections, inside and outside corners, and blank sections
- Pre-wired and designed for either right- or left-hand entry with connection of supply wiring from bottom, rear or end, as well multiple wiring of adjacent heaters from one entry point
- All internal parts are accessible by removing cover for easy service access

\*Contact sales representative for more information on NEMA 4X models.



WATTS	DIMENSIONS		
	A (IN)	B (IN)	NO. OF HOLES
500	28	-	-
750	36	-	-
1000	48	19	2
1250	60	16.68	4
1500	72	20.63	4
2000	96	21.5	6
2500	120	27.5	6

# CONVECTION HEATERS

## MODELS & SPECIFICATIONS

CATALOG NO.	LENGTH (FT)	NOMINAL WATTS/TT.	TOTAL HEATING CAPACITY WATTS	BTU/HR.	120V	208V	240V	277V	347V	600V	SHIP WT. (LBS.)
ST02	2.3	125	250	853	2.1	1.2	1.0	0.9	-	-	12
		188	375	1280	3.1	1.8	1.6	1.4	-	-	
		250	500	1706	4.2	2.4	2.1	1.8	1.4	-	
ST03	3	125	375	1280	3.1	1.8	1.6	1.4	1.1	-	15
		188	546	1925	4.7	2.7	2.4	2.0	1.6	-	
		250	750	2560	6.2	3.6	3.1	2.7	2.2	-	
ST04	4	125	500	1706	4.2	2.4	2.1	1.8	1.4	-	19
		188	750	2560	6.2	3.6	3.1	2.7	2.2	1.3	
		250	1000	3412	8.3	4.8	4.2	3.6	2.9	1.7	
ST05	5	125	625	2133	5.2	3.0	2.6	2.3	1.8	1.0	24
		188	940	3208	7.8	4.5	3.9	3.4	2.7	1.6	
		250	1250	4266	10.4	6.0	5.3	4.5	3.6	2.1	
ST06	6	125	750	2560	6.2	3.6	3.1	2.7	2.1	1.3	26
		188	1125	3840	9.4	5.4	4.7	4.1	3.2	1.9	
		250	1500	5120	12.5	7.2	6.3	5.4	4.3	2.5	
ST08	8	125	1000	3412	-	4.8	4.2	3.6	2.9	1.7	37
		188	1500	5120	-	7.2	6.3	5.4	4.3	2.5	
		250	2000	6824	-	9.6	8.3	7.2	5.8	3.3	
ST10	10	125	1250	4266	-	6.0	5.2	4.5	3.6	2.1	45
		188	1875	6400	-	9.0	7.8	6.8	5.4	3.1	
		250	2500	8532	-	12.0	10.4	9.0	7.2	4.2	

## BUILT-IN CONTROLS & ACCESSORIES

SUFFIX ADDITION TO BASIC CATALOG NO. <sup>4</sup>	OPTIONAL BUILT-IN CONTROLS <sup>5</sup>	RATINGS & DESCRIPTIONS <sup>2</sup>
T*	Single-Pole Thermostat	Rated 24 amps @ 120-240 VAC and 22 amps @ 277 VAC. Pilot duty rating of 125 VA (all voltages). 60-120°F temperature range; adjustable through outlet grille-tamper-resistant
2T*	Double-Pole Thermostat	Rated 24 amps @ 120-240 VAC and 22 amps @ 277 VAC. Pilot duty rating of 125 VA (all voltages). 60-120°F temperature range; adjustable through outlet grille-tamper-resistant. (See Note 1 for amperage restrictions.)
DS*	Power On/Off Switch	Double-pole, rated 20 amp @ 120-277 VAC
TR*	Transformer Relay	Single-pole, low voltage relay with built-in transformer (24 VAC control), rated 25 amps @ 120-240 VAC and 22 amps @ 277 VAC. 17 amps @ 347V, 12 amps @ 600V. Not available on 3-phase heaters
PR*	Power Relay	Single-pole magnetic relay, rated 18 amps @ 120-600 VAC. (See Note 3) Specify control voltage. Rated 24 amps @ 120-240 VAC and 22 amps @ 277 VAC. Pilot duty rating of 125 VA - all voltages (See Note 3)
ICSTIC	2	Inside corner (requires additional wall space - use with ST model only)
ICSTOC	2	Outside corner (requires additional wall space - use with ST model only)
ICSTJS	1	Splice plate wide, coverage gap up to 1/2 in. (use with ST model only)
STO2BS	-	2 ft. Blank Section (unheated section)
STO4BS	-	4 ft. Blank Section (unheated section)
STO6BS	-	6 ft. Blank Section (unheated section)
STO8BS	-	8 ft. Blank Section (unheated section)

NOTE: For 347V and 600V units options T, 2T, DS, are not available. Specify PDT as the suffix for a thermostat. \*Factory built-in. Add suffix to heater catalog number. 1) A control combination is not available on heaters that have an amperage draw which exceeds the rated limit of the lowest rated control. 2) For non-standard controls or combinations, contact factory. 3) Specify holding coil voltage where applicable.

PRODUCT		CABINET LENGTH		WATT DENSITY			VOLTS		NO. OF PHASES	CONTROLS	
S	T	0	4	2	5	0	2	4	1	D	S

Series Name

02 = 2.3 ft. 03 = 3 ft.  
04 = 4 ft. 05 = 5 ft.  
06 = 6 ft. 07 = 7 ft.  
08 = 8 ft. 09 = 9 ft.  
10 = 10 ft.

125 w/ft. | 188 w/ft. | 250 w/ft.

## HOW TO ORDER SLOPE-TOP CONVECTION HEATERS - ST SERIES

T = Single-Pole Thermostats  
2T = Double-Pole Thermostats  
DS = Power On/Off Switch  
TR = Transformer Relay  
PR = Power Relay  
PE = Pneumatic/Electric Switch  
2ST = Two-stage thermostat  
PDT = Pilot-Duty Thermostat (347V & 600V)

1= single-phase

12 = 120V | 20 = 208V | 24 = 240V | 27 = 277V | 34 = 347V | 60 = 600V

## CONTROLS FOR CONVECTOR HEATERS

CATALOG NO.	DESCRIPTION
<b>BLANK CONTROL SECTION <sup>1</sup></b>	
DBA3BCSF	Control Section, Front Inlet, 3-5/8 x 6 x 28 in.
DBA3BCSB	Control Section, Bottom Inlet, 3-5/8 x 6 x 28 in.
SHABCSF	Control Section, Front Inlet, 3-5/8 x 7 x 28 in.
SHABCSB	Control Section, Bottom Inlet, 3-5/8 x 7 x 28 in.
CSH07BCS1	Commercial Style, 7 in. High Bottom Inlet/Top Outlet
CSH14BCS1	Commercial Style, 14 in. High Bottom Inlet/Top Outlet
CSH14BCS3	Commercial Style, 14 in. High Bottom Inlet/Front Outlet
DSH07BCS1	Commercial Style, 7 in. High, Bottom Inlet/Top Outlet
DSH14BCS1	Commercial Style, 14 in. High, Bottom Inlet/Top Outlet
DSH07BCS2	Decorative Style, 7 in. High, Front Inlet/Top Outlet
DSH14BCS2	Decorative Style, 14 in. High, Front Inlet/Top Outlet
<b>CIRCUIT BREAKERS <sup>2</sup></b>	
1CB2P30	(1) Three-Pole Circuit Breaker Rated 30 Amps @ 208, 240, 277 VAC
1CB2P60	(1) Two-Pole Circuit Breaker Rated 60 Amps @ 208, 240, 277 VAC
1CB3P30	(1) Three-Pole Circuit Breaker Rated 30 Amps @ 208, 240, 277 VAC
1CB3P60	(1) Three-Pole Circuit Breaker Rated 60 Amps @ 208, 240, 277 VAC
2CB2P30	(2) Two-Pole Circuit Breaker Rated 30 Amps @ 208, 240, 277 VAC
2CB2P60	(2) Two-Pole Circuit Breaker Rated 60 Amps @ 208, 240, 277 VAC
2CB3P30	(2) Three-Pole Circuit Breaker Rated 30 Amps @ 208, 240, 277 VAC
2CB3P60	(2) Three-Pole Circuit Breaker Rated 60 Amps @ 208, 240, 277 VAC
<b>CONTROL TRANSFORMER, 50 VA RATING <sup>3</sup></b>	
TR24	Low Voltage Transformer, 24V Secondary
<b>PNEUMATIC CONTROL</b>	
PE	Pneumatic Operated Electric Switch—SPDT switch rated 16A @ 120 VAC, 9A @ 208 VAC, 8A @ 240 VAC, 7A @ 277 VAC, pilot duty 125 VA @ 24-277 VAC, pressure 0 - 20 PSIG
<b>THERMOSTAT &amp; RECEPTACLE</b>	
1PDT	Single-Pole Pilot Duty Thermostat, 60°-120°F Temperature Range—125 VA Rating
2PDT	Two-Stage Pilot Duty Thermostat, 60°-120°F Temperature Range—125 VA Rating. Available on 2- or 3-element, single-phase heaters only.
2ST	Two-Stage Thermostat 60-120°F temperature range, adjustable through outlet grille-tamper-resistant. Available on 2- or 3-element, single phase heaters only.
R <sup>3</sup>	120V Receptacle Duplex receptacle, 120V/20A, mounting in left or right end cap of 6, 9, 12 or 18-in. filler sections only.
<b>POWER ON/OFF SWITCH</b>	
DS	Pilot Duty Power On/Off Switch; Double-Pole (Disconnects relay holding coil circuit)
<b>SCR CONTROLS</b>	
M90525A	Master SCR Control Rated 25 Amps @120 - 480V AC. Master units accept 0 -10V DC, 4-20mA, or 135 OHM proportional control inputs.
M90548A	Master SCR Control Rated 48 Amps @120 - 480V AC
M90548A-2	Master SCR Control Rated 48 Amps @120 - 480V AC
<b>SCR SLAVE CONTROLLER</b>	
S90525A	SCR Slave unit controller. Rated 25 Amps.
S90548A	SCR Slave unit controller. Rated 48 Amps
<b>SCR THERMOSTAT</b>	
T90613V	Provides a proportional 2-10 VDC output for controlling 0-100% of the connected load to each Master <sup>4</sup> .

Two types of control sections are available; a relay control section which may have Power Relays, Circuit Breakers, Thermostat, Pilot Duty Disconnect Switch, P.E. Switch, or Control Transformer. An SCR Control Section which may have Master and Slave SCR's with an SCR type thermostat. Control sections are 28 inches long and available in 7-inch high and 14-inch high models plus the DBA. To develop a complete catalog number, first start with the catalog number of the selected Blank Control Section. Example: CSH07BCS1, then add slash marks to separate the catalog numbers that describe the individual controls desired. Example: CSH07BCS1/M630/2CB3P30/PE. This catalog number would be for a 5-inch deep, 7-inch high commercial type control section with six 30 amp Power Relays, two 3-pole 30 amp Circuit Breakers with the unit controlled by a P.E. Switch. Also specify finish, heater voltage, phase 1 or 3, and control voltage.

**NOTE:**

Each SCR incorporates its own zero-firing logic, providing any combination or connection arrangement for single or three phase applications. 25A single phase SCR can be mounted in the ASL aluminum convector. Each Master and Thermostat will require 24V AC Transformer. Specify holding coil voltage where applicable. On all 5 in. high steel convectors the two-pole thermostat must go in the right hand junction box (TR must mount in RH junction box. 2T+TR are invalid in 5 in. high steel convectors).

(1) Blank control sections are subject to the same color selections and pricing as the appropriate matching heater. (2) Not available in DBA control sections. (3) For use with DSH, CSH, and DPH end caps and filler sections only. (4) Maximum of 8 SCR's is the limit for one thermostat output signal.

\*\* For use with DSH and CSH end caps and filler sections only.

# BASEBOARD HEATERS





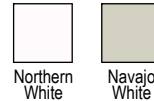
# BASEBOARD HEATERS

## ELECTRIC BASEBOARD HEATER | 2500 SERIES



NORTHERN WHITE

### AVAILABLE COLORS



Northern White

Navajo White



**IDEAL SPACES** | Bedrooms; Living/Family Rooms; Kitchens; Bathrooms; Basements; Offices; Conference Rooms; Hallways; Lobbies; Waiting Rooms

**COLORS** | Northern White; Navajo White

**DIMENSIONS** | 6-3/4" H x 2-7/8" D (Length varies)

- Ideal for basic, zoned Primary/Secondary heating
- Low profile perfect for limited wall space
- Durable, textured, powder coat finish retains attractive appearance with all interior decors
- Convection heat minimizes air flow, reducing flow of bacteria and dust
- Chimney fin element designed for maximum air circulation
- Air flow directed away from walls to help prevent wall streaking
- Lead wires and knockouts allow quick field connection from either end
- Pre-notched marks for mounting guide
- Built-in cable clamp in both large wiring compartments
- UL-listed for installation on wall at floor level with wall-to-wall carpeting
- Instant heat at call of thermostat
- High temperature safety limit

### SUGGESTED CONTROLS

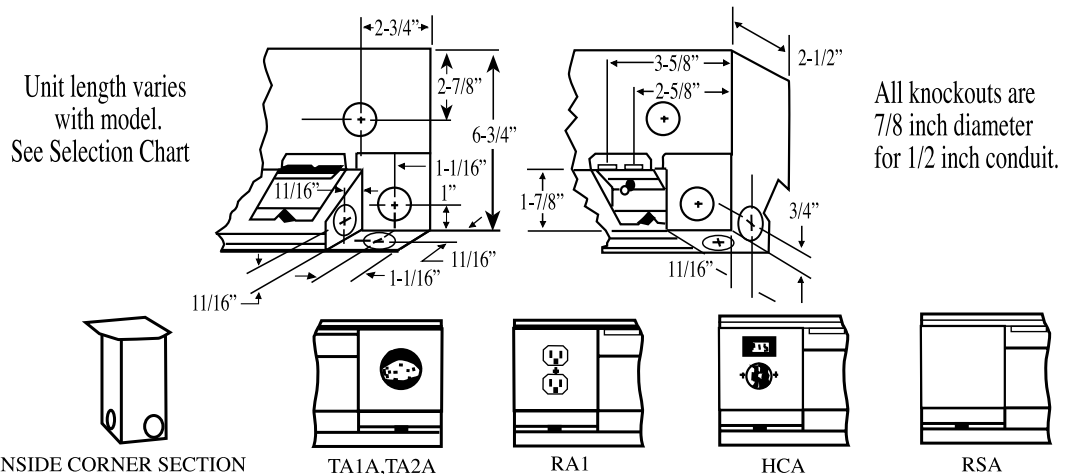
view page 151 for more information



TH114A240DBA



MD26





# BASEBOARD HEATERS

## MODELS & SPECIFICATIONS

CATALOG NO.	UPC	VOLTS	WATTS	AMPS	LENGTH (FT)	SHIP WT. (LBS)
2542NW	0 98319 73002 2	240/208	400/300	1.7/1.5	2	5.2
25426NW	0 98319 73006 0	240/208	500/376	2.1/1.9	2.6	6.3
2543NW	0 98319 73010 7	240/208	750/564	3.2/2.8	3	7.5
2544NW	0 98319 73014 5	240/208	1000/752	4.2/3.7	4	10
2545NW	0 98319 73018 3	240/208	1250/940	5.2/4.6	5	11.5
2546NW	0 98319 73022 0	240/208	1500/1128	6.3/5.5	6	14
2548NW	0 98319 73025 1	240/208	2000/1504	8.4/7.3	8	18.5
25408NW	0 98319 72982 8	240/208	2500/1880	10.5/9.1	8	18.5
2512NW	0 98319 73000 8	120	400	3.4	2	5.2
25126NW	0 98319 73004 6	120	500	4.2	2.6	6.3
2513NW	0 98319 73008 4	120	750	6.3	3	7.5
2514NW	0 98319 73012 1	120	1000	8.4	4	10
2515NW	0 98319 73016 9	120	1250	10.5	5	11.5
2516NW	0 98319 73020 6	120	1500	12.6	6	14
2502NW	0 98319 73001 5	208	400	2.0	2	5.2
25026NW	0 98319 73005 3	208	500	2.4	2.6	6.3
2503NW	0 98319 73009 1	208	750	3.6	3	7.5
2504NW	0 98319 73013 8	208	1000	4.8	4	10
2505NW	0 98319 73017 6	208	1250	6.0	5	11.5
2506NW	0 98319 73002 1	208	1500	7.3	6	14
2508NW	0 98319 73024 4	208	2000	9.7	8	18.5
25008NW	0 98319 72981 1	208	2500	12.0	8	18.5
2572NW	0 98319 73003 9	277/240/208	400/300/225	1.5/1.3/1.1	2	5.2
25726NW	0 98319 73007 7	277/240/208	500/376/282	1.8/1.6/1.4	2.6	6.3
2573NW	0 98319 73011 4	277/240/208	750/564/423	2.7/2.4/2.1	3	7.5
2574NW	0 98319 73015 2	277/240/208	1000/752/564	3.7/3.2/2.8	4	10
2575NW	0 98319 73019 0	277/240/208	1250/940/705	4.6/4.0/3.4	5	11.5
2576NW	0 98319 73023 7	277/240/208	1500/1128/846	5.5/4.7/4.1	6	14
2578NW	0 98319 73026 8	277/240/208	2000/1504/1128	7.3/6.3/5.5	8	18.5
25708NW	0 98319 72983 5	277/240/208	2500/1880/1410	9.1/7.9/6.8	8	18.5

## CONTROLS & ACCESSORIES

CATALOG NO.	UPC	DESCRIPTION	SHIP WT. (LBS)
TA1AW	0 98319 73041 1	SP Thermostat, rated 22A @ 120-277V	1
TA1TPAW	0 98319 73042 8	Tamper-Resistant Version of TA1AW	1
TA2AW	0 98319 73043 5	DP Thermostat, rated 22A @ 120-277V	1
TA2TPAW	0 98319 73044 2	Tamper-Resistant Version of TA2AW	1
HCA2415/20W	0 98319 73046 6	240V Load Transfer Switch, 20A	1
HCA1215/20W	0 98319 73045 9	120V Load Transfer Switch, 20A	1
RSA1224	0 98319 71480 0	120V/24V Transformer Relay, 25A	1
RSA2024	0 98319 71485 5	208V/24V Transformer Relay, 25A	1
RSA2424	0 98319 71490 9	240V/24V Transformer Relay, 25A	1
RSA2724	0 98319 71495 4	277V/24V Transformer Relay, 22A	1
RA1W	0 98319 73047 3	120V Duplex Receptacle	1
DSW2W	0 98319 73049 7	Double-Pole Power On/Off Switch rated 20A @ 120-277V	1
PR24	0 98319 71367 4	Single-Pole Power Relay, 24V Control rated 30A @ 120-240V, 23A @ 277V	1
PR120	0 98319 71368 1	Same as PR24 except with 120V Control	1
ICANW	0 98319 73050 3	Inside Corner	1
RA1COMPW	0 98319 73048 0	Duplex Receptacle Cover only – carton of 10	1

NOTE: Unit and accessories represent Northern White finish. For Navajo White, remove N suffix to catalog number (ex. 2544W). For high-altitude baseboard heater (mounted above 7,500 ft.), add suffix "H" to catalog number. 8 ft. length baseboards must be ordered in multiples of two pieces for shipment.

## FILLER SECTIONS

CATALOG NO.	UPC	DESCRIPTION	SHIP WT. (LBS.)
FS12NW	0 98319 73150 0	1 ft. Filler Section	2
FS24NW	0 98319 73151 7	2 ft. Filler Section	4
FS36NW	0 98319 73152 4	3 ft. Filler Section	6
FS48NW	0 98319 73153 1	4 ft. Filler Section	8
FSJ2NW	73154 8	2 in. Joiner Strip	.5

## BLANK SECTIONS

CATALOG NO.	UPC	DESCRIPTION	SHIP WT. (LBS)
QMKCBDA2NW	6 85360 05959 4	2.6 ft. Blank Section	4
QMKCBDA3NW	6 85360 05961 7	3 ft. Blank Section	5
QMKCBDA4NW	6 85360 05963 1	4 ft. Blank Section	7
QMKCBDA5NW	6 85360 05965 5	5 ft. Blank Section	9
QMKCBDA6NW	6 85360 05967 9	6 ft. Blank Section	11
QMKCBDA8NW	6 85360 05969 3	8 ft. Blank Section	14



## ELECTRIC HYDRONIC BASEBOARD HEATER | HBB SERIES



NAVAJO WHITE



**IDEAL SPACES** | Bedrooms; Living/Family Rooms; Kitchens; Bathrooms; Basements; Offices; Conference Rooms; Hallways; Lobbies; Waiting Rooms; Day Cares; Geriatric Facilities

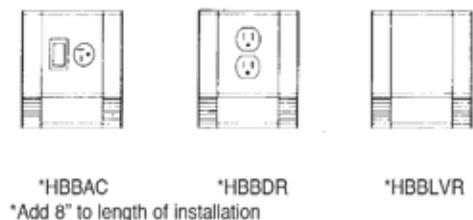
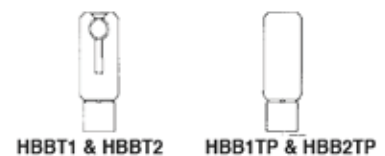
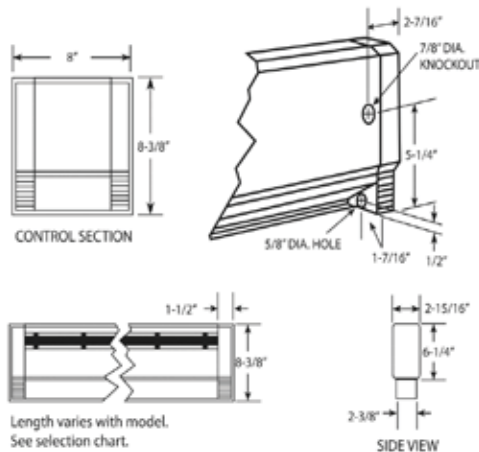
**COLORS** | Navajo White

**DIMENSIONS** | 8-3/8" H x 2-15/16" D (Length varies)

- Ideal for superior, efficient and zoned Primary/Secondary comfort
- Low profile ideal for limited wall space
- Large element reservoir maximizes the volume of heat storage fluid for prolonged comfort
- Gentle heat continues to radiate even after the thermostat turns off due to the hydronic element retention qualities
- Hydronic element reduces on/off cycling of thermostat maintaining even room comfort and reducing energy costs
- Heavy-duty welded steel louvered grilles direct heat outward into the room.
- Built-in wire way, lead wires, and knockouts allow quick field connection from either end
- UL-listed for installation flush to any wall and flat on any floor type; pre-notched marks for mounting guide
- Heavy-duty welded steel louvered grilles discourage insertion of foreign objects
- Low surface temperatures safe for installations with pets, children and carpet
- High temperature safety limit
- Storage fluid maximizes convection, minimizing air flow, reducing flow of bacteria and dust
- Corrosion resistant aluminum fins are pressure-fitted to copper tubing to assure rapid heat transfer, air flow
- Air flow is directed away from walls and into the room to help prevent wall streaking & minimizes dry air

### SUGGESTED CONTROLS

view page 151 for more information



# BASEBOARD HEATERS

## MODELS & SPECIFICATIONS

CATALOG NO.	UPC	VOLTS	WATTS	AMPS	LENGTH (FT)	SHIP WT. (LBS)
HBB500	6 85360 03577 2	120	500	4.2	2.3	10
HBB508	6 85360 03580 2	208	500	2.4		
HBB504	6 85360 03578 9	240/208	500/375	2.1/1.8		
HBB750	6 85360 03581 9	120	750	6.3	2.8	12
HBB758	6 85360 03584 0	208	750	3.6		
HBB754	6 85360 03582 6	240/208	750/563	3.1/2.7		
HBB1000	6 85360 03562 8	120	1000	8.3	3.8	15
HBB1008	6 85360 03565 9	208	1000	4.8		
HBB1004	6 85360 03563 5	240/208	1000/750	4.2/3.6		
HBB1250	6 85360 03566 6	120	1250	10.4	4.8	19
HBB1258	6 85360 03569 7	208	1250	6		
HBB1254	6 85360 03567 3	240/208	1250/938	5.2/4.5		
HBB1500	6 85360 03570 3	120	1500	12.5	5.8	22
HBB1508	6 85360 03573 4	208	1500	7.2		
HBB1504	6 85360 03571 0	240/208	1500/1125	6.3/5.8		
HBB2008	6 85360 03576 5	208	2000	9.6	7.8	30
HBB2004	6 85360 03574 1	240/208	2000/1500	8.3/7.2		

## CONTROLS & ACCESSORIES

CATALOG NO.	UPC	DESCRIPTION	SHIP WT. (LBS)
HBBT1	6 85360 03557 4	25 amp @ 120-277 VAC; Single-Pole Thermostat Snap-Action Type; Field-Installed in Junction Box	1
HBBT2	6 85360 03559 8	25 amp @ 120-277 VAC; Double-Pole Thermostat Snap-Action Type; Field-Installed in Junction Box	1
HBBT1TP	6 85360 03558 1	Same as Model HBBT1 except Tamper-Resistant	1
HBBT2TP	6 85360 03560 4	Same as Model HBBT2 except Tamper-Resistant	1
HBBAC*	6 85360 03538 3	Air Conditioner Outlet Section, 20 amps @ 208/240 VAC	2
HBBDR	6 85360 03542 0	Duplex Receptacle Section, 15 amps @ 120 VAC	2
HBBDSDR120	6 85360 14797 0	Double-Pole Disconnect Switch /120V Receptacle	3
HBBWS	6 85360 03561 1	8 in. Blank Wiring Section	1
HBBLVR0*	6 85360 03547 5	Low Voltage Relay Control Section, 25 amps @ 120 VAC	3
HBBLVR8*	6 85360 03550 5	Low Voltage Relay Control Section, 25 amps @ 208 VAC	3
HBBLVR4*	6 85360 03548 2	Low Voltage Relay Control Section, 25 amps @ 240 VAC	3
HBBCDS2	6 85360 03539 0	Double-Pole Power On/Off Switch Section	2
CBDBS2*	6 85360 01453 1	2 ft. Blank Section	6
CBDBS3*	6 85360 01454 8	3 ft. Blank Section	8
CBDBS4*	6 85360 01455 5	4 ft. Blank Section	11
CBDBS5*	6 85360 01456 2	5 ft. Blank Section	14
CBDBS6*	6 85360 01457 9	6 ft. Blank Section	16
CBDBS8*	6 85360 01458 6	8 ft. Blank Section	22
CBDCIC*	6 85360 01460 9	Inside Corner	1
CBDCOC*	6 85360 01461 6	Outside Corner	1

NOTE: \*HBBAC - HBBDR - HBBLVR - HBBWS accessories add 8 in. to baseboard length.

# BASEBOARD HEATERS

## COMMERCIAL BASEBOARD HEATER | QMKC SERIES



NAVAJO WHITE



**IDEAL SPACES** | Bedrooms; Living/Family Rooms; Kitchens; Bathrooms; Basements; Offices; Conference Rooms; Hallways; Lobbies; Waiting Rooms

**COLORS** | Navajo White

**DIMENSIONS** | 8-3/8" H x 2-15/16" D (Length varies)

- Commercial-grade 20-gauge cold rolled front cover and brackets allow heater to withstand rigors of commercial applications
- Steel-sheathed heating element combines the durability of a steel tubular heater with the excellent heat transfer characteristics of aluminum fins
- Ideal for basic, zoned primary/secondary heating
- Built-in wire-way facilitates end-to-end installation of continuous-run heaters
- Large, pre-wired junction boxes at each end are provided with knockouts in the rear, bottom, inside and outside
- High temperature safety limit
- Pre-notched marks for mounting guide
- UL-listed for installation flush to any wall and flat on any floor type
- No fans; convection heat minimizes air flow, reducing flow of bacteria and dust
- Chimney-fin element designed for maximum air circulation
- Air flow directed away from walls to help prevent wall streaking

### SUGGESTED CONTROLS

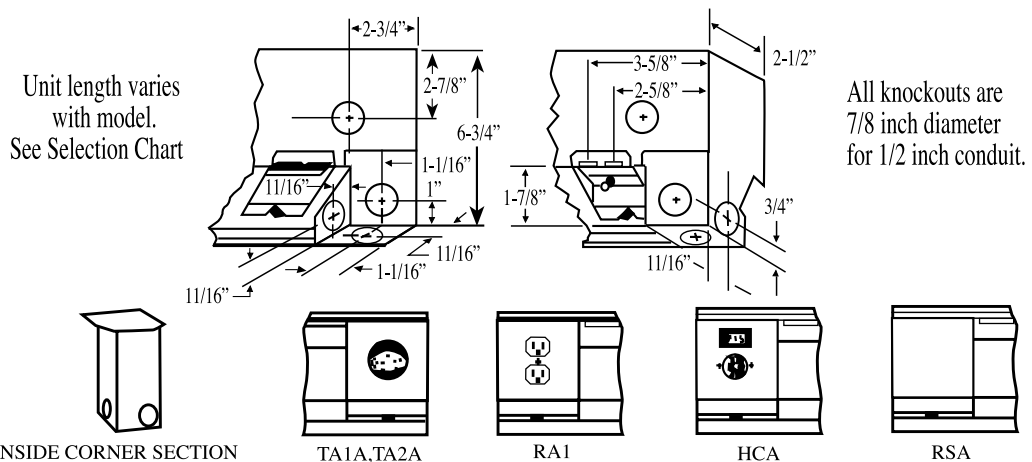
view page 151 for more information



TH114A240DBA



MD26



# BASEBOARD HEATERS

## MODELS & SPECIFICATIONS

CATALOG NO.	UPC	VOLTS	WATTS	AMPS	LENGTH (FT)	SHIP WT. (LBS)
QMKC25126W	6 85360 06046 0	120	500	4.2	2.6	7.8
QMKC25026W	6 85360 06016 3	208	500	2.4		
QMKC25426W	6 85360 06087 3	240/208	500/376	2.1/1.8		
QMKC25726W	6 85360 06132 0	277/240/208	500/376/282	1.8/1.6/1.4		
QMKC2513W	6 85360 06051 4	120	750	6.5	3	9.0
QMKC2503W	6 85360 06021 7	208	750	3.6		
QMKC2543W	6 85360 06092 7	240/208	750/564	3.1/2.7		
QMKC2573W	6 85360 06137 5	277/240/208	750/564/423	2.7/2.4/2.0		
QMKC2514W	6 85360 06056 9	120	1000	8.3	4	11.5
QMKC2504W	6 85360 06026 2	208	1000	4.8		
QMKC2544W	6 85360 06097 2	240/208	1000/752	4.2/3.6		
QMKC2574W	6 85360 06142 9	277/240/208	1000/752/564	3.6/3.1/2.7		
QMKC2515W	6 85360 06061 3	120	1250	10.4	5	13.0
QMKC2505W	6 85360 06031 6	208	1250	6.0		
QMKC2545W	6 85360 06102 3	240/208	1250/940	5.2/4.5		
QMKC2575W	6 85360 06147 4	277/240/208	1250/940/705	4.5/3.9/3.4		
QMKC2516W	6 85360 06066 8	120	1500	12.6	6	15.5
QMKC2506W	6 85360 06036 1	208	1500	7.2		
QMKC2546W	6 85360 06107 8	240/208	1500/1128	6.3/5.4		
QMKC2576W	6 85360 06152 8	277/240/208	1500/1128/846	5.4/4.7/4.1		
QMKC2508W	6 85360 06041 5	208	2000	9.6	8	20
QMKC2548W	6 85360 06112 2	240/208	2000/1504	8.3/7.2		
QMKC2578W	6 85360 06157 3	277/240/208	2000/1504/1128	7.2/6.3/5.4		
QMKC25008W	6 85360 06011 8	208	2500	12.0		
QMKC25408W	6 85360 06082 8	240/208	2500/1880	10.4/8.7	8	20
QMKC25708W	6 85360 06127 6	277/240/208	2500/1880/1410	9.0/7.5/6.8		

## CONTROLS & ACCESSORIES

CATALOG NO.	UPC	DESCRIPTION	SHIP WT. (LBS)
TA1AW	0 98319 73041 1	SP Thermostat, rated 22A @ 120-277V	1
TA1TPAW	0 98319 73042 8	Tamper-Resistant Version of TA1AW	1
TA2AW	0 98319 73043 5	DP Thermostat, rated 22A @ 120-277V	1
TA2TPAW	0 98319 73044 2	Tamper-Resistant Version of TA2AW	1
HCA2415/20W	0 98319 73046 6	240V Load Transfer Switch, 20A	1
HCA1215/20W	0 98319 73045 9	120V Load Transfer Switch, 20A	1
RSA1224	0 98319 71480 0	120V/24V Transformer Relay, 25A	1
RSA2024	0 98319 71485 5	208V/24V Transformer Relay, 25A	1
RSA2424	0 98319 71490 9	240V/24V Transformer Relay, 25A	1
RSA2724	0 98319 71495 4	277V/24V Transformer Relay, 22A	1
RA1W	0 98319 73047 3	120V Duplex Receptacle	1
DSW2W	0 98319 73049 7	Double-Pole Power On/Off Switch rated 20A @ 120-277V	1
PR24	0 98319 71367 4	Single-Pole Power Relay, 24VControl rated 30A @ 120-240V, 23A @ 277V	1
PR120	0 98319 71368 1	Same as PR24 except with 120V Control	1
ICAW	0 98319 73050 3	Inside Corner	1
RA1COMPW	0 98319 73048 0	Duplex Receptacle Cover only – carton of 10	1

## FILLER SECTIONS

CATALOG NO.	UPC	DESCRIPTION	SHIP WT. (LBS.)
FS12	0 98319 73150 0	1 ft. Filler Section	2
FS24	0 98319 73151 7	2 ft. Filler Section	4
FS36	0 98319 73152 4	3 ft. Filler Section	6
FS48	0 98319 73153 1	4 ft. Filler Section	8
FSJ2	73154 8	2 in. Joiner Strip	1/2

## BLANK SECTIONS

CATALOG NO.	UPC	DESCRIPTION	SHIP WT. (LBS)
QMKCBDA2W	6 85360 05959 4	2.6 ft. Blank Section	4
QMKCBDA3W	6 85360 05961 7	3 ft. Blank Section	5
QMKCBDA4W	6 85360 05963 1	4 ft. Blank Section	7
QMKCBDA5W	6 85360 05965 5	5 ft. Blank Section	9
QMKCBDA6W	6 85360 05967 9	6 ft. Blank Section	11
QMKCBDA8W	6 85360 05969 3	8 ft. Blank Section	14

NOTE: For high-altitude baseboard heater (mounted above 7,500 ft.), add suffix "H" to catalog number. 8 ft. length baseboards must be ordered in multiples of two pieces for shipment.



# BASEBOARD HEATERS

## COMMERCIAL BASEBOARD HEATER | CBD SERIES



NAVAJO WHITE



**IDEAL SPACES** | Bedrooms; Living/Family Rooms; Kitchens; Bathrooms; Basements; Offices; Conference Rooms; Hallways; Lobbies; Waiting Rooms

**COLORS** | Navajo White

**DIMENSIONS** | 8-3/8" H x 2-15/16" D (Length varies)

- Commercial-grade 20-gauge cold rolled front cover and brackets allow heater to withstand rigors of commercial applications
- Steel-sheathed heating element combines the durability of a steel tubular heater with the excellent heat transfer characteristics of aluminum fins
- Junction boxes made of high-strength Lexan® to resist scratches and wear marks
- Heavy-duty welded steel louvered grilles discourage insertion of foreign objects
- Ideal for basic, zoned primary/secondary heating
- High temperature safety limit
- Large, pre-wired junction boxes at each end are provided with knockouts in the rear, bottom, inside and outside
- Built-in wire-way facilitates end-to-end installation of continuous-run heaters
- Pre-notched marks for mounting guide
- UL-listed for installation flush to any wall and flat on any floor type
- No fans; convection heat minimizes air flow, reducing flow of bacteria and dust
- Chimney-fin element designed for maximum air circulation
- Air flow directed away from walls to help prevent wall streaking

### SUGGESTED CONTROLS

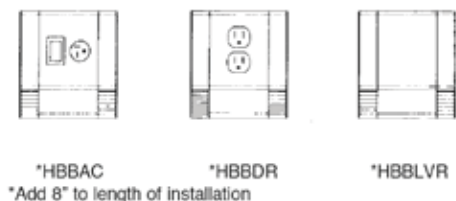
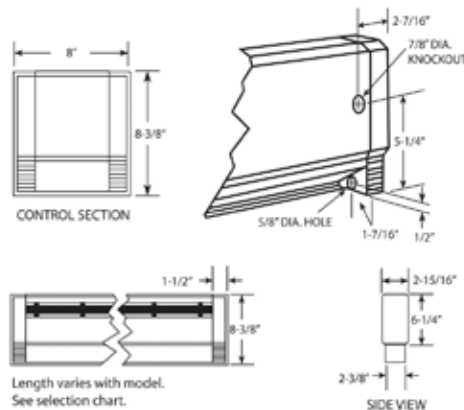
view page 151 for more information



TL8230A1003/U



MD26



# BASEBOARD HEATERS

## MODELS & SPECIFICATIONS

CATALOG NO.	UPC	VOLTS	WATTS	AMPS	BTU/HR.	LENGTH (FT)	SHIP WT. (LBS)
CBD500	6 85360 01477 7	120	500	4.2	1706	2.3	8
CBD508	6 85360 01480 7	208	500	2.4			
CBD504	6 85360 01478 4	240/208	500/375	2.1/1.8			
CBD507	6 85360 01479 1	277/240/208	500/375/282	1.8/1.6/1.4			
CBD750	6 85360 01481 4	120	750	6.3	2560	2.8	10
CBD758	6 85360 01484 5	208	750	3.6			
CBD754	6 85360 01482 1	240/208	750/562	3.1/2.7			
CBD757	6 85360 01483 8	277/240/208	750/562/422	2.7/2.3/2.0			
CBD1000	6 85360 01462 3	120	1000	8.3	3413	3.8	13
CBD1008	6 85360 01465 4	208	1000	4.8			
CBD1004	6 85360 01463 0	240/208	1000/750	4.2/3.6			
CBD1007	6 85360 01464 7	277/240/208	1000/750/562	3.6/3.1/2.7			
CBD1250	6 85360 01466 1	120	1250	10.4	4265	4.8	16
CBD1258	6 85360 01469 2	208	1250	6			
CBD1254	6 85360 01467 8	240/208	1250/938	5.2/4.5			
CBD1257	6 85360 01468 5	277/240/208	1250/938/704	4.5/3.9/3.4			
CBD1500	6 85360 01470 8	120	1500	12.5	5120	5.8	20
CBD1508	6 85360 01473 9	208	1500	7.2			
CBD1504	6 85360 01471 5	240/208	1500/1125	6.4/5.4			
CBD1507	6 85360 01472 2	277/240/208	1500/1125/844	5.4/4.7/4.1			
CBD2008	6 85360 01476 0	208	2000	9.6	6825	7.8	27
CBD2004	6 85360 01474 6	240/208	2000/1500	8.3/7.2			
CBD2007	6 85360 01475 3	277/240/208	2000/1500/1125	7.2/6.3/5.4			

## CONTROLS & ACCESSORIES

CATALOG NO.	UPC	DESCRIPTION	SHIP WT. (LBS)
HBBT1	6 85360 03557 4	25 amp @ 120-277 VAC; Single-Pole Thermostat Snap-Action Type; Field-Installed in Junction Box	1
HBBT2	6 85360 03559 8	25 amp @ 120-277 VAC; Double-Pole Thermostat Snap-Action Type; Field-Installed in Junction Box	1
HBBT1TP	6 85360 03558 1	Same as Model HBBT1 except Tamper-Resistant	1
HBBT2TP	6 85360 03560 4	Same as Model HBBT2 except Tamper-Resistant	1
HBBAC*	6 85360 03538 3	Air Conditioner Outlet Section, 20 amps @ 208/240 VAC	2
HBBDR	6 85360 03542 0	Duplex Receptacle Section, 15 amps @ 120 VAC	2
HBBDSDR120	6 85360 14797 0	Double-Pole Disconnect Switch /120V Receptacle	3
HBBWS	6 85360 03561 1	8 in. Blank Wiring Section	1
HBBLVR0*	6 85360 03547 5	Low Voltage Relay Control Section, 25 amps @ 120 VAC	3
HBBLVR8*	6 85360 03550 5	Low Voltage Relay Control Section, 25 amps @ 208 VAC	3
HBBLVR4*	6 85360 03548 2	Low Voltage Relay Control Section, 25 amps @ 240 VAC	3
HBBCDS2	6 85360 03539 0	Double-Pole Power On/Off Switch Section	2
CBDBS2*	6 85360 01453 1	2 ft. Blank Section	6
CBDBS3*	6 85360 01454 8	3 ft. Blank Section	8
CBDBS4*	6 85360 01455 5	4 ft. Blank Section	11
CBDBS5*	6 85360 01456 2	5 ft. Blank Section	14
CBDBS6*	6 85360 01457 9	6 ft. Blank Section	16
CBDBS8*	6 85360 01458 6	8 ft. Blank Section	22
CBDCIC*	6 85360 01460 9	Inside Corner	1
CBDCOC*	6 85360 01461 6	Outside Corner	1

NOTE: \*HBBAC - HBBDR - HBBLVR - HBBWS accessories add 8 in. to baseboard length. For high-altitude baseboard heater (mounted above 7,500 ft.), add suffix "H" to catalog number. 8 ft. length baseboards must be ordered in multiples of two pieces for shipment.

# STAY WARM

THIS SEASON WITH QMARK  
HEATING PRODUCTS & ACCESSORIES.

**OVER 3,000  
PRODUCTS  
TO CHOOSE  
FROM!**

- WALL HEATERS
- UNIT HEATERS
- CONVECTION HEATERS
- BASEBOARD HEATERS
- RADIANT HEATERS
- INFRARED HEATERS
- PORTABLE HEATERS
- AND MUCH MORE!

Learn more at  
[www.qmarkmep.com](http://www.qmarkmep.com)





# RADIANT HEATERS



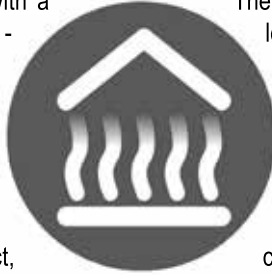
# RADIANT HEATERS

## RADIANT CEILING PANELS | INTRODUCTION

Radiant technology saves energy over other systems by heating people and objects, rather than all the air in a room or building. People are comfortable at lower room temperatures with a radiant system than with a hot air convective system - comfortable in the 60s rather than in the 70s, and lower thermostat settings can save on energy bills each year.

"Sunshine" type heating is a form of radiant heat that provides heating comfort in much the same manner as the sun. Heat energy, in form similar to light rays, travel in a straight line from the heater to the nearest object, where the energy is absorbed and the object becomes warm. Some rays are reflected and strike other objects, warming them also.

In non-radiant types of heating systems, it is necessary to warm and circulate air in order to keep the temperature in a room at a



comfortable level. The warmer air warms the furniture and people in the room. With radiant heating, furniture and people are heated directly. The surrounding air eventually becomes warm, but the comfort level is not dependent upon the air temperature.

Room temperature can be lowered 3-5°F while still maintaining the same comfort level. Furniture, walls, floors, etc., absorb some of the energy and act as a heat bank, releasing some of the warmth into the room during the "off" period of the normal "on-off" cycle of the cove heaters.

The radiant CP Series is no exception, providing clean, gentle, comfortable heat while allowing full usage of wall and floor spaces. No noise. No moving parts. No maintenance. No ceilings, walls or drapes to clean. No dried out air.

## RADIANT CEILING PANELS | CP SERIES



**IDEAL SPACES** | Offices; Hallways; Lobbies; Conference Rooms; Retail Spaces; Locker Rooms; Laboratories; Yoga Studios; Living Rooms; Bedrooms; Bathrooms; Basements

**COLORS** | White; Custom Colors and Silkscreens Available

**DIMENSIONS** | 24 x 24" and 24 x 48"

- Ideal for invisible, primary or supplemental comfort
- Perfect for offsetting perimeter heat losses or providing primary heat to an entire space
- Full line of custom panels available upon request (see specifications on next page)
- Unit comes standard with 48 in. of 1/2 in. flexible metal conduit and J-Box connector
- Insulation - Made of 1 in., 1 lb. density, high-temperature fiberglass
- Galvanized or aluminized steel housing
- Encapsulated casted element assures uniform temperatures across surface and unit longevity
- Includes ground wire and 48 in. lead wires housed in flexible metal conduit
- All panels come standard with combination Earthquake/T-bar grip clips
- Hanging Clips provide holes for support chains, or can be folded over T-Bar to reduce lateral movement
- Constructed of fire retardant materials; no fire or hazardous rating

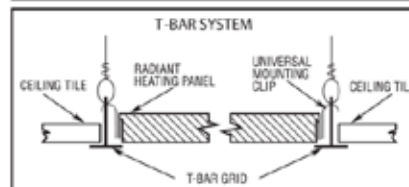
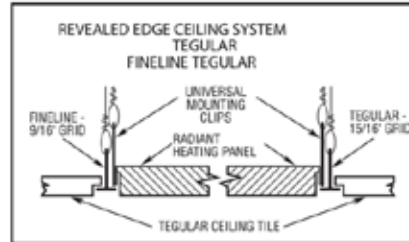
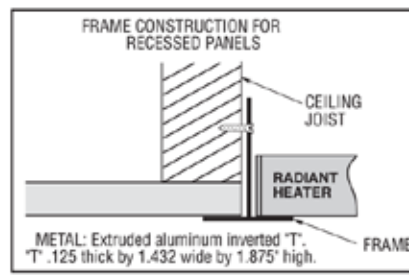
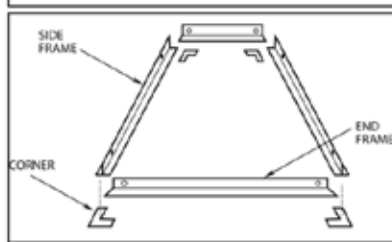
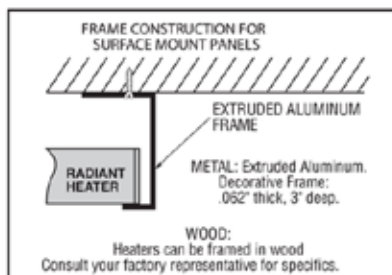
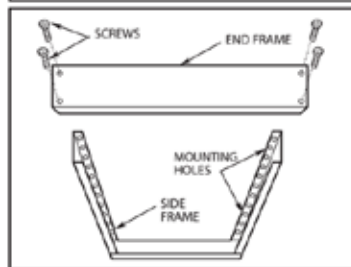
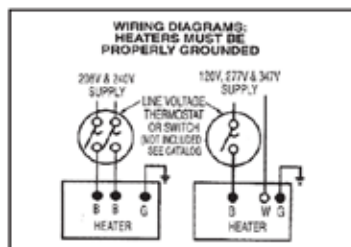


## MODELS & SPECIFICATIONS | STANDARD

CATALOG NO.	UPC	VOLTS	WATTS	AMPS	SIZE (IN)	SHIP WT. (LBS.)
CP251	6 85360 01658 0	120	250	2.1	24x24	15
CP258	6 85360 01663 4	208	250	1.2	24x24	15
CP252	6 85360 01659 7	240	250	1.0	24x24	15
CP257	6 85360 01662 7	277	250	0.9	24x24	15
CP253	6 85360 01660 3	347	250	0.7	24x24	15
CP311	6 85360 01669 6	120	310	2.6	24x24	15
CP318	6 85360 01674 0	208	310	1.5	24x24	15
CP312	6 85360 01670 2	240	310	1.3	24x24	15
CP317	6 85360 01671 9	277	310	1.1	24x24	15
CP313	6 85360 01673 3	347	310	0.9	24x24	15
CP371	6 85360 01675 7	120	375	3.1	24x24	15
CP378	6 85360 01685 6	208	375	1.8	24x24	15
CP372	6 85360 01676 4	240	375	1.6	24x24	15
CP377	6 85360 01677 1	277	375	1.4	24x24	15
CP373	6 85360 01684 9	347	375	1.1	24x24	15
CP501	6 85360 01691 7	120	500	4.2	24x48	28
CP508	6 85360 01696 2	208	500	2.4	24x48	28
CP502	6 85360 01692 4	240	500	2.1	24x48	28
CP507	6 85360 01695 5	277	500	1.8	24x48	28
CP503	6 85360 01693 1	347	500	1.4	24x48	28
CP621	6 85360 01697 9	120	625	5.2	24x48	28
CP628	6 85360 01707 5	208	625	3.0	24x48	28
CP622	6 85360 01698 6	240	625	2.6	24x48	28
CP627	6 85360 01706 8	277	625	2.3	24x48	28
CP623	6 85360 01699 3	347	625	1.8	24x48	28
CP751	6 85360 01713 6	120	750	6.3	24x48	28
CP758	6 85360 01718 1	208	750	3.6	24x48	28
CP752	6 85360 01714 3	240	750	3.1	24x48	28
CP757	6 85360 01717 4	277	750	2.7	24x48	28
CP753	6 85360 01715 0	347	750	2.1	24x48	28

## ACCESSORIES | STANDARD

CATALOG NO.	UPC	DESCRIPTION
QSF2424	6 85360 20184 3	Surface Mounting Frame for 24" x 24" Panels
QSF2448	6 85360 20185 0	Surface Mounting Frame for 24" x 48" Panels
QRF2424	6 85360 20186 7	Recess Mounting Frame for 24" x 24" Panels
QRF2448	6 85360 20187 4	Recess Mounting Frame for 24" x 48" Panels



**NOTE:** Heating panels do not have a fire or hazardous rating, but construction is of fire retardant materials. Panels normally are treated like light fixtures. If necessary, acoustical tile can be placed on top of the panels.

# RADIANT HEATERS

## ADDITIONAL FEATURES | MADE-TO-ORDER

**TEGULAR (revealed edge):** Tegular systems may utilize a standard grid with a 10/16 in. cross-T or a "fine line" grid with a 9/16 in. cross-T. The acoustical tile is notched to hang below the grid creating the revealed edge. Tegular panels are built with a support angle on all four sides to allow the panel front to drop flush with the finished ceiling. Tegular and Fine line Tegular panels are supplied standard with universal mounting clips installed for support chain.

**SILKSCREEN:** Radiant heating panels can be silk screened to provide an architectural blend with leading acoustical tiles. For T-bar, concealed spline and Tegular ceiling systems.

**CUSTOM COLORS:** Radiant heating panels can be painted any color desired with high temperature acrylic paints without affecting panel performance. Radiant energy is emitted from heating panels in the 8-10 micron wavelength range. One of the principal characteristics of the wavelength is that it is not color selective as are shorter wavelengths. Consequently, the surface color of the panel is unimportant to heating efficiency and can be considered solely in the light of aesthetics.

**PANEL FRONTS FOR CONTINUOUS CEILING LINE:** To provide a continuous ceiling line around the perimeter of a building, the factory can provide panel fronts to be interspersed between the functioning heating panels.

**CONTROLS:** P/E Switches - factory prewired to heaters. 20 amps - 120V, 240V, 208V and 277V. Power Relay - factory prewired to heaters. 30 amps single-pole with 24V, 120V, 208/240V or 277V holding coil voltages.

**LONGER FLEXIBLE CONDUIT:** Panels will replace the standard 48 in. greenfield with up to 11 ft. of 1/2 in. flexible conduit.

**STAINLESS STEEL CONSTRUCTION:** Special stainless steel panels are available for chlorine storage areas. Panels will be equipped with seal tight connectors and silicone sealed. If orders call for stainless steel construction the panels will be painted unless specified different.

**FACTORY SILICONE-SEALED PANELS:** Exterior moisture and condensation do not affect heating panel performance, but water inside the unit can cause the panel to fail. Panels being used in locker rooms and swimming pool areas should be totally sealed with silicone at the factory before shipment, if there is a chance of moisture above the ceiling, then seal tight conduit and seal tight connectors also should be used.

**SEAL-TIGHT FLEXIBLE CONDUIT & CONNECTORS:** Radiant ceiling panels come with 1/2 in. greenfield flexible conduit and straight connectors. Seal-tight connectors and conduit can be substituted at the factory if panels are to be used in high moisture areas or if required by local electrical codes.

**HEAVIER DUTY PANELS:** For special installation the factory can use heavier gauge steel in the construction of the panels.

**MODULAR WIRING SYSTEMS:** For specific jobs, the factory can substitute modular connector for the straight connectors and pig tails that are standard equipment.

## MODELS & SPECIFICATIONS | MADE-TO-ORDER

PANEL WIDTH (IN)	WATT DENSITY	WATTS PER PANEL - NOMINAL PANEL LENGTH						
		24-35 (IN)	36-47 (IN)	48-59 (IN)	60-71 (IN)	72-83 (IN)	84-95 (IN)	96 (IN)
10-13	High	155	235	315	390 <sup>A</sup>	-	-	-
	Med	130	195	260	325 <sup>A</sup>	-	-	-
	Low	105	155	210	260 <sup>A</sup>	-	-	-
14-17	High	235	350	470	585 <sup>A</sup>	-	-	-
	Med	195	295	390	490 <sup>A</sup>	-	-	-
	Low	155	235	315	390 <sup>A</sup>	-	-	-
18-21	High	315	470	625	780	940 <sup>AA</sup>	-	-
	Med	260	390	520	650	780 <sup>AA</sup>	-	-
	Low	210	315	415	520	625 <sup>AA</sup>	-	-
22-28	High	375	565	750	940	1125	1315	1500
	Med	310	470	625	785	940	1095	1250
	Low	250	375	500	625	750	875	1000

### HOW TO ORDER

The catalog number for custom panels begins with the QT prefix followed:

- Watt Density (H, M, L)
- Panel Width
- Panel Length
- Voltage (1=120V; 8=208V; 2=240V; 7=277V; 3=347V)

For example, a 13 x 36 in. 240V unit with a high watt density would be QTH13362.

When ordering, please specify panel size as exact or nominal (panels can be up to 7/16 in. less in size).

<sup>A</sup> maximum panel length = 60 in.  
<sup>AA</sup> maximum panel length = 72 in.

Catalog No. for surface mounting frames (QSF) and recess mounting frames (QRF) begin with their respective prefix followed by width and length of panel.

## ACCESSORIES | MADE-TO-ORDER

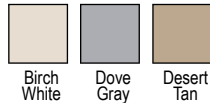
CUSTOM PANEL OPTIONS	DESCRIPTION
SILKSCREEN	To Provide An Architectural Blend With Leading Ceiling Tile, 2x5 ft. Max. There is a Panel Charge Each Time. If Manufacturer Does Not Have A Tile Pattern Screen There Is An Additional One-Time Charge. See Pricebook.
CUSTOM PAINT	Solid Color Custom Painted Panel - To Provide An Accent Strip
TEGULAR or FINELINE TEGULAR	Tegular - Reveal Edge Detail - (For 15/16 in. Grid) Construction Fineline Tegular - Reveal Edge Detail - (For 9/16 in. Grid)
EXTRA-LENGTH GREENFIELD FLEX (1/2" x 48" STANDARD)	Custom Flexlength 1/2 x 60 in. / 72 / 84 / 96 / 108 / 120 / 132 in.
SEALTITE CONDUIT	Custom Flexlength 1/2 x 60 in. / 72 / 84 / 96 / 108 / 120 / 132 in.
SILICONE SEAL	Seams Sealed For Added Moisture Protection. For Use In Shower Rooms And Above Pool Windows
STAINLESS STEEL CONSTRUCTION	Stainless Steel - 22-Gauge Front Panel, 24-Gauge Back Panel. Includes 1/2 x 48 in. Sealtite Flex And Silicone Seal
HEAVY DUTY CONSTRUCTION	16-Gauge Galvanized Or Aluminized Steel Front Panel
	18-Gauge Galvanized Or Aluminized Steel Back Panel
FILLER PANELS	Finished To Match Standard, Silkscreen Or Custom Painted Panel. Does Not Contain An Element Or Flex Conduit. Standard Construction: Front Only. Tegular / Fineline Tegular: Front And Back Only
PE SWITCH	Pneumatic Electric Switch
POWER CONTACTOR	Power Contactor

NOTE: Products are made-to-order and cannot be returned.



## COVE HEATER | RCC SERIES

### AVAILABLE COLORS



BIRCH WHITE



**IDEAL SPACES** | Offices; Hallways; Lobbies; Conference Rooms; Retail Spaces; Day Care Centers; Geriatric Facilities; Laboratories; Living Rooms; Kitchens; Bedrooms; Bathrooms; Basements

**COLORS** | Birch White; Dove Gray & Desert Tan available upon request

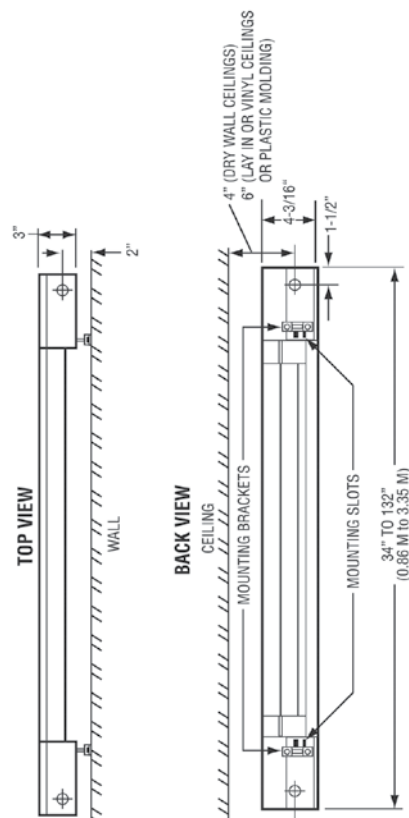
**DIMENSIONS** | 4-3/16" H x 3" D (Length varies)

- Ideal for primary or supplemental comfort heat
- Perfect where wall space is limited and gentle heat is desired
- Extruded aluminum front panel provides a high efficiency, textured, radiating surface
- Coated with high temperature textured paint, unit radiates a majority of its heat energy from front surface
- New profile and unique hanging system provide optimal heat dissipation for uniform comfort
- Easily wall-mounted; with all parts included
- Provides clean, gentle, comfortable heat while allowing full usage of wall and floor spaces
- No noise. No moving parts. No maintenance. No ceilings, walls or drapes to clean. No dried out air
- Dual Function Heating (Radiant and Convection): remaining energy is "wiped off" by convection flow behind and over the top of unit, circulating warm air into the room - achieving balanced heating throughout

### MODELS & SPECIFICATIONS

CATALOG NO.	UPC	WATTS	VOLTS	BTU/HR	AMPS	LENGTH (IN)	SHIP WT. (LBS)
RCC4508C	6 85360 14717 8	450W	208V	1536	2.2	34	4
RCC4512C	6 85360 14718 5		120V		3.7	34	
RCC4524C	6 85360 14719 2		240V		1.9	34	
RCC6008C	6 85360 14720 8	600W	208V	2048	2.9	47	6
RCC6012C	6 85360 14721 5		120V		5.0	47	
RCC6024C	6 85360 14722 2		240V		2.5	47	
RCC6027C	6 85360 14723 9	750W	277V	2560	2.2	47	7
RCC7508C	6 85360 14724 6		208V		3.6	59	
RCC7512C	6 85360 14725 3		120V		6.2	59	
RCC7524C	6 85360 14726 0	900W	240V	3072	3.1	59	8
RCC7527C	6 85360 14727 7		277V		2.7	59	
RCC9008C	6 85360 14728 4		208V		4.3	71	
RCC9012C	6 85360 14729 1	1050W	120V	3583	7.5	71	9
RCC9024C	6 85360 14730 7		240V		3.7	71	
RCC9027C	6 85360 14731 4		277V		3.2	71	
RCC10508C	6 85360 14732 1	1200W	208V	4095	5.0	83	10
RCC10512C	6 85360 14733 8		120V		8.8	83	
RCC10524C	6 85360 14745 1		240V		4.4	83	
RCC10527C	6 85360 14734 5	1500W	277V	5120	3.8	83	13
RCC12008C	6 85360 14735 2		208V		5.8	94	
RCC12012C	6 85360 14736 9		120V		10.0	94	
RCC12024C	6 85360 14737 6	1800W	240V	6142	5.0	94	15
RCC12027C	6 85360 14738 3		277V		4.3	94	
RCC15008C	6 85360 14739 0		208V		7.2	118	
RCC15024C	6 85360 14740 6	RCCCT	240V	Integral Thermostat: Range 45-90°F with Positive Off	6.2	118	1
RCC15027C	6 85360 14741 3		277V		5.4	118	
RCC18008C	6 85360 14742 0		208V		8.7	132	
RCC18024C	6 85360 14743 7	RCCSPC	240V	Splice Plate Assembly	7.5	132	2
RCC18027C	6 85360 14744 4		277V		6.5	132	

NOTE: For Dove Gray add (DG) or for Desert Tan add (DT) to suffix of catalog number.



# RADIANT HEATERS

## INFRARED HEATERS | INTRODUCTION

Infrared technology permits the heating of areas where it is impractical, either economically or physically, to heat air. The physics that causes warm air to rise and cool air to fall are constantly working against forced air heating systems, particularly in outdoor or high ceiling areas. The radiant heat energy emitted by infrared heaters is transferred direct to the people and objects under them. It is the same principle that allows the sun to make a clear, cold day feel warm. The radiant energy from infrared heaters can be directed and focus in any direction to evenly blanket people and equipment with comforting warmth, free from drafts and noisy fans or blowers.

- Soft, efficient comfort: heat people and objects not the air for optimal energy efficiency
- Energy savings: provides a low cost energy efficient alternative to propane/gas heat
- Uniform, localized heating: provides instant, fully directional space heating
- Clean, safe comfort: no moving air/parts, no dust, no combustion, no fumes
- IPX5-rated; contemporary all-weather design
- Low maintenance with no moving parts or filters, minimal servicing needed

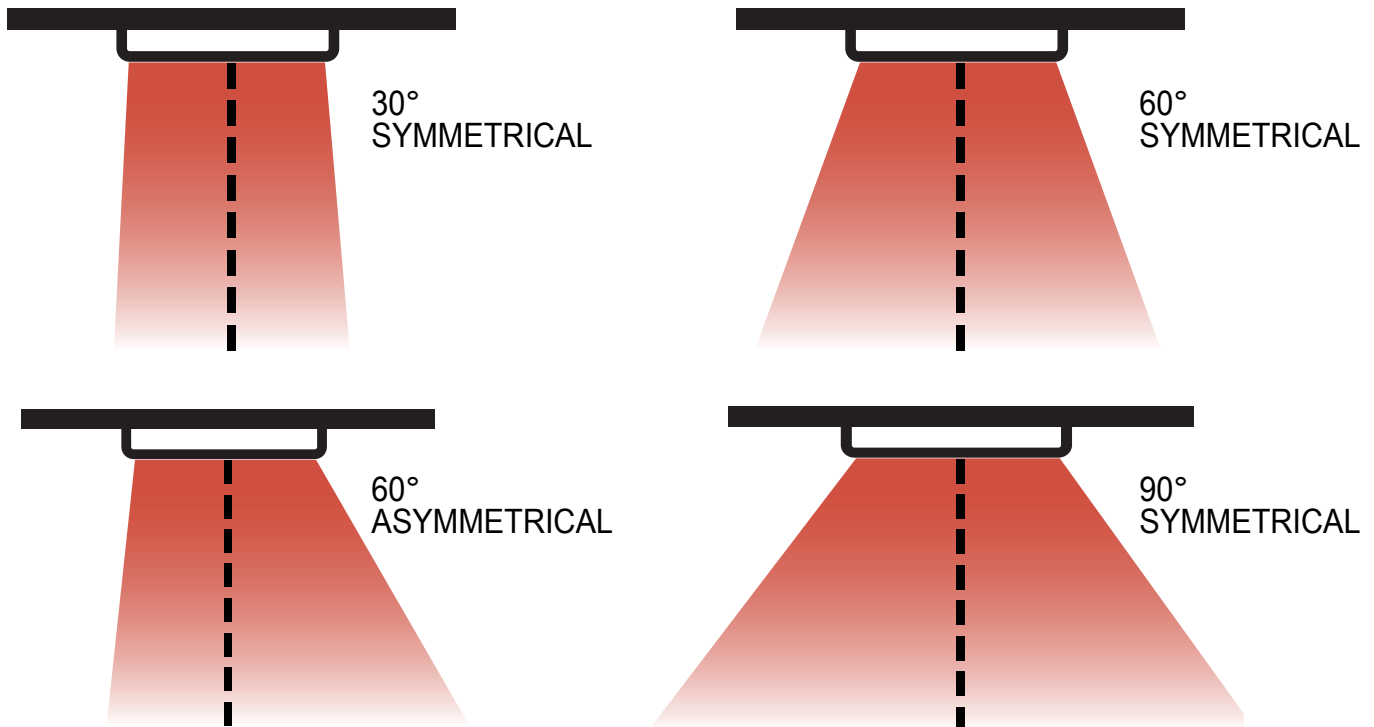
## INFRARED HEATERS | SELECTING THE RIGHT MODELS

Keep in mind these elements when selecting the correct infrared heater for your needs:

- Type of application: area heating, snow melting, or spot heating
- Type of environment: outdoors, indoors, marine or corrosive atmospheres
- Design area: square footage, objects/people standing or sitting
- Watt density required to maintain comfort
- Mounting height

Contact your sales representative for more information on which infrared heaters will work for your specific application.

The following are examples of heating patterns available. Consult your sales representative for information on which patterns are available for each product.







# RADIANT HEATERS

**IDEAL SPACES** | Indoor Workshops; Garages; Indoor/Outdoor Patios/Terraces; Restaurants; Bus Stops; Golf Ranges; Valets; Swimming Pools; Sports and Fitness Areas; Shipping/Loading Areas

## INFRARED PLUG-IN HEATER QHRA11 SERIES



NORTHERN WHITE



### MODELS & SPECIFICATIONS

CATALOG NO.	UPC	COVERAGE AREA <sup>1</sup>	VOLTS	AMPS	WATTS	BTU/HR.	DIMENSIONS (L x W x H)	SHIP WT. (LBS)
QHRA11115W	6 85360 16371 0	130 SF	120	12.5	1500	5115	17-15/16" x 3-1/2" x 5-1/8"	4.2

NOTE: <sup>1</sup> May need multiple units for specific area. Consult MEP technical services for more information on Infrared System Design.

## INFRARED PLUG-IN HEATER QHRA66 SERIES



GLOSS BLACK



### MODELS & SPECIFICATIONS

CATALOG NO.	UPC	COVERAGE AREA <sup>1</sup>	VOLTS	AMPS	WATTS	BTU/HR.	DIMENSIONS (L x W x H)	SHIP WT. (LBS)
QHRA66420B	6 85360 16380 2	300 SF	240	8.45	2000	6824	20-1/16" x 6-1/4" x 8-1/12"	6.6

NOTE: <sup>1</sup> May need multiple units for specific area. Consult MEP technical services for more information on Infrared System Design.

## COMMERCIAL INFRARED HEATER | QVRC44 SERIES



QVRC4420SG



QVRC4440DTG



QVRC4440DWG

GLOSS BLACK



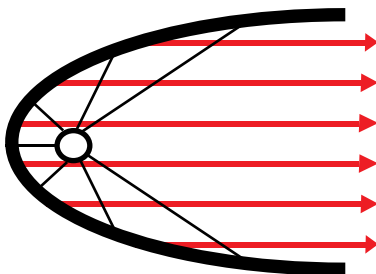
### MODELS & SPECIFICATIONS

CATALOG NO.	UPC	COVERAGE AREA <sup>1</sup>	VOLTS	AMPS	WATTS	BTU/HR.	DIMENSIONS (L x W x H)	SHIP WT. (LBS)
QVRC4420SG	6 85360 16382 6	300 SF	240	8.4	2000	6824	15-3/4" x 4-3/4" x 8-11/16"	6.8
QVRC4440DTG	6 85360 16383 3	300 SF	240	16.7	4000	13648	15-3/4" x 5-1/8" x 13-3/4"	9
QVRC4440DWG	6 85360 16385 7	300 SF	240	16.7	4000	13648	31-1/2" x 4-3/4" x 5-1/8"	11

NOTE: <sup>1</sup> May need multiple units for specific area. Consult MEP technical services for more information on Infrared System Design.

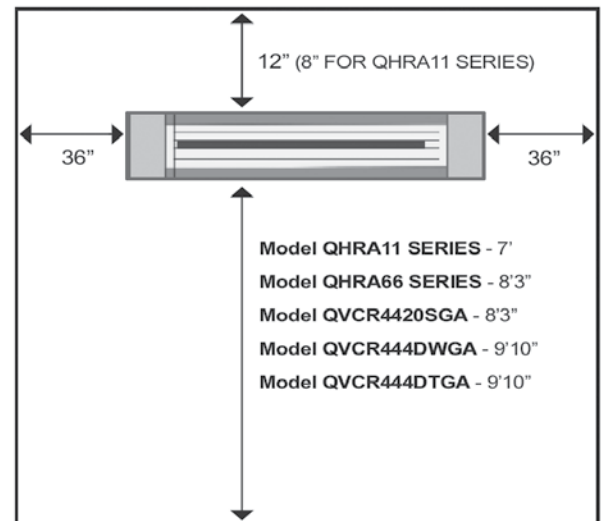
### HIGH-PERFORMANCE DESIGN

Qmark Infrared heaters optimize short wave infrared energy by means of precisely designed parabolic reflectors, with more than 60% of the heat is generated by the reflector and 40% by the tube. These reflectors allow for fully directional, personalized comfort due to the fact that heat radiation obeys the laws of optics both in terms of reflection and refraction. The high frequency infrared energy reflects off the surface and heats people and objects in the surrounding environment to provide a blanket of warmth, without waste to the air. Our high performance symmetrical reflectors provide measurable energy savings.



surface and heats people and objects in the surrounding environment to provide a blanket of warmth, without waste to the air. Our high performance symmetrical reflectors provide measurable energy savings.

### MOUNTING REQUIREMENTS



# RADIANT HEATERS



## INFRARED HEATER FRP/FRS SERIES



STATUARY BRONZE

**IDEAL SPACES** | Car Washes; Parking Garages; Arenas; Showrooms; Workshops; Loading Docks; Aircraft Hangers; Warehouses; Gymnasiums; Swimming Pools; Walkways; Entryways; Ski Resorts; Sports Arenas; Driving Ranges; Bus Stops; Smoking Areas; Patios

**ENCLOSURE TYPE** | Painted Steel; Stainless Steel      **ELEMENT TYPE\*** | Metal Sheathed; Quartz Tube and Quartz Lamp

**REFLECTIVE ANGLE** | 30° Symmetrical; 60° Symmetrical; 60° Asymmetrical; 90° Symmetrical

- Ideal for indoor/outdoor, total or spot heating use
- Two- and three-element design provide concentrated heating capacity in single infrared radiant heater
- Metal sheath, quartz tube or quartz lamp elements used interchangeably provide flexibility necessary for multiple application projects
- FRP – 20-gauge galvanized steel enclosure and heater support/wiring compartment; statuary bronze powder coat finish
- Heavy-gauge gold anodized reflectors offer a wide selection of beam patterns
- FRS – 20-gauge, stainless steel enclosure and heater support/wiring compartment for applications requiring additional corrosion resistance
- High quality finish and steel internal sheet metal parts give excellent service under most operating conditions, including coastal salt air and most industrial atmospheres\*\*

NOTE: \*Metal Sheathed: used indoors or outdoors in high-traffic areas; Quartz Tube and Quartz Lamp: used indoors and outdoors for snow melting and spot heating. \*\*Finish not intended for direct salt spray exposure in marine applications or highly corrosive greenhouse, swimming pool, chemical storage or industrial atmospheres. Maintain at least 5 ft. in radiant path, between bottom of heater and combustible material. Pigtail element leads for a more positive connection in high-traffic areas where physical abuse.

### MODELS & SPECIFICATIONS | 2-ELEMENT ENCLOSURE

CATALOG NO. PAINTED	UPC	CATALOG NO. STAINLESS	UPC	REFLECTIVE ANGLE	HEIGHT (IN)	WIDTH (IN)	LENGTH (IN)	SHIP WT. LBS.
FRP223S	6 85360 02931 6	FRS223S	6 85360 03051 7	30 Sym	7.125	15	24	19
FRP226S	6 85360 02846 0	FRS226S	6 85360 03067 8	60 Sym				
FRP226AS	6 85360 02839 2	FRS226AS	6 85360 03059 3	60 Asym				
FRP229S	6 85360 02854 5	FRS229S	6 85360 03075 3	90 Sym	7.125	15	33	24
FRP233S	6 85360 02870 5	FRS233S	6 85360 03075 3	30 Sym				
FRP236S	6 85360 02886 6	FRS236S	6 85360 03091 3	60 Sym				
FRP236AS	6 85360 02878 1	FRS236AS	6 85360 03107 1	60 Asym	7.125	15	46	31
FRP239S	6 85360 02894 1	FRS239S	6 85360 03099 9	90 Sym				
FRP243S	6 85360 02907 8	FRS243S	6 85360 03115 6	30 Sym				
FRP246S	6 85360 02917 7	FRS246S	6 85360 03138 5	60 Sym	7.125	15	46	31
FRP246AS	6 85360 02912 2	FRS246AS	6 85360 03133 0	60 Asym				
FRP249S	6 85360 02922 2	FRS249S	6 85360 03143 9	90 Sym				

### MODELS & SPECIFICATIONS | 3-ELEMENT ENCLOSURE

CATALOG NO. PAINTED	UPC	CATALOG NO. STAINLESS	UPC	REFLECTIVE ANGLE	HEIGHT (IN)	WIDTH (IN)	LENGTH (IN)	SHIP WT. LBS.
FRP323S	6 85360 02935 1	FRS323S	6 85360 03156 9	30 Sym	7.125	15	24	23
FRP326S	6 85360 02951 1	FRS326S	6 85360 03172 9	60 Sym				
FRP326AS	6 85360 02943 6	FRS326AS	6 85360 03164 4	60 Asym				
FRP329S	6 85360 02959 7	FRS329S	6 85360 03180 4	90 Sym	7.125	15	33	31
FRP333S	6 85360 02975 7	FRS333S	6 85360 03197 2	30 Sym				
FRP336S	6 85360 02991 7	FRS336S	6 85360 03213 9	60 Sym				
FRP336AS	6 85360 02983 2	FRS336AS	6 85360 03205 4	60 Asym	7.125	15	46	39
FRP339S	6 85360 02999 3	FRS339S	6 85360 03221 4	90 Sym				
FRP343S	6 85360 03012 8	FRS343S	6 85360 03234 4	30 Sym				
FRP346S	6 85360 03025 8	FRS346S	6 85360 03244 3	60 Sym	7.125	15	46	39
FRP346AS	6 85360 03020 3	FRS346AS	6 85360 03239 9	60 Asym				
FRP349S	6 85360 03030 2	FRS349S	6 85360 03249 8	90 Sym				

## ELEMENT SELECTION CHART <sup>1</sup>

CATALOG NO.	UPC	VOLTS	WATTS	TYPE	COMPATIBLE WITH	SHIP WT. (LBS)				
F2MS08208	6 85360 03275 7	208	850	Metal Sheath	FRP22 (24 in. L)	1				
F2MS08240	6 85360 03276 4	240								
F2MS08277	6 85360 03277 1	277								
F2MS08347	6 85360 03278 8	347								
F2MS08480	6 85360 03280 1	480								
F2MS08600	6 85360 03281 8	600								
F2QT10208	6 85360 03289 4	208	1000	Quartz Tube	FRS22 (24 in. L)	1				
F2QT10240	6 85360 03290 0	240								
F2QT10277	6 85360 03291 7	277								
F2QL16208	6 85360 03282 5	208					1600	Quartz Lamp	FRP32 (24 in. L)	1
F2QL16240	6 85360 03283 2	240								
F2QL16277	6 85360 03284 9	277								
F2QL16347	6 85360 03285 6	347								
F2QL16480	6 85360 03287 0	480								
F2QL16600	6 85360 03288 7	600								
F3MS15208	6 85360 03323 5	208	1500	Metal Sheath	FRP23 (33 in. L)	1				
F3MS15240	6 85360 03324 2	240								
F3MS15277	6 85360 03325 9	277								
F3MS15347	6 85360 03326 6	347								
F3MS15480	6 85360 03328 0	480								
F3MS15600	6 85360 03329 7	600								
F3QT15208	6 85360 03337 2	208	1500	Quartz Tube	FRS23 (33 in. L)	1				
F3QT15240	6 85360 03338 9	240								
F3QT15277	6 85360 03339 6	277								
F3QT15347	6 85360 03340 2	347								
F3QT15480	6 85360 03342 6	480								
F3QT15600	6 85360 03343 3	600								
F3QL25208	6 85360 03330 3	208	2500	Quartz Lamp	FRS33 (33 in. L)	1				
F3QL25240	6 85360 03331 0	240								
F3QL25277	6 85360 03332 7	277								
F3QL25347	6 85360 03333 4	347								
F3QL25480	6 85360 03335 8	480								
F3QL25600	6 85360 03336 5	600								
F4MS20208	6 85360 03344 0	208	2000	Metal Sheath	FRP24 (46 in. L)	1				
F4MS20240	6 85360 03345 7	240								
F4MS20277	6 85360 03346 4	277								
F4MS20347	6 85360 03347 1	347								
F4MS20480	6 85360 03349 5	480								
F4MS20600	6 85360 03350 1	600								
F4QT20208	6 85360 03355 6	208	2000	Quartz Tube	FRP34 (46 in. L)	1				
F4QT20240	6 85360 03356 3	240								
F4QT20277	6 85360 03357 0	277								
F4QT20347	6 85360 03358 7	347								
F4QT20480	6 85360 03360 0	480								
F4QT20600	6 85360 03361 7	600								
F4QL36347	6 85360 03351 8	347	3650	Quartz Lamp	FRS34 (46 in. L)	1				
F4QL36480	6 85360 03353 2	480								
F4QL36600	6 85360 03354 9	600								

## 2-ELEMENT ENCLOSURE

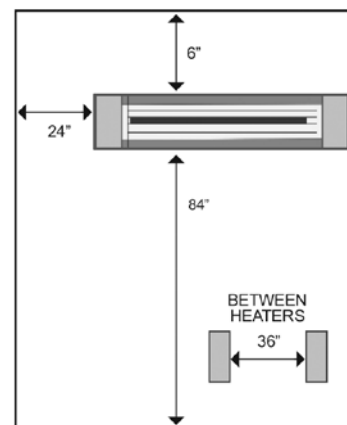
	MAXIMUM WATTAGE		
	METAL SHEATH	QUARTZ TUBE	QUARTZ LAMP
24"	1700	2000	3200
33"	3000	3000	5000
46"	4000	4000	7300

## 3-ELEMENT ENCLOSURE

	MAXIMUM WATTAGE		
	METAL SHEATH	QUARTZ TUBE	QUARTZ LAMP
24"	2500	3000	4800
33"	4500	4500	7500
46"	6000	6000	10,950

## MOUNTING CLEARANCES

- 24 in. to vertical side walls
- 36 in. between heaters mounted side by side. Heaters may be mounted end to end
- 6 in. to ceiling
- 84 in. to floor



## ACCESSORIES

CATALOG NO.	UPC	DESCRIPTION	COMPATIBLE WITH	CARTONS	SHIP WT. (LBS)
FWG22	6 85360 08406 0	Wire Guard for 2-Element Heaters	FRS2/FRP2 (24 in. L)	1	1 (454)
FWG23	6 85360 08407 7	Wire Guard for 2-Element Heaters	FRS2/FRP2 (33 in. L)	1	1.5 (680)
FWG24	6 85360 08408 4	Wire Guard for 2-Element Heaters	FRS2/FRP2 (46 in. L)	1	2 (907)
FWG32	6 85360 08409 1	Wire Guard for 3-Element Heaters	FRS3/FRP3 (24 in. L)	1	1.5 (680)
FWG33	6 85360 08410 7	Wire Guard for 3-Element Heaters	FRS3/FRP3 (33 in. L)	1	2 (907)
FWG34	6 85360 08411 4	Wire Guard for 3-Element Heaters	FRS3/FRP3 (46 in. L)	1	2.5 (1134)
FRPATMB	6 85360 08402 2	Adjustable Tilt Mounting Bracket - FRP Series		1 Set	1 (454)
FRSATMB	6 85360 08404 6	Adjustable Tilt Mounting Bracket - FRS Series		1 Set	1 (454)
FRPWMB	6 85360 08403 9	Wall Mounting Bracket - FRP Series		1 Set	6 (2722)
FRSWMB	6 85360 08405 3	Wall Mounting Bracket - FRS Series		1 Set	6 (2722)
RVS2	6 85360 13765 0	24 in. Red Vycor sleeve	FR(*)22/FR(*)32	1	-
RVS3	6 85360 13766 7	33 in. Red Vycor sleeve	FR(*)23/FR(*)33	1	-
RVS4	6 85360 13767 4	46 in. Red Vycor sleeve	FR(*)24/FR(*)34	1	-

(1) One element per carton order. \* Denotes remaining catalog number (See Enclosure Chart).

# RADIANT HEATERS



## SINGLE-ELEMENT INFRARED HEATER HRK SERIES



STATUARY BRONZE

**IDEAL SPACES** | Car Washes; Parking Garages; Showrooms; Work Stations; Loading Docks; Aircraft Hangers; Warehouses  
**ENCLOSURE TYPE** | Painted Steel      **ELEMENT TYPE\*** | Quartz      **REFLECTIVE ANGLE** | 60° Symmetrical

- Ideal for supplemental and spot heating
- Heavy-duty gold anodized reflector has one of the highest levels for radiating heat energy
- Optional HWG wire guard provides a protective safety screen preventing objects contacting hot element
- Horizontal ceiling mount with supplied chains or to wall using the optional FRPWMB wall mounting bracket
- High quality finish and steel internal sheet metal parts give excellent service under most operating conditions, including coastal salt air and most industrial atmospheres\*\*

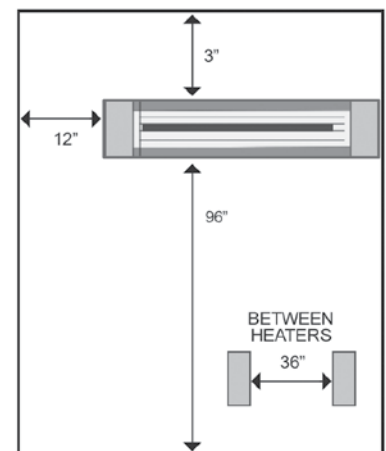
NOTE: \*Quartz Lamp: used indoors and outdoors for snow melting and spot heating. \*\*Finish not intended for direct salt spray exposure in marine applications or highly corrosive greenhouse, swimming pool, chemical storage or industrial atmospheres. Maintain at least 5 ft. in radiant path, between bottom of heater and combustible material. Pigtail element leads for a more positive connection in high-traffic areas where physical abuse.

### MODELS & SPECIFICATIONS

CATALOG NO.	UPC	VOLTS	WATTS	REFLECTIVE ANGLE	HEIGHT (IN)	WIDTH (IN)	SHIP LENGTH (IN)	SHIP WT. (LBS)
HRK41512	6 85360 08280 6	120	1500	60 Sym	3.375	5.5	46	9
HRK42020	6 85360 08281 3	208	2000	60 Sym	3.375	5.5	46	9
HRK42024	6 85360 08282 0	240	2000	60 Sym	3.375	5.5	46	9
HRK42027	6 85360 08283 7	277	2000	60 Sym	3.375	5.5	46	9
HRK42034	6 85360 08284 4	347	2000	60 Sym	3.375	5.5	46	9
HRK42048	6 85360 08286 8	480	2000	60 Sym	3.375	5.5	46	9
HRK42060	6 85360 08287 5	600	2000	60 Sym	3.375	5.5	46	9
HRK53020	6 85360 08288 2	208	3000	60 Sym	3.375	5.5	57	11
HRK53024	6 85360 08289 9	240	3000	60 Sym	3.375	5.5	57	11
HRK53027	6 85360 08290 5	277	3000	60 Sym	3.375	5.5	57	11
HRK53034	6 85360 08291 2	347	3000	60 Sym	3.375	5.5	57	11
HRK53048	6 85360 08293 6	480	3000	60 Sym	3.375	5.5	57	11
HRK53060	6 85360 08294 3	600	3000	60 Sym	3.375	5.5	57	11

### MOUNTING CLEARANCES

- 12 in. to vertical side walls
- 36 in. between heaters mounted side by side. Heaters may be mounted end to end
- 3 in. to ceiling
- 96 in. to floor



### ACCESSORIES

CATALOG NO.	UPC	DESCRIPTION	COMPATIBLE WITH	CARTONS	SHIP WT. (LBS)
HWG46	6 85360 13837 4	Wire Guard	JRK4	1	1
HWG57	6 85360 13838 1	Wire Guard	JRK5	1	1.5





# RADIANT HEATERS

## PLUG-IN RADIANT HEATER FRR SERIES

GOLD ANODIZED  
ALUMINUM



**IDEAL SPACES** | Laundry Rooms; Work Shops; Toll Booths; Garages; Assembly Lines; Well Houses; Loading Docks  
**ENCLOSURE TYPE** | Gold Anodized Aluminum **ELEMENT TYPE\*** | Quartz Tube  
**REFLECTIVE ANGLE** | 60° Symmetrical

- Ideal for supplemental and spot heating
- Three-prong cord set for easy plug in
- Specific models includes switches for multi-wattage operation

NOTE: \*Quartz Tube: used indoors and outdoors for snow melting and spot heating. Maintain at least 5 ft. in radiant path, between bottom of heater and combustible material. Pigtail element leads for a more positive connection in high-traffic areas where physical abuse.

### MODELS & SPECIFICATIONS

CATALOG NO.	UPC	VOLTS	WATTS	REFLECTIVE ANGLE	HEIGHT (IN)	WIDTH (IN)	SHIP LENGTH (IN)	SHIP WT. (LBS)
FRR11012B	6 85360 08790 0	120	1000/500*	60 Sym	4.65	5.75	16.75	8
FRR22012	6 85360 14784 0	120	2000/1000	60 Sym	3.375	19	34	22

NOTE: \*FRR11012B has switches for 500 or 1000 watt operation. Color: Gold anodized aluminum enclosure.





# RADIANT HEATERS



## PLUG-IN RADIANT HEATERS | CHRR SERIES

**IDEAL SPACES** | Work Stations; Work Shops; Toll Booths; Garages; Assembly Lines; Well Houses; Loading/Shipping Docks; Quick Drying (With Optional Roll Around Cart)

**ENCLOSURE TYPE** | Statuary Bronze Painted Steel      **ELEMENT TYPE\*** | Quartz Tube

**REFLECTIVE ANGLE** | 60° Symmetrical

- Ideal for supplemental and spot heating
- Three-prong cord set for easy plug in
- Heavy-duty gold anodized reflector has one of the highest levels for radiating heat energy
- Unit includes switches for multi-wattage operation; full or 50% operation
- Versatility is doubled as unit can be mounted on ceiling or on optional cart and rolled to any location for maximum spot heating effect

NOTE: \*Quartz Tube: used indoors and outdoors for snow melting and spot heating. Maintain at least 5 ft. in radiant path, between bottom of heater and combustible material. Pigtail element leads for a more positive connection in high-traffic areas where physical abuse.



CHRR35724



STATUARY BRONZE

CHRR41512 & CHRR3024



### MODELS & SPECIFICATIONS

CATALOG NO.	UPC	VOLTS	WATTS	REFLECTIVE ANGLE	HEIGHT (IN)	WIDTH (IN)	SHIP LENGTH (IN)	SHIP WT. (LBS)
CHRR35724	6 85360 10602 1	240	5700/2850	60 Sym	3.375	19	34	22
CHRR41512	6 85360 08236 3	120	1500	60 Sym	3.375	5.5	46	9
CHRR53024	6 85360 08237 0	240	3000	60 Sym	3.375	5.5	57	11

## ROLL-AROUND CART ACCESSORIES

### MODELS & SPECIFICATIONS

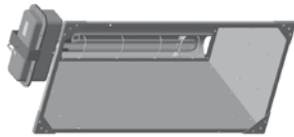
CATALOG NO.	UPC	DESCRIPTION	COMPATIBLE WITH	SHIP WT. (LBS)
CHRRCART1	6 85360 14129 9	Roll Around Cart	CHRR22012	11
CHRRCART2	6 85360 14130 5	Roll Around Cart	CHRR35724	11
ITEMS BELOW DO NOT INCLUDE CART (Two wheeled cart supplied by others.)				
CHRRCMK1	6 85360 14131 2	Flat Bracket Hardware	CHRR22012	3
CHRRCMK2	6 85360 14132 9	Formed Bracket Hardware	CHRR35724	3





## INDUSTRIAL INFRARED HEATER BRM SERIES

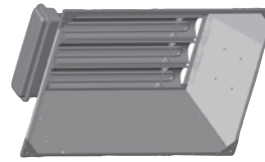
STAINLESS STEEL



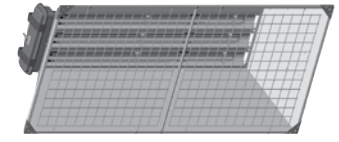
2.0 KW Fixed



4.5 KW Fixed



6.0 KW Fixed



13.5 KW Fixed w/Grille

**IDEAL SPACES** | Wastewater Treatment Plants; Loading Docks; Foundries; Auto or Marine Repair Facilities; Walkways; Assembly Areas; Enclosed Smoking Areas; Indoor/Outdoor Storage Areas

**ENCLOSURE TYPE** | Stainless Steel    **ELEMENT TYPE\*** | Metal Sheath

**REFLECTIVE ANGLE** | 90° Symmetrical

- Ideal for permanent supplemental, spot heating where dependence on air movement is impractical
- High-watt density and industrial design provides a durable source of heat
- Primarily for permanent mounting on the ceiling, but may be used in any orientation
- Heavy-duty U-Bend element
- Electric heaters convert energy to heat at 100% efficiency
- Optional safety grilles are available
- Heater has sealed wiring compartment that allows units for washdown

NOTE: \*Metal Sheathed: used indoors or outdoors in high-traffic areas. Maintain at least 5 ft. in radiant path, between bottom of heater and combustible material. Pigtail element leads for a more positive connection in high-traffic areas where physical abuse.

### MODELS & SPECIFICATIONS

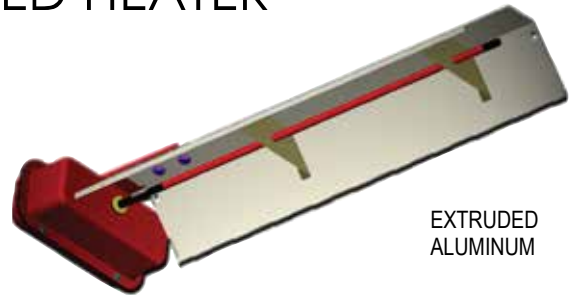
CATALOG NO.	UPC	WATTS	VOLTS	PHASE	REFLECTIVE ANGLE	ELEMENT TYPE	SHIP WT. (LBS)				
BRM2081	6 85360 14314 9	2,000	208	1	90° Symm	Metal Sheath	18				
BRM2021	6 85360 14315 6		240								
BRM2041	6 85360 14316 3		480								
BRM2061	6 85360 14317 0		600								
BRM4581	6 85360 14318 7	4,500	208	1			90° Symm	Metal Sheath	18		
BRM4521	6 85360 14319 4		240								
BRM4541	6 85360 14320 0		480								
BRM4561	6 85360 14321 7		600								
BRM6083	6 85360 14322 4	6,000	208	1 and 3					90° Symm	Metal Sheath	25
BRM6023	6 85360 14323 1		240	1 and 3							
BRM6071	6 85360 14324 8		277	1							
BRM6043	6 85360 14325 5		480	1 and 3							
BRM6063	6 85360 14326 2	6,000	600	1 and 3							90° Symm
BRM13583	6 85360 14327 9		208	3							
BRM13523	6 85360 14328 6		240	3							
BRM13571	6 85360 14329 3		277	1							
BRM13543	6 85360 14330 9	13,500	480	1 and 3	90° Symm	Metal Sheath					
BRM13563	6 85360 14331 6		600	1 and 3							

NOTE: See page 124 for infrared accessories. **Ground Fault Detection:** Ground fault detection equipment is designed to monitor for any gradual changes in the insulation level due to humidity or mechanical damage as it develops, thus, de-energizing the load to prevent arcing type faults, preventing premature element failure and potential fire damage. As a safety precaution it is highly recommended that industrial infrared heaters must be protected by ground fault detection. Failure to comply could result in a building fire or serious equipment damage.

# RADIANT HEATERS



## INDUSTRIAL PERMANENT INFRARED HEATER CRN SERIES



EXTRUDED  
ALUMINUM

**IDEAL SPACES** | Wastewater Treatment Plants; Loading Docks; Foundries; Auto or Marine Repair Facilities; Walkways; Assembly Areas; Enclosed Smoking Areas; Indoor/Outdoor Storage Areas

**ENCLOSURE TYPE** | Extruded Aluminum      **ELEMENT TYPE\*** | Metal Sheath

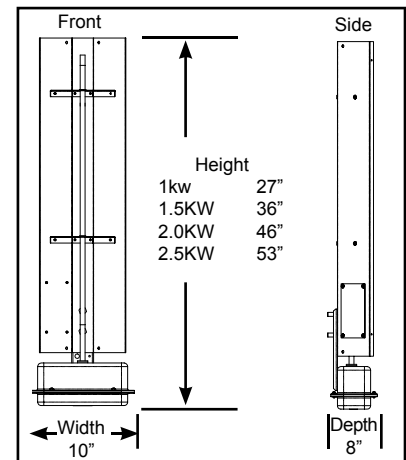
**REFLECTIVE ANGLE** | 90° Symmetrical

- Ideal for permanent spot heating where dependence on air movement is impractical
- High-watt density and industrial design provides a durable source of heat
- Optional safety grilles are available
- Highly polished aluminum reflector extends over the assembly to provide a uniform heating pattern
- Heating element connects to a sealed, moisture-resistant terminal enclosure allowing unit to be washed down

NOTE: \*Metal Sheathed: used indoors or outdoors in high-traffic areas. Maintain at least 5 ft. in radiant path, between bottom of heater and combustible material. Pigtail element leads for a more positive connection in high-traffic areas where physical abuse.

### MODELS & SPECIFICATIONS

CATALOG NO.	UPC	WATTS	VOLTS	PHASE	REFLECTIVE ANGLE	ELEMENT TYPE	SHIP WT. (LBS)
CRN1011	6 85360 14340 8	1,000	120	1	90° Symm	Metal Sheath	10
CRN1081	6 85360 14341 5		208				
CRN1021	6 85360 14342 2		240				
CRN1511	6 85360 14343 9	1,500	120	1	90° Symm	Metal Sheath	15
CRN1581	6 85360 14344 6		208				
CRN1521	6 85360 14345 3		240				
CRN1571	6 85360 14346 0		277				
CRN1531	6 85360 14347 7	347	2,000	1	90° Symm	Metal Sheath	18
CRN2001	6 85360 14348 4	208					
CRN2021	6 85360 14349 1	240					
CRN2071	6 85360 14350 7	277					
CRN2031	6 85360 14351 4	347	2,500	1	90° Symm	Metal Sheath	20
CRN2501	6 85360 14352 1	208					
CRN2521	6 85360 14353 8	240					
CRN2571	6 85360 14354 5	277					
CRN2531	6 85360 14355 2	347					



NOTE: See page 124 for infrared accessories.



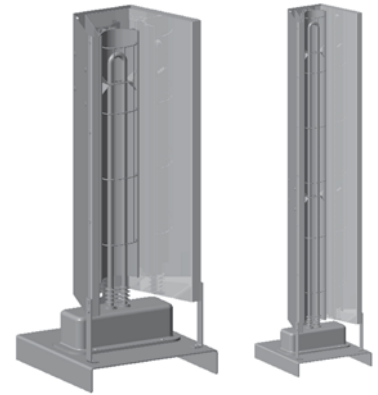
## PORTABLE INFRARED HEATER | ARL SERIES

**IDEAL SPACES** | Loading Docks; Walkways; Assembly Areas; Enclosed Smoking Areas; Repair Stations and Storage Areas; Work Stations

**ENCLOSURE TYPE** | Steel      **ELEMENT TYPE\*** | Metal Sheath

**REFLECTIVE ANGLE** | 90° Symmetrical

- Ideal for portable spot heating where dependence on air movement is impractical
- Low-watt density, hairpin element
- 1500 watt 120V model has attached cord and two-prong plug
- Sturdy base assembly provides tip-resistant design



### MODELS & SPECIFICATIONS

CATALOG NO.	UPC	WATTS	VOLTS	PHASE	REFLECTIVE ANGLE	ELEMENT TYPE	SHIP WT. (LBS)
ARL1511*	6 85360 14360 6	1500	120	1	90° Symm	Metal Sheath	15
ARL2081	6 85360 14361 3	2000	208				18
ARL2021	6 85360 14362 0		240				
ARL2071	6 85360 14363 7		277				
ARL2041	6 85360 14364 4		480				
ARL2061	6 85360 14365 1	600	25				
ARL4581	6 85360 14366 8	208					
ARL4521	6 85360 14367 5	240					
ARL4571	6 85360 14368 2	277					
ARL4541	6 85360 14369 9	480					
ARL4561	6 85360 14370 5	600					

NOTE: \*Hand carry model includes cord and standard two-prong grounding plug. See page 124 for infrared accessories.

## ELECTRIC CONTROL PANELS

- Factory-wired for efficient installations and include terminal blocks, on/off selector switches, power ON pilot light, and a 24V or 120V control circuit
- Panels are available for use in 208V, 240V, 277V, 480V and 600V systems, with amp loads up to 40, 50, 100, 200 and 300 amps (inductive load - see chart below for resistive load rating)
- NEMA 1 enclosure, UL/cUL listed and labeled control panel
- Control transformer with fused primary and secondary



### MODELS & SPECIFICATIONS

CATALOG NO.	UPC	DESCRIPTION	AMPS*	VOLTS	SUPPLY VOLTS	DIMENSIONS (IN)	SHIP WT. (LBS)
CP404801PT	6 85360 13893 0	Percentage Timer Panel, (1) 3-Pole Contactor	40A	208-480V	120V	14.5 H x 14.5 W x 7.5 D	45
CP404801CT	6 85360 13892 3	Time Delay Controller, (1) 3-Pole Contactor	40A	208-480V	120V	14.5 H x 14.5 W x 7.5 D	45
CP504801	6 85360 13900 5	(1) 3-Pole Contactor Panel	40A	208-480V	120V	14.5 H x 14.5 W x 7.5 D	45
CP1004801	6 85360 13880 0	(2) 3-Pole Contactor Panel	100A	208-480V	120V	14 H x 15 W x 7.75 D	55
CP2004801	6 85360 13884 8	(4) 3-Pole Contactor Panel	200A	208-480V	120V	31.5 H x 18.2 W x 10 D	65
CP3004801	6 85360 13888 6	(6) 3-Pole Contactor Panel	300A	208-480V	120V	36 H x 30 W x 7 D	70

NOTE: \*Amp rating inductive load. Line fusing supplied by installer. Percentage Timer Panel for Metal Sheath Heaters only. Contact factory for 24V control, 600V supply, and Nema 4 enclosures. Add 25% to list price for stainless steel (NEMA 4x) rating.



# RADIANT HEATERS

## INDUSTRIAL INFRARED HEATER | ACCESSORIES

### CORD & PLUG KITS FOR INDUSTRIAL M/N/L SERIES HEATERS

CATALOG NO.	KW	VOLTS	PHASE	AMPS	WIRE SIZE	POWER CORDS	LOCKING	NON-LOCKING	SHIP WT. (LBS)
L2081B	2	208	1	9.6	14/3	CS25143	LPS25083	NPS25650	18
L2021B	2	240	1	8.3	14/3	CS25143	LPS25083	NPS25650	18
L2071B	2	277	1	7.2	14/3	CS25143	LPS25083	-	18
L2041B	2	480	1	4.2	14/3	CS25143	LPS25083	-	18
L2061B	2	600	1	3.3	14/3	CS25143	LPS25083	-	18
M4581B	4.5	208	1	21.6	12/3	CS25123	LPS25083	NPS25650	18
M4521B	4.5	240	1	18.8	12/3	CS25123	LPS25083	NPS25650	18
M4541B	4.5	480	1	9.4	14/3	CS25143	LPS25083	-	18
M4561B	4.5	600	1	7.5	14/3	CS25143	LPS25083	-	18
M6083B	6	208	1	28.8	6/3	CS25063	LPS25083	NPS25650	25
M6083B	6	208	3	16.7	6/4	CS25064	LPS25124	NPS1550	25
M6023B	6	240	1	25.0	6/3	CS25063	LPS25083	NPS25650	25
M6023B	6	240	3	14.5	6/4	CS25064	LPS25124	NPS1550	25
M6071B	6	277	1	21.7	6/3	CS25063	LPS25083	-	25
M6043B	6	480	1	12.5	6/3	CS25063	LPS25083	-	26
M6043B	6	480	3	7.2	6/4	CS25064	LPS25104	-	26
M6063B	6	600	1	10.0	6/3	CS25063	LPS25083	-	26
M6063B	6	600	3	5.8	6/4	CS25064	LPS25084	-	26
M13583B	13.5	208	3	37.5	6/4	CS25064	LPS25083	NPS1550	55
M13523B	13.5	240	3	32.5	6/4	CS25064	LPS25083	NPS1550	55
M13571B	13.5	277	1	48.7	6/3	CS25063	LPS25083	-	55
M13543B	13.5	480	1	28.1	6/3	CS25063	LPS25083	-	55
M13543B	13.5	480	3	16.3	6/4	CS25064	LPS25104	-	55
M13563B	13.5	600	1	22.5	6/3	CS25063	LPS25083	-	55
M13563B	13.5	600	3	13.0	6/4	CS25062	LPS25084	-	55

### BRM SAFETY GRILLES, HANGING KITS & ROLL-AROUND KITS

CATALOG NO.	UPC	DESCRIPTION	SHIP WT. (LBS)
BRMWG2	6 85360 14332 3	Safety Grille Kit for BRM 2KW Heaters	3
BRMWG45	6 85360 14333 0	Safety Grille Kit for BRM 4.5KW Heaters	3
BRMWG60	6 85360 14334 7	Safety Grille Kit for BRM 6KW Heaters	4
BRMWG135	6 85360 14335 4	Safety Grille Kit for BRM 13.5KW Heaters	14
BRMHK	6 85360 14336 1	Hanging Kit to mount BRM or CRN heaters, includes Chain and Hooks	2
BRM60	6 85360 14338 5	Rollaround Cart Kit for 6.0KW BRM heaters (Includes Safety Grilles)	8
BRM135	6 85360 14339 2	Rollaround Cart Kit for 13.5KW BRM heaters (Includes Safety Grilles)	8

### CRN SAFETY GRILLES

CATALOG NO.	UPC	DESCRIPTION	SHIP WT. (LBS)
CRNWG01	6 85360 14356 9	Safety Grille Kit for CRN 1KW Heaters	3
CRNWG105	6 85360 14357 6	Safety Grille Kit for CRN 1.5KW Heaters	3
CRNWG200	6 85360 14358 3	Safety Grille Kit for CRN 2KW Heaters	7
CRNWG250	6 85360 14359 0	Safety Grille Kit for CRN 2.5KW Heaters	10

### CONTROL ACCESSORIES FOR INDUSTRIAL INFRARED HEATER

CATALOG NO.	UPC	DESCRIPTION	KW MODELS	AVAILABILITY*	SHIP WT. (LBS)
PDS60050	6 85360 15233 2	Power Disconnect Kit for Fixed or Portable (M Series)	ALL	S	8
TOS240	6 85360 15166 3	Tip-Over Switch for Fixed or Portable (M Series) 240V only	6 or 13.5	NS	15
TOS480	6 85360 15167 0	Tip-Over Switch for Fixed or Portable (M Series) 480V only	6 or 13.5	NS	15
WMGF240	6 85360 15234 9	Wall-Mounted Ground Fault Detection for 240V NEMA 4	ALL	NS	17
WMGF480	6 85360 15235 6	Wall-Mounted Ground Fault Detection for 480V NEMA 4	ALL	NS	17

NOTE: \*S = Stock AND NS = Non-Stock.

# PORTABLE HEATERS



# PORTABLE HEATERS

## PORTABLE RADIANT CONVECTION HEATER WPC1500 SERIES



NEUTRAL  
GRAY



- Ideal for supplemental heat precisely where it is needed
- Multi-watt adjustable thermostat allows user to choose between three wattage levels for greater comfort, control and energy savings
- Removable wheel kit allows unit to be safely wall-mounted near electrical outlet
- Positive off switch
- Tip-over switch and linear limit for added safety
- 3-prong grounded cord set
- Radiant heat heats objects and people, not the air

### IDEAL SPACES

Bedrooms; Living/Family Rooms; Bathrooms;  
Basements; Offices; Conferences Rooms;  
Waiting Rooms

### MODELS & SPECIFICATIONS

CATALOG NO.	UPC	VOLTS	WATTS	AMPS	HEIGHT (IN)	WIDTH (IN)	DEPTH (IN)	SHIP WT. (LBS.)
WPC1500	6 85360 15132 8	120	1500/1000/500	12.5/8.3/4.2	18-1/8	29-11/16	3-1/8	27

## RADIANT PLUG-IN UNDER DESK HEATER 202SL SERIES



NORTHERN  
WHITE



- Personalized warmth where and when it is needed
- Mounting versatility with low-profile wall mount or floor stands
- Lighted built-in on/off switch
- 3-prong power cord and plug included
- Safe to the touch
- Radiant heat heats objects and people, not the air
- Energy efficient - costs 1-2 cents per hour to operate

### IDEAL SPACES

Offices; Workstations; Conferences Rooms;  
Bedrooms; Receptionist Areas

### MODELS & SPECIFICATIONS

CATALOG NO.	UPC	VOLTS	WATTS	AMPS	HEIGHT (IN)	WIDTH (IN)	DEPTH (IN)	SHIP WT. (LBS.)
202SLB	0 98319 88965 2	120	170	1.4	14-3/8	22-17/32	1	8
MC202SLR	Master Carton (6 pcs)	120	170	1.4	16-1/4*	27-1/8*	13-1/2*	50
APT2	0 98319 88964	5	Portable Thermostat					

NOTE: \*Shipping dimensions



## PORTABLE FAN-FORCED UTILITY HEATER MMHD SERIES

- Two heat settings for a full range of comfort
- Automatic thermostat
- Fan-only feature to circulate air during non-heating periods
- Tip-over safety switch and thermal limit
- Built-in carrying handle and guards
- 120V grounded cord and plug



NORTHERN  
WHITE

### IDEAL SPACES

Bedrooms; Living/Family Rooms; Basements;  
Campers; Offices; Workshops; Garages;  
Warehouses; Receptionist Areas

### MODELS & SPECIFICATIONS

CATALOG NO.	UPC	VOLTS	WATTS	AMPS	BTU/HR	HEIGHT (IN)	WIDTH (IN)	DEPTH (IN)	SHIP WT. (LBS.)
MMHD1502T	0 98319 86168 9	120	1500	12.5	5120	14-1/8	10-1/8	6-3/4	9.2
		120	1300	10.8	4437				

## PORTABLE FAN-FORCED/RADIANT UTILITY HEATER MCM SERIES

- Three heat settings: 600W radiant; 900W fan-forced; 1500W fan-forced and radiant
- Automatic thermostat
- Ceramic core element
- Tip-over safety switch and thermal limit
- Built-in carrying handle and guards
- 120V grounded cord and plug



NORTHERN  
WHITE

### IDEAL SPACES

Bedrooms; Living/Family Rooms; Basements;  
Campers; Offices; Workshops; Garages;  
Warehouses; Receptionist Areas

### MODELS & SPECIFICATIONS

CATALOG NO.	UPC	VOLTS	WATTS	AMPS	BTU/HR	HEIGHT (IN)	WIDTH (IN)	DEPTH (IN)	SHIP WT. (LBS.)
MCM1503	0 98319 86166 5	120	1500	12.5	5120	14-1/2	9-3/4	7-1/2	9
			900	7.5	3072				
			600	5	2048				

## PORTABLE UNIT HEATER QPH4A SERIES

- Two heat settings: 9,100 BTUs (2,667 Watts), 13,650 BTUs (4,000 Watts)
- Permanently lubricated, unit-bearing fan motor
- Three-way bracket lets you position unit on floor or other flat surface, or mount to ceiling or wall
- Adjustable thermostat to maintain heating comfort levels
- Compact and easy to carry with built-in handles
- 6 ft. cord included



### IDEAL SPACES

Garages; Workshops; Basements; Stairwells;  
Lobbies; Warehouses

### MODELS & SPECIFICATIONS

CATALOG NO.	UPC	VOLTS	WATTS	AMPS	BTU/HR	HEIGHT (IN)	WIDTH (IN)	DEPTH (IN)	SHIP WT. (LBS.)
QPH4A	0 98319 86114 6	208	Low: 2667/2000	12.5/8.3/4.2	9102/9526	14	16	8	25
		240	High: 4000/3000		13,652/10,239				

## CONTRACTOR HEATER BRH SERIES

- Steel spiral fin brazed to metal sheathed element for maximum heat output
- Built-in thermostat
- Safety high temperature limit
- Industrial finger-proof, steel intake and discharge grilles
- 6 ft. heavy-duty cord
- Built-in handle/cord storage
- Permanently lubricated motor



### IDEAL SPACES

Garages; Workshops; Warehouses;  
Construction Sites

### MODELS & SPECIFICATIONS

CATALOG NO.	UPC	VOLTS	WATTS	AMPS	BTU/HR	HEIGHT (IN)	WIDTH (IN)	DEPTH (IN)	SHIP WT. (LBS.)
BRH402	0 98319 86200 6	240/208	4000/3000	16.7/14.1	13,650/10,238	11	10-1/2	9-5/8	17
BRH562*	0 98319 86202 0	240/208	5600/4200	23.3/20.2	19,110/14,333	12	11-3/8	10-3/4	19

NOTE: \*Includes fan-only function. Plug type for BRH402 is 20 Amp, 240V NEMA #6-20P. Plug type for BRH562 is 30 Amp, 240V NEMA #6-30P.



## PORTABLE ELECTRIC HEATER PT268 SERIES

- Adjustable, automatic thermostat
- Safety tip-over switch
- Safety overload switch with caution light
- Heater automatically shuts off if unit overheats
- Live power signal light
- 6 ft. heavy-duty cord



CHARCOAL  
GRAY



### IDEAL SPACES

Garages; Workshops; Warehouses;  
Construction Sites

### MODELS & SPECIFICATIONS

CATALOG NO.	UPC	VOLTS	WATTS	AMPS	BTU/HR	HEIGHT (IN)	WIDTH (IN)	DEPTH (IN)	SHIP WT. (LBS.)
PT268	6 85360 09646 9	240	4000	16.7	13,648	16-1/2	15-1/2	11-1/2	12

NOTE: Plug type for PT268 is 20 Amp, 240V NEMA #6-20P.

## PORTABLE DIGITAL HYDRONIC HEATER | LFH SERIES

### IDEAL SPACES

Bedrooms; Living/Family Rooms; Bathrooms;  
Basements; Offices; Conferences Rooms;  
Lobbies; Waiting Rooms



NEUTRAL GRAY



- Maintains individual room temperature to provide heat only in the places you want
- Large element reservoir maximizes volume of heat storage fluid for prolonged comfort
- High-impact Lexan® and steel unitized body resists dents, scratches and rust
- Proportional digital control with five heating levels
- Linear high-temperature safety cutout will automatically shut off unit in event of air blockage
- Gentle heat continues to radiate even after the thermostat turns off due to the hydronic elements retention qualities
- Tip-over switch prevents heater from operating if knocked over
- Electronic digital LCD display with backlight - three-button control
- 120V-ready for in-home use

### MODELS & SPECIFICATIONS

CATALOG NO.	UPC	VOLTS	WATTS	AMPS	BTU/HR	HEIGHT (IN)	LENGTH (IN)	DEPTH (IN)	SHIP WT. (LBS.)
LFH1502P	6 85360 15126 7	120	200/1500	1.6/12.5	682/5118	9-5/16	51-1/2	3-45/64	27

## PORTABLE ELECTRIC HYDRONIC HEATER | FHP SERIES

### IDEAL SPACES

Bedrooms; Living/Family Rooms; Bathrooms;  
Basements; Offices; Conferences Rooms;  
Lobbies; Waiting Rooms



NAVAJO WHITE



- Maintains individual room temperature to provide heat only in the places you want
- Large element reservoir maximizes volume of heat storage fluid for prolonged comfort
- High-impact Lexan® and steel unitized body resists dents, scratches and rust
- Linear high-temperature safety cutout will automatically shut off unit in event of air blockage
- Gentle heat continues to radiate even after the thermostat turns off due to the hydronic elements retention qualities
- Tip-over switch prevents heater from operating if knocked over
- Heavy-duty welded steel louvered grilles discourage insertion of foreign objects
- Automatic thermostat maintains desired comfort level; 120V-ready for in-home use
- Tuck-Away carrying handle out of sight when not in use

### MODELS & SPECIFICATIONS

CATALOG NO.	UPC	VOLTS	WATTS	AMPS	BTU/HR	HEIGHT (IN)	LENGTH (IN)	DEPTH (IN)	SHIP WT. (LBS.)
FHP0750T	6 85360 1610 2	120	750	6.3	2560	8-27/64	34	5-31/32	12
FHP1500T	6 85360 1607 8	120	1500	12.5	5120		58		19

## PORTABLE ELECTRIC CONVECTOR HEATER | FBE SERIES

### IDEAL SPACES

Bedrooms; Living/Family Rooms; Bathrooms;  
Basements; Offices; Conferences Rooms;  
Lobbies; Waiting Rooms



NORTHERN WHITE



- Maintains individual room temperature to provide heat only in the places you want
- High-impact Lexan® and steel unitized body resists dents, scratches and rust
- Built-in thermostat for controlled comfort
- Linear high-temperature safety cutout will automatically shut off unit in event of air blockage
- Dual wattage for maximum comfort
- Tip-over switch prevents heater from operating if knocked over
- Convection heat minimizes air flow, reducing flow of bacteria and dust
- Chimney fin element designed for maximum air circulation
- 120V-ready for in-home use

### MODELS & SPECIFICATIONS

CATALOG NO.	UPC	VOLTS	WATTS	AMPS	BTU/HR	HEIGHT (IN)	LENGTH (IN)	DEPTH (IN)	SHIP WT. (LBS.)
FBE15002	0 98319 86156 6	120	1000/1500	8.3/12.5	3413/5120	7-1/2	45	5-31/32	11

## PORTABLE ELECTRIC HEATER TBX MOBILE WARMING™

- High BTU per hour heater without the exhaust fumes or moisture associated with gas heat
- Heats lower to the floor for natural convection
- Includes 8 ft. cord and NEMA 6-50P plug
- Convenient storage area under lid for tools and accessories
- Collapsible handle for easy transport and storage
- Thermostat with positive OFF (40° - 100°F)
- Fan-only mode for air recirculation, fume exhaust or fresh air supply
- Over temperature limit protects unit from low air flow conditions
- Lower profile to prevent tipping



RED



### IDEAL SPACES & APPLICATIONS

Factories; Stores; Warehouses; Greenhouses; Stock Rooms; Flood Dry-Out Areas; Workshops; Repair Stations; Building Construction; Drywall Dry-Out; Tent Heating; Frozen Pipe Thaw-Out

COLORS | Red

### MODELS & SPECIFICATIONS

CATALOG NO.	UPC	KW	VOLTS	AMPS	BTU/HR	CFM	DIMENSIONS	SHIP WT (LBS.)
TBX104	6 85360 15127 4	9.5	240	39.6	32,424	1100	28.5" H x 25" W x 18.5" D	70
TBX754	6 85360 15128 1	7.5	240	31.2	52,598	1100	28.5" H x 25" W x 18.5" D	70



For the latest models and information,  
please visit our website at  
**[www.qmarkmep.com](http://www.qmarkmep.com)**

## HIGH-TEMP ELECTRIC BLOWER MSDH SERIES

- High BTU per hour heater without the exhaust fumes or moisture associated with gas heat
- Can be operated unattended without risk of fire or need for refueling
- Fan-only mode for air recirculation, fume exhaust or fresh air supply
- Dual thermostat operation. 120V control supply and transformer with pilot light
- Over temperature limit protects unit from low air flow conditions
- Powder-coated, corrosion-resistant 20-gauge steel housing. 10 in. pneumatic wheels and 4 in. locking caster. Inlet and outlet flexible duct accessories available for ducting up to 165 ft.
- Adjustable damper accessory controls outlet temperature; 1 HP motor with adjustable pulleys allowing for adjustable fan speeds
- Temperature high limit cutout for freeze protection, removing fumes, speed drying or curing, insect control and more



### IDEAL SPACES

Mining; Oil/Gas Extraction; Construction Sites; Food Processing; Textile Mills; Paper Mills; Printing Plants; Chemical Plants; Truck Docks; Marinas

### COLORS

Red

## MODELS & SPECIFICATIONS

CATALOG NO.	UPC	KW	VOLTS (3-PHASE)	AMPS	BTU/HR	TEMP RISE DEG F	DIMENSIONS	SHIP WT. (LBS)
MSDH3043	6 85360 14913 4	30	480	37.2	102,236	35-88	44" L x 25.4" W x 38.5" H	150
MSDH3093	6 85360 14914 1	30	600	30.0	102,236	35-88	44" L x 25.4" W x 38.5" H	150
MSDH4843	6 85360 14917 2	48	480	58.9	163,776	59-141	44" L x 25.4" W x 38.5" H	160
MSDH4893	6 85360 14918 9	48	600	47.3	163,776	59-141	44" L x 25.4" W x 38.5" H	170
MSDH6043	6 85360 14921 9	60	480	73.3	204,720	70-172	44" L x 25.4" W x 38.5" H	170
MSDH6093	6 85360 14922 6	60	600	58.9	204,720	70-172	44" L x 25.4" W x 38.5" H	170

## ACCESSORIES

CATALOG NO.	UPC	DIMENSIONS	SHIP WT. (LBS.)
MSDHF20	6 85360 15072 7	20 in. Diameter Flexible Duct (25 feet)	45
MSDHDA20	6 85360 15076 5	20 in. Diameter Adaptor Ring	20
MSDHSK20	6 85360 15074 1	20 in. Diameter Splice Kit	40
MSDHDC	6 85360 15078 9	20 in. Diameter Duct Clamp	3
MSDHAD	6 85360 15080 2	Adjustable Damper	12



## PORTABLE ELECTRIC BLOWER MEDH SERIES

- Can be left unattended without threat of poisoning from combustion by-products associated with fuel-fired heaters
- Heavy-duty spiral fin tube metal sheath elements for uniform heat output
- Control comfort with built-in thermostat and safety thermal cutout
- Fan-only mode for air recirculation, fume exhaust or fresh air supply
- Single- and three-phase operation
- 10- in. pneumatic wheels
- Thermostat selector switch
- Optional ceiling/wall bracket available
- Cord sets for power supply feed available



RED



### IDEAL SPACES

Mining; Oil/Gas Extraction; Construction Sites; Food Processing; Textile Mills; Paper Mills; Printing Plants; Chemical Plants; Truck Docks; Marinas

### COLORS

Red; Custom Colors Available

## MODELS & SPECIFICATIONS

CATALOG NO.	UPC	KW	PHASES	VOLTS	AMPS	BTU/HR	TEMP RISE DEG F	DIMENSIONS	SHIP WT. (LBS)	STATUS
MEDH1021CKA	6 85360 15258 5	10	1	240	41.7	34,120	35-88	40" H X 30" W X 24" D	65	S
MEDH1583A	6 85360 15225 7	15	3	208	41.8	51,180	35-88	40" H X 30" W X 24" D	65	NS
MEDH1521A	6 85360 15219 6	15	1	240	62.5	51,180	59-141	40" H X 30" W X 24" D	65	NS
MEDH1523A	6 85360 15221 9	15	3	240	36.3	51,180	59-141	40" H X 30" W X 24" D	65	NS
MEDH1543A	6 85360 15223 3	15	3	480	18.6	51,180	70-172	40" H X 30" W X 24" D	65	S
MEDH3043A	6 85360 15227 1	30	3	480	36.3	102,360	70-172	40" H X 30" W X 24" D	75	NS

NOTE: MEDH1021CKA includes cord & plug kit packaged inside heater carton. Status descriptions: S - Stock; NS - Non-Stock.

## ACCESSORIES

CATALOG NO.	UPC	KW	DESCRIPTION	SHIP WT. (LBS)
DHCWM	6 85360 15212 7	-	Ceiling and wall bracket can be used on all models	20
SCS25043	6 85360 15251 6	4/3 SO	DH1521A	22
SCS10063	6 85360 15250 9	6/3 SO	DH1021A (10ft long w/plug)	18
SCS25064	6 85360 15252 3	6/4 SO	DH1583A, DH1523A, DH3043A	20
SCS25124	6 85360 15253 0	12/4 SO	DH1543A	10

## CORD & PLUG KITS

CATALOG NO.	kW	VOLTS	PHASE	AMPS	WIRE SIZE	25 FT CORD SET	LOCKING	NON-LOCKING	SHIP WT. (LBS)
MEDH1021A	10	240	1	39.6	6/3	SCS10063 (10ft.)	-	INCLUDED	18
MEDH1583A	15	208	3	41.8	6/4	SCS25064	LPS25064	-	20
MEDH1521A	15	240	1	62.5	4/3	SCS25043	-	-	22
MEDH1523A	15	240	3	36.3	6/4	SCS25064	LPS25064	NPS1550	20
MEDH1543A	15	480	1	31.2	6/4	SCS25064	LPS25064	NPS1550	20
			3	18.1	12/4	SCS25124	LPS25104	-	10
MEDH3043A	30	480	3	36.3	6/4	SCS25064	-	-	20

NOTE: Models designated 1 and 3 phase can be field-wired for single-phase operation.

# THE LEADERS IN CUSTOM HEAT SOLUTIONS

- Baseboard Heaters
- Wall Heaters
- Made-to-Order Heaters
- Ceiling Heaters
- Unit Heaters
- Washdown/Explosion Proof Heaters
- Convector Heaters
- Radiant Heaters
- Portable Heaters
- Thermostats & Controls
- Heat Recovery Ceiling Fans
- Air Curtains
- ... And More





# AIR CURTAINS

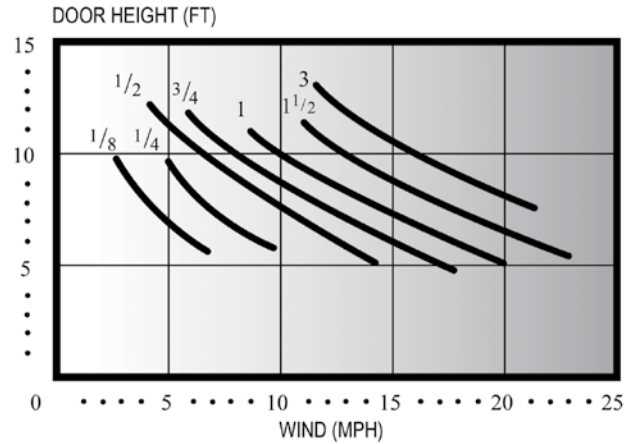


## INTRODUCTION | AIR CURTAIN APPLICATIONS

Air curtains are used for a wide variety of applications from thermal barriers at shopping mall entrances, to fly and insect prevention at restaurant service doors, to factory freight doors for wind resistance and temperature separation. The air curtain enables traffic to flow unobstructed through openings while maintaining separate environments, thus resulting in energy savings.

The most common type of air curtain is the horizontal, non-recirculating, single jet type. It will satisfy the majority of needs for commercial and industrial applications. The discharge velocity of the air curtain can range from 600 ft/min, for entrance ways, to over 5,000 ft/min, for sealing environments from wind effects and insects.

WIND RESISTANCE CHART



## COMPATIBILITY CHART

DOOR HEIGHT	WIND CONDITIONS CLASSIFICATIONS*							DESCRIPTION & APPLICATION
	G=1-5 mph L=5-8 mph M=8-12 mph ST=12-15 mph SV=15-21 mph							
	LOW PROFILE	ENVIRONMENTAL SERIES			HIGH VELOCITY SERIES			
	1/8 HP	1/4 HP	1/2 HP	3/4 HP	1 HP	1-1/2 HP	3 HP	
7 FT. RETAIL ENTRANCE	G							Compact low-profile series designed for retail customer entrances, malls, stores and restaurants. This air curtain acts as a thermal barrier for mounting heights of 7 ft. customer entrances and 8 ft. interior doors.
8 FT. INTERIOR		G						Designed for supermarkets, schools, hospitals and other large facilities. This air curtain acts as a thermal barrier or interior separation device for mounting heights of 8-10 ft.
10 FT. INTERIOR			G					
8 FT. EXTERIOR		L	M	ST				
10 FT. EXTERIOR			L	M				
7 FT. CUSTOMER ENTRANCE		L						Designed for customer entrances (front door) and service entrances (rear door). This air curtain acts as a thermal barrier or fly and insect control device for mounting heights of 7-8 ft.
8 FT. CUSTOMER ENTRANCE		L						
7 FT. SERVICE ENTRANCE			M	ST				
8 FT. SERVICE ENTRANCE			L	M				
7 FT. COOLER	G							Designed for freezers, coolers, cold storage facilities, processing plants and other refrigerated facilities. This air curtain acts as a thermal barrier for mounting heights of 7-12 ft.
8 FT. COOLER		G						
10 FT. COOLER			G					
12 FT. COOLER				G				
8 FT. FREEZER			G					
10 FT. FREEZER				G				
12 FT. FREEZER				G				
8 FT. EXTERIOR				M	ST		SV	Designed for use in meat and poultry packing plants, processing plants and food preparation areas. This air curtain acts as a fly and insect control device for mounting heights of 8-10 ft.
10 FT. EXTERIOR					M	ST		
12 FT. INTERIOR OPENING					L			
14 FT. INTERIOR OPENING						L		Designed for warehouses, manufacturing plants and other large facilities. This air curtain acts as a wind resistance or interior separation device for mounting heights of 10-14 ft.
10 FT. EXTERIOR DOORWAY					M	ST	SV	
12 FT. EXTERIOR DOORWAY						L	M	
14 FT. EXTERIOR DOORWAY							L	

NOTE: Wind conditions G = Gentle; L = Light; M = Moderate; ST = Strong; SV = Severe



## LOW PROFILE SERIES



LOW-PROFILE  
ARCHITECTURAL SERIES



LOW-PROFILE  
CONTEMPORARY SERIES

### AVAILABLE COLORS



**IDEAL SPACES** | Customer Entrances; Malls; Stores; Hospitals; Restaurants; Fast Food Windows; Schools; Walk-In Coolers  
**COLORS** | Neutral Gray; Charcoal Gray; Stainless Steel; Navajo White; Northern White; Statuary Bronze; Desert Tan; Black

- Modern contemporary design with choice of electro-static powder paint or quality stainless steel
- Patented design allows for continuous side-by-side mounting
- Cross-flow blower wheels for maximum outlet uniformity
- Easily adjustable air directional vanes
- Two-speed motor with convenient selector switch
- Pre-wired 48-in. molded cord/plug for simple installation
- Reduce infiltration of exterior air, fumes, dust and dirt
- Quick-mount mounting plate included; no template required to locate mounting screws
- Extended anodized, aluminum design compliments store interiors and public facilities
- Custom paint accents architectural sill-height heaters in vestibules and receptions areas
- Mounting heights of 7 ft. for exterior customer entrances or 8 ft. interior doors
- Act as a temperature separation device, repelling outside air while maintaining interior environment

## MODELS & SPECIFICATIONS

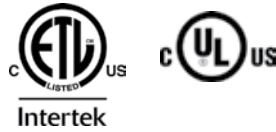
	CATALOG NO.	UPC	NOZZLE WIDTH (IN)	VOLTS	AMPS	MAX VEL (FPM)	AVG VEL (FPM)	AIRFLOW (CFM)	SHIP WT. (LBS)	MOTORS (HP)
CONTEMPORARY POWDER PAINT	MLP36001115GR	6 85360 14925 7	36	120	1.3	1800	1800 / 1350	1200 / 900	32	1/15
	MLP42001110GR	6 85360 14926 4	42	120	1.6	1800	1800 / 1350	1380 / 1040	37	1/10
	MLP48001108GR	6 85360 14927 1	48	120	2.1	1800	1800 / 1350	1600 / 1210	42	1/8
	MLP60001108GR	6 85360 14945 5	60	120	2.1	1800	1800 / 1350	2060 / 1550	53	1/8
	MLP36001208GR	6 85360 14946 2	36	240	0.7	1800	1800 / 1350	1200 / 900	32	1/8
	MLP42001208GR	6 85360 14947 9	42	240	0.7	1800	1800 / 1350	1380 / 1040	37	1/8
CONTEMPORARY STAINLESS STEEL	MLP48001206GR	6 85360 14948 6	48	240	1.0	1800	1800 / 1350	1600 / 1210	42	1/6
	MLP60001206GR	6 85360 14932 5	60	240	1.0	1800	1800 / 1350	2060 / 1550	43	1/6
	MLP36001115GRSS	6 85360 14960 0	36	120	1.3	1800	1800 / 1350	1200 / 900	32	1/15
	MLP42001110GRSS	6 85360 14967 7	42	120	1.6	1800	1800 / 1350	1380 / 1040	37	1/10
	MLP48001108GRSS	6 85360 14968 4	48	120	2.1	1800	1800 / 1350	1600 / 1210	42	1/8
	MLP60001108GRSS	6 85360 14969 1	60	120	2.1	1800	1800 / 1350	2060 / 1550	53	1/8
ARCHITECTURAL SERIES	MLP36001208GRSS	6 85360 14970 7	36	240	0.7	1800	1800 / 1350	1200 / 900	32	1/8
	MLP42001208GRSS	6 85360 14971 4	42	240	0.7	1800	1800 / 1350	1380 / 1040	37	1/8
	MLP48001206GRSS	6 85360 14972 1	48	240	1.0	1800	1800 / 1350	1600 / 1210	42	1/6
	MLP60001206GRSS	6 85360 14973 8	60	240	1.0	1800	1800 / 1350	2060 / 1550	43	1/6
	MLP36001115GA	6 85360 14933 2	36	120	1.3	1800	1800 / 1350	1200 / 900	32	1/15
	MLP42001110GA	6 85360 14934 9	42	120	1.6	1800	1800 / 1350	1380 / 1040	37	1/10
	MLP48001108GA	6 85360 14935 6	48	120	2.1	1800	1800 / 1350	1600 / 1210	42	1/8
	MLP60001108GA	6 85360 14949 3	60	120	2.1	1800	1800 / 1350	2060 / 1550	53	1/8
MLP36001208GA	6 85360 14950 9	36	240	0.7	1800	1800 / 1350	1200 / 900	32	1/8	
MLP42001208GA	6 85360 14951 6	42	240	0.7	1800	1800 / 1350	1380 / 1040	37	1/8	
MLP48001206GA	6 85360 14952 3	48	240	1.0	1800	1800 / 1350	1600 / 1210	42	1/6	
MLP60001206GA	6 85360 14940 0	60	240	1.0	1800	1800 / 1350	2060 / 1550	43	1/6	





## ENVIRONMENTAL SERIES

### AVAILABLE COLORS



**IDEAL SPACES** | Supermarkets; Schools; Hospitals; Restaurants; Bakeries; Cafeterias; Freezers; Processing Plants

**COLORS** | Neutral Gray; Charcoal Gray; Stainless Steel; Navajo White; Northern White; Statuary Bronze; Desert Tan; Black

- Galvanized, corrosion-resistant, heavy-duty steel cabinet
- Easy access; no tools required for inspection and cleaning
- Heavy-duty, completely enclosed motors with permanently lubricated bearings
- Electrically heated models available
- Hot Water/Steam Heated Models available
- Exclusive Smart-Trac II Adjustable Mounting System allows for 6-way adjustment and alignment at cabinet to compensate for possible overhead obstacles such as sprinkle pipes, conduit and beams (optional on all models)

For the latest models and information, please visit our website at [www.qmarkmep.com](http://www.qmarkmep.com)

**QMARK**  
A Marley Engineered Products Brand

## MODELS & SPECIFICATIONS

CATALOG NO.	WIDTH (IN)	MAX VELOCITY (FPM) HI/LOW*	AVG VELOCITY (FPM) HI/LOW*	AVG AIR FLOW RATE (CFM) HI/LOW*	MOTORS (QTY @ HP)	INPUT POWER RATING 1 PH (KW)**	INPUT POWER RATING 3 PH (KW)**	SHIP WT. (LBS)
<b>1/4 HP MODELS</b>								
E36001#25	36	2800 / 1850	2000 / 1480	1620 / 1200	1 @ 1/4	0.41	0.24	65
E38001#25	38	2800 / 1850	1955 / 1450	1670 / 1240	1 @ 1/4	0.41	0.24	67
E42001#25	42	2800 / 1850	1900 / 1410	1795 / 1330	1 @ 1/4	0.41	0.24	70
E48001#25	48	2800 / 1850	1855 / 1375	2000 / 1480	1 @ 1/4	0.41	0.24	77
E60002#25	60	2800 / 1850	2125 / 1575	2880 / 2135	2 @ 1/4	0.82	0.48	128
E72002#25	72	2800 / 1850	2000 / 1480	3240 / 2400	2 @ 1/4	0.82	0.48	130
E76002#25	76	2800 / 1850	1955 / 1450	3340 / 2475	2 @ 1/4	0.82	0.48	134
E84002#25	84	2800 / 1850	1915 / 1420	3620 / 2680	2 @ 1/4	0.82	0.48	142
E96002#25	96	2800 / 1850	1855 / 1375	4000 / 2960	2 @ 1/4	0.82	0.48	154
E10803#25	108	2800 / 1850	2000 / 1480	4860 / 3600	3 @ 1/4	1.23	0.72	195
E12003#25	120	2800 / 1850	1945 / 1440	5240 / 3880	3 @ 1/4	1.23	0.72	207
E13203#25	132	2800 / 1850	1895 / 1405	5620 / 4160	3 @ 1/4	1.23	0.72	219
E14403#25	144	2800 / 1850	1855 / 1375	6000 / 4440	3 @ 1/4	1.23	0.72	231
<b>1/2 HP MODELS</b>								
E36001#50	36	3800 / 2815	3040 / 2250	2460 / 1820	1 @ 1/2	0.62	0.40	74
E38001#50	38	3800 / 2815	2965 / 2195	2535 / 1880	1 @ 1/2	0.62	0.40	76
E42001#50	42	3800 / 2815	2890 / 2140	2730 / 2020	1 @ 1/2	0.62	0.40	79
E48001#50	48	3800 / 2815	2815 / 2085	3040 / 2250	1 @ 1/2	0.62	0.40	86
E60002#50	60	3800 / 2815	3230 / 2390	4375 / 3240	2 @ 1/2	1.25	0.80	148
E72002#50	72	3800 / 2815	3040 / 2250	4920 / 3645	2 @ 1/2	1.25	0.80	148
E76002#50	76	3800 / 2815	2965 / 2195	5070 / 3755	2 @ 1/2	1.25	0.80	152
E84002#50	84	3800 / 2815	2910 / 2155	5500 / 4070	2 @ 1/2	1.25	0.80	160
E96002#50	96	3800 / 2815	2815 / 2085	6080 / 4500	2 @ 1/2	1.25	0.80	172
E10803#50	108	3800 / 2815	3040 / 2250	7380 / 5465	3 @ 1/2	1.87	1.20	222
E12003#50	120	3800 / 2815	2950 / 2184	7960 / 5890	3 @ 1/2	1.87	1.20	234
E13203#50	132	3800 / 2815	2875 / 2130	8540 / 6320	3 @ 1/2	1.87	1.20	246
E14403#50	144	3800 / 2815	2815 / 2085	9120 / 6750	3 @ 1/2	1.87	1.20	258
<b>3/4 HP MODELS</b>								
E36001#75	36	4850 / 3590	3880 / 2875	3140 / 2325	1 @ 3/4	0.94	1.20	83
E38001#75	38	4850 / 3590	3790 / 2805	3240 / 2400	1 @ 3/4	0.94	1.20	86
E42001#75	42	4850 / 3590	3685 / 2730	3480 / 2575	1 @ 3/4	0.94	1.20	89
E48001#75	48	4850 / 3590	3595 / 2660	3880 / 2875	1 @ 3/4	0.94	1.20	96
E60001#75	60	4850 / 3590	3395 / 2510	4580 / 3390	1 @ 3/4	1.87	2.39	112
E72002#75	72	4850 / 3590	3880 / 2875	6280 / 4650	2 @ 3/4	1.87	2.39	166
E76002#75	76	4850 / 3590	3790 / 2805	6480 / 4795	2 @ 3/4	1.87	2.39	172
E84002#75	84	4850 / 3590	3715 / 2750	7020 / 5195	2 @ 3/4	1.87	2.39	179
E96002#75	96	4850 / 3590	3595 / 2660	7760 / 5745	2 @ 3/4	1.87	2.39	192
E10803#75	108	4850 / 3590	3880 / 2875	9420 / 6975	3 @ 3/4	2.81	3.59	249
E12003#75	120	4850 / 3590	3765 / 2790	10160 / 7520	3 @ 3/4	2.81	3.59	262
E13203#75	132	4850 / 3590	3670 / 2720	10900 / 8070	3 @ 3/4	2.81	3.59	275
E14403#75	144	4850 / 3590	3595 / 2660	11640 / 8615	3 @ 3/4	2.81	3.59	288

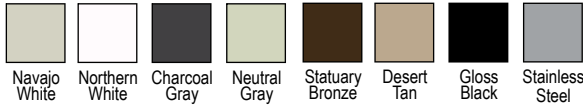
NOTE: \*Low speed only available on 1-Phase units. \*\*AMP draw estimated as 1 PH = Power Rating x 1,000 / Volts and 3 PH = Power Rating x 1,000 / Volts x 1.732.

# Indicate Voltage: 1 = 120/1, 2 = 220/1, 3 = 208/3, 4 = 230/3, 5 = 460/3.



## 3-PHASE ENVIRONMENTAL ELECTRICALLY HEATED

### AVAILABLE COLORS



**IDEAL SPACES** | Vestibules; Lobbies; Staging Areas; Reception Areas; Waiting Rooms

**COLORS** | Neutral Gray; Charcoal Gray; Stainless Steel; Navajo White; Northern White; Statuary Bronze; Desert Tan; Black

- Heated units reduce the wind chill effect near entrances
- New modular design allows 8 to 48 kW of heating capacity, in lengths ranging from 36 to 144 in.
- Large, easily accessible pre-wired control box is side mounted and features hinged swing-down access panel
- Easily visible indicator lights on control panel alerts operator when fan and heat are operating
- Heating elements are thermally protected and include a pilot light feature
- Air-flow safety sensor disables heating element in the event motor/blowers need servicing or are wired incorrectly
- Use wall-mounted 24V thermostat for temperature control (not included)
- Exclusive Smart-Trac II Adjustable Mounting System allows for 6-way adjustment and alignment at cabinet to compensate for possible overhead obstacles such as sprinkle pipes, conduit and beams (optional on all models)

## MODELS & SPECIFICATIONS

CATALOG NO.	WIDTH (IN)	NO. OF CABINETS	CONTROL VOLTAGE	MAX VELOCITY (FPM)	AVG VELOCITY (FPM)	AVG AIR FLOW RATE (CFM)	MOTORS (QTY @ HP)	SHIP WT. (LBS)
<b>1/2 HP MODELS</b>								
E36++1#50HE	36	1	24	3800	3040	2460	1 @ 1/2	93
E42++1#50HE	42	1	24	3800	2890	2730	1 @ 1/2	98
E48++1#50HE	48	1	24	3800	2815	3040	1 @ 1/2	105
E60++1#50HE	60	1	24	3800	2740	3350	1 @ 1/2	117
E72++2#50HE	72	2	24	3800	3040	4920	2 @ 1/2	177
E84++2#50HE	84	2	24	3800	2910	5460	2 @ 1/2	181
E96++2#50HE	96	2	24	3800	2815	6080	2 @ 1/2	189
E108++3#50HE	108	3	24	3800	3040	7380	3 @ 1/2	261
E120++3#50HE	120	3	24	3800	2950	7920	3 @ 1/2	273
E132++3#50HE	132	3	24	3800	2875	8540	3 @ 1/2	285
E144++3#50HE	144	3	24	3800	2815	9120	3 @ 1/2	297
<b>3/4 HP MODELS</b>								
E42++1#75HE	42	1	24	4850	3685	3480	1 @ 3/4	108
E48++1#75HE	48	1	24	4850	3595	3880	1 @ 3/4	115
E60++1#75HE	60	1	24	4850	3395	4580	1 @ 3/4	131
E72++2#75HE	72	2	24	4850	3880	6280	2 @ 3/4	195
E84++2#75HE	84	2	24	4850	3715	6960	2 @ 3/4	208
E96++2#75HE	96	2	24	4850	3595	7760	2 @ 3/4	221
E108++3#75HE	108	3	24	4850	3880	9420	3 @ 3/4	288
E120++3#75HE	120	3	24	4850	3765	10100	3 @ 3/4	301
E132++3#75HE	132	3	24	4850	3670	10900	3 @ 3/4	314
E144++3#75HE	144	3	24	4850	3595	11640	3 @ 3/4	327

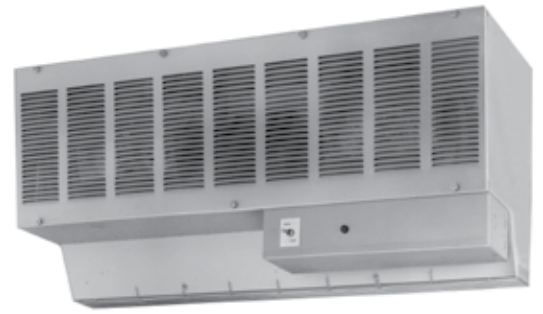
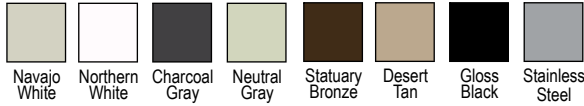
++ (In model number) total heater kw available (select from above). # (In model number) select voltage: 3 = 208V 3-ph, 4 = 240V/208V 3-ph, 5 = 480V 3-ph. \*\* Multiply listed wattage by .75 For actual 208V rating. Maximum 15 kW per cabinet at 240V.

**CABINETS kw (BTU/HR)** 1-Cabinet: 08 (27,230); 12 (40,980); 16 (54,640) / 2-Cabinet: 16 (54,640); 24 (81,960); 32 (109,280) / 3-Cabinet: 24 (81,960); 36 (122,940); 48 (163,920)



## SINGLE-PHASE ENVIRONMENTAL ELECTRICALLY HEATED

### AVAILABLE COLORS



**IDEAL SPACES** | Vestibules; Lobbies; Staging Areas; Reception Areas; Waiting Rooms

**COLORS** | Neutral Gray; Charcoal Gray; Stainless Steel; Navajo White; Northern White; Statuary Bronze; Desert Tan; Black

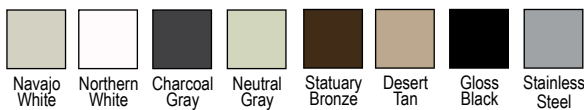
- Heated units reduce the wind chill effect near entrances
- Heated units supplied with pre-wired heater control box for efficient installation
- Wall-mounted 24V thermostat for temperature control
- Multiple coil capacities for proper application requirements
- Heater control panel mounts in front of nozzle, below grill

### MODELS & SPECIFICATIONS

CATALOG NO.	WIDTH (IN)	WATTS	BTU/HR	CONTROL VOLTAGE	MAX VEL (FPM)	AVG VEL (FPM)	AIRFLOW (CFM)	SHIP WT. (LBS)	MOTORS (QTY @ HP)
E36061125H	36	6,000	20,478	24	2500	2000	1620	77	1 @ 1/4
E42061125H	42				2500	1900	1795	83	1 @ 1/4
E48061125H	48				2500	1855	2000	90	1 @ 1/4
E36091125H	36	9,000	30,717	24	2500	2000	1620	77	1 @ 1/4
E42091125H	42				2500	1900	1795	85	1 @ 1/4
E48091125H	48				2500	1855	2000	90	1 @ 1/4

## 24 IN. DRIVE-THRU WINDOW UNIT

### AVAILABLE COLORS



**IDEAL SPACES** | Restaurant Drive-Thru Windows; Drive-Ins; Schools

**COLORS** | Neutral Gray; Charcoal Gray; Stainless Steel; Navajo White; Northern White; Statuary Bronze; Desert Tan; Black

- Designed to provide protection against flies and insects, dust and odors
- For service windows up to 30 in. wide with a maximum mounting height of 5 ft. nozzle-to-counter

### MODELS & SPECIFICATIONS

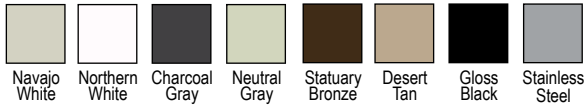
CATALOG NO.	DESCRIPTION	MAX FPM AT NOZZLE	MAX CFM AT NOZZLE	MAX FPM 2' ABOVE COUNTER	HP	VOLTS	MAX AMPS	SHIP WT. (LBS.)
E24001115F	With filter only	3000	1600	750	1/15	120	1.3	25
E24001115G	With intake grille only	3000	1600	750	1/15	120	1.3	25
E24001115FG	With filter and grille	3000	1600	750	1/15	120	1.3	25





## ENVIRONMENTAL HOT WATER / STEAM-HEATED

### AVAILABLE COLORS



**IDEAL SPACES** | Facilities with continuously open doors that require perimeter heating

**COLORS** | Neutral Gray; Charcoal Gray; Stainless Steel; Navajo White; Northern White; Statuary Bronze; Desert Tan; Black

- Provides an economical source of heat when steam or hot water is readily available
- Treats incoming air and prevents cold air from infiltrating large areas
- Also used as supplemental heat when operated with door closed to provide additional perimeter heating
- Unique universal construction method designed for both low-pressure steam and hot water applications
- Premium quality coils provide superior heat transfer for both low-pressure steam and hot water applications
- Universal left- or right-hand opposite end connected coils
- Single- or double-row coils available for desired capacity
- Constructed of highly-effective 1/2-in. copper tubing with corrugated aluminum fins

### MODELS & SPECIFICATIONS

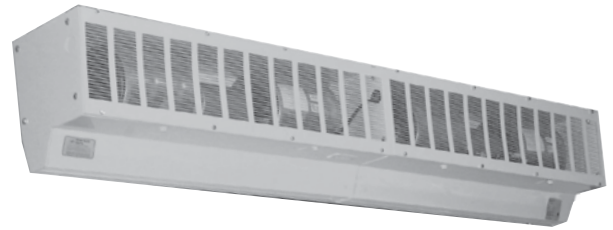
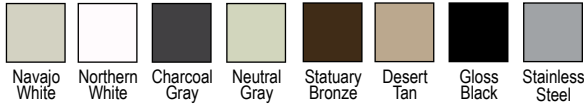
WIDTH (IN)	HOT WATER					STEAM				
	Based on 70°F entering air, 200°F entering water & 180° exiting water									
	CATALOG NO.	ONE ROW		TWO ROW		CATALOG NO.	ONE ROW		TWO ROW	
CAPACITY (MBH)		TEMP RISE (F)	CAPACITY (MBH)	TEMP RISE (F)	CAPACITY (MBH)		TEMP RISE (F)	CAPACITY (MBH)	TEMP RISE (F)	
<b>1/2 HP MODELS</b>										
48	E48001#50HW@	54.1	16.3	104	31.2	E48001#50HS@	81.6	24.7	-	-
60	E60002#50HW@	77.4	16.2	149	31.1	E60002#50HS@	111	23.4	-	-
72	E72002#50HW@	91.8	17.1	176	32.7	E72002#50HS@	128	24.1	-	-
84	E84002#50HW@	106	17.6	203	33.7	E84002#50HS@	145	24.1	-	-
96	E96002#50HW@	121	18.2	231	34.7	E96002#50HS@	164	24.8	-	-
108	E10803#50HW@	134	16.6	267	33.0	E10803#50HS@	186	23.0	-	-
120	E12003#50HW@	159	18.3	304	35.0	E12003#50HS@	210	24.3	-	-
132	E13203#50HW@	173	18.5	331	35.4	E13203#50HS@	226	24.2	-	-
144	E14403#50HW@	188	18.9	359	36.1	E14403#50HS@	244	24.7	-	-
<b>3/4 HP MODELS</b>										
48	E48001#75HW@	63.2	14.9	122	28.7	E48001#75HS@	94.2	22.4	180	42.7
60	E60002#75HW@	93.3	15.3	180	29.6	E60002#75HS@	131	21.7	251	41.5
72	E72002#75HW@	107	15.6	207	30.1	E72002#75HS@	148	21.7	283	41.5
84	E84002#75HW@	123	16.0	239	31.1	E84002#75HS@	168	21.8	321	41.7
96	E96002#75HW@	142	16.7	272	32.1	E96002#75HS@	189	22.4	360	42.8
108	E10803#75HW@	163	15.8	315	30.5	E10803#75HS@	215	20.8	410	39.8
120	E12003#75HW@	187	16.8	359	31.5	E12003#75HS@	242	21.9	462	41.9
132	E13203#75HW@	203	17.0	391	32.7	E13203#75HS@	261	21.9	499	41.8
144	E14403#75HW@	221	17.4	424	32.5	E14403#75HS@	282	22.3	538	42.6

NOTE: # - Indicate Voltage: 1 = 120/1, 2 = 200/1, 3 = /208/3, 4 = 230/3, 5 = 460/3; @ denote no. of coil rows; ALL - Add 12 in. to length listed for total unit width. Hot Water/Steam units require 6 week lead time.



## HIGH-VELOCITY SERIES

### AVAILABLE COLORS



**IDEAL SPACES |** Warehouses; Manufacturing Plants; Large Facilities

**COLORS |** Neutral Gray; Charcoal Gray; Stainless Steel; Navajo White; Northern White; Statuary Bronze; Desert Tan; Black

- Galvanized, corrosion-resistant cabinet and intake grill
- Corrosion-resistant dual-intake scrolls
- Precision-balance twin stainless steel blower wheels
- Exclusive Smart-Trac II Adjustable Mounting System allows for 6-way adjustment and alignment at cabinet to compensate for possible overhead obstacles such as sprinkle pipes, conduit and beams (optional on all models)

### MODELS & SPECIFICATIONS

	CATALOG NO.	WIDTH (IN)	MAX VELOCITY (FPM)	AVG VELOCITY (FPM)	AVG AIR FLOW RATE (CFM)	MOTORS (QTY @ HP)	INPUT POWER RATING 3 PH (KW)*	SHIP WT. (LBS.)
1 HP MODELS	EL36001#00LI	36	5250	4200	3400	1 @ 1	1.20	65
	EL38001#00LI	38	5250	4095	3500	1 @ 1	1.20	67
	EL42001#00LI	42	5250	3990	3770	1 @ 1	1.20	70
	EL48001#00LI	48	5250	3890	4200	1 @ 1	1.20	77
	EL60001#00LI	60	5250	3675	4960	1 @ 1	2.39	128
	EL72002#00LI	72	5250	4200	6800	2 @ 1	2.39	130
	EL76002#00LI	76	5250	4095	7000	2 @ 1	2.39	134
	EL84002#00LI	84	5250	4025	7600	2 @ 1	2.39	142
	EL96002#00LI	96	5250	3890	8400	2 @ 1	2.39	154
	EL10803#00LI	108	5250	4200	10,200	3 @ 1	3.59	195
	EL12003#00LI	120	5250	4075	11,000	3 @ 1	3.59	207
	EL13203#00LI	132	5250	3975	11,800	3 @ 1	3.59	219
	EL14403#00LI	144	5250	3890	6000 / 4440	3 @ 1	3.59	231
	1-1/2 HP MODELS	EL36001#05LI	36	5900	4130	3345	1 @ 1 1/2	3.19
EL38001#05LI		38	5900	4015	3430	1 @ 1 1/2	3.19	82
EL42001#05LI		42	5900	3895	3680	1 @ 1 1/2	3.19	88
EL48001#05LI		48	5900	3780	4080	1 @ 1 1/2	3.19	92
EL60001#05LI		60	5900	3540	4780	1 @ 1 1/2	6.37	108
EL72002#05LI		72	5900	4130	6690	2 @ 1 1/2	6.37	160
EL76002#05LI		76	5900	4015	6860	2 @ 1 1/2	6.37	164
EL84002#05LI		84	5900	3930	7425	2 @ 1 1/2	6.37	172
EL96002#05LI		96	5900	3780	8160	2 @ 1 1/2	6.37	184
EL10803#05LI		108	5900	4130	10,035	3 @ 1 1/2	9.56	240
EL12003#05LI		120	5900	3990	10,770	3 @ 1 1/2	9.56	252
EL13203#05LI		132	5900	3875	11,505	3 @ 1 1/2	9.56	264
EL14403#05LI		144	5900	3780	12,240	3 @ 1 1/2	9.56	276
3 HP MODELS		EL36001#30LI	36	7200	5040	4080	1 @ 3	1.51
	EL38001#30LI	38	7200	4905	4190	1 @ 3	1.51	94
	EL42001#30LI	42	7200	4760	4495	1 @ 3	1.51	98
	EL48001#30LI	48	7200	4615	4980	1 @ 3	1.51	106
	EL60001#30LI	60	7200	4320	5830	1 @ 3	3.03	122
	EL72002#30LI	72	7200	5040	8160	2 @ 3	3.03	182
	EL76002#30LI	76	7200	4905	8380	2 @ 3	3.03	188
	EL84002#30LI	84	7200	4795	9060	2 @ 3	3.03	197
	EL96002#30LI	96	7200	4615	9960	2 @ 3	3.03	212
	EL10803#30LI	108	7200	5040	12,240	3 @ 3	4.54	273
	EL12003#30LI	120	7200	4870	13,140	3 @ 3	4.54	288
	EL13203#30LI	132	7200	4730	14,040	3 @ 3	4.54	303
	EL14403#30LI	144	7200	4615	14,940	3 @ 3	4.54	318

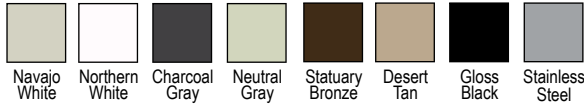
NOTE: # - Indicate Voltage: 3 = 208/3, 4 = 230/3, 5 = 460/3, 6 = 600/3

\*AMP Draw maybe Estimated as Follows: 1-ph = Power Rating \* 1,000 / Volts ; 3-phase = Power Rating \* 1,000 / Volts \* 1.732



## 3-PHASE HIGH-VELOCITY ELECTRICALLY HEATED

### AVAILABLE COLORS



**IDEAL SPACES** | Warehouses; Manufacturing Plants; Large Facilities

**COLORS** | Neutral Gray; Charcoal Gray; Stainless Steel; Navajo White; Northern White; Statuary Bronze; Desert Tan; Black

- New modular designed cabinet allows 8 to 48 kW of heating capacity, in lengths ranging from 42 to 144 inches
- Large, easily accessible pre-wired control box is side-mounted; features hinged swing-down access panel
- Easily visible indicator lights on control panel alerts operator when fan and heat are operating
- Helical coil heating element modules are easily replaceable
- Heating elements are thermally protected and include a pilot light feature
- Air-flow safety sensor disables heating element in the event motor/blowers need servicing or are wired incorrectly
- Use wall-mounted 24V thermostat for temperature control (not included)
- Exclusive Smart-Trac II Adjustable Mounting System allows for 6-way adjustment and alignment at cabinet to compensate for possible overhead obstacles such as sprinkle pipes, conduit and beams (optional on all models)
- Fan-only feature for winter and summer operation

## MODELS & SPECIFICATIONS

CATALOG NO.	WIDTH (IN)	# OF CABINETS	CONTROL VOLTAGE	MAX VEL (FPM)	AVG VEL (FPM)	AIRFLOW (CFM)	# MOTORS @ HP	SHIP WT. (LBS.)
<b>1 HP MODELS</b>								
E42++1#00HE	42	1	24	5250	3990	3770	1 @ 1	109
E48++1#00HE	48	1	24	5250	3890	4200	1 @ 1	116
E60++1#00HE	60	1	24	5250	3675	4960	1 @ 1	132
E72++2#00HE	72	2	24	5250	4200	6800	2 @ 1	197
E84++2#00HE	84	2	24	5250	3990	7540	2 @ 1	210
E96++2#00HE	96	2	24	5250	3890	8400	2 @ 1	268
E108++3#00HE	108	3	24	5250	4200	10200	3 @ 1	291
E120++3#00HE	120	3	24	5250	4075	10940	3 @ 1	304
E132++3#00HE	132	3	24	5250	3975	11800	3 @ 1	317
E144++3#00HE	144	3	24	5250	3890	12600	3 @ 1	330
<b>3 HP MODELS</b>								
E42++1#30HE	42	1	24	7200	4760	4495	1 @ 3	117
E48++1#30HE	48	1	24	7200	4615	4980	1 @ 3	125
E60++1#30HE	60	1	24	7200	4320	5830	1 @ 3	141
E72++2#30HE	72	2	24	7200	5040	8160	2 @ 3	211
E84++2#30HE	84	2	24	7200	4760	8990	2 @ 3	226
E96++2#30HE	96	2	24	7200	4615	9960	2 @ 3	241
E108++3#30HE	108	3	24	7200	5040	12240	3 @ 3	312
E120++3#30HE	120	3	24	7200	4870	13070	3 @ 3	327
E132++3#30HE	132	3	24	7200	4730	14040	3 @ 3	342
E144++3#30HE	144	3	24	7200	4615	14940	3 @ 3	357

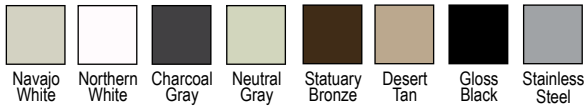
++ Total heater kW available (select from above) # - Select voltage: 3 = 208V 3-ph, 4 = 240V/208V 3-ph, 5 = 480V 3-ph \*\* Multiply listed wattage by .75 For actual 208v rating. Maximum 15 kW per cabinet at 240V.

**CABINETS kw (BTU/HR)** 1-Cabinet: 08 (27,230); 12 (40,980); 16 (54,640) / 2-Cabinet: 16 (54,640); 24 (81,960); 32 (109,280) / 3-Cabinet: 24 (81,960); 36 (122,940); 48 (163,920)



## HIGH-VELOCITY | HOT WATER / STEAM-HEATED

### AVAILABLE COLORS



**IDEAL SPACES** | Facilities with continuously open doors that require perimeter heating

**COLORS** | Neutral Gray; Charcoal Gray; Stainless Steel; Navajo White; Northern White; Statuary Bronze; Desert Tan; Black

- Provides an economical source of heat when steam or hot water is readily available
- Also used as supplemental heat when operated with door closed to provide additional perimeter heating
- Unique universal construction method designed for both low-pressure steam and hot water applications
- Premium quality coils provide superior heat transfer for both low-pressure steam and hot water applications
- Universal left- or right-hand opposite end connected coils
- Single- or double-row coils available for desired capacity
- Constructed of highly-effective 1/2-in. copper tubing with corrugated aluminum fins

### MODELS & SPECIFICATIONS

WIDTH (IN)	HOT WATER					STEAM				
	Based on 70°F entering air, 200°F entering water & 180° exiting water					Based on 5 psig steam, 70°F entering air				
	CATALOG NO.	CAPACITY (MBH)	TEMP RISE (F)	CAPACITY (MBH)	TEMP RISE (F)	CATALOG NO.	CAPACITY (MBH)	TEMP RISE (F)	CAPACITY (MBH)	TEMP RISE (F)
<b>1/2 HP MODELS</b>										
48	EL48001#00HW@	66.4	14.5	128	27.9	EL48001#00HS@	98.5	21.6	189	41.4
60	EL60001#00HW@	98.1	14.9	190	28.7	EL60001#00HS@	137	20.9	263	40.2
72	EL72002#00HW@	113	15.2	217	29.3	EL72002#00HS@	154	20.9	296	40.1
84	EL84002#00HW@	129	15.5	251	30.2	EL84002#00HS@	175	21.0	336	40.4
96	EL96002#00HW@	149	16.2	287	31.2	EL96002#00HS@	197	21.6	378	41.4
108	EL10803#00HW@	172	15.4	332	29.7	EL10803#00HS@	224	20.0	430	38.5
120	EL12003#00HW@	196	16.3	378	31.5	EL12003#00HS@	252	21.2	484	40.6
132	EL13203#00HW@	213	16.5	412	31.9	EL13203#00HS@	272	21.1	523	40.5
144	EL14403#00HW@	232	16.9	447	32.5	EL14403#00HS@	294	21.5	564	41.2
<b>3/4 HP MODELS</b>										
48	EL48001#05HW@	65.2	14.6	126	28.2	E48001#75HS@	96.9	21.9	185	41.9
60	EL60001#05HW@	97.6	14.9	188	28.8	E60002#75HS@	136	21	262	40.3
72	EL72002#05HW@	112	15.3	215	29.4	E72002#75HS@	153	21.1	293	40.4
84	EL84002#05HW@	128	15.8	247	30.4	E84002#75HS@	173	21.2	331	40.7
96	EL96002#05HW@	146	16.4	281	31.5	E96002#75HS@	194	21.9	371	41.9
108	EL10803#05HW@	169	15.4	326	29.7	E10803#75HS@	221	20.1	424	38.6
120	EL12003#05HW@	194	16.5	373	31.7	E12003#75HS@	249	21.4	478	41.4
132	EL13203#05HW@	210	16.7	405	32.2	E13203#75HS@	269	21.3	515	40.9
144	EL14403#05HW@	228	17.1	439	32.8	E14403#75HS@	290	21.8	554	41.8
<b>3/4 HP MODELS</b>										
48	EL48001#30HW@	73.6	13.5	143	26.2	EL48001#30HS@	108	20	208	38.5
60	EL60001#30HW@	110	13.8	214	26.8	EL60001#30HS@	152	19.2	293	37
72	EL72002#30HW@	126	14.1	244	27.4	EL72002#30HS@	170	19.2	328	37.1
84	EL84002#30HW@	143	14.4	278	28.0	EL84002#30HS@	191	19.2	368	37.1
96	EL96002#30HW@	162	15.4	314	29.7	EL96002#30HS@	213	20.3	409	39
108	EL10803#30HW@	188	14.0	368	27.5	EL10803#30HS@	245	18.3	471	35.2
120	EL12003#30HW@	219	15.3	424	29.6	EL12003#30HS@	278	19.5	535	37.5
132	EL13203#30HW@	238	15.5	461	30.0	EL13203#30HS@	300	19.5	577	37.6
144	EL14403#30HW@	259	15.8	500	30.6	EL14403#30HS@	323	19.9	621	38.3

NOTE: # - Indicate Voltage: 3 = 208/3, 4 = 230/3, 5 = 460/3, 6 = 600/3; @ denote no. of coil rows; ALL - Add 12 in. to length listed for total unit width. Hot Water/Steam units require 6 week lead time. Standard coils are opposite ends connected. For pricing on same end connected coils, consult factory.



## ACCESSORIES & CONTROLS | AIR CURTAINS

### CONTROL PANELS

For three-phase air curtains requiring instant on/off automatic switches. Control Panels contain a single contactor with one adjustable overload relay per motor, control transformer with fused primary and secondary to meet NEC requirements, hands-off-auto selector switch and terminal strip for power wiring and remote door switch.

CATALOG NO.	STYLE	SHIP WT. (LBS)
APCP101	1	20
APCP201	2	20
APCP301	3	20
APCP401	4	20

### DOOR SWITCHES

For use with all air curtains for instant activation or deactivation of unit upon door opening or closing.

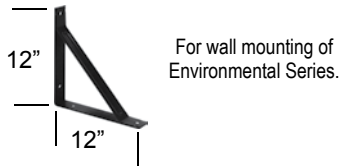
- Automatic switches available for all models. (Three-phase motors require control panel.)
- Plunger Style for hinged doors or Roller Style for sliding and track doors.



CATALOG NO.	DESCRIPTION	VOLTS	MAX AMPS	SHIP WT. (LBS)
C1200R	Plunger/Roller	120	20	1

NOTE: Not recommended for use with heated units.

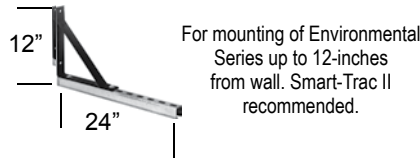
### LIGHT-DUTY BRACKET



For wall mounting of Environmental Series.

CATALOG NO.	SET OF	SHIP WT. (LBS)
ACWBL	2	10

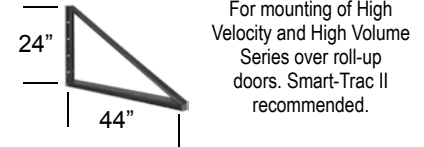
### MEDIUM-DUTY BRACKET



For mounting of Environmental Series up to 12-inches from wall. Smart-Trac II recommended.

CATALOG NO.	SET OF	SHIP WT. (LBS)
ACWBM2	2	52
ACWBM3	3	78

### HEAVY-DUTY BRACKET



For mounting of High Velocity and High Volume Series over roll-up doors. Smart-Trac II recommended.

CATALOG NO.	SET OF	SHIP WT. (LBS)
HVWB2	2	72
HVWB3	3	98

### SMART TRAC II ADJUSTABLE MOUNTING SYSTEM



- For use with suspension rod or wall mount applications.
- This unique mounting system is now available for Environmental and High Velocity Series air curtains.

CATALOG NO.	SIZE (IN)	SHIP WT. (LBS)
ACSMTRK72	72	50
ACSMTRK84	84	50
ACSMTRK96	96	60
ACSMTRK108	108	65
ACSMTRK120	120	70
ACSMTRK132	132	75
ACSMTRK144	144	80

### FILTERS

- For certain applications, such as food service or sanitation, filtering the air curtains intake may be desirable.
- Washable aluminum mesh filters for Low-Profile and Environmental Series air curtains.

S= Mounts on interior behind grille.  
L= Exterior in place of grille.

CATALOG NO.	SIZE	SHIP WT. (LBS)
<b>24" DRIVE-THRU</b>		
APF2400S	24"	1
APF2400L	24"	1
<b>LOW PROFILE</b>		
CLPF3600L	36"	1
CLPF4800L	48"	1
CLPF6000L	60"	1
<b>ENVIRONMENTAL</b>		
APF3600S	36"	2
APF3800S	38"	2
APF4200S	42"	2
APF4800S	48"	3
APF6000S	60"	4
APF3600L	36"	2
APF3800L	38"	2
APF4200L	42"	2
APF4800L	48"	3
APF6000L	60"	4

### GRILLES

- Optional anodized aluminum architectural grille for Environmental and Low-Profile Series air curtains.

### ENVIRONMENTAL

CATALOG NO.	SIZE	SHIP WT. (LBS)
API036A	36"	5
API048A	48"	6
API060A	60"	7

### TAMPER-RESISTANT KIT

- For use in schools, hospitals, correctional facilities or other locations prone to vandalism.
- Prevents unauthorized access to air curtain.
- Complete tool and hardware package provided.

CATALOG NO.	SIZE	SHIP WT. (LBS)
ACTRK	36"	2

# CEILING FANS



# CEILING FANS

## DESTRATIFICATION CEILING FANS | 1,600-3,025 SF

- Area of coverage between 1600 - 3025 SF
- Proprietary contoured-shaped blade design for achieving desired RPM and velocity
- Patented\* metal rolled back degrees comply with UL507 standard
- Durable construction for continuous commercial use with same manufacturing criteria as our heavy duty industrial line
- Supplied with 8 in. and 24 in. downrods and secondary mounting cable

### 36201- 36" Commercial Fan

- Ideally suited for small or isolated areas and as supplemental cooling fan

### 48201- 48" Commercial Fan

- Designed for commercial facilities; provides maximum area coverage for both summer cooling and winter heat destratification

### 56001LC - 56" Commercial / School Classroom Fan

- Designed for spacious areas with lower ceilings where larger blade diameter span creates maximum air velocity and area coverage at lower RPMs



**IDEAL SPACES | Industrial Buildings; Factories; Gymnasiums; High Bay Storage Facilities**

NOTE: \*US Patent # 5645403

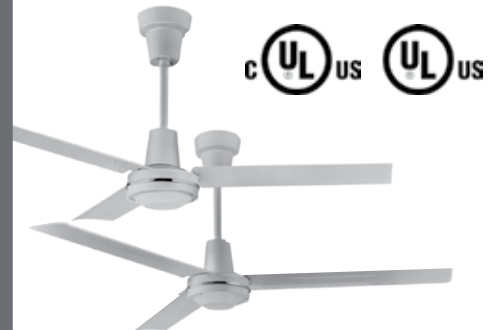
### MODELS & SPECIFICATIONS

BLADE SIZE (IN)	CATALOG NO.	VOLTS	MAX CFM*	AREA COVERAGE**	SHIP WT. (LBS)
36	36201	120	12,500	1,600 SF	20
48	48201	120	21,000	2,025 SF	22
56	56001LC	120	25,500	3,025 SF	24

NOTE: \*Effective amount of air volume moved past a plane 20ft. from fan. All specifications subject to change and improvement. \*\*Area coverage rated for heat destratification at 20 ft. blade mounting height. Maximum continuous operation ambient temperature 105°F.

## DESTRATIFICATION CEILING FANS | 3,800-5,000 SF

- Area of coverage is between 3800-5000 SF
- Mounting heights at 10 ft. or higher
- Proprietary contoured shaped wide blade design for achieving desired RPM and velocity
- Powerful heavy duty motor capable of heat destratification at 45-75 ft. high
- Supplied with 8 in. and 24 in. downrods and secondary mounting cable
- Patented 56 in. reversible fan provides the identical airflow volume in either forward or reverse rotation. The dual pitch blade is the only blade designed for maximum reverse direction. Ideal for exhausting, condensation removal and prevention, reverse destratification and other draft-free applications



**IDEAL SPACES | Industrial Buildings; Factories; Gymnasiums; High Bay Storage Facilities**

### MODELS & SPECIFICATIONS

BLADE SIZE (IN)	CATALOG NO.	VOLTS	MAX CFM*	AREA COVERAGE**	SHIP WT. (LBS)
56	56001	120	27,500	3,800 SF	24
56	56011†	120	27,500	3,800 SF	24
56	56007	277	26,000	3,800 SF	24
60	60001	120	46,000	5,000 SF	30
60	60002	220	46,000	5,000 SF	30
60	60011	120	46,000	5,000 SF	30
56	56301RDP***	120	27,000	3,800 SF	24

NOTE: † Model comes in brown. \*Effective amount of air volume moved past a plane 20ft. from fan. All specifications subject to change and improvement. \*\*Area coverage rated for heat destratification at 20 ft. blade mounting height. Maximum continuous operation ambient temperature 105°F. \*\*\*Reversible fan includes remote mounted toggle switch suitable for up to 12 fans. Switch requires pulling 4 wires (not including ground) from fan to switch. Supplied with 24 in. downrods. Secondary mounting cable supplied. Straight-edge blades - minimum 10ft. above floor. Rolled-edge blades - minimum 7-10 ft. above floor.

## SPECIALTY CEILING FANS



### HARSH ENVIRONMENT SPRAY-PROOF

**IDEAL SPACES |** Food Processing Plants; Wet Factory Locations; Indoor Swimming Pool Areas; Exposed Shipping Areas; Outdoor Restaurants; Exposed Shipping Areas; Outdoor Malls

BLADE SIZE (IN)	CATALOG NO.	VOLTS	MAX CFM*	AREA COVERAGE**	SHIP WT. (LBS)
56***	56101	120	25,500	3,025 SF	23
60	60101	120	41,000	5,000 SF	24

NOTE: Supplied with 12 in. downrod.

### AGRICULTURAL

**IDEAL SPACES |** Poultry Houses; Hog Sheds; Dairy Barns; Greenhouses; Nurseries; Stables

BLADE SIZE (IN)	CATALOG NO.	VOLTS	MAX CFM*	AREA COVERAGE**	SHIP WT. (LBS)
56***	56111	120	25,500	3,025 SF	23
60	60111	120	41,000	5,000 SF	24

NOTE: Supplied with 12 in. downrod.

### 3-SPEED PULL CHAIN

**IDEAL SPACES |** Spot cooling in areas where wall switches are not desired; production areas where single unit designation operation is required

BLADE SIZE (IN)	CATALOG NO.	VOLTS	MAX CFM*	AREA COVERAGE**	SHIP WT. (LBS)
48***	48203	120	27,500	3,800 SF	23
56***	56003	120	27,500	3,025 SF	24

NOTE: Supplied with 8 and 24 in. downrods.

### THEATER FAN

**IDEAL SPACES |** Entertainment Establishments; Restaurants; Retail Where Black Color Of Ceiling Fans Has To Match Interior Design

BLADE SIZE (IN)	CATALOG NO.	VOLTS	MAX CFM*	AREA COVERAGE**	SHIP WT. (LBS)
48***	48201B	120	21,000	2,025 sq ft	23
56	56001B	120	27,500	3,800 sq ft	24

NOTE: Secondary mounting cable supplied..

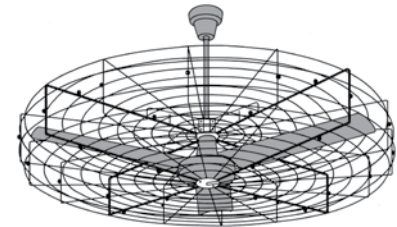
NOTE: Supplied with 12 in. downrod. \*Effective amount of air volume moved past a plane 20ft. from fan, industry test. All specifications subject to change and improvement. \*\*Area coverage rated for heat destratification at 20 ft. blade mounting height. \*\*\* Maximum continuous operation ambient temperature 105°F.



# CEILING FANS

## ACCESSORIES

CATALOG NO.	DESCRIPTION	SHIP WT. (LBS)
28001	FAN GUARD 62" DIAMETER FOR INDUSTRIAL 56" AND 60" FANS	50
28002	FAN GUARD 52" DIAMETER FOR COMMERCIAL 36" AND 48" FANS ONLY	40
9FP024	WHITE TILTED CANOPY COVER - BROWN(9FP023), BLACK( 9FP023B)	1
9D12BW	DOWNRODS - 12" Also available in brown, replace "W" in model number with "B"	1
9D18BW	DOWNRODS - 18" Also available in brown, replace "W" in model number with "B"	1
9D36BW	DOWNRODS - 36" Also available in brown, replace "W" in model number with "B"	3
9D48BW	DOWNRODS - 48" (FOR LONGER SIZES - CONSULT FACTORY)	4
99992	OUTDOOR LOCATION INSTALLATION KIT*	1
9DKIT	DOWNROD Extension kit	2



Ceiling Fan Guard  
For gymnasiums and public facilities

NOTE: \*Only for use with harsh environment ceiling fans. Custom models available. Consult with factory for information and specifications. Use only with heavy-duty/industrial models - Not recommended for low ceiling applications. Fan Guards ship via UPS

## OPTIONAL MOTOR SPEED CONTROLS

CATALOG NO.	VOLTS	AMPS	MODEL FAN AND QUANTITY PER CONTROL						
			36201	48201	56101	56007	56002	60001	
12003	120	3	3	2	2	-	1	-	
12006	120	6	7	5	5	-	3	-	
12008	120	8	10	6	6	-	4	-	
12012	120	12	12	10	10	-	8	-	
27708*	277	8	-	-	-	6	-	-	
NOISELESS MECHANICAL CONTROL									
12001N	120	1	-	1	-	Controls 48" & 56" Models Only			
12005N	120	5	-	2	2	Controls 48" & 56" Models Only			

NOTE: \*6 fans on 277V.

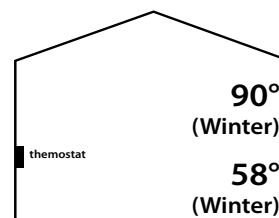
## DESTRATIFICATION CEILING FANS HEAT-DROPPER® CONCEPT

CUT HEATING & COOLING BILLS BY AS **MUCH AS 30%\***

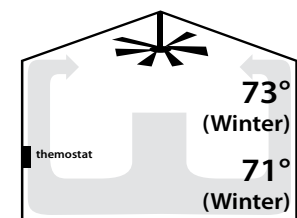


### WINTER

Recovers wasted heat by eliminating heat stratification. Trapped warm air at the ceiling caused by natural heat rise and poor air circulation is equalized by the movement of the massive blade span. Thus ceiling to floor temperature is equalized. With a heat cost savings of 30%, the LEADING EDGE fan system can pay for itself in one year. The elimination of cold spots increases employee productivity and comfort.



Before



After

### SUMMER

General air recirculation in non air-conditioned buildings creates a cooling breeze and a "Wind Chill Factor" providing evaporation cooling of the skin surface dropping skin temperature by 6°. The LEADING EDGE fan system supplements air-conditioned buildings by allowing the thermostat settings to be 8° higher. You'll feel the coolness of 72° with the thermostat set on 80° - an incomparable energy savings. Additional advantages, eliminates mold and mildew caused by stagnant air, perfect for high humidity areas. No other fan has our higher air velocity capabilities. Small fans do not develop sufficient CFM to be effective in warm weather.

LEADING EDGE treats ceiling fans as a system, not as single unit – our fans provide larger area of coverage than competition; therefore require fewer fans to perform the same function. Furthermore, the heavy duty design allows considerable savings to maintenance or replacement costs. Substantial savings are realized on the total installed costs of the system on a per square foot basis, which can be calculated via the following formula to the right. An extreme example would be the use of discount store or home center promotional \$49.95 fans. Let's assume these imported 56 in. curved tipped patio fans could overcome the AT buoyancy factor and could cover 900 ft.<sup>2</sup> per fan. The result is that 65 fans would have to be installed and no summertime cooling would be achieved. The low priced fan with its hidden additional costs is no bargain. Residential patio fans are commonly rated at 400 ft.<sup>2</sup> per fan (20x 20 living room with an 8 ft. ceiling).

Total area coverage:	_____ ft <sup>2</sup> (A)
Area coverage per fan:	_____ ft <sup>2</sup> (B)
Total fan units required: A/B=	_____ (C)
Fan unit cost:	\$ _____ (D)
Installation cost:	\$ _____ (E)
Total installed cost: (C*D)+E	\$ _____

\* Based on an ASHRAE "Saving Heating Costs in Warehouses" study.

# THERMOSTATS & CONTROLS



# THERMOSTATS & CONTROLS

## COMPATIBILITY CHART

o Compatible - See Model Selection Chart / Contact MEP

	2500 <sup>1</sup>	QMKS <sup>1</sup>	HBB	CBD	AWH <sup>2</sup>	CWH <sup>2</sup>	LFK <sup>2</sup>	CWHDSAG <sup>3</sup>	CWHDS <sup>3</sup>	COS-E <sup>4</sup>	SED	GFR	QFG	QTS <sup>6</sup>	CDF <sup>7</sup>	EFF <sup>7</sup>	QCH <sup>7</sup>	MUH <sup>8</sup>	IUH <sup>8</sup>	CU900	MSPH	CONVECTORS <sup>8</sup>	RCC	CP	FRP	FRS	OTHER RADIANT	
ELECTRONIC W/ DIGITAL DISPLAY	TL8230A1003/U	o	o	o	o					-	-	-	-	o	-	-	-			o		/	o	o	/	/	/	
	TH108PLUSA	o	o	o	o					-	-	-	-	o	-	-	-					/	o	o	/	/	/	
	TH106A	o	o	o	o					-	-	-	-	o	-	-	-					/	o	o	/	/	/	
	TH114A240DBA	o	o	o	o					-	-	-	-	o	-	-	-					/	o	o	/	/	/	
	TH522D1003									-	-	-	-		-	-	-					o	/			/	/	/
MECHANICAL - TEMPERATURE CONTROL	MS26	o	o	o	o					-	-	-	o	-	-	-	/	/				/	o	o	/	/	/	
	MD26	o	o	o	o					-	-	-	o	-	-	-	/	/				/	o	o	/	/	/	
	M601W	o	o	o	o					-	-	-	o	-	-	-	/	/	o			/	o	o	/	/	/	
	M601TPW	o	o	o	o					-	-	-	o	-	-	-	/	/	o			/	o	o	/	/	/	
	M602W	o	o	o	o					-	-	-	o	-	-	-	/	/	o			/	o	o	/	/	/	
	M602TPW	o	o	o	o					-	-	-	o	-	-	-	/	/	o			/	o	o	/	/	/	
	M611W	o	o	o	o					-	-	-	o	-	-	-	/	/	o			/	o	o	/	/	/	
	M612W	o	o	o	o					-	-	-	o	-	-	-	/	/	o			/	o	o	/	/	/	
	M600S*																											
	M600MTP*																											
	T100	o	o	o	o						-	-	-	o	-	-	-	/	/	o			/	o	o	/	/	/
	T200	o	o	o	o						-	-	-	o	-	-	-	/	/	o			/	o	o	/	/	/
	WR651	o	o	o	o						-	-	-	o	-	-	-	/	/				/	o	o	/	/	/
WR661	o	o	o	o						-	-	-	o	-	-	-	/	/				/	o	o	/	/	/	
COMMERCIAL/ INDUSTRIAL	WT11A														o	o	o	/	/	o		/		o	/	/	/	
	WT12A																	/	/	o		/		o	/	/	/	
	WR80	o	o	o	o										o	o	o	/	/	o		/	o	o	/	/	/	
	WR80EP																	/	/			/			/	/	/	
LOW VOLT <sup>6</sup>	T8775A1009	o	o	o	o																o		o					
	T8775C1005	o	o	o	o																	o	o	o				
ELECTRONIC RELAY	LTR1120																											
	LTR208240																											
	LTR1277																											
	LTR2240																											
	LT186F01	o	o	o	o										o	o	o				o		o	o	o	/	/	/

NOTE: (1) Electronic thermostats have amperage minimums and each model has different voltage requirements, please check catalog thermostat specifications. (2) AWH, CWH, AND LFK Series models require the removal of the internal thermostat and wire wall thermostat in its place for proper fan operation. See model selection for specific thermostat. (3) CWHDSAG and CWHDS Series models require the removal of the internal thermostat from unit. Wire wall thermostat for proper fan operation. See model selection for specific thermostats. (4) CRA Series models require the removal of the internal thermostat from unit. Wire wall thermostat for proper fan operation. See model selection for specific thermostats. (5) Low voltage thermostats operate in conjunction with low voltage control systems using relays. Compatible with all standard 24V two wire thermostats. Can accept analog signal of 0-10 VDC. (6) The 1100 watt units can use either single-pole or double-pole thermostats. The 1500 watt units must use a double-pole thermostat. (three conductors from thermostat to unit). Does not apply to low voltage thermostats, which need a transformer. (7) CDF and EFF Series models require different thermostats based on internal wiring. Wire wall thermostat for proper fan operation. See model selection for specific thermostats. Can not use digital thermostats with this unit. (8) Due to the complexity of wiring variations for remote wall thermostats with these products, we recommend that you contact Technical Services for assistance.

## MODEL SELECTION CHART

HEATER	THERMOSTAT
GFR1500F	TH106A, M601W, M611W, T100, WR651
GFR2004F	TL8230A1003/U, TH106A, TH108PLUSA, M602W, M612W, T200, WR661
GFR2404F	TL8230A1003/U, TH106A, TH108PLUSA, M602W, M612W, T200, WR661
GFR1500T2F	TH106A, M601W, M611W, T100, WR651
GFR2004T2F	TL8230A1003/U, TH106A, TH108PLUSA, M602W, M612W, T200, WR661
GFR2404T2F	TL8230A1003/U, TH106A, TH108PLUSA, M602W, M612W, T200, WR661
QFG1512IFM	TH106A, M601W, M611W, T100, WR651
QFG2024IFM	TL8230A1003/U, TH106A, TH108PLUSA, M602W, M612W, T200, WR661
QFG2224IFM	TL8230A1003/U, TH106A, TH108PLUSA, M602W, M612W, T200, WR661
QFG2228IF	M602W, M612W, T200, WR661
QFG1512T2M	TH106A, M601W, M611W, T100, WR651
QFG2024T2M	TL8230A1003/U, TH106A, TH108PLUSA, M602W, M612W, T200, WR661
QFG2224T2M	TL8230A1003/U, TH106A, TH108PLUSA, M602W, M612W, T200, WR661
ECP1024	TL8230A1003/U, TH106A, TH108PLUSA, M602W, M612W, T200, WR661
ECP1524	TL8230A1003/U, TH106A, TH108PLUSA, M602W, M612W, T200, WR661
CZ1512T	TH106A, M601W, M611W, T100, WR651
CZ1012T	TH106A, M601W, M611W, T100, WR651
CZ1048T	TH106A, M601W, M611W, T100, WR651
CZ1548T	TH106A, M601W, M611W, T100, WR651
CZ2048T	TH106A, M601W, M611W, T100, WR651
CZ1512IF	TH106A, M601W, M611W, T100, WR651
CZ1012IF	TL8230A1003/U, TH106A, TH108PLUSA, M602W, M612W, T200, WR661
CZ1048IF	TL8230A1003/U, TH106A, TH108PLUSA, M602W, M612W, T200, WR661
CZ1548IF	TL8230A1003/U, TH106A, TH108PLUSA, M602W, M612W, T200, WR661
CZ2048IF	TL8230A1003/U, TH106A, TH108PLUSA, M602W, M612W, T200, WR661

HEATER	THERMOSTAT
CDF548	MS26, M601W
CDF542	MS26, M601W
CDF547	MS26, M601W
CDF558	MS26, M601W
CDF552	MS26, M601W
CDF557	MS26, M601W
EFF1500	MS26, M601W
EFF3007	MS26, M601W
EFF4008	MS26, M601W
EFF4004	MS26, M601W
EFF4007	MS26, M601W
EFF4804	MS26, M601W
EFF4807	MS26, M601W
EFF3003	-
EFF3006	-
EFF4003	-
EFF4006	-
EFF4803	-
EFF4806	-
EFF48483	-
EFF48483LV	-
QCH1101F	M601W, MS26
QCH1151F	M601W, MS26
QCH1202F	M601W, MS26
QCH1207F	M601W, MS26

NOTE: Programmable thermostats cannot be used with the models listed above.



# THERMOSTATS & CONTROLS

## THERMOSTATS | ELECTRONIC DIGITAL LINE VOLTAGE



	TH108PLUSA	TH114A240DBA	TH106A	TL8230A1003/U	YTL9160AR1000OW
ACTION	Triac: Silent Operation	Electronic Switch	Triac: Silent Operation	Microprocessor	Microprocessor
TYPE	12.5A Resistive 2-wire SPST	15 A Resistive 4-wire DPST	16.7A Resistive 2-wire SPST	16.7 A Resistive 4-wire DPST	12.5A Resistive 2-wire SPST
WATT RATING	Minimum: 2-amp load	No minimum load	Minimum: 2-amp load	No minimum load	Minimum: 0.4-amp load
120V	n/a	n/a	2000 watts	n/a	1500 watts
208V	n/a	n/a	n/a	3120 watts	2600 watts
240V	3000 watts	3600 watts	4000 watts	3600 watts	3000 watts
277V	n/a	n/a	n/a	n/a	n/a
PILOT DUTY	No	No	No	No	No
TEMP. RANGE (°F)	40°F to 85°F	40°F to 85°F	40°F to 85°F	40°F to 85°F	40°F to 85°F
DIFFERENTIAL	Accuracy: Within +/- 0.27°F	Accuracy: Within 1°F of setpoint	Accuracy: Within +/- 0.27°F	Accuracy: Within 1°F of setpoint	Accuracy: Within +/- 1°F
FEATURES	Digital, non-programmable 12.5amp model delivers exceptional accuracy. Ideal for radiant ceiling panels and baseboard. Not for fan-forced heaters.	Digital, non-programmable model delivers exceptional accuracy. Ideal for radiant ceiling panels and baseboard. Can be used for fan-forced heaters.	Digital, programmable high capacity model delivers exceptional accuracy. Ideal for radiant ceiling panels and baseboard. Can be used for fan-forced heaters and resistive loads.	Digital, programmable model delivers exceptional accuracy. Ideal for radiant ceiling panels and baseboard. Can be used for fan-forced heaters.	Wireless, digital and programmable model delivers exceptional accuracy. Ideal for radiant ceiling panels and baseboard. Can be used for fan-forced heaters.



## THERMOSTATS | ELECTRONIC DIGITAL LOW VOLTAGE



	T8775A1009	T8775C1005	TH5220D1003
ACTION	Electronic Switch	Electronic Switch	Electronic Switch
TYPE	24V .015 -1.0A @ 30V 2-wire	24V .015 -1.0A @ 30V 2-wire	24V .015 -1.0A @ 30V 5-wire
WATT RATING	-	-	-
120V	n/a	n/a	n/a
208V	n/a	n/a	n/a
240V	n/a	n/a	n/a
277V	n/a	n/a	n/a
PILOT DUTY	24VAC	24VAC	24VAC
TEMP. RANGE (°F)	40°F to 90°F	40°F to 90°F	40°F to 90°F
DIFFERENTIAL	Accuracy: Within 1°F of setpoint	Accuracy: Within 1°F of setpoint	Accuracy: Within 1°F of set
FEATURES	Digital, non-programmable 24V "Round" model delivers exceptional accuracy. (Heat Only)	Digital, non-programmable 24V "Round" model delivers exceptional accuracy. (Heat and Cool)	Digital, 24V programmable 2-stage 5-7 wire heat and cool thermostat. One-touch temperature control with exceptional accuracy. Ideal for plenum heaters, and HVAC systems.

## THERMOSTATS | LINE VOLTAGE



	MS26	MD26	M601W	M602W	M601TPW	M602TPW	M611W	M612W
ACTION	Snap Action		Snap Action		Snap Action		Snap Action	
TYPE	SPST	DPST	SPST	DPST	SPST	DPST	SPST	DPST
WATT RATING	Model MD26 has Positive OFF		Model M602W has Positive OFF		Model M602TPW has Positive OFF		Model M612W has Positive OFF	
120V	22A		22A		22A		22A	
208V	22A		22A		22A		22A	
240V	22A		22A		22A		22A	
277V	18A		18A		18A		18A	
PILOT DUTY	No		Yes 125VA		Yes 125VA		Yes 125VA	
TEMP. RANGE (°F)	50°F to 80°F		45°F to 75°F		45°F to 75°F		45°F to 75°F	
DIFFERENTIAL	+/- 5°F		+/- 4°F		+/- 4°F		+/- 2 1/2°F	
FEATURES	These economy thermostats are the snap action type that are used in apartment construction. Good thermostat for its value. Ideal for radiant cove heaters and baseboard.		These bi-metal snap-action thermostats are sensitive. Large knob allow for easy adjustment.		Same as M601W and M602W except the cover mounting cover offer tamper-proof feature.		Built-in heat anticipator assures closer control of room temperature.	



	M600MTP	M600S	T100	T200	WR651	WR661
ACTION	Modulation (2-stage)		Simultaneous switching (double ckt)		Snap Action with Heat Anticipator	
TYPE	DPST				SPST	DPST
WATT RATING						
120V	22A		22A		22A	
208V	22A		22A		22A	
240V	22A		22A		22A	
277V	18A		18A		na	
PILOT DUTY	Yes 125VA		Yes 125VA		Yes 125VA	
TEMP. RANGE (°F)	50°F to 80°F		50°F to 80°F		50°F to 90°F	
DIFFERENTIAL	Accuracy: Within 3°F of setpoint		Accuracy: Within 3°F of setpoint		+/- 2 1/2°F	
FEATURES	One thermostat controls two separate heating circuits and reduces input during light load periods. Second stage activates when temperature drops to approx. 1-1/2°F below the first stage turn-ON temperature.		Simultaneous control of two heating loads. Used where the total load slightly exceeds capacity of a single switch, where two thermostats are impractical. Both switches are calibrated to operate at approx. the same temperature.		Line voltage thermostat with everything; Performance, reliability, durability, and a large knob. Built-in heat anticipation assures close temperature regulation. Large knob for easy rotation.	
	Extra-sensitive element in control knob senses radiant heat as well as air temperature for ultimate control. May cause slight radio or television interference in outlying fringe areas.					



# THERMOSTATS & CONTROLS

## CONTROLS | SPECIALTY



	WR80	JC80EP	WT11A	WT12A	LTR SERIES
ACTION	Snap Action Switch	Snap Action Switch	Positive snap action switch		Electronic Relays
TYPE	SPST	SPST	SPDT		Microprocessor base design
WATT RATING			Nema 4X rated		These electronic relays have been designed for silent control of high voltage resistive loads from a low voltage control circuit. Inductive motor loads can also be controlled (120V to 240V only). Compatible with 24V thermostats. LTR1120 - 120V; 22A LTR208240 - 208V/240V; 22A LTR1277 - 277V; 19A
120V	25A	25A	25A	n/a	
208V	22A	22A	25A		
240V	22A	22A	25A		
277V	18A	18A	22A		
PILOT DUTY	Yes 125VA	Yes 125VA	Yes 125VA		
TEMP. RANGE (°F)	40°F to 90°F	40°F to 90°F	40°F to 110°F		
DIFFERENTIAL	+/- 3°F	+/- 3°F	+/- 2 1/2°F		
FEATURES	Rugged design for garages, factories, warehouses and similar commercial and industrial installations. The WR80 can control several heaters by using an external contractor.	This explosion proof room thermostat is suitable for Class 1, Group D and Class II, Groups E, F, and G locations.	Nema 4X weatherproof enclosure. The control has a SPDT output and can be used for heating or cooling (ventilation) Multi-positional mounting offers flexibility in new or existing installations.		The relays can be used with model LT186F01 electronic room sensor, providing proportional and integral control. Also can be tied to building management systems.



	LTR2240	TC1	M600THW	M600THB
ACTION	Dual Silent Relay	Enclosure protection for thermostats.	M600THW - White thermostat cover with built-in thermometer. For M600 Series stats.	M600THB - Beige thermostat cover with built-in thermometer. For M600 Series stats.
TYPE	(2) single pole switches			
WATT RATING	Resistive Inductive	Material: Impact resistant polycarbonate. Clear. Dimensions are: 7" L X 4.28" H X 2.75" D		
120V	N/A			
208V	25A 1HP, 8.8A			
240V	25A 1HP, 8A			
277V	N/A			
PILOT DUTY	Yes 125VA	Thermostat enclosure kits are designed to protect the thermostat. Circulating slots allow airflow for proper operation. Guards are lockable and a key is provided to maintain security.		
TEMP. RANGE (°F)	Can be operate in 20 to 140°F			
DIFFERENTIAL	Accuracy: Within 1.5°F of setpoint			
FEATURES	This dual level temperature relay may be used to operate two separate heating loads by means of a single low voltage thermostat. Relay is mounted in an enclosure.		Minimum 50pcs Allow 4 weeks.	



## CERTIFICATION DESCRIPTIONS



These products are U.L. listed by Underwriters Laboratory, ensuring that the products have passed Underwriters Laboratory's rigorous testing procedures for electrical products and have assigned the listing number required for specific electrical codes.

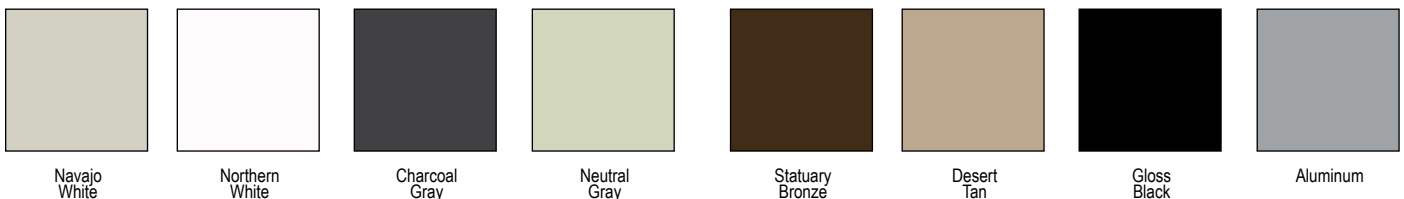


The CSA mark is recognized and accepted throughout Canada and the U.S., at federal, state, provincial, and municipal levels. It means that the product is certified for the Canadian and US markets, and is certified to the applicable Canadian and US standards.



A product bearing the c ETL us Listed mark signifies that it was tested and meets the minimum requirements of prescribed product safety standards for US and Canada. Moreover, the mark indicates that the manufacturer's production site conforms to a range of compliance measures and is subject to periodic follow-up inspections to verify continued conformance.

## PAINT POLICY



- For applications that require a primer coat, a Neutral Gray powder coat will be provided as standard color. Consult factory for more information.
- All colors are approximate (as nearly correct as can be produced by modern printing). See below for Paint Policy.
- There is a setup charge per order and per custom color. See latest pricebook for setup charge.
- To minimize the possibility of error when ordering material painted a custom color, a color chip of the custom color must be included with the order. The chip must be a minimum 3 x 5 in. and be of the same material as the enclosure of the ordered heater (ie. steel or aluminum).

## CUSTOM ENGINEERED CONVECTORS

- Sill Height and Pedestal Convectors are custom engineered for continuous (wall to wall) enclosure with shorter element length.
- Special angled inside and outside corners with angles between 45° and 180° (aluminum convectors).
- Blank section custom fabricated to any 1/4-in. dimension between 9 and 120 in.
- Consult factory representative for special engineering charges and delivery information.









# 2016-17 PRODUCT CATALOG



470 Beauty Spot Road, East  
Bennettsville, SC 29512  
Tel: (843) 479-4006

[www.qmarkmep.com](http://www.qmarkmep.com)

QCAT\_PRODUCT2016\_0117-1  
© 2016 Marley Engineered Products  
Specifications are subject to change without notice.