



Date: _____
 Project: _____
 Fixture Type: _____



inspire CHANNEL

Slim Square Angled Recessed

Inspire Channel Specifications

Tape Light Compatibility

(see page 10 for details)

- Inspire V5 Spec 1.5
- Inspire V5 Spec 2.8
- Inspire V5 Spec 5.0
- Inspire V5 Spec 7.5
- Inspire V5 Standard Eco
- Inspire V5 Standard Bright
- Inspire V5 Standard Super Bright
- Inspire V4 NanoSKN Bright
- Inspire V4 NanoSKN Super Bright
- Inspire V4 NanoSKN RGB
- Inspire V4 Nude Bright
- Inspire V4 Nude Super Bright
- Inspire V4 Nude RGB

Lengths

- 3FT
- 6FT
- Custom Length*

Lens Options

(see pages 12-13 for diffusion rates)

Inspire Slim Channel

- Standard, Clear
- Standard, Frosted
- Tall, Frosted

Inspire Square Channel

- Standard, Clear
- Standard, Frosted
- Tall, Frosted

Inspire Angled Channel

- Angled, Clear
- Angled, Frosted

Inspire Recessed Channel

- Standard, Clear
- Standard, Frosted

Product Color

 Anodized Aluminum

End Cap Sets

Inspire Slim Channel

- Standard, Slim Set (for Standard Lenses)
- Tall, Slim Set (for Tall Lenses)

Inspire Square Channel

- Standard, Square Set (for Standard Lenses)
- Tall, Square Set (for Tall Lenses)

Inspire Angled Channel

- Angled Set

Inspire Recessed Channel

- Recessed Set

Mounting

Inspire Slim Channel

- Surface Mount (using Surface Mount Clips)

Inspire Square Channel

- Surface Mount (using Surface Mount Clips)

Inspire Angled Channel

- Angled Mount (using Angled Surface Mount Clips)

Inspire Recessed Channel

- Recessed Mount (using Recessed Mounting Hardware)

Dimensions

See pages 2-9 for dimensions

Warranty

5 Year Limited

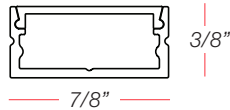
Environment

- IP54 Indoor, Damp (with a lens and end caps)
- IP20 Indoor, Dry (without a lens and/or end caps)

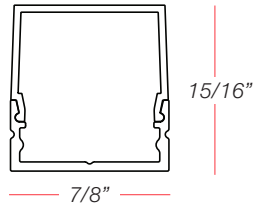
*For custom lengths of Inspire Channel and Inspire V5 LED Tape Light, see pages 16-20 for our **Custom Length Tape & Channel Configurator**.

Inspire Slim Channel

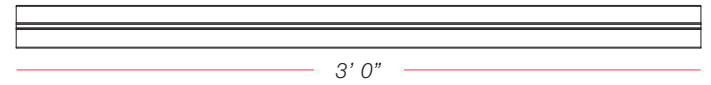
Dimensions



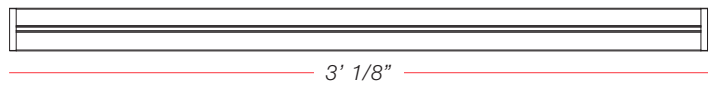
Standard Lens
(Clear or Frosted; Actual Size*)



Tall Lens
(Actual Size*)



without End Caps

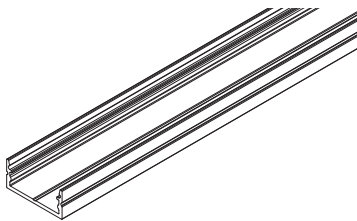


with End Caps

All end caps add 1/8" to the overall length of the fixture once installed.
Above is an example of a 3ft fixture with and without end caps.

*Must print at 100% (no scaling) for size to be accurate.

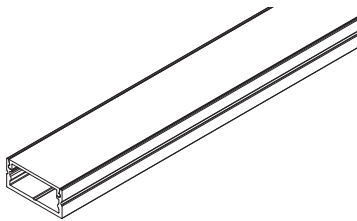
Channels



Inspire Slim Channel

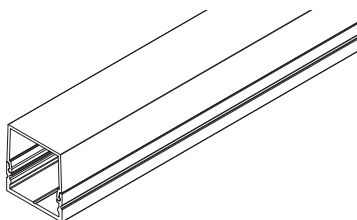
Part #	Length	Product Color
CH1-SLM-3	3FT	Anodized Aluminum
CH1-SLM-6	6FT	Anodized Aluminum

Lens Options



Standard Lenses

Part #	Length	Lens Type	Light Transmittance**	Compatible End Caps
CH1-LENS-STFR-3	3FT	Frosted	85%	Standard, Slim
CH1-LENS-STFR-6	6FT	Frosted	85%	Standard, Slim
CH1-LENS-STCL-3	3FT	Clear	92%	Standard, Slim
CH1-LENS-STCL-6	6FT	Clear	92%	Standard, Slim



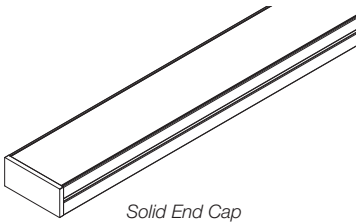
Tall Lenses

Part #	Length	Lens Type	Light Transmittance**	Compatible End Caps
CH1-LENS-TFR-3	3FT	Frosted	85%	Tall, Slim
CH1-LENS-TFR-6	6FT	Frosted	85%	Tall, Slim

**See page 11 for more details.

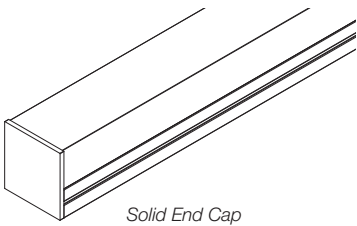
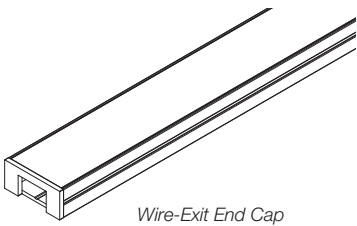
Inspire Slim Channel

End Cap Sets



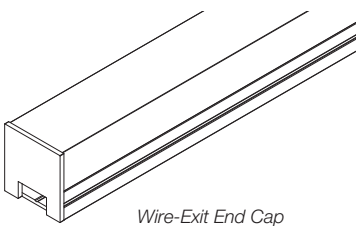
Standard, Slim End Cap Set

Part #	Compatible Lens	Included Parts
CH1-END-STSLM	Standard Lenses (clear or frosted)	(x1) Solid End Cap (x1) Wire-Exit End Cap

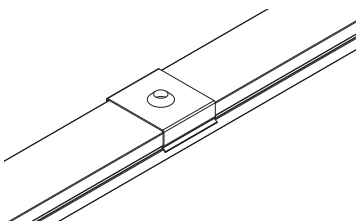


Tall, Slim End Cap Set

Part #	Compatible Lens	Included Parts
CH1-END-TSLM	Tall, Frosted Lens	(x1) Solid End Cap (x1) Wire-Exit End Cap



Mounting Hardware Sets

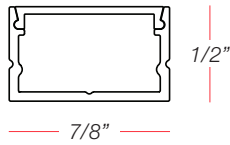


Surface Mount Hardware

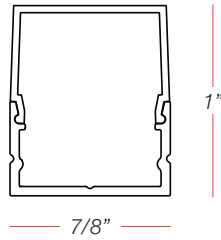
Part #	Included Parts
CH1-MNT-SM	(x3) Surface Mount Clips (x3) Screws

Inspire Square Channel

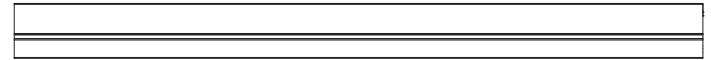
Dimensions



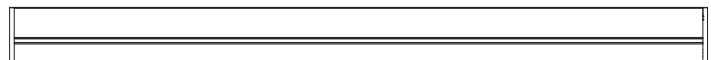
Standard Lens
(Clear or Frosted; Actual Size*)



Tall Lens
(Actual Size*)



3' 0"
without End Caps

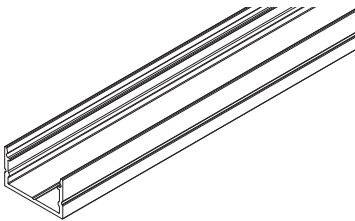


3' 1/8"
with End Caps

All end caps add 1/8" to the overall length of the fixture once installed.
Above is an example of a 3ft fixture with and without end caps.

*Must print at 100% (no scaling) for size to be accurate.

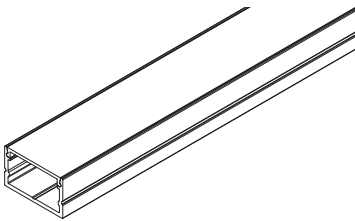
Channels



Inspire Square Channel

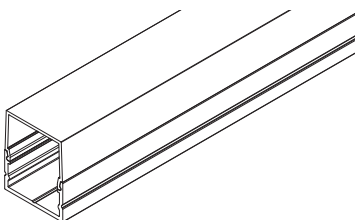
Part #	Length	Product Color
CH1-SQ-3	3FT	Anodized Aluminum
CH1-SQ-6	6FT	Anodized Aluminum

Lens Options



Standard Lenses

Part #	Length	Lens Type	Light Transmittance**	Compatible End Caps
CH1-LENS-STFR-3	3FT	Frosted	85%	Standard, Square
CH1-LENS-STFR-6	6FT	Frosted	85%	Standard, Square
CH1-LENS-STCL-3	3FT	Clear	92%	Standard, Square
CH1-LENS-STCL-6	6FT	Clear	92%	Standard, Square



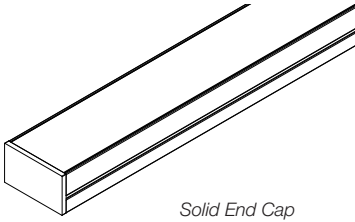
Tall Lenses

Part #	Length	Lens Type	Light Transmittance**	Compatible End Caps
CH1-LENS-TFR-3	3FT	Frosted	85%	Tall, Square
CH1-LENS-TFR-6	6FT	Frosted	85%	Tall, Square

**See page 11 for more details.

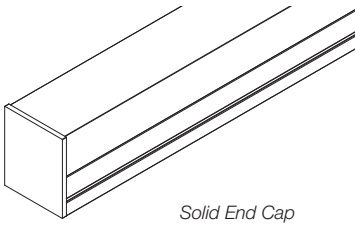
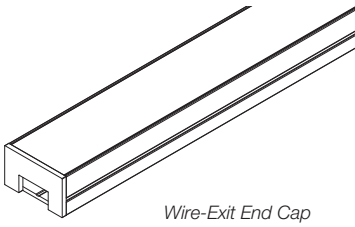
Inspire Square Channel

End Cap Sets



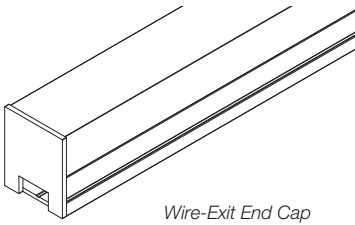
Standard, Square End Cap Set

Part #	Compatible Lens	Included Parts
CH1-END-STSQ	Standard Lenses (clear or frosted)	(x1) Solid End Cap (x1) Wire-Exit End Cap

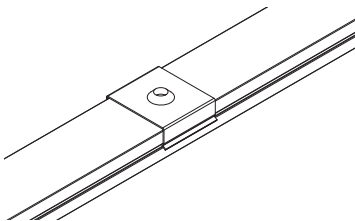


Tall, Square End Cap Set

Part #	Compatible Lens	Included Parts
CH1-END-TSQ	Tall, Frosted Lens	(x1) Solid End Cap (x1) Wire-Exit End Cap



Mounting Hardware Sets

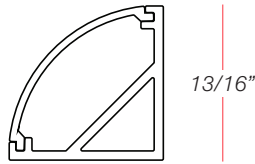


Surface Mount Hardware

Part #	Included Parts
CH1-MNT-SM	(x3) Surface Mount Clips (x3) Screws

Inspire Angled Channel

Dimensions



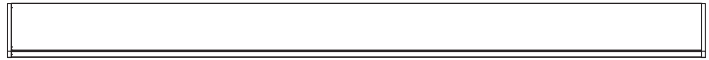
13/16"

Angled Lens
(Clear or Frosted; Actual Size*)



3' 0"

without End Caps



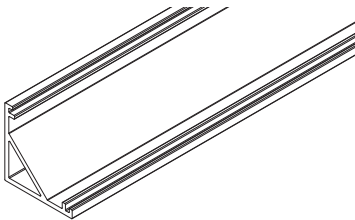
3' 1/8"

with End Caps

All end caps add 1/8" to the overall length of the fixture once installed.
Above is an example of a 3ft fixture with and without end caps.

*Must print at 100% (no scaling) for size to be accurate.

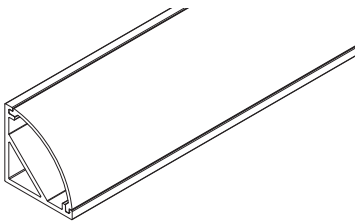
Channels



Inspire Angled Channel

Part #	Length	Product Color
CH1-ANG-3	3FT	Anodized Aluminum
CH1-ANG-6	6FT	Anodized Aluminum

Lens Options



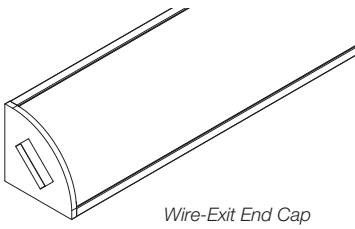
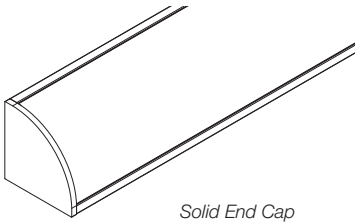
Angled Lenses

Part #	Length	Lens Type	Light Transmittance**	Compatible End Caps
CH1-LENS-ANGFR-3	3FT	Frosted	85%	Angled
CH1-LENS-ANGFR-6	6FT	Frosted	85%	Angled
CH1-LENS-ANGCL-3	3FT	Clear	92%	Angled
CH1-LENS-ANGCL-6	6FT	Clear	92%	Angled

**See page 11 for more details.

Inspire Angled Channel

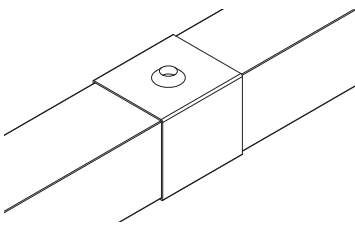
End Cap Sets



Angled End Cap Set

Part #	Compatible Lens	Included Parts
CH1-END-ANG	Angled Lenses (clear or frosted)	(x1) Solid End Cap (x1) Wire-Exit End Cap

Mounting Hardware Sets



Angled Surface Mount Hardware

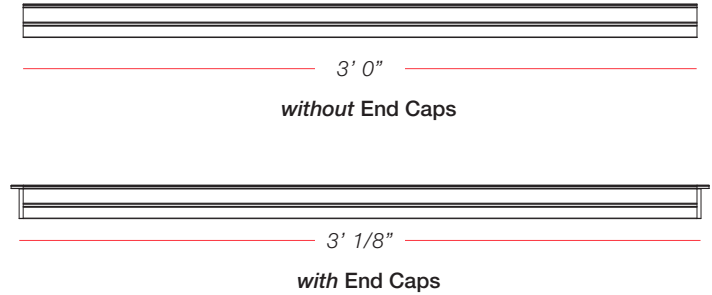
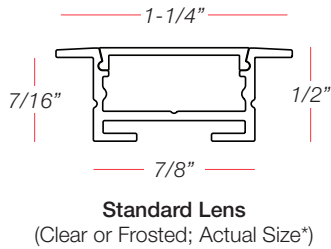
Part #	Included Parts
CH1-MNT-ANG	(x3) Surface Mount Clips (x3) Screws

inspire CHANNEL



Inspire Recessed Channel

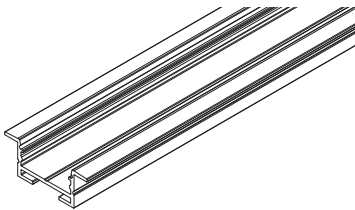
Dimensions



All end caps add 1/8" to the overall length of the fixture once installed (excludes the recessed flanges on the end caps). Above is an example of a 3ft fixture with and without end caps.

*Must print at 100% (no scaling) for size to be accurate.

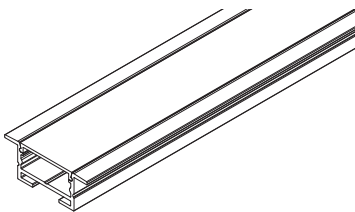
Channels



Inspire Recessed Channel

Part #	Length	Product Color
CH1-REC-3	3FT	Anodized Aluminum
CH1-REC-6	6FT	Anodized Aluminum

Lens Options



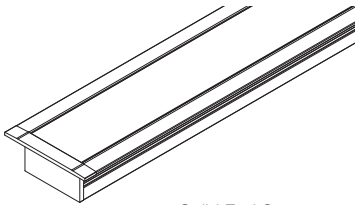
Standard Lenses

Part #	Length	Lens Type	Light Transmittance**	Compatible End Caps
CH1-LENS-STFR-3	3FT	Frosted	85%	Recessed
CH1-LENS-STFR-6	6FT	Frosted	85%	Recessed
CH1-LENS-STCL-3	3FT	Clear	92%	Recessed
CH1-LENS-STCL-6	6FT	Clear	92%	Recessed

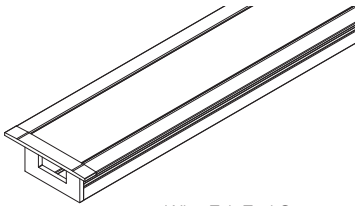
**See page 11 for more details.

Inspire Recessed Channel

End Cap Sets



Solid End Cap

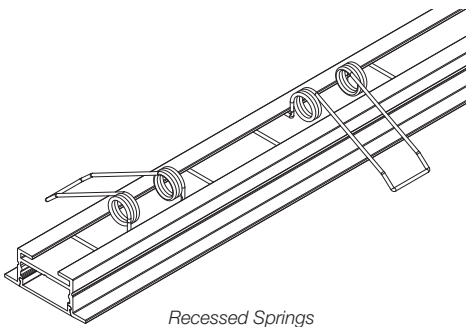


Wire-Exit End Cap

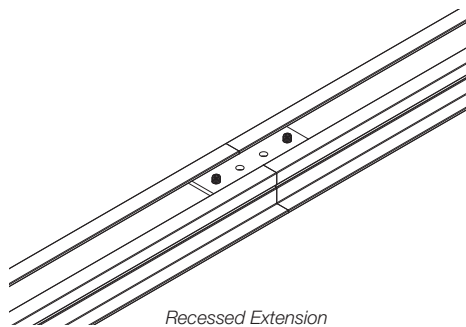
Recessed End Cap Set

Part #	Included Parts	Compatible Lens
CH1-END-REC	(x1) Solid End Cap (x1) Wire-Exit End Cap	Standard Lenses (clear or frosted)

Mounting Hardware Sets



Recessed Springs






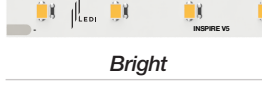
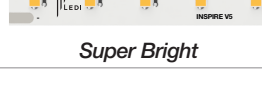
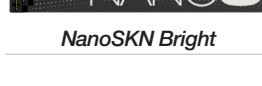
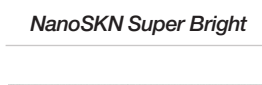

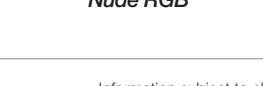


Recessed Extension

Recessed Mounting Hardware

Part #	Included Parts
CH1-MNT-REC	(x2) Recessed Springs (x1) Recessed Extension (connects two recessed channels together) (x2) Set Screws (to attach the recessed extension) (x1) Allen Wrench

Inspire LED Tape Light

LED Tape Light	Colors	Lumens/FT	Watts/FT	Max Run Length
 <p>Spec 1.5</p>	<ul style="list-style-type: none"> 4000K 3500K 3000K 2700K 2100K 1800K 	Coming Soon Coming Soon Coming Soon Coming Soon Coming Soon Coming Soon	1.5W/FT	Coming Soon
 <p>Spec 2.8</p>	<ul style="list-style-type: none"> 4000K 3500K 3000K 2700K 2100K 1800K 	303 LM/FT 319 LM/FT 298 LM/FT 273 LM/FT 246 LM/FT 235 LM/FT	2.8W/FT	35FT
 <p>Spec 5.0</p>	<ul style="list-style-type: none"> 4000K 3500K 3000K 2700K 2100K 1800K 	610 LM/FT 595 LM/FT 565 LM/FT 514 LM/FT 491 LM/FT 362 LM/FT	5.0W/FT	20FT
 <p>Spec 7.5</p>	<ul style="list-style-type: none"> 4000K 3500K 3000K 2700K 2100K 1800K 	826 LM/FT 872 LM/FT 774 LM/FT 698 LM/FT 670 LM/FT 604 LM/FT	7.5W/FT	13FT
 <p>Eco</p>	<ul style="list-style-type: none"> 4000K 3500K 3000K 2700K 2100K 1800K 	Coming Soon Coming Soon Coming Soon Coming Soon Coming Soon Coming Soon	1.4W/FT	Coming Soon
 <p>Bright</p>	<ul style="list-style-type: none"> 4000K 3500K 3000K 2700K 2100K 1800K 	196 LM/FT 194 LM/FT 187 LM/FT 178 LM/FT 161 LM/FT 142 LM/FT	2.2W/FT	45FT
 <p>Super Bright</p>	<ul style="list-style-type: none"> 4000K 3500K 3000K 2700K 2100K 1800K 	490 LM/FT 465 LM/FT 460 LM/FT 400 LM/FT 398 LM/FT 349 LM/FT	4.2W/FT	23FT
 <p>NanoSKN Bright</p>	<ul style="list-style-type: none"> 4000K 3500K 3000K 2700K 2100K 1800K 	180 LM/FT 175 LM/FT 165 LM/FT 145 LM/FT 140 LM/FT 115 LM/FT	2.2W/FT	45FT
 <p>NanoSKN Super Bright</p>	<ul style="list-style-type: none"> 4000K 3500K 3000K 2700K 2100K 1800K 	335 LM/FT 325 LM/FT 310 LM/FT 270 LM/FT 260 LM/FT 225 LM/FT	4.2W/FT	23FT
 <p>NanoSKN RGB</p>	<ul style="list-style-type: none"> Red Green Blue ALL 	32 LM/FT 108 LM/FT 31 LM/FT 180 LM/FT	4.4W/FT	22FT
 <p>Nude RGB</p>	<ul style="list-style-type: none"> Red Green Blue ALL 	32 LM/FT 108 LM/FT 31 LM/FT 180 LM/FT	4.4W/FT	22FT

Inspire V5 Spec

Spec grade LED tape light for task lighting applications. Gold circuit board and perfect diffusion with all Inspire Channels.

Inspire V5 Standard

Standard LED tape light for accent & task lighting applications with excellent performance.

Inspire V4 NanoSKN

NanoSKN coated LED tape light for damp-rated applications.

Inspire V4 Nude

Uncoated RGB LED tape light for accent lighting.

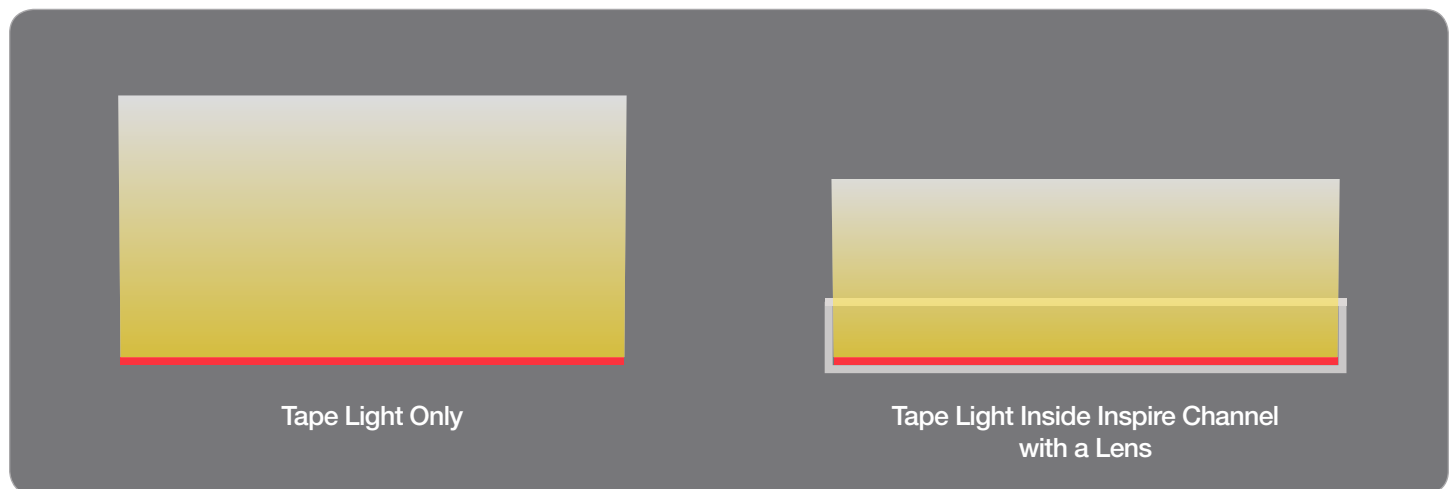
Light Transmittance

Light Transmittance is the amount of light that passes through a lens, which impacts the lumens per foot.

Light Transmittance of Each Lens

- Standard, Frosted Lens = 85%
- Tall, Frosted Lens = 85%
- Angled, Frosted Lens = 85%
- Standard, Clear Lens = 92%
- Angled, Clear Lens = 92%

Example: A run of Inspire V5 Spec 5.0 at 3000K has 565 lumens per foot (tape light only). When paired with an Inspire Channel using a STANDARD, FROSTED lens, the lumens decrease to about 480 lumens per foot.



Diffusion Scale

The Inspire Channels have several different lens options that diffuse differently based on the LED tape light inside the channel. Using the scale below you may quickly identify how each lens diffuses each model of LED tape light. See page 13 for a complete list of how each model of Inspire LED tape light diffuses when paired with a specific Inspire Channel. **NOTE: Printing may cause the images below to appear incorrectly.**



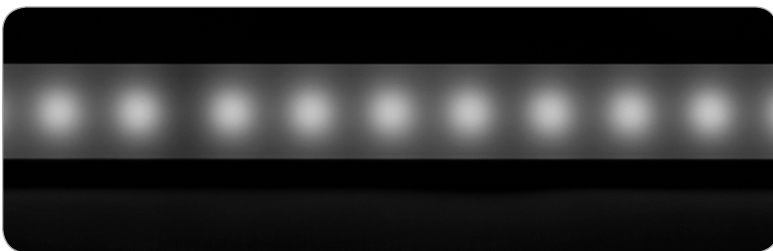
Flawless Diffusion

No LEDs visible. Perfect diffusion that creates a seamless bar of light.



Near-Flawless Diffusion

LEDs are hardly visible. Minor shadows may be visible around the LEDs.



Minimal Diffusion

LEDs visible. Shadows are visible around LEDs and the edges of the lens.



No Diffusion

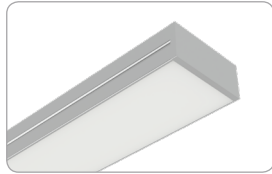
Bare LEDs completely visible.

inspire CHANNEL

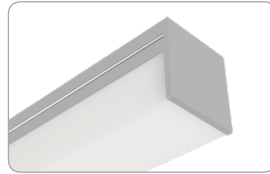


Inspire Channel Diffusion

See page 12 for the Inspire Channel diffusion scale.



Inspire Slim Channel with Standard, Frosted Lens



Inspire Slim Channel with Tall, Frosted Lens



Inspire Recessed Channel with Standard, Frosted Lens

LED Tape Light	Diffusion
Inspire V5 Spec 1.5	Flawless
Inspire V5 Spec 2.8	Flawless
Inspire V5 Spec 5.0	Flawless
Inspire V5 Spec 7.5	Flawless
Inspire V5 Standard Eco	Coming Soon
Inspire V5 Standard Bright	Minimal
Inspire V5 Standard Super Bright	Near-Flawless
Inspire V4 NanoSKN Bright	Minimal
Inspire V4 NanoSKN Super Bright	Minimal
Inspire V4 NanoSKN RGB	Minimal
Inspire V4 Nude RGB	Minimal

LED Tape Light	Diffusion
Inspire V5 Spec 1.5	Flawless
Inspire V5 Spec 2.8	Flawless
Inspire V5 Spec 5.0	Flawless
Inspire V5 Spec 7.5	Flawless
Inspire V5 Standard Eco	Coming Soon
Inspire V5 Standard Bright	Near-Flawless
Inspire V5 Standard Super Bright	Near-Flawless
Inspire V4 NanoSKN Bright	Near-Flawless
Inspire V4 NanoSKN Super Bright	Near-Flawless
Inspire V4 NanoSKN RGB	Near-Flawless
Inspire V4 Nude RGB	Near-Flawless

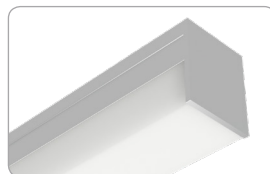
LED Tape Light	Diffusion
Inspire V5 Spec 1.5	Flawless
Inspire V5 Spec 2.8	Flawless
Inspire V5 Spec 5.0	Flawless
Inspire V5 Spec 7.5	Flawless
Inspire V5 Standard Eco	Coming Soon
Inspire V5 Standard Bright	Minimal
Inspire V5 Standard Super Bright	Near-Flawless
Inspire V4 NanoSKN Bright	Minimal
Inspire V4 NanoSKN Super Bright	Minimal
Inspire V4 NanoSKN RGB	Minimal
Inspire V4 Nude RGB	Minimal

NOTE: An Inspire Slim Channel paired with a STANDARD, CLEAR lens is considered "No Diffusion".

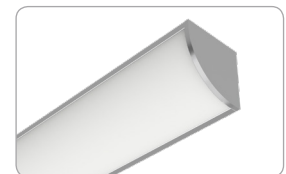
NOTE: An Inspire Recessed Channel paired with a STANDARD, CLEAR lens is considered "No Diffusion".



Inspire Square Channel with Standard, Frosted Lens



Inspire Square Channel with Tall, Frosted Lens



Inspire Angled Channel with Angled, Frosted Lens

LED Tape Light	Diffusion
Inspire V5 Spec 1.5	Flawless
Inspire V5 Spec 2.8	Flawless
Inspire V5 Spec 5.0	Flawless
Inspire V5 Spec 7.5	Flawless
Inspire V5 Standard Eco	Coming Soon
Inspire V5 Standard Bright	Minimal
Inspire V5 Standard Super Bright	Near-Flawless
Inspire V4 NanoSKN Bright	Minimal
Inspire V4 NanoSKN Super Bright	Minimal
Inspire V4 NanoSKN RGB	Minimal
Inspire V4 Nude RGB	Minimal

LED Tape Light	Diffusion
Inspire V5 Spec 1.5	Flawless
Inspire V5 Spec 2.8	Flawless
Inspire V5 Spec 5.0	Flawless
Inspire V5 Spec 7.5	Flawless
Inspire V5 Standard Eco	Coming Soon
Inspire V5 Standard Bright	Flawless
Inspire V5 Standard Super Bright	Flawless
Inspire V4 NanoSKN Bright	Flawless
Inspire V4 NanoSKN Super Bright	Flawless
Inspire V4 NanoSKN RGB	Flawless
Inspire V4 Nude RGB	Flawless

LED Tape Light	Diffusion
Inspire V5 Spec 1.5	Flawless
Inspire V5 Spec 2.8	Flawless
Inspire V5 Spec 5.0	Flawless
Inspire V5 Spec 7.5	Flawless
Inspire V5 Standard Eco	Coming Soon
Inspire V5 Standard Bright	Minimal
Inspire V5 Standard Super Bright	Near-Flawless
Inspire V4 NanoSKN Bright	Minimal
Inspire V4 NanoSKN Super Bright	Minimal
Inspire V4 NanoSKN RGB	Minimal
Inspire V4 Nude RGB	Minimal

NOTE: An Inspire Square Channel paired with a STANDARD, CLEAR lens is considered "No Diffusion".

NOTE: An Inspire Angled Channel paired with a ANGLED, CLEAR lens is considered "No Diffusion".

Hybrid MLV & Incandescent Dimmable 120V Drivers

Compatible with Magnetic Low Voltage (MLV), Incandescent, & CFL/LED TRIAC Dimmers only (see our Dimmer Compatibility List).



Part #	Description	Watts	Input Voltage	Output Voltage	Dimensions (LxWxH)	Environment	Certifications
DR-20W-24VDC-120V-2-MLV-m	20W Hybrid MLV & Incandescent Dimmable Hardwire Driver	20W	120V AC	24V DC	6-3/4" x 2-11/16" x 1-1/4" (172 x 69 x 32mm)	NEMA 3R	NEC CLASS 2
DR-40W-24VDC-120V-2-MLV-m	40W Hybrid MLV & Incandescent Dimmable Hardwire Driver	40W	120V AC	24V DC	6-3/4" x 2-11/16" x 1-1/4" (172 x 69 x 32mm)	NEMA 3R	NEC CLASS 2
DR-60W-24VDC-120V-2-MLV-m	60W Hybrid MLV & Incandescent Dimmable Hardwire Driver	60W	120V AC	24V DC	6-3/4" x 2-11/16" x 1-1/4" (172 x 69 x 32mm)	NEMA 3R	NEC CLASS 2
DR-96W-24VDC-120V-2-MLV-m	96W Hybrid MLV & Incandescent Dimmable Hardwire Driver	96W	120V AC	24V DC	6-3/4" x 2-11/16" x 1-1/4" (172 x 69 x 32mm)	NEMA 3R	NEC CLASS 2

Magnetic Low Voltage Dimmable 120V Drivers

Compatible with Magnetic Low Voltage (MLV) TRIAC Dimmers only (see our Dimmer Compatibility List).



Part #	Description	Watts	Input Voltage	Output Voltage	Dimensions (LxWxH)	Environment	Certifications
DR-150W-24VDC-DIM	150W MLV Dimmable Hardwire Driver	150W	120V AC	24V DC	9-13/16" x 3" x 3" (250 x 77 x 77mm)	NEMA 3R	
DR-192W-24VDC-DIM	192W MLV Dimmable Hardwire Driver	192W (2 x 96W)	120V AC	24V DC	11-5/16" x 4-3/4" x 4-1/4" (288 x 121 x 108mm)	NEMA 3R	NEC CLASS 2
DR-200W-24VDC-DIM	200W MLV Dimmable Hardwire Driver	200W	120V AC	24V DC	9-13/16" x 3" x 3" (250 x 77 x 77mm)	NEMA 3R	
DR-288W-24VDC-DIM	288W MLV Dimmable Hardwire Driver	288W (3 x 96W)	120V AC	24V DC	11-5/16" x 4-3/4" x 4-1/4" (288 x 121 x 108mm)	NEMA 3R	NEC CLASS 2
DR-300W-24VDC-DIM	300W MLV Dimmable Hardwire Driver	300W	120V AC	24V DC	9-13/16" x 4-3/16" x 3-1/2" (250 x 107 x 89mm)	NEMA 3R	

Electronic Plug-In Non-Dimmable 120-240V Drivers

Compatible with both Inspire V4 and Inspire V5 LED Tape Light.













Part #	Description	Watts	Input Voltage	Output Voltage	Dimensions (LxWxH)	Environment	Certifications
DR-36W-24VDC-120V-2-ND-e	36W Electronic Wall Plug-In Non-Dimmable Driver	36W	120-240V AC	24V DC	3-3/4" x 1-7/8" x 1-3/16" (96 x 48 x 31mm)	Indoor, Dry Location Only	NEC CLASS 2
DR-96W-24VDC-120V-2-ND-e	96W Electronic Wall Plug-In Non-Dimmable Driver	96W	120-240V AC	24V DC	5-1/8" x 2-5/16" x 1-1/4" (131 x 59 x 32mm)	Indoor, Dry Location Only	NEC CLASS 2
DR-144W-24VDC-120V-1-ND-e	144W Electronic Wall Plug-In Non-Dimmable Driver	144W	120-240V AC	24V DC	6-3/4" x 2-7/8" x 1-1/4" (172 x 73 x 32mm)	Indoor, Dry Location Only	

Electronic 0-10V Dimmable 120-277V Drivers

Compatible with 0-10V Dimmers only.



Part #	Description	Watts	Input Voltage	Output Voltage	Dimensions (LxWxH)	Environment	Certifications
DR-25W-24VDC-DIM10	25W Electronic 0-10V Dimmable Hardwire Driver. UL Recognized.	25W	120-277V AC	24V DC	9-1/2" x 1-11/16" x 1-1/8" (242 x 43 x 29mm)	IP66	NEC CLASS 2  US
DR-60W-24VDC-DIM10	60W Electronic 0-10V Dimmable Hardwire Driver. UL Recognized.	60W	120-277V AC	24V DC	9-1/2" x 1-11/16" x 1-1/8" (242 x 43 x 29mm)	IP66	NEC CLASS 2  US
DR-60W-24VDC-U-2-10-c	60W Electronic 0-10V Dimmable Hardwire Driver. UL Listed.	60W	120-277V AC	24V DC	9-1/2" x 1-11/16" x 1-1/8" (242 x 43 x 29mm) (mounted to a standard 4 inch US electrical box)	IP66	NEC CLASS 2  LISTED US
DR-100W-24VDC-DIM10	100W Electronic 0-10V Dimmable Hardwire Driver. UL Recognized.	100W	120-277V AC	24V DC	9-1/2" x 2-3/8" x 1-7/16" (242 x 60 x 37mm)	IP66	NEC CLASS 2  US
DR-100W-24VDC-U-2-10-c	100W Electronic 0-10V Dimmable Hardwire Driver. UL Listed.	100W	120-277V AC	24V DC	9-1/2" x 2-3/8" x 1-7/16" (242 x 60 x 37mm) (mounted to a standard 4 inch US electrical box)	IP66	NEC CLASS 2  LISTED US
DR-150W-24VDC-U-1-10-w	150W Electronic 0-10V Dimmable Hardwire Driver. UL Recognized.	150W	120-277V AC	24V DC	9" x 2-11/16" x 1-1/2" (229 x 69 x 39mm)	IP67	 US
DR-200W-24VDC-U-2-10-g	200W Electronic 0-10V Dimmable Hardwire Driver. UL Listed.	200W (2 x 100W)	120-277V AC	24V DC	12-1/4" x 4-1/2" x 2-3/8" (312 x 115 x 61mm)	IP65	NEC CLASS 2  LISTED US
DR-240W-24VDC-U-1-10-w	240W Electronic 0-10V Dimmable Hardwire Driver. UL Recognized.	240W	120-277V AC	24V DC	9-5/8" x 2-11/16" x 1-1/2" (245 x 69 x 39mm)	IP67	 US
DR-320W-24VDC-U-1-10-w	320W Electronic 0-10V Dimmable Hardwire Driver. UL Recognized.	320W	120-277V AC	24V DC	9-5/16" x 3-9/16" x 1-3/4" (232 x 91 x 45mm)	IP67	 US
DR-600W-24VDC-U-1-10-w	600W Electronic 0-10V Dimmable Hardwire Driver. UL Recognized.	600W	120-277V AC	24V DC	11" x 5-11/16" x 1-15/16" (280 x 145 x 50mm)	IP67	 US

Custom Length Tape & Channel Configurator

Follow this step-by-step guide to configure your own custom length Inspire Channel and LED tape light. Also, contact LEDI for our **Inspire V5 Custom Length Configurator** tool, which helps quickly build and price your own custom length LED tape light & channel for your next project.

Step 1 Choose Your Tape Light

V5-SPEC-28


Tape Light Code

Step 2 Choose Your Color Temp.


30

Color Temp. Code


Inspire V5 Spec 1.5¹
Code **V5-SPEC-15**




Inspire V4 NanoSKN Bright³
Code **V4-NSKN-B**




Inspire V5 Spec 2.8⁴
Code **V5-SPEC-28**



Inspire V4 NanoSKN Super Bright³
Code **V4-NSKN-SB**




Inspire V5 Spec 5.0⁴
Code **V5-SPEC-50**



Inspire V4 Nude Bright^{2,3}
Code **V4-NUDE-B**




Inspire V5 Spec 7.5⁴
Code **V5-SPEC-75**



Inspire V4 Nude Super Bright^{2,3}
Code **V4-NUDE-SB**




Inspire V5 Standard Eco¹
Code **V5-STND-E**



Inspire V4 NanoSKN RGB³
Code **V4-NSKN-RGB**




Inspire V5 Standard Bright⁴
Code **V5-STND-B**



Inspire V4 Nude RGB³
Code **V4-NUDE-RGB**



Inspire V5 STND Super Bright⁴
Code **V5-STND-SB**



1800K*
Code **18**



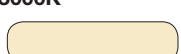
2100K*
Code **21**



2700K
Code **27**



3000K
Code **30**



3500K
Code **35**



4000K
Code **40**



RGB
Use Tape Light Code



¹These products are coming soon and are not currently available. Contact LEDI for more info.

²These products are available while supplies last with limited stock remaining.

³These part numbers have been re-ordered slightly to make the configurator easier to use.

⁴The Inspire V5 Spec Series is offered in 1800K and 2100K, but are currently special order only. The Inspire V5 Standard Series is offered in 1800K, 2100K, and 3500K, but are currently special order only. Orders containing special order items may not be canceled once the order is placed. For more information, or to know the lead time of any product(s), please contact our Orders Team at orders@ledinspirations.com or (832) 717-2710.

Custom Length Tape & Channel Configurator

Step 3
Enter Your Custom Length

Next Step
Add Inspire Channel

CUSTOM - ft in -
Custom Length

See the next page to add custom Inspire Channel to your custom LED tape light. If Inspire Channel is not required for your custom LED tape light, then you're done!



Example of Custom Length Tape Part #:

V5-SPEC-28-30-CUSTOM-9ft3in
Steps 1 & 2 3

Example of Custom Length Tape & Channel Part #:

V5-SPEC-28-30-CUSTOM-9ft3in-C1-L9-M1-E2-B2
Steps 1 & 2 3 4 5 6 7 8
See next page for these steps.

To complete your configuration, see pages 14-15 to select a driver.

Custom Length Tape & Channel Configurator

Step 4 Choose Your Inspire Channel

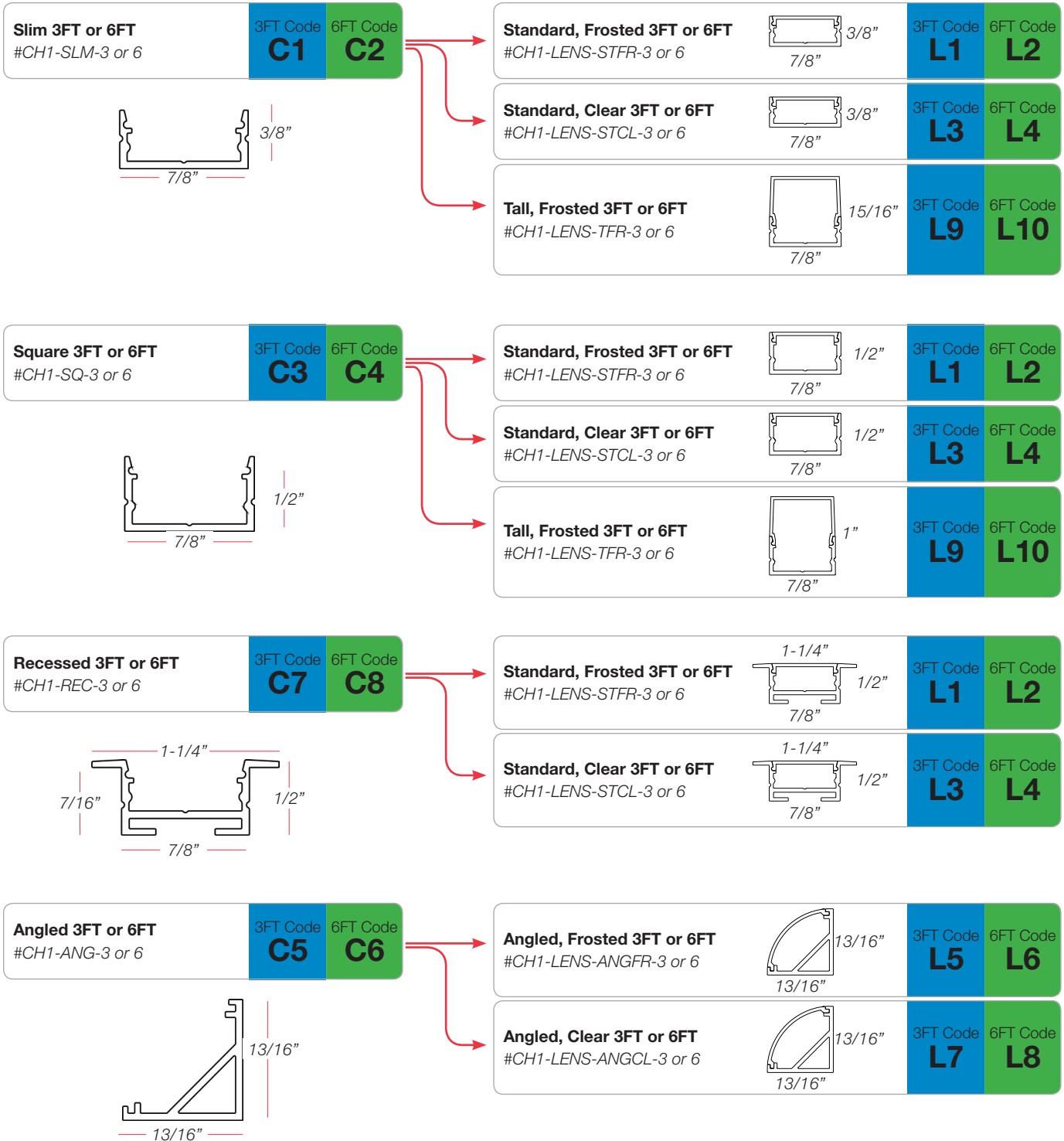
C1

Inspire Channel Code

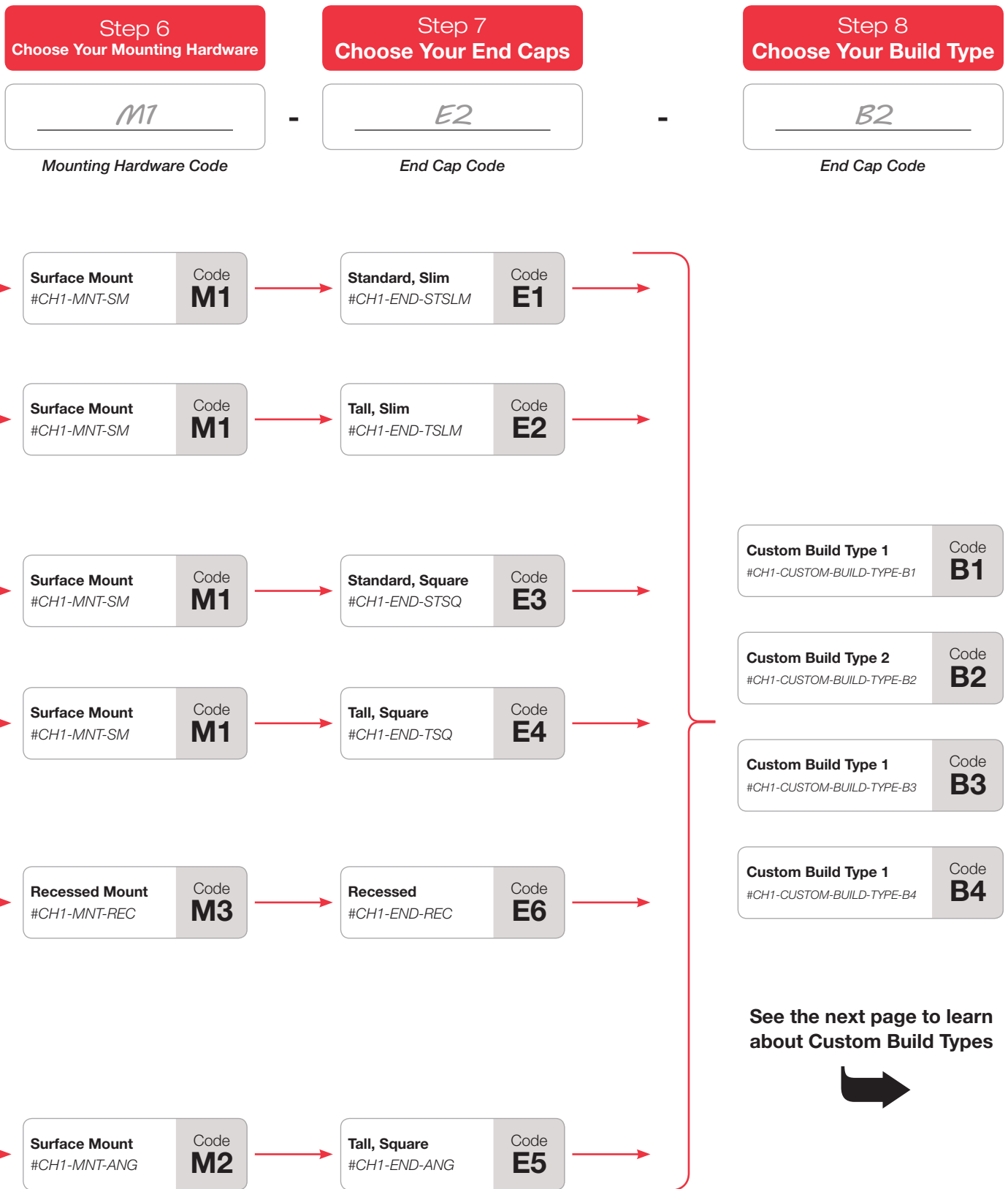
Step 5 Choose Your Lens

L9

Lens Code



Custom Length Tape & Channel Configurator



See the next page to learn about Custom Build Types



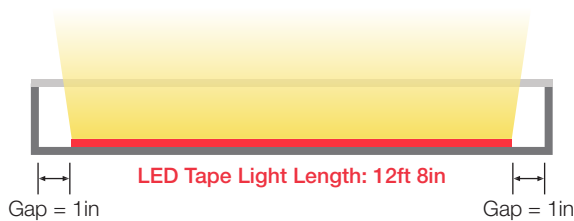
Custom Length Tape Light & Channel Configurator

Know the Difference Between Exact and Optimized Build Lengths

Cut to Exact Length Exact

Inspire Channel is cut to your exact length and tape light is cut and centered inside the channel. Channel is not optimized to tape light length so there will possibly be a small shadow on each end of the lens.

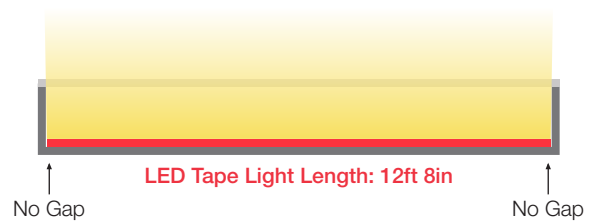
Requested Length: 12ft 10in
Inspire Channel Length: 12ft 10in



Cut to Optimized Length³ Optimized

LED tape light is cut at next shortest cut mark and Inspire Channel is cut to fit the tape light and to eliminate gaps and shadows. The overall length of the channel is up to or slightly shorter than the requested length.

Requested Length: 12ft 10in
Inspire Channel Length: 12ft 8in



Know the Different Build Types

Build Type 1
Cut & **Unassembled** to **Exact** Length
#CH1-CUSTOM-BUILD-TYPE-B1

Assembled	Build Length	Lead Wire ²
No	Exact	10FT
Packaging	Lead Time ¹	
Per Piece	up to 5 Business Days	

Build Type 2
Cut & **Unassembled** to **Optimized** Length³
#CH1-CUSTOM-BUILD-TYPE-B2

Assembled	Build Length	Lead Wire ²
No	Optimized	10FT
Packaging	Lead Time ¹	
Per Piece	up to 5 Business Days	

Build Type 3
Cut & **Assembled** to **Exact** Length (6 foot max length)
#CH1-CUSTOM-BUILD-TYPE-B3

Assembled	Build Length	Lead Wire ²
Yes	Exact	10FT
Packaging	Lead Time ¹	
Complete Fixture	up to 10 Business Days	

Build Type 4
Cut & **Assembled** to **Optimized** Length³ (6 foot max length)
#CH1-CUSTOM-BUILD-TYPE-B4

Assembled	Build Length	Lead Wire ²
Yes	Optimized	10FT
Packaging	Lead Time ¹	
Complete Fixture	up to 10 Business Days	

¹The custom service lead times for large projects may be longer than projects without custom services. Contact LEDI for more information.

²Custom Inspire V5 LED Tape Light include a 10FT CL3P 18AWG soldered lead wire.

³Optimized lengths vary depending upon the LED tape light model, Inspire Channel model, and the lengths associated with them. Use the Inspire V5 Custom Configurator Tool to configure your custom LED tape light and Inspire Channel using optimized lengths.

inspire

CHANNEL

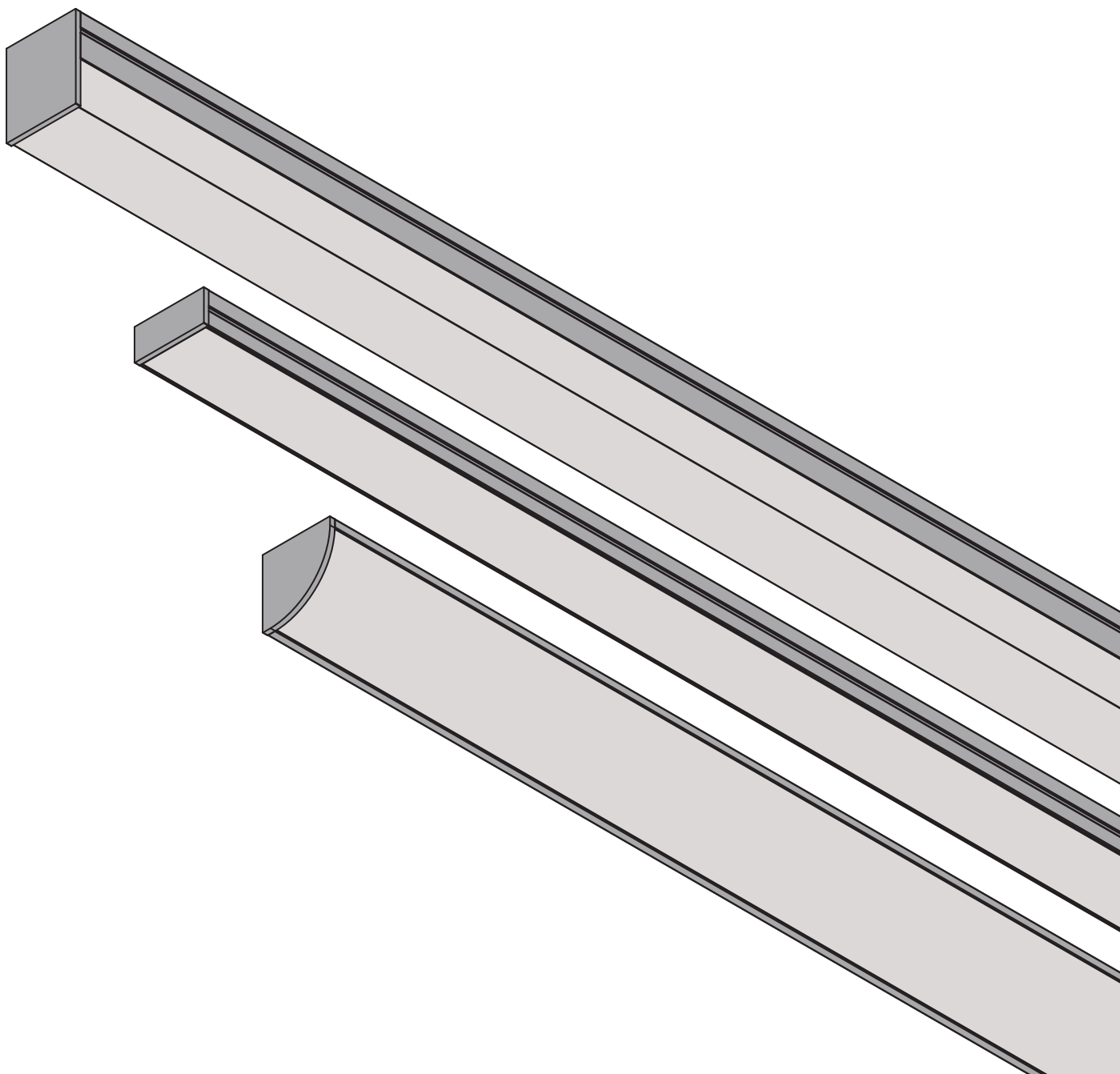
Surface Mount Installation Instructions

for

Inspire SQUARE Channel

Inspire SLIM Channel

Inspire ANGLED Channel





This set of instructions is designed for the following Inspire Channels:

Inspire SQUARE Channel

Inspire SLIM Channel

Inspire ANGLED Channel

Before You Begin

- This product should be installed and serviced by a qualified electrician.
- Ensure all AC power has been shut off before performing this installation.
- All LED tape light that is compatible with Inspire Channel is low voltage, DC powered and must NOT be wired directly to AC power.
- Please do not attempt any modifications or repairs on this product. If replacement parts are needed, please contact your distributor directly.
- This product has a 5 year limited warranty from the date of purchase.

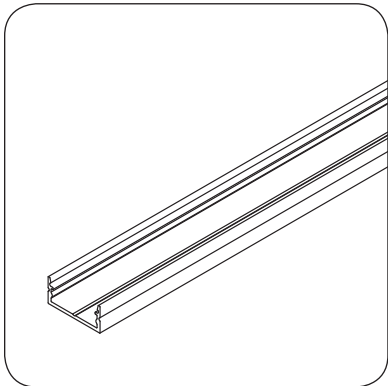
Tools Needed

- Miter Saw/Chop Saw
- Saw Blade Rated for Aluminum (non-ferrous, 96-tooth blade or higher recommended) or Hack Saw
- Painters/Masking Tape
- Canned Air/Air Compressor
- Tape Measure
- Marker/Pen/Pencil
- Ruler/Straight Edge
- Safety Glasses
- #2, Phillips Drive Screw Driver
- Optional: Super Glue

Have Questions?

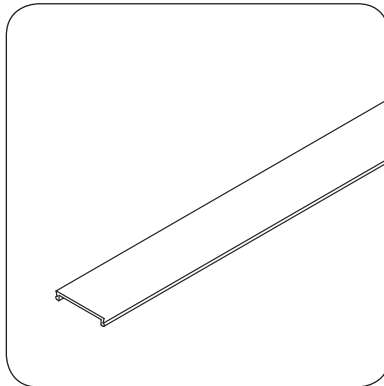
We're happy to help. Give LEDI a call at (832) 717-2710. We're available Monday through Friday, 8 a.m. to 5 p.m. CST.

Inspire SLIM Channel Parts



Inspire Slim
Aluminum Channel

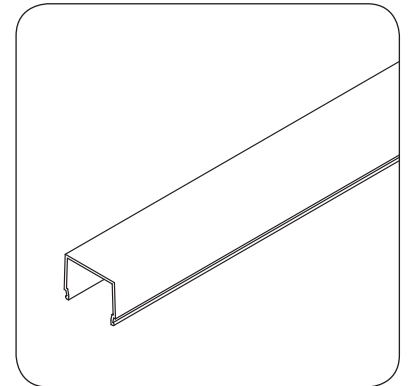
3FT: #CH1-SLM-3
6FT: #CH1-SLM-6



Standard Lens
(Clear or Frosted)

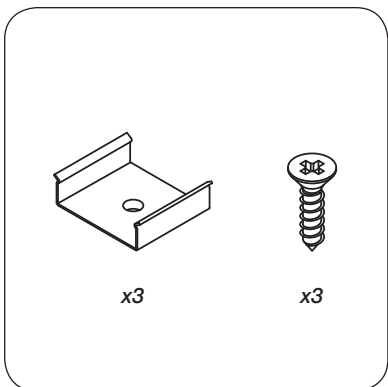
3FT Clear: #CH1-LENS-STCL-3
6FT Clear: #CH1-LENS-STCL-6

3FT Frosted: #CH1-LENS-STFR-3
6FT Frosted: #CH1-LENS-STFR-6



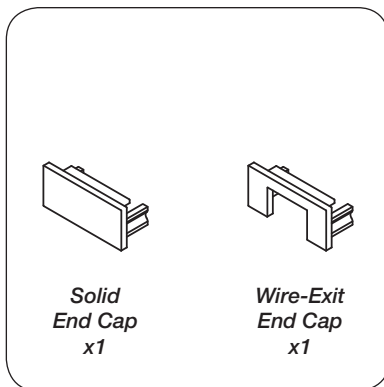
Tall Lens

3FT Frosted: #CH1-LENS-TFR-3
6FT Frosted: #CH1-LENS-TFR-6



Surface Mount
Mounting Hardware

#CH1-MNT-SM
(x3) Surface Mount Clips
(x3) Screws

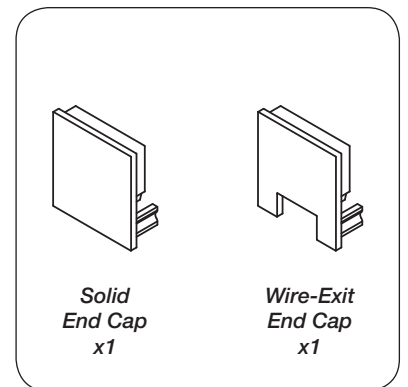


Standard, Slim End Cap Set

#CH1-END-STSLM
(x1) Solid End Cap
(x1) Wire-Exit End Cap



**COMPATIBLE WITH
STANDARD LENS ONLY
(clear or frosted)**



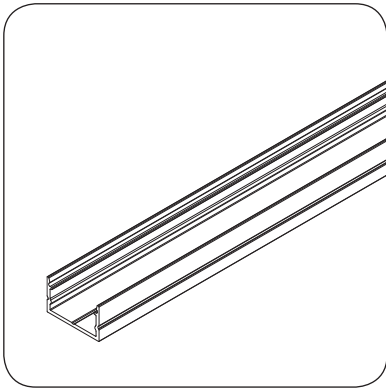
Tall, Slim End Cap Set

#CH1-END-STSLM
(x1) Solid End Cap
(x1) Wire-Exit End Cap



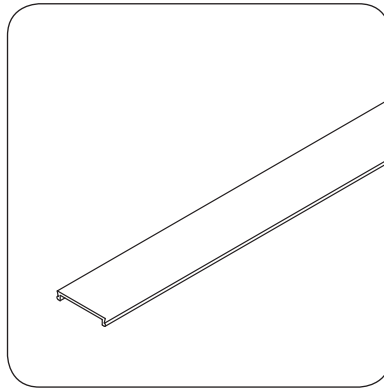
**COMPATIBLE WITH
TALL LENS ONLY**

Inspire SQUARE Channel Parts



Inspire Square
Aluminum Channel

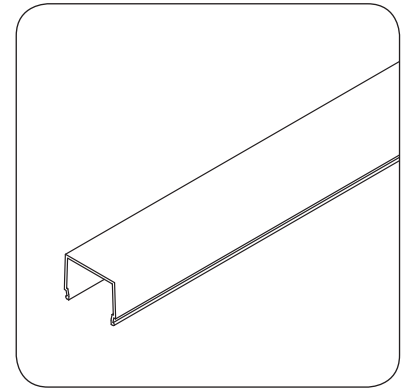
3FT: #CH1-SQ-3
6FT: #CH1-SQ-6



Standard Lens
(Clear or Frosted)

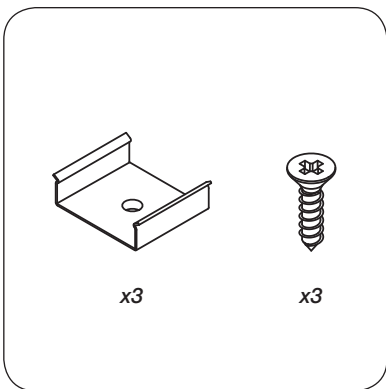
3FT Clear: #CH1-LENS-STCL-3
6FT Clear: #CH1-LENS-STCL-6

3FT Frosted: #CH1-LENS-STFR-3
6FT Frosted: #CH1-LENS-STFR-6



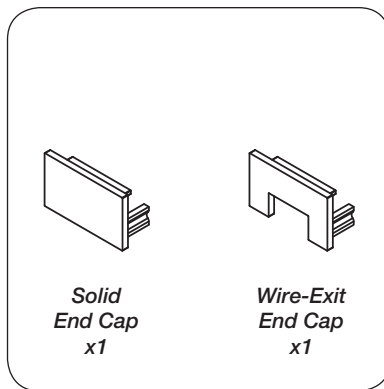
Tall Lens

3FT Frosted: #CH1-LENS-TFR-3
6FT Frosted: #CH1-LENS-TFR-6



Surface Mount
Mounting Hardware

#CH1-MNT-SM
(x3) Surface Mount Clips
(x3) Screws

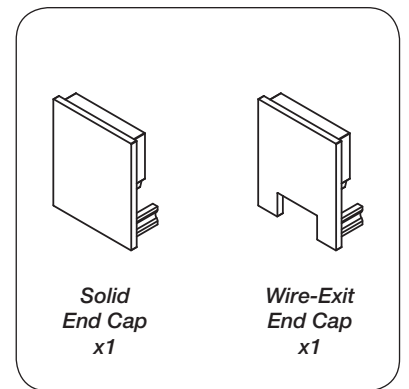


Standard, Square
End Cap Set

#CH1-END-STSQ
(x1) Solid End Cap
(x1) Wire-Exit End Cap



**COMPATIBLE WITH
STANDARD LENS ONLY
(clear or frosted)**



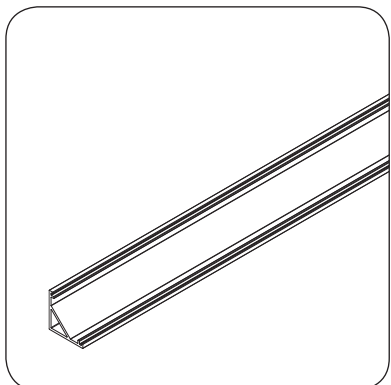
Tall, Square End Cap Set

#CH1-END-STSQ
(x1) Solid End Cap
(x1) Wire-Exit End Cap



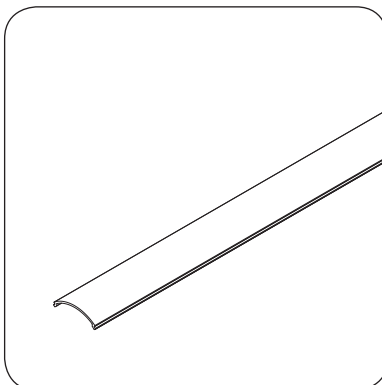
**COMPATIBLE WITH
TALL LENS ONLY**

Inspire ANGLED Channel Parts



Inspire Angled
Aluminum Channel

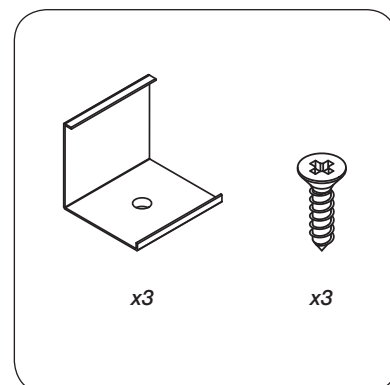
3FT: #CH1-ANG-3
6FT: #CH1-ANG-6



Angled Lens
(Clear or Frosted)

3FT Clear: #CH1-LENS-STCL-3
6FT Clear: #CH1-LENS-STCL-6

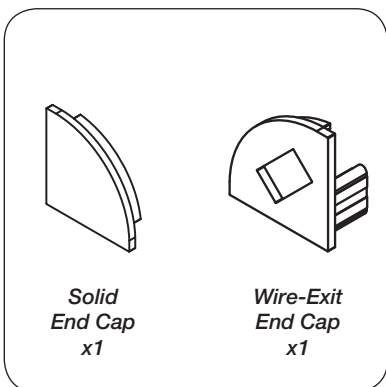
3FT Frosted: #CH1-LENS-STFR-3
6FT Frosted: #CH1-LENS-STFR-6



Angled Mounting Hardware

#CH1-MNT-ANG

(x3) Angled Surface Mount Clips
(x3) Screws



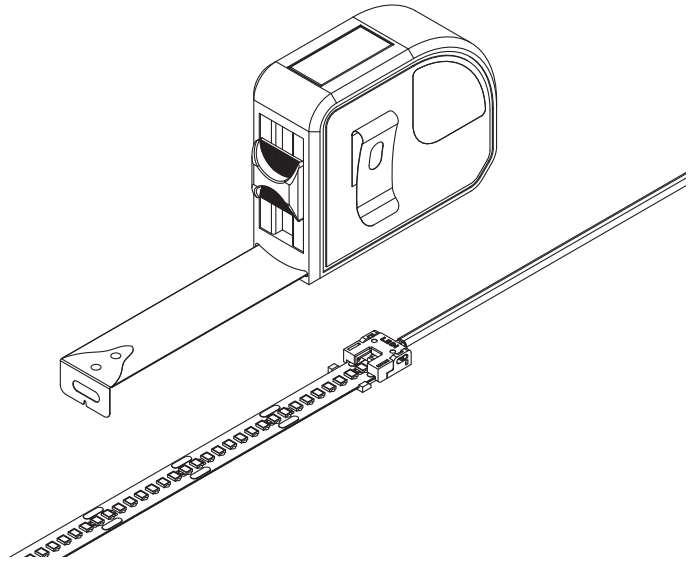
Angled End Cap Set

#CH1-END-ANG

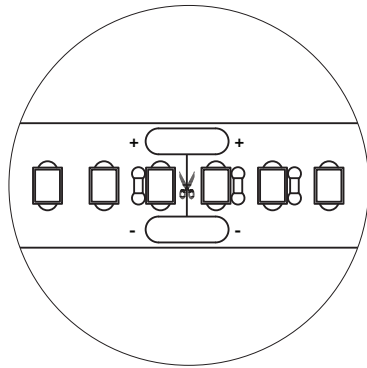
(x1) Solid End Cap
(x1) Wire-Exit End Cap

Installation

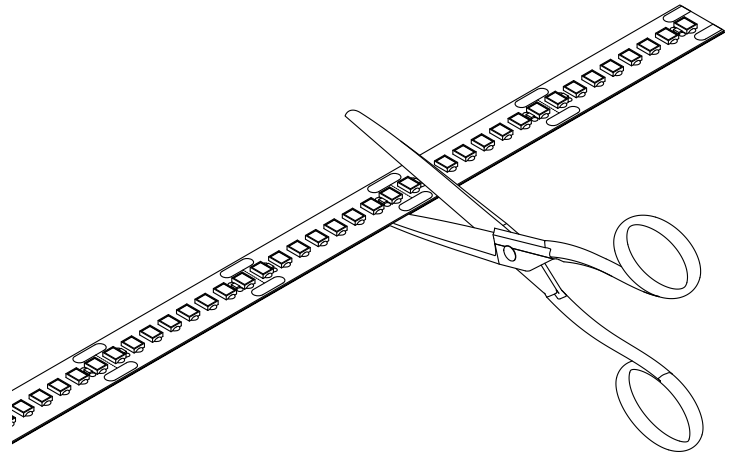
- 1 Determine the correct length of LED tape light for your application; include the LED tape light connector in your measurement.



- 2 Cut the LED tape light at the nearest cut mark.

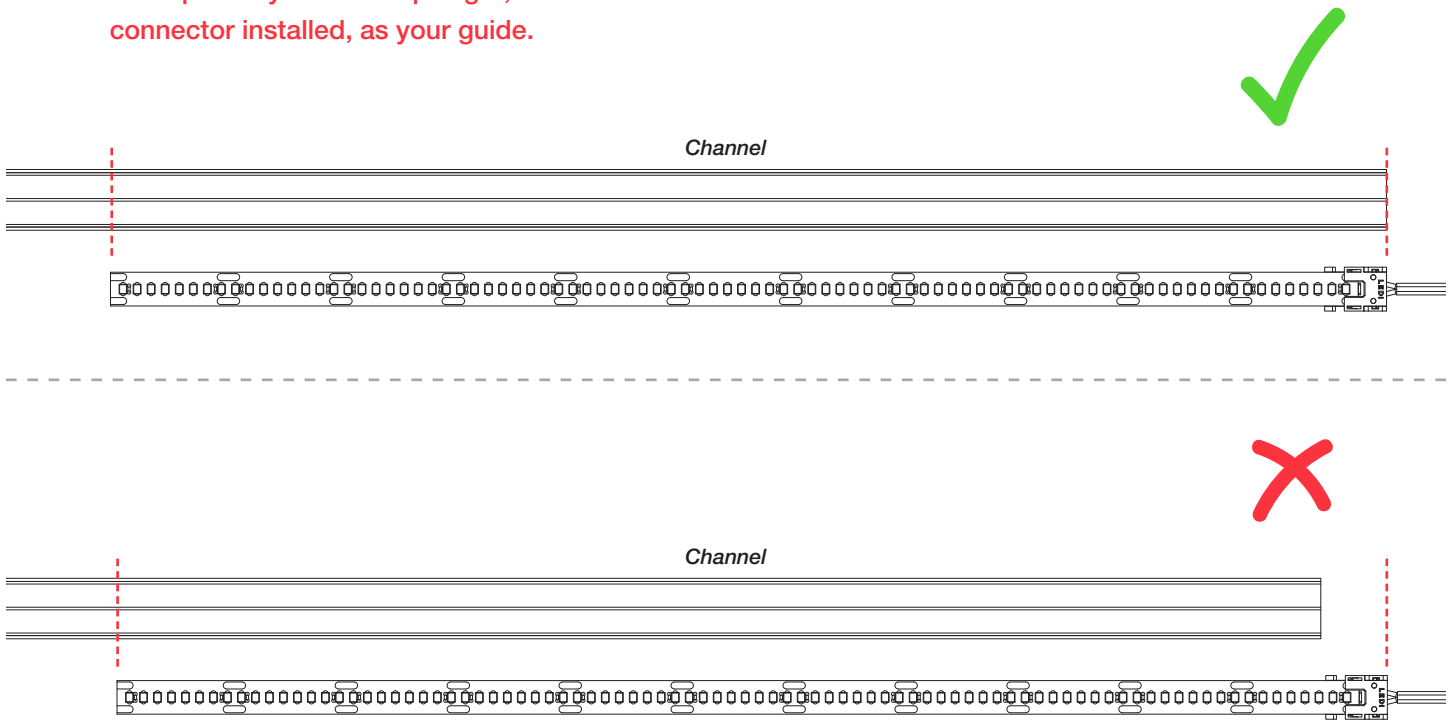


Cut mark on the LED tape light.

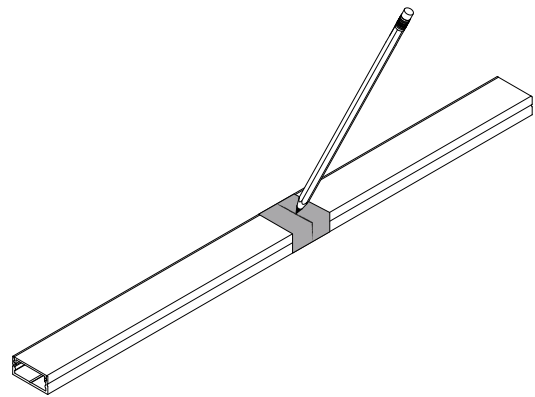


3 Determine the correct length of channel for your LED tape light and connector.

Pro Tip: Use your LED tape light, with connector installed, as your guide.



4 Install the lens flush with the ends of the channel. Wrap the channel and lens with masking/painters tape and mark on the tape where to make the cut.

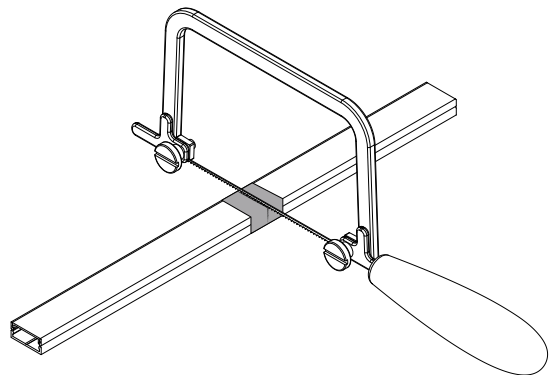


5 Cut the channel and lens.

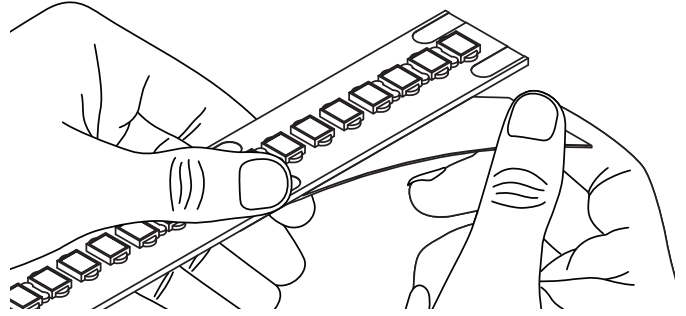
Pro Tip: If using more than one channel to make a long run, the last channel in your run will be the only channel you need to cut.

CAUTION!

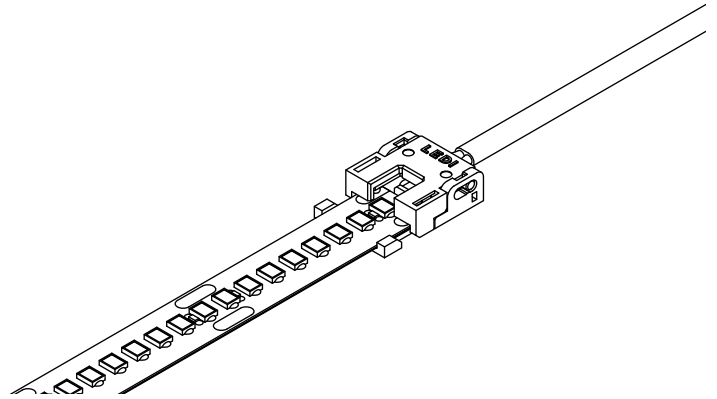
Always wear safety glasses when cutting the channel. Failure to do so can result in serious personal injury.



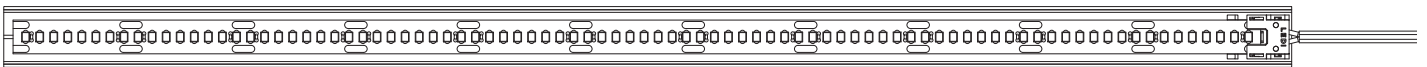
6 Peel off the red backing on the LED tape light to expose the adhesive.



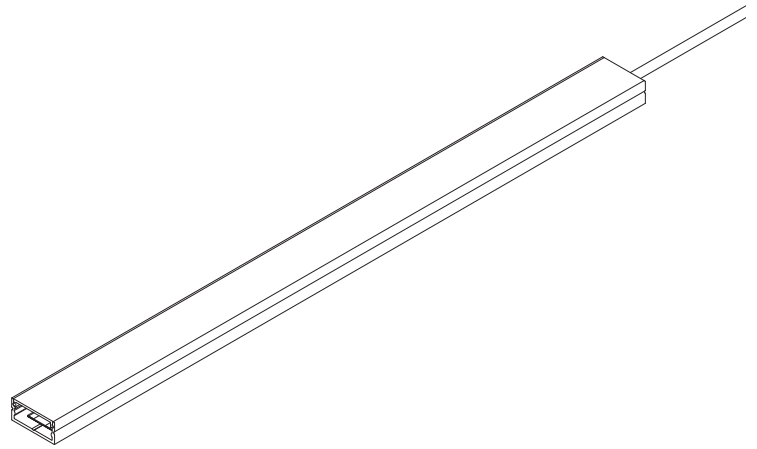
7 Install the connector onto the LED tape light. See the LED tape light packaging insert for connector installation instructions.



8 Place the LED tape light and connector inside the channel. Press down gently on the LED tape light to adhere it to the channel.



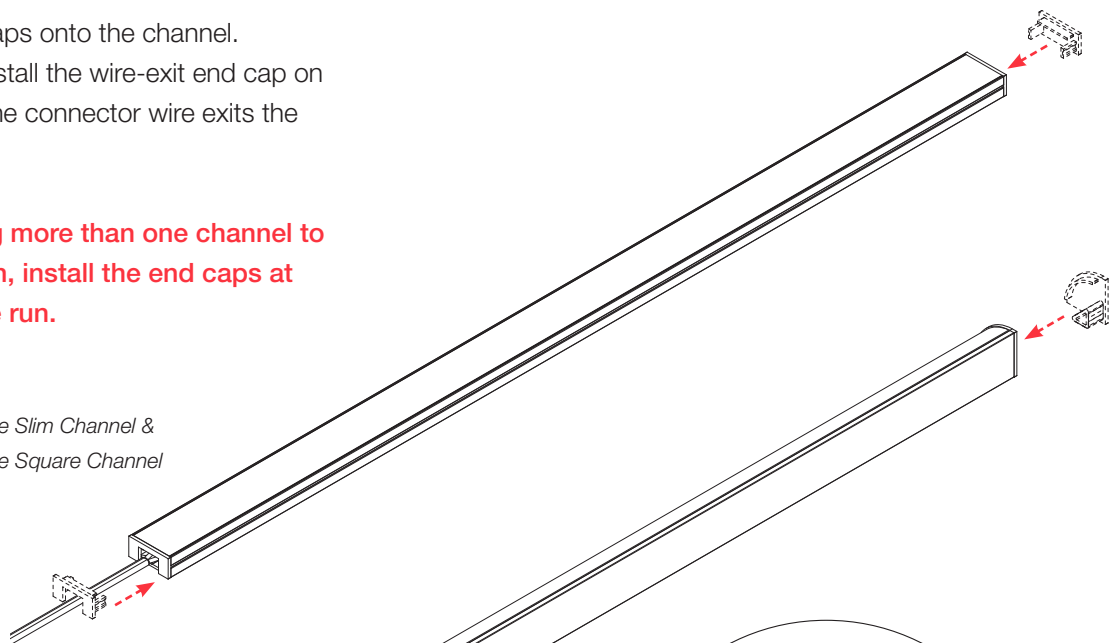
9 Install the lens onto the channel, flush with the ends.



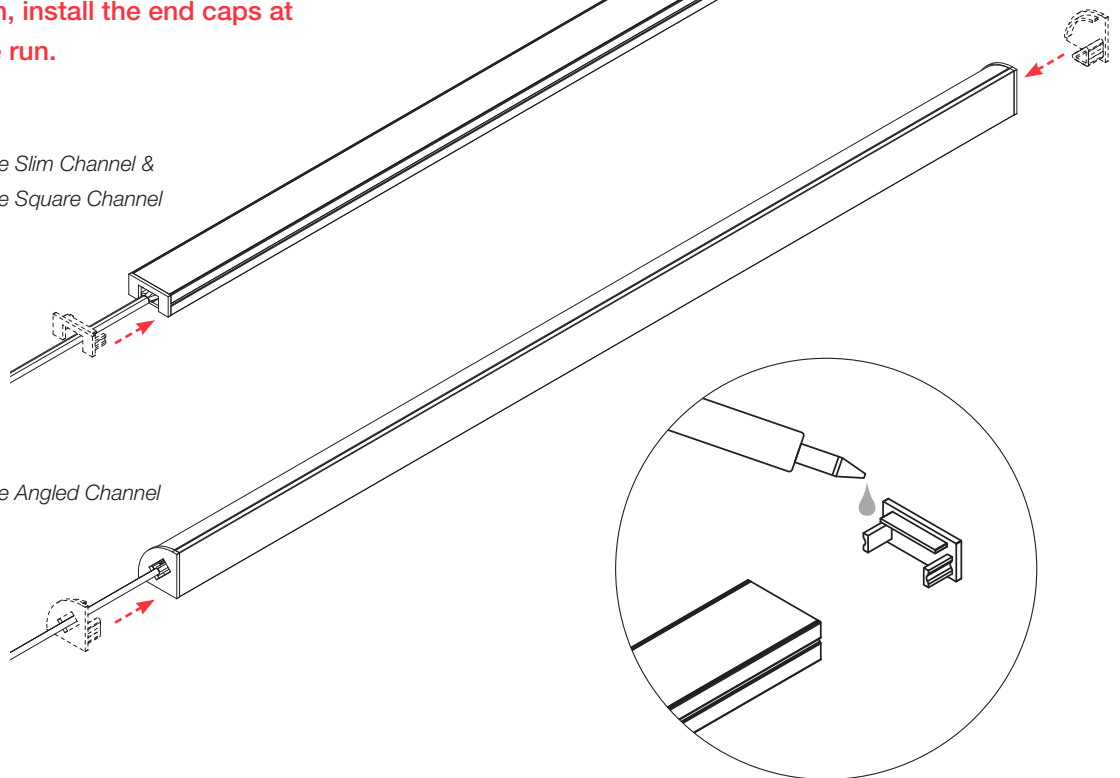
10 Install the end caps onto the channel. Remember to install the wire-exit end cap on the end where the connector wire exits the channel.

Pro Tip: If using more than one channel to make a long run, install the end caps at each end of the run.

Inspire Slim Channel & Inspire Square Channel



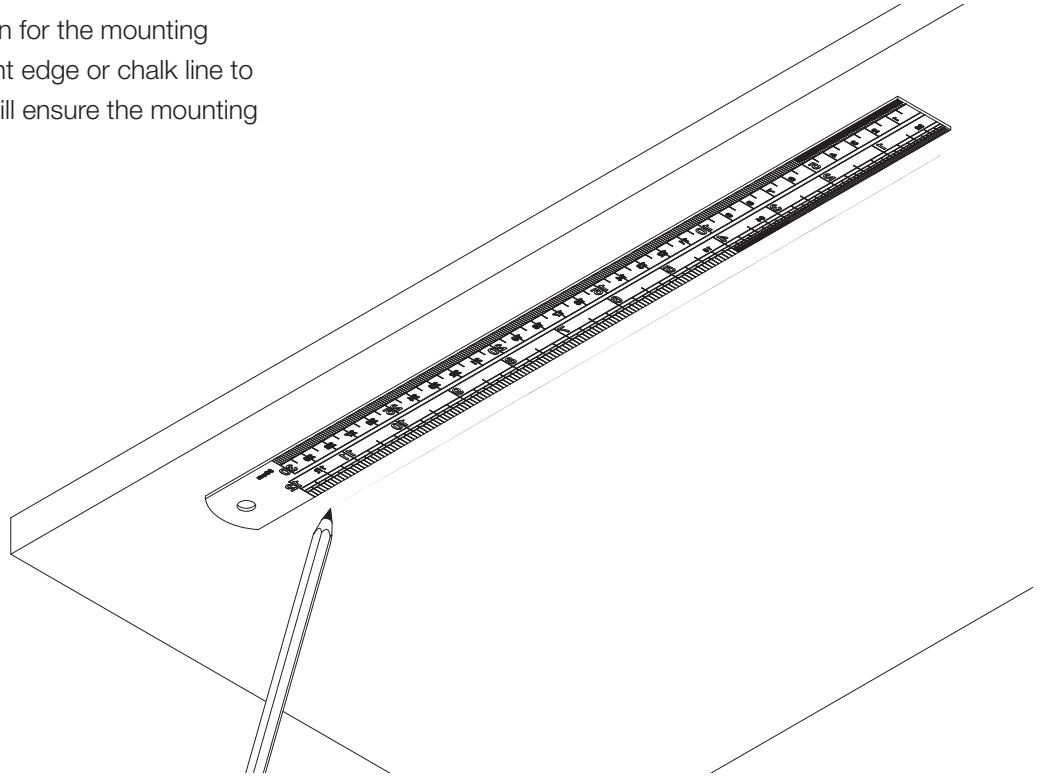
Inspire Angled Channel



Optional: Apply super glue to the end caps to create a more permanent installation.

11

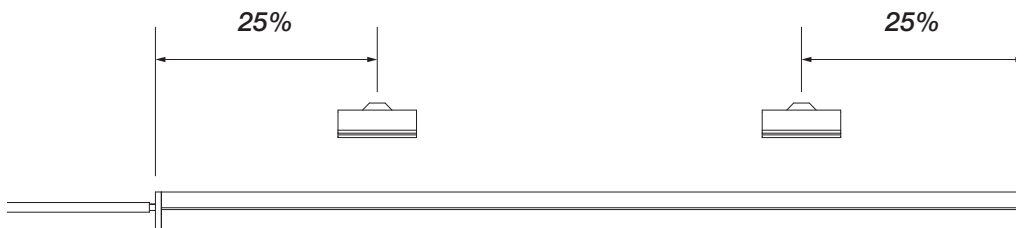
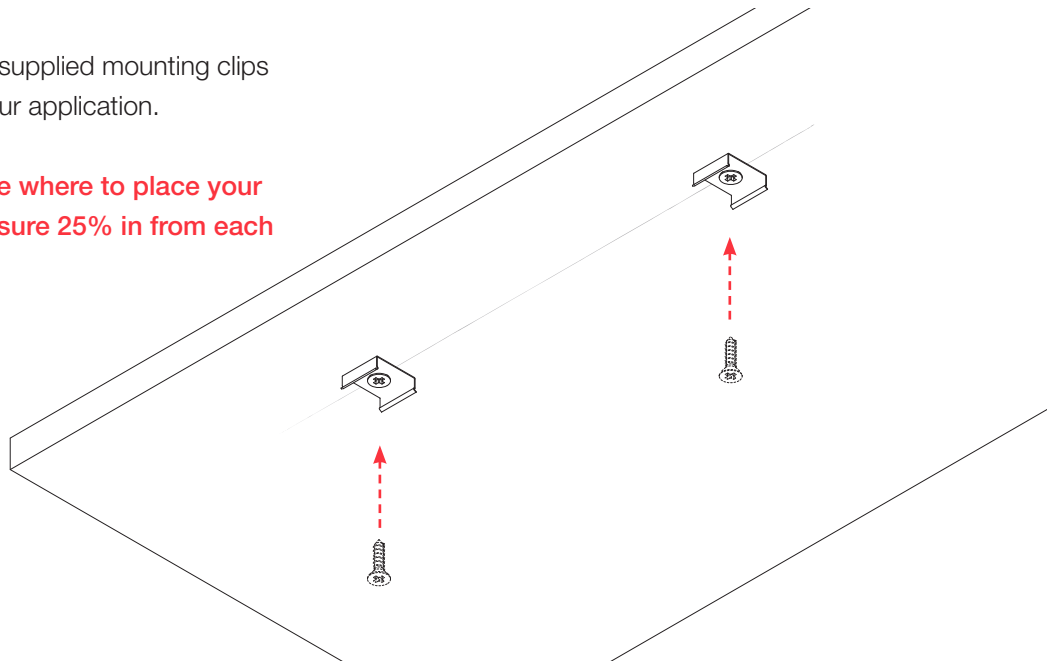
Prepare your application for the mounting hardware. Use a straight edge or chalk line to mark a guideline that will ensure the mounting clips are aligned.



12

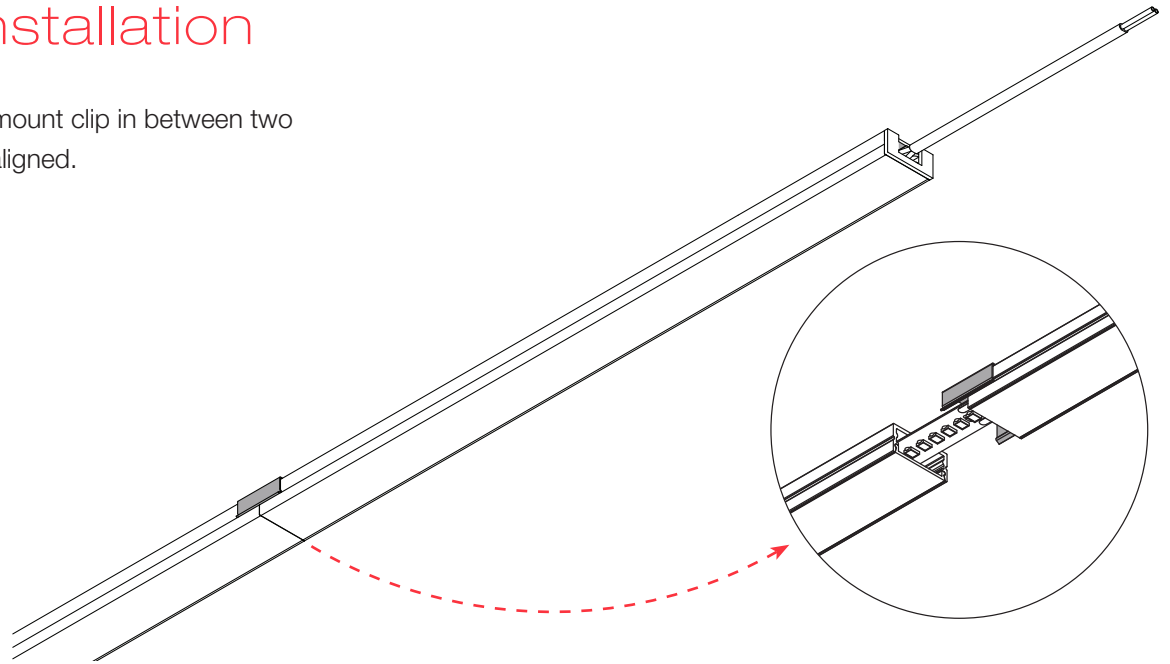
Screw two (x2) of the supplied mounting clips onto the surface of your application.

Pro Tip: To determine where to place your mounting clips, measure 25% in from each end of the channel.

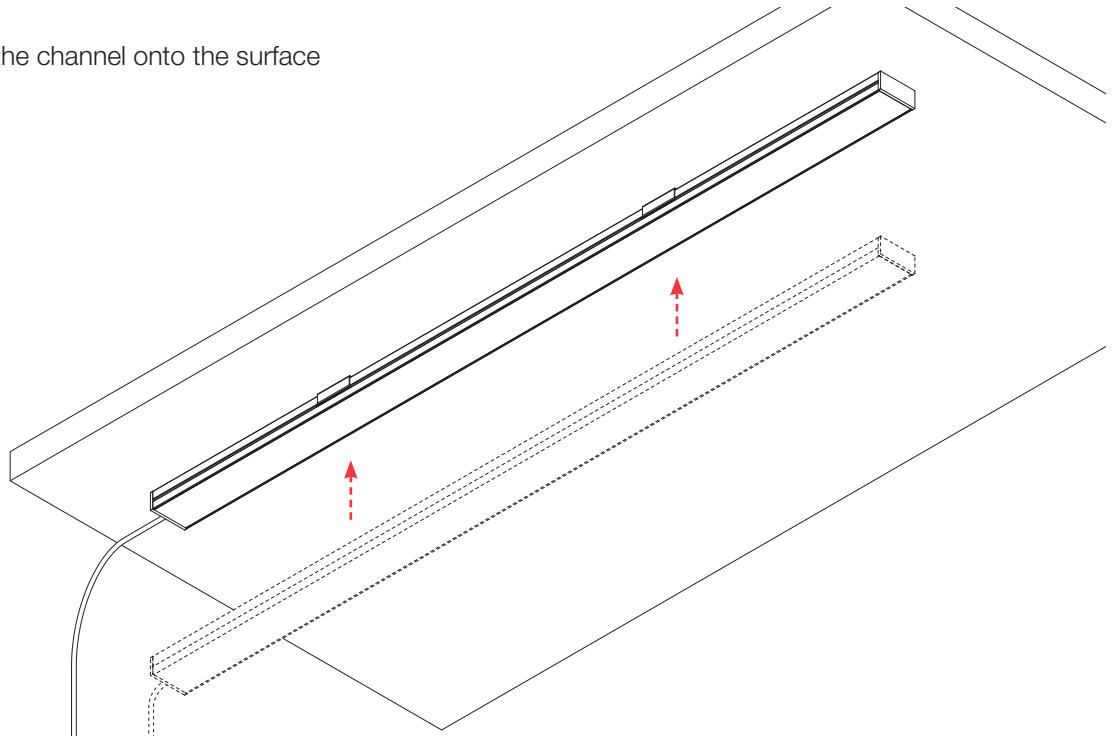


Optional Installation

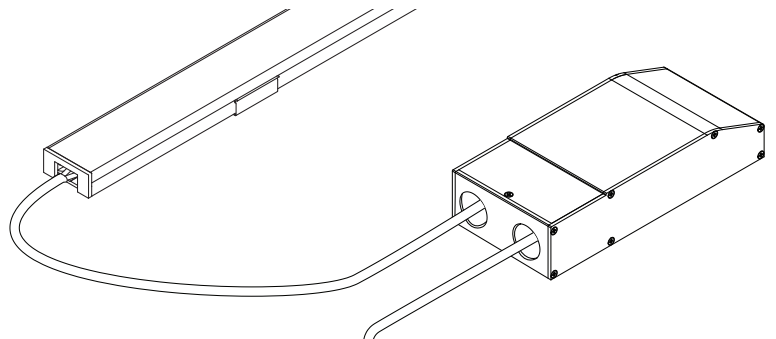
Install the extra surface mount clip in between two channels to keep them aligned.



13 Press and snap the channel onto the surface mount clips.



14 Complete your connections at the driver.

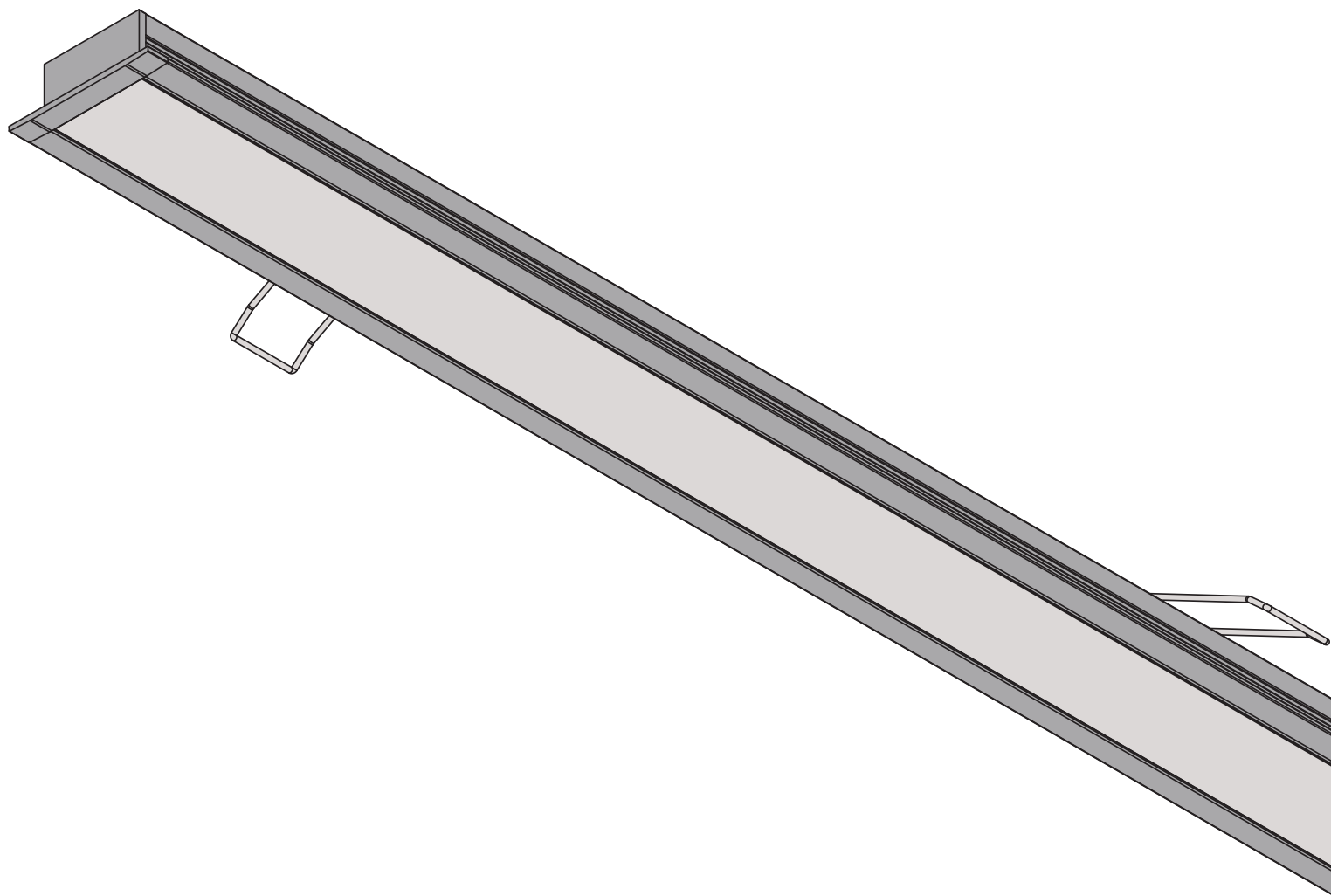


inspire

CHANNEL

Recessed Installation Instructions

for
Inspire RECESSED Channel





This set of instructions is designed for the following Inspire Channels:

Inspire RECESSED Channel

Before You Begin

- This product should be installed and serviced by a qualified electrician.
- Ensure all AC power has been shut off before performing this installation.
- All LED tape light that is compatible with Inspire Channel is low voltage, DC powered and must NOT be wired directly to AC power.
- Please do not attempt any modifications or repairs on this product. If replacement parts are needed, please contact your distributor directly.
- This product has a 5 year limited warranty from the date of purchase.

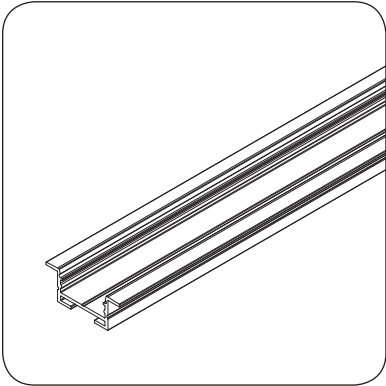
Tools Needed

- Miter Saw/Chop Saw
- Saw Blade Rated for Aluminum (non-ferrous, 96-tooth blade or higher recommended) or Hack Saw
- Jigsaw or Drywall Saw
- Painters/Masking Tape
- Canned Air/Air Compressor
- Tape Measure
- Marker/Pen/Pencil
- Ruler/Straight Edge
- Safety Glasses
- Optional: Super Glue
- Optional: 5/16" Drill Bit

Have Questions?

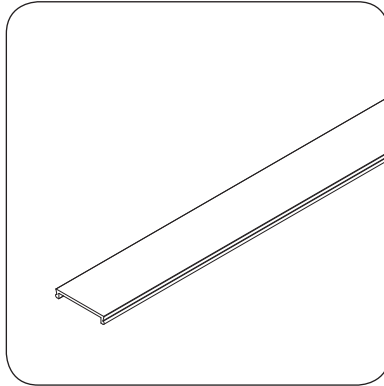
We're happy to help. Give LEDI a call at (832) 717-2710. We're available Monday through Friday, 8 a.m. to 5 p.m. CST.

Inspire RECESSED Channel Parts



Inspire Recessed
Aluminum Channel

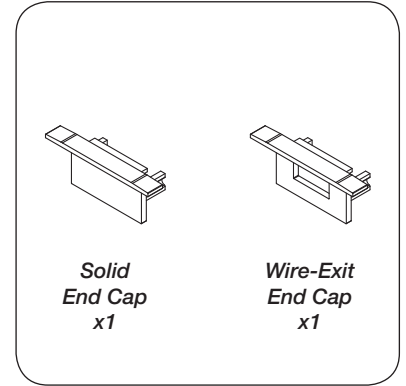
3FT: #CH1-REC-3
6FT: #CH1-REC-6



Standard Lens
(Clear or Frosted)

3FT Clear: #CH1-LENS-STCL-3
6FT Clear: #CH1-LENS-STCL-6

3FT Frosted: #CH1-LENS-STFR-3
6FT Frosted: #CH1-LENS-STFR-6

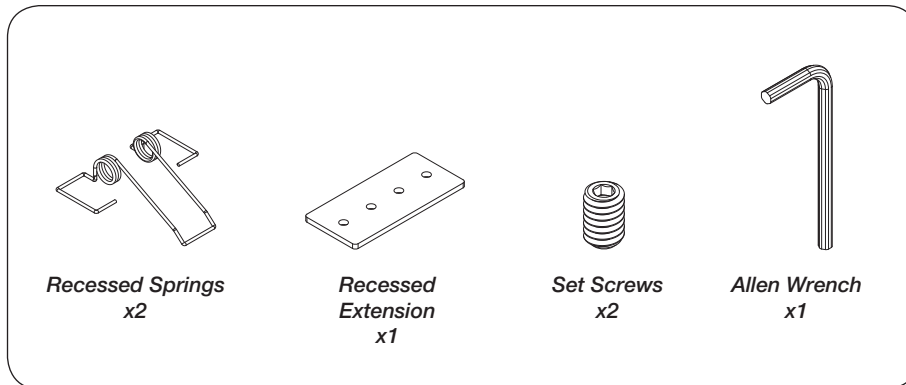


**Solid
End Cap
x1**

**Wire-Exit
End Cap
x1**

Recessed End Cap Set

#CH1-END-REC
(x1) Solid End Cap
(x1) Wire-Exit End Cap



**Recessed Springs
x2**

**Recessed
Extension
x1**

**Set Screws
x2**

**Allen Wrench
x1**

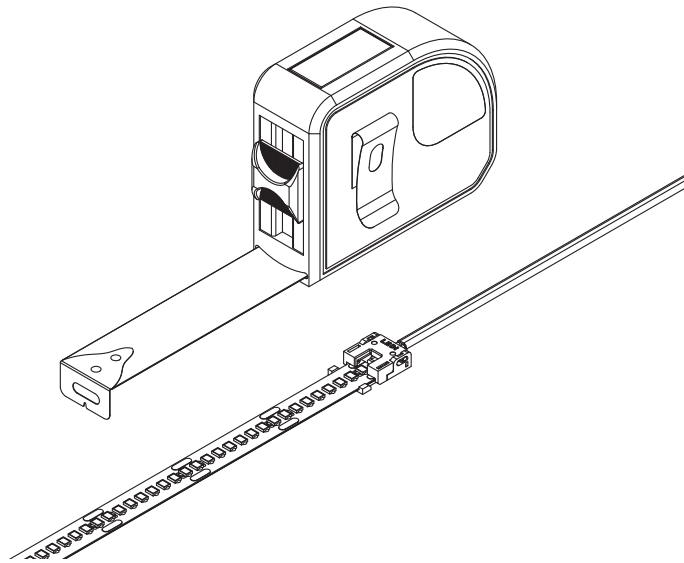
Recessed Mounting Hardware

#CH1-MNT-REC

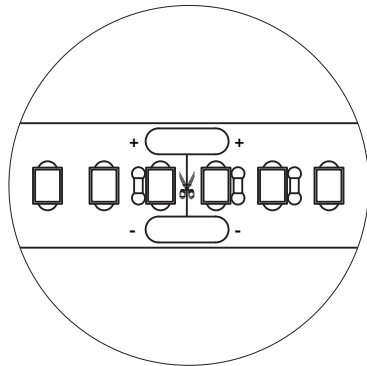
(x2) Recessed Springs
(x1) Recessed Extension
(x2) Set Screws
(x1) Allen Wrench

Installation

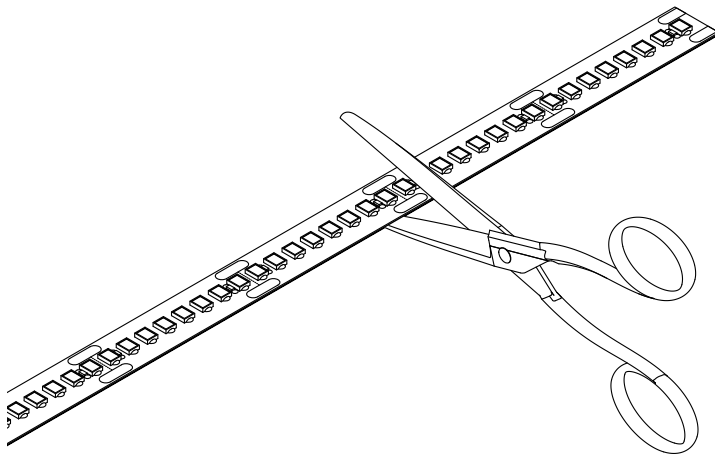
- 1 Determine the correct length of LED tape light for your application; include the LED tape light connector in your measurement.



- 2 Cut the LED tape light at the nearest cut mark.

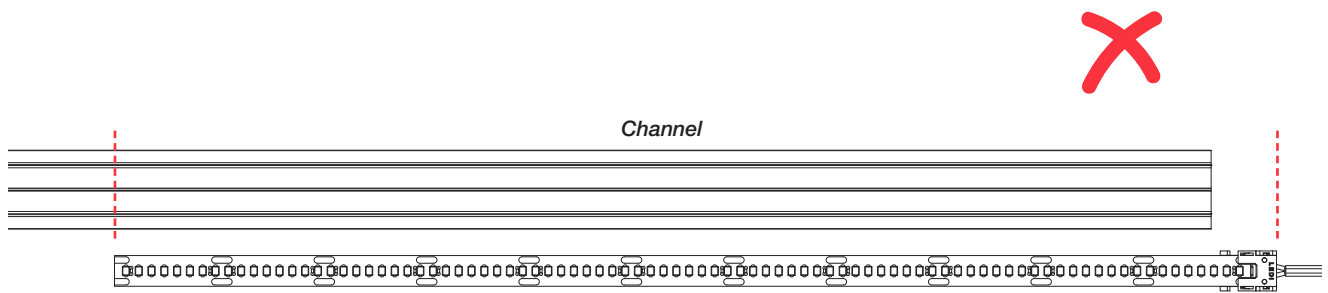
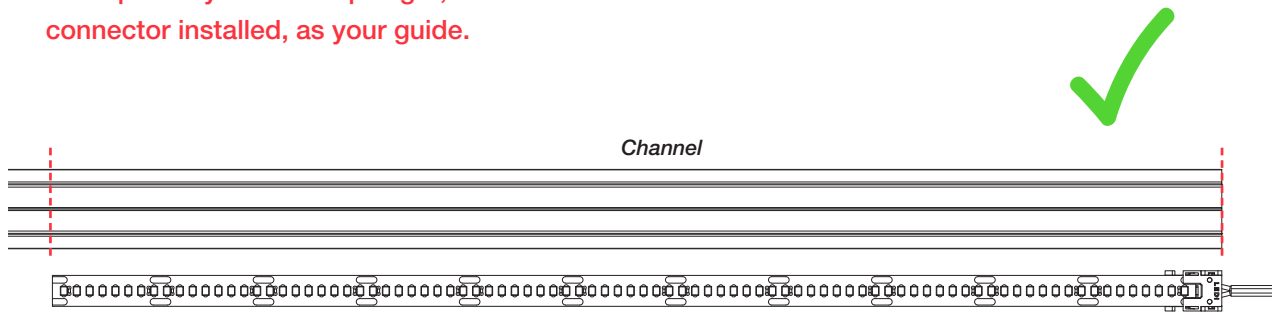


Cut mark on the LED tape light.

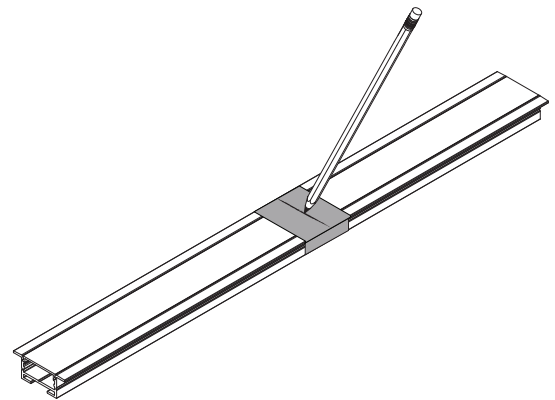


3 Determine the correct length of channel for your LED tape light and connector.

Pro Tip: Use your LED tape light, with connector installed, as your guide.



4 Install the lens flush with the ends of the channel. Wrap the channel and lens with masking/painters tape and mark on the tape where to make the cut.

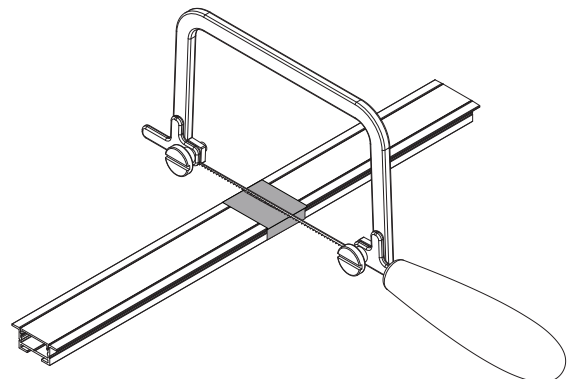


5 Cut the channel and lens.

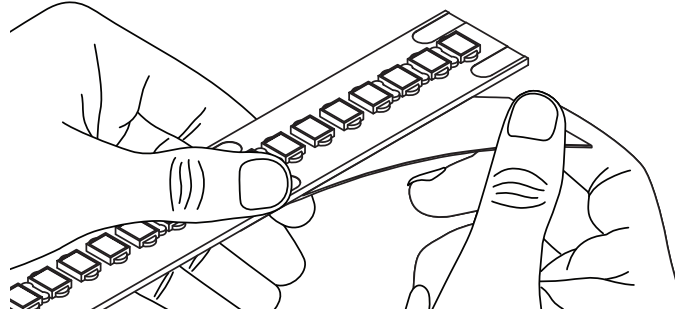
Pro Tip: If using more than one channel to make a long run, the last channel in your run will be the only channel you need to cut.

CAUTION!

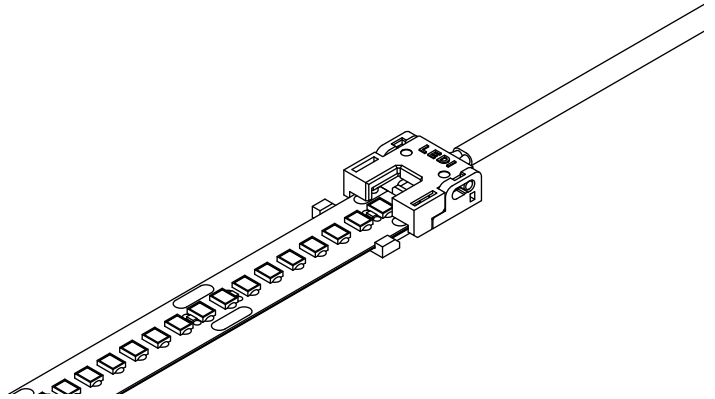
Always wear safety glasses when cutting the channel. Failure to do so can result in serious personal injury.



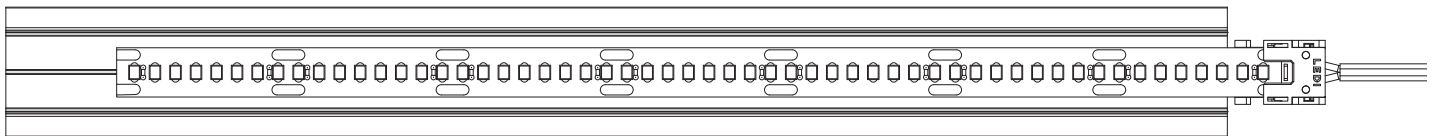
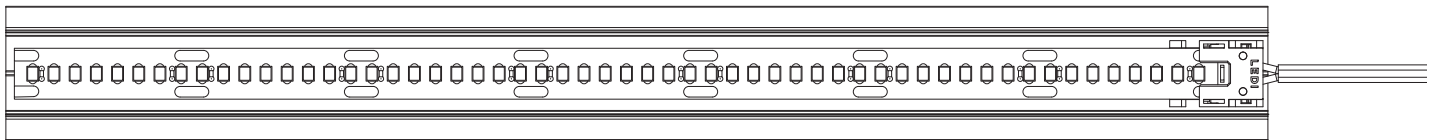
6 Peel off the red backing on the LED tape light to expose the adhesive.



7 Install the connector onto the LED tape light. See the LED tape light packaging insert for connector installation instructions.

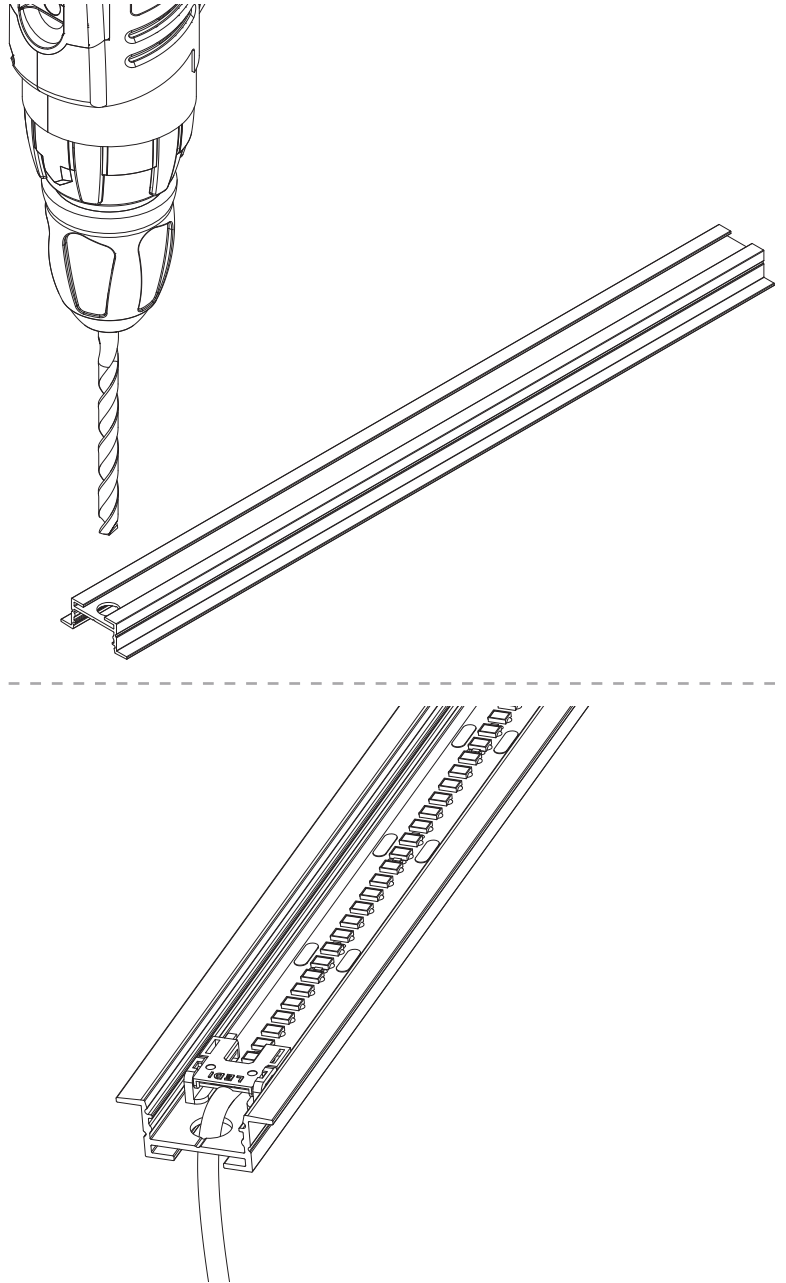


8 Place the LED tape light and connector inside the channel. Press down gently on the LED tape light to adhere it to the channel.



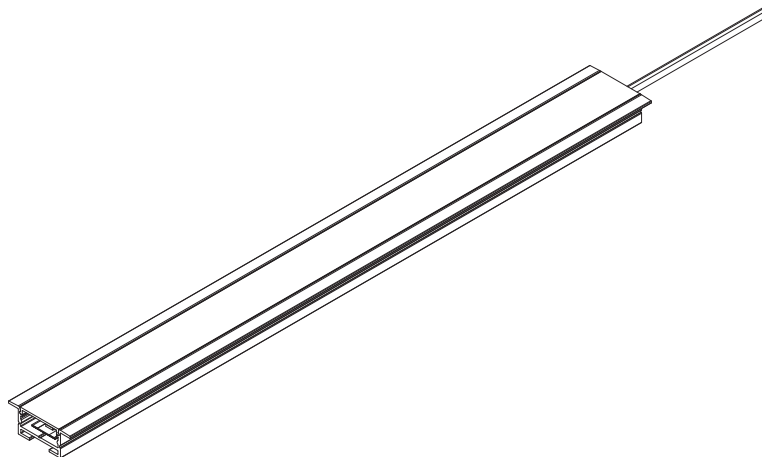
Optional Installation

Drill a 5/16" hole approximately 1/4" from the end of the channel. Place the LED tape light into the channel, feeding the wire through the hole.



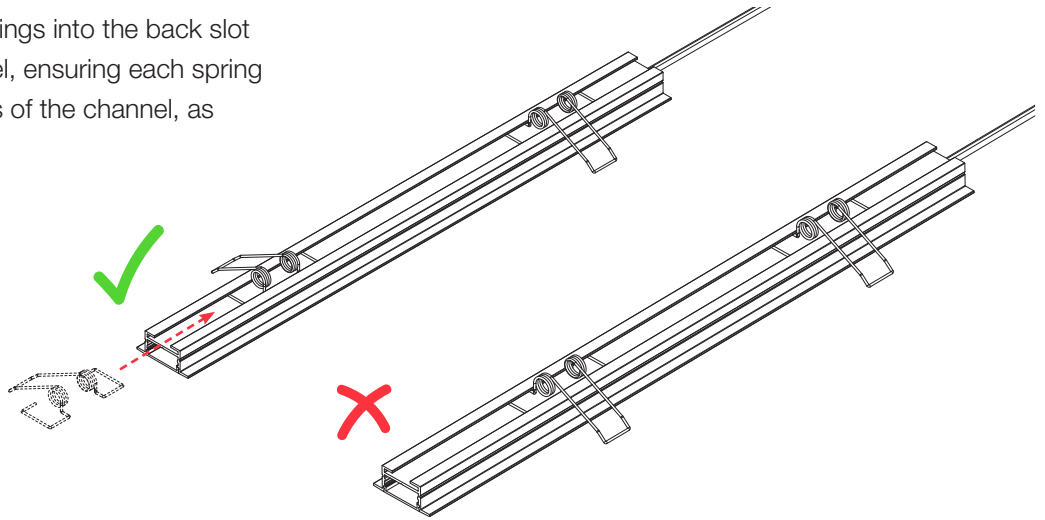
9

Install the lens onto the channel, flush with the ends.



10

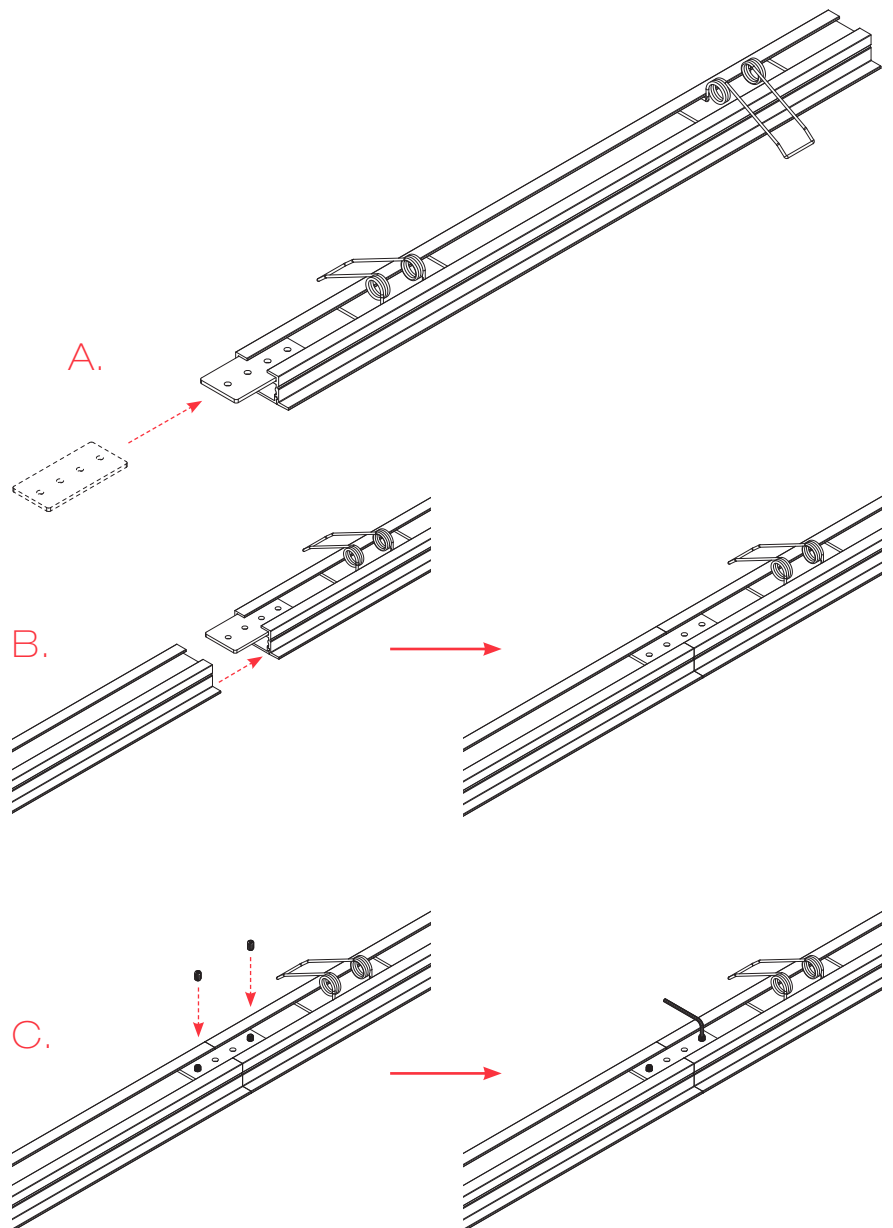
Install the recessed springs into the back slot of the recessed channel, ensuring each spring is facing opposite sides of the channel, as pictured below.



Optional Installation

Install the extension piece between two channels to keep them aligned.

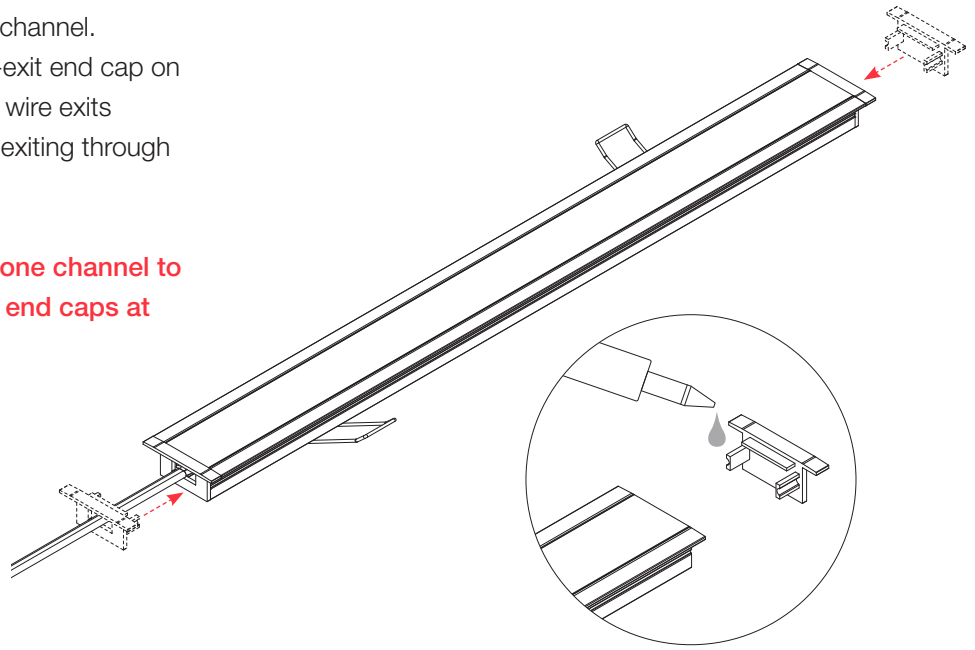
- A. Slide the extension piece about halfway into the back slot of the recessed channel.
- B. Slide the next channel into place so that the other half of the extension piece slides into the back slot of the channel.
- C. Install the two set screws at each end of the extension piece. Tighten the set screws using the supplied allen wrench.



11

Install the end caps onto the channel.
Remember to install the wire-exit end cap on the end where the connector wire exits the channel, if the wire is not exiting through the back of the channel.

Pro Tip: If using more than one channel to make a long run, install the end caps at each end of the run.

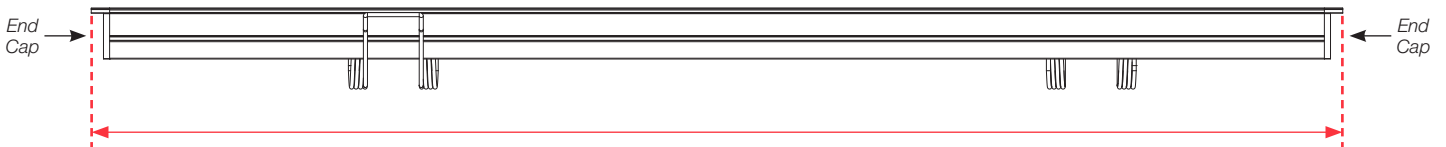
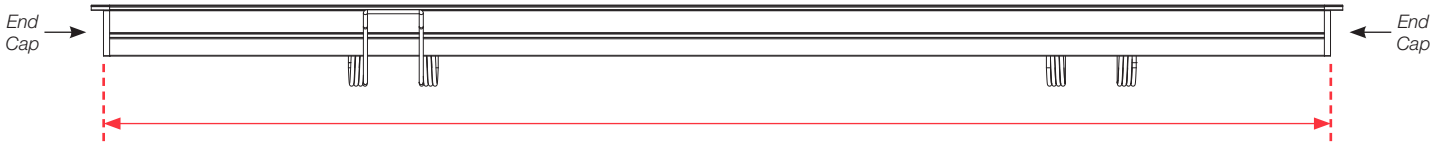
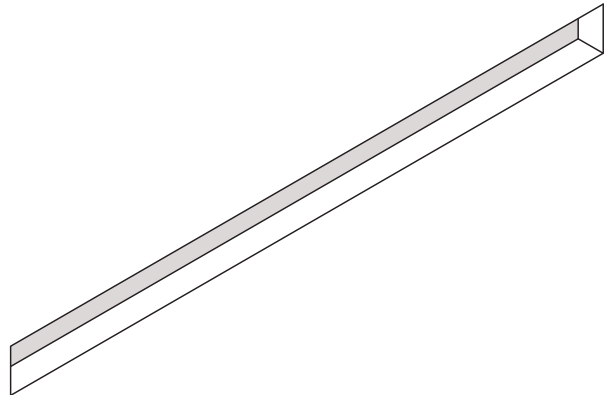


Optional: Apply super glue to the end caps to create a more permanent installation.

12

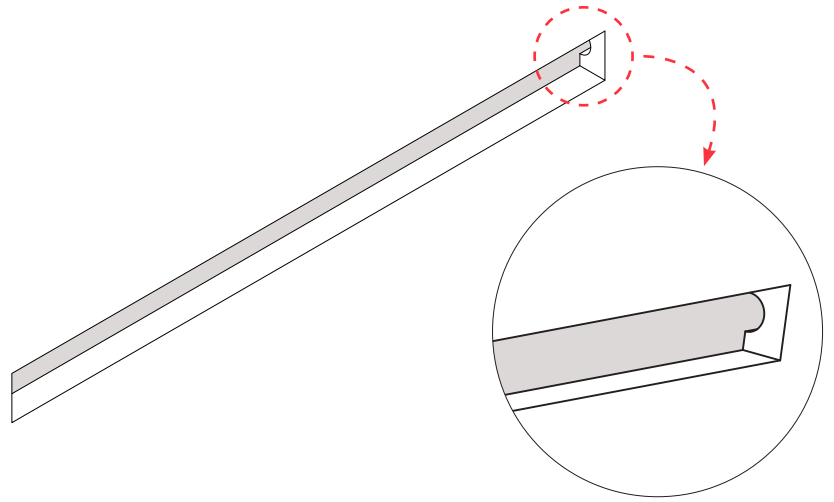
Cut a 7/8" **wide** slot into your drywall or wood surface.

The **length** of the slot must be the length of the recessed channel including the end caps (see the illustration below).

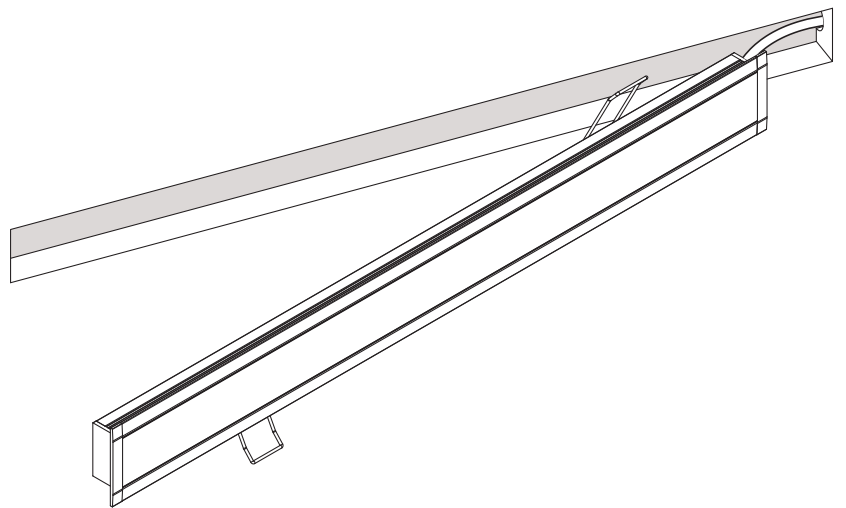


Optional Installation

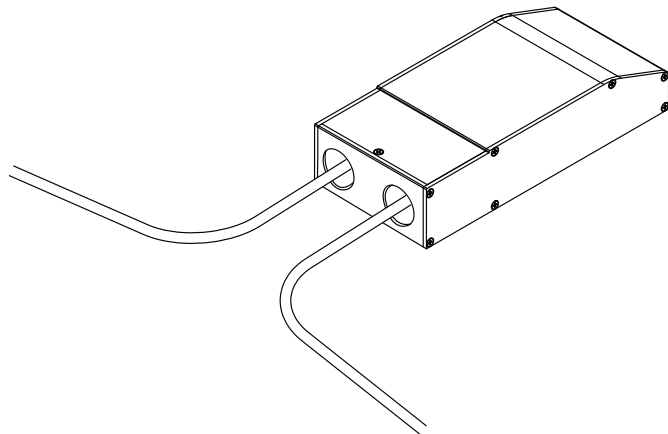
If the wire from the LED tape light is exiting through the wire-exit end cap, a small groove must be cut in the slot to allow the wire to fit properly.



13 Feed the wire into the slot.



14 Make the connections at the driver.

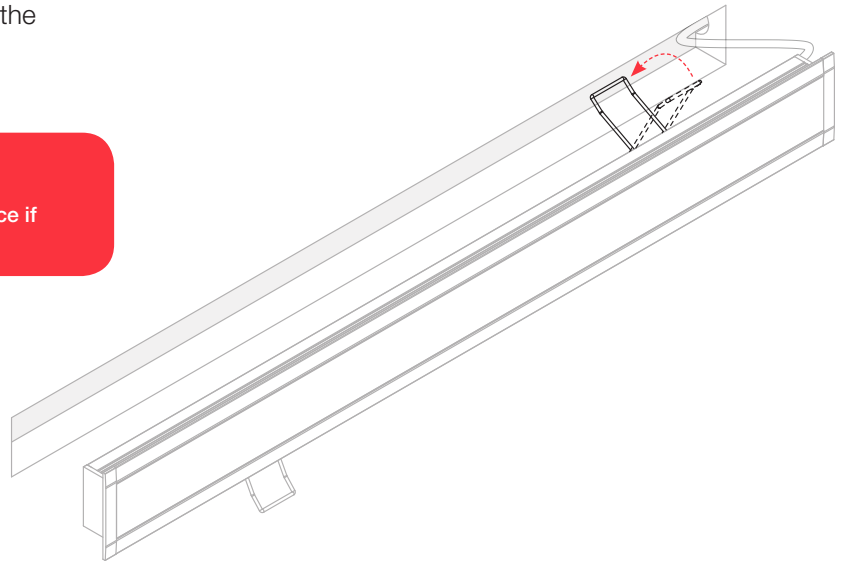


15

Pull back the recessed spring closest to the wire from the LED tape light.

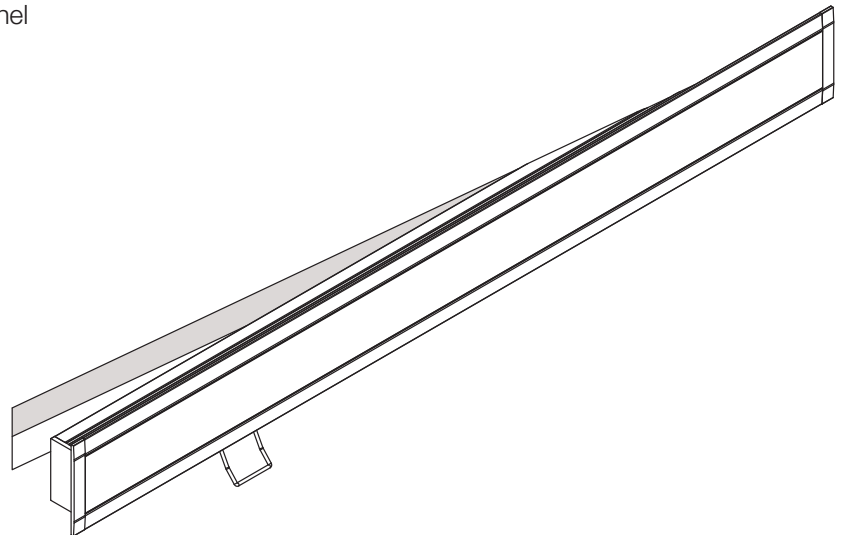
CAUTION!

The recessed springs will snap back into place if released too quickly.



16

Insert the first recessed spring and channel into the slot.

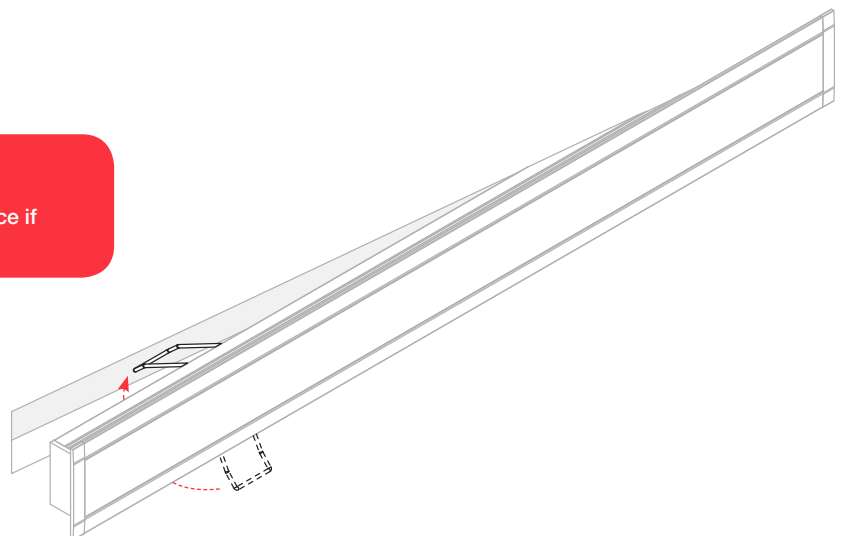


17

Pull back the next recessed spring.

CAUTION!

The recessed springs will snap back into place if released too quickly.



18

Insert the next recessed spring and channel into the slot. The channel should fit firmly in the slot without any movement.

