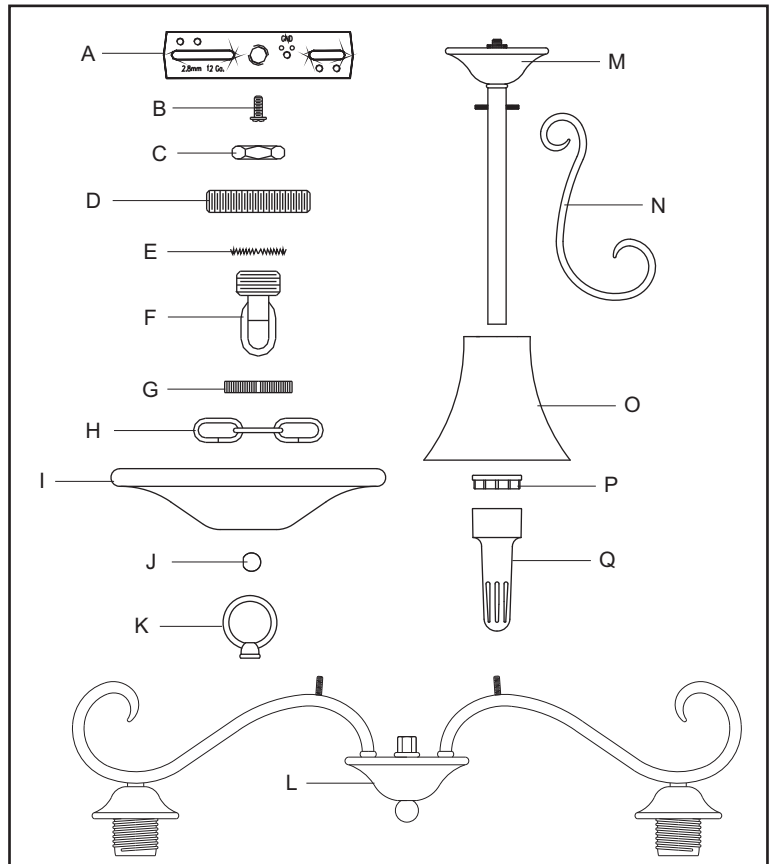


PACKAGE CONTENTS

ISSUED 01-2010

REVISED 2015-12-24

Part	Description	Quantity
A	Crossbar	1pc
B	Green Ground Screw	1pc
C	Hex Nut	2pcs
D	Nipple	1pc
E	Lock Washer	2pcs
F	Canopy Chain Loop	1pc
G	Canopy Lock Ring	1pc
H	Fixture Chain	1pc
I	Ceiling Canopy	1pc
J	Lock Ball	10pcs
K	Fixture Loop	1pc
L	Socket Assembly	1pc
M	Center Stem Assembly	1pc
N	Side Arm	5pcs
O	Shade	5pcs
P	Socket Collar	5pcs
Q	Socket Collar Tool	1pc



! WARNINGS AND CAUTIONS

Turn off electricity at circuit breaker or main fuse box before installation. Consult a licensed electrician if in doubt.

These instructions are provided for your safety. It is very important you read them completely before installing the fixture. We strongly recommend that a licensed, professional electrician perform the installation.

Disconnect fixture from power source before replacing bulbs. Make sure bulbs are given sufficient time to cool before removal. Do not subject glass parts to any shock while in operation or shattering may result.

PREPARATION

Please go to www. quoizel. com for product cleaning tips. Go to the **Care + Maintenance** selection.

Tools Required: Flathead screwdriver, Phillips screwdriver, pliers, wire cutters, wire strippers, electrical tape, safety glasses.

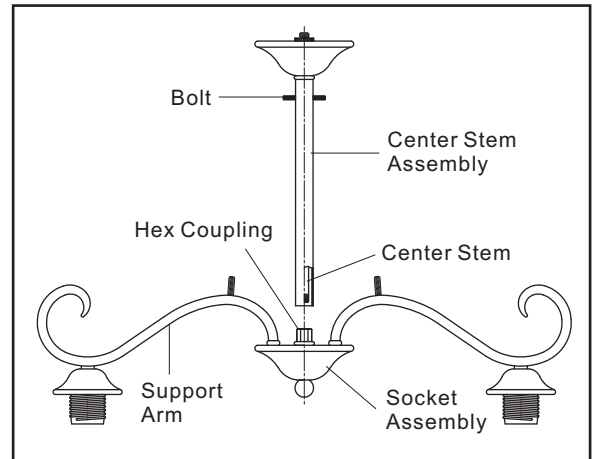
Light Source: (5) Medium Base 100W Maximum, Alternate (5) 23W CFL Bulbs

Estimated Assembly Time: 30-45 minutes

Preparation: Identify and inspect all parts before beginning installation. Check package content list and diagrams below to be sure all parts are present. If any parts are missing or damaged, do not attempt to assemble, install, or operate the fixture. Contact customer service for replacement parts.

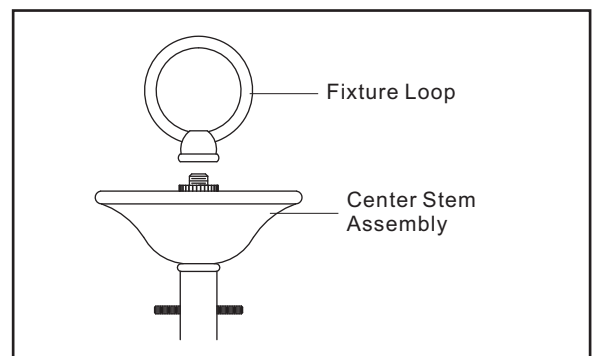
STEP 1:

- a. Unfold the Support Arms to proper locations.
- b. Thread the end of the Center Stem into the Hex Coupling on the top center of the Socket Assembly. Please line up the Bolts on the side of the Center Stem Assembly and Support Arms before you tighten them together.



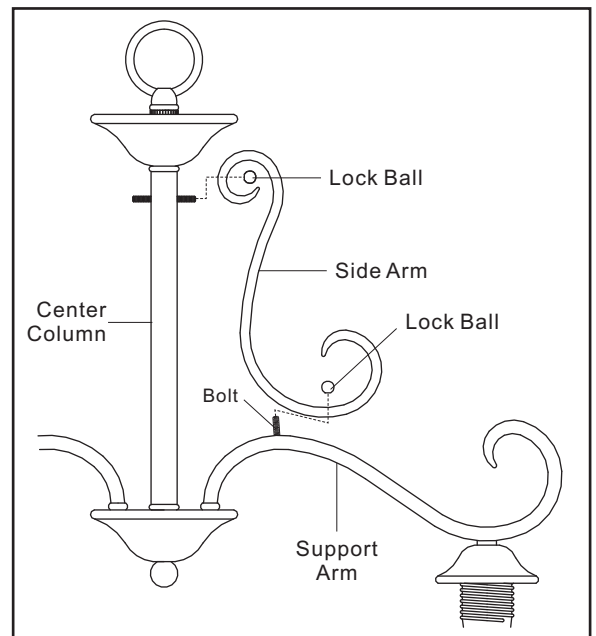
STEP 2:

- a. Thread the Fixture Loop onto the nipple on the top center of the Center Stem Assembly. Hand tighten until snug.



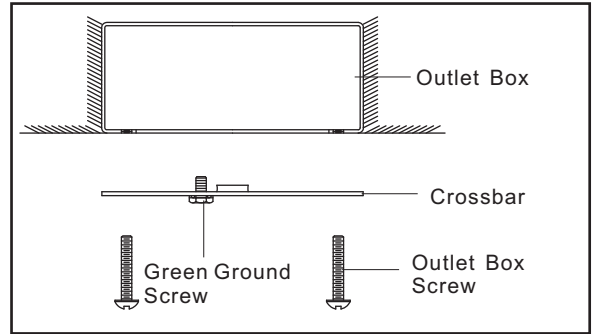
STEP 3:

- a. Locate the holes on the Side Arm over the Bolts at the side of the Center Column and the Support Arm as shown. Secure by threading the Lock Balls onto the Bolts. Hand-tighten until snug.



STEP 4:

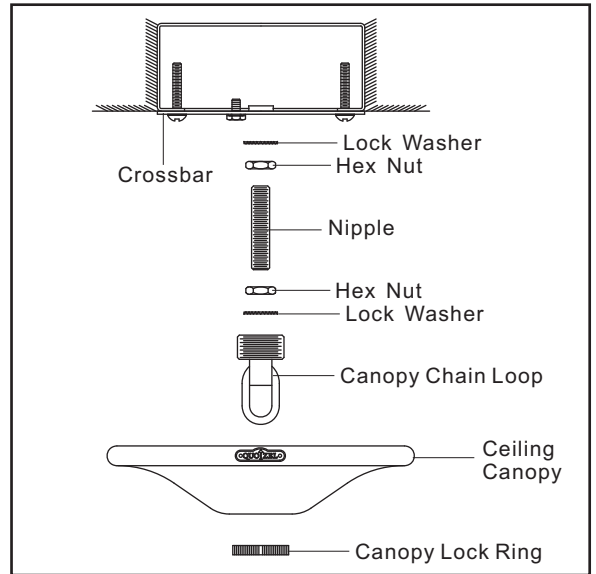
- a. Attach the Crossbar to the Outlet Box with the head of the Green Ground Screw facing you. Secure it with Outlet Box Screws (not included). Tighten until snug.



STEP 5:

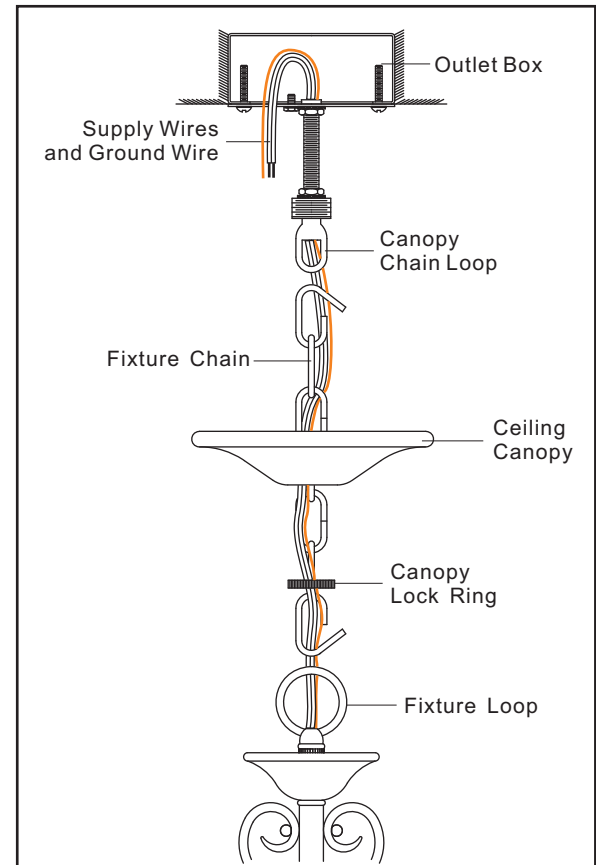
* Pliers is required for this step.

- a. Thread one Hex Nut to one end of the Nipple until it is at least 0.25" from the end. Pass one Lock Washer over the end of the Nipple and thread the Canopy Chain Loop onto the Nipple. By using pliers, thread the Hex Nut against the Canopy Chain Loop and hand tighten until snug.
- b. Thread another Hex Nut to the middle of the Nipple. Place another Lock Washer over the Nipple and then thread the Nipple into the Crossbar until the Nipple is about 0.375" above the Crossbar.
- c. Remove the Canopy Lock Ring from the Canopy Chain Loop. Place the Canopy over the Canopy Chain Loop against the ceiling to determine the correct position of the Nipple. Thread the Canopy Lock Ring onto the Canopy Chain Loop. Adjust the Nipple to allow the Ceiling Canopy to rest against the ceiling when held in place by the Canopy Lock Ring.
- d. Remove the Canopy Lock Ring and the Ceiling Canopy. Tighten the Hex Nut against the Crossbar to secure in place.



STEP 6:

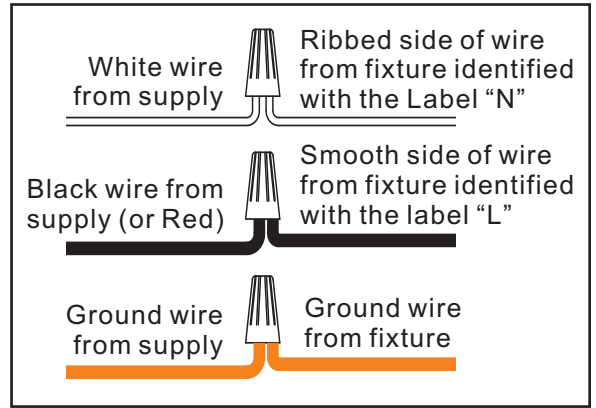
- a. Adjust the Fixture Chain to your desired length by removing the links if needed.
 - * Pliers is required for this step.
- b. With the Fixture Chain still not attached to the Fixture Loop and the Canopy Chain Loop, pull the supply wires through the Fixture Chain alternating links. After the wires are through the Fixture Chain, pull the Supply Wires and the Ground Wire through the Canopy Lock Ring and the Ceiling Canopy in order.
- c. Attach one end of the Fixture Chain to the Fixture Loop and close the chain loop. Lift the fixture and chain up and attach the other end of the Fixture Chain onto the Canopy Chain Loop. The fixture will now hang safely. Close the Chain Loop at the Ceiling Canopy Loop.
- d. Feed the Supply Wires and Ground Wire through the Canopy Chain Loop and Nipple into the Outlet Box. Cut the wires leaving approximately 8" of wire extending from the Outlet Box.
- e. Refer to Step 7 for wire connections.
- f. Raise the Ceiling Canopy and Canopy Lock ring up the Fixture Chain and over the Canopy Chain Loop. Tighten the Canopy Lock Ring onto the Canopy Chain Loop until tight.



STEP 7:

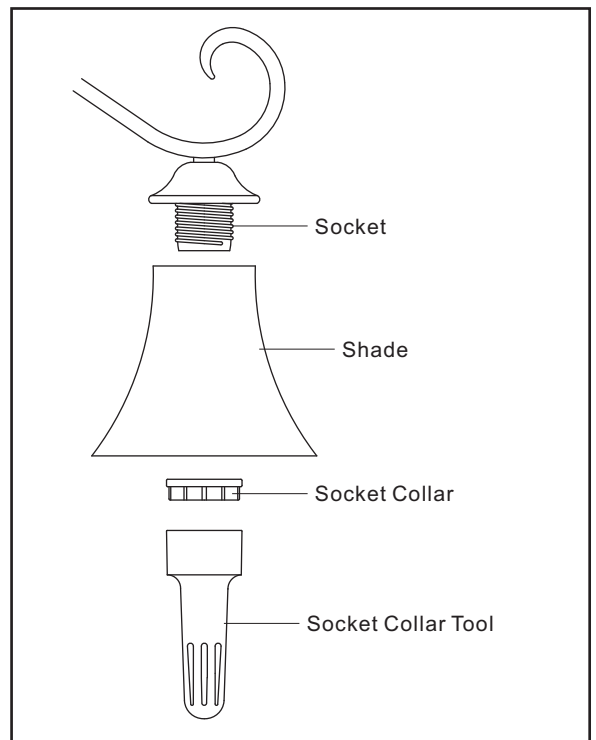
- a. Use standard wire connectors (not included) to make all wire connections. (Connectors are not included with fixture.) Twist connectors until wires are tightly joined together. Wrap each connection with approved electrical tape and carefully stuff all the connected wires into outlet box.

Note: If the electrical wire is going to be cut shorter than provided you will need to identify the "L" line wire and the "N" neutral wire before you cut the excess wire off. One is labeled N and the other labeled L. To do this separate the "L" line wire and the "N" neutral wire as far as you need to. Re-label the wire near where you want to make the cut. Be sure to mark the wire on the side of the fixture and not on the excess wire being cut and removed.



STEP 8:

- a. Place the Shade over the Socket as shown. Using the Socket Collar Tool, thread the Socket Collar onto the Socket to secure the Shade. Hand tighten until snug.



STEP 9:

- a. Install correct Bulbs referring to fixture markings and/or labels for maximum wattage.

Your installation is completed now. Restore electricity. Retain this sheet for future reference.