

Please go to www.quoizel.com for product cleaning tips. Go to the **Care + Maintenance** selection.

Tools Required: Flathead screwdriver, Phillips screwdriver, pliers, wire cutters, wire strippers, electrical tape, safety glasses.

Light Source: (1) Medium Base 100W Maximum. Alternate Bulb (1) 23W CFL.

Estimated Assembly Time: 20-30 minutes

Preparation: Identify and inspect all parts before beginning installation. Check package content list and diagrams below to be sure all parts are present. If any parts are missing or damaged, do not attempt to assemble, install, or operate the fixture. Contact customer service for replacement parts.

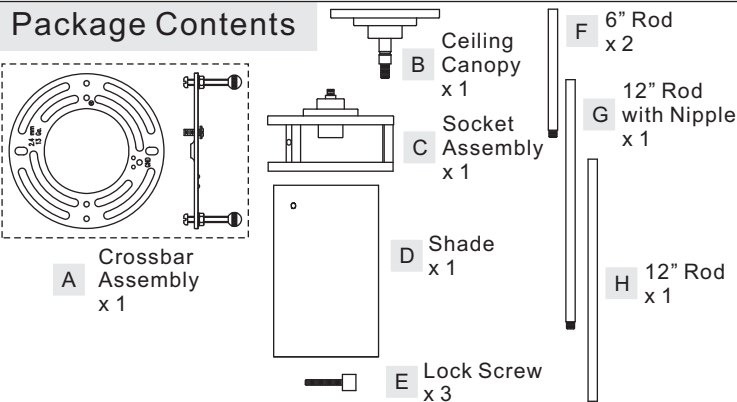
⚠ Warnings and Cautions

Turn off electricity at circuit breaker or main fuse box before installation. Consult a licensed electrician if in doubt.

These instructions are provided for your safety. It is very important you read them completely before installing the fixture. We strongly recommend that a licensed, professional electrician perform the installation.

Disconnect fixture from power source before replacing bulbs. Make sure bulbs are given sufficient time to cool before removal. Do not subject glass parts to any shock while in operation or shattering may result.

Package Contents



STEP 3 – Fit Ceiling Canopy to Crossbar Assembly

A. Remove mounting balls from the Crossbar Assembly (A). Fit the Ceiling Canopy (B) to the Crossbar Assembly (A) and secure with mounting balls. Note: The Ceiling Canopy (B) should be snug against the ceiling and the mounting balls. If not, adjust the length of the nipple on the Crossbar Assembly (A) by unscrewing the preassembled hex nut and lock washer and then screwing the mounting screws in or out of the crossbar until the correct length is achieved. Once the Ceiling Canopy (B) is secure, remove the mounting ball and ceiling canopy and proceed to Step 3.

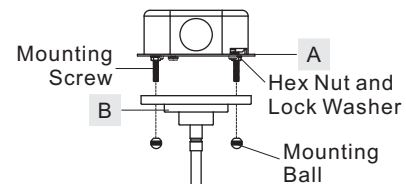


Figure 3

STEP 1 – Install Crossbar Assembly

A. Pass the supply wires through the Crossbar Assembly (A). Attach the Crossbar Assembly (A) to the Outlet Box with the head of the Green Ground Screw facing you. Secure it with Outlet Box Screws (not included). Tighten until snug.

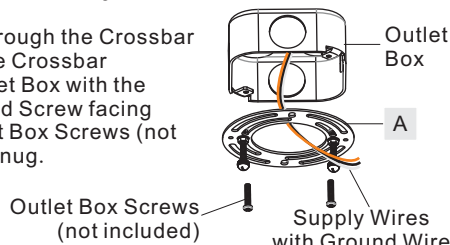


Figure 1

STEP 4 - Wire Connections

A. Use standard wire connectors (not included) to make all wire connections. (Connectors are not included with fixture.) Twist Connectors until wires are tightly joined together. Wrap each connection with approved electrical tape and carefully stuff all the connected wires into the Outlet Box.

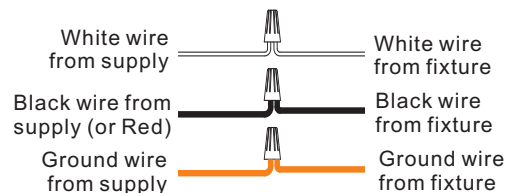


Figure 4

STEP 2 – Assemble Rods and the Ceiling Canopy

A. Determine the Rods (F/G/H) to be assembled to the Socket Assembly (C) according to your hanging height.
B. Pass the supply wires and ground wire through the chosen rods (F/G/H) and the Ceiling Canopy (B). Thread the Socket Assembly (C), the chosen Rods (F/G/H) and the Ceiling Canopy (B) together. Hand tighten until snug.

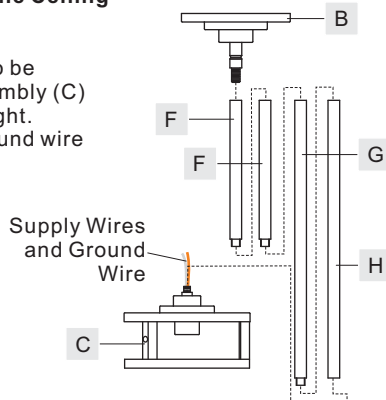


Figure 2

STEP 5 – Install Fixture to Ceiling

A. Carefully tuck all wires into the outlet box and position the Ceiling Canopy (B) over the outlet box. Align the holes in the Ceiling Canopy with the mounting screws. Secure the Ceiling Canopy with Mounting Balls. Hand tighten until snug.

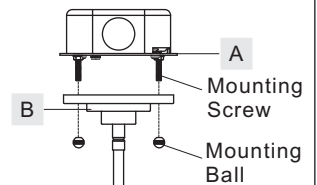


Figure 5

Suggested rods for Ceiling height:
8' ceiling : (2) 12" rods
9' ceiling : use (2) 6" rods and (2) 12" rods

Thank you for purchasing a Quoizel product.
Need assistance with parts or assembly? Call Quoizel customer service at 1-631-273-2700
or visit us on-line at www.quoizel.com

STEP 6 - Install Bulb

- A. Line up the Lock Hole on the Socket Assembly (C) and the Hole on the Shade (D), then thread the Lock Screw (E) into the Lock Hole on the Socket Assembly (C) to assemble the Shade (D). Hand tighten until snug.
- B. This fixture uses standard bulb with standard screw base. Maximum 100 watts. Insert bulb and screw snugly into place.

Your fixture is now assembled and ready to use. Enjoy!

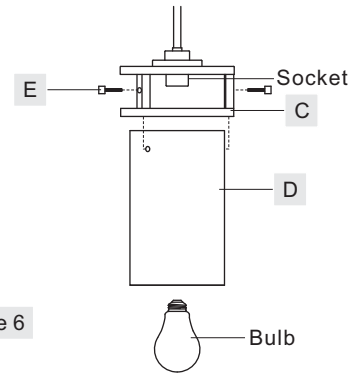
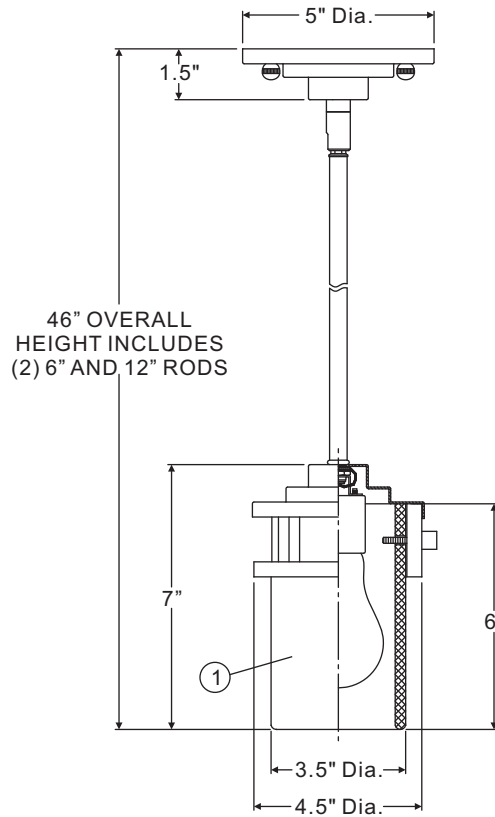
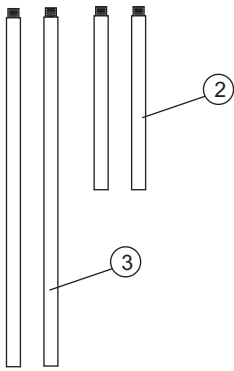
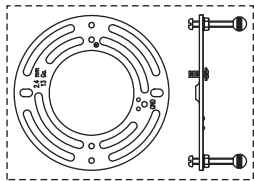



Figure 6

KY1508IN
FINISH: IRON GATE

NOTE: ALL DIMENSIONS ARE ROUNDED UP TO THE NEAREST 1/4"




(1) 100W Medium Base Bulb (Not Supplied)

NO.	PART NUMBER	REPLACEMENT PART	QTY.
1	G3330SH	SHADE	1
2	9006EXIN01	6" ROD	2
3	9012EXIN01	12" ROD	2

Thank you for purchasing a Quoizel product.
Need assistance with parts or assembly? Call Quoizel customer service at 1-631-273-2700 or visit us on-line at www.quoise.com