



**S Series**  
**Electric Toe Space Heaters**  
**Without Built-in Thermostat**

*Installation & Maintenance Instructions*

Dear Owner,

*Congratulations! Thank you for purchasing this new heater manufactured by Marley Engineered Products. You have made a wise investment selecting the highest quality product in the heating industry. Please carefully read the installation and maintenance instructions shown in this manual. You should enjoy years of efficient heating comfort with this product from Marley Engineered Products... the industry's leader in design, manufacturing, quality and service.*

*... The Employees of  
 Marley Engineered Products*

 **WARNING** 

**Read Carefully** - These instructions are written to help you prevent difficulties that might arise during installation of heaters. Studying the instructions first may save you considerable time and money later. Observe the following procedures, and cut your installation time to a minimum.

**To reduce risk of fire or electric shock:**

1. To prevent electrical shock, disconnect all power coming to heater at main service panel before wiring or servicing.
2. All wiring must be in accordance with the National and Local Electrical Codes and the heater must be grounded as a precaution against possible electric shock.
3. Verify the power supply voltage coming to heater matches the ratings printed on the heater nameplate before energizing.
4. This heater is hot when in use. To avoid burns, do not let bare skin touch hot surfaces.
5. **DO NOT INSTALL THIS HEATER UNDER CABINETS MADE OF VINYL OR COATED WITH VINYL.**
6. Do not insert or allow foreign objects to enter any ventilation or exhaust opening as this may cause an electric shock, fire, or damage to the heater.
7. To prevent a possible fire, do not block air intakes or exhaust in any manner. Keep combustible materials, such as crates, drapes, etc., away from heater. Do not install behind doors, furniture, towels, or boxes.
8. A heater has hot and arcing or sparking parts inside. Do not use it in areas where gasoline, paint or flammable liquids are used or stored.
9. Use this heater only as described in this manual. Any other use not recommended by the manufacturer may cause fire, electric shock, or injury to persons.
10. This heater is not approved for use in corrosive atmospheres such as marine, green house or chemical storage areas.

**SAVE THESE INSTRUCTIONS**



## WARNING

TO REDUCE RISK OF FIRE OR ELECTRICAL SHOCK, **DO NOT** INSTALL WITHOUT BACK BOX. **DO NOT** OPERATE WITHOUT GRILLE INSTALLED.

## CAUTION

1. **DO NOT** USE HEATER FOR DRY OUT. PAINT, PLASTER, SAW-DUST, AND DRYWALL SANDING DUST MUST BE KEPT OUT OF HEATER.

2. THE HEATER IS HOT WHEN IN USE. **DO NOT** INSTALL THE HEATER BEHIND DOOR, BEHIND TOWEL RACK, IN CLOSET, WHERE CURTAINS OR DRAPES COULD TOUCH OR BECOME SCORCHED BY HEATER, OR WHERE AIRFLOW TO HEATER MAY BE OBSTRUCTED. KEEP ELECTRICAL CORDS, BEDDING, FURNITURE AND OTHER COMBUSTIBLES AWAY FROM HEATER.

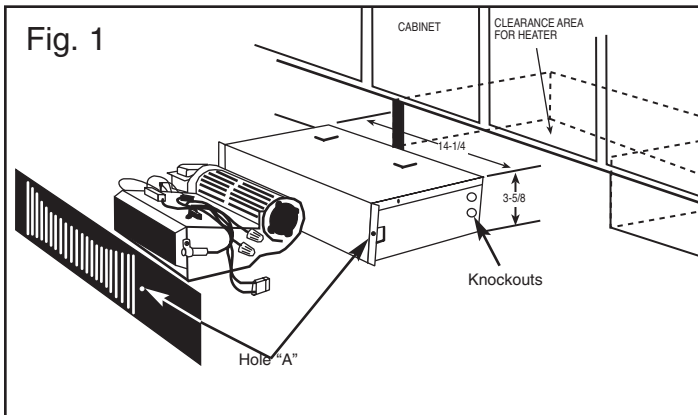
**NOTE:** Heater should be controlled by either built-in thermostat or wall thermostat. Either is purchased separately. A wall thermostat requires a separate feed from heater to thermostat.

**NOTE:** Hole location should be 12" from corner and 1/4" above finished floor.

### HORIZONTAL INSTALLATION ONLY

This heater may be wired with standard building wiring (rated minimum 60° C).

1. Cut a 14 1/4" x 3 5/8" (361.9 x 92.1 mm) opening at desired location as shown in Fig. 1. Keep clearance area free of obstructions.

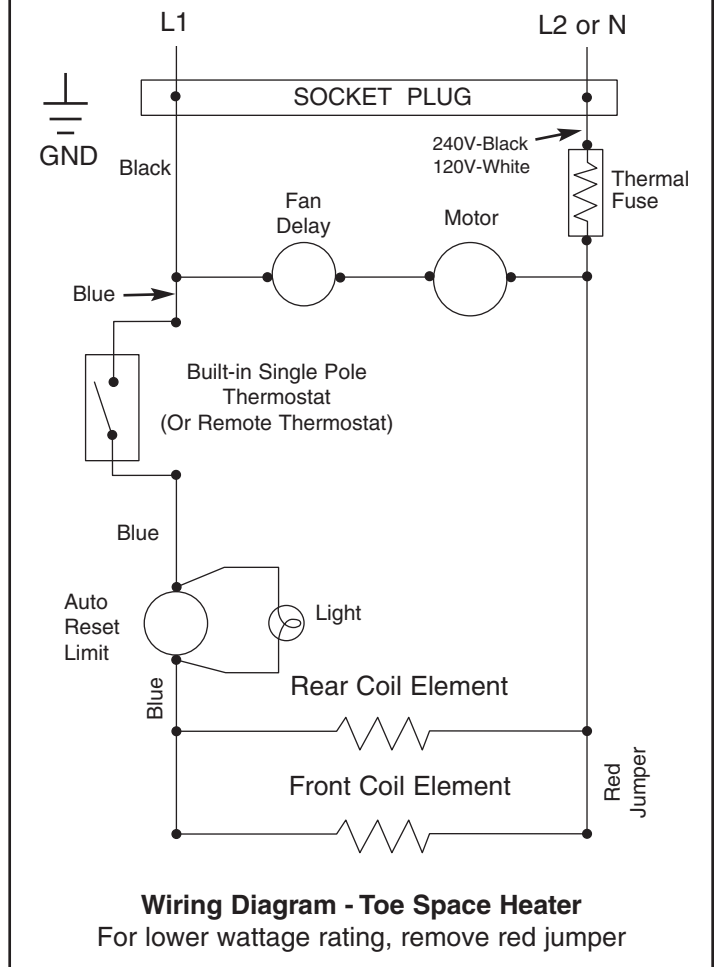


2. Remove top cover from heater enclosure by removing the cover screws.
3. Determine which knockout in enclosure will be used for field wiring and remove (see figure 1). Install strain relief (field supplied).
4. Fish field wiring through strain relief leaving 6" (12.7 mm) of wire inside box.
5. FOR BUILT-IN THERMOSTAT, WIRE HEATER AS SHOWN IN FIG. 2. Run field wiring from circuit breaker box to heater. Connect to the two black pigtail leads for 240/208V model or to black and white pigtail lead for 120V model with wirenuts (provided). Remove the wirenuts securing two blue leads. Connect the blue leads with wirenuts (provided) to thermostat lead wires.
6. FOR REMOTE 2 POLE WALL THERMOSTAT, WIRE HEATER AS SHOWN IN FIG.3. Run field wiring from circuit breaker box to wall thermostat. Connect blue lead A with heater to field supply lead from load side of thermostat. Connect supply field wiring from thermostat to two black pigtail leads for 240/208V model or to black and white pigtail leads for 120V model with wirenuts (provided). Connect field ground lead to ground pigtail with wirenut (provided).

**NOTE:** Whether it is with built-in thermostat or with remote thermostat, there should always be a fan delay **ON** and a fan delay **OFF**.

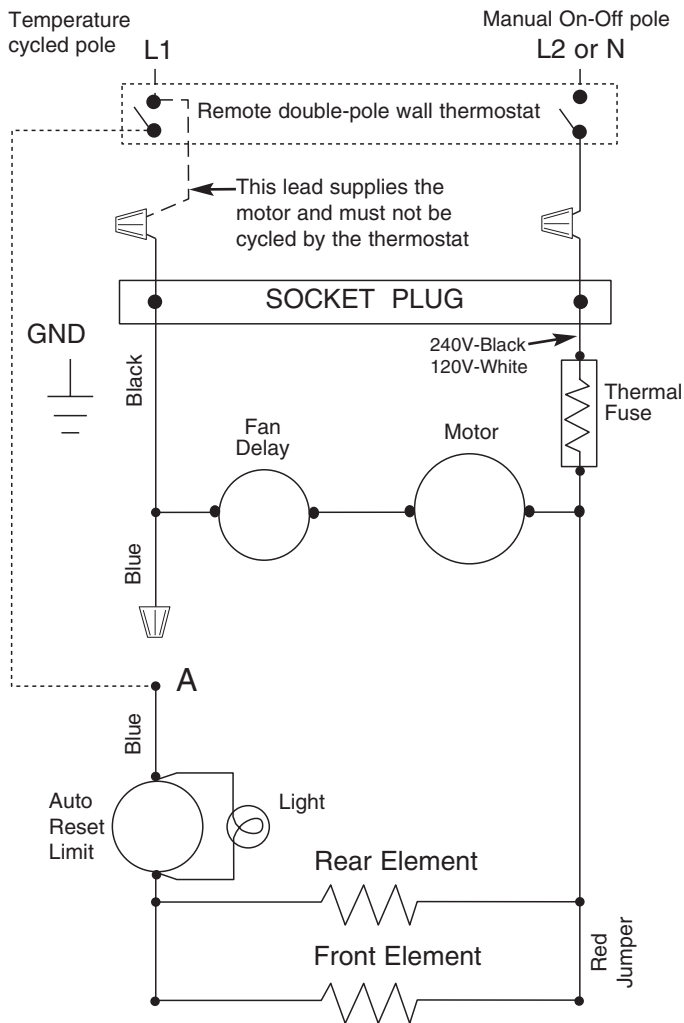
7. Replace and secure top cover on heater enclosure, and then position heater into opening.
8. Using the holes in the flanges of the enclosure for a template, secure both the front grille and the heater by drilling two .093" (3/32") (2.3 mm) diameter holes into the cabinet board and installing two No. 6 x 3/4" (No.6 x 19 mm) screws (supplied). When SAG adapter grille is used, the unit is attached to the cabinet board thru the two outermost holes on the adapter grille.

Fig. 2 Wiring With Internal Heater Mounted Thermostat



Wiring Diagram - Toe Space Heater  
For lower wattage rating, remove red jumper

**Fig. 3 Wiring For Remote Thermostat (See Caution Statement And Note Below This Diagram)**



**Wiring Diagram - Toe Space Heater**  
For lower wattage rating, remove red jumper

**CAUTION** ⚠

**TO PREVENT HEATER DAMAGE OR A POSSIBLE FIRE HAZARD, IF WALL THERMOSTAT IS USED: A DOUBLE POLE WALL THERMOSTAT OF THE TYPE WHERE BOTH POLES CYCLE ON AND OFF BY TEMPERATURE CHANGE CANNOT BE USED WITH THIS HEATER. ONLY ONE POLE MAY CYCLE AND THIS POLE MUST CYCLE HEATING ELEMENT ONLY, NOT THE MOTOR. CYCLING BOTH SUPPLY LEADS WILL DEFEAT FAN DELAY OFF FEATURE AND RESULT IN OVER-HEATING AND POSSIBLE DAMAGE TO HEATER.**

**Note: 1100 watt models only may be wired with line break remote thermostat that cycles entire heater (elements and motor). 1500 watt models MUST be wired as shown in Fig. 4.**

**WARNING** ⚠

**YOUR HEATER IS PROVIDED WITH A BACK-UP THERMAL SAFETY FUSE THAT WILL OPEN ONLY IF THE HEATER IS IN NEED OF MAJOR REPAIRS. DO NOT BYPASS THIS FUSE. THE HEATER CAN ONLY BE REPAIRED BY A QUALIFIED SERVICE CENTER.**

**SPECIFICATIONS**

Model No	Wattage	Voltage	Amperage
S1500B	1500	120	12.5
	750		6.3
S1504B	1500/1126	240 / 208	6.3 / 5.4
	750 / 563		3.1 / 2.7
S1100B	1125	120	9.4
	563		4.7
S1104B	1125/844	240 / 208	4.7 / 4.1
	563 / 422		2.3 / 2.0

**TO CHANGE WATTAGE OUTPUT**

The chart shows the wattages available by model. Each heater is factory wired for its maximum wattage. To change wattage remove the Red Jumper at left side of element (See Fig. 2 or 3).

**CAUTION** ⚠

**FOR CORRECT AND CONTINUED SAFE OPERATION, YOUR HEATER MUST BE INSPECTED AND CLEANED PERIODICALLY. DEPENDING ON THE APPLICATION, THE HEATER SHOULD BE INSPECTED AND CLEANED AT LEAST ANNUALLY. IF USED AS PRIMARY HEAT, INSPECT AND CLEAN HEATER AT LEAST TWICE A YEAR OR MORE OFTEN IF NECESSARY. DO NOT CONTINUE TO USE THIS HEATER IF LINT AND DIRT HAVE ACCUMULATED INSIDE HEATER.**

**MAINTENANCE**

**TO CLEAN HEATER:**

1. Disconnect power at main service panel.
2. Remove screws and grille.
3. Slide heater and back box out.
4. Remove top of enclosure.
5. Clean blower and inside of heater using vacuum cleaner w/ brush attachment.
6. Carefully spin blower wheel with finger to make sure it turns freely. Look for any damage or overheating of wiring connectors or components. If any problem is discovered, discontinue use of heater until it is repaired.
7. Replace cover.
8. Slide heater back in place.
9. Secure grille and heater with screws.
10. Reconnect power.
11. Verify heater operates properly.

**OPERATIONAL NOTICE**



Your heater is equipped with an automatic reset limit control that will automatically turn the heater OFF to prevent a fire if the heater overheats. Should this occur, the indicator light will illuminate and will continue to shine until the limit resets.

**CAUTION** ⚠

**THE ILLUMINATED INDICATOR LIGHT SIGNIFIES THE HEATER HAS BEEN SUBJECTED TO SOME ABNORMAL CONDITION CAUSING IT TO OVERHEAT. CHECK HEATER TO INSURE THAT IT HAS NOT BEEN BLOCKED IN ANY MANNER (IF SO, REMOVE BLOCKAGE). IF THERE IS NO INDICATION OF BLOCKAGE IT IS RECOMMENDED THE HEATER BE CHECKED BY A REPUTABLE ELECTRICIAN OR REPAIR SERVICE TO INSURE THE HEATER HAS NOT BEEN DAMAGED.**



**NAMEPLATE**

MODEL NO. <b>S1504B</b>	DATE CODE <b>0606</b>
FAN FORCED WALL HEATER	
240	1500/750
VOLTS AC	WATTS
	6.3/3.1
	AMPS
CAUTION: USE ONLY WITH TS ENCLOSURE. DO NOT OPERATE WITHOUT GRILLE IN PLACE.	
ATTENTION: UTILISER UNIQUEMENT AVEC UN BOÎTIER TS. NE PAS FAIRE FONCTIONNER SANS LA GRILLE.	
PRECAUTION: USARLO SÓLO CON LA CUBIERTA A TS. NO DEBE ENCENDERSE SIN LA REJILLA.	
	 
	774G LISTED ROOM HEATER
<small>MARLEY ENGINEERED PRODUCTS BENNETTSVILLE, SC 29512</small>	

**LIMITED WARRANTY**

All products manufactured by Marley Engineered Products are warranted against defects in workmanship and materials for one year from date of installation, except heating elements which are warranted against defects in workmanship and materials for five years from date of installation. This warranty does not apply to damage from accident, misuse, or alteration; nor where the connected voltage is more than 5% above the nameplate voltage; nor to equipment improperly installed or wired or maintained in violation of the product's installation instructions. All claims for warranty work must be accompanied by proof of the date of installation.

The customer shall be responsible for all costs incurred in the removal or reinstallation of products, including labor costs, and shipping costs incurred to return products to Marley Engineered Products Service Center. Within the limitations of this warranty, inoperative units should be returned to the nearest Marley authorized service center or the Marley Engineered Products Service Center, and we will repair or replace, at our option, at no charge to you with return freight paid by Marley. It is agreed that such repair or replacement is the exclusive remedy available from Marley Engineered Products.

THE ABOVE WARRANTIES ARE IN LIEU OF ALL OTHER WARRANTIES EXPRESSED OR IMPLIED. AND ALL IMPLIED WARRANTIES OF MERCHANTABILITY AND FITNESS FOR A PARTICULAR PURPOSE WHICH EXCEED THE AFORESAID EXPRESSED WARRANTIES ARE HEREBY DISCLAIMED AND EXCLUDED FROM THIS AGREEMENT. MARLEY ENGINEERED PRODUCTS SHALL NOT BE LIABLE FOR CONSEQUENTIAL DAMAGES ARISING WITH RESPECT TO THE PRODUCT, WHETHER BASED UPON NEGLIGENCE, TORT, STRICT LIABILITY, OR CONTRACT.

Some states do not allow the exclusion or limitation of incidental or consequential damages, so the above exclusion or limitation may not apply to you. This warranty gives you specific legal rights, and you may also have other rights which vary from state to state.

For the address of your nearest authorized service center, contact Marley Engineered Products in Bennettsville, SC, at 1-800-642-4328. Merchandise returned to the factory must be accompanied by a return authorization and service identification tag, both available from Marley Engineered Products. When requesting return authorization, include all catalog numbers shown on the products.

**HOW TO OBTAIN WARRANTY SERVICE AND WARRANTY PARTS PLUS GENERAL INFORMATION**

- 1. Warranty Service or Parts      **1-800-642-4328**
- 2. Purchase Replacement Parts    **1-800-654-3545**
- 3. General Product Information    **www.marleymep.com**

**Note:** When obtaining service always have the following:

- 1. Model number of the product
- 2. Date of manufacture
- 3. Part number or description



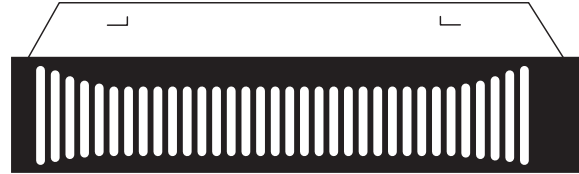
**Marley**  
Engineered Products

470 Beauty Spot Rd. East  
Bennettsville, SC 29512 USA

ECR 39295

11/11

Part No. 5200-2281-005



## Serie S

### Calefactores eléctricos a ras del piso sin termostato incorporado

## Instrucciones de instalación y mantenimiento

Estimado propietario:

*¡Felicitaciones! Gracias por comprar este nuevo calefactor fabricado por Marley Engineered Products. Al seleccionar el producto de más alta calidad de la industria de calefacción, usted ha hecho una sabia inversión. Por favor, lea cuidadosamente las instrucciones de instalación y mantenimiento incluidas en este manual. Así podrá disfrutar de años de calefacción confortable y eficiente con este producto de Marley Engineered Products... el líder de la industria en diseño, fabricación, calidad y servicio.*

*... Los empleados de  
Marley Engineered Products*



### ADVERTENCIA



**Lea cuidadosamente.** Estas instrucciones están escritas para ayudarle a superar las dificultades que podrían aparecer durante la instalación de calefactores. El estudio previo de estas instrucciones puede ahorrarle considerable tiempo y dinero en el futuro. Observe los procedimientos que siguen, y reducirá el tiempo de instalación a un mínimo.

#### Para reducir el riesgo de incendio o choque eléctrico:

1. A fin de evitar un choque eléctrico, antes de proceder a tareas de conexión o de reparación del calefactor desconecte toda la alimentación eléctrica que llega al mismo desde el tablero principal de servicio.
2. Como precaución contra un posible choque eléctrico, todo el conexiónado debe hacerse de conformidad con los Códigos Eléctricos nacionales y locales, y el calefactor debe estar conectado a tierra.
3. Antes de aplicar alimentación eléctrica, verifique que la tensión de alimentación provista al calefactor sea compatible con la tensión nominal impresa en la placa de características del mismo.
4. Cuando está en funcionamiento, el calefactor está muy caliente. Para evitar quemaduras, no deje que su piel haga contacto directo con las superficies calientes.
5. **NO INSTALE ESTE CALEFACTOR DEBAJO DE ARMARIOS HECHOS DE VIÑO O RECUBIERTOS CON VIÑO.**
6. No inserte ni permita que entren objetos extraños en ninguna abertura de ventilación o de descarga, porque esto puede ser causa de choque eléctrico, incendio o daño al calefactor.
7. Para evitar un posible incendio, no bloquee de ningún modo las entradas o la descarga de aire. Conserve los materiales combustibles como cajones, cortinados, etc., alejados del calefactor. No lo instale detrás de puertas, muebles, toalleros o cajas.
8. Un calefactor tiene en su interior piezas calientes, y piezas en donde se producen arcos o chispas. No lo utilice en áreas en las que se utilice o almacene gasolina, pintura o líquidos inflamables.
9. Utilice este calefactor únicamente en la forma prevista en este manual. Cualquier otra forma de uso no recomendada por el fabricante puede ser causa de incendio, choque eléctrico o daños personales.
10. Este calefactor no está aprobado para su utilización en atmósferas corrosivas tales como áreas marítimas, invernaderos o lugares de almacenamiento de productos químicos.

**GUARDE ESTAS INSTRUCCIONES**



## ADVERTENCIA



PARA REDUCIR EL RIESGO DE INCENDIO O DE CHOQUE ELÉCTRICO, **NO** INSTALE LA UNIDAD SIN LA CAJA POSTERIOR. **NO** HAGA FUNCIONAR EL CALEFACTOR SIN HABER INSTALADO LA REJILLA.

## ATENCIÓN



1. **NO** USE EL CALEFACTOR PARA FINES DE SECADO. LA PINTURA, EL YESO, EL ASERRÍN Y EL POLVO PROVENIENTE DEL LIJADO DE PAREDES SECAS NO DEBEN ENTRAR AL CALEFACTOR.
2. CUANDO ESTÁ EN FUNCIONAMIENTO, EL CALEFACTOR ESTÁ MUY CALIENTE. **NO** INSTALE EL CALEFACTOR DETRÁS DE PUERTAS, DETRÁS DE TOALLEROS, EN ARMARIOS, O EN LUGARES EN LOS QUE HAYA CORTINAS O CORTINADOS QUE PODRÍAN TOCAR O RESULTAR CHAMUSCADOS POR EL CALEFACTOR, O EN LOS QUE LA CIRCULACIÓN DE AIRE AL CALEFACTOR PUEDA QUEDAR OBSTRUIDA. CONSERVE LOS CORDONES ELÉCTRICOS, ROPAS DE CAMA, MUEBLES Y OTROS MATERIALES COMBUSTIBLES ALEJADOS DEL CALEFACTOR.

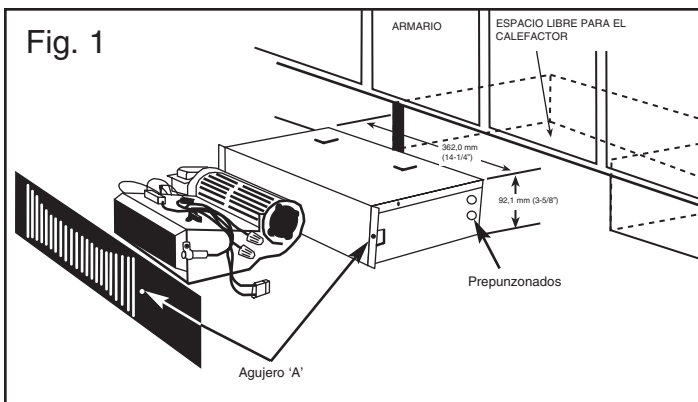
**NOTA:** el calefactor debe estar controlado por medio de un termostato incorporado o un termostato de pared. Cada uno de ellos se compra por separado. Un termostato de pared necesita un cable separado que viene desde el calefactor.

**NOTA:** la colocación de los agujeros debe estar a 305 mm (12") de las esquinas y a 6,4 mm (1/4") por encima del piso terminado.

### INSTALACIÓN HORIZONTAL ÚNICAMENTE

Este calefactor puede cablearse con cable estándar para edificios (especificado para 60 °C como mínimo).

1. Corte una abertura de 361,9 mm x 92,1 mm (14 3/4" x 3 5/8") en la ubicación deseada, como se muestra en la Fig. 1. Mantenga sin obstrucciones el espacio libre indicado.
2. Retire la cubierta superior del gabinete del calefactor, quitando los tornillos de la misma.
3. Determine cuál es el prepunzonado del gabinete que se utilizará para el cableado en el sitio, y quítelo (vea la figura 1). Instale el alivio de tensiones (suministrado en el sitio).
4. Pase el cableado del sitio a través del alivio de tensiones, dejando 152,4 mm (6") de cable dentro de la caja.
5. **CON TERMOSTATO INCORPORADO, CABLEE EL CALEFACTOR COMO SE MUESTRA EN LA FIG. 2.** Lleve el cableado del sitio desde la caja del interruptor automático hasta el calefactor. Haga mediante tuercas de empalme de cables (provistas) las conexiones a los dos conductores flexibles negros (para el modelo de 240/208 V) o a los conductores flexibles negro y blanco (para el modelo de 120 V). Quite las tuercas de empalme de cables que sujetan los dos conductores azules. Conecte los conductores azules con tuercas de empalme de cables (provistas) a los cables de conexión del termostato.



6. **CON UN TERMOSTATO DE PARED REMOTO DE 2 POLOS,** CABLEE EL CALEFACTOR COMO SE MUESTRA EN LA FIG. 3. Lleve el cableado del sitio desde la caja del interruptor automático hasta el termostato de pared. Conecte el conductor azul A del calefactor al conductor (suministrado en el sitio) que viene del lado de carga del termostato. Conecte mediante tuercas de empalme de cables (provistas) el cableado de alimentación eléctrica del sitio, desde el termostato hasta los dos conductores flexibles negros (para el modelo de 240/208 V) o a los conductores flexibles negro y blanco

(para el modelo de 120 V). Conecte el conductor de tierra del sitio al conductor flexible de tierra mediante una tuerca de empalme de cables (provista).

**NOTA:** ya sea con un termostato incorporado o uno remoto, siempre debe haber un **ENCENDIDO (ON)** y un **APAGADO (OFF)** con retardo del ventilador.

7. Vuelva a colocar y asegure la cubierta superior del gabinete del calefactor, y luego coloque el calefactor en la abertura.
8. Utilizando los agujeros de las alas del gabinete como plantilla, asegure la rejilla delantera y el calefactor perforando dos agujeros de 2,3 mm (0,093" ó 3/32") de diámetro en la placa del armario e instalando dos tornillos N° 6 x 19 mm (N° 6 x 3/4") (suministrados). Cuando se utiliza la rejilla adaptadora SAG, la unidad se fija a la placa del armario mediante los dos agujeros más externos de la rejilla.

Fig. 2 Cableado con termostato interno montado en el calefactor

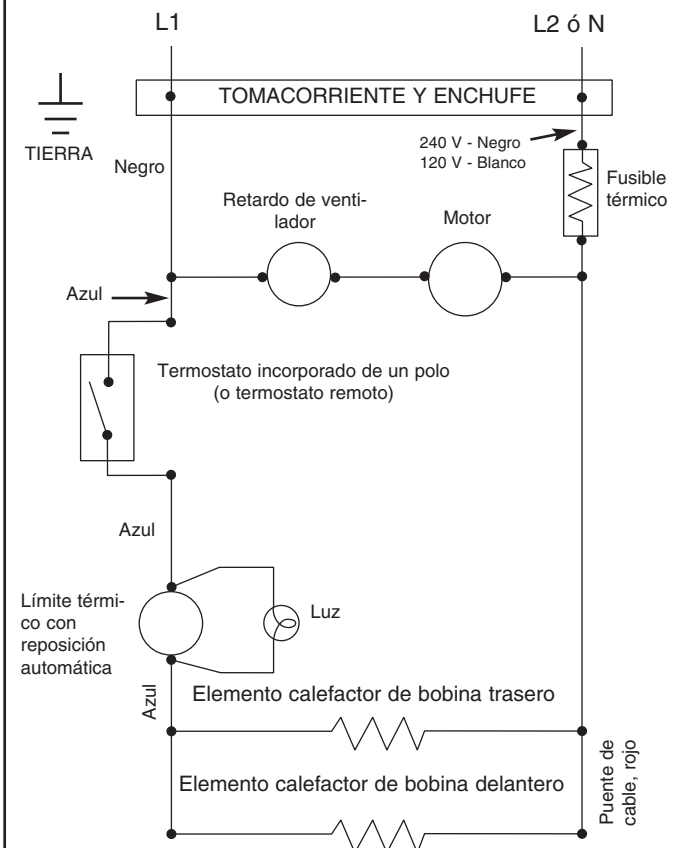


Diagrama de conexionado – Calefactor a ras del piso  
Para funcionamiento de baja potencia retire el puente de cable rojo

Fig. 3 Cableado con termostato remoto (vea las palabras de atención y la nota a continuación de este diagrama)

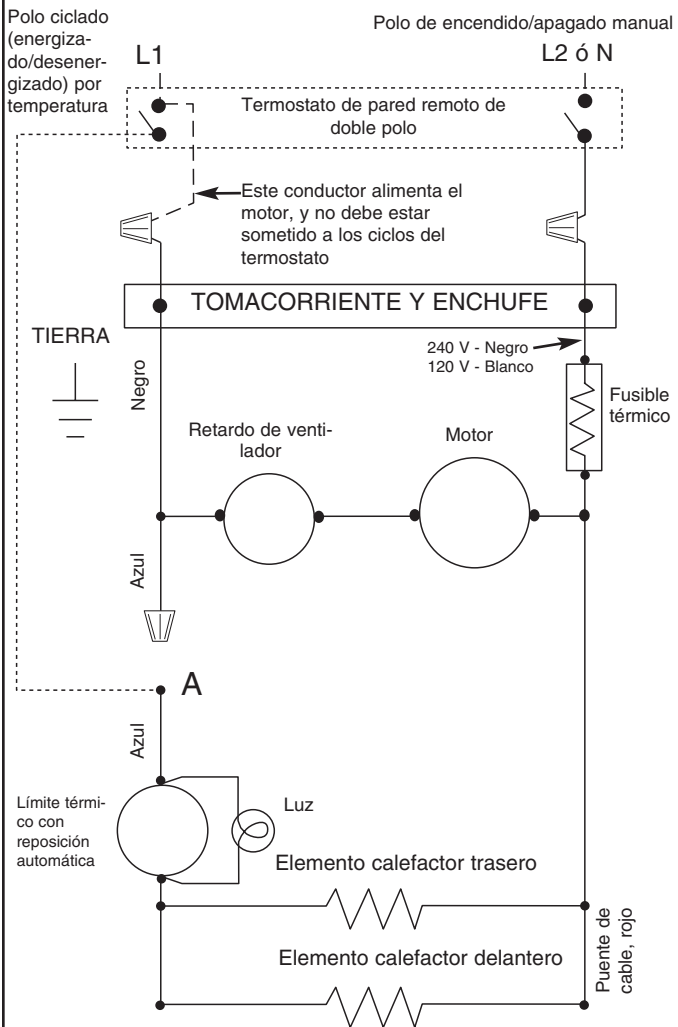


Diagrama de conexión – Calefactor a ras del piso

Para funcionamiento de baja potencia retire el puente de cable rojo

## ATENCIÓN



**PARA IMPEDIR DAÑOS AL CALEFACTOR O UN POSIBLE RIESGO DE INCENDIO, SI SE UTILIZA UN TERMOSTATO DE PARED: NO PUEDE UTILIZARSE CON ESTE CALEFACTOR UN TERMOSTATO DE DOBLE POLO DEL TIPO EN EL QUE AMBOS POLOS SON CICLADOS (ENERGIZADOS/DESENERGIZADOS) POR EL CAMBIO DE TEMPERATURA. SÓLO UN POLO PUEDE ESTAR CICLADO, Y ESTE POLO DEBE CONECTAR Y DESCONECTAR ÚNICAMENTE EL ELEMENTO CALEFACTOR Y NO EL MOTOR. EL CICLADO DE AMBOS CONDUCTORES DE ALIMENTACIÓN ANULARÁ LA FUNCIÓN DE APAGADO CON RETARDO DE VENTILADOR, LO QUE PROVOCARÁ SOBRECALENTAMIENTO Y POSIBLES DAÑOS AL CALEFACTOR.**

**Nota: los modelos de 1100 watts pueden cablearse únicamente con un termostato remoto de corte de línea, que cicla al calefactor entero (elementos calefactores y motor). Los modelos de 1500 watts DEBEN cablearse como se muestra en la Fig. 3.**



## ADVERTENCIA



SU CALEFACTOR ESTÁ PROVISTO DE UN FUSIBLE TÉRMICO DE SEGURIDAD DE RESERVA, QUE SE ABRIRÁ ÚNICAMENTE SI EL CALEFACTOR NECESITA UNA REPARACIÓN IMPORTANTE. **NO PUENTE ESTE FUSIBLE.** EL CALEFACTOR PUEDE REPARARSE ÚNICAMENTE EN UN CENTRO DE SERVICIO CALIFICADO.

## ESPECIFICACIONES

Modelo N°	Potencia (watts)	Tensión (volts)	Corriente (amperes)
S1550B	1 500	120	12,5
	750		6,3
S1504B	1 500 / 1 126	240 / 208	6,3 / 5,4
	750 / 563		3,1 / 2,7
S1100B	1 125	120	9,4
	563		4,7
S1104B	1 125 / 844	240 / 208	4,7 / 4,1
	563 / 422		2,3 / 2,0

## PARA CAMBIAR LA SALIDA DE POTENCIA

El cuadro que sigue a continuación muestra las potencias disponibles para cada modelo. Cada calefactor está cableado en fábrica para su potencia máxima. Para cambiar la potencia (watts), retire el puente de cable rojo que está en el lado izquierdo del elemento calefactor (vea la Fig. 2 ó 3).

## ATENCIÓN



PARA UN FUNCIONAMIENTO CORRECTO Y SEGURO ININTERRUMPIDO, SU CALEFACTOR DEBE INSPECCIONARSE Y LIMPIARSE PERIÓDICAMENTE. SEGÚN SEA LA APLICACIÓN, EL CALEFACTOR DEBE INSPECCIONARSE Y LIMPIARSE AL MENOS UNA VEZ AL AÑO. SI EL CALEFACTOR SE UTILIZA COMO FUENTE DE CALOR PRINCIPAL INSPECCIONELO Y LÍMPIELO AL MENOS DOS VECES AL AÑO, O MÁS A MENUDO SI FUERA NECESARIO. NO CONTINÚE UTILIZANDO ESTE CALEFACTOR SI SE HA ACUMULADO PELUSA Y SUCIEDAD EN SU INTERIOR.

## MANTENIMIENTO

### PARA LIMPIAR EL CALEFACTOR:

1. Desconecte la alimentación eléctrica en el tablero principal de servicio.
2. Retire los tornillos y la rejilla.
3. Deslice el calefactor y la caja posterior hacia afuera.
4. Retire la cubierta superior del gabinete.
5. Limpie el soplador y el interior del calefactor mediante una aspiradora con accesorio de cepillo.
6. Haga girar cuidadosamente la rueda del soplador con los dedos, para asegurarse de que se mueva libremente. Verifique si existen daños o sobrecalentamiento de conectores de cableado o componentes. Si se descubre algún problema, interrumpa el uso del calefactor hasta que sea reparado.
7. Vuelva a colocar la cubierta.
8. Deslice nuevamente el calefactor hasta su posición.
9. Asegure la rejilla y el calefactor con los tornillos.
10. Vuelva a conectar la alimentación eléctrica.
11. Verifique que el calefactor funcione correctamente.

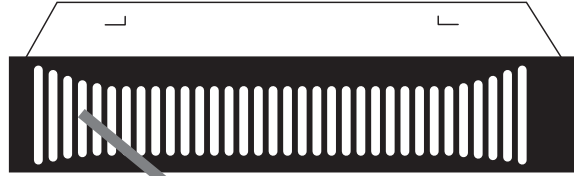
### AVISO OPERATIVO

Su calefactor está equipado con un control de límite de temperatura con reposición automática que lo apagará automáticamente para impedir su sobrecalentamiento, que podría provocar un incendio. Si esto ocurriera la luz indicadora se encenderá, y continuará encendida hasta que el límite vuelva a su estado anterior.

## ATENCIÓN



LA LUZ INDICADORA ENCENDIDA SIGNIFICA QUE EL CALEFACTOR HA ESTADO SOMETIDO A ALGUNA CONDICIÓN ANORMAL QUE CAUSÓ SU SOBRECALENTAMIENTO. REVISE EL CALEFACTOR PARA ASEGURARSE DE QUE NO HAYA SIDO BLOQUEADO DE ALGUNA MANERA (SI FUERA ASÍ, ELIMINE EL BLOQUEO). SI NO HUBIERA INDICACIÓN DE BLOQUEO, SE RECOMIENDA HACER REVISAR EL CALEFACTOR POR UN ELECTRICISTA O SERVICIO DE REPARACIÓN RECONOCIDO, PARA ASEGURARSE DE QUE EL CALEFACTOR NO HAYA SUFRIDO ALGÚN DAÑO.



**PLACA DE CARACTERÍSTICAS**

MODEL NO. **S1504B** DATE CODE **0606**

FAN FORCED WALL HEATER

240 1500/750

VOLTS AC

WATTS

6.3/3.1

AMPS

CAUTION: USE ONLY WITH TS ENCLOSURE.  
DO NOT OPERATE WITHOUT GRILLE IN PLACE.

ATTENTION: UTILISER UNIQUEMENT AVEC UN BOÎTIER TS.  
NE PAS FAIRE FONCTIONNER SANS LA GRILLE.

PRECAUTION: USARLO SÓLO CON LA CUBIERTA A TS.  
NO DEBE ENCENDERSE SIN LA REJILLA.



774G LISTED  
ROOM HEATER

MARLEY ENGINEERED PRODUCTS  
BENNETTSVILLE, SC 29512

**GARANTÍA LIMITADA**

Todos los productos fabricados por Marley Engineered Products están garantizados contra defectos de fabricación y de materiales por un año desde la fecha de instalación, a excepción de los elementos calefactores, que están garantizados contra defectos de fabricación y de materiales por diez años desde la fecha de instalación. Esta garantía no se aplica a daños debidos a accidente, mal uso o alteración, ni a los casos en que la tensión eléctrica conectada supere a la tensión nominal -indicada en la placa de características- en más de un 5 %, ni a equipos que hayan sido instalados o cableados incorrectamente, o mantenidos en forma violatoria de lo indicado en las instrucciones de instalación del producto. Todo reclamo por trabajos en garantía debe acompañarse con una prueba de la fecha de instalación.

El cliente será responsable de todos los costos incurridos en el retiro o reinstalación de productos, incluyendo los costos de mano de obra y los costos de envío incurridos para regresar productos al Centro de Servicio de Marley Engineered Products. Dentro de las limitaciones de esta garantía, las unidades que no funcionen deben regresarse al Centro de Servicio autorizado por Marley más cercano o al Centro de Servicio de Marley Engineered Products, y nosotros los repararemos o reemplazaremos, a nuestra opción, sin cargo para usted, con el flete de retorno pagado por Marley. Se acuerda que tal reparación o reemplazo es el único recurso que Marley Engineered Products pone a su disposición.

LAS GARANTÍAS EXPUESTAS MÁS ARRIBATOMAN ELLUGAR DE TODAOTRAGARANTÍA, EXPRESAO IMPLÍCITA, YPOR LAPRESENTE SE DECLINAYEXCLUYE DE ESTE ACUERDO TODAGARANTÍAIMPLÍCITADE COMERCIALIZACIÓN AUN PROPÓSITO PARTICULAR QUE EXCEDALAS GARANTÍAS EXPRESAS ANTEDICHAS. MARLEYENGINEERED PRODUCTS NO SE HARÁ RESPONSABLE POR DAÑOS CONSIGUIENTES QUE SE PRODUZCAN CON RESPECTO ALPRODUCTO, EN BASE YASEAANEGLIGENCIA, AGRAVIO, RESPONSABILIDAD ESTRUCTA, O CONTRATO.

Algunos estados o jurisdicciones no permiten la exclusión o limitación de daños incidentales o consiguientes, de modo que la exclusión o limitación expresada más arriba puede no aplicarse a su caso. Esta garantía le da derechos legales específicos, y usted puede tener también otros derechos, que varían de un estado o jurisdicción a otro. Para obtener la dirección de su centro de servicio autorizado más cercano, comuníquese con Marley Engineered Products, en Bennettsville, SC, Estados

Unidos de América, llamando al 1-800-642-4328. Toda mercadería regresada a la fábrica debe ser acompañada por una autorización de retorno y una etiqueta de identificación de servicio, disponibles ambas en Marley Engineered Products. Cuando solicite la autorización de retorno, incluya todos los números de catálogo mostrados en los productos.

**CÓMO OBTENER SERVICIO EN GARANTÍA, PIEZAS DE REPUESTO E INFORMACIÓN GENERAL**

1. Servicio o repuestos, en garantía: **1-800-642-4328**
2. Compra de piezas de repuesto: **1-800-654-3545**
3. Información general sobre productos: **www.marleymep.com**

**Nota:** cuando solicite servicio, siempre dé la información que sigue:

1. Número de modelo del producto
2. Fecha de fabricación
3. Número de parte o descripción



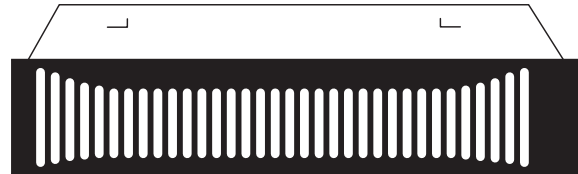
**Marley**  
Engineered Products

470 Beauty Spot Rd. East  
Bennettsville, SC 29512 USA

ECR 39295  
11/11

Número 5200-2281-005





## Série S

**Radiateurs électriques pour  
retrait de socle livrés sans  
thermostat intégré**

# Instructions d'installation et d'entretien

*Cher client,*

*Félicitations ! Merci d'avoir acheté ce nouveau radiateur fabriqué par Marley Engineered Products. Vous avez fait un sage investissement en sélectionnant un produit de la plus haute qualité dans l'industrie du chauffage. Veuillez lire avec soin les recommandations d'installation et d'entretien données dans ce manuel. Vous devriez bénéficier d'années de confort de chauffage efficace avec ce produit de Marley Engineered Products ... le numéro un de cette industrie en conception, fabrication, qualité et service.*

*... les employés de  
Marley Engineered Products*

### **AVERTISSEMENT**

**À lire attentivement** - Ces instructions sont écrites pour vous aider à éviter des difficultés qui pourraient survenir durant l'installation des radiateurs. En les étudiant d'abord vous pouvez économiser ensuite pas mal de temps et d'argent. Observez les procédures qui suivent et réduisez votre temps d'installation à un minimum.

**Pour réduire le risque d'incendie ou de commotion électrique :**

1. Pour éviter une commotion électrique, débrancher toute alimentation allant vers le radiateur au niveau du tableau de distribution principal avant câblage ou intervention.
2. Tout câblage doit être en conformité avec les réglementations électriques nationales et locales, et le radiateur doit être relié à la terre en précaution contre une possible commotion électrique.
3. Vérifier que le secteur d'alimentation arrivant au radiateur correspond bien aux spécifications imprimées sur sa plaque signalétique avant de le mettre sous tension.
4. Ce chauffage est brûlant quand il fonctionne. Pour éviter des brûlures ne pas mettre la peau nue en contact avec ses surfaces.
5. **NE PAS INSTALLER LE RADIATEUR SOUS DES MEUBLES EN VINYLE OU REVÊTUS DE VINYLE.**
6. Ne pas insérer ou laisser entre des objets étrangers dans n'importe quelle ouverture de ventilation ou évacuation, car cela pourrait causer une commotion électrique, un incendie, ou endommager le radiateur.
7. Pour éviter un possible départ d'incendie, ne pas bloquer d'une quelconque manière l'aspiration et l'évacuation de l'air. Garder les matières combustibles comme caisses, draperies, etc. loin du radiateur. Ne pas l'installer derrière portes, meubles, porte-serviettes ou compartiments.
8. Un radiateur comporte à l'intérieur des parties chaudes et pouvant provoquer un arc électrique ou des étincelles. Ne pas l'utiliser dans des zones où sont entreposés ou utilisés essence, peinture ou liquides inflammables.
9. N'utiliser ce radiateur que comme indiqué dans ce manuel. Toute autre utilisation non recommandée par le constructeur peut provoquer départ d'incendie, commotion électrique ou dommages corporels.
10. Ce radiateur n'est pas approuvé pour utilisation en atmosphères corrosives, comme air salin, serres ou zones de stockage de produits chimiques.

**CONSERVER CES INSTRUCTIONS**



## AVERTISSEMENT

POUR RÉDUIRE LE RISQUE DE DÉPART D'INCENDIE ET DE COMMOTION ÉLECTRIQUE, NE PAS INSTALLER SANS LE CAISSON ARRIÈRE. **NE PAS FAIRE FONCTIONNER SANS QUE LA GRILLE SOIT EN PLACE.**

## ATTENTION

- NE PAS UTILISER LE RADIATEUR POUR ASSÉCHER. IL FAUT MAINTENIR À DISTANCE DU RADIATEUR LES POUSSIÈRES DE PONÇAGE DE PEINTURE, PLÂTRE, CLOISONS SÈCHES ET LA SCIURE DE BOIS.**
- LE RADIATEUR EST TRÈS CHAUD EN FONCTIONNEMENT. NE PAS L'INSTALLER DERRIÈRE PORTE OU PORTE-SERVIETTES, DANS UN PLACARD, LÀ OÙ DES RIDEAUX OU DRAPERIES POURRAIENT ENTRER EN CONTACT AVEC, ET OÙ SA CIRCULATION D'AIR POURRAIT ÊTRE OBSTRUÉE. MAINTENIR CORDONS ÉLECTRIQUES, LITÈRIES, MEUBLES ET AUTRES COMBUSTIBLES À DISTANCE DU RADIATEUR.**

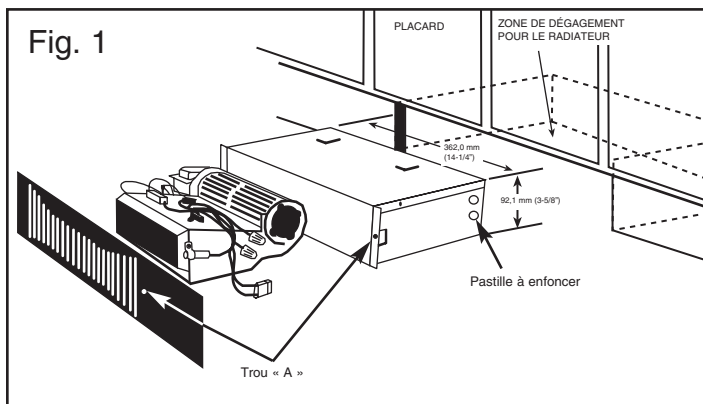
**REMARQUE :** Le radiateur doit être piloté par un thermostat, soit intégré soit mural. Dans les deux cas il doit être acheté séparément. Un thermostat mural nécessite une alimentation séparée venant du radiateur.

**REMARQUE :** L'emplacement doit être à 12 po du coin et 1/4 po au-dessus du sol.

### INSTALLATION HORIZONTALE UNIQUEMENT

Le radiateur doit être câblé en suivant les normes de câblage propres à la construction (pouvant supporter au minimum 60 C°).

- Découper une ouverture de 14-1/4" x 3-5/8" (361,9 x 92,1 mm) à l'emplacement désiré comme montré en Fig. 1. Maintenir la zone d'espace sans aucune obstruction.
- Déposer le capot supérieur du coffret du radiateur en ôtant ses vis.
- Déterminer quel trou du coffret sera utilisé pour le câblage sur place et l'enfoncer (voir la Fig. 1). Installer un serre-câble (de fourniture locale).
- Tirer le câblage d'alimentation au travers du serre-câble en laissant 6" (12,7 mm) de fils dans le coffret.
- EN CAS DE THERMOSTAT INTÉGRÉ, CÂBLER LE RADIATEUR COMME MONTRÉ EN FIG. 2.** Faire passer le câblage local depuis le disjoncteur secteur jusqu'au radiateur. Brancher les deux fils de terminaison en tire-bouchon, noirs pour le modèle en 240/208 V mais blanc et noir pour le modèle en 120 V, avec des capuchons de raccordement (fournis). Retirer les capuchons retenant deux fils bleus. Brancher ces fils bleus avec des capuchons de raccordement (fournis) sur les fils du thermostat.

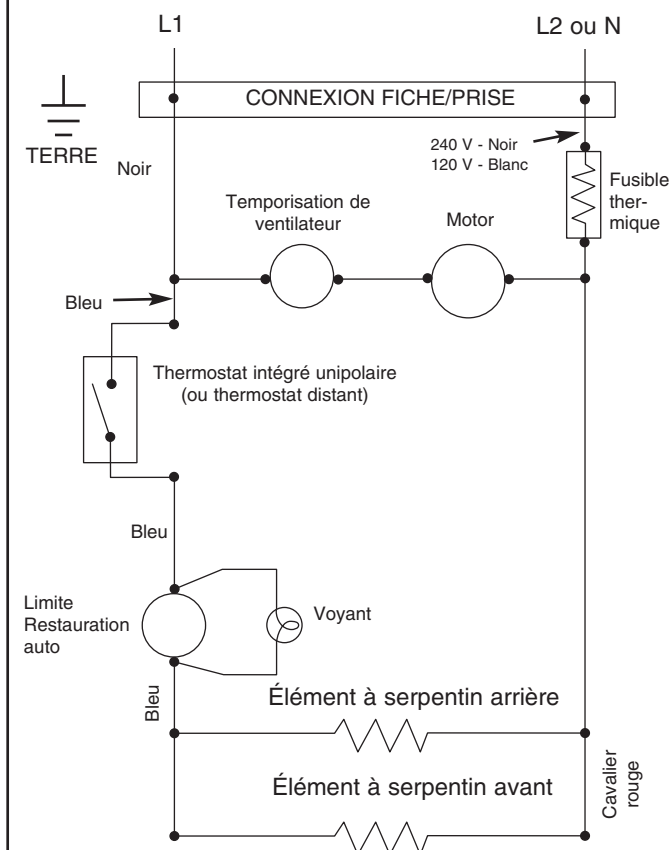


- EN CAS DE THERMOSTAT MURAL BIPOLAIRE, CÂBLER LE RADIATEUR COMME MONTRÉ EN FIG. 3.** Faire passer le câblage local depuis le disjoncteur secteur jusqu'au thermostat mural. Brancher le fil bleu A du radiateur avec le fil d'installation locale venant de la sortie de charge du thermostat. Brancher l'autre fil d'installation locale du thermostat aux deux fils à terminaison en tire-bouchon, noirs pour le modèle en 240/208 V mais blanc et noir pour le modèle en 120 V, avec des capuchons de raccordement (fournis). Brancher le fil d'arrivée locale de terre sur le fil de terre à terminaison en tire-bouchon avec un capuchon de raccordement (fourni).

**REMARQUE :** Que l'installation soit avec un thermostat intégré ou mural, il doit toujours y avoir une temporisation de ventilateur activée (**ON**) ou désactivée (**OFF**).

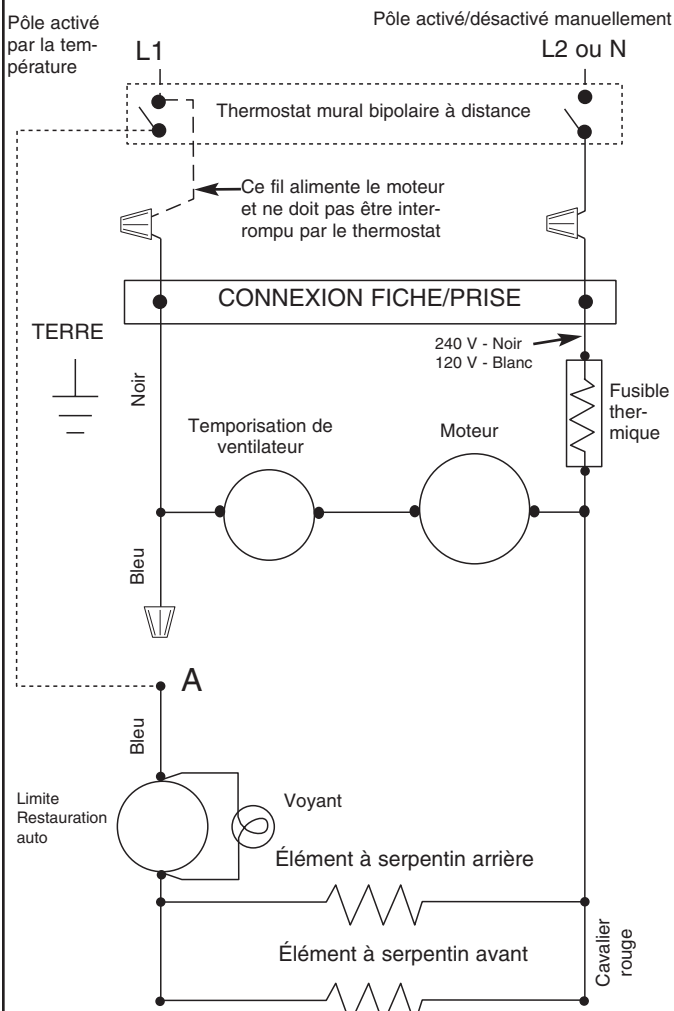
- Remettre en place et visser le capot supérieur sur le coffret du radiateur, puis positionner le radiateur dans sa niche.
- En utilisant les trous des rebords du coffret comme gabarit, fixer ensemble grille frontale et radiateur en perçant deux trous de diamètre 3/32" (2,3 mm) dans le panneau du meuble, et en installant deux vis (fournies) de 6x3/4" (N° 6 de 19 mm). Quand la grille d'adaptateur SAG est utilisée, l'unité est fixée au panneau du meuble au travers des deux trous les plus à l'extérieur de la grille d'adaptateur.

Fig. 2 Câblage avec thermostat monté dans le radiateur



**Schéma de câblage – Radiateur pour retrait de socle**  
Pour des puissances de chauffe inférieures, enlever le cavalier rouge

**Fig. 3 Câblage avec thermostat à distance**  
(voir la mise en garde en bas du schéma)



**Schéma de câblage – Radiateur / plinthe**

Pour des puissances de chauffe inférieures, enlever le cavalier rouge

**ATTENTION** ⚠

**POUR ÉVITER DES DOMMAGES AU RADIATEUR OU UN POSSIBLE DÉPART D'INCENDIE SI UN THERMOSTAT MURAL EST UTILISÉ : UN THERMOSTAT MURAL BIPOLAIRE DU TYPE OÙ LES DEUX PÔLES SONT COUPÉS/RÉTABLIS PAR LES CHANGEMENTS DE TEMPÉRATURE NE PEUT PAS ÊTRE UTILISÉ AVEC CE RADIATEUR. UN SEUL PÔLE PEUT ÊTRE INTERROMPU CYCLIQUEMENT ET C'EST LUI QUI DOIT ACTIVER/DÉSACTIVER L'ÉLÉMENT DE CHAUFFE UNIQUEMENT, MAIS PAS LE MOTEUR. LA COUPURE CYCLIQUE DES DEUX FILS DE D'ALIMENTATION INHIBERAIT LA TEMPORISATION DE VENTILATEUR ET ENTRAÎNERAIT UNE SURCHAUFFE AVEC DES DOMMAGES POSSIBLES AU RADIATEUR.**

**Remarque : Les modèles de 1 100 W uniquement peuvent être câblés avec un thermostat distant à coupure de phase qui pilote le radiateur au complet (éléments de chauffe plus moteur). Les modèles de 1 500 W DOIVENT être câblés conformément à la Fig. 3.**

**AVERTISSEMENT** ⚠

VOTRE RADIATEUR EST LIVRÉ AVEC UN FUSIBLE THERMIQUE DE SÉCURITÉ. CE FUSIBLE NE SE COUPE QUE SI LE RADIATEUR A BESOIN DE RÉPARATIONS MAJEURES. **NE PAS COURT-CIRCUITER** CE FUSIBLE. LE RADIATEUR NE PEUT ÊTRE REMIS EN ÉTAT QUE PAR UN CENTRE DE RÉPARATIONS QUALIFIÉ.

**SPÉCIFICATIONS**

N° de modèle	Puissance en Watts	Tension en Volts	Courant en Ampères
S1550B	1 500	120	12,5
	750		6,3
S1504B	1 500 / 1 126	240 / 208	6,3 / 5,4
	750 / 563		3,1 / 2,7
S1100B	1 125	120	9,4
	563		4,7
S1104B	1 125 / 844	240 / 208	4,7 / 4,1
	563 / 422		2,3 / 2,0

**POUR MODIFIER LA PUISSANCE DE SORTIE**

La tableau ci-dessous donne les puissances en watts possibles par modèles. Chacun des radiateurs est câblé en avance à l'usine pour sa puissance maximale. Pour modifier la puissance, enlever le cavalier rouge sur l'élément de chauffe de gauche (voir Fig. 2 ou 3).

**ATTENTION** ⚠

**POUR UN FONCTIONNEMENT SÛR, CORRECT ET CONTINU, VOTRE RADIATEUR DOIT ÊTRE INSPECTÉ ET NETTOYÉ PÉRIODIQUEMENT. SELON L'APPLICATION, IL FAUT LE FAIRE AU MOINS ANNUELLEMENT. EN CAS D'UTILISATION COMME CHAUFFAGE PRINCIPAL, IL FAUT LE FAIRE SEMESTRIELLEMENT, OU PLUS SOUVENT SELON LE BESOIN. NE PAS CONTINUER D'UTILISER CE RADIATEUR SI POUSSIÈRES ET PELUCHES SE SONT ACCUMULÉES DEDANS.**

**ENTRETIEN**

**NETTOYAGE DU RADIATEUR :**

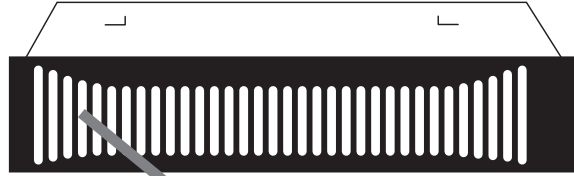
1. Débrancher l'alimentation électrique au panneau de coupure en amont.
2. Enlever vis et grille.
3. Sortir en les glissant radiateur et caisson arrière.
4. Enlever le capot supérieur du coffret.
5. Nettoyer la soufflante et l'intérieur du radiateur avec un aspirateur équipé d'une brosse de dépoussiérage.
6. Faire délicatement tourner la roue de soufflante avec le doigt pour vérifier qu'elle bouge librement. Chercher des traces d'éventuels dommages ou de surchauffe des connecteurs de composants du câblage. En cas de découverte d'anomalie, cesser d'utiliser le radiateur jusqu'à sa réparation.
7. Remettre le capot en place.
8. Repousser le radiateur dans sa niche.
9. Fixer la grille sur le radiateur avec ses vis.
10. Rétablir l'alimentation secteur.
11. Vérifier le bon fonctionnement du radiateur.

**CONSEIL D'UTILISATION**

Votre radiateur est équipé d'un contrôle automatique de restauration sur limite qui va automatiquement le couper pour éviter sa surchauffe. Si cela se produisait le voyant rouge d'avertissement s'allumerait et resterait allumé temps que la limite resterait dépassée.

**ATTENTION** ⚠

**LE VOYANT INDICATEUR ALLUMÉ SIGNALÉ QUE LE RADIATEUR A ÉTÉ SOUMIS À DES CONDITIONS ANORMALES QUI L'ONT MIS EN SURCHAUFFE. VÉRIFIER POUR VOUS ASSURER QUE SON VENTILATEUR N'A PAS ÉTÉ BLOQUÉ D'UNE FAÇON OU D'UNE AUTRE (S'IL Y A LIEU LE DÉBLOQUER). S'IL N'Y A PAS D'INDICATION DE BLOCAGE IL EST RECOMMANDÉ DE FAIRE VÉRIFIER CE RADIATEUR PAR UN ÉLECTRICIEN QUALIFIÉ OU UN CENTRE DE RÉPARATIONS, POUR S'ASSURER QU'IL N'A PAS ÉTÉ ENDOMMAGÉ.**



**PLAQUE SIGNALÉTIQUE**

MODEL NO. **S1504B** DATE CODE **0606**

FAN FORCED WALL HEATER

240 1500/750

VOLTS AC WATTS 6.3/3.1

AMPS

CAUTION: USE ONLY WITH TS ENCLOSURE.

DO NOT OPERATE WITHOUT GRILLE IN PLACE.

ATTENTION: UTILISER UNIQUEMENT AVEC UN BOÎTIER TS.

NE PAS FAIRE FONCTIONNER SANS LA GRILLE.

PRECAUTION: USARLO SÓLO CON LA CUBIERTA A TS.

NO DEBE ENCENDERSE SIN LA REJILLA.



774G LISTED  
ROOM HEATER

MARLEY ENGINEERED PRODUCTS  
BENNETTSVILLE, SC 29512

**GARANTIE LIMITÉE**

Tous les produits fabriqués par Marley Engineered Products sont garantis contre les défauts de matériaux et de main d'œuvre pendant un an à compter de la date d'installation, sauf pour les éléments de chauffe qui sont garantis contre les défauts de matériaux et de main d'œuvre pendant cinq ans à compter de la date d'installation. Cette garantie ne s'applique pas à des dommages suite à accident, abus ou altération, ni au cas où le secteur d'alimentation fait plus de 5% au-delà de la tension nominale, ni si l'équipement a été mal installé, mal câblé ou mal entretenu en violation des instructions d'installation données. Toutes les réclamations au titre de la garantie doivent être accompagnées de la preuve de la date d'installation.

Le client prendra en charge tous les frais relatifs au démontage et remontage des produits, y compris les temps de main d'œuvre, et des coûts d'acheminement pour renvoyer les produits défectueux au centre de réparation de Marley Engineered Products. En tenant compte des restrictions énoncées de cette garantie, les unités en panne doivent être renvoyées au centre de service agréé Marley le plus proche, ou centre de Marley Engineered Products, et nous les réparons ou les remplacerons, à notre choix, sans frais pour vous, avec les frais d'expédition en retour payés par Marley. Il est entendu que cette réparation ou ce remplacement constituera la seule compensation fournie par Marley Engineered Products.

CETTE GARANTIE DÉCRITE TIENT LIEU DE TOUTES AUTRES GARANTIES EXPLICITES OU IMPLICITES. TOUTES LES GARANTIES IMPLICITES DE VALEUR MARCHANDE ET D'ADÉQUATION À UN BUT SPÉCIFIQUE QUI EXCÉDERAIENT LA DITE GARANTIE SONT ICI DÉCLINÉES ET EXCLUES DE CET AGRÉMENT. MARLEY ENGINEERED PRODUCTS NE PEUT PAS ÊTRE TENU POUR RESPONSABLE DES DOMMAGES CONSÉCUTIFS SURVENANT DU FAIT DE CE PRODUIT, QU'ILS SOIENT FONDÉS SUR NÉGLIGENCE, TORT, RESPONSABILITÉ STRICTE OU CONTRACTUELLE.

Certaines provinces ne permettent pas l'exclusion ou la limitation pour les dommages annexes ou consécutifs, de ce fait l'exclusion ou limitation plus haut peut n'est pas applicable pour vous. Cette garantie vous donne des droits légaux spécifiques, et vous pourriez avoir d'autres droits qui varient d'une province à l'autre.

Pour obtenir l'adresse du centre de réparation agréé le plus proche de chez vous, contacter Marley Engineered Products à Bennettsville, SC, au 1-800-642-4328. Les marchandises qui nous sont retournées doivent être accompagnées d'une autorisation de retour et d'une étiquette d'identification de réparation, à obtenir de Marley Engineered Products. En formulant cette demande de renvoi, fournir tous les numéros de référence inscrits sur l'appareillage.

**COMMENT OBTENIR DU SERVICE ET DES PIÈCES DANS LE CADRE DE LA GARANTIE ET DES INFORMATIONS GÉNÉRALES SUR LES PRODUITS**

1. Service et pièces sous garantie **1-800-642-4328**
2. Pièces détachées achetées **1-800-654-3545**
3. Informations générales sur les produits **www.marleymep.com**

**Remarque** - Pour obtenir le service sous garantie vous devez toujours avoir préparé :

1. Référence de modèle du produit
2. Date de fabrication
3. Numéro ou description de pièce



**Marley**  
Engineered Products

470 Beauty Spot Rd. East  
Bennettsville, SC 29512 USA

ECR 39295  
11/11

N° de document 5200-2281-005