



Wattstopper®

Ultrasonic Low Voltage Occupancy Sensor with Manual On Feature, Light Level and Isolated Relay (version 3)

Détecteur de présence à ultrasons basse tension avec marche en mode manuel, contrôle du niveau de luminosité et relais isolé (v3)

Sensor de ocupación ultrasónico de bajo voltaje con función de encendido manual, nivel de luz y relé aislado (v3)

Installation Instructions • Instructions d'Installation • Instrucciones de Instalación

No: 24877 – 11/16 rev. 1

Catalog Numbers • Les Numéros de Catalogue • Números de Catálogo: UT-300-1, UT-300-2, UT-300-3

Country of Origin: Made in China • Pays d'origine: Fabriqué en Chine • País de origen: Hecho en China

Models ending in -U are BAA and TAA compliant (Product produced in the U.S.)



DESCRIPTION AND OPERATION

The Wattstopper UT-300 sensors turn lighting systems on and off based on occupancy and ambient light levels. The light level feature keeps lights from turning on if the ambient light level is sufficient.

The UT-300 can be configured to turn lighting on, and hold it on as long as it detects occupancy. After no movement is detected for a user specified time (5 to 30 minutes) the lights are switched off. A "walk-through" mode can turn lights off after only 3 minutes, if no activity is detected after 30 seconds of an occupancy detection.

The UT-300 operates on 24V supplied by Wattstopper Power Packs. The sensors can operate on 24VDC, 24VAC, or half wave rectified AC.

COVERAGE PATTERN

The UT-300 is available in 3 models. Each model has a different size coverage pattern. The coverage shown represents walking motion at a mounting height of 8 to 10 feet. For building spaces with lower levels of activity or with obstacles and barriers, coverage size may decrease.

Drawings not to scale.

PLACEMENT GUIDELINES

Depending upon obstacles such as furniture or partitions, the area of coverage may be less or more than the sensing distances shown in the coverage pattern. This must be considered when planning the number of sensors and their placement. It is also recommended to place the sensor 4 to 6 feet away from air supply ducts.

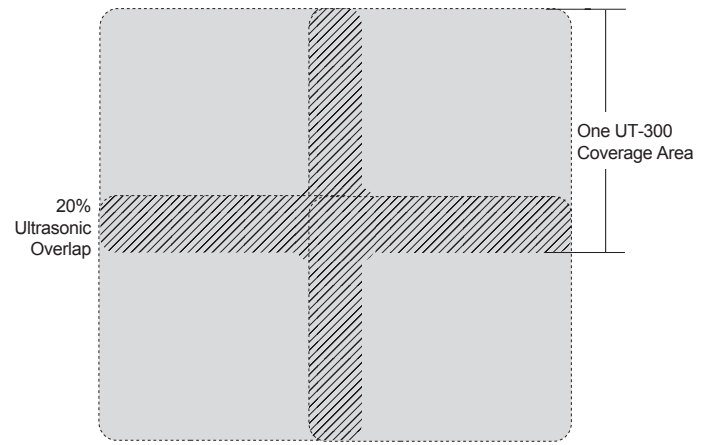
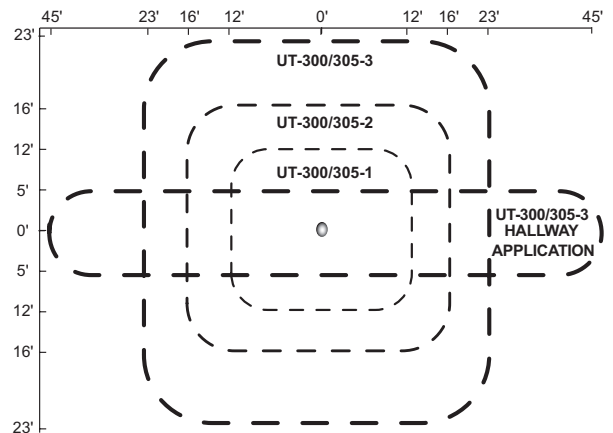
Mount the sensor to the ceiling. The UT-300 is designed for a ceiling height of about 8-10 feet. Mounting above or below this range will significantly affect the coverage patterns. As a general rule, each occupant should be able to clearly view the sensor.

Open Office Area Coverage: To get complete coverage in an open office area, install multiple sensors so that there is approximately 20% overlap with each adjacent sensor's ultrasonic coverage area.

SPECIFICATIONS

| | |
|--|--|
| Voltage | 18-28VDC/VAC, half wave rectified AC |
| Current Consumption | 25mA |
| Power Supply | Wattstopper Power Packs |
| Operating Temperature | 32° to 131°F (0° to 55°C) |
| Time Delay Adjustment | 30 seconds to 30 minutes |
| Walk-Through Mode..... | 3 minutes if no activity after 30 sec. |
| Test Mode..... | 5 sec. upon DIP switch reset |
| Ultrasonic Coverage | |
| Model UT-300-1 | up to 500 ft' |
| Model UT-300-2 | up to 1000 ft' |
| Model UT-300-3 | up to 2000 ft' |
| Sensitivity Adjustment | Minimum to Maximum (trimpot) |
| Frequency | 40kHz |
| UL & CUL Listed for use with Wattstopper Power Packs | |

U.S. Patents: 7,277,012



WIRING DIRECTIONS

Each Wattstopper BZ series power pack can supply power for 5 UT-300 sensors. When using more sensors than this, multiple power packs are required.

Refer to the wiring diagram for the following procedures:

Connect the **low voltage**:

- RED wire (+24VDC) from power pack to the **+24V** terminal on the sensor.
- BLACK wire (Return) from power pack to **Common** terminal on the sensor.
- BLUE wire from power pack to **Control Out** terminal on sensor.

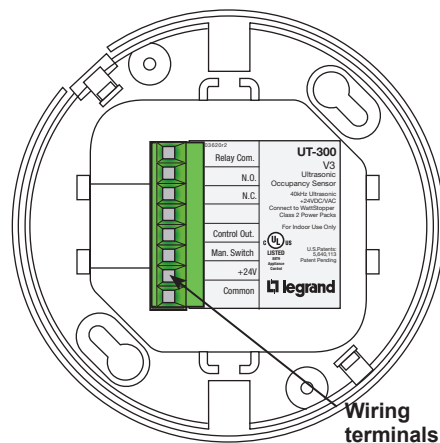
To add a manual switch such as the LVS-1 Momentary Toggle Switch, or RS2-3 Low Voltage Momentary Switch to the above applications—connect:

- Wire from one side of switch to +24V terminal on sensor.
- Wire from other side of switch to Man Switch terminal on sensor.

Wiring the Isolated Relay: (The Isolated Relay is rated for 1A@30VAC/VDC)

Connect the wires necessary to the application that requires this output:

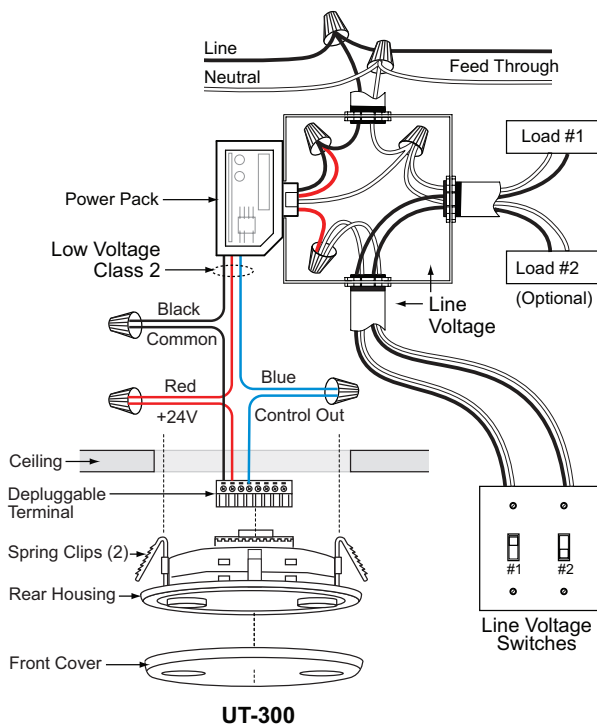
- Relay Common (must be used for proper operation).
- N.O. (Normally Open)—Closed when occupancy is detected.
- N.C. (Normally Closed)—Open when occupancy is detected.



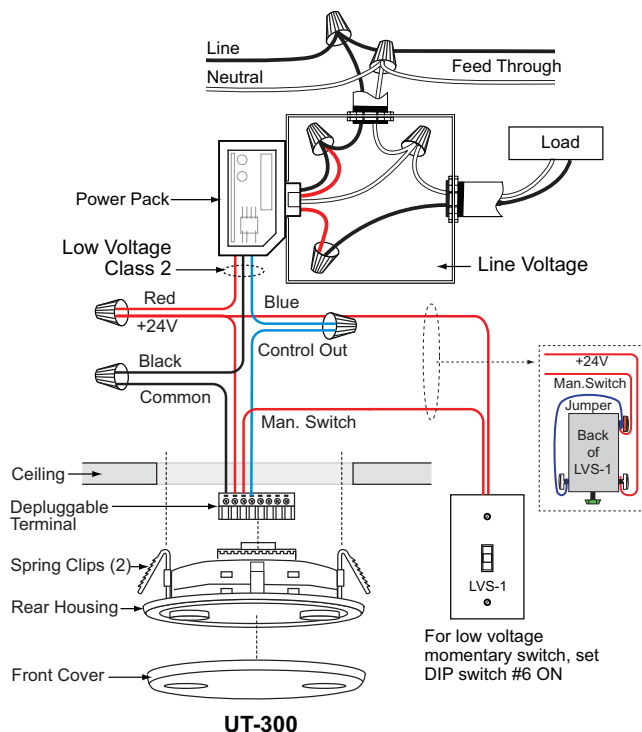
CONNECTING WIRES

- Care should be taken to separate high voltage power from low voltage (Class 2) control wiring.
- All connections to sensor are low voltage, Class 2.

Standard wiring with local off switch



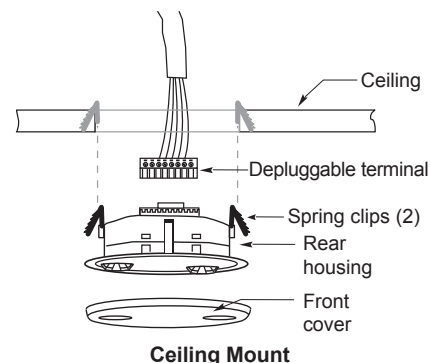
Manual-On wiring with low voltage momentary switch



MOUNTING THE SENSOR

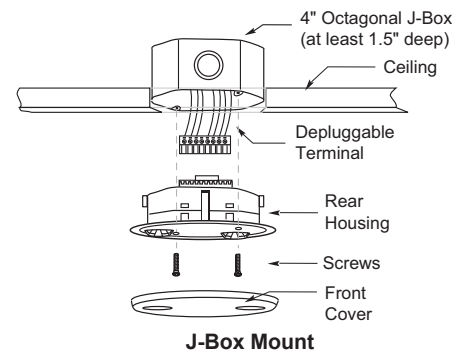
Directly to Ceiling

1. Attach the plastic spring clips to the edge of the sensor in the slots provided.
2. Cut a 3.5" to 4" round hole in the acoustic ceiling tile at the mounting location. A 3.5" hole is recommended for a secure fit.
3. Pull the low voltage wire from the power pack to the sensor through the hole.
4. Connect the low voltage wires to the appropriate terminals on the sensor.
5. Push the sensor up through the hole until the Spring Clips hold the sensor securely in place.
6. Snap the front cover onto the sensor.



Using an Octagonal J-Box

1. Pull the low voltage wires from the power pack into the J-Box through the conduit knockout.
2. Connect the low voltage wires to the appropriate terminals on the sensor.
3. Loosen the appliance mounting screws attached to the J-Box
4. Align the sensor in the J-Box so that the mounting screws on the box match the key holes on the sensor's rear housing.
5. Push the sensor up into the J-Box and twist it so that the mounting screws are seated in the keyhole slots.
6. Tighten the two screws to secure the sensor to the J-Box.
7. Snap the front cover onto the sensor.



SENSOR ADJUSTMENT

NOTE: This unit is pre-set for basic operation as described in this guide. Adjustment is optional.

The sensors are factory preset to allow for quick installation in most applications. Verification of proper wiring or coverage, or customizing the sensor's settings can be done using the following procedures. To make adjustments, open the Front Cover with a small screwdriver.

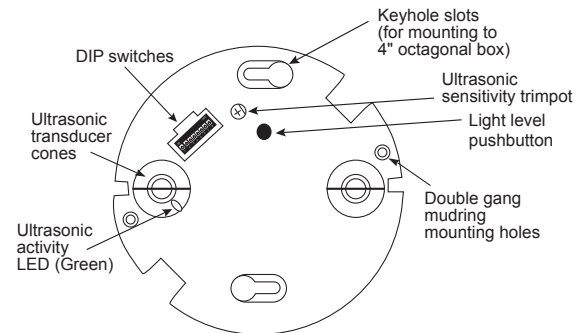
Before making adjustments, make sure the office furniture is installed, lighting circuits are turned on, and the HVAC systems are in the overridden/ on position. VAV systems should be set to their highest airflow. Set the Time Delay to the desired settings. See **DIP Switch Setting**.

To Test Occupancy Sensors

1. Ensure the Time Delay is set for **Test Mode*** using the "Test Mode/20 minutes" setting. (DIP Switches 1, 2, & 3 are **OFF**).
2. Ensure that the Ultrasonic Sensitivity trimpot is set to about 70%, clockwise.
3. Remain still. The LED should not flash. The lights should turn off after 5 seconds. (If not, see **Troubleshooting**.)
4. Move about the coverage area. The lights should come **ON**. Adjust the Ultrasonic Sensitivity as necessary to provide the desired coverage (Green LED indicates activation from the ultrasonic sensor).

When testing and adjustment are complete, reset DIP Switches to the desired settings, and replace the cover on the sensor.

*Test Mode is a temporary state that starts when you first set the sensor's DIP Switches for the "Test Mode/20 minutes" (Switches 1, 2, 3 **OFF**). If you need to invoke the Test Mode and the DIP Switches are already set for Test Mode/20 minutes, toggle DIP Switch 1 **ON**, then back to the **OFF** position. This provides a 10 minute test period. During the test period, the Time Delay is only 5 seconds.



LIGHT LEVEL FEATURE

The Light Level feature holds lights off upon initial occupancy if adequate ambient light exists. It will not turn the lights **OFF** if they are **ON**. The default setting is for maximum, meaning that even the brightest ambient light will not hold the lights **OFF**.

Notes on Functionality

- Avoid mounting the sensor close to lighting fixtures.
- Adjust during daylight hours when ambient light in the area is at desired level.
- Light Level cannot be enabled while Test Mode is active. Either wait for Test Mode to expire or select any of the other Time Delay settings before enabling the Light Level feature.
- PIR occupancy indicator LED may still respond when lights are being held **OFF**. LED will also flash periodically to indicate the sensor has Light Level enabled.
- Light Level settings are only saved in the event of a power loss. Disabling Light Level and then reenabling it will not return it to previous settings.
- If Test Mode is enabled after Light Level has been set, Light Level functionality will cease to function throughout the duration of Test Mode. When Test Mode period expires, the Light Level functionality will resume, even if the DIP Switches remain set to Test Mode.

Setting Light Level

1. Make sure Test Mode is not active.
2. Toggle the state of the sensor, by briefly pressing the Light Level button, to include or exclude the lighting load from the light level calibration. Open the Front Cover and locate the Light Level pushbutton. See Sensor Adjustment.
3. Press and hold the Light Level button for 2 or more seconds, or until the detection LED turns **ON**. Do not exceed 5 seconds.* The sensor enters setup mode, as indicated by the rapidly flashing LED. The LED will flash throughout the setup process. Occupancy indication from the LED is disabled during setup.
4. Move away from the sensor to avoid interference with light level detection. The sensor measures the light level for a 10 second period, then averages the readings and automatically sets the level that will be used as the new setting. The sensor will hold lights off when the ambient light exceeds this setting.
5. When the LED stops flashing, replace the Front Cover.

*Disabling Light Level

- Pressing the pushbutton for 5 seconds or more resets the light to default (maximum).
- Press and hold the Light Level button for 5 seconds or until the detection LED turns **ON** and then **OFF**. The LED flashes rapidly for 10 seconds after the setting has changed.

DIP SWITCH SETTING

Time Delay: Switches 1, 2, 3

The sensor will hold the lights **ON** as long as occupancy is detected. The time delay countdown starts when no motion is detected. After no motion is detected for the length of the time delay, the sensor will turn the lights **OFF**.

Walk-Through Switch 4

Walk-Through mode turns the lights **OFF** three minutes after the area is initially occupied, if no motion is detected after the first

30 seconds. If motion continues beyond the first 30 seconds, the selected time delay applies.

Service: Switch 5

To override all sensor functions, set DIP Switch 5 to the **ON** position. The green LED will come on and stay on for the duration of the override. This bypasses the occupancy control functions of the sensor, but still allows the lights to be manually controlled with a light switch, if one is installed.

On Mode: Switch 6

The Manual **ON** function is facilitated by installing a momentary switch such as a Wattstopper LVS-1 Momentary Toggle Switch, or RS2-3 Low Voltage Momentary Switch. This switch connects to the sensor's Manual (Man.) Switch and +24V terminals as shown in the wiring diagram. Each time the switch is pressed, the load changes state. The sensor's operation as related to the manually operated switch is determined by the setting for DIP Switch 6.

Manual On: In this mode, the switch is required to turn **ON** the load. The sensor is then used to keep the load on, based on occupant activity. After the time delay ends, if there is no movement detected within the 30 second re-trigger period the manual switch must be used to turn **ON** the load.

Automatic On: This mode uses occupancy as well as switch activation to turn the load **ON**. A manual switch provides the following additional functionality:

1. The load can be turned **ON** by manual switch activation and it stays on as long as occupancy is detected. The sensor time delay operates as programmed. When the load turns **OFF** due to lack of occupancy detection, the load can be turned **ON** again by occupancy detection or switch activation.
2. Activating the manual switch while the load is **ON** turns the load **OFF**.
 - When the load is turned **OFF** manually, as long as the sensor continues to detect occupancy the load stays **OFF**. For the selected time delay, the lights stay **OFF** and the sensor reverts to the automatic-on mode.
 - When the load is turned **OFF** manually, pressing the switch again turns the load **ON** and the sensor reverts to the automatic-on mode.
 - Once the sensor returns to automatic-on mode, either the switch or occupancy detection can turn the load **ON**.

| Time Delay | Switch# | | |
|------------------|---------|---|---|
| | 1 | 2 | 3 |
| Test Mode/20 min | ↓ | ↓ | ↓ |
| 30 seconds | ↓ | ↓ | ↑ |
| 5 minutes | ↓ | ↑ | ↓ |
| 10 minutes | ↓ | ↑ | ↑ |
| 15 minutes | ↑ | ↓ | ↓ |
| 20 minutes | ↑ | ↓ | ↑ |
| 25 minutes | ↑ | ↑ | ↓ |
| 30 minutes | ↑ | ↑ | ↑ |

| | |
|--------------|---|
| Walk-Through | 4 |
| Enabled | ↑ |
| Disabled | ↓ |

| | |
|---------|---|
| Service | 5 |
| Service | ↑ |
| Normal | ↓ |

| | |
|-----------|---|
| On Mode | 6 |
| Manual On | ↑ |
| Auto On | ↓ |

◀ = Factory Setting
 ↑ = ON
 ↓ = OFF

OVERLOAD PROTECTION

The occupancy sensor has a built in overload protection function that will automatically turn **OFF** the control output when the load current exceeds 200mA. The sensor LED will then blink rapidly (~ 10Hz) to provide a visual indication of an overload condition. When the load current is corrected or returns to normal, the control output will turn back **ON**.

TROUBLESHOOTING

For any unexpected operation:

1. Check DIP switch settings.
2. Make sure the switches are set according to the defined settings in the DIP Switch Setting chart.

Lights do not turn on with occupancy, and the LED does not flash:

1. Check that the circuit breaker has been turned back on.
2. The Ultrasonic Sensitivity setting may need to be increased.
3. Turn clockwise as needed.
4. Check all sensor and power pack wire connections.
5. Check for 24V input to the sensor.
 - If 24V is present, replace the sensor.
 - If 24V is not present, check that high voltage is present to power pack. If it is, replace power pack.

Lights do not turn off automatically:

1. The sensor may be experiencing activations from outside the controlled area or from some type of interference (see "Unwanted Sensor Activations" below).
2. Check all sensor wire connections.
3. Disconnect power pack's blue wire:
 - If the lights do not turn off, replace power pack. Reconnect blue wire.
 - If the lights turn off, the problem may be in the sensor—to check:
 - Reconnect the blue wire.
 - Turn sensitivity and time delay to minimum and allow the sensor to time out.

If the lights turn off, the sensor is working properly (see number 1, above, and "Sensor Adjustment" for readjustment of sensor).
4. Set sensitivity and time delay to minimum and allow the sensor to time out.

If the lights turn off, the sensor is working properly (see number 1, above, and "Sensor Adjustment" for readjustment of sensor).

Unwanted Sensor Activations (LED flashes):

Possible causes

1. The ultrasonic sensitivity may be too high causing detection outside of desired coverage area.
2. Sensor located too close to HVAC or VAV vents with heavy air flow.
3. If LED is flashing rapidly (~10Hz), an overload condition exists. When this is corrected, the sensor will return to normal operation.

Possible solutions

1. Reduce the ultrasonic sensitivity (counterclockwise) as needed (see "Sensor Adjustment").
2. Relocate the sensor.
3. Check the blue wire connection. If necessary, replace the power pack.

ORDERING INFORMATION

| Catalog# | Description |
|------------|--|
| UT-300-1 | Ultrasonic Occupancy Sensor, up to 300 sq ft coverage, Low Voltage w/Isolated Relay and Manual On Feature |
| UT-300-2 | Ultrasonic Occupancy Sensor, up to 1000 sq ft coverage, Low Voltage w/Isolated Relay and Manual On Feature |
| UT-300-3 | Ultrasonic Occupancy Sensor, up to 2000 sq ft coverage, Low Voltage w/Isolated Relay and Manual On Feature |
| BZ-50 | Power Pack: 120/277VAC, 50/60Hz, 20A ballast or incandescent |
| BZ-150 | Power Pack: 120/277VAC, 50/60Hz, 20A ballast or incandescent, with Hold-On and Hold-Off capability |
| BZ-200 | Power Pack: 120/277VAC, 50/60 Hz, 20A Ballast/ELV/MLV/Incandescent/LED, 16A, E-Ballast/CFL/Plug Load |
| BZ-250 | Power Pack: 120/277VAC, 50/60 Hz, 20A, Ballast/ELV/MLV/Incandescent/LED, 16A E-Ballast/CFL/Plug Load, with Hold-On/Hold-Off capability |
| BZ-250-347 | Power Pack: 120/347VAC, 50/60 Hz, 16A Ballast/ELV/MLV/Incandescent/LED/ E-Ballast/CFL, 15A Plug Load, with Hold-On/Hold-Off capability |

Sensors are White. BZ series power packs supply power for up to 5 UT-300 sensors.

INSTRUCTIONS EN FRANÇAIS

DESCRIPTION ET FONCTIONNEMENT

Les détecteurs Wattstopper UT-300 allument et éteignent les systèmes d'éclairage selon la détection de présence.

Le détecteur UT-300 peut être configuré pour allumer l'éclairage et le maintenir ainsi tant qu'il détecte une présence. Si aucun mouvement n'est détecté pendant une durée spécifiée par l'utilisateur (5 à 30 minutes), les lumières sont éteintes. Le mode « passage » permet d'éteindre les lumières au bout de 3 minutes seulement si aucun mouvement n'est détecté 30 secondes après la détection d'une présence.

Le modèle UT-300 fonctionne avec un courant de 24V fourni par les blocs d'alimentation Wattstopper. Les détecteurs peuvent fonctionner avec un courant 24VCC, 24VAC ou un courant alternatif redressé mono alternance.

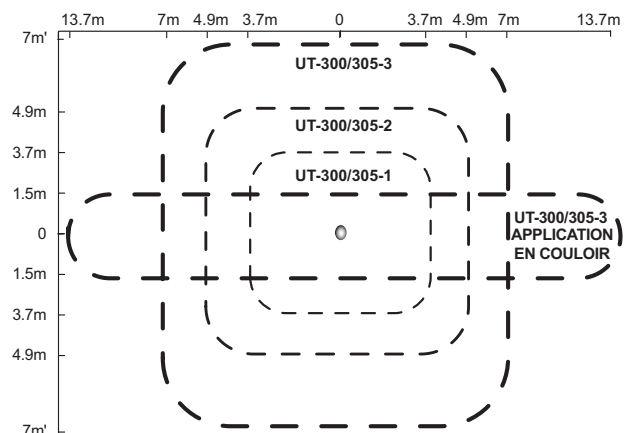
PORTÉE

Le détecteur UT-300 est disponible en 3 modèles. Chaque modèle possède un schéma de portée de taille différente. La portée indiquée dans le schéma représente un mouvement de marche à une hauteur de 2,4 à 3 mètres (8 à 10 pieds) Pour les bâtiments avec une activité plus faible ou avec des obstacles et barrières, la zone de portée risque de diminuer.

CARACTÉRISTIQUES TECHNIQUES

| | |
|--|--|
| Tension | 18-28 VCC/VCA, courant alternatif redressé mono alternance |
| Consommation actuelle..... | 25mA |
| Alimentation électrique | Blocs d'alimentation Wattstopper |
| Température de fonctionnement | 0 ° à 55 °C (32 ° à 131 °F) |
| Réglage de la temporisation..... | 30 secondes à 30 minutes |
| Mode passage..... | 3 minutes si aucune activité après 30 s |
| Mode test | 5 s après activation de l'interrupteur DIP |
| Couverture ultrasonique | |
| Modèle UT-300-1 | jusqu'à 47 m ² (500 pi ²) |
| Modèle UT-300-2 | jusqu'à 93 m ² (1 000 pi ²) |
| Modèle UT-300-3 | jusqu'à 186 m ² (2 000 pi ²) |
| Réglage de la sensibilité | Minimum à maximum (potentiomètre) |
| Fréquence | 40kHz |
| UL & CUL listés pour une utilisation avec les blocs d'alimentation Wattstopper | |
| Brevets américains : | 7 277 012 |

Les schémas ne sont pas à l'échelle.



INSTRUCTIONS DE CÂBLAGE

Chaque bloc d'alimentation de la série BZ de Wattstopper peut fournir du courant à 5 détecteurs UT-300. Lorsque vous utilisez plus de 8 détecteurs, plusieurs blocs d'alimentation seront nécessaires.

Reportez-vous au schéma de câblage pour les procédures suivantes :

Raccordez la **basse tension** :

- Fil ROUGE (+24VCC) du bloc d'alimentation à la borne +24V du détecteur.
- Fil NOIR (retour) du bloc d'alimentation à la borne Commune du détecteur.
- Fil BLEU du bloc d'alimentation à la borne Sortie régulation du détecteur.

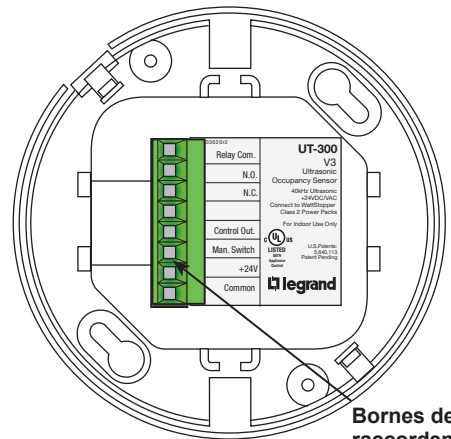
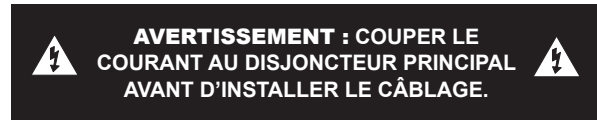
Pour ajouter un interrupteur manuel comme l'interrupteur pour réglage instantané LVS-1 ou l'interrupteur instantané basse tension RS2-3 aux applications ci-dessus, raccordez :

- Fil d'un côté de l'interrupteur à la borne +24V du détecteur.
- Fil de l'autre côté de l'interrupteur à la borne Interrupteur man. du détecteur.

Câblage du relais isolé: (le relais isolé est prévu pour un courant de 1A à 30VCA/VCC):

Raccordez les fils nécessaires à l'application qui nécessite cette sortie :

- Relais commun (doit être utilisé pour un fonctionnement correct)
- N.O. (Normalement Ouvert)–Fermé lorsqu'une présence est détectée
- N.C. (Normalement Fermé)–Ouvert lorsqu'une présence est détectée

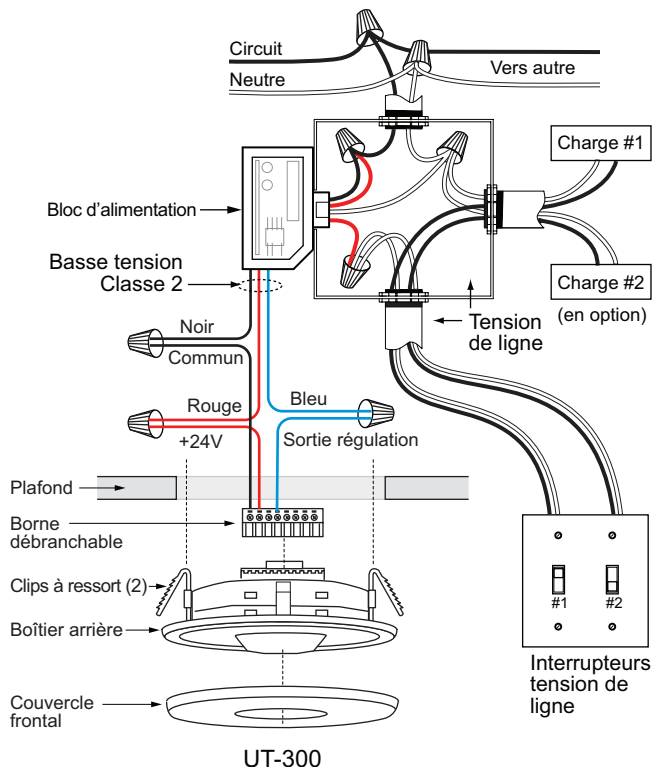


Bornes de raccordement

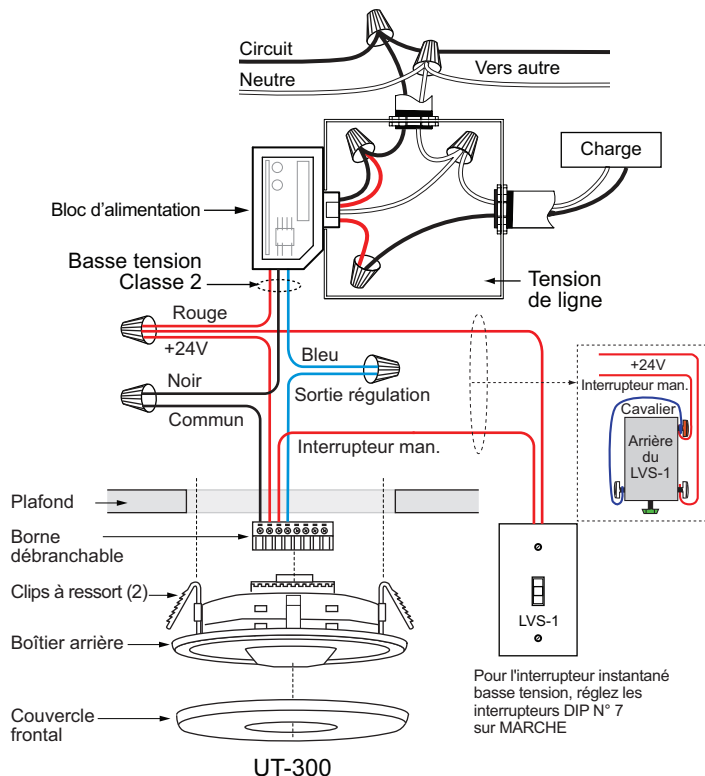
RACCORDEMENT DES FILS

- Vous devez faire attention à séparer les fils haute tension du secteur des fils de régulation basse tension (classe 2).
- Tous les raccordements au capteur sont basse tension, classe 2.

Câblage standard avec interrupteur d'arrêt local



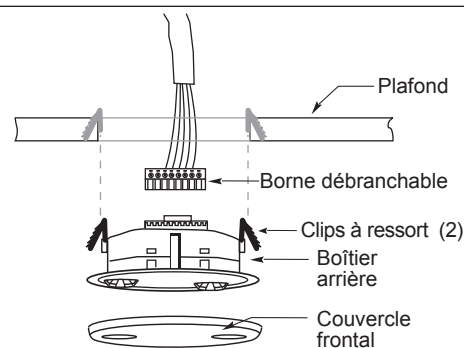
Câblage de la marche manuelle avec un interrupteur instantané basse tension



MONTAGE DU DÉTECTEUR

Directement sur le plafond

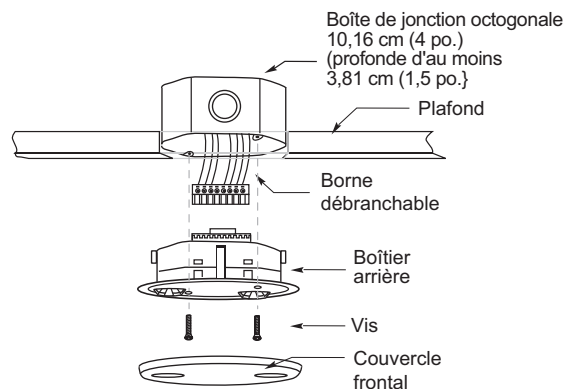
1. Fixez les clips à ressort en plastique sur les bords du détecteur dans les fentes prévues à cet effet.
2. Découpez un orifice rond de 8,9 à 10,2 cm (3,5 à 4 po.) dans la dalle du plafond acoustique au niveau de l'emplacement de montage. Un orifice de 8,9 cm (3,5 po.) est recommandé pour un bon maintien.
3. Faites passer les fils basse tension provenant du bloc d'alimentation vers le détecteur à travers l'orifice.
4. Branchez les fils basse tension aux bornes correspondantes du détecteur.
5. Soulevez le détecteur à travers l'orifice jusqu'à ce que les clips à ressort maintiennent le détecteur fermement en place.
6. Clipsez le couvercle frontal sur le détecteur.



Montage au plafond

En utilisant une boîte de jonction octogonale

1. Faites passer les fils basse tension provenant du bloc d'alimentation dans le boîtier de raccordement à travers l'alvéole sectionnable du conduit.
2. Branchez les fils basse tension aux bornes correspondantes du détecteur.
3. Desserrez les vis de fixation du dispositif fixées sur le boîtier de raccordement.
4. Alignez le détecteur dans le boîtier de raccordement de sorte que les vis de fixation du boîtier correspondent aux fentes en trou de serrure du boîtier arrière du détecteur.
5. Poussez le détecteur dans le boîtier de raccordement et tournez-le de sorte que les vis de fixation se bloquent dans les fentes en trou de serrure.
6. Serrez les deux vis pour fixer le détecteur au boîtier de raccordement.
7. Clipsez le couvercle frontal sur le détecteur.



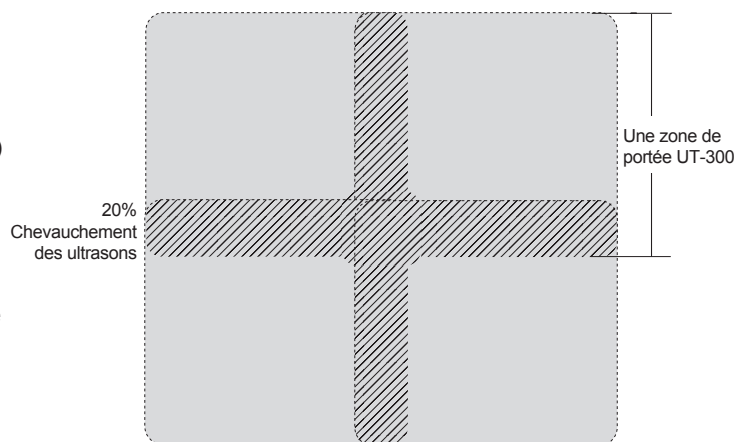
Montage avec une boîte de jonction

INSTRUCTIONS DE PLACEMENT

En fonction des obstacles tels que des meubles ou des cloisons, la portée de l'appareil peut être réduite ou augmentée par rapport aux distances de perception illustrées dans le schéma de la portée. Cela doit être pris en compte dans le choix du nombre de détecteurs et de leur placement. Il est également conseillé de placer le détecteur à une distance de 1,2 à 1,8 mètres (4 à 6 pieds) des conduits d'aération.

Montez le détecteur sur le plafond. Le UT-300 est conçu pour une hauteur de plafond allant de 2,4 à 3,05 m (de 8 à 10 pi). Tout montage à une hauteur supérieure ou inférieure à celle recommandée affecte de manière significative la portée de l'appareil. En règle générale, chaque occupant doit être capable de voir clairement le détecteur.

Portée en espace ouvert: Pour obtenir une portée de détection complète dans un bureau en espace ouverte, installer plusieurs détecteurs de manière à obtenir un chevauchement d'environ 20% entre les zones de portée de deux détecteurs à ultrasons adjacents.

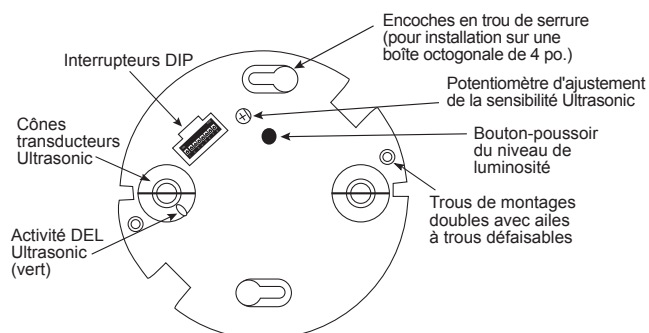


RÉGLAGE DU DÉTECTEUR

REMARQUE: L'unité est pré-réglée pour un fonctionnement de base, comme décrit dans ce guide. LE RÉGLAGE EST OPTIONNEL.

Les détecteurs sont pré-réglés en usine afin de vous permettre de l'installer rapidement dans la plupart des applications. Pour vérifier que le câblage ou la portée sont corrects, ou pour personnaliser les réglages du détecteur, suivez les procédures suivantes. Pour effectuer des réglages, ouvrez le couvercle frontal à l'aide d'un petit tournevis.

Avant d'effectuer des réglages, assurez-vous que les meubles de la zone de travail sont installés, que les circuits d'éclairage sont allumés et que les systèmes CVCA sont en position neutralisé/marche. Les systèmes DAV doivent être réglés sur le débit d'air le plus important. Réglez la temporisation sur les réglages souhaités. Consulter **Réglage de l'interrupteur DIP**.



Pour tester les détecteurs de présence

1. Assurez-vous que la temporisation est réglée sur le Mode test* en utilisant le réglage « Mode test/20 minutes ». (Interrupteurs DIP 1, 2 et 3 sur **ARRÊT**).
2. Assurez-vous que le potentiomètre d'ajustement de la sensibilité aux ultrasons est placé à environ 70 % dans le sens horaire.
3. Restez immobile. La DEL ne doit pas clignoter. Les lumières doivent normalement s'éteindre au bout de 5 secondes. (Dans le cas contraire, voir **Dépannage**.)
4. Déplacez-vous dans la zone de portée. Les lumières doivent **s'allumer**. Réglez la sensibilité ultrasonique comme nécessaire pour obtenir la portée désirée (la DEL verte indique l'activation du détecteur d'ultrasons).

Lorsque le test et le réglage sont achevés, paramétrez de nouveau les interrupteurs DIP avec les réglages souhaités et remettez le couvercle sur le détecteur.

*Le Mode Test est un état temporaire qui démarre lorsque vous mettez les interrupteurs DIP du détecteur sur le « Mode test/20 minutes » pour la première fois (interrupteurs 1, 2 et 3 sur **ARRÊT**). Si vous avez besoin de lancer le Mode test et que les interrupteurs DIP sont déjà réglés sur « Mode test/20 minutes », faites basculer l'interrupteur DIP 1 sur **MARCHE**, puis de nouveau sur **ARRÊT**. Cette action fournit une période de test de 10 minutes. Pendant cette période de test, la temporisation n'est que de 5 secondes.

FONCTION DU NIVEAU DE LUMINOSITÉ

La fonction du niveau de luminosité laisse les lumières éteintes si un éclairage ambiant suffisant existe au moment de la présence initiale. Elle **n'éteindra pas** les lumières si elles sont **allumées**. Le réglage par défaut est au maximum, ce qui signifie que même en cas d'environnement extrêmement lumineux, les lumières **s'allumeront**.

Remarques sur le fonctionnement

- Évitez d'installer le détecteur près des luminaires.
- Effectuez le réglage pendant la journée, lorsque la luminosité ambiante est au niveau souhaité dans la zone.
- Le niveau de luminosité ne peut pas être activé lorsque le Mode test est en marche. Avant d'activer la fonction de niveau de luminosité, attendez la fin du Mode test ou sélectionnez un autre réglage de temporisation.
- La DEL du détecteur de présence à IRP peut toujours réagir lorsque les lumières restent **éteintes**. Les DEL clignotent également périodiquement pour indiquer que la fonction de niveau de luminosité du détecteur est activée.
- Les réglages du niveau de luminosité sont uniquement sauvegardés en cas de coupure de l'alimentation. Le fait de désactiver puis réactiver la fonction de niveau de luminosité ne permettra pas de retrouver les réglages précédents.
- Si le Mode test est activé après l'activation de la fonction de niveau de luminosité, celle-ci cessera de fonctionner pendant toute la durée du Mode test. Lorsque le Mode test arrive à sa fin, la fonction de niveau de luminosité se réactive, même si les interrupteurs DIP restent en Mode test.

Réglage du niveau de luminosité

1. Assurez-vous que le Mode test est désactivé.
2. Basculez l'état du détecteur en appuyant brièvement sur le bouton de niveau de luminosité, pour inclure ou exclure la charge d'éclairage de l'étalonnage du niveau de luminosité. Ouvrez le couvercle frontal et localisez le bouton-poussoir du niveau de luminosité. Voir Réglage du détecteur.
3. Appuyez sur le bouton de réglage du niveau de luminosité et maintenez-le enfoncé pendant 2 secondes ou plus, ou jusqu'à ce que les DEL de détection **s'allument**. Ne dépassez pas 5 secondes.* Le détecteur passe en mode de réglage, indiqué par le clignotement rapide des DEL. La DEL clignote pendant toute la procédure de réglage. Les indications de présence de la DEL sont désactivées pendant le réglage.
4. Éloignez-vous du détecteur pour éviter toute interférence pendant la détection du niveau de luminosité. Le détecteur mesure le niveau de luminosité pendant 10 secondes, puis fait la moyenne des relevés et règle automatiquement le niveau à utiliser comme nouveau réglage. Le détecteur laisse les lumières éteintes lorsque la luminosité ambiante est supérieure à ce réglage.
5. Lorsque la DEL ne clignote plus, remplacez le couvercle frontal.

*Désactivation du niveau de luminosité

- Appuyez sur le bouton-poussoir pendant 5 secondes ou plus pour remettre la fonction de niveau de luminosité au réglage par défaut (maximum).
- Appuyez sur le bouton de réglage du niveau de luminosité et maintenez-le enfoncé pendant 5 secondes, ou jusqu'à ce que les DEL de détection **s'allument** puis **s'éteignent**. La DEL clignote rapidement pendant 10 secondes après que le réglage ait été modifié.

RÉGLAGE DE L'INTERRUPTEUR DIP

Temporisation : Interrupteurs 1, 2, 3

Le détecteur maintient les lumières **ALLUMÉES** tant qu'une présence est détectée. Le compte à rebours de temporisation démarre lorsqu'aucun mouvement n'est détecté. En l'absence de mouvement pendant toute la durée de la temporisation, le détecteur **ÉTEINT** les lumières.

Mode passage Interrupteur 4

Le mode passage **COUPE** l'éclairage trois minutes après la première détection de présence, si aucun mouvement n'est détecté après les 30 premières secondes. Si le mouvement persiste au-delà des 30 premières secondes, la temporisation sélectionnée se déclenche.

Entretien : Interrupteur 5

Pour neutraliser toutes les fonctions du capteur, réglez l'interrupteur DIP 5 sur **MARCHE**. La DEL verte s'allume et reste éclairée pendant toute la durée de l'effacement. Cette action permet d'outrepasser les fonctions de contrôle de la présence par le détecteur, tout en laissant la possibilité de réguler manuellement les lumières à l'aide d'un interrupteur d'éclairage, si un tel dispositif a été installé.

Mode Marche : Interrupteur 6

La fonction de **MARCHE** manuelle est rendue possible par l'installation d'un interrupteur instantané comme l'interrupteur instantané basse tension RS2-3 ou l'interrupteur à bascule instantané LVS-1 de Wattstopper. Cet interrupteur se connecte à l'interrupteur manuel (Man.) du détecteur et aux bornes + 24 V, comme indiqué dans le schéma de câblage. Chaque fois que vous appuyez sur l'interrupteur, la charge change d'état. Le fonctionnement du détecteur par rapport à l'interrupteur manuellement actionné est déterminé par le réglage de l'interrupteur DIP 6.

MARCHE manuelle : dans ce mode, l'interrupteur est nécessaire pour **activer** la charge. Le détecteur maintient ensuite la charge activée, en fonction de l'activité des occupants. Une fois la temporisation écoulée, si aucun mouvement n'est détecté pendant la période de redéclenchement de 30 secondes, l'interrupteur manuel doit être utilisé pour remettre la charge en **MARCHE**.

Automatique-marche : ce mode se sert des déclenchements dus à la présence ainsi que de l'activation de l'interrupteur pour **ACTIVER** la charge. Un interrupteur manuel fournit les fonctionnalités supplémentaires suivantes :

1. La charge peut être **ACTIVÉE** à l'aide de l'interrupteur manuel et rester ainsi en fonction du réglage de la logique de présence. La temporisation du détecteur s'applique comme programmé. Lorsque la charge se **COUPE** en raison d'une absence de détection de présence, elle peut être **ACTIVÉE** de nouveau par une détection de présence ou par l'activation de l'interrupteur.
2. L'activation de l'interrupteur manuel tandis que la charge est **ACTIVÉE** a pour effet de **COUPER** la charge.
 - Lorsque la charge est **COUPÉE** manuellement, elle reste **COUPÉE** aussi longtemps que le détecteur continue de détecter une présence. Pour la temporisation sélectionnée, les lumières restent **éteintes** et le détecteur revient en mode marche automatique.
 - Lorsque la charge est **COUPÉE** manuellement, une nouvelle pression sur l'interrupteur **ACTIVE** la charge et le détecteur revient en mode marche automatique.
 - Une fois qu'il est revenu en mode marche automatique, soit l'interrupteur soit une détection de présence peut **ACTIVER** la charge.

| N° d'interrupteur | | | |
|-------------------|---|---|---|
| Temporisation | 1 | 2 | 3 |
| Mode Test/20 min | ↓ | ↓ | ↓ |
| 30 secondes | ↓ | ↓ | ↑ |
| 5 minutes | ↓ | ↑ | ↓ |
| 10 minutes | ↓ | ↑ | ↑ |
| 15 minutes | ↑ | ↓ | ↓ |
| 20 minutes | ↑ | ↓ | ↑ |
| 25 minutes | ↑ | ↑ | ↓ |
| 30 minutes | ↑ | ↑ | ↑ |

| Mode passage | 4 |
|--------------|---|
| Activé | ↑ |
| Désactivé | ↓ |

| Service | 5 |
|---------|---|
| Service | ↑ |
| Normal | ↓ |

| Mode Marche | 6 |
|----------------------------|---|
| Marche en mode manuel | ↑ |
| Marche en mode automatique | ↓ |

◀ = Paramètres d'usage
↑ = MARCHE
↓ = ARRÊT

PROTECTION CONTRE LA SURCHARGE

Le détecteur de présence a une fonction de protection contre la surcharge et **coupe** automatiquement la sortie régulation lorsque la charge dépasse 200 mA. La DEL du détecteur clignote alors rapidement (~ 10 Hz) pour donner une indication visuelle de la situation de surcharge. Lorsque le courant de charge est corrigé ou revient à la normale, la sortie de régulation **reprend son fonctionnement**.

DÉPANNAGE

Pour toute opération inattendue :

1. Vérifiez les réglages de l'interrupteur DIP.
2. Assurez-vous que les interrupteurs sont réglés d'après les réglages définis dans le tableau des réglages des interrupteurs DIP.

Les lumières ne s'allument pas lorsqu'il y a du mouvement et la DEL ne clignote pas.

1. Vérifiez que le disjoncteur de circuit a bien été réenclenché.
2. Le réglage de la sensibilité des ultrasons doit peut-être être augmenté.
3. Tournez dans le sens des aiguilles d'une montre autant que nécessaire.
4. Vérifiez tous les raccordements des fils du détecteur et du bloc d'alimentation.
5. Vérifiez que le capteur est raccordé à une tension de 24 V.
 - Si du 24 V est bien présent, remplacez le détecteur.
 - Si vous ne trouvez pas de 24 V, vérifiez la présence de haute tension au niveau du bloc d'alimentation. Si c'est le cas, remplacez le bloc d'alimentation.

Les lumières ne s'éteignent pas automatiquement :

1. Le détecteur peut être activé de l'extérieur de la zone de portée ou par le biais d'interférences (consulter « Activations intempêtes du détecteur » ci-dessous).
2. Vérifiez tous les branchements des fils du détecteur.
3. Débranchez le fil bleu du bloc d'alimentation :
 - Si les lumières ne s'éteignent pas, remplacez le bloc d'alimentation. Rebranchez le fil bleu.
 - Si les lumières s'éteignent, le problème peut provenir du détecteur - pour vérifier :
 - Rebranchez le fil bleu.
 - Réglez la sensibilité et la temporisation sur leur minimum et laissez le détecteur atteindre la fin de la temporisation. Si les lumières s'éteignent, le détecteur fonctionne correctement (voir numéro 1, ci-dessus, et « Réglage du détecteur » pour régler à nouveau le détecteur).
4. Réglez la sensibilité et la temporisation sur leur minimum et laissez le détecteur atteindre la fin de la temporisation. Si les lumières s'éteignent, le détecteur fonctionne correctement (voir numéro 1, ci-dessus, et « Réglage du détecteur » pour régler à nouveau le détecteur).

Activations non voulues du détecteur (DEL clignote) :

Causes possibles

1. La sensibilité des ultrasons peut être trop élevée, ce qui provoque une détection à l'extérieur de la zone de portée souhaitée.
2. Le détecteur est placé trop près de conduits de CVCA ou DAV avec un débit d'air élevé.
3. Si la DEL clignote rapidement (~ 10 Hz), une situation de surcharge est présente. Une fois ce problème corrigé, le détecteur reprend son fonctionnement normal.

Solutions possibles

1. Réduisez la sensibilité des ultrasons (dans le sens inverse des aiguilles d'une montre) autant que nécessaire (consulter « Réglage du détecteur »).
2. Déplacez le détecteur.
3. Vérifiez le branchement du fil bleu. Si besoin, remplacez le bloc d'alimentation.

INFORMATIONS POUR COMMANDER

| Numéro de catalogue | Description |
|---------------------|---|
| UT-300-1 | Détecteur de présence à ultrasons, couverture jusqu'à 91 m ² (300 pi ²), basse tension avec relais isolé et marche en mode manuel |
| UT-300-2 | Détecteur de présence à ultrasons, couverture jusqu'à 304 m ² (1000 pi ²), basse tension avec relais isolé et marche en mode manuel |
| UT-300-3 | Détecteur de présence à ultrasons, couverture jusqu'à 609 m ² (2000 pi ²), basse tension avec relais isolé et marche en mode manuel |
| BZ-50 | Bloc d'alimentation : 120/277 VCA, 50/60 Hz, ballast ou incandescent 20 A |
| BZ-150 | Bloc d'alimentation : 120/277 VCA, 50/60 Hz, ballast ou incandescent 20 A, avec capacité d'activation/désactivation de mise en attente |
| BZ-200 | Bloc d'alimentation : 120/277 VCA, 50/60 Hz, ballast/TBT/BTM/incandescent/DEL, 16 A, e-ballast/LFC/prise de charge |
| BZ-250 | Bloc d'alimentation : 120/277 VCA, 50/60 Hz, ballast/TBT/BTM/incandescent/DEL, 16 A, e-ballast/LFC/prise de charge avec capacité d'activation/désactivation de mise en attente |
| BZ-250-347 | Bloc d'alimentation : 120/347 VCA, 50/60 Hz, ballast/TBT/BTM/incandescent/DEL, 16 A, e-ballast/LFC, prise de charge 15 A, avec capacité d'activation/désactivation de mise en attente |

Les détecteurs sont blancs. Les blocs d'alimentation de la série BZ peuvent alimenter jusqu'à 5 détecteurs UT-300.

DESCRIPCIÓN Y FUNCIONAMIENTO

Los sensores Wattstopper UT-300 encienden y apagan los sistemas de iluminación en base a la ocupación del ambiente.

Los sensores UT-300 pueden configurarse para encender la iluminación y mantenerla encendida mientras que el sensor detecte ocupación. Si no se detecta movimiento alguno durante el tiempo especificado por el usuario (5 a 30 minutos), las luces se apagan. El modo de "recorrido" puede apagar las luces después de solo 3 minutos si no se detecta actividad después de 30 segundos de que se detecte ocupación.

El sensor UT-300 funciona con las fuentes de alimentación Wattstopper de 24 V suministrados. Los sensores pueden funcionar con 24VCC, 24VCA o CA de media onda rectificada.

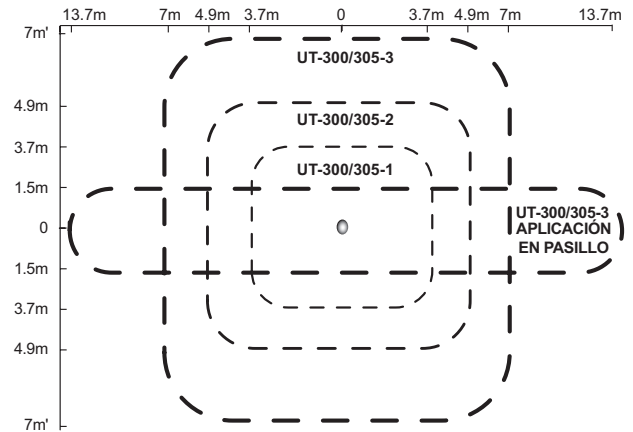
ESPECIFICACIONES

Voltaje.....de 18-28 VCC/VCA o CA rectificada de media onda
 Consumo de corriente25mA
 Fuente de alimentación Fuentes de alimentación Wattstopper
 Temperatura de funcionamiento..... 0 °C a 55 °C (32 °F a 131 °F)
 Ajuste del tiempo de retardo30 segundos a 30 minutos
 Modo de recorrido 3 minutos si no hay actividad
 después de 30 segundos
 Modo de prueba 5 s tras el restablecimiento del interruptor DIP
 Cobertura ultrasónica
 Modelo UT-300-1hasta 500 pies²
 Modelo UT-300-2hasta 1000 pies²
 Modelo UT-300-3hasta 2000 pies²
 Ajuste de sensibilidad Mínimo a máximo (potenciómetro)
 Frecuencia40kHz
 Calificado por UL y CUL para el uso con fuentes de alimentación Wattstopper
 EE. UU. Patente: 7,277,012

PATRÓN DE COBERTURA

El sensor UT-300 está disponible en 3 modelos. Cada modelo tiene un patrón de cobertura de un tamaño diferente. La cobertura que se muestra representa el movimiento para caminar a una altura de montaje de 8 a 10 pies. En las áreas de edificios con menos nivel de actividad o con obstáculos y barreras, el alcance de la cobertura puede disminuir.

Los diagramas no son a escala.

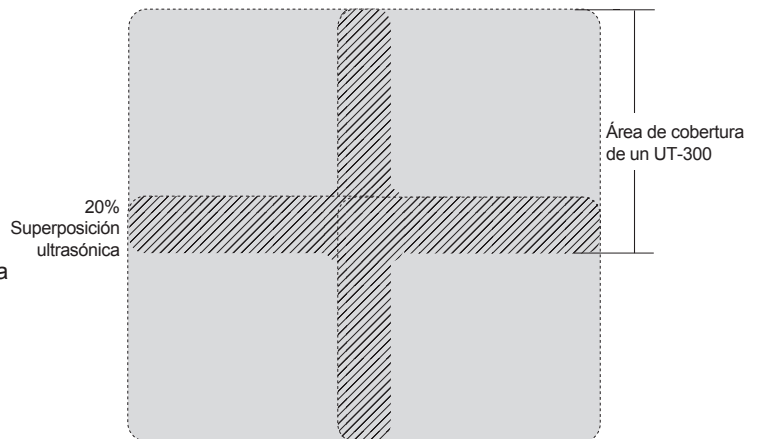


GUÍAS PARA LA COLOCACIÓN

Según los obstáculos, como muebles o divisiones, el área de cobertura puede ser menor o mayor que las distancias de detección que se muestran en el perfil de cobertura. Esto debe tenerse en cuenta cuando se planifica el número de sensores y su colocación. También se recomienda colocar el sensor de 4 a 6 pies de distancia de los conductos de suministro de aire.

Montaje de sensor en cielo raso. El sensor UT-300 está diseñado para una altura de cielo raso de aproximadamente 8 a 10 pies. El montaje por encima o por debajo de este rango afectará significativamente los perfiles de cobertura. Como regla general, cada ocupante debería poder ver el sensor claramente.

Cobertura de área de oficina abierta: Para obtener una cobertura completa en un área abierta de oficina, instale varios sensores para que haya un 20% de superposición aproximadamente con el área de cobertura ultrasónica de cada sensor adyacente.



INSTRUCCIONES DE CABLEADO

Cada fuente de alimentación de la serie BZ de Wattstopper puede suministrar. Cuando se utilicen más sensores, se necesitarán varias fuentes de alimentación.

Consulte el diagrama de cableado para los siguientes procedimientos:

Conecte el voltaje bajo:

- Cable ROJO (+24VCC) desde la fuente de alimentación al terminal de +24V del sensor.
- Cable NEGRO (retorno) desde la fuente de alimentación al terminal común del sensor.
- Cable AZUL desde la fuente de alimentación al terminal de salida de control del sensor.

Para agregar un interruptor manual como el interruptor momentáneo de palanca LVS-1 o el interruptor momentáneo de bajo voltaje RS2-3 a las aplicaciones anteriores, conecte:

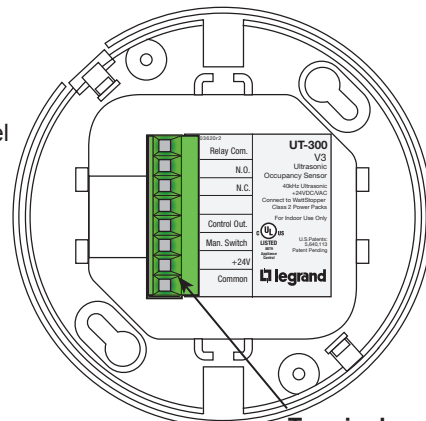
- El cable de un lado del interruptor al terminal de +24V del sensor.
- El cable del otro lado del interruptor al terminal de interruptor man. del sensor.

Cableado del relé aislado: (El relé aislado es apto para 1 A a 30 VCA/VCC)

Conecte los cables necesarios para la aplicación que requiere esta salida:

- Relé común (se debe usar para el funcionamiento adecuado).
- Normalmente abierto (N.A.): se cierra cuando se detecta una presencia.
- Normalmente cerrado (N.C.): se abre cuando se detecta una presencia

⚡ ADVERTENCIA: DESCONECTE LA ALIMENTACIÓN EN EL DISYUNTOR ANTES DEL CABLEADO. ⚡

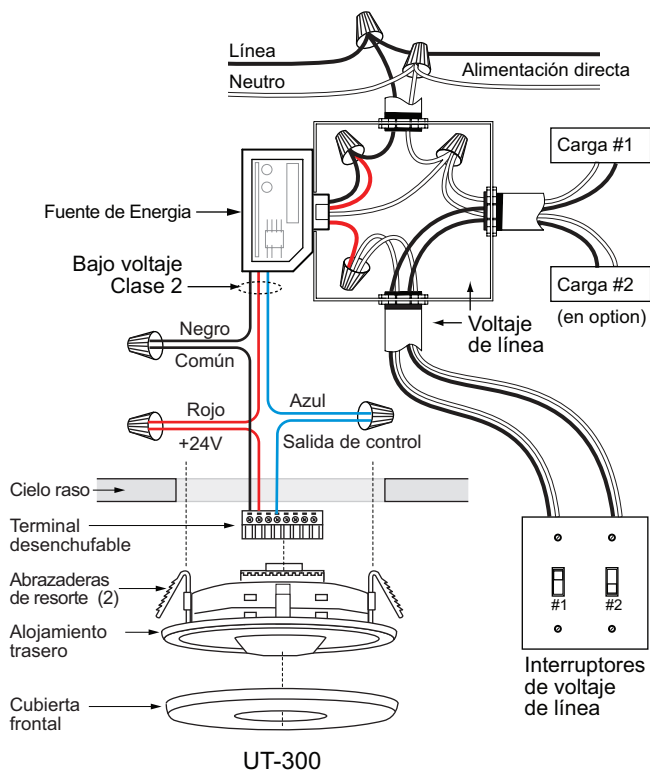


Terminales del cableado

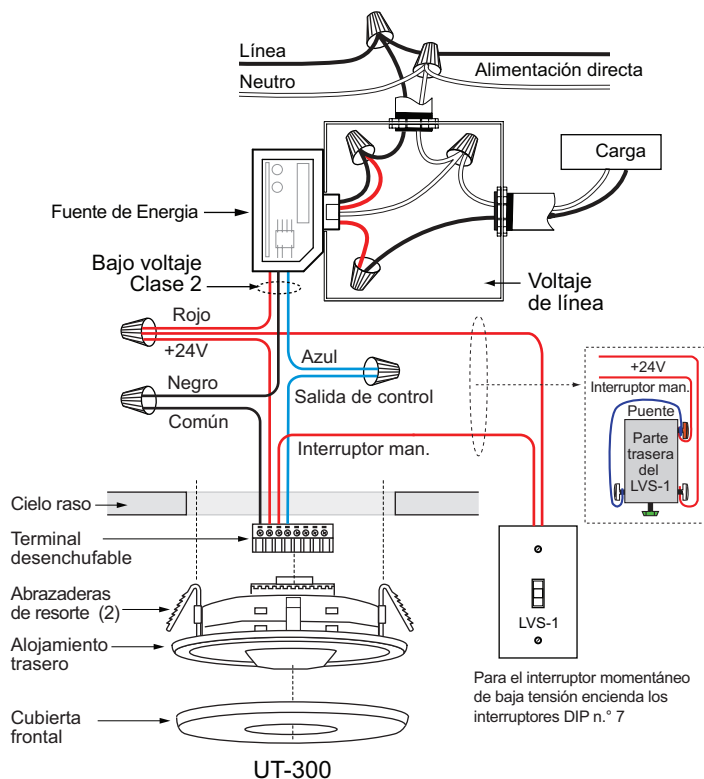
CABLES DE CONEXIÓN

- Se debe tener cuidado al separar la energía de alto voltaje del cableado de control de bajo voltaje (Clase 2).
- Todas las conexiones que van al sensor son de bajo voltaje, Clase 2.

Cableado estándar con interruptor de apagado local



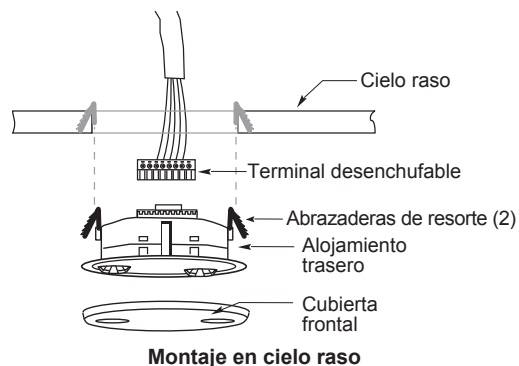
Cableado de encendido manual con interruptor momentáneo de bajo voltaje



MONTAJE DEL SENSOR

Directamente en cielo raso

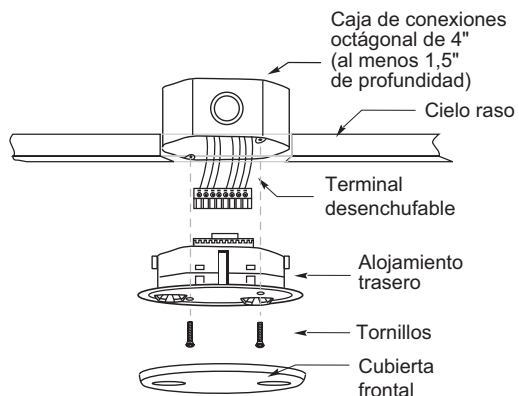
1. Coloque las abrazaderas de resorte plásticas en el borde del sensor en las ranuras correspondientes.
2. Perfore un orificio redondo de 3,5 in a 4 in en la losa del cielo raso acústica en la ubicación del montaje. Se recomienda hacer un orificio redondo de 3,5 in para que el calce sea seguro.
3. Pase el cable de bajo voltaje desde la fuente de alimentación hacia el sensor por el orificio.
4. Conecte los cables de bajo voltaje con los terminales correspondientes del sensor.
5. Eleve el sensor pasándolo por el orificio hasta que las abrazaderas de resorte sostengan con firmeza el sensor en su lugar.
6. Encastre la cubierta frontal en el sensor.



Montaje en cielo raso

Uso de una caja de conexiones octogonal

1. Pase los cables de bajo voltaje desde la fuente de alimentación hacia dentro de la caja de conexiones por el troquel del conducto.
2. Conecte los cables de bajo voltaje con los terminales correspondientes del sensor.
3. Afloje los tornillos de montaje del dispositivo de la caja de conexiones.
4. Alinee el sensor en la caja de conexiones, de modo que los tornillos de montaje de la caja coincidan con los orificios del alojamiento trasero del sensor.
5. Introduzca el sensor en la caja de conexiones y gírela para que los tornillos de montaje se inserten en las ranuras de las ranuras tipo bocallave.
6. Apriete los dos tornillos para fijar el sensor a la caja de conexiones.



Montaje en caja de conexiones

AJUSTE DEL SENSOR

NOTA: Esta unidad se preconfigura en fábrica para el funcionamiento básico como se describe en esta guía. El ajuste es opcional.

Los sensores se comercializan con ajuste predeterminado de fábrica para permitir una instalación rápida en la mayoría de las aplicaciones. Con los siguientes procedimientos, se puede verificar que el cableado o la cobertura sean adecuados o personalizar los ajustes del sensor. Para hacer ajustes, abra la cubierta frontal con un destornillador pequeño.

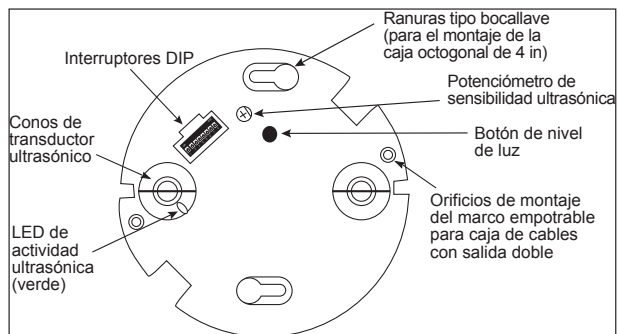
Antes de hacer ajustes, asegúrese de que los muebles de oficina estén instalados, de que los circuitos de iluminación estén encendidos y de que los sistemas de climatización estén en la posición de anulación/encendido. Los sistemas VAV deben configurarse con su máximo caudal de aire. Configure el tiempo de retardo en el valor deseado. Consulte **Configuración del interruptor DIP**.

Para probar los sensores de ocupación

1. Asegúrese de que el retardo de tiempo se configure para el modo de prueba* mediante la configuración "Modo de prueba/20 minutos". (los interruptores DIP 1, 2 y 3 están **apagados**).
2. Asegúrese de que el potenciómetro de sensibilidad ultrasónica esté configurado en aproximadamente 70 % en el sentido de las manecillas del reloj.
3. No se mueva. El LED no debería destellar. Las luces deberían apagarse luego de 5 segundos. (En caso contrario, consulte **Solución de problemas**).
4. Trasládese por el área de cobertura. Las luces deberían **encenderse**. Ajuste de la sensibilidad ultrasónica según sea necesario para proporcionar la cobertura deseada (el indicador LED verde indica activación desde el sensor ultrasónico).

Cuando la prueba y el ajuste se hayan completado, restablezca los interruptores DIP a las configuraciones deseadas y coloque la cubierta en el sensor.

*El modo de prueba es un estado temporal que comienza cuando ajusta por primera vez los interruptores DIP del sensor para el "Modo de prueba/20 minutos" (interruptores 1, 2, 3 **apagados**). Si necesita seleccionar el modo de prueba y los interruptores DIP ya están configurados para el "Modo de prueba/20 minutos", mueva el interruptor DIP 1 a la posición de **encendido** y, luego, a la posición de **apagado**. Esto proporciona un período de prueba de 10 minutos. Durante el período de prueba, el retardo de tiempo es de solo 5 segundos.



FUNCIÓN DE NIVEL DE LUZ

La función de nivel de luz mantiene las luces apagadas durante la presencia inicial si hay una luz ambiente adecuada. No **apagará** las luces si están **encendidas**. La configuración predeterminada está ajustada al máximo, lo que significa que aun con la luz ambiente más clara no se mantendrá las luces **apagadas**.

Notas sobre la funcionalidad

- Evite montar el sensor cerca de dispositivos de iluminación.
- Realice los ajustes durante el día cuando la luz ambiente en el área esté en el nivel deseado.
- El nivel de luz no se puede activar mientras esté activo el modo de prueba. Espere a que finalice el modo de prueba o seleccione cualquiera de las configuraciones adicionales de demora de tiempo antes de activar la función de nivel de luz.
- El indicador LED de presencia PIR quizás aún responda cuando las luces se mantienen **apagadas**. Las luces LED también destellarán periódicamente para indicar que el sensor tiene el nivel de luz activado.
- Las configuraciones de nivel de luz solo se guardan en el caso de una pérdida de alimentación. Si se desactiva el nivel de luz y, luego, se lo vuelve a activar, esto no restituirá las configuraciones anteriores.
- Si se activa el modo de prueba después de haber establecido el nivel de luz, la funcionalidad de nivel de luz dejará de funcionar durante todo el período de duración del modo de prueba. Cuando finalice el período del modo de prueba, se reanudará la funcionalidad de nivel de luz, aun cuando los interruptores DIP permanezcan configurados en el modo de prueba.

Configuración del nivel de luz

1. Asegúrese de que el modo de prueba no esté activo.
2. Alterne el estado del sensor, pulsando brevemente el botón de nivel de luz, para incluir la carga de iluminación en la calibración del nivel de luz o excluirla de esta. Abra la cubierta frontal y encuentre el botón de nivel de luz. Consulte Ajuste del sensor.
3. Presione y mantenga presionado el botón de nivel de luz durante 2 o más segundos, o hasta que las luces LED de detección se **enciendan**. No supere los 5 segundos.* El sensor ingresa al modo de configuración, como lo indican las luces LED que destellan rápidamente. El LED destellará durante todo el proceso de configuración. Los indicios de ocupación desde el LED se deshabilitan durante la configuración.
4. Aléjese del sensor para evitar la interferencia con la detección de nivel de luz. El sensor mide el nivel de luz durante un período de 10 segundos, luego realiza un promedio de las lecturas y establece automáticamente el nivel que se utilizará como la nueva configuración. El sensor mantendrá las luces apagadas cuando la luz ambiente exceda esta configuración.
5. Cuando el LED deje de destellar, vuelva a colocar la cubierta frontal.

*Desactivación del nivel de luz

- Al presionar el botón durante 5 segundos o más, se restablece la luz al valor predeterminado (máximo).
- Presione y mantenga presionado el botón de nivel de luz durante 5 segundos, o hasta que las luces LED de detección se **enciendan** y **apaguen**. El LED destella rápidamente durante 10 segundos después de que la configuración ha cambiado.

CONFIGURACIÓN DEL INTERRUPTOR DIP

Retardo de tiempo: Interruptores 1, 2, 3

El sensor mantendrá las luces **encendidas** siempre y cuando se detecte una presencia. La cuenta regresiva del retardo de tiempo se inicia cuando no se detecta movimiento. Si no se detecta movimiento durante la duración del retardo de tiempo, el sensor **apaga** las luces.

Interruptor de recorrido 4

El modo de recorrido **apaga** las luces tres minutos después de que el área se ocupó inicialmente, si no se detecta movimiento después de los primeros 30 segundos. Si el movimiento continúa más allá de los primeros 30 segundos, se aplica el retardo de tiempo seleccionado.

Servicio: Interruptor 5

Para anular todas las funciones del sensor, configure el interruptor DIP 5 en la posición de **encendido**. El indicador LED verde se encenderá y permanecerá encendido durante la anulación. Esto omite las funciones de control de presencia del sensor, pero permite que las luces puedan controlarse manualmente con un interruptor de luz, si hay uno instalado.

Modo de encendido: Interruptor 6

La función de **encendido** manual se facilita instalando un interruptor momentáneo como el interruptor de palanca momentáneo LVS-1 de Wattstopper o el interruptor momentáneo de bajo voltaje RS2-3. Este interruptor se conecta con la función Manual (Man.) del sensor. El interruptor y los terminales de +24 V se muestran en el diagrama del cableado. Cada vez que se presiona el interruptor, la carga cambia el estado. El funcionamiento del sensor en relación con el interruptor accionado manualmente se determina según la configuración del interruptor DIP 6.

Encendido manual: En este modo, se requiere el interruptor para **encender** la carga. Luego, el sensor se utiliza para mantener la carga activada, según la actividad de presencia. Después de finalizado el retardo de tiempo, si no se detecta ningún movimiento dentro del período de reinicio de 30 segundos, se debe utilizar el interruptor manual para **encender** la carga.

Encendido automático: Este modo utiliza la ocupación así como la activación mediante interruptor para **encender** la carga. Un interruptor manual proporciona la siguiente funcionalidad adicional:

| Interruptor n.º | | | |
|--------------------------|----------|---|---|
| Tiempo de retardo | 1 | 2 | 3 |
| Modo de prueba/20 min | ↓ | ↓ | ↓ |
| 30 segundos | ↓ | ↓ | ↑ |
| 5 minutos | ↓ | ↑ | ↓ |
| 10 minutos | ↓ | ↑ | ↑ |
| 15 minutos | ↑ | ↓ | ↓ |
| 20 minutos | ↑ | ↓ | ↑ |
| 25 minutos | ↑ | ↑ | ↓ |
| 30 minutos | ↑ | ↑ | ↑ |
| Recorrido | 4 | | |
| Activé | ↑ | | |
| Desactivado | ↓ | ◀ | |
| Servicio | 5 | | |
| Servicio | ↑ | | |
| Normal | ↓ | ◀ | |
| Modo de encendido | 6 | | |
| Encendido manual | ↑ | | |
| Encendido automático | ↓ | ◀ | |

◀ Configuración de fábrica
 ↑ = ENCENDIDO
 ↓ = APAGADO

1. La carga puede **encenderse** con la activación del interruptor manual y permanece encendida según la configuración de lógica de presencia. El retardo de tiempo del sensor funciona según lo programado. Cuando la carga se **apaga** a causa de la falta de detección de presencia, la carga puede volver a **encenderse** mediante la detección de presencia o mediante la activación del interruptor.
2. Si se activa el interruptor manual mientras la carga está **encendida**, esto **apaga** la carga.
 - Cuando se **apaga** la carga manualmente, siempre y cuando el sensor siga detectando la presencia, la carga se mantiene **apagada**. Para el retardo de tiempo seleccionado, las luces permanecen **apagadas** y el sensor vuelve al modo de encendido automático.
 - Cuando la carga se **apaga** manualmente, al presionar el interruptor nuevamente, la carga se **enciende** y el sensor se revierte al modo de encendido automático.
 - Una vez que el sensor vuelve al modo de encendido automático, el interruptor o la detección de presencia pueden **encender** la carga. tiempo, si no se detecta ningún movimiento dentro del período de reinicio de 30 segundos, se debe utilizar el interruptor manual para **encender** la carga.

Encendido automático: Este modo utiliza la ocupación así como la activación mediante interruptor para **encender** la carga. Un interruptor manual proporciona la siguiente funcionalidad adicional:

1. La carga puede **encenderse** con la activación del interruptor manual y permanece encendida según la configuración de lógica de presencia. El retardo de tiempo del sensor funciona según lo programado. Cuando la carga se **apaga** a causa de la falta de detección de presencia, la carga puede volver a **encenderse** mediante la detección de presencia o mediante la activación del interruptor.
2. Si se activa el interruptor manual mientras la carga está **encendida**, esto **apaga** la carga.
 - Cuando se **apaga** la carga manualmente, siempre y cuando el sensor siga detectando la presencia, la carga se mantiene **apagada**. Para el retardo de tiempo seleccionado, las luces permanecen **apagadas** y el sensor vuelve al modo de encendido automático.
 - Cuando la carga se **apaga** manualmente, al presionar el interruptor nuevamente, la carga se **enciende** y el sensor se revierte al modo de encendido automático.
 - Una vez que el sensor vuelve al modo de encendido automático, el interruptor o la detección de presencia pueden **encender** la carga.

PROTECCIÓN CONTRA SOBRECARGA

El sensor de presencia tiene una función de protección contra sobrecarga integrada que **apaga** la salida del control automáticamente cuando la corriente de la carga supere 200 mA. El indicador LED del sensor parpadeará rápidamente (aprox. 10 Hz) a fin de emitir una señal visual de una condición de sobrecarga. Cuando se corrija la corriente de la carga o vuelva al estado normal, la salida del control volverá a **encenderse**.

SOLUCIÓN DE PROBLEMAS

Para cualquier funcionamiento inesperado:

1. Verifique la configuración del interruptor DIP.
2. Asegúrese de que los interruptores estén configurados según los ajustes definidos en el cuadro de configuración del interruptor DIP.

Las luces no se encienden con la ocupación, y el indicador LED no parpadea:

1. Verifique que el disyuntor se haya encendido de nuevo.
2. Es posible que sea necesario aumentar la configuración de la sensibilidad ultrasónica.
3. Gire en el sentido horario según sea necesario.
4. Verifique todas las conexiones de cables del sensor y de la fuente de alimentación.
5. Compruebe la entrada de 24 V al sensor:
 - Si hay 24 V, cambie el sensor.
 - Si no hay 24 V, verifique que hay alto voltaje dirigido a la fuente de alimentación. Si es así, reemplace la fuente de alimentación.

Las luces no se apagan automáticamente:

1. El sensor puede estar experimentando activaciones desde fuera del área controlada o de algún tipo de interferencia (consulte "Activaciones no deseadas del sensor" a continuación).
2. Revise todas las conexiones de cables.
3. Desconecte el cable azul de la fuente de alimentación:
 - Si las luces no se apagan, reemplace la fuente de alimentación. Vuelva a conectar el cable azul.
 - Si las luces se apagan, el problema puede estar en el sensor, de modo que compruebe lo siguiente:
 - Vuelva a conectar el cable azul.
 - Configure la sensibilidad y el retardo de tiempo al mínimo, y permita que el sensor agote el tiempo de espera. Si las luces se apagan, el sensor está funcionando correctamente (consulte el número 1, arriba, "Ajuste del sensor" para el reajuste del sensor).
4. Configure la sensibilidad y el retardo de tiempo al mínimo, y permita que el sensor agote el tiempo de espera. Si las luces se apagan, el sensor está funcionando correctamente (consulte el número 1, arriba, "Ajuste del sensor" para el reajuste del sensor).

Activaciones no deseadas del sensor (el LED destella):

Posibles causas

1. La sensibilidad ultrasónica puede estar demasiado elevada y causar la detección fuera del área de cobertura deseada.
2. Sensor situado demasiado cerca de los respiraderos del sistema de climatización o de VAV con un flujo de aire fuerte.
3. Si el indicador LED destella rápidamente (aprox.10 Hz), hay una condición de sobrecarga. Cuando esta situación se corrige, el sensor vuelve a funcionar normalmente.

Soluciones posibles

1. Reduzca la sensibilidad ultrasónica (en sentido antihorario) según sea necesario (consulte "Ajuste del sensor").
2. Reubique el sensor.
3. Verifique la conexión del cable azul. Si es necesario, cambie la fuente de alimentación.

Activaciones no deseadas del sensor (el LED destella):

Posibles causas

1. La sensibilidad ultrasónica puede estar demasiado elevada y causar la detección fuera del área de cobertura deseada.
2. Sensor situado demasiado cerca de los respiraderos del sistema de climatización o de VAV con un flujo de aire fuerte.
3. Si el indicador LED destella rápidamente (aprox.10 Hz), hay una condición de sobrecarga. Cuando esta situación se corrige, el sensor vuelve a funcionar normalmente.

Soluciones posibles

1. Reduzca la sensibilidad ultrasónica (en sentido antihorario) según sea necesario (consulte "Ajuste del sensor").
2. Reubique el sensor.
3. Verifique la conexión del cable azul. Si es necesario, cambie la fuente de alimentación.

INFORMACIÓN PARA PEDIDOS

| N.º de catálogo | Descripción |
|-----------------|--|
| UT-300-1 | Sensor de ocupación ultrasónico, de hasta 300 pies cuadrados de cobertura, bajo voltaje con relé aislado y función de encendido manual |
| UT-300-2 | Sensor de ocupación ultrasónico, de hasta 1000 pies cuadrados de cobertura, bajo voltaje con relé aislado y función de encendido manual |
| UT-300-3 | Sensor de ocupación ultrasónico, de hasta 2000 pies cuadrados de cobertura, bajo voltaje con relé aislado y función de encendido manual |
| BZ-50 | Fuente de alimentación: 120/277 VCA, 50/60 Hz, balasto o carga incandescente de 20 A |
| BZ-150 | Fuente de alimentación: 120/277 VCA, 50/60 Hz, balasto o carga incandescente de 20 A, con capacidad de mantenimiento de conexión y desconexión |
| BZ-200 | Fuente de alimentación: 120/277 VCA, 50/60 Hz, balasto de 20 A/ELV/MLV/incandescente/LED, 16 A, balasto E/CFL/carga mediante enchufe |
| BZ-250 | Fuente de alimentación: 120/277 VCA, 50/60 Hz, balasto de 20 A/ELV/MLV/incandescente/LED, 16 A, balasto E/CFL/carga mediante enchufe, con capacidad de mantenimiento de conexión y desconexión |
| BZ-250-347 | Fuente de alimentación: 120/347 VCA, 50/60 Hz, balasto de 16A/ELV/MLV/incandescente/LED, balasto E/CFL/carga mediante enchufe, con capacidad de mantenimiento de conexión y desconexión |

Los sensores son de color blanco Los fuentes de alimentación de la serie BZ proporcionan alimentación para hasta 5 sensores UT-300.

WARRANTY INFORMATION

Wattstopper warrants its products to be free of defects in materials and workmanship for a period of five (5) years. There are no obligations or liabilities on the part of Wattstopper for consequential damages arising out of, or in connection with, the use or performance of this product or other indirect damages with respect to loss of property, revenue or profit, or cost of removal, installation or reinstallation.

INFORMATIONS RELATIVES À LA GARANTIE

Wattstopper garantit que ses produits sont exempts de défauts de matériaux et de fabrication pour une période de cinq (5) ans. Wattstopper ne peut être tenu responsable de tout dommage consécutif causé par ou lié à l'utilisation ou à la performance de ce produit ou tout autre dommage indirect lié à la perte de propriété, de revenus, ou de profits, ou aux coûts d'enlèvement, d'installation ou de réinstallation.

INFORMACIÓN DE LA GARANTÍA

Wattstopper garantiza que sus productos están libres de defectos en materiales y mano de obra por un período de cinco (5) años. No existen obligaciones ni responsabilidades por parte de Wattstopper por daños consecuentes que se deriven o estén relacionados con el uso o el rendimiento de este producto u otros daños indirectos con respecto a la pérdida de propiedad, renta o ganancias, o al costo de extracción, instalación o reinstalación.