

SFA6 XP Class I, Division 1, Groups C & D

COOPER Crouse-Hinds

Pole Mount Adapter

IF 1451

Installation & Maintenance Information

SAVE THESE INSTRUCTIONS FOR FUTURE REFERENCE

APPLICATION

The SFA6 XP Class I, Division 1, Groups C & D Pole Mount Adapter is for use:

- To pole mount FZD and EVMA-S812 series floodlights in Class I, Division 1, Groups C & D hazardous (classified) areas.

⚠ WARNING

To avoid the risk of fire, explosion, or electric shock, this product should be installed, inspected, and maintained by a qualified electrician only, in accordance with all applicable electrical codes.

⚠ WARNING

To avoid electric shock:

Be certain electrical power is OFF before and during installation and maintenance.

The floodlight used with the SFA6 XP Pole Mount Adapter must be supplied by a wiring system with an equipment grounding conductor.

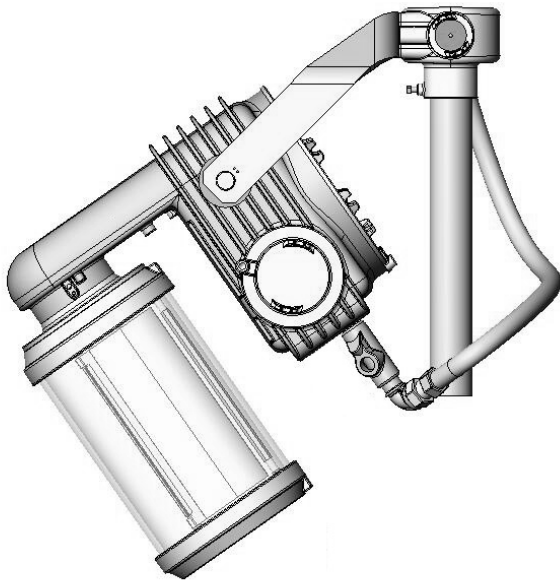
Use proper supply wiring as specified on the floodlight nameplate.

INSTALLATION

Mounting

1. Thread the SFA6 XP onto the 2 inch NPT conduit (pole). Once tightened, lock in place by tightening the setscrew securely. SFA6-XP is not designed to be sealed. The 2" conduit (pole) must be directly threaded into housing.
2. Using the 1/2" bolts, nuts and lock washers provided, securely fasten the floodlight yoke to the SFA6 XP. Torque the bolts to 45 ft-lbs.

Note: Angular positioning of the floodlight will be done later. Refer to instructions supplied with the floodlight.



Wiring

1. **Wiring must be made in accordance with the wiring methods per Article 501 of the NEC NFPA70.** Make the necessary wiring transition from the SFA6-XP pole mount adapter to the floodlight by using Crouse-Hinds ECLK236 36" explosionproof flexible connection fitting, EYS216 conduit sealing fitting and EL296 SA explosionproof conduit elbow (must be ordered separately).
2. Unthread the SFA6 XP wiring chamber cover for access to the wiring chamber. If terminations, splices or taps were made in this chamber, the NEC requires a conduit seal between it and the 2" conduit opening.
Note: The SFA6 XP is not a splice box. It serves as a wiring raceway only.
3. Using the SFA6 XP adapter as a wiring raceway, pull supply wiring from the 2" NPT conduit up through and out the 3/4" NPT conduit opening in the adapter. Conduit entry must have Cooper Crouse-Hinds LNR Series conduit liner or appropriate bushing for smooth entry into adapter.
4. Reroute the supply wire back through the flexible connection fitting, conduit elbow and conduit sealing fitting. Seal the lead wires per illustrations provided with the conduit sealing fitting. Terminate the wiring inside of the floodlight.
5. Replace the SFA6 XP wiring chamber cover and tighten securely.

⚠ WARNING

To avoid explosion:

Do not splice wires inside the SFA6 XP pole mount adapter. Pull wires completely through the SFA6 XP. Use as a wiring raceway only.

6. To complete wiring, proceed to the installation instructions provided with the FZD or EVMA-S812 series floodlight.

All statements, technical information and recommendations contained herein are based on information and tests we believe to be reliable. The accuracy or completeness thereof are not guaranteed. In accordance with Cooper Crouse-Hinds "Terms and Conditions of Sale", and since conditions of use are outside our control, the purchaser should determine the suitability of the product for his intended use and assumes all risk and liability whatsoever in connection therewith.

COOPER Crouse-Hinds

Cooper Industries Inc.
Crouse-Hinds Division
PO Box 4999, Syracuse, New York 13221 • U.S.A.
Copyright© 2003, Cooper Industries, Inc.

IF 1451
Revision 2
Revised 08/03
Supersedes 06/03