

Please go to www.quoise.com for product cleaning tips. Go to the **Care + Maintenance** selection.

Tools Required: Flathead screwdriver, Phillips screwdriver, pliers, wire cutters, wire strippers, electrical tape, safety glasses.

Light Source: (4) A19 Medium Base bulbs 100W Maximum, Alternate bulbs (4) 23W CFL.

Estimated Assembly Time: 20-30 minutes

Preparation: Identify and inspect all parts before beginning installation. Check package content list and diagrams below to be sure all parts are present. If any parts are missing or damaged, do not attempt to assemble, install, or operate the fixture. Contact customer service for replacement parts.

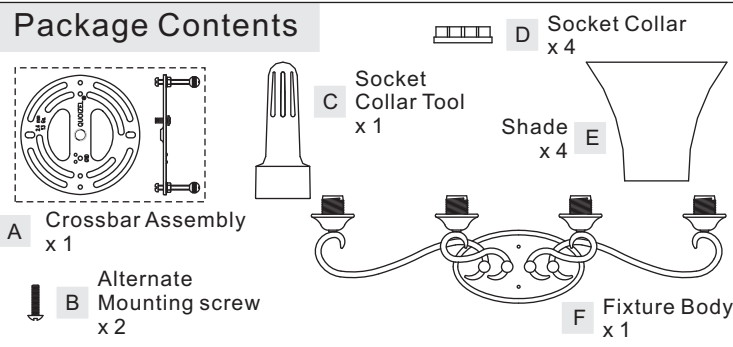
⚠ Warnings and Cautions

Turn off electricity at circuit breaker or main fuse box before installation. Consult a licensed electrician if in doubt.

These instructions are provided for your safety. It is very important you read them completely before installing the fixture. We strongly recommend that a licensed, professional electrician perform the installation.

Disconnect fixture from power source before replacing bulbs. Make sure bulbs are given sufficient time to cool before removal. Do not subject glass parts to any shock while in operation or shattering may result.

Package Contents



STEP 3 - Wire Connections

A. Use standard wire connectors (not included) to make all wire connections. (Connectors are not included with fixture.) Twist connectors until wires are tightly joined together. Wrap each connection with approved electrical tape and carefully stuff all the connected wires into the Outlet Box.

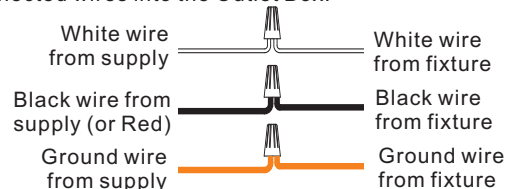


Figure 3

STEP 1 - Install Crossbar Assembly

A. Pass the supply wires through the Crossbar Assembly (A). Attach the Crossbar Assembly (A) to the Outlet Box with the head of the Green Ground Screw facing you. Secure it with Outlet Box Screws (not included). Tighten until snug.

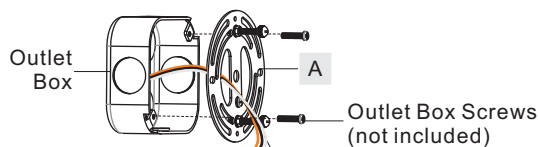


Figure 1

STEP 4 - Install Fixture Body

A. Carefully tuck all wires into the outlet box and position the backplate of fixture body (F) over the outlet box. Align the holes in the backplate with mounting screws and secure with mounting balls and secure with mounting balls. Hand tighten until snug.

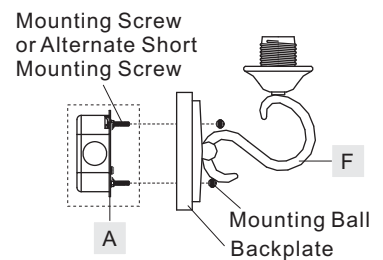


Figure 4

STEP 2 - Test Fitting Backplate to Crossbar Assembly

A. Remove mounting balls from the Crossbar Assembly (A). Fit the backplate on Fixture Body (F) to the Crossbar Assembly (A) and secure with mounting balls. Note: The backplate on Fixture Body (F) should be snug against the wall and the mounting balls. If not, adjust the length of the mounting

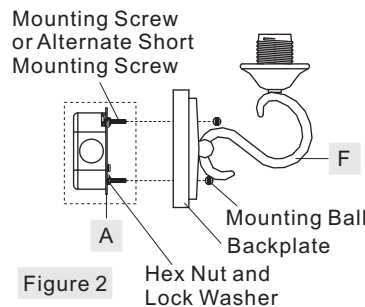


Figure 2

screw or alternate short mounting screw on the Crossbar Assembly (A) by unscrewing the preassembled hex nut and lock washer and then screwing the mounting screws or alternate short mounting screws in or out of the crossbar until the correct length is achieved. Once the backplate on Fixture Body (F) is secure, remove the mounting ball and Fixture Body (F) and proceed to Step 3.

STEP 5 - Install Shade and Bulb

A. Place the shade (E) over the Socket. By using the Socket Collar Tool (C), thread the Socket Collar (D) onto the Socket to secure the Shade (E). Hand tighten until snug.
B. This fixture uses standard bulb with medium base. Maximum 100 watts. Insert bulb and screw snugly into place.

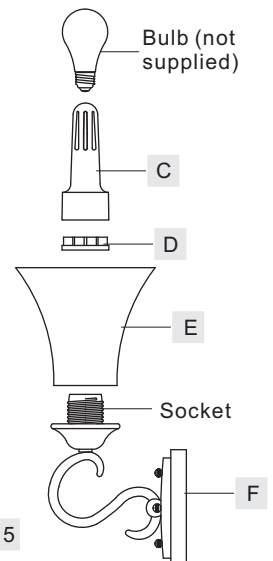
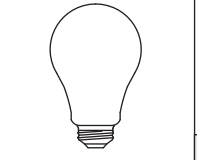
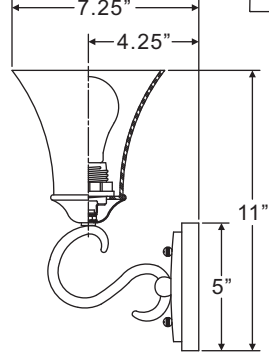
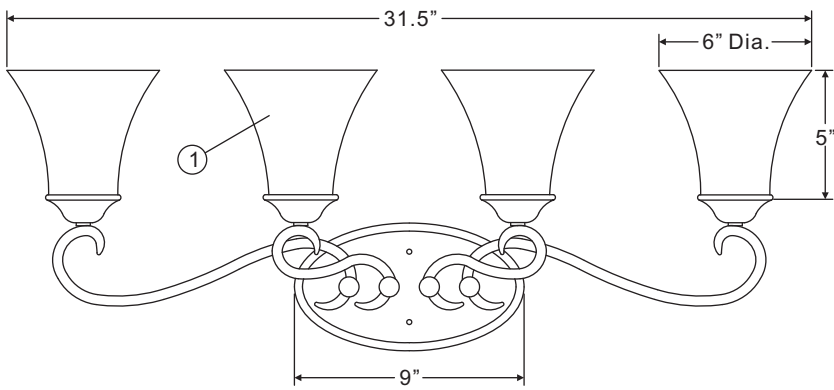
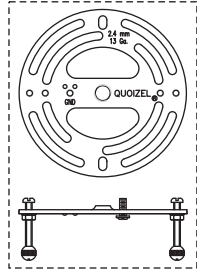


Figure 5

Your fixture is now assembled and ready to use. Enjoy!

Thank you for purchasing a Quoizel product.
Need assistance with parts or assembly? Call Quoizel customer service at 1-800-645-3184
or visit us on-line at www.quoise.com

DH8604AN	DH8604PN
FINISH: ANTIQUE NICKEL	FINISH: PALLADIAN BRONZE



(4) 100W Medium Base Bulbs (Not Supplied)

NO.	PART NUMBER	REPLACEMENT PART	QTY.	ITEM NUMBER
1	G2005SH	SHADE	4	DH8604AN
1	G1715SH	SHADE	4	DH8604PN

NOTE: ALL DIMENSIONS ARE ROUNDED UP TO THE NEAREST 1/4"