

# Assembly Instruction Sheet #IS-NY1178\_R1

## For Styles NY1178Z, NY1178A, NY1178AC, NY1178B, NY1178GC, NY1178K, NY1178P, NY1178V, NY1178W

Please go to [www. quozel. com](http://www. quozel. com) for product cleaning tips. Go to the **Care + Maintenance** selection.

**Tools Required:** Flathead screwdriver, Phillips screwdriver, pliers, wire cutters, wire strippers, electrical tape, safety glasses.

**Light Source:** (2) Candelabra Base 60W Maximum

**Estimated Assembly Time:** 20-30 minutes

**Preparation:** Identify and inspect all parts before beginning installation. Check package content list and diagrams below to be sure all parts are present. If any parts are missing or damaged, do not attempt to assemble, install, or operate the fixture. Contact customer service for replacement parts.

### Warnings and Cautions

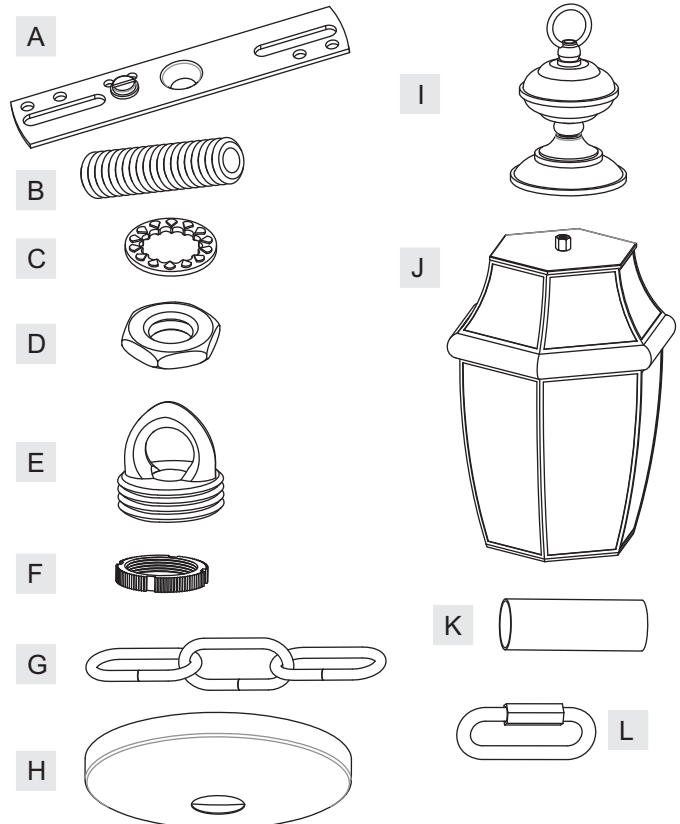
Turn off electricity at circuit breaker or main fuse box before installation. Consult a licensed electrician if in doubt.

These instructions are provided for your safety. It is very important you read them completely before installing the fixture. We strongly recommend that a licensed, professional electrician perform the installation.

Disconnect fixture from power source before replacing bulbs. Make sure bulbs are given sufficient time to cool before removal. Do not subject glass parts to any shock while in operation or shattering may result.

## Package Contents

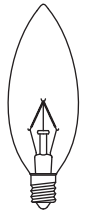
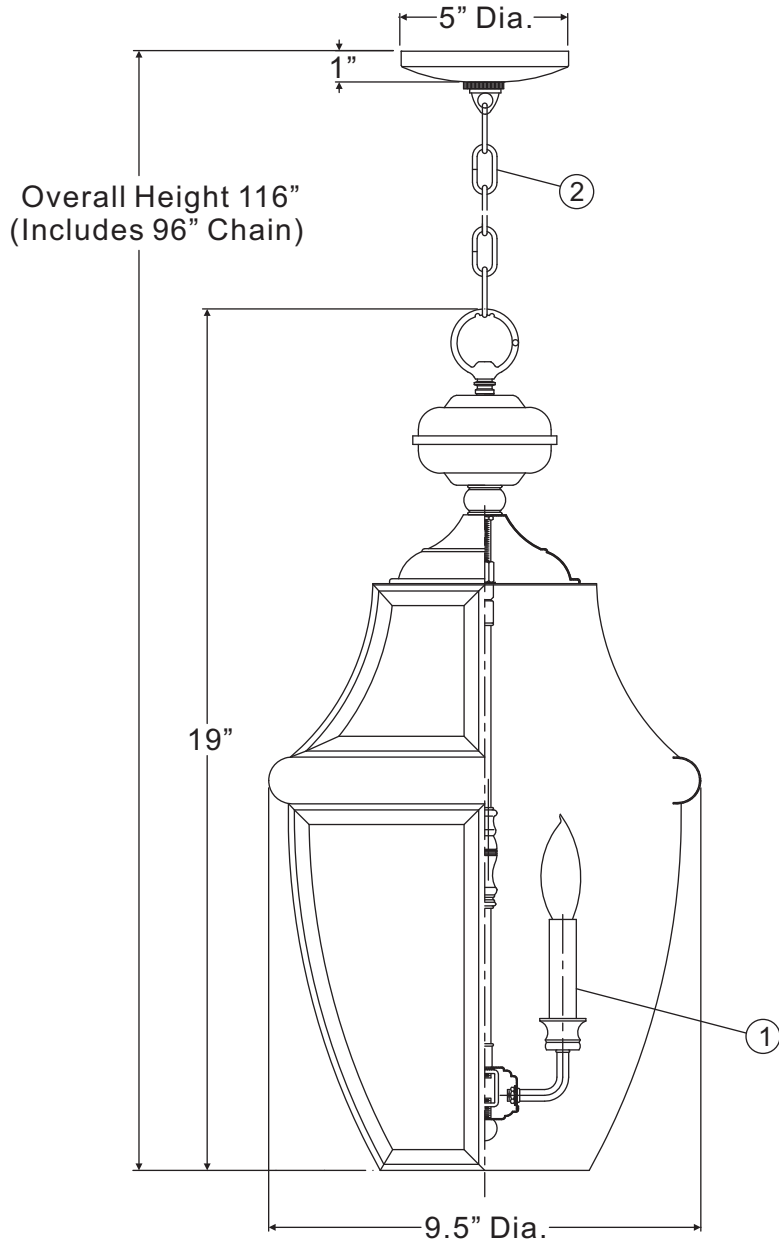
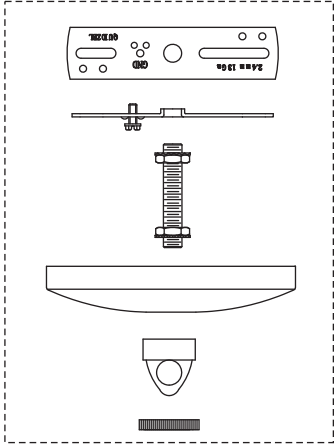
Part	Description	Quantity
A	Crossbar	1 pc.
B	Nipple	1 pc.
C	Lock Washer	2 pcs.
D	Hex Nut	2 pcs.
E	Canopy Chain Loop	1 pc.
F	Canopy Lock Ring	1 pc.
G	Fixture Chain	1 pc.
H	Ceiling Canopy	1 pc.
I	Fixture Loop Assembly	1 pc.
J	Fixture Body	1 pc.
K	Candle Cover	2 pcs.
L	Quick Link	2 pcs.



**Thank you for purchasing a Quoizel product.**

**Need assistance with parts or assembly? Call Quoizel customer service at 1-800-645-3184 or visit us on-line at [www. quozel. com](http://www. quozel. com)**

STYLE NUMBER	FINISH NAME
NY1178Z	MEDICI BRONZE
NY1178A	ANTIQUE BRASS
NY1178AC	AGED COPPER
NY1178B	POLISHED BRASS
NY1178GC	GOLD COAST
NY1178K	MYSTIC BLACK
NY1178P	PEWTER
NY1178V	TORAZZO
NY1178W	FRESCO



(2)60W Candelabra  
base bulbs  
(not Supplied)

NOTE: ALL DIMENSIONS ARE ROUNDED UP TO THE NEAREST 1/2"

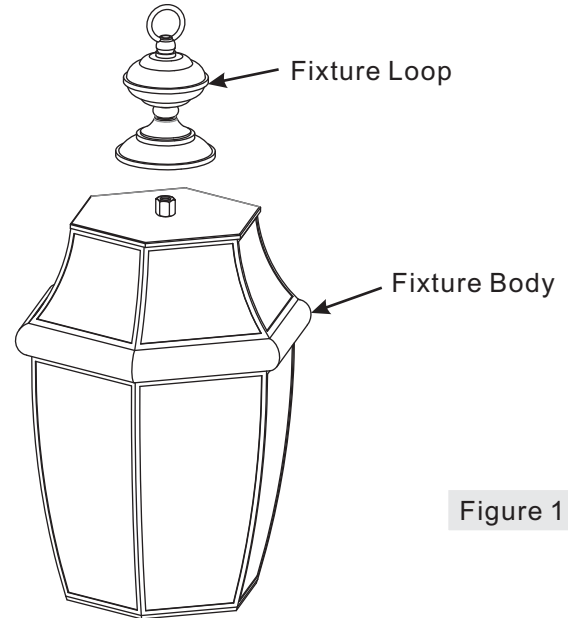
NO.	PART NUMBER	REPLACEMENT PART	REQ.	STYLE NUMBER	NO.	PART NUMBER	REPLACEMENT PART	REQ.	STYLE NUMBER
1	M2229CCZ	CANDLE COVER	2	NY1178Z	1	M2226CCB	CANDLE COVER	2	NY1178B
2	M2235CHZ	CHAIN	1		2	M2232CHB	CHAIN	1	
1	M2229CCA	CANDLE COVER	2	NY1178A	1	M12966CCW	CANDLE COVER	2	NY1178K
2	M2230CHA	CHAIN	1		2	M2233CHK	CHAIN	1	
1	M2225CCAC	CANDLE COVER	2	NY1178AC	1	M2228CCP	CANDLE COVER	2	NY1178P
2	M2231CHAC	CHAIN	1		2	M2234CHP	CHAIN	1	

# Assembly Instruction Sheet #IS-NY1178\_R1

## For Styles NY1178Z, NY1178A, NY1178AC, NY1178B, NY1178GC, NY1178K, NY1178P, NY1178V, NY1178W

### STEP 1 – Attach Fixture Loop Assembly to Fixture Body

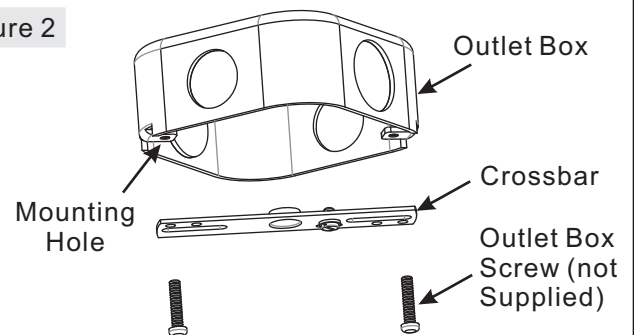
- A. Thread Fixture Loop Assembly (I) onto Fixture Body (J) .  
Hand tighten until snug.



### STEP 2 – Attach Crossbar to Outlet Box

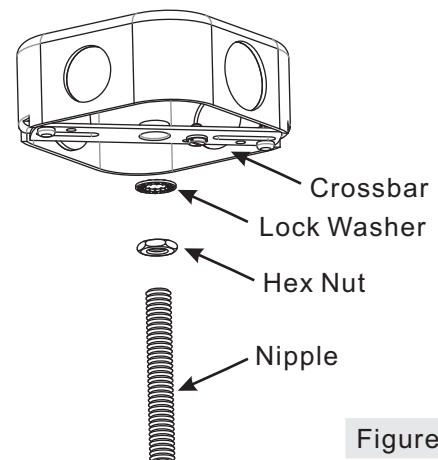
- A. Secure the Corssbar (A) to the outlet box with outlet  
box screws (not supplied). Tighten until snug.

Figure 2



### STEP 3 – Attach Nipple to Crossbar

- A. Thread one Hex Nut (D) onto the top end of the Nipple  
(B).  
B. Place one Lock Washer (C) over the top end of the  
Nipple (B) and then thread the Nipple (B) into the center  
lock hole of the Crossbar (A).  
C. Using pliers, thread the hex Nut (D) against the  
Crossbar (A) and hand tighten until snug.



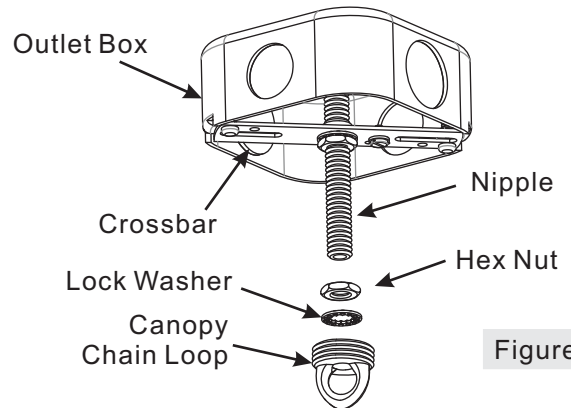
Thank you for purchasing a Quoizel product.  
Need assistance with parts or assembly? Call Quoizel customer service at 1-800-645-3184  
or visit us on-line at [www. quozel. com](http://www. quozel. com)

# Assembly Instruction Sheet #IS-NY1178\_R1

## For Styles NY1178Z, NY1178A, NY1178AC, NY1178B, NY1178GC, NY1178K, NY1178P, NY1178V, NY1178W

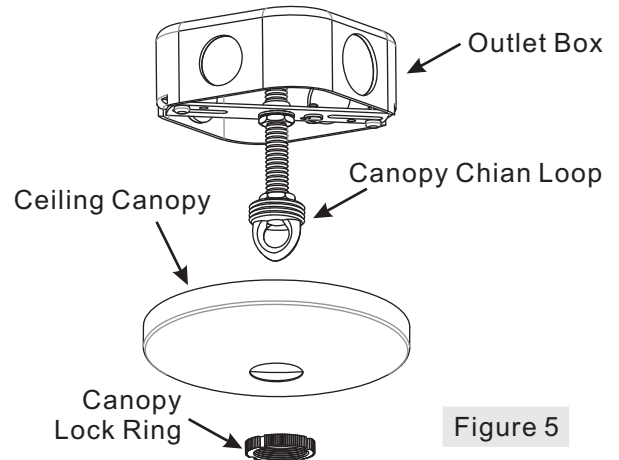
### STEP 4 – Attach Canopy Chain Loop to Nipple

- Thread another Hex Nut (D) onto the end of the Nipple (B).
- Place the Lock Washer (C) over the end of the Nipple (B) and then thread the Canopy Chain Loop (E) onto the end of the Nipple (B).
- Using pliers, thread the Hex Nut (D) against the Canopy Chain Loop (E) and hand tighten until snug.



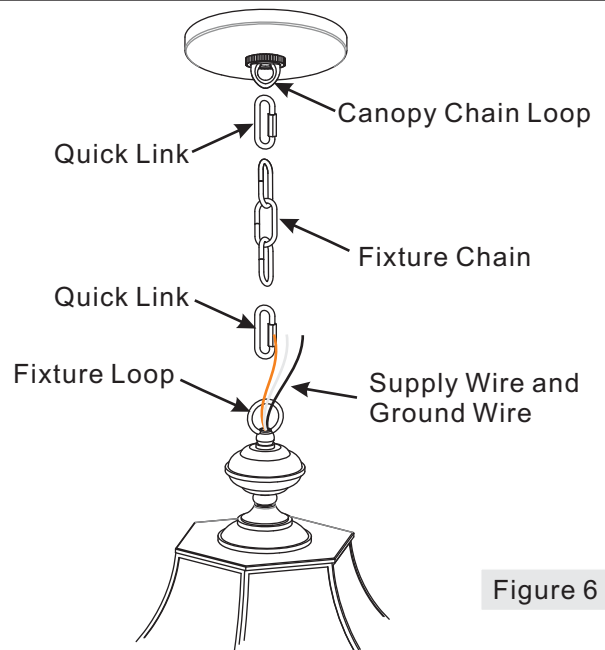
### STEP 5 – Assemble Ceiling Canopy

- Push the Ceiling Canopy (H) upward over the Outlet Box. Thread the Canopy Lock Ring (F) onto the Canopy Chain Loop (E) and tighten until snug to secure the Ceiling Canopy (H).



### STEP 6 – Attach Fixture Chain to Canopy Chain Loop and Fixture Loop

- Adjust the Fixture Chain (G) to your desired length by removing the links if needed. You may need to use plier to open the chain links. If so, put a cloth over the chain to protect the finish from the pliers.
- Attach one end of the Fixture Chain (G) onto the Canopy Chain Loop (E) with one Quick Link (L) and then attach the other end of the Fixture Chain (G) onto the Fixture Loop on the top of the fixture with another Quick Link (L).



Thank you for purchasing a Quoizel product.  
Need assistance with parts or assembly? Call Quoizel customer service at 1-800-645-3184  
or visit us on-line at [www. quozel. com](http://www. quozel. com)

# Assembly Instruction Sheet #IS-NY1178\_R1

## For Styles NY1178Z, NY1178A, NY1178AC, NY1178B, NY1178GC, NY1178K, NY1178P, NY1178V, NY1178W

### STEP 7 – Pass Supply Wires through Fixture Chain

- A. Pull the Supply Wires and Ground Wire up through the Fixture Chain (G) alternating links. Push the wires up through the Canopy Chain Loop (E) into the outlet box.

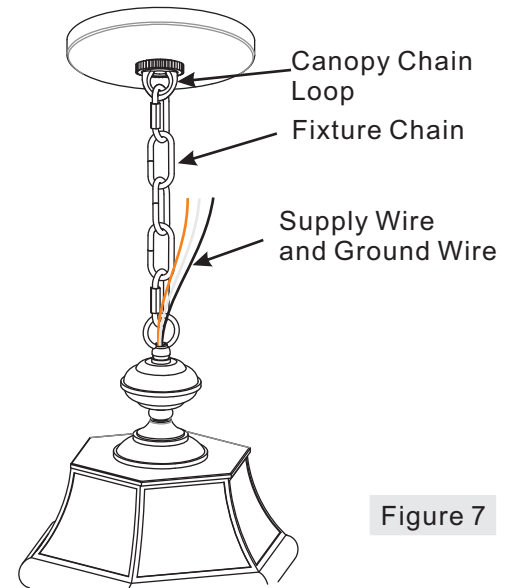


Figure 7

### STEP 8 – Make Wire Connections

- A. Un-thread the Canopy Lock Ring (F) and slide Canopy Lock Ring (F) and Ceiling Canopy (H) down the Fixture Chain (G).  
 B. Push all slack fixture wire through Canopy Chain Loop (E) into Outlet Box. Trim excess fixture wire leaving a minimum of 6 inch. Hanging out of the Outlet Box.  
 C. Use standard wire connectors (not included) to make all wire connections. (Connectors are not included with fixture.) Twist connectors until wires are tightly joined together. Wrap each connection with approved electrical tape and carefully stuff all the connected wires into outlet box.

Note: If the electrical wire is going to be cut shorter than provided you will need to identify the "L" line wire and the "N" neutral wire before you cut the excess wire off. One is labeled N and the other labeled L. To do this separate the "L" line wire and the "N" neutral wire as far as you need to. Re-label the wire near where you want to make the cut. Be sure to mark the wire on the side of the fixture and not on the excess wire being cut and removed.

- D. Re-attach the Ceiling Canopy (H) as shown in Step 5.

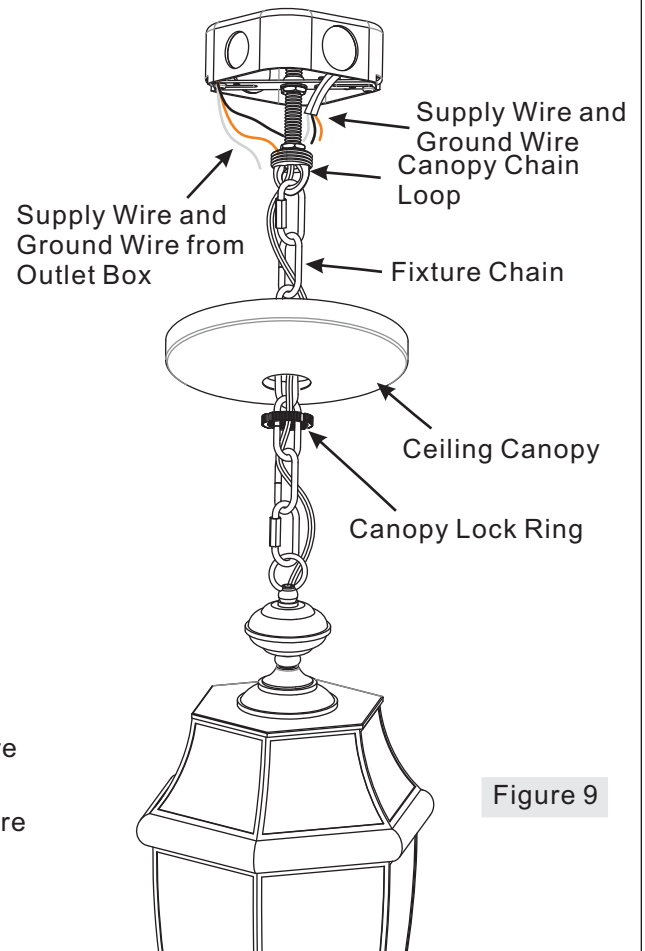


Figure 9

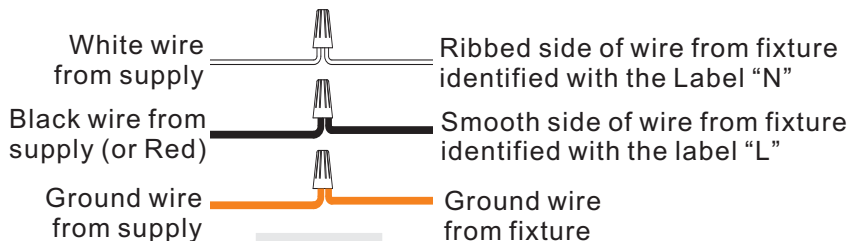


Figure 9

**Thank you for purchasing a Quoizel product.**  
**Need assistance with parts or assembly? Call Quoizel customer service at 1-800-645-3184**  
**or visit us on-line at [www. quozel. com](http://www. quozel. com)**

**STEP 9 – Attach Candle Cover to Socket Assembly**

- A. Place the Candle Cover (K) over the Socket properly.

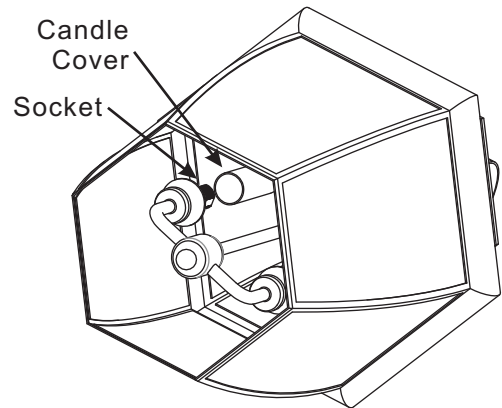


Figure 10

**STEP 10 – Install Bulb**

- A. This fixture uses standard bulb with a candelabra screw base. Maximum 60 watts.  
B. Place the bulb from the bottom of the glass frame. Insert bulb and screw snugly into place.

Your fixture is now assembled and ready to use.  
Enjoy!

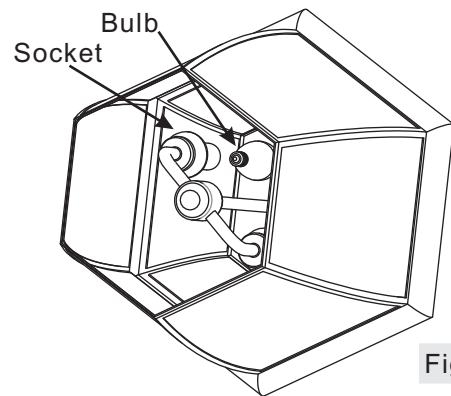


Figure 11

**Thank you for purchasing a Quoizel product.**  
**Need assistance with parts or assembly? Call Quoizel customer service at 1-800-645-3184**  
**or visit us on-line at [www. quozel. com](http://www. quozel. com)**