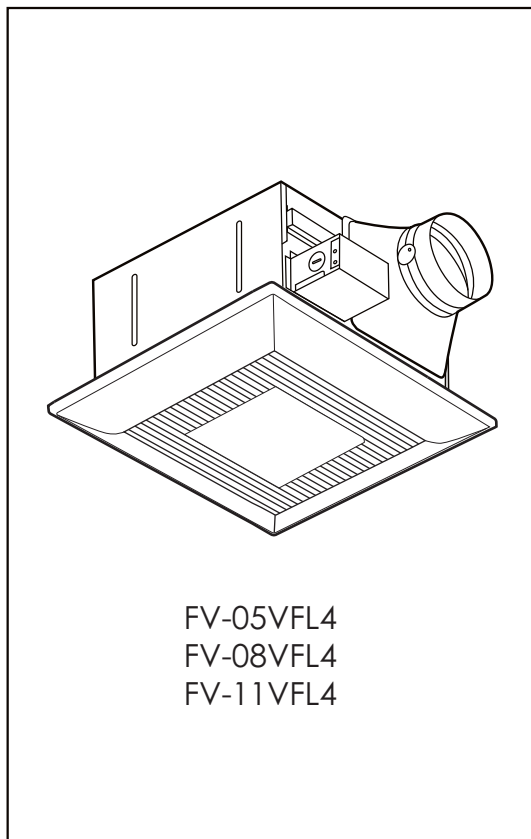




INSTALLATION INSTRUCTIONS

Ventilating Fan

Model No. FV-05VFL4 FV-08VFL4
FV-11VFL4



Contents

General Safety Information	2-3
Description	4
Unpacking	4
Supplied Accessories	4
Dimensions	5
Wiring Diagram	5
Installation I (Joist Mounting -)I	6-8
Installation II (Joist Mounting -)II	9-10
Installation III (Joist Mounting)	11
Installation IV (Between Joist Mounting)	11-12
Installation V (Wooden Header)	12
Installation VI (In Existing Construction)	13
Maintenance I (Cleaning)	13
Maintenance II (Replacement of Lamp)	14
Practical Guide to Installation	15
Specifications	15
Product Service	15

READ AND SAVE THESE INSTRUCTIONS

Thank you for purchasing this Panasonic product.

Please read these instructions carefully before attempting to install, operate or service the Panasonic product. Failure to comply with instructions could result in personal injury or property damage. Please explain to users how to operate and maintain the product after installation, and this booklet should be presented to users.

Please retain this booklet for future reference.

GENERAL SAFETY INFORMATION

For Your Safety

To reduce the risk of injury, loss of life, electric shock, fire, malfunction, and damage to equipment or property always observe the following safety precautions.

Explanation of symbol word panels

The following symbol word panels are used to classify and describe the level of hazard, injury, and property damage caused when the denotation is disregarded and improper use is performed.



Denotes a potential hazard that could result in serious injury or death.



Denotes a hazard that could result in minor injury.

The following symbols are used to classify and describe the type of instructions to be observed.

	This symbol is used to alert users to a specific operating procedure that must be followed in order to operate the unit safely.
	This symbol is used to alert users to a specific operating procedure that must not be performed.
	The symbol is used to alert users not to disassemble the equipment for reconstruction in order to reduce the risk of fire and electric shock.
	This symbol is used to alert users to make sure of grounding when using the equipment with the grounding terminal.











To reduce the risk of fire, electric shock or injury to persons, observe the following :

- Use this unit only in the manner intended by the manufacturer. If you have any questions, contact the manufacturer.
- Before servicing or cleaning unit, switch power off at service panel and lock the service disconnecting means to prevent power from being switched on accidentally. When the service disconnecting means cannot be locked, securely fasten a prominent warning device, such as a tag, to the service panel.
- Installation work and electrical wiring must be done by qualified person(s) in accordance with all applicable codes and standards, including fire-rated construction.
- Sufficient air is needed for proper combustion and exhausting of gases through the flue (chimney) of fuel burning equipment to prevent back drafting. Follow the heating equipment manufacturer's guideline and safety standards such as those published by the National Fire Protection Association (NFPA), and the American Society for Heating, Refrigeration and Air Conditioning Engineers (ASHRAE) and the local code authorities.
- When cutting or drilling into wall or ceiling, do not damage electrical wiring and other hidden utilities.
- Ducted fans must always be vented to the outdoors.
- If this unit is to be installed over a tub or shower, it must be marked as appropriate for the application and be connected to a GFCI (Ground Fault Circuit Interrupter) - protected branch circuit.
- These models are UL listed for tub and shower enclosures.

GENERAL SAFETY INFORMATION CONTINUED

WARNING

-  USA only: This product has two fluorescent lamps that contain mercury. Disposal may be regulated in your community due to environmental considerations. For disposal or recycling information, please contact your local authorities or visit Panasonic website: <http://www.panasonic.com/environmental> or call 1-888-769-0149.
-  Canada only: Not to be installed in a ceiling thermally insulated to a value greater than R40.
-  Do not disassemble the unit for reconstruction. It may cause fire or electric shock.
-  A statement to the effect that when the product is to no longer be used, it must not be left in place but removed, to prevent it from possibly falling.
-  Ceiling joist must be subjected to static load more than five times the weight of the product.
-  Do not install with a method which is not approved in the instructions.
-  Do not use this fan with any solid-state speed control device. Solid state controls may cause harmonic distortion which can cause motor humming noise.
-  This product must be properly grounded.

CAUTION












-  Do not install this ventilating fan where interior room temperature may exceed 104°F(40°C).
-  Make sure that the electric service supply voltage is AC 120V, 60Hz.
-  Follow all local electrical and safety codes, as well as the National Electrical Code (NEC) and the Occupation Safety and Health Act (OSHA).
-  Always disconnect the power source before working on or near the fan, motor, light fixture or junction box.
-  Protect the supply wiring from sharp edges, oil, grease, hot surfaces, chemicals or other objects.
-  Do not kink the supply wiring.
-  Provide make up air for proper ventilation.
-  For general ventilating use only. Do not use to exhaust hazardous or explosive materials and vapors.
-  Do not install the unit where ducts are configured as shown in Fig.A.
-  Not for use in cooking area. (Fig.B)
-  The special-purpose or dedicated parts, such as mounting fixtures, must be used if such parts are provided.



Fig. A

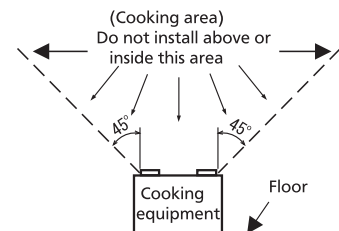


Fig. B

DESCRIPTION

These products are listed by UL under UL file No. E78414.

These products use a sirocco fan driven by a capacitor motor. The motor is designed to have an extended service life with reduced energy consumption. It also incorporates a thermal-cutoff for safety.

The grille covering the main body is a spring-loaded, quick-release type.

A damper for preventing counterflow is provided.

The lighting unit is an energy-saving, lighting device that uses two 13W fluorescent lamps and produces almost the same illumination as a standard 100W incandescent lamp.

FCC Note: This equipment contains two self-ballast fluorescent lamp and is in compliance with Part 18 of the FCC Rules as consumer RF lighting device. These limits are designed to provide reasonable protection against harmful interference in a residential installation. This equipment generates, uses and can radiate radio frequency energy and, if not installed and used in accordance with the instructions, may cause harmful interference to radio communications. However, there is no guarantee that interference will not occur in a particular installation. If this equipment does cause harmful interference to radio or television reception, which can be determined by turning this product on and off, the user is encouraged to try to correct the interference by one of the following measures:

- Reorient or relocate the receiving antenna.
- Increase the separation between the equipment and receiver.
- Connect equipment into outlet on a circuit different from that to which the receiver is connected.
- Consult the dealer or an experienced radio/TV technician for help.

Warning: This equipment must be installed in accordance with installation instructions. Also, any changes or modifications not expressly approved by the party responsible for compliance could void the user's authority to operate this equipment. This device complies with Part 18 of the FCC Rules. Operation is subject to the following two conditions: (1) This device may not cause harmful interference, and (2) this device must accept any interference received, including interference that may cause undesired operation.

Responsible Party: Panasonic Corporation of North America
One Panasonic Way, Secaucus, New Jersey 07094
Customer Support: 1-866-292-7292

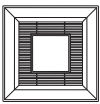
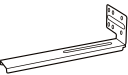
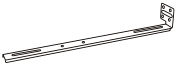




UNPACKING




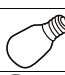


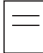
Unpack and carefully remove unit from carton.

Refer to the Supplied Accessories list to verify that all parts are present.

SUPPLIED ACCESSORIES

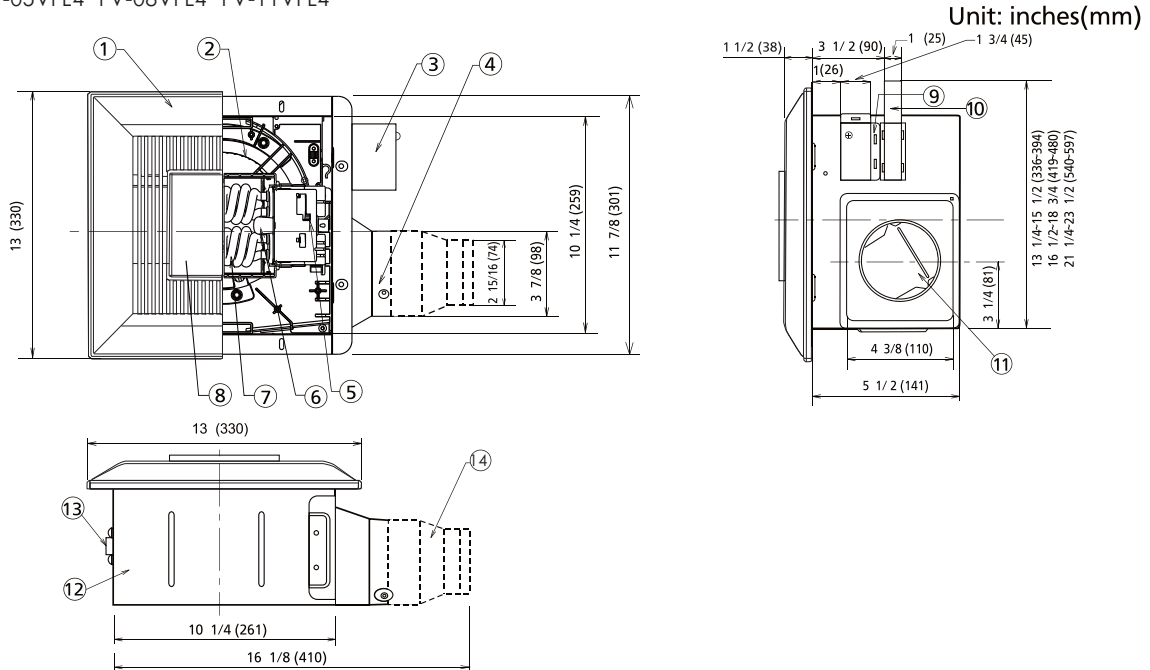
FV-05VFL4 FV-08VFL4 FV-11VFL4

Part name	Appearance	Quantity
Grille		1
Suspension bracket I		1
Suspension bracket II		1
Suspension bracket III		1
Screw I (ST4.2X8)		2
Screw II (ST4.2X12)		2
Screw III (ST4.2X16)		2

Part name	Appearance	Quantity
Machine screw (M4X4)		2
Long screw (ST4.2X20)		6
13W Fluorescent lamp		2
4W Night lamp		1
3 inches adaptor connector (optional part)		1
Installation instructions		2
Warranty sheet		1

DIMENSIONS

FV-05VFL4 FV-08VFL4 FV-11VFL4

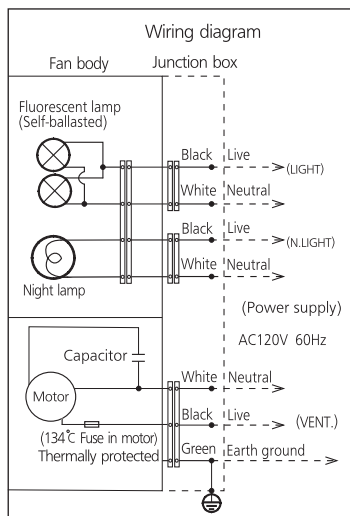


No.	Part name	No.	Part name
①	Grille	⑧	Lens
②	Fan	⑨	Junction box
③	Junction box cover	⑩	Suspension bracket
④	Adaptor	⑪	Damper
⑤	Lighting unit	⑫	Fan body
⑥	Night lamp	⑬	Bracket cover
⑦	Fluorescent lamp	⑭	Adaptor connector

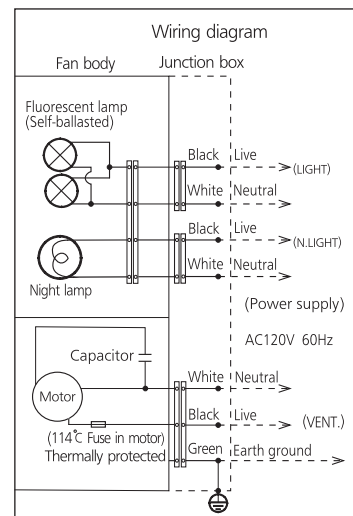
(For 16 inches on center joists, only use suspension bracket I, for 19.2 inches on center joists, only use suspension bracket III, If more than 19.2 inches on center joists, use suspension bracket II & III.)

WIRING DIAGRAM

FV-05VFL4



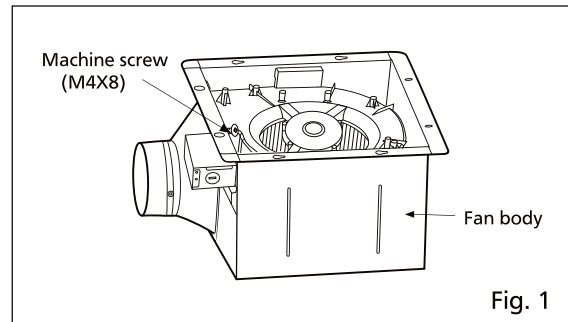
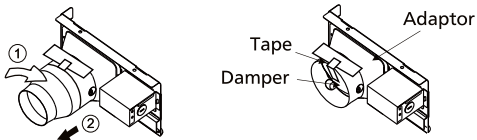
FV-08VFL4
FV-11VFL4



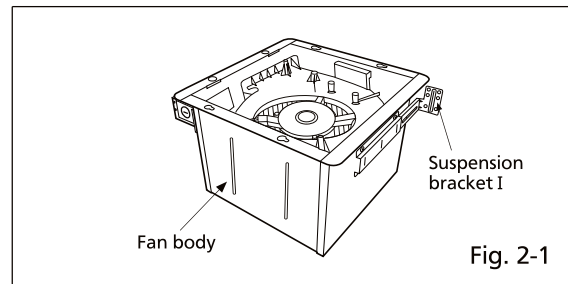
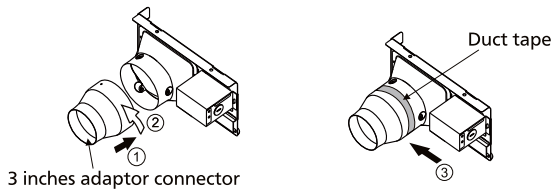
INSTALLATION I (JOIST MOUNTING-I)

1. Before installation, secure the fan body to adaptor by using machine screw (M4X8). (Fig. 1)

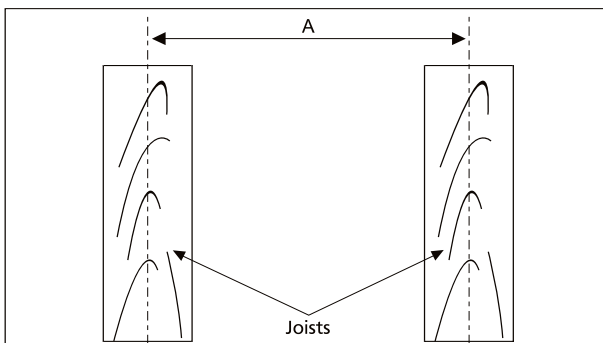
IMPORTANT:
Remove the tape from damper and adaptor before installation. As shown below:



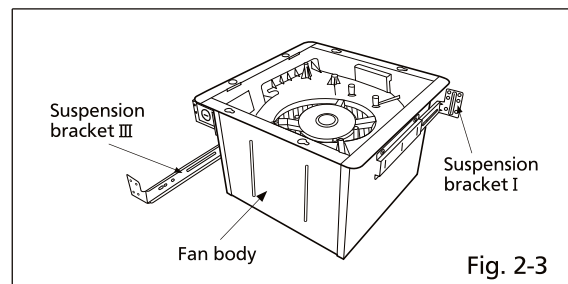
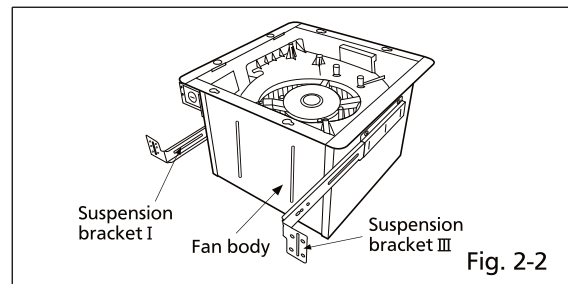
Connection method for 3 inches adaptor connector



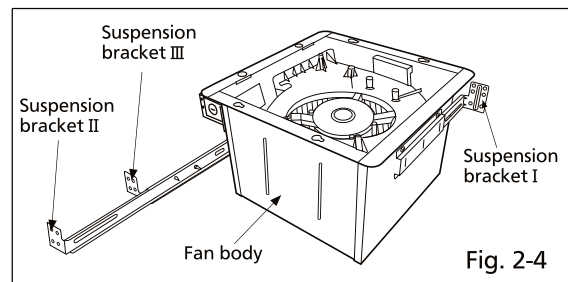
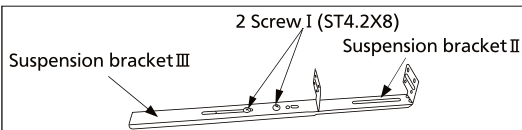
2. Insert the suspension bracket into the fan body and adaptor. (Select the suspension bracket as shown below)



Spacing A on center joists	Insert Suspension bracket
12 inches	Refer to Fig. 2-1
16 inches	Refer to Fig. 2-2
19.2 inches vertical joists	Refer to Fig. 2-3
24 inches	Refer to Fig. 2-4

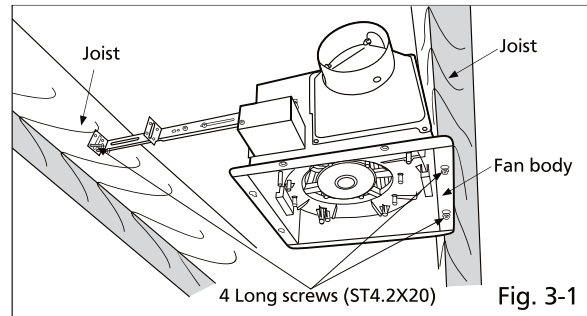


If spacing A on center joists is 24 inches, connect suspension bracket II and III (C4 mark to C4 mark) as shown below:

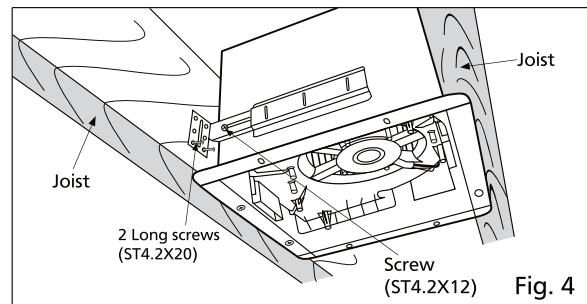
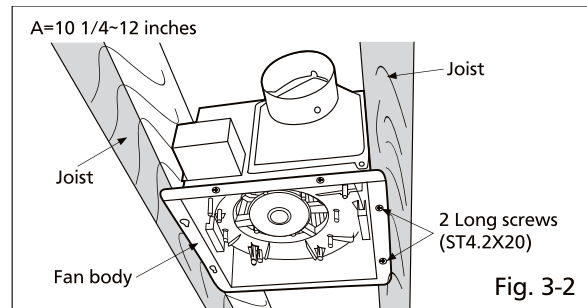


INSTALLATION I (JOIST MOUNTING-I) CONTINUED

3. Install the suspension bracket and the flange of fan body to joists by using long screws (ST4.2X20). (If spacing A between joists is 10 1/4 ~12 inches, install the flange of fan body according to Fig. 3-2, others according to Fig. 3-1 install the product.)



4. Install the suspension bracket to joists by using long screws (ST4.2X20) and secure it to the fan body by using screw II (ST4.2X12). (Fig.4)

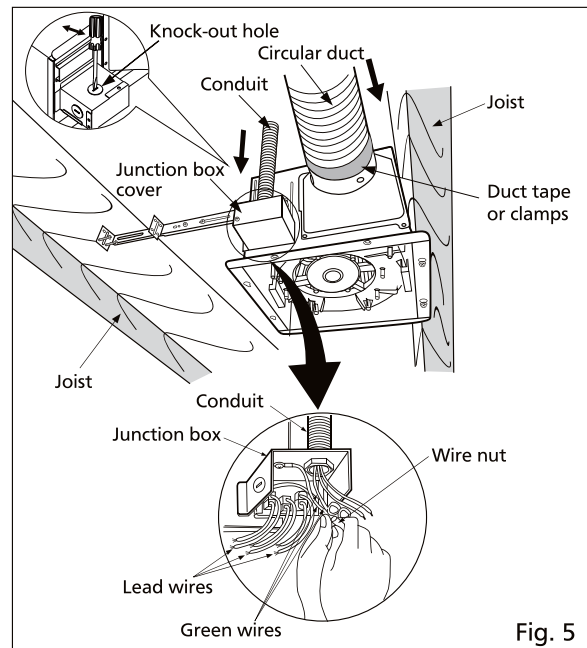


5. Remove junction box cover and secure conduit or stress relief to junction box knock-out hole. (Fig.5)
6. Refer to wiring diagram (page 5).
Using wire nuts, connect house power wires to ventilating fan wires:
black to black; white to white; green to green;
Replace the junction box cover. (Fig.5)



- Mount junction box cover carefully so that lead wires are not pinched.

7. Install a circular duct (using 4 inches duct or 3 inches duct) and secure it with duct tape or clamps.

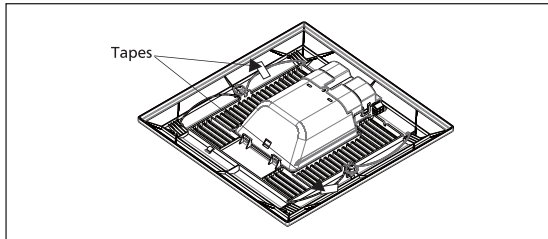


INSTALLATION I (JOIST MOUNTING-I) CONTINUED

8. Finish ceiling work. Ceiling hole should be aligned with the edge of the flange.(Fig.6)

IMPORTANT:

Remove the tapes from louver and springs before installation. As shown below:



9. Remove screw (M4X8).
Remove light cover. (Fig.7)
10. Install the night lamp and fluorescent lamps.
(Fig.8)
11. Install light cover. (Fig.9)

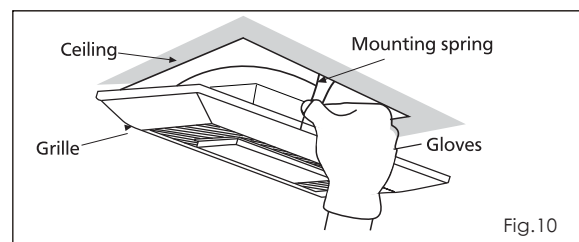
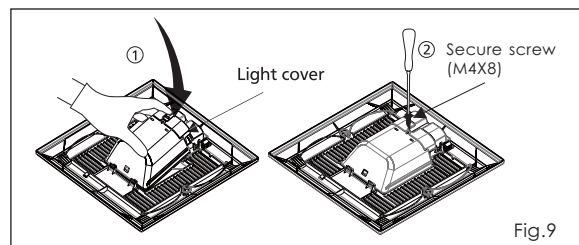
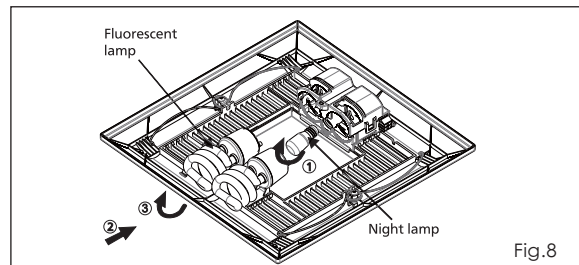
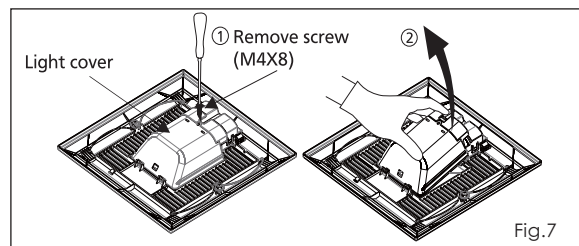
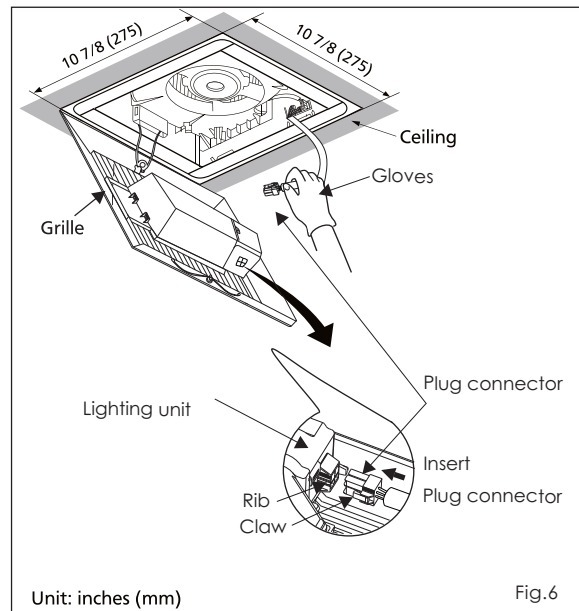
CAUTION

- ❗ Before turn on the light, make sure the connector at the correct position. If not, the lighting can't work.
- ❗ The claw of connector must latch the rib completely. (Fig.9)

12. Insert the grille mounting spring on the wiring side into the slot. (Fig.6)
13. Insert the plug connector into the housing of the lighting unit and insert other mounting spring into the slot as shown and mount grille to fan body. (Fig.6, Fig.10)

CAUTION

- ❗ Mount grille carefully so that lead wire of lighting unit is not pinched.



INSTALLATION II (JOIST MOUNTING-II)

1. Disconnect plug connector from receptacle and remove adaptor from fan body before starting installation.
2. Insert the suspension bracket into the adaptor and secure it to joists by using long screws (ST4.2X20). (Fig.11)
Ensure that distance B (7/8 inch, 21.6mm) for the thickness of ceiling board.

If spacing A between joists is 21 1/4 to 23 1/2 inches, (540mm~597mm), connect suspension bracket II and III (C4 mark to C4 mark) according to page 6. Select the suspension bracket according to spacing A as shown below.

Spacing A between Joists inches (mm)	13 1/4-15 1/2 (336-394)	16 1/2-18 3/4 (419-480)	21 1/4-23 1/2 (540-597)
suspension bracket	suspension bracket I	suspension bracket III	suspension bracket II & III

3. Follow step 5 to 7 of the installation I (page 7) to complete the duct work and wiring.
4. Insert the suspension bracket into fan body (referring to step 2 of installation I, page 6).
5. Insert the fan body into joists. (Fig.12)

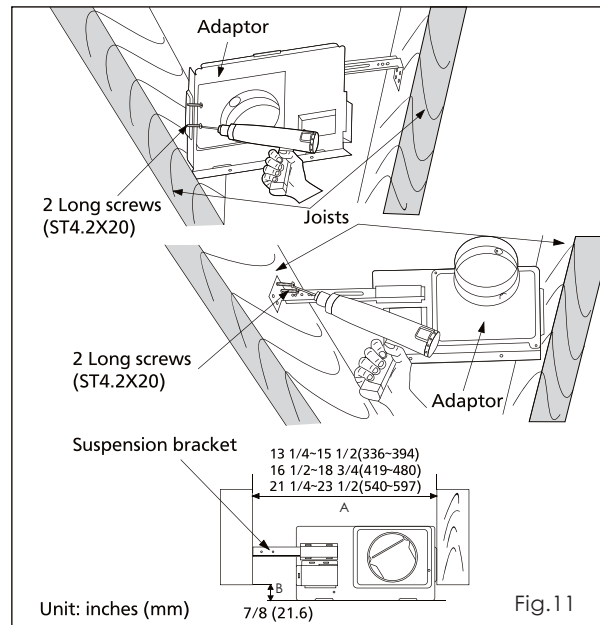


Fig.11

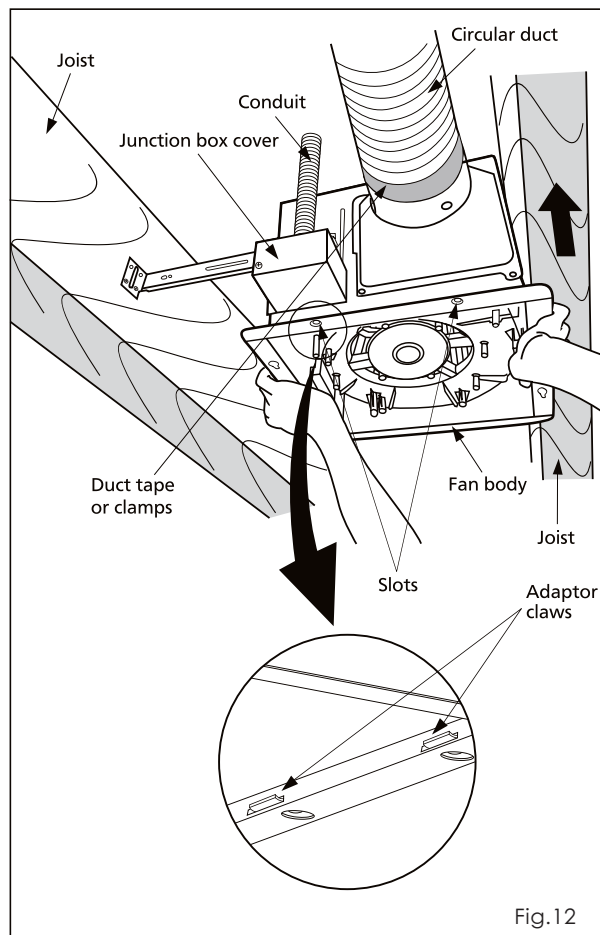
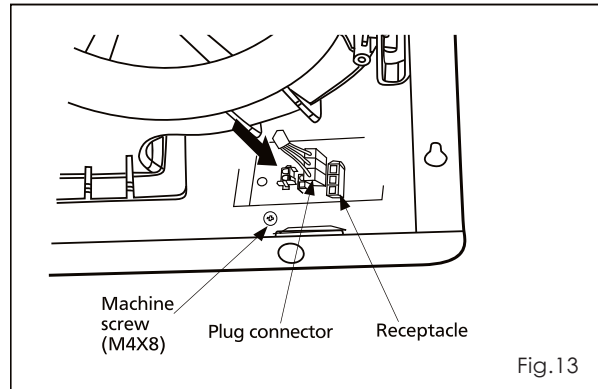


Fig.12

INSTALLATION II (JOIST MOUNTING-II) CONTINUED

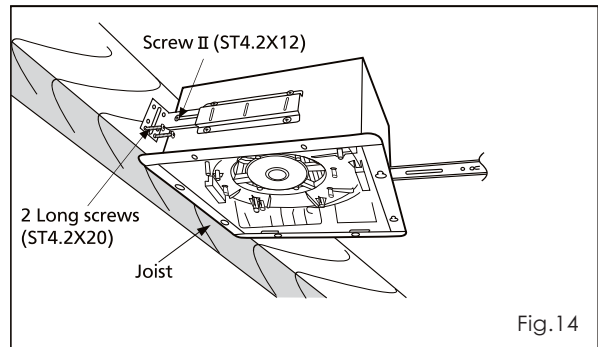
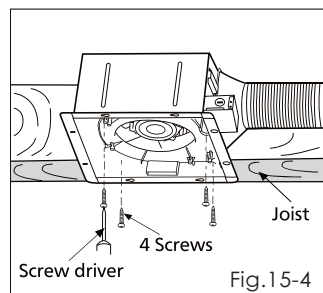
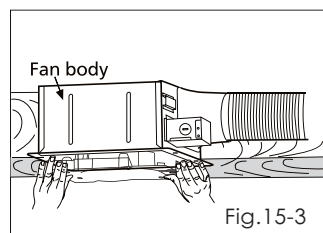
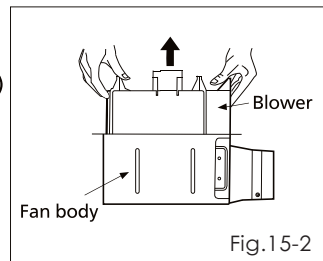
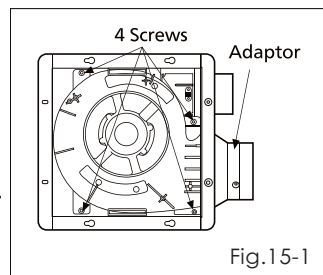
IMPORTANT:
Make sure that adaptor claws are properly inserted into body slots.

6. Secure the fan body to adaptor by using machine screw (M4X8) and plug connector to receptacle. (Fig.13)
7. Secure the suspension bracket to joists by using long screws (ST4.2X20) and secure it to fan body by using screw II (ST4.2X12) in vertical direction. (Fig.14)
8. Follow step 8 to 13 of installation I (page 8) to complete the installation work.

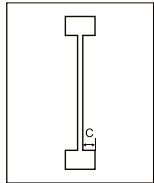


When mounting body and blower separately

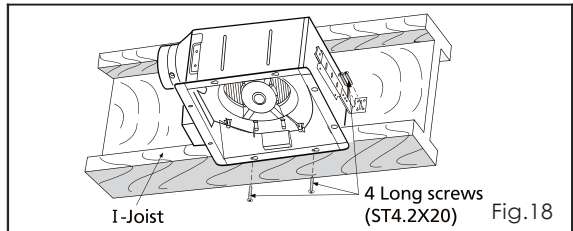
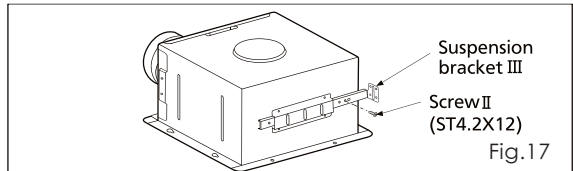
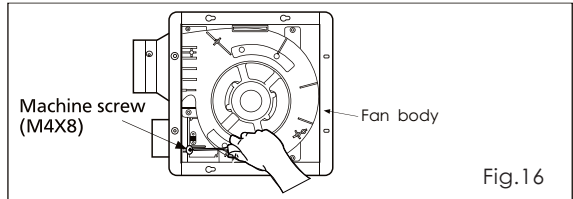
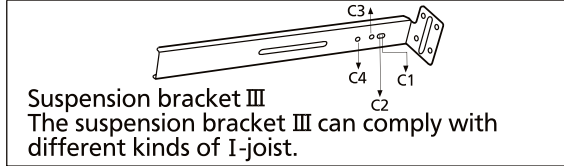
1. Loosen 4 screws (but do not remove them from blower). (Fig.15-1)
2. Remove blower section. (Fig.15-2)
3. Remove adaptor from fan body and secure it to joists as in Fig. 11 of page 9.
4. Insert fan body (without blower section) into joists. (Fig.12 of page.9)
5. Secure the adaptor to fan body by using machine screw (M4X8). (Fig. 13)
6. Secure the fan body to joists by using long screws (ST4.2X20). (Fig. 14)
7. Insert the blower into the fan body. (Fig. 15-3)
8. Secure the blower. (Fig. 15-4) and plug connector to receptacle. (Fig. 13)



INSTALLATION III (I-JOIST MOUNTING)



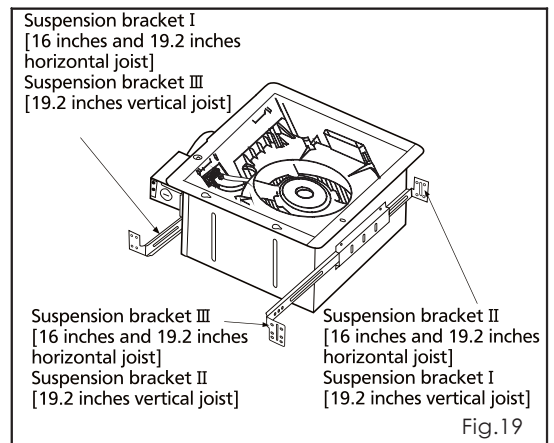
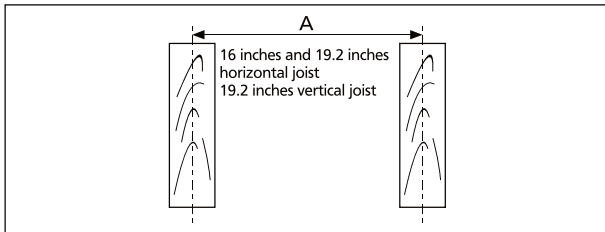
4 kinds of I-joist inches (mm)		hole mark
C	9/16 (14.3)	C1
	11/16 (17.5)	C2
	31/32 (24.6)	C3
	1 17/32 (38.9)	C4



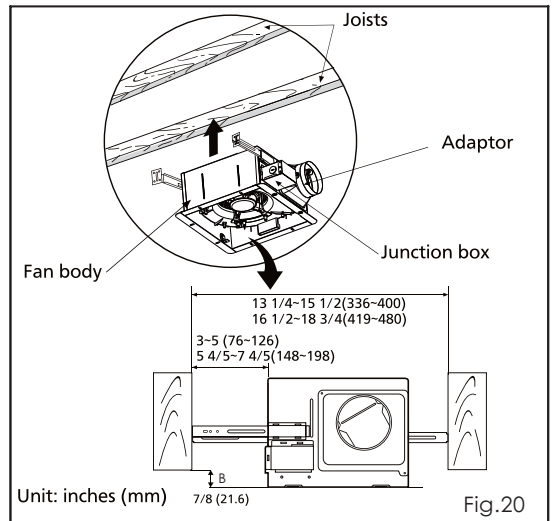
1. Before installation, secure the fan body to adaptor by using machine screw (M4X8) (Fig.16).
2. Connect the suspension bracket III to fan body. (Fig.17) (Select the hole by checking I-joist size fix the screw to the frame hole.)
3. Connect the ventilating fan to the I-joist. (Fig.18)
4. Follow step 5 to 13 of installation I (page 7~page 8) to complete the installation work.

INSTALLATION IV (BETWEEN JOIST MOUNTING)

1. Before installation, secure the fan body to adaptor by using machine screw (M4X8). (Fig.16)
2. Insert the suspension bracket into bracket cover of adaptor side and the back of the fan body. (Fig.19) (select the suspension bracket according to spacing A as shown below)

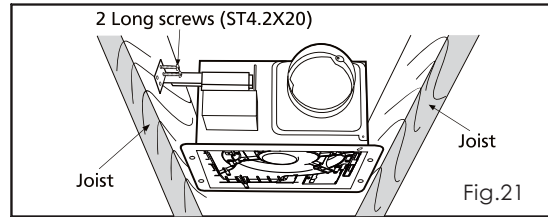


3. Insert the fan body between joists. Make sure the fan body is level and square (perpendicular) with the joists. (Fig.20) Ensure that distance B (7/8 inch, 21.6mm) for the thickness of ceiling board.

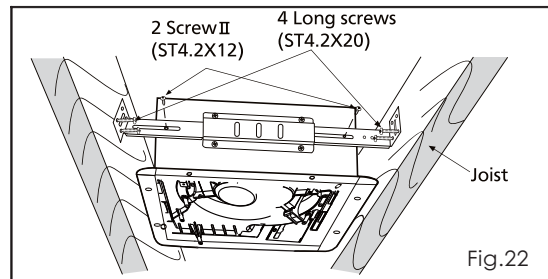


INSTALLATION IV (BETWEEN JOIST MOUNTING) CONTINUED

4. Secure the suspension bracket to joists by using long screws (ST4.2X20). (Fig.21 , Fig.22)



5. Secure the suspension bracket to fan body by using screws II (ST4.2X12). (Fig.22)

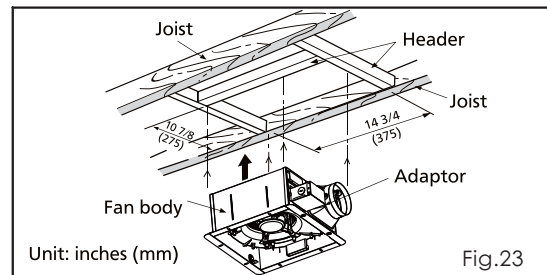


6. Follow step 5 to 13 of installation I (page 7~ page 8) to complete the installation work.

INSTALLATION V (WOODEN HEADER)

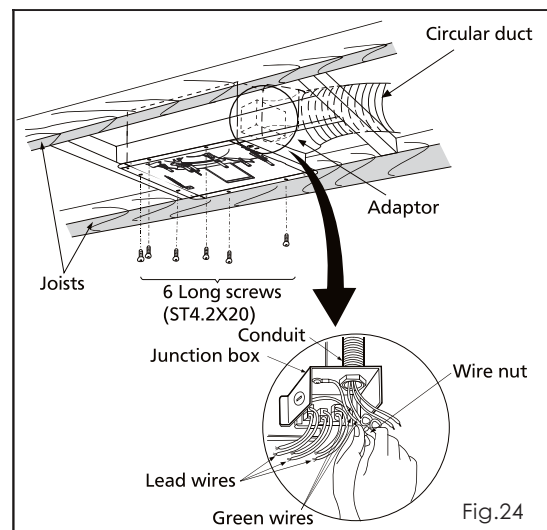
1. Before installation, secure the fan body to adaptor by using machine screw (M4X8).(Fig.16 of page 11)

2. Install header between joists by using nails or screws.



3. Install the fan body and secure it by using long screws (ST4.2X20). (Fig.23 , Fig.24)

4. Follow step 5 to 13 of installation I (page 7~page 8) to complete the installation work.



INSTALLATION VI (IN EXISTING CONSTRUCTION)

1. Installation in existing construction.

Installing the fan body in an existing building requires an accessible area (attic or crawl space) above the planning installation location or existing ducting and wiring.

(1) To install the fan body, follow the procedures described in Installation II. Take the following precautions before installation.



Check area above planning installation location to be sure that:



Duct work can be done and that area is sufficient for proper ventilation.



Wiring can be run to planning location.



No wiring or other obstructions shall interfere with installation.

(2) Inspect duct work and wiring before proceeding with installation.

(3) Plan suitable location for fan body. (next to ceiling joist)

(4) Before installation, provide inspection and maintenance access at a location that will not interfere with installation work shown in installation II.

(5) First, remove ceiling section according to Fig.6 of page 8.

(6) Install fan body.

2. Installation from accessible area above fan location.

(1) Inspect duct work and wiring before proceeding with installation.

(2) Remove ceiling section according to Fig.6 of page 8.

(3) Install fan body.

MAINTENANCE I (CLEANING)



Disconnect power source before working on unit.



Routine maintenance must be done every year.



Never use gasoline, benzene, thinner or any other such chemicals for cleaning the ventilating fan.



Do not immerse motor in water when cleaning.
Do not soak resin parts in water over 140°F (60°C).

1. Clean grille. (Don't put into hot water. Use non-abrasive kitchen detergent, wipe dry with clean cloth) (Fig.25)

2. The grille should be dry after cleaning.

3. Remove dust and dirt from fan body using a vacuum cleaner. (Fig.26)

4. Using a cloth dampened with kitchen detergent, remove any dirt from fan body. Wipe dry with clean cloth. (Fig.27)

5. Replace grille.

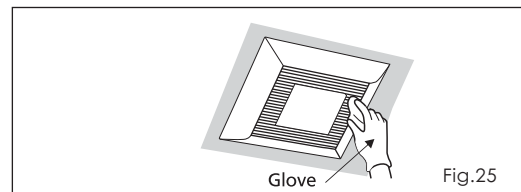


Fig.25

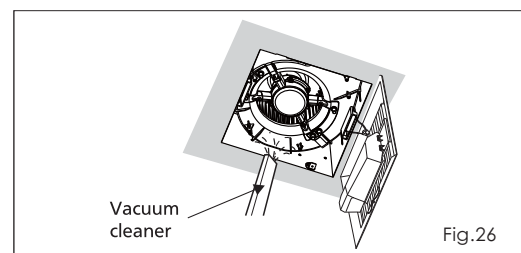


Fig.26

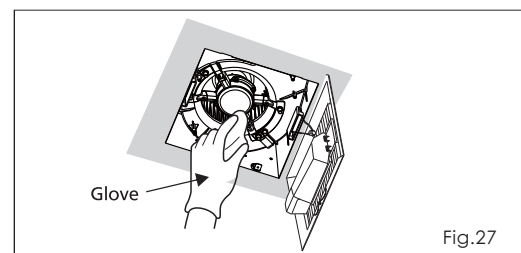


Fig.27

MAINTENANCE II (REPLACEMENT OF LAMP)

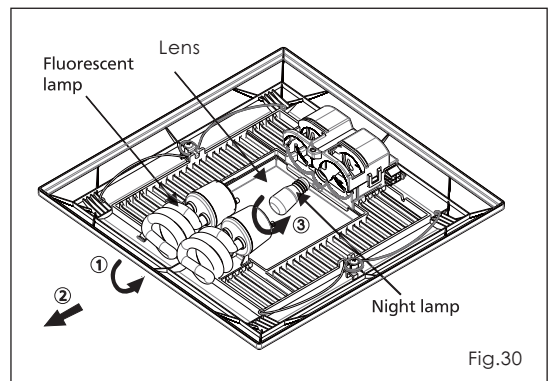
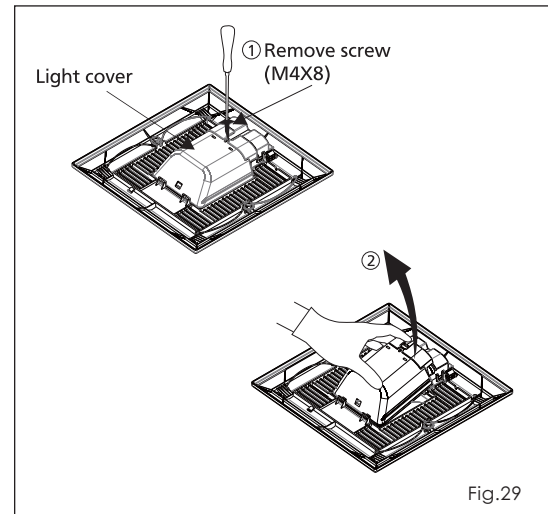
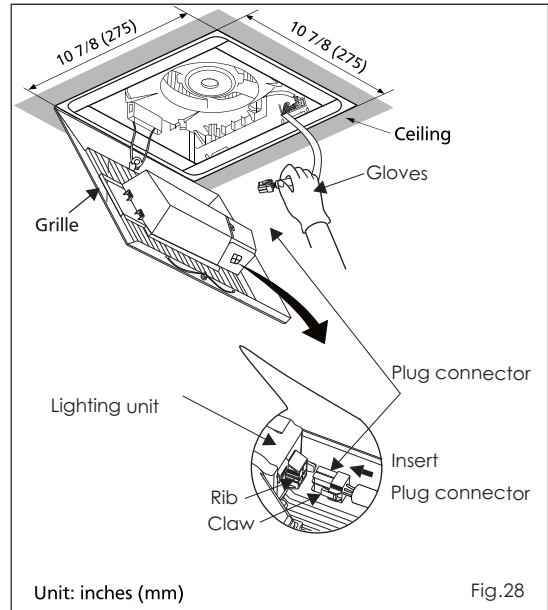
⚠ WARNING

- ⚠ Disconnect power source before working on unit.
- ⚠ This is a pin type lamp base and the lamp's glass is fragile. To remove, pull out carefully.
- ⚠ 4W night lamp has threaded base. Remove by turning counterclockwise.
- ⚠ Make sure the temperature of lens and lighting unit has cooled down before maintenance (cleaning) or replacement of lamp.

⚠ CAUTION

- ⚠ Remove dust and dirt from light cover and lens, before replace the lamps.

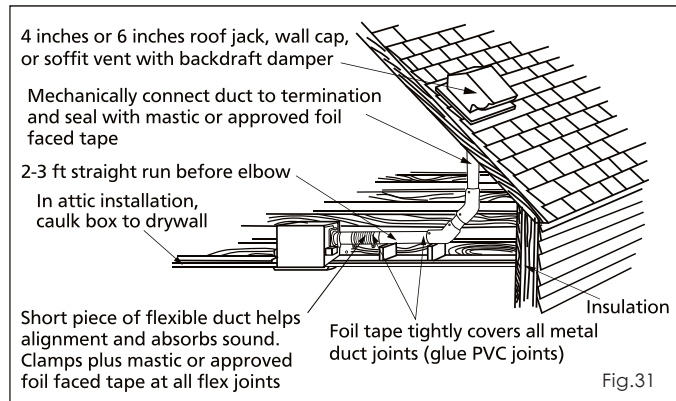
1. Remove grille by pulling down one mounting spring. Remove plug connector then pull down the other mounting spring. (Squeeze mounting spring and pull down carefully) (Fig.28)
2. Remove the screw as shown in step ① of Fig.29. Remove the light cover as shown in step ② of Fig.29.
3. Replace the fluorescent lamps (Maxlite MLS13GU35 13W) as shown in step 1 and step 2 of Fig.30.
4. Replace the 4W night lamp. (Fig.30)
Install the fluorescent lamps (Maxlite MLS13GU35 13W) as shown in step 2 and step 3 of Fig. 8 (page 8).
5. Install light cover. (Fig.9 of page 8)



PRACTICAL GUIDE TO INSTALLATION

Properly insulate the area around the fan to minimize building heat loss and gain. (Fig.31)

Loose fill or batt insulation can be placed directly over the fan housing in the attic. Our fans and fan/light combination units do not create excessive heat that is a common problem with recessed light fixtures or some competitors' fan/light combinations. Our efficient, cool-running motors and our fluorescent lamp do not create enough ambient heat to be subjected to these limitations.



SPECIFICATIONS

Model	Air direction	Voltage (V)	Frequency (Hz)	Duct diameter (inches)	Noise (sones)	Power consumption (W)			Speed (rpm)	Air deliver at 0.1" WG (cfm)	Weight lb.(kg)
						Fan body	Lighting unit				
							Fluorescent lamp	Night lamp			
FV-05VFL4	Exhaust	120	60	4	<0.3	16	26	4	700	50	9.3 (4.2)
				3	<0.3	15			760	50	
FV-08VFL4				4	0.5	30	26	4	830	80	9.7 (4.4)
				3	0.6	30			940	70	
FV-11VFL4				4	1.3	33	26	4	910	110	9.9 (4.5)
				3	1.5	33			1050	90	

HVI Certified performance based on HVI Procedures 915, 916 and 920.

PRODUCT SERVICE

Warning Concerning Removal of Covers.

The unit should be serviced by qualified technicians only.

Your product is designed and manufactured to ensure a minimum of maintenance.

Should your unit require service or parts, call Panasonic Call Center at 1-866-292-7292 (USA) or 1-800-669-5165 (Canada).

Panasonic Corporation of North America
One Panasonic Way, Secaucus, New Jersey 07094
www.panasonic.com

Panasonic Canada Inc.
5770 Ambler Drive, Mississauga, Ontario L4W 2T3
www.panasonic.ca

© Panasonic corporation 2013
Printed in China

T0313-0 08VFL4200