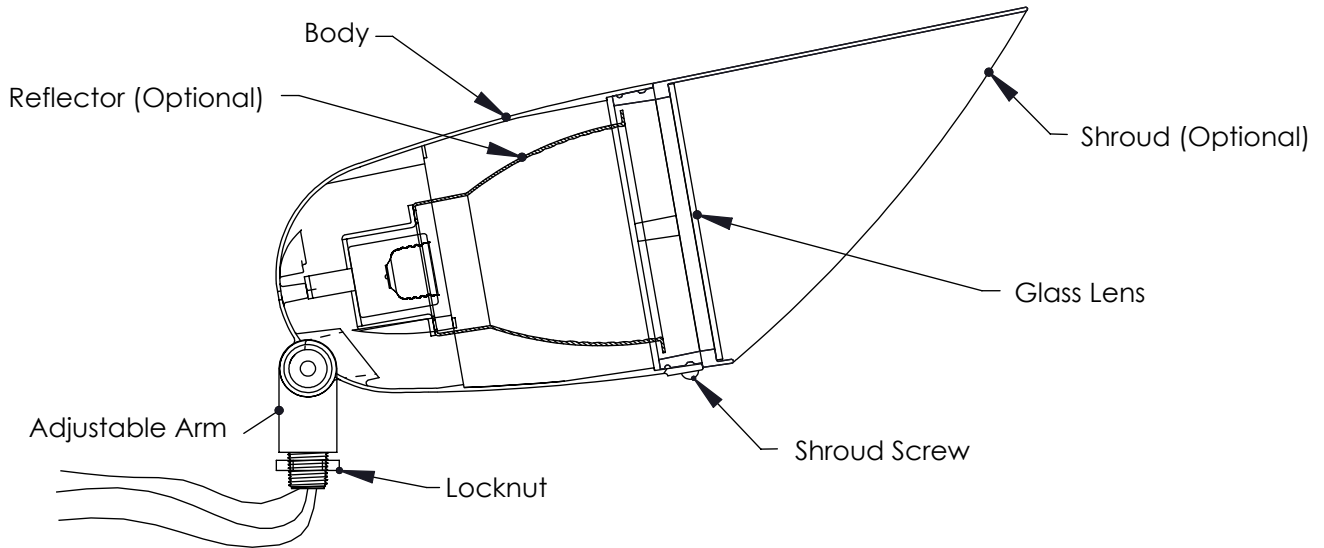


INSTALLATION INSTRUCTIONS: B4 & BU4 LARGE BULLYTES



Possible lamps to be used are...

Aluminum Fixtures:

Wattage	Lamping	Reflector	Shroud
250W MAX	PAR38 INCANDESCENT	NO	OPTIONAL
300W MAX	R40 INCANDESCENT	NO	REQUIRED
100W MAX	PAR38 MV	NO	REQUIRED
175W MAX	R40 MV	NO	REQUIRED
175W MAX	PAR38 MH	NO	REQUIRED
100W MAX	A19 INCANDESCENT	YES	INCLUDED
100W MAX	E17 MV	YES	INCLUDED
175W MAX	E17 MH	YES	INCLUDED

Composite Fixtures:

Wattage	Lamping	Reflector	Shroud
150W MAX	PAR38 INCANDESCENT	NO	OPTIONAL
150W MAX	R40 INCANDESCENT	NO	REQUIRED
100W MAX	PAR38 MV	NO	REQUIRED
175W MAX	R40 MV	NO	REQUIRED
175W MAX	PAR38 MH	NO	REQUIRED
100W MAX	A19 INCANDESCENT	YES	INCLUDED
100W MAX	E17 MV	YES	INCLUDED
175W MAX	E17 MH	YES	INCLUDED



This fixture is intended for installation in accordance with the National Electrical Code and local code specifications. Failure to adhere to these codes and instructions may result in serious injury and/or damage to the ballast and void the warranty. These instructions do not purport to cover all details or variations in equipment, nor to provide for every possible contingency related to installation, operation, maintenance, or mounting situation. Should specific problems occur that are not addressed by these instructions, contact your Sales Representative or distributor for assistance. Retain these instructions for future reference.

INSTALLATION INSTRUCTIONS

1. Make sure power is OFF before installing or servicing this fixture.
2. The fixture must be mounted to a U.L. listed junction box or mounting stake. Stake #S3 & S35 may be used, or boxes #M0029, B11, B12, B13, B14, CB1, TM2H, TMC2H, or any IBM/IBH ballast boxes.
3. Thread wires through hole in stake cap, or junction box lid. Screw arm of fixture onto lid. Lock into desired position by tightening arm locknut.
Lock into desired position by tightening arm locknut.
4. Connect white supply wire to white fixture wire, black supply wire to black fixture wire, and supply ground wire to fixture ground wire. Use wire connectors (not supplied) to secure connections.
5. Attach cap/lid to stake/box, making sure not to pinch wires.
6. If fixture includes a shroud, loosen the shroud screw and remove the shroud.
7. Install specified lamp according to lamp label on fixture and/or the chart on the front of this sheet.
8. If shroud was included, or purchased separately, put shroud on fixture and tighten shroud screw.

NOTE:

WHEN TO USE DRAIN HOLE PLUGS: (WITH PAR LAMPS ONLY!)

Aiming above the horizontal:

- A) If fixture is mounted with the arm below the housing, the rubber drain hole plugs at the rear and bottom of the fixture should NOT be used.
- B) If the fixture is mounted with the arm above the base of the housing, the rubber plug in the side of the fixture must be used, but the one in the base of the fixture should NOT be used.

Aiming below the horizontal:

- C) Both plugs must be used if the fixture is aimed below 90°.

