



Wiremold

FloorPort™ Series Activation Covers & Barrier Kits INSTALLATION INSTRUCTIONS

Installation Instruction No.: 1 008 150 R2 – Updated April 2011

Wiremold® electrical systems conform to and should be properly grounded in compliance with requirements of the current National Electrical Code or codes administered by local authorities.

All electrical products may present a possible shock or fire hazard if improperly installed or used. Wiremold® electrical products may bear the mark of a Nationally Recognized Testing Laboratory (NRTL) and should be installed in conformance with current local and/or the National Electrical Code.

IMPORTANT: Please read all instructions before beginning.

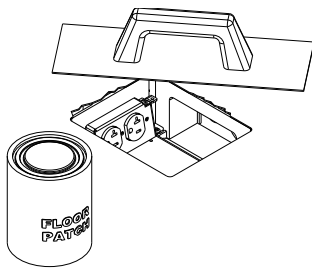
Products: FP Series Covers with PKKIT, RFBKIT, RFBCKIT, NRGKIT Barriers, & Abandonments S3AXPB, PKCAP and NRGCAP.

CAUTION: Do not operate floor scrubbers, tile strippers, or resurfacing equipment over the top of the cover. This may result in damage to the surface of the product.

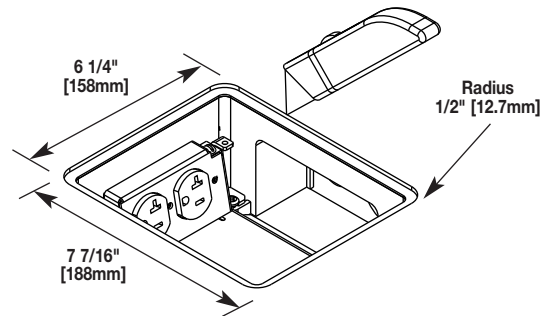
CAUTION: Wash covers with a mild soap solution. Avoid any cleaning solutions with ingredients that may react with the aluminum construction of the products.

TRIM FLANGE INSTALLATION:

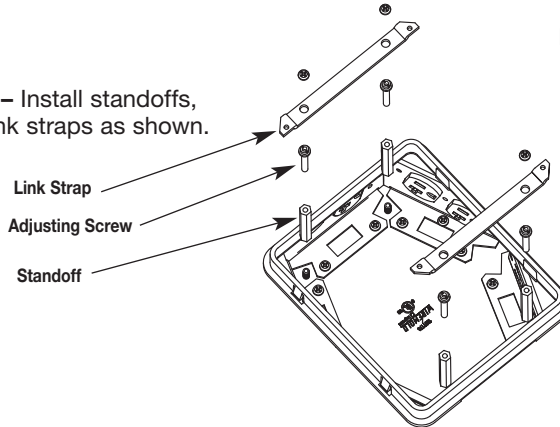
1. **PREPARATION:** Before installing Cover, repair any cracks or chips around the Preset or Floor Box opening using a suitable grout or repair compound.



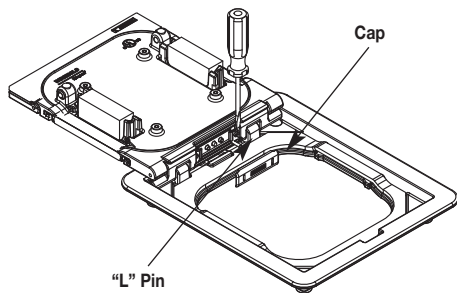
2. **FPCTC, FPBTC & FPFFTC Series – Flanged Carpet Installation** Cut opening in Carpet as indicated in illustration.



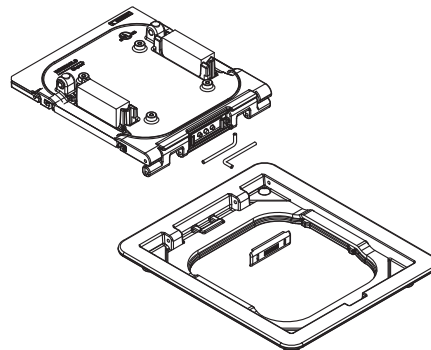
3. **RFB6 Installation Only** – Install standoffs, adjusting screws, and link straps as shown.



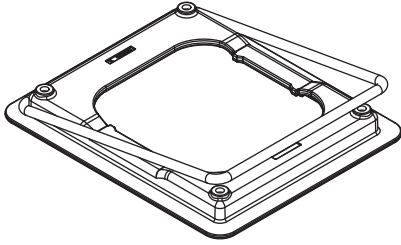
1. **REMOVING THE LID (FPC & FPB Series):** Pry off Cap from Hinge Clip with small blade screwdriver to expose “L” Pins. Roll “L” Pin down and slide inward.



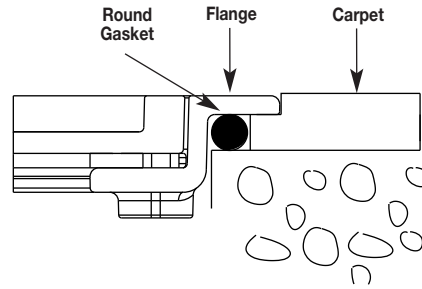
1a. Remove both “L” Pins and detach Lid.



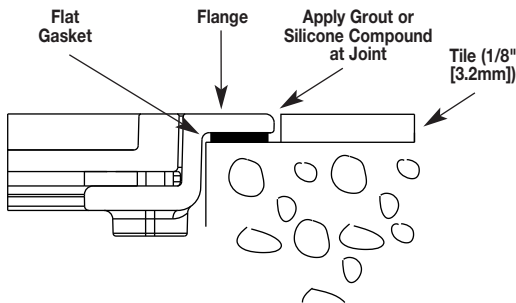
2. INSTALLING GASKET (All Flanged): Place Gasket onto the underside of the Trim Ring.



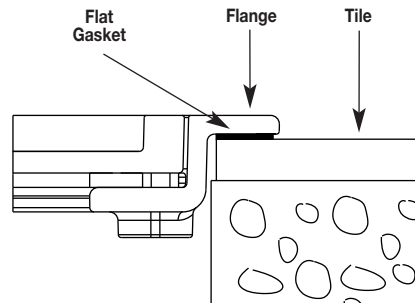
2a. Flanged Carpet Installation: Installation view of round Gasket and Carpet.



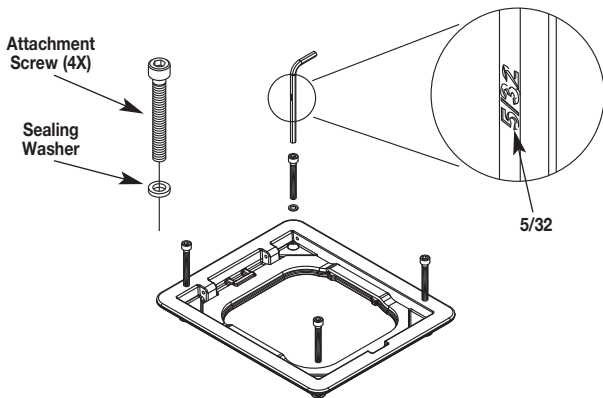
2b. Flanged Tile Installation – FLUSH: Place flat Gasket under Trim Ring prior to positioning on Concrete.



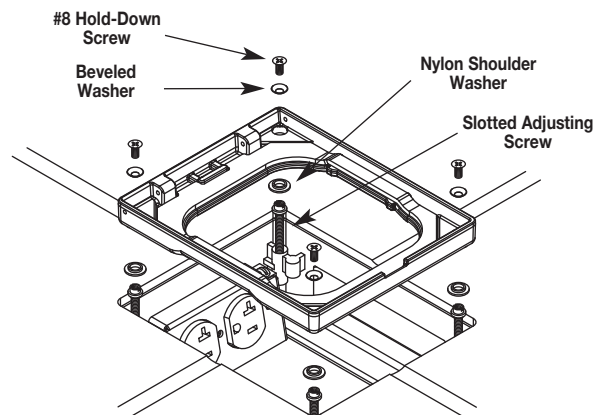
2c. Flanged Tile Installation – SURFACE: Place flat Gasket under Trim Ring prior to positioning over Tile.



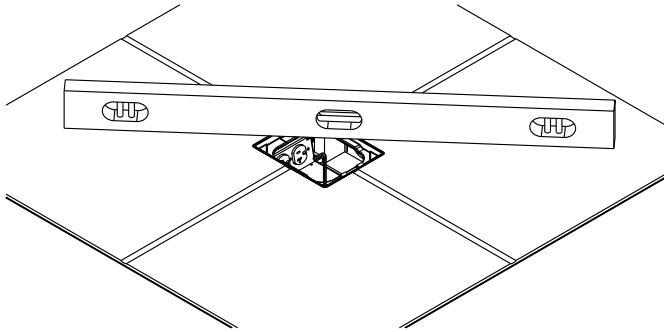
3. ATTACHING THE COVER (Flanged): Slide sealing Washer over Attachment Screw and mount Flange to Fitting.



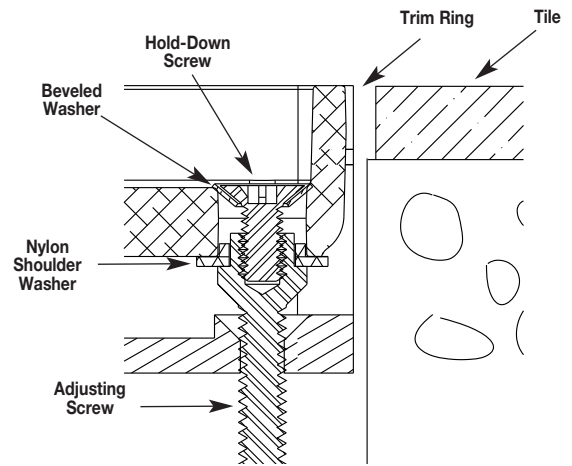
4a. ATTACHING THE COVER (Flangeless): Thread adjusting screws into preset or floor box and place nylon shoulder washers on screws. Position flange on top and use a slotted screwdriver to adjust flange elevation flush with floor surface.



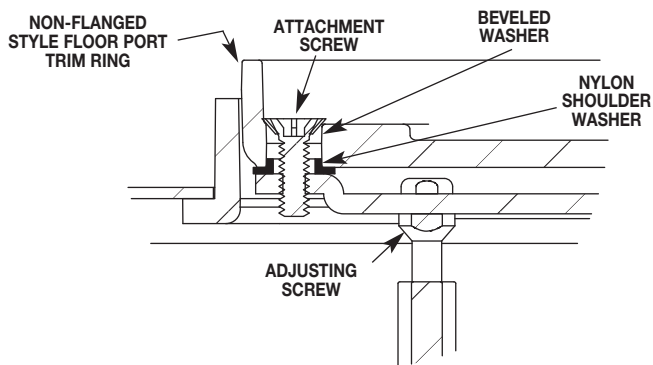
4b. Confirm top edge of Flange is level with Floor Covering with Level or Straight Edge.



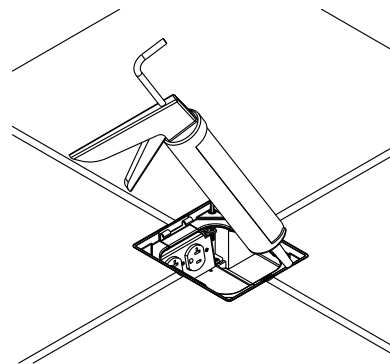
4c. Top of Flange adjusted flush with Floor Covering.



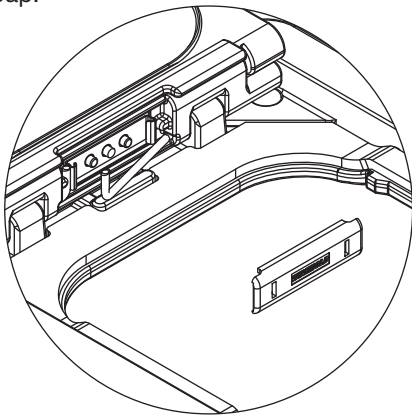
4d. RFB6 Installation Only – Top of Flange adjusted flush with Floor Covering.



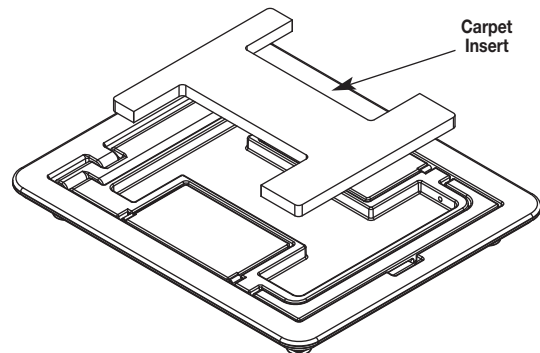
4e. Seal edge of Flange with Grout or Silicone.



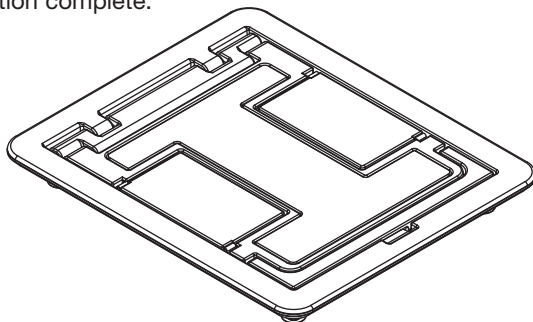
5. Re-attach Lid in Trim Ring and re-insert “L” Pins and Hinge Clip Cap.



6. FINISHING (Carpet Installation – FPC Series): Cut Carpet Insert (see Template on last page) and mount to Lid with Carpet Tape or Glue.



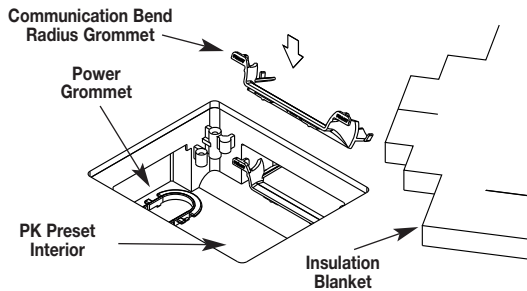
7. Installation complete.



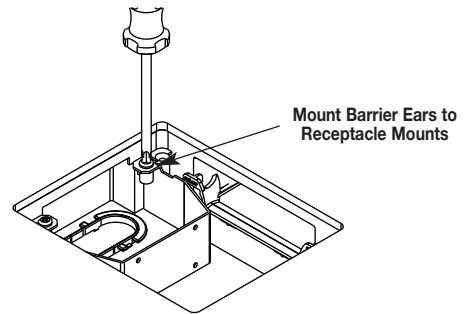
FURNITURE FEED BARRIER KIT – Cat. No. PKKIT

For use on Walkercell & Walkerdeck PK Presets

1. Install power and communication Bend Radius Grommets as shown. **Walkerdeck Presets must have Insulation Blanket inserted on deck surface to maintain Fire Classification.**



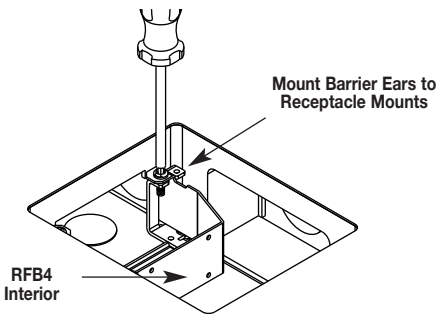
2. Install Barrier Base to Preset Receptacle Mounts as shown using #10-24 Screws.



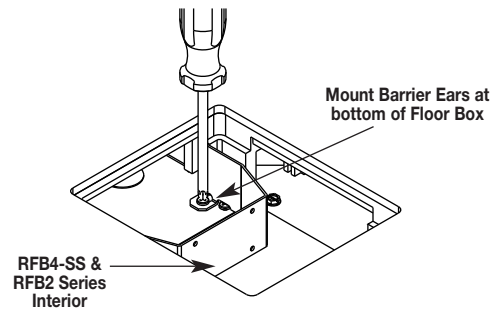
FURNITURE FEED BARRIER KIT – Cat. No. RFBKIT

For use on RFB4, RFB4-SS, RFB2, RFB2-SS & RFB2-OG Floor Boxes

1. Install Barrier Base to RFB4 Floor Box Receptacle Mounts as shown using #10-24 Screws.



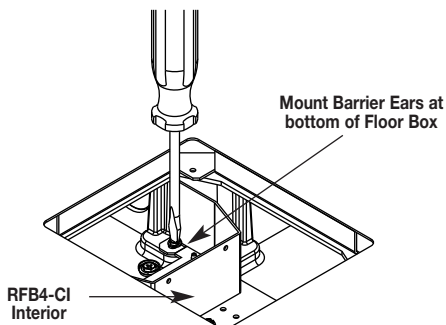
2. Install Barrier Base to RFB4-SS or RFB2 Series Floor Box as shown using Screws provided in Base Plate. Follow directions on next page to complete installation.



FURNITURE FEED BARRIER KIT – Cat. No. RFBCIKIT

For use on RFB4-CI Floor Boxes

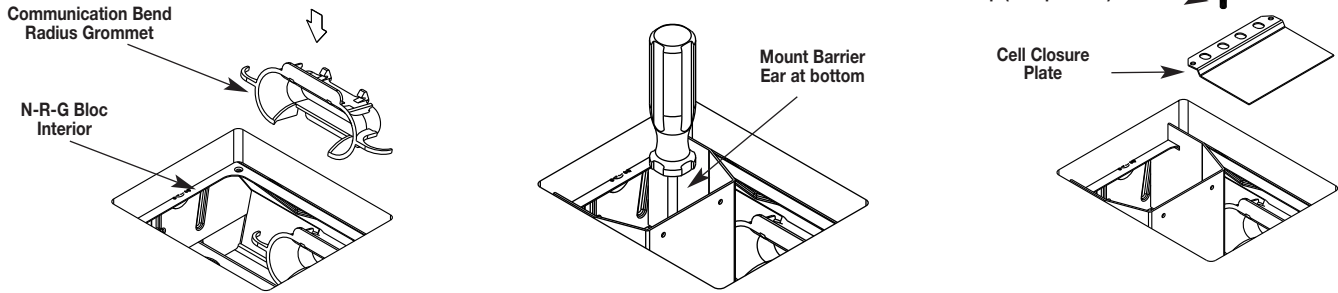
1. Install Barrier Base to RFB4-CI Floor Box as shown using Screws provided in Base Plate.



FURNITURE FEED BARRIER KIT – Cat. No. NRGKIT

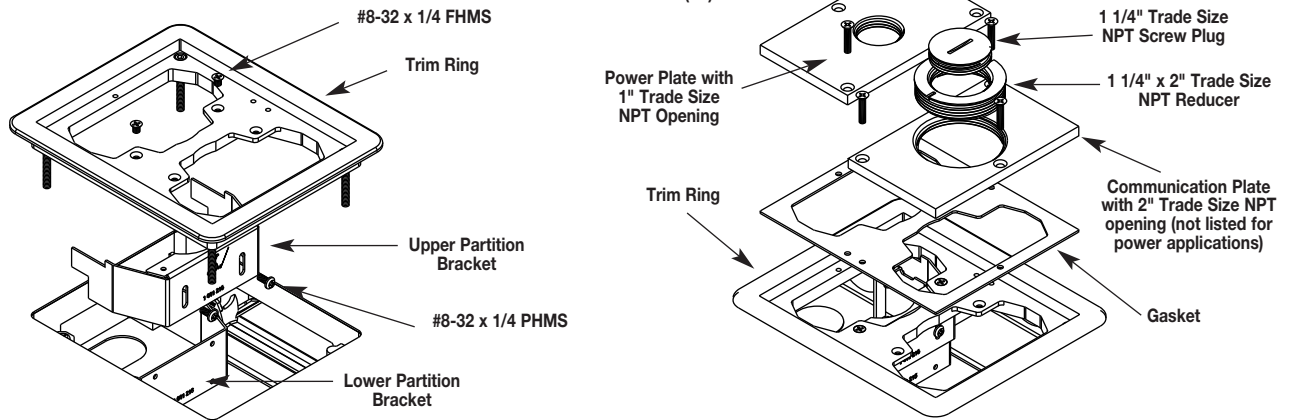
For use with UL Listed KAM Industries LTD, dba Cordeck Cellular Metal Raceway Fittings, catalog number NB or N-R-G Bloc® IV Series Presets

1. Insert lower lip of Grommet into the communication opening of the Cell. Push the top of the Grommet inward until it snaps into the Cell opening.
2. Install Barrier Base to N-R-G Deck as shown using #10-32 Screws. Follow directions below to complete installation.
3. Install Cell Closure Plate to N-R-G Deck as shown using #10-32 Screws.



FURNITURE FEED ACTIVATIONS – FPFF SERIES

1. Select suitable Upper Partition height for concrete pour depth and position over Lower Partition. Attach Trim Ring. Mount Upper Partition to Trim Ring with #8-32 x 1/4 FHMS. Fasten Upper and Lower Partitions with #8-32 x 3/8 PHMS.
2. Place Gasket on Flange and remove necessary Screw Plugs for intended Conduit Fitting.



FLOORPORT BRACKET COMPATIBILITY

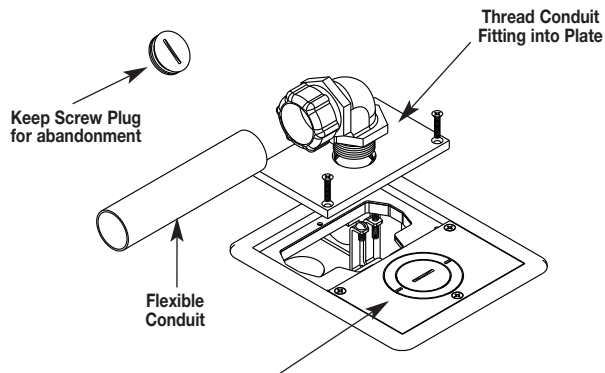
These fittings are for indoor installation on carpet or tile covered concrete floors that contain a cellular raceway system that has a minimum of 2-1/2" [64 mm] of concrete topping over the top of the deck. A typical UL Filer Classified floor activation will consist of the following components:

PK Series Preset Inserts			
“() ” Maximum Quantity of Units Allowed Inside of Preset Insert			
COVER ASSEMBLY	ACTIVATION ASSEMBLY	BARRIER ASSEMBLY	COMMUNICATION BRACKET
FPBTC FPCTC FPBT FPCT	(1) WPACR	—	(2) DTB-2
FPFFTC FPFFT	—	(1) PKKIT	(1) DTB-2FP

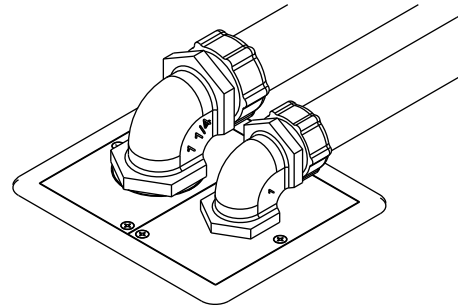
N-R-G-Bloc® Series Preset Inserts			
“() ” Maximum Quantity of Units Allowed Inside of Preset Insert			
COVER ASSEMBLY	ACTIVATION ASSEMBLY	BARRIER ASSEMBLY	COMMUNICATION BRACKET
FPBTC FPCTC	(1) NPACR	—	(2) DTB-N3
	(1) NPACR-SGL	—	(2) DTB-N3 or (1) NRGACT8 or (1) NRGRT8 or (1) NRGACT12 or (1) NRGRT12
	(1) NPACR-DD	—	(1) NRGACT8 or (1) NRGRT8 or (1) NRGACT12 or (1) NRGRT12
	(1) NPACR-VDD	—	(1) NRGACT8 or (1) NRGRT8 or (1) NRGACT12 or (1) NRGRT12
FPFFTC FPFFT	(2) NPACR-VDD	—	—
	—	(1) NRGKIT	(1) NRGACT8 or (1) NRGRT8 or (1) NRGACT12 or (1) NRGRT12

FURNITURE FEED ACTIVATIONS – FPF SERIES (continued)

3. Attach Fitting and Conduit to Cover Plate. Pull wire & cables and mount Cover Plate to Trim Ring.



4. Installation complete.

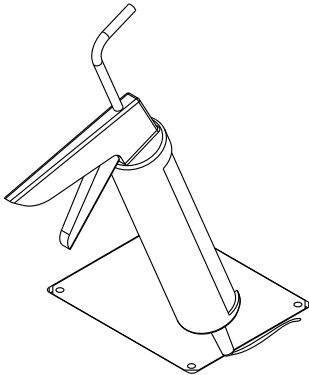


CAUTION: Tighten Mounting Plate Screws securely to maintain system ground continuity.

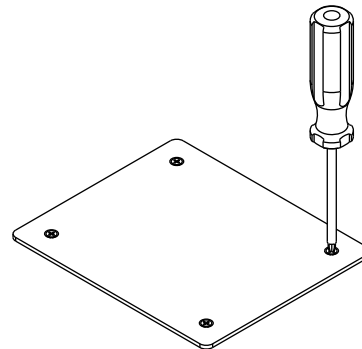
ABANDONMENT

1. Cat. No. S3AXB

For abandonment, remove Cover Assembly and install 1/4" [6.4mm] Steel Plate using four Leveling Screws provided. Top of Plate should be flush with finished Floor. Apply a bead of silicone caulking around the Bottom Plate to prevent any water or debris entry.



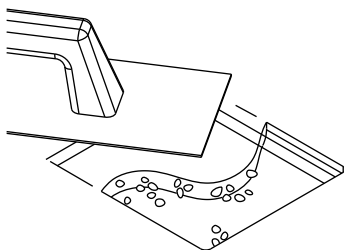
2. Place 1/8" [3.2mm] aluminum Top Plate over the Bottom Plate. Install the four Screws provided to secure the two Plates.



PERMANENT ABANDONMENT

1. Cat. Nos. PKCAP & NRGCAP

For permanent abandonment, remove Cover Assembly and replace with Mud Cap. Repair the Floor Opening using a suitable Grout or Concrete fill.



To maintain UL Classification on cellular deck applications, refer to the tables below for maximum quantity of conductors allowed to exit activation covers. Refer to the UL Fire Resistance Directory for additional floor design information. Depth of concrete over top of steel deck must be a minimum of 2 1/2" [64 mm]

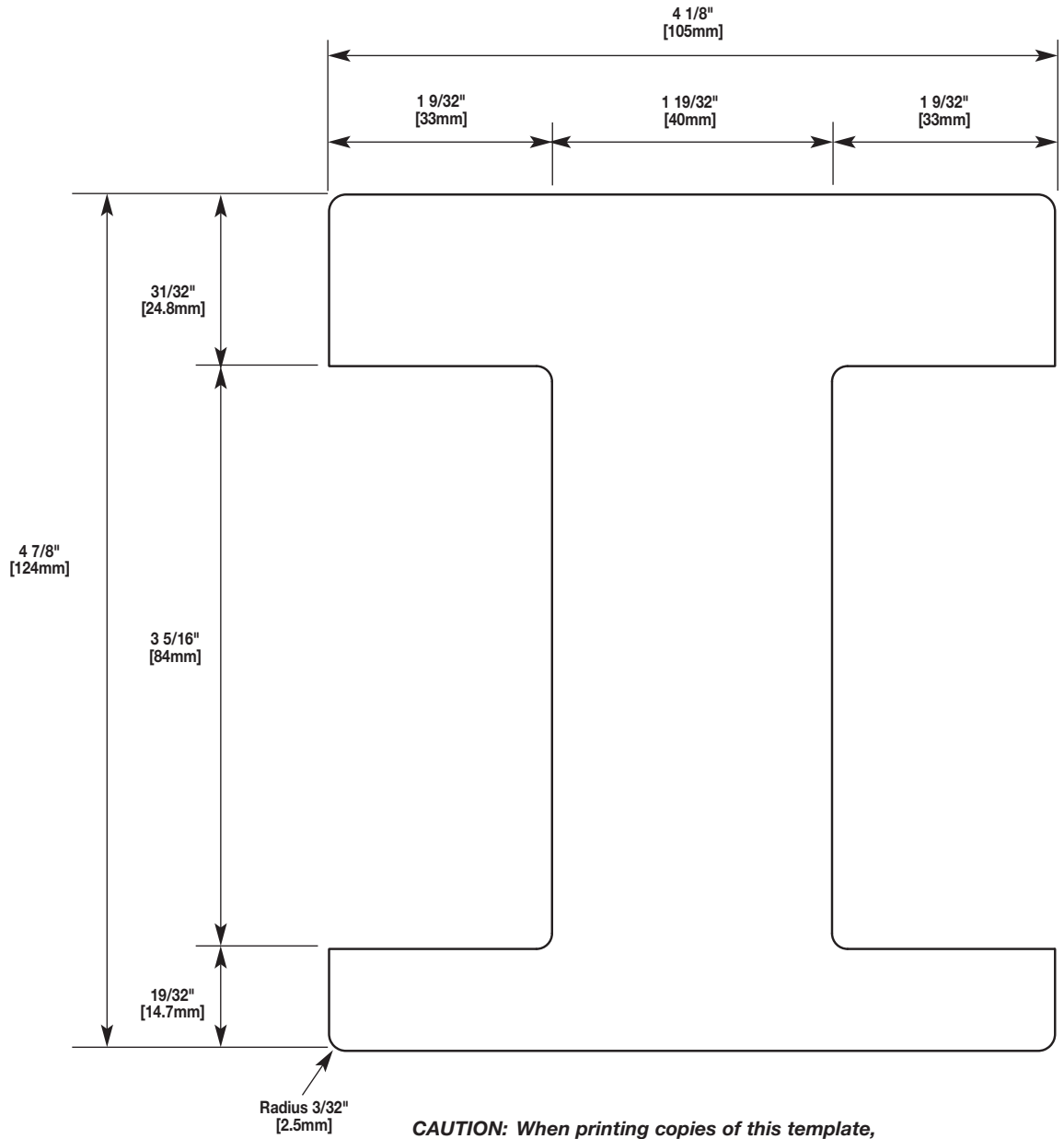
CABLE CAPACITY FOR CAT. NO. SERIES PK PRESETS MANUFACTURED BY WALKER SYSTEMS, INC.				
	COVER CAT. NO.	PRESET USED WITH:	POWER	COMM
FLANGED	FPBTC	2 Duplex Receptacles	4 (a)	64 (c)
	FPCTC	2 Duplex Receptacles	4 (a)	64 (c)
	FPPFTC	Conduit Feed - Power Only	14 (b)	0
	FPPFTC	Conduit Feed - Comm. Only	0	224 (d)(e)
	FPPFTC	Conduit Feed - Power & Comm.	14 (b)	224 (d)(e)
FLANGELESS	FPBT	2 Duplex Receptacles	4 (a)	64 (c)
	FPCT	2 Duplex Receptacles	4 (a)	64 (c)
	FPPFT	Conduit Feed - Power Only	14 (b)	0
	FPPFT	Conduit Feed - Comm. Only	0	224 (d)(e)
	FPPFT	Conduit Feed - Power & Comm.	14 (b)	224 (d)(e)

CABLE CAPACITY FOR CAT. NO. SERIES NB OR NRG BLOC IV PRESETS				
	COVER CAT. NO.	PRESET USED WITH:	POWER	COMM
FLANGED	FPBTC	2 Duplex Receptacles	4 (a)	96 (c)
	FPBTC	4 Duplex Receptacles	8 (a)	64 (c)
	FPCTC	2 Duplex Receptacles	4 (a)	96 (c)
	FPCTC	4 Duplex Receptacles	8 (a)	64 (c)
	FPPFTC	Conduit Feed - Power Only	14 (b)	0
	FPPFTC	Conduit Feed - Comm. Only	0	224 (d)(e)
	FPPFTC	Conduit Feed - Power & Comm.	14 (b)	224 (d)(e)
FLANGELESS	FPBTC	2 Duplex Receptacles	4 (a)	96 (c)
	FPBTC	4 Duplex Receptacles	8 (a)	64 (c)
	FPCTC	2 Duplex Receptacles	4 (a)	96 (c)
	FPCTC	4 Duplex Receptacles	8 (a)	64 (c)
	FPPFT	Conduit Feed - Power Only	14 (b)	0
	FPPFT	Conduit Feed - Comm. Only	0	224 (d)(e)
	FPPFT	Conduit Feed - Power & Comm.	14 (b)	224 (d)(e)

NOTES:

- (a) Maximum quantity of three-conductor power supply cords (3/8" [9.5mm] maximum diameter).
- (b) Maximum quantity of No. 12 AWG conductors allowed when a 1/2" through 1" trade size liquid tight steel conduit with cast steel 90° elbow is connected to access cover. When conductors larger than No. 12 AWG are used, the aggregate cross-sectional area of the copper conductors shall not exceed the aggregate cross-sectional area of No. 12 AWG conductors.
- (c) Maximum quantity of No. 24 AWG conductors (4-pair communication cable has eight conductors; 25-pair communication cable has 50 conductors). When conductors larger than No. 24 AWG are used, the aggregate cross-sectional area of the copper conductors shall not exceed the aggregate cross-sectional area of No. 24 AWG conductors. Maximum size of any communication cable is not to exceed 25-pair (3/8" [9.5mm] maximum diameter).
- (d) Maximum quantity of No. 24 AWG conductors (4-pair communication cable has eight conductors; 25-pair communication cable has 50 conductors) allowed when a 1/2" through 1- 1/4" trade size liquid tight conduit with cast steel 90° elbow is connected to access cover. When conductors larger than No. 24 AWG are used, the aggregate cross-sectional area of the copper conductors shall not exceed the aggregate cross-sectional area of No. 24 AWG conductors. Maximum size of any communication cable is not to exceed 25-pair (3/8" [9.5mm] maximum diameter).
- (e) Where local codes permit, conduit may be omitted when used for communication type cables. A steel conduit fitting or a nipple that extends a minimum distance of 1" [25.4 mm] beyond surface of cover assembly must be utilized. Protect wires from damage by installing a bushing suitable for use with the type of fitting used. The diameter of the conduit fitting opening for the passage of cables shall be no more than 1/8 in. larger than the diameter of the cable. Use a suitable fire-resistive caulking such as 3M Part No. CP 25WB to seal openings around cables larger than 1/8 in.

CARPET INSERT TEMPLATE



CAUTION: When printing copies of this template, please be sure template is scaled correctly and is the correct size once it is printed.



Wiremold

Wiremold

U.S. and International:

60 Woodlawn Street • West Hartford, CT 06110
1-800-621-0049 • FAX 860-232-2062 • Outside U.S.: 860-233-6251

Canada:

570 Applewood Crescent • Vaughan, Ontario L4K 4B4
1-800-723-5175 • FAX 905-738-9721

