

SS700Z SS700ZA

CAUTION

Before wiring and servicing, power to this time switch and the equipment it controls must be turned off at the main panel.

WARNING

Unit must be properly grounded to operate correctly.

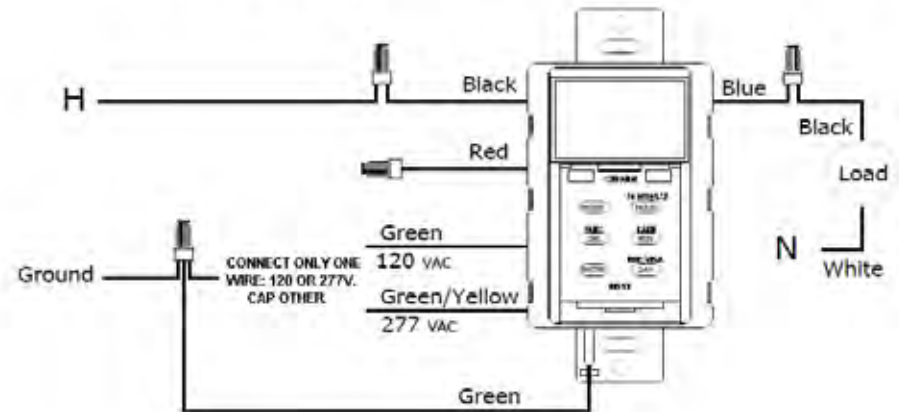
RATINGS

- 120/277VAC 16A, 1920/4432W Resistive
- 120/277VAC 10A, 1200/2770VA Ballast
- 120VAC 8A, 960W Tungsten
- 120VAC 1/2 HP

SS700Z SMART TIMER INSTALLATION

1. Connect black and blue wires as shown in the diagram. Cap the red wire.
2. Depending upon line voltage, connect the mounting strap green wire to either (a) the timer green wire (for 120VAC) or (b) the timer green/yellow wire (for 277VAC) and the ground. Cap all unused wires.
3. Mount the timer inside electrical box using 2 mounting screws provided.
4. Install cover plate.
5. Turn power on at the electrical panel.

Wiring Diagram: Installation S700Z

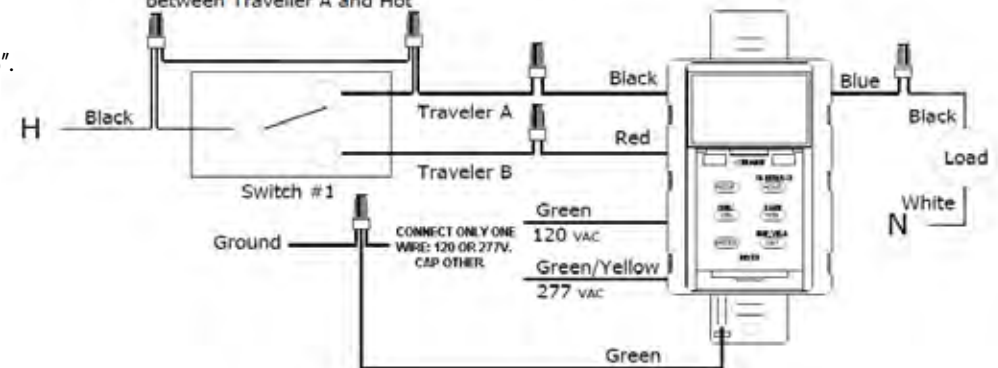


RETROFITTING A SS700Z TO EXISTING 3-WAY SWITCH

1. Disconnect the second 3-way switch.
2. Connect the timer blue wire to the load. Connect the timer black wire to "Traveler A" and the timer red wire to "Traveler B".
3. Depending upon line voltage, connect the mounting strap green wire to either (a) the timer green wire (for 120VAC) or (b) the timer green/yellow wire (for 277VAC) and the ground. Cap all unused wires.
4. Mount the timer inside electrical box using 2 mounting screws provided.
5. At switch #1 connect a wire between the hot leg of the 3-way and "Traveler A" inside of that switch's gang-box.
6. Install cover plates.
7. Turn power on at the electrical panel.

Wiring Diagram: Three-Way Installation S700Z

Connect a wire inside the gang-box between Traveller A and Hot



INSTALLATION INSTRUCTIONS

1.0 Press **MODE** to go to the CLK mode.

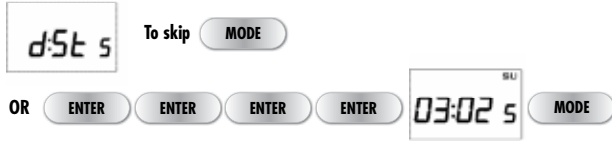
2.0 TO SET CLOCK



3.0 TO SET DATE



4.0 TO SET AUTOMATIC DAYLIGHT SAVING TIME ADJUSTMENT



5.0 DAYLIGHT SAVINGS MODE CONFIRMATION



6.0 SCHEDULE SET MODE

- For automatic sunset ON/sunrise OFF, press **MODE** and go to step 7
- For sunset ON & time OFF, press **ENTER** and go to step 6.2 to set OFF time, then go to step 7.
- To set an ON/OFF time, go to step 6.1

6.1 SETTING AN ON TIME



6.2 SETTING AN OFF TIME

- RÉGLAGE DE L'HEURE D'ARRÊT
- AJUSTE DE UNA HORA DE APAGADO



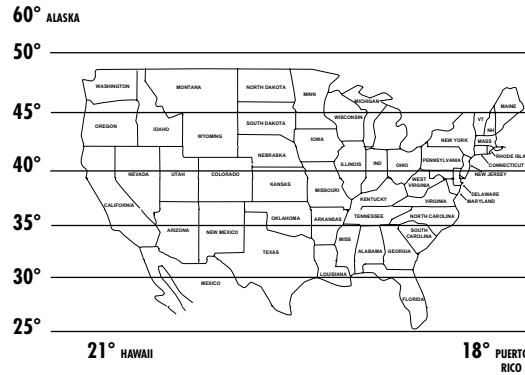
6.3 NEXT SCHEDULE

Repeat steps 6.1 & 6.2 for additional ON/OFF pairs **OR** **MODE**

7.0 TO SET AUTOMATIC DAILY SUNSET/SUNRISE (ASTRO) SCHEDULE

See map below. Find desired degree of latitude, from 10° to 60° north. Use **LAT** key to advance. If the screen reads LAIS it is for south hemisphere. Advance to N.

ASTRONOMIC LATITUDE ZONES ZONES DE LATITUDE ZONAS ASTRONOMICAS (LATITUDES)



7.1 SET SUNSET ON

Press **DAY** to show today's sunset time.



7.2 OPTIONAL OFFSET

Turn load ON before or after calculated sunset.



NOTE: Press **HOUR** to move from after sunset ("AF") to before sunset ("bF")

7.3 SET SUNRISE OFF

Press **DAY** to show today's sunrise time.



7.4 OPTIONAL OFFSET

TurOn load OFF before or after calculated sunrise



NOTE: Press **HOUR** to move from after sunrise ("AF") to before sunrise ("bF")



8.0 AUTO (AUTOMATIC) MODE



NOTE: **AUTO** mode will follow the programmed schedule. **OVERRIDE** sets ON/OFF until the next event.

NOTE: Press **RND** to put unit in optional random mode. ON events will be delayed up to 30 minutes, and the OFF events will be delayed up to 45 minutes.



9.0 MAN (MANUAL) MODE

- MODE MANUEL (MANUAL)
- MODO MAN (MANUAL)



NOTE: **MAN** mode will bypass programmed schedule. **OVERRIDE** set ON/OFF until next **OVERRIDE** push

NOTE: Press **RESET** to clear time and date. To clear all, press **ENTER**, press **DEL**, then **ENTER** again.