

# INSTALLATION INSTRUCTIONS

(TO INSTALL AS A PORTABLE UNIT)

For Model # P4401-084 / P4401-467

**WARNING! SHUT POWER OFF AT FUSE OR CIRCUIT BREAKER.**

**AVERTISSEMENT! COUPER LE COURANT AU NIVEAU DES FUSIBLES OU DU DISJONCTEUR.**

## WARNING

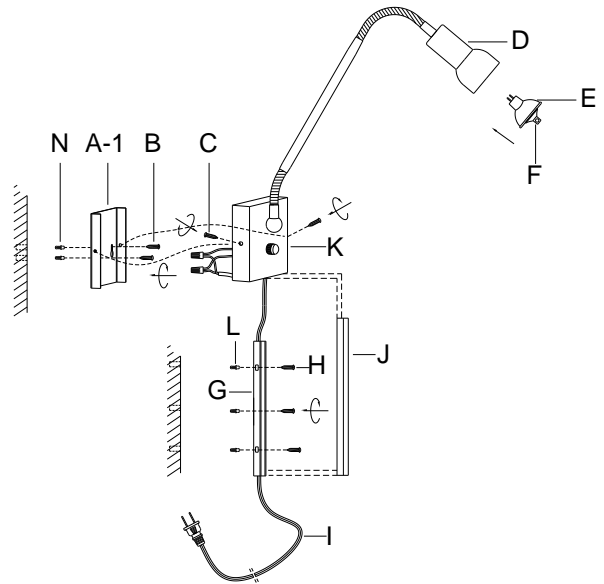
- Risk of shock, do not plug in the unit before assembly is complete.
- Do not exceed the maximum wattage rating. (**NE PAS DEPASSER LA PUISSANCE NOMINALE MAXIMALE!**)
- Before you begin assembly of your new fixture, please follow the instruction manual step by step.

## MOUNTING THE LUMINAIRE, PLUG VERSION (Fig.1)

For hardware version see Fig.2 & Fig.3

1. Carefully unpack your new fixture and lay out all the parts on a clear area. Take care not to lose any small parts necessary for installation.
2. Drill two holes in the proper position onto the wall according to the mounting location of the fixture.
3. Secure the mounting plate (A-1) to the wall using screws (N) and plastic anchors (B) provided.
4. Place the fixture body (K) over the mounting plate (A-1) and secure with screws (C).
5. Install the bracket (G) with the wood screws (H) and Anchors (L) to the wall, fix the cord (I) into the bracket (G) and snap the cord cover (J) over the bracket (G) tightly.
6. Use suction cup (F) to install 1\*50W MR16 Bulb (E) (Included) into the shade (D) (**DO NOT EXCEED THE MAXIMUM WATTAGE RATING!**) (**NE PAS DEPASSER LA PUISSANCE NOMINALE MAXIMALE!**)

Fig. 1



## IMPORTANT SAFETY INSTRUCTIONS

Lighted lamp is HOT!

**WARNING** – TO REDUCE THE RISK OF FIRE, ELECTRIC SHOCK, EXPOSURE TO EXCESSIVE UV RADIATION, OR INJURY TO PRESONS:

**WARNING:** In handling of halogen bulb, care should be taken not to touch it with your bare hands. Oil residue will shorten the life of the halogen bulb. If you accidentally come in contact, wipe thoroughly with a clean, lint-free, cotton cloth. Allow the bulb to cool for 10 minutes before changing the bulb.

1. Turn off/unplug and allow to cool before replacing the bulb.
2. Bulb gets HOT quickly! Only contact switch/plug when turning on.
3. Do not touch hot lens, guard, or enclosure.
4. Do not remain in light if skin feels warm.
5. Do not look directly at lighted lamp.
6. Keep lamp away from materials that may burn.
7. Use only with a 50 watt or smaller bulb.
8. Do not touch the bulb at any time. Use a soft cloth. Oil from skin may damage the bulb.
9. Do not operate the portable luminaires with a missing or damaged guard, lamp containment barrier, or UV filter.

**SAVE THESE INSTRUCTIONS**

## IMPORTANT SAFETY INSTRUCTIONS

This portable lamp has a polarized plug (one blade is wider than the other) as a safety feature to reduce the risk of electric shock. This plug will fit in a polarized outlet only one way. If the plug does not fit fully in the outlet, reverse the plug. If it still does not fit, contact a qualified electrician. Never use with an extension cord unless plug can be fully inserted. Do not alter the plug.

# INSTALLATION INSTRUCTIONS

(TO INSTALL AS A FIXTURE UNIT)

For Model # P4401-084 / P4401-467

**WARNING! SHUT POWER OFF AT FUSE OR CIRCUIT BREAKER.**

**AVERTISSEMENT! COUPER LE COURANT AU NIVEAU DES FUSIBLES OU DU DISJONCTEUR.**

## MOUNTING THE FIXTURE, HARDWIRE VERSION (Fig.2 & Fig.3)

1. Shut off power at the circuit breaker and remove the old fixture including the mounting hardware.
2. Carefully remove the fixture from the carton and check that all parts are included as shown in the illustration.
3. Remove the cord and plug by disconnecting the wire nuts to the cord (**CAUTION: CAN NOT GO BACK TO PLUG VERSION ONCE THE CORD AND PLUG ARE CUT OFF**)
4. Secure the mounting plate (A) to outlet box with screws (B). The side of the circular strap (A) marked "GND" must face out.

## CONNECTING THE WIRES (Fig. 3)

5. At this point, Connect the electrical wires as shown in Fig. 3, making sure that all wire connectors are secured. If your outlet has a ground wire (green or bare copper), connect the fixture's ground wire to it. Otherwise, connect the fixture's ground wire directly to the mounting backplate by using the green screw provided.

## FINISHING THE INSTALLATION (Fig. 2)

6. Place Fixture Body (K) over the mounting backplate (A) and secure with screws (C).
7. Insert the bushing (M) into the hole on fixture body (K).
8. Use suction cup (F) to install 1\*50W MR16 Bulb (E) (Included) into the shade (D) (**DO NOT EXCEED THE MAXIMUM WATTAGE RATING!**) (**NE PAS DEPASSER LA PUISSANCE NOMINALE MAXIMALE!**)

Your installation is now complete. Return power to the outlet box and test the fixture.

**IMPORTANT: FIXTURE SHOULD BE INSTALLED BY A QUALIFIED ELECTRICIAN TO ENSURE PROPER WIRING AND INSTALLATION.**

Fig. 2

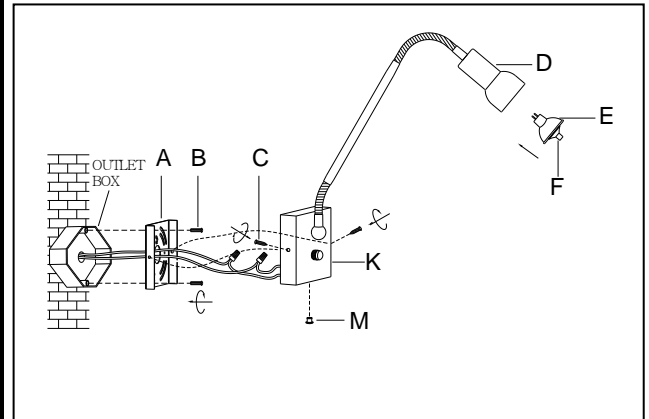


Fig. 3

