

Assembly Instruction Sheet #IS-PLR1716PN For Style PLR1716PN

Quoizel, Inc.
 6 Corporate Parkway
 Goose Creek, SC
 29445

Customer Service
 Phone 631.273.2700
 Fax 631.231.7102
 www.quoizel.com

Tools Required: Flathead screwdriver, Phillips screwdriver, pliers, wire cutters, wire strippers, electrical tape, safety glasses.

Bulb Recommended: (3) Medium Base 100W Maximum

Estimated Assembly Time: 20-30 minutes

Preparation: Identify and inspect all parts before beginning installation. Check package content list and diagrams below to be sure all parts are present. If any parts are missing or damaged, do not attempt to assemble, install, or operate the fixture. Contact customer service for replacement parts.

Warnings and Cautions

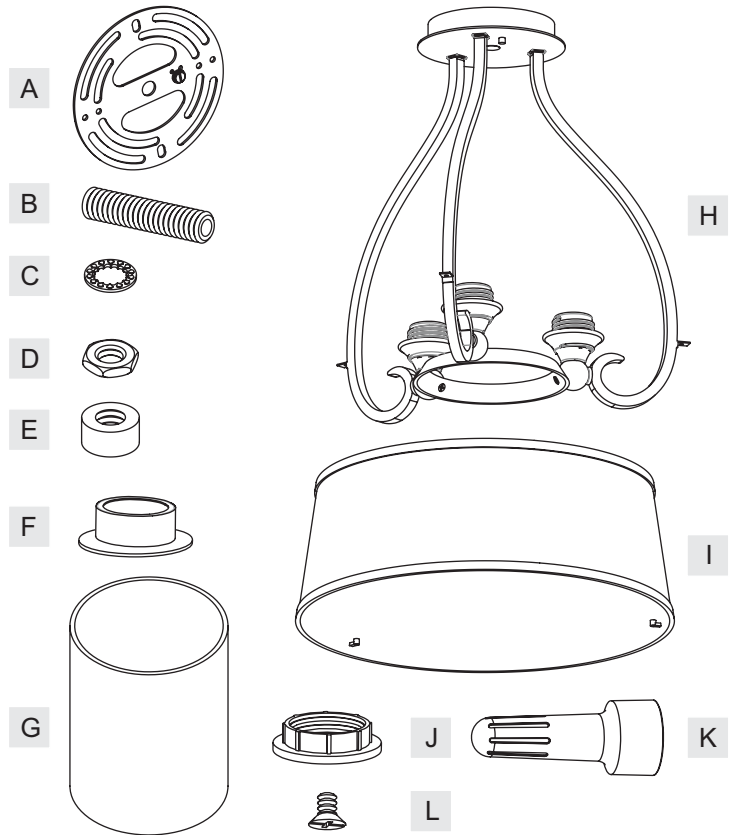
Turn off electricity at circuit breaker or main fuse box before installation. Consult a licensed electrician if in doubt.

These instructions are provided for your safety. It is very important you read them completely before installing the fixture. We strongly recommend that a licensed, professional electrician perform the installation.

Disconnect fixture from power source before replacing bulbs. Make sure bulbs are given sufficient time to cool before removal. Do not subject glass parts to any shock while in operation or shattering may result.

Package Contents

Part	Description	Quantity
A	Crossbar	1 pc.
B	Mounting Screw	1 pc.
C	Lock Washer	1 pc.
D	Hex Nut	2 pcs.
E	Mounting Ball	1 pc.
F	Steel Collar	3 pcs.
G	Glass Shade	3 pcs.
H	Socket Assembly	1 pc.
I	Organza Shade	1 pc.
J	Socket Collar	3 pcs.
K	Socket Collar Tool	1 pc.
L	Lock Screw	3 pcs.

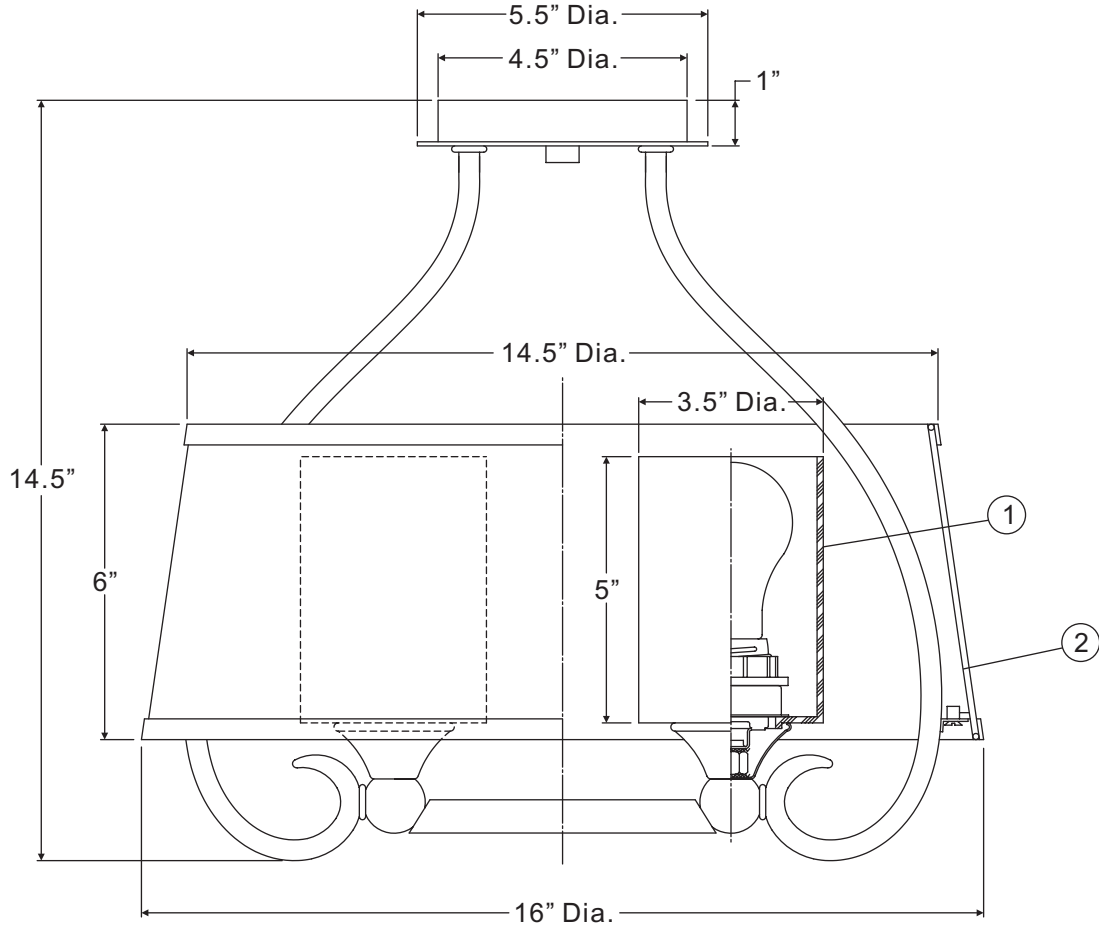
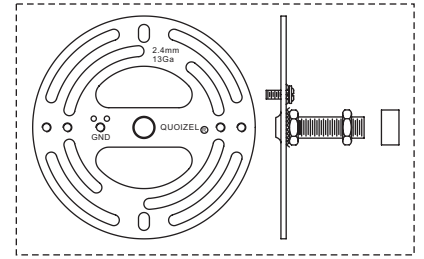


Thank you for purchasing a Quoizel product.

Need assistance with parts or assembly? Call Quoizel customer service at 1-631-273-2700
 or visit us on-line at www.quoizel.com

PLR1716PN

FINISH: PALLADIAN BRONZE



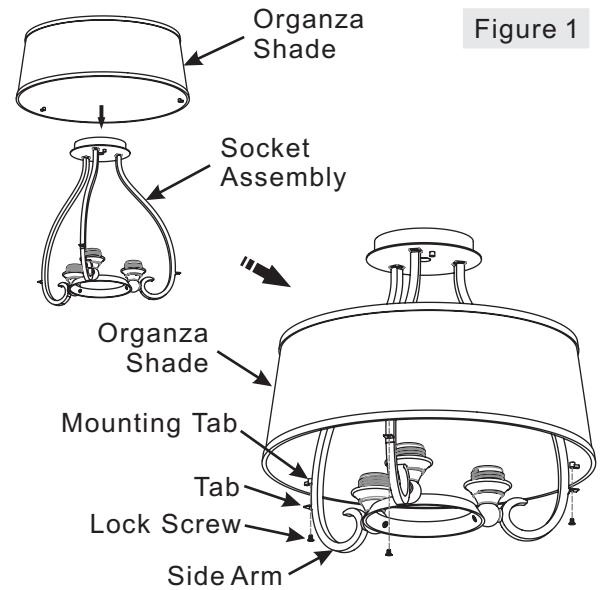
(3)100W Medium Base Bulbs (Not Supplied)

NOTE: ALL DIMENSIONS ARE ROUNDED UP TO THE NEAREST 1/2"

NO.	PART NUMBER	REPLACEMENT PART DESCRIPTION	REQ.
1	G3694SH	ETCHED GLASS SHADE 3.5"D	3
2	S1547OH	ORGANZA HARDBACK SHADE 16"D	1

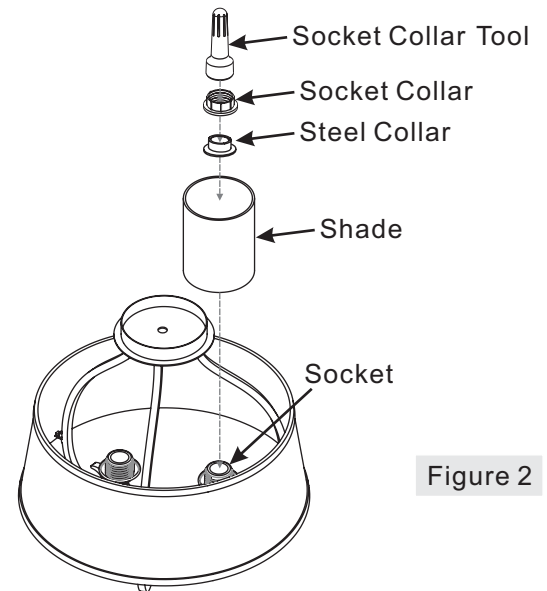
STEP 1 – Install Organza Shade

- A. Place the Organza Shade (I) from the top of the Socket Assembly (H). Attach the Mounting Tabs in the bottom edge of the Organza Shade (I) onto the Tabs on the Side Arms. Secure the shade by threading the Lock Screws (L) into the Mounting Tabs. Hand tighten until snug with screwdrivers.



STEP 2 – Install Glass Shade

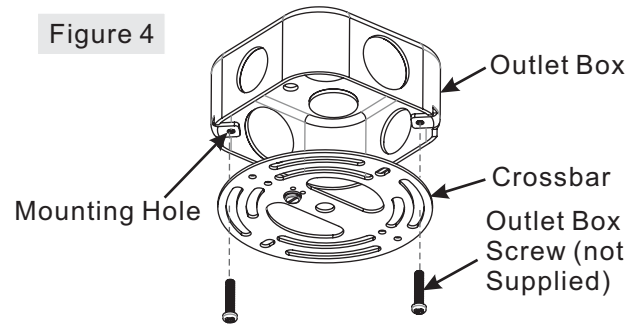
- A. Place the Glass Shade (G) and Steel Collar (F) over the Socket and secure by using Socket Collar Tool (K) threading the Socket Collar (J) onto the Socket. Hand tighten until snug.



Thank you for purchasing a Quozel product. Side Arm
Need assistance with parts or assembly? Call Quozel customer service at 1-631-273-2700
or visit us on-line at www. quozel. com

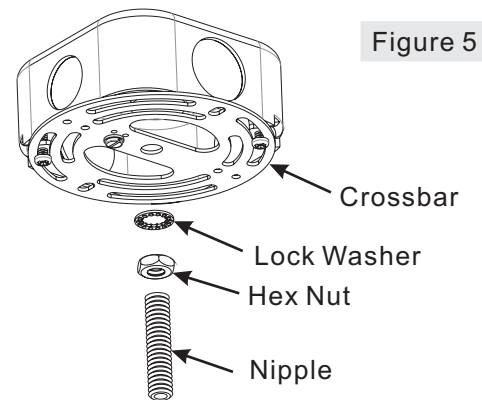
STEP 4 – Attach Crossbar to Outlet Box

- A. Secure the Crossbar (A) to the outlet box with outlet box screws (not supplied). Tighten until snug.



STEP 5 – Attach Nipple to Crossbar

- A. Thread one Hex Nut (D) onto the top end of the Nipple (B).
 B. Place one Lock Washer (C) over the top end of the Nipple (B) and then thread the Nipple (B) into the center lock hole of the Crossbar (A).
 C. Using pliers, thread the hex Nut (D) against the Crossbar (A) and hand tighten until snug.



STEP 6 – Make Wire Connections

- A. Use standard wire connectors to make all wire connections. (Connectors are not included with fixture.) Strip and prepare wire ends according to instructions supplied with connectors.
 B. Connect White Supply Wire from the Outlet Box to White Wire from fixture.
 C. Connect Black (or Red) Supply Wire from the Outlet Box to Black Wire from fixture.
 D. Connect Ground Wire from the Outlet Box to Ground Wire from fixture.
 E. Twist connectors until wires are tightly joined together.
 F. Wrap each connection with approved electrical tape and carefully stuff all the connected wires into the Outlet Box.

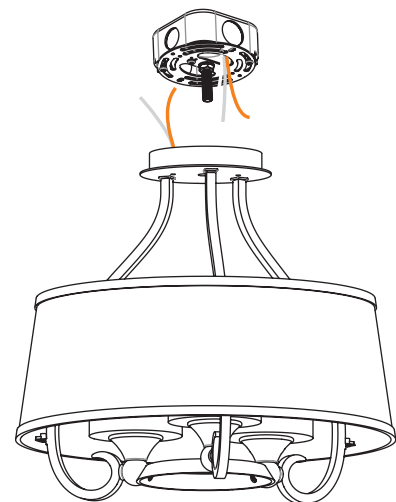


Figure 6

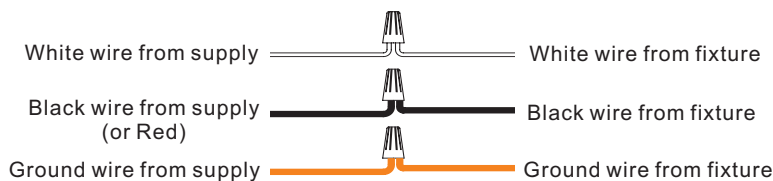
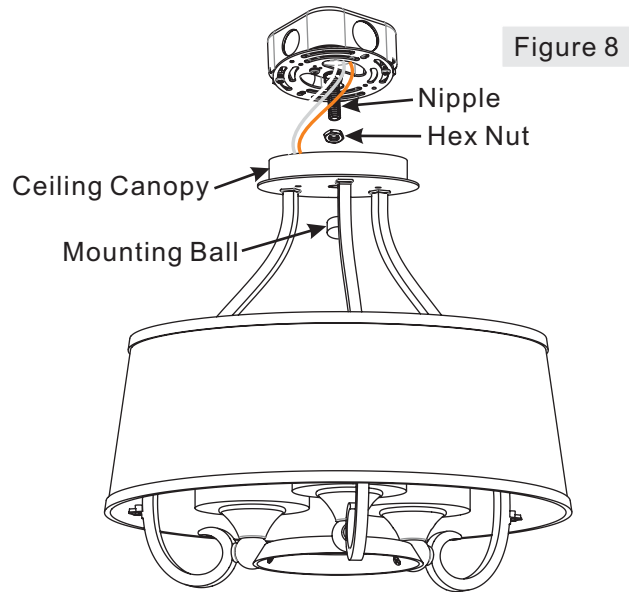


Figure 7

**Thank you for purchasing a Quoizel product.
 Need assistance with parts or assembly? Call Quoizel customer service at 1-631-273-2700
 or visit us on-line at www. quozel. com**

STEP 7 – Attach Ceiling Canopy to Mounting Screw

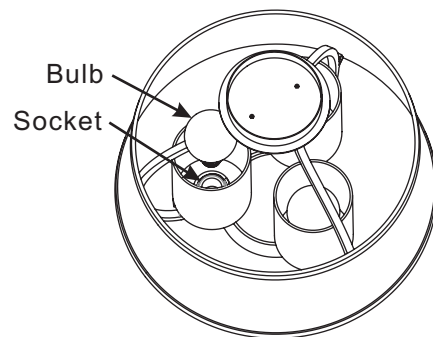
- A. Thread another Hex Nut (D) onto the end of the Nipple (B).
- B. Place the Ceiling Canopy over the Mounting Screws (B) and secure with the Mounting Ball (E). Hand tighten until snug.



STEP 8 – Install Bulb

- A. This fixture uses standard bulb with medium screw base. Maximum 100 watts.
- B. Insert bulb and screw snugly into place.

Your fixture is now assembled and ready to use.
Enjoy!



Thank you for purchasing a Quozel product.
Need assistance with parts or assembly? Call Quozel customer service at 1-631-273-2700
or visit us on-line at www. quozel. com