

# Assembly Instruction Sheet #IS-KPR5005BN For Style KPR5005BN

Quozel, Inc.  
 6 Corporate Parkway  
 Goose Creek, SC  
 29445

Customer Service  
 Phone 631.273.2700  
 Fax 631.231.7102  
 www. quozel. com

**Tools Required:** Flathead screwdriver, Phillips screwdriver, pliers, wire cutters, wire strippers, electrical tape, safety glasses.

**Bulb Recommended:** (5) Medium Base 100 W Maximum, (1) MR-16 GU10 Base 50W Maximum

**Estimated Assembly Time:** 20-30 minutes

**Preparation:** Identify and inspect all parts before beginning installation. Check package content list and diagrams below to be sure all parts are present. If any parts are missing or damaged, do not attempt to assemble, install, or operate the fixture. Contact customer service for replacement parts.

## Warnings and Cautions

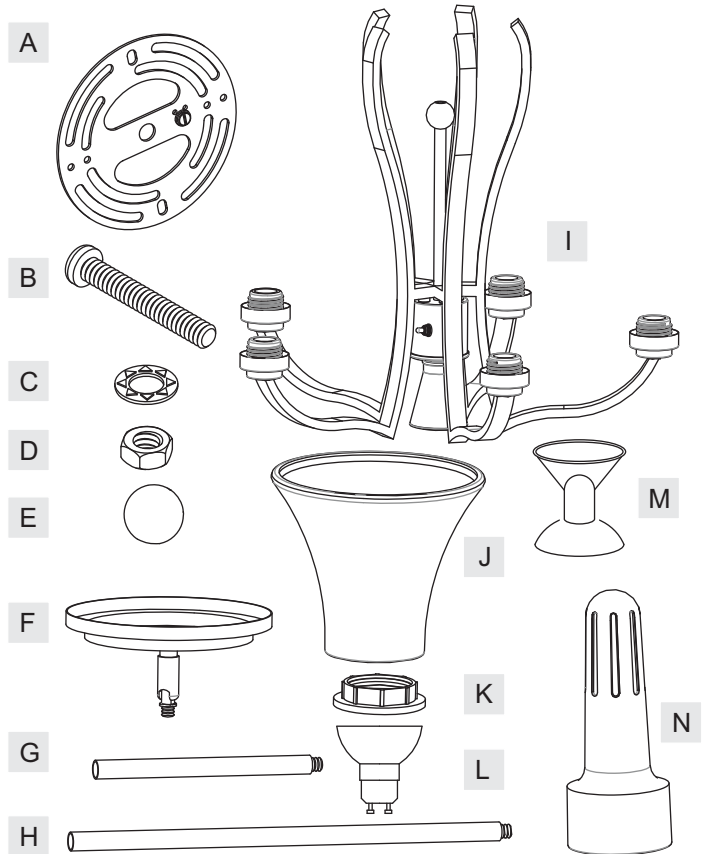
Turn off electricity at circuit breaker or main fuse box before installation. Consult a licensed electrician if in doubt.

These instructions are provided for your safety. It is very important you read them completely before installing the fixture. We strongly recommend that a licensed, professional electrician perform the installation.

Disconnect fixture from power source before replacing bulbs. Make sure bulbs are given sufficient time to cool before removal. Do not subject glass parts to any shock while in operation or shattering may result.

## Package Contents

Part	Description	Quantity
A	Crossbar	1 pc.
B	Mounting Screw	2 pcs.
C	Lock Washer	2 pcs.
D	Hex Nut	2 pcs.
E	Mounting Ball	2 pcs.
F	Ceiling Canopy	1 pc.
G	6" Rod	2 pcs.
H	12" Rod	2 pcs.
I	Fixture Body	1 pc.
J	Shade	5 pcs.
K	Socket Collar	5 pcs.
L	MR-16	1 pc.
M	Plastic Suction Cup	1 pc.
N	Socket Collar Tool	1 pc.

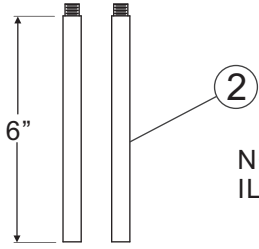
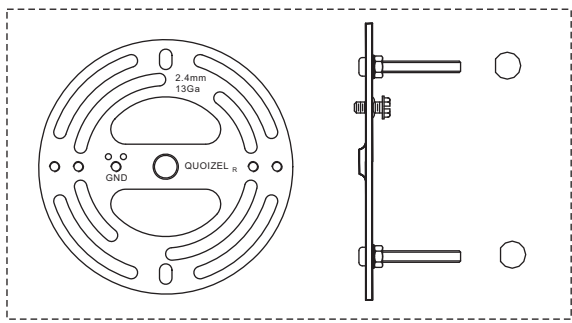


**Thank you for purchasing a Quozel product.**

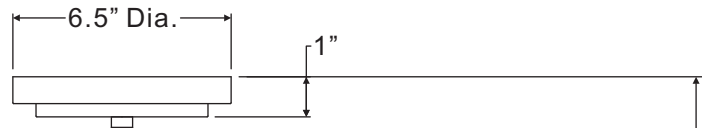
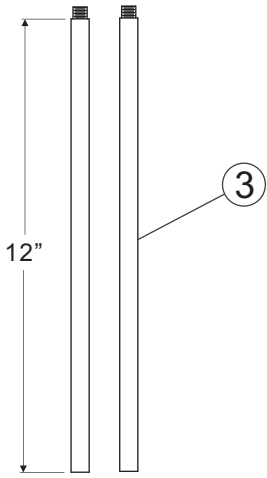
**Need assistance with parts or assembly? Call Quozel customer service at 1-631-273-2700  
 or visit us on-line at [www. quozel. com](http://www. quozel. com)**

KPR5005BN

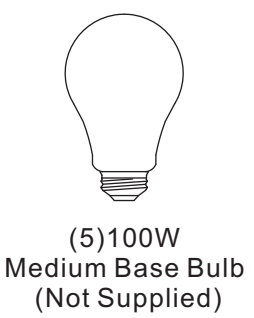
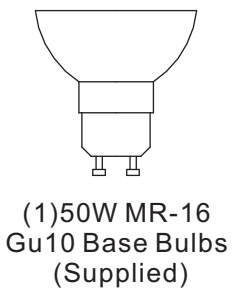
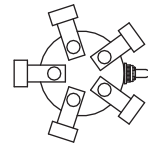
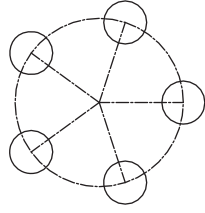
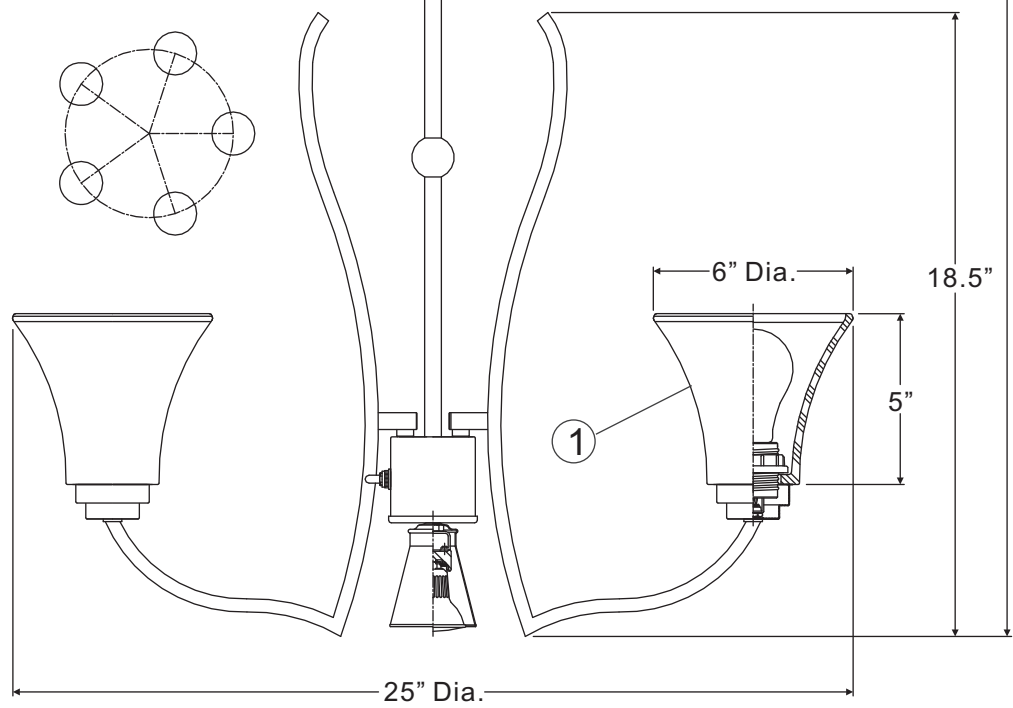
FINISH: BRUSHED NICKEL



NOTE: TWO LIGHTS SHOWN FOR ILLUSTRATION PURPOSES ONLY.



53.5" OVERALL HEIGHT INCLUDES (2) 6" AND 12" RODS

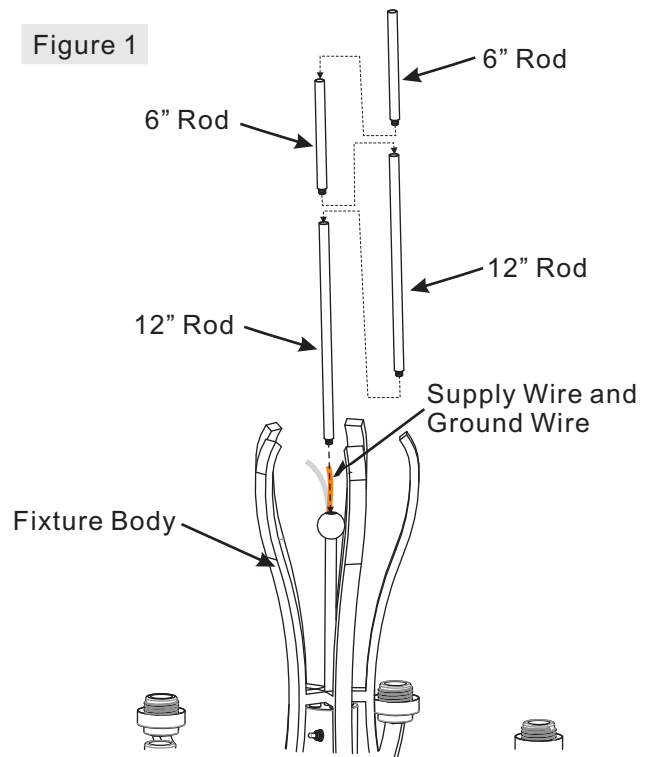


NOTE: ALL DIMENSIONS ARE ROUNDED UP TO THE NEAREST 1/2"

NO.	PART NUMBER	REPLACEMENT PART DESCRIPTION	REQ.
1	G3644SH	GLASS WHITE PAINTED INSIDE 6"D	5
2	9006EXBN	ROD EXT BRUSHED NICKEL 6"L X 0.5"D	2
3	9012EXBN	ROD EXT BRUSHED NICKLE 12"L X 0.5"D	2

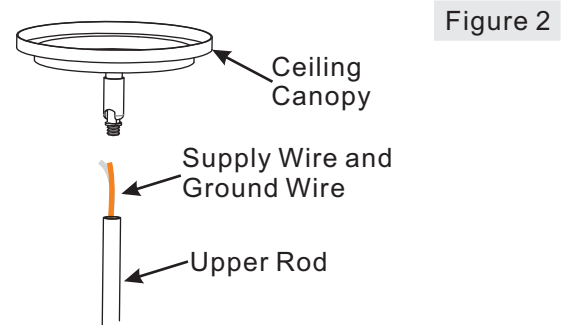
**STEP 1 – Assemble Rods**

- A. Determine the Rods (G/H) to be assembled to the Fixture Body (I) according to your hanging height.
- B. Pass Supply Wires and Ground Wire through the chosen Rods (G/H) and then thread the chosen Rods (G/H) and the Socket Assembly (I) together. Hand tighten until snug.



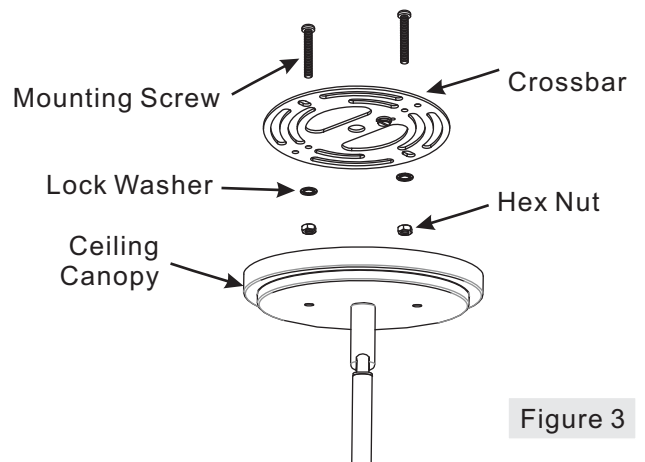
**STEP 2 – Assemble Ceiling Canopy to Upper Rod**

- A. Pass Supply Wires and Ground Wire through the Ceiling Canopy (F) and then thread the Ceiling Canopy (F) and the Upper Rod together. Hand tighten until snug.



**STEP 3 – Attach Mounting Screws, Lock Washers and Hex Nuts to Crossbar**

- A. Line up a set of holes on the Crossbar (A) and Holes on the Ceiling Canopy (F).
- B. Thread Mounting Screws (B) into the holes on the Crossbar (A), pass Lock Washers (C) and thread Hex Nut (D) onto the Mounting Screws (B). Hand tighten until snug.

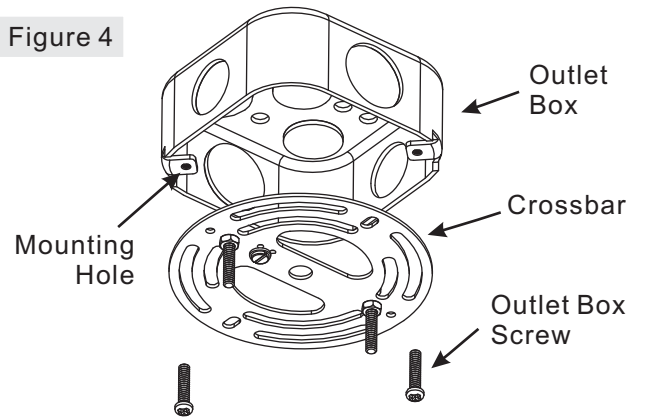


**Thank you for purchasing a Quoizel product.  
 Need assistance with parts or assembly? Call Quoizel customer service at 1-631-273-2700  
 or visit us on-line at www. quozel. com**

### STEP 4 – Attach Crossbar to Outlet Box

- A. Attach the Crossbar (A) to Outlet Box and secure by threading Outlet Box Screws (not supplied) into the Mounting Holes on the Outlet Box. Tighten until snug.

Figure 4



### STEP 5 – Make Wire Connections

- A. Use standard wire connectors to make all wire connections. (Connectors are not included with fixture.) Strip and prepare wire ends according to instructions supplied with connectors.
- B. Connect White Supply Wire from the Outlet Box to White Wire from fixture.
- C. Connect Black (or Red) Supply Wire from the Outlet Box to Black Wire from fixture.
- D. Connect Ground Wire from the Outlet Box to Ground Wire from fixture.
- E. Twist connectors until wires are tightly joined together.
- F. Wrap each connection with approved electrical tape and carefully stuff all the connected wires into the Outlet Box.

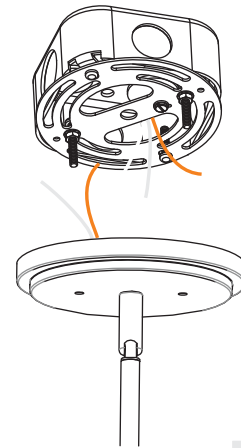


Figure 5

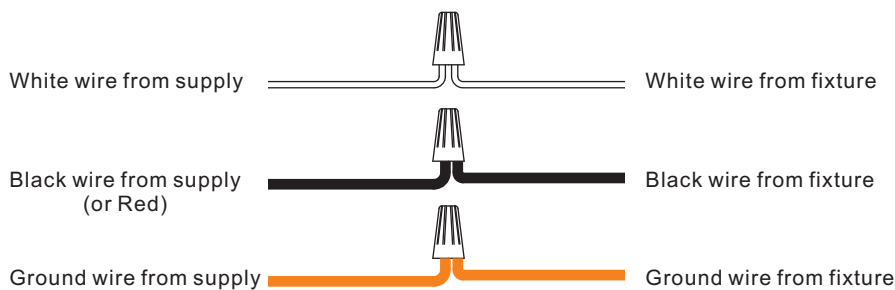
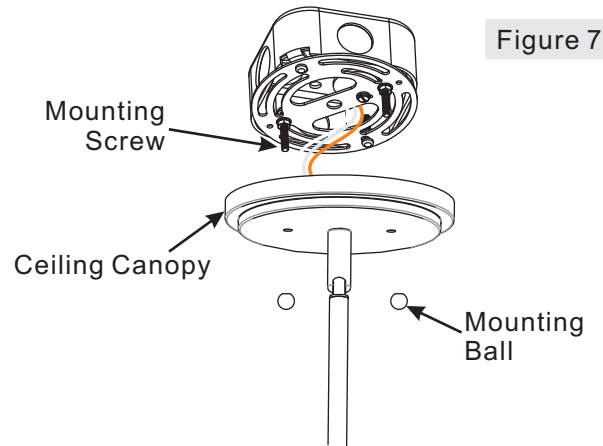


Figure 6

Thank you for purchasing a Quoizel product.  
Need assistance with parts or assembly? Call Quoizel customer service at 1-631-273-2700  
or visit us on-line at [www. quozel. com](http://www. quozel. com)

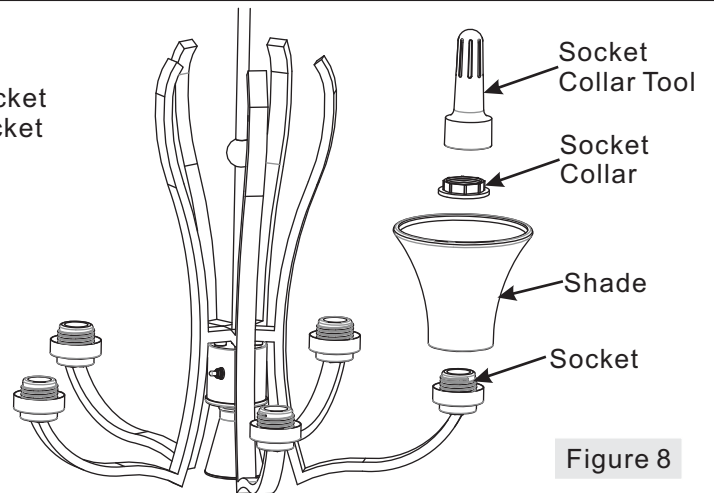
**STEP 6 – Attach Ceiling Canopy to Mounting Screw**

- A. Place the Ceiling Canopy (F) over the Mounting Screws (B) and secure with Mounting Balls (E). Hand tighten until snug.



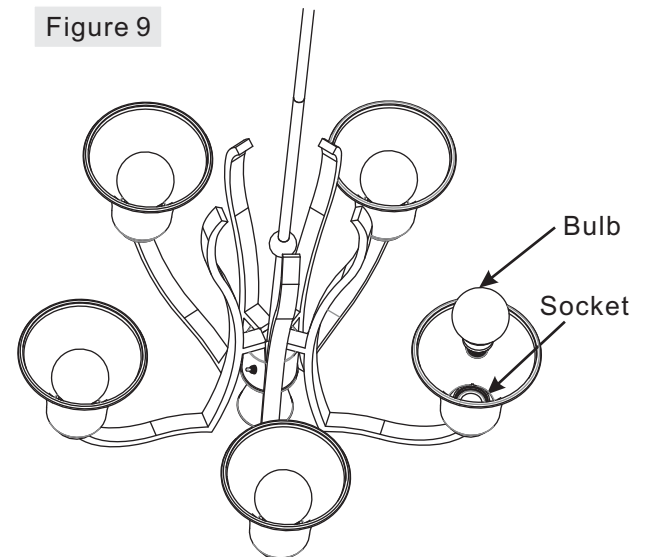
**STEP 7 – Attach Shade to Fixture Body**

- A. Place Shade (J) over the Socket, secure by using the Socket Collar Tool (N), thread the Socket Collar (K) onto the Socket to secure the Shade (J). Hand tighten until snug.



**STEP 8 – Install Bulb**

- A. This fixture uses standard bulb with a standard screw base. Maximum 100 watts.  
B. Insert bulb and screw properly into place.

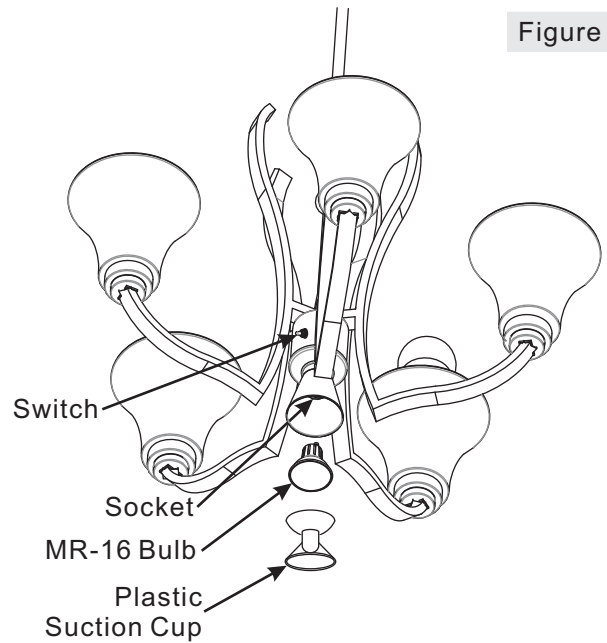


**Thank you for purchasing a Quoizel product.**  
**Need assistance with parts or assembly? Call Quoizel customer service at 1-631-273-2700**  
**or visit us on-line at [www. quozel. com](http://www. quozel. com)**

**STEP 9 – Install MR-16 Bulb**

Figure 10

- A. Put the Plastic Suction Cup onto the MR16 - GU10 Bulb as shown.
  - B. Install the MR16 - GU10 Bulb into the Socket by aligning the pins on the Bulb with the keyholes in the Socket. Once they are aligned, gently push the MR16 - GU10 Bulb into the keyholes and twist the MR16 - GU10 Bulb to lock it in place.
  - C. Remove the Plastic Suction Cup from the MR16 -GU10 Bulb.
  - D. Remove the package material (plastic film) from the Socket Assembly and Side Arms.
- Note: the Switch control the MR-16 Bulb ON/OFF



Your fixture is now assembled and ready to use.  
Enjoy!

**Thank you for purchasing a Quozel product.**  
**Need assistance with parts or assembly? Call Quozel customer service at 1-631-273-2700**  
**or visit us on-line at [www. quozel. com](http://www. quozel. com)**