

Installation Instructions

Model# LK8-NO
Model# LK8-LRC
Model# LK8-MRC
Model# LK8-TPRC



LiteKeeper® 8

General Information

The LiteKeeper 8® is shipped in one package. The relay card is mounted in the high voltage compartment. The logic board and inputs are located in the low voltage compartment. The following information describes the LiteKeeper® installation. For programming information, refer to the LiteKeeper® Programming Manual.

Getting Started

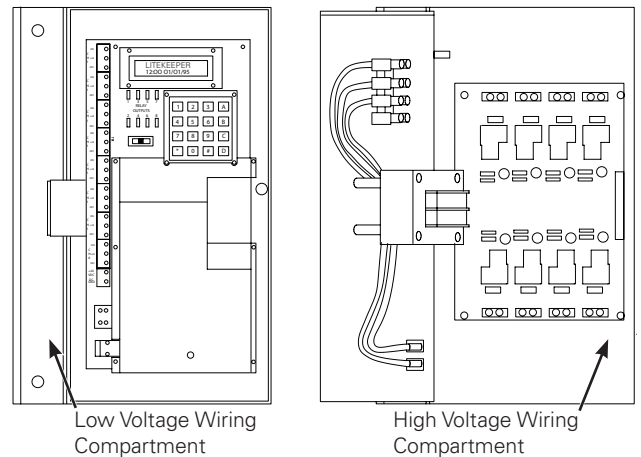
1. Do not discard these installation instructions. Please keep for future reference and operation information.
2. The relay cards are protected by shrink-wrap. Leave shrink-wrap in place until all drilling and metal work is complete to protect against metal shards getting into component circuitry.
3. Always disconnect all power before wiring.
4. Use only as intended and at the listed voltage.
5. All installation service must be performed by qualified personnel or service technicians.
6. Install in accordance with National Electrical Code and any other codes that may apply.
7. High Voltage is present inside the lighting enclosure. Use extreme caution when performing maintenance on this equipment. Failure to follow this warning and proper safety procedures could result in severe injury or death and/or damage to the equipment.
8. Document all wiring that is terminated to the relays so that the lighting control equipment can be properly configured and programmed for operation.
9. It is recommended that all low voltage wiring be done with power removed to the logic board to protect components from potential shorts during the wiring process.

Mounting in the Enclosure

1. Choose a dry location convenient to the circuit breaker panel.
2. Mount the panel on a firm surface using pre-drilled holes.
3. Connect the enclosure to the circuit breaker panel using conduit into the punch holes provided.
4. Remove all cuttings and dirt before removing shrink-wrap from the relays.

Note: Make certain that high voltage and low voltage wiring enters the enclosure separately. High Voltage wiring should be brought into the top or bottom of the enclosure. Low Voltage wire should enter in the low voltage wiring compartment on the left side of the enclosure.

Failure to separate high voltage from low voltage wiring may cause interference with logic board function.



Low and High Voltage



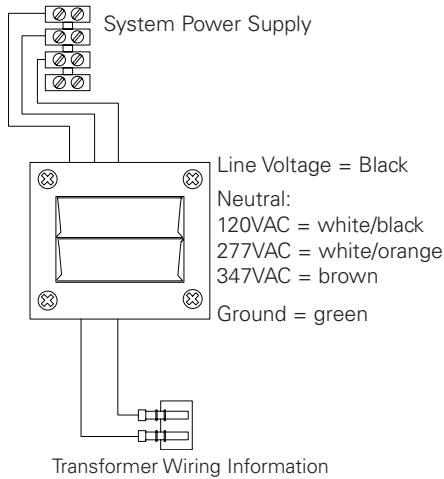
Powering Business Worldwide

Wiring the Transformer

Wiring the Transformer

The transformer is multi-tapped and voltages are color-coded. The transformer is available in 120/277 VAC and 120/347 VAC models. It is recommended that a dedicated branch circuit with circuit protection be provided for the transformer.

1. Connect neutral wire to the wire with the appropriate color-coding for the voltage being used: White/Black=120 VAC, White/Orange=277 VAC, Brown=347 VAC.
2. Connect the solid black wire to the dedicated branch circuit that is powering the transformer.



Connecting Relay Loads

The relay cards will be pre-mounted by the manufacturer in the enclosure per the order specifications. There are currently four available relay types for the enclosure. This includes the Standard Relay Card, the Modular Relay Card, the Latching Relay Card and the Two Pole Relay Card. If a Modular Relay Card or Two Pole Relay Card is ordered, a deeper enclosure will be provided to allow for clearance of the transformer with the larger relay types. Refer to the specific section for your relay card type that you are wiring. For all relay types:

1. Verify that all wire cuttings are removed from the enclosure.
2. Take the protective shrink-wrap off of the relay cards AFTER the wire cuttings are removed from the enclosure.
3. Test branch circuits for short circuits prior to landing wiring on relays.

Note: Neutrals terminate within the adjoining lighting panel.

Standard Relay Card Notes

1. The Standard Relay Card is rated for single-pole load use only. Connection of 2 pole circuits/loads to the Standard Relay Card will void the equipment warranty and may result in severe injury or death, and/or damage to the equipment.
2. Relay ratings are 120 or 277 volt, 20 amp maximum.
3. Relay terminal blocks have a maximum limit of 10AWG wire.

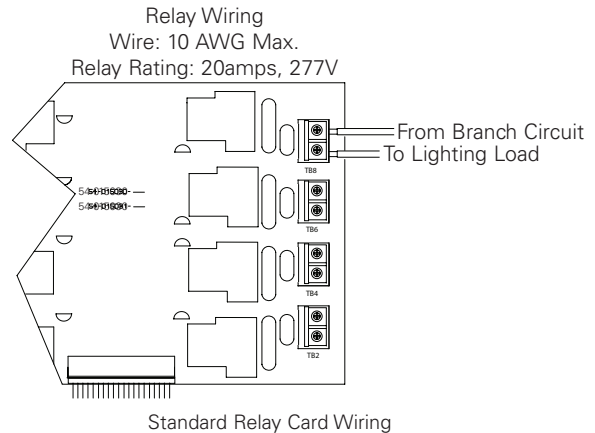
Standard Relay Card Wiring

The standard relay is a simple contact closure, breaking the line and load wires of a normal circuit. To wire the relay into the control circuit:

1. Connect a 120 or 277 volt, 20 amp max, de-energized branch circuit breaker to the relay terminal block.
2. Connect the load wiring to the output terminal block.

Note: Terminal blocks are not polarity sensitive although it is recommended that line and load be brought into terminal blocks in the same manner for consistency.

3. Tighten down relay terminal screws. Manufacturer's recommended torque rating is 7 lbs-in. (0.59 lbs-foot) (0.8 Nm).
4. Document relay to circuit information for future reference.



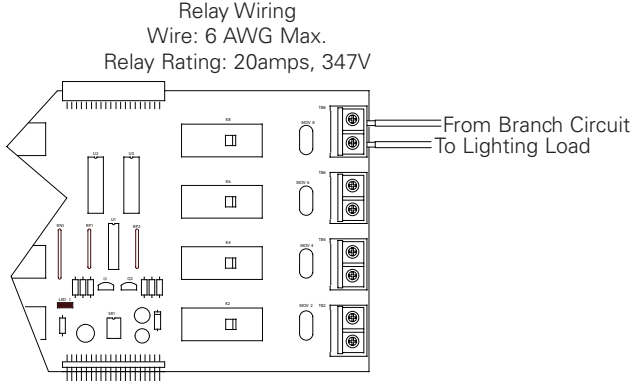
Latching Relay Card Notes

1. The Latching Relay Card is rated for single-pole load use only. Connection of 2 pole circuits/loads to the Latching Relay Card will void the equipment warranty and may result in severe injury or death, and/or damage to the equipment.
2. Relay ratings are 120/277/347 volt, 20 amp maximum.
3. Relay terminal blocks have a maximum limit of 6AWG wire.

Latching Relay Card Wiring

The latching relay is a simple closure, breaking the line and load wires of a normal circuit. To wire the relay into the control circuit:

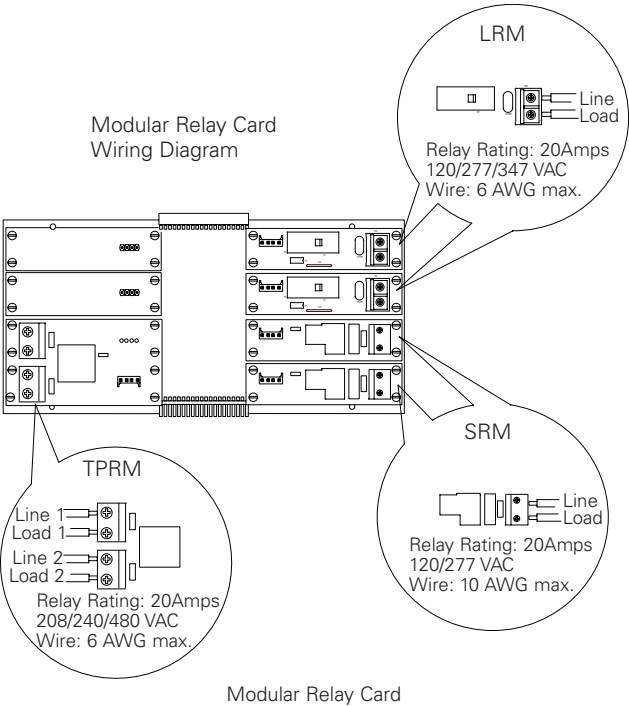
1. Connect a 120, 277 or 347 volt, 20 amp maximum, de-energized branch circuit breaker to the relay terminal block.
 2. Connect the load wiring to the output terminal block.
- Note:** Terminal blocks are not polarity sensitive although it is recommended that line and load be brought into terminal blocks in the same manner for consistency.
3. Tighten down relay terminal screws. Manufacturer's recommended torque rating is 18 lb-in. (1.475 foot-lbs) (2.0 Nm).
 4. Document relay to circuit information for future reference.



Latching Relay Card Wiring

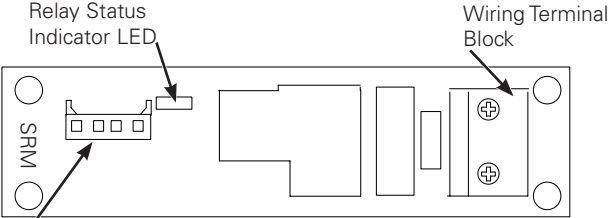
Modular Relay Card Notes

The Modular Relay Card provides flexible options for relay control. It is designed to allow modular relay control by allowing you to install a variety of relay module types on the same relay card. Current available relay module types include a Two Pole Relay Module (TPRM) Normally Open, the Latching Relay Module (LRM) and the Standard Relay Module (SRM).



Standard Relay Module

1. The Standard Relay Module is rated for single-pole load use only. Connection of 2 pole circuits/loads to the Standard Relay Module will void the equipment warranty and may result in severe injury or death, and/or damage to the equipment.
2. Relay ratings are 120 or 277 volt, 20 amp maximum.
3. Relay terminal blocks have a maximum limit of 10AWG wire.
4. The SRM contains an LED indicator that will be lit when the relay is commanded by the control panel to be in the closed position.



Relay Slot Pin Connector:
Please note relay number location for programming purposes.

Standard Relay Module (Modular Relay Card)

Connecting Relay Loads

Standard Relay Module Wiring

The standard relay is a simple contact closure, breaking the line and load wires of a normal circuit. To wire the relay into the control circuit:

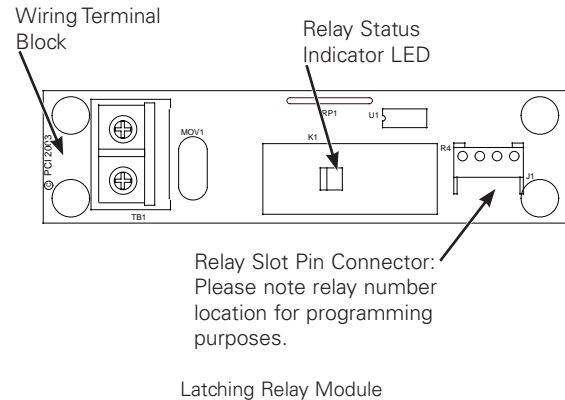
1. Connect a 120 or 277 volt, 20 amp max, de-energized branch circuit breaker to the relay terminal block.
2. Connect the load wiring to the output terminal block.

Note: Terminal blocks are not polarity sensitive although it is recommended that line and load be brought into terminal blocks in the same manner for consistency.

3. Tighten down relay terminal screws. Manufacturer's recommended torque rating is 7 lbs-in. (0.59 lbs-foot) (0.8 Nm).
4. Document relay to circuit information for future reference.

Latching Relay Module

1. The Latching Relay Module is rated for single-pole load use only. Connection of 2 pole circuits/loads to the Latching Relay Module will void the equipment warranty and may result in severe injury or death, and/or damage to the equipment.
2. Relay ratings are 120/ 277/347 volt, 20 amp maximum.
3. Relay terminal blocks have a maximum limit of 6AWG wire.
4. During initial power-up, the relay on the Latching Relay Module will remain in its current latched state for a period of 30 seconds. After 30 seconds, the relay will assume its programmed state.
5. During a power outage, the LRM relay will remain in the state it was in prior to the power outage. Once power returns, the relay will stay in its state for 30 seconds then assume its programmed state.
6. There is a manual switch on each relay that indicates relay status and allows for a temporary override of the lighting load. If the switch is moved towards the center of the Modular Relay Card, the relay is ON. If the relay switch is moved towards the outside of the relay card, the relay is OFF. If this switch is used to override lighting, the relay will stay in the overridden state until the next command to that relay is given by the logic board.



Latching Relay Module

Latching Relay Module Wiring

The latching relay is a simple closure, breaking the line and load wires of a normal circuit. To wire the relay into the control circuit:

1. Connect a 120, 277 or 347 volt, 20 amp maximum, de-energized branch circuit breaker to the relay terminal block.
2. Connect the load wiring to the output terminal block.

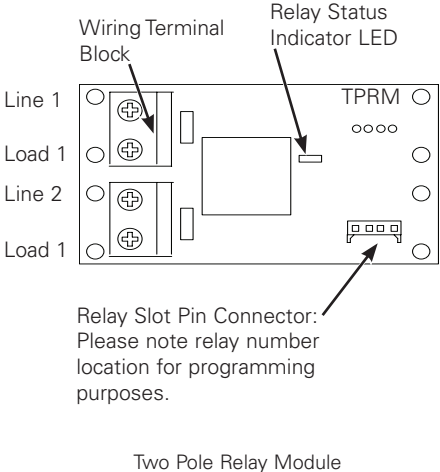
Note: Terminal blocks are not polarity sensitive although it is recommended that line and load be brought into terminal blocks in the same manner for consistency.

3. Tighten down relay terminal screws. Manufacturer's recommended torque rating is 18lb-in. (1.475 foot-lbs) (2.0 Nm).
4. Document relay to circuit information for future reference.

Two Pole Relay Module

1. Two Pole Relay ratings are 208/240/480 volt, 20 amp maximum.
2. Relay terminal blocks have a maximum limit of 6 AWG wire.
3. Two Pole Relays take up two relay slots in the enclosure.
4. Two Pole Relays come in a normally open configuration.
5. There is an LED that will light up when the relay is commanded to be in the closed position.

- To program the controller to control a Two Pole Relay Module, apply programming to the relay number where the relay pin connector is attached to the MRC.



Each Two Pole Relay Card has eight mounting clips for the placement of the relays. The Two Pole Relay Card will hold eight 208V two pole relays, one in each mounting clip. The 480V Two Pole Relay Card uses two mounting clips, thus only four relays will fit per card. The Two Pole Relay Card will hold eight 347 Single Pole Relays, one in each mounting clip.

- Position the relay so that the input coil faces the center of the Two Pole Relay Card and the output contacts face outwards toward the enclosure walls.
- Place the input coil side in first then press down with an even motion and snap the relay into place. (To remove the relay, press down on the metal release bar and pull the relay out).
- The coil control wires (blue and red) and a connector are supplied already attached to the relay. Simply plug this connector into the Two Pole Relay Card. The relay number slot that this connector is plugged into will be the relay that will need to be programmed in the controller for proper function. Wire as indicated in the diagram following.

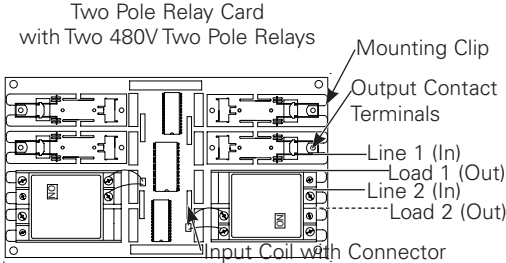
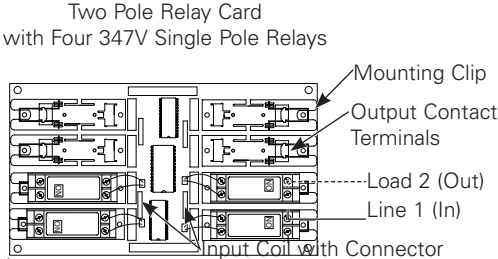
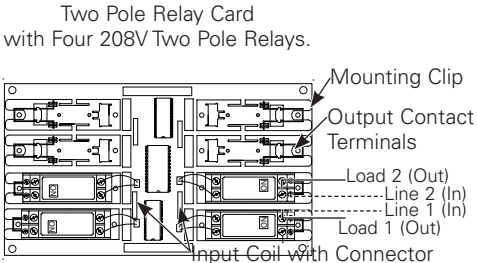
Two Pole Relay Module Wiring

- Connect one de-energized branch circuit breaker to one of the relay terminal blocks
- Connect the load side to the output terminal block position of this same terminal block. Note: terminal blocks are not polarity sensitive although it is recommended that line and load be brought into terminal blocks in the same manner for consistency.
- Connect the other de-energized branch circuit breaker to the other relay terminal block on the module.
- Connect the second load wire to the second terminal block.
- Tighten down relay terminal screws. Manufacturer’s recommended torque rating is 18lbs-in. (1.475 foot-lbs) (2.0 Nm).
- Document relay to circuit information for future reference.

Two Pole Relay Card Notes

The Two Pole Relay Card(s) is installed at the factory in the Lighting Controller specified.

The Two Pole Relay Card relays are shipped separately and are installed in the field. The relays that are available are Two Pole Relays rated at 120V/208V or 277V/480V. A Single Pole Relay is also available, rated at 347V. All relays are rated to 20 Amps. The following information describes the installation of the relays onto the Two Pole Relay Card.



Two Pole Relay Card Wiring

Connecting Low Voltage Inputs

Connecting Low Voltage Inputs

The LiteKeeper 8® logic board can support up to 64 switch inputs. Of these 64 inputs, 8 of them may be dry contact closure inputs that are connected to the terminal blocks on the left side of the LiteKeeper® Logic Board. Digital switch inputs may also be used on the LiteKeeper®. If no contact input type switches are being used, the full 64 switch inputs may consist of digital switches. If a combination of contact input switches and digital switches are being used, the combined total cannot exceed 64 inputs.

Regardless of input type used, it is recommended that all input wiring be done prior to applying power to the logic board. Please verify that there are no shorts to AC Ground prior to connection of input devices.

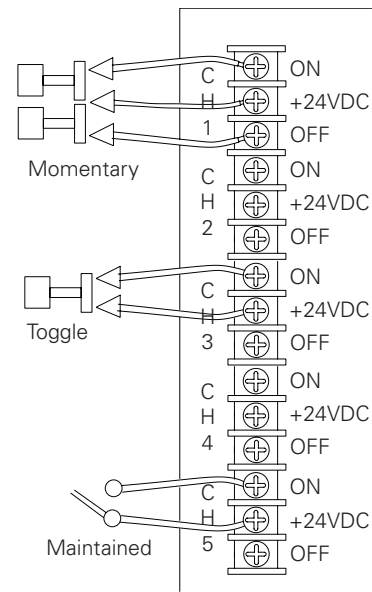
Regardless of input type, the following notes apply.

1. All low voltage wiring is Class 2 wiring.
2. All low voltage wiring must enter the cabinet into the low voltage section of the enclosure. Low Voltage wiring can be brought into the enclosure from the left side of the enclosure. Failure to separate high voltage from low voltage wiring may cause interference with logic board function.
3. All low voltage wiring must be run in separate conduit from line-voltage wiring.
4. Test all low voltage wiring for shorts to AC ground before connection to the relay panel.
5. When powering peripheral devices such as motion sensors and photocells from the LiteKeeper® panel, there may be a limitation on the number of sensors that can be supported. This is also true if digital switches are used with the system. See the recommendations below or contact Eaton's Cooper Controls Business for further information.
6. It is recommended that power be removed from the logic board when doing initial switch input wiring.

Contact Input Switch Wiring

This section describes the wiring for dry contact closure devices. There are eight switch input wiring terminals on the left side of the LiteKeeper-8® to allow for wiring of the dry contact closure devices.

1. Use 18AWG twisted, unshielded wire for all low voltage dry contact closure device wiring.
2. Maximum length for dry contact closure device wiring is 1000 feet.
3. Please see wiring detail below for details on connections of different devices to the LiteKeeper 8® system.



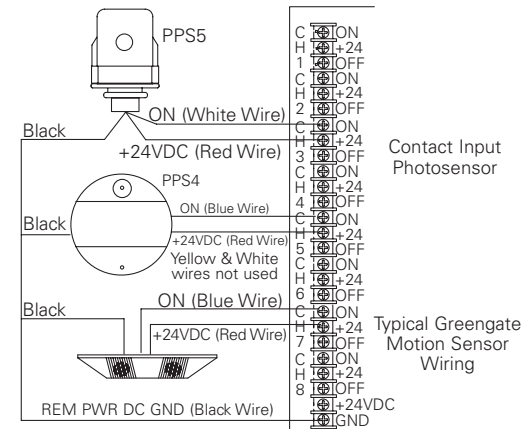
LiteKeeper-8® Low Voltage Switch Wiring

Contact Input Photosensor and Greengate Sensor Notes

It is possible to use a contact input photosensor and Greengate motion sensors in conjunction with the lighting control system. The LiteKeeper 8® is capable of powering a number of these devices. Please refer to the chart below for details on how many devices the transformer can support.

Greengate PIR Sensor	Greengate Dual-Technology Sensor	Greengate Ultrasonic Sensor	PPS-4 Indoor Photosensor	PPS-5 Outdoor Photosensor
40	16	20	20	4

Please contact technical support if it is necessary to power additional sensors beyond the numbers listed above. These figures do not account for additional devices such as digital switches being used. If using a combination of devices, please contact technical support for exact limits on how the number of devices the logic panel can power.



Photocell and Motion Sensor Wiring

Digital Switch Wiring

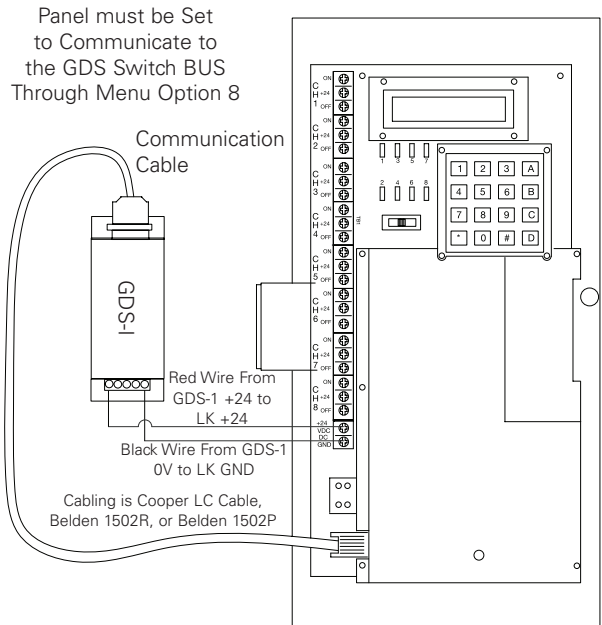
Each LiteKeeper 8® unit is capable of supporting the Greengate Digital Switch (GDS) station. The GDS do not wire directly to the LiteKeeper 8® logic board, but are wired using a CAN Bus network that connects to the LiteKeeper 8® through a gateway called the GDS-I. GDS stations are wired using the Eaton's Cooper Controls LCCP or LCCNP cable, or Belden 1502P or 1502R equivalents.

For best network performance, one of the suggested cables should be used. If the specified cable is not used and communications problems occur that require troubleshooting assistance, additional charges for support may be assessed.

Digital Switch devices should be networked together in a daisy chain configuration. No T-Taps/Stars should be used. The GDS-I device should reside somewhere within the daisy chain switch network. Total daisy chain network length should not exceed 1000 feet.

The following instructions describe the GDS-I device connection to the LiteKeeper 8®. Please refer to the Greengate Digital Switch installation instructions for information on wiring the Digital Switch Network to the Digital Switch Gateway.

1. Mount the GDS-I next to the LiteKeeper®-8 panel. A six foot phone style cable has been provided for connection to the LiteKeeper-8® panel.
2. Run a length of the Digital Switch LC or Belden cabling from the GDS-I location to the low voltage section of the LiteKeeper 8®.
3. Connect the RED wire in the cable to the +V terminal on the back of the GDS-I and to the LiteKeeper 8® at one of the switch input +24 VDC terminals.
4. Connect the BLACK wire in the cable to the GND terminal on the back of the GDS-I and to the LiteKeeper 8® remote power connector GND terminal.
5. Tape back or cap the blue and white wires and shield wire for the cable. They will not be used for connection between the GDS-I and lighting controller.
6. Locate the 6 foot phone style cable included in the GDS-I box. Run this from the GDS-I into the low voltage section of the LiteKeeper 8® enclosure plugging the end with 9 pin head into the GDS-I. Plug the end the RJ11 phone style plug into the LiteKeeper 8®.
7. It is recommended that power be removed from the logic board when doing initial switch input wiring.



GDS-I Wiring

Applying Power

1. Once the wiring is complete, make certain that the enclosure is clean of any wire clippings and that no fragments are lodged in the relay circuit boards.
2. Ensure that there are no loose wires or exposed wires that could short to other wires or components.
3. Power-up the unit from the circuit breaker.
4. Once power is applied to the unit, lighting loads may be operated via the ALL ON/ AUTO/ ALL OFF switch as necessary.

Manually Controlling Relays

The relays in the enclosure may be controlled before the logic board is programmed by using the on-board, ALL OFF, AUTO, ALL ON switch. In the ALL ON position the relay coils will be energized. In the ALL OFF position, the relay coils will be de-energized. The middle, AUTO, position allows the relays to be controlled by the individual relay switches or from the logic controller.

System Reset and Clear Commands

Under certain circumstances, you may want to reset the LiteKeeper 8®. There are two different types of reset commands available in the LiteKeeper 8® system: a soft reset command and a clear reset command.

Programming the LiteKeeper-8®

Soft Reset Command: The Soft Reset Command reboots the microprocessor. It will not cause loss of panel programming. To perform a Soft Reset Command, insert a slim object through the hole in the black casing located in the bottom section of the logic panel. Press in and then immediately release the reset button under this point. The display will go blank then read "Initializing"

Clear Settings Command: A clear settings command is used to remove all programming from a LiteKeeper 8® unit. It should be done before programming to the unit for the first time or when asked to by a Technical Support representative. Please use caution with this command! When performing a Clear command, all relay loads will turn OFF. Use the ALL ON override switch to keep lighting ON if necessary.

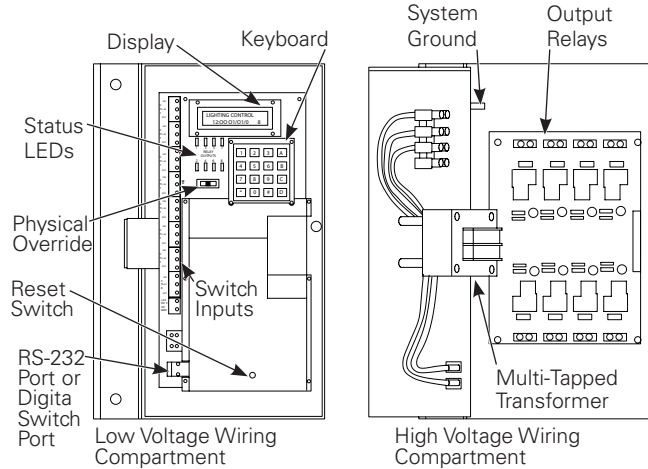
To Perform a Clear Command: Reset the panel, using the Reset Button. Wait for the screen to initialize. Hit the key sequence "A, B, C, D, *." The display will read "Initializing" again. The unit is now cleared to factory default programming.

Programming the LiteKeeper-8®

The LiteKeeper 8® is programmed either through the keypad onboard interface or through the optional Keeper Enterprise Software. Please refer to programming guide that came with the unit to program via the keypad or to your Keeper Enterprise Manual for programming details. It is recommended that a Clear Settings command be performed on the controller before the first programming is done to clear any test data that may be left in the controller from factory testing.

Repair Information

If a repair becomes necessary on your LiteKeeper 8® unit, please refer all service to Greengate technical support line at 1-800-553-3879.



Item Reference Drawing

Renseignements généraux

Le LiteKeeper 8MD est expédié dans un seul emballage. La carte de relais est montée dans un compartiment à haute tension. La carte logique et les entrées sont situées dans le compartiment à basse tension. Les informations suivantes décrivent l'installation du LiteKeeperMD. Pour des informations sur la programmation, veuillez consulter le manuel de programmation du LiteKeeperMD.

Pour commencer

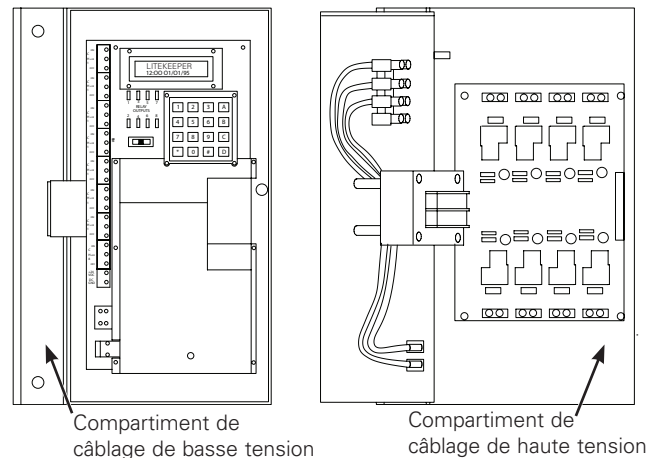
1. Ne jetez pas ces instructions d'installation. Veuillez les conserver pour une référence ultérieure.
2. Les cartes de relais sont protégées par un emballage rétrécissable. Laissez l'emballage rétrécissable en place jusqu'à ce que les travaux de perçage et des métaux soient complétés pour empêcher les débris de métal d'entrer en contact avec la circuiterie des composants.
3. Débranchez toujours toutes les alimentations électriques avant de procéder au câblage.
4. Utilisez uniquement aux fins prévues et à la tension indiquée.
5. Tout service d'installation doit être effectué par un personnel ou un technicien de service qualifié.
6. Installez selon les codes du Code national de l'électricité qui peuvent s'appliquer.
7. Une tension élevée est présente à l'intérieur du boîtier d'éclairage. Prenez des précautions extrêmes lorsque vous effectuez l'entretien de cet équipement. Le non-respect de cet avertissement et des procédures de sécurité appropriées peut entraîner des blessures sérieuses ou la mort et/ou des dommages à l'équipement.
8. Documentez le câblage relié aux relais pour pouvoir configurer et programmer correctement l'équipement de contrôle d'éclairage.
9. Il est recommandé que tout câblage de basse tension soit effectué avec la carte logique mise hors tension pour protéger les composants de court-circuit pendant le processus de câblage.

Montage à l'intérieur du boîtier

1. Choisissez un emplacement sec qui convient au panneau électrique.
2. Montez le panneau sur une surface stable à l'aide des trous prépercés.
3. Branchez le boîtier au panneau électrique à l'aide d'un câble passé dans les trous défonçables fournis.
4. Enlevez tous les débris de découpage et toute saleté avant de retirer l'emballage rétrécissable des cartes de relais.

Note: Assurez-vous que les câblages de haute tension et de basse tension entrent séparément dans le boîtier. Le câblage de haute tension doit passer dans la section du haut ou du bas du boîtier. Le câblage de basse tension doit entrer dans le compartiment de basse tension situé sur le côté gauche du boîtier.

Si vous ne séparez pas le câblage de haute tension et de basse tension, une interférence peut survenir avec le fonctionnement de la carte logique.

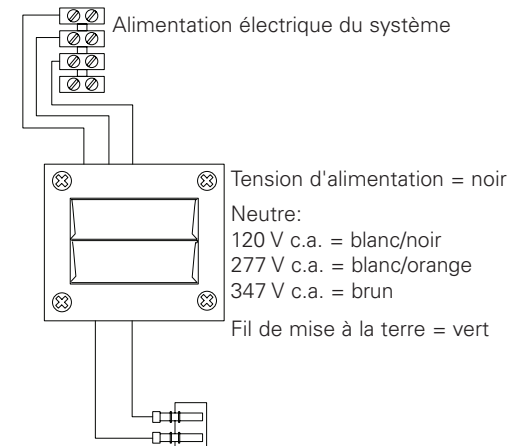


Basse et haute tension

Câblage du transformateur

Le transformateur possède de multiples prises et les tensions sont codées par couleur. Le transformateur est disponible en modèle de 120/277 V c.a. et 120/347 V c.a. Il est recommandé de dédier un circuit de dérivation avec une protection des circuits pour le transformateur.

1. Branchez le fil neutre au fil ayant le code de couleur approprié pour la tension en utilisation: Blanc/Noir = 120 V c.a., Blanc/Orange = 277 V c.a., Brun = 347 V c.a.
2. Branchez le fil noir solide au circuit de dérivation qui alimente le transformateur.



Information sur le câblage du transformateur

Brancher les charges du relais

Brancher les charges du relais

Les cartes de relais seront pré-montées par le fabricant dans le boîtier conformément aux spécifications de la commande. Il y a actuellement quatre types de relais pour le boîtier. Ils comprennent la carte de relais standard, la carte de relais modulaire, la carte de relais de verrouillage et la carte de relais bipolaire. Si la carte de relais modulaire ou la carte de relais bipolaire est commandée, un boîtier plus profond sera fourni pour permettre le dégagement du transformateur pour les types de relais plus grands. Reportez-vous à la section spécifique à votre type de carte de relais pour laquelle vous effectuez le câblage. Pour tous les types de relais:

1. Vérifiez que tous les débris de câblage sont enlevés du boîtier.
2. Retirez l'emballage rétrécissable des cartes de relais APRÈS avoir enlevé les débris de découpage du boîtier.
3. Effectuez un essai des circuits de dérivation pour des courts-circuits avant de brancher les fils aux relais.

Note: Les fils neutres se terminent à l'intérieur du panneau d'éclairage adjoint.

Remarques concernant la carte de relais standard

1. La carte de relais standard est cotée pour usage avec une charge à un seul pôle. Le branchement de circuits/charges bipolaires à la carte de relais standard annulera la garantie de l'équipement et peut entraîner des blessures sérieuses ou la mort et/ou des dommages à l'équipement.
2. Les classifications des relais sont de 120 ou 277 volts, 20 A maximum.
3. Les borniers des relais ont une limite maximum de 10 AWG pour le câblage.

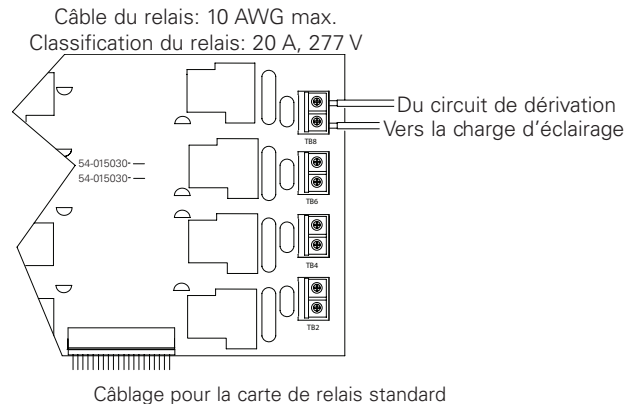
Câblage pour la carte de relais standard

Le relais standard est une fermeture à contact simple, avec la rupture des câbles et des fils de charge d'un circuit normal. Pour câbler le relais au circuit de commande:

1. Branchez un disjoncteur de dérivation de 120 ou 277 V, 20 A maximum, hors tension au bornier du relais.
2. Branchez le câblage de charge au bornier de sortie.

Note: Les borniers ne sont pas sensibles à la polarité bien qu'il soit recommandé que le câble et la charge soient acheminés au bornier de la même manière pour l'uniformité.

3. Serrez les vis du bornier des relais. La classification du couple recommandée par le fabricant est de 0,8 Nm (7 lb-po ou 0,59 lb-pi).
4. Conservez les informations concernant le branchement du relais au circuit pour une référence ultérieure.



Remarques concernant la carte de relais à verrouillage

1. La carte de relais à verrouillage est cotée pour usage avec une charge à un seul pôle. Le branchement de circuits/charges bipolaires à la carte de relais à verrouillage annulera la garantie de l'équipement et peut entraîner des blessures sérieuses ou la mort et/ou des dommages à l'équipement.
2. Les classifications des relais sont de 120/277/347 volts, 20 A maximum.
3. Les borniers des relais ont une limite maximum de 6AWG pour le câblage.

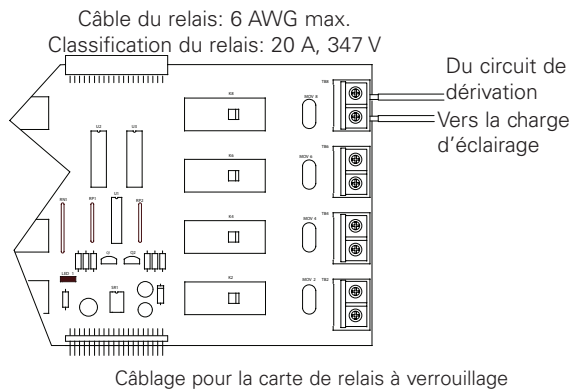
Câblage pour la carte de relais à verrouillage

Le relais à verrouillage est une fermeture à contact simple, avec la rupture des câbles et des fils de charge d'un circuit normal. Pour câbler le relais au circuit de commande:

1. Branchez un disjoncteur de dérivation de 120, 277 ou 347 volts, 20 A maximum, hors tension au bornier du relais.
2. Branchez le câblage de charge au bornier de sortie.

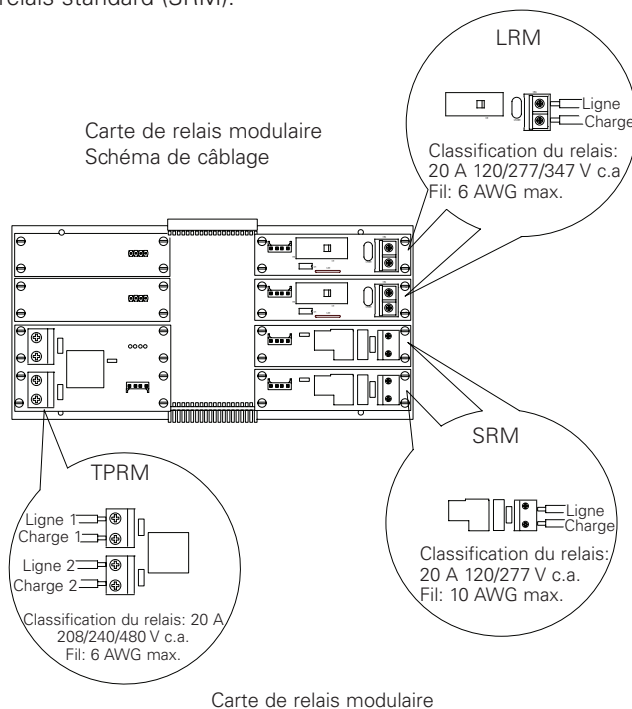
Note: Les borniers ne sont pas sensibles à la polarité bien qu'il soit recommandé que le câble et la charge soient acheminés au bornier de la même manière pour l'uniformité.

3. Serrez les vis du bornier des relais. La classification du couple recommandée par le fabricant est de 2,0 Nm (18 lb-po ou 1,475 pi-lb).
4. Conservez les informations concernant le branchement du relais au circuit pour une référence ultérieure.



Remarques concernant la carte de relais modulaire

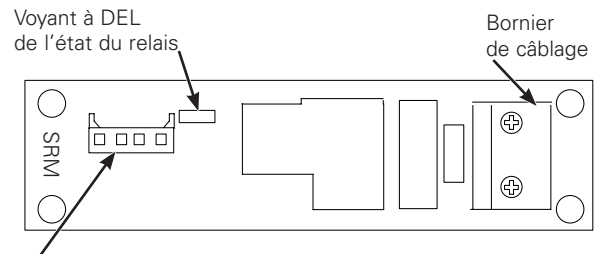
La carte de relais modulaire offre des options flexibles pour le contrôle des relais. Elle est conçue pour permettre un contrôle modulaire des relais vous permettant d'installer une variété de types de modules de relais sur la même carte de relais. Les types de modules de relais actuels comprennent un relais à module bipolaires (TPRM) normalement ouvert, le module de relais à verrouillage (LRM) et le module de relais standard (SRM).



Module de relais standard

1. Le module de relais standard est coté pour usage avec une charge à un seul pôle. Le branchement de circuits/charges bipolaires au module de relais standard annulera la garantie de l'équipement et peut entraîner des blessures sérieuses ou la mort et/ou des dommages à l'équipement.
2. Les classifications des relais sont de 120 ou 277 volts, 20 A maximum.

3. Les borniers des relais ont une limite maximum de 10 AWG pour le câblage.
4. Le module de relais standard (SRM) est équipé d'un voyant à DEL qui s'allume lorsque le relais est contrôlé par le panneau de contrôle dans la position fermée.



Connecteur de la broche de la fente à relais: Veuillez noter le numéro de relais aux fins de programmation.

Module de relais standard (carte de relais modulaire)

Câblage du module de relais standard

Le relais standard est une fermeture à contact simple, avec la rupture des câbles et des fils de charge d'un circuit normal. Pour câbler le relais au circuit de commande:

1. Branchez un disjoncteur de dérivation de 120 ou 277 V, 20 A maximum, hors tension au bornier du relais.
2. Branchez le câblage de charge au bornier de sortie.

Note: Les borniers ne sont pas sensibles à la polarité bien qu'il soit recommandé que le câble et la charge soient acheminés au bornier de la même manière pour l'uniformité.

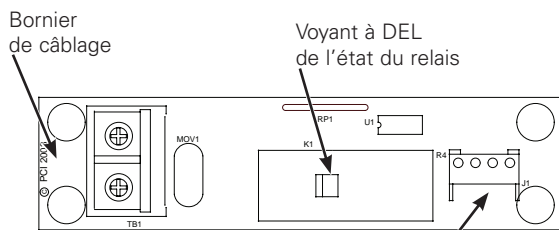
3. Serrez les vis du bornier des relais. La classification du couple recommandée par le fabricant est de 0,8 Nm (7 lb-po ou 0,59 lb-pi).
4. Conservez les informations concernant le branchement du relais au circuit pour une référence ultérieure.

Module de relais à verrouillage

1. Le module de relais à verrouillage est coté pour usage avec une charge à un seul pôle. Le branchement de circuits/charges bipolaires au module de relais à verrouillage annulera la garantie de l'équipement et peut entraîner des blessures sérieuses ou la mort et/ou des dommages à l'équipement.
2. Les classifications des relais sont de 120/277/347 volts, 20 A maximum.
3. Les borniers des relais ont une limite maximum de 6 AWG pour le câblage.
4. Pendant le démarrage initial, le relais du module de relais à verrouillage restera dans son état de verrouillage actuel pendant une période de 30 secondes. Après 30 secondes, le relais assumera son état programmé.

Brancher les charges du relais

5. Pendant une panne d'électricité, le module de relais à verrouillage (LRM) restera en même état qu'avant la panne. Lorsque le courant est rétabli, le relais restera dans l'état actuel pendant 30 secondes et ensuite assumera l'état programmé.
6. Il y a un commutateur manuel pour chaque relais qui indique l'état du relais et permet un surpassement temporaire de la charge d'éclairage. Si le commutateur est déplacé vers le centre de la carte de relais modulaire, le relais est en position « ON ». Si le commutateur est déplacé vers l'extérieure de la carte de relais modulaire, le relais est en position « OFF ». Si ce commutateur est utilisé pour surpasser l'éclairage, le relais restera en état de surpassement jusqu'à ce la prochaine commande au relais soit effectué depuis la carte logique.



Connecteur de la broche de la fente à relais: Veuillez noter le numéro de relais aux fins de programmation.

Module de relais à verrouillage

Câblage du module de relais à verrouillage

Le relais à verrouillage est une fermeture à contact simple, avec la rupture des câbles et des fils de charge d'un circuit normal. Pour câbler le relais au circuit de commande:

1. Branchez un disjoncteur de dérivation de 120, 277 ou 347 volts, 20 A maximum, hors tension au bornier du relais.
2. Branchez le câblage de charge au bornier de sortie.

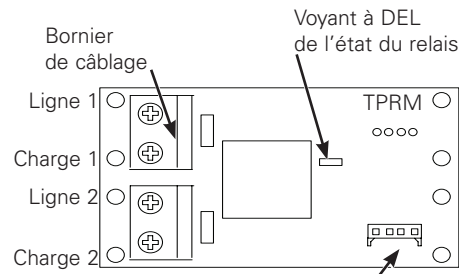
Note: Les borniers ne sont pas sensibles à la polarité bien qu'il soit recommandé que le câble et la charge soient acheminés au bornier de la même manière pour l'uniformité.

3. Serrez les vis du bornier des relais. La classification du couple recommandée est de 2,0 Nm (18 lb-po ou 1,475 pi-lb).
4. Conservez les informations concernant le branchement du relais au circuit pour une référence ultérieure.

Module de relais bipolaires

1. Les classifications des relais bipolaires sont de 208/240/480 volts, 20 A maximum.
2. Les borniers des relais ont une limite maximum de 6 AWG pour le câblage.
3. Les relais bipolaires occupent les deux fentes à relais dans le boîtier.

4. Les relais bipolaires sont normalement en configuration ouverte.
5. Un voyant à DEL s'allume lorsque le relais est contrôlé par le panneau de contrôle dans la position fermée.
6. Pour programmer le contrôleur d'un module à relais bipolaires, appliquez la programmation au numéro du relais à l'endroit où le connecteur à broches est fixé au MRC.



Connecteur de la broche de la fente à relais: Veuillez noter le numéro de relais aux fins de programmation.

Module de relais bipolaires

Câblage du module de relais bipolaires

1. Branchez un disjoncteur de dérivation hors tension à un bornier de relais.
2. Branchez le côté avec une charge au bornier de sortie de ce même bornier. Remarque: Les borniers ne sont pas sensibles à la polarité bien qu'il soit recommandé que le câble et la charge soient acheminés au bornier de la même manière pour l'uniformité.
3. Branchez l'autre disjoncteur de dérivation hors tension à l'autre bornier de relais sur le module.
4. Branchez le deuxième câble de charge au deuxième bornier de sortie.
5. Serrez les vis du bornier des relais. La classification du couple recommandée est de 2,0 Nm (18 lb-po ou 1,475 pi-lb).
6. Conservez les informations concernant le branchement du relais au circuit pour une référence ultérieure.

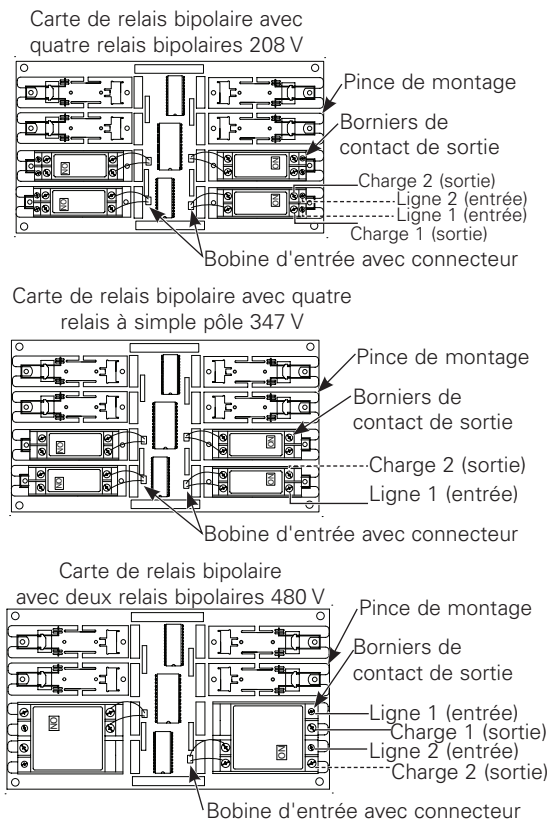
Remarques concernant la carte de relais bipolaires

La carte de relais bipolaires est installée à l'usine dans le contrôleur d'éclairage spécifié.

Les cartes de relais bipolaires sont expédiées séparément et peuvent être installées sur le site. Les relais disponibles pour les relais bipolaires sont cotés pour 120V/208 V ou 277V/480 V. Un relais à un simple pôle est également disponible, coté à 347 V. Tous les relais sont cotés pour 20 A. Les informations suivantes décrivent l'installation des relais sur la carte de relais bipolaires.

Chaque carte à relais bipolaires possède 8 attaches de montage pour le positionnement des relais. La carte de relais bipolaires peut recevoir huit relais bipolaires à 208 V, un relais dans chaque pince de montage. Le relais bipolaires 480 V utilise deux attaches de montage, donc il peut recevoir quatre relais par carte. La carte de relais bipolaires peut recevoir huit relais à simple pôle à 347 V, un relais dans chaque pince de montage.

1. Placez le relais de manière à ce que la bobine d'entrée fasse face au centre de la carte de relais bipolaires et que les contacts de sortie fassent face vers l'extérieur des parois du boîtier.
2. Placez le côté de la bobine d'entrée en premier lieu et appuyez vers le bas avec un mouvement uniforme pour enclencher le relais en position. (Pour enlever le relais, appuyez sur la barre de déblocage en métal et retirez le relais.)
3. Les fils de la commande de bobine (bleu et rouge) et un connecteur sont fournis déjà installés sur le relais. Branchez simplement ce connecteur à la carte de relais bipolaire. Le numéro de la fente du relais dans lequel le connecteur est branché est relié au relais qui doit être programmé dans le contrôleur pour fonctionner correctement. Effectuez le câblage comme indiqué dans le schéma suivant.



Câblage de la carte de relais bipolaires

Brancher les entrées de basse tension

La carte logique du LiteKeeper-8MD peut supporter jusqu'à 64 commutateurs d'entrée. Sur ces 64 entrées, huit peuvent être des dispositifs de fermeture à contact sec qui sont branchés aux borniers des relais à gauche de la carte logique LiteKeeperMD. Des commutateurs d'entrée numériques peuvent également être utilisés pour le LiteKeeperMD. Si aucun commutateur de contact d'entrée n'est utilisé, les 64 commutateurs d'entrée peuvent consister en des commutateurs numériques. Si vous utilisez des commutateurs de contact d'entrée et des commutateurs numériques, le total combiné ne peut pas dépasser 64 commutateurs.

Sans égard au type d'entrée utilisé, il est recommandé que tout le câblage d'entrée soit effectué avant de brancher l'alimentation à la carte logique. Veuillez vérifier qu'il n'y a pas de court-circuit au câble de mise à la terre c.a. avant de procéder au branchement des dispositifs d'entrée.

Sans égard au type d'entrée, les remarques suivantes s'appliquent.

1. Tout le câblage à basse tension est de classe 2.
2. Tout câblage de basse tension doit entrer dans la section de basse tension du boîtier. Le câblage de basse tension peut entrer dans le boîtier par le côté gauche du boîtier. Si vous ne séparez pas le câblage de haute tension et de basse tension, une interférence peut survenir avec le fonctionnement de la carte logique.
3. Tout le câblage à basse tension doit être acheminé dans un tuyau séparé du câblage de tension de ligne.
4. Effectuez un essai de tout le câblage de basse tension pour un court-circuit au câble de mise à la terre c.a. avant de procéder au branchement à la carte de relais.
5. Lors de la mise sous tension des dispositifs périphériques tels que les capteurs de mouvement et les photocellules dans la carte LiteKeeper, il peut y avoir une limitation au nombre de capteurs pouvant être supportés. C'est également vrai si des commutateurs numériques sont utilisés avec le système. Voir les recommandations ci-dessous ou communiquer avec Eaton Cooper Controls pour plus d'informations.
6. Il est recommandé que la carte logique soit hors tension lors du câblage d'entrée initial des commutateurs.

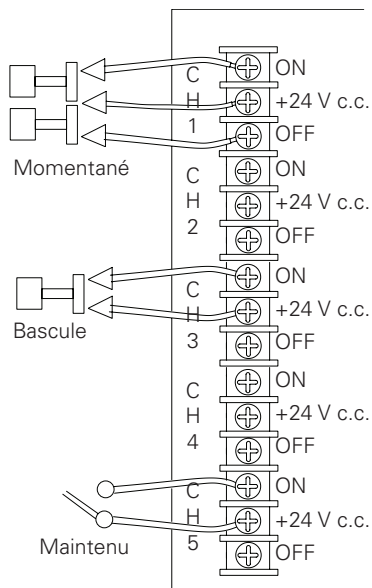
Câblage des commutateurs de contact d'entrée

Cette section décrit le câblage pour les dispositifs de fermeture à contact sec. Il y a huit bornes de câblage pour les commutateurs d'entrée sur la partie gauche du LiteKeeper-8MD pour permettre le câblage des dispositifs de fermeture à contact sec.

1. Utilisez un câble 18 AWG torsadé, sans isolant pour tout câblage de dispositif de fermeture à basse tension à contact sec.

Câblage des commutateurs numériques

- La longueur maximum pour un câble d'un dispositif de fermeture à contact sec est 305 m (1 000 pi).
- Veuillez consulter les détails de câblage ci-dessous pour les instructions sur le branchement des différents dispositifs au système LiteKeeper-8MD.



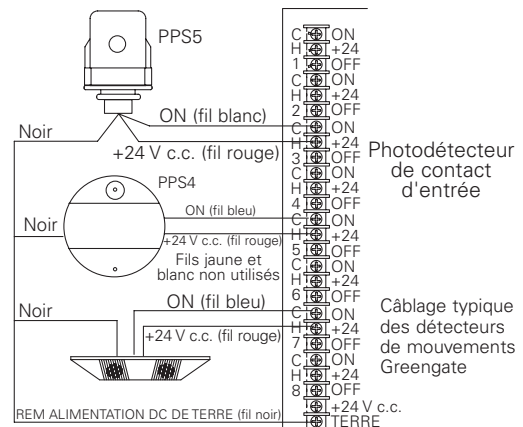
Câblage du commutateur de basse tension LiteKeeper-8MD

Remarques concernant les capteurs d'entrée photodétecteur et Greengate

Il est possible d'utiliser des capteurs d'entrée photodétecteur et Greengate conjointement avec le système de contrôle d'éclairage. Le LiteKeeper-8MD est capable d'alimenter plusieurs de ces dispositifs. Veuillez consulter le tableau ci-dessous pour les détails sur le nombre de dispositifs pouvant être supporté par le transformateur.

Capteur IRP Greengate	Capteur double technologie Greengate	Capteur ultrasonique Greengate	Capteur photodétecteur intérieur PPS-4	Capteur photodétecteur extérieur PPS-5
40	16	20	20	4

Veuillez communiquer avec le soutien technique si vous devez alimenter un plus grand nombre de capteurs qu'énuméré ci-dessus. Ces données ne tiennent pas compte des dispositifs additionnels tels que les commutateurs numériques utilisés. Si vous utilisez plusieurs dispositifs, veuillez communiquer avec le soutien technique pour connaître les limites exactes sur le nombre de dispositifs pouvant être alimenté par la carte logique.



Câblage des capteurs de photodétection et des détecteurs de mouvements

Câblage des commutateurs numériques

Chaque dispositif LiteKeeper-8MD est capable de supporter une station de commutateur numérique Greengate (GDS). Le GDS n'est pas câblé directement à la carte logique LiteKeeper-8MD mais plutôt à l'aide d'un réseau de type bus CAN qui branche le LiteKeeper-8MD par une passerelle appelée GDS-I. Les stations GDS sont câblées à l'aide de câble Cooper LCCP ou LCCNP, Belden 1502P ou 1502R équivalents.

Pour la meilleure performance réseau, utilisez un des câbles recommandés. Si le câble spécifié n'est pas utilisé et si vous éprouvez des problèmes de communications qui exigent de l'aide du service de dépannage, des frais supplémentaires peuvent être applicables.

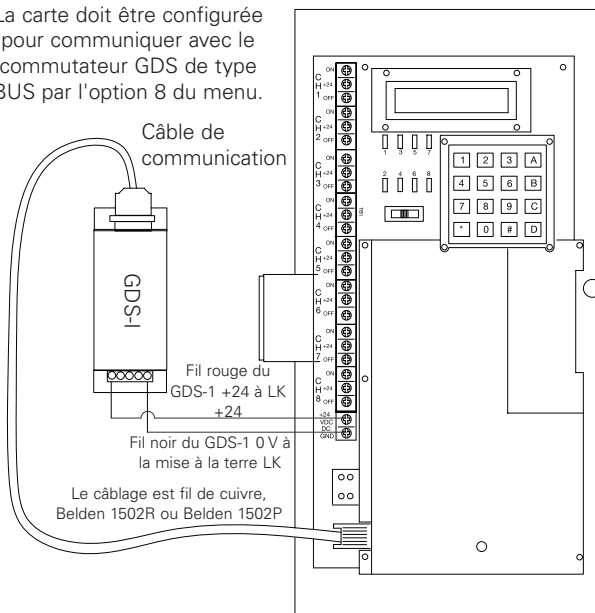
Les commutateurs numériques doivent être réseautés sous forme de configuration en chaîne bouclée. Aucune dérivation en T, ni connexion en étoile ne doit être utilisée. Le dispositif GDS-I doit se trouver sur le réseau de commutateurs en chaîne bouclée. La longueur totale du réseau en chaîne bouclée ne doit pas dépasser 305 m (1 000 pi).

Les instructions suivantes décrivent le branchement du dispositif GDS-I au LiteKeeper-8MD. Veuillez vous reporter aux instructions d'installation des commutateurs numériques pour des renseignements sur le branchement du réseau de commutateurs numériques à la passerelle de commutateurs numériques.

- Installez le GDS-I près de la carte LiteKeeper-8MD. Un câble téléphonique de 1,8 m (6 pi) a été fourni pour le branchement de la carte LiteKeeper-8MD.
- Passez une longueur du câble du commutateur numérique LC ou Belden du GDS-I vers la section à basse tension du LiteKeeper-8MD.
- Raccordez le fil ROUGE du câble à la borne +V au dos du GDS-I et au LiteKeeper-8MD à une borne de commutateur d'entrée +24 V c.c.

- Raccordez le fil NOIR du câble à la borne de MISE À LA TERRE au dos du GDS-I et à la borne de MISE À LA TERRE du connecteur d'alimentation à distance LiteKeeper-8MD.
- Fixez les fils bleu et blanc et le fil blindé au câble avec du ruban adhésif ou protégez-les avec les capuchons de connexion. Ils ne seront pas utilisés pour le branchement entre le GDS-I et le contrôle d'éclairage.
- Trouvez le câble téléphonique de 1,8 m (6 pi) inclus dans le boîtier GDS-I. Passez-le du GDS-I dans la section à basse tension du boîtier LiteKeeper-8MD et branchez-le avec une tête à 9 broches au GDS-I. Branchez la fiche téléphonique RJ11 dans le LiteKeeper-8MD.
- Il est recommandé que la carte logique soit hors tension lors du câblage d'entrée initial des commutateurs.

La carte doit être configurée pour communiquer avec le commutateur GDS de type BUS par l'option 8 du menu.



Câblage du GDS-I

Appliquer l'alimentation

- Une fois le câblage terminé, assurez-vous que le boîtier est propre et exempt de tout débris de découpage de fils et qu'aucun fragment métallique n'est logé dans les cartes de dérivation des relais.
- Assurez-vous qu'il n'y a pas de fils lâches ou exposés qui pourrait causer un court-circuit vers d'autres fils ou composants.
- Alimentez l'unité depuis le disjoncteur.
- Une fois l'alimentation appliquée à l'unité, les charges d'éclairage peuvent être contrôlées par le commutateur ALL ON/ AUTO / ALL OFF, au besoin.

Relais de contrôle manuel

Les relais dans le boîtier peuvent être contrôlés avant de programmer la carte logique en utilisant le commutateur ALL OFF, AUTO, ALL ON intégré. Dans la position ALL ON les bobines du relais sont sous tension. Dans la position ALL OFF les bobines du relais sont hors tension. La position centrale, AUTO, permet de contrôler les relais par des commutateurs de relais individuels ou par le contrôleur logique.

Commandes de réinitialisation et de suppression du système

Dans certaines circonstances, vous devez réinitialiser le LiteKeeper-8MD. Le système LiteKeeper-8MD possède deux types de commandes de réinitialisation: une réinitialisation logicielle et une réinitialisation de suppression.

La commande de réinitialisation logicielle: La commande de réinitialisation logicielle redémarre le microprocesseur. Il ne produira aucune perte de programmation des cartes. Pour effectuer une commande de réinitialisation logicielle, insérez un objet mince dans le trou du coffret noir en bas de la carte logique. Pressez et relâchez immédiatement le bouton de réinitialisation sous ce point. L'affichage sera en blanc et ensuite indiquera « en cours de réinitialisation... »

La commande de suppression des paramètres: La commande de suppression des paramètres est utilisée pour effacer toute la programmation du dispositif LiteKeeper-8MD. Elle doit être effectuée avant de programmer le dispositif pour la première fois ou lorsque demandé par un représentant du soutien technique. Soyez prudent quand vous utilisez cette commande! Lorsque vous utilisez cette commande, toutes les charges de relais seront hors tension. Utilisez l'interrupteur prioritaire ALL ON pour garder l'éclairage si nécessaire.

Pour effectuer la commande de suppression: Réinitialisez la carte, à l'aide du bouton Reset. Attendez la réinitialisation de l'écran. Appuyez sur les touches en séquence A, B, C, D, *. L'affichage indiquera de nouveau « en cours de réinitialisation... ». Le dispositif affiche maintenant la programmation de l'usine par défaut.

Programmer le LiteKeeper 8^{MD}

Le LiteKeeper-8MD est programmé par l'interface clavier intégré ou par le logiciel facultatif de l'entreprise Keeper. Veuillez consulter le Guide de programmation compris avec le dispositif pour effectuer la programmation par le clavier ou le Manuel de l'entreprise Keeper pour les détails sur la programmation. Il est recommandé d'effectuer la commande de suppression de paramètres sur le contrôleur avant la première programmation pour effacer toutes les données provenant des essais en usine.

Informations concernant la réparation

Informations concernant la réparation

Si vous avez besoin d'une réparation sur votre dispositif LiteKeeper-8MD, veuillez communiquer avec le soutien technique de Greengate au 1 800 553-3879.

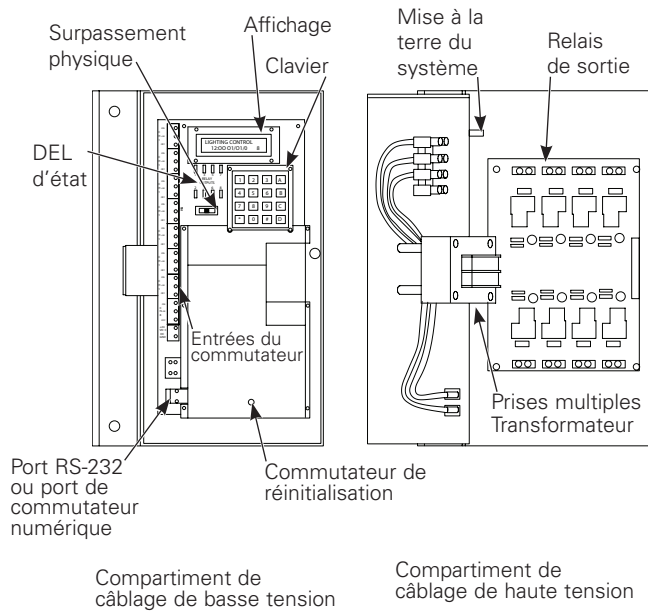


Schéma de référence

Información general

El LiteKeeper 8® se envía en un paquete. La tarjeta del relé está montada en el compartimiento de alto voltaje. La placa lógica y los circuitos de entrada se encuentran ubicados en el compartimiento de bajo voltaje. La siguiente información describe la instalación del LiteKeeper®. Para obtener información sobre su programación, remítase al Manual de programación de LiteKeeper®.

Cómo comenzar

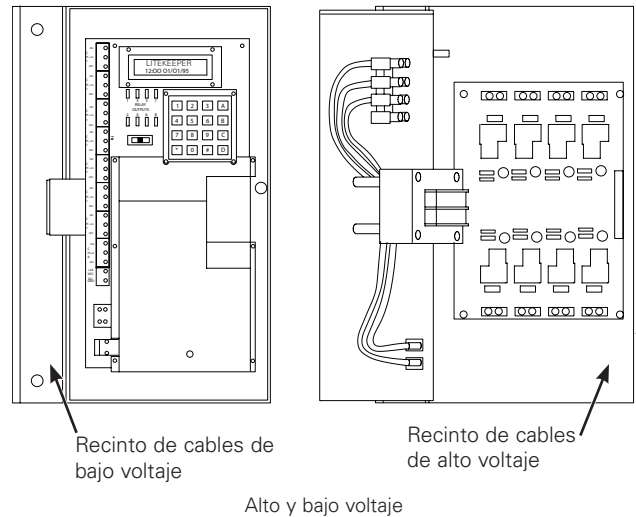
1. No deseche estas instrucciones de instalación. Consérvelas para tenerlas como referencia futura y para contar con información sobre el funcionamiento de este kit.
2. Las tarjetas del relé contienen una película protectora termorretráctil. Deje esta película puesta hasta que se haya completado todo el trabajo de perforación y con metales, para evitar el ingreso de fragmentos de metal en el circuito de los componentes.
3. Siempre desconecte la alimentación antes de realizar el cableado.
4. Utilice este panel únicamente con el voltaje y fin indicados.
5. Todo el servicio de instalación debe realizarlo personal calificado o técnicos en mantenimiento.
6. Realice la instalación de conformidad con el Código Eléctrico Nacional y con todo otro código aplicable.
7. En el interior del recinto del sistema de iluminación hay alto voltaje. Tome todas las medidas de precaución posibles al realizar el servicio de mantenimiento en este equipo. De no seguirse esta advertencia y procedimientos de seguridad adecuados, se podrían generar lesiones graves o la muerte, además de daños en el equipo.
8. Documente todo el cableado finalizado en los relés, con el fin de configurar correctamente el equipo de control de iluminación y poder programarlo para su funcionamiento.
9. Se recomienda que todo el cableado de bajo voltaje sea realizado sin la alimentación a la placa lógica para proteger los componentes contra posibles cortocircuitos durante el proceso de cableado.

Montaje en el recinto

1. Elija una ubicación seca que sea conveniente para el panel del disyuntor.
2. Monte el panel sobre una superficie firme usando los orificios que ya vienen perforados.
3. Conecte el alojamiento al panel del disyuntor usando el conducto en los orificios perforados que ya vienen incluidos.
4. Extraiga todos los fragmentos y suciedad antes de quitar la película termorretráctil de los relés.

Note: Asegúrese de que los cables de alto y bajo voltaje ingresen al recinto por separado. Los cables de alto voltaje deben llegar a la sección superior o inferior del alojamiento. Los cables de bajo voltaje deben ingresar en el compartimiento para cables de bajo voltaje en el lateral izquierdo del recinto.

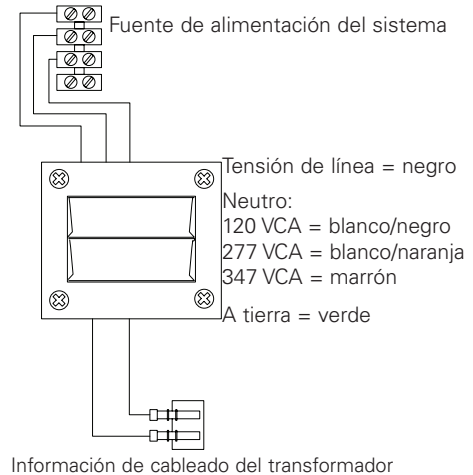
De no separar los cables de alto y bajo voltaje se pueden generar interferencias en la función de la placa lógica.



Cableado del transformador

El transformador tiene puntos de derivación múltiples y los voltajes tienen códigos de colores. El transformador está disponible en los modelos de 120/277 V CA y 120/347 V CA. Se recomienda incluir en el transformador un circuito de rama dedicado, con protección de circuito.

1. Conecte el cable neutro con el cable del código de color correspondiente para el voltaje en uso: Blanco/Negro = 120 V CA; blanco/naranja = 277 V CA; marrón = 347 V CA.
2. Conecte el cable totalmente negro con el circuito de rama dedicado que alimenta al transformador.



Conexión de las cargas del relé

Conexión de las cargas del relé

Las tarjetas del relé vendrán montadas previamente en el recinto desde fábrica, de acuerdo con las especificaciones del pedido de compra. En la actualidad existen cuatro tipos de relé disponibles para el recinto. Esto incluye a la tarjeta del relé estándar, a la tarjeta de relé modular, a la tarjeta del relé biestable y la tarjeta del relé de dos polos. Si solicita una Tarjeta de relé modular o una Tarjeta de relé de dos polos, se le proporcionará un alojamiento más profundo para permitir que quede espacio libre para el transformador con los relés más grandes. Remítase a la sección específica para el tipo de tarjeta de relé que esté cableando. Para todos los tipos de relé:

1. Verifique que todos los fragmentos de cables hayan sido extraídos del recinto.
2. Quite la película protectora termorretráctil de las tarjetas del relé LUEGO de haber quitado los fragmentos de cables del recinto.
3. Pruebe los circuitos de rama para corroborar que no se produzcan cortocircuitos antes de conectar los cables en el relé.

Note: Los neutros terminan dentro del panel de iluminación contiguo.

Notas sobre la tarjeta de relé estándar

1. La tarjeta de relé estándar es apta para el uso con una carga de un solo polo únicamente. La conexión de circuitos/cargas de 2 polos a la tarjeta de relé estándar anulará la garantía del equipo. Además, puede resultar en lesiones graves o la muerte, además de daños al equipo.
2. Las características nominales del relé son de 120 o 277 voltios, y 20 amperios como máximo.
3. Los bloques de terminales del relé tienen un límite máximo de cable 10 AWG.

Cableado de la tarjeta de relé estándar

El relé estándar tiene un cierre de contacto simple, lo que cierra el contacto con los cables de carga y línea de un circuito normal. Para realizar el cableado del relé en el circuito de control:

1. Conecte un cable de 120 o 277 voltios y 20 amperios como máximo; desconecte el disyuntor en el bloque de terminales del relé.
2. Conecte los cables de carga en el bloque de terminales de salida.

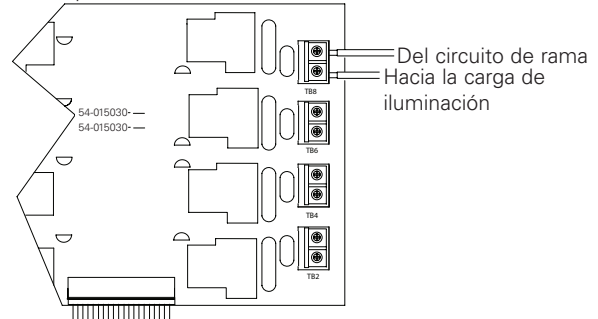
Note: Los bloques de terminales no son sensibles a la polaridad, aunque por razones de consistencia se recomienda ingresar los cables de línea y carga en los bloques de terminales de la misma manera.

3. Ajuste los tornillos del terminal del relé. La tasa de torsión recomendada por el fabricante es de 7 lb/pulg. (0,59 lb/pie) (0,8 Nm).

4. Documente la información del relé al circuito para tenerla como referencia futura.

Cableado del relé Cable: 10 AWG máximo.

Características nominales del relé: 20 amperios, 277 V



Cableado de la tarjeta de relé estándar

Notas sobre la tarjeta de relé biestable

1. La tarjeta de relé biestable es apta para el uso con una carga de un solo polo únicamente. La conexión de circuitos/cargas de 2 polos a la tarjeta del relé biestable anulará la garantía del equipo. Además, puede resultar en lesiones graves o la muerte, además de dañar el equipo.
2. La potencia del relé es de 120, 277 y 347 voltios, y 20 amperios como máximo.
3. Los bloques de terminales del relé tienen un límite máximo de cable 6 AWG.

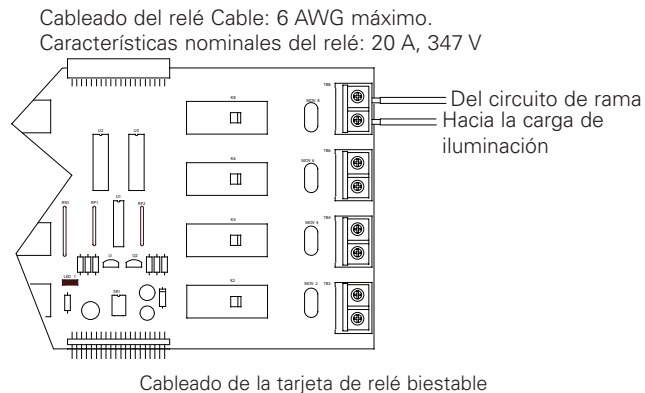
Cableado de la tarjeta de relé biestable

El relé biestable tiene un cierre simple, lo que cierra el contacto con los cables de carga y línea de un circuito normal. Para realizar el cableado del relé en el circuito de control:

1. Conecte un cable de 120, 277 o 347 voltios y 20 amperios como máximo; desconecte el disyuntor en el bloque de terminales del relé.
2. Conecte los cables de carga en el bloque de terminales de salida.

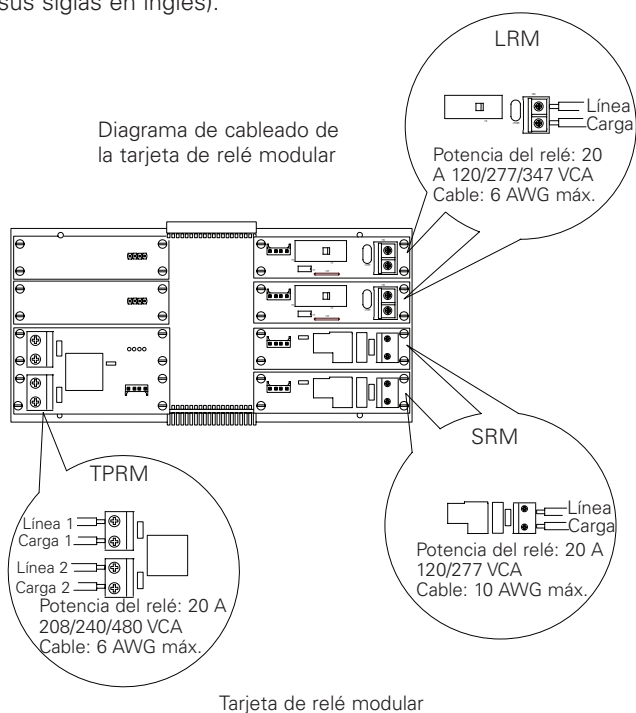
Note: Los bloques de terminales no son sensibles a la polaridad, aunque por razones de consistencia se recomienda ingresar los cables de línea y carga en los bloques de terminales de la misma manera.

3. Ajuste los tornillos del terminal del relé. El valor nominal de torsión recomendado por el fabricante es de 18 lb/pulg. (1,475 pies/lb) (2,0 Nm).
4. Documente la información del relé al circuito para tenerla como referencia futura.



Notas sobre la tarjeta de relé modular

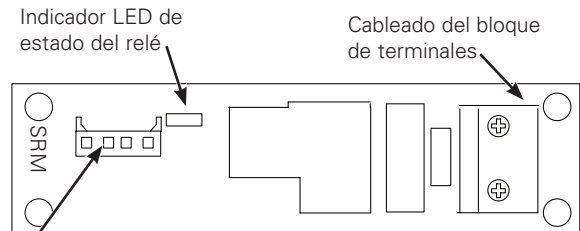
La tarjeta de relé modular brinda opciones flexibles para el control del relé. Está diseñada para permitir controlar el relé modular permitiéndole instalar una amplia variedad de tipos de módulos en la misma tarjeta de relé. Los tipos de módulos de relé disponibles actualmente incluyen el módulo de relé de dos polos normalmente abierto (TPRM, por sus siglas en inglés), el módulo de relé biestable (LRM, por sus siglas en inglés) y el módulo del relé estándar (SRM, por sus siglas en inglés).



Módulo de relé estándar

1. El módulo de relé estándar es apto para el uso con una carga de un solo polo únicamente. La conexión de circuitos/cargas de 2 polos al módulo de relé estándar anulará la garantía del equipo y puede resultar en lesiones graves o la muerte, además de daños al equipo.

2. Las características nominales del relé son de 120 o 277 voltios, y 20 amperios como máximo.
3. Los bloques de terminales del relé tienen un límite máximo de cable 10 AWG.
4. El SRM contiene un indicador LED que se encenderá cuando el relé reciba la orden de colocarse en posición cerrada a través del panel de control.



Conector de clavija de la ranura del relé: Tome nota de la ubicación del número de relé a los fines de usarlo para la programación.

Módulo de relé estándar (Tarjeta de relé modular)

Cableado del módulo de relé estándar

El relé estándar tiene un cierre de contacto simple, lo que cierra el contacto con los cables de carga y línea de un circuito normal. Para realizar el cableado del relé en el circuito de control:

1. Conecte un cable de 120 o 277 voltios y 20 amperios como máximo; desconecte el disyuntor en el bloque de terminales del relé.
2. Conecte los cables de carga en el bloque de terminales de salida.

Note: Los bloques de terminales no son sensibles a la polaridad, aunque por razones de consistencia se recomienda ingresar los cables de línea y carga en los bloques de terminales de la misma manera.

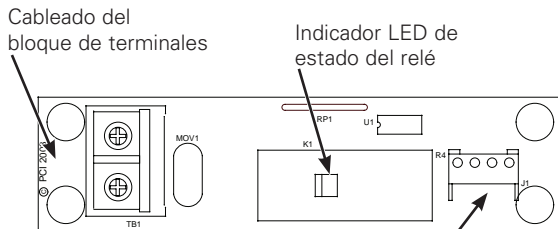
3. Ajuste los tornillos del terminal del relé. La tasa de torsión recomendada por el fabricante es de 7 lb/pulg. (0,59 lb/pie) (0,8 Nm).
4. Documente la información del relé al circuito para tenerla como referencia futura.

Módulo de relé biestable

1. El módulo del relé biestable es apto para su uso con una carga de un solo polo únicamente. La conexión de circuitos/cargas de 2 polos al módulo del relé biestable anulará la garantía del equipo y puede resultar en lesiones graves o la muerte, además de daños al equipo.
2. Los valores nominales del relé son de 120/277/347 voltios y 20 amperios como máximo.
3. Los bloques de terminales del relé tienen un límite máximo de cable 6 AWG.

Conexión de las cargas del relé

4. Durante su primera activación, el relé en el módulo de relé biestable permanecerá en su estado actual estable por un período de 30 segundos. Luego de 30 segundos, el relé adoptará su estado programado.
5. Durante un corte de energía, el relé LRM permanecerá en el estado anterior al corte. Una vez restaurada la energía, el relé permanecerá en su estado por 30 segundos y luego adoptará su estado programado.
6. Cada relé contiene un interruptor manual que indica el estado del relé y permite anular temporalmente la carga de la iluminación. Si se mueve el interruptor hacia el centro de la tarjeta de relé modular, el relé está ACTIVADO. Si se mueve el interruptor hacia afuera de la tarjeta de relé, el relé está DESACTIVADO. Si se utiliza el interruptor para anular la iluminación, el relé permanecerá en el estado de anulación hasta que reciba la siguiente orden por medio de la placa lógica.



Cableado del bloque de terminales

Indicador LED de estado del relé

Conector de clavija de la ranura del relé: Tome nota de la ubicación del número de relé a los fines de usarlo para la programación.

Módulo de relé biestable

Cableado del módulo de relé biestable

El relé biestable tiene un cierre simple, lo que cierra el contacto con los cables de carga y línea de un circuito normal. Para realizar el cableado del relé en el circuito de control:

1. Conecte un cable de 120, 277 o 347 voltios y 20 amperios como máximo; desconecte el disyuntor en el bloque de terminales del relé.
2. Conecte los cables de carga en el bloque de terminales de salida.

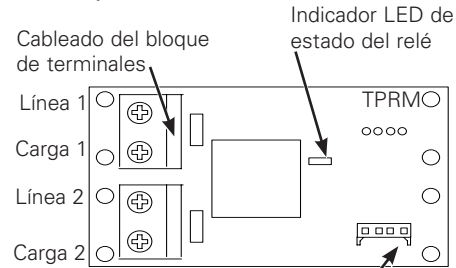
Note: Los bloques de terminales no son sensibles a la polaridad, aunque por razones de consistencia se recomienda ingresar los cables de línea y carga en los bloques de terminales de la misma manera.

3. Ajuste los tornillos del terminal del relé. La tasa de torsión recomendada por el fabricante es de 18 lb/pulg. (1475 lb/pie) (2,0 Nm).
4. Documente la información del relé al circuito para tenerla como referencia futura.

Módulo de relé de dos polos

1. Las características nominales del relé de dos polos son de 208, 240 y 480 voltios, y 20 amperios como máximo.
2. Los bloques de terminales del relé tienen un límite máximo de cable 6 AWG.

3. Los relés de dos polos ocupan dos ranuras del relé en el recinto.
4. Los relés de dos poleas vienen en configuración "normalmente abierto".
5. Hay un LED que se iluminará cuando el relé reciba la orden de cerrarse.
6. Para programar el controlador para que este controle al módulo de relé de dos polos, programe los números de salida de relé en los cuales el conector del contacto del relé está sujeto al MRC.



Conector de clavija de la ranura del relé: Tome nota de la ubicación del número de relé a los fines de usarlo para la programación.

Módulo de relé de dos polos

Cableado del módulo de relé de dos polos

1. Conecte un disyuntor de circuito de rama sin alimentación a uno de los bloques de terminales del relé
2. Conecte el lado de la carga con la posición de salida del bloque de terminales de este mismo bloque de terminales. Nota: Los bloques de terminales no son sensibles a la polaridad, aunque por razones de consistencia se recomienda ingresar los cables de línea y carga en los bloques de terminales de la misma manera.
3. Conecte el otro disyuntor de circuito de rama sin alimentación al otro bloque de terminales de relé en el módulo.
4. Conecte el segundo cable de carga al segundo bloque de terminales.
5. Ajuste los tornillos del terminal del relé. La tasa de torsión recomendada por el fabricante es de 18 lb/pulg. (1475 lb/pie) (2,0 Nm).
6. Documente la información del relé al circuito para tenerla como referencia futura.

Notas sobre la tarjeta de relé de dos polos

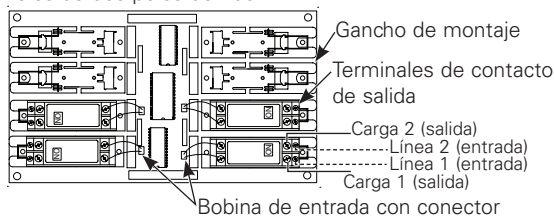
La tarjeta de relé de dos polos viene instalada de fábrica en el controlador de iluminación especificado.

Los relés con la tarjeta de relé de dos polos se envían por separado y se instalan en campo. Los relés que quedan disponibles son los relés de dos polos aptos para

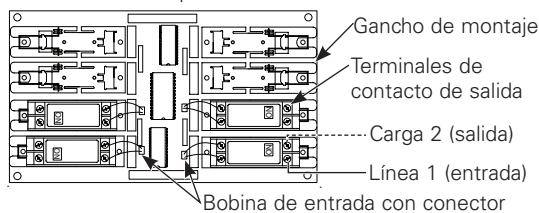
120 V/208 V o 277 V/480 V. También hay disponible un relé de un solo polo, apto para 347 V. Todos los relés son aptos para 20 amperios. La siguiente información describe la instalación de los relés en la tarjeta de relé de dos polos. Cada tarjeta de relé de dos polos tiene ocho ganchos de montaje para su colocación en los relés. La tarjeta de relé de dos polos soportará ocho relés de dos polos de 208 V, uno en cada gancho de montaje. El relé de dos polos de 480 V utiliza dos ganchos de montaje; por lo tanto, solo cuatro relés se acomodarán por cada tarjeta. La tarjeta de relé de dos polos soportará ocho relés de un solo polo de 347 V, uno en cada gancho de montaje.

1. Coloque el relé de modo que la bobina de entrada enfrente el centro de la tarjeta de relé de dos polos y los contactos de salida queden mirando hacia afuera hacia las paredes del recinto.
2. Coloque primero el lado de la bobina de entrada; luego, presione hacia abajo con un movimiento parejo y sujete el relé a presión en su lugar.
(Para extraer el relé, presione hacia abajo la barra de liberación de metal y extraiga el relé).
3. Los cables de control de la bobina (azul y rojo) y un conector ya vienen unidos al relé. Simplemente enchufe este conector a la tarjeta de relé de dos polos. La ranura del número de salida del relé al que este conector está enchufado será el relé que deberá programarse en el controlador para su correcto funcionamiento. Realice el cableado como se indica en el diagrama siguiente.

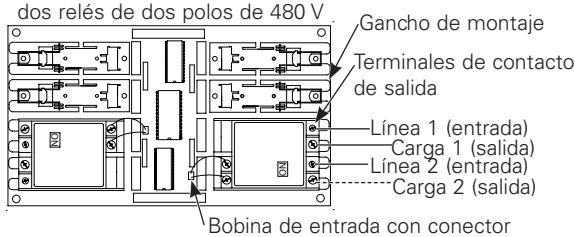
Tarjeta de relé de dos polos con cuatro relés de dos polos de 208 V



Tarjeta de relé de dos polos con cuatro relés de un polo de 347 V



Tarjeta de relé de dos polos con dos relés de dos polos de 480 V



Cableado de la tarjeta de relé de dos polos

Conexión de las entradas de bajo voltaje

La placa lógica LiteKeeper-8® puede admitir hasta 64 entradas de interruptores. De estas 64 entradas, 8 de ellas pueden ser entradas de cierre de contacto seco que se conectan a los bloques de terminales en el lado izquierdo de la tarjeta lógica LiteKeeper®. Las entradas del interruptor digital también se pueden usar con el LiteKeeper®. Si no se utilizan interruptores de tipo de entrada de contacto, las 64 entradas de interruptores pueden ser interruptores digitales. Si se utiliza una combinación de interruptores de entrada de contacto y digitales, el total combinado no puede superar las 64 entradas.

Sin importar el tipo de entrada utilizada, se recomienda realizar todo el cableado de entrada antes de aplicar energía a la tarjeta lógica. Verifique que no existan cortocircuitos a la conexión a tierra de CA antes de conectar los dispositivos de entrada.

Sin importar el tipo de entrada, tenga en cuenta las siguientes notas.

1. Todos los cables de bajo voltaje son cables de Clase 2.
2. Todos los cables de voltaje bajo deben ingresar en el recinto en la sección de voltaje bajo del recinto. Se pueden ingresar los cables de bajo voltaje en el recinto desde su lateral izquierdo. De no separar los cables de alto y bajo voltaje se pueden generar interferencias en la función de la placa lógica.
3. Todos los cables de bajo voltaje deben pasarse por el conducto separado de los cables de voltaje de línea.
4. Pruebe todos los cables de bajo voltaje para verificar que no se produzcan cortocircuitos en la conexión a tierra por CA antes de conectarlos al panel del relé.
5. Cuando conecte dispositivos periféricos, tales como sensores de movimiento y fotocélulas desde el panel LiteKeeper®, puede existir un límite en la cantidad de sensores que soporta el equipo. Esto también es válido si se utilizan interruptores digitales con el sistema. Revise las siguientes recomendaciones o contacte al sector Cooper Controls de Eaton para obtener más información.
6. Se recomienda desconectar la alimentación de la placa lógica al realizar el cableado de entrada en el interruptor por primera vez.

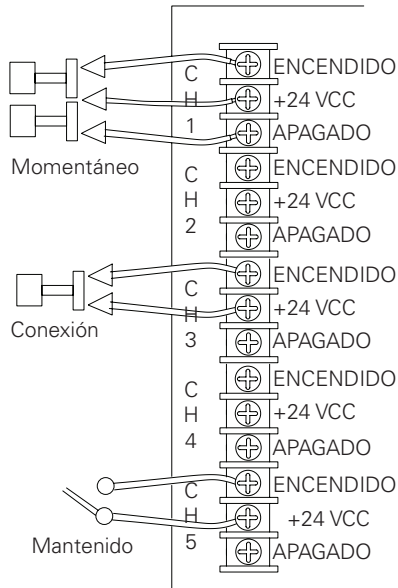
Contacto de entrada Cableado del interruptor

En esta sección se describe el cableado de los dispositivos de cierre por contacto seco. Existen ocho terminales de cables de entrada del interruptor en la parte izquierda del LiteKeeper-8® para permitir que se pueda hacer el cableado de los dispositivos de cierre por contacto seco.

1. Utilice cables trenzados 18 AWG, no apantallados, para realizar el cableado de todo dispositivo de cierre por contacto seco de bajo voltaje.

Cableado del interruptor digital

- La longitud máxima del cableado del dispositivo de cierre por contacto seco es de 1000 pies.
- Revise los detalles de cableado a continuación para obtener detalles sobre las conexiones de distintos dispositivos del sistema LiteKeeper-8®.



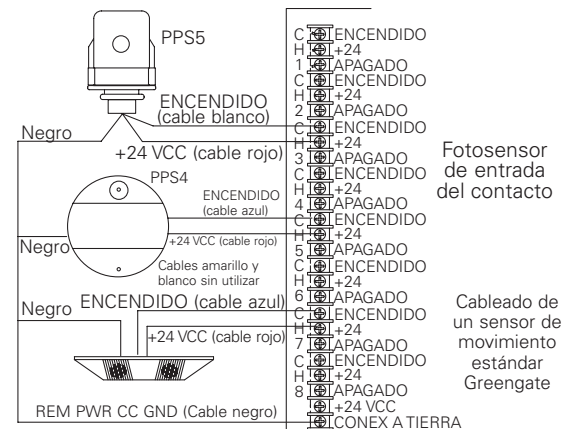
Cableado del interruptor de bajo voltaje del LiteKeeper-8®

Notas sobre el fotosensor del contacto de entrada y sobre el sensor Greengate

Es posible utilizar un fotosensor de contacto de entrada y sensores de movimiento Greengate junto con el sistema de control de iluminación. El LiteKeeper-8® tiene capacidad para alimentar varios de estos dispositivos. Remítase a la siguiente tabla para obtener detalles sobre la cantidad de dispositivos que puede soportar el transformador.

Sensor PIR Greengate	Sensor de tecnología dual Greengate	Sensor ultrasónico Greengate	Fotosensor para interiores PPS-4	Fotosensor para exteriores PPS-5
40	16	20	20	4

Contacte al soporte técnico en caso de ser necesario activar varios sensores, por encima de las cantidades enumeradas anteriormente. Estas cifras no tienen en cuenta dispositivos adicionales, como interruptores digitales. Si está utilizando un conjunto de dispositivos, contacte al soporte técnico para conocer los límites precisos para la cantidad de dispositivos que puede alimentar esta tarjeta lógica.



Cableado del sensor de movimiento y de la fotocélula

Cableado del interruptor digital

Cada unidad LiteKeeper-8® tiene capacidad para soportar la estación del interruptor digital Greengate (GDS, por sus siglas en inglés). El GDS no tiene un cableado directo a la placa lógica del LiteKeeper-8®, sino que se cablea por medio de una red CAN Bus que se conecta al LiteKeeper-8® a través de una puerta de enlace llamada GDS-I. Las estaciones GDS se cablean por medio del cable Cooper LCCP o LCCNP, o de sus equivalentes Belden 1502P o 1502R.

Para un mejor funcionamiento de la red, se debería utilizar uno de los cables sugeridos. Si no se utiliza el cable especificado y se producen problemas de comunicación que requieran asistencia mediante el proceso de resolución de problemas, podrá haber cargos adicionales por el servicio de soporte.

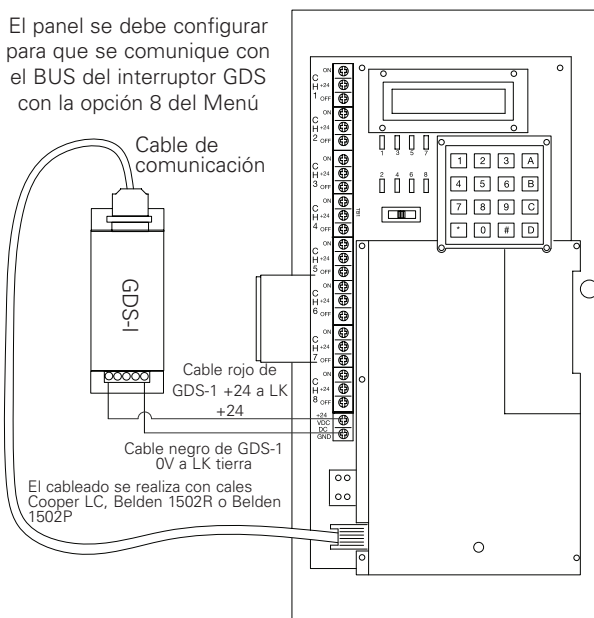
Los interruptores digitales se deben conectar entre sí con una configuración de conexión en serie. No se deben utilizar conectores T-Tap/estrella. El dispositivo GDS-I debe colocarse en algún lugar de la red del interruptor en serie. La longitud total de la red en serie no debe superar los 1000 pies.

Las siguientes instrucciones describen la conexión del dispositivo GDS-I al LiteKeeper-8®. Consulte las instrucciones de instalación del interruptor digital para obtener información sobre cómo conectar la red del interruptor digital con la puerta de enlace del interruptor digital.

- Coloque el GDS-I junto al panel LiteKeeper-8®. Se incluye un cale tipo telefónico de seis pies para conectar el panel LiteKeeper-8®.
- Coloque una sección de cableado LC del interruptor digital o Belden desde la ubicación del GDS-I hasta la sección de bajo voltaje del LiteKeeper-8®.
- Conecte el cable ROJO al terminal +V en la parte trasera del GDS-I y al LiteKeeper-8® en uno de los terminales de +24 VCC de entrada del interruptor

4. Conecte el cable NEGRO al cable del terminal de conexión a tierra en la parte trasera del GDS-I y al terminal de conexión a tierra del conector de alimentación remota del LiteKeeper-8®.
5. Vuelva a encintar o tape los hilos azul y blanco y forre el hilo del cable. No se utilizarán para la conexión entre el GDS-I y el controlador de iluminación.
6. Coloque el cable tipo telefónico de 6 pies incluido en la caja del GDS-I. Extiéndalo desde el GDS-I hasta la sección de bajo voltaje del alojamiento del LiteKeeper-8®, conectando el extremo con el cabezal de 9 clavijas en el GDS-I. Conecte el extremo del conector tipo telefónico RJ11 en el LiteKeeper-8®.
7. Se recomienda desconectar la alimentación de la placa lógica al realizar el cableado de entrada en el interruptor por primera vez.

El panel se debe configurar para que se comuniquen con el BUS del interruptor GDS con la opción 8 del Menú



Cableado del GDS-I

Aplicación de la alimentación

1. Una vez finalizado el cableado, asegúrese de que el recinto esté libre de recortes de cable y que no se hayan alojado fragmentos en las placas de circuito del relé.
2. Asegúrese de que no queden cables sueltos o expuestos que pudieran generar un cortocircuito en otros cables o componentes.
3. Encienda la unidad desde el disyuntor.
4. Una vez que se aplique la alimentación a la unidad, las cargas de iluminación podrán operarse por medio del interruptor ALL ON/AUTO/ALL OFF [ACTIVAR TODO/AUTOMÁTICO/DESACTIVAR TODO] según sea necesario.

Control manual de los relés

Se pueden controlar los relés en el recinto antes de programar la placa lógica, por medio del interruptor incorporado DESACTIVAR TODO, AUTOMÁTICO, ACTIVAR TODO. En la posición ACTIVAR TODO, se activarán las bobinas del relé. En la posición DESACTIVAR TODO, se desactivarán las bobinas del relé. La posición media, AUTOMÁTICO, permite controlar los relés por medio de los interruptores de relé individuales o desde el controlador lógico.

Reconfiguración del sistema y eliminación de comandos

En ciertas circunstancias, tal vez desee reconfigurar el LiteKeeper-8®. Existen dos tipos diferentes de controles de reconfiguración disponibles en el sistema LiteKeeper-8®: un control de reconfiguración simple y uno de eliminación.

Control de reconfiguración simple: El control de reconfiguración simple reinicia el microprocesador. No generará la pérdida de la programación del panel. Para realizar un comando de Reconfiguración por programa, introduzca un objeto delgado a través del orificio en la carcasa negra ubicada en la sección inferior de la tarjeta lógica. Presione y suelte inmediatamente el botón de reconfiguración bajo este punto. La pantalla quedará en blanco y luego se leerá "Initializing" (Iniciando)

Control de configuración de eliminación: Este control se utiliza para eliminar toda la programación de una unidad LiteKeeper-8®. Debería llevarse a cabo antes de programar la unidad por primera vez o cuando así lo solicite un representante del área de Soporte Técnico. ¡Tenga mucho cuidado con este control! Al operar un control de eliminación, se desactivarán todas las cargas del relé. De ser necesario, utilice el interruptor de anulación ACTIVAR TODO para mantener activada la iluminación.

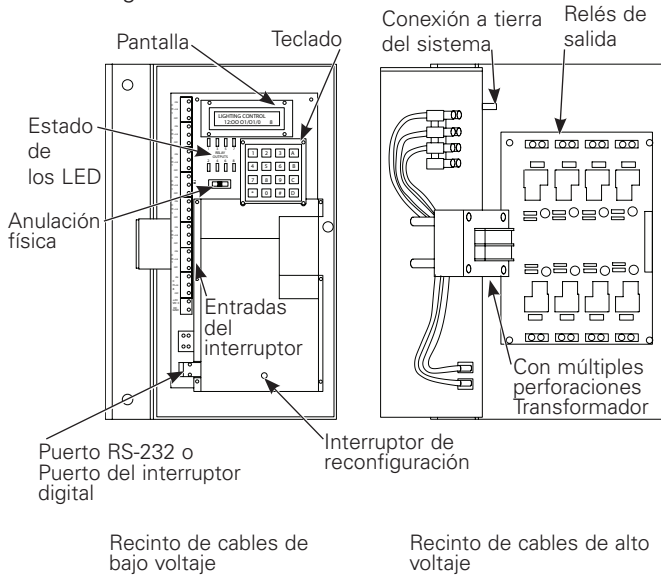
Para operar el control de eliminación: Reinicie el panel por medio del botón Reset [Reiniciar]. Espere a que se inicie la pantalla. Presione la secuencia de teclas A, B, C, D *. Nuevamente, se leerá "Initializing" [Iniciando] en la pantalla. Ahora la unidad ya no tiene la programación predeterminada en fábrica.

Programación del LiteKeeper-8®

El LiteKeeper-8® se programa ya sea por medio de la interfaz incorporada por teclado o a través del software Keeper Enterprise opcional. Remítase a la Guía de Programación incluida con la unidad para programarla por medio del teclado; o consulte el Manual del software Keeper Enterprise para ver más detalles de programación. Se recomienda operar el control de reconfiguración de eliminación en el controlador antes de realizar la primera programación, de modo que no quede ningún dato de prueba en el controlador procedente de la prueba en fábrica.

Información de reparación

En caso de requerirse una reparación de su unidad LiteKeeper-8®, comuníquese con el área de Soporte Técnico de Greengate llamando al 1-800-553-3879.



WARRANTIES AND LIMITATION OF LIABILITY

Please refer to www.coopercontrol.com under the Legal section for our terms and conditions.

GARANTIES ET LIMITATION DE LA RESPONSABILITÉ

Veuillez consulter la section juridique du www.coopercontrol.com pour connaître nos conditions générales.

GARANTÍAS Y LIMITACIÓN DE RESPONSABILIDAD

Remítase a la sección Legal del sitio web www.coopercontrol.com para conocer nuestros términos y condiciones.