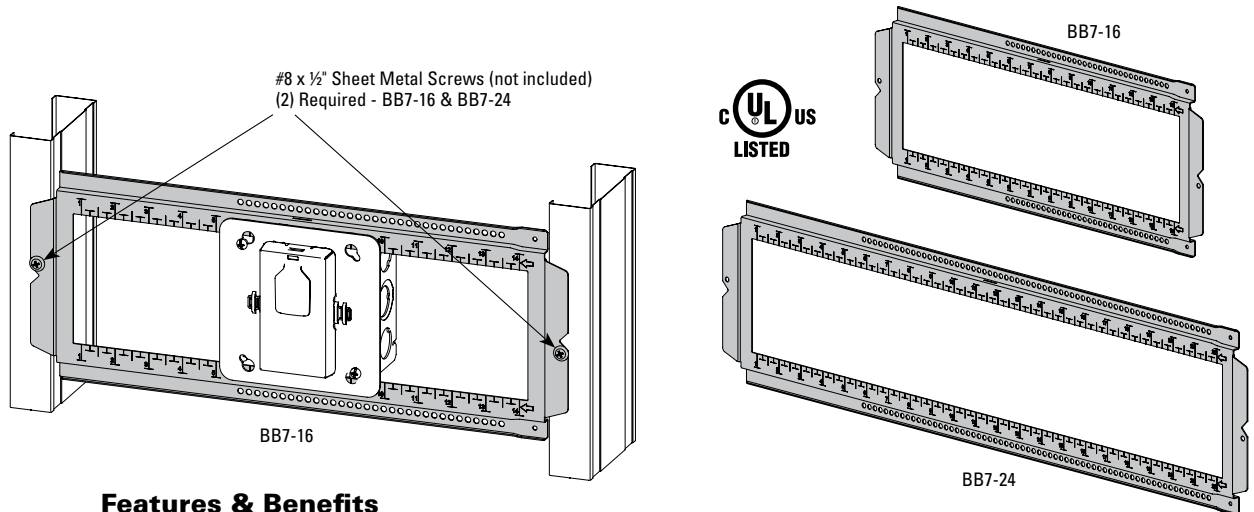


BB7-16 & BB7-24 open box mounting bracket



Features & Benefits

- Supports most standard U.S. and Canadian boxes and plaster rings:
 - 4" sq.
 - 4¹/₁₆" sq.
 - 5" sq.
 - Multi-gang electrical boxes
- Opening allows for adjustability of electrical box position between studs as well as multiple electrical boxes
- Compatible with Rapid Ring™ self-adjusting pre-fab ring and adjustable plaster rings
- Compatible with B-Line BBFS-18 floor stand
- May be field modified for stud openings down to 6" between studs (see reverse side)
- Ruler marks aid in positioning and alignment of electrical box and plaster ring
- Pre-galvanized steel
- Patent pending

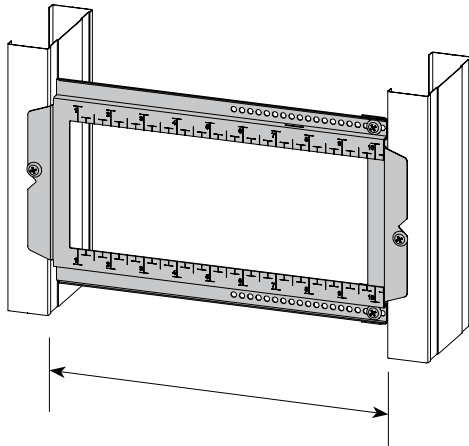
UPC Part #	Catalog #	Description	Width (in)	Width (mm)	Box Qty.
79903856401	BB7-16	Bracket for 16" Stud Spacing	16"	406	25
79903856402	BB7-24	Bracket for 24" Stud Spacing	24"	609	25

When BB7-24 is used on metal studs in Canada, at least one (1) listed Box Stabilizer must be installed on the electrical box closest to the center of the bracket to maintain cUL listing.

Recommended Box Stabilizers

Catalog #	Metal Stud Size
BB12	2 ¹ / ₂ " - 4"
BB12-6	6"
BF1-40	1 ¹ / ₂ "
BF1-56	3 ¹ / ₂ "
BF1-64	4"
BF1-96	6"

Field modified for non-standard stud center

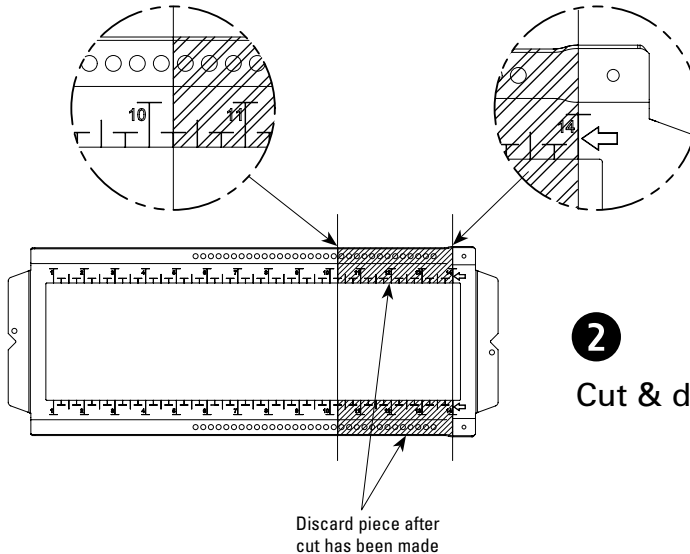


1

Measure distance
between studs

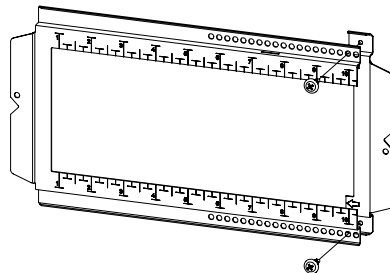
Cut measured ruler mark after
determining distance between studs

Cut at arrow



2

Cut & discard



3

Screw parts together

Eaton
1000 Eaton Boulevard
Cleveland, OH 44122
United States
Eaton.com

© 2014 Eaton
All Rights Reserved
Printed in USA
Publication No. FIS-169
August 2014

Eaton's B-Line Business
509 West Monroe Street
Highland, IL 62249
United States
Phone: 800-851-7415
www.cooperline.com/BB716

Eaton is a registered trademark.
All other trademarks are property
of their respective owners.