

AUXILIARY SWITCH

Cat. No. 37A00-1

Installation Instructions and User's Guide

DI-022-HL371-05A_{AR2243}
(37100-1)

INSTALLATION

ENGLISH

WARNINGS AND CAUTIONS

- **TO AVOID FIRE, SHOCK, OR DEATH; TURN OFF POWER** at circuit breaker or fuse and test that power is off before wiring!
- To be installed and/or used in accordance with appropriate electrical codes and regulations.
- If you are unsure about any part of these instructions, consult an electrician.
- Use this device with **copper or copper-clad wire only**.

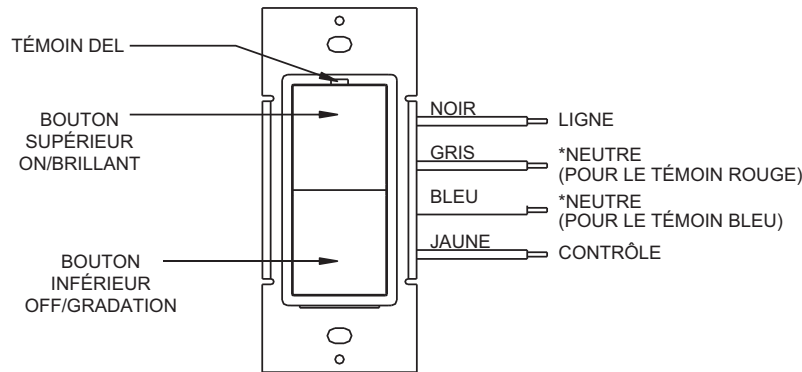
WARNINGS AND CAUTIONS

- To reduce the risk of overheating and possible damage to other equipment, when configured as dimming-capable, do not install to control a receptacle, a motor-operated appliance, a fluorescent lighting fixture, or a transformer-supplied appliance.
- For indoor use only.
- **SAVE THESE INSTRUCTIONS.**

DESCRIPTION

The 37A00-1 Leviton Auxiliary Switch (**Figure 1**) is an optional companion device used with the Leviton Universal Powerline Bus (UPB) Dimmer Switch (600W, 1000W, 1500W, or 2400W), 35A00-3 UPB Non-Dimming Switch, and 40A00-1 UPB Relay Switch for multi-way circuits. The Leviton Auxiliary Switch has a rocker switch that controls the lighting load in the exact same manner as the rocker switch on the respective Leviton UPB Wall Switch.

Figure 1 - Auxiliary Switch

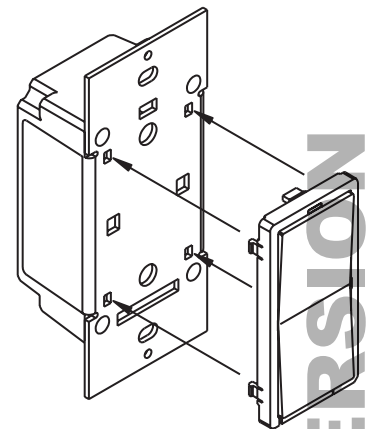


Changing Switch Color

The color of the Leviton Auxiliary Switch may be changed to complement the interior décor. The Leviton Auxiliary Switch is supplied with a white switch plate. Additional colors are available; contact your Leviton distributor for more information. When changing the switch plate, make sure that the switch is disconnected from all power, and proceed as follows:

1. The switch plate attaches to the Leviton Auxiliary Switch with two latches on the right and two on the left. Using a small-bladed screwdriver, gently depress the upper and lower latch on one side while lifting up on the plate. Once the latches are released on one side, remove the switch plate from the other side.
2. Align the latches of the new switch plate to the openings on the mounting plate and gently snap into place.

Figure 2 - Changing Switch Color



INSTALLATION INSTRUCTIONS

Leviton Auxiliary Switches are used in conjunction with Leviton Dimmer, Non-Dimming, and Relay switches to produce multi-way circuits. Multi-way circuits make it possible for a group of switches to control the same light or set of lights. This section will illustrate how to make the connections.

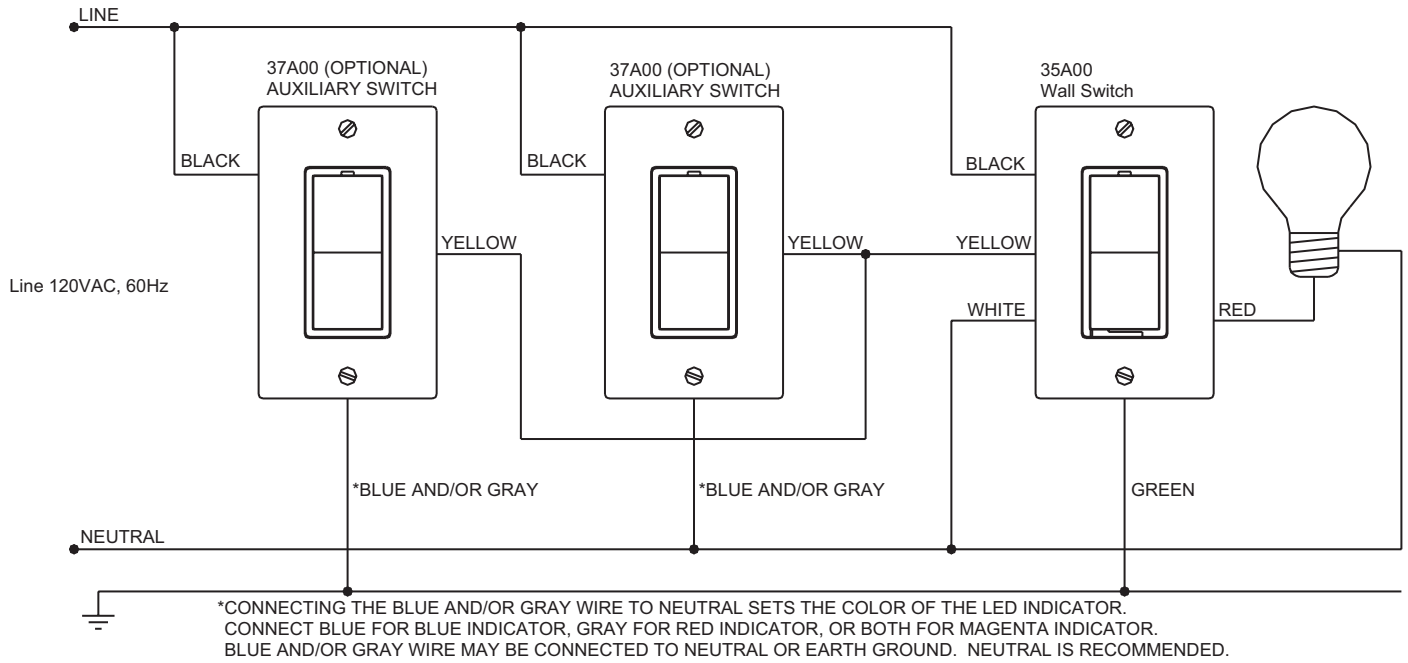
NOTES:

1. Refer to **Figure 1** to determine the wire colors for each connection.
2. The Line (black) wire must be accessible for the installation of all Leviton Auxiliary Switches. This wire may be connected to either phase of the 120/240V supply. The blue and/or gray wire on the Leviton Auxiliary Switch can be connected to either earth ground or neutral. The blue and/or gray wire is only used to light the LED on the switch. This LED only indicates that power is applied and serves as a night-light. Connect the blue wire only to light the LED blue. Connect the gray wire only to light the LED red. Connect both the blue wire and the gray wire to light the LED magenta.

Installation Procedure

1. Be sure that all power to the load has been disconnected by turning off the circuit breaker.
2. If applicable, remove the faceplate from the existing wall switch, remove the existing wall switch from the wall box, and disconnect the wires from the existing wall switch. Identify the "Line", "Neutral", and "Traveler" wires.
3. Remove 3/4" of insulation from each of the wires on the Leviton Auxiliary Switch. Install the Leviton Auxiliary Switch by connecting wires per wiring configuration shown in **Figure 3**.
4. After all connections have been made, be certain that all wire connectors are firmly attached and there is no exposed copper.
5. Gently place the wires and Leviton Auxiliary Switch into the wall box with the LED at the top of device. Using the supplied screws, attach the Leviton Auxiliary Switch to the wall box.
6. Before installing the faceplate, restore power to the circuit.
7. After testing the Leviton Auxiliary Switch for proper local operation (**Table 1 and Table 2**), install a Decora® faceplate over each switch.

Figure 3 – Wiring Diagram



HAI AUXILIARY SWITCH OPERATION

The following describes the operation of an HAI Auxiliary Switch used in conjunction with HAI Dimmer, Non-Dimming, or Relay switch in its factory default configuration.

Local Rocker Switch Operation with HAI Dimmer Switch

Table 1 – Local Operation of Leviton Auxiliary Switch when used with Leviton Dimmer Switch

Rocker Event	Top Rocker	Bottom Rocker
Single-Tap	Brightens the light to 100% (on) at a 0.8 second fade rate.	Fade the light to 0% (off) at a 1.6 second fade rate.
Double-Tap	Snaps the light to 100% (on).	Snaps the light to 0% (off).
Hold	Starts fading (brightening) the light towards 100% at a 3.3 second fade rate.	Starts fading (dimming) the light towards 0% at a 3.3 second fade rate.
Release	Stops brightening the light.	Stops dimming the light.

Local Rocker Switch Operation with HAI Non-Dimming or Relay Switch

Table 2 – Local Operation of Leviton Auxiliary Switch when used with Leviton Non-Dimming or Relay Switch

Rocker Event	Top Rocker	Bottom Rocker
Single-Tap	Turns the load on.	Turns the load off.

LED Indicator

When connected, the LED in the HAI Auxiliary Switch remains continually on at all times while power is applied.

FCC Compliance

This equipment has been tested and found to comply with the limits for a Class B digital device, pursuant to part 15 of the FCC Rules. These limits are designed to provide reasonable protection against harmful interference in a residential installation. This equipment generates, uses and can radiate radio frequency energy and, if not installed and used in accordance with the instructions, may cause harmful interference to radio communications. However, there is no guarantee that interference will not occur in a particular installation. If this equipment does cause harmful interference to radio or television reception, which can be determined by turning the equipment off and on, the user is encouraged to try to correct the interference by one or more of the following measures:

- Reorient or relocate the receiving antenna.
- Increase the separation between the equipment and receiver.
- Connect the equipment into an outlet on a circuit different from that to which the receiver is connected.
- Consult the dealer or an experienced radio/TV technician for help.

FOR CANADA ONLY

For warranty information and/or product returns, residents of Canada should contact Leviton in writing at **Leviton Manufacturing of Canada Ltd to the attention of the Quality Assurance Department, 165 Hymus Blvd, Pointe-Claire (Quebec), Canada H9R 1E9** or by telephone at **1 800 405-5320**.

LEVITON LIMITED WARRANTY

Leviton warrants to the original consumer purchaser and not for the benefit of anyone else that products manufactured by Leviton under the Leviton brand name ("Product") will be free from defects in material and workmanship for the time periods indicated below, whichever is shorter: • **OmniPro II and Lumina Pro:** three (3) years from installation or 42 months from manufacture date. • **OmniLT, Omni II, and Lumina:** two (2) years from installation or 30 months from manufacture date. • **Thermostats, Accessories:** two (2) years from installation or 30 months from manufacture date. • **Batteries:** Rechargeable batteries in products are warranted for ninety (90) days from date of purchase. **Note:** Primary (non-rechargeable) batteries shipped in products are not warranted. **Products with Windows® Operating Systems:** During the warranty period, Leviton will restore corrupted operating systems to factory default at no charge, provided that the product has been used as originally intended. Installation of non-Leviton software or modification of the operating system voids this warranty. Leviton's obligation under this Limited Warranty is limited to the repair or replacement, at Leviton's option, of Product that fails due to defect in material or workmanship. Leviton reserves the right to replace product under this Limited Warranty with new or remanufactured product. **Leviton will not be responsible for labor costs of removal or reinstallation of Product.** The repaired or replaced product is then warranted under the terms of this Limited Warranty for the remainder of the Limited Warranty time period or ninety (90) days, whichever is longer. This Limited Warranty does not cover PC-based software products. **Leviton is not responsible for conditions or applications beyond Leviton's control. Leviton is not responsible for issues related to improper installation, including failure to follow written installation and operation instructions, normal wear and tear, catastrophe, fault or negligence of the user or other problems external to the Product.** To view complete warranty and instructions for returning product, please visit us at www.leviton.com.

Use herein of third party trademarks, service marks, trade names, brand names and/or product names are for informational purposes only, are/may be the trademarks of their respective owners; such use is not meant to imply affiliation, sponsorship, or endorsement.