

TYPE 1 Metal Enclosure

Cat. No. N13NC

TYPE 1 Thermoplastic Enclosure

Cat. No. N13NC-T

TYPE 3R Metal Enclosure

Cat. Nos. N33NC, N36NC

INSTALLATION INSTRUCTIONS

PK-93465-10-02-0A

Boîtier métallique de TYPE 1

N° de cat. N13NC

Boîtier thermoplastique de TYPE 1

N° de cat. N13NC-T

Boîtiers métalliques de TYPE 3

N°s de cat. N33NC, N36NC

DIRECTIVES

Caja de Metal Tipo 1

No. de Cat. N13NC

Caja de Termoplástico Tipo 1

No. de Cat. N13NC-T

Caja de Metal Tipo 3

No. de Cat. N33NC y N36NC

INSTRUCCIONES DE INSTALACION

FEATURES

- The enclosure includes a lockout provision for a suitable padlock lockout device to isolate power from the connected equipment as a method of compliance to OSHA Lockout/Tagout regulation 29CFR Part 1910.147.
- Leviton's TYPE 1 Metal Enclosure, Cat. No. N13NC, can be used with Leviton's 30A - 600 VAC Manual Motor Controllers, Cat. Nos. MS302 or MS303.
- Leviton's TYPE 1 Thermoplastic Enclosure, Cat. No. N13NC-T, can be used with Leviton's 30A - 600 VAC Manual Motor Controllers, Cat. Nos. MS302 or MS303.
- Leviton's TYPE 3R Metal Enclosure, Cat. No. N33NC, can be used with Leviton's 30A or 40A - 600 VAC Manual Motor Controllers, Cat. No. MS302, MS303, MS402 or MS403.
- Leviton's TYPE 3R Metal Enclosure, Cat. No. N36NC, can be used with Leviton's 60A - 600 VAC Manual Motor Controllers, Cat. No. MS602 or MS603.
- Leviton's TYPE 1 Thermoplastic Enclosure includes a self-adhesive label to be applied to the front indented surface to specify circuitry.

APPLICATION

TYPE 1 Enclosure: Intended for INDOOR USE, primarily to provide a degree of protection against limited amounts of falling dirt.

TYPE 3R Enclosure: Intended for OUTDOOR USE, primarily to provide a degree of protection against rain, sleet, and damage from external ice formation.

Enclosure/Switch configurations:

- Cat. No. N1302: TYPE 1 Metal Enclosure with Cat. No. MS302 Controller.
- Cat. No. N1303: TYPE 1 Metal Enclosure with Cat. No. MS303 Controller.
- Cat. No. N1302-T: TYPE 1 Thermoplastic Enclosure with Cat. No. MS302 Controller.
- Cat. No. N1303-T: TYPE 1 Thermoplastic Enclosure with Cat. No. MS303 Controller.
- Cat. No. N3302: TYPE 3R Metal Enclosure with Cat. No. MS302 Controller.
- Cat. No. N3303: TYPE 3R Metal Enclosure with Cat. No. MS303 Controller.
- Cat. No. N3602: TYPE 3R Metal Enclosure with Cat. No. MS602 Controller.
- Cat. No. N3603: TYPE 3R Metal Enclosure with Cat. No. MS603 Controller.

INSTALLATION INSTRUCTIONS

WARNING: TO BE INSTALLED AND/OR USED IN ACCORDANCE WITH APPROPRIATE ELECTRICAL CODES AND REGULATIONS.

WARNING: IF YOU ARE NOT SURE ABOUT ANY PART OF THESE INSTRUCTIONS, CONSULT A QUALIFIED ELECTRICIAN.

CAUTION: DISCONNECT APPLICABLE BRANCH CIRCUIT BREAKERS OR FUSES WHEN SERVICING SWITCH.

TO INSTALL:

NOTE: When using the Lockout feature and placing the ON/OFF handle in the OFF position, it is recommended that a 5/16" (0.8 cm) shackle or equivalent padlock with a minimum diameter of 1/4" (0.63 cm) be used.

NOTE: Lockout feature does not interrupt the power supplied to the switch within the enclosure.

- WARNING:** TO AVOID FIRE, SHOCK, OR DEATH; **TURN OFF POWER AT CIRCUIT BREAKER OR FUSE AND TEST THAT POWER IS OFF BEFORE WIRING!**
- Remove front cover and mount the enclosure using mounting holes on the back of the enclosure (refer to Figures 1 - 3).
NOTE: TYPE 1 Enclosure may be mounted for top, bottom, or back conduit entrances. ANY unused entrances must be sealed with Listed/Certified closure plugs. When TOP conduit entrance is used, bend wires to form condensation drip loops.
NOTE: TYPE 3R Enclosure is suitable for bottom conduit entrances ONLY.
- Remove appropriate knockout(s) and assemble with matching fittings.
- Wire the motor controller switch according to its corresponding installation instructions.
- The equipment grounding conductor **MUST** be connected to the GREEN grounding screw of the enclosure.
- Mount the controller switch with the "OFF" on the toggle showing and positioned as follows:

Enclosure Only Cat. No.	Enclosure w/Switch Cat. No.	Switch Cat. No.	Position in Enclosure
N13NC	N1302	MS302	Toggle pointing DOWN
N13NC	N1303	MS303	Toggle pointing DOWN
N13NC-T	N1302-T	MS302	Toggle pointing DOWN
N13NC-T	N1303-T	MS303	Toggle pointing DOWN
N33NC	N3302	MS302	Toggle pointing TOWARDS ground screw
N33NC	N3303	MS303	Toggle pointing TOWARDS ground screw
N33NC		MS402	Toggle pointing TOWARDS ground screw
N33NC		MS403	Toggle pointing TOWARDS ground screw
N36NC	N3602	MS602	Toggle pointing AWAY from ground screw
N36NC	N3603	MS603	Toggle pointing AWAY from ground screw

- Secure switch strap with mounting screws (provided) and tighten screws to 14 in.-lbs. (1.6 N m) of torque.

8a. TYPE 1 Enclosure only - Install front cover as follows:

- Secure front cover with two mounting screws and tighten firmly (refer to Figure 1).
- For Thermoplastic Enclosure use self-adhesive label, if necessary, to identify controlled circuit.

8b. TYPE 3R Enclosure only - Install front cover as follows:

- Ensure that Controller toggle is in the OFF position.
- Ensure that the handle of the enclosure cover is in the OFF position.
- Slide the top of front cover under the overlap (top end) of the enclosure and swing front cover down to close (refer to Figures 2 and 3).
- Secure front cover with screw provided and tighten screw to 14 in.-lbs. (1.6 N m) of torque. Check operation of handle. The handle should turn freely, if not, remove screw and cover and repeat Step 8.

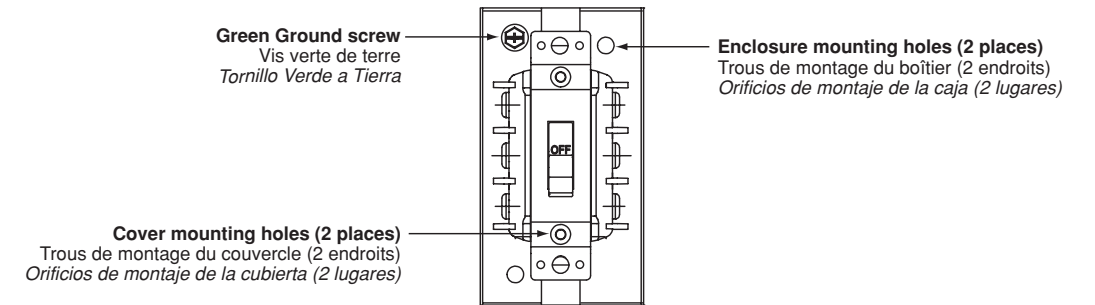
NOTE: Ensure that the switch toggle is positioned in the front cover's yoke.

- Restore power at circuit breaker or fuse. **INSTALLATION IS COMPLETE.**

Figure 1 – Type 1 Enclosure (Cat. No. N13NC, N13NC-T, N1302, N1302-T, N1303 & N1303-T)

Figure 1 – Boîtier de TYPE 1 (Nos de cat. N13NC, N13NC-T, N1302, N1302-T, N1303 et N1303-T)

Figura 1 – Caja Tipo 1 (No. de Cat. N13NC, N13NC, N1302, N1302-T, N1303 y N1303-T)



Shown with Cat. No. MS303 mounted in Type 1 Enclosure with cover removed

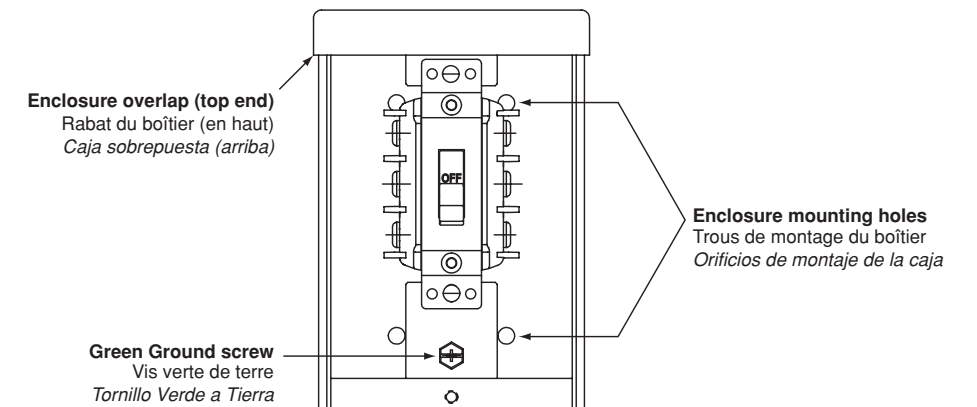
Boîtier de TYPE 1 (couvercle enlevé) avec commande MS303

Se muestra con el No. de Cat. MS303 montado en una caja Tipo 1 sin la cubierta

Figure 2 – Type 3R Enclosure (Cat. No. N33NC, N3302 & N3303)

Figure 2 – Boîtier de TYPE 3R (Nos de cat. N33NC, N3302 et N3303)

Figura 2 – Caja Tipo 3R (No. de Cat. N33NC, N3302 y N3303)



Shown with Cat. No. MS303 mounted in Type 3R Enclosure with cover removed

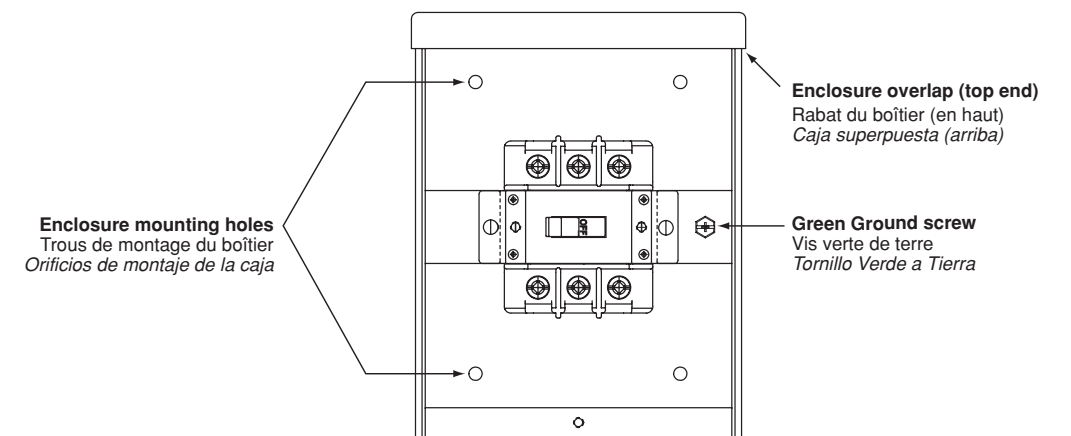
Boîtier de TYPE 3R (couvercle enlevé) avec commande MS303

Se muestra con el No. de Cat. MS303 montado en una caja Tipo 3R sin la cubierta

Figure 3 – Type 3R Enclosure (Cat. No. N36NC, N3602 & N3603)

Figure 3 – Boîtier de TYPE 3R (Nos de cat. N36NC, N3602 et N3603)

Figura 3 – Caja Tipo 3R (No. de Cat. N36NC, N3602 y N3603)



Shown with Cat. No. MS603 mounted in Type 3R Enclosure with cover removed

Boîtier de TYPE 3R (couvercle enlevé) avec commande MS603

Se muestra con el No. de Cat. MS603 montado en una caja Tipo 3R sin la cubierta

LIMITED 10 YEAR WARRANTY AND EXCLUSIONS
Leviton warrants to the original consumer purchaser and not for the benefit of anyone else that this product at the time of its sale by Leviton is free of defects in materials and workmanship under normal and proper use for ten years from the purchase date. Leviton's only obligation is to correct such defects by repair or replacement, at its option, if within such ten year period the product is returned prepaid, with proof of purchase date, and a description of the problem to **Leviton Manufacturing Co., Inc., Att: Quality Assurance Department, 59-25 Little Neck Parkway, Little Neck, New York 11362-2591.** This warranty excludes and there is disclaimed liability for labor for removal of this product or reinstallation. This warranty is void if this product is installed improperly or in an improper environment, overloaded, misused, opened, abused, or altered in any manner, or is not used under normal operating conditions or not in accordance with any labels or instructions. **There are no other or implied warranties of any kind, including merchantability and fitness for a particular purpose,** but if any implied warranty is required by the applicable jurisdiction, the duration of any such implied warranty, including merchantability and fitness for a particular purpose, is limited to ten years. **Leviton is not liable for incidental, indirect, special, or consequential damages, including without limitation, damage to, or loss of use of, any equipment, lost sales or profits or delay or failure to perform this warranty obligation.** The remedies provided herein are the exclusive remedies under this warranty, whether based on contract, tort or otherwise.

For Technical Assistance Call:
1-800-824-3005 (U.S.A. Only)
www.leviton.com

