

INSTALLATION

WARNINGS AND CAUTIONS:

- **TO AVOID FIRE, SHOCK OR DEATH; TURN OFF POWER** AT CIRCUIT BREAKER OR FUSE AND TEST THAT POWER IS OFF BEFORE WIRING!
- TO BE INSTALLED AND/OR USED IN ACCORDANCE WITH ELECTRICAL CODES AND REGULATIONS.
- IF YOU ARE NOT SURE ABOUT ANY PART OF THESE INSTRUCTIONS, CONSULT AN ELECTRICIAN.
- DO NOT GANG VERTICALLY.
- ONLY INSTALL FOR THE ALLOWED LOAD TYPES. INSTALLATION FOR ANY OTHER LOAD TYPE WILL VOID WARRANTY AND POSSIBLY CAUSE DAMAGE TO THIS DEVICE AND/OR CONNECTED EQUIPMENT.
- USE THIS DEVICE WITH **COPPER OR COPPER CLAD WIRE ONLY**.

	OUTPUT - XA 5A
INPUT - 120 - 277 VAC 60 HZ	OUTPUT - XB 8.3A
	OUTPUT - XC 12.5A
	OUTPUT - XD 16A

Features and Operation:

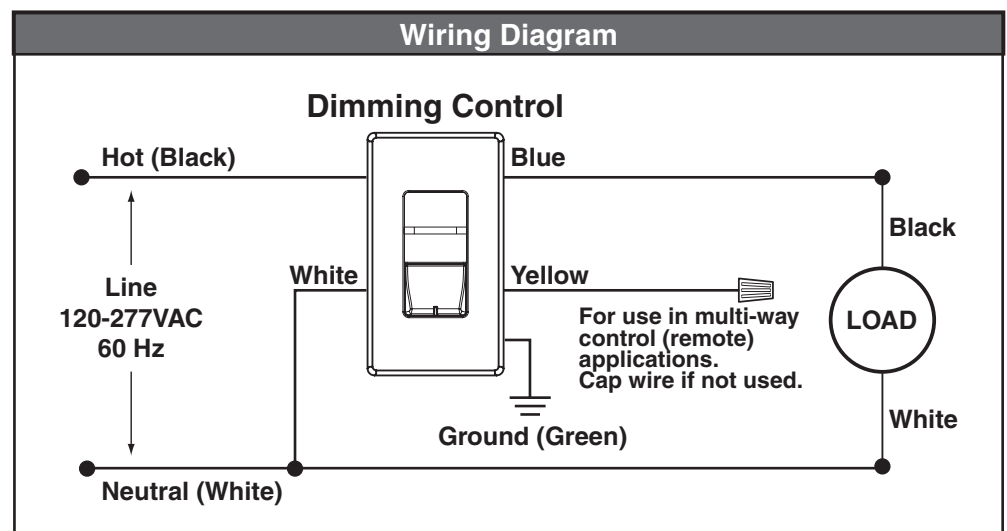
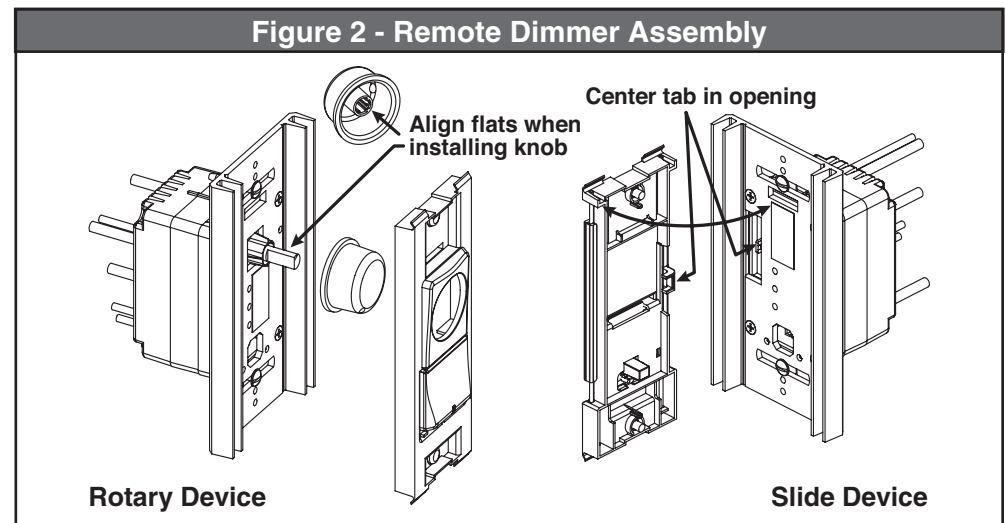
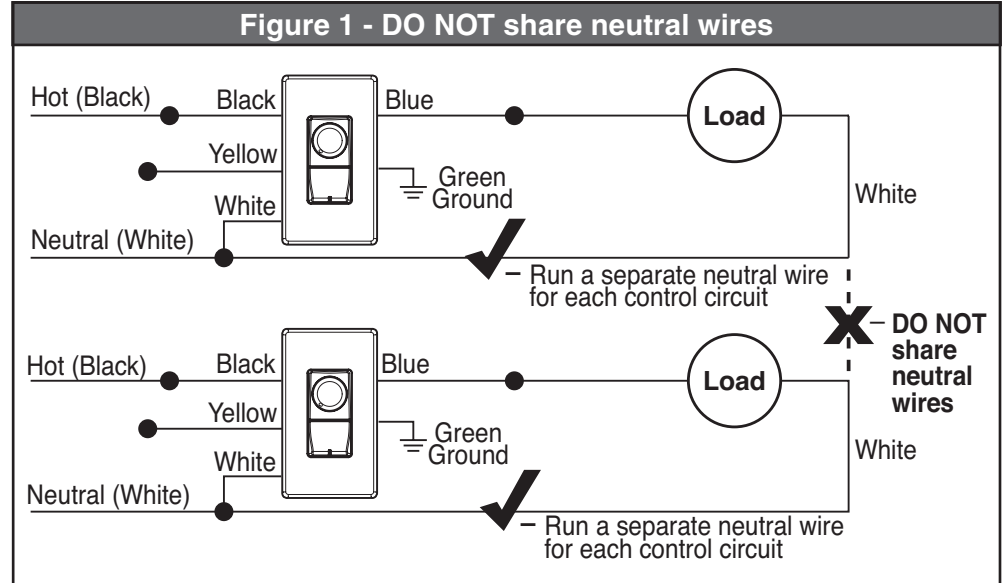
- **Turn Device ON or OFF** – Pressing the switch will turn the device ON if the device is OFF. If the device is ON, pressing the switch will turn the device OFF.
- **Set Device Level** – Adjust the knob or slider to set the desired output level. When the device turns ON, the device always turns ON to the level set by the slider or knob.
- **Set Cutoff Level** – The cutoff level is the lowest voltage the dimmer will output before shutting OFF. To set the cutoff level, adjust the knob or slider to the maximum output. Slowly lower the output to the desired cutoff level, then push and hold the power button for 5 seconds. The dimmer will adjust to the new level. To reset the cutoff level to 0, adjust the knob or slider to the minimum output, then push and hold the power button for 5 seconds. If your load is flickering, not turning ON, or suffering from any other erratic behavior at the minimum setting, raising the cutoff level may eliminate the problem.
- **Preset Operation** – While device is off, set level of device. Then press button. The device will turn on at the set level.
- **Power Restore** – Upon restoration of power, the device turns ON to the state it was in at the time of power loss.
- **5-Way Operation** – Link together 2, 3, 4, or 5 devices for multi-way dimming.
- **LED Locator** – At the bottom of the switch is an LED locator. This locator illuminates when the device is OFF so you can find the device in the dark.
- **Remote Control** – If you are using a remote, the operation at the remote is identical to the operation at the master. A slight reaction delay may be noticed if operating level changes very quickly.

Installation Requirements:

- These devices are designed for installation into a metal 2" x 3" (5.08 cm x 7.62 cm) single gang or multi-gang device back box. 2-1/2" (6.35 cm) or deeper back boxes are required. These devices are **not** designed for a multi-gang field configured box. In some installations where conduit entry is from the side, or, in multi-gang installations where nipples between two adjacent boxes are used, deeper back boxes may be necessary. Test fit installation prior to rough-in.
- Installation of multiple devices into a single box may require de-rating and other specific installation provisions. Reference **Multi-Gang Installations** for more details.
- As devices vent top/bottom, devices should not be installed vertically (one over the other).
- To avoid flickering, flashing, or lights on one device adjusting when another device's level is changed, do not share neutrals. Run separate neutrals for each load circuit back to the device. **(See Figure 1).**

Installation Instructions:

1. **WARNING: TO AVOID FIRE, SHOCK OR DEATH; TURN OFF POWER AT CIRCUIT BREAKER OR FUSE AND TEST THAT POWER IS OFF BEFORE WIRING!**
2. Remove existing wall plate and switch, if applicable.
3. Remove 5/8" (1.6 cm) of insulation from each circuit conductor. Make sure the ends of wires are straight.
4. Connect wires per **WIRING DIAGRAM** on device as follows: Twist strands of each lead tightly together and, with circuit conductors, push firmly into appropriate wire connector. Screw connectors on clockwise making sure no bare conductors show below the wire connectors. Secure each connector with electrical tape.
5. Installation may now be completed by carefully positioning all wires to provide room in outlet box for device. Mount device into box with mounting screws supplied. Snap faceplate into place.
6. Install device control push button and control assembly **(see Figure 2)**.
7. Restore power at circuit breaker or fuse. **Installation is complete.**
8. Test Device operation.



LIMITED 5 YEAR WARRANTY AND EXCLUSIONS

Leviton warrants to the original consumer purchaser and not for the benefit of anyone else that this product at the time of its sale by Leviton is free of defects in materials and workmanship under normal and proper use for five years from the purchase date. Leviton's only obligation is to correct such defects by repair or replacement, at its option, if within such five year period the product is returned prepaid, with proof of purchase date, and a description of the problem to **Leviton Manufacturing Co., Inc., Attn: Quality Assurance Department, 201 North Service Road, Melville, New York 11747**. This warranty excludes and there is disclaimed liability for labor for removal of this product or reinstallation. This warranty is void if this product is installed improperly or in an improper environment, overloaded, misused, opened, abused, or altered in any manner, or is not used under normal operating conditions or not in accordance with any labels or instructions. **There are no other or implied warranties of any kind, including merchantability and fitness for a particular purpose, but if any implied warranty is required by the applicable jurisdiction, the duration of any such implied warranty, including merchantability and fitness for a particular purpose, is limited to five years. Leviton is not liable for incidental, indirect, special, or consequential damages, including without limitation, damage to, or loss of use of, any equipment, lost sales or profits or delay or failure to perform this warranty obligation.** The remedies provided herein are the exclusive remedies under this warranty, whether based on contract, tort or otherwise.

MULTI-GANG INSTALLATION REQUIREMENTS

Multi-Gang Installations:

A multi-ganged installation exists when multiple devices are installed in the same back box. In multi-gang installations, the following may be required:

- Device de-rating
- Use of joiner bars for adjacent devices.
- Fin removal
- Back box size

NOTE: TEST FIT DEVICE INSTALLATION WITH THE WALL PLATE PRIOR TO BREAKING FINS OR INSTALLING DEVICES TO ENSURE YOU UNDERSTAND ALL REQUIREMENTS.

De-ratings:

When fins are broken, some devices must be de-rated. Reference table below to determine the device ratings when 0, 1, or 2 fins are removed.

Fluorescent - 2 Wire Phase Control - 120-277VAC/VCA, 60HZ

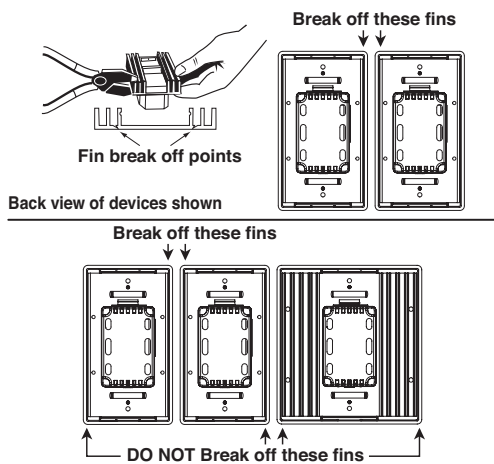
Use only for control of electronic ballasted luminaires. Intended for Advance Mark 10, Lutron Tu-Wire, or Sylvania Quicktronic Power Sense ballasts. **CAUTION:** To reduce risk of overheating and possible damage to other equipment, do not install to control a receptacle, a motor-operated appliance, or a transformer supplied appliance.

Fluorescent 2 Wire Phase Control		0 fins removed	1 fin removed	2 FINS REMOVED
AWRMG-XA_ AWSMG-XA_ AWSMT-XA_	Amps		5.0	
	VA @ 120V		600	
	VA @ 230V		1150	
	VA @ 277V		1385	
AWRMG-XB_ AWSMG-XB_	Amps	8.3	6.5	5.3
	VA @ 120V	1000	780	636
	VA @ 230V	1917	1495	1219
	VA @ 277V	2308	1801	1468
AWRMG-XC_ AWSMG-XC_	Amps		12.5	12.3
	VA @ 120V		1500	1476
	VA @ 230V		2875	2829
	VA @ 277V		3463	3407
AWRMG-XD_ AWSMG-XD_	Amps	16.0	13.5	12.3
	VA @ 120V	1920	1620	1476
	VA @ 230V	3680	3105	2829
	VA @ 277V	4432	3740	3407
AWSMT-XB_	Amps	8.3	7.0	5.5
	VA @ 120V	1000	840	660
	VA @ 230V	1917	1610	1265
	VA @ 277V	2308	1939	1524
AWSMT-XC_	Amps	12.5	10.2	8.7
	VA @ 120V	1500	1224	1044
	VA @ 230V	2875	2346	2001
	VA @ 277V	3463	2825	2410
AWSMT-XD_	Amps	16.0	13.0	11.1
	VA @ 120V	1920	1560	1332
	VA @ 230V	3680	2990	2553
	VA @ 277V	4432	3601	3075

Fin Removal:

When it is desired to install devices in as small a space as possible, all inside fins of like sized, adjacent devices can be broken off. **Figure 4** show how to break off fins and the specific order in which multiple devices must be installed in multi-gang installations.

Figure 4 - Fin Removal



Back Box Size & Joiner Bars:

To determine the required back-box size in multi-gang installations, reference table below. In applications where the devices do not line up with back box device mounting holes, use joiner bars to join the controls together. Reference **Figure 5**.

Basic Configurations		Number & Type of WIDE			
		0	1	2	3
Number & Type of NARROW	0				
	Backbox - # Gangs		1	4	6**
	Device Configuration		W	W+W	W+W+W
	Wallplate Part #		AWP0F-01x	AWP0F-02x	AWP0F-03x
1	Backbox - # Gangs	1	3	5 or 6	8
	Device Configuration	N	W+N	W+N+W	W+W+N+W
	Wallplate Part #	AWP0F-10x	AWP0F-11x	AWP0F-12x	AWP0F-13x
2	Backbox - # Gangs	2	4	6	8
	Device Configuration	N*+*N	W+N*+*N	W+N*+*N+W	W*+*W+N*+*N+W
	Wallplate Part #	AWP00-20x	AWP00-21x	AWP00-22x	AWP00-23x
3	Backbox - # Gangs	4**	6**	7	9
	Device Configuration	N+N+N	W+N+N+N	W+N*+*N*+*N+W	W*+*W+N*+*N*+*N+W
	Wallplate Part #	AWP00-30x	AWP00-31x	AWP00-32x	AWP00-33x

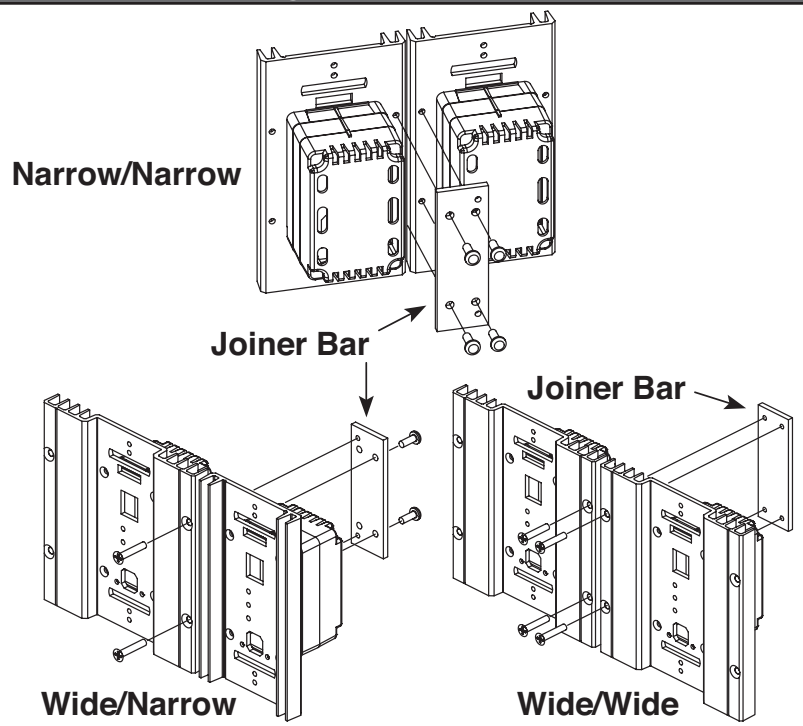
- Find the cells that correspond to your application by identifying the row with the number of wide heatsink devices you have, and the columns that correspond to the number of narrow heat sink devices you have. In the cell you'll find the following:
- The number indicates the number of "Gangs" required.
- The letters under the number indicate the order devices should be installed, N=narrow, W=wide.
- W* = right fin break-off on wide device, N* = right fin break-off on narrow device.
- *W = left fin break-off on wide device, *N = left fin break-off on narrow device.
- *W* = fin break-off on both sides of wide device, *N* = fin break-off on both sides of narrow device.
- ** indicates that use of jumper bars is required. Jumper bars can be found in the kit with the faceplate.
- Replace 'x' in the faceplate part number with the desired color: W=White, I=Ivory, A=Almond, T=Light Almond, E=Black, G=Gray, K=24K Gold, L=Satin Stainless, R=Antique Bronze, B=Brushed Brass.

NOTE: Metal finishes are not available on custom face plates.

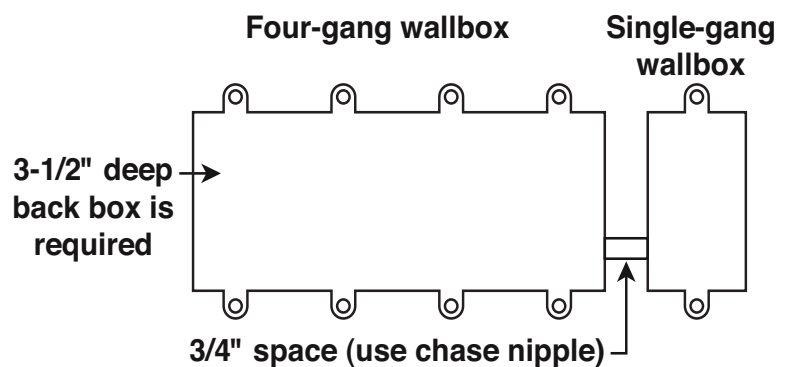
Basic WIDE/NARROW configurations, for additional configurations see:

www.leviton.com/RENOIRII

Figure 5 - Joiner Bar



Additional - Single Gang Box



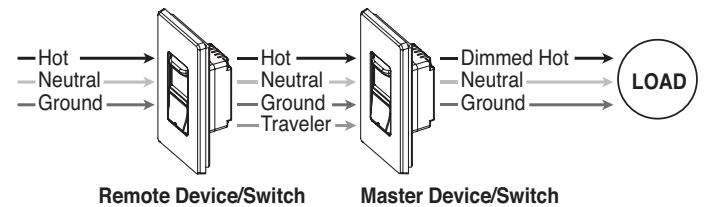
Multi-Way Control:

The Renoir II product line supports up to 5-way control. Any combination of Dimmers, Fan Controls, Switches, or Remotes are supported with a **MAXIMUM OF 5 DEVICES**. Total run length from end to end is **MAXIMUM 250 FEET**. Remotes require Uncontrolled Hot, Neutral, & Ground for proper operation. One traveler wire is to run in between all masters and remotes. Remotes draw 15mA power (ea) from the Control to which they are connected.

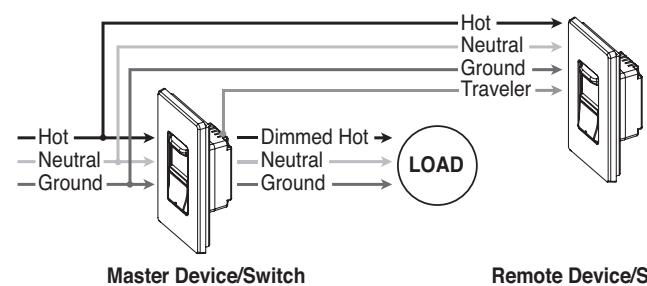
NOTE: Remote Hot/Neutral should ideally be fed from the same circuit as the Master. If this is not possible, ensure that the master and remote are both fed from the same phase.

Multi-Way Control Wiring Diagram

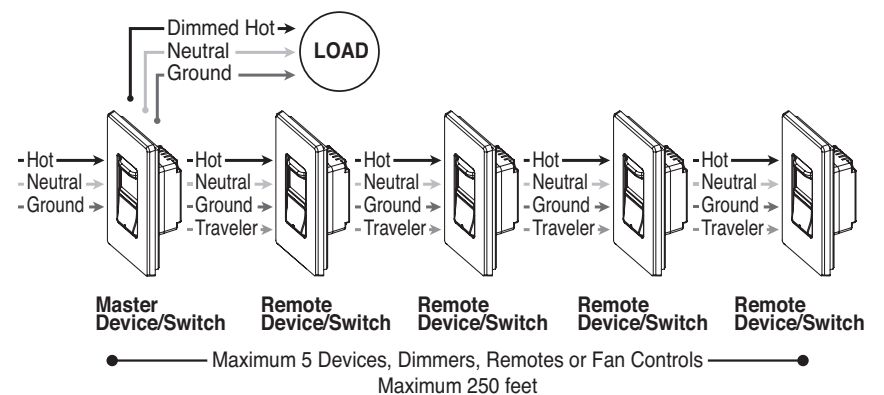
Load after Remote Device/Switch and Master Device/Switch



Load in between Master Device/Switch and Remote Device/Switch



Multiple Remote Device/Switches



Multiple Device/Switches and Remote Device/Switches

