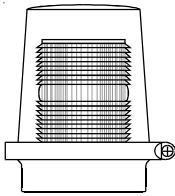
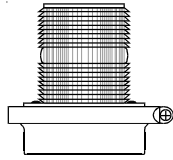


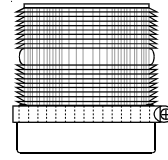
Installation Instructions for Catalog Series 90, 92 and 95 AdaptaBeacon® Signals



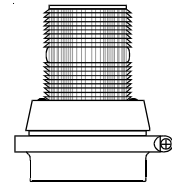
90 Series



92-N5 Series



92-R5 and 92-S1
 Series



95 Series

Description

The catalog series 90, 92 (120 and 240V AC Models only) and 95 AdaptaBeacon signals are UL and cUL listed, general purpose visual and visual/audible signaling appliances. The 90 and 92 series signals are strobe lights; the 95 signals are strobe lights with a single pulsing horn.

The 92 series single flash beacons are available in 120VAC, 240V AC and 250V DC models. The 240V AC and 250V DC versions have a larger lens assembly than the 120V version. The 92(*)-S1 beacons are supplied with 3 ft (.9 m) flying leads.


The 90, 92 and 95 series are suitable for indoor or outdoor (weatherproof) installation and utilize a standard base that allows direct surface mounting, mounting on a 4" (102 mm) octagon box, or mounting on 1/2" (13 mm) NPT conduit. When installing indoors, the signals may be mounted in any position. For outdoor installation, the signals must be mounted on conduit with their lens or dome facing directly up.

Electrical Specifications

| Catalog Number | Rated Voltage | Current |
|----------------|---------------|----------|
| 90(*)-N5 | 120V 50/60 Hz | 0.10 Amp |
| 92(*)-N5 | 120V 50/60 Hz | 0.10 Amp |
| 92(*)-R5 | 240V 50/60 Hz | 0.05 Amp |
| 92(*)-S1 | 250V DC | 0.10 Amp |
| 95(*)-N5 | 120V 50/60 Hz | 0.10 Amp |

*The letter (A - amber, B - blue, C - clear, G - green, M - magenta or R - red) in this position signifies the color the supplied lens.

Installation



WARNINGS

To prevent electrical shock, ensure that power is disconnected before installing the signal.

To prevent leakage and a potential electrical hazard, use care when disassembling the signal to prevent tearing of the weatherproof gaskets. If a component resists removal due to adhesion to a gasket, *do not* force apart by hand; carefully separate the components by prying them apart with a thin blade screwdriver.

90, 92, and 95 Series

1. Remove the base from the signal using one of the following applicable procedures.
 - a. **90 Series:** See Figure 1. Remove the screw in the clamp ring, remove the ring and lift the dome off the signal. Loosen the three screws in the base of the lens, turn the lens clockwise and lift it straight up and off of the strobe tube support plate, being careful not to damage the strobe tube. Remove the two screws that are partially set into the raised area of the strobe tube support plate. Then, grasp the socket (on the strobe tube support plate) and carefully lift the support plate off of the signal base.

Pull the wires leads out of the conduit entrance hole in the base. Proceed to step 2.

- b. **92 and 95 Series:** See Figures 2 and 3. Remove the screw in the clamp ring and remove the ring.

For the 92-N5 and 95 series, lift the lens/lamp assembly off of the base and pull the wire leads out of the conduit entrance hole in the base.

For the 92-R5 and 92-S1 series, lift the lens off of the signal base, remove the strobe tube support plate and pull the wire leads out of the conduit entrance hole in the

base. Exercise care so as to not tear the gaskets that are permanently attached to the lens and signal base.

Proceed to step 2.

2. For indoor installation, the signal may be direct surface mounted, mounted on a 4" (102 mm) octagon box, or mounted on 1/2" (13 mm) NPT conduit. For outdoor (weatherproof)

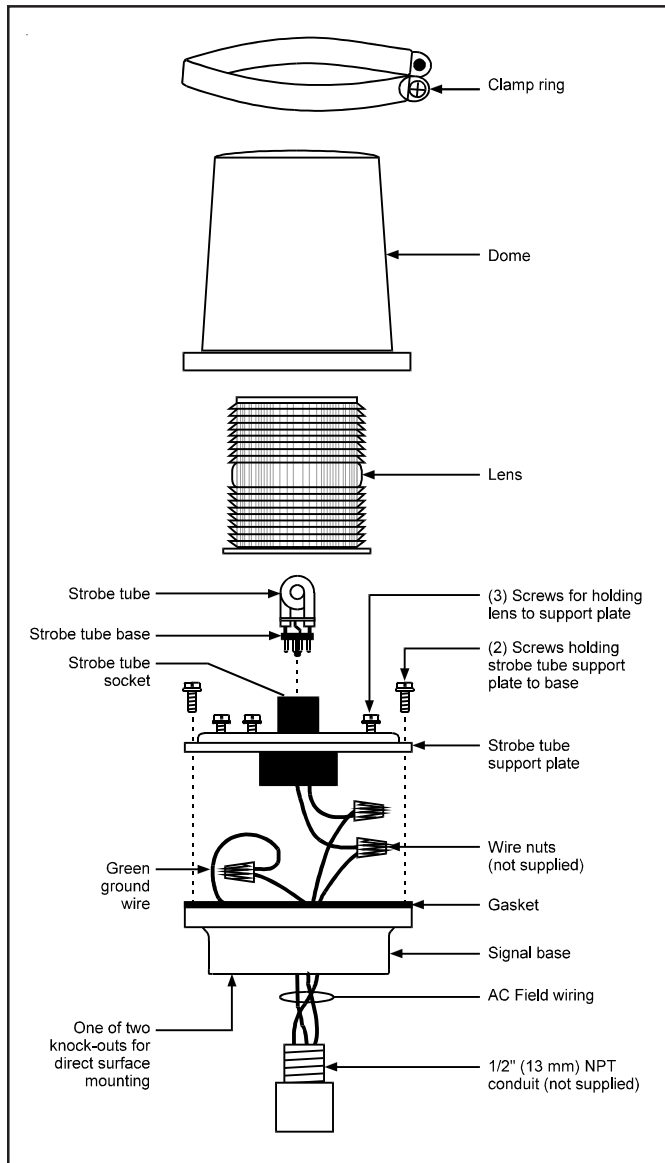


Figure 1. Installing the 90 Series Signals

installation, the signal must be conduit mounted. Install the signal base using one of the following applicable mounting procedures.

Direct Surface Mounting (Indoor Only)

- a. Remove the two-knockouts for mounting screws from the bottom of the signal base.
- b. Route the field wiring from the power source through the conduit entrance hole in the base.
- c. Fasten the base to the surface by installing two #10 wood screws (not supplied) or other suitable hardware through

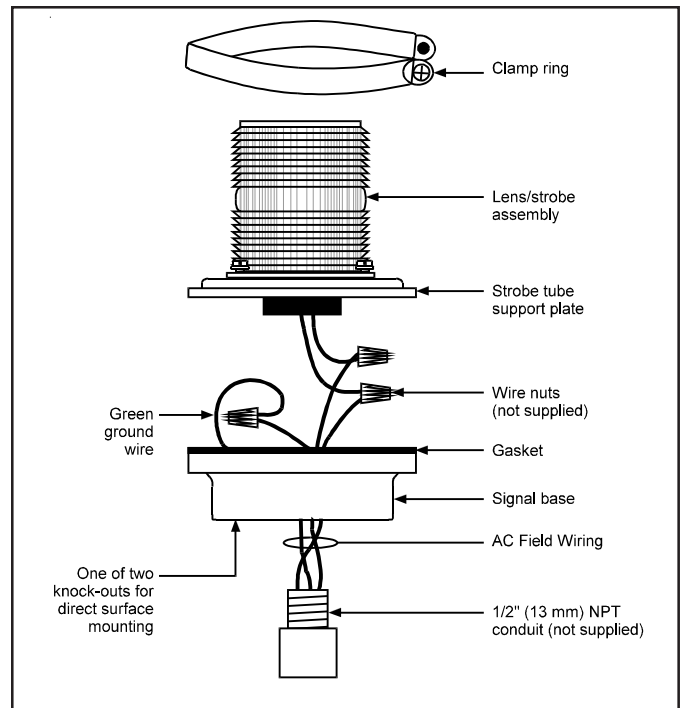


Figure 2. Installing the 92-N5 and 95 Series Signals (92-N5 Shown)

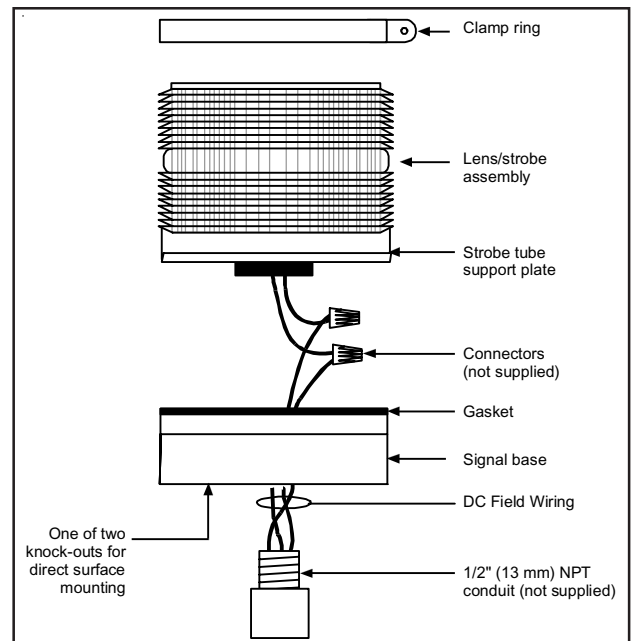


Figure 3. Installing the 92-R5 and 92-S1 Series Signals (92-S1 Model Shown)

the knock-out holes in the base. Proceed to step 3 for wiring connections.

Mounting on a 4" (102 mm) Octagon Box (Indoor Only)

- a. Remove the two knock-outs for mounting screws from the bottom of the signal base.
- b. Route the field wiring from the power source through the conduit entrance hole in the base.
- c. Fasten the base to the octagon box (not supplied) by installing the screws supplied with the box through the

knock-out holes in the base. Proceed to step 3 for wiring connections.

Mounting on 1/2" (13 mm) NPT Conduit



WARNING

To prevent leakage and a potential electrical hazard, when mounting outdoors the signals must be installed with the lens or dome facing directly up.

- a. Route the field wiring from the power source through the 1/2" (13 mm) NPT conduit (not supplied) and through the conduit entrance hole in the signal base.
 - b. Install the base on the conduit. Proceed to step 3 for wiring connections.
3. Using wire nuts (not supplied) connect the field wiring to the signal wire leads. Polarity is not important. Connect the green ground wire leads using wire nuts (not supplied). Place the connected wires inside the base and reassemble the signal on the base.
4. Turn on power and verify that the signal operates properly.

Maintenance



WARNING

To prevent electrical shock, disconnect power and allow five (5) minutes for stored energy to dissipate before disassembling the signal.

To prevent leakage and a potential electrical hazard, use care when disassembling the signal to prevent tearing of the weatherproof gaskets. If a component resists removal due to adhesion to a gasket, *do not* force apart by hand; carefully separate the components by prying them apart with a thin blade screwdriver.

Cleaning



CAUTION

To prevent damage to the lens and/or dome, *do not* use abrasive materials or cleaners.

Periodically clean the signal lens and dome (as applicable) to maintain optimum light visibility. These items may be cleaned with a soft cloth or sponge using water or a mild detergent solution. Ensure that the lens and dome are completely dry before replacing.

Strobe Tube Replacement



CAUTIONS

To prevent damage to the strobe tube, lift the lens straight up and off of the signal.

To prevent damage to the strobe tube, handle the strobe only by its base.

Refer to Table 1 for the required strobe tube.

1. After disconnecting the power and waiting five minutes for stored energy to dissipate, disassemble as follows:
 - a. **90 Series:** Refer to Figure 1. Remove the screw in the clamp ring, remove the ring and lift off the dome. Loosen the three screws in the base of the lens, turn the lens clockwise and lift it straight up and off of the strobe tube support plate, being careful not to damage the strobe tube. Proceed to step 2.
 - b. **92 Series:** Refer to Figures 4 and 5. Remove the screw in the clamp ring and remove the ring.

For the 92-N5 series, remove the three screws holding the lens retaining ring and lens to the strobe tube support plate. Being careful not to tear the gasket which is permanently affixed to the lens, lift the lens straight up and off the plate.

For the 92-R5 and 92-S1 series, lift the lens off of the signal base, being careful not to tear the gaskets permanently affixed to the lens.

Proceed to step 2.

- c. **95 Series:** Refer to Figure 6. Remove the three screws holding the skirt and lens to the strobe tube support plate. Lift the skirt up over the lens and off the signal. Being careful not to tear the gasket which is permanently affixed to the lens, lift the lens straight up and off the plate. Proceed to step 2.
2. Grasp the base of the strobe tube and pull firmly, or carefully pry between the strobe tube base and the socket, to remove the tube from the socket. Install the new strobe tube by aligning the key on the strobe tube base with the slot in the socket and then pressing the strobe tube base onto the socket. Reassemble the signal.
3. Turn on the power and verify that the strobe operates.

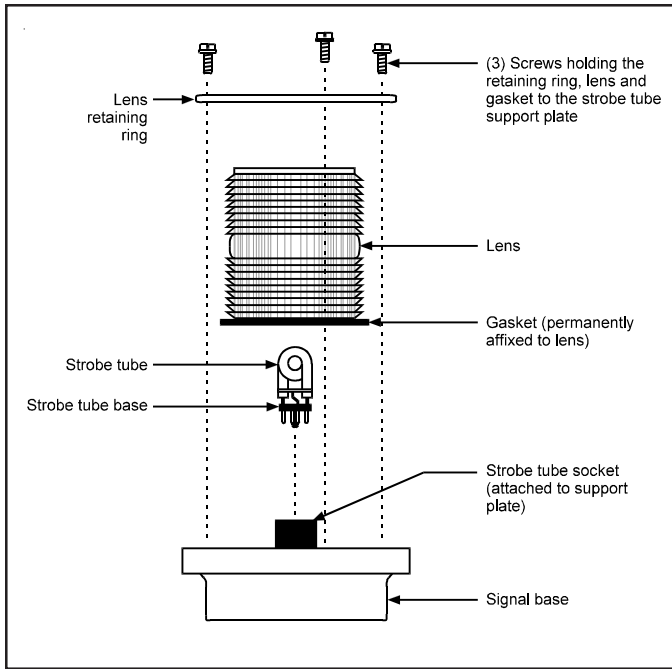


Figure 4. Replacing the Strobe Tube on the 92-N5 Series Signals

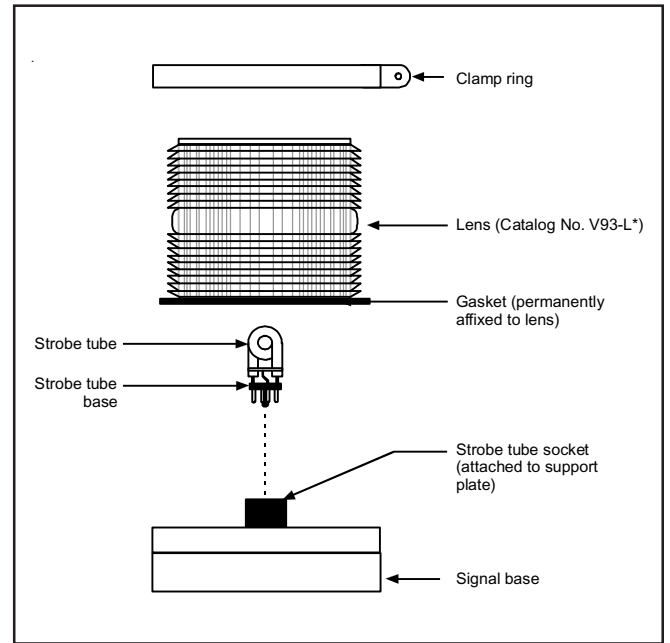


Figure 5. Replacing the Strobe Tube

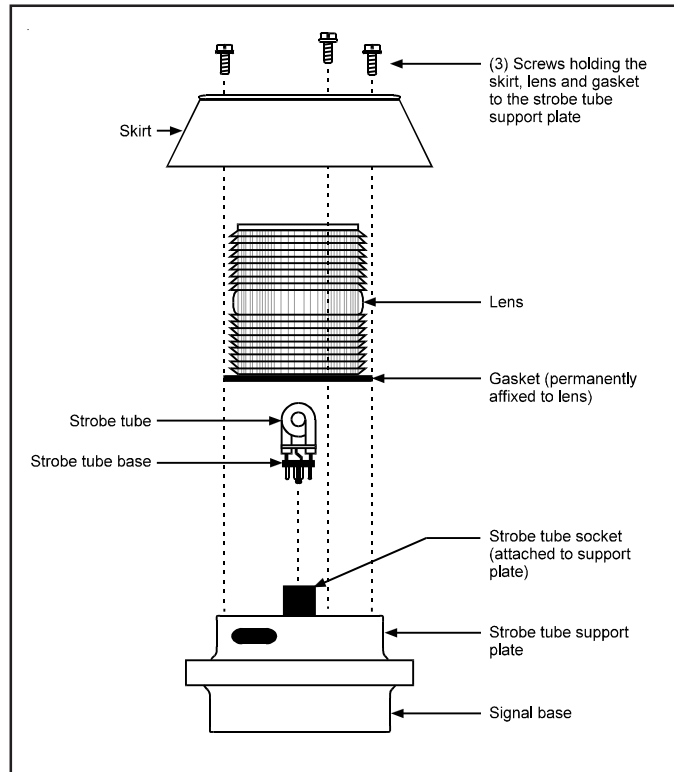


Figure 6. Replacing the Strobe Tube on the 95 Series Signals

Table 1. Replacement Parts

| Component | Used On | Catalog or Part Number |
|--|-----------------------------------|------------------------|
| Xenon Strobe Tube | All series except 92-R5 and 92-S1 | 92-LST |
| Xenon Strobe Tube | 92-R5 and 92-S1 | 92-ST |
| Horn | 95 Series | 123A-N5 |
| Dome (Clear) | 90 Series | 52-LC |
| Lens (Amber, Blue, Clear, Green, Magenta or Red) | All series except 92-R5 and 92-S1 | 92-L(*) |
| Lens (Amber, Blue, Clear, Green, Magenta or Red) | 92-R5 and 92-S1 | V93-L(*) |

*Letter in this position signifies lens color: A - amber, B - blue, C - clear, G - green, M - magenta, or R - red.