

# TRLED2X2 INSTALLATION INSTRUCTIONS

**RAB**  
LIGHTING

Thank you for buying RAB lighting fixtures. Our goal is to design the best quality products to get the job done right. We'd like to hear your comments. Call the Marketing Department at 888-RAB-1000 or email: marketing@rabweb.com

## IMPORTANT

**READ CAREFULLY BEFORE INSTALLING FIXTURE. RETAIN THESE INSTRUCTIONS FOR FUTURE REFERENCE.**

RAB fixtures must be wired in accordance with the National Electrical Code and all applicable local codes. Proper grounding is required for safety. THIS PRODUCT MUST BE INSTALLED IN ACCORDANCE WITH THE APPLICABLE INSTALLATION CODE BY A PERSON FAMILIAR WITH THE CONSTRUCTION AND OPERATION OF THE PRODUCT AND THE HAZARDS INVOLVED.

**WARNING: Make certain power is OFF before installing or maintaining fixture.**

## SAFETY INSTRUCTIONS

**WARNING: Risk of fire or electric shock. Suitable for Damp locations.**

**WARNING: Suitable for 9/16" or 15/16" Flat Tee Grid in both Insulated Ceilings and Non-Insulated Ceilings.**

**WARNING: Do not handle energized fixture when hands are wet, when standing on wet or damp surfaces, or in water.**

**WARNING: Vapor barrier must be suitable for 90°C.**

**WARNING: Fixture to be independently supported to building structure.**

## RECESSED CEILING MOUNTING

The fixture is suitable only for INDOOR RECESSED CEILING application.

To mount in an insulated or non-insulated ceiling - 9/16" or 15/16" exposed Flat Tee Grid Ceiling follow the steps below.

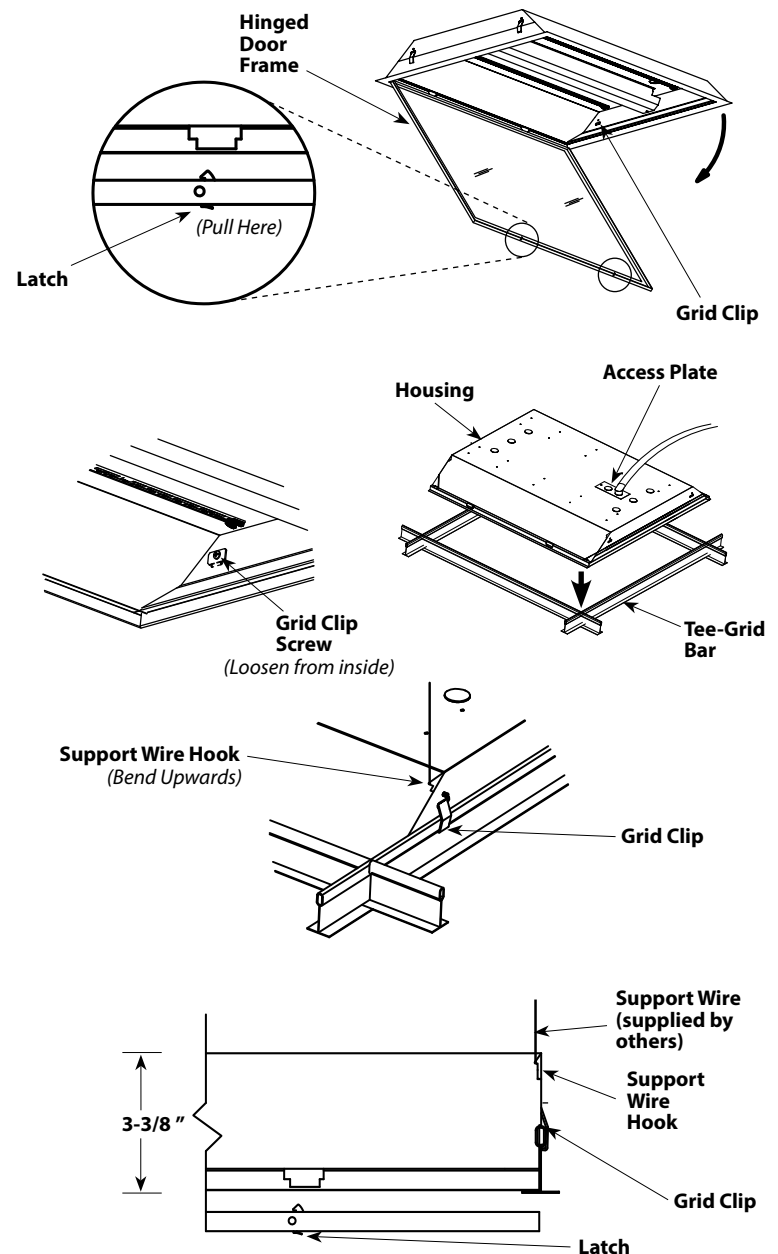
1. Pull the **Latch (2)** on **Hinged Door Frame** to swing open the fixture. **Hinged Door Frame** can be removed, if required.

**WARNING: Do not touch the LEDs.**

2. Loosen **Grid Clip Screws (4)** from inside of **Housing**.
3. Rotate and slide the **Housing** as required to fit through the **Tee-Grid Bar** and place it as shown. Tighten **Grid Clip Screws (4)** to secure the **Housing**.
4. Make sure that the orientation of the **Access Plate** faces an accessible tile to make electrical splices.
5. Knock out appropriate conduit knockouts on the **Access Plate** to route input conduit. Use appropriate conduit connectors as required by code.
6. Connect wires as shown in wiring diagram.  
**WARNING: To prevent wiring damage or abrasion, do not expose wiring to edges of sheet metal or other sharp objects.**

7. Support wires are required by Installation Codes. Bend (4) **Support Wire Hook** upwards at **Housing** corners. Support **Housing** to the building structure by **Support Wires (supplied by others)** through the support wire hook hole.

8. If removed, **Hinged Door Frame** can be hinged or latched from either direction. Close the **Hinged Door Frame**.



# TRLED2X2 INSTALLATION INSTRUCTIONS

Thank you for buying RAB lighting fixtures. Our goal is to design the best quality products to get the job done right. We'd like to hear your comments. Call the Marketing Department at 888-RAB-1000 or email: [marketing@rabweb.com](mailto:marketing@rabweb.com)

## CLEANING & MAINTENANCE

**CAUTION: Be sure fixture temperature is cool enough to touch. Do not clean or maintain while fixture is energized.**

1. Clean acrylic lens & fixture with non-abrasive cleaning solution.
2. Do not open fixture to clean the LEDs. Do not touch the LEDs.

## TROUBLESHOOTING

1. Check that the line voltage at fixture is correct. Refer to wiring directions.
2. Be sure the fixture is grounded properly.

*Note: These instructions do not cover all details or variations in equipment nor do they provide for every possible situation during installation, operation or maintenance.*

## 0-10V DIMMABLE WIRING

Universal voltage driver permits operation at 120V thru 277V, 50 or 60 Hz. 0-10V control wires must be rated for 300V minimum. For 0-10V Dimming, follow the wiring directions as in fig. 1.

1. Connect the black fixture lead to the (+) LINE supply lead.
2. Connect the white fixture lead to the (-) COMMON supply lead.
3. Connect the GROUND wire from fixture to supply ground. Do NOT connect the GROUND of the dimming fixture to the output.
4. Connect the violet fixture lead to the (V+) DIM lead.
5. Connect the gray fixture lead to the (V-) DIM lead.

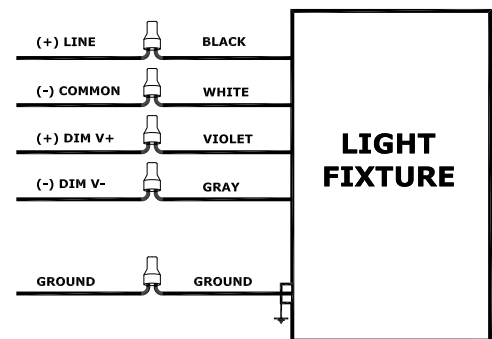


Fig. 1