

INSTRUCTION MANUAL SUPPLEMENT

SIGNATURE® SERIES

DC REMOTE CAPACITY BATTERY PACK

IMPORTANT SAFEGUARDS

1. READ AND FOLLOW ALL SAFETY INSTRUCTIONS

2. Before wiring to power supply, turn off electricity at fuse or circuit breaker.
3. Disconnect A.C. power and remove batteries before servicing.
4. All servicing should be performed by qualified personnel.
5. Consult your local building code for approved wiring and installation.
6. Do not use outdoors.
7. Do not mount near gas or electric heater.
8. Use caution when servicing batteries. Remove A.C. power before attempting to service battery.
9. Equipment should be mounted in locations and at heights where it will not readily be subjected to tampering by unauthorized personnel.
10. The use of accessory equipment not recommended by the manufacturer may cause an unsafe condition.
11. Do not use this equipment for other than intended use.
12. Fixture must be grounded to avoid potential electric shock.

SAVE THESE INSTRUCTIONS

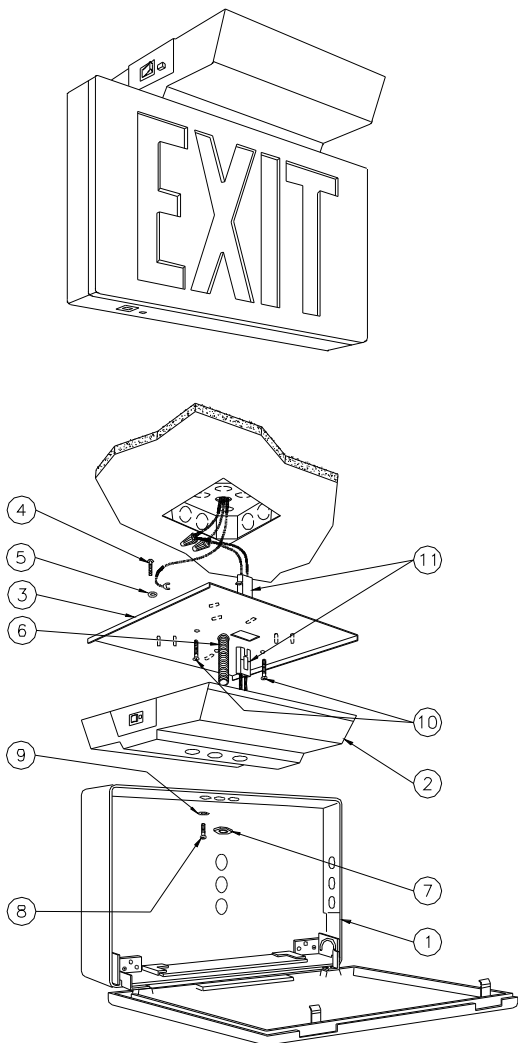


FIGURE 1

PARTS DESCRIPTION (See Fig. 1)

- ① Housing Assembly
- ② DC Remote Capacity Pack
- ③ Junction Box Mounting Plate
- ④ Green Ground Screw
- ⑤ Cup Washer
- ⑥ Threaded Nipple
- ⑦ Hex Nut
- ⑧ Mounting Screw, 8-32 x 1/2"
- ⑨ Mounting Washer
- ⑩ Junction Box Screw (Qty. 2) (not provided)
- ⑪ Mounting Plate AC Power Plug (DC plug not shown)

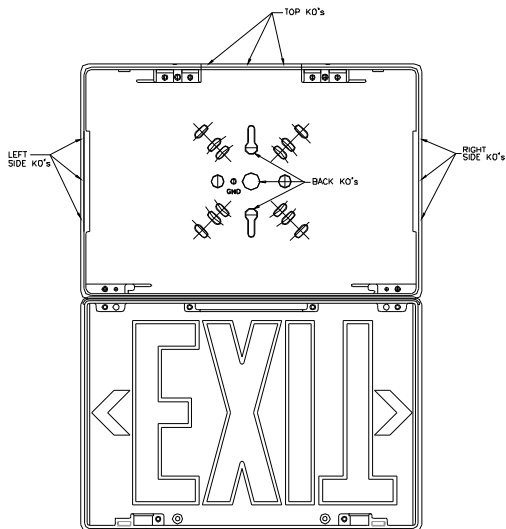


FIGURE 2

ASSEMBLY (See Fig. 2).

Top or Side Mounting

1. Round mounting knockouts are located on the fixture top and on both sides. Select desired mounting position and tap out all (3) three knockouts.
2. Fasten emergency canopy to sign using screw ⑧ and washer ⑨. If side mounting, be sure Test switch and "Ready" light on canopy face downward.

Back Mounting

1. Tap out three knockouts in housing back.
2. Mount emergency canopy to back of sign using screw ⑧ and washer ⑨. Be sure Test switch and "Ready" light on canopy face downward.

FIXTURE WIRING (See Fig. 3 or 4)

Note: This equipment to be connected to metal enclosed wiring system only.

Note: This equipment to be connected to unswitched circuit only.

1. Connect remote emergency (DC) lamps to tab terminals on charger board. (See Fig. 3 for 120V, Fig. 4 for 277V.)
2. Snap AC and DC power plugs ⑩ into mounting plate ③ from junction box side.
3. Screw threaded nipple 6 1/4" into center hole in mounting plate ③.
4. Connect power plug ⑩ leads to AC power using proper wiring diagram. Attach AC supply ground to junction box mounting plate ③ using green ground screw ④ and cup washer ⑤.
5. Fasten mounting plate ③ to junction box using two junction box screws ⑩ (not provided).

MOUNTING (See Fig. 1)

1. Connect polarized battery connector to charger board.

Note: Allow battery to charge 24 hours before initial testing, and 168 hours to fully charge battery.

CAUTION: Damage to battery will occur if battery is connected to charger board for a prolonged period of time without AC power provided.
2. Raise assembled fixture to junction box mounting plate, and connect polarized power plugs.
3. Align unit properly on mounting plate while pushing threaded nipple ⑥ through center mounting hole in fixture assembly. Be sure not to pinch wires between fixture and mounting plate ③. Fasten securely using hex nut ⑦. Snap door closed.

INSPECTION AND MAINTENANCE

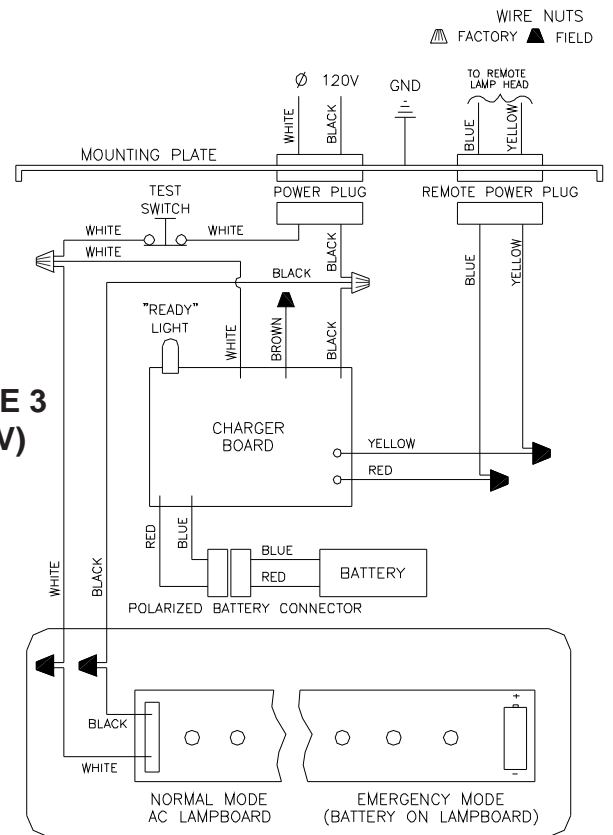
Note: Emergency lighting systems should be tested as often as local codes require, or at least quarterly, to ascertain that all components are operational.

- A. NORMAL OPERATION:** When unit is functioning properly, with power applied to it, the red "Ready" light on the canopy will be on.
- B. TO TEST:** Push Test Switch. "Ready" light on the canopy will go off and remote DC emergency lamps will come on.

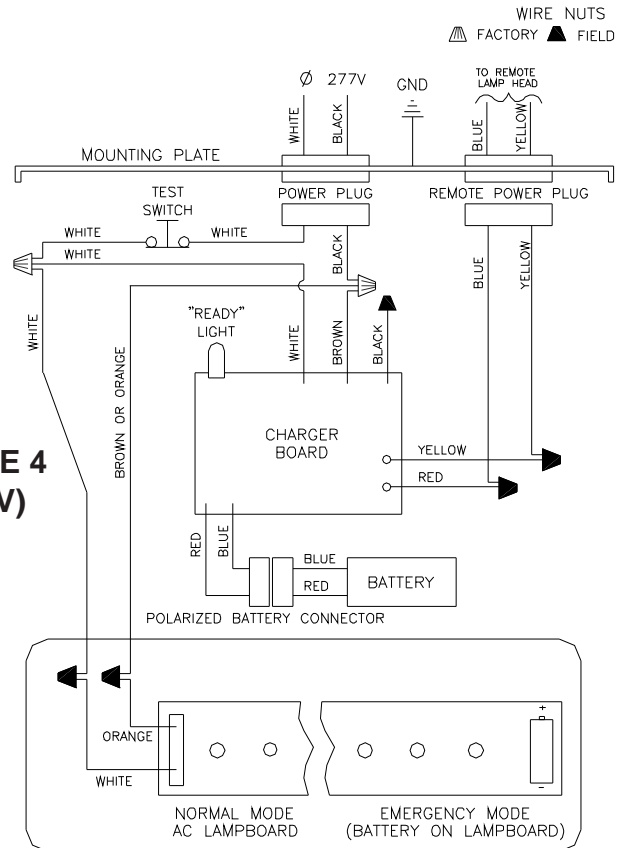
Note: Allow battery to charge 24 hours before initial testing, and 168 hours to fully charge battery.
- C. BATTERY REPLACEMENT:** Disconnect polarized battery connector. Pry battery away from canopy. Remove backing from double-sided tape on bottom of replacement battery. Press replacement battery into place and reconnect polarized battery connector.

CAUTION: Damage to battery will occur if battery is connected to charger board for a prolonged period of time without AC power provided.
- D. CHARGER BOARD REPLACEMENT:** Disconnect wiring as shown in wiring diagrams (Fig. 3 or Fig. 4). Compress mounting wings on switch, and remove from canopy. Remove charger board mounting screw. Replace charger board and switch, and reconnect wiring.

**FIGURE 3
(120 V)**



**FIGURE 4
(277 V)**



An AcuityBrands Company

EMERGENCY LIGHTING SYSTEMS

TEL: 800-334-8694 Fax: 770-981-8141 www.lithonia.com

EMCSA000642
REV B