

Isolating Connectors

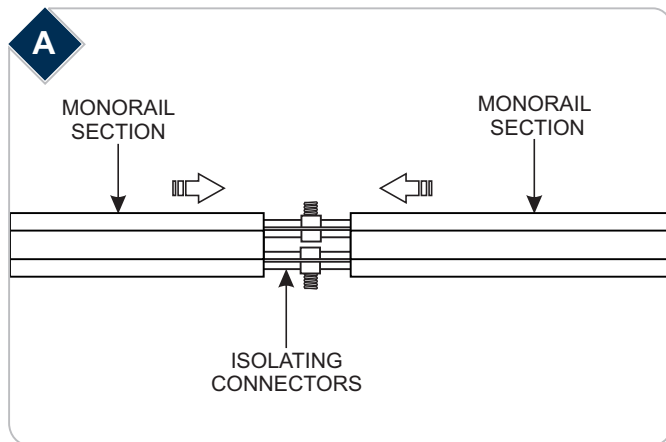
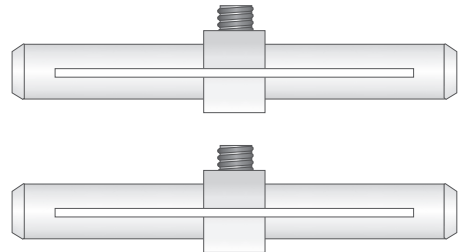


ENCOMPASS LIGHTING GROUP
CONNECTORS

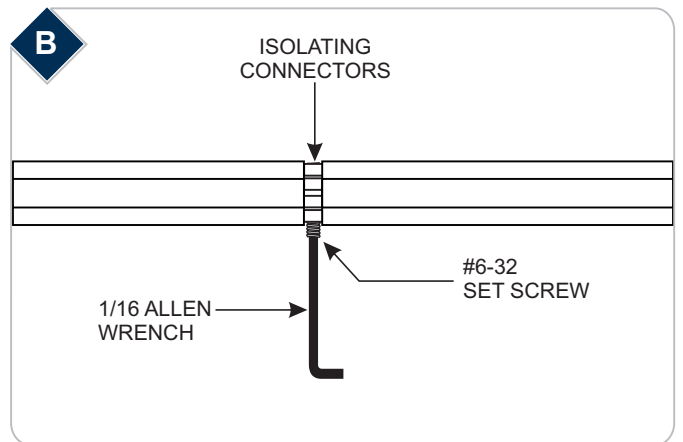
GENERAL PRODUCT INFORMATION:



This product is suitable for dry locations only.



1 Push the two MonoRail sections completely onto the isolating connectors.



2 Tighten the #6-32 set screws firmly with the provided 1/16 Allen wrench. Do not overtighten the set screws or the threads may strip.

SAVE THESE INSTRUCTIONS!



ENCOMPASS LIGHTING GROUP

7400 Linder Ave, Skokie, IL 60077

847.410.4400

www.encompasslighting.com

© 2008 Encompass Lighting Group. All rights reserved. The "Encompass Lighting Group" graphic is a registered trademark of Encompass Lighting Group. Encompass Lighting Group reserves the right to change specifications for product improvements without notification.

A Generation Brands Company