

Heat-Light Combination (with Night Light)

MODEL: 9960-R03

IMPORTANT INSTRUCTIONS

READ ALL INSTRUCTIONS BEFORE INSTALLING OR USING THIS HEATER.

To reduce the risk of fire, electric shock, or injury to persons, observe the following:

- Use this unit only in the manner intended by the manufacturer. If you have questions, contact the manufacturer at the address or telephone number listed in the warranty.
- Before servicing or cleaning unit, switch power off at service panel and lock the service disconnecting means to prevent power from being switched on accidentally. When the service disconnecting means cannot be locked, securely fasten a prominent warning device, such as a tag, to the service panel.
- Installation work and electrical wiring must be done by a qualified person(s) in accordance with all applicable codes and standards, including fire-rated construction codes and standards.
- When cutting or drilling into wall or ceiling, do not damage electrical wiring and other hidden utilities.
- This heater is hot when in use. To avoid burns, do not let bare skin touch hot surfaces. Keep combustible materials, such as furniture, pillows, bedding, papers, clothes, etc. and curtains at least 3 feet (0.9 m) from the front of the heater.
- Extreme caution is necessary when any heater is used by or near children or invalids and whenever the heater is left operating and unattended.
- Do not operate any heater after it malfunctions. Disconnect power at service panel and have heater inspected by a reputable electrician before reusing.
- Do not use outdoors.
- To disconnect heater, turn controls to off, and turn off power to heater circuit at main disconnect panel (or operate internal disconnect switch, if provided).
- Do not insert or allow foreign objects to enter any ventilation or exhaust opening, as this may cause an electric shock or fire, or damage the heater.
- To prevent a possible fire, do not block air intakes or exhaust in any manner.
- A heater has hot and arcing or sparking parts inside. Do not use it in areas where gasoline, paint, or flammable vapors or liquids are used or stored.
- Use this heater only as described in this manual. Any other use not recommended by the manufacturer may cause fire, electric shock, or injury to persons.
- Install heater at least 12 inches from floor or any adjacent wall.
- To avoid electrical shock: Do not install unit in a tub or shower enclosure or any location where it may come in contact with water. Never place a switch where it can be reached from a tub or shower.
- This product is designed for installation in ceilings up to a 12/12 pitch. Duct connector must point up. **DO NOT MOUNT THIS PRODUCT IN A WALL.**
- Do not connect heater to dimmer switch or speed control.
- Ducted fans must always be vented to the outdoors.
- Provide a separate 20 AMP circuit. Use 12 GA. power cable of type which meets code.
- This product must be grounded.

SAVE THESE INSTRUCTIONS

FOR BEST RESULTS

In a new construction site, install the housing (complete with heater) during rough-in construction of the building. The light assembly and the grille should be installed when the finished ceiling is in place.

Installation in an existing, finished building requires an accessible area (attic or crawl space) above the planned location. See "INSTALLATION IN EXISTING CONSTRUCTION."

Do not install closer than 12 inches to a vertical surface. Do not install over tub or shower enclosure.

- For installation in sloped ceilings up to 12/12 pitch.
- Ductwork must point up.

UNIT DIMENSIONS

Refer to Figure 1 for housing's dimensions.

NOTE: If there will be a finished second floor above, the Model 9960 housing requires a minimum of 2" x 8" joist construction for mounting.

WIRING AND DUCTWORK

- Run the required wiring during rough-in stage of construction.
- Total connected load: 1680 watts.
- Plan to run 120vAC, 60 Hz wiring (with ground) on a separate 20 Amp circuit from a power source, through the provided wall switch, to the housing's junction box. See wiring diagram.

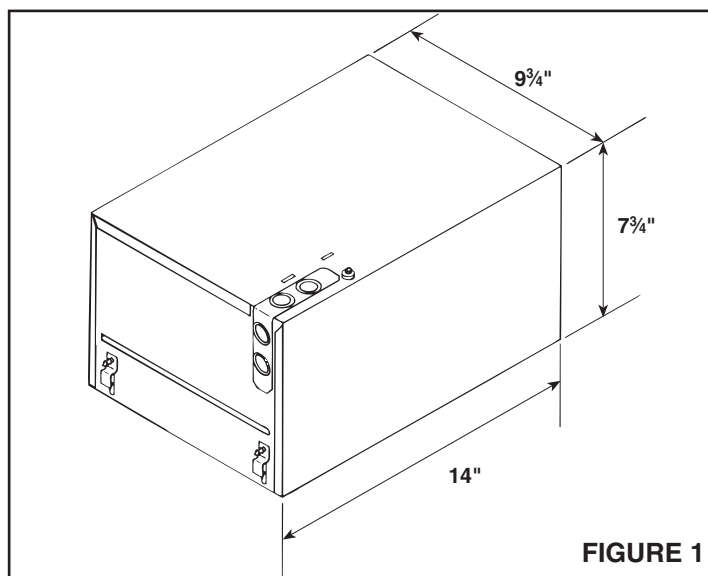


FIGURE 1

INSTALLATION IN NEW CONSTRUCTION

PREPARATION

1. Loosen hanger bar brackets to allow bars to be inserted.
2. **Refer to Figure 2.** Insert hanger bars into brackets.
3. **Refer to Figure 3.** Slide hanger bar brackets down to end of slot closest to outside edge of housing. Tighten brackets in this position.
4. **Refer to Figure 4.** Remove junction box cover by removing one screw.
5. **Refer to Figure 4.** Remove appropriate wiring knockout(s) and install approved box connector(s).

MOUNTING THE HOUSING

1. Locate housing between joists.
2. **Refer to Figure 5.** Using nails, secure hanger bars to joist.
NOTE: The hanger bar brackets are adjustable. Allowing for the thickness of the finished ceiling, mount hanger bars so that edge of housing will be flush with the finished ceiling.
3. Adjust brackets as required. Tighten brackets.

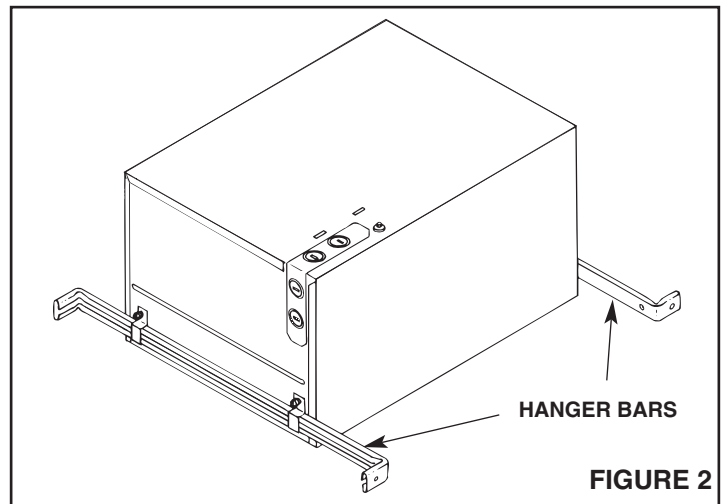


FIGURE 2

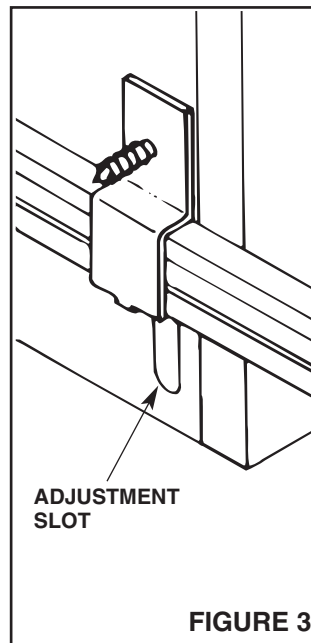


FIGURE 3

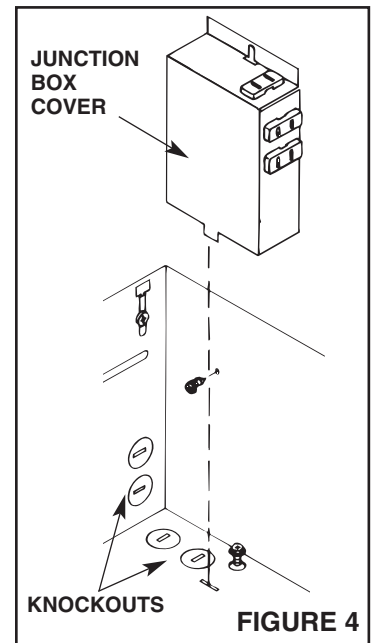


FIGURE 4

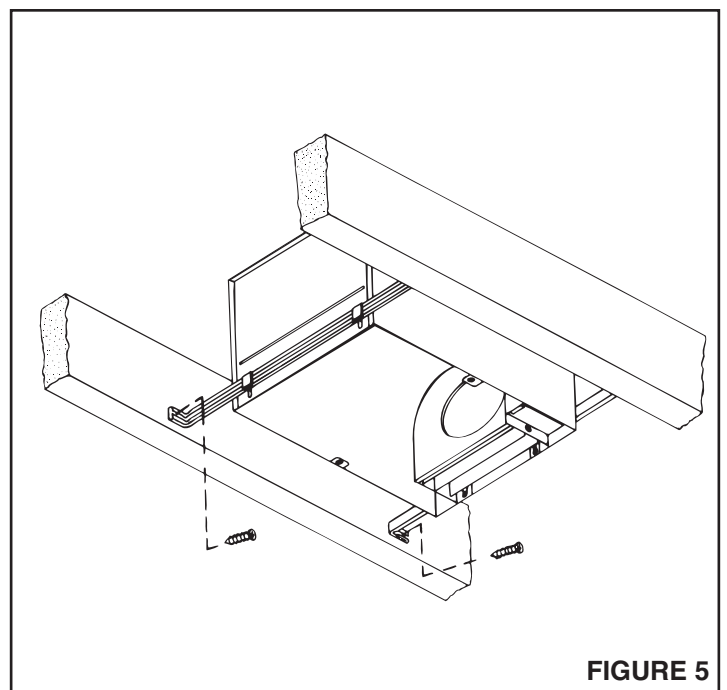


FIGURE 5

INSTALLING THE SWITCH

1. Install double-gang switch box in chosen location.
2. **Refer to Figure 6.** Run wiring and make wiring connections.
3. Use supplied screws to secure switch bracket assembly to switch box.
4. Using supplied screws, secure wall plate to switch bracket.

INSTALLING AND CONNECTING THE WIRING

Refer to Figure 6.

All wiring must comply with local codes and unit must be properly grounded.

1. Using 12-gauge wire, run 120vAC, 60 Hz wiring (with ground) from a power source to the wall switch location.
The unit must be wired on a separate 20 Amp circuit.
2. Run wiring from switch location to housing as shown in the wiring diagram.
3. Make wiring connections as shown in wiring diagram.
4. Replace junction box cover. Slide slotted hole in cover over screw. Tighten screw securely.
5. Secure wire cover with one screw.
6. Insert heater and ventilator plugs into proper receptacles as shown.

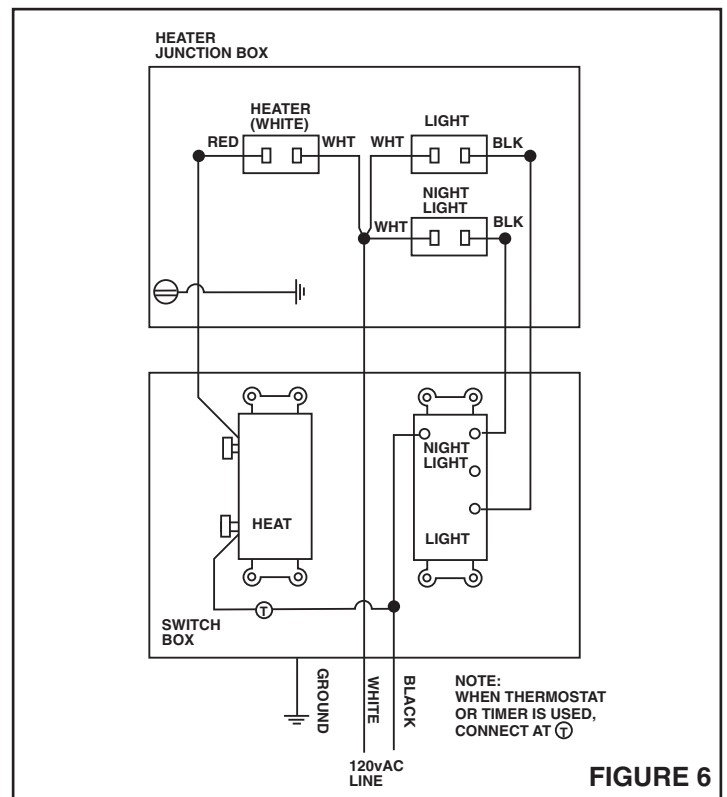
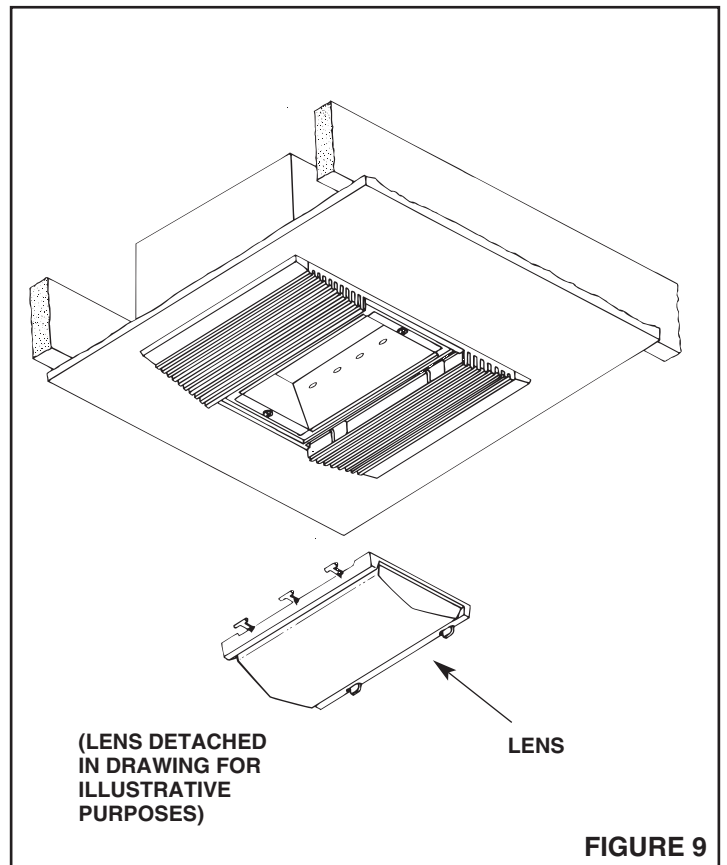
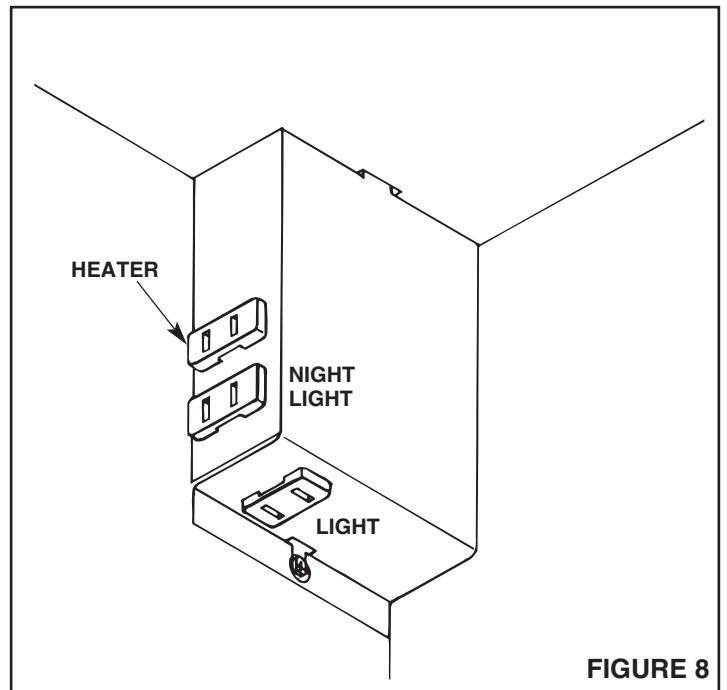
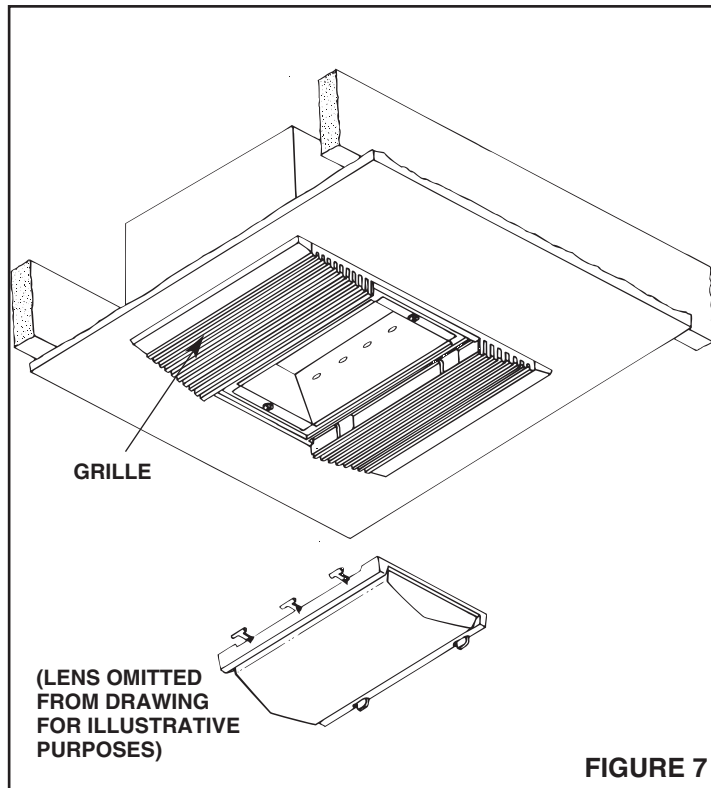


FIGURE 6

MOUNTING THE GRILLE ASSEMBLY

1. Refer to Figure 7. Place the reflector into the grille.
2. Refer to Figure 8. Insert light plug and night light plug into receptacles.
3. Refer to Figure 7. Using two provided screws, secure grille and reflector to housing.
4. Install 100 watt (maximum) light bulb into light socket.
5. Install 7 watt (maximum) C-7 candelabra type bulb into night light socket.
6. Refer to Figure 9. Snap lens into place.



INSTALLATION IN EXISTING CONSTRUCTION

In an existing, finished building, installation of the Heat-Light Combination requires an accessible area (attic or crawl space) above the planned location. If the location that has been chosen for installation has a finished floor above it, be certain there is sufficient space available to install the housing.

PLANNING

Review "INSTALLATION IN NEW CONSTRUCTION" and follow all instructions that apply.

CAUTION: Check the area above the planned location to make sure that:

- (1) Wiring can be run to the planned location.
- (2) No wiring or other obstructions might interfere with the installation.

INSTALLATION

1. The housing must be mounted between ceiling joists.
2. **Refer to Figure 10.** Mark ceiling for cutout. Cutout dimensions: $14\frac{1}{8}$ " long x $9\frac{7}{8}$ " wide. Make cutout in ceiling.
3. Follow steps under "PREPARATION" page 1.
4. From above, lower housing into the cutout and secure hanger brackets. Run wiring through box connectors.
5. From below, adjust housing so that it is flush with the finished ceiling.
6. From below, make wiring connections as shown in figure 6.
7. Replace junction box cover.
8. Insert heater, light, and night light plugs into proper receptacles.
9. Install grille, reflector and lens.

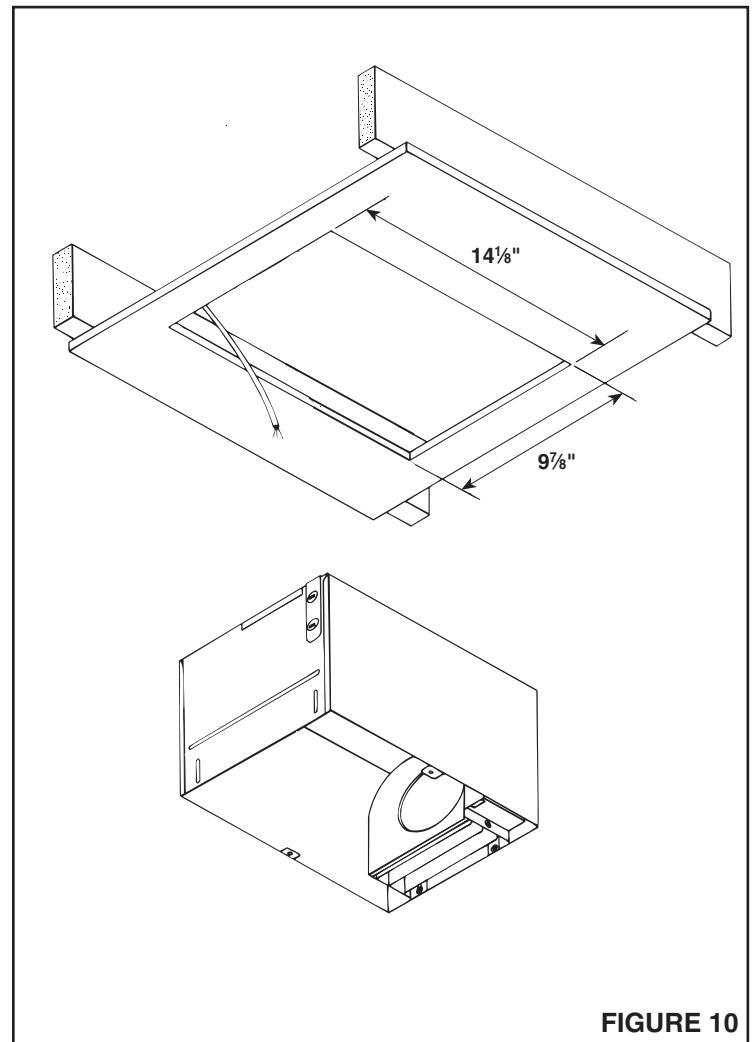


FIGURE 10

OPERATION

Before using heater, make sure heater has been properly installed according to all installation steps.

MAINTENANCE

Replace light bulbs with a 100-Watt (maximum) incandescent light bulb and a 7-Watt (maximum) C-7 type night light bulb.

The following maintenance and cleaning tasks can be performed by the user. All other servicing must be performed by an authorized technician. If you have any questions, please consult with our customer service department at: 888-336-3948.

LUBRICATION

The heater is permanently lubricated and never needs oiling or disassembly.

CLEANING

Clean heater once a month as follows:

1. Turn off power at service panel.
2. Make sure heating element is cool.
3. Use a soft brush attachment to gently vacuum grille openings or wipe grille clean with a soft cloth.
4. Restore power.

CAUTION: METAL AND ELECTRICAL PARTS SHOULD NEVER BE IMMERSSED IN WATER.

Limited Warranty

Warranty Period and Exclusions: Broan-NuTone LLC (the "Company") warrants to the original consumer purchaser of its product ("you") that the product (the "Product") will be free from material defects in the Product or its workmanship for a period of one (1) year from the date of original purchase.

The limited warranty period for any replacement parts provided by the Company and for any Products repaired or replaced under this limited warranty shall be the remainder of the original warranty period.

This warranty does not cover speed controls, fluorescent lamp starters, tubes, halogen and incandescent bulbs, fuses, filters, ducts, roof caps, wall caps and other accessories for ducting that may be purchased separately and installed with the Product. This warranty also does not cover (a) normal maintenance and service, (b) normal wear and tear, (c) any Products or parts which have been subject to misuse, abuse, abnormal usage, negligence, accident, improper or insufficient maintenance, storage or repair (other than repair by the Company), (d) damage caused by faulty installation, or installation or use contrary to recommendations or instructions, (e) any Product that has been moved from its original point of installation, (f) damage caused by environmental or natural elements, (g) damage in transit, (h) natural wear of finish, (i) Products in commercial or nonresidential use, or (j) damage caused by fire, flood or other act of God. This warranty covers only Products sold to original consumers in the United States by the Company or U.S. distributors authorized by the Company.

This warranty supersedes all prior warranties and is not transferable from the original consumer purchaser.

No Other Warranties: This Limited Warranty contains the Company's sole obligation and your sole remedy for defective products. The foregoing warranties are exclusive and in lieu of any other warranties, express or implied. THE COMPANY DISCLAIMS AND EXCLUDES ALL OTHER EXPRESS WARRANTIES, AND DISCLAIMS AND EXCLUDES ALL WARRANTIES IMPLIED BY LAW, INCLUDING WITHOUT LIMITATION THOSE OF MERCHANTABILITY AND FITNESS FOR A PARTICULAR PURPOSE. To the extent that applicable law prohibits the exclusion of implied warranties, the duration of any applicable implied warranty is limited to the period specified for the express warranty above. Some states do not allow limitations on how long an implied warranty lasts, so the above limitation may not apply to you. Any oral or written description of the Product is for the sole purpose of identifying it and shall not be construed as an express warranty.

Whenever possible, each provision of this Limited Warranty shall be interpreted in such manner as to be effective and valid under applicable law, but if any provision is held to be prohibited or invalid, such provision shall be ineffective only to the extent of such prohibition or invalidity, without invalidating the remainder of such provision or the other remaining provisions of the Limited Warranty.

Remedy: During the applicable limited warranty period, the Company will, at its option, provide replacement parts for, or repair or replace, without charge, any Product or part thereof, to the extent the Company finds it to be covered by and in breach of this limited warranty under normal use and service. The Company will ship the repaired or replaced Product or replacement parts to you at no charge. You are responsible for all costs for removal, reinstallation and shipping, insurance or other freight charges incurred in the shipment of the Product or part to the Company. If you must send the Product or part to the Company, as instructed by the Company, you must properly pack the Product or part—the Company is not responsible for damage in transit. The Company reserves the right to utilize reconditioned, refurbished, repaired or remanufactured Products or parts in the warranty repair or replacement process. Such Products and parts will be comparable in function and performance to an original Product or part and warranted for the remainder of the original warranty period.

Exclusion of Damages: THE COMPANY'S OBLIGATION TO PROVIDE REPLACEMENT PARTS, OR REPAIR OR REPLACE, AT THE COMPANY'S OPTION, SHALL BE YOUR SOLE AND EXCLUSIVE REMEDY UNDER THIS LIMITED WARRANTY AND THE COMPANY'S SOLE AND EXCLUSIVE OBLIGATION. THE COMPANY SHALL NOT BE LIABLE FOR INCIDENTAL, INDIRECT, CONSEQUENTIAL OR SPECIAL DAMAGES ARISING OUT OF OR IN CONNECTION WITH THE PRODUCT, ITS USE OR PERFORMANCE.

Some states do not allow the exclusion or limitation of incidental or consequential damages, so the above limitation or exclusion may not apply to you. This warranty gives you specific legal rights, and you may also have other rights, which vary from state to state.

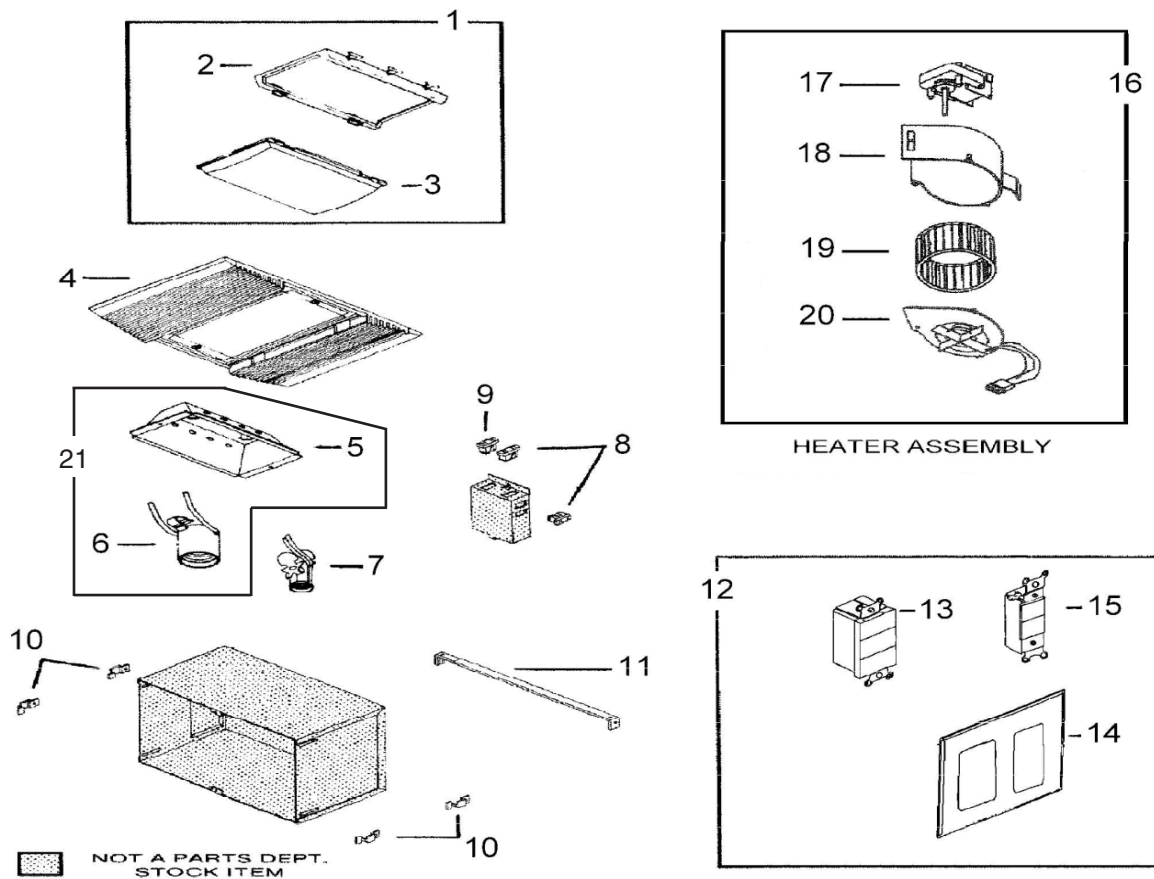
This warranty covers only replacement or repair of defective Products or parts thereof at the Company's main facility and does not include the cost of field service travel and living expenses.

Any assistance the Company provides to or procures for you outside the terms, limitations or exclusions of this limited warranty will not constitute a waiver of such terms, limitations or exclusions, nor will such assistance extend or revive the warranty.

The Company will not reimburse you for any expenses incurred by you in repairing or replacing any defective Product, except for those incurred with the Company's prior written permission.

How to Obtain Warranty Service: To qualify for warranty service, you must (a) notify the Company at the address or telephone number stated below within seven (7) days of discovering the covered defect, (b) give the model number and part identification and (c) describe the nature of any defect in the Product or part. At the time of requesting warranty service, you must present evidence of the original purchase date. If you cannot provide a copy of the original written limited warranty, then the terms of the Company's most current written limited warranty for your particular product will control. The most current limited written warranties for the Company's products can be found at www.broan.com.

Broan-NuTone LLC 926 West State Street, Hartford, WI 53027 www.broan.com 888-336-3948



Ref. No.	Old Part Number	Description	New Part Number
1	K3132	Bezel/Lens Assembly	S10941174
2	K3133	Bezel Only	Use Ref. No. 1
3	K3134	Lens ONLY	Use Ref. No. 1
4	K9010	Grille Assembly	S89339000
5	K31375	Reflector	Use Ref. No. 21
4	K3136	Socket Large (100 Watt)	Use Ref. No. 21
5	K3137	Socket Small w/clip (7 Watt)	Use Ref. No. 21
6	K3097	Receptacle Black (1)	S66204000
9	K3096	Receptacle White (1)	S56721000
10	K3094	Hanger Clip 4 required	S57117000
11	K3010	Hanger Rod Assembly (1) 2 required	S85585000
12	89347	Hardware Bag Assembly (Complete Switch Set)	Not a parts item
13	85921	Double Toggle Switch	S85921000
14	85933	Switch Plate	Not available
15	K3173	Single Toggle Switch	Not available
16	88568	B Unit Assembly (Heat)	S10941171
17	88569	Motor	S88569000
18	61579	Heat Scroll	S61579000
19	66583	Blower Wheel	S66583000
20	0969B	Heating Element (Includes Thermal Protector)	S0969B000
*	K9012	Grille Screw Set (2) - not shown	S89323015
21	-	Reflector Assembly with Lamp sockets - Large & Small	S10941427