



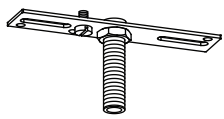
PRODUCT NAME: Logan 3-Light Pendant
ITEM NUMBER: 10048

Please consult your electrician for hanging fixture and wiring.

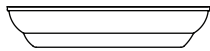


Bulb (not included): 3x60W Medium Base Bulb

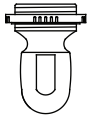
IMPORTANT: Turn off the power at the main fuse or circuit breaker box before starting installation



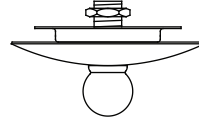
(A) Bracket



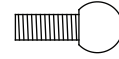
(B) Canopy



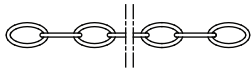
(C) Loop



(D) Caps Assembly



(E) Ball Screw (3Pcs)

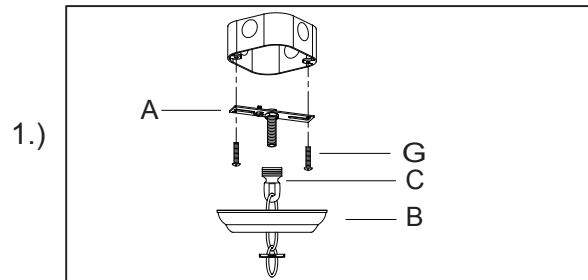
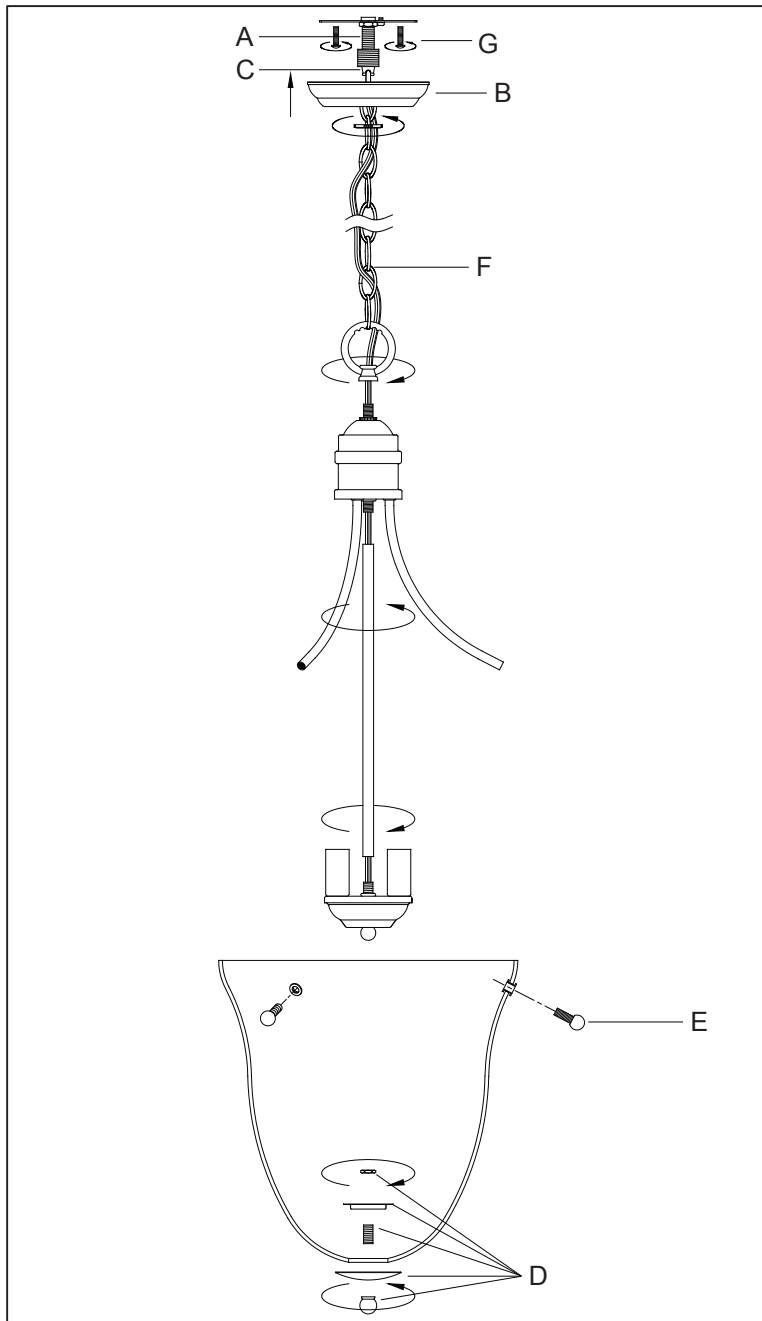


(F) Chain



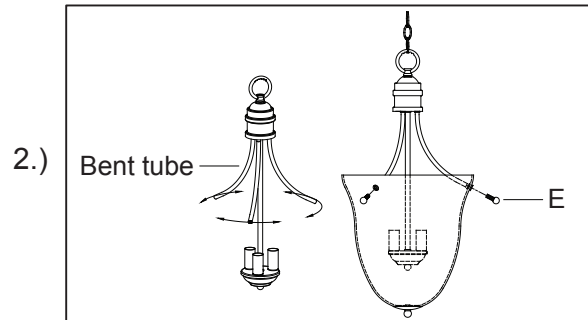
(G) Mounting Screws(2Pcs)

Locate all hardware & components before discarding packaging



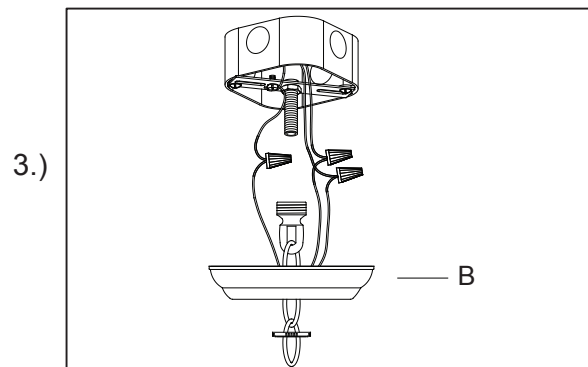
1.)

Step1: Remove mounting bracket from fixture and install to electrical box.



2.)

Step2: Rotate the bent tube to the suitable position, then tightening the glass shade with the ball screw (E)



3.)

Step3: Install top loop to center stem and attach appropriate amount of chain to loop to achieve desired mounting height. Thread wire through every 3rd loop of chain. Remove ring from loop and slide down chain. Place canopy onto chain and let slide to top of fixture. Install nipple and cross bar into top of chain loop. Wire fixture to wires in outlet box. Copper wire is for Ground. Pull canopy through screw ring up chain to ceiling and tighten securely.

Cleaning & Care:
Clean with soft cloth and a mild detergent.
Do not use abrasive cleaner.