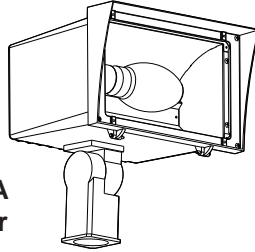
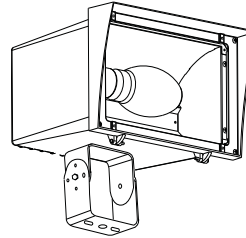


## FLOODZILLA INSTALLATION INSTRUCTIONS

**FLOODZILLA  
Slipfitter**



**FLOODZILLA  
Trunnion**



Thank you for buying RAB lighting fixtures. Our goal is to design the best quality products to get the job done right. We'd like to hear your comments. Call the us at 888-RAB-1000, or email: [marketing@rabweb.com](mailto:marketing@rabweb.com)

### IMPORTANT

**READ CAREFULLY BEFORE INSTALLING FIXTURE. RETAIN THESE INSTRUCTIONS FOR FUTURE REFERENCE.**

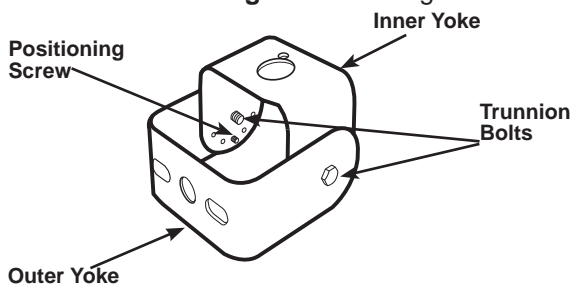
RAB fixtures must be wired in accordance with the National Electrical Code and all applicable local codes. Proper grounding is required for safety. THIS PRODUCT MUST BE INSTALLED IN ACCORDANCE WITH THE APPLICABLE INSTALLATION CODE BY A PERSON FAMILIAR WITH THE CONSTRUCTION AND OPERATION OF THE PRODUCT.

**WARNING: Make certain power is OFF before installing or maintaining fixture. No user serviceable parts inside.**

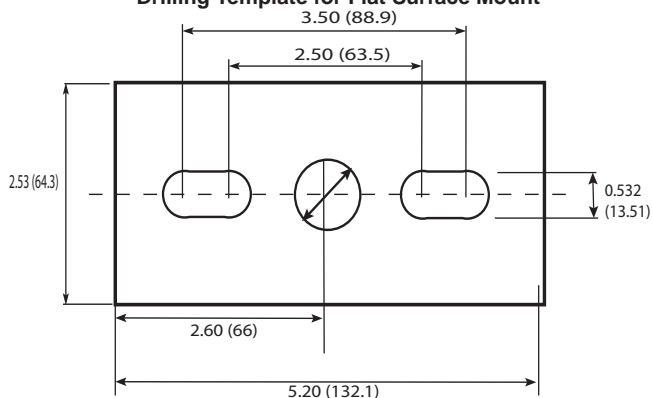
### TRUNNION MOUNTING

Floodzilla is supplied with a trunnion, which can be mounted directly on a flat surface.

1. The trunnion mounting offers five different positions, 90°, 60°, 30°, 20°, 0°. There are three positioning holes in the **Outer Yoke** and five positioning holes in the **Inner Yoke**.
2. To make the selection remove the **Positioning Screws**.
3. Loosen **Trunnion Bolts**. Rotate trunnion to the desired angle.
4. Reinsert **Positioning Screw** and tighten.



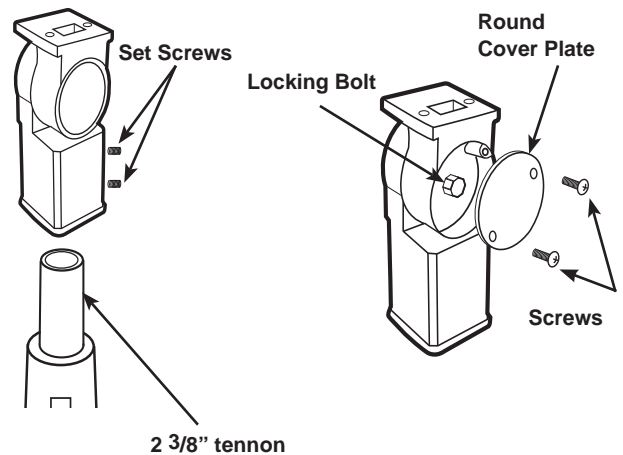
**Drilling Template for Flat Surface Mount**



### SLIPFITTER MOUNTING

The slipfitter mounting fits over a O.D. **2 3/8" Tennon**.

1. Slip the mounting over the **Tennon** and secure the fixture with the 2 **Set Screws** on the side of the slipfitter.
2. Remove 2 screws on side of **Round Cover Plate**.
3. Remove the **Round Cover Plate** and adjust the angle of the fixture.
4. Loosen the **Locking Bolt** and swivel fixture.
5. Tighten the **Locking Bolt** and re-attach **Cover Plate**.



**2 3/8" tennon**

## FLOODZILLA INSTALLATION INSTRUCTIONS

### LAMP INSTALLATION

**CAUTION: Prior to installing, check that the lamp is the correct ANSI type and wattage.**

Observe lamp manufacturer's recommendations on lamp operation, ballast type and burn position.

1. Disconnect power. Make sure fixture and lamp are cool enough to touch.
2. Open fixture by removing the (4) door screws. Swing lens door down on hinges.
3. Insert lamp.
4. Before closing lens door make sure frame gasket is properly seated all around fixture.
5. Close door. Tighten (4) screws.

### REPLACEMENT LAMPS AND BALLASTS

Wattage	RAB Lamp Catalog#	ANSI Code	RAB Ballast Catalog#
<b>High Pressure Sodium</b>			
250	LHPS250	S50	BHPSH250QT
400	LHPS400	S51	BHPSH400QT
<b>Metal Halide</b>			
175	LMH175MOG	M57	BMHH175QT
200PS	LMH200PS	M136	BMHH200PSQ
250	LMH250	M58	BMHH250QT
250PS	LMH250PS	M153	BMHH250PSQ
320PS	LMH320PS	M154	BMHH320PSQ
350PS	LMH350PS	M131	BMHH350PSQ
400	LMH400Z	M59	BMHH400QT
400PS	LMH400PS	M155	BMHH400PSQ

480V Ballasts are available, consult factory.

### CLEANING

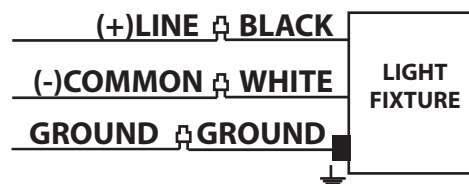
Clean glass lens with nonabrasive glass cleaning solution.

**CAUTION: Be sure fixture temperature is cool enough to touch. Do not clean or maintain while fixture is energized.**

### WIRING

All units are factory wired for 277V. If voltages other than 277V are required, remove the reflector and rewire for the appropriate voltage.

1. Connect the appropriate BLACK fixture lead to the (+) LINE supply lead.
2. Connect the WHITE fixture lead to the (-) COMMON supply lead.
3. Fixture ground wire must be connected to supply ground.
4. All unused leads must be capped and insulated.



### ACCESSORIES

**Guard:** GDFZW

**Polycarbonate Shield:** GDFZP

**4" Hood:** FZH4

**9" Hood:** FZH9

Guard or Hood can be screwed into the four threaded standoffs located on the front of the fixture lens door. The Polycarbonated Shield is attached to the standoffs with spacers provided.

### TROUBLESHOOTING

Check that:

1. Proper lamp is installed. Lamp is not faulty.
2. Fixture is wired properly.
3. Line voltage at the fixture is correct.
4. Fixture is grounded properly.

Note: These instructions do not cover all details or variations in equipment nor do they provide for every possible situation during installation, operation or maintenance.