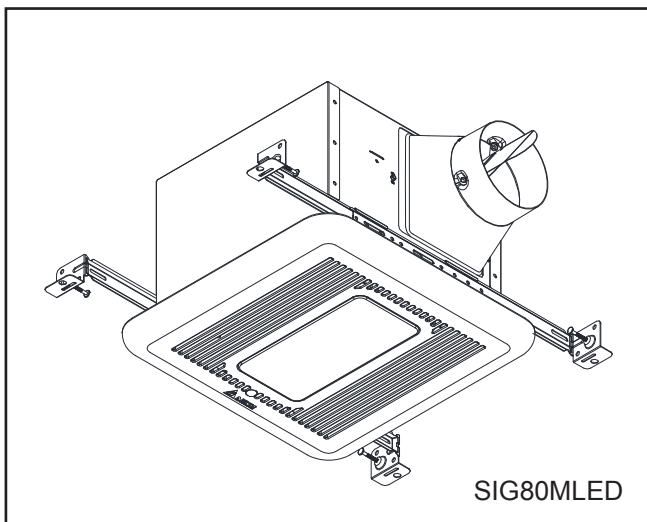
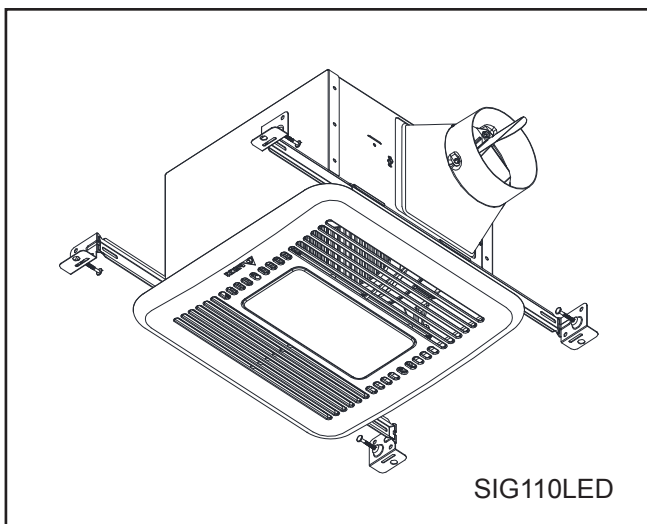


# VENTILATION FAN / LED LIGHT / LED NIGHT LIGHT

MODEL SIG80MLED / SIG110LED



## TABLE OF CONTENTS

Package Contents	2
General Safety Information	3
Preparation and Wiring Diagrams	4
Assembly Instructions - New Construction	5
Assembly Instructions - Existing Construction	6
Grille Installation	10
Operation	10
Care and Maintenance	11
Troubleshooting	12
Dimensions	13
Product Specifications	13
Warranty	14

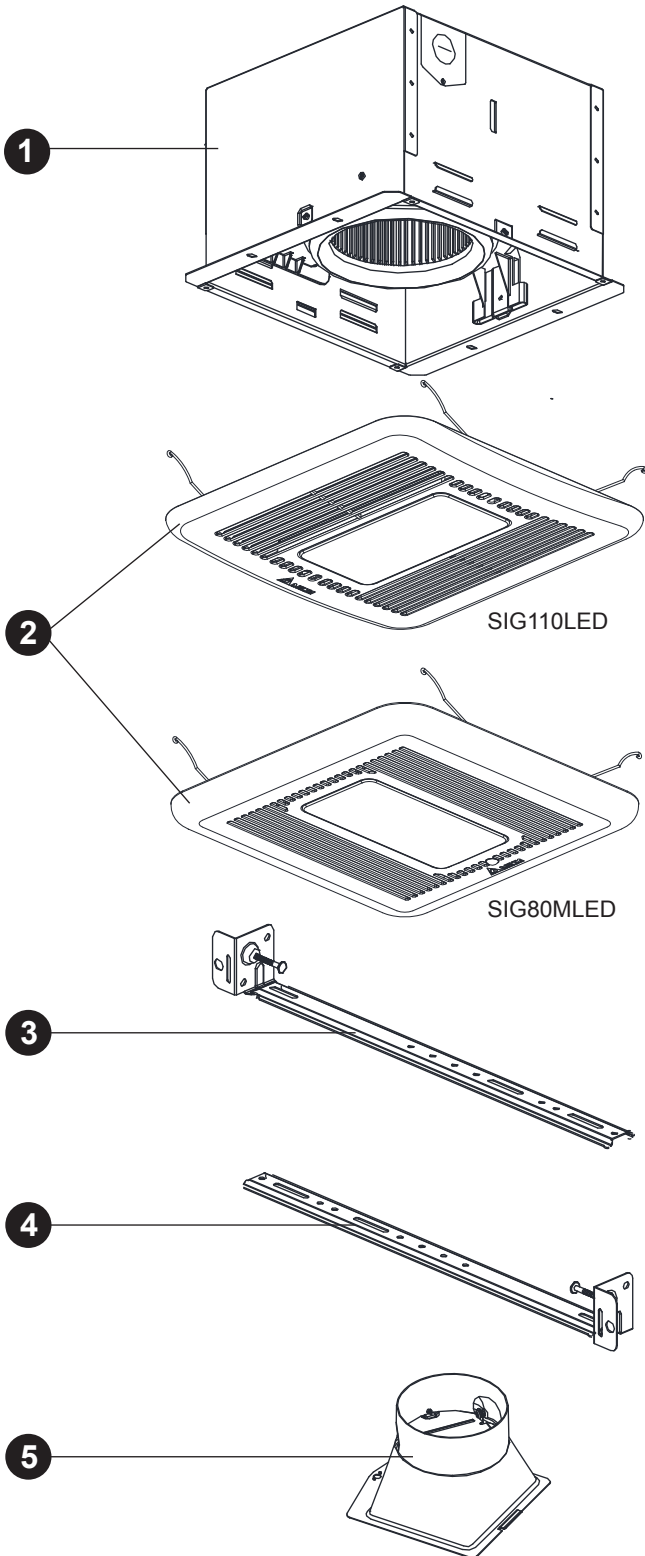
## READ AND SAVE THESE INSTRUCTIONS

Address: 4405 Cushing Parkway, Fremont, CA 94538

US Toll Free Number: 1-888-979-9889

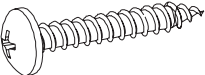
[www.deltabreez.com](http://www.deltabreez.com)


# PACKAGE CONTENTS

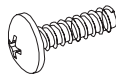


PART	DESCRIPTION	QTY
1	Fan Body	1
2	Grille	1
3	Suspension bracket I 13"(318.5mm)	2
4	Suspension bracket II 13"(318.5mm)	2
5	Duct Connector	1

**HARDWARE CONTENTS**  
(Images are to scale)

**A**  X 4  
Long Wood Screw (  $\varnothing$  4 x 25mm)

**B**  X 4  
Short screw (#8-32x1/4")

**C**  X 1  
Duct Screw (M4x12mm)

## GENERAL SAFETY INFORMATION

### READ AND SAVE THESE INSTRUCTIONS GENERAL SAFETY INFORMATION

1. Make sure that the electric service supply voltage is AC 120V, 60Hz.
2. Follow all local electrical and safety codes, as well as the National Electrical Code (NEC) and the Occupational Safety and Health Act (OSH Act).
3. Always disconnect the power source before working on or near the ventilating fan, motor or junction box.
4. Protect the power cord from sharp edges, oil, grease, hot surfaces, chemicals or other objects.
5. Do not kink the power cord.
6. Do not install the unit where ducts are configured as shown in Fig.A.
7. Provide suction parts with proper ventilation.
8. This unit is UL Listed for use over a bathtub or shower when installed in a GFCI protected branch circuit.

### WARNING

TO REDUCE THE RISK OF FIRE, ELECTRIC SHOCK, OR INJURY TO PERSONS, OBSERVE THE FOLLOWING:

1. Use this unit only in the manner intended by the manufacturer. If you have questions, contact the manufacturer.
2. Before servicing or cleaning the unit, switch the power off at the service panel and lock the service disconnecting means to prevent the power from being switched on accidentally. When the service disconnecting means cannot be locked, securely fasten a prominent warning device, such as a tag, to the service panel.
3. Installation work and electrical wiring must be done by a qualified person(s) in accordance with all applicable codes and standards, including fire-rated construction.
4. Sufficient air is needed for proper combustion and exhausting of gases through the flue (chimney) of fuel burning equipment to prevent backdrafting. Follow the heating equipment manufacturer's guideline and safety standards such as those published by the National Fire Protection Association (NFPA), and the American Society for Heating Refrigeration and Air Conditioning Engineers (ASHRAE) and local code authorities.
5. When cutting or drilling into the wall or ceiling, do not damage electrical wiring and other hidden utilities.
6. Ducted ventilating fans must always be vented to the outdoors.

7. If this unit is to be installed over a tub or shower, it must be marked as appropriate for the application and be connected to a GFCI (Ground Fault Circuit Interrupter) – protected branch circuit.
8. Do not use this unit with any other solid-state control device. Solid-state controls may cause harmonic distortion, which can cause a motor humming noise.
9. NEVER place a switch where it can be reached from a tub or shower.
10. Not to be installed in a ceiling thermally insulated to a value greater than R40. (This is required for installation in Canada only).

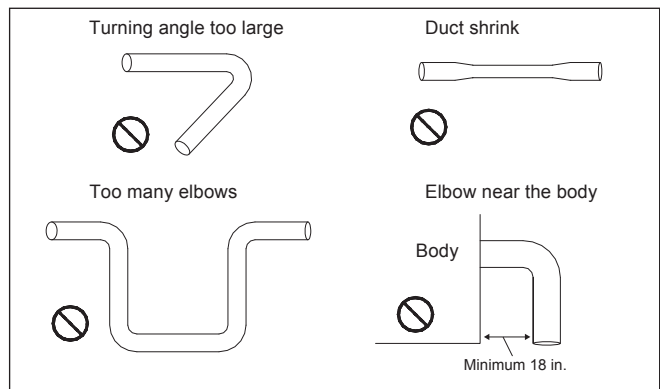


Fig. A

### CAUTION

1. For general ventilating use only. Do not use to exhaust hazardous or explosive materials and vapors.
2. Not for use in cooking areas. (Fig.B)
3. This product must properly connect to the grounding conductor of the supply circuit.
4. To reduce the risk of injury to persons, install the fan at least 8.2 feet (2.5m) above the floor.

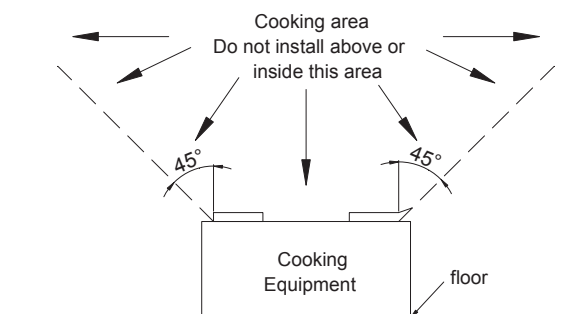


Fig. B

## PREPARATION

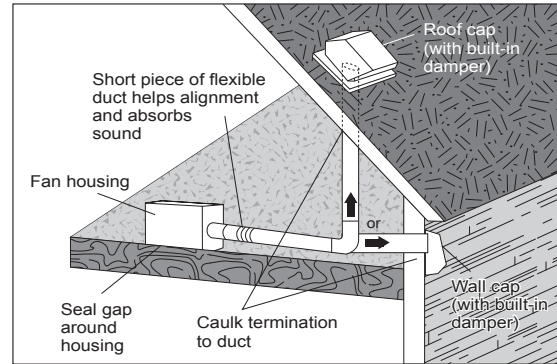
Tools Required for Assembly (not included): Hammer, Flathead Screwdriver, Wire Nuts, Nails, Duct Tape, Phillips Head Screwdriver, Utility Knife

Helpful Tools (not included): Electric Drill, Drill Bits

**WARNING: Turn off electricity at breaker box before beginning installation.**

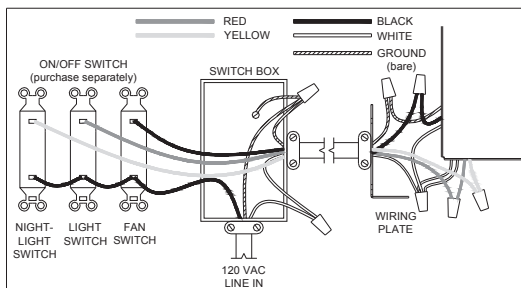
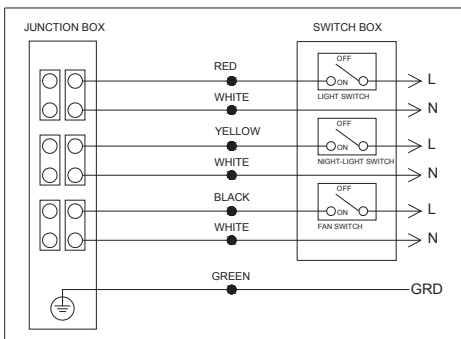
- Carefully remove unit from carton.
- Check area above installation location to be sure that wiring can run to the planned location and that duct work can be run. Make sure the area is sufficient for proper ventilation.
- Inspect duct work and wiring before proceeding with installation.
- Before installation, provide inspection and future maintenance access at a location that will not interfere with installation work.
- You may need the help of a second person to install this fan: one person on the attic side and one on the room side.

Note: Installations may vary depending on how the previous bath fan was installed. Supplies necessary for the installation of your bath fan are not all included. However, most are available at your local home improvement or hardware store.



- Properly insulate around the fan to minimize building heat loss and gain.
- Locate unit above (GFCI-protected circuit required) or within 5 feet of the shower head.
- Locate unit away from heating or cooling sources which can affect humidity levels.
- Do not locate near window. Unit may respond to the outdoor humidity level.
- Unit must be installed in ceiling to properly sense moisture.
- Locate unit only on flat ceilings up to 12 feet high for proper sensing.
- The fan will operate most efficiently when located where the shortest possible duct run and minimum number of elbows will be needed.
- Use a roof cap or wall cap that has a built-in damper to reduce backdrafts.

## WIRING DIAGRAM



### QUICK CONNECTOR INSTRUCTIONS

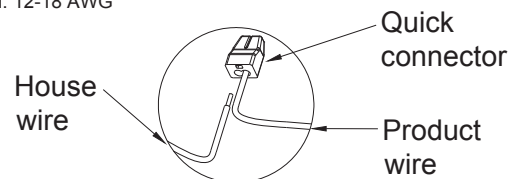
To be sold only with installation instructions.

**WARNING:** Wiring must comply with all applicable electrical codes. Turn OFF power before removing or installing connectors.

**WARNING:** COPPER TO COPPER ONLY. Do not use Aluminum wire. **CAUTION:** Accessory part (quick connector) should meet installation instructions.

**NOTE:** The connector is reusable on solid wires of the same wire gage or smaller. Do not reuse the connector on stranded wires.

**NOTE:** Important wire information. Maximum temperature rating 105°C (221°F). 600 volts maximum for building wire and 1000 volts maximum in signs and lighting fixtures. The acceptable wire range includes:  
Solid: 12-18 AWG



- Strip wire 3/8"-1/2"
- Grip the wire firmly and push the stripped end of the wire into the open port of the connector. Use only one conductor per port.
- Verify the stripped end of the wires is fully inserted to the back of the connector.

# ASSEMBLY INSTRUCTIONS

## NEW CONSTRUCTION – ATTACHING TO THE JOIST

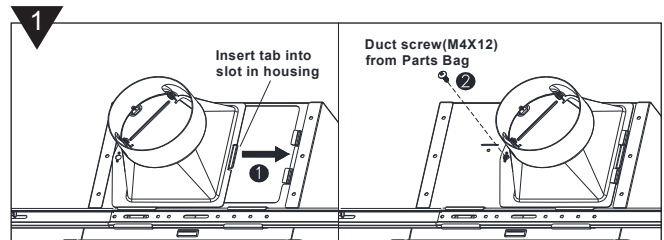
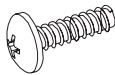
### BEFORE INSTALLATION

Turn off power source. Review all safety precautions.

1. Attach the duct connector from the housing can inside, and secure using the duct screw (M4x12).

#### Hardware

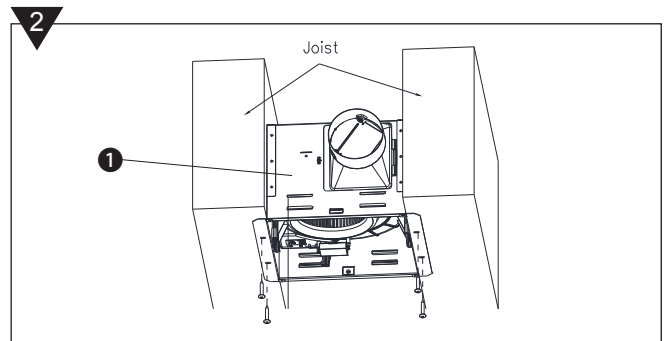
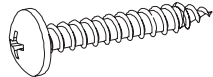
- Duct Screw



2. If spacing between joists is 12 in. apart, use four long wood screws (provided) to attach the fan body ① to ceiling joists, NO NEED FOR SUSPENSION BRACKETS.

#### Hardware

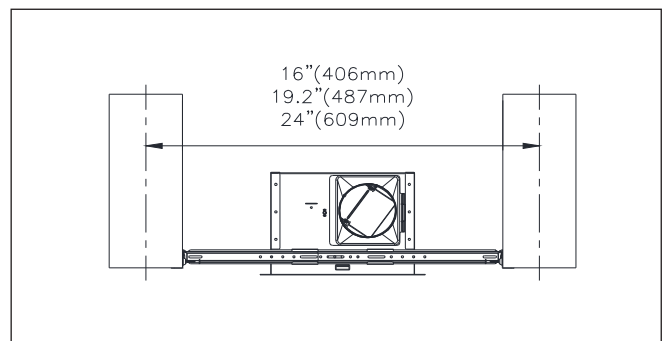
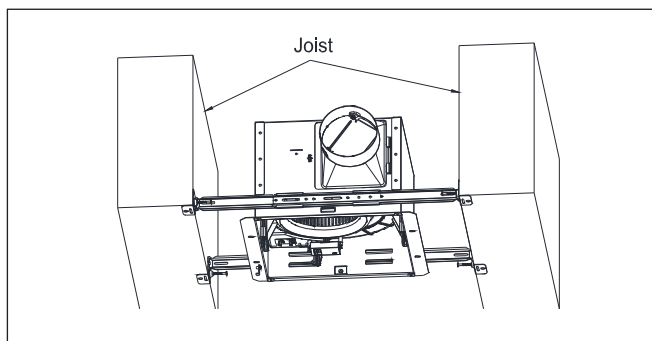
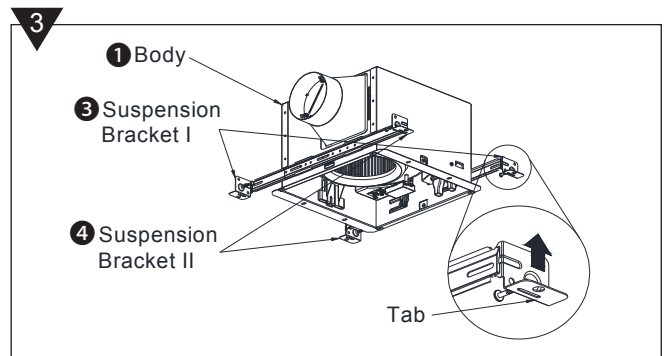
- Long wood screw



3. For joist spacing 16 in. - 24in., insert suspension bracket I ③ and suspension bracket II ④ into the bracket cover on the duct connector side and the back of the fan body ①. Install the suspension brackets to the joists with nails, and secure the suspension brackets to the fan body ① by using the short screws (provided).

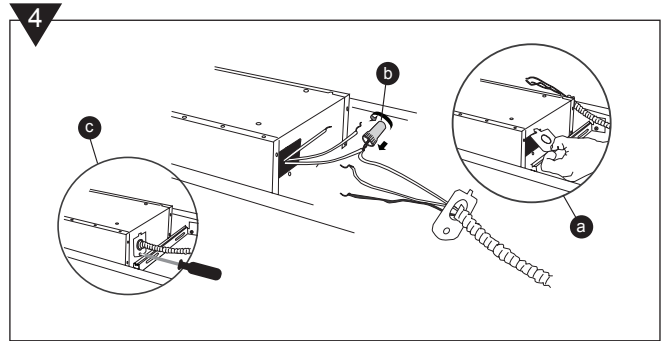
#### Hardware

- Short screw

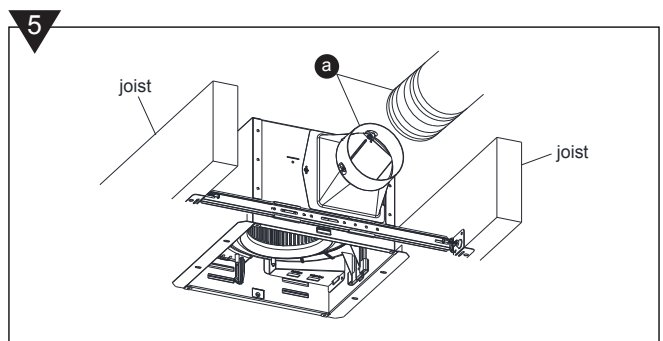


## ASSEMBLY INSTRUCTIONS

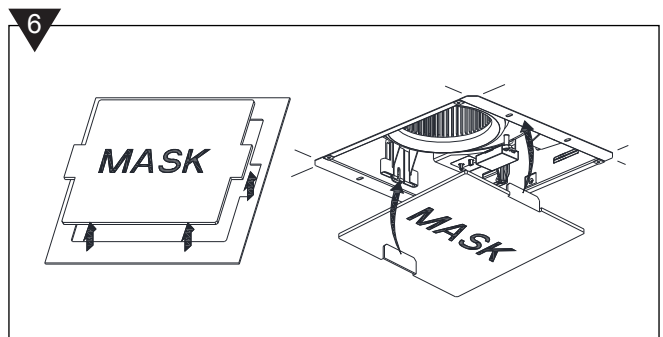
4. Remove the fan junction box cover **a** . Using wire nuts (not supplied), connect house wires to fan wires **b** as shown in the wiring diagram on page 4. Reattach fan junction box cover **c** .



5. Connect a 4 in. circular duct **a** (not supplied) and vent to the outside. Secure it with duct tape (not supplied) or clamp (not supplied) to make the connection secure and air tight.



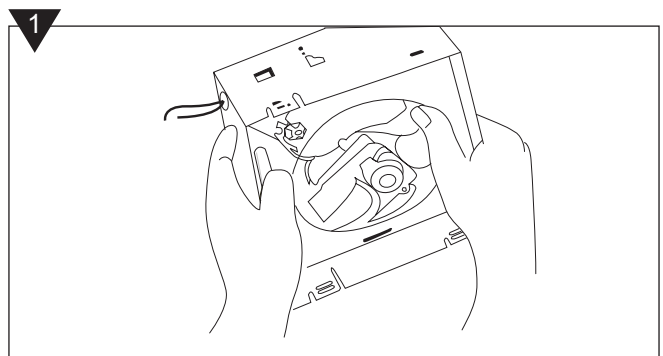
6. Punch out Mask from packaging. Insert mask and finish ceiling.  
Mask protects unit during construction. Remove before installing Grille.



### EXISTING CONSTRUCTION – ACCESSIBLE FROM ABOVE BEFORE INSTALLATION

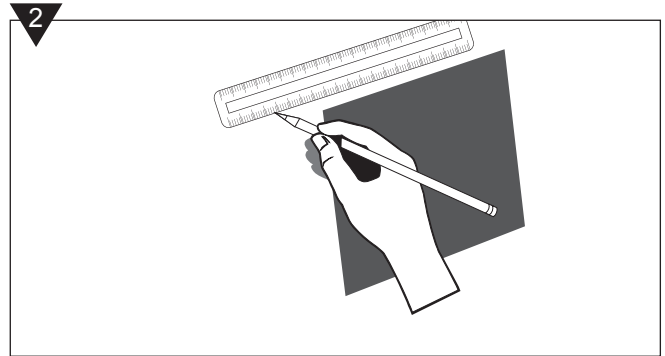
Turn off power source. Review all safety precautions.

1. Remove existing fan.

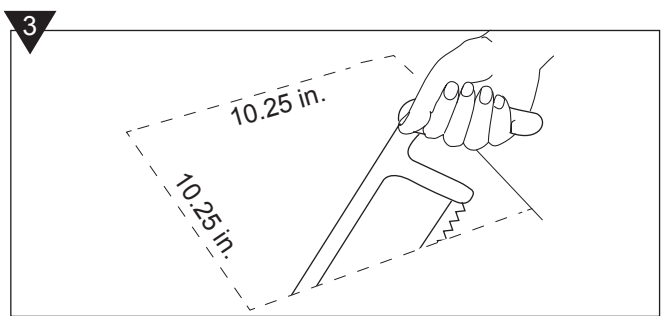


## ASSEMBLY INSTRUCTIONS

2. Measure the opening to ensure it is large enough to accommodate the new fan body (10.25 in. x 10.25 in.).

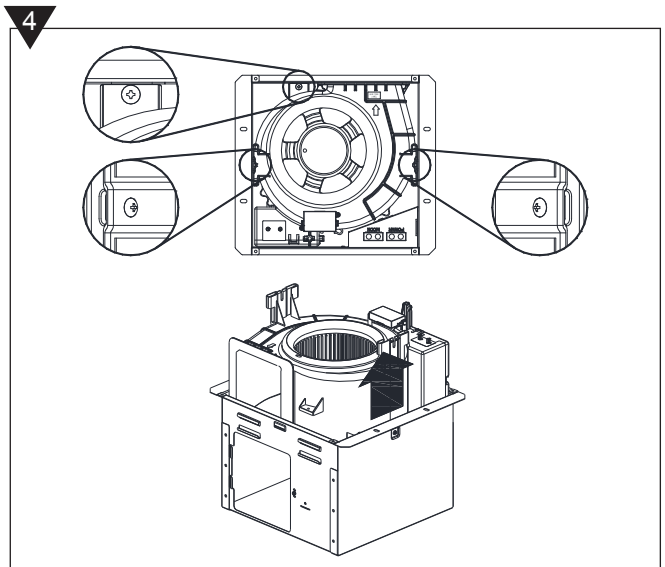


3. If this fan is not replacing an old fan, be sure to cut a 10.25 in. x 10.25 in. opening for the fan body ①.

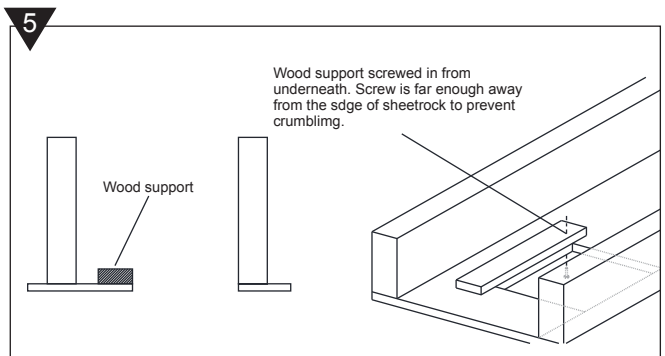


**Install from below, no need for suspension brackets (no attic access)**

4. Remove fan unit by removing 3 screws.

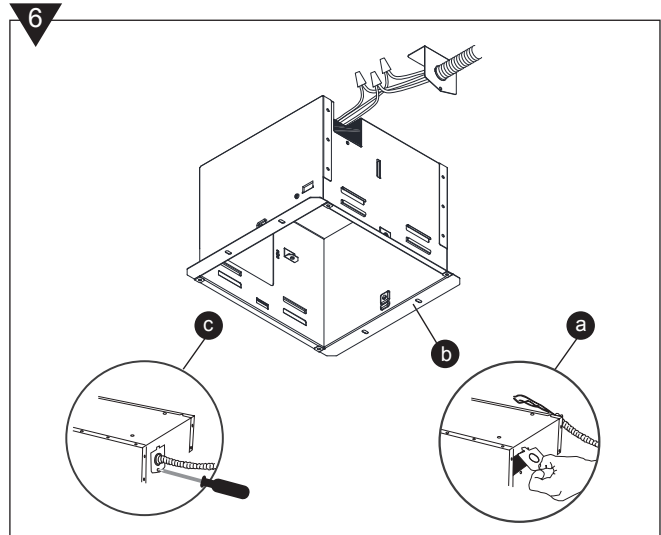


5. A piece of wood (not supplied) is screwed in from below through the ceiling board. Suggested size is 1 in. x 3 in. x 14 in. Position the screws far enough away from the edge of the ceiling board that it does not crumble and give way. Put screws in both ends of wood beyond the 10.25 in. hole. Keep screws in range of grille.



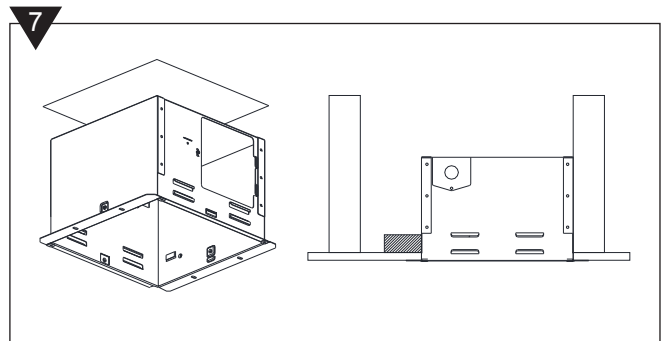
## ASSEMBLY INSTRUCTIONS

6. Remove the fan junction box cover **a** . Using wire nuts (not supplied), connect house wires to fan wires **b** as shown in the wiring diagram on page 4. Reattach fan junction box cover **c** .



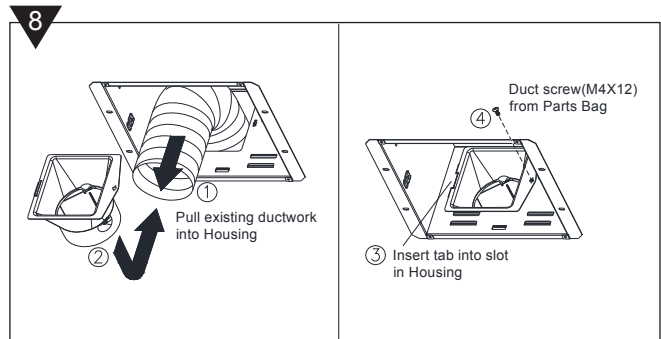
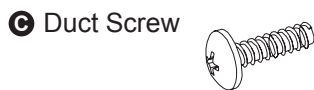
7. Insert housing can into the ceiling cut out. Secure the housing can from below by using 2 long wood screws through the flange into the wood support and 2 long wood screws through the flange into the joist.

**Hardware**

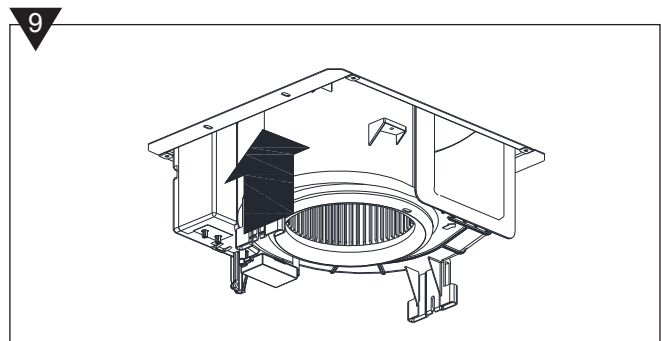


8. Attach the duct connector from the housing can inside, and secure using the duct screw (M4X12).

**Hardware**



9. Insert fan unit and secure by 3 screws.






# ASSEMBLY INSTRUCTIONS

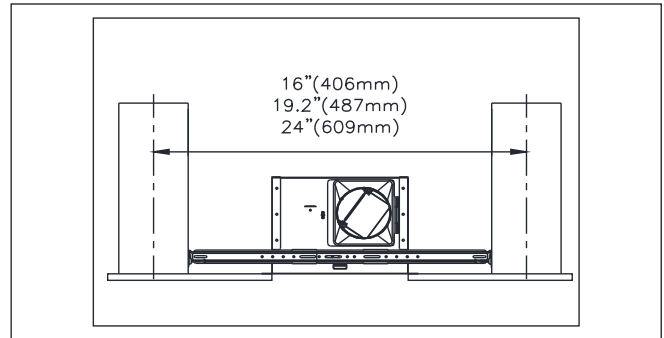
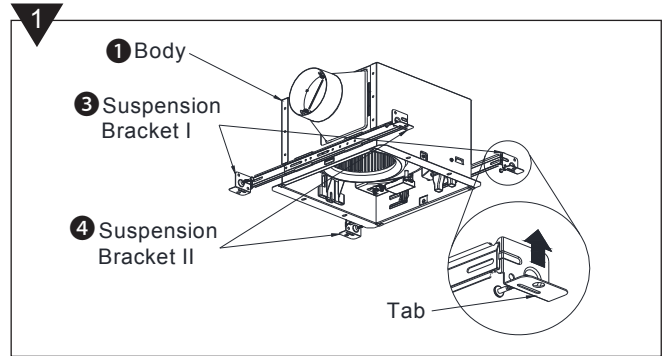
Install from above with suspension brackets (attic accessible)

**\*ONLY IF UNABLE TO ATTACH DIRECTLY TO JOIST(S)**

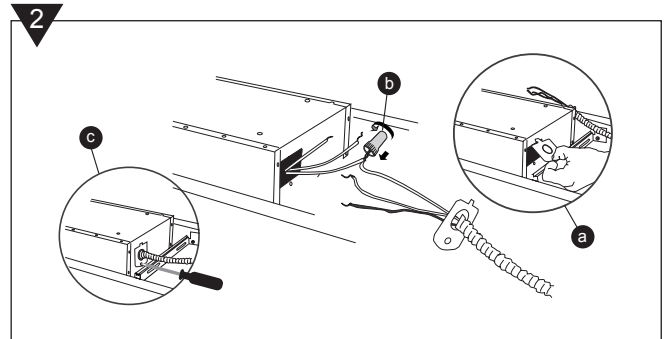
- For joist spacing 16 in. - 24in., insert suspension bracket I **3** and suspension bracket II **4** into the bracket cover on the duct connector side and the back of the fan body **1** .Install the suspension brackets to the joists with nails, and secure the suspension brackets to the fan body **1** by using the short screws (provided).

**Hardware**

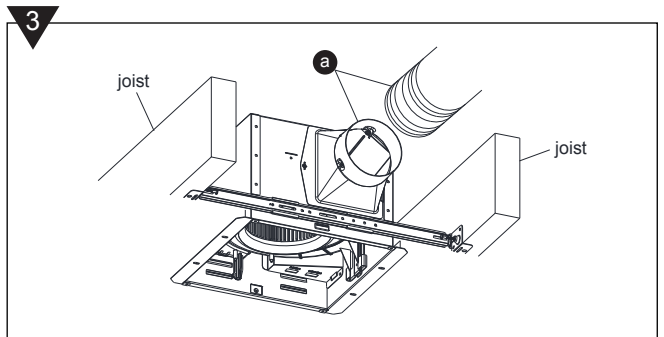
- B** Short screw 



- Remove the fan junction box cover **a** . Using wire nuts (not supplied), connect house wires to fan wires **b** as shown in the wiring diagram on page 4. Reattach fan junction box cover **c** .



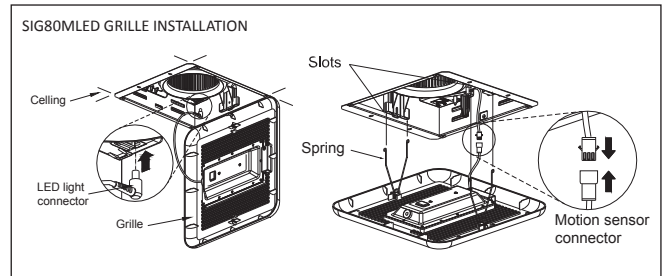
- Connect a 4 in. circular duct **a** (not supplied) and vent to the outside. Secure it with duct tape (not supplied) or clamp (not supplied) to make the connection secure and air tight.



## GRILLE INSTALLATION

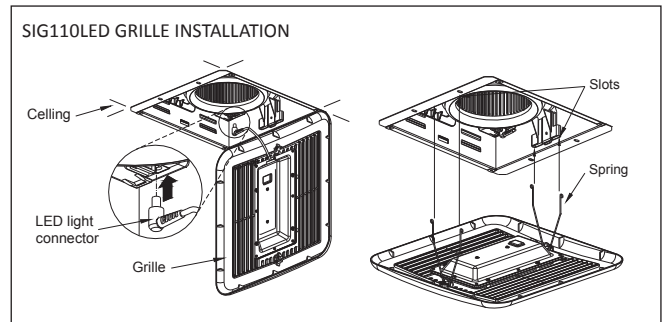
### SIG80MLED

Insert the LED light connector and the motion sensor connector into the fan body.

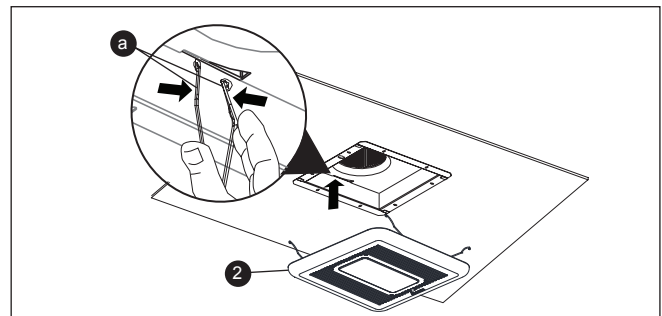


### SIG110LED

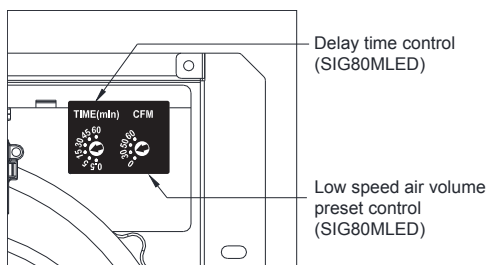
Insert the LED light connector into the fan body.



Attach grille **2** by pinching mounting springs **a** and insert into the narrow rectangular slots in fan body.



## OPERATION



Single Models: SIG110LED

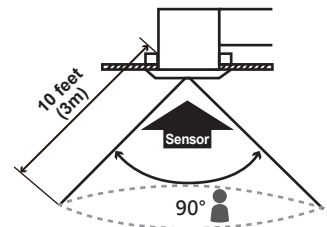
1. Single speed control mode: Turn the POWER switch on to operate at single speed mode - the LED indicator will be green.

Motion Model: SIG80MLED

2. Motion control mode: Turn the POWER switch on to operate at motion control mode. When motion is

detected, the fan will run at full speed and the LED indicator will be amber. When motion is not detected, the fan will continue to run at the full speed until the user-adjustable time delay has elapsed, and then will automatically change to the user-adjustable low speed airflow. The LED indicator will be green.

3. Motion sensor detectable range: The distance that motion can be detected is limited to 10 feet (3m). The field of view of the sensor is 90°. (Room temperature is 25°C)



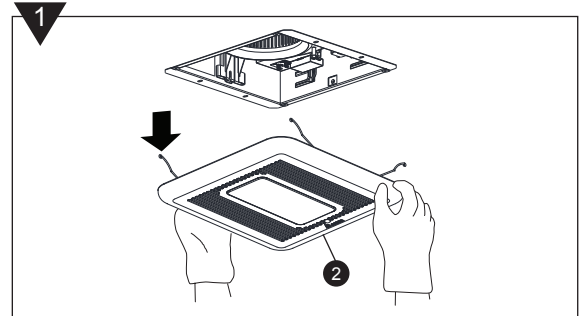
Factory setting: low speed airflow 30CFM, time delay 15 minutes.

## CARE AND MAINTENANCE

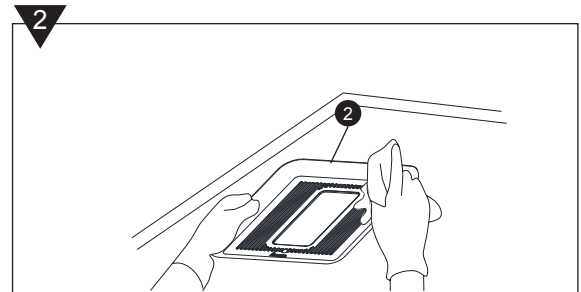
See safety information before proceeding. Routine maintenance should be done at least once a year.

- Never use solvents, thinner or harsh chemicals when cleaning the fan.
  - Do not allow water to enter the motor.
  - Do not immerse metal parts in water.
  - Do not immerse resin parts in water over 140° Fahrenheit.
- Turn off power source. Review all safety precautions.

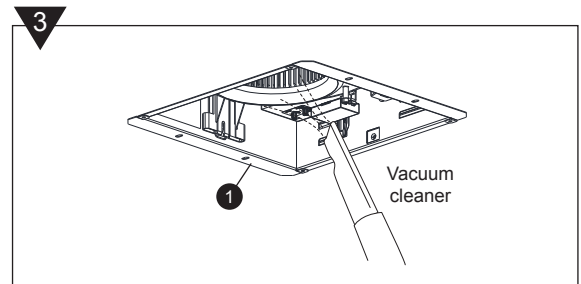
1. To remove grille **2** , squeeze springs and pull down.



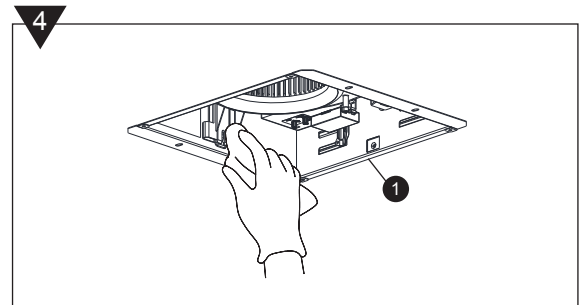
2. Clean the grille **2** in a sink and dry with a cloth.



3. Remove dust and dirt from the fan body **1** with a vacuum cleaner.

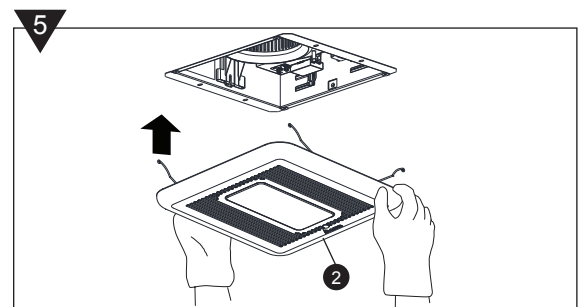


4. Dampen cloth with dust detergent and wipe the fan body **1** . Then wipe dry with a clean cloth.



5. Replace grille **2** back onto fan body **1** .

6. Turn on power source to operate fan again.

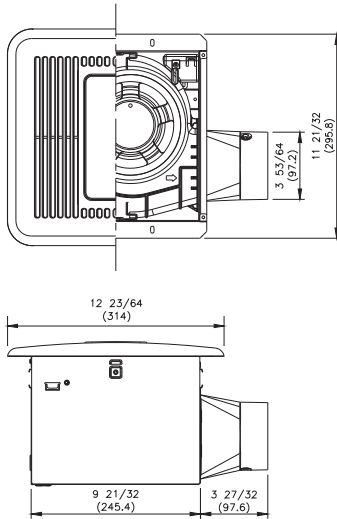


## TROUBLESHOOTING

PROBLEM	POSSIBLE CAUSE	CORRECTIVE ACTION
The fan is not turning on	<ol style="list-style-type: none"> <li>1. Power off</li> <li>2. Faulty switch</li> <li>3. Faulty wire connection</li> </ol>	<ol style="list-style-type: none"> <li>1. Make sure power supply is on.</li> <li>2. Test or replace switch.</li> <li>3. Check wire in switch box.</li> </ol>
The fan seems louder than it should	<ol style="list-style-type: none"> <li>1. CFM too great</li> <li>2. Damper not working properly or damaged</li> <li>3. Bend in duct too close to fan discharge</li> <li>4. Fan discharge reduced to fit smaller duct</li> <li>5. Fan body not securely attached</li> </ol>	<ol style="list-style-type: none"> <li>1. Be sure the CFM rating on the fan matches the size of your room.</li> <li>2. Check damper to ensure it is opening and closing properly. If the damper has become damaged, please call Customer Service.</li> <li>3. Be sure you do not have any sharp bends in duct closer than 18 in. to the fan discharge.</li> <li>4. Use recommended size ducting to reduce fan noise.</li> <li>5. Be sure the fan is securely attached to your ceiling joists.</li> </ol>
The fan is not clearing the room	<ol style="list-style-type: none"> <li>1. Insufficient intake airflow within room</li> <li>2. Insufficient CFM</li> </ol>	<ol style="list-style-type: none"> <li>1. Be sure a door or window is slightly ajar or opened to allow airflow. The fan is not able to draw air out of the room without enough airflow to draw in from.</li> <li>2. Be sure the CFM rating on the fan matches the requirements for your room size.</li> </ol>
The light is not turning ON	<ol style="list-style-type: none"> <li>1. Power off</li> <li>2. Faulty switch</li> <li>3. Faulty wire connection</li> </ol>	<ol style="list-style-type: none"> <li>1. Make sure power supply is on.</li> <li>2. Test or replace switch.</li> <li>3. Check wire in switch box.</li> </ol>

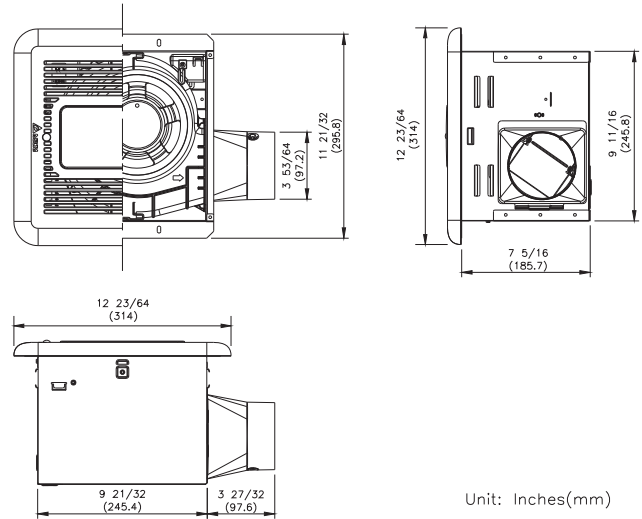
## DIMENSIONS

SIG110LED



Unit: Inches(mm)

SIG80MLED



Unit: Inches(mm)

## PRODUCT SPECIFICATIONS

### SPECIFICATIONS

Model No.	Voltage (V)	Frequency (Hz)	Power @ 0.1"SP (W)	Air Flow @ 0.1"SP (CFM)	Weight (lb.)	Max. Current (amps)	Note	LED light spec
SIG80MLED	120	60	9.5	80	10	0.4	Motion Sensor	13 Watts, 800 Lumens, 2700K
SIG110LED	120	60	14.8	110	10	0.48	Single Speed	

Note: Design and specifications subject to change without notice.

## WARRANTY

### DELTA ELECTRONICS THREE YEAR LIMITED WARRANTY

Delta Electronics Inc. (“Delta Electronics”) warrants to the original consumer purchaser in the USA that the Breez ventilation fan products will be free from defects in material or workmanship. This warranty is limited to three (3) years from the original date of purchase.

#### Limitations and Exclusions

1. During the warranty period, a replacement for any defective product will be supplied free of charge for installation by the consumer. The warranty provided herein does not cover charges for labor or other costs incurred in the troubleshooting, repair, removal, and installation service.
2. All returns of defective parts or products must include the product model number, and must be made through an authorized Delta Electronics distributor. Authorized returns must be shipped prepaid. Repaired or replacement products will be shipped by Delta Electronics F.O.B. shipping point.
3. Delta Electronics shall not be liable for any indirect, incidental, consequential, punitive, or special damages arising out of or in connection with products use or performance, regardless of the form of action whether in contract, tort (including negligence), strict product liability or otherwise.
4. This warranty does not extend to fluorescent lamp starters and tubes.
5. The warranty does not cover if user does not comply with manufacturer’s installation manual.
6. To qualify for warranty service, you must notify Delta Electronics at the address or telephone number below.
7. Delta Electronics shall have no liability to the original owner-user with respect to any defect caused by abuse, misuse, neglect, improper transportation or storage, improper testing, improper installation, improper operation, improper use, improper maintenance, improper repair, improper alteration, improper modification, tampering or accident of products or parts thereof, or unusual deterioration or degradation of products or parts thereof due to a physical environment beyond the requirements of products’ specifications.

Address: 4405 Cushing Parkway, Fremont, CA 94538

US Toll Free Number: 1-888-979-9889

[www.deltabreez.com](http://www.deltabreez.com)