

INSTALLATION INSTRUCTIONS

DL-PS-xx/yy-JBA



READ AND UNDERSTAND THESE INSTRUCTIONS BEFORE INSTALLING

This product is intended for installation in accordance with the National Electrical Code and local regulations. To assure full compliance with local codes and regulations, check with your local electrical inspector before installation. To prevent electrical shock, turn off electricity at fuse box before proceeding.

Retain these instructions for maintenance reference.

- Power supply spacing to other heat producing components shall be minimum 4 inches when minimum spacing to sidewalls and top of enclosure is kept at minimum 2 inches.
- Can be used in indoor locations.
- Any unused conduit opening on power supply must be covered with a UL listed conduit cap.
- This power unit is intended to be correctly oriented in a vertical mount position (Fig 1).

AC Input:

- Conduit fittings shall be used; UL listed, threaded on to power supply, provided for connection to the AC circuit (Fig 1).
- ACN = Blue, ACL = Brown
- See product label for proper connection.

DC Output:

- Conduit fitting shall be used; UL Listed or equivalent (Fig 1).
- V+ = Red, V- = Black
- See product label for proper connection.

WARNING

Risk of Electric Shock. Mount the unit at a height greater than 1 foot from the ground surface.

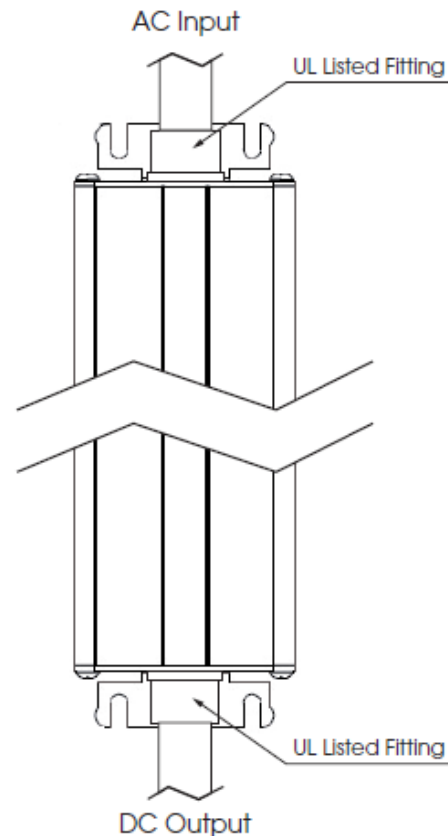


Fig 1

Model	Output Voltage	Maximum Rated Output	Complies with Class 2 Requirements
DL-PS-60/12-JBA	12V	60W	Yes
DL-PS-20/24-JBA	24V	20W	Yes
DL-PS-60/24-JBA	24V	60W	Yes
DL-PS-96/24-JBA	24V	96W	Yes
DL-PS-240/24-JBA	24V	240W	No